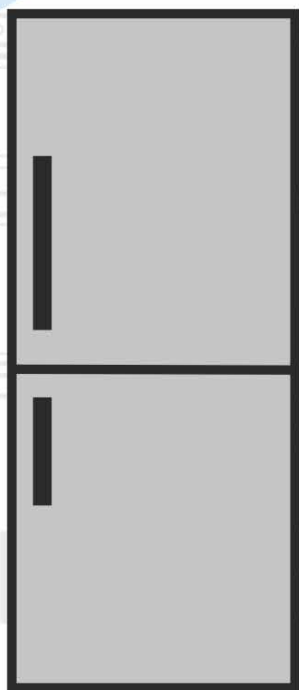


Frost Free Refrigerator-Freezer type I Frost-Free Kühl-Gefrier-Typ I

Instruction of use
Gebrauchsanweisung



RCHA300K30S

EN | D

beko

WARNING!

In order to ensure a normal operation of your refrigerating appliance, which uses a completely environmentally friendly refrigerant the R600a (flammable only under certain conditions) you must observe the following rules:

- ◆ Do not hinder the free circulation of the air around the appliance.
- ◆ Do not use mechanical devices in order to accelerate the defrosting, others than the ones recommended by the manufacturer.
- ◆ Do not destroy the refrigerating circuit.
- ◆ Do not use electric appliances inside the food keeping compartment, other than those that might have been recommended by the manufacturer.

WARNUNG!

Ihr Gerät verwendet ein umweltverträgliches Kältemittel, R600a (nur unter bestimmten Umständen brennbar). Um einen einwandfreien Betrieb Ihres Gerätes sicherzustellen, beachten Sie bitte folgende Vorschriften:

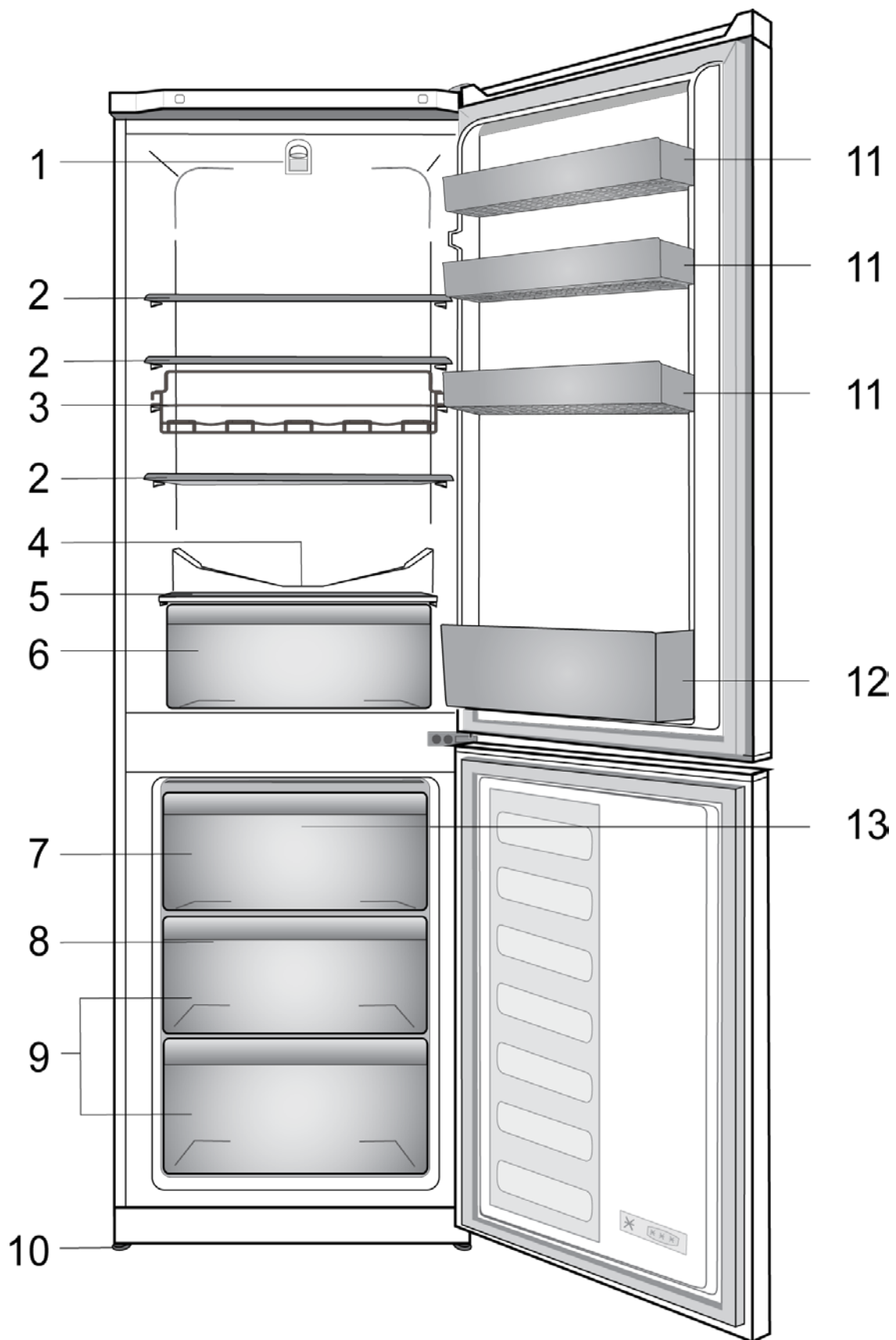
- ◆ Die Luftzirkulation um das Gerät darf nicht behindert sein.
- ◆ Verwenden Sie außer der vom Hersteller empfohlenen, keine mechanischen Hilfsmittel, um den Abtauprozess zu beschleunigen.
- ◆ Der Kältemittelkreislauf darf nicht beschädigt werden.
- ◆ Verwenden Sie im Lebensmittelaufbewahrungsbereich Ihres Gerätes keine elektrischen Geräte, es sei denn, sie sind vom Hersteller empfohlen.

EN Index

Safety first /1
Electrical requirements /2
Transportation instructions /2
Installation instructions /2
Getting to know your appliance /3
Suggested arrangement of food in the appliance /3
Temperature control and adjustment /3
Before operating /4
Storing frozen food /4
Freezing fresh food /4
Making ice cubes /4
Defrosting /4
Replacing the interior light bulb /5
Cleaning and care /5
Repositioning the door /6
Do's and don'ts /6
Energy Consumption /7
Information about operating noises /7
Troubleshooting /8

D Inhalt

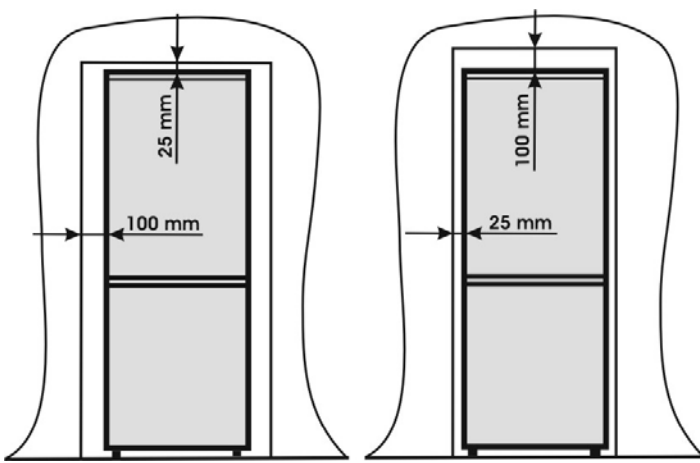
Wichtige Hinweise für Ihre Sicherheit /9
Elektrischer Anschluss /10
Transporthinweise /10
Aufstellen /10
Geräteübersicht /11
Allgemeine Einlagerungsempfehlungen /11
Temperaturkontrolle und – einstellung /11
Bevor der Inbetriebnahme /12
Lagern von tiefgefrorenen Lebensmitteln /12
Einfrieren von frischen Lebensmitteln /12
Abtauen des Gerätes /12
Wechseln des türanschlags /13
Wechsel der Glühlampe /13
Reinigung und Pflege /13
Was Sie tun sollten und was auf keinen fall-einige Hinweise /14
Energieverbrauch /15
Hinweise zu Geräuschen und Vibrationen /15
Massnahmen bei Betriebsstörung /16



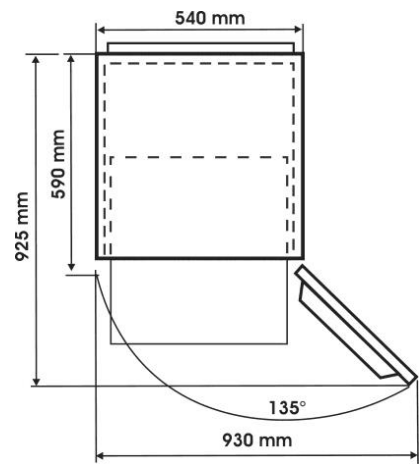
1

❗ Figures that take place in this instruction manual are schematic and may not correspond exactly with your product. If the subject parts are not included in the product you have purchased, then it is valid for other models.

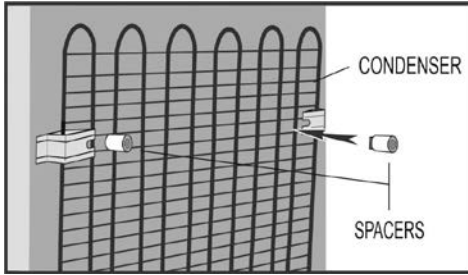
❗ Abbildungen und Angaben in dieser Anleitung sind schematisch und können etwas von Ihrem Produkt abweichen. Falls Teile nicht zum Lieferumfang des erworbenen Gerätes zählen, gelten sie für andere Modelle.



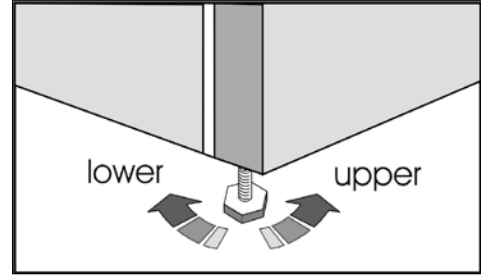
2



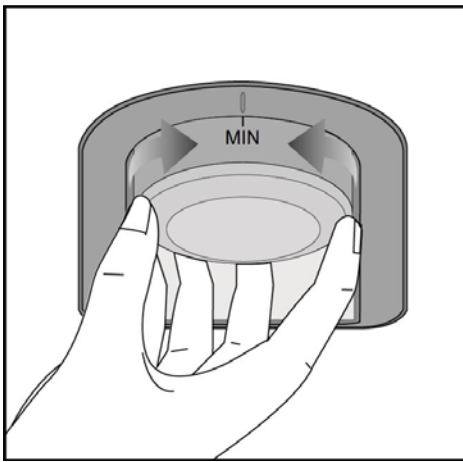
3



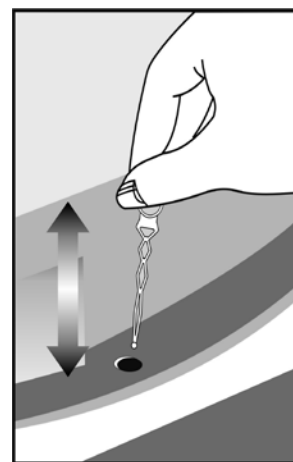
4



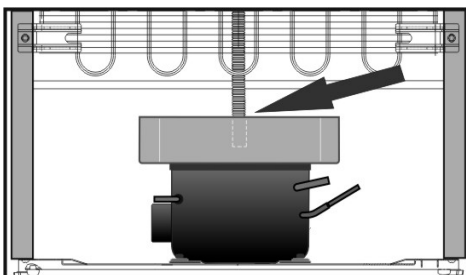
5



6



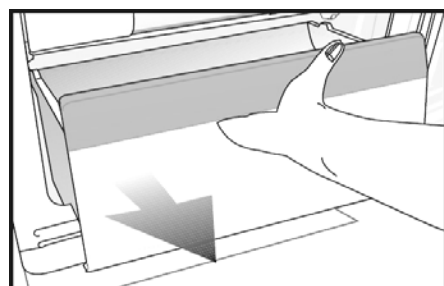
7



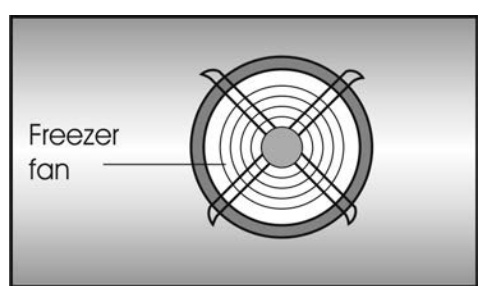
8

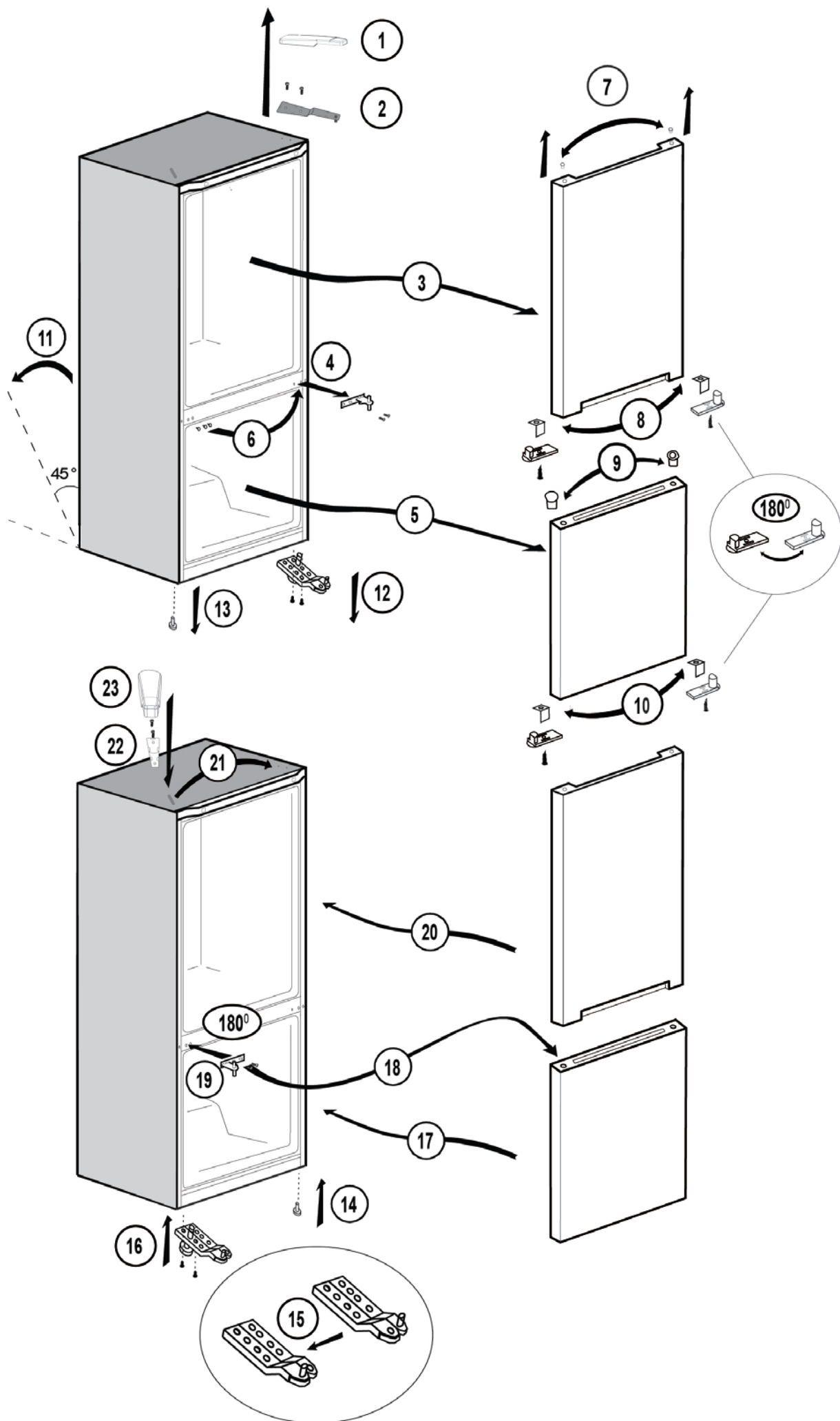


9



10





Congratulations on your choice of a **Beko** Quality Appliance, designed to give you many years of service.

Safety first!

Do not connect your appliance to the electricity supply until all packing and transit protectors have been removed.

- Leave to stand for at least 4 hours before switching on, to allow compressor oil to settle, if transported horizontally.
- If you are discarding an old appliance with a lock or latch fitted to the door, ensure that it is left in a safe condition to prevent the entrapment of children.
- This appliance must only be used for its intended purpose.
- Do not dispose of the appliance on a fire. Your appliance contains non CFC substances in the insulation which are flammable. We suggest you contact your local authority for information on disposal and available facilities.
- We do not recommend use of this appliance in an unheated, cold room. (e.g. garage, conservatory, annex, shed, out-house etc.)

To obtain the best possible performance and trouble free operation from your appliance it is very important to read these instructions carefully. Failure to observe these instructions may invalidate your right to free service during the guarantee period.

Please keep these instructions in a safe place for easy reference.

Original Spare parts will be provided for 10 years, following the product purchasing date.

**This appliance is not intended for use by person with reduced physical, sensory or mental capabilities or lack of experience and knowledge unless they have been given supervision or instruction concerning use of the appliance by a person responsible for their safety.
Children should be supervised to ensure that they do not play with the appliance.**

Electrical requirements

Before inserting the plug into the wall socket make sure that the voltage and the frequency shown in the rating plate inside the appliance corresponds to your electricity supply.

We recommend that this appliance is connected to the mains supply via a suitably switched and fused socket in a readily accessible position.

Warning! This appliance must be earthed.

Repairs to electrical equipment should only be performed by a qualified technician. Incorrect repairs carried out by an unqualified person are carry risks that may have critical consequences for the user of the appliance.

ATTENTION!

This appliance operates with R600a which is an environmental friendly but flammable gas. During the transportation and fixing of the product, care must be taken not to damage the cooling system. If the cooling system is damaged and there is a gas leakage from the system, keep the product away from open flame sources and ventilate the room for a while.

WARNING - Do not use mechanical devices or other means to accelerate the defrosting process, others than those recommended by the manufacturer.

WARNING - Do not damage the refrigerant circuit.

WARNING - Do not use electrical appliances inside the food storage compartments of the appliance, unless they are of the type recommended by the manufacturer.

WARNING - If the supply cord is damaged, it must be replaced by the manufacturer, its service agent or similarly qualified persons in order to avoid a hazard.

Transportation instructions

1. The appliance should be transported only in an upright position. The packing as supplied must be intact during transportation.

2. If during the transport the appliance, has been positioned horizontally, it must not be operated for at least 4 hours, to allow the system to settle.

3. Failure to comply with the above instructions could result in damage to the appliance, for which the manufacturer will not be held liable.

4. The appliance must be protected against rain, moisture and other atmospheric influences.

Important!

- Care must be taken while cleaning/carrying the appliance not to touch the bottom of the condenser metal wires at the back of the appliance, as this could cause injury to fingers and hands.

- Do not attempt to sit or stand on top of your appliance as it is not designed for such use. You could injure yourself or damage the appliance.

- Make sure that the mains cable is not caught under the appliance during and after moving, as this could damage the cable.

- Do not allow children to play with the appliance or tamper with the controls.

Installation instructions

1. Do not keep your appliance in a room where the temperature is likely to fall below -15 degrees C (5 degrees F) at night and/or especially in winter.

2. Do not place the appliance near cookers or radiators or in direct sunlight, as this will cause extra strain on the appliance's functions. If installed next to a source of heat or freezer, maintain the following minimum side clearances:

From Cookers 30 mm

From Radiators 300 mm

From Freezers 25 mm

3. Make sure that sufficient room is provided around the appliance to ensure free air circulation (**Item 2**).

- Put the back airing lid to the back of your refrigerator to set the distance between the refrigerator and the wall (**Item 3**).

4. The appliance should be positioned on a smooth surface. The two front feet can be adjusted as required. To ensure that your appliance is standing upright adjust the two front feet by turning clockwise or anti-clockwise, until firm contact is secured with the floor. Correct adjustment of feet prevents excessive vibration and noise (**Item 4**).

5. Refer to "Cleaning and Care" section to prepare your appliance for use.

Getting to know your appliance



(Item 1)

- 1 - Setting knob and interior light
- 2 - Adjustable Cabinet shelves
- 3 - Wine rack
- 4 - Water collector
- 5 - Crisper cover
- 6 - Crisper
- 7 - Compartment for quickly freezing
- 8 - Ice tray support & ice tray
- 9 - Compartments for frozen foods keeping
- 10 - Adjustable foot
- 11 - Shelf for jars
- 12 - Shelf for bottles
- 13 - Freezer fan

The timer is a device for automatic defrost. After a certain time it activates the heaters which produce the defrost of your refrigerator.

Suggested arrangement of food in the appliance

Guidelines for obtaining optimum storage and hygiene:

1. The fridge compartment is for the short-term storage of fresh food and drinks.
2. The freezer compartment is  rated and suitable for the freezing and storage of pre-frozen food. The recommendation for  storage as stated on the food packaging should be observed at all times.
3. Dairy products should be stored in the special compartment provided in the door liner.
4. Cooked dishes should be stored in airtight containers.
5. Fresh wrapped produce can be kept on the shelf. Fresh fruit and vegetables should be cleaned and stored in the crispers.
6. Bottles can be kept in the door section.
7. To store raw meat, wrap in polythene bags and place on the lowest shelf. Do not allow to come into contact with cooked food, to avoid contamination. For safety, only store raw meat for two to three days.
8. For maximum efficiency, the removable shelves should not be covered with paper or other materials to allow free circulation of cool air.
9. Do not keep vegetable oil on door shelves. Keep the food packed, wrapped or covered.

Allow hot food and beverages to cool before refrigerating. Leftover canned food should not be stored in the can.

10. Fizzy drinks should not be frozen and products such as flavoured water ices should not be consumed too cold.

11. Some fruit and vegetables suffer damage if kept at temperatures near 0°C. Therefore wrap pineapples, melons, cucumbers, tomatoes and similar produce in polythene bags.

12. High-proof alcohol must be stored upright in tightly closed containers. Never store products that contain an inflammable propellant gas (e.g. cream dispensers, spray cans, etc.) or explosive substances. These are an explosion hazard.

Temperature control and adjustment

Operating temperatures are controlled by the setting knob (**Item 5**) located on the ceiling of fridge compartment. Settings may be made from MIN, 1 ... 4, MAX, MAX being the coldest position.

When the appliance is switched on for the first time, the setting knob should be adjusted so that after 24 hours, the average fridge temperature is no higher than +5°C (+41°F). We recommend you set the knob half way between the MIN and MAX setting and monitor to obtain the desired temperature i. e. towards max you will obtain a colder fridge temperature and vice versa. Some sections of the fridge may be cooler or warmer (such as the salad crisper and the top part of the cabinet) which is quite normal.

The normal storage temperature of the freezer should be -18°C (0°F). Lower temperatures may be obtained by adjusting setting knob towards max position.

We recommend that you check the temperature with an accurate thermometer to ensure that the storage compartments are kept to the desired temperature. Remember you must take your reading very quickly since the thermometer temperature will rise very rapidly after you remove it from the freezer.

Please remember each time the door is opened cold air escapes and the internal temperature rises. Therefore never leave the door open and ensure it is closed immediately after food is put in or removed.

In case of a temporary ice build up in the fridge compartment, reduce the setting to min, monitoring at the same time, that the fridge temperature is maximum +5 degrees C [41 degrees F]. Once the ice build up disappears and the appliance starts auto defrosting again as normal, then you may increase the setting, if required.

Before operating

Final Check

Before you start using the appliance check that:

1. The feet have been adjusted for perfect levelling.
2. The interior is dry and air can circulate freely at the rear.
3. The interior is clean as recommended under "Cleaning and care."
4. The plug has been inserted into the wall socket and the electricity is switched on. When the door is open the interior light will come on.

And note that:

5. You will hear a noise as the compressor starts up. The liquid and gases sealed within the refrigeration system may also make some (noise), whether the compressor is running or not. This is quite normal.
6. Slight undulation of the top of the cabinet is quite normal due to the manufacturing process used; it is not a defect.
7. We recommend setting the knob midway and monitor the temperature to ensure the appliance maintains desired storage temperatures (See section Temperature Control and Adjustment).
8. Do not load the appliance immediately it is switched on. Wait until the correct storage temperature has been reached. We recommend checking the temperature with an accurate thermometer (see; Temperature Control and Adjustment).

Storing frozen food

Your freezer is suitable for the long-term storage of commercially frozen foods and also can be used to freeze and store fresh food. If there is a power failure, do not open the door. Frozen food should not be affected if the failure lasts for less than 16 hrs. If the failure is longer, then the food should be checked and either eaten immediately or cooked and then re-frozen.

Freezing fresh food

Please observe the following instructions to obtain the best results.

Do not freeze too large a quantity at any one time. The quality of the food is best preserved when it is frozen right through to the core as quickly as possible.

Do not exceed the freezing capacity of your appliance in 24 h.

Placing warm food into the freezer compartment causes the refrigeration machine to operate continuously until the food is frozen solid. This can temporarily lead to excessive cooling of the refrigeration compartment.

When freezing fresh food, keep the setting knob at medium position. Small quantities of food up to 1/2 kg. (1 lb) can be frozen without adjusting the temperature control knob.

Take special care not to mix already frozen food and fresh food.

Making ice cubes

Fill the ice - cube tray 3/4 full with water and place it in the freezer. Loosen frozen trays with a spoon handle or a similar implement; never use sharp-edged objects such as knives or forks.

Defrosting

A) Fridge compartment

The fridge compartment defrosts automatically. The defrost water runs to the drain tube via a collection container at the back of the appliance (**Item 6**).

During defrosting, water droplets may form at the back of the fridge compartment where a concealed evaporator is located. Some droplets may remain on the liner and refreeze when defrosting is completed. Do not use pointed or sharp-edged objects such as knives or forks to remove the droplets which have refrozen.

If, at any time, the defrost water does not drain from the collection channel, check that no food particles have blocked the drain tube. The drain tube can be cleared with a pipe-cleaner or similar implement.

Check that the tube is permanently placed with its end in the collecting tray on the compressor to prevent the water spilling on the electric installation or on the floor (**Item 7**).

B) Freezer compartment

The NO FROST type defrost is completely automatic. No intervention from your side is required. The water is collected on the compressor tray. Due to the heat of the compressor the water is evaporated. Never use hairdryers, electrical heaters or other such electrical appliances for defrosting. Sponge out the defrost water collected in the bottom of the freezer compartment. After defrosting, dry the interior thoroughly (**Item 8 & 9**). Insert the plug into the wall socket and switch on the electricity supply.

Warnings!

The fan inside the freezer compartment circulates cold air. Never insert any object through the guard. Do not allow children to play with the freezer fan. Never store products that contain inflammable propellant gas (e.g. dispensers, spray cans etc.) or explosive substances. Don't cover the shelves with any protective materials, which may obstruct air circulation. Do not allow children to play with the appliance or tamper with the controls. Do not obstruct the freezer fan guard to ensure that you obtain the best possible performance from your appliance. (**Item 10**)

Warning!

Your appliance is fitted with a circulating fan which is essential for the performance of the freezer. Please ensure the fan is not blocked (stopped) or impaired by food or packaging. Blocking (stopping) or impairing the fan can result in an increase of the internal freezer temperature (Thawing).

Replacing the interior light bulb

To change the Bulb/LED used for illumination of your refrigerator, call your Authorised Service.

The lamp(s) used in this appliance is not suitable for household room illumination. The intended purpose of this lamp is to assist the user to place foodstuffs in the refrigerator/freezer in a safe and comfortable way.

The lamps used in this appliance have to withstand extreme physical conditions such as temperatures below -20°C.

Cleaning and care

1. We recommend that you switch off the appliance at the socket outlet and pull out the mains plug before cleaning.
2. Never use any sharp instruments or abrasive substances, soap, household cleaner, detergent or wax polish for cleaning.
3. Use luke warm water to clean the cabinet of the appliance and wipe it dry.
4. Use a damp cloth wrung out in a solution of one teaspoon of bicarbonate of soda to one pint of water to clean the interior and wipe it dry.
5. Make sure that no water enters the temperature control box.
6. If the appliance is not going to be used for a long period of time, switch it off, remove all food, clean it and leave the door ajar.
7. We recommend that you polish the metal parts of the product (i.e. door exterior, cabinet sides) with a silicone wax (car polish) to protect the high quality paint finish.
8. Any dust that gathers on the condenser, which is located at the back of the appliance, should be removed once a year with a vacuum cleaner.
9. Check door seals regularly to ensure they are clean and free from food particles.
10. Never:
 - Clean the appliance with unsuitable material; eg petroleum based products.
 - Subject it to high temperatures in any way,
 - Scour, rub etc., with abrasive material.
11. Removal of dairy cover and door tray:
 - To remove the dairy cover, first lift the cover up by about an inch and pull it off from the side where there is an opening on the cover.
 - To remove a door tray, remove all the contents and then simply push the door tray upwards from the base.
12. Make sure that the special plastic container at the back of the appliance which collects defrost water is clean at all times. If you want to remove the tray to clean it, follow the instructions below:
 - Switch off at the socket outlet and pull out the mains plug;

- Gently uncrimp the stud on the compressor, using a pair of pliers, so that the tray can be removed
- Lift it up.
- Clean and wipe it dry
- Reassemble, reversing the sequence and operations

13. To remove a drawer, pull it as far as possible, tilt it upwards and then pull it out completely.

Repositioning the door

Proceed in numerical order (**Item 11**).

Do's and don'ts

- Do-** Clean and defrost your appliance regularly (See "Defrosting")
- Do-** Keep raw meat and poultry below cooked food and dairy products.
- Do-** Take off any unusable leaves on vegetables and wipe off any soil.
- Do-** Leave lettuce, cabbage, parsley and cauliflower on the stem.
- Do-** Wrap cheese firstly in greaseproof paper and then in a polythene bag, excluding as much air as possible. For best results, take out of the fridge compartment an hour before eating.
- Do-** Wrap raw meat and poultry loosely in polythene or aluminium foil. This prevents drying.
- Do-** Wrap fish and offal in polythene bags.
- Do-** Wrap food with a strong odour or which may dry out, in polythene bags, or aluminium foil or place in airtight container.
- Do-** Wrap bread well to keep it fresh.
- Do-** Chill white wines, beer, lager and mineral water before serving.
- Do-** Check contents of the freezer every so often.
- Do-** Keep food for as short a time as possible and adhere to "Best Before" and "Use by" etc. dates.
- Do-** Store commercially frozen food in accordance with the instructions given on the packets.
- Do-** Always choose high quality fresh food and be sure it is thoroughly clean before you freeze it.
- Do-** Prepare fresh food for freezing in small portions to ensure rapid freezing.
- Do-** Wrap all food in aluminium foil or freezer quality polythene bags and make sure any air is excluded.
- Do-** Wrap frozen food immediately after purchasing and put it in to the freezer as soon as possible.
- Do-** Defrost food in the fridge compartment.
- Don't-** Store bananas in your fridge compartment.
- Don't-** Store melon in your fridge. It can be chilled for short periods as long as it is wrapped to prevent it flavouring other food.
- Don't-** Cover the shelves with any protective materials which may obstruct air circulation.
- Don't-** Store poisonous or any dangerous substances in your appliance. It has been designed for the storage of edible foodstuffs only.
- Don't-** Consume food which has been refrigerated for an excessive length of time.
- Don't-** Store cooked and fresh food together in the same container. They should be packaged and stored separately.
- Don't-** Let defrosting food or food juices drip onto food.
- Don't-** Leave the door open for long periods, as this will make the appliance more costly to run and cause excessive ice formation.
- Don't-** Use sharp edged objects such as knives or forks to remove the ice.
- Don't-** Put hot food into the appliance. Let it cool down first.
- Don't-** Put liquid-filled bottles or sealed cans containing carbonated liquids into the freezer, as they may burst.
- Don't-** Exceed the maximum freezing loads when freezing fresh food.
- Don't-** Give children ice-cream and water ices direct from the freezer. The low temperature may cause 'freezer burns' on lips.
- Don't-** Freeze fizzy drinks.
- Don't-** Try to keep frozen food which has thawed; it should be eaten within 24 hours or cooked and refrozen.
- Don't-** Remove items from the freezer with wet hands.

Energy Consumption

Maximum frozen food storage volume is achieved without using the middle and upper drawer provided in the freezer compartment. Energy consumption of your appliance is declared while the freezer compartment is fully loaded without the use of the middle and upper drawer.

Practical advice concerning the reduction of the electricity consumption

1. Make sure that the appliance is located in well-ventilated areas, far from any source of heat (cooker, radiator etc.). At the same time, the location of the appliance must be done in such a way that it prevents it to be under the direct incidence of the sunbeams.
2. Make sure that the food purchased in refrigerated/frozen condition is placed into the appliance as soon as possible, especially during summertime. It is recommended to use thermal insulated bags to transport the food home.
3. We recommend the thawing of the packets taken out from the freezer compartment be done in the refrigerator compartment. For this purpose, the packet which is going to be thawed will be placed in a vessel so that the water resulting from the thawing does not leak in the refrigerator compartment. We recommend you to start the thawing at least 24 hours before the use of the frozen food.
4. We recommend reducing the number of door openings to the minimum.
5. Do not keep the door of the appliance open more than necessary and make sure that after each opening the door is well closed.

Information concerning the noise and the vibrations which might appear during the operation of the appliance

1. The operation noise can increase during the operation.
 - In order to keep the temperatures at the adjusted temperatures, the compressor of the appliance starts periodically. The noise produced by the compressor becomes stronger when it starts and a click can be heard when it stops.
 - The performance and operation features of the appliance can change according to the modifications of the temperature of the ambient environment. They must be considered as normal.
2. Noises like liquids flowing or as being sprayed
 - These noises are caused by the flow of the refrigerant in the circuit of the appliance and comply with the operation principle of the appliance.
3. Noise similar to wind blowing.
 - It is generated by the fan (fans) with which your appliance is endowed. These fans help to the efficient cooling of the appliance. This noise is normal, not a defect.
4. Other vibrations and noises.
 - The level of noise and vibrations can be caused by the type and the aspect of the floor on which the appliance is placed. Make sure that the floor does not have significant level distortions or if it can yield to the weight of the appliance (it is flexible). Another source of noise and vibrations is represented by the objects placed on the appliance. These objects must be removed from the appliance
 - The bottles and the vessels placed in the refrigerator touching each other. In such cases move the bottles and the vessels so that there is a small distance between them.

Troubleshooting


If the appliance does not operate when switched on, check:

- That the plug is inserted properly in the socket and that the power supply is on. (To check the power supply to the socket, plug in another appliance).
- Whether the fuse has blown/circuit breaker has tripped/main distribution switch has been turned off.
- That the temperature control has been set correctly.
- That the new plug is wired correctly, if you have changed the fitted, moulded plug.

If the appliance is still not operating at all after above checks, contact the dealer from whom you purchased the unit.

Please ensure that above checks have been done, as a charge will be made if no fault is found.



The symbol  on the product or on packaging indicates that this product may not be treated as household waste. Instead it shall be handed over to the applicable collection point for the recycling of electrical and electronic equipment. By ensuring this product is disposed of correctly, you will help prevent potential negative consequences for the environment and human health, which could otherwise be otherwise be caused by inappropriate waste handling of this product. For more detailed information about recycling of this product, please contact your local city office, your household waste disposal service or the shop where you purchased the product.

Wir danken Ihnen , dass Sie sich für den Kauf eines **Beko** Produkte entschieden haben. Ihr Gerät genügt hohen Ansprüchen und wurde für eine langjährige Benutzung entworfen.

Wichtige Hinweise für Ihre Sicherheit !

- Entfernen Sie das gesamte Verpackungsmaterial, bevor Sie das Gerät einschalten
- Nachdem Sie das Gerät aufgestellt haben, sollten Sie mit dem Anschliessen und Einschalten mindestens 4 Stunden warten, damit sich das Kältemittel im Kreislauf setzen kann.
- Schnapp-oder Riegelverschluss vom ausgedienten Gerät entfernen oder unbrauchbar machen, damit sich spielende Kinder nicht selbst im alten Gerät einschliessen können.
- Das Gerät ist nur für den Gebrauch im Haushalt bestimmt.
- Werfen Sie das Gerät nicht ins Feuer. Für das in dem Gerät verwendete Kühlmittel und die Gase in der Isolierung sind spezielle Entsorgungsverfahren vorgeschrieben .
Befolgen Sie die Müllverordnungen in Ihrer Region, um das Gerät sicher zu entsorgen.
- Nicht zu empfehlen ist die Verwendung des Gerätes in sehr kalten, unbeheizten Räumen (Garage, Keller, Lagerräume, usw.)

Damit Sie den größtmöglichen Nutzen aus Ihrem Gerät ziehen und es optimal und störungsfrei benutzen können, lesen Sie bitte die Bedienungsanleitung aufmerksam durch. Bewahren Sie sie für den Bedarfsfall sorgfältig auf. Die Nichtachtung dieser Hinweise können zu Sachschäden und zum Verlust der Garantie führen.

Originalersatzteile stehen für einen Zeitraum von 10 Jahren ab Kaufdatum zur Verfügung.

Dieses Gerät ist nicht dafür bestimmt durch Personen (einschließlich Kinder) mit eingeschränkten physischen, sensorischen oder geistigen Fähigkeiten oder mangels Erfahrung und/oder mangels Wissen benutzt zu werden, es sei denn, sie werden durch eine für ihre Sicherheit zuständige Person beaufsichtigt oder erhielten von ihr Anweisungen, wie das Gerät zu benutzen ist.

Elektrischer Anschluss

Bevor Sie das Gerät anschließen, prüfen Sie unbedingt, ob die auf dem Typenschild angegebene Wechselspannung mit der Netzspannung übereinstimmt. Die elektrischen Anschlüsse müssen den gesetzlichen Vorschriften entsprechen. Schließen Sie das Gerät an eine leicht zugängliche Steckdose an.

Warnung !

Dieses Gerät muss richtig geerdet werden. Reparatur- und Wartungsarbeiten sollten nur von Fachkräften durchgeführt werden. Reparaturen, die von nicht qualifizierten Personen ausgeführt werden, sind eine Gefahrenquelle und können gefährliche Konsequenzen für den Benutzer des Gerätes haben.

Achtung!

Dieses Gerät verwendet das Kühlmittel R600a, ein Gas mit hoher Umweltverträglichkeit, das aber brennbar ist. Achten Sie beim Transportieren und Aufstellen des Geräts darauf, daß keine Teile des Kühlmittelkreislaufs beschädigt werden. Vermeiden Sie bei Beschädigungen offenes Feuer oder Zündquellen, und lüften Sie den Raum, in dem sich das Gerät befindet, mehrere Minuten lang.

Warnung !

Verwenden Sie zur Beschleunigung des Abtauprozesses keine mechanischen oder anderen Hilfsmittel als die vom Hersteller empfohlenen Mittel.

Warnung !

Achten Sie darauf, dass der Kühlmittelkreislauf nicht beschädigt wird.

Warnung !

Keine elektrische Geräte benutzen um den Abtauprozess zu beschleunigen. Verwenden Sie in der Kühl-Gefrier - Kombination keine anderen als die vom Hersteller empfohlenen elektrischen Geräte.

Warnung !

Wenn die Netzanschlussleitung dieses Gerätes beschädigt wird, muss sie durch den Hersteller oder seinen Kundendienst oder eine ähnlich qualifizierte Person ersetzt werden, um Gefährdungen zu vermeiden.

Transporthinweise

1. Während des Transports sollte das Gerät stets aufrecht stehend und in Originalverpackung transportiert werden.
2. Wurde das Gerät waagrecht transportiert, so muß es zur Beruhigung des Kältekreislaufes wenigstens 4 Stunden ruhig lassen, bevor der Inbetriebnahme.
3. Für Schäden infolge Nichtbeachtung haftet der Hersteller nicht.
4. Das Gerät muss vor Regen, Feuchtigkeit oder anderen Witterungsbedingungen geschützt werden

Wichtig !

- Greifen Sie nicht mit der Hand unter das Gerät während der Reinigung oder des Transportes. Sie könnten sich an scharfen Kanten oder an die Rohre auf der Geräterückseite verletzen.
- Setzen Sie sich nicht auf das Gerät. Sie könnten sich verletzen oder Beschädigungen am Gerät bewirken.
- Keine schweren Gegenstände bzw. das Gerät selbst auf das Netzkabel stellen. Das könnte zur Beschädigung des Netzkabels führen.
- Lassen Sie Kinder nicht mit dem Gerät spielen.

Aufstellen

1. Stellen Sie das Gerät nicht in Räumen auf, in denen die Temperatur unter -15 °C abfallen kann; dies gilt insbesondere nachts und im Winter.
2. Bei niedrigen Temperaturen ist es möglich, dass das Gerät nicht funktioniert. Das bewirkt eine Verminderung der Lagerungsdauer von Lebensmitteln, mindert unnötig den Nährwert und im schlechtesten Fall können Lebensmittel frühzeitig verderben. Vermeiden Sie direkte Sonneneinstrahlung, und stellen Sie das Gerät nie in der Nähe einer direkten Wärmequelle auf. (Heizkörper, Herd, Ofen). Die Mindestabstände zu solchen Geräten betragen:

zu Gasherden	300 mm
zu Heizkörper	300 mm
zu Gefriergeräten	25 mm

3. Halten Sie einen Raum um das Gerät, damit die Luft frei zirkulieren kann. **(Abb. 2)** Lüftungsgitter auf der Geräterückseite einsetzen. **(Abb. 3)**

4. Das Gerät muss auf einem festen, ebenen Untergrund stehen. Bodenunebenheiten durch Ein-oder Herausdrehen der beiden Stellfüßen vorne ausgleichen. Vermeiden Sie starke Geräusche durch richtige Ausrichtung (**Abb. 4**).

5. Lesen Sie Kap. „Reinigung und Instandhaltung“ bevor der Inbetriebnahme.

Geräteübersicht

(**Abb. 1**)

- 1 - Einstellknopf und Innenbeleuchtung
- 2 - Verstellbare Ablagen
- 3 - Weinflaschenregal
- 4 - Wassersammler
- 5 - Deckel für Gemüseschublade
- 6 - Gemüseschublade
- 7 - Schnellgefrierfach
- 8 - Eisschalenhalter und Eisschale
- 9 - Fächer zur Lagerung gefrorener Lebensmittel
- 10 - Einstellbare Füße
- 11 - Ablage für Glasbehälter
- 12 - Ablage für Flaschen
- 13 - Ventilator

Der Timer dient zum automatischen Abtauen. Nach einer bestimmten Zeit aktiviert er die Heizelemente, die Ihren Kühlschrank abtauen.

Allgemeine Einlagerungsempfehlungen

- 1. Im Kühlteil werden frische Lebensmittel und Getränke für kurze Zeit aufbewahrt.
- 2. Im Gefrierfach sind im Handel erhältliche tiefgefrorene Produkte für einen langen Zeitraum aufzubewahren, und außerdem besteht die Möglichkeit frische Lebensmittel einzufrieren und zu lagern. Bei abgepackten Waren auf Haltbarkeits- bzw. Verbrauchsdatum achten und die angegebenen Lagerbedingungen unbedingt einhalten.
- 3. Bewahren Sie Milchprodukte im speziellen Türfach auf.
- 4. Gekochte Speisen in dicht schliessenden Gefäßen aufbewahren.
- 5. Frische Lebensmittel, gut verpackt, können auf den Ablagengittern aufbewahrt werden. Gemüse und Obst werden in den Gemüseschubladen aufbewahrt.
- 6. Bewahren Sie Flaschen im Türfach auf.

7. Frisches Fleisch, in Polyäthylenbeutel gut verpackt, kann nur für einige Tagen auf die unterste Ablage im Kühlteil gelagert werden. Vermeiden Sie, dass das Fleisch in Berührung mit den gekochten Speisen kommt.

8. Decken Sie die Ablagegitter nicht mit Papier ab, damit die Luft zirkulieren kann.

9. Kein Pflanzöl im Türfach aufbewahren. Vergewissern Sie sich, daß die Lebensmittel gut verpackt bzw. abgedeckt sind, bevor Sie sie einlagern. Lassen Sie warme Lebensmittel und Getränke abkühlen, bevor Sie sie im Gerät einlagern.

Keine Konserven nach dem Öffnen im Kühlschrank aufbewahren.

10. Glasflaschen mit kohlensäurehaltigen Sodawasser dürfen nicht im Gefrierabteil aufbewahrt werden.

11. Kälteempfindliche Gemüsearten (Paradeiser, Gurken) und Obst (Ananas, Wassermelonen) mit luftdichter Verpackung aufbewahren.

12. Hochprozentiger Alkohol darf nur aufrecht in fest versiegelten Behältern aufbewahrt werden. Lagern Sie im Kühlschrank keine flüchtigen, explosiven oder brennbaren Stoffe.

Temperaturkontrolle und -einstellung

Die Betriebstemperatur wird über den Einstellknopf (**Abb. 5**) im oberen Bereich des Kühlfaches eingestellt. Die Einstellungen reichen von Min. über 1 bis 4 bis Max. – der kältesten Einstellung.

Wenn Sie das Gerät zum ersten Mal einschalten, sollten Sie den Einstellknopf so einstellen, dass die durchschnittliche Temperatur im Inneren des Kühlgerätes nach 24 Stunden nicht mehr als 5 °C beträgt. Wir empfehlen, den Einstellknopf etwa auf die Mitte zwischen den Positionen Min. und Max. einzustellen, die Temperatur zu überprüfen und die Einstellung anzupassen, bis die gewünschte Innentemperatur erreicht ist. Zur Position Max. hin erreichen Sie eine stärkere Kühlleistung. Einige Bereiche Ihres Kühlgerätes kühlen sich geringfügig stärker oder schwächer ab (wie das Gemüsefach und der oberste Bereich des Innenraums). Dies ist völlig normal. Zum Lagern von Lebensmitteln sollte die Innentemperatur des Gefrierfaches -18 °C betragen.

Sie können noch tiefere Temperaturen erreichen, indem Sie den Einstellknopf zur Position Max. hin drehen.

Wir empfehlen, die Temperatur mit einem genauen Thermometer zu überprüfen – so können Sie sicher sein, dass in den Ablagen die gewünschte Temperatur herrscht. Denken Sie daran, das Thermometer sofort abzulesen, da die angezeigte Temperatur sehr schnell ansteigt, sobald Sie das Thermometer aus dem Kühlgerät nehmen. Bitte vergessen Sie nicht, dass bei jedem Öffnen der Tür kalte Luft aus dem Inneren entweicht und dadurch die Temperatur im Gerät ansteigt. Lassen Sie die Tür daher nie offen stehen und schließen Sie sie sofort wieder, nachdem Sie Lebensmittel hineingestellt oder herausgenommen haben. Falls sich Eis im Kühlfach bilden sollte, reduzieren Sie die Temperatureinstellung auf Min.; dabei vergewissern Sie sich, dass die Kühlfachtemperatur nicht über 5 °C ansteigt. Sobald das Eis verschwunden ist, können Sie die Einstellung bei Bedarf wieder erhöhen.

Bevor der Inbetriebnahme

Bevor der Inbetriebnahme prüfen Sie ob:

1. Die Stellfüßen vorne ausgeglichen wurden.
2. Der Innenraum gereinigt wurde und die Luft frei zirkulieren kann.
3. Der Innenraum sauber ist (gem. den Empfehlungen im Kap. „Reinigung“).
4. Der Netzstecker richtig eingesteckt ist.

Achtung:

5. Immer wenn das Gerät einschaltet, werden Sie ein Summen hören, das von dem Kompressor des Kühlschranks erzeugt wird Geräusche werden auch vom Kühlmittel der Kühl-Gefrier-Kombination erzeugt. Diese sind normale Betriebsgeräusche.
6. Die leicht gewölbte Form des Kühlschranks, fabriktionsbedingt, ist kein Defekt.
7. Wir empfehlen, den Einstellknopf in die mittlere Position zu drehen und die Temperatur zu beobachten, um sicherzustellen, dass das Gerät die eingestellte Temperatur hält (schauen Sie sich hierzu den Abschnitt Temperaturkontrolle und - einstellung an).
8. Sie können Lebensmittel in das Gerät einräumen, wenn eine geeignete Kühltemperatur erreicht ist.

Prüfen Sie die Temperatur im Kühlabteil mit einem Thermometer.

Lagern von tiefgefrorenen Lebensmitteln

Im Gefrierschrank sind im Handel erhältliche tiefgefrorene Produkte für einen langen Zeitraum aufzubewahren.

Sollte der Strom ausfallen, öffnen Sie die Tür nicht. Falls die Unterbrechung nicht mehr als 16 Stunden dauert, werden die Lebensmittel im Gefrierfach nicht beeinträchtigt.

Einmal aufgetaute oder angetaute Produkte sollten sobald wie möglich verzehrt werden und nicht wieder einfrieren, außer sie werden zu einem Fertiggericht weiter verarbeitet.

Einfrieren von frischen Lebensmitteln

Einige Regeln sollten beachtet werden, um Qualitätsverluste zu vermeiden und die Erhaltung von Konsistenz, Geschmack, Nährwert, Vitamingehalt und Aussehen der Tiefkühlkost zu garantieren:

Frieren Sie nie eine zu große Menge frische Ware auf einmal ein, sonst kann die Ware nicht schnell genug bis zum Kern durchgefroren werden und so können, nach dem Auftauen, Qualität- und Geschmacksverluste auftreten.

Das Gefriervermögen des Gerätes nicht zu überschreiten.

Möglichst schnell einfrieren!

Die einzulegenden Lebensmittel nicht mit den bereits im Fach befindlichen in Berührung zu kommen .

Lassen Sie den Einstellknopf in der mittleren Position, wenn Sie frische Lebensmittel tiefkühlen.

Abtauen des Gerätes

A) Kühlabteil

Das Abtauen erfolgt vollautomatisch während der Kompressor von dem Thermostat unterbrochen wird. Keine Eingriffe sind erforderlich.

Das Abtauwasser läuft durch den Tauwasserablauf in die Auffangschale auf dem Kompressor und verdunstet dort durch die Wärme des Kompressors. **(Abb. 6)**.

Das Auftreten von Wassertropfen auf der inneren Rückwand des Kühlraums zeigt die automatische Abtauphase an.

Nach dem Abtauen sind Reif- bzw. Eisschichtflecken auf der Rückseite des Kühlschranks nicht unüblich. Verwenden Sie keine spitzen Gegenstände wie Messer oder Gabeln, um diese zu entfernen. Die Abflußöffnung regelmäßig mit einem Reinigungsstäbchen reinigen, damit das Tauwasser stetig und zügig abfließen kann.

Halten Sie die Auffangrinne und die Ablauföffnung sauber. Ist diese verstopft, dann lassen sich die Verschmutzungen mit dem gelieferten Werkstück beseitigen (**Abb. 7**).

B) Tiefkühlbereich

Das Abtauen erfolgt bei eisfreien Geräten automatisch. Sie müssen nichts weiter dazu tun. Das anfallende Wasser sammelt sich in der Kompressorschale. Dort verdunstet das Wasser durch die Kompressorwärme. Verwenden Sie niemals Haartrockner, elektrische Heizgeräte oder ähnliches zum Beschleunigen des Abtauvorgangs. Wischen Sie das Tauwasser, welches sich am Boden des Tiefkühlbereichs ansammelt, mit einem Schwamm auf. Trocknen Sie nach dem Abtauen die Innenseiten (**Abb. 8 und 9**) gut ab. Stecken Sie den Netzstecker wieder in die Steckdose, schalten Sie die Stromzufuhr wieder ein.

Warnung!

Der Lüfter sorgt für die Zirkulation kalter Luft innerhalb des Tiefkühlbereiches. Schieben Sie niemals irgendwelche Gegenstände durch die Schutzabdeckung. Lassen Sie nicht zu, dass Kinder mit dem Lüfter spielen.

Lagern Sie niemals Behälter mit entflammaren Treibgasen (z. B. Sahnespender, Spraydosen, usw.) oder explosiven Stoffen.

Decken Sie niemals Ablagen mit Folien oder ähnlichen Materialien ab; dies behindert die Luftzirkulation.

Gestatten Sie Kindern nicht, mit dem Gerät oder den Bedienelementen zu spielen.

Verhindern Sie ein Blockieren des Gefrierbereichlüfters und seiner Abdeckung, damit Ihr Gerät stets optimal arbeiten kann.

(Abbildung 10)

Warnung!

Ihr Gerät ist mit einem Rundlüfter ausgestattet, der für die gute Kühlleistung des Gerätes sehr wichtig ist. Achten Sie darauf,

dass der Lüfter nicht blockiert wird und dadurch anhält; dies kann zum Beispiel geschehen, wenn Lebensmittel dagegen stoßen. Ein blockierter Lüfter kann zum Ansteigen der Innentemperatur und zum Auftauen führen.

Wechseln des Türanschlags

Befolgen Sie nacheinander die einzelnen Schritte entsprechend der Numerierung (**Abb. 11**).

Wechsel der Glühlampe

Die Innenbeleuchtung Ihres Kühlschranks sollte ausschließlich vom autorisierten Kundendienst ausgetauscht werden. Die Glühbirnen für dieses Haushaltsgerät sind für Beleuchtungszwecke nicht geeignet. Die beabsichtigte Aufgabe dieser Lampe ist es den Benutzer zu ermöglichen die Plazierung der Lebensmittel in den Kühlschrank / Eiskühltruhe sicher und bequem vorzunehmen.

Die in diesem Gerät verwendeten Lampen müssen extremen physikalischen Bedingungen, wie z. B. Temperaturen von -20°C, standhalten.

Reinigung und Pflege

1. Vor der Reinigung empfiehlt es sich, das Gerät ggf. an der Steckdose abzuschalten und den Netzstecker zu ziehen.

2. Verwenden Sie zum Reinigen weder scharfe Gegenstände noch Scheuermittel, Seife, Haushaltsreiniger, andere Putzmittel oder Wachspolitur.

3. Reinigen Sie den Innenraum des Geräts mit lauwarmem Wasser und reiben Sie ihn dann trocken.

4. Befeuchten Sie zum Reinigen ein Tuch in einer Lösung aus einem Teelöffel Natriumbikarbonat (doppeltkohlensaures Natron) und einem halben Liter Wasser, und wischen Sie den Innenraum damit aus.

5. Achten Sie darauf, daß kein Wasser in die Thermostateinheit gelangt.

6. Wenn das Gerät für eine längere Zeit nicht verwendet werden soll, dann schalten Sie es ab, nehmen Sie sämtliche Lebensmittel heraus, reinigen Sie es, und lassen Sie die Tür leicht geöffnet.

7. Zum Polieren der Metallteile des Geräts (d.h. die Türaußenseite und die seitlichen Außenwände) empfehlen wir die Verwendung eines Wachses auf Silikonbasis (Autopolitur).

Auf diese Weise wird die hochwertige Außenlackierung geschützt.

8. Staub, der sich auf dem Kondensator hinter dem Gerät ansammelt, sollte einmal pro Jahr mit einem Staubsauger entfernt werden.

9. Überprüfen Sie die Türdichtung regelmäßig auf Sauberkeit und achten Sie darauf, daß sich keine Reste von Lebensmitteln o.ä. darauf befinden.

10. Vermeiden Sie es in jedem Fall,

- das Gerät mit ungeeigneten Substanzen zu reinigen, wie etwa mit benzinhaltigen Mitteln,
- es allzu hohen Temperaturen auszusetzen,
- es mit scheuernden Substanzen zu putzen, abzureiben o.ä.

11. Ausbau des Deckels des Milchproduktefachs und der Türablage:

- Zum Ausbau den Deckel zunächst 2-3 cm anheben und dann an der Seite abziehen, an der sich im Deckel eine Öffnung befindet.
- Um eine Türablage zu entfernen, zunächst den gesamten Inhalt der Ablage entfernen und dann einfach vom Boden her nach oben drücken.

12. Achten Sie darauf, daß die Plastikschale an der Rückseite des Geräts, die zum Sammeln von Tauwasser dient, immer sauber bleibt. Wenn Sie die Schale zum Reinigen ausbauen wollen, dann gehen Sie wie folgt vor:

- Das Gerät ggf. an der Steckdose abschalten und den Netzstecker ziehen.
- Den Stift am Kompressor vorsichtig mit einer Zange zurückbiegen, so daß die Schale freiliegt.
- Die Schale abnehmen.
- Die Schale reinigen und trockenreiben.
- Zum Wiedereinbauen die gleichen Schritte in umgekehrter Reihenfolge ausführen.

13. Stärkere Eisablagerungen sollten regelmäßig mittels ein Eisschabers aus Plastik entfernt werden. Massive Eisablagerungen vermindern die Kühlleistung Ihres Geräts.

Was Sie tun sollten und was auf keinen fall-einige Hinweise

Richtig: Das Gerät regelmäßig reinigen und abtauen (siehe Abschnitt „Abtauen“).

Richtig: Rohes Fleisch und Geflügel tiefer lagern als gekochte Speisen und Molkereiprodukte.

Richtig: Bei Gemüse alles unbrauchbare Blattwerk entfernen und etwaigen Schmutz abwischen.

Richtig: Blattsalat, Kohl, Petersilie und Blumenkohl am Stiel belassen.

Richtig: Käse fest in Butterbrotpapier und dann in einen Beutel aus Polyethylen wickeln, und die Luft soweit als möglich herausdrücken. Käse schmeckt am besten, wenn er eine Stunde vor dem Verzehr aus dem Kühlteil genommen wird.

Richtig: Rohes Fleisch und Geflügel nicht zu fest in Polyethylen- oder Aluminiumfolie einwickeln, um ein Austrocknen zu verhindern.

Richtig: Fisch und Innereien in Polyethylenbeutel wickeln.

Richtig: Lebensmittel, die einen starken Geruch haben oder nicht austrocknen sollen, in Polyethylenbeutel oder Aluminiumfolie wickeln oder in luftdichten Behältern lagern.

Richtig: Brot gut einwickeln, damit es frisch bleibt.

Richtig: Weißwein, Bier und Mineralwasser vor dem Servieren gut kühlen.

Richtig: Von Zeit zu Zeit den Inhalt des Gefrierabteils überprüfen.

Richtig: Lebensmittel so kurz wie möglich aufbewahren und die Angaben „Mindestens haltbar bis:“ bzw.

Richtig: Handelsübliche Tiefkühlware entsprechend der Hinweise auf der jeweiligen Verkaufsverpackung lagern.

Richtig: Zum Einfrieren nur frische Lebensmittel bester Qualität verwenden und diese vorher gründlich säubern.

Richtig: Einzufrierende Lebensmittel vorher in kleine Portionen zerlegen, damit sie rasch durchfrieren.

Richtig: Lebensmittel zum Einfrieren in Aluminiumfolie oder Gefrierbeutel aus einwandfreiem Polyethylen packen und darauf achten, daß die Luft vollständig herausgedrückt wurde.

Richtig: Tiefkühlware gleich nach dem Einkaufen einwickeln und sobald als möglich in das Gefrierabteil legen.

Richtig: Tiefkühlware zum Auftauen ins Kühlabteil legen.

Falsch: Bananen im Kühlabteil lagern.

Falsch: Melonen im Kühlabteil lagern. - Melonen können allerdings für kurze Zeit gekühlt werden, solange sie eingewickelt werden, so daß sich ihr Aroma nicht auf andere Lebensmittel überträgt.

Falsch: Die Ablagen mit einem schonenden Material bedecken. - Dies würde die Kaltluftzirkulation behindern.

Falsch: Gifte oder Gefahrenstoffe im Gerät lagern. - Das Gerät ist ausschließlich für die Lagerung von Lebensmitteln bestimmt.

- Falsch:** Lebensmittel verzehren, die zu lange im Gerät gelagert wurden.
- Falsch:** Gekochte Speisen und frische Lebensmittel zusammen in einen Behälter tun. - Beides sollte getrennt verpackt und gelagert werden.
- Falsch:** Beim Auftauen Wasser oder Flüssigkeit von Lebensmitteln auf andere Lebensmittel tropfen lassen.
- Falsch:** Die Tür längere Zeit offenstehen lassen. - Hierdurch wird der Betrieb des Geräts teurer, und die Eisbildung verstärkt sich.
- Falsch:** Zum Entfernen des Eises spitze oder scharfe Gegenstände verwenden, wie etwa ein Messer oder eine Gabel.
- Falsch:** Warme Speisen ins Gerät stellen. - Besser zuerst abkühlen lassen.
- Falsch:** Mit Flüssigkeit gefüllte Flaschen oder ungeöffnete Konserven mit kohlenstoffhaltigen Getränken in das Gefrierabteil stellen. - Diese können zerplatzen.
- Falsch:** Beim Einfrieren frischer Lebensmittel das maximale Gefriervermögen überschreiten.
- Falsch:** Kindern Speiseeis oder Eissorbets unmittelbar nach dem Herausnehmen aus dem Gefrierabteil geben. - Die sehr niedrige Temperatur kann zu 'kalten Verbrennungen' an den Lippen führen.
- Falsch:** Kohlenstoffhaltige Getränke einfrieren.
- Falsch:** Aufgetaute Tiefkühlware weiter aufbewahren. - Statt dessen innerhalb von 24 Stunden verzehren oder kochen und wieder einfrieren.
- Falsch:** Mit feuchten Händen etwas aus dem Gefrierabteil herausnehmen.

Energieverbrauch

Das maximale TK-Stauvolumen wird ohne mittlere und obere Schublade im Tiefkühlfach erreicht. Der Energieverbrauch Ihres Gerätes wurde bei komplett gefülltem Tiefkühlfach ohne mittlere und obere Schublade ermittelt.

Praktische Tipps zum Energiesparen

1. Sorgen Sie dafür, dass das Gerät an einer gut belüfteten Stelle und nicht in der Nähe von Wärmequellen (Herd, Heizung, usw.) aufgestellt wird. Achten Sie gleichzeitig darauf, dass das Gerät nicht im prallen Sonnenlicht steht.

2. Sorgen Sie dafür, dass gekühlte oder gefrorene Speisen so schnell wie möglich in das Gerät gegeben werden; dies gilt natürlich insbesondere im Sommer. Wir empfehlen, Kühltaschen zum Transport von Lebensmitteln zu verwenden.
3. Geben Sie Speisen zum Auftauen in den Kühlbereich. Vergessen Sie nicht, die Speisen in einen Behälter zu geben, damit kein Tauwasser in den Kühlbereich ausläuft. Beginnen Sie mindestens 24 Stunden im Voraus mit dem Auftauen.
4. Versuchen Sie, die Tür so selten wie möglich zu öffnen.
5. Öffnen Sie die Tür des Gerätes nicht unnötig, achten Sie darauf, dass die Tür anschließend wieder richtig geschlossen wird.

Hinweise zu Geräuschen und Vibrationen, die im Betrieb auftreten können

1. Das Betriebsgeräusch kann im laufenden Betrieb zunehmen.
 - Um die vorgegebenen Temperaturen zu halten, springt der Kompressor des Gerätes von Zeit zu Zeit an. Das Betriebsgeräusch kann bei laufendem Kompressor zunehmen, beim Anhalten des Kompressors kann ein Klicken zu hören sein.
 - Die Leistung des Gerätes kann sich je nach Temperatureinstellung und unmittelbarer Umgebung ändern. Dies muss als normal betrachtet werden.
2. Geräusche wie fließende Flüssigkeiten oder Spritzer
 - Diese Geräusche werden durch den Durchfluss des Kühlmittels im Gerät verursacht; dies ist in Anbetracht der Funktionsweise des Gerätes völlig normal.
3. Wind-ähnliche Geräusche.
 - Diese Geräusche entstehen durch die Lüfter Ihres Gerätes. Die Lüfter tragen wesentlich zur effektiven Kühlung des Gerätes bei. Dieses Geräusch ist völlig normal und weist nicht auf einen Defekt hin.
4. Sonstige Vibrationen und Geräusche.
 - Geräusche und Vibrationen können je nach Typ und Neigung des Untergrundes, auf dem das Gerät aufgestellt wurde, stärker oder schwächer ausfallen. Achten Sie darauf, dass der Boden möglichst eben ist und das Gewicht des Gerätes mühelos tragen kann.

- Weitere Geräusche und Vibrationen können durch auf dem Gerät abgestellte Gegenstände verursacht werden. Nehmen Sie solche Gegenstände vom Gerät herunter.
- Im Gerät gelagerte Flaschen oder andere Behälter berühren einander. Ordnen Sie Flaschen und Behälter so an, dass sich diese nicht berühren können.

Massnahmen bei Betriebsstörung

Wenn das Gerät nach dem Einschalten nicht funktionieren sollte, dann prüfen Sie, ob

- der Netzstecker richtig in der Steckdose steckt, und daß der Strom angeschaltet ist (zum Prüfen der Stromversorgung können Sie ein anderes Gerät an die Steckdose anschließen);

- ob evtl. die Sicherung durchgebrannt ist / der Sicherungsautomat ausgelöst wurde oder der Hauptschalter auf Aus steht;
- ob der Temperaturwahlschalter richtig eingestellt wurde;
- (falls der angegossene Stecker ersetzt wurde) ob der neu angebrachter Stecker richtig verdrahtet wurde.

Sollte das Gerät nach dieser Überprüfung immer noch nicht funktionieren, dann setzen Sie sich bitte mit dem Händler in Verbindung, bei dem Sie das Gerät erworben haben. Denken bitte Sie daran, daß eine Gebühr fällig wird, wenn am Gerät kein Fehler gefunden werden sollte; prüfen Sie das Gerät daher auf jeden Fall wie oben beschrieben.



Bedeutung des Symbols „Mülltonne“

Schonen Sie unsere Umwelt, Elektrogeräte gehören nicht in den Hausmüll.

Nutzen Sie die für die Entsorgung von Elektrogeräten vorgesehenen Sammelstellen und geben dort Ihre Elektrogeräte ab die Sie nicht mehr benutzen werden.

Sie helfen damit die potenziellen Auswirkungen, durch falsche Entsorgung, auf die Umwelt und die menschliche Gesundheit zu vermeiden.

Sie leisten damit Ihren Beitrag zur Wiederverwertung, zum Recycling und zu anderen Formen der Verwertung von Elektro- und Elektronik-Altgeräten.

Informationen, wo die Geräte zu entsorgen sind, erhalten Sie über Ihre Kommunen oder die Gemeindeverwaltungen.

In vielen Ländern der EU ist die Entsorgung von Elektro- und Elektronik-Altgeräten über den Haus- und/oder Restmüll ab 13.8.2005 verboten.

In Deutschland ab 23.3.2006.



www.beko.com

4578336633/AC
EN,D