

beko

Freezer

Instruction of use

Congélateur

Notice d'utilisation

Fryseskab

Brugsvejledning

Pakastimen

Käyttöohjekirja

Fryseren

Bruksanvisning

Frys

Instruktionsmanual



BFNA247E30SN

EN-FR-DA-FI-NO-SV

Please read this user manual first!

Dear Customer,

We hope that your product, which has been produced in modern plants and checked under the most meticulous quality control procedures, will provide you an effective service.




Therefore, read this entire user manual carefully before using the product and keep it as a reference. If you handover the product to someone else, give the user manual as well.

The user manual will help you use the product in a fast and safe way.

- Read the manual before installing and operating the product.
- Make sure you read the safety instructions.
- Keep the manual in an easily accessible place as you may need it later.
- Read the other documents given with the product.
- Remember that this user manual is also applicable for several other models.
- Differences between models will be identified in the manual.

Explanation of symbols

Throughout this user manual the following symbols are used:

-  Important information or useful tips.
-  Warning against dangerous conditions for life and property.
-  Warning against electric voltage.



WARNING!

In order to ensure a normal operation of your refrigerating appliance, which uses a completely environmentally friendly refrigerant the R600a (flammable only under certain conditions) you must observe the following rules:

- Do not hinder the free circulation of the air around the appliance.
- Do not use mechanical devices in order to accelerate the defrosting, others than the ones recommended by the manufacturer.
- Do not destroy the refrigerating circuit.
- Do not use electric appliances inside the food keeping compartment, other than those that might have been recommended by the manufacturer.

 Please scan the QR code to find all the information relating to the packaging and how to manage the packaging waste.

INFORMATION



ENERGY



SUPPLIER'S NAME

MODEL IDENTIFIER (*)

A

A

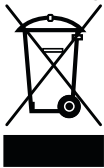
The model information as stored in the product data base can be reached by entering following website and searching for your model identifier (*) found on energy label.

<https://eprel.ec.europa.eu/>

CONTENTS

1 Your freezer	3	4 Preparation	10
2 Important Safety Warnings	4	5 Using your freezer	11
Intended use	4	Control Panel	11
General safety	4	Freezing	11
Child safety.....	6	Making ice cubes	11
HCA warning.....	6	Defrost	11
Things to be done for energy saving...6			
3 Installation	7	6 Maintenance and cleaning	12
Points to be paid attention to when the relocation of the refrigerator.....	7	Protection of plastic surfaces	12
Before you start the refrigerator	7		
Electrical connection.....	7	7 Recommended solutions for the problems	13
Disposing of the packaging	8		
Disposing of your old refrigerator.....	8		
Placing and Installation	8		
Reversing the doors	9		

Recycling

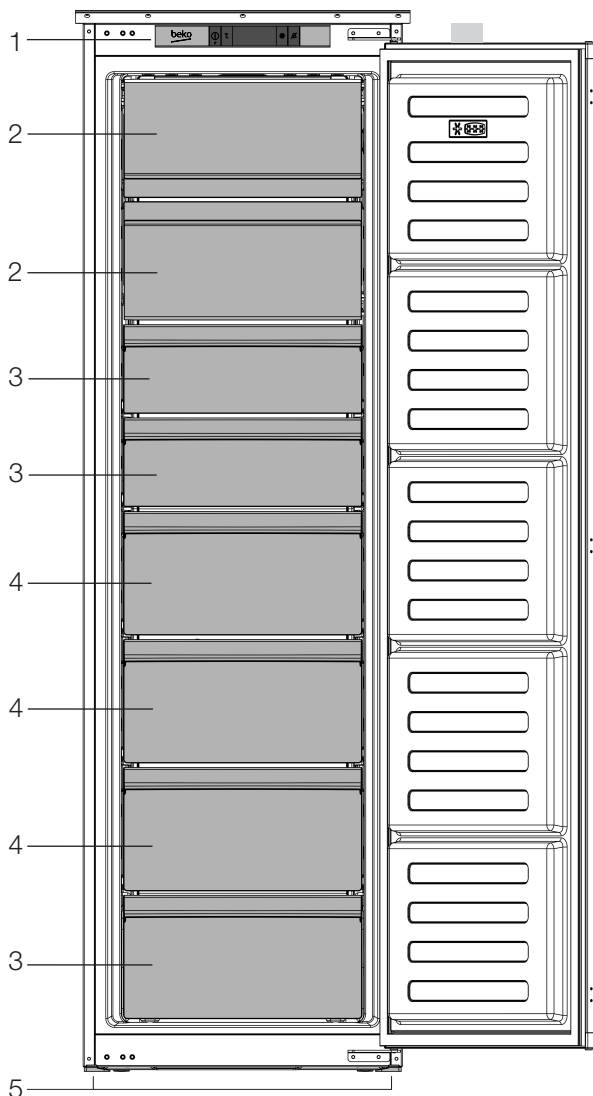


This product is supplied with the selective sorting symbol for waste electrical and electronic equipment (WEEE).

This means that this product must be handled pursuant to European Directive 2012/19/EU in order to be recycled or dismantled to minimise its impact on the environment. For further information, please contact your local or regional authorities.

Electronic products not included in the selective sorting process are potentially dangerous for the environment and human health due to the presence of hazardous substances.

1 Your freezer



- 1. Control Panel
- 2. Flaps
- 3. Standard drawers
- 4. Extra large drawers
- 5. Front feet

i Figures that take place in this instruction manual are schematic and may not correspond exactly with your product. If the subject parts are not included in the product you have purchased, then it is valid for other models.

2 Important Safety Warnings

Please review the following information. Failure to observe this information may cause injuries or material damage. Otherwise, all warranty and reliability commitments will become invalid.

Original Spare parts will be provided for 10 years, following the product purchasing date.

Intended use

This product is intended to be used:

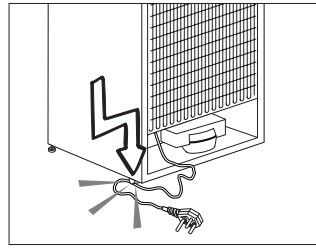
- indoors and in closed areas such as homes;
- in closed working environments such as stores and offices;
- in closed accommodation areas such as farm houses, hotels, pensions.
- It should not be used outdoors.

General safety

- When you want to dispose/scrap the product, we recommend you to consult the authorized service in order to learn the required information and authorized bodies.
- Consult your authorized service for all your questions and problems related to the refrigerator. Do not intervene or let someone intervene to the refrigerator without notifying the authorised services.
- Do not eat cone ice cream and ice cubes immediately after you take them out of the freezer compartment! (This may cause frostbite in your mouth.)
- Do not put bottled and canned liquid beverages in the freezer compartment. Otherwise, these may burst.
- Do not touch frozen food by hand; they may stick to your hand.
- Unplug your refrigerator before cleaning or defrosting.

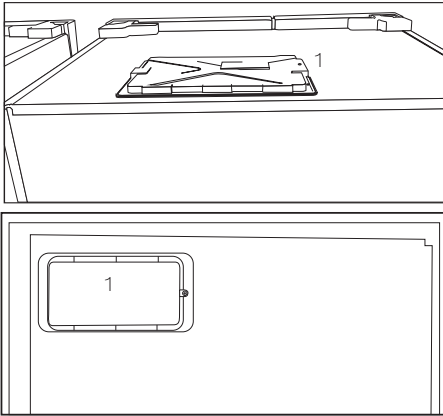
- Vapor and vaporized cleaning materials should never be used in cleaning and defrosting processes of your refrigerator. In such cases, the vapor may get in contact with the electrical parts and cause short circuit or electric shock.
- Never use the parts on your refrigerator such as the door as a means of support or step.
- Do not use electrical devices inside the refrigerator.
- Do not damage the parts, where the refrigerant is circulating, with drilling or cutting tools. The refrigerant that might blow out when the gas channels of the evaporator, pipe extensions or surface coatings are punctured causes skin irritations and eye injuries.
- Do not cover or block the ventilation holes on your refrigerator with any material.
- Electrical devices must be repaired by only authorised persons. Repairs performed by incompetent persons create a risk for the user.
- In case of any failure or during a maintenance or repair work, disconnect your refrigerator mains supply by either turning off the relevant fuse or unplugging your appliance.
- Do not pull by the cable when pulling off the plug.
- Place the beverage with higher proofs tightly closed and vertically.
- Never store spray cans containing flammable and explosive substances in the refrigerator.
- Do not use mechanical devices or other means to accelerate the defrosting process, other than those recommended by the manufacturer.

- This appliance is not intended for use by persons (including children) with reduced physical, sensory or mental capabilities, or lack of experience and knowledge, unless they have been given supervision or instruction concerning use of the appliance by a person responsible for their safety. Children should be supervised to ensure that they do not play with the appliance.
- Do not operate a damaged refrigerator. Consult with the service agent if you have any concerns.
- Electrical safety of your refrigerator shall be guaranteed only if the earth system in your house complies with standards.
- Exposing the product to rain, snow, sun and wind is dangerous with respect to electrical safety.
- Contact authorized service when there is a power cable damage to avoid danger.
- Never plug the refrigerator into the wall outlet during installation. Otherwise, risk of death or serious injury may arise.
- This refrigerator is intended for only storing food items. It must not be used for any other purpose.
- Label of technical specifications is located on the left wall inside the refrigerator.
- Never connect your refrigerator to electricity-saving systems; they may damage the refrigerator.
- If there is a blue light on the refrigerator, do not look at the blue light with optical tools.
- For manually controlled refrigerator, wait for at least 5 minutes to start the refrigerator after power failure.
- This operation manual should be handed in to the new owner of the product when it is given to others.
- Avoid causing damage on power cable when transporting the refrigerator. Bending cable may cause fire. Never place heavy objects on power cable.



- Do not touch the plug with wet hands when plugging the product.
- Do not plug the refrigerator if the wall outlet is loose.
- Water should not be sprayed on inner or outer parts of the product for safety purposes.
- Do not spray substances containing inflammable gases such as propane gas near the refrigerator to avoid fire and explosion risk.
- Never place containers filled with water on top of the refrigerator; in the event of spillages, this may cause electric shock or fire.
- Do not overload the refrigerator with food. If overloaded, the food items may fall down and hurt you and damage refrigerator when you open the door.
- Never place objects on top of the refrigerator; otherwise, these objects may fall down when you open or close the refrigerator door.
- As they require a precise temperature, vaccines, heat-sensitive medicine and scientific materials and etc. should not be kept in the refrigerator.
- If not to be used for a long time, refrigerator should be unplugged. A possible problem in power cable may cause fire.
- The plug's tip should be cleaned regularly with a dry cloth; otherwise, it may cause fire.
- Refrigerator may move if adjustable legs are not properly secured on the floor. Properly securing adjustable legs on the floor can prevent the refrigerator to move.
- When carrying the refrigerator, do not hold it from door handle. Otherwise, it may be snapped.

- When you have to place your product next to another refrigerator or freezer, the distance between devices should be at least 8 cm. Otherwise, adjacent side walls may be humidified.
- This appliance can be used by children aged from 8 years and above and persons with reduced physical, sensory or mental capabilities or lack of experience and knowledge if they have been given supervision or instruction concerning use of the appliance in a safe way and understand the hazards involved. Children shall not play with the appliance. Cleaning and user maintenance shall not be made by children without supervision.
- The product shall never be used while the compartment which is located at the top or back of your product and in which electronic boards are available (electronic board box cover) (1) is open.



Child safety

- If the door has a lock, the key should be kept away from reach of children.
- Children must be supervised to prevent them from tampering with the product.

HCA warning

If your product's cooling system contains R600a:

This gas is flammable. Therefore, pay attention to not damaging the cooling system and piping during usage and transportation. In the event of damage, keep your product away from potential fire sources that can cause the product catch a fire and ventilate the room in which the unit is placed.

Ignore this warning if your product's cooling system contains R134a.

Type of gas used in the product is stated in the type label which is on the left wall inside the refrigerator.

Never throw the product in fire for disposal.

Things to be done for energy saving

- Do not leave the door (s) of your refrigerator open for a long time.
- Do not put hot food or drinks in your refrigerator.
- Do not overload your refrigerator so that the air circulation inside of it is not prevented.
- Do not install your refrigerator under direct sunlight or near heat emitting appliances such as ovens, dishwashers or radiators. Keep your refrigerator at least 30 cm away from heat emitting sources and at least 5 cm from electrical ovens.
- Pay attention to keep your food in closed containers.
- You can store maximum amount of food items in the freezer when you remove the shelf or drawer of the freezer. Energy consumption value stated for your refrigerator has been determined by removing freezer shelf or drawer and under maximum load. There is no harm to use a shelf or drawer according to the shapes and size of food to be frozen.

3 Installation

⚠ In case the information which are given in the user manual are not taken into account, manufacturer will not assume any liability for this.

Points to be paid attention to when the relocation of the refrigerator

1. Your refrigerator should be unplugged. Before transportation of your refrigerator it should be emptied and cleaned.
2. Before it is re-packaged, shelves, accessories, crisper, etc. inside your refrigerator should be fixed with adhesive tape and secured against impacts. Package should be bound with a thick tape or sound ropes and the transportation rules on the package should be strictly observed.
3. Original packaging and foam materials should be kept for future transportations or moving.

Before you start the refrigerator

Check the following before you start to use your refrigerator:

1. Is the interior of the refrigerator dry and can the air circulate freely in the rear of it?
2. Clean the interior of the refrigerator as recommended in the “Maintenance and cleaning” section.

3. Connect the plug of the appliance to the wall socket.
4. When the compressor starts to operate, a sound will be heard. The liquid and gases sealed within the refrigeration system may also give rise to noise, even if the compressor is not running and this is quite normal.
5. Front edges of the refrigerator may feel warm. This is normal. These areas are designed to be warm to avoid condensation.

Electrical connection

Connect your product to a grounded socket which is being protected by a fuse with the appropriate capacity.

Important:

The connection must be in compliance with national regulations.

- The power plug must be easily accessible after installation.
- Electrical safety of your refrigerator shall be guaranteed only if the earth system in your house complies with standards.
- The voltage stated on the label located at left inner side of your product should be equal to your network voltage.
- **Extension cables and multi plugs must not be used for connection.**

⚠ A damaged power cable must be replaced by a qualified electrician.

⚠ Product must not be operated before it is repaired! There is the risk of electric shock!

Disposing of the packaging

The packing materials may be dangerous for children. Keep the packing materials out of the reach of children or dispose of them by classifying them in accordance with the waste instructions stated by your local authorities. Do not throw away with regular house waste, throw away on packaging pick up spots designated by the local authorities. The packing of your refrigerator is produced from recyclable materials.

Disposing of your old refrigerator

Dispose of your old refrigerator without giving any harm to the environment.

- You may consult your authorized dealer or waste collection center of your municipality about the disposal of your refrigerator.

Before disposing of your refrigerator, cut out the electric plug and, if there are any locks on the door, make them inoperable in order to protect children against any danger.

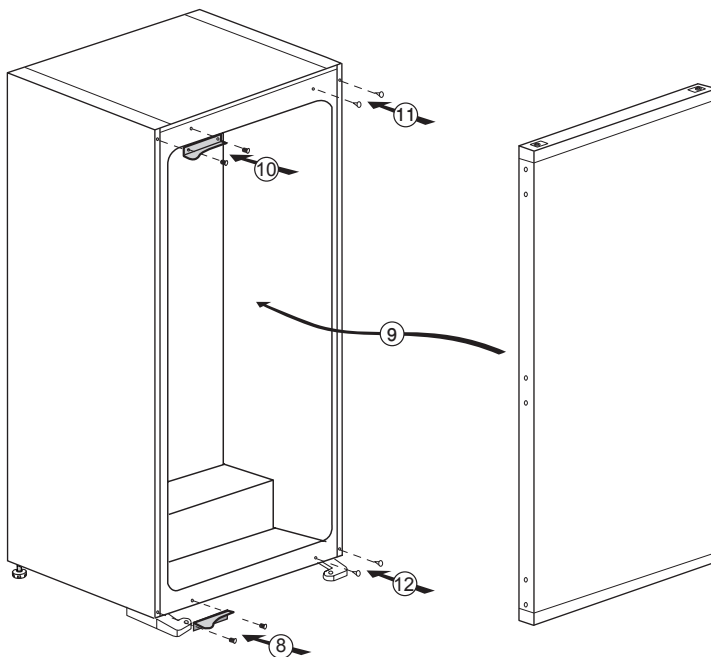
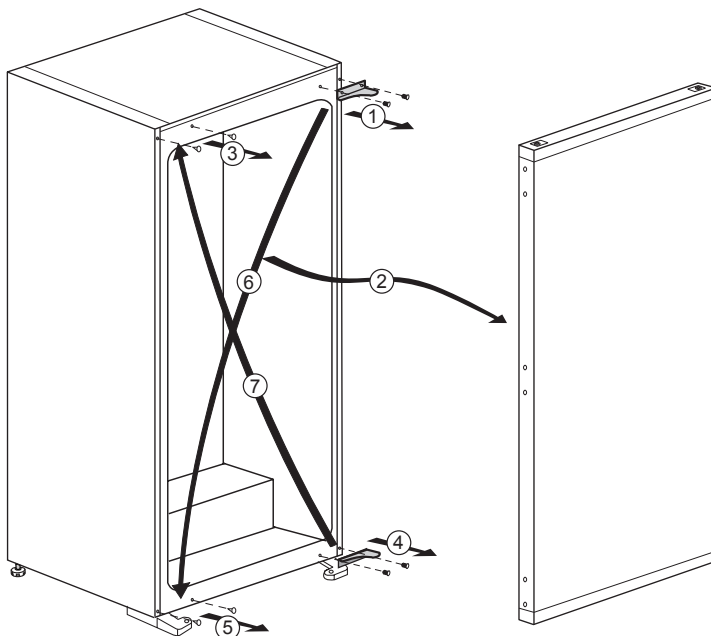
Placing and installation

⚠ If the entrance door of the room where the refrigerator will be installed is not wide enough for the refrigerator to pass through, then call the authorized service to have them remove the door (s) of your refrigerator and pass it sideways through the door.

1. Install your refrigerator to a place that allows ease of use.
2. Keep your refrigerator away from heat sources, humid places and direct sunlight.
3. There must be appropriate air ventilation around your refrigerator in order to achieve an efficient operation. If the refrigerator is to be placed in a recess in the wall, there must be at least 5 cm distance with the ceiling and at least 5 cm with the wall. Do not place your product on the materials such as rug or carpet.
4. Place your refrigerator on an even floor surface to prevent jolts.
5. Do not keep your refrigerator in ambient temperatures under 10°C.

Reversing the doors

Proceed in numerical order.



4 Preparation

- Your refrigerator should be installed at least 30 cm away from heat sources such as hobs, ovens, central heater and stoves and at least 5 cm away from electrical ovens and should not be located under direct sunlight.
- The ambient temperature of the room where you install your refrigerator should at least be 10°C. Operating your refrigerator under cooler conditions is not recommended with regard to its efficiency.
- Please make sure that the interior of your refrigerator is cleaned thoroughly.
- If two refrigerator are to be installed side by side, there should be at least 2 cm distance between them.
- When you operate your refrigerator for the first time, please observe the following instructions during the initial six hours.
- The door should not be opened frequently.
- It must be operated empty without any food in it.
- Do not unplug your refrigerator. If a power failure occurs out of your control, please see the warnings in the “**Recommended solutions for the problems**” section.
- Original packaging and foam materials should be kept for future transportations or moving.
- Food contact with the temperature sensor in the freezer may increase energy consumption of the appliance. Thus any contact with the sensor(s) must be avoided.

5 Using your freezer

Control panel



1. On/Off Indicator

Press the On/Off button for 3 seconds to turn off or turn on the freezer. When the freezer is off, the symbol (●) is lit. All the other symbols are turned off.

2. Freezer temperature setting button

Press this button (°C) to set the temperature of the freezer to -18, -19, -20, -21, -22, -23, -24, -18... respectively. Press this button to set the freezer temperature to the desired value.

3. Quick Freeze function button

Press this button (❄️) to activate or deactivate the quick freeze function. When you activate the function, the freezer will be cooled to a temperature lower than the set value.

Use the quick freeze function when you want to quickly freeze the food placed in the freezer. If you want to freeze large amounts of fresh food, activate this function before putting the food into the product.

If you do not cancel it, Quick Freeze will cancel itself automatically after **25** hours at the most or when the freezer reaches to the required temperature. This function is not recalled when power restores after a power failure.

4. Alarm Off

When the freezer door is opened for 1 minute a sound alarm turns on. The alarm can be turned off by pressing the "Alarm Off" (🔔) button. If you close the door and then open again, "Door open alarm" will be activated again after 1 minute later. In the case of sensor failure, the warning icon will lit (⚠️). If the button „Alarm off“ is pressed, the warning will be "cleaned".

Freezing

The freezing compartment is marked with ❄️❄️❄️ this symbol. You can use the appliance for freezing fresh food as well as for storing pre-frozen food.

Please refer to the recommendations given on the packaging of your food.

⚠️ Attention

Do not freeze fizzy drinks, as the bottle may burst when the liquid in it is frozen. Be careful with frozen products such as coloured ice-cubes. Do not exceed the freezing capacity of your appliance in 24 hours. See the rating label. In order to maintain the quality of the food, the freezing must be effected as rapidly as possible. Thus, the freezing capacity will not be exceeded, and the temperature inside the freezer will not rise. Keep the already deep-frozen food always separated with freshly placed food. When deep-freezing hot food, the cooling compressor will work until the food is completely frozen. If you find the freezer door difficult to open just after you have closed it, don't worry. This is due to the pressure difference which will equalize and allow the door to open normally after a few minutes. You will hear a vacuum sound just after closing the door. This is quite normal.

Making ice cubes

Fill the ice-cube tray 3/4 full with water and place it in the freezer. As soon as the water has turned into ice, you can take out the ice cubes. Never use sharp objects such as knives or forks to remove the ice cubes. There is a risk of injury!

Defrosting

The **NO FROST** type defrost is completely automatic. No intervention from your side is required. The water is collected on the compressor tray. Due to the heat of the compressor the water is evaporated.

6 Maintenance and cleaning

- ⚠ Never use gasoline, benzene or similar substances for cleaning purposes.
- ⚠ We recommend that you unplug the appliance before cleaning.
- ⚠ Never use any sharp abrasive instrument, soap, household cleaner, detergent and wax polish for cleaning.
- ℹ Use lukewarm water to clean the cabinet of your refrigerator and wipe it dry.
- ℹ Use a damp cloth wrung out in a solution of one teaspoon of bicarbonate of soda to one pint of water to clean the interior and wipe it dry.
- ⚠ Make sure that no water enters the lamp housing and other electrical items.
- ⚠ If your refrigerator is not going to be used for a long period of time, unplug the power cable, remove all food, clean it and leave the door ajar.
- ℹ Check door seals regularly to ensure they are clean and free from food particles.
- ⚠ To remove door racks, remove all the contents and then simply push the door rack upwards from the base.
- ⚠ Never use cleaning agents or water that contain chlorine to clean the outer surfaces and chromium coated parts of the product. Chlorine causes corrosion on such metal surfaces.

Protection of plastic surfaces

- ℹ Do not put the liquid oils or oil-cooked meals in your refrigerator in unsealed containers as they damage the plastic surfaces of your refrigerator. In case of spilling or smearing oil on the plastic surfaces, clean and rinse the relevant part of the surface at once with warm water.

7 Recommended solutions for the problems

Please review this list before calling the service. It will save your time and money. This list includes frequent complaints that are not arising from defective workmanship or material usage. Some of the features described here may not exist in your product.

The refrigerator does not operate.

- The plug is not inserted into the socket correctly. >>>Insert the plug into the socket securely.
- The fuse of the socket which your refrigerator is connected to or the main fuse have blown out. >>>Check the fuse.

Condensation on the side wall of the fridge compartment (MULTIZONE, COOL CONTROL and FLEXI ZONE).

- Ambient is very cold. >>>Do not install the refrigerator in places where the temperature falls below 10°C.
- Door has been opened frequently. >>>Do not open and close the door of refrigerator frequently.
- Ambient is very humid. >>>Do not install your refrigerator into highly humid places.
- Food containing liquid is stored in open containers. >>>Do not store food with liquid content in open containers.
- Door of the refrigerator is left ajar. >>>Close the door of the refrigerator.
- Thermostat is set to a very cold level. >>>Set the thermostat to a suitable level.

Compressor is not running.

- Protective thermic of the compressor will blow out during sudden power failures or plug-out plug-ins as the refrigerant pressure in the cooling system of the refrigerator has not been balanced yet. The refrigerator will start running approximately after 6 minutes. Please call the service if the refrigerator does not startup at the end of this period.
- The fridge is in defrost cycle. >>>This is normal for a full-automatically defrosting refrigerator Defrosting cycle occurs periodically.
- The refrigerator is not plugged into the socket. >>>Make sure that the plug is fit in o the socket.
- Temperature settings are not made correctly. >>>Select the suitable temperature value.
- There is a power outage. >>>Refrigerator returns to normal operation when the power restores.

The operation noise increases when the refrigerator is running.
<ul style="list-style-type: none"> • The operating performance of the refrigerator may change due to the changes in the ambient temperature. It is normal and not a fault.
The refrigerator is running frequently or for a long time.
<ul style="list-style-type: none"> • New product may be wider than the previous one. Larger refrigerator operate for a longer period of time. • The room temperature may be high. >>>It is normal that the product operates for longer periods in hot ambient. • The refrigerator might be plugged in recently or might be loaded with food. >>>When the refrigerator is plugged in or loaded with food recently, it will take longer for it to attain the set temperature. This is normal. • Large amounts of hot food might be put in the refrigerator recently. >>>Do not put hot food into the refrigerator. • Doors might be opened frequently or left ajar for a long time. >>>The warm air that has entered into the refrigerator causes the refrigerator to run for longer periods. Do not open the doors frequently. • Freezer or fridge compartment door might be left ajar. >>>Check if the doors are closed completely. • The refrigerator is adjusted to a very low temperature. >>>Adjust the refrigerator temperature to a warmer degree and wait until the temperature is achieved. • Door seal of the fridge or freezer may be soiled, worn out, broken or not properly seated. >>>Clean or replace the seal. Damaged/broken seal causes the refrigerator to run for a longer period of time in order to maintain the current temperature.
Freezer temperature is very low while the fridge temperature is sufficient.
<ul style="list-style-type: none"> • The freezer temperature is adjusted to a very low value. >>>Adjust the freezer temperature to a warmer degree and check.
Fridge temperature is very low while the freezer temperature is sufficient.
<ul style="list-style-type: none"> • The fridge temperature is adjusted to a very low value. >>>Adjust the fridge temperature to a warmer degree and check.
Food kept in the fridge compartment drawers is frozen.
<ul style="list-style-type: none"> • The fridge temperature is adjusted to a very high value. >>>Adjust the fridge temperature to a lower value and check.

Temperature in the fridge or freezer is very high.
<ul style="list-style-type: none"> • The fridge temperature is adjusted to a very high value. >>>Fridge compartment temperature setting has an effect on the temperature of the freezer. Change the temperatures of the fridge or freezer and wait until the relevant compartments attain a sufficient temperature. • Doors are opened frequently or left ajar for a long time. >>>Do not open the doors frequently. • Door is ajar. >>>Close the door completely. • The refrigerator is plugged in or loaded with food recently. >>>This is normal. When the refrigerator is plugged in or loaded with food recently, it will take longer for it to attain the set temperature. • Large amounts of hot food might be put in the refrigerator recently. >>>Do not put hot food into the refrigerator.
Vibrations or noise.
<ul style="list-style-type: none"> • The floor is not level or stable. >>> If the refrigerator rocks when moved slowly, balance it by adjusting its feet. Also make sure that the floor is strong enough to carry the refrigerator, and level. • The items put onto the refrigerator may cause noise. >>>Remove the items on top of the refrigerator.
There are noises coming from the refrigerator like liquid flowing, spraying, etc.
<ul style="list-style-type: none"> • Liquid and gas flows occur in accordance with the operating principles of your refrigerator. It is normal and not a fault.
Whistle comes from the refrigerator.
<ul style="list-style-type: none"> • Fans are used in order to cool the refrigerator It is normal and not a fault.
Condensation on the inner walls of refrigerator.
<ul style="list-style-type: none"> • Hot and humid weather increases icing and condensation. It is normal and not a fault. • Doors are opened frequently or left ajar for a long time. >>>Do not open the doors frequently. Close them if they are open. • Door is ajar. >>>Close the door completely.
Humidity occurs on the outside of the refrigerator or between the doors.
<ul style="list-style-type: none"> • There might be humidity in the air; this is quite normal in humid weather. When the humidity is less, condensation will disappear.
Bad odour inside the refrigerator.
<ul style="list-style-type: none"> • No regular cleaning is performed. >>>Clean the inside of the refrigerator regularly with a sponge, lukewarm water or carbonate dissolved in water. • Some containers or package materials may cause the smell. >>>Use a different container or different brand packaging material. • Food is put into the refrigerator in uncovered containers. >>>Keep the food in closed containers. Microorganisms spreading out from uncovered containers can cause unpleasant odours. • Remove the foods that have expired best before dates and spoiled from the refrigerator.
The door is not closing.
<ul style="list-style-type: none"> • Food packages are preventing the door from closing. >>>Replace the packages that are obstructing the door. • The refrigerator is not completely even on the floor. >>>Adjust the feet to balance the refrigerator. • The floor is not level or strong. >>>Make sure that the floor is level and capable to carry the refrigerator.
Crispers are stuck.
<ul style="list-style-type: none"> • The food is touching the ceiling of the drawer. >>>Rearrange food in the drawer.

Veillez d'abord lire la notice d'utilisation !

Chère cliente, cher client,

Nous espérons que votre produit, qui a été fabriqué dans des usines modernes et vérifié au terme des procédures de contrôle de qualité les plus méticuleuses, vous rendra satisfaction.




Pour cette raison, nous vous conseillons de lire attentivement tout le manuel d'utilisation de votre produit avant de vous en servir, et de le conserver ensuite pour une utilisation ultérieure.

Le présent manuel

- Vous aidera à utiliser votre produit avec rapidité et sécurité.
- Lisez le manuel avant d'installer et de faire fonctionner votre produit.
- Respectez les instructions, notamment celles relatives à la sécurité.
- Conservez ce manuel dans un endroit facilement accessible car vous pouvez en avoir besoin ultérieurement.
- En plus, lisez également les autres documents fournis avec votre produit.
- Veuillez noter que ce manuel peut également être valide pour d'autres modèles.

Symboles et descriptions

Vous retrouverez les symboles suivants dans le présent manuel:

-  Informations importantes ou astuces.
-  Avertissement relatif aux conditions dangereuses pour la vie et la propriété.
-  Avertissement relatif à la tension électrique.



ATTENTION!

Pour assurer un fonctionnement normal de votre appareil qui utilise un agent frigorigère écologique, R600a (inflammable seulement sous certaines conditions) vous devez respecter les règles suivantes:

- N'empêchez pas la libre circulation de l'air autour de l'appareil.
- N'utilisez pas des dispositifs mécaniques pour accélérer le dégivrage, autres que ceux recommandés par le fabricant.
- Ne détruisez pas le circuit frigorigère.
- N'utilisez pas des appareils électriques à l'intérieur du compartiment pour conserver les aliments, hormis celles qui sont éventuellement recommandés par le fabricant.

INFORMATIONS



ENERGY



SUPPLIER'S NAME

MODEL IDENTIFIER

(*)

A

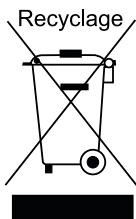
A

Vous pouvez accéder aux informations relatives au modèle telles que sauvegardées dans la base de données des produits en entrant le site internet suivant et en recherchant l'identifiant de votre modèle (*) qui se trouve sur la vignette énergie

<https://eprel.ec.europa.eu/>

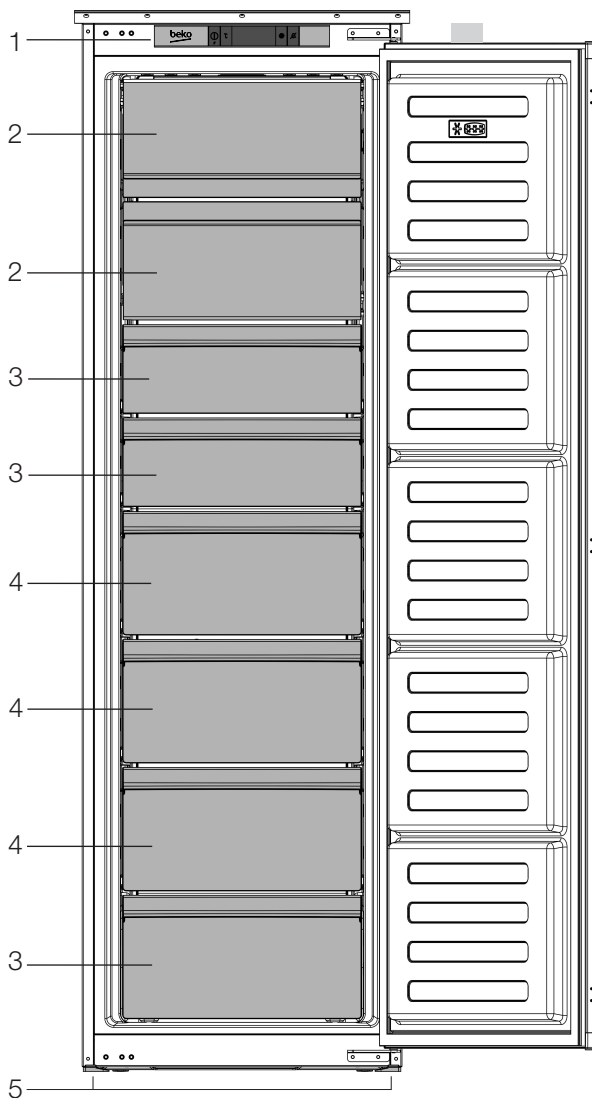
TABLE DES MATIÈRES

1	1	3	4	10
2	4	5	11	
Utilisation préconisée	4	Touches de Contrôle	11	
Sécurité générale.....	4	Congélation	11	
Sécurité enfants.....	6	Fabrication de glaçons	11	
Avertissement sur l'usage des fluides frigorigènes	6	Décongélation	11	
Mesures d'économie d'énergie.....	6	6	12	
3	7	Entretien et nettoyage	12	
Éléments à prendre en considération lors du déménagement de votre réfrigérateur	7	Protection des surfaces en plastique.	12	
Avant de mettre votre réfrigérateur en marche	7	7	13	
Branchement électrique.....	7	Solutions recommandées aux problèmes	13	
Mise au rebut de l'emballage	8			
Mise au rebut de votre ancien réfrigérateur	8			
Disposition et Installation	8			
Réversibilité des portes.....	9			



Ce produit est marqué du symbole du tri sélectif, relatif aux déchets d'équipements électriques et électroniques. Cela signifie que ce produit doit être pris en charge par un système de collecte sélectif conformément à la directive européenne 2012/19/EU, afin de pouvoir être recyclé ou démantelé dans le but de réduire tout impact sur l'environnement. Attention les produits électroniques n'ayant pas fait l'objet d'un tri sélectif sont potentiellement dangereux pour l'environnement et la santé humaine en raison de la présence potentielle de substances dangereuses.

1 Votre congélateur



1. Touches de Contrôle
2. Déflecteurs
3. Tiroirs
4. Grands tiroirs
5. Pieds avant

i Les illustrations présentées dans cette notice d'utilisation sont schématiques et peuvent ne pas correspondre exactement à votre produit. Si des pièces présentées ne sont pas comprises dans le produit que vous avez acheté, elles sont valables pour d'autres modèles.

2 Précautions de sécurité importantes

Veillez examiner les informations suivantes: Le non respect de ces consignes peut entraîner des blessures ou dommages matériels. Sinon, tout engagement lié à la garantie et à la fiabilité du produit devient invalide.

Les pièces détachées d'origine sont disponibles pendant 10 ans, à compter de la date d'achat du produit.

Utilisation préconisée

Ce produit est prévu pour une utilisation:

- en intérieur et dans des zones fermées telles que les maisons;
- dans les environnements de travail fermés, tels que les magasins et les bureaux;
- dans les lieux d'hébergement fermés, tels que les fermes, hôtels, pensions;
- Il ne doit pas être utilisé en extérieur.

Sécurité générale

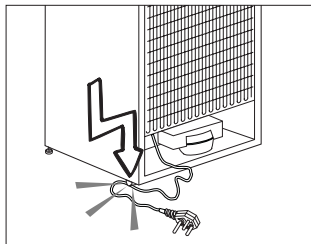
- Avant de vous débarrasser de votre appareil, veuillez consulter les autorités locales ou votre revendeur pour connaître le mode opératoire et les organismes de collecte agréés.
- Consultez le service après-vente agréé concernant toutes questions ou problèmes relatifs au réfrigérateur. N'intervenez pas ou ne laissez personne intervenir sur le réfrigérateur sans le communiquer au service après-vente agréé.
- Ne mangez pas de cônes de crème glacée ou des glaçons immédiatement après les avoir sortis du compartiment de congélation! (Cela pourrait provoquer des engelures dans votre bouche).
- Ne placez pas de boissons en bouteille ou en cannette dans le compartiment de congélation. Cela peut entraîner leur éclatement.
- Ne touchez pas des produits congelés avec les mains, ils pourraient se coller à celles-ci.

- Débranchez votre réfrigérateur avant de le nettoyer ou de le dégivrer.
- La vapeur et des matériaux de nettoyage pulvérisés ne doivent jamais être utilisés pour les processus de nettoyage ou de dégivrage de votre réfrigérateur. La vapeur pourrait pénétrer dans les pièces électriques et provoquer des courts-circuits ou des électrocutions.
- Ne jamais utiliser les pièces de votre réfrigérateur telles que la porte, comme un support ou une marche.
- N'utilisez pas d'appareils électriques à l'intérieur du réfrigérateur.
- N'endommagez pas les pièces où circule le liquide réfrigérant avec des outils de forage ou coupants. Le liquide réfrigérant qui pourrait s'échapper si les canalisations de gaz de l'évaporateur, les rallonges de tuyau ou les revêtements de surface étaient percés, peut irriter la peau et provoquer des blessures aux yeux.
- Ne pas couvrir ou obstruer les orifices de ventilation du réfrigérateur.
- Les appareils électriques peuvent être réparés seulement par des personnes autorisées. Les réparations réalisées par des personnes ne présentant pas les compétences requises peuvent présenter un risque pour l'utilisateur.
- En cas de dysfonctionnement ou lors d'opérations d'entretien ou de réparation, débranchez l'alimentation électrique du réfrigérateur soit en désactivant le fusible correspondant, soit en débranchant l'appareil.
- Ne tirez pas sur le câble lorsque vous débranchez la prise.
- Placez les boissons alcoolisées verticalement, dans des récipients convenablement fermés.
- Ne conservez jamais des aérosols contenant des substances inflammables et explosives dans le réfrigérateur.
- N'utilisez pas d'outils mécaniques ou autres dispositifs pour accélérer le processus de décongélation autres que ceux qui sont recommandés par le fabricant.

- Cet appareil peut être utilisé par des enfants âgés d'au moins 8 ans et par des personnes ayant des capacités physiques, sensorielles ou mentales réduites ou dénuées d'expérience ou de connaissance, s'ils (si elles) sont correctement surveillé(es) ou si des instructions relatives à l'utilisation de l'appareil en toute sécurité leur ont été données et si les risques encourus ont été appréhendés. Les enfants ne doivent pas jouer avec l'appareil. Le nettoyage et l'entretien par l'utilisateur doivent pas être effectués par des enfants sans surveillance.

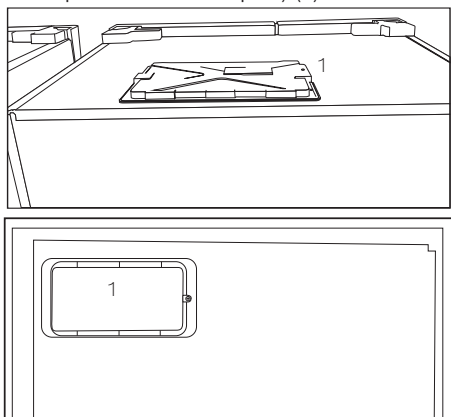
- Ne faites pas fonctionner un réfrigérateur endommagé. Consultez le service agréé en cas de problème.
- La sécurité électrique du réfrigérateur n'est assurée que si le système de mise à la terre de votre domicile est conforme aux normes en vigueur.
- L'exposition du produit à la pluie, la neige, au soleil ou au vent présente des risques concernant la sécurité électrique.
- Contactez le service agréé quand un câble d'alimentation est endommagé pour éviter tout danger.
- Ne branchez jamais le réfrigérateur à la prise murale au cours de l'installation. Vous vous exposeriez à un risque de mort ou à de blessures graves.
- Ce réfrigérateur est conçu seulement pour conserver des aliments. Par conséquent, il ne doit pas être utilisé à d'autres fins.
- L'étiquette avec les caractéristiques techniques est située sur le mur gauche à l'intérieur du réfrigérateur.
- Ne branchez jamais votre réfrigérateur à des systèmes d'économie d'énergie, cela peut l'endommager.
- S'il y a une lumière bleue sur le réfrigérateur, ne la regardez pas avec des outils optiques.
- Pour les réfrigérateurs contrôlés manuellement, attendez au moins 5 minutes pour allumer le réfrigérateur après une coupure de courant.
- Si cet appareil venait à changer de propriétaire, n'oubliez pas de remettre la présente notice d'utilisation au nouveau bénéficiaire.

- Évitez d'endommager le câble d'alimentation quand vous transportez le réfrigérateur. Tordre le câble peut entraîner un incendie. Ne placez jamais d'objets lourds sur le câble d'alimentation.



- Évitez de toucher à la prise avec des mains mouillées au moment de brancher l'appareil.
- Évitez de brancher le réfrigérateur lorsque la prise de courant électrique a lâché.
- Pour des raisons de sécurité, évitez de pulvériser directement de l'eau sur les parties externes et internes du réfrigérateur.
- Ne pulvérisez pas de substances contenant des gaz inflammables comme du propane près du réfrigérateur pour éviter tout risque d'incendie et d'explosion.
- Ne placez jamais de récipients contenant de l'eau sur votre réfrigérateur, ils pourraient causer des chocs électriques ou un incendie.
- Évitez de surcharger le réfrigérateur avec une quantité excessive d'aliments. S'il est surchargé, les aliments peuvent tomber, vous blesser et endommager le réfrigérateur quand vous ouvrez la porte.
- Ne placez jamais d'objets au-dessus du réfrigérateur, ils pourraient tomber quand vous ouvrez ou fermez la porte du réfrigérateur.
- Les produits qui nécessitent un contrôle de température précis (vaccin, médicament sensible à la chaleur, matériels scientifiques, etc.) ne doivent pas être conservés dans le réfrigérateur.
- Si le réfrigérateur n'est pas utilisé pendant longtemps, il doit être débranché. Un problème avec le câble d'alimentation pourrait causer un incendie.

- Le bout de la prise électrique doit être nettoyé régulièrement à l'aide d'un chiffon sec, sinon il peut provoquer un incendie.
- Le réfrigérateur peut bouger si ses pieds réglables ne sont pas bien fixés sur le sol. Bien fixer les pieds réglables sur le sol peut empêcher le réfrigérateur de bouger.
- Quand vous transportez le réfrigérateur, ne le tenez pas par la poignée de la porte. Cela peut l'endommager.
- Quand vous devez placer votre produit près d'un autre réfrigérateur ou congélateur, la distance entre les appareils doit être d'au moins 8 cm. Sinon, les murs adjacents peuvent être humidifiés.
- Ne jamais utiliser le produit si la section située dans sa partie supérieure ou inférieure avec cartes de circuits imprimés électroniques à l'intérieur est ouverte (couvercle de cartes de circuits imprimés électroniques) (1).



Sécurité enfants

- Si la porte a un verrouillage, la clé doit rester hors de portée des enfants.
- Les enfants doivent être surveillés et empêchés de s'amuser avec le produit.

Avertissement sur l'usage des fluides frigorigènes

Si le système de refroidissement de votre appareil contient R600a:

Ce gaz est inflammable.

Par conséquent, veuillez prendre garde à ne pas endommager le système de refroidissement et les tuyauteries lors de son utilisation ou de son transport. En cas de dommages, éloignez votre produit de toute source potentielle de flammes susceptible de provoquer l'incendie de l'appareil. De même, placez le produit dans une pièce aérée.

Ne tenez pas compte de cet avertissement si le système de refroidissement de votre appareil contient R134a.

Le type de gaz utilisé dans l'appareil est mentionné sur la plaque signalétique située sur la paroi gauche de l'intérieur du réfrigérateur. Ne jetez jamais l'appareil au feu pour vous en débarrasser.

Mesures d'économie d'énergie

- Ne laissez pas les portes du réfrigérateur ouvertes pendant une durée prolongée.
- N'introduisez pas de aliments ou de boissons chaudes dans le réfrigérateur.
- Ne surchargez pas le réfrigérateur pour ne pas obstruer la circulation d'air à l'intérieur.
- N'installez pas le réfrigérateur à la lumière directe du soleil ou près d'appareil émettant de la chaleur tels qu'un four, un lave-vaisselle ou un radiateur. Maintenez une distance d'au moins 30 cm entre votre réfrigérateur et toute source de chaleur, et à une distance de 5 cm d'un four électrique.
- Veillez à conserver vos aliments dans des récipients fermés.
- Vous pouvez conserver une quantité maximale d'aliments dans le congélateur quand vous enlevez l'étagère ou le tiroir du congélateur. La consommation d'énergie précisée pour votre réfrigérateur a été déterminée en enlevant l'étagère ou le tiroir du congélateur et avec la charge maximale. Il n'y a aucun risque à utiliser une étagère ou un tiroir en fonction des formes et tailles des aliments à congeler.

3 Installation

⚠ Dans l'hypothèse où l'information contenue dans ce manuel n'a pas été prise en compte par l'utilisateur, le fabricant ne sera aucunement responsable en cas de problèmes.

Éléments à prendre en considération lors du déménagement de votre réfrigérateur

1. Votre réfrigérateur doit être débranché.
2. Avant le transport de votre réfrigérateur, vous devez le vider et le nettoyer. Avant d'emballer votre réfrigérateur, vous devez fixer ses étagères, bac, accessoires, etc., avec du ruban adhésif afin de les protéger contre les chocs.
3. L'emballage doit être solidement attaché avec du ruban adhésif épais ou avec un cordage solide. La réglementation en matière de transport et de marquage de l'emballage doit être strictement respectée.
4. L'emballage et les matériaux de protection d'emballage doivent être conservés pour les éventuels transports ou déplacements à venir.

Avant de mettre votre réfrigérateur en marche,

Vérifiez les points suivants avant de commencer à utiliser votre réfrigérateur

1. L'intérieur du réfrigérateur est sec et l'air peut circuler librement à l'arrière?
2. Nettoyez l'intérieur du réfrigérateur tel qu'indiqué dans la section « **Entretien et nettoyage** ».

3. Insérez la prise d'appareil dans la prise murale.

4. Lorsque le compresseur commence à fonctionner, il émettra un son. Le liquide et les gaz intégrés au système du réfrigérateur peuvent également faire du bruit, que le compresseur soit en marche ou non. Ceci est tout à fait normal.

5. Les parties antérieures du réfrigérateur peuvent chauffer. Ce phénomène est normal. Ces zones doivent en principe être chaudes pour éviter tout risque de condensation.

Branchement électrique

Branchez votre réfrigérateur à une prise électrique protégée par un fusible ayant une capacité appropriée.

Important:

- Le branchement doit être conforme aux normes en vigueur sur le territoire national.
- La fiche du câble d'alimentation doit être facilement accessible après installation.
- La sécurité électrique du réfrigérateur n'est assurée que si le système de mise à la terre de votre domicile est conforme aux normes en vigueur.
- La tension indiquée sur l'étiquette située sur la paroi gauche interne de votre produit doit correspondre à celle fournie par votre réseau électrique.
- **Les rallonges et multiprises ne doivent pas être utilisés pour brancher l'appareil.**

⚠ Un câble d'alimentation endommagé doit être remplacé par un électricien qualifié.

⚠ L'appareil ne doit pas être mis en service avant d'être réparé ! Cette précaution permet d'éviter tout risque de choc électrique!

Mise au rebut de l'emballage

Les matériaux d'emballage peuvent être dangereux pour les enfants. Tenez les matériaux d'emballage hors de portée des enfants ou jetez-les conformément aux consignes établies par les autorités locales en matière de déchets. Ne les jetez pas avec les déchets domestiques, déposez-les dans les centres de collecte désignés par les autorités locales.

L'emballage de votre appareil est produit à partir de matériaux recyclables.

Mise au rebut de votre ancien réfrigérateur

Débarassez-vous de votre ancien réfrigérateur sans nuire à l'environnement.

- Vous pouvez consulter le service après-vente agréé ou le centre chargé de la mise au rebut dans votre municipalité pour en savoir plus sur la mise au rebut de votre produit. Avant de procéder à la mise au rebut de votre machine, coupez la prise électrique et, le cas échéant, tout verrouillage susceptible de se trouver sur la porte. Rendez-les inopérants afin de ne pas exposer les enfants à d'éventuels dangers.

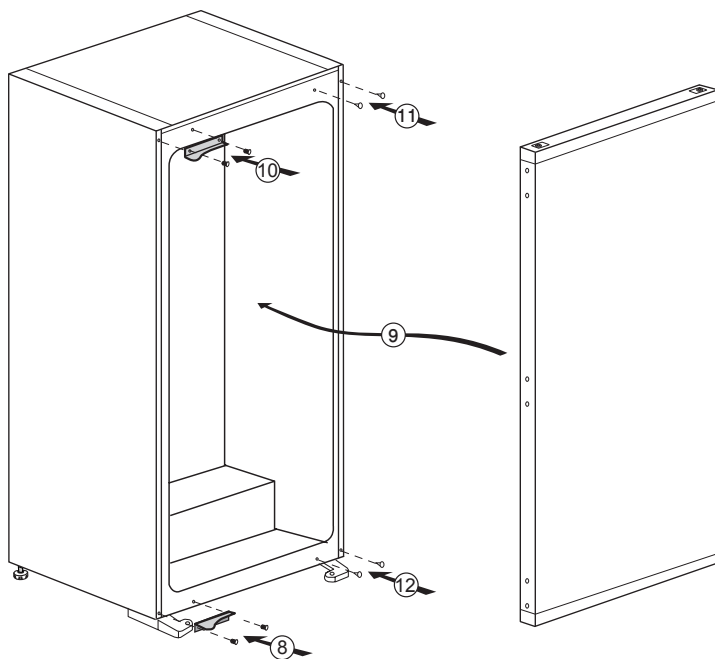
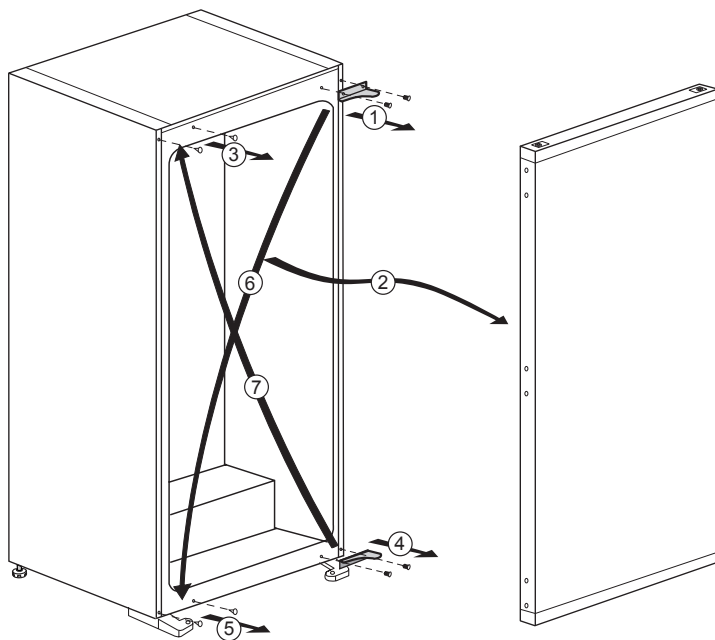
Disposition et Installation

⚠ Si la porte d'entrée de la pièce où sera installé le réfrigérateur n'est pas assez large pour laisser passer le réfrigérateur, appelez le service après-vente qui retirera les portes du réfrigérateur et le fera entrer latéralement dans la pièce.

1. Installez le réfrigérateur dans un emplacement qui permette une utilisation pratique.
2. Maintenez le réfrigérateur éloigné de toutes sources de chaleur, des endroits humides et de la lumière directe du soleil.
3. Une ventilation d'air autour du réfrigérateur doit être aménagée pour obtenir un fonctionnement efficace. Si le réfrigérateur est placé dans un enfoncement du mur, il doit y avoir un espace d'au moins 5 cm avec le plafond et d'au moins 5 cm avec le mur. Ne placez pas l'appareil sur des revêtements tels qu'un tapis ou de la moquette.
4. Placez le réfrigérateur sur une surface plane afin qu'il soit stable.
5. N'exposez pas le réfrigérateur à des températures ambiantes inférieures à 10°C.

Réversibilité des portes

Procédez dans l'ordre numérique.

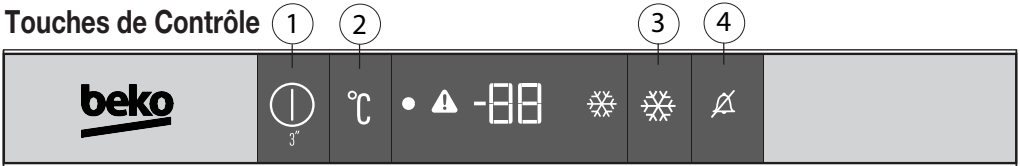


4 Préparation

- i** Votre réfrigérateur doit être installé à au moins 30 cm des sources de chaleur telles que les plaques de cuisson, les fours, appareils de chauffage ou cuisinières, et à au moins 5 cm des fours électriques. De même, il ne doit pas être exposé à la lumière directe du soleil.
- i** La température ambiante de la pièce où vous installez le réfrigérateur doit être d'au moins 10°C. Faire fonctionner l'appareil sous des températures inférieures n'est pas recommandé et pourrait nuire à son efficacité.
- i** Veuillez vous assurer que l'intérieur de votre appareil est soigneusement nettoyé.
- i** Si deux réfrigérateurs sont installés côte à côte, ils doivent être séparés par au moins 2 cm.
- i** Lorsque vous faites fonctionner le réfrigérateur pour la première fois, assurez-vous de suivre les instructions suivantes pendant les six premières heures.
 - La porte ne doit pas être ouverte fréquemment.
 - Le réfrigérateur doit être mis en marche à vide, sans aliments à l'intérieur.
 - Ne débranchez pas le réfrigérateur. Si une panne de courant se produit, veuillez vous reporter aux avertissements dans la section « **Solutions recommandées aux problèmes** ».
- i** L'emballage et les matériaux de protection d'emballage doivent être conservés pour les éventuels transports ou déplacements à venir.
- i** Le contact entre le capteur de température et les denrées alimentaires à l'intérieur du compartiment de congélation peut augmenter la consommation énergétique de l'appareil. Pour cette raison, les contacts avec les capteurs doivent être évités.

5 Utilisation du congélateur

Touches de Contrôle



1. Fonction Marche/Arrêt

Appuyez sur la touche On/Off pendant 3 secondes pour allumer ou éteindre le congélateur. Lorsque le congélateur est à l'arrêt, le voyant (●) s'allume. Tous les autres voyants sont éteints.

2. Bouton de réglage de température du congélateur

Appuyez sur ce bouton (°C) pour régler la température du congélateur à -18, -19, -20, -21, -22, -23, -24, -18... respectivement. Appuyez sur ce bouton pour définir la température souhaitée pour le congélateur.

3. Bouton de la fonction de congélation rapide

Appuyez sur ce bouton (❄) pour activer ou désactiver la fonction de congélation rapide. Lorsque vous activez cette fonction, le congélateur refroidit à une température inférieure à la valeur de consigne.

Utilisez la fonction de congélation rapide lorsque vous souhaitez congeler rapidement les aliments placés dans le congélateur. Si vous souhaitez congeler de grandes quantités d'aliments, nous vous recommandons d'activer cette fonction au préalable.

Au bout de **25 heures** de temps ou lorsque le congélateur atteint la température souhaitée, la fonction de congélation rapide se désactive automatiquement si vous ne la désactivez pas vous-même. Cette fonction n'est pas reprise lorsque le courant est rétabli après une panne de courant.

4. Alarme désactivée

Lorsque la porte du congélateur reste ouverte pendant 1 minutes une alarme sonore retentit. Pour arrêter l'alarme, appuyez sur le bouton «Alarme désactivée» (🔔). Si vous fermez et ouvrez la porte, «l'alarme d'ouverture de porte» s'active à nouveau au bout de 1 minutes. En cas de défaillance du capteur, l'icône d'avertissement s'allume (⚠). Si vous appuyez sur le bouton «Alarme désactivée», l'avertissement sera «nettoyé».

Congélation

Le compartiment de congélation porte ce symbole ❄***.

Vous pouvez utiliser cet appareil pour congeler des aliments fraîches ainsi que pour stocker des aliments surgelés. Veuillez vous référer aux recommandations indiquées sur l'emballage de votre aliment.

⚠ Attention

Ne pas congeler de boissons gazeuses car le liquide congelé peut faire éclater la bouteille. Soyez prudents avec les produits congelés tels que les glaçons colorés. Ne dépassez pas le pouvoir de congélation de votre appareil par 24 heures. Se référer à la plaque signalétique. Afin de préserver la qualité des aliments, la congélation doit être effectuée le plus rapidement possible. Ainsi, le pouvoir de congélation ne sera pas dépassé et la température à l'intérieur du congélateur ne montera pas. Conservez toujours les aliments déjà surgelés séparément des denrées qui viennent d'y être placées. Lorsque vous surgelez un aliment chaud, le compresseur de réfrigération fonctionnera tant que l'aliment n'est pas complètement congelé. Si vous trouvez que la porte du congélateur est difficile à ouvrir juste après l'avoir fermée, ne vous inquiétez pas. Cela est dû à la différence de pression qui va se régulariser et permettra d'ouvrir la porte normalement au bout de quelques minutes. Vous entendrez un bruit d'aspiration juste après avoir fermé la porte. Ceci est tout à fait normal.

Fabrication de glaçons

Remplissez les bacs à glaçons d'eau jusqu'aux $\frac{3}{4}$ et introduisez les dans le congélateur. Dès que l'eau est devenue glace, vous pouvez sortir les glaçons. N'utilisez jamais d'objets tranchants tels que couteaux ou fourchettes pour démouler les glaçons. Il y a un risque de blessure!

Décongélation

Le dégivrage de type FROID VENTILE est entièrement automatique. Aucune intervention de votre part n'est requise. L'eau est récoltée dans le bac du compresseur. De par la chaleur du compresseur, l'eau s'évapore.

6 Entretien et nettoyage

- ⚠ N'utilisez jamais d'essence, de benzène ou de matériaux similaires pour le nettoyage.
- ⚠ Nous vous recommandons de débrancher l'appareil avant de procéder au nettoyage.
- ℹ N'utilisez jamais d'ustensiles tranchants, savon, produit de nettoyage domestique, détergent et cirage pour le nettoyage.
- ℹ Utilisez de l'eau tiède pour nettoyer la carrosserie du congélateur / réfrigérateur et séchez-la soigneusement à l'aide d'un chiffon.
- ℹ Utilisez un chiffon humide imbibé d'une solution composée d'une cuillère à café de bicarbonate de soude pour un demi litre d'eau pour nettoyer l'intérieur et séchez soigneusement.
- ⚠ Prenez soin de ne pas faire couler d'eau dans le logement de la lampe et dans d'autres éléments électriques.
- ⚠ En cas de non utilisation de votre congélateur / réfrigérateur pendant une période prolongée, débranchez le câble d'alimentation, sortez toutes les aliments, nettoyez-le et laissez la porte entrouverte.
- ℹ Inspectez les joints de porte régulièrement pour vérifier qu'ils sont propres et qu'il n'y a pas de résidus de nourriture.
- ℹ Pour retirer les balconnets de portes, sortez tout son contenu puis poussez simplement le balconnet vers le haut à partir de la base.

- ℹ Ne jamais utiliser des produits nettoyants ou de l'eau contenant du chlore pour le nettoyage des surfaces externes et des pièces chromées du produit. Le chlore entraîne la corrosion de ces surfaces métalliques.

Protection des surfaces en plastique

- Ne placez pas d'huiles ou de plats huileux dans le congélateur / réfrigérateur dans des récipients non fermés, car les graisses peuvent endommager les surfaces en plastique du congélateur / réfrigérateur. Si vous versez ou éclaboussez de l'huile sur les surfaces en plastique, nettoyez et lavez les parties souillées avec de l'eau chaude immédiatement.

7 Solutions recommandées aux problèmes

Veillez vérifier la liste suivante avant d'appeler le service après-vente. Cela peut vous faire économiser du temps et de l'argent. Cette liste regroupe les problèmes les plus fréquents ne provenant pas d'un défaut de fabrication ou d'utilisation du matériel. Il se peut que certaines des fonctions décrites ne soient pas présentes sur votre produit.

Le réfrigérateur ne fonctionne pas.

- Le réfrigérateur est-il correctement branché ? Insérez la prise dans la prise murale.
- Est-ce que le fusible ou la douille de raccord du réfrigérateur sont connectés ou est-ce que le fusible principal a sauté ? Vérifiez le fusible.

Condensation sur la paroi intérieure du compartiment réfrigérateur. (MULTIZONE, COOL CONTROL et FLEXI ZONE).

- Température ambiante très basse. Ouvertures et fermetures fréquentes de la porte. Humidité ambiante très élevée. Conservation de aliments liquides dans des récipients ouverts. Porte laissée entrouverte. Réglez le thermostat à un niveau de froid supérieur.
- Réduisez les temps d'ouverture de la porte ou utilisez-la moins fréquemment.
- Couvrez les aliments dans des récipients ouverts à l'aide d'un matériau adapté.
- Essayez la condensation à l'aide d'un tissu sec et vérifiez si elle persiste.

Le compresseur ne fonctionne pas.

- Le dispositif de protection thermique du compresseur sautera en cas de coupures soudaines du courant ou de débranchement intempestif, en effet la pression du liquide réfrigérant du système de refroidissement ne sera pas équilibrée. Le réfrigérateur recommencera à fonctionner normalement après 6 minutes environ. Veuillez contacter le service après-vente si le réfrigérateur ne redémarre pas après cette période.
- Le réfrigérateur est en mode de dégivrage. Cela est normal pour un réfrigérateur à dégivrage semi-automatique. Le cycle de dégivrage se déclenche régulièrement.
- Le réfrigérateur n'est pas branché à la prise. Assurez-vous que la prise est branchée à la prise murale.
- Les réglages de température sont-ils corrects ?
- Il se peut qu'il y ait une panne d'électricité.

Le réfrigérateur fonctionne fréquemment ou pendant de longues périodes.

- Votre nouveau réfrigérateur est peut-être plus large que l'ancien. Ceci est tout à fait normal. Les grands réfrigérateurs fonctionnent pendant une période de temps plus longue.
- La température ambiante de la salle peut être élevée. Ceci est tout à fait normal.
- Le réfrigérateur pourrait y avoir été branché tout récemment ou pourrait avoir été chargé de aliments alimentaires. Le refroidissement complet du réfrigérateur peut durer quelques heures de plus.
- D'importantes quantités de aliments chaudes ont peut-être été introduites dans le réfrigérateur récemment. Les aliments chauds provoquent un fonctionnement prolongé du réfrigérateur avant d'atteindre le niveau de température de conservation raisonnable.
- Les portes ont peut-être été ouvertes fréquemment ou laissées entrouvertes pendant une durée prolongée. L'air chaud qui entre dans le réfrigérateur le fait fonctionner pendant de plus longues périodes. Ouvrez les portes moins souvent.
- La porte du réfrigérateur ou du congélateur ont peut-être été laissées entrouvertes. Vérifiez que les portes sont bien fermées.
- Le réfrigérateur est réglé à une température très basse. Réglez la température du réfrigérateur à un degré supérieur et attendez jusqu'à ce que la température soit bonne.
- Le joint de la porte du réfrigérateur ou du congélateur peut être sale, déchiré, rompu ou mal en place. Nettoyez ou remplacez le joint. Tout joint endommagé/déchiré fait fonctionner le réfrigérateur pendant une période de temps plus longue afin de conserver la température actuelle.

La température du congélateur est très basse alors que celle du réfrigérateur est correcte.

- La température du congélateur est réglée à une température très basse. Réglez la température du congélateur à un degré supérieur et vérifiez.

La température du réfrigérateur est très basse alors que celle du congélateur est correcte.

- Il se peut que la température du réfrigérateur a réglée à une température très basse. Réglez la température du réfrigérateur à un degré supérieur et vérifiez.

Les aliments conservés dans les tiroirs du compartiment de réfrigération congèlent.

- Il se peut que la température du réfrigérateur a réglée à une température très basse. Réglez la température du réfrigérateur à un degré supérieur et vérifiez.

La température dans le réfrigérateur ou le congélateur est très élevée.
<ul style="list-style-type: none"> • La température du réfrigérateur a peut être été réglée à un degré très élevé. Le réglage du réfrigérateur a un effet sur la température du congélateur. Modifiez la température du réfrigérateur ou du congélateur jusqu'à ce qu'elles atteignent un niveau correct. • Les portes ont peut être été ouvertes fréquemment ou laissées entrouvertes pendant une durée prolongée; ouvrez-les moins fréquemment. • La porte est peut être restée ouverte; refermez complètement la porte. • D'importantes quantités de aliments chaudes ont peut être été introduites dans le réfrigérateur récemment. Attendez que le réfrigérateur ou le congélateur atteigne la bonne température. • Le réfrigérateur y a peut être été branché récemment. Le refroidissement complet du réfrigérateur nécessite du temps.
Le niveau sonore augmente lorsque le réfrigérateur est en marche.
<ul style="list-style-type: none"> • Les caractéristiques de performance du réfrigérateur peuvent changer en raison des variations de la température ambiante. Cela est normal et n'est pas un défaut.
Vibrations ou bruits.
<ul style="list-style-type: none"> • Le sol n'est pas plat ou n'est pas solide. Le réfrigérateur oscille lorsqu'on le bouge lentement. Assurez-vous que le sol est plat et suffisamment solide pour supporter le réfrigérateur. • Les bruits peuvent être produits par les objets placés sur le réfrigérateur. Enlevez tout ce qu'il y a au-dessus du réfrigérateur.
Le réfrigérateur produit des bruits semblables à de l'eau qui coule ou à la pulvérisation d'un liquide.
<ul style="list-style-type: none"> • Des écoulements de gaz et de liquides se produisent dans le réfrigérateur, de par ses principes de fonctionnement. Cela est normal et n'est pas un défaut.
Le réfrigérateur produit des bruits semblables à du vent.
<ul style="list-style-type: none"> • Les ventilateurs sont utilisés pour refroidir le réfrigérateur. Cela est normal et n'est pas un défaut.
Condensation sur les parois intérieures du réfrigérateur.
<ul style="list-style-type: none"> • Un temps chaud et humide augmente la formation de givre et de condensation. Cela est normal et n'est pas un défaut. • La porte est peut être restée ouverte; assurez-vous que les portes sont complètement fermées. • Les portes ont peut être été ouvertes fréquemment ou laissées entrouvertes pendant une durée prolongée; ouvrez-les moins fréquemment.
De l'humidité est présente à l'extérieur ou entre les portes du réfrigérateur.
<ul style="list-style-type: none"> • Il y a peut être de l'humidité dans l'air; ceci est tout à fait normal par un temps humide. Lorsque l'humidité est faible, la condensation disparaîtra.
Présence d'une mauvaise odeur dans le réfrigérateur.
<ul style="list-style-type: none"> • L'intérieur du réfrigérateur doit être nettoyé. Nettoyez l'intérieur du réfrigérateur avec une éponge, de l'eau tiède ou de l'eau gazeuse. • Certains récipients ou matériaux d'emballage peuvent provoquer ces odeurs. Utilisez un autre récipient ou changez de marque de matériau d'emballage.
La porte ne se ferme pas.
<ul style="list-style-type: none"> • Des récipients peuvent empêcher la fermeture de la porte. Remplacez les emballages qui obstruent la porte. • Le réfrigérateur n'est pas complètement vertical et peut balancer lorsqu'on le bouge légèrement. Réglez les vis de levage. • Le sol n'est pas plat ou solide. Assurez-vous que le sol est plat et qu'il peut supporter le réfrigérateur.
Les bacs à légumes sont coincés.
<ul style="list-style-type: none"> • Il se peut que les aliments touchent le haut du tiroir. Disposez à nouveau les aliments dans le tiroir.

Læs venligst denne vejledning inden du tager køleskabet i brug!

Kære kunde,

Vi håber, at dit produkt, der er produceret i moderne produktionsanlæg og kontrolleret under de grundigste kvalitetskontrolprocedurer, vil give dig en effektiv service.




Vi anbefaler, at denne brugsvejledning læses grundigt inden køleskabet tages i brug og opbevares til fremtidig reference.

Denne brugsvejledning

- Hjælper dig til at bruge dit apparat på en hurtig og sikker måde.
- Læs venligst vejledningen, før du installerer og bruger produktet.
- Følg venligst instruktionerne, særligt dem, der omhandler sikkerhed.
- Opbevar vejledningen et sted, hvor du nemt kan komme til den, da du kan få brug for den senere.
- Læs venligst også de andre dokumenter, der følger med produktet.
- Bemærk, at denne brugsvejledning også kan være gyldig for andre modeller.

Symboler og deres beskrivelse

Denne brugsvejledning indeholder følgende symboler:

-  Vigtige informationer eller brugbare tips.
-  Advarsel mod farlige forhold for liv og ejendom.
-  Advarsel mod strømspænding.



ADVARSEL!

For at sikre køleapparatets normale funktion, som i øvrigt bruger den miljøvenlige kølervæske R600a (kun brandbar under visse omstændigheder), skal følgende forholdsregler følges:

- Bloker ikke den fri luftcirkulation omkring apparatet.
- Brug ikke andet mekanisk udstyr, end det der er anbefalet af fabrikanten for at accelerere afsningsprocessen.
- Ødelæg ikke kølekredsløbet.
- Brug ikke elektriske apparater inde i skabets opbevaringsafsnit, med mindre de er af en type, der er anbefalet af fabrikanten.

INFORMATION



SUPPLIER'S NAME

MODEL IDENTIFIER

(*)

A

A

Modeloplysninger, som er gemt i produkt databasen, kan nås ved at gå ind på følgende websted og søge efter din modelidentifikator (*), der findes på energimærket.

<https://eprel.ec.europa.eu/>

INDHOLD

1 Fryseskab	3	4 Tilberedning	10
2 Vigtige sikkerhedsadvarsler	4	5 Betjening af produktet	11
Tilsluttet brug.....	4	Indikatorpanel.....	11
Generelle sikkerhedsregler.....	4	Frysning	11
Børnesikkerhed	6	Fremstille isterninger	11
HCA Advarsel.....	6	Afrimning.....	11
Energibesparende foranstaltninger.....	6	6 Vedligeholdelse og rengøring	12
3 Installation	7	Beskyttelse af plasticoverflader	12
Hvis køleskabet skal transporteres igen	7	7 Anbefalede løsninger på problemerne	13
Inden køleskabet betjenes	7		
Elektrisk tilslutning	7		
Bortskaffelse af emballagen	7		
Bortskaffelse af det gamle køleskab... ..	8		
Placering og installation	8		
Vende dørene	9		

Genvinding

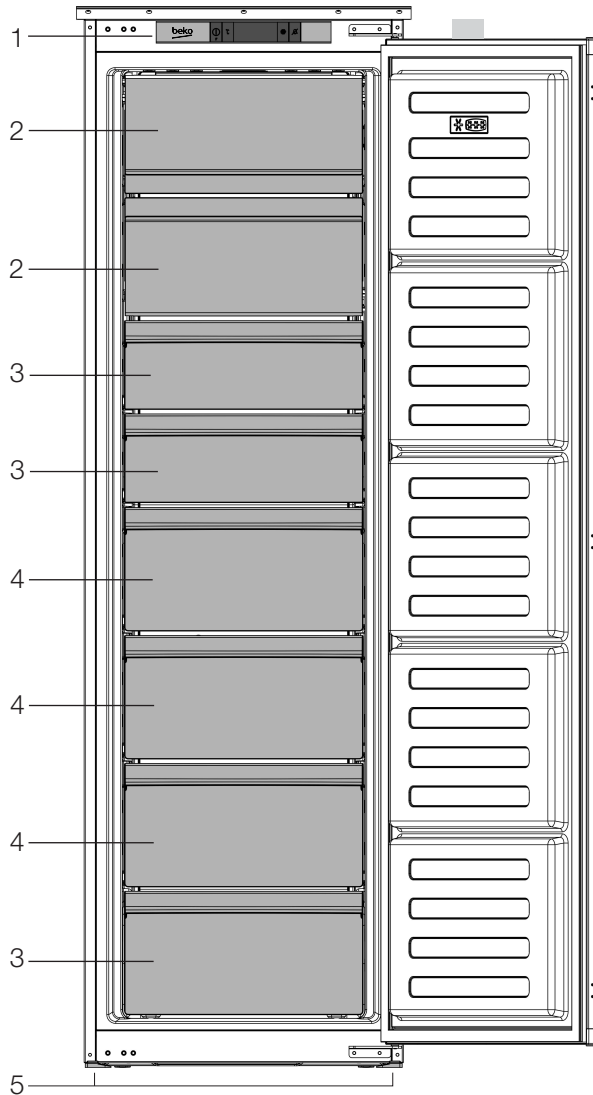


Dette produkt er udstyret med symbolet for selektiv sortering af affald fra elektrisk og elektronisk udstyr (WEEE).

Det betyder, at dette produkt skal håndteres i henhold til det Europæiske Direktiv 2012/19/EU for at blive genanvendt eller afmonteret for at minimere påvirkningen af miljøet. For yderligere information bedes du kontakte de lokale myndigheder.

Elektroniske produkter, der ikke er omfattet af den selektive sorteringsproces, er potentielt farlige for miljøet og menneskets sundhed pga. af tilstedeværelsen af farlige substanser.

1 Fryseskab



1. Betjeningspanel
2. Klap
3. Skuffer
4. Store skuffer
5. Forreste fødder

i Tallene i denne manual er skematiske og svarer måske ikke helt til dit produkt. Hvis delene ikke er indeholdt i det produkt, du har købt, findes de i andre modeller.

2 Vigtige sikkerhedsadvarsler

Gennemgå følgende informationer. Hvis man undlader at overholde disse informationer, kan det forårsage kvæstelser eller materiel skade. Ellers vil alle garantier og løfter om driftssikkerhed blive ugyldige.

Tilsigtet brug

Dette produkt er beregnet til at blive brugt:

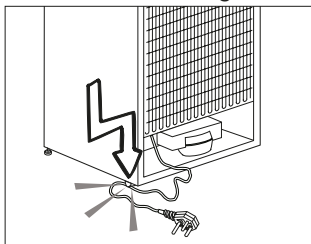
- indendørs og i lukkede områder, som f.eks. hjem;
- i lukkede arbejdsmiljøer, som f.eks. butikker og kontorer;
- lukkede boligområder, som f.eks. stuehuse, hoteller, pensionater.
- Dette produkt skal ikke bruges udendørs.

Generelle sikkerhedsregler

- Når du vil bortkaste/skrotte produktet, anbefaler vi, at du rådfører dig med den autoriserede service for at tilegne dig de krævede informationer samt med de autoriserede myndigheder.
- Kontakt den autoriserede forhandler for at få svar på spørgsmål og problemer omkring køle-/fryseskabet. Undlad at foretage indgreb eller lade andre foretage indgreb på køle-/fryseskabet uden at informere den autoriserede forhandler.
- Undlad at spise vaffelis eller isterninger lige efter, du har taget dem ud af fryseren! (Det kan forårsage forfrysninger i munden.)
- Læg ikke flydende drikkevarer på flaske eller kande i fryseren. De kan eksplodere.

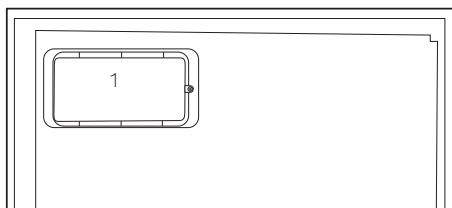
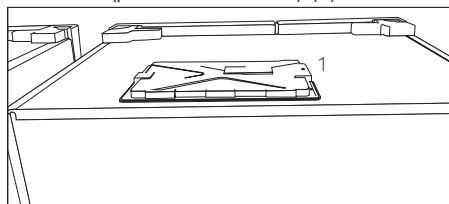
- Rør ikke frosne madvarer med hænderne, da de kan hænge fast i din hånd.
- Tag køle-/fryseskabet ud af stikket inden rengøring eller afrimning.
- Damp og fordampede rengøringsmaterialer skal aldrig bruges ved rengøring og afrimning af køle-/fryseskabet. Hvis det sker, kan dampen komme i kontakt med de elektriske dele og forårsage kortslutning eller elektrisk stød.
- Brug aldrig delene på køle-/fryseskabet, som f.eks. lågen til at støtte dig på eller stå på.
- Brug ikke elektriske apparater inde i køle-/fryseskabet.
- Undlad at beskadige de dele, hvor kølemidlet cirkulerer, med bore- eller skæreværktøjer. Kølemidlet, som kan blæse ud, når fordampereens gaskanaler, forlængerrørene eller overfladebelæggningerne punkteres, kan forårsage hudirritationer og øjenskader.
- Undlad med nogen form for materiale at tildække eller blokere ventilationshullerne på køle-/fryseskabet.
- Elektrisk udstyr må kun repareres af autoriserede personer. Reparationer, der er udført af inkompetente personer, skaber en risiko for brugeren.
- I tilfælde af fejlfunktion under vedligeholdelses- eller reparationsarbejde skal køle-/fryseskabets forsyningsnet afbrydes ved enten at slukke for den relevante sikring eller ved at tage apparatets stik ud af kontakten.
- Træk ikke i ledningen, når stikket skal tages ud.
- Placer de drikkevarer, der indeholder højere alkoholprocent, stramt lukket og lodret.

- Opbevarer aldrig sprayflasker, der indeholder brændbare og eksplosive substanser, i køle-/fryseskabet.
- Der må ikke anvendes mekanisk udstyr eller andre midler, ud over de af producenten anbefalede, for at fremskynde afrimningsprocessen.
- Dette produkt er ikke beregnet til at bruges af personer med fysiske handicap, føleforstyrrelser og psykiske lidelser eller personer, som ikke har modtaget instruktion (herunder børn), medmindre de er ledsaget af en person, der er ansvarlig for deres sikkerhed eller som instruerer dem i brug af produktet.
- Lad ikke et beskadiget køle-/fryseskab køre. Kontakt serviceagenten, hvis du har nogen betænkeligheder.
- Der kan kun garanteres for køle-/fryseskabets strømsikkerhed, hvis jordingsystemet i dit hjem opfylder standarderne.
- At udsætte produkterne for regn, sne, sol og vind er farligt hvad angår el-sikkerheden.
- Kontakt autoriseret service, hvis der er et beskadiget strømkabel, for at undgå fare.
- Sæt aldrig køle-/fryseskabet ind i stikkontakten under installationen. Hvis det sker, kan der opstå risiko for dødsfald eller alvorlig skade.
- Dette køle-/fryseskab er kun beregnet til at opbevare madvarer. Det bør ikke bruges til andre formål.
- Typeskiltet med tekniske informationer er placeret på den venstre væg i køle-/fryseskabet.
- Tilslut aldrig køle-/fryseskabet til el-besparende systemer; de kan beskadige køle-/fryseskabet.
- Hvis der er et blåt lys i køle-/fryseskabet, så undlad at kigge på det blå lys med optiske instrumenter.
- For manuelt betjente køle-/fryseskabe skal man vente mindst 5 minutter med at starte det efter strømsvigt.
- Denne brugermanual skal afleveres til den nye ejer når det skifter ejerskab.
- Undlad at beskadige strømkablet, når køle-/fryseskabet transporteres. Det kan forårsage brand at bøje kablet. Placer aldrig tunge genstande på strømkablet. Rør ikke ved stikket med våde hænder, når du tager stikket ud.



- Tilslut ikke køle-/fryseskabet hvis stikkontakten er løs.
- Vand bør ikke blive sprøjet direkte på indre og ydre dele af produktet af sikkerhedsmæssige årsager.
- Undlad at sprøjte substanser, der indeholder brændbare gasser, som f.eks. propangas, nær ved køle-/fryseskabet for at undgå risiko for brand og eksplosion.
- Placer aldrig beholdere, der er fyldt med vand, oven på køle-/fryseskabet, da det kan forårsage elektrisk stød eller brand.
- Overfyld ikke køle-/fryseskabet med overdrevne mængder mad. Hvis det er overfyldt, kan maden falde ned og beskadige dig og beskadige køle-/fryseskabet, når lågen åbnes. Placer aldrig genstande oven på køle-/fryseskabet; disse genstande kan falde ned, når du åbner eller lukker køle-/fryseskabslågen.
- Vacciner, varmefølsomme medikamenter, videnskabelige materialer osv. bør ikke opbevares i køle-/fryseskabet, da de har brug for præcis temperatur.

- Køle-/fryseskabet skal tages ud af stikkontakten, hvis det ikke skal bruges i længere tid. Et evt. problem i strømkablet kan forårsage brand.
- Spidsen på stikket bør rengøres jævnligt; ellers kan den forårsage brand.
- Spidsen af stikket bør rengøres jævnligt med en tør klud, da det ellers kan forårsage brand.
- Køle-/fryseskabet kan flytte sig, hvis de justerbare ben ikke er sikret godt nok på gulvet. Rigtigt sikrede justerbare ben på gulvet kan forhindre køle-/fryseskabet i at flytte sig.
- Når køle-/fryseskabet skal bæres, må man ikke holde i lågens håndtag. Hvis det sker, kan det brække.
- Hvis produktet skal placeres ved siden af et andet køle-/fryseskab eller fryser, skal afstanden mellem de to apparater være mindst 8 cm. Ellers kan de tilgrænsende sidevægge blive fugtige.
- Benyt aldrig produktet, hvis afsnittet øverst eller på bagsiden af dit produkt med elektroniske printkort indeni er åbent (printkort-dæksel) (1).



Børnesikkerhed

- Hvis døren har en lås, bør nøglen opbevares uden for børns rækkevidde.
- Børn skal overvåges for at forhindre, at de piller ved produktet.

HCA Advarsel

Hvis køle-/fryseskabets kølesystem indeholder R600a:

Denne gas er brændbar. Du skal derfor være opmærksom på ikke at ødelægge kølesystemet og kølerørene under brug og transport. I tilfælde af beskadigelse skal produktet holdes væk fra mulige brandkilder, der kan forårsage, at produktet går i brand, og du skal sørge for at lufte ud i rummet, hvor produktet er placeret.

Ignorer denne advarsel, hvis dit køle-/fryseskabs kølesystem indeholder R134a.

Gastypen, der bruges i produktet, er meddelt på typeskiltet, der er på venstre væg inde i køle-/fryseskabet. Kast aldrig produktet i en brand for bortskaffelse.

Energibesparende foranstaltninger

- Undlad at lade lågerne i køle-/fryseskabet stå åbne i lang tid.
- Put ikke varm mad eller drikke i køle-/fryseskabet.
- Overfyld ikke køle-/fryseskabet, så luftcirkulationen bliver forhindret.
- Placer ikke dit køle-/fryseskab under direkte sollys eller tæt på varmeudstrålende apparater, som f.eks. ovne, opvaskemaskiner eller radiatorer.
- Vær omhyggelig med at opbevare maden i lukkede beholdere.
- Du kan opbevare maksimal mængde madvarer i fryseren, hvis du fjerner hylden eller skuffen i fryseren. Energiforbrugsværdien, der er angivet for køle-/fryseskabet, er blevet bestemt ved at fjerne fryserhylden eller -skuffen og under maksimal indfyldning. Der er ingen skade ved at bruge en hylde eller skuffe der passer i form og størrelse til de madvarer der skal frys.

3 Installation

⚠️ Producenten kan ikke holdes ansvarlig, hvis oplysningerne givet i brugsanvisningen ikke er overholdt.

Hvis køleskabet skal transporteres igen

1. Køleskabet skal tømmes og rengøres inden transport.
2. Hylde, tilbehør, grøntsagsskuffer osv. skal fastgøres sikkert for at modvirke stød, inden produktet pakkes igen.
3. Emballagen skal fastgøres, og reglerne for transport, der er trykt på pakken, skal følges.

Glem ikke, at...

Alt genbrugsmateriale er en uundværlig kilde for naturen og for vore nationale ressourcer. Hvis du ønsker at medvirke til at genbruge emballagen, kan du få yderligere informationer hos miljøorganisationerne eller de lokale myndigheder.

Inden køleskabet betjenes

Inden du begynder at bruge køleskabet, skal du kontrollere følgende:

1. Køleskabet skal være tørt indvendigt, og luften skal kunne cirkulere frit bagved det.
2. Rengør køleskabet indvendigt som anbefalet i afsnittet "**Vedligeholdelse og rengøring**".
3. Sæt køleskabets ledning i kontakten.

4. Der vil kunne høres en lyd, når kompressoren starter. Kølevæsken og gasarterne, der findes i kølesystemet, kan også støje lidt, selv om kompressoren ikke kører, hvilket er helt normalt.
5. Køleskabets forreste kanter kan føles varme. Dette er normalt. Disse områder er beregnet til at være varme for at undgå kondensering.

Elektrisk tilslutning

Tilslut produktet til en jordet kontakt, der er beskyttet af en sikring med passende kapacitet.

Vigtigt:

- Tilslutningen skal være i overensstemmelse med de nationale regulativer.
- Strømstikket skal være nemt tilgængeligt efter installationen.
- Den angivne spænding skal være lig med spændingen på dit el-net.
- **Mellemkabler og stikdåser med flere stik skal ikke bruges til tilslutningen.**

⚠️ Beskadiget netledning skal udskiftes af autoriseret el-installatøren.

⚠️ Produktet må ikke betjenes, før det er repareret! Der er fare for elektrisk stød!

Bortskaffelse af emballagen

Emballagen kan være farlig for børn. Hold emballagen væk fra børns rækkevidde eller bortskaf den, idet du skal klassificere den i henhold til affaldsinstruktionerne. Smid den ikke væk sammen med det øvrige husholdningsaffald.

Køleskabets emballage er produceret af genanvendelige materialer.

Bortskaffelse af det gamle køleskab

Bortskaf det gamle køleskab uden at skade miljøet.

- Du kan spørge din forhandler eller genbrugsstationen i din kommune angående bortskaffelse af køleskabet.

Inden køleskabet bortskaffes, skal du skære elstikket af, og hvis der er låse i lågen, skal du gøre dem ubrugelige for at beskytte børn mod fare.

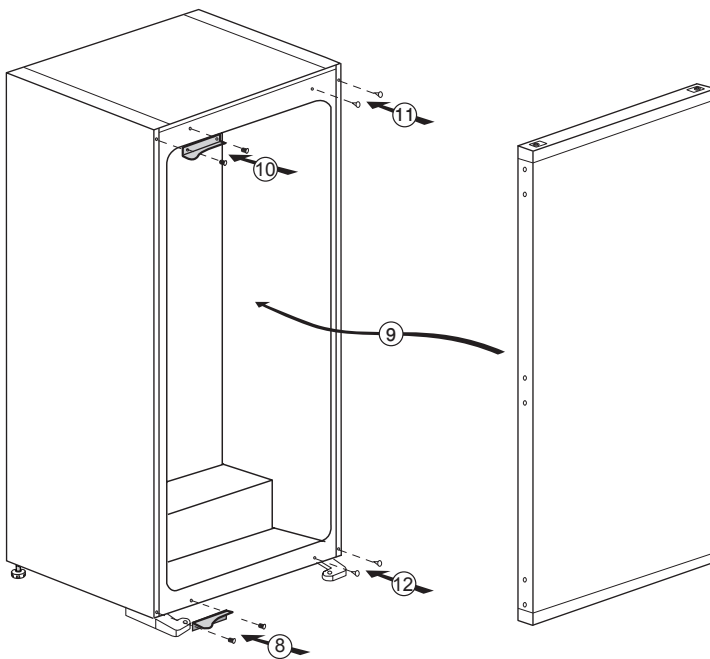
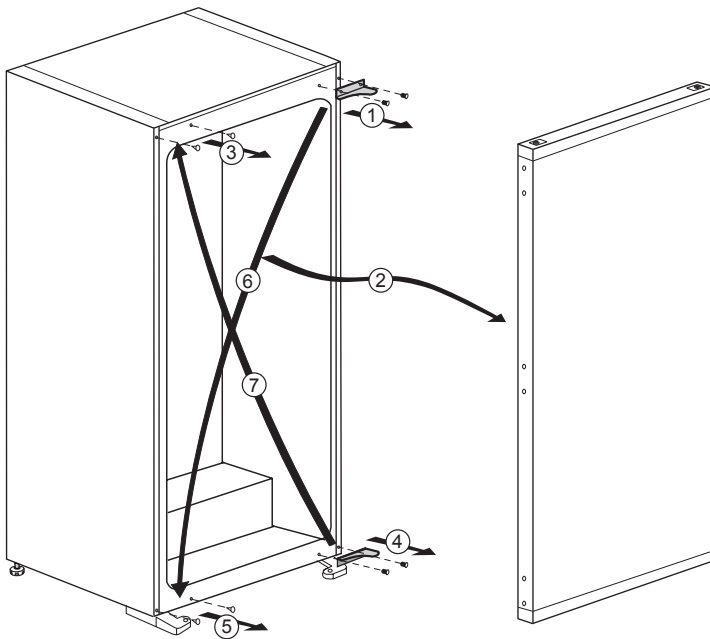
Placering og installation

⚠ Hvis indgangsdøren til rummet, hvor køleskabet skal installeres, ikke er bred nok til køleskabet at komme igennem, skal du kontakte autoriseret serviceagent for at fjerne køleskabsdøre og så bære køleskabet sidelæns igennem døren.

1. Installér køleskabet på et sted, hvor det er nemt at bruge.
2. Hold køleskabet væk fra varmekilder, fugtige steder og direkte sollys.
3. Der skal være tilstrækkelig ventilation rundt om køleskabet for at opnå en effektiv funktion. Hvis køleskabet skal placeres i en fordybning i væggen, skal der være mindst 5 cm afstand fra loft og væg. Hvis gulvet er belagt med tæppe, skal produktet hæves 2,5 cm fra gulvet.
4. Placér køleskabet på en jævn gulvoverflade for at undgå rystebevægelser.
5. Stil ikke køleskabet på et sted, hvor de omgivende temperaturer er under 10°C.

Vende dørene

Fortsæt i numerisk rækkefølge.

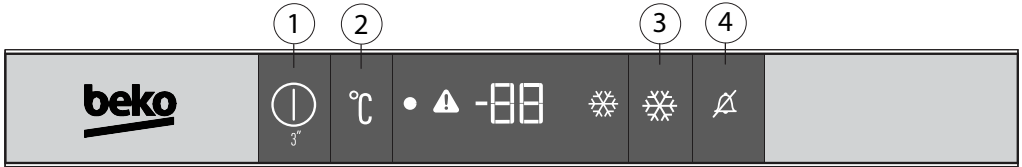


4 Tilberedning

- Køle-/fryseskabet skal installeres mindst 30 cm væk fra varmekilder, som f.eks. kogeplader, ovne, radiatorer og brændeovne, og mindst 5 cm væk fra elektriske ovne, og det bør ikke placeres i direkte sollys.
- Den omgivende temperatur i det rum, hvor køle-/fryseskabet installeres, bør være mindst 10°C. For at køle-/fryseskabet skal være effektivt, anbefales det ikke at betjene det under koldere forhold.
- Sørg for at den indvendige del af køle-/fryseskabet er grundigt rengjort.
- Hvis der skal installeres to køle-/fryseskabe ved siden af hinanden, bør der være mindst 2 cm imellem dem.
- Når du lader køle-/fryseskabet køre første gang, skal du overholde følgende instruktioner de første 6 timer.
- Lågen skal ikke åbnes ofte.
- Det skal køre tomt uden nogen form for mad i det.
- Tag ikke køle-/fryseskabet ud af stikkontakten. Hvis der opstår et strømudfald uden for din kontrol, så læs advarslerne under afsnittet "**Anbefalede løsninger på problemerne**".
- Den originale emballage og skummaterialerne bør gemmes for fremtidig transport eller fytning.

5 Betjening af produktet

Indikatorpanel



1. Til/fra-indikator

Tryk på tænd/sluk-knappen i tre sekunder for at tænde eller slukke fryseskabet. (●) - symbolet lyser, når fryseskabet er slukket. Alle andre symboler er slukket.

2. Knap til indstilling af fryserummets temperatur

Tryk på denne knap (°C) for at indstille fryserummets temperatur til henholdsvis -18, -19, -20, -21, -22, -23, -24, -18... Tryk på denne knap for at indstille den ønskede temperatur for fryseren.

3. Knap til hurtig-frys-funktion

Tryk på denne knap (❄) for at aktivere eller deaktivere hurtig-frys-funktionen. Når du aktiverer denne funktion, køles fryseren ned til en temperatur, der er lavere end den indstillede temperatur.

Brug hurtig-frys-funktionen, når du vil fryse madvarerne i fryseren hurtigt. Hvis du vil fryse store mængder af ferskvarer, anbefales det at aktivere denne funktion, inden varerne lægges i fryseren.

Hvis du ikke afbryder den, afbrydes hurtig-frys-funktionen automatisk efter højst **25 timer**, eller når fryseren når den ønskede temperatur. Denne funktion gemmes ikke efter strømsvigt.

4. Alarm fra

Når fryseskabsdøren holdes åben i 1 minutter lyder en alarm. Alarmen kan slukkes ved at trykke på knappen "Alarm fra" (🔊). Hvis du lukker døren og åbner den igen, aktiveres "Dør åben"-alarmen igen efter 1 minutter. I tilfælde af sensorfejl, tændes advarselsikonet (⚠). Hvis knappen "Alarm off" trykkes, bliver advarslen "rengjort".

Frysning

Fryseområdet er markeret med ❄ ❄ ❄ ❄ dette symbol. Du kan bruge fryseren til at fryse friske madvarer samt til at opbevare præ-frosne mad. Referer venligst til angivelserne på madvarernes emballage.

⚠ Bemærk

Frys ikke drikkevarer med brus, da flasken kan sprænge, når væsken deri fryses. Vær forsigtig med frosne produkter som f.eks. farvede isterninger. Overskrid ikke apparatets indfrysningskapacitet pr døgn. Se mærkeskiltet. For at opretholde madens kvalitet skal frysningen udføres så hurtigt som muligt. På den måde vil frysekapaciteten ikke blive overskredet, og temperaturen i fryseren vil ikke stige. Opbevar altid de allerede dybfrosne madvarer adskilt fra nyligt placerede madvarer. Når der dybfryses varm mad, vil kølekompressoren arbejde, indtil maden er helt frossen. Hvis du synes, at fryserlågen er svær at åbne, lige efter du har lukket den, skal du ikke være bekymret. Dette skyldes trykforskellen, der vil udjævnes og lade lågen åbne normalt efter et par minutter. Du vil høre en vakuum-lyd lige efter at have lukket døren. Dette er helt normalt.

Fremstille isterninger

Fyld isterningbakken 3/4 fuld med vand og sæt den i fryseren. Så snart vandet er blevet til is, kan du tage isterningerne ud. Brug aldrig skarpe objekter som f.eks. knive eller gaffer til at tage isterningerne ud. Der er risiko for skade!

Afrimning

NO FROST afrimningen er helt automatisk. Der kræves ikke noget indgreb fra din side. Vandet samles på kompressorbakken. Pga. varmen fra kompressoren fordamper vandet.

6 Vedligeholdelse og rengøring

- ⚠ Anvend aldrig benzin, benzen eller lignede stoffer til rengøring.
- ⚠ Vi anbefaler at koble køle-/fryseskabet fra strømmen inden rengøring.
- ⚠ Anvend aldrig skarpe, slibende redskaber, sæbe, rengøringsmidler, detergenter og pudsemidler med voks til rengøring.
- ℹ Brug lunt vand til rengøring af køle-/fryseskabet udvendigt og tør det af.
- ℹ Anvend en fugtig, opvredet klud i en opløsning af en teske af natron til en halv liter vand til rengøring af køle-/fryseskabet indvendigt og tør det af.
- ⚠ Sørg for, at ingen vand kommer i kontakt med lampen og andre elektriske dele.
- ⚠ Hvis køle-/fryseskabet ikke skal bruges i en længere periode, træk stikket ud af kontakten, fjern al mad, rengør køle-/fryseskabet og lad døren stå på klem.
- ℹ Kontroller jævnlige dørlisterne for at sikre, at de er rene og frie for madrester.
- ⚠ For at fjerne dørhylder, tømmes indholdet ud, hvorefter dørhylden ganske enkelt løftes op fra sin plads.
- ⚠ Brug aldrig rengøringsmidler eller vand, der indeholder klorin, til rengøring af de ydre overflader og de forkrømede dele af produktet. Klorin forårsager korrosion på den slags metaloverflader.

Beskyttelse af plasticoverflader

- ℹ Sæt ikke flydende olie eller olieholdige madvarer i åbne beholdere da de kan ødelægge køle-/fryseskabets plastikdele. Hvis der spildes eller smøres olie på plasticoverfladerne, skal den relevante del af overfladen renses og skylles med det samme med varmt vand.

7 Anbefalede løsninger på problemerne

Læs denne liste igennem, inden du ringer efter service. Det kan spare dig for tid og penge. Denne liste indeholder ofte forekommende reklamationer, der ikke opstår af defekt udførelse eller materialebrug. Det er muligt, at nogle af de her beskrevne funktioner ikke findes i dit produkt.

Køle-/fryseskabet virker ikke.

- Er køle-/fryseskabet sat rigtigt i stikkontakten? Sæt stikket i kontakten i væggen.
- Er sikringen, som køle-/fryseskabet er tilsluttet, eller hovedsikringen sprunget? Kontroller sikringen.

Kondention på siden af køle-/fryseskabet (MULTIZONE, KØLEKONTROL og FLEXIZONE).

- Meget kolde omgivelser. Ofte åbning og lukning af lågen. Højt fugtindhold i omgivelserne. Opbevaring af mad, der indeholder væske, i åbne beholdere. Lågen står på klem. Sæt termostaten på koldere grader.
- Reducér tiden, hvor lågen står åben, eller brug den mindre ofte.
- Dæk maden, der opbevares i åbne beholdere, til med passende materiale.
- Tør kondensvandet af vha. en tør klud og kontroller, om det vedvarer.

Kompressoren kører ikke.

- Beskyttelsestermo fra kompressoren vil blæse ud under pludselig strømudfald eller tilkoblinger/frakoblinger, da kølemiddeltrykket i køle-/fryseskabets kølesystem ikke er bragt i balance endnu. Køle-/fryseskabet vil starte med at køre efter ca. 6 minutter. Ring efter service, hvis køle-/fryseskabet ikke starter efter denne periode.
- Køle-/fryseskabet er ved at afrime. Dette er normalt for et køle-/fryseskab med fuldautomatisk afrimning. Afrimning foregår med jævne mellemrum.
- Køle-/fryseskabsstikket er ikke sat i kontakten. Sørg for, at stikket er sat ordentligt i kontakten.
- Er temperaturindstillingerne foretaget rigtigt?
- Strømmen kan være afbrudt.

Køle-/fryseskabet kører ofte eller i lang tid.

- Det nye køle-/fryseskab kan være bredere end det foregående. Det er ganske normalt. Store køle-/fryseskabe arbejder i længere perioder.
- Den omgivende rumtemperatur kan være høj. Det er ganske normalt.
- Køle-/fryseskabet kan have været sat til for nylig eller have været fyldt op med mad. Komplet nedkøling af køle-/fryseskabet kan vare et par timer længere.
- Store mængder varm mad kan være blevet sat ind i køle-/fryseskabet fornylig. Varm mad medfører, at køle-/fryseskabet skal køre i længere tid, indtil maden når den ønskede temperatur.
- Lågerne kan have været åbnet jævnligt eller have stået på klem i lang tid. Den varme luft, der er kommet ind i køle-/fryseskabet, får køle-/fryseskabet til at køre i længere perioder. Undlad at åbne lågen så ofte.
- Fryserens eller køle-/fryseskabets dør kan have stået på klem. Kontroller om lågerne er lukket tæt.
- Køle-/fryseskabet er indstillet meget koldt. Indstil køle-/fryseskabstemperaturen højere, indtil temperaturen er tilpas.
- Køle-/fryseskabets eller fryserens lågepakning kan være snavset, slidt, ødelagt eller ikke sat ordentligt på. Rengør eller udskift pakningen. Beskadiget/brækket pakning forårsager, at køle-/fryseskabet kører i længere perioder for at vedligeholde den aktuelle temperatur.

Frysertemperaturen er meget lav, mens køle-/fryseskabstemperaturen er tilpas.

- Frysertemperaturen er indstillet meget koldt. Juster frysertemperaturen varmere og kontroller.

Køle-/fryseskabstemperaturen er meget lav, mens fryserstemperaturen er tilpas.

- Køle-/fryseskabstemperaturen er indstillet til en meget lav temperatur. Juster køle-/fryseskabstemperaturen varmere og kontroller.

Mad, der opbevares i køle-/fryseskabet, fryser.

- Køle-/fryseskabstemperaturen er indstillet til en meget lav temperatur. Juster køle-/fryseskabstemperaturen varmere og kontroller.

Temperaturen i køle-/fryseskab eller fryser er meget høj.

- Køle-/fryseskabstemperaturen er indstillet til en meget lav temperatur. Køle-/fryseskabsindstillingen har virkning på fryserens temperatur. Skift køle-/fryseskabets eller fryserens temperatur, indtil køle-/fryseskabs- eller frysertemperatur når et tilpas niveau.
- Lågerne kan have været åbnet jævnligt eller have stået på klem i lang tid.
- Døren kan have stået på klem, luk døren helt.
- Store mængder varm mad kan være blevet sat ind i køle-/fryseskabet fornylig. Vent til køle-/fryseskabet eller fryseren når den ønskede temperatur.
- Køle-/fryseskabet kan være taget ud af kontakten fornylig. Komplet nedkøling af køle-/fryseskabet tager tid.

Funktionslyden øges, når køle-/fryseskabet kører.
<ul style="list-style-type: none"> Egenskaberne for køle-/fryseskabets driftsydelse kan ændre sig alt efter ændringerne i den omgivende temperatur. Det er normalt og ikke en fejl.
Vibrationer eller støj.
<ul style="list-style-type: none"> Gulvet er ikke lige, eller det er svagt. Køle-/fryseskabet vipper, når det fyttes langsomt. Sørg for, at gulvet er lige, stærkt og kapabelt til at bære køle-/fryseskabet. Støjen kan være forårsaget af de genstande, der er lagt i køle-/fryseskabet. Ting oven på køle-/fryseskabet skal fjernes.
Der er støj som væske, der løber over eller sprøjter.
<ul style="list-style-type: none"> Væske- og gasstrømning sker i henhold til køle-/fryseskabets driftsprincipper. Det er normalt og ikke en fejl.
Der er en støj som en vind, der blæser.
<ul style="list-style-type: none"> Ventilatorer bruges til at køle køle-/fryseskabet. Det er normalt og ikke en fejl.
Kondensvand på køle-/fryseskabets indervægge.
<ul style="list-style-type: none"> Varmt og fugtigt vejr øger isdannelse og udsvedning. Det er normalt og ikke en fejl. Dørrerne kan have stået på klem, sørg for de er helt lukkede. Lågerne kan have været åbnet jævnlige eller have stået på klem i lang tid.
Der opstår fugt på ydersiden af køle-/fryseskabet eller mellem lågerne.
<ul style="list-style-type: none"> Der kan være fugtighed i luften hvilket er normalt i fugtigt vejr. Når fugtigheden er mindre, vil kondensen forsvinde.
Dårlig lugt inde i køle-/fryseskabet.
<ul style="list-style-type: none"> Køle-/fryseskabets skal rengøres indvendigt. Rengør køle-/fryseskabet indvendigt med en svamp, varmt vand eller kulstoffoldigt vand. Nogle beholdere eller emballeringsmaterialer kan forårsage lugten. Brug en anden beholder eller et andet mærke indpakningsmateriale.
Døren lukker ikke.
<ul style="list-style-type: none"> Madbeholdere forhindrer lågen i at lukke. Omplacer pakkerne, der blokerer lågen. Køle-/fryseskabet står ikke helt lodret på gulvet og vipper når det fyttes lidt. Justér højdeskruerne. Gulvet er ikke lige eller stærkt. Sørg for, at gulvet er lige, stærkt og kapabelt til at bære køle-/fryseskabet.
Grøntsagsskuffer sidder fast.
<ul style="list-style-type: none"> Maden berører måske skuffens top. Omarranger maden i skuffen.

Lue tämä käyttöopas ensin!

Hyvä asiakas,

toivomme, että nykyaikaisissa tuotantolaitoksissa valmistamamme ja erittäin huolellisella laadunvalvonnalla tarkastettu tuote toimii käytössäsi mahdollisimman tehokkaasti.




Tämän varmistamiseksi toivomme, että luet huolellisesti koko käyttöoppaan ennen jääkaapin käyttöön ottoa, ja säilytät sitä helposti saatavilla tulevaa käyttöä varten.

Tämä käyttöopas

- Auttaa käyttämään laitetta nopeasti ja turvallisesti.
- Lue käyttöopas ennen laitteen asennusta ja käyttöä.
- Noudata ohjeita, erityisesti turvallisuutta koskevia.
- Säilytä käyttöopas helposti saatavilla olevassa paikassa, sillä voit tarvita sitä myöhemmin.
- Lue myös muut tuotteen mukana tulleet asiakirjat.
- Huomaa, että tämä käyttöopas voi soveltua myös muihin malleihin.

Symbolit ja niiden kuvaus

Tässä käyttöoppaassa käytetään seuraavia symboleja:

-  Tärkeitä tietoja tai hyödyllisiä käyttövihjeitä.
-  Varoitus hengelle ja omaisuudelle vaarallisista olosuhteista.
-  Varoitus sähköjännitteestä.



VAROITUS!

Jäähdytyslaitteen, joka käyttää täysin ympäristöystävällistä jäähdytysainetta R600a (syttyy vain tietyissä olosuhteissa), normaalin toiminnan varmistamiseksi on noudatettava seuraavia ohjeita:

- Älä estää ilman vapaata kiertoa laitteen ympärillä.
- Älä käytä mekaanisia tai muita keinoja, joita valmistaja ei suosittele, sulatusprosessin nopeuttamiseen.
- Älä vahingoita jäähdytys virtapiiriä.
- Älä käytä ruokalokeroissa laitteen sisällä sähkölaitteita, paitsi niitä joita valmistaja mahdollisesti on suositellut.



TIETOJA



SUPPLIER'S NAME

MODEL IDENTIFIER (*)

A

A

Tuotetietokantaan tallennetut mallitiedot löytyvät seuraavalta verkkosivulta etsimällä tuotetunnuksella (*), joka löytyy energiakilvestä.

<https://eprel.ec.europa.eu/>

SISÄLTÖ

1 Pakastin	3	4 Valmistelu	10
2 Tärkeitä turvallisuusvaroituksia	4	5 Pakastin käyttö	11
Käyttötarkoitus	4	Merkkivalopaneeli.....	11
Yleinen turvallisuus.....	4	Pakastaminen	11
Lasten turvallisuus	6	Jääpalojen teko	11
HCA-varoitus.....	6	Sulatus	11
Energian säästötoimet	6	6 Ylläpito ja puhdistus	12
3 Asennus	7	Muoviosien suojelu	12
Jääkaapin kuljetuksessa huomioitavat asiat	7	7 Suositellut ongelmanratkaisut	13
Ennen käyttöönottoa	7		
Sähköliitännät	7		
Pakkauksen hävittäminen	8		
Vanhan jääkaapin hävittäminen	8		
Sijoittaminen ja asennus	8		
Ovien uudelleen sijoitus	9		

Kierrätys

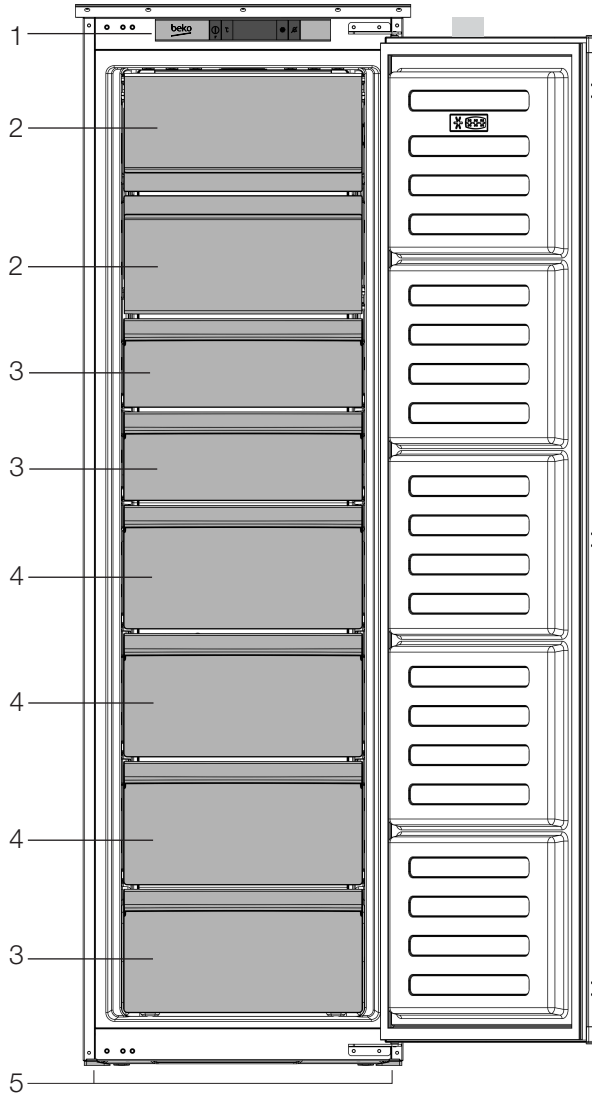


Tässä tuotteessa on sähköisten ja elektronisten laitteiden jätteiden (WEEE) valikoivan lajittelun symbolimerkintä.

Tämä tarkoittaa, että tätä tuotetta pitää käsitellä Euroopan parlamentin ja neuvoston direktiivin 2012/19/EU:n mukaisesti, jotta sitä voidaan kierrättää ja purkaa minimoiden ympäristövaikutukset. Saat lisätietoja paikallisilta tai alueellisilta viranomaisilta.

Elektroniset laitteet, jotka eivät ole mukana valikoivassa lajittelussa ovat potentiaalisesti vaarallisia ympäristölle ja ihmisen terveydelle, koska ne sisältävät vaarallisia aineita.

1 Pakastin



1. Ohjauspaneeli
2. Läpät
3. Laatikot
4. Suuret laatikot
5. Etujalat

i Tämän ohjekirjan kuvitus on kaavakuviin perustuvaa eikä se ehkä vastaa täysin todellista tuotetta. Jos jokin osa puuttuu ostamastasi tuotteesta, kuvaus koskee muita malleja.

2 Tärkeitä turvallisuusvaroituksia

Tutustu seuraaviin ohjeisiin. Näiden ohjeiden noudattamatta jättäminen saattaa aiheuttaa loukkaantumisen tai aineellisia vahinkoja. Muuten kaikki takuu- ja käyttövarmuusvastuut mitätöityvät.

Käyttötarkoitus

Tämä tuote on suunniteltu:

- sisätiloihin ja suljettuihin tiloihin kuten koteihin,
- suljettuihin työskentely-ympäristöihin, kuten myymälöihin ja toimistoihin,
- suljettuihin majoitustiloihin kuten maatiloille, hotelleihin ja pensioaatteihin.
- Tuotetta ei saa käyttää ulkona.

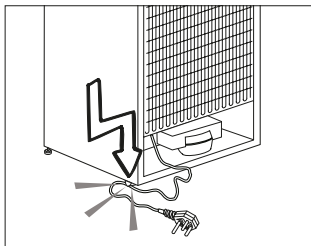
Yleinen turvallisuus

- Kun haluat hävittää/romuttaa laitteen, suosittelemme ottamaan yhteyttä valtuutettuun huoltoon vaadittavien tietojen ja valtuutettujen tahojen selville saamiseksi.
- Ota yhteys valtuutettuun huoltoon kaikissa jääkaappiin liittyvissä kysymyksissä ja ongelmissa. Älä puutu tai anna kenenkään muun puuttua jääkaapin huoltoon ilmoittamatta valtuutettuun huoltoon.
- Älä laita jäätelöä tai jääkuutioita suuhusi heti otettuasi ne pakastinosastosta! (Se voi aiheuttaa suuhun paleltuman.)
- Älä laita pullotettuja tai tölkitettyjä nesteitä pakastinosastoon. Ne voivat pakastettaessa särkyä.
- Älä kosketa käsin pakastettua ruokaa, se voi tarttua käteesi.
- Irrota jääkaappi verkkovirrasta ennen puhdistamista tai sulattamista.

- Höyryä ja höyrystyviä puhdistusaineita ei saa koskaan käyttää jääkaapin puhdistuksessa ja sulatuksessa. Höyry voi tässä tapauksessa päästä kosketuksiin sähköosien kanssa ja aiheuttaa oikosulun tai sähköiskun.
- Älä koskaan käytä jääkaapin osia, kuten ovea, tukena tai askelmana.
- Älä käytä sähkölaitteita jääkaapin sisällä.
- Älä vahingoita poraamalla tai leikkaamalla osia, joissa jäähdytysaine kiertää. Jäähdytysainetta voi suihkuta ulos, kun haihduttimen kaasukanava, johdon jatke tai pinnoite puhkaistaan, ja se voi aiheuttaa ihon ärsytystä ja silmävahinkoja.
- Älä peitä tai tuki millään materiaalilla jääkaapin tuuletusaukkoja.
- Vain valtuutetut henkilöt saavat korjata sähkölaitteita. Epäpätevän henkilön tekemät korjaukset voivat aiheuttaa vaaran käyttäjälle.
- Vian ilmetessä tai jääkaappia huollettaessa tai korjattaessa sammuta virta joko kääntämällä sulake pois päältä tai irrottamalla virtajohto.
- Älä vedä johdosta irrottaessasi pistokkeen.
- Säilytä väkevät alkoholijuomat tiukasti suljettuna pystyasennossa.
- Älä säilytä jääkaapissa suihkepulloja, jotka sisältävät syttyviä ja räjähtäviä aineita.
- Älä käytä sulatusprosessin nopeuttamiseen mekaanisia tai muita keinoja, joita valmistaja ei suosittele.

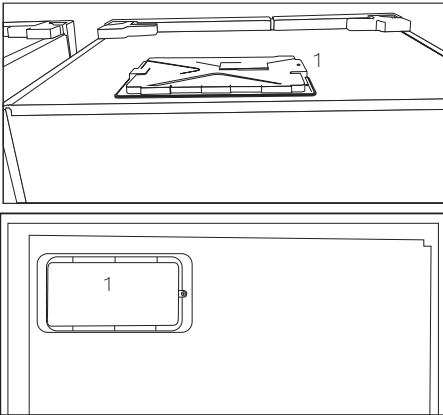
- Tätä laitetta ei ole tarkoitettu sellaisten henkilöiden (lapset mukaan lukien) käytettäväksi, joilla on heikentyneet fyysiset, aistimelliset tai henkiset kyvyt tai joilta puuttuu kokemusta ja tietoa, jollei heidän turvallisuudestaan vastaava henkilö valvo heitä ja opasta heitä laitteen käytössä.
- Älä käytä rikkoutunutta jääkaappia. Jos epäilet vikaa, ota yhteys huoltoedustajaan.
- Jääkaapin sähköturvallisuus taataan vain, jos kodin maadoitusjärjestelmä on standardien mukainen.
- Laitteen altistaminen sateelle, lumelle, auringolle ja tuulelle on vaarallista sähköturvallisuuden kannalta.
- Ota yhteys valtuutettuun huoltoon, jos sähköjohto on vahingoittunut, jotta vältetään vaarat.
- Älä koskaan liitä jääkaappia pistorasiaan asennuksen aikana. Se voi aiheuttaa vaaran, joka voi johtaa kuolemaan tai vakavaan vammaan.
- Tämä jääkaappi on tarkoitettu pelkästään elintarvikkeiden säilytykseen. Sitä ei saa käyttää mihinkään muihin tarkoituksiin.
- Tekniset tiedot sisältävä tyypikilpi sijaitsee jääkaapin sisällä vasemmalla seinällä.
- Älä liitä jääkaappia sähkönsäästöjärjestelmiin. Ne voivat vahingoittaa jääkaappia.
- Jos jääkaapissa palaa sininen valo, älä katso sitä optisilla laitteilla.
- Odota käsinohjattavalla jääkaapilla vähintään 5 minuuttia ennen jääkaapin käynnistämistä virtakatkon jälkeen.
- Tämä käyttöopas tulee luovuttaa uudelle omistajalle tuotteen mukana, jos tuote vaihtaa omistajaa.

- Vältä vahingoittamasta virtajohtoa, kun siirrät jääkaappia. Johdon taivuttaminen saattaa aiheuttaa tulipalon. Älä sijoita painavia esineitä sähköjohdon päälle. Älä kosketa pistoketta märin käsin, kun liität tuotteen.



- Älä kytke jääkaappia pistorasiaan, jos sähköliitântä on löysä.
- Vettä ei saa turvallisuuden vuoksi koskaan suihkuttaa suoraan tuotteen sisä- tai ulko-osiin.
- Älä suihkuta lähellä jääkaappia syttyviä aineita, kuten propanikaasua, sillä se aiheuttaa tulipalo- ja räjähdysvaaran.
- Älä aseta vettä sisältäviä astioita jääkaapin päälle, sillä sellainen voi aiheuttaa sähköiskun tai tulipalon.
- Älä täytä jääkaappia liian suurella elintarvikemäärällä. Jos jääkaappi on ylikuormitettu, se saattaa kaatua ja vahingoittaa sinua, ja rikkoa jääkaapin ovea avattaessa. Älä aseta esineitä jääkaapin päälle, sillä ne saattavat pudota jääkaapin ovea avatessa tai sulkiessa.
- Sellaisia tuotteita, jotka vaativat tarkan lämpötilan säädön (esim. rokotteet, lämpöherkät lääkkeet, tieteellinen materiaali jne.), ei tule säilyttää jääkaapissa.

- Jos jääkaappia ei käytetä pidempään aikaan, se on irrotettava verkkovirrasta. Mahdollinen ongelma sähköjohdossa saattaa aiheuttaa tulipalon.
- Sähköpistokkeen kärki on puhdistettava säännöllisesti. Se voi muuten aiheuttaa tulipalon.
- Sähköpistokkeen kärki on puhdistettava säännöllisesti kuivalla liinalla. Se voi muuten aiheuttaa tulipalon.
- Jääkaappi saattaa siirtyä, jos säädettäviä jalkoja ei ole kiinnitetty oikein lattiaan. Säädettävien jalkojen kiinnittäminen lattiaan oikein voi estää jääkaappia siirtymästä.
- Kun kannat jääkaappia, älä pidä kiinni sen ovenkahvasta. Se saattaa silloin särkyä.
- Kun laite täytyy sijoittaa toisen jääkaapin tai pakastimen viereen, laitteiden välisen etäisyyden tulee olla vähintään 8 cm. Muuten vastakkaiset seinät saattavat härmistyä.
- Älä koskaan käytä tuotetta jos osa tuotteen edessä tai takana, missä elektroninen piirilevy sijaitsee on auki (elektronisen piirilevyn suojus) (1).



Lasten turvallisuus

- Jos ovessa on lukko, avain tulee pitää lasten ulottumattomissa.
- Lapsia tulee valvoa, jotta he eivät pääse leikkimään laitteella.

HCA-varoitus

Jos laite on varustettu jäähdytysjärjestelmällä, joka sisältää R600a-kylmäainetta:

Tämä kaasu on syttyvää. Varo siksi vahingoittamasta jäähdytysjärjestelmää ja putkistoa käytön ja kuljetuksen aikana. Pidä laite erossa mahdollisista tulenlähteistä, jotka saattavat sytyttää sen tuleen. Tuuleta huone, johon laite on sijoitettu.

Ohita tämä varoitus, jos laitteen kylmäjärjestelmä sisältää R134a-kylmäainetta.

Laitteessa käytetyn kaasun tyyppi on ilmoitettu jääkaapin sisäpuolella vasemmalla seinällä olevassa tyyppikilvessä. Älä hävitä laitetta polttamalla.

Energian säästötoimet

- Älä jätä jääkaapin ovea auki pitkäksi aikaa.
- Älä laita lämpimiä ruokia tai juomia jääkaappiin.
- Älä ylikuormita jääkaappia niin, että ilman kierto kaapin sisällä estyy.
- Älä asenna jääkaappia suoraan auringonpaisteeseen tai lähelle lämmönlähteitä, kuten uunit, astianpesukoneet tai lämpöpatterit.
- Pidä huoli, että säilytät elintarvikkeita suljetuissa astioissa.
- Voit säilyttää pakastimessa mahdollisimman paljon elintarvikkeita, kun irrotat pakastimen hyllyn tai lokeron. Jääkaapissa ilmoitetut energiankulutusarviot on määritetty maksimitäytöllä irrottamalla jääkaapin hylly tai lokero. Vaaraa ei ole käytettäessä hyllyä tai vetolaatikkoo pakastettavien elintarvikkeiden mukaan.

3 Asennus

⚠ Valmistaja ei ole vastuussa, jos käyttöoppaassa annettuja ohjeita ei noudateta.

Jääkaapin kuljetuksessa huomioitavat asiat

1. Jääkaappi on aina tyhjennettävä ja puhdistettava ennen kuljetusta.
2. Jääkaapin hyllyt, lisävarusteet, vihanneslokerot jne., on kiinnitettävä paikoilleen kunnolla teipillä niiden suojaamiseksi tärinältä ennen uudelleenpakkausta.
3. Pakkaus on sidottava vahvoilla teipeillä ja naruilla ja pakkaukseen painettuja kuljetusohjeita on noudatettava.

Älä unohda...

Kaikki kierrätetyt materiaalit ovat korvaamaton lähde luonnolle ja kansallisille resursseille.

Jos haluat osallistua pakkausmateriaalien kierrätykseen, saat lisätietoja ympäristöosastoilta tai paikallisilta viranomaisilta.

Ennen käyttöönottoa

Tarkista seuraavat seikat ennen kuin alat käyttää jääkaappia:

1. Ovatoiko jääkaapin sisäpinnat kuivia ja kiertääkö ilma vapaasti jääkaapin takana?
2. Puhdistajaa jääkaapin sisäpinnat, kuten on suositeltu osassa "Yläpito ja puhdistus".
3. Liitä jääkaapin virtajohto pistorasiaan.
4. Kuulet ääntä, kun kompressori käynnistyy. Jäähdytysjärjestelmään suljetut nesteet ja kaasut voivat myös aiheuttaa jonkin verran ääntä silloinkin, kun kompressori ei ole käynnissä. Se on aivan normaalia.

5. Jääkaapin etureunat voivat tuntua lämpimiltä. Tämä on normaalia. Näiden alueiden on suunniteltu olevan lämpimiä kondensaation estämiseksi.

Sähköliitännät

Liitä jääkaappi maadoitettuun pistorasiaan, joka on suojattu riittävän tehokkaalla sulakkeella.

Tärkeää:

- Liitännän on oltava kansallisten säädösten mukainen.
- Virtakaapelin pistokkeen on oltava helposti saatavilla asennuksen jälkeen.
- Määritetyn jännitteen on oltava sama kuin sähköverkolla.
- **Liitäntään ei saa käyttää jatkokaapeleita tai haaroitusrasioita.**

⚠ Vahingoittunut virtakaapeli on jätettävä päteväen sähkötekniikon vaihdettavaksi.

⚠ Tuotetta ei saa käyttää ennen kuin se on korjattu! Muuten se voi aiheuttaa sähköiskun!

Pakkauksen hävittäminen

Pakkausmateriaali voi olla lapsille vaarallista. Pidä pakkausmateriaali lasten ulottumattomissa tai hävitä se lajittelemalla jätteidenhävitysohjeiden mukaisesti. Älä hävitä pakkausmateriaalia kotitalousjätteen mukana.

Jääkaapin pakkaus on valmistettu kierrätettävistä materiaaleista.

Vanhan jääkaapin hävittäminen

Hävitä vanha jääkaappi aiheuttamatta vahinkoa ympäristölle.

- Voit ottaa yhteyden valtuutettuun jälleenmyyjään tai kunnalliseen jätehuoltokeskukseen saadaksesi ohjeet jääkaapin hävittämisestä.

Ennen kuin hävität jääkaapin, leikkaa virtapistoke irti, ja jos ovesa on lukitus, tee siitä toimintakyvytön, jottei siitä koidu vaaraa lapsille.

Sijoittaminen ja asennus

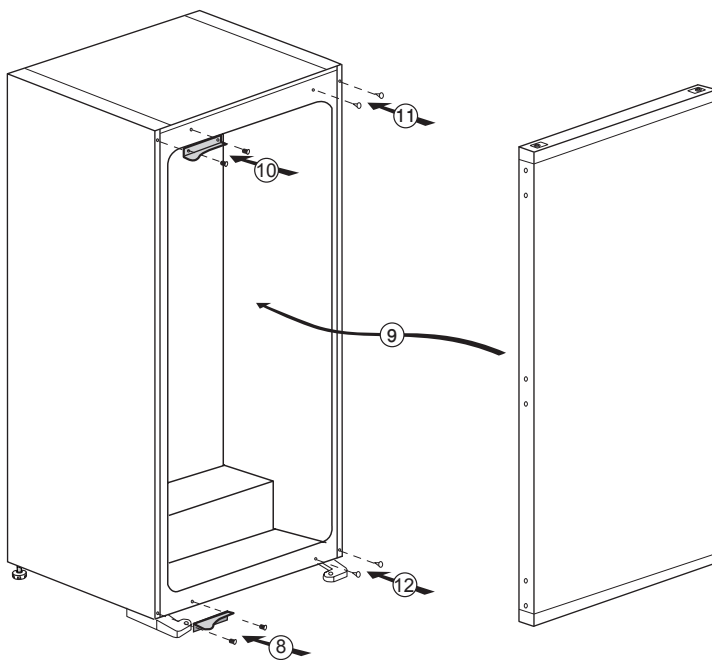
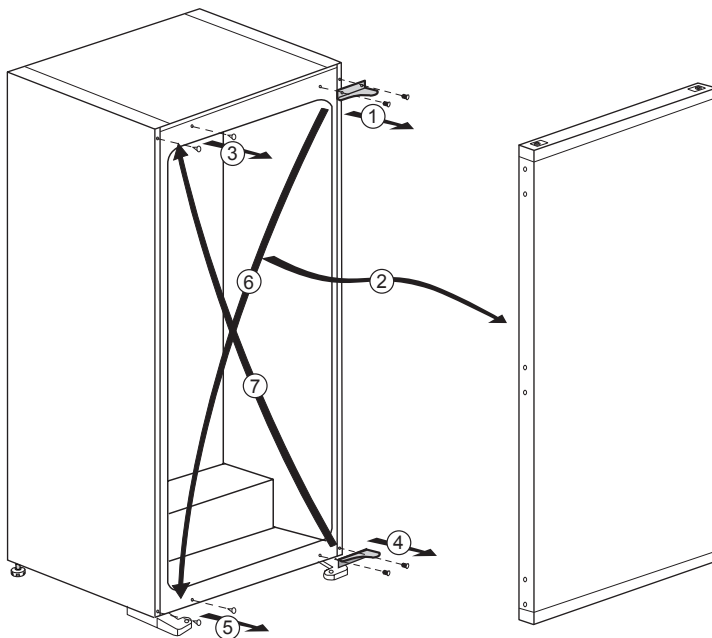
⚠ Jos oviaukko jääkaapin asennushuoneeseen ei ole tarpeeksi leveä, soita valtuutettuun huoltoon ja pyydä heitä irrottamaan jääkaapin ovet, jolloin se saattaa mahtua ovesta sivuttain.

1. Asenna jääkaappi paikkaan, jossa sitä on helppo käyttää.
2. Pidä jääkaappi etäällä lämmönlähteistä, kosteista paikoista ja suoralta auringonpaisteelta.

3. Jääkaapin ympärillä on oltavaa tilaa kunnolliselle tuuletukselle, jotta se toimisi tehokkaasti. Jos jääkaappi asetetaan seinän syvennykseen, väliä kattoon ja seiniin on jätävä vähintään 5 cm. Jos lattia on päällystetty matolla, jääkaapin on oltava koholla lattiasta vähintään 2,5 cm.
4. Aseta jääkaappi tasaisella lattiapinnalle tärinän ehkäisemiseksi.
5. Älä säilytä jääkaappia tilassa, jonka lämpötila on alle 10°C.

Ovien uudelleen sijoitus

Etene numerojärjestyksessä.

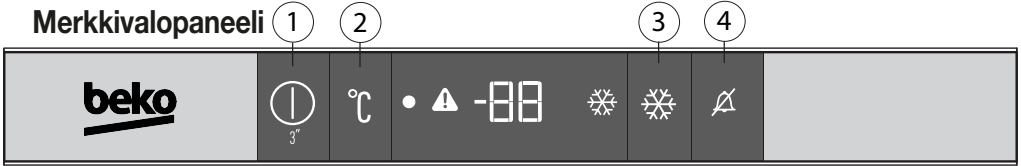


4 Valmistelu

- Jääkaappi on asennettava vähintään 30 cm:n etäisyydelle lämmönlähteistä, kuten keittotaso, liesi, keskuslämmitin ja uuni sekä vähintään 5 cm:n etäisyydelle sähköliedestä, eikä sitä saa sijoittaa suoraan auringonpaisteeseen.
- Jääkaapin sijoitushuoneen lämpötilan on oltava vähintään 10°C. Jääkaapin käyttöä kylmemmissä olosuhteissa ei suositella, sillä sen tehokkuus kärsii.
- Varmista, että jääkaapin sisäpinta on puhdistettu huolellisesti.
- Jos kaksi jääkaappia asennetaan rinnakkain, niiden väliin on jätettävä tilaa vähintään 2 cm.
- Kun käytät jääkaappia ensimmäistä kertaa, huomioi seuraavat ohjeet ensimmäisten kuuden tunnin aikana.
 - Ovea ei saa avata jatkuvasti.
 - Jääkaappi/pakastina on käytettävä tyhjänä ilman elintarvikkeita.
 - Älä irrota jääkaappi/pakastina verkkovirrasta. Jos ilmenee itsestäsi riippumaton virtakatkos, katso varoitukset osassa “**Suosittelut ongelmanratkaisut**”.
- Alkuperäiset pakkaus- ja vaahtomuovimateriaalit kannattaa säilyttää tulevaa kuljetusta tai siirtoa varten.

5 Pakastin käyttö

Merkkivalopaneeli



1. Päälle/pois-merkkivalo

Paina päälle/pois-painiketta 3 sekunnin ajan, kun haluat kytkeä pakastimen pois päältä tai takaisin. Pakastimen ollessa pois päältä, (●) symboli syttyy palamaan. Muut symbolit ovat sammuvat.

2. Pakastusosaston lämpötilan asetuspainike

Paina tätä painiketta (°C) asettaaksesi pakastusosaston lämpötilaksi -18, -19, -20, -21, -22, -23, -24, -18... astetta. Aseta pakastusosaston lämpötila haluamaksesi painamalla tätä painiketta.

3. Pikapakastustoiminnon painike

Paina tätä painiketta (❄) käynnistäaksesi tai sammuttaaksesi pikapakastustoiminnon. Asettaessasi toiminnon päälle, pakastinosasto jäähdytetään asetustilaa kylmemmäksi.

Käytä pikapakastustoimintoa, kun haluat pakastaa pakastinosastoon asetetut elintarvikkeet nopeasti. Jos haluat pakastaa suuria määriä tuoreita elintarvikkeita, aktivoi tämä toiminto, ennen kuin laitat elintarvikkeita pakastimeen.

Jos et peruuta toimintoa, pikapakastustoiminto peruuttaa itsensä automaattisesti **25 tuntiin** kuluttua, tai kun pakastimeen saavuttaa vaaditun lämpötilan. Toimintoa ei palauteta, kun virta palaa sähkökatkon jälkeen.

4. Hälytys pois-varoitus

Kun pakastimen ovi avataan 1 minuutin ajaksi hälytysääni käynnistyy. Hälytys voidaan sammuttaa painamalla Hälytys pois - painiketta (🔔). Jos suljet oven ja avaat sen uudelleen, "Ovi auki" - hälytys aktivoidaan uudelleen 1 minuutin kuluttua. Jos anturi vikaantuu, varoituskuvake syttyy (⚠). Jos painetaan "Hälytys pois" - painiketta, varoitus "puhdistetaan".

Pakastaminen

Pakastuslokero on merkitty tällä ❄ ❄ ❄ symbolilla. Voit käyttää laitetta tuoreen ruoan pakastamiseen sekä pakasteruokien säilytykseen. Tarkista ruokien päällysteen suositukset.

⚠ Huomio

Älä pakasta hiilihappojuomia, sillä jäätyvä neste saattaa rikkoa pullon. Ole varovainen pakastetuotteiden, kuten värillisten jääkuutioiden, käsittelyssä. Älä ylitä laitteen pakastuskykyä 24 tuntiin. Katso luokituskilpi. Ruuan laadun säilyttämiseksi on pakastuksen tapahduttava mahdollisimman nopeasti. Silloin ei pakastuskapasiteettia ylitetä eikä pakastimen sisälämpötila nouse. Säilytä jo pakastetut ruuat eri osastossa kuin juuri pakastimeen laitettu tuoreruoka. Kun pakastat kuumia ruokia, jäähdytyskompressori toimii, kunnes ruoka on täysin pakastunut. Jos pakastimen oven avaaminen heti sulkemisen jälkeen on hankalaa, älä huolestu. Tämä johtuu paine-eroista, jotka tasoittuvat, jolloin oven voi avata normaalisti muutaman minuutin kuluttua. Kuulet tyhjiöäänän heti oven sulkemisen jälkeen. Tämä on aivan normaalia.

Jääpalojen teko

Täytä jääpalarasia ¾ täyteen vettä ja laita se pakastimeen. Heti kun vesi on jäätynyt, voit ottaa jääpalat esiin. Älä käytä teräviä esineitä, kuten veitsiä tai haarukoita, jääpalojen irrottamiseen. Ne aiheuttavat loukkaantumisvaaran!

Sulatus

NO FROST-tyyppinen sulatus on täysin automaattista. Sinun ei tarvitse siihen puuttua. Vesi kerääntyy kompressoriastiaan. Kompressorin lämpötilan johdosta vesi haihtuu.

6 Ylläpito ja puhdistus

- ⚠ Älä koskaan käytä puhdistamiseen bensiiniä, bentseeniä tai vastaavia aineita.
- ⚠ Suosittelemme, että irrotat laitteen verkkovirrasta ennen puhdistusta.
- ℹ Älä koskaan käytä puhdistamiseen teräviä, hankaavia välineitä, saippuaa, puhdistusainetta, pesuainetta ja vahaa.
- ℹ Käytä jääkaapin sisätilojen puhdistukseen haaleaa vettä ja pyyhki kuivaksi.
- ℹ Käytä sisätilojen puhdistukseen liinaa, joka on kostutettu 1 tl ruokasoodaa ja 1/2 litraa vettä sisältävässä liuoksessa ja puristettu kuivaksi, kuivaa lopuksi.
- ⚠ Varmista, ettei vettä pääse lamppukoteloon ja muihin sähkökohteisiin.
- ⚠ Mikäli jääkaappia ei käytetä pitkään aikaan, irrota virtakaapeli pistorasiasta, poista kaikki ruuat, puhdista jääkaappi ja jätä ovi raolleen.
- ℹ Tarkista oven eristeet säännöllisesti varmistaaksesi, että ne ovat puhtaita ja vapaita ruuasta.

ℹ Ovitelineiden irrottamiseksi poista niistä kaikki sisältö ja työnnä sitten ovitelinettä pohjasta ylöspäin.

ℹ Älä käytä klooria sisältäviä puhdistusaineita tai vettä tuotteen ulkopintojen ja kromattujen osien puhdistamiseen. Kloori syövyttää sellaisia metallipintoja.

Muoviosien suojele

ℹ Älä laita nestemäistä öljyä tai öljyssä keitetyjä elintarvikkeita jääkaappiin avoimissa astioissa, sillä ne vahingoittavat jääkaapin muovipintoja. Jos öljyä vuotaa tai tarttuu muovipinnoille, puhdista ja huuhtele kohta heti lämpimällä vedellä.

7 Suositellut ongelmanratkaisut

Tarkista tämä luettelo, ennen kuin soitat huoltoon. Se voi säästää aikaa ja rahaa. Tämä luettelo sisältää useita valituksia, jotka eivät johdu virheellisestä työstä tai käytetystä materiaalista. Joitain tässä kuvatuista ominaisuuksista ei ehkä ole laitteessasi.

Jääkaappi ei toimi.

- Onko jääkaapin virtajohto kunnolla kiinni pistorasiassa? Aseta pistoke seinäpistorasiaan.
- Onko jääkaapin pistorasian sulake tai pääsulake palanut? Tarkista sulake.

Kondensaatiota jääkaappiosaston sivuseinässä (MONIALUE, JÄÄHDYTYKSEN OHJAUS ja JOUSTAVA ALUE).

- Hyvin kylmä ympäristö. Oven jatkuva avaaminen ja sulkeminen. Hyvin kostea ympäristö. Nestepitoisten ruokien säilytys avoimessa astiassa. Oven jättäminen raolleen. Termostaatin kytkeminen kylmemmälle.
- Oven avoinna oloajan lyhentäminen tai käyttämällä sitä harvemmin.
- Avoimissa astioissa säilytettyjen ruokien peittäminen sopivalla materiaalilla.
- Pyyhi kondensoitunut vesi kuivalla liinalla ja tarkista tuleeko sitä lisää.

Kompressor ei käy.

- Kompressorin lämpövastus työntyy ulos äkillisen virtakatkoksen sattuessa tai kun virta sammuu ja syttyy uudelleen, kun jääkaapin jäähdytysjärjestelmän jäähdytysaineenpaine ei ole vielä tasapainossa. Jääkaappi käynnistyy noin 6 minuutin kuluttua. Soita huoltoon, jos jääkaappi ei käynnisty tässä ajassa.
- Jääkaapin sulatusjakso on käynnissä. Tämä on normaalia täysautomaattisesti itsesulattavassa jääkaapissa. Sulatuskierto tapahtuu tietyin väliajoin.
- Jääkaappia ei ole kytketty pistorasiaan. Varmista, että pistoke on asetettu kunnolla pistorasiaan.
- Onko lämpötila-asetukset tehty oikein?
- Kyse voi olla virtakatkoksesta.

Jääkaappi käy alituisen tai pitkän ajan.

- Uusi tuotteesi voi olla leveämpi kuin edellinen. Tämä on aivan normaalia. Suuret jääkaapit käyvät kauemmin.
- Huonelämpötila voi olla liian korkea. Tämä on aivan normaalia.
- Jääkaappi on voitu kytkeä päälle äskettäin tai siihen on säilötty äskettäin ruokaa. Jääkaapin jäähtyminen oikeaan lämpötilaan voi kestää muutamia tunteja kauemmin.
- Suuri määrä ruokaa on voitu säilöä jääkaappiin äskettäin. Lämmin ruoka aiheuttaa jääkaapin käymisen pitempään, kunnes se saavuttaa turvallisen säilytyslämpötilan.
- Ovet on voitu avata äskettäin tai jätetty raolleen pitkäksi aikaa. Jääkaappiin päässyt lämmin ilma aiheuttaa jääkaapin käymisen pidemmän aikaa. Avaa ovia harvemmin.
- Pakastin- tai jääkaappiosaston ovi on voitu jättää raolleen. Tarkista onko ovet suljettu tiukasti.
- Jääkaappi on säädetty hyvin alhaiselle lämpötilalle. Säädä jääkaapin lämpötila lämpimämmäksi ja odota, kunnes haluttu lämpötila on saavutettu.
- Jääkaapin tai pakastimen oven tiiviste voi olla likainen, kulunut, rikkoutunut tai huonosti paikallaan. Puhdista tai vaihda tiiviste. Vahingoittunut, rikkoutunut tiiviste aiheuttaa jääkaapin käymisen pidempiä aikoja nykyisen lämpötilan ylläpitämiseksi.

Pakastimen lämpötila on hyvin alhainen, kun jääkaapin lämpötila on sopiva.

- Pakastin on säädetty hyvin alhaiselle lämpötilalle. Säädä pakastimen lämpötila lämpimämmäksi ja tarkista.

Jääkaapin lämpötila on hyvin alhainen, kun pakastimen lämpötila on sopiva.

- Jääkaappi on voitu säätää hyvin alhaiselle lämpötilalle. Säädä jääkaapin lämpötila lämpimämmäksi ja tarkista.

Jääkaappiosaston vetolaatikoissa säilytetty ruoka jäätyy.

- Jääkaappi on voitu säätää hyvin alhaiselle lämpötilalle. Säädä jääkaapin lämpötila lämpimämmäksi ja tarkista.

Jääkaapin tai pakastimen lämpötila on hyvin korkea.

- Jääkaapin lämpötila on voitu säätää hyvin korkealle lämpötilalle. Jääkaapin säädöt vaikuttavat pakastimen lämpötilaan. Muuta jääkaapin tai pakastimen lämpötilaa, kunnes jääkaappi tai pakastin saavuttaa riittävän tason.
- Ovet on voitu avata äskettäin tai jätetty raolleen pitkäksi aikaa. Avaa niitä harvemmin.
- Ovi on voitu jättää raolleen. Sulje ovi kokonaan.
- Suuri määrä lämmintä ruokaa on voitu säilöä jääkaappiin äskettäin. Odota, kunnes jääkaappi tai pakastin saavuttaa halutun lämpötilan.
- Jääkaapin virtajohto on voitu liittää pistorasiaan äskettäin. Jääkaapin kokonaan jäähtyminen kestää oman aikansa.

Käyntiääni voimistuu, kun jääkaappi käy.
<ul style="list-style-type: none"> Jääkaapin käyttöteho saattaa muuttua ympäristön lämpötilan muutosten mukaan. Se on normaalia eikä ole vika.
Tärinä tai käyntiääni.
<ul style="list-style-type: none"> Lattia ei ole tasainen tai se on heikko. Jääkaappi huojuu, kun sitä siirretään hitaasti. Varmista, että lattia kestää jääkaapin painon ja että se on tasainen. Melu saattaa johtua jääkaappiin laitetuista kohteista. Jääkaapin päällä olevat esineet on poistettava.
Jääkaapista kuuluu nesteen vuotamisen tai suihkuamisen kaltaisia ääniä.
<ul style="list-style-type: none"> Neste- ja kaasuvuotoja ilmenee jääkaapin käyttöperiaatteiden mukaisesti. Se on normaalia eikä ole vika.
Kuuluu tuulen huminan kaltaista ääntä.
<ul style="list-style-type: none"> Jääkaapin jäähdyttämiseen käytetään tuulettimia. Se on normaalia eikä ole vika.
Kondensaatio jääkaapin sisäseinissä.
<ul style="list-style-type: none"> Kuuma ja kostea sää lisää jäätymistä ja kondensaatiota. Se on normaalia eikä ole vika. Ovet on voitu jättää roolleen. Varmista, että ovet on suljettu kokonaan. Ovet on voitu avata äskettäin tai jätetty roolleen pitkäksi aikaa. Avaa niitä harvemmin.
Kosteutta esiintyy jääkaapin ulkopinnoilla tai ovien välissä.
<ul style="list-style-type: none"> Ilma saattaa olla kosteaa. Tämä on normaalia kostealla säällä. Kun kosteutta on vähemmän, kondensaatio häviää.
Paha haju jääkaapin sisällä.
<ul style="list-style-type: none"> Jääkaapin sisäpuoli on puhdistettava. Puhdista jääkaapin sisäpuoli sienellä, haalealla vedellä tai hiilihapollisella vedellä. Jotkut astiat tai pakkausmateriaalit voivat olla hajun aiheuttajia. Käytä erilaista säilytysastiaa tai erimerkkistä pakkausmateriaalia.
Ovi ei sulkeudu.
<ul style="list-style-type: none"> Elintarvikepakkaukset voivat estää oven sulkeutumisen. Poista pakkaukset, jotka ovat oven esteenä. Jääkaappi ei ole täysin suorassa lattialla ja se keinuu vähän liikuttaessa. Säädä nostoruuveja. Lattia ei ole tasainen tai kestävä. Varmista, että lattia on tasainen, ja että se kestää jääkaapin painon.
Lokerot ovat juuttuneet.
<ul style="list-style-type: none"> Elintarvikkeet voivat olla kosketuksissa lokeron katon kanssa. Järjestä ruoat uudelleen vetolaatikossa.

Vennligst les denne veiledningen først!

Kjære kunde,

Vi håper at produktet ditt, som er produsert ved moderne fabrikker og som har gått igjennom strenge kvalitetskontrollprosedyrer, fullt ut vil dekke dine behov.




Derfor ber vi deg lese nøye gjennom denne veiledningen før du bruker produktet, og beholde denne for fremtidig bruk.

Bruksanvisningen

- Vil hjelpe deg til å bruke apparatet på en hurtig og sikker måte.
- Vennligst les bruksanvisningen før du installerer og bruker produktet.
- Følg instruksjonene, spesielt de som angår sikkerheten.
- Hold veiledningen lett tilgjengelig, siden du kan ha behov for den senere.
- Les også de andre dokumentene som ble levert sammen med produktet.
- Vennligst merk at denne bruksanvisningen kan gjelde for flere andre modeller.

Symboler og beskrivelser av disse

Denne veiledningen inneholder følgende symboler:

-  Viktig informasjon eller nyttige tips om bruk.
-  Advarsel om farlige omstendigheter for liv og eiendom.
-  Advarsel om elektrisk spenning.



ADVARSEL!

For å sikre normal drift av kjøleapparatet, som bruker den miljøvennlige kjølevæskem R600a (brennbar bare under spesielle vilkår), må du følge disse reglene:

- Det må alltid være fri sirkulasjon av luft rundt apparatet.
- Bruk ikke andre mekaniske gjenstander for å gjøre avisingen raskere enn dem som anbefales av produsenten.
- Ødelegg ikke kjølekretsen.
- Bruk ikke andre elektriske apparater inne i apparatet enn dem som eventuelt anbefales av produsenten.



INFORMASJON



ENERGY



SUPPLIER'S NAME

MODEL IDENTIFIER (*)

A

A

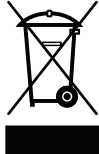
Modellinformasjonen som er lagret i produkt databasen kan nås ved å gå inn på følgende nettsted og søke etter din modellidentifikator (*) som finnes på energimerket.

<https://eprel.ec.europa.eu/>

INNHold

1 Fryseren	3	4 Forberedelse	10
2 Viktige sikkerhetsadvarsler	4	5 Bruke fryseren	11
Beregnet bruk.....	4	Indikatorpanel.....	11
Generell sikkerhet.....	4	Frysing	11
Barnesikring	6	Lage isbiter	11
HCA-advarsel.....	6	Tining	11
Ting å gjøre for å spare energi	6	6 Vedlikehold og rengjøring	12
3 Installasjon	7	Beskyttelse av plastoverflater	12
Punkter som er viktige ved ny transportering av kjøleskapet	7	7 Anbefalte løsninger på problemer	13
Før du bruker kjøleskapet	7		
Elektrisk tilkobling	7		
Bortskaffing av emballasje	7		
Bortskaffing av det gamle kjøleskapet...8			
Plassering og installasjon.....	8		
Omhengsling av dørene.....	9		

Resirkulering

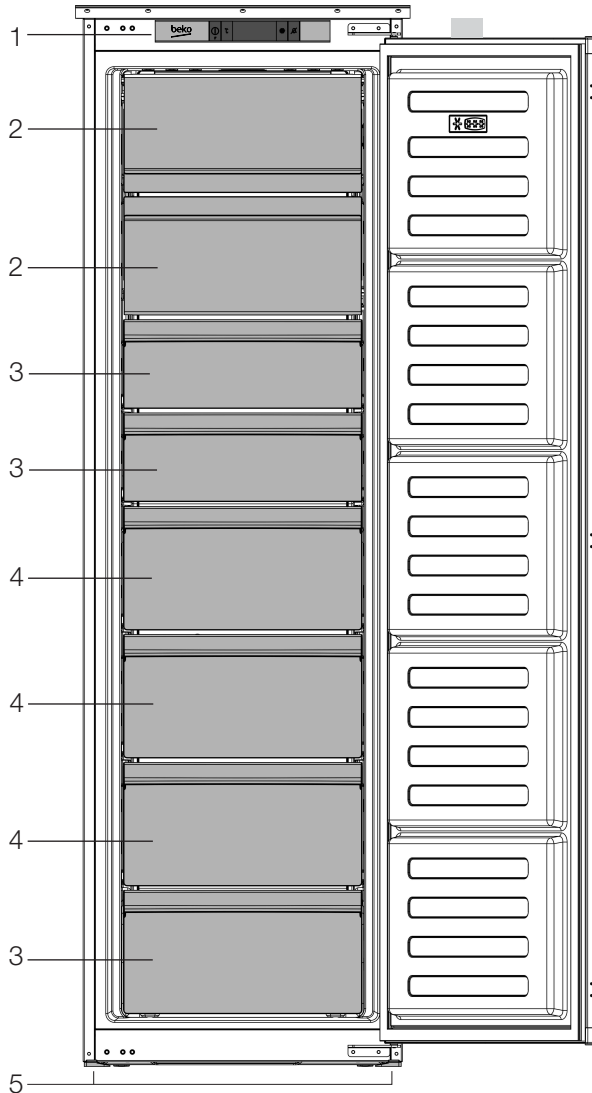


Dette produktet har utvalgt sorteringssymbol for avfall elektrisk og elektronisk utstyr (WEEE).

Dette betyr at dette produktet må håndteres etter EU-direktivet 2012/19/EU for å resirkuleres eller demonteres for å redusere virkningen på miljøet. For ytterligere informasjon, vennligst ta kontakt med lokale eller regionale myndigheter.

Elektroniske produkter som ikke er inkludert i utvalgt sorteringsprosess er potensielt farlige for miljøet og menneskers helse pga. tilstedeværelse av farlige substanser.

1 Fryseren



1. Kontrollpanel
2. Klaffer
3. Skuffer
4. Store skuffer
5. Frambein

i Figurene i denne veiledningen er skjematiske og kan derfor være litt forskjellige fra ditt produkt. Hvis noen deler ikke medfølger produktet du har kjøpt, gjelder den for andre modeller.

2 Viktige sikkerhetsadvarsler

Vennligst les følgende informasjon. Hvis denne informasjonen ikke overholdes, kan det forårsake personskader eller materialskader. Videre vil garanti og pålitelighetsløfte bli ugyldig.

Beregnet bruk

Dette produktet er beregnet til bruk:

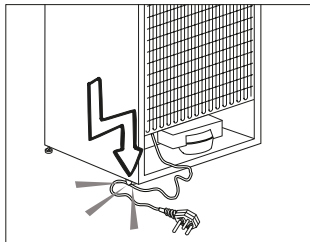
- Innendørs og på lukkede områder, slik som hjem.
- I lukkede arbeidsmiljøer, slik som butikker og kontorer.
- I lukkede husområder, slik som gårder, hoteller, pensjonater.
- Dette produktet skal ikke brukes utendørs.

Generell sikkerhet

- Når du ønsker å kaste/skrote produktet, anbefaler vi at du forhører deg med autorisert service for å få nødvendig informasjon og autoriserte myndigheter.
- Hør med autorisert service når det gjelder alle spørsmål og problemer relatert til kjøleskapet. Ikke foreta endringer eller la noen andre foreta endringer på kjøleskapet uten å varsle autorisert service.
- Ikke spis iskrem med kjeks eller isbiter straks etter at du tar dem ut av fryseren! (Dette kan forårsake frostbitt i munnen.)
- Ikke putt drikkevarer på flaske eller bokser i fryseren. Dette kan føre til at de sprekker.
- Ikke rør frossen mat med hendene, da disse kan hefte seg til hånden.
- Trekk ut støpselet før rengjøring eller avising.
- Damp og damprengjøringsmaterialer skal aldri brukes i rengjørings- og avtiningsprosesser for kjøleskapet. I slike tilfeller kan dampen komme i kontakt med de elektriske planene og forårsake kortslutning eller elektrisk sjokk.
- Bruk aldri deler på kjøleskapet slik som døren som støtte eller trinn.
- Ikke bruk elektriske innretninger på innsiden av kjøleskapet.
- Ikke ødelegg delene der kjølevæsken sirkulerer, med drill eller kutteverktøy. Kjølevæsken som kan strømme ut når gasskanaler for fordampere, rørforlengelser eller overflatebelegg punkteres, kan forårsake hudirritasjon og øyeskader.
- Ikke dekk til eller blokker ventilasjonsåpningene på kjøleskapet med noe materiale.
- Elektriske enheter må kun repareres av autoriserte personer. Reparasjoner som utføres av en inkompetent person kan forårsake fare for brukeren.
- I tilfelle feil under vedlikehold eller reparasjonsarbeid, kople fra kjøleskapets strømforsyning ved å slå av relevant sikring eller trekke ut støpselet.
- Ikke trekk etter ledningen når du trekker ut støpslet.
- Plasser drikkebeholdere tett lukket og stående.
- Lagre aldri spraybokser som inneholder antennelig og eksplosive stoffer i kjøleskapet.

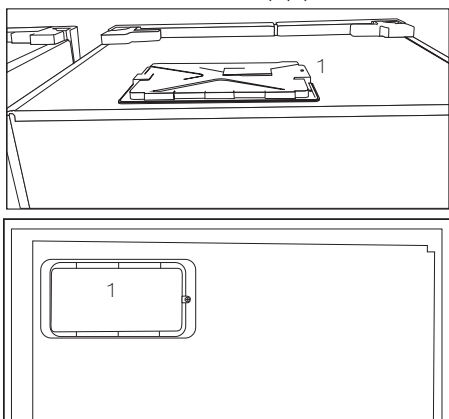
- Ikke bruk mekanisk utstyr eller andre midler for å akselerere avisingsprosessen annet enn slikt utstyr som produsenten anbefaler.
- Dette produktet er ikke beregnet til bruk av personer med fysiske, sensoriske eller mentale forstyrrelser eller personer som ikke er opplært eller ikke har erfaring (inkludert barn), med mindre det holdes under oppsyn av personer som er ansvarlige for deres sikkerhet eller som vil instruere dem tilstrekkelig i bruk av produktet.
- Ikke bruk et ødelagt kjøleskap. Hør med serviceagenten hvis du har spørsmål.
- Elektrisk sikkerhet på kjøleskapet kan garanteres kun hvis jordingen i hjemmet oppfyller standardene.
- Det er farlig å utsette produktet for regn, snø, sol og vind pga. elektrisk sikkerhet.
- Ta kontakt med autorisert service når en strømkabel skades for å unngå fare.
- Plugg aldri kjøleskapet inn i vegguttaket under installasjonen. Dette kan føre til fare for døden eller alvorlig skade.
- Dette kjøleskapet er kun beregnet til for å oppbevare mat. Det skal ikke brukes til noen andre formål.
- Merket med tekniske spesifikasjoner befinner seg på venstre vegg inne i kjøleskapet.
- Koble aldri kjøleskapet til strømsparesystemer, de kan skade kjøleskapet.
- Hvis det finnes et blått lys på kjøleskapet, ikke se på det blå lyset med optiske verktøy.
- For manuelt kontrollerte kjøleskaper vent i minst 5 minutter for å starte kjøleskapet etter et strømbrydd.
- Denne brukerhåndboken skal overleveres til neste eier av produktet hvis det skifter eier.

- Unngå å skade strømkabelen ved transport av kjøleskapet. Bøying av kabelen kan forårsake brann. Plasser aldri tunge gjenstander på strømledningen. Ikke berør støpselet med våte hender når du kobler til produktet.



- Ikke koble til kjøleskapet hvis vegguttaket er løst.
- Ikke sprut vann direkte på de ytre eller indre delene av produktet av sikkerhetsmessige grunner.
- Ikke spray stoffer som inneholder antennelige gasser, slik som propangass i nærheten av kjøleskapet for å unngå brann- og eksplosjonsfare.
- Ikke plasser gjenstander som er fylt med vann oppå kjøleskapet, da det kan føre til elektrisk støt eller brann.
- Ikke overbelast kjøleskapet med for mye mat. Hvis det overlastes, kan maten falle ned og skade deg og kjøleskapet når du åpner døren. Ikke plasser gjenstander oppe på kjøleskapet, da disse kan falle ned ved åpning eller lukking av kjøleskapsdøren.
- Produkter som trenger en nøyaktig temperaturkontroll (vaksiner, varmesensitive medisiner, forskningsmaterialer osv.), skal ikke oppbevares i kjøleskapet.
- Hvis det ikke skal brukes på lang tid, skal kjøleskapet kobles fra strømuttaket. Et problem i den elektriske kabelen kan føre til brann.
- Tuppen på den elektriske pluggen skal rengjøres regelmessig, ellers kan det oppstå brann.

- Tuppen på pluggen skal rengjøres regelmessig med en tørr klut, ellers kan det oppstå brann.
- Kjøleskapet kan flytte seg hvis de justerbare beina ikke er riktig sikret på gulvet. Riktig sikring av justerbare bein på gulvet kan forhindre at kjøleskapet flytter seg.
- Når du bærer kjøleskapet, ikke hold det etter dørhåndtaket. Da kan det knekke av.
- Hvis du må plassere produktet ved siden av et annet kjøleskap eller fryser, skal avstanden mellom enheten være minst 8 cm. Ellers kan sideveggene som grenser til hverandre bli fuktige.
- Bruk aldri produktet hvis en del som ligger på toppen eller bak på produktet som har elektroniske kretskort inne, er åpen (deksel for elektronisk kretskort) (1).



Barnesikring

- Hvis du har en lås på døren, skal nøkkelen oppbevares utilgjengelig for barn.
- Barn må passes på for å sikre at de ikke tukler med produktet.

HCA-advarsel

Hvis produktets kjølesystem inneholder R600a:

Denne gassen er brennbar. Derfor, vær forsiktig så kjølesystemet og rørene ikke ødelegges under bruk og transport. I tilfelle skade skal produktet holdes på avstand fra potensielle brannkilder som kan gjøre at produktet begynner å brenne, og ventiler rommet der enheten er plassert.

Ignorer denne advarselen hvis produktets kjølesystem inneholder R134a:

Typen gass som brukes i produktet er oppgitt på typeskiltet som finnes på venstre vegg inne i kjøleskapet. Kast aldri produktet inn i flamme.

Ting å gjøre for å spare energi

- Ikke hold dørene til kjøleskapet åpne over lang tid.
 - Ikke putt varm mat eller drikke i kjøleskapet.
 - Ikke overlaster kjøleskapet slik at luften sirkulerer inne i kjøleskapet hvis den ikke forhindres.
 - Ikke installer kjøleskapet under direkte sollys eller i nærheten av varmeutstrålende apparater, slik som ovn, oppvaskmaskin eller radiator.
 - Se til å holde maten i lukkede beholdere.
 - Du kan lagre maksimale mengder mat i fryseren hvis du fjerner hyllene eller skuffen i fryseren.
- Energiforbruksverdien som er oppgitt for kjøleskapet har blitt bestemt ved å fjerne fryserhyllene eller skuffen og under maksimal last. Det er ingen fare ved bruk av hyllene eller skuffen i henhold til form og størrelse på maten som skal fryses.

3 Installasjon

- ⚠ Vennligst husk at produsenten ikke skal holdes ansvarlig hvis informasjonen som gis i bruksanvisningen ikke overholdes.

Punkter som er viktige ved ny transportering av kjøleskapet

1. Kjøleskapet må tømmes og rengjøres før transport.
2. Hyller, tilbehør, grønnsaksoppbevaringsboks osv. i kjøleskapet må festes godt med teip mot støt før innpakning.
3. Innpakningen må festes med tykk teip og sterke tau, og transportreglene på pakningen må følges.

Vennligst ikke glem...

Hvert resirkulert material er en uunnværlig kilde for naturen of for de nasjonale ressursene. Hvis du ønsker å bidra til resirkulering av pakkematerialene, kan du få mer informasjon fra miljømyndigheter eller lokale myndigheter

Før du bruker kjøleskapet

Før du begynner å bruke kjøleskapet må du kontrollere følgende:

1. Er de indre delene av kjøleskapet tørre, og kan luften sirkulere fritt på baksiden av skapet?
2. Rengjør de indre delene av kjøleskapet slik som anbefalt i avsnittet "**Vedlikehold og rengjøring**".
3. Sett kjøleskapets støpsel inn i uttaket.

4. Du vil høre en lyd når kompressoren starter opp. Væsken og gassene som er foreglet inne i kjølesystemet også kan lage litt støy, selv om kompressoren ikke går, og dette er helt normalt
5. Frontkantene på kjøleskapet kan føles varme. Dette er normalt. Disse områdene er designet til å være varme for å unngå kondens.

Elektrisk tilkobling

Tilkople produktet til et jordet uttak som er beskyttet av en sikring med riktig kapasitet. Viktig:

- Tilkoblingen skal være i overensstemmelse med nasjonale forskrifter.
- Strømledningens støpsel skal være lett tilgjengelig etter installasjon.
- Oppgitt spenning må tilsvare spenningen i strømmettet ditt.
- **Skjøtekabler og flerveisplugger skal ikke brukes for tilkobling.**

⚠ En ødelagt strømledning skal skiftes ut av en kvalifisert elektriker.

⚠ Produktet skal ikke brukes før det er reparert! Det er fare for elektrisk støt!

Bortskaffing av emballasjen

Innpakningsmaterialer kan være farlige for barn. Hold innpakningsmaterialene utilgjengelig for barn eller kast dem ved sortering etter avfallsforskriftene. Ikke kast dem sammen med normalt husholdningsavfall.

Emballasjen for maskinen din er produsert av resirkulerbare materialer.

Bortskaffing av det gamle kjøleskapet

Bortskaff det gamle kjøleskapet uten å skade miljøet.

- Du kan forhøre deg med din autoriserte forhandler eller avfallssorteringssenteret der du bor om bortskaffing av kjøleskapet ditt.

Før du bortskaffer kjøleskapet, kutt av strømstøpselet, og hvis det finnes låser på døren, se til at de ikke lenger virker, slik at barn beskyttes mot all fare.

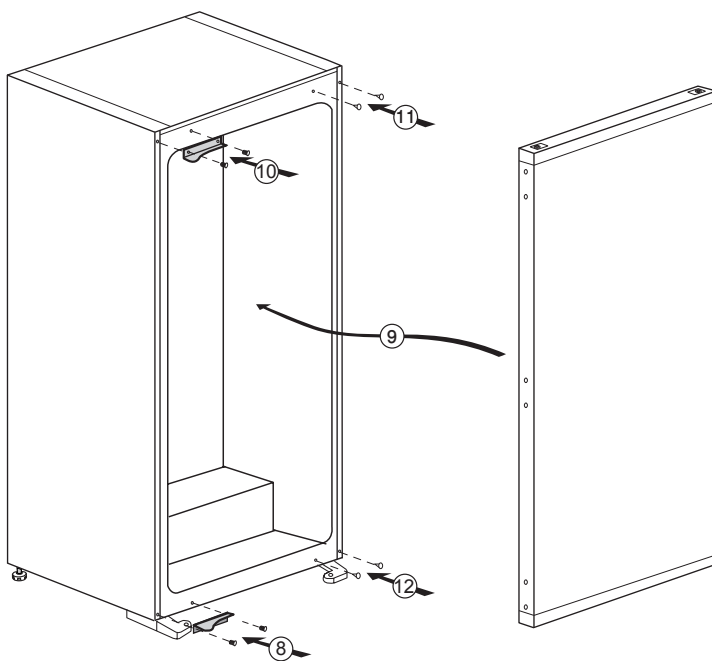
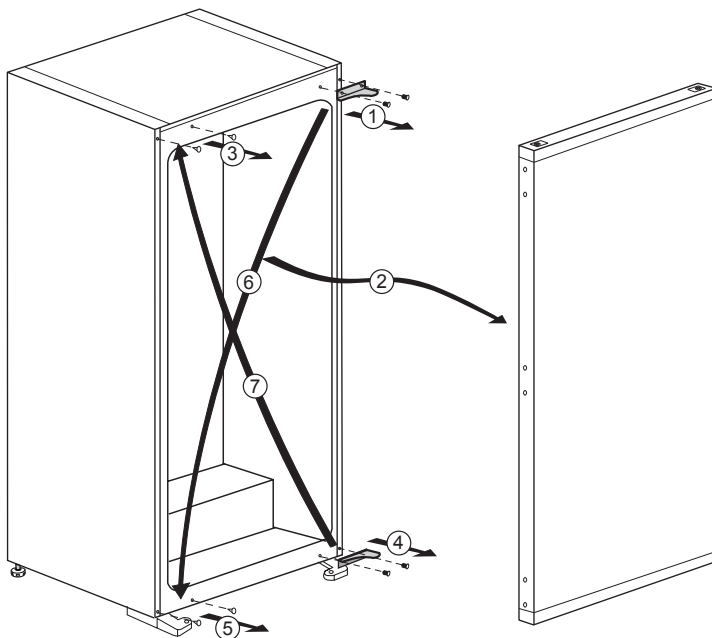
Plassering og installasjon

⚠ Dersom inngangsdøren til det rommet der kjøleskapet skal plasseres ikke er bredt nok til at kjøleskapet kan komme gjennom, vennligst ring autorisert service for å få dem til å ta av kjøleskapsdørene og ta det sideveis inn gjennom døråpningen.

1. Plasser kjøleskapet på et sted det er enkelt å bruke det.
2. Hold kjøleskapet på avstand fra varmekilder, fuktige steder og direkte sollys.
3. Det skal være tilstrekkelig luftventilasjon rundt kjøleskapet for å oppnå en effektiv drift. Hvis kjøleskapet skal plasseres i en innbygging i vegg, må det være minst 5 cm avstand fra taket og 5 cm fra vegg. Hvis gulvet er dekket med et teppe, skal apparatet heves 2,5 cm fra gulvet.
4. Plasser kjøleskapet på et plant gulv for å unngå risting.
5. Ikke oppbevar kjøleskapet i omgivelser med temperaturer under 10°C.

Omhengsing av dørene

Gå frem i nummerrekkefølge.

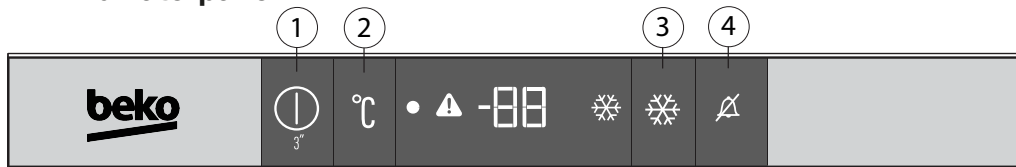


4 Forberedelse

- Kjøleskapet skal installeres minst 30 cm på avstand fra varmekilder, slik som f.eks. komfyrer, ovner, sentralvarme og kokeplater, samt minst 5 cm borte fra elektriske ovner og skal ikke plasseres i direkte sollys.
- Omgivelsestemperaturen i det rommet der kjøleskapet plasseres skal være minst 10°C. Bruk av kjøleskapet under kaldere forhold enn dette anbefales ikke pga. effektiviteten.
- Vennligst se til at de indre delene av kjøleskapet rengjøres grundig.
- Hvis to kjøleskap skal installeres ved siden av hverandre, skal det være en avstand på minst 2 cm mellom dem.
- Når du bruker kjøleskapet for første gang, vennligst følg instruksene rundt de første seks timene.
- Døren skal ikke åpnes ofte.
- Det skal kun brukes tomt uten mat.
- Ikke trekk ut støpselet for kjøleskapet. Hvis et strømbrydd oppstår som du ikke kan kontrollere, vennligst se advarsler i avsnittet **“Anbefalte løsninger på problemer”**.
- Originalinnpakningen og skummaterialer skal beholdes for fremtidig transport eller fytting.

5 Bruke fryseren

Indikatorpanel



1. På/av-indikator

Trykk på på/av-knappen i tre sekunder for å slå av eller på fryseren. ●-lyser når fryseren er avslått. Alle de andre symbolene er slukket.

2. Knapp for innstilling av frysertemperatur

Trykk på denne knappen (°C) for å stille fryserseksjonens temperatur inn på hhv. -18, -19, -20, -21, -22, -23, -24, -18... Trykk på denne knappen for å stille fryserdelens temperatur inn på ønsket verdi.

3. Knapp for hurtigfrysfunksjon

Trykk på denne knappen (❄️) for å aktivere eller deaktivere hurtigfrysfunksjonen. Når du aktiverer funksjonen, kjøles fryserseksjonen ned til en temperatur som er lavere enn innstilt verdi.

Bruk hurtigfrysfunksjonen når du ønsker rask innfrysing av maten du legger i fryserrommet. Hvis du ønsker å fryse ned store mengder fersk mat, må du aktivere denne funksjonen før du legger inn matvarene.

Hvis du ikke avbryter det, vil hurtigfrys avbrytes automatisk etter maksimalt **25 timer** eller når fryserseksjonen har nådd ønsket temperatur. Denne funksjonen gjenopprettes ikke etter et strømbrudd.

4. Alarm av

Når fryserdøren har vært åpen i 1 minutter utløses en alarm. Alarmen kan slås av ved å trykke på «alarm av»-knappen (🔊). Hvis du lukker døren og deretter åpner den igjen vil «åpen døralarmen» aktiveres etter 1 minutter. Ved feil på sensoren vil advarselsikonet lyse (⚠️). Hvis knappen "Alarm av" trykkes, blir advarselen "rengjort".

Frysing

Fryseområdet er merket med ❄️❄️❄️ dette symbolet. Du kan bruke innretningen til å fryse fersk mat, samt lagre mat som allerede er frossen. Vennligst se anbefalingene på pakningen av maten.

⚠️ OBS

Ikke frys drikkevarer, da frossen væske kan sprengte flasken. Vær forsiktig med frosne produkter slik som fargede isterninger. Ikke gå ut over frysekapasiteten i apparatet over 24 timer. Se typebetegnelsen. For å opprettholde kvaliteten på maten må frysingen skje så raskt som mulig. Dermed vil ikke frysekapasiteten overstiges, og temperaturen inne i fryseren vil ikke stige. Hold alltid dypfrossen mat på avstand fra fersk mat. Ved dypfrysing av varm mat, vil kjølekompressoren jobbe inntil maten er helt frossen. Hvis det er vanskelig å åpne fryserdøren rett etter at du har lukket den, trenger du ikke bekymre deg. Dette er pga. trykkforskjellen som gradvis vil utjevne seg og la døren åpnes som vanlig etter noen få minutter. Du vil høre en vakuumljud rett etter du lukker døren. Dette er helt normalt.

Lage isbiter

Fyll isbitbrettet ¾ fullt med vann og plasser det i fryseren. Så snart vannet er blitt til is kan du ta ut isterningene. Ikke bruk skarpe gjenstander som kniver eller gafler til å fjerne isen. Det er fare for skade!

Tining

NO FROST-typen avising er helt automatisk. Ingen handling er nødvendig fra din side. Vannet samles på kompressorbrettet. På grunn av varmen fra kompressoren fordampes vannet.

6 Vedlikehold og rengjøring

- ⚠ Bruk aldri bensin, benzen eller lignende stoffer til rengjøring.
- ⚠ Vi anbefaler at du trekker ut støpselet på apparatet før rengjøring.
- ℹ Bruk aldri noen skarpe redskaper eller rengjøringsmidler med skureeffekt, såpe, rengjøringsmidler for hjemmebruk eller voks til rengjøringen.
- ℹ Bruk lunkent vann for å vaske skapet og tørk det tørt.
- ℹ Bruk en fuktig klut vridt opp i en oppløsning av en teskje bikarbonatsoda til ca. ½ liter vann for å rengjøre innsiden av skapet og tørk det tørt.
- ⚠ Pass på at det ikke kommer vann inn i pærehuset eller andre elektriske gjenstander.
- ⚠ Hvis kjøleskapet ikke skal brukes over en lengre periode, må du trekke ut støpselet, ta ut alle matvarer, rengjøre det og sette døren på klem.
- ℹ Kontroller pakningene til dørene jevnlig for å sikre at de er rene og fri for matrester.
- ℹ For å demontere dørstativene tar du først ut alt innholdet og så skyver du ganske enkelt dørstativet opp fra bunnen.

- ℹ Bruk aldri rengjøringsmidler eller vann som inneholder klor til å rense de ytre overflaten og krombelagte delene av produktet. Klor forårsaker korrosjon på slike metallfater.

Beskyttelse av plastoverflater

- ℹ Ikke putt fytende oljer eller oljekokte måltider i kjøleskapet i uforseglede beholdere, da disse kan ødelegge plastoverflaten i kjøleskapet. Ved søling eller smøring av olje på plastoverflaten, rengjør og rens relevant del av overflaten med en gang med varmt vann.

7 Anbefalte løsninger på problemer

Kontroller følgende liste før du ringer service. Det kan spare deg tid og penger. Denne listen inkluderer hyppige klager som ikke oppstår fra defekt utføring eller materialbruk. Noen av funksjonene som beskrives her finnes kanskje ikke i ditt produkt.

Kjøleskapet virker ikke.

- Er kjøleskapet pluggnet inn? Sett støpselet inn i strømuttaket.
- Har sikringen til uttaket kjøleskapet er tilknyttet eller hovedsikringen gått? Kontroller sikringen.

Kondens på sideveggen av kjøleskapet. (MULTI ZONE, COOL CONTROL og FLEXI ZONE).

- Svært kalde omgivelsesforhold. Hyppig åpning eller lukking av døren. Svært fuktige omgivelsesforhold. Lagring av mat som inneholder væske i åpne beholdere. Døren står på gløtt.
- Still termostaten til kaldere grad.
- Reduser tiden døren står åpen eller bruk mindre hyppig.
- Dekk til mat som lagres i åpne beholdere med egnet materiale.
- Tørk av kondensen med en tørr klut og kontroller om problemet fortsetter.

Kompressoren går ikke.

- Termovern for kompressoren vil koples ut under plutselig strømbrydd eller utplugging og innplugging hvis kjølevæsketrykket i kjølesystemet til kjøleskapet ikke er balansert.
- Kjøleskapet vil starte etter ca. 6 minutter. Vennligst ring service hvis kjøleskapet ikke starter etter utløpet av denne tiden.
- Kjøleskapet er i defrostsyklus. Dette er normalt for helautomatisk avisningskjøleskap. Avisningssyklusen gjennomføres regelmessig.
- Kjøleskapet er ikke tilkopleet strømuttaket. Kontroller at støpselet er satt godt inn i kontakten.
- Er temperaturinnstillingene foretatt riktig? Det er strømbrydd. Ring strømleverandøren.

Kjøleskapet går hyppig eller over lang tid.

- Det nye kjøleskapet kan være bredere enn det gamle. Dette er helt normalt. Store kjøleskap arbeider over lengre tidsperioder.
- Romtemperaturen kan være høy. Dette er helt normalt.
- Kjøleskapet kan ha vært plagget inn nylig eller blitt lastet med mat. Fullstendig nedkjøling av kjøleskapet kan ta et par timer lenger.
- Store mengder varm mat har blitt lagt inn i kjøleskapet nylig. Varm mat forårsaker lengre drift av kjøleskapet inntil den oppnår sikker oppbevaringstemperatur.
- Dørene kan ha vært åpnet hyppig eller stått på gløtt i lang tid. Varm luft som har kommet inn i kjøleskapet gjør at kjøleskapet kjører over lang tid. Åpne dørene mindre hyppig.
- Fryser- eller kjøleskapsdør kan ha stått på gløtt. Kontroller om dørene er tett lukket.
- Kjøleskapet er justert til svært kald temperatur. Juster kjøleskapets temperatur til høyere grad og vent inntil temperaturen er oppnådd.
- Dørtetningen til kjøleskapet eller fryseren kan være tilsmusset, utslitt, ødelagt eller ikke på plass. Rengjør eller skift ut tetningen. Skadet/ødelagt tetning gjør at kjøleskapet går over lang tid for å opprettholde aktuell temperatur.

Frysertemperaturen er svært lav, mens kjøleskapstemperaturen er tilstrekkelig.

- Fryserens temperatur er justert til svært lav temperatur. Juster fryserens temperatur til høyere grad og kontroller.

Kjøleskapstemperaturen er svært lav, mens frysertemperaturen er tilstrekkelig.

- Kjøleskapets temperatur er justert til svært lav temperatur. Juster kjøleskapets temperatur til høyere grad og kontroller.

Mat som oppbevares i skuffene fryser.

- Kjøleskapets temperatur er justert til svært lav temperatur. Juster kjøleskapets temperatur til høyere grad og kontroller.

Temperaturen i kjøleskapet eller fryseren er svært høy.

- Kjøleskapets temperatur er justert til svært høy grad. Kjøleskapsjusteringen har virkning på temperaturen til fryseren. Endre temperaturen i kjøleskapet eller fryseren inntil kjøleskapets eller fryserens temperatur når et tilstrekkelig nivå.
- Døren kan ha stått på gløtt. Lukk døren helt.
- Store mengder varm mat har blitt lagt inn i kjøleskapet nylig. Vent inntil kjøleskap eller fryser når ønsket temperatur.
- Kanskje kjøleskapet nettopp ble tilkoblet. Fullstendig nedkjøling av kjøleskapet tar tid pga. størrelsen.

Støy som ligner lyden av sekunder som høres fra en analog klokke kommer fra kjøleskapet.
<ul style="list-style-type: none"> Støyen kommer fra solenoidventilen på kjøleskapet. Solenoidventilen har til hensikt å sikre at kjølemiddelet passerer gjennom delen som kan justeres til kjøle- eller frysetemperaturer og utføre kjølefunksjoner. Dette er normalt og er ingen feil.
Driftslyden øker når kjøleskapet går.
<ul style="list-style-type: none"> Ytelsesegenskapene til kjøleskapet kan endres etter endringene i omgivelsestemperaturen. Dette er helt normalt og er ingen feil.
Vibrasjon eller klapping.
<ul style="list-style-type: none"> Gulvet er ikke jevnt eller er svakt. Kjøleskapet vugger når det flyttes sakte. Se til at gulvet er jevnt, sterkt og har evne til å bære kjøleskapet. Støyen kan forårsakes av gjenstandene som legges inn i kjøleskapet. Slike gjenstander skal fjernes fra toppen av kjøleskapet.
Det er lyder som ligner væskesøl eller spraying.
<ul style="list-style-type: none"> Væske- og gasstrømninger skjer etter virkeprinsippene til kjøleskapet. Dette er helt normalt og er ingen feil.
Det høres støy som om det blåser vind.
<ul style="list-style-type: none"> Luftvifter brukes for at kjøleskapet skal kjøle effektivt. Dette er helt normalt og er ingen feil.
Kondens på de indre veggene på kjøleskapet.
<ul style="list-style-type: none"> Varmt og fuktig vær øker ising og kondens. Dette er helt normalt og er ingen feil. Dørene står på gløtt. Se til at dørene lukkes fullstendig. Dørene kan ha vært åpnet svært hyppig eller stått åpne i lang tid. Åpne døren mindre hyppig.
Fuktighet oppstår på utsiden av kjøleskapet eller mellom dørene.
<ul style="list-style-type: none"> Været kan være fuktig. Dette er helt normalt ved fuktig vær. Når fuktigheten er lavere, vil kondensen forsvinne.
Dårlig lukt inne i kjøleskapet.
<ul style="list-style-type: none"> Det må rengjøres inni kjøleskapet. Rengjør innsiden av kjøleskapet med en svamp, varmt vann eller karbonert vann. Noen beholdere eller innpakningsmaterialer kan forårsake lukten. Bruk en annen beholder eller annet merke på innpakningsmaterialet.
Døren(e) lukkes ikke.
<ul style="list-style-type: none"> Matpakninger forhindrer lukking av døren. Flytt pakninger som forhindrer lukking av døren. Kjøleskapet er antagelig ikke plassert helt vertikalt på gulvet og kan vugge når det bevegges forsiktig. Juster høydeskrueene. Gulvet er ikke jevnt eller sterkt. Se til at gulvet er jevnt og har evne til å bære kjøleskapet.
Grønnsaksoppbevaringsboksene sitter fast.
<ul style="list-style-type: none"> Mat kan berøre taket i skuffen. Ordne maten i skuffen på nytt.

Läs den här bruksanvisningen först!

Kära kund!

Vi hoppas att produkten, som har tillverkats på en modern anläggning och genomgått de allra noggrannaste kvalitetsprocesser, kommer att erbjuda effektiv service.




Vi rekommenderar därför att du läser igenom hela bruksanvisningen noggrant innan du använder den och att du förvarar den nära till hands för framtida referens.

Den här bruksanvisningen

- Hjälper dig använda enheten på ett snabbt och säkert sätt.
- Läs bruksanvisningen innan du installerar och använder produkten.
- Följ instruktionerna, speciellt säkerhetsanvisningarna.
- Förvara bruksanvisningen på en lättåtkomlig plats där du kan hämta den senare.
- Läs även övriga dokument som tillhandahålls tillsammans med produkten.
- Observera att den här bruksanvisningen även kan gälla för andra modeller.

Symboler och beskrivningar för dem

Den här bruksanvisningen innehåller följande symboler:

-  Viktig information eller användbara tips.
-  Varning för risker för liv och egendom.
-  Varning för elektrisk spänning.

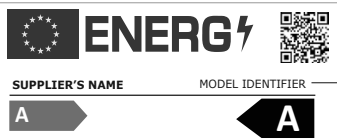


VARNING!

För att försäkra dig om en normal drift av din kylningsenhet, som använder ett miljövänligt kylmedel R600a (endast flambart under vissa förhållanden) måste du beakta följande regler:

- Förhindra inte att luften cirkulerar fritt runt enheten.
- Använd inte mekaniska enheter för att snabba på avfrostningsprocessen, förutom det som rekommenderas av tillverkaren.
- Skada inte kylningskretsen.
- Använd inte elektriska apparater inuti förvarningsfacket, förutom de som rekommenderas av tillverkaren.

INFORMATION



Modellinformationen, som är lagrad i produkt databasen, kan nås från webbsidan och genom att söka för modellidentifikationen (*), som finns i energimärkningen.

<https://eprel.ec.europa.eu/>

INNEHÅLL

1 Ditt frysen	3	4 Förberedelse	10
2 Viktiga säkerhetsvarningar	4	5 Använda frysen	11
Avsedd användning	4	Indikatorpanel.....	11
Allmän säkerhet.....	4	Frysning	11
Barnsäkerhet	6	Göra isbitar	11
HCA-Varning	6	Avfrostning	11
Saker att göra för att spara energi	6	6 Underhåll och rengöring	12
3 Installation	7	Skydd av plastytor	12
Saker att tänka på vid transport av kylskåpet	7	7 Rekommenderade lösningar på problem	13
Innan du använder kylskåpet	7		
Elektrisk anslutning	7		
Kassering av förpackningen.....	8		
Kassering av ditt gamla kylskåp	8		
Placering och installation	8		
Byte av dörrar.....	9		



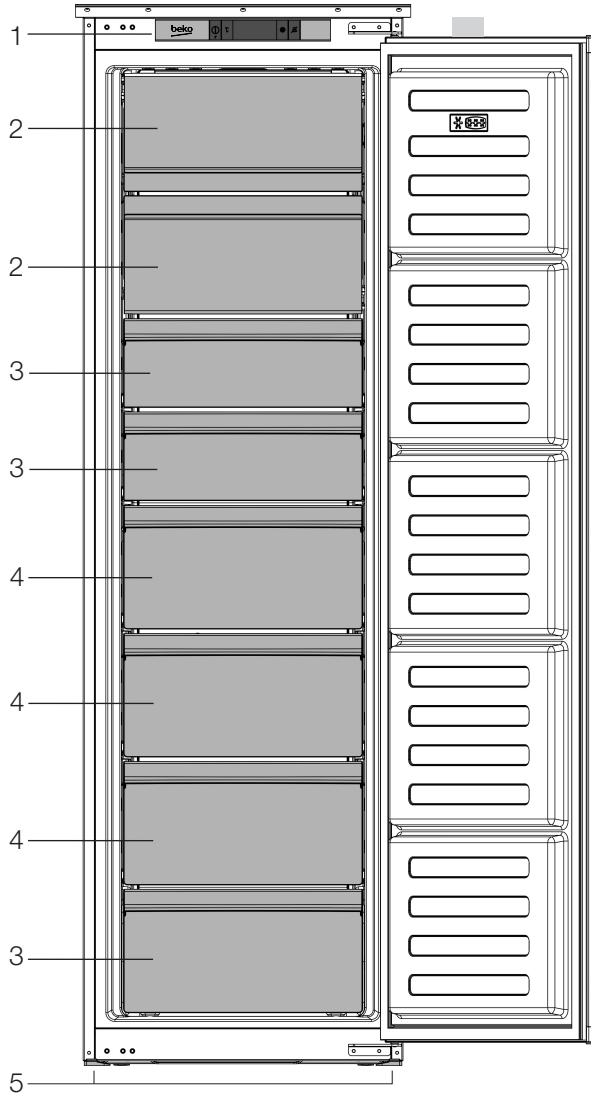
Återvinning

Den här produkten är försedd med symbolen för källsortering av elektriskt och elektroniskt material (WEEE).

Detta innebär att produkten måste hanteras i enlighet med EU-direktivet 2012/19/EU för att återvinnas eller återanvändas och därmed minimera påverkan på miljön. För ytterligare information, kontakta din lokala kommun.

Elektroniska produkter som inte inkluderas i källsortering är potentiellt farliga för miljön och den personliga hälsan, på grund av farliga substanser.

1 Ditt frysen



1. Kontrollpanel
2. Klaffar
3. Lådor
4. Stora lådor
5. Front fötter

i Bilder som förekommer i den här bruksanvisningen är exempel och överensstämmer inte exakt med din produkt. Om det finns delar som inte inkluderas i produkten du har köpt gäller det för andra modeller.

2 Viktiga säkerhetsvarningar

Läs följande information. Om du underlåter att följa den här informationen kan det orsaka person- och materialskador. Annars blir alla garanti- och tillförlitlighetsåtaganden ogiltiga.

Avsedd användning

Den här produkten är avsedd för följande användning:

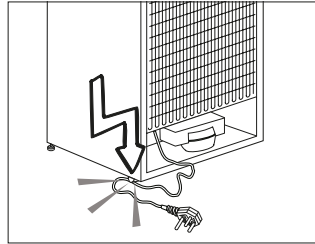
- inomhus och i stängda rum, exempelvis i hemmet;
- i stängda miljöer, såsom butiker och kontor;
- i stängda inkvarteringsområden, såsom bondgårdar, hotell, pensionat.
- Denna produkt ska inte användas utomhus.

Allmän säkerhet

- När du vill avyttra produkten rekommenderar vi att du rådgör med auktoriserad kundtjänst för att få den information som krävs, samt auktoriserade organ.
- Rådfråga auktoriserad service när det gäller alla frågor och problem som är relaterade till kylskåpet. Modifera inte kylskåpet utan att meddela auktoriserad kundtjänst.
- Åt inte glass och iskuber direkt efter att du har tagit ut dem ur frysfacket! (Det kan leda till köldskador i munnen.)
- Placera inte flaskprodukter och konserverade drycker i frysfacket. De kan explodera.

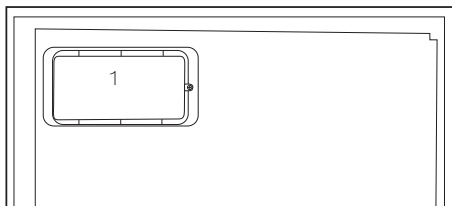
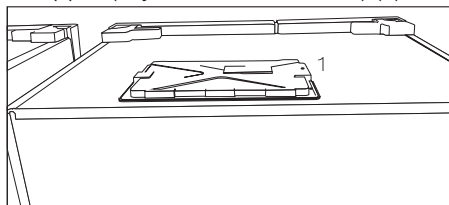
- Rör inte vid fryst mat med händerna; de kan fastna.
- Koppla ur kylskåpet före rengöring och avfrostning.
- Lättflyktiga material skall aldrig användas vid avfrostning av kylskåpet. Det kan leda till att ångan kommer i kontakt med elektriska delar och orsaka kortslutning eller elektriska stötar.
- Använd aldrig delar på ditt kylskåp såsom en dörr som stöd eller trappsteg.
- Använd inte elektriska enheter inne i kylskåpet.
- Skada inte delarna med borrar eller vassa verktyg, när kylskåpet cirkulerar. Kylmedlet som kan läcka ut om rör eller ytor punkteras kan orsaka hudirritation och ögonskador.
- Täck inte över eller blockera ventilationshålen på kylskåpet med något material.
- Elektriska enheter måste repareras av behöriga fackmän. Reparationer som utförs av personer utan rätt kunskap kan orsaka risk för användaren.
- Vid eventuella fel eller felfunktion under service eller reparationsarbete, skall du koppla ur strömkällan till kylskåpet genom att antingen vrida ur motsvarande säkring eller dra ur sladden.
- Drag inte i kabeln – drag i kontakten.
- Placera drycker i kylskåpet ordentligt stängda och upprätt.
- Förvara aldrig spraymedel som innehåller antändbara och explosiva ämnen i kylskåpet.

- Använd inte mekaniska enheter eller andra sätt för att snabba på avfrostningsprocessen, förutom det som rekommenderas av tillverkaren.
- Den här produkten är inte avsedd att användas av personer med nedsatt fysisk, psykisk eller mental förmåga eller oerfarna personer (inklusive barn) om de inte övervakas av en person som ansvarar för deras säkerhet eller instruerar dem i användningen av produkter.
- Använd inte ett skadat kylskåp. Kontakta serviceombudet om du har några frågor.
- Elsäkerheten för kylskåpet garanteras endast om jordningssystemet i huset uppfyller de krav som gäller.
- Det är farligt att utsätta produkten för regn, snö, sol och vind med tanke på elsäkerheten.
- Kontakta auktoriserad service om strömkabeln skadas för att undvika fara.
- Koppla aldrig in kylskåpet i vägguttaget under installationen. Det ökar risken för allvarlig skada eller dödsfall.
- Det här kylskåpet är endast avsett för förvaring av livsmedel. Det får inte användas för något annat ändamål.
- Etiketten med tekniska specifikationer sitter på vänster insida i kylskåpet.
- Koppla aldrig in kylskåpet till energibesparande system; de kan skada kylskåpet.
- Om det finns en blå lampa på kylskåpet ska du inte titta in i den blå lampan med optiska verktyg.
- För manuellt kontrollerade kylskåp, vänta i minst 5 minuter för att starta kylskåpet efter strömavbrottet.
- Den här bruksanvisningen ska lämnas till den nya ägaren av produkten när den lämnas till andra.
- Undvik att orsaka skada på strömkabeln vid transport av kylskåpet. Om du böjer kabeln kan det orsaka brand. Placera aldrig tunga föremål på strömkabeln. Rör inte vid kontakten med våta händer när du kopplar in produkten.



- Anslut inte kylskåpet till ett eluttag som sitter löst.
- Vatten får av säkerhetsskäl inte sprayas direkt på de inre eller yttre delarna av produkten.
- Spraya inte ämnen som innehåller antändbara gaser, såsom propangas, nära kylskåpet för att undvika brand och explosionsrisk.
- Placera aldrig behållare som är fyllda med vatten på kylskåpet, eftersom det kan orsaka elektrisk kortslutning eller brand.
- Överbelasta inte kylskåpet med för stora mängder mat. Om det överbelastas kan mat falla ned och skada dig och kylskåpet när du öppnar dörren. Placera aldrig föremål på kylskåpet; annars kan de falla ned när du öppnar eller stänger kylskåpsdörren.
- Produkter som behöver en exakt temperaturkontroll (vaccin, värmekänslig medicin, vetenskapliga material etc.) får inte förvaras i kylan.

- Om kylskåpet inte används under en längre tid ska det kopplas från strömkällan. Ett möjligt problem i strömkabeln kan orsaka brand.
- Kontaktens stift ska rengöras regelbundet; annars kan det leda till brandrisk.
- Kontaktens stift ska rengöras regelbundet med en torr trasa; annars kan det leda till brandrisk.
- Kylskåpet kan flytta på sig om de justerbara benen inte sitter fast ordentligt i golvet. Om du förankrar de justerbara benen ordentligt i golvet kan det förhindra att kylskåpet flyttar på sig.
- När du bär på kylskåpet ska du inte hålla i dörrhandtaget. Annars kan det släppa.
- Om du har placerat produkten intill ett annat kylskåp eller en frys ska avståndet mellan enheterna vara minst 8 cm. Annars kan de angränsande väggarna blir fuktiga.
- Använd aldrig produkten om delen som är överst eller bak på produkten har det elektroniskt skrivna kretskortet öppet (skyddet för kretskortet) (1).



Barnsäkerhet

- Om dörren har ett lås ska nyckeln hållas borta från barn.
- Barn ska övervakas för att hindra att de pillar på produkten.

HCA-Varning

Om produktens kylsystem innehåller R600a:

Den här gasen är lättantändlig. Var därför noggrann så att du inte skadar kylsystemet och rören under användning och transport. Om det skulle uppstå någon skada skall produkten hållas borta från potentiella eldkällor som kan göra att produkten fattar eld och du ska ventilera rummet där enheten är placerad.

Du kan bortse från den här varningen om produktens kylsystem innehåller R134a.

Typen av gas som används i produkten anges på märkplåten som sitter på kylskåpets vänstra insida.

Kasta aldrig produkten i eld när den ska kasseras.

Saker att göra för att spara energi

- Låt inte dörrarna till kylskåpet stå öppna under en längre tid.
- Placera inte varm mat eller varma drycker i kylskåpet.
- Överbelasta inte kylskåpet så att luften inuti det påverkas.
- Installera inte kylskåpet i direkt solljus eller nära värmeavsöndrande enheter såsom ugn, diskmaskin eller element.
- Observera att mat ska förvaras i tillslutna behållare.
- Du kan lagra maximal mängd mat i frysen när du tar bort hyllan eller lådan till frysen.

Energiförbrukningen som anges på kylskåpet har fastställts genom att ta bort fryshyllan eller lådan och ha maximal belastning. Det finns ingen risk i att använda en hylla eller låda enligt formerna och storlekarna på maten som ska frysas.

3 Installation

⚠ Kom ihåg att tillverkaren inte skall hållas ansvarig om användaren underlåter att observera något i den här bruksanvisningen.

Saker att tänka på vid transport av kylskåpet

1. Kylskåpet måste vara tomt och rent före transport.
2. Hyllor, tillbehör, grönsakslåda etc. i kylskåpet måste spännas fast ordentligt med tejp före ompaketering.
3. Förpackningen måste fästas ihop med tjock tejp och starka rep och de transportregler som anges på förpackningen måste följas.
4. Om skåpet legat ned under transport skall det stå upprätt i minst två timmar innan strömmen slås på.

Glöm inte...

Varje återvunnet material är en ovärderlig källa för naturen och för våra nationella resurser.

Om du vill bidra till återvinningen av förpackningsmaterial kan du hämta ytterligare information från våra miljöorgan eller lokala myndigheter.

Innan du använder kylskåpet

Kontrollera följande innan du startar kylskåpet:

1. Är kylskåpets insida torr och kan luften cirkulera fritt bakom det?
2. Rengör kylskåpets insida enligt rekommendationerna i avsnittet "Underhåll och rengöring".

3. Koppla in kylskåpet i vägguttaget.
4. Du kommer att höra ett bullrande ljud när kompressorn startar. Vätska och gas inne i produkten kan också ge upphov till ljud, även om kompressorn inte körs och detta är helt normalt.
5. De främre kanterna på kylskåpet kan kännas varma. Detta är normalt. De här områdena är utformade för att bli varma och därmed undvika kondens

Elektrisk anslutning

Anslut produkten till ett jordat uttag som skyddas av en säkring med lämplig kapacitet.

Viktigt:

- Anslutningen måste ske i enlighet med nationell lagstiftning.
- Strömkabelns kontakt måste vara lätt att komma åt efter installationen.
- Den angivna spänningen måste överensstämma med strömkällans spänning.
- **Förlängningskablar och grenkontakter får inte användas för anslutningen.**

⚠ En skadad strömkabel måste bytas av en behörig elektriker.

⚠ Produkten får inte användas innan den reparerats! Det finns risk för kortslutning!

Kassering av förpackningen

Förpackningsmaterial kan vara farligt för barn. Förvara förpackningsmaterialen utom räckhåll för barn eller kassera dem i enlighet med gällande avfallsregler. Kassera dem inte med hushållsavfallet. Förpackningsmaterialet för ditt kylskåp produceras av återvinningsbara material.

Kassering av ditt gamla kylskåp

Kassera ditt gamla kylskåp utan att skada miljön.

- Du kan kontakta en auktoriserad återförsäljare eller ett återvinningscenter angående avyttring av ditt kylskåp.

Innan du kasserar kylskåpet, dra ur strömkontakten och, om det finns några lås på dörren, göra dem obrukbara för att förhindra att barn skadar sig.

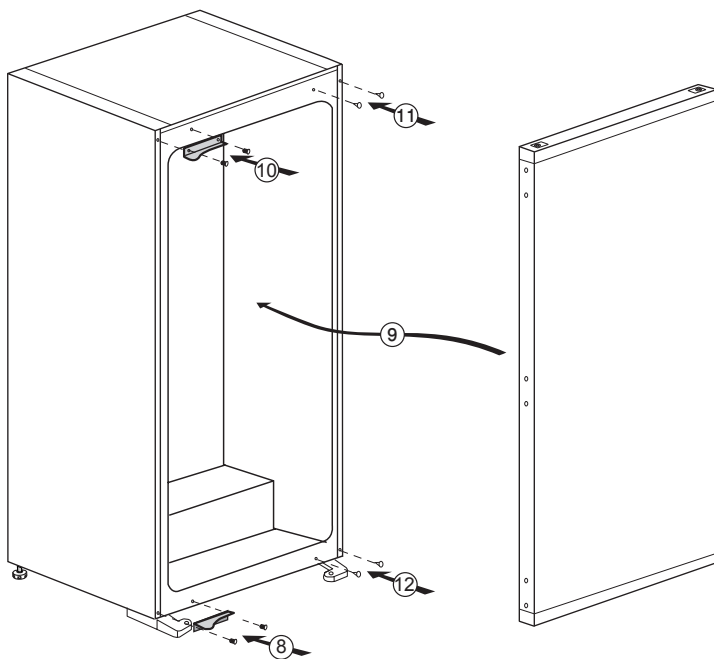
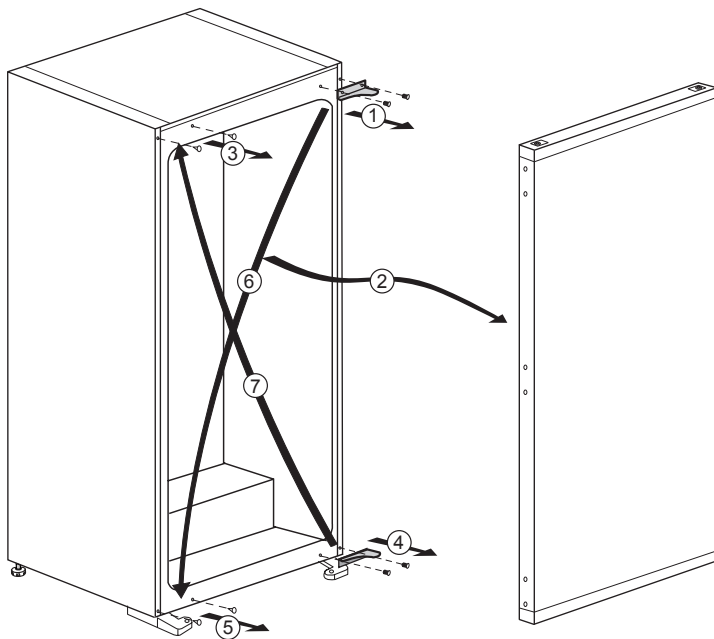
Placering och installation

⚠ Om entrén till rummet där kylskåpet skall installeras är inte bred nog för att kylskåpet skall kunna passera skall du ringa till auktoriserad fackman så att de avlägsnar dörrarna på kylskåpet och tar in det i sidled genom dörren.

1. Installera kylskåpet på en plats där det är lättåtkomligt.
2. Håll kylskåpet borta från värmekällor, fuktiga platser och direkt solljus.
3. Det måste finnas tillräcklig ventilation runt kylskåpet för att uppnå effektiv användning. Om kylskåpet placeras i en hålighet i väggen måste det vara ett avstånd på minst 5 cm till taket och 5 cm till väggen.
4. Placera kylskåpet på en jämn och plan golvyta för att förhindra lutningar.
5. Låt inte kylskåpet stå i en omgivande temperatur som understiger 10°C.

Byte av dörrar

Gå tillväga i nummerordning.

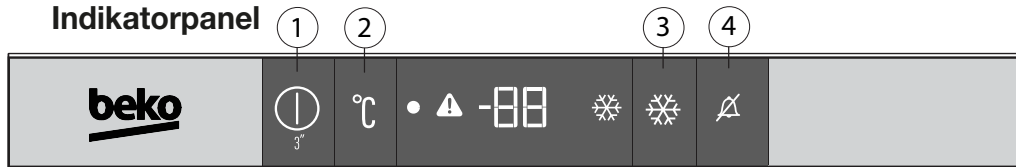


4 Förberedelse

- Kylskåpet skall installeras minst 30 cm från värmekällor, såsom spis, ugn och centralvärme och minst 5 cm från elektriska ugnar och får inte placeras i direkt solljus.
- Den omgivande temperaturen i rummet där du installerar kylskåpet skall vara minst 10°C. Användning i kallare miljöer rekommenderas inte och kan minska effektiviteten.
- Se till att kylskåpet är ordentligt rengjort invändigt.
- Om två kylskåp skall installeras intill varandra skall det vara ett avstånd på minst 2 cm från varandra.
- Vid användning av kylskåpet för första gången skall du observera följande anvisningar under de första sex timmarna.
- Dörren får inte öppnas för ofta.
- Det måste köras tomt utan mat.
- Dra inte ur sladden till kylskåpet. Om det inträffar ett strömavbrott som ligger utanför din kontroll, se varningarna i avsnittet **“Rekommenderade lösningar på problem”**.
- Originalförpackning och skumplastmaterial skall sparas för framtida transport.

5 Använda frysen

Indikatorpanel



1. På-/av-indikator

Tryck på knappen På/Av i 3 sekunder för att stänga av eller sätta på frysen. När frysen är av är (●)-symbolen tänd. Alla andra symboler är avstängda.

2. Frysack -

Temperaturinställningsknapp

Tryck på den här knappen (°C) för att ställa in temperaturen för frysacket till -18, -19, -20, -21, -22, -23, -24 och -18... Tryck på den här knappen för att ställa in önskad temperatur för frysacket.

3. Snabbfrysningsknapp

Tryck på knappen (❌) för att aktivera eller inaktivera funktionen Snabbfrysning. Vid aktivering av funktionen kyls frysacket till en lägre temperatur än inställt värde.

Använd snabbfrysningssymbolen när du snabbt vill frysa maten som placerats i frysacket. Om du vill frysa ned stora mängder färsk mat rekommenderar vi att du aktiverar den här funktionen innan du placerar maten i produkten.

Om du inte avbryter den stängs snabbfrysningen av automatiskt efter högst **25 timmar** eller när frysacket uppnår önskad temperatur. Den här funktionen återställs inte när strömmen slås på efter ett strömavbrott.

4. Alarm av-varning

När frysskåpsdörren är öppen i 1 minut slås ljudalarmet på. Alarmet kan stängas av genom att trycka på knappen "Alarm av" (🔇). Om du stänger dörren och sedan öppnar den igen aktiveras "Alarm för öppen dörr" igen 1 minut senare. Vid fel på sensorn tänds varningsikonen (⚠️). Om knappen "Alarm av" trycks in, kommer varningen att "rengöras".

Frysning

Frysområdet är märkt med ❄️❄️❄️ den här symbolen.

Du kan använda enheten för frysning av färsk mat samt för förvaring av djupfrost mat. Se rekommendationerna på matförpackningen.

⚠️ Observera

Frys inte kolsyrade drycker, eftersom flaskan kan spricka. Var försiktig med frysta produkter som t.ex. färgade isbitar.

Överskrid inte din enhets infrysningskapacitet under 24 timmar. Se märketiketten. För att bibehålla matens kvalitet, skall den frysas så fort som möjligt. På detta sätt överskrids inte fryskapaciteten, och temperaturen inuti frysen kommer inte att stiga.

Förvara alltid redan djupfrost mat separat från nyligen frost mat. Vid djupfrysning av varm mat, kommer kylkompressorn att slås på till dess att maten är helt frost.

Om du tycker att frysdörren är svår att öppna precis då du stängt den, var inte orolig. Detta beror på tryckskillnaden som jämnar ut sig så att dörren kan öppnas normalt efter några minuter. Du kommer att höra ett vakuumljud precis då dörren stängts. Detta är helt normalt.

Göra isbitar

Fyll isbitsfacket till 3/4 med vatten och placera det i frysen. Då vattnet har blivit till is, kan du ta ut isbitarna. Använd aldrig vassa föremål som t.ex. knivar eller gafflar för att avlägsna isbitarna. Du kan skada dig!

Avfrostning

Avfrostningen av typen **NO FROST** är helautomatisk. Det krävs inget ingripande från din sida. Vattnet samlas in på kompressorns bricka. På grund av kompressorns värme förångas vattnet.

6 Underhåll och rengöring

- ⚠ Använd aldrig bensen, bensen eller liknande ämnen för rengöring.
- ⚠ Vi rekommenderar att du kopplar ur utrustningen före rengöring.
- ⚠ Använd aldrig vassa instrument eller slipande medel, tvål, rengöringsmedel, tvättmedel eller polish för rengöring.
- ℹ Använd ljummet vatten för rengöring av enhetens skåp och torka det torrt.
- ℹ Använd en fuktig trasa urvriden i en lösning av en tesked bikarbonatsoda till en halv liter vatten, torka ur interiören och torka sedan torrt.
- ⚠ Se till att inget vatten tränger in i lampkåpan och i andra elektriska tillbehör.
- ⚠ Om enheten inte kommer att användas under en längre tid, stäng då av den, plocka ur all mat, rengör den och lämna dörren på glänt.
- ℹ Kontrollera dörrtätningen regelbundet så att den är ren och fri från matrester.

- ⚠ För att ta bort ett dörrfack tar du först ur allt innehåll och trycker sedan enkelt upp det från sitt fäste.
- ⚠ Använd aldrig rengöringsmedel eller vatten med kloring för att rengöra de utvändiga ytorna och krombelagda delarna på produkten. Klorin orsakar korrosion på sådana metallytor.

Skydd av plastytor

- ℹ Förvara inte rinnande olja eller mat som har tillagats i olja utan att vara tillslutna i kylskåpet, eftersom det kan skada kylskåpets plastytor. Om du spiller olja på plasten, rengör och skölj ytan direkt med varmvatten.

7 Rekommenderade lösningar på problem

Titta igenom listan innan du tillkallar service. Det kan spara både tid och pengar. Den här listan inkluderar vanliga klagomål som inte uppstår till följd av defekter i tillverkningen eller materialanvändningen. Vissa av funktionerna som beskrivs här kanske inte finns på din produkt.

Kylen fungerar inte.

- Är kylskåpet korrekt inkopplat? Sätt i vägguttaget.
- Har säkringen som är ansluten till kylskåpet gått? Kontrollera säkringen.

Kondens på kylskåpets sidoväggar.

- Mycket kalla omgivande förhållanden. Dörren öppnas och stängs ofta. Hög luftfuktighet i den omgivande luften. Lagring av mat med vätska i öppna behållare. Dörren har lämnats öppen.
- Vrid termostaten till ett kallare läge.
- Minska tiden som dörren lämnas öppen eller öppna inte så ofta.
- Täck över mat som lagras i öppna behållare med ett lämpligt material.
- Torka av kondens med en torr trasa och kontrollera om den ligger kvar.

Kompressorn går inte.

- Det termiska skyddet i kompressorn kommer att lösas ut vid plötsliga strömbrott då kylskåpets tryck i kylsystemet inte har balanserats. Ditt kylskåp startar efter omkring 6 minuter. Tillkalla service om kylskåpet inte startar i slutet av den här perioden.
- Frysens är i avfrostningsläge. Det här är normalt för en helautomatiskt avfrostande kyl. Avfrostningscykeln inträffar regelbundet.
- Kylskåpet är inte inkopplat i strömkällan. Se till att kontakten sitter ordentligt i vägguttaget.
- Är temperaturinställningen korrekt?
- Det är strömbrott. Kontakta din elleverantör.

Kylskåpet körs ofta eller under en längre tid.

- Ditt nya kylskåp kan vara bredare än det gamla. Detta är helt normalt. Stora kylskåp arbetar under en längre tidsperiod.
- Den omgivande rumstemperaturen kan vara hög. Detta är helt normalt.
- Kylskåpet kan ha varit inkopplat nyligen eller ha fyllits på med mat. Det kan ta flera timmar innan kylskåpet har kylts ned helt.
- Stora mängder mat kanske har placerats i kylskåpet nyligen. Varm mat gör att kylskåpet arbetar längre för att uppnå önskad temperatur.
- Dörren kanske har öppnats ofta eller lämnats öppen under en längre tid. Den varma luften som har kommit in i kylskåpet gör att kylskåpet arbetar under längre perioder. Öppna inte dörrarna så ofta.
- Frysens eller kylfackets dörr kanske har lämnats öppen. Kontrollera om dörren är ordentligt stängd.

Kylskåpet körs ofta eller under en längre tid.
<ul style="list-style-type: none"> • Kylskåpet är inställt på en mycket kall nivå. Justera kylskåpstemperaturen till en högre nivå tills temperaturen är enligt önskemål. • Dörrens tätning på kyl eller frys kan vara sliten, smutsig eller trasig. Rengör eller byt tätningen. Skadade tätningar kan göra att kylskåpet körs under en längre tid för att bibehålla den aktuella temperaturen.
Frystemperaturen är mycket låg när kyltemperaturen är normal.
<ul style="list-style-type: none"> • Frysens temperatur är inställd på en mycket kall nivå. Justera frystemperaturen till en högre nivå och kontrollera.
Kyltemperaturen är mycket låg när frystemperaturen är normal.
<ul style="list-style-type: none"> • Kylens temperatur är inställd på en mycket kall nivå. Justera kyltemperaturen till en högre nivå.
Mat som förvaras i kylskåpsfacken fryser.
<ul style="list-style-type: none"> • Kylens temperatur är inställd på en mycket kall nivå. Justera kyltemperaturen till en högre nivå.
Temperaturen i kylan eller frysen är mycket hög.
<ul style="list-style-type: none"> • Kylens temperatur är inställd på en mycket kall nivå. Kylinställningen påverkar frysens temperatur. Sänk temperaturen för kyl eller frys tills den ligger på acceptabel nivå. • Dörren kanske har öppnats ofta eller lämnats öppen under en längre tid. Varm luft passerar in i kyl eller frys när dörrarna öppnas. Öppna inte dörrarna så ofta. • Dörren kan ha lämnats öppen. Stäng dörren helt. • Stora mängder mat kanske har placerats i kylskåpet nyligen. Vänta tills kylan eller frysen uppnår önskad temperatur. • Kylskåpet kanske nyligen har varit urkopplat. Nedkylningen kan ta tid.
Kylskåpet dånar när det går.
<ul style="list-style-type: none"> • Egenskaperna hos kylskåpet kan ändras enligt den omgivande temperaturen. Detta är normalt och inte något fel.
Vibrationer eller felbalans.
<ul style="list-style-type: none"> • Golvet är ojämnt eller svagt. Kylskåpet skakar när det rör sig långsamt. Säkerställ att golvet är rakt, kraftigt och att det klarar tyngden från kylskåpet. • Ljudet kan orsakas av saker som ligger ovanpå kylan. Sådana saker ska plockas bort från kylens ovansida.
Det förekommer ljud som låter som dropp eller sprutning.
<ul style="list-style-type: none"> • Vätske- och gasöden sker i enlighet med användningsprinciperna för ditt kylskåp. Detta är normalt och inte något fel.

Det förekommer ljud som låter som vind.
<ul style="list-style-type: none"> • Luftaktivatorer (f äktar) används för att låta kylan svalna effektivt. Detta är normalt och inte något fel.
Kondens på innerväggarna i kylskåpet.
<ul style="list-style-type: none"> • Varmt och fuktigt väder ökar isbildning och kondens. Detta är normalt och inte något fel. • Dörrarna är öppna. Kontrollera att dörren är helt stängd. • Dörrarna kan ha öppnats mycket ofta eller så kanske de har lämnats öppna under lång tid. Öppna inte dörrarna så ofta. • Vatten/fukt/is på kylskåpets utsida.
Fukt bildas på kylskåpets utsida eller mellan dörrarna.
<ul style="list-style-type: none"> • Vädret kan vara fuktigt. Det här är helt normalt vid fuktig väderlek. När fuktnivån är lägre försvinner kondensen.
Dålig lukt inne i kylan.
<ul style="list-style-type: none"> • Kylskåpets insida måste rengöras. Rengör kylskåpets insida med en svamp och varmt vatten. • Vissa behållare eller förpackningsmaterial kan orsaka lukt. Använd en annan behållare eller olika förpackningsmaterial.
Dörrarna går inte att stänga.
<ul style="list-style-type: none"> • De kan vara f nnas mat i vägen. Byt ut förpackningarna som ligger ivägen för dörren. • Kylskåpet står antagligen inte helt plant på golvet och de kanske rär sig något när det förfyttas. Justera lyftskruvarna. • Golvet är inte helt plant eller tillräckligt starkt. Säkerställ att golvet är rakt, kraftigt och att det klarar tyngden från kylskåpet.
Grönsaker fastnar.
<ul style="list-style-type: none"> • Maten kanske vidrör taket i lådan. Sortera om maten i facket.

