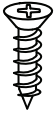
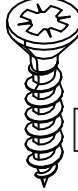
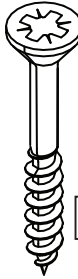
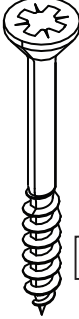








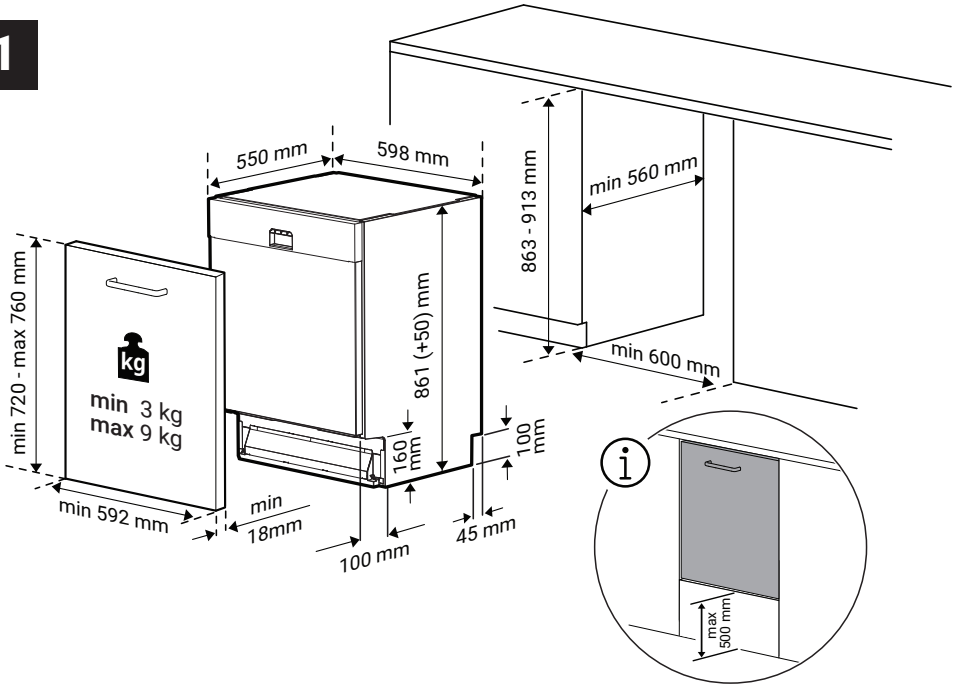
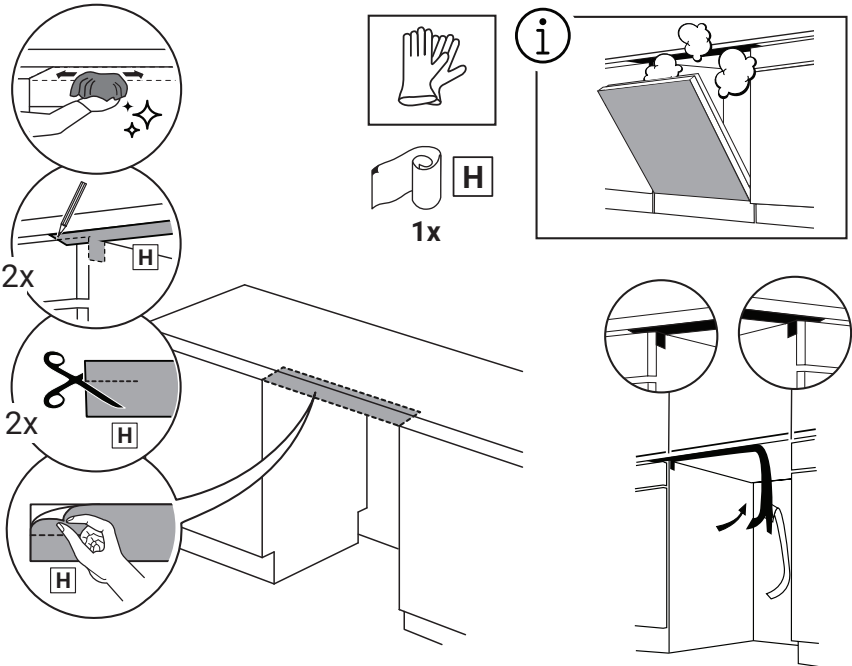


<p>Ø 4 x 13 mm</p>  <p>A</p> <p>4x</p>	<p>Ø 4 x 25 mm</p>  <p>B</p> <p>2x</p>	<p>Ø 4 x 36 mm</p>  <p>C</p> <p>4x</p>	<p>Ø 4 x 42 mm</p>  <p>D</p> <p>2x</p>	 <p>E</p> <p>2x</p>
 <p>H</p> <p>1x</p>	 <p>L</p> <p>1x</p>	 <p>R</p> <p>1x</p>	 <p>S</p> <p>1x</p>	 <p>U</p> <p>2x</p>
 <p>F</p> <p>4x</p>	 <p>N</p> <p>1x</p>			

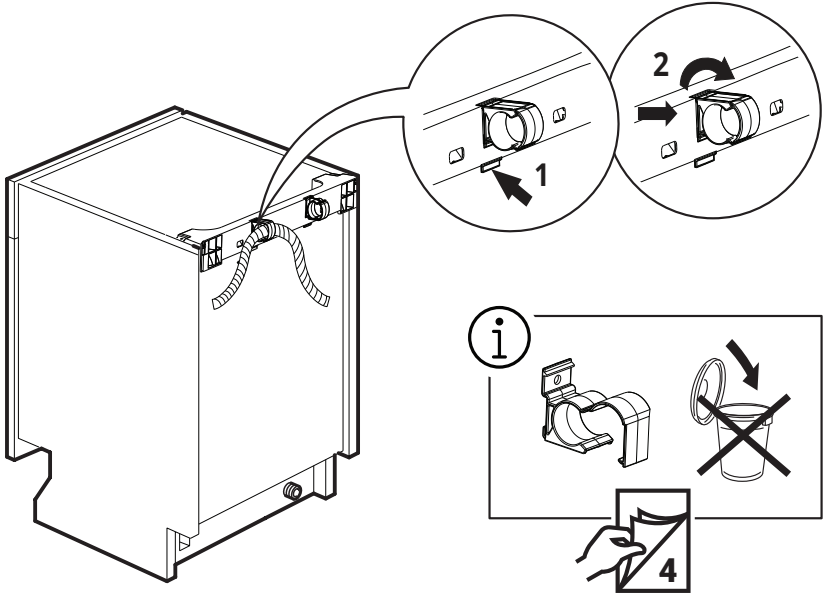
1



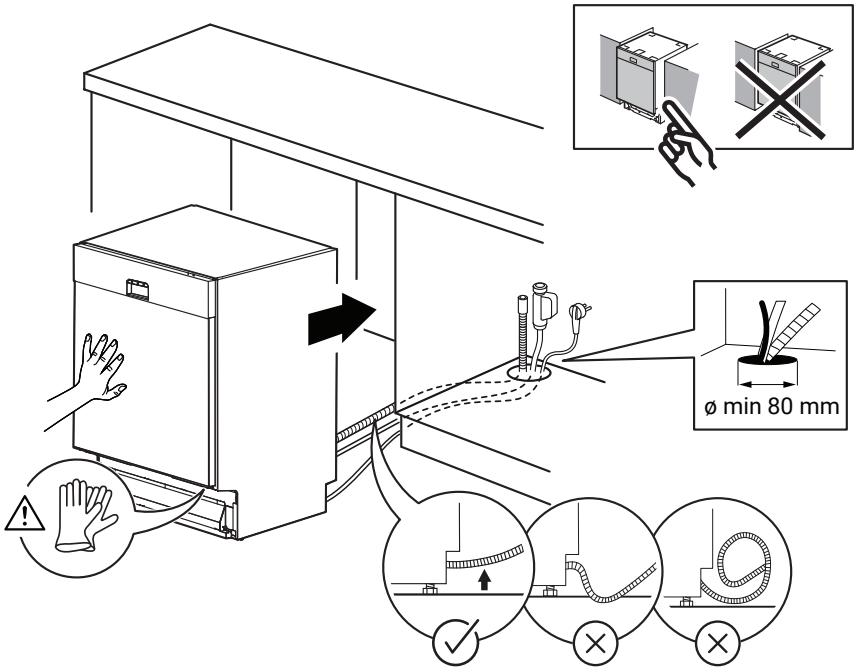
2



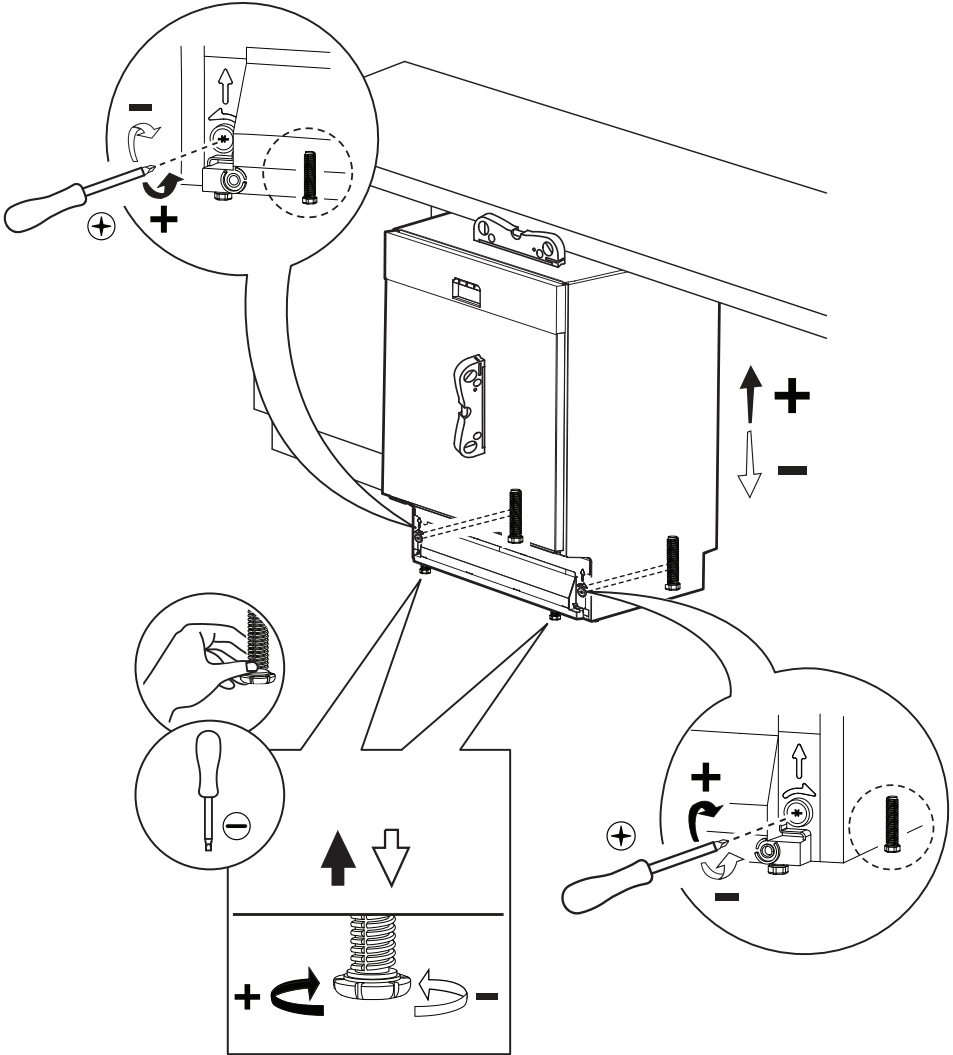
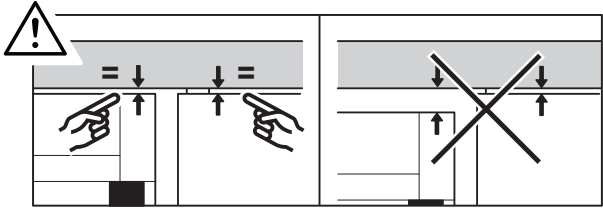
3



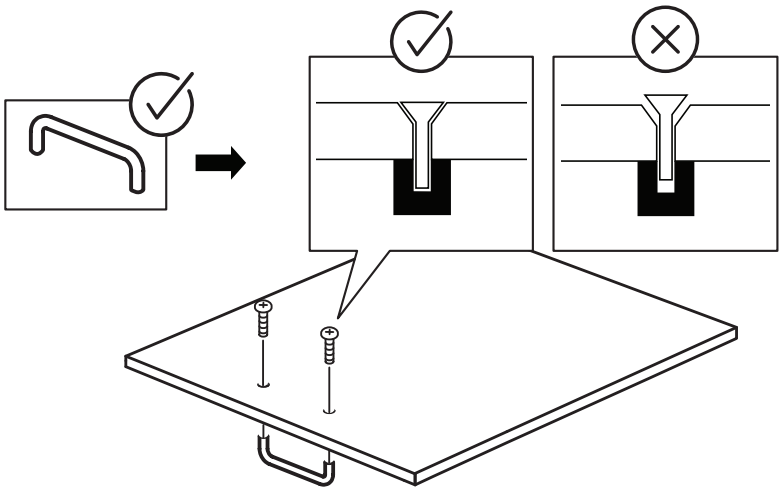
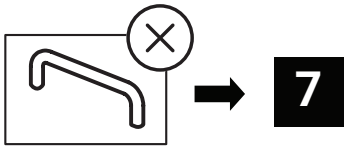
4



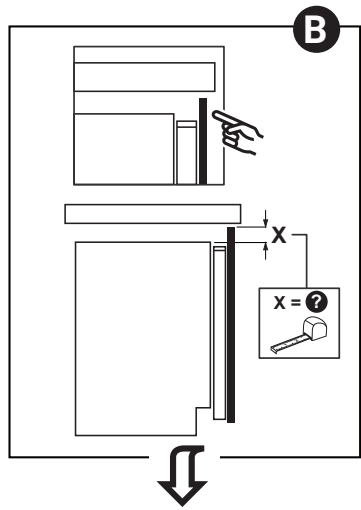
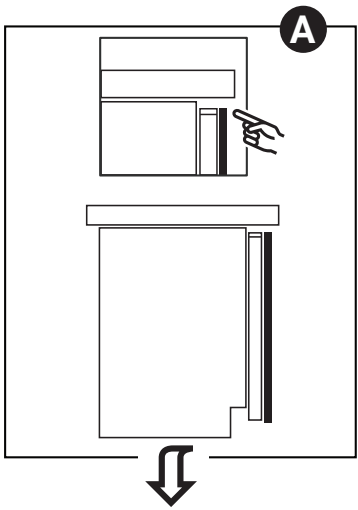
5



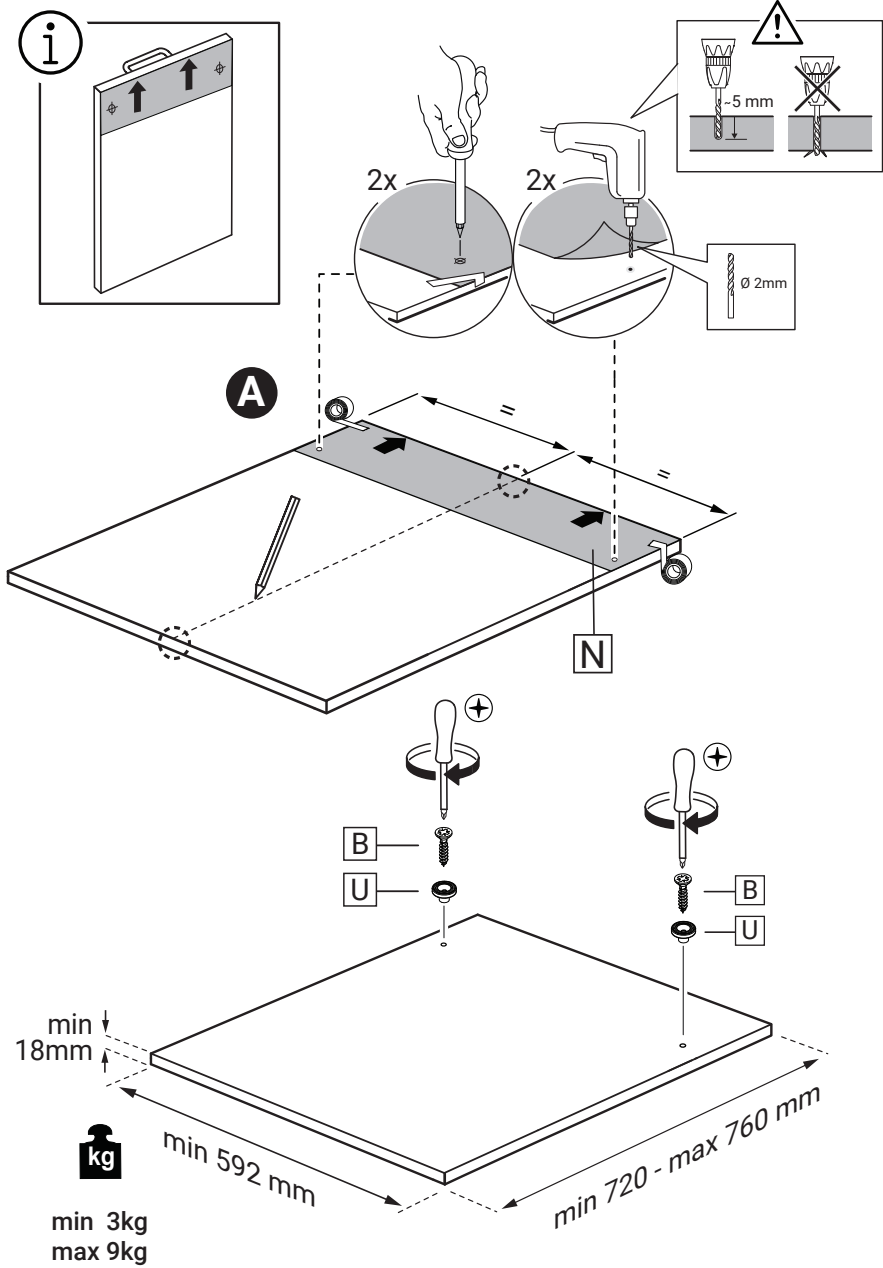
6



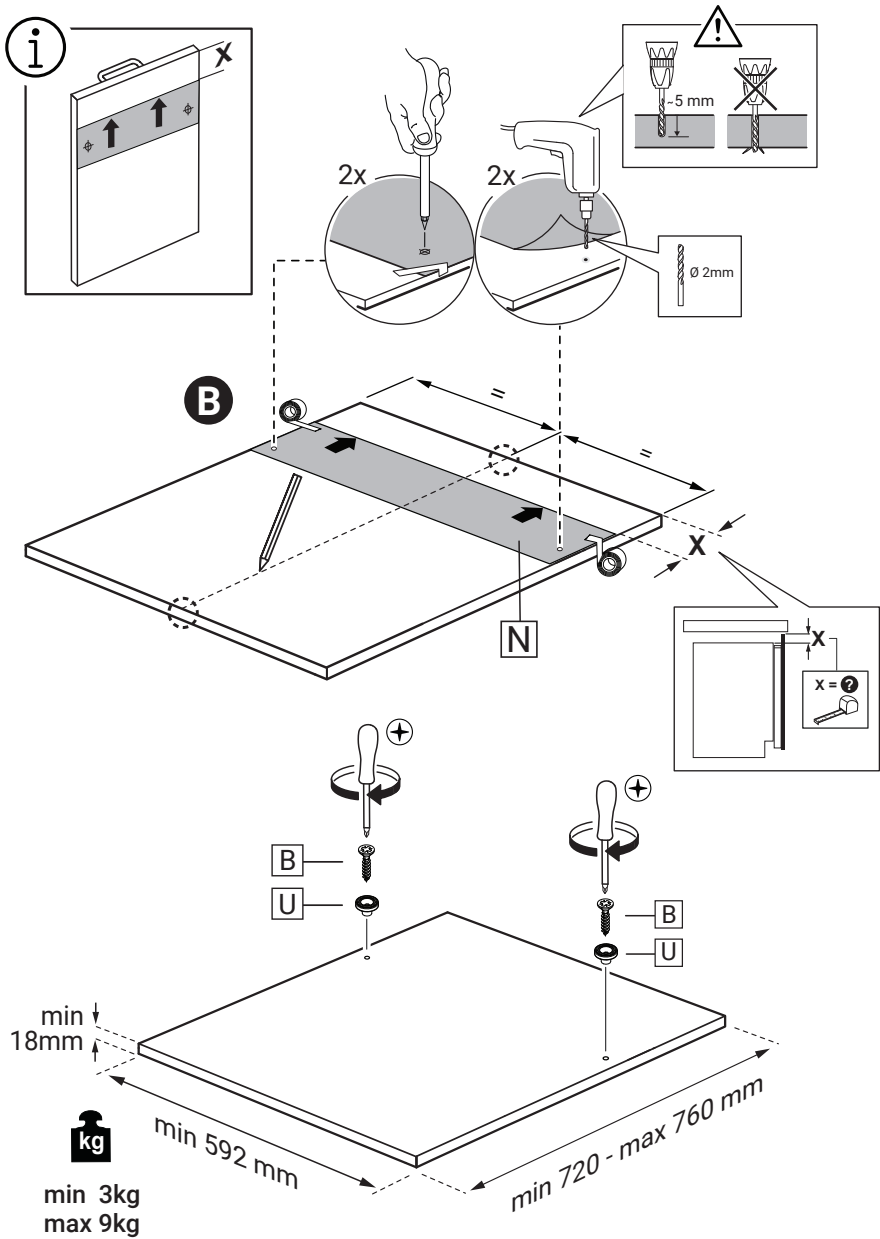
7



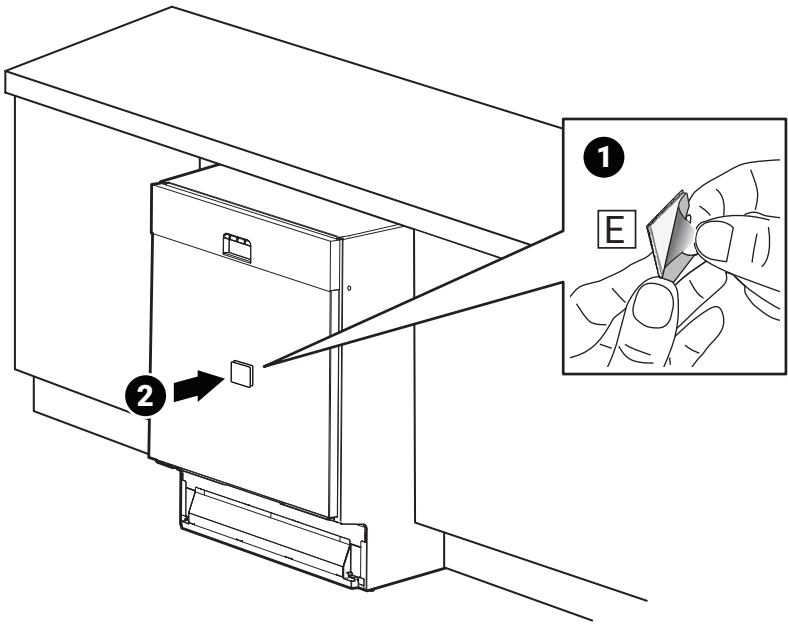
8



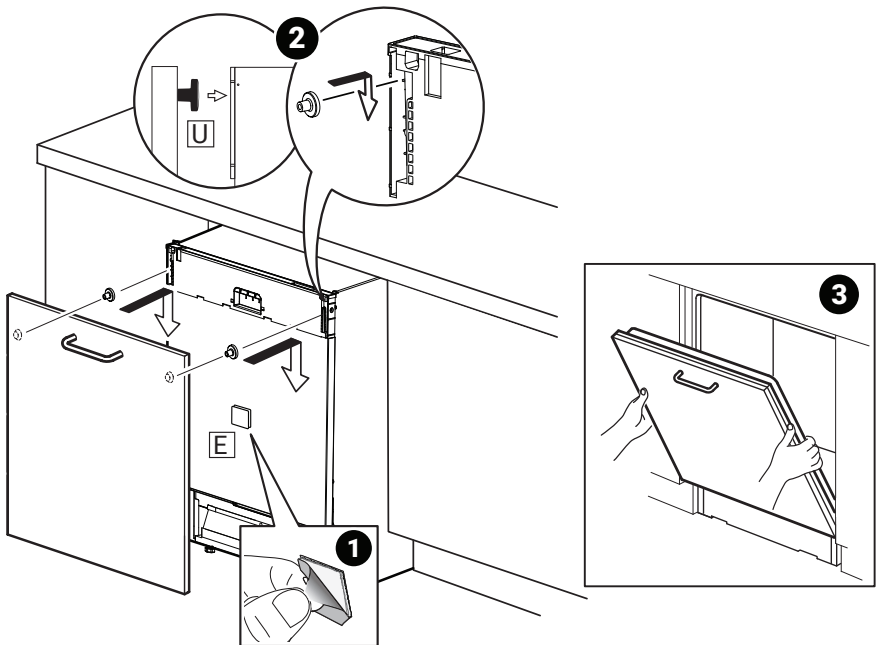
9



10

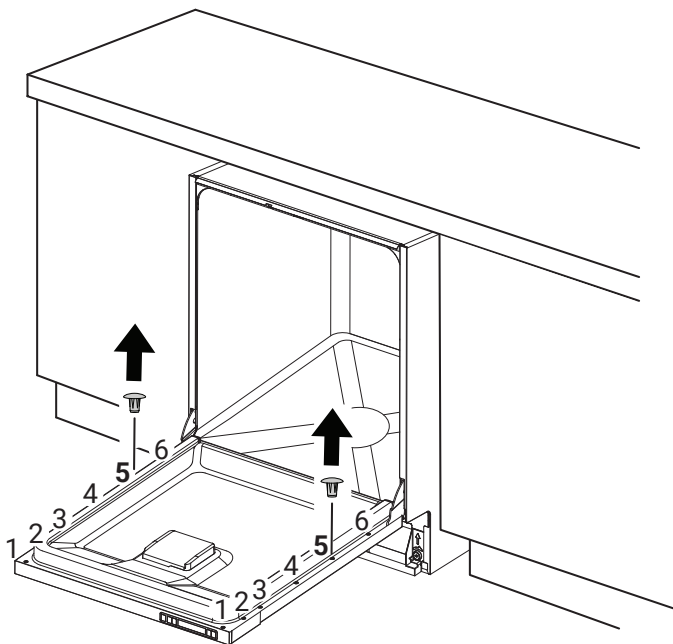
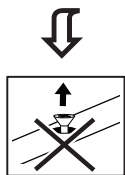


11

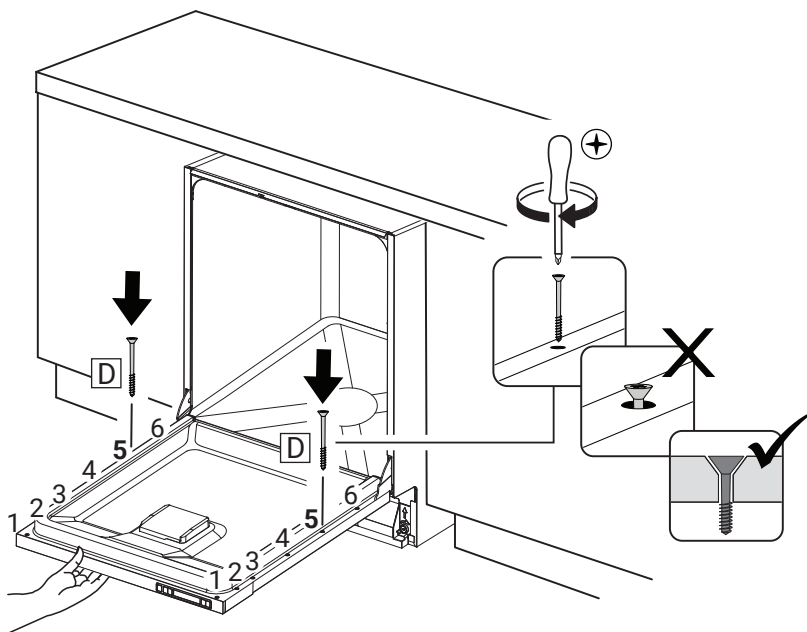


12

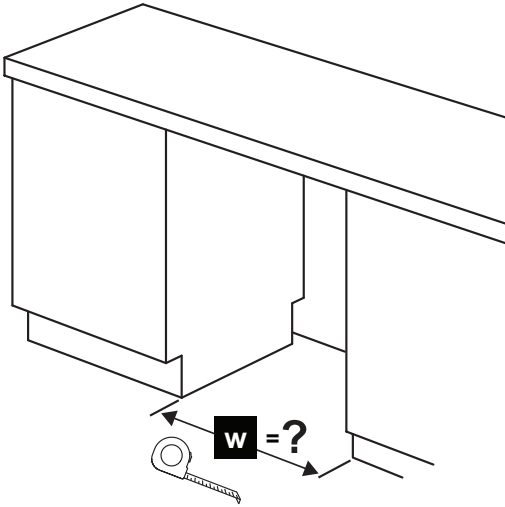
1-2-3-4-6



13



14



$w > 610$

↓

~~15~~ ~~16~~ 17

1x		L
1x		R
4x		A
4x		F
4x		C

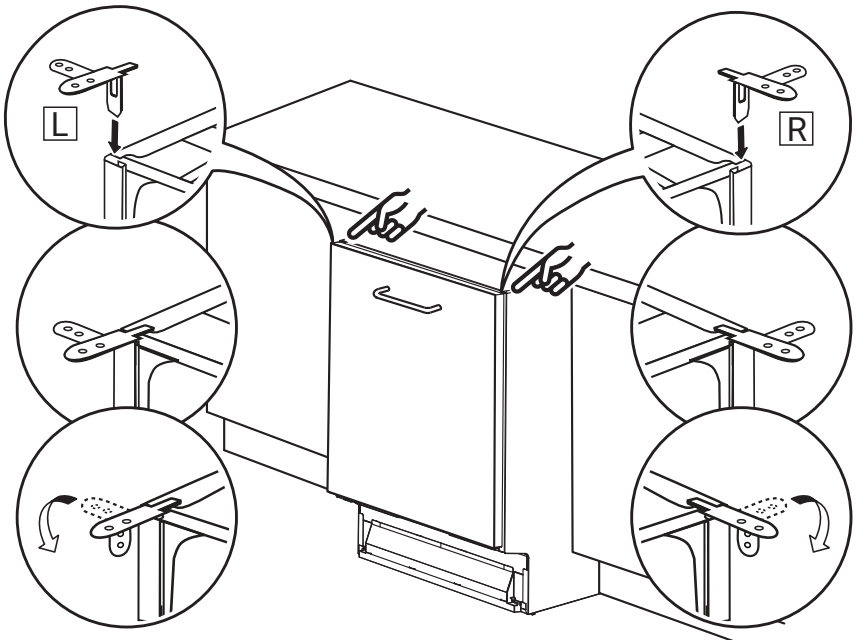
$w = 600 - 610$

↓

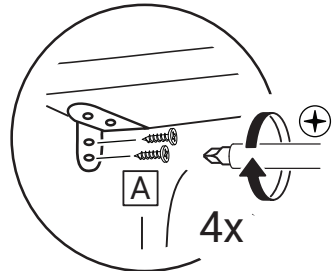
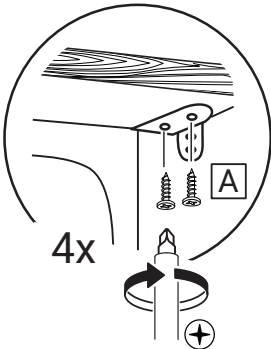
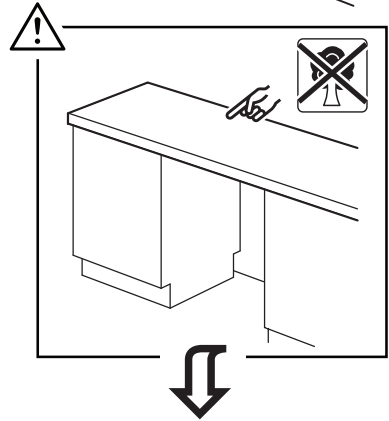
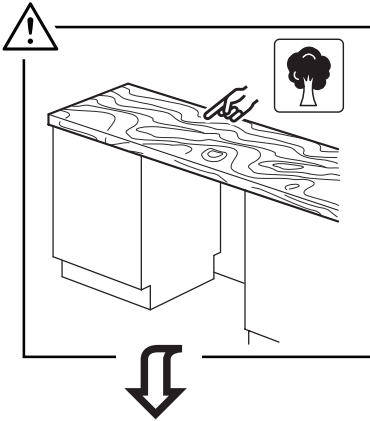
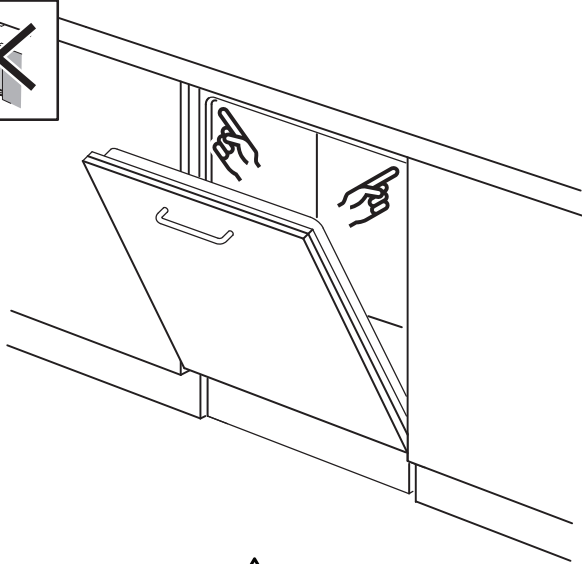
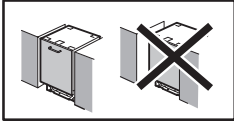
~~15~~ 16 → 17

1x		L
1x		R
4x		A
4x		F
4x		C

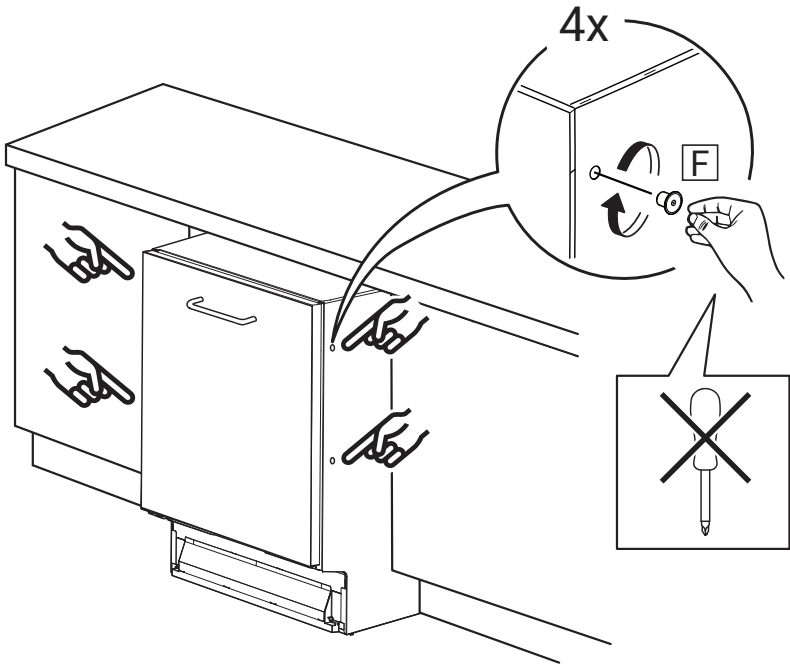
15
a



15
b



16
a



16
b

