



## Microwave Oven

User Manual



MOC 20100 WFB - MOC 20100 BFB - MOC 20100 SFB

EN - DE - HR - CS - ES



01M-8911113200-1222-03  
01M-89111133200-1222-03  
01M-89111143200-1222-03

# CONTENTS

---

<b>ENGLISH</b>	<b>3-15</b>
<b>DEUTSCH</b>	<b>16-34</b>
<b>HRVATSKI</b>	<b>35-48</b>
<b>ČESKY</b>	<b>49-63</b>
<b>ESPAÑOL</b>	<b>64-79</b>

## Please read this user manual first!





Dear Valued Customer,

Thank you for preferring this Beko appliance. We hope that you get the best results from your appliance which has been manufactured with high quality and state-of-the-art technology. For this reason, please read this entire user manual and all other accompanying documents carefully before using the appliance and keep it as a reference for future use. If you handover the appliance to someone else, give the user manual as well. Follow the instructions by paying attention to all the information and warnings in the user manual.

Remember that this user manual may also apply to other models. Differences between models are explicitly described in the manual.

## Meanings of the Symbols

Following symbols are used in various sections of this user manual:

	Important information and useful hints about usage.
	Warnings for dangerous situations concerning the safety of life and property.
	Warning for electric shock.
	Warning for hot surfaces.



This appliance has been produced in environmentally friendly facilities without harming the nature.

---

# 1 Important safety and environmental instructions

## Important Safety Instructions Read Carefully And Keep For Future Reference

### 1.1 Safety warnings

This section contains safety instructions that will help protect from risk of fire, electric shock, exposure to leak microwave energy, personal injury or property damage. Failure to follow these instructions shall void any warranty.

- Beko Microwave Ovens comply with the applicable safety standards; therefore, in case of any damage on the appliance or power cable, it should be repaired or replaced by the dealer, service center or a specialist and authorized service alike to avoid any danger. Faulty or unqualified repair work may be dangerous and cause risk to the user.
- This appliance is intended to be used in household and similar applications such as:
  - Staff kitchen areas in shops, offices and other working environments;
  - Farm houses
  - By clients in hotels, and other residential type environments;
  - Bed and Breakfast type environments.
- It is not intended for industrial or laboratory use.
- Do not attempt to start the oven when its door is open; otherwise you may be exposed to harmful microwave energy. Safety locks should not be disabled or tampered with.
- The microwave oven is intended for heating food and beverages. Drying of food or clothing and heating of warming pads, slippers, sponges, damp cloth and similar may lead to risk of injury, ignition or fire.

# 1 Important safety and environmental instructions

- Do not place any object between the front side and the door of the oven. Do not allow dirt or cleaning agent remnants to build up on the closure surfaces.
- Any service works involving removal of the cover that provides protection against exposure to microwave energy must be performed by authorized persons/service. Any other approach is dangerous.
- Your product is intended for cooking, heating and defrost food at home. It must not be used for commercial purposes.
- Your oven is not designed to dry any living being.
- Do not use your appliance to dry clothes or kitchen towels.
- Do not use this appliance outdoors, bathrooms, humid environments or in places where the it can get wet.
- No responsibility or warranty claim shall be assumed for damages arising from misuse or improper handling of the appliance.
- Never attempt to dismantle the appliance. No warranty claims are accepted for damage caused by improper handling.
- Only use the original parts or parts recommended by the manufacturer.
- Do not leave this appliance unattended while it is in use.
- Always use the appliance on a stable, flat, clean dry, and non-slip surface.
- The appliance should not be operated with an external clock timer or separate remote control system.
- Before using the appliance for the first time, clean all parts. Please see the details given in the “Cleaning and Maintenance” section.
- Operate the appliance for its intended purpose only as described in this manual.
- Appliance becomes very hot while it is in use. Pay attention not to touch the hot parts inside the oven.

# 1 Important safety and environmental instructions

- Do not operate the oven empty.
- Cooking utensil may get hot due to the heat transferred from the heated food to the utensil. You may need oven gloves to hold the utensil.
- Utensils shall be checked to ensure that they are suitable for use in microwave ovens.
- Do not place the oven on stoves or other heat generating appliances. Otherwise, it may be damaged and the warranty becomes void.
- Steam may come out while opening the covers or the foil after cooking the food.
- The appliance and its accessible surfaces may be very hot when the appliance is in use.
- Door and outer glass may be very hot when the appliance is in use.
- Make sure that your mains power supply complies with the information supplied on the rating plate of the appliance.
- The only way to disconnect the appliance from the power supply is to remove the power plug from the power outlet.
- Use the appliance with a grounded outlet only.
- Never use the appliance if the power cable or the appliance itself is damaged.
- Do not use this appliance with an extension cord.
- Never touch the appliance or its plug with damp or wet hands.
- Place the appliance in a way so that the plug is always accessible.
- Prevent damage to the power cable by not squeezing, bending, or rubbing it on sharp edges. Keep the power cable away from hot surfaces and naked flame.
- Make sure that there is no danger that the power cable could be accidentally pulled or that someone could trip over it when the appliance is in use.

# 1 Important safety and environmental instructions

- Unplug the appliance before each cleaning and when the appliance is not in use.
- Do not pull the power cable of the appliance to disconnect it from its power supply and never wrap its power cable around the appliance.
- Do not immerse the appliance, power cable, or power plug in water or any other liquids. Do not hold it under running water.
- When heating food in plastic or paper containers, keep an eye on the oven due to the possibility of ignition.
- Remove the wire strings and/or metal handles of paper or plastic bags before placing bags to the oven.
- If smoke is observed, switch off or unplug the appliance if safe to do so and keep the door closed in order to stifle any flames.
- Do not use microwave oven for storage. Do not leave paper items, cooking material or food inside the oven when it is not being used.
- The contents of feeding bottles and baby food jars should be stirred or shaken and the temperature checked before consumption, in order to avoid burns.
- This appliance is a Group 2 Class B ISM equipment. Group 2 contains all ISM (Industrial, Scientific and Medical) equipment in which radio-frequency energy is intentionally generated and/or used in the form of electromagnetic radiation for the treatment of material, and spark erosion equipment.
- Class B equipment is suitable for use in domestic establishments and establishments directly connected to a low voltage power supply network.
- Do not use cooking oil in the oven. Hot oil may damage the components and materials of the oven, and it may even cause skin burns.
- Pierce food with thick crust such as potatoes, courgettes, apples and chestnuts.

# 1 Important safety and environmental instructions

- Appliance must be placed so that the rear side is facing the wall.
- Before moving the appliance, please secure the turntable to prevent damage.
- Eggs in their shell and whole hard-boiled eggs must not be heated in microwave ovens since they may explode, even after microwave heating has ended.

**WARNING:** If the door or door seals are damaged, the oven must not be operated until it has been repaired by a competent person.

**WARNING:** It is hazardous for anyone other than a competent person to carry out any service or repair operation which involves the removal of a cover which gives protection against exposure to microwave energy.

**WARNING:** Liquids and other foods must not be heated in sealed containers since they are liable to explode.

- The oven should be cleaned regularly and any food deposits removed.
- There should be min 20 cm free space above the top surface of the oven.
- Do not over-cook foods; otherwise, you may cause a fire.
- Do not use chemicals and steam assisted cleaners to clean the appliance.
- Extreme caution is advised when being used near children and persons who are restricted in their physical, sensory or mental abilities.
- This appliance can be used by the children who are at the age of 8 or over and by the people who have limited physical, sensory or mental capacity or who do not have knowledge and experience, as long as they are supervised with regard to safe use of the product or they are instructed accordingly or understand the risks of using the product. Children should not play with the appliance.



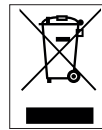
# 1 Important safety and environmental instructions

Cleaning and user maintenance procedures should not be performed by children unless they are controlled by their elders.

- **Danger of choking!** Keep all the packaging materials away from children.
- Due to excessive heat that arises in grill and combination modes, children should only be allowed to use these modes under supervision of an adult.
- Keep the product and its power cable so that they are inaccessible by children under 8 years old.
- Do not cook food directly on the glass tray. Put the food in / on appropriate kitchen utensils before placing them in the oven.
- Metallic containers for food and beverages are not allowed during microwave cooking. Otherwise, sparking may occur.
- This product is not designed to be built-in. Do not place the product in a cabinet or box while it is in use.

## 1.2 Compliance with the WEEE Directive and Disposing of the Waste Product:

This product complies with EU WEEE Directive (2012/19/EU). This product bears a classification symbol for waste electrical and electronic equipment (WEEE).



This symbol indicates that this product shall not be disposed with other household wastes at the end of its service life. Used device must be returned to official collection point for recycling of electrical and electronic devices. To find these collection systems please contact to your local authorities or retailer where the product was purchased. Each household performs important role in recovering and recycling of old appliance. Appropriate disposal of used appliance helps prevent potential negative consequences for the environment and human health.

## 1.3 Compliance with RoHS Directive

The product you have purchased complies with EU RoHS Directive (2011/65/EU). It does not contain harmful and prohibited materials specified in the Directive.

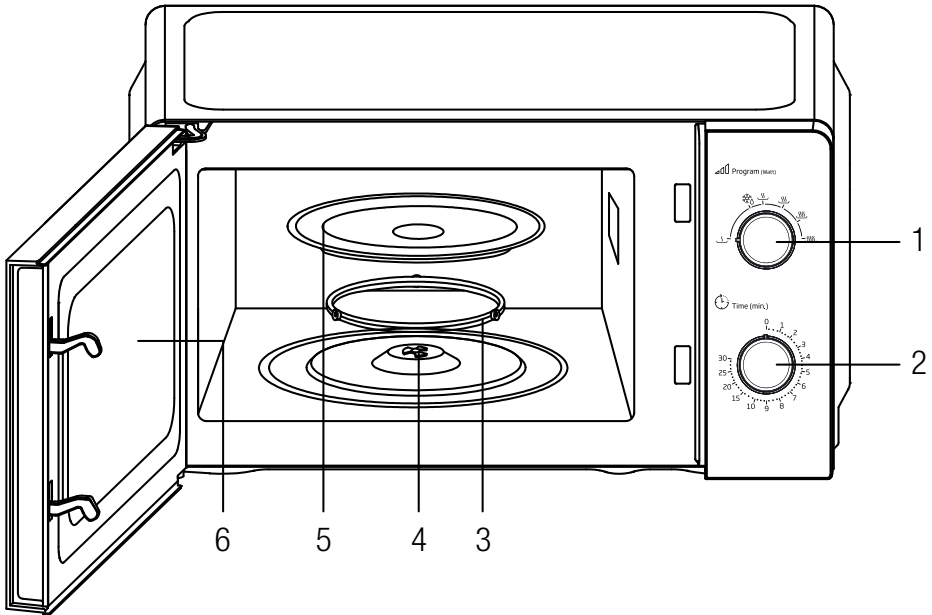
## 1.4 Package information



Packaging materials of the product are manufactured from recyclable materials in accordance with our National Environment Regulations. Do not dispose of the packaging materials together with the domestic or other wastes. Take them to the packaging material collection points designated by the local authorities.

## 2 Your microwave oven

### 2.1 Overview



### Controls and parts

1. Power knob
2. Timer knob
3. Roller ring
4. Shaft
5. Glass tray
6. Oven window

### 2.2 Technical data

<b>Rated Voltage</b>	230-240V~,50Hz
<b>Rated Input</b>	1100W (Microwave)
<b>Rated Output</b>	700W
<b>Microwave frequency</b>	2450MHz
<b>Microwave power level</b>	6
<b>Outside dimensions (H*W*D) mm</b>	243*446*340 mm
<b>Glass turntable</b>	245 mm
<b>Oven capacity</b>	20 L
<b>Net weight</b>	10 kg
<b>Color</b>	White / Black / Silver

Technical and design modification rights are reserved.

Markings on the appliance or the values stated in other documents supplied with the product are values obtained under laboratory conditions as per relevant standards. These values may vary according to the usage of the appliance and ambient conditions.

## 3 Installation and connection

### 3.1 Installation

1. Make sure that all the packing materials are removed from the inside of the door.



**WARNING:** Check the oven for any damage, such as misaligned or bent door, damaged door seals and sealing surface, broken or loose door hinges and latches and dents inside the cavity or on the door. If there is any damage, do not operate the oven and contact qualified service personnel.

2. This microwave oven must be placed on a flat, stable surface to hold its weight and the heaviest food likely to be cooked in the oven.
  3. Do not place the oven where heat, moisture, or high humidity are generated, or near combustible materials.
  4. For correct operation, the oven must have sufficient airflow. Allow 20 cm of space above the oven, 10 cm at back and 5 cm at both sides. Do not cover or block any openings on the appliance. Do not remove feet.
  5. Do not operate the oven without glass tray, roller support, and shaft in their proper positions.
  6. Make sure that the power supply cord is undamaged and does not run under the oven or over any hot or sharp surface.
  7. The socket must be readily accessible so that it can be easily unplugged in an emergency.
  8. Do not use the oven outdoors.
3. Relocate the microwave oven with respect to the receiver.
  4. Move the microwave oven away from the receiver.
  5. Plug the microwave oven into a different outlet so that microwave oven and receiver are on different branch circuits.

### 3.3 Microwave cooking principles

1. Arrange food carefully. Place thickest areas towards outside of dish.
2. Watch cooking time. Cook for the shortest amount of time indicated and add more as needed. Food severely overcooked can smoke or ignite.
3. Cover foods while cooking. Covers prevent spattering and help foods to cook evenly.
4. Turn foods over once during microwave cooking to speed cooking of such foods as chicken and hamburgers. Large items like roasts must be turned over at least once.
5. Rearrange foods such as meatballs halfway through cooking both from top to bottom and from the center of the dish to the outside.

### 3.4 Grounding instructions

This appliance must be grounded. This oven is equipped with a cord having a grounding wire with a grounding plug. It must be plugged into a wall receptacle that is properly installed and grounded. In the event of an electrical short circuit, grounding reduces risk of electric shock by providing an escape wire for the electric current. It is recommended that a separate circuit serving only the oven be provided. Using a high voltage is dangerous and may result in a fire or other accident causing oven damage.



**WARNING:** Improper use of the grounding plug can result in a risk of electric shock.

### 3.2 Radio interference

Operation of the microwave oven can cause interference to your radio, TV, or similar equipment.

When there is interference, it may be reduced or eliminated by taking the following measures:

1. Clean door and sealing surface of the oven.
2. Reorient the receiving antenna of radio or television.

## 3 Installation and connection



If you have any questions about the grounding or electrical instructions, consult a qualified electrician or service person.



Neither the manufacturer nor the dealer can accept any liability for damage to the oven or personal injury resulting from failure to observe the electrical connection procedures.

The wires in this cable main are colored in accordance with the following code:

**Green and Yellow = EARTH**

**Blue = NEUTRAL**

**Brown = LIVE**

### 3.5 Utensils guide

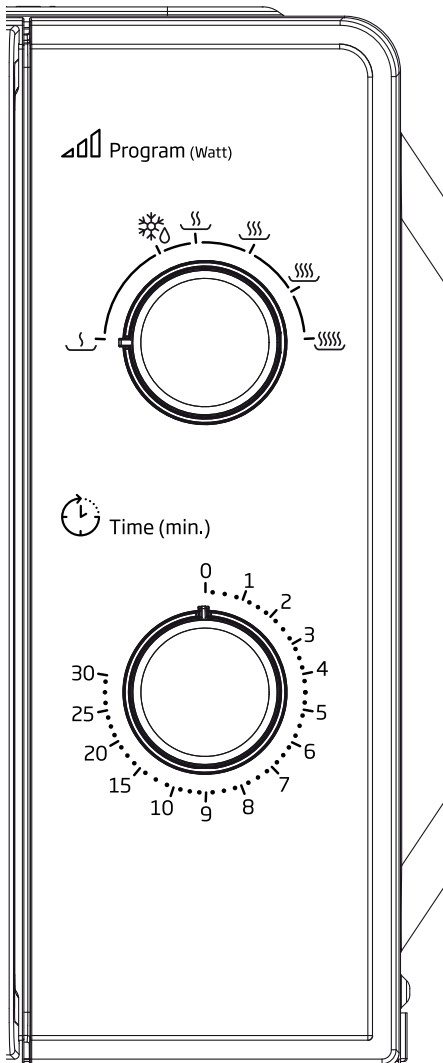
1. Microwave cannot penetrate metal. Only use utensils that are suitable for use in microwave ovens. Metallic containers for food and beverages are not allowed during microwave cooking. This requirement is not applicable if the manufacturer specifies size and shape of metallic containers suitable for microwave cooking.
2. Microwave cannot penetrate metal, so metal utensils or dishes with metallic trim should not be used.
3. Do not use recycled paper products when microwave cooking, as they may contain small metal fragments which may cause sparks and/or fires.
4. Round /oval dishes rather than square/oblong ones are recommend, as food in corners tends to overcook.
5. Narrow strips of aluminum foil may be used to prevent overcooking of exposed areas. But be careful don't use too much and keep a distance of 1 inch (2.54 cm) between foil and cavity.

The list below is a general guide to help you select the correct utensils.

Cookware	Microwave
Heat-Resistant Glass	Yes
Non Heat-Resistant Glass	No
Heat-Resistant Ceramics	Yes
Microwave-Safe Plastic Dish	Yes
Kitchen Paper	Yes
Metal Tray	No
Metal Rack	No
Aluminum Foil & Foil Containers	No

## 4 Operation

### 4.1 Control panel



The control panel consists of two function operators. One is a timer knob, and another a power knob.

#### Power knob

You use this power knob to choose a cooking power level. It is the first step to start a cooking session.

#### Timer knob

Offer visual timing settings at easy turn of your thumb to select a desired cooking time up to 30 minutes per cooking session.

#### Microwave cooking

For pure microwave cooking, there are six power levels from which to choose one as best fit to do the job at hand.

Power level increases with the knob turning clockwise. The power levels can be classified as the following:

	Power output	Description
1	100%	High
2	88%	M. High
3	73%	Med
4	52%	M. Low
5	42%	Defrost
6	20%	Low

### 4.2 Operation

To start a cooking session,

1. Place food in oven and close the door.
2. Turn power knob (1) to select a power level.
3. Use timer knob (2) to set a cooking time



As soon as the timer is turned, oven starts cooking. When selecting time for less than 2 minutes, turn timer past 2 minutes and then return to the correct time.



**CAUTION:** Always return timer back to zero position if food is removed from oven before the set cooking time is complete or when oven is not in use. To stop oven during cooking process, push the door release button or open the door by the handle.

## 5 Cleaning and care

### 5.1 Cleaning and care



**WARNING:** Never use gasoline, solvent, abrasive cleaning agents, metal objects or hard brushes to clean the appliance.



**WARNING:** Never immerse the appliance or its power cable in water or in any other liquid.

1. Turn off the oven and remove the power plug from the wall socket before cleaning.
2. Keep the inside of the oven clean. When food splatters or spilled liquids adhere to oven walls, wipe with a damp cloth. Mild detergent may be used if the oven gets very dirty. Avoid the use of spray and other harsh cleaners as they may stain, streak or dull the door surface.
3. The outside surfaces should be cleaned with a damp cloth. To prevent damage to the operating parts inside the oven, water should not be allowed to seep into the ventilation openings.
4. Wipe the both sides of the door and window, the door seals and adjacent parts frequently with a damp cloth to remove any spills or splatters. Do not use abrasive cleaner.
5. A steam cleaner is not be used.
6. Do not allow the control panel to become wet. Clean with a soft, damp cloth. When cleaning the control panel, leave oven door open to prevent oven from accidentally turning on.
7. If steam accumulates inside or around the outside of the oven door, wipe with a soft cloth. This may occur when the microwave oven is operated under high humidity condition. And it is normal.
8. It is occasionally necessary to remove the glass tray for cleaning. Wash the tray in warm sudsy water or in a dishwasher.
9. The roller ring and oven floor should be cleaned regularly to avoid excessive noise. Simply wipe the bottom surface of the oven with mild detergent. The roller ring may be washed in mild sudsy water or dishwasher. When removing the roller ring from cavity floor for cleaning, be sure to replace in the proper position.
10. Remove odors from your oven by combining a cup of water with the juice and skin of one lemon in a deep microwaveable bowl, microwave for 5 minutes. Wipe thoroughly and dry with a soft cloth.
11. When it becomes necessary to replace the oven light, please consult a dealer to have it replaced.
12. The oven should be cleaned regularly and any food deposits removed. Failure to maintain the oven in a clean condition could lead to deterioration of the surface that could adversely affect the life of the appliance and possibly result in a hazardous situation.
13. Please do not dispose this appliance into the domestic rubbish bin; it should be disposed to the particular disposal center provided by the municipalities.
14. When the microwave oven with grill function is first used, it may produce slight smoke and smell. This is a normal phenomenon because the oven is made of a steel plate coated with lubricating oil, and the new oven will produce fumes and odor generated by burning the lubricating oil. This phenomenon will disappear after a period of using.

### 5.2 Storage

- If you do not intend to use the appliance for a long time, please store it carefully.
- Please make sure that the appliance is unplugged, cooled down and totally dry.
- Store the appliance in a cool and dry place.
- Keep the appliance out of the reach of children

## 5 Cleaning and care

### 5.3 Handling and transportation

- During handling and transportation, carry the appliance in its original packaging. The packaging of the appliance protects it against physical damages.
- Do not place heavy loads on the appliance or the packaging. The appliance may be damaged.
- Dropping the appliance will render it non-operational or cause permanent damage.

## 6 Troubleshooting

Problem	Possible solution
If the oven fails to operate	Check to ensure that the oven is plugged in securely. If it is not, remove the plug from the outlet, wait 10 seconds, and plug it in again securely.
	Check for a blown circuit fuse or a tripped main circuit breaker. If these seem to be operating properly, test the outlet with another appliance.
	Check to ensure that the control panel is programmed correctly and the timer is set.
	Check to ensure that the door is securely closed engaging the door safety lock system. Otherwise, the microwave energy will not flow into the oven.
If none of the above rectifies the situation, then contact a qualified technician. Do not try to adjust or repair the oven yourself.	

# Bitte lesen Sie zunächst diese Anleitung!

Sehr geehrte Kundin, sehr geehrter Kunde,


Vielen Dank, dass Sie sich für dieses Gerät der Marke Beko entschieden haben. Wir sind überzeugt, dass Sie mit diesem Gerät, das mit den höchsten Qualitätsanforderungen und modernster Technologie hergestellt wurde, beste Ergebnisse erzielen werden. Bitte lesen Sie die gesamte Bedienungsanleitung und alle anderen Begleitdokumente aufmerksam, bevor Sie das Gerät verwenden; bewahren Sie sie zum künftigen Nachschlagen sicher auf. Wenn Sie das Gerät an jemanden weitergeben, händigen Sie ihm bitte auch diese Anleitung aus. Befolgen Sie die Anweisungen, indem Sie alle Informationen und Warnhinweise in der Bedienungsanleitung beachten.

Bitte denken Sie daran, dass diese Bedienungsanleitung eventuell für mehrere Modelle geschrieben wurde. Unterschiede zwischen den Modellen werden in der Anleitung klar und deutlich beschrieben.


## Bedeutung der Symbole

Folgende Symbole werden in den verschiedenen Abschnitten dieser Anleitung verwendet:

	Wichtige Informationen und nützliche Tipps in Bezug auf die Verwendung.
--	---

	Warnhinweise zu gefährlichen Situationen im Hinblick auf die Sicherheit von Leib, Leben und Eigentum.
---	---

	Warnung vor Stromschlag.
--	--------------------------

	Warnung vor heißen Flächen.
--	-----------------------------



Dieses Gerät wurde in umweltfreundlichen, modernen Einrichtungen ohne schädliche Auswirkungen auf die Natur hergestellt.

---



# 1 Wichtige Hinweise zu Sicherheit und Umwelt

## **Wichtige Sicherheitshinweise sorgfältig lesen und zum späteren Nachschlagen aufbewahren.**

### **1.1 Sicherheitshinweise**

Dieser Abschnitt enthält Sicherheitshinweise zum Schutz vor Feuer, Stromschlag, Exposition gegenüber Leckmikrowellenenergie, Verletzungen oder Sachschäden. Die Nichtbeachtung dieser Sicherheitsvorschriften hat den Verlust der Garantie zur Folge.

- Beko-Mikrowellenöfen entsprechen den geltenden Sicherheitsnormen; daher sollte im Falle einer Beschädigung des Gerätes oder des Netzkabels dieses vom Händler, Servicezentrum oder einem Fachmann und autorisierten Kundendienst gleichermaßen repariert oder ersetzt werden, um jede Gefahr zu vermeiden. Fehlerhafte oder unqualifizierte Reparaturarbeiten können gefährlich sein und ein Risiko für den Benutzer darstellen.
- Dieses Gerät ist ausschließlich zur Verwendung in einem Haushalt und vergleichbaren Einrichtungen gedacht, darunter:
  - Teeküchen für Mitarbeiter in Läden, Büros und vergleichbaren Einrichtungen;
  - In landwirtschaftlicher Familienbetrieben
  - Für Gäste in Hotels, und vergleichbaren Unterkünften;
  - Kleineren Pensionen oder vergleichbaren Einrichtungen.
- Es ist nicht für den gewerblichen Einsatz oder für Laborzwecke gedacht.
- Versuchen Sie nicht, den Ofen bei geöffneter Tür zu starten. Andernfalls können Sie schädlicher Mikrowellenenergie ausgesetzt sein. Sicherheitsschlösser dürfen nicht deaktiviert oder manipuliert werden.

# 1 Wichtige Hinweise zu Sicherheit und Umwelt

- Der Mikrowellenofen ist für die Erwärmung von Lebensmitteln und Getränken vorgesehen. Das Trocknen von Lebensmitteln oder Kleidung und die Erwärmung von Wärmekissen, Hausschuhen, Schwämmen, feuchten Tüchern und Ähnlichem kann zu Verletzungs-, Entzündungs- oder Brandgefahr führen.
- Stellen Sie keine Gegenstände zwischen die Vorderseite und die Ofentür. Lassen Sie keine Schmutz- oder Reinigungsmittelreste auf den Verschlussflächen ansammeln.
- Alle Servicearbeiten, bei denen die Abdeckung entfernt wird, die einen Schutz gegen Mikrowellenenergie bietet, müssen von autorisierten Personen/Serviceleistungen durchgeführt werden. Jeder andere Ansatz ist gefährlich.
- Ihr Produkt ist zum Kochen, Erhitzen und Auftauen von Lebensmitteln zu Hause vorgesehen. Es darf nicht für kommerzielle Zwecke verwendet werden.
- Ihr Ofen ist nicht zum Trocknen von Lebewesen ausgelegt.
- Verwenden Sie Ihr Gerät nicht zum Trocknen von Kleidung oder Küchentüchern.
- Verwenden Sie dieses Gerät nicht im Freien, in Badezimmern, in feuchten Umgebungen oder an Orten, an denen es nass werden kann.
- Es wird keine Verantwortung oder Gewährleistungsanspruch für Schäden übernommen, die durch Missbrauch oder unsachgemäße Handhabung des Geräts entstehen.
- Versuchen Sie niemals, das Gerät zu zerlegen. Für Schäden, die durch unsachgemäße Handhabung verursacht wurden, werden keine Gewährleistungsansprüche anerkannt.
- Verwenden Sie nur Originalteile oder Teile empfohlen von der Hersteller.
- Lassen Sie das Gerät während der Verwendung nicht unbeaufsichtigt.

# 1 Wichtige Hinweise zu Sicherheit und Umwelt

- Verwenden Sie das Gerät immer auf einer stabilen, flachen, sauberen, trockenen und rutschfesten Oberfläche.
- Das Gerät darf nicht mit einer externen Zeitschaltuhr oder einer separaten Fernbedienung betrieben werden.
- Reinigen Sie alle Teile, bevor Sie das Gerät zum ersten Mal verwenden. Bitte beachten Sie die Details im Abschnitt "Reinigung und Wartung".
- Betreiben Sie das Gerät nur für den vorgesehenen Zweck, wie in diesem Handbuch beschrieben.
- Das Gerät wird während des Betriebs sehr heiß. Achten Sie darauf, die heißen Teile im Ofen nicht zu berühren.
- Die Mikrowelle darf keinesfalls leer betrieben werden.
- Das Kochutensilien kann aufgrund der Wärmeübertragung vom erhitzten Lebensmittel auf das Utensilien heiß werden. Möglicherweise benötigen Sie Ofenhandschuhe, um das Geschirr zu halten.
- Die Utensilien müssen zuvor auf ihre Eignung zur Benutzung in Mikrowellen überprüft werden.
- Stellen Sie den Ofen nicht auf Öfen oder andere wärmeerzeugende Geräte. Andernfalls kann es beschädigt werden und die Garantie erlischt.
- Beim Öffnen der Deckel oder der Folie kann nach dem Kochen des Essens Dampf austreten.
- Das Gerät und seine zugänglichen Oberflächen können sehr heiß sein, wenn das Gerät verwendet wird.
- Tür und Außenglas können sehr heiß sein, wenn das Gerät verwendet wird.
- Stellen Sie sicher, dass Ihre Netzspannung mit den Angaben auf dem Typenschild des Geräts übereinstimmt.
- Die einzige Möglichkeit, das Gerät von der Stromversorgung zu trennen, besteht darin, den Netzstecker aus der Steckdose zu ziehen.
- Verwenden Sie das Gerät nur mit einer geerdeten Steckdose.

# 1 Wichtige Hinweise zu Sicherheit und Umwelt

- Verwenden Sie das Gerät nicht, wenn das Netzkabel oder das Gerät beschädigt ist.
- Verwenden Sie dieses Gerät nicht mit einem Verlängerungskabel.
- Berühren Sie das Gerät oder seinen Stecker niemals mit nassen Händen!
- Das Gerät muss derart aufgestellt werden, dass der Stecker zugänglich ist.
- Verhindern Sie Schäden an der Stromversorgung Kabel durch nicht quetschen, biegen, oder an scharfen Kanten reiben. Halten Sie das Netzkabel von erhitzten Oberflächen und offenen Flammen fern.
- Stellen Sie sicher, dass keine Gefahr besteht, dass das Netzkabel versehentlich gezogen wird oder dass jemand darüber stolpert, wenn das Gerät verwendet wird.
- Ziehen Sie den Netzstecker vor jeder Reinigung und wenn das Gerät nicht in Gebrauch ist.
- Ziehen Sie nicht am Netzkabel des Geräts, um es von der Stromversorgung zu trennen, und wickeln Sie das Netzkabel niemals um das Gerät.
- Tauchen Sie das Gerät, das Netzkabel und den Netzstecker nicht in Wasser oder andere Flüssigkeiten ein. Halten Sie es nicht unter fließendes Wasser.
- Beim Erwärmen von Speisen in Kunststoff-oder Papierbehälter , immer ein Auge auf den Ofen haben um die Möglichkeit einer Zündung zu vermeiden.
- Entfernen Sie die Drahtschnüre und/oder Metallgriffe von Papier- oder Plastiktüten, bevor Sie die Tüten in den Ofen stellen.
- Wenn Rauch beobachtet wird, schalten Sie das Gerät aus oder ziehen Sie den Netzstecker, wenn dies sicher ist, und halten Sie die Tür geschlossen, um Flammen zu ersticken.
- Verwenden Sie Mikrowellen nicht zur Aufbewahrung. Lassen Sie keine Papiergegenstände, Kochmaterialien oder Lebensmittel im Ofen, wenn dieser nicht verwendet wird.

# 1 Wichtige Hinweise zu Sicherheit und Umwelt

- Der Inhalt von Babyflaschen und Babynahrung sollte gerührt und geschüttelt und die Temperatur sollte vor dem Verzehr geprüft werden, um Verbrennungen zu vermeiden.
  - Bei diesem Gerät handelt es sich um ein ISM-Gerät der Klasse B, Gruppe 2. Gruppe 2 beinhaltet alle ISM-Geräte (Hochfrequenz-Geräte in Industrie, Wissenschaft, Medizin) und Ausrüstungen, in denen Hochfrequenzenergie in Form von elektromagnetischer Strahlung für die Behandlung von Material gezielt erzeugt und/oder genutzt wird sowie Funkenerodiermaschinen.
  - Ausrüstungen der Klasse B sind für den Einsatz im häuslichen Umfeld und Einrichtung, die zur Stromversorgung direkt an das Niederspannungsnetz angeschlossen sind.
  - Verwenden Sie kein Speiseöl im Ofen. Heißes Öl kann die Komponenten und Materialien des Ofens beschädigen und sogar Hautverbrennungen verursachen.
  - Pierce Essen mit dicker Kruste wie Kartoffeln, Zucchini, Äpfel und Kastanien.
  - Das Gerät muss so aufgestellt werden, dass die Rückseite zur Wand zeigt.
  - Sichern Sie vor dem Bewegen des Geräts den Drehteller, um Beschädigungen zu vermeiden.
  - Rohe Eier sowie ganze hartgekochte Eier sollten nicht im Mikrowellengerät erhitzt werden, da sie selbst nach Ende des Garvorgangs in der Mikrowelle noch platzen könnten.
- WARNUNG:** Wenn die Tür oder die Türdichtungen beschädigt sind, darf der Ofen nicht betrieben werden, bis es von einer kompetenten Person repariert ist.
- WARNUNG:** Für unkompetente Personen besteht die Gefahr einen Service auszuführen oder Reparaturen durchzuführen, die die Entfernung der Abdeckung erfordern, welche den Schutz gegen die Strahlenbelastung der Mikrowellenenergie darstellen.

# 1 Wichtige Hinweise zu Sicherheit und Umwelt

**WARNUNG:** Flüssigkeiten und andere Lebensmittel dürfen nicht in verschlossenen Behältern aufgewärmt werden, da diese explodieren können.

- Das Mikrowellengerät sollte regelmäßig gereinigt und Lebensmittelreste entfernt werden.
- Über der Oberseite des Ofens sollte mindestens 20 cm Freiraum vorhanden sein.
- Überkochen Sie keine Lebensmittel, da Sie sonst einen Brand verursachen können.
- Verwenden Sie zum Reinigen des Geräts keine Chemikalien und dampfunterstützten Reinigungsmittel.
- Bei der Verwendung in der Nähe von Kindern und Personen, deren körperliche, sensorische oder geistige Fähigkeiten eingeschränkt sind, ist äußerste Vorsicht geboten.
- Dieses Gerät kann von Kindern ab 8 Jahren und von Personen mit eingeschränkter körperlicher, sensorischer oder geistiger Leistungsfähigkeit oder ohne Kenntnisse und Erfahrung verwendet werden, sofern sie hinsichtlich der sicheren Verwendung beaufsichtigt werden des Produkts oder sie werden entsprechend instruiert oder verstehen die Risiken der Verwendung des Produkts. Kinder dürfen nicht mit dem Gerät spielen. Reinigungs- und Wartungsverfahren für Benutzer sollten nicht von Kindern durchgeführt werden, es sei denn, sie werden von ihren Ältesten kontrolliert.
- **Die Gefahr des Erstickens!** Halten Sie das Verpackungsmaterial von Kindern fern!
- Aufgrund der übermäßigen Hitze, die im Grill- und Kombinationsmodus auftritt, sollten Kinder diese Modi nur unter Aufsicht eines Erwachsenen verwenden dürfen.

# 1 Wichtige Hinweise zu Sicherheit und Umwelt

- Bewahren Sie das Produkt und das Netzkabel so auf, dass Kinder unter 8 Jahren nicht darauf zugreifen können.
- Kochen Sie das Essen nicht direkt auf der Glasschale. Legen Sie die Lebensmittel in/auf geeignete Küchenutensilien, bevor Sie sie in den Ofen stellen.
- Metallische Behälter für Lebensmittel und Getränke sind während des Mikrowellenkochens nicht erlaubt. Andernfalls kann es zu Funkenbildung kommen.
- Dieses Produkt ist nicht für den Einbau vorgesehen. Stellen Sie das Produkt während des Gebrauchs nicht in einen Schrank oder eine Kiste.

## 1.2 Ihre Pflichten als Endnutzer



Dieses Produkt erfüllt die Vorgaben der EU-WEEE-Direktive (2012/19/EU). Das Produkt wurde mit einem Klassifizierungssymbol für elektrische und elektronische Altgeräte (WEEE)

gekennzeichnet.

Dieses Elektro- bzw. Elektronikgerät ist mit einer durchgestrichenen Abfalltonne auf Rädern gekennzeichnet. Das Gerät darf deshalb nur getrennt vom unsortierten Siedlungsabfall gesammelt und zurückgenommen werden. Es darf somit nicht in den Hausmüll gegeben werden. Das Gerät kann z.B. bei einer kommunalen Sammelstelle oder ggf. bei einem Vertreiber (siehe unten zu deren

Rücknahmepflichten in Deutschland) abgegeben werden.

Das gilt auch für alle Bauteile, Unterbaugruppen und Verbrauchsmaterialien des zu entsorgenden Altgeräts.

Bevor das Altgerät entsorgt werden darf, müssen alle Altbatterien und Altkumulatoren vom Altgerät getrennt werden, die nicht vom Altgerät umschlossen sind. Das gleiche gilt für Lampen, die zerstörungsfrei aus dem Altgerät entnommen werden können. Der Endnutzer ist zudem selbst dafür verantwortlich, personenbezogene Daten auf dem Altgerät zu löschen.

Die ordnungsgemäße Entsorgung gebrauchter Geräte trägt dazu bei, mögliche negative Folgen für die Umwelt und die menschliche Gesundheit zu vermeiden.

## 1.3 Hinweise zum Recycling



Helfen Sie mit, alle Materialien zu recyceln, die mit diesem Symbol gekennzeichnet sind. Entsorgen Sie solche Materialien, insbesondere Verpackungen, nicht im Hausmüll, sondern über die bereitgestellten Recyclingbehälter oder die entsprechenden örtlichen Sammelsysteme.

Recyceln Sie zum Umwelt- und Gesundheitsschutz elektrische und elektronische Geräte.

## 1.4 Rücknahmepflichten der Vertreiber

Wer auf mindestens 400 m<sup>2</sup> Verkaufsfläche Elektro- und Elektronikgeräte vertreibt oder diese gewerblich an Endnutzer abgibt, ist verpflichtet, bei Abgabe eines neuen Gerätes, ein Altgerät des Endnutzers der gleichen Geräteart, das im Wesentlichen die gleichen Funktionen wie das neue Gerät erfüllt, am Ort der Abgabe oder in unmittelbarer Nähe, unentgeltlich zurückzunehmen. Das gilt auch für Vertreiber von Lebensmitteln mit einer Gesamtverkaufsfläche von mindestens

# 1 Wichtige Hinweise zu Sicherheit und Umwelt

800 m<sup>2</sup>, die mehrmals im Kalenderjahr oder dauerhaft Elektro- und Elektronikgeräte anbieten und auf dem Markt bereitstellen. Solche Vertreiber müssen zudem auf Verlangen des Endnutzers Altgeräte, die in keiner äußeren Abmessung größer als 25 cm sind, (kleine Elektrogeräte) im Einzelhandelsgeschäft oder in unmittelbarer Nähe hierzu unentgeltlich zurückzunehmen; die Rücknahme darf in diesem Fall nicht an den Kauf eines Elektro- oder Elektronikgerätes verknüpft, kann aber auf drei Altgeräte pro Geräteart beschränkt werden.

Ort der Abgabe ist auch der private Haushalt, wenn das neue Elektro- oder Elektronikgerät dorthin geliefert wird; in diesem Fall ist die Abholung des Altgerätes für den Endnutzer kostenlos.

Die vorstehenden Pflichten gelten auch für den Vertrieb unter Verwendung von Fernkommunikationsmitteln, wenn die Vertreiber Lager- und Versandflächen für Elektro- und Elektronikgeräte bzw. Gesamtlager und Versandflächen für Lebensmittel beinhalten, die den oben genannten Verkaufsflächen entsprechen. Die unentgeltliche Abholung von Elektro- und Elektronikgeräten ist dann aber auf Wärmeüberträger (z.B. Kühlschrank), Bildschirme, Monitore und Geräte, die Bildschirme mit einer Oberfläche von mehr als 100 cm<sup>2</sup> enthalten und Geräte beschränkt, bei denen mindestens eine der äußeren Abmessungen mehr

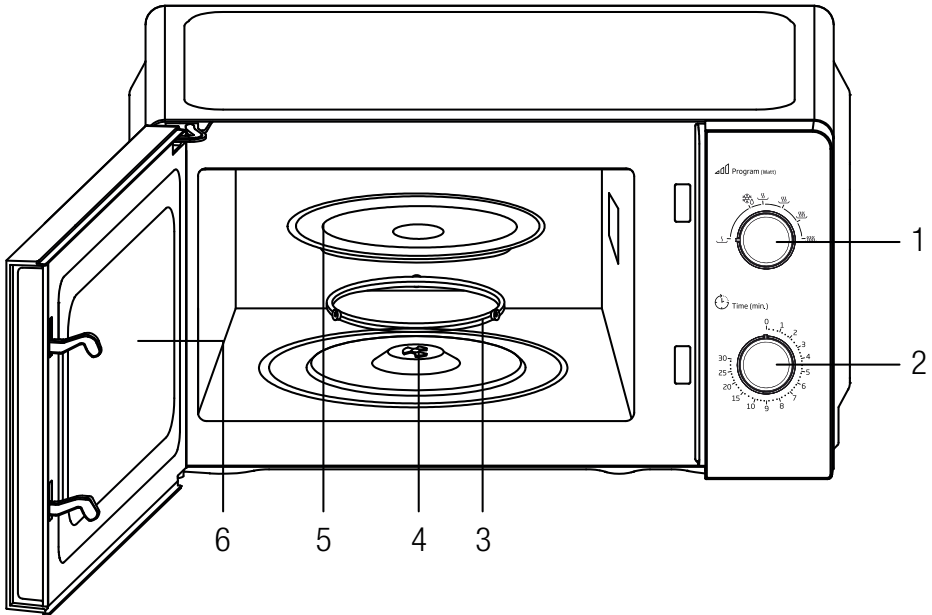
## 1.5 Einhaltung von RoHS-Vorgaben

Das von Ihnen erworbene Produkt erfüllt die Vorgaben der EU-RoHS Direktive (2011/65/EU). Es enthält keine in der Direktive angegebenen gefährlichen und unzulässigen Materialien.



## 2 Ihr Mikrowellenofen

### 2.1 Übersicht



#### Bedienelemente und Teile

1. Leistungsknopf
2. Zeitregler
3. Rollenring
4. Welle
5. Glasschale
6. Ofenfenster

#### 2.2 Technische Daten

<b>Nennspannung:</b>	230-240V~,50Hz
<b>Neineingang</b>	1100W (Mikrowelle)
<b>Nenausgang</b>	700W
<b>Mikrowellenfrequenz</b>	2450 Mhz
<b>Mikrowelle Leistungsstufe</b>	6
<b>Außenmaße (H*B*T) mm</b>	243*446*340 mm
<b>Glas Drehscheibe</b>	245 mm
<b>Ofenkapazität</b>	20 L
<b>Nettogewicht</b>	10 kg
<b>Farbe</b>	Weiß / Schwarz / Silber

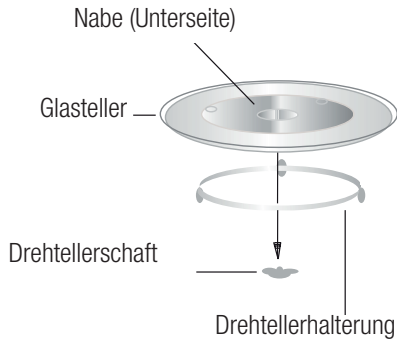
Technische und Design-Änderungsrechte sind vorbehalten.

Markierungen auf dem Gerät oder die Werte in anderen mit dem Produkt gelieferten Dokumenten sind Werte, die unter Laborbedingungen gemäß den einschlägigen Normen erhalten wurden. Diese Werte können je nach der Verwendung des Geräts und den Umgebungsbedingungen variieren.

## 2 Ihr Mikrowellenofen

### 2.3 Drehteller installieren

- Glasteller niemals verkehrt herum aufstellen. Der Glasteller darf niemals blockiert werden.
- Sowohl Glasteller als auch Drehtellerhalterung müssen stets während des Garens verwendet werden.
- Alle Lebensmittel und Lebensmittelbehälter müssen zum Garen auf dem Glasteller platziert werden.
- Falls Glasteller oder Drehtellerhalterung Risse oder Bruchstellen aufweisen, wenden Sie sich an Ihr autorisiertes Kundencenter vor Ort.



## 3 Installation und Anschluss

### 3.1 Installation

1. Stellen Sie sicher, dass sämtliche Verpackungsmaterialien von der Türinnenseite entfernt werden.



**WARNUNG:** Prüfen Sie die Mikrowelle auf Schäden, wie beispielsweise falsch ausgerichtet oder verzogene Türen, beschädigte Türdichtungen und Dichtflächen, schadhafte oder lockere Türscharniere und Verschlüsse, sowie Verbeulungen im Garraum oder an der Tür. Im Falle einer Beschädigung darf die Mikrowelle nicht verwendet werden. Wenden Sie sich bitte an den Kundendienst.

2. Diese Mikrowelle muss auf eine ebene, stabile Unterlage gestellt ist, die das Gerätgewicht einschließlich des Gewichts der darin erwärmten Speisen oder Lebensmittel tragen kann.
3. Stellen Sie die Mikrowelle nicht an Orten auf, in denen in größerem Umfang Hitze, Nässe oder Feuchtigkeit erzeugt bzw. brennbare Stoffe aufbewahrt werden.
4. Für den störungsfreien Betrieb der Mikrowelle ist eine ausreichende Luftzufuhr erforderlich. Lassen Sie mindestens 20 cm Abstand oberhalb der Mikrowelle, 10 cm an deren Rückseite und 5 cm an beiden Seiten. Die Öffnungen des Gerätes dürfen nicht abgedeckt oder versperrt werden. Die Gerätefüße dürfen nicht entfernt werden.
5. Verwenden Sie die Mikrowelle nicht ohne den Glasteller, die Rollenhalterung und Welle in deren ordnungsgemäßen Positionen.
6. Achten Sie darauf, dass das Netzkabel unbeschädigt ist und nicht unter der Mikrowelle bzw. anderen heißen oder scharfkantigen Gegenständen verläuft.
7. Die Steckdose muss gut zugänglich sein, sodass der Netzstecker in Notfällen leicht gezogen werden kann.

8. Benutzen Sie die Mikrowelle nicht im Freien.

### 3.2 Funkstörungen

Der Betrieb der Mikrowelle kann zu Störungen des Radio- oder TV-Empfangs bzw. zur Beeinträchtigung vergleichbarer Geräte führen.

Sollten derartige Störungen auftreten, können diese durch das Ergreifen der folgenden Maßnahmen verringert bzw. abgestellt werden.

1. Reinigen Sie die Tür und die Dichtungsflächen der Mikrowelle.
2. Richten Sie die Empfangsantenne des Radios bzw. Fernsehers erneut aus.
3. Stellen Sie die Mikrowelle an einer anderen Stelle in Verhältnis zum Empfangsgerät auf.
4. Vergrößern Sie den Abstand zwischen der Mikrowelle und dem Empfangsgerät.
5. Schließen Sie die Mikrowelle an eine andere Steckdose an, sodass die Mikrowelle und das Empfangsgerät an verschiedene Abzweigungen angeschlossen sind.

### 3.3 Mikrowellenkochprinzipien

1. Arrangieren Sie die Lebensmittel sorgfältig. Platzieren Sie die dicksten Bereiche am Gefäßrand.
2. BEACHTEN SIE DIE GARZEIT Garen Sie die Lebensmittel die vorgesehene Mindestzeit lang, und verlängern Sie den Vorgang bei Bedarf. Zu lange gegarte Speisen können verkohlen bzw. sich entzünden.
3. Decken Sie die Speisen während des Garens ab. Mit einem Deckel verhindern Sie Spritzer und sorgen für ein gleichmäßiges Durchgaren der Speisen.
4. Drehen bzw. rühren Sie zwischendurch die Speisen einmal während des Garens um. Das gilt insbesondere auch für Geflügelfleisch und Hamburger. Große Stücke, wie Bratenstücke müssen mindestens einmal gewendet werden.

## 3 Installation und Anschluss

5. Schieben Sie nach der Hälfte der Garzeit die Fleischbällchen bzw. vergleichbare Speisen von der Mitte des Gefäßes an den Rand und die vom Rand in die Mitte.

### 3.4 Erdungshinweise

Das Gerät muss geerdet werden. Diese Mikrowelle ist mit einem Kabel mit Erdungsstecker ausgestattet. Der Stecker muss in eine Wandsteckdose gesteckt werden, die ordnungsgemäß installiert und geerdet wurde. Im Falle eines elektrischen Kurzschluss, reduziert die Erdung das Risiko eines Stromschlags durch die Ableitung des elektrischen Stroms. Es wird empfohlen, dass die Mikrowelle an einen separaten Stromkreis angeschlossen wird, der nur dieses Gerät versorgt. Die Verwendung von Hochspannung ist gefährlich und kann zu einem Feuer oder anderen Unfällen führen und die Mikrowellen beschädigen.



**WARNUNG:** Unsachgemäßer Gebrauch der Erdung kann zum Risiko von Stromschlägen führen.



Wenn Sie weitere Fragen über die Erdung bzw. zur Elektroinstallation insgesamt haben sollten, wenden Sie sich bitte an einen Elektriker bzw. einen Kundendienstmitarbeiter.



Weder der Hersteller noch der Händler haften für Schäden am Gerät bzw. Verletzungen, die aus dem Versäumnis herrühren, die ordnungsgemäßen Verfahren für die Elektroinstallation zu beachten.

Die Drähte in diesem Anschlusskabel sind wie folgt farblich gekennzeichnet:

**Grün und Geld = ERDE**

**BLAU = NULLLEITER**

**Braun = UNTER SPANNUNG**

### 3.5 Utensilienanleitung

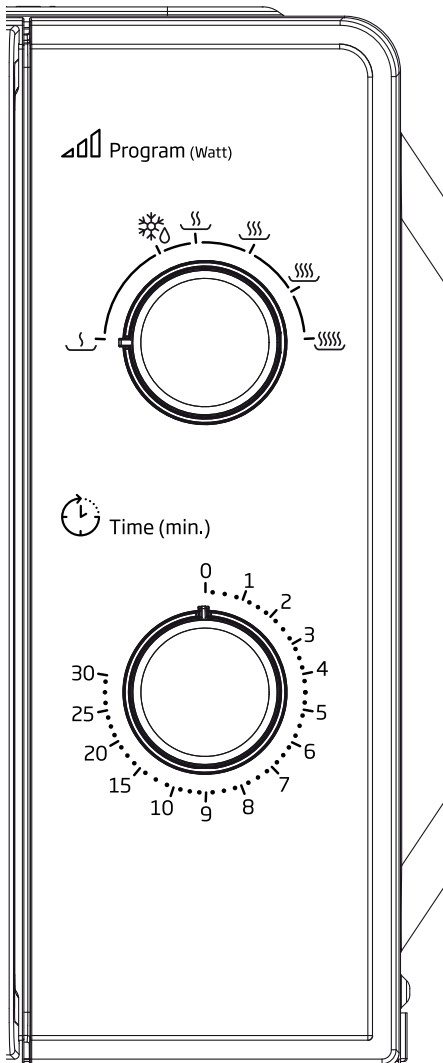
1. Mikrowelle kann Metall nicht durchdringen. Verwenden Sie nur Utensilien geeignet für den Gebrauch einer Mikrowelle. Metallische Behälter für Lebensmittel und Getränke sind während des Mikrowellenkochens nicht erlaubt. Diese Anforderung gilt nicht, wenn der Hersteller Größe und Form von Metallbehältern angibt, die für das Mikrowellengaren geeignet sind.
2. Die Mikrowellen können Metall nicht durchdringen, daher dürfen Gefäße aus Metall bzw. mit Metallrändern nicht verwendet werden.
3. Verwenden auch keine Behälter aus recycelten Papierprodukten zum Garen in der Mikrowelle, da diese kleine Metallfragmente enthalten, welche zur Funkenbildung führen bzw. sich selbst entzünden können.
4. Runde bzw. ovalförmige Gefäße sind im Vergleich zu quadratischen bzw. länglichen Formen besser geeignet, da sich die Speisen in den Ecken rasch überhitzen.
5. Um ein Überkochen zu vermeiden, empfehlen wir die Nutzung schmaler Streifen aus Alufolie. Seien Sie dabei jedoch vorsichtig und lassen Sie einen Abstand von 2,54 cm (1 Zoll) zwischen der Folie und dem den Garraumwänden.

Die Liste unten bietet eine allgemeine Orientierung, die Ihnen bei der Auswahl der richtigen Utensilien helfen soll.

Kochgeschirr	Mikrowelle
Hitzebeständiges Glas	Ja
Nicht Hitzebeständiges Glas	Nein
Hitzebeständige Keramik	Ja
Mikrowellensichere Kunststoffgefäße	Ja
Küchenpapier	Ja
Metallplatte	Nein
Metallschale	Nein
Aluminiumfolie und Folienbehälter	Nein

## 4 Bedienung

### 4.1 Kontrollfeld



Das Bedienfeld verfügt über zwei Funktionsschalter. Einer ist davon der Zeitregler, und ein anderer ein Leistungsknopf.

#### Leistungsknopf

Nutzen Sie diesen Leistungsknopf, um die Energiezufuhr für den Garvorgang auszuwählen. Diese Einstellung ist der erste Schritt, um einen Garvorgang einzuleiten.

#### Zeitregler

Bietet eine visuelle Zeiteinstellungen durch eine simple Drehung mit Ihrem Daumen, um die gewünschte Garzeit von bis zu 30 Minuten einzustellen.

#### Kochen mit der Mikrowelle

Für reines Garen in der Mikrowelle stehen 6 Leistungsstufen zur Verfügung, jeweils die beste für die anstehende Aufgabe auszuwählen.

Die Energiezufuhr steigt, wenn der Schalter im Uhrzeigersinn gedreht wird. Die Leistungsstufen lassen sich folgendermaßen einteilen:

	Leistung	Beschreibung
1	100%	Hoch
2	88%	M. hoch
3	73%	Mittel
4	52%	M. niedrig
5	42%	Auftauen
6	20%	Niedrig

### 4.2 Bedienung

Starten des Garvorgangs.

1. Stellen Sie die Speisen in die Mikrowelle, und schließen Sie die Tür.
2. Drehen Sie den Leistungsknopf (1) um eine Leistungsstufe auszuwählen.
3. Nutzen Sie den Zeitregler (2), um die Garzeit einzustellen.

## 4 Bedienung



Sobald der Zeitregler eingestellt wurde, startet die Mikrowelle den Garvorgang. Wenn eine Zeit von weniger als 2 Minuten eingestellt werden soll, drehen Sie Schalter über 2 Minuten und dann zurück, um den Zeitwert zu korrigieren.



**VORSICHT!** Stellen Sie den Timer immer auf Null zurück, wenn Lebensmittel aus dem Ofen genommen werden, bevor die eingestellte Garzeit abgelaufen ist oder wenn der Ofen nicht benutzt wird. Um die Mikrowelle während des Garvorgangs zu stoppen, drücken Sie auf die Türöffnertaste oder öffnen Sie die Tür am Griff.

# 5 Reinigung und Pflege

## 5.1 Reinigung und Pflege



**WARNUNG:** Verwenden Sie zur Reinigung des Geräts niemals Benzin, Lösungsmittel, abrasive Reinigungsmittel, Metallgegenstände oder harte Bürsten.



**WARNUNG:** Tauchen Sie das Gerät oder sein Netzkabel niemals in Wasser oder andere Flüssigkeiten.

1. Schalten Sie die Mikrowelle aus und ziehen Sie den Stecker aus der Steckdose, bevor Sie das Gerät reinigen.
2. Halten Sie das Innere des Geräts sauber. Wenn Speisen spritzen oder Flüssigkeiten überlaufen und an den Gerätewänden kleben, wischen Sie diese mit einem feuchten Tuch trocken. Es kann ein mildes Reinigungsmittel verwendet werden, wenn die Mikrowelle sehr verschmutzt sein sollte. Vermeiden Sie den Gebrauch von Reinigungssprays oder aggressiven Reinigungsmitteln, da diese Oberfläche der Tür beschädigen oder abstumpfen lassen können.
3. Die äußeren Geräteoberflächen können mit einem feuchten Tuch gereinigt werden. Um Schäden der Funktionsteile im Inneren der Mikrowelle zu verhindern, muss das Eindringen von Wasser durch die Belüftungsöffnungen vermieden werden.
4. Wischen Sie die Tür- und Fensterseiten, die Türdichtungen und angrenzende Teile häufig mit einem feuchten Tuch ab, um Verschüttungen oder Spritzer zu entfernen. Verwenden Sie keine Scheuermittel.
5. A Dampfreiniger sollte nicht verwendet werden.
6. Achten Sie darauf, dass Bedienfeld nicht nass wird. Reinigen Sie dieses mit einem feuchten Tuch. Lassen Sie die Gerätetür offen, wenn Sie die Mikrowelle reinigen, um ein versehentliches Einschalten zu verhindern.
7. Wenn sich im Inneren bzw. um die Mikrowellentür herum Dampf ansammelt, wischen Sie diesen mit einem weichen Tuch ab. Das kann passieren, wenn die Mikrowelle in einer Umgebung mit hoher Luftfeuchtigkeit eingesetzt wird. Das ist völlig normal.
8. Von Zeit zu Zeit muss auch der Drehteller aus Glas zum Reinigen herausgenommen werden. Waschen Sie den Glasteller mit warmem Seifenwasser oder in einer Geschirrspülmaschine.
9. Der Drehring und der Geräteinnenboden müssen regelmäßig gereinigt werden, um störende Geräusche zu vermeiden. Wischen Sie dazu einfach den Geräteinnenboden unter Verwendung eines milden Reinigungsmittels aus. Der Drehring kann mit warmem Seifenwasser oder in einer Geschirrspülmaschine gesäubert werden. Wenn Sie den Drehring vom Geräteinnenboden abnehmen, achten Sie bei Wiedereinsetzen auf die richtige Position.
10. Um schlechte Gerüche im Inneren zu beseitigen, stellen Sie eine tiefe Schale mit einer Mischung aus Wasser, Zitronensaft sowie etwas Zitronenschale in die Mikrowelle und schalten Sie diese für 5 Minuten ein. Wischen Sie dann alles mit einem weichen Tuch gründlich ab.
11. Sollte der Austausch der Mikrowellenlampe notwendig werden, wenden Sie sich bitte an einen Händler.
12. Das Mikrowellengerät sollte regelmäßig gereinigt und Lebensmittelreste entfernt werden. Mängel, die verhindern, dass das Gerät in einem sauberen Zustand gehalten wird, können zur Abnutzung der Oberfläche führen, welche negative Auswirkungen auf die Lebensdauer des Geräts und möglicherweise zu einer gefährlichen Situation führen können.
13. Das Gerät darf nicht mit normalen Hausmüll entsorgt werden; sondern muss in den dafür vorgesehenen Sammelstellen der Kommunen abgegeben werden.

## 5 Reinigung und Pflege

14. Bei der ersten Inbetriebnahme des Mikrowellengeräts mit Grillfunktion kann es zu leichter Rauch- und Geruchsentwicklung kommen. Dies ist ein normales Phänomen, da der Ofen aus einer mit Schmieröl beschichteten Stahlplatte besteht und der neue Ofen Rauch und Gerüche erzeugt, die durch das Verbrennen des Schmieröls entstehen. Dieses Phänomen verschwindet nach einer gewissen Nutzungsdauer.

### 5.2 Lagerung

- Wenn Sie beabsichtigen, das Gerät für längere Zeit nicht zu benutzen, bewahren Sie es bitte sorgfältig auf.
- Bitte stellen Sie sicher, dass das Gerät ausgesteckt, abgekühlt und vollständig trocken ist.

- Lagern Sie das Gerät an einem kühlen und trockenen Ort.
- Bewahren Sie das Gerät außerhalb der Reichweite von Kindern auf

### 5.3 Handhabung und Transport

- Tragen Sie das Gerät während der Handhabung und des Transports in der Originalverpackung. Die Verpackung des Geräts schützt es vor physischen Schäden.
- Legen Sie keine schweren Lasten auf das Gerät oder auf die Verpackung. Das Gerät kann beschädigt werden.
- Das Herunterfallen des Geräts macht es funktionsunfähig oder verursacht bleibende Schäden.

## 6 Problembehandlung

Problem	Mögliche Lösung
Wenn die Mikrowelle sich nicht einschaltet	Stellen Sie sicher, dass der Gerätestecker fest eingesteckt ist. Sollte dies nicht der Fall, ziehen Sie den Stecker, warten Sie 10 Sekunden, und verbinden Sie diesen dann wieder ordnungsgemäß mit der Steckdose.
	Prüfen Sie, ob eine Sicherung durchgebrannt ist bzw. der Trennschalter den Stromkreis unterbrochen hat. Wenn die Sicherungen ordnungsgemäß zu funktionieren scheinen, prüfen die Steckdose mit einem anderen Gerät.
	Prüfen Sie, ob die Schalttafel richtig programmiert und der Timer eingestellt ist.
	Prüfen Sie, ob die Tür fest geschlossen und die Sicherheitsverriegelung richtig eingerastet ist. Andernfalls schaltet sich die Mikrowelle nicht ein.
Wenn keine der oben genannten Maßnahmen Abhilfe schafft, wenden Sie sich an einen qualifizierten Techniker. Versuchen Sie nicht, den Ofen selbst einzustellen oder zu reparieren.	



## 7 Informationen

### Service und Ersatzteile

Unsere Geräte werden nach den neuesten technischen Erkenntnissen entwickelt, produziert und geprüft. Sollte trotzdem eine Störung auftreten, so bitten wir Sie, sich mit Ihrem Fachhändler bzw. mit der Verkaufsstelle in Verbindung zu setzen. Sollte dies nicht möglich sein, wenden Sie sich bitte an das BEKO GRUNDIG-Service-Center unter folgenden Kontaktdaten:

**Telefon: 0911 / 590 597 29**  
**(Montag bis Freitag von 08.00 bis 18.00 Uhr)**  
**Telefax: 0911 / 590 597 31**  
**E-Mail: [service@grundig.com](mailto:service@grundig.com)**  
**<https://www.grundig.com/de-de/support>**

Unter den obengenannten Kontaktdaten erhalten Sie ebenfalls Auskunft über den Bezug möglicher Ersatz- und Zubehörteile.

### BEKO GRUNDIG Kundenberatungszentrum

**Montag bis Freitag von 8.00 bis 18.00 Uhr**  
Deutschland: 0911 / 590 597 30  
Österreich : 0820 / 220 33 22 \*  
\* gebührenpflichtig (0,145 €/Min. aus dem Festnetz,  
Mobilfunk: max. 0,20 €/Min.)

Haben Sie Fragen?

Unser Kundenberatungszentrum steht Ihnen werktags stets von 18.00 – 8.00 Uhr zur Verfügung.

Sehr geehrte Kundin, sehr geehrter Kunde,

als Käufer eines Haushaltskleingerätes der Marke Beko stehen Ihnen die gesetzlichen Gewährleistungsrechte (Nachbesserung und Nacherfüllung) aus dem Kaufvertrag zu. Die Gewährleistung erfolgt für die Fehlerfreiheit bei Geräteübergabe entsprechend dem jeweiligen Stand der Technik. Über die Gewährleistung hinaus räumt Ihnen der Hersteller eine Garantie ein, diese schränkt die gesetzliche Gewährleistung – die für 24 Monate ab dem Kaufdatum gilt - nicht ein. Garantiert wird die Mängelbeseitigung durch Reparatur oder Austausch nach Wahl des Herstellers.

Sollte eine Störung an Ihrem Gerät auftreten, wenden Sie sich bitte an Ihren Fachhändler bzw. den Verkäufer. Dieser wird vor Ort das Gerät prüfen und den Kundenservice durchführen. Auch soweit Ansprüche aus der Herstellergarantie bestehen, werden diese nur durch den Verkäufer abgewickelt.

### **Die Garantiezeit beträgt 24 Monate ab Kaufdatum.**

#### **Bedingungen:**

1. Ein maschinell erstellter Original-Kaufbeleg liegt vor.
2. Das Gerät ist nur mit Original-Zubehör und Original-Ersatzteilen betrieben worden.
3. Die in der Gebrauchsanweisung erwähnten Wartungs- und Reinigungsarbeiten sind entsprechend ausgeführt worden.
4. Das Gerät wurde nicht geöffnet/zerlegt.
5. Bauteile, die einem gebrauchsbedingtem Verschleiß unterliegen, fallen nicht unter die Garantie
6. Ausgewechselte Teile werden Eigentum des Herstellers.
7. Ausgeschlossen von der Garantie sind die Mängel, die durch unsachgemäße Installation, z.B. Nichtbeachtung der VDE-Vorschriften; unsachgemäße Aufstellung, z.B. Nichtbeachtung der Einbau- oder Installationsvorschriften; äußere Einwirkung, z.B. Transportschäden, Beschädigung durch Stoß oder Schlag, Schäden durch Witterungseinflüsse, unsachgemäße Bedienung oder Beanspruchung, z.B. Nichtbeachtung der Gebrauchsanweisungen verursacht wurden.
8. Eine gewerbliche oder gleichzustellende Nutzung, z.B. in Hotels, Pensionen, Gaststätten, Arztpraxen oder Gemeinschaftsanlagen, gilt als eine nicht bestimmungsgemäße Benutzung, die die Garantie ausschließt.
9. Die Mängelbeseitigung verlängert die ursprüngliche Garantiezeit nicht.
10. Schadenersatzansprüche, auch hinsichtlich Folgeschäden, sind, soweit sie nicht auf Vorsatz oder grober Fahrlässigkeit beruhen, ausgeschlossen.
11. Der Anspruch auf Garantieleistung steht nur dem Erstkäufer zu und erlischt bei Weiterverkauf des Produktes durch den Erstkunden.
12. Die Garantie gilt für neue Produkte und nicht für Produkte, die als Gebrauchtgeräte verkauft worden sind und nicht für B-Ware.
13. Die Garantie ist nicht übertragbar.

**Diese Garantiezusage ist nur gültig innerhalb der Bundesrepublik Deutschland**

Garantiebedingungen - Beko – Version Februar 2021

# Molimo, prvo pročitajte ovaj priručnik!


Poštovani,


zahvaljujemo na odabir uređaja tvrtke Beko. Nadamo se da će vas ovaj uređaj koji je proizveden primjenom kvalitetne i najmodernije tehnologije dobro služiti. Zbog toga, molimo pažljivo pročitajte cijeli ovaj korisnički priručnik i ostale priložene dokumente prije korištenja uređaja te ga sačuvajte za buduću upotrebu. Ako uređaj predajete nekom drugom tada im dajte i korisnički priručnik. Pridržavajte se uputa tako da posvetite pažnju svim informacijama i upozorenjima u korisničkom priručniku.


Upamtite da se ovaj korisnički priručnik može odnositi i na druge modele. Razlike između modela izričito su opisane u priručniku.


## Značenje simbola

Sljedeći simboli koriste se u različitim dijelovima ovog korisničkog priručnika:

	Važne informacije i korisni savjeti o upotrebi.
--	---

	Upozorenja o opasnim situacijama vezanim za sigurnost života i imovine.
--	---

	Upozorenje o vrućim površinama.
--	---------------------------------

	Upozorenje na električni udar.
---	--------------------------------



Ovaj uređaj je proizveden u ekološkim postrojenjima bez zagađenja okoliša.

---

# 1 Važne upute za sigurnost i očuvanje okoliša

## **Pažljivo pročitajte ove važne sigurnosne upute i čuvajte ih za buduću uporabu**

### **1.1 Sigurnosna upozorenja**

Ovaj odjeljak sadrži sigurnosne upute koje će vam pomoći zaštititi se od požara, strujnog udara, izlaganju energiji mikrovalova, tjelesnih ozljeda ili oštećenja imovine. Nepridržavanje ovih uputa poništava sva odobrena jamstva.

- Mikrovalne pećnice tvrtke Beko usklađene su s važećim sigurnosnim standardima, stoga, u slučaju bilo kakvog oštećenja uređaja ili strujnog kabela treba ih popraviti ili zamijeniti zastupnik, servis ili stručnjak ili ovlaštenu servisnu kako bi se izbjegla daljnja oštećenja. Neispravan ili nestručan popravak mogu biti opasni i predstavljati opasnost za korisnika.
- Ovaj uređaj namijenjen je uporabiti u kućanstvu te za primjenu u prostorima poput sljedećeg:
  - kuhinja za osoblje, trgovina, ureda i drugih radnih okruženja;
  - farmi;
  - od strane gostiju u hotelima, ili drugim vrstama sličnih uslužnih objekata;
  - u uslužnim objektima poput pansiona.
- Nije dizajniran za primjenu u industriji ili laboratoriju.
- Ne pokušavajte pokrenuti pećnicu kada su joj vrata otvorena; u protivnom možete se izložiti štetnoj energiji mikrovalova. Sigurnosno zaključavanje se ne smije deaktivirati ili mijenjati.
- Mikrovalna pećnica namijenjena je za zagrijavanje hrane i pića. Sušenje hrane i odjeće te grijanje termofora, kućnih papuča, spužvi, vlažnih krpa i slično može izazvati opasnost od ozljede, zapaljenja ili požara.
- Ne stavljajte predmet između prednje strane i vrata pećnice. Ne dozvolite da su u unutrašnjosti pećnice nakupe nečistoća ili ostaci sredstva za čišćenje.
- Bilo koje servisne poslove koji uključuju uklanjanje poklopca koji pruža zaštitu od izlaganja energiji mikrovalova trebaju obaviti ovlaštene osobe/servis.

# 1 Važne upute za sigurnost i očuvanje okoliša

Svaki drugi pristup je opasan.

- Proizvod je namijenjen za kuhanje, zagrijavanje i odmrzavanje hrane u kućanstvima. Ne smije se koristiti za komercijalne namijene.
- Pećnica nije namijenjena sušenju živih bića.
- Ne koristite uređaj za sušenje odjeće ili kuhinjskih krpa.
- Ne koristite uređaj na otvorenom, u kupaonicama, u vlažnom okruženju ili na mjestima gdje se može ovlažiti.
- Ne preuzima se nikakva odgovornost niti jamstvo za štetu nastalu zbog pogrešne primjene ili nepravilnog rukovanja uređajem.
- Nikad ne pokušavajte rastaviti uređaj. Neće se prihvatiti jamstveni zahtjev za štetu nastalu zbog nepravilnog rukovanja.
- Koristite samo originalne dijelove ili dijelove koje je preporučio proizvođač.
- Tijekom upotrebe ne ostavljajte uređaj bez nadzora.
- Uređaj uvijek koristite na stabilnoj, ravnoj, čistoj, suhoj i neklizajućoj površini.
- Uređaj se ne smije koristiti s vanjskim tajmerom sata ili odvojenim sustavom daljinskog upravljanja.
- Prije prve upotrebe uređaja očistite sve dijelove. Pojednosti pogledajte u dijelu "Čišćenje i održavanje".
- Uređaj koristite samo za ono za što je namijenjen kako je opisano u ovom priručniku.
- Uređaj postaje jako vruć tijekom upotrebe. Pripazite i ne dirajte vruće dijelove unutar pećnice.
- Ne rukujte pećnicom kada je prazna.
- Kuhinjski pribor može postati vruć zbog prijenosa topline sa zagrijane hrane na pribor. Možda ćete trebati koristiti kuhinjske rukavice za držanje kuhinjskog pribora.
- Trebate provjeriti kuhinjski pribor i utvrditi smije li se koristiti u mikrovalnoj pećnici.
- Pećnicu ne stavljajte na štednjake ili druge uređaje koji stvaraju toplinu. U protivnom to ih

# 1 Važne upute za sigurnost i očuvanje okoliša

- može oštetiti i poništiti jamstvo.
- Para može izaći kada otvarate poklopce ili podižete foliju nakon kuhanja hrane.
  - Uređaj i njegova dostupna površina mogu postati vrlo vrući kada se uređaj koristi.
  - Vrata i vanjsko staklo mogu postati jako vrući kada se uređaj koristi.
  - Pripazite da napajanje iz strujne mreže odgovara informacijama navedenim na nazivnoj ploči uređaja.
  - Jedini način za odspajanje uređaja iz strujnog napajanja je iskopčavanje strujnog utikača iz strujne utičnice.
  - Uređaj koristite samo s uzemljenom utičnicom.
  - Nikada ne koristite uređaj ako su kabel za napajanje ili sam uređaj oštećeni.
  - Uređaj ne koristite s produžnim kabelom.
  - Nikad ne dirajte uređaj ili utikač s vlažnim ili mokrim rukama.
  - Uređaj postavite tako da je utikač uvijek dostupan.
  - Spriječite oštećenje strujnog kabela tako što ga nećete gnječiti, savijati i trljati o oštre rubove. Strujni kabel držite podalje od vrućih površina i otvorenog plamena.
  - Pripazite da ne postoji opasnost po strujni kabel tako da ga se slučajno povuče ili da se netko spotakne preko njega dok uređaj radi.
  - Isključite uređaj iz napajanja prije svakog čišćenja i kada uređaj ne koristite.
  - Ne povlačite strujni kabel uređaja kako biste ga iskopčali iz strujnog napajanja i nikad nemojte omotavati strujni kabel oko uređaja.
  - Ne uranjajte uređaj, strujni kabel ili utikač u vodu ili druge tekućine. Ne držite ga pod tekućom vodom.
  - Ako zagrijavate hranu koja je u plastičnim ili papirnatim posudama, pripazite na pećnicu jer se posude mogu zapaliti.
  - Prije stavljanja u pećnicu papirnatih ili plastičnih vrećica uklonite s njih vezice za vezivanje i/

# 1 Važne upute za sigurnost i očuvanje okoliša

ili metalne ručke.

- Ako primijetite dim, isključite uređaj ili ga odspojite iz strujne utičnice i držite vrata zatvorena kako bi se obuzdao plamen.
- Mikrovalnu pećnicu ne koristite kao prostor za čuvanje/odlaganje stvari. Kada se pećnica ne koristi ne ostavljajte u njoj predmete od papira, kuhinjski pribor ili namirnice.
- Radi izbjegavanja opeklina sadržaj bočica za hranjenje i dječje hrane u staklenkama treba se promiješati ili promućkati, a temperatura se treba provjeriti prije konzumacije.
- Ovaj uređaj pripada u skupinu 2 razred B ISM opreme. Skupina 2 sadrži svu ISM (Industrial, Scientific and Medical - industrijsku, znanstvenu i medicinsku) opremu u kojoj se namjerno stvara radijsko-frekvencijska energija i/ili se koristi u obliku elektromagnetskog zračenja za obradu materijala i elektroerozijske opreme.
- Oprema razreda B prikladna je za primjenu u domaćinstvima

i ustanovama koje su izravno spojene na niskonaponsku električnu mrežu.

- U pećnici ne koristite ulje za kuhanje. Vrelo ulje može oštetiti dijelove i materijale pećnice te može čak izazvati i opekline.
- Probodite hranu s debljom korom poput krumpira, tikvica, jabuka ili kestena.
- Uređaj postavite tako da je stražnja strana okrenuta prema zidu.
- Prije pomicanja uređaja učvrstite okretni dio i tako spriječite štetu.
- Jaja u ljusci, cijela tvrdo kuhana jaja ne trebaju se zagrijavati u mikrovalnim pećnicama jer mogu eksplodirati, čak i kad završi postupak zagrijavanja u mikrovalnoj pećnici.

**UPOZORENJE:** Ako su vrata ili brtva na vratima oštećeni tada se pećnica ne smije koristiti dok je ne popravi kvalificirana osoba.

**UPOZORENJE:** Opasno je za svakog, osim za stručne osobe, izvršiti servis ili popravak koji uključuje skidanje poklopca koji

# 1 Važne upute za sigurnost i očuvanje okoliša

pruža zaštitu od izlaganja energiji mikrovalova.

**UPOZORENJE:** Tekućine i druga hrana moraju se zagrijavati u zatvorenim posudama jer mogu eksplodirati.

- Pećnicu treba redovito čistiti i uklanjati ostatke hrane.
- Trebate ostaviti minimalno 20 cm razmaka iznad gornje površine pećnice.
- Nemojte prekuhati hranu, jer u protivnom možete izazvati požar.
- Za čišćenje uređaja ne koristite kemikalije i parne čistače.
- Preporučuje se izniman oprez kada se uređaj koristi u blizini djece i osobe sa smanjenim tjelesnim, osjetilnim ili metalnim sposobnostima.
- Ova uređaj mogu koristiti djeca starija od 8 godina te osobe sa smanjenim sa smanjenim tjelesnim, osjetilnim ili mentalnim sposobnostima ili s nedostatnim iskustvom i znanjem ako su pod nadzorom i ako su dobile potrebne upute za rad s uređajem na siguran način te ako razumiju moguće opasnosti. Djeca

se ne smiju igrati s uređajem. Postupke čišćenja i korisničkog održavanja ne smiju obavljati djeca, osim ako nisu pod nadzorom.

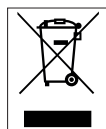
- **Opasnost od gušenja!** Svu ambalažu držite izvan dohvata djece.
- Zbog pretjerane topline koja proizlazi iz načina rada roštilja ili kombiniranog načina rada djeci se treba dozvoliti korištenje tih načina rada samo pod nadzorom odrasle osobe.
- Proizvod i strujni kabel čuvajte tako da ih ne mogu dohvatiti djeca mlađa od 8 godina.
- Ne kuhajte hranu izravno na staklenom pladnju. Hranu stavite u/na odgovarajuće kuhinjsko posuđe prije stavljanja u pećnicu.
- Metalne posude za hranu i piće ne smiju se koristiti za vrijeme kuhanja u mikrovalnoj pećnici. U protivnom, može doći do iskrenja.
- Ovaj proizvod nije dizajniran za ugradnju. Nemojte stavljati proizvod u ormar ili kutiju dok je u uporabi.



# 1 Važne upute za sigurnost i očuvanje okoliša

## 1.2 Sukladnost s Direktivom o gospodarenju otpadnim električnim i elektroničkim uređajima i opremom (WEEE Directive) i zbrinjavanje iskorištenog proizvoda:

Ovaj proizvod usklađen je s WEEE direktivom EZ (2012/19/EZ). Ovaj proizvod nosi klasifikacijsku oznaku za električni i elektronski otpad (WEEE).



Ovaj simbol označava da ovaj proizvod ne treba odlagati s ostalim otpadom iz kućanstva na kraju vijeka uporabe.

Rabljeni uređaj mora se vratiti u službeno zbirno mjesto za recikliranje električnih i elektronskih uređaja. Da biste pronašli mjesta za zbrinjavanje kontaktirajte lokalne vlasti ili prodavača od kojeg ste kupili proizvod. Sva kućanstvo igra važnu ulogu u uporabi i reciklaži iskorištenih uređaja. Odgovarajući zbrinjavanje iskorištenih proizvoda pomaže spriječiti potencijalne negativne posljedice za okoliš i ljudsko zdravlje.

## 1.3 Usklađenost sa RoHS direktivom:

Ovaj proizvod je sukladan Direktivi EU o ograničavanju opasnih tvari (RoHS Directive) (2011/65/EU). Proizvod ne sadrži štetne i zabranjene materijale koji su specificirani u Direktivi.

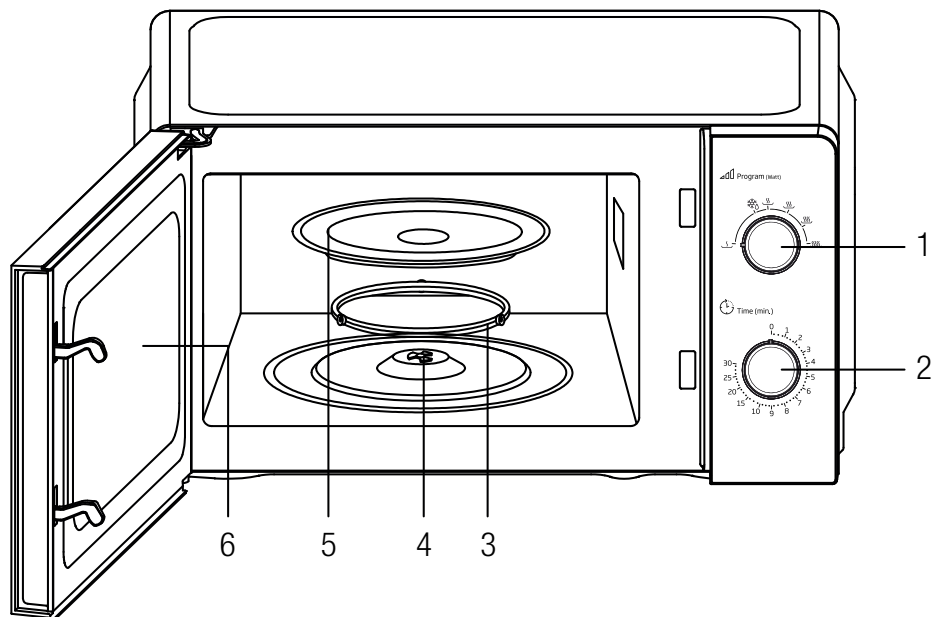
## 1.4. Informacije o pakiranju



Ambalažni materijal proizvoda proizveden je od recikliranih materijala u skladu s nacionalnim odredbama o zaštiti okoliša. Ambalažni materijal ne zbrinjajte zajedno s kućanskim i drugim otpadom. Odnosite ga u sabirne centre za ambalažni materijal određene od strane tijela lokalnih vlasti.

## 2 Mikrovalna pećnica

### 2.1 Pregled



### Kontrole i dijelovi

1. Okretni gumb za uključivanje/isključivanje
2. Okretni gumb tajmera
3. Prsten okretnog dijela
4. Osovina
5. Stakleni pladanj
6. Prozor pećnice

### 2.2 Tehnički podaci

<b>Nazivni napon</b>	230-240V~,50Hz
<b>Nazivna ulazna snaga</b>	1100W (mikrovalovi)
<b>Nazivna izlazna snaga</b>	700W
<b>Frekvencija mikrovalova</b>	2450MHz
<b>Razina snage mikrovalova</b>	6
<b>Vanjske dimenzije (V*S*D) mm</b>	243*446*340 mm
<b>Stakleni okretni dio</b>	245 mm
<b>Kapacitet pećnice</b>	20 L
<b>Neto težina</b>	10 kg
<b>Boja:</b>	Bijela / crna/ srebrna

Zadržana supravna izmjenu tehničkih specifikacija i dizajna.

Oznake na uređaju ili navedene vrijednosti u drugim dokumentima dostavljenima s proizvodom su vrijednosti dobivene u laboratorijskim uvjetima u skladu s važećim standardima. Ove vrijednosti mogu se razlikovati ovisno o upotrebi uređaja i uvjetima u okruženju.

## 3 Instalacija i priključivanje

### 3.1 Instalacija

1. Pripazite je li sav ambalažni materijal uklonjen s unutrašnje strane vrata.



**UPOZORENJE:** Provjerite je li pećnica oštećena, je su li vrata krivo poravnata ili savinuta, je su li oštećene brtve na vratima ili njihova površina, je su li slomljene ili opuštene šarke na vratima i reze te postoje li udubljenja u otvoru ili na vratima pećnice. Ako postoje oštećenja, ne rukujte pećnicom te kontaktirajte kvalificirano osoblje servisa.

2. Ovu mikrovalnu pećnicu trebate postaviti na ravnu, stabilnu površinu kako bi izdržala svoju težinu i najtežu hranu koja će se vjerojatno kuhati u pećnici.
3. Ne postavljajte pećnicu kada se generira toplina, vlaga ili visoka vlažnost ili pored zapaljivih materijala.
4. Za ispravan rad, pećnica treba imati dovoljan protok zraka. Omogućite razmak od 20 cm iznad pećnice, 10 cm iza te 5 cm sa strane. Ne pokrivajte i ne blokirajte otvore na uređaju. Ne uklanjajte nožice.
5. Ne rukujte pećnicom bez staklenog pladnja, nosivog valjka i osovine u ispravnom položaju.
6. Pripazite strujni kabel ne smije biti oštećen te ne smije prolaziti ispod pećice ili preko bilo kakve vruće ili oštre površine.
7. Utičnica mora biti lako dostupna tako da se uređaj može lako iskopčati u hitnom slučaju.
8. Ne koristite pećnicu na otvorenom.

### 3.2 Radijske smetnje

Rad mikrovalne pećnice može izazvati smetnje u prijemu signala radio-uređaja, televizora ili slične opreme.

Kada se pojave smetnje, one se mogu smanjiti ili ukloniti poduzimanjem sljedećih mjera:

1. Očistite vrata i površinu brtvi pećnice.

2. Promijenite smjer primanja signala antene radio-uređaja ili televizora.
3. Premjestite mikrovalnu pećnicu ovisno o prijemu.
4. Udaljite mikrovalnu pećnicu dalje od prijemnika.
5. Ukopčajte mikrovalnu pećnicu u drugu utičnicu tako da mikrovalna pećnica i prijemnik budu uključeni u različite dijelove strujnog kruga.

### 3.3 Načela kuhanja u mikrovalnoj pećnici

1. Pažljivo razmjestite hranu. Deblje dijelove stavite prema vanjskom dijelu posude za kuhanje.
2. Pazite na vrijeme kuhanja. Kuhajte što je kraće moguće od naznačenih vremena te ako je potrebno produžite vrijeme kuhanja. Hrana koja je pretjerano prekuhana može se dimiti ili zapaliti.
3. Za vrijeme kuhanja prekriti hranu. Poklopci sprječavanju prolijevanje hrane i omogućuju ravnomjerno kuhanje hrane.
4. Tijekom kuhanja u mikrovalnoj pećnici hranu okrenite jedanput i tako ubrzajte kuhanje, npr. piletine ili hamburgera. Veliki komadi poput pečenja moraju se okrenuti barem jedanput.
5. Preraspodijelite hranu poput mesnih okruglica kada prođe pola vremena kuhanja od vrha prema dnu i od središta posude prema van.

### 3.4 Upute za uzemljenje

Ovaj uređaj mora se uzemljiti. Ova pećnica opremljena je s kabelom koji ima žicu za uzemljenje s uzemljenim utikačem. On se mora ukopčati u zidnu utičnicu koja je ispravno instalirana i uzemljena. U slučaju kratkog spoja, uzemljenje smanjuje opasnost od strujnog udara omogućavajući protok električne energije kroz žicu za njen odvod. Preporučuje se instalirati zasebni strujni krug samo za pećnicu. Upotreba visokog napona je opasna i može rezultirati požarom ili drugim nezgodama i oštetiti pećnicu.

## 3 Instalacija i priključivanje



**UPOZORENJE:** Neispravna upotreba uzemljenog utikača može izazvati opasnost od strujnog udara.



Ako imate bilo kakvih pitanja u vezi s uzemljenjem ili uputama u vezi električnih instalacija, tada se posavjetujte s kvalificiranim električarom ili osobljem servisa.



Ni proizvođač ni zastupnik ne prihvaćaju odgovornost za oštećenja pećnice niti za tjelesne ozljede koje su nastale kao rezultat ne pridržavanja postupaka prilikom priključivanja na električnu mrežu.

Žice u ovom strujnom kabelu obojane su u skladu sa sljedećim pravilom:

**Zelena i žuta = UZEMLJENJE**

**Plava = NEUTRALNA (tzv. nula)**

**Smeđa = POD NAPONOM**

### 3.5. Vodič za kuhinjski pribor

1. Mikrovalovi ne mogu prodrjeti kroz metal. Koristite samo kuhinjsko posuđe koje je prikladno za korištenje u mikrovalnim pećnicama. Metalne posude za hranu i piće ne smiju se koristiti za vrijeme kuhanja u mikrovalnoj pećnici. Ovaj zahtjev ne primjenjuje se ako proizvođač izričito navodi veličinu i oblik metalnih posuda prikladnih za kuhanje u mikrovalnoj pećnici.
2. Mikrovalovi ne mogu prodrjeti kroz metal, stoga se metalni kuhinjski pribor ili posuđe s metalnim obrubom ne smije koristiti.
3. Ne koristite proizvode od recikliranog papira prilikom kuhanje u mikrovalnoj pećnici, jer oni mogu sadržavati male komadiće metala što može izazvati iskrenje i/ili požar.
4. Preporučuju se okrugle/ovalne posude za kuhanje u odnosu na kvadratne/duguljaste, jer se hrana u kutovima obično prekuha.

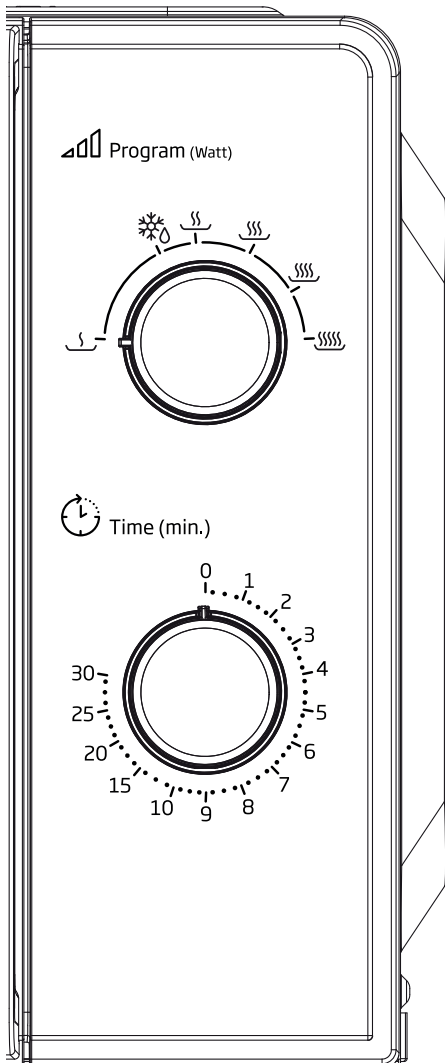
5. Uske trake aluminijske folije mogu se koristiti kako bi se spriječilo prekuhavanje izloženih dijelova. Ali, budite pažljivi i ne koristite ih previše te održavajte udaljenost od 1 inča (2,54 cm) između folije i otvora pećnice.

Popis u nastavku je općeniti vodič koji će vam pomoći u odabiru odgovarajućeg kuhinjskog pribora.

Kuhinjsko posuđe	Mikrovalna
Vatrostalno staklo	Da
Staklo koje nije otporno na toplinu	Ne
Vatrostalna keramika	Da
Plastično posuđe koje se sigurno može koristiti u mikrovalnoj pećnici	Da
Kuhinjski papir	Da
Metalna posuda	Ne
Metalna rešetka	Ne
Aluminijska folija i posude od folije	Ne

## 4 Rukovanje

### 4.1 Upravljačka ploča



Upravljačka ploča sastoji se od dva upravljačka gumba. Jedan je okretni gumb tajmera, a drugi snage.

#### Okretni gumb snage

Ovaj okretni gumb snage koristite za odabir razine snage kuhanja. To je prvi korak prilikom kuhanja.

#### Okretni gumb tajmera

On ima vizualne postavke vremena te prstom možete jednostavno odabrati željeno vrijeme kuhanja do 30 minuta po jednom kuhanju.

#### Kuhanje u mikrovalnoj pećnici

Samo za kuhanje u mikrovalnoj pećnici, postoje šest razina snage koje možete odabrati onu koja najbolje odgovara u određenom trenutku.

Razina snage povećava se kada okretni gumb okrećete u smjeru kazaljke na satu. Razine snage mogu se klasificirati kako slijedi:

	Izlazna snaga	Opis
1	100%	Jako
2	88%	Srednje jako
3	73%	Srednje
4	52%	Srednje slabo
5	42%	Odmrzavanje
6	20%	Slabo

### 4.2 Rukovanje

Za početak kuhanja.

1. Stavite hranu u pećnicu i zatvorite vrata.
2. Okrenite gumb snage (1) i odaberite razinu snage.
3. Pomoću okretnog gumba tajmera (2) podesite vrijeme kuhanja



Čim se okretni gumb tajmera okrene mikrovalna pećnica počinje s kuhanjem/pečenjem. Ako odaberete vrijeme kraće od 2 minute, okrenite tajmera više od 2 minute i zatim se vratite na točno vrijeme.

## 4 Rukovanje



**OPREZ:** Uvijek vratite tajmer na nul-tni (početni) položaj, ako se hrana vadi iz pećnice prije završetka pode-šenog vremena kuhanja ili kada se pećnica ne koristi. Za zaustavljanje pećnice tijekom postupka kuhanja, gurnite gumb za otpuštanje vrata ili otvorite vrata koristeći ručku.

## 5 Čišćenje i održavanje

### 5.1 Čišćenje i održavanje



**UPOZORENJE:** Za čišćenje uređaja nikad ne koristite benzin, otapala, abrazivna sredstva za čišćenje, metalne predmete i tvrde četke.



**UPOZORENJE:** Nikad ne uranjajte uređaj ili strujni kabel u vodu ili druge tekućine.

1. Isključite pećnicu i iskopčajte strujni utikač iz strujne utičnice prije čišćenja.
2. Održavajte unutrašnjost pećnice čistom. Kada se hrana popraska ili se tekućina proljeje i zalijepi za stijenke pećnice obrišite ih s vlažnom krpom. Blagi deterdžent može se koristiti ako se pećnica jako zaprlja. Izbjegavajte koristiti sprejeve i druga gruba sredstva za čišćenje, jer oni mogu ostaviti mrlje, tragove ili ukloniti sjaj s površine vrata.
3. Vanjske površine treba očistiti vlažnom krpom. Spriječite oštećenje radnih dijelova unutar pećnice i ne dozvolite prodor vode kroz ventilacijske otvore.
4. Često brišite obje strane vrata i prozora, brtve na vratima i susjedne dijelove vlažnom krpom i uklonite prolivenu tekućinu i poprskanu hranu. Ne koristite abrazivna sredstva za čišćenje.
5. Ne se koristiti uređaj za parno čišćenje.
6. Ne dozvolite da upravljačka ploča dođe u dodir s vodom. Očistite mekanom, vlažnom krpom. Prilikom čišćenja upravljačke ploče, ostavite vrata pećnice otvorena i tako spriječite da se pećnica slučajno prevrne.
7. Ako se unutar pećnice nakupi para ili oko vanjskog dijela vrata pećnice, tada je obrišite mekanom krpom. Ovo se može dogoditi kada mikrovalna pećnica radi u uvjetima velike vlažnosti. To je normalno.
8. Povremeno je potrebno ukloniti stakleni pladanj zbog čišćenja. Operite pladanj toplom, pjenušavom vodom ili u perilici posuđa.
9. Prsten okretnog dijela i donja unutarnja stijenka pećnice trebaju se redovito čistiti kako bi se izbjegla pretjerana buka. Jednostavno prebrišite donju površinu pećnice s blagim deterdžentom. Prsten okretnog dijela može se oprati u blagoj, pjenušavoj vodi ili perilici posuđa. Prilikom uklanjanja prstena okretnog dijela s donje stijenke u unutrašnjosti pećnice zbog čišćenja, pripazite i vratite ga u ispravan položaj.
10. Neugodne mirise iz pećnice uklonite kombinacijom jedne šalice vode te soka i kore jednog limuna koje ćete staviti u duboku zdjelu koja se može koristiti u mikrovalnoj pećnici, i ostaviti ih u uključenoj mikrovalnoj pećnici na 5 minuta. Dobro obrišite i osušite s mekanom krpom.
11. Kada bude potrebno zamijeniti svijetlo u pećnici, tada se posavjetujte s zastupnikom.
12. Pećnicu treba redovito čistiti i uklanjati ostatke hrane. Ako pećnicu ne održavate čistom to može izazvati propadanje površine što može značajno utjecati na radni vijek uređaja te može rezultirati opasnim situacijama.
13. Ne bacajte uređaj u kantu za komunalni otpad; uređaj se treba zbrinuti u posebnim sabirnim centrima koji su organizirani u općinama.
14. Kada se prvi put koristi mikrovalna pećnica s funkcijom roštilja, ona tada može ispustiti dim i neugodan miris. To je normalna pojava, jer je pećnica izrađena od čelične ploče premazane s uljem za podmazivanje, a nova pećnica ispustiti će dim i neugodan miris nastalo zbog izgaranja ulja za podmazivanje. Ova pojava nestat će tijekom upotrebe.

### 5.2 Pohrana

- Ako uređaj ne namjeravate koristiti duže vrijeme, pažljivo ga pohranite.
- Pripazite je li uređaj iskopčan iz strujne utičnice, je li se ohladi i je li potpuno suh.
- Uređaj čuvajte na hladnom i suhom mjestu.
- Uređaj držite izvan dohvata djece

## 5 Čišćenje i održavanje

### 5.3 Rukovanje i transport

- Za vrijeme rukovanja i transporta nosite uređaj u njegovom originalnom pakiranju. Pakiranje štiti uređaj od fizičkih oštećenja.
- Ne stavljajte teške predmete na uređaj ili pakiranje. Uređaj se može oštetiti.
- Ako ispustite uređaj to može učiniti neupotrebljivim ili izazvati trajno oštećenje.

## 6 Rješavanje problema

Problem	Moguće rješenje
Ako pećnica ne radi	Provjerite je li pećnica ispravno ukopčana u strujnu utičnicu. Ako nije, izvucite utikač iz strujne utičnice, pričekajte 10 sekundi i ponovno ga ukopčajte na siguran način.
	Provjerite je li osigurač pregorio ili se glavna strujna sklopka isključila. Ako oni rade ispravno, tada ispitajte utičnicu ukopčavanjem drugog uređaja.
	Provjerite je li upravljačka ploča ispravno programirana i je li tajmer podešen.
	Provjerite jesu li vrata dobro zatvorena aktiviranjem sigurnosnog zaključavanja vrata. U protivnom, energija mikrovalova može izaći iz pećnice.
Ako ništa od gore navedenog nije riješilo problem, tada kontaktirajte kvalificiranog tehničara. Ne pokušavajte sami prilagoditi ili popraviti pećnicu.	



# Nejprve si přečtěte tento návod k použití!



Vážený zákazníku,

Děkujeme, že jste si vybrali tento produkt značky Beko. Doufáme, že s tímto spotřebičem, který byl vyroben s využitím vysoce kvalitní a moderní technologie, dosáhnete těch nejlepších výsledků. Z tohoto důvodu si před použitím spotřebiče pečlivě přečtěte celý návod k použití a jakékoli doplňující dokumenty a uchovejte je pro budoucí použití. Pokud spotřebič předáte další osobě, rovněž jí předejte návod k použití. Dodržujte pokyny a věnujte pozornost všem informacím a varováním uvedeným v návodu k použití.

Nezapomeňte, že se tento návod může vztahovat i k několika jiným modelům. Rozdíly mezi modely jsou v návodu výslovně popsány.

## Význam symbolů

V různých částech tohoto návodu k použití jsou použity následující symboly:

	Důležité informace o užitečných tipech k použití.
	Upozornění na nebezpečné situace týkající se ohrožení života a majetku.
	Upozornění na horké povrchy.
	Varování před úrazem elektrickým proudem.



Tento spotřebič byl vyroben v ekologicky šetrných a moderních zařízeních bez negativního dopadu na životní prostředí.

---

# 1 Důležité bezpečnostní pokyny a pokyny týkající se životního prostředí

## Důležité bezpečnostní pokyny Pečlivě přečtěte a uschovejte pro budoucí použití

### 1.1 Bezpečnostní varování

Tato část obsahuje bezpečnostní pokyny, které vám pomohou chránit se před rizikem požáru, úrazu elektrickým proudem, vystavení úniku mikrovlnné energie, zranění osob nebo škod na majetku. Nedodržení těchto pokynů má za následek neplatnost záruky.

- Mikrovlnné trouby Beko splňují příslušné bezpečnostní normy. V případě jakéhokoli poškození spotřebiče nebo napájecího kabelu je třeba svěřit opravu nebo výměnu prodejci, servisnímu středisku nebo odborníkovi a autorizovanému servisu, aby se zabránilo jakémukoli nebezpečí. Nesprávná nebo nekvalifikovaná oprava může být nebezpečná a představuje riziko pro uživatele.
- Toto zařízení je určeno pro použití v domácnosti a v podobných podmínkách, jako jsou například:
  - Kuchyně pro zaměstnance v obchodech, kancelářích a jiných pracovních prostředích
  - Domy na farmách
  - Pro potřeby zákazníků v hotelech a jiných typech ubytovacích zařízení;
  - V ubytovnách a hostelech.
- Výrobek není určen pro průmyslové nebo laboratorní použití.
- Nepokoušejte se troubu spustit, když jsou její dvířka otevřená; jinak byste mohli být vystaveni škodlivé mikrovlnné energii. Bezpečnostní zámky nevyřazujte, ani s nimi neoprávněně nemanipulujte.
- Mikrovlnná trouba je určena k ohřevu jídel a nápojů. Sušení jídla nebo oděvů a ohřívání ohřívacích podložek, pantoflí, houbiček, vlhkých hadříků apod. může vyvolat riziko zranění, vznícení nebo požáru.
- Mezi přední stranu a dvířka trouby nekládejte žádné předměty. Dbejte na to, aby se na uzavíracích plochách nehromadily zbytky nečistot nebo čisti-

# 1 Důležité bezpečnostní pokyny a pokyny týkající se životního prostředí

cích prostředků.

- Jakékoli servisní práce zahrnující odstranění krytu, který poskytuje ochranu před vystavením mikrovlnné energii, musí provádět autorizované osoby nebo servis. Jakýkoli jiný přístup je nebezpečný.
- Váš výrobek je určen k vaření, ohřívání a rozmrazování potravin v domácnosti. Nesmí se používat ke komerčním účelům.
- Vaše trouba není určena k sušení jakýchkoli živých bytostí.
- Nepoužívejte váš spotřebič k sušení oděvů ani kuchyňských utěrek.
- Nepoužívejte tento spotřebič venku, v koupelně, ve vlhkém prostředí ani na místech, kde by se mohl namočit.
- Za škody vzniklé v důsledku nesprávného použití nebo nesprávného zacházení se zařízením neneseme žádnou odpovědnost ani neposkytujeme záruku.
- Nikdy se nepokoušejte spotřebič demontovat. Za škody způsobené nesprávnou manipulací se neakceptují žádné nároky na záruku.
- Používejte pouze originální díly nebo části doporučené výrobcem.
- Pokud je spotřebič v provozu, nenechávejte jej bez dozoru.
- Spotřebič používejte vždy na stabilním, rovném, čistém, suchém a neklouzavém povrchu.
- Spotřebič by se neměl ovládat externím časovačem nebo samostatným systémem dálkového ovládání.
- Před prvním použitím spotřebiče očistěte všechny součásti. Přečtěte si podrobnosti uvedené v části „Čištění a údržba“.
- Provozujte spotřebič pouze pro účely, ke kterým je určen, jak je popsáno v tomto návodu.
- Spotřebič se během používání velmi zahřívá. Dbejte na opatrnost, abyste se nedotýkali horkých částí uvnitř trouby.
- Nepoužívejte troubu prázdnou.
- Kuchyňské nádobí se může zahřát přenosem tepla z ohřátých

# 1 Důležité bezpečnostní pokyny a pokyny týkající se životního prostředí

potravin na nádobí. Na uchopení nádobí možná budete potřebovat kuchyňské chňapky.

- Nádobí je třeba zkontrolovat, zda je vhodné pro použití v mikrovlnných troubách.
- Nepokládejte troubu na kamna ani na jiná zařízení vytvářející teplo. Jinak může dojít k poškození a ztrátě záruky.
- Po otevření pokrmů nebo fólie může po vaření z jídla vycházet pára.
- Spotřebič a jeho přístupné povrchy mohou být při používání velmi horké.
- Dvířka a vnější sklo mohou být při používání spotřebiče velmi horké.
- Ujistěte se, že vaše síťové napájení odpovídá údajům uvedeným na typovém štítku spotřebiče.
- Jediný způsob, jak odpojit spotřebič od napájení, je vytáhnout zástrčku ze zásuvky.
- Spotřebič používejte pouze s uzemněnou zásuvkou.
- Nikdy nepoužívejte tento spotřebič, pokud je napájecí kabel nebo samotný spotřebič poškozen.
- Nepoužívejte tento spotřebič s prodlužovacím kabelem.
- Nikdy se nedotýkejte spotřebiče ani jeho zástrčky vlhkýma nebo mokřýma rukama.
- Umístěte spotřebič tak, aby zástrčka byla vždy přístupná.
- Chcete-li zabránit poškození napájecího kabelu, nedovolte aby došlo k jeho sevření, ohnutí nebo odírání na ostrých hranách. Udržujte napájecí kabel mimo dosah horkých povrchů a otevřeného ohně.
- Zamezte riziku náhodného vytažení napájecího kabelu nebo zakopnutí o napájecí kabel při používání spotřebiče.
- Před každým čištěním a pokud se spotřebič nepoužívá, jej odpojte ze zásuvky.
- Při odpojování zařízení od zdroje napájení netahejte za napájecí kabel, a nikdy kabel neomotávejte kolem zařízení.
- Neponořujte zařízení, napájecí

# 1 Důležité bezpečnostní pokyny a pokyny týkající se životního prostředí

kabel ani zástrčku do vody ani do jiných tekutin. Nedržte kabel pod tekoucí vodou.

- Při ohřívání potravin v plastových nebo papírových nádobách dávejte pozor na troubu kvůli riziku vznícení.
- Před vložením sáčků do trouby odstraňte drátěné šňůry a / nebo kovové úchyty papírových nebo plastových sáčků.
- Pokud vidíte kouř, vypněte nebo odpojte spotřebič, pokud je to bezpečné, a nechte dvířka zavřená, aby se udusily případné plameny.
- Nepoužívejte mikrovlnnou troubu ke skladování. Když troubu nepoužíváte, nenechávejte v ní papírové předměty, kuchyňský materiál ani jídlo.
- Obsah krmicích lahví a nádob s dětskou výživou je třeba před konzumací promíchat nebo protřepat a zkontrolovat teplotu, aby nedošlo k popálení.
- Tento spotřebič je klasifikován jako zařízení ISM skupiny 2, třídy B. Skupina 2 obsahuje všechna zařízení ISM (Industrial, Scientific, Medical) (průmyslová, vědecká a lékařská), ve kterých se vysokofrekvenční energie záměrně generuje a / nebo používá ve formě elektromagnetického záření za účelem zpracování materiálu, a dále zařízení na jiskrové řezání.
- Zařízení třídy B je vhodné pro použití v domácích instalacích a v instalacích přímo připojených k nízkonapěťové napájecí síti.
- V troubě nepoužívejte kuchyňský olej. Horký olej může poškodit součásti a materiály trouby, a dokonce může způsobit popáleniny kůže.
- Jídlo se silnou slupkou, jako jsou brambory, cukety, jablka a kaštiny, propíchněte.
- Spotřebič musí být umístěn tak, aby zadní strana směřovala ke zdi.
- Před přemístěním spotřebiče zajistěte otočný talíř, aby nedošlo k jeho poškození.
- Vejce ve skořápce a celá natvrdo uvařená vejce se v mikrovlnné

# 1 Důležité bezpečnostní pokyny a pokyny týkající se životního prostředí

troubě nesmí ohřívat, protože mohou explodovat, a to i po ukončení mikrovlnného ohřevu.

**VAROVÁNÍ:** Pokud jsou dvířka nebo těsnění dvířek poškozené, trouba se nesmí používat, dokud ji neopraví kvalifikovaná osoba.

**VAROVÁNÍ:** Pro kohokoli jiného, než kompetentní osobu, je nebezpečné provádět jakékoli servisní nebo opravářské činnosti zahrnující odstranění krytu, který poskytuje ochranu před působením mikrovlnné energie.

**VAROVÁNÍ:** Tekutiny a jiné potraviny se nesmějí ohřívat v uzavřených nádobách, protože by mohly explodovat.

- Troubu je třeba pravidelně čistit a odstraňovat veškeré zbytky jídla.
- Nad horním povrchem trouby by měl být volný prostor minimálně 20 cm.
- Potraviny nepřevařujte, aby nedošlo k požáru.
- K čištění spotřebiče nepoužívejte chemikálie ani parní čističe.

- Při používání v blízkosti dětí a osob s omezenými fyzickými, smyslovými nebo duševními schopnostmi dbejte na maximální opatrnost.

- Děti ve věku 8 let a starší a osoby s omezenými fyzickými, smyslovými nebo duševními schopnostmi nebo bez znalostí a zkušeností mohou tento spotřebič používat pouze tehdy, když jsou pod dohledem osoby zajišťující bezpečné používání výrobku, nebo jsou odpovídajícím způsobem poučeny nebo rozumí rizikům používání produktu. S přístrojem si nesmí hrát děti. Postupy čištění a uživatelské údržby by neměly provádět děti, pokud nejsou pod dohledem starších osob.

- **Nebezpečí udušení!** Všechny obalové materiály uchovávejte mimo dosah dětí.

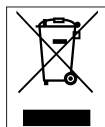
- S ohledem na nadměrné teplo, které vzniká v grilovacích a kombinovaných režimech, by mělo být dětem povoleno používat tyto režimy pouze pod dohledem dospělé osoby.

# 1 Důležité bezpečnostní pokyny a pokyny týkající se životního prostředí

- Výrobek a jeho napájecí kabel uchovávejte tak, aby k nim neměly přístup děti mladší 8 let.
- Nevařte jídlo přímo na skleněném podnosu. Před umístěním do trouby vložte jídlo do příslušného kuchyňského nádobí.
- Při mikrovlnném vaření se nesmí používat kovové nádoby na jídlo a nápoje. Mohly by způsobit jiskření.
- Tento produkt není určen k zabudování. Pokud je výrobek používán, neumísťujte jej do skříňky nebo krabice.

## 1.2 Dodržování směrnice WEEE a odstranění odpadů výrobku

Tento výrobek splňuje požadavky směrnice EU WEEE (2012/19 / EU). Na tomto produktu je zobrazen symbol klasifikace odpadu elektrických a elektronických zařízení (WEEE).



Tento symbol znamená, že na konci své životnosti se tento výrobek nesmí likvidovat spolu s ostatním domovním odpadem. Použité zařízení se musí odnést na oficiální sběrné místo za účelem recyklace elektrických a elektronických zařízení.

Chcete-li najít tato sběrná místa, obraťte se na místní úřady nebo na prodejce, u kterého byl produkt zakoupen. Každá domácnost plní důležitou úlohu při zhodnocování a recyklaci starých zařízení.

Správná likvidace použitého spotřebiče pomáhá předcházet možným negativním následkům pro životní prostředí a lidské zdraví.

## 1.3 Soulad se směrnicí RoHS

Výrobek, který jste si zakoupili, vyhovuje směrnici EU RoHS (2011/65/EU). Neobsahuje škodlivé a zakázané látky uvedené ve směrnici.

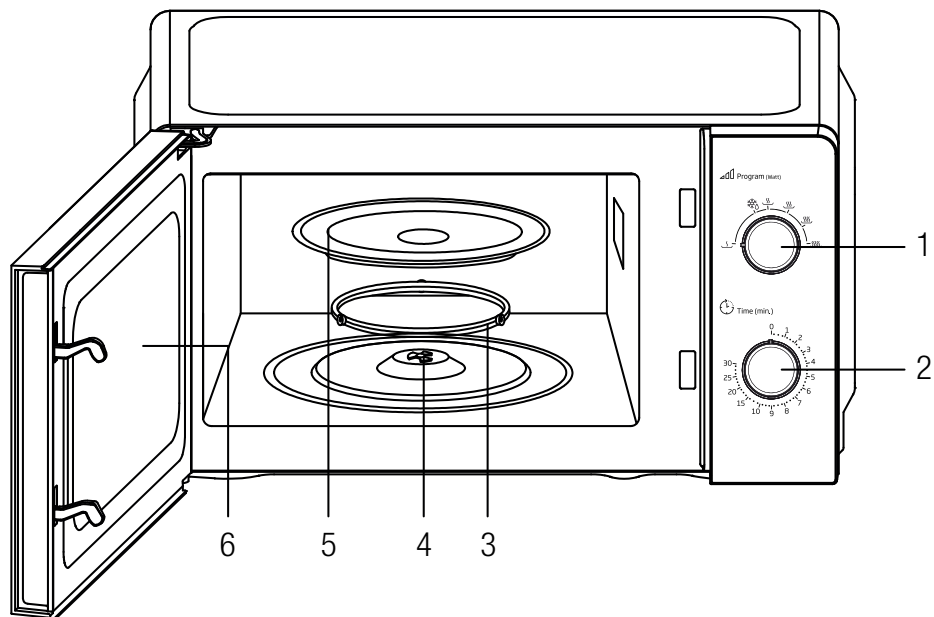
## 1.4 Informace o balení



Obalové materiály výrobku jsou vyrobeny z recyklovatelných materiálů v souladu s našimi vnitrostátními předpisy o životním prostředí. Nevyhazujte obalové materiály spolu s domácími nebo jinými odpady. Vezměte je do sběrných míst pro obalové materiály určené místními orgány.

## 2 Vaše mikrovlnná trouba

### 2.1 Přehled



### Ovládací prvky a části

1. Tlačítko zapnutí
2. Knoflík časovače
3. Válečkový kroužek
4. Hřídel
5. Skleněný talíř
6. Okno trouby

### 2.2 Technické údaje

<b>Jmenovité napětí</b>	230-240V~/50Hz
<b>Jmenovitý příkon</b>	1100W (mikrovlnná trouba)
<b>Jmenovitý výkon</b>	700W
<b>Mikrovlnná frekvence</b>	2450MHz
<b>Úroveň mikrovlnného výkonu</b>	6
<b>Vnější rozměry: (V*S*H) mm</b>	243×446×340 mm
<b>Skleněný otočný talíř</b>	245 mm
<b>Objem trouby</b>	20 L
<b>Čistá hmotnost</b>	10 kg
<b>Barva</b>	Bílá/černá/stříbrná

Právo na technické a konstrukční změny vyhrazeno.

Značky na spotřebiči nebo hodnoty uvedené v jiných dokumentech dodávaných s výrobkem jsou hodnoty získané při laboratorních podmínkách podle příslušných norem. Tyto hodnoty se mohou lišit v závislosti na použití spotřebiče a okolních podmínkách.



## 3 Instalace a připojení

### 3.1 Instalace

1. Ujistěte se, že jsou z vnitřní strany dvířek odstraněny všechny obalové materiály.



**VAROVÁNÍ:** Zkontrolujte, zda trouba není poškozena, jako například zda nejsou nesprávně nastavená nebo ohnutá dvířka, poškozená těsnění dvířek a těsnící povrch, zlomené nebo uvolněné panty dvířek a západky a promáčknutí uvnitř dutiny nebo na dvířkách. Pokud je jakkoli poškozena, troubu neprovozujte a obraťte se na kvalifikovaný servisní personál.

2. Tato mikrovlnná trouba musí být umístěna na rovném a stabilním povrchu, aby udržela její váhu a nejtěžší jídlo, které se v troubě pravděpodobně uvaří.
3. Troubu neumísťujte na místa, kde se vytváří teplo, vlhkost nebo vysoká vlhkost, ani do blízkosti hořlavých materiálů.
4. Pro správnou funkci musí mít trouba dostatečné proudění vzduchu. Ponechte 20 cm prostoru nad troubou, 10 cm vzadu a 5 cm na obou stranách. Nezakrývejte ani neblokujte žádné otvory na spotřebiči. Neodstraňujte nohy.
5. Troubu neprovozujte bez skleněného talíře, válečkového kroužku a hřídele v jejich správné poloze.
6. Ujistěte se, že napájecí kabel není poškozen a nevede pod troubou ani po horkém nebo ostrém povrchu.
7. Zásuvka musí být snadno přístupná, aby se dala v případě nouze snadno odpojit.
8. Troubu nepoužívejte venku.

### 3.2 Rádiové rušení

Provoz mikrovlnné trouby může způsobit rušení vašeho rádia, TV nebo podobného zařízení.

Pokud dojde k rušení, lze jej snížit nebo odstranit provedením následujících opatření:

1. Vyčistěte dvířka a těsnící povrch trouby.
2. Změňte orientaci přijímací antény rádia nebo televize.
3. Přemístěte mikrovlnnou troubu vzhledem k přijímači.
4. Přesuňte mikrovlnnou troubu dále od přijímače.
5. Zapojte mikrovlnnou troubu do jiné zásuvky tak, aby mikrovlnná trouba a přijímač byly v různých větvích obvodů.

### 3.3 Zásady pečení v mikrovlnné troubě

1. Jídlo pečlivě uspořádejte. Nejhrubší místa umístěte směrem ven z talíře.
2. Sledujte čas vaření. Vařte co nejkratší uvedenou dobu a podle potřeby přidejte další. Velmi propečené jídlo může kouřit nebo se vznítit.
3. Jídlo během vaření přikryjte. Poklice zabraňují rozstříkávání a napomáhají rovnoměrnému vaření jídla.
4. Během vaření v mikrovlnné troubě potraviny jednou otočte, abyste urychlili vaření takových jídel, jako jsou kuřecí maso a hamburgery. Velké kusy, jako například játra, se musí alespoň jednou obrátit.
5. Potraviny, jako jsou masové kuličky, přemístěte v polovině vaření shora dolů a od středu nádoby směrem ven.

### 3.4 Pokyny pro uzemnění

Tento spotřebič musí být uzemněn. Tato trouba je vybavena kabelem, který má uzemňovací drát s uzemňovací zástrčkou. Musí být zapojena do nástěnné zásuvky, která je správně nainstalována a uzemněna. V případě elektrického zkratu uzemnění snižuje riziko úrazu elektrickým proudem tím, že poskytuje únikové vedení pro elektrický proud. Doporučujeme samostatný elektrický obvod sloužící jen pro tuto troubu. Používání vysokého napětí je nebezpečné a může způsobit požár nebo jinou nehodu, která způsobí poškození trouby.

## 3 Instalace a připojení



**VAROVÁNÍ:** Nesprávné použití uzemňovací zástrčky může mít za následek riziko úrazu elektrickým proudem.



Máte-li jakékoli dotazy týkající se uzemnění nebo elektrických pokynů, obraťte se na kvalifikovaného elektrikáře nebo servisního technika.



Výrobce ani prodejce nemohou přijmout žádnou odpovědnost za poškození trouby nebo zranění osob v důsledku nedodržení postupů elektrického připojení.

Vodiče v tomto kabelovém rozvodu jsou zabarveny v souladu s následujícím kódem:

**Zelenožlutý = OCHRANNÝ**

**Modrý = STŘEDNÍ**

**Hnědý = FÁZE**

### 3.5 Průvodce nádobím

1. Mikrovlnná trouba nemůže proniknout do kovu. Používejte pouze kuchyňské náčiní vhodné pro použití v mikrovlnných troubách. Při mikrovlnném vaření se nesmí používat kovové nádoby na jídlo a nápoje. Tento požadavek neplatí, pokud výrobce specifikuje velikost a tvar kovových nádob vhodných pro vaření v mikrovlnné troubě.
2. Mikrovlny nemohou proniknout do kovu, proto nesmíte používat kovové náčiní nebo nádobí s kovovým lemem.
3. Při mikrovlnném vaření nepoužívejte výrobky z recyklovaného papíru, protože mohou obsahovat malé kovové úlomky, které mohou způsobit jiskření a/nebo požár.
4. Doporučujeme spíše kulaté/oválné nádobí než čtvercové/podlouhlé, protože jídlo v rozích má tendenci se připékat.

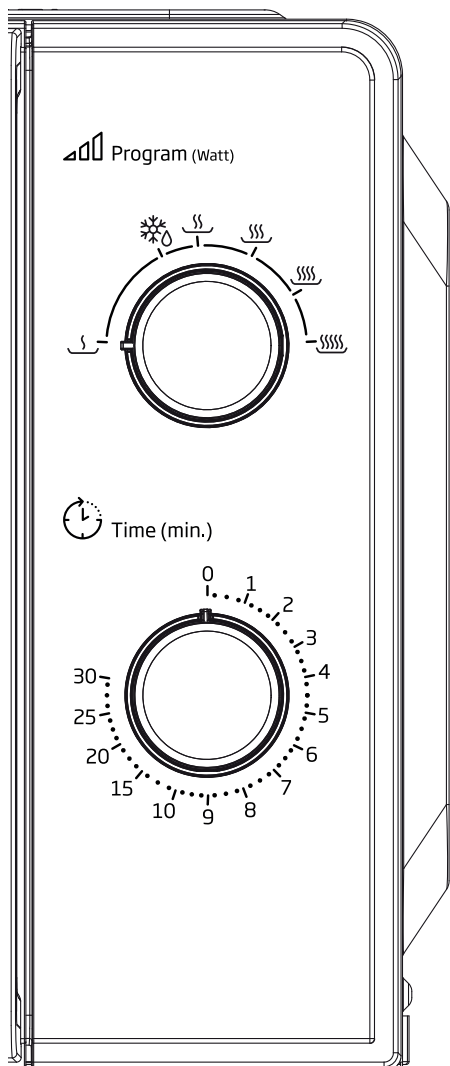
5. K zabránění přepečení exponovaných oblastí můžete použít úzké pásky hliníkové fólie. Ale buďte opatrní, nepoužívejte příliš mnoho a dodržujte vzdálenost 1 palce (2,54 cm) mezi fólií a dutinou.

Níže uvedený seznam je obecným průvodcem, který vám pomůže vybrat správné nádobí.

Nádobí	Mikrovlnná trouba
Tepelně odolné sklo	Ano
Tepelně neodolné sklo	Ne
Tepelně odolná keramika	Ano
Plastová nádoba vhodná do mikrovlnné trouby	Ano
Kuchyňský papír	Ano
Kovový podnos	Ne
Kovový stojan	Ne
Hliníková fólie a fóliové kontejnery	Ne

## 4 Obsluha

### 4.1 Ovládací panel



Ovládací panel sestává ze dvou funkčních ovládacích prvků. Jeden je knoflík časovače a druhý knoflík napájení.

#### Tlačítko napájení

Pomocí tohoto ovládacího knoflíku zvolíte úroveň výkonu vaření. Je to první krok ke spuštění vaření.

#### Knoflík časovače

Nabízí vizuální nastavení časování pouhým otočením palce pro výběr požadovaného času vaření až do 30 minut na jednu dobu vaření.

#### Mikrovlnné vaření

Pro čistě mikrovlnné vaření je k dispozici šest úrovní výkonu, ze kterých si můžete vybrat tu, která nejlépe vyhovuje danému úkolu.

Úroveň výkonu se zvyšuje otáčením knoflíku ve směru hodinových ručiček. Úroveň výkonu lze klasifikovat takto:

	Výstupní výkon	Popis
1	100%	Vysoký
2	88%	Středně vysoký
3	73%	Střední
4	52%	Středně nízký
5	42%	Rozmrazování
6	20%	Nízký

### 4.2 Obsluha

Pro zahájení vaření,

1. Vložte jídlo do trouby a zavřete dvířka.
2. Otáčením ovládacího knoflíku (1) vyberte úroveň výkonu.
3. Pomocí knoflíku časovače (2) nastavte čas vaření



Jakmile otočíte časovač, trouba začne péct. Pokud zvolíte čas kratší než 2 minuty, otočte časovač za 2 minuty a poté se vraťte na správný čas.



**UPOZORNĚNÍ:** Vždy vraťte časovač zpět do nulové polohy, pokud jídlo vyjmete z trouby před dokončením nastaveného času vaření nebo když troubu nepoužíváte. Chcete-li zastavit troubu během procesu vaření, stiskněte tlačítko pro uvolnění dvířek nebo otevřete dvířka pomocí rukojeti.

## 5 Čištění A péče

### 5.1 Čištění a péče



**VAROVÁNÍ:** K čištění spotřebiče nikdy nepoužívejte benzín, rozpouštědlo, abrazivní čisticí prostředky, kovové předměty ani tvrdé kartáče.



**VAROVÁNÍ:** Nikdy neponožte přístroj nebo jeho napájecí kabel do vody nebo do jiné tekutiny.

1. Před čištěním vypněte troubu a vytáhněte zástrčku ze zásuvky.
2. Udržujte vnitřní prostor trouby čistý. Když se na stěny trouby přilepí stříkance jídla nebo rozlité tekutiny, otřete je vlhkým hadříkem. Pokud se trouba velmi znečistí, můžete použít jemný čisticí prostředek. Vyhněte se používání sprejů a jiných drsných čisticích prostředků, protože povrch dvířek mohou zabarvit, vytvořit šmouhy nebo oslabit jejich jas.
3. Vnější povrchy čistěte vlhkým hadříkem. Aby se předešlo poškození ovládacích částí uvnitř trouby, do ventilačních otvorů nesmí vniknout voda.
4. Obě strany dveří a okna, těsnění dveří a přilehlé části často otírejte vlhkým hadříkem, abyste odstranili jakékoli rozlití nebo postříkání. Nepoužívejte abrazivní čisticí prostředky.
5. Nesmí se používat parní čistič.
6. Nedovolte, aby se ovládací panel namočil. Čistěte jemným vlhkým hadříkem. Při čištění ovládacího panelu nechte dvířka trouby otevřená, abyste předešli náhodnému zapnutí trouby.
7. Pokud se uvnitř nebo kolem vnější strany dvířek trouby nahromadí pára, otřete ji měkkým hadříkem. K tomu může dojít, když je mikrovlnná trouba provozována za podmínek vysoké vlhkosti. A je to normální.
8. Čas od času je třeba vyjmout skleněný talíř z důvodu jeho vyčištění. Talíř omyjte v teplé mýdlové vodě nebo v myčce nádobí.

9. Válečkový kroužek a dno trouby pravidelně čistěte, aby nedošlo k nadměrnému hluku. Jednoduše otřete spodní povrch trouby jemným čisticím prostředkem. Válečkový kroužek lze mýt v jemné mýdlové vodě nebo v myčce nádobí. Při odstraňování válečkového kroužku z podlahy dutiny na čištění se ujistěte, že je nasazen ve správné poloze.
10. Odstraňte pachy z vaší trouby smícháním šálku vody se šťávou a kůrou z jednoho citronu v hluboké misce určené do mikrovlnné trouby, a zapněte mikrovlnnou troubu po dobu 5 minut. Důkladně otřete a osušte měkkým hadříkem.
11. Když bude třeba vyměnit světlo v troubě, z důvodu jeho výměny se obraťte na prodejce.
12. Troubu je třeba pravidelně čistit a odstraňovat veškeré zbytky jídla. Pokud nebudete udržovat troubu v čistém stavu, může dojít k poškození povrchu, což by mohlo nepříznivě ovlivnit životnost zařízení a případně vést k nebezpečným situacím.
13. Nevyhazujte toto zařízení do koše na domácí odpad; musí být zlikvidován v příslušném středisku pro zneškodňování, které poskytuje obec.
14. Při prvním použití mikrovlnné trouby s funkcí grilu může produkovat mírný kouř a zápach. Jedná se o normální jev, protože trouba je vyrobená z ocelového plechu potaženého mazacím olejem a nová trouba bude produkovat výpary a zápach vznikající spalováním mazacího oleje. Tento jev po určité době používání zmizí.

### 5.2 Skladování

- Pokud nechcete přístroj používat delší dobu, patrně ho uložte.
- Ujistěte se, že je trouba odpojena od elektrické sítě, vychlazená a zcela suchá.
- Spotřebič skladujte na chladném a suchém místě.
- Držte přístroj mimo dosah dětí.

## 5 Čištění A péče

### 5.3 Zacházení a přeprava

- Během manipulace a přepravy uchovávejte přístroj v původním obalu. Balení chrání spotřebič před fyzickým poškozením.
- Na zařízení ani na obal nepokládejte těžká břemena. Může dojít k poškození spotřebiče.
- Pád přístroje může způsobit jeho nefunkčnost nebo trvalé poškození.

## 6 Řešení problémů

Problém	Možné řešení
Pokud trouba nefunguje	Zkontrolujte, zda je trouba bezpečně zapojena. Pokud není, vytáhněte zástrčku ze zásuvky, počkejte 10 sekund a znovu ji bezpečně zapojte.
	Zkontrolujte, zda není spálená pojistka obvodu nebo vypnutý hlavní jistič. Pokud se zdá, že fungují správně, otestujte zásuvku pomocí jiného zařízení.
	Zkontrolujte, zda je ovládací panel správně naprogramován a zda je nastaven časovač.
	Zkontrolujte, zda jsou dvířka bezpečně zavřena pomocí bezpečnostního zámkového systému dvířek. V opačném případě mikrovlnná energie nebude proudit do trouby.
Pokud nic z výše uvedeného nenapraví situaci, kontaktujte kvalifikovaného technika. Nepokoušejte se sami upravovat nebo opravovat troubu.	



## ZÁKAZNICKÉ CENTRUM BEKO

BEKO Spolka Akcyjna, org. sl. Lužná 716/2, 160 00 Praha 6 – Vokovice

**7 dní v týdnu od 8:00 do 18:00**

pomůže vyřešit záruční, případně pozáruční opravy výrobků BEKO

kontakt	<b>220 105 371</b> <b>800 350 333</b>
e-mail	<b>zakaznickecentrum@bekosa.cz</b>
Objednávka opravy spotřebiče online	<a href="http://www.bekocr.cz">www.bekocr.cz</a>
5 LET ZÁRUKY – podmínky a registrace online	<a href="http://www.bekocr.cz">www.bekocr.cz</a>

### ZÁRUČNÍ PODMÍNKY ČR

- a) Platný a čitelný prodejní doklad, který obsahuje datum prodeje, model spotřebiče a označení prodejce opravňuje uživatele využít záruku na výrobek v souladu s ustanoveními Občanského zákoníku, v platném znění.
- b) Není-li stanoveno jinak, je záruční doba na výrobek 24 měsíců. Začíná plynout ode dne převzetí věci kupujícím vyjma případu, kdy je nutné uvedení do provozu oprávněnou firmou. V tom případě začne záruční doba plynout ode dne uvedení výrobku do provozu.

Výrobky vyžadující odborné zapojení: plynové a kombinované sporáky a varné desky, dále všechny spotřebiče, které nejsou vybaveny přírodním elektrickým kabelem zakončeným vidlicí. Zapojení spotřebiče je službou hrazenou zákazníkem. Potvrzení je nutné uschovat. Dovozce nezodpovídá za poškození vzniklé chybnou instalací a chybným zapojením výrobku.

- c) Záruka vyplývající z těchto záručních podmínek může být uplatněna pouze na území České republiky a týká se pouze a výhradně spotřebičů dovezených do ČR prostřednictvím naší společnosti, BEKO Spolka Akcyjna, org. sl. Lužná 716/2, 160 00 Praha 6 – Vokovice, která je oficiálním zastoupením značky BEKO pro Českou republiku.

- d) Záruka je poskytována kupujícímu (konečnému spotřebiteli) v souladu se zákonem č. 634/1992 Sb., o ochraně spotřebitele v platném znění, na výrobek sloužící běžnému používání v domácnosti. Výrobek není určen k průmyslovému použití a poskytování služeb. Spotřebiče, které nejsou používány v domácnosti, nejsou předmětem záruky (hotelová a restaurační zařízení, školská zařízení, úklidové firmy, atd...)

- e) Práva ze zodpovědnosti za vady výrobku se uplatňují u prodávajícího. Záruční oprava se vztahuje výhradně na závady, které vzniknou v době platnosti záruční lhůty a to výrobní vadou. Takto vzniklé závady je oprávněn odstranit pouze autorizovaný servis.

- f) O odstranění vad výrobku v záruční lhůtě je kupující oprávněn požádat prodejce nebo **Zákaznické centrum BEKO** tel: 220 105 371 (800 350 333) <http://www.bekocr.cz/oprava-spotrebiice>.

- g) Při návštěvě servisního technika kupující prokáže existenci záruky předložením čitelného prodejního dokladu nebo certifikátu 5 let záruky BEKO. Po provedení záruční opravy jsou autorizovaná servisní střediska nebo prodávající povinni vydat kupujícímu čitelnou kopii opravného listu nebo doklad o uplatnění práva záruky a době trvání opravy. Po dobu záruky je kupující povinen uschovat veškeré doklady související s koupí a servisem výrobku.

- h) Opravní list slouží k prokazování práv kupujícího, proto je ve vlastním zájmu kupujícího si kontrolovat před podpisem veškeré údaje. Záruční lhůta se v případech, kdy závada znemožnila používání výrobku, prodlužuje o dobu, kdy kupující uplatnil nárok na záruční opravu u autorizovaného střediska až do dne převzetí opraveného výrobku.

- i) Výrobek musí být instalován a provozován podle návodu k obsluze a platných norem. Funkce chladniček, mrazniček a jiných kombinací je zaručena při okolní teplotě od +10°C do +32°C.

- j) Touto zárukou nejsou dotčena práva kupujícího, která se ke koupi věci vztahují podle zvláštních právních předpisů.

- k) Společnost BEKO Spolka Akcyjna, org. sl. Lužná 716/2, 160 00 Praha 6 – Vokovice nabízí spotřebitelům na vybrané modely prodlouženou záruku v celkové délce trvání 5 let. Předmětem této nadstandardní záruky je bezplatné odstraňování výrobních vad po dobu následujících 36 měsíců od skončení zákonné dvouleté záruční lhůty.

- l) Podmínkou získání certifikátu prodloužené záruky je splnění veškerých podmínek uvedených na [www.bekocr.cz](http://www.bekocr.cz).
- m) O odstranění vad výrobku v prodloužené záruční lhůtě je kupující oprávněn požádat Zákaznické centrum BEKO tel: 220 105 371 (800 350 333) <http://www.bekocr.cz/oprava-spotrebice> .
- n) Při opravě v rámci prodloužené záruky je uživatel povinen autorizovanému servisu předložit platný certifikát prodloužené záruky a prodejní doklad.
- o) V době trvání prodloužené záruky bude oprávněná reklamacie řešena opravou nebo dodáním náhradního dílu. V případě neodstranitelné vady zajistí dovozce přímo u zákazníka výměnu výrobku za nový. Nárok na výměnu uplatňuje zákazník po zaslání všech potřebných dokladů /platný certifikát, doklad o zakoupení, vyjádření servisního technika/ na e-mail: [reklamace@bekosa.cz](mailto:reklamace@bekosa.cz) nebo poštou na adresu BEKO Spolka Akcyjna, org. sl. Lužná 716/2, 160 00 Praha 6 – Vokovice. Spotřebitel nemá právo v průběhu prodloužené záruky na vrácení kupní částky. Uplatnění práva na bezplatné odstraňování výrobních vad podléhá zde uvedeným všeobecným záručním podmínkám.

**Právo na uplatnění záruky zaniká pokud:**

- není výrobek používán v souladu s návodem
- došlo k mechanickému poškození výrobku cizím zaviněním, při nesprávné údržbě nebo jiným zanedbáním péče o výrobek
- byl na výrobku proveden neodborný zásah neoprávněnou osobou
- plynové spotřebiče nebo spotřebiče s napájením 400V nebyly uvedeny do provozu odbornou firmou
- došlo k mechanickému poškození při přepravě
- je vada způsobená vnějšími podmínkami, jako jsou např. poruchy v elektrické síti nebo vadná bytová instalace, nevhodnými provozními podmínkami, poškození živlem
- je výrobek vadný z důvodu použití neoriginálního příslušenství a náhradních dílů
- kuchyňská linka, do které je výrobek zabudovaný, nesplňuje technické parametry
- záruka se dále nevztahuje na preventivní údržbu popsanou v návodu k obsluze, popřípadě závady způsobené nevhodnou manipulací, na opotřebení vzniklé běžným používáním, mechanické poškození skleněných a plastových komponentů
- záruka se nevztahuje na návštěvu technika za účelem poradenství, preventivní kontrolu stavu spotřebiče, výměnu náhradního dílu, který nevyžaduje odborný zásah, záměna směru otvírání dveří chladniček

# ¡Lea el manual de usuario antes de utilizar el aparato!

Estimado cliente:

Gracias por elegir un aparato Beko. Esperamos que obtenga los mejores resultados de su aparato, ya que ha sido fabricado con gran calidad y con tecnología de última generación. Por esta razón, le aconsejamos que lea este manual de usuario y todos los demás documentos adjuntos con atención antes de utilizar el aparato y que los guarde para futuras consultas. Si entrega este aparato a otra persona, proporcionele también el manual de usuario. Siga las instrucciones prestando especial atención a toda la información y advertencias incluidas en el manual de usuario.

Recuerde que este manual de usuario también puede servir para otros modelos. En el manual se describen las diferencias entre los modelos explícitamente.

## Significado de los símbolos

Los siguientes símbolos se usan en las diversas secciones del presente manual de usuario:

	Información importante y consejos útiles sobre el uso.
	Advertencias de situaciones peligrosas sobre la seguridad de las personas y la propiedad.
	Advertencia para las superficies calientes.
	Advertencia sobre posibles descargas eléctricas.



Este aparato se ha fabricado en plantas de fabricación modernas y que hacen uso de procesos respetuosos con el medio ambiente.

---



# 1 Instrucciones importantes para la seguridad y el medio ambiente

Esta sección contiene instrucciones de seguridad que ayudarán a la protección contra los riesgos de incendio, descarga eléctrica, exposición a la energía de microondas, lesiones personales o daño a la propiedad. El incumplimiento de estas instrucciones puede causar la anulación de las garantías otorgadas.

## 1.1 Seguridad general

- No intente iniciar el horno con la puerta abierta; de lo contrario, podrá exponerse a la energía de microondas que puede ser dañina. Los bloqueos de seguridad no se deben desactivar ni manipular.
- No coloque ningún objeto entre la parte frontal y la puerta del horno. No deje que se acumule suciedad o restos de productos de limpieza en las superficies de cierre.
- Cualquier trabajo de servicio técnico que incluya la retirada de la tapa que brinda protección contra la exposición a la energía de microondas debe ser realizada por personas o servicio técnico autorizados. Si se realiza de otro modo, resultará peligroso.
- Su producto está destinado a cocinar, calentar y descongelar alimentos en un ámbito doméstico. No debe utilizarse para fines comerciales. El fabricante no se responsabilizará por los daños que puedan surgir por mal uso.
- No utilice este electrodoméstico al aire libre, en baños, ambientes húmedos o en lugares donde pueda mojarse.
- No se asumirá ninguna reclamación de garantía o responsabilidad por daños causados por mal uso o manipulación inadecuada del aparato.
- Nunca trate de desmontar el aparato. No se admitirá reclamación de garantía alguna por daños causados por un manejo inadecuado.
- Utilice únicamente accesorios originales o bien los que recomienda el fabricante.

# 1 Instrucciones importantes para la seguridad y el medio ambiente

- No deje este aparato desatendido mientras esté enchufado.
- Utilice el aparato sobre una superficie estable, plana, limpia y no deslizante.
- Este aparato no debe utilizarse con ningún temporizador externo o sistema de control remoto independiente.
- Antes de utilizar el aparato por primera vez, limpie todas sus piezas. Consulte los detalles en la sección "Limpieza y mantenimiento".
- Utilice este aparato únicamente para su uso previsto, tal como se describe en este manual. No utilice productos químicos abrasivos o vapor en este aparato. Este horno está destinado particularmente a calentar y cocinar alimentos. No debe destinarse al uso industrial o en laboratorios.
- No utilice este electrodoméstico para secar la ropa o los paños de cocina.
- El aparato alcanza temperaturas muy elevadas cuando está en uso. Tenga cuidado de no tocar las partes calientes dentro del horno.
- Este horno no está diseñado para secar ningún ser vivo.
- No lo ponga en funcionamiento cuando esté vacío.
- Los utensilios de cocina pueden calentarse por efecto de la transferencia de calor de los alimentos al utensilio. Puede ser necesario que use guantes para sostener el utensilio.
- Los utensilios se deberán verificar para asegurarse de que sean aptos para su uso en hornos microondas.
- No coloque el horno sobre fogones u otros aparatos generadores de calor. De lo contrario, se puede dañar y la garantía se anulará.
- El horno microondas no se debe ubicar en un armario que no cumpla con las instrucciones de instalación.
- El vapor puede salir al abrir las tapas o el papel de cobertura tras la cocción del alimento.

# 1 Instrucciones importantes para la seguridad y el medio ambiente

- Utilice guantes al retirar cualquier tipo de alimento calentado.
- Es posible que el aparato y las superficies accesibles estén muy calientes durante el funcionamiento.
- Es posible que la puerta y el vidrio exteriores estén muy calientes mientras el aparato esté en funcionamiento.
- El horno microondas Beko cumple con todas las normas de seguridad aplicables; por ello, si el cable o el aparato presentan daños, deberán ser reparados o sustituidos por el distribuidor, un servicio técnico o una persona cualificada y autorizada para evitar cualquier peligro. Los trabajos de reparación deficientes o realizados por personal no cualificado puede ser peligrosos y entrañar riesgos para el usuario.
- Asegúrese de que la fuente de alimentación cumpla con la información que se indica en la placa de datos del aparato.
- La única forma de desconectar el aparato de la corriente eléctrica es desenchufarlo de la toma de pared.
- Use el aparato únicamente con un enchufe con toma a tierra.
- Nunca utilice el aparato si está dañado el cable de alimentación o el mismo aparato.
- No utilice este aparato con un cable alargador.
- Nunca toque el aparato o su enchufe con las manos húmedas o mojadas.
- Coloque siempre el aparato de forma que el enchufe quede a mano.
- Evite daños al cable procurando que no sufra tirones, no se doble y no roce con bordes afilados para evitar dañarlo. Mantenga el cable de corriente alejado de superficies calientes y llamas abiertas.
- Asegúrese de que no exista peligro de que pueda tirarse accidentalmente del cable de corriente o de que alguien tropiece con él mientras el aparato esté en uso.

# 1 Instrucciones importantes para la seguridad y el medio ambiente

- Desenchufe el aparato antes de cada limpieza y cuando no esté en uso.
- No tire del cable de alimentación del aparato para desconectarlo de la red ni enrolle el cable alrededor del mismo.
- No sumerja el aparato, el cable eléctrico o el enchufe en agua ni en ningún otro líquido. Tampoco ponga dichos elementos bajo un chorro de agua.
- Vigile el horno cuando caliente alimentos en recipientes de plástico o papel, y controle el horno frecuentemente, ya que existe la posibilidad de que estos materiales se incendien.
- Retire los alambres y/o asas metálicas de las bolsas de papel o de plástico antes de colocar estas bolsas aptas para su uso en microondas dentro del horno.
- Apague el aparato o desenchúfelo y mantenga la puerta cerrada para evitar un incendio si observa humo.
- No utilice el interior del horno para almacenamiento. No deje objetos de papel, utensilios de cocción o alimentos dentro del horno cuando se esté utilizando.
- Agite o remueva los contenidos de los biberones y de los tarritos de comida para bebés y compruebe su temperatura antes de su consumo con el fin de evitar quemaduras.
- Este producto es un equipo de Grupo 2 Clase B ISM. El Grupo 2 engloba todos los equipos ISM (industriales, científicos y médicos) en los que la energía de radiofrecuencia se genera intencionadamente y/o se usa en forma de radiación electromagnética para el tratamiento de materiales, así como los equipo de electroerosión.
- Los equipos de la Clase B están diseñados para el uso en hogares o establecimientos directamente conectados a una red de alimentación de bajo voltaje.
- La puerta o la superficie exterior del aparato pueden calentarse cuando estén en uso.
- No caliente líquidos u otros ali-

# 1 Instrucciones importantes para la seguridad y el medio ambiente

mentos en recipientes cerrados, ya que existe riesgo de explosión.

- Calentar bebidas con microondas puede hacer que hiervan y salpiquen alrededor una vez que se hayan retirado del horno; por lo tanto, tenga cuidado al sostener los recipientes.
- No use el horno para freír alimentos. El aceite caliente puede dañar los componentes y materiales del horno, y puede incluso causar quemaduras en la piel.
- Pele los alimentos de piel dura, como patatas, calabacines, manzanas y castañas.
- El aparato debe estar ubicado de manera tal que la parte trasera esté mirando hacia la pared.
- Si la puerta o sus juntas han sufrido daños, no utilice el horno hasta que no haya sido reparado por un técnico competente.
- Antes de mover el aparato, asegure el plato giratorio para evitar daños al mismo.
- No utilice su horno microondas para cocinar o calentar huevos que no sean revueltos, con o sin cáscara.
- Nunca quite las piezas en la parte trasera y en los laterales del aparato, ya que protegen las distancias mínimas entre las paredes del armario y el electrodoméstico para permitir la circulación de aire necesaria.
- Este horno microondas se ha diseñado únicamente para su uso integrado.
- No utilice el aparato para otros fines distintos de su uso previsto.
- No lo utilice como una fuente de calor.
- El horno microondas está diseñado únicamente para descongelar, cocinar y guisar alimentos.
- No cocine excesivamente los alimentos, de lo contrario, podría causar un incendio.
- No utilice limpiadores a vapor para limpiar el aparato.
- Se recomienda la máxima precaución cuando se esté

# 1 Instrucciones importantes para la seguridad y el medio ambiente

utilizando cerca de niños o personas con discapacidades físicas, sensoriales o mentales.

- Los niños de ocho o más años y las personas con las capacidades físicas, sensoriales o mentales limitadas o que no tengan los conocimientos y la experiencia necesarios pueden usar este aparato siempre y cuando lo hagan bajo supervisión o bien comprendan las instrucciones de uso seguro del aparato y sus riesgos potenciales. No deje que los niños jueguen con el aparato. Las tareas de limpieza y mantenimiento no deben dejarse en manos de niños a menos que sean supervisados por un adulto.

**¡Peligro de descarga eléctrica!** Mantenga todos los materiales de embalaje alejados de los niños.

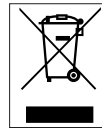
- No deje que los niños empleen el horno microondas sin supervisión, a no ser que hayan recibido instrucciones adecuadas sobre su utilización segura y comprendan los riesgos de un

uso inadecuado.

- Debido al calor excesivo que emana en los modos grill y combinado, los niños solo podrán estar autorizados a utilizar estos modos bajo la supervisión de un adulto.
- Mantenga el producto y su cable de alimentación inaccesibles a los niños menores de 8 años.
- Es posible que el aparato y las superficies accesibles estén muy calientes durante el funcionamiento. Mantenga a los niños alejados.

## 1.2 Cumplimiento de la Directiva RAEE y eliminación de residuos.

Este producto no incluye los materiales nocivos y prohibidos especificados en la normativa para la supervisión de los residuos de aparatos eléctricos y electrónicos de desecho (RAEE), promulgada por el Ministerio de Medio Ambiente y Planificación Urbanística. Cumple con la Directiva RAEE.



Este símbolo indica que este producto no debe eliminarse con otros desechos domésticos al final de su vida útil. El dispositivo usado debe ser devuelto al punto de recogida oficial para el reciclaje de los dispositivos eléctricos y electrónicos. Para encontrar estos sistemas de recogida, por favor, póngase en contacto con las autoridades locales o con el distribuidor donde se compró el producto.

# 1 Instrucciones importantes para la seguridad y el medio ambiente

Cada hogar desempeña un papel importante en la recuperación y el reciclaje de los aparatos antiguos. La eliminación adecuada de los aparatos usados ayuda a prevenir las posibles consecuencias negativas para el medio ambiente y la salud humana.

## 1.3 Cumplimiento de la directiva RoHS:

El producto que ha adquirido es conforme con la directiva de la UE sobre la restricción de sustancias peligrosas (RoHS) (2011/65/EU). No contiene ninguno de los materiales nocivos o prohibidos especificados en la directiva.

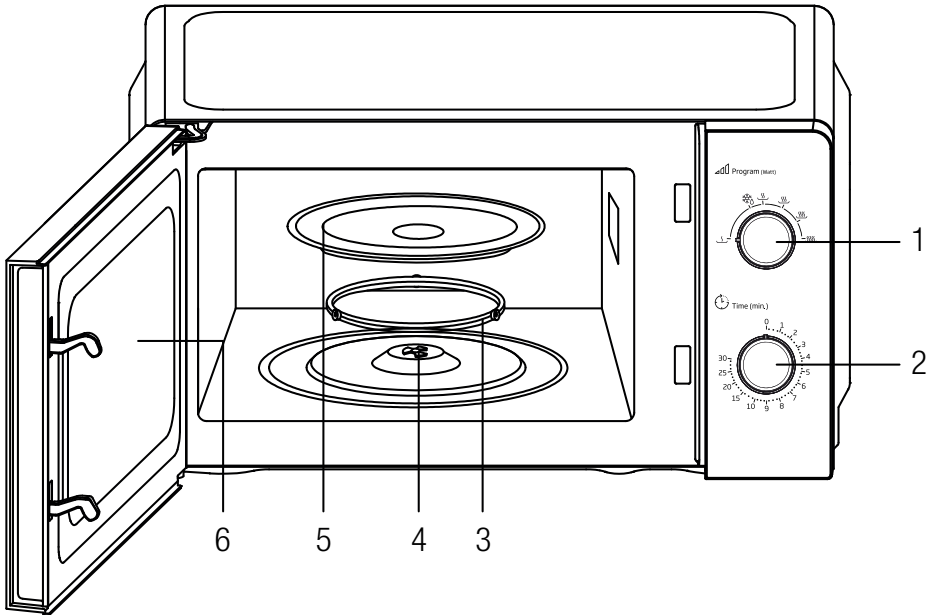
## 1.4 Información de embalaje



El embalaje del producto está fabricado con material reciclable de acuerdo con las normativas nacionales sobre medio ambiente. No se deshaga del material de embalaje ni de los desechos domésticos o de otro tipo. Llévelos a los puntos de recogida de material de embalaje designados por las autoridades locales.

## 2 Su horno microondas

### 2.1 Descripción general



### Controles y partes

1. Perilla de potencia
2. Perilla de temporizador
3. Anillo de rodillo
4. Eje
5. Bandeja de vidrio
6. Ventana del horno

### 2.2 Datos técnicos

<b>Tensión Nominal</b>	230-240V~,50Hz
<b>Entrada Nominal</b>	1100W (Microondas)
<b>Salida Nominal</b>	700W
<b>Frecuencia de microondas</b>	2450MHz
<b>Nivel de potencia de microondas</b>	6
<b>Dimensiones exteriores (H*W*D) mm</b>	243*446*340 mm
<b>Charola rotatoria de vidrio</b>	245 mm
<b>Capacidad del horno</b>	20 L
<b>Peso neto</b>	10 kg
<b>Color</b>	Blanco / Negro / Plata

Se reservan los derechos de modificación técnica y de diseño.

Las especificaciones del aparato o los valores indicados en otros documentos suministrados con el producto son valores obtenidos en condiciones de laboratorio según las normativas pertinentes. Estos valores pueden variar de acuerdo con el uso del aparato y condiciones ambientales.



## 3 Instalación y conexión

### 3.1 Instalación

1. Compruebe que todo el material de embalaje se ha retirado del interior de la puerta.



**ADVERTENCIA** Controle el horno para ver si hay daños, a saber si la puerta está desalineada o doblada, si las juntas de la puerta y la superficie de sellado están dañadas, si las bisagras y los pestillos de la puerta están rotos o flojos y si hay abolladuras dentro de la cavidad o en la puerta. En caso de daños, no utilice el horno y póngase en contacto con personal de servicio cualificado.

2. Es necesario colocar este horno microondas sobre una superficie plana y estable que soporte su peso y el de los alimentos más pesados que se vayan a cocinar en el horno.
3. No ponga el horno en lugares donde se genere calor, humedad, o cerca de materiales combustibles.
4. El horno debe disponer de una corriente de aire suficiente para su correcto funcionamiento. Deje 20 cm de espacio por encima del horno, 10 cm en la parte trasera y 5 cm en ambos lados. No cubra ni bloquee ninguna de las aberturas del aparato. No quite las patas.
5. No opere el horno sin que la bandeja de vidrio, el soporte de rodillos y el eje estén en sus posiciones correctas.
6. Procure que el cable de alimentación no esté dañado y no pase por debajo del horno ni por ninguna superficie caliente o afilada.
7. Se debe poder acceder fácilmente a la toma de corriente para poder desenchufarla con facilidad en caso de emergencia.
8. No utilice el horno al aire libre.

### 3.2 Interferencia de radio

La operación del horno microondas puede causar interferencias en su radio, TV o equipos similares.

En caso de que se produzcan interferencias, éstas pueden reducirse o eliminarse tomando las siguientes medidas:

1. Limpie la puerta y la superficie de sellado del horno.
2. Cambie la orientación de la antena receptora de radio o televisión.
3. Reubique el horno de microondas con respecto al receptor.
4. Aparte el horno de microondas del receptor.
5. Conecte el horno de microondas a una toma de corriente diferente para que el horno de microondas y el receptor estén en circuitos derivados diferentes.

### 3.3 Principios de cocción con microondas

1. Coloque los alimentos con cuidado. Coloque las zonas más gruesas hacia el exterior del plato.
2. Controle el tiempo de cocción. Cocine durante el menor tiempo indicado y añada más si es necesario. Es posible que los alimentos muy cocidos se ahumen o se enciendan.
3. Cubra los alimentos durante la cocción. Las tapas evitan las salpicaduras y ayudan a que los alimentos se cocinen de manera uniforme.
4. Voltee los alimentos una vez durante la cocción en el microondas para acelerar la cocción de alimentos como el pollo y las hamburguesas. Los alimentos grandes, como los asados, se deben voltear al menos una vez.
5. Cambie el orden de los alimentos, como las albóndigas, a mitad de la cocción, tanto de arriba a abajo como del centro del plato hacia fuera.

### 3.4 Instrucciones de conexión a tierra

Este aparato debe estar conectado a tierra. Este horno está equipado con un cable que tiene un cable de tierra con un enchufe de conexión a tierra. Éste debe conectarse a un tomacorriente que esté instalado y conectado a tierra. En el caso de un

## 3 Instalación y conexión

corto circuito, la conexión a tierra reduce el riesgo de choque eléctrico al proporcionar un cable de escape para la corriente eléctrica. Se recomienda disponer de un circuito separado que sirva sólo al horno. El uso de una tensión elevada es peligroso y puede provocar un incendio u otro accidente que dañe el horno.



**ADVERTENCIA** El uso incorrecto del enchufe de conexión a tierra puede resultar en un riesgo de descarga eléctrica.



En caso de tener alguna duda sobre la conexión a tierra o las instrucciones eléctricas, consulte a un electricista o técnico cualificado.



El fabricante y el distribuidor no se harán responsables de los daños derivados de la no observancia de las instrucciones de conexión eléctrica.

Los hilos del cable principal están coloreados de acuerdo con el siguiente código:

**Verde y Amarillo = TIERRA**

**Azul = NEUTRAL**

**Marrón = TENSIÓN**

### 3.5 Guía de utensilios

1. Las microondas no pueden penetrar en el metal. Solo use utensilios adecuados para su uso en hornos de microondas. No se permite el uso de recipientes metálicos para alimentos y bebidas en el microondas. El presente requisito no es aplicable si el fabricante especifica el tamaño y la forma de los recipientes metálicos adecuados para la cocción con microondas.
2. Las microondas no pueden penetrar en el metal, por lo que no deben utilizarse utensilios metálicos o platos con adornos metálicos.

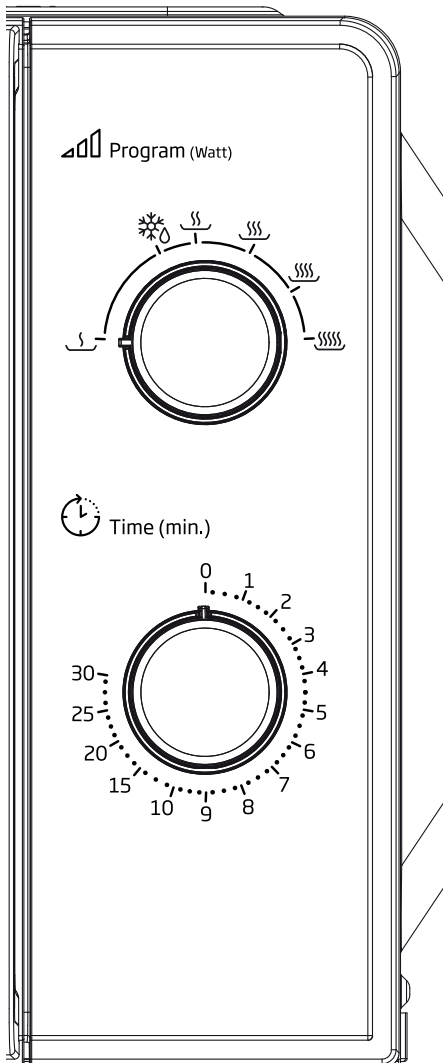
3. No utilice productos de papel reciclado para cocinar en el microondas, puesto que pueden contener pequeños fragmentos de metal que pueden provocar chispas y/o incendios.
4. Es aconsejable utilizar platos redondos u ovalados en lugar de cuadrados u ovalados, ya que los alimentos que se encuentran en las esquinas tienden a cocinarse en exceso.
5. Para evitar la sobrecocción de las zonas expuestas, se pueden utilizar tiras estrechas de papel de aluminio. Sin embargo, procure no utilizar demasiado y mantenga una distancia de 2,54 cm entre el papel de aluminio y la cavidad.

La siguiente lista es una guía general para ayudarle a seleccionar los utensilios correctos.

Utensilio de cocción	Microondas
Vidrio Resistente al Calor	Sí
Vidrio No Resistente al Calor	No
Cerámicos Resistentes al Calor	Sí
Plato de Plástico Apto para Microondas	Sí
Papel de Cocción	Sí
Bandeja de Metal	No
Estante de Metal	No
Papel de Aluminio y Envases de Papel de Aluminio	No

## 4 Funcionamiento

### 4.1 Panel de control



En el panel de control hay dos mandos de función. Uno es perilla del temporizador y el otro es la de potencia.

#### Perilla de potencia

Mediante la perilla de potencia se elige un nivel de potencia de cocción. Se trata del primer paso para iniciar una sesión de cocción.

#### Perilla de temporizador

Permite ajustar visualmente el tiempo de cocción con un simple giro del pulgar para seleccionar el tiempo de cocción deseado hasta 30 minutos por sesión de cocción.

#### Cocinar en el microondas

Si desea cocinar en el microondas, existen seis niveles de potencia entre los que puede elegir el que mejor se adapte a la tarea que vaya a realizar.

El nivel de potencia aumenta al girar la perilla en el sentido de las agujas del reloj. Los niveles de potencia se pueden clasificar de la siguiente manera:

	Salida de potencia	Descripción
1	100%	Alto
2	88%	M. Alto
3	73%	Med
4	52%	M. Bajo
5	42%	Descongelación
6	20%	Bajo

### 4.2 Operación

Para iniciar una sesión de cocción

1. Ponga los alimentos en el horno y cierre la puerta.
2. Gire la perilla de potencia (1) para seleccionar un nivel de potencia.
3. Utilice el botón del temporizador (2) para ajustar el tiempo de cocción



Al girar el temporizador, el horno comienza a cocinar. Cuando seleccione un tiempo inferior a 2 minutos, gire el temporizador más allá de los 2 minutos y luego vuelva al tiempo correcto.

## 4 Funcionamiento

---



**¡PRECAUCIÓN!** Siempre haga que el temporizador vuelva a la posición cero si los alimentos se retiran del horno antes de que se complete el tiempo de cocción establecido o cuando el horno no esté en uso. Si desea detener el horno durante el proceso de cocción, pulse el botón de apertura de la puerta o abra la puerta por el asa.

## 5 Limpieza y cuidado

### 5.1 Limpieza y cuidado



**ADVERTENCIA** Jamás utilice gasolina, disolventes, limpiadores abrasivos, objetos metálicos o cepillos duros para limpiar el aparato.



**ADVERTENCIA** Nunca sumerja el aparato o su cable de alimentación en agua o en cualquier otro líquido.

1. Antes de hacer la limpieza apague el horno y desconecte el enchufe de la toma de corriente.
2. Mantenga el interior del horno limpio. Cuando las manchas de comida o los líquidos derramados se adhieran a las paredes del horno, límpielas con un paño húmedo. Se puede utilizar un detergente suave si el horno se ensucia mucho. Evite el uso de pulverizadores y otros limpiadores agresivos, puesto que éstos pueden manchar, rayar u opacar la superficie de la puerta.
3. Se recomienda limpiar las superficies exteriores con un paño húmedo. Con el fin de prevenir daños en las piezas del interior del horno, no se debe permitir que el agua se filtre en las aberturas de ventilación.
4. Frote a menudo los dos lados de la puerta y el cristal, las juntas de la puerta y las partes cercanas mediante un paño húmedo para eliminar cualquier derrame o salpicadura. No utilice limpiador abrasivo.
5. No se debe usar el limpiador de vapor.
6. No permita que el panel de control se moje. Límpielo con un paño húmedo y suave. Para evitar que el horno se encienda accidentalmente, al limpiar el panel de control, deje la puerta del horno abierta.
7. Si se acumula vapor en el interior o alrededor de la puerta del horno, limpie la puerta con un paño suave. Esto puede ocurrir cuando el horno microondas funciona en condiciones de alta humedad. Y es normal.
8. De vez en cuando es necesario retirar la bandeja de cristal para limpiarla. Lave el plato giratorio de cristal en agua jabonosa tibia o en un lavavajillas.
9. El anillo de rotación del plato giratorio y la base inferior del horno deben limpiarse regularmente para evitar el ruido excesivo. Simplemente frote la superficie inferior del horno con un detergente suave. El anillo de rotación puede lavarse en agua jabonosa suave o en el lavavajillas. Tras retirar el anillo de rodillos del fondo de la cavidad para su limpieza, procure volver a colocarlo en la posición adecuada.
10. Quite los olores de su horno combinando una taza de agua con el jugo y la cáscara de un limón en un recipiente hondo apto para microondas, y caliéntelo durante 5 minutos. Límpiense bien y séquese con un paño suave.
11. En caso de que sea necesario sustituir la lámpara del horno, consulte a un distribuidor para que la sustituya.
12. El horno debe limpiarse regularmente y cualquier depósito de alimentos debe ser eliminado. Si el horno no se mantiene en buenas condiciones de limpieza, su superficie se puede degradar, afectando así a su vida útil además de suponer una situación de peligro.
13. Por favor, no deseche este aparato en el cubo de la basura doméstica; éste tiene que ser desechado en el centro de eliminación específico previsto por los municipios.
14. Al utilizar por primera vez el horno microondas con función de parrilla, es posible que produzca un ligero humo y olor. Este es un fenómeno normal porque el horno está hecho de una placa de acero recubierta con aceite lubricante, y el horno nuevo producirá humos y olor generados por la combustión del aceite lubricante. Dicho fenómeno se desvanece después de un período de uso.

## 5 Limpieza y cuidado

### 5.2 Almacenamiento

- Si no tiene intención de usar el aparato durante mucho tiempo, por favor, guárdelo con cuidado.
- Por favor, asegúrese de que el aparato esté desenchufado, enfriado y totalmente seco.
- Guarde el aparato en un lugar fresco y seco.
- Mantenga el aparato fuera del alcance de los niños.

### 5.3 Manipulación y transporte

- Durante el manejo y el transporte, lleve el aparato en su embalaje original. El embalaje del aparato lo protege de daños físicos.
- No coloque cargas pesadas sobre el aparato o el embalaje. El aparato puede dañarse.
- Si el aparato se cae, dejará de funcionar o causará daños permanentes.

## 6 Solución de problemas

Problema	Solución posible
Si el horno no se puede funcionar,	Controle si el horno está enchufado fijamente. Si esto no es el caso, desconecte el enchufe de la toma de corriente, espere 10 segundos y vuelva a conectarlo de forma segura.
	Verifique si se ha fundido un fusible o se ha disparado el disyuntor principal. Si éstos aparentemente funcionan bien, pruebe la toma de corriente con otro aparato.
	Verifique que el panel de control esté programado correctamente y que el temporizador esté ajustado.
	Verifique que la puerta esté bien cerrada, enganchando el sistema de bloqueo de seguridad de la misma. En caso contrario, la energía de las microondas no fluirá hacia el horno.
En caso de que nada de lo anterior solucione la situación, póngase en contacto con un técnico cualificado. No intente ajustar o reparar el horno usted mismo.	



**Contacto para asistencia técnica:  
902 877 665 / 932 992 581**

### CONDICIONES DE GARANTIA - ESPAÑA

El presente certificado cubre la garantía de reparación de su electrodoméstico de gama blanca y PAE (\*) durante el periodo de garantía legal previsto en la ley, a partir de la fecha de venta, contra todo defecto de funcionamiento proveniente de fabricación o materiales; o de sustitución del aparato, salvo que una de estas opciones resulte imposible o desproporcionada respecto de la otra. Cuando usted detecte un defecto o anomalía en el aparato contacte de forma inmediata con nosotros para informarnos de la falta de conformidad. Los pequeños electrodomésticos (PAE) deberán ser entregados en el taller del servicio oficial de la marca para su revisión.

La presente garantía sólo será válida si se presenta factura, ticket de compra o el albarán de entrega correspondiente a la adquisición del producto. La presente garantía es válida en el territorio español y portugués para los aparatos distribuidos por Beko Electronics España S.L.. La garantía sólo tendrá validez sobre el primer comprador o adquirente del producto. La garantía será válida para aquellos aparatos cuya instalación sea correcta y estén ubicados en condiciones climáticas y medioambientales adecuadas para su correcto funcionamiento.

### EXCLUSIONES DE LA GARANTIA

El coste de la reparación será a cargo del usuario en los siguientes casos:

- Los aparatos utilizados para uso profesional o no exclusivamente doméstico.
- Los aparatos desmontados o manipulados por personas ajenas a los servicios técnicos expresamente autorizados.
- Las instalaciones, transporte, sustitución de aparatos, puestas en marcha, cambio de sentido de puertas.
- Intervenciones de mantenimiento o de información sobre el uso de los aparatos.
- Cambio de inyectores en aparatos de gas.
- Las averías provocadas por falta de mantenimiento o limpieza o aquellas provocadas por un uso indebido, sobrecarga, abandono o de manera no conforme a las instrucciones de uso o de instalación de los aparatos.
- Las averías producidas por causas fortuitas, siniestros de fuerza mayor o derivados de instalación incorrecta y en general, averías por causas ajenas al propio aparato.
- Las averías provocadas por conexiones que puedan presentar fluctuaciones, irregularidades o falta de uniformidad en el suministro, por ejemplo: suministro de agua impulsado por grupos de presión, energía solar, energía eólica, generadores eléctricos, u otro tipo de suministro no normalizado.
- La sustitución de materiales rotos o deteriorados por desgaste o uso no normal del aparato, o materiales consumibles tales como: juntas, plásticos, gomas, correas, cristales, escobillas, bombillas, asas, tiradores, tapas de quemadores, filtros, rejillas, ánodos de sacrificio (magnesio o similares) de calentadores o calderas, etc.
- Los aparatos que presenten oxidación, o daños por corrosión en esmaltes o pinturas, que puedan ser provocados por efectos químicos o electroquímicos del agua o cualquier otra sustancia, o aceleradas por circunstancias ambientales o climáticas no propicias.
- Defectos estéticos en serigrafía o pintura.
- Los daños de transporte o manipulación, golpes, etc.
- Los aparatos deben instalarse de forma accesible para su reparación, debiendo asumir el usuario los costes necesarios para el acceso al aparato para su reparación y sustitución.

La presente garantía no afecta a los derechos de que dispone el consumidor conforme a lo previsto en la legislación vigente. El Servicio Oficial de Asistencia Técnica resolverá cualquier incidencia que pudiera precisar su electrodoméstico siempre que el aparato esté instalado de forma accesible.

Para asegurarse que su electrodoméstico va a ser intervenido por un técnico oficial autorizado, rogamos solicite el carnet avalado por ANFEL (Asociación Nacional de Fabricantes de Electrodomésticos) a nuestros técnicos.

Las marcas BEKO y GRUNDIG se distribuyen por Beko Electronics España S.L.

### DATOS APARATO (a rellenar por el Distribuidor):

Titular:		Sello Establecimiento:
Modelo:	Núm. serie:	
Establecimiento:	Fecha de compra:	

**El garante e importador de su electrodoméstico es: BEKO ELECTRONICS ESPAÑA S.L. Calle Provenza nº 388  
3º Barcelona 08025, España.**

**Conózanos mejor en nuestra página: [www.beko.com](http://www.beko.com) Conserve este documento, es importante para usted.**

(\*) Se consideran electrodomésticos de gama blanca, los aparatos de gran tamaño de cocina, limpieza, refrigeración y ventilación y el pequeño aparato electrodoméstico (PAE) aquellos aparatos de higiene personal, mantenimiento del hogar y preparación de alimentos.

Arçelik A.Ş.  
Karaağaç Caddesi No: 2-6, 34445,  
Sütlüce, İstanbul, Türkiye

[www.beko.com](http://www.beko.com)