

EN

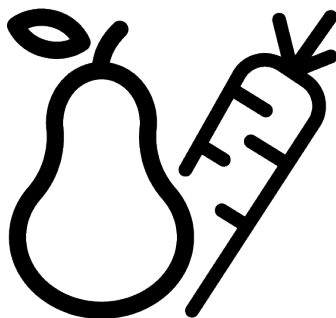
ES

PT

EL

beko

Refrigerator / User Manual
Refrigerador / Manual del usuario
Frigorífico / Manual do utilizador
Ψυγείο / Εγχειρίδιο Χρήστη



B1RCNE404XB

58 9702 0000/ EN/ ES/ PT/ EL/ 1/3_AA/ 23/05/23 09:52
7282343706



Please read this manual first!

Dear Customer

Please read this manual before using the product.

Thank you for choosing this Beko product. We would like you to achieve the optimal efficiency from this high quality product which has been manufactured with state of the art technology. To do this, carefully read this manual and any other documentation provided before using the product and keep it as a reference.

Heed all information and warnings in the user manual. This way, you will protect yourself and your product against the dangers that may occur.

Keep the user manual. Include this manual with the unit if you hand it over to someone else.

The following symbols are used in the user manual:



Hazard that may result in death or injury.



Important information or useful tips on operation.







Read the user manual.



Combustible material, warning against fire hazard.

NOTICE A hazard that may cause material damage to the product or its surroundings

  SUPPLIER'S NAME  MODEL IDENTIFIER → (*) 	<p>The model information as stored in the product data base can be reached by entering following website and searching for your model identifier (*) found on energy label.</p> <p>https://eprel.ec.europa.eu/</p>
--	--

1	Safety Instructions.....	4
1.1	Intention of Use	4
1.2	Safety of Children, Vulnerable Persons and Pets	4
1.3	Electrical Safety.....	5
1.4	Handling Safety	6
1.5	Installation Safety.....	6
1.6	Operational Safety.....	8
1.7	Food Storage Safety.....	10
1.8	Maintenance and Cleaning Safety	11
1.9	Disposal of the Old Product.....	12
2	Environmental Instructions.....	12
2.1	Compliance with the WEEE Dir- ective and Disposing of the Waste Product	12
3	Your Refrigerator	13
4	Installation	13
4.1	Right Place For Installation.....	13
4.2	Electrical Connection	14
4.3	Attaching the Plastic Wedges	14
4.4	Adjusting the Legs.....	15
4.5	Hot Surface Warning	15
5	Preparation.....	15
5.1	What To Do For Energy Saving	15
5.2	First Use	15
5.3	Climate Class and Definitions	16
6	Operating the Product.....	16
7	Use of Your Appliance.....	16
7.1	Control Panel of the Product	16
7.2	Storing Food in the Cooler Com- partment.....	17
7.3	Crisper	19
7.4	Humidity Controlled Crisper	19
7.5	Dairy Products Cold Storage Area	20
7.6	Reversing the Door Opening Side.	20
7.7	Door Open Alert	20
7.8	Replacing the Illumination Lamp..	20
7.9	AeroFlow	20
8	Maintenance and Cleaning	21
9	Troubleshooting.....	22

1 Safety Instructions

- This section includes the safety instructions necessary to prevent the risk of personal injury or material damage.
- Our company shall not be held responsible for damages that may occur if these instructions are not observed.



Always have installation and repair operations performed by manufacturer, authorized service or a person who will be described by importer company.



Use original spare parts and accessories only.



Do not repair or replace any component of the product unless it is clearly specified in the user manual.



Do not perform any modifications on the product.

1.1 Intention of Use

- This product is not suitable for commercial use and should not be used for a purpose other than its intended use.
- This product is intended for operating interiors, such as households or similar.

For example;

In the staff kitchens of the stores, offices and other working environments,

In farm houses,

In the units of hotels, motels or other resting facilities that are used by the customers,

In hostels, or similar environments,

In catering services and similar non-retail applications.

- This product shall not be used in open or enclosed external environments such as vessels, camper vans, balconies or terraces. Exposing the product to rain, snow, sunlight and wind may cause risk of fire.

1.2 Safety of Children, Vulnerable Persons and Pets



- This product may be used by children aged 8 years and older and persons with underdeveloped physical, sensory or mental capabilities or lack of experience and knowledge if they are being supervised or have been given instruction concerning use of the appliance in a safe way and the hazards involved.

- Children between 3 and 8 years are allowed to put and take out food into/from the cooler product.
- Electrical products are dangerous for children and pets. Children and pets must not play with, climb on, or enter the product.
- Cleaning and user maintenance should not be performed by children unless there is someone overseeing them.
- Keep the packaging materials away from children. Risk of injury and suffocation.

Before disposing of old products that shall not be used any more:

1. Unplug the power cord from the mains socket.
 2. Cut the power cable and remove it from the appliance together with the plug.
 3. Do not remove the racks and drawers from the product to prevent children from getting inside the appliance.
 4. Remove the doors.
 5. Store the product so that it shall not be tipped over.
 6. Do not allow children to play with the scrapped product.
- Do not dispose of the product by throwing it into fire. Risk of explosion.

- If there is a lock available on the product's door, keep the key out of children's reach.

1.3 Electrical Safety

- The product shall not be plugged into the outlet during installation, maintenance, cleaning, repair, and transportation operations.
- If the power cable is damaged, it shall only be replaced by authorized service to avoid any risks that may occur.
- Do not tuck the power cable under the product or to the rear of the product. Do not put heavy items on the power cable. The power cable should not be bent, crushed, and come into contact with any heat source.
- Do not use an extension cord, multi-plug or adaptor to operate your product.
- Portable multi-plugs or portable power supplies may overheat and cause fire. Thus, do not have a multi-plug, portable power sources behind or in the vicinity of the product.
- Do not plug the product's power cord in a loose or damaged power outlet. These types of connections may overheat and cause fire.

- The plug shall be easily accessible. If this is not possible, a mechanism that meets the electrical legislation and that disconnects all terminals from the mains (fuse, switch, main switch, etc.) shall be available on the electrical installation.
- Do not touch the plug with wet hands.
- When unplugging the appliance, don't hold the power cord, but the plug.

1.4 Handling Safety

- Make sure to unplug the appliance before carrying the product.
- This product is heavy, do not handle it by yourself. Injuries may occur if the product falls on you. Do not bump into places or drop the product while transporting it.
- Always close the doors and do not hold the product by its doors while transporting it.
- Be careful not to damage the cooling system and the pipes while handling the product. Do not operate the product if the pipes are damaged, and contact an authorized service.

1.5 Installation Safety

- Contact the Authorized Service for the product's installation. To prepare the product for use, see the information in the user manual and make sure the electric and water utilities are as required. If not, call a qualified electrician and plumber to arrange the utilities as necessary. Failure to do so may result in electric shock, fire, problems with the product, or injury.
- The product is designed for use in areas 2000 metres below sea level.
- Check for any damage on the product before installing it. Do not have the product installed if it is damaged.
- Always use personal protective equipment (gloves, etc.) during product installation, maintenance and repair. Risk of Injury!
- Place the product on a clean, level and hard surface and balance it with the adjustable legs (by rotating the front feet to the right or left). Otherwise, the refrigerator may tip over and cause injuries.
- The product shall be installed in a dry and ventilated environment. Do not keep carpets,

rugs or similar covers under the product. This may cause risk of fire as a result of inadequate ventilation!

- Do not block or cover ventilation holes. Otherwise, power consumption increases and your product may be damaged.
- When placing the product, make sure that the supply cable is not damaged or pinched.
- The product must not be connected to supply systems such as solar power supply. Otherwise, your product may be damaged due to sudden voltage changes!
- The more refrigerant a refrigerator contains, the bigger its installation room should be. In very small rooms, a flammable gas-air mixture may occur in case of a gas leak in the cooling system. At least 1 m³ of volume is required for each 8 grams of refrigerant. The amount of the refrigerant available in your product is specified in the Type Label.
- The installation place of the product shall not be exposed to direct sunlight and it shall not be in the vicinity of a heat source such as stoves, radiators, etc. If you cannot prevent installation of the product in the vicinity of a heat source, use a suitable insulation plate and make sure the minimum distance to the heat source is as specified below:
 - At least 30 cm away from heat sources such as stoves, ovens, heating units and heaters, etc.,
 - And at least 5 cm away from electrical ovens.
- Your product has the protection class of I.
- Plug the product in a grounded socket that conforms with the Voltage, Current and Frequency values specified in the type label. The socket must have a 10A – 16A fuse. Our firm will not assume responsibility for any damages due to usage without earthing and without power connection in compliance with local and national regulations.
- The product's power cable must be unplugged during installation. Otherwise, risk of electric shock and injury may occur!
- Do not plug the product's power cord in loose, dislocated, broken, dirty, oily power outlets which have a risk of water contact. These types of connections may cause overheating and fire.

- Place the power cable and hoses (if any) of the product so that they shall not cause a risk of tripping over.
- Penetration of humidity and liquid to live parts or to the power cord may cause short circuit. Thus, do not use the product in humid environments or in areas where water may splash (e.g. garage, laundry room, etc.) If the refrigerator is wet by water, unplug it and contact an authorized service.
- Do not ever connect your refrigerator to power saving devices. These systems are harmful for the product.
- There is a risk of contact with electrical parts when removing the electronic board cover and the compressor rear cover (if fitted). Do not remove the electronic board cover and the compressor rear cover (if fitted). There is a risk of electrocution!
- In case of a failure of the product, unplug it and do not operate until it is repaired by the authorized service. There is a risk of electric shock!
- Do not place a source of flame (e.g. candles, cigarettes, etc.) on the product or in the vicinity of it.
- Do not get on the product. Risk of falling and injury!
- Do not cause damage to the pipes of the cooling system using sharp and piercing tools. The refrigerant that sprays out in case of puncturing the gas pipes, pipe extensions or upper surface coatings may cause irritation of skin and injury to the eyes.
- Do not place and operate electrical appliances inside the refrigerator/freezer unless it is advised by the manufacturer.
- Do not jam any parts of your hands or your body to the moving parts inside the product. Be careful to prevent jamming of your fingers between the refrigerator and its door. Be careful while opening or closing the door if there are children around.

1.6 Operational Safety

- Do not ever use chemical solvents on the product. These materials contain an explosion risk.

- Do not put ice cream, ice cubes or frozen food to your mouth as soon as you take them out of the freezer. Risk of frostbite!
- Do not touch the inner walls, metal parts of the freezer or food kept inside the freezer with wet hands. Risk of frostbite!
- Do not place soda cans or cans and bottles that contain fluids that may be frozen to the freezer compartment. Cans or bottles may explode. Risk of injury and material damage!
- Do not use or place materials sensitive against temperature such as flammable sprays, flammable objects, dry ice or other chemical agents in the vicinity of the refrigerator. Risk of fire and explosion!
- Do not store explosive materials such as aerosol cans with flammable materials inside the product.
- Do not place cans containing fluids over the product an open state. Splashing of water on an electrical part may cause an electric shock or a fire.
- This product is not intended for storage and cooling of medicines, blood plasma, laboratory preparations or similar materials and products that are subject to the Medical Products Directive.
- If the product is used against its intended purpose, it may cause damage to or deterioration of the products kept inside.
- If your refrigerator is equipped with blue light, do not look at this light with optical devices. Do not stare directly at UV LED light for a long time. Ultraviolet rays may cause eye strain.
- Do not fill the product with more contents than its capacity. Injuries or damages may occur if the contents of the refrigerator fall when the door is opened. Similar problems may also occur when an object is placed over the product.
- Ensure that you have removed any ice or water that may have fallen to the floor to prevent injuries.
- Change the locations of the racks/bottle racks on the door of your refrigerator only when the racks are empty. Danger of injury!
- Do not place objects that may fall/tip over on the product. These objects may fall while opening or closing the door and cause injuries and/or material damages.

- Do not hit or exert excessive pressure on glass surfaces. Broken glass may cause injuries and/or material damages.
- The cooling system in your product contains R600a refrigerant. The refrigerant type used in the product is specified in the type label. This gas is flammable. Therefore, be careful not to damage the cooling system and the pipes while operating the product. In case of damage to the pipes;
 1. Do not touch the product or the power cable.
 2. Keep the product away from potential sources of fire that may cause the product to catch fire.
 3. Ventilate the area where the product is placed. Do not use a fan.
 4. Contact Authorized Service.

If the product is damaged and you observe gas leak, please stay away from the gas. Gas may cause frostbite if it contacts your skin.

Before disposing of old products that shall not be used any more:

1. Unplug the power cord from the mains socket.
2. Cut the power cable and remove it from the appliance together with the plug.

3. Do not remove the racks and drawers from the product to prevent children from getting inside the appliance.
 4. Remove the doors.
 5. Store the product so that it shall not be tipped over.
 6. Do not allow children to play with the scrapped product.
- Do not dispose of the product by throwing it into fire. Risk of explosion.
 - If there is a lock available on the product's door, keep the key out of children's reach.

1.7 Food Storage Safety

Please pay attention to the following warnings to avoid food spoilage:

- Leaving the doors open for a long time may cause the temperature inside the product to rise.
- Regularly clean the accessible drainage systems in contact with food.
- Clean the water tanks that have not been used for 48 hours and mains-fed water systems that have not been used for more than 5 days.
- Store raw meat and fish products in appropriate compartments within the product.

Thus, it does not drip on or come into contact with other foods.

- Two-star freezer compartments are used for storing pre-filled foods, making and storing ice and ice cream.
- One, two and three-star compartments are not appropriate for freezing fresh food.
- If the cooling product has been left empty for a long time, turn off the product, defrost, clean, and dry the product in order to protect the housing of the product.



1.8 Maintenance and Cleaning Safety

- Unplug the refrigerator before cleaning it or starting to perform maintenance.
- Do not pull by the door handle if you shall move the product for cleaning purposes. Handle may cause injuries if it is pulled too hard.
- Do not put your hands etc. under the refrigerator. Jamming may occur or any sharp edge may cause personal injuries.
- Do not clean the product by spraying or pouring water on the product and inside the product. Risk of electric shock and fire.

- When cleaning the product, do not use sharp and abrasive tools or household cleaning agents, detergent, gas, gasoline, thinner, alcohol, varnish, and similar substances. Use only cleaning and maintenance agents that are not harmful for food inside the product.
- Do not ever use steam or steamed cleaning materials for cleaning the product and thawing the ice inside it. Steam contacts the live areas in your refrigerator and causes short circuit or electric shock.
- Do not use any mechanical tools or any other tools than the recommendations of the manufacturer to speed up the defrost operation.
- Take care to keep water away from the ventilation holes, electronic circuits or lighting of the product.
- Use a clean, dry cloth to wipe the dust or foreign material on the tips of the plugs. Do not use a wet or damp piece of cloth to clean the plug. Otherwise, risk of fire or electric shock may occur.



1.9 Disposal of the Old Product

When disposing of your old product follow the instructions below:

- To prevent children from accidentally locking themselves into the product, if there is door lock, make it deactivated.
- Splash of coolant is harmful to the eyes. Do not damage any part of the cooling system while disposing of the product.

2 Environmental Instructions

2.1 Compliance with the WEEE Directive and Disposing of the Waste Product



This product complies with EU WEEE Directive (2012/19/EU). This product bears a classification symbol for waste electrical and electronic equipment (WEEE).

This symbol indicates that this product shall not be disposed with other household wastes at the end of its service life. Used device must be returned to official collection point for recycling of electrical and electronic devices. To find these collection systems please contact to your local authorities or retailer where the product was purchased. Each household performs important role in recovering and recycling of old appliance. Appropriate disposal of used

- It may be fatal if the compressor oil is swallowed or if it penetrates the respiratory tract.
- Cooling system of your product includes R600a gas as specified in the type label. This gas is flammable. Do not dispose of the product by throwing it into fire. Risk of explosion!

appliance helps prevent potential negative consequences for the environment and human health.

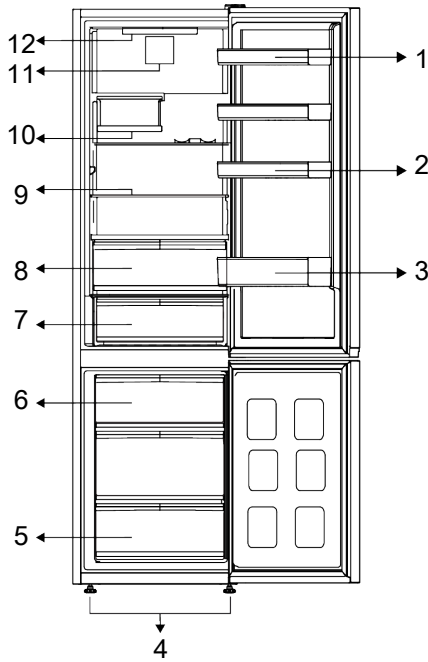
Compliance with RoHS Directive

The product you have purchased complies with EU RoHS Directive (2011/65/EU). It does not contain harmful and prohibited materials specified in the Directive.



Package information

Packaging materials of the product are manufactured from recyclable materials in accordance with our National Environment Regulations. Do not dispose of the packaging materials together with the domestic or other wastes. Take them to the packaging material collection points designated by the local authorities.



- 1 * Adjustable Door Shelves
- 2 * Egg Holders
- 3 * Bottle Shelf
- 4 * Adjustable Front Legs
- 5 * Freezer Compartment
- 6 * Ice Container
- 7 * Cold Storage Drawer
- 8 * Crisper
- 9 * Adjustable Shelves
- 10 * Foldable Wine Bin
- 11 * Fan
- 12 * Illumination Lamp

***Optional:** Figures in this user manual are schematic and may not exactly match your product. If your product does not comprise the relevant parts, the information pertains to other models.

4 Installation

 Read the "Safety Instructions" section first!

tric and water utilities are as required. If not, call an electrician and plumber to arrange the utilities as necessary.

4.1 Right Place For Installation

Contact the Authorized Service for the product's installation. To prepare the product for installation, see the information in the user manual and make sure the elec-

**WARNING:**

The manufacturer assumes no responsibility for any damages caused by the work carried out by unauthorized persons.

**WARNING:**

The product's power cable must be unplugged during installation. Failure to do so may result in death or serious injuries!

**WARNING:**

If the door span is too narrow for the product to pass, remove the door and turn the product sideways; if this does not work, contact the authorized service.

- Place the product on a flat surface to avoid vibration.
- Place the product at least 30 cm away from the heater, stove and similar sources of heat and at least 5 cm away from electric ovens.
- Do not expose the product to direct sunlight or keep it in damp environments.
- Your product requires adequate air circulation to function efficiently. If the product will be placed in an alcove, remember to leave at least 5 cm clearance between the product and the ceiling, rear wall and the side walls.
- Check if the rear wall clearance protection component is present at its location (if provided with the product).
- If the component is not available, or if it is lost or fallen, position the product so that at least 5 cm clearance shall be left between the rear surface of the product and the wall of the room. The clearance at the rear is important for efficient operation of the product.

4.2 Electrical Connection



Do not use extension or multi sockets in power connection.



Damaged power cable must be replaced by Authorized Service.



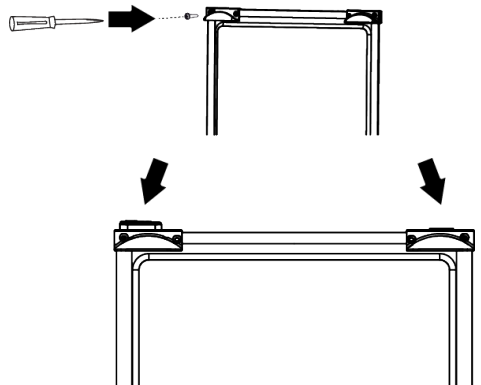
When placing two coolers in adjacent position, leave at least 4 cm distance between the two units.

- Our firm will not assume responsibility for any damages due to usage without earthing and power connection in compliance with national regulations.
- The power cable plug must be easily accessible after installation.
- Do not use multi-group plug with or without extension cable between the wall socket and the refrigerator.

4.3 Attaching the Plastic Wedges

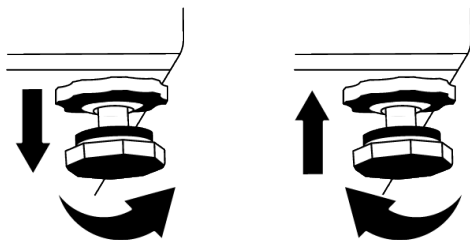
Use the plastic wedges provided with the product to maintain sufficient space for air circulation between the product and the wall.

1. To attach the wedges, remove the screws on the product and use the screws provided with the wedges.
2. Attach 2 plastic wedges on the ventilation cover as shown in the figure.



4.4 Adjusting the Legs

If the product is not in balanced position, adjust the front adjustable legs by rotating them to right or left.



5 Preparation



Read the "Safety Instructions" section first!

5.1 What To Do For Energy Saving



Connecting the product to electronic energy-saving systems is harmful, as it may damage the product.

- This refrigerating appliance is not intended to be used as a built in appliance.
- Do not keep the refrigerator doors open for long periods.
- Do not place hot food or beverages into the refrigerator.
- Do not overfill the refrigerator; blocking the internal air flow will reduce cooling capacity.
- Since hot and humid air will not directly penetrate into your product when the doors are not opened, your product will optimize itself in conditions sufficient to protect your food. Under these circumstances, functions and components such as compressor, fan, heater, defrost, lighting, display and so on will operate according to the needs by consuming minimum energy.
- In case that multiple options are present, glass shelves must be placed so that the air outlets at the rear wall are not blocked and preferably, in a way that air outlets

4.5 Hot Surface Warning

The side walls of your product are equipped with cooler pipes to enhance the cooling system. High pressure fluid may flow through these surfaces, and cause hot surfaces on the side walls. This is normal and it does not require servicing. Be careful when you contact these areas.

remain below the glass shelf. This combination may help improving air distribution and energy efficiency.

- Using the below drawer when storing is strongly recommended.
- Depending on the product's features; defrosting frozen foods in the cooler compartment will ensure energy saving and preserve food quality.
- In order to load the maximum quantity of food into the freezer compartment of your refrigerator, the upper drawers may be taken out and the food should be placed onto the wire/glass shelves.
- Food shall be stored using the drawers in the cooler compartment in order to ensure energy saving and protect food in better conditions.
- Food packages shall not be in direct contact with the temperature sensor located in the freezer compartment.

5.2 First Use

Before using your refrigerator, make sure the necessary preparations are made in line with the instructions in "Safety and Environmental Instructions" and "Installation" sections.

- Keep the product running without placing any food inside for 6 hours and do not open the door, unless absolutely necessary.

- The temperature change caused by opening and closing of the door while using the product may normally lead to condensation on door/body shelves and glassware placed in the product.



A sound will be heard when the compressor is engaged. It is normal for the product to make noise even if the compressor is not running, as fluid and gas may be compressed in the cooling system.



It is normal for the front edges of the refrigerator to be warm. These areas are designed to warm up in order to prevent condensation.



For some models, indicator panel turns off automatically 1 minute after the door closes. It will be re-activated when the door is opened or any button is pressed.

6 Operating the Product



Read the "Safety Instructions" section first!

- Do not use any mechanical tools or any other tools than the recommendations of the manufacturer to speed up the defrost operation.
- Do not use parts of your refrigerator such as the door or drawers as a support or a step. This may cause the product to trip over or its components to be damaged.
- The product shall be used for storing food only.

7 Use of Your Appliance

7.1 Control Panel of the Product

The operating temperature is set by the temperature control.

5.3 Climate Class and Definitions

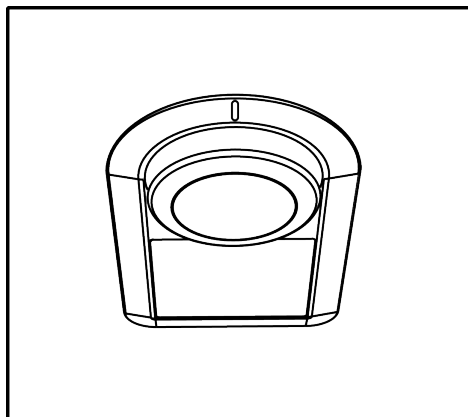
Please refer to the Climate Class on the rating plate of your device. One of the following information is applicable to your device according to the Climate Class.

- **SN:** Long Term Temperate Climate: This cooling device is designed for use at ambient temperatures between 10 °C and 32 °C.
- **N:** Temperate Climate: This cooling device is designed for use at ambient temperatures between 16°C and 32 °C.
- **ST:** Subtropical Climate: This cooling device is designed for use at ambient temperatures between 16°C and 38°C.
- **T:** Tropical Climate: This cooling device is designed for use at ambient temperatures between 16°C and 43°C.

- Turn off the water valve if you will be away from home (e.g. at vacation) and you will not be using the Icematic or the water dispenser for a long period of time. Otherwise, water leaks may occur.

Unplugging the Product

- If you are not going to use the product for a long time, unplug the product from the socket.
- Remove the food to prevent odours,
- Wait for the ice to melt, clean the interior and let it dry, leave the doors open to avoid damaging the inner body plastics.



Warm ← ● 1 ● 2 ● 3 ● 4 ● 5 ● Cold
 1=Lowest cooling setting (Warmest setting)

4=Highest cooling setting (Coldest setting)

The average temperature inside the cooler compartment should be around +5°C.

Please select a setting based on the desired temperature.

Please note that there will be different temperatures in the cooling area.

The coldest zone is just above the crisper.

The interior temperature also depends on the ambient temperature, how often the door is opened, and the amount of food stored in the refrigerator.

Frequent opening of the door causes the internal temperature to rise.

It is therefore recommended that you close the door as soon as possible after opening it for any reason.

7.2 Storing Food in the Cooler Compartment

Storing Food in the Cooler Compartment

- Compartment temperatures rise prominently if compartment door is opened and closed frequently and kept open for a long time, this can reduce the life span of the food and cause the food to spoil.
- In order not to cause odour and taste changes, the food should be stored in the closed containers.
- Do not store too much food in your refrigerator. To achieve a better and homogeneous cooling, place the food separately in a way that cold air can wander through them.
- Provide air flow by leaving a space between the food and internal wall. If you lean the food against the rear wall, the food may freeze.
- Bring cooked hot meals to the room temperature before placing them in the refrigerator. Then, you can place the tepid meal in the lower shelves of your refrigerator. Do not place the tepid meals close to the foods which may easily spoil.
- Defrost your frozen food in the fresh food compartment. Thereby, you can cool fresh food compartment by using frozen food and save energy.
- Storing unripe tropical fruits (mango, melon varieties, papaya, banana, pineapple) in the refrigerator may speed up the ripening process. This is not recommended because it will cause shorter storage time.
- You should store onions, garlics, gingers and other root vegetables in dark and cold room conditions, not in the refrigerator.
- If you notice that a food has spoiled in the refrigerator, throw away that food and clean the accessories which have come into contact with it.
- In order to cool the meals like soups and stews, which are cooked in the large pots, quickly, you can put them in the refrigerator by separating them into their own shallow containers.
- Do not place unpackaged food close to eggs.
- Keep the fruits and vegetables separately and store each variety together (for example; apples with apples, carrots with carrots).
- Take green vegetables out of the plastic bag and place them in the refrigerator after wrapping them in a paper towel or

drying cloth. If you wash this type of food before placing them in the refrigerator, remember to dry them.

- You can both create a damp environment and provide an air flow by keeping fruits and vegetables, which are prone to drying, in the perforated or unsealed plastic bags.

- Except the cases where extreme circumstances are available in the environment, if your product (on the recommended set values table) is set to the specified set values, the food keep their freshness for a longer time both in the fresh product compartment and freezer compartment.

Store Foods In The Different Places According To Their Properties:	
Food	Location
Egg	Door Shelf
Dairy products (butter, cheese)	If available, zero degree (for breakfast food) compartment
Fruits, vegetables and greenery	Fruit-vegetable compartment, crisper or EverFresh+ compartment (if available)
Fresh meat, poultry, fish, sausage etc. Cooked foods	If available, zero degree (for breakfast food) compartment
Ready to serve foods, packaged products, canned foods and pickles	Top shelves or door shelf
Beverages, bottles, spices and snacks	Door Shelf

Storing Food In The Freezer Compartment

- You can activate Quick Freezing function 4-6 hours before freezing function and perform a faster cooling.
- Bring hot meals to the room temperature before placing them in the freezer compartment.
- Foods to be frozen must be divided into portions according to a size to be consumed, and frozen in separate packages.
- It is recommended to pack the foods before placing them in the freezer.
- In order to prevent expiration of storage time, write the freezing date, time and name of the product on the package according to the storage times of different foods.
- Consume the foods you have defrosted quickly. Defrosted foods cannot be frozen again unless they are cooked. It is not safe to consume the refrozen fresh foods without cooking after they are defrosted.

- As you freeze fresh foods, do not bring them in contact with already frozen foods. Otherwise, frozen foods will be defrosted.

Storing The Foods, Which Are Sold Frozen

- Always follow the instructions of the producer in relation to the time during which you are required to store your foods. Do not exceed the time specified in these instructions!
- In order to protect the quality of the food, keep the time interval between purchasing transaction and storing as short as possible.
- Buy frozen food which are stored at -18 °C or lower temperatures.
- Avoid buying foods whose packages are covered with ice etc. This means that the product could be partially defrosted and refrozen. Temperature impacts the quality of the food.
- Do not exceed the storing time recommended by the food producer. Remove only the food as much as you need from the freezer.

- Except the cases where extreme circumstances are available in the environment, if your product (on the recommended set values table) is set to the specified set

values, the food keep their freshness for a longer time both in the fresh product compartment and freezer compartment.

- If fresh food compartment is set to a lower temperature, fresh fruits and vegetables may be partially frozen.

Recommended Set Values Table

Freezer Compartment Setting	Fridge Compartment Setting	Remarks
-22 °C	4 °C	This is the default, recommended setting. This setting is recommended if ambient temperature is below 30 °C.
-20 °C	6 °C	This settings is recommended for ambient temperatures exceeding 25 °C.
Quick Freeze	4 °C	Use when you want to freeze your food in a short time. When the process is done, it will go back to its previous position.

Freezer Details

As per the IEC 62552 standards, the freezer must have the capacity to freeze 4.5 kg of food items at -18°C or lower temperatures at 25°C room temperature in 24 hours for each 100 litres of freezer compartment volume.

Food products can only be preserved for extended periods at or below temperature of -18 °C.

You can keep the foods fresh for months (in freezer at or below temperatures of -18 °C).

The food products to be frozen must not contact the already-frozen food inside to avoid partial defrosting.

Boil the vegetables and filter the water to extend the frozen storage time. Place the food in air-tight packages after filtering and place in the freezer. Bananas, tomatoes, lettuce, celery, boiled eggs, potatoes and similar food items should not be frozen. In case these foods are frozen, only nutritional values and eating qualities will be negatively affected. A rotting that would threaten human health is not in question.

Placing The Food

Freezer compartment shelves: Different frozen foods like meat, fish, ice cream, vegetables etc.

Cooler compartment shelves: Food items inside pots, capped plate and capped cases, eggs (in closed case)

Cooler compartment door shelves: Small and packaged food or beverages

Crisper: Vegetables and fruits

Fresh food compartment: Delicatessen (breakfast food, meat products to be consumed in short time)

7.3 Crisper

The refrigerator's crisper is designed to keep vegetables fresh by preserving their humidity. For this purpose, the overall cold air circulation is intensified in the crisper. Keep fruits and vegetables in this compartment. Keep the green-leaved vegetables and fruits separately to prolong their life.

7.4 Humidity Controlled Crisper

Everfresh

With the humidity controlled crisper feature, the humidity of vegetables and fruits is kept under control and the food is kept fresh for a longer period of time.

We recommend that you place leafy vegetables such as lettuce, spinach and similar vegetables that are sensitive to moisture loss in the crisper, not upright on their roots, but as horizontally as possible.

When placing the vegetables, place heavy and hard vegetables at the bottom and light and soft ones on the top, taking into account the specific weights of vegetables.

Never leave vegetables in plastic bags in the crisper. Leaving them in plastic bags causes vegetables to rot in a short time. In situations where contact with other vegetables is not preferred, use packaging materials such as paper that has a certain level of porosity in terms of hygiene. Do not put fruits that have a high ethylene gas production such as pear, apricot, peach and particularly apple in the same crisper with other vegetables and fruits. The ethylene gas coming out of these fruits might cause other vegetables and fruits to mature faster and rot in a shorter period of time.

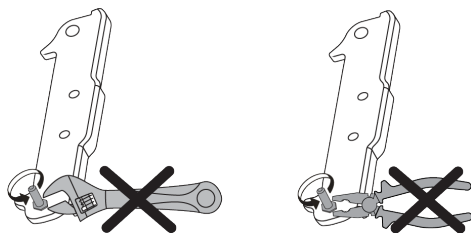
7.5 Dairy Products Cold Storage Area

Cold Storage Drawer

The Cold Storage Drawer can reach lower temperatures in the cooler compartment. Use this drawer for delicatessen products (salami, sausage, etc.) and dairy products that require colder storage conditions, or for meat, chicken or fish to be consumed quickly. It is not suitable to store fruits and vegetables in this drawer.

7.6 Reversing the Door Opening Side

The door opening side of your refrigerator can be reversed according to the place you put it. When you need this, you should definitely call the nearest Authorized Service.



7.7 Door Open Alert

The door open alert system of your refrigerator may differ depending on the model.

Version 1;

If the door of the product remains open for a certain time (between 60 s and 120 s), an audio warning signal sounds; depending on the product model, a visual warning signal (light flash) can also be displayed. If you close the door of the device or press a button on the screen of the device, if any, the warning sound will stop.

Version 2;

If the door of the device remains open for a certain period of time (between 60 s and 120 s), the door open alert is sounded. The door open alert is sounded gradually. First, an audible warning starts to sound. After 4 minutes, if the door is still not closed, a visual warning (lighting flash) is activated. The door open alert will be delayed for a certain period of time (between 60 s and 120 s) when any key on the product screen, if any, is pressed. Then the process will start again. When the device door is closed, the door open alert will be cancelled.

7.8 Replacing the Illumination Lamp

Call the Authorized Service when the Bulb/LED used for lighting in your refrigerator will be replaced.

Lamp(s) used in this appliance cannot be used for house lighting. Intended use of this lamp is to help the user place food into the refrigerator / freezer safely and comfortably.

7.9 AeroFlow

It is an air distribution system that provides homogeneous temperature distribution. With the air circulation, the homogeneous temperature distribution is ensured in the fresh food storage compartment, and the temperature fluctuations are kept at low levels. No direct air blowing over the food is realized and this helps to reduce moisture loss. It preserves the freshness of the food stored in the fresh food compartment of the refrigerator. In this way, your food is stored at more stable temperatures and the contact with air is reduced. The drying and

shrinking of foods by losing moisture is prevented and freshness is provided for a longer time.

8 Maintenance and Cleaning



WARNING:

Read the "Safety Instructions" section first.



WARNING:

Unplug the refrigerator before cleaning it.

- Do not use sharp or abrasive tools to clean the product. Do not use materials such as household cleaning agents, soap, detergents, gas, gasoline, thinner, alcohol, wax, etc.
- The dust shall be removed from the ventilation grill on the rear of the product at least once a year (without opening the cover). Clean the product with a dry cloth.
- Take care to keep water away from the lamp's cover and other electrical parts.
- Clean the door with a damp cloth. Remove all contents to remove the door and body racks. Remove the door racks by lifting them upwards. Clean and dry the shelves, then attach back in place by sliding from above.
- Do not use chlorinated water or cleaning products on the exterior surface and chrome-coated parts of the product. Chlorine will cause rust on such metallic surfaces.
- Do not use sharp and abrasive tools, soap, house cleaning materials, detergents, gas, gasoline, varnish and similar substances to prevent deformation of the plastic part and removal of prints on the part. Use warm water and a soft cloth for cleaning, and then dry it.
- On the products without a No-Frost feature, water droplets and icing up to a thickness of a finger may occur on the rear wall of the freezer compartment. Do not clean, and never apply oils or similar materials.

- Use a mildly dampened micro-fibre cloth to clean the external surface of the product. Sponges and other types of cleaning clothes may cause scratches.
- To clean all removable components during the cleaning of the interior surface of the product, wash these components with a mild solution consisting of soap, water and carbonate. Wash and dry thoroughly. Prevent contact of water with illumination components and the control panel.



CAUTION:

Do not use vinegar, rubbing alcohol or other alcohol based cleaning agents on any interior surface.

Stainless Steel External Surfaces

Use a non-abrasive stainless steel cleaning agent and apply it with a soft lint-free cloth. To polish, gently wipe the surface with a micro-fibre cloth dampened with water and use dry polishing chamois. Always follow the veins of the stainless steel.

Preventing Odours

The product is manufactured free of any odorous materials. However, keeping the food in inappropriate sections and improper cleaning of internal surfaces may lead to odours.

- To avoid this, clean the inside with carbonated water every 15 days.
- Keep the foods in sealed holders, as micro-organisms arising from foods kept in unsealed containers will cause bad odour.
- Do not keep expired and spoilt foods in the refrigerator.

Protecting Plastic Surfaces

Oil spilled on plastic surfaces may damage the surface and must be cleaned immediately with warm water.

9 Troubleshooting

Check this list before contacting the service. Doing so will save you time and money. This list includes frequent complaints that are not related to faulty workmanship or materials. Certain features mentioned herein may not apply to your product.

The refrigerator is not working.

- The power plug is not fully settled. >>> Plug it in to settle completely into the socket.
- The fuse connected to the socket powering the product or the main fuse is blown. >>> Check the fuse.

Condensation on the side wall of the cooler compartment (MULTI ZONE, COOL CONTROL and FLEXI ZONE).

- The door is opened too frequently. >>> Take care not to open the product's door too frequently.
- The environment is too humid. >>> Do not install the product in humid environments.
- Foods containing liquids are kept in unsealed holders. >>> Keep the foods containing liquids in sealed holders.
- The product's door is left open. >>> Do not keep the product's door open for long periods.
- The thermostat is set to a very cool temperature. >>> Set the thermostat to an appropriate temperature.

Compressor is not working.

- In case of sudden power failure or pulling the power plug off and putting back on, the gas pressure in the product's cooling system is not balanced, which triggers the compressor thermic safeguard. The product will restart after approximately 6 minutes. If the product does not restart after this period, contact the service.

- Defrosting is active. >>> This is normal for a fully-automatic defrosting product. The defrosting is carried out periodically.
- The product is not plugged in. >>> Make sure the power cord is plugged in.
- The temperature setting is incorrect. >>> Select the appropriate temperature setting.
- The power is out. >>> The product will continue to operate normally once the power is restored.

The refrigerator's operating noise is increasing while in use.

- The product's operating performance may vary depending on the ambient temperature variations. This is normal and not a malfunction.

The refrigerator runs too often or for too long.

- The new product may be larger than the previous one. Larger products will run for longer periods.
- The room temperature may be high. >>> The product will normally run for long periods in higher room temperature.
- The product may have been recently plugged in or a new food item is placed inside. >>> The product will take longer to reach the set temperature when recently plugged in or a new food item is placed inside. This is normal.
- Large quantities of hot food may have been recently placed into the product. >>> Do not place hot food into the product.
- The doors were opened frequently or kept open for long periods. >>> The warm air moving inside will cause the product to run longer. Do not open the doors too frequently.
- The freezer or cooler door may be ajar. >>> Check that the doors are fully closed.

- The product may be set to a temperature that is too low. >>> Set the temperature to a higher degree and wait for the product to reach the adjusted temperature.
- The cooler or freezer door washer may be dirty, worn out, broken or not properly settled. >>> Clean or replace the gasket. Damaged / torn door washer will cause the product to run for longer periods to preserve the current temperature.

The freezer temperature is very low, but the cooler temperature is adequate.

- The freezer compartment temperature is set to a very low degree. >>> Set the freezer compartment temperature to a higher degree and check again.

The cooler temperature is very low, but the freezer temperature is adequate.

- The cooler compartment temperature is set to a very low degree. >>> Set the cooler compartment temperature to a higher degree and check again.

The food items kept in cooler compartment drawers are frozen.

- The cooler compartment temperature is set to a very low degree. >>> Set the cooler compartment temperature to a higher degree and check again.

The temperature in the cooler or the freezer is too high.

- The cooler compartment temperature is set to a very high degree. >>> Temperature setting of the cooler compartment has an effect on the temperature in the freezer compartment. Wait until the temperature of relevant parts reach the sufficient level by changing the temperature of cooler or freezer compartments.
- The doors were opened frequently or kept open for long periods. >>> Do not open the doors too frequently.
- The door may be ajar. >>> Fully close the door.
- The product may have been recently plugged in or a new food item is placed inside. >>> This is normal. The product

will take longer to reach the set temperature when recently plugged in or a new food item is placed inside.

- Large quantities of hot food may have been recently placed into the product. >>> Do not place hot food into the product.

Shaking or noise.

- The surface is not flat or durable >>> If the product is shaking when moved slowly, adjust the stands to balance the product. Also make sure the ground is sufficiently durable to bear the product.
- Any items placed on the product may cause noise. >>> Remove any items placed on the product.
- The product is making noise of liquid flowing, spraying etc.
- The product's operating principles involve liquid and gas flows. >>> This is normal and not a malfunction.

There is sound of wind blowing coming from the product.

- The product uses a fan for the cooling process. This is normal and not a malfunction.

There is condensation on the product's internal walls.

- Hot or humid weather will increase icing and condensation. This is normal and not a malfunction.
- The doors were opened frequently or kept open for long periods. >>> Do not open the doors too frequently; if open, close the door.
- The door may be ajar. >>> Fully close the door.

There is condensation on the product's exterior or between the doors.

- The ambient weather may be humid, this is quite normal in humid weather. >>> The condensation will dissipate when the humidity is reduced.

The interior smells bad.

- The product is not cleaned regularly. >>> Clean the interior regularly using sponge, warm water and carbonated water.

- Certain holders and packaging materials may cause odour. >>> Use holders and packaging materials without free of odour.
- The foods were placed in unsealed holders. >>> Keep the foods in sealed holders. Microorganisms may spread out of unsealed food items and cause bad odour.
- Remove any expired or spoiled foods from the product.

The door is not closing.

- Food packages may be blocking the door. >>> Relocate any items blocking the doors.
- The product is not standing in full upright position on the ground. >>> Adjust the stands to balance the product.
- The surface is not flat or durable >>> Make sure the surface is flat and sufficiently durable to bear the product.

DISCLAIMER / WARNING

Some (simple) failures can be adequately handled by the end-user without any safety issue or unsafe use arising, provided that they are carried out within the limits and in accordance with the following instructions (see the "Self-Repair" section).

Therefore, unless otherwise authorized in the "Self-Repair" section below, repairs shall be addressed to registered professional repairers in order to avoid safety issues. A registered Professional repairer is a professional repairer that has been granted access to the instructions and spare parts list of this product by the manufacturer according to the methods described in legislative acts pursuant to Directive 2009/125/EC.

However, only the service agent (i.e. authorized professional repairers) that you can reach through the phone number given in the user manual/warranty card or through your authorized dealer may provide service under the guarantee terms. Therefore, please be advised that

The crisper is jammed.

- The food items may be in contact with the upper section of the drawer. >>> Reorganize the food items in the drawer.

Temperature on the product surface.

- High temperature may be observed between two doors, on the side panels and on the rear grill area while your product is operated. This is normal and it does not require servicing.

Fan continues to operate when the door is opened.

- Fan may continue to operate when the freezer door is open.



WARNING: If the problem persists after following the instructions in this section, contact your vendor or an Authorized Service. Do not try to repair the product. This is normal.

repairs by professional repairers (who are not authorized by) Beko shall void the guarantee.

Self-Repair

Self-repair can be done by the end-user with regard to the following spare parts: door handles, door hinges, trays, baskets and door gaskets (an updated list is also available support.beko.com as of 1st March 2021).

Moreover, to ensure product safety and to prevent risk of serious injury, the mentioned self-repair shall be done following the instructions in the user manual for self-repair or which are available in support.beko.com. For your safety, unplug the product before attempting any self-repair. Repair and repair attempts by end-users for parts not included in such list and/or not following the instructions in the user manuals for self-repair or which are available in support.beko.com, might give rise to safety issues not attributable to Beko, and will void the warranty of the product.

Therefore, it is highly recommended that end-users refrain from the attempt to carry out repairs falling outside the mentioned list of spare parts, contacting in such cases authorized professional repairers or registered professional repairers. On the contrary, such attempts by end-users may cause safety issues and damage the product and subsequently cause fire, flood, electrocution and serious personal injury to occur.

By way of example, but not limited to, the following repairs must be addressed to authorized professional repairers or registered professional repairers: compressor, cooling circuit, main board, inverter board, display board, etc.

The manufacturer/seller cannot be held liable in any case where end-users do not comply with the above.

The spare part availability of the refrigerator that you purchased is 10 years. During this period, original spare parts will be available to operate the refrigerator properly. The minimum duration of guarantee of the refrigerator that you purchased is 24 months.

This product is equipped with a lighting source of the "G" energy class.

The lighting source in this product shall only be replaced by Professional repairer.

See also

2 DISCLAIMER / WARNING [] 25]

¡Lea primero este manual!

Estimado cliente,

Por favor, lea este manual antes de usar el aparato.

Gracias por elegir este aparato de Beko. Nos gustaría que usted alcanzara la eficiencia óptima de este aparato de alta calidad que fue fabricado utilizando la tecnología más avanzada. A tal fin, antes de utilizar el aparato, lea detenidamente este manual y cualquier otra documentación que se le facilite y consérvela como referencia.

Preste atención a toda la información así como a las advertencias contenidas en el manual de usuario. Esto le permitirá protegerse a sí mismo y a su aparato contra los peligros que puedan surgir.

Guarde el manual de usuario. Incluya este manual con la unidad si se la entrega a otra persona.

Los siguientes símbolos se utilizan en el manual del usuario:



Peligro que puede provocar la muerte o lesiones.



Información importante o consejos útiles sobre el funcionamiento.







Lea el manual de instrucciones.



Material combustible, advertencia de riesgo de incendio.

AVISO Peligro que puede causar daños materiales al aparato o a su entorno

		<p>Se puede acceder a la información del modelo almacenada en la base de datos del aparato ingresando al siguiente sitio web y buscando el identificador de su modelo (*) que se encuentra en la etiqueta energética.</p> <p>https://eprel.ec.europa.eu/</p>
SUPPLIER'S NAME	MODEL IDENTIFIER → (*)	
		

	7.8	Sustitución de la lámpara de iluminación.....	45
	7.9	aeroflujo	45
1		Instrucciones de seguridad	28
1.1		Intención de uso	28
1.2		Seguridad de Niños, Personas Vulnerables y Mascotas.....	28
1.3		Seguridad eléctrica	29
1.4		Seguridad en el manejo	30
1.5		Seguridad de instalación	30
1.6		Seguridad Operacional.....	32
1.7		Seguridad en el almacenamiento de alimentos	35
1.8		Seguridad de mantenimiento y limpieza.....	35
1.9		Desecho del Producto Usado	36
2		Instrucciones medioambientales	36
2.1		Cumplimiento de la Directiva RA-EE y eliminación del producto de desecho:.....	36
3		El Refrigerador	37
4		Instalación	38
4.1		Lugar correcto para la instalación	38
4.2		Conexión eléctrica.....	38
4.3		Colocación de las cuñas de plástico.....	39
4.4		Ajuste de las patas.....	39
4.5		Advertencia de superficie caliente.....	39
5		Preparación	39
5.1		Qué hacer para ahorrar energía....	39
5.2		Uso de primera vez.....	40
5.3		Clase climática y definiciones	40
6		Funcionamiento del producto	41
7		Uso de su electrodoméstico.....	41
7.1		Panel de Control del Producto.....	41
7.2		Almacenamiento de alimentos en el compartimento de la nevera.....	42
7.3		Cajón de frutas y verduras.....	44
7.4		Cajón para frutas y verduras con control de humedad	44
7.5		Área de almacenamiento en frío de productos lácteos	45
7.6		Inversión del lado de apertura de la puerta	45
7.7		Alarma de puerta abierta	45



1 Instrucciones de seguridad

Esta sección incluye las instrucciones de seguridad necesarias para evitar riesgos de lesiones personales o daños materiales. Nuestra empresa no se hace responsable de los daños que puedan ocurrir de no seguir estas instrucciones.

Las operaciones de instalación y reparación deberán ser realizadas siempre por un servicio autorizado.

Utilice únicamente repuestos y accesorios originales.

Las piezas de repuesto originales se proporcionarán durante 10 años, a partir de la fecha de compra del producto.

No repare ni reemplace ningún componente del aparato a menos que esté claramente especificado en el manual del usuario.

No realice ninguna modificación en el producto.



1.1 Intención de uso

Este aparato no es apto para uso comercial y no debe usarse para otro fin que no sea el previsto. Este aparato está diseñado para usarse en interiores, en el hogar y lugares similares.

Por ejemplo:

- En las cocinas del personal de las tiendas, oficinas y otros entornos de trabajo,
- En casas de campo,
- En las unidades de hoteles, moteles u otras instalaciones de descanso que sean utilizadas por los clientes,
- En albergues, o ambientes similares,
- En servicios de catering y aplicaciones similares no minoristas.

Este aparato no se debe usar en entornos externos abiertos o cerrados, como embarcaciones, balcones o terrazas. Exponer el aparato a la lluvia, la nieve, la luz solar y el viento puede conllevar un riesgo de incendio.



1.2 Seguridad de Niños, Personas Vulnerables y Mascotas

- Este aparato puede ser utilizado por niños mayores de 8 años y personas con capacidades físicas, sensoriales o mentales subdesarrolladas o falta de experiencia y conocimiento si están bajo supervisión o han recibido instrucciones sobre el uso del aparato de manera segura y la peligros involucrados.

- A los niños entre 3 y 8 años se les permite poner y sacar alimentos del frigorífico.
- Los aparatos eléctricos son peligrosos para niños y mascotas. Los niños y los animales domésticos no deben jugar, subirse o entrar en el aparato.
- La limpieza y el mantenimiento por parte del usuario no deben ser realizados por niños, a menos que haya alguien que los supervise.
- Mantenga los materiales de embalaje fuera del alcance de los niños. Riesgo de lesiones y asfixia.

Antes de desechar aparatos viejos que ya no se utilizarán:

1. desenchufe el cable de corriente de la toma de corriente;
 2. Corte el cable de corriente y retírelo del aparato junto con el enchufe.
 3. no retire los estantes y cajones del aparato para así evitar que los niños entren en el aparato;
 4. retire las puertas;
 5. enclaustre el aparato para que no se vuelque;
 6. No permita que los niños jueguen con el aparato viejo;
- no destruya el aparato arrojándolo al fuego. Riesgo de explosión.
 - Si hay una cerradura disponible en la puerta del producto, mantenga la llave fuera del alcance de los niños.



1.3 Seguridad eléctrica

- El aparato no debe estar enchufado durante las operaciones de instalación, mantenimiento, limpieza y reparación.
- Si el cable de corriente está dañado, debe ser reemplazado únicamente por un servicio autorizado para evitar cualquier riesgo que pueda ocurrir.
- No meta el cable de corriente debajo del aparato o en la parte trasera del producto. No coloque objetos pesados sobre el cable de corriente. El cable de corriente no debe doblarse, aplastarse ni entrar en contacto con ninguna fuente de calor.
- No utilice un cable extensor, un enchufe múltiple o un adaptador en el funcionamiento de su aparato.
- Los enchufes múltiples portátiles o las fuentes de corriente portátiles pueden sobrecalentarse y provocar incendios. Por lo tanto, no tenga un enchufe múltiple detrás o cerca del aparato.
- El enchufe debe ser fácilmente accesible. Si esto no es posible, la instalación eléctrica de-

berá incluir un mecanismo que cumpla con la reglamentación eléctrica y que desconecte todos los terminales de la red eléctrica (fusible, interruptor, interruptor principal, etc.).

- No toque el enchufe con las manos mojadas.
- Al desenchufar el aparato, no sujete el cable de corriente, sino el enchufe.

1.4 Seguridad en el manejo

- Asegúrese de desenchufar el aparato antes de transportar el producto.
- Este aparato es pesado, no debe ser manipulado por una sola persona. Puede sufrir lesiones si el producto se le cae encima. No golpee ni deje caer el producto durante el transporte.
- Cierre siempre las puertas y no sujete el producto por las puertas mientras lo transporta.
- Tenga cuidado de no dañar el sistema de enfriamiento y las tuberías mientras manipula el aparato. No utilice el aparato si los tubos están dañados y comuníquese con un Servicio autorizado.

1.5 Seguridad de instalación

- Contacte con el Servicio Autorizado para la instalación del producto. Para preparar el aparato para la instalación, consulte la información en el manual del usuario y asegúrese de que los servicios de electricidad y agua sean los necesarios. De lo contrario, llame a un electricista y plomero para organizar los servicios públicos según sea necesario. Si no lo hace, podría sufrir una descarga eléctrica, un incendio, problemas con el aparato o lesiones.
- El producto está diseñado para su uso en zonas situadas a 2000 metros por debajo del nivel del mar.
- Busque daños en el aparato antes de instalarlo. No instale el aparato si está dañado.
- Utilice siempre equipo de protección personal (guantes, etc.) durante la instalación, el mantenimiento y la reparación del producto. ¡Riesgo de lesiones!
- Coloque el producto sobre una superficie limpia, nivelada y dura y equilibrelo con las patas ajustables (girando los pies delanteros hacia la derecha o

hacia la izquierda). De lo contrario, el frigorífico podría volcarse y causar lesiones.

- El aparato deberá ser instalado en un ambiente seco y ventilado. No guarde alfombras, moquetas o cubiertas similares debajo del producto. ¡Esto puede resultar en un riesgo de incendio debido a una ventilación inadecuada!
- No bloquee ni cubra los orificios de ventilación. De lo contrario, aumenta el consumo de energía y el producto puede resultar dañado.
- Al colocar el producto, asegúrese de que el cable de alimentación no esté dañado ni pinzado.
- El aparato no debe conectarse a sistemas de suministro como el suministro de energía solar. De lo contrario, su aparato puede dañarse debido a cambios repentinos de voltaje.
- Cuanto más refrigerante contenga un frigorífico, más grande debe ser su espacio de instalación. En habitaciones muy pequeñas, puede producirse una mezcla inflamable de gas aire en caso de una fuga de gas en el sistema de enfriamiento. Se requiere al menos 1 m³ de volumen por cada 8 gramos de refrigerante. La cantidad de refrigerante disponible en su aparato se especifica en la Etiqueta de tipo.
- El lugar de instalación del producto no debe estar expuesto a la luz solar directa y no debe estar cerca de una fuente de calor como estufas, radiadores, etc. Si no puede evitar la instalación del producto cerca de una fuente de calor, utilice una placa aislante adecuada y asegúrese de que la distancia mínima a la fuente de calor es la especificada a continuación:
 - Al menos 30 cm de distancia de fuentes de calor como estufas, hornos, calefactores y calefactores, etc.,
 - Y al menos 5 cm de distancia de hornos eléctricos.
- Su aparato tiene la clase de protección I.
- Enchufe el aparato en un enchufe con conexión a tierra que cumpla con los valores de voltaje, corriente y frecuencia especificados en la etiqueta de tipo. El enchufe debe tener un fusible de 10A – 16A. Nuestra empresa no asumirá responsabilidad alguna por daños debidos a un uso sin toma de tierra y sin conexión eléctrica conforme a la normativa local y nacional.

- El cable de corriente del aparato debe ser desenchufado durante la instalación. De lo contrario, puede producirse una descarga eléctrica y lesiones.
- No enchufe el cable de alimentación del producto en tomas de corriente sueltas, dislocadas, rotas, sucias, aceitosas y con riesgo de contacto con el agua. Este tipo de conexiones pueden provocar sobrecalentamiento e incendio.
- Coloque el cable de alimentación y las mangueras (si las hubiera) del producto de forma que no provoquen riesgo de tropiezo.
- La penetración de humedad y líquido en las piezas bajo tensión o en el cable de alimentación puede provocar un cortocircuito. Por lo tanto, no use el aparato en ambientes húmedos o en áreas donde el agua pueda salpicar (por ejemplo, garaje, lavandería, etc.) Si el frigorífico está mojado por el agua, desenchúfelo y comuníquese con un Servicio autorizado para recibir instrucciones.
- Nunca conecte su frigorífico a dispositivos de ahorro energético. Estos sistemas son perjudiciales para el aparato.
- Existe riesgo de contacto con piezas eléctricas al retirar la cubierta de la placa electrónica y la cubierta trasera del compresor (si está instalada). No retire la cubierta de la placa electrónica ni la cubierta trasera del compresor (si está instalada). Existe riesgo de electrocución.



1.6 Seguridad Operacional

- Nunca utilice disolventes químicos en el producto. Estos materiales contienen un riesgo de explosión.
- En caso de falla del aparato, desenchúfelo y no lo opere hasta que sea reparado por el Servicio autorizado. ¡Existe el riesgo de descarga eléctrica!
- No coloque una fuente de llamas (por ejemplo, velas, cigarrillos, etc.) sobre el aparato o cerca de él.
- No se suba en el aparato. ¡Riesgo de caídas y lesiones!
- No provoque daños en las tuberías del sistema de enfriamiento con herramientas afiladas y perforantes. El refrigerante que sale pulverizado en caso de perforar las tuberías de gas, las extensiones de tuberías o los revestimientos de

la superficie superior puede causar irritación de la piel y lesiones en los ojos.

- No coloque ni ponga en funcionamiento aparatos eléctricos en el interior del frigorífico/ congelador a menos que así lo aconseje el fabricante.
- No atasque ninguna parte de sus manos o su cuerpo con las partes móviles dentro del aparato. Tenga cuidado de evitar que sus dedos se atasquen entre el frigorífico y su puerta. Tenga cuidado al abrir o cerrar la puerta si hay niños cerca.
- No lleve a su boca helado, cubitos de hielo o alimentos congelados en seguida de que los saque del congelador. ¡Peligro de congelación!
- No toque las paredes internas, las partes metálicas del congelador o los alimentos guardados dentro del congelador con las manos mojadas. ¡Peligro de congelación!
- No coloque latas de refresco o latas y botellas que contengan líquidos que puedan congelarse en el compartimiento del congelador. Las latas o botellas pueden explotar. ¡Peligro de lesiones y daños materiales!
- No use ni coloque materiales sensibles a la temperatura como aerosoles inflamables, objetos inflamables, hielo seco u otros agentes químicos cerca del frigorífico. ¡Peligro de incendio y explosión!
- No guarde materiales explosivos como latas de aerosol con materiales inflamables dentro del aparato.
- No coloque latas que contengan líquidos sobre el producto en estado abierto. Las salpicaduras de agua sobre una pieza eléctrica pueden provocar una descarga eléctrica o un incendio.
- Este aparato no ha sido diseñado para el almacenamiento y enfriamiento de medicamentos, plasma sanguíneo, preparaciones de laboratorio o materiales y productos similares sujetos a la Directiva de productos médicos.
- No usar el aparato para su propósito previsto, puede causar daños o deterioro de los productos que se guardan en su interior.
- Si su frigorífico está equipado con luz azul, no mire esta luz con dispositivos ópticos. No mire directamente a la luz LED

UV durante mucho tiempo. Los rayos ultravioleta pueden causar fatiga visual.

- No llene el producto con un contenido superior a su capacidad. Pueden ocurrir lesiones o daños si el contenido del frigorífico se cae cuando se abre la puerta. También pueden ocurrir problemas similares cuando se coloca un objeto sobre el producto.
- Asegúrese de haber eliminado el hielo o el agua que pueda haber caído al piso para evitar lesiones.
- Cambie la ubicación de las rejillas/rejillas para botellas en la puerta del frigorífico sólo cuando las rejillas estén vacías. ¡Existe peligro de dañarse!
- No coloque objetos que puedan caerse o volcarse sobre el producto. Estos objetos pueden caerse al abrir o cerrar la puerta y causar lesiones y / o daños materiales.
- No golpee ni ejerza una presión excesiva sobre las superficies de vidrio. Los vidrios rotos pueden causar lesiones y / o daños materiales.
- El sistema de enfriamiento de su aparato contiene refrigerante R600a. El tipo de refrigerante utilizado en el producto está

especificado en la etiqueta de tipo. Este gas es inflamable.

Por lo tanto, tenga cuidado de no dañar el sistema de enfriamiento y las tuberías mientras opera el aparato. En caso de daños a las tuberías:

1. No toque el aparato ni el cable de corriente.
2. Mantenga el aparato alejado de posibles fuentes de fuego que puedan provocar que el aparato se incendie.
3. Ventilar el área donde se coloca el producto. No use un ventilador.
4. Póngase en contacto con el servicio técnico autorizado.

Si el aparato está dañado y observa fugas de gas, manténgase alejado del gas. El gas puede causar congelación si entra en contacto con su piel.

Antes de desechar aparatos viejos que ya no se utilizarán:

1. desenchufe el cable de corriente de la toma de corriente;
2. Corte el cable de corriente y retírelo del aparato junto con el enchufe.
3. no retire los estantes y cajones del aparato para así evitar que los niños entren en el aparato;
4. retire las puertas;

5. enclaustre el aparato para que no se vuelque;
 6. No permita que los niños jueguen con el aparato viejo;
- no destruya el aparato arrojándolo al fuego. Riesgo de explosión.
 - Si la puerta del producto dispone de cerradura, mantenga la llave fuera del alcance de los niños.

1.7 Seguridad en el almacenamiento de alimentos

Preste atención a las siguientes advertencias para evitar el deterioro de los alimentos:

- Dejar las puertas abiertas durante mucho tiempo puede hacer que aumente la temperatura en el interior del producto.
- Limpie regularmente los sistemas de drenaje accesibles en contacto con alimentos.
- Limpiar los depósitos de agua que no se hayan utilizado durante 48 horas y los sistemas de agua de red que no se hayan utilizado durante más de 5 días.
- Almacene los productos de carne y pescado crudos en compartimentos apropiados dentro del producto. Así, no gotea ni entra en contacto con otros alimentos.

- Los compartimentos congeladores de dos estrellas se utilizan para almacenar alimentos precargados, hacer y almacenar hielo y helados.
- Los compartimentos de una, dos y tres estrellas no son apropiados para congelar alimentos frescos.
- Si el frigorífico se ha dejado vacío durante mucho tiempo, apáguelo, descongélelo, límpielo y séquelo para proteger la carcasa del aparato.

1.8 Seguridad de mantenimiento y limpieza

- No tire de la manija de la puerta si va a mover el aparato para limpiarlo. La manija puede causar lesiones si se le tira con demasiada fuerza.
- No limpie el aparato rociando o vertiendo agua sobre el aparato y dentro del mismo. Riesgo de descarga eléctrica e incendio.
- Al limpiar el producto, no utilice herramientas afiladas y abrasivas ni productos de limpieza domésticos, detergentes, gas, gasolina, diluyentes, alcohol, barnices y sustancias similares. Utilice únicamente productos de limpieza y manteni-

miento que no sean nocivos para los alimentos del interior del producto.

- Nunca utilice vapor o productos de limpieza al vapor para limpiar el aparato y descongelar el hielo que contiene. El vapor entra en contacto con las áreas activas de su frigorífico y provoca un cortocircuito o una descarga eléctrica.
- Tenga cuidado de mantener el agua lejos de los circuitos electrónicos o la iluminación del aparato.
- Use un paño limpio y seco para limpiar el polvo o cualquier material extraño en las puntas de los enchufes. No utilice un paño húmedo o mojado para limpiar el enchufe. De lo contrario, puede producirse un incendio o una descarga eléctrica.



1.9 Desecho del Producto Usado

A la hora de desechar el producto usado, respete las siguientes instrucciones:

- Desconecte la cerradura de la puerta, si existe, para evitar que los niños se queden encerrados accidentalmente en el producto.
- Las salpicaduras de refrigerante son perjudiciales para los ojos. Al desechar el producto, no dañe ninguna pieza del sistema de refrigeración.
- La ingestión del aceite del compresor o su penetración en las vías respiratorias puede ser mortal.
- El sistema de enfriamiento de su producto incluye el gas R600a especificado en la placa de características. Este gas es inflamable. no destruya el aparato arrojándolo al fuego.
¡Riesgo de explosión!

2 Instrucciones medioambientales

2.1 Cumplimiento de la Directiva RAEE y eliminación del producto de desecho:



Este aparato cumple con la Directiva WEEE (RAEE) de la UE (2012/19/EU). Este aparato lleva un símbolo de la clasificación de los equipos eléctricos y electrónicos WEEE (RAEE).

Este símbolo indica que este aparato no debe desecharse con otros desechos domésticos al final de su vida útil. El aparato usado debe ser entregado en el punto de recogida oficial para el reciclaje de aparatos eléctricos y electrónicos. Para encontrar estos puntos de recogida, por favor, póngase en contacto con las autoridades locales o con la tienda en la que compró el aparato. Cada hogar desempeña un papel importante en la recuperación y el reciclaje de

los aparatos viejos. La eliminación apropiada de los aparatos usados ayuda a prevenir posibles consecuencias negativas en el medio ambiente y la salud humana.

Cumplimiento de la directiva RoHS

El aparato que ha adquirido cumple con la Directiva de UE RoHS (2011/65/UE). No contiene materiales nocivos ni prohibidos especificados en la Directiva.

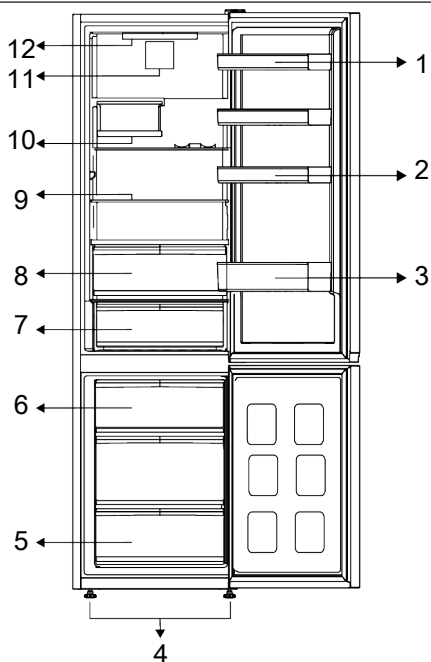


Información de embalaje

Los materiales de embalaje del aparato se fabrican con material reciclable, de acuerdo con nuestra Reglamentación Nacional para el Medio Ambiente. No desechar el embalaje junto con la basura doméstica ni similares. Llévelos a los puntos de recolección de material de embalaje designados por las autoridades locales.

ES

3 El Refrigerador



- 1 * Estantes de puerta ajustables
- 3 * Botellero
- 5 * Compartimento congelador
- 7 * Cajón de almacenamiento en frío
- 9 * Estantes ajustables
- 11 * Ventilador

- 2 * Hueveras
- 4 * Patas delanteras ajustables
- 6 * Cubitera
- 8 * Cajón de frutas y verduras
- 10 * Cubo de vino plegable
- 12 * Lámpara de iluminación

***Opcional:** Las imágenes de este manual de usuario son esquemáticas; es posible que no coincidan exactamente con su pro-

ducto. Si el aparato no contiene las partes pertinentes, entonces la información pertenece a otros modelos.

4 Instalación



¡Primero lea la sección de "Instrucciones de Seguridad"!

4.1 Lugar correcto para la instalación

Contacte con el Servicio Autorizado para la instalación del producto. Para preparar el aparato para la instalación, consulte la información en el manual del usuario y asegúrese de que los servicios de electricidad y agua sean los necesarios. De lo contrario, llame a un electricista y plomero para organizar los servicios públicos según sea necesario.



ADVERTENCIA:

El fabricante no asume ninguna responsabilidad por los daños causados por el trabajo realizado por personas no autorizadas.



ADVERTENCIA:

El cable de corriente del aparato debe ser desenchufado durante la instalación. ¡El no hacerlo puede resultar en la muerte o lesiones graves!



ADVERTENCIA:

Si el espacio de la puerta es demasiado estrecho para que el aparato pase, quite la puerta y gire el aparato hacia los lados, y si esto no funciona, póngase en contacto con el servicio técnico autorizado.

- Coloque el aparato sobre una superficie plana para evitar vibraciones.
- Coloque el aparato al menos a 30 cm de distancia del calentador, estufa o fuentes de calor y por lo menos a 5 cm de distancia de hornos eléctricos.
- No exponga el aparato a la luz solar directa ni lo guarde en ambientes húmedos.

- Su aparato requiere una circulación de aire adecuada para funcionar eficientemente. Si el aparato va a ser colocado en un hueco, recuerde dejar al menos 5 cm de espacio entre el aparato y el techo, la pared trasera y las paredes laterales.
- Compruebe si el componente de protección de la parte trasera se encuentra colocado en su lugar (en caso de ser suministrado con el aparato).
- Si el componente no está disponible, o si se pierde o se cae, coloque el aparato de manera que quede un espacio libre, de al menos 5 cm, entre la superficie trasera del aparato y la pared de la habitación. El espacio libre en la parte trasera es importante para el funcionamiento eficiente del aparato.

4.2 Conexión eléctrica



No utilice alargadores de cables ni enchufes múltiples, en la conexión de corriente.



Un cable de corriente dañado deberá ser reemplazado por el Servicio Autorizado.



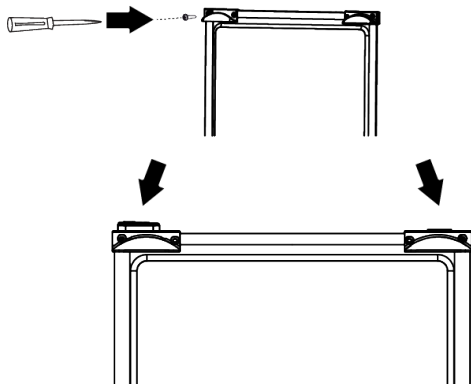
Al colocar dos frigoríficos en posición adyacente, deje al menos 4 cm de distancia entre las dos unidades.

- Nuestra empresa no asumirá la responsabilidad de cualquier daño debido al uso sin conexión de tierra y a la electricidad en el cumplimiento de las normativas nacionales.
- El enchufe del cable de corriente debe ser de fácil acceso después de la instalación.
- No utilice un enchufe multigrupo con o sin cable de extensión entre la toma de pared y el frigorífico.

4.3 Colocación de las cuñas de plástico

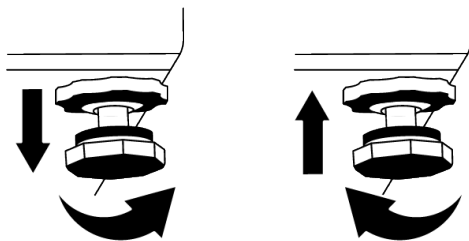
Utilice las cuñas de plástico provistas con el aparato para mantener suficiente espacio para la circulación de aire entre el aparato y la pared.

1. Para colocar las cuñas, quite los tornillos en el aparato y utilice los tornillos provistos con las cuñas.
2. Coloque 2 cuñas de plástico sobre la cubierta de la ventilación como se muestra en la figura.



4.4 Ajuste de las patas

Si el aparato no está en una posición equilibrada, ajuste las patas delanteras ajustables girándolas hacia la derecha o hacia la izquierda.



4.5 Advertencia de superficie caliente

En las paredes laterales de su aparato existen tubos de enfriamiento para mejorar el sistema de refrigeración. Es posible que el fluido a alta presión fluya a través de estas superficies y ocasione superficies calientes en las paredes laterales. Esto es normal y no requiere servicio. Tenga cuidado cuando toca estas áreas.

5 Preparación



¡Primero lea la sección de "Instrucciones de Seguridad"!

5.1 Qué hacer para ahorrar energía



La conexión del aparato a sistemas de ahorro de energía electrónica es perjudicial, ya que puede dañar el aparato.

- Este aparato de refrigeración no está diseñado para ser utilizado como un aparato empotrado.
- No mantenga las puertas del refrigerador abiertas por largos periodos.
- No coloque alimentos ni bebidas calientes en el refrigerador.
- No llene demasiado el refrigerador, bloquear el flujo de aire interno reducirá la capacidad de enfriamiento.
- Como el aire caliente y húmedo no penetra directamente en su aparato cuando las puertas no están abiertas, su aparato se optimiza en condiciones suficientes para proteger su comida. En estas circunstancias, las funciones y los componentes como el compresor, el ventilador, la calefacción, el desescarche, la iluminación, la pantalla, etc., funcionarán según las necesidades consumiendo el mínimo de energía.
- En caso de que haya varias opciones, los estantes de cristal deben colocarse de forma que las salidas de aire en la pared trasera no queden bloqueadas y, preferiblemente, de forma que las salidas de aire queden por debajo del estante de cristal.

tal. Esta combinación podría ayudar a mejorar la distribución del aire y la eficiencia energética.

- Se recomienda enfáticamente usar el cajón de abajo cuando se almacene.
- Dependiendo de las características del aparato, descongelar los alimentos congelados en el frigorífico garantizará el ahorro energético y preservará la calidad de los alimentos.
- Para cargar la máxima cantidad de alimentos en el congelador de su frigorífico, se deben sacar los cajones superiores y colocar los alimentos en los estantes de alambre/vidrio.
- Para garantizar el ahorro de energía y proteger los alimentos en mejores condiciones los alimentos se almacenarán en los cajones del frigorífico.
- Los paquetes de alimentos no deben estar en contacto directo con el sensor de temperatura ubicado en el compartimento del congelador.

5.2 Uso de primera vez

Antes de usar su refrigerador, asegúrese de que se hayan realizado los preparativos necesarios de acuerdo con las instrucciones de las secciones "Instrucciones de seguridad y medio ambiente" e "Instalación".

- Mantenga el aparato en funcionamiento sin colocar comida en su interior durante 6 horas y no abra la puerta, a menos que sea absolutamente necesario.
- El cambio de temperatura causado por abrir y cerrar la puerta mientras se usa el aparato normalmente puede provocar condensación en los estantes de la puerta/cuerpo y la cristalería colocada en el producto.



Un sonido se escuchará cuando el compresor esté activado. Es normal que el aparato haga ruido incluso si el compresor no está funcionando, ya que el líquido y el gas pueden estar comprimidos en el sistema de refrigeración.



Es normal que los bordes delanteros del refrigerador se sientan cálidos. Estas áreas están diseñadas para calentarse con el fin de evitar la condensación.



Para algunos modelos, el panel indicador se apaga automáticamente 1 minuto después de que se cierra la puerta. Se reactivará cuando se abra la puerta o se presione cualquier botón.

5.3 Clase climática y definiciones

Consulte la clase climática en la placa de características de su dispositivo. Una de las siguientes informaciones es aplicable a su dispositivo según la clase climática.

- **Número de serie:** Clima templado a largo plazo: Este dispositivo de refrigeración está diseñado para su uso a temperaturas ambiente entre 10 °C y 32 °C.
- **NORTE:** Clima templado: Este dispositivo de refrigeración está diseñado para su uso a temperaturas ambiente entre 16°C y 32 °C.
- **ST:** Clima subtropical: Este dispositivo de refrigeración está diseñado para su uso a temperaturas ambiente entre 16°C y 38°C.
- **T:** Clima tropical: Este dispositivo de refrigeración está diseñado para su uso a temperaturas ambiente entre 16°C y 43°C.

6 Funcionamiento del producto



¡Primero lea la sección de "Instrucciones de Seguridad"!

- Para agilizar la operación de descongelación, no utilice ninguna herramienta mecánica ni ninguna otra que no sea la recomendada por el fabricante.
- Las partes del frigorífico tales como la puerta y los cajones no se deben utilizar como soporte ni como escalón. Esto podría causar que el aparato se vuelque o que se dañen sus componentes.
- El aparato se utilizará solamente para almacenar alimentos.

- Cierre la válvula de agua si estará fuera de casa (por ejemplo, de vacaciones) y no utilizará el Icematic o el dispensador de agua durante un largo período de tiempo. En caso contrario, pueden producirse fugas de agua.

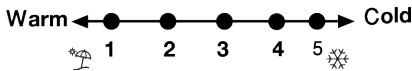
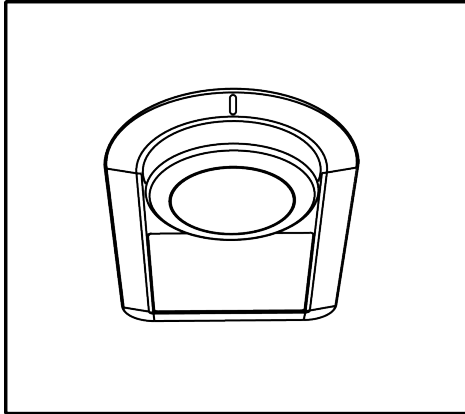
Pausando el programa

- Si no va a utilizar el aparato durante mucho tiempo, desenchúfelo de la toma de corriente.
- Retire la comida para evitar olores.
- Espere a que se derrita el hielo, limpie el interior y déjelo secar, deje las puertas abiertas para no dañar los plásticos internos de la carrocería.

7 Uso de su electrodoméstico

7.1 Panel de Control del Producto

La temperatura de funcionamiento se establece mediante el control de temperatura.



1=Configuración de refrigeración más baja (configuración más cálida)

4=Configuración de refrigeración más alta (configuración más fría)

La temperatura media en el interior del compartimento frigorífico debe rondar los +5°C.

Seleccione un ajuste basado en la temperatura deseada.

Tenga en cuenta que habrá diferentes temperaturas en el área de enfriamiento.

La zona más fría está justo encima del cajón para verduras.

La temperatura interior también depende de la temperatura ambiente, la frecuencia con la que se abre la puerta y la cantidad de alimentos almacenados en el frigorífico.

La apertura frecuente de la puerta hace que aumente la temperatura interna.

Por lo tanto, se recomienda cerrar la puerta lo antes posible después de abrirla por cualquier motivo.

7.2 Almacenamiento de alimentos en el compartimento de la nevera

Almacenamiento de alimentos en el compartimento de la nevera

- La temperatura del compartimento aumenta considerablemente si la puerta del compartimento se abre y se cierra con frecuencia y se mantiene abierta durante mucho tiempo, lo que puede reducir la vida útil de los alimentos y hacer que se estropeen.
- Para que no se produzcan cambios de olor y sabor, los alimentos deben almacenarse en los recipientes cerrados.
- No almacene demasiados alimentos en el refrigerador. Para conseguir un enfriamiento mejor y homogéneo, coloque los alimentos por separado de forma que el aire frío pueda circular por ellos.
- Proporcione un flujo de aire dejando un espacio entre los alimentos y la pared interna. Si apoya los alimentos contra la pared posterior, éstos pueden congelarse.
- Lleve los alimentos calientes cocinados a la temperatura ambiente antes de colocarlos en el refrigerador. A continuación, puede colocar la comida tibia en los estantes inferiores de su refrigerador. No coloque las comidas tibias cerca de los alimentos que pueden estropearse fácilmente.
- Descongele los alimentos congelados en el compartimento de alimentos frescos. De este modo, podrá enfriar el compartimento de alimentos frescos con los congelados y ahorrar energía.
- Almacenar las frutas tropicales no maduras (mango, variedades de melón, papaya, plátano, piña) en el refrigerador puede acelerar el proceso de maduración. Esto no es recomendable porque acortaría el tiempo de almacenamiento.
- Las cebollas, los ajos, los jengibres y otras hortalizas de raíz deben almacenarse en condiciones de oscuridad y en cámaras frigoríficas, no en el refrigerador.
- Si observa que un alimento se ha estropeado en el refrigerador, tire ese alimento y limpie los accesorios que hayan estado en contacto con él.
- Para enfriar rápidamente las comidas como sopas y guisos, que se cocinan en las ollas grandes, puedes ponerlas en la refrigerador separándolas en sus propios recipientes poco profundos.
- No coloque alimentos sin envasar cerca de los huevos.
- Guarda las frutas y verduras por separado y almacena cada variedad junta (por ejemplo; las manzanas con las manzanas, las zanahorias con las zanahorias)
- Saca las verduras verdes de la bolsa de plástico y colócalas en el refrigerador después de envolverlas en una toalla de papel o un paño para secarlas. Si lavas este tipo de alimentos antes de meterlos en la refrigerador, recuerda secarlos.
- Puede crear un ambiente húmedo y proporcionar un flujo de aire guardando las frutas y verduras, que son propensas a secarse, en las bolsas de plástico perforadas o sin cerrar.
- Excepto en los casos en los que se den circunstancias extremas en el entorno, si su producto (en la tabla de valores recomendados) está ajustado a los valores de ajuste especificados, los alimentos mantienen su frescura durante más tiempo tanto en el compartimento de productos frescos como en el del congelador.

Almacene los alimentos en los diferentes lugares según sus propiedades:	
Alimentos	Ubicación
Huevo	Estante de puerta
Productos lácteos (mantequilla, queso)	Si está disponible, compartimento de grado cero (para alimentos de desayuno)
Frutas, verduras y hortalizas	Compartimento para frutas y verduras, cajón de verduras o Compartimento EverFresh+ (si está disponible)
Carne fresca, aves, pescado, embutidos, etc. Alimentos cocinados	Si está disponible, compartimento de grado cero (para alimentos de desayuno)
Alimentos listos para servir, productos envasados, alimentos enlatados y encurtidos	Estantes superiores o estante de la puerta
Bebidas, botellas, especias y aperitivos	Estante de puerta

Almacenamiento de alimentos en el compartimento del congelador

- Puede activar la función de congelación rápida 4-6 horas antes de la función de congelación y realizar un enfriamiento más rápido.
- Lleve las comidas calientes a la temperatura ambiente antes de colocarlas en el compartimento del congelador.
- Los alimentos que se van a congelar deben dividirse en porciones según el tamaño que se va a consumir, y congelarse en paquetes separados.
- Se recomienda empaquetar los alimentos antes de colocarlos en el congelador.
- Para evitar la caducidad del tiempo de almacenamiento, escriba en el envase la fecha de congelación, la hora y el nombre del producto según los tiempos de almacenamiento de los diferentes alimentos.
- Consuma rápidamente los alimentos que haya descongelado. Los alimentos descongelados no pueden volver a congelarse si no se cocinan. No es seguro consumir los alimentos frescos recongelados sin cocinar una vez descongelados.
- Al congelar alimentos frescos, no los ponga en contacto con alimentos ya congelados. De lo contrario, los alimentos congelados se descongelarán.

Guardar comida ya congelada

- Siga siempre las instrucciones del productor en relación con el tiempo de conservación de los alimentos. No sobrepase el tiempo especificado en estas instrucciones.
- Para proteger la calidad de los alimentos, mantenga el intervalo de tiempo entre la transacción de compra y el almacenamiento lo más corto posible.
- Compre los alimentos congelados que se almacenan a -18 °C o a temperaturas inferiores.
- Evite comprar alimentos cuyos envases estén cubiertos de hielo, etc. Esto significa que el producto podría estar parcialmente descongelado y vuelto a congelar. La temperatura influye en la calidad de los alimentos.
- No sobrepase el tiempo de almacenamiento recomendado por el productor del alimento. Saque del congelador sólo los alimentos que necesite.
- Excepto en los casos en los que se den circunstancias extremas en el entorno, si su producto (en la tabla de valores recomendados) está ajustado a los valores de ajuste especificados, los alimentos mantienen su frescura durante más tiempo tanto en el compartimento de productos frescos como en el del congelador.
- Si el compartimento de productos frescos se ajusta a una temperatura más baja, las frutas y verduras frescas pueden congelarse parcialmente.

Tabla de valores de ajuste recomendados

Configuración del congelador	Ajuste del frigorífico	Observaciones
-22 °C	4 °C	Este es el ajuste predeterminado y recomendado. Este ajuste se recomienda si la temperatura ambiente es inferior a 30 °C.
-20 °C	6 °C	Este ajuste se recomienda si la temperatura ambiente es superior a 25 °C.
Quick Freeze	4 °C	Úselo cuando desee congelar su comida en poco tiempo. Al finalizar el proceso, volverá a su posición anterior.

Detalles del congelador

Según la norma IEC 62552, el congelador debe tener capacidad para congelar 4,5 kg de alimentos a -18°C o a temperaturas inferiores a 25°C de temperatura ambiente en 24 horas por cada 100 litros de volumen del compartimento de congelación.

Los alimentos solo se pueden conservar durante períodos prolongados a una temperatura inferior o igual a -18 °C.

Puede mantener los alimentos frescos durante meses (en el congelador a temperaturas inferiores a -18 °C).

Los alimentos a congelar no deben ponerse en contacto con los alimentos ya congelados en el interior para evitar la descongelación parcial.

Hiera las vegetales y filtre el agua para prolongar el tiempo de almacenamiento congelado. Coloque los alimentos en envases herméticos después de la filtración y en el congelador. Los plátanos, tomates, lechuga, apio, huevos, patatas y alimentos similares no se deben congelar. En caso de que estos alimentos se congelen, sólo se verán afectados negativamente los valores nutricionales y las cualidades alimentarias. No se trata de una putrefacción que ponga en peligro la salud humana.

Colocación de los alimentos

Estantes del congelador: Diferentes alimentos congelados como carne, pescado, helados, verduras, etc.

Estantes del frigorífico: Alimentos dentro de ollas, placa cerrada, cajas neveras, huevos (en envase tapado)

Estantes de la puerta del frigorífico: Alimentos o bebidas pequeños y embalados

Cajón de las verduras: Verduras y frutas

Compartimento de alimentos frescos:

Carnes frías (comida para el desayuno, aparatos cárnicos que se consumen en un corto plazo)

7.3 Cajón de frutas y verduras

El cajón para verduras del frigorífico está diseñado para mantener las verduras frescas preservando su humedad. Para ello, se intensifica la circulación de aire frío en el cajón. Mantenga las frutas y vegetales en este compartimento. Mantenga las vegetales y frutas de hojas verdes por separado para prolongar su vida.

7.4 Cajón para frutas y verduras con control de humedad

Everfresh

Con la función de cajón para frutas y verduras con control de humedad, la humedad de las verduras y frutas se mantiene bajo control y los alimentos se mantienen frescos durante más tiempo.

Recomendamos que coloque verduras de hojas como lechuga, espinacas y verduras similares que son sensibles a la pérdida de humedad en el cajón para verduras, no en posición vertical sobre sus raíces, sino lo más horizontal posible.

A la hora de colocar las verduras, ponga las pesadas y duras en el fondo y las ligeras y blandas en la parte superior, considerando los pesos específicos de las verduras.

Nunca deje verduras en bolsas de plástico en el cajón para verduras. El hecho de dejarlas en bolsas de plástico hace que las verduras se pudran en poco tiempo.

Cuando no se prefiera el contacto con otras verduras, utilice materiales de envasado, como el papel, que tienen un cierto nivel de porosidad en términos de higiene. No ponga las frutas que producen gran cantidad de gas etileno, tales como la pera, el albaricoque, el melocotón y sobre todo la manzana, en el mismo cajón con otras verduras y frutas. El gas etileno procedente de estas frutas puede hacer que otras verduras y frutas maduren más rápido y que se pudran en un periodo de tiempo más corto.

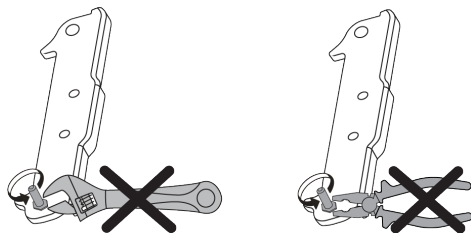
7.5 Área de almacenamiento en frío de productos lácteos

Cajón de almacenamiento en frío

El cajón de almacenamiento en frío puede alcanzar temperaturas más bajas en el compartimento frigorífico. Utilice este cajón para productos delicatessen (salami, salchichas, etc.) y productos lácteos que requieran condiciones de conservación más frías, o para carne, pollo o pescado de consumo rápido. No es adecuado almacenar frutas y verduras en este cajón.

7.6 Inversión del lado de apertura de la puerta

El lado de apertura de la puerta de su refrigerador se puede invertir según el lugar donde lo coloque. Cuando lo necesite, definitivamente debe llamar al Servicio Autorizado más cercano.



7.7 Alarma de puerta abierta

En función del modelo, la alarma de puerta abierta del frigorífico puede variar.

Versión 1;

Si la puerta del aparato permanece abierta entre 60 y 120 segundos, sonará una señal acústica de advertencia; según el modelo del aparato, también puede aparecer una señal visual de advertencia (parpadeo de la luz). Si cierra la puerta del aparato o pulsa un botón de su pantalla, en su caso, el sonido de advertencia se detendrá.

Versión 2;

Si la puerta del aparato permanece abierta entre 60 y 120 segundos, sonará la alarma de puerta abierta. La alarma de puerta abierta suena gradualmente. Primero, empieza a sonar una alarma sonora. Al cabo de 4 minutos, si la puerta sigue sin cerrarse, se activa una advertencia visual (parpadeo de la iluminación). La alarma de puerta abierta se retrasará durante un cierto periodo de tiempo (entre 60 s y 120 s) cuando se pulse cualquier tecla de la pantalla del aparato, si la hubiera. A continuación, el proceso se iniciará de nuevo. Cuando se cierre la puerta del aparato, se cancelará la alarma de puerta abierta.

7.8 Sustitución de la lámpara de iluminación

Llame al Servicio Autorizado cuando la Bombilla/LED utilizada para la iluminación de su frigorífico sea reemplazada.

La(s) lámpara(s) utilizada(s) en este aparato no se puede(n) utilizar para la iluminación del hogar. Esta lámpara está pensada para ayudar al usuario a colocar los alimentos en el frigorífico/congelador de forma segura y cómoda.

7.9 aeroflujo

Es un sistema de distribución de aire que proporciona una distribución homogénea de la temperatura. Con la circulación del aire, se asegura la distribución homogénea de la temperatura en el compartimento de almacenamiento de alimentos frescos y las fluctuaciones de temperatura se mantienen en niveles bajos. No se realiza ningún soplo de aire directo sobre los alimentos y esto

ayuda a reducir la pérdida de humedad. Conserva la frescura de los alimentos almacenados en el compartimento de alimentos frescos del frigorífico. De esta forma, tus alimentos se almacenan a temperaturas más estables y se reduce el contac-

to con el aire. Se evita el secado y encogimiento de los alimentos por la pérdida de humedad y se proporciona frescura por más tiempo.

8 Mantenimiento y limpieza



ADVERTENCIA:

En primer lugar, lea la sección "Instrucciones de seguridad".



ADVERTENCIA:

Desenchufe el frigorífico antes de limpiarlo.

- No utilice herramientas afiladas o abrasivas para limpiar el aparato. No utilice materiales como productos de limpieza del hogar, jabón, detergentes, gas, gasolina, diluyente, alcohol, cera, etc.
- Se debe quitar el polvo de la rejilla de ventilación de la parte trasera del aparato al menos una vez al año (sin abrir la tapa). Limpie el aparato con un paño seco.
- Tenga cuidado de mantener el agua lejos de la cubierta de la lámpara y otras partes eléctricas.
- Limpie la puerta con un paño húmedo. Retire todo el contenido para quitar la puerta y las rejillas de la carcasa. Retire las rejillas de la puerta elevándolas hacia arriba. Limpie y seque las estanterías, a continuación, colóquelas de nuevo en su lugar deslizándolas desde arriba.
- No utilice agua clorada ni productos de limpieza en la superficie exterior ni en las partes cromadas del producto. El cloro causará herrumbre en este tipo de superficies metálicas.
- A fin de evitar la deformación de la pieza de plástico y la eliminación de los grabados en la pieza no utilice herramientas afiladas y abrasivas, jabón, materiales de limpieza doméstica, detergentes, gas, gasolina, barniz y sustancias similares. Utilice agua tibia y paño suave para limpiar, y luego seque el aparato.

- En los aparatos que no tienen la función No-Frost, es posible que se produzcan gotas de agua y hielo de un grosor de un dedo en la pared posterior del congelador. No lo limpie, y nunca aplique aceites o materiales similares.
- Utilice un paño de microfibra ligeramente humedecido para limpiar la superficie externa del producto. Las esponjas y otros tipos de trapos de limpieza pueden provocar arañazos.
- Para limpiar todos los componentes removibles durante la limpieza de la superficie interior del producto, lave estos componentes con una solución suave que consista en jabón, agua y carbonato. Llave muy bien y seque. Evite que el agua entre en contacto con los componentes de la iluminación y el panel de control.



¡PRECAUCIÓN!

No utilice vinagre, alcohol para frotar u otros agentes de limpieza a base de alcohol en ninguna de las superficies interiores.

Superficies externas de acero inoxidable

Utilice un producto de limpieza no abrasivo para acero inoxidable y aplíquelo con un paño suave sin pelusas. Para pulir, limpie suavemente la superficie con un paño de microfibra humedecido con agua y use una gamuza de pulido en seco. Siga siempre los hilos del acero inoxidable.

Prevención de olores

El aparato se fabrica libre de cualquier material oloroso. Sin embargo, mantener la comida en secciones inadecuadas y una limpieza inadecuada de las superficies internas puede causar olor.

- Para evitar esto, limpie el interior con agua carbonatada cada 15 días.

- Mantenga los alimentos en recipientes sellados, ya que los microorganismos que surgen de los alimentos guardados en recipientes sin sellar causarán mal olor.
- No guarde alimentos caducados y en mal estado en el frigorífico.

Protección de superficies de plástico

El aceite derramado en las superficies de plástico puede dañar la superficie y debe ser limpiado inmediatamente con agua tibia.

9 Solución de problemas

Revise esta lista antes de contactar con el servicio técnico. Si lo hace, le ahorrará tiempo y dinero. Esta lista incluye quejas frecuentes que no están relacionados con la mano de obra ni materiales defectuosos. Algunas funciones mencionadas en este documento pueden no ser aplicables a su aparato.

El frigorífico no está funcionando.

- El enchufe no está totalmente en la toma. >>> Conéctelo para asentarlo por completo en la toma.
- El fusible conectado a la toma de corriente del aparato o el fusible principal está fundido. >>> Compruebe el fusible.

Condensación en la pared lateral del compartimento frigorífico (MULTI ZONE, COOL CONTROL y FLEXI ZONE).

- La puerta se abre con demasiada frecuencia. >>> Tenga cuidado de no abrir la puerta del aparato con demasiada frecuencia.
- El medio ambiente es demasiado húmedo. >>> No instale el aparato en ambientes húmedos.
- Los alimentos que contienen líquidos se mantienen en sus envases sin sellar. >>> Mantenga los alimentos que contengan líquidos en envases sellados.
- La puerta del aparato se deja abierta. >>> No mantenga la puerta del aparato abierta durante largos periodos.

- El termostato está ajustado a una temperatura muy fría. >>> Ajuste el termostato a un nivel apropiado.

El compresor no está funcionando.

- En caso de fallo de corriente repentino o tirando del enchufe de corriente y poniéndolo de nuevo, la presión del gas en el sistema de refrigeración del aparato no será equilibrada, lo que desencadena la salvaguardia térmica del compresor. El aparato se reiniciará después de aproximadamente 6 minutos. Si el aparato no se reinicia después de este período, póngase en contacto con el servicio.
- La descongelación está activa. >>> Esto es normal para un aparato de descongelación completamente automático. La descongelación se realiza periódicamente.
- El aparato no está enchufado. >>> Asegúrese de que el cable de corriente esté enchufado.
- El ajuste de la temperatura es incorrecto. >>> Seleccione el ajuste adecuado de la temperatura.
- No hay energía eléctrica. >>> El aparato continuará funcionando con normalidad una vez que se restablezca la corriente.

El ruido de funcionamiento del frigorífico aumenta mientras está en uso.

- El desempeño operativo del aparato puede variar en función de las variaciones de la temperatura ambiente. Esto es normal y no indica mal funcionamiento.

El frigorífico funciona demasiado a menudo o por demasiado tiempo.

- El nuevo aparato puede ser más grande que el anterior. Los aparatos de mayor tamaño se ejecutarán por períodos más largos.
- La temperatura ambiente puede ser alta. >>> El aparato normalmente funciona durante largos períodos a mayor temperatura de la habitación.
- El aparato puede haber sido conectado recientemente o un nuevo alimento fue colocado en su interior. >>> El aparato tardará más en alcanzar la temperatura fijada cuando es enchufado recientemente o si un nuevo alimento se coloca en el interior. Esto es normal.
- Grandes cantidades de alimentos calientes pueden haber sido colocados recientemente en el aparato. >>> No coloque alimentos calientes dentro del aparato.
- Las puertas se abren frecuentemente o se mantienen abiertas durante largos períodos. >>> El aire caliente que se mueve adentro hará que el aparato funcione más tiempo. No abra las puertas con demasiada frecuencia.
- La puerta del congelador o del frigorífico puede estar abierta. >>> Compruebe que las puertas estén completamente cerradas.
- Es posible que el aparato esté configurado a una temperatura demasiado baja. >>> Ajuste la temperatura a un grado más alto y espere a que el aparato alcance la temperatura ajustada.
- La arandela de la puerta del frigorífico o el congelador puede estar sucia, desgastada, rota o mal instalada. >>> Limpie o cambie el sello. Una arandela de la puerta dañada / agrietada hará que el aparato funcione durante períodos más largos para preservar la temperatura actual.

La temperatura del congelador es muy baja, pero la temperatura del frigorífico es adecuada.

- La temperatura del compartimento congelador se establece a un grado muy bajo. >>> Ajuste la temperatura del compartimento del congelador a un grado más alto y vuelva a intentarlo.

La temperatura del enfriador es muy baja, pero la temperatura del congelador es adecuada.

- La temperatura del compartimento congelador se establece a un grado muy bajo. >>> Ajuste la temperatura del compartimento frigorífico a un grado más alto y verifique nuevamente.

Los alimentos guardados en los cajones del compartimento de refrigeración se congelan.

- La temperatura del compartimento congelador se establece a un grado muy bajo. >>> Ajuste la temperatura del compartimento frigorífico a un grado más alto y verifique nuevamente.

La temperatura en el frigorífico o el congelador es demasiado alta.

- La temperatura del compartimento del congelador se establece a un grado muy bajo. >>> El valor de la temperatura del compartimento de refrigeración tiene un efecto sobre la temperatura en el compartimento congelador. Espere hasta que la temperatura de las partes pertinentes alcancen el nivel suficiente cambiando la temperatura del frigorífico o del congelador.
- Las puertas se abren frecuentemente o se mantienen abiertas durante largos períodos. >>> No abra las puertas con demasiada frecuencia.
- La puerta puede estar abierta. >>> Cierre la puerta por completo.
- El aparato puede haber sido conectado recientemente o un nuevo alimento fue colocado en su interior. >>> Esto es normal. El aparato tardará más en alcanzar

la temperatura fijada fue enchufado recientemente o si un nuevo alimento se coloca en el interior.

- Grandes cantidades de alimentos calientes pueden haber sido colocados recientemente en el aparato. >>> No coloque alimentos calientes dentro del aparato.

Ruido o agitación.

- La superficie no es plana ni duradera >>> Si el aparato tiembla cuando se mueve lentamente, ajuste los soportes para equilibrar el producto. También asegúrese de que el suelo sea lo suficientemente resistente para soportar el aparato.
- Cualquier artículo colocado sobre el aparato pueden causar ruido. >>> Retire todos los objetos colocados sobre el aparato.
- El aparato está haciendo ruido de flujo de líquido, rociado, etc.
- Los principios de funcionamiento del aparato implican flujos de líquido y gas. >>> Esto es normal y no indica mal funcionamiento.

Hay sonido del viento que sopla procedente del aparato.

- El aparato utiliza un ventilador para el proceso de enfriamiento. Esto es normal y no indica mal funcionamiento.

Hay condensación en las paredes internas del aparato.

- El clima caliente o húmedo aumentarán la formación de hielo y de condensación. Esto es normal y no indica mal funcionamiento.
- Las puertas se abren frecuentemente o se mantienen abiertas durante largos períodos. >>> No abra las puertas con demasiada frecuencia, si están abiertas, ciérrelas.
- La puerta puede estar abierta. >>> Cierre la puerta por completo.

Hay condensación en el exterior del aparato o entre las puertas.

- Puede ser por que el clima ambiental sea húmedo, esto es bastante normal en ambientes húmedos. >>> La condensación se disipará cuando se reduzca la humedad.

El interior huele mal.

- El aparato es limpiado regularmente. >>> Limpie el interior con regularidad utilizando una esponja, agua caliente y agua carbonatada.
- Ciertos envases y materiales de embalaje pueden causar olor. >>> Utilice envases y materiales de embalaje que sean exentos de olores.
- Los alimentos se colocan en envases no sellado. >>> Mantenga los alimentos en envases sellados. Los microorganismos pueden propagarse fuera de los alimentos sin sellar y causar mal olor.
- Retire todos los alimentos caducados o en mal estado del aparato.

La puerta no se cierra.

- Los paquetes de alimentos pueden estar bloqueando la puerta. >>> Cambie de lugar los elementos que bloquean las puertas.
- El aparato no está en posición vertical sobre la base. >>> Ajuste los soportes para equilibrar el aparato.
- La superficie no es plana ni duradera >>> Asegúrese de que la superficie sea plana y lo suficientemente duradera para soportar el producto.

El cajón de verduras está atascado.

- Los alimentos pueden estar en contacto con la parte superior del cajón. >>> Reorganice los alimentos en el cajón.

Temperatura en la superficie del producto.

- Se pueden observar altas temperaturas entre las dos puertas, en los paneles laterales y en la parrilla trasera mientras el aparato está en funcionamiento. Esto es normal y no requiere servicio.

El ventilador sigue funcionando cuando la puerta está abierta.

- El ventilador puede seguir funcionando cuando la puerta del congelador está abierta.



ADVERTENCIA: Si el problema persiste después de seguir las instrucciones de esta sección, póngase en contacto con su vendedor o un Servicio Autorizado. No trate de reparar el aparato. Esto es normal.

DESCARGO DE RESPONSABILIDAD / ADVERTENCIA

Algunas averías (simples) pueden ser manejadas adecuadamente por el usuario final sin que surja ningún problema de seguridad o uso inseguro, siempre que se realicen dentro de los límites y de acuerdo con las siguientes instrucciones (véase la sección "Autorreparación").

Por lo tanto, a menos que se autorice lo contrario en la sección "Autorreparación", las reparaciones deberán dirigirse a reparadores profesionales registrados para evitar problemas de seguridad. Un reparador profesional registrado es aquel al que el fabricante ha concedido acceso a las instrucciones y la lista de piezas de repuesto de este aparato de acuerdo con los métodos descritos en los actos legislativos de conformidad con la Directiva 2009/125/CE.

Sin embargo, solo el agente de servicio (es decir, reparadores profesionales autorizados) al que pueda comunicarse a través del número de teléfono proporcionado en el manual del usuario/tarjeta de garantía oa través de su distribuidor autorizado puede brindarle servicio bajo los términos de la garantía. Por lo tanto, tenga en cuenta que las reparaciones realizadas por reparadores profesionales (que no están autorizados por Beko) anularán la garantía.

Auto-reparación

El usuario final puede realizar la reparación por sí mismo con respecto a las siguientes piezas de repuesto: manijas de las puertas, bisagras de las puertas, bandejas, cestas y juntas de las puertas (también está disponible una lista actualizada support.beko.com a partir del 1 de marzo de 2021).

Además, para garantizar la seguridad del aparato y evitar el riesgo de lesiones graves, la autorreparación mencionada debe realizarse siguiendo las instrucciones del manual de usuario para autorreparación o que están disponibles en support.beko.com. Por su seguridad, desenchufe el aparato antes de intentar cualquier autoreparación.

Los intentos de reparación por parte de los usuarios finales de piezas no incluidas en dicha lista y/o que no sigan las instrucciones de los manuales de usuario para la auto-reparación o que están disponibles en support.beko.com, podrían dar lugar a problemas de seguridad no imputables a Beko, y anularán la garantía del aparato.

Por lo tanto, se recomienda encarecidamente a los usuarios finales que se abstengan de intentar llevar a cabo reparaciones que queden fuera de la mencionada lista de piezas de repuesto, poniéndose en contacto en tales casos con reparadores profesionales autorizados o con reparadores profesionales registrados. Por el contrario, tales intentos por parte de los usuarios finales pueden causar problemas de seguridad y dañar el aparato y, posteriormente, provocar un incendio, una inundación, una electrocución y lesiones personales graves.

A modo de ejemplo, pero no limitado a, las siguientes reparaciones deben dirigirse a reparadores profesionales autorizados o reparadores profesionales registrados: compresor, circuito de refrigeración, placa principal, placa inverter, placa de visualización, etc.

El fabricante/vendedor no se hace responsable en ningún caso en el que los usuarios finales no cumplan con lo anterior.

La disponibilidad de repuestos del frigorífico que compró es de 10 años. Durante este período, los repuestos originales estarán disponibles para operar el frigorífico correctamente.

La duración mínima de la garantía del refrigerador que ha comprado es de 24 meses. Este aparato está equipado con una fuente de iluminación de clase energética "G".

La fuente de iluminación de este aparato solo debe ser reemplazada por un reparador profesional.

Ver también

2 DISCLAIMER / WARNING [} 25]

Primeiro deve ler este manual!

Caro Cliente,

Deve ler este manual antes de utilizar o produto.

Agradecemos ter escolhido este produto Beko . Gostaria de obter uma eficiência ótima deste produto de alta qualidade que foi fabricado com a tecnologia mais moderna. Para o fazer, deve ler cuidadosamente este manual e qualquer outra documentação fornecida antes de utilizar o produto e manter a mesma como uma referência.

Deve prestar atenção a toda a informação e todas as advertências no manual do utilizador. Desta forma, irá proteger-se a si mesmo e ao seu produto contra os perigos que podem ocorrer.

Guardar o manual do utilizador. Deve incluir este manual com a unidade caso o produto seja cedido a outra pessoa.

São usados os símbolos seguintes no manual do utilizador:



Risco que pode resultar em morte ou lesões.



Informações importantes ou dicas úteis sobre o funcionamento.







Ler o manual do utilizador.



Material combustível, advertência contra risco de incêndio.

OBSERVAÇÃO Um risco que pode causar danos materiais ao produto ou ao seu redor

 ENERGY 	A informação do modelo tal como está guardada na base de dados do produto pode ser acedida entrando no seguinte sítio web e procurando o seu identificador de modelo (*) encontrado na etiqueta energética. https://eprel.ec.europa.eu/
SUPPLIER'S NAME MODEL IDENTIFIER → (*)	
	

	7.9	AeroFlow	73
1		Instruções de segurança	54
1.1		Uso a que se destina	54
1.2		Segurança de crianças, pessoas vulneráveis e animais de estimação	54
1.3		Segurança elétrica.....	55
1.4		Segurança de manuseamento	56
1.5		Segurança da instalação	56
1.6		Segurança de funcionamento	59
1.7		Segurança de armazenamento dos alimentos	61
1.8		Segurança da manutenção e limpeza.....	62
1.9		Eliminação do produto usado	63
2		Instruções ambientais.....	63
2.1		Em conformidade com a Diretiva REEE e Eliminação de Resíduos:..	63
3		O seu frigorífico	64
4		Instalação	65
4.1		Lugar correto para a instalação ...	65
4.2		Ligação elétrica	65
4.3		Fixar as cunhas de plástico	66
4.4		Ajustar os pés.....	66
4.5		Advertência de superfície quente.	66
5		Preparação	66
5.1		O que fazer para poupar energia..	66
5.2		Primeira utilização	67
5.3		Classe climática e definições.....	67
6		Funcionar com o produto	68
7		Uso do seu aparelho	68
7.1		Painel de controlo de produto	68
7.2		Guardar alimentos no compartimento do congelador.....	69
7.3		Gaveta para frescos	71
7.4		Gaveta para frescos com humidade controlada	71
7.5		Zona de armazenamento de produtos láteos frios.....	72
7.6		Inverter o lado de abertura da porta	72
7.7		Alerta de porta aberta	72
7.8		Substituição da lâmpada Iluminação	73
8		Manutenção e limpeza.....	73
9		Resolução de problemas.....	74

1 Instruções de segurança

Esta secção inclui as instruções de segurança necessárias para prevenir risco de lesões e danos materiais.

A nossa empresa não será considerada responsável por danos que possam ocorrer caso estas instruções não sejam seguidas.

A instalação e reparação devem ser sempre realizadas por Assistência Autorizada.

Utilizar apenas peças de substituição e acessórios originais.

As peças de substituição serão fornecidas durante 10 anos após a data de compra do produto.

Não reparar ou substituir qualquer componente do produto exceto se especificamente mencionado no manual do utilizador.

Não realizar quaisquer modificações no produto.

1.1 Uso a que se destina

Este produto não é adequado para uso comercial e não deve ser usado exceto para o fim a que se destina. Estes produtos é

destinado a ser usado no interior, em habitações e espaços similares.

Por exemplo:

- Nas cozinhas do pessoal de estabelecimentos comerciais e outros ambientes de trabalho,
- Em casa rurais,
- Em unidades hoteleiras, motéis ou outras instalações de lazer que são utilizadas por clientes,
- Em hostels e alojamentos similares,
- Em serviços de restauração e grossistas similares.

Este produto não deve ser usado em ambientes exteriores fechados ou abertos como navios, varandas ou terraços. Expor o produto à chuva, neve, sol e vento pode causar perigo elétrico.

1.2 Segurança de crianças, pessoas vulneráveis e animais de estimação

- Este produto pode ser usado por crianças a partir de 8 anos e mais e por pessoas com capacidades físicas, sensoriais ou mentais

reduzidas ou com falta de experiência e conhecimento se lhes tiver sido dada a supervisão ou tiver sido dada instrução relativamente ao uso do produto de uma forma segura e entender os riscos envolvidos.

- Crianças entre 3 e 8 anos podem colocar e retirar alimentos de/para do frigorífico.
- Os produtos elétricos são perigosos para as crianças e para os animais domésticos. As crianças e os animais de estimação não podem brincar, trepar ou entrar dentro do produto.
- A limpeza e manutenção do utilizador não deve ser feita por crianças a menos que sejam supervisionadas.
- Manter o material de embalagem afastado do alcance das crianças. Risco de lesão ou asfixia

Antes de eliminar os produtos antigos que já não devem ser usados:

1. Desligar o cabo de alimentação da tomada elétrica.
2. Cortar o cabo de alimentação e remover o mesmo do aparelho em conjunto com a ficha.

3. Não remover as prateleiras e as gavetas do produto de modo a impedir que as crianças entrem para dentro do mesmo.
 4. Remover as portas.
 5. Armazenar o produto de modo que não possa ser tombado.
 6. Não permitir que as crianças brinquem com o produto desmontado.
- Não eliminar o produto colocando-o no fogo. Risco de explosão.
 - Se existir algum fecho na porta do produto, deve manter a chave longe do alcance das crianças.



1.3 Segurança elétrica

- O produto não deve ser ligado à tomada durante as operações de instalação, manutenção, limpeza, reparação e transporte.
- Se o cabo de alimentação estiver danificado, deve ser substituído pela assistência autorizada apenas para evitar qualquer risco que possa ocorrer.
- Não dobrar o cabo de alimentação por baixo do produto ou na parte de trás do produto. Não colocar objetos pesados em cima do cabo de

alimentação. O cabo de alimentação não pode ser dobrado, esmagado ou entrar em contacto com qualquer fonte de calor.

- Não usar um cabo de extensão, uma extensão múltipla ou um adaptador para operar com o seu produto.
- As tomadas múltiplas portáteis ou as fontes de alimentação portáteis podem sobreaquecer ou provocar um incêndio. Portanto, não colocar uma extensão múltipla atrás ou junto ao produto.
- A ficha deve estar facilmente acessível. Se isso não for possível, deve estar disponível na instalação elétrica um mecanismo que esteja em conformidade com a legislação e que desligue todos os terminais da corrente elétrica (fusível, disjuntor, disjuntor geral, etc.).
- Não tocar na ficha com as mãos molhadas.
- Quando desligar o aparelho, não segurar no cabo de alimentação, mas na ficha.



1.4 Segurança de manuseamento

- Assegurar que desliga o aparelho antes de transportar o produto.
- Este produto é pesado, não o deve manusear sozinho. Podem ocorrer lesões se o produto cair em cima de si. Não colidir com os espaços ou deixar cair o produto enquanto o transporta.
- Fechar sempre as portas e não segurar o produto pelas portas do mesmo enquanto o transporta.
- Ter o cuidado de não danificar o sistema de refrigeração e as tubagens quando estiver a manusear o produto. Não operar o produto se a tubagem estiver danificada e deve contactar a assistência autorizada.



1.5 Segurança da instalação

- Contactar a Assistência Autorizada para a instalação do produto. Para preparar o produto para utilização, consultar a informação no manual do utilizador e assegurar que as ligações elétricas e da água estão conforme é exigido. Se não,

contactar um electricista e um canalizador para fazer as adequações necessárias. O incumprimento do referido pode resultar em choque elétrico, incêndio, problemas com o produto ou lesões.

- O produto é destinado a utilizar em zonas que se encontrem a 2000 metros abaixo do nível do mar.
- Verificar se há algum dano no produto antes de o instalar. Não instalar o produto se estiver danificado.
- Usar sempre o equipamento de proteção individual (luvas, etc.) durante a instalação, manutenção e reparação do produto. Risco de lesões!
- Colocar o produto numa superfície dura, nivelada e limpa e equilibrar o mesmo com os pés ajustáveis (rodando o pé da frente para a direita ou para a esquerda). Caso contrário, o frigorífico pode-se tombar e provocar lesões.
- O produto deve ser instalado num espaço seco e ventilado. Não manter carpetes, tapetes ou revestimentos similares do pavimento por baixo do produto. Isso pode provocar

um incêndio em consequência de uma ventilação não adequada!

- Não bloquear os orifícios de ventilação. Caso contrário, o consumo de energia aumenta e o seu produto pode ficar danificado.
- Quando colocar o produto, assegurar que o cabo de alimentação não está danificado ou comprimido.
- O produto não deve ser ligado a sistemas de alimentação como o fornecimento de energia solar. Caso contrário, o produto pode ficar danificado devido a alterações repentinas de tensão!
- Quanto mais refrigerante um frigorífico tiver, maior deverá ser o espaço para a instalação. Em espaços muito pequenos, pode ocorrer uma mistura de gás-ar inflamável no caso de uma fuga de gás no sistema de refrigeração. É necessário pelo menos 1 m³ de volume por cada 8 gramas de refrigerante. A quantidade de refrigerante disponível no seu produto é especificada na Etiqueta de Classificação.
- O local de instalação do produto não deve estar exposto à luz solar direta e não deve estar junto de uma

fonte de calor como fogões, radiadores, etc. Se não puder evitar a instalação do produto junto de uma fonte de calor, deve usar uma placa de isolamento adequada e a distância mínima da fonte de calor como especificado abaixo:

- Pelo menos 30 cm afastada de fontes de calor como fogões, equipamentos de aquecimento e aquecedores, etc.
- E pelo menos 5 cm afastada de fornos elétricos.
- O seu produto tem a classe de proteção de I.
- Ligar o produto numa tomada com ligação terra que esteja de acordo com os valores de tensão, corrente e frequência especificados na etiqueta de classificação. A tomada deve ter um fusível de 10A - 16A. A nossa empresa não assumirá responsabilidade por quaisquer danos devido à utilização sem ligação da alimentação elétrica em conformidade com os regulamentos locais e nacionais.
- O cabo de alimentação do produto deve ser desligado durante a instalação. Caso contrário, pode ocorrer risco de choque elétrico e de danos!
- Não ligar o cabo de alimentação do produto em tomadas soltas, deslocadas, partidas, sujas e com gordura que podem ter um risco de contacto com água. Estes tipos de ligações podem provocar sobreaquecimento e fogo.
- Colocar o cabo de alimentação e as mangueiras (se existirem) do produto de modo a não provocarem um risco de queda.
- A penetração da humidade e de líquido nas partes ativas ou no cabo de alimentação podem provocar um curto-circuito. Portanto, não usar o produto em espaços húmidos ou em áreas onde a água pode salpicar (por ex. garagem, lavandaria, etc.). Se o frigorífico ficar molhado com água, desligar o mesmo e contactar a assistência autorizada.
- Não ligar o seu frigorífico a dispositivos de poupança de energia. Estes sistemas são nocivos para o produto.

- Há um risco de contacto com peças elétricas quando remover a tampa da placa eletrónica e a tampa traseira do compressor (se colocada). Não remover a tampa da placa eletrónica e a tampa traseira do compressor (se colocada). Há um risco de eletrocussão!

1.6 **Segurança de funcionamento**

- Não usar solventes químicos no produto. Estes materiais implicam um risco de explosão.
- No caso de uma falha do produto, desligar e não operar com o mesmo até que seja reparado pela assistência autorizada. Existe risco de choque elétrico!
- Não colocar uma fonte de chama (por ex. velas, cigarros, etc.) sobre o produto ou próximo do mesmo.
- Não entrar dentro do produto. Risco de queda e de lesões!
- Não provocar danos nas tubagens do sistema de refrigeração quando usar ferramentas afiadas e de perfuração. O refrigerante que é pulverizado no caso de perfuração das tubagens de gás, as extensões das tubagens ou os revestimentos da superfície superior e pode provocar irritação da pele e lesões nos olhos.
- Não colocar e nem operar com aparelhos elétricos dentro dos frigoríficos/congelador exceto se recomendado pelo fabricante.
- Não prender qualquer parte das suas mãos ou corpo em alguma das partes móveis dentro do produto. Ter cuidado para evitar prender os seus dedos entre o frigorífico e a porta respetiva. Ter cuidado quando estiver a abrir ou a fechar a porta se estiver crianças por perto.
- Não colocar gelados, cubos de gelo ou alimentos congelados na boca assim que os retirar do congelador. Risco de queimadura pelo frio!
- Não tocar nas paredes interiores, nas peças metálicas do congelador ou nos alimentos mantidos dentro do congelador com as mãos molhadas. Risco de queimadura pelo frio!
- Não colocar latas e garrafas de refrigerante que contenham líquidos que possam congelar no compartimento do congelador. As garrafas ou as latas podem explodir. Risco de lesões e de danos no material!

- Não usar ou colocar quaisquer substâncias sensíveis à temperatura tais como pulverizadores inflamáveis, objetos inflamáveis, gelo seco, medicamentos ou produtos químicos próximo ou dentro do frigorífico. Risco de incêndio e explosão!
- Não guardar dentro do produto substâncias explosivas como latas de spray com materiais inflamáveis.
- Não colocar latas abertas contendo líquidos sobre o produto. Os salpicos de água sobre uma peça elétrica podem provocar risco de um choque elétrico ou um incêndio.
- Este produto não se destina ao armazenamento e refrigeração de medicamentos, plasma de sangue, preparações laboratoriais ou materiais similares e produtos que estejam sujeitos à Diretiva de Produtos Médicos.
- Se o produto for usado fora do fim a que se destina, isso pode provocar ou deteriorar os produtos mantidos no interior.
- Se o seu frigorífico estiver equipado com luz azul, não olhar para esta luz com dispositivos óticos. Não olhar diretamente para a luz LED UV durante um longo período de tempo. Os raios ultravioleta podem provocar cansaço ocular.
- Não encher o produto com mais conteúdo do que o previsto na respetiva capacidade. Podem ocorrer lesões ou danos se o conteúdo do frigorífico cair quando a porta for aberta. Podem ocorrer problemas similares quando um objeto é colocado sobre o produto.
- Assegurar que removeu qualquer gelo ou água que possa ter caído no chão para evitar lesões.
- Mudar as localizações das prateleiras/prateleiras de garrafas na porta do seu frigorífico somente enquanto as prateleiras estiverem vazias. Perigo de lesões!
- Não colocar objetos que possam cair/tombar sobre o produto. Estes objetos podem cair quando estiver a abrir ou a fechar a porta e provocar lesões e/ou danos no material.
- Não pressionar ou exercer pressão excessiva nas superfícies de vidro. O vidro partido pode provocar lesões e/ou danos materiais.

- O sistema de refrigeração no seu produto contém refrigerante R600a. O tipo de refrigerante usado no produto é especificado na etiqueta de classificação. O gás é inflamável. Portanto, deve ter o cuidado de não danificar o sistema de refrigeração e as tubagens quando estiver a manusear o produto. No caso de danos nas tubagens;
 1. Não tocar o produto ou o cabo de alimentação.
 2. Manter o produto afastado de fontes potenciais de incêndio que possam provocar a ignição do produto.
 3. Ventilar o espaço onde o produto é colocado. Não usar uma ventoinha.
 4. Contactar o serviço autorizado.
- 2. Cortar o cabo de alimentação e remover o mesmo do aparelho em conjunto com a ficha.
- 3. Não remover as prateleiras e as gavetas do produto de modo a impedir que as crianças entrem para dentro do mesmo.
- 4. Remover as portas.
- 5. Armazenar o produto de modo que não possa ser tombado.
- 6. Não permitir que as crianças brinquem com o produto desmontado.
- Não eliminar o produto colocando-o no fogo. Risco de explosão.
- Se existir algum fecho na porta do produto, deve manter a chave longe do alcance das crianças.

Se o produto estiver danificado e observar uma fuga de gás, deve manter-se afastado do gás. O gás pode provocar queimadura de frio se entrar em contacto com a pele.

Antes de eliminar os produtos antigos que já não devem ser usados:

1. Desligar o cabo de alimentação da tomada elétrica.

1.7 **Segurança de armazenamento dos alimentos**

Deve prestar atenção às seguintes advertências para evitar que os alimentos se estraguem:

- Deixar as portas abertas durante um longo período de tempo pode provocar uma subida da temperatura dentro do produto.

- Limpar regularmente os sistemas de escoamento acessíveis que estão em contacto com os alimentos.
- Limpar os reservatórios de água que não forem usados durante 48 horas e os sistemas principais de alimentação de água que não forem usados durante mais de 5 dias.
- Armazenar a carne crua e o peixe nos compartimentos apropriados dentro do produto. De modo a que não pingue ou entre em contacto com os outros alimentos.
- Os compartimentos do congelador de duas estrelas são usados para armazenar alimentos pré-recheados, fazer e armazenar gelo e gelado.
- Os compartimentos de uma, duas e três estrelas não são apropriados para congelar alimentos frescos.
- Se o produto de refrigeração tiver sido deixado vazio durante um longo período de tempo, desligar o produto, descongelar, limpar e secar o produto de modo a proteger a estrutura do mesmo.



1.8 Segurança da manutenção e limpeza

- Não puxar pelo manípulo da porta se pretender deslocar o produto para efeitos de limpeza. O manípulo pode provocar lesões se for puxado com demasiada força.
- Não limpar o produto pulverizando ou despejando água sobre o produto e dentro do produto. Risco de choque elétrico e incêndio.
- Quando limpar o produto, não usar ferramentas afiadas e abrasivas ou soluções de limpeza doméstica, detergente, gás, gasolina, diluente, álcool, verniz e substâncias similares. Usar apenas soluções de limpeza e de manutenção que não sejam nocivas para os alimentos que estão dentro do produto.
- Nunca usar vapor ou materiais de limpeza a vapor para limpar o produto e descongelar o gelo dentro do mesmo. O vapor entra em contacto com as áreas condutoras no seu frigorífico e provoca curto-circuito ou choque elétrico.

- Deve ter cuidado para manter água afastada dos circuitos eletrónicos ou da iluminação do produto.
- Usar um pano limpo e seco para limpar o pó ou materiais estranhos nos terminais ou nas fichas. Não usar um pano molhado ou húmido quando estiver a limpar a ficha. Caso contrário, pode ocorrer risco de incêndio ou de choque elétrico.
- Par impedir que as crianças acidentalmente se fechem dentro do produto, se houver um fecho na porta, deve desativá-lo.
- Os salpicos do refrigerante são nocivos para os olhos. Não deve danificar qualquer parte do sistema de refrigeração enquanto estiver a eliminar o produto.
- O óleo do compressor se for ingerido enquanto estiver a eliminar o produto, pode ser mortal.
- O sistema de refrigeração do seu produto inclui o gás R600a conforme especificado na etiqueta indicadora do tipo. O gás é inflamável. Não eliminar o produto colocando-o no fogo. Risco de explosão!

1.9 Eliminação do produto usado

Quando eliminar o seu produto usado deve seguir as instruções abaixo:

2 Instruções ambientais

2.1 Em conformidade com a Diretiva REEE e Eliminação de Resíduos:



Este produto está em conformidade com a Diretiva UE REEE (2012/19/UE). Este produto possui um símbolo de classificação para resíduos de equipamento elétrico e

eletrónico (REEE).

Este símbolo indica que este produto não deve ser eliminado com outros resíduos domésticos no fim da vida útil. O dispositivo usado deve ser entregue num ponto de recolha oficial para reciclagem de dispositivos elétricos e eletrónicos. Para

encontrar estes sistemas de recolha deve contactar as autoridades locais ou o revendedor onde o produto foi adquirido. Cada família desempenha um papel importante na recuperação e reciclagem de equipamentos usados. A eliminação adequada de aparelhos usados ajuda a evitar possíveis consequências negativas para o meio ambiente e a saúde humana.

Em conformidade com a Diretiva RSP

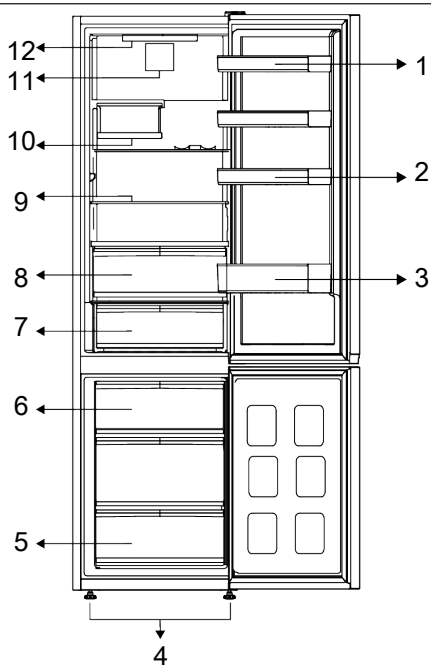
O produto que comprou cumpre com a Diretiva RoHS UE (2011/65/UE). Não contém materiais nocivos e proibidos especificados na Diretiva.



Informação da embalagem

Os materiais de embalagem do produto são fabricados com materiais recicláveis de acordo com os nossos Regulamentos Ambientais Nacionais. Não eliminar os materiais de embalagem, em conjunto com os resíduos domésticos ou outros. Colocá-los nos pontos de recolha de material de embalagem designados pelas autoridades locais.

3 O seu frigorífico



- | | |
|-------------------------------------|-------------------------------------|
| 1 * Prateleiras da porta ajustáveis | 2 * Suporte para ovos |
| 3 * Prateleira para garrafas | 4 * Pés frontais ajustáveis |
| 5 * Compartimento do congelador | 6 * Recipiente de gelo |
| 7 * Gaveta de armazenamento a frio | 8 * Gaveta para frescos |
| 9 * Prateleiras ajustáveis | 10 * Recipiente dobrável para vinho |
| 11 * Ventilador | 12 * Lâmpada de iluminação |

***Opcional:** As imagens neste manual do utilizador são esquemáticas e podem não coincidir com o seu produto. Se o seu produto não incluir peças relevantes, a informação diz respeito a outros modelos.

4 Instalação



Ler primeiro a secção “Instruções de segurança”!

4.1 Lugar correto para a instalação

Contactar a Assistência Autorizada para a instalação do produto. Para preparar o produto para a instalação, consultar a informação no manual do utilizador e assegurar que as ligações elétricas e da água estão conforme é exigido. Se não, contactar um electricista e um canalizador para fazer as adequações necessárias.



ADVERTÊNCIA:

O fabricante não assume qualquer responsabilidade por quaisquer danos causados por trabalho realizado por pessoas não autorizadas.



ADVERTÊNCIA:

O cabo de alimentação do produto deve ser desligado durante a instalação. Não o fazer pode resultar em morte ou lesões graves!



ADVERTÊNCIA:

Se o vão da porta for muito estreito para o produto passar, retirar a porta e voltar o produto de lado; se isso não resultar, contactar a assistência autorizada.

- Colocar o produto numa superfície plana para evitar vibração.
- Colocar o produto afastado pelo menos 30 cm de aquecedor, fogão e fontes de calor similares e pelo menos a 5 cm de fornos elétricos.

- Não expor o produto a luz solar direta ou manter o mesmo em ambientes húmidos.
- Este produto exige circulação de ar adequada para funcionar eficientemente. Se o produto for colocado num nicho, devem ser deixados pelo menos 5 cm de espaço entre o produto e o teto, as paredes traseiras e laterais.
- Verificar se o componente de proteção de espaço da parede traseira está presente na sua localização (se fornecido com o produto).
- Se o componente não estiver disponível, ou se se perder ou cair, posicionar o produto de forma a deixar pelo menos 5 cm de espaço entre o produto e as paredes da divisão. O espaço na parte traseira é importante para o funcionamento eficiente do produto.

4.2 Ligação elétrica



Não usar extensões ou tomadas múltiplas na ligação elétrica.



Cabo de alimentação danificado deve ser substituído pela assistência autorizada.



Ao colocar dois frigoríficos em posição adjacente, deixe pelo menos 4 cm de distância entre as duas unidades.

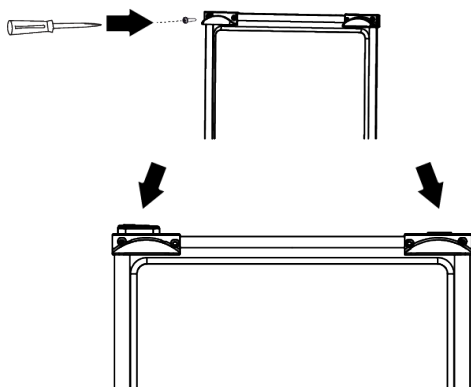
- A nossa empresa não assumirá responsabilidade por quaisquer danos devido à utilização sem ligação da alimentação elétrica e à terra em conformidade com os regulamentos nacionais.

- A ficha do cabo de alimentação deve ser facilmente acessível após a instalação.
- Não usar fichas múltiplas com ou sem cabo de extensão entre a tomada de parede e o frigorífico.

4.3 Fixar as cunhas de plástico

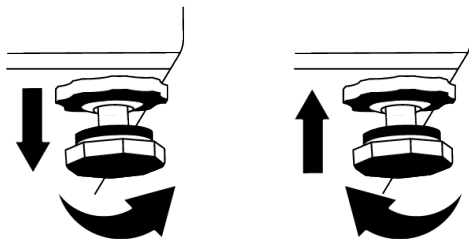
Usar as cunhas de plástico fornecidas com o produto para manter o espaço suficiente para a circulação do ar entre o produto e a parede.

1. Para fixar as cunhas, retirar os parafusos do produto e usar os parafusos fornecidos com as cunhas.
2. Fixar 2 cunhas de plástico na tampa de ventilação, conforme mostrado na figura.



4.4 Ajustar os pés


Se o produto não estiver em posição equilibrada, ajustar os pés frontais ajustáveis rodando-os para a direita ou esquerda.




4.5 Advertência de superfície quente

As paredes laterais do produto encontram-se equipadas com tubos de refrigeração para melhorar o sistema de arrefecimento. O fluido de alta pressão pode fluir através destas superfícies e provocar superfícies quentes nas paredes laterais. Isto é normal e não exige assistência. Deve ter cuidado quando contactar estas zonas.

5 Preparação

 Ler primeiro a secção "Instruções de segurança"!

5.1 O que fazer para poupar energia

 Ligar o produto a sistemas eletrónicos de poupança de energia é prejudicial, pois pode danificar o produto.

- Este aparelho de refrigeração não é destinado a ser usado como aparelho de encastrar.
- Não manter as portas do frigorífico abertas durante longos períodos.
- Não colocar alimentos ou bebidas quentes no frigorífico.
- Não encher demasiado o frigorífico; bloquear o fluxo de ar interior reduzirá a capacidade de arrefecimento.
- Dado que o ar húmido e quente não irá penetrar diretamente no seu produto quando as portas não estão abertas, o seu produto irá otimizar-se em condições suficientes para proteger os seus alimentos. Nestas circunstâncias, as funções e os componentes como o compressor, ventilador, aquecedor, descongelador, iluminação, visor, etc.

irão funcionar de acordo com as necessidades através do consumo mínimo de energia.

- No caso de existirem várias opções, as prateleiras de vidro devem ser colocadas de forma a que as saídas de ar na parede posterior não fiquem bloqueadas, de preferência que as saídas de ar fiquem abaixo da prateleira de vidro. Esta combinação pode ajudar a melhorar a distribuição do ar e a eficiência energética.
- É fortemente recomendado usar a gaveta por baixo quando estiver a armazenar alimentos.
- Dependendo das características do produto; descongelar alimentos congelados no compartimento de refrigeração vai garantir poupança de energia e preservar a qualidade dos alimentos.
- De modo a carregar a quantidade máxima de alimentos no compartimento do congelador do seu frigorífico, as gavetas superiores devem ser retiradas e os alimentos devem ser colocados nas prateleiras de vidro/metálicas.
- Os alimentos devem ser armazenados nas gavetas do compartimento frigorífico, de forma a garantir a poupança de energia e proteger os alimentos em melhores condições.
- As embalagens de alimentos não devem estar em contacto direto com o sensor de temperatura localizado no compartimento do congelador.

5.2 Primeira utilização

Antes de utilizar o seu frigorífico, assegurar que os preparativos necessários são feitos de acordo com as instruções em "Instruções de segurança e meio ambiente" e as secções da "Instalação".

- Manter o produto a funcionar sem colocar quaisquer alimentos durante 6 horas e não abrir a porta, a menos que seja absolutamente necessário.

- A alteração da temperatura provocada pela abertura e fecho da porta enquanto estiver a usar o produto pode normalmente levar à formação de condensação nas prateleiras da porta/interiores e nos utensílios de vidro colocados no produto.



Será ouvido um som quando o compressor for acionado. É normal para o produto fazer ruído mesmo de o compressor não estiver a funcionar, dado poder existir fluído e gás comprimido no sistema de refrigeração.



É normal que as arestas da frente do frigorífico fiquem quentes. Estas áreas são concebidas para aquecer para impedir a condensação.



Em alguns modelos, o painel indicador desliga automaticamente 1 minuto depois de a porta fechar. Será reativado quando a porta for aberta ou qualquer botão for premido.

5.3 Classe climática e definições

Consultar a Classe Climática na placa de classificação do seu aparelho. Uma das informações seguintes é aplicável ao seu aparelho de acordo com a Classe Climática.

- **SN:** Clima temperado longa duração: Este dispositivo foi concebido para usado a temperatura ambiente entre 10 °C e 32°C.
- **N:** Clima temperado: Este dispositivo foi concebido para ser usado a temperatura ambiente entre 16°C e 32°C.
- **ST:** Clima subtropical: Este dispositivo foi concebido para usado a temperatura ambiente entre 16°C e 38°C.
- **T:** Clima tropical: Este dispositivo foi concebido para usado a temperatura ambiente entre 16°C e 43°C.

6 Funcionar com o produto



Ler primeiro a secção "Instruções de segurança"!

- Não usar nenhuma ferramenta mecânica ou qualquer outra ferramenta diferente das recomendações do fabricante para acelerar a operação de descongelamento.
- Não usar peças do frigorífico, tais como a porta ou gavetas, como apoio ou degrau. Isto pode fazer com que o produto tombe ou que os componentes fiquem danificados.
- O produto deve ser usado apenas para armazenar alimentos.

- Fechar a válvula de água se for ficar longe de casa (por ex., nas férias) e não for usar o Icematic ou o dispensador de água durante um longo período de tempo. Caso contrário, podem ocorrer fugas de água.

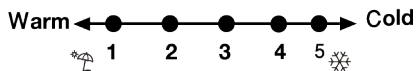
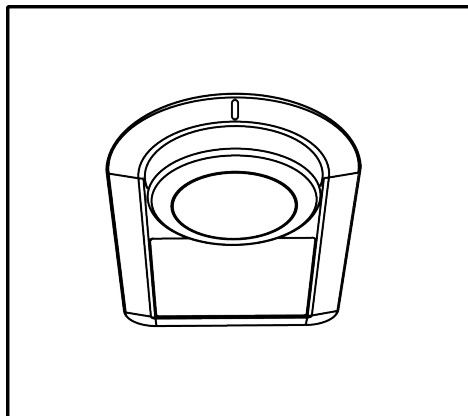
Pausar o programa

- Se não for utilizar o produto durante um longo período de tempo, deve desligar o mesmo da tomada.
- Remover os alimentos para evitar odores.
- Aguardar que o gelo derreta, limpar o interior e deixar que o mesmo seque, deixar as portas abertas para evitar danos nos plásticos da estrutura interior.

7 Uso do seu aparelho

7.1 Painel de controlo de produto

A temperatura de funcionamento é definida através do controlo da temperatura.



1=Definição de refrigeração mais baixa (Definição mais quente)

4=Definição de refrigeração mais alta (Definição mais fria)

A temperatura média dentro do compartimento mais frio deve ser de cerca de +5°C.

Selecionar a definição com base na temperatura pretendida.

Ter em atenção que existirão temperaturas diferentes na zona de refrigeração.

A zona mais fria é imediatamente acima da gaveta para frescos.

A temperatura interior também depende da temperatura ambiente, de quantas vezes a porta é aberta e da quantidade de alimentos armazenados no frigorífico.

A abertura frequente da porta faz com que a temperatura interior suba.

É, portanto recomendado fechar a porta logo que possível depois de a abrir por qualquer razão.

7.2 Guardar alimentos no compartimento do congelador

Guardar alimentos no compartimento do congelador

- As temperaturas do compartimento aumentam consideravelmente se a porta do compartimento for aberta e fechada com frequência e mantida aberta durante muito tempo, isto pode reduzir a vida útil dos alimentos e fazer com que os alimentos fiquem deteriorado.
- Para não provocar alterações de odor e sabor, os alimentos devem ser armazenados em recipientes fechados.
- Não guardar demasiados alimentos no seu frigorífico. Para obter um arrefecimento melhor e homogéneo, colocar os alimentos separadamente de forma que o ar frio possa circular por entre os mesmos.
- Proporcionar fluxo de ar deixando um espaço entre o alimento e a parede interior. Se encostar os alimentos à parede traseira, os alimentos podem congelar.
- Levar as refeições quentes cozinhadas à temperatura ambiente, antes de as colocar no frigorífico. Em seguida, pode colocar a refeição morna nas prateleiras mais baixas do frigorífico. Não colocar refeições mornas junto de alimentos que se possam deteriorar com facilidade.
- Descongelar os alimentos congelados no compartimento de alimentos frescos. Assim, pode arrefecer o compartimento de alimentos frescos usando alimentos congelados e poupar energia.
- O armazenamento de frutas tropicais verdes (manga, variedades de melão, mamão, papaia, banana, ananás) no frigorífico pode acelerar o processo de maturação. Isto não é recomendado porque irá provocar um tempo de armazenamento mais curto.
- Deve armazenar cebolas, alhos, gengibre e outros tubérculos em condições ambientais escuras e frias, não no frigorífico.
- Se observar que um alimento está deteriorado no frigorífico, deve deitá-lo fora e limpar os acessórios que tenham estado em contacto com o mesmo.
- Para arrefecer rapidamente as refeições como sopas e ensopados, que são cozidos em panelas grandes, pode colocá-las no frigorífico separando-os nos seus próprios recipientes rasos.
- Não colocar alimentos não embalados perto de ovos.
- Manter as frutas e os legumes separados e armazenar cada variedade em conjunto (por exemplo, maçãs com maçãs, cenouras com cenouras).
- Retirar os legumes verdes do saco de plástico e colocar no frigorífico depois de os envolver em papel de cozinha ou pano de secagem. Se lavar este tipo de alimentos antes de os colocar no frigorífico, lembrar-se de os secar.
- Pode criar um ambiente húmido e fornecer um fluxo de ar, mantendo frutas e legumes, que sejam propensos a secar, em sacos de plástico perfurados ou não fechados.
- Exceto nos casos em que circunstâncias extremas estão disponíveis no ambiente, se o seu produto (na tabela de valores definidos recomendados) estiver definido para os valores definidos especificados, os alimentos mantêm a frescura durante mais tempo, tanto no compartimento de produtos frescos como no compartimento do congelador.

Armazenar os alimentos em diferentes locais de acordo com suas propriedades:	
Alimento	Localização
Ovos	Prateleiras da porta
Produtos láteos (manteiga, queijo)	Se disponível, compartimento zero graus (para alimentos para o pequeno-almoço)
Frutos, legumes e hortaliças	Compartimento frutas-legumes, gaveta para frescos ou
	Compartimento EverFresh+ (se disponível)
Carne fresca, aves, peixe, salsichas, etc. Alimentos cozinhados	Se disponível, compartimento zero graus (para alimentos para o pequeno-almoço)
Alimentos prontos a servir, produtos embalados, alimentos enlatados e pickles	Prateleiras superiores ou prateleira da porta
Bebidas, garrafas, especiarias e petiscos	Prateleiras da porta

Guardar alimentos no Compartimento do congelador

- Pode ativar a função de Congelação Rápida 4-6 horas antes da função de congelação e realizar um arrefecimento mais rápido.
- Levar as refeições quentes à temperatura ambiente, antes de as colocar no compartimento congelador.
- Os alimentos a serem congelados devem ser divididos em porções de acordo com o tamanho a ser consumido e congelados em embalagens separadas.
- É recomendado embalar os alimentos antes de os colocar no congelador.
- A fim de evitar a expiração do tempo de armazenamento, gravar a data de congelação, de tempo e nome do produto na embalagem de acordo com os períodos de armazenamento dos diferentes alimentos.
- Consumir rapidamente os alimentos que descongelou. Os alimentos descongelados não podem ser congelados novamente, exceto se estiverem cozinhados. Não é seguro consumir os alimentos frescos congelados de novo sem os cozinhar depois de descongelados.
- Quando congelar alimentos frescos, não deixar que fiquem em contacto com alimentos já congelados. Caso contrário, os alimentos congelados serão descongelados.

Armazenar alimentos que são vendidos congelados

- Seguir sempre as instruções do produtor em relação ao tempo durante o qual deve armazenar os seus alimentos. Não exceder o tempo especificado nestas instruções!
- Para proteger a qualidade dos alimentos, manter o intervalo de tempo entre a compra e o armazenamento o mais curto possível.
- Comprar os alimentos congelados que são armazenados a -18°C ou temperaturas inferiores.
- Evitar comprar alimentos cujas embalagens estejam cobertas de gelo, etc. Isto significa que o produto pode ter sido parcialmente descongelado e congelado novamente. A temperatura afeta a qualidade dos alimentos.
- Não exceder o tempo de armazenamento recomendado pelo produtor do alimento. Retirar apenas a quantidade necessária de alimentos do congelador.
- Exceto nos casos em que circunstâncias extremas estão disponíveis no ambiente, se o seu produto (na tabela de valores definidos recomendados) estiver definido para os valores definidos especificados, os alimentos mantêm a frescura durante mais tempo, tanto no compartimento de produtos frescos como no compartimento do congelador.

- Se o compartimento de alimentos frescos estiver definido para uma temperatura mais baixa, frutas e legumes frescos podem ficar parcialmente congelados.

Tabla de valores definidos recomendados

Definições do Compartimento Congelador	Definições do compartimento frigorífico	Observações
-22 °C	4 °C	Isto é por defeito, definições recomendadas. Esta definição é recomendada se a temperatura ambiente for inferior a 30°C.
-20 °C	6 °C	Estas definições são recomendadas para temperaturas ambientes a exceder 25°C.
Congelamento Rápido	4 °C	Usar quando pretender congelar alimentos num curto espaço de tempo. Quando o processo estiver concluído, voltará à sua posição anterior.

Detalhes do congelador

De acordo com as normas IEC 62552, o congelador deve ter a capacidade de congelar 4,5 kg de itens alimentares a -18°C ou temperaturas inferiores em temperatura ambiente de 25°C em 24 horas por cada 100 litros do volume do compartimento do congelador.

Os produtos podem somente ser conservados por períodos prolongados a uma temperatura inferior a -18 °C. Pode manter os alimentos frescos durante meses (no congelador a temperaturas de ou abaixo de -18 °C).

Os produtos alimentares a congelar não devem entrar em contacto com os alimentos já congelados no seu interior para evitar uma descongelação parcial. Ferver os legumes e filtrar a água para aumentar o tempo de armazenamento congelado. Colocar os alimentos em embalagens a vácuo após a filtragem e colocar no congelador. Bananas, tomates, alface, aipo, ovos cozidos, batatas e alimentos semelhantes não devem ser congelados. No caso destes alimentos estarem congelados, somente os valores nutricionais e as qualidades de consumo serão afetadas negativamente. O apodrecimento ameaçador da saúde humana não está em questão.

Colocar os alimentos

Prateleiras do compartimento do congelador: Alimentos diferentes congelados como carne, peixe, gelado, vegetais, etc.

Prateleiras do compartimento do frigorífico: Produtos alimentares dentro de recipientes, pratos e caixas fechadas, ovos (em caixa fechada)

Prateleiras da porta do compartimento do frigorífico: Alimentos pequenos e embalados ou bebidas

Gaveta para frescos: Vegetais e fruta

Compartimento de alimentos frescos: Charcutaria (pequeno almoço, produtos de carne consumidos a curto prazo)

7.3 Gaveta para frescos

A gaveta para frescos do frigorífico foi projetada para manter os vegetais, preservando a humidade. Para este efeito, a circulação de ar frio é intensificada na gaveta para frescos. Manter as frutas e vegetais neste compartimento. Manter os vegetais de folhas verdes e as frutas separadamente para lhes prolongar a vida.

7.4 Gaveta para frescos com humidade controlada

Everfresh

Com a funcionalidade de gaveta para frescos com humidade controlada, a humidade dos vegetais e frutos é mantida

sob controlo e os alimentos são mantidos frescos durante um longo período de tempo.

Recomendamos colocar os vegetais de folha como alface, espinafres e similares que são sensíveis à perda de humidade na gaveta para frescos, não na vertical sobre as respetivas raízes, mas o mais horizontalmente possível.

Ao colocar os vegetais, colocar os pesados e duros na parte inferior e os leves e macios na parte superior, tendo em consideração os pesos específicos dos vegetais.

Nunca deixar os vegetais em sacos de plástico na gaveta dos frescos. Deixá-los em sacos plásticos faz com que os legumes apodreçam em pouco tempo.

Nas situações em que o contacto com outros legumes não é preferido, use materiais de embalagem como o papel que apresenta um determinado nível de porosidade em termos de higiene.

Não colocar frutas que têm uma alta produção de gás etileno, tais como pêra, damasco, pêssigo e principalmente maçã, na mesma gaveta para legumes com outros legumes e frutas. O gás etileno que sai destes frutos pode ser a causa de outros legumes e frutas amadureçam mais rápido e apodreçam em um curto período de tempo.

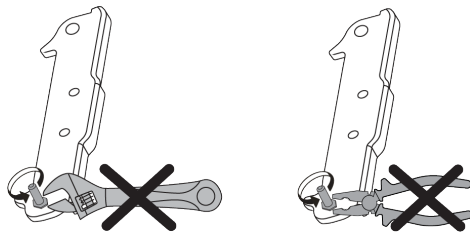
7.5 Zona de armazenamento de produtos láteos frios

Gaveta de armazenamento a frio

A gaveta de armazenamento a frio pode atingir temperaturas mais baixas no compartimento mais frio. Usar esta gaveta para produtos de charcutaria (salame, salsichas, etc.) e produtos láteos que exigem condições de armazenamento mais frias ou para carne, frango ou peixe a ser consumido rapidamente. Não é adequado armazenar frutas e vegetais nesta gaveta.

7.6 Inverter o lado de abertura da porta

O lado de abertura da porta do seu frigorífico pode ser invertido de acordo com o local onde o vai colocar. Quando isto é necessário, deve definitivamente contactar o Serviço Autorizado mais próximo.



7.7 Alerta de porta aberta

O sistema de alerta de porta aberta do seu frigorífico pode diferir dependendo do modelo.

Versão 1

Se a porta do produto se mantiver aberta durante um determinado tempo (entre 60 e 120 seg), é emitido um sinal de áudio de advertência; dependendo do modelo do produto, pode igualmente ser exibido um sinal de visual de advertência (flash de luz). Se fechar a porta do aparelho ou premir um botão no ecrã do aparelho, se houver, o som de advertência irá parar.

Versão 2

Se a porta do aparelho se mantiver aberta durante um determinado período de tempo (entre 60 e 120 seg), é emitido o alerta de porta aberta. O alerta de porta aberta é emitido gradualmente. Em primeiro lugar, começa a ser emitido uma advertência audível. Após 4 minutos, se a porta se mantiver aberta, é ativada uma advertência visual (flash de luz). O alerta de porta aberta será diferido durante um determinado período de tempo (entre 60 e 120 seg) quando for premida qualquer tecla no ecrã do produto, se existir. Depois, o processo

irá iniciar-se novamente. Quando a porta do aparelho for fechada, o alerta de porta aberta será cancelado.

7.8 Substituição da lâmpada Iluminação

Contactar o Serviço Autorizado quando a lâmpada/LED usada para iluminar o seu frigorífico for para ser substituída.

A(s) lâmpada(s) usada(s) neste aparelho não pode(m) ser usada(s) para iluminação doméstica. O uso pretendido desta lâmpada é ajudar o utilizador a colocar alimentos no frigorífico/congelador com segurança e conforto.

7.9 AeroFlow

É um sistema de distribuição de ar que fornece uma distribuição homogénea da temperatura. Com a circulação de ar, a

distribuição homogénea da temperatura é assegurada no compartimento de armazenamento de alimentos frescos e a flutuação da temperatura é mantida em níveis reduzidos. Não é feita a disseminação de ar direto sobre os alimentos e isso ajuda a reduzir a perda de humidade. Isto preserva a frescura dos alimentos armazenados no compartimento de alimentos frescos do frigorífico. Deste modo, os seus alimentos são armazenados a temperaturas mais estáveis e o contacto com o ar é reduzido. A secagem e a contração dos alimentos ao perderem a humidade é evitada e a frescura é permitida durante um período de tempo mais longo.

8 Manutenção e limpeza



ADVERTÊNCIA:

Ler primeiro a secção “Instruções de segurança”.



ADVERTÊNCIA:

Desligar o frigorífico da ficha antes de o limpar.

- Não usar ferramentas afiadas ou abrasivas para limpar o produto. Não usar materiais tais como produtos de limpeza doméstica, detergentes, sabão, gás, gasolina, álcool, cera, etc.
- O pó deve ser retirado da grade de ventilação na parte traseira do produto pelo menos uma vez por ano (sem abrir a tampa). Limpar o produto com um pano seco.
- Ter cuidado para manter a tampa da lâmpada e outras peças elétricas afastadas da água.
- Limpar a porta com um pano macio e humedecido. Retirar todo o conteúdo para remover as prateleiras da porta e da estrutura. Remover as prateleiras da porta levantando-as para cima. Limpar e secar as prateleiras e, em seguida, voltar a colocá-las no lugar deslizando de cima para baixo.
- Não usar lixívia ou produtos de limpeza na superfície exterior e nas partes revestidas a cromo do produto. A lixívia dá origem a corrosão nas referidas superfícies metálicas.
- Não usar ferramentas afiadas e abrasivas, sabão, materiais de limpeza doméstica, detergentes, gás, gasolina, verniz e substâncias semelhantes para evitar a deformação da peça de plástico e remoção de impressões na peça. Usar água morna e um pano macio para limpar e secar.
- Nos produtos sem a funcionalidade No-Frost, podem ocorrer gotas de água e gelo com a espessura de um dedo na parede traseira do compartimento congelador. Não limpar e nunca aplicar óleos ou soluções similares.
- Usar um pano em microfibras ligeiramente humedecido para limpar a superfície exterior do produto. Esponjas e outros tipos de panos de limpeza podem causar riscos.

- Para limpar todos os componentes amovíveis durante a limpeza da superfície interior do produto, lavar esses componentes com uma solução neutra composta por sabão, água e carbonato. Lavar e secar em profundidade. Evitar o contacto da água com componentes de iluminação e o painel de controlo.



CUIDADO:

Não usar vinagre, álcool isopropílico ou outras soluções de limpeza à base de álcool em qualquer das superfícies interiores.

Superfícies exteriores em aço inoxidável

Usar um agente de limpeza não abrasivo para aço inoxidável e aplicar com um pano macio que não solte algodão. Para polir, limpar suavemente a superfície com um

pano em microfibra humedecido com água e usar uma camurça para polir. Deve seguir sempre os veios do aço inoxidável.

Evitar odores

O produto é fabricado livre de quaisquer materiais odoríferos. No entanto, manter os alimentos em secções inadequadas e a limpeza inadequada das superfícies interiores pode causar odores.

- Para evitar isto, limpar o interior com água carbonatada a cada 15 dias.
- Manter os alimentos em recipientes fechados, dado poderem surgir microorganismos a partir dos alimentos em recipientes não fechados que provocarão maus odores.
- Não manter alimentos expirados e estragados no frigorífico.

Proteger as superfícies de plástico

Óleo derramado sobre superfícies de plástico pode danificar a superfície e deve ser limpo imediatamente com água morna.

9 Resolução de problemas

Verificar esta lista antes de contactar o serviço. Ao fazê-lo poupará tempo e dinheiro. Esta lista inclui queixas frequentes que não são relacionadas com mão-de-obra ou materiais. Determinadas funções aqui referidas podem não ser aplicáveis ao seu produto.

O frigorífico não está a funcionar.

- A ficha de alimentação não está totalmente encaixada. >>> Ligar a mesma para a encaixar totalmente na tomada.
- O fusível ligado à tomada para alimentar o produto ou o fusível principal rebentou. >>> Verificar o fusível.

A condensação na parede lateral do compartimento de refrigeração (ZONA MÚLTIPLA, CONTROLO FRIO e ZONA FLEXI)

- A porta é aberta com demasiada frequência. >>> Ter o cuidado para não abrir a porta do produto com demasiada frequência.

- O ambiente é demasiado húmido. >>> Não instalar o produto em ambientes húmidos.
- Os alimentos que contêm líquidos são mantidos em recipientes não fechados. >>> Manter os alimentos que contêm líquidos em recipientes fechados.
- A porta do produto foi deixada aberta. >>> Não manter a porta do produto aberta durante longos períodos.
- O termostato está definido para uma temperatura muito fria. >>> Definir o termostato para uma temperatura apropriada.

O compressor não está a funcionar.

- No caso de uma falha repentina de energia ou de retirar a ficha de alimentação e de a voltar a colocar, a pressão do gás no sistema de refrigeração do produto não está equilibrada, o que faz acionar a proteção térmica do compressor. O produto irá arrancar depois de aproximadamente 6

minutos. Se o produto não arrancar após este período de tempo, deve contactar o serviço.

- A descongelação está ativa. >>> Isto é normal para um produto com descongelação totalmente automática. A descongelação é realizada periodicamente.
- O produto não está ligado. >>> Assegurar que o cabo de alimentação está ligado.
- A definição da temperatura está incorreta. >>> Selecionar a definição apropriada da temperatura.
- A alimentação está desligada. >>> O produto irá continuar a operar normalmente após a alimentação ser reposta.

O ruído de funcionamento do frigorífico está aumentar quando este está a ser utilizado.

- O desempenho de funcionamento do produto pode variar dependendo das variações da temperatura ambiente. Isto é normal e não é um mau funcionamento.

O frigorífico funciona com demasiada frequência ou durante longos períodos.

- O novo produto pode ser maior que o anterior. Os produtos maiores irão funcionar por períodos mais longos.
- A temperatura ambiente pode estar alta. >>> O produto funcionará normalmente por longos períodos em temperatura ambiente mais elevada.
- O produto pode ter sido ligado recentemente ou foi colocado no seu interior um produto alimentar novo. >>> O produto levará mais tempo a atingir a temperatura definida quando recentemente ligado ou foi colocado no seu interior um novo produto alimentar. Isto é normal.
- Podem ter sido colocados dentro do produto grandes quantidades de alimentos quentes. >>> Não colocar alimentos quentes dentro do produto.
- As portas foram abertas com frequência ou mantidas abertas durante longos períodos. >>> O ar quente que se desloca

dentro do produto fará com que o produto funcione durante mais tempo. Não abrir as portas com demasiada frequência.

- A porta do congelador ou do refrigerador podem estar entreabertas. >>> Verificar se as portas estão totalmente fechadas.
- O produto pode estar definido para uma temperatura demasiado baixa. >>> Definir a temperatura para um valor mais alto e aguardar que o produto atinja a temperatura ajustada.
- A anilha do refrigerador ou do congelador pode estar suja, gasta, partida ou incorretamente encaixada. >>> Limpar ou substituir a junta. A anilha da porta danificada/rasgada fará com que o produto funcione durante períodos mais longos para preservar a temperatura atual.

A temperatura do congelador é muito baixa, mas a temperatura do refrigerador é adequada.

- A temperatura do compartimento do congelador está definida para um valor muito baixo. >>> Definir a temperatura do compartimento do congelador para um valor mais alto e verificar novamente.

A temperatura do compartimento de refrigeração é muito baixa, mas a temperatura do congelador é adequada.

- A temperatura do compartimento de refrigeração está definida para um valor muito baixo. >>> Definir a temperatura do compartimento de refrigeração para um valor mais alto e verificar novamente.

Os produtos alimentares mantidos nas gavetas do compartimento do refrigerador estão congelados.

- A temperatura do compartimento de refrigeração está definida para um valor muito baixo. >>> Definir a temperatura do compartimento de refrigeração para um valor mais alto e verificar novamente.

A temperatura no compartimento de refrigeração ou no congelador é muito alta.

- A temperatura do compartimento de refrigeração está definida para um valor muito alto. >>> A definição da temperatura do compartimento de refrigeração tem um efeito na temperatura do compartimento do congelador. Aguardar até que a temperatura das partes relevantes atinjam o nível suficiente alterando a temperatura do compartimento de refrigeração ou a temperatura do congelador.
- As portas foram abertas com frequência ou mantidas abertas durante longos períodos. >>> Não abrir a porta com demasiada frequência.
- A porta pode estar entreaberta. >>> Fechar totalmente a porta.
- O produto pode ter sido ligado recentemente ou foi colocado no seu interior um produto alimentar novo. >>> Isto é normal. O produto levará mais tempo a atingir a temperatura definida quando recentemente ligado ou foi colocado no seu interior um novo produto alimentar.
- Podem ter sido colocados dentro do produto grandes quantidades de alimentos quentes. >>> Não colocar alimentos quentes dentro do produto.

Vibrar ou ruído.

- A superfície não está plana ou durável >>> Se o produto vibrar quando deslocado lentamente, ajustar os suportes para equilibrar o produto. Assegurar também que o pavimento é suficientemente durável para suportar o produto.
- Quaisquer itens colocados sobre o produto podem provocar ruído. >>> Remover quaisquer itens colocados em cima do produto.
- O produto a fazer ruído de líquido a correr, a pulverizar, etc.

- Os princípios de funcionamento do produto envolvem fluxos de líquido e de gás. >>> Isto é normal e não é um mau funcionamento.

Há um som de vento a soprar vindo do produto.

- O produto usa um ventilador para o processo de refrigeração. Isto é normal e não é um mau funcionamento.

Há condensação nas paredes interiores do produto.

- O tempo húmido ou quente irá aumentar a formação de gelo ou de condensação. Isto é normal e não é um mau funcionamento.
- As portas foram abertas com frequência ou mantidas abertas durante longos períodos. >>> Não abrir as portas com demasiada frequência; se aberta, fechar a porta.
- A porta pode estar entreaberta. >>> Fechar totalmente a porta.

Há condensação no exterior do produto ou entre as portas.

- O meio ambiente pode estar húmido, o que é bastante normal no tempo húmido. >>> A condensação irá desaparecer quando a humidade é reduzida.

O interior tem mau cheiro.

- O produto não é limpo regularmente. >>> Limpar regularmente o interior usando uma esponja, água quente e água gaseificada.
- Determinados recipientes e materiais de embalagem podem provocar odores. >>> Usar recipientes e materiais de embalagem isentos de odor.
- Os alimentos foram colocados em recipientes não fechados. >>> Manter os alimentos em recipientes fechados. Podem espalhar-se microorganismos de produtos alimentares não fechados e provocarem maus odores.
- Remover do produto todos os alimentos fora de prazo ou que se encontrem estragados.

A porta não está a fechar.

- As embalagens dos alimentos podem estar a bloquear a porta. >>> Colocar noutra posição os itens que estão a bloquear as portas.
- O produto não está totalmente na posição vertical no pavimento. >>> Ajustar os suportes para equilibrar o produto.
- A superfície não está plana ou durável >>> Assegurar que a superfície está plana e é suficientemente durável para suportar o produto.

A gaveta para frescos está encravada.

- Os produtos alimentares podem estar em contacto com a secção superior da gaveta. >>> Reorganizar os produtos alimentares na gaveta.

Temperatura na superfície do produto.

- Entre as duas portas, nos painéis laterais e na zona da grelha traseira pode ser observada uma temperatura elevada enquanto o produto estiver em funcionamento. Isto é normal e não exige assistência.

O ventilador continua a funcionar quando a porta é aberta.

- O ventilador pode continua a funcionar quando a porta do congelador é aberta.



ADVERTÊNCIA: Se o problema persistir após ter seguido as instruções nesta secção, contactar o seu vendedor ou um Serviço Autorizado. Não tentar reparar o produto. Isto é normal.

ISENÇÃO DE RESPONSABILIDADE /ADVERTÊNCIA

Algumas falhas (simples) podem ser tratadas de forma adequada pelo utilizador final sem que surja qualquer problema de segurança ou de utilização não segura, desde que as mesmas sejam solucionadas dentro dos limites e de acordo com as seguintes instruções (consultar a secção “Reparação Autónoma”.

Portanto, exceto se contrariamente autorizado na secção “Reparação Autónoma” abaixo, as reparações devem ser realizadas por profissionais reparadores registados de modo a evitar problemas de segurança. Um reparador profissional registado é um reparador profissional a quem o fabricante concedeu acesso às instruções e à lista de peças de substituição deste produto de acordo com os métodos descritos na lei nos termos da Diretiva 2009/125/CE.

No entanto, apenas o agente de reparação (ou seja, os reparadores profissionais autorizados) com quem pode entrar em contacto através do número de telefone fornecido no manual do utilizador/cartão da garantia ou através do seu revendedor autorizado que pode fornecer serviços de acordo com os termos de garantia. Portanto,

deve estar ciente de que as reparações feitas por reparadores profissionais (que não estejam autorizados pela)Beko anulam a garantia.

Reparação Autónoma

A reparação autónoma pode ser feita pelo utilizador final no que se refere às seguintes peças de substituição: pegas da porta, dobradiça da porta, tabuleiros, cestos e vedantes da porta (também está disponível uma lista atualizada support.beko.com desde 1 de março de 2021).

Além disso, para garantir a segurança do produto e evitar o risco de lesões graves, a reparação autónoma referida deve ser feita seguindo as instruções do manual do utilizador para reparação autónoma ou as que estão disponíveis em support.beko.com . Para sua segurança, deve desligar o produto antes de tentar fazer qualquer reparação autónoma.

As reparações e tentativas de reparação feitas pelos utilizadores finais de peças não incluídas na referida lista e/ou não seguindo as instruções nos manuais do utilizador relativamente à mesma ou que se encontram disponíveis em

support.beko.com, podem levantar questões de segurança não atribuíveis a Beko, e anularão a garantia do produto. Portanto, é altamente recomendável que os utilizadores finais evitem tentar realizar reparações que não se enquadrem na lista mencionada de peças de substituição, e nesse caso deverão contactar com reparadores profissionais autorizados ou reparadores profissionais registados. Por outro lado, as referidas tentativas por parte dos utilizadores finais podem provocar problemas de segurança e danificar o produto e, subseqüentemente, provocar incêndio, inundação, eletrocussão e ferimentos graves.

A título de exemplo, mas não limitado a, as seguintes reparações devem ser realizadas por reparadores profissionais autorizados ou reparadores profissionais registados: compressor, circuito de refrigeração, placa principal, placa do inversor, placa do visor, etc.

O fabricante/vendedor não pode ser responsabilizado em nenhuma circunstância em que os utilizadores finais não cumpram com o acima referido.

A disponibilidade de peças de substituição do frigorífico que comprou é de 10 anos.

Durante este período, as peças de substituição originais estarão disponíveis para o funcionamento correto do frigorífico.

A duração mínima da garantia do frigorífico que adquiriu é de 24 meses.

Este produto está equipado uma fonte de iluminação com a classe energética "G".

A fonte de iluminação neste produto será somente substituída por um reparador profissional.

Ver também

2 DISCLAIMER / WARNING [] 25]

Παρακαλούμε διαβάστε πρώτα αυτό το εγχειρίδιο!

Αγαπητέ Πελάτη





Παρακαλούμε διαβάστε αυτό το εγχειρίδιο πριν τη χρήση του προϊόντος.

Σας ευχαριστούμε που επιλέξατε αυτό το προϊόν Beko. Θα θέλαμε να επιτύχετε τη βέλτιστη απόδοση από αυτό το υψηλής ποιότητας προϊόν που έχει κατασκευαστεί με την τελευταία τεχνολογία. Για να το επιτύχετε αυτό, διαβάστε προσεκτικά αυτό το εγχειρίδιο και οποιαδήποτε άλλη τεκμηρίωση παρέχεται μαζί με το προϊόν πριν χρησιμοποιήσετε το προϊόν και φυλάξτε τα για μελλοντική αναφορά.





Τηρείτε όλες τις πληροφορίες και προειδοποιήσεις στο εγχειρίδιο χρήσης. Με αυτό τον τρόπο, θα προστατέψετε τον εαυτό σας και το προϊόν από κινδύνους που μπορεί να προκύψουν.

Φυλάξτε το εγχειρίδιο χρήσης. Συμπεριλάβετε αυτό το εγχειρίδιο με τη μονάδα, αν την παραδώσετε σε επόμενο κάτοχο.

Στο εγχειρίδιο χρήσης χρησιμοποιούνται τα παρακάτω σύμβολα:

- | | |
|--|--|
|  | Κίνδυνος που μπορεί να επιφέρει θάνατο ή τραυματισμό. |
|  | Σημαντικές πληροφορίες ή χρήσιμες συμβουλές σχετικά με την λειτουργία. |
|  | Διαβάστε το εγχειρίδιο χρήσης. |
|  | Καύσιμα υλικά, προειδοποίηση για κίνδυνο φωτιάς. |

ΕΙΔΟΠΟΙΗΣΗ Ένας κίνδυνος που μπορεί να προκαλέσει υλικές ζημιές στο προϊόν ή στον περιγύρό του

		Η πρόσβαση στις πληροφορίες για το μοντέλο όπως είναι αποθηκευμένες στη βάση δεδομένων προϊόντων είναι εφικτή με την είσοδο στον ακόλουθο ιστότοπο και την αναζήτηση του αναγνωριστικού του μοντέλου (*) της συσκευής σας, που αναφέρεται στην ετικέτα ενεργειακής σήμανσης. https://eprel.ec.europa.eu/
SUPPLIER'S NAME	MODEL IDENTIFIER → (*)	
		

1	Οδηγίες Ασφαλείας	82
1.1	Προβλεπόμενη χρήση	82
1.2	Ασφάλεια παιδιών, ευάλωτων ατόμων και κατοικιδίων	82
1.3	Ασφάλεια χρήσης ηλεκτρικού ρεύματος	83
1.4	Ασφάλεια χειρισμών	84
1.5	Ασφάλεια κατά την εγκατάσταση	84
1.6	Ασφάλεια κατά τη λειτουργία	87
1.7	Ασφάλεια φύλαξης τροφίμων	90
1.8	Ασφάλεια κατά τη συντήρηση και τον καθαρισμό	90
1.9	Απόρριψη του παλιού προϊόντος	91
2	Οδηγίες σχετικά με το περιβάλλον.....	92
2.1	Συμμόρφωση με την Οδηγία WEEE και τελική διάθεση του προϊόντος στο τέλος της ωφέλιμης ζωής του	92
3	Το ψυγείο σας	93
4	Εγκατάσταση	93
4.1	Σωστή θέση εγκατάστασης	93
4.2	Σύνδεση στο ηλεκτρικό ρεύμα	94
4.3	Τοποθέτηση των πλαστικών σφηνών	94
4.4	Ρύθμιση των ποδιών	95
4.5	Προειδοποίηση για θερμές επιφάνειες	95
5	Προετοιμασία	95
5.1	Τρόποι εξοικονόμησης ενέργειας	95
5.2	Πρώτη χρήση	96
5.3	Κατηγορία κλίματος και ορισμοί ..	96
6	Χειρισμός του προϊόντος.....	96
7	Χρήση της συσκευής σας	97
7.1	Πίνακας ελέγχου του προϊόντος ..	97
7.2	Φύλαξη τροφίμων στον θάλαμο συντήρησης	97
7.3	Συρτάρι λαχανικών	100
7.4	Συρτάρι λαχανικών ελεγχόμενης υγρασίας.....	100
7.5	Περιοχή Ψυχρής φύλαξης Γαλακτοκομικών Προϊόντων	101
7.6	Αντιστροφή της πλευράς ανοίγματος των θυρών	101
7.7	Ειδοποίηση ανοιχτής πόρτας	101

7.8	Αντικατάσταση του λαμπτήρα φωτισμού	101
7.9	AeroFlow	101
8	Συντήρηση και καθαρισμός.....	102
9	Αντιμετώπιση προβλημάτων.....	103

1 Οδηγίες Ασφαλείας

- Η ενότητα αυτή περιλαμβάνει τις οδηγίες ασφαλείας που είναι απαραίτητες για την αποτροπή του κινδύνου τραυματισμού ατόμων ή υλικών ζημιών.
- Η εταιρεία μας δεν θα φέρει καμία ευθύνη για ζημιές που ενδέχεται να προκύψουν αν δεν τηρηθούν οι παρούσες οδηγίες.



Πάντα αναθέτετε τις εργασίες εγκατάστασης και επισκευής στον κατασκευαστή, σε εξουσιοδοτημένο σέρβις ή σε ένα άτομο που θα ορίσει η εταιρεία εισαγωγής.



Χρησιμοποιείτε μόνο γνήσια ανταλλακτικά και αξεσουάρ.



Μην επισκευάσετε ή αντικαταστήσετε μόνοι σας οποιοδήποτε εξάρτημα του προϊόντος, εκτός αν αυτό προβλέπεται ρητά στο εγχειρίδιο χρήσης.



Μην πραγματοποιήσετε καμία τροποποίηση στο προϊόν.

1.1 Προβλεπόμενη χρήση

- Αυτό το προϊόν δεν είναι κατάλληλο για επαγγελματική χρήση και δεν πρέπει να χρησιμοποιηθεί για σκοπό άλλον από την προβλεπόμενη χρήση του.

- Το προϊόν αυτό προορίζεται για χρήση σε εσωτερικούς χώρους, όπως κατοικίες, ή παρόμοιους.

Για παράδειγμα:

Σε κουζίνες προσωπικού καταστημάτων, γραφείων και άλλων χώρων εργασίας.

Σε αγροικίες.

Σε χώρους ξενοδοχείων, μοτέλ ή άλλων εγκαταστάσεων διαμονής που χρησιμοποιούνται από τους πελάτες.

Σε ξενώνες ή παρόμοια περιβάλλοντα.

Σε υπηρεσίες κέτερινγκ και παρόμοιες εφαρμογές μη λιανικής πώλησης.

- Το προϊόν αυτό δεν πρέπει να χρησιμοποιείται σε ανοικτά ή περικλειστά εξωτερικά περιβάλλοντα, όπως σε σκάφη, τροχόσπιτα, μπαλκόνια ή βεράντες. Η έκθεση του προϊόντος σε βροχή, χιόνι, ήλιο ή άνεμο μπορεί να προκαλέσει κίνδυνο πυρκαγιάς.

1.2 Ασφάλεια παιδιών, ευάλωτων ατόμων και κατοικιδίων

- Το προϊόν αυτό επιτρέπεται να χρησιμοποιείται από παιδιά ηλικίας 8 ετών και άνω και από άτομα με ανεπαρκώς ανεπτυγμένες σωματικές, αισθητηρια-

κές ή διανοητικές ικανότητες ή με έλλειψη εμπειρίας και γνώσης, αν τα άτομα αυτά βρίσκονται υπό επιτήρηση ή στα άτομα αυτά έχει δοθεί εκπαίδευση σχετικά με την ασφαλή χρήση της συσκευής και τους κινδύνους που ενέχονται.

- Παιδιά μεταξύ 3 και 8 ετών επιτρέπεται να τοποθετούν και να αφαιρούν τρόφιμα μέσα στο/ από το ψυκτικό προϊόν.
- Τα ηλεκτρικά προϊόντα είναι επικίνδυνα για παιδιά και κατοικίδια. Τα παιδιά και τα κατοικίδια δεν πρέπει να παίζουν με το προϊόν, ούτε να ανεβαίνουν πάνω του ή να μπαίνουν μέσα.
- Οι εργασίες καθαρισμού και συντήρησης από τον χρήστη δεν πρέπει να γίνονται από παιδιά, εκτός αν αυτά βρίσκονται υπό επίβλεψη ενήλικα.
- Κρατάτε τα υλικά συσκευασίας μακριά από παιδιά. Κίνδυνος τραυματισμού και ασφυξίας.

Πριν απορρίψετε παλιά προϊόντα που δεν θα χρησιμοποιηθούν πια:

1. Αποσυνδέστε το καλώδιο ρεύματος από την πρίζα ρεύματος δικτύου.
2. Κόψτε το καλώδιο ρεύματος και αφαιρέστε το από τη συσκευή μαζί με το φιλ.

3. Μην αφαιρέσετε τα ράφια και τα συρτάρια του προϊόντος, για να αποτρέψετε την είσοδο παιδιών στη συσκευή.
 4. Αφαιρέστε τις πόρτες.
 5. Αποθηκεύστε το προϊόν ώστε να μην μπορεί να ανατραπεί.
 6. Μην επιτρέπετε σε παιδιά να παίζουν με το αχρηστευμένο προϊόν.
- Μην απορρίψετε το προϊόν σε φωτιά. Κίνδυνος έκρηξης.
 - Αν η πόρτα του προϊόντος διαθέτει κλειδαριά, κρατήστε το κλειδί μακριά από παιδιά.



1.3 Ασφάλεια χρήσης ηλεκτρικού ρεύματος

- Το προϊόν δεν πρέπει να είναι συνδεδεμένο στην πρίζα κατά τις εργασίες εγκατάστασης, συντήρησης, καθαρισμού, επισκευής και μεταφοράς.
- Αν υποστεί ζημιά το καλώδιο ρεύματος, αυτό πρέπει να επισκευαστεί μόνο από εξουσιοδοτημένο σέρβις, για την αποφυγή τυχόν κινδύνων.
- Μην συμπιέσετε το καλώδιο κάτω από το προϊόν ή στο πίσω μέρος του προϊόντος. Μην τοποθετείτε βαριά αντικείμενα πάνω στο καλώδιο ρεύματος. Το καλώδιο ρεύματος δεν πρέπει να είναι λυγισμένο, συμπιεσμένο ούτε να έρχεται σε επαφή με οποιαδήποτε πηγή θερμότητας.

- Μη χρησιμοποιείτε καλώδιο επέκτασης, πολύπριζο ή τροφοδοτικό για τη λειτουργία του προϊόντος.
- Τα φορητά πολύπριζα ή τα φορητά τροφοδοτικά μπορεί να υπερθερμανθούν και να προκαλέσουν φωτιά. Επομένως, μην έχετε πολύπριζο ή φορητά τροφοδοτικά πίσω από το προϊόν ή κοντά σε αυτό.
- Μη συνδέσετε το καλώδιο ρεύματος του προϊόντος σε πρίζα που δεν είναι καλά στερεωμένη ή που έχει υποστεί ζημιά. Αυτοί οι τύποι συνδέσεων μπορεί να υπερθερμανθούν και να προκαλέσουν φωτιά.
- Το φως θα πρέπει να είναι εύκολα προσβάσιμο. Αν δεν είναι εφικτό αυτό, πρέπει να υπάρχει διαθέσιμος στην ηλεκτρική εγκατάσταση ένα μηχανισμός που συμμορφώνεται με τη νομοθεσία περί ηλεκτρικών εγκαταστάσεων και αποσυνδέει όλους τους ακροδέκτες από την παροχή ρεύματος δικτύου (ασφάλεια, διακόπτης, γενικός διακόπτης κλπ.).
- Μην αγγίζετε το φως ρευματοληψίας με υγρά χέρια.
- Κατά την αποσύνδεση της συσκευής από την πρίζα, μην τραβάτε το καλώδιο ρεύματος, αλλά το φως.



1.4 Ασφάλεια χειρισμών

- Βεβαιωθείτε να αποσυνδέσετε τη συσκευή από την πρίζα πριν τη μεταφέρετε.
- Αυτό το προϊόν είναι βαρύ, μην το χειρίζεστε μόνοι σας. Μπορεί να προκύψουν τραυματισμοί αν το προϊόν πέσει πάνω σας. Προσέξτε να μη χτυπήσετε το προϊόν σε άλλα αντικείμενα και να μη σας πέσει ενώ το μεταφέρετε.
- Πάντα κλείνετε τις πόρτες του προϊόντος και μην κρατάτε το προϊόν από τις πόρτες του ενώ το μεταφέρετε.
- Προσέχετε να μην προξενήσετε ζημιά στο ψυκτικό σύστημα και στους σωλήνες του κατά τους χειρισμούς του προϊόντος. Μη χρησιμοποιείτε το προϊόν αν οι σωλήνες έχουν υποστεί ζημιά, αλλά επικοινωνήστε με ένα εξουσιοδοτημένο σέρβις.



1.5 Ασφάλεια κατά την εγκατάσταση

- Για την εγκατάσταση του προϊόντος επικοινωνήστε με το Εξουσιοδοτημένο Σέρβις. Για να προετοιμάσετε το προϊόν για χρήση, δείτε τις πληροφορίες στο εγχειρίδιο χρήσης και βεβαιωθείτε ότι οι παροχές ρεύματος και νερού συμμορ-

φώνονται με τις απαιτήσεις. Αν όχι, καλέστε έναν εξειδικευμένο ηλεκτρολόγο και υδραυλικό για να διαμορφώσουν τις παροχές όπως χρειάζεται. Σε αντίθετη περίπτωση μπορεί να προκληθούν ηλεκτροπληξία, φωτιά, προβλήματα με το προϊόν ή τραυματισμός.

- Το προϊόν έχει σχεδιαστεί για χρήση σε περιοχές με ανώτατο υψόμετρο 2000 μέτρα από την επιφάνεια της θάλασσας.
- Ελέγξτε το προϊόν για τυχόν ζημιά, πριν την εγκατάστασή του. Μην επιτρέψετε την εγκατάσταση του προϊόντος αν έχει υποστεί ζημιά.
- Πάντα χρησιμοποιείτε ατομικό προστατευτικό εξοπλισμό (γάντια κλπ.) κατά την εγκατάσταση, τη συντήρηση και την επισκευή του προϊόντος. Κίνδυνος τραυματισμού!
- Τοποθετήστε το προϊόν πάνω σε μια καθαρή, επίπεδη, οριζόντια και σκληρή επιφάνεια και ισοροπήστε το χρησιμοποιώντας τα ρυθμιζόμενα πόδια του (περιστρέφοντας τα μπροστινά πόδια του προς τα αριστερά ή τα δεξιά). Διαφορετικά, το ψυγείο μπορεί να ανατραπεί και να προκαλέσει τραυματισμούς.
- Το προϊόν πρέπει να εγκατασταθεί σε ένα ξηρό και καλά αεριζόμενο περιβάλλον. Μην έχετε χαλιά, πατάκια ή πα-

ρόμοια καλύμματα δαπέδου κάτω από το προϊόν. Αυτό μπορεί να προκαλέσει κίνδυνο φωτιάς λόγω ανεπαρκούς αερισμού!

- Μη φράζετε ή καλύπτετε τα ανοίγματα αερισμού. Διαφορετικά, η κατανάλωση ρεύματος αυξάνεται, και μπορεί να προκληθεί ζημιά στο προϊόν.
- Κατά την τοποθέτηση του προϊόντος, βεβαιωθείτε ότι το καλώδιο τροφοδοσίας δεν θα υποστεί ζημιά και δεν θα συμπιεστεί.
- Το προϊόν δεν πρέπει να συνδέεται σε συστήματα παροχής ρεύματος όπως ηλιακά συστήματα. Διαφορετικά, το προϊόν μπορεί να υποστεί ζημιά λόγω απότομων αλλαγών της ηλεκτρικής τάσης!
- Όσο περισσότερο ψυκτικό μέσο περιέχει ένα ψυγείο, τόσο μεγαλύτερο θα πρέπει να είναι το δωμάτιο εγκατάστασης. Σε πολύ μικρά δωμάτια μπορεί να προκύψει εύφλεκτο μείγμα αερίου-αέρα σε περίπτωση διαρροής αερίου από το ψυκτικό σύστημα. Απαιτείται τουλάχιστον 1 m³ όγκου για κάθε 8 γραμμάρια ψυκτικού μέσου. Η ποσότητα ψυκτικού μέσου που περιέχεται στο προϊόν αναφέρεται στην Πινακίδα Τύπου του.

- Η θέση εγκατάστασης του προϊόντος δεν πρέπει να είναι εκτεθειμένη σε άμεση ηλιακή ακτινοβολία και δεν πρέπει να είναι κοντά σε πηγή θερμότητας όπως κουζίνες μαγειρέματος, σώματα καλοριφέρ κλπ. Αν δεν μπορείτε να αποφύγετε την εγκατάσταση του προϊόντος κοντά σε πηγή θερμότητας, πρέπει να χρησιμοποιήσετε μια κατάλληλη μονωτική πλάκα και να βεβαιωθείτε ότι η ελάχιστη απόσταση από την πηγή θερμότητας πρέπει να συμμορφώνεται με τα παρακάτω:
 - Τουλάχιστον 30 cm από πηγές θερμότητας όπως κουζίνες μαγειρέματος, φούρνους, θερμαντικά σώματα και συσκευές θέρμανσης κλπ.
 - Και τουλάχιστον 5 cm από ηλεκτρικούς φούρνους.
- Το προϊόν σας διαθέτει κλάση προστασίας I.
- Συνδέετε το προϊόν σε γειωμένη πρίζα που συμμορφώνεται με τις τιμές τάσης, ρεύματος και συχνότητας που αναφέρονται στην πινακίδα τύπου του. Η πρίζα πρέπει να προστατεύεται από ασφάλεια 10 A – 16 A. Η εταιρία μας δεν φέρει ευθύνη για τυχόν ζημιές λόγω χρήσης χωρίς γείωση και χωρίς σύνδεση ρεύματος που συμμορφώνεται με τους τοπικούς και εθνικούς κανονισμούς.
- Το καλώδιο ρεύματος του προϊόντος πρέπει να είναι αποσυνδεδεμένο από την πρίζα κατά την εγκατάσταση. Διαφορετικά, μπορεί να προκύψει κίνδυνος ηλεκτροπληξίας και τραυματισμού!
- Μη συνδέετε το καλώδιο ρεύματος του προϊόντος σε πρίζες που δεν είναι καλά στερεωμένες, έχουν φύγει από τη θέση τους, είναι σπασμένες ή έχουν λερωθεί με ακαθαρσίες ή λάδια. Αυτοί οι τύποι συνδέσεων μπορεί να προκαλέσουν υπερθέρμανση και φωτιά.
- Τοποθετήστε το καλώδιο ρεύματος και τους εύκαμπτους σωλήνες (αν υπάρχουν) του προϊόντος με τρόπο ώστε να μην κινδυνεύουν να προκαλέσουν παραπάτημα.
- Η διείδυση υγρασίας και υγρών σε εξαρτήματα υπό τάση ή στο καλώδιο ρεύματος μπορεί να προκαλέσει βραχυκύκλωμα. Για το λόγο αυτό, μη χρησιμοποιείτε το προϊόν σε περιβάλλον με υγρασία ή σε περιοχές όπου μπορεί να πιστιλιστεί νερό (π.χ. γκαράζ, δωμάτιο πλυντηρίου κλπ.). Αν το ψυγείο βραχεί με νερό, απο-

συνδέστε το από την πρίζα και επικοινωνήστε με ένα εξουσιοδοτημένο σέρβις.

- Μη συνδέσετε ποτέ το ψυγείο σας σε διατάξεις εξοικονόμησης ενέργειας. Αυτά τα συστήματα είναι επιβλαβή για το προϊόν.
- Υπάρχει κίνδυνος επαφή με ηλεκτρικά εξαρτήματα όταν αφαιρείτε το κάλυμμα της πλακέτας ηλεκτρονικών και το πίσω κάλυμμα συμπιεστή (αν υπάρχει στον εξοπλισμό). Μην αφαιρείτε το κάλυμμα της πλακέτας ηλεκτρονικών και το πίσω κάλυμμα συμπιεστή (αν υπάρχει στον εξοπλισμό). Υπάρχει κίνδυνος ηλεκτροπληξίας!



1.6 Ασφάλεια κατά τη λειτουργία

- Ποτέ μη χρησιμοποιήσετε χημικούς διαλύτες στο προϊόν. Αυτά τα υλικά δημιουργούν κίνδυνο έκρηξης.
- Σε περίπτωση βλάβης του προϊόντος, αποσυνδέστε το από την πρίζα και μην το θέσετε πάλι σε λειτουργία έως ότου επισκευαστεί από το εξουσιοδοτημένο σέρβις. Υπάρχει κίνδυνος ηλεκτροπληξίας!
- Μην τοποθετείτε πάνω ή κοντά στο προϊόν πηγές φλόγας (π.χ. κεριά, τσιγάρα κλπ.).

- Μην ανεβαίνετε πάνω στο προϊόν. Κίνδυνος πτώσης και τραυματισμού!
- Μην προξενήσετε ζημιά στους σωλήνες του συστήματος ψύξης χρησιμοποιώντας αιχμηρά και μυτερά αντικείμενα. Το ψυκτικό μέσο που εκτοξεύεται σε περίπτωση διάτρησης των σωλήνων αερίου, των επεκτάσεων σωλήνων ή των επιστρώσεων της πάνω επιφάνειας, μπορεί να προκαλέσει ερεθισμό του δέρματος και τραυματισμό των ματιών.
- Μην τοποθετείτε και χρησιμοποιείτε ηλεκτρικές συσκευές μέσα σε ψυγεία/καταψύκτες εκτός αν αυτό υποδεικνύεται από τον κατασκευαστή.
- Αποφεύγετε την παγίδευση οποιουδήποτε τμήματος των χεριών ή του σώματός σας σε οποιαδήποτε κινούμενα μέρη στο εσωτερικό του προϊόντος. Προσέχετε να μην πιαστούν τα δάκτυλά σας ανάμεσα στο ψυγείο και την πόρτα του. Προσέχετε όταν ανοίγετε και κλείνετε την πόρτα ενώ υπάρχουν γύρω παιδιά.
- Μην τοποθετείτε παγωτό, παγάκια ή κατεψυγμένα τρόφιμα στο στόμα σας αμέσως μόλις αφαιρέσετε αυτά τα είδη από τον καταψύκτη. Κίνδυνος κρυοπαγήματος!

- Μην αγγίζετε με υγρά χέρια τα εσωτερικά τοιχώματα, τα μεταλλικά μέρη του καταψύκτη ή τρόφιμα που φυλάσσετε μέσα στον καταψύκτη. Κίνδυνος κρουσπαγήματος!
- Μην τοποθετείτε στον θάλαμο καταψύκτη κουτιά αναψυκτικών ή μεταλλικά κουτιά και μπουκάλια που περιέχουν υγρά που μπορεί να παγώσουν. Τα μεταλλικά κουτιά ή τα μπουκάλια μπορούν να εκραγούν. Κίνδυνος τραυματισμού και υλικών ζημιών!
- Μην χρησιμοποιείτε ή τοποθετείτε κοντά στο ψυγείο υλικά που είναι ευαίσθητα στη θερμοκρασία όπως εύφλεκτα σπρέι, εύφλεκτα αντικείμενα, ξηρό πάγο ή άλλα χημικά. Κίνδυνος φωτιάς και έκρηξης!
- Μην φυλάσσετε μέσα στο προϊόν εκρηκτικά υλικά όπως δοχεία αεροζόλ που περιέχουν εύφλεκτα υλικά.
- Μην τοποθετείτε πάνω στο προϊόν ανοικτά δοχεία που περιέχουν υγρά. Τυχόν πτισίλισμα νερού πάνω σε ένα ηλεκτρικό εξάρτημα μπορεί να προκαλέσει ηλεκτροπληξία ή φωτιά.
- Το προϊόν αυτό δεν προορίζεται για φύλαξη και ψύξη φαρμάκων, πλάσματος αίματος, εργαστηριακών παρασκευασμάτων ή παρόμοιων υλικών και προϊόντων που υπόκεινται στην Οδηγία περί Ιατροτεχνολογικών προϊόντων.
- Αν το προϊόν χρησιμοποιηθεί αντίθετα με την προβλεπόμενη χρήση του, μπορεί να προκαλέσει ζημιά ή αλλοίωση των προϊόντων που φυλάσσονται στο εσωτερικό του.
- Αν το ψυγείο σας διαθέτει μπλε φως, μην κοιτάζετε αυτό το φως με χρήση οπτικών διατάξεων. Μην κοιτάζετε παρατεταμένα απευθείας σε φως LED UV (υπεριώδους ακτινοβολίας). Οι υπεριώδεις ακτίνες μπορεί να προκαλέσουν καταπόνηση των ματιών.
- Μην τοποθετείτε μέσα στη συσκευή περισσότερα τρόφιμα από τη χωρητικότητά της. Μπορεί να προκύψουν τραυματισμοί ή ζημιές αν πέσουν τα περιεχόμενα του ψυγείου καθώς ανοίγει η πόρτα. Παρόμοια προβλήματα μπορεί επίσης να προκύψουν αν τοποθετηθεί αντικείμενο πάνω στο προϊόν.
- Για την αποφυγή τραυματισμών, να βεβαιώνετε ότι έχετε καθαρίσει όλον τον πάγο και το νερό που μπορεί να έχει πέσει ή χυθεί στο δάπεδο.

- Αλλάζετε θέσεις στα ράφια/στις θήκες μπουκαλιών στην πόρτα του ψυγείου μόνο όταν αυτά είναι κενά. Κίνδυνος τραυματισμού!
- Μην τοποθετείτε πάνω στο προϊόν αντικείμενα που μπορεί να πέσουν ή να ανατραπούν. Αυτά τα αντικείμενα μπορεί να πέσουν κατά το άνοιγμα ή κλείσιμο της πόρτας και να προκαλέσουν τραυματισμούς και/ή υλικές ζημιές.
- Μην χτυπάτε τις γυάλινες επιφάνειες και μην τους ασκείτε υπερβολική πίεση. Αν σπάσει το γυαλί μπορεί να προκαλέσει τραυματισμούς και/ή υλικές ζημιές.
- Το σύστημα ψύξης του προϊόντος περιέχει το ψυκτικό μέσο R600a. Ο τύπος ψυκτικού μέσου που χρησιμοποιείται στο προϊόν αναφέρεται στην πινακίδα τύπου. Αυτό το αέριο είναι εύφλεκτο. Επομένως, προσέχετε να μην προξενήσετε ζημιά στο σύστημα ψύξης και στους σωλήνες κατά τους χειρισμούς του προϊόντος. Σε περίπτωση ζημιών στους σωλήνες:
 1. Μην αγγίζετε το προϊόν ή το καλώδιο ρεύματος.
 2. Κρατάτε το προϊόν μακριά από δυνητικές πηγές φωτιάς που μπορούν να προκαλέσουν ανάφλεξη του προϊόντος.

3. Αερίστε την περιοχή όπου είναι τοποθετημένο το προϊόν. Μη χρησιμοποιήσετε ανεμιστήρα.
4. Επικοινωνήστε με Εξουσιοδοτημένο Σέρβις.

Αν το προϊόν έχει υποστεί ζημιά και παρατηρήσετε διαρροή αερίου, μείνετε μακριά από το αέριο. Το αέριο μπορεί να προκαλέσει κρουσπάγημα αν έρθει σε επαφή με το δέρμα σας.

Πριν απορρίψετε παλιά προϊόντα που δεν θα χρησιμοποιηθούν πια:

1. Αποσυνδέστε το καλώδιο ρεύματος από την πρίζα ρεύματος δικτύου.
 2. Κόψτε το καλώδιο ρεύματος και αφαιρέστε το από τη συσκευή μαζί με το φιλτράρισμα.
 3. Μην αφαιρέσετε τα ράφια και τα συρτάρια του προϊόντος, για να αποτρέψετε την είσοδο παιδιών στη συσκευή.
 4. Αφαιρέστε τις πόρτες.
 5. Αποθηκεύστε το προϊόν ώστε να μην μπορεί να ανατραπεί.
 6. Μην επιτρέπεται σε παιδιά να παίζουν με το αχρηστευμένο προϊόν.
- Μην απορρίψετε το προϊόν σε φωτιά. Κίνδυνος έκρηξης.
 - Αν η πόρτα του προϊόντος διαθέτει κλειδαριά, κρατήστε το κλειδί μακριά από παιδιά.



1.7 Ασφάλεια φύλαξης τροφίμων

Παρακαλούμε να λάβετε σοβαρά υπόψη σας τις ακόλουθες προειδοποιήσεις, για να αποφύγετε αλλοίωση των τροφίμων:

- Αν αφήνετε τις πόρτες ανοιχτές για πολύ χρόνο, μπορεί να προκληθεί αύξηση της θερμοκρασίας στο εσωτερικό του προϊόντος.
- Καθαρίζετε τακτικά τα προσπελάσιμα συστήματα αποστράγγισης που έρχονται σε επαφή με τρόφιμα.
- Καθαρίζετε τα δοχεία νερού που δεν έχουν χρησιμοποιηθεί για 48 ώρες και τα συστήματα που τροφοδοτούνται με νερό δικτύου αν δεν έχουν χρησιμοποιηθεί για περισσότερες από 5 ημέρες.
- Φυλάσσετε τα νωπά προϊόντα κρέατος και ψαριών στα κατάλληλα διαμερίσματα στο εσωτερικό του προϊόντος. Με αυτόν τον τρόπο δεν θα στάζουν πάνω σε άλλα τρόφιμα ούτε θα έρχονται σε επαφή με αυτά.
- Χρησιμοποιούνται διαμερίσματα καταψύκτη δύο αστέρων για αποθήκευση προ-κατεψυγμένων τροφίμων και για την παρασκευή και φύλαξη πάγου και παγωτού.

- Τα διαμερίσματα ενός, δύο και τριών αστέρων δεν είναι κατάλληλα για την κατάψυξη νωπών τροφίμων.
- Αν το ψυκτικό προϊόν έχει παραμείνει κενό για μεγάλο χρονικό διάστημα, απενεργοποιήστε το, πραγματοποιήστε απόψυξη, καθαρίστε και στεγνώστε το, για προστασία του περιβλήματος του προϊόντος.



1.8 Ασφάλεια κατά τη συντήρηση και τον καθαρισμό

- Αποσυνδέστε το προϊόν από την πρίζα πριν το καθαρίσετε και πριν αρχίσετε εργασίες συντήρησης.
- Μην τραβάτε τη λαβή της πόρτας του προϊόντος για να το μετακινήσετε όπως π.χ. για να το καθαρίσετε. Η λαβή μπορεί να προκαλέσει τραυματισμούς αν τραβηχτεί πολύ δυνατά.
- Μην βάζετε τα χέρια σας κλπ. κάτω από το ψυγείο. Μπορεί να σφηνώσουν ή να προκληθεί τραυματισμός σε αιχμηρές ακμές.
- Μην ψεκάζετε ή χύνετε νερό πάνω ή μέσα στο προϊόν όταν θέλετε να το καθαρίσετε. Κίνδυνος ηλεκτροπληξίας και φωτιάς.

- Όταν καθαρίζετε το προϊόν, μη χρησιμοποιείτε αιχμηρά εργαλεία ή εργαλεία και οικιακά καθαριστικά που χαράζουν, ούτε απορρυπαντικά, αέρια, βενζίνη, αραιωτικά χρωμάτων, οινόπνευμα, βερνίκι και παρόμοιες ουσίες. Στο εσωτερικό του προϊόντος χρησιμοποιείτε μόνο προϊόντα καθαρισμού και συντήρησης που δεν είναι επιβλαβή για τρόφιμα.
- Μη χρησιμοποιείτε ποτέ ατμό ή μέσα καθαρισμού που παράγουν ατμό για τον καθαρισμό του προϊόντος και την τήξη πάγου στο εσωτερικό του. Ο ατμός έρχεται σε επαφή με τις ηλεκτροφόρες περιοχές του ψυγείου σας και προκαλεί βραχυκύκλωμα ή ηλεκτροπληξία.
- Προσέχετε να κρατάτε το νερό μακριά από οπές αερισμού, ηλεκτρονικά κυκλώματα ή κυκλώματα φωτισμού του προϊόντος.
- Χρησιμοποιήστε ένα καθαρό, στεγνό πανί για να σκουπίσετε τη σκόνη ή τα ξένα υλικά από τους πόλους των φις. Μη χρησιμοποιήσετε βρεγμένο ή υγρό πανί για να καθαρίσετε το φις.

Διαφορετικά μπορεί να προκύψει κίνδυνος πυρκαγιάς ή ηλεκτροπληξίας.



1.9 Απόρριψη του παλιού προϊόντος

EL

Κατά την απόρριψη του παλιού προϊόντος ακολουθείτε τις παρακάτω οδηγίες:

- Για να αποτρέψετε να κλειδωθούν κατά λάθος παιδιά μέσα στο προϊόν, αν υπάρχει κλειδαριά στην πόρτα, αχρηστέψτε την.
- Το πιπίλισμα με ψυκτικό μέσο είναι επιβλαβές για τα μάτια. Μην προσεγγίσετε ζημιά σε κανένα μέρος του ψυκτικού συστήματος κατά την απόρριψη του προϊόντος.
- Η κατάποση λαδιού συμπιεστή ή η διείσδυσή του λαδιού αυτού στην αναπνευστική οδό μπορεί να έχει θανάσιμα αποτελέσματα.
- Το ψυκτικό σύστημα του προϊόντος περιέχει το αέριο R600a όπως αναφέρεται και στην ετικέτα τύπου. Αυτό το αέριο είναι εύφλεκτο. Μην απορρίψετε το προϊόν σε φωτιά. Κίνδυνος έκρηξης!

2 Οδηγίες σχετικά με το περιβάλλον

2.1 Συμμόρφωση με την Οδηγία WEEE και τελική διάθεση του προϊόντος στο τέλος της ωφέλιμης ζωής του



Το προϊόν αυτό συμμορφώνεται με την οδηγία ΑΗΗΕ της ΕΕ (2012/19/ΕΕ). Το προϊόν αυτό φέρει ένα σύμβολο ταξινόμησης για απόβλητα ηλεκτρικού και ηλεκτρονικού εξοπλισμού

(ΑΗΗΕ).

Αυτό το σύμβολο υποδεικνύει ότι το προϊόν αυτό δεν πρέπει να απορριφθεί με τα οικιακά απορρίμματα στο τέλος της ωφέλιμης ζωής του. Η χρησιμοποιημένη συσκευή πρέπει να επιστραφεί σε επίσημο σημείο συλλογής για την ανακύκλωση ηλεκτρικών και ηλεκτρονικών συσκευών. Για να βρείτε αυτά τα συστήματα συλλογής, επικοινωνήστε με τις τοπικές σας αρχές, ή με το σημείο που αγοράσατε το προϊόν. Κάθε νοικοκυριό παίζει σημαντικό ρόλο στην ανάκτηση και ανακύκλωση των παλιών συσκευών.

Η σωστή τελική διάθεση της χρησιμοποιημένης συσκευής συμβάλλει στην πρόληψη πιθανών αρνητικών συνεπειών για το περιβάλλον και την ανθρώπινη υγεία.

Συμμόρφωση με την Οδηγία RoHS

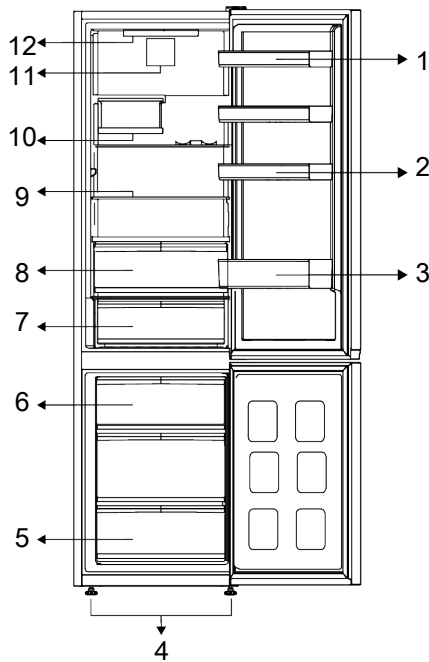
Το προϊόν που έχετε προμηθευτεί συμμορφώνεται με την Οδηγία RoHS της ΕΕ (2011/65/ΕΕ). Δεν περιέχει επιβλαβείς και απαγορευμένες ουσίες που καθορίζονται στην Οδηγία αυτή.



Πληροφορίες για τη συσκευασία

Τα υλικά συσκευασίας του προϊόντος κατασκευάζονται από ανακυκλώσιμα υλικά σύμφωνα με τους Εθνικούς μας Περιβαλλοντικούς Κανονισμούς. Μην απορρίπτετε τα υλικά συσκευασίας μαζί με οικιακά ή άλλου είδους απορρίμματα. Μεταφέρετέ τα στα σημεία συλλογής υλικών συσκευασίας τα οποία έχουν καθοριστεί από τις τοπικές αρχές.

3 Το ψυγείο σας



EL

- 1 * Ρυθμιζόμενα ράφια πόρτας
- 3 * Ράφι μπουκαλιών
- 5 * Θάλαμος καταψύκτη
- 7 * Συρτάρι έντονης ψύξης
- 9 * Ρυθμιζόμενα ράφια
- 11 * Ανεμιστήρας

- 2 * Αυγοθήκες
- 4 * Ρυθμιζόμενα μπροστινά πόδια
- 6 * Δοχείο πάγου
- 8 * Συρτάρι λαχανικών
- 10 * Αναδιπλούμενη υποδοχή κρασιών
- 12 * Λαμπτήρας φωτισμού

***Προαιρετικός εξοπλισμός:** Οι εικόνες στο παρόν εγχειρίδιο χρήσης είναι σχηματικές και ενδέχεται να μη συμφωνούν ακρι-

βώς με το προϊόν που έχετε. Αν το προϊόν δεν περιλαμβάνει τα σχετικά εξαρτήματα, οι πληροφορίες αφορούν άλλα μοντέλα.

4 Εγκατάσταση



Διαβάστε πρώτα την ενότητα "Οδηγίες Ασφαλείας"!

4.1 Σωστή θέση εγκατάστασης

Για την εγκατάσταση του προϊόντος επικοινωνήστε με το Εξουσιοδοτημένο Σέρβις. Για να προετοιμάσετε το προϊόν για εγκατάσταση, δείτε τις πληροφορίες στο εγχειρίδιο χρήσης και βεβαιωθείτε ότι οι παροχές ρεύματος και νερού συμμορφώνονται με τις

απαιτήσεις. Αν όχι, καλέστε έναν ηλεκτρολόγο και υδραυλικό για να διαμορφώσετε τις παροχές όπως χρειάζεται.



ΠΡΟΕΙΔΟΠΟΙΗΣΗ:

Ο κατασκευαστής δεν φέρει ευθύνη για τυχόν ζημιές που μπορεί να προκληθούν από εργασίες που διενεργούνται από μη εξουσιοδοτημένα άτομα.



ΠΡΟΕΙΔΟΠΟΙΗΣΗ:

Το καλώδιο παροχής ρεύματος του προϊόντος πρέπει να είναι αποσυνδεδεμένο κατά την εγκατάσταση. Το αντίθετο μπορεί να οδηγήσει σε θάνατο ή σοβαρούς τραυματισμούς!



ΠΡΟΕΙΔΟΠΟΙΗΣΗ:

Αν το προϊόν δεν χωράει να περάσει από την πόρτα του δωματίου εγκατάστασης, αφαιρέστε την πόρτα και γυρίστε το προϊόν στο πλάι: αν αυτό δεν αρκεί, επικοινωνήστε με την εξουσιοδοτημένη υπηρεσία σέρβις.

- Τοποθετήστε το προϊόν πάνω σε μία επίπεδη επιφάνεια, για να αποφύγετε τη δημιουργία κραδασμών.
- Τοποθετήστε το προϊόν τουλάχιστον 30 cm μακριά από σύμπα, συσκευή κουζίνας και παρόμοιες πηγές θερμότητας και τουλάχιστον 5 cm από ηλεκτρικούς φούρνους.
- Μην εκθέτετε το προϊόν σε άμεση ηλιακή ακτινοβολία και μην το φυλάσσετε σε περιβάλλον με υγρασία.
- Το προϊόν χρειάζεται επαρκή κυκλοφορία αέρα για να λειτουργεί αποδοτικά. Αν το προϊόν πρόκειται να τοποθετηθεί μέσα σε εσοχή τοίχου, μην παραλείψετε να αφήσετε ελεύθερη απόσταση τουλάχιστον 5 cm ανάμεσα στο προϊόν και την οροφή, τον πίσω τοίχο και τους πλευρικούς τοίχους.
- Ελέγξτε αν υπάρχει στη θέση του το εξάρτημα διασφάλισης της απόστασης από τον πίσω τοίχο (αν παρέχεται με το προϊόν).
- Αν το εξάρτημα δεν είναι διαθέσιμο, ή αν έχει χαθεί ή πέσει, ρυθμίστε τη θέση του προϊόντος έτσι ώστε να παραμένει διάκενο τουλάχιστον 5 cm ανάμεσα στην πίσω επιφάνεια του προϊόντος και τον τοίχο του δωματίου. Ο ελεύθερος χώρος στην πίσω πλευρά είναι σημαντικός για την αποδοτική λειτουργία του προϊόντος.

4.2 Σύνδεση στο ηλεκτρικό ρεύμα



Μη χρησιμοποιείτε επεκτάσεις ή πολύπριζα για την σύνδεση στην παροχή ρεύματος.



Αν το καλώδιο ρεύματος έχει υποστεί ζημιά, πρέπει να αντικατασταθεί από Εξουσιοδοτημένο Σέρβις.



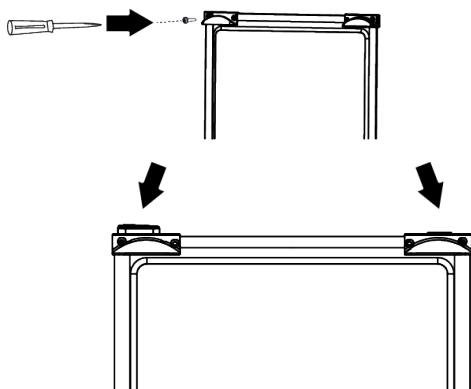
Όταν τοποθετείτε δύο ψυγεία το ένα δίπλα στο άλλο, αφήστε απόσταση τουλάχιστον 4 cm ανάμεσα στις δύο μονάδες.

- Η εταιρία μας δεν φέρει ευθύνη για τυχόν βλάβες λόγω χρήσης χωρίς γειώση ή χωρίς παροχή ρεύματος που συμμορφώνεται με τους εθνικούς κανονισμούς.
- Το φις του καλωδίου ρεύματος πρέπει να είναι εύκολα προσβάσιμο μετά την εγκατάσταση.
- Μη χρησιμοποιείτε πολύπριζο με ή χωρίς καλώδιο επέκτασης ανάμεσα στην πρίζα και το ψυγείο.

4.3 Τοποθέτηση των πλαστικών σφηνών

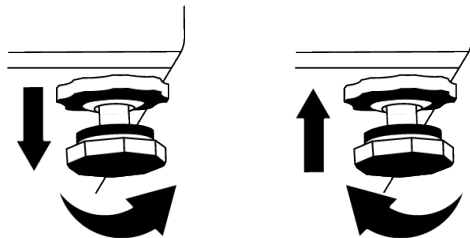
Χρησιμοποιήστε τους πλαστικούς αποστάτες που παρέχονται με το προϊόν για να διατηρείται επαρκής ελεύθερος χώρος ανάμεσα στο προϊόν και τον τοίχο.

1. Για να τοποθετήσετε τις σφήνες, αφαιρέστε τις βίδες από τη συσκευή και χρησιμοποιήστε τις βίδες που παρέχονται μαζί με τις σφήνες.
2. Τοποθετήστε 2 πλαστικές σφήνες στο κάλυμμα εξαερισμού όπως φαίνεται στην εικόνα.



4.4 Ρύθμιση των ποδιών


Αν το προϊόν δεν είναι οριζόντιο και σε ευσταθή θέση, ρυθμίστε τα μπροστινά ρυθμιζόμενα πόδια του, περιστρέφοντάς τα δεξιόστροφα ή αριστερόστροφα.




4.5 Προειδοποίηση για θερμές επιφάνειες

Τα πλευρικά τοιχώματα του προϊόντος διαθέτουν σωληνες ψύξης για την ενίσχυση του συστήματος ψύξης. Αυτές οι επιφάνειες ενδέχεται να διατρέχονται από υγρό υψηλής πίεσης, το οποίο θερμαίνει τις επιφάνειες των πλευρικών τοιχωμάτων. Αυτό αποτελεί μέρος της φυσιολογικής λειτουργίας και δεν απαιτείται σέρβις. Προσέχετε κατά την επαφή με αυτές τις επιφάνειες.

5 Προετοιμασία

 Διαβάστε πρώτα την ενότητα "Οδηγίες Ασφαλείας"!

5.1 Τρόποι εξοικονόμησης ενέργειας

 Η σύνδεση του προϊόντος με ηλεκτρονικά συστήματα εξοικονόμησης ενέργειας είναι επιβλαβής, καθώς μπορεί να προκαλέσει ζημιά στο προϊόν.

- Αυτή η ψυκτική συσκευή δεν προορίζεται για χρήση ως εντοιχισμένη συσκευή.
- Μην αφήνετε τις πόρτες του ψυγείου ανοιχτές για μεγάλα χρονικά διαστήματα.
- Μην τοποθετείτε θερμά τρόφιμα ή ποτά μέσα στο ψυγείο.
- Μη γεμίζετε υπερβολικά το ψυγείο: η παρεμπόδιση της εσωτερικής ροής αέρα θα μειώσει την ικανότητα ψύξης.
- Αφού δεν θα υπάρχει απευθείας διείσδυση θερμού και υγρού αέρα στη συσκευή σας όταν δεν ανοίγουν οι πόρτες, η συσκευή σας θα βελτιστοποιήσει την λειτουργία της σε συνθήκες επαρκείς για την

προστασία των τροφίμων σας. Στις περιπτώσεις αυτές, λειτουργίες και επί μέρους μονάδες όπως ο συμπιεστής, ο ανεμιστήρας, ο θερμοαντήρας, το σύστημα απόψυξης, ο φωτισμός, η οθόνη κλπ. θα λειτουργούν σύμφωνα με τις ανάγκες, με την ελάχιστη κατανάλωση ενέργειας.

- Σε περίπτωση που υπάρχουν πολλαπλές επιλογές, τα γυάλινα ράφια θα πρέπει να τοποθετούνται με τέτοιο τρόπο ώστε να μην εμποδίζουν τις εξόδους αέρα στο πίσω τοίχωμα, κατά προτίμηση με τις εξόδους αέρα να παραμένουν κάτω από το γυάλινο ράφι. Αυτός ο συνδυασμός μπορεί να βοηθήσει στη βελτίωση της κατανομής του αέρα και σε καλύτερη ενεργειακή απόδοση.
- Συνιστάται ιδιαίτερα η χρήση του κάτω συρταριού κατά τη φύλαξη τροφίμων.
- Ανάλογα με τα χαρακτηριστικά του προϊόντος: η απόψυξη κατεψυγμένων τροφίμων στο θάλαμο συντήρησης θα εξασφαλίσει την εξοικονόμηση ενέργειας και θα διαφυλάξει την ποιότητα των τροφίμων.

- Για να τοποθετήσετε τη μέγιστη ποσότητα τροφίμων στον θάλαμο καταψύκτη του ψυγείου σας, πρέπει να αφαιρέσετε τα πάνω συρτάρια και να τοποθετήσετε τα τρόφιμα πάνω στα συρμάτινα/γυάλινα ράφια.
- Τα τρόφιμα θα πρέπει να αποθηκεύονται στα συρτάρια του θαλάμου συντήρησης για να εξασφαλιστεί η εξοικονόμηση ενέργειας και η διατήρηση των τροφίμων σε καλύτερες συνθήκες.
- Οι συσκευασίες τροφίμων δεν πρέπει να είναι σε άμεση επαφή με τον αισθητήρα θερμοκρασίας που βρίσκεται μέσα στον θάλαμο καταψύκτη.

5.2 Πρώτη χρήση

Πριν χρησιμοποιήσετε το ψυγείο σας, βεβαιωθείτε πως έχουν γίνει οι απαραίτητες προετοιμασίες σύμφωνα με τις οδηγίες στις ενότητες "Ασφάλεια και οδηγίες σχετικά με το περιβάλλον" και "Εγκατάσταση".

- Αφήστε το προϊόν σε λειτουργία για 6 ώρες χωρίς να τοποθετήσετε τρόφιμα μέσα και μην ανοίξετε την πόρτα του, εκτός αν αυτό είναι απολύτως απαραίτητο.
- Η αλλαγή θερμοκρασίας που προκαλείται από το άνοιγμα και κλείσιμο της πόρτας κατά τη χρήση του προϊόντος μπορεί κανονικά να έχει σαν συνέπεια συμπύκνωση πάνω σε ράφια της πόρτας/του κυρίως σώματος και σε γυάλινες συσκευασίες που είναι τοποθετημένες μέσα στο προϊόν.



Θα ακουστεί ένας ήχος όταν ο συμπιεστής τεθεί σε λειτουργία. Είναι φυσιολογικό να παράγονται θόρυβοι στο προϊόν ακόμα και αν ο συμπιεστής δεν λειτουργεί, καθώς μπορεί να υπάρχει συμπιεσμένο υγρό και αέριο μέσα στο ψυκτικό σύστημα.



Είναι φυσιολογικό να είναι θερμές οι μπροστινές άκρες του ψυγείου. Η θέρμανση αυτών των περιοχών είναι μέρος του σχεδιασμού με σκοπό την αποτροπή συμπύκνωσης.



Σε κάποια μοντέλα, ο πίνακας ενδείξεων απενεργοποιείται αυτόματα 1 λεπτό μετά το κλείσιμο της πόρτας. Ενεργοποιείται ξανά όταν ανοιχτεί η πόρτα ή όταν πατηθεί οποιοδήποτε κουμπί.

5.3 Κατηγορία κλίματος και ορισμοί

Παρακαλούμε ανατρέξτε στην πληροφορία Κατηγορία κλίματος (Climate Class) πάνω στην πινακίδα στοιχείων της συσκευής σας. Μία από τις ακόλουθες πληροφορίες έχει εφαρμογή στη συσκευή σας σύμφωνα με την κατηγορία κλίματος.

- **SN:** Μακροπρόθεσμα εύκρατο κλίμα: Αυτή η ψυκτική συσκευή έχει σχεδιαστεί για χρήση σε θερμοκρασίες περιβάλλοντος μεταξύ 10 °C και 32 °C.
- **N:** Εύκρατο κλίμα: Αυτή η ψυκτική συσκευή έχει σχεδιαστεί για χρήση σε θερμοκρασίες περιβάλλοντος μεταξύ 16°C και 32 °C.
- **ST:** Υποτροπικό κλίμα: Αυτή η ψυκτική συσκευή έχει σχεδιαστεί για χρήση σε θερμοκρασίες περιβάλλοντος μεταξύ 16°C και 38°C.
- **T:** Τροπικό κλίμα: Αυτή η ψυκτική συσκευή έχει σχεδιαστεί για χρήση σε θερμοκρασίες περιβάλλοντος μεταξύ 16°C και 43°C.

6 Χειρισμός του προϊόντος



Διαβάστε πρώτα την ενότητα "Οδηγίες Ασφαλείας"!

- Μη χρησιμοποιείτε κανενός είδους μηχανικά εργαλεία ή οποιαδήποτε άλλα εργαλεία που δεν συνιστώνται από τον κατασκευαστή για να επιταχύνετε την διαδικασία απόψυξης.
- Μη χρησιμοποιείτε μέρη του ψυγείου σας όπως η πόρτα ή τα συρτάρια για στήριξη ή για να πατάτε πάνω τους. Αυτό μπορεί να προκαλέσει ανατροπή του προϊόντος ή βλάβη στα εξαρτήματά του.
- Το προϊόν θα πρέπει να χρησιμοποιείται μόνο για αποθήκευση τροφίμων.
- Κλείστε την βαλβίδα νερού αν βρίσκεστε μακριά από το σπίτι (π.χ. σε διακοπές) και δεν πρόκειται να χρησιμοποιήσετε το

Icematic ή τον διανομέα νερού για μεγάλο χρονικό διάστημα. Διαφορετικά, ενδέχεται να υπάρξουν διαρροές νερού.

Αποσύνδεση του προϊόντος από την πρίζα

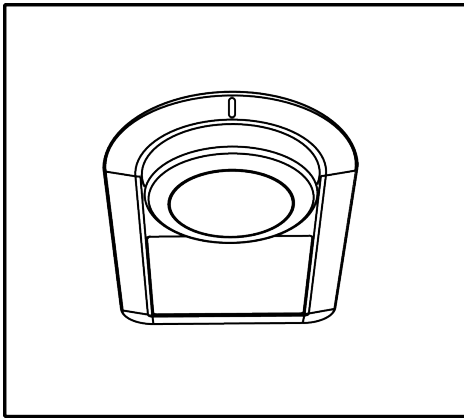
- Αν δεν πρόκειται να χρησιμοποιήσετε το προϊόν για μεγάλο διάστημα, αποσυνδέστε το από την πρίζα.
- Αφαιρέστε τα τρόφιμα για να αποφύγετε δυσοσμία.
- Περιμένετε να λιώσει ο πάγος, καθαρίστε το εσωτερικό και αφήστε το να στεγνώσει, αφήστε τις πόρτες ανοικτές για να αποφύγετε ζημιά στα εσωτερικά πλαστικά μέρη του κορμού του προϊόντος.

EL

7 Χρήση της συσκευής σας

7.1 Πίνακας ελέγχου του προϊόντος

Η θερμοκρασία λειτουργίας ρυθμίζεται με το χειριστήριο ρύθμισης θερμοκρασίας.



Warm ← ● 1 ● 2 ● 3 ● 4 ● 5 ● → Cold



1

2

3

4

5



1=Ρύθμιση ελάχιστης ψύξης (η πιο θερμή ρύθμιση)

4=Ρύθμιση μέγιστης ψύξης (η πιο κρύα ρύθμιση)

Η μέση θερμοκρασία μέσα στον θάλαμο συντήρησης πρέπει να είναι περίπου +5 °C.

Επιλέξτε μια ρύθμιση με βάση την επιθυμητή θερμοκρασία.

Έχετε υπόψη σας ότι θα επικρατούν διαφορετικές θερμοκρασίες μέσα στον χώρο ψύξης.

Η πιο κρύα ζώνη είναι ακριβώς πάνω από το συρτάρι λαχανικών.

Η εσωτερική θερμοκρασία εξαρτάται επίσης από τη θερμοκρασία περιβάλλοντος, το πόσο συχνά ανοίγει η πόρτα και από την ποσότητα των τροφίμων που είναι αποθηκευμένα μέσα στο ψυγείο.

Το συχνό άνοιγμα της πόρτας προκαλεί αύξηση της εσωτερικής θερμοκρασίας.

Επομένως, συνιστάται να κλείνετε την πόρτα όσο το δυνατόν συντομότερα αφού την ανοίξετε για οποιονδήποτε λόγο.

7.2 Φύλαξη τροφίμων στον θάλαμο συντήρησης

Φύλαξη τροφίμων στον θάλαμο συντήρησης

- Οι θερμοκρασίες των θαλάμων αυξάνονται έντονα αν η πόρτα του θαλάμου ανοίγει και κλείνει συχνά και διατηρείται ανοικτή για μεγάλο χρονικό διάστημα.

Αυτό μπορεί να μειώσει τη διάρκεια ζωής των τροφίμων και να προκαλέσει αλλοίωσή τους.

- Για να μην προκαλούνται δυσοσμία και αλλαγές γεύσης μέσα στη συσκευή, τα τρόφιμα θα πρέπει να φυλάσσονται σε κλειστούς περιέκτες.

- Μην αποθηκεύετε υπερβολικές ποσότητες τροφίμων στο ψυγείο. Για να επιτύχετε καλύτερη και ομοιόμορφη ψύξη, τοποθετείτε τα τρόφιμα σε αποστάσεις μεταξύ τους ώστε να μπορεί να κυκλοφορεί ανάμεσά τους ο αέρας.
- Διευκολύνετε τη ροή του αέρα αφήνοντας διάκενα ανάμεσα στα τρόφιμα και το εσωτερικό τοίχωμα. Αν στηρίζετε τρόφιμα στο πίσω τοίχωμα, τα τρόφιμα αυτά μπορεί να παγώσουν.
- Αφήνετε τα μαγειρεμένα ζεστά φαγητά να κρυώσουν σε θερμοκρασία δωματίου πριν τα τοποθετήσετε μέσα στο ψυγείο. Κατόπιν μπορείτε να τοποθετήσετε το προς ψύξη φαγητό στα κάτω ράφια του ψυγείου σας. Μην τοποθετείτε τα προς ψύξη φαγητά κοντά σε τρόφιμα που μπορούν να αλλοιωθούν εύκολα.
- Αποψύχετε τα κατεψυγμένα σας τρόφιμα μέσα στον θάλαμο συντήρησης. Με αυτόν τον τρόπο μπορείτε να ψύξετε τον θάλαμο συντήρησης με χρήση των κατεψυγμένων τροφίμων και να εξοικονομήτε ενέργεια.
- Η φύλαξη στο ψυγείο μη ώριμων τροπικών φρούτων (όπως μάνγκο, ποικιλίες πεπονιών, παπάγια, μπανάνες, ανανάς) μπορεί να επιταχύνει τη διαδικασία ωρίμανσης. Αυτό δεν συνιστάται, γιατί θα έχει ως αποτέλεσμα μικρότερο χρόνο διατήρησης.
- Θα πρέπει να φυλάσσετε κρεμμύδια, σκόρδα, τζίντζερ και άλλα ριζώδη λαχανικά σε σκοτεινές και δροσερές συνθήκες, όχι μέσα στο ψυγείο.
- Αν διαπιστώσετε ότι ένα τρόφιμο μέσα στο ψυγείο έχει αλλοιωθεί, πετάξτε το και καθαρίστε τα αξεσουάρ που έχουν έρθει σε επαφή μεταξύ τους.
- Για να ψύξετε γρήγορα φαγητά όπως σούπες και ραγού, που μαγειρεύονται μέσα σε μεγάλες κατσαρόλες, μπορείτε να τα τοποθετείτε μέσα στο ψυγείο χωρίζοντάς τα σε άλλα δικά σας ρηχά δοχεία.
- Μην τοποθετείτε μη συσκευασμένα τρόφιμα κοντά σε αυγά.
- Φυλάσσετε τα φρούτα και τα λαχανικά ξεχωριστά και αποθηκεύετε κάθε είδος μαζί (για παράδειγμα μήλα με μήλα, καρότα με καρότα).
- Αφαιρείτε τα πράσινα λαχανικά από τις πλαστικές σακούλες και τοποθετείτε τα μέσα στο ψυγείο αφού τα τυλίξετε σε χαρτί κουζίνας ή χαρτί στεγνώματος. Αν πλένετε τα τρόφιμα αυτά πριν τα τοποθετήσετε στο ψυγείο, μην ξεχνάτε να τα στεγνώνετε πριν τη φύλαξη.
- Μπορείτε και να δημιουργήσετε ένα υγρό περιβάλλον και να παρέχετε ροή αέρα διατηρώντας φρούτα και λαχανικά που είναι ευπαθή σε ξήρανση, σε διάτρητες ή μη στεγανές πλαστικές σακούλες.
- Εκτός από περιπτώσεις όπου υπάρχουν ακραίες συνθήκες στο περιβάλλον, αν το προϊόν σας (στον πίνακα συνιστώμενων τιμών ρύθμισης) έχει ρυθμιστεί στις προβλεπόμενες τιμές ρύθμισης, τα τρόφιμα διατηρούν τη φρεσκάδα τους για περισσότερο χρόνο, τόσο στον θάλαμο συντήρησης όσο και στον θάλαμο καταψύκτη.

Φυλάσσετε τα τρόφιμα σε ξεχωριστές θέσεις σύμφωνα με τις ιδιότητές τους:	
Τροφή	Θέση
Αυγό	Ράφι πόρτας
Γαλακτοκομικά προϊόντα (βούτυρο, τυρί)	Αν διατίθεται, σε διαμέρισμα μηδέν βαθμών Κελσίου (για τρόφιμα πρωινού)
Φρούτα, λαχανικά και φυλλώδη είδη	Διαμέρισμα φρούτων-λαχανικών, διαμέρισμα λαχανικών ή διαμέρισμα EverFresh+ (αν διατίθεται)
Νωπό κρέας, πουλερικά, ψάρια, λουκάνικα κλπ. Μαγειρεμένα τρόφιμα	Αν διατίθεται, σε διαμέρισμα μηδέν βαθμών Κελσίου (για τρόφιμα πρωινού)
Τρόφιμα έτοιμα για σερβίρισμα, συσκευασμένα προϊόντα, τρόφιμα σε κονσέρβα και πίκλες	Πάνω ράφια ή ράφι πόρτας
Αναψυκτικά, μπουκάλια, μπαχαρικά και σνακ	Ράφι πόρτας

Φύλαξη τροφίμων στον θάλαμο καταψύκτη

- Μπορείτε να ενεργοποιήσετε τη λειτουργία Ταχεία Κατάψυξη 4-6 ώρες πριν τη λειτουργία κατάψυξης, και να επιτύχετε ταχύτερη ψύξη των τροφίμων.
- Αφήνετε τα ζεστά φαγητά να κρυώσουν σε θερμοκρασία δωματίου πριν τα τοποθετήσετε μέσα στο θάλαμο καταψύκτη.
- Τα τρόφιμα προς κατάψυξη πρέπει να τα χωρίζετε σε μερίδες ανάλογα με την ποσότητα που θα καταναλωθεί, και να τα καταψύχετε σε ξεχωριστές συσκευασίες.
- Συνιστάται να συσκευάζετε τα τρόφιμα πριν τα τοποθετήσετε μέσα στον καταψύκτη.
- Για να αποφύγετε τη λήξη των περιόδων αποθήκευσης, σημειώνετε στη συσκευασία την ημερομηνία ψύξης, το χρονικό όριο και το όνομα του τροφίμου, σύμφωνα με τις περιόδους αποθήκευσης των διαφόρων τροφίμων.
- Καταναλώνετε γρήγορα τα τρόφιμα που έχετε αποψύξει. Τα τρόφιμα που έχουν αποψυχθεί δεν επιτρέπεται να καταψυχθούνι πάλι εκτός αν μαγειρευτούν πρώτα. Δεν είναι ασφαλές να καταναλώνετε νωπά τρόφιμα που επανακαταψύχθηκαν χωρίς να τα μαγειρέψετε αφού αποψύχθηκαν.
- Όταν καταψύχετε νωπά τρόφιμα, αποφύγετε να τα φέρνετε σε επαφή με ήδη κατεψυγμένα τρόφιμα. Διαφορετικά, τα ήδη κατεψυγμένα τρόφιμα θα αποψυχθούν.

Φύλαξη κατεψυγμένων προϊόντων

- Πάντα τηρείτε τις οδηγίες του παραγωγού των τροφίμων σε σχέση με το χρόνο που μπορείτε να φυλάξετε τα τρόφιμα. Μην υπερβαίνεται τον χρόνο που καθορίζεται στις οδηγίες αυτές!
- Για να προστατεύετε την ποιότητα των τροφίμων, διατηρείτε όσο το δυνατόν μικρότερο το διάστημα μεταξύ της αγοράς και τη φύλαξης των τροφίμων.
- Αγοράζετε κατεψυγμένα τρόφιμα που έχουν αποθηκευτεί σε -18°C ή χαμηλότερες θερμοκρασίες.
- Αποφεύγετε να αγοράζετε τρόφιμα των οποίων οι συσκευασίες καλύπτονται από πάγο κλπ. Αυτό σημαίνει ότι το προϊόν ενδεχομένως είχε αποψυχθεί εν μέρει και καταψυχθεί πάλι. Η θερμοκρασία έχει μεγάλες επιπτώσεις στην ποιότητα των τροφίμων.
- Μην υπερβαίνετε τον χρόνο φύλαξης που συνιστά ο παραγωγός των τροφίμων. Αφαιρείτε από τον καταψύκτη μόνο όσα τρόφιμα χρειάζεστε.
- Εκτός από περιπτώσεις όπου υπάρχουν ακραίες συνθήκες στο περιβάλλον, αν το προϊόν σας (στον πίνακα συνιστώμενων τιμών ρύθμισης) έχει ρυθμιστεί στις προβλεπόμενες τιμές ρύθμισης, τα τρόφιμα διατηρούν τη φρεσκάδα τους για περισσότερο χρόνο, τόσο στον θάλαμο συντήρησης όσο και στον θάλαμο καταψύκτη.
- Αν ο θάλαμος συντήρησης ρυθμιστεί σε χαμηλότερη θερμοκρασία, τα νωπά φρούτα και λαχανικά μπορεί να είναι εν μέρει παγωμένα.

Πίνακας συνιστώμενων τιμών ρύθμισης

Ρύθμιση θαλάμου καταψύκτη	Ρύθμιση θαλάμου συντήρησης	Παρατηρήσεις
-22°C	4°C	Αυτή είναι η προεπιλεγμένη, συνιστώμενη ρύθμιση. Αυτή η ρύθμιση συνιστάται αν η θερμοκρασία περιβάλλοντος είναι κάτω από 30°C .
-20°C	6°C	Αυτές οι ρυθμίσεις συνιστώνται για θερμοκρασίες περιβάλλοντος που υπερβαίνουν τους 25°C .
Ταχεία Κατάψυξη	4°C	Χρησιμοποιείτε αυτή τη λειτουργία όταν θέλετε να καταψύξετε τρόφιμα σε σύντομο χρόνο. Όταν ολοκληρωθεί η διαδικασία, η συσκευή θα επιστρέψει στην προηγούμενη ρύθμιση.

Λεπτομέρειες Καταψύκτη

Σύμφωνα με τα πρότυπα IEC 62552, ο καταψύκτης θα πρέπει να έχει την ικανότητα να διατηρεί παγωμένα $4,5\text{ kg}$ τροφίμων σε θερμοκρασία -18°C ή χαμηλότερη, για θε-

ρμοκρασία δωματίου 25°C , σε 24 ώρες για κάθε 100 λίτρα χωρητικότητας του θαλάμου καταψύκτη.

Τα τρόφιμα μπορούν να διατηρούνται για μεγάλα χρονικά διαστήματα μόνο σε θερμοκρασίες μικρότερες των $-18\text{ }^{\circ}\text{C}$.

Μπορείτε να διατηρήσετε τα τρόφιμα φρέσκα για μήνες (στον καταψύκτη σε θερμοκρασίες $-18\text{ }^{\circ}\text{C}$ ή χαμηλότερες).

Τα τρόφιμα προς κατάψυξη δεν πρέπει να έρχονται σε επαφή με τα ήδη κατεψυγμένα τρόφιμα, ώστε να αποφευχθεί η μερική απόψυξη των δευτέρων.

Βράστε τα λαχανικά και φιλτράρετε το νερό για να επεκτείνετε τη διάρκεια φύλαξης. Τοποθετήστε τα τρόφιμα σε αεροστεγείς συσκευασίες μετά το φιλτράρισμα και τοποθετήστε τα στον καταψύκτη. Μπανάνες, ντομάτες, μαρούλι, σέλινο, βραστά αυγά, πατάτες και παρόμοια τρόφιμα δεν θα πρέπει να καταψύχονται. Σε περίπτωση που αυτά τα τρόφιμα καταψυχθούν, μόνο η διατροφική αξία και οι οργανοληπτικές τους δυνατότητες θα επηρεαστούν αρνητικά. Δεν υπάρχει πιθανότητα αλλοίωσης που θα μπορούσε να απειλήσει την ανθρώπινη υγεία.

Τοποθέτηση των τροφίμων

Ράφια θαλάμου καταψύκτη: Διάφορα κατεψυγμένα τρόφιμα, στα οποία περιλαμβάνονται κρέας, ψάρια, παγωτό, λαχανικά κλπ.

Ράφια θαλάμου συντήρησης: Τρόφιμα σε δοχεία φύλαξης, πιάτα ή θήκες με κάλυμμα, αυγά (σε θήκη με κάλυμμα)

Ράφια πόρτας θαλάμου συντήρησης: Μικρά και συσκευασμένα τρόφιμα ή ποτά

Συρτάρι λαχανικών: Λαχανικά και φρούτα

Θάλαμος συντήρησης: Ντελικατέσεν (τρόφιμα για πρωινό, προϊόντα κρέατος που θα καταναλωθούν σύντομα)

7.3 Συρτάρι λαχανικών

Το συρτάρι λαχανικών του ψυγείου έχει σχεδιαστεί για να διατηρεί τα λαχανικά φρέσκα διατηρώντας την υγρασία. Για αυτό τον λόγο, η γενική κυκλοφορία ψυχρού αέρα είναι εντονότερη μέσα στο συρτάρι λαχανικών. Φυλάξτε φρούτα και λαχανικά σε αυτό τον θάλαμο. Κρατήστε τα πράσινα

λαχανικά και τα φρούτα σε διαφορετικά σημεία μεταξύ τους, για να μεγιστοποιήσετε τον χρόνο ζωής τους.

7.4 Συρτάρι λαχανικών ελεγχόμενης υγρασίας

Everfresh

Με τη δυνατότητα συρταριού λαχανικών ελεγχόμενης υγρασίας, η υγρασία των λαχανικών και των φρούτων διατηρείται υπό έλεγχο και τα τρόφιμα διατηρούνται φρέσκα για μεγαλύτερα χρονικά διαστήματα.

Συνιστούμε να τοποθετείτε τα φυλλώδη λαχανικά όπως το μαρούλι, το σπανάκι καίθως και παρόμοια λαχανικά που είναι ευαίσθητα στην απώλεια υγρασίας, σε όσο το δυνατόν πιο οριζόντια θέση μέσα στο συρτάρι λαχανικών και όχι πάνω στις ρίζες τους σε όρθια θέση.

Κατά την τοποθέτηση των λαχανικών, τοποθετείτε τα μεγάλα και βαριά λαχανικά στο κάτω μέρος και τα ελαφριά και μαλακά στο πάνω, λαμβάνοντας υπόψιν τα ειδικά βάρη των λαχανικών.

Ποτέ μην αφήνετε τα λαχανικά μέσα στις πλαστικές σακούλες τους μέσα στο συρτάρι λαχανικών. Η διατήρηση των λαχανικών σε πλαστικές σακούλες οδηγεί στην ταχύτερη σήψη των λαχανικών.

Σε περιπτώσεις όπου δεν προτιμάται η επαφή των λαχανικών μεταξύ τους, χρησιμοποιείτε υλικά συσκευασίας όπως χαρτί το οποίο έχει μεγάλο πορώδες, για λόγους υγιεινής.

Μην τοποθετείτε φρούτα με μεγάλη παραγωγή αερίου αιθυλενίου όπως αχλάδια, βερίκοκα, ροδάκινα και κυρίως μήλα στο ίδιο συρτάρι λαχανικών με άλλα λαχανικά και φρούτα. Το αέριο αιθυλένιο το οποίο εκπέμπεται από αυτά τα φρούτα μπορεί να προκαλέσει την ταχύτερη ωρίμανση άλλων λαχανικών και φρούτων και να προκαλέσει την δημιουργία μούχλας σε μικρότερο χρονικό διάστημα.

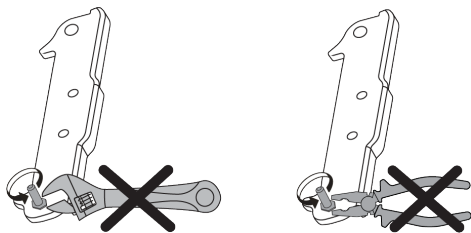
7.5 Περιοχή Ψυχρής φύλαξης Γαλακτοκομικών Προϊόντων

Συρτάρι έντονης ψύξης

Το συρτάρι έντονης ψύξης μπορεί να επιτύχει χαμηλότερες θερμοκρασίες στο διαμέρισμα συντήρησης. Χρησιμοποιείτε αυτό το συρτάρι για να φυλάσσετε αλλαντικά και άλλα ευπαθή τρόφιμα (σαλάμι, λουκάνικα κλπ.) και γαλακτοκομικά προϊόντα που χρειάζονται χαμηλότερη θερμοκρασία φύλαξης ή για να φυλάσσετε κρέας, κοτόπουλο ή ψάρια που προορίζονται για κατάψυξη σε σύντομο χρονικό διάστημα. Αυτό το συρτάρι δεν είναι κατάλληλο για φύλαξη φρούτων και λαχανικών.

7.6 Αντιστροφή της πλευράς ανοίγματος των θυρών

Η πλευρά ανοίγματος των θυρών του ψυγείου σας μπορεί να αντιστραφεί, ενδεχομένως για να ταιριάζει στη θέση όπου θέλετε να το τοποθετήσετε. Όταν χρειάζεται να γίνει αυτό, θα πρέπει οπωσδήποτε να καλέσετε το πλησιέστερο Εξουσιοδοτημένο Σέρβις.



7.7 Ειδοποίηση ανοιχτής πόρτας

Το σύστημα ειδοποίησης ανοιχτής πόρτας του ψυγείου σας μπορεί να διαφέρει, ανάλογα με το μοντέλο.

Έκδοση 1:

Αν η πόρτα του προϊόντος παραμένει ανοικτή για ορισμένο χρονικό διάστημα (μεταξύ 60 s και 120 s), παράγεται ένα ηχητικό σήμα προειδοποίησης. Ανάλογα με το μοντέλο του προϊόντος, μπορεί να εμφανίζεται επιπλέον και ένα οπτικό σήμα προειδοποίησης (αναβοσβήσιμο φωτισμού). Αν κλείσε-

τε την πόρτα της συσκευής ή πατήσετε ένα κουμπί στην οθόνη της συσκευής, αν υπάρχει, ο ήχος προειδοποίησης θα σταματήσει.

Έκδοση 2:

Αν η πόρτα της συσκευής παραμένει ανοιχτή για ένα ορισμένο χρονικό διάστημα (μεταξύ 60 s και 120 s), παράγεται η ειδοποίηση ανοιχτής πόρτας. Η ειδοποίηση ανοιχτής πόρτας παράγεται με βαθμιαία αυξανόμενη ένταση. Πρώτα, αρχίζει να ακούγεται μια ηχητική προειδοποίηση. Μετά από 4 λεπτά, αν η πόρτα δεν έχει κλείσει ακόμα, ενεργοποιείται μια ηχητική προειδοποίηση (αναβοσβήσιμο φωτισμού). Η ειδοποίηση ανοιχτής πόρτας θα καθυστερήσει για ένα ορισμένο χρονικό διάστημα (μεταξύ 60 s και 120 s) αν πατηθεί οποιοδήποτε πλήκτρο στην οθόνη του προϊόντος, αν υπάρχει. Κατόπιν η διαδικασία θα αρχίσει πάλι. Όταν κλειστεί η πόρτα της συσκευής, η ειδοποίηση ανοιχτής πόρτας θα ακυρωθεί.

7.8 Αντικατάσταση του λαμπτήρα φωτισμού

Καλέστε το Εξουσιοδοτημένο Σέρβις όταν πρέπει να αντικατασταθεί ο λαμπτήρας/η μονάδα LED που χρησιμοποιείται για φωτισμό του ψυγείου σας.

Ο λαμπτήρας (οι λαμπτήρες) που χρησιμοποιούνται σε αυτή την συσκευή δεν μπορούν να χρησιμοποιηθούν για οικιακό φωτισμό. Ο σκοπός αυτού του λαμπτήρα είναι να βοηθά τον χρήστη να τοποθετεί τρόφιμα μέσα στο ψυγείο / καταψύκτη με ασφάλεια και άνεση.

7.9 AeroFlow

Είναι ένα σύστημα διανομής του αέρα που προσφέρει ομοιόμορφη κατανομή της θερμοκρασίας. Με την κυκλοφορία του αέρα εξασφαλίζεται η ομοιόμορφη κατανομή της θερμοκρασίας στο διαμέρισμα φύλαξης νωπών τροφίμων, και οι διακυμάνσεις της θερμοκρασίας διατηρούνται σε χαμηλά επίπεδα. Δεν υπάρχει απευθείας φύσημα αέρα πάνω από τα τρόφιμα και αυτό βοηθά να μειώνεται η απώλεια υγρασίας. Με αυτόν τον τρόπο διατηρείται η φρεσκάδα των τροφίμων που φυλάσσονται στον θάλαμο συντήρησης του ψυγείου. Με αυτόν τον τρόπο τα τρόφιμά σας φυλάσσονται σε πιο σταθε-

ρές θερμοκρασίες και μειώνεται η επαφή με αέρα. Αποτρέπεται το στέγνωμα και η συρ-

ρίκνωση των τροφίμων από απώλεια υγρασίας και εξασφαλίζεται φρεσκάδα που διαρκεί περισσότερο.

8 Συντήρηση και καθαρισμός



ΠΡΟΕΙΔΟΠΟΙΗΣΗ:

Διαβάστε πρώτα την ενότητα "Οδηγίες Ασφαλείας".



ΠΡΟΕΙΔΟΠΟΙΗΣΗ:

Αποσυνδέστε το ψυγείο από το ρεύμα πριν το καθαρίσετε.

- Μη χρησιμοποιείτε για τον καθαρισμό του προϊόντος αιχμηρά εργαλεία ή εργαλεία που χαράζουν. Μη χρησιμοποιείτε ουσίες όπως οικιακά προϊόντα καθαρισμού, σαπούνι, απορρυπαντικά, πετρέλαιο, βενζίνη, αραιωτικό χρωμάτων, οινόπνευμα, κεριά κλπ.
- Θα πρέπει να αφαιρείτε την σκόνη από την σχάρα αερισμού στο πίσω μέρος του προϊόντος τουλάχιστον μία φορά το χρόνο (χωρίς να ανοίξετε το κάλυμμα). Καθαρίζετε το προϊόν με ένα ελαφρά υγρό πανί.
- Φροντίστε να κρατήσετε το νερό μακριά από το κάλυμμα του λαμπτήρα και από άλλα ηλεκτρικά εξαρτήματα.
- Καθαρίστε την πόρτα της συσκευής με ένα ελαφρώς υγρό πανί. Αφαιρέστε όλα τα περιεχόμενα για να αφαιρέσετε τα ράφια της πόρτας και του κορμού. Αφαιρέστε τα ράφια της πόρτας τραβώντας τα προς τα πάνω. Καθαρίστε και στεγνώστε τα ράφια, και στην συνέχεια τοποθετήστε τα στην θέση τους από το πάνω μέρος.
- Μη χρησιμοποιείτε χλωρίνη ή παρόμοια καθαριστικά προϊόντα στην εξωτερική επιφάνεια και στα επιχρωμιωμένα εξαρτήματα του προϊόντος. Η χλωρίνη θα οδηγήσει σε δημιουργία σκουριάς σε αυτές τις μεταλλικές επιφάνειες.
- Μη χρησιμοποιείτε αιχμηρά εργαλεία και εργαλεία που χαράζουν, σαπούνι, προϊόντα καθαρισμού οικιακής χρήσης, απορρυπαντικά, πετρέλαιο, βενζίνη, βερνίκι και παρόμοιες ουσίες, για να προστατεύσετε τα πλαστικά εξαρτήματα από παρα-

μόρφωση και από αφαίρεση τυπωμένων ενδείξεων. Χρησιμοποιείτε χλιαρό νερό και ένα απαλό ύφασμα για τον καθαρισμό, και στην συνέχεια στεγνώνετε τη συσκευή.

- Σε μοντέλα χωρίς λειτουργία No-Frost, μπορεί να προκύψει σχηματισμός σταγονιδίων νερού και δημιουργία πάγου με πάχος έως ενός δαχτύλου στο πίσω τοίχωμα του θαλάμου καταψύκτη. Μην το καθαρίζετε, και ποτέ μη χρησιμοποιήσετε λάδια ή παρόμοια υλικά.
- Χρησιμοποιείτε ένα ελαφρώς υγρό ύφασμα από μικροΐνες για να καθαρίσετε την εξωτερική επιφάνεια του προϊόντος. Σφουγγάρια και άλλα είδη καθαριστικών υφασμάτων μπορεί να προκαλέσουν γρατσουνιές.
- Για να καθαρίσετε όλα τα αφαιρούμενα εξαρτήματα κατά τον καθαρισμό της εσωτερικής επιφάνειας του προϊόντος, πλύνετε αυτά τα μέρη με ένα ήπιο διάλυμα το οποίο αποτελείται από σαπούνι, νερό και μαγειρική σόδα. Καθαρίστε και σκουπίστε προσεκτικά. Αποτρέπετε την επαφή νερού με τα εξαρτήματα φωτισμού και τον πίνακα ελέγχου.



ΠΡΟΣΟΧΗ:

Μη χρησιμοποιείτε ξύδι, μετουσιωμένο οινόπνευμα ή άλλα αλκοολούχα υλικά σε οποιαδήποτε εσωτερική επιφάνεια.

Εξωτερικές επιφάνειες από ανοξείδωτο χάλυβα

Χρησιμοποιήστε ένα καθαριστικό που δεν χαράζει και εφαρμόστε το με ένα απαλό ύφασμα που δεν αφήνει χνούδι. Για να γυαλίσετε την επιφάνεια, σκουπίστε την απαλά με ένα ύφασμα μικροΐνων που έχετε υγράνει ελαφρά με νερό και χρησιμοποιή-

στε σαμούα για στεγνό γυάλισμα. Πάντα να ακολουθείτε τα νερά στον ανοξείδωτο χάλυβα.

Καταπολέμηση δυσάρεστων οσμών

Το προϊόν έχει κατασκευαστεί χωρίς την χρήση προϊόντων που προκαλούν δυσοσμία. Ωστόσο, η διατήρηση τροφίμων σε ακατάλληλα τμήματα του προϊόντος και ο λανθασμένος καθαρισμός των εσωτερικών επιφανειών μπορεί να οδηγήσουν σε δυσοσμία.

- Για να το αποφύγετε, καθαρίζετε το εσωτερικό του με ανθρακούχο νερό κάθε 15 μέρες.

9 Αντιμετώπιση προβλημάτων

Ελέγξτε αυτή τη λίστα πριν απευθυνθείτε στο σέρβις. Αν το κάνετε αυτό, θα εξοικονομήσετε χρόνο και χρήματα. Αυτή η λίστα περιλαμβάνει συχνά παραπάνω που δεν έχουν σχέση με ελαττωματική εργασία ή υλικά. Ορισμένες λειτουργίες που αναφέρονται εδώ ίσως να μην έχουν εφαρμογή στο προϊόν που έχετε.

Το ψυγείο δεν λειτουργεί.

- Το φινιρ ρευματοληψίας δεν έχει εισαχθεί πλήρως. >>> Συνδέστε το ώστε να εισέλθει πλήρως στην πρίζα.
- Έχει καεί η ασφάλεια που συνδέεται στην πρίζα που τροφοδοτεί το προϊόν ή η γενική ασφάλεια. >>> Ελέγξτε την ασφάλεια.

Η συμπύκνωση του πλευρικού τοιχώματος του θαλάμου συντήρησης (MULTI ZONE, COOL CONTROL και FLEXI ZONE).

- Η πόρτα ανοίγεται πολύ συχνά. >>> Προσέχετε να μην ανοίγετε πολύ συχνά την πόρτα του προϊόντος.
- Το περιβάλλον είναι πολύ υγρό. >>> Μην εγκαθιστάτε το προϊόν σε υγρό περιβάλλον.
- Τρόφιμα που περιέχουν υγρά φυλάσσονται σε μη σφραγισμένα δοχεία. >>> Διατηρείτε σε σφραγισμένα δοχεία τα τρόφιμα που περιέχουν υγρά.
- Η πόρτα του προϊόντος έχει μείνει ανοικτή. >>> Μην αφήνετε την πόρτα του προϊόντος ανοικτή για μεγάλα χρονικά διαστήματα.

- Διατηρείτε τα τρόφιμα σε σφραγισμένα δοχεία, επειδή μικροοργανισμού από δοχεία που φυλάσσονται σε μη σφραγισμένα δοχεία θα προκαλέσουν την ανάπτυξη δυσάρεστων οσμών.
- Μη διατηρείτε μέσα στο ψυγείο τρόφιμα που έχουν αλλοιωθεί ή λήξει.

Προστασία των πλαστικών επιφανειών

Αν χυθεί λάδι σε πλαστικές επιφάνειες, αυτό μπορεί να προκαλέσει ζημιά στην επιφάνεια και θα πρέπει να καθαριστεί άμεσα με χλιαρό νερό.

- Ο θερμοστάτης έχει ρυθμιστεί σε πολύ κρύα θερμοκρασία. >>> Ρυθμίστε τον θερμοστάτη σε κατάλληλη θερμοκρασία.

Ο συμπιεστής δεν λειτουργεί.

- Σε περίπτωση αιφνίδιας διακοπής ρεύματος ή αποσύνδεσης του φινιρ ρευματοληψίας από την πρίζα και επανασύνδεσής του, η πίεση αερίου στο ψυκτικό σύστημα του προϊόντος δεν είναι ισορροπημένη, με αποτέλεσμα να ενεργοποιείται η θερμική προστασία του συμπιεστή. Το προϊόν θα αρχίσει πάλι να λειτουργεί μετά από περίπου 6 λεπτά. Αν η λειτουργία του προϊόντος δεν ξεκινήσει πάλι μετά από αυτό το χρονικό διάστημα, απευθυνθείτε στο σέρβις.
- Η απόψυξη είναι ενεργή. >>> Αυτό είναι φυσιολογικό για προϊόν με πλήρως αυτόματη απόψυξη. Η απόψυξη λαμβάνει χώρα περιοδικά.
- Το προϊόν δεν έχει συνδεθεί στην πρίζα. >>> Βεβαιωθείτε ότι έχει συνδεθεί το καλώδιο ρεύματος.
- Η ρύθμιση θερμοκρασίας είναι λανθασμένη. >>> Επιλέξτε την κατάλληλη ρύθμιση θερμοκρασίας.
- Έγινε διακοπή ρεύματος. >>> Το προϊόν θα συνεχίσει να λειτουργεί κανονικά όταν αποκατασταθεί η παροχή ρεύματος.

Ο θόρυβος λειτουργίας του ψυγείου αυξάνεται κατά τη χρήση.

- Η απόδοση λειτουργίας του προϊόντος μπορεί να διαφέρει, ανάλογα με τις μεταβολές της θερμοκρασίας περιβάλλοντος. Αυτό είναι φυσιολογικό και δεν οφείλεται σε βλάβη.

Το ψυγείο τίθεται σε λειτουργία πολύ συχνά ή όχι για πολύ χρόνο.

- Το καινούργιο προϊόν μπορεί να είναι μεγαλύτερο από το προηγούμενο. Οι μεγαλύτερες συσκευές τίθενται σε λειτουργία για μεγαλύτερα χρονικά διαστήματα.
- Η θερμοκρασία του χώρου μπορεί να είναι υψηλή. >>> Το προϊόν κανονικά θα λειτουργεί για μεγαλύτερα χρονικά διαστήματα αν είναι μεγαλύτερη η θερμοκρασία του χώρου.
- Το προϊόν μπορεί να έχει συνδεθεί πρόσφατα στην πρίζα ή μπορεί να τοποθετήθηκαν νέα τρόφιμα στο εσωτερικό του. >>> Θα χρειαστεί περισσότερος χρόνος για να φθάσει το προϊόν τη ρυθμισμένη θερμοκρασία αν συνδέθηκε πρόσφατα στην πρίζα ή τοποθετήθηκαν νέα τρόφιμα στο εσωτερικό του. Αυτό είναι φυσιολογικό.
- Μπορεί να τοποθετήθηκαν πρόσφατα μεγάλες ποσότητες ζεστών τροφίμων μέσα στο προϊόν. >>> Μην τοποθετείτε ζεστά τρόφιμα μέσα στο προϊόν.
- Οι πόρτες του προϊόντος ανοίγονταν συχνά ή έμεναν ανοικτές πολλή ώρα. >>> Ο ζεστός αέρας που εισέρχεται, θα κάνει το προϊόν να λειτουργεί περισσότερη ώρα. Μην ανοίγετε την πόρτα υπερβολικά συχνά.
- Η πόρτα του καταψύκτη ή του ψυγείου μπορεί να μην έχει κλείσει καλά. >>> Ελέγξτε ότι οι πόρτες έχουν κλείσει καλά.
- Το προϊόν μπορεί να έχει ρυθμιστεί σε πολύ χαμηλή θερμοκρασία. >>> Ρυθμίστε μεγαλύτερη θερμοκρασία και περιμένετε να επιτύχει το προϊόν τη ρυθμισμένη θερμοκρασία.
- Η στεγανοποίηση της πόρτας του θαλάμου συντήρησης ή καταψύκτη μπορεί να είναι λερωμένη, φθαρμένη, σπασμένη ή να μην εδράζει σωστά. >>> Καθαρίστε ή αντικαταστήστε τη στεγανοποίηση. Αν

η στεγανοποίηση της πόρτας του προϊόντος έχει υποστεί ζημιά / φθορά, το προϊόν θα λειτουργεί για μεγαλύτερα διαστήματα, για να διατηρήσει την τρέχουσα θερμοκρασία.

Η θερμοκρασία του θαλάμου καταψύκτη είναι πολύ χαμηλή, αλλά η θερμοκρασία του θαλάμου συντήρησης είναι επαρκής.

- Η θερμοκρασία του θαλάμου καταψύκτη έχει ρυθμιστεί σε πολύ χαμηλή τιμή. >>> Ρυθμίστε τη θερμοκρασία του θαλάμου καταψύκτη σε υψηλότερη τιμή και ελέγξτε πάλι.

Η θερμοκρασία του θαλάμου συντήρησης είναι πολύ χαμηλή, αλλά η θερμοκρασία του θαλάμου καταψύκτη είναι επαρκής.

- Η θερμοκρασία του θαλάμου συντήρησης έχει ρυθμιστεί σε πολύ χαμηλή τιμή. >>> Ρυθμίστε τη θερμοκρασία του θαλάμου συντήρησης σε υψηλότερη τιμή και ελέγξτε πάλι.

Τα τρόφιμα που φυλάσσονται στα συρτάρια του θαλάμου συντήρησης είναι παγωμένα.

- Η θερμοκρασία του θαλάμου συντήρησης έχει ρυθμιστεί σε πολύ χαμηλή τιμή. >>> Ρυθμίστε τη θερμοκρασία του θαλάμου συντήρησης σε υψηλότερη τιμή και ελέγξτε πάλι.

Η θερμοκρασία στον θάλαμο συντήρησης ή καταψύκτη είναι πολύ υψηλή.

- Η θερμοκρασία του θαλάμου συντήρησης έχει ρυθμιστεί σε πολύ υψηλή τιμή. >>> Η ρύθμιση θερμοκρασίας του θαλάμου συντήρησης έχει επίδραση στη θερμοκρασία του θαλάμου καταψύκτη. Αλλάξτε τη θερμοκρασία του θαλάμου συντήρησης ή καταψύκτη και περιμένετε έως ότου η θερμοκρασία του αντίστοιχου τμήματος φθάσει σε ικανοποιητικό επίπεδο.
- Οι πόρτες του προϊόντος ανοίγονταν συχνά ή έμεναν ανοικτές πολλή ώρα. >>> Μην ανοίγετε τις πόρτες της συσκευής υπερβολικά συχνά.
- Η πόρτα μπορεί να είναι μισάνοικτη. >>> Κλείστε τελείως την πόρτα.

- Το προϊόν μπορεί να έχει συνδεθεί πρόσφατα στην πρίζα ή μπορεί να τοποθετήθηκαν νέα τρόφιμα στο εσωτερικό του. >>> Αυτό είναι φυσιολογικό. Θα χρειαστεί περισσότερος χρόνος για να φθάσει το προϊόν τη ρυθμισμένη θερμοκρασία, αν συνδέθηκε πρόσφατα στην πρίζα ή τοποθετήθηκαν νέα τρόφιμα στο εσωτερικό του.
- Μπορεί να τοποθετήθηκαν πρόσφατα μεγάλες ποσότητες ζεστών τροφίμων μέσα στο προϊόν. >>> Μην τοποθετείτε ζεστά τρόφιμα μέσα στο προϊόν.

Κραδασμοί ή θόρυβοι.

- Η επιφάνεια δεν είναι επίπεδη ή δεν είναι ανθεκτική >>> Αν το προϊόν ταλαντεύεται όταν το μετακινείτε ελαφρά, ρυθμίστε τις βάσεις του για να ο ισορροπήσετε. Επίσης βεβαιωθείτε ότι το δάπεδο έχει αρκετή φέρουσα ικανότητα ώστε να αντέχει το βάρος του προϊόντος.
- Είδη που έχουν τοποθετηθεί πάνω στο προϊόν μπορεί να προκαλούν θόρυβο. >>> Αφαιρέστε οποιαδήποτε είδη έχουν τοποθετηθεί πάνω στο προϊόν.
- Το προϊόν παράγει θόρυβο ροής υγρού, ψεκασμού κλπ.
- Οι αρχές λειτουργίας του προϊόντος περιλαμβάνουν ροή υγρού και αερίου. >>> Αυτό είναι φυσιολογικό και δεν οφείλεται σε βλάβη.

Ακουγεται φύσημα αέρα από το προϊόν.

- Το προϊόν χρησιμοποιεί ανεμιστήρα ως μέρος της διαδικασίας ψύξης. Αυτό είναι φυσιολογικό και δεν οφείλεται σε βλάβη.

Υπάρχει συμπύκνωση στα εσωτερικά τοιχώματα του προϊόντος.

- Ο θερμός ή υγρός καιρός μπορεί να αυξήσει τη συσσώρευση πάγου και τη συμπύκνωση. Αυτό είναι φυσιολογικό και δεν οφείλεται σε βλάβη.
- Οι πόρτες του προϊόντος ανοίγονταν συχνά ή έμεναν ανοικτές πολλή ώρα. >>> Μην ανοίγετε τις πόρτες του προϊόντος πολύ συχνά, αν υπάρχει ανοικτή πόρτα κλείστε την.
- Η πόρτα μπορεί να είναι μισάνοιχτη. >>> Κλείστε τελείως την πόρτα.

Υπάρχει συμπύκνωση στις εξωτερικές επιφάνειες του προϊόντος ή ανάμεσα στις πόρτες του.

- Ο καιρός μπορεί να είναι υγρός, αυτό είναι φυσιολογικό φαινόμενο σε υγρό καιρό. >>> Η συμπύκνωση θα πάψει όταν μειωθεί η υγρασία.

Δυσσομία στο εσωτερικό του προϊόντος.

- Το προϊόν δεν καθαρίζεται τακτικά. >>> Καθαρίζετε το εσωτερικό τακτικά με σφουγγάρι, χλιαρό νερό και διάλυμα μαγειρικής σόδας σε νερό.
- Ορισμένα δοχεία και υλικά συσκευασίας μπορεί να προκαλέσουν τη δημιουργία οσμών. >>> Χρησιμοποιείτε δοχεία και υλικά συσκευασίας που δεν παράγουν οσμές.
- Τα τρόφιμα τοποθετήθηκαν σε μη σφραγισμένα δοχεία. >>> Διατηρείτε τα τρόφιμα σε σφραγισμένα δοχεία. Από τα μη σφραγισμένα τρόφιμα μπορεί να εξαπλωθούν μικροοργανισμοί που προκαλούν δυσσομία.
- Απομακρύνετε από το προϊόν τυχόν τρόφιμα που έχουν λήξει ή αλλοιωθεί.

Η πόρτα του προϊόντος δεν κλείνει.

- Ενδεχομένως η πόρτα εμποδίζεται από συσκευασίες τροφίμων. >>> Αλλάξτε θέση σε τυχόν είδη που εμποδίζουν τις πόρτες του προϊόντος.
- Το προϊόν δεν στέκεται σε τελείως όρθια θέση πάνω στο δάπεδο. >>> Ρυθμίστε τα πόδια του προϊόντος για να το ισορροπήσετε σωστά.
- Η επιφάνεια δεν είναι επίπεδη ή δεν είναι ανθεκτική >>> Βεβαιωθείτε ότι η επιφάνεια είναι επίπεδη και αρκετά ανθεκτική για το βάρος του προϊόντος.

Το συρτάρι λαχανικών έχει σφηνώσει.

- Τα τρόφιμα μπορεί να έρχονται σε επαφή με το πάνω τμήμα του συρταριού. >>> Αναδιατάξτε τα τρόφιμα μέσα στο συρτάρι.

Θερμοκρασία στην επιφάνεια του προϊόντος

- Μπορεί να παρατηρείται υψηλή θερμοκρασία ανάμεσα στις δύο πόρτες του προϊόντος, στα πλευρικά πλαίσια και στην πίσω σχάρα, όταν είναι σε ενεργή

λειτουργία το προϊόν. Αυτό αποτελεί μέρος της φυσιολογικής λειτουργίας και δεν απαιτείται σέρβις.

Ο ανεμιστήρας συνεχίζει να λειτουργεί όταν είναι ανοικτή η πόρτα του προϊόντος.

- Ο ανεμιστήρας μπορεί να παραμείνει σε λειτουργία όταν είναι ανοικτή η πόρτα του θαλάμου καταψύκτη.



ΠΡΟΕΙΔΟΠΟΙΗΣΗ: Αν το πρόβλημα επιμένει αφού ακολουθήσετε τις οδηγίες στην ενότητα αυτή, επικοινωνήστε με τον τοπικό σας έμπορο ή με ένα Εξουσιοδοτημένο Σέρβις. Μην επιχειρήσετε να επισκευάσετε μόνοι σας το προϊόν. Αυτό είναι φυσιολογικό.

ΑΠΟΠΟΙΗΣΗ ΕΥΘΥΝΩΝ / ΠΡΟΕΙΔΟΠΟΙΗΣΗ

Ορισμένα (απλά) προβλήματα μπορούν να αντιμετωπιστούν ικανοποιητικά από τον τελικό χρήστη χωρίς να προκύπτει κάποιο πρόβλημα ασφάλειας ή μη ασφαλής χρήση, εφόσον οι διορθωτικές ενέργειες πραγματοποιούνται μέσα στα όρια και σύμφωνα με τις οδηγίες που ακολουθούν (δείτε την ενότητα "Εξ ιδίων επισκευή").

Επομένως, εκτός αν επιτρέπεται διαφορετικά στην παρακάτω ενότητα "Εξ ιδίων επισκευή", οι επισκευές θα πρέπει να ανατίθενται σε αναγνωρισμένους επαγγελματίες τεχνικούς επισκευών, για την αποφυγή προβλημάτων όσον αφορά την ασφάλεια. Ένας αναγνωρισμένος επαγγελματίας τεχνικός επισκευών είναι ένας επαγγελματίας τεχνικός επισκευών στον οποίο έχει δοθεί από τον κατασκευαστή πρόσβαση στις οδηγίες και στον κατάλογο ανταλλακτικών του προϊόντος σύμφωνα με τις μεθόδους που περιγράφονται σε νομοθετικές πράξεις με βάση την Οδηγία 2009/125/ΕΚ.

Ωστόσο, μόνο ο εκπρόσωπος σέρβις (δηλ. εξουσιοδοτημένοι επαγγελματίες τεχνικοί επισκευών) με τον οποίο μπορείτε να επικοινωνήσετε μέσω του αριθμού τηλεφώνου που αναφέρεται στο εγχειρίδιο χρήσης/στην κάρτα εγγύησης ή μέσω του τοπικού σας εξουσιοδοτημένου καταστήματος μπορεί να παρέχει σέρβις σύμφωνα με τους όρους της εγγύησης. Επομένως, έχετε υπόψη σας ότι οι επισκευές από επαγγελματίες τεχνικούς επισκευών (οι οποίοι δεν είναι εξουσιοδοτημένοι από τη Beko) θα καταστήσουν άκυρη την εγγύηση.

Εξ ιδίων επισκευή

Εξ ιδίων επισκευή μπορεί να γίνει από τον τελικό χρήστη όσον αφορά τα εξής ανταλλακτικά: λαβές θυρών, μεντεσέδες θυρών, δίσκοι, καλάθια και στεγανοποιήσεις πόρτας (ενημερωμένος κατάλογος είναι διαθέσιμος και στη διεύθυνση support.beko.com από την 1η Μαρτίου 2021).

Επιπλέον, για τη διασφάλιση της ασφάλειας του προϊόντος και για την αποτροπή κινδύνου σοβαρού τραυματισμού, η αναφερθείσα εξ ιδίων επισκευή θα πρέπει γίνεται με τήρηση των οδηγιών στο εγχειρίδιο χρήστη σχετικά με την εξ ιδίων επισκευή ή των οδηγιών που είναι διαθέσιμες στη διεύθυνση support.beko.com. Για την ασφάλειά σας, αποσυνδέστε από την πρίζα το προϊόν πριν επιχειρήσετε οποιαδήποτε εξ ιδίων επισκευή.

Επισκευή και προσπάθειες επισκευής από τελικούς χρήστες για εξαρτήματα που δεν περιλαμβάνονται σε έναν τέτοιο κατάλογο και/ή χωρίς τήρηση των οδηγιών στα εγχειρίδια χρήστη για εξ ιδίων επισκευή ή οι οποίες είναι διαθέσιμες στη διεύθυνση support.beko.com, μπορεί να δημιουργήσουν προβλήματα ασφάλειας που δεν μπορούν να αποδοθούν στη Beko, και θα ακυρώσουν την εγγύηση του προϊόντος.

Επομένως, συνιστάται ιδιαίτερα, οι τελικοί χρήστες να απέχουν από προσπάθειες διενέργειας επισκευών που δεν εμπίπτουν στον αναφερθέντα κατάλογο ανταλλακτικών, απευθυνόμενοι σε αυτές τις περιπτώσεις σε εξουσιοδοτημένους επαγγελματίες τεχνικούς επισκευών ή σε αναγνωρισμένους επαγγελματίες τεχνικούς επισκευών. Αντιθέτως, τέτοιου είδους προ-

σπάθειες από τελικούς χρήστες μπορεί να προκαλέσουν προβλήματα ασφάλειας και να προξενήσουν ζημιά στο προϊόν και κατά συνέπεια να προκαλέσουν πυρκαγιά, πλημμύρα, ηλεκτροπληξία και σοβαρό τραυματισμό.

Για παράδειγμα, αλλά χωρίς περιορισμό σε αυτές, οι ακόλουθες επισκευές πρέπει να ανατίθενται σε εξουσιοδοτημένους επαγγελματίες τεχνικούς επισκευών ή σε αναγνωρισμένους επαγγελματίες τεχνικούς επισκευών: επισκευές σε συμπιεστή, ψυκτικό κύκλωμα, κύρια πλακέτα, πλακέτα αντιστροφέα, πλακέτα οθόνης κλπ.

Ο κατασκευαστής/πωλητής δεν μπορεί να θεωρηθεί υπεύθυνος σε καμία περίπτωση μη συμμόρφωσης των τελικών χρηστών με τα οριζόμενα παραπάνω.

Ο χρόνος διαθεσιμότητας ανταλλακτικών για το ψυγείο που προμηθευτήκατε ανέρχεται σε 10 έτη. Στη διάρκεια αυτής της περιόδου θα υπάρχουν διαθέσιμα γνήσια ανταλλακτικά για τη σωστή λειτουργία του ψυγείου

Η ελάχιστη διάρκεια της εγγύησης του ψυγείου που προμηθευτήκατε είναι 24 μήνες. Το προϊόν αυτό είναι εξοπλισμένο με πηγή φωτισμού ενεργειακής κλάσης "G".

Η πηγή φωτισμού στο προϊόν αυτό θα πρέπει να αντικαθίσταται μόνο από επαγγελματία τεχνικό επισκευών

Δείτε επίσης

2 DISCLAIMER / WARNING [} 25]

