

Coffee Machine

User Manual

Μηχανή παρασκευής καφέ

Εγχειρίδιο χρήσης



BKK 2300

01M-3580480300 - 3315-01

beko

Please read this user manual first!

Dear Customer,

Thank you for preferring a Beko product. We hope that you get the best results from your product which has been manufactured with high quality and state-of-the-art technology. Therefore, please read this entire user manual and all other accompanying documents carefully before using the product and keep it as a reference for future use. If you handover the product to someone else, give the user manual as well. Follow all warnings and information in the user manual.

Meanings of the symbols

Following symbols are used in the various section of this manual:

	Important information and useful hints about usage.
--	---

	WARNING: Warnings for dangerous situations concerning the safety of life and property.
--	---



This product has been produced in environmentally-friendly, state-of-the-art facilities.

This appliance conforms to the WEEE regulation.



It does not contain PCB.
Made in Turkey

CONTENTS

1 Important safety and environmental instructions	4-10
1.1 General safety	4
1.2 Compliance with WEEE Directive	10
1.3 Package information	10
2 Your coffee machine	11-12
2.1 Overview	11
2.2 Technical data.....	11
3 Operation	13-16
3.1 Initial use	13
3.2 Cooking	13
3.3 Quantities	15
3.4 Sleep mode	15
3.5 Notifications	16
4 Cleaning and care	17-18
4.1 Cleaning	17
4.1.1 Descaling	18
4.2 Storage.....	18
4.3 Handling and transportation.....	18
5 Technological superiorities of the appliance	19
6 Before calling the service	19

1

Important safety and environmental instructions

This section contains safety instructions that will help protect from risk of personal injury or property damage.

Failure to follow these instructions invalidates the granted warranty.

1.1 General safety

- This appliance complies with the international safety standards.
- Do not use the appliance outdoors and in the bathroom.
- No responsibility or warranty claim shall be assumed for damages arising from misuse or improper handling of the appliance.
- Never attempt to dismantle or separate the mounted parts of the appliance.
- Only use the original parts or parts recommended by the manufacturer.
- Always use the appliance on a stable, flat, clean, dry and non-slip surface.

1

Important safety and environmental instructions

- Do not start to cook coffee without putting water into the cooking reservoir.
- Do not put any substances apart from coffee, sugar and water into the cooking reservoir.
- Coffee Machine is designed to operate at 4-37°C 80% relative humidity.
- Do not drink the cooked coffee using the cooking reservoir.
- Due to the manufacturing technology, steam and odour may arise at the heating element of your product during initial use. It is normal. They will disappear after a few cycles.
- Do not move the appliance when it is still hot or when there is liquid inside the cooking reservoir.
- Avoid contacting the hot surfaces. Hold the cooking reservoir only by its handle; otherwise there is the risk of burning. Cooking reservoir gets hot during cooking.

1 Important safety and environmental instructions

- The base (heating surface) on which the cooking reservoir is placed gets hot during operation. Therefore, do not touch this area while using and until the appliance gets cold.
- Ensure that the appliance is switched off before moving it.
- For additional protection, this appliance should be connected to a household current fault protection circuit breaker of no more than 30 mA.
- Connect the appliance to a grounded outlet protected by a 16 ampere fuse.
- Do not use it if the power cable or the appliance itself is damaged.
- Do not use the appliance with an extension cord.
- Dry the seat of cooking reservoir before plugging in the appliance and seating the parts.
- Do not immerse the appliance, power cord, or power plug in water or any other liquids.
- Do not touch the appliance or its plug with damp or wet hands.

1 Important safety and environmental instructions

- Position the appliance in such a way that the plug is always accessible.
- Prevent damage to the power cable by not squeezing, bending, or rubbing it on sharp edges. Keep the power cable away from hot surfaces and naked flame.
- Make sure that there is no danger that the power cord could be accidentally pulled or that someone could trip over it when the appliance is in use.
- Unplug the appliance if any failure occurs.
- Unplug the appliance before cleaning it and never clean it when it is in use.
- Do not pull the power cable of the appliance to unplug the appliance from the outlet and do not wrap its power cable around the appliance.
- Your mains power supply should comply with the information supplied on the rating plate of the appliance.

1

Important safety and environmental instructions

- Do not use the appliance in or near to combustible or inflammable places and materials.
- Do not use the appliance next or close to the heat resources (hob, grill, heater core, stove and etc.).
- Keep the appliance away from steam resources and avoid using it in environments containing excessive steam.
- Do not use the cooking reservoir with any other heater (hob and etc.) apart from the appliance.
- The appliance is designed to be used in homes, the kitchens of the employees at offices, stores and other working environments, and in the guest rooms at the hotels, motels and other accommodation places. This appliance is not fit for professional use.
- Do not use the appliance for anything other than its intended use.
- This appliance can only be used to cook coffee.
- Extreme caution is advised when being used near children and persons who are restricted in their physical, sensory or mental abilities.

1

Important safety and environmental instructions

- This appliance may be used by children who are at the age of 8 or over and the people whose physical, perceptive or mental skills are impaired or who are inexperienced or not knowledgeable about the appliance as long as they are supervised or informed and made understood the safe use of the appliance and the encountered dangers. Children should not play with the appliance.
- Cleaning and user maintenance procedures should not be performed by children unless they are controlled by their elders.
- If you keep the package material keep it away from children.
- Make sure the appliance is kept in a place out of reach of children.

1

Important safety and environmental instructions

1.2 Compliance with the WEEE Directive and disposal of waste products



This product does not include harmful and prohibited materials specified in the "Regulation for Supervision of the Waste Electric and Electronic Appliances" issued by the Ministry of Environment and Urban Planning. Complies with the WEEE Regulation. This appliance has been manufactured with high quality parts and materials which can be reused and are suitable for recycling. Therefore, do not dispose the appliance with normal domestic waste at the end of its service life. Take it to a collection point for the recycling of electrical and electronic equipment. Ask the local authority in your area for these collection points. Help protect the environment and natural resources by recycling used products.

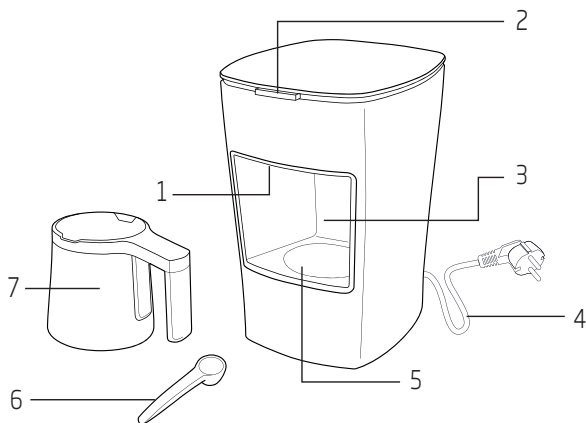
1.3 Package information



Package of the product is made of recyclable materials in accordance with our national legislation. Do not dispose of the packaging materials together with the domestic or other wastes. Take them to the packaging material collection points designated by the local authorities.

2 Your coffee machine

2.1 Overview



1. Cooking level detection sensor
2. Start cooking button and status light
3. Cooking reservoir seat
4. Power cable
5. Heating surface
6. Coffee measure
7. Cooking reservoir

2.2 Technical data

CE This appliance complies with the European Directives 2004/108/EC, 2006/95/EC, 2009/125/EC and 2011/65/EU.

The values which are declared in the markings affixed on your product or the other printed documents supplied with it represent the values which were obtained in the laboratories pursuant to the pertinent standards. These values may vary according to the usage of the appliance and ambient conditions.

2 Your coffee machine

Current: Max 3A

Power: 670 W

Voltage: 220-240 V AC ~, 50 Hz

Power cord length: 100 cm

Technical and design modifications reserved!

3 Operation

3.1 Initial use

Make sure that the appliance stands upright on a balanced, flat, clean, dry and non-skid surface.

3.2 Cooking

1. Connect the plug to the wall socket.
 - The appliance will switch on automatically.
2. Clean the cooking reservoir (7) by washing under running water.



To obtain a tasty coffee, make sure that the inside of the cooking reservoir (7) is dry and clean.

3. Put coffee, sugar and water for one, two or three persons into the cooking reservoir (7).



If you notice agglomeration or dry coffee at the surface it is recommended to stir the coffee mixture with a plastic or wooden spoon (do not use metal spoon) before starting to cook it.



Make sure that there are no water drops underneath the cooking reservoir (7) when preparing the coffee. Otherwise, an annoying noise will arise when the water drops get into contact with the hot base.

4. Place the cooking reservoir (7) onto its seat.



WARNING:

Appliance will not start unless you place the cooking reservoir properly onto its seat.

5. Press start cooking button (2).
 - The appliance will give an audio warning (beep) and status light (2) will turn into red as soon as the appliance starts operating.



Cooking time is 1-1.5 min. for 1 person., 1.5-2.5 min. for 2 persons and 2-3.5 min. for 3 persons.

3 Operation



Cooking time will decrease in repetitive cooking as the heating surface (5) will already be hot.



For a tasty coffee, take the cooking reservoir (7) from the cooking reservoir seat (3) without waiting!



Pour coffee swiftly in order to prevent foam and grounds from remaining in the cooking reservoir (7).



Keep the start cooking button (2) pressed for 3 sec. to cancel cooking coffee for any reason.



WARNING: Pay attention not to stain the heating surface. If coffee spills onto the heating surface, wipe it with a lightly dampened cloth.

6. When the coffee is ready, the appliance will give an audio warning and status light (2) will start to flash in red.
7. When the coffee is cooked, transfer it to the coffee cup and serve.

3 Operation

3.3 Quantities

This is an easy-to-use appliance designed to cook coffee. You can cook foamy coffee that suits to your tastes by using the quantities in the table. Following quantities are provided only for information purposes. You can adjust them as per your personal tastes.

3.4 Sleep mode

If no operation is performed on the device for 3 minutes, it will give an audio warning (beep) and switch to stand-by mode. When an operation is performed (cooking reservoir is placed/removed onto/from its seat or the start button is pressed) 2 audio warnings (beeps) is given. Status light turns into white and the appliance becomes ready to operate.

Recommended quantities of ingredients to prepare coffee

	Plain	With less sugar	Medium	With sugar
Coffee	1 measure	1 measure	1 measure	1 measure
Sugar	-	1/2 lump sugar/ 1/2 tea spoon granulated sugar	1 piece of lump sugar/ 1 tea spoon granulated sugar	2 pieces of lump sugar/ 2 tea spoon granulated sugar

- Following quantities are for single person. The recommended cup size to cook coffee for 3 persons is 65 ml (medium size) coffee cup.
- Use the coffee measure (6) supplied with the Coffee Machine to put coffee. Use fresh coffee for a tasty and foamy coffee.

3 Operation

3.5 Notifications

Product is ready to prepare coffee
(steady white light)

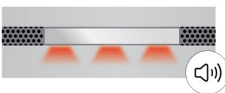


Cooking
(steady red light)



Wait
(Do not take the reservoir from its seat)

Cooking is complete
(flashing red light)



Take the reservoir from its seating.

Overheated
(flashing pink light)



Take the reservoir from its seat and wait until the light turns into steady white.

Cooking error
(flashing pink light)



Clean reservoir seat and sensor glass. Contact service if the error occurs again.

Time-out error
(steady pink light)



Switch off and on the appliance. Contact service if the error occurs again.

4 Cleaning and care

4.1 Cleaning



WARNING: Do not carry the appliance when the cooking reservoir is placed onto its seat. Cooking reservoir may get damaged.



WARNING: Never use gasoline, solvent, abrasive cleaning agents, metal objects or hard brushes to clean the appliance.



WARNING: Never immerse the appliance or its power cable in water or in any other liquid.

1. Unplug the appliance before starting any cleaning procedure.
2. Wait for the appliance to cool down.
3. Remove the cooking reservoir (7) from its seat (3).
4. Clean the cooking reservoir (7) under running water.



Do not clean the heating surface (5) and cooking reservoir with abrasive sponge or steel wool. Wash it with a soft sponge. Pay particular attention not to scratch these surfaces.



WARNING: Never wash the cooking reservoir (7) in dishwasher.



WARNING: Do not wash any part of the appliance apart from the cooking reservoir. You can wipe with a damp cloth.



In order to preserve the taste of the coffee you would prepare, clean the cooking reservoir (7) after every cooking operation without waiting.

4 Cleaning and care

5. Use a damp and soft cloth and a little amount of soft cleanser in order to clean the exterior of the appliance.



Do not neglect to wipe the cooking level detection sensor (1) with a damp cloth at every 15-20 cooking operations.

6. Place the cooking reservoir (7) onto its seat.

4.1.1 Descaling

To remove the traces (scales) that may build up inside the cooking reservoir as a result of usage in time without damaging the inner bottom surface of the cooking reservoir, pour a cup of half water-half vinegar mixture into the cooking reservoir and press start cooking (2) button. At the end of cooking, rinse the cooking reservoir (7) and use it as usual.

4.2 Storage

- If you do not intend to use the appliance for a long time, store it carefully.
- Please make sure that the appliance is unplugged, cooled down and totally dry.
- Store the appliance in a cool and dry place.
- Keep the appliance out of the reach of children.

4.3 Handling and transportation

- During handling and transportation, carry the appliance in its original packaging. The packaging of the appliance protects it against physical damages.
- Do not place heavy loads on the appliance or the packaging. The appliance may be damaged.
- Dropping the appliance will render it nonoperational or cause permanent damage.

5

Technological superiorities of the appliance



The technology that allows cooking coffee at the best consistency.

6

Before calling the service



First check whether the appliance is plugged in or not.



Check whether there is any break or damage at the cable.



Clean the cooking level detection sensor.

Διαβάστε πρώτα αυτό το εγχειρίδιο!

Αγαπητέ Πελάτη,

Ευχαριστούμε που προτιμήσατε ένα προϊόν Beko. Ελπίζουμε ότι θα έχετε τα καλύτερα αποτελέσματα από το προϊόν που αποκτήσατε το οποίο έχει κατασκευαστεί με υψηλή ποιότητα και με τεχνολογία αιχμής. Γι' αυτό, πριν χρησιμοποιήσετε το προϊόν, διαβάστε πλήρως αυτό το εγχειρίδιο χρήσης και όλα τα άλλα συνοδευτικά έγγραφα, και φυλάξτε τα για μελλοντική αναφορά. Αν μεταβιβάσετε το προϊόν σε τρίτον, παραδώστε μαζί και το εγχειρίδιο χρήσης. Να τηρείτε όλες τις προειδοποιήσεις και πληροφορίες που περιέχονται στο εγχειρίδιο χρήσης.

Επεξήγηση των συμβόλων

Τα παρακάτω σύμβολα χρησιμοποιούνται στα διάφορα κεφάλαια του εγχειριδίου:



Σημαντικές πληροφορίες ή χρήσιμες υποδείξεις σχετικά με τη χρήση.



ΠΡΟΕΙΔΟΠΟΙΗΣΗ: Προειδοποίηση για επικίνδυνες καταστάσεις για την ασφάλεια της ζωής και της περιουσίας.



Αυτό το προϊόν παράχθηκε σε εγκαταστάσεις τεχνολογίας αιχμής και φιλικές προς το περιβάλλον.

Αυτή η συσκευή συμμορφώνεται με τον κανονισμό περί αποβλήτων ηλεκτρικού και ηλεκτρονικού εξοπλισμού (ΑΗΗΕ).



Δεν αποτελείται από PCB.
Κατασκευασμένο στη Τουρκία

ΠΕΡΙΕΧΟΜΕΝΑ

1 Σημαντικές οδηγίες για την ασφάλεια και το περιβάλλον 22-29

- 1.1 Γενικές οδηγίες ασφαλείας 22
- 1.2 Συμμόρφωση με την Οδηγία περί αποβλήτων ηλεκτρικού και ηλεκτρονικού εξοπλισμού (ΑΗΗΕ) 29
- 1.3 Πληροφορίες σχετικά με τη συσκευασία. 29

2 Η μηχανή σας για την παρασκευή καφέ 30-31

- 2.1 Επίσκόπηση 30
- 2.2 Τεχνικές προδιαγραφές. 30

3 Λειτουργία 32-37

- 3.1 Αρχική χρήση 32
- 3.2 Παρασκευή καφέ 32
- 3.3 Ποσότητες. 35
- 3.4 Λειτουργία αναμονής 35
- 3.5 Είδοποιήσεις. 37

4 Καθαρισμός και φροντίδα 38-39

- 4.1 Καθαρισμός 38
- 4.1.1 Αφαίρεση αλάτων 39
- 4.2 Φύλαξη 39

5 Τεχνολογική υπεροχή της συσκευής 40

6 Πριν καλέσετε το σέρβις 40

Αυτό το κεφάλαιο περιέχει οδηγίες ασφαλείας που θα σας βοηθήσουν να προστατευτείτε από τον κίνδυνο τραυματισμού ή βλάβης της ιδιοκτησίας.

Μη συμμόρφωση με αυτές τις οδηγίες ακυρώνει τη χορηγηθείσα εγγύηση.

1.1 Γενικές οδηγίες ασφαλείας

- Αυτή η συσκευή είναι σε συμμόρφωση με τα διεθνή πρότυπα ασφαλείας.
- Μη χρησιμοποιείτε τη συσκευή σε εξωτερικό χώρο και στο μπάνιο.
- Δεν θα αναληφθεί καμία ευθύνη ή αξίωση επί της εγγύησης για ζημιές που προέρχονται από κακή χρήση ή ακατάλληλη μεταχείριση της συσκευής.
- Μην προσπαθήσετε ποτέ να αποσυναρμολογήσετε ή να διαχωρίσετε τα συναρμολογημένα τμήματα της συσκευής.
- Χρησιμοποιείτε μόνο γνήσια εξαρτήματα ή αυτά που συνιστά ο κατασκευαστής.
- Πάντα τοποθετείτε τη συσκευή σε επιφάνεια σταθερή, επίπεδη, καθαρή, στεγνή και μη ολισθηρή.

- Μην ξεκινήσετε να παρασκευάζετε τον καφέ χωρίς να βάλετε νερό στο δοχείο παρασκευής.
- Μην προσθέσετε κανένα άλλο συστατικό πέραν του καφέ, της ζάχαρης και του νερού στο δοχείο παρασκευής.
- Η μηχανή παρασκευής καφέ είναι σχεδιασμένη ώστε να λειτουργεί στους 4-37°C με σχετική υγρασία 80%.
- Μην πίνετε τον παρασκευασμένο ελληνικό καφέ χρησιμοποιώντας το δοχείο παρασκευής.
- Λόγω της τεχνολογίας κατασκευής, ενδέχεται κατά την αρχική χρήση να εμφανιστεί ατμός και οσμές στο θερμαντικό στοιχείο της συσκευής σας. Αυτό είναι φυσιολογικό. Θα παύσουν να εμφανίζονται μετά από μερικούς κύκλους λειτουργίας.
- Μη μετακινείτε τη συσκευή όσο είναι ακόμη ζεστή ή όταν υπάρχει υγρό στο δοχείο παρασκευής.
- Αποφεύγετε να αγγίζετε θερμές επιφάνειες. Κρατάτε το δοχείο παρασκευής μόνο από τη λαβή του, σε αντίθετη περίπτωση υπάρχει κίνδυνος να καείτε. Το δοχείο παρασκευής ζεσταίνεται κατά τη διάρκεια της παρασκευής καφέ.

- Η βάση (θερμαινόμενη επιφάνεια) επί της οποίας τοποθετείται το δοχείο παρασκευής θερμαίνεται κατά τη διάρκεια της λειτουργίας. Γι' αυτόν τον λόγο, μην αγγίζετε αυτή την περιοχή όσο χρησιμοποιείτε τη συσκευή μέχρι αυτή να κρυώσει.
- Να βεβαιώνετε ότι η συσκευή έχει απενεργοποιηθεί πριν τη μετακινήσετε.
- Για πρόσθετη προστασία, αυτή η συσκευή θα πρέπει να συνδέεται με οικιακό διακόπτη προστασίας από διαρροή ρεύματος, με διαβάθμιση όχι μεγαλύτερη από 30 mA.
- Συνδέστε τη συσκευή σε γειωμένη πρίζα που προστατεύεται από ασφάλεια 16 A.
- Μη χρησιμοποιήσετε τη συσκευή αν έχει υποστεί ζημιά το καλώδιο ρεύματος ή η ίδια η συσκευή.
- Μη χρησιμοποιείτε αυτή τη συσκευή με καλώδιο επέκτασης.
- Στεγνώστε τη θέση του δοχείου παρασκευής πριν συνδέσετε τη συσκευή στην πρίζα και τοποθετήσετε τα εξαρτήματα.

- Μη βυθίσετε τη συσκευή, το καλώδιο ρεύματος ή το φις ρευματοληψίας σε νερό ή οποιοδήποτε άλλο υγρό.
- Μην αγγίζετε τη συσκευή ή το φις με υγρά ή βρεγμένα χέρια.
- Τοποθετείτε τη συσκευή με τέτοιο τρόπο ώστε το φις να είναι πάντα προσβάσιμο.
- Για την αποφυγή ζημιάς στο καλώδιο ρεύματος, προφυλάξτε το από σύνθλιψη, κάμψη ή φθορά από τριβή σε αιχμηρές ακμές. Κρατάτε το καλώδιο ρεύματος μακριά από θερμές επιφάνειες και γυμνές φλόγες.
- Όταν χρησιμοποιείτε τη συσκευή να βεβαιώνετε ότι δεν υπάρχει κίνδυνος ότι το καλώδιο θα μπορούσε να τραβηχτεί κατά λάθος ή ότι κάποιος θα μπορούσε να μπερδευτεί και να παραπατήσει σ' αυτό.
- Αποσυνδέστε τη συσκευή από την πρίζα σε περίπτωση βλάβης.
- Αποσυνδέστε τη συσκευή από την πρίζα πριν την καθαρίσετε και ποτέ μην την καθαρίζετε ενώ είναι σε χρήση.

- Μην τραβάτε το καλώδιο ρεύματος της συσκευής για να την αποσυνδέσετε από την πρίζα και μην τυλίγετε το καλώδιο ρεύματος γύρω από τη συσκευή.
- Η παροχή ρεύματος θα πρέπει να είναι σε συμμόρφωση με τις πληροφορίες που περιλαμβάνονται στην πινακίδα στοιχείων της συσκευής.
- Μη χρησιμοποιείτε τη συσκευή μέσα ή κοντά σε χώρους και υλικά που είναι καύσιμα ή εύφλεκτα.
- Μη χρησιμοποιείτε τη συσκευή δίπλα ή κοντά σε πηγές θερμότητας (εστία, γκριλ, σώματα θέρμανσης, κουζίνα κ.λπ.).
- Κρατήστε τη συσκευή μακριά από πηγές ατμού και αποφύγετε τη χρήση της σε περιβάλλοντα όπου υπάρχει υπερβολικά πολύς ατμός.
- Μη χρησιμοποιείτε το δοχείο παρασκευής με οποιοδήποτε άλλο θερμαντικό στοιχείο (εστία και λοιπά) πέραν της συσκευής.

- Η συσκευή έχει σχεδιαστεί προς χρήση σε σπίτια, κουζίνες υπαλλήλων σε γραφεία, καταστήματα και άλλα εργασιακά περιβάλλοντα, καθώς και σε δωμάτια ξενοδοχείων, πανδοχείων και σε άλλους χώρους ενδιαίτησης. Αυτή η συσκευή δεν είναι κατάλληλη για επαγγελματική χρήση.
- Μη χρησιμοποιήσετε τη συσκευή για οτιδήποτε διαφορετικό από την προβλεπόμενη χρήση της.
- Αυτή η συσκευή μπορεί να χρησιμοποιηθεί μόνο για την παρασκευή καφέ.
- Συνιστάται να επιδεικνύετε εξαιρετική προσοχή όταν η συσκευή χρησιμοποιείται κοντά σε παιδιά και κοντά σε άτομα με περιορισμένες σωματικές, αισθητηριακές ή πνευματικές ικανότητες.
- Αυτή η συσκευή μπορεί να χρησιμοποιηθεί από παιδιά ηλικίας 8 ετών και άνω και από άτομα με περιορισμένες σωματικές, αντιληπτικές ή νοητικές ικανότητες ή χωρίς εμπειρία ή ενημέρωση σχετικά με τη συσκευή εφόσον επιτηρούνται ή ενημερωθούν και κατανοήσουν την ασφαλή χρήση της συσκευής και τους ενεχόμενους κινδύνους. Τα παιδιά δεν πρέπει να παίζουν με τη συσκευή.

- Οι διαδικασίες καθαρισμού και χρήσης δεν πρέπει να πραγματοποιούνται από παιδιά παρά μόνο αν επιτηρούνται από ενήλικες.
- Αν φυλάξετε το υλικό συσκευασίας κρατήστε το μακριά από παιδιά.
- Φροντίστε απαραίτητα να κρατάτε τη συσκευή μακριά από τα παιδιά.

1.2 Συμμόρφωση με την Οδηγία περί αποβλήτων ηλεκτρικού και ηλεκτρονικού εξοπλισμού (ΑΗΗΕ) και τελική διάθεση του προϊόντος



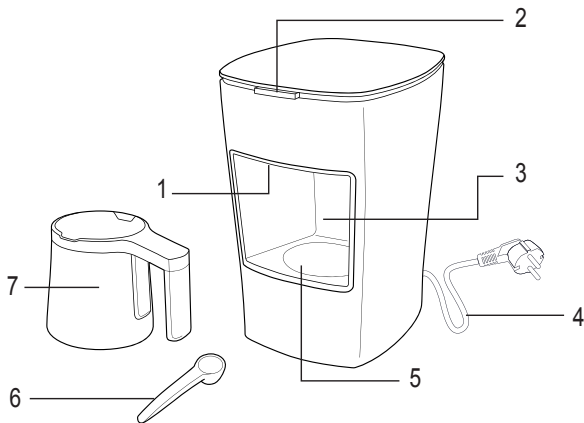
Αυτό το προϊόν δεν περιέχει επιβλαβή και απαγορευμένα υλικά που περιγράφονται στον "Κανονισμό σχετικά με τον έλεγχο αποβλήτων ηλεκτρικού και ηλεκτρονικού εξοπλισμού" που έχει εκδοθεί από το Τουρκικό Υπουργείο Περιβάλλοντος και Πολιτοδομίας. Συμμορφώνεται με την Οδηγία περί αποβλήτων ηλεκτρικού και ηλεκτρονικού εξοπλισμού (ΑΗΗΕ). Αυτή η συσκευή έχει κατασκευαστεί από εξαρτήματα υψηλής ποιότητας και από υλικά που μπορούν να επαναχρησιμοποιηθούν και είναι κατάλληλα για ανακύκλωση. Για αυτό, μην πετάτε τη συσκευή μαζί με τα κανονικά οικιακά απορρίμματα στο τέλος της ωφέλιμης ζωής του. Παραδώστε το σε θέση συλλογής για την ανακύκλωση ηλεκτρικού και ηλεκτρονικού εξοπλισμού. Απευθυνθείτε στις τοπικές σας αρχές σχετικά με σημεία συλλογής στην περιοχή σας. Βοηθήστε στην προστασία του περιβάλλοντος και των φυσικών πόρων ανακυκλώνοντας τα χρησιμοποιημένα προϊόντα.

1.3 Πληροφορίες σχετικά με τη συσκευασία



Τα υλικά συσκευασίας του προϊόντος είναι κατασκευασμένα από ανακυκλώσιμα υλικά σύμφωνα με την εθνική μας νομοθεσία. Μην απορρίψετε τα υλικά συσκευασίας μαζί με τα οικιακά ή άλλα απορρίμματα. Παραδώστε τα στα σημεία συλλογής υλικών συσκευασίας που έχουν καθοριστεί από τις τοπικές αρχές.

2.1 Επισκόπηση



1. Αισθητήρας εντοπισμού επιπέδου παρασκευής
2. Κουμπί έναρξης παρασκευής και φωτεινή ένδειξη κατάστασης
3. Θέση δοχείου παρασκευής
4. Καλώδιο ρεύματος
5. Θερμαινόμενη επιφάνεια
6. Μεζούρα καφέ
7. Δοχείο παρασκευής

2.1.2 Τεχνικές προδιαγραφές

CE Η παρούσα συσκευή συμμορφώνεται με τις Ευρωπαϊκές Οδηγίες 2004/108/EK, 2006/95/EK, 2009/125/EK και 2011/65/EE.

Οι τιμές που ορίζονται στις σημάνσεις επάνω στο προϊόν σας ή τα άλλα έντυπα που παρέχονται με αυτό αποτελούν τις τιμές που προέκυψαν στο εργαστήριο σύμφωνα με τα σχετικά πρότυπα. Αυτές οι τιμές μπορεί να διαφέρουν ανάλογα με τη χρήση της συσκευής και τις συνθήκες του περιβάλλοντος.

Ρεύμα: Μεγ. 3A

Ισχύς: 670 W

Τάση: 220-240 V AC ~, 50 Hz

Μήκος καλωδίου ρεύματος: 100 cm

Με την επιφύλαξη τεχνικών και σχεδιαστικών τροποποιήσεων.

3 Λειτουργία

3.1 Αρχική χρήση

Βεβαιωθείτε ότι η συσκευή είναι σε όρθια θέση και πάνω σε σταθερή, επίπεδη, καθαρή, στεγνή και μη ολισθηρή επιφάνεια.

3.2 Παρασκευή καφέ

1. Συνδέστε το φινς στην πρίζα.

- Η συσκευή θα ενεργοποιηθεί αυτόματα.

2. Καθαρίστε το δοχείο παρασκευής (7) πλένοντάς το με τρεχούμενο νερό.



Για να είναι γευστικός ο καφές σας, βεβαιωθείτε ότι το εσωτερικό του δοχείου παρασκευής (7) είναι στεγνό και καθαρό.

3. Βάλτε καφέ, ζάχαρη και νερό για ένα, δύο ή τρία άτομα στο δοχείο παρασκευής (7).



Αν παρατηρήσετε συσσώρευση ή στεγνό καφέ στην επιφάνεια συστήνεται να ανακατέψετε το μείγμα του καφέ με πλαστικό ή ξύλινο κουτάλι (μη χρησιμοποιήσετε μεταλλικό κουτάλι) πριν αρχίσετε την παρασκευή του.



Βεβαιωθείτε ότι δεν υπάρχουν σταγόνες νερού κάτω από το δοχείο παρασκευής (7) όταν ετοιμάζετε τον καφέ. Αλλιώς, θα ακουστεί ενοχλητικός θόρυβος όταν οι σταγόνες νερού έρθουν σε επαφή με τη ζεστή βάση.

4. Τοποθετήστε το δοχείο παρασκευής (7) στη θέση του.

3 Λειτουργία



ΠΡΟΕΙΔΟΠΟΙΗΣΗ:

Η συσκευή δεν θα ξεκινήσει να λειτουργεί παρά μόνο αν τοποθετήσετε το δοχείο παρασκευής σωστά στη θέση του.

5. Πατήστε το κουμπί έναρξης παρασκευής (2).

- Θα ακουστεί από τη συσκευή ένα ηχητικό σήμα προειδοποίησης (μπιπ) και η φωτεινή ένδειξη κατάστασης (2) θα γίνει κόκκινη μόλις η συσκευή αρχίσει να λειτουργεί.



Ο χρόνος παρασκευής είναι 1-1,5 λεπτό για 1 άτομο, 1,5-2,5 λεπτά για 2 άτομα και 2-3,5 λεπτά για 3 άτομα.



Ο χρόνος παρασκευής θα μειωθεί αν ετοιμάσετε διαδοχικά καφέδες καθώς η θερμαινόμενη επιφάνεια (5) θα είναι ήδη ζεστή.



Για να είναι γευστικός ο καφές σας, μην περιμένετε για να απομακρύνετε το δοχείο παρασκευής (7) από τη θέση του (3)!



Σερβίρετε τον καφέ γρήγορα ώστε να αποφύγετε να παραμείνει το καϊμάκι και το κατακάθι στο δοχείο παρασκευής (7).



Πιέστε παρατεταμένα το κουμπί έναρξης παρασκευής (2) για 3 δευτερόλεπτα για να ακυρώσετε για οποιοδήποτε λόγο τη παρασκευή καφέ.

6. Όταν ο καφές είναι έτοιμος, θα ακουστεί από τη συσκευή ένα ηχητικό σήμα προειδοποίησης και η φωτεινή ένδειξη κατάστασης (2) θα αρχίσει να αναβοσβήνει με κόκκινο χρώμα.

7. Όταν ο καφές είναι έτοιμος, βάλτε τον σε ένα φλιτζάνι και σερβίρετε.

3 Λειτουργία



ΠΡΟΕΙΔΟΠΟΙΗΣΗ:

Προσοχή μη λερώσετε τη θερμαινόμενη επιφάνεια. Αν χυθεί καφές στη θερμαινόμενη επιφάνεια, σκουπίστε τη με ένα ελαφρώς υγρό πανί.

3 Λειτουργία

3.3 Ποσότητες

Αυτή είναι μια εύκολη στη χρήση συσκευή που έχει σχεδιαστεί για την παρασκευή καφέ. Μπορείτε να ετοιμάσετε ελληνικό καφέ με καϊμάκι που να ταιριάζει στα γούστα σας με τη χρήση των ποσοτήτων στον πίνακα. Οι ποσότητες παρακάτω παρέχονται μόνο για σκοπούς πληροφόρησης. Μπορείτε να τις προσαρμόσετε στα προσωπικά σας γούστα.

3.4 Λειτουργία αναμονής

Αν δεν πραγματοποιηθεί καμία λειτουργία με τη συσκευή για 3 λεπτά, θα ακουστεί ένα ηχητικό σήμα προειδοποίησης (μπιπ) και θα μπει σε λειτουργία αναμονής. Όταν πραγματοποιείται κάποια λειτουργία (το δοχείο παρασκευής τοποθετείται στη θέση του ή απομακρύνεται από αυτή ή πιέζεται το κουμπί έναρξης) ακούγονται δύο ηχητικά σήματα προειδοποίησης (μπιπ). Η φωτεινή ένδειξη κατάστασης γίνεται λευκή και η συσκευή αρχίζει πάλι να λειτουργεί.

Προτεινόμενες ποσότητες για την παρασκευή καφέ

	Σκέτος	Με λίγη ζάχαρη	Μέτριος	Με ζάχαρη
Καφές	1 μεζούρα	1 μεζούρα	1 μεζούρα	1 μεζούρα
Ζάχαρη	-	1/2 κύβος ζάχαρης/ 1/2 κουταλάκι του γλυκού κρυσταλλικής ζάχαρης	1 κύβος ζάχαρης/ 1 κουταλάκι γλυκού κρυσταλλικής ζάχαρης	2 κύβοι ζάχαρης/ 2 κουταλάκια γλυκού κρυσταλλικής ζάχαρης

3 Λειτουργία

- Οι ποσότητες παρακάτω είναι για ένα μόνο άτομο. Το μέγεθος του φλιτζανιού για την παρασκευή καφέ για 3 άτομα είναι το φλιτζάνι του καφέ των 65 ml (μεσαίο μέγεθος).
- Χρησιμοποιείτε τη μεζούρα του καφέ (6) που παρέχεται μαζί με τη μηχανή παρασκευής καφέ για να προσθέσετε τον καφέ.

3 Λειτουργία

3.5 Ειδοποιήσεις

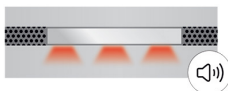
Το προϊόν είναι έτοιμο για την προετοιμασία του καφέ
(σταθερή λευκή ένδειξη)



Διάρκεια
(σταθερή κόκκινη φωτεινή ένδειξη)



Έχει ολοκληρωθεί η παρασκευή
(κόκκινη φωτεινή ένδειξη που αναβοσβήνει)



Υπερθέρμανση
(ροζ φωτεινή ένδειξη που αναβοσβήνει)



Σφάλμα στην παρασκευή
(ροζ φωτεινή ένδειξη που αναβοσβήνει)



Σφάλμα νεκρού χρόνου
(σταθερή ροζ φωτεινή ένδειξη)



Αναμονή
(Μην απομακρύνετε το δοχείο παρασκευής από τη θέση του)

Απομακρύνετε το δοχείο από τη θέση του.

Απομακρύνετε το δοχείο από τη θέση του και περιμένετε μέχρι η φωτεινή ένδειξη γίνει λευκή και σταθεροποιηθεί.

Καθαρίστε τη θέση του δοχείου και το τζάμι του αισθητήρα. Απευθυνθείτε στο σέρβις αν αυτό το σφάλμα προκύψει ξανά.

Σβήστε και ανάψτε πάλι τη συσκευή. Απευθυνθείτε στο σέρβις αν αυτό το σφάλμα προκύψει ξανά.

4 Καθαρισμός και φροντίδα

4.1 Καθαρισμός

**ΠΡΟΕΙΔΟΠΟΙΗΣΗ:**

Μη μεταφέρετε τη συσκευή όταν το δοχείο παρασκευής είναι τοποθετημένο στη θέση του. Το δοχείο παρασκευής μπορεί να καταστραφεί.

**ΠΡΟΕΙΔΟΠΟΙΗΣΗ:**

Ποτέ μη χρησιμοποιήσετε για τον καθαρισμό της συσκευής βενζίνη, διαλύτη, διαβρωτικούς καθαριστικούς παράγοντες, μεταλλικά αντικείμενα ή σκληρές βούρτσες

**ΠΡΟΕΙΔΟΠΟΙΗΣΗ:**

Ποτέ μη βυθίζετε τη συσκευή ή το καλώδιο ρεύματος μέσα σε νερό ή σε άλλο υγρό.

1. Αποσυνδέστε τη συσκευή από την πρίζα πριν αρχίσετε τη διαδικασία καθαρισμού.

2. Περιμένετε μέχρι η συσκευή να κρυώσει τελείως.

3. Απομακρύνετε το δοχείο παρασκευής (7) από τη θέση του (3).

4. Καθαρίστε το δοχείο παρασκευής (7) με τρεχούμενο νερό.



Μην καθαρίζετε τη θερμαινόμενη επιφάνεια (5) και το δοχείο παρασκευής με σκληρό σφουγγάρι ή σύρμα. Καθαρίστε το με μαλακό σφουγγάρι. Προσέξτε ιδιαίτερα να μην χαράξετε αυτές τις επιφάνειες.

**ΠΡΟΕΙΔΟΠΟΙΗΣΗ:**

Ποτέ μην πλένετε το δοχείο παρασκευής (7) σε πλυντήριο πιάτων.

**ΠΡΟΕΙΔΟΠΟΙΗΣΗ:**

Μην πλένετε κανένα εξάρτημα της συσκευής πέραν του δοχείου παρασκευής. Μπορείτε να σκουπίσετε με υγρό πανί.

4 Καθαρισμός και φροντίδα



Για να διατηρήσετε τη γεύση του καφέ που ετοιμάζετε, καθαρίστε το δοχείο παρασκευής (7) μετά από κάθε παρασκευή καφέ χωρίς να περιμένετε.

5. Χρησιμοποιήστε ένα υγρό μαλακό πανί και μικρή ποσότητα ήπιου απορρυπαντικού για να καθαρίσετε το περίβλημα της συσκευής.



Μην αμελείτε το σκούπισμα του αισθητήρα εντοπισμού επιπέδου παρασκευής (1) με υγρό πανί ανά 15-20 φορές παρασκευής καφέ.

6. Τοποθετήστε το δοχείο παρασκευής (7) στη θέση του.

4.1.1 Αφαίρεση αλάτων

Για να αφαιρέσετε τα υπολείμματα (άλατα) που ενδέχεται να συσσωρευτούν στο εσωτερικό του δοχείου παρασκευής λόγω της χρήσης με το πέρασμα του χρόνου, χωρίς να καταστρέψετε την εσωτερική επιφάνεια του δοχείου παρασκευής, ρίξτε ένα φλιτζάνι με μείγμα που είναι μισό νερό και μισό ξύδι στο δοχείο παρασκευής και πιέστε το κουμπί έναρξης παρασκευής (2). Με το τέλος της παρασκευής, ξεπλύνετε το δοχείο παρασκευής (7) και χρησιμοποιήστε το ως συνήθως.

4.2 Αποθήκευση

- Αν δεν σκοπεύετε να χρησιμοποιήσετε τη συσκευή για μεγάλη χρονική περίοδο, φυλάξτε τη με προσοχή.
- Βεβαιωθείτε ότι η συσκευή έχει αποσυνδεθεί από το ρεύμα, έχει κρυώσει και είναι εντελώς στεγνή.
- Διατηρείτε τη συσκευή σε δροσερό και ξηρό μέρος.
- Κρατάτε τη συσκευή μακριά από παιδιά.



Η τεχνολογία που επιτρέπει την παρασκευή καφέ με τη μεγαλύτερη συνέπεια.



Ελέγξτε πρώτα αν η συσκευή είναι συνδεδεμένη στην πρίζα ή όχι.



Ελέγξτε αν υπάρχει κάποιο σκίσιμο ή φθορά στο καλώδιο.



Καθαρίστε τον αισθητήρα εντοπισμού επιπέδου παρασκευής.

<p>Importer in Poland Importer w Polsce Beko S.A. Ul. Pulawska 366 02-819 Warszawa www.beko.pl</p>	<p>Importer in Czech Republic Dovožce do České republiky BEKO S.A.: organizační složka Luzná 716/2 160 00 Praha 6 – Vokovice www.bekocr.cz</p>	<p>Importer in Slovakia Dovožca na Slovensko BEKO Slovakia s.r.o. Suche myto 1 811 03 Bratislava www.bekosk.sk</p>
<p>Importer in Germany Beko Deutschland GmbH Thomas-Edison-Platz 3 63263 Neu-Isenburg</p>	<p>Importer in UK BEKO Plc, Beko House, 1 Greenhill Crescent, Watford, Herts, WD18 8QU</p>	<p>Importer in Italy BEKO ITALY SRL Viale Del Ghisallo, 20/I-20151 Milano (MI)</p>
<p>Importer in Spain BEKO ELECTRONICS ESPANA S.L. C/ Provenza 388 1° Piso / 08025 Barcelona</p>	<p>Importer in France BEKO France / Immeuble Stadium, 266 Avenue du Président Wilson, 93210, St-Denis La Plaine Cedex</p>	
<p>Importer in Romania S.C.ARCTIC S.A. Str. 13 Decembrie, nr.210 Găești, 135200, România www.arctic.ro</p>	<p>Importer in Greece PAR. SEITANIDIS S.A. Polistilo, P.O. Box:1402 Kavala, 64003</p>	
<p>Імпортёр на території України: ТОВ «Бекo Україна», адреса: 01021, м. Київ, вул. Кловський узвіз, буд. 5 тел/факс.: 0-800-500-4-3-2 Виробник: "Arçelik A.S." Karaağaç Caddesi No: 2-6 34445, Sütluce Turkey/ "Arçelik A.S.", м. Стамбул, Сютлюдже, вул. Караагач №2-6, 34445 Туреччина Термін служби 10 років</p>		
<p>Manufactured by Arcelik A.S. Karaagac Cd. No:2, 34445 Sutluce, Beyoglu, Istanbul, Turkey</p>		

