

beko

Keyf Turkish Coffee Machine

User Manual



BKK 2700

EN / AR

CE

01M-8815023200-1920-02

Please read this user manual first!

These are the original instructions.

Dear Valued Customer,

Thank you for preferring this Beko appliance. We hope that you get the best results from your appliance which has been manufactured with high quality and state-of-the-art technology. Therefore, please read this entire user manual and all other accompanying documents carefully before using the appliance and keep it as a reference for future use. If you handover the appliance to someone else, give the user manual as well. Follow the instructions by paying attention to all the information and warnings in the user manual.

Remember that this user manual may also apply to other models. Differences between models are explicitly described in the manual.

Meanings of the Symbols

Following symbols are used in various sections of this manual:



Important information and useful hints about usage.



WARNING: Warnings against dangerous situations concerning the security of life and property.



Suitable for contact with food.



Do not immerse the appliance, the power cable, or the power plug in water or any other liquid.



Warning for electric shock.



Non-ionising electromagnetic radiation.



This appliance has been manufactured in environmental friendly modern plants without giving any harm to the nature.

CONTENT

1 Important safety and environmental instructions 6

- 1.1 General safety 6
- 1.2 Compliance with the WEEE Directive and disposal of the waste product 9
- 1.3 Package information 9
- 1.4 Plug Wiring 10
- 1.5.1 Fiting a different plug 10

2 Use 11

- 2.1 Initial use 11
- 2.2 Filling the water tank 11
- 2.3 Connecting to a demijohn or water filtration system 12
- 2.3.1 Warnings 12
- 2.4 Coffee-making 12
- 2.4.1 Cancelling the coffee-making process .. 14
- 2.5 Amounts 14
- 2.6 Notifications 15

3 Fault notification 16

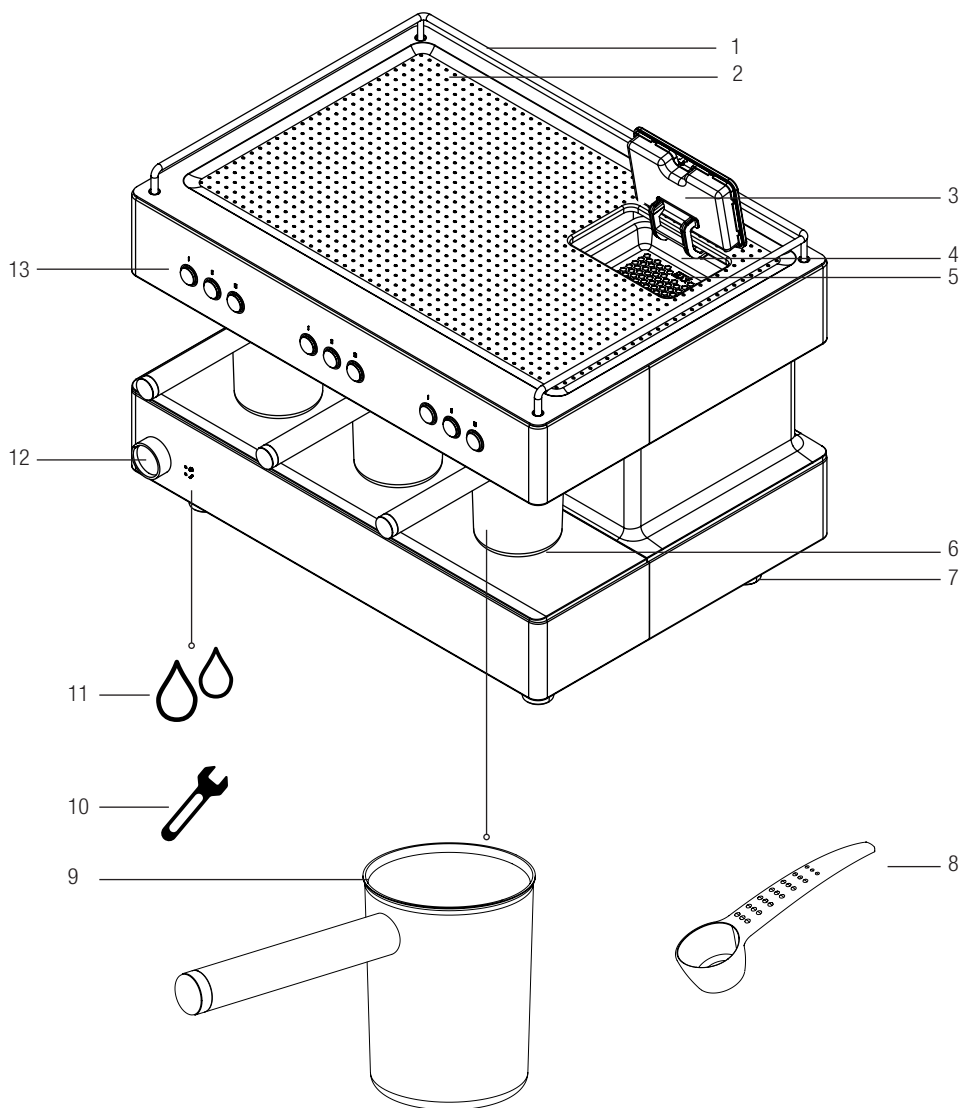
- 3.1 Notifications for errors arising from use .. 16
- 3.2 Notifications for appliance-related errors 16
- 3.3 Settings 17

4 Cleaning and care 18

- 4.1 Mode for cleaning the water system..... 19

5 Technological features of the appliance 21

6 Before calling the service provider 21



The values which are declared in the markings affixed on your appliance or the other printed documents supplied with it represent the values which were obtained in the laboratories pursuant to the pertinent standards. These values may vary according to the usage of the appliance and ambient conditions.

1. Cup holder
2. Cup heating system
3. Water tank cover
4. Water tank
5. MAX level
6. Coffee-making surface
7. Adjustable foot
8. Coffee measure
9. Pot (x3)
10. Error indicator light
11. Water indicator light
12. On/off and cup heating button
13. Cup selection button (I-II-III)

Technical data

Power:

Total power: 2600 W

Voltage: 220-240 V~, 50-60 Hz

Induction power: 3 x 800W = 2400W

Induction operating frequency: 20 KHz

Degree of protection against liquids: IP X3

Cup heating power: 90 W

Rated water inlet pressure:

Max: 4 bars - (0,4 MPa)

Min: 0,5 bars - (0,05 MPa)

Product weight: 16 kg

Technical and design modification rights are reserved.

1 Important safety and environmental instructions

This section contains safety instructions that will help protect from risk of personal injury or material damage.

Failure to follow these instructions voids any granted warranty.

1.1 General safety

- This appliance complies with the international safety standards.
- The product is used for commercial purposes.
- It is designed to be used by trained personnel indoors in the kitchens of commercial buildings such as cafés, hotels and motels.
- This product cannot be used by children, persons with reduced physical, sensory or mental abilities, or by persons who lack experience and knowledge.
- At the area where the product is used, children and persons with limited physical, sensory or mental abilities must be observed to ensure that they do not play with the product.
- Never attempt to dismantle or separate the mounted parts of the appliance.
- Only use the original parts or parts recommended by the manufacturer.
- Always place the product horizontally on a dry, non-skid, clean and flat surface. Make sure that there is at least 30 mm between the product and the walls/other appliances.
- Place the product only at locations that are found suitable by the authorised service personnel and where it can be seen/ergonomically used by the trained personnel.
- Make sure that no liquid is contacting the product at any side (bottom, top or both sides).
- Do not spray water or other liquids to clean the product.
- Do not put any other substances (milk etc.) into the water tank other than water.
- Never put hot water into the water tank.
- For hygienic and clean use, do not forget to apply the cleaning procedures given in the Cleaning and Care instructions once a week.

1 Important safety and environmental instructions

- The appliance is designed to operate at 18-30°C and 60% relative humidity. Make sure that the water in the appliance is within this range. If the water has frozen, wait for it to melt before using the appliance.
- Due to the manufacturing technology, steam and odour may arise in the heating element of the appliance during the initial use. This is normal for your appliance. It will return to normal after being used for a few times.
- The pot and the lower coffee-making surface it is placed get hot during use. For this reason, do not contact the coffee-making surface or the pot during and after use (until it cools down). Avoid contacting hot surfaces and hold the pot only by handle.
- Since the coffee-making surface of the product will be hot, do not leave objects made of plastic materials or other materials such as aluminium foil, and do not use this surface as a storage area.
- Before moving the product, make sure that it is unplugged.
- For additional protection, this product should be connected to a residual current circuit breaker of 30 mA maximum.
- Connect the appliance to a grounded outlet protected by a 16 ampere fuse.
- Do not use the appliance if the power cable or the appliance itself is damaged, contact authorised service provider. Repair and maintenance works of the appliance must be carried out by trained and authorised service providers only.
- Do not use the appliance with an extension cable.
- Water tank of the appliance is designed to be filled manually or to be connected to a water filtration system/demijohn by the service provider. Never connect it to the water mains.
- Do not expose or immerse the appliance in water or other liquids.
- Never touch the appliance or its plug with damp or wet hands.
- Prevent damage to the power cable by not squeezing, bending, or rubbing it on sharp edges. Keep the power cable away from hot surfaces and naked flame.

1 Important safety and environmental instructions

- Make sure that there is no danger that the power cable could be accidentally pulled or that someone could trip over it when the appliance is in use.
- Unplug the appliance before cleaning it and never clean it when it is in use. (Except for quick or intense cleaning).
- Weighted sound pressure level A is below 70 dB.
- Do not pull the power cable of the appliance to unplug the appliance from the outlet.
- Your mains power supply should comply with the information given on the rating plate of the appliance.
- Do not use the appliance in or near places where combustible or inflammable places or materials are present.
- Do not use the appliance next or close to heat resources (hob, grill, heater core, stove etc.).
- Keep the appliance away from steam resources and avoid using it in environments containing excessive steam.
- Do not use the pot on any other heater (such as a hob).
- **WARNING:** If there is a crack, breakage etc. on the coffee-making surface, immediately disconnect the product from the mains and do not use it.
- Only use the pot provided with the appliance; never make coffee with any other container.
- Do not leave metal objects (such as cutlery) on hot surfaces in the coffee-making areas since these objects get hot.
- Objects such as wristwatches, rings and spoons may get hot when they are close to hot surfaces. For this reason, make sure that they are away from the coffee-making surface when using the appliance.
- Do not use the appliance for any other purpose than preparing coffee and heating cups.
- Cleaning and user maintenance works must only be carried out by trained personnel.
- If you keep the package material, keep it away from children.

1 Important safety and environmental instructions

- To prevent possible dangers that might result from uncontrolled operation of the heater, the appliance must not be supplied through an external switching system (such as a timer) or connected to a circuit that is regularly switched off/on via an auxiliary program.
- Make sure the appliance is kept in a place out of the reach of children.
- If you are using a pace maker, consult the manufacturer before using the appliance.
- If there is damage (crack, breakage etc.) on the coffee-making surface, immediately disconnect the product from the mains and do not use it.
- Only use the pot provided with the appliance.
- The appliance is equipped with technologic protection systems against any possible extraordinary situations on the induction heating surfaces; however, to avoid any possible danger, take out the pot after every coffee-making process and make sure that it is not seated on the locking mechanism until the next time you make coffee.
- Warning: Fit the pot in place only when you start the coffee-making process.
- If you are not using the product for a long time (e.g. at the weekend), switch it off and unplug.

1.2 Compliance with the WEEE Directive and disposal of the waste product

This product does not include harmful or prohibited materials specified in the "Regulation for Supervision of the Waste Electric and Electronic Appliances" issued by the Ministry of Environment and Urbanisation. This appliance conforms to the WEEE regulation.



This symbol indicates that this product shall not be disposed with other household wastes at the end of its service life. Used device must be returned to official collection point for recycling of electrical and electronic devices. To find these collection systems please contact to your local authorities or retailer where the product was purchased. Each household performs important role in recovering and recycling of old appliance. Appropriate disposal of used appliance helps prevent potential negative consequences for the environment and human health.

1.3 Package information



Package of the product is made of recyclable materials in accordance with our national legislation. Do not dispose the package waste with the domestic wastes or other types of wastes, take them to the collection points which are recommended by the local authorities.

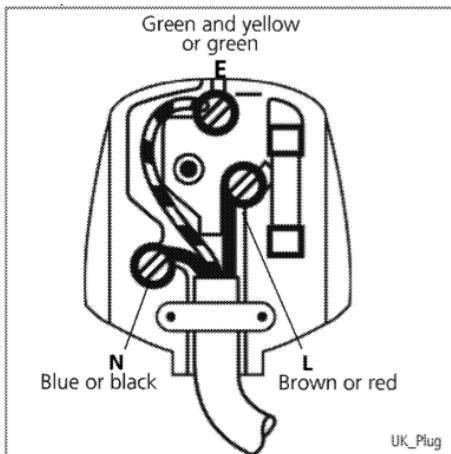
1 Important safety and environmental instructions

1.4 Plug Wiring

The moulded plug on this appliance incorporates a 13 A fuse. Should the fuse need to be replaced an ASTA approved BS1362 fuse of the same rating must be used. Do not forget to refit the fuse cover. In the event of losing the fuse cover, the plug must not be used until a replacement fuse cover has been fitted. Colour of the replacement fuse cover must be the same colour as that visible on the pin face of the plug. Fuse covers are available from any good electrical store.

1.5.1 Fiting a different plug

- As the colours of the wires in the mains lead of this appliance may not correspond with the coloured markings identifying the terminals on your plug, proceed as follows:
- Brown cable = L (Live)
- Blue cable = N (Neutral)
- Green/yellow cable must be connected to ground (E) \equiv line
- With the alternative plugs a 13 A fuse must be fitted either in the plug or adaptor or in the main fuse box. If in doubt contact a qualified electrician.



2 Use

2.1 Initial use

Place the appliance vertically on a stable, flat, clean, dry and non-skidding surface.



WARNING: For wall-leaning use, keep a minimum of 30 mm distance between the appliance and the wall.



WARNING: Do not grab the cup holder when unpacking or carrying the appliance.



WARNING: Clean the appliance before first use. For cleaning instructions, see "Cleaning and care".

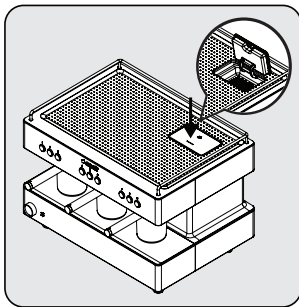
You can adjust the adjustable feet with screw to the desired height.

You can fill the appliance with water in 2 ways. You can open the cover of the water tank and fill it manually, or have the authorised service provider connect it to a demijohn/water filtration system.

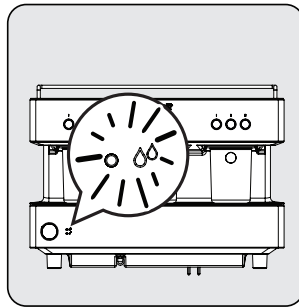


WARNING: Do not connect the appliance directly to the mains supply.

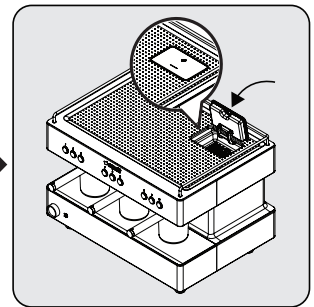
2.2 Filling the water tank



Slightly press on the water tank cover (3) to open it and fill the water tank (4) with 1 liter of water minimum or up to the MAX level (5).



When the water in the water tank (4) is depleted, the water indicator light (11) will flash in blue, and all of the cup selection buttons (13) in red. In this case, you must fill the water tank until the warning lights go off.



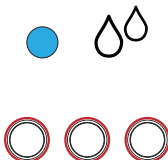
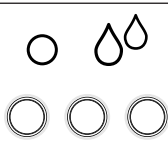
Slightly press on the water tank cover (3) to close it.

2.3 Connecting to a demijohn or water filtration system

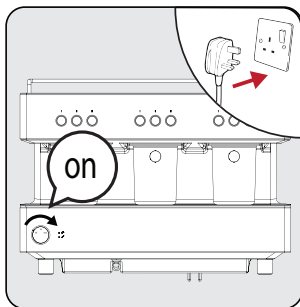
You can connect a demijohn pump (supplied externally) directly to the demijohn and the appliance to ensure that the water tank is filled automatically.

Please contact the authorised service provider for supply and connection.

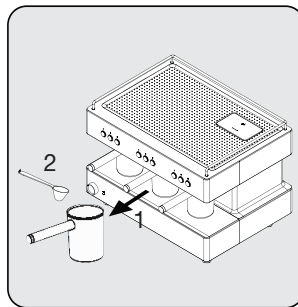
2.3.1 Warnings

Status	Description	Warning	Status indicator
Minimum water level	Fill the water tank with water. After completing the current coffee-making process, the appliance will not allow you to make another coffee until the water tank is refilled. If the appliance is connected to a demijohn, the external pump will start to fill it automatically.	The water indicator light will flash in blue. After that, the lights of all cup selection buttons will flash in red.	
Maximum water level	The warning light will go off when the water tank is refilled. If the appliance is connected to a demijohn, the external pump will stop automatically.	The water indicator light will go off. When the pots are fitted in place, the lights of all cup selection lights will light in white. The appliance is now ready for use.	

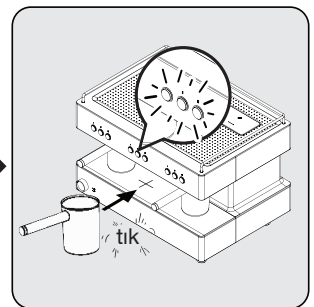
2.4 Coffee-making



Plug in the appliance. Switch the operation button (12) to On position.



Pull out the pot (9) you will use from the coffee-making surface (6) and use the coffee measure (8) to fill it with the desired amount of coffee (for 3 cups maximum) and if you want, some sugar.



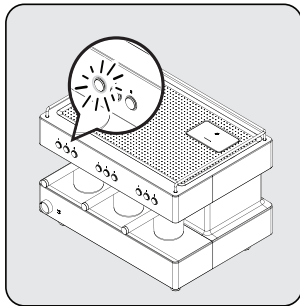
Push the pot (9) to its place on the coffee-making surface (6). A click will be heard. Operation buttons (13) will light up in white.

2 Use

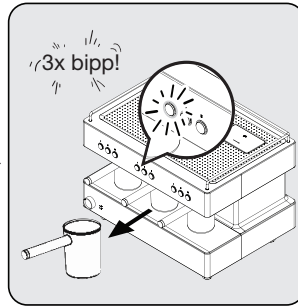
i For a tasty coffee, make sure that the coffee-making surface and the glass of the detection sensor are dry and clean.

! **WARNING:** The coffee-making process will not start if you not fully fit the pot onto the coffee-making surface.

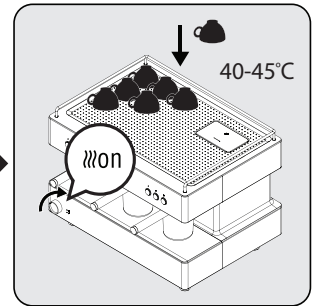
! **WARNING:** The pot and the coffee in it will be hot after the process. To prevent the hot coffee from splashing, hold the pot by handle carefully and take it out.



Depending on the amount of coffee you will prepare, press one of the buttons for I, II or III persons on the front panel. The light of the selected button will light in white.



When the coffee is ready, you will hear 3 beeps and the light of the button will flash in white. Pull the pot from the coffee-making surface and pour it in cups.



The warm-keeping surface keeps your cups warm between 40-45°C. For this process, set the operation button to warm-keeping position.

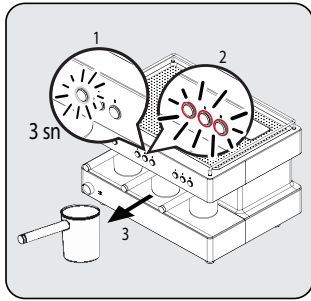
i You can use 3 pots to prepare 9 cups of coffee maximum at a time.

i The upper surface will stay warm as long as the operation button is at the warm-keeping position.

i For a tasty coffee, immediately take the pot (7) from the pot slot (3).

2 Use

2.4.1 Cancelling the coffee-making process



If you want to cancel the coffee-making process in progress, press and hold the selected number button (you have pressed to select the number of cups) for 3 seconds. All lights of the relevant compartment will turn red and a beep will be heard. Now you can remove the pot from the appliance. You can also take the pot from the coffee-making surface to cancel the process. All lights will turn red and a beep will be heard.



WARNING: When you cancel the process, it will be aborted. To make coffee again, you need to prepare it from scratch.

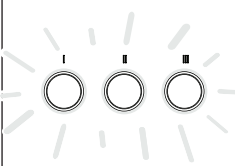
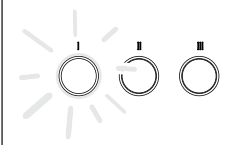
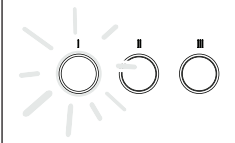
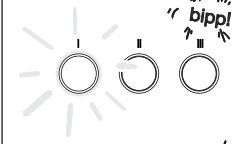
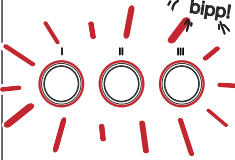
2.5 Amounts

This is an easy-to-use appliance designed to make Turkish coffee. You can prepare foamy Turkish coffee that suits to your tastes by using the amounts in the table. Following quantities are provided only for information purposes. You can adjust them as per your personal tastes.

Recommended quantities of ingredients to prepare 1 cup of Turkish coffee				
	Plain	With little sugar	Medium	Sweet
Coffee	∅x1 1 measure	∅x1 1 measure	∅x1 1 measure	∅x1 1 measure
Sugar	○	● 1/2 sugar cube	●● 1 sugar cube	●●● 2 sugar cubes

* We recommend you to use sugar cubes to easily adjust the amount of sugar.

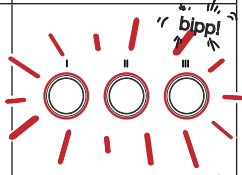
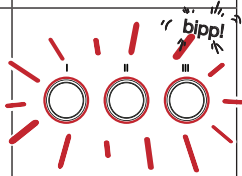
2.6 Notifications

Status	Description	Warning	Status indicator
Ready mode	When the pots are fully seated, the appliance is ready for use.	All of the cup selection buttons used will light in white.	
Cup selection	Use the amount selection buttons to select the number of cups and start the coffee-making process.	The selected cup selection button will light in white.	
Coffee making	The appliance is preparing the coffee.	The selected cup selection button will light in white.	
Ending the process	The appliance will end the coffee-making process.	The light of the selected cup selection button will flash in white and 3 beeps will be heard.	
Timeout or overflow error	If no foam is detected during the coffee-making process or if the process has been started with no coffee, the process will time out.	All buttons on the station will flash in red. A long beep will be heard. To make coffee again, you need to prepare it from scratch.	

3 Fault notification

3.1 Notifications for errors arising from use

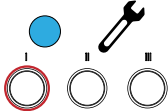
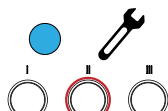
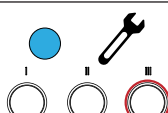
In the following situations, prepare your coffee from the beginning (see 2.4)

Status	Description	Warning	Status indicator
Cancellation of coffee making process	If you press and hold the cup selection button for 3 seconds, the appliance will stop the coffee-making process.	All lights of the coffee-making section will turn red and a long beep will be heard.	
Removing the pot	If you remove the pot during the coffee-making process, the appliance will stop the process.	All lights of the coffee-making section will turn red and a long beep will be heard.	



WARNING: Do not remove the pot while the pump is pumping water. Otherwise, water in the pot might splash.

3.2 Notifications for appliance-related errors

Status	Description	Warning	Status indicator
Flowmeter fault	Flowmeter fault	Fault sign will light in blue. The cup selection button number I will light in red. A long beep will be heard.	
Induction heater fault	Induction heater fault	Fault sign will light in blue. The cup selection button number II in the center will light in red. A long beep will be heard.	
Coffee making sensor fault	Coffee-making sensor fault	Fault sign will light in blue. The cup selection button number III at the end will light in red. A long beep will be heard.	


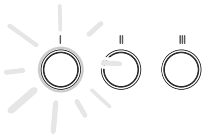

3 Fault notification

i In case of flowmeter and induction heater faults, contact the authorised service provider.

i In case of coffee-making sensor fault, make sure that the sensor glass is clean. If the problem persists, contact the authorised service provider.

3.3 Settings

i To enter the settings menu, make sure that the pots are not fitted.

Status	Description	Warning	Status indicator
Entering the settings	Press and hold the cup selection buttons number 1 and 9 for 5 seconds.	All buttons will flash in white for 3 times and you will enter the settings. A beep will be heard.	
Water volume adjustment	The cup selection buttons in the center (buttons no. 4 and 5): For a medium sized cup (60 ml), press the cup selection button no. I. For a large sized cup (70 ml), press the cup selection button no. II.	When you enter the settings menu, you will see that the cup volume is predefined as large sized cup (70 ml). The button number 5 will light in white. Additionally, the pots must not be fitted during this process, and after the water amount adjustment, you need to press and hold the buttons no. 1 and 9 for 5 seconds more to save the setting.	
Exiting the settings	Press and hold the cup selection buttons number 1 and 9 for 5 seconds.	Warning lights will light in white and a beep will be heard.	

4 Cleaning and care



WARNING: Never use gasoline, solvent, abrasive cleaning agents, metal objects or hard brushes to clean the appliance.



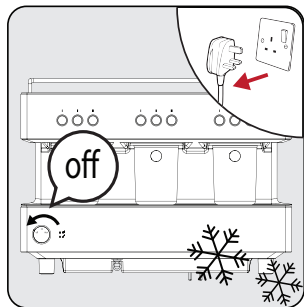
WARNING: Never immerse the appliance or its power cable in water or in any other liquid.



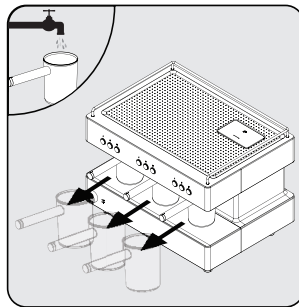
WARNING: Do not wash any part of the appliance apart from the pots. Wipe with a damp cloth.



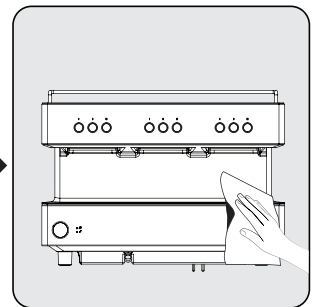
WARNING: Do not spray water or any liquid to clean the appliance.



Set the on/off button of the appliance to "off" position and unplug it. Wait for the appliance to cool down.



Remove the pots from the appliance. Hold under running water to clean.

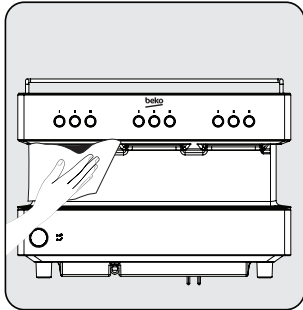


Use a damp, soft cloth and a little amount of mild cleaning agent to clean the outer surface and the coffee-making surface of the appliance.



For a tasty coffee, wash the pot after every use.

4 Cleaning and care



After every 15-20 uses, wipe the coffee-making detection sensor with a damp cloth.

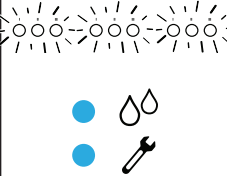
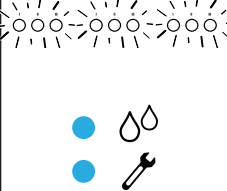

4.1 Mode for cleaning the water system



WARNING: Apply the water system cleaning method given below once a week.

Status	Description	Warning	Status indicator
Entering the cleaning mode	Remove the pots and press and hold the cup selection buttons number 1 and 9 for 5 seconds.	All buttons will flash in white for 3 times and you will enter the settings. A beep will be heard.	
	Fit all the pots in place and press and hold the cup selection button 9 for 5 seconds.	All buttons will flash in white, water warning and service lights will light in blue and water will be pumped to the pots.	

4 Cleaning and care

Status	Description	Warning	Status indicator
Emptying the water tank	Water will be sent to the pots from the water tank automatically. When the pots are full, remove and empty all the pots. To continue emptying the tank, make sure that the pots are empty and fit them in place. Water will continue to be pumped to the pots from the water tank. This process will continue until the water tank is completely empty.	All buttons will continue flashing in white. Water warning and service lights will continue to light in blue. When the pots are full, white lights will light constantly and a beep will be heard for 3 seconds.	
Ending the emptying process for the water tank	When the water tank is completely empty, water drawing process for the pots will automatically stop.	Warning lights will go off and the appliance will automatically return to the settings menu.	-
Rinsing	Before leaving the settings menu, fill the empty water tank with clean water at room temperature up to the maximum level. Fit all the pots in place and press and hold the cup selection button 9 for 5 seconds. Water will be sent to the pots from the water tank automatically.	All buttons will continue flashing in white. Water warning and service lights will light in blue. When the pots are full, white lights will light constantly and a beep will be heard for 3 seconds.	
Finishing the rinsing process	When the water tank is completely empty, water drawing process for the pots will automatically stop.	Warning lights will go off and the appliance will automatically return to the settings menu.	-
Exiting the settings	Remove the pots and press and hold the cup selection buttons number 1 and 9 for 5 seconds.	All buttons will flash in white for 3 times and the appliance will leave the settings menu. A beep will be heard. Since the water tank is empty, the blue "no water" warning will flash and all the stations will flash in red.	

5 Technological features of the appliance



SpinJet

Automatic stirring system enabling foamy and ideal-consistent coffee



CookSensePro

Technology developed for professional use, allowing the user to prepare the ideal coffee

AntiSpill



Additional safety system eliminating the necessity of watching the coffee while it is being brewed



Induksiyon
Isitma

Coffee-making technology that allows you to get the same taste and speed every time

6 Before calling the service provider



First check whether the appliance is plugged in or not.



Check whether there is any break or damage at the cable.



Clean the brewing detection sensor.



Check if there is enough water in the water tank.

Product Guarantee

12 months breakdown and repair guarantee

Guarantor: **Beko plc, 1 Greenhill Crescent, Watford, Hertfordshire. WD18 8UF**

The guarantee does not in any way diminish your statutory or legal rights.

Your **appliance** has the benefit of our manufacturer's guarantee which covers the product for 12 months from the date of original purchase.

This gives you reassurance that if within that time, your **appliance** is proven to be defective because of either workmanship or materials, we will at our discretion either repair or replace your **appliance**.

The **appliance** must be correctly installed, located and operated in accordance with the instructions contained in the user manual. The guarantor disclaims any liability for accidental or consequential damage.

The Guarantee is subject to the following conditions:

- Documentary proof of the original purchase date is provided.
- The appliance has been installed and operated correctly and in accordance with our operating and maintenance instructions.
- The appliance is used only on the electricity supply on the rating plate.
- The appliance has only been used for normal domestic purposes.
- The appliance has not been altered, serviced, dismantled or otherwise interfered with by any person.
- The appliance is used in the United Kingdom or Republic of Ireland.
- Any parts removed during repair work or any product that has been replaced becomes our property.
- The guarantee is not transferrable if the product is resold.

The Guarantee does not cover:

- Transit, installation or delivery damage.
- Accidental damage.
- Misuse or abuse.
- Replacement of any consumable item or accessories. These include but are not limited to: plugs, cables, light bulbs, knobs, filters and flaps.
- Repairs or replacements required as a result of unauthorised repairs or inexperienced installation that fails to meet the requirements contained in the user guide or instruction book.
- Repairs to products used in commercial or non-residential household premises.

How to obtain after sales service, help or general advice

Please keep your purchase receipt or other proof of purchase in a safe place as you will need to show us this document if your product requires attention within the guarantee period.

Please also record your product details below, which will allow you to access our services more quickly and help us identify your product. The model number is printed on the front of the user guide and the serial and model number is shown on your products rating plate.

Model number	Serial number	Purchased from	Date of purchase

Please call our UK based Customer Service department if you need help or advice from us:

United Kingdom and Northern Ireland: **0333 207 9710**

Republic of Ireland: **01 862 3411**

You can also contact us through our website: **www.beko.co.uk**

Arçelik A.Ş. Karaağaç Cad. No: 2-6
Sütlüce, 34445, İstanbul, Türkiye

5 الخصائص التقنية للجهاز

نظام التحفيز الآلي يتيح إمكانية إعداد قهوة برغوة وذات قوام مثالي



SpinJet

تم إنشاء هذه التقنية للاستخدام الاحترافي، مما يتيح للمستخدم إعداد القهوة المثالية



CookSensePro

نظام الأمان الإضافي لا تكون معه بحاجة إلى متابعة القهوة وهي يتم تخميرها



AntiSpill

تقنية صنع القهوة التي تسمح لك بالحصول على نفس الطعم والسرعة في كل مرة



Induksiyon Isitma

6 قبل الاتصال بمزود الخدمة

عليك في البداية التحقق مما إذا كان الجهاز موصلاً أم لا.



تحقق مما إذا كان هناك أي كسر أو تلف في الكابل.



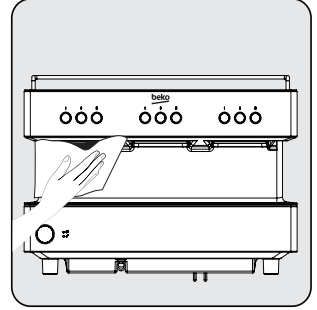
قم بتنظيف مستشعر مستوى التخمير.



تحقق من وجود ماء كافي في خزان الماء.



حالة الموشر	تحذير	الوصف	الحالة
	<p>ستستمر جميع الأزرار في الوميض باللون الأبيض. ستستمر أضواء التحذير الخاصة بمستوى الماء وأضواء الخدمة في الوميض باللون الأزرق. عندما تمتلئ الأوعية، ستومض الأضواء البيضاء باستمرار وتسمع صوت صافرة لمدة 3 ثوان.</p>	<p>سيتم ضخ الماء إلى الأوعية من خزان الماء تلقائيًا. عندما تكون الأوعية ممتلئة، قم بإزالة جميع الأوعية وتفرغها. لمواصله تفريغ الخزان، تأكد من أن الأوعية فارغة وركبها في موضعها. سيستمر ضخ الماء إلى الأوعية من خزان الماء. ستستمر هذه العملية حتى يصبح خزان الماء فارغًا تمامًا.</p>	<p>تفريغ خزان الماء</p>
-	<p>ستتطفئ أضواء التحذير ويعود الجهاز إلى قائمة الإعدادات تلقائيًا.</p>	<p>عندما يكون خزان الماء فارغًا تمامًا، ستتوقف عملية سحب الماء إلى الأوعية تلقائيًا.</p>	<p>إنهاء عملية التفريغ لخزان الماء</p>
	<p>ستستمر جميع الأزرار في الوميض باللون الأبيض. ستومض أضواء التحذير الخاصة بمستوى الماء وأضواء الخدمة باللون الأزرق. عندما تمتلئ الأوعية، ستومض الأضواء البيضاء باستمرار وتسمع صوت صافرة لمدة 3 ثوان.</p>	<p>قبل مغادرة قائمة الإعدادات، قم بملء خزان الماء الفارغ بالماء النظيف في درجة حرارة الغرفة حتى تصل إلى مستوى الحد الأقصى. قم بوضع جميع الأوعية في أماكنها واضغط مع الاستمرار على أزرار اختيار الأكواب رقم 9 لمدة 5 ثوان. سيتم ضخ الماء إلى الأوعية من خزان الماء تلقائيًا.</p>	<p>الشطف</p>
-	<p>ستتطفئ أضواء التحذير ويعود الجهاز إلى قائمة الإعدادات تلقائيًا.</p>	<p>عندما يكون خزان الماء فارغًا تمامًا، ستتوقف عملية سحب الماء إلى الأوعية تلقائيًا.</p>	<p>الانتهاء من عملية الشطف</p>
	<p>ستومض جميع الأزرار بالأبيض 3 مرات، وسيخرج الجهاز من قائمة الإعدادات. سيتم سماع صوت صافرة. سيومض تحذير "لا يوجد ماء" الأزرق، وستومض جميع الأقسام باللون الأحمر.</p>	<p>قم بإزالة الأوعية واضغط مع الاستمرار على أزرار اختيار الأكواب رقم 1 و 9 لمدة 5 ثوان.</p>	<p>الخروج من الإعدادات</p>



بعد كل 15-20 استخدام، قم بمسح مستشعر صنع القهوة بقطعة قماش مبللة.

4.1 وضع تنظيف نظام الماء

تحذير: قم بتطبيق طريقة تنظيف نظام الماء الواردة أدناه مرة واحدة في الأسبوع.



حالة المؤشر	تحذير	الوصف	الحالة
	ستومض جميع الأزرار بالأبيض 3 مرات، وسوف تدخل إلى الإعدادات. سيتم سماع صوت صافرة.	قم بإزالة الأوعية واضغط مع الاستمرار على أزرار اختيار الأكواب رقم 1 و9 لمدة 5 ثوان.	الدخول إلى وضع التنظيف
	ستومض جميع الأزرار باللون الأبيض، ستضيء أضواء التحذير الخاصة بمستوى الماء وأضواء الخدمة باللون الأزرق وسيتم ضخ الماء إلى الأوعية.	قم بوضع جميع الأوعية في أماكنها واضغط مع الاستمرار على أزرار اختيار الأكواب رقم 9 لمدة 5 ثوان.	

تحذير: يحظر تمامًا استخدام البنزين أو المذيبات أو المنظفات الكاشطة أو الأجسام المعدنية أو الفرش الصلبة في تنظيف الجهاز.



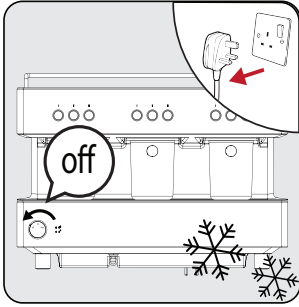
تحذير: لا تغمر الجهاز أو كابل الطاقة في الماء أو أي سائل آخر.



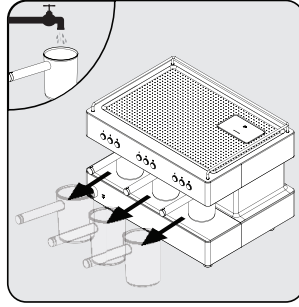
تحذير: لا تقم بغسل أي جزء من الجهاز فيما عدا الأوعية. يتم مسحها بقطعة قماش مبللة.



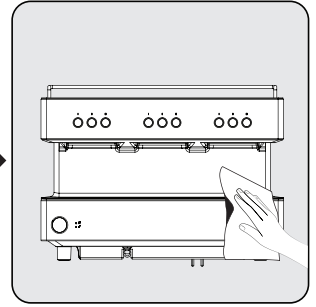
تحذير: لا تقم برش الماء أو أي سائل لتنظيف الجهاز.



استخدم قطعة قماش رطبة وناعمة وكمية قليلة من منظف خفيف لتنظيف السطح الخارجي وسطح صنع القهوة الخاص بالجهاز.



أخرج الأوعية من الجهاز. ضعها تحت الماء الجاري لتنظيفها.



قم بضغط زر تشغيل/إيقاف تشغيل الجهاز على وضع "إيقاف تشغيل" وفصله. اترك الجهاز ليبرد.

لإعداد كوب لذيذ من القهوة، قم بغسل الوعاء بعد كل استخدام.



في حالة وجود أعطال في مقياس التدفق وسخان الحث الحراري، اتصل بمزود الخدمة المعتمد.

في حالة وجود عطل في مستشعر صنع القهوة، تأكد من أن زجاج المستشعر نظيف. إذا استمرت المشكلة، اتصل بمزود الخدمة المعتمد.

3.3 الإعدادات

للدخول إلى قائمة الإعدادات، تأكد من عدم وضع الأوعية في مكانها.

حالة الموشر	تحذير	الوصف	الحالة
	ستومض جميع الأزرار بالأبيض 3 مرات، وسوف تدخل إلى الإعدادات. سيتم سماع صوت صافرة.	اضغط مع الاستمرار على أزرار اختيار الأكواب رقم 1 و9 لمدة 5 ثوان.	الدخول إلى الإعدادات
	عند الدخول إلى قائمة الإعدادات، سترى أن حجم الكوب المحدد مسبقاً هو الحجم الكبير (70 مل). سيضيء الزر رقم 5 باللون الأبيض. بالإضافة إلى ذلك، يجب عدم وضع الأوعية في مكانها أثناء هذه العملية، وبعد ضبط كمية الماء، تحتاج إلى الضغط مع الاستمرار على الأزرار رقم 1 و9 لمدة 5 ثوان أخرى لحفظ الإعداد.	أزرار اختيار الكوب في المنتصف (أزرار رقم 4 و5): لكوب متوسط الحجم (60 مل)، اضغط على زر اختيار الكوب رقم 1. لكوب كبير الحجم (70 مل)، اضغط على زر اختيار الكوب رقم 2.	ضبط حجم الماء
	ستضيء جميع أضواء التحذير باللون الأبيض وستسمع صوت صافرة.	اضغط مع الاستمرار على أزرار اختيار الأكواب رقم 1 و9 لمدة 5 ثوان.	الخروج من الإعدادات

3.1 إشعارات الأعطال الناجمة عن الاستخدام

في الحالات التالية، قم بإعداد القهوة الخاصة بك من البداية (انظر 2.4)

حالة المؤشر	تحذير	الوصف	الحالة
	ستضيء جميع الأضواء الخاصة بقسم صنع القهوة باللون الأحمر وستسمع صوت صافرة طويلة.	إذا قمت بالضغط مع الاستمرار على زر اختيار الكوب لمدة 3 ثوان، فسيبتوقف الجهاز عن عملية صنع القهوة.	إلغاء عملية صنع القهوة
	ستضيء جميع الأضواء الخاصة بقسم صنع القهوة باللون الأحمر وستسمع صوت صافرة طويلة.	إذا قمت بإزالة الوعاء أثناء عملية صنع القهوة، فسيوقف الجهاز العملية.	إزالة الوعاء

تحذير: لا تقم بإزالة الوعاء أثناء قيام المضخة بضخ الماء. خلاف ذلك، قد يتناثر الماء في الوعاء.



3.2 إشعارات الأعطال المتعلقة بالجهاز

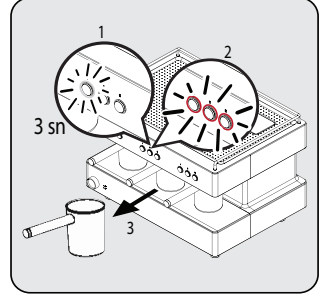
حالة المؤشر	تحذير	الوصف	الحالة
	ستضيء علامة وجود عطل باللون الأزرق. سيضيء زر اختيار الكوب رقم 1 باللون الأحمر. سيتم سماع صوت صافرة طويلة.	عطل في مقياس التدفق	عطل في مقياس التدفق
	ستضيء علامة وجود عطل باللون الأزرق. سيضيء زر اختيار الكوب رقم 2 في المنتصف باللون الأحمر. سيتم سماع صوت صافرة طويلة.	عطل بالسخان الحثي	عطل بالسخان الحثي
	ستضيء علامة وجود عطل باللون الأزرق. سيضيء زر اختيار الكوب رقم 3 في النهاية باللون الأحمر. سيتم سماع صوت صافرة طويلة.	عطل في مستشعر صنع القهوة	عطل في مستشعر صنع القهوة

2.6 التنبيهات

حالة المؤشر	تحذير	الوصف	الحالة
	ستضيء جميع أزرار اختيار الأكواب باللون الأبيض.	عندما تكون الأوعية في مكانها تمامًا، يكون الجهاز جاهزًا للاستخدام.	وضع الاستعداد
	سيضيء زر اختيار الكوب المحدد باللون الأبيض.	استخدم أزرار اختيار الكمية لتحديد عدد الأكواب وبدء عملية صنع القهوة.	اختيار الكوب
	سيضيء زر اختيار الكوب المحدد باللون الأبيض.	يقوم الجهاز بإعداد القهوة.	صنع القهوة
	سيومض ضوء زر اختيار الكوب المحدد باللون الأبيض وستسمع إلى صوت 3 صافرات.	سيتهيء الجهاز عملية صنع القهوة.	إنهاء العملية
	ستومض جميع الأزرار الموجودة على القسم باللون الأحمر. سيتم سماع صوت صافرة طويلة. لإعداد القهوة مرة أخرى، تحتاج إلى إعدادها من البداية.	إذا لم تجد رغوة أثناء عملية صنع القهوة أو إذا تم بدء العملية دون قهوة، فستنتهي مهلة العملية.	انتهاء المهلة أو وجود عطل في التدفق الفائض

2.4.1 إلغاء عملية صنع القهوة

إذا كنت ترغب في إلغاء عملية صنع القهوة الجارية، اضغط مع الاستمرار على زر الرقم المحدد (الذي ضغطت عليه لتحديد عدد الأكواب) لمدة 3 ثوان. ستومض جميع الأضواء الخاصة بالحجرة ذات الصلة باللون الأحمر وستسمع صوت صفارة. الآن يمكنك إزالة الوعاء من الجهاز. يمكنك أيضًا إزالة الوعاء من على سطح صنع القهوة لإلغاء العملية. ستومض جميع الأضواء باللون الأحمر وستسمع صوت صفارة.



تحذير: عند إلغاء هذه العملية، سيتم وقفها قبل اكتمالها. لإعداد القهوة مرة أخرى، تحتاج إلى إعدادها من البداية.



2.5 المقادير

يتميز هذا الجهاز بتصميمه السهل في الاستخدام لإعداد القهوة التركية. يمكنك إعداد قهوة تركية ذات رغوة بما يتناسب مع المذاق الذي تريده مستخدمًا الكميات الموضحة بالجدول. الغرض من الكميات التالية هو توفير المعلومات فقط. يمكنك تعديلها على حسب المذاق الذي تفضله.

الكميات الموصى بها من المكونات اللازمة لإعداد كوب واحد من القهوة التركية				
محلاة	متوسطة	بقليل من السكر	عادية	
∅x1 1 مكيال	∅x1 1 مكيال	∅x1 1 مكيال	∅x1 1 مكيال	القهوة
●● 2 مكعب سكر	● 1 مكعب سكر	● 1/2 مكعب سكر	○	السكر

* نوصيك باستخدام مكعبات السكر تسهيلاً لضبط كمية السكر.

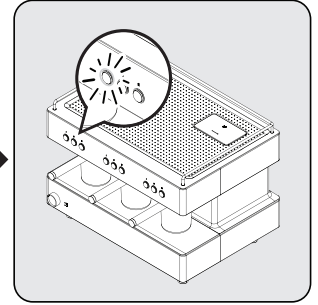
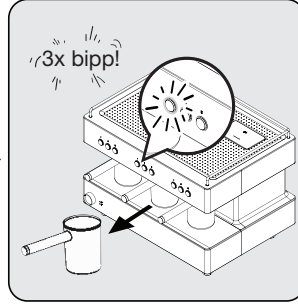
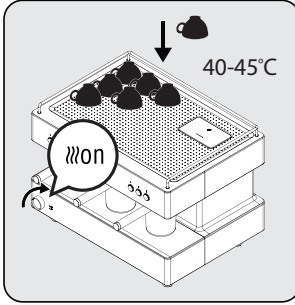
لإعداد كوب لذيذ من القهوة، تأكد من أن سطح صنع القهوة وزجاج مستشعر الكشف جاف ونظيف.



تحذير: لن تبدأ عملية صنع القهوة إذا لم تضع الوعاء على سطح صنع القهوة بشكل مناسب تمامًا.



تحذير: سيكون كل من الوعاء والقهوة الموجودة بداخله ساخنين بعد العملية. لمنع القهوة الساخنة من التناثر، امسك الوعاء بواسطة المقبض بعناية وأخرجه.



سيحافظ سطح حفظ الحرارة على إبقاء أكوابك دافئة بين 40-45 درجة مئوية. لإجراء هذه العملية، اضبط زر التشغيل على وضع حفظ الحرارة.

عندما تكون القهوة جاهزة، سوف تسمع 3 صافرات وسوف يومض ضوء الزر باللون الأبيض. اسحب الوعاء من على سطح صنع القهوة واسكبه في أكواب.

وحسب كمية القهوة الذي ستقوم بإعدادها، اضغط على أحد الأزرار لتحديد شخص أو شخصين أو ثلاثة أشخاص على اللوحة الأمامية. سوف يومض ضوء الزر المحدد باللون الأبيض.

يمكنك استخدام 3 أو عية لإعداد 9 أكواب من القهوة كحد أقصى في كل مرة.



يبطل السطح العلوي دافئاً طالما أن زر التشغيل على وضع حفظ الحرارة.



لإعداد كوب لذيذ من القهوة، أخرج الوعاء (7) على الفور من فتحة الوعاء (3).



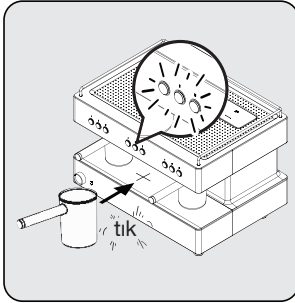
2.3 التوصيل بدماجانة أو نظام لتنقية الماء

يمكنك توصيل مضخة بدماجانة (مرفقة خارجيًا) مباشرةً بالدماجانة والجهاز للتأكد من أن خزان الماء تم ملؤه تلقائيًا. يُرجى الاتصال بمزود الخدمة المعتمد للتوريد والتوصيل.

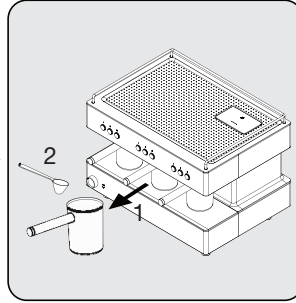
2.3.1 تحذيرات

مؤشر الحالة	تحذير	الوصف	الحالة
	سيومض ضوء مؤشر الماء باللون الأزرق. وبعد ذلك، سوف تومض أضواء جميع أزرار اختيار الأكواب باللون الأحمر.	قم بملء خزان الماء بالماء. بعد الانتهاء من عملية صنع القهوة الحالية، لن يسمح لك الجهاز بإعداد القهوة مرة أخرى حتى يتم ملء خزان الماء. إذا كان الجهاز متصلًا بدماجانة، ستبدأ المضخة الخارجية في ملأ نفسها تلقائيًا.	تأكد من مستوى الحد الأدنى للماء
	سينطفئ ضوء مؤشر الماء. عندما يتم تركيب الأوعية في أماكنها، ستومض جميع أضواء اختيار الأكواب باللون الأبيض. الجهاز الآن جاهز للاستخدام.	سينطفئ ضوء التحذير عند إعادة ملء خزان الماء. إذا كان الجهاز متصلًا بدماجانة، ستوقف المضخة الخارجية تلقائيًا.	أقصى مستوى للماء

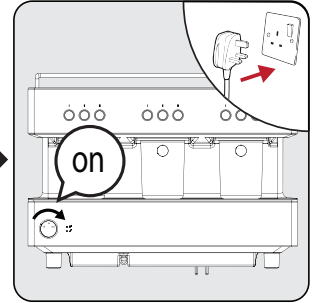
2.4 صنع القهوة



ادفع الوعاء (9) إلى مكانه على سطح صنع القهوة (6). ستسمع صوت طقة. ستومض أزرار التشغيل (13) باللون الأبيض.



اسحب الوعاء (9) الذي ستستخدمه على سطح صنع القهوة (6) واستخدم مكيال القهوة (8) لملئه بالكمية المطلوبة من القهوة (ثلاثة أكواب كحد أقصى) وأضف بعض السكر حسب الرغبة.



وصل قابس الجهاز. قم بتغيير زر التشغيل (12) إلى وضع التشغيل.

2.1 الاستخدام المبني

ضع الجهاز بشكل رأسي على سطح مستقر ومستوي ونظيف وجاف وغير منزلق.

تحذير: عند استخدام الجهاز متكئاً على الجدار، حافظ على ترك مسافة 30 مم كحد أدنى بين الجهاز والجدار.



تحذير: تجنب الإمساك بحامل الأكواب عند تفريغ أو حمل الجهاز.



تحذير: نظف الجهاز قبل الاستخدام الأول. للاطلاع على إرشادات التنظيف، راجع "التنظيف والعناية".

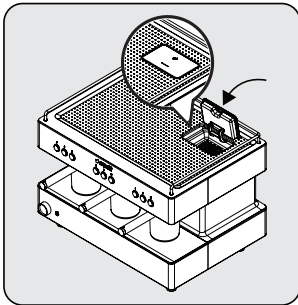


يمكنك ضبط القدم القابلة للضبط باستخدام البرغي على الارتفاع المطلوب. يمكنك ملء الجهاز بالماء بطريقتين. يمكنك فتح غطاء خزان الماء وملؤه يدوياً، أو جعل مزود الخدمة المعتمد يقوم بتوصيله بدمجانية/نظام لتنقية الماء.

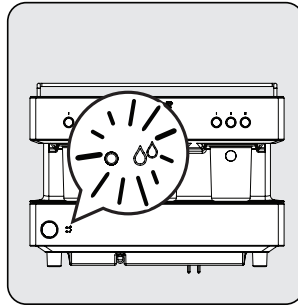
تحذير: لا تقم بتوصيل الجهاز بمزود التيار الرئيسي مباشرة.



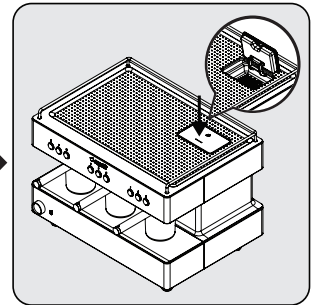
2.2 ملء خزان الماء



(3) اضغط قليلاً على غطاء خزان الماء لإغلاقه.



عندما يتم استنفاد الماء في خزان الماء (4)، سيومض ضوء مؤشر الماء (11) باللون الأزرق، وستومض جميع أزرار اختيار الأكواب (13) باللون الأحمر. وفي هذه الحالة، يجب أن تملأ خزان الماء حتى تنطفئ أضواء التحذير.



اضغط قليلاً على غطاء خزان الماء (3) لفتح ملء خزان الماء (4) بكمية 1 لتر من الماء كحد أدنى أو حتى الحد الأقصى لمستوى الماء (5).

1 تعليمات هامة للسلامة والبيئة

1.2 التوافق مع توجيه WEEE وتشريعات التخلص من المخلفات

هذا المنتج لا يشمل مواد مؤذية أو محظورة من تلك المشار إليها في "تشريعات الإشراف على النفايات الكهربائية والأجهزة الإلكترونية" الصادرة من وزارة البيئة والتخطيط العمراني. يتوافق هذا الجهاز مع لائحة WEEE. تم تصنيع هذا الجهاز من أجزاء عالية الجودة يمكن إعادة تدويرها وإعادة استخدامها. ولذلك، فلا تتخلص من الجهاز مع النفايات المنزلية العادية وغيرها من أنواع النفايات في نهاية عمره الافتراضي. بل عليك أخذه إلى نقطة تجميع مخصصة لإعادة تدوير الأجهزة الكهربائية والإلكترونية. أسأل السلطات المحلية في منطقتك عن نقاط التجميع هذه. ساعد على حماية البيئة والموارد الطبيعية بإعادة تدوير المنتجات المستخدمة.



1.3 معلومات التعبئة

صُنعت مواد تعبئة المنتج من مواد قابلة لإعادة التدوير وفقاً للقوانين الوطنية. لا تتخلص من نفايات التغليف مع النفايات المنزلية أو غيرها من أنواع النفايات، وعليك اصطحابها إلى نقاط التجميع الموصى بها من السلطات المحلية.



- لتجنب حدوث المخاطر المحتملة التي قد تنجم عن تشغيل غير مضبوط للسخان، يجب ألا يتم توفير الأجهزة من خلال نظام تبديل خارجي (مثل المؤقت) أو توصيلها بدائرة يتم تشغيلها/إيقاف تشغيلها بانتظام عن طريق برنامج مساعد.
- حافظ على الجهاز دائماً بعيداً عن متناول أيدي الأطفال.
- إذا كنت تستخدم منظم ضربات، فاستشر الشركة المصنعة قبل استخدام الجهاز.
- إذا حدث تلف (شرخ أو كسر وما شابه ذلك) لسطح صنع القهوة، قم على الفور بفصل المنتج عن مأخذ التيار الكهربائي ولا تستخدمه.
- استخدم فقط الوعاء المتوفر مع الجهاز.
- تم تجهيز الجهاز بأنظمة حماية تكنولوجية لتجنب أي ظروف غير عادية محتملة على أسطح التسخين بالحث الحراري. ومع ذلك، لتجنب حدوث أي خطر محتمل، قم بإخراج الوعاء بعد كل عملية صنع للقهوة وتأكد من أنه غير مضبوط على آلية القفل حتى تستخدمه لصنع القهوة في المرة التالية.
- تحذير: لا تضع الوعاء في مكانه إلا عند بدء عملية صنع القهوة.
- إذا كنت لا تستخدم المنتج لفترة طويلة (على سبيل المثال في عطلة نهاية الأسبوع)، قم بإيقاف تشغيله وفصله.

1 تعليمات هامة للسلامة والبيئة

- وللمزيد من الحماية، يجب توصيل هذا المنتج بقاطع دائرة لحماية عطل التيار بما لا يزيد عن 30 مللي أمبير.
- قم بتوصيل الجهاز إلى منفذ مؤرض ومحمي بمنصهر 16 أمبير.
- لا تستخدم الجهاز إذا كان كابل الطاقة أو الجهاز نفسه به عطل، واتصل بمزود الخدمة المعتمد. يجب أن يقوم مزودو الخدمة المدربين والمعتمدون فقط بإجراء أعمال الإصلاح والصيانة للجهاز.
- لا تستخدم الجهاز على كابل تمديد.
- إن خزان الماء الخاص بالجهاز معد ليتم ملؤه يدوياً أو توصيله بنظام لتنقية الماء/دماجانة من قبل مزود الخدمة. لا تقم أبداً بتوصيله بخطوط الماء الرئيسية.
- لا تقم أبداً بغمر الجهاز في الماء أو سوائل أخرى أو تعريضه لها.
- لا تلمس الجهاز أبداً ويديك مبتلتان أو رطبتان.
- قم بحماية كابل الطاقة من التلف وذلك بعدم الضغط عليه أو ثنيه أو حكه بالحواف الحادة. حافظ على كابل الطاقة بعيداً عن الأسطح الساخنة والسنة اللهب.
- تأكد من عدم وجود خطر سحب كابل الطاقة مصادفة أو عدم إمكانية تعثر أحد به عندما يكون الجهاز قيد الاستخدام.
- افصل الجهاز قبل التنظيف ولا تقم بتنظيف الجهاز عندما يكون قيد الاستخدام. (باستثناء التنظيف السريع أو المكثف).
- مستوى ضغط الصوت المحسوب (أ) أقل من 70 ديسيبل.
- لا تسحب كابل طاقة الجهاز لفصله عن منفذ الطاقة.
- ينبغي أن تتوافق إمدادات الطاقة الخاصة بك مع المعلومات المقدمة على لوحة تصنيف الجهاز.
- لا تستخدم الجهاز في أو بالقرب من الأماكن التي يوجد بها أماكن أو مواد قابلة للاحتراق أو سريعة الاحتراق.
- لا تستخدم الجهاز بجانب أو بالقرب من مصادر الحرارة (المدفأة، الشواية، مركز السخان، الأفران وما يماثلها).
- حافظ على وجود الجهاز بعيداً عن مصادر البخار وتجنب استخدامه في بيئات كثيفة البخار.
- لا تستخدم الوعاء على أي سخان آخر (مثل الفرن).
- تحذير: إذا حدث شرخ أو كسر وما شابه ذلك لسطح صنع القهوة، قم، على الفور، بفصل المنتج عن مأخذ التيار الكهربائي ولا تستخدمه.
- لا تستخدم سوى الوعاء المتوفر مع الجهاز؛ ولا تقم أبداً بإعداد القهوة في أي حاوية أخرى.
- لا تترك الأشياء المعدنية (مثل أدوات المائدة) على الأسطح الساخنة في الأماكن المخصصة لصنع القهوة لأن هذه الأشياء تصبح ساخنة.
- قد تصبح الأشياء مثل ساعات اليد والخواتم والملاعق ساخنة عندما توضع بالقرب من أسطح ساخنة. ولهذا السبب، تأكد من أن هذه الأشياء بعيدة عن سطح صنع القهوة عند استخدام الجهاز.
- لا تستخدم الجهاز لأي غرض آخر غير إعداد القهوة وتسخين الأكواب.
- لا ينبغي إجراء أعمال التنظيف والصيانة التي يمكن للمستخدم تنفيذها للجهاز إلا من قبل العاملين المدربين عليها.
- إذا احتفظت بمواد التعبئة، ابقها بعيداً عن متناول الأطفال.

1 تعليمات هامة للسلامة والبيئة

- يحتوي هذا القسم على تعليمات السلامة التي ستساعدك على تجنب خطر إصابة الأفراد أو الإضرار بالممتلكات.
- عدم اتباع هذه التعليمات يؤدي إلى إبطال الضمان الممنوح.

1.1 السلامة العامة

- يخضع هذا الجهاز لمعايير السلامة الدولية.
 - يستخدم هذا المنتج لأغراض تجارية.
 - وهو معد لاستخدامه من قبل عاملين مدربين داخل مطابخ المباني التجارية مثل المقاهي والفنادق والموتيلات.
 - لا يجوز للأطفال أو الأشخاص الذين يعانون من ضعف القدرات البدنية أو الحسية أو العقلية أو الأشخاص الذين يفتقرون إلى الخبرة والمعرفة استخدام هذا المنتج.
 - في المنطقة التي يتم بها استخدام المنتج، يجب مراقبة الأطفال أو الأشخاص ذوي القدرات البدنية أو الحسية أو الذهنية المحدودة للتأكد من عدم قيامهم بالعبث بالمنتج.
 - لا تحاول أبداً فك أو فصل الأجزاء والمكونات المثبتة بالجهاز.
 - لا تستخدم سوى الأجزاء الأصلية التي توصي بها جهة التصنيع.
 - ضع دائماً المنتج بشكل أفقي على سطح جاف وغير زلق ونظيف ومستوٍ. تأكد من توفر مساحة لا تقل عن 30 مم بين المنتج والجدران/وغيرهم من الأجهزة.
 - لا تضع المنتج إلا في الأماكن التي يرى فريق الخدمة المعتمد بأنها مناسبة، وفي الأماكن التي يمكن للعاملين المدربين رؤيته بها/استخدامه بطريقة صحية.
- تأكد من أن عدم ملامسة أي سائل لأي من جوانب المنتج (أسفل المنتج أو أعلاه أو جانبيه).
 - لا تترش الماء أو أي سوائل أخرى على المنتج لتنظيفه.
 - لا تضع أية مواد (اللبن وما إلى ذلك) في خزان الماء، غير الماء.
 - لا تضع ماء ساخن مطلقاً في خزان الماء.
 - لاستخدام صحي ونظيف، لا تنسى تطبيق إجراءات التنظيف الواردة في إرشادات التنظيف والعناية مرة واحدة أسبوعياً.
 - صُممت آلة القهوة لتعمل عند درجة حرارة تتراوح بين 18-30 درجة مئوية، ورطوبة نسبية تصل إلى 60%. تأكد من أن درجة حرارة الماء في الجهاز تكون ضمن هذا النطاق. إذا تجمد الماء، انتظر حتى يذوب قبل استخدام الجهاز.
 - نظراً للتقنية المستخدمة في التصنيع، قد يتصاعد بخار أو رائحة من عامل التسخين في الجهاز عند استخدام الجهاز لأول مرة. هذا أمر عادي مع جهازك. سوف يعود الجهاز إلى وضعه العادي بعد استخدامه بضع مرات.
 - يسخن الوعاء وسطح صنع القهوة السفلي الذي تم وضع الوعاء عليه أثناء الاستخدام. ولهذا السبب، لا تلمس سطح صنع القهوة أو الوعاء أثناء الاستخدام وبعده (حتى يبرد). تجنب لمس الأسطح الساخنة ولا تمسك الوعاء إلا بواسطة المقبض.
 - لا تترك الأشياء المصنوعة من المواد البلاستيكية أو غيرها من المواد مثل رقائق الألومنيوم على سطح صنع القهوة، ولا تستخدمه كمناطق تخزين، لأنه سيكون ساخنًا.
 - قبل أن تقوم بتحريك المنتج، تأكد من أنه غير موصول.

البيانات الفنية

الطاقة:

إجمالي الطاقة: 2600 واط

الجهد: 220-240 فولت~، 50-60 هرتز

طاقة الحث: 3×800 واط = 2400 واط

تردد التشغيل بالحث: 20 كيلوهرتز

درجة الحماية من

السوائل: IP X3

طاقة تسخين الأكواب: 90 واط

الضغط المقدر لمدخل الماء:

الحد الأقصى: 4 بار - (0.4 ميغا باسكال)

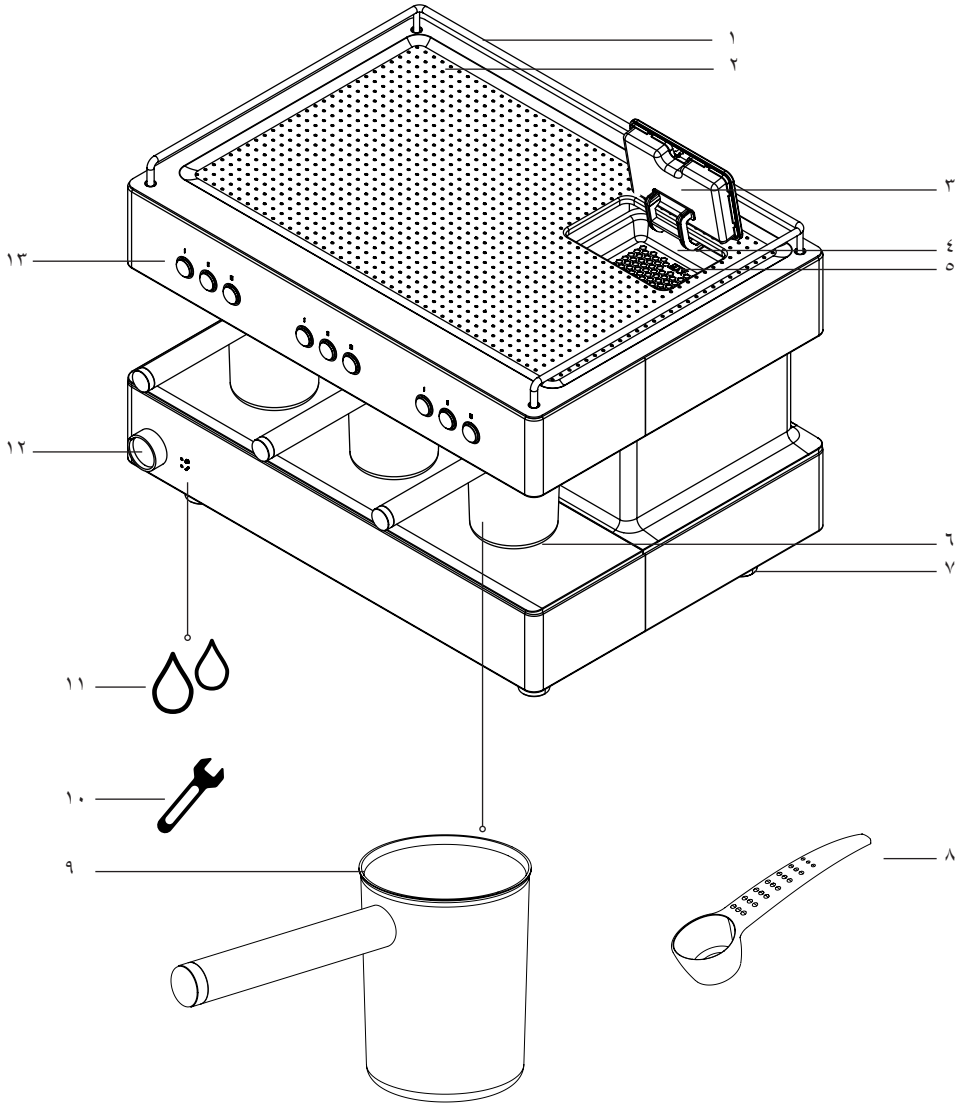
الحد الأدنى: 0.5 بار - (0.05 ميغا باسكال)

وزن المنتج: 16 كجم

حقوق التعديلات الفنية وتعديلات التصميم محفوظة.

يرجى إدخال تادنتسما وأجنتسما إلى أعينهمشما تاملعلا في إهليلجاشملا حيقلا
أقفو تاربتخملا في إهليلجاشملا لوصحلا حيقلا لئمنه معمه ترفوتسما عوبطملا
فورظلاو زاهلجا مادختسلا أقفو حيقلا مذه فالتخت دة. بلصلا تاذ ريباعملا
بمططحملا

1. حامل الأكواب
2. نظام تسخين الأكواب
3. غطاء خزان الماء
4. خزان الماء
5. الحد الأقصى للمستوى
6. سطح صنع القهوة
7. قدم قابلة للضبط
8. مكيال القهوة
9. الوعاء (x3)
10. ضوء مؤشر الخطأ
11. ضوء مؤشر الماء
12. زر التشغيل/إيقاف التشغيل وزر تسخين الأكواب
13. زر اختيار الأكواب (1-2-3)



6	1 تعليمات هامة للسلامة والبيئة
6.....	1.1 السلامة العامة
8.....	1.2 التوافق مع توجيه WEEE وتشريعات التخلص من المخلفات
8.....	1.3 معلومات التعبئة
9	2 الاستخدام
9.....	2.1 الاستخدام المبدئي
9.....	2.2 ملء خزان الماء
10.....	2.3 التوصيل بدماجانة أو نظام لتنقية الماء
10.....	2.3.1 تحذيرات
10.....	2.4 صنع القهوة
12.....	2.4.1 إلغاء عملية صنع القهوة
12.....	2.5 المقادير
13.....	2.6 التنبيهات
14	3 إشعار وجود عطل
14.....	3.1 إشعارات الأعطال الناجمة عن الاستخدام
14.....	3.2 إشعارات الأعطال المتعلقة بالجهاز
15.....	3.3 الإعدادات
16	4 التنظيف والعناية
17.....	4.1 وضع تنظيف نظام الماء
19	5 الخصائص التقنية للجهاز
19	6 قبل الاتصال بمزود الخدمة

يرجى قراءة هذا الدليل أولاً!

إليك التعليمات الأصلية.

عزيزي العميل،

شكرًا لك على شرائك هذا الجهاز من Beko. نأمل أن تحصل على أفضل النتائج من جهازك الذي قد تم تصنيعه بأعلى جودة وبأحدث التقنيات. وعلى ذلك، يرجى قراءة كامل دليل المستخدم هذا وجميع المستندات المصاحبة له بعناية قبل استخدام الجهاز والاحتفاظ به كمرجع للاستخدام المستقبلي. إذا قمت بتسليم الجهاز لشخص آخر، فأعطه دليل المستخدم أيضًا. اتبع الإرشادات مع إيلاء اهتمام خاص لجميع المعلومات والتحذيرات في دليل المستخدم.

تذكر أن دليل المستخدم هذا قد ينطبق أيضًا على الطرازات الأخرى. فإن الاختلافات بين الطرازات المذكورة بوضوح في الدليل.

معاني الرموز

تستخدم الرموز التالية في أقسام متعددة من دليل المستخدم هذا:

	معلومات مهمة وتنبيهات مفيدة عن الاستخدام.
	تحذير: تحذيرات بشأن مواقف خطيرة تتعلق بسلامة الحياة والمنشآت.
	مناسب لملازمة الطعام.
	لا تغمر الجهاز أو كابل الطاقة أو قابس الطاقة في الماء أو في أي سائل أخرى.
	تحذير من التعرض لصدمة كهربائية.
	الإشعاع الكهرومغناطيسي غير المؤين.



لقد تم تصنيع هذا الجهاز في مصانع عصرية وصديقة للبيئة دون إلحاق أي ضرر بالطبيعة.

beko

Keyf

ماكينة تصنيع القهوة التركية
دليل المستخدم



BKK 2700

AR

CE

01M-8815023200-1920-02