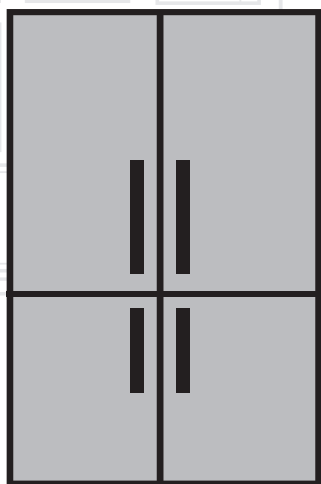


Refrigerator

User manual



GNE 134620 X

EN | DA | EL |

beko

Please read this manual first!

Dear Customer,

We hope that your product, which has been produced in modern plants and checked under the most meticulous quality control procedures, will provide you an effective service.

For this, we recommend you to carefully read the entire manual of your product before using it and keep it at hand for future references.




This manual

- Will help you use your appliance in a fast and safe way.
- Read the manual before installing and operating your product.
- Follow the instructions, especially those for safety.
- Keep the manual in an easily accessible place as you may need it later.
- Besides, read also the other documents provided with your product.

Please note that this manual may be valid for other models as well.

Symbols and their descriptions

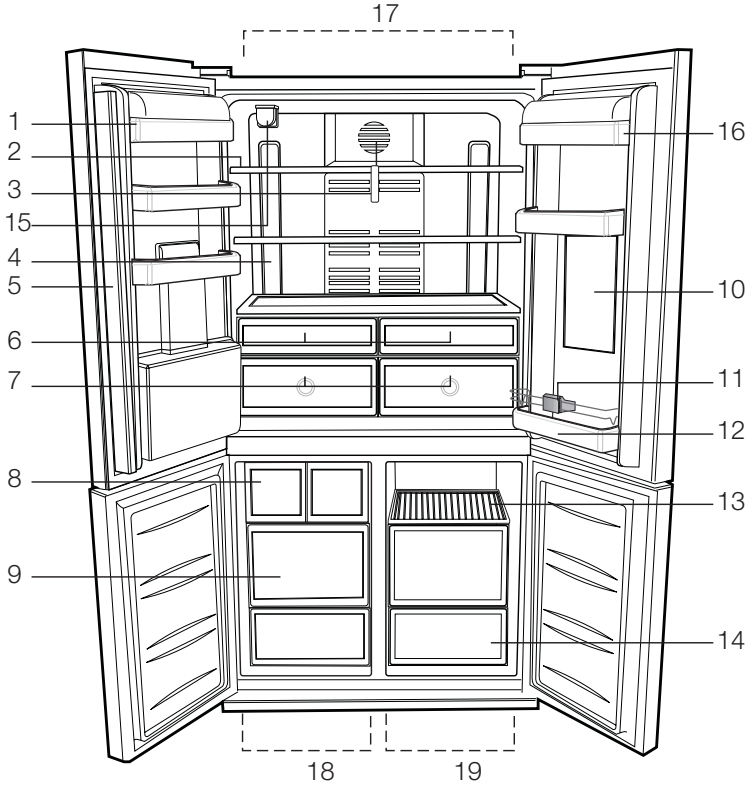
This instruction manual contains the following symbols:

-  Important information or useful usage tips.
-  Warning against dangerous conditions for life and property.
-  Warning against electric voltage.

CONTENTS

1 Your Refrigerator	3	5 Using your refrigerator	18
2 Safety and Environment Instructions	4	Indicator Panel.....	18
General Safety.....	4	Door Open Alarm:	21
Intended Use.....	6	Dual cooling system:	21
Child Safety	6	Freezing fresh food.....	21
Compliance with WEEE Directive and Disposing of the Waste Product.....	6	Deep-freeze information	22
Compliance with RoHS Directive	6	Recommendations for preservation of frozen food	23
Package Information.....	7	Defrosting.....	23
Recommenations for freshfood compartment.....	7	Placing the food	23
3 Installation	8	Things to do to have the filter usage time calculated automatically	24
Points to be considered when re- transporting your refrigerator	8	Sliding Body Shelves	25
Before operating your refrigerator	8	Egg tray.....	25
Electric connection	8	Crisper	25
Disposing of the packaging	9	Chiller compartment	25
Disposing of your old refrigerator	9	Movable Middle Section	26
Placing and Installation	9	Multi Zone Storage Compartment ..	26
Changing the illumination lamp	9	Blue light	26
Floor balance adjustment	10	Sliding Body Shelves With Rear Hangers	27
Adjusting the gap between the upper door	10	Butter & Cheese Section	27
Installing Water Filter	12	Using the water spring.....	27
Connection of the Water Pipe to the Refrigerator	12	Spillage Tray	27
Connection of Water Hose to the Jug	13	Minibar	28
Connection of the Water Pipe to the Cold Water Mains Line	14	6 Maintenance and cleaning	29
Prior to first use of Water Dispenser .	16	Protection of plastic surfaces	29
4 Preparation	17	7. Troubleshooting	30

1 Your Refrigerator



- | | |
|-------------------------------------|--------------------------------------|
| 1- Fridge compartment door shelves | 10- Minibar |
| 2- Fridge compartment glass shelves | 11- Bottle holder |
| 3- Diffuser cover | 12- Bottle shelf |
| 4- Illumination lens | 13- Food storage compartment shelves |
| 5- Movable middle section | 14- Food storage compartments |
| 6- Chiller compartment | 15- Water Filter |
| 7- Crisper | 16- Dairy compartment |
| 8- Icematic | 17- Fridge compartment |
| 9- Frozen food storage compartments | 18- Freezer compartment |
| | 19- Multi Zone |

ⓘ Figures that take place in this instruction manual are schematic and may not correspond exactly with your product. If the subject parts are not included in the product you have purchased, then it is valid for other models.

2

Safety and Environment Instructions

This section provides the safety instructions necessary to prevent the risk of injury and material damage. Failure to observe these instructions will invalidate all types of product warranty

Intended use

⚠	WARNING: Keep ventilation openings, in the appliance enclosure or in the built-in structure, clear of obstruction
⚠	WARNING: Do not use mechanical devices or other means to accelerate the defrosting process, other than those recommended by the manufacturer
⚠	WARNING: Do not damage the refrigerant circuit
⚠	WARNING: Do not use electrical appliances inside the food storage compartments of the appliance, unless they are of the type recommended by the manufacturer

WARNING:

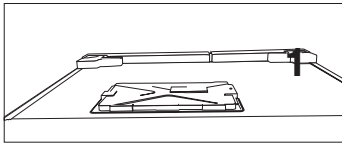
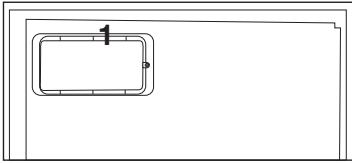
Do not store explosive substances such as aerosol cans with a flammable propellant in this appliance

This appliance is intended to be used in household and similar applications such as staff kitchen areas in shops, – offices and other working environments; farm houses and by clients – in hotels, motels and other residential type environments; bed and breakfast type – catering and similar non-retail – applications

General Safety

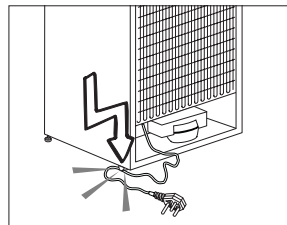
- This product should not be used by persons with physical, sensory and mental disabilities, without sufficient knowledge and experience or by children. The device can only be used by such persons under supervision and instruction of a person responsible for their safety. Children should not be allowed to play with this device.
- In case of malfunction, unplug the device.
- After unplugging, wait at least 5 minutes before plugging in again.
- Unplug the product when not in use.
- Do not touch the plug with wet hands! Do not pull the cable to plug off, always hold the plug.

- Do not plug in the refrigerator if the socket is loose.
- Unplug the product during installation, maintenance, cleaning and repair.
- If the product will not be used for a while, unplug the product and remove any food inside.
- Do not use the product when the compartment with circuit cards located on the upper back part of the product (electrical card box cover) (1) is open.



- Do not use steam or steamed cleaning materials for cleaning the refrigerator and melting the ice inside. Steam may contact the electrified areas and cause short circuit or electric shock!
- Do not wash the product by spraying or pouring water on it! Danger of electric shock!
- In case of malfunction, do not use the product, as it may cause electric shock. Contact the authorized service before doing anything.
- Plug the product into an earthed socket. Earthing must be done by a qualified electrician.
- If the product has LED type lighting, contact the authorized service for replacing or in case of any problem.
- Do not touch frozen food with wet hands! It may adhere to your hands!

- Do not place liquids in bottles and cans into the freezer compartment. They may burst out!
- Place liquids in upright position after tightly closing the lid.
- Do not spray flammable substances near the product, as it may burn or explode.
- Do not keep flammable materials and products with flammable gas (sprays, etc.) in the refrigerator.
- Do not place containers holding liquids on top of the product. Splashing water on an electrified part may cause electric shock and risk of fire.
- Exposing the product to rain, snow, sunlight and wind will cause electrical danger. When relocating the product, do not pull by holding the door handle. The handle may come off.
- Take care to avoid trapping any part of your hands or body in any of the moving parts inside the product.
- Do not step or lean on the door, drawers and similar parts of the refrigerator. This will cause the product to fall down and cause damage to the parts.
- Take care not to trap the power cable.



- When positioning the appliance, ensure the supply cord is not trapped or damaged.

- Do not locate multiple portable socket-outlets or portable power supplies at the rear of the appliance.

1.1.1 HC Warning

If the product comprises a cooling system using R600a gas, take care to avoid damaging the cooling system and its pipe while using and moving the product. This gas is flammable. If the cooling system is damaged, keep the product away from sources of fire and ventilate the room immediately

i	The label on the inner left side indicates the type of gas used in the product.
----------	---

1.1.2 For Models with Water Dispenser

- Pressure for cold water inlet shall be maximum 90 psi (6.2 bar). If your water pressure exceeds 80 psi (5.5 bar), use a pressure limiting valve in your mains system. If you do not know how to check your water pressure, ask for the help of a professional plumber.
- If there is risk of water hammer effect in your installation, always use a water hammer prevention equipment in your installation. Consult Professional plumbers if you are not sure that there is no water hammer effect in your installation.
- Do not install on the hot water inlet. Take precautions against of the risk of freezing of the hoses. Water temperature operating interval shall be 33°F (0.6°C) minimum and 100°F (38°C) maximum.
- Use drinking water only.

Intended Use

- This product is designed for home use. It is not intended for commercial use.
- The product should be used to store food and beverages only.
- Do not keep sensitive products requiring controlled temperatures (vaccines, heat sensitive medication, medical supplies, etc.) in the refrigerator.
- The manufacturer assumes no responsibility for any damage due to misuse or mishandling.
- Original spare parts will be provided for 10 years, following the product purchasing date.

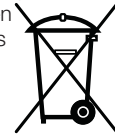
Child Safety

- Keep packaging materials out of children's reach.
- Do not allow the children to play with the product.
- If the product's door comprises a lock, keep the key out of children's reach.

Compliance with WEEE Directive and Disposing of the Waste Product

This product complies with EU WEEE Directive (2012/19/EU). This product bears a classification symbol for waste electrical and electronic equipment (WEEE

This product has been with high quality parts which can be reused suitable for recycling. dispose of the waste normal domestic and at the end of its life. Take it to the



manufactured and materials and are Do not product with other wastes service

collection center for the recycling of electrical and electronic equipment. Please consult your local authorities to learn about these collection centers

Compliance with RoHS Directive

- This product complies with EU WEEE Directive (2011/65/EU). It does not contain harmful and prohibited materials specified in the Directive.

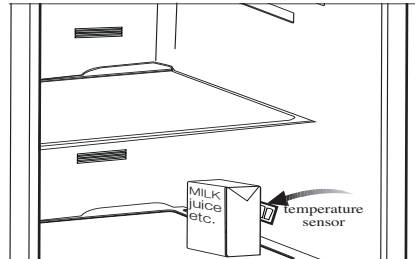
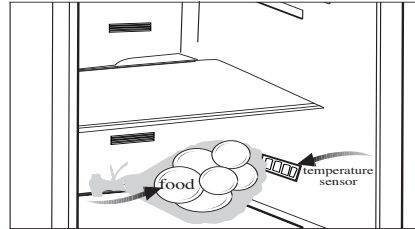
Package Information

Packaging materials of the product are manufactured from recyclable materials in accordance with our National Environment Regulations. Do not dispose of the packaging materials together with the domestic or other wastes. Take them to the packaging material collection points designated by the local authorities.

Reccomendations for freshfood compartment

*** OPTIONAL**

- Please do not let any foodstuff to come to contact with the temperature sensor in freshfood compartment. In order to maintain freshfood compartment at ideal storage temperature, the sensor must not be blocked by fodstuffs.
- Do not place hot foodstuff in your appliance.



3 Installation

- ❗ Please remember that the manufacturer shall not be held liable if the information given in the instruction manual is not observed.

Points to be considered when re-transporting your refrigerator

1. Your refrigerator must be emptied and cleaned prior to any transportation.
2. Shelves, accessories, crisper and etc. in your refrigerator must be fastened securely by adhesive tape against any jolt before repackaging.
3. Packaging must be tied with thick tapes and strong ropes and the rules of transportation printed on the package must be followed.

❗ Always remember...

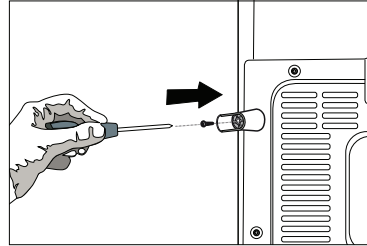
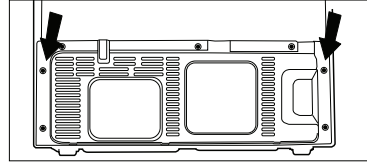
Every recycled material is an indispensable source for the nature and for our national resources.

If you wish to contribute to recycling the packaging materials, you can get further information from the environmental bodies or local authorities.

Before operating your refrigerator

Before starting to use your refrigerator check the following:

1. Is the interior of the refrigerator dry and can the air circulate freely in the rear of it?
2. Insert the 2 plastic wedges onto the rear ventilation cover as illustrated in the following figure. To do this, remove the screws on the product and use the screws given in the same pouch. Plastic wedges will provide the required distance between your refrigerator and the wall in order to allow the air circulation.



3. Clean the interior of the refrigerator as recommended in the “Maintenance and cleaning” section.
4. Plug the refrigerator into the wall outlet. When the door is open the respective interior light will come on.
5. You will hear a noise as the compressor starts up. The liquid and gases sealed within the refrigeration system may also give rise to noise, even if the compressor is not running and this is quite normal.
6. Front edges of the refrigerator may feel warm. This is normal. These areas are designed to be warm to avoid condensation.

Electric connection

Connect your refrigerator to a grounded socket which is being protected by a fuse with the appropriate capacity.

Important:

- ⚠ The connection must be in compliance with national regulations.
- ⚠ The power cable plug must be easily accessible after installation.
- ⚠ Voltage and allowable fuse protection are specified in the “Technical Specifications” section.

- ⚠ The specified voltage must be equal to your mains voltage.
- ⚠ Extension cables and multiway plugs must not be used for connection.
- ⚠ A damaged power cable must be replaced by a qualified electrician.
- ⚠ The appliance must not be operated before it is repaired! There is danger of electric shock!

Disposing of the packaging

- ⚠ The packing materials may be dangerous for children. Keep the packing materials out of the reach of children or dispose them of by classifying them in accordance with the waste instructions. Do not dispose them of along with the normal household waste.

The packing of your refrigerator is produced from recyclable materials.

Disposing of your old refrigerator

Dispose of your old machine without giving any harm to the environment.

- ⚠ You may consult your authorized dealer or waste collection center of your municipality about the disposal of your refrigerator.
- ⚠ Before disposing of your refrigerator, cut out the electric plug and, if there are any locks on the door, make them inoperable in order to protect children against any danger.

Placing and Installation

- ⚠ Caution: Never plug the refrigerator into the wall outlet during installation. Otherwise, risk of death or serious injury may arise.

- ⚠ If the entrance door of the room where the refrigerator will be installed is not wide enough for the refrigerator to pass through, than call the authorised service to have them remove the doors of your refrigerator and pass it sideways through the door.

1. Install your refrigerator to a place that allows ease of use.

2. Keep your refrigerator away from heat sources, humid places and direct sunlight.

3. There must be appropriate air ventilation around your refrigerator in order to achieve an efficient operation. If the refrigerator is to be placed in a recess in the wall, there must be at least 5 cm distance with the ceiling and at least 5 cm with the wall.

If the floor is covered with a carpet, your product must be elevated 2.5 cm from the floor.

4. Place your refrigerator on an even floor surface to prevent jolts.

5. Do not keep your refrigerator in ambient temperatures under 10°C.

Changing the illumination lamp

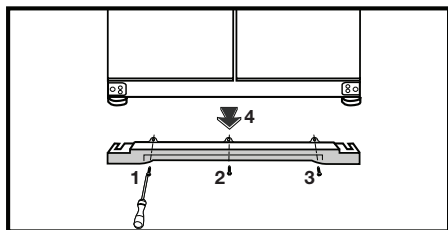
To change the Bulb/LED used for illumination of your refrigerator, call your AuthorisedService.

The lamp(s) used in this appliance is not suitable for household room illumination. The intended purpose of this lamp is to assist the user to place foodstuffs in the refrigerator/freezer in a safe and comfortable way. The lamps used in this appliance have to withstand extreme physical conditions such as temperatures below -20 °C.

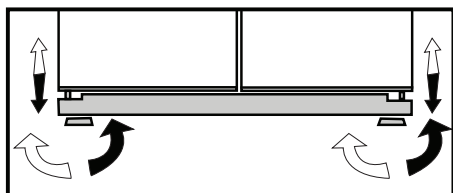
(only chest and upright freezer)

Floor balance adjustment

⚠ If your refrigerator is unbalanced;
⚠ First unplug the product. The product must be unplugged when making the balance adjustment. There is the risk of electric shock.



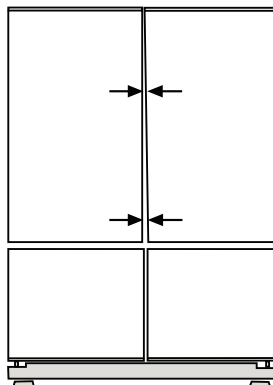
1- Ventilation cover is removed by unscrewing its screws as illustrated in the figure before the procedure. You can balance your refrigerator by turning the front legs of it as illustrated in the figure. The corner where the leg exists is lowered when you turn in the direction of black arrow and raised when you turn in the opposite direction. Taking help from someone to slightly lift the refrigerator will facilitate this process.



2. After the balance issue is remedied, install back the ventilation cover and fasten the screws.

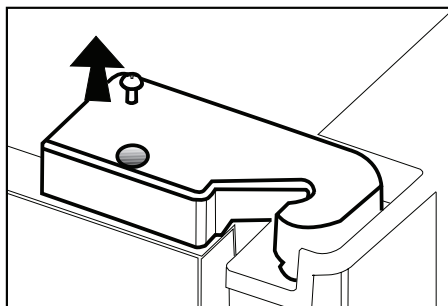
3. Remove the screws fastening the lower ventilation cover using a Philips screwdriver.

Adjusting the gap between the upper door

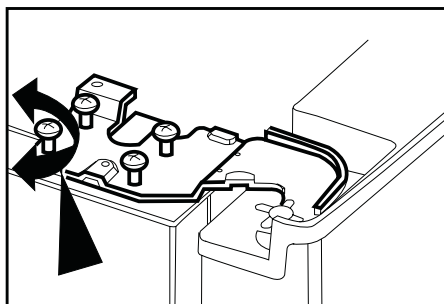


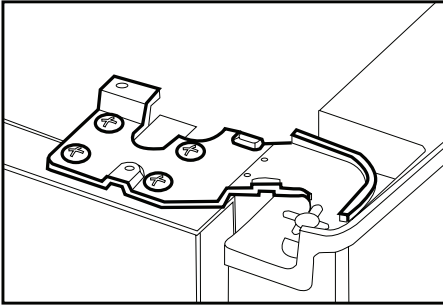
i You can adjust the gap between the fridge compartment doors as illustrated in the figures.

Door shelves should be empty when adjusting the door height.

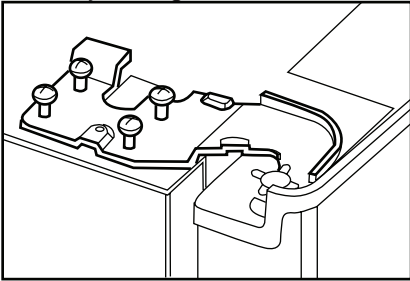


i Using a screwdriver, remove the screw of upper hinge cover of the door you want to adjust.

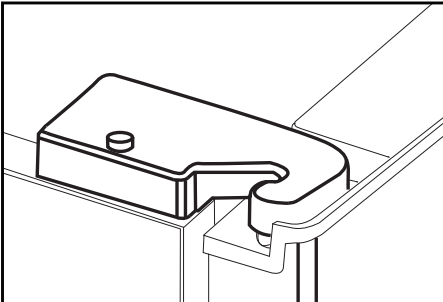




i Adjust the door appropriately as you desire by loosening the screws.



i Fix the door you have adjusted by tightening the screws without changing the position of the door.



i Replace the hinge cover and fix with the screw.

Installing Water Filter

(in some models)

Two different water sources may be connected to the refrigerator for water supply: the mains cold water supply and water in a jug.

Installation Requirements

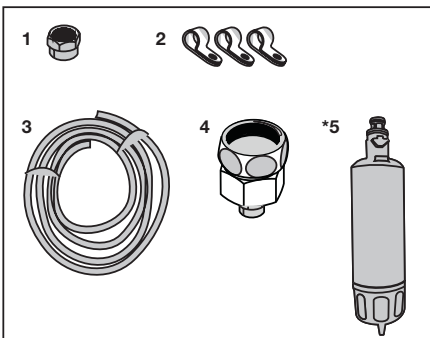
A pump should be used for jug water usage.

Check that the parts stated below are supplied with your appliance.

1. Union for connection of the water pipe to the rear of the appliance. (If it does not fit, provide it from the nearest authorized service.)
2. 2 pieces of pipe clips (In case required to secure the water pipe)

Note: Since the following parts are not required in use with a jug, they may not be found in the product you purchased.

3. 5-meter long water pipe (1/4 inch in diameter)
4. Cold mains water valve with mesh filter (Tap Adapter)
5. Water Filter or externally connectable filter to be fitted to the bracket inside the fridge compartment.



Place where the external filter is going to be fitted should be determined first.

(Applies to the filter being used outside the refrigerator.) Then, determine the distance between the filter and the refrigerator and required hose lengths from the filter to the refrigerator water inlet.

Water filter must be held upright as shown in the figure. It is important to properly attach the filter to water inlet and water outlet points.

After attaching the filter, do not use first 3-4 glasses of water.

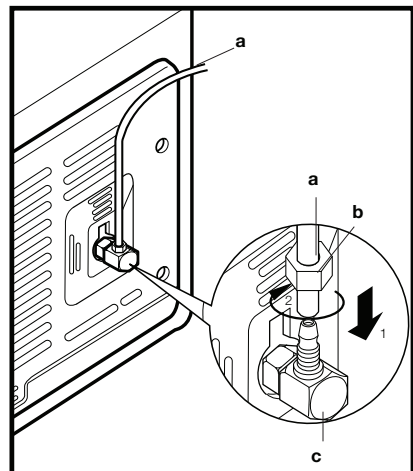
Connection of the Water Pipe to the Refrigerator

1. After installing the union onto the water pipe, insert the water pipe to the refrigerator inlet valve by pressing downwards firmly.

2. Fix union as seen in the opposite figure, by squeezing by hand on the refrigerator inlet valve.

(a- Water Pipe, b-Union, c-Valve)

i Note 1: You should not need to tighten the union with a tool to achieve water tight assembly. In case of a leak use a spanner or a pair of pliers to tighten the union.

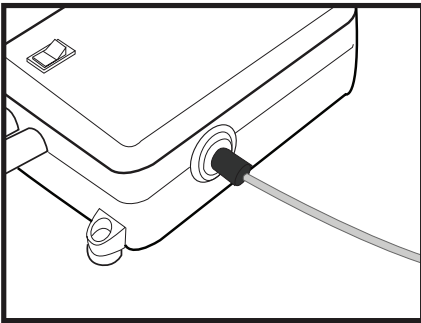
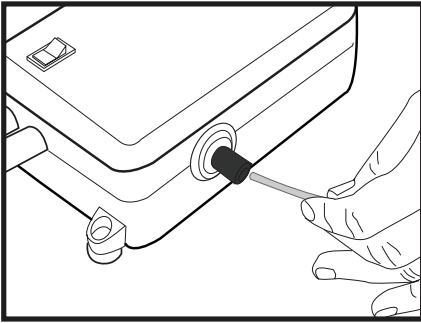


Connection of Water Hose to the Jug

(in some models)

To connect water to the refrigerator from a jug, a pump is needed. Follow the instructions below after connecting one end of the water pipe coming out of the pump to the refrigerator as described on the previous page.

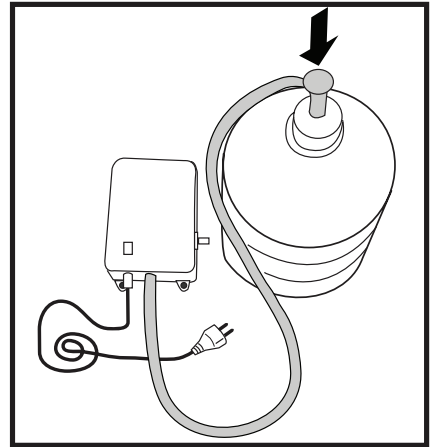
1. Finish the connection by pushing the other end of the water pipe into the water pipe inlet of the pump as shown in the figure.



2. Put and fix the pump hose into the jug as shown in the figure.
3. After completing the connection, plug in and run the pump.

To provide an efficient operation of the pump, wait for 2-3 minutes after starting the pump.

- i** You may refer to the user manual of the pump while making the water connection.
- i** There is no need to use water filter in case a jug is used.
- i** Pump must be used when jug will be used.



Connection of the Water Pipe to the Cold Water Mains Line

(in some models)

If you want to use your refrigerator by connecting it to the cold water mains line,

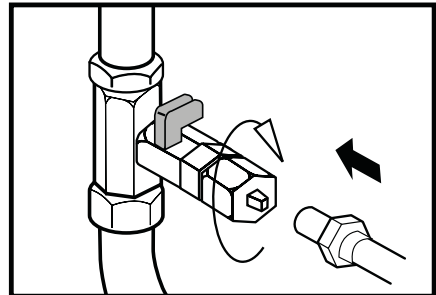
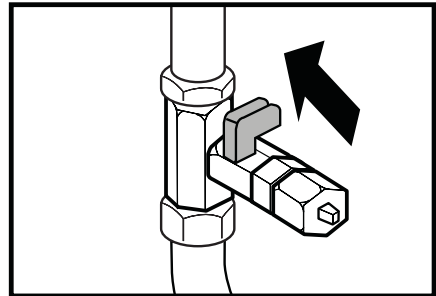
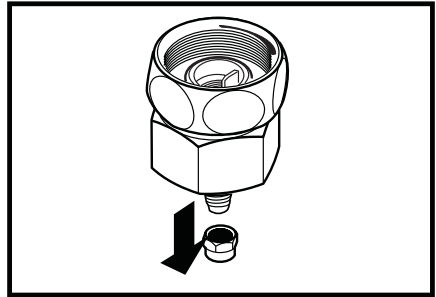
you will have to connect a standard 1/2" valve connection fitting to the cold water supply in your house. In case this valve is not present or in case you are not sure, consult a qualified plumber.

1. Separate the union from the tap adaptor. (Figure A)
2. Install the tap adaptor to 1/2" valve fitting as shown in the figure. (Figure B)
3. After inserting the water pipe to the union, install it to the tap adaptor and insert to the tap as shown in the figure. (Figure C)
4. Tighten the union manually. In case of a leak use a spanner or a pair of pliers to tighten the union.

⚠ Caution: Secure the water pipe to suitable points by means of the pipe clips supplied to avoid any damage or displacement or accidental disconnection.

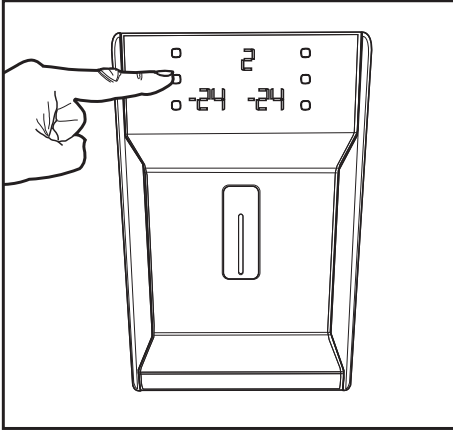
⚠ Caution: After turning on the water valve, make sure that there is no leakage at both connection points of the water pipe. In case of a leak, turn off the valve immediately and tighten all joints again using a spanner or a pair of pliers.

⚠ Caution: Make sure that standard 1/2" valve fitting fed by cold mains water supply is available and is turned off fully.

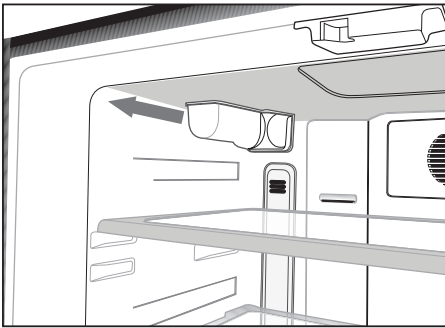


To fit the water filter follow the instructions below referring to figures supplied:

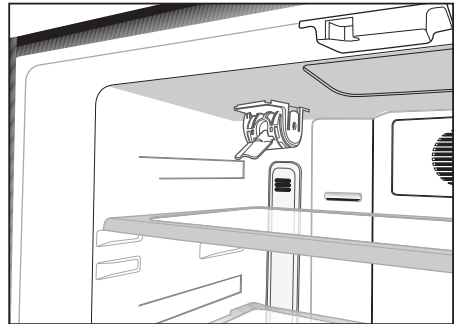
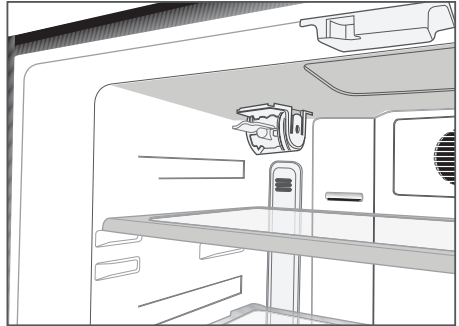
1. Press ice cancel button on the display.



2. Remove the filter cover in the fridge compartment by pulling it forward.



3. Take out the water filter by-pass cover by rotating it downwards.



⚠ Caution: Make sure that the “Ice off” mode is active before taking out the by-pass cover.

Note: It is normal that a few drops of water drip after the cover has been taken out.

4. Remove the lid on top of the water filter to place it as shown in the figure and turn upwards to lock it.
5. Press ice cancel button on the display again to exit from this mode.

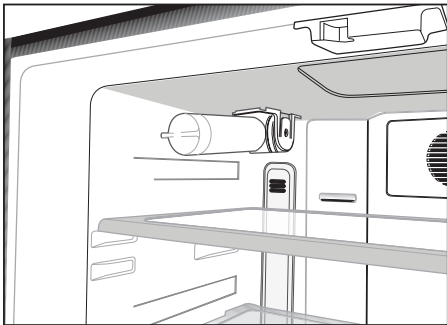
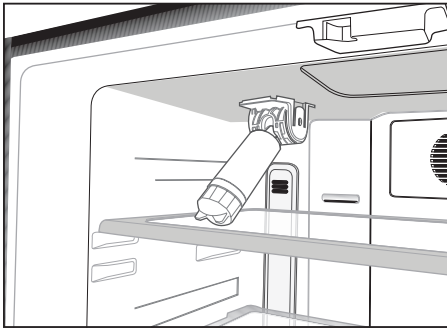
Water filter should be replaced every 6 months.

If you want to have the filter change time calculated automatically and receive a warning at the end of usage time, please read "Calculating the Filter Usage Time Automatically" section.

The water filter must be removed as shown in the figure when it is going to be replaced or when it will no longer be used and by-pass cover must be attached. It must be made sure that Ice Off mode is active before taking it out.

⚠ Caution: Water filter cleans some foreign particles in the water. It does not purify water from microorganisms.

⚠ Caution: Ice Off button must always be pressed during replacement of the water filter or installing the by-pass cover.



Prior to first use of Water Dispenser

i Water mains pressure must not be below 1 bar.

i Water mains pressure must not be above 8 bars.

i Pumps must be used in case the supply water pressure drops below 1 bar or if a jug is going to be used.

i Water system of the refrigerator must be connected to the cold water line. It must not be connected to hot water line.

i No water may be obtained in the initial operation of the refrigerator. This is caused by the air in the system. To discharge air from the system, press Dispenser latch for periods of 1 minute until water comes from the Dispenser. Water flow may be irregular in the beginning. Irregular water flow will be normalized after the air in the system is discharged.

i At the initial startup of the refrigerator approx. 12 hours must pass before cold water can be obtained.

i Water mains pressure must be between 1-8 bars for the operation of Ice/Water Dispenser smoothly. For this, check that 1 glass of water (100 cc) can be filled in 10 seconds.

i The first 10 glasses of water should not be consumed.

i Approximately the first 30 cubes of ice to be obtained from the Ice Dispenser must not be used.

i Always use the water filter when a jug is not being used.

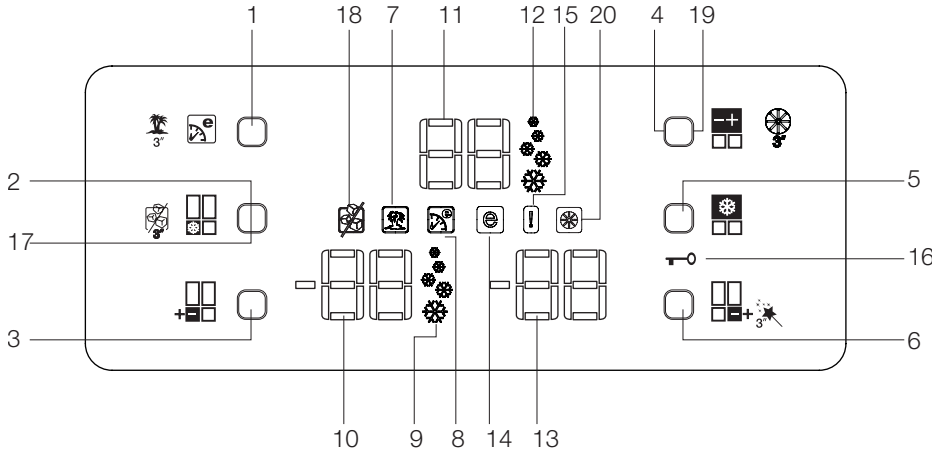
4 Preparation

- i** Your refrigerator should be installed at least 30 cm away from heat sources such as hobs, ovens, central heater and stoves and at least 5 cm away from electrical ovens and should not be located under direct sunlight.
- i** The ambient temperature of the room where you install your refrigerator should at least be 10°C. Operating your refrigerator under cooler conditions than this is not recommended with regard to its efficiency.
- i** Please make sure that the interior of your refrigerator is cleaned thoroughly.
- i** If two refrigerators are to be installed side by side, there should be at least 2 cm distance between them.
- i** When you operate your refrigerator for the first time, please observe the following instructions during the initial six hours.
 - The door should not be opened frequently.
 - It must be operated empty without any food in it.
 - Do not unplug your refrigerator. If a power failure occurs out of your control, please see the warnings in the “Recommended solutions for the problems” section.
- i** Original packaging and foam materials should be kept for future transportations or moving.

5 Using your refrigerator

Indicator Panel

This touch-control indicator panel allows you to set the temperature without opening the door of your refrigerator. Just touch the relevant button with your finger to set the temperature.



- | | | | |
|-----|---|-----|--|
| 1. | Eco-Extra / Vacation Button | 11. | Fridge Compartment Temperature Indicator |
| 2. | Fast Freeze Button | 12. | Quick Cool Function Indicator |
| 3. | Freezer Compartment Temperature Setting Button | 13. | Multi Zone Compartment Temperature Indicator |
| 4. | Fridge Compartment Temperature Setting Button | 14. | Economy Mode Indicator |
| 5. | Quick Cool Button | 15. | Error Status Indicator |
| 6. | Multi Zone Compartment Temperature Setting Button | 16. | Key Lock Indicator |
| 7. | Vacation Function Indicator | 17. | Ice Cancel Button |
| 8. | Eco-Extra Function Indicator | 18. | Ice Off indicator |
| 9. | Fast Freeze Function Indicator | 19. | Cancel Filter Change Warning Button |
| 10. | Freezer Compartment Temperature Indicator | 20. | Filter Change Warning Indicator |

i Figures that take place in this instruction manual are schematic and may not correspond exactly with your product. If the subject parts are not included in the product you have purchased, then it is valid for other models.

1. Eco Extra/Vacation Button

Press this button briefly to activate the Eco Extra function. Press and hold this button for 3 sec. to activate the Vacation function. Press this button again to deactivate the selected function.

2. Fast Freeze Button

Press this button briefly to activate the Fast Freeze function. Press this button again to deactivate the selected function.

3. Freezer Compartment Temperature Setting Button

Press this button to set the temperature of the freezer compartment to -18, -20, -22, -24, -18... respectively. Press this button to set the desired temperature for the Freezer Compartment.

4. Fridge Compartment Temperature Setting Button

Press this button to set the temperature of the fridge compartment to 8, 6, 4, 2, 8... respectively. Press this button to set the desired temperature for the Fridge Compartment.

5. Quick Cool Button

Press this button briefly to activate the Quick Cool function. Press this button again to deactivate the selected function.

6. Multi Zone Compartment Temperature Setting Button

You can set the Multi Zone Compartment either as a Freezer or a Cooler. Press and hold this button for a long time (3 sec) to set the Multi Zone Compartment as a Freezer or a Cooler. This compartment is set as a Freezer Compartment at factory.

If the Multi Zone Compartment is set as a Freezer, then the temperature of the Multi Zone Compartment will change as -18, -20, -22, -24, -18... respectively each time you press this button. If the Multi Zone Compartment is set as a Fridge, then the temperature of the Multi Zone Compartment will change as 10, 8, 6, 4, 2, 0, -6, ... respectively each time you press this button.

7. Vacation Function Indicator

Indicates that the vacation function is active. If this function is active, “-” appears on the indicator of the fridge compartment and no cooling is performed in the fridge compartment. Other compartments will be cooled in accordance with the temperature set for them.

Press the relevant button again to deactivate this function.

8. Eco Extra Function Indicator

It indicates that the Eco-Extra function is active. If this function is active, your refrigerator will automatically detect the least usage periods and energy-efficient cooling will be performed during those times. Economy indicator will be active while energy-efficient cooling is performed.

Press the relevant button again to deactivate this function.

9. Quick Freeze Function Indicator

It indicates that the Fast Freeze function is active. Use this function when you place fresh food into the freezer compartment or when you need ice. When this function is active, your refrigerator will run for a certain period of time.

Press the relevant button again to deactivate this function.

10. Freezer Compartment Temperature Indicator

It indicates the temperature set for Freezer Compartment.

11. Fridge Compartment Temperature Indicator

Indicates the temperature set for Fridge Compartment.

12. Quick Cool Function Indicator

Indicates that the Quick Cool function is active. Use this function when you place fresh food into the fridge compartment or when you need to cool your food quickly. When this function is active, your refrigerator will run for 2 hours without stopping.

Press the relevant button again to deactivate this function.

13. Multi Zone Compartment Temperature Indicator

It indicates the temperature set for Multi Zone compartment.

14. Economy Mode Indicator

Indicates that the refrigerator is running in energy-efficient mode. Freezer Compartment temperature

This indicator will be active if the function is set to -18 or the energy efficient cooling is being performed due to Eco-Extra function.

15. Error Status Indicator

If your refrigerator does not cool adequately or if there is a sensor failure, this indicator will be activated. When this indicator is active, Freezer Compartment Temperature indicator will display "E" and Fridge Compartment Temperature Indicator will display numbers such as "1,2,3...". These numbers on the indicator provides information about the error to the service personnel.

16. Key Lock Indicator

Use this function if you do not want your refrigerator temperature setting changed. Press Quick Cool Button and Flexi Zone Compartment Temperature Setting Button simultaneously for a long time (3 sec) to activate this feature.

Press the relevant buttons again to deactivate this function.

17. Ice Cancel Button

To stop ice formation, ice cancel button is pressed for 3 seconds. When ice cancel is selected, no water will be sent to the ice box. Despite this, some ice may be leftover in the ice box which may be taken from there. To restart ice formation, ice cancel button has to be pressed for 3 seconds.

18. Ice Cancel Indicator

If you do not want to get ice from the refrigerator, you need to use this function. You may use this function by pressing the ice cancel button for 3 seconds.

19. Cancel Filter Change Warning Button

Filter of your refrigerator must be replaced every 6 months. If you apply instructions on page 22, your refrigerator calculates this time automatically and the filter change warning indicator illuminates when the filter usage time has elapsed. Press Cancel filter change warning button for 3 seconds to allow the refrigerator to calculate the new filter time automatically after changing the filter.

20. Cancel Filter Change Warning Indicator

When the filter usage time has elapsed, filter change warning indicator starts to illuminate.

Door Open Alarm:

In case of leaving any of the Fridge Compartment or Flexi Zone Compartment doors open minimum for 1 minute, audible Door Open Alarm will be activated and heard. Just press any button on the indicator or close the open door to silence the alarm.

Dual cooling system:

Your refrigerator is equipped with two separate cooling systems to cool the fresh food compartment and freezer compartment. Thus, air in the fresh food compartment and freezer compartment do not get mixed. Thanks to these two separate cooling systems, cooling speed is much higher than other refrigerators. Odors in the compartments do not get mixed. Also additional power saving is provided since the defrosting is performed individually.

Freezing fresh food

- Wrap or cover the food before placing them in
- Hot food must cool down to the room temperature before putting them in the refrigerator.
- The foodstuff that you want to freeze must be fresh and in good quality.
- Foodstuff must be divided into portions according to the family's daily or meal based consumption needs.
- Foodstuff must be packaged in an airtight manner to prevent them from drying even if they are going to be kept for a short time.
- Materials to be used for packaging must be resistant to cold and humidity and they must be airtight. The packaging material of the food must be at a sufficient thickness and durability. Otherwise the food hardened due to freezing may puncture the packaging. It is important for the packaging to be closed securely for safe storage of the food.
- Frozen food must be used immediately after they are thawed and they should never be re-frozen.
- Please observe the following instructions to obtain the best results.
 1. If the fridge has a quick freeze function, activate the quick freeze function when you want to freeze the

2. Do not freeze too large quantities of food at one time. The quality of the food is best preserved when it is frozen right through to the core as quickly as possible.

3. Take special care not to mix already frozen food and fresh food.

4. Make sure raw foods are not in contact with cooked foods in the fridge.

Deep-freeze information

Food must be frozen as rapidly as possible when they are put in the freezer in order to keep them in good quality.

It is possible to preserve the food for a long time only at -18°C or lower temperatures.

You can keep the freshness of food for many months (at -18°C or lower temperatures in the deep freeze).

WARNING! ⚠

- Foodstuff must be divided into portions according to the family's daily or meal based consumption needs.
- Foodstuff must be packaged in an airtight manner to prevent them from drying even if they are going to be kept for a short time.

Materials necessary for packaging:

- Cold resistant adhesive tape
- Self-adhesive label
- Rubber rings
- Pen

Materials to be used for packaging the foodstuff must be tear-proof and resistant to cold, humidity, dour, oils and acids.

Foodstuff to be frozen should not be allowed to come in contact with the previously frozen items to prevent their partial thawing. Thawed out food must be consumed and must not be frozen again.

Freezer Compartment Setting	Fridge Compartment Setting	Remarks
-18°C	4°C	This is the normal recommended setting.
-20, -22 or -24°C	4°C	These settings are recommended when the ambient temperature exceeds 30°C.
Quick Freeze	4°C	Use when you wish to freeze your food in a short time. It is recommended to be used to maintain the quality of meat and fish products.
-18°C or colder	2°C	If you think that your fridge compartment is not cold enough because of the hot conditions or frequent opening and closing of the door.
-18°C or colder	Quick Fridge	You can use it when your fridge compartment is overloaded or if you wish to cool down your food rapidly. It is recommended that you activate the quick freeze function 4-8 hours before placing the food.

Recommendations for preservation of frozen food

- Pre-packed commercially frozen food should be stored in accordance with the frozen food manufacturer's instructions in a frozen food storage compartment.

- To ensure that the high quality supplied by the frozen food manufacturer and the food retailer is maintained, following points should be noted:

1. Put packages in the freezer as quickly as possible after purchase.

2. Ensure that contents of the package are labeled and dated.

3. Do not exceed "Use By", "Best Before" dates on the packaging.

Defrosting

The freezer compartment defrosts automatically.

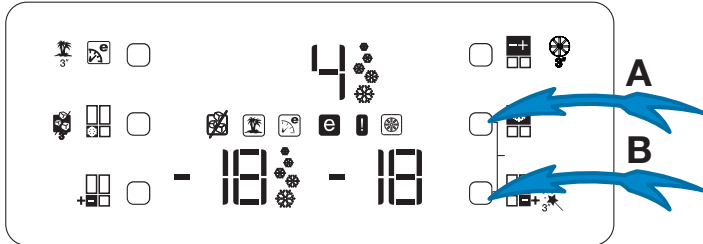
Placing the food

Freezer compartment shelves	Various frozen food such as meat, fish, ice cream, vegetables and etc.
Egg section	Egg
Fridge compartment shelves	Food in pans, covered plates and closed containers
Door shelves of fridge compartment	Small and packaged food and drinks (such as milk, fruit juice and beer)
Crisper	Vegetables and fruits
Freshzone compartment	Delicatessen products (cheese, butter, salami and etc.)

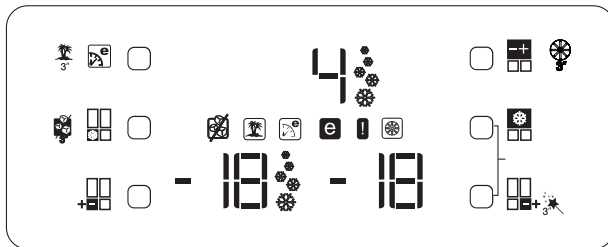
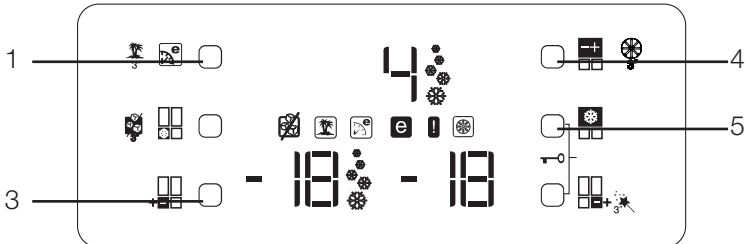
Things to do to have the filter usage time calculated automatically

(For products connected to the mains water line and equipped with filter)

1- After plugging the refrigerator in, press A and B buttons together to activate the key lock.



2- Then press Eco-Extra (1), Fridge Compartment Temperature Setting (4), Quick Cool (5) and Freezer Compartment Temperature Setting (3) buttons respectively.



If button configuration is pressed in the correct order, key lock symbol will go off, buzzer will be activated shortly, and Filter change warning indicator illuminates. Press cancel filter change warning button (Item 19 in display descriptions) after changing the filter to have the filter usage time calculated automatically.

NOTE:

1. If the filter usage time is being calculated automatically, filter change warning indicator will illuminate continuously in a few seconds after the product is plugged in.
2. Automatic filter usage time calculation is not active ex factory. It must be activated in products equipped with a filter.
3. Repeat the same procedure in products whose automatic filter usage time calculation is activated in order to deactivate the filter usage time calculation.

Egg tray

You can install the egg holder to the desired door or body shelf.

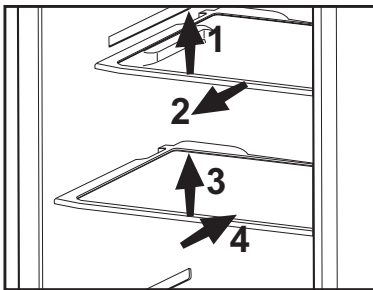
Never store the egg holder in the freezer compartment

Sliding Body Shelves

Sliding body shelves can be pulled by slightly lifting up from the front and moved back and forth. They come to a stop point when pulled towards front to allow you reach the foods placed at the back of the shelf; when it is pulled after slightly lifted upwards at the second stop point, the body shelf will be released.

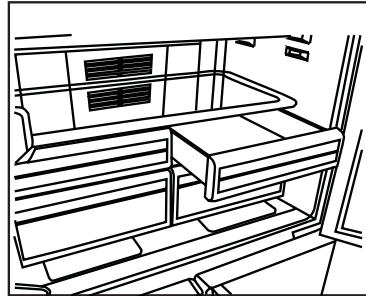
The shelf should be hold tightly from the bottom as well in order to prevent it from tipping over. The body shelf is placed on the rails at the sides of the refrigerator body by bringing it to one lower or one upper level.

The body shelf should be pushed backwards to seat it completely.



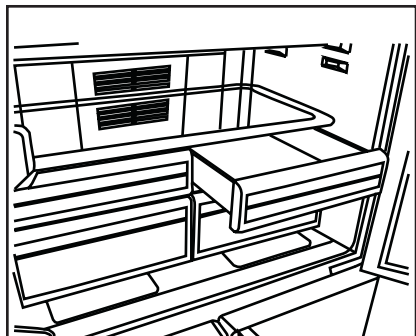
Crisper

Crisper of your refrigerator is designed specially to keep your vegetables freshly without losing their humidity. For this purpose, cool air circulation occurs around the crisper in general. Remove the door shelves that align with the crisper before removing the crispers. You can remove the crispers as illustrated in the figure.



Chiller compartment

Chiller compartments enable the foods to be frozen become ready for freezing. You can also use these compartments to store your food at a temperature a few degrees below the fridge compartment. You can increase the inner volume of your refrigerator by removing any of the chiller compartments. To do this, pull the compartment towards yourself; the compartment will lean against the stopper and stop. This compartment will be released when you lift it about 1 cm and pull it towards yourself.



Movable Middle Section

Movable middle section is intended to prevent the cold air inside your refrigerator from escaping outside.

1- Sealing is provided when the gaskets on the door presses on the surface of the movable middle section while the fridge compartment doors are closed.

2- Another reason that your refrigerator is equipped with a movable middle section is that it increases the net volume of the fridge compartment. Standard middle sections occupy some non-usable volume in the refrigerator.

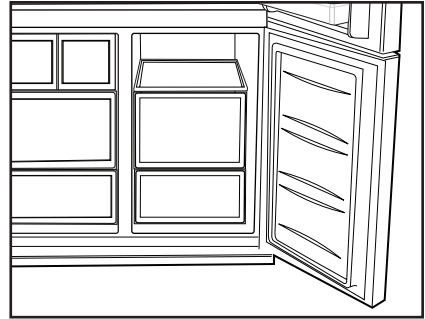
3- Movable middle section is closed when the left door of the fridge compartment is closed.

4- It must not be opened manually. It moves under the guidance of the plastic part on the body while the door is closed.

Multi Zone Storage Compartment

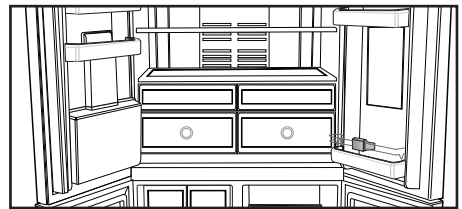
The Multi Zone Storage Compartment of your refrigerator may be used in any desired mode by adjusting it to fridge (2/4/6/8 °C) or freezer (-18/-20/-22/-24) temperatures. You can keep the compartment in the desired temperature with the Multi Zone Storage Compartment Temperature Setting Button. The temperature of the Multi Zone Storage Compartment may be set to 0 and 10 degrees in addition to the fridge compartment temperatures and to -6 degrees in addition to the freezer compartment temperatures. 0 degree is used to store the deli products longer, and -6 degrees is used to keep the meats up to 2 weeks in an easily cuttable condition.

❗ The feature of switching to a Fridge or Freezer compartment is provided by a cooling element located in the closed section (Compressor Compartment) behind the refrigerator. During operation of this element, sounds similar to the sound of seconds heard from an analog clock may be heard. This is normal and is not fault cause.



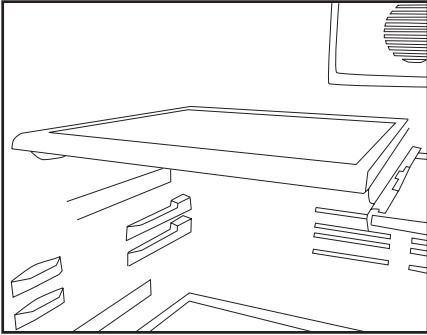
Blue light

Foodstuff stored in the crispers that are enlightened with a blue light continue their photosynthesis by means of the wavelength effect of blue light and thus, preserve their freshness and increase their vitamin content.



Sliding Body Shelves With Rear Hangers

Sliding body shelves with rear hangers can be moved back and forth. Height of these shelves can be adjusted by removing and then installing them to upper or lower positions. Raise the shelf up slightly and pull towards yourself to remove it.

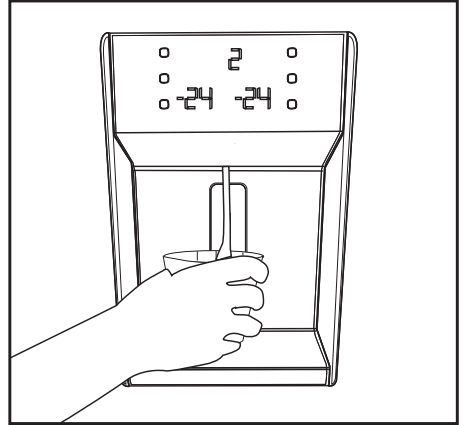


Using the water spring

Warnings

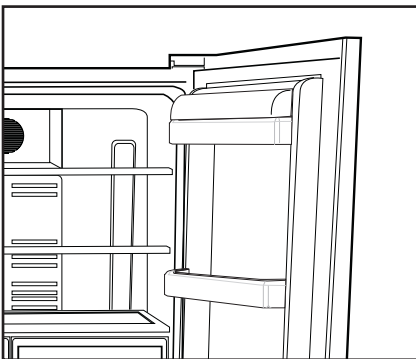
It is normal for the first few glasses of water taken from the dispenser to be warm.

In cases where the water dispenser has not been used frequently, sufficient amount of water must be drained from the dispenser to get fresh water.



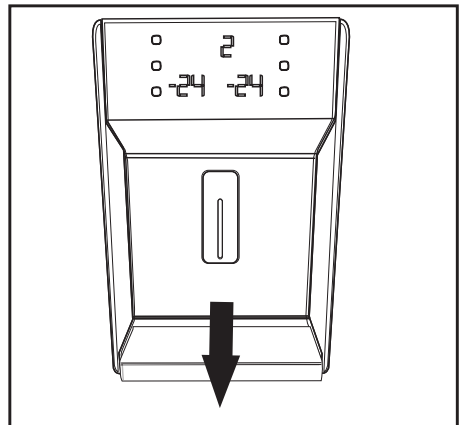
Butter & Cheese Section

You can store food such as butter, cheese, and margarine in this section which has a lid.



Spillage Tray

Water drops that drip during use, accumulates in the spillage tray. You can remove spillage tray by pulling it to yourself or pressing on its edge (depending on the model). You can remove the water with a sponge or a soft cloth.



Minibar

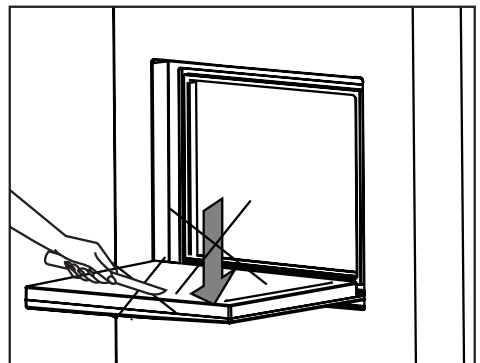
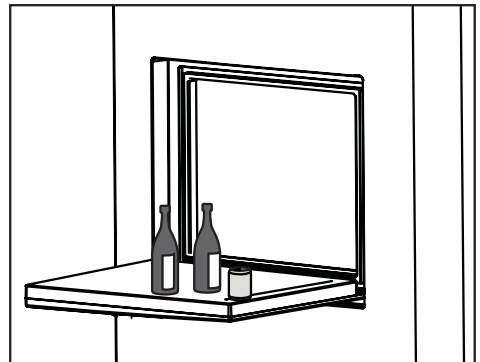
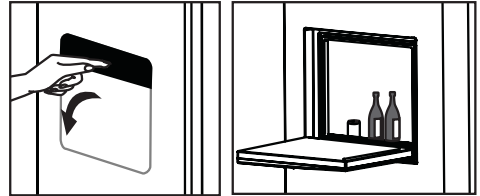
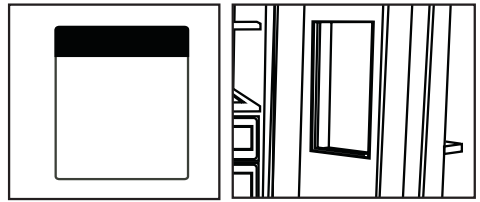
Minibar door provides you extra comfort when using your refrigerator. The door shelf in the refrigerator can be accessed without opening the refrigerator door; thanks to this feature, you can easily pick from the refrigerator the foods and drinks which you frequently consume. Since you do not have to open the refrigerator door frequently, you will have decreased the power consumption of refrigerator.

To open the minibar door, press by your hand on the minibar and pull back to open.

When the door of minibar is open, you may use the inner face of the door as a table on which you may put your bottles and glasses for a short time as shown in the figure.

⚠ Caution: Never do things that may put pressure on the door such as sitting on, climbing up or hanging to the table and do not place heavy objects on it. This may cause damage on the refrigerator or personal injuries.

⚠ Caution: Never perform cutting on the Minibar door and be careful that the door is not damaged by pointed objects.



6 Maintenance and cleaning

- ⚠ Never use gasoline, benzene or similar substances for cleaning purposes.
- ⚠ We recommend that you unplug the appliance before cleaning.
- ⚠ Never use any sharp abrasive instrument, soap, household cleaner, detergent and wax polish for cleaning.
- ⚠ For non-No Frost products, water drops and frosting up to a fingerbreadth occur on the rear wall of the Fridge compartment. Do not clean it; never apply oil or similar agents on it.
- ⚠ Only use slightly damp microfiber cloths to clean the outer surface of the product. Sponges and other types of cleaning cloths may scratch the surface.
- ℹ Use lukewarm water to clean the cabinet of your refrigerator and wipe it dry.
- ℹ Use a damp cloth wrung out in a solution of one teaspoon of bicarbonate of soda to one pint of water to clean the interior and wipe it dry.
- ⚠ Make sure that no water enters the lamp housing and other electrical items.
- ⚠ If your refrigerator is not going to be used for a long period of time, unplug the power cable, remove all food, clean it and leave the door ajar.
- ℹ Check door seals regularly to ensure they are clean and free from food particles.
- ⚠ To remove door racks, remove all the contents and then simply push the door rack upwards from the base.
- ⚠ Never use cleaning agents or water that contain chlorine to clean the outer surfaces and chromium coated parts of the product. Chlorine causes corrosion on such metal surfaces.
- ⚠ Do not use sharp, abrasive tools, soap, household cleaning agents, detergents, kerosene, fuel oil, varnish etc. to prevent removal and deformation of the prints on the plastic part. Use lukewarm water and a soft cloth for cleaning and then wipe it dry.

Protection of plastic surfaces

- ℹ Do not put the liquid oils or oil-cooked meals in your refrigerator in unsealed containers as they damage the plastic surfaces of your refrigerator. In case of spilling or smearing oil on the plastic surfaces, clean and rinse the relevant part of the surface at once with warm water.

Check this list before contacting the service. Doing so will save you time and money. This list includes frequent complaints that are not related to faulty workmanship or materials. Certain features mentioned herein may not apply to your product.

The refrigerator is not working.

- The power plug is not fully settled. >>> Plug it in to settle completely into the socket.
- The fuse connected to the socket powering the product or the main fuse is blown. >>> Check the fuses.

Condensation on the side wall of the cooler compartment (MULTI ZONE, COOL, CONTROL and FLEXI ZONE).

- The door is opened too frequently >>> Take care not to open the product's door too frequently.
- The environment is too humid. >>> Do not install the product in humid environments.
- Foods containing liquids are kept in unsealed holders. >>> Keep the foods containing liquids in sealed holders.
- The product's door is left open. >>> Do not keep the product's door open for long periods.
- The thermostat is set to too low temperature. >>> Set the thermostat to appropriate temperature.

Compressor is not working.

- In case of sudden power failure or pulling the power plug off and putting back on, the gas pressure in the product's cooling system is not balanced, which triggers the compressor thermic safeguard. The product will restart after approximately 6 minutes. If the product does not restart after this period, contact the service.
- Defrosting is active. >>> This is normal for a fully-automatic defrosting product. The defrosting is carried out periodically.

- The product is not plugged in. >>> Make sure the power cord is plugged in.
- The temperature setting is incorrect. >>> Select the appropriate temperature setting.
- The power is out. >>> The product will continue to operate normally once the power is restored.

The refrigerator's operating noise is increasing while in use.

- The product's operating performance may vary depending on the ambient temperature variations. This is normal and not a malfunction.

The refrigerator runs too often or for too long.

- The new product may be larger than the previous one. Larger products will run for longer periods.
- The room temperature may be high. >>> The product will normally run for long periods in higher room temperature.
- The product may have been recently plugged in or a new food item is placed inside. >>> The product will take longer to reach the set temperature when recently plugged in or a new food item is placed inside. This is normal.
- Large quantities of hot food may have been recently placed into the product. >>> Do not place hot food into the product.
- The doors were opened frequently or kept open for long periods. >>> The warm air moving inside will cause the product to run longer. Do not open the doors too frequently.

- The freezer or cooler door may be ajar. >>> Check that the doors are fully closed.
- The product may be set to temperature too low. >>> Set the temperature to a higher degree and wait for the product to reach the adjusted temperature.
- The cooler or freezer door washer may be dirty, worn out, broken or not properly settled. >>> Clean or replace the washer. Damaged / torn door washer will cause the product to run for longer periods to preserve the current temperature.
- The doors were opened frequently or kept open for long periods. >>> Do not open the doors too frequently.
- The door may be ajar. >>> Fully close the door.
- The product may have been recently plugged in or a new food item is placed inside. >>> This is normal. The product will take longer to reach the set temperature when recently plugged in or a new food item is placed inside.
- Large quantities of hot food may have been recently placed into the product. >>> Do not place hot food into the product.

The freezer temperature is very low, but the cooler temperature is adequate.

- The freezer compartment temperature is set to a very low degree. >>> Set the freezer compartment temperature to a higher degree and check again.

The cooler temperature is very low, but the freezer temperature is adequate.

- The cooler compartment temperature is set to a very low degree. >>> Set the freezer compartment temperature to a higher degree and check again.

The food items kept in cooler compartment drawers are frozen.

- The cooler compartment temperature is set to a very low degree. >>> Set the freezer compartment temperature to a higher degree and check again.

The temperature in the cooler or the freezer is too high.

- The cooler compartment temperature is set to a very high degree. >>> Temperature setting of the cooler compartment has an effect on the temperature in the freezer compartment. Wait until the temperature of relevant parts reach the sufficient level by changing the temperature of cooler or freezer compartments.

Shaking or noise.

- The ground is not level or durable. >>> If the product is shaking when moved slowly, adjust the stands to balance the product. Also make sure the ground is sufficiently durable to bear the product.
- Any items placed on the product may cause noise. >>> Remove any items placed on the product.

The product is making noise of liquid flowing, spraying etc.

- The product's operating principles involve liquid and gas flows. >>> This is normal and not a malfunction.

There is sound of wind blowing coming from the product.

- The product uses a fan for the cooling process. This is normal and not a malfunction.

There is condensation on the product's internal walls.

- Hot or humid weather will increase icing and condensation. This is normal and not a malfunction.
- The doors were opened frequently or kept open for long periods. >>> Do not open the doors too frequently; if open, close the door.

- The door may be ajar. >>> Fully close the door.

There is condensation on the product's exterior or between the doors.

- The ambient weather may be humid, this is quite normal in humid weather. >>> The condensation will dissipate when the humidity is reduced.

The interior smells bad.

- The product is not cleaned regularly. >>> Clean the interior regularly using sponge, warm water and carbonated water.
- Certain holders and packaging materials may cause odour. >>> Use holders and packaging materials without free of odour.
- The foods were placed in unsealed holders. >>> Keep the foods in sealed holders. Micro-organisms may spread out of unsealed food items and cause malodour. Remove any expired or spoilt foods from the product.

The door is not closing.

- Food packages may be blocking the door. >>> Relocate any items blocking the doors.
- The product is not standing in full upright position on the ground. >>> Adjust the stands to balance the product.
- The ground is not level or durable. >>> Make sure the ground is level and sufficiently durable to bear the product.

The vegetable bin is jammed.

- The food items may be in contact with the upper section of the drawer. >>> Reorganize the food items in the drawer.

If The Surface Of The Product Is Hot.

- High temperatures may be observed between the two doors, on the side panels and at the rear grill while the product is operating. This is normal and

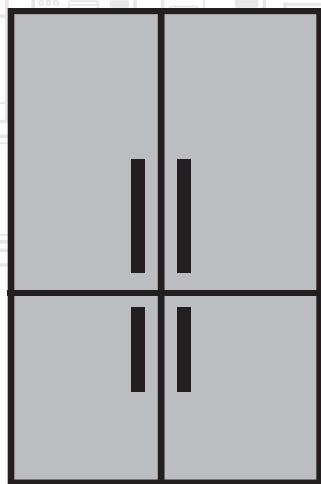
does not require service maintenance! Be careful when touching these areas.



WARNING:

If the problem persists after following the instructions in this section, contact your vendor or an Authorised Service. Do not try to repair the product.

Køleskab Brugervejledning



DA |

beko

Læs venligst denne vejledning inden du tager køleskabet i brug.

Kære kunde,

Vi håber, at dit produkt, der er produceret i moderne produktionsanlæg og kontrolleret under de grundigste kvalitetskontrolprocedurer, vil give dig en effektiv service.

Vi anbefaler, at denne brugsvejledning læses grundigt inden køleskabet tages i brug og opbevares til fremtidig reference.




Denne brugsvejledning

- Vil hjælpe dig med at bruge køleskabet hurtigt og sikkert.
- Læs manualen inden produktet installeres og tages i brug.
- Følg instruktionerne, særlig dem angående sikkerhed.
- Opbevar altid brugsvejledningen ved hånden for hurtig reference.
- Læs også andre vedlagte dokumenter.

Bemærk, at denne brugsvejledning også kan være gyldig for andre modeller.

Symboler og deres beskrivelse

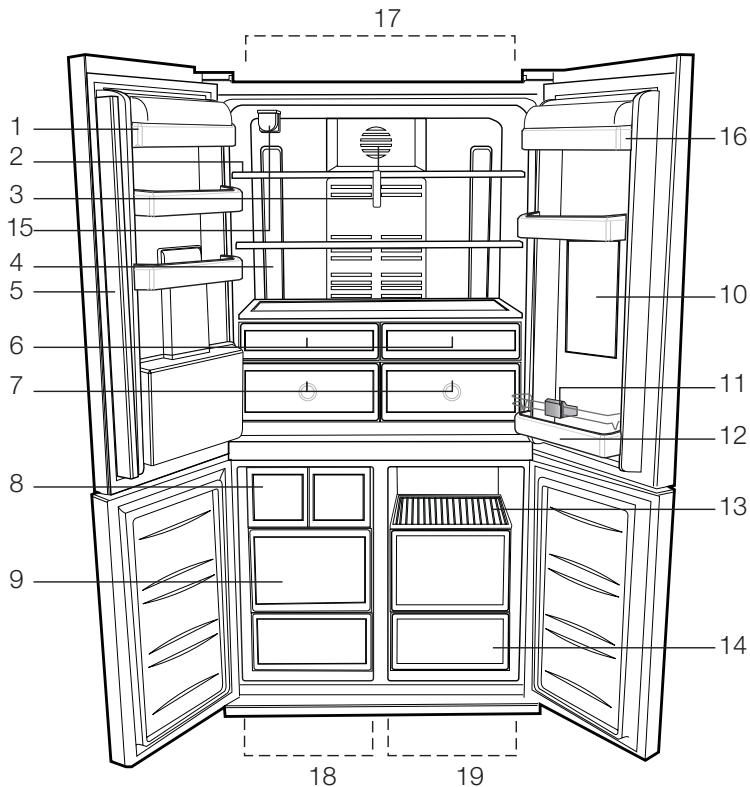
Denne brugsvejledning indeholder følgende symboler:

-  Vigtige informationer eller brugbare tips.
-  Advarsel mod farlige forhold for liv og ejendom.
-  Advarsel mod strømspænding.

INDHOLD

1 Køleskabet	3	5 Anvendelse af køleskabet	20
2 Vigtige sikkerhedsadvarsler	4	Indikatorpanel.....	20
Tilsigtet brug.....	4	Alarm for åben dør:	23
Børnesikkerhed	8	Frysning af friske madvarer	24
Overholdelse af WEEE-direktivet og bortskaffelse af affald:	8	Anbefalinger til opbevaring af frossen mad.....	24
Overholdelse af RoHS-direktivet:	8	Placering af maden.....	25
Emballagegsgoplysninger	8	Information om dybfrysning	25
HC Advarsel	8	Hvad du skal gøre for at få filtertiden beregnet automatisk.....	26
Energibesparende foranstaltninger.....	8	Glidehylder	27
Anbefalinger til ferskvare-rummet.....	9	Æggebakke	27
3 Installation	10	Grøntsagsskuffe	27
Punkter, der skal tages hensyn til, hvis køle-/fryseskabet skal transporteres igen	10	Køleafdeling.....	27
Inden køle-/fryseskabet betjenes	10	Flytbar midtersektion	28
Bortskaffelse af emballagen	11	Multizone opbevaringsrum	28
Bortskaffelse af det gamle køle-/ fryseskab.....	11	Blåt lys	28
Placering og installation	11	Glidehylder med bøjler bagpå	29
Justering af balancen på gulvet	12	Hylde til smør og ost.....	29
Justering af afstanden mellem øverste låge	12	Anvendelse af vandkilden	29
Udskiftning af belysningslampen	13	Spildebakke.....	29
Installation af vandfilter	14	Minibar	30
Tilslutning vandrøret til køleskabet ...	14	6 Vedligeholdelse og rengøring	31
Tilslutning af vandslange til kanden .	15	Beskyttelse af plasticoverflader	31
Tilslutning af vandrøret til koldtvarsledningen.	16	7 Anbefalede løsninger på problemerne	32
Inden is/vandbeholderen anvendes første gang	18		
4 Forberedelse	19		

1 Køleskabet



- 1- Lågehylder til køleskab
- 2- Glashylde til køleskab
- 3- Sprederdæksel
- 4- Belysningsglas
- 5- Flytbar midtersektion
- 6- Køleafdeling
- 7- Grøntsagsskuffe
- 8- Ismaskine
- 9- Rum til dybfrost
- 10- Minibar

- 11- Flaskeholder
- 12- Flaskehylde
- 13- Hylde til opbevaring af mad
- 14- Rum til opbevaring af mad
- 15- Vandfilter
- 16- Mejeriafdeling
- 17- Køleskab
- 18- Fryser
- 19- Multi Zone

i Tallene i denne manual er skematiske og svarer måske ikke helt til dit produkt. Hvis delene ikke er indeholdt i det produkt, du har købt, findes de i andre modeller.

2 Vigtige sikkerhedsadvarsler

Gennemgå følgende informationer. Hvis man undlader at overholde disse informationer, kan det forårsage kvæstelser eller materiel skade. Ellers vil alle garantier og løfter om driftssikkerhed blive ugyldige.

Originale reservedele kan leveres i 10 år efter produktets købsdato.

Tilsløbet brug

⚠	ADVARSEL: Hold ventilationsåbninger i apparatets kabinet eller i den indbyggede struktur fri for forhindringer.
⚠	ADVARSEL: Brug ikke mekanisk udstyr eller andre midler til at fremskynde afrimningen, ud over dem, der er anbefalet af producenten.
⚠	ADVARSEL: Undgå at beskadige kølekredsløbet.
⚠	ADVARSEL: Brug ikke elektriske apparater inden i rummet til opbevaring af fødevarer i apparatet, medmindre de er af en type anbefalet af producenten.



ADVARSEL:

Opbevar ikke eksplosive stoffer, såsom spraydåser med brændbare drivgasser i køleskabet.

Dette apparat er beregnet til brug i husholdningen og lignende anvendelser såsom

- Personalekøkkenområder i butikker, kontorer og andre arbejdsmiljøer;
- landbrug og hos kunder på hoteller, moteller og andre typer af boligmiljøer;
- bed and breakfast miljøer;
- catering og lignende ikke-detailbutikanvendelser.

Generelle sikkerhedsregler

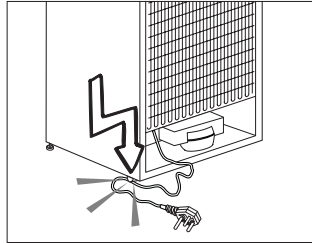
- Når du vil bortkaste/skrotte produktet, anbefaler vi, at du rådfører dig med den autoriserede service for at tilegne dig de krævede informationer samt med de autoriserede myndigheder.
- Kontakt den autoriserede forhandler for at få svar på spørgsmål og problemer omkring køle-/fryseskabet. Undlad at foretage indgreb eller lade andre foretage indgreb på køle-/fryseskabet uden at informere den autoriserede forhandler.
- For produkter med fryser; Undlad at spise vaffelis eller isterninger lige efter, du har taget dem ud af fryseren! (Det

kan forårsage forfrysninger i munden.)

- For produkter med fryser; læg ikke flydende drikkevarer på flaske eller kande i fryseren. De kan eksplodere.
- Rør ikke frosne madvarer med hænderne, da de kan hænge fast i din hånd.
- Tag køle-/fryseskabet ud af stikket inden rengøring eller afrimning.
- Damp og fordampede rengøringsmaterialer skal aldrig bruges ved rengøring og afrimning af køle-/fryseskabet. Hvis det sker, kan dampen komme i kontakt med de elektriske dele og forårsage kortslutning eller elektrisk stød.
- Brug aldrig delene på køle-/fryseskabet, som f.eks. lågen til at støtte dig på eller stå på.
- Brug ikke elektriske apparater inde i køle-/fryseskabet.
- Undlad at beskadige de dele, hvor kølemidlet cirkulerer, med bore- eller skæreværktøjer. Kølemidlet, som kan blæse ud, når fordamperens gaskanaler, forlængerrørene eller overfladebelæggningerne punkteres, kan forårsage hudirritationer og øjenskader.
- Undlad med nogen form for materiale at tildække eller blokere ventilationshullerne på køle-/fryseskabet.
- Elektrisk udstyr må kun repareres af autoriserede personer. Reparationer, der er udført af inkompetente personer, skaber en risiko for brugen.
- I tilfælde af fejlfunktion under vedligeholdelses- eller reparationsarbejde skal køle-/fryseskabets forsyningsnet afbrydes ved enten at slukke for den relevante sikring eller ved at tage apparatets stik ud af kontakten.
- Træk ikke i ledningen, når stikket skal tages ud.
- Placer de drikkevarer, der indeholder højere alkoholprocent, stramt lukket og lodret.
- Opbevarer aldrig sprayflasker, der indeholder brændbare og eksplosive substanser, i køle-/fryseskabet.
- Der må ikke anvendes mekanisk udstyr eller andre midler, ud over de af producenten anbefalede, for at fremskynde afrimningsprocessen.
- Dette produkt er ikke beregnet til at bruges af personer med fysiske handicap, føleforstyrrelser og psykiske lidelser eller personer, som ikke har modtaget instruktion (herunder børn), medmindre de er ledsaget af en person, der er ansvarlig for deres sikkerhed eller som instruerer dem i brug af produktet.
- Lad ikke et beskadiget køle-/fryseskab køre. Kontakt serviceagenten, hvis du har nogen betænkeligheder.
- Der kan kun garanteres for køle-/fryseskabets strømsikkerhed, hvis jordningssystemet i dit hjem opfylder standarderne.

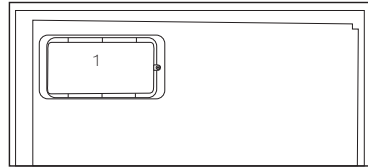
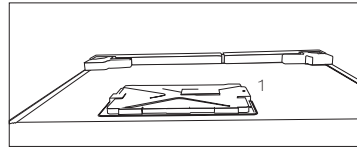
- At udsætte produkterne for regn, sne, sol og vind er farligt hvad angår el-sikkerheden.
- Kontakt autoriseret service, hvis der er et beskadiget strømkabel, for at undgå fare.
- Sæt aldrig køle-/fryseskabet ind i stikkontakten under installationen. Hvis det sker, kan der opstå risiko for dødsfald eller alvorlig skade.
- Dette køle-/fryseskab er kun beregnet til at opbevare madvarer. Det bør ikke bruges til andre formål.
- Typeskiltet med tekniske informationer er placeret på den venstre væg i køle-/fryseskabet.
- Tilslut aldrig køle-/fryseskabet til el-besparende systemer; de kan beskadige køle-/fryseskabet.
- Hvis der er et blåt lys på køleskabet, skal du undgå at kigge på det med eller uden briller i en længere tid.
- For manuelt betjente køle-/fryseskabe skal man vente mindst 5 minutter med at starte det efter strømsvigt.
- Denne brugermanual skal afleveres til den nye ejer når det skifter ejermand.
- Undlad at beskadige strømkablet, når køle-/fryseskabet transporteres. Det kan forårsage brand at bøje kablet. Placer aldrig tunge genstande på strømkablet. Rør ikke ved stikket med våde hænder, når du tager stikket ud

- Når du stiller apparatet på plads, skal du sørge for at ledningen ikke kommer i klemme eller bliver ødelagt.
- Undlad at placere forlængerledninger med flere udgange eller bærbare strømforsyninger bag apparatet.



- Tilslut ikke køle-/fryseskabet hvis stikkontakten er løs.
- Vand bør ikke blive sprøjet direkte på indre og ydre dele af produktet af sikkerhedsmæssige årsager.
- Undlad at sprøjte substanser, der indeholder brændbare gasser, som f.eks. propangas, nær ved køle-/fryseskabet for at undgå risiko for brand og eksplosion.
- Placer aldrig beholdere, der er fyldt med vand, oven på køle-/fryseskabet, da det kan forårsage elektrisk stød eller brand.
- Overfyld ikke køle-/fryseskabet med overdrevne mængder mad. Hvis det er overfyldt, kan maden falde ned og beskadige dig og beskadige køle-/fryseskabet, når lågen åbnes. Placer aldrig genstande oven på køle-/fryseskabet; disse genstande kan falde ned, når du åbner eller lukker køle-/fryseskabslågen.

- Vacciner, varmfølsomme medikamenter, videnskabelige materialer osv. bør ikke opbevares i køle-/fryseskabet, da de har brug for præcis temperatur.
- Køle-/fryseskabet skal tages ud af stikkontakten, hvis det ikke skal bruges i længere tid. Et evt. problem i strømkablet kan forårsage brand.
- Køle-/fryseskabet kan flytte sig, hvis de justerbare ben ikke er sikret godt nok på gulvet. Rigtigt sikrede justerbare ben på gulvet kan forhindre køle-/fryseskabet i at flytte sig.
- Når køle-/fryseskabet skal bæres, må man ikke holde i lågens håndtag. Hvis det sker, kan det brække.
- Hvis produktet skal placeres ved siden af et andet køle-/fryseskab eller fryser, skal afstanden mellem de to apparater være mindst 8 cm. Ellers kan de tilgrænsende sidevægge blive fugtige.
- Benyt aldrig produktet, hvis afsnittet øverst eller på bagsiden af dit produkt med elektroniske printkort indeni er åbent (printkort-dæksel) (1).



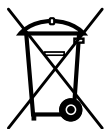
For produkter med en vanddispenser;

- Tryk i koldtvars-indtag skal være maksimum 90 psi (620 kPa). Hvis vandtrykket overstiger 80 psi (550 kPa), så anvend en trykbegrænsningsventil i dit hovedsystem. Hvis du ikke ved, hvordan du skal kontrollere dit vandtryk, så spørg en professionel VVS-tekniker om hjælp.
- Hvis der er risiko for vand-hammereffekt i din installation, så brug altid et vandhammerforhindringsudstyr i din installation. Spørg professionelle VVS-teknikere til råds, hvis du ikke er sikker på at der ikke er en vandhammer-effekt i din installation.
- Installer ikke på varmtvands-indtaget. Tag forholdsregler imod risiko for frysning i rørene. Vandtemperaturens drifts-interval skal ligge imellem 33°F (0.6°C) minimum og 100°F (38°C) maksimum.
- Brug kun drikkevand.

Børnesikkerhed

- Hvis døren har en lås, bør nøglen opbevares uden for børns rækkevidde.
- Børn skal overvåges for at forhindre, at de spiller ved produktet.

Overholdelse af WEEE-direktivet og bortskaffelse af affald:



Dette produkt er i overensstemmelse med WEEE-direktiv (2012/19/EU). Dette produkt bærer et symbol for klassificering af bortskaffelse af elektrisk og elektronisk udstyr (WEEE).

Dette produkt er fremstillet af dele og materialer af høj kvalitet, der kan bruges igen, og som er egnede for genbrug. Smid ikke produktet med husholdningsaffald og andet affald ved slutningen af dets levetid. Bring det til et opsamlingssted for genbrug af elektroniske og elektriske apparater. Kontakt dine lokale myndigheder for at finde nærmeste opsamlingssted.

Overholdelse af RoHS-direktivet:

Det produkt, du har købt, er i overensstemmelse med EU RoHS-direktivet (2011/65/EU). Det indeholder ikke skadelige og forbudte materialer angivet i direktivet.

Emballagesoplysninger

Produktets emballage er fremstillet af genbrugsmaterialer i overensstemmelse med vores nationale miljøbestemmelser. Smid ikke emballagen sammen med husholdningsaffald eller andet affald. Bring den til et opsamlingssted udpeget af de lokale myndigheder.

HC Advarsel

Hvis køle-/fryseskabets kølesystem indeholder R600a:

Denne gas er brændbar. Du skal derfor være opmærksom på ikke at ødelægge kølesystemet og kølerørene under brug og transport. I tilfælde af beskadigelse skal produktet holdes væk fra mulige brandkilder, der kan forårsage, at produktet går i brand, og du skal sørge for at lufte ud i rummet, hvor produktet er placeret.

Ignorer denne advarsel, hvis dit køle-/fryseskabs kølesystem indeholder R134a.

Gastypen, der bruges i produktet, er meddelt på typeskiltet, der er på venstre væg inde i køle-/fryseskabet.

Kast aldrig produktet i en brand for bortskaffelse.

Energibesparende foranstaltninger

- Undlad at lade lågerne i køle-/fryseskabet stå åbne i lang tid.
- Put ikke varm mad eller drikke i køle-/fryseskabet.
- Overfyld ikke køle-/fryseskabet, så luftcirkulationen bliver forhindret.
- Placer ikke dit køle-/fryseskab under direkte sollys eller tæt på varmeudstrålende apparater, som f.eks.

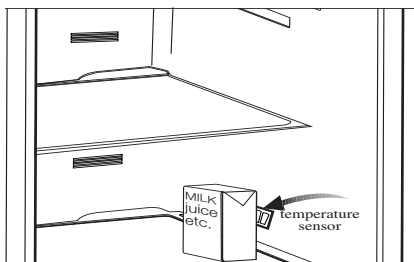
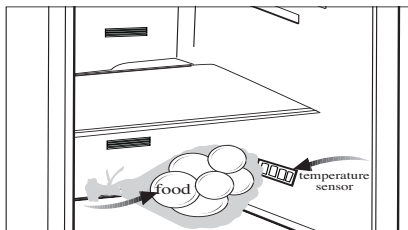
ovne, opvaskemaskiner eller radiatorer.

- Vær omhyggelig med at opbevare maden i lukkede beholdere.
- Produkter med en fryser: Du kan opbevare maksimal mængde madvarer i fryseren, hvis du fjerner hylden eller skuffen i fryseren. Energiforbrugsværdien, der er angivet for køle-/fryseskabet, er blevet bestemt ved at fjerne fryserhylden eller -skuffen og under maksimal indfyldning. Der er ingen skade ved at bruge en hyld eller skuffe der passer i form og størrelse til de madvarer der skal fryses.
- Optøning af frossen mad i køle-/fryseskabet vil både skabe energibesparelse og bevare madens kvalitet.

Anbefalinger til ferskvarerummet

* EKSTRAUDSTYR

- Lad ikke nogen fødevarer komme i kontakt med temperaturføleren i ferskvarerummet. For at opretholde den optimale temperatur i ferskvarerummet, må føleren ikke blokeres af fødevarer.
- Sæt ikke varm mad ind i dit køle-/fryseskab.



3 Installation

⚠ Husk, at producenten ikke holdes ansvarlig, hvis oplysningerne givet i brugsanvisningen ikke er overholdt.

Punkter, der skal tages hensyn til, hvis køle-/fryseskabet skal transporteres igen

1. Køle-/fryseskabet skal tømmes og rengøres inden transport.
2. Hylder, tilbehør, grøntsagsskuffer osv. i køle-/fryseskabet skal fastgøres sikkert for at modvirke stød, inden produktets pakkes igen.
3. Emballagen skal fastgøres med tykt tape og stærke reb, og reglerne for transport, der er trykt på pakken, skal følges.

Glem ikke, at...

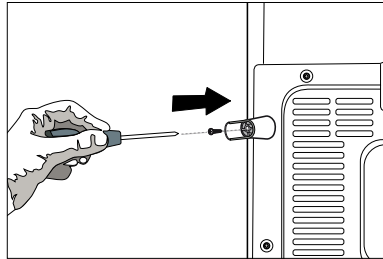
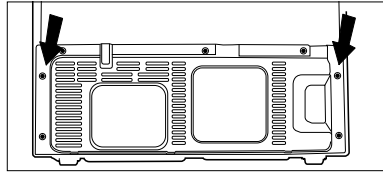
Alt genbrugsmateriale er en uundværlig kilde for naturen og for vore nationale ressourcer.

Hvis du ønsker at medvirke til at genbruge emballagen, kan du få yderligere informationer hos miljøorganisationerne eller de lokale myndigheder.

Inden køle-/fryseskabet betjenes

Inden du begynder at bruge køle-/fryseskabet, skal du kontrollere følgende:

1. Er køle-/fryseskabet tørt indvendigt, og kan luften cirkulere frit bagved det?
2. Du kan installere de 2 plastickiler som vist på figuren. Plastickilerne vil give den krævede afstand mellem dit køle-/fryseskab og væggen, så der bliver plads til luftcirkulation. (Den illustrerede tegning er kun et eksempel og passer ikke præcist med dit produkt.)



3. Rengør køle-/fryseskabet indvendigt som anbefalet i afsnittet "Vedligeholdelse og rengøring".
4. Sæt køle-/fryseskabets stik ind i kontakten. Når køle-/fryseskabets dør åbnes, vil køle-/fryseskabets indvendige lys tændes.
5. Der vil kunne høres en lyd, når kompressoren starter. Kølevæsken og luftarterne, der findes i kølesystemet, kan også støje lidt, selv om kompressoren ikke kører, hvilket er helt normalt.
6. Køle-/fryseskabets forreste kanter kan føles varme. Dette er normalt. Disse områder er beregnet til at være varme for at undgå kondensering.

Elektrisk tilslutning

Tilslut produktet til en jordet kontakt, der er beskyttet af en sikring med passende kapacitet.

Vigtigt:

- Tilslutningen skal være i overensstemmelse med de nationale regulativer.
 - Strømskikket skal være nemt tilgængeligt efter installationen.
 - Den angivne spænding skal være lig med spændingen for dit forsyningsnet.
 - Mellemkabler og stikdåser med flere stik skal ikke bruges til tilslutningen.
- ⚠ Beskadiget netledning skal udskiftes af autoriseret elektriker.
- ⚠ Produktet må ikke betjenes, før det er repareret! Der er fare for elektrisk stød!

Bortskaffelse af emballagen

Emballagen kan være farlig for børn. Hold emballagen væk fra børns rækkevidde eller bortskaf dem, idet du skal klassificere dem i henhold til affaldsinstruktionerne. Smid dem ikke væk sammen med det øvrige husholdningsaffald.

Køle-/fryseskabets emballage er produceret af genanvendelige materialer.

Bortskaffelse af det gamle køle-/fryseskab

Bortskaf det gamle køle-/fryseskab uden at skade miljøet.

- Du kan spørge din forhandler eller genbrugsstationen i din kommune angående bortskaffelse af køle-/fryseskabet.

Inden køle-/fryseskabet bortskaffes, skal du skære elstikket af, og hvis der er låse i lågen, skal du gøre dem ubrugelige for at beskytte børn mod fare.

Placering og installation

⚠ Hvis indgangsdøren til rummet, hvor køle-/fryseskabet skal installeres, ikke er bred nok til køle-/fryseskabet at komme igennem, skal du kontakte autoriseret serviceagent for at fjerne køle-/fryseskabsdøre og så bære køle-/fryseskabet sidelæns igennem døren.

1. Installér køle-/fryseskabet på et sted, hvor det er nemt at bruge.
2. Hold køle-/fryseskabet væk fra varmekilder, fugtige steder og direkte sollys.
3. Der skal være tilstrækkelig ventilation rundt om køle-/fryseskabet for at opnå en effektiv funktion.

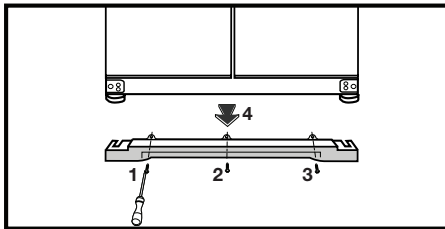
Hvis køle-/fryseskabet skal placeres i en fordybning i væggen, skal der være mindst 5 cm afstand fra loft og væg.

Hvis gulvet er belagt med tæppe, skal produktet hæves 2.5 cm fra gulvet.

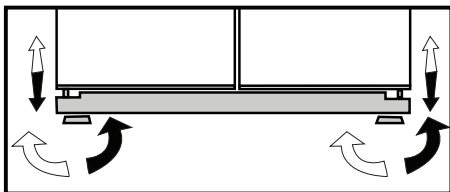
4. Placér køle-/fryseskabet på en jævn gulvoverflade for at undgå rystebevægelser.

Justering af balancen på gulvet

- ⚠ Hvis køleskabet ikke er i balance;
- ⚠ Tag først stikket ud. Stikket skal være taget ud når balancen justeres. Der er fare for elektrisk stød!



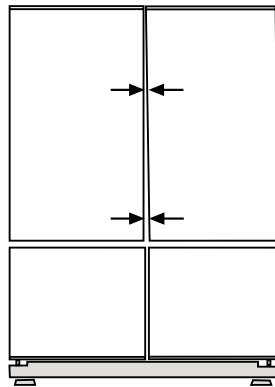
1- Ventilationsdækslet fjernes ved at løsne skrueerne som illustreret på figuren inden proceduren. Du kan bringe køleskabet i balance ved at dreje de forreste ben som illustreret på tegningen. Det hjørne, hvor benet befinder sig, bliver sænket, når du drejer i retning af den sorte pil, og hævet, når du drejer i den modsatte retning. Hvis du får hjælp fra nogen til at løfte køleskabet let, vil det lette denne proces.



2. Når balanceproblemet er løst, sættes ventilationsdækslet på igen og skrueerne skrues fast.

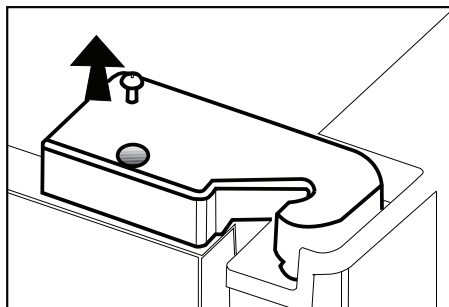
3. Fjern skrueerne der fastholder det nederste ventilationsdæksel med en Philips skruetrækker.

Justering af afstanden mellem øverste låge

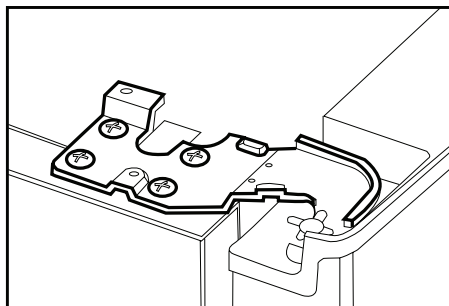


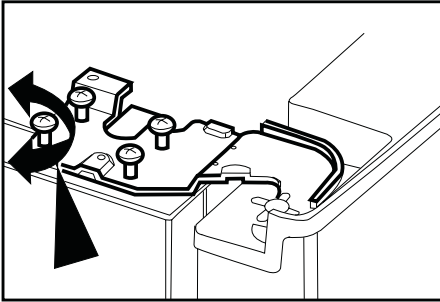
i Du kan justere afstanden mellem køleskabslågerne som illustreret på tegningerne.

Lågehyldeerne skal tømme, når lågehøjden justeres.

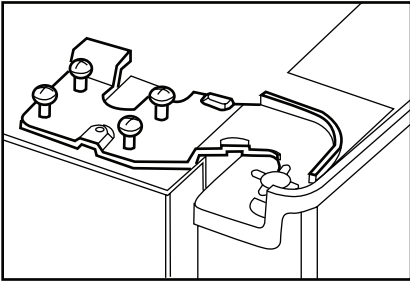


i Vha. af en skruetrækker skal du tage skruen af den låges øverste hængseldæksel, som du vil justere.

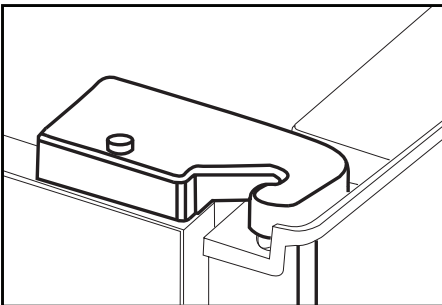




i Tilpas døren som du ønsker ved at løsne skrueerne.



i Gør døren du har tilpasset fast ved at fæstne skrueerne uden at ændre dørens position.



i Sæt hængseldækslet tilbage og fastgør det med skruen.

Udskiftning af belysningslampen

For at skifte pæren, der belyser køleskabet, bedes du ringe til den autoriserede service.

Pærene for dette husholdningsapparat er ikke egnet til belysningsformål. Det tiltænkte formål med denne pære er at gøre det muligt for brugeren at placere levnedsmidler i køleskabet/fryseren på en sikker og bekvem måde.

De pærer der anvendes i enheden, skal kunne modstå ekstreme fysiske forhold som eksempelvis temperaturer under -20°C .

Installation af vandfilter

(i visse modeller)

Der kan tilsluttes to forskellige vandkilder til køleskabets vandforsyning: koldt vandforsyningen eller vand i en kande.

Krav til installation

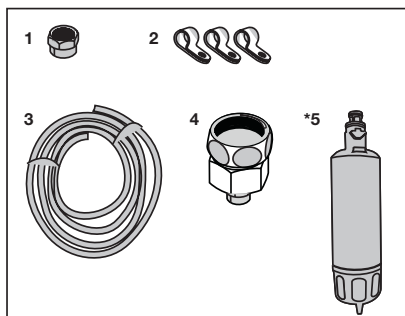
Der skal bruges en pumpe hvis der anvendes vand i en kande.

Tjek at delene nævnt nedenfor er leveret sammen med enheden.

1. Samler til tilslutning af vandrøret til bagsiden af apparatet (Hvis den ikke passer kan du anskaffe en fra nærmeste godkendte serviceafdeling.)
2. 2 stk. rørholdere (kræves for at sikre vandrøret)

Bemærk: Eftersom følgende dele ikke er nødvendige ved anvendelse af en kande, leveres de måske ikke med det produkt du har købt.

3. 5 meter langt vandrør (1/4" i diameter)
4. Koldt vandsventil med maskefilter (haneforbindelsesdel)
5. Vandfilter eller eksternt filter der skal passes til konsollen i køleskabet.



Stedet hvor det eksterne filter skal anbringes skal bestemmes først. (Gælder filterer der skal bruges på køleskabets yderside.) Dernæst skal du bestemme afstanden mellem filteret og køleskabet samt længden på slangen fra filteret til køleskabets vandindtag.

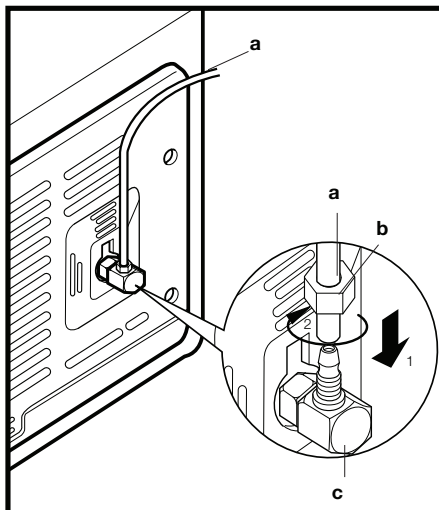
Vandfilteret skal være lodret som vist på figuren. Det er vigtigt at filteret sættes ordentligt fast til vandind- og udtag.

Efter filteret er fastgjort bør man ikke bruge de første 3-4 glas vand.

Tilslutning vandrøret til køleskabet

1. Når samleren er tilsluttet vandrøret, skal vandrøret sættes ind i køleskabets indgangsventil ved at trykke fast nedad.
2. Fastgør samleren, som vist omstående figur, ved at dreje køleskabets indgangsventil med hånden. (a- Vandrør, b-Samler, c-Ventil)

i Bemærk1: Du behøver ikke at stramme samleren med et værktøj for at opnå tæt vandsamling. Hvis der er en læk, skal du bruge en nøgle eller en tang til at stramme samleren.

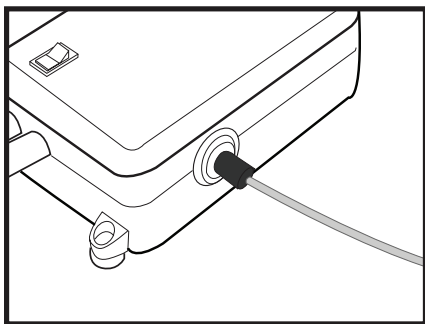
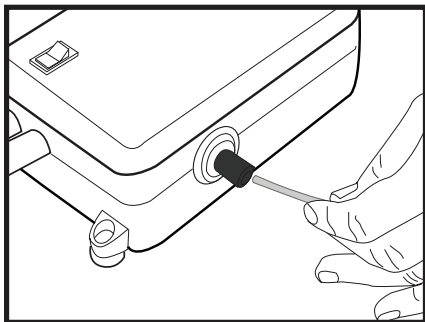


Tilslutning af vandslange til kanden

(i visse modeller)

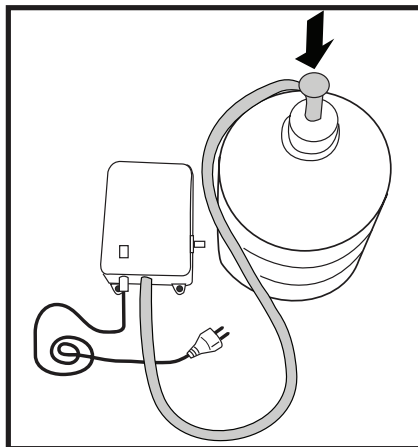
For at tilslutte vandet til køleskabet fra en kande skal du bruge en pumpe. Følg instruktionerne herunder efter du har forbundet den ende af vandrøret der kommer fra pumpen til køleskabet som beskrevet på foregående side.

1. Færdiggør tilslutningen ved at skubbe den anden ende af vandrøret ind i pumpens indgang til vandrør som vist på figuren.
2. Sæt og fastgør pumpeslangen til kanden som vist på figuren.
3. Når tilslutningen er færdig, tilslut pumpen og start den.



For at pumpen skal fungere effektivt, bør du vente 2-3 minutter efter du har startet pumpen.

- i** Du kan få brug for at se i brugervejledningen til pumpen når du skal tilslutte vandet.
- i** Det er ikke nødvendigt at anvende et vandfilter hvis du bruger en kande.
- i** Hvis du bruger en kande, er det nødvendigt med en pumpe.



Tilslutning af vandrøret til koldtvandsledningen.

(i visse modeller)

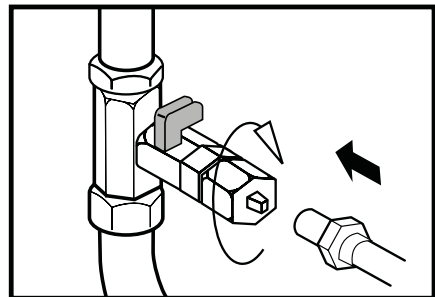
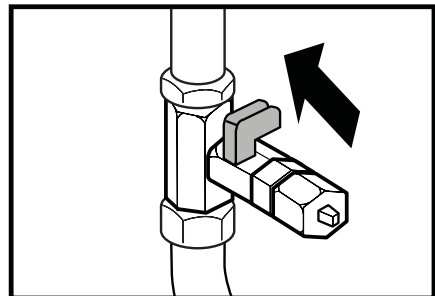
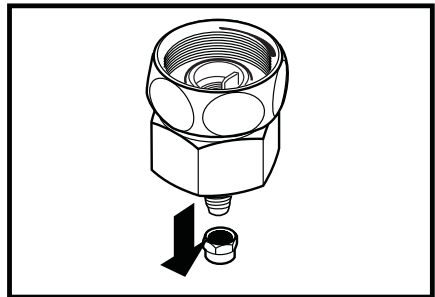
Hvis du vil tilslutte dit køleskab til koldtvandsledningen, skal du tilslutte en almindelig 1/2"-tilslutningsventil der passer til koldtvandsforsyningen i dit hus. Hvis denne ventil ikke er tilgængelig, eller hvis du ikke er sikker, skal du konsultere en kvalificeret VVS-installatør.

1. Adskil samleren fra haneforbindelsesdelen. (Figur A)
2. Tilslut haneforbindelsen til 1/2"-ventilen som vist på figuren. (Figur B)
3. Efter du har placeret vandrøret i samleren, skal du tilslutte haneforbindelsen og sætte på i hanen som vist på figuren. (Figur C)
4. Stram samleren manuelt. Hvis der er en læk, skal du bruge en nøgle eller en tang til at stramme samleren.

⚠ Forsigtig: Fastgør vandrøret til egnede punkter vha. af de medfølgende rørbøjler for at undgå skade eller flytning eller uforsætlig afbrydelse.

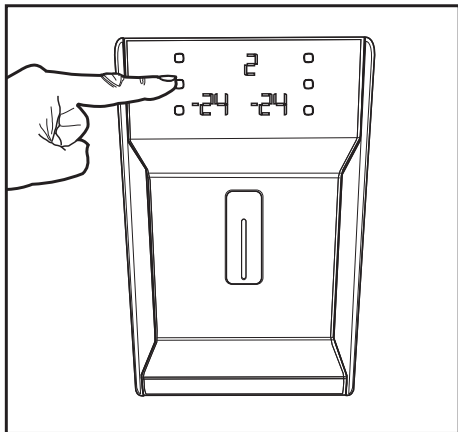
⚠ Forsigtig: Når vandventilen er tændt, skal du sørge for, at ikke er nogen lækage i nogen af de to tilslutningspunkter på vandrøret. I tilfælde af en læk skal du slukke for ventilen med det samme og stramme alle samlinger igen vha. af en skruenøgle eller en tang.

⚠ Forsigtig: Sørg for at den almindelige 1/2"-ventil der får vand fra koldtvandsforsyningen er tilgængelig og helt slukket.

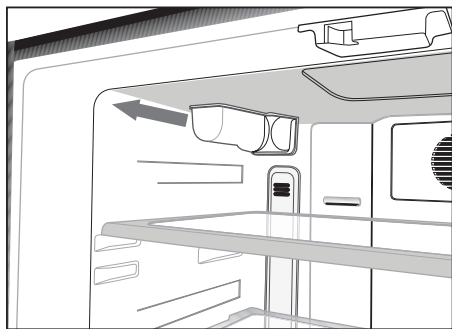


For at fastgøre vandfilteret skal du følge nedenstående instruktioner ved at læse medfølgende figurer:

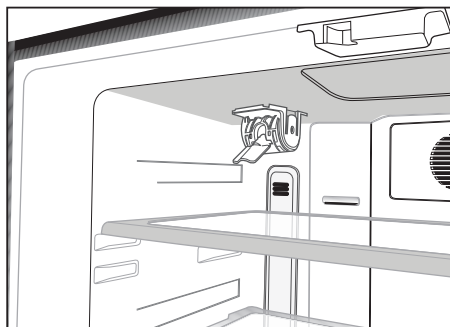
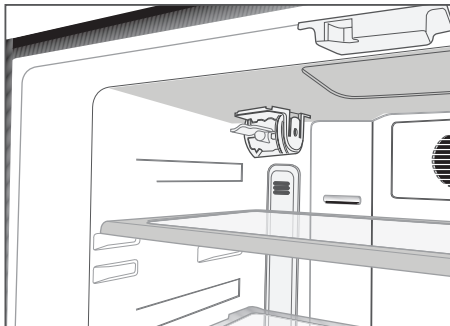
1. Tryk på knappen til afriming på displayet.



2. Fjern filterdækslet i køleskabet ved at trække det fremad.



3. Tag dækslet til vandfilterets omføring ud ved at dreje det nedad.



⚠ Forsigtig: Sørg for at "Ice off" er aktiveret, inden bypass dækslet tages ud.

Bemærk: Det er normalt, der der drypper et par vanddråber, når dækslet er taget ud.

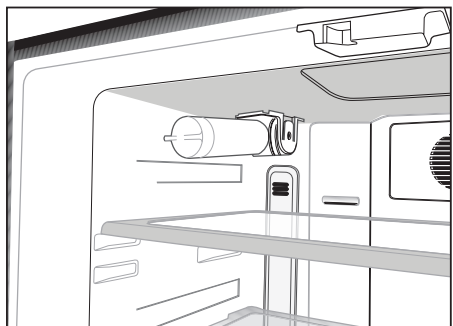
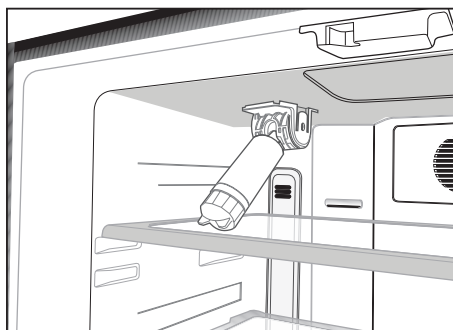
4. Fjern låget oven på vandfilteret og anbring det som vist på figuren og drej det opad for at låse det.
5. Tryk igen på afrimningsknappen på displayet for at komme ud af denne tilstand.

Vandfilteret bør udskiftes hvert halve år. Hvis du vil have tiden for hvornår filteret skal skiftes regnet ud automatisk og modtage en advarsel ved slutningen af perioden, skal du læse afsnittet "Automatisk beregning af filteret brugstid".

Vandfilteret skal fjernes som vist på figuren når det skal udskiftes, eller ikke længere skal bruges, og omføringdækslet skal sættes på. Sørg for at Ice Off-tilstanden er aktiveret før det fjernes.

⚠ Forsigtig: Vandfilteret renser nogle fremmedlegemer i vandet. Det renser ikke vandet for mikroorganismer.

⚠ Forsigtig: Ice Off knappen skal altid trykkes på under udskiftning af vandfilteret eller installation af by-pass dækslet.



Inden is/vandbeholderen anvendes første gang

i Der skal benyttes pumper hvis vandtrykket falder til under 1 bar, eller hvis der benyttes en kande.

i Køleskabets vandsystem skal være tilsluttet koldt vandsledning. Det må ikke være tilsluttet varmt vandsledning.

i Måske kan du ikke få vand, når køleskabet starter op. Dette er forårsaget af luft i systemet. For at tømme luft af systemet skal du trykke på Dispenser palen i perioder af 1 minut, indtil der kommer vand fra dispensereren.

Vandflowet kan være uregelmæssigt i starten. Uregelmæssig vandflow vil blive normaliseret, når luften er taget ud af systemet.

i Efter køleskabet tages i brug første gang skal der gå ca. 12 timer før der er koldt vand.

i Vandledningstrykket skal være mellem 1-8 bar for at Is-/Vanddispenseren kan arbejde jævnt. For at finde ud af dette skal du kontrollere, at 1 glas vand (100 cm³) kan fyldes på 10 sekunder.

i De første 10 glas vand bør ikke drikkes.

i Ca. de 30 første isterninger, der fås fra isdispenseren, må ikke bruges.

i Benyt altid et vandfilter når en kande ikke bruges.

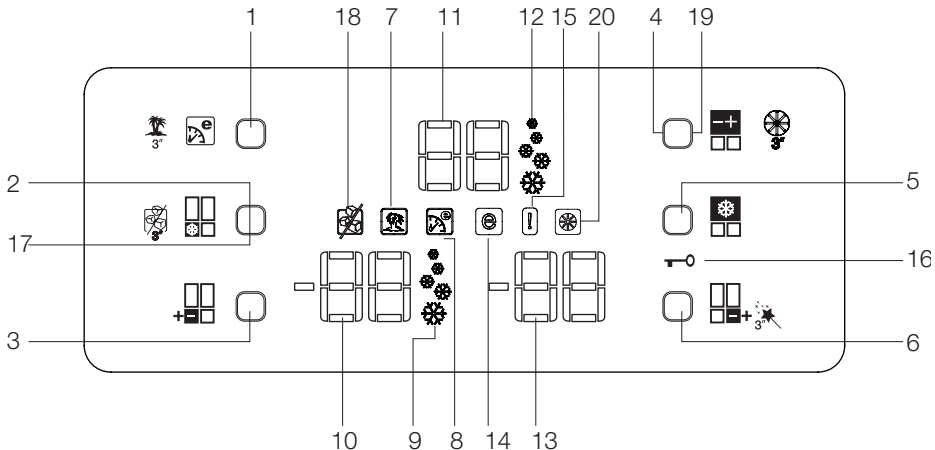
4 Forberedelse

- i** Køleskabet skal installeres mindst 30 cm væk fra varmekilder, som f.eks. kogeplader, ovne, radiatorer og brændeovne, og mindst 5 cm væk fra elektriske ovne, og det bør ikke placeres i direkte sollys.
- i** Den omgivende rumtemperatur bør være mindst 10 °C. Betjening af køleskabet under køligere forhold end dette anbefales ikke med hensyn til apparatets ydeevne.
- i** Sørg for at rengøre køleskabet indvendigt meget grundigt.
- i** Hvis der skal installeres to køleskabe ved siden af hinanden, bør afstanden mellem dem være mindst 2 cm.
- i** Når du betjener køleskabet første gang, skal du være opmærksom på følgende i de første seks timer.
 - Lågen skal ikke åbnes ofte.
 - Det skal køre tomt uden nogen form for mad i det.
 - Tag ikke køleskabet ud af stikkontakten. Hvis der forekommer strømudfald uden for din kontrol, så læs advarselne under afsnittet "Anbefalede løsninger ved problemer".
- i** Original indpakningsmateriale bør opbevares for fremtidig brug under transport eller flytning.

5 Anvendelse af køleskabet

Indikatorpanel

Med dette touch-kontrol indikatorpanel kan du indstille temperaturen uden at åbne døren til køleskabet. Du skal blot røre den pågældende knap med fingeren for at indstille temperaturen.



1. Økoekstra/Ferieknop
2. Hurtig-frys knap
3. Fryser - Knap til temperaturjustering
4. Knap til temperaturindstilling i køleskabet
5. Knap til hurtig afkøling
6. Knap til temperaturjustering i multizone-afdeling
7. Indikator for feriefunktion
8. Indikator for øko-ekstrafunktion
9. Indikator for Hurtigfrys
10. Indikator for frysertemperatur
11. Indikator for temperatur i køleskab
12. Indikator for hurtig-køl-funktion
13. Indikator for temperaturjustering i multizone-afdeling
14. Indikator for sparetilstand
15. Indikator for fejltilstand
16. Indikator for tastelås
17. Afrimningsknap
18. Is-fra indikator
19. Afbryd filterudskiftningsadvarsel
20. Filterudskiftningsvarselsindikator

📌 Tallene i denne manual er skematiske og svarer måske ikke helt til dit produkt. Hvis delene ikke er indeholdt i det produkt, du har købt, findes de i andre modeller.

1. Økoekstra/Ferieknap

Tryk kort på denne knap for at slå økoekstra funktionen til. Tryk og hold knappen nede i 3 sek. for at aktivere feriefunktionen. Tryk på knappen igen for at slå den valgte funktion fra.

2. Hurtig-frys knap

Tryk kort på denne knap for at slå hurtigfrys funktionen til. Tryk på knappen igen for at slå den valgte funktion fra.

3. Fryser - Knap til temperaturjustering

Tryk på denne knap for at indstille fryserummets temperatur til hhv. -18, -20, -22 og -24. Tryk på denne knap for at indstille den ønskede temperatur for fryseren.

4. Knap til temperaturindstilling i køleskabet

Tryk på denne knap for at indstille køleskabsrummets temperatur til hhv. 8, 6, 4 og 2. Tryk på denne knap for at indstille den ønskede temperatur for køleskabet.

5. Knap til hurtig afkøling

Tryk kort på denne knap for at slå hurtigkølfunktionen til. Tryk på knappen igen for at slå den valgte funktion fra.

6. Knap til temperaturjustering i multizone-afdeling

Du kan indstille multizonen-afdelingen til enten fryser eller køler. Tryk og hold denne knap nede i lang tid (3 sek.) for at indstille multizone-afdelingen til fryser eller køler. Den er indstillet til fryser fra fabrikken.

Hvis multizone-afdelingen er indstillet til fryser, vil temperaturen i afdelingen ændres til hhv. -18, -20, -22, -24 hver gang du trykker på denne knap. Hvis multizone-afdelingen er indstillet til køler, vil temperaturen i afdelingen ændres til hhv. 10, 8, 6, 4, 2, 0, -6 hver gang du trykker på denne knap.

7. Indikator for feriefunktion

Indikerer at feriefunktionen er aktiveret. Når denne funktionen er aktiveret, vil "- -" blive vist i køleskabets indikator, og kølerummet vil ikke blive kølet ned. Andre rum køles i henhold til den temperatur der er indstillet.

Tryk på den relevante knap igen for at slå denne funktion fra.

8. Indikator for øko-ekstrafunktion

Den indikerer at økoekstrafunktionen er aktiveret. Når denne funktion er aktiveret, vil køleskabet automatisk finde ud af hvornår det bruges mindst, og en energieffektiv køling vil blive aktiveret i disse perioder. Økonomiindikatoren er aktiveret mens energieffektiv køling finder sted.

Tryk på den relevante knap igen for at slå denne funktion fra.

9. Indikator for hurtigfrys-funktion

Den indikerer at hurtigfrysfunktionen er aktiveret. Brug denne funktion når du anbringer friske madvarer i fryseren, eller når du har brug for is. Når denne funktion er aktiveret, vil køleskabet køre en bestemt tid.

Tryk på den relevante knap igen for at slå denne funktion fra.

10. Indikator for frysertemperatur

Den indikerer temperaturindstillingen for fryseren.

11. Indikator for temperatur i køleskab

Indikerer temperaturindstillingen for køleskabet.

12. Indikator for hurtig-køl-funktion

Indikerer at hurtigkølfunktionen er aktiveret. Brug denne funktion når du anbringer friske madvarer i køleskabet, eller når du har brug for hurtigt at nedkøle din mad. Når denne funktion er aktiveret, vil køleskabet køre 2 timer uden at stoppe.

Tryk på den relevante knap igen for at slå denne funktion fra.

13. Indikator for temperaturjustering i multizone-afdeling

Den indikerer temperaturindstillingen for multizone-afdelingen.

14. Indikator for sparetilstand

Indikerer, at køleskabets energieffektive tilstand er aktiveret. Frysertemperatur Denne indikator vil være aktiveret hvis funktionen er indstillet til -18, eller energieffektiv køling er aktiveret på grund af økoekstrafunktionen.

15. Indikator for fejltilstand

Hvis køleskabet ikke køler ordentligt, eller hvis der er en sensorfejl, vil denne indikator lyse. Når denne indikator lyser, vil et "E" blive vist på fryserens temperaturindikator, og tal som "1,2,3..." vil blive vist på køleskabets temperaturindikator. Tallene på indikatoren giver oplysninger om fejlen til servicepersonalet.

16. Indikator for tastelås

Brug denne funktion hvis du ikke ønsker at temperaturindstillingen bliver ændret. Tryk på hurtigkølknappen og knappen til temperaturindstilling for flexizonen på en gang i lang tid (3 sek) for at aktivere denne funktion.

Tryk på de relevante knapper igen for at slå denne funktion fra.

17. Afrimningsknap

For at stoppe isdannelsen skal du trykke på afrimningsknappen i 3 sekunder. Når afrimning er valgt, vil der ikke komme noget vand ind i fryseboksen. Dog kan der være noget is tilbage i fryseboksen der kan stamme herfra. For at genstarte isdannelsen skal du trykke på afrimningsknappen i 3 sekunder.

18. Indikator for afrimning

Hvis du ikke ønsker is i køleskabet, skal du benytte denne funktion. Du kan benytte denne funktion ved at trykke på afrimningsknappen i 3 sekunder.

19. Afbryd filterudskiftningsadvarsel

Køleskabets filter skal udskiftes hver 6. måned. Hvis du anvender instruktioner angivet på side 22, vil køleskabet beregne denne tid automatisk, og indikatoren for filterudskiftningsvarsel lyser, når filterets tid er brugt. Tryk på afbryd filterudskiftningsadvarselsknappen 3 sekunder for at få køleskabet til at beregne den nye filtertid automatisk efter at udskifte filteret.

20. Filterudskiftningsvarselsindikator

Når filterets tid er brugt, vil filterudskiftningsadvarselsindikatoren lyse.

Alarm for åben dør:

Hvis døren til fryser eller flexizonen er åben mere end 1 minut, vil en hørbar alarm for åben dør blive aktiveret. Tryk på en hvilken som helst knap på indikatoren, eller luk døren for at slukke alarmen.


Justering af fryser	Justering af køleskab	Forklaringer
-18°C	4°C	Dette er den normalt anbefalede indstilling.
-20,-22 eller -24 °C	4°C	Disse indstillinger anbefales, når den omgivende temperatur overstiger 30 °C.
Hurtig frys	4°C	Brug denne funktion, når du ønsker at fryse din mad ned på kort tid. Dit køleskab vil gå tilbage til den tidligere tilstand, når processen er færdig.
-18 °C eller koldere	2°C	Hvis du tror, at køleskabet ikke er koldt nok pga. varme eller jævnlig åbning og lukning af lågen, kan du justere til disse værdier.
-18 °C eller koldere	Hurtig-køl funktion	Du kan bruge det, når dit køleskab er overfyldt, eller hvis du vil køle maden hurtigt ned. Det anbefales, at du aktiverer hurtig-køl funktionen 4-8 timer inden, du anbringer maden.

Frysning af friske madvarer

- Det er at foretrække at pakke maden ind eller dække den til, før den placeres i køleskabet.
- Varm mad skal køles ned til rumtemperatur, inden den sættes ind i køleskabet.
- Madvarerne, du ønsker at fryse, skal være friske og af god kvalitet.
- Madvarer bør deles op i portioner, alt efter familiens daglige behov for mad eller baseret på måltider.
- Madvarer skal pakkes ind på en lufttæt måde for at forhindre, at de tørrer ud, også selv om de kun skal opbevares i kort tid.
- Materialerne, der bruges til indpakning, skal være revne-sikre og bestandige mod kulde, fugt, lugt, olier og syrer, og de skal også være lufttætte. Desuden skal de være godt lukkede, og de skal være lavet af brugervenlige materialer, der er beregnet til dybfrost.

- Frossen mad bør bruges med det samme, efter det er tøet op, og det må ikke fryses ned igen.
 - Ved at følge disse retningslinier, opnås de bedste resultater.
1. Frys ikke for store mængder ad gangen. Madvarernes kvalitet bevares bedst, hvis de indfryses komplet og så hurtigt som muligt.
 2. Hvis varme madvarer lægges i fryseren, vil det få kølesystemet til at køre uafbrudt, indtil madvarerne er dybfrosne.
 3. Vær især opmærksom på ikke at blande allerede frosne madvarer med friske madvarer.

Anbefalinger til opbevaring af frossen mad

- Præpakkede industrielt frosne madvarer bør opbevares i henhold til instruktioner, der er givet af producenten af de frosne madvarer om et  (4-stjernet) fryserum.

- For at sikre, at den høje kvalitet, som producenten af de frosne madvarer, og som detailhandleren af maden har sikret, bør følgende huskes:
1. Læg pakker i fryseren så hurtigt som muligt efter køb.
 2. Sørg for at indholdet er mærket og dateret.
 3. Overskrid ikke "Anvendes inden", "Sidste salgsdato" datoerne på pakningen.

Afrimning

Fryserafdelingen afrimer automatisk.

Placering af maden

Hylde til fryser	Forskellige frosne madvarer, som f.eks. kød, fisk, is, grøntsager osv.
Æggebakke	Æg
Hylde til køleskab	Mad i skåle, overdækkede tallerkener og lukkede beholdere
Lågehylde til køleskab	Små og pakkede madvarer eller drinks (f.eks. mælk, frugtjuice og øl)
Grøntsagsskuffe	Frugt og grønt
Freshzone-sektion	Delikatesseprodukter (ost, smør, salami osv.)

Information om dybfrysning

Mad skal fryses så hurtigt som muligt efter at være blevet sat i køleskabet, for at bevare den gode kvalitet.

Det er kun muligt at opbevare mad i lang tid ved -18°C eller lavere temperaturer.

Du kan bevare madens friskhed i mange måneder (ved -18°C eller lavere temperaturer i dybfryseren).

ADVARSEL! ⚠

- Madvarerne skal deles i portioner, der svarer til familiens daglige behov eller efter måltider.
- Madvarerne skal pakkes i lufttætte poser for at forhindre dem i at udtørre, selv om de bliver opbevaret i kort tid.

Nødvendige materialer til emballering:

- Kuldebestandigt selvklebende tape
- Selvklebende label
- Gummiringe
- Kuglepen

Materialerne, der bruges til indpakning, skal være revne-sikre og bestandige mod kulde, fugt, lugt, olier og syrer.

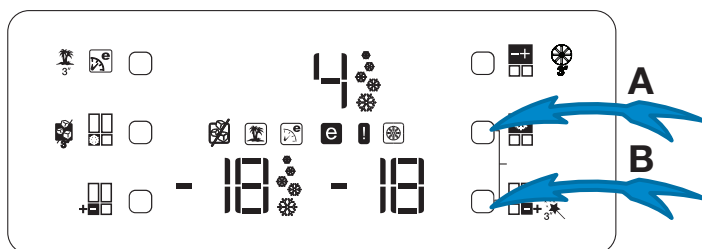
Madvarer, der skal fryses, bør ikke komme i kontakt med de allerede frosne varer for at forhindre, at disse delvist tør op.

Frossen mad bør bruges med det samme, efter det er tøet op, og det må ikke fryses ned igen.

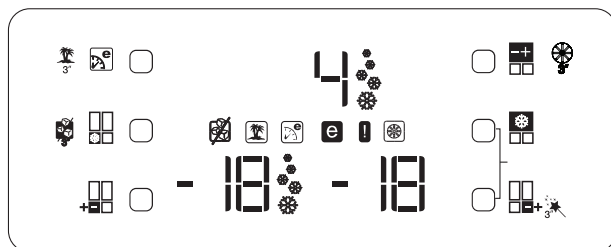
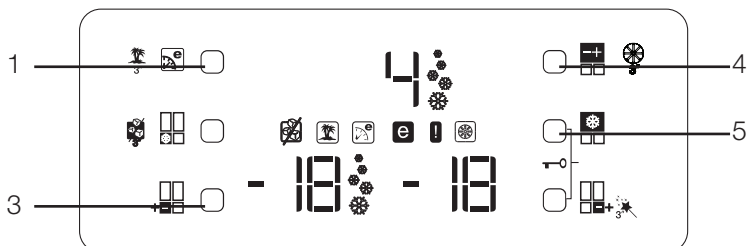
Hvad du skal gøre for at få filtertiden beregnet automatisk

(For produkter der er tilsluttet hovedvandtilførslen og udstyret med filter)

1- Efter køleskabet er tilsluttet, tryk på knapperne A og B samtidigt for at aktivere tastelåsen.



2- Tryk på henholdsvis Øko-ekstra (1), indstilling af køleskabstemperatur (4), hurtigkøl (5) og indstilling af fryserumstemperaturen (3).



Hvis du trykker på knapperne i den rigtige rækkefølge, vil symbolet for tastelås forsvinde, brummeren vil blive aktiveret kortvarigt, og indikatoren for filterudskiftningsvarsel lyser. Tryk på afbryd filterudskiftningsadvarselsknappen (nr. 19 på displaybeskrivelserne) efter at udskifte filteret for at filtertiden beregnes automatisk.

BEMÆRK:

1. Hvis filtertiden beregnes automatisk, vil indikatoren for filterudskiftningsvarsel lyse konstant få sekunder efter produktet er tilsluttet.
2. Automatisk beregning af filtertiden er ikke aktiveret fra fabrikken. Det skal aktiveres på produkter udstyret med filter.
3. Gentag proceduren for produkter, hvor den automatiske beregning af filtertiden er aktiveret for at afbryde beregningen af filtertiden.

Æggebakke

Du kan installere æggeholderen på den ønskede låge eller hylde.

Opbevar aldrig æggeholderen i fryseren.

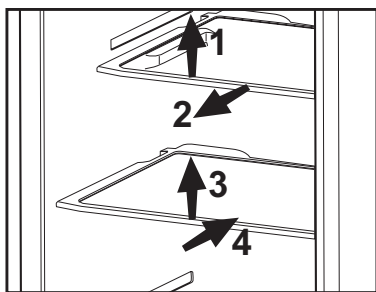
Glidehylder

Glidehylder kan trækkes ud ved forsigtigt at løfte dem op foran og bevæge dem frem og tilbage. De kommer til et punkt, når de trækkes fremad, der gør det muligt for dig at nå fødevarerne, der er placeret bagest på hylde. Når den trækkes ud efter at have løftet op en smule ved det andet punkt, frigives hylde.

Der bør holdes godt fast på bunden af hylde for at forhindre den i at vælte.

Hylde placeres på skinnerne på køleskabets sider ved at bringe det til et lavere eller højere niveau.

Hylde bør skubbes tilbage for at placere den rigtigt.

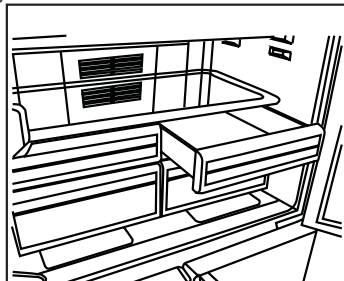


Grøntsagsskuffe

Dit køleskabs grønssagsskuffe er specielt fremstillet til at holde dine grønssager friske, uden de mister deres fugtighed.

Til dette formål cirkulerer der kold luft rundt om hele grønssagsskuffen.

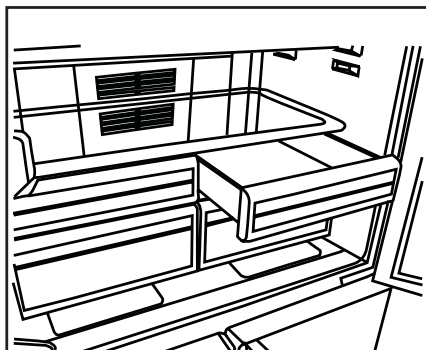
Fjern dørhylderne på højde med grønssagsskuffen før denne fjernes. Du kan fjerne grønssagsskufferne som vist på figuren.



Køleafdeling

Køleafdelingerne gør madvarer der skal fryses klar til at blive frosset. Du kan også bruge disse rum til at opbevare fødevarer ved en lav temperatur nogle få grader under køleskabet.

Du kan øge den indre volumen af køleskabet ved at fjerne et af rummene til snack. For at gøre dette skal du trække rummet imod dig selv, rummet vil støtte mod stopklodsens og stoppe. Rummet frigøres når du løfter det ca. 1 cm og trækker det mod dig selv.



Flytbar midtersektion

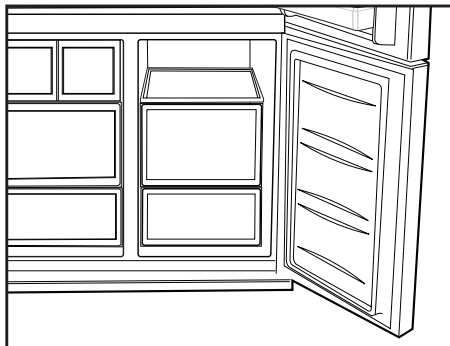
Formålet med den flytbare midtersektion er at forhindre at den kolde luft inden i køleskabet slipper ud.

- 1- Tætningen aktiveres når lågepakningen trykkes mod overfladen på den flytbare midtersektion mens dørene til køleskabet er lukkede.
- 2- En anden årsag til at dit køleskab har en drejelig midtersektion er at køleskabets rumindhold bliver større. Almindelige midtersektioner optager plads i køleskabet der ikke kan bruges.
- 3- Den flytbare midtersektion lukkes når køleskabets venstre dør lukkes.
- 4- Den må ikke åbnes manuelt. Den flyttes ved plastikdelen når døren lukkes.

Multizone opbevaringsrum

Multizone opbevaringsrum i dit køleskab kan anvendes som du ønsker ved at indstille den til enten køleteperaturer (2/4/6/8 °C) eller til frysetemperaturer (-18/-20/-22/-24). Du kan fastholde den ønskede temperatur med "knappen til temperaturindstilling for multizone opbevaringsrum". Temperaturen for multizone opbevaringsrum kan indstilles til 0 og 10 grader for køleskabstemperaturen og til -6 grader for frysertemperaturen. 0 grader bruges til at opbevare delikate produkter længere, og -6 grader bruges til at opbevare kød i op til 2 uger i en tilstand, hvor det nemt kan skæres ud.

🔧 Funktionen med at skifte til køle- eller fryserum aktiveres med et køleelement placeret i den lukkede del (kompressorafdelingen) bag ved køleskabet. Under denne operation høres en lyd, der minder om sekunderne fra et analogt ur. Dette er normalt, og er ikke en fejl.



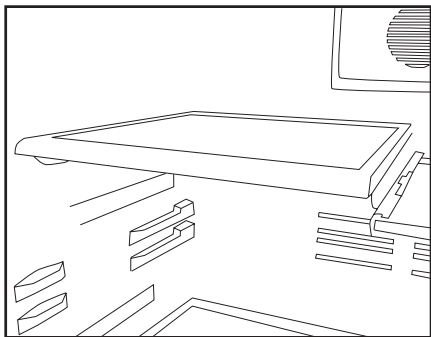
Blåt lys

Madvarer, der opbevares i grøntsagsskufferne, der er oplyst med et blått lys, fortsætter deres fotosyntese vha. bølgelængdeeffekten fra det blå lys, og på den måde bevares deres friskhed, og deres vitaminindhold forøges.



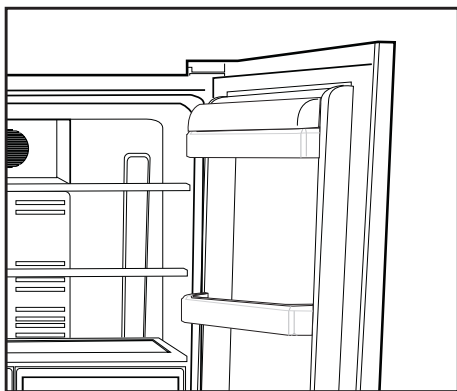
Glidehylder med bøjler bagpå

Glidehylder med bøjler bagpå kan flyttes frem og tilbage. Højden på disse hylder kan justeres ved at flytte og installere dem ovenover eller nedenunder. Løft hylden lidt op og træk den mod dig selv for at fjerne den.



Hylde til smør og ost

Du kan opbevare f.eks. smør, ost og margarine i denne afdeling der har et låg.

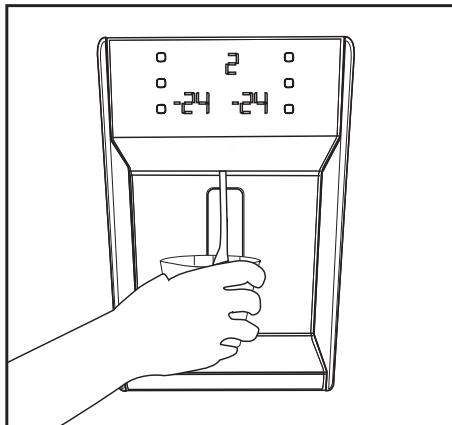


Anvendelse af vandkilden

Advarsler

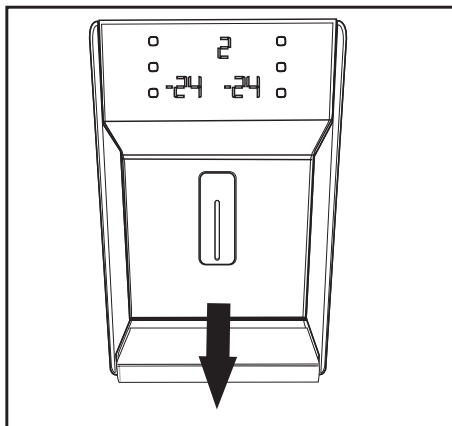
Det er normalt, at de første par glas vand, der er taget fra dispenseren, er varme.

I tilfælde af, at vanddispenseren ikke har været brugt jævnligt, skal der tømmes en tilstrækkelig mængde vand fra dispenseren for at få frisk vand.



Spildebakke

Vanddråber, der drypper under brug, akkumuleres i spildebakken. Du kan fjerne spildebakken ved at trække den mod dig selv eller trykke på kanten (afhænger af model). Du kan fjerne vandet med en ske eller en blød klud.



Minibar

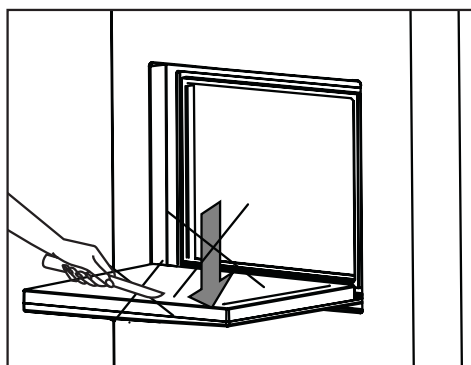
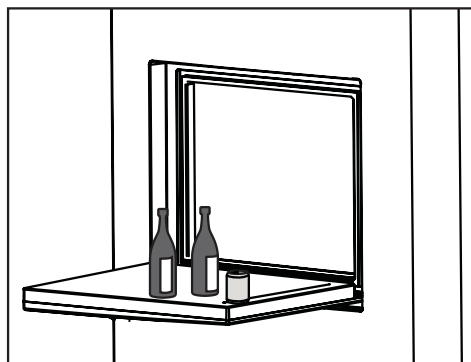
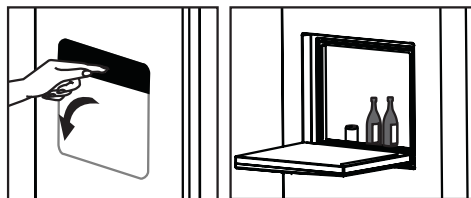
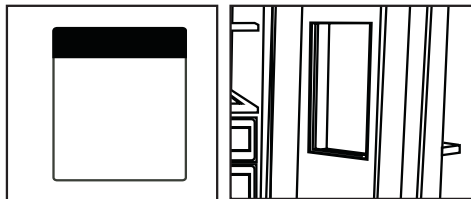
Minibardøren giver dig en ekstra komfort når du bruger køleskabet. Du har adgang til hyldedøren i køleskabet uden at åbne køleskabsdøren; takket være denne funktion har du nem adgang til de mad- og drikkevarer du ofte bruger. Eftersom det ikke er nødvendigt at åbne døren til køleskabet så ofte, vil køleskabets strømforbrug falde.

For at åbne døren til minibaren skal du trykke din hånd mod minibaren og trække den tilbage.

Når døren til minibaren er åben, kan du bruge indersiden af døren som bord hvor du kan sætte flasker og glas i kortere tid som vist på tegningen.

⚠ Forsigtig: Du må aldrig fortage dig noget der kan lægge pres på døren, såsom sidde på den, klatre på den, hænge på den, og man bør heller ikke anbringe tunge ting på den. Dette kan skade køleskabet eller forårsage personskader.

⚠ Forsigtig: Brug aldrig døren til minibaren som skærebord, og vær omhyggelig med at skarpe genstande ikke skader døren.



6 Vedligeholdelse og rengøring

△Anvend aldrig benzin, benzen eller lignede stoffer til rengøring.

△Vi anbefaler at koble køle-/fryseskabet fra strømmen inden rengøring.

△Anvend aldrig skarpe, slibende redskaber, sæbe, rengøringsmidler, detergenter og pudsemidler med voks til rengøring.

🔧Brug lunt vand til rengøring af køle-/fryseskabet udvendigt og tør det af.

🔧Anvend en fugtig, opvredet klud i en opløsning af en teske af natron til en halv liter vand til rengøring af køle-/fryseskabet indvendigt og tør det af.

△Sørg for, at ingen vand kommer i kontakt med lampen og andre elektriske dele.

△Hvis køle-/fryseskabet ikke skal bruges i en længere periode, træk stikket ud af kontakten, fjern al mad, rengør køle-/fryseskabet og lad døren stå på klem.

🔧Kontroller jævnligt dørlisterne for at sikre, at de er rene og frie for madrester.

△For at fjerne dørhylde, tømmes indholdet ud, hvorefter dørhylden ganske enkelt løftes op fra sin plads.

△Brug aldrig rengøringsmidler eller vand, der indeholder klorin, til rengøring af de ydre overflader og de forkromede dele af produktet. Klorin forårsager korrosion på den slags metaloverflader.

△Brug ikke skarpe eller slibende værktøjer eller sæbe, rengøringsmidler til husholdning, vaskemidler, benzin, benzen, voks osv., ellers vil stempler på plasticdelene forsvinde, og de vil blive deforme. Brug varmt vand og en blød klud til rensning og tørring.

Beskyttelse af plasticoverflader

🔧Sæt ikke flydende olie eller olieholdige madvarer i åbne beholdere da de kan ødelægge køle-/fryseskabets plastikdele. Hvis der spildes eller smøres olie på plasticoverfladerne, skal den relevante del af overfladen renses og skylles med det samme med varmt vand.

7 Anbefalede løsninger på problemerne

Læs denne liste igennem, inden du ringer efter service. Det kan spare dig for tid og penge. Denne liste indeholder ofte forekommende reklamationer, der ikke opstår af defekt udførelse eller materialebrug. Det er muligt, at nogle af de her beskrevne funktioner ikke findes i dit produkt.

Køle-/fryseskabet virker ikke

- Er køle-/fryseskabet sat rigtigt i stikkontakten? Sæt stikket i kontakten i væggen.
- Er sikringen, som køle-/fryseskabet er tilsluttet, eller hovedsikringen sprunget? Kontroller sikringen.

Kondention på siden af køle-/fryseskabet (MULTIZONE, (KØLEKONTROL og FLEXIZONE

- Meget kolde omgivelser. Ofte åbning og lukning af lågen. Højt fugtindhold i omgivelserne. Opbevaring af mad, der indeholder væske, i åbne beholdere. Lågen står på klem. Sæt termostaten på koldere grader.
- Reducér tiden, hvor lågen står åben, eller brug den mindre ofte.
- Dæk maden, der opbevares i åbne beholdere, til med passende materiale.
- Tør kondensvandet af vha. en tør klud og kontroller, om det vedvarer.

.Kompressoren kører ikke

- Beskyttelsestermo fra kompressoren vil blæse ud under pludselig strømudfald eller tilkoblinger/afkoblinger, da kølemiddeltrykket i køle-/fryseskabets kølesystem ikke er bragt i balance endnu. Køle-/fryseskabet vil starte med at køre efter ca. 6 minutter. Ring efter service, hvis køle-/fryseskabet ikke starter efter denne periode.
- Køle-/fryseskabet er ved at afrime. Dette er normalt for et køle-/fryseskab med fuldautomatisk afrimning. Afrimning foregår med jævne mellemrum.
- Køle-/fryseskabsstikket er ikke sat i kontakten. Sørg for, at stikket er sat ordentligt i kontakten.
- Er temperaturindstillingerne foretaget rigtigt?
- Strømmen kan være afbrudt.

Køle-/fryseskabet kører ofte eller i lang tid

• Det nye køle-/fryseskab kan være bredere end det foregående. Det er ganske normalt. Store køle-/fryseskabe arbejder i længere perioder.

• Den omgivende rumtemperatur kan være høj. Det er ganske normalt.

• Køle-/fryseskabet kan have været sat til for nylig eller have været fyldt op med mad. Komplet nedkøling af køle-/fryseskabet kan vare et par timer længere.

• Store mængder varm mad kan være blevet sat ind i køle-/fryseskabet fornylig. Varm mad medfører, at køle-/fryseskabet skal køre i længere tid, indtil maden når den ønskede temperatur.

• Lågerne kan have været åbnet jævnlige eller have stået på klem i lang tid. Den varme luft, der er kommet ind i køle-/fryseskabet, får køle-/fryseskabet til at køre i længere perioder. Undlad at åbne lågen så ofte.

• Fryserens eller køle-/fryseskabets dør kan have stået på klem. Kontroller om lågerne er lukket tæt.

• Køle-/fryseskabet er indstillet meget koldt. Indstil køle-/fryseskabstemperaturen højere, indtil temperaturen er tilpas.

• Køle-/fryseskabets eller fryserens lågepakning kan være snavset, slidt, ødelagt eller ikke sat ordentligt på. Rengør eller udskift pakningen. Beskadiget/brækket pakning forårsager, at køle-/fryseskabet kører i længere perioder for at vedligeholde den aktuelle temperatur.

Frysertemperaturen er meget lav, mens køle-/fryseskabstemperaturen er tilpas.

• Frysertemperaturen er indstillet meget koldt. Juster frysertemperaturen varmere og kontroller.

Køle-/fryseskabstemperaturen er meget lav, mens fryserstemperaturen er tilpas.

• Køle-/fryseskabstemperaturen er indstillet til en meget lav temperatur. Juster køle-/fryseskabstemperaturen varmere og kontroller.

Mad, der opbevares i køle-/fryseskabet, fryser

• Køle-/fryseskabstemperaturen er indstillet til en meget lav temperatur. Juster køle-/fryseskabstemperaturen varmere og kontroller.

Temperaturen i køle-/fryseskab eller fryser er meget høj

• Køle-/fryseskabstemperaturen er indstillet til en meget lav temperatur. Køle-/fryseskabsindstillingen har virkning på fryserens temperatur. Skift køle-/fryseskabets eller fryserens temperatur, indtil køle-/fryseskabs- eller frysertemperatur når et tilpas niveau.

• Lågerne kan have været åbnet jævnlige eller have stået på klem i lang tid.

• Døren kan have stået på klem, luk døren helt.

• Store mængder varm mad kan være blevet sat ind i køle-/fryseskabet fornylig. Vent til køle-/fryseskabet eller fryseren når den ønskede temperatur.

• Køle-/fryseskabet kan være taget ud af kontakten fornylig. Komplet nedkøling af køle-/fryseskabet tager tid.

Funktionslyden øges, når køle-/fryseskabet kører

• Egenskaberne for køle-/fryseskabets driftsydelse kan ændre sig alt efter ændringerne i den omgivende temperatur. Det er normalt og ikke en fejl.

Vibrationer eller støj

• Gulvet er ikke lige, eller det er svagt. Køle-/fryseskabet vipper, når det flyttes langsomt. Sørg for, at gulvet er lige, stærkt og kapabelt til at bære køle-/fryseskabet.

• Støjen kan være forårsaget af de genstande, der er lagt i køle-/fryseskabet. Ting oven på køle-/fryseskabet skal fjernes.

Der er støj som væske, der løber over eller sprøjter

• Væske- og gasstrømning sker i henhold til køle-/fryseskabets driftsprincipper. Det er normalt og ikke en fejl.

Der er en støj som en vind, der blæser

• Ventilatorer bruges til at køle køle-/fryseskabet. Det er normalt og ikke en fejl.

Kondensvand på køle-/fryseskabets indervægge

- Varmt og fugtigt vejr øger isdannelse og udsvedning. Det er normalt og ikke en fejl.
- Dørene kan have stået på klem, sørg for de er helt lukkede.
- Lågerne kan have været åbnet jævnlige eller have stået på klem i lang tid.

Der opstår fugt på ydersiden af køle-/fryseskabet eller mellem lågerne.

- Der kan være fugtighed i luften hvilket er normalt i fugtigt vejr. Når fugtigheden er mindre, vil kondensen forsvinde.

Dårlig lugt inde i køle-/fryseskabet.

- Køle-/fryseskabets skal rengøres indvendigt. Rengør køle-/fryseskabet indvendigt med en svamp, varmt vand eller kulstofholdigt vand.
- Nogle beholdere eller emballeringsmaterialer kan forårsage lugten. Brug en anden beholder eller et andet mærke indpakningsmateriale.

Døren lukker ikke.

- Madbeholdere forhindrer lågen i at lukke. Omplacér pakkerne, der blokerer lågen.
- Køle-/fryseskabet står ikke helt lodret på gulvet og vipper når det flyttes lidt. Justér højdeskruerne.
- Gulvet er ikke lige eller stærkt. Sørg for, at gulvet er lige, stærkt og kapabelt til at bære køle-/fryseskabet.

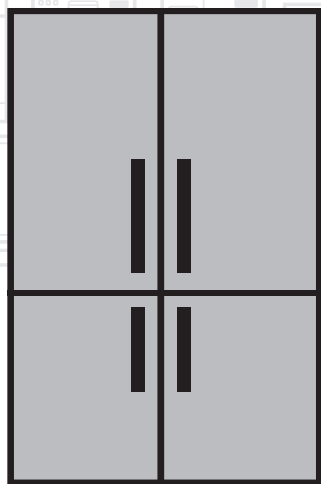
Grøntsagsskuffer sidder fast.

- Maden berører måske skuffens top. Omarranger maden i skuffen.

Hvis Produktets Overflade Er Varm.

- Der kan opleves varme temperaturer mellem de to løber, på sidepanelerne og ved risten bagtil, når produktet er i brug. Dette er normalt og kræver ikke vedligeholdelse af servicepersonale. Vær forsigtig, når du rører ved disse områder.

Ψυγείο Εγχειρίδιο Χρήστη



EL |

beko

Παρακαλούμε διαβάστε πρώ τα το παρόν εγχειρίδιο!

Αγαπητέ Πελάτη,

Ελπίζουμε ότι το προϊόν σας, που έχει κατασκευαστεί σε μοντέρνες εγκαταστάσεις και έχει ελεγχθεί με τις πιο αυστηρές διαδικασίες ελέγχου ποιότητας, θα σας προσφέρει μια αποδοτική υπηρεσία.




Για το λόγο αυτό, συνιστούμε να διαβάσετε προσεκτικά όλο το εγχειρίδιο οδηγιών του προϊόντος σας πριν το χρησιμοποιήσετε και κατόπιν να το φυλάξετε σε εύκολα προσπελάσιμο σημείο για μελλοντική αναφορά.

Το παρόν εγχειρίδιο

- Θα σας βοηθήσει να χρησιμοποιήσετε τη συσκευή σας με γρήγορο και ασφαλή τρόπο.
- Διαβάστε το εγχειρίδιο πριν την εγκατάσταση και τη χρήση του προϊόντος σας.
- Ακολουθείτε τις οδηγίες και ιδιαίτερα αυτές που αφορούν την ασφάλεια.
- Φυλάξτε το εγχειρίδιο σε εύκολα προσπελάσιμο μέρος γιατί μπορεί να το χρειαστείτε αργότερα.
- Επιπλέον, διαβάστε και την υπόλοιπη τεκμηρίωση που συνοδεύει το προϊόν σας. Έχετε υπόψη σας ότι το παρόν εγχειρίδιο μπορεί να ισχύει και για άλλα μοντέλα.

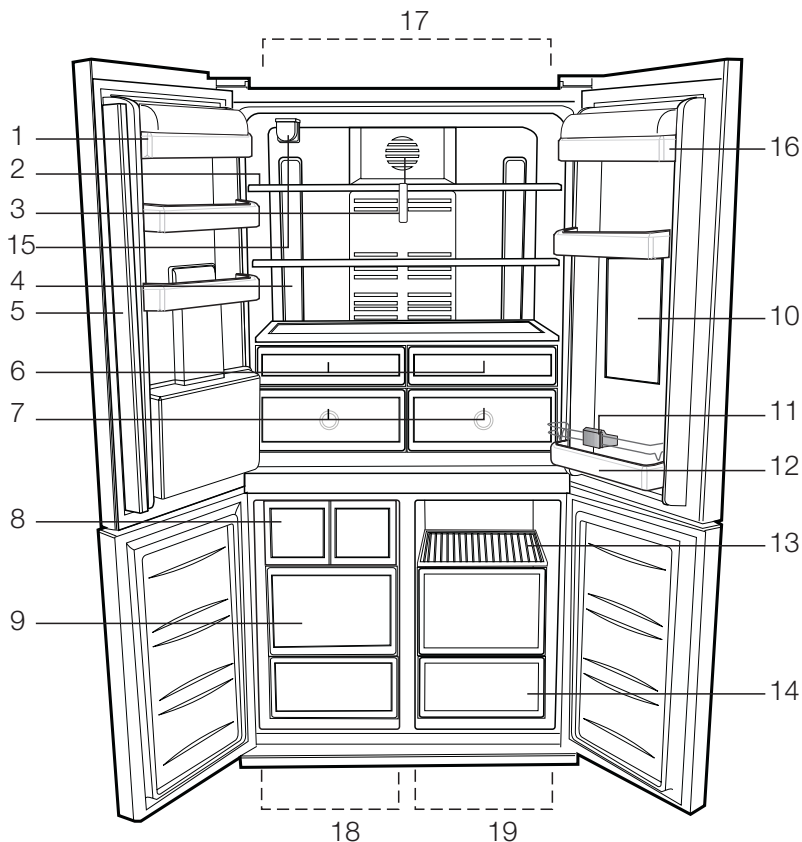
Σύμβολα και οι περιγραφές τους

Το παρόν εγχειρίδιο οδηγιών περιέχει τα εξής σύμβολα:

-  Σημαντικές πληροφορίες ή πρακτικές συμβουλές για τη χρήση.
-  Προειδοποίηση για συνθήκες επικίνδυνες για τη ζωή και την περιουσία.
-  Προειδοποίηση για ηλεκτρική τάση.

1 Το ψυγείο	3	4 Προετοιμασία	20
2 Σημαντικές προειδοποιήσεις ασφαλείας	4	5 Χρήση του ψυγείου σας	21
Προβλεπόμενος σκοπός χρήσης	4	Πίνακας ενδείξεων	21
Για προϊόντα με διανομέα νερού:	8	Ειδοποίηση Ανοικτής πόρτας:	24
Ασφάλεια των παιδιών.....	9	Τι πρέπει να κάνετε για να υπολογίζεται αυτόματα ο χρόνος χρήσης του φίλτρου	25
Προειδοποίηση HC (Για συσκευές Ψύξης - Θέρμανσης)	9	Συρόμενα ράφια θαλάμου	26
Τι πρέπει να κάνετε για εξοικονόμηση ενέργειας	9	Θήκη αυγών.....	26
Υποδείξεις για το χώρο νωπών τροφίμων	10	Συρτάρι λαχανικών.....	26
3 Εγκατάσταση	11	Χώρος Έντονης ψύξης.....	26
Σημεία που πρέπει να προσεχτούν κατά τη μεταφορά του προϊόντος ...	11	Χώρος φύλαξης Ευέλικτης ζώνης .	27
Πριν θέσετε σε λειτουργία το ψυγείο σας	11	Κινητό κεντρικό τμήμα	27
Ηλεκτρική σύνδεση.....	12	Μπλε φως	27
Διάθεση των υλικών συσκευασίας ...	12	Συρόμενα ράφια θαλάμου με πίσω σύστημα ανάρτησης	28
Διάθεση του παλιού σας ψυγείου.....	12	Τμήμα για βούτυρο & τυρί	28
Τοποθέτηση και εγκατάσταση.....	12	Χρήση του διανομέα νερού	28
Ρύθμιση ευστάθειας στο δάπεδο	13	Δίσκος συλλογής σταγόνων.....	28
Ρύθμιση του διακένου από την πάνω πόρτα	13	Μίνι μπαρ	29
Αντικατάσταση της λάμπας φωτισμού	14	6 Συντήρηση και καθαρισμός	30
Εγκατάσταση του φίλτρου νερού ...	15	Προστασία των πλαστικών επιφανειών	30
Σύνδεση του σωλήνα νερού στο ψυγείο	15	7 Συνιστώ μενες λύσεις για προβλήματα	31
Σύνδεση εύκαμπτου σωλήνα νερού στη φιάλη	16		
Σύνδεση του σωλήνα νερού στη γραμμή παροχής κρύου νερού δικτύου	17		
Πριν την πρώτη χρήση του Διανομέα Νερού	19		

1 Το ψυγείο



- | | |
|--|----------------------------------|
| 1- Ράφια πόρτας χώρου συντήρησης | 10- Μίνι μπαρ |
| 2- Γυάλινα ράφια χώρου συντήρησης | 11- Στήριγμα μπουκαλιών |
| 3- Κάλυμμα διάχυσης | 12- Ράφι μπουκαλιών |
| 4- Κρύσταλλο φωτισμού | 13- Ράφια χώρου φύλαξης τροφίμων |
| 5- Κινητό κεντρικό τμήμα | 14- Χώρος φύλαξης τροφίμων |
| 6- Χώρος Εντονης ψύξης | 15- Φίλτρο νερού |
| 7- Συρτάρι λαχανικών | 16- Ράφι βουτύρου & τυριού |
| 8- Icematic – Αυτόματο σύστημα πάγου | 17- Χώρος συντήρησης |
| 9- Χώροι φύλαξης κατεψυγμένων τροφίμων | 18- Χώρος κατάψυξης |
| | 19- Ευέλικτη ζώνη |

i Οι εικόνες σ' αυτό το εγχειρίδιο οδηγιών είναι σχηματικές και ενδέχεται να μην ανταποκρίνονται ακριβώς στο προϊόν σας. Αν ορισμένα εξαρτήματα δεν περιλαμβάνονται στο προϊόν που έχετε προμηθευτεί, τότε ισχύουν για άλλα μοντέλα.

2 Σημαντικές προειδοποιήσεις ασφαλείας

Παρακαλούμε να μελετήσετε τις πληροφορίες που ακολουθούν. Η μη τήρηση αυτών των πληροφοριών μπορεί να γίνει αιτία τραυματισμών ή υλικών ζημιών. Αν δεν το κάνετε αυτό, θα καταστεί άκυρη κάθε εγγύηση και κάθε δέσμευση περί αξιοπιστίας. Γνήσια ανταλλακτικά θα είναι διαθέσιμα για 10 έτη από την ημερομηνία αγοράς του προϊόντος.

Προβλεπόμενος σκοπός χρήσης

⚠	<p>ΠΡΟΣΟΧΗ: βεβαιωθείτε ότι οι οπές εξαερισμού δεν είναι κλεισμένοι όταν η συσκευή είναι στη δική συσκευασία της και όταν είναι εγκατεστημένη.</p>
⚠	<p>ΠΡΟΣΟΧΗ: Για να επιταχυνθεί η λειτουργία απόψυξης, παρακαλούμε να μη χρησιμοποιείτε κανένα άλλο μηχανικό ή άλλο εξοπλισμό εκτός από τα οποία που συνιστώνται από τον κατασκευαστή.</p>

⚠	<p>ΠΡΟΣΟΧΗ: Μην καταστρέψετε το ψυκτικό κύκλωμα.</p>
⚠	<p>ΠΡΟΣΟΧΗ: Μην χρησιμοποιείτε ηλεκτρικές συσκευές που δεν συνιστώνται από τον κατασκευαστή στους χώρους αποθήκευσης τροφίμων.</p>

Αυτή η συσκευή έχει σχεδιαστεί για χρήση στο σπίτι ή στις παρακάτω περιοχές εφαρμογής

- Μπορεί να χρησιμοποιηθεί στις κουζίνες των γραφείων, μαγαζιών και των άλλων των εργασιακών περιβαλλόντων,
- Μπορεί να χρησιμοποιηθεί από τους πελάτες στα αγρόκτηματα, ξενοδοχεία, μοτέλ και στα άλλα περιβάλλοντα καταλύματος,

Γενικές οδηγίες ασφαλείας

- Όταν θέλετε να πετάξετε ως άχρηστο ή να ανακυκλώσετε το προϊόν, συνιστούμε για τις απαιτούμενες πληροφορίες να συμβουλευτείτε το εξουσιοδοτημένο σέρβις ή τους αρμόδιους φορείς.
- Να συμβουλευέστε το εξουσιοδοτημένο σέρβις

για όλες τις ερωτήσεις και προβλήματα σχετικά με το ψυγείο. Μην επεμβαίνετε και μην αφήνετε οποιονδήποτε άλλον να επέμβει στο ψυγείο χωρίς να ειδοποιησετε το εξουσιοδοτημένο σέρβις.

- Για προϊόντα με χώρο κατάψυξης: Μην καταναλώνετε παγωτό και παγοκύβους αμέσως μόλις τα βγάλετε από το χώρο της κατάψυξης! (Αυτό μπορεί να προκαλέσει κρουπαγήματα στο στόμα σας).
- Για προϊόντα με χώρο κατάψυξης: Μην τοποθετείτε στην κατάψυξη ποτά ή αναψυκτικά σε μπουκάλια ή μεταλλικά κουτιά. Αλλιώς, υπάρχει κίνδυνος να σκάσουν.
- Μην αγγίζετε τα παγωμένα τρόφιμα με τα χέρια, γιατί μπορεί να κολλήσουν στο χέρι σας.
- Αποσυνδέετε το ψυγείο από την πρίζα πριν τον καθαρισμό ή την απόψυξη.
- Δεν πρέπει να χρησιμοποιείτε ποτέ ατμό και ατμοποιημένα καθαριστικά υλικά στις διαδικασίες καθαρισμού και απόψυξης του ψυγείου σας. Σε τέτοιες περιπτώσεις, ο ατμός μπορεί να έλθει σε επαφή με τα ηλεκτρικά εξαρτήματα και να γίνει η αιτία βραχυκυκλώματος ή ηλεκτροπληξίας.
- Ποτέ μη χρησιμοποιείτε εξαρτήματα του ψυγείου σας, όπως η πόρτα, ως μέσο

στήριξης ή ως σκαλοπάτι.

- Μη χρησιμοποιείτε ηλεκτρικές συσκευές στο εσωτερικό του ψυγείου.
- Μην προξενήσετε ζημιά με εργαλεία διάτρησης ή κοπής στα μέρη της συσκευής όπου κυκλοφορεί το ψυκτικό μέσο. Το ψυκτικό μέσο που μπορεί να εκτιναχθεί αν τρυπήσουν οι δίοδοι αερίου του εξατμιστήρα, των επεκτάσεων σωλήνων ή των επιφανειακών επικαλύψεων, προκαλεί ερεθισμό στο δέρμα και τραυματισμό στα μάτια.
- Μην καλύπτετε και μην φράσσετε με οποιοδήποτε υλικό τα ανοίγματα αερισμού του ψυγείου σας.
- Οι επισκευές σε ηλεκτρικές συσκευές πρέπει να διεξάγονται μόνο από εξουσιοδοτημένο προσωπικό. Οι επισκευές που γίνονται από αναρμόδια άτομα δημιουργούν κινδύνους για το χρήστη.
- Σε περίπτωση οποιασδήποτε βλάβης ή κατά τη διάρκεια των εργασιών συντήρησης ή επισκευών, να αποσυνδέετε το ψυγείο από την παροχή ηλεκτρικού ρεύματος είτε απενεργοποιώντας τον αντίστοιχο ασφαλειοδιακόπτη είτε βγάζοντας το φως από την πρίζα.
- Για την αποσύνδεση του φως μην τραβάτε το καλώδιο.
- Βεβαιωθείτε ότι τα υψηλό

βαθμού αλκοολούχα ποτά αποθηκεύονται με ασφάλεια με το καπάκι στερεωμένο και τοποθετημένο σε όρθια θέση.

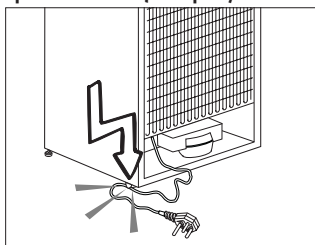
- Ποτέ μην αποθηκεύετε στο ψυγείο μπουκάλια σπρέι που περιέχουν εύφλεκτες και εκρηκτικές ουσίες.
- Μη χρησιμοποιείτε μηχανικές διατάξεις ή άλλα μέσα για να επιταχύνετε τη διαδικασία της απόψυξης, εκτός από τα μέσα που συνιστά ο κατασκευαστής.
- Το προϊόν αυτό δεν προορίζεται για χρήση από άτομα με σωματικά, αισθητηριακά ή διανοητικά προβλήματα ή από άτομα με έλλειψη εμπειρίας (περιλαμβανομένων παιδιών), εκτός αν τα άτομα βρίσκονται υπό την επίβλεψη ατόμου που θα είναι υπεύθυνο για την ασφάλειά τους ή που θα τα καθοδηγήσει όπως απαιτείται για τη χρήση του προϊόντος
- Μη χρησιμοποιήσετε το ψυγείο αν έχει υποστεί βλάβη ή ζημιά. Αν έχετε οποιαδήποτε αμφιβολία συμβουλευτείτε τον αντιπρόσωπο σέρβις.
- Η ηλεκτρική ασφάλεια του ψυγείου σας θα είναι εγγυημένη μόνον αν το σύστημα γείωσης του σπιτιού σας συμμορφώνεται με τα ισχύοντα πρότυπα.
- Η έκθεση του προϊόντος σε

βροχή, χιόνι, ήλιο και άνεμο δημιουργεί κινδύνους σε σχέση με την ασφάλεια με το ηλεκτρικό ρεύμα.

- Αν υπάρχει ζημιά στο καλώδιο ρεύματος, για την αποφυγή κινδύνου επικοινωνήστε με το εξουσιοδοτημένο σέρβις.
- Σε καμία περίπτωση μη συνδέσετε το ψυγείο στην πρίζα κατά τη διάρκεια της εγκατάστασης. Αλλιώς, μπορεί να δημιουργηθεί κίνδυνος θανάτου ή σοβαρού τραυματισμού.
- Το ψυγείο αυτό προορίζεται αποκλειστικά για τη φύλαξη τροφίμων. Δεν πρέπει να χρησιμοποιηθεί για οποιονδήποτε άλλο σκοπό.
- Η ετικέτα τεχνικών προδιαγραφών βρίσκεται πάνω στο αριστερό τοίχωμα στο εσωτερικό του ψυγείου.
- Ποτέ μη συνδέσετε το ψυγείο σας σε συστήματα εξοικονόμησης ενέργειας, γιατί αυτά μπορεί να προκαλέσουν ζημιά στο ψυγείο.
- Αν το ψυγείο σας διαθέτει μπλε φως, μην κοιτάζετε το μπλε φως μέσω οπτικών διατάξεων.
- Για ψυγεία με μη αυτόματο σύστημα ελέγχου, μετά από διακοπή ρεύματος περιμένετε τουλάχιστον 5 λεπτά πριν θέσετε πάλι το ψυγείο σε λειτουργία.
- Σε περίπτωση μεταβίβασης, το παρόν εγχειρίδιο χρήσης θα πρέπει να παραδοθεί

στον καινούριο ιδιοκτήτη του προϊόντος.

- Αποφύγετε την πρόκληση ζημιάς στο καλώδιο ρεύματος όταν μεταφέρετε το ψυγείο. Αν το καλώδιο τσακίσει μπορεί να προκληθεί πυρκαγιά. Ποτέ μην τοποθετείτε βαριά αντικείμενα πάνω στο καλώδιο ρεύματος. Μην αγγίζετε το φισ με υγρά χέρια όταν συνδέετε το προϊόν στην πρίζα.



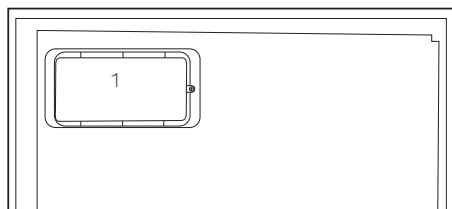
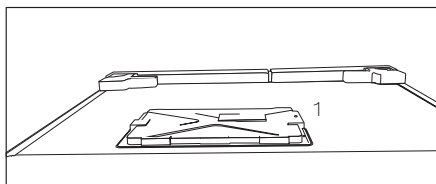
- Όταν τοποθετείτε τη συσκευή, βεβαιωθείτε ότι το καλώδιο ρεύματος δεν θα μαγκωθεί και δεν θα υποστεί ζημιά.
- Μην τοποθετείτε πολύπριζα ή φορητά τροφοδοτικά πίσω από τη συσκευή.
- Μην συνδέσετε το ψυγείο σε πρίζα που δεν είναι καλά στερεωμένη στη θέση της.
- Για λόγους ασφαλείας, δεν πρέπει ποτέ να πιτσιλίζετε νερό απ' ευθείας σε εσωτερικά ή εξωτερικά μέρη του προϊόντος.
- Για να αποφύγετε τον κίνδυνο πυρκαγιάς και έκρηξης, μην ψεκάζετε κοντά στο ψυγείο υλικά που περιέχουν εύφλεκτα αέρια

όπως προπάνιο κ.λ.π.

- Ποτέ μην τοποθετείτε πάνω στο ψυγείο δοχεία που περιέχουν νερό, γιατί μπορεί να προκληθεί ηλεκτροπληξία ή πυρκαγιά.
- Μην υπερφορτώνετε το ψυγείο με υπερβολική ποσότητα τροφίμων. Αν υπερφορτωθεί το ψυγείο, όταν ανοίγετε την πόρτα τα τρόφιμα μπορεί να πέσουν και να σας κτυπήσουν ή να προξενήσουν ζημιά στο ψυγείο. Ποτέ μην τοποθετείτε αντικείμενα πάνω στο ψυγείο. Διαφορετικά μπορεί να πέσουν όταν ανοίγετε ή κλείνετε την πόρτα του ψυγείου.
- Επειδή για τη φύλαξη τους απαιτούνται ακριβείς συνθήκες θερμοκρασίας, δεν πρέπει να φυλάσσονται στο ψυγείο εμβόλια, φάρμακα ευαίσθητα στη θερμοκρασία, επιστημονικά υλικά κλπ.
- Το ψυγείο θα πρέπει να αποσυνδέεται από το ρεύμα αν δεν πρόκειται να χρησιμοποιηθεί για μεγάλο χρονικό διάστημα. Ένα ενδεχόμενο πρόβλημα στο καλώδιο ρεύματος μπορεί να προκαλέσει πυρκαγιά.
- Το ψυγείο μπορεί να μετακινηθεί αν τα ρυθμιζόμενα πόδια δεν έχουν ρυθμιστεί ώστε να έχουν σταθερή επαφή με το δάπεδο. Η σωστή στερέωση των ρυθμιζόμενων ποδιών στο δάπεδο μπορεί να

αποτρέψει τη μετακίνηση του ψυγείου.

- Όταν μεταφέρετε το ψυγείο μην το κρατάτε από τη λαβή της πόρτας. Διαφορετικά, αυτή μπορεί να σπάσει.
- Όταν χρειαστεί να εγκαταστήσετε το ψυγείο σας δίπλα σε άλλο ψυγείο ή καταψύκτη, η απόσταση ανάμεσα στις συσκευές θα πρέπει να είναι τουλάχιστον 8 εκ. Διαφορετικά, μπορεί να σχηματιστεί υγρασία στα γειτονικά πλευρικά τοιχώματα.
- Σε καμία περίπτωση μη χρησιμοποιήσετε το προϊόν αν είναι ανοικτό το τμήμα στο πάνω ή πίσω μέρος του προϊόντος που περιέχει τις πλακέτες τυπωμένων κυκλωμάτων (κάλυμμα τυπωμένων κυκλωμάτων) (1).



Για προϊόντα με διανομέα νερού:

- Η μέγιστη πίεση για την είσοδο κρύου νερού θα είναι 90 psi (620 kPa). Αν η πίεση νερού υπερβαίνει τα 80 psi (550 kPa), χρησιμοποιήστε μια βαλβίδα περιορισμού πίεσης στο σύστημα παροχής νερού σας. Αν δεν γνωρίζετε πώς να ελέγξετε την πίεση νερού, ζητήστε τη βοήθεια επαγγελματία υδραυλικού.
- Αν υπάρχει κίνδυνος φαινομένου υδραυλικού πλήγματος (απότομης μεταβολής πίεσης του νερού) στην εγκατάστασή σας, πάντα να χρησιμοποιείτε στην εγκατάσταση εξοπλισμό αποτροπής του υδραυλικού πλήγματος. Συμβουλευτείτε επαγγελματίες υδραυλικούς αν δεν είστε σίγουροι ότι δεν υπάρχει φαινόμενο υδραυλικού πλήγματος στην εγκατάστασή σας.

- Μην εγκαταστήσετε στην είσοδο ζεστού νερού. Λάβετε μέτρα προφύλαξης έναντι του κινδύνου να παγώσουν οι εύκαμπτοι σωλήνες. Η περιοχή θερμοκρασιών νερού λειτουργίας είναι από ελάχιστη 0,6 °C (33 °F) έως μέγιστη 38 °C (100 °F).
- Χρησιμοποιείτε μόνο πόσιμο νερό.

Ασφάλεια των παιδιών

- Αν το ψυγείο σας διαθέτει κλειδαριά, πρέπει να φυλάτε το κλειδί μακριά από παιδιά.
- Τα παιδιά πρέπει να βρίσκονται υπό επίβλεψη ώστε να μην επεμβαίνουν στο προϊόν.

Προειδοποίηση HC (Για συσκευές Ψύξης - Θέρμανσης)

Αν το ψυκτικό σύστημα της συσκευής σας περιέχει R600a:

Το αέριο αυτό είναι εύφλεκτο. Για το λόγο αυτό, προσέχετε να μην προκληθεί ζημιά στο ψυκτικό σύστημα και τις σωληνώσεις του κατά τη χρήση και τη μεταφορά της συσκευής. Σε περίπτωση ζημιάς, κρατήστε τη συσκευή σας μακριά από ενδεχόμενες πηγές φωτιάς οι οποίες μπορούν να κάνουν το προϊόν να πιάσει φωτιά και αερίστε το χώρο στον οποίο είναι τοποθετημένη η μονάδα.

Αγνοήστε αυτή την προειδοποίηση αν το ψυκτικό σύστημα της συσκευής σας περιέχει R134a.

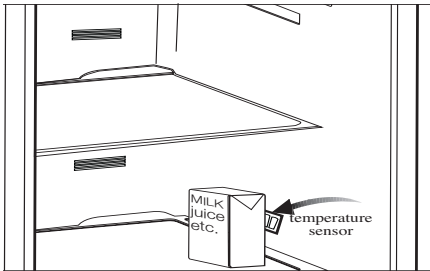
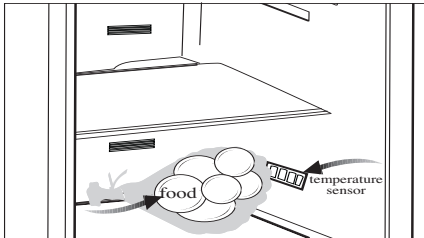
Ο τύπος αερίου που χρησιμοποιείται στο προϊόν αναφέρεται στην πινακίδα στοιχείων η οποία βρίσκεται πάνω στο αριστερό τοίχωμα στο εσωτερικό του ψυγείου. Σε καμία περίπτωση μην πετάξετε το προϊόν σε φωτιά.

Τι πρέπει να κάνετε για εξοικονόμηση ενέργειας

- Μην αφήνετε τις πόρτες του ψυγείου σας ανοικτές για μεγάλο χρονικό διάστημα.
- Μην τοποθετείτε ζεστά φαγητά ή ποτά στο ψυγείο σας.
- Μην υπερφορτώνετε το ψυγείο σας, ώστε να μην εμποδίζεται η κυκλοφορία αέρα στο εσωτερικό του.
- Μην τοποθετείτε το ψυγείο σας σε απ' ευθείας ηλιακό φως ή κοντά σε συσκευές που εκπέμπουν θερμότητα όπως φούρνους, πλυντήρια πιάτων ή σώματα θέρμανσης.
- Φροντίζετε να διατηρείτε τα τρόφιμα σε κλειστά δοχεία.
- Για προϊόντα με χώρο κατάψυξης: Μπορείτε να φυλάξετε τη μέγιστη ποσότητα τροφίμων στην κατάψυξη όταν αφαιρέσετε το ράφι ή το συρτάρι της κατάψυξης. Η αναφερόμενη τιμή κατανάλωσης ενέργειας για το ψυγείο

Υποδείξεις για το χώρο νωπών τροφίμων * ΠΡΟΑΙΡ.

- Μην αφήνετε τρόφιμα να έρθουν σε επαφή με τον αισθητήρα θερμοκρασίας στο χώρο νωπών τροφίμων. Για να διατηρήσετε το χώρο νωπών τροφίμων σε ιδανική θερμοκρασία αποθήκευσης, ο αισθητήρας δεν πρέπει να εμποδίζεται από τρόφιμα.
- Μην τοποθετείτε ζεστά τρόφιμα μέσα στη συσκευή.



σας προσδιορίστηκε ενώ είχε αφαιρεθεί το ράφι ή το συρτάρι της κατάψυξης και με το μέγιστο φορτίο τροφίμων. Δεν υπάρχει πρόβλημα από τη χρήση ραφίου ή συρταριού ανάλογα με τα σχήματα και τα μεγέθη των τροφίμων που πρόκειται να καταψυχθούν.

- Η απόψυξη των κατεψυγμένων τροφίμων στο χώρο συντήρησης θα παρέχει και εξοικονόμηση ενέργειας και καλύτερη διατήρηση της ποιότητας των τροφίμων.

3 Εγκατάσταση

- i** Παρακαλούμε να θυμάστε ότι δεν θα θεωρείται υπεύθυνος ο κατασκευαστής αν δεν τηρηθούν οι πληροφορίες που δίνονται στο εγχειρίδιο οδηγιών.

Σημεία που πρέπει να προσεχτούν κατά τη μεταφορά του προϊόντος

1. Θα πρέπει να αδειάσετε και να καθαρίσετε το ψυγείο σας πριν από οποιαδήποτε μεταφορά.
2. Πριν τοποθετήσετε πάλι το ψυγείο στη συσκευασία του, τα ράφια, τα αξεσουάρ, το συρτάρι λαχανικών κλπ. θα πρέπει να στερεωθούν με χρήση κολλητικής ταινίας για προστασία από τα τραντάγματα.
3. Η συσκευασία θα πρέπει να ασφαλιστεί με ταινίες κατάλληλου πάχους και γερά σχοινιά και θα πρέπει να ακολουθούνται οι κανόνες μεταφοράς που είναι τυπωμένοι στο κιβώτιο.

i Να θυμάστε πάντα...

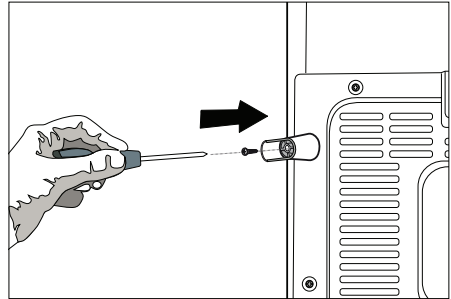
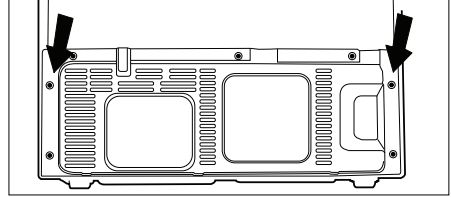
Κάθε υλικό που ανακυκλώνεται είναι μια απαραίτητη πηγή υλικών προς όφελος της φύσης και των εθνικών μας πόρων. Αν επιθυμείτε να συμβάλετε στην ανακύκλωση των υλικών συσκευασίας, μπορείτε να πάρετε περισσότερες πληροφορίες από τους περιβαλλοντικούς φορείς ή τις τοπικές αρχές.

Πριν θέσετε σε λειτουργία το ψυγείο σας

Πριν αρχίσετε να χρησιμοποιείτε το ψυγείο σας ελέγξτε τα εξής:

1. Είναι το εσωτερικό του ψυγείου στεγνό και μπορεί ο αέρας να κυκλοφορεί ανεμπόδιστα στο πίσω του μέρος;
2. Εισάγετε τις 2 πλαστικές σφήνες στο πίσω κάλυμμα αερισμού, όπως δείχνει η ακόλουθη εικόνα. Για να το κάνετε αυτό, αφαιρέστε τις βίδες από το προϊόν και χρησιμοποιήστε τις βίδες που παρέχονται στο ίδιο σακουλάκι.

Οι πλαστικές σφήνες θα παρέχουν την απαιτούμενη απόσταση ανάμεσα στο ψυγείο σας και τον τοίχο ώστε να επιτρέπεται η κυκλοφορία του αέρα.



3. Καθαρίστε το εσωτερικό του ψυγείου όπως συνιστάται στην ενότητα "Συντήρηση και καθαρισμός".
4. Συνδέστε το ψυγείο στην πρίζα στον τοίχο. Όταν ανοίχτει η πόρτα, θα ανάψει το αντίστοιχο εσωτερικό φως.
5. Θα ακούσετε ένα θόρυβο καθώς ξεκινά η λειτουργία του συμπιεστή. Το υγρό και τα αέρια που βρίσκονται στο κλειστό κύκλωμα ψύξης μπορεί επίσης να προκαλέσουν θόρυβο, ακόμα και όταν ο συμπιεστής δεν λειτουργεί, πράγμα που είναι φυσιολογικό.
6. Οι μπροστινές ακμές του ψυγείου μπορεί να είναι θερμές στο άγγιγμα. Αυτό είναι φυσιολογικό. Οι περιοχές αυτές έχουν σχεδιαστεί να είναι θερμές ώστε να αποφεύγεται η συμπύκνωση.

Ηλεκτρική σύνδεση

Συνδέστε το ψυγείο σας σε γειωμένη πρίζα η οποία προστατεύεται από ασφάλεια κατάλληλης ονομαστικής τιμής ρεύματος.

Σημαντική παρατήρηση:

- ⚠ Η σύνδεση πρέπει να συμμορφώνεται με τους εθνικούς κανονισμούς.
- ⚠ Το φως του καλωδίου ρεύματος πρέπει να είναι εύκολα προσπελάσιμο μετά την εγκατάσταση.
- ⚠ Η τάση λειτουργίας και η επιτρεπόμενη τιμή ασφάλειας προστασίας αναφέρονται στην ενότητα “Τεχνικές Προδιαγραφές”.
- ⚠ Η καθοριζόμενη ηλεκτρική τάση πρέπει να είναι ίδια με την τάση ρεύματος του δικτύου σας.
- ⚠ Δεν πρέπει να χρησιμοποιούνται καλώδια επέκτασης και πολύπριζα για τη σύνδεση στο ρεύμα.
- ⚠ Αν ένα καλώδιο ρεύματος έχει υποστεί ζημιά, αυτό πρέπει να αντικατασταθεί από αδειούχο ειδικό τεχνικό.
- ⚠ Δεν επιτρέπεται η λειτουργία της συσκευής πριν την επισκευή! Υπάρχει κίνδυνος ηλεκτροπληξίας!

Διάθεση των υλικών συσκευασίας

- ⚠ Τα υλικά συσκευασίας μπορεί να είναι επικίνδυνα για τα παιδιά. Κρατάτε τα υλικά συσκευασίας μακριά από παιδιά ή πετάξτε τα αφού τα διαχωρίσετε ανάλογα με τις οδηγίες για απόβλητα. Μην τα πετάξετε μαζί με τα κοινά οικιακά απορρίμματα.

Η συσκευασία του ψυγείου σας έχει παραχθεί από ανακυκλώσιμα υλικά.

Διάθεση του παλιού σας ψυγείου

Απορρίψτε την παλιά σας συσκευή με τρόπο φιλικό προς το περιβάλλον.

- ⚠ Σχετικά με τον τρόπο απόρριψης του ψυγείου σας μπορείτε να συμβουλευτείτε τον εξουσιοδοτημένο έμπορο που συνεργάζεστε ή τις δημοτικές σας αρχές.

- ⚠ Πριν πετάξετε το ψυγείο σας, κόψτε το καλώδιο ρεύματος, και, αν υπάρχουν κλειδαριές σε πόρτες, καταστήστε τις μη λειτουργικές, για την προστασία των παιδιών από οποιονδήποτε κίνδυνο.

Τοποθέτηση και εγκατάσταση

- ⚠ Προσοχή: Ποτέ μην συνδέετε το ψυγείο στην πρίζα κατά τη διάρκεια της εγκατάστασης. Αλλιώς, μπορεί να δημιουργηθεί κίνδυνος θανάτου ή σοβαρού τραυματισμού.

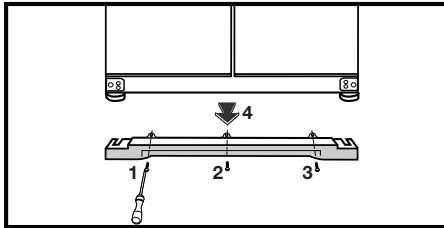
- ⚠ Αν η πόρτα εισόδου του χώρου όπου θα τοποθετηθεί το ψυγείο δεν είναι αρκετά πλατιά για να περάσει το ψυγείο, τότε καλέστε το εξουσιοδοτημένο σέρβις για να αφαιρέσει την πόρτα του ψυγείου σας και να το περάσει μέσα από την πόρτα με το πλάι.

1. Εγκαταστήστε το ψυγείο σε θέση που προσφέρει ευκολία στη χρήση.
2. Κρατήστε το ψυγείο σας μακριά από πηγές θερμότητας, μέρη με υγρασία και από απ' ευθείας ηλιακό φως.
3. Πρέπει να υπάρχει επαρκής κυκλοφορία αέρα γύρω από το ψυγείο σας για να επιτυγχάνεται αποδοτική λειτουργία. Αν το ψυγείο πρέπει να τοποθετηθεί σε εσοχή στον τοίχο, θα πρέπει να υπάρχει ελάχιστη απόσταση 5 εκ. από το ταβάνι και 5 εκ. από τον τοίχο.
4. Αν το πάτωμα είναι καλυμμένο με χαλί, το προϊόν σας θα πρέπει να ανυψωθεί κατά 2,5 εκ. από το δάπεδο.
5. Τοποθετήστε το ψυγείο σας σε δάπεδο με επίπεδη επιφάνεια για να αποφευχθούν τα τραντάγματα.

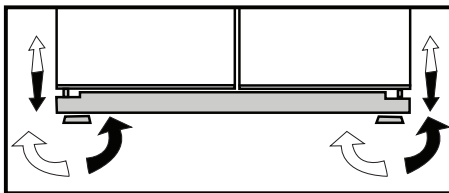
Ρύθμιση ευστάθειας στο δάπεδο

⚠ Αν το ψυγείο σας δεν έχει ευστάθεια:

⚠ Πρώτα αφαιρέστε το φινιρίσμα του προϊόντος από την πρίζα. Το φινιρίσμα του προϊόντος πρέπει να έχει αποσυνδεθεί από την πρίζα όταν διενεργείτε τη ρύθμιση της ευστάθειας. Υπάρχει ο κίνδυνος ηλεκτροπληξίας.



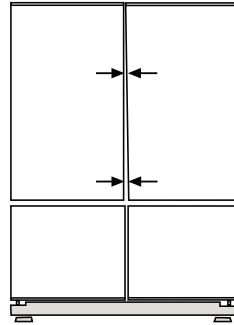
1- Πριν τη διαδικασία ξεβιδώστε το κάλυμμα αερισμού ξεβιδώνοντας τις βίδες του, όπως δείχνει η εικόνα. Μπορείτε να ισοροπήσετε το ψυγείο σας περιστρέφοντας τα μπροστινά πόδια του, όπως δείχνει η εικόνα. Η γωνία όπου βρίσκεται το πόδι χαμηλώνει όταν περιστρέψετε το πόδι στην κατεύθυνση του μαύρου βέλους και ανυψώνεται όταν το γυρίζετε στην αντίθετη κατεύθυνση. Η διαδικασία αυτή θα γίνει πιο εύκολη αν κάποιος σας βοηθήσει ανυψώνοντας ελαφρά το ψυγείο.



2. Αφού διορθωθεί το θέμα της ευστάθειας, τοποθετήστε πάλι το κάλυμμα αερισμού και σφίξτε τις βίδες.

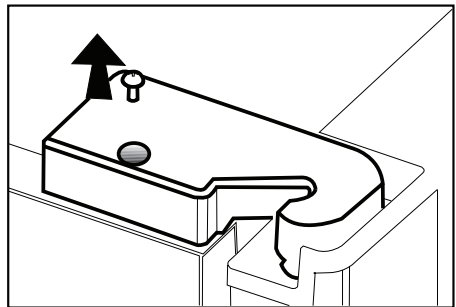
3. Αφαιρέστε τις βίδες που συγκρατούν το κάτω κάλυμμα αερισμού χρησιμοποιώντας σταυροκατσαβίδο.

Ρύθμιση του διακένου από την πάνω πόρτα

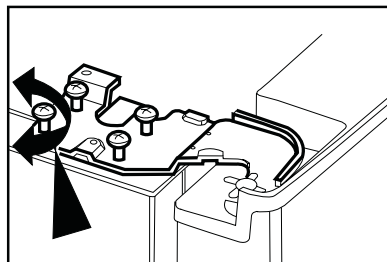


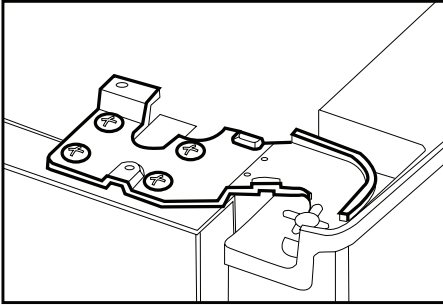
ⓘ Μπορείτε να ρυθμίσετε το διάκενο ανάμεσα στις πόρτες του ψυγείου όπως δείχνουν οι εικόνες.

Τα ράφια του ψυγείου θα πρέπει να είναι κενά κατά τη ρύθμιση του ύψους στις πόρτες.

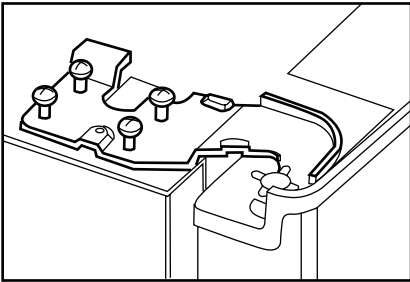


ⓘ Με ένα κατσαβίδι αφαιρέστε τη βίδα του καλύμματος του πάνω μεντεσέ της πόρτας που θέλετε να ρυθμίσετε.

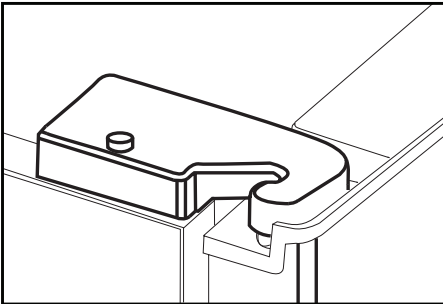




i Ρυθμίστε σωστά την πόρτα όπως επιθυμείτε αφού χαλαρώσετε τις βίδες.



i Στερεώστε την πόρτα που ρυθμίσατε σφίγγοντας τις βίδες χωρίς να αλλάξετε τη θέση της πόρτας.



i Τοποθετήστε πάλι το κάλυμμα του μεντεσέ και στερεώστε με τη βίδα.

Αντικατάσταση της λάμπας φωτισμού

Για αλλαγή της λάμπας φωτισμού του ψυγείου σας, καλέστε το τοπικό σας εξουσιοδοτημένο σέρβις.

Ο λαμπτήρας (οι λαμπτήρες) που χρησιμοποιεί αυτή η συσκευή δεν είναι κατάλληλος(-οι) για φωτισμό των οικιακών χώρων. Ο σκοπός αυτού του λαμπτήρα είναι να βοηθά το χρήστη να βρίσκει με ασφάλεια και άνεση τα τρόφιμα στη συντήρηση/κατάψυξη.

Οι λάμπες που χρησιμοποιούνται σε αυτή τη συσκευή πρέπει να είναι ανθεκτικές σε ακραίες φυσικές συνθήκες, όπως θερμοκρασίες κάτω από -20 °C.

Εγκατάσταση του φίλτρου νερού

(σε ορισμένα μοντέλα)

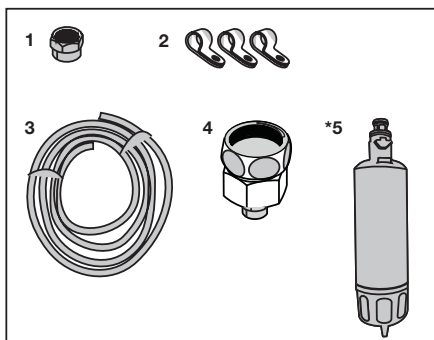
Για την τροφοδοσία με νερό μπορούν να συνδεθούν στο ψυγείο δύο πηγές νερού: η παροχή κρύου νερού δικτύου και νερό σε φιάλη.

Απαιτήσεις Εγκατάστασης

Για χρήση νερού σε φιάλη θα πρέπει να χρησιμοποιηθεί αντλία.

Ελέγξτε ότι με τη συσκευή σας έχουν παραδοθεί τα εξαρτήματα που αναφέρονται πιο κάτω.

1. Ρακόρ για σύνδεση του σωλήνα νερού στο πίσω μέρος της συσκευής. (Αν δεν ταιριάζει, προμηθευτείτε το κατάλληλο από το πλησιέστερο εξουσιοδοτημένο κέντρο σέρβις.)
 2. 2 τεμ. σφικτήρες σωλήνα (σε περίπτωση που απαιτούνται για τη στερέωση του σωλήνα νερού)
- Παρατήρηση: Επειδή τα εξαρτήματα που ακολουθούν δεν απαιτούνται για χρήση με φιάλη, ίσως να μην υπάρχουν το προϊόν που προμηθευτήκατε.
3. Σωλήνας νερού μήκους 5 μέτρων (διαμέτρου 1/4 ιντσας)
 4. Βαλβίδα παροχής κρύου νερού με φίλτρο πλέγματος (προσαρμογέας βρύσης)
 5. Φίλτρο νερού ή εξωτερικά συνδεόμενο φίλτρο, το οποίο πρέπει να τοποθετηθεί στο στήριγμα στο εσωτερικό του χώρου συντήρησης.



Πρώτα πρέπει να προσδιοριστεί η θέση όπου πρόκειται να τοποθετηθεί το εξωτερικό φίλτρο. (Αυτό έχει εφαρμογή στο φίλτρο που χρησιμοποιείται εξωτερικά του ψυγείου.) Κατόπιν προσδιορίστε την απόσταση ανάμεσα στο φίλτρο και στο ψυγείο και τα απαιτούμενα μήκη εύκαμπτου σωλήνα από το φίλτρο ως την είσοδο νερού του ψυγείου.

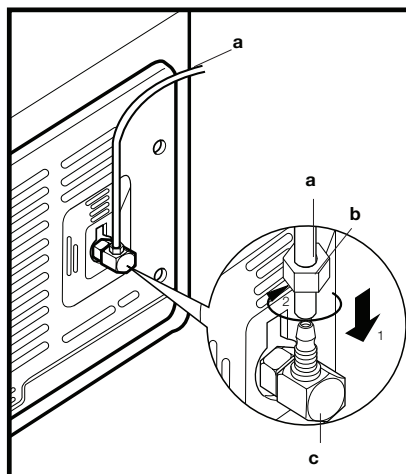
Το φίλτρο νερού πρέπει να συγκρατείται όρθιο όπως δείχνει η εικόνα. Είναι σημαντικό να συνδέσετε σωστά το φίλτρο στα σημεία εισόδου και εξόδου του νερού.

Μετά τη σύνδεση του φίλτρου, μη χρησιμοποιήσετε τα πρώτα 3-4 ποτήρια νερού.

Σύνδεση του σωλήνα νερού στο ψυγείο

1. Μετά την τοποθέτηση του ρακόρ στο σωλήνα νερού, συνδέστε το σωλήνα νερού στη βαλβίδα εισόδου του ψυγείου πιέζοντάς τον σταθερά προς τα κάτω.
2. Στερεώστε το ρακόρ όπως φαίνεται στο απέναντι σχήμα, πιέζοντάς το με το χέρι πάνω στη βαλβίδα εισόδου του ψυγείου.

(a- Σωλήνας νερού, b-Ρακόρ, c-Βαλβίδα)



i Σημείωση 1: Δεν θα πρέπει να χρειάζεται να σφίξετε το ρακόρ με εργαλείο για να επιτύχετε υδατοστεγή σύνδεση. Σε περίπτωση διαρροής χρησιμοποιήστε ένα κλειδί ή πένσα για να σφίξετε το ρακόρ.

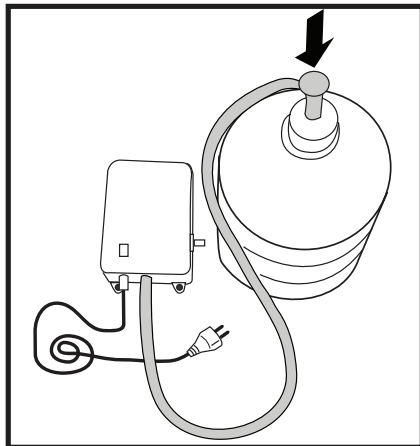
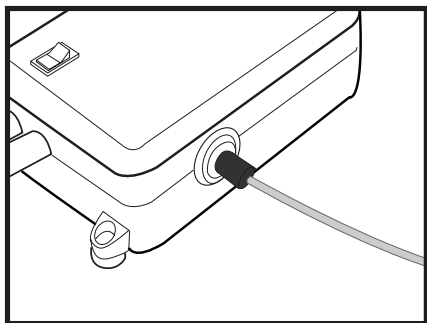
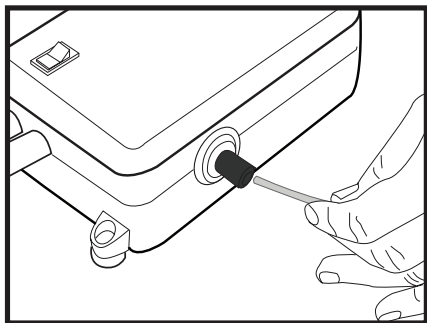
Σύνδεση εύκαμπτου σωλήνα νερού στη φιάλη (σε ορισμένα μοντέλα)

Για να συνδέσετε στο ψυγείο νερό από φιάλη θα χρειαστείτε μια αντλία. Ακολουθήστε τις πιο κάτω οδηγίες αφού συνδέσετε στο ψυγείο ένα άκρο του σωλήνα που έρχεται από την αντλία, όπως περιγράφεται στην προηγούμενη σελίδα.

1. Ολοκληρώστε τη σύνδεση πιέζοντας το άλλο άκρο του σωλήνα νερού στην είσοδο σωλήνα νερού της αντλίας όπως δείχνει το σχήμα.
2. Τοποθετήστε και στερεώστε το λαστιχένιο σωλήνα νερού στη φιάλη όπως δείχνει το σχήμα.
3. Μετά την ολοκλήρωση της σύνδεσης, συνδέστε την αντλία στο ρεύμα και θέστε τη σε λειτουργία.

Για να επιτύχετε αποτελεσματική λειτουργία της αντλίας, περιμένετε 2-3 λεπτά μετά την εκκίνηση της αντλίας.

- i** Για τη σύνδεση του νερού μπορείτε να ανατρέξετε στο εγχειρίδιο χρήσης της αντλίας.
- i** Δεν χρειάζεται η χρήση φίλτρου νερού σε περίπτωση χρήσης φιάλης.
- i** Όταν χρησιμοποιείται φιάλη, χρειάζεται η χρήση αντλίας.



Σύνδεση του σωλήνα νερού στη γραμμή παροχής κρύου νερού δικτύου

(σε ορισμένα μοντέλα)

Αν θέλετε να χρησιμοποιήσετε το ψυγείο σας συνδέοντάς το στη γραμμή νερού δικτύου,

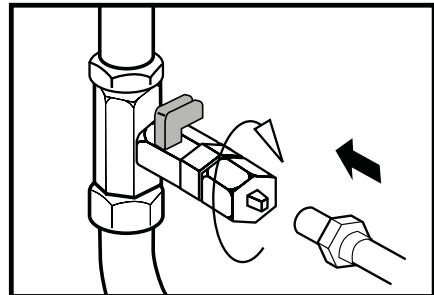
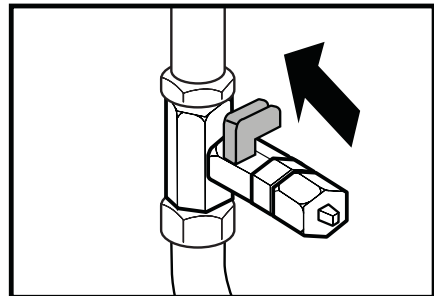
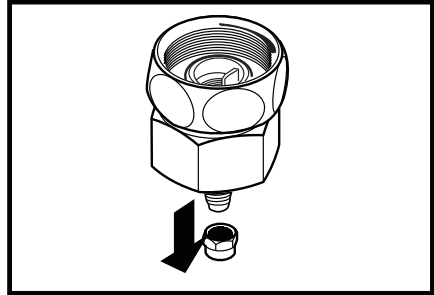
θα πρέπει να συνδέσετε ένα στάνταρ διακόπτη νερού 1/2" στην παροχή κρύου νερού του σπιτιού σας. Σε περίπτωση που δεν υπάρχει αυτή η βαλβίδα ή σε περίπτωση που δεν είστε βέβαιοι, συμβουλευτείτε έναν εξειδικευμένο υδραυλικό.

1. Αποχωρίστε το ρακόρ από τον προσαρμογέα βρύσης. (Σχήμα Α)
2. Τοποθετήστε τον προσαρμογέα βρύσης στο διακόπτη νερού 1/2" όπως δείχνει το σχήμα. (Σχήμα Β)
3. Μετά την εισαγωγή του σωλήνα νερού στο ρακόρ, τοποθετήστε το στον προσαρμογέα βρύσης και εισάγετέ το στη βρύση όπως δείχνει το σχήμα. (Σχήμα Γ)
4. Σφίξτε το ρακόρ με το χέρι. Σε περίπτωση διαρροής χρησιμοποιήστε ένα κλειδί ή πένσα για να σφίξετε το ρακόρ.

⚠ Προσοχή: Ασφαλίστε το σωλήνα νερού σε κατάλληλα σημεία με τη βοήθεια των σφικτήρων σωλήνα που παρέχονται για να αποφύγετε τυχόν ζημιά ή μετατόπιση ή τυχαία αποσύνδεση.

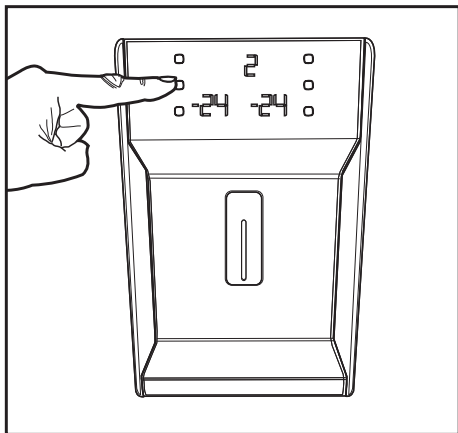
⚠ Προσοχή: Αφού ανοίξετε το διακόπτη νερού, βεβαιωθείτε ότι δεν υπάρχει διαρροή σε κανένα από τα δύο σημεία σύνδεσης του σωλήνα. Σε περίπτωση διαρροής κλείστε αμέσως το διακόπτη νερού και σφίξτε πάλι όλες τις συνδέσεις χρησιμοποιώντας ένα κλειδί ή μια πένσα.

⚠ Προσοχή: Βεβαιωθείτε ότι υπάρχει ο στάνταρ διακόπτης νερού 1/2" στο δίκτυο παροχής κρύου νερού και ότι έχει κλειστεί πλήρως.

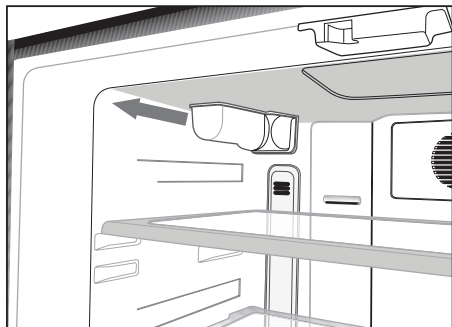


Για να τοποθετήσετε το φίλτρο νερού ακολουθήστε τις πιο κάτω οδηγίες ανατρέχοντας και στα παρεχόμενα σχήματα.

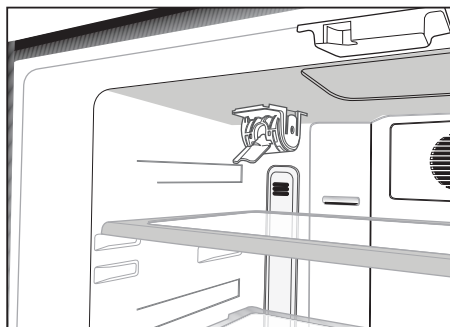
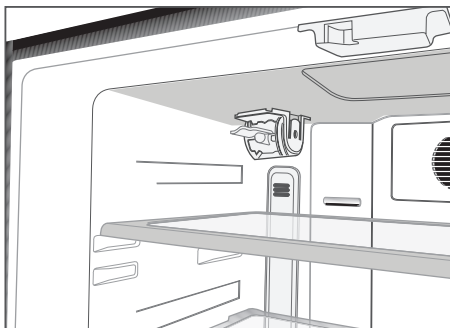
1. Πατήστε το κουμπί Ακύρωσης παραγωγής Πάγου στην οθόνη.



2. Αφαιρέστε το κάλυμμα φίλτρου από το χώρο συντήρησης τραβώντας προς τα εμπρός.



3. Αφαιρέστε το κάλυμμα παράκαμψης φίλτρου νερού περιστρέφοντάς το προς τα κάτω.



⚠ Προσοχή: Βεβαιωθείτε ότι είναι ενεργή η λειτουργία "Διακοπή παραγωγής πάγου" πριν αφαιρέσετε το κάλυμμα παράκαμψης. Παρατήρηση: Είναι φυσιολογικό να στάξουν λίγες σταγόνες νερού μετά την αφαίρεση του καλύμματος.

4. Αφαιρέστε το κάλυμμα από το πάνω μέρος του φίλτρου νερού για να το τοποθετήσετε όπως δείχνει το σχήμα και γυρίστε το προς τα πάνω για να το ασφαλίσετε.
5. Για έξοδο από τη λειτουργία αυτή πιέστε πάλι το κουμπί Ακύρωσης Παραγωγής πάγου.

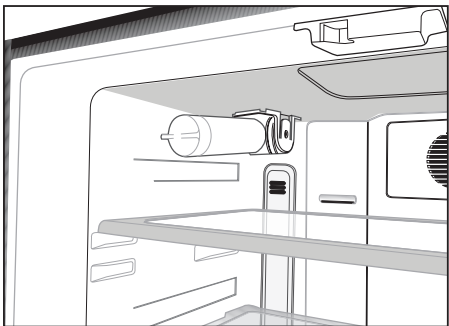
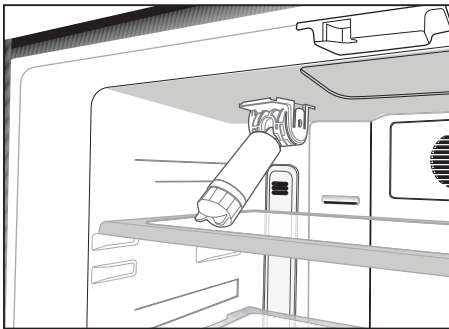
Το φίλτρο νερού θα πρέπει να αντικαθίσταται κάθε 6 μήνες.

Αν θέλετε να υπολογιστεί αυτόματα ο χρόνος αλλαγής φίλτρου νερού και να λάβετε μια προειδοποίηση στο τέλος του χρόνου χρήσης, διαβάστε το τμήμα "Αυτόματος υπολογισμός του χρόνου χρήσης του φίλτρου".

Το φίλτρο νερού πρέπει να αφαιρεθεί όπως φαίνεται στο σχήμα όταν πρόκειται να αντικατασταθεί ή όταν δεν θα χρησιμοποιηθεί πλέον και πρέπει να τοποθετηθεί το κάλυμμα παράκαμψης. Πρέπει να βεβαιωθείτε ότι είναι ενεργή η λειτουργία "Διακοπή παραγωγής πάγου" πριν το αφαιρέσετε.

⚠ Προσοχή: Το φίλτρο νερού κατακρατεί ορισμένα ξένα σωματίδια από το νερό. Δεν καθαρίζει το νερό από μικρο-οργανισμούς.

⚠ Προσοχή: Πρέπει πάντα να έχει πατηθεί το κουμπί Ice off (Διακοπή παραγωγής πάγου) κατά την αντικατάσταση του φίλτρου νερού ή κατά την εγκατάσταση του καλύμματος παράκαμψης.



Πριν την πρώ τη χρήση του Διανομέα Νερού

i Η πίεση του νερού δικτύου δεν πρέπει να είναι μικρότερη από 1 bar.

i Η πίεση του νερού δικτύου δεν πρέπει να είναι μεγαλύτερη από 8 bar.

i Πρέπει να χρησιμοποιηθεί αντλία αν η πίεση παροχής νερού πέσει κάτω από 1 bar ή αν πρόκειται να χρησιμοποιηθεί φιάλη.

i Το σύστημα νερού του ψυγείου πρέπει να συνδέεται σε γραμμή κρύου νερού. Δεν πρέπει να συνδεθεί σε γραμμή ζεστού νερού.

i Στην αρχή της λειτουργίας του ψυγείου ενδέχεται να μη μπορείτε να πάρετε κρύο νερό. Αυτό προκαλείται από ύπαρξη αέρα στο σύστημα. Για να απομακρύνετε τον αέρα από το σύστημα, πιέστε το μοχλό του διανομέα για διαστήματα του 1 λεπτού έως ότου αρχίσει να βγαίνει νερό από το διανομέα. Στην αρχή η ροή του νερού μπορεί να είναι ακανόνιστη. Η ακανόνιστη ροή του νερού θα γίνει κανονική αφού απομακρυνθεί ο αέρας που υπάρχει στο σύστημα.

i Στην αρχή της λειτουργίας του ψυγείου πρέπει να περάσουν περ. 12 ώρες πριν μπορέσετε να έχετε κρύο νερό.

i Η πίεση του νερού δικτύου θα πρέπει να είναι 1-8 bar για να λειτουργεί ομαλά ο Διανομέας Πάγου/Νερού. Για το λόγο αυτό, ελέγξτε ότι 1 ποτήρι νερού (100 cc) μπορεί να γεμίσει σε 10 δευτερόλεπτα.

i Δεν θα πρέπει να καταναλώσετε τα πρώτα 10 ποτήρια νερού.

i Περίπου οι πρώτοι 30 κύβοι πάγου που θα πάρετε από το διανομέα πάγου δεν πρέπει να χρησιμοποιηθούν.

i Πάντα χρησιμοποιείτε το φίλτρο νερού όταν δεν χρησιμοποιείτε φιάλη.

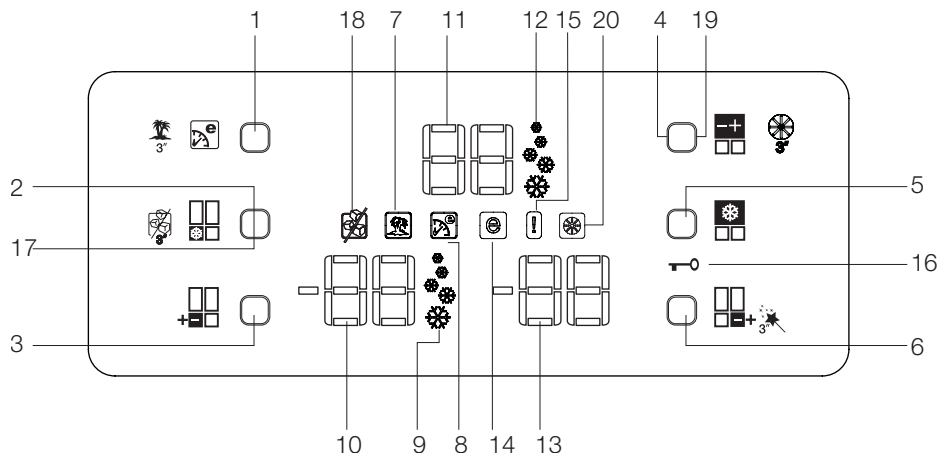
4 Προετοιμασία

- i** Το ψυγείο σας θα πρέπει να εγκατασταθεί σε απόσταση τουλάχιστον 30 εκ. από πηγές θερμότητας όπως εστίες μαγειρέματος, φούρνους, σώματα κεντρικής θέρμανσης και σόμπες και τουλάχιστον 5 εκ. μακριά από ηλεκτρικούς φούρνους και δεν θα πρέπει να τοποθετείται σε μέρη όπου δέχεται απ' ευθείας ηλιακή ακτινοβολία.
- i** Η θερμοκρασία περιβάλλοντος του δωματίου που τοποθετείτε το ψυγείο σας θα πρέπει να είναι τουλάχιστον 10°C. Η λειτουργία του ψυγείου σας σε πιο κρύες συνθήκες από αυτές δεν συνιστάται από την άποψη της απόδοσής του.
- i** Παρακαλούμε να φροντίζετε να διατηρείτε το εσωτερικό του ψυγείου σας σχολαστικά καθαρό.
- i** Αν πρέπει να εγκατασταθούν δύο ψυγεία το ένα δίπλα στο άλλο, θα πρέπει να υπάρχει μεταξύ τους απόσταση τουλάχιστον 2 εκ.
- i** Όταν θέσετε το ψυγείο σε λειτουργία για πρώτη φορά, παρακαλούμε τηρείτε τις ακόλουθες οδηγίες κατά τις αρχικές έξι ώρες.
 - Η πόρτα δεν θα πρέπει να ανοίγει συχνά.
 - Το ψυγείο θα πρέπει να λειτουργήσει κενό, χωρίς τρόφιμα στο εσωτερικό του.
 - Μην αποσυνδέσετε το ψυγείο σας από το ρεύμα. Αν συμβεί μια ανεξέλεγκτη διακοπή ρεύματος, δείτε τις προειδοποιήσεις στην ενότητα "Συνιστώμενες λύσεις για προβλήματα".
- i** Η αρχική συσκευασία και τα αφρώδη υλικά θα πρέπει να φυλαχτούν για μελλοντικές μεταφορές ή μετακόμιση.

5 Χρήση του ψυγείου σας

Πίνακας ενδείξεων

Αυτός ο πίνακας ενδείξεων με σύστημα αφής σας επιτρέπει να ρυθμίσετε τη θερμοκρασία χωρίς να ανοίξετε την πόρτα του ψυγείου σας. Για να ρυθμίσετε τη θερμοκρασία, απλά αγγίξετε το αντίστοιχο κουμπί με το δάχτυλό σας.



- | | |
|---|--|
| 1. Κουμπί Πολύ οικονομικής λειτουργίας/ Διακοπών | 11. Ένδειξη θερμοκρασίας χώρου Συντήρησης |
| 2. Κουμπί Ταχείας κατάψυξης | 12. Ένδειξη λειτουργίας Ταχείας Ψύξης |
| 3. Κουμπί ρύθμισης θερμοκρασίας χώρου Κατάψυξης | 13. Ένδειξη θερμοκρασίας χώρου φύλαξης Ευέλικτης ζώνης |
| 4. Κουμπί ρύθμισης θερμοκρασίας χώρου Συντήρησης | 14. Ένδειξη Οικονομικής λειτουργίας |
| 5. Κουμπί Ταχείας Ψύξης | 15. Ένδειξη Κατάστασης σφάλματος |
| 6. Κουμπί ρύθμισης θερμοκρασίας χώρου Ευέλικτης ζώνης | 16. Ένδειξη κλειδώματος πλήκτρων |
| 7. Ένδειξη λειτουργίας Διακοπών | 17. Κουμπί Ακύρωσης παραγωγής Πάγου |
| 8. Ένδειξη Πολύ οικονομικής λειτουργίας | 18. Ένδειξη διακοπής παραγωγής πάγου |
| 9. Ένδειξη λειτουργίας Ταχείας Κατάψυξης | 19. Κουμπί Ακύρωσης Προειδοποίησης αλλαγής φίλτρου |
| 10. Ένδειξη θερμοκρασίας χώρου Κατάψυξης | 20. Ένδειξη Προειδοποίησης αλλαγής φίλτρου |

i Οι εικόνες σ' αυτό το εγχειρίδιο οδηγιών είναι σχηματικές και ενδέχεται να μην ανταποκρίνονται ακριβώς στο προϊόν σας. Αν ορισμένα εξαρτήματα δεν περιλαμβάνονται στο προϊόν που έχετε προμηθευτεί, τότε ισχύουν για άλλα μοντέλα.

1. Κουμπί Πολύ οικονομικής λειτουργίας/Διακοπών v

Πατήστε σύντομα αυτό το κουμπί για να ενεργοποιήσετε την Πολύ οικονομική λειτουργία. Για να ενεργοποιήσετε τη λειτουργία Διακοπών πατήστε και κρατήστε πατημένο αυτό το πλήκτρο για 3 δευτερόλεπτα. Για να απενεργοποιήσετε την επιλεγμένη λειτουργία, πατήστε αυτό το κουμπί πάλι.

2. Κουμπί Ταχείας κατάψυξης

Για να ενεργοποιήσετε τη λειτουργία Ταχείας κατάψυξης πατήστε σύντομα αυτό το κουμπί. Για να απενεργοποιήσετε την επιλεγμένη λειτουργία, πατήστε αυτό το κουμπί πάλι.

3. Κουμπί ρύθμισης θερμοκρασίας χώρου Κατάψυξης

Πατήστε το κουμπί αυτό για να ρυθμίσετε τη θερμοκρασία του χώρου κατάψυξης σε -18, -20, -22, -24, -18... αντίστοιχα. Πατήστε αυτό το κουμπί για να ρυθμίσετε την επιθυμητή θερμοκρασία για το χώρο Κατάψυξης.

4. Κουμπί ρύθμισης θερμοκρασίας χώρου Συντήρησης

Πατήστε το κουμπί αυτό για να ρυθμίσετε τη θερμοκρασία του χώρου Συντήρησης σε 8, 6, 4, 2, 8... αντίστοιχα. Πατήστε αυτό το κουμπί για να ρυθμίσετε την επιθυμητή θερμοκρασία για το χώρο Συντήρησης.

5. Κουμπί Ταχείας Ψύξης

Για να ενεργοποιήσετε την λειτουργία Ταχείας Ψύξης πατήστε σύντομα αυτό το κουμπί. Για να απενεργοποιήσετε την επιλεγμένη λειτουργία, πατήστε αυτό το κουμπί πάλι.

6. Κουμπί ρύθμισης θερμοκρασίας χώρου Ευέλικτης ζώνης

Μπορείτε να ρυθμίσετε το χώρο Ευέλικτης ζώνης να λειτουργεί είτε ως Κατάψυξη είτε ως Ψύκτης. Πατήστε και κρατήστε πατημένο παρατεταμένα (για

3 δευτερόλεπτα) αυτό το κουμπί για να ρυθμίσετε το χώρο Ευέλικτης ζώνης να λειτουργεί είτε ως Κατάψυξη είτε ως Ψύκτης. Εργοστασιακά αυτός ο χώρος έχει ρυθμιστεί να λειτουργεί ως χώρος Κατάψυξης.

Αν ο χώρος Ευέλικτης ζώνης έχει ρυθμιστεί να λειτουργεί ως Κατάψυξη, τότε η θερμοκρασία του χώρου Ευέλικτης ζώνης θα αλλάζει ως -18, -20, -22, -24, -18... αντίστοιχα κάθε φορά που πατάτε αυτό το κουμπί. Αν ο χώρος Ευέλικτης ζώνης έχει ρυθμιστεί να λειτουργεί ως Ψύκτης, τότε η θερμοκρασία του χώρου Ευέλικτης ζώνης θα αλλάζει ως 10, 8, 6, 4, 2, 0, -6, ... αντίστοιχα κάθε φορά που πατάτε αυτό το κουμπί.

7. Ένδειξη λειτουργίας Διακοπών v

Δείχνει ότι η λειτουργία Διακοπών είναι ενεργή. Αν αυτή η λειτουργία είναι ενεργή, η ένδειξη για το χώρο συντήρησης είναι "- -" και δεν υπάρχει ψύξη στο χώρο συντήρησης. Οι άλλοι χώροι θα ψύχονται σύμφωνα με τη θερμοκρασία που έχει ρυθμιστεί γι' αυτούς.

Για να απενεργοποιήσετε αυτή τη λειτουργία, πατήστε πάλι το σχετικό κουμπί.

8. Ένδειξη Πολύ οικονομικής λειτουργίας

Δείχνει ότι η Πολύ οικονομική λειτουργία είναι ενεργή. Αν αυτή η λειτουργία είναι ενεργή, το ψυγείο σας θα ανιχνεύσει αυτόματα τις περιόδους ελαχιστοποιημένης χρήσης και στη διάρκεια αυτών των περιόδων θα εκτελείται ενεργειακά αποδοτική ψύξη. Όσο εκτελείται ενεργειακά αποδοτική ψύξη θα είναι αναμμένη η ένδειξη οικονομικής λειτουργίας.

Για να απενεργοποιήσετε αυτή τη λειτουργία, πατήστε πάλι το σχετικό κουμπί.

9. Ένδειξη λειτουργίας Ταχείας Κατάψυξης

Δείχνει ότι η λειτουργία Ταχείας κατάψυξης είναι ενεργή. Χρησιμοποιείτε αυτή τη λειτουργία όταν τοποθετείτε νωπά τρόφιμα στο χώρο κατάψυξης ή όταν χρειάζεστε πάγο. Όταν είναι ενεργή αυτή η λειτουργία, το ψυγείο σας θα λειτουργεί για μια ορισμένη χρονική περίοδο.

Για να απενεργοποιήσετε αυτή τη λειτουργία, πατήστε πάλι το σχετικό κουμπί.

10. Ένδειξη θερμοκρασίας χώρου Κατάψυξης

Δείχνει τη θερμοκρασία που ρυθμίστηκε για το χώρο Κατάψυξης.

11. Ένδειξη θερμοκρασίας χώρου Συντήρησης

Δείχνει τη θερμοκρασία που ρυθμίστηκε για το Χώρο Συντήρησης.

12. Ένδειξη λειτουργίας Ταχείας Ψύξης

Δείχνει ότι η λειτουργία Ταχείας Ψύξης είναι ενεργή. Χρησιμοποιείτε αυτή τη λειτουργία όταν τοποθετείτε νωπά τρόφιμα στο χώρο συντήρησης ή όταν θέλετε να κρυώσει γρήγορα το φαγητό. Όταν είναι ενεργή αυτή η λειτουργία, το ψυγείο σας θα λειτουργεί αδιάκοπα για 2 ώρες.

Για να απενεργοποιήσετε αυτή τη λειτουργία, πατήστε πάλι το σχετικό κουμπί.

13. Ένδειξη θερμοκρασίας χώρου φύλαξης Ευέλικτης Ζώνης

Δείχνει τη θερμοκρασία που έχει ρυθμιστεί για το χώρο Ευέλικτης ζώνης.

14. Ένδειξη Οικονομικής λειτουργίας

Δείχνει ότι το ψυγείο λειτουργεί σε ενεργειακά αποδοτική λειτουργία. Θερμοκρασία χώρου Συντήρησης
Αυτή η ένδειξη θα είναι ενεργή αν η λειτουργία τεθεί σε -18 ή αν εκτελείται ενεργειακά αποδοτική ψύξη λόγω της Πολύ οικονομικής λειτουργίας.

15. Ένδειξη Κατάστασης σφάλματος

Αυτή η ένδειξη θα ενεργοποιηθεί αν η ψύξη του ψυγείου σας δεν είναι επαρκής ή αν υπάρχει βλάβη του αισθητήρα. Όταν είναι ενεργή αυτή η ένδειξη, η ένδειξη θερμοκρασίας χώρου Κατάψυξης θα δείχνει "E" και η ένδειξη θερμοκρασίας χώρου Συντήρησης θα δείχνει αριθμούς όπως "1, 2, 3...". Αυτοί οι αριθμοί στην ένδειξη παρέχουν πληροφορίες στο προσωπικό σέρβις σχετικά με το σφάλμα.

16. Ένδειξη κλειδώματος πλήκτρων

Χρησιμοποιήστε αυτή τη λειτουργία όταν δεν θέλετε να αλλάξει κανείς τη ρύθμιση θερμοκρασίας του ψυγείου σας. Για να ενεργοποιήσετε αυτή τη δυνατότητα, πατήστε ταυτόχρονα παρατεταμένα (για 3 δευτερόλεπτα) το κουμπί Ταχείας Ψύξης και το κουμπί ρύθμισης χώρου Ευέλικτης ζώνης.

Για να απενεργοποιήσετε αυτή τη λειτουργία, πατήστε πάλι τα σχετικά κουμπιά.

17. Κουμπί Ακύρωσης παραγωγής Πάγου

Για να σταματήσετε την παραγωγή πάγου, πατήστε το κουμπί Ακύρωσης παραγωγής Πάγου για 3 δευτερόλεπτα. Όταν επιλεγεί η Ακύρωση παραγωγής Πάγου, δεν θα αποστέλλεται νερό στο κουτί πάγου. Ωστόσο, μπορεί να έχει μείνει πάγος στην παγοθήκη που μπορείτε να τον πάρετε. Για να επανεκκινήσετε την παραγωγή πάγου, πρέπει να πατήσετε το κουμπί Ακύρωσης παραγωγής Πάγου για 3 δευτερόλεπτα.

18. Εργαλείο Ακύρωσης παραγωγής Πάγου

Αν δεν θέλετε να λαμβάνετε πάγο από το ψυγείο σας, χρειάζεται να χρησιμοποιήσετε αυτή τη λειτουργία. Μπορείτε να χρησιμοποιήσετε αυτή τη λειτουργία πατώντας το κουμπί Ακύρωσης παραγωγής Πάγου για 3 δευτερόλεπτα.

19. Κουμπί Ακύρωσης Προειδοποίησης αλλαγής φίλτρου

Το φίλτρο του ψυγείου σας πρέπει να αντικαθίσταται κάθε 6 μήνες. Το ψυγείο σας υπολογίζει το χρόνο αυτόματα και η ένδειξη προειδοποίησης αλλαγής φίλτρου ανάβει όταν έχει περάσει ο χρόνος χρήσης του φίλτρου. Μετά την αλλαγή του φίλτρου πιέστε για 3 δευτερόλεπτα το Κουμπί ακύρωσης προειδοποίησης αλλαγής φίλτρου για να επιτρέψετε στο ψυγείο να υπολογίσει αυτόματα τον χρόνο του καινούριου φίλτρου.

20. Ένδειξη ακύρωσης Προειδοποίησης αλλαγής φίλτρου

Όταν έχει περάσει ο χρόνος χρήσης του φίλτρου, αρχίζει να ανάβει η ένδειξη Προειδοποίησης αλλαγής φίλτρου.

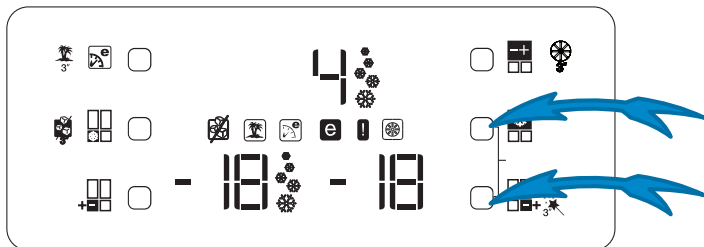
Ειδοποίηση Ανοικτής πόρτας:

Σε περίπτωση που οποιαδήποτε από τις πόρτες χώρου συντήρησης ή χώρου Ευέλικτης ζώνης παραμείνει ανοικτή για τουλάχιστον 1 λεπτό, θα ενεργοποιηθεί και θα ηχησει η Ειδοποίησης ανοικτής πόρτας. Για να σταματήσει ο ήχος της ειδοποίησης, απλά πατήστε οποιοδήποτε κουμπί στον πίνακα ενδείξεων ή κλείστε την ανοικτή πόρτα.

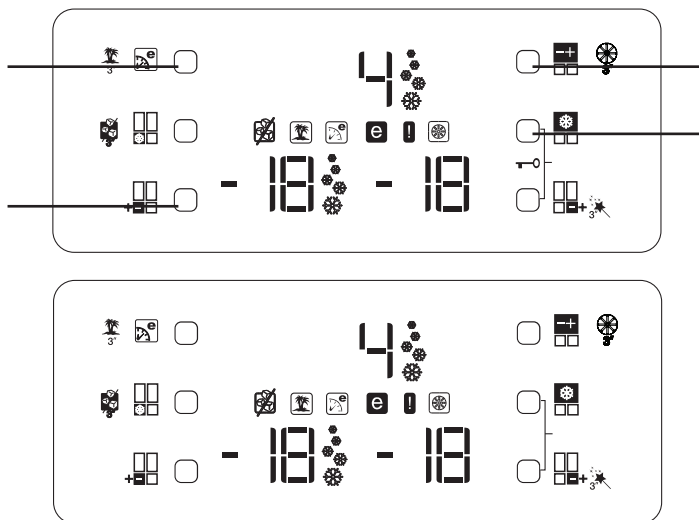
Τι πρέπει να κάνετε για να υπολογίζεται αυτόματα ο χρόνος χρήσης του φίλτρου

(Για προϊόντα συνδεδεμένα στη γραμμή νερού δικτύου και εξοπλισμένα με φίλτρο)

1- Αφού συνδέσετε στο ρεύμα το ψυγείο, πιέστε ταυτόχρονα τα κουμπιά A και B για να ενεργοποιησετε το Κλειδίμα πληκτρων.



2- Κατόπιν πιέστε τα κουμπιά Πολύ οικονομικής λειτουργίας (1), Ρύθμισης θερμοκρασίας χώρου συντήρησης (4), Ταχείας Ψύξης (5) και Ρύθμισης θερμοκρασίας χώρου κατάψυξης (3) αντίστοιχα.



Αν ο συνδυασμός κουμπιών πατηθεί με τη σωστή σειρά, το σύμβολο κλειδώματος πλήκτρων θα σβήσει, ο βομβητής θα ενεργοποιηθεί για λίγο και η ένδειξη προειδοποίησης αλλαγής φίλτρου θα ανάψει. Μετά την αλλαγή του φίλτρου πιέστε το Κουμπί ακύρωσης προειδοποίησης αλλαγής φίλτρου (στοιχείο 19 στις περιγραφές του πίνακα ελέγχου) για να επιτρέψετε τον αυτόματο υπολογισμό του χρόνου χρήσης του φίλτρου.

i Αν ο χρόνος χρήσης του φίλτρου υπολογίζεται αυτόματα, η ένδειξη προειδοποίησης αλλαγής φίλτρου θα ανάψει σε λίγα δευτερόλεπτα από τη σύνδεση του προϊόντος στο ρεύμα.

i Ο αυτόματος υπολογισμός χρόνου χρήσης του φίλτρου δεν είναι ενεργοποιημένος κατά την παράδοση από το εργοστάσιο. Πρέπει να ενεργοποιηθεί σε προϊόντα που είναι εξοπλισμένα με φίλτρο.

i Επαναλάβετε την ίδια διαδικασία σε προϊόντα των οποίων ο αυτόματος υπολογισμός χρόνου χρήσης του φίλτρου είναι ενεργοποιημένος, αν θέλετε να απενεργοποιήσετε τον αυτόματο υπολογισμό χρόνου χρήσης του φίλτρου.

Θήκη αυγών

Μπορείτε να τοποθετήσετε την αυγοθήκη στο επιθυμητό ράφι πόρτας ή κυρίως ράφι.

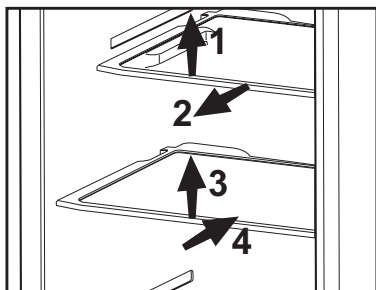
Μην τοποθετείτε ποτέ την αυγοθήκη στο χώρο κατάψυξης.

Συρόμενα ράφια θαλάμου

Μπορείτε να τραβήξετε τα συρόμενα ράφια θαλάμου ανυψώνοντάς τα ελαφρά από μπροστά και κινώντας τα πίσω και εμπρός. Όταν τα τραβάτε προς το μέρος σας σταματούν σε ένα σημείο για να μπορέσετε να φθάσετε τα τρόφιμα που είναι τοποθετημένα στο πίσω μέρος του ραφιού. Αν τα τραβήξετε αφού τα ανυψώσετε ελαφρά στο δεύτερο σημείο στοπ, τότε το ράφι θαλάμου θα απελευθερωθεί.

Πρέπει να κρατάτε το ράφι σταθερά και από το κάτω μέρος για να εμποδίσετε την ανατροπή του. Το ράφι θαλάμου τοποθετείται πάνω στις ράγες στις πλευρές του θαλάμου του ψυγείου φέρνοντάς το σε ένα επίπεδο ψηλότερα ή χαμηλότερα.

Για να εφαρμόσει καλά το ράφι θαλάμου θα πρέπει να το σπρώξετε τελείως πίσω.



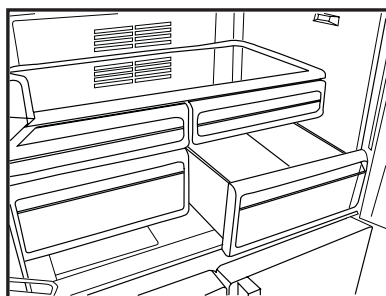
Συρτάρι λαχανικών

Τα συρτάρια λαχανικών του ψυγείου σας έχουν σχεδιαστεί ειδικά για να διατηρούν τα λαχανικά φρέσκα χωρίς να χάνουν την υγρασία τους. Για το σκοπό αυτό, η κυκλοφορία κρύου αέρα γίνεται γύρω από το συρτάρι λαχανικών ως σύνολο. Πριν αφαιρέσετε τα συρτάρια λαχανικών, αφαιρέστε τα ράφια πόρτας που ευθυγραμμίζονται με συρτάρι λαχανικών. Μπορείτε να αφαιρέσετε τα συρτάρια λαχανικών όπως δείχνει η εικόνα.

Χώρος Έντονης ψύξης

Οι χώροι Έντονης ψύξης επιτρέπουν στα τρόφιμα να παγώσουν ώστε να είναι έτοιμα για κατάψυξη. Μπορείτε επίσης να χρησιμοποιήσετε αυτούς τους χώρους για να αποθηκεύσετε τα τρόφιμά σας σε θερμοκρασία λίγων βαθμών κάτω από το χώρο συντήρησης.

Μπορείτε να αυξήσετε τον εσωτερικό όγκο του ψυγείου σας αφαιρώντας οποιονδήποτε από τους χώρους έντονης ψύξης. Για να το κάνετε αυτό, τραβήξτε το θάλαμο προς το μέρος σας. Ο χώρος θα ακουμπήσει στο στοπ και θα σταματήσει. Αυτός ο χώρος θα απελευθερωθεί αν τον ανυψώσετε περίπου 1 εκ. και τον τραβήξετε προς το μέρος σας.



Κινητό κεντρικό τμήμα

Προορισμός του κινητού κεντρικού τμήματος είναι να εμποδίζει τον κρύο αέρα από το εσωτερικό του ψυγείου σας να διαφεύγει προς τα έξω.

1- Στεγανοποίηση επιτυγχάνεται όταν οι στεγανοποιήσεις της πόρτας πιέζονται πάνω στην επιφάνεια του κινητού κεντρικού τμήματος όταν είναι κλειστές οι πόρτες του χώρου συντήρησης.

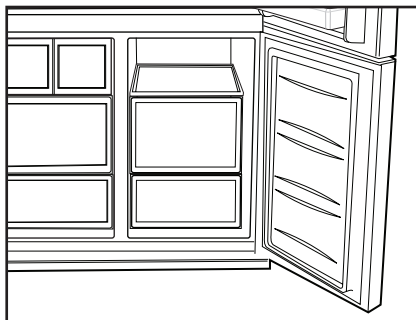
2- Ένας άλλος λόγος που το ψυγείο σας διαθέτει το κινητό κεντρικό τμήμα είναι ότι αυτό αυξάνει τον καθαρό όγκο του χώρου συντήρησης. Τα κανονικά κεντρικά τμήματα καταλαμβάνουν ορισμένο μη χρησιμοποιήσιμο όγκο στο ψυγείο.

3- Το κινητό κεντρικό τμήμα πρέπει είναι κλειστό όταν είναι κλειστή η αριστερή πόρτα του χώρου συντήρησης.

4- Δεν πρέπει να ανοίγεται χειροκίνητα. Κινείται υπό την καθοδήγηση του πλαστικού εξαρτήματος στο σώμα του θαλάμου όταν είναι κλειστή η πόρτα.

Χώρος φύλαξης Ευέλικτης ζώνης

Ο χώρος φύλαξης Ευέλικτης ζώνης του ψυγείου σας μπορεί να χρησιμοποιηθεί με οποιονδήποτε επιθυμητό τρόπο λειτουργίας ρυθμίζοντάς τον σε θερμοκρασίες συντήρησης (2/4/6/8 °C) ή κατάψυξης (-18/-20/-22/-24 °C). Μπορείτε να διατηρήσετε το χώρο στην επιθυμητή θερμοκρασία χρησιμοποιώντας το Κουμπί ρύθμισης θερμοκρασίας χώρου φύλαξης Ευέλικτης ζώνης. Η θερμοκρασία του χώρου φύλαξης Ευέλικτης ζώνης εκτός από τις τιμές θερμοκρασίας χώρου συντήρησης μπορεί να ρυθμιστεί επιπλέον στους 0 και 10 βαθμούς. Επίσης εκτός των θερμοκρασιών χώρου κατάψυξης μπορεί να ρυθμιστεί και στους -6 βαθμούς. Οι 0 βαθμοί χρησιμοποιούνται για φύλαξη των αλλαντικών για περισσότερο χρόνο και οι -6 βαθμοί χρησιμοποιούνται για διατήρηση των κρεατικών έως και για 2 εβδομάδες



σε κατάσταση όπου μπορούν να κοπούν εύκολα.

❗ Η δυνατότητα αλλαγής σε χώρο συντήρησης ή σε χώρο κατάψυξης γίνεται εφικτή από ένα στοιχείο ψύξης που είναι τοποθετημένο στο κλειστό τμήμα (τμήμα συμπιεστή) πίσω από το ψυγείο. Κατά τη λειτουργία αυτού του στοιχείου μπορεί να ακουστούν ήχοι που μοιάζουν με τον ήχο του δείκτη δευτερολέπτων αναλογικού ρολογιού. Αυτό είναι φυσιολογικό και δεν αποτελεί ένδειξη δυσλειτουργίας.

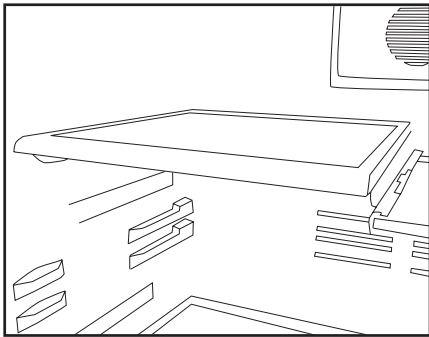
Μπλε φως

Τα τρόφιμα που έχουν αποθηκευτεί στα συρτάρια λαχανικών που φωτίζονται με μπλε φως συνεχίζουν τη φωτοσύνθεσή τους λόγω της επίδρασης του μήκους κύματος του μπλε φωτός και έτσι, διατηρούν τη φρεσκάδα τους και αυξάνεται το περιεχόμενο σε βιταμίνες.



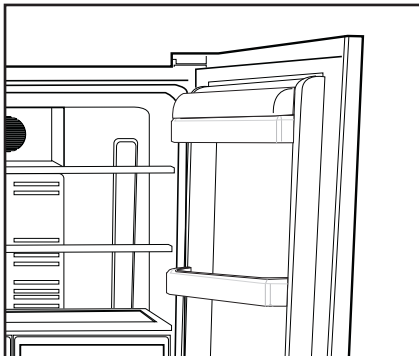
Συρόμενα ράφια θαλάμου με πίσω σύστημα ανάρτησης

Τα συρόμενα ράφια θαλάμου με πίσω σύστημα ανάρτησης μπορούν να κινηθούν προς τα εμπρός και πίσω. Μπορείτε να ρυθμίσετε το ύψος των ραφιών αυτών αφαιρώντας τα και τοποθετώντας τα σε υψηλότερη ή χαμηλότερη θέση. Για να αφαιρέσετε το ράφι, ανυψώστε το ελαφρά και τραβήξτε το προς το μέρος σας.



Τμήμα για βούτυρο & τυρί

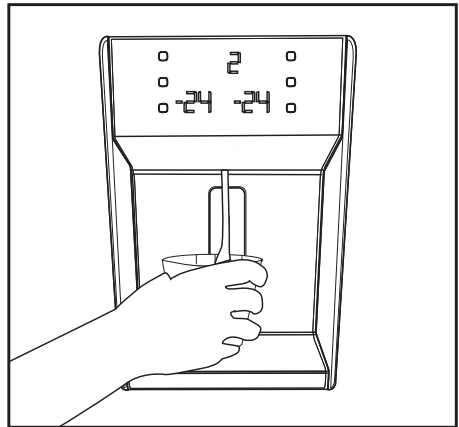
Τρόφιμα όπως βούτυρο, τυρί και μαργαρίνη αποθηκεύονται στο χώρο αυτόν που διαθέτει και κάλυμμα.



Χρήση του διανομέα νερού Προειδοποιήσεις

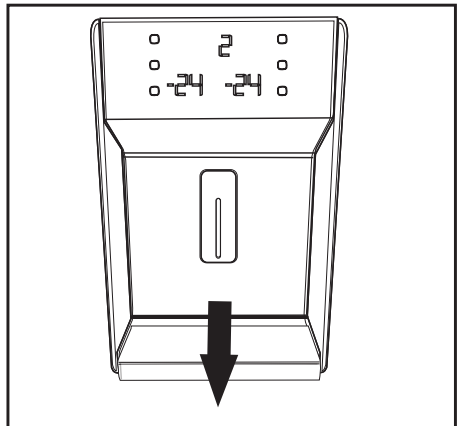
Είναι φυσιολογικό τα πρώτα λίγα ποτήρια νερού που θα πάρετε από το διανομέα να είναι ζεστό.

Σε περιπτώσεις όπου ο διανομέας νερού δεν χρησιμοποιείται συχνά, θα πρέπει να αδειάσετε επαρκή ποσότητα νερού από το διανομέα ώστε να έχετε φρέσκο νερό.



Δίσκος συλλογής σταγόνων

Οι σταγόνες νερού που πέφτουν κατά τη χρήση, συγκεντρώνονται στο δίσκο συλλογής σταγόνων. Μπορείτε να αφαιρέσετε το δίσκο συλλογής σταγόνων τραβώντας τον προς το μέρος σας ή πιέζοντας την άκρη του (ανάλογα με το μοντέλο). Μπορείτε να απομακρύνετε το νερό με σφουγγάρι ή μαλακό πανί.



Μίνι μπαρ

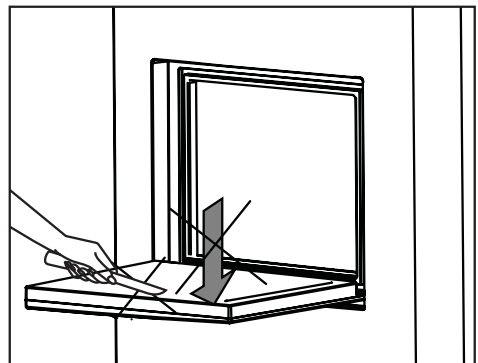
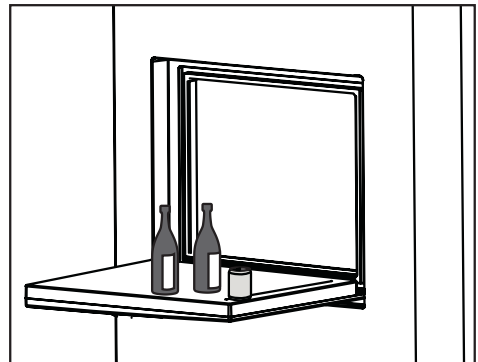
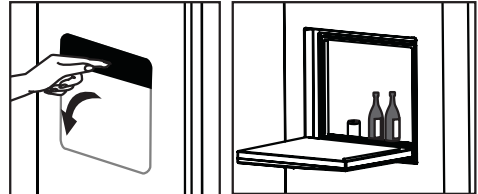
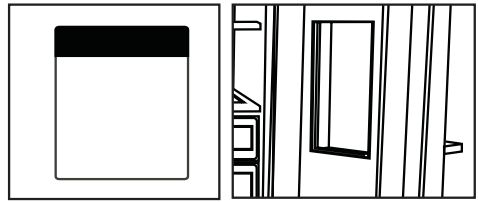
Η πόρτα του Μίνι μπαρ σας προσφέρει μεγαλύτερη ευκολία όταν χρησιμοποιείτε το ψυγείο σας. Μπορείτε να έχετε πρόσβαση στο ράφι πόρτας του ψυγείου χωρίς να ανοίξετε την πόρτα του. Χάρη σε αυτή τη δυνατότητα μπορείτε να πάρετε εύκολα από το ψυγείο τα τρόφιμα και τα ποτά που καταναλώνετε συχνά. Αφού δεν χρειάζεται να ανοίγετε συχνά την πόρτα του ψυγείου, θα έχετε μειωμένη κατανάλωση ρεύματος..

Για να ανοίξετε την πόρτα του Μίνι μπαρ, πιέστε με το χέρι σας και τραβήξτε για να ανοίξει.

Όταν ανοίξει η πόρτα του μίνι μπαρ, μπορείτε να χρησιμοποιήσετε την εσωτερική επιφάνεια του ψυγείου σαν τραπέζι όπου μπορείτε για λίγο να αφήσετε μπουκάλια και ποτήρια, όπως δείχνει το σχήμα.

⚠ Προσοχή: Ποτέ μην κάνετε κάτι που μπορεί να ασκήσει πίεση στην πόρτα, όπως το να καθίσετε, να σκαρφαλώσετε ή να κρεμαστείτε από το τραπέζι. Επίσης μην τοποθετείτε πάνω του βαριά αντικείμενα. Αυτές οι ενέργειες μπορούν να προκαλέσουν ζημιά στο ψυγείο ή και τραυματισμό ατόμων.

⚠ Προσοχή: Ποτέ μη χρησιμοποιήσετε την πόρτα του Μίνι μπαρ σαν επιφάνεια κοπής και προσέχετε να μην υποστεί η πόρτα ζημιά από αιχμηρά αντικείμενα.



6 Συντήρηση και καθαρισμός

- ⚠ Ποτέ μη χρησιμοποιήσετε βενζίνη, βενζόλιο ή παρόμοια υλικά για τον καθαρισμό.
- ⚠ Συνιστούμε να αποσυνδέετε τη συσκευή από την πρίζα πριν τον καθαρισμό.
- ⓘ Ποτέ μη χρησιμοποιείτε για τον καθαρισμό οποιοδήποτε αιχμηρό όργανο που χαράζει, σαπούνι, οικιακά καθαριστικά, απορρυπαντικά και γυαλιστικά κεριού.
- ⓘ Σε προϊόντα που δεν είναι No Frost, στο πίσω τοίχωμα του θαλάμου συντήρησης σχηματίζονται σταγόνες και πάχνη πάχους έως ενός δακτύλου. Μην καθαρίζετε και μην απλώνετε λάδι ή παρόμοια υλικά.
- ⓘ Χρησιμοποιείτε μόνο ελαφρώς υγρά πανιά μικροϊνών για τον καθαρισμό της εξωτερικής επιφάνειας του προϊόντος. Οι σπόγγοι και άλλοι τύποι πανιών καθαρισμού μπορεί να χαράξουν την επιφάνεια.
- ⓘ Για να καθαρίσετε το περίβλημα του ψυγείου σας, χρησιμοποιήστε χλιαρό νερό και κατόπιν σκουπίστε το για να στεγνώσει.
- ⓘ Για να καθαρίσετε το εσωτερικό, χρησιμοποιήστε πανί που έχει υγρανθεί ελαφρά σε διάλυμα από μια κουταλιά του γλυκού μαγειρικής σόδας σε περίπου μισό λίτρο νερού. Κατόπιν σκουπίστε τις επιφάνειες για να στεγνώσουν.
- ⚠ Φροντίστε απαραίτητα να μην εισέλθει νερό στο περίβλημα της λάμπας και σε άλλα ηλεκτρικά εξαρτήματα.
- ⚠ Εάν το ψυγείο σας δεν πρόκειται να χρησιμοποιηθεί για μεγάλη χρονική περίοδο, αποσυνδέστε το καλώδιο ρεύματος από την πρίζα, αφαιρέστε όλα τα τρόφιμα, καθαρίστε το και αφήστε την πόρτα μισάνοιχτη.
- ⓘ Ελέγχετε τακτικά τις στεγανοποιήσεις στις πόρτες για να βεβαιωθείτε ότι είναι καθαρές και απαλλαγμένες από σωματίδια τροφίμων.
- ⓘ Για να αφαιρέσετε ένα ράφι πόρτας, αφαιρέστε όλα τα περιεχόμενα και κατόπιν απλά σπρώξτε το ράφι προς τα πάνω ώστε να βγει από τη βάση του.
- ⓘ Ποτέ μη χρησιμοποιείτε ποτέ καθαριστικούς παράγοντες ή νερό που περιέχει χλώριο για να καθαρίσετε τις εξωτερικές επιφάνειες και τα επιχρωμιωμένα εξαρτήματα του προϊόντος. Το χλώριο προκαλεί διάβρωση σε μεταλλικές επιφάνειες αυτού του είδους.
- ⓘ Μη χρησιμοποιείτε εργαλεία που κόβουν και χαράζουν ή σαπούνι, οικιακά καθαριστικά, απορρυπαντικά βενζίνη, βενζόλιο, κερι κλπ, διαφορετικά οι στάμπες στα πλαστικά εξαρτήματα θα σβήσουν και θα προκύψει παραμόρφωση. Για τον καθαρισμό χρησιμοποιήστε χλιαρό νερό και ένα μαλακό πανί και σκουπίστε για να στεγνώσει.

Προστασία των πλαστικών v επιφανειών v

- ⓘ Μην τοποθετείτε υγρά λάδια ή φαγητά μαγειρεμένα σε λάδι στο ψυγείο σας σε μη σφραγισμένα δοχεία, επειδή προξενούν βλάβες στις πλαστικές επιφάνειες του ψυγείου σας. Σε περίπτωση που χυθεί ή αλειφτεί λάδι στις πλαστικές επιφάνειες, αμέσως καθαρίστε και ξεπλύνετε το επηρεαζόμενο μέρος της επιφάνειας με χλιαρό νερό.

7 Συνιστώ μενες λύσεις για προβλήματα

Παρακαλούμε συμβουλευτείτε τη λίστα πριν καλέσετε το σέρβις. Έτσι μπορείτε να εξοικονομήσετε χρόνο και χρήματα. Η λίστα αυτή περιλαμβάνει συχνά παράπονα που δεν είναι αποτέλεσμα ελαττωμάτων της κατασκευής ή των χρησιμοποιούμενων υλικών. Ορισμένες από τις δυνατότητες που περιγράφονται εδώ ίσως να μην υπάρχουν στη συσκευή σας.

Το ψυγείο δεν λειτουργεί.
<ul style="list-style-type: none">• Έχει συνδεθεί το ψυγείο σωστά στο ρεύμα; Συνδέστε το φικ στην πρίζα στον τοίχο.• Μήπως έχει καεί η ασφάλεια της πρίζας στην οποία έχει συνδεθεί το ψυγείο ή η γενική ασφάλεια; Ελέγξτε την ασφάλεια.
Συμπύκνωση στα πλευρικά τοιχώματα του χώρου συντήρησης. (MULTI ZONE, COOL CONTROL και FLEXI ZONE)
<ul style="list-style-type: none">• Πολύ χαμηλές θερμοκρασίες περιβάλλοντος. Συχνό άνοιγμα και κλείσιμο της πόρτας. Πολύ υψηλή υγρασία περιβάλλοντος. Αποθήκευση τροφίμων που περιέχουν υγρά σε ανοικτά δοχεία. Η πόρτα έχει ξεχαστεί μισάνοιχτη.• Ρύθμιση του θερμοστάτη σε χαμηλότερη θερμοκρασία.• Μείωση του χρόνου που μένει ανοικτή η πόρτα ή λιγότερη συχνή χρήση της.• Κάλυψη με κατάλληλο υλικό του φαγητού που φυλάσσεται σε ανοικτά δοχεία.• Σκουπίστε τη συμπυκνωμένη υγρασία με στεγνό πανί και ελέγξτε αν επιμένει.
Ο συμπιεστής δεν λειτουργεί

<ul style="list-style-type: none">• Το προστατευτικό θερμικό του συμπιεστή θα ενεργοποιηθεί σε περίπτωση ξαφνικών διακοπών ρεύματος ή αν η συσκευή αποσυνδεθεί και συνδεθεί γρήγορα στο ρεύμα, όταν η πίεση του ψυκτικού μέσου στο σύστημα ψύξης του ψυγείου δεν έχει εξισορροπηθεί ακόμα.• Η λειτουργία του ψυγείου σας θα αρχίσει πάλι μετά από 6 λεπτά. Παρακαλούμε καλέστε το σέρβις αν το ψυγείο σας δεν ξεκινήσει πάλι μετά το τέλος αυτού του χρονικού διαστήματος.• Το ψυγείο βρίσκεται στον κύκλο απόψυξης. Αυτό είναι κανονικό για ψυγείο που δεν διαθέτει απόλυτα αυτόματη απόψυξη. Ο κύκλος απόψυξης λαμβάνει χώρα περιοδικά.• Το ψυγείο δεν έχει συνδεθεί στην πρίζα. Βεβαιωθείτε ότι το φικ έχει τοποθετηθεί σωστά στην πρίζα.• Έχουν γίνει σωστά οι ρυθμίσεις θερμοκρασίας; Υπάρχει διακοπή ρεύματος. Καλέστε την εταιρία σας παροχής ηλεκτρισμού.
Το ψυγείο ενεργοποιείται συχνά ή για πολλή ώρα.

- Το νέο σας ψυγείο μπορεί να είναι πλατύτερο από το παλιό. Αυτό είναι πολύ φυσιολογικό. Τα μεγάλα ψυγεία λειτουργούν για μεγαλύτερο χρονικό διάστημα.
- Η θερμοκρασία του περιβάλλοντος χώρου είναι πολύ υψηλή. Αυτό είναι πολύ φυσιολογικό.
- Το ψυγείο ίσως συνδέθηκε στην πρίζα πρόσφατα ή μπορεί να έχει φορτωθεί με πολλά τρόφιμα. Η πλήρης ψύξη του ψυγείου σας στη θερμοκρασία λειτουργίας μπορεί να διαρκέσει δύο ώρες επιπλέον.
- Μπορεί πρόσφατα να τοποθετήθηκαν στο ψυγείο μεγάλες ποσότητες ζεστού φαγητού. Το πολύ ζεστό φαγητό προκαλεί λειτουργία του ψυγείου για περισσότερη ώρα έως ότου φθάσει την επιθυμητή θερμοκρασία ψύλαξης των τροφίμων.
- Ίσως να ανοίγονταν συχνά οι πόρτες ή να παρέμειναν μισάνοιχτες για μεγάλο χρονικό διάστημα. Ο θερμός αέρας που έχει εισέλθει στο ψυγείο προκαλεί τη λειτουργία του ψυγείου για μεγαλύτερες χρονικές περιόδους. Ανοίγετε τις πόρτες λιγότερο συχνά.
- Η πόρτα του χώρου κατάψυξης ή συντήρησης μπορεί να έχει ξεχαστεί μισάνοιχτη. Ελέγξτε αν οι πόρτες έχουν κλείσει καλά.
- Το ψυγείο έχει ρυθμιστεί σε πολύ χαμηλή θερμοκρασία. Ρυθμίστε τη θερμοκρασία του ψυγείου σε υψηλότερο επίπεδο και περιμένετε έως ότου επιτευχθεί αυτή η θερμοκρασία.
- Η στεγανοποίηση πόρτας της συντήρησης ή κατάψυξης μπορεί να είναι λερωμένη, φθαρμένη, σπασμένη ή δεν εφαρμόζει καλά. Καθαρίστε ή αντικαταστήστε τη στεγανοποίηση. Αν υπάρχει ζημιά/σπάσιμο στη στεγανοποίηση της πόρτας, μπορεί να προκληθεί λειτουργία του ψυγείου για μεγαλύτερες περιόδους για να διατηρείται η τρέχουσα θερμοκρασία.

Η θερμοκρασία της κατάψυξης είναι πολύ χαμηλή ενώ η θερμοκρασία της συντήρησης είναι επαρκής.

- Η θερμοκρασία του χώρου κατάψυξης έχει ρυθμιστεί σε πολύ χαμηλό επίπεδο. Ρυθμίστε τη θερμοκρασία του χώρου κατάψυξης σε υψηλότερο επίπεδο και ελέγξτε.

Η θερμοκρασία της συντήρησης είναι πολύ χαμηλή ενώ η θερμοκρασία της κατάψυξης είναι επαρκής.

- Η θερμοκρασία του χώρου συντήρησης έχει ρυθμιστεί σε πολύ χαμηλό επίπεδο. Ρυθμίστε τη θερμοκρασία του χώρου συντήρησης σε υψηλότερο επίπεδο και ελέγξτε.

Τα τρόφιμα στα συρτάρια της συντήρησης παγώνουν.

- Η θερμοκρασία του χώρου συντήρησης έχει ρυθμιστεί σε πολύ χαμηλό επίπεδο. Ρυθμίστε τη θερμοκρασία του χώρου συντήρησης σε υψηλότερο επίπεδο και ελέγξτε.

Η θερμοκρασία στη συντήρηση ή την κατάψυξη είναι πολύ υψηλή.

- Η θερμοκρασία της συντήρησης έχει ρυθμιστεί σε πολύ υψηλό επίπεδο. Η ρύθμιση της συντήρησης έχει επίδραση στη θερμοκρασία της κατάψυξης. Αλλάξτε τη θερμοκρασία της συντήρησης ή κατάψυξης έως ότου η θερμοκρασία της συντήρησης ή κατάψυξης φθάσει σε επαρκές επίπεδο.
- Η πόρτα μπορεί να έχει μείνει μισάνοιχτη. Κλείστε καλά την πόρτα.
- Μπορεί πρόσφατα να τοποθετήθηκαν στο ψυγείο μεγάλες ποσότητες ζεστού φαγητού. Περιμένετε έως ότου η συντήρηση ή η κατάψυξη φθάσει στην επιθυμητή θερμοκρασία.
- Το ψυγείο μπορεί να έχει συνδεθεί στην πρίζα πρόσφατα. Η πλήρης ψύξη του ψυγείου απαιτεί χρόνο λόγω του μεγέθους του.

Το ψυγείο παράγει θόρυβο παρόμοιο με το τικ τακ του ρολογιού.

<ul style="list-style-type: none"> • Ο θόρυβος προέρχεται από την ηλεκτρομαγνητική βαλβίδα του ψυγείου. Ο σκοπός της ηλεκτρομαγνητικής βαλβίδας είναι η εξασφάλιση της διέλευσης ψυκτικού μέσου μέσα από το χώρο που μπορεί να ρυθμιστεί σε θερμοκρασίες ψύξης ή κατάψυξης, και η εκτέλεση των λειτουργιών ψύξης. Αυτό είναι φυσιολογικό και δεν αποτελεί ένδειξη δυσλειτουργίας.
<p>Ο θόρυβος λειτουργίας αυξάνεται όταν λειτουργεί το ψυγείο.</p>
<ul style="list-style-type: none"> • Τα χαρακτηριστικά λειτουργίας του ψυγείου μπορεί να διαφέρουν ανάλογα με τις μεταβολές της θερμοκρασίας περιβάλλοντος. Το φαινόμενο είναι φυσιολογικό και δεν αποτελεί ένδειξη δυσλειτουργίας.
<p>Κραδασμοί ή θόρυβος.</p>
<ul style="list-style-type: none"> • Το δάπεδο δεν είναι ομαλό ή δεν είναι ανθεκτικό. Το ψυγείο ταλαντεύεται όταν μετακινηθεί ελαφρά. Βεβαιωθείτε ότι το δάπεδο είναι οριζόντιο, ανθεκτικό και ικανό να φέρει το βάρος του ψυγείου. • Ο θόρυβος μπορεί να προκαλείται από αντικείμενα που έχουν τοποθετηθεί πάνω στο ψυγείο. Αυτά τα είδη πρέπει να απομακρυνθούν από τη συσκευή.
<p>Υπάρχουν θόρυβοι σαν ροής ή ψεκασμού υγρού.</p>
<ul style="list-style-type: none"> • Η ροή υγρών και αερίων είναι σύμφωνη με την αρχή λειτουργίας του ψυγείου σας. Το φαινόμενο είναι φυσιολογικό και δεν αποτελεί ένδειξη δυσλειτουργίας.
<p>Υπάρχει θόρυβος σαν ανέμου που φυσά.</p>
<ul style="list-style-type: none"> • Για την αποτελεσματική ψύξη του ψυγείου χρησιμοποιούνται συσκευές διακίνησης αέρα (ανεμιστήρες) . Το φαινόμενο είναι φυσιολογικό και δεν αποτελεί ένδειξη δυσλειτουργίας.

<p>Συμπύκνωση στα εσωτερικά τοιχώματα του ψυγείου.</p>
<ul style="list-style-type: none"> • Ο ζεστός και υγρός καιρός αυξάνει το σχηματισμό πάγου και συμπύκνωσης. Το φαινόμενο είναι φυσιολογικό και δεν αποτελεί ένδειξη δυσλειτουργίας. • Η πόρτες είναι μισάνοιχτες. Βεβαιωθείτε ότι οι πόρτες είναι τελείως κλειστές. • Ίσως να ανοίγονταν συχνά οι πόρτες ή να παρέμειναν ανοικτές για μεγάλο χρονικό διάστημα. Ανοίγετε την πόρτα λιγότερο συχνά.
<p>Εμφανίζεται υγρασία στο εξωτερικό του ψυγείου ή ανάμεσα στις πόρτες.</p>
<ul style="list-style-type: none"> • Ο καιρός μπορεί να είναι υγρός. Αυτό είναι πολύ φυσιολογικό σε περίπτωση υγρού καιρού. Όταν η υγρασία είναι μικρότερη, η συμπύκνωση θα πάψει να εμφανίζεται.
<p>Κακοσμία στο εσωτερικό του ψυγείου.</p>
<ul style="list-style-type: none"> • Το εσωτερικό του ψυγείου πρέπει να καθαριστεί. Καθαρίστε το εσωτερικό του ψυγείου, με ένα σφουγγάρι, χλιαρό νερό ή διάλυμα μαγειρικής σόδας σε νερό. • Ίσως η οσμή να προκαλείται από ορισμένα δοχεία ή υλικά συσκευασίας. Χρησιμοποιήστε διαφορετικό δοχείο ή διαφορετική μάρκα υλικού συσκευασίας.
<p>Η (Οι) πόρτα(-ες) δεν κλείνει(-ουν).</p>
<ul style="list-style-type: none"> • Συσκευασίες τροφίμων ίσως να εμποδίζουν το κλείσιμο της πόρτας. Μετατοπίστε τις συσκευασίες που εμποδίζουν την πόρτα. • Το ψυγείο πιθανόν να μην είναι εντελώς κατακόρυφο στο δάπεδο και μπορεί να ταλαντεύεται όταν σπρωχτεί ελαφρά. Ρυθμίστε τις βίδες ανύψωσης. • Το δάπεδο δεν είναι επίπεδο ή δεν είναι ανθεκτικό. Βεβαιωθείτε ότι το δάπεδο είναι οριζόντιο και ικανό να φέρει το βάρος του ψυγείου.

Τα συρτάρια λαχανικών έχουν κολλήσει.

- Τα τρόφιμα μπορεί να αγγίζουν την οροφή του συρταριού. Ανακατανείμμετε τα τρόφιμα στο συρτάρι.

Αν Η Επιφάνεια Του Προϊοντος Είναι Θερμη.

Ενδέχεται να παρατηρηθούν • υψηλές θερμοκρασίες ανάμεσα στις δύο πόρτες, στα πλευρικά πλαίσια και στην πίσω σχάρα κατά τη λειτουργία του προϊόντος. Αυτό είναι φυσιολογικό και το προϊόν δεν χρειάζεται συντήρηση! Προσοχή όταν αγγίζετε αυτές τις επιφάνειες

ΠΑΡ. ΣΕΪΤΑΝΙΔΗΣ Α.Ε.

ΠΟΛΥΣΤΥΛΟ ΚΑΒΑΛΑΣ ΤΗΛ 2510 392 180-3
ΥΠΟΚΑΤΑΣΤΗΜΑ ΑΘΗΝΩΝ
ΑΛΙΜΟΥ 8 ΚΑΙ ΖΑΛΟΓΟΥ, ΑΛΙΜΟΣ
ΤΗΛ 211 012 2829-30-31-32
E-mail: seitanidis@otenet.gr



ΕΓΓΥΗΣΗ

Η εταιρεία ΠΑΡ.ΣΕΪΤΑΝΙΔΗΣ Α.Ε. σας ευχαριστεί για την προτίμηση που δείξατε αγοράζοντας τις συσκευές beko και σας παρέχει τον παρακάτω χρόνο εγγύησης από την ημερομηνία αγοράς τους. Αν μέσα στην διάρκεια της εγγύησης η συσκευή σας χρειαστεί επισκευή, μπορείτε να ενημερωθείτε για τα εξουσιοδοτημένα service από το τηλεφωνικό κέντρο της εταιρεία μας στο τηλέφωνο **2510 392511 / 2510 392512**

ΨΥΓΕΙΑ	3 ΧΡΟΝΙΑ	ΚΑΤΑΨΥΚΤΕΣ	3 ΧΡΟΝΙΑ
ΚΟΥΖΙΝΕΣ	3 ΧΡΟΝΙΑ	ΦΟΥΡΝΟΙ ΜΙΚΡΟΚΥΜΑΤΩΝ	2 ΧΡΟΝΙΑ
ΠΛΥΝΤΗΡΙΑ	3 ΧΡΟΝΙΑ	ΜΙΚΡΟΣΥΣΚΕΥΕΣ - ΣΚΟΥΠΕΣ	2 ΧΡΟΝΙΑ

ΟΝΟΜΑΤΕΠΩΝΥΜΟ ΑΓΟΡΑΣΤΗ..... ΑΡ. ΕΓΓΥΗΣΗΣ.....

..... ΑΡ. ΠΑΡΑΣΤΑΤ. ΑΓΟΡΑΣ.....

ΔΙΕΥΘΥΝΣΗ..... ΜΟΝΤΕΛΟ ΣΥΣΚΕΥΗΣ.....

..... ΣΕΙΡΙΑΚΟΣ ΑΡΙΘΜΟΣ ΣΥΣΚΕΥΗΣ.....

ΤΗΛ : ΗΜΕΡ/ΝΙΑ ΑΓΟΡΑΣ.....

ΣΦΡΑΓΙΔΑ & ΥΠΟΓΡΑΦΗ ΠΩΛΗΤΗ.....



ΟΝΟΜΑΤΕΠΩΝΥΜΟ ΑΓΟΡΑΣΤΗ..... ΑΡ. ΕΓΓΥΗΣΗΣ.....

..... ΑΡ. ΠΑΡΑΣΤΑΤ. ΑΓΟΡΑΣ.....

ΔΙΕΥΘΥΝΣΗ..... ΜΟΝΤΕΛΟ ΣΥΣΚΕΥΗΣ.....

..... ΣΕΙΡΙΑΚΟΣ ΑΡΙΘΜΟΣ ΣΥΣΚΕΥΗΣ.....

ΤΗΛ : ΗΜΕΡ/ΝΙΑ ΑΓΟΡΑΣ.....

ΣΦΡΑΓΙΔΑ & ΥΠΟΓΡΑΦΗ ΠΩΛΗΤΗ.....

.....

ΟΡΟΙ ΚΑΙ ΠΡΟΫΠΟΘΕΣΕΙΣ ΙΣΧΥΟΣ ΤΗΣ ΠΑΡΟΥΣΗΣ ΕΓΓΥΗΣΗΣ

- Για να ισχύει η παρούσα εγγύηση θα πρέπει να συμπληρωθούν πλήρως και να υπογραφούν δεόντως με φροντίδα του πελάτη και τα δύο μέρη της εγγύησης. Το απόκομμα για την εταιρεία θα πρέπει να ταχυδρομηθεί με συστημένη επιστολή ή να προσκομηθεί στα γραφεία της εταιρείας μας (Πολύστιλο Καβάλας Τ.Θ 1402 , Τ.Κ.64003) εντός 10 ημερών από την ημερομηνία αγοράς.
- Η εργοστασιακή εγγύηση καλύπτει τον χρόνο που αναγράφεται στον σχετικό πίνακα για κάθε συσκευή, κάθε ανωμαλία ή βλάβη που οφείλεται αποκλειστικά σε κατασκευαστικό ελάττωμα ή ελαττωματικό εξάρτημα της συσκευής. Η αποκατάσταση της βλάβης γίνεται εντελώς δωρεάν δια της αντικατάστασης ή επισκευής του ελαττωματικού εξαρτήματος. Σε καμία περίπτωση δεν προβλέπεται η **αντικατάσταση** της συσκευής. Ο καταναλωτής οφείλει με δικές του δαπάνες να πάει την συσκευή στο κοντινότερο εξουσιοδοτημένο service της εταιρίας.
- Η εταιρεία μας διατηρεί το δικαίωμα να καθορίζει τον τρόπο και τόπο επισκευής των βλαβών κατά την απόλυτη κρίση της .
- Η εγγύηση δεν καλύπτει βλάβες που οφείλονται άμεσα ή έμμεσα σε αμέλεια , παράλειψη , κακή εγκατάσταση και πάσης φύσεως επέμβαση στη συσκευή από μη εξουσιοδοτημένο συνεργείο , κακή χρήση και ελλιπή συντήρηση της συσκευής. Επίσης η εταιρεία μας δεν ευθύνεται για βλάβες που οφείλονται σε κακή ηλεκτρική σύνδεση σε τάση διαφορετική από την αναγραφόμενη στη πινακίδα της συσκευής , σε μη γειωμένο ρευματοδότη ή σε μεταβολές της τάσης. Στις καλύψεις της εγγύησης δεν συμπεριλαμβάνονται τα εύθραυστα εξαρτήματα όπως ενδεικτικά αναφέρουμε :γυάλινες και πλαστικές επιφάνειες , λυχνίες κ.α.
- Η εγγύηση παρέχεται προς τον αρχικό αγοραστή και ισχύει από την ημερομηνία αγοράς της συσκευής.
- Η παρούσα εγγύηση πρέπει να συνοδεύεται από τιμολόγιο ή δελτίο λιανικής πώλησης ή φωτοαντίγραφο **αυτού**.

Αποφύγετε την αλλοίωση της εγγύησης και της πινακίδας μητρώου που βρίσκεται στο πίσω μέρος της συσκευής.

Φυλάξτε την εγγύηση και μετά την λήξη της.

Προσκομίστε την σε κάθε αίτημα για επισκευή.

ΠΡΟΣΟΧΗ

ΣΕ ΠΕΡΙΠΤΩΣΗ ΠΟΥ ΔΕΝ ΣΤΑΛΕΙ Η ΚΑΡΤΑ ΕΓΓΥΗΣΕΩΣ ΕΝΤΟΣ 10 ΗΜΕΡΩΝ ΣΤΗΝ ΕΤΑΙΡΕΙΑ ΔΕΝ ΙΣΧΥΕΙ Η ΕΓΓΥΗΣΗ ΤΗΣ ΣΥΣΚΕΥΗΣ ΠΟΥ ΕΠΙΛΕΞΑΤΕ

SERVICE ΔΕΥΚΩΝ ΣΥΣΚΕΥΩΝ

ΑΘΗΝΑ ΜΑΚΡΗΣ ΦΩΤΙΟΣ	210 2116649 6932366733	ΘΕΣΣΑΛΟΝΙΚΗ ΓΙΑΓΟΥΡΗΣ Π. Κ ΣΙΑ Ο.Ε.	6947424284 6936065106
ΠΑΤΡΑ ΧΟΡΜΠΙΑΣ ΝΙΚΟΛΑΟΣ	2610 640810 6932 437700	ΒΟΛΟΣ ΝΑΟΥΜΙΔΗΣ ΓΕΩΡΓΙΟΣ	22410 94130 6981972363
ΙΩΑΝΝΙΝΑ ΤΣΟΥΓΙΑΣ ΧΡΗΣΤΟΣ	26510 31947 6945 306990	ΚΟΜΟΤΗΝΗ ΠΑΠΑΖΟΥΔΗΣ ΚΩΝΣΤΑΝΤΙΝΟΣ	25310 33711 6932 587473

SERVICE ΘΑΛΕΟΡΑΣΕΩΝ – HIFI

ΑΘΗΝΑ ΜΑΝΩΛΟΠΟΥΛΟΣ ΓΕΩΡΓΟΣ	210 8836512	ΘΕΣΣΑΛΟΝΙΚΗ ΣΑΜΙΟΣ ΠΑΡΑΣΧΟΣ	2310 429229
ΠΑΤΡΑ ΗΛΙΟΠΟΥΛΟΣ ΔΗΜΗΤΡΙΟΣ	2610 622388	ΒΟΛΟΣ ΜΑΡΓΑΡΙΤΟΥΛΗΣ ΘΕΟΔΩΡΟΣ	24210 30113



ΠΡΟΣ : **beko**

ΠΑΡ. ΣΕΪΤΑΝΙΔΗΣ Α.Ε.

ΠΟΛΥΣΤΥΛΟ ΚΑΒΑΛΑΣ
Τ.Θ 1402 , Τ.Κ.64003
ΤΗΛ 2510 392180-3

ΧΩΡΟΣ
ΓΡΑΜ / ΜΟΥ



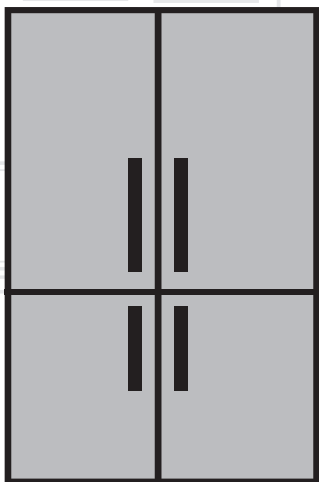
58 0134 0000/AC
1/4
EN-DA-EL



www.beko.com

Refrigerator

User manual

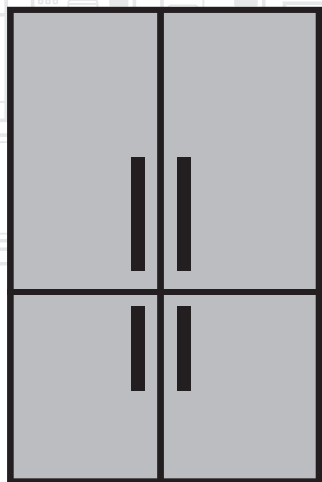


GNE 134620 X

FI HUINL

beko

Jääkaappi Käyttöopas



FINI

beko

Lue tämä käyttöopas ensin!

Hyvä asiakas,

toivomme, että nykyaikaisissa tuotantolaitoksissa valmistamamme ja erittäin huolellisella laadunvalvonnalla tarkastettu tuote toimii käytössäsi mahdollisimman tehokkaasti.

Tämän varmistamiseksi toivomme, että luet huolellisesti koko käyttöoppaan ennen jääkaapin käyttöön ottoa, ja säilytät sitä helposti saatavilla tulevaa käyttöä varten.




Tämä käyttöopas

- Auttaa käyttämään jääkaappia nopeasti ja turvallisesti.
- Lue käyttöopas ennen jääkaapin asennusta ja käyttöä.
- Noudata ohjeita, erityisesti niitä, jotka koskevat turvallisuutta.
- Säilytä käyttöopasta helposti saatavilla olevassa paikassa, sillä voit tarvita sitä myöhemmin.
- Lue myös muut tuotteen mukana tulleet asiakirjat.

Huomaa, että tämä käyttöopas voi soveltua myös muihin malleihin.

Symbolit ja niiden kuvaus

Tässä käyttöoppaassa käytetään seuraavia symboleja:

-  Tärkeitä tietoja tai hyödyllisiä käyttövihjeitä.
-  Varoitus hengelle ja omaisuudelle vaarallisista olosuhteista.
-  Varoitus sähköjännitteestä.

SISÄLTÖ

1 Jääkaappi 3

2 Turvallisuutta ja ympäristöä koskevia ohjeita4

Yleiset turvallisuusohjeet	4
Käyttötarkoitus	6
Lasten turvallisuus	6
WEEE-direktiivin noudattaminen ja jätteiden hävittäminen	6
Yhdenmukaisuus RoHS-direktiivin kanssa.....	6
Pakkauksen tiedot	6
Suosituksot tuoreruokaosastolle	7

3 Asennus 8

Jääkaapin kuljetuksessa huomioitavat asiat	8
Ennen jääkaapin käyttöä.....	8
Sähköliitännät	8
Pakkauksen hävittäminen	9
Vanhan jääkaapin hävittäminen	9
Sijoittaminen ja asennus	9
Lampun vaihtaminen	9
Lattiatasapainon säätö.....	10
Yläoven raon säätäminen.....	11
Vesisuodattimen asennus	12
Vesiletkun liittäminen jääkaappiin.	12
Vesiletkun ja säiliön liitäntä	13
Vesiletkun liittäminen kylmävesijohtoon.	14
Ennen veden annostelijan ensimmäistä käyttöä	16

4 Valmistelu 17

5 Jääkaapin käyttäminen 18

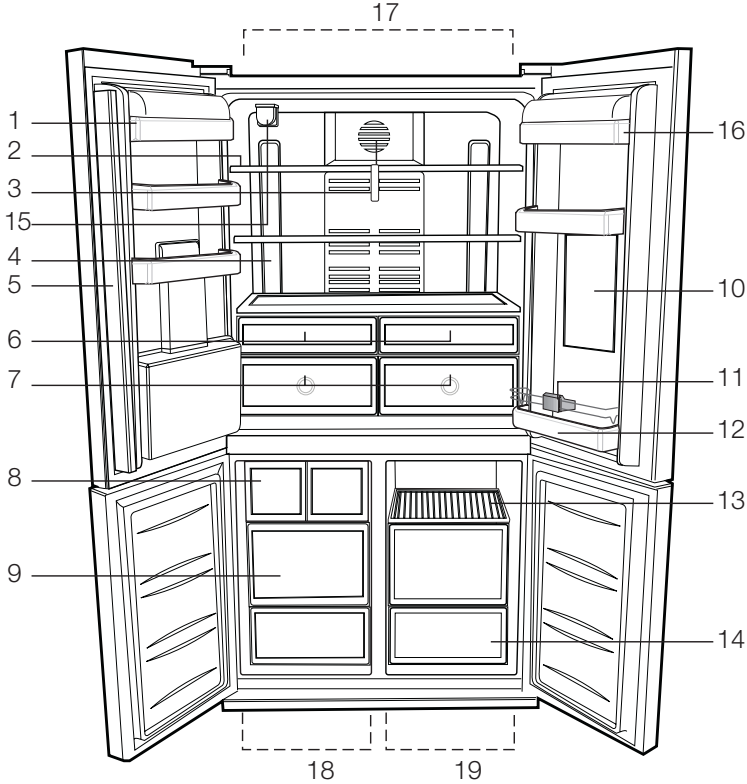
Näyttötaulu.....	18
Ovi auki -hälytys:	21
Vihanneslokero	21
Tuoreen ruoan pakastaminen.....	22
Pakastetun ruoan säilytys-suositukset	22
Elintarvikkeiden sijoittaminen.....	23
Pakastustiedot.....	23
Tehtävät suodattimen käyttöajan laskemiseksi automaattisesti.....	24
Kananmunalokero	25
Liukuvat hyllyt	25
Jäähdytyslokero	25
Siirrettävä keskiosa	26
Monialuesäilytyslokero	26
Sininen valo	26
Liukuvat rungon hyllyt takaripustimilla	27
Maitotuoteosasto.....	27
Vesilähteen käyttö.....	27
Vuotoallas.....	27
Minibaari.....	28

6 Ylläpito ja puhdistus 29

Muoviosien suojele	29
--------------------------	----

7 Suositellut ongelmanratkaisut 30

1 Jääkaappi



- 1- Jääkaappilokeron ovihyllyt
- 2- Jääkaappilokeron lasihyllyt
- 3- Hajauttajan kansi
- 4- Jääkaappivalo
- 5- Siirrettävä keski osa
- 6- Jäähdytyslokeri
- 7- Vihanneslokeri
- 8- Jääpalakone
- 9- Pakasteiden säilytyslokerot
- 10- Minibaari




- 11- Pullonpidin
- 12- Pullohylly
- 13- Ruoansäilytyshyllyt
- 14- Ruokien säilytysosastot
- 15- Vesisuodatin
- 16- Meijerituotteiden osasto
- 17- Jääkaappilokeri
- 18- Pakastelokeri
- 19- Monialue

i Tämän ohjekirjan kuvitus on mallikuviin perustuvaa eikä se ehkä vastaa täysin todellista tuotetta. Jos jokin osa puuttuu ostamastasi tuotteesta, kuvaus koskee muita malleja.

2 Turvallisuutta ja ympäristöä koskevia ohjeita

Tämä osio sisältää tarvittavat turvallisuusohjeet vammojen ja materiaalisten vahinkojen välttämiseksi. Näiden ohjeiden noudattamatta jättäminen mitätöi tuotetakuun.

Käyttötarkoitus

	VAROITUS: Pidä laitteen ja rakenteiden tuuletusaukot esteettöminä.
	VAROITUS: Älä käytä sulatusprosessin nopeuttamiseen mekaanisia tai muita keinoja, joita valmistaja ei suosittele.
	VAROITUS: Älä vaurioita kylmäinekiertoa.
	VAROITUS: Älä käytä sähkölaitteita laitteen ruokalokeroissa, jolleivät ne ole valmistajan suosittelemia.

Tämä laite on tarkoitettu kotitalouskäyttöön ja vastaaviin sovelluksiin kuten

– henkilökunnan keittiötiloihin myymälöissä, toimistoissa ja muissa työympäristöissä:

maatilamajoituksen ja hotellien, motellien sekä muiden asuintilojen asiakkaille:

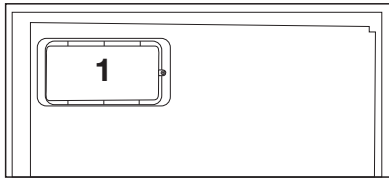
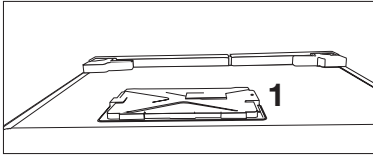
aamiaismajoitustyyppisiin ympäristöihin:

pitopalveluille ja vastaaviin epäkaupallisiin sovelluksiin.

Yleiset turvallisuusohjeet

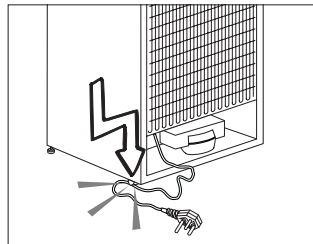
- Tätä laitetta ei ole tarkoitettu sellaisten henkilöiden (mukaan lukien lapset) käyttöön, joiden fyysiset, sensoriset tai henkiset kyvyt eivät ole riittäviä tai joilta puuttuu kokemusta ja tietoa laitteen käyttämiseksi, ellei heitä ohjata vastuullisen henkilön toimesta. Lapset eivät saa leikkiä tämän laitteen kanssa.
- Jos laitteessa ilmenee toimintahäiriö, irrota laite virtalähteestä.
- Irrotettuasi laitteen virtalähteestä, odota vähintään 5 minuuttia ennen kuin kytket sen takaisin kiinni virtalähteeseen. Irrota laite virtalähteestä, kun sitä ei käytetä. Älä koske liittimeen märin käsin! Älä irrota laitetta virtalähteestä johdosta vetämällä, vaan tartu aina pistotulppaan.
- Älä kytke pistoketta pistorasiaan, mikäli se on irtonainen.
- Irrota laite virtalähteestä asennuksen, huollon, puhdistuksen ja korjauksen ajaksi.
- Jos tuotetta ei käytetä vähään aikaan, irrota pistoke pistorasiasta ja poista elintarvikkeet sen sisältä.
- Älä käytä höyryä tai höyrytettyjä puhdistusaineita jääkaapin puhdistamiseen tai jään sulattamiseen sen sisältä. Höyry voi päästä sähköistetyille alueille ja aiheuttaa oikosulun tai sähköiskun!
- Älä pese laitetta suihkuttamalla tai kaatamalla vettä sen päälle! Sähköiskun vaara!
- Älä koskaan käytä tuotetta jos osa

tuotteen edessä tai takana, missä elektroninen piirilevy sijaitsee on auki (elektronisen piirilevyn suojuus) (1).



- Jos laitteessa ilmenee vikoja, sitä ei tule käyttää sähköiskuvaaran vuoksi. Ota yhteyttä valtuutettuun huoltopisteeseen ennen mitään toimenpiteitä.
- Liitä laite maadoitettuun pistorasiaan. Maadoitus tulee suorittaa valtuutetun sähköasentajan toimesta.
- Jos tuotteessa on LED-valot, ota yhteyttä valtuutettuun huoltopisteeseen niiden vaihtamiseksi tai mikäli niissä ilmenee häiriöitä.
- Älä koske pakastettuun ruokaan märin käsin! Se voi tarttua kiinni käsiisi!
- Älä aseta nesteitä sisältäviä pulloja tai tölkkejä pakastelokeroon. Ne voivat roiskua ulos!
- Aseta nesteet jääkaappiin pystyasennossa suljettuasi ensin korkit tiukasti kiinni.
- Älä suihkuta helposti syttyviä aineita tuotteen lähellä, koska se saattaa syttyä tuleen tai räjähtää.
- Älä säilytä herkästi syttyviä materiaaleja ja syttyviä kaasuja (spray-pulloja yms.) sisältäviä tuotteita jääkaapissa.

- Älä aseta nesteitä sisältäviä astioita laitteen päälle. Sähköiselle osalle osuva roiskuva vesi voi aiheuttaa sähköiskun ja tulipalon vaaran.
- Laitteen altistuminen sateelle, lumelle, auringonvalolle tai tuulelle aiheuttaa sähköisen vaaran. Älä siirrä laitetta ovenkahvasta vetämällä. Kahva saattaa irrota.
- Varo, ettei kätesi tai muu vartalonosasi joudu puristuksiin laitteen sisällä olevien liikkuvien osien väliin.
- Älä nojaa tai astu oven, vetimien tai jääkaapin muiden vastaavien osien päälle. Tämä voi aiheuttaa laitteen kaatumisen ja osien vaurioitumisen.
- Varo, ettet astu virtajohton päälle.
- **Kun asetat laitteen paikalleen, varmista, ettei virtajohto jää puristuksiin tai vaurioitu.**
- **Älä aseta laitteen taakse jakopistorasioita tai siirrettäviä virtalähteitä.**



HC-varoitus

Mikäli laitteessa on jäähdytysjärjestelmä, joka käyttää R600a-kaasua, varo vahingoittamasta jäähdytysjärjestelmää ja sen putkea käyttäessäsi ja siirtäessäsi sitä. Tämä kaasu on helposti syttyvää. Jos jäähdytysjärjestelmä on vahingoittunut, pidä laite etäällä herkästi syttyvistä aineista ja tuuleta huone heti.



Sisäpuolella, vasemmalla olevassa merkissä on ilmoitettu laitteen käyttämän kaasun tyyppi.

Mallit, joissa on vedenannostelija

- Kylmän veden tulopaineen tulee olla enintään 90 psi (620 kPa). Mikäli vedenpaine ylittää 80 psi (550 kPa), käytä vesijohtojärjestelmässä paineenrajoitusventtiiliä. Mikäli et tiedä, miten vedenpaine mitataan, pyydä apua putkiasentajalta.
- Mikäli järjestelmässäsi on paineiskun vaara, käytä asennuksessa paineiskunestolaitetta. Kysy neuvoa putkiasentajalta, mikäli et tiedä, liittyykö järjestelmääsi paineiskun vaara.
- Älä asenna kuuman veden tuloon. Suorita putkien jäätyminen estämiseksi tarvittavat varotoimet. Käytettävän veden lämpötilan tulee olla vähintään 0,6 °C ja enintään 38 °C.
- Käytä vain juomavettä.

Käyttötarkoitus

- Tämä tuote on tarkoitettu kotitalouskäyttöön. Sitä ei ole tarkoitettu kaupalliseen käyttöön.
- Tuotetta tulee käyttää vain elintarvikkeiden varastointiin.
- Älä säilytä jääkaapissa herkkiä tuotteita, jotka vaativat säädeltyä lämpötilaa (rokotteet, lämpöherkät lääkkeiden, lääkeaineet jne.).
- Valmistaja ei vastaa mistään vahingoista, jotka ovat aiheutuneet laitteen virheellisestä tai varomattomasta käsittelystä.
- Alkuperäiset varaosat toimitetaan 10 vuotta ostopäivämäärästä laskettuna.

Lasten turvallisuus

- Säilytä pakkausmateriaalit lasten ulottumattomissa.
- Älä anna lasten leikkiä laitteella.
- Jos tuotteen ovessa on lukko, säilytä avain lasten ulottumattomissa.

WEEE-direktiivin noudattaminen ja jätteiden hävittäminen

Tämä tuote täyttää EU:n WEEE-direktiivissä (2012/19 /EU) asetetut vaatimukset. Tässä tuotteessa on sen sähkö- ja elektroniikkalaiteromuluokan (WEEE) ilmaiseva symboli.



Tämä tuote on valmistettu laadukkaista osista ja materiaaleista, jotka voidaan käyttää uudelleen ja ne soveltuvat kierrätykseen. Älä hävitä käytöstä poistettua laitetta kotitalousjätteen ja muun jätteen seassa. Toimita se sähkö- ja elektroniikkalaitteiden keräyspisteeseen. Lisätietoja keräyspisteistä saat paikallisilta viranomaisilta.

Yhdenmukaisuus RoHS-direktiivin kanssa

- Tämä tuote täyttää EU:n WEEE-direktiivissä (2011/65 /EU) asetetut vaatimukset. Se ei sisällä direktiivissä määriteltyjä haitallisia ja kiellettyjä aineita.

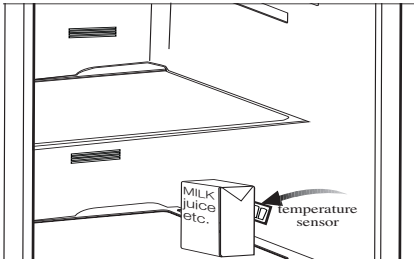
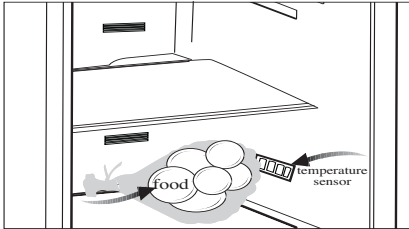
Pakkauksen tiedot

- Tuotteen pakkausmateriaalit on valmistettu kierrätettävistä materiaaleista kansallisten ympäristösäädösten mukaisesti. Älä hävitä pakkausmateriaaleja kotitalousjätteiden tai muiden jätteiden seassa. Toimita ne paikallisten viranomaisten nimeämään pakkausmateriaalien keräyspisteeseen.

Suosituksset tuoreruokaosastolle

* VALINNAINEN

- Älä anna elintarvikkeiden joutua kosketuksiin tuoreruokaosaston lämpötila-anturin kanssa. Jotta tuoreruokaosaston lämpötila pysyy säilytykselle sopivana, anturia ei saa tukkia elintarvikkeilla.
- Älä laita kuumaa ruokaa laitteeseen.



3 Asennus

- ① Muista, että valmistaja ei ole vastuussa, jos käyttöoppaassa annettuja tietoja ei noudateta.

Jääkaapin kuljetuksessa huomioitavat asiat

1. Jääkaappi on aina tyhjennettävä ja puhdistettava ennen kuljetusta.
2. Jääkaapin hyllyt, lisävarusteet, vihanneslokerot jne., on kiinnitettävä paikoilleen kunnolla teipillä niiden suojaamiseksi tärinältä ennen uudelleenpakkausta.
3. Pakkaus on sidottava vahvoilla teipeillä ja naruilla ja pakkaukseen painettuja kuljetusohjeita on noudatettava.

① Muista aina...

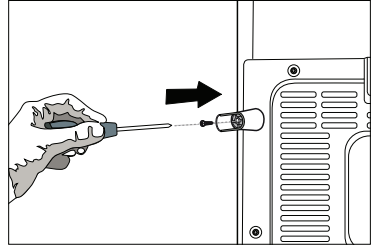
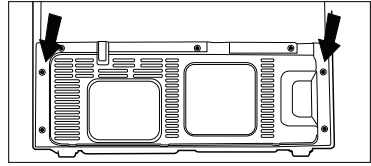
Kaikki kierrätetyt materiaalit ovat korvaamaton lähde luonnolle ja kansallisille resursseille.

Jos haluat osallistua pakkausmateriaalien kierrätykseen, saat lisätietoja ympäristöosastoilta tai paikallisilta viranomaisilta.

Ennen jääkaapin käyttöä

Tarkista seuraava ennen kuin alat käyttää jääkaappia:

1. Ovanko jääkaapin sisäpinnat kuivia ja kiertääkö ilma vapaasti jääkaapin takana?
2. Aseta kaksi muovikiilaa takaosan tuuletusaukon kanteen, kuten seuraavassa kuvassa on näytetty. Tee se irrottamalla ruuvit tuotteesta käyttämällä saman pussin ruuveja. Muovikiilat varmistavat vaadittavan etäisyyden jääkaapin ja seinän välillä ilman kierron takaamiseksi.



3. Puhdista jääkaapin sisäpinnat, kuten on suositeltu osassa "Ylläpito ja puhdistus".
4. Liitä jääkaapin virtajohto seinäpistorasiaan. Kun ovi avataan, kyseisen osaston sisävalo syttyy.
5. Kuulet ääntä, kun kompressori käynnistyy. Jäähdytysjärjestelmään suljetut nesteet ja kaasut voivat myös aiheuttaa jonkin verran ääntä silloinkin, kun kompressori ei ole käynnissä. Se on aivan normaalia.
6. Jääkaapin etureunat voivat tuntua lämpimiltä. Tämä on normaalia. Näiden alueiden on suunniteltu olevan lämpimiä kondensaation estämiseksi.

Sähköliitännät

Liitä jääkaappi maadoitettuun pistorasiaan, joka on suojattu riittävän tehokkaalla sulakkeella.

Tärkeää:

- ⚠ Liitännän on oltava kansallisten säädösten mukainen.
- ⚠ Virtakaapelin pistokkeen on oltava helposti saatavilla asennuksen jälkeen.
- ⚠ Jännite ja sallittu sulakesuojaus on määritetty osassa ”Tekniset tiedot”.
- ⚠ Määritetyn jännitteen on oltava sama kuin sähköverkolla.
- ⚠ Liitäntään ei saa käyttää jatkokaapeleita tai haaroitusrasioita.
- ⚠ Vahingoittunut virtakaapeli on jätettävä pätevän sähkötekniikon vaihdettavaksi.
- ⚠ Tuotetta ei saa käyttää ennen kuin se on korjattu! Se aiheuttaa sähköiskun vaaran!

Pakkauksen hävittäminen

- ⚠ Pakkausmateriaali voi olla lapsille vaarallista. Pidä pakkausmateriaali lasten ulottumattomissa tai hävitä se lajittelemalla jätteidenhävitysohjeiden mukaisesti. Älä hävitä pakkausmateriaalia kotitalousjätteen mukana.

Jääkaapin pakkaus on valmistettu kierrätettävistä materiaaleista.

Lampun vaihtaminen

Ota yhteyttä valtuutettuun huoltoon, kun jääkaapin lamppu on vaihdettava. Tämän kodinkoneen valaisin/valaisimet eivät sovellu huoneen valaisemiseen. Valaisimen tarkoitus on auttaa käyttäjää sijoittamaan elintarvikkeet jääkaappiin/pakastimeen on turvallisella ja mukavalla tavalla. Tässä laitteessa käytettävien lamppujen tulee kestää äärimmäisiä olosuhteita kuten alle 20 °C lämpötiloja.

Vanhan jääkaapin hävittäminen

Hävitä vanha jääkaappi aiheuttamatta vahinkoa ympäristölle.

- ⚠ Voit ottaa yhteyden valtuutettuun jälleenmyyjään tai kunnalliseen jätehuoltokeskukseen saadaksesi ohjeet jääkaapin hävittämisestä.
- ⚠ Ennen kuin hävität jääkaapin, leikkaa virtapistoke irti, ja jos ovesa on lukitus, tee siitä toimintakyvytön, jottei siitä koidu vaaraa lapsille.

Sijoittaminen ja asennus

- ⚠ Varoitus: Älä koskaan liitä jääkaappia pistorasiaan asennuksen aikana. Se voi aiheuttaa vaaran, joka voi johtaa kuolemaan tai vakavaan vammaan.

- ⚠ Jos oviaukko jääkaapin asennushuoneeseen ei ole tarpeeksi leveä, soita valtuutettuun huoltoon ja pyydä heitä irrottamaan jääkaapin ovet, jolloin se saattaa mahtua ovesta sivuttain.

1. Asenna jääkaappi paikkaan, jossa sitä on helppo käyttää.

2. Pidä jääkaappi etäällä lämmönlähteistä, kosteista paikoista ja suoralta auringonpaisteelta.

3. Jääkaapin ympärillä on oltavaa tilaa kunnolliselle tuuletukselle, jotta se toimisi tehokkaasti. Jos jääkaappi asetetaan seinän syvennykseen, väliä kattoon ja seiniin on jätävä vähintään 5 cm.

Jos lattia on päällystetty matolla, jääkaapin on oltava koholla lattiasta vähintään 2,5 cm.

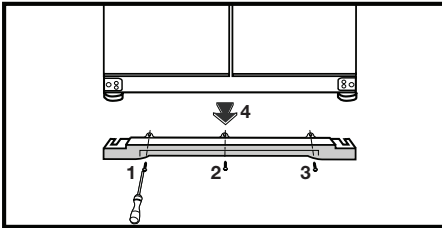
4. Aseta jääkaappi tasaisella lattiapinnalle tärinän ehkäisemiseksi.

5. Älä säilytä jääkaappia tilassa, jonka lämpötila on alle 10 °C.

Lattiatasapainon säätö

⚠ Jos jääkaappi on epätasapainossa:

⚠ Irrota ensin tuotteen virtajohto. Tuote on irrotettava verkkovirrasta tasapainon säätämisen ajaksi. Sähköiskun vaara.



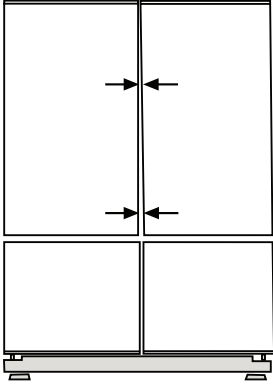
1- Tuuletuskansi irrotetaan avaamalla sen ruuvit ennen toimenpidettä, kuten alla olevassa kuvassa. Voit tasapainottaa jääkaapin kiertämällä etujalkoja, kuten kuvassa. Kulma, jossa jalka sijaitsee, laskeutuu, kun jalkaa kierretään mustan nuolen suuntaisesti ja nousee, kun sitä kierretään vastakkaiseen suuntaan. Toimenpidettä helpottaa, jos joku toinen auttaa nostamalla hieman jääkaappia.



2. Kun tasapaino-ongelma on korjattu, asenna tuuletuskansi takaisin paikoilleen ja kiinnitä ruuvit.

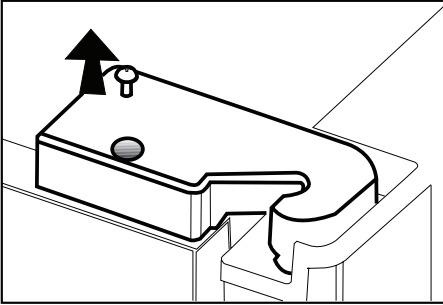
3. Irrota alatuuletuskantta kiinnittävät ruuvit ristipääruuvitaltalla.

Yläoven raon säätäminen

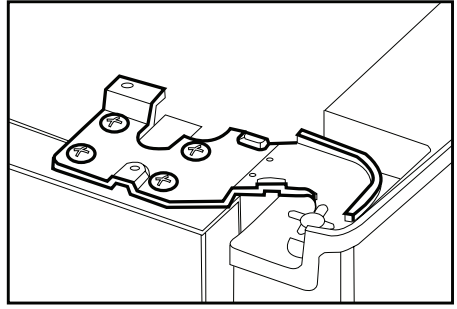
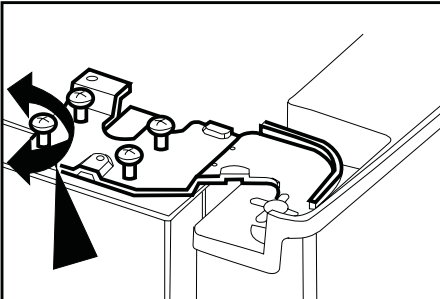


i Voit säätää rakoa jääkaapin osastojen ovien välillä, kuten kuvissa on näytetty.

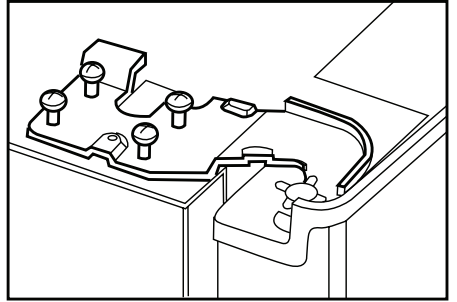
Oven hyllyjen tulee olla tyhjiä oven korkeutta säädettäessä.



i Irrota ruuvitaltalla säädettävän oven yläsaranan suojuksen ruuvi.



i Säädä ovi haluttuun tasoon löysämällä ruuveja.



i Kiinnitä säätämäsi ovi kiristämällä ruuvit muuttamatta oven sijaintia.

i Aseta saranan suojuksen takaisin ja kiinnitä ruuvilla.

Vesisuodattimen asennus (joissakin malleissa)

Kaksi erilaista vesilähdettä voidaan liittää jääkaapin vesilähteeksi: kylmävesijohto tai vesisäiliö.

Asennusvaatimukset

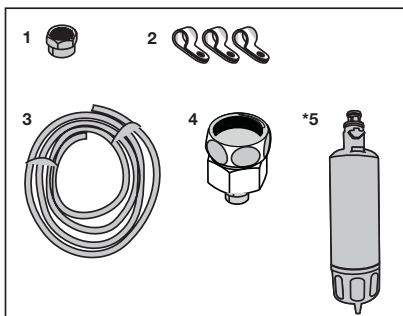
Säiliötä käytettäessä tulee käyttää pumpua.

Tarkista, että alla mainitut osat ovat mukana laitteesi toimituksessa.

1. Liitin, jolla vesiletku kiinnitetään laitteen taakse. (Jos se ei ole sopiva, hanki oikean kokoinen lähimmästä valtuutetusta huollosta.)
2. 2 kappaletta johdon kiinnittimiä (jos vesiletku on kiinnitettävä)

Huomio: Koska seuraavat osat eivät ole tarpeen säiliötä käytettäessä, niitä ei ehkä ole ostamassasi tuotteessa.

3. 5 metrin mittainen vesiletku (halkaisijaltaan ¼")
4. Kylmävesijohdon venttiili, jossa on verkkosuodatin (Hanasovitin)
5. Vesisuodatin tai ulkoisesti liitettävä suodatin, joka kiinnitetään jääkaappiosaston sisällä olevaan kiinnikkeeseen.



Ensin tulee määrittää paikka, johon ulkoinen suodatin aiotaan kiinnittää. (Koskee suodatinta, jota käytetään jääkaapin ulkopuolella.) Määritä sitten suodattimen ja jääkaapin välinen etäisyys ja vaadittu letkun pituus suodattimesta jääkaapin vedentuloon.

Vesisuodatinta tulee pitää

pystyasennossa, kuten kuvassa.

Suodatin on tärkeää kiinnittää oikein veden tulo- ja lähtöpisteissä.

Kun olet kiinnittänyt suodattimen, älä käytä 3–4 ensimmäistä lasia vettä.

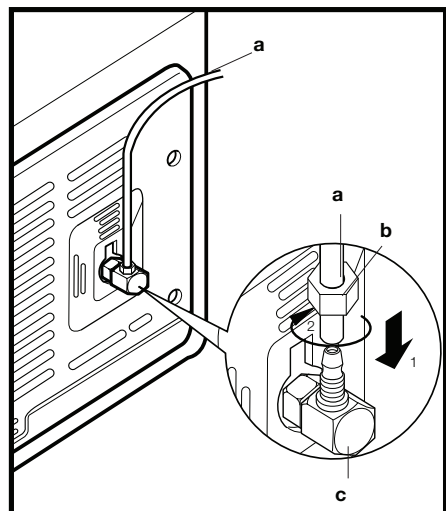
Vesiletkun liittäminen jääkaappiin.

1. Kun liitin on liitetty vesiletkuun, aseta vesiletku jääkaapin tuloventtiiliin painamalla sitä lujasti alaspäin.

2. Kiinnitä liitin puristamalla kädellä jääkaapin tuloventtiiliä, kuten viereisessä kuvassa.

(a- Vesiletku, b-Liitin, c-Venttiili)

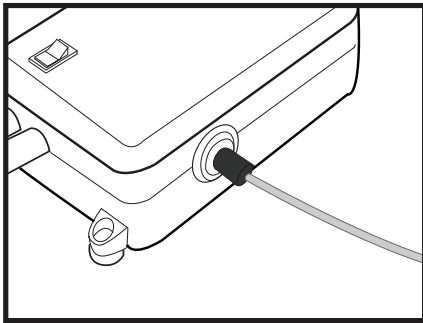
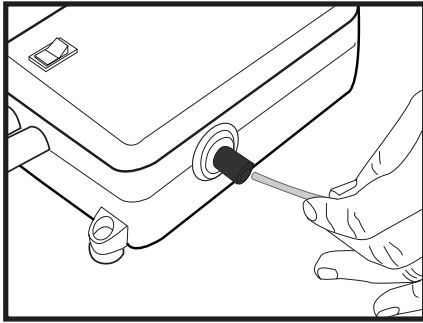
! Huomautus 1: Liitintä ei tarvitse kiristää työkalulla vedenpitävän liitoksen aikaansaamiseksi. Jos liitos vuotaa, liitintä voi kiristää jakoavaimella tai pihdeillä.



Vesiletkun ja säiliön liitäntä (joissakin malleissa)

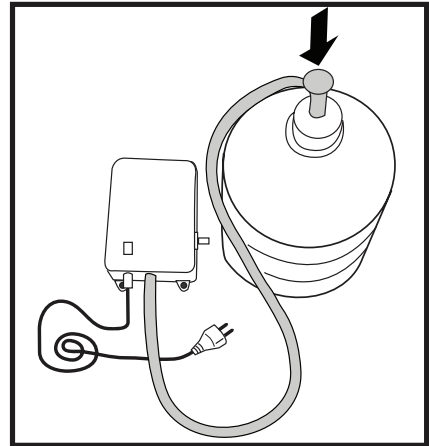
Veden liittämiseksi jääkaappiin säiliöstä tarvitaan pumppu. Noudata alla olevia ohjeita, kun olet liittänyt yhden pumpusta tulevan vesijohdon jääkaappiin, kuten edellisellä sivulla on kuvattu.

1. Viimeistele liitäntä työntämällä vesiputken toinen pää pumpun vesijohdon tuloon, kuten kuvassa.
2. Aseta ja kiinnitä pumpun letku säiliöön, kuten kuvassa.



3. Kun liitäntä on valmis, kytke pumppu pistorasiaan ja käynnistä se. Varmistaaksesi pumpun tehokkaan toiminnan odota 2–3 minuuttia pumpun käynnistymisen jälkeen.

- i** Katso lisätietoja vesiliitännän tekemisestä pumpun käyttöoppaasta.
- i** Vesisuodatin ei ole tarpeen säiliötä käytettäessä.
- i** Säiliötä käytettäessä on käytettävä pumppua.



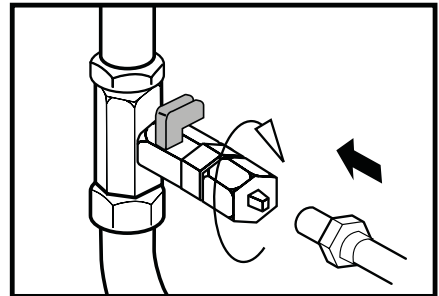
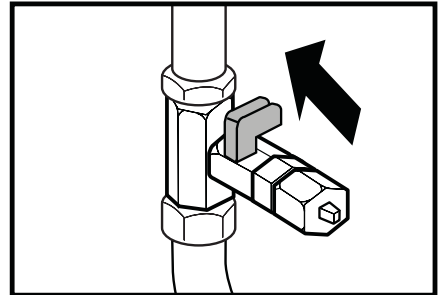
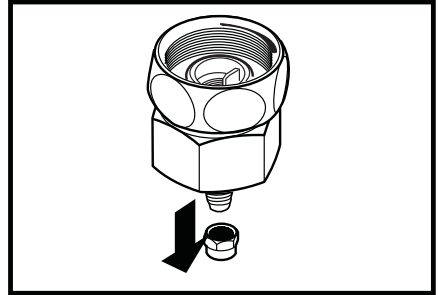
Vesiletkun liittäminen kylmävesijohtoon. (joissakin malleissa)

Jos haluat käyttää jääkaappia kylmävesijohtoliitännällä, sinun on liitettävä asennuspaikan kylmävesijohtoon standardi 1/2 tuuman venttiilisovitin. Jos tätä venttiiliä ei ole tai jos et ole siitä varma, ota yhteys pätevään putkimieheen.

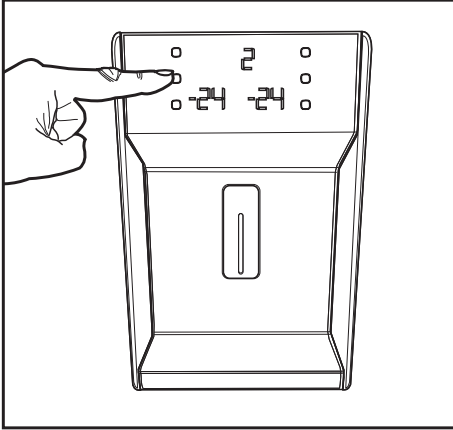
1. Irrota liitin hanasovittimesta. (Kuva A)
2. Asenna hanasovitin 1/2 tuuman venttiilisovittimeen, kuten kuvassa. (Kuva B)
3. Kun olet liittänyt vesiputken liittimeen, asenna se hanasovittimeen ja liitä hanaan, kuten kuvassa. (Kuva C)
4. Kiristä liitin käsin. Jos liitos vuotaa, liittintä voi kiristää jakoavaimella tai pihdeillä.

⚠ Varoitus: Kiinnitä vesiputki sopivista kohdista toimitukseen kuuluvilla letkun kiinnikkeillä vahinkojen, siirtymisen ja vahingossa irtoamisen välttämiseksi.

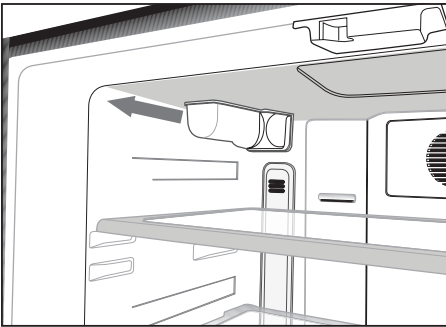
⚠ Varoitus: Kun vesiventtiili on käännetty päälle, varmista, ettei vuotoja esiinny vesiputken kummassakaan liitoskohdassa. Jos ilmenee vuotoa, sulje venttiili välittömästi ja kiristä liitokset uudelleen jakoavaimella tai pihdeillä.



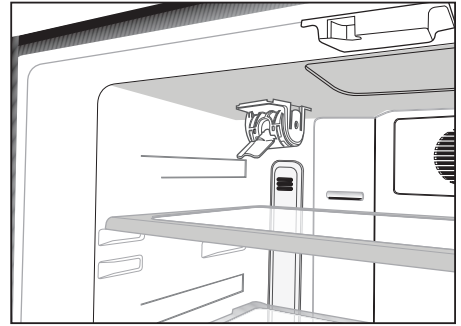
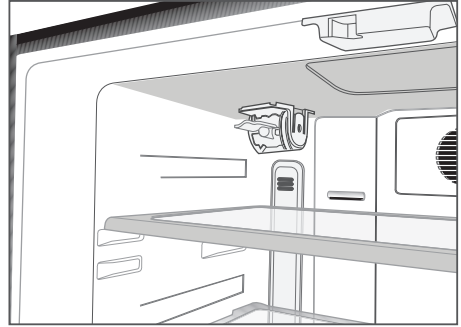
⚠ Varoitus: Varmista, että kylmävesijohdon 1/2":n vakioventtiilisovitin on käytettävissä ja käännetty kokonaan pois päältä. Noudata vedensuodattimen kiinnityksessä alla olevia kuvallisia ohjeita:



1. Paina näytön jään peruutus-painiketta.
2. Irrota suodattimen kansi jääkaappilokerosta vetämällä sitä eteenpäin.



3. Poista vesiduodattimen varoventtiilin kansi kiertämällä sitä alaspäin.



⚠ Varoitus: Varmista, että Jää pois-tila on aktiivinen, ennen kuin irrotat varoventtiilin kannen.

Huomio: On normaalia, että muutamia tippoja vettä tippuu, kun kansi on otettu pois.

4. Irrota kansi vesisuodattimen päältä ja aseta se kuten kuvassa ja käännä ylöspäin lukitaksesi sen.
5. Paina näytön jään peruutus-painiketta uudelleen poistuaaksesi tästä tilasta.

Vedensuodatin pitää vaihtaa kerran puolessa vuodessa.

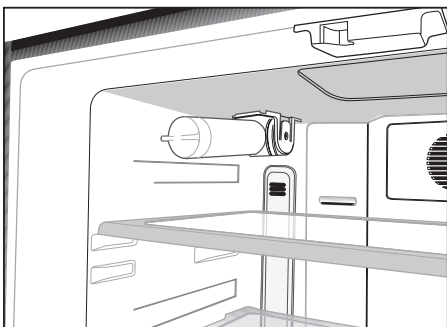
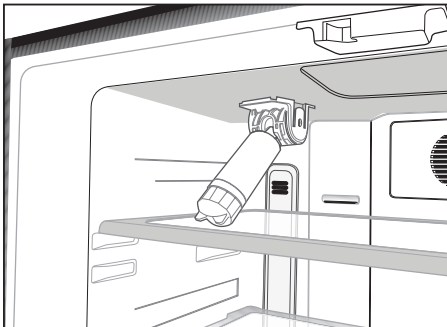
Jos haluat, että suodattimen vaihto aika lasketaan automaattisesti,

ja haluat vastaanottaa varoituksen käyttöajan lopussa, katso lisätietoja osasta "Suodattimen käyttöajan automaattinen laskeminen".

Vedensuodatin on irrotettava kuten kuvassa, kun se vaihdetaan tai kun sitä ei enää käytetä, ja varoventtiilin kansi on kiinnitettävä. On varmistettava, että Jää pois -tila on aktiivinen ennen sen poistamista.

⚠ Varoitus: Vesisuodatinta käytetään roskien poistamiseen vedestä. Se ei puhdistaa vettä mikro-organismeista.

⚠ Varoitus: Jää pois -painiketta on painettava aina vesisuodatinta vaihdettaessa tai asennettaessa varoventtiilin kannta.



Ennen veden annostelijan ensimmäistä käyttöä

i Vesijohdon paine ei saa olla alle 1 barin.

i Vesijohdon paine ei saa olla yli 8 barin.

i Pumppua on käytettävä, jos vesijohtoveden paine laskee alle 1 barin, tai jos käytetään säiliötä.

i Jääkaapin vesijärjestelmän on oltava liitetty kylmävesijohtoon. Sitä ei saa liittää kuumavesijohtoon.

i Vettä ei ole saatavilla jääkaapin ensimmäisessä käytössä. Tämä johtuu järjestelmässä olevasta ilmasta. Poistaaksesi ilman järjestelmästä, paina jääpala-automaatin salpaa yhden minuutin jaksoissa, kunnes vesi poistuu automaattista. Veden virtaus voi olla aluksi epätasaista. Epätasainen veden virtaus normalisoituu, kun ilma on poistettu järjestelmästä.

i Jääkaapin ensimmäisestä käynnistyksestä kuluu noin 12 tuntia ennen kuin kylmää vettä on saatavilla.

i Vesijohdon paineen on oltava 1–8 baria, jotta Jää-/vesiautomaatti toimisi tasaisesti. Voit tarkistaa tämän katsomalla täyttyykö juomalasi (100 ml) kymmenessä sekunnissa.

i Kymmentä ensimmäistä lasillista vettä ei saa käyttää.

i Noin 30:nä ensimmäistä jääpala-automaattista saatavaa jääpalaa ei saa käyttää.

i Kun säiliö ei ole käytössä, käytä aina vesisuodatinta.

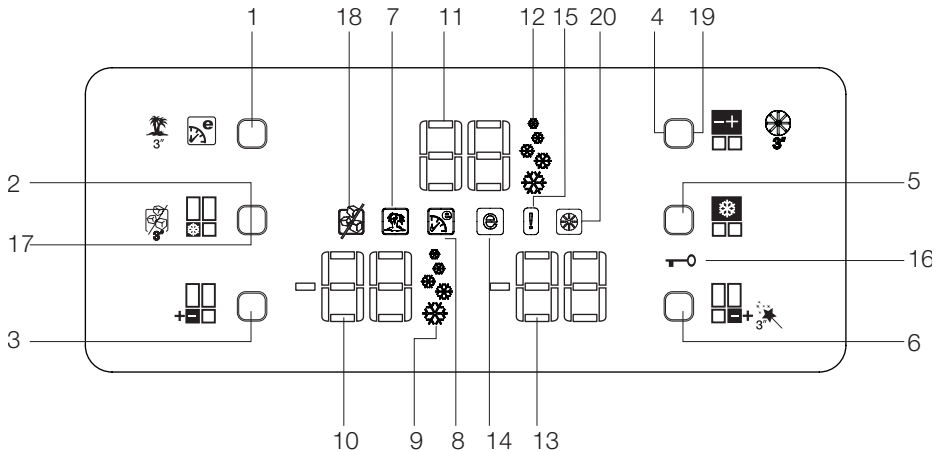
4 Valmistelu

- i** Jääkaappi on asennettava vähintään 30 cm:n etäisyydelle lämmönlähteistä, kuten keittotaso, liesi, keskuslämmitin ja uuni sekä vähintään 5 cm:n etäisyydelle sähköliedestä, eikä sitä saa sijoittaa suoraan auringonpaisteeseen.
- i** Jääkaapin sijoitushuoneen lämpötilan on oltava vähintään 10 °C. Jääkaapin käyttöä kylmemmissä olosuhteissa ei suositella, sillä sen tehokkuus kärsii.
- i** Varmista, että jääkaapin sisäpinta on puhdistettu huolellisesti.
- i** Jos kaksi jääkaappia asennetaan rinnakkain, niiden väliin on jätettävä tilaa vähintään 2 cm.
- i** Kun käytät jääkaappia ensimmäistä kertaa, huomioi seuraavat ohjeet ensimmäisten kuuden tunnin aikana.
 - Ovea ei saa avata jatkuvasti.
 - Jääkaappia on käytettävä tyhjänä ilman elintarvikkeita.
 - Älä irrota jääkaappia verkkovirrasta.Jos ilmenee itsestäsi riippumaton virtakatkos, katso varoitukset osassa "Suositellut ongelmanratkaisut".
- i** Alkuperäiset pakkaus- ja vaahtomuovimateriaalit kannattaa säilyttää tulevaa kuljetusta tai siirtoa varten.

5 Jääkaapin käyttäminen

Näyttötaulu

Tällä kosketusohjatulla merkkivalopaneelilla voit asettaa lämpötilan avaamatta jääkaapin ovea. Aseta vain lämpötila koskettamalla vastaavaa painiketta sormella.



1. Ekoekstra/Lomapainike
2. Pikapakastuspainike
3. Pakastinosaston lämpötilan asetuspainike
4. Jääkaappiosaston lämpötilan asetuspainike
5. Pikajäähdytyspainike
6. Monialueosasto – lämpötilan asetuspainike
7. Lomatoiminnon ilmais-in
8. Ekoekstra-ilmais-in
9. Pikapakastustoiminnon ilmais-in
10. Pakastinosaston lämpötilan ilmais-in
11. Jääkaappiosaston lämpötilan ilmais-in
12. Pikajäähdytystoiminnon ilmais-in
13. Monialuesäilytysosasto – lämpötilan ilmais-in
14. Virransäästötilan ilmais-in
15. Vikatilan ilmais-in
16. Lukituksen ilmais-in
17. Jää peruuta -painike
18. Jää pois -ilmais-in
19. Peruuta suodattimen vaihdon varoitus -painike
20. Suodattimen vaihdon varoitus -ilmais-in

i Tämän ohjekirjan kuvitus on mallikuviin perustuvaa eikä se ehkä vastaa täysin todellista tuotetta. Jos jokin osa puuttuu ostamastasi tuotteesta, kuvaus koskee muita malleja.

1. Ekoekstra/Lomapainike

Näpäytä painiketta aktivoiaksesi Eko-ekstratoiminnon. Pidä painiketta painettuna 3 sekuntia aktivoiaksesi lomatoiminnon. Aseta toiminto pois päältä painamalla painiketta uudelleen.

2. Pikapakastuspainike

Näpäytä painiketta aktivoiaksesi pikapakastustoiminnon. Aseta toiminto pois päältä painamalla painiketta uudelleen.

3. Pakastinosaston lämpötilan asetuspainike

Paina tätä painiketta asettaaksesi pakastimen lämpötilaksi joko -18, -20, -22, -24, -18 astetta. Aseta pakasteosaston lämpötila halutuksi painamalla tätä painiketta.

4. Jääkaappiosaston lämpötilan asetuspainike

Paina tätä painiketta asettaaksesi jääkaapin lämpötilaksi joko 8, 6, 4, 2, 8 ... astetta. Aseta jääkaappiosaston lämpötila halutuksi painamalla tätä painiketta.

5. Pikajäähdytyspainike

Näpäytä painiketta aktivoiaksesi pikajäähdytystoiminnon. Aseta toiminto pois päältä painamalla painiketta uudelleen.

6. Monialueosasto – lämpötilan asetuspainike

Voit asettaa monialuesäilytysosaston joko pakastimeksi tai jäähdyttimeksi. Pidä tätä painiketta painettuna 3 sekuntia asettaaksesi monialuesäilytysosaston joko

pakastimeksi tai jäähdyttimeksi. Tämä osasto on asetettu tehtaalla pakastinosastoksi.

Jos monialueosasto on asetettu pakastimeksi, monialueosaston lämpötila muuttuu järjestyksessä -18, -20, -22, -24, -18... aina, kun painat tätä painiketta. Jos monialueosasto on asetettu pakastimeksi, monialueosaston lämpötila muuttuu järjestyksessä 10, 8, 6, 4, 2... aina, kun painat tätä painiketta.

7. Lomatoiminnon ilmainen

Osoittaa, että lomatoiminto on aktiivinen. Jos tämä toiminto on aktiivinen, jääkaappiosaston ilmaisimessa näkyy "- -", eikä jääkaappiosaston jäähdytystä suoriteta. Muut osastot jäähdytetään niille asetetun lämpötilan mukaisesti.

Aseta toiminto pois päältä painamalla vastaavaa painiketta uudelleen.

8. Ekoekstra-ilmainen

Osoittaa, että eko-ekstratoiminto on aktiivinen. Jos toiminto on aktiivinen, jääkaappi havaitsee automaattisesti vähiten käytetyt jaksot ja energiatehokas jäähdytys suoritetaan niinä aikoina. Virransäästötilan ilmainen on aktiivinen, kun energiatehokas jäähdytys suoritetaan.

Aseta toiminto pois päältä painamalla vastaavaa painiketta uudelleen.

9. Pikapakastustoiminnon ilmainen

Osoittaa, että pikapakastustoiminto on aktiivinen. Käytä toimintoa, kun asetat tuoreruokaa pakastinosastoon

tai kun haluat jäitä. Toiminnon ollessa aktiivinen jääkaappi on käynnissä määrätyn ajan pysähtymättä.

Aseta toiminto pois päältä painamalla vastaavaa painiketta uudelleen.

10. Pakastinosaston lämpötilan ilmainen

Osoittaa pakastinosastolle asetetun lämpötilan.

11. Jääkaappiosaston lämpötilan ilmainen

Osoittaa jääkaappiosastolle asetetun lämpötilan.

12. Pikajäähdytystoiminnon ilmainen

Osoittaa, että pikajäähdytystoiminto on aktiivinen. Käytä toimintoa, kun asetat tuoreruokaa jääkaappiosastoon tai kun haluat jäähdyttää ruoan nopeasti. Toiminnon ollessa aktiivinen jääkaappi on käynnissä 2 tuntia pysähtymättä.

Aseta toiminto pois päältä painamalla vastaavaa painiketta uudelleen.

13. Monialuesäilytysosasto – lämpötilan ilmainen

Osoittaa monialueosastolle asetetun lämpötilan.

14. Virransäästötilan ilmainen

Ilmaisee, että jääkaappi on käynnissä virransäästötilassa. Pakastinosaston lämpötila

Tämä ilmainen on aktiivinen, jos toiminnoksi on asetettu -18 tai jos energiaa säästävä jäähdytys suoritetaan eko-ekstratoiminnon vuoksi.

15. Vikatilan ilmainen

Jos jääkaappi ei jäähdy riittävästi tai jos ilmenee anturivika, tämä ilmainen aktivoituu. Kun ilmainen on aktiivinen, pakastinosaston lämpötilan ilmaisimessa näkyy "E" ja jääkaappiosaston lämpötilan ilmaisimessa näkyy numeroita kuten "1,2,3...". Nämä numerot antavat tietoja viasta huoltohenkilökunnalle.

16. Lukituksen ilmainen

Käytä tätä toimintoa, jos et halua muuttaa jääkaapin lämpötila-asetusta. Aktivoi toiminto painamalla samanaikaisesti Pikajäähdytyspainiketta ja fleksialueosaston lämpötilan asetuspainiketta pitkään (3 s).

Aseta toiminto pois päältä painamalla vastaavia painikkeita uudelleen.

17. Jää peruuta -painike

Lopeta jäänmuodostus painamalla jään peruutuspainiketta 3 sekunnin ajan.

Kun jään peruutus on valittu, vettä ei tule jäälokeroon. Tästä huolimatta hieman jäätä voi jäädä jäälokeroon, josta sitä voi ottaa. Käynnistä jäänmuodostus uudelleen painamalla jään peruutuspainiketta 3 sekunnin ajan.

18. Jää peruuta -ilmaisin

Jollet halua jääkaapista jäätä, tätä toimintoa ei tarvitse käyttää. Voit käyttää tätä toimintoa painamalla jää peruuta -painiketta 3 sekuntia.

19. Peruuta suodattimen vaihdon varoitus -painike

Jääkaapin suodatin pitää vaihtaa kerran puolessa vuodessa. Jos noudatat sivun 22 ohjeita, jääkaappi laskee tämän ajan automaattisesti ja suodattimen varoitusilmaisिन syttyy, kun suodattimen käyttöaika on kulunut. Paina Peruuta suodattimen varoitus -painiketta 3 sekuntia antaaksesi jääkaapin laskea uuden suodattimen vaihtoajan automaattisesti suodattimen vaihdon jälkeen.

20. Peruuta suodattimen vaihdon varoitus -ilmaisin

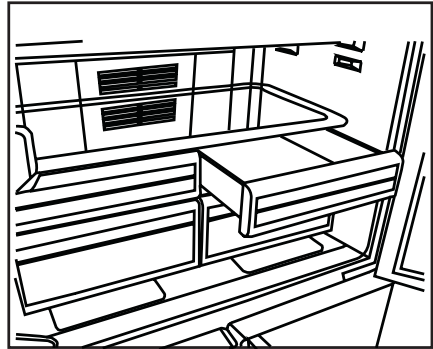
Kun suodattimen käyttöaika on kulunut, suodattimen vaihdon varoitusilmaisिन syttyy.

Ovi auki -hälytys:

Jos jääkaappiosaston tai fleksialueosaston ovet jäävät auki vähintään 1 minuutiksi, kuuluva Ovi auki -hälytys aktivoituu ja kuuluu. Hiljennä hälytys painamalla mitä tahansa ilmaisimen painiketta tai sulkemalla ovi.

Vihanneslokero

Jääkaapin vihanneslokero on suunniteltu erityisesti pitämään kasvikset tuoreina ja säilyttämään kosteutensa. Tämän vuoksi vihanneslokerossa kiertää kylmää ilmaa. Irrota vihanneslokeron kanssa samansuuntaiset oven hyllyt ennen vihanneslokeroiden irrottamista. Voit irrottaa vihanneslokerot kuvassa esitetyllä tavalla.



Pakastinosaston säätö	Jääkaappiosaston säätö	Selitykset
-18°C	4°C	Tämä on normaali suositeltu asetus.
-20, -22 tai -24 °C	4°C	Näitä asetuksia suositellaan, kun ympäröivä lämpötila on yli 30 °C.
Pikapakastus	4°C	Käytä tätä, kun haluat pakastaa ruokasi nopeasti. Jääkaappi palaa aikaisempaan tilaansa, kun toiminta on lopussa.
-18 °C tai kylmempi	2°C	Jos sinusta tuntuu, että jääkaappiosasto ei ole tarpeeksi kylmä johtuen lämpimistä olosuhteista tai jatkuvasta oven avaamisesta ja sulkemisesta.
-18 °C tai kylmempi	Pikajääkaappi	Voit käyttää tätä, kun jääkaappiosasto on ylikuormitettu tai jos haluat jäähdyttää ruokasi nopeasti. Pikajääkaappitoiminto suositellaan aktivoitavaksi 4–8 tuntia ennen elintarvikkeiden laittamista.

Tuoreen ruoan pakastaminen

- Elintarvikkeet on syytä päällystää kelmulla tai säilöä kannelliseen rasiaan ennen niiden asettamista jääkaappiin.
- Lämpimän ruoan on annettava jäähtyä huonelämpötilaan ennen jääkaappiin asettamista.
- Pakastettavan ruoan tulee olla tuoretta ja hyvälaatuista.
- Ruoka tulee jakaa annoksiin päivittäiskäytön tai aterialla kuluvan määrän perusteella.
- Elintarvikkeet on pakattava ilmatiiviisti niiden kuivumisen ehkäisemiseksi, vaikka niitä säilytettäisiinkin vain lyhyen aikaa.
- Pakkausmateriaalin on oltava repeämätöntä ja sen on oltava kylmyyden, kosteuden, hajun, öljyjen ja happojen kestävää sekä ilmatiivistä. Lisäksi pakkauksen on oltava tiukasti suljettu ja valmistettu helppokäyttöisestä materiaalista, joka sopii pakastuskäyttöön.
- Pakastettu ruoka on käytettävä heti sulamisen jälkeen eikä sitä saa koskaan pakastaa uudelleen.

- Parhaan tuloksen saamiseksi noudata seuraavia ohjeita.
1. Älä pakasta liian isoja määriä kerralla. Ruoan laatu säilyy parhaiten, kun se pakastetaan kokonaan niin nopeasti kuin mahdollista.
 2. Lämpimän ruoan sijoittaminen pakastusosaan aiheuttaa sen, että jäähdytysjärjestelmä toimii jatkuvasti kunnes ruoka on kokonaan jäänytynyt.
 3. Vältä sekoittamista jo pakastettuja ja pakastamattomia ruokia.

Pakastetun ruoan säilytys-suositukset

- Valmiiksi pakattu, kaupallinen pakasteruoka tulee säilyttää pakasteen valmistajan ohjeiden mukaisesti **✱✱✱✱** (4 tähteä) pakasteruokalokerossa.
- Jotta varmistetaan pakasteruoan valmistajan ja jälleenmyyjän saavuttaman elintarvikkeiden korkean laadun säilyminen, on muistettava seuraavaa:
 1. Aseta pakkaukset pakastimeen niin nopeasti kuin mahdollista ostamisen jälkeen.

2. Varmista, että niiden sisältö on merkitty ja päivätty.
3. Älä ylitä pakkausten "Käytettävä ennen" ja "Parasta ennen" päivämääriä.

Sulatus

Pakastinosaston sulatus on automaattinen.

Elintarvikkeiden sijoittaminen

Pakasteosaston tasot	Lukuisat pakaste-elintarvikkeet, kuten liha, kala, jäätelö, vihannekset jne.
Kananmunalokero	Kanamunat
Jääkaappiosaston tasot	Ruokaa pannuissa, lautasilla, suljetuissa astioissa
Jääkaappilokeron ovihyllyt	Pienet ja pakatut elintarvikkeet tai juomat (kuten maito, hedelmämehu ja olut)
Vihanneslokero	Vihannekset ja hedelmät
Tuorealuelokero	Herkkutuotteet (juusto, voi, salami jne.)

Pakastustiedot

Ruoat on pakastettava niin nopeasti kuin mahdollista pakastimeen asetettaessa, jotta niiden hyvä laatu säilyisi.

Ruokaa on mahdollista säilyttää pitkiä aikoja vain -18 °C asteessa tai sitä kylmemmissä lämpötiloissa.

Ruoan tuoreus säilyy useita kuukausia (pakasteena -18 °C asteessa tai sitä kylmemmissä lämpötiloissa).

VAROITUS! ⚠

- Ruoka tulee jakaa annoksiin päivittäiskäytön tai aterialla kuluvan määrän perusteella.
- Elintarvikkeet on pakattava ilmatiiviisti niiden kuivumisen ehkäisemiseksi, vaikka niitä säilytettäisiinkin vain lyhyen aikaa.

Välttämättömät pakkausmateriaalit:

- Kylmänkestävää teippiä
- Merkintätarroja
- Kuminauhoja
- Kynä

Pakkausmateriaalin on oltava repeämätöntä ja sen on oltava kylmyyden, kosteuden, hajun, öljyjen ja happojen kestävä.

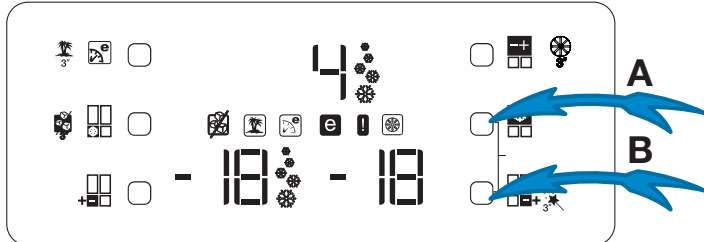
Pakastettava ruoka ei saa joutua kosketuksiin aiemmin pakastetun ruoan kanssa, jotteivät ne pääse sulamaan osittain.

Pakastettu ruoka on käytettävä heti sulamisen jälkeen eikä sitä saa koskaan pakastaa uudelleen.

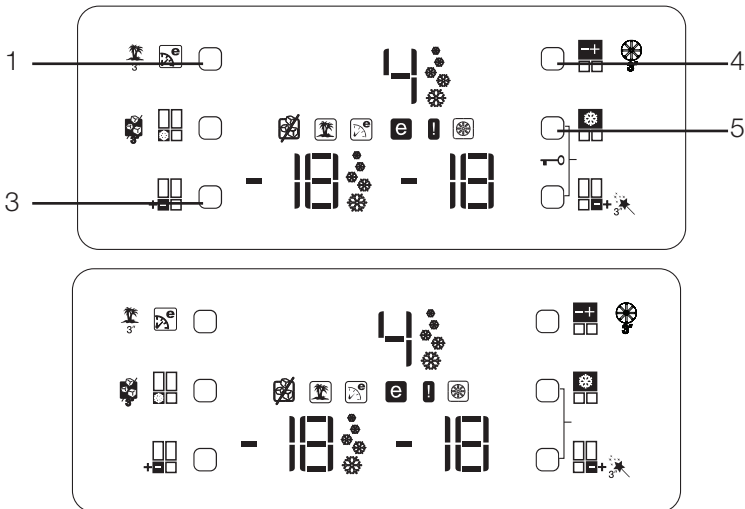
Tehtävät suodattimen käyttöajan laskemiseksi automaattisesti

(Tuotteille, jotka on liitetty vesijohtoliitäntään ja varustettu suodattimella)

1- Kun olet kytkenyt jääkaapin päälle, paina yhtä aikaa A- ja B-painiketta aktivoidaksesi avainlukituksen.



2- Paina sitten järjestyksessä Eco-Extra (1) -, Jääkaappiosaston lämpötilanasetus (4) -, Pikajäähdytys (5) - ja Pakastusosaston lämpötilanasetus (3) painiketta.



Jos painikkeita painetaan oikeassa järjestyksessä, avainsymboli sammuu, summeriääni aktivoituu hetkeksi ja Suodattimen vaihdon varoitusilmais syttyy. Paina Peruuta suodattimen varoitus -painiketta (näyttökuvausten kohde 19) suodattimen vaihtoajan laskemiseksi automaattisesti suodattimen vaihdon jälkeen.

HUOMIO:

1. Jos suodattimen käyttöaika lasketaan automaattisesti, suodattimen varoitusilmais syttyy palamaan muutaman sekunnin kuluttua, kun tuote on kytketty päälle.
2. Automaattinen suodattimen käyttöajan laskeminen ei ole toimitettaessa aktiivinen. Se on aktivoitava tuotteessa, joka on varustettu suodattimella.
3. Toista samat toimenpiteet laitteissa, joissa suodattimen käyttöajan automaattinen laskeminen on aktivoitu deaktivoitaksesi suodattimen käyttöajan laskennan.

Kananmunalokero

Voit asentaa munakotelon haluttuun oven tai rungon hyllyyn.

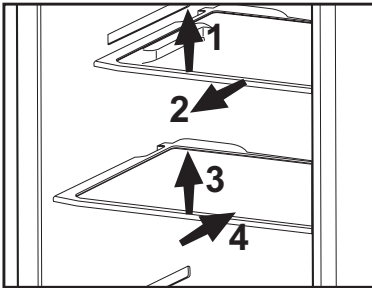
Älä koskaan säilytä munakoteloita pakastinosastossa.

Liukuvat hyllyt

Liukuvia hyllyjä voidaan vetää nostamalla niitä hieman reunasta ja siirtää niitä eteen- ja taaksepäin. Ne voidaan vetää pysäytyspisteeseen jolloin pääset käsiksi hyllyn takaosaan sijoitettuihin ruokiin. Kun hylly on vedetty kevyesti nostamalla toiseen pysäytyspisteeseen, hylly voidaan vapauttaa.

Hyllyä on kannateltava myös alapuolelta, jotta se ei kallistu nurin. Hylly siirretään jääkaapin runkoon asennetuille kiskoille nostamalla tai laskemalla sitä tason verran.

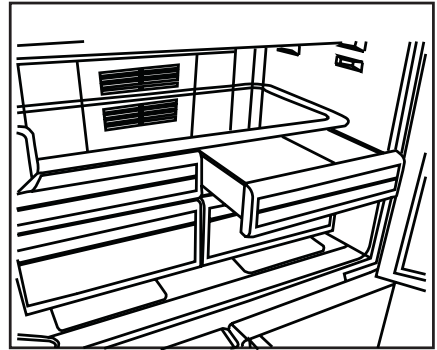
Hylly tulee työntää taakse kunnolla paikoilleen.



Jäähdytyslokero

Pakastettava ruoka jäähtyy jäähdytyslokeroissa valmiiksi pakastusta varten. Voit käyttää näitä osastoja myös ruuan säilyttämiseen jääkaappia muutamaa astetta viileämmässä lämpötilassa.

Voit lisätä jääkaapin sisätilavuutta irrottamalla minkä tahansa jäähdytyslokeroista. Tee niin vetämällä lokeroa itseäsi kohti. Lokero liukuu vasten pysäytintä ja pysähtyy. Irrota lokero nostamalla sitä noin 1 cm ja vetämällä itseäsi kohti.



Siirrettävä keskiosa

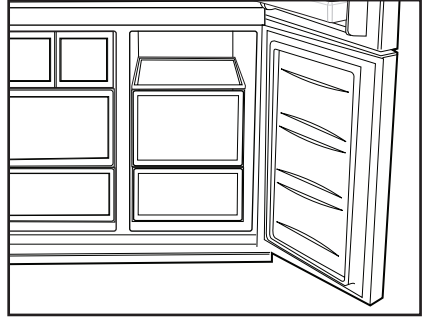
Siirrettävä keskiosa on tarkoitettu estämään jääkaapin sisällä olevan kylmän ilman karkaamista ulos.

- 1- Tiiviyys on varmistettu, kun oven tiivisteet painautuvat siirrettävän keskiosan pinnalle, kun jääkaappiosaston ovet on suljettu.
- 2- Jääkaapin siirrettävän keskiosan toinen tarkoitus on lisätä jääkaappiosaston nettotilavuutta. Normaalit keskiosat vievät jonkin verran jääkaapin käyttökelpotonta tilavuutta.
- 3- Siirrettävä keskiosa on suljettu, kun jääkaappiosaston vasen ovi on suljettu.
- 4- Se on avattava käsin. Se siirtyy rungon muovisen osan ohjaimen alle, kun ovi on suljettu.

Monialuesäilytyslokero

Jääkaapin monialuesäilytyslokeroa voi käyttää missä tahansa halutussa tilassa säätämällä se jääkaappilämpötilaksi (2/4/6/8 °C) tai pakastinlämpötilaksi (-18/-20/-22/-24). Voit pitää lokeroa halutussa lämpötilassa monialuesäilytyslokeroon lämpötilan asetuspainikkeella. Monialuesäilytyslokeroon lämpötilan voi asettaa välille 0–10 °C astetta jääkaappilämpötilan lisäksi -6 °C pakastinosaston lämpötilan lisäksi. 0-astetta käytetään einestuotteiden säilyttämiseksi pitempään -6-astetta käytetään lihan säilyttämiseksi 2 viikkoa helposti leikattavassa tilassa.

i Jääkaappi- tai pakastinlokeroon vaihtamismekanismi toimii jäähdytys-elementillä, joka sijaitsee suljetussa osastossa jääkaapin takana (kompressoriosasto). Tämän elementin käytön aikana voi kuulua joitakin sekunteja samanlainen ääni kuin analogisesta kellosta. Tämä on normaalia eikä ole vika.



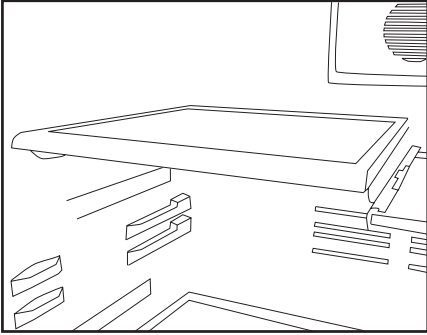
Sininen valo

Sinisellä valolla valaistut vihanneslokeroon vihannekset jatkavat fotosynteesiä sinisen valon aallonpituuden vaikutuksesta ja säilyttävät siten tuoreutensa ja lisäävät vitamiinipitoisuuttaan.



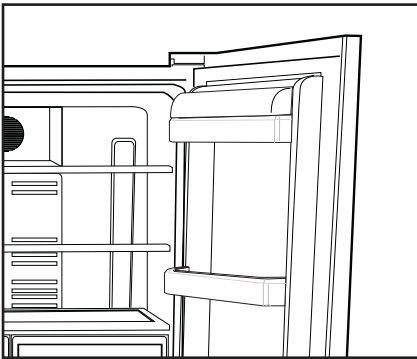
Liukuvat rungon hyllyt takaripustimilla

Liukuvia rungon hyllyjä takaripustimilla voidaan siirtää eteenpäin ja taaksepäin. Näiden hyllyjen korkeutta voi säätää irrottamalla ne ja asentamalla ne ylemmälle tai alemmalle tasolle. Irrota hylly nostamalla sitä hieman ja vetämällä itseäsi kohti.



Maitotuotesasto

Voit säilyttää elintarvikkeita kuten voita, juustoa ja levitteitä tässä valaistussa osassa.

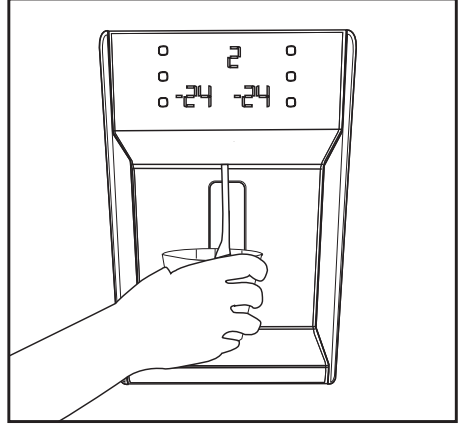


Vesilähteen käyttö

Varoitukset

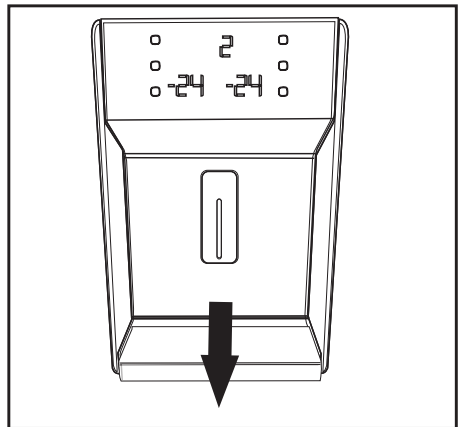
On normaalia, että muutama ensimmäinen automaattista otettu lasillinen vettä on lämmintä.

Kun automaattia ei ole käytetty usein, pitää valuttaa riittävä määrä vettä, ennen kuin vesi on raikasta.



Vuotoallas

Käytön aikana tippuva vesi kertyy vuotoaltaaseen. Voit poistaa vuotoaltaan vetämällä sitä itseesi päin tai painamalla sen reunaa (mallin mukaan). Voit poistaa veden sienellä tai pehmeällä liinalla.



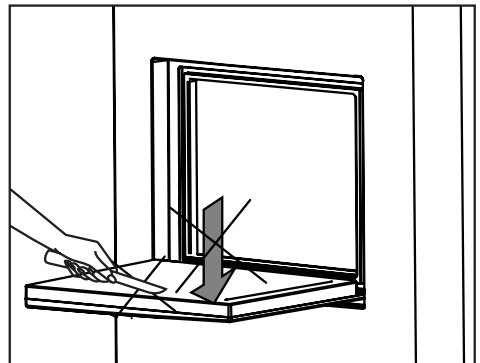
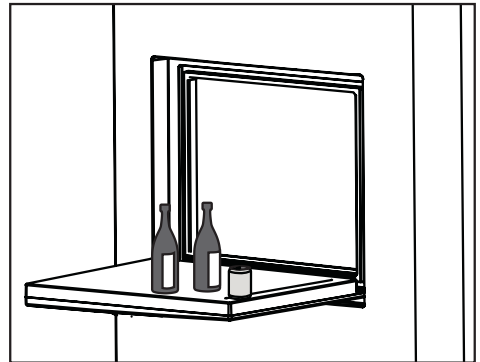
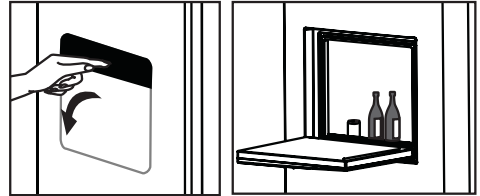
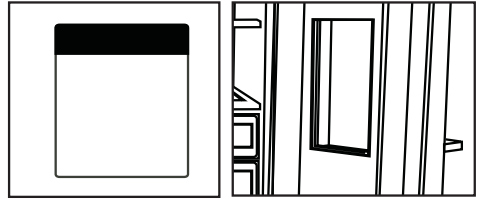
Minibaari

Minibaarin ovi tarjoaa sinulle lisämukavuutta jääkaapin käytössä. Jääkaapin oven hyllyyn pääsee käsiksi avaamatta jääkaapin ovea. Tämän ominaisuuden ansiosta voit ottaa jääkaapista helposti ruokia ja juomia, joita käytät säännöllisesti. Koska jääkaapin ovea ei tarvitse avata jatkuvasti, jääkaapin virrankulutus pienenee.

Voit avata minibaarin oven painamalla sitä kädelläsi ja vetämällä sen auki. Kun minibaarin ovi on auki, voit käyttää sen ulkopintaa tasona, jolle voit laskea hetkeksi pullot ja lasit, kuten kuvassa.

⚠ Varoitus: Älä koskaan toimi niin, että oveen kohdistuu painetta, kuten istumalla sille, käyttämällä sitä kiipeämiseen tai riippumalla pöydästä äläkä aseta sille painavia esineitä. Tämä voi vahingoittaa jääkaappia tai aiheuttaa henkilövahinkoja.

⚠ Varoitus: Älä koskaan käytä minibaarin ovea leikkuualustana ja varo vahingoittamasta ovea teräväkärkisillä esineillä.



6 Ylläpito ja puhdistus

- ⚠ Älä koskaan käytä puhdistamiseen bensiiniä, bentseeniä tai vastaavia aineita.
- ⚠ Suosittelemme, että irrotat laitteen verkkovirrasta ennen puhdistusta.
- ❗ Älä koskaan käytä puhdistamiseen teräviä, hankaavia välineitä, saippuaa, puhdistusainetta, pesuainetta ja vahaa.
- ❗ Jos tuote ei ole itsesulattavaa mallia, jääkaappiosaston takaseinään saattaa muodostua vesipisaroita ja enintään sormenleveyden paksuinen jääkerros. Älä puhdista tai koskaan käytä öljyjä tai muita samankaltaisia aineita laitteen takaseinän puhdistamiseen.
- ❗ Käytä ainoastaan hieman kosteaa mikrokuituliinaa laitteen ulkopinnan puhdistamiseen. Sienet ja muuntyyppiset puhdistusliinat voivat naarmuttaa laitteen pintaa.
- ❗ Käytä jääkaappi/pakastin sisätilojen puhdistukseen haaleaa vettä ja pyyhi kuivaksi.
- ❗ Käytä sisätilojen puhdistukseen liinaa, joka on kostutettu 1 tl ruokasoodaa ja 1/2 litraa vettä sisältävässä liuoksessa ja puristettu kuivaksi, kuivaa lopuksi.
- ⚠ Varmista, ettei vettä pääse lamppukoteloon ja muihin sähkökohteisiin.
- ⚠ Mikäli jääkaappia ei käytetä pitkään aikaan, irrota virtakaapeli pistorasiasta, poista kaikki ruuat, puhdista jääkaappi ja jätä ovi raolleen.
- ❗ Tarkista oven eristeet säännöllisesti varmistaaksesi, että ne ovat puhtaita ja vapaita ruuasta.
- ❗ Ovitelineiden irrottamiseksi poista niistä kaikki sisältö ja työnnä sitten ovitelinettä pohjasta ylöspäin.
- ❗ Älä käytä klooria sisältäviä puhdistusaineita tai vettä tuotteen ulkopintojen ja kromattujen osien puhdistamiseen. Kloori syövyttää sellaisia metallipintoja.
- ❗ Älä käytä teräviä tai hankaavia työkaluja tai saippuaa, kodin puhdistusaineita, pesuaineita, bensaa, bentseeniä, vahaa jne. muuten muoviosissa olevat merkinnät lähtevät irti ja osat voivat muuttaa muotoaan. Käytä puhdistamiseen lämmintä vettä sekä pehmeää liinaa ja kuivaa laite sen jälkeen.

Muoviosien suojele

- ❗ Älä laita nestemäistä öljyä tai öljyssä keitetyjä elintarvikkeita jääkaappiin avoimissa astioissa, sillä ne vahingoittavat jääkaappi/pakastin muovipintoja. Jos öljyä vuotaa tai tarttuu muovipinnoille, puhdista ja huuhtelee kohta heti lämpimällä vedellä.

7 Suositellut ongelmanratkaisut

Tarkista tämä luettelo, ennen kuin soitat huoltoon. Se voi säästää aikaa ja rahaa. Tämä luettelo sisältää useita valituksia, jotka eivät johdu virheellisestä työstä tai käytetystä materiaalista. Joitain tässä kuvatuista ominaisuuksista ei ehkä ole laitteessasi.

Jääkaappi ei käy

- Onko jääkaapin virtajohto kunnolla kiinni pistorasiassa? Aseta pistoke seinäpistorasiaan.
- Onko jääkaapin pistorasian sulake tai pääsulake palanut? Tarkista sulake.

Kondensaatia jääkaappiosaston sivuseinässä.

- Hyvin kylmä ympäristö. Oven jatkuva avaaminen ja sulkeminen. Hyvin kostea ympäristö. Nestepitoisten ruokien säilytys avoimessa astiassa. Oven jättäminen raolleen.
- Termostaatin kytkeminen kylmemmälle.
- Oven avoinnaoloajan lyhentäminen tai käyttämällä sitä harvemmin.
- Avoimissa astioissa säilytettyjen ruokien peittäminen sopivalla materiaalilla.
- Pyyhi kondensoitunut vesi kuivalla liinalla ja tarkista tuleeko sitä lisää.

Kompressor ei käy

- Kompressorin lämpövastus työntyy ulos äkillisen virtakatkoksen sattuessa tai kun virta sammuu ja sytty uudelleen, kun jääkaapin jäähdytysjärjestelmän jäähdytysaineenpaine ei ole vielä tasapainossa. Jääkaappi käynnistyy noin 6 minuutin kuluttua. Soita huoltoon, jos jääkaappi ei käynnisty tässä ajassa.
- Jääkaapin sulatusjakso on käynnissä. Tämä on normaalia täysautomaattisesti itsesulattavassa jääkaapissa. Sulatuskierto tapahtuu tietyin väliajoin.
- Jääkaappia ei ole kytketty pistorasiaan. Varmista, että pistoke on asetettu tiukasti seinäpistorasiaan.
- Onko lämpötila-asetukset tehty oikein?
- Sähkökatkos. Soita sähköntoimittajalle.

Jääkaappi käy alituisen tai pitkän ajan.

- Uusi jääkaappisi voi olla leveämpi kuin edellinen. Tämä on aivan normaalia. Suuret jääkaapit käyvät kauemmin.
- Huonelämpötila voi olla liian korkea. Tämä on aivan normaalia.
- Jääkaappi on voitu kytkeä päälle äskettäin tai siihen on säilötty äskettäin ruokaa. Jääkaapin jäähtyminen oikeaan lämpötilaan voi kestää muutamia tunteja kauemmin.
- Suuri määrä ruokaa on voitu säilöä jääkaappiin äskettäin. Lämmin ruoka aiheuttaa jääkaapin käymisen pitempään, kunnes se saavuttaa turvallisen säilytyslämpötilan.
- Ovet on voitu avata äskettäin tai jätetty raolleen pitkäksi aikaa. Jääkaappiin päässyt lämmin ilma aiheuttaa jääkaapin käymisen pitemmän aikaa. Avaa ovia harvemmin.
- Pakastin- tai jääkaappiosaston ovi on voitu jättää raolleen. Tarkista onko ovet suljettu tiukasti.

Jääkaappi käy alituisen tai pitkän ajan.

- Jääkaappi on säädetty hyvin alhaiselle lämpötilalle. Säädä jääkaapin lämpötila lämpimämmäksi ja odota, kunnes haluttu lämpötila on saavutettu.
- Jääkaapin tai pakastimen oven tiiviste voi olla likainen, kulunut, rikkoutunut tai huonosti paikallaan. Puhdista tai vaihda tiiviste. Vahingoittunut, rikkoutunut tiiviste aiheuttaa jääkaapin käymisen pitempiä aikoja nykyisen lämpötilan ylläpitämiseksi.
- Pakastimen lämpötila on hyvin alhainen, kun jääkaapin lämpötila on sopiva.
- Pakastin on säädetty hyvin alhaiselle lämpötilalle. Säädä pakastimen lämpötila lämpimämmäksi ja tarkista.

Jääkaapin lämpötila on hyvin alhainen, kun pakastimen lämpötila on sopiva.

- Jääkaappi on säädetty hyvin alhaiselle lämpötilalle. Säädä jääkaapin lämpötila lämpimämmäksi ja tarkista.

Jääkaappiosaston vetolaatikoissa säilytetty ruoka jäätyy.

- Jääkaappi on säädetty hyvin alhaiselle lämpötilalle. Säädä jääkaapin lämpötila lämpimämmäksi ja tarkista.

Jääkaapin tai pakastimen lämpötila on hyvin korkea.

<ul style="list-style-type: none"> Jääkaappi on säädetty hyvin korkealle lämpötilalle. Jääkaapin säädöt vaikuttavat pakastimen lämpötilaan. Muuta jääkaapin tai pakastimen lämpötilaa, kunnes jääkaappi tai pakastin saavuttaa riittävän tason. Ovet on voitu avata äskettäin tai jätetty raolleen pitkäksi aikaa. Lämmintä ilmaa tunkeutuu jääkaappiin tai pakastimeen, kun ovet avataan. Avaa ovia harvemmin. Ovi on voitu jättää raolleen. Sulje ovi kokonaan. Suuri määrä ruokaa on voitu säilöä jääkaappiin äskettäin. Odota, kunnes jääkaappi tai pakastin saavuttaa halutun lämpötilan. Jääkaapin virtajohto on voitu liittää pistorasiaan äskettäin. Jääkaapin jäähtyminen kokonaan kestää kauemmin sen koon vuoksi.
<p>Käyntiääni voimistuu, kun jääkaappi käy.</p> <ul style="list-style-type: none"> Jääkaapin käyttöteho saattaa muuttua ympäristön lämpötilan muutosten mukaan. Se on normaalia eikä ole vika.
<p>Tärinä tai käyntiääni.</p> <ul style="list-style-type: none"> Lattia ei ole tasainen tai se on heikko. Jääkaappi huojuu, kun sitä siirretään hitaasti. Varmista, että lattia on tasainen, luja, ja että se kestää jääkaapin painon. Melu saattaa johtua jääkaapin laitetuista kohteista. Tällaiset kohteet tulisi poistaa jääkaapin yläosasta.
<p>Esiintyy nesteen vuotamisen tai suihkuamisen kaltaisia ääniä.</p> <ul style="list-style-type: none"> Neste- ja kaasuvuotoja ilmenee jääkaapin käyttöperiaatteiden mukaisesti. Se on normaalia eikä ole vika.

<p>Kuuluu tuulen huminan kaltaista ääntä</p> <ul style="list-style-type: none"> Ilma-aktivaattoreita (tuulettimia) käytetään jääkaapin jäähdyttämiseen tehokkaasti. Se on normaalia eikä ole vika. Jääkaapissa oleva vesi/kondensaatio/jää.
<p>Kondensaatio jääkaapin sisäseinissä.</p> <ul style="list-style-type: none"> Kuuma ja kostea sää lisää jäätymistä ja kondensaatiota. Se on normaalia eikä ole vika. Ovet ovat raollaan. Varmista, että ovet on suljettu kokonaan. Ovia on voitu avata jatkuvasti tai ne on voitu jättää auki pitkäksi aikaa. Avaa ovia harvemmin. Jääkaapin ulkopinnoilla oleva vesi/kondensaatio/jää.
<p>Kosteutta esiintyy jääkaapin ulkopinnoilla tai ovien välissä.</p> <ul style="list-style-type: none"> Sää voi olla kostea. Tämä on aivan normaalia kostealla säällä. Kun kosteutta on vähemmän, kondensaatio häviää.
<p>Paha haju jääkaapin sisällä.</p> <ul style="list-style-type: none"> Jääkaapin sisäpuoli on puhdistettava. Puhdista jääkaapin sisäpuoli sienellä, lämpimällä vedellä tai hiilihapollisella vedellä. Jotkut astiat tai pakkausmateriaalit voivat olla hajun aiheuttajia. Käytä erilaista säilytysastiaa tai erimerkkistä pakkausmateriaalia.
<p>Ovi/ovet eivät mene kiinni.</p>

- Elintarvikepakkaukset voivat estää oven sulkeutumisen. Poista pakkaukset, jotka ovat oven esteenä.
- Jääkaappi ei todennäköisesti ole aivan pystysuorassa lattialla ja se voi keinua hieman siirrettynä. Säädä nostoruuveja.
- Lattia ei ole tasainen tai kestävä. Varmista, että lattia on tasainen, ja että se kestää jääkaapin painon.

Lokerot ovat juuttuneet.

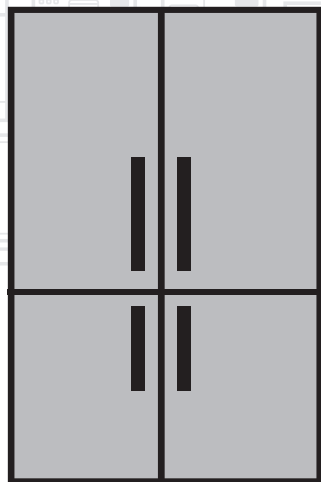
- Elintarvikkeita voi olla kosketuksissa lokeron kattoon.
- Järjestä ruuat uudelleen vetolaatikossa.

Jos Tuotteen Pinta On Kuuma.

- Korkeat lämpötilat voidaan havaita kahden oven välillä, sivupaneeleissa ja takaritilässä laitteen ollessa käytössä. Tämä on normaalia eikä vaadi huoltotoimenpiteitä! Ole varovainen joutuessasi kosketuksiin näiden alueiden kanssa.

Hűtőszekrény

Használati útmutató



HUI

beko

Kérjük, előbb olvassa el a használati útmutatót!

Tisztelt Vásárló!

Bízunk benne, hogy termékünk, mely egy modern gyárban készült, és a legaprólékosabb minőségirányítási eljárások alapján lett tesztelve, hatékony szolgáltatást fog biztosítani az Ön számára.




Ehhez azt javasoljuk, hogy használat előtt alaposan olvassa el a teljes használati útmutatót, és azt ne dobja ki, mert a jövőben még szüksége lehet rá.

Ez a használati útmutató

- Segít a készüléket gyors és biztonságos módon használni.
 - A termék beszerelése és használata előtt olvassa el a használati útmutatót.
 - Tartsa be az utasításokat, főleg azokat, melyek a biztonságra vonatkozó információkat.
 - A használati útmutatót tartsa olyan helyen, ahol a jövőben könnyen hozzá tud férni.
 - Olvassa el a többi dokumentumot is, melyet a termékhez kapott.
- Ne feledje, ez a használati útmutató más modellekre is érvényes lehet.

Szimbólumok és leírásuk

Ez a használati útmutató a következő szimbólumokat tartalmazza:

-  Fontos információ vagy hasznos tipp.
-  Figyelmeztetés élet vagy tulajdonra veszélyes körülményekre.
-  Figyelmeztetés elektromos feszültség miatt.

TARTALOMJEGYZÉK

1 Hűtőszekrény 3

2 Fontos biztonsági figyelmeztetések 4

Rendeltetés szerű használat	4
Vízadagolóval ellátott termékek esetén;	7
Gyermekbiztonság.....	7
A WEEE-irányelvnek való megfelelés és a hulladék termék megsemmisítése: .	8
Az RoHS-irányelvnek való megfelelés:	8
Csomagolásra vonatkozó információ .	8
HC Figyelmeztetés.....	8
Az energiatakarékosság jegyében teendő lépések	9
Javaslatok a friss étel rekeszhez	9

3 Beüzemelés 10

A hűtő szállításakor figyelembe veendő dolgok	10
A hűtő üzembe helyezése előtt	10
Elektromos összeköttetés.....	11
A csomagolás leselejtezése	11
A régi hűtő leselejtezése	11
Elhelyezés és üzembe helyezés	11
A berendezés stabilizálása	12
A rés nagyságának beállítása a felső ajtónál	12
A lámpa cseréje	13
A vízszűrő behelyezése	14
A vízvezeték csatlakoztatása a hűtőhöz	14
A vízvezeték csatlakoztatása a víztartályhoz	15
A vízvezeték csatlakoztatása a vezetékes vízhez	16
A vízadagoló első használata előtt ...	18

4 Előkészületek 19

5 A hűtőszekrény használata 20

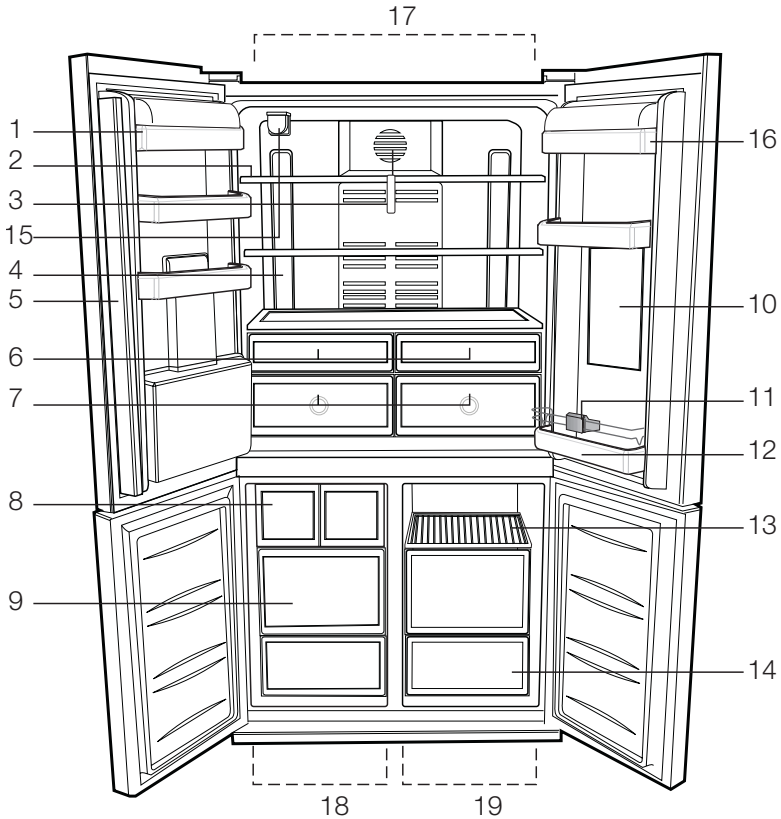
Kijelző panel	20
Nyitott ajtó riasztás:	23
A szűrő használati idejének automatikus kiszámításához teendő lépések.....	24
Kihúzható polcok.....	25
Tojástartó.....	25
Fiók	25
Compartiment Zone fraîche	25
Forgó középső rész	26
Multi Zone tárolórekesz	26
Kék világítás	26
Csúsztatható polcok hátsó akasztókkal	27
Vaj- és sajtátrolók	27
A vízadagoló használata	27
Víztálca.....	27
Minibár	28
Dupla hűtőrendszer:	29
Friss étel lefagyasztása	29
Tippek a fagyasztott ételek tárolásához.....	30
Az élelmiszer elhelyezése.....	30
Tudnivalók a mélyfagyasztásról	30

6 Karbantartás és tisztítás 31

A műanyag felületek védelme	31
-----------------------------------	----

7 A problémák javasolt megoldása 32

1 Hűtőszekrény



- | | |
|------------------------------------|-----------------------------------|
| 1- Hűtőrekesz ajtópolcai | 11- Palacktartó |
| 2- Hűtőrekesz üvegpolcai | 12- Üvegtartó polc |
| 3- Diffúzórfedő | 13- Élelmiszertartó rekesz polcai |
| 4- Lámpák | 14- Élelmiszertároló rekeszek |
| 5- Mozdítható középső tároló | 15- Vízsűrű |
| 6- Hűtőrekesz | 16- Tejtermék rekesz |
| 7- Fiók | 17- Hűtőszekrény rekesz |
| 8- Icematic | 18- Fagyasztórekesz |
| 9- Fagyaszott-étel tároló rekeszek | 19- Multi Zone |
| 10- Minibár | |

i A használati útmutatóban található képek szemléltető jellegűek, nem a valódi terméket ábrázolják. Amennyiben olyan részeket talál, melyek nem találhatók meg, az Ön által megvásárolt termékben, akkor azok más modellekre vonatkoznak.

2 Fontos biztonsági figyelmeztetések

Kérjük, olvassa el az alábbi információkat. A következő információk figyelmen kívül hagyása sérüléseket vagy anyagi károkat okozhat. Az eredeti alkatrészeket a termék vásárlásától számított 10 évig szállítjuk.

Rendeltetészerű használat

	FIGYELEM: Hagyja szabadon a készülék és a beépített rendszerek szellőzőnyílásait.
	FIGYELEM: Ne használjon mechanikus berendezéseket vagy egyéb eszközöket a kiolvasztás felgyorsításához, mint amelyeket a gyártó ajánlott.
	FIGYELEM: Ne okozzon sérülést a hűtőkörön.
	FIGYELEM: Ne használjon a gyártó ajánlásain kívüli elektromos berendezéseket a készülék élelmiszertároló részlegeiben.
	FIGYELMEZTETÉS: Ne tároljon a készülékben gyúlékony anyagokat, pl. aeroszolos dobozokat.

A készülék kizárólag otthoni és hasonló körülmények közötti használatra való, mint pl.:

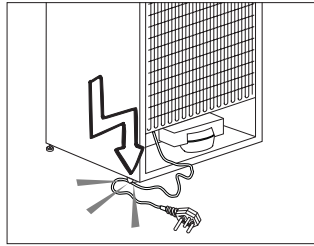
- üzletek, irodák és egyéb munkahelyek személyzeti konyhája;
- farmházak és a hotelek, motelek és egyéb lakójellegű környezetek;
- szállásadó szolgáltatók;
- étkeztetési szolgáltatók és hasonló nem üzleti alkalmazások.

Általános tudnivalók

- A termék leselejtezésével/ kidobásával kapcsolatban kérjük, érdeklődjön a hivatalos szolgáltatónál.
- A hűtővel kapcsolatos kérdésekkel és problémákkal kérjük, forduljon a hivatalos szervizhez. Saját maga, ill. nem hivatásos személyek nem javíthatják a hűtőt a hivatalos szerviz tájékoztatása nélkül.
- Fagyasztóval ellátott termék esetén; A fagyasztóból kivéve ne egye meg azonnal a jégkrémet vagy a jégkockákat! (Ez fagyási sérülést okozhat a szájban.)
- Fagyasztóval ellátott termékek esetén; Soha ne helyezzen a fagyasztóba helyezzen üveges vagy kannás italokat. A fagyasztóban ezek megrepedhetnek.
- A fagyott ételeket ne fogja meg kézzel, mert hozzáragadhatnak a kezéhez.

- A tisztítás vagy leolvasztás előtt húzza ki a hűtőszekrényt.
- Permetes tisztítószerrel sose használjon a hűtő tisztításánál. Ez ugyanis rövidzárlatot vagy áramütést okozhat a hűtő elektromos alkatrészeivel való érintkezéskor.
- Soha ne használja a hűtő egyes elemeit, például az ajtót támasztékként vagy lépcsőként.
- Ne helyezzen el elektromos készüléket a hűtőben.
- Ne rongálja meg azon alkatrészeket, ahol a hűtőfolyadék áramlik, fúró vagy vágó eszközökkel. A párologtató gázvezetékeinek, a csőtoldalékok vagy a csőburkolatok megsérülésekor kifröccsenő hűtőfolyadék bőrirritációt és szemsérülést okoz.
- A hűtő szellőzőnyílásait ne takarja le vagy tömje be semmivel.
- Az elektromos berendezéseket kizárólag engedéllyel rendelkező személyek javíthatják. Az inkompetens személyek által elvégzett javítások veszélyforrást jelenthetnek.
- Meghibásodás, ill. karbantartási vagy javítási munkálatok során válassza le a hűtőt az elektromos hálózatról a megfelelő biztosíték kikapcsolásával vagy a készülék kihúzásával.
- A hűtőt a dugónál fogva húzza ki a konnektorból.
- Gondoskodjon róla, hogy a magas alkoholtartalmú italok biztonságosan legyenek tárolva lezárt kupakkal, függőlegesen elhelyezve.
- Soha ne tároljon a hűtőben gyúlékony vagy robbanó anyagokat tartalmazó spray dobozokat.
- A leolvasztás felgyorsításához csak a gyártó által ajánlott mechanikus eszközöket vagy egyéb módszereket használjon.
- A készüléket nem használhatják fizikai, érzékszervi vagy mentális rendellenességben szenvedő, vagy képzetlen/tapasztalatlan emberek (ideértve a gyermekeket is), kivéve, ha az ilyen személy felügyeletét valamely, annak biztonságáért felelős személy látja el, illetve ez a személy a készülék használatára vonatkozóan útmutatást biztosít.
- Ha a hűtő sérült, ne használja azt. Amennyiben kérdése van, konzultáljon valamelyik szervizessel.
- A hűtő elektromos biztonsága csak akkor biztosított, ha lakása földelőrendszere megfelel az előírásoknak.
- Ne tegye ki a terméket esőnek, hónak, napsütésnek vagy szélnek, mert ez kárt tehet a termék elektromos rendszerében.
- A sérülések elkerülése érdekében, sérült tápkábel esetén vegye fel a kapcsolatot a hivatalos szervizzel.

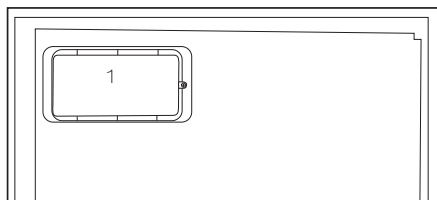
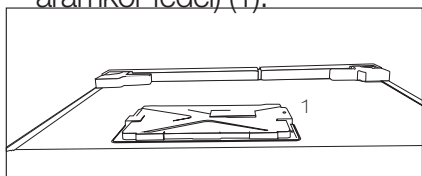
- Beszerelés közben ne dugja be a hűtőt a konnektorba. Ellenkező esetben súlyos vagy halálos sérülést szenvedhet.
- A hűtőszekrény csak élelmiszerek tárolására használható. Egyéb célra nem használható.
- A címke és a műszaki adatok leírása a hűtőszekrény belsejében, a bal oldali falon található.
- Soha ne csatlakoztassa a hűtőszekrényt energiamegtakarító rendszerhez; ezek kárt tehetnek a hűtőszekrényben.
- Amennyiben kék fény világít a hűtőszekrényen, pusztán szemmel vagy optikai eszközökkel ne nézzen sokáig a kék fénybe.
- A manuálisan szabályozott hűtőszekrényeknél az áramszünet után legalább 5 percet várjon a hűtőszekrény bekapcsolása előtt.
- A termék új tulajdonosnak történő átadásakor a ne feledje átadni a kézikönyvet is.
- A hűtőszekrény szállításakor vigyázzon, nehogy kárt tegyen a tápkábelben. A kábel meghajlítása tüzet okozhat. Soha ne helyezzen nehéz tárgyakat a tápkábelre. A készülék bedugásakor soha ne fogja meg nedves kézzel a dugót.



- A berendezés elhelyezésekor biztosítsa, hogy a tápellátást biztosító kábel ne szoruljon be és ne sérüljön meg.
- Ne helyezzen a berendezés mögé tápelosztót, vagy hordozható áramforrást.
- A hűtőszekrényt ne csatlakoztassa laza konnektorba.
- Biztonsági okokból soha ne fújjon folyadékot a készülék belső vagy külső részeire.
- Ne fújjon ki gyúlékony anyagokat, pl. propán gáz, stb. a hűtőszekrény közelében, mert tűz keletkezhet, vagy felrobbanhat.
- Soha ne helyezzen vízzel töltött tárgyakat a hűtőszekrény tetejére, mert azok áramütést vagy tüzet okozhatnak.
- Soha ne terhelje túl a hűtőszekrényt túlzottan sok étellel. Túlterhelés esetén az élelmiszerek leeshetnek és kárt tehetnek a hűtőszekrényben az ajtó kinyitásakor. Soha ne helyezzen tárgyakat a hűtőszekrény tetejére; ellenkező esetben ezek a tárgyak az ajtó kinyitásakor vagy becsukásakor leeshetnek.
- Mivel ezek precíz teljesítményszabályozást igényelnek, a gyógyszerek,

a hőérzékeny orvosságok és kutatási anyagok stb. nem tárolhatók a hűtőszekrényben.

- Amennyiben hosszú ideig nem használja, húzza ki a hűtőszekrényt. A tápkábel hibája tüzet okozhat.
- Amennyiben a beállítható lábak nincsenek megfelelően beállítva, a hűtő billeghet. Az állítható lábak megfelelő rögzítése megakadályozhatja a billegést.
- A hűtőszekrény szállításakor soha ne emelje fel a fogantyúnál fogva. A fogantyú letörhet.
- Amennyiben a terméket egy másik hűtőszekrény vagy fagyasztó mellé helyezi, a két készülék közt legalább 8 cm helyet kell hagynia. Ellenkező esetben a szomszédos falak bepárasodhatnak.
- Soha ne használja a terméket, ha a termék tetején vagy a hátoldalán található, belsejében nyomtatott áramkört tartalmazó elektronikus szakasz nyitva van (elektronikus nyomtatott áramkör fedél) (1).



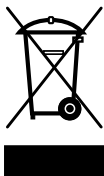
Vízadagolóval ellátott termékek esetén;

- A hideg víz max. bemeneti nyomása 90 psi (6.2 bar). Ha a víz nyomása meghaladja a 80 psi (5.5 bar) értéket, használjon egy nyomáscsökkentő szelepet a vízhálózaton. Ha nem tudja ellenőrizni a víz nyomását, kérje egy vízvezeték-szerelő segítségét.
- Ha fennáll a vízkalapács effektus kockázata a hálózatában, akkor mindig használjon egy vízkalapács effektust gátló berendezést. Ha nem biztos abban, hogy nincs vízkalapács effektus a hálózatában, akkor forduljon vízvezeték-szerelőhöz.
- Ne telepítse meleg víz bemenetre. Tegyen óvintézkedéseket a vezetékek elfagyásának megelőzése érdekében. A víz üzemi hőmérséklete min. 33°F (0.6°C) és max. 100°F (38°C) legyen.
- Kizárólag ivóvizet használjon.

Gyermekbiztonság

- Amennyiben az ajtó zárral is rendelkezik, a kulcsot tartsa távol a gyermekektől.
- A gyermekeket folyamatosan felügyelni kell, hogy ne babráljanak a termékkel.

A WEEE-irányelvnek való megfelelés és a hulladék termék megsemmisítése:



A termék megfelel az uniós WEEE-irányelv (2012/19/EU) követelményeinek. A terméken megtalálható az elektromos

és elektronikus hulladékok besorolására vonatkozó szimbólum (WEEE).

A terméket magas minőségű alkatrészekből és anyagokból állították elő, amelyek ismételten felhasználhatók és alkalmasak az újrahasznosításra. A hulladék terméket annak élettartamának végén ne a szokásos háztartási vagy egyéb hulladékkal együtt selejtezze le. Vigye el azt egy az elektromos és elektronikus berendezések újrahasznosítására szakosodott begyűjtőhelyre. A begyűjtőhelyek kapcsán kérjük, tájékozódjon a helyi hatóságoknál.

Az RoHS-irányelvnek való megfelelés:

Az Ön által megvásárolt termék megfelel az uniós RoHS-irányelv (2011/65/EU) követelményeinek. A termék nem tartalmaz az irányelvben meghatározott káros vagy tiltott anyagokat.

Csomagolásra vonatkozó információ

A termék csomagolóanyagai, a nemzeti környezetvédelmi előírásokkal összhangban, újrahasznosítható anyagokból készültek. A csomagolóanyagokat ne a háztartási vagy egyéb hulladékokkal együtt dobja ki! Vigye el azokat a helyi hatóságok által e célból kijelölt csomagolóanyag-begyűjtő pontokra.

HC Figyelmeztetés Amennyiben a termék R600a hűtőrendszerrel rendelkezik:

Ez a gáz gyúlékony. Ennek következtében figyeljen oda, hogy szállítás és használat közben ne tegyen kárt a hűtőrendszerben. Sérülés esetén tartsa távol a terméket a lehetséges tűzforrásoktól, melynek hatására a készülék begyulladhat, továbbá folyamatosan szellőztesse a szobát, ahol a készüléket elhelyezte.

Hagyja figyelmen kívül ezt a figyelmeztetést, amennyiben a hűtőrendszer R134a hűtőközeget használ.

A termékben használt gáz típusát a hűtőszekrény belsejében, a bal oldali falon találja.

Soha ne égesse el a terméket.

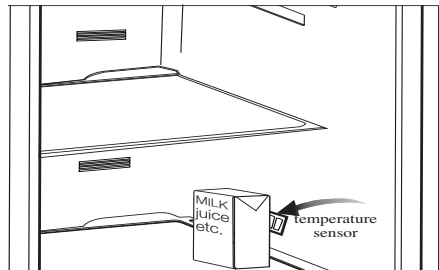
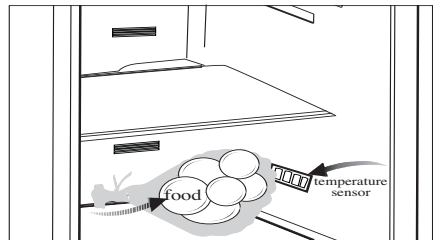
Az energiatakarékosság jegyében teendő lépések

- Ne hagyja sokáig nyitva a hűtő ajtaját.
- Ne tegyen meleg ételt vagy italt a hűtőbe.
- Csak annyi ételt/italt tegyen a hűtőbe, hogy az ne akadályozza a levegő cirkulációt.
- Ne helyezze a hűtőt olyan helyre, ahol azt közvetlen napsütés éri, vagy ahol a közelben hőforrás van (pl. sütő, mosogatógép vagy radiátor).
- Ügyeljen rá, hogy az ételeket zárt edényben tárolja a hűtőben.
- Fagyasztórekesssel ellátott termékek esetén; Akkor tárolhat maximális mennyiségű élelmiszert a hűtőszekrényben, ha eltávolítja a polcokat vagy a fagyasztó fiókját. Az energiafogyasztást úgy határozták meg, hogy eltávolították a fagyasztó polcokat és fiókjait, és a fagyasztót telepakolták. A polc vagy a fiók használata esetén, az élelmiszerek kisebb mérete miatt nem áll fenn az élelmiszerek megfagyásának veszélye.
- A fagyasztott élelmiszer hűtőszekrényben történő felolvasztása energiát takarít meg, és megőrzi az étel minőségét.

Javaslatok a friss étel rekeszhez

* OPCIONÁLIS

- Kérjük, ne hagyja, hogy az étel hozzáérjen a friss étel rekeszben lévő hőmérsékletérzékelőhöz. A friss étel rekesz ideális hőmérsékletének fenntartásához az érzékelő nem érhet hozzá az ételhez.
- Ne tegyen meleg ételt a készülékbe.



3 Beüzemelés

Felhívjuk rá figyelmét, hogy a gyártó nem vállal felelősséget a jelen útmutatóban foglalt információk figyelmen kívül hagyásáért.

A hűtő szállításakor figyelembe vevendő dolgok

1. Szállítás előtt ürítse ki és tisztítsa ki a hűtőt.
2. A hűtő becsomagolása előtt a polcokat, kiegészítőket, fiókokat stb. rögzíteni kell szigszalaggal.
3. A csomagolást szigszalaggal és erős madzaggal össze kell fogni, és a csomagoláson feltüntetett szabályokat be kell tartani.

Ne feledje...

Minden újrahasznosított anyag nélkülözhetetlen a természet és nemzeti erőforrásaink számára.

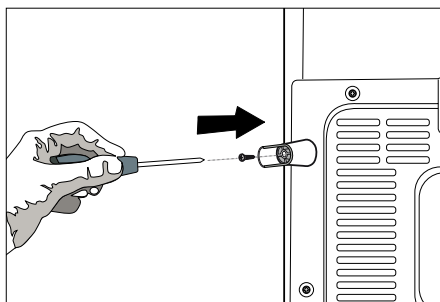
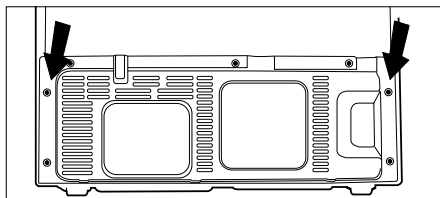
Amennyiben szeretne részt venni a csomagolóanyagok újrahasznosításában, további információkat a környezetvédelmi szervektől vagy a helyi hatóságoktól szerezhet.

A hűtő üzembe helyezése előtt

A hűtő használatbavétele előtt ellenőrizze az alábbiakat:

1. A hűtő belseje száraz és a levegő szabadon tud áramolni a hátsó részén.

2. A következő képen látható módon helyezze a 2 műanyag éket a hátsó ventilátorra. Csavarozza ki a jelenlegieket, és használja azokat a csavarokat, amelyek az ékeket tartalmazó zacskóban vannak. A műanyag ékek segítenek megtartani a szükséges távolságot a hűtő és a fal között, és így a levegő szabadon tud áramolni.



3. A hűtőszekrény belsejét a "Karbantartás és tisztítás" c. fejezetben foglaltak szerint tisztítsa.
4. A hűtő be van dugva a konnektorba. Ha az ajtó nyitva van, a megfelelő belső világítás bekapcsol.
5. Hangot fog hallani, amint a kompresszor beindul. A hűtőrendszerben lévő folyadékok és gázok hangja akkor is hallható, ha a kompresszor nem üzemel.

6. Lehetséges, hogy a hűtő elülső éleit melegnek érzi. Ez normális jelenség. Ezek a részek azért melegednek fel, hogy így elejét vegyék a páralecsapódásnak.

Elektromos összeköttetés

A hűtőszekrényt egy olyan földelt aljzathoz csatlakoztassa, mely megfelelő teljesítményű biztosítókkal rendelkezik.

Fontos:

- A csatlakozásnak meg kell felelnie az országos normáknak.
- Ügyeljen rá, hogy a tápkábel könnyen hozzáférhető legyen a hűtő elhelyezése után.
- A meghatározott feszültség értéknek meg kell egyeznie a hálózati feszültség értékével.
- Hosszabbítót és elosztót ne használjon.

⚠ A sérült tápkábel cseréjét bízza szakemberre.

⚠ A berendezést hibásan ne üzemeltesse! Ilyenkor ugyanis áramütés veszélye áll fenn!

A csomagolás leselejtezése

A csomagolóanyagok veszélyt jelenthetnek a gyermekekre nézve. Ezért tartsa a csomagolóanyagokat gyermekektől távol, vagy selejtezze le azokat a hulladékokra vonatkozó utasítások szerint. A csomagolóanyagokat ne háztartási hulladékként kezelje.

A hűtő csomagolóanyaga újrahasznosítható anyagokból készült.

A régi hűtő leselejtezése

A hűtőt úgy selejtezze le, hogy ezzel ne okozzon kárt a környezetnek.

- A hűtő leselejtezésével kapcsolatban bővebb információt a hivatalos márákereskedésekben ill. a hulladékgyűjtő központokban kaphat.

A hűtő leselejtezése előtt vágja el a tápkábelt, tegye használhatatlanná az ajtón lévő zárat (ha van), hogy a gyermekeket ne érhesse baj.

Elhelyezés és üzembe helyezés

Vigyázat: Beszerelés közben ne dugja be a hűtőt a konnektorba. Ellenkező esetben súlyos vagy halálos sérülést szenvedhet.

Amennyiben a hűtőszekrény tárolására kijelölt szoba ajtaja nem elég széles, a hűtők ajtajainak eltávolításához hívja ki a hivatalos szervizt.

1. A hűtőszekrényt könnyen hozzáférhető helyre helyezze.
2. Tartsa távol a hűtőszekrényt a hőforrásoktól, a nedves helyektől és a közvetlen napsütéstől.
3. A hatékony működés érdekében a hűtőszekrényt egy jól szellőző helyen kell elhelyezni.

Amennyiben a hűtőszekrényt egy fali bemélyedésbe helyezi be, a készülék körül minden irányból legalább 5 cm helyet kell hagyni.

Amennyiben a padló szőnyeggel van letakarva, a terméket 2,5 cm-rel meg kell emelni.

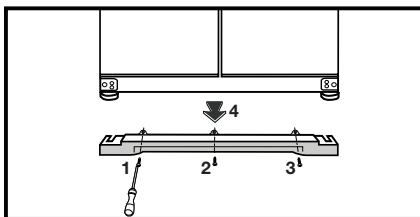
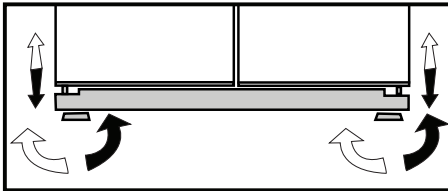
4. A rázkódások elkerülése érdekében a hűtőszekrényt egy egyenletes padlón helyezze el.

5. Ne tartsa a hűtőszekrényt 10 °C-nál alacsonyabb hőmérsékleten.

A berendezés stabilizálása

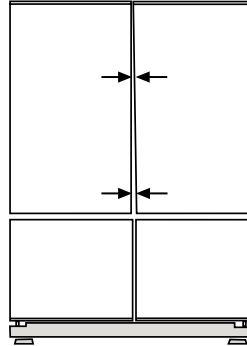
Ha a hűtő dülöngél:

1. A művelet megkezdése előtt a csavarok kihajtásával távolítsa el a szellőztető burkolatot (lásd az ábrát). A hűtő stabilizálásához csavarja el az elülső lábakat az ábrán látható módon. A láb a fekete nyíl irányába csavarva lejjebb ereszkedik, míg az ellenkező irányba tekerve megemelkedik. A műveletet kényelmes elvégzéséhez két emberre van szükség.
2. A dülöngélési probléma elhárítása után helyezze vissza a szellőztető burkolatot, és rögzítse azt a csavarokkal.
3. Egy csillagcsavarhúzó segítségével távolítsa el az alsó szellőztető burkolatot rögzítő csavarokat.

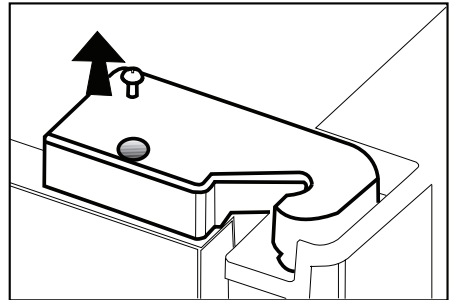


A rés nagyságának beállítása a felső ajtónál

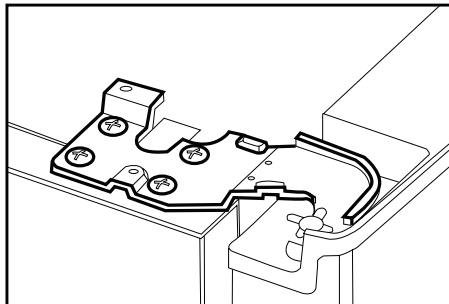
- Lehetőség van a hűtő rekesz ajtajai közötti rés beállítására (lásd az ábrákat). Az ajtómagasság beállítása során a polcok legyenek üresek!



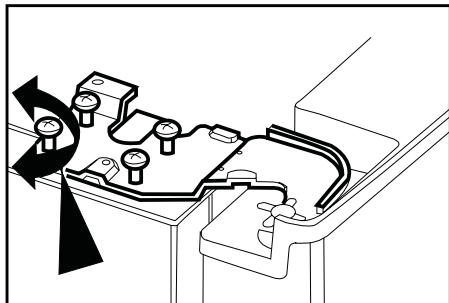
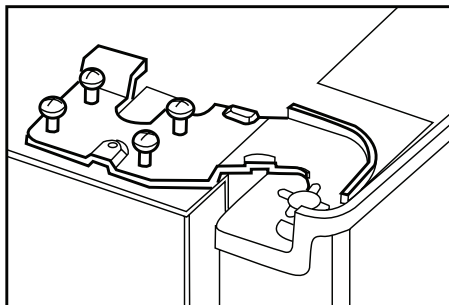
- Egy csavarhúzó segítségével távolítsa el a felső zsanér burkolatát annak az ajtónak, amelyiket be szeretné állítani.



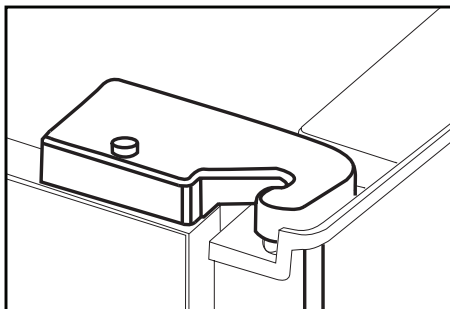
- Állítsa be a kívánt ajtót a csavarok meglazításával.



- Rögzítse a beállított ajtót a csavarok meghúzásával – ügyeljen rá azonban, hogy az ajtó közben ne állítódjon el!



- Tegye vissza a zsanér burkolatát, és rögzítse azt a csavarokkal.



A lámpa cseréje

A hűtőszekrény lámpájának cseréjéhez, kérjük, hívja fel a szakszervízt.

A készülékben lévő lámpa/lámpák háztartásban lévő helyiségek megvilágítására nem alkalmas/alkalmasak. A lámpa rendeltetése, hogy segítse a felhasználót az élelmiszerek hűtőszekrénybe/ fagyasztószekrénybe való gyors és biztonságos behelyezésében.

A készülékben használt lámpáknak extrém környezeti hatásokat kell kibírniuk, mint pl. a $-20\text{ }^{\circ}\text{C}$ hőmérséklet.

A vízsűrő behelyezése

(egyes modelleknél)

A hűtőt kétféle forrásból lehet vízhez juttatni: a vezetékes vízből és víztartályból.

Előfeltételek

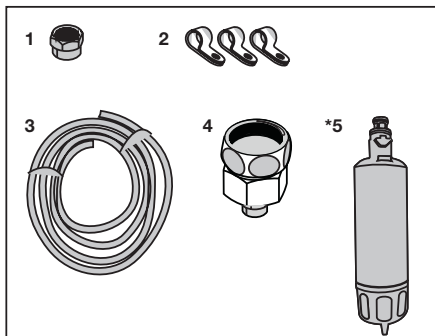
Víztartály használata esetén szivattyúra is szükség van.

Ellenőrizze, hogy az alábbi alkatrészek, melyeket a berendezéshez mellékelünk, megvannak-e.

1. Csőcsatlakozó, mellyel a vízvezeték hozzácsatlakoztatható a berendezéshez. (Ha nem illeszkedik rá, akkor a legközelebbi hivatalos szervizt vegye igénybe.)
2. 2 darab csőbilincs (arra az esetre, ha rögzíteni kell a vízvezetékét)

Megjegyzés: Mivel az alábbi alkatrészekre nincs szükség, ha víztartályt használ, ezért előfordulhat, hogy ezek nincsenek mellékelve a megvásárolt termékhez.

3. Ötméteres vízcső (1/4" átmérőjű)
4. Vezetékes víz szelep hálós szűrővel (csap adapter)



5. Vízsűrő vagy külsőleg csatlakoztatható szűrő, melyet a hűtő belsejében lévő konzolra kell felszerelni.

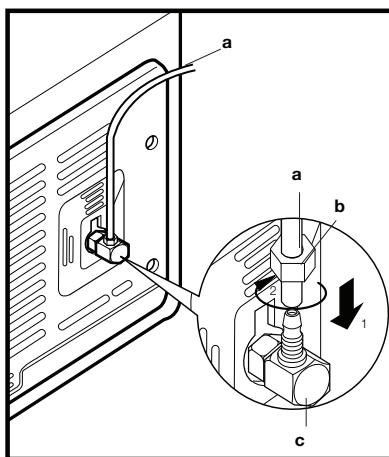
A külső szűrő illesztésének helye állapítandó meg elsőként. (A hűtőszekrényen kívül használt szűrőre vonatkozik.) Ezt követően határozza meg a távolságot a szűrő és a hűtőszekrény között és a szűrő és a hűtőszekrény vízbemenete között szükséges tömlőhosszúságot.

A vízsűrőt felfelé kell tartani az ábrán mutatottak szerint. Fontos, hogy a szűrő megfelelően legyen a víz bemeneti és kimeneti pontjaihoz illesztve.

A szűrő illesztését követően ne használja fel az első 3-4 pohányi vizet.

A vízvezeték csatlakoztatása a hűtőhöz

1. Helyezze fel a csőcsatlakozót a vízvezetékre, majd dugja be a vízvezeték a hűtő bemeneti csapjába; a vízvezeték nyomja lefelé annak rögzítéséhez.
2. Rögzítse a csőcsatlakozót a szomszédos ábrán látható módon a hűtő bemeneti csapjára.



(a – Vízvezeték, b – Csőcsatlakozó, c – Csap)

i Megjegyzés 1: A csőcsatlakozót elég kézzel meghúzni. Ha azonban szivárgást észlel, használjon fogót vagy kulcsot a csőcsatlakozó meghúzásához.

A vízvezeték csatlakoztatása a víztartályhoz (egyes modelleknél)

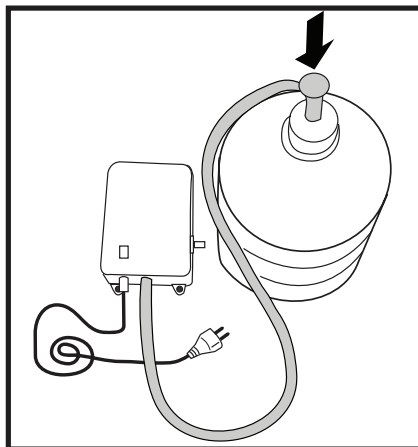
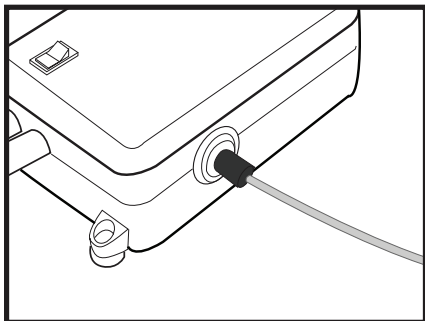
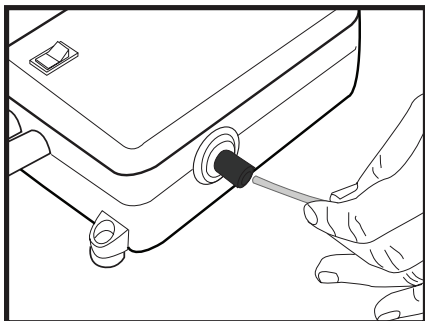
Ha víztartályt szeretne csatlakoztatni a hűtőhöz, akkor szükség van egy szivattyúra is. Miután csatlakoztatta a szivattyúból kijövő vízvezeték egyik végét a hűtőhöz (a fentiek szerint leírt módon), járjon el az alábbi utasítások szerint:

1. Nyomja rá a vízvezeték másik végét a szivattyú vízvezeték bemenetére, az ábrán látható módon.
2. Helyezze fel a szivattyú vezetékét a víztartályra az ábrán látható módon.
3. Ezután dugja be és kapcsolja be a szivattyút.

Annak érdekében, hogy a szivattyú optimálisan üzemeljen, várjon 2-3 percet a szivattyú bekapcsolása után.

i A vízcsatlakozás kialakításához használja a szivattyú használati útmutatóját is.

i Víztartály használata esetén nincs szükség a vízsűrőre.



- ⓘ Víztartály használata esetén szivattyúra is szükség van.

A vízvezeték csatlakoztatása a vezetékes vízhez (egyes modelleknél)

Ha a hűtőt a vezetékes vízzel szeretné használni,

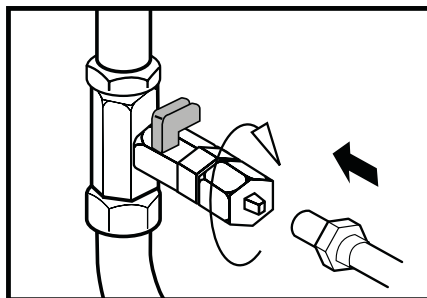
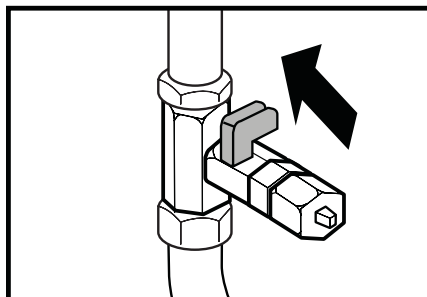
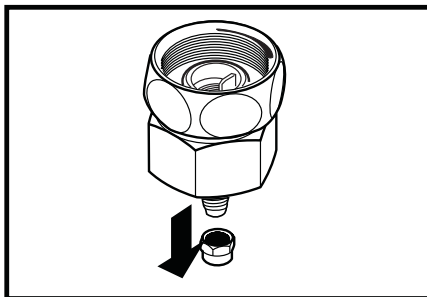
akkor fel kell helyezni egy standard 1/2"-os csapot a lakás vízvezetékére. Abban az esetben, ha nem rendelkezik ilyen csappal, vagy ha nem biztos benne, hogy van ilyen csapja, akkor forduljon vízvezeték-szerelőhöz.

1. Válassza le a csőcsatlakozót a csap adapterről. (A ábra)
2. Helyezze fel a csap adaptert az 1/2"-os csapra az ábrán látható módon. (B ábra)
3. Miután csatlakoztatta a vízvezetékét a csőcsatlakozóhoz, helyezze azt fel a csap adapterre az ábrán látható módon. (C ábra)
4. Húzza meg kézzel a csőcsatlakozót. Ha azonban szivárgást észlel, használjon fogót vagy kulcsot a csőcsatlakozó meghúzásához.

⚠ Figyelmeztetés: Rögzítse a vízvezetékét erre alkalmas felületekhez a mellékelt csőbilincsek segítségével annak érdekében, hogy menet közben a vezeték ne csússzon ki.

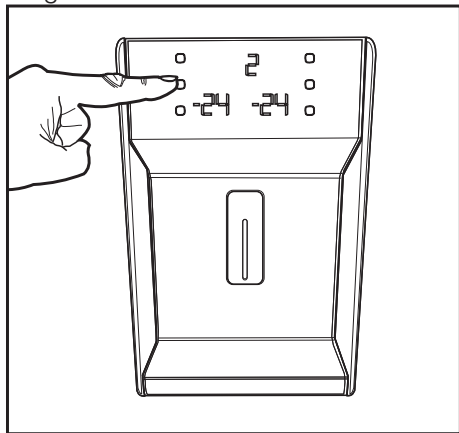
⚠ Figyelmeztetés: A vízcsap megnyitása után ellenőrizze a vízvezeték mindkét végpontjánál, hogy nincs-e szivárgás. Ha szivárgást észlel, zárja el a csapot és húzza meg az illesztéseket egy fogó vagy kulcs segítségével.

⚠ Figyelmeztetés: Győződjön meg róla, hogy a standard 1/2"-os csap fel van szerelve a vezetékes vízre, és hogy az el van zárva.

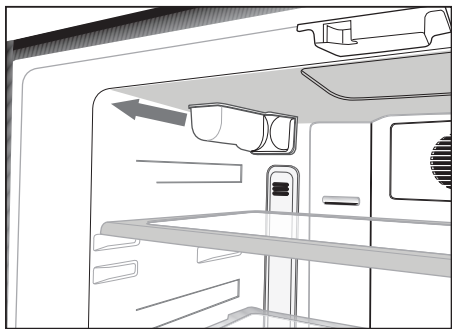


A vízszűrő behelyezéséhez járjon el az alábbiak szerint, a mellékelt ábrákat figyelembe véve:

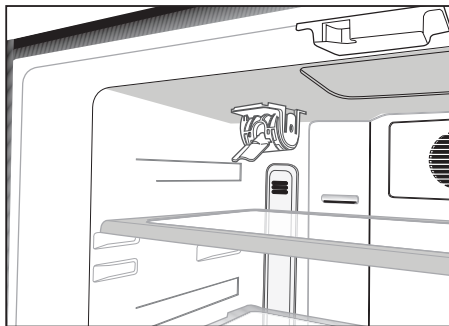
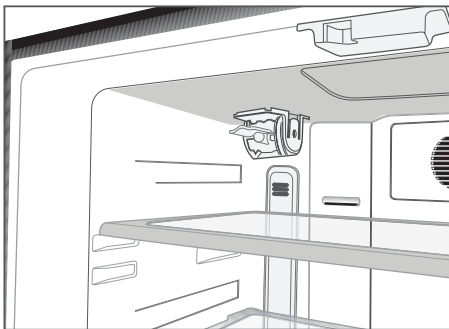
1. Nyomja meg a kijelzőn a jég leállítása gombot.



2. Húzza le a hűtő belsejében lévő szűrő fedelét.



3. Vegye ki a vízszűrő megkerülő fedelét úgy, hogy elforgatja azt lefelé.



⚠ Figyelmeztetés: A megkerülő fedél eltávolítása előtt győződjön meg róla, hogy a „Jég leállítva” üzemmód van kiválasztva.

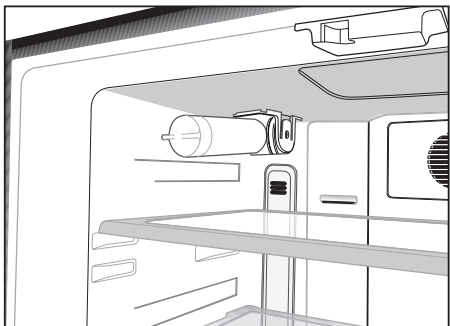
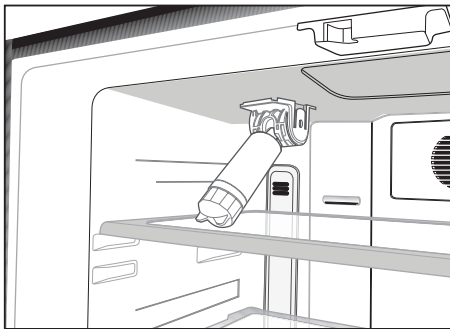
Megjegyzés: A fedél eltávolítása után néhány csepp víz kicsöpöghet, ez azonban normális jelenség.

4. Távolítsa el a vízszűrő tetején lévő fedelet az ábrán látható módon, majd fordítsa azt felfelé annak rögzítéséhez.
5. Nyomja meg a kijelzőn ismét a jég leállítása gombot az üzemmódból való kilépéshez.

A vízsűrőt félévente kell cserélni. Ha automatikusan ki kívánja számíttatni a szűrő csereidejét, és figyelmeztetést szeretne kapni a használati idő végém, akkor kérem, olvassa el a „A szűrő használati idejének automatikus kiszámítása” fejezetet.

A vízsűrőt az ábrán látható módon kell eltávolítani, ha azt ki kívánja cserélni, továbbá csatlakoztatni kell a megkerülő fedelet is. A művelet előtt győződjön meg róla, hogy a „Jég leállítva” üzemmód van kiválasztva.

⚠ Figyelmeztetés: A vízsűrő csak fizikai tisztítást végez, a mikroorganizmusoktól nem tisztítja meg azt!



⚠ Figyelmeztetés: A jég leállítása gombot mindig meg kell nyomni a vízsűrő cseréje, valamint a megkerülő fedél felhelyezése előtt.

A vízadagoló első használata előtt

❗ A víz nyomása nem csökkenhet 1 bar alá.

❗ A víz nyomása nem haladhatja meg a 8 bar-t.

❗ Amennyiben a víznyomás 1 bar nyomás alá csökken, vagy ha víztartályt kíván használni, szivattyú használata szükséges.

❗ A hűtőszekrény vízrendszerét hidegvizes vízforráshoz kell csatlakoztatnia. Forró vízhez nem csatlakoztatható.

❗ A hűtőszekrény első üzemeléskor nem szabad vizet beszivattyúzni. Ezt a rendszerben lévő levegő okozza. A rendszerben lévő levegő eltávolításához nyomja meg 1 percig az Adagoló karját, amíg víz nem kezd el folyni az adagolóból. Az elején a víz kifolyása rendszertelen lehet. A levegő eltávozása után a víz folyamatosan áramlik.

❗ A hideg víz a hűtőszekrény üzembe helyezése után 12 órával erszthető ki.

❗ A Jég-/Vízadagoló megfelelő működéséhez 1-8 bar nyomásra van szükség. Ennek ellenőrzéséhez fogjon egy poharat (100 cc), ennek körülbelül 10 másodperc alatt kell megtelnie.

❗ Az első 10 pohárnyi vizet ne fogyassza el.

❗ Az üzembe helyezés utáni első 30 jégkockát ne használja fel.

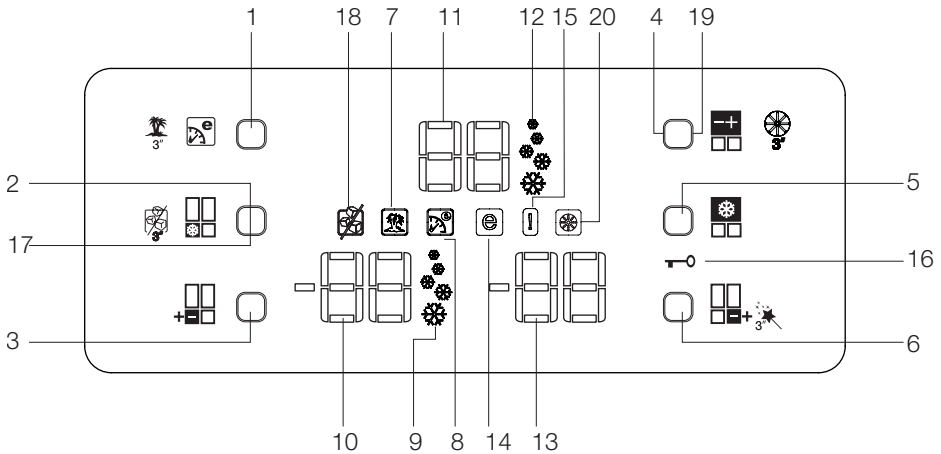
❗ Amennyiben nem használ víztartályt, mindig használjon vízsűrőt.

- A hűtőt legalább 30 cm-re kell elhelyezni minden hőforrástól (pl. kandalló, sütő, főzőlap), és legalább 5 cm-re az elektromos sütőktől. Ezenkívül óvni kell a közvetlen napsütéstől is.
- A helyiségben, ahol a hűtőt el kívánja helyezni, legalább 10 °C-os hőmérsékletnek kell lennie. Ennél hűvösebb helyen a hűtő optimális működését nem tudjuk garantálni.
- Kérjük, ügyeljen rá, hogy a hűtő belseje alaposan meg legyen tisztítva.
- Ha két hűtőt kíván egymás mellett elhelyezni, kérjük, hagyjon legalább 2 cm helyet közöttük.
- A hűtő első beüzemelésekor kérjük, tartsa be az alábbiakat az első hat óra alatt.
 - Ne nyitogassa gyakran az ajtót.
 - Ne tegyen ételt a hűtőbe.
 - Ne húzza ki a hűtőt. Áramkimaradás esetén kérjük, tekintse meg az "Problémák javasolt megoldása" c. részt.
- A hűtőrekeszhez tartozó kosarakat/ fiókokat mindig használni kell az alacsony energiafogyasztás és a jobb tárolási feltételek biztosítása érdekében.
- A fagyasztoékeszben lévő hőmérsékletérzékelővel érintkező ételek növelhetik a berendezés energiafogyasztását. Ezért kerülni kell az érzékelővel/érzékelőkkel való érintkezést.
- Órizza meg az eredeti csomagolást, hogy a későbbiekben tudja miben szállítani a hűtőt.
- Néhány modell esetében a műszerfal automatikusan kikapcsol az ajtó bezárása után 5 perccel. Újra bekapcsol, ha kinyílik az ajtó vagy lenyom egy gombot.
- A készülék ajtajának működés közbeni kinyitásokor/beecsukásokor a hőmérséklet-ingadozás miatt lecsapódás keletkezhet az ajtón/ polcokon és üvegtárolókon. Ez normális.

5 A hűtőszekrény használata

Kijelző panel

Ennek az érintőképernyős kijelző panelnek a segítségével beállíthatja a hőmérsékletet anélkül, hogy ehhez ki kellene nyitnia a hűtőt. A hőmérséklet beállításához egyszerűen csak érintse meg a kívánt gombot.



1. Eco extra/Nyarlás gomb
2. Gyorsfagyasztás gomb
3. Fagyasztórekesz hőmérsékletbeállító gombja
4. Hűtörekesz hőmérsékletbeállító gombja
5. Gyorshűtés gomb
6. Multi Zone rekesz hőmérsékletbeállító gombja
7. Nyarlás funkció jelző
8. Eco-Extra funkció jelző
9. Gyorsfagyasztás funkció jelző
10. Fagyasztórekesz hőmérsékletjelzője
11. Hűtörekesz hőmérsékletjelzője
12. Gyorshűtés funkció jelző
13. Multi Zone rekesz hőmérsékletjelzője
14. Gazdaságos üzemmód jelző
15. Hibaállapot jelző
16. Billentyűzár jelző
17. Jégtörlés gomb
18. Jég kikapcsolása jelző
19. Szűrőcsere figyelmeztető gomb törlése
20. Szűrőcsere figyelmeztető jelző

i A használati útmutatóban található képek szemléltető jellegűek, nem a valódi terméket ábrázolják. Amennyiben olyan részeket talál, melyek nem találhatók meg, az Ön által megvásárolt termékben, akkor azok más modellekre vonatkoznak.

1. Eco extra/Nyarlás gomb

Ennek a gombnak a megnyomásával lehet aktiválni az Eco extra funkciót. A gomb 3 másodpercig tartó nyomva tartásával lehet aktiválni a Nyarlás funkciót. A kiválasztott funkció kikapcsolásához nyomja meg ismét a gombot.

2. Gyorsfagyasztás gomb

Ennek a gombnak a megnyomásával lehet aktiválni a Gyorsfagyasztás funkciót. A kiválasztott funkció kikapcsolásához nyomja meg ismét a gombot.

3. Fagyasztórekesz hőmérsékletbeállító gombja

A gomb megnyomásával a következő fagyasztó-hőmérsékletfokokozatok között válthat: -18, -20, -22, -24, -18... A gomb segítségével állítsa be a fagyasztórekesz kívánt hőmérsékletét.

4. Hűtőrekesz hőmérsékletbeállító gombja

A gomb megnyomásával a következő hűtő-hőmérsékletfokokozatok között válthat: 8, 6, 4, 2, 8... A gomb segítségével állítsa be a hűtőrekesz kívánt hőmérsékletét.

5. Gyorshűtés gomb

Ennek a gombnak a megnyomásával lehet aktiválni a Gyorshűtés funkciót. A kiválasztott funkció kikapcsolásához nyomja meg ismét a gombot.

6. Multi Zone rekesz hőmérsékletbeállító gombja

A Multi Zone rekesz fagyasztóként és hűtőként is képes funkcionálni. A gomb hosszan (3 másodpercig) tartó nyomva tartásával a Multi Zone rekeszen lehet váltani a fagyasztó és a hűtő funkció között. A rekesz alapbeállítás szerint fagyasztórekeszként funkcionál.

Ha a Multi Zone rekesz fagyasztóként funkcionál, akkor a Multi Zone rekesz hőmérséklete a -18, -20, -22, -24, -18... beállítások szerint változik a gomb megnyomására. Ha a Multi Zone rekesz hűtőként funkcionál, akkor a Multi Zone rekesz hőmérséklete a 10, 8, 6, 4, 2, 0, -6... beállítások szerint változik a gomb megnyomására.

7. Nyarlás funkció jelző

Azt jelzi, hogy a Nyarlás funkció aktív. Ha ez a funkció aktív, akkor „-” jelzés jelenik meg a hűtőrekesz jelzőjén, és a hűtő nem hűti a hűtőrekeszt. A többi rekesz ettől függetlenül a korábban beállított hőmérsékleten üzemel.

A funkció kikapcsolásához nyomja meg ismét a megfelelő gombot.

8. Eco extra funkció jelző

Azt jelzi, hogy az Eco-Extra funkció aktív. Ha ez a funkció aktív, akkor a hűtő automatikusan felismeri, hogy mikor van a hűtő a legkevésbé használva, és ennek megfelelően ezekben az időszakokban gondoskodik az energiatakarékos hűtésről. Amikor a hűtő energiatakarékos üzemmódban van, akkor megjelenik a Gazdaságos üzemmód jelző.

A funkció kikapcsolásához nyomja meg ismét a megfelelő gombot.

9. Gyorsfagyasztás funkció jelző

Azt jelzi, hogy a gyorsfagyasztás funkció aktív. Ez a funkció akkor jön jól, ha friss ételt rak a fagyasztóba, vagy ha jégre van szüksége. Amikor a funkció aktív, akkor a hűtő egy adott ideig megállás nélkül üzemel.

A funkció kikapcsolásához nyomja meg ismét a megfelelő gombot.

10. Fagyasztórekesz hőmérsékletbeállítás jelzője

A fagyasztórekesz hőmérsékletbeállítását mutatja.

11. Hűtörekesz hőmérsékletbeállítás jelzője

A hűtörekesz hőmérsékletbeállítását mutatja.

12. Gyorshűtés funkció jelző

Azt jelzi, hogy a Gyorshűtés funkció aktív. Ez a funkció akkor jön jól, ha friss ételt rak a hűtőbe, vagy ha gyorsan le szeretné hűteni az ételt. Amikor a funkció aktív, akkor a hűtő 2 órán át megállás nélkül üzemel.

A funkció kikapcsolásához nyomja meg ismét a megfelelő gombot.

13. Multi Zone rekesz hőmérsékletjelzője

A Multi Zone rekeszhez beállított hőmérsékletet mutatja.

14. Gazdaságos üzemmód jelző

Azt jelzi, hogy a hűtő energiatakarékos üzemmódban van. Fagyasztórekesz hőmérséklete

Ez a jelző akkor látható, ha a funkció -18 fokra van állítva, vagy ha az Eco extra funkció épp üzemel.

15. Hibaállapot jelző

Ha a hűtő nem hűt megfelelően, vagy ha valamelyik érzékelő meghibásodott, akkor megjelenik ez a jelzés. Amikor a jelzés aktív, a fagyasztórekesz hőmérsékletjelzője „E” értéket mutat, a hűtörekesz hőmérsékletjelzője pedig „1”-est, „2”-est stb. Ezek a számok a hiba okát jelzik.

16. Billentyűzár jelző

Ezzel a funkcióval megakadályozható, hogy a hűtő hőmérséklete el legyen állítva. Nyomja le egyszerre a gyorshűtés gombot és a Flexi Zone hőmérsékletbeállító gombot hosszabb ideig (3 másodpercig) a funkció aktiválásához.

A funkció kikapcsolásához nyomja meg ismét a megfelelő gombokat.

17. Jégtörlés gomb

A jégképződés leállításához nyomja le a jégtörlés gombot 3 másodpercig. A jégtörlés kiválasztásával nem kerül víz a jégdobozba. Ettől függetlenül némi jég maradhat a jégdobozban, mely kivehető onnan. A jégképződés újraindításához nyomja le a jégtörlés gombot 3 másodpercig.

18. Jégtörles jelző

Ha nem kíván jeget kapni a hűtőszekrényből, akkor ezt a funkciót használja. Ezt a funkciót a jégtörles gomb 3 másodpercig történő lenyomásával használhatja.

19. Szűrőcsere figyelmeztető gomb törlése

Hűtőszekrénye szűrőjét 6 havonta cserélni kell. Hűtőszekrénye automatikusan kiszámítja ezt az időt, és a szűrőcsere figyelmeztető jelző világítani kezd, amikor a szűrő használati ideje letelt. Nyomja meg a szűrőcsere figyelmeztetés törlése gombot 3 másodpercig, hogy a hűtőszekrény kiszámíthassa automatikusan a szűrőcsere után az új szűrő idejét.

20. Szűrőcsere figyelmeztetés törlése jelző

Amikor a szűrő használati ideje letelt, akkor a szűrőcsere figyelmeztető jelző elkezd világítani.

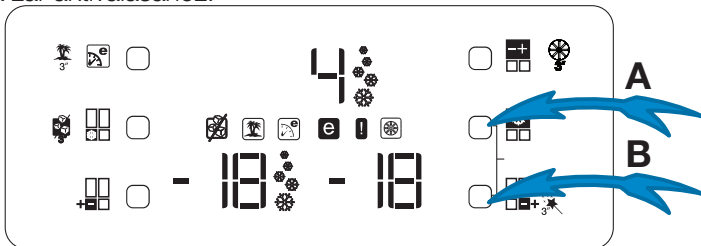
Nyitott ajtó riasztás:

Ha a hűtőrekesz vagy Flexi Zone rekesz ajtaját akár 1 percig nyitva hagyja, akkor a nyitott ajtó riasztás aktivál és hallgató lesz. A riasztás elnémításához egyszerűen csak nyomjon meg egy gombot a kijelzőn, vagy csukja be az ajtót.

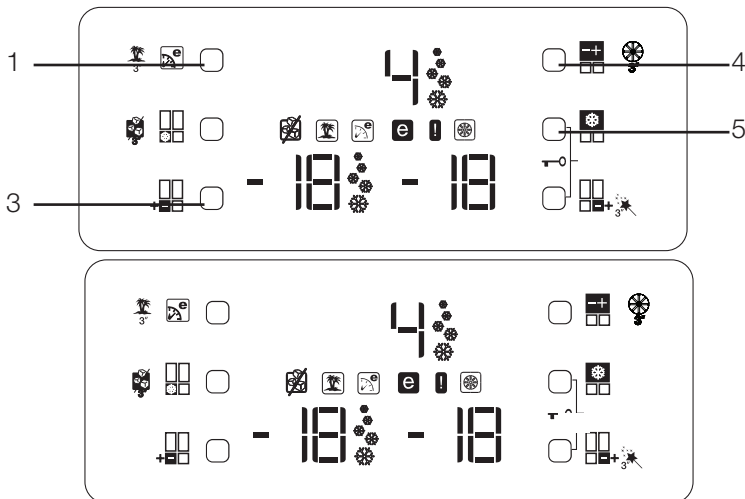
A szűrő használati idejének automatikus kiszámításához teendő lépések

(A vízhálózathoz csatlakoztatott és szűrővel ellátott termékek esetén)

1- A hűtőszekrény csatlakoztatása után nyomja meg az A és B gombokat egyszerre a zár aktiválásához.



2- Ezt követően nyomja le az Eco-Extra (1), hűtőrekesz hőmérsékletbeállító (4), Gyorsfűtés (5) és fagyasztórekesz hőmérsékletbeállító (3) gombokat.



Ha gombkonfigurációt megnyomta a megfelelő sorrendben, akkor a zár szimbólum eltűnik, és a berregő hamarosan aktivál, és a szűrőcsere figyelmeztető jelző világít. Nyomja le a szűrőcsere figyelmeztetés törlése gombot a szűrő cseréjét követően (a kijelző leírásai között a 19. egység), hogy a szűrő használati ideje automatikusan kiszámításra kerüljön.

C Ha a szűrő használati idejét automatikus kiszámítás alatt van, akkor a szűrőcsere figyelmeztető jelző pár másodpercig világítani fog a termék csatlakoztatását követően.

C Az automatikus szűrő használati idő kiszámítás nem aktív a gyáron kívül. Szűrővel ellátott termékekben kell aktiválni.

C Ismételje el ugyanezt az eljárást azokon a termékeken is, amelyek automatikus szűrő használati idő kiszámítása aktív a szűrő használati ideje kiszámításának kikapcsolásához.

Tojástartó

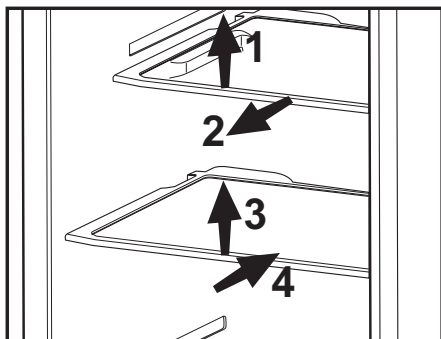
- A tojástartó bármelyik polcon elhelyezhető.
- A tojástartót ne tegye a fagyasztórekeszbe!

Kihúzható polcok

A kihúzható polcok eleje felemelhető, ami után azok kényelmesen húzhatók ki-be. A polcok kihúzásával könnyedén elérhetővé válnak a polc hátulján elhelyezett ételek; a polc kioldásához enyhén emelje azt meg.

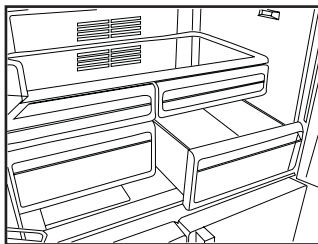
A polcot kihúzott állapotban tartani kell alulról, különben lebillenhet! A polc a hűtő oldalán található síneken nyugszik, és két szinten lehet elhelyezni.

Kihúzás után a polcot teljesen vissza kell tolni.



Fiók

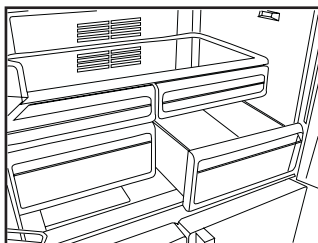
A hűtőszekrény fiókjai speciálisan zöldségek tárolására lettek kialakítva, annak érdekében, hogy ne veszítsenek víztartalmukból. Ezt a célt szolgálja a fiókokban keringtetett hideg levegő.



Compartment Zone fraîche

Les compartiments de zone fraîche vous permettent de préparer les aliments à congeler. Vous pouvez également utiliser ces compartiments si vous souhaitez conserver vos aliments à une température quelque peu inférieure à celle du compartiment de réfrigération.

Vous pouvez augmenter le volume interne de votre réfrigérateur en enlevant le compartiment amuse-gueule souhaité. Pour ce faire, tirez le compartiment vers vous ; le compartiment s'appuiera contre la butée et s'arrêtera. Ce compartiment se libère en le soulevant d'environ 1 cm et en le tirant vers vous.



Forgó középső rész

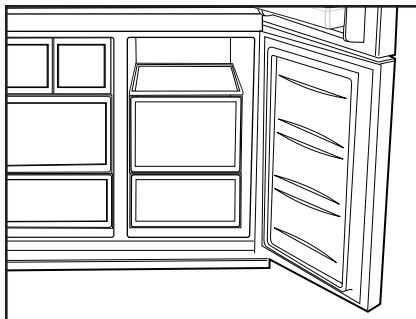
A forgó középső rész célja, hogy megakadályozza, hogy a hideg levegő megszökjön a hűtőből. A forgó középső rész segít a hűtő szigetelésében, mivel az ajtó tömítése nekinyomódik a forgó középső résznek, amikor a hűtőrekesz ajtajai csukva vannak. A másik ok, amiért a hűtő el van látva a forgó középső résszel, az az, hogy ez növeli a hűtőrekesz nettó térfogatát. A standard középső részek ugyanis helyet vesznek el a hűtő nem hasznos térfogatából.

A forgó középső résznek csukva kell lennie, amikor a hűtőrekesz bal oldali ajtaja nyitva van. Ezt a részt nem szabad kézzel kinyitni. A forgó középső rész egy, a hűtőszekrényen elhelyezett műanyag elem forgatja.

Multi Zone tárolórekesz

A hűtőszekrény Multi Zone tárolórekesze hűtő (2/4/6/8 °C) és fagyasztó (-18/-20/-22/-24 °C) üzemmódban egyaránt használható. Az üzemmódok között a Multi Zone tárolórekesz hőmérséklet beállító gombjával lehet váltani. A Multi Zone tárolórekesz hőmérséklete a beállításokon túl 0 - 10 fokkal változtatható hűtő, ill. -6 fokkal fagyasztó üzemmódban. 0 fokon a könnyen romlandó, -6 fokon pedig a húsok tárolhatók, akár 2 hétig.

i A hűtő és fagyasztó üzemmódok közti váltást a hűtőszekrény hátulján (a kompresszornál) elhelyezett hűtőelem teszi lehetővé. Amikor ez az elem működésbe lép, akkor az analóg óra másodperc-kattanásaihoz hasonló hangot ad ki. Ez teljesen normális és nem hiba okozza.



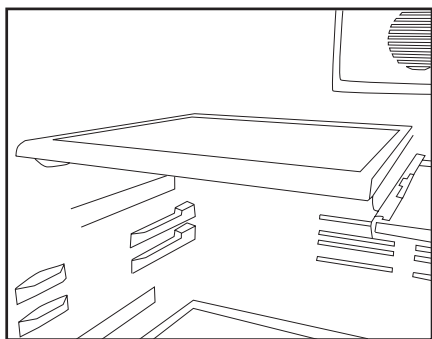
Kék világítás

A kék fényvel megvilágított fiókban tárolt élelmiszerek fotoszintézise beindul a kék fény hatására, így megőrzik frissességüket és nő a vitamintartalmuk.



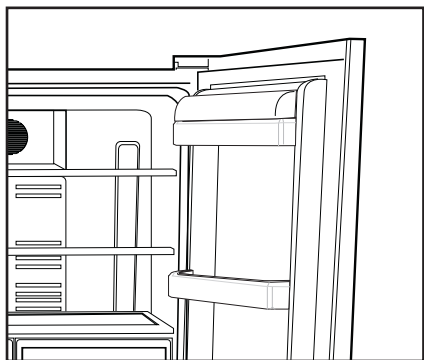
Csúsztatható polcok hátsó akasztókkal

A hátsó akasztókkal ellátott csúsztatható polcok előre és hátra mozgathatók. E polcok magassága a felső vagy alsó pozíciókban való beszerelésükkel állítható be. Enyhén emelje fel a polcot és húzza maga felé annak eltávolításához.



Vaj- és sajttárolók

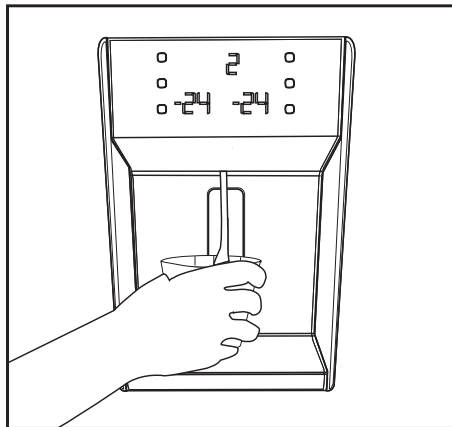
A fedéllel ellátott rekeszekben olyan élelmiszert tárolhat, mint például a vaj, a sajt vagy a margarin.



A vízadagoló használata

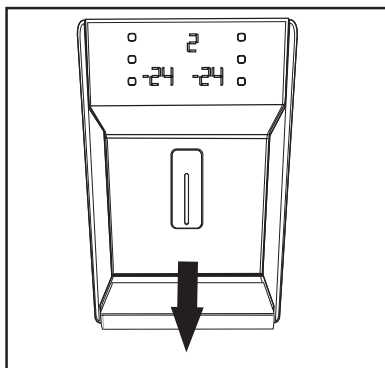
Figyelmeztetések

Előfordulhat, hogy az adagoló által adott első pár pohár víz meleg lesz. Ha a vízadagolót nem túl sűrűn használta az utóbbi időben, akkor egy kevés vizet ki kell folytatni, hogy friss vizet kapjon.



Víztálca

A használat során mellémenő víz a víztálcán gyűlik össze. A víztálca eltávolításához húzza maga felé a tálcát, majd nyomja a széle felé (modelltől függően). A víz eltávolításához használjon szivacsot vagy puha rongyot.



Minibár

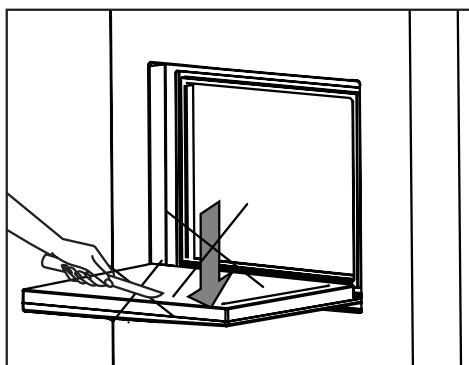
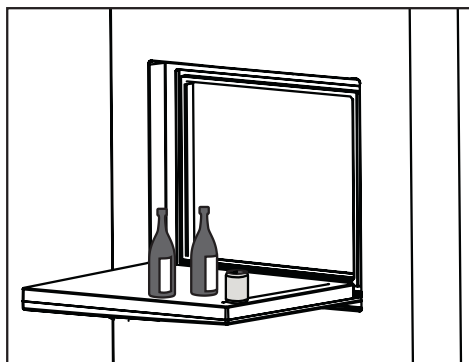
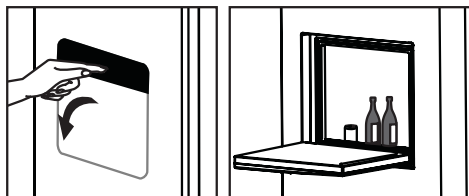
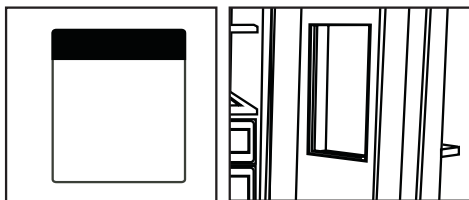
A minibár ajtó extra kényelmet biztosít a hűtőszekrény használatában. Ennek a funkciónak köszönhetően a hűtőszekrény ajtópolca az ajtó kinyitása nélkül is elérhető, így egyetlen mozdulattal kiveheti a hűtőből a gyakran fogyasztott ételeket-italokat. Mivel a hűtő ajtaját emiatt ritkábban kell kinyitni, így energiáját is megtakaríthat ezáltal.

A minibár ajtajának kinyitásához nyomja meg a minibárt, majd húzza azt ki.

Amikor a minibár ajtaja nyitva van, akkor az ajtó belső felét asztalkaként is használhatja, amire ideiglenesen kipakolhatja az üvegeket és poharakat.

⚠ Figyelmeztetés: Soha ne tegye ki túlzott terhelésnek az ajtót (pl. ne üljön rá, ne kapaszkodjon bele, ne tegyen rá nehéz dolgokat stb.). Ez ugyanis a hűtőszekrény megrongálódásához és személyi sérülésekhez vezethet.

⚠ Figyelmeztetés: Soha ne használja vágódeszkaként a minibár ajtaját, és ügyeljen rá, hogy az ajtóban ne legyenek kárt okozó éles tárgyak.



Dupla hűtőrendszer:

A hűtőszekrény két különálló hűtőrendszerrel rendelkezik, az egyik a hűtőrekesz hűtésére, míg a másik a fagyaszó hűtésére szolgál. Ennek köszönhetően a hűtőrekeszben és a fagyasztóban lévő levegő nem keveredik össze. A két különálló hűtőrendszernek köszönhetően, a hűtési sebesség a többi hűtőszekrényhez képest sokkal nagyobb. A rekeszekben lévő illatok nem keverednek össze. Ezenfelül, a két hűtőrendszer energiát is megtakarít, mivel a leolvasztást külön-külön lehet elvégezni.

A fagyasztórekesz beállítása	A hűtőrekesz beállítása	Magyarázatok
-18°C	4°C	Ez az ajánlott beállítás.
-20, -22 vagy -24 °C	4°C	Ezeket a beállításokat akkor ajánljuk, ha a környezeti hőmérséklet meghaladja a 30 °C-ot.
Gyorsfagyasztás	4°C	Akkor használja, amikor rövid időre kívánja lefagyasztani az élelmiszert. A művelet végeztével a hűtőszekrény visszaáll a korábbi üzemmódra.
-18 °C vagy hidegebb	2°C	Ha úgy gondolja, hogy a hűtőrekesz nem elég hideg (mert a lakásban meleg van, vagy mert sűrűn nyitogatja a hűtő ajtaját).
-18 °C vagy hidegebb	Gyorshűtés	Ez a funkció akkor hasznos, ha a hűtőrekesz tele van, vagy ha szeretné gyorsan lehűteni az ételeket. Javasolt a gyorsműtési funkciót aktiválása 4-8 órával az élelmiszer behelyezése előtt.

Friss étel lefagyasztása

- Csomagolja be vagy fedje le az élelmiszert, mielőtt a hűtőszekrénybe tenné azt.
- A forró élelmiszert hagyja lehűlni szobahőmérsékletre, mielőtt behelyezné a hűtőszekrénybe.
- A hűteni kívánt élelmiszer legyen friss és jó minőségű.
- Az élelmiszert adagokra kell osztani a család napi fogyasztása alapján.
- Az élelmiszert légmentesen záró csomagolásba kell helyezni, hogy ne száradhasson ki, ha rövid ideig tárolja el.

- A csomagoláshoz használt anyagok legyenek ellenállóak a szakadással, hideggel, párával, szagokkal, olajokkal és savakkal szemben, és legyenek légmentesen zárók. Legyenek jó lezárva, és könnyen használható anyagokból készültek legyenek, melyek alkalmasak mélyfagyasztásban való használatra.
- A lefagyasztott élelmiszert felengedésük után azonnal használja fel, és soha ne fagyassza újra. +

- Kérem vegye figyelembe a következő utasításokat, hogy a legjobb eredményeket érje el.
 1. Ne fagyasszon le egyszerre túl nagy mennyiségű élelmiszert. Az étel minősége akkor a legjobban konzervált, ha olyan gyorsan van lefagyasztva, amennyire lehetséges.
 2. A mélyhűtőbe helyezett meleg étel a hűtőrendszer lehűlését okozza, amíg az étel folyamatosan fagyottá nem szilárdul.
 3. Különösen figyeljen arra, hogy ne keverje a már lefagyasztott és friss ételeket.

Tippek a fagyasztott ételek tárolásához

- Az előrecsomagolt, mélyhűtött ételeket az ételek csomagolásán feltüntetett utasítások szerint kell tárolni ******** (4-csillagos) fagyasztórekeszben.
- A mélyhűtött ételek minőségének megőrzése érdekében tartsa be az alábbiakat:
 1. A vásárlás után minél gyorsabban tegye be az ételleket a fagyasztóba.
 2. Ügyeljen rá, hogy az ételeken fel legyen tüntetve a lejáratí idő.
 3. Ügyeljen a lejáratí időre (lásd az ételek csomagolását).

Kiolvasztás

A fagyasztórekesz automatikusan leolvasztja magát.

Az élelmiszer elhelyezése

Fagyasztó rekesz polcai	Különböző fagyott élelmiszer, például hús, hal, jégkrém, zöldségek, stb.
Tojástartó	Tojás
Hűtő polc	Serpenyőben, lefedett tányéron és zárt tartókban lévő élelmiszer
Hűtörekesz ajtópolcai	Kis és csomagolt élelmiszer és itlaok (például tej, gyümölcsle és sör)
Fiók	Zöldségek és gyümölcsök
Friss étel tartórekesz	Delikát termékek (sajt, vaj, szalámi, stb.)

Tudnivalók a mélyfagyasztásról

A élelmiszert a lehető leggyorsabban kell lefagyasztani miután a hűtőbe helyezte, hogy megtartsa jó minőségét.

Élelmiszert csak -18°C-on vagy alacsonyabb hőmérsékleten lehet hosszú ideig eltárolni.

Az élelmiszer frissességét több hónapig megtarthatja (-18°C-on vagy alacsonyabb hőmérsékleten mélyfagyasztásban).

⚠ FIGYELMEZTETÉS!

- Az élelmiszert adagokra kell osztani a család napi fogyasztása alapján.
- Az élelmiszert légmentesen záró csomagolásba kell helyezni, hogy ne száradhasson ki, ha rövid ideig tárolja el.

Csomagoláshoz szükséges anyagok:

- Hidegálló ragasztószalag
- Öntapadó ragasztós címke
- Gumigyűrűk
- Toll

A csomagoláshoz használt anyagok legyenek ellenállóak a szakadással, hideggel, párával, szagokkal, olajokkal és savakkal szemben.

A fagyasztandó élelmiszer ne kerüljön kapcsolatba korábban lefagyasztott dolgokkal, hogy megakadályozza azok részleges kiolvadását.

A lefagyasztott élelmiszert felengedésük után azonnal használja fel, és soha ne fagyassza újra.+

6 Karbantartás és tisztítás

- ⚠ Tisztításhoz sose használjon benzint vagy hasonló szert.
- ⚠ Tisztítás előtt célszerű kihúzni a berendezést.
- ⚠ Soha ne használjon éles, csiszoló anyagot, szappant, háztartási tisztítót, tisztítószert vagy viaszpolítúrt a tisztításhoz.
- ⚠ A nem No Frost felszereltségű termékek esetében vízcseppek és ujjnyi vastagságú jég képződhet a hűtőtér hátsó falán. Ne tisztítsa le. Soha ne kenjen rá olajat vagy hasonló szereket.
- ⚠ Kizárólag enyhén nedves mikroszálás ruhát használjon a termék külső felületének tisztítására. A szivacsok és más típusú tisztító ruhák megkarcolhatják a felületet.
- ℹ Használjon langyos vizet a hűtő belsejének tisztításához, és törölje szárazra azt.
- ℹ A belső rész tisztításához mártson egy ruhát fél liter vízbe, amelyben feloldott egy teáskanál szódadibikarbónát, csavarja ki, és törölje át vele a belsőt, majd törölje szárazra.
- ⚠ Ügyeljen rá, hogy ne kerüljön víz a lámpabúra alá ill. ne kerüljön kapcsolatba más elektromos résszel.
- ⚠ Ha a hűtőt hosszú ideig nem használják, húzza ki a konnektorból, távolítsa el minden élelmiszert, tisztítsa meg, és hagyja félig nyitva az ajtót.
- ℹ Rendszeresen ellenőrizze az ajtó tömítéseket, hogy meggyőződjön róla, hogy tiszták és ételmaradékoktól mentesek.
- ⚠ Az ajtópolcok eltávolításához vegyen ki onnan mindent, majd egyszerűen tolja fel az alapzatról.
- ⚠ A termék külső felületeinek és a krómbevonatos részek tisztításához soha ne használjon tisztítószereket vagy klórt tartalmazó vizet. A klór korróziót okoz az ilyen fémfelületeken.
- ⚠ Ne használjon éles vagy csiszoló hatású eszközöket, szappant, háztartási tisztítószereket, mosószereket, benzint, viaszt stb., mert a műanyag részekről lekopnak a nyomtatott minták és deformációt okoznak. Tisztítsa meg meleg vízzel és egy puha ruhával, majd törölje szárazra.

A műanyag felületek védelme

- ℹ Fedetlenül ne tegyen be olajat vagy olajban sült ételeket a hűtőbe, mert az olaj kárt tesz a hűtő műanyag részeiben. Amennyiben olaj kerül a műanyag felületekre, öblítse le és tisztítsa meg az adott részt langyos vízzel.

7 A problémák javasolt megoldása

Kérjük, mielőtt kihívná a szervizt, oldassa át a következő listát. Ezzel időt és pénzt takaríthat meg. Ez a lista azon gyakran előforduló panaszokat tartalmazza, melyek nem a hibás gyártásból vagy anyagokból erednek. Az itt ismertetett tulajdonságok közül nem mindegyik található meg az Ön készülékén.

A hűtőszekrény nem működik.

- A hűtőszekrény megfelelően be van dugva? Dugja be a dugót a fali aljzatba.
- Nem olvadt le a főbiztosíték vagy annak a konnektornak a biztosítója, melyhez a hűtőszekrényt csatlakoztatta? Ellenőrizze a biztosítékot.

Lecsapódás található a fagyasztó oldalfalán (MULTIZONE, COOL CONTROL vagy FLEXI ZONE).

- Nagyon hideg környezeti körülmények. Az ajtó gyakori kinyitása és becsukása. Magas páratartalmú környezet. Olyan nyitott edényben lévő élelmiszer tárolása, mely folyadékot tartalmaz. Nyitva hagyta az ajtót. Állítsa hidegebbre a termosztátot.
- Csökkentse az időt, amíg az ajtó nyitva van, vagy használja kevesebbszer.
- A nyitott edényben tárolt élelmiszert fedje le egy megfelelő anyaggal.
- Egy száraz ruha segítségével törölje le a lecsapódást, majd ellenőrizze, hogy a hiba továbbra is fennáll-e.

A kompresszor nem működik

- A kompresszor biztosítója hirtelen áramkimaradások esetén kiolvadt, illetve a folyamatos árammegszakítások után a hűtőszekrény hűtő rendszere még nem került egyensúlyba. A hűtőszekrény kb. 6 perc után fog bekapcsolni. Kérjük, hívja ki a szervizt, ha a hűtőszekrény ezután sem indulna el.
- A hűtőszekrény olvasztási ciklusban van. Ez egy teljesen automatikusan olvasztó hűtőszekrény esetében természetes. Az olvasztási ciklus megadott időközönként megy végbe.
- A hűtőszekrény nincs bedugva. Győződjön meg róla, hogy a dugó megfelelően csatlakozik-e a konnektorhoz.
- Megfelelőek a hőmérséklet beállítások?
- Lehet, hogy áramszünet van.

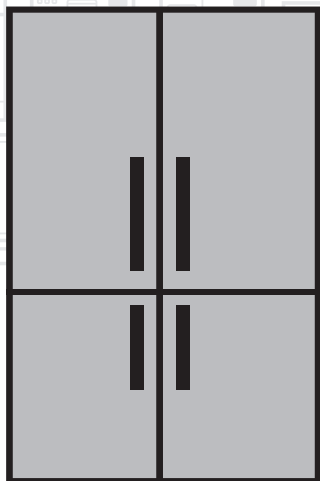
A hűtőszekrény gyakran vagy hosszú ideig működik.

<ul style="list-style-type: none"> • Lehet, hogy az új hűtőszekrénye szélesebb, mint az előző. Ez teljesen normális jelenség. A nagyobb hűtőszekrények hosszabb ideig működnek. • Lehet, hogy túl magas a szobahőmérséklet. Ez teljesen normális jelenség. • előfordulhat, hogy a hűtőszekrény nem régen lett bedugva, vagy tele lett pakolva élelmiszerrel. A hűtőszekrény lehűtése ezekben az esetekben néhány órával tovább tarthat. • Nemrégiben nagy mennyiségű forró ételt helyezett a hűtőszekrénybe. A forró ételek hatására a hűtőszekrény tovább üzemel, míg az étel el nem éri a tárolási hőmérsékletet. • Lehet, hogy az ajtók gyakran vagy hosszú ideig voltak kinyitva. Meleg levegő jutott a hűtőszekrénybe, melynek hatására a hűtőszekrény hosszabb ideig üzemel. Kevesebb alkalommal nyissa ki az ajtókat. • A fagyasztó vagy a hűtő rész ajtaja lehet, hogy nyitva maradt. Ellenőrizze, hogy az ajtók megfelelően be vannak-e csukva. • A hűtőszekrény nagyon alacsony hőmérsékletre lett állítva. Állítsa a hűtőszekrény hőmérsékletét magasabbra, és várja meg, míg eléri ezt a hőmérsékletet. • A hűtő ajtajának szigetelése elképzelhető, hogy koszos, kopott, törött vagy nem megfelelően van behelyezve. Tisztítsa meg, vagy cserélje ki a szigetelést. A sérült/törött szigetelés hatására a tovább ideig működik annak érdekében, hogy fenn tudja tartani az aktuális hőmérsékletet.
A fagyasztó hőmérséklete túl alacsony, miközben a hűtő hőmérséklete megfelelő.
<ul style="list-style-type: none"> • A fagyasztó nagyon alacsony hőmérsékletre lett állítva. Állítsa a fagyasztó hőmérsékletét magasabbra, és ellenőrizze.
A hűtő hőmérséklete túl alacsony, miközben a fagyasztó hőmérséklete megfelelő.
<ul style="list-style-type: none"> • Lehet, hogy a hűtő nagyon alacsony hőmérsékletre lett állítva. Állítsa a hűtő hőmérsékletét magasabbra, és ellenőrizze.
A hűtő fiókjaiban tartott élelmiszerek magfagynak.
<ul style="list-style-type: none"> • Lehet, hogy a hűtő nagyon alacsony hőmérsékletre lett állítva. Állítsa a hűtő hőmérsékletét magasabbra, és ellenőrizze.
A hűtő vagy a fagyasztó hőmérséklete nagyon magas.
<ul style="list-style-type: none"> • Lehet, hogy a hűtő nagyon magas hőmérsékletre lett állítva. A hűtő hőmérséklete hatással van a fagyasztó hőmérsékletére. Módosítsa úgy a hűtő és a fagyasztó hőmérsékletét, hogy ezek elérjék a kívánt szintet. • Lehet, hogy az ajtó gyakran vagy hosszú ideig volt kinyitva; ritkábban nyitogassa az ajtót. • Lehet, hogy nyitva felejtette az ajtót; csukja be megfelelően az ajtót. • Nemrégiben nagy mennyiségű forró ételt helyezett a hűtőszekrénybe. Várjon, amíg a hűtő vagy a fagyasztó el nem éri a kívánt hőmérsékletet. • Lehet, hogy a hűtőszekrény nemrég lett bedugva. A hűtőszekrény teljes lehűtése eltart egy ideig.
A működés zaj a hűtő működése közben egyre hangosabb.

<ul style="list-style-type: none"> • A hűtőszekrény működési teljesítménye a környezeti hőmérséklet változásának függvényében változik. Ez teljesen normális, nem utal hibára.
Rezgés vagy zaj.
<ul style="list-style-type: none"> • A padló nem egyenes vagy gyenge. A hűtő a lassú mozgás miatt ad ki hangot. Győződjön meg róla, hogy a padló elég erős-e ahhoz, hogy elbírja a hűtőszekrényt. • A zajt a hűtőszekrény tetejére helyezett tárgyak is okozhatják. Távolítsa el a hűtőszekrény tetején lévő tárgyakat.
A hűtőszekrényből csöpögéshez vagy fűváshoz hasonló hangot hallani.
<ul style="list-style-type: none"> • A hűtőszekrény működésének megfelelő folyadék vagy gázáramlás történik. Ez teljesen normális, nem utal hibára.
Szélfűváshoz hasonló hangot hallani.
<ul style="list-style-type: none"> • A ventilátorok működnek. Ez teljesen normális, nem utal hibára.
Kondenzáció a hűtőszekrény belső falain.
<ul style="list-style-type: none"> • A meleg vagy párás levegő növeli a jégképződést és a kondenzációt. Ez teljesen normális, nem utal hibára. • Elképzelhető, hogy nyitva hagyta az ajtót; győződjön meg róla, hogy csukja be teljesen az ajtót. • Lehet, hogy az ajtó gyakran vagy hosszú ideig volt kinyitva; ritkábban nyitogassa az ajtót.
Pára jelenik meg a hűtőszekrény külső részén vagy az ajtók közt.
<ul style="list-style-type: none"> • Elképzelhető, hogy pára van a levegőben; párás időben ez teljesen normális. Ha a páratartalom kevesebb lesz, a kondenzáció eltűnik.
Kellemetlen szag érezhető a hűtőben.
<ul style="list-style-type: none"> • A hűtőszekrény belső tisztításra szorul. Egy szivacs, langyos víz vagy szóda segítségével tisztítsa meg a hűtőszekrény belső részét. • A szagot lehet, hogy az edények vagy csomagolóanyag okozza. Használjon másik edényt, vagy más gyártótól származó csomagolóanyagot.
Az ajtó nem zárul be.
<ul style="list-style-type: none"> • Az élelmiszerek csomagolásai megakadályozhatják az ajtó becsukását. Távolítsa el azokat a csomagokat, melyek akadályozzák az ajtót. • A hűtőszekrény nem áll teljesen egyenesen, és mozgatásra billeg. Állítsa be a szintbeállító csavarokat. • A padló nem egyenes vagy nem elég erős. Győződjön meg róla, hogy a padló egyenes-e, illetve elég erős-e ahhoz, hogy elbírja a hűtőszekrényt.
A rács beragadt.
<ul style="list-style-type: none"> • Az élelmiszer lehet, hogy hozzáér a fiók tetejéhez. Rendezze át az élelmiszereket a fiókban.
Ha A Termék Felülete Forró.
<ul style="list-style-type: none"> • A termék működése közben magas hőmérséklet figyelhető meg a két ajtó között, az oldalsó paneleken és a hátsó grillnél. Ez nem rendellenes jelenség és nem igényel szervizi karbantartást! Legyen óvatos, amikor megérinti ezeket a területeket.

Koelkast

Gebruiksaanwijzing



NL |

beko

Gelieve eerst deze gebruiksaanwijzing te lezen!

Beste klant,

We hopen dat uw product, dat in een moderne fabriek werd geproduceerd en onder de meest nauwkeurige procedures voor kwaliteitscontrole werd gecontroleerd, u doeltreffend van dienst zal zijn.

Wij bevelen daarom aan dat u eerst zorgvuldig de volledige gebruiksaanwijzing van uw product leest voordat u het product gaat gebruiken. Bewaar de handleiding voor toekomstige raadpleging.

Deze gebruiksaanwijzing

- Helpt u uw toestel snel en veilig te gebruiken.
- Lees de gebruiksaanwijzing voordat u het product installeert en gebruikt.
- Volg de instructies, in het bijzonder die met betrekking tot veiligheid.
- Bewaar de gebruiksaanwijzing op een eenvoudig toegankelijke plaats aangezien u deze later nodig kunt hebben.
- Daarnaast dient u ook de andere documenten die bij uw product worden geleverd te lezen. Let erop dat deze gebruiksaanwijzing ook voor andere modellen kan gelden.

Symbolen en hun beschrijvingen

Deze instructiehandleiding bevat de volgende symbolen:



Belangrijke informatie of nuttige gebruikstips.



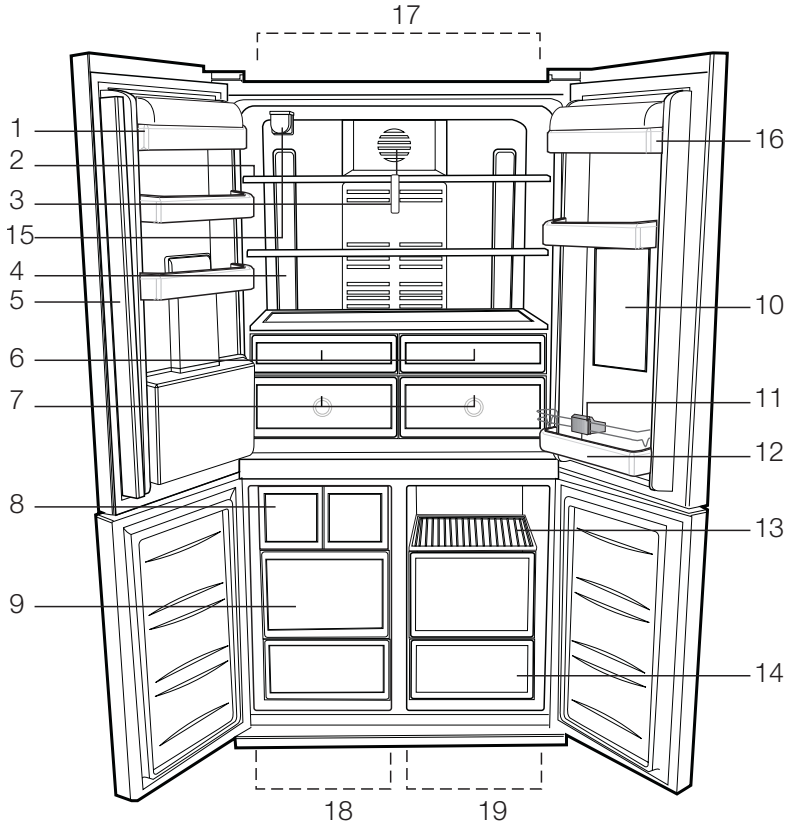
Waarschuwing tegen gevaarlijke omstandigheden voor leven en eigendommen.



Waarschuwing tegen elektrische spanning.

1 Uw koelkast	3	Voorafgaand aan het eerste gebruik van de waterdispenser..... 18
2 Belangrijke veiligheidswaarschuwingen 4	4	4 Voorbereiding 19
Bedoeld gebruik..... 4		5 Gebruik van uw koelkast20
Voor producten met een waterdispenser; 7		Display 20
Kinderbeveiliging 7		Deur Open Alarm 23
Voldoet aan de WEEE-richtlijn en de richtlijnen voor afvoeren van het restproduct:..... 7		Tweeledig koelsysteem: 24
Voldoet aan de RoHS-richtlijn: 8		Verse etenswaren invriezen..... 24
Verpakkingsinformatie..... 8		Aanbeveling voor het bewaren van diepvriesvoedsel 24
HC-Waarschuwing 8		Ontdooien 24
Aanwijzingen ter besparing van energie 8		Het plaatsens van de levensmiddelen 24
Aanbevelingen voor het vak voor verse etenswaren..... 9		Diepvriesinformatie 25
3 Installatie 10		Wat u moet doen om de gebruikstijd van de filter automatisch te laten berekenen 26
Aandachtspunten bij het opnieuw transporteren van uw koelkast 10		Glijdende schappen..... 27
Alvorens de inwerkstelling van uw koelkast..... 10		Eierrek 27
Elektrische aansluiting 10		Groentelade..... 27
Afvoeren van de verpakking..... 11		Chillervak..... 27
Afvoeren van uw oude koelkast 11		Beweegbaar middengedeelte 28
Plaatsing en installatie..... 11		Multi Zone-bewaarkast 28
Het vervangen van de lamp 11		Blauw licht..... 28
Vloerafstelling 12		Glijdende schappen met hangers aan de achterkant 29
De afstand tussen de bovenste deur aanpassen..... 12		Boter- en kaasvak..... 29
Waterfilter plaatsen 14		Gebruik van de waterdispenser 29
Aansluiting van de waterleiding op de koelkast..... 14		Wateropvangervak 29
Aansluiting van de waterslang op de kan 15		Minibar 30
Aansluiting van de waterleiding op de hoofdkoudwaterleiding 16		6 Onderhoud en reiniging 31
		Bescherming van de plastic oppervlakken 31
		7 Fouten opsporen 32

1 Uw koelkast



- | | |
|--------------------------------|--|
| 1- Deurvakken koelgedeelte | 11- Flessenhouder |
| 2- Glasplaten koelgedeelte | 12- Flessenrek |
| 3- Lampkapje | 13- Bewaarschappen voor levensmiddelen |
| 4- Lampje | 14- Bewaarvakken voor levensmiddelen |
| 5- Beweegbaar middengedeelte | 15- Waterfilter |
| 6- Chillervak | 16- Vak voor zuivelproducten |
| 7- Groentelade | 17- Koelgedeelte |
| 8- Icematic | 18- Diepvriesgedeelte |
| 9- Vak voor diepvriesproducten | 19- Multi Zone |
| 10- Minibar | |

i De afbeeldingen in deze gebruiksaanwijzing zijn schematisch en hoeven niet exact met uw product overeen te komen. Wanneer onderdelen niet tot het product behoren dat u hebt gekocht, zijn deze geldig voor andere modellen.

2 Belangrijke veiligheidswaarschuwingen

Gelieve de volgende informatie goed te bestuderen. Verzuim deze informatie door te lezen kan letsel of materiële schade veroorzaken. In dat geval worden alle garantie en betrouwbaarheidsgaranties ongeldig.

Originele reserveonderdelen worden gedurende 10 jaar geleverd na de aankoopdatum van het product.

Bedoeld gebruik

Dit product is bedoeld voor gebruik

- binnen en in afgesloten ruimten zoals huizen;
- in afgesloten werkomgevingen zoals winkels en kantoren;
- in afgesloten verblijfplaatsen zoals boerenhoeven, hotels, pensions.
- Dit toestel mag niet buitenshuis worden gebruikt.

Algemene veiligheid

- Wanneer u het product wenst af te voeren, raden wij u aan de bevoegde onderhoudsdienst te raadplegen om de benodigde informatie en bevoegde instanties te leren kennen.
- Raadpleeg uw bevoegde onderhoudsdienst voor alle vragen en problemen met betrekking tot de koelkast. Voer geen ingrepen aan de koelkast uit en laat dit ook niet door iemand anders doen zonder de bevoegde onderhoudsdienst op de hoogte te stellen.
- Voor producten met een diepvriesvak; Eet geen ijs of ijsblokjes onmiddellijk nadat u deze uit het diepvriesvak heeft gehaald! (Dit kan bevriezing in uw mond veroorzaken.)
- Voor producten met een diepvriesvak; Plaats geen flessen of blikjes met vloeibare dranken in het diepvriesvak. Deze zouden kunnen barsten.
- Raak ingevroren voedingsmiddelen niet met de hand aan; deze kunnen aan uw hand vastplakken.
- Trek de stekker van uw koelkast uit het stopcontact voordat u deze schoonmaakt of ontdooit.
- Bij het schoonmaken en ontdooien van de koelkast mogen geen stoom en stoomreinigers gebruikt worden. De stoom kan in contact komen met de elektrische onderdelen en kortsluiting of een elektrische schok veroorzaken.
- Gebruik geen onderdelen van uw koelkast zoals de deur als steun of opstapje.
- Gebruik geen elektrische apparaten binnen in de koelkast.
- Beschadig de onderdelen waar de koelmoeistof circuleert niet door boor- of snijgereedschap. De koelmoeistof kan naar buiten geblazen worden wanneer de gasleidingen van de verdamper, leidingverlengingen

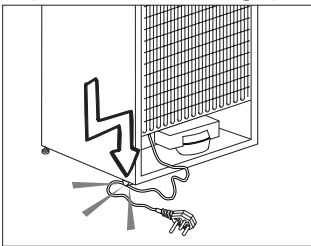
of oppervlaktecoatings worden doorboord en dit veroorzaakt huidirritatie en oogletsel.

- Dek of blokkeer de ventilatieopeningen van uw koelkast met geen enkel materiaal.
- Elektrische apparaten dienen slechts te worden gerepareerd door bevoegde personen. Reparaties die door onbevoegde personen worden leveren een risico voor de gebruiker op.
- In geval van storing of tijdens onderhoud- of reparatiewerkzaamheden, sluit de stroomtoevoer van de koelkast af door de zekering uit te draaien of de stekker van het apparaat uit te trekken.
- Bij het uittrekken van de stekker deze niet aan de kabel uittrekken.
- Zorg ervoor dat alcoholische dranken rechtop worden bewaard met dop goed gesloten.
- Bewaar nooit spuitbussen met ontvlambare en explosieve substanties in de koelkast.
- Gebruik geen andere mechanische toestellen of andere middelen om het ontdooiingproces te versnellen dan die toestellen of middelen die door de fabrikant worden aangeraden.
- Dit product is niet bedoeld te worden gebruikt door personen met fysieke, zintuiglijke of mentale afwijkingen of personen met

gebrek aan kennis of ervaring (inclusief kinderen) mits deze worden bijgestaan door een persoon die verantwoordelijk is voor hun veiligheid of die hen dienovereenkomstig instrueert hoe het product te gebruiken.

- Gebruik geen beschadigde koelkast. Raadpleeg de servicedienst in geval van twijfel.
- Elektrische veiligheid van uw koelkast wordt alleen gegarandeerd wanneer het aardingssysteem in uw huis aan de normen voldoet.
- Blootstelling van het product aan regen, sneeuw, zon en wind is gevaarlijk met betrekking tot de elektrische veiligheid.
- Neem bij schade aan de stroomkabel contact op met de bevoegde servicedienst om gevaar te voorkomen.
- Steek tijdens installatie nooit de stekker van de koelkast in het stopcontact. Er bestaat een kans op overlijden of serieus letsel.
- Deze koelkast is slechts bedoeld voor de opslag van voedselwaren. Het dient niet gebruikt te worden voor andere doeleinden.
- Typeplaatje met technische specificaties bevindt zich op de linkerbinnenwand in de koelkast.
- Sluit uw koelkast nooit aan op een elektriciteitsbesparingssysteem; dit kan de koelkast beschadigen.

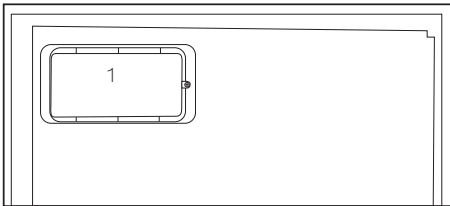
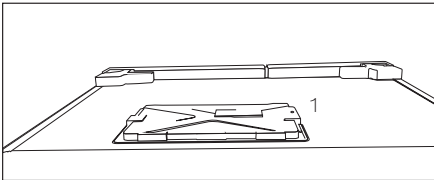
- Als er zich een blauwe lamp in uw koelkast bevindt, kijk hier dan niet voor een lange tijd in met het blote oog of met optische hulpmiddelen.
- Voor handbediende koelkasten wacht u na een stroomonderbreking tenminste 5 minuten voordat u de koelkast in werking stelt.
- Deze gebruikershandleiding moet aan de nieuwe eigenaar van het toestel gegeven worden wanneer het toestel doorgegeven wordt.
- Voorkom het veroorzaken van schade aan de stroomkabel indien u de koelkast verplaatst. Het knikken van de kabel kan brand veroorzaken. Plaats nooit zware voorwerpen op de stroomkabel. Raak de stekker niet aan met natte handen wanneer deze in het stopcontact wordt geplaatst.



- Zorg er bij het plaatsen van het apparaat voor dat het stroomsnoer niet ingeklemd of beschadigd is.
- Plaats geen stekkerdozen of draagbare stroomvoorzieningen aan de achterkant van het apparaat.
- Sluit de koelkast niet aan als het wandcontactdoos los zit.

- Er mag geen water rechtstreeks op de binnen- of buitendelen van het toestel gesproeid worden omwille van veiligheidsredenen.
- Spray geen substanties die ontvlambaar gas bevatten, zoals propaangas, in de buurt van de koelkast om brand en ontploffingsgevaar te voorkomen.
- Plaats nooit bakjes met water bovenop de koelkast, want deze kunnen elektrische schokken of brand veroorzaken.
- Overvul uw koelkast niet met overmatige hoeveelheden voedsel. In geval van overbelasting kunnen bij opening van de deur de voedselwaren naar beneden vallen en u bezeren en de koelkast beschadigen. Plaats nooit voorwerpen bovenop de koelkast; deze voorwerpen kunnen bij opening of sluiting van de koelkastdeur naar beneden vallen.
- Omdat vaccins, hittegevoelige medicatie, wetenschappelijke materialen, enz. een nauwkeurige temperatuur vereisen dienen deze niet in koelkast bewaard te worden.
- Als de koelkast voor een langere tijd niet wordt gebruikt dient de stekker uit het stopcontact te worden getrokken. Een mogelijk probleem in de stroomkabel kan brand veroorzaken.
- De koelkast kan bewegen indien de stelpoten niet juist op de vloer zijn bevestigd. Het juist bevestigen van de stelpoten op de vloer kan voorkomen dat de koelkast beweegt.

- Als u de koelkast optilt dient u dit niet te doen aan de hendel. Anders kan deze breken.
- Indien u uw product naast een andere koelkast of vriezer moet plaatsen, dient de afstand tussen de apparaten minstens 8 cm bedragen. Anders kunnen de aangrenzende zijwanden vochtig worden.
- Gebruik het product nooit als de sectie boven- of achteraan op het product dat elektronische printplaten bevat, geopend is (elektronische printplaat deksel) (1).



Voor producten met een waterdispenser;

- De druk van de koud waterinlaat mag maximum 90psi (6,2 bar) bedragen. Als uw waterdruk hoger is dan 80psi (5,5 bar) moet u een drukbegrenzer gebruiken in uw netwerk. Als u niet weet hoe u uw waterdruk kunt controleren, moet u hulp vragen van een

- professionele loodgieter.
- Als het risico bestaat op een waterslageffect in uw installatie moet u altijd een waterslag preventie apparatuur installeren. Raadpleeg een professionele loodgieter als u niet zeker bent of er een waterslageffect aanwezig is in uw installatie.
- Installeer deze niet op de warme waterinlaat. Neem de nodige maatregelen tegen het bevriezen van de leidingen. De watertemperatuur bedrijfsinterval moet minimum 33°F (0,6°C) en maximum 100°F (38°C) zijn.
- Gebruik alleen drinkwater.

Kinderbeveiliging

- Indien de deur een slot heeft, moet de sleutel buiten het bereik van kinderen worden gehouden.
- Kinderen dienen onder toezicht te staan om te voorkomen dat ze aan het product komen.

Voldoet aan de WEEE-richtlijn en de richtlijnen voor afvoeren van het restproduct:

Dit product voldoet aan de EU-richtlijn WEEE (2012/19/EU). Dit product is voorzien van een classificatiesymbool voor afvalsortering van elektrische en elektronische apparatuur (WEEE).

Dit product werd vervaardigd uit onderdelen en materialen van hoge kwaliteit die hergebruikt kunnen worden en geschikt zijn voor recycling. Gooi het restproduct aan het einde van zijn levensduur niet weg bij normaal huishoudelijk of ander afval. Breng het naar een verzamelpunt voor recycling van elektrische en elektronische apparatuur. Raadpleeg uw plaatselijke autoriteiten om te weten waar u deze verzamelpunten aantreft.

Voldoet aan de RoHS-richtlijn:

Het door u aangekochte product voldoet aan de EU-richtlijn RoHS (2011/65/EU). Het bevat geen schadelijke en verboden materialen die in deze richtlijn zijn opgenomen.

Verpakkingsinformatie

Verpakkingsmaterialen van het product zijn vervaardigd van recycleerbare materialen in overeenstemming met onze nationale milieunormen. Gooi het verpakkingsmateriaal niet weg met het huishoudelijke of ander afval. Breng het naar een verzamelpunt voor verpakkingsmateriaal dat is aangesteld door de lokale autoriteiten.

HC-Waarschuwing

Indien het koelsysteem van uw product R600a bevat:

Dit gas is ontvlambaar. Zorg daarom tijdens gebruik en transport dat het koelsysteem en de leidingen niet beschadigd raken. In het geval van beschadiging, uw product buiten bereik van potentiële vuurbronnen houden. Deze kunnen maken dat het product vlam vat. De ruimte waarin het toestel is geplaatst ventileren.

U kunt deze waarschuwing negeren als het koelsysteem van uw product R134a bevat.

Het gastype dat het product gebruikt is aangegeven op het typeplaatje dat zich op de linkerbinnenwand in de koelkast bevindt.

Steek het product om u zich ervan te ontdoen nooit in de brand.

Aanwijzingen ter besparing van energie

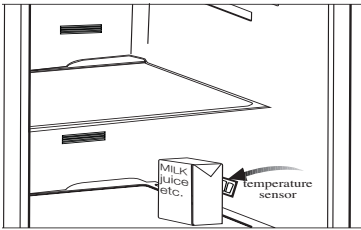
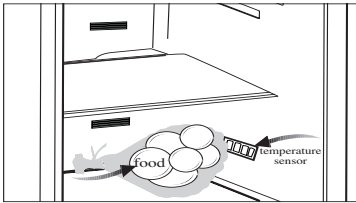
- Houd de deuren van uw koelkast niet lang open.
- Plaats geen warme voedingsmiddelen of dranken in de koelkast.
- Overlaad de koelkast niet zodat luchtcirculatie aan de binnenzijde niet geblokkeerd wordt.

- Plaats de koelkast niet in direct zonlicht of naast warmteafgevend apparaten zoals een oven, vaatwasser of radiator.
- Bewaar uw voedingsmiddelen in gesloten bakjes.
- Voor producten met een diepvriesvak; U kunt de maximum hoeveelheid voedselwaren in de diepvriezer bewaren als u het schap of de diepvrieslade verwijdert. De vastgestelde energieverbruikswaarde voor uw koelkast is bepaald bij verwijderd diepvriesschap of -lade en bij maximale lading. Er bestaat geen risico bij het gebruik van een schap of lade volgens de vorm en grootte van de in te vriezen voedingsmiddelen.
- Het ontdooien van ingevroren voedsel in het koelkastgedeelte voorziet in energiebesparing en behoud van de voedselkwaliteit.

Aanbevelingen voor het vak voor verse etenswaren

OPTIONEEL

- Zorg ervoor dat de temperatuursensor in het vak voor verse etenswaren niet in contact komt met etenswaren. Om het vak op de ideale bewaartemperatuur te behouden mag de sensor niet bedekt zijn met etenswaren.
- Plaats geen warme etenswaren in uw apparaat.



3 Installatie

- i** De fabrikant kan niet aansprakelijk worden gesteld indien de informatie van deze gebruiksaanwijzing niet in acht wordt genomen.

Aandachtspunten bij het opnieuw transporteren van uw koelkast

1. Voor transport dient de koelkast leeg en schoon te zijn.
2. In verband met schokken moeten de schappen, accessoires, groentelade enz. in uw koelkast met plakband vastgezet worden voordat de koelkast opnieuw wordt verpakt.
3. Verpakking moet worden vastgebonden met dikke tape en sterke touwen en de transportregels, gedrukt op de verpakking, moeten opgevolgd worden.

i Vergeet niet...

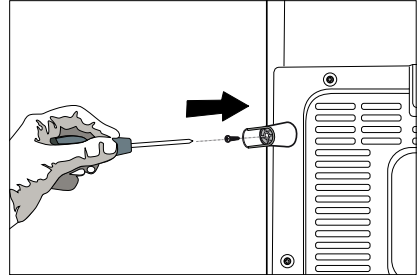
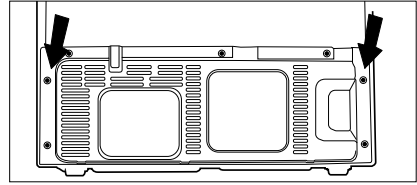
Ieder gerecycled materiaal is een essentiële bron voor de natuur en onze nationale bronnen.

Indien u een bijdrage wilt leveren aan recycling van verpakkingsmateriaal, kunt u meer informatie krijgen bij de milieu-instanties of plaatselijke autoriteiten.

Alvorens de inwerkstelling van uw koelkast

Alvorens u uw koelkast gaat gebruiken, controleer of:

1. De binnenzijde van de koelkast schoon is en de luchtcirculatie aan de achterzijde vrij kan plaatsvinden?
2. De 2 kunststof wiggen op de achterkant van het ventilatiedeksel plaatsen zoals in de volgende afbeelding weergegeven. Verwijder hiervoor de schroeven op het product en gebruik de schroeven die in hetzelfde zakje geleverd zijn.
Kunststof wiggen zullen de vereiste afstand geven tussen uw koelkast en de muur om luchtcirculatie mogelijk te maken.



3. Maak de binnenkant van de koelkast proper, zoals aanbevolen in het hoofdstuk "Onderhoud en reiniging".
4. Steek de stekker van de koelkast in het stopcontact. Wanneer de deur wordt geopend, zal het binnenlichtje aangaan.
5. U zult een geluid horen wanneer de compressor opstart. De vloeistof en de gassen die zich in het koelsysteem bevinden, zouden ook wat lawaai kunnen veroorzaken zelfs wanneer de compressor niet werkt. Dit is normaal.
6. De buitenkant van de koelkast kunnen warm aanvoelen. Dit is normaal. Deze oppervlakken zijn bedoeld om warm te worden om condensvorming te voorkomen.

Elektrische aansluiting

Sluit uw koelkast aan in een geaard stopcontact, beschermd door een zekering, met de juiste capaciteit.

Belangrijk:

- ⚠** De aansluiting moet conform de nationale voorschriften zijn.
- ⚠** De stekker van de stroomkabel moet na installatie eenvoudig bereikbaar zijn.
- ⚠** Spanning en toegestane zekeringbescherming worden gespecificeerd in het hoofdstuk "Technische specificaties".

- ⚠ De gespecificeerde spanning moet gelijk zijn aan uw netspanning.
- ⚠ Verlengkabels en meerwegstekkers mogen voor aansluiting niet worden gebruikt.
- ⚠ Een beschadigd netsnoer moet worden vervangen door een erkend elektricien.
- ⚠ Het apparaat mag niet in werking worden gesteld voordat het gerepareerd is! Gevaar op een elektrische schok!

Afvoeren van de verpakking

- ⚠ De verpakkingsmaterialen kunnen gevaarlijk zijn voor kinderen. Houd het verpakkingsmateriaal buiten bereik van kinderen of voer deze af conform afvalinstructies. Gooi het materiaal niet weg bij het normale huishoudelijk afval.

De verpakking van uw koelkast is vervaardigd uit herbruikbare materialen.

Afvoeren van uw oude koelkast

Voer uw oude machine af zonder het milieu op enige wijze te schaden.

- ⚠ U kunt uw bevoegde dealer of het afvalcentrum van uw gemeente raadplegen over het afvoeren van uw koelkast.
- ⚠ Voordat u uw koelkast afvoert, knip de elektrische stekker af. Indien het apparaat is uitgevoerd met deursluitingen, dit slot dan onbruikbaar maken om kinderen tegen gevaar te beschermen.

Plaatsing en installatie

- ⚠ Voorzichtig: Steek tijdens installatie nooit de stekker van de koelkast in de wandcontactdoos. Er bestaat een kans op overlijden of ernstig letsel.

- ⚠ Als de toegangsdeur van de kamer waarin de koelkast wordt geïnstalleerd niet breed genoeg is voor de koelkast om erdoor te passen, bel dan de bevoegde dienst zodat deze de deuren van uw koelkast kan verwijderen en de koelkast zijdelings door de deur kan.

1. Installeer uw koelkast op een plaats waar ze gemakkelijk kan worden gebruikt.
2. Houd uw koelkast uit de buurt van warmtebronnen, vochtige plaatsen en direct zonlicht.
3. Er moet geschikte luchtventilatie rond uw koelkast zijn om een efficiënte werking te verkrijgen. Als de koelkast in een uitsparing in de muur wordt geplaatst, moet er minstens 5 cm afstand zijn ten opzichte van het plafond en minstens 5 cm ten opzichte van de muur. Als de vloer met een tapijt bedekt is, moet uw product op 2,5 cm van de vloer staan.
4. Plaats uw koelkast op een vlak vloeroppervlak om schokken te vermijden.
5. Plaats uw koelkast niet in omgevingstemperaturen onder 10 °C.



Het vervangen van de lamp

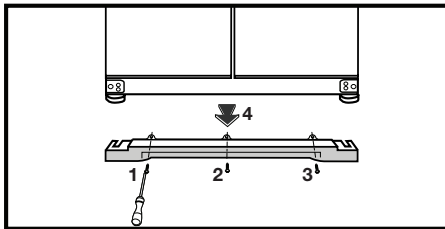
Om de lamp/led voor de binnenverlichting van uw koelkast te vervangen, bel uw bevoegde onderhoudsdienst.

De lamp of lampen voorzien in dit apparaat mogen niet worden gebruikt voor de verlichting van huishoudelijke ruimten. Het beoogde gebruik van deze lamp is de gebruiker te helpen etenswaren op veilige en comfortabele wijze in de koelkast/diepvriezer te plaatsen.

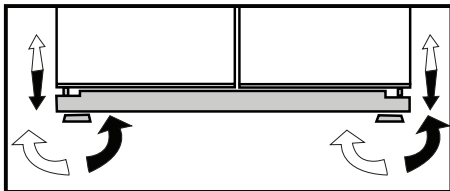
De lampen die in dit apparaat worden gebruikt moeten bestendig zijn tegen extreme fysieke omstandigheden, zoals temperaturen beneden de -20°C.

Vloerafstelling

-  Wanneer uw koelkast niet waterpas staat;
-  Eerst het stekker van het product uittrekken. De stekker van het product moet niet in het stopcontact zitten wanneer u het waterpas stelt. Er bestaat anders gevaar op een elektrische schok.



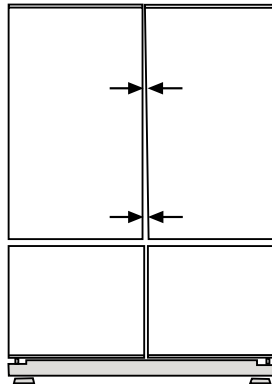
1. U kunt de ventilatiekap verwijderen door de schroeven los te maken zoals wordt aangetoond in de afbeelding voor de procedure. U kunt uw koelkast waterpas stellen door aan de stelvoetjes te draaien zoals getoond in de afbeelding. De hoek van het stelvoetje wordt verlaagd wanneer u in de richting van de zwarte pijl draait en verhoogd wanneer u in de tegenovergestelde richting draait. Wanneer iemand u hierbij helpt door de koelkast lichtjes op te tillen vereenvoudigt dit het proces.




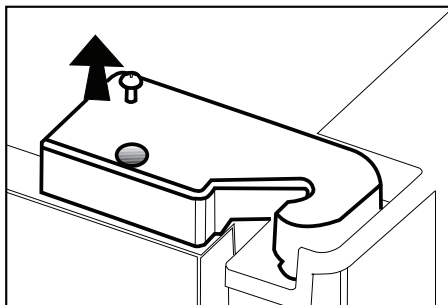
2. Nadat het balansprobleem is verholpen, installeert u de ventilatiekap terug en maakt u de schroeven vast.


3. Verwijder de schroeven van de onderste ventilatiekap met een schroevendraaier van Philips.

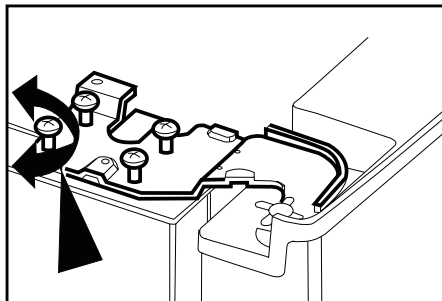
De afstand tussen de bovenste deur aanpassen

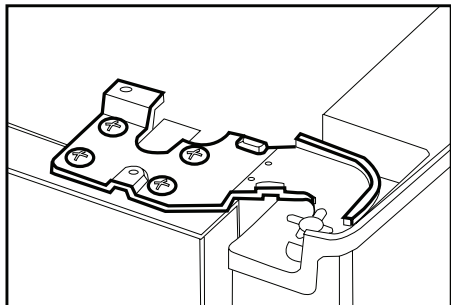


-  U kunt de afstand tussen de deuren van het koelgedeelte aanpassen zoals weergegeven in de afbeeldingen. De deurschappen moeten leeg zijn als u de deurhoogte aanpast.

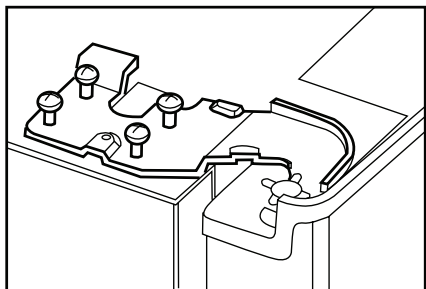


-  Verwijder met een schroevendraaier de schroef van het bovenste scharnierdeksel van de deur die u wilt aanpassen.

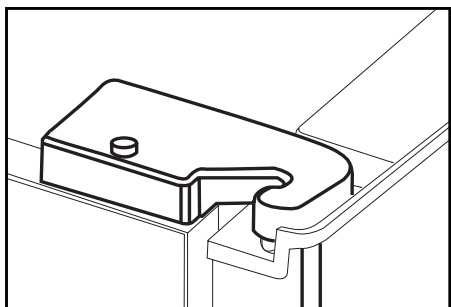




i Pas de deur desgewenst correct aan door de schroeven los te draaien.



i Bevestig de deur die hebt aangepast door de schroeven aan te draaien zonder de positie van de deur te veranderen.



i Plaats het scharnierdeksel terug en maak het vast met de schroef.

Waterfilter plaatsen

(alleen bepaalde modellen)

Twee verschillende waterbronnen mogen op de koelkast worden aangesloten voor watertoevoer: De hoofdkoudwatertoevoer en water in een kan.

Installatievereisten

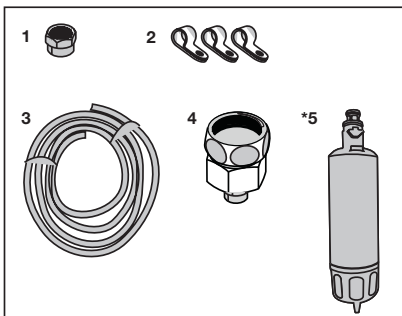
Voor gebruik van water in een kan moet een pomp worden gebruikt.

Controleer of de onderstaande delen met uw apparaat zijn meegeleverd.

1. Koppeling voor aansluiting van de waterleiding op de achterzijde van het apparaat. (Als deze niet past, haal er dan een bij de dichtstbijzijnde bevoegde dienst.)
2. Slangklemmen, 2 stuks (ingeval deze vereist zijn om de waterleiding vast te zetten)

Opmerking: Omdat de volgende delen niet vereist zijn bij gebruik van een kan, bevinden deze zich mogelijk niet op het product dat u hebt aangekocht.

3. 5 meter lange waterleiding (1/4 inch in diameter)
4. Koudwaterhoofdklep met gasfilter (kraanadapter)
5. Waterfilter of extern aansluitbare filter die in de beugel in het koelgedeelte wordt geplaatst.



De plaats waar de externe filter zal worden geplaatst, moet eerst worden bepaald. (Geldt voor de filter die wordt gebruikt buiten de koelkast.) Bepaal vervolgens de afstand tussen de filter en de koelkast en de vereiste slanglengten van de filter naar de waterinlaat van de koelkast.

De waterfilter moet rechtop worden gehouden zoals weergegeven in de afbeelding. Het is belangrijk dat de filter correct wordt bevestigd aan de waterinlaat- en de wateruitlaatpunten.

Gebruik de eerste 3-4 glazen water na bevestiging van de filter niet.

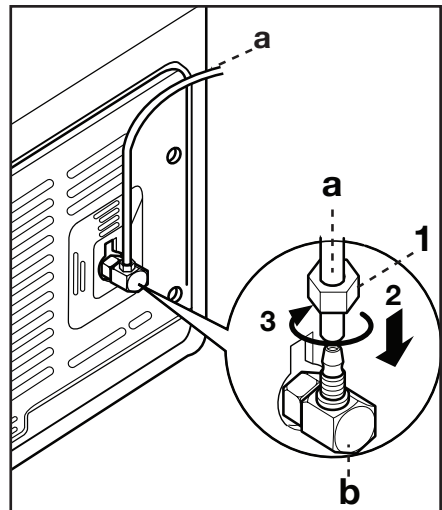
Aansluiting van de waterleiding op de koelkast

1. Na montage van de moer op de waterleiding, drukt u de waterslang in de inlaatklep van de koelkast door deze stevig naar onder te drukken.

2. Bevestig de moer zoals getoond in de afbeelding hiernaast door met de hand op de inlaatklep van de koelkast te duwen.

(a- Waterleiding, b-Moer, c-Klep)

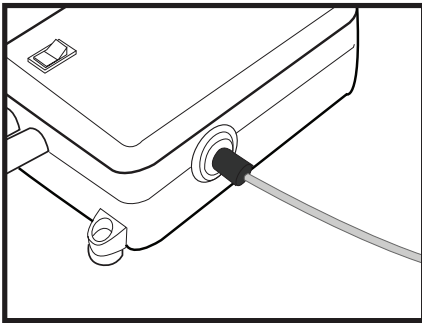
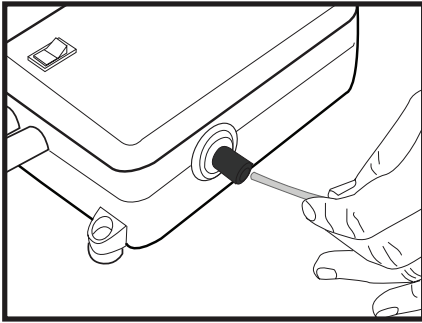
i Opmerking 1: U hoeft de moer niet met gereedschap aan te draaien om een waterdichte montage te verkrijgen. In geval van lekkage gebruikt u een moersleutel of een tang om de moer vast te draaien.



Aansluiting van de waterslang op de kan (alleen bepaalde modellen)

Om water uit een kan aan te sluiten op de koelkast is een pomp nodig. Volg de onderstaande instructies nadat u één uiteinde van de waterleiding afkomstig uit de pomp op de koelkast hebt aangesloten zoals beschreven op de vorige pagina.

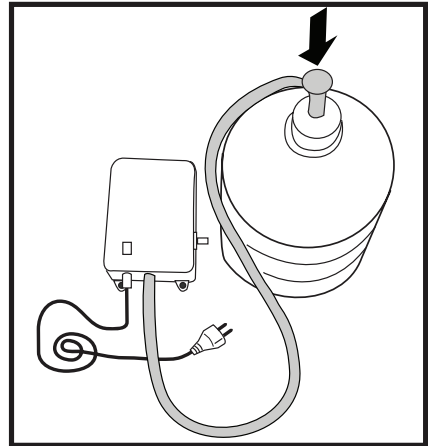
1. Voltooi de aansluiting door het andere uiteinde van de waterleiding in de waterleidinginlaat van de pomp te duwen zoals weergegeven in de afbeelding.



2. Plaats de pomp in de kan en maak deze vast zoals weergegeven in de figuur.
3. Nadat u de aansluiting hebt voltooid, steekt u de stekker in het stopcontact en start u de pomp.

Om te zorgen voor een efficiënte werking van de pomp, wacht u 2-3 minuten nadat u de pomp hebt gestart.

- i** U kunt de gebruikershandleiding van de pomp raadplegen wanneer u de aansluiting op het water uitvoert.
- i** Er hoeft geen waterfilter toegepast te worden bij gebruik van een kan.
- i** Bij gebruik van een kan moet een pomp worden gebruikt.



Aansluiting van de waterleiding op de hoofdkoudwaterleiding (alleen bepaalde modellen)

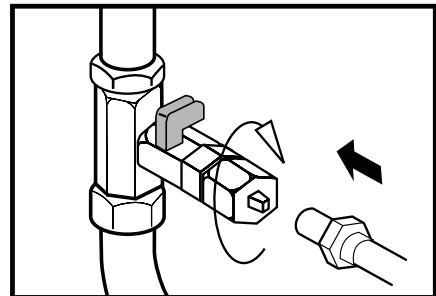
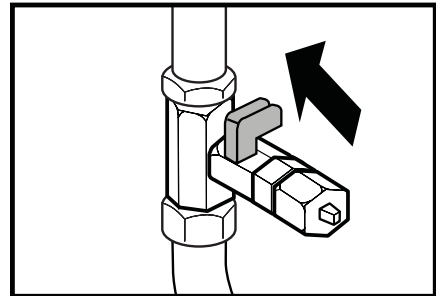
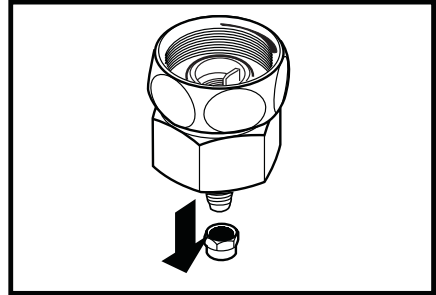
Als u uw koelkast wilt gebruiken door deze aan te sluiten op de koudwaterhoofdleiding, u moet een standaard 1/2-inch klepaansluiting aansluiten op de koudwatertoevoer in uw huis. Ingeval deze klep niet aanwezig is of als u niet zeker bent, raadpleegt u een bevoegde loodgieter.

1. Verwijder de moer van de kraanadapter. (Afbeelding A)
2. Monteer de kraanadapter op de 1/2-inch klepfitting zoals weergegeven in de afbeelding. (Afbeelding B)
3. Nadat u de waterleiding in de moer hebt gestoken, zoals getoond in de afbeelding, installeert u deze op de kraanadapter. (Afbeelding C)
4. Draai de moer handmatig vast. In geval van lekkage gebruikt u een moersleutel of een tang om de moer vast te draaien.

⚠ Voorzichtig: Bevestig de waterslang met behulp van de bijgeleverde slangklemmen op de juiste punten. Hiermee voorkomt u beschadiging of verschuiving of een accidenteel ontkoppelen.

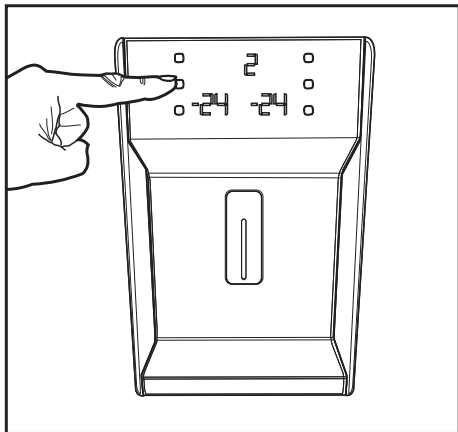
⚠ Voorzichtig: Nadat u de waterklep hebt ingeschakeld, dient u te controleren of er geen lekkage plaatsvindt bij de aansluitingspunten van de waterleiding zelf. In geval van lekkage draait u onmiddellijk de klep dicht en draait u alle verbindingstukken opnieuw aan met behulp van een moersleutel of tang.

⚠ Voorzichtig: Zorg ervoor dat de standaard 1/2" klepfitting gevoed door de hoofdkoudwatertoevoer beschikbaar is en volledig is uitgeschakeld.

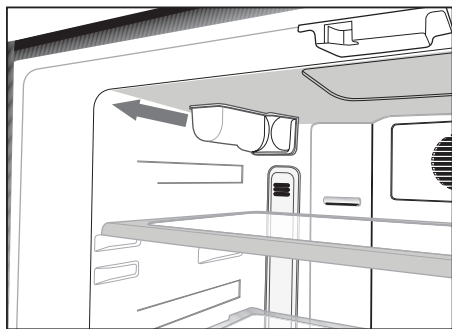


Om de waterfilter te plaatsen, volgt u de onderstaande instructies en raadpleegt u de meegeleverde afbeeldingen:

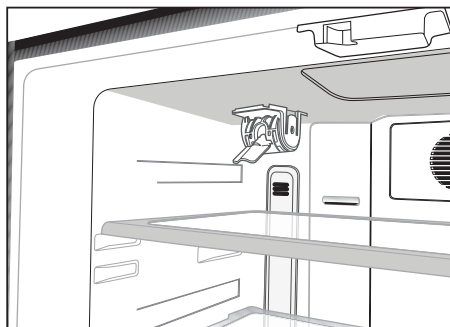
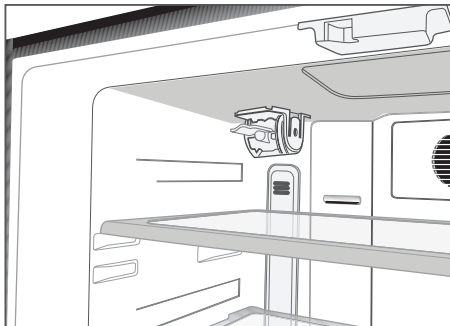
1. Druk op de knop Ice Cancel (IJs annuleren) op het display.



2. Verwijder het filterdeksel in het koelgedeelte door het naar voren te trekken.



3. Verwijder het bypassfilterdeksel door het naar beneden te draaien.



⚠ Voorzichtig: Controleer of de modus "Ice Off" (IJs uit) actief is voordat u het bypassdeksel verwijdert.

Opmerking: Het is normaal wanneer er wat water druppelt nadat het deksel werd verwijderd.

4. Verwijder het deksel aan de bovenkant van de waterfilter en installeer het zoals getoond in de afbeelding. Draai het deksel naar boven om het te vergrendelen.
5. Druk opnieuw op de knop Ice Cancel op het display om deze modus te verlaten.

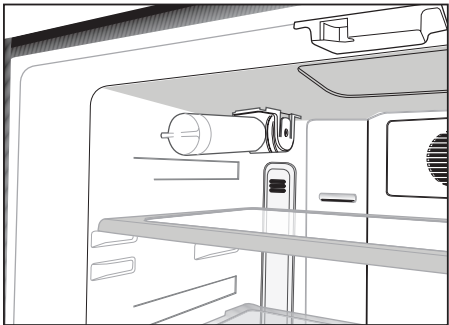
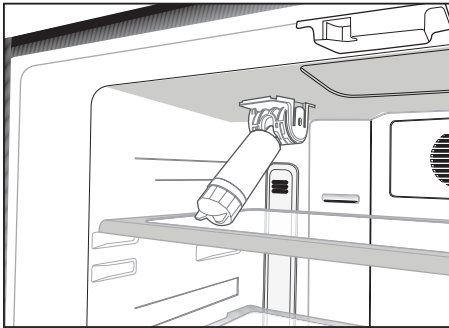
De waterfilter moet iedere 6 maanden worden vervangen.

Als u de periode voor het vervangen van het filter automatisch wilt laten berekenen en na afloop van de gebruikperiode een waarschuwing wilt ontvangen, lees dan het hoofdstuk "Automatische berekening periode filtergebruik".

Als de waterfilter wordt vervangen of als deze niet langer wordt gebruikt, moet deze worden verwijderd zoals getoond in de afbeelding en moet het bypassdeksel worden bevestigd. U moet ervoor zorgen dat de Ice Off-modus (Ijs uit) actief is alvorens de filter te verwijderen.

⚠ Voorzichtig: De waterfilter zuivert het water van bepaalde vreemde deeltjes in het water. Deze zuivert het water niet van micro-organismen.

⚠ Voorzichtig: De knop Ice Off moet altijd worden ingedrukt wanneer u de waterfilter vervangt of het bypassdeksel installeert.



Voorafgaand aan het eerste gebruik van de waterdispenser

i De druk van de hoofdwaterleiding mag niet lager zijn dan 1 bar.

i De druk van de hoofdwaterleiding mag niet hoger zijn dan 8 bar.

i Ingeval de druk van de hoofdwaterleiding onder 1 bar zakt of als een kan zal worden gebruikt, dient u een pomp te gebruiken..

i Het watersysteem van de koelkast moet op de koudwaterleiding worden aangesloten. Het mag niet op de warmwaterleiding worden aangesloten.

i Bij de eerste werking van de koelkast kunt u geen water nemen. Dit wordt veroorzaakt door lucht in het systeem. Om de lucht van het systeem te laten ontsnappen, drukt u gedurende 1 minuut de hendel van de dispenser in totdat er water uit de dispenser komt. De waterstroming kan in het begin onregelmatig zijn. Een onregelmatige waterstroming verdwijnt nadat de lucht in het systeem is ontsnapt.

i Wanneer de koelkast voor de eerste keer draait, kunt u pas na ongeveer 12 uur koud water verkrijgen.

i De druk van de hoofdwaterleiding moet tussen de 1-8 bar liggen voor een probleemloze werking van de ijs-/waterdispenser. Hiervoor controleert u of 1 glas water (100 cc) binnen 10 seconden kan worden gevuld.

i De eerste 10 glazen water mag u niet consumeren.

i De eerste 30 ijsblokjes uit de ijsdispenser mag u niet gebruiken.

i Gebruik altijd de waterfilter als er geen kan wordt gebruikt.

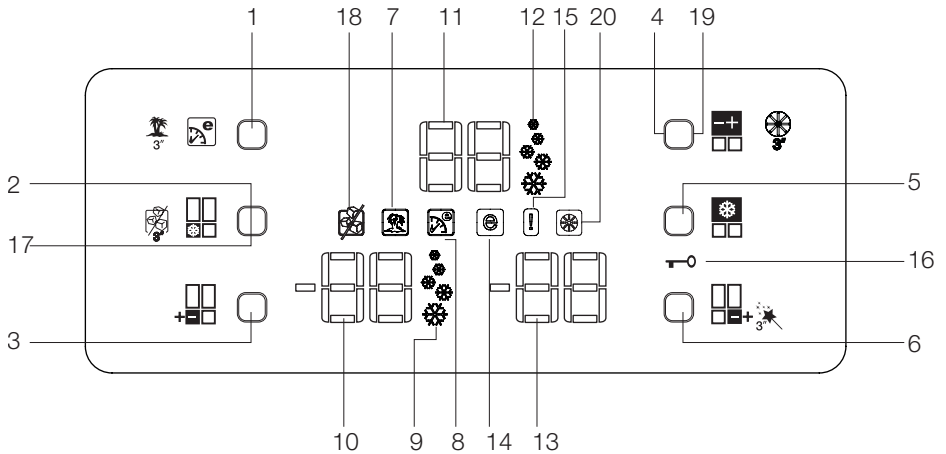
4 Voorbereiding

- i** Uw koelkast moet worden geïnstalleerd op minstens 30 cm afstand van warmtebronnen zoals kookplaten, centrale verwarming en kachels en op minstens 5 cm afstand van elektrische ovens. De koelkast mag niet in direct zonlicht worden geplaatst.
- i** De omgevingstemperatuur van de kamer waarin u de koelkast installeert dient minstens 10 °C te zijn. In verband met efficiëntie wordt gebruik van uw koelkast in koudere omstandigheden niet aanbevolen.
- i** Controleer of de binnenzijde van uw koelkast volledig schoon is.
- i** Bij installatie van twee koelkasten naast elkaar, moeten de koelkasten op een afstand van minstens 2 cm van elkaar worden geplaatst.
- i** Wanneer u de koelkast voor de eerste keer in gebruik neemt, gelieve tijdens de eerste zes uur de volgende instructies in acht te nemen.
 - De deur niet regelmatig openen.
 - Koelkast moet in bedrijf gesteld worden zonder levensmiddelen.
 - De stekker van de koelkast niet uittrekken.Indien zich een stroomstoring voordoet buiten uw macht, zie de waarschuwingen in het deel "Aanbevolen oplossingen voor problemen".
- i** Originele verpakking en schuimmaterialen moeten worden bewaard voor toekomstig transport of verhuizen.

5 Gebruik van uw koelkast

Display

Met dit display met drukknopbediening kan u de temperatuur regelen zonder de deur van uw koelkast openen. U hoeft enkel met de betreffende knop de temperatuur te regelen.



1. Eco Extra/Vakantieknop
2. Fast Freeze-knop
3. Temperatuurregelaar diepvriesgedeelte
4. Temperatuurregelaar koelgedeelte
5. Quick Cool-knop (snel koelen)
6. Temperatuurregelaar Multi Zone-vak
7. Indicator Vakantiefunctie
8. Indicator Eco Extra-functie
9. Indicator Fast Freeze-functie
10. Indicator Temperatuur Diepvriesgedeelte
11. Indicator Temperatuur Koelgedeelte
12. Indicator Quick Cool-functie
13. Temperatuurindicator Multi Zone-vak
14. Indicator Besparingsmodus
15. Indicator Errorstatus
16. Indicator Toetsvergrendeling
17. Ice Cancel-knop
18. Indicator Ice Off (IJs uit)
19. Annuleren van Waarschuwing Filter vervangen
20. Indicator Waarschuwing filter vervangen

i De afbeeldingen in deze gebruiksaanwijzing zijn schematisch en hoeven niet exact met uw product overeen te komen. Wanneer onderdelen niet tot het product behoren dat u hebt gekocht, zijn deze geldig voor andere modellen.

1. Eco Extra/Vakantieknop

Druk deze knop even in om de Eco Extra-functie te activeren. Houd deze knop 3 seconden in om de Vakantiefunctie te activeren. Duw deze knop opnieuw in om de gekozen functie te deactiveren.

2. Fast Freeze-knop

Druk deze knop even in om de Fast Freeze-functie te activeren. Duw deze knop opnieuw in om de gekozen functie te deactiveren.

3. Temperatuurregelaar diepvriesgedeelte

Druk deze knop in om de temperatuur van het diepvriesgedeelte in te stellen op respectievelijk -18, -20, -22, -24. Druk deze knop in om de gewenste temperatuur voor het diepvriesgedeelte in te stellen.

4. Temperatuurregelaar koelgedeelte

Druk deze knop in om de temperatuur van het koelkastgedeelte in te stellen op respectievelijk 8, 6, 4, 2. Druk deze knop in om de gewenste temperatuur voor het diepvriesgedeelte in te stellen.

5. Quick Cool-knop (snel koelen)

Druk deze knop even in om de Quick Cool-functie te activeren. Duw deze knop opnieuw in om de gekozen functie te deactiveren.

6. Temperatuurregelaar Multi Zone-vak

U kan het Multi Zone-vak zowel als diepvriezer of koeler instellen. Houd de knop langere tijd (3 seconden) ingedrukt om het Multi Zone-vak als diepvriezer of koeler in te stellen. Dit gedeelte is door de fabrikant ingesteld als diepvriesgedeelte.

Als het Multi Zone-vak als diepvriezer is ingesteld, dan zal de temperatuur van het Multi Zone-vak veranderen in respectievelijk -18, -20, -22, -24, -18..., elke keer als u op de knop drukt. Als het Multi Zone-vak als koelkast is ingesteld, dan zal de temperatuur van het Multi Zone-vak veranderen in respectievelijk 10, 8, 6, 4, 2..., elke keer als u op de knop drukt.

7. Indicator Vakantiefunctie

Geeft aan dat de vakantiefunctie actief is. Als deze functie actief is, verschijnt "- -" op de indicator van het koelgedeelte en zal dit gedeelte niet koelen. Andere gedeeltes zullen worden gekoeld volgens de ingestelde temperaturen.

Duw de betreffende knop opnieuw in om de gekozen functie te deactiveren.

8. Indicator Eco Extra-functie

Deze geeft aan dat de Eco Extra-functie actief is. Als deze functie actief is, zal uw koelkast automatisch energie-efficiënt koelen tijdens periodes waarin de koelkast het minst verbruikt. De Besparingsindicator zal actief zijn als de koelkast energie-efficiënt koelt.

Duw de betreffende knop opnieuw in om de gekozen functie te deactiveren.

9. Indicator Quick Freeze-functie (snel vriezen)

Deze geeft aan dat de Fast Freeze-functie actief is. Gebruik deze functie als u vers voedsel in het diepvriesgedeelte plaatst of als u ijs nodig heeft. Als deze functie actief is, zal uw koelkast gedurende een bepaalde periode werken zonder te stoppen.

Duw de betreffende knop opnieuw in om de gekozen functie te deactiveren.

10. Indicator Temperatuur Diepvriesgedeelte

Deze geeft de ingestelde temperatuur voor het diepvriesgedeelte aan.

11. Indicator Temperatuur Koelgedeelte

Geeft de ingestelde temperatuur voor het koelgedeelte aan.

12. Indicator Quick Cool-functie

Geeft aan dat de Quick Cool-functie actief is. Gebruik deze functie als u vers voedsel in het koelgedeelte plaatst of als u uw voedsel snel wilt koelen. Als deze functie actief is, zal uw koelkast voor 2 uur werken zonder te stoppen.

Duw de betreffende knop opnieuw in om de gekozen functie te deactiveren.

13. Temperatuurindicator Multi Zone-vak

Geeft de temperatuur van het Multi Zone-vak aan.

14. Indicator Besparingsmodus

Geeft aan dat de koelkast werkt in de energie-efficiënte modus. Temperatuur van diepvriesgedeelte

Deze indicator zal actief zijn als de functie is ingesteld op -18 of als de koelkast energie-efficiënt koelt d.m.v. de Eco Extra-functie.

15. Indicator Errorstatus

Als uw koelkast niet goed koelt of als er een storing aan de sensor is, zal deze indicator worden geactiveerd. Als deze indicator actief is, zal de temperatuurindicator van het diepvriesgedeelte "E" weergeven en de temperatuurindicator van het koelgedeelte zal nummers zoals "1,2,3..." weergeven. Aan de hand van deze nummers op de indicator kan het dienstpersoneel afleiden wat de fout is.

16. Indicator Toetsvergrendeling

Gebruik deze functie als u niet wilt dat de temperatuurregeling van uw koelkast verandert. Houd de Quick Cool-knop en de temperatuurregelaar voor het Flexi Zone-vak tegelijkertijd langer (3 seconden) ingedrukt om deze functie te activeren.

Duw de betreffende knop opnieuw in om deze functie te deactiveren.

17. Ice Cancel-knop

Om ijsvorming te stoppen, moet u de Ice Cancel-knop 3 seconden inhouden. Als Ice Cancel wordt gekozen, wordt er geen water naar de ijsbak verzonden. Ondanks dit kan er nog wat ijs in de ijsbak zijn overgebleven, dat van daar kan zijn genomen. Om ijsvorming te herstarten, moet u de Ice Cancel-knop 3 seconden inhouden.

18. Ice Cancel - indicator

Als u geen ijs wilt van de koelkast wilt verkrijgen, moet u deze functie gebruiken. U kan deze functie gebruiken door de Ice Cancel-knop 3 seconden in te houden.

19. Annuleren van Waarschuwing Filter vervangen

De filter van uw koelkast moet elke zes maanden vervangen worden. Als u de instructies op pagina 22 toepast, berekent uw koelkast deze tijd automatisch en gaat het lampje filter vervangen branden wanneer de gebruikstijd van de filter verstreken is. Druk gedurende 3 seconden op de waarschuwingknop om de filtervervangning te annuleren om de nieuwe filtertijd na het vervangen van de filter te laten berekenen door de koelkast.

20. Indicator Waarschuwing filter vervangen annuleren

Wanneer de gebruikersperiode van het filter is verstreken, gaat de indicator voor waarschuwing van de filtervervangning branden.

Deur Open Alarm

Als u de deur van het koelvak of het Flexi Zone-vak langer dan 1 minuut open laat, wordt een hoorbaar Deur Open-alarm geactiveerd. Druk op een knop naar keuze op de indicator of sluit de deur om het alarm uit te schakelen.

Tweeledig koelsysteem:

Uw koelkast is uitgerust met een apart koelsysteem om het koel- en diepvriesgedeelte te koelen. De lucht in het koelgedeelte vermengt zich niet met de lucht in het diepvriesgedeelte. Dankzij deze twee aparte koelsystemen, is de koelsnelheid veel hoger dan bij andere koelkasten. Geur van de twee gedeelten raakt niet gemengd. Daarnaast biedt dit aanvullende energiebesparing, aangezien het ontdooien afzonderlijk plaatsvindt.

Verse etenswaren invriezen

- Wikkel het voedsel in of bedek het vóór het plaatsen
 - Warm voedsel moet eerst afkoelen naar kamertemperatuur voordat het in de koelkast gezet mag worden.
 - De levensmiddelen die u wenst in te vriezen dienen vers en van goede kwaliteit te zijn.
 - De levensmiddelen moeten in porties worden verdeeld op basis van de dagelijkse of maaltijd gebaseerde consumptiebehoeften van het gezin.
 - Levensmiddelen moeten luchtdicht worden verpakt om uitdroging te voorkomen, zelfs wanneer ze slechts gedurende een korte periode worden bewaard.
 - De gebruikte verpakkingsmaterialen dienen resistent te zijn voor kou en vochtigheid en ze moeten luchtdicht zijn. Het verpakkingsmateriaal van het voedsel moet voldoende dik en duurzaam zijn. Anders kan het door bevrozing hard geworden voedsel de verpakking doorprikken. Het is belangrijk dat de verpakking goed wordt gesloten om veilige bewaring van het voedsel te waarborgen.
 - Bevroren levensmiddelen moeten meteen na ontdooiing worden gebruikt en mogen nooit opnieuw worden ingevroren.
 - Gelieve de volgende instructies in acht te nemen om de beste resultaten te bereiken.
1. Als de koelkast over een snelvriesfunctie beschikt, gebruikt u deze snelvriesfunctie als u voedsel wilt invriezen.

2. Vries nooit te grote hoeveelheden levensmiddelen in één keer in. De kwaliteit van het voedsel blijft het best geconserveerd wanneer het zo snel mogelijk goed tot in het hart wordt ingevroren.

3. Zorg er goed voor geen diepvriesproducten te mengen met verse etenswaren.

4. Zorg dat rauw voedsel in de koelkast niet in contact komt met bereid voedsel.

Aanbeveling voor het bewaren van diepvriesvoedsel

- Voorverpakte diepvriesproducten uit de winkel dienen conform de instructies van de fabrikant te worden bewaard in het vak voor diepvriesproducten.

- Om de kwaliteit van de fabrikant van de diepvriesproducten en voedingswinkels te behouden, dient u het volgende in acht te nemen:

1. Plaats de diepvriesproducten na aankoop zo snel mogelijk in de diepvriezer.

2. Zorg dat de inhoud van de verpakking gelabeld en gedateerd is.

3. Overschrijd nooit de "Te gebruiken voor" of "Tenminste houdbaar tot" data op de verpakking.

Ontdooien

Het diepvriesgedeelte ontdooit automatisch.

Het plaatsen van de levensmiddelen

Schappen van het diepvriesgedeelte	Verscheidende ingevroren levensmiddelen zoals vlees, vis, ijs, groenten enz.
Eiergedeelte	Eieren
Schappen van het koelgedeelte	Levensmiddelen in pannen, bedekte borden, gesloten bakjes.

Instelling diepvriesgedeelte	Instelling koelgedeelte	Opmerkingen
-18°C	4°C	Dit is de normale aanbevolen instelling.
-20,-22 of -24°C	4°C	Deze instellingen worden aanbevolen wanneer de omgevingstemperatuur boven de 30°C komt.
Snelvriezen	4°C	Te gebruiken wanneer u de etenswaren in korte tijd wilt invriezen. Het gebruik wordt aanbevolen om de kwaliteit van vlees- en visproducten te behouden.
-18°C of kouder	2°C	Wanneer u denkt dat uw koelgedeelte niet koud genoeg is als gevolg van de warme omgevingstemperatuur of het frequent openen en sluiten van de deur.
-18°C of kouder	Snelkoelen	U kunt deze gebruiken wanneer uw koelgedeelte overladen is of wanneer u de levensmiddelen zeer snel wilt koelen. Wij raden aan de snelvriesfunctie 4-8 uur voor het plaatsen van de etenswaren te activeren.

Deurschappen van het koelgedeelte	Kleine en verpakte levensmiddelen en drank (zoals melk, vruchtensap en bier)
Groentelade	Groente en fruit
Vershoudgedeelte	Delicatessen (kaas, boter, salami enz.)

- Plakband dat bestand is tegen kou
- Zelfplakkende etiketten
- Elastiekjes
- Pen

Materialen die voor verpakking worden gebruikt moeten scheurvast zijn en bestand zijn tegen kou, vocht, geuren, olie en zuren.

In te vriezen levensmiddelen mogen niet in aanraking komen met eerder ingevroren stukken om gedeeltelijke ontdooiing daarvan te voorkomen. Ontdooid voedsel moet geconsumeerd worden en mag niet opnieuw ingevroren worden.

Diepvriesinformatie

Om levensmiddelen in goede kwaliteit te houden, moeten ze zo snel mogelijk worden ingevroren na plaatsing in de diepvriezer.

Het is mogelijk om de levensmiddelen gedurende lange tijd op een temperatuur van -18°C of lager te bewaren.

U kunt de versheid van levensmiddelen gedurende vele maanden bewaren (bij een temperatuur van -18°C of lager in de diepvriezer).

WAARSCHUWING! ⚠

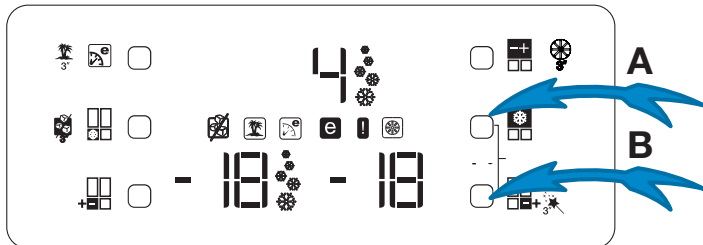
- De levensmiddelen moeten in porties worden verdeeld op basis van de dagelijkse of maaltijd gebaseerde consumptiebehoeften van het gezin.
- Levensmiddelen moeten luchtdicht worden verpakt om uitdroging te voorkomen, zelfs wanneer ze slechts gedurende een korte periode worden bewaard.

Benodigde materialen voor verpakking:

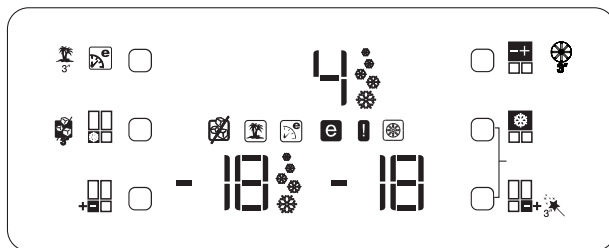
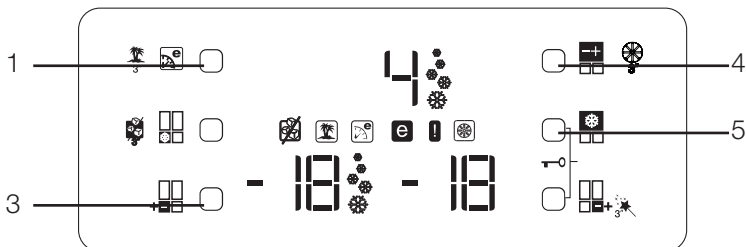
Wat u moet doen om de gebruikstijd van de filter automatisch te laten berekenen

(Voor producten aangesloten op de waterhoofdleiding en uitgerust met een filter)

1- Nadat de koelkast ingeplugd is, druk tegelijkertijd op de knoppen A en B om de toetsvergrendeling te activeren.



2- Druk dan respectievelijk op de knoppen Eco-Extra (1), Koelkast Temperatuurinstelling (4), Quick Cool (5) Diepvriezer Temperatuurinstelling (3).



Als de knopconfiguratie in de correcte volgorde wordt ingedrukt, zal het symbool voor toetsvergrendeling uitgaan, de zoemer zal kort geactiveerd worden en het lampje filtervervangng gaat branden. Druk op de knop annuleren van waarschuwing filtervervangng (item 19 in displaybeschrijvingen) na het vervangen van de filter om de gebruikstijd van de filter automatisch te laten berekenen.

OPMERKING:

1. Als de gebruikstijd van de filter automatisch berekend wordt, zal het indicator voor waarschuwing filtervervangng na het inpluggen van het toestel gedurende enkele seconden continu branden.

2. De automatische berekening van de filtergebruikstijd is niet actief af fabriek. Deze moet geactiveerd worden in producten die voorzien zijn van een filter.

3. Herhaal dezelfde procedure in producten waar de automatische berekening van de filtergebruikstijd geactiveerd is om deze automatische berekening te deactiveren.

Eierrek

U kunt het eierrek op het gewenste deurschap of binnenschap plaatsen.

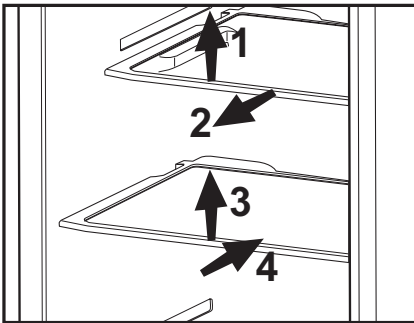
Plaats het eierrek nooit in het diepvriesgedeelte.

Glijdende schappen

De glijdende schappen kunnen uitgetrokken worden door deze lichtjes aan de voorzijde naar boven te tillen en naar achter en voor te bewegen. De schappen stoppen op een bepaald punt wanneer deze naar voor worden getrokken. Zo kunt u etenswaren achterin het schap eenvoudig pakken. Wanneer het schap vervolgens lichtjes naar boven wordt getild tot het tweede stoppunt, kan het schap worden losgekoppeld.

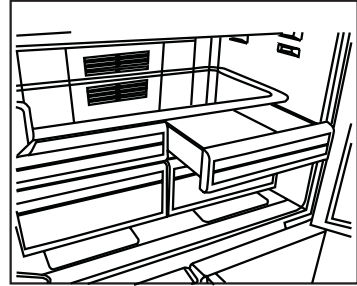
Het schap moet aan de onderkant stevig worden vastgehouden om te voorkomen dat het omkantelt. U plaatst het schap op de rails aan de binnenkant van de koelkast en plaatst het een niveau lager of hoger.

Om goed te passen, moet het schap helemaal naar achter worden gedrukt.



Groentelade

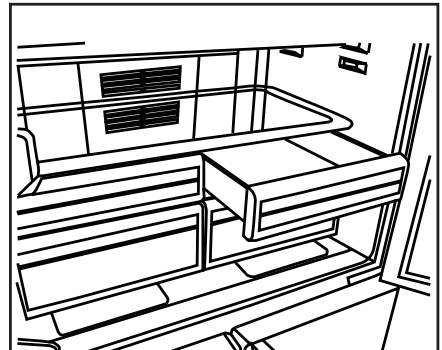
De groentelade van uw koelkast is speciaal bedoeld om uw groenten vers te houden, zonder dat deze vocht verliezen. Daarom is er een koele luchtcirculatie rond de groentelade in het algemeen. Voordat u de groentelade verwijderd, dient u de deurschappen die in lijn liggen met de groentelade te verwijderen. U kunt de groenteladen verwijderen zoals weergegeven in de afbeelding.



Chillervak

Chillervakken laten voedingswaren die ingevroren moeten worden, klaar geraken voor het invriezen. U kunt deze vakken ook gebruiken om voedsel te bewaren bij een temperatuur die enkele graden lager is dan het koelgedeelte.

U kunt het binnenvolume van uw koelkast verhogen door één van de chillervakken te verwijderen. Trek hiervoor het vak naar u toe; het vak zal tegen de stopper komen en stoppen. Dit vak zal dan loskomen als u het ongeveer 1 cm optilt en naar u toe trekt.



Beweegbaar middengedeelte

Het beweegbaar middengedeelte zorgt ervoor dat de koude lucht in uw koelkast blijft.

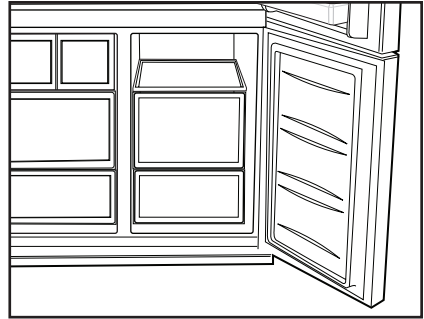
1- Sluiten vindt plaats wanneer de pakkingen op de deur op het oppervlak van het beweegbaar middengedeelte duwen als de deuren van het koelgedeelte zijn gesloten.

2- Een andere reden dat uw koelkast met een beweegbaar middengedeelte is uitgerust, is dat deze het nettovolume van het koelgedeelte verhoogt. Standaard middengedeeltes nemen wat onbruikbare volume in de koelkast in.

3- Het beweegbaar middengedeelte moet worden gesloten als de linkerdeur van het koelgedeelte gesloten is.

4- Deze mag niet handmatig geopend worden. Deze beweegt op de richel van het kunststofdeel binnenin wanneer de deur gesloten wordt.

i De functie om te schakelen tussen koelkastvak of diepvriesvak wordt geleverd door een koelelement in het gesloten deel (Compressorvak) achter de koelkast. Tijdens de werking van dit element zijn geluiden hoorbaar die gelijken op het geluid van seconden die wegtikken in een analoge klok. Dit is normaal en geen defect.



Multi Zone-bewaarkast

Het Multi Zone-bewaarkast van uw koelkast kan in de gewenste stand gebruikt worden door de temperaturen in te stellen op koelkasttemperaturen (2/4/6/8 °C) of diepvriestemperaturen (-18/-20/-22/-24).

U kunt de gewenste temperatuur in het bewaarkast behouden met de "Multi Zone-temperatuurregelaar". De temperatuur van het Multi Zone-bewaarkast kan ingesteld worden op 0 en 10 graden naast de temperaturen voor het koelgedeelte en op -6 graden naast de temperaturen van het diepvriesgedeelte. 0 graden wordt gebruikt om delicatessen langer te bewaren en -6 graden wordt gebruikt om vlees tot 2 weken in een makkelijk snijdbare staat te bewaren.

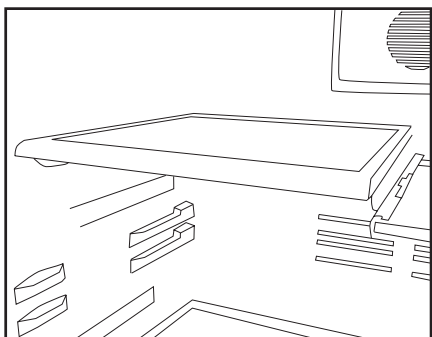
Blauw licht

Voedingsmiddelen die worden bewaard in de groenteladen en met een blauw licht worden verlicht, blijven doorgaan met hun fotosynthese door middel van het golflengte-effect van het blauwe licht. Zo behouden zij hun versheid en neemt hun vitaminegehalte toe.



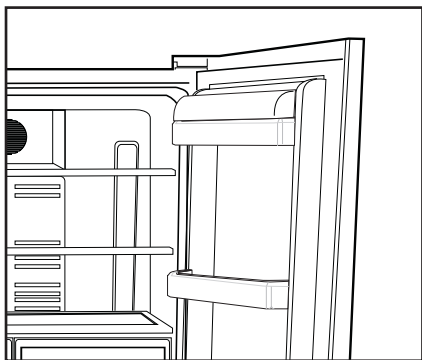
Glijdende schappen met hangers aan de achterkant

Glijdende schappen met hangers aan de achterkant kunnen naar achter en naar voor worden bewogen. De hoogte van deze schappen kan ook worden aangepast door deze te verwijderen en in een lagere of hogere positie te installeren. Til de schap lichtjes op en trek deze naar u toe om deze te verwijderen.



Boter- en kaasvak

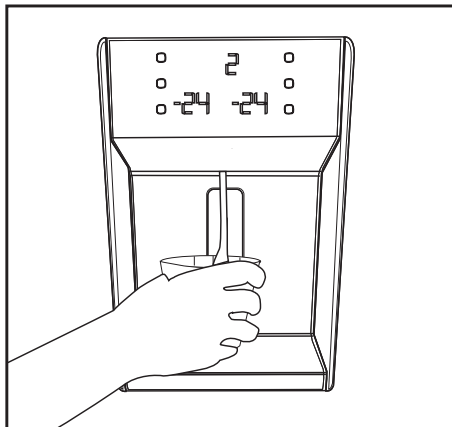
Levensmiddelen zoals boter, kaas en margarine worden opgeslagen in dit gedeelte dat voorzien is van een deksel.



Gebruik van de waterdispenser Waarschuwingen

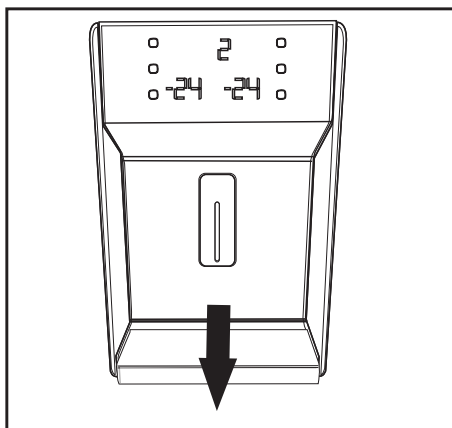
Het is normaal wanneer de eerste glazen water uit de dispenser warm zijn.

Ingeval de waterdispenser niet regelmatig wordt gebruikt, moet er voldoende water uit de dispenser worden afgevoerd om vers water te krijgen.



Wateropvangner

Water dat tijdens gebruik druppelt, hoopt zich op in de wateropvangner. U kunt de wateropvangner verwijderen door deze naar u toe te trekken of de hoek in te drukken (afhankelijk van het model). U kunt het water met een spons of een zachte doek opnemen.



Minibar

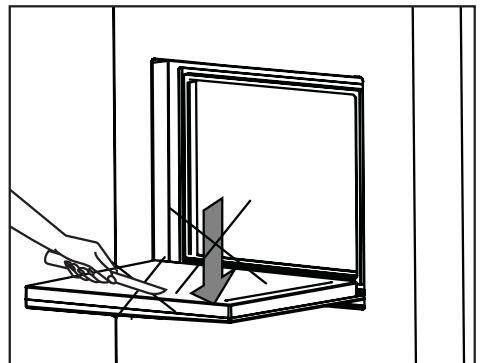
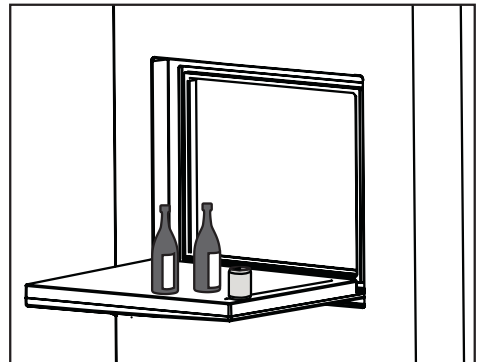
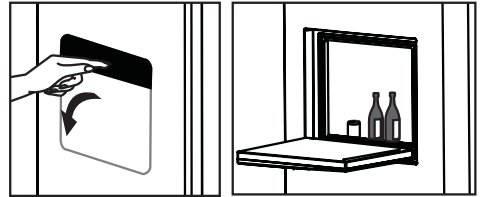
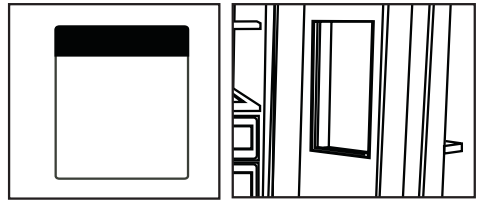
De deur van de minibar geeft u extra comfort bij gebruik van uw koelkast. Het deurschap in de koelkast is toegankelijk zonder de deur van de koelkast te openen; dankzij deze functie kunt u gemakkelijk de voedingsmiddelen en de dranken uit de koelkast halen die u regelmatig consumeert. Omdat u de deur van de koelkast niet regelmatig moet openen, zult u het stroomverbruik van de koelkast hebben verlaagd.

Om de deur van de minibar te openen, drukt u met uw hand op de minibar en trekt u terug om deze te openen.

Als de deur van de minibar open is, kunt u de binnenkant van de deur gebruiken als tafel waarop u uw flessen en glazen korte tijd kunt zetten zoals weergegeven in de afbeelding.

⚠ Voorzichtig: Doe nooit dingen die druk kunnen uitoefenen op de deur zoals gaan zitten op, klimmen op of hangen aan de tafel en plaats geen zware voorwerpen op de tafel. Dit kan schade aan de koelkast of persoonlijke letsels veroorzaken.

⚠ Voorzichtig: Snijd nooit op de deur van de minibar en zorg ervoor dat de deur niet wordt beschadigd door scherpe voorwerpen.



6 Onderhoud en reiniging

- ⚠ Gebruik nooit benzine, benzeen of gelijksoortige substanties voor het reinigingswerk.
- ⚠ Wij bevelen aan dat u de stekker uit het toestel trekt voordat u met reinigen begint.
- ⚠ Gebruik nooit scherpe voorwerpen, zeep, huishoudproducten, afwasmiddel of boenwas om te poetsen.
- ℹ In producten die geen No Frost hebben ontstaan er op de achterwand van het koelvak waterdruppels en een vingerdikke ijslaag. Maak het niet schoon; doe er nooit olie op soortgelijke middelen op.
- ℹ Gebruik uitsluitend licht vochtige microvezeldoeken om de buitenkant van het product schoon te maken. Sponzen en andere soorten schoonmaakdoeken kunnen het oppervlak krassen.
- ℹ Gebruik lauwwarm water om de kast van uw koelkast schoon te maken en wrijf deze droog.
- ℹ Gebruik een vochtige doek, uitgewrongen in een oplossing van één koffielepel natriumbicarbonaat voor 50 cl water, om de binnenkant schoon te maken en wrijf vervolgens droog.
- ⚠ Zorg ervoor dat er geen water in de lamp en andere elektrische onderdelen binnensijpelt.
- ⚠ Als uw koelkast voor een lange periode niet zal worden gebruikt, trek dan de stroomkabel uit, verwijder alle etenswaren, maak de koelkast schoon en laat de deur op een kier staan.
- ℹ Kijk de deurgrendels regelmatig na om u ervan te overtuigen dat ze schoon en vrij van etensresten zijn.
- ⚠ Om deurroosters te verwijderen, verwijder de inhoud en druk het deurrooster vervolgens eenvoudigweg naar boven vanaf de basis.

- ⚠ Gebruik nooit reinigingsmiddelen of water dat chloor bevat om de buitenkant en de verchromde onderdelen van het product te reinigen. Chloor veroorzaakt corrosie op dergelijke metalen oppervlakken.
- ⚠ Gebruik geen scherpe en schurende werktuigen of zeep, huishoudelijke reinigingsmiddelen, oplosmiddelen, benzine, benzeen, was, etc. Zo niet zullen stempels op plastic onderdelen loskomen en kunnen vervormingen optreden. Gebruik warm water en een zachte doek om te reinigen en te drogen.

Bescherming van de plastic oppervlakken

- ℹ Plaats geen vloeibare olie of in olie bereide maaltijden in uw koelkast in onafgedichte bakjes. Deze kunnen de plastic oppervlakken van uw koelkast beschadigen. Mocht u olie morsen op de kunststof oppervlakken, reinig dit deel van het oppervlak dan direct met warm water en spoel af.

7 Fouten opsporen

Controleer de volgende punten voordat u de onderhoudsdienst belt. Dit kan u tijd en geld besparen. Deze lijst omvat regelmatige klachten die niet voortkomen uit defect vakmanschap of materiaalgebruik. Het is mogelijk dat bepaalde functies die hier beschreven zijn niet tot uw product behoren.

<p>De koelkast werkt niet.</p> <ul style="list-style-type: none">• De stekker zit niet op de juiste manier in het stopcontact. >>>Zorg ervoor dat de stekker veilig in het stopcontact wordt geplaatst.• De zekering van het stopcontact waarop de koelkast is aangesloten of de hoofdzekering is gesprongen. >>>Controleer de zekering.	<ul style="list-style-type: none">• Thermische bescherming van de compressor kan springen gedurende plotselinge stroomuitval of afsluiting van de stroomtoevoer wanneer de druk van het koelmiddel in het koelsysteem van de koelkast niet in balans is. De koelkast gaat na ongeveer 6 minuten draaien. Neem contact op met de onderhoudsdienst wanneer uw koelkast na deze periode niet start.• De koelkast zit in een ontdooicyclus. >>>Dit is normaal voor een volledig automatisch ontdooiende koelkast. Ontdooicyclus vindt periodiek plaats.• De stekker van de koelkast steekt niet in het stopcontact. >>>Zorg ervoor dat de stekker in het stopcontact zit.• De temperatuuraanpassingen werden niet correct uitgevoerd. >>>Kiest een geschikte temperatuurwaarde.• Er is een stroomstoring. >>>Zodra de storing is verholpen keert de koelkast terug naar normale werking.
<p>Condensvorming langs de wand van het koelgedeelte (MULTI ZONE, COOL CONTROL en FLEXI ZONE).</p> <ul style="list-style-type: none">• Omgeving is erg koud. >>>Plaats de koelkast niet in een ruimte waar de temperatuur lager kan worden dan 10°C.• De deur van de koelkast werd regelmatig open gemaakt. >>>Open en sluit de deur van de koelkast niet te veel.• Omgeving is erg vochtig. >>>Plaats de koelkast niet in een vochtige ruimte.• Voedsel met veel vloeistoffen wordt in open bakjes bewaard. >>>Bewaar dit soort voedsel in gesloten bakjes.• De deur van de koelkast staat op een kier. >>>Sluit de deur van de koelkast.• De thermostaat staat veel te laag. >>>Zet de thermostaat hoger.	<p>Het werkingsgeluid neemt toe wanneer de koelkast werkt.</p> <ul style="list-style-type: none">• De werking van de koelkast kan veranderen als gevolg van wijzigingen in de omgevingstemperatuur. Dit is normaal en geen defect.
<ul style="list-style-type: none">• De compressor draait niet	<p>De koelkast werkt frequent of gedurende lange tijd.</p>

<ul style="list-style-type: none"> • Uw nieuwe product is mogelijk breder dan het vorige. Grote koelkasten werken langer. • De omgevingstemperatuur kan hoog zijn. >>>Het is normaal dat het product langer draait in een warme omgeving. • De stekker van de koelkast kan onlangs ingestoken zijn of de koelkast kan zijn volgeladen met etenswaren. >>>Wanneer de koelkast pas is ingeschakeld of kortgeleden werd gevuld, duurt het langer om de ingestelde temperatuur te bereiken. Dit is normaal. • Grote hoeveelheden warme levensmiddelen kunnen recentelijk in de koelkast zijn geplaatst. >>>Plaats geen warm voedsel in de koelkast. • Deuren werden regelmatig geopend of hebben enige tijd op een kier gestaan. >>>De warme lucht die in de koelkast is binnengekomen maakt dat de koelkast langer werkt. Open de deuren niet te dikwijls. • De deur van het vries- of koelcompartiment is mogelijk op een kier blijven staan. >>>Controleer of de deuren goed gesloten zijn. • De koelkast is zeer koud ingesteld. >>>Stel de koelkasttemperatuur hoger en wacht tot de temperatuur wordt bereikt. • Deurafdichting van de koelkast of diepvriezer kan vuil, versleten, gebroken of niet goed geplaatst zijn. >>>Maak de afdichting schoon of vervang deze. Een beschadigde/gebroken afdichting maakt dat de koelkast langer moet werken om de huidige temperatuur te handhaven.
Diepvriestemperatuur is erg laag terwijl de koelkasttemperatuur voldoende is.
<ul style="list-style-type: none"> • De diepvriestemperatuur is zeer koud ingesteld. >>>Stel de diepvriezertemperatuur hoger in en controleer.

Koelkasttemperatuur is erg laag terwijl de diepvriestemperatuur voldoende is.
<ul style="list-style-type: none"> • De temperatuur van het koelvak is zeer koud ingesteld. >>>Stel de koelkasttemperatuur hoger in en controleer.
Etenswaren die in laden van het koelgedeelte worden bewaard, bevroren.
<ul style="list-style-type: none"> • De temperatuur van het koelvak is zeer hoog ingesteld. >>>Stel de koelkasttemperatuur lager in en controleer.
Temperatuur in de koelkast of diepvriezer is zeer hoog.
<ul style="list-style-type: none"> • De temperatuur van het koelvak is zeer hoog ingesteld. >>>De temperatuur van het koelvak heeft invloed op de temperatuur van de diepvriezer. Wijzig de temperatuur van de koelkast of de diepvriezer en wacht tot de betreffende compartimenten de gewenste temperatuur bereikt. • Deuren werden regelmatig geopend of hebben enige tijd op een kier gestaan. >>>Open de deuren niet te vaak. • De deur staat op een kier. >>>Sluit de deur volledig. • De koelkast is pas ingeschakeld of werd recent geladen met voedsel. >>>Dit is normaal. Wanneer de koelkast net is ingeschakeld of kortgeleden werd gevuld, duurt het langer om de ingestelde temperatuur te bereiken. • Grote hoeveelheden warme levensmiddelen kunnen recentelijk in de koelkast zijn geplaatst. >>>Plaats geen warm voedsel in de koelkast.
Vibratie of geluid.
<ul style="list-style-type: none"> • De vloer is niet gelijk of stabiel. >>> Indien de koelkast schommelt bij enige beweging, moet u de stelvoetjes aanpassen. Zorg dat de vloer vlak en sterk genoeg is om de koelkast te dragen. • De spullen die boven op de koelkast liggen kunnen geluid veroorzaken. >>>Verwijder deze van de bovenzijde van de koelkast.

Er komt een geluid van morsende of sprayende vloeistof uit de koelkast.

- Vloeistof- en gasstromen vinden plaats conform de werkingsprincipes van uw koelkast. Dit is normaal en geen defect.

Er komt een fluitend geluid van de koelkast.

- Er worden ventilatoren gebruikt om de koelkast te koelen. Dit is normaal en geen defect.

Condens op de binnenwanden van de koelkast.

- Met warm en vochtig weer neemt ijs- en condensvorming toe. Dit is normaal en geen defect.
- Deuren werden regelmatig geopend of hebben enige tijd op een kier gestaan. >>>Open de deuren niet te vaak. Sluit ze wanneer ze open staan.
- De deur staat op een kier. >>>Sluit de deur volledig.

Vocht aan de buitenkant van de koelkast of tussen de deuren.

- De lucht is mogelijk vochtig; dit is vrij normaal bij vochtig weer. Wanneer de vochtigheid minder wordt, zal de condens verdwijnen.

Slechte geur binnenin de koelkast.

- Ze wordt niet regelmatig schoongemaakt. >>>Maak de binnenkant van de koelkast regelmatig schoon met een spons met lauwwater waarin eventueel wat carbonaat is opgelost.
- Sommige bakjes of verpakkingsmaterialen kunnen de geur veroorzaken. >>>Gebruik een ander bakje of ander soort verpakkingsmateriaal.
- Er is voedsel in de koelkast geplaatst in een open bakje. >>>Bewaar het voedsel altijd in een gesloten bakje. Micro-organismen die zich verspreiden vanuit containers zonder deksel kunnen onaangename geuren veroorzaken.
- Neem vervallen voedingswaren en gemorste gerechten altijd meteen uit de koelkast.

De deur sluit niet.

- Voedselpakketjes kunnen er de reden van zijn dat de deur niet sluit. >>>Verplaats de verpakkingen die de deur belemmeren.
- De koelkast staat niet volledig waterpas op de vloer. >>>Stel de stelvoetjes bij om de koelkast waterpas te zetten.
- De vloer is niet gelijk of stevig. >>>Zorg dat de vloer vlak is en de koelkast kan dragen.

Groenteladen zitten vast.

- De levensmiddelen kunnen de bovenzijde van de lade raken. >>>Herschik de levensmiddelen in de lade.

Als Het Oppervlak Van Het Product Heet Is.

- Tijdens de werking kunnen tussen de twee deuren, de zijpanelen en de achterste grill hoge temperaturen worden waargenomen. Dit is normaal en behoeft geen serviceonderhoud!



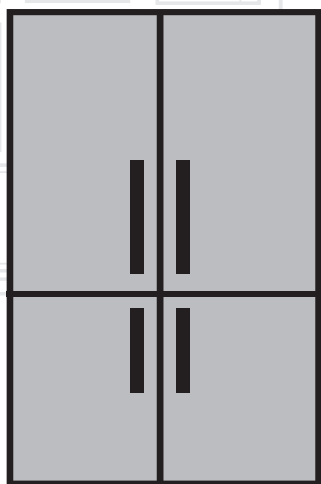
58 0134 0000/AC
2/4
FI-HU-NL



www.beko.com

Refrigerator

User manual

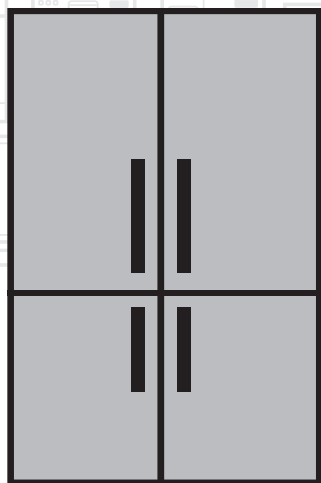


GNE 134620 X

NO|PL|RU|

beko

Kjøleskap Bruksanvisning



NO |

beko

Vennligst les denne veiledningen først!

Kjære kunde,

Vi håper at produktet ditt, som er produsert ved moderne fabrikker og som har gått igjennom strenge kvalitetskontrollprosedyrer, fullt ut vil dekke dine behov.

Derfor ber vi deg lese nøye gjennom denne veiledningen før du bruker produktet, og beholde denne for fremtidig bruk.

Bruksanvisningen

- Vil hjelpe deg med å bruke apparatet på en rask og sikker måte.
- Vennligst les bruksanvisningen før du installerer og bruker produktet.
- Følg instruksjonene, spesielt de som angår sikkerheten.
- Hold veiledningen lett tilgjengelig, siden du kan ha behov for den senere.
- Les også de andre dokumentene som ble levert sammen med produktet.

Vennligst merk at denne bruksanvisningen kan gjelde for flere andre modeller.

Symboler og beskrivelser av disse

Denne veiledningen inneholder følgende symboler:



Viktig informasjon eller nyttige tips om bruk.



Advarsel om farlige omstendigheter for liv og eiendom.

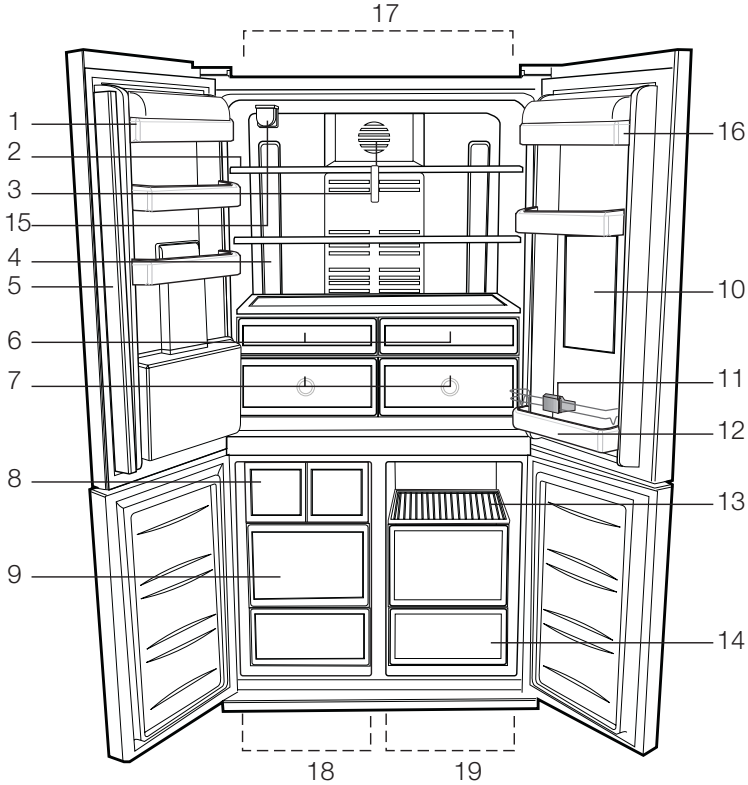


Advarsel om elektrisk spenning.

INNHold

1 Kjøleskapet	3	4 Forberedelse	18
2 Viktige sikkerhetsadvarsler	4	5 Bruk av kjøleskapet	19
Beregnet bruk.....	4	Indikatorpanel.....	19
For produkter med en vanddispenser:7		Alarm for åpen dør:	22
Barnesikring	7	Frysing av ferske matvarer	23
Samsvar med WEEE-direktivet og		Anbefalinger for bevaring av frossen	
Deponering av avfallsproduktet:	7	mat.....	23
Samsvar med RoHS-direktivet:.....	7	Plassering av mat	24
Informasjon om emballasjen	8	Dypfrysningsinformasjon.....	24
HC-advarsel	8	Dette må gjøres for å få filterbrukstiden	
Ting å gjøre for å spare energi	8	kalkulert automatisk.....	25
Anbefalinger for ferskvareskuff	8	Glidehyller.....	26
		Eggbrett	26
		Grønnsaksoppbevaring	26
3 Montering	9	Kjøleledel	26
Punkter som er viktige ved ytterligere		Bevegelig midtseksjon	27
transportering av kjøleskapet	9	Multisone oppbevaringsdel	27
Før du bruker kjøleskapet	9	Blått lys	27
Elektrisk tilkobling	9	Glidehyller med feste bak.....	28
Skifte belysningslampen	10	Hyller for smør og ost	28
Avfallshåndtering av emballasje.....	10	Bruke vannkilden	28
Avfallshåndtering av det gamle		Oppsamlingsbrett	28
kjøleskapet	10	Minibar	29
Plassering og montering	10		
Justering av gulvbalansen.....	11	6 Vedlikehold og	
Justering av avstanden til den øvre		rengjøring	30
døren.....	11	Beskyttelse av plastoverflater	30
Installere vannfilter	13		
Tilkopling av vannrør til kjøleskapet ..	13	7 Anbefalte løsninger på	
Tilkopling av vannslangen til		problemer	31
muggen	14		
Tilkopling av vannrør til			
kaldvannsforsyningen	15		
Før første gangs bruk av			
vanddispenser	17		

1 Kjøleskapet



- | | |
|--|---|
| 1- Kjøleskapets dørhyller | 11-Flaskeholder |
| 2- Kjøleskapets glasshyller | 12-Flaskehylle |
| 3- Diffuserdeksel | 13- Matlagringshyller |
| 4- Belysningslinse | 14-Deler for oppbevaring av mat |
| 5- Bevegelig midtseksjon | 15-Vannfilter |
| 6- Kjøledel | 16-Avdeling for oppbevaring av melkeprodukter |
| 7- Grønnsaksoppbevaring | 17-Kjøleskapsdel |
| 8- Icematic | 18-Frysedel |
| 9- Deler for oppbevaring av frossenmat | 19-Multisone |
| 10-Minibar | |

i Figurene i denne veiledningen er skjematisk og kan derfor være litt forskjellige fra ditt produkt. Hvis noen deler ikke medfølger produktet du har kjøpt, gjelder den for andre modeller.

2 Viktige sikkerhetsadvarsler

Vennligst les følgende informasjon. Hvis denne informasjonen ikke overholdes, kan det forårsake personskader eller materialskader. Videre vil garanti og pålitelighetsløfte bli ugyldig.

Originale reservedeler vil bli gitt i 10 år etter kjøpsdatoen for produktet.

Beregnet bruk

	ADVARSEL: Sørg for at ventilasjonsåpningene i apparatets kabinett eller i den innebygde strukturen ikke blokkeres.
	ADVARSEL: Bruk ikke andre mekaniske innretninger eller midler for å akselerere avisingsprosessen enn det som er anbefalt av produsenten.
	ADVARSEL: Ikke skad kjølekretsen.
	ADVARSEL: Ikke bruk elektriske apparater inne i oppbevaringsrommene for mat i apparatet, med mindre de er av en type som anbefales av produsenten.
	ADVARSEL: Ikke oppbevar eksplosive stoffer, slik som aerosolboks med antennelig drivmiddel i dette apparatet.

Dette apparatet er beregnet til bruk i husholdninger og lignende bruksområder som f.eks.

- kjøkkenområder med ansatte i butikker, kontorer og andre arbeidsmiljøer;
- gårdshus og av kunder i hoteller, moteller og andre typer boligmiljøer;
- overnattingssteder med frokost;
- catering og lignende bruksområder utenom detaljhandel.

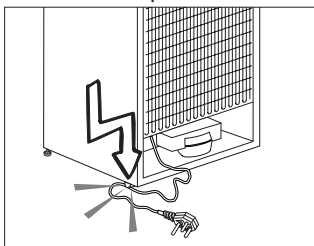
Generell sikkerhet

- Når du ønsker å kaste/skrote produktet, anbefaler vi at du forhører deg med autorisert service for å få nødvendig informasjon og autoriserte myndigheter.
- Hør med autorisert service når det gjelder alle spørsmål og problemer relatert til kjøleskapet. Ikke foreta endringer eller la noen andre foreta endringer på kjøleskapet uten å varsle autorisert service.
- For produkter med en fryserdel: Ikke spis iskrem med kjeks eller isbiter straks etter at du tar dem ut av fryseren! (Dette kan forårsake frostbitt i munnen.)
- For produkter med en fryserdel: Ikke putt drikkevarer på flaske eller bokser i fryseren. Dette kan føre til at de sprekker.
- Ikke rør frossen mat med hendene, da disse kan hefte seg til hånden.

- Trekk ut støpselet før rengjøring eller avising.
- Damp og amprenghjøringsmaterialer skal aldri brukes i rengjørings- og avtiningsprosesser for kjøleskapet. I slike tilfeller kan dampen komme i kontakt med de elektriske planene og forårsake kortslutning eller elektrisk sjokk.
- Bruk aldri deler på kjøleskapet slik som døren som støtte eller trinn.
- Ikke bruk elektriske innretninger på innsiden av kjøleskapet.
- Ikke ødelegg delene der kjølevæsken sirkulerer, med drill eller kutteverktøy. Kjølevæsken som kan strømme ut når gasskanaler for fordampner, rørforlengelser eller overflatebelegg punkteres, kan forårsake hudirritasjon og øyeskader.
- Ikke dekk til eller blokker ventilasjonsåpningene på kjøleskapet med noe materiale.
- Elektriske enheter må kun repareres av autoriserte personer. Reparasjoner som utføres av en inkompetent person kan forårsake fare for brukeren.
- I tilfelle feil under vedlikehold eller reparasjonsarbeid, kople fra kjøleskapets strømforsyning ved å slå av relevant sikring eller trekke ut støpselet.
- Ikke trekk etter ledningen når du trekker ut støpslet.
- Sørg for at alkoholholdige drikkevarer med høy alkoholinnhold lagres trygt med lokket festet og plassert oppreist
- Lagre aldri spraybokser som inneholder antennelig og eksplosive stoffer i kjøleskapet.
- Ikke bruk mekanisk utstyr eller andre midler for å akselerere avisingsprosessen annet enn slikt utstyr som produsenten anbefaler.
- Dette produktet er ikke beregnet til bruk av personer med fysiske, sensoriske eller mentale forstyrrelser eller personer som ikke er opplært eller ikke har erfaring (inkludert barn), med mindre det holdes under oppsyn av personer som er ansvarlige for deres sikkerhet eller som vil instruere dem tilstrekkelig i bruk av produktet.
- Ikke bruk et ødelagt kjøleskap. Hør med serviceagenten hvis du har spørsmål.
- Elektrisk sikkerhet på kjøleskapet kan garanteres kun hvis jordingen i hjemmet oppfyller standardene.
- Det er farlig å utsette produktet for regn, snø, sol og vind pga. elektrisk sikkerhet.
- Ta kontakt med autorisert service når en strømkabel skades for å unngå fare.
- Plugg aldri kjøleskapet inn i vegguttaket under installasjonen. Dette kan føre til fare for døden eller alvorlig skade.
- Dette kjøleskapet er kun beregnet til for å oppbevare mat. Det skal ikke brukes til noen andre formål.
- Merket med tekniske

spesifikasjoner befinner seg på venstre vegg inne i kjøleskapet.

- Koble aldri kjøleskapet til strømsparesystemer, de kan skade kjøleskapet.
- Dersom det er et blått lys på kjøleskapet, ikke se på det med det blotte øye eller ved hjelp av optiske verktøy over lengre tid.
- For manuelt kontrollerte kjøleskap vent i minst 5 minutter for å starte kjøleskapet etter et strøbrudd.
- Denne brukerhåndboken skal overleveres til neste eier av produktet hvis det skifter eier.
- Unngå å skade strømkabelen ved transport av kjøleskapet. Bøying av kabelen kan forårsake brann. Plasser aldri tunge gjenstander på strømledningen. Ikke berør støpselet med våte hender når du kobler til produktet.



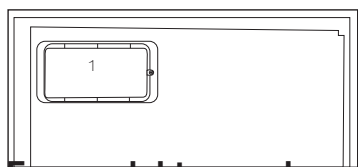
- Når du plasserer apparatet, må du sørge for at strømledningen ikke er fast eller skadet.
- Finn ikke flere bærbare stikkontakter eller bærbare strømforsyninger på baksiden av apparatet.
- Ikke koble til kjøleskapet hvis vegguttaket er løst.
- Ikke sprut vann direkte på

de ytre eller indre delene av produktet av sikkerhetsmessige grunner.

- Ikke spray stoffer som inneholder antennelige gasser, slik som propangass i nærheten av kjøleskapet for å unngå brann- og eksplosjonsfare.
- Ikke plasser gjenstander som er fylt med vann oppå kjøleskapet, da det kan føre til elektrisk støt eller brann.
- Ikke overbelast kjøleskapet med for mye mat. Hvis det overlastes, kan maten falle ned og skade deg og kjøleskapet når du åpner døren. Ikke plasser gjenstander oppe på kjøleskapet, da disse kan falle ned ved åpning eller lukking av kjøleskapsdøren.
- Produkter som trenger en nøyaktig temperaturkontroll (vaksiner, varmesensitive medisiner, forskningsmaterialer osv.), skal ikke oppbevares i kjøleskapet.
- Hvis det ikke skal brukes på lang tid, skal kjøleskapet kobles fra strømuttaket. Et problem i den elektriske kabelen kan føre til brann.
- Kjøleskapet kan flytte seg hvis de justerbare beina ikke er riktig sikret på gulvet. Riktig sikring av justerbare bein på gulvet kan forhindre at kjøleskapet flytter seg.
- Når du bærer kjøleskapet, ikke hold det etter dørhåndtaket. Da kan det knekke av.
- Hvis du må plassere produktet ved siden av et annet kjøleskap

eller fryser, skal avstanden mellom enheten være minst 8 cm. Ellers kan sideveggene som grenser til hverandre bli fuktige.

- Bruk aldri produktet hvis den del som ligger på toppen eller bak på produktet som har elektroniske kretskort inne, er åpen (deksel for elektronisk kretskort) (1).



For produkter med en vandisplenser:

- Trykket for kaldtvannsinntaket skal være maksimalt 90 psi (620 kPa). Hvis vanntrykket overstiger 80 psi (550 kPa), må du bruke en trykkbegrensningsventil i ledningsnett. Hvis du ikke vet hvordan du skal sjekke vanntrykket, be om hjelp fra en profesjonell rørlegger
- Hvis det er fare for vannslageffekt i installasjonen, må du alltid bruke forebyggende utstyr for vannslag i installasjonen. Rådfør med profesjonelle rørleggere hvis du ikke er sikker på at det ikke er vannslageffekt i installasjonen.
- Ikke installer på varmtvannsinntaket.

Ta forholdsregler mot risikoen for frysing av slangene. Driftsintervallet for vanntemperaturen skal være 0,6 °C og minst 38 °C maks.

- Bruk kun drikkevann.

Barnesikring

- Hvis du har en lås på døren, skal nøkkelen oppbevares utilgjengelig for barn.
- Barn må passes på for å sikre at de ikke tukler med produktet.

Samsvar med WEEE-direktivet og Deponering av avfallsproduktet:



Dette produktet er i samsvar med EU-direktivet som omhandler elektronisk og elektrisk utstyr (2012/19/EU). Dette produktet har et klassifiseringsymbol for sortering av avfall elektrisk og elektronisk utstyr (WEEE).

Dette produktet er laget av høykvalitetsdeler og -materialer som kan gjenbrukes og resirkuleres. Produktet skal ikke kastes sammen med normalt husholdningsavfall og annet avfall på slutten av levetiden. Ta det med til et innsamlingspunkt for resirkulering av elektriske og elektroniske innretninger. Vennligst forhør deg med de lokale myndighetene for å få opplysninger om slike innsamlingssteder.

Samsvar med RoHS-direktivet:

Produktet du har kjøpt er i samsvar med EU-RoHS-direktivet (2011/65/EU). Det inneholder ingen farlige eller forbudte substanser som er angitt i direktivet.

Informasjon om emballasjen

Emballasjen for dette produktet er produsert av resirkulerbart materiale, i hht. nasjonale miljøforskrifter. Ikke kast emballasjen sammen med normalt husholdningsavfall eller annet avfall. Ta dem til et lokalt innsamlingspunkt som er beregnet på emballasjematerialer.

HC-advarsel

Hvis produktets kjølesystem inneholder R600a:

Denne gassen er brennbar. Derfor, vær forsiktig så kjølesystemet og rørene ikke ødelegges under bruk og transport. I tilfelle skade skal produktet holdes på avstand fra potensielle brannkilder som kan gjøre at produktet begynner å brenne, og ventiler rommet der enheten er plassert.

Ignorer denne advarselen hvis produktets kjølesystem inneholder R134a:

Typen gass som brukes i produktet er oppgitt på typeskiltet som finnes på venstre vegg inne i kjøleskapet.

Kast aldri produktet inn i flammer.

Ting å gjøre for å spare energi

- Ikke hold dørene til kjøleskapet åpne over lang tid.
- Ikke putt varm mat eller drikke i kjøleskapet.
- Ikke overlast kjøleskapet slik at luften sirkulerer inne i kjøleskapet hvis den ikke forhindres.
- Ikke installer kjøleskapet under direkte sollys eller i nærheten av varmeutstrålende apparater, slik som ovn, oppvaskmaskin eller radiator.
- Se til å holde maten i lukkede beholdere.
- For produkter med en fryserdel: Du kan lagre maksimale mengder mat i fryseren

hvis du fjerner hyllen eller skuffen i fryseren. Energiforbruksverdien som er oppgitt for kjøleskapet har blitt bestemt ved å fjerne fryserhyllen eller skuffen og under maksimal last. Det er ingen fare ved bruk av hyllene eller skuffen i henhold til form og størrelse på maten som skal frysas.

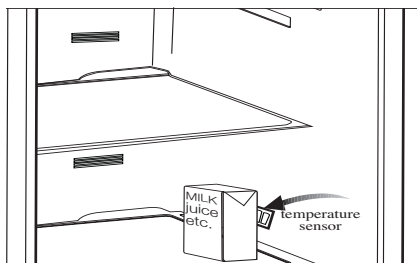
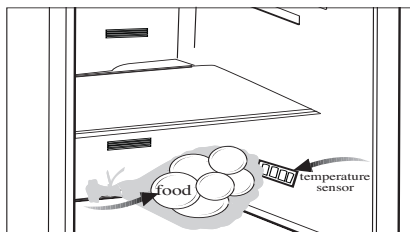
- Opptining av frossenmat i kjøleskapsdelen vil både gi energisparing og bevare matkvaliteten.

Anbefalinger for

ferskvarer skuff

* EKSTRAUTSTYR

- Pass på at matvarer ikke kommer i kontakt med temperaturføleren i ferskvarer skuffen. For å sikre at den ideelle oppbevaringstemperaturen i ferskvarer skuffen opprettholdes, må ikke føleren blokkeres av matvarer.
- Ikke sett varm mat inn apparatet.



3 Montering

- ① Vennligst husk at produsenten ikke skal holdes ansvarlig hvis informasjonen som gis i bruksanvisningen ikke overholdes.

Punkter som er viktige ved ytterligere transportering av kjøleskapet

1. Kjøleskapet må tømmes og rengjøres før transport.
2. Hyller, tilbehør, grønnsaksoppbevaringsboks osv. i kjøleskapet må festes godt med teip for å unngå støt før innpakning.
3. Innpakningen må festes med tykk teip og solide tau, og instruksjoner om transport på pakningen må følges.

① Vennligst husk...

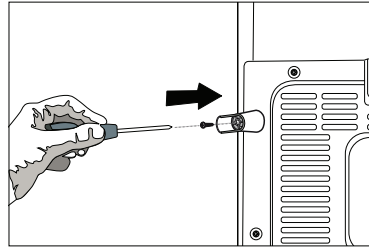
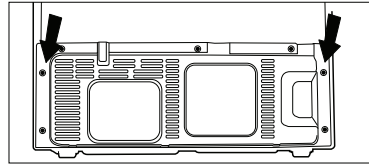
All resirkulert materiale er en uunnværlig kilde for naturen og for våre nasjonale ressurser.

Hvis du ønsker å bidra med resirkulering av innpakningsmaterialer, kan du få mer informasjon fra miljøorganisasjoner eller lokale myndigheter.

Før du bruker kjøleskapet

Før du begynner å bruke kjøleskapet, må du kontrollere følgende:

1. Er de innvendige delene av kjøleskapet tørre, og kan luften sirkulere fritt på baksiden av skapet?
2. Sett inn de 2 plastkilene på den bakre ventilasjonen slik det er anvist i følgende illustrasjon. For å gjøre dette tar du ut skruene til produktet og bruker skruene som følger med i samme pose. Plastkiler sørger for en riktig avstand mellom kjøleskap og vegg, slik at det blir en godluftsirkulasjon.



3. Rengjør de innvendige delene av kjøleskapet slik det er anbefalt i avsnittet "Vedlikehold og rengjøring".
4. Sett kjøleskapets støpsel inn i strømuttaket. Hvis døren er åpen, vil interiørlýset tennes.
5. Kompressoren avgir lyd når den starter opp. Væsken og gassene som er forseglet inne i kjølesystemet kan også avgi lyd selv om kompressoren ikke går, noe som for øvrig er helt normalt.
6. Frontkantene på kjøleskapet kan føles varme. Dette er normalt. Disse delene på kjøleskapet er konstruert slik at de blir varme for å unngå kondens.

Elektrisk tilkobling

Tilkoble kjøleskapet til et jordet uttak som har en sikring med tilstrekkelig kapasitet.

Viktig:

- ⚠ Tilkoblingen skal være i overensstemmelse med nasjonale forskrifter.
- ⚠ Strømledningens støpsel skal være lett tilgjengelig etter installasjon.

- ⚠ Spenning og tillatt sikringsvern er spesifisert i avsnittet "Tekniske spesifikasjoner".
- ⚠ Oppgitt spenning må tilsvare spenningen i strømmettet ditt.
- ⚠ Skjøtekabler og flerveisplugger skal ikke brukes for tilkobling.
- ⚠ En ødelagt strømledning skal skiftes ut av en kvalifisert elektriker.
- ⚠ Apparatet skal ikke brukes med mindre det er reparert! Det er fare for elektrisk støt!

Avfallshåndtering av emballasje

- ⚠ Innpakningsmaterialer kan være farlige for barn. Hold innpakningsmaterialene utilgjengelig for barn eller kast dem ved sortering etter avfallsforskriftene. Ikke kast dem sammen med normalt husholdningsavfall.

Emballasjen til kjøleskapet er produsert av resirkulerbare materialer.

Avfallshåndtering av det gamle kjøleskapet

Kast det gamle kjøleskapet uten å skade miljøet.

- ⚠ Du kan forhøre deg med din autoriserte forhandler eller avfallssorteringssenteret der du bor om bortskaffing av kjøleskapet ditt.
- ⚠ Før du bortskaffer kjøleskapet, kutt av strømstøpselet, og hvis det finnes låser på døren, se til at de ikke lenger virker, slik at barn beskyttes mot all fare.

Plassering og montering

- ⚠ Forsiktig: Plugg aldri kjøleskapet inn i vegguttaket under monteringen. Dette kan føre til fare for døden eller alvorlig skade.

⚠ Hvis inngangsdøren til rommet der kjøleskapet skal plasseres ikke er bred nok for å få gjennom kjøleskapet, ring autorisert service for å få dem til å fjerne dørene på kjøleskapet og før det gjennom døren sideveis.

1. Plasser kjøleskapet på et sted det er enkelt å bruke det.
2. Hold kjøleskapet på avstand fra varmekilder, fuktige steder og direkte sollys.
3. Det skal være tilstrekkelig luftventilasjon rundt kjøleskapet for å oppnå en effektiv drift. Hvis kjøleskapet skal plasseres i en innbygging i veggen, må det være minst 5 cm avstand fra taket og 5 cm fra veggen.

Hvis gulvet er dekket med et teppe, skal apparatet heves 2,5 cm fra gulvet.

4. Plasser kjøleskapet på et plant gulv for å unngå risting.
5. Ikke oppbevar kjøleskapet i omgivelser med temperaturer under 10°C.

Skifte belysningslampen

For å skifte lampen for belysning av kjøleskapet, vennligst ring autorisert service.

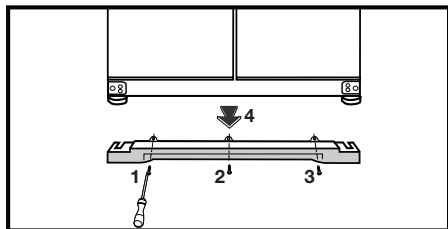
Lampen(e) som brukes i denne enheten er ikke egnet for belysning i hjem. Formålet for denne lampen er å hjelpe brukeren til å plassere matvarer i kjøleskapet/fryseren på en trygg og komfortabel måte.

De lampen die in dit apparaat worden gebruikt moeten bestendig zijn tegen extreme fysieke omstandigheden, zoals temperaturen beneden de -20°C.

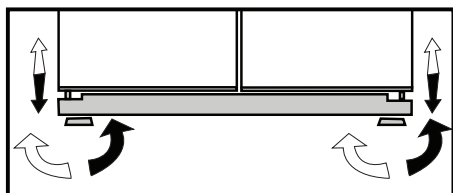
Justering av gulvbalansen

⚠ Hvis kjøleskapet ikke er balansert:

⚠ Ta først ut støpselet til produktet. Støpselet til produktet må være koblet fra når du justerer balansen. Advarsel! Kan gi elektrisk støt.



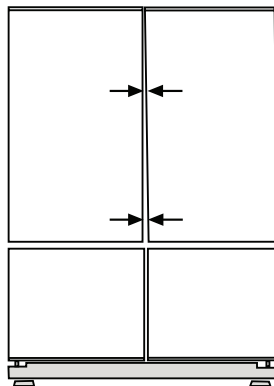
1- Fjern ventilasjonsdekslet ved å skru løs skruene, slik det er vist i illustrasjonen. Du kan balansere kjøleskapet ved å rotere frontbeina slik det er vist i illustrasjonen. Hjørnene med ben senkes når du roterer dem i retningen av den svarte pilen og løftes når du roterer i motsatt retning. Det er lettere hvis du får hjelp til å løfte kjøleskapet mens du gjennomfører denne prosessen.



2. Når kjøleskapet er i balanse, monterer du ventilasjonsdekslet og fester skruene som medfølger.

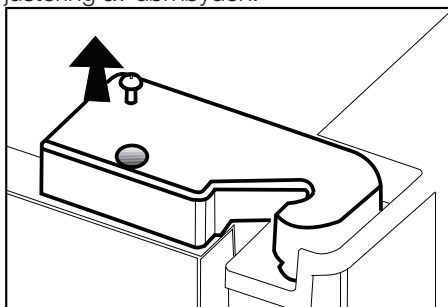
3. Fjern skruene som holder på plass nedre ventilasjonsdeksel ved bruk av en Philips skrutrekker.

Justering av avstanden til den øvre døren

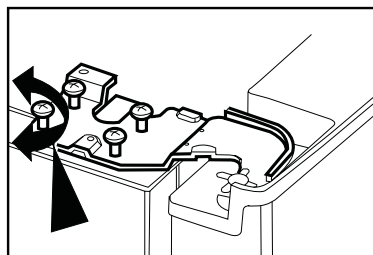


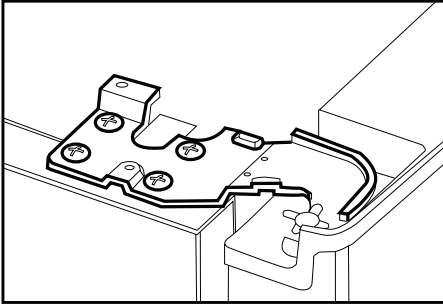
i Du kan justere avstanden mellom kjøleskapsdørene slik som vist på figurene.

Dørhyllene skal være tomme ved justering av dørhøyden.



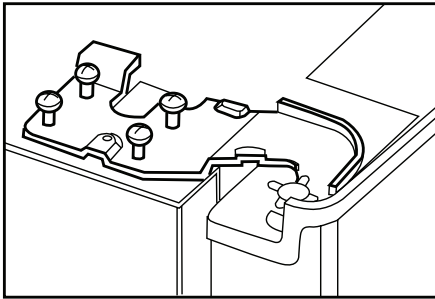
i Ved bruk av en skrutrekker fjernes skruen på øvre hengseldeksel på døren du ønsker å justere.



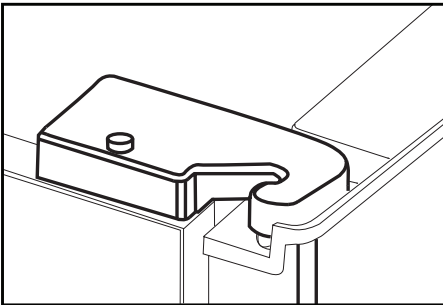


i Sett på hengseldekslet og fest med skruene.

i Juster døren etter ønske ved å løsne skruene.



i Fest døren du justerte ved å trekke til skruene uten å skifte posisjon på døren.



Installere vannfilter

(På noen modeller)

To ulike vannkilder kan kobles til kjøleskapet for vanntilførsel: Kaldtvann fra hovedkranen og vann i en mugge.

Installasjonskrav

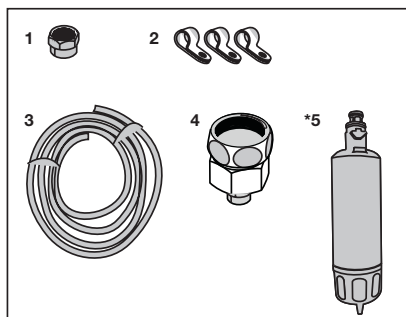
Det må brukes en pumpe til bruk av vannmuggen.

Kontroller at delene som er oppgitt nedenfor leveres med apparatet.

1. Enhet for tilkøpling av vannrøret til baksiden av apparatet. (Hvis den ikke passer, anskaff den fra nærmeste autoriserte service.)
2. 2 deler av rørklemmer (i tilfelle det er nødvendig å sikre vannrøret)

Merk: Siden de følgende delene ikke kreves ved bruk med en mugge, medfølger de ikke produktet du kjøpte.

3. 5 meter langt vannrør (1/4 tomme diameter)
4. Kaldtvannsventil med nettingfilter (kranadapter)
5. Vannfilter eller eksternt tilkoblingsbart filter som skal monteres til braketten inne i kjøleskapet.



Plassen der det eksterne filteret skal monteres skulle bestemmes først. (Gjelder filteret som brukes utenfor kjøleskapet.) Bestem deretter avstanden mellom filteret og kjøleskapet de nødvendige slangelengdene fra filteret til kjøleskapets vanninngang.

Vannfilteret må holdes rett opp slik som vist på figuren. Det er viktig å feste filteret til vanninngangen og vannutgangspunktene.

Etter at filteret har blitt festet på, skal de 3-4 første vannglassene ikke benyttes.

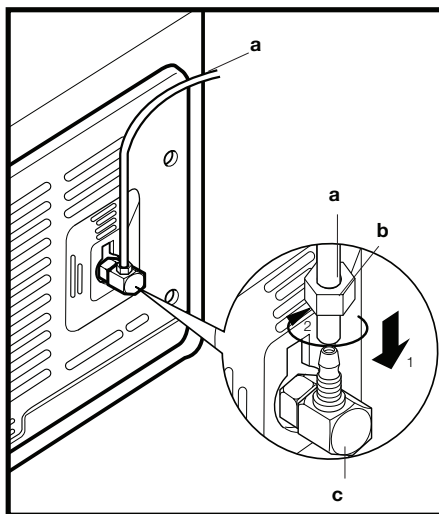
Tilkøpling av vannrør til kjøleskapet

1. Etter installering av enheten på vannrøret, skal vannrøret settes inn i kjøleskapets inntaksventil ved å trykke godt ned.

2. Fest enheten slik som sett i motsatt figur ved å trykke for hånd på kjøleskapets inntaksventil.

(a- vannrør, b- enhet, c-ventil)

i Merknad 1: Du skal ikke være nødt til å trekke til enheten med et verktøy for å oppnå vann tett montering. I tilfelle lekkasje må du bruke en skrunøkkel eller tang for å trekke til enheten.

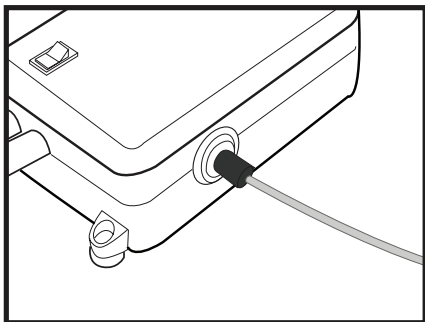
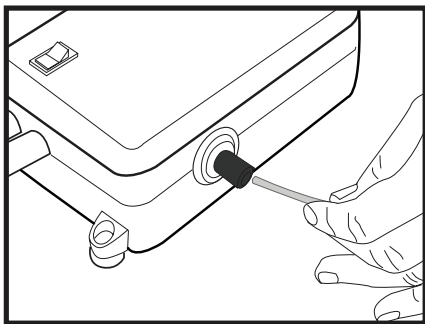


Tilkobling av vannslangen til muggen

(På noen modeller)

For å koble vann til kjøleskapet fra en mugge, er det nødvendig med en pumpe. Følg instruksjonene nedenfor etter tilkobling av én ende av vannrøret som kommer ut av pumpen til kjøleskapet, slik som beskrevet på forrige side.

1. Fullfør tilkoblingen ved å skyve den andre enden av vannrøret inn i vannrørinntaket på pumpen, slik som vist på figuren.
2. Sett på og fest pumpeslangen inn i muggen slik som vist på figuren.



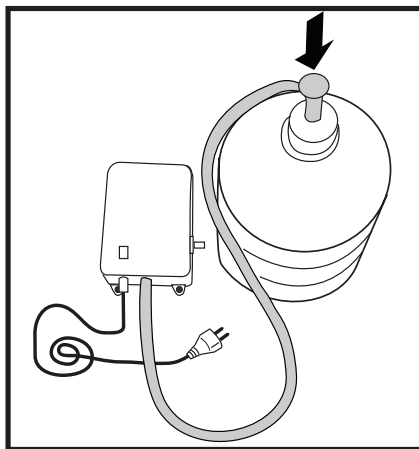
3. Etter fullføring av tilkoblingen, plugg inn og kjør pumpen.

For å sørge for en effektiv drift av pumpen, vent i 2-3 minutter etter start av pumpen.

i Du kan se i bruksanvisningen for pumpen mens du foretar vanntilkoblingen.

i Det er ikke behov for å bruke vannfilter hvis det brukes en mugge.

i Pumpen må brukes ved bruk av muggen.



Tilkopling av vannrør til kaldvannsforsyningen (På noen modeller)

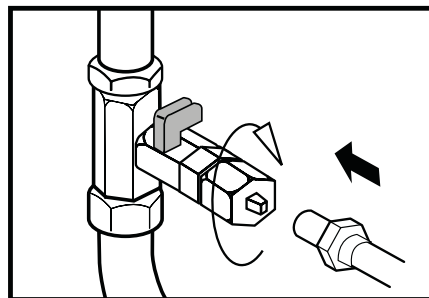
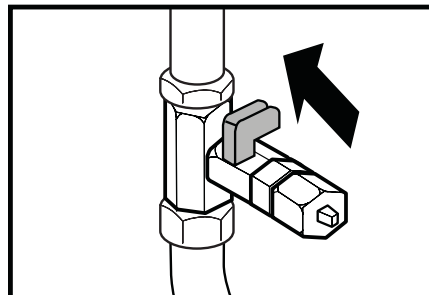
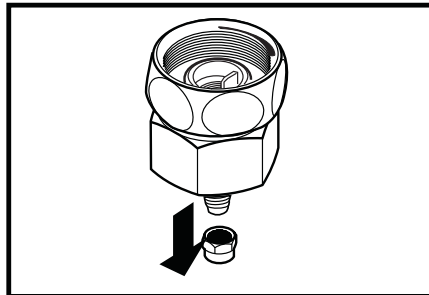
Hvis du ønsker å bruke kjøleskapet ved å koble det til kaldtvannsledningen, må du koble til en standard 1/2" ventiltilkoblingsenhet til kaldtvannsforsyningen i huset. Hvis denne ventilen ikke finnes, eller hvis du er i tvil, rådfør deg med en kvalifisert rørlegger.

1. Separer enheten fra kranadapteren. (Figur A)
2. Monter kranadapteren til 1/2" ventilmontering slik som vist på figuren. (Figur B)
3. Installer den til kranadapteren slik som vist på figuren etter innsetting av vannrøret til mutteren, og sett inn på kranen. (Figur C)
4. Trekk til enheten manuelt. I tilfelle lekkasje må du bruke en skrunøkkel eller tang for å trekke til enheten.

⚠ Forsiktig: Sikre vannslange til egnede punkter ved hjelp av rørklemmer som medfølger for å unngå skade eller feilplassering eller utilsiktet frakopling.

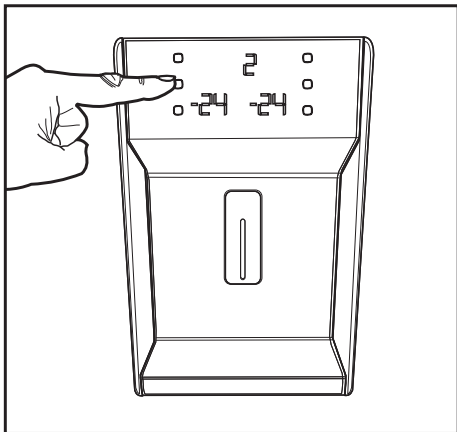
⚠ Forsiktig: Etter at vannventilen er slått på, se til at det ikke er noen lekkasje på begge tilkoplingspunkter av vannrøret. I tilfelle lekkasje må du straks slå av ventilen og trekke til alle ledd igjen ved bruk av en skrunøkkel eller tang.

⚠ Forsiktig: Se til at standard 1/2" ventiltilfeste ved kaldvannsforsyningen er tilgjengelig og er slått helt av.

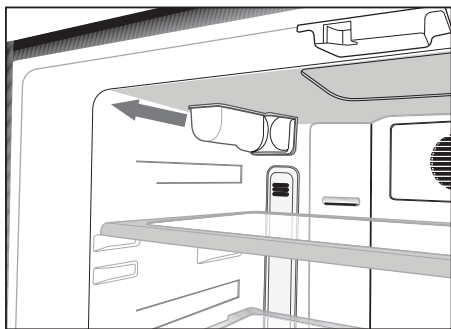


For å feste vannfilteret følger du instruksene nedenfor som henviser til de medfølgende figurene:

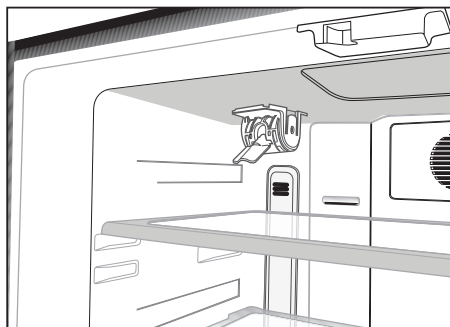
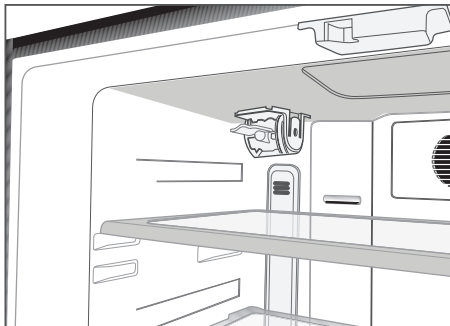
1. Trykk på is avbryt-knappen på displayet.



2. Fjern filterdekselet i kjøleskapet ved å trekke det fremover.



3. Ta ut vannfilterets forbikoplingsdeksel ved å rotere det nedover.



⚠ Forsiktig: Sørg for at "avisningsmodus" er aktiv før du tar ut forbikoplingsdekslet.

Merk: Det er vanlig at noen få vandrdåper drypper etter at dekslet har blitt tatt ut.

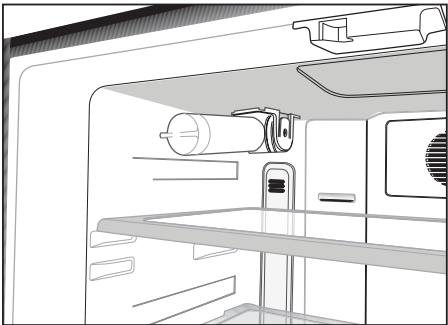
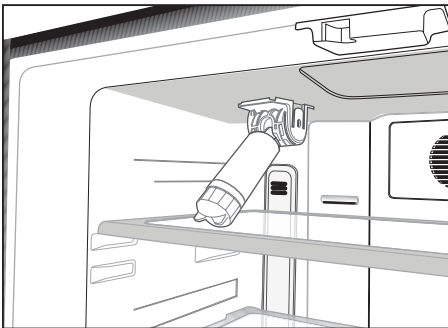
4. Fjern lokket oppå vannfiltere for å plassere det som vist på figuren og dreii oppover for å låse det.
5. Trykk på knappen Ice Off på displayet enda en gang for å avslutte denne modusen.

Vannfilteret skal erstattes hver 6. måned. Hvis du ønsker å få filterutskiftningstiden automatisk kalkulert og motta en varseling på slutten av brukstiden, les avsnittet "Beregne filterbrukstid automatisk".

Vannfilteret må fjernes slik som vist på figuren når det skal skiftes eller ikke lenger skal brukes, og forbikoblingsdekselet må festes på. Det må være sikkert at Ice Off-modusen er aktiv før det tas ut.

⚠ Forsiktig: Vannfilteret renser vannet for fremmedlegemer. Det renser ikke vannet for mikroorganismer.

⚠ Forsiktig: Is av-knappen må alltid trykkes ved skifte av vannfilter eller installering av forbikoblingsdekselet.



Før første gangs bruk av vanddispenser

i Vannforsyningstrykket må ikke være under 1 bar.

i Vannforsyningstrykket må ikke være over 8 bar.

i Pumper må brukes i tilfelle vannforsyningstrykket faller under 1 bar eller hvis det skal brukes en mugge.

i Vannsystemet for kjøleskapet må være tilkoplekaldvannsledningen. Det må ikke tilkoples varmtvannsledningen.

i Det kan ikke hentes vann rett etter den innledende driften av kjøleskapet. Dette er forårsaket av luften i systemet.

For å tømme systemet for luft, trykkes dispenserlåsen ned i perioder på 1 minutt, inntil det kommer vann fra dispenseren. Vannstrømmen kan være uregelmessig i begynnelsen. Uregelmessig vannstrømning vil normaliseres etter at luften i systemet tømmes.

i Ved første oppstart av kjøleskapet må det gå ca. 12 timer før kaldt vann kan hentes.

i Vannforsyningstrykket må være mellom 1 og 8 bar for at is/vanddispenseren skal virke greit. Dette kontrolleres ved at 1 glass vann (100 ml) kan fylles i løpet av 10 sekunder.

i De første 10 vannglassene skal ikke drikkes.

i De første ca. 30 første isbitene som fås fra isdispenseren skal ikke brukes.

i Bruk alltid vannfilteret hvis det ikke brukes en mugge.

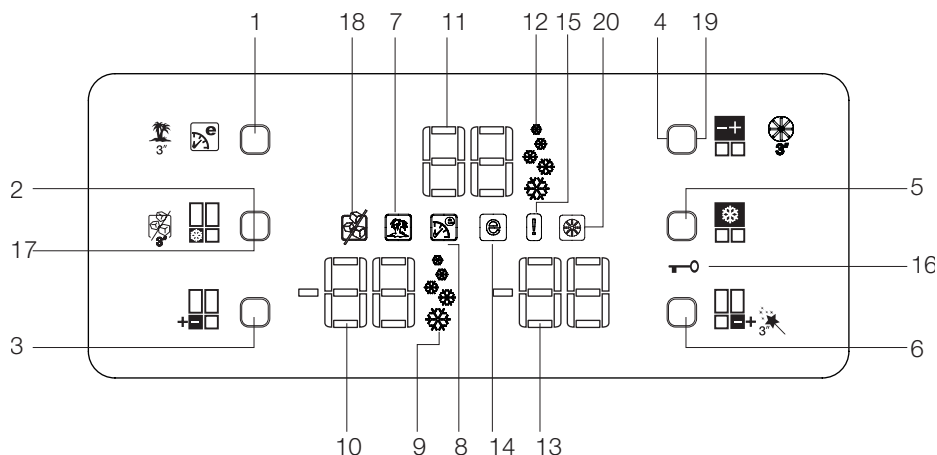
4 Forberedelse

- i** Kjøleskapet skal installeres minst 30 cm på avstand fra varmekilder, slik som f.eks. komfyrer, ovner, sentralvarme og kokeplater, samt minst 5 cm borte fra elektriske ovner og skal ikke plasseres i direkte sollys.
- i** Omgivelsestemperaturen i det rommet der kjøleskapet plasseres skal være minst 10 °C. Bruk av kjøleskapet under kaldere forhold enn dette anbefales ikke pga. effektiviteten.
- i** Vennligst se til at de indre delene av kjøleskapet rengjøres grundig.
- i** Hvis to kjøleskap skal installeres ved siden av hverandre, skal det være en avstand på minst 2 cm mellom dem.
- i** Når du bruker kjøleskapet for første gang, vennligst følg instruksene rundt de første seks timene.
 - Døren skal ikke åpnes ofte.
 - Det skal være tomt, dvs. uten mat.Ikke trekk ut støpselet til kjøleskapet. Hvis et strømbrudd oppstår som du ikke kan kontrollere, vennligst se advarsler i avsnittet "Anbefalte løsninger på problemer".
- i** Originalinnpakningen og skummaterialer skal beholdes for fremtidig transport eller flytting.

5 Bruk av kjøleskapet

Indikatorpanel

Dette berøringskontrollindikatorpanelet gjør at du kan stille inn temperaturen uten å åpne døren på kjøleskapet. Bare berør den tilhørende knappen med fingeren for å stille inn temperaturen.



1. Eco Extra/ferie-knapp
2. Hurtigfrysknapp
3. Knapp til temperaturinnstillingsindikator
4. Kjøleskapets temperaturinnstillingsknapp
5. Hurtigkjølingsknapp
6. Temperaturinnstillingsknapp til multiseoneoppbevaring
7. Feriefunksjonsindikator
8. Eco Extra funksjonsindikator
9. Hurtigfrys-funksjonsindikator
10. Temperaturindikator for fryser
11. Temperaturindikator for kjøleskap
12. Hurtigkjølingsfunksjonsindikator
13. Multiseoneoppbevaring - temperaturindikator
14. Økonomimodusindikator
15. Feilstatusindikatorer
16. Tastelåsindikator
17. Av-knapp til isfunksjon
18. Ice Off (is av)-indikator
19. Avbryt-knapp for filterbyttevarsel
20. Indikator for filterbyttevarsel

I Figurene i denne veiledningen er skjematiske og kan derfor være litt forskjellige fra ditt produkt. Hvis noen deler ikke medfølger produktet du har kjøpt, gjelder den for andre modeller.

1. Eco Extra/ferie-knapp

Trykk kort på denne knappen for å aktivere Eco Extra-funksjonen. Trykk og hold denne knappen i 3 sekunder for å aktivere feriefunksjonen. Trykk på denne knappen igjen for å deaktivere den valgte funksjonen.

2. Hurtigfrysknapp

Trykk kort på denne knappen for å aktivere hurtigfrysfunksjonen. Trykk på denne knappen igjen for å deaktivere den valgte funksjonen.

3. Knapp til temperaturinnstillingsindikator

Trykk på denne knappen for å stille inn temperaturen i fryserdelen på henholdsvis -18, -20, -22, -24, -18... Trykk på denne knappen for å stille inn ønsket temperatur på fryseren.

4. Kjøleskapets temperaturinnstillingsknapp

Trykk på denne knappen for å stille inn temperaturen i kjøleskapet på henholdsvis 8, 6, 4, 2, 8... Trykk på denne knappen for å stille inn ønsket temperatur på kjøleskapet.

5. Hurtigkjølingsknapp

Trykk kort på denne knappen for å aktivere hurtigkjølingsfunksjonen. Trykk på denne knappen igjen for å deaktivere den valgte funksjonen.

6. Temperaturinnstillingsknapp til multisonoppbevaring

Du kan stille inn multisonoppbevaringen enten som fryser eller kjøleskap. Trykk og hold denne knappen i 3 sek. for å stille inn multisonoppbevaringen enten som fryser eller kjøleskap. Denne delen er stilt inn som fryserdel fra fabrikk.

Hvis multisonen er stilt inn som fryser, vil temperaturen på denne endres til henholdsvis -18, -20, -22, -24, -18... for hver gang du trykker på denne knappen. Hvis multisonen er stilt inn som fryser, vil temperaturen på denne endres til henholdsvis 10, 8, 6, 4, 2... for hver gang du trykker på denne knappen.

7. Feriefunksjonsindikator

Indikerer at feriefunksjonen er aktiv. Hvis denne funksjonen er aktiv, vises " - - " på indikatoren døren på kjøleskapet, og det utføres ingen nedkjøling i kjøleskapet. Andre deler vil være nedkjølte i overensstemmelse med temperaturen som er stilt inn for dem.

Trykk på den tilhørende knappen igjen for å deaktivere denne funksjonen.

8. Eco Extra funksjonsindikator

Indikerer at Eco Extra-funksjonen er aktiv. Hvis denne funksjonen er aktiv, vil kjøleskapet automatisk oppdage de siste bruksperiodene, slik at det utføres energieffektiv kjøling i løpet av disse tidene. Økonomi-indikatoren vil være aktiv når det utføres energieffektiv nedkjøling.

Trykk på den tilhørende knappen igjen for å deaktivere denne funksjonen.

9. Funksjonsindikator for hurtigfrys

Indikerer at Eco Extra-funksjonen er aktiv. Bruk denne funksjonen når du plasserer fersk mat i fryserdelen eller når du trenger is. Når denne funksjonen er aktiv, vil kjøleskapet gå i 6 timer uten stopp.

Trykk på den tilhørende knappen igjen for å deaktivere denne funksjonen.

10. Temperaturindikator for fryser

Den indikerer temperaturen som er stilt inn for fryserdelen.

11. Temperaturindikator for kjøleskap

Indikerer temperaturen som er stilt inn for kjøleskapet.

12. Hurtigkjølingsfunksjonsindikator

Indikerer at hurtigkjølingsfunksjonen er aktiv. Bruk denne funksjonen når du plasserer fersk mat i kjøleskapet eller når du trenger å kjøle ned maten hurtig. Når denne funksjonen er aktiv, vil kjøleskapet gå i 2 timer uten stopp.

Trykk på den tilhørende knappen igjen for å deaktivere denne funksjonen.

13. Multisoneoppbevaring - temperaturindikator

Indikerer den innstilte temperaturen til multisonen.

14. Økonomimodusindikator

Indikerer at kjøleskapet kjører i energieffektiv modus. Temperatur i fryseren

Denne indikatoren vil være aktiv hvis funksjonen er stilt på -18, eller den energieffektive kjølingen utføres på grunn av Eco-Extra-funksjonen.

15. Feilstatusindikatorer

Hvis kjøleskapet ikke kjøler ordentlig eller hvis det er en sensorsvikt, vil denne indikatoren aktiveres.

Når denne indikatoren er aktiv, vil fryserdeltemperaturen indikere "E" og kjøleskapstemperaturen vil vise tall, slik som "1, 2, 3...". Disse tallene på indikatoren gir informasjon om feilen til servicepersonell.

16. Tastelåsindikator

Bruk denne funksjonen hvis du ikke ønsker å endre kjøleskapets temperaturinnstilling. Hold Eco Extra-knappen og fryserdelens temperaturinnstillingsknapp inne i noen sekunder (3 sek.) for å aktivere denne funksjonen.

Trykk på de tilhørende knappene igjen for å deaktivere denne funksjonen.

17. Av-knapp til isfunksjon

For å avbryte funksjonen for laging av is, holdes isfunksjons av-knapp inne i 3 sekunder. Når du avbryter laging av is, vil det ikke sendes vann til isboksen. Til tross for dette kan det fortsatt være litt igjen i isboksen, og dette kan tømmes ut. For å starte laging av is igjen, trykkes isfunksjon av-knapp i 3 sekunder.

18. Avbryt isfunksjon-indikator

Hvis du ikke ønsker å få is fra kjøleskapet, må du bruke denne funksjonen. Du kan bruke denne funksjonen ved å trykke på isfunksjonens av-knapp i 3 sekunder.

19. Avbryt-knapp for filterbyttevarsel

Filteret i kjøleskapet må skiftes ut hver 6. måned. Hvis du følger instruksjonene på side 22, beregner kjøleskapet denne tiden automatisk, indikator for filterbyttevarsel lyser når filteret er så gammelt at det bør byttes ut. Trykk på tilbakestillingsknappen for filterstatus i 3 sekunder slik at kjøleskapet vil beregne den nye filterbrukstiden automatisk etter at du har byttet filter.

20. Indikator for filterbyttevarsel

Når filterbrukstiden har utløpt, lyser varselindikatoren for utskiftning av filter.

Alarm for åpen dør:

I tilfelle døren til fryserdelen eller fleksisonedelen står åpne i minst 1 minutt, vil alarmer for åpen dør aktiveres og høres. Trykk på en av knappene på indikatoren, eller lukk den åpne døren for å slå av alarmer.



Justering av fryser	Justering av kjøleskap	Forklaringer
-18°C	4°C	Dette er den normalt anbefalte innstillingen.
-20,-22 eller -24°C	4°C	Disse innstillingene anbefales når omgivelsestemperaturen overstiger 30 °C.
Hurtigfrys	4°C	Brukes når du ønsker å fryse mat på kort tid. Kjøleskapet går tilbake til forrige modus når prosessen er over.
-18°C eller kaldere	2°C	Hvis du tror at det ikke er kaldt nok i kjøleskapsdelen på grunn av varmeforholdene eller hyppig åpning og lukking av døren.
-18°C eller kaldere	Hurtigkjøleskap	Du kan bruke dette når kjøleskapsdelen er overfylt eller hvis du ønsker å kjøle ned maten raskt. Det anbefales at du aktiverer hurtigkjøleskaps-funksjonen 4-8 timer før du legger inn maten.

- Maten bør pakkes inn eller tildekkes før plassering i kjøleskapet.
- La varm mat kjøle seg ned i romtemperatur før den plasseres i kjøleskapet.
- Mat som du ønsker å fryse skal være av god kvalitet og ferske.
- Mat skal oppdeles i porsjoner etter familiens daglige eller måltidsavhengige behov.
- Maten skal pakkes inn lufttett for å unngå uttørring, selv om den skal oppbevares kun over kort tid.
- Materialer som skal brukes til pakking skal være revnebestandig og tåle kjølighet, fuktighet, lukt, oljer og syrer, samt må være lufttett. Videre skal den være godt lukket og laget av lettbrukelige materialer som egner seg for dypfrysing.
- Frossen mat må brukes rett etter den er opptinet og skal aldri fryses igjen.
- Vennligst overhold følgende anvisninger for å oppnå best mulig resultat.

Frysing av ferske matvarer

1. Ikke frys inn for store matmengder samtidig. Kvaliteten på matvarene blir best ivaretatt når de blir gjennomfrosne så snart som mulig.
2. Hvis du plasserer varm mat inn i fryseren, vil kjølesystemet arbeide kontinuerlig til matvarene er gjennomfrosne.
3. Pass på at du ikke blander matvarer som allerede er dypfrost og ferske matvarer.

Anbefalinger for bevaring av frossen mat

- Forhåndspakket kommersiell frossenmat skal lagres i overensstemmelse med produsenten av frossenmaten i en    (4 stjerner) lagringsdel for frossenmat.
- For å sikre den høye kvaliteten fra frossenmatprodusenten og matforhandleren, skal følgende huskes:

1. Legg pakningene i fryseren så snart som mulig etter kjøpet.
2. Sikre at innholdet er merket og datert.
3. Ikke overskrid "Brukes innen"-, "Best før"-datoene på pakningen.

Avising

Frysedelen ises av automatisk.

Plassering av mat

Fryseavdelings-hyller	Ulike slags frosne mat som kjøtt, fisk, iskem, grønnsaker o.a.
Eggbrett	Egg
Kjøleskapsavdelings-hyller	Mat i panner, på dekkede tallerkener og i lukkede beholdere
Kjøleskapsavdelings-dørhyller	Liten og pakket mat eller drikke (for eksempel melk, juice og øl)
Sprøere	Frukt og grønnsaker
Ferskmatdel	Delikatesseprodukter (ost, smør, salami og diverse annet)

Dypfrysninginformasjon

Mat må fryses så snart som mulig når den legges i kjøleskapet for å beholde god kvalitet.

Det er mulig å beholde maten over lang tid kun ved -18°C eller lavere temperaturer.

Du kan beholde ferskheten på maten i mange måneder (ved -18°C eller lavere temperaturer i dypfryser).

ADVARSEL! ⚠

- Mat skal oppdeles i porsjoner etter familiens daglige eller måltidsavhengige behov.
- Maten skal pakkes inn lufttett for å unngå uttørking, selv om den skal oppbevares kun over kort tid.

Materialer som er nødvendig for pakking:

- Kuldebestandig teip
- Selvklebende merkelapp
- Gummiringer
- Penn

* Materialer som skal brukes til pakking skal være revnebestandig og tåle kjølighet, fuktighet, lukt, oljer og syrer.

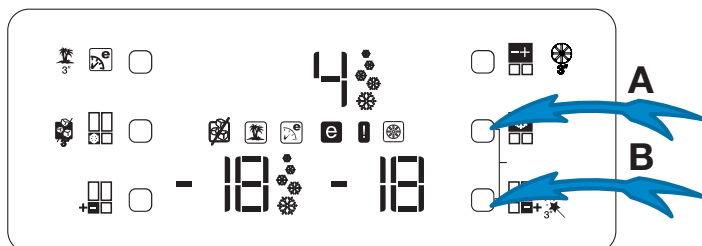
Maten som skal fryses, skal ikke komme i kontakt med tidligere frosne gjenstander for å unngå delvis opptining av disse.

Frosne mat må brukes rett etter den er opptinet og skal aldri fryses igjen.

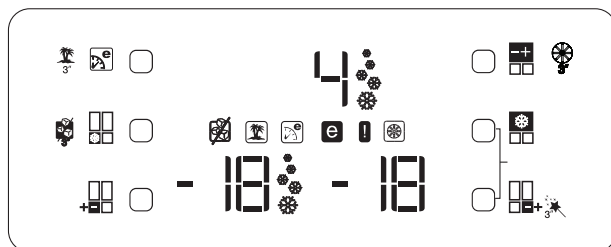
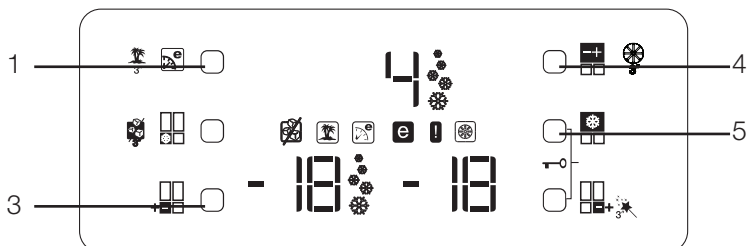
Dette må gjøres for å få filterbrukstiden kalkulert automatisk

(For produkter som er tilkoblet hovedvannlinjen og utstyrt med filter)

1- Etter at kjøleskapet er koblet til, trykk på knappen A og B samtidig for å aktivere tastelåsen.



2 - Trykk deretter respektivt på knappene for Økoekstra (1), temperaturinnstilling for kjøleskapet (4), hurtigkjøling (5) og temperaturinnstillingen for fryseren (3).



Hvis knappkonfigurasjonen trykkes i riktig rekkefølge, vil tastelåssymbolet slukke, alarmen vil aktiveres innen kort tid og varselindikatoren for utskiftning av filter tennes. Trykk på Avbryt-knappen for filterbyttevarsel (gjenstand 19 i displaybeskrivelsene) etter å ha skiftet filteret for få filterbrukstiden kalkulert automatisk.

MERK:

1. Hvis filterbrukstiden kalkuleres automatisk, vil varselindikatoren for utskiftning av filter lyse kontinuerlig innen noen få sekunder etter at produktet er koblet til.
2. Automatisk beregning av filterbrukstid er ikke aktivert som standardinnstilling fra fabrikken. Den må aktiveres i produkter som er utstyrt med et filter.
3. Gjenta samme prosedyre for produkter der automatisk kalkulering av filterbrukstiden er aktivert for å deaktivere kalkuleringen av filterbrukstiden.

Eggbrett

Du kan installere eggholderen til ønsket dør eller hylle.

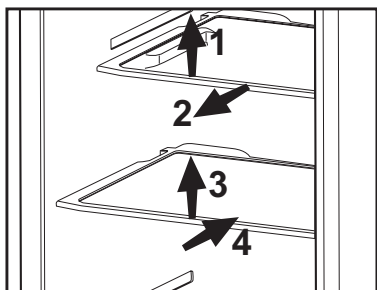
Lagre aldri eggholderen i fryseren.

Glidehyller

Glidehyllene kan trekkes ut ved å løfte litt opp foran og flyttes frem og tilbake. De kan flyttes til et visst punkt når de trekkes fremover, slik at du når maten som er plassert bakerst på hyllen; når den trekkes ut etter å ha blitt løftet opp ved det andre stoppunktet, vil hyllen frigjøres.

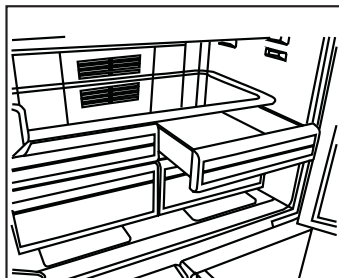
Hyllen skal også holdes godt nedenfra for å forhindre at den velter. Hyllen plasseres på skinnene i siden på kjøleskapet ved å bringe den til et nivå lavere eller høyere.

Hyllen skal skyves tilbake for å festes helt.



Grønnsaksopbevaring

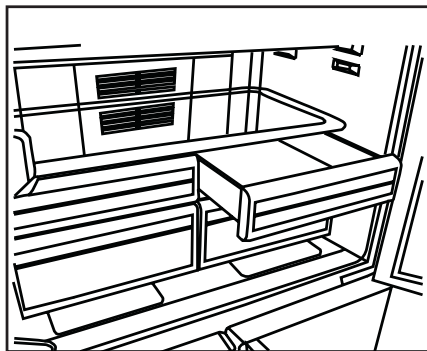
Grønnsaksskuffen i kjøleskapet er utformet spesielt til å holde grønnsakene dine ferske uten at de mister fuktigheten. Til dette formålet sirkulerer kald luft rundt fruktoppbevaringen. Ta ut dørhyllene som er innrettet med fruktoppbevaringsdelen før denne fjernes. Du kan fjerne fruktoppbevaringsdelene slik som vist på figuren.



Kjøledel

Kjøledelen gjør at mat som skal fryses blir klar til frysing. Du kan også bruke disse delene til å oppbevare maten din ved en temperatur som er noen få grader under kjøleskapsdelen.

Du kan øke det indre volumet på kjøleskapet ved å fjerne en av kjølerdelene. For å gjøre dette, trekk delen mot deg; delen vil hvile mot stopperen og stoppe. Denne delen vil frigis når du løfter den omtrent 1 cm og trekker den mot deg.



Bevegelig midtseksjon

Den bevegelige midtseksjonen er beregnet til å forhindre at den kalde luften inne i kjøleskapet strømmer ut.

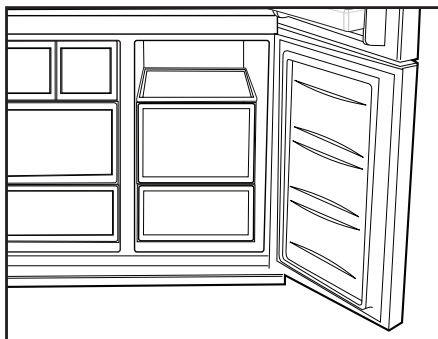
1- Det gis forsegling når pakningene på døren trykker mot overflaten på den bevegelige midtseksjonen når dørene på kjøleskapet er lukket.

2- En annen grunn til at kjøleskapet er utstyrt med en bevegelig midtseksjon, er fordi den øker nettovolumet til kjøleskapet. Standard midtseksjoner tar opp ubrukelig volum i kjøleskapet.

3- Den bevegelige midtseksjonen lukkes når den venstre døren på kjøleskapet lukkes.

4- Den må åpnes manuelt. Den beveges under veiledning av plastdelen på rammen mens døren er lukket.

🔊 Funksjonen for å bytte fra kjøleskap til fryserdel gis gjennom et kjøleelement som befinner seg i den lukkede delen (kompressorhuset) bak kjøleskapet. Når dette elementet er i drift, avgir det en lyd lik lyden av sekundviseren til en analog klokke. Dette er normalt og er ingen feil.

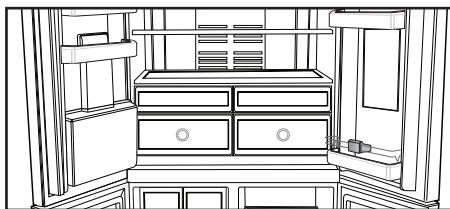


Multisoner oppbevaringsdel

Multisoneroppbevaringen i kjøleskapet kan brukes i enhver ønsket modus ved å justere den til kjøle-(-2/-4/-6/-8 °C) eller frysertemperaturer (-18/-20/-22/-24). Du kan holde kjøleskapet ved ønsket temperatur med temperaturinnstillingsknappen for multisonedelen. Temperaturen på multisonedelen kan stilles på 0 og 10 grader i tillegg til kjøleskapsdelen og på -6 grader i tillegg til fryserdeltemperaturene. 0 grader brukes til å lagre delikatesserprodukter lengre, og -6 grader brukes til å oppbevare kjøtt i opptil 2 uker i en tilstand som lett kan skjæres opp.

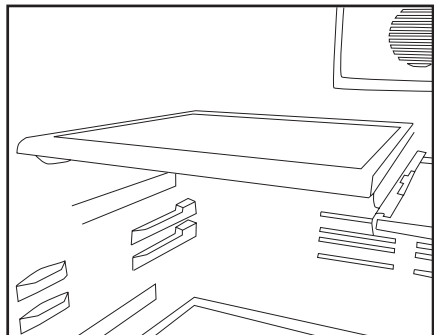
Blått lys

Maten som oppbevares i grønnsaksbeholderen som er opplyst med et blått lys fortsetter fotosyntesen med bølglengdeeffekten fra det blå lyset og beholder dermed ferskheten og øker vitamininnholdet.



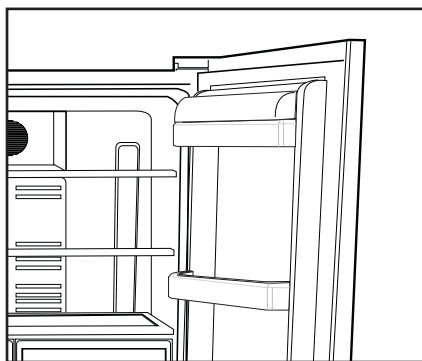
Glidehyller med feste bak

Glidehyllene med feste bak kan flyttes fram og tilbake. Åtte av disse hyllene kan justeres ved å flytte dem til høyere eller lavere nivåer. Løft hyllen litt opp og dra den mot deg for å ta den ut.



Hyller for smør og ost

Du kan oppbevare matvarer slik som smør, ost og margarin i denne hyllen med deksel.

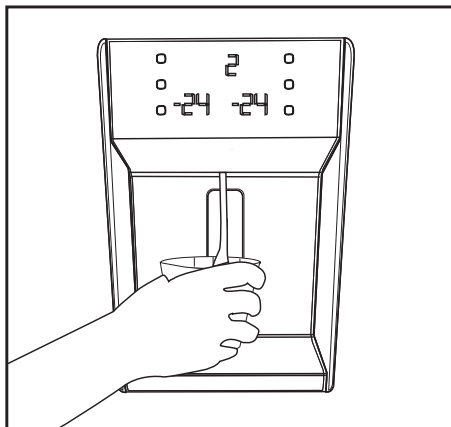


Bruke vannkilden

Advarsler

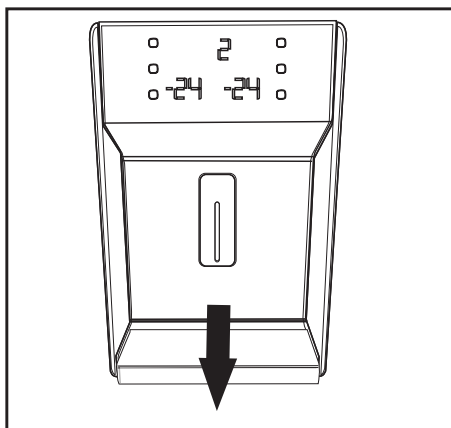
Det er vanlig at de første få glassene med vann som tas fra dispenseren er varmt.

I tilfeller der vanddispenseren ikke har blitt brukt ofte, må tilstrekkelige mengder vann tømmes fra dispenseren for å få ferskt vann.



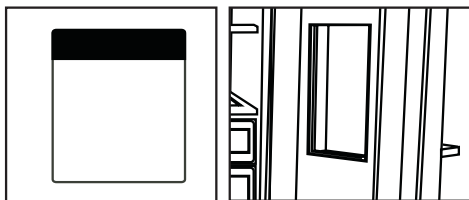
Oppsamlingsbrett

Vanndråper som drypper ved bruk samles i oppsamlingsbrettet. Du kan fjerne overstrømningsbrettet ved å trekke det mot deg eller trykke på kanten (avhengig av modellen). Du kan fjerne vannet med en svamp eller myk klut.

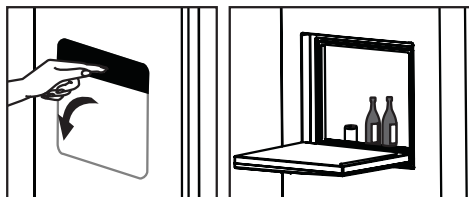


Minibar

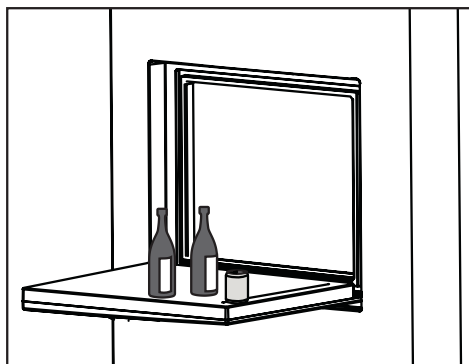
Minibardøren gir deg ekstra komfort ved bruk av kjøleskapet. Dørhyllen i kjøleskapet kan nås uten å åpne kjøleskapsdøren; takket være denne funksjonen kan du lett plukke ut fra kjøleskapet den maten og drikken du ofte bruker. Siden du ikke trenger å åpne kjøleskapets dør ofte, vil du redusere strømforbruket til kjøleskapet.



For å åpne minibardøren, trykk med hånden på minibaren og trekk tilbake for å åpne.

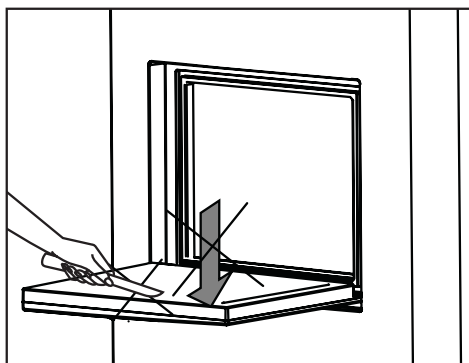


Når døren på minibaren er åpen, kan du bruke den indre overflaten på døren som et bord der du kan sette flaskene og glassene i kort tid, slik som vist i figuren.



⚠ Forsiktig: Gjør aldri noe som kan belaste døren, slik som å sitte, klatre opp på eller henge etter døren, og ikke plasser tunge gjenstander på den. Dette kan forårsake skade på kjøleskapet eller personlige skader.

⚠ Forsiktig: Utfør aldri kutting på minibardøren og vær forsiktig så døren ikke skades av skarpe gjenstander.



6 Vedlikehold og rengjøring

- ⚠ Bruk aldri bensin, benzen eller lignende stoffer til rengjøring.
- ⚠ Vi anbefaler at du trekker ut støpselet på apparatet før rengjøring.
- ❗ Bruk aldri noen skarpe redskaper eller rengjøringsmidler med skureeffekt, såpe, rengjøringsmidler for hjemmebruk eller voks til rengjøringen.
- ❗ I andre enn No Frost-produkter dannes det vanndråper og isklumper på opptil en fingerbreddes størrelse på baksiden av kjøleskapet. Ikke rengjør kjøleskapet og påfør heller aldri olje eller lignende midler.
- ❗ Bruk bare lett fuktet mikrofiberduk til å rengjøre produktets ytre overflate. Svamper og andre typer rengjøringskluter vil kunne skrape opp overflaten.
- ❗ Bruk lunkent vann for å vaske skapet og tørk det tørt.
- ❗ Bruk en fuktig klut vridd opp i en oppløsning av en teskje bikarbonatsoda til ca. ½ liter vann for å rengjøre innsiden av skapet og tørk det tørt.
- ⚠ Pass på at det ikke kommer vann inn i pærehuset eller andre elektriske gjenstander.
- ⚠ Hvis kjøleskapet ikke skal brukes over en lengre periode, må du trekke ut støpselet, ta ut alle matvarer, rengjøre det og sette døren på klem.
- ❗ Kontroller pakningene til dørene jevnlig for å sikre at de er rene og fri for matrester.
- ❗ For å demontere dørstativene tar du først ut alt innholdet og så skyver du ganske enkelt dørstativet opp fra bunnen.
- ❗ Bruk aldri rengjøringsmidler eller vann som inneholder klor til å rense de ytre overflatene og krombelagte delene av produktet. Klor forårsaker korrosjon på slike metallflater.
- ❗ Ikke bruk skarpe og slipende verktøy eller såpe, rengjøringsmidler, vaskemidler, bensin, benzen, voks, osv. Hvis du gjør dette, vil frimerker på plastdeler komme av og det vil oppstå deformasjon. Bruk varmt vann og en myk klut for rengjøring og tørk.

Beskyttelse av plastoverflater

- ❗ Ikke putt flytende oljer eller oljekokte måltider i frysskapet i uforseglede beholdere, da disse kan ødelegge plastoverflatene i kjøleskapet. Ved søling eller smøring av olje på plastoverflater, rengjør og rens relevant del av overflaten med en gang med varmt vann.

7 Anbefalte løsninger på problemer

Kontroller følgende liste før du ringer service. Det kan spare deg tid og penger. Denne listen inkluderer hyppige klager som ikke oppstår fra defekt utføring eller materialbruk. Noen av funksjonene som beskrives her finnes kanskje ikke i ditt produkt.

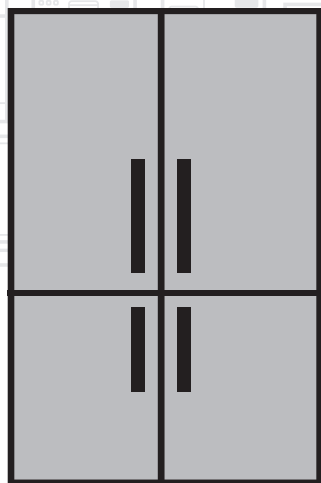
Kjøleskapet virker ikke	Kjøleskapet går hyppig eller over lang tid.
<ul style="list-style-type: none">• Er kjøleskapet plagget inn? Sett støpselet inn i strømuttaket.• Har sikringen til uttaket kjøleskapet er tilknyttet eller hovedsikringen gått? Kontroller sikringen.	<ul style="list-style-type: none">• Det nye kjøleskapet kan være bredere enn det gamle. Dette er helt normalt. Store kjøleskap arbeider over lengre tidsperioder.• Romtemperaturen kan være høy. Dette er helt normalt.• Kjøleskapet kan ha vært plagget inn nylig eller blitt lastet med mat. Fullstendig nedkjøling av kjøleskapet kan ta et par timer lenger.• Store mengder varm mat har blitt lagt inn i kjøleskapet nylig. Varm mat forårsaker lengre drift av kjøleskapet inntil den oppnår sikker oppbevaringstemperatur.• Dørene kan ha vært åpnet hyppig eller stått på gløtt i lang tid. Varm luft som har kommet inn i kjøleskapet gjør at kjøleskapet kjører over lang tid. Åpne dørene mindre hyppig.• Fryser- eller kjøleskapsdør kan ha stått på gløtt. Kontroller om dørene er tett lukket.• Kjøleskapet er justert til svært kald temperatur. Juster kjøleskapets temperatur til høyere grad og vent inntil temperaturen er oppnådd.
Kondens på sideveggen av kjøleskapet. (MULTI ZONE, COOL CONTROL og FLEXI ZONE)	<ul style="list-style-type: none">• Dørtetningen til kjøleskapet eller fryseren kan være tilsmusset, utslitt, ødelagt eller ikke på plass. Rengjør eller skift ut tetningen. Skadet/ødelagt tetning gjør at kjøleskapet går over lang tid for å opprettholde aktuell temperatur.
Kompressoren går ikke	Frysertemperaturen er svært lav, mens kjøleskapstemperaturen er tilstrekkelig.
<ul style="list-style-type: none">• Termovern for kompressoren vil koples ut under plutselig strømbrudd eller utplugging og innplugging hvis kjølevæsketrykket i kjølesystemet til kjøleskapet ikke er balansert.• Kjøleskapet vil starte etter ca. 6 minutter. Vennligst ring service hvis kjøleskapet ikke starter etter utløpet av denne tiden.• Kjøleskapet er i defrostsyklus. Dette er normalt for helautomatisk avisningskjøleskap. Avisningssyklusen gjennomføres regelmessig.• Kjøleskapet er ikke tilkoplest strømuttaket. Kontroller at støpselet er satt godt inn i kontakten.• Er temperaturinnstillingene foretatt riktig? Det er strømbrudd. Ring strømleverandøren.	<ul style="list-style-type: none">• Fryserens temperatur er justert til svært lav temperatur. Juster fryserens temperatur til høyere grad og kontroller.

Kjøleskapstemperaturen er svært lav, mens frysertemperaturen er tilstrekkelig.	<ul style="list-style-type: none"> • Gulvet er ikke jevnt eller er svakt. Kjøleskapet vugger når det flyttes sakte. Se til at gulvet er jevnt, sterkt og har evne til å bære kjøleskapet. • Støyen kan forårsakes av gjenstandene som legges inn i kjøleskapet. Slike gjenstander skal fjernes fra toppen av kjøleskapet.
• Kjøleskapets temperatur er justert til svært lav temperatur. Juster kjøleskapets temperatur til høyere grad og kontroller.	Det er lyder som ligner væskesøl eller spraying.
Mat som oppbevares i skuffene fryser.	<ul style="list-style-type: none"> • Væske- og gasstrømninger skjer etter virkeprinsippene til kjøleskapet. Dette er helt normalt og er ingen feil.
• Kjøleskapets temperatur er justert til svært lav temperatur. Juster kjøleskapets temperatur til høyere grad og kontroller.	Det høres støy som om det blåser vind.
Temperaturen i kjøleskapet eller fryseren er svært høy.	<ul style="list-style-type: none"> • Luftvifter brukes for at kjøleskapet skal kjøle effektivt. Dette er helt normalt og er ingen feil.
• Kjøleskapets temperatur er justert til svært høy grad. Kjøleskapsjusteringen har virkning på temperaturen til fryseren. Endre temperaturen i kjøleskapet eller fryseren inntil kjøleskapets eller fryserens temperatur når et tilstrekkelig nivå.	Kondens på de indre veggene på kjøleskapet.
• Døren kan ha stått på gløtt. Lukk døren helt.	<ul style="list-style-type: none"> • Varmt og fuktig vær øker ising og kondens. Dette er helt normalt og er ingen feil. • Dørene står på gløtt. Se til at dørene lukkes fullstendig. • Dørene kan ha vært åpnet svært hyppig eller stått åpne i lang tid. Åpne døren mindre hyppig.
• Store mengder varm mat har blitt lagt inn i kjøleskapet nylig. Vent inntil kjøleskap eller fryser når ønsket temperatur.	Fuktighet oppstår på utsiden av kjøleskapet eller mellom dørene.
• Kanskje kjøleskapet nettopp ble tilkoblet. Fullstendig nedkjøling av kjøleskapet tar tid pga. størrelsen.	<ul style="list-style-type: none"> • Været kan være fuktig. Dette er helt normalt ved fuktig vær. Når fuktigheten er lavere, vil kondensen forsvinne.
Støy som ligner lyden av sekunder som høres fra en analog klokke kommer fra kjøleskapet.	Dårlig lukt inne i kjøleskapet.
• Støyen kommer fra solenoidventilen på kjøleskapet. Solenoidventilen har til hensikt å sikre at kjølemiddelet passerer gjennom delen som kan justeres til kjøle- eller frysetemperaturer og utføre kjølefunksjoner. Dette er normalt og er ingen feil.	<ul style="list-style-type: none"> • Det må rengjøres inni kjøleskapet. Rengjør innsiden av kjøleskapet med en svamp, varmt vann eller karbonert vann. • Noen beholdere eller innpakningsmaterialer kan forårsake lukten. Bruk en annen beholder eller annet merke på innpakningsmaterialet.
Driftslyden øker når kjøleskapet går.	Døren(e) lukkes ikke.
• Ytelsesegenskapene til kjøleskapet kan endres etter endringene i omgivelsestemperaturen. Dette er helt normalt og er ingen feil.	
Vibrasjon eller klapping.	

<ul style="list-style-type: none">• Matpakninger forhindrer lukking av døren. Flytt pakninger som forhindrer lukking av døren.• Kjøleskapet er antagelig ikke plassert helt vertikalt på gulvet og kan vugge når det beveges forsiktig. Juster høydeskruene.• Gulvet er ikke jevnt eller sterkt. Se til at gulvet er jevnt og har evne til å bære kjøleskapet.
Grønnsaksoppbevaringsboksene sitter fast.
<ul style="list-style-type: none">• Mat kan berøre taket i skuffen. Ordne maten i skuffen på nytt.
Hvis Produktets Overflate Er Varm.
<ul style="list-style-type: none">• Det kan oppstå høye temperaturer mellom de to dørene, på sideplatene og baksiden av produktet når det er i bruk. Dette er helt normalt og krever ikke vedlikehold.

Chłodziarka

Instrukcja użytkowania



PL |

beko

Prosimy najpierw przeczytać tę instrukcję obsługi!

Drodzy Klienci,

Mamy nadzieję, że nasz wyrób, wyprodukowany w nowoczesnym zakładzie i sprawdzony według najbardziej drobiazgowych procedur kontroli jakości, będzie Wam dobrze służył.

Dlatego zalecamy, aby uważnie przeczytać całą instrukcję obsługi tego wyrobu przed jego uruchomieniem i zachować ją do wglądu w przyszłości.




Instrukcja niniejsza

- Pomoże używać tego urządzenia sprawnie i bezpiecznie.
- Przeczytajcie tę instrukcję przed zainstalowaniem i uruchomieniem lodówki.
- Postępujcie zgodnie z tymi wskazówkami, zwłaszcza dotyczącymi bezpieczeństwa.
- Przechowujcie tę instrukcję w łatwo dostępnym miejscu, bo może się przydać później.
- Prosimy przeczytać także inne dokumenty dostarczone wraz z lodówką.

Instrukcja ta może odnosić się także do innych modeli.

Symbole i ich znaczenie

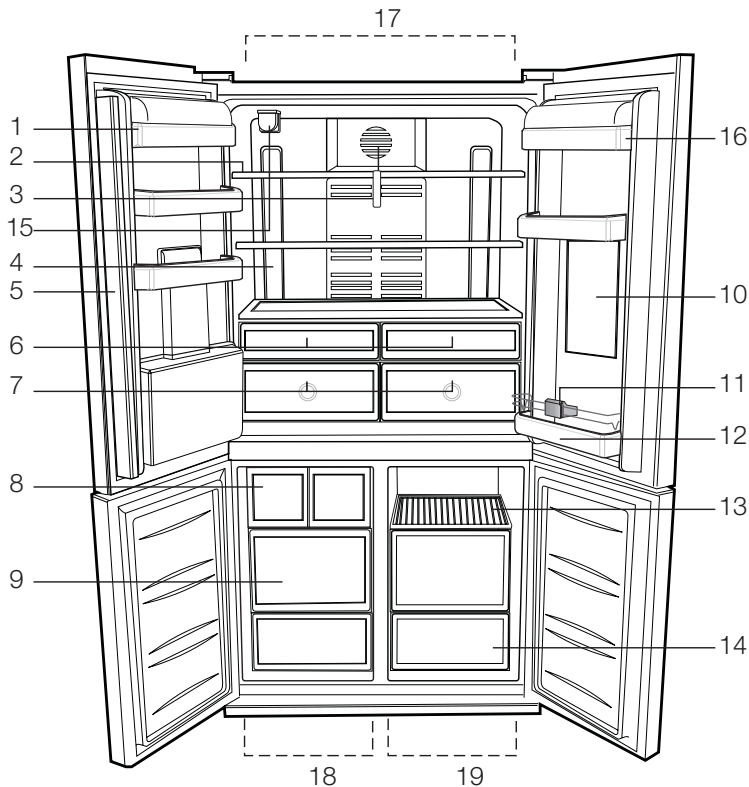
Niniejsza instrukcja obsługi zawiera następujące symbole:

-  Ważne informacje lub przydatne wskazówki użytkownika.
-  Ostrzeżenie przed zagrożeniem życia i mienia.
-  Ostrzeżenie przed porażeniem elektrycznym.

SPIS TREŚCI

1 Zakupiona chłodziarka	3	Przed pierwszym użyciem dozownika wody. 18	
2 Ważne ostrzeżenia dot. bezpieczeństwa	4	4 Przygotowanie	19
Zamierzone przeznaczenie	4	5 Obsługa chłodziarki	20
Ogólne zasady bezpieczeństwa.....	4	Panel wskaźników	20
Dla modeli z wodotryskiem	7	Alarm otwartych drzwiczek:	23
Bezpieczeństwo dzieci	8	Zamrażanie żywności świeżej	24
Zgodność z dyrektywą WEEE i usuwanie odpadów:	8	Zalecenia co do przechowywania mrożonek	24
Zgodność z dyrektywą RoHS:	8	Rozmieszczenie żywności	25
Informacje opakowaniu.....	8	O głębokim zamrażaniu	25
Ostrzeżenie HC	8	Co zrobić, aby automatycznie wyliczać czas użytkowania filtra	26
Co zrobić, aby oszczędzać energię.	9	Półki wysuwane.....	27
Zalecenia dot. komory na żywność świeżą.	9	Półka na jajka	27
3 Instalacja	10	Pojemnik na świeże warzywa.....	27
W razie potrzeby ponownego transportu chłodziarki należy przestrzegać następujących wskazówek	10	Komora schładzania	27
Przed uruchomieniem chłodziarki	10	Ruchoma sekcja środkowa	28
Połączenia elektryczne	10	Komora Multi Zone	28
Usuwanie opakowania.....	11	Niebieskie światło	28
Utylizacja starej chłodziarki	11	Półki wysuwane z wieszakami tylnymi	29
Ustawienie i instalacja.....	11	Miejsce na masło i sery.....	29
Wyrównanie nierówności podłogi.....	12	Korzystanie z dozownika wody.....	29
Ustawianie szczeliny między górnymi drzwiczkami	12	Tacka na wodę przelaną	29
Wymiana lampki oświetlenia	13	Minibar	30
Instalowanie filtra wody	14	6 Konserwacja i czyszczenie	31
Przyłączanie rury z wodą do chłodziarki	14	Zabezpieczenia powierzchni plastikowych	31
Przyłączenie węża do wody do pojemnika	15	7 Zalecane rozwiązania problemów	32
Przyłączenie rury do wody do domowej instalacji wody zimnej	16		

1 Zakupiona chłodziarka



- | | |
|---|---|
| 1- Półki w drzwiczkach komory chłodniczej | 11- Uchwyt na butelki |
| 2- Szklane półki w komorze chłodniczej | 12- Półka na butelki |
| 3- Pokrywa dyfuzora | 13- Półki w komorze przechowywania żywności |
| 4- Klosz lampy | 14- Komory przechowywania żywności |
| 5- Ruchoma sekcja środkowa | 15- Filtr do wody |
| 6- Komora schładzania | 16- Pojemnik na nabiał |
| 7- Pojemnik na świeże warzywa | 17- Komora chłodziarki |
| 8- Kostkarka IceMatic | 18- Komora zamrażalnika |
| 9- Komory na żywność mrożoną | 19- Komora Multi Zone |
| 10- Minibar | |

i Rysunki w niniejszej instrukcji to tylko schematy i nie muszą ściśle odpowiadać Waszemu modelowi chłodziarki. Jeśli pewnych części nie ma w nabytej chłodziarce, to znaczy, że odnoszą się do innych modeli.

2 Ważne ostrzeżenia dot. bezpieczeństwa

Prosimy przeczytać następujące ostrzeżenia. Ich nieprzestrzeżenie grozi obrażeniami lub uszkodzeniem mienia. W takim przypadku tracą ważność wszelkie gwarancje i zapewnienia niezawodności.

Oryginalne części zamienne będą dostępne przez 10 lat od daty zakupu produktu.

⚠	OSTRZEŻENIE: Nie blokuj otworów wentylacyjnych urządzenia ani w zabudowie.
⚠	OSTRZEŻENIE: Nie używaj urządzeń mechanicznych, ani innych środków do przyspieszenia procesu rozmrażania, poza tymi, które zaleca producent.
⚠	OSTRZEŻENIE: Nie uszkodź obiegu chłodzącego.
⚠	OSTRZEŻENIE: Nie używaj urządzeń elektrycznych w komorze do przechowywania żywności, chyba, że są rekomendowane przez producenta.

Urządzenie to jest przeznaczone do użytku domowego lub w podobnych miejscach, np.

- w kuchniach personelu sklepu, biur i innych środowisk pracy;
- gospodarstwa rolne, przez klientów hoteli, moteli i innych

miejsc typu mieszkalnego

- pensjonaty;
- catering i podobne aplikacje niehandlowe

Zamierzone przeznaczenie

- Urządzenie można używać wyłącznie w gospodarstwie domowym oraz:
- na zapleczu kuchennych personelu w sklepach, biurach i w innych miejscach pracy;
- w kuchniach wiejskich i przez gości hotelowych, w motelach i innych tego rodzaju miejscach;
- w pensjonatach serwujących nocleg ze śniadaniem;
- cateringu i w innych tego rodzajach zastosowaniach niedetalicznych.
- Nie należy używać jej na dworze. Nie nadaje się do użytkowania na dworze, nawet w miejscach zadaszonych.

Ogólne zasady bezpieczeństwa

- Gdy zechcecie pozbyć się tego urządzenia/ złomować je, zalecamy skonsultowanie się z autoryzowanym serwisem, aby uzyskać potrzebne informacje i poznać kompetentne organa.
- Konsultujcie się z Waszym autoryzowanym serwisem w sprawach wszelkich pytań i problemów związanych z tą lodówką. Bez powiadomienia autoryzowanego serwisu nie wolno samemu ani innym osobom naprawiać chłodziarki.
- Nie jedzcie lodów ani lodu bezpośrednio po wyjęciu

ich z zamrażalnika! (Może to spowodować odmrożenia w ustach).

- Nie wkładajcie do zamrażalnika napojów w puszkach ani w butelkach. Mogą wybuchnąć.
- Nie dotykajcie palcami mrożonej żywności, bo może do nich przylgnąć.
- Do czyszczenia i rozmrażania lodówki nie wolno stosować pary ani środków czyszczących w tej postaci. W takich przypadkach para może zetknąć się z częściami urządzeń elektrycznych i spowodować zwarcie albo porażenie elektryczne.
- Nie wolno używać żadnych części lodówki, takich jak drzwiczki, jako podpory ani stopnia.
- Wewnątrz lodówki nie wolno używać urządzeń elektrycznych.
- Nie wolno uszkadzać obwodu chłodzącego, w którym krąży środek chłodzący, narzędziami do wiercenia i cięcia. Środek chłodzący, który może wybuchnąć skutkiem przedziurawienia przewodów gazowych parownika, przedłużeń rur lub powłok powierzchni, może spowodować podrażnienia skóry lub obrażenia oczu.
- Nie przykrywajcie żadnym materiałem ani nie blokujcie otworów wentylacyjnych w lodówce.
- Urządzenia elektryczne naprawiać mogą tylko wykwalifikowani fachowcy.

Naprawy wykonywane przez osoby niekompetentne mogą powodować zagrożenie dla użytkowników.

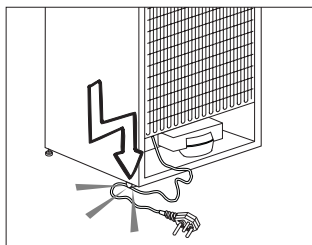
- W razie jakiegokolwiek awarii, a także w trakcie prac konserwacyjnych lub napraw, odłączcie lodówkę od zasilania z sieci albo wyłączając odnośny bezpiecznik, albo wyjmując wtyczkę z gniazdka.
- Wyjmując przewód zasilający z gniazdka należy ciągnąć za wtyczkę, nie za przewód.
- Napoje o wyższej zawartości alkoholu wkładajcie do lodówki w ściśle zamkniętych naczyniach i w pozycji pionowej.
- Upewnij się, że wysokoprocentowe napoje alkoholowe są bezpiecznie przechowywane, szczelnie zamknięte i w pozycji pionowej.
- W celu przyspieszenia procesu rozmrażania lodówki nie należy używać żadnych urządzeń mechanicznych ani innych środków poza zalecanymi przez jej producenta.
- Urządzenie to nie jest przeznaczone do obsługi przez osoby (w tym dzieci) z ograniczoną sprawnością fizyczną, zmysłową lub umysłową, czy bez odpowiedniego doświadczenia i umiejętności, o ile nie zapewni się im nadzoru lub instrukcji jego użytkowania ze strony osoby odpowiedzialnej za ich bezpieczeństwo.
- Nie uruchamiajcie lodówki,

jeśli jest uszkodzona. W razie wątpliwości należy się skonsultować z serwisem.

- Bezpieczeństwo elektryczne tej lodówki gwarantuje się tylko jeśli system uziemienia Waszej instalacji domowej spełnia wymogi norm.
- Wystawianie tego urządzenia na działanie deszczu, śniegu, słońca i wiatru zagraża jego bezpieczeństwu elektrycznemu.
- W razie uszkodzenia przewodu zasilającego itp. skontaktujcie się z autoryzowanym serwisem, aby nie narażać się na zagrożenie.
- W trakcie instalowania chłodziarki nigdy nie wolno włączać wtyczki w gniazdko w ścianie. Może to zagrażać śmiercią lub poważnym urazem.
- Chłodziarka ta służy wyłącznie do przechowywania żywności. Nie należy jej używać w żadnym innym celu.
- Etykieta z danymi technicznymi chłodziarki umieszczona jest po lewej stronie w jej wnętrzu.
- Nie przyłączaj tej chłodziarki do systemu oszczędzania energii, ponieważ może to ją uszkodzić.
- Jeśli na chłodziarce pali się niebieska lampka, nie należy patrzeć na nie dłużej czas nieosłoniętymi oczami ani przez przyrządy optyczne.
- Jeśli od ręcznie nastawianej chłodziarki odłączy się zasilanie, prosimy odczekać

co najmniej 5 minut, zanim ponownie się je załączy.

- Jeżeli zmieni się właściciel tej chłodziarki, niniejszą instrukcję obsługi należy przekazać wraz z nią nowemu właścicielowi.
- Przy przesuwaniu chłodziarki uważaj, żeby nie uszkodzić przewodu zasilającego. Aby zapobiec pożarowi nie wolno skrecać tego przewodu. Nie ustawiaj na przewodzie żadnych ciężkich przedmiotów. Gdy wtyczka chłodziarki jest wsadzona do gniazdka nie wolno jej dotykać wilgotnymi dłońmi.

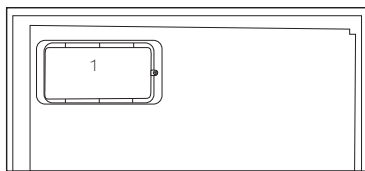
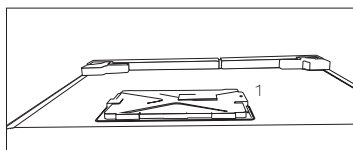


- Podczas ustawiania urządzenia należy się upewnić, że przewód zasilający nie został przytrzaśnięty ani nie jest uszkodzony.
- Nie umieszczaj przenośnej listwy zasilającej ani przenośnych zasilaczy z tyłu urządzenia.
- Nie wsadzaj wtyczki chłodziarki do obłuzowanego gniazdka.
- Ze względów bezpieczeństwa nie przyskaj wodą bezpośrednio na zewnętrzne ani na wewnętrzne części chłodziarki.
- Ze względu na zagrożenie pożarem i wybuchem

nie rozpylaj łatwopalnych materiałów, takich jak gaz propan itp., w pobliżu chłodziarki.

- Nie stawiaj na chłodziarce przedmiotów wypełnionych wodą, ponieważ grozi to porażeniem elektrycznym lub pożarem.
- Nie przeciążaj chłodziarki nadmierną ilością żywności. Nadmiar żywności może wypaść, gdy otwiera się drzwiczki, narażając użytkownika na obrażenia ciała lub uszkodzenie chłodziarki. Nie wolno stawiać żadnych przedmiotów na chłodziarce, ponieważ mogą spaść przy otwieraniu lub zamykaniu drzwiczek.
- W chłodziarce nie należy przechowywać żadnych materiałów, które wymagają utrzymania w pewnej temperaturze, takich jak szczepionki, lekarstwa wrażliwe na temperaturę, materiały do badań naukowych itp.
- Jeśli chłodziarka ma być nieużywana przez dłuższy czas, należy wyjąć jej wtyczkę z gniazdka. Uszkodzenie izolacji elektrycznej przewodu zasilającego może spowodować pożar.
- Jeśli nastawialne nóżki nie stoją pewnie na podłodze, chłodziarka może się przesuwać. Prawidłowa regulacja nóżek chłodziarki zapewnia jej stabilność na podłodze.

- Jeśli chłodziarka ma klamkę w drzwiach nie należy ciągnąć za nią, gdy przesuwa się chłodziarkę, ponieważ można w ten sposób odłączyć ją od chłodziarki.
- Jeśli musisz ustawić chłodziarkę obok innej chłodziarki lub zamrażarki, odległość między tymi urządzeniami musi wynosić co najmniej 8 mm. W przeciwnym razie na ich ustawionych naprzeciw siebie bocznych ścianach może skraplać się wilgoć.
- Używaj wyłącznie wody pitnej.
- Nigdy nie korzystaj z urządzenia, jeśli górna lub tylna jego część, zawierająca płytki obwodów drukowanych jest otwarta (osłona płytki obwodów drukowanych) (1).



Dla modeli z wodotryskiem

- Maksymalnie dopuszczalne ciśnienie dla dopływu zimnej wody wynosi 6,2 bara (90 psi). Jeśli ciśnienie wody w Państwie instalacji przekroczy 5,5 bara (80 psi), należy zastosować

zawór ograniczający ciśnienie w Państwa sieci wodociągowej. Jeśli nie wiedzą Państwo w jaki sposób sprawdzić ciśnienie wody, prosimy poprosić o pomoc profesjonalnego hydraulika.

- Jeśli w Państwa instalacji występuje ryzyko uderzenia wodnego, należy zawsze stosować wyposażenie zapobiegające przed uderzeniem wodnym. Jeśli nie mają Państwo pewności co do występowania efektu uderzenia wodnego w swojej instalacji, prosimy zasięgnąć porady u profesjonalnego hydraulika.
- Nie podłączać do dopływu ciepłej wody. Zachować środki ostrożności przed ryzykiem zamarznięcia przewodów. Temperatura robocza wody powinna mieścić się w zakresie od 0,6°C (33°F) do 38°C (100°F).

- Należy używać tylko wody pitnej.

Bezpieczeństwo dzieci

- Jeśli drzwiczki zamykane są na klucz, należy go chronić przez dostępem dzieci.
- Należy zapewnić opiekę dzieciom, aby nie bawiły się lodówką.

Zgodność z dyrektywą WEEE i usuwanie odpadów:

Niniejszy wyrób jest zgodny z

dyrektywą Parlamentu Europejskiego i Rady (2012/19/WE). Wyrób ten oznaczony jest symbolem klasyfikacji zużytych urządzeń elektrycznych i elektronicznych (WEEE).



Wyrób ten wykonano z części i materiałów wysokiej jakości, które mogą być odzyskane i użyte jako surowce wtórne. Po zakończeniu użytkowania nie należy pozbywać się go razem z innymi odpadkami domowymi. Należy przekazać go do punktu zbiórki urządzeń elektrycznych i elektronicznych na surowce wtórne. Aby dowiedzieć się, gdzie jest najbliższy taki punkt, prosimy skonsultować się z władzami lokalnymi.

Zgodność z dyrektywą RoHS:

Niniejszy wyrób jest zgodny z dyrektywą Parlamentu Europejskiego i Rady RoHS (Ograniczenie użycia substancji niebezpiecznych) (2011/65/WE). Nie zawiera szkodliwych i zakazanych materiałów, podanych w tej dyrektywie.

Informacje opakowaniu

Materiały opakowania tego wyrobu są wykonane z surowców wtórnych, zgodnie z naszymi krajowymi przepisami dotyczącymi ochrony środowiska. Materiałów opakunkowych nie wolno wyrzucać z odpadami z gospodarstwa domowego lub innymi. Należy przekazać je do punktu zbiórki surowców wtórnych.

Ostrzeżenie HC

Jeśli chłodziarka ta wyposażona jest w system chłodniczy zawierający R600a:

Gaz ten jest łatwopalny. Należy zatem uważać, aby w trakcie jego użytkowania i transportu nie uszkodzić systemu i przewodów chłodzenia. W razie uszkodzenia, należy trzymać chłodziarkę z dala od potencjalnych źródeł ognia, które mogą spowodować jej pożar i należy wietrzyć pomieszczenie, w którym jest umieszczona.

Prosimy zignorować to ostrzeżenie, jeśli chłodziarka ta wyposażona jest w system chłodniczy zawierający R134a.

Oznaczenie gazu zastosowanego w danej chłodziarce można odczytać z tabliczki znamionowej umieszczonej z lewej strony

w jej wnętrzu.

Nie należy złomować chłodziarki przez jej spalanie.

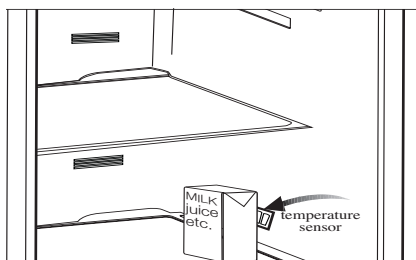
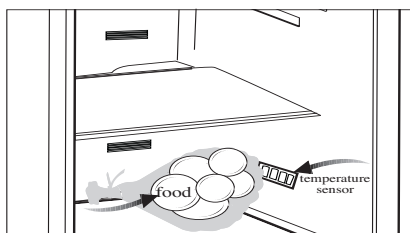
Co robić, aby oszczędzać energię.

- Nie zostawiajcie drzwiczek lodówki otwartych na dłużej.
- Nie wkładajcie do lodówki gorących potraw ani napojów.
- Nie przeladowujcie lodówki tak, aby przeszkadzało to w krążeniu powietrza w jej wnętrzu.
- Nie instalujcie lodówki tam, gdzie narażona będzie na bezpośrednie działanie słońca ani w pobliżu urządzeń wydzielających ciepło takich jak piecyki, zmywarki do naczyń lub grzejniki.
- Pamiętajcie, aby żywność przechowywać w zamkniętych pojemnikach.
- Po wyjęciu półki lub szuflady z komory zamrażalnika można do niego włożyć maksymalną ilość żywności. Deklarowane zużycie energii przez chłodziarkę określono przy półce lub szufladzie wyjętej z komory zamrażania i przy maksymalnym wypełnieniu żywnością. Używanie półki lub szuflady odpowiednio do kształtów i rozmiarów zamrażanej żywności jest bezpieczne.

Zalecenia dot. komory na żywność świeżą.

*OPCJA

- Prosimy, aby zapobiegać stykaniu się żywności z czujnikiem temperatury w komorze na żywność świeżą. Aby utrzymać idealną temperaturę przechowywania żywności świeżej w tej komorze czujnik ten nie może być blokowany żywnością.
- Nie wkłada się do chłodziarki żywności gorącej.



3 Instalacja

- i** Należy pamiętać, że producent nie ponosi odpowiedzialności, jeśli są ignorowane informacje podane w niniejszej instrukcji.

W razie potrzeby ponownego transportu chłodziarki należy przestrzegać następujących wskazówek

1. Przed transportem należy chłodziarkę opróżnić i oczyścić.
2. Przed ponownym zapakowaniem chłodziarki, półki, akcesoria, pojemnik na warzywa itp. należy przymocować taśmą klejącą zabezpieczając je przed wstrząsami.
3. Opakowanie należy obwiązać grubą taśmą i silnymi sznurkami i przestrzegać reguł transportu wydrukowanych na opakowaniu.

i Zawsze pamiętaj...

Wszystkie surowce wtórne stanowią niezbywalne źródło oszczędności zasobów naturalnych i krajowych.

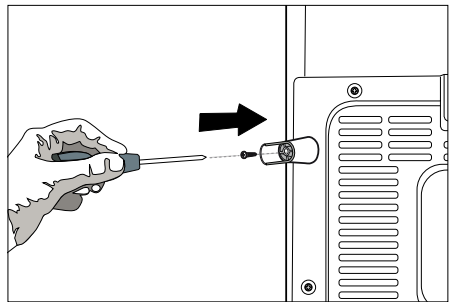
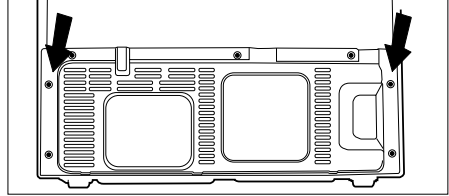
Osoby pragnące przyczynić się do wtórnego wykorzystania materiałów opakunkowych, mogą uzyskać dodatkowe informacje od instytucji ochrony środowiska lub władz lokalnych.

Przed uruchomieniem chłodziarki

Przed rozpoczęciem użytkowania chłodziarki, należy sprawdzić:

1. Czy wewnątrz chłodziarki jest suche i czy powietrze może swobodnie krążyć za chłodziarką?
2. Wsadź 2 plastikowe kliny w tylną płytę wentylacyjną, jak pokazano na poniższym rysunku. W tym celu wyjmij śruby z chłodziarki i użyj śrub dostarczonych w tej samej torebce.

Kliny plastikowe zapewniają odstęp pomiędzy chłodziarką a ścianą wymagany do umożliwienia krążenia powietrza.



3. Oczyścić wewnątrz chłodziarki, zgodnie z zaleceniami podanymi w rozdziale „Konserwacja i czyszczenie”.
4. Włączyć wtyczkę chłodziarki w gniazdko w ścianie. Po otwarciu drzwiczek zapali się lampka wewnętrzna.
5. Po uruchomieniu sprężarki słyszalny będzie jej szum. Płyiny i gazy zawarte w systemie chłodzenia także mogą powodować szumy, nawet jeśli nie działa sprężarka i jest to zupełnie normalne.
6. Przednie krawędzie chłodziarki mogą się nagrzewać. Jest to całkiem normalne. Te miejsca mogą się nagrzewać, zapobiegając skraplaniu się pary.

Połączenia elektryczne

Chłodziarkę przyłącza się do gniazdka z uziemieniem, zabezpieczonego bezpiecznikiem o odpowiedniej wartości.

Ważne:

- ⚠ Przyłączenie chłodziarki musi być zgodne z przepisami krajowymi.
- ⚠ Po instalacji wtyczka zasilania musi być łatwo dostępna.
- ⚠ Napięcie i dopuszczalny prąd bezpiecznika podano w rozdziale „Dane techniczne”.
- ⚠ Podane tam napięcie musi być równe napięciu w Waszej sieci zasilającej.
- ⚠ Do przyłączenia nie można używać przedłużaczy, ani rozgałęźników.
- ⚠ Uszkodzony przewód zasilający musi wymienić upoważniony i wykwalifikowany elektryk.
- ⚠ Przed naprawą nie wolno ponownie uruchamiać chłodziarki! Grozi to porażeniem elektrycznym!

Usuwanie opakowania

- ⚠ Materiały opakunkowe mogą być niebezpieczne dla dzieci. Należy chronić materiały opakunkowe przed dostępem dzieci, albo usunąć je zgodnie z instrukcją odpowiedzialną dla odpadków ich kategorii. Nie wolno usuwać ich w taki sam sposób, jak innych odpadów z gospodarstwa domowego.
- Opakowanie tej chłodziarki wyprodukowano z surowców wtórnych.

Utylizacja starej chłodziarki

Starą chłodziarkę należy utylizować tak, aby nie zaszkodzić środowisku naturalnemu.

- ⚠ W sprawie złomowania chłodziarki możecie skonsultować się z autoryzowanym sprzedawcą lub punktem zbiórki surowców wtórnych w swojej miejscowości.
- ⚠ Przed złomowaniem chłodziarki należy odciąć wtyczkę zasilania elektrycznego, a jeśli w drzwiczkach są jakieś zamki, należy je trwale uszkodzić, aby chronić dzieci przed wszelkimi zagrożeniami.

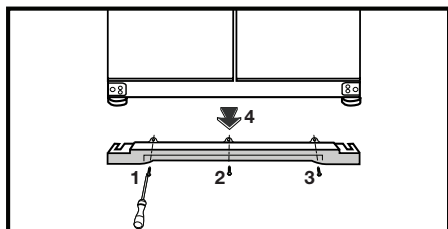
Ustawienie i instalacja

- ⚠ Uwaga: W trakcie instalowania chłodziarki nigdy nie wolno włączać wtyczki w gniazdko w ścianie. Może to zagrażać śmiercią lub poważnym urazem.
- ⚠ Jeśli drzwi wejściowe do pomieszczenia, w którym ma być zainstalowana chłodziarka, są zbyt wąskie, aby chłodziarka mogła przez nie przejść, należy wezwać autoryzowany serwis, który zdejmie z niej drzwiczki i przeniesie ją bokiem przez drzwi.

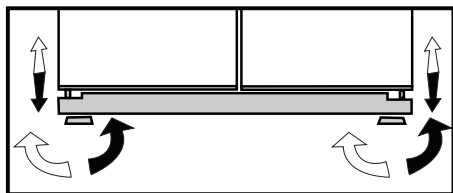
1. Chłodziarkę należy zainstalować w miejscu, w którym łatwo będzie ją używać.
2. Chłodziarka musi stać z dala od źródeł ciepła, miejsc wilgotnych i bezpośrednio nasłonecznionych.
3. Aby uzyskać wydajną pracę chłodziarki, należy zapewnić odpowiednią wentylację wokół niej. Jeśli chłodziarka ma stanąć we wnęce w ścianie, należy zachować co najmniej 5 cm odstęp od sufitu i ściany. Jeśli podłoga pokryta jest wykładziną dywanową, chłodziarka musi stać 2,5 cm ponad powierzchnią podłogi.
4. Aby uniknąć wstrząsów, chłodziarkę należy ustawić na równej powierzchni podłogi.
5. Temperatura w otoczeniu chłodziarki nie może spadać poniżej 10°C.

Wyrównanie nierówności podłogi

⚠ Jeśli chłodziarka nie stoi równo;
⚠ Najpierw wyjmij wtyczkę z gniazdka. W trakcie ustawiania chłodziarki na podłodze wtyczka musi być wyjęta z gniazdka. Grozi to porażeniem elektrycznym.



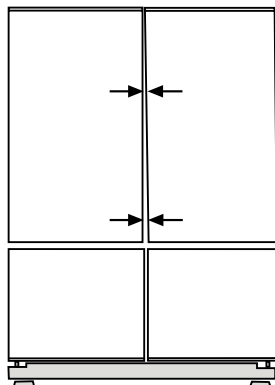
1. Pokrywę wentylacyjną zdejmuje się pod uprzednim odkręceniu mocujących ją śrubek, jak pokazano na rysunku. Można wyrównać jej ustawienie obracając przednie nóżki, tak jak pokazano na rysunku. Narożnik lodówki obniża się obracając nóżkę w tym narożniku w kierunku czarnej strzałki, lub podnosi obracając nóżkę w przeciwnym kierunku. Takie działanie ułatwi lekkie uniesienie chłodziarki z pomocą innej osoby.



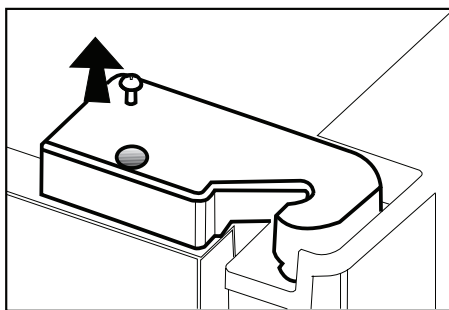
2. Gdy po wyrównaniu robocem ustąpił, załóż z powrotem pokrywę wentylacyjną i przykręć śruby.

3. Śruby mocujące dolną pokrywę wentylacyjną odkręca się krzyżowym śrubokrętem Philipsa.

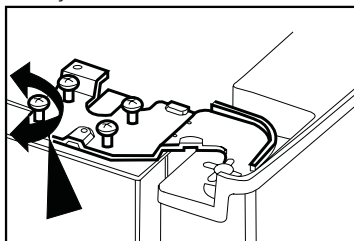
Ustawianie szczeliny między górnymi drzwiczkami

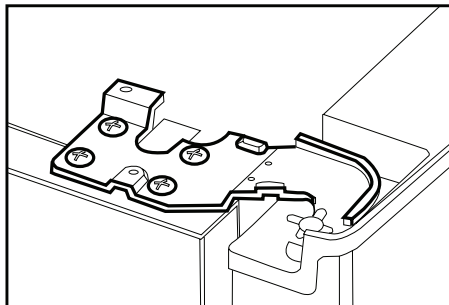


i Szczelinę pomiędzy drzwiczkami komory chłodzenia można ustawić tak, jak pokazano na rysunkach. Przed ustawieniem wysokości drzwiczek należy opróżnić ich półki.

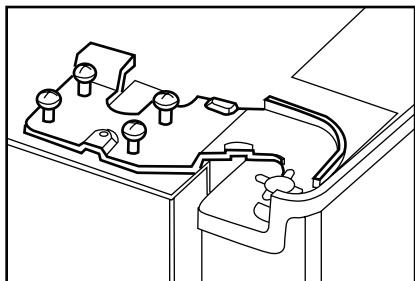


i Wkrętakiem odkręcić i wyjąć śrubę z pokrywy górnego zawiasu drzwiczek, które należy ustawić.

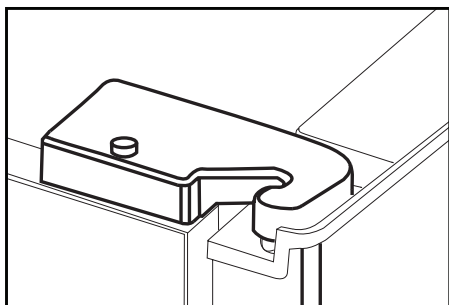




i Odpowiednio ustaw drzwiczki odkręcając śruby.



i Umocuj tak ustawione drzwiczki zakręcając śruby bez zmiany ustawienia drzwiczek.



i Założyć z powrotem pokrywę zawiasu i umocować ją śrubą.

Wymiana lampki oświetlenia

Aby wymienić lampkę używaną do oświetlenia chłodziarki, prosimy wezwać autoryzowany serwis.

Lampa (lampy) wykorzystywane w tym urządzeniu nie są przeznaczone do oświetlenia pomieszczeń. Lampa ta ma pomagać użytkownikowi wygodnie i bezpiecznie umieszczać pożywienie w lodówce/zamrażarce.

Żarówki używane w urządzeniu muszą wytrzymywać ekstremalne warunki fizyczne, jak np. temperatury poniżej -20°C .

Instalowanie filtra wody

(w niektórych modelach)

Wodę do chłodziarki można czerpać z dwóch różnych źródeł: z sieci zaopatrzenia w wodę zimną lub z pojemnika na wodę.

Wymagania instalacyjne

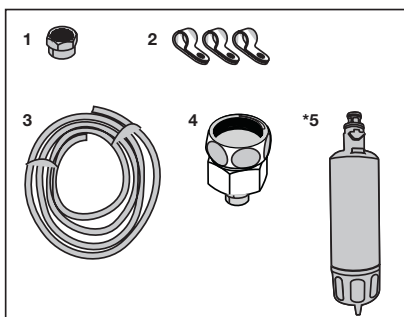
Do korzystania z wody z pojemnika potrzebna jest pompa.

Sprawdzić, czy wraz z chłodziarką dostarczono podane poniżej części:

1. Nakrętka do przyłączenia rury do wody do tylnej ścianki lodówki (Jeśli nie pasuje, zaopatrzyć się w nią w najbliższym autoryzowanym punkcie serwisowym.)
2. 2 sztuki obejmy na rurę (na wypadek, gdyby trzeba było zabezpieczyć rurę do wody)

Uwaga: Ponieważ następujące części nie są potrzebne przy korzystaniu z pojemnika na wodę, mogą nie być dostarczane razem z zakupioną chłodziarką.

3. 5-metrowa rura do wody (średnica 1/4 cala)
4. Zawór zasilania wodą zimną z filtrem siatkowym (adapter do kranu)
5. Filtr do wody lub filtr zewnętrzny zakładany na wspornik wewnątrz komory chłodzenia.



Najpierw trzeba określić miejsce założenia filtra zewnętrznego. (Dotyczy filtra użytego na zewnątrz chłodziarki.) Następnie określa się odległość pomiędzy filtrem a chłodziarką i wymaganą długość węża od filtru do wlotu wody do chłodziarki.

Filtr wody należy umieścić pionowo, jak pokazano na rysunku. Ważne jest, aby właściwie umocować filtr w punktach wlotu i wylotu wody.

Nie należy używać pierwszych 3-4 szklanek wody zaraz po założeniu filtru.

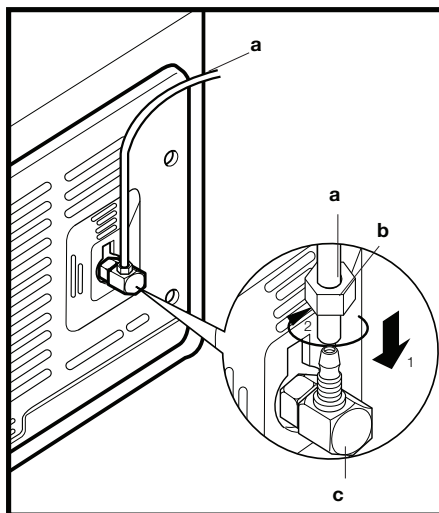
Przyłączanie rury z wodą do chłodziarki

1. Po założeniu nakrętki na rurę do wody mocno naciskając w dół włożyć rurę do zaworu wlotowego chłodziarki.

2. Zamocować nakrętkę, jak pokazano to na rysunku obok, zaciskając ją ręcznie na zaworze wlotowym chłodziarki.

(a- rura do wody, b-nakrętka, c-zawór)

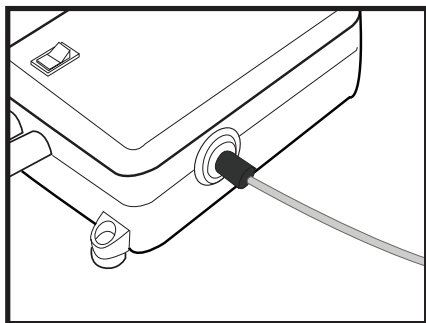
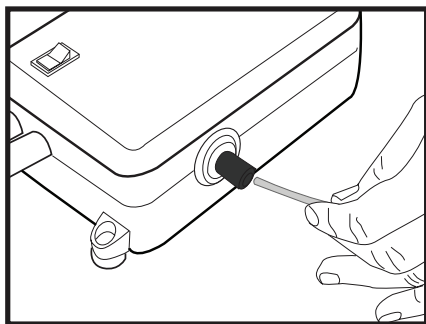
i Uwaga 1: Aby uzyskać ścisłe połączenie nie trzeba zakręcać nakrętki żadnym narzędziem. W razie wycieku użyć klucza lub kleszczy do zakręcenia nakrętki.



Przyłączenie węża do wody do pojemnika (w niektórych modelach)

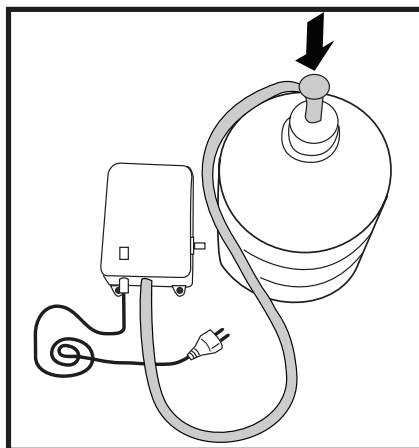
Do przyłączenia wody ze zbiornika do chłodziarki potrzebna jest pompa. Postępować według poniższych instrukcji po przyłączeniu jednego końca rury do wody wychodzącej z pompy do chłodziarki jak opisano to na poprzedniej stronie.

1. Dokończyć przyłączenia wpychając drugi koniec rury na wodę do wlotu rury w pompie, jak pokazano na rysunku.



2. Włożyć i umocować wąż z pompy w zbiorniku, jak pokazano na rysunku.
3. Po ukończeniu przyłączenia włączyć pompę do zasilania i uruchomić ją. Pompa osiąga stan skutecznej pracy po 2-3 minutach od uruchomienia.

- i** Przy przyłączaniu zasilania w wodę można korzystać z instrukcji obsługi pompy.
- i** Jeśli używa się wody ze zbiornika nie potrzeba filtra do wody.
- i** Jeśli używa się wody ze zbiornika potrzeba pompy.



Przyłączenie rury do wody do domowej instalacji wody zimnej

(w niektórych modelach)

Jeśli chce się korzystać z chłodziarki przyłączonej do domowej instalacji wody zimnej,

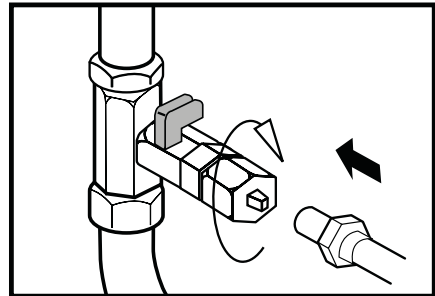
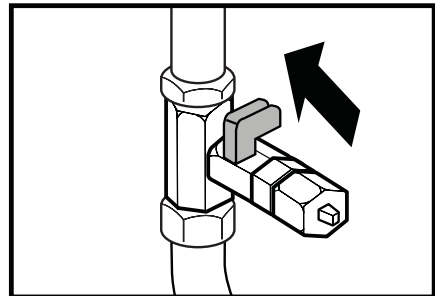
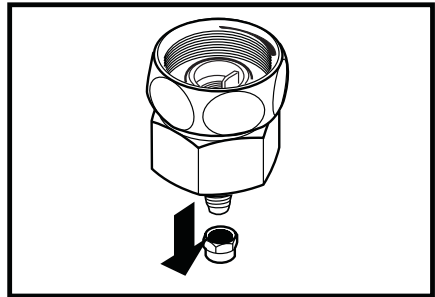
na instalacji tej należy założyć standardową złączkę zaworową 1/2". Jeśli brak takiego zaworu, lub w przypadku wątpliwości, skonsultować się z wykwalifikowanym hydraulikiem.

1. Zdjąć nakrętkę z adaptera do kranu. (Rysunek A)
2. Założyć adapter do kranu na złączkę zaworową 1/2", jak pokazano na rysunku. (Rysunek B)
3. Po włożeniu rury do wody do nakrętki zainstalować ją na adapterze kranu i włożyć do kranu, jak pokazano na rysunku. (Rysunek C)
4. Ręcznie dokręcić nakrętkę. W razie wycieku użyć klucza lub kleszczy do zakręcenia nakrętki.

⚠Uwaga: Aby uniknąć uszkodzeń, przemieszczeń lub przypadkowego odłączenia w odpowiednich punktach zabezpieczyć rurę do wody dostarczonymi obejmami.

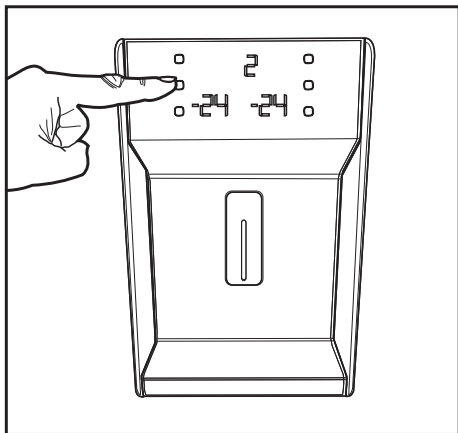
⚠Uwaga: Po otwarciu zaworu do wody upewnić się, że żadne z obu połączeń rury do wody nie przecieka. W razie wycieku natychmiast zamknąć zawór i ponownie zacisnąć wszystkie złącza kluczem lub szczypcami.

⚠Uwaga: Upewnić się, czy standardowa złączka zaworowa 1/2" zasilana z domowej instalacji wody zimnej jest dostępna i całkowicie zamknięta.

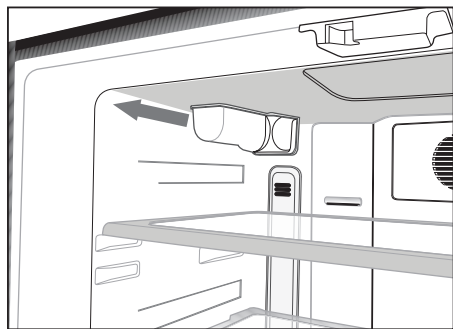


Aby założyć filtr do wody, postępować według poniższych instrukcji odnosząc się do podanych rysunków:

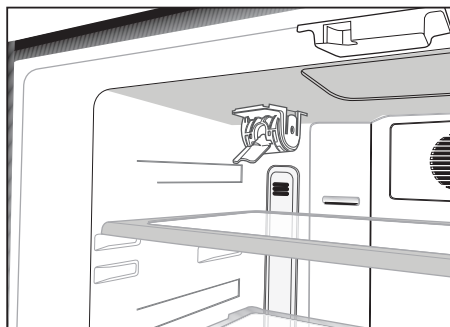
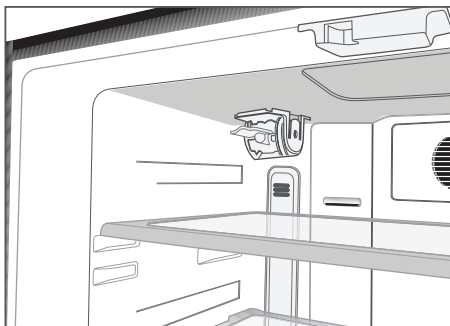
1. Nacisnąć przycisk kasowania lodu na wyświetlaczu.



2. Zdjąć pokrywkę filtra w komorze chłodzenia pociągając za nią do przodu.



3. Zdjąć pokrywkę bocznika filtra obracając ją ku dołowi.



⚠ Uwaga: Przed zdjęciem pokrywy bocznika upewnić się, czy załączono tryb „Ice off” [Bez lodu].

Uwaga: Po zdjęciu pokrywy może wyciec kilka kropli wody. To normalne.

4. Zdjąć pokrywkę z góry filtra wody aby umieścić ją jak pokazano na rysunku i obrócić ją do góry, aby zamknąć.
5. Ponownie nacisnąć przycisk „Ice Off” [Bez lodu] na wyświetlaczu, aby wyjść z tego trybu.

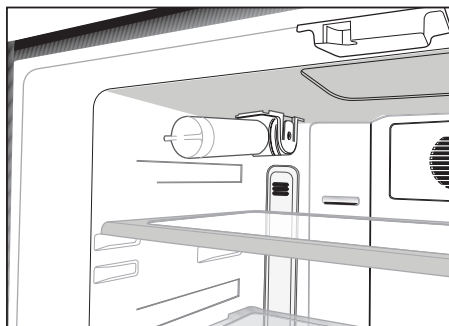
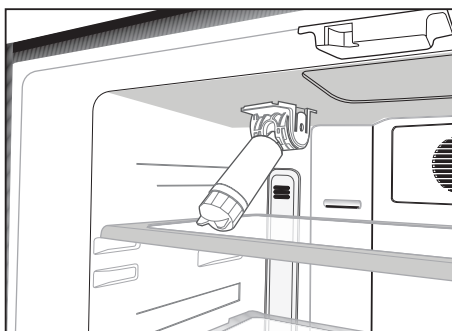
Filtr do wody należy wymieniać co 6 miesięcy.

Jeśli chcecie automatycznie obliczać termin wymiany filtra i odbierać sygnał ostrzegawczy po upływie czasu użytkowania, prosimy przeczytać rozdział "Automatyczne obliczanie czasu użytkowania filtra".

Filtr do wody wymienia się jak pokazano na rysunku, jeśli trzeba go wymienić lub jeśli nie będzie już używany i trzeba założyć pokrywę bocznika. Przed jego wyjęciem należy się upewnić, że czynny jest tryb „Ice Off” [Bez lodu].

⚠ Uwaga: Filtr do wody służy do czyszczenia jej z niektórych obcych cząstek. Nie oczyszcza wody z mikroorganizmów.

⚠ Uwaga: Przycisk „Ice off” [Bez lodu] musi być zawsze przyciśnięty w trakcie wymiany filtra do wody lub instalowania pokrywy bocznika.



Przed pierwszym użyciem dozownika wody.

i Ciśnienie wody w instalacji wodociągowej musi wynosić co najmniej 1 bar.

i Ciśnienie wody w instalacji wodociągowej nie może przekroczyć 8 bar.

i Jeśli ciśnienie wody zasilającej spadnie poniżej 1 bara, lub jeśli używana ma być woda ze zbiornika, trzeba użyć pomp.

i System wodny chłodziarki należy przyłączyć do instalacji wodociągowej wody zimnej. Nie wolno przyłączać go do instalacji wody gorącej.

i Na wstępnym etapie pracy lodówki nie można uzyskać wody. Powoduje to obecność powietrza w systemie. Aby odpowietrzyć system, nacisnąć zapadkę dozownika przez 1 min. aż z dozownika popłynie woda. Na początku strumień wody może być nierówny. Po całkowitym odpowietrzeniu systemu strumień wody wyrówna się.

i Przy pierwszym uruchamianiu chłodziarki należy odczekać ok. 12 godzin, zanim można będzie uzyskiwać z niej wodę.

Aby dozownik lodu/wody działał równomiernie, ciśnienie wody w instalacji wodociągowej musi wynosić 1-8 barów. Można to określić sprawdzając, czy szklanka wody (100 cc) napełnia się wodą w ciągu 10 sekund.

i Nie należy pić wody z pierwszych 10 szklanek.

Pierwsze ok. 30 kostek lodu uzyskanych z dozownika lodu nie nadaje się do użycia.

i Gdy nie używa się wody ze zbiornika, należy zawsze stosować filtr wody.

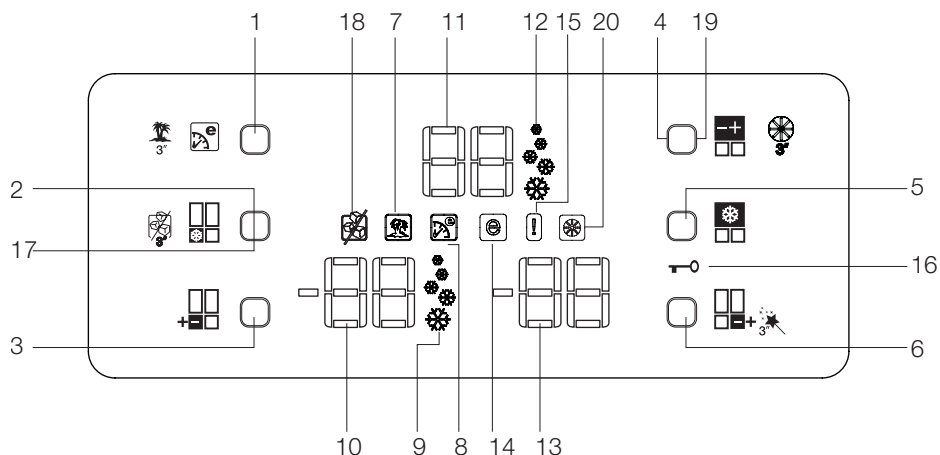
4 Przygotowanie

- i** Chłodziarkę tę należy zainstalować przynajmniej 30 cm od źródeł ciepła takich jak kuchenka, kaloryfer lub piec, i przynajmniej 5 cm od piecyka elektrycznego, a także że należy chronić ją przed bezpośrednim działaniem słońca.
- i** Temperatura otoczenia w pomieszczeniu, gdzie instaluje się chłodziarkę, powinna wynosić co najmniej 10°C. Ze względu na wydajność chłodziarki nie zaleca się użytkowania jej niższych temperaturach.
- i** Prosimy upewnić się, że wnętrze chłodziarki zostało dokładnie oczyszczone.
- i** Jeśli zainstalowane mają być dwie chłodziarki obok siebie, należy zachować co najmniej 2 cm odstęp między nimi.
- i** Przy pierwszym uruchomieniu chłodziarki prosimy przez pierwsze sześć godzin przestrzegać następujących instrukcji.
 - Nie należy zbyt często otwierać drzwiczek.
 - Należy uruchomić ją pustą, bez żadnej żywności we wnętrzu.
 - Nie należy wyłączać wtyczki chłodziarki z gniazdka. W przypadku awarii zasilania, której nie można samemu naprawić, prosimy zastosować się do ostrzeżenia z rozdziału „Zalecane rozwiązania problemów”.
- i** Oryginalne opakowanie i elementy z pianki należy zachować do przyszłego transportu lub przeprowadzek.

5 Obsługa chłodziarki

Panel wskaźników

Ten dotykowy panel wskaźników umożliwia nastawianie temperatury bez otwierania drzwiczek chłodziarki. Aby nastawić temperaturę, wystarczy dotknąć palcem właściwy przycisk.



1. Przycisk Eco Extra/Vacation
2. Przycisk szybkiego zamrażania
3. Przycisk nastawienia temperatury w komorze zamrażania
4. Przycisk nastawienia temperatury w komorze chłodzenia
5. Przycisk szybkiego chłodzenia
6. Przycisk nastawienia temperatury w komorze Multi Zone
7. Wskaźnik funkcji Vacation
8. Wskaźnik funkcji Eco Extra
9. Wskaźnik funkcji szybkiego zamrażania
10. Wskaźnik temperatury w komorze zamrażania
11. Wskaźnik temperatury w komorze chłodzenia
12. Funkcja szybkiego schładzania
13. Wskaźnik temperatury w komorze Multi Zone
14. Wskaźnik trybu oszczędnego
15. Wskaźnik błędu
16. Wskaźnik blokady klawiszy
17. Przycisk wyłączenia tworzenia lodu
18. Wskaźnik Ice-off [Bez lodu]
19. Przycisk kasowania ostrzeżenia o zmianie filtra
20. Wskaźnik ostrzeżenia o zmianie filtra

i Rysunki w niniejszej instrukcji to tylko schematy i nie muszą ściśle odpowiadać Waszemu modelowi chłodziarki. Jeśli pewnych części nie ma w nabytej chłodziarce, to znaczy, że odnoszą się do innych modeli.

1. Przycisk Eco Extra/Vacation

Aby uruchomić funkcję Eco Extra na chwilę naciśnij ten przycisk. Aby uruchomić funkcję Vacation naciśnij ten przycisk i przytrzymaj go przez 3 sek. Aby wyłączyć wybraną funkcję, ponownie naciśnij ten przycisk.

2. Przycisk szybkiego zamrażania

Aby uruchomić funkcję szybkiego zamrażania na chwilę naciśnij ten przycisk. Aby wyłączyć wybraną funkcję, ponownie naciśnij ten przycisk.

3. Przycisk nastawienia temperatury w komorze zamrażania

Naciśnij ten przycisk, aby nastawić temperaturę w komorze zamrażalnika odpowiednio na -18, -20, -22, -24 -18 stopni. Naciśnij ten przycisk, aby nastawić żądaną temperaturę w komorze zamrażania.

4. Przycisk nastawienia temperatury w komorze chłodzenia

Naciśnij ten przycisk, aby nastawić temperaturę w komorze chłodzenia odpowiednio na 8, 6, 4, 2, 8... stopni. Naciśnij ten przycisk, aby nastawić żądaną temperaturę w komorze chłodzenia.

5. Przycisk szybkiego chłodzenia

Aby uruchomić funkcję szybkiego chłodzenia na chwilę naciśnij ten przycisk. Aby wyłączyć wybraną funkcję, ponownie naciśnij ten przycisk.

6. Przycisk nastawiania temperatury w komorze Multi Zone

Komorę Multi Zone można nastawić na schładzanie lub na zamrażanie. Aby nastawić komorę Multi Zone na schładzanie lub zamrażanie, naciśnij ten przycisk i przytrzymaj go przez chwilę (3 sek.). Komora ta nastawiona jest fabrycznie na zamrażanie.

Jeśli komora Multi Zone nastawiona jest na zamrażanie, temperatura w niej za każdym naciśnięciem tego przycisku zmieniać się będzie odpowiednio od -18, przez -20, -22, -24, aż do -18... stopni. Jeśli komora Multi Zone nastawiona jest na chłodzenie, temperatura w niej za każdym naciśnięciem tego przycisku zmieniać się będzie odpowiednio od 10, przez 8, 6, 4, aż do 2... stopni.

7. Wskaźnik funkcji Vacation

Wskaźnik ten pokazuje, że uruchomiono funkcję Vacation. Gdy funkcja ta jest aktywna, wskaźnik komory chłodzenia pokazuje "- -" i nie jest ona chłodzona. Inne komory będą chłodzone stosownie do nastawionych w nich temperatur.

Aby wyłączyć tę funkcję, ponownie naciśnij odpowiadający jej przycisk.

8. Wskaźnik funkcji Eco Extra

Wskaźnik ten pokazuje, że uruchomiono funkcję Eco Extra. Jeśli funkcja ta jest aktywna, chłodziarka automatycznie rozpozna okresy mniej intensywnego użytkowania i przełączy się na chłodzenie energooszczędne w tym czasie. W trakcie chłodzenia energooszczędnego czynniki będzie wskaźnik trybu oszczędnego.

Aby wyłączyć tę funkcję, ponownie naciśnij odpowiadający jej przycisk.

9. Wskaźnik funkcji szybkiego zamrażania

Wskaźnik ten pokazuje, że uruchomiono funkcję szybkiego zamrażania. Funkcję tę stosuje się, gdy do komory zamrażania włożono świeżą żywność lub gdy potrzebny jest lód. Gdy funkcja ta jest czynna, chłodziarka może pracować przez pewien okres czasu.

Aby wyłączyć tę funkcję, ponownie naciśnij odpowiadający jej przycisk.

10. Wskaźnik temperatury w komorze zamrażania

Wskazuje temperaturę nastawioną w komorze zamrażania.

11. Wskaźnik temperatury w komorze chłodzenia

Wskazuje temperaturę nastawioną w komorze chłodzenia.

12. Funkcja szybkiego schładzania

Wskaźnik ten pokazuje, że uruchomiono funkcję szybkiego schładzania. Funkcję tę stosuje się, gdy do komory chłodzenia włożono świeżą żywność lub gdy potrzeba szybko schłodzić żywność. Gdy funkcja ta jest aktywna, chłodziarka będzie pracować przez 2 godzin bez przerwy.

Aby wyłączyć tę funkcję, ponownie naciśnij odpowiadający jej przycisk.

13. Wskaźnik temperatury w komorze Multi Zone

Pokazuje temperaturę nastawioną w komorze Multi Zone.

14. Wskaźnik trybu oszczędnego

Pokazuje, że chłodziarka pracuje w trybie energooszczędnym. Temperatura w komorze zamrażania

Wskaźnik ten będzie aktywny, jeśli funkcję tę nastawiono na -18 stopni lub zgodnie z funkcją Eco-Extra chłodzenie przebiega w trybie energooszczędnym.

15. Wskaźnik błędu

Wskaźnik ten uruchamia się, jeśli chłodziarka nie chłodzi dostatecznie lub jeśli zepsuje się jakiś czujnik. Gdy wskaźnik ten jest aktywny, wskaźnik temperatury w komorze zamrażania wyświetli "E", wskaźnik zaś temperatury w komorze chłodzenia wyświetli liczby takie jak "1, 2, 3..." Liczby te oznaczają kod błędu rozpoznawany przez personel serwisowy.

16. Wskaźnik blokady klawiszy

Funkcji tej używa się, gdy chce się zabezpieczyć ustawienia temperatury chłodziarki przed zmianą. Aby uruchomić tę funkcję naciśnij równocześnie przyciski szybkiego chłodzenia i nastawiania temperatury w komorze Flexi Zone i przytrzymaj przez 3 sek.

Aby wyłączyć tę funkcję, ponownie naciśnij odpowiadające jej przyciski.

17. Przycisk wyłączania tworzenia lodu

Aby przerwać tworzenie lodu, naciśnij i przez 3 sek. przytrzymaj ten przycisk. Po naciśnięciu tego przycisku do pojemnika na lód nie podaje się wody. Mimo to, w pojemniku mogą zostać resztki lodu, które można stamtąd wyjąć. Aby przywrócić tworzenie lodu, naciśnij i przez 3 sek. przytrzymaj ten przycisk.

18. Wskaźnik wyłączenia tworzenia

lodu

Jeśli nie chcesz pobierać lodu z chłodziarki, musisz użyć tej funkcji. Funkcji tej możesz użyć naciskając ten przycisk i przytrzymując go przez 3 sekundy.

19. Przycisk kasowania ostrzeżenia o zmianie filtra

Filtr w tej chłodziarce trzeba wymieniać co 6 miesięcy. Jeśli zastosujesz się do instrukcji ze str. 22, chłodziarka automatycznie odlicza ten czas i po jego upływie zapala się wskaźnik wzywający do wymiany filtra. Naciśnij przycisk kasowania ostrzeżenia o zmianie filtra i przytrzymaj przez 3 sek., aby chłodziarka mogła automatycznie wyliczyć termin nowej wymiany filtra.

20. Wskaźnik kasowania ostrzeżenia o zmianie filtra

Po upływie czasu użytkowania filtra zapala się wskaźnik wezwania do jego wymiany.

Alarm otwartych drzwiczek:

W razie pozostawienia drzwiczek komory chłodzenia lub komory Flexi Zone na dłużej niż 1 min., uruchomi się i odezwie dźwiękowy alarm otwartych drzwiczek. Aby uciszyć ten alarm, wystarczy nacisnąć jakikolwiek przycisk wskaźnika lub zamknąć otwarte drzwiczki.


Regulacja komory zamrażalnika	Regulacja komory chłodzenia	Objaśnienia
-18°C	4°C	Jest to ustawienie normalne i zalecane.
-20,-22 lub -24°C	4°C	Ustawienia te zaleca się, gdy temperatura otoczenia przekracza 30oC.
Quick Freeze	4°C	Funkcji tej używa się do szybkiego zamrażania żywności. Po zakończeniu tego procesu chłodziarka powróci do pierwotnego trybu.
-18°C lub zimniej	2°C	Jeśli użytkownik uważa, że w komorze chłodzenia nie jest dostatecznie zimno z powodu wysokiej temperatury otoczenia lub częstego otwierania i zamykania drzwiczek.
-18°C lub zimniej	Quick Fridge [Szybkie chłodzenie]	Używa się tego, gdy komora chłodzenia jest przeładowana żywnością lub chce się ją szybciej ochłodzić. Zaleca się uruchomienie funkcji szybkiego chłodzenia na 4 - 8 godz. przed włożeniem żywności.

Zamrażanie żywności świeżej

- Przed włożeniem do lodówki żywność świeżą należy opakować lub przykryć.
- Przed włożeniem do lodówki gorące potrawy trzeba najpierw ostudzić do temperatury pokojowej.
- Żywność przeznaczona do zamrożenia musi być świeża i dobrej jakości.
- Żywność należy podzielić na porcje, stosownie do dziennych potrzeb konsumpcyjnych rodziny.
- Żywność musi być hermetycznie zapakowana aby zapobiec jej wysychaniu, nawet jeśli ma być przechowywana przez krótki czas.
- Materiały użyte do opakowania muszą być mocne i odporna na zimno, wilgotność, zapachy, olej i kwas, a także muszą być hermetyczne. Ponadto muszą być dobrze zamknięte i muszą być zrobione z łatwych do użycia i nadających się do zastosowania przy głębokim zamrażaniu materiałów.

- Zamrożoną żywność należy spożywać bezpośrednio po odmrożeniu i nie wolno jej ponownie zamrażać.
- Aby uzyskać najlepsze rezultaty prosimy przestrzegać następujących instrukcji.
 1. Nie należy zamrażać zbyt dużych ilości żywności na raz. Jakość żywności zachowuje się najlepiej zamrażając ją na wskroś najszybciej, jak to możliwe.
 2. Umieszczenie w komorze zamrażalnika żywności ciepłej powoduje ciągłą pracę systemu chłodzącego aż do całkowitego jej zamrożenia.
 3. Należy specjalnie zadbać, aby nie mieszać żywności już zamrożonej ze świeżą.

Zalecenia co do przechowywania mrozonek

- Pakowane mrozonki ze sklepu należy przechowywać zgodnie z instrukcjami ich producentów dla  (4-gwiazdkowych) komór do przechowywania mrozonek.
- Aby utrzymać wysoką jakość mrozonek, którą zapewnili im producenci i sprzedawcy detalicznie należy pamiętać, co następuje:

1. Paczki z mrożonkami należy wkładać do zamrażalnika możliwie szybko po ich zakupie.
2. Sprawdzić, czy paczki zaopatrzone są w etykietyk oznaczające zawartość oraz datę.
3. Nie przekraczajcie terminów podanych na opakowaniu jako terminy przydatności do spożycia.

Odszranianie

Komora zamrażarki rozmraża się automatycznie.

Rozmieszczenie żywności

Półki w komorze zamrażalnika	Różne mrożonki, np. mięso, ryby, lody, warzywa, itp.
Tacka na jajka	Jajka
Półki komory chłodniczej	Potrawy w garnkach, na talerzach z pokrywkami i w zamkniętych pojemnikach
Półki w drzwiczkach komory chłodniczej	Niewielkie zapakowane potrawy lub napoje (np. mleko, soki owocowe, piwo)
Pojemnik na świeże warzywa	Warzywa i owoce
Komora strefy świeżej	Produkty delikatesowe (ser, masło, salami, itp.)

O głębokim zamrażaniu

Aby zachować dobrą jakość żywności należy zamrozić ją najprędzej jak to możliwe po włożeniu do lodówki.

Żywność można przechowywać przez dłuższy czas tylko w temperaturze -18oC lub niższej.

Świeżość żywności można zachować przez wiele miesięcy (głęboko zamrożoną w temperaturze -18oC).

OSTRZEŻENIE! ⚠

- Żywność należy podzielić na porcje, stosownie do dziennych potrzeb konsumpcyjnych rodziny.
- Żywność musi być hermetycznie zapakowana aby zapobiec jej wysychaniu, nawet jeśli ma być przechowywana przez krótki czas.

Niezbędne do pakowania materiały:

- Odporna na zimno taśma klejąca.
- Etykiety samoprzylepne
- Pierścienie gumowe
- Pisak

Materiały używane do pakowania żywności muszą być wytrzymałe na rozdarcie i odporne na zimno, wilgoć, zapachy, oleje i kwasy.

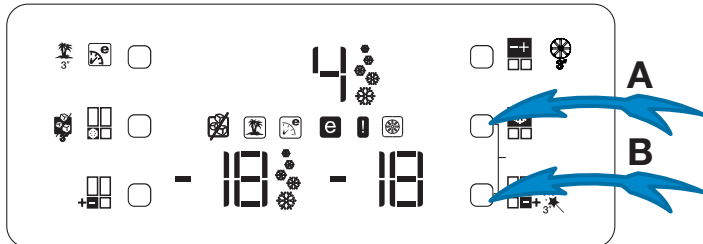
Nie należy dopuścić, aby przeznaczona do zamrożenia żywność stykała się z uprzednio zamrożoną żywnością, co grozi ich częściowym rozmrożeniem.

Zamrożoną żywność należy spożywać bezpośrednio po odmrożeniu i nie wolno jej ponownie zamrażać.

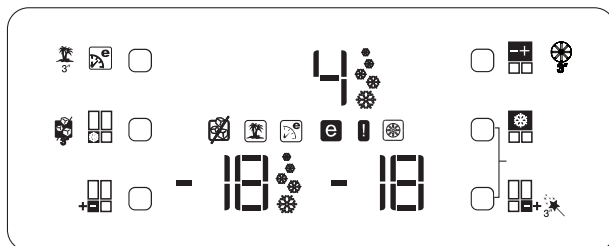
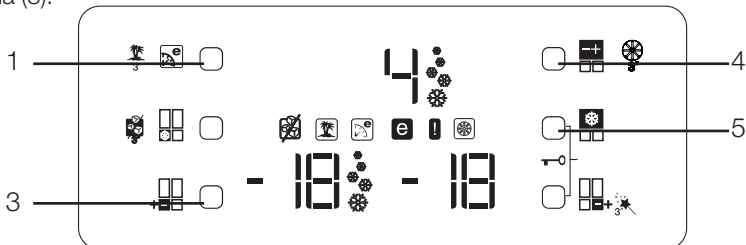
Co zrobić, aby automatycznie wyliczać czas użytkowania filtra

(Dla modeli przyłączanych do sieci wodociągowej i wyposażonych w filtr)

1- Po włożeniu wtyczki do gniazdka równocześnie naciśnij przyciski A i B aby uruchomić blokadę klawiszy.



2- Następnie naciśnij przycisk - odpowiednio - Eco-Extra (1), nastawiania temperatury w komorze chłodzenia (4), szybkiego chłodzenia (5) lub nastawiania temperatury w komorze zamrażania (3).



Za naciśnięciem we właściwym porządku konfiguracji przycisków symbol blokady znika, na chwilę odzywa się buczonek i zapala wskaźnik ostrzeżenia o wymianie filtra. Po wymianie filtra naciśnij przycisk kasowania ostrzeżenia o wymianie filtra (poz. 19 opisu wyświetlacza) aby automatycznie wyliczać czas jego użytkowania.

UWAGA:

1. Jeśli czas użytkowania filtra jest automatycznie wyliczany, wskaźnik ostrzeżenia o wymianie filtra zapali się w kilka sekund po każdym przyłączeniu chłodziarki do zasilania i będzie się palić ciągle.

2. Automatyczne wyliczanie czasu użytkowania filtra nie jest fabrycznie uruchamiane. Trzeba je uruchomić w modelach wyposażonych w filtr.

3. Aby wyłączyć wyliczanie czasu użytkowania filtra w modelu z uruchomioną taką funkcję powtórz tę samą procedurę.

Półka na jajka

Na wybranych drzwiczkach lub półce można założyć uchwyty na jajka.

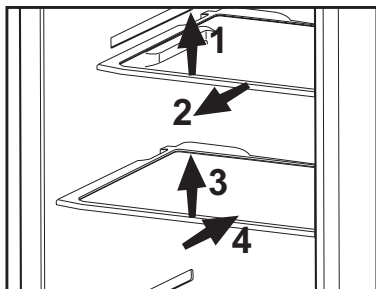
Nie wolno przechowywać uchwyty na jajka w komorze zamrażalnika.

Półki wysuwane

Półki wysuwane można wyciągać lekko podnosząc ich przód i przesuwając do przodu i do tyłu. Wysuwane do przodu zatrzymują się w punkcie, w którym można sięgnąć po żywność umieszczona z tyłu półki, po lekkim podniesieniu ich przodu można je dalej wysuwać aż do następnego punktu zatrzymania, w którym można wyjąć półkę z komory.

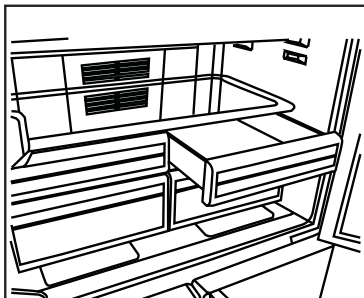
Półkę należy mocno podtrzymywać od spodu, żeby się nie przewróciła. Półki wysuwane umieszczone są na szynach na bocznych ścianach komory chłodziarki, co umożliwia przenoszenie ich w górę lub w dół.

Aby umieścić półkę wysuwana w jej stałej pozycji należy wsunąć ją do samego końca.



Pojemnik na świeże warzywa

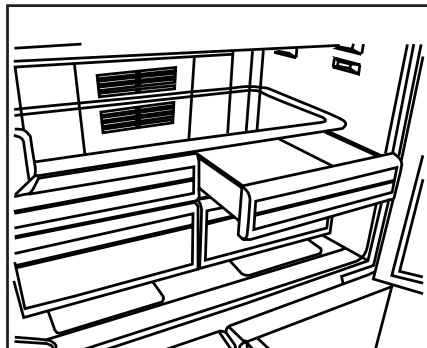
Pojemnik na świeże warzywa w tej chłodziarce służy specjalnie do zachowania świeżości warzyw bez utraty ich wilgoci. W tym celu zapewnia się ogólne krążenie zimnego powietrza wokół pojemnika na świeże warzywa. Zanim wyjmiesz pojemnik na świeże warzywa najpierw wyjmij półki z drzwiczek na tym samym poziomie. Pojemniki na świeże warzywa wyjmuje się tak, jak pokazano to na rysunku.



Komora schładzania

W komorze schładzania przygotowuje się żywność do zamrożenia. Można w niej także przechowywać żywność w temperaturze o kilka stopni niższej niż w komorze zamrażania.

Pojemność wnętrza chłodziarki można zwiększyć wyjmując z niej pojemniki na żywność do schładzania. W tym celu pociągnąć pojemnik ku sobie, pojemnik oprze się o blokadę i zatrzyma. Można go wyjąć podnosząc o ok. 1 cm i pociągając ku sobie.



Ruchoma sekcja środkowa

Ruchoma sekcja środkowa służy zapobieganiu ulatniania się zimnego powietrza z wnętrza chłodziarki na zewnątrz.

1- Przy zamykaniu drzwiczek komory chłodzenia uszczelka w drzwiczkach szczelnie przylega do powierzchni ruchomej sekcji środkowej.

2 - Inny powód wyposażenia chłodziarki w środkową sekcję ruchomą polega na powiększeniu objętości netto komory chłodzenia. Standardowe sekcje środkowe zajmują nieco miejsca niewykorzystywanego do chłodzenia.

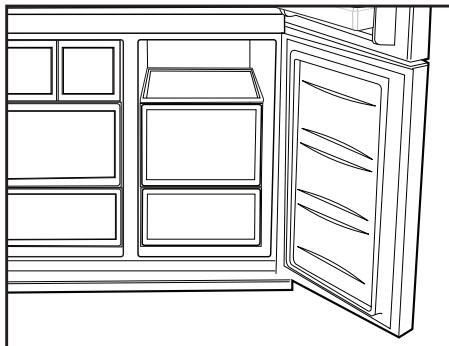
3- Ruchomą sekcję środkową zamyka się przy zamykaniu lewych drzwiczek komory chłodzenia.

4- Nie można otwierać jej ręcznie. Przy zamykaniu drzwiczek porusza się pod prowadnicą części plastikowej korpusu.

Komora Multi Zone

Komorę Multi Zone tej chłodziarki można używać w dowolnym wybranym trybie, nastawiając ją na temperatury chłodzenia (2/4/6/8 °C) lub zamrażania (-18/-20/-22/-24). Temperaturę w tej komorze nastawia się "przyciskiem nastawiania temperatury w komorze Multi Zone". Temperaturę w tej komorze można nastawiać na 0 i 10 stopni na dodatek do temperatur komory chłodzenia oraz na -6 stopni na dodatek do temperatury w komorze zamrażania. 0 stopni stosuje się do dłuższego przechowywania produktów delikatnych, - 6 stopni zaś do przechowywania mięs aż do 2 tygodni w stanie umożliwiającym ich łatwe krojenie.

i Funkcję przełączania na komorę chłodzenia lub zamrażania zapewnia element chłodzący umieszczony w sekcji zamkniętej (komora sprężarki) z tyłu chłodziarki. W trakcie pracy tego elementu mogą być słyszalne odgłosy podobne do tych, jakie wydaje zegar analogowy odliczając sekundy. Jest to zupełnie normalne i nie świadczy o zakłóceniu w pracy chłodziarki.



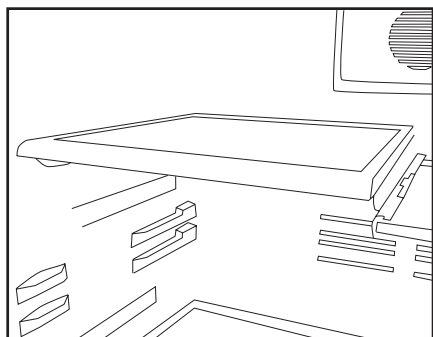
Niebieskie światło

Żywność przechowywana w pojemniku na świeże warzywa i oświetlona niebieskim światłem kontynuuje fotosyntezę pod jego wpływem i tym samym zachowuje świeżość i podnosi zawartość witamin.



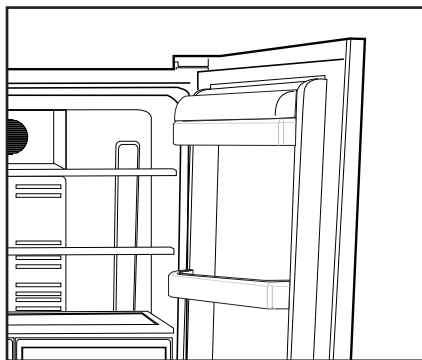
Półki wysuwane z wieszakami tylnymi

Półki wysuwane z wieszakami tylnymi można przesuwając w tył i w przód. Ich wysokość można regulować wyjmując je i instalując w wyższej lub niższej pozycji. Aby wyjąć półkę, podnieś ją lekko i pociągnij ku sobie.



Miejsce na masło i sery

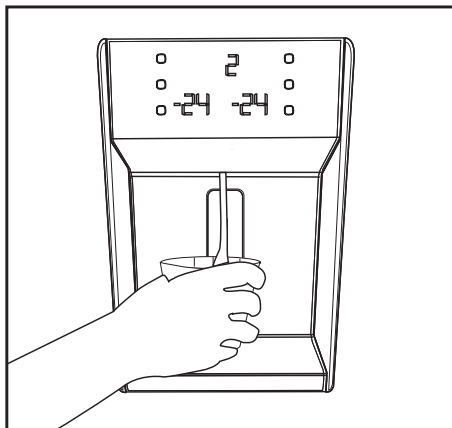
W tej zaopatrzonej w pokrywkę części można przechowywać żywność taką jak masło, ser i margarynę.



Korzystanie z dozownika wody

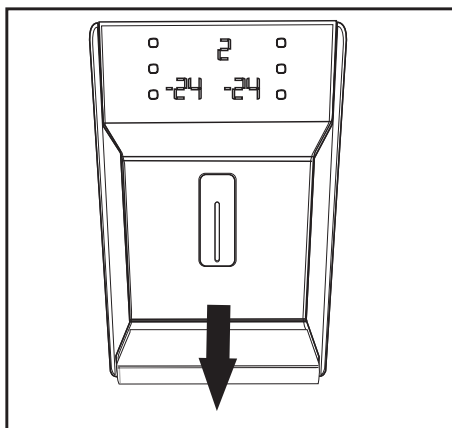
Ostrzeżenia

Pierwsze kilka szklanek wody z dozownika mogą być ciepłe i jest to całkiem normalne. Jeśli z dozownika wody korzysta się niezbyt często, aby uzyskać świeżą wodę trzeba przedtem spuścić z niego odpowiednią ilość wody.



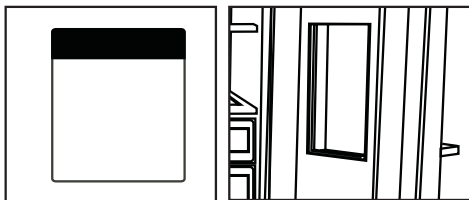
Tacka na wodę przelaną

Krople wody, które kapią podczas użytkowania, zbiera się w specjalnej tacce. Tackę na rozlaną wodę wyjmuje się pociągając ku sobie lub naciskając na jej krawędź (zależnie od modelu). Wodę usuwa się z niej gąbką lub miękką ściereczką.

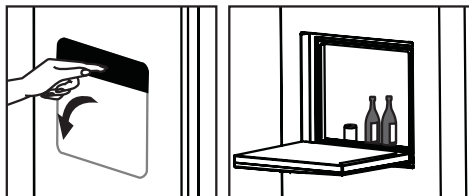


Minibar

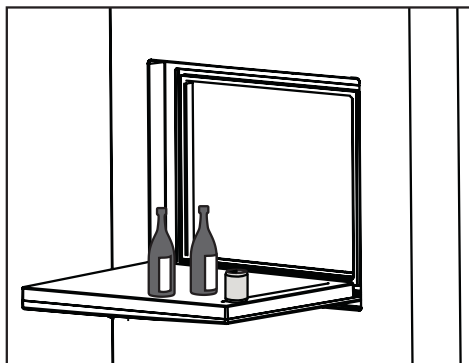
Drzwiczki minibaru to dodatkowe ułatwienie przy korzystaniu z chłodziarki. Do półki w drzwiczkach chłodziarki można się dostać bez ich otwierania; dzięki temu można łatwo wyjmować z chłodziarki często spożywane potrawy i napoje. Rzadziej otwierając drzwiczki chłodziarki zużywa się mniej energii.



Aby otworzyć drzwiczki minibaru nacisnąć je dłonią i pociągnąć do tyłu.

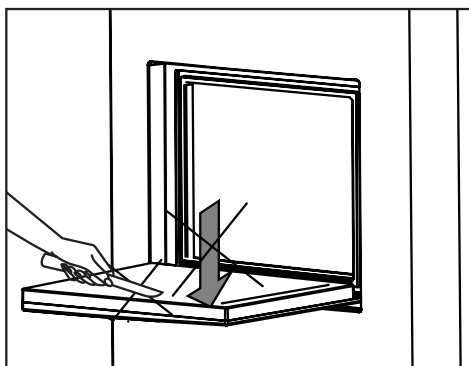


Przy otwartych drzwiczkach minibaru wewnętrzną płaszczyznę drzwiczek można wykorzystać jako stolik do postawienia na chwilę butelek i szklanek, jak pokazano to na rysunku.



⚠Uwaga: Nie rób nic, co obciążałoby drzwiczki, nie siadaj na nich, nie wspinasz się na stolik, nie wieszaj na nim, a nie stawiaj na nim nic ciężkiego. Może to spowodować uszkodzenie chłodziarki i obrażenia użytkowników.

⚠Uwaga: Nie ciąć niczego na drzwiczkach minibaru i chronić je przed uszkodzeniem ostrymi przedmiotami.



6 Konserwacja i czyszczenie

- ⚠ Do czyszczenia chłodziarki nie wolno używać benzyny, benzenu, ani podobnych substancji..
- ⚠ Zaleca się wyłączenie wtyczki chłodziarki z gniazdka przed jej czyszczeniem.
- ⚠ Do czyszczenia nie wolno stosować żadnych szorstkich narzędzi ani mydła, domowych środków czystości, detergentów, ani wosku do polerowania.
- ⚠ W przypadku produktów, które nie mają funkcji No Frost, na tylnej ścianie wewnątrz komory chłodzenia mogą pojawiać się krople wody i szron. Nie należy ich usuwać; nie stosować tłuszczu ani podobnych środków.
- ⚠ Należy używać wyłącznie wilgotnej ściereczki z mikrofibry w celu wyczyszczenia zewnętrznej części produktu. Gąbki lub inne materiały do czyszczenia mogą powodować zadrapania na powierzchni.
- ℹ Umyj obudowę chłodziarki letnią wodą i wytrzyj ją do sucha.
- ℹ Wnętrze należy czyścić ściereczką zamoczoną i wyjętą w roztworze jednej łyżeczki do herbaty sody oczyszczonej w 0,5 litra wody, a następnie wytrzeć do sucha.
- ⚠ Zadbaj, aby do obudowy lampki i innych urządzeń elektrycznych nie dostała się woda.
- ⚠ Jeśli chłodziarka ma być nieużywana przez dłuższy okres czasu, należy ją wyłączyć i całkowicie opróżnić z żywności, oczyścić i pozostawić z uchylonymi drzwiczkami.
- ℹ Regularnie sprawdzać, czy uszczelki w drzwiczkach są czyste i nie osadzają się na nich cząstki żywności.
- ⚠ Aby wyjąć półki z drzwiczek, opróżnić je z zawartości, a potem po prostu nacisnąć od podstawy ku górze.
- ⚠ Do czyszczenia powierzchni zewnętrznych i chromowanych części produktu nie należy używać ani środków czyszczących, ani wody z zawartością chloru. Chlor powoduje korozję takich powierzchni metalowych.
- ⚠ Nie korzystaj z ostrych i ścierających narzędzi lub mydła, domowych środków czyszczących, detergentów, benzyny, benzenu, wosku, itp., gdyż może to spowodować odklejenie się znaczków i części plastikowych oraz może doprowadzić do deformacji. Do czyszczenia używaj ciepłej wody i miękkiej ściereczki, następnie wytrzyj do sucha.

Zabezpieczenia powierzchni plastikowych

- ℹ Nie wkładać do chłodziarki oleju ani potraw smażonych na oleju w nieszczelnych pojemnikach, ponieważ może to uszkodzić jej plastikowe powierzchnie. W razie rozlania się lub rozsmarowania oleju na plastikowej powierzchni, od razu oczyścić i opłukać ciepłą wodą jej zabrudzoną część.

7 Zalecane rozwiązania problemów

Prosimy zapoznać się z tym wykazem przed wezwaniem serwisu. Może to oszczędzić Wasz czas i pieniądze. Wykaz ten zawiera częste kłopoty, które nie wynikają z wadliwego wykonania ani zastosowania wadliwych materiałów. Niektóre z opisanych tu funkcji mogą nie występować w tym modelu urządzenia.

<p>Chłodziarka nie działa.</p> <ul style="list-style-type: none">• Czy jest prawidłowo przyłączona do zasilania? Włożyć wtyczkę do gniazdka.• Czy nie zadziałał bezpiecznik gniazdka, do którego jest przyłączona albo bezpiecznik główny? Sprawdzić bezpiecznik.	<ul style="list-style-type: none">• Zabezpieczenie termiczne sprężarki zadziała w trakcie nagłego zaniku zasilania lub załącza się i wyłącza, ponieważ nie wyrównało się jeszcze ciśnienie w systemie chłodzącym chłodziarki. Chłodziarka zacznie działać po ok. 6 minutach. Jeśli po upływie tego czasu chłodziarka nie zacznie działać, prosimy wezwać serwis.• Chłodziarka jest w cyklu rozmrażania. Ton normalne dla chłodziarki z całkowicie automatycznym rozmrażaniem. Cykl rozmrażania następuje okresowo.• Chłodziarka nie jest włączona do gniazdka. Upewnij się, że wtyczka jest prawidłowo włożona do gniazdka.• Czy temperatura jest właściwie nastawiona?• Być może w sieci nie ma prądu.
<p>Skopliny na bocznej ścianie komory chłodzenia (MULTIZONE, COOL CONTROL oraz FLEXI ZONE).</p> <ul style="list-style-type: none">• Bardzo niska temperatura otoczenia. Częste otwieranie i zamykanie drzwiczek. Znaczna wilgoć w otoczeniu. Przechowywanie żywności zawierającej płyny w otwartych pojemnikach. Pozostawienie uchylonych drzwiczek. Przełączyć termostat na niższą temperaturę.• Otwierać drzwiczki na krócej albo rzadziej.• Nakrywać żywność przechowywaną w otwartych pojemnikach odpowiednim materiałem.• Wycierać skropliny suchą ściereczką i sprawdzać, czy nadal się utrzymują.	<p>Chłodziarka pracuje często lub przez zbyt długi czas.</p>
<p>Sprężarka nie działa</p>	

- Nowa chłodziarka jest szersza od poprzedniej. Jest to całkiem normalne. Duże chłodziarki działają przez dłuższy czas.
- Zbyt wysoka temperatura otoczenia. Jest to całkiem normalne.
- Chłodziarka została niedawno załączona lub jest przeladowana żywnością. Całkowite ochłodzenie chłodziarki może potrwać o parę godzin dłużej.
- Ostatnio włożono do chłodziarki znaczne ilości gorącej żywności. Gorące potrawy powodują dłuższą pracę chłodziarki zanim osiągnie temperaturę przechowywania.
- Zbyt często otwierano drzwiczki lub na dłużej pozostawiano je uchylone. Ciepłe powietrze, które weszło do chłodziarki, powoduje, że działa ona dłużej. Rzadziej otwierać drzwiczki.
- Pozostawiono uchylone drzwiczki komory chłodzenia lub zamrażania. Sprawdzić, czy drzwiczki są szczelnie zamknięte.
- Chłodziarka jest nastawiona na bardzo niską temperaturę. Nastawić chłodziarkę na wyższą temperaturę i odczekać, aż zostanie ona osiągnięta.
- Uszczelka w drzwiczkach chłodziarki lub zamrażalnika jest zabrudzona, uszkodzona, pęknięta lub nieprawidłowo włożona. Oczyszczyć lub wymienić uszczelkę. Uszkodzona/ pęknięta uszczelka powoduje, że chłodziarka pracuje przez dłuższy czas, aby utrzymać bieżącą temperaturę.

Temperatura zamrażalnika jest bardzo niska, a temperatura chłodzenia jest wystarczająca.

- Chłodziarka jest nastawiona na bardzo niską temperaturę zamrażania. Nastawić chłodziarkę na wyższą temperaturę zamrażania i sprawdzić.

Temperatura chłodzenia jest bardzo niska, a temperatura zamrażania jest wystarczająca.

- Chłodziarka nastawiona jest na bardzo niską temperaturę chłodzenia. Nastawić chłodziarkę na wyższą temperaturę chłodzenia i sprawdzić.

Żywność przechowywana w szufladach komory zamraża.

- Chłodziarka nastawiona jest na bardzo niską temperaturę chłodzenia. Nastawić chłodziarkę na wyższą temperaturę chłodzenia i sprawdzić.

Bardzo wysoka temperatura w chłodziarce lub zamrażalniku.

- Chłodziarka nastawiona jest na bardzo wysoką temperaturę chłodzenia. Nastawienia chłodziarki wpływają na temperaturę w zamrażalniku. Zmienić temperaturę w chłodziarce lub zamrażalniku aż osiągnie odpowiedni poziom.
- Zbyt często otwierano drzwiczki lub na dłużej pozostawiano je uchylone, należy je rzadziej otwierać.
- Drzwiczki pozostawiono uchylone, należy je dokładnie zamknąć.
- Ostatnio włożono do chłodziarki znaczne ilości gorącej żywności. Odczekać, aż temperatura w chłodziarce lub zamrażalniku osiągnie właściwy poziom.
- Chłodziarkę załączono niedawno. Całkowite chłodzenie chłodziarki trochę potrwa.

Gdy chłodziarka pracuje, poziom hałasu wrasta.

- Z powodu zmian temperatury otoczenia zmieniły się charakterystyki eksploatacyjne chłodziarki. Jest to stan normalny, nie zaś awaria.

Drgania lub hałas

- Nierówna lub słaba podłoga. Chłodziarka podskakuje, gdy porusza się ją powoli. Sprawdź, czy podłoga jest równa i wytrzymuje ciężar chłodziarki.
- Hałas powodują rzeczy położone na chłodziarce. Należy usunąć przedmioty ustawione na chłodziarce.

Z chłodziarki dochodzą odgłosy przelewania się i syczenia płynu.
<ul style="list-style-type: none"> Zgodnie z zasadą funkcjonowania chłodziarki następują przepływy płynu lub gazu. Jest to stan normalny, nie zaś awaria.
Odgłos jakby szumu wiatru.
<ul style="list-style-type: none"> Do ochłodzenia chłodziarki użyto wentylatorów. Jest to stan normalny, nie zaś awaria.
Skropliny na wewnętrznych ściankach chłodziarki.
<ul style="list-style-type: none"> Ciepła i wilgotna pogoda sprzyja oblodzeniu i skraplaniu. Jest to stan normalny, nie zaś awaria. Drzwiczki mogą być uchylone, upewnij się, że są całkowicie zamknięte. Zbyt często otwierano drzwiczki lub na dłużej pozostawiano je uchylone, należy je rzadziej otwierać.
Na zewnątrz chłodziarki, lub pomiędzy drzwiczkami pojawia się wilgoć.
<ul style="list-style-type: none"> Być może w powietrzu jest wilgoć; to całkiem normalne przy wilgotnej pogodzie. Gdy wilgoć w powietrzu ustąpi, skropliny znikną.
Nieprzyjemna woń wewnątrz chłodziarki.
<ul style="list-style-type: none"> Trzeba oczyścić wnętrze chłodziarki. Oczyść wnętrze chłodziarki gąbką namoczoną w ciepłej lub gazowanej wodzie. Woń powodują jakieś pojemniki lub materiały opakowaniowe. Używać innych pojemników lub materiałów opakowaniowych innej marki.
Drzwiczki są niezamknięte.

- W zamknięciu drzwiczek przeszkadzają paczki z żywnością. Przełożyć paczki przeszkadzające zamknięciu drzwiczek.
- Chłodziarka nie stoi całkiem pionowo na podłodze i kiwa się przy lekkim poruszeniu. Wyregulować wysokość nóżek.
- Podłoga nie jest równa lub dość wytrzymała. Sprawdzić, czy podłoga jest równa i wytrzymałe ciężar chłodziarki.

Szuflady do przechowywania świeżych warzyw się zatarły.

- Żywność dotyka sufitu szuflady. Zmienić ułożenie żywności w szufladzie.

Jeśli Powierzchnia Produktu Jest Gorąca.

- Podczas pracy produktu obszar między drzwiczkami, panele boczne i tylny ruszt mogą osiągać wysoką temperaturę. Jest to normalne zjawisko i nie oznacza konieczności dokonywania naprawy!

Gwarancja jakości

Twój produkt marki BEKO posiada gwarancję jakości udzieloną przez Beko S.A z siedzibą w Warszawie ul. Puławska 366, 02-819 Warszawa (dalej Gwarant). Gwarancja jakości udzielana jest wyłącznie na produkty marki BEKO wprowadzane do obrotu na terytorium Rzeczypospolitej Polskiej przez Gwaranta. Termin gwarancji wynosi 24 miesiące od daty zakupu produktu. Oświadczenie gwarancyjne określające warunki gwarancji znajdziesz na stronie internetowej www.beko.pl w sekcji serwis.

Warunkiem wykonywania uprawnień z gwarancji jest przedstawienie dowodu zakupu produktu lub zarejestrowanie produktu na stronie www.beko.pl w sekcji serwis .

Zarejestruj swój produkt.

Załącz konto oraz zarejestruj teraz swój produkt marki BEKO objęty gwarancją na naszej stronie internetowej www.beko.pl w sekcji serwis. Dzięki temu nie będziesz musiał się martwić w sytuacji gdy zgubisz dowód zakupu. Ponadto będziesz miał możliwość otrzymania oświadczenia gwarancyjnego w postaci „cyfrowej karty gwarancyjnej”.

Obsługa klienta – infolinia 22 250 14 14

W celu zgłoszenia reklamacji lub usterki produktu marki BEKO prosimy o kontakt telefoniczny z infolinią . Nasi konsultanci pomogą ci rozwiązać problem lub skierują do właściwego serwisu BEKO.

Infolinia czynna jest 7 dni w tygodniu od 8.00 do 20:00.

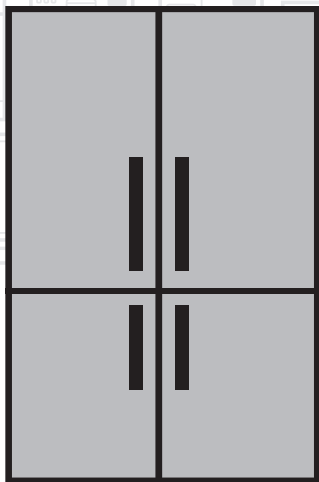
* Koszt połączenia jak za połączenie lokalne (z telefonu stacjonarnego) lub według stawek operatora sieci komórkowej.



Podpis i pieczęć instalatora (z numerem uprawnienia) w przypadku montażu urządzeń gazowych lub płyt i piekarników elektrycznych

Aby otrzymać więcej informacji dotyczących serwisu BEKO np. gdzie kupić części zamienne lub akcesoria należy odwiedzić stronę internetową www.beko.pl i wybrać zakładkę serwis.

Холодильник- морозильник



RU |

beko

Пожалуйста, сначала прочтите данное руководство!

Уважаемый покупатель!

Надеемся, что наше изделие, выпущенное на современных предприятиях, и проверенное с помощью самых тщательных процедур контроля качества, будет надежно служить вам.

Поэтому, прежде чем пользоваться изделием, рекомендуем внимательно и полностью изучить данное руководство и хранить его под рукой для использования в справочных целях в будущем.

Данное руководство

- Поможет вам быстро и безопасно пользоваться изделием.
- Прежде чем устанавливать изделие и пользоваться им, прочтите руководство.
- Соблюдайте инструкции, особенно в отношении техники безопасности.
- Храните руководство в легко доступном месте, так как оно может понадобиться вам в будущем.
- Кроме того, прочитайте другие документы, поставляющиеся в комплекте с изделием.

Просим учесть, что данное руководство по эксплуатации может применяться и для других моделей.

Символы и их описания

В данном руководстве по эксплуатации используются следующие символы:



Важная информация или полезные советы по эксплуатации.



Предупреждение об опасности для жизни и имущества.

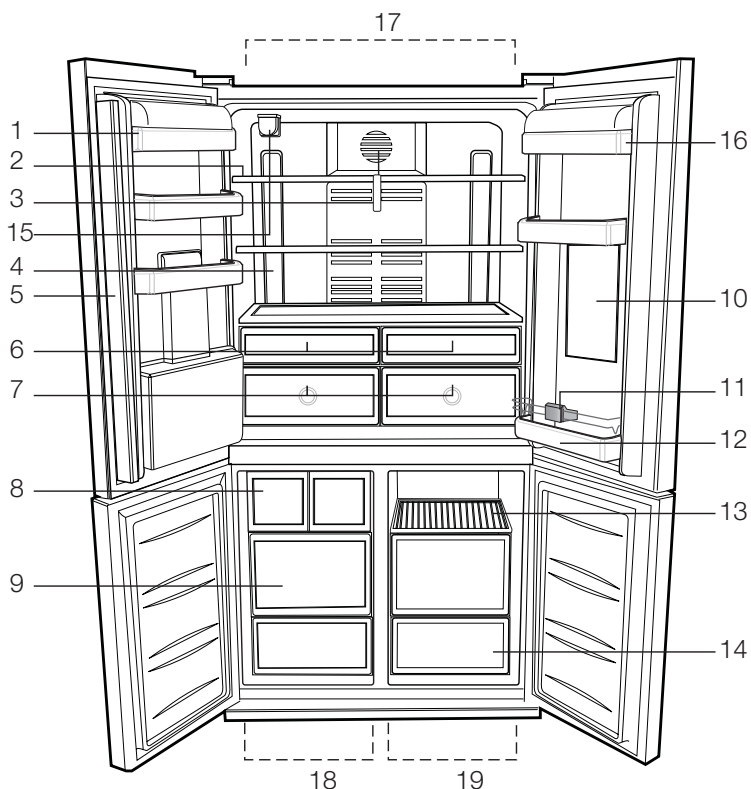


Предупреждение об опасном напряжении электросети.

СОДЕРЖАНИЕ

1 Холодильник	3	4 Подготовка	21
2 Важные указания по технике безопасности	4	5 Пользование холодильником	22
Использование по назначению.....	4	Панель индикаторов.....	22
Для изделий с раздатчиком охлажденной воды:.....	8	Сигнал открытия дверцы.....	25
Безопасность детей.....	8	Замораживание свежих продуктов.....	26
Соответствие Директиве ЕС об утилизации электрического и электронного оборудования (WEEE) и утилизация вышедшего из употребления оборудования:.....	9	Рекомендации по хранению замороженных продуктов.....	27
Соответствие Директиве ЕС об ограничении содержания вредных веществ (RoHS):.....	9	Размещение продуктов.....	27
Информация об упаковке.....	9	Информация о глубоком замораживании.....	27
Рекомендации по экономии электроэнергии.....	9	Рекомендации по автоматическому определению времени использования фильтра.....	28
Рекомендации по использованию отделения для свежих продуктов.....	10	Выдвижные полки.....	29
Технические характеристики.....	11	Лоток для яиц.....	29
3 Установка	12	Контейнер для фруктов и овощей.....	29
Что следует учитывать при транспортировке холодильника.....	12	Отделение охладителя.....	29
Перед эксплуатацией холодильника..	12	Съемное среднее отделение.....	30
Подключение к электросети.....	12	Отделение для хранения продуктов Flexi Zone.....	30
Утилизация упаковки.....	13	Синий свет.....	30
Утилизация старого холодильника.....	13	Скользящие полки с задними креплениями.....	31
Размещение и установка.....	13	Полка для масла и сыра.....	31
Регулировка положения на полу.....	13	Пользование краном подачи воды.....	31
Регулировка зазора между верхними дверцами.....	14	Лоток для разлитых продуктов.....	31
Замена лампочки.....	15	Мини-бар.....	32
Установка водяного фильтра.....	16	6 Обслуживание и чистка	33
Подключение водопроводной трубы к холодильнику.....	16	Защита пластмассовых поверхностей.....	33
Подсоединение шланга подачи воды к баку.....	17	7 Рекомендации по устранению неисправностей	34
Подключение водопроводной трубы к водопроводной линии.....	18		
Прежде чем использовать распределитель воды.....	20		

1 Холодильник



- | | | | |
|----|---|-----|--|
| 1- | Полки в дверце холодильного отделения | 10- | Мини-бар |
| 2- | Стеклянные полки холодильного отделения | 11- | Держатель для бутылок |
| 3- | Крышка рассеивателя | 12- | Полка для бутылок |
| 4- | Рассеиватель лампочки освещения | 13- | Полки отделения для хранения продуктов |
| 5- | Съемное среднее отделение | 14- | Отделения для хранения продуктов |
| 6- | Отделение охладителя | 15- | Водяной фильтр |
| 7- | Контейнер для фруктов и овощей | 16- | Полка для масла и сыра |
| 8- | Icematic (ледогенератор) | 17- | Холодильное отделение |
| 9- | Отделения для хранения замороженных продуктов | 18- | Морозильное отделение |
| | | 19- | Отделение Flexi Zone |

! Цифры, приведенные в данном руководстве по эксплуатации, являются схематическими и могут не полностью соответствовать вашему изделию. Если некоторые компоненты не входят в состав приобретенного вами изделия, они действительны для других моделей.

2 Важные указания по технике безопасности

Обязательно ознакомьтесь со следующей информацией. Игнорирование данной информации может привести к причинению травм или повреждению имущества. Кроме того, гарантийные обязательства и обязательства по эксплуатационной надёжности утратят силу. Оригинальные запасные части будут предоставлены в течение 10 лет с момента покупки изделия.

Использование по назначению

⚠	ПРЕДУПРЕЖДЕНИЕ: Во время хранения или установки устройства убедитесь в том, что его вентиляционные отверстия открыты.
⚠	ПРЕДУПРЕЖДЕНИЕ: Для ускорения процесса оттаивания льда не пользуйтесь какими-либо механическими устройствами или другими устройствами, за исключением рекомендуемых производителем.
⚠	ПРЕДУПРЕЖДЕНИЕ: Не допускайте повреждения цепи хладагента.



ПРЕДУПРЕЖДЕНИЕ:

Не пользуйтесь в отсеках для хранения продуктов питания устройства электрическими приборами, не рекомендуемыми изготовителем.

Это устройство разработано для использования в быту или подобных условиях

- Для использования на служебных кухнях магазинов, офисов и других рабочих мест;
- Для использования клиентами в фермерских домах и отелях, мотелях и других гостиничных заведениях.

- в пансионатах;

- в других сферах применения, за исключением предприятий общественного питания и розничной торговли.

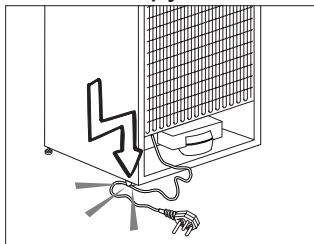
Общие правила техники безопасности

- В случае необходимости утилизировать или уничтожить изделие для получения необходимой информации рекомендуется обратиться в фирменный сервисный центр, а также в местные органы власти.
- По всем вопросам, касающимся холодильника, обращайтесь в фирменный сервисный центр. Не

- вешивайтесь в работу изделия и не разрешайте этого другим без уведомления фирменного сервисного центра.
- Для изделий с морозильным отделением: не ешьте мороженое в рожках и кубики льда сразу после их извлечения из морозильного отделения! (Это может вызвать обморожение полости рта.)
- Для изделий с морозильным отделением: не помещайте напитки в бутылках и банках в морозильное отделение. Они могут лопнуть.
- Не дотрагивайтесь до замороженных продуктов – они могут примерзнуть к рукам.
- Отключайте холодильник от сети перед чисткой или размораживанием.
- Ни в коем случае не используйте для чистки и размораживания холодильника пар или аэрозольные чистящие средства. В этом случае пар может попасть на электрические компоненты, что приведет к короткому замыканию или поражению электрическим током.
- Ни в коем случае не используйте холодильник или его части (например, дверцу) в качестве подставки или опоры.
- Не используйте электрические приборы внутри холодильника.
- Не допускайте повреждения частей, в которых циркулирует хладагент, используя режущие или сверлильные инструменты. Хладагент может вырваться из пробитого испарителя, трубопроводов или покрытий поверхности и вызвать раздражение кожи и поражение глаз.
- Ни в коем случае не закрывайте и не закупоривайте вентиляционные отверстия холодильника.
- Ремонт электрического оборудования должны производить только квалифицированные специалисты. Ремонт, выполненный некомпетентными лицами, может создать опасность для потребителя.
- В случае неполадок во время эксплуатации, а также при проведении техобслуживания или ремонта отключите холодильник, выключив соответствующий предохранитель или вынув шнур питания из розетки.
- Не тяните за сетевой шнур, вынимая вилку из розетки.
- Крепкие алкогольные напитки должны плотно закрываться крышкой и храниться в вертикальном положении .
- Нельзя хранить в холодильнике банки с горючими

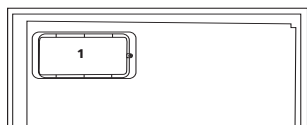
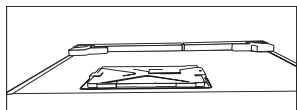
- и взрывоопасными веществами.
- Для ускорения процесса размораживания не используйте механические устройства или другие средства, кроме тех, которые рекомендованы производителем.
 - Данный электроприбор не предназначен для использования лицами (включая детей) с ограниченными физическими, сенсорными и интеллектуальными возможностями либо не имеющими опыта и знаний. Они могут пользоваться электроприбором только под наблюдением лица, ответственного за их безопасность, или под его руководством.
 - Ни в коем случае нельзя пользоваться неисправным холодильником. При возникновении вопросов обращайтесь к квалифицированному специалисту.
 - Электрическая безопасность гарантируется только в том случае, если система заземления в вашем доме соответствует стандартам.
 - Воздействие на устройство дождя, снега, солнца или ветра опасно с точки зрения электробезопасности.
 - В случае повреждения шнура питания и т.п. обратитесь в фирменный сервисный центр, чтобы не подвергать себя опасности.
 - Ни в коем случае нельзя включать холодильник в розетку во время установки. Это может привести к серьезным травмам или смерти.
 - Этот холодильник предназначен только для хранения пищевых продуктов. Его нельзя использовать для каких-либо иных целей.
 - Табличка с техническими характеристиками находится слева на внутренней стенке холодильника.
 - Ни в коем случае нельзя подключать холодильник к электронным системам экономии электроэнергии, поскольку это может привести к его поломке.
 - Если в холодильнике есть источник синего света, не смотрите на него долгое время ни незащищенными глазами, ни через какие-либо оптические приборы или инструменты.
 - При отключении от сети электропитания холодильника с ручным управлением подождите не менее 5 минут, прежде чем подключать его снова.
 - В случае продажи изделия эту инструкцию по эксплуатации следует передать новому владельцу.
 - При транспортировке

холодильника избегайте повреждения шнура питания. Изгибание шнура питания может привести к возгоранию. Не ставьте на него тяжелые предметы. При подключении холодильника к сети электропитания не прикасайтесь к вилке влажными руками.



- При расположении прибора, необходимо удостовериться, что шнур питания не поврежден и не спутан.
- Не размещать многоместные розетки, либо переносные источники питания на задней части прибора.
- Ни в коем случае нельзя подключать холодильник к плохо закрепленной стенной розетке сети электропитания.
- Из соображений безопасности не допускайте попадания воды на внешние или внутренние части холодильника.
- Не распыляйте рядом с холодильником воспламеняющиеся газы, такие как газ пропан, ввиду риска пожара или взрыва.
- Не ставьте сосуды с водой на холодильник, поскольку это может привести к поражению электрическим током или пожару.
- Не загружайте холодильник продуктами сверх меры. Если холодильник перегружен, продукты могут выпасть при открытии дверцы и травмировать вас или повредить холодильник. Не кладите предметы на холодильник, поскольку они могут упасть при открытии или закрытии дверцы.
- В холодильнике нельзя хранить вещества, требующие определенных температурных условий, такие как вакцины, термочувствительные медикаменты, материалы для научных исследований и т.п.
- Холодильник следует отключить от электросети, если он не будет использоваться в течение длительного времени. Неисправность шнура питания может привести к возгоранию.
- Холодильник может смещаться, если регулируемые ножки не зафиксированы на полу. Фиксирование регулируемых ножек на полу предотвратит смещение холодильника.
- При перемещении холодильника не держите его за ручку. В противном случае он может поломаться.

- При установке холодильника расстояние между ним и другим холодильником или морозильником должно составлять минимум 8 см. В противном случае боковые прилегающие стенки будут увлажняться.
- Никогда не используйте данное изделие, если его часть, расположенная сверху или сзади и имеющая электронные печатные платы внутри, открыта (крышка электронной печатной платы) (1).



Для изделий с раздатчиком охлажденной воды:

- Давление холодной воды на входе должно составлять максимум 90 фунтов на квадратный дюйм (620 кПа). Если давление воды будет превышать 80 фунтов на квадратный дюйм (550 кПа), следует использовать для в водопроводной системы клапан ограничения давления. Если Вы не знаете, как проверить давление воды, обратитесь за помощью к профессиональному сантехнику.
- Если во время установки существует риск гидравлического удара, всегда используйте оборудование для предотвращения гидроудара. Если Вы не уверены в отсутствии риска гидроудара, обратитесь к профессиональным сантехникам.
- Не устанавливайте на входе горячей воды. Следует предпринять необходимые меры предосторожности для предотвращения риска замерзания шлангов. Рабочий интервал температур воды будет составлять не менее 33°F (0,6°C) и не более 100°F (38°C).
- Используйте только питьевую воду.

Безопасность детей

- Если на дверце есть замок, ключ следует хранить в недоступном для детей месте.
- Следует присматривать за детьми и не разрешать им

портить холодильник.

Соответствие Директиве ЕС об утилизации электрического и электронного оборудования (WEEE) и утилизация вышедшего из употребления оборудования:



Данное изделие соответствует Директиве ЕС об утилизации электрического и электронного оборудования (2012/19/EU).

Данное изделие имеет маркировку, указывающую на утилизацию его как электрического и электронного

оборудования (WEEE). Это изделие произведено из высококачественных деталей и материалов, которые подлежат повторному использованию и переработке. Поэтому не выбрасывайте изделие с обычными бытовыми отходами после завершения его эксплуатации. Его следует сдать в соответствующий центр по утилизации электрического и электронного оборудования. О местонахождении таких центров вы можете узнать в местных органах власти.

Соответствие Директиве ЕС об ограничении содержания вредных веществ (RoHS):

Приобретенное вами изделие соответствует Директиве ЕС о правилах ограничения содержания вредных веществ (2011/65/EU). Оно не содержит вредных и запрещенных материалов, указанных в Директиве.

Информация об упаковке

Упаковочные материалы изделия изготовлены из материалов, подлежащих вторичной переработке, в соответствии с местными нормативами и правилами касательно защиты окружающей среды. Не утилизируйте упаковочные материалы вместе с бытовыми или другими отходами. Отнесите их в один из пунктов приема упаковочных материалов, назначенных местными органами власти.

Если система охлаждения вашего изделия содержит R600a:

Этот газ огнеопасен, поэтому будьте осторожны, чтобы не повредить систему охлаждения и трубопроводы при эксплуатации и во время транспортировки. В случае повреждения уберите устройство подальше от потенциальных источников огня, которые могут привести к возгоранию, а также проветривайте помещение, в котором находится устройство.

Не обращайте внимания на предупреждение, если система охлаждения вашего изделия содержит R134a.

Тип газа, используемого изделием, указан на паспортной табличке, расположенной слева на внутренней стенке холодильника.

Не сжигайте изделие в целях утилизации.

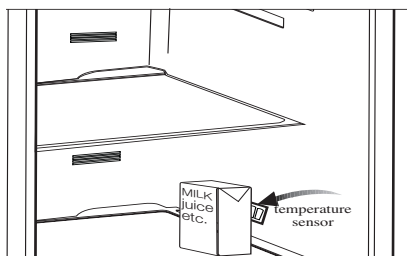
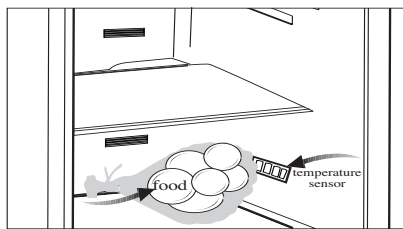
Рекомендации по экономии электроэнергии

- Не оставляйте дверцу холодильника открытой на длительное время.
- Не кладите в холодильник горячие продукты или напитки.
- Не перегружайте холодильник, чтобы не нарушать циркуляцию воздуха.

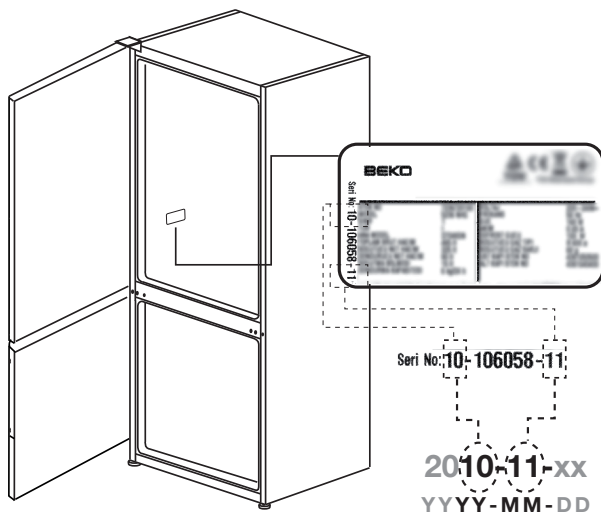
Рекомендации по использованию отделения для свежих продуктов

*необязательный

- Не допускайте какого-либо контакта продуктов с температурным датчиком в отделении для свежих продуктов. Для поддержания идеальной температуры хранения в отделении для свежих продуктов датчик не должен закрываться хранящимися там продуктами.
- Не помещайте в холодильник горячие продукты.



- Не устанавливайте холодильник в местах, где на него попадают прямые солнечные лучи, или поблизости от источников тепла, таких как плита, посудомоечная машина или радиатор отопления.
- Следите за тем, чтобы контейнеры с продуктами были закрыты.
- Для изделий с морозильным отделением: в морозильное отделение холодильника можно заложить максимальное количество продуктов, если достать из него полку или ящик. Указанное в технических характеристиках энергопотребление холодильника определено при условии, что полка или ящик морозильного отделения извлечены, и в него загружено максимально возможное количество продуктов. Полку и ящик можно использовать для замораживания продуктов в соответствии с их формой и размером.
- Таяние замороженных продуктов в холодильном отделении обеспечит экономию электроэнергии и сохранение качества продуктов.



Технические характеристики	
Класс энергетической эффективности	A+_A++
Класс защиты	1

- Степень защиты IP 42

3 Установка

- И** Помните, что производитель не несет ответственности в случае несоблюдения указаний, приведенных в настоящем руководстве.

Что следует учитывать при транспортировке холодильника

1. Из холодильника следует вынуть все продукты и промыть его перед любой транспортировкой.
2. Перед упаковкой все полки, оборудование, контейнеры для фруктов и овощей и т.п. в холодильнике должны быть хорошо закреплены от тряски при помощи клейкой ленты.
3. Упаковывая холодильник с помощью плотных лент и прочных веревок, следует придерживаться правил транспортировки, напечатанных на упаковке.

И Помните!

Вторичное использование материалов очень важно для сохранения природы и наших национальных богатств.

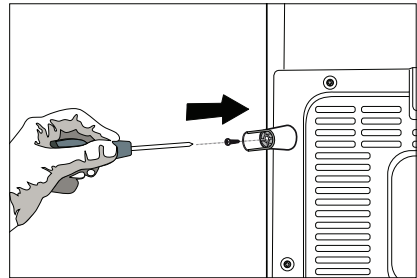
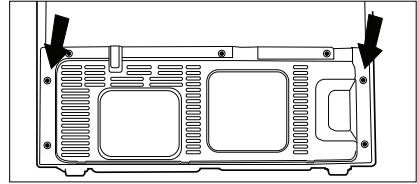
Если вы хотите отправить на переработку материалы упаковки, более подробную информацию можно получить в экологических учреждениях или в органах местной власти.

Перед эксплуатацией холодильника

Перед началом эксплуатации изделия проверьте следующее:

1. Сухо ли внутри холодильника, и может ли воздух свободно циркулировать позади него?
2. Вставьте 2 пластиковых клина на задней вентиляционной крышке, как показано на следующем рисунке. Для этого отвинтите имеющиеся винты и воспользуйтесь винтами из упаковки с клиньями.

Пластиковые клинья обеспечат необходимое расстояние между холодильником и стеной для надлежащей циркуляции воздуха.



3. Выполните чистку холодильника в соответствии с рекомендациями, приведенными в разделе «Обслуживание и чистка».
4. Включите холодильник в сеть. При открытии дверцы загорается лампочка внутреннего освещения.
5. При запуске компрессора будет слышен шум. Жидкость и газы, находящиеся внутри герметичной системы охлаждения, также могут создавать шум, независимо от того, работает компрессор или нет, что является вполне нормальным явлением.
6. Передние кромки холодильника могут казаться теплыми. Это нормально. Эти области должны нагреваться, чтобы избежать конденсации.

Подключение к электросети

Подсоедините морозильную камеру к правильно установленной заземленной розетке, защищенной предохранителем с соответствующим номиналом.

Важно!

- ⚠ Подключение следует выполнять в соответствии с действующими в стране правилами.
- ⚠ Вилка сетевого шнура должна быть легко доступна после установки.
- ⚠ Напряжение и допустимые параметры предохранителей указаны в разделе «Технические характеристики».
- ⚠ Напряжение в сети должно соответствовать указанному напряжению.
- ⚠ Запрещается использовать при установке удлинители и многоконтактные штепсельные вилки.
- ⚠ Поврежденный шнур питания должен быть заменен квалифицированным электриком.
- ⚠ Запрещается пользоваться изделием до его ремонта. Имеется опасность поражения электрическим током.

Утилизация упаковки

- ⚠ Упаковочные материалы могут быть опасны для детей. Храните упаковочный материал в недоступном для детей месте или утилизируйте его, рассортировав в соответствии с правилами утилизации отходов. Не утилизируйте их вместе с обычными бытовыми отходами.

Упаковочные материалы холодильника изготовлены из материалов, подлежащих вторичной переработке.

Утилизация старого холодильника

Утилизация старого изделия должна выполняться экологически безопасным способом.

- ⚠ Чтобы узнать, как утилизировать изделие, вы можете обратиться к авторизованному дилеру или в пункт сбора отходов по месту жительства.
- ⚠ Прежде чем утилизировать холодильник, отрежьте шнур питания и, в случае наличия замков на дверце, выведите их из строя, чтобы предотвратить создание опасных ситуаций для детей.

Размещение и установка

- ⚠ Внимание! Не включайте холодильник в розетку во время его установки. В противном случае, существует опасность получения серьезных травм или смертельного случая.

- ⚠ Если дверь помещения, в котором будет установлен холодильник, недостаточно широка, обратитесь в авторизованный сервисный центр за помощью в снятии дверец холодильника и пронести в дверь холодильник боком.

1. Устанавливайте холодильник в месте, удобном для его использования.
2. Холодильник должен находиться в месте, удаленном от источника тепла, мест повышенной влажности, защищенном от прямых солнечных лучей.
3. Для более эффективной работы необходимо обеспечить хорошую вентиляцию вокруг холодильника. Если холодильник устанавливается в нише стены, минимальное расстояние до потолка должно составлять не менее 5 см и 5 см до стены.

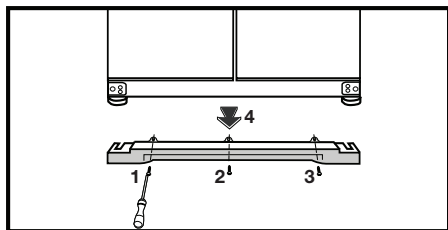
Если пол имеет ковровое покрытие, следует поднять холодильник на 2,5 см над уровнем пола.

4. Холодильник должен стоять на ровной поверхности для того, чтобы не возникала тряска.
5. Температура помещения, в котором находится холодильник, не должна быть меньше 10°C.

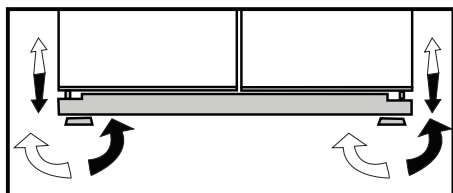
Регулировка положения на полу

- ⚠ Если холодильник расположен неустойчиво:

- ⚠ Отсоедините его от электросети. В течение регулировки положения на полу холодильник должен быть отсоединен от электросети. Имеется опасность поражения электрическим током.

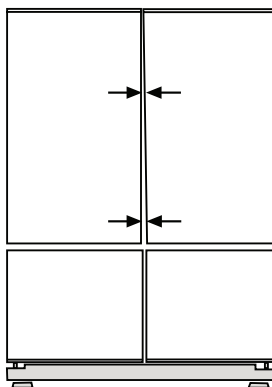


1- Отвинтите винты, которые держат вентиляционную крышку, как показано на рисунке. Вы можете отрегулировать устойчивое положение холодильника вращением передних ножек, как показано на рисунке. Угол холодильника, под которым находится ножка, будет опускаться, если поворачивать ее в направлении черной стрелки, или подниматься, если поворачивать ее в противоположном направлении. Если слегка приподнять холодильник, это облегчит процесс.



2. После того, как процесс балансировки завершен, установите вентиляционную крышку на место и закрепите ее винтами.

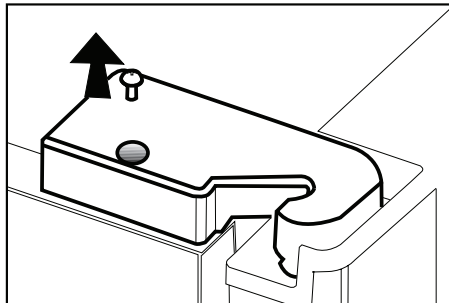
3. Отвинтите винты, которые держат нижнюю вентиляционную крышку, используя для этого отвертку Philips.



Регулировка зазора между верхними дверцами

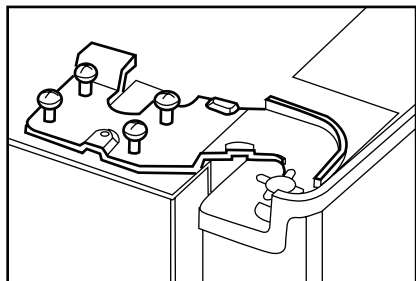
i Вы можете отрегулировать зазор между дверцами холодильной камеры, как указано на рисунке.

Во время регулировки дверей по высоте двери холодильника должны быть пустыми.

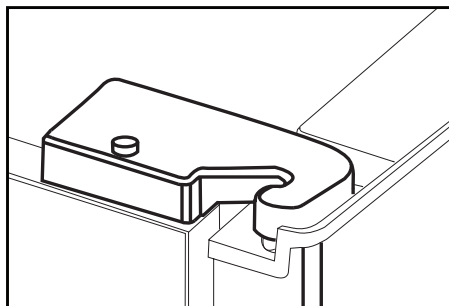


i Используя отвертку, выньте винт из крышки верхней петли той двери, которую нужно отрегулировать.

i Отрегулируйте дверь по своему усмотрению, немного ослабляя винты.



i Зафиксируйте отрегулированную дверь, затянув винты, не изменяя положения двери.



i Установите на место крышку петли и зафиксируйте винтом.

Замена лампочки

Для замены лампочки освещения холодильника обратитесь в авторизованный сервисный центр.

Лампа (-ы), используемая (-ые) в данном изделии, не подходит (-ят) для бытового освещения помещений. Данная лампа предназначена для освещения при размещении пользователем продуктов питания в холодильной/морозильной камере, обеспечивая безопасность и удобство.

Лампы, используемые в этом приборе, должны выдерживать экстремальные физические условия, например, температуру ниже 20 °С.

Установка водяного фильтра

(в некоторых моделях)

Для подачи воды к холодильнику можно подсоединить два разных источника воды: линию подачи холодной воды и воду из бака.

Требования по установке

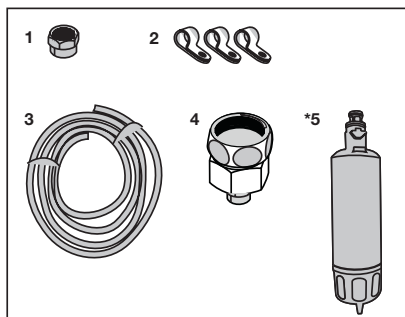
Во втором случае следует использовать насос.

Проверьте, входят ли указанные ниже запчасти в комплект поставки холодильника.

1. Гайка для подключения водопроводной трубы к задней стороне прибора. (Если она не подходит, обратитесь в ближайшую авторизованную сервисную службу.)
2. 2 скобы водосточной трубы (если они требуются для крепления водосточной трубы).

Примечание. В случае использования воды из бака эти запчасти не требуются, поэтому могут не входить в комплект поставки.

3. 5-метровая водопроводная труба (диаметром $\frac{1}{2}$ дюйма).
4. Клапан в водопроводной линии с сетчатым фильтром (переходная втулка).
5. Водяной фильтр или фильтр, присоединяемый снаружи, следует прикрепить к скобе внутри холодильной камеры.



Сначала определите место крепления внешнего фильтра. (Относится к фильтру, используемому вне холодильника.) Затем измерьте расстояние между фильтром и холодильником и необходимую длину шланга от фильтра до отверстия подачи воды.

Водяной фильтр должен находиться в вертикальном положении, как показано на рисунке. Крайне важно правильно прикрепить фильтр к отверстиям подачи и слива воды.

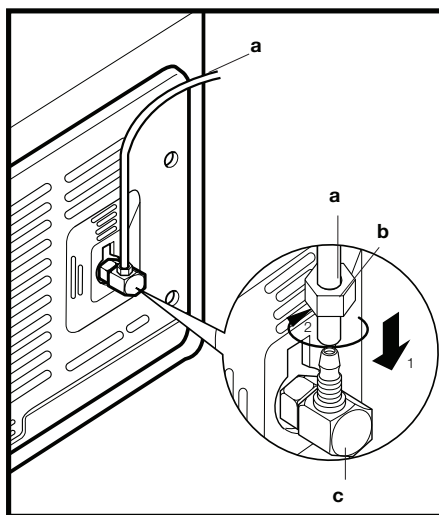
Установив фильтр, не используйте первые 3-4 стакана воды.

Подключение водопроводной трубы к холодильнику.

1. После установки гайки на водопроводную трубу вставьте трубу во впускной клапан холодильника, сильно нажав его вниз.
2. Закрепите гайку, как показано на рисунке, надавив рукой на впускной клапан холодильника.

(а – водопроводная труба, б – гайка, с – клапан)

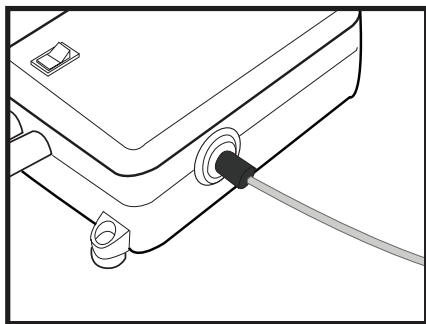
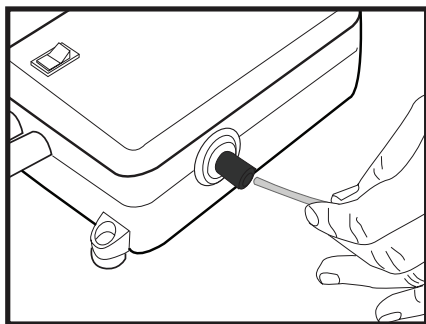
ⓘ Примечание 1. Чтобы узел был водонепроницаемым, не нужно закручивать гайку каким-либо инструментом. В случае утечки закрутите гайку гаечным ключом или плоскогубцами.



Подсоединение шланга подачи воды к баку (в некоторых моделях)

Для подачи в холодильник воды из бака необходим насос. Выполните изложенные ниже инструкции после подсоединения одного конца водопроводной трубы, выходящей из насоса, к холодильнику, как описано на предыдущей странице.

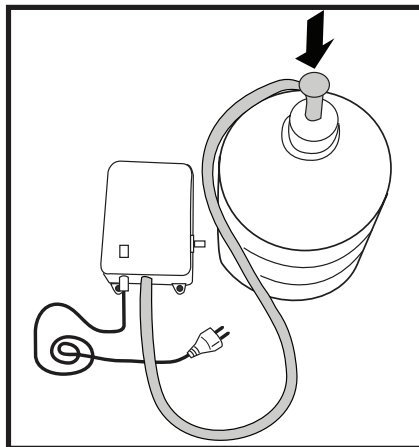
1. Завершите соединение, вставив другой конец водопроводной трубы в соответствующее входное отверстие насоса, как показано на рисунке.



2. Вставьте и закрепите шланг насоса в бак, как показано на рисунке.
3. По завершении монтажа подсоедините насос к сети питания и включите его.

Эффективная работа насоса начнется через 2-3 минуты после его включения.

- i** Выполняя подключение воды, обращайтесь к руководству пользователя насоса.
- i** В случае использования бака нет необходимости в работе водяного фильтра.
- i** В случае использования бака необходим насос.



Подключение водопроводной трубы к водопроводной линии (в некоторых моделях)

Подсоединение холодильника к линии подачи холодной воды в вашем доме осуществляется через стандартный патрубок с клапаном 1/2". Если такой клапан отсутствует или вы не уверены в своих действиях, обратитесь к квалифицированному водопроводчику.

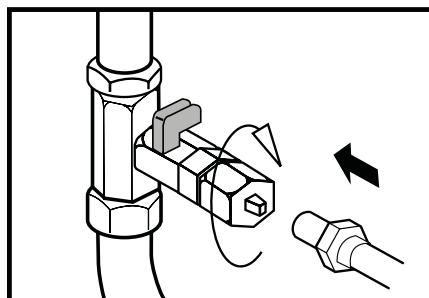
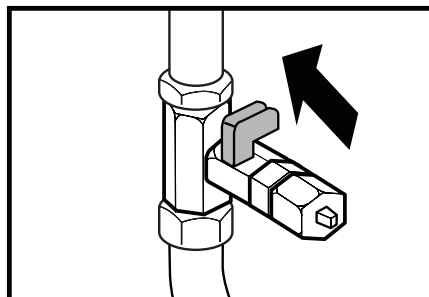
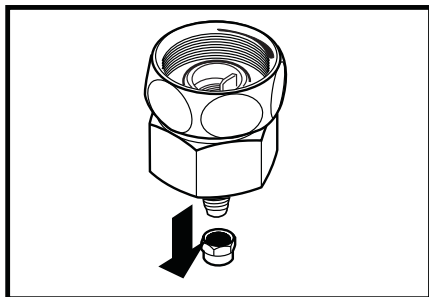
1. Отсоедините гайку от переходной втулки. (Рис. А)
2. Установите переходную втулку в патрубок с клапаном 1/2", как показано на рисунке. (Рис. В)
3. После надевания гайки на водопроводную трубу установите ее на переходную втулку и вставьте втулку, как показано на рисунке. (Рис. С)
4. Закрутите гайку вручную. В случае утечки закрутите гайку гаечным ключом или плоскогубцами.

⚠ Внимание! С помощью скоб закрепите водопроводную трубу в соответствующих местах для того, чтобы избежать повреждений, смещения или случайного отсоединения.

⚠ Внимание! После поворота водяного клапана проверьте, чтобы в обеих точках соединения водяной трубы не было утечки. При наличии утечки немедленно отключите клапан и снова затяните все соединения, воспользовавшись гаечным ключом или плоскогубцами.

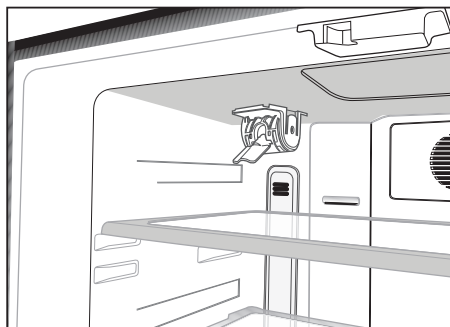
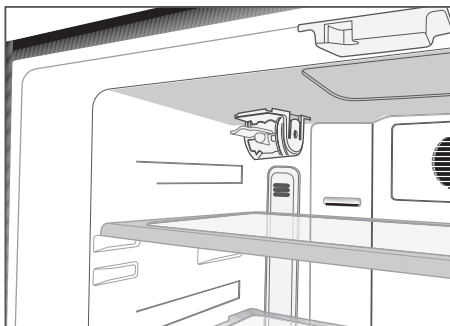
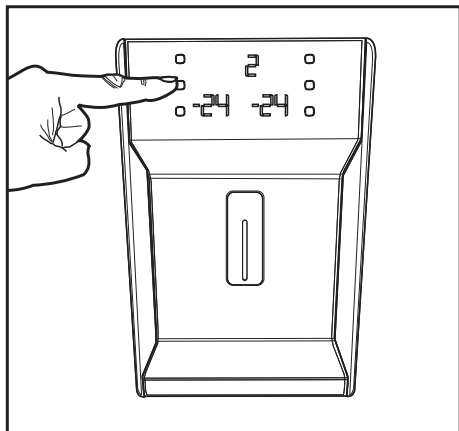
⚠ Внимание! Убедитесь в наличии стандартного патрубка с клапаном 1/2" в линии подачи холодной воды и в том, что он полностью отключен.

Для установки водяного фильтра соблюдайте приведенные ниже инструкции и следуйте приведенным рисункам.

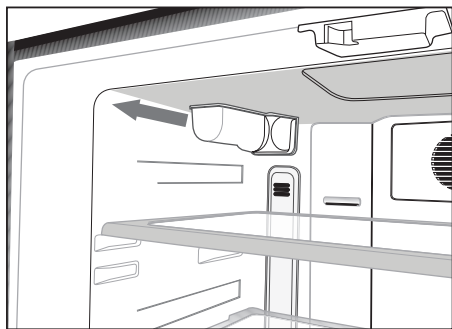


1. Нажмите кнопку остановки образования льда на дисплее.
2. Снимите крышку воздушного фильтра в холодильном отделении, потянув ее на себя.

убедитесь в отключении режима образования льда.



3. Снимите крышку обводной линии водяного фильтра, вращая ее вниз.
- ⚠ Внимание! Перед снятием крышки**



Примечание. Падение нескольких капель воды после снятия крышки является нормальным явлением.

4. Снимите крышку на водяном фильтре, чтобы установить ее, как показано на рисунке, и поверните вверх для фиксации.
5. Снова нажмите на кнопку остановки образования льда на дисплее для выхода из данного режима.

Водяной фильтр требуется менять каждые шесть месяцев.

Для настройки автоматического определения времени смены фильтра и получения соответствующего предупреждения см. раздел «Автоматическое определение времени использования фильтра».

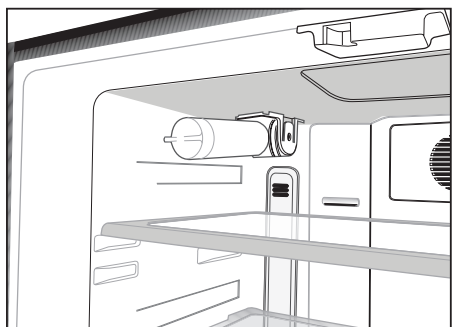
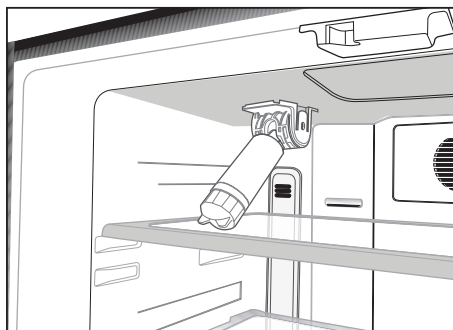
Если водяной фильтр подлежит замене или больше не используется, его следует снять, как показано на рисунке,

и прикрепить крышку обводной линии. Перед снятием крышки убедитесь в отключении режима образования льда.

⚠ Внимание! Водяной фильтр предназначен для удаления из воды инородных частиц. Он не очищает воду от микроорганизмов.

⚠ Внимание! При замене водяного фильтра или установке крышки обводной линии всегда необходимо нажать на кнопку «Ice Off».

Прежде чем использовать распределитель воды



ⓘ Давление в водопроводной линии не должно быть ниже 1 бара.

ⓘ Давление в водопроводной линии не должно быть выше 8 бар.

ⓘ Если давление воды в магистральной линии упало ниже 1 бара, и в случае подачи воды из бака необходимо использовать насосы.

ⓘ Водяная система холодильника должна быть подключена к линии холодной воды. Ее нельзя подключать к линии горячей воды.

ⓘ При первоначальном включении холодильника воду получить нельзя. Это вызвано наличием воздуха в системе.

Для выпуска воздуха из системы нажимайте на защелку распределителя с интервалом 1 минуту до тех пор, пока из него не покажется вода. В начале поток воды может быть неравномерным. Он нормализуется после выпуска воздуха из системы.

ⓘ При первоначальном включении холодильника до получения холодной воды должно пройти ориентировочно 12 часов.

ⓘ Для бесперебойной работы распределителя льда/воды давление в водопроводной линии должно быть в пределах 1-8 бар. Для этого проверьте, можно ли наполнить стакан воды (100 куб. см) за 10 секунд.

ⓘ Первые 10 стаканов воды потреблять нельзя.

ⓘ Около 30 первых кубиков льда, полученных из распределителя, использовать нельзя.

ⓘ Если бак не используется, применяйте водяной фильтр.

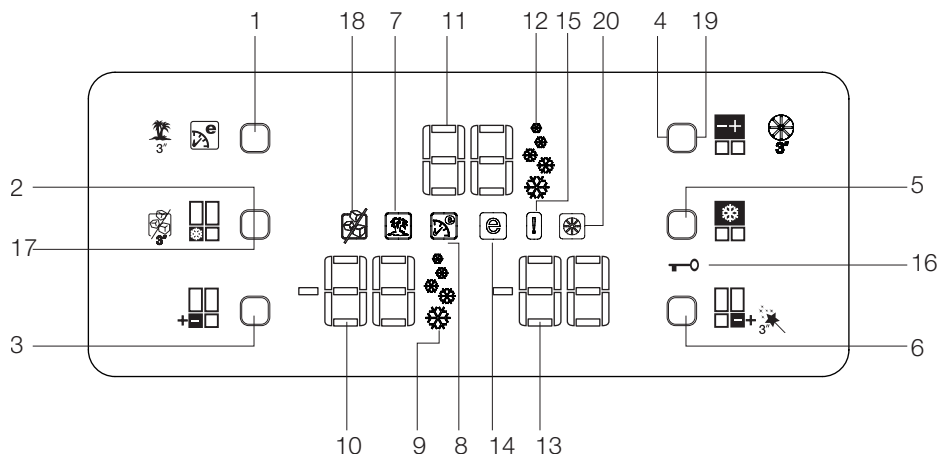
4 Подготовка

- i** Ваш холодильник следует установить, по крайней мере, в 30 см от источников тепла, таких как газовые конфорки, плиты, батареи центрального отопления и печи, и, по крайней мере, в 5 см от электрических плит, в месте, куда не попадает прямой солнечный свет.
- i** Температура воздуха в помещении, где устанавливается холодильник, должна быть не менее 10°C. Использовать холодильник при более низкой температуре не рекомендуется в связи с его низкой эффективностью в таких условиях.
- i** Содержите внутреннее пространство холодильника в чистоте.
- i** Если два холодильника устанавливаются рядом, то между ними должно быть расстояние не менее 2 см.
- i** При первом включении холодильника просим соблюдать следующие инструкции во время первых шести часов работы.
 - Не открывайте часто дверцу.
 - Холодильник должен быть пустым, без продуктов внутри.
 - Не отключайте холодильник от сети. Если произошло отключение электроэнергии не по вашей вине, см. указания в разделе «Рекомендации по устранению неполадок».
- i** Оригинальную упаковку и пленку следует сохранить для последующей транспортировки или перевозки изделия.

5 Пользование холодильником

Панель индикаторов

Сенсорная панель индикаторов позволяет регулировать температуру, не открывая дверцы холодильника. Для этого нажимайте соответствующие кнопки.



- | | |
|--|---|
| 1. Кнопка «Eco Extra»/временного отключения | 11. Индикатор температуры холодильного отделения |
| 2. Кнопка быстрой заморозки | 12. Индикатор режима быстрого охлаждения |
| 3. Кнопка настройки температуры морозильного отделения | 13. Индикатор температуры отделения Flexi Zone |
| 4. Кнопка настройки температуры холодильного отделения | 14. Индикатор экономичного режима |
| 5. Кнопка быстрого охлаждения | 15. Индикатор неисправного состояния |
| 6. Кнопка регулировки температуры отделения Flexi Zone | 16. Индикатор блокировки клавиш |
| 7. Индикатор режима временного отключения | 17. Кнопка остановки образования льда |
| 8. Индикатор режима Eco Extra | 18. Индикатор режима отключения льда |
| 9. Индикатор режима быстрой заморозки | 19. Кнопка отключения предупреждения о замене фильтра |
| 10. Индикатор температуры морозильного отделения | 20. Индикатор предупреждения о замене фильтра |

i Цифры, приведенные в данном руководстве по эксплуатации, являются схематическими и могут не полностью соответствовать вашему изделию. Если некоторые компоненты не входят в состав приобретенного вами изделия, они действительны для других моделей.

1. Кнопка «Eco Extra»/временного отключения

После короткого нажатия этой кнопки включается режим Eco Extra. После нажатия и удерживания кнопки в течение 3 секунд включается режим временного отключения. Чтобы отключить выбранный режим, еще раз нажмите на кнопку.

2. Кнопка быстрой заморозки

После короткого нажатия этой кнопки включается режим быстрой заморозки. Чтобы отключить выбранный режим, еще раз нажмите на кнопку.

3. Кнопка настройки температуры морозильного отделения

Нажимайте эту кнопку, чтобы установить в морозильной камере температуру -18, -20, -22, -24, -18... соответственно. Нажимайте эту кнопку, чтобы установить нужную температуру морозильной камеры.

4. Кнопка настройки температуры холодильного отделения

Нажимайте эту кнопку, чтобы установить в холодильной камере температуру 8, 6, 4, 2, 8... соответственно. Нажимайте эту кнопку, чтобы установить нужную температуру холодильной камеры.

5. Кнопка быстрого охлаждения

После короткого нажатия этой кнопки включается режим быстрого охлаждения. Чтобы отключить выбранный режим, еще раз нажмите на кнопку.

6. Кнопка регулировки температуры отделения Flexi Zone

Вы можете установить в отделении Flexi Zone режим морозильника или холодильника. Для этого нажмите и удерживайте указанную кнопку в течение 3 секунд. Заводская настройка данного отделения – морозильник.

Если в отделении Flexi Zone установлен режим морозильника, при каждом

нажатии кнопки температура будет изменяться в такой последовательности: -18, -20, -22, -24, -18... соответственно. Если в отделении Flexi Zone установлен режим холодильника, при каждом нажатии кнопки температура будет изменяться в такой последовательности: 10, 8, 6, 4, 2, 0, -6... соответственно.

7. Индикатор режима временного отключения

Показывает, что включен режим временного отключения. В таком случае на индикаторе холодильной камеры появляется символ «- -» и охлаждение в ней не производится. В других отделениях охлаждение происходит в соответствии с установленной температурой.

Чтобы отключить выбранный режим, еще раз нажмите соответствующую кнопку.

8. Индикатор режима Eco Extra

Показывает, что включен режим Eco-Extra. В таком случае холодильник автоматически определит минимальные периоды использования, в течение которых охлаждение будет происходить в энергосберегающем режиме. Все это время индикатор экономичного режима будет включен.

Чтобы отключить выбранный режим, еще раз нажмите соответствующую кнопку.

9. Индикатор режима быстрой заморозки

Показывает, что включена функция быстрого замораживания. Пользуйтесь этим режимом, если помещаете в морозильную камеру свежие продукты, или если вам нужен лед. В этом случае холодильник будет работать определенный период времени.

Чтобы отключить выбранный режим, еще раз нажмите соответствующую кнопку.

10. Индикатор температуры морозильного отделения

Указывает температуру, установленную для морозильного отделения.

11. Индикатор температуры холодильного отделения

Указывает температуру, установленную для холодильного отделения.

12. Индикатор режима быстрого охлаждения

Показывает, что включен режим быстрого охлаждения. Пользуйтесь этим режимом, если помещаете в холодильную камеру свежие продукты, или если необходимо быстро охладить продукты. В этом случае холодильник будет работать без остановки в течение 2 часов.

Чтобы отключить выбранный режим, еще раз нажмите соответствующую кнопку.

13. Индикатор температуры отделения Flexi Zone

Указывает температуру, установленную для отделения Flexi Zone.

14. Индикатор экономичного режима

Показывает, что холодильник работает в энергосберегающем режиме. Температура морозильной камеры Индикатор будет включен, если установлена температура -18 или в режиме Eco Extra происходит энергосберегающее охлаждение.

15. Индикатор неисправного состояния

Этот индикатор включается при сбое в работе холодильника или поломке сенсора. В этом случае на индикаторе температуры морозильной камеры появится символ «E», а на индикаторе холодильной камеры – числа «1,2,3...». Они сообщают об определенной ошибке персоналу сервисной службы.

16. Индикатор блокировки клавиш

С помощью этого режима можно предотвратить изменение температурных настроек холодильника. Для его включения одновременно нажмите кнопки быстрого охлаждения и регулировки температуры отделения Flexi Zone и удерживайте их в течение 3 секунд.

Чтобы отключить выбранный режим, еще раз нажмите соответствующие кнопки.

17. Кнопка остановки образования льда

Чтобы остановить образование льда, нажмите и удерживайте кнопку остановки образования льда в течение 3 секунд. При этом в отсек для льда не будет поступать вода. Однако в нем может остаться лед, который можно извлечь. Чтобы возобновить образование льда, нажмите и удерживайте кнопку остановки образования льда в течение 3 секунд.

18. Индикатор остановки образования льда

Воспользуйтесь этой функцией, если не нуждаетесь в образовании льда. Для ее активирования нажмите и удерживайте кнопку прекращения образования льда в течение 3 секунд.

19. Кнопка отключения

предупреждения о замене фильтра

Фильтр холодильника следует заменять каждые 6 месяцев. Холодильник определяет это время автоматически, и по истечении времени использования фильтра загорается индикатор предупреждения о замене фильтра. Нажмите и удерживайте кнопку отключения предупреждения о замене фильтра в течение 3 секунд, чтобы холодильник автоматически определил новое время использования фильтра после его замены.

20. Индикатор отключения

предупреждения о замене фильтра

По истечении времени использования фильтра загорается индикатор предупреждения о замене фильтра.

Сигнал открытия дверцы

Если дверца холодильной камеры или отделения Flexi Zone остается открытой в течение, как минимум, 1 минуты, прозвучит сигнал открытия дверцы. Нажмите любую кнопку на панели индикаторов или закройте дверцу – сигнал прекратится.

Регулировка морозильного отделения	Регулировка холодильного отделения	Пояснения
-18°C	4°C	Это рекомендуемые стандартные настройки.
-20, -22 или -24°C	4°C	Рекомендуется использовать при температуре окружающей среды выше 30°C.
Быстрое замораживание	4°C	Рекомендуется для быстрого замораживания продуктов. По завершении процесса холодильник переключится в предыдущий режим.
-18°C или ниже	2°C	Рекомендуется для ситуаций, когда возможной причиной недостаточно низкой температуры в холодильной камере является жаркая погода или частое открывание дверцы.
-18°C или ниже	Быстрое охлаждение	Рекомендуется использовать в тех случаях, когда холодильная камера перегружена или же нужно быстро охладить продукты. Режим быстрого охлаждения рекомендуется включать за 4-8 часов до помещения продуктов в холодильник.

Замораживание свежих продуктов

- Рекомендуется завернуть или накрыть продукты перед тем, как помещать их в холодильник.
- Горячие продукты нужно сначала остудить до комнатной температуры, и только затем помещать в холодильник.
- Замораживаемые продукты должны быть качественными и свежими.
- Продукты должны быть разделены на порции, соответствующие ежедневному потреблению семьи либо используемые при приготовлении блюд для одного приема пищи.
- Продукты, даже если они будут храниться недолго, нужно помещать в герметичную упаковку, чтобы предотвратить их высыхание.
- Материалы, используемые для упаковки, должны быть прочными и устойчивыми к холоду, влажности, запахам, маслам и кислотам, а также воздухонепроницаемыми. Материалы, из которых изготовлена упаковка,

должны быть пригодны для глубокой заморозки. Кроме того, упаковка должна плотно закрываться.

- Замороженные продукты необходимо использовать сразу после размораживания. Их нельзя замораживать снова.
- Для достижения наилучших результатов придерживайтесь приведенных ниже указаний.
 1. Не замораживайте большое количество продуктов одновременно. Качество продуктов сохраняется лучше всего, если они полностью промерзают за как можно более короткое время.
 2. Если поместить в морозильное отделение теплые продукты, системе охлаждения придется работать непрерывно, пока они не заморозятся полностью.

3. Ни в коем случае не храните вместе замороженные и свежие продукты.

Рекомендации по хранению замороженных продуктов

- Упакованные продукты, замороженные промышленным способом, следует хранить в соответствии с инструкциями их изготовителей для камер хранения замороженных продуктов класса *** ** *** (4 звезды).
- Чтобы сохранить качество продуктов, замороженных промышленным способом, следуйте таким правилам:
 1. Сразу же помещайте купленные продукты в морозильник.
 2. Проверьте, есть ли на упаковке этикетка и дата изготовления/срок годности.
 3. Не превышайте сроки употребления и хранения, указанные на упаковке.

Размораживание

Морозильное отделение размораживается автоматически.

Размещение продуктов

Полки морозильного отделения	Различные замороженные продукты, такие как мясо, рыба, мороженое, овощи и т.п.
Лоток для яиц	Яйца
Полки холодильного отделения	Продукты в кастрюлях, на накрытых тарелках, в закрытых контейнерах
Полки на дверце холодильного отделения	Мелкие продукты и упаковки, напитки (например, молоко, фруктовый сок и пиво)
Контейнер для овощей и фруктов	Овощи и фрукты
Отделение для свежих продуктов	Деликатесы (сыры, сливочное масло, колбаса и т. п.)

Информация о глубоком замораживании

Чтобы сохранить качество продуктов, помещенных в

холодильник, их нужно замораживать как можно быстрее.

По нормам Турецкого института стандартов (определенными для соответствующих условий измерения) требуется, чтобы за 24 часа при температуре окружающего воздуха 32°C на каждые 100 литров объема морозильной камеры холодильника можно было заморозить 4,5 кг продуктов до температуры не менее -18°C.

Продукты можно хранить длительное время только при температуре не выше -18°C.

Продукты могут сохранять свежесть в течение многих месяцев (в условиях глубокой заморозки при температуре не выше -18°C).

ВНИМАНИЕ! ⚠

- Продукты нужно делить на порции, которые требуются для приготовления блюд или которые можно употребить за день.
- Продукты, даже если они будут храниться недолго, нужно помещать в герметичную упаковку, чтобы предотвратить их высыхание.

Материалы, необходимые для упаковки:

- Морозостойкая клейкая лента
- Самоклеящаяся этикетка
- Резиновые кольца
- Ручка

Материалы, используемые для упаковки, должны быть прочными и устойчивыми к холоду, влажности, запахам, маслам и кислотам.

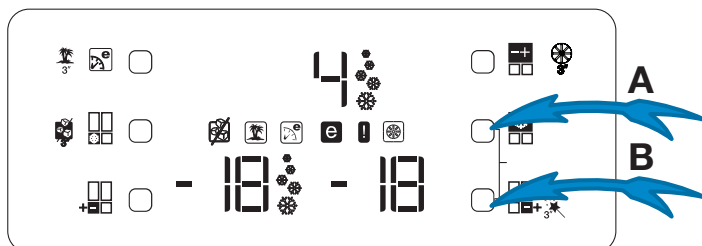
Еще не замороженные продукты не должны соприкасаться с замороженными, чтобы предотвратить их частичное оттаивание.

Замороженные продукты необходимо использовать сразу после размораживания. Их нельзя замораживать снова.

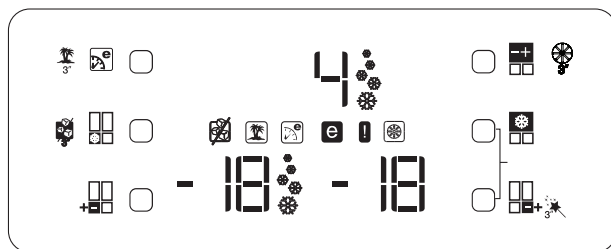
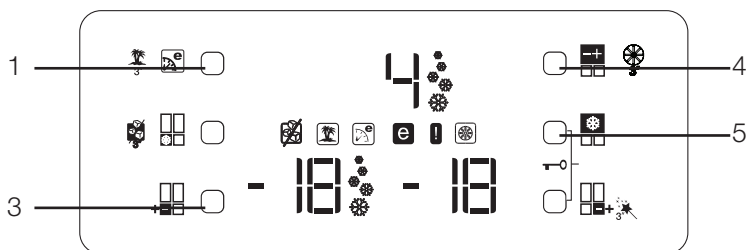
Рекомендации по автоматическому определению времени использования фильтра

(для изделий, подсоединенных к водопроводной линии и оснащенных фильтром)

1- Подсоединив холодильник к электросети, одновременно нажмите кнопки А и В для включения блокировки клавиш.



2- Затем нажмите кнопки Есо-Extra (1), настройки температуры холодильного отделения (4), быстрого охлаждения (5) и настройки температуры морозильного отделения (3) соответственно.



Если нажать кнопки в правильной последовательности, символ блокировки кнопок погаснет, индикатор предупреждения о замене фильтра включится и вскоре будет активирован зуммер. После замены фильтра нажмите кнопку отключения предупреждения о замене фильтра (номер 19 в описании дисплея) для автоматического определения времени использования фильтра.

ПРИМЕЧАНИЕ.

1. Если время использования фильтра определяется автоматически, индикатор предупреждения о замене фильтра загорится постоянным светом через несколько секунд после подключения изделия к сети питания.
2. Автоматическое определение времени использования фильтра не является заводской настройкой. В изделиях с фильтром его нужно активировать.
3. Чтобы отключить автоматическое определение времени использования фильтра, повторите все вышеуказанные действия.

Лоток для яиц

Вы можете установить держатель для яиц на полочку двери или обычную полку, как вам удобнее.

Никогда не помещайте держатель для яиц в камеру морозильника.

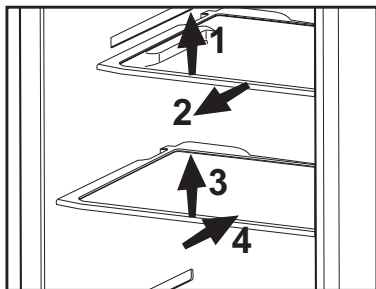
Выдвижные полки

Чтобы выдвинуть выдвижную полку, слегка приподнимите ее спереди, после чего ее можно сдвинуть назад и вперед. Полку можно выдвинуть вперед до упора, чтобы достать продукты в конце полки. Чтобы вынуть полку, сдвиньте ее до второго упора, слегка приподнимите и потяните на себя.

Крепко придерживайте полку снизу, чтобы она не перевернулась.

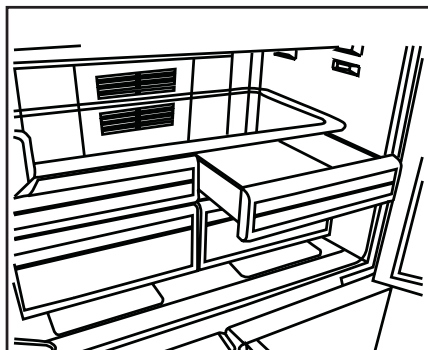
Полки холодильного отделения устанавливаются на направляющие, расположенные на боковых стенках, и их можно переставлять выше или ниже.

Чтобы установить полку на место, сдвиньте ее назад до конца.



Контейнер для фруктов и овощей

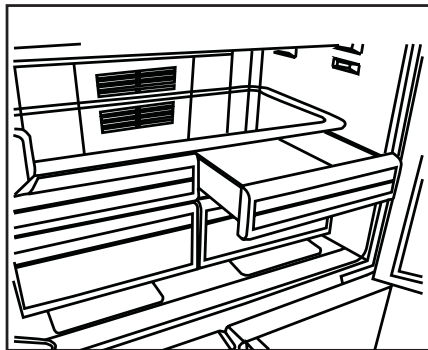
Контейнер для фруктов и овощей предназначен специально для их сохранения в свежем виде, чтобы они не теряли влагу. Для этого вокруг контейнера циркулирует холодный воздух. Перед тем как вынуть контейнер для фруктов и овощей, выньте совмещенные с ним дверные полки, как показано на рисунке.



Отделение охладителя

Отделение охладителя подготавливает продукты к заморозке. Кроме того, эти отделения можно использовать для хранения продуктов при температуре, на несколько градусов ниже температуры холодильной камеры.

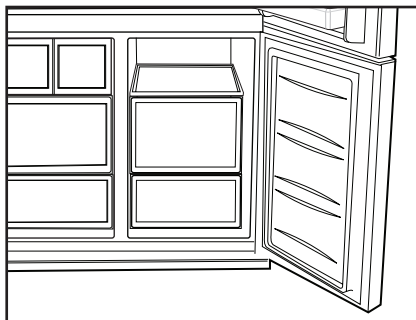
Вы можете освободить место внутри холодильника, вынув любой из охладителей. Для этого потяните лоток на себя, пока он не упрется в ограничитель. Затем приподнимите лоток приблизительно на 1 см и снова потяните на себя.



Съемное среднее отделение

Съемное среднее отделение предназначено для предотвращения просачивания холодного воздуха изнутри холодильника наружу.

- 1- Когда дверцы холодильной камеры закрыты, прокладки плотно прилегают к поверхности съемного среднего отделения.
- 2- Еще одно предназначение съемного среднего отделения – увеличение полезного объема холодильной камеры. Стандартные средние отделения занимают неиспользуемое пространство холодильника.
- 3- Съемное среднее отделение закрыто, когда закрыта левая дверца холодильной камеры.
- 4- Съемное отделение нельзя открывать вручную, поскольку при закрытых дверцах оно движется под управлением пластмассовой детали корпуса.



отделении (отделение компрессора) за холодильником. Когда этот элемент работает, из холодильника доносится шум, похожий на тиканье механических часов. Это вполне нормально и не является причиной неисправности.

Отделение для хранения продуктов Flexi Zone

Отделение для хранения продуктов Flexi Zone вашего холодильника можно использовать в любом нужном режиме, установив температуру холодильной (2/4/6/8 °C) или морозильной (-18/-20/-22/-24) камер. С помощью кнопки регулировки температуры отделения Flexi Zone можно устанавливать в отделении нужную температуру. Температуру отделения Flexi Zone можно установить на значения от 0 до 10 градусов в дополнение к температуре холодильной камеры и -6 градусов в дополнение к температуре морозильной камеры. При значении 0 дольше хранятся деликатесы, а при -6 можно в течение двух недель хранить мясные продукты в легком для нарезания состоянии.

i Переключение между режимами холодильного и морозильного отделений позволяет охлаждающий элемент, находящийся в закрытом

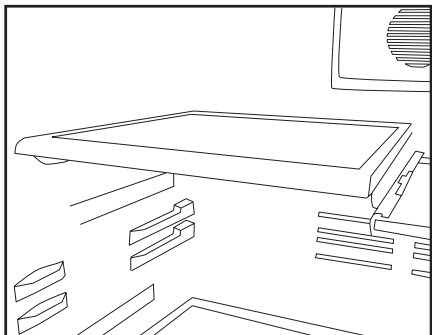
Синий свет

В продуктах, хранящихся в контейнерах для фруктов и овощей с синей подсветкой, продолжается процесс фотосинтеза, благодаря длине волн синего света и, таким образом, они сохраняют свою свежесть, а содержание витаминов в них увеличивается.



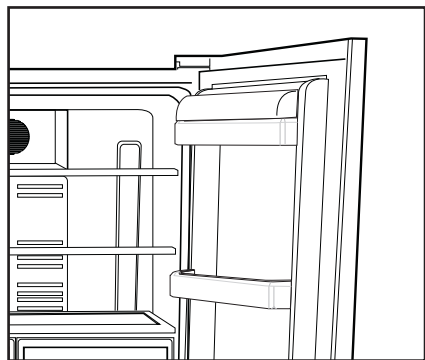
Скользящие полки с задними креплениями

Скользящие полки с задними креплениями легко передвигаются вперед и назад. Их высоту можно регулировать, устанавливая полки ниже или выше. Чтобы достать полку, слегка приподнимите ее и потяните на себя.



Полка для масла и сыра

На этой полке с крышкой можно хранить масло, сыр и маргарин.

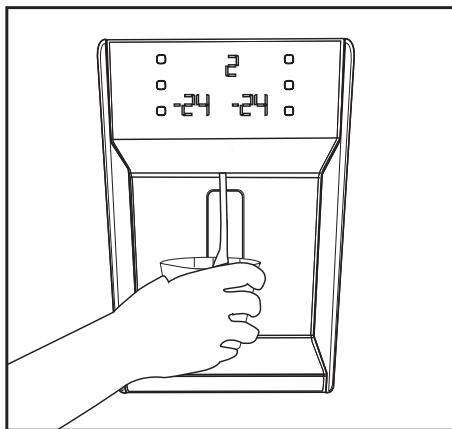


Пользование краном подачи воды

Предостережения

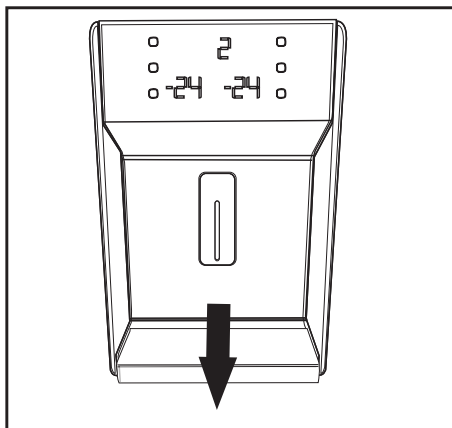
Первые несколько стаканов воды, вышедшей из распределителя, могут быть теплыми. Это вполне нормально.

Если распределитель воды используется нечасто, то для получения свежей воды необходимо слить некоторое количество воды из распределителя.



Лоток для разлитых продуктов

Капли воды, падающие во время работы, накапливаются в лотке для разлитых продуктов. Вы можете достать лоток, потянув его на себя или нажав на край (в зависимости от модели). Воду можно удалить с помощью губки или мягкой ткани.



Мини-бар

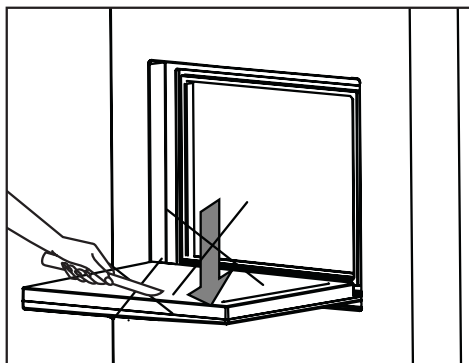
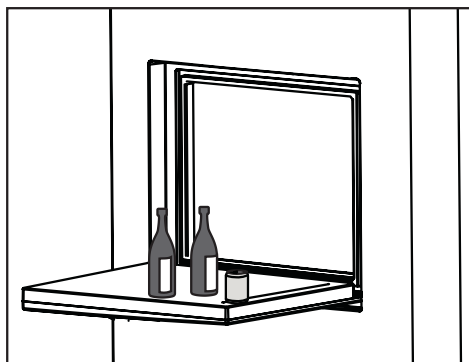
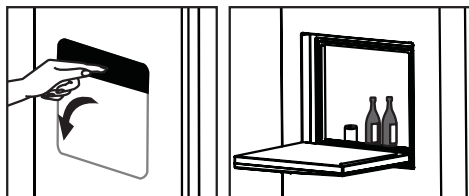
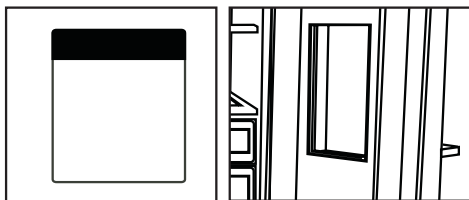
Функция «Мини-бар» обеспечивает дополнительное удобство использования холодильника. Чтобы получить доступ к дверной полке, нет необходимости открывать дверцу холодильника; благодаря этой функции вы можете доставать из холодильника еду и напитки частого употребления. Таким образом вы будете реже открывать дверцу холодильника и снизите его энергопотребление.

Чтобы открыть дверцу мини-бара, надавите на нее рукой и потяните на себя.

Если дверца мини-бара открыта, используйте ее внутреннюю поверхность в качестве столика, на который можно ненадолго ставить бутылки и стаканы, как показано на рисунке.

⚠ Внимание! Запрещено оказывать на столик мини-бара давление (сидеть, висеть или использовать в качестве ступени) и ставить на него тяжелые предметы. Это может привести к повреждению холодильника или травмам.

⚠ Внимание! На дверце мини-бара запрещено резать продукты; избегайте повреждения дверцы острыми предметами.



6 Обслуживание и чистка

- ⚠ Ни в коем случае не используйте бензин, бензол или подобные вещества для чистки.
- ⚠ Перед чисткой рекомендуем отсоединить изделие от электросети.
- ⓘ Не используйте для чистки острые абразивные инструменты, мыло, бытовые чистящие средства, моющие средства и восковую политуру.
- ⓘ Если говорить об изделиях без автоматического размораживания, то на задней стенке холодильной камеры образуются стекающие капли воды и слой наледи размером с ширину пальца. Запрещается чистить, наносить масло или аналогичные вещества.
- ⓘ Используйте только слегка увлажненные ткани из микроволокна для очистки наружной поверхности изделия. Губки и другие типы чистящих салфеток могут поцарапать поверхность.
- ⓘ Корпус изделия промойте теплой водой и затем вытрите насухо.
- ⓘ Протрите внутреннюю поверхность изделия хорошо отжатой тканью, смоченной в растворе питьевой соды (1 чайная ложка на пол-литра воды), и вытрите насухо.
- ⚠ Не допускайте попадания воды в корпус лампочки и в другие электрические компоненты.
- ⚠ Если холодильник не будет использоваться в течение длительного времени, отключите сетевой шнур, извлеките все продукты, выполните чистку и оставьте дверцу приоткрытой.
- ⓘ Регулярно проверяйте, не испачкан ли уплотнитель дверцы частицами пищи.
- ⓘ Для снятия полок в дверце полностью разгрузите их, а затем просто приподнимите вверх.
- ⓘ Для чистки наружных поверхностей и хромированных деталей изделия ни в коем случае не используйте чистящие средства или воду, содержащие хлор. Хлор вызывает коррозию таких металлических поверхностей.
- ⓘ Не используйте острые и абразивные инструменты или мыло, бытовые чистящие средства, синтетические моющие средства, бензин, бензол, воск и т.д., иначе маркировка на пластиковых деталях исчезнет, и будет иметь место деформация. Используйте для очистки и вытирания насухо теплую воду и мягкую ткань.

Защита пластмассовых поверхностей

- Не храните жидкое масло или продукты, приготовленные с добавлением масла, в морозильной камере в открытых контейнерах, так как они могут повредить пластмассовые поверхности. Если же масло протекло или попало на пластмассовую поверхность, сразу же очистите и промойте это место теплой водой.

7 Рекомендации по устранению неисправностей

Прежде чем обращаться в сервисный центр, просмотрите этот перечень. Это может помочь сэкономить время и деньги. Ниже перечислены часто возникающие проблемы, причиной которых не являются дефекты производства или материалов. Некоторые из описанных здесь функций могут отсутствовать в вашей модели.

Холодильник не работает.
<ul style="list-style-type: none">• Правильно ли включен холодильник в сеть? Вставьте вилку в розетку электросети.• Не перегорел ли предохранитель розетки, в которую включен холодильник, или главный предохранитель? Проверьте предохранитель.
Конденсация на боковой стенке отделения холодильника (MULTI ZONE, COOL CONTROL и FLEXI ZONE).
<ul style="list-style-type: none">• Очень низкая температура окружающей среды. Частое открывание и закрывание дверцы. Изделие работает в условиях повышенной влажности. Хранение продуктов, содержащих жидкость, в открытых контейнерах. Неплотно закрыта дверца.• Переключите термостат на более низкую температуру.• Сократите периоды, когда дверца остается открытой, или открывайте ее реже.• Накройте продукты, хранящиеся в открытых контейнерах, подходящим материалом.• Вытрите конденсат сухой тканью и проверьте, не образуется ли он снова.
Не работает компрессор

<ul style="list-style-type: none">• Термозащита компрессора может сработать при неожиданных отключениях энергоснабжения либо при выключении-включении прибора, поскольку давление хладагента в системе охлаждения не успевает стабилизироваться.• Холодильник начнет работать примерно через 6 минут. Если по истечении этого времени холодильник не заработал, обратитесь в сервисный центр.• Холодильник находится в режиме размораживания. Это нормально для холодильника с автоматическим размораживанием. Размораживание выполняется регулярно.• Холодильник не включен в розетку электросети. Убедитесь, что вилка плотно вставлена в розетку электросети.• Правильно ли отрегулирована температура? Нарушение подачи электроэнергии. Обратитесь к поставщику электроэнергии.
Холодильник включается слишком часто или работает слишком долго.

• Новый холодильник может быть больше того, которым вы пользовались раньше. Это вполне нормально – большие холодильники работают в течение более длительных периодов времени.

• Возможно, температура в помещении повышена. Это вполне нормально.

• Возможно, холодильник был недавно включен или только что загружен продуктами. Полное охлаждение холодильника может продолжаться на несколько часов дольше.

• Возможно, в холодильник недавно поместили большое количество горячих продуктов. Из-за наличия горячих продуктов холодильник будет работать дольше, чтобы достичь нужной температуры хранения.

• Возможно, дверцы часто открываются либо оставались приоткрытыми в течение длительного времени. При попадании в холодильник теплого воздуха, он будет работать дольше. Открывайте дверцы реже.

• Неплотно закрыта дверца морозильного или холодильного отделения. Проверьте, плотно ли закрыты дверцы.

• Холодильник отрегулирован на очень низкую температуру. Установите в холодильнике более высокую температуру и подождите, пока установленная температура не будет достигнута.

• Возможно, уплотнитель дверцы холодильного или морозильного отделения загрязнен, изношен, разорван или неправильно установлен. Почистите или замените уплотнитель. Из-за поврежденного или разорванного уплотнителя холодильник будет работать дольше, чтобы поддерживать текущую температуру.

Температура в морозильном отделении слишком низкая, в то время как температура в холодильном отделении достаточная.

• Температура морозильного отделения установлена на очень низкое значение. Установите в морозильном отделении более высокую температуру и проверьте работу.

Температура холодильного отделения очень низкая, в то время как температура в морозильном отделении достаточная.

• Температура в холодильном отделении установлена на очень низкое значение. Установите в холодильном отделении более высокую температуру и проверьте работу.

Замерзают продукты в выдвижных контейнерах холодильного отделения.

• Температура в холодильном отделении установлена на очень низкое значение. Установите в холодильном отделении более высокую температуру и проверьте работу.

Температура в холодильном и морозильном отделении слишком высокая.

• Температура в холодильном отделении установлена на очень высокое значение. Температура в холодильном отделении влияет на температуру в морозильном отделении. Изменяйте температуру в холодильном или морозильном отделении, пока не будет достигнут нужный уровень температуры.

• Возможно, неплотно закрыта дверца. Полностью закройте дверцу.

• Возможно, в холодильник недавно поместили большое количество горячих продуктов. Подождите, пока холодильное или морозильное отделение достигнет нужной температуры.

• Возможно, холодильник был недавно включен в сеть. Для полного охлаждения потребуется некоторое время из-за большого размера холодильника.

Из холодильника доносится шум, похожий на тиканье механических часов.

• Этот шум вызван работой электромагнитного клапана холодильника. Он обеспечивает прохождение хладагента, который выполняет охлаждение, через отделения холодильника, в которых установлена температура охлаждения или замораживания. Это вполне нормально и не является неисправностью.

Уровень рабочего шума повышается во время работы холодильника.

• Рабочие характеристики изделия могут изменяться в зависимости от изменений температуры окружающей среды. Это нормально и не является неисправностью.

Вибрация или шум.

<ul style="list-style-type: none"> • Пол неровный или нежесткий. Холодильник медленно перемещается и при этом дрожит. Убедитесь в том, что пол ровный и достаточно прочный, чтобы выдерживать вес изделия. • Шум могут вызывать предметы, которые находятся на холодильнике. Такие предметы следует убрать с холодильника.
Слышен шум льющейся или разбрызгивающейся жидкости.
<ul style="list-style-type: none"> • Расход жидкости и газа изменяется в соответствии с принципами работы изделия. Это нормально и не является неисправностью.
Слышен шум, похожий на шум ветра.
<ul style="list-style-type: none"> • Для обеспечения эффективного охлаждения в холодильнике используются устройства подачи воздуха (вентиляторы). Это нормально и не является неисправностью.
Конденсация влаги на внутренних стенках холодильника.
<ul style="list-style-type: none"> • Жаркая и влажная погода способствует образованию льда и конденсации влаги. Это нормально и не является неисправностью. • Дверцы приоткрыты. Убедитесь, что дверцы полностью закрыты. • Возможно, дверцы открывались очень часто, или дверца оставалась открытой длительное время. Открывайте дверцу реже.
Появление влаги снаружи холодильника или между дверцами.
<ul style="list-style-type: none"> • Возможно, причина во влажной погоде. Это вполне нормально при влажной погоде. Когда влажность уменьшится, конденсация исчезнет.
Неприятный запах внутри холодильника.
<ul style="list-style-type: none"> • Следует выполнить чистку внутри холодильника. Протрите холодильник внутри губкой, смоченной в теплой воде или в газированной воде. • Некоторые контейнеры или упаковочные материалы также могут быть источником запаха. Используйте другой контейнер или упаковочный материал другой марки.
Дверца (дверцы) не закрывается (не закрываются).

<ul style="list-style-type: none"> • Упаковки продуктов могут препятствовать закрыванию дверцы. Переместите упакованные продукты, препятствующие закрытию дверцы. • Возможно, холодильник стоит не совсем вертикально, это может вызвать дрожание при любом перемещении. Отрегулируйте регулировочные винты. • Пол неровный или нежесткий. Убедитесь в том, что пол ровный и может выдержать вес холодильника.
Контейнеры для фруктов и овощей прилипли.
<ul style="list-style-type: none"> • Возможно, продукты касаются верхней части контейнера. Переместите продукты в контейнере.
Горячая Поверхность Изделия
<ul style="list-style-type: none"> • Во время работы изделия поверхность между двумя дверцами, на боковых панелях и у задней решетки может нагреваться до высокой температуры. Это нормальное явление, не требующее сервисного обслуживания!

Изготовитель: «Arcelik A.S.» Юридический адрес: Караач Джаддеси № 2-6 34445 Сютлюдже Стамбул, Турция (Karaağaç Caddesi No:2-6 Sütlüce, 34445, Turkey)

Произведено в Турции

Импортер на территории РФ: ООО «БЕКО» Юридический адрес: 601021 Россия, Владимирская обл., Киржачский р-н, МОСП Першинское, дер. Федоровское, ул. Сельская, д. 49.

Информацию о сертификации продукта Вы можете уточнить, позвонив на горячую линию 8-800-200-23-56.

Официальный представитель на территории Украины: ООО "Беко Украина", адрес: 01021, г. Киев, ул. Кловский спуск, д. 5.

Информацию о сертификации можно получить в информационно-справочной службе по телефону 0-800-500-4-3-2

Дата производства включена в серийный номер продукта, указанный на этикетке, расположенной на продукте, а именно: первые две цифры серийного номера обозначают год производства, а последние две – месяц. Например, "10-100001-05" обозначает, что продукт произведен в мае 2010 года.

Изготовитель оставляет за собой право на внесение изменений в конструкцию, дизайн и комплектацию электроприбора.

Изготовитель оставляет за собой право вносить изменения в конструкцию, дизайн и комплектацию электроприбора.



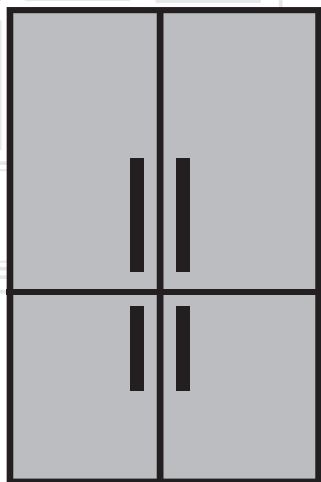
58 0134 0000/AC
3/4
NO-PL-RU



www.beko.com

Refrigerator

User manual



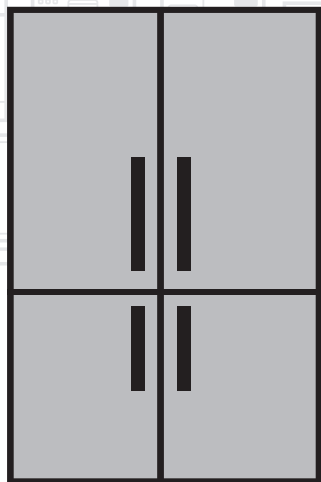
GNE 134620 X

SV | UK

beko

Kylskåp

Bruksanvisning



SV |

beko

Läs den här bruksanvisningen först!

Kära kund!

Vi hoppas att produkten, som har tillverkats på en modern anläggning och genomgått de allra noggrannaste kvalitetsprocesser, kommer att erbjuda effektiv service.




Vi rekommenderar därför att du läser igenom hela bruksanvisningen noggrant innan du använder den och att du förvarar den nära till hands för framtida referens.

Den här bruksanvisningen

- Hjälper dig använda enheten på ett snabbt och säkert sätt.
- Läs bruksanvisningen innan du installerar och använder produkten.
- Följ instruktionerna, speciellt säkerhetsanvisningarna.
- Förvara bruksanvisningen på en lättåtkomlig plats där du kan hämta den senare.
- Läs även övriga dokument som tillhandahålls tillsammans med produkten. Observera att den här bruksanvisningen även kan gälla för andra modeller.

Symboler och beskrivningar för dem

Den här bruksanvisningen innehåller följande symboler:

-  Viktig information eller användbara tips.
-  Varning för risker för liv och egendom.
-  Varning för elektrisk spänning.

1 Kylskåpet 3

2 Viktiga säkerhetsvarningar 4

För produkter med vattenbehållare; ... 6
Barnsäkerhet 7
I enlighet med WEEE-direktivet för hantering av avfallsprodukter: 7
I enlighet med RoHS-direktivet: 7
Paketinformation 7
HC-Varning..... 7
Saker att göra för att spara energi 7
Rekommendationer för förvaring av färsvaror 8

3 Installation 9

Saker att tänka på vid transport av kylskåpet 9
Innan du använder kylskåpet 9
Elektrisk anslutning 9
Kassering av förpackningen..... 10
Kassering av ditt gamla kylskåp 10
Placering och installation 10
Golvbalansjustering 11
Justera öppningen vid den övre dörren 11
Byta lampan 12
Installera vattenfilter 13
Anslutning av vattenrör till kylskåpet. 13
Anslutning av vattenslang till vattentillbringare 14
Anslutning av vattenröret till kallvattenkranen 15
Före första användningen av vattenbehållaren 17

4 Förberedelse 18

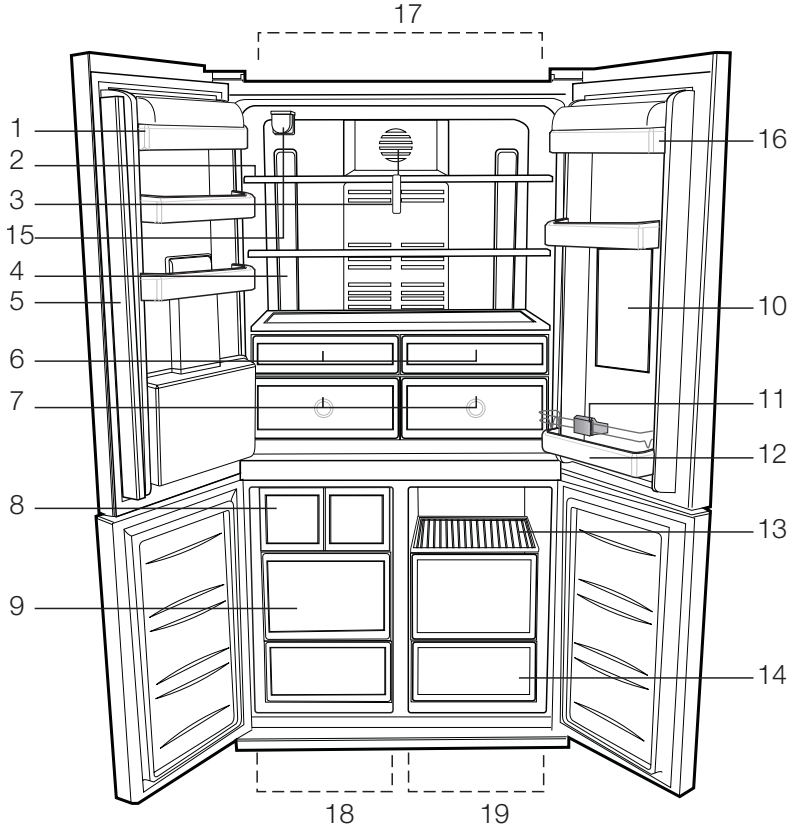
5 Använda kylskåpet 19

Indikatorpanel..... 19
Dörröppningsalarm: 22
Infrysning av färsk mat 23
Rekommendationer för bevarande av fryst mat 23
Placering av mat..... 24
Djupfrysning information..... 24
Saker att göra för att filteranvändningstiden ska beräknas automatiskt 25
Skjutbara hyllor 26
Äggbehållare 26
Grönsakslåda 26
Kylfack 26
Flyttbar mittsektion 27
Multizonförvaringsfack 27
Blå lampa 27
Skjutbara hyllor med bakre hängare. 28
Ost- och smörhylla 28
Använda vattenfjäder 28
Spillbehållare 28
Minibar 29

6 Underhåll och rengöring 30

7 Rekommenderade lösningar på problem 31

1 Kylskåpet



- | | |
|---------------------------------|--------------------------------|
| 1- Dörrhyllor för kylfack | 11-Flaskhållare |
| 2- Glashyllora för kylfack | 12-Flaskställ |
| 3- Dimmerskydd | 13-Förvaringshyllor |
| 4- Belysningslins | 14-Förvaringsfack |
| 5- Flyttbar mittsektion | 15-Vattenfilter |
| 6- Kylfack | 16-Utrymme för mejeriprodukter |
| 7- Grönsakslåda | 17-Kylfack |
| 8- Ismaskin | 18-Frysack |
| 9- Förvaringsfack för fryst mat | 19-Multizon |
| 10-Minibar | |

i Bilder som förekommer i den här bruksanvisningen är exempel och överensstämmer inte exakt med din produkt. Om delar inte medföljer produkten du har köpt så gäller det för andra modeller.

Läs följande information. Om du underlåter att följa den här informationen kan det orsaka person- och materialskador. Annars blir alla garanti- och tillförlitlighetsåtaganden ogiltiga.

Användningstidslängden för enheten är 10 år. Det här är den period som reservdelarna krävs för att enheten ska hålla.

Avsedd användning

	VARNING: Håll ventilationsöppningar i apparatens hölje eller i den inbyggda strukturen fritt från hinder.
	VARNING: Använd inte mekaniska anordningar eller andra medel för att påskynda avfrostningsprocessen, annat än de som rekommenderas av tillverkaren.
	VARNING: Skada inte kylmedelskretsen.
	VARNING: Använd inte elektriska apparater inuti matvaru förvaringsutrymme na i apparaten, såvida de inte är av den typ som rekommenderas av tillverkaren.

VARNING!

Förvara inte explosiva ämnen, så som aerosolbehållare med brandfarligt bränsle, i den här enheten.



Denna apparat är avsedd att användas i hushåll och liknande användning såsom

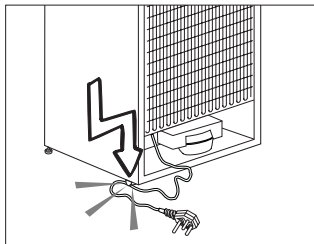
- personalkök i butiker, kontor och andra arbetsmiljöer;
- Bondgårdar och av kunder på hotell, motell och andra bostadsmiljöer;
- Bed and breakfast-miljöer;
- Catering och liknande icke-detaljhandelsanvändning.

Allmän säkerhet

- När du vill avyttra produkten rekommenderar vi att du rådgör med auktoriserad kundtjänst för att få den information som krävs, samt auktoriserade organ.
- Rådfråga auktoriserad service när det gäller alla frågor och problem som är relaterade till kylskåpet. Modifiera inte kylskåpet utan att meddela auktoriserad kundtjänst.
- För produkter med frysacket; Ät inte glass och iskuber direkt efter att du har tagit ut dem ur frysacket! (Det kan leda till köldskador i munnen.)
- För produkter med frysack; Placera inte flaskprodukter och konserverade drycker i frysacket. De kan explodera.
- Rör inte vid fryst mat med händerna; de kan fastna.
- Koppla ur kylskåpet före rengöring och avfrostning.

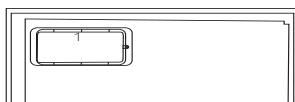
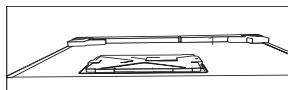
- Lättflyktiga material skall aldrig användas vid avfrostning av kylskåpet. Det kan leda till att ångan kommer i kontakt med elektriska delar och orsaka kortslutning eller elektriska stötar.
- Använd aldrig delar på ditt kylskåp såsom en dörr som stöd eller trappsteg.
- Använd inte elektriska enheter inne i kylskåpet.
- Skada inte delarna med borr eller vassa verktyg, när kylskåpet cirkulerar. Kylmedlet som kan läcka ut om rör eller ytor punkteras kan orsaka hudirritation och ögonskador.
- Täck inte över eller blockera ventilationshålen på kylskåpet med något material.
- Elektriska enheter måste repareras av behöriga fackmän. Reparationer som utförs av personer utan rätt kunskap kan orsaka risk för användaren.
- Vid eventuella fel eller felfunktion under service eller reparationsarbete, skall du koppla ur strömkällan till kylskåpet genom att antingen vrida ur motsvarande säkring eller dra ur sladden.
- Drag inte i kabeln – drag i kontakten.
- Se till att drycker med hög alkoholhalt placeras upprätt och förvaras säkert med fastsatta lock.
- Förvara aldrig spraymedel som innehåller antändbara och explosiva ämnen i kylskåpet.
- Använd inte mekaniska enheter eller andra sätt för att snabba på avfrostningsprocessen, förutom det som rekommenderas av tillverkaren.
- Den här produkten är inte avsedd att användas av personer med nedsatt fysisk, psykisk eller mental förmåga eller oerfarna personer (inklusive barn) om de inte övervakas av en person som ansvarar för deras säkerhet eller instruerar dem i användningen av produkter
- Använd inte ett skadat kylskåp. Kontakta serviceombudet om du har några frågor.
- Elsäkerheten för kylskåpet garanteras endast om jordningssystemet i huset uppfyller de krav som gäller.
- Det är farligt att utsätta produkten för regn, snö, sol och vind med tanke på elsäkerheten.
- Kontakta auktoriserad service om strömkabeln skadas för att undvika fara.
- Koppla aldrig in kylskåpet i vägguttaget under installationen. Det ökar risken för allvarig skada eller dödsfall.
- Det här kylskåpet är endast avsett för förvaring av livsmedel. Det får inte användas för något annat ändamål.
- Etiketten med tekniska specifikationer sitter på vänster insida i kylskåpet.
- Koppla aldrig in kylskåpet till energibesparande system; de kan skada kylskåpet.
- Om det finns en blå lampa på kylskåpet får du inte titta rakt in i den eller titta på den genom optiska verktyg under en längre stund.
- För manuellt kontrollerade kylskåp, vänta i minst 5 minuter för att starta kylskåpet efter strömavbrottet.
- Den här bruksanvisningen ska lämnas till den nya ägaren av produkten när den lämnas till andra.
- Undvik att orsaka skada på strömkabeln vid transport av kylskåpet. Om du böjer kabeln kan det orsaka brand. Placera aldrig tunga föremål på strömkabeln. Rör

inte vid kontakten med våta händer när du kopplar in produkten.



- Kontrollera att matningsslangen inte har fastnat eller skadad när du placerar apparaten.
- Anslut inte flera portabla uttag eller bärbara nätaggregat på baksidan av apparaten.
- Anslut inte kylskåpet till ett eluttag som sitter löst.
- Vatten får av säkerhetsskäl inte sprayas direkt på de inre eller yttre delarna av produkten.
- Spraya inte ämnen som innehåller antändbara gaser, såsom propangas, nära kylskåpet för att undvika brand och explosionsrisk.
- Placera aldrig behållare som är fyllda med vatten på kylskåpet, eftersom det kan orsaka elektrisk kortslutning eller brand.
- Överbelasta inte kylskåpet med för stora mängder mat. Om det överbelastas kan mat falla ned och skada dig och kylskåpet när du öppnar dörren. Placera aldrig föremål på kylskåpet; annars kan de falla ned när du öppnar eller stänger kylskåpsdörren.
- Produkter som behöver en exakt temperaturkontroll (vaccin, värmekänslig medicin, vetenskapliga material etc.) får inte förvaras i kylan.
- Om kylskåpet inte används under en längre tid ska det kopplas från strömkällan. Ett möjligt problem i strömkabeln kan orsaka brand.

- Kylskåpet kan flytta på sig om de justerbara benen inte sitter fast ordentligt i golvet. Om du förankrar de justerbara benen ordentligt i golvet kan det förhindra att kylskåpet flyttar på sig.
- När du bär på kylskåpet ska du inte hålla i dörrhandtaget. Annars kan det släppa.
- Om du har placerat produkten intill ett annat kylskåp eller en frys ska avståndet mellan enheterna vara minst 8 cm. Annars kan de angränsande väggarna blir fuktiga.
- Använd aldrig produkten om delen som är överst eller bak på produkten har det elektroniskt skrivna kretskortet öppet (skyddet för kretskortet) (1).



För produkter med vattenbehållare;

- Trycket titt ingående vatten ska vara minst 90 psi (620 kPa). Om vattentrycket överstiger 80 psi (550 kPa), använd en tryckbegränsande ventil i ditt huvudsystem. Om du inte vet hur du kontrollerar trycket ska du fråga en yrkesrörmokare.
- Om det finns en risk för att vattenhammaren påverkas i din installation, använd alltid en vattenhammarförhindrande utrustning i din installation. Konsultera en yrkesrörmokare om du inte är säker på om vattnet påverkar din installation.

- Installera inte på varmvattenintaget. Vidtag åtgärder mot frysrisker i slangarna. Vattentemperaturens driftsintervall ska vara minst 33°F (0,6°C) och mest 100°F (38°C).
- Använd bara drickbart vatten.

Barnsäkerhet

- Om dörren har ett lås ska nyckeln hållas borta från barn.
- Barn ska övervakas för att hindra att de pillar på produkten.

I enlighet med WEEE-direktivet för hantering av avfallsprodukter:



Den här produkten gäller under EU WEEE-direktivet (2012/19/EU). Den här produkten är försedd med en klassificeringssymbol för avfallshantering av elektriskt och elektroniskt material (WEEE).

Denna produkt är tillverkad med delar av hög kvalitet samt material som kan återanvändas

och återvinnas. Produkten får inte slängas i hushållssoporna eller i annat avfall vid livslut. Ta den till en återvinningsstation för elektrisk och elektronisk utrustning. Kontakta din kommun för mer information om närmaste återvinningsstation.

I enlighet med RoHS-direktivet:

Produkten du har köpt gäller under EU RoHS-direktivet (2011/65/EU). Den innehåller inga av de farliga eller förbjudna material som anges i direktiven.

Paketinformation

Produktens förpackningsmaterial tillverkas av återvinningsbara material i enlighet med våra nationella miljöregler. Kassera inte förpackningsmaterial tillsammans med hushållsavfall eller annat avfall. Ta med dem till ett samlingsställe för förpackningsmaterial som anges av de lokala myndigheterna.

HC-Varning Om produktens kylsystem innehåller R600a:

Den här gasen är lättantändlig. Var därför noggrann så att du inte skadar kylsystemet och rören under användning och transport. Om det skulle uppstå någon skada skall produkten hållas borta från potentiella eldkällor som kan göra att produkten fattar eld och du ska ventilerera rummet där enheten är placerad.

Du kan bortse från den här varningen om produktens kylsystem innehåller R134a.

Typen av gas som används i produkten anges på märkplåten som sitter på kylskåpets vänstra insida.

Kasta aldrig produkten i eld när den ska kasseras.

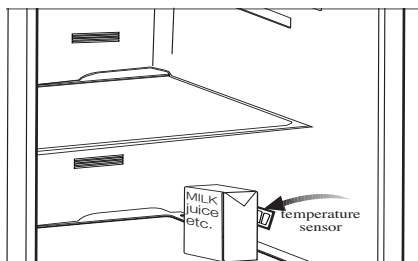
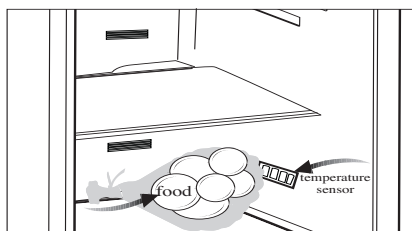
Saker att göra för att spara energi

- Låt inte dörrarna till kylskåpet stå öppna under en längre tid.
- Placera inte varm mat eller varma drycker i kylskåpet.
- Överbelasta inte kylskåpet så att luften inuti det påverkas.
- Installera inte kylskåpet i direkt solljus eller nära värmeavsöndrande enheter såsom ugn, diskmaskin eller element.
- Observera att mat ska förvaras i tillslutna behållare.
- För produkter med frysack; Du kan lagra maximal mängd mat i frysen när du tar bort hyllan eller lådan till frysen. Energiförbrukningen som anges på kylskåpet har fastställts genom att ta bort fryshyllan eller lådan och ha maximal belastning. Det finns ingen risk i att använda en hylla eller låda enligt formerna och storlekarna på maten som ska frysas.

Rekommendationer för förvaring av färskvaror

* TILLBEHÖR

- Låt ingen mat komma i kontakt med temperatursensorn i facket för färskvaror. För att hålla optimal förvaringstemperatur i facket för färskvaror får inte sensorn blockeras av livsmedel.
- Placera inte varm mat i enheten.



- Upptining av fryst mat i kylfacket sparar både energi och håller matens kvalitet.

3 Installation

- ❗ Kom ihåg att tillverkaren inte skall hållas ansvarig om användaren underlåter att observera något i den här bruksanvisningen.

Saker att tänka på vid transport av kylskåpet

1. Kylskåpet måste vara tomt och rent före transport.
2. Hyllor, tillbehör, grönsakslåda etc. i kylskåpet måste spännas fast ordentligt med självhäftande tejp före ompaketering.
3. Förpackningen måste fästas ihop med tjock tejp och starka rep och de transportregler som anges på förpackningen måste följas.

❗ Glöm aldrig...

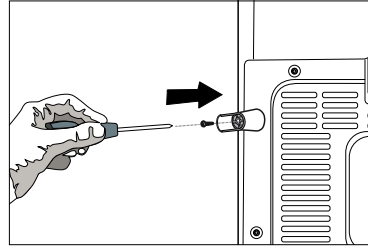
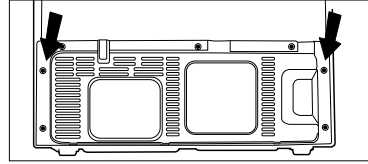
Varje återvunnet material är en ovärderlig källa för naturen och för våra nationella resurser.

Om du vill bidra till återvinningen av förpackningsmaterial kan du hämta ytterligare information från våra miljöorgan eller lokala myndigheter.

Innan du använder kylskåpet

Kontrollera följande innan du startar kylskåpet:

1. Är kylskåpets insida torr och kan luften cirkulera fritt bakom det?
2. För in 2 plastklämmor på den bakre ventilationsluckan så som visas på följande bild. För att göra detta tar du bort skruvarna på produkten och använder skruvarna som finns i samma ficka.
Plastklämmorna ger rätt avstånd mellan kylskåpet och väggen för att tillåta luften att cirkulera.



3. Rengör kylskåpets insida enligt rekommendationerna i avsnittet "Underhåll och rengöring".
4. Koppla in kylskåpet i vägguttaget. När dörren öppnas kommer den invändiga belysningen att tändas.
5. Du kommer att höra ett bullrande ljud när kompressorn startar. Vätska och gas inne i produkten kan också ge upphov till ljud, även om kompressorn inte körs och detta är helt normalt.
6. De främre kanterna på kylskåpet kan kännas varma. Detta är normalt. De här områdena är utformade för att bli varma och därmed undvika kondens.

Elektrisk anslutning

Anslut kylskåpet till ett jordat uttag som skyddas av en säkring med lämplig kapacitet.

Viktigt:

- ⚠ Anslutningen måste ske i enlighet med nationell lagstiftning.
- ⚠ Strömkabelns kontakt måste vara lätt att komma åt efter installationen.

- ⚠ Spänning och tillåtet säkringsskydd anges i avsnittet "Tekniska specifikationer".
- ⚠ Den angivna spänningen måste överensstämma med strömkällans spänning.
- ⚠ Förlängningskablar och grenkontakter får inte användas för anslutningen.
- ⚠ En skadad strömkabel måste bytas av en behörig elektriker.
- ⚠ Produkten får inte användas innan den reparerats! Det finns risk för kortslutning!

Kassering av förpackningen

- ⚠ Förpackningsmaterial kan vara farligt för barn. Förvara förpackningsmaterialen utom räckhåll för barn eller avyttra dem i enlighet med gällande regler. Avyttra dem inte med hushållsavfallet.
- Förpackningsmaterialet för ditt kylskåp produceras av återvinningsbara material.

Kassering av ditt gamla kylskåp

Avyttra din gamla enhet utan att skada miljön.

- ⚠ Du kan kontakta en auktoriserad återförsäljare eller ett återvinningscenter angående avyttring av ditt kylskåp.
- ⚠ Innan du avyttrar kylskåpet ska du dra ur strömkontakten och, om det finns några lås på dörren, göra den obrukbar för att förhindra att barn skadar sig.

Placering och installation

- ⚠ Observera: Koppla aldrig in kylskåpet i vägguttaget under installationen. Det ökar risken för allvarlig skada eller dödsfall.
- ⚠ Om entrén till rummet där kylskåpet skall installeras är inte bred nog för att kylskåpet skall kunna passera skall du ringa till auktoriserad fackman så att de avlägsnar dörrarna på kylskåpet och tar in det i sidled genom dörren.

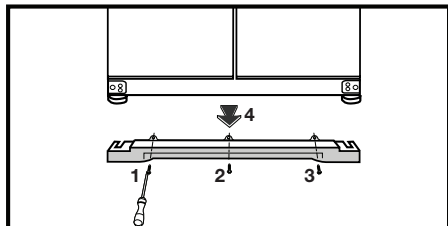
1. Installera kylskåpet på en plats där det är lättåtkomligt.
2. Håll kylskåpet borta från värmekällor, fuktiga platser och direkt solljus.
3. Det måste finnas tillräcklig ventilation runt kylskåpet för att uppnå effektiv användning. Om kylskåpet placeras i en hållighet i väggen måste det vara ett avstånd på minst 5 cm till taket och 5 cm till väggen.
Om golvet täcks med en matta måste produkten ha ett mellanrum på 2,5 cm till golvet
4. Placera kylskåpet på en jämn och plan golvyta för att förhindra lutningar.
5. Låt inte kylskåpet stå i en omgivande temperatur som understiger 10°C.

Golvbalansjustering

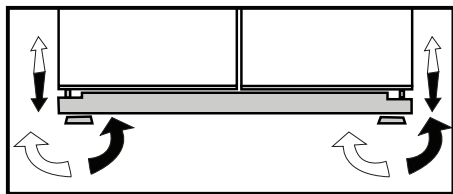
⚠ Om kylskåpet är obalanserat;

⚠ Koppla först ur produkten.

Produkten måste vara urkopplad när du gör balansinställningen. Det finns risk för kortslutning!



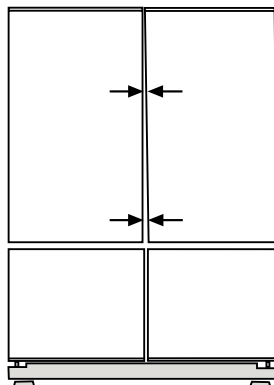
1- Ventilationsskyddet tas bort genom att skruva bort skruvarna, så som visas i bilden, innan du går vidare. Du kan balansera kylskåpet genom att vrida de främre benen såsom illustreras på bilden. Hörnet där benen finns sänks när du vrider i den svarta pilens riktning och höjs när du vrider i motsatt riktning. Det är lämpligt att be om hjälp när du gör detta för att göra det enklare.



2. När balansproblemet är åtgärdat monterar du tillbaka ventilationsskyddet och fäster skruvarna.

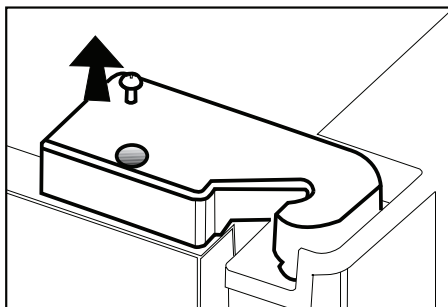
3. Avlägsna de skruvar som fäster det nedre ventilationsskyddet med en Philips skruvmejsel.

Justera öppningen vid den övre dörren

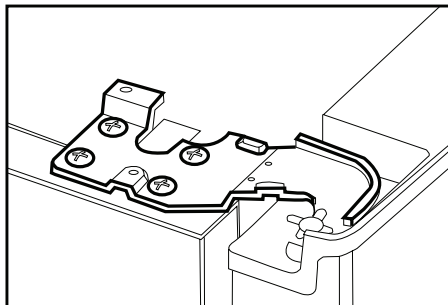
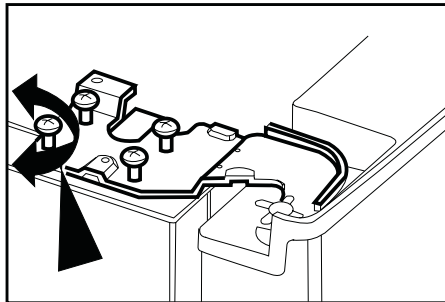


i Du kan justera öppningen mellan dörrarna på kylfacket så som visas på bilderna.

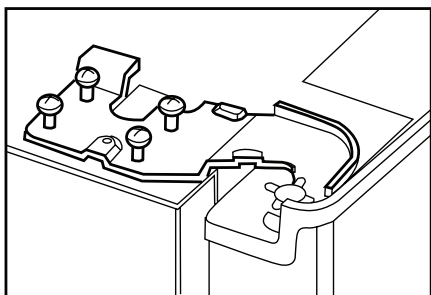
Dörrhyllorna skall vara tomma när du justerar dörrhöjden.



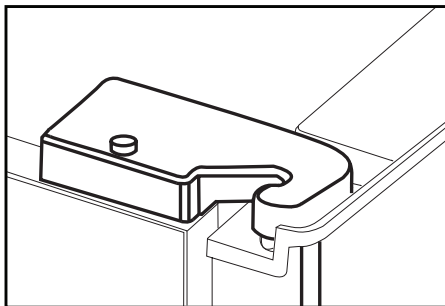
i Använd en skruvmejsel för att avlägsna det övre gångjärnsskyddet på dörren du vill justera.



i Justera dörren efter önskemål genom att lossa på skruvarna.



i Fäst dörren du har justerat genom att dra åt skruvarna utan att ändra dörrens placering.



i Byt gångjärnsskydd och fäst med skruven.

Byta lampan

Ring auktoriserad service när du vill byta lampa.

Lamporna som används i utrustningen är inte anpassade som rumsbelysning. Det avsedda ändamålet för lamporna är att hjälpa användaren placera mat i kylskåpet/frysaren på ett säkert och bekvämt sätt.

Lamporna i apparaten måste kunna tåla extrema fysiska förhållanden såsom temperaturer under $-20\text{ }^{\circ}\text{C}$.

Installera vattenfilter

(på vissa modeller)

Två olika vattenkällor kan kopplas ihop med kylskåpet för vattentillförsel. kallvattenkranen och vattentillbringare.

Installationskrav

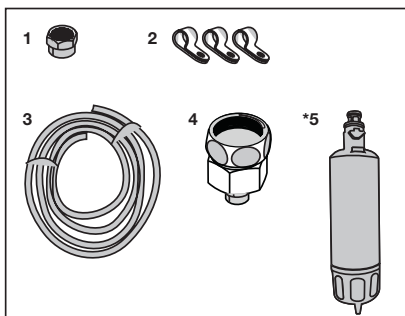
En pump ska användas för vattentillbringaranvändning.

Kontrollera att delarna som visas nedan medföljer enheten.

1. Används för anslutning av vattenröret till enhetens baksida. (Om den inte passar kan du köpa en hos närmaste auktoriserade service.)
2. 2 rörlips (vid behov för att säkra vattenröret)

Obs! Eftersom följande delar inte krävs vid användning med vattentillbringare kan de inte återfinnas i produkten vid köptillfället.

3. 5 meter långt vattenrör (1/4 tum i diameter)
4. Kallvattenventil med nätfilter (kranadapter)
5. Vattenfilter som monteras i fästets insida i kylfacket.



Platsen där det externa filtret ska monteras måste först avgöras.

(Gäller för filter som används utanför kylskåpet). Avgör sedan avståndet mellan filter och kylskåp och slanglängder från filter till kylskåpets vatteninlopp.

Vattenfiltret måste vara upprätt så som visas på bilden. Det är viktigt att montera filtret rätt i vatteninloppet och vattenutloppet.

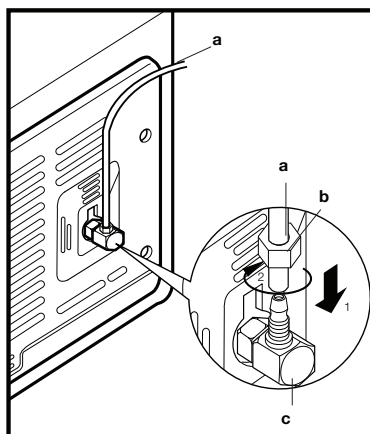
Efter att du har monterat filtret ska du inte använda de första 3-4 glasen vatten.

Anslutning av vattenrör till kylskåpet

1. Efter att hopkopplingen har installerats i vattenröret ska du föra in vattenröret i kylskåpets inloppsventil genom att trycka kraftigt nedåt.
2. Fixera hopkopplingen så som visas i motsatt bild, genom att dra åt för hand i kylskåpets inloppsventil.

(a- Vattenrör, b-hopkoppling, c-ventil)

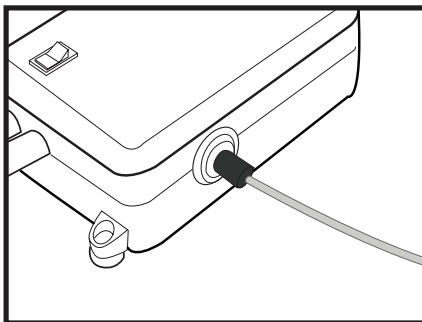
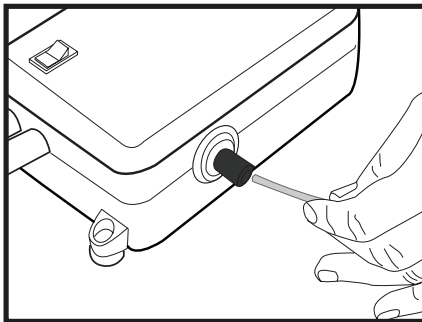
ⓘ Obs 1! Du ska inte dra åt hopkopplingen med ett verktyg för att montage ska sitta hårt. Vid en eventuell läcka ska du använda skiftnyckel eller tång för att dra åt hopkopplingen.



Anslutning av vattenslang till vattentillbringare (på vissa modeller)

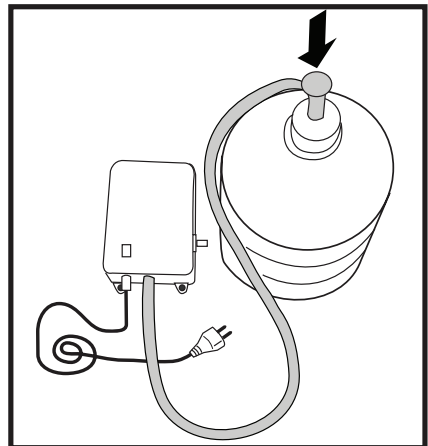
Om du ska ansluta vattnet till kylan från en vattentillbringare krävs en pump. Följ instruktionerna nedan efter anslutning av ena änden av vattenröret som kommer ut ut pumpen till kylan enligt vad som beskrivs på föregående sida.

1. Slutför anslutningen genom att trycka andra änden av vattenröret in i vatteninloppsroret på pumpen så som visas på bilden.
2. Sätt ihop pumpslangen och vattentillbringaren så som visas på bilden.



3. Efter att du har slutfört anslutningen kopplar du in och kör pumpen. För att erbjuda effektiv pumpanvändning ska du vänta 2-3 minuter efter att du har startat pumpen.

- i** Du kan se bruksanvisningen för pumpen när du gör vattenanslutningen.
- i** Du behöver inte använda vattenfiltret om en vattentillbringare används.
- i** Pumpen måste användas när vattentillbringaren används.



Anslutning av vattenröret till kallvattenkranen (på vissa modeller)

Om du vill använda kylen genom att ansluta den till kallvattenkranen, ska du ansluta en standardventil på 1/2" till kallvattenkranen i ditt hus. Om den här ventilen inte finns eller om du inte är säker, ska du kontakta en rörmokare.

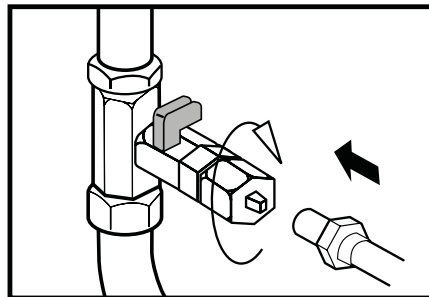
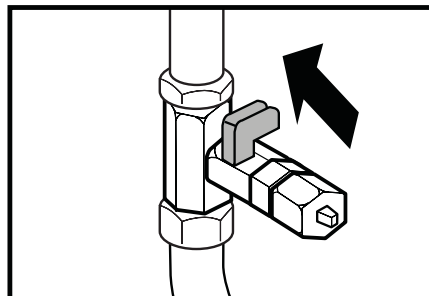
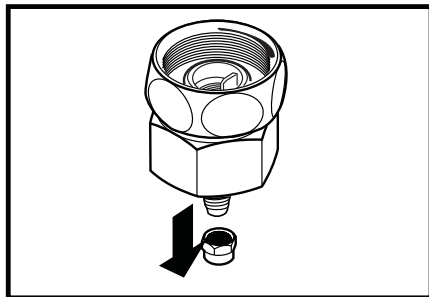
1. Dela på hopkopplingen som sitter fast i kranadaptorn. (Fig. A).
2. Installera kranadaptorn till 1/2" ventilmonteringen så som visas på bilden. (Fig. B).
3. Efter att du har satt i vattenröret i hopkopplingen installerar du kranadaptorn och för in kranen så som visas på bilden. (Fig. C).
4. Dra åt hopkopplingen manuellt. Vid en eventuell läcka ska du använda skiftnyckel eller tång för att dra åt hopkopplingen.

⚠ Observera: Säkra vattenrören i lämpliga punkter med hjälp av rörklips som medföljer för att undvika skador och oavsiktlig frånkoppling av anslutningen.

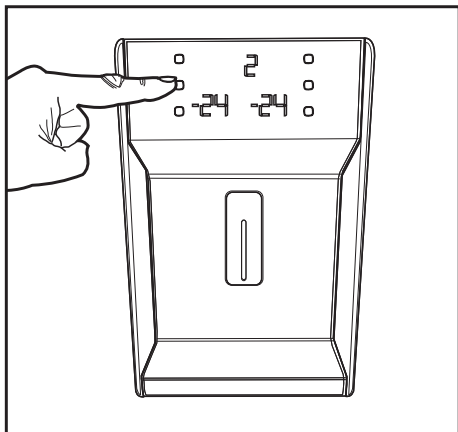
⚠ Observera: Efter att du har slagit på vattenventilen ska du se till att det inte förekommer några läckage i båda anslutningspunkterna på vattenröret. Vid en eventuell läcka ska du omedelbart stänga ventilen och dra åt alla fogar igen med en skiftnyckel eller en tång.

⚠ Observera: Se till att ha en standardventil på 1/2" monterad med kallvattenkranen tillgänglig och helt frånslagen.

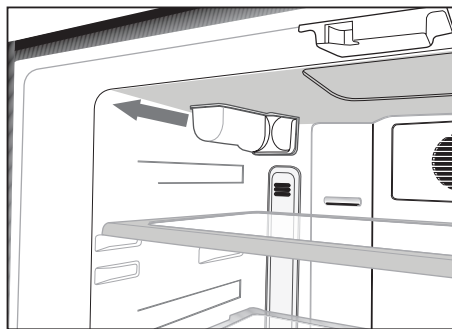
För att passa ihop vattenfiltret följer du instruktionerna nedan genom att se de bilder som visas:



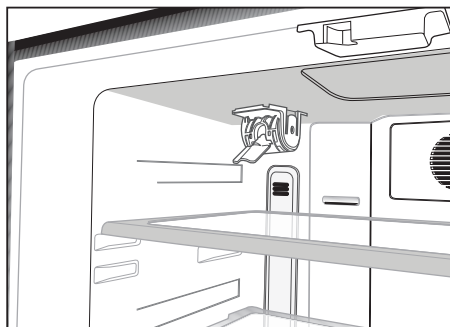
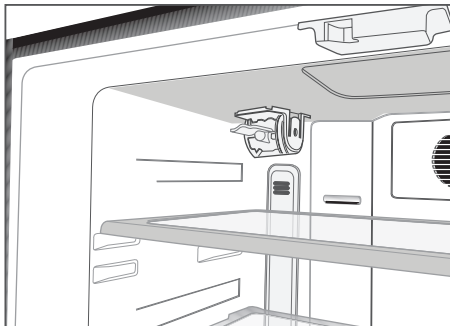
1. Tryck på knappen för isavbrott på displayen.
2. Avlägsna filterskyddet i kylfacket genom att dra det framåt.
3. Ta ut vattenfiltrets skydd genom att rotera det nedåt.



⚠ Observera: Se till att läget för "Is av" är aktivt innan du tar ut skyddet.



Obs! Det är normalt att det faller några vattendroppar efter att skyddet har tagits ut.



4. Ta bort locket på vattenfiltrets ovansida för att placera det så som visas på bilden och vrid uppåt för att låsa det.
5. Tryck på knappen för isavbrott på displayen igen för att stänga det här läget.

Vattenfiltret ska bytas var 6:e månad.

Om du vill beräkna bytesintervallet för filter automatiskt och få en varning i slutet av användningstiden ska du läsa avsnittet "Beräkna filteranvändningstid automatiskt".

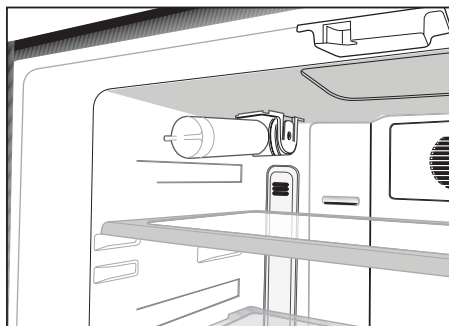
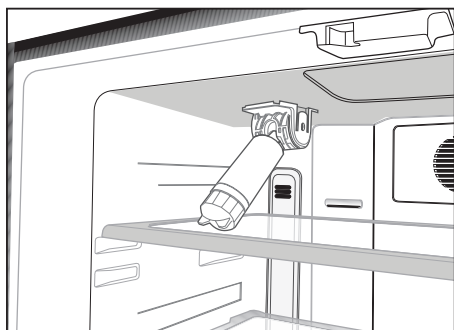
Vattenfiltret ska tas bort så som visas på bilden när det ska bytas eller när det inte längre ska användas och bypass-skyddet måste sättas fast. Det är viktigt att se till att läget Is av är aktivt innan du tar ut det.

⚠ Observera: Vattenfiltret filtrerar bort vissa främmande partiklar i vattnet. Det renar inte vattnet från mikroorganismer.

⚠ Observera: Knappen Is av måste alltid tryckas ned under byte av vattenfilter eller installation av by-pass-skyddet.

Före första användningen av vattenbehållaren

ⓘ Vattnets huvudtryck får inte ligga under 1 bar.



ⓘ Vattnets huvudtryck får inte ligga över 8 bar.

ⓘ Pumpar får inte användas om vattentrycket faller under 1 bar eller om en vattentillbringare ska användas.

ⓘ Vattensystemet för kylskåpet måste anslutas till kallvattenkranen. Den får inte anslutas till varmvattenkranen.

ⓘ Inget vatten får samlas i första starten av kylskåpet. Det här orsakas av luft i systemet. För att släppa ut luft ur systemet ska du trycka på låsvredet i perioder på 1 minut tills vattnet kommer ut ur behållaren. Vattenflödet kan vara oregelbundet i början. Oregelbundet vattenflöde normaliseras efter att luften i systemet laddas ur.

ⓘ Vid första starten av kylskåpet måste det gå omkring 12 timmar innan kallvattnet kan erhållas.

ⓘ Vattentrycket måste ligga mellan 1 och 8 bar för att användningen av is-/vattenbehållaren ska bli smidig. Kontrollera att 1 glas vatten (100 cc) kan fyllas i på 10 sekunder.

ⓘ De första 10 glasen vatten ska inte drickas.

ⓘ Omkring de första 30 iskuberna som fås från isbehållaren får inte användas.

ⓘ Använd alltid vattenfiltret när en vattentillbringare inte används.

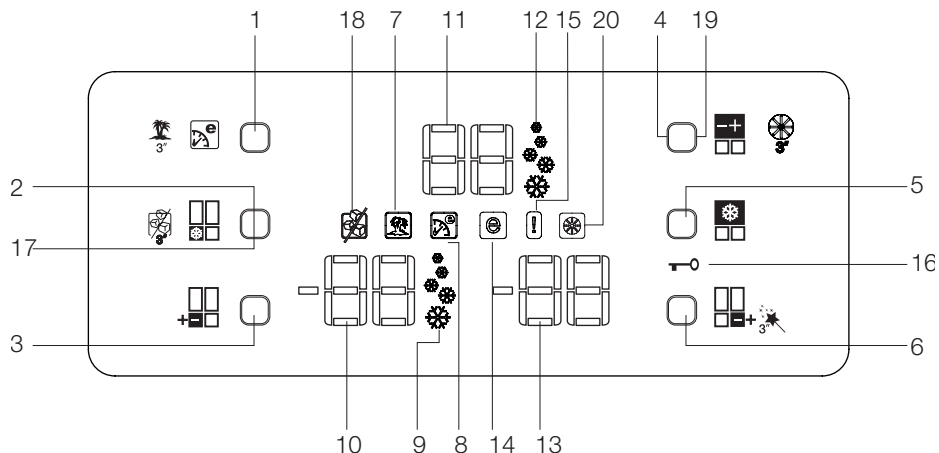
4 Förberedelse

- i** Kylskåpet skall installeras minst 30 cm från värmekällor, såsom spis, ugn och centralvärme och minst 5 cm från elektriska ugnar och får inte placeras i direkt solljus.
- i** Den omgivande temperaturen i rummet där du installerar kylskåpet skall vara minst 10°C. Användning i kallare miljöer rekommenderas inte och kan minska effektiviteten.
- i** Se till att kylskåpet är ordentligt rengjort invändigt.
- i** Om två kylskåp skall installeras intill varandra skall det vara ett avstånd på minst 2 cm mellan dem.
- i** Vid användning av kylskåpet för första gången skall du observera följande anvisningar under de första sex timmarna.
 - Dörren får inte öppnas för ofta.
 - Det måste köras tomt utan mat.
 - Dra inte ur sladden till kylskåpet.Om det inträffar ett strömavbrott som ligger utanför din kontroll, se varningarna i avsnittet "Rekommenderade lösningar på problem".
- i** Originalförpackning och skumplastmaterial skall sparas för framtida transport.

5 Använda kylskåpet

Indikatorpanel

Med den pekstyrda indikatorpanelen kan du ställa in temperaturen utan att öppna kylskåpsdörren. Peka bara på önskad knapp med fingret för att ställa in temperaturen.



1. Eko-extra/Semester-knapp
2. Snabbfrysingsknapp
3. Inställningsknapp för frysfackstemperatur
4. Inställningsknapp för kylfackstemperatur
5. Snabbkylningsknapp
6. Multizonförvaringsfack - Temperaturinställningsknapp
7. Indikator för semesterfunktion
8. Indikator för Eko-extrafunktion
9. Indikator för snabbfrysingsfunktion
10. Indikator för frysfackstemperatur
11. Indikator för kylfackstemperatur
12. Indikator för snabbkylningsfunktion
13. Multizonförvaringsfack - Temperaturindikator
14. Indikator för ekonomiläge
15. Indikator för felstatus
16. Indikator för knapplås
17. Isavbrottsknapp
18. Isavbrottsindikator
19. Varningsknapp för filterbyte
20. Varningsindikator för filterbyte

i Bilder som förekommer i den här bruksanvisningen är exempel och överensstämmer inte exakt med din produkt. Om delar inte medföljer produkten du har köpt så gäller det för andra modeller.

1. Eko-extra/Semester-knapp

Tryck snabbt på knappen för att aktivera funktionen Eko-extra. Håll in knappen i 3 sekunder för att aktivera semesterfunktionen. Tryck på knappen igen för att avaktivera den valda funktionen.

2. Snabbfrysningsknapp

Tryck snabbt på knappen för att aktivera funktionen Snabbfrysning. Tryck på knappen igen för att avaktivera den valda funktionen.

3. Inställningsknapp för frysfackstemperatur

Tryck på den här knappen för att ställa in temperaturen för frysfacket till -18, -20, -22, -24 respektive -18. Tryck på den här knappen för att ställa in önskad temperatur för frysfacket.

4. Inställningsknapp för kylfackstemperatur

Tryck på den här knappen för att ställa in temperaturen för kylfacket till 8, 6, 4, 2 respektive 8. Tryck på den här knappen för att ställa in önskad temperatur för kylfacket.

5. Snabbkylningsknapp

Tryck snabbt på knappen för att aktivera funktionen Snabbkylning. Tryck på knappen igen för att avaktivera den valda funktionen.

6. Multizonförvaringsfack - Temperaturinställningsknapp

Du kan ställa in Multizonförvaringsfacket antingen som ett frysfack eller ett kylfack. Håll in knappen en stund (3 sekunder) för att ställa in Multizonförvaringsfacket antingen som frysfack eller kylfack. 20 |

Som fabriksstandard är facket inställt som frysfack.

Om Multizonförvaringsfacket är inställt som frysfack kommer temperaturen på multizonfacket att ändras till -18, -20, -22, -24 respektive -18... varje gång du trycker på den här knappen. Om Multizonförvaringsfacket är inställt som kylfack kommer temperaturen på Multizonfacket att ändras till 10, 8, 6, 4, 2, 0 respektive -6... varje gång du trycker på den här knappen.

7. Indikator för semesterfunktion

Anger om semesterfunktion är aktiverad. Om den här funktionen är aktiv visar indikatorn på kylfacket “- -“ och kylfacket kyls inte. Övriga fack kyls i enlighet med den temperatur som är inställd för dem.

Tryck på relevant knapp igen för att avaktivera den valda funktionen.

8. Indikator för Eko-extrafunktion

Anger om Eko-extrafunktion är aktiverad. När den här funktionen är aktiverad kommer kylskåpet att automatiskt hitta de perioder när enheten används minst och kyla mer energisnålt under de tiderna. Ekonomiindikatorn är aktiv under energisnål kylning.

Tryck på relevant knapp igen för att avaktivera den valda funktionen.

9. Indikator för snabbfrysningsfunktion

Alternativet indikerar att snabbfrysningsfunktionen är aktiverad.

Använd den här funktionen när du placerar färsk mat i frysfacket eller när du behöver is. När den här funktionen är aktiv kommer kylskåpet att köras en viss tid utan stopp.

Tryck på relevant knapp igen för att avaktivera den valda funktionen.

10. Indikator för frysfackstemperatur

Indikerar temperaturen för frysfacket.

11. Indikator för kylfackstemperatur

Indikerar temperaturen för kylfacket.

12. Indikator för snabbkylningsfunktion

Anger om snabbkylningsfunktion är aktiverad. Använd den här funktionen när du placerar färsk mat i kylfacket eller när du snabbt vill kyla mat. När den här funktionen är aktiv kommer kylskåpet att köras i 2 timmar utan stopp.

Tryck på relevant knapp igen för att avaktivera den valda funktionen.

13. Multizonförvaringsfack - Temperaturindikator

Indikerar den temperatur som är inställd för Multizonförvaringsfacket.

14. Indikator för ekonomiläge

Indikerar att kylskåpet körs i energisnålt läge. Temperatur i frysfacket

Denna indikator kommer att vara aktiv om funktionen är inställd på -18 eller om energisnål kylning utförs av Eko-extrafunktionen.

15. Indikator för felstatus

Om kylskåpet inte kyler på rätt sätt eller om det uppstår ett sensorfel aktiveras denna indikator. När indikatorn är aktiv visar temperaturindikatorn för frysfacket "E" och temperaturindikatorn för kylfacket visar siffror som "1,2,3...". Siffrorna på indikatorn är information om vilket typ av fel det är, för servicepersonalen.

16. Indikator för knapplås

Använd den här funktionen om du inte vill ändra temperaturinställningarna. Tryck på Snabbkylningsknappen och inställningsknappen för Flexizonfackstemperatur samtidigt en stund (3 sekunder) för att aktivera den här funktionen.

Tryck på relevanta knappar igen för att avaktivera den valda funktionen.

17. Isavbrottsknapp

För att stoppa isbildning trycker du på knappen Is-av på ismaskinen i 3 sekunder. När iskanalen är vald skickas inget vatten till isboxen. Trots detta kan det finnas is kvar i isboxen som kan tas ut därifrån. För att starta om isbildning trycker du på knappen Is-Av på ismaskinen i 3 sekunder.

18. Isavbrottsindikator

Om du inte vill ta is från kylskåpet behöver du använda den här funktionen. Du kan använda den här funktionen genom att trycka på Is-Av-knappen i 3 sekunder på ismaskinen.

19. Varningsknapp för filterbyte

Filtret till kylskåpet måste bytas var 6:e månad. Om du följer instruktionerna på sidan 22 beräknar ditt kylskåp den här tiden automatiskt och varningsindikatorn för filterbyte tänds när filteranvändningstiden har förflutit. Tryck på knappen för att avbryta filterbyte i 3 sekunder för att göra det möjligt för kylskåpet att beräkna den nya filtertiden automatiskt efter att du har bytt filtret.

20. Varningsindikator för att avbryta filterbyte

När filteranvändningstiden har förflutit börjar varningsindikatorn för filterbyte att lysa.

Dörröppningsalarm:

Om kylfackets eller Flexizonsfackets luckor står öppna i minst 1 minut aktiveras och hörs signalen för öppen lucka. Tryck på valfri knapp på indikatorn eller stäng den öppna dörren för att tysta alarmet.

Frysacksjustering	Kylfacksjustering	Förklaringar
-18°C	4°C	Det här är den normala rekommenderade inställningen.
-20,-22 eller -24°C	4°C	Dessa inställningar rekommenderas när den omgivande temperaturen överskrider 30°C.
Snabbfrysning	4°C	Används när du vill frysa in mat på kort tid. Kylskåpet återgår till föregående läge när processen är över.
-18°C eller kallare	2°C	Om du tror att kylfacket inte är kallt nog beroende på varma förhållanden eller att dörren öppnas ofta.
-18°C eller kallare	Snabbfrysning	Du kan använda det när kylfacket är överbelastat eller om du vill kyla ned maten snabbt. Vi rekommenderar att du aktiverar snabbfrysningfunktionen 4-8 timmar innan du placerar maten där.

Infrysning av färsk mat

- Det är lämpligt att slå in mat eller täcka över den före placering i kylskåpet.
- Varm mat måste kylas ned till rumstemperatur innan den placeras i kylskåpet.
- Maten som ska frysas in ska vara färsk och ha hög kvalitet.
- Mat måste delas upp i portioner enligt familjens behov.
- Mat måste förpackas så att det inte utsätts för luft för att förhindra att den torkar även om den ska användas snart.
- Material som används för förpackning skall vara slitstarkt och tåligt mot kyla, fukt, lukt, olja och det måste stänga ute luft. Dessutom skall förpackningarna vara väl täckande för att passa för djupfrysning.
- Fryst mat får inte användas snabbt efter att den har tinat och får aldrig frysas om.
- Observera följande instruktioner för att uppnå bästa resultat.

1. Frys inte in för stora mängder på en gång. Matens kvalitet bevaras bäst om den blir genomfrost så snabbt som möjligt.
2. Om varm mat placeras i frysen kommer kylaggregatet att arbeta oavbrutet tills maten är genomfrost.
3. Var extra noga med att inte blanda redan frusen mat med färsk mat.

Rekommendationer för bevarande av fryst mat

- Förpackad kommersiellt fryst mat ska lagras i enlighet med instruktionerna från tillverkaren av fryst mat för ett **✳️***** (4-stjärnigt) frysack för mat.
- För att säkerställa att hög kvalitet uppnås av tillverkaren för fryst mat och detaljisten som har sålt maten ska följande beaktas:
 1. Placera förpackningarna i frysen så snabbt som möjligt efter inköpet.
 2. Se till att innehåller är märkt med innehåll och datum.
 3. Överskrid inte "Bäst före"-datum på förpackningen.

Avfrostning

Frysacket avfrostas automatiskt.

Placering av mat

Frysackshyllor	Diverse fryst mat såsom kött, fisk, glass, grönsaker etc.
Äggbehållare	Ägg
Kylhyllor	Mat i grytor, tallrikar, stängda behållare
Dörrhyllor för kylfack	Små produkter och förpackad mat eller drycker (såsom mjölk, fruktjuice och öl)
Grönsakslåda	Grönsaker och frukt
Färskmatsfack	Delikatesser (ost, smör, salami etc.)

Djupfrysning

Mat måste frysas så snabbt som möjligt när den

placeras i ett frysskåp för att hålla en hög kvalitet.

Det går endast att förvara mat under längre tid i temperaturer på -18°C eller lägre.

Du kan bevara färskheten för mat i flera månader (vid -18°C eller lägre temperaturer vid djupfrysning).

VARNING! ⚠

- Mat måste förpackas så att det inte utsätts för luft för att förhindra att den torkar även om den ska användas snart.

Material som används för förpackning skall vara slitstarkt och tåligt mot kyla, fukt, lukt, olja och syror.

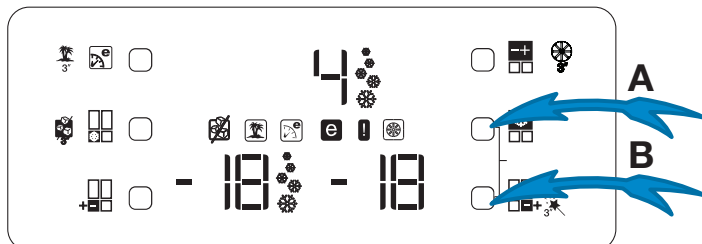
Mat bör inte tillåtas att komma i kontakt med tidigare fryst mat för att förhindra delvis tining.

Frys inte in redan tinade matvaror.

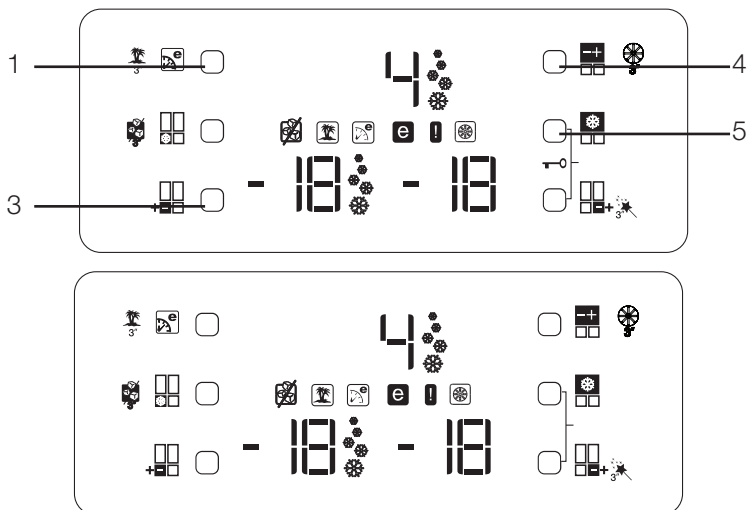
Saker att göra för att filteranvändningstiden ska beräknas automatiskt

(För produkter som är anslutna till vatten och utrustas med filter)

1- Efter inkoppling av kylskåpet trycker du på knapparna A och B tillsammans för att aktivera knapplåset.



2- Tryck sedan på Eko-Extra (1), Temperaturinställningsknapp för kylfack (4), Snabbkylning (5) och Temperaturinställningsknapp för frysack (3) samtidigt.



Om knappkonfigurationen trycks in i rätt ordning slocknar knapplåssymbolen, signalen aktiveras snabbt och varningsindikatorn för filterbyte tänds. Tryck på återställningsknappen för filterstatus (alternativ 21 i visningsbeskrivningen) efter att du har bytt filtret för att se till att beräkna filteranvändningstiden automatiskt.

OBS!

1. Om filteranvändningstiden beräknas automatiskt tänds varningsindikatorn för filterbyte några sekunder efter att produkten har kopplats in.
2. Automatisk filteranvändningstidsberäkning är inte aktiv med fabriksinställningar. Den måste aktiveras på produkter som är utrustade med ett filter.
3. Upprepa samma process på produkter vars automatiskt filteranvändningstidsberäkning är aktiverad för att avaktivera tidsberäkningen för filteranvändning.

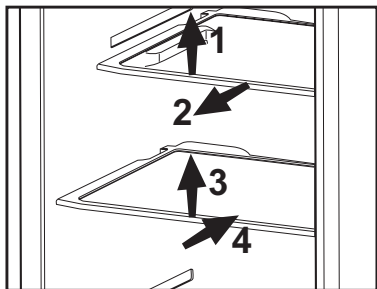
Äggbehållare

Du kan installera ägghållaren på önskad dörr eller hylla.
Lagra aldrig ägghållare i frysacket.

Skjutbara hyllor

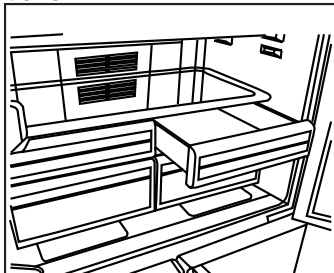
De skjutbara hyllorna kan dras genom att lyfta i dem framtill och flytta den fram och tillbaka. När du drar dem framåt kommer de till en stoppunkt för att du ska kunna komma åt mat som är placerad bakom hyllan; när de dras lite uppåt kommer de till en andra stoppunkt, där hyllan kan lyftas ut. Hyllan ska hållas tätt mot botten, för att förhindra att den välter. Hyllan är placerad på sidoskenorna på kylskåpet på en nedre och en övre nivå.

Enhetshyllan kan tryckas bakåt för att fastna helt.



Grönsakslåda

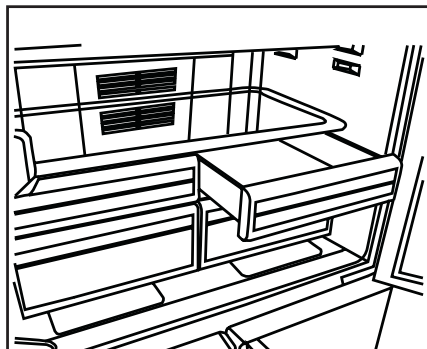
Grönsakslådan i kylskåpet är utformad för att speciellt förvara grönsakerna färska utan att de ska tappa fukt. Av den anledningen cirkulerar kall luft runt grönsakslådan. Ta bort dörrhyllorna som ligger i linje med grönsakslådan innan du tar bort grönsakslådorna. Du kan ta bort grönsakslådorna enligt illustrationen.



Kylfack

Kylfacket förbereder mat som ska frysas. Du kan även använda dessa fack för att förvara mat i en temperatur som ligger några grader under kylskåpet.

Du kan öka den inre volymen på kylskåpet genom att ta bort några av kylfacken. För att göra detta drar du facket mot dig, facket lutar sig mot en stoppare och stannar. Facket tas ut genom att du lyfter det ungefär 1 cm och drar det mot dig.



Flyttbar mittsektion

Den roterande mittsektionen är avsedd att förhindra att kall luft i kylskåpet smiter ut.

1- Tätning finns när dörrarna trycks in mot den förflyttningsbara mittsektionen när kylskåpsdörrarna stängs.

2- En annan anledning till att kylskåpet är utrustat med en roterande mittsektion är för att öka nettovolymen på kylfacket. Vanliga mittsektioner ger ofta en viss volym som inte används.

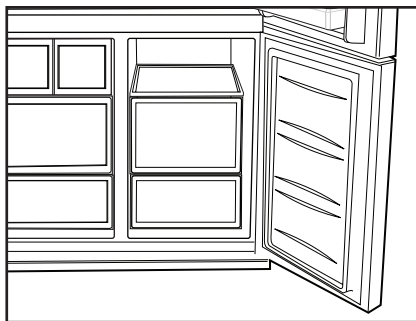
3- Den flyttbara mittsektionen är stängd när vänstra dörren på kylfacket är låst.

4- Den måste öppnas för hand. Den rör sig efter platsdelarna på huvudenheten när dörren är stängd.

Multizonförvaringsfack

Kylskåpets multizonfack kan användas i önskat läge genom att justera temperaturerna för kyl (2/4/6/8 °C) eller frys (-18/-20/-22/-24). Du kan ställa in önskad temperatur för multizonfacket med temperaturinställningsknappen. Temperaturen för multizonfacket kan ställas in mellan 0 och 10 grader för kylfacket och ned till -6 grader för frysfacket. 0 grader används vid längre förvaring av mat och charkuteri, och -6 grader används för att förvara köttvaror upp till 2 veckor så att det är smidigt att skära.

i Funktionen för att växla till kyl- eller fryslock erbjuds via kylelementet som finns placerat i den stängda sektionen (kompressorlocket) bakom kylskåpet. Under användning av det här elementet hörs ett liknande ljud som från en analog klocka. Detta är normalt och inte något fel.



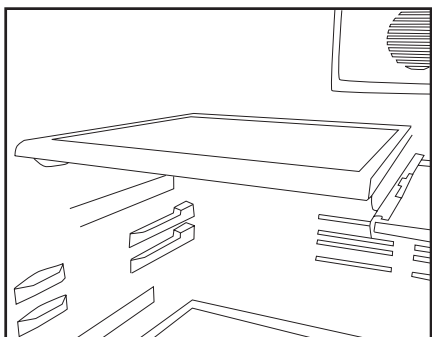
Blå lampa

Mat som lagras i grönsakslådan belyses med en blå lampa för att bevara färskheten och öka vitamininnehållet.



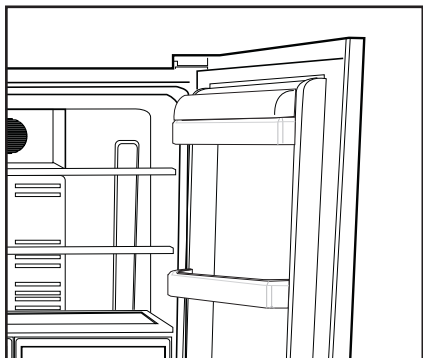
Skjutbara hyllor med bakre hängare

De skjutbara hyllorna med bakre hängare kan flyttas bakåt och framåt. Höjden på hyllorna kan ställas in genom att ta bort och sedan installera dem i övre eller nedre position. Res upp hyllan något och dra mot dig själv för att ta bort den.



Ost- och smörhylla

Du kan förvara livsmedel, såsom smör, ost och margarin i den här delen, som har lock.

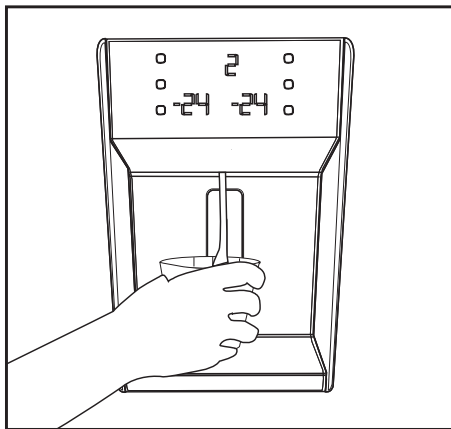


Använda vattenfjäder

Varning!

Det är normalt att vattnet i de första glasen från pumpen är varmt.

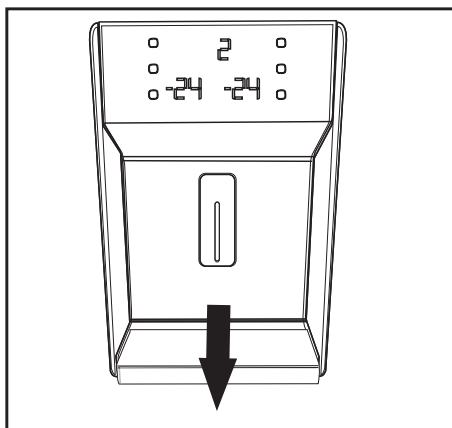
Om vattenpumpen inte har använts på ett tag måste en viss mängd vatten tömmas från pumpen för att få färskt vatten.



Spillbehållare

Vattendroppar som droppar under användning samlas upp i spillbehållaren.

Du avlägsnar spillbehållaren genom att dra den mot dig eller genom att trycka på dess kanter (beroende på modell). Du kan ta bort vatten med en svamp eller mjuk trasa.



Minibar

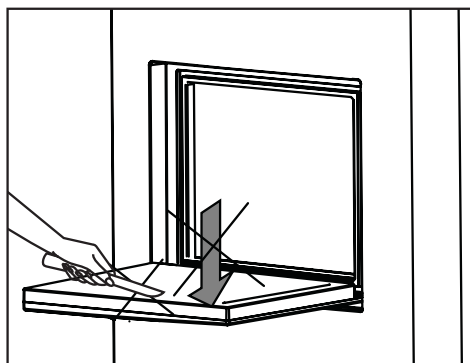
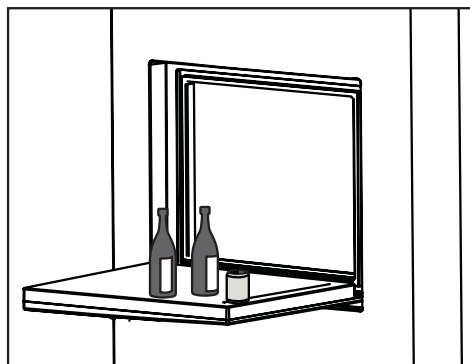
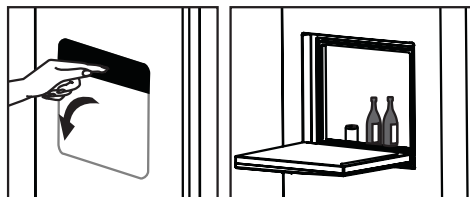
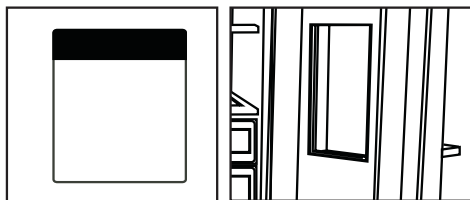
Dörren till miniabaren ger dig extra komfort när du använder kylskåpet. Dörrhyllan i kylskåpet går att komma åt utan att öppna kylskåpsdörren; tack vare den här funktionen kan du enkelt plocka fram mat och drycker ur kylskåpet som du ofta konsumerar. Eftersom du inte behöver öppna kylskåpsdörren ofta minskar dess strömförbrukning.

För att öppna dörren till minibaren trycker du för hand på minibaren och drar bakåt.

När dörren till minibaren är öppen kan du använda dörrens insida som bord där du kan lägga flaskor och glas en kort stund, så som visas på bilden.

⚠ Observera: Lägg aldrig saker på luckan som kan belasta den, klättra eller häng inte mot bordet och lägga inga tunga föremål där. Detta kan orsaka skada på kylskåpet eller personskada.

⚠ Observera: Skär aldrig något på minibarsdörren och var försiktig så att dörren inte skadas av vassa föremål.



6 Underhåll och rengöring

- ⚠ Använd aldrig bensen, bensen eller liknande ämnen för rengöring.
- ⚠ Vi rekommenderar att du kopplar ur utrustningen före rengöring.
- ⚠ Använd aldrig vassa instrument eller slipande medel, tvål, rengöringsmedel, tvättmedel eller polish för rengöring.
- ⚠ För icke-No Frost-produkter kan vattendroppar och frost upp till en fingerbredd högt förekomma på den bakre väggen av kylutrymmet. Rengöra den inte; använd aldrig olja eller liknande medel på den.
- ⚠ Använd endast lätt fuktad mikrofibertrasa för att rengöra produktens yta. Svampar och andra typer av rengöringsprodukter kan repa produktens yta.
- ℹ Använd ljummet vatten för rengöring av enhetens skåp och torka det torrt.
- ℹ Använd en fuktig trasa urvriden i en lösning av en tesked bikarbonatsoda till en halv liter vatten, torka ur interiören och torka sedan torrt.
- ⚠ Se till att inget vatten tränger in i lampkåpan och i andra elektriska tillbehör.
- ⚠ Om enheten inte kommer att användas under en längre tid, stäng då av den, plocka ur all mat, rengör den och lämna dörren på glänt.
- ℹ Kontrollera dörrtätningen regelbundet så att den är ren och fri från matrester.
- ⚠ För att ta bort ett dörrfack tar du först ur allt innehåll och trycker sedan enkelt upp det från sitt fäste.
- ⚠ Använd aldrig rengöringsmedel eller vatten med klorin för att rengöra de utvändiga ytorna och krombelagda delarna på produkten. Klorin orsakar korrosion på sådana metallytor.
- ⚠ Använd inte vassa och skrapande verktyg, eller tvål, rengöringsmedel för hemmabruk, rengöringsmedel, bensen, bensen, vax eller liknande, klistermärkena på plastdelarna lossnar då och deformation kan ske. Använd varmt vatten och en mjuk trasa för rengöring, torka sedan rent.

Skydd av plastytor

- ℹ Förvara inte rinnande olja eller mat som har tillagats i olja utan att vara tillslutna i kylskåpet, eftersom det kan skada kylskåpets plastytor. Om du spillar olja på plasten, rengör och skölj ytan direkt med varmvatten.

7 Rekommenderade lösningar på problem

Titta igenom listan innan du tillkallar service. Det kan spara både tid och pengar. Den här listan inkluderar vanliga klagomål som inte uppstår till följd av defekter i tillverkningen eller materialanvändningen. Vissa av funktionerna som beskrivs här kanske inte finns på din produkt.

Kylen fungerar inte

- Är kylskåpet korrekt inkopplat? Sätt i vägguttaget.
- Har säkringen som är ansluten till kylskåpet gått? Kontrollera säkringen.

Kondens på kylskåpets sidoväggar.

- Mycket kalla omgivande förhållanden. Dörren öppnas och stängs ofta. Hög luftfuktighet i den omgivande luften. Lagring av mat med vätska i öppna behållare. Dörren har lämnats öppen.
- Vrid termostaten till ett kallare läge.
- Minska tiden som dörren lämnas öppen eller öppna inte så ofta.
- Täck över mat som lagras i öppna behållare med ett lämpligt material.
- Torka av kondens med en torr trasa och kontrollera om den ligger kvar.

Kompressorn går inte

- Det termiska skyddet i kompressorn kommer att lösas ut vid plötsliga strömavbrott då kylskåpets tryck i kylsystemet inte har balanserats. Ditt kylskåp startar efter omkring 6 minuter. Tillkalla service om kylskåpet inte startar i slutet av den här perioden.
- Frysaren är i avfrostningsläge. Det här är normalt för en helautomatiskt avfrostande kyl. Avfrostningscykeln inträffar regelbundet.
- Kylskåpet är inte inkopplat i strömkällan. Se till att kontakten sitter ordentligt i vägguttaget.
- Är temperaturinställningen korrekt?
- Det är strömavbrott. Kontakta din elleverantör.

Kylskåpet körs ofta eller under en längre tid.

<ul style="list-style-type: none"> • Ditt nya kylskåp kan vara bredare än det gamla. Detta är helt normalt. Stora kylskåp arbetar under en längre tidsperiod. • Den omgivande rumstemperaturen kan vara hög. Detta är helt normalt. • Kylskåpet kan ha varit inkopplat nyligen eller ha fyllts på med mat. Det kan ta flera timmar innan kylskåpet har kylts ned helt. • Stora mängder mat kanske har placerats i kylskåpet nyligen. Varm mat gör att kylskåpet arbetar längre för att uppnå önskad temperatur. • Dörren kanske har öppnats ofta eller lämnats öppen under en längre tid. Den varma luften som har kommit in i kylskåpet gör att kylskåpet arbetar under längre perioder. Öppna inte dörrarna så ofta. • Frysens eller kylfackets dörr kanske har lämnats öppen. Kontrollera om dörren är ordentligt stängd.
Kylskåpet körs ofta eller under en längre tid.
<ul style="list-style-type: none"> • Kylskåpet är inställt på en mycket kall nivå. Justera kylskåpstemperaturen till en högre nivå tills temperaturen är enligt önskemål. • Dörrens tätning på kyl eller frys kan vara slitna, smutsiga eller trasiga. Rengör eller byt tätningen. Skadade tätningar kan göra att kylskåpet körs under en längre tid för att bibehålla den aktuella temperaturen.
Frystemperaturen är mycket låg när kyltemperaturen är normal.
<ul style="list-style-type: none"> • Frysens temperatur är inställd på en mycket kall nivå. Justera frystemperaturen till en högre nivå och kontrollera.

Kyltemperaturen är mycket låg när frystemperaturen är normal.
<ul style="list-style-type: none"> • Kylens temperatur är inställd på en mycket kall nivå. Justera kyltemperaturen till en högre nivå.
Mat som förvaras i kylskåpsfacken fryser.
<ul style="list-style-type: none"> • Kylens temperatur är inställd på en mycket kall nivå. Justera kyltemperaturen till en högre nivå.
Temperaturen i kylan eller frysen är mycket hög.
<ul style="list-style-type: none"> • Kylens temperatur är inställd på en mycket kall nivå. Kylinställningen påverkar frysens temperatur. Sänk temperaturen för kyl eller frys tills den ligger på acceptabel nivå. • Dörren kanske har öppnats ofta eller lämnats öppen under en längre tid. Varm luft passerar in i kyl eller frys när dörrarna öppnas. Öppna inte dörrarna så ofta. • Dörren kan ha lämnats öppen. Stäng dörren helt. • Stora mängder mat kanske har placerats i kylskåpet nyligen. Vänta tills kylan eller frysen uppnår önskad temperatur. • Kylskåpet kanske nyligen har varit urkopplat. Nedkylningen kan ta tid.
Kylskåpet dånar när det går.
<ul style="list-style-type: none"> • Egenskaperna hos kylskåpet kan ändras enligt den omgivande temperaturen. Detta är normalt och inte något fel.
Vibrationer eller felbalans.

- Golvet är ojämnt eller svagt. Kylskåpet skakar när det rör sig långsamt. Säkerställ att golvet är rakt, kraftigt och att det klarar tyngden från kylskåpet.
- Ljudet kan orsakas av saker som ligger ovanpå kylen. Sådana saker ska plockas bort från kylens ovansida.

Det förekommer ljud som låter som dropp eller sprutning.

- Vätske- och gasflöden sker i enlighet med användningsprinciperna för ditt kylskåp. Detta är normalt och inte något fel.

Det förekommer ljud som låter som vind.

- Luftaktivatorer (fläktar) används för att låta kylen svalna effektivt. Detta är normalt och inte något fel.

Kondens på innerväggarna i kylskåpet.

- Varmt och fuktigt väder ökar isbildning och kondens. Detta är normalt och inte något fel.
- Dörrarna är öppna. Kontrollera att dörren är helt stängd.
- Dörrarna kan ha öppnats mycket ofta eller så kanske de har lämnats öppna under lång tid. Öppna inte dörrarna så ofta.
- Vatten/fukt/is på kylskåpets utsida.

Fukt bildas på kylskåpets utsida eller mellan dörrarna.

- Vädret kan vara fuktigt. Det här är helt normalt vid fuktig väderlek. När fuktnivån är lägre försvinner kondensen.

Dålig lukt inne i kylen.

- Kylskåpets insida måste rengöras. Rengör kylskåpets insida med en svamp och varmt vatten.
- Vissa behållare eller förpackningsmaterial kan orsaka lukt. Använd en annan behållare eller olika förpackningsmaterial.

Dörrarna går inte att stänga.

- De kan vara finnas mat i vägen. Byt ut förpackningarna som ligger ivägen för dörren.
- Kylskåpet står antagligen inte helt plant på golvet och de kanske rär sig något när det förflyttas. Justera lyftskruvarna.
- Golvet är inte helt plant eller tillräckligt starkt. Säkerställ att golvet är rakt, kraftigt och att det klarar tyngden från kylskåpet.

Grönsaker fastnar.

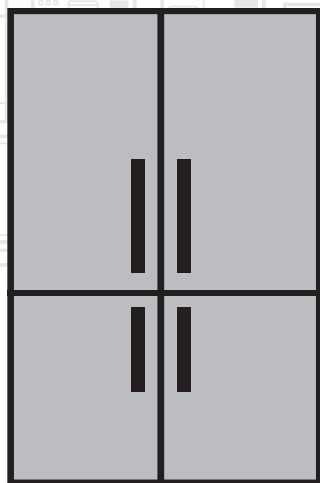
- Maten kanske vidrör taket i lådan. Sortera om maten i facket.

Produktens yta är varm.

- Medan produkten är i drift är temperaturen hög mellan de två dörrarna, på sidopanelerna och på bakgallret. Detta är normalt och inget serviceunderhåll krävs!

Холодильники

Посібник користувача



UKI

beko

Будь ласка, спочатку прочитайте цю інструкцію!

Шановний покупець!

Сподіваємося, що цей товар, виготовлений на сучасних підприємствах і перевірений за допомогою найприскіпливіших процедур контролю, ефективно слугуватиме вам у побуті.




Для цього рекомендуємо вам прочитати всю інструкцію до кінця, перш ніж користуватися холодильником, і зберегти її для майбутнього використання у довідкових цілях.

Ця інструкція

- допоможе вам користуватися приладом у швидкий і безпечний спосіб;
 - прочитайте інструкцію, перш ніж встановлювати холодильник і користуватися ним;
 - дотримуйтесь інструкцій, особливо з питань техніки безпеки;
 - зберігайте інструкцію в легкодоступному місці, оскільки вона може знадобитися вам пізніше;
 - крім того, прочитайте також інші документи, що надаються разом із холодильником.
- Зверніть увагу, що ця інструкція може бути дійсною для інших моделей.

Символи та їхній опис

Ця інструкція містить наступні символи:

-  Важлива інформація або корисні поради з користування.
-  Попередження про небезпечні ситуації для життя та майна.
-  Попередження про електричну напругу.

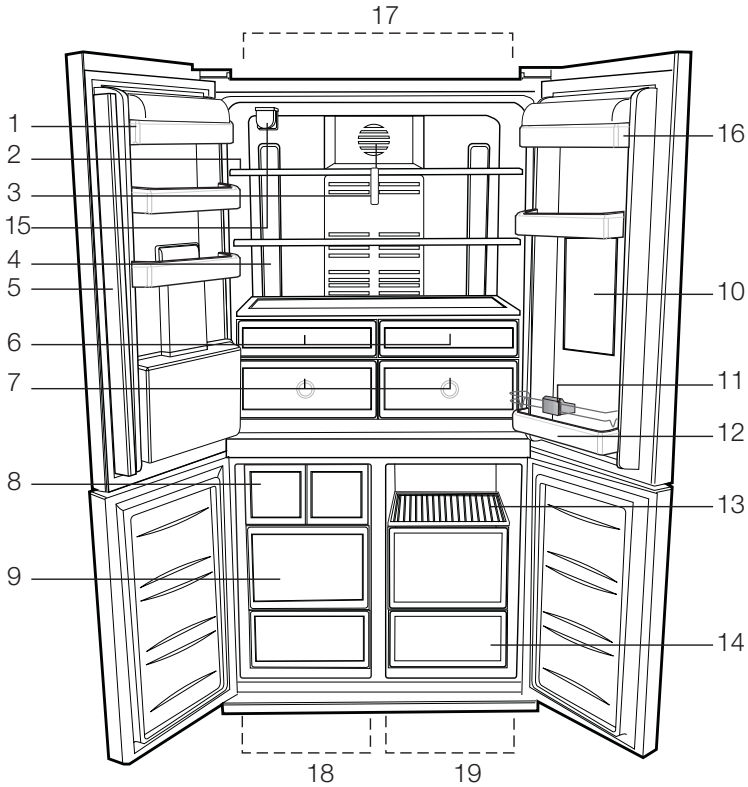
Лоток для розлитих продуктів
33
Міні-бар.....
34

6 Догляд та очищення 35

Захист пластикових поверхонь
35

**7 Рекомендації з усунення
несправностей 36**

1 Холодильник



- | | |
|--|--|
| 1- Дверні полиці холодильного відділення | 10- Міні-бар |
| 2- Скляні полиці холодильного відділення | 11- Тримач для пляшок |
| 3- Розсіювач | 12- Полиця для пляшок |
| 4- Панель внутрішнього освітлення | 13- Полиці відділення для зберігання продуктів |
| 5- Рухома середня секція | 14- Відділення для зберігання продуктів |
| 6- Охолоджувач | 15- Водяний фільтр |
| 7- Контейнер для овочів і фруктів | 16- Молочне відділення |
| 8- Льодогенератор Icematic | 17- Холодильне відділення |
| 9- Відділення для зберігання заморожених продуктів | 18- Морозильне відділення |
| | 19- Відділення Multi Zone |

! Ілюстрації в даній інструкції є схематичними і можуть відрізнятися від вашої моделі. Якщо до комплектації моделі, яку ви придбали, не входять згадані деталі, вони призначені для інших моделей.

2 Важливі вказівки з техніки безпеки

Ознайомтеся з наведеною нижче інформацією. Ігнорування цієї інформації може призвести до травмування чи пошкодження пристрою. В такому разі гарантія і будь-які зобов'язання виробника стосовно надійної роботи пристрою будуть анульовані. Оригінальні запасні частини будуть постачатися протягом 10 років з моменту придбання виробу.

Призначення

⚠	ПОПЕРЕДЖЕННЯ: Під час зберігання або встановлення пристрою вентиляційні отвори повинні бути відкриті.
⚠	ПОПЕРЕДЖЕННЯ: Для того, щоб прискорити процес розморожування не використовуйте механічні та інші предмети, крім пристосувань, рекомендованих виробником.
⚠	ПОПЕРЕДЖЕННЯ: Контур холодоагенту не повинен бути пошкоджений.

ПОПЕРЕДЖЕННЯ



: Не кладіть всередину камери для зберігання продуктів електричні прилади, які не рекомендовані виробником.

Прилад призначений лише для використання в домашніх або нижченаведених умовах:

- на кухнях для персоналу в магазинах, офісах та інших установах;
- на фермах або готелях, в мотелях та інших гостьових будинках для використання клієнтами.
- готелі типу «ліжко та сніданок»;
- підприємства громадського харчування та інші види використання не в роздрібній торгівлі

Загальні правила техніки безпеки

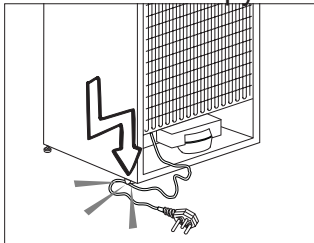
- Якщо ви бажаєте утилізувати/ліквідувати пристрій, рекомендуємо звернутися до авторизованої сервісної служби та компетентних органів для отримання необхідної інформації.
- З усіма питаннями та проблемами стосовно холодильника звертайтеся до уповноваженої сервісної служби. Без повідомлення уповноваженої сервісної служби не втручайтеся в

роботу холодильника й не дозволяйте робити це іншим.

- Для пристроїв з морозильним відділенням: не їжте морозиво та кубики льоду одразу після виймання їх з морозильного відділення! (Це може викликати обмороження ротової порожнини.)
- Для приладів з морозильним відділенням: не ставте рідкі напої у пляшках чи банках до морозильного відділення. Вони можуть лопнути.
- Не торкайтеся руками заморожених продуктів; вони можуть примерзнути до шкіри.
- Перед чисткою чи розморожуванням від'єднуйте холодильник від електромережі.
- Не використовуйте пару та засоби для чищення, які можуть випаруватися, для чищення та розморожування вашого холодильника. У такому випадку пара може скотактувати з електричними частинами та викликати коротке замикання чи удар електричним струмом " to " Не використовуйте пару та засоби для чищення, які можуть випаруватися, для чищення та розморожування вашого холодильника. У такому випадку пара може скотактувати з електричними частинами та викликати коротке замикання чи удар електричним струмом.
- Не використовуйте такі частини холодильника, як дверцята, як підставку чи опору.
- Не використовуйте електричні прилади всередині холодильника.
- Не допускайте пошкодження частин, у яких циркулює хладагент, ріжучими чи свердловальними інструментами. Хладагент може з'явитися із випаровувача, на трубопроводі чи на покриттях і викликати подразнення шкіри чи ураження очей.
- Не закривайте вентиляційні отвори вашого холодильника
- Ремонт електроприладів мають виконувати тільки кваліфіковані фахівці. Ремонт, виконаний недосвідченими особами, може спричинити ризик для користувача.
- У випадку несправностей під час експлуатації чи ремонту вимкніть холодильник, вимкнувши запобіжник чи вийнявши з розетки шнур живлення.
- При від'єднанні від мережі не тягніть за кабель – тільки за штепсель.
- Пляшки з алкогольними напоями мають зберігатися

- у надійному місці, із закритою кришкою та у вертикальному положенні.
- Суворо заборонено зберігати в холодильнику пляшки з горючими чи вибухонебезпечними речовинами.
 - Не застосовуйте механічні пристрої або інші засоби для прискорення розмороження, крім рекомендованих виробником.
 - Цей електроприлад не призначений для використання особами (включаючи дітей) зі знизеними фізичними, чутливими або розумовими можливостями або з браком досвіду і знань, якщо вони не перебувають під наглядом або не пройшли інструктаж щодо користування пристроєм від відповідальної за їхню безпеку особи.
 - Не використовуйте несправний холодильник. При виникненні запитань звертайтеся до кваліфікованого фахівця.
 - Електрична безпека може гарантуватися лише в тому випадку, якщо система заземлення у вашому будинку відповідає стандартам.
 - Вплив на пристрій дощу, снігу, сонця чи вітру небезпечний з точки зору електробезпеки.
 - Зверніться до сервісної служби, якщо пошкоджено шнур живлення, щоб це не створило небезпеку для вас.
 - Не вмикайте холодильник в розетку під час його встановлення. Ризик смертельного випадку чи серйозних ушкоджень дуже високий.
 - Цей холодильник призначений лише для зберігання харчових продуктів. Його не слід використовувати з будь-якою іншою метою.
 - таблиця з описом технічних специфікацій виробу розташована зліва на внутрішній стінці холодильника.
 - Не підключайте холодильник до електронних систем енергозбереження, оскільки це може призвести до несправності виробу.
 - Якщо в холодильнику є підсвічування синім світлом, не слід довго дивитися на нього голим оком або через оптичні пристрої.
 - У разі відключення холодильників із ручним управлінням від мережі електроживлення зачекайте щонайменше 5 хвилин, перш ніж підключати живлення.
 - У випадку продажу виробу цю інструкцію з експлуатації слід передати новому господарю.
 - Під'єднуючи холодильник до електромережі, не

торкайтеся до штепсельної вилки мокрими руками" to "Під'єднавши холодильник до електромережі, не торкайтеся до штепсельної вилки вологими руками



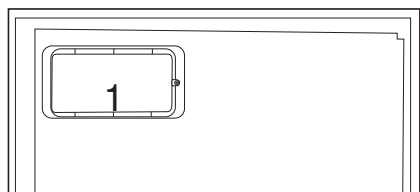
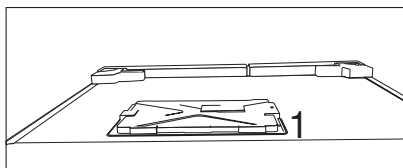
- При розміщенні приладу, впевніться, що шнур живлення не пошкоджений і не сплутаний.
- Не розміщувати переносні багатомісні розетки чи переносні джерела живлення на задній частині приладу.
- Не підключайте холодильник до погано закріпленої стінної розетки мережі електропостачання.
- Із міркувань безпеки не допускайте потрапляння води безпосередньо на зовнішні або внутрішні частини холодильника.
- Не розбризкуйте поряд із холодильником займісті матеріали, такі як газ пропан, через ризик пожежі та вибуху.
- Не ставте посудини з водою на холодильник, оскільки це може призвести до ураження електричним струмом або пожежі.
- Не перевантажуйте холодильник надмірною

кількістю продуктів. Якщо холодильник перевантажено, продукти можуть випасти при відчиненні дверцят і травмувати вас чи пошкодити холодильник. Не кладіть предмети на холодильник, оскільки вони можуть впасти під час відчинення чи зачинення дверцят.

- У холодильнику не можна зберігати речовини, що вимагають певних температурних умов (вакцини, термочутливі медикаменти, наукові матеріали тощо).
- Холодильник слід від'єднати від електромережі, якщо він не буде використовуватися протягом тривалого часу. Можливі несправності шнура живлення можуть призвести до пожежі.
- Холодильник може переміщатися, якщо регульовані ніжки не зафіксовано на підлозі. Фіксація регульованих ніжок на підлозі може запобігти його переміщенню.
- При переміщенні холодильника не тримайте його за ручку, бо вона може зламатися.
- При встановленні холодильника відстань між ним й іншим холодильником чи морозильником має становити щонайменше 8 см. В іншому разі бічні

стілки, що прилягають, зволожуватимуться.

- Ніколи не використовуйте цей виріб, якщо верхня або задня кришка відкриті та відкривають доступ до електронних плат (кришки електронних плат) (1).



Для пристроїв із розподільником води:

- Тиск в місці підведення холодної води не повинен перевищувати 90 фунтів на квадратний дюйм (620 kPa). Якщо тиск води перевищує 80 фунтів на квадратний дюйм (550 kPa), встановіть у своїй магістральній мережі клапан обмеження тиску. Якщо ви не знаєте, як перевірити тиск води, зверніться за допомогою професійного сантехніка.
- Якщо у вашій установці існує ризик виникнення гідравлічного удару, обов'язково встановіть

захисне обладнання для запобігання ризику виникнення гідравлічного удару. У разі виникнення сумнівів стосовно можливості виникнення гідравлічного удару у вашій установці, зверніться за допомогою до професійних сантехніків.

- Забороняється виконувати встановлення у місці підведення гарячої води. Необхідно вжити запобіжних заходів для запобігання ризику замерзання шлангів. Температура робочої води повинна знаходитися в інтервалі від 33 °F (0,6 °C) до 100 °F (38 °C).
- Використовуйте лише питну воду.

Безпека дітей

- Якщо на дверцятах є замок, тримайте ключ у місці, недоступному для дітей.
- Слід наглядати за дітьми та не дозволяти їм псувати пристрій.

Відповідність Директиві щодо відпрацьованого електричного й електронного обладнання (Директива WEEE) й утилізація відходів



Цей прилад відповідає вимогам Директиви WEEE (2012/19/EU). Цей виріб позначений символом приналежності до

категорії відходів електричного й електронного обладнання (WEEE).

Цей прилад виготовлений з високоякісних деталей та матеріалів, які підлягають повторному використанню й переробці. Після закінчення терміну експлуатації цей прилад не можна викидати разом зі звичайними побутовими відходами. Його слід здати у відповідний пункт збору відходів електричного й електронного обладнання як вторинної сировини. Інформацію про місцезнаходження найближчого пункту збору відходів можна отримати в місцевих органах влади.

Відповідність Директиви щодо обмеження використанням шкідливих речовин (RoHS)

Цей прилад відповідає вимогам Директиви RoHS (2011/65/EU). Він не містить шкідливих та інших речовин, використання яких заборонено цією Директивою.

Інформація про упаковку

Упаковка цього виробу виготовлена з матеріалів, які підлягають повторній переробці згідно з національними нормами й правилами щодо охорони довкілля. Ці пакувальні матеріали не можна викидати разом з побутовими чи іншими відходами. Їх слід здати в один з пунктів збору

пакувальних матеріалів, визначених місцевими органами влади

Попередження HC

Якщо система охолодження вашого пристрою містить R600a:

Цей газ горючий. Тому будьте уважні, не допускайте пошкодження системи охолодження та труб під час використання і транспортування. У випадку пошкодження пристрою зберігайте його подалі від потенційного джерела займання та провітрюйте приміщення, в якому знаходиться прилад.

Не звертайте уваги на попередження, якщо система охолодження вашого пристрою містить R134a.

Тип газу, що використовується у приладі, наведений у паспортній таблиці, розташованій зліва на внутрішній стінці холодильника

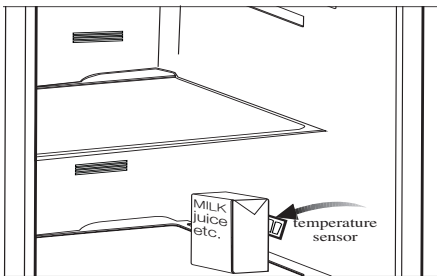
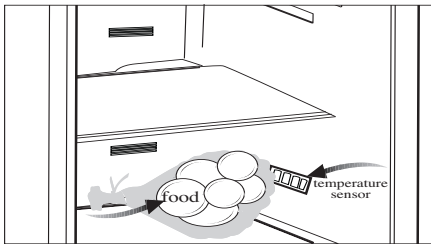
Як заощадити електроенергію

- Не тримайте двері холодильника відчиненими тривалий час.
- Не закладайте до холодильника гарячі продукти чи напої.
- Не зберігайте у холодильнику гарячі напої чи продукти.
- Не встановлюйте

Рекомендації щодо використання відділення для свіжих продуктів

* Опція

- Не допускайте контакту будь-яких продуктів із датчиком температури у відділенні для свіжих продуктів. Для підтримання ідеальної температури зберігання у відділенні для свіжих продуктів датчик не повинен закриватись продуктами, що там зберігаються.
- Не кладіть у холодильник гарячі продукти.

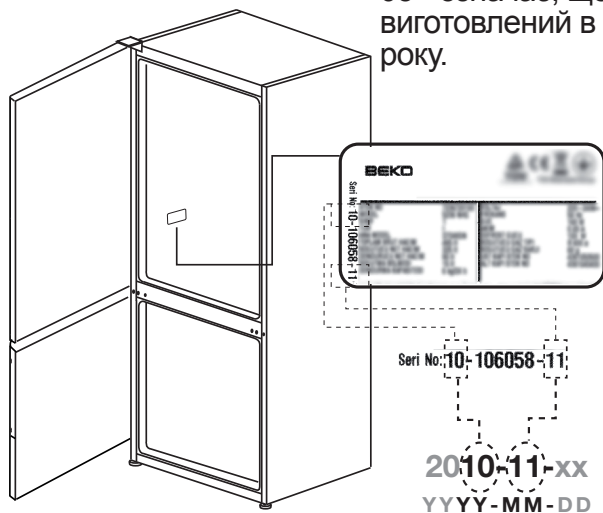


холодильник під прямим сонячним промінням чи поблизу джерела тепла, наприклад, плити, посудомийної машини чи радіатора опалення.

- Слідкуйте за тим, щоб продукти зберігалися у закритих контейнерах.
- Для холодильників із морозильним відділенням: у морозильному відділенні холодильника можна зберігати максимальну кількість продуктів, якщо дістати з нього полиці чи скрині. Наведене в технічних характеристиках енергоспоживання холодильника визначено за умови, що полиці чи скрині морозильного

відділення вийняті, й у нього завантажена максимально можлива кількість продуктів. Полицю чи скриню можна використовувати відповідно до форми й розміру продуктів для заморожування.

- Розморожування заморожених продуктів у холодильному відділенні забезпечить економію електроенергії та збереження якості продуктів.
- Дата виробництва міститься в серійному номері продукту, що вказаний на етикетці, розташованій на продукті, а саме, перші дві цифри серійного номера позначають рік виробництва, а останні дві - місяць. Наприклад, «10-100001-05» означає, що продукт виготовлений в травні 2010 року.



Дата виготовлення товарів зазначена в серійному номері товару, який вказаний на етикетці, розташованій на товарі, а саме: перші дві цифри серійного номеру означають рік виробництва, а останні дві – місяць.

3 Встановлення

⚠ Будь ласка, пам'ятайте, що виробник не нестиме відповідальність, якщо не дотримано порад, наведених в інструкції з користування.

Що слід враховувати при транспортуванні приладу

1. Перед будь-яким транспортуванням холодильник має бути спорожнений і вимитий.
2. Перед упакуванням холодильника всі полиці, приналежності, контейнери для фруктів та овочів тощо у вашому холодильнику слід міцно закріпити скотчем для запобігання струсам.
3. Упаковувати холодильник слід за допомогою товстих стрічок і міцних мотузок, а також дотримуватися правил транспортування, надрукованих на упаковці.

Упевніться в тому, що всередині холодильник старанно вимитий.

Повторне використання матеріалів надзвичайно важливе для природи та наших національних ресурсів.

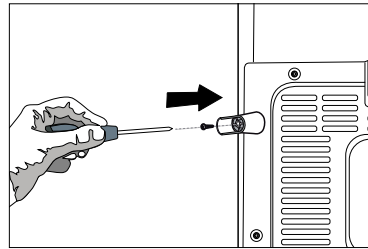
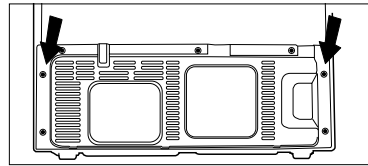
Якщо ви бажаєте посприяти повторному використанню матеріалів упаковки, ви можете отримати більше інформації від органів охорони довкілля або від органів місцевої влади.

Перед увімкненням холодильника

Перш ніж розпочати експлуатацію холодильника, перевірте дотримання наступних умов:

1. Усередині холодильника сухо, ніщо не заважає вільній циркуляції повітря позаду приладу.

2. Вставте 2 пластмасові розпірки для вентиляції на задню стінку, як показано на наступному малюнку. Для цього викрутіть наявні гвинти та скористайтесь гвинтами з упаковки з розпірками. Пластмасові розпірки забезпечать потрібну відстань між холодильником і стіною для циркуляції повітря.



3. Вимийте внутрішню частину холодильника, як рекомендовано у розділі “Обслуговування й чищення”.
4. Під'єднайте холодильник до розетки електромережі. При відчиненні дверей загоряється внутрішня лампочка.
5. Коли компресор почне працювати, ви почуєте шум. Рідина та гази всередині холодильної системи також можуть створювати шум, навіть якщо компресор не працює, що є цілком нормальним явищем.
6. Передні кромки холодильника можуть бути теплими на дотик. Це нормально. Ці області мають нагріватися, щоб уникнути конденсації.

Підключення до електромережі

Підключіть холодильник до заземленої розетки, захищеної плавким запобіжником відповідної потужності.

Важливо!

- Підключення має відповідати національним нормам і правилам.
 - Після встановлення холодильника має бути забезпечений легкий доступ до штепселя шнура живлення.
 - Напруга та припустимі параметри запобіжників вказані в розділі «Технічні характеристики».
 - Указана напруга має відповідати напрузі вашої електромережі.
 - Для підключення не слід використовувати подовжувачі та штепсельні колодки на декілька гнізд.
- ⚠ У разі пошкодження шнура живлення його заміну має здійснювати кваліфікований електрик.
- ⚠ Забороняється користуватися приладом, доки його не буде відремонтовано! Існує небезпека ураження електричним струмом!

Утилізація упаковки

Пакувальні матеріали можуть становити небезпеку для дітей. Зберігайте пакувальні матеріали у недоступному для дітей місці, або утилізуйте їх, розсортувавши відповідно до інструкцій з утилізації відходів. Не утилізуйте їх разом із звичайними побутовими відходами.

Упаковка вашого холодильника вироблена з матеріалів, що можуть бути використані повторно.

Утилізація вашого старого холодильника

Утилізуйте старий холодильник, не завдаючи шкоди довкіллю.

- З питань щодо утилізації холодильника ви можете звернутися до пункту збору відходів вашого населеного пункту.

Перед утилізацією холодильника відріжте штепсель електрошнура, а також виведіть з ладу замки (якщо такі існують) дверцят, щоб захистити дітей від небезпеки зачинення всередині.

Заміна лампочки освітлення

Для заміни лампи освітлення холодильника зверніться до авторизованого сервісного центру.

Ламп(и) з цього пристрою не призначена(і) для освітлення кімнати. Призначення цієї лампи - полегшити розташування продуктів у холодильнику / морозильнику безпечним та зручним чином.

Лампи, що використовуються у цьому пристрої, повинні витримувати важкі умови експлуатації, такі як температура нижче -20 °С.

Розміщення та встановлення

Увага! Не вмикайте холодильник в розетку під час його встановлення. Ризик смертельного випадку чи серйозних ушкоджень дуже високий.

Якщо двері приміщення, в якому буде встановлено холодильник, недостатньо широкі, зверніться до сервісної служби; її співробітники допоможуть зняти двері з холодильника та пронести його боком.

1. Встановлюйте холодильник у місці, зручному для його використання.
2. Холодильник має знаходитися в місці, віддаленому від джерела тепла, підвищеної вологості та прямих сонячних променів.

3. Для ефективнішої роботи необхідно забезпечити гарну вентиляцію навколо холодильника.

Якщо холодильник встановлюється в ніші стіни, мінімальна відстань має бути 5 см до стелі та 5 см до стіни.

Якщо на підлозі лежить килим, треба підняти холодильник на 2,5 см над рівнем підлоги.

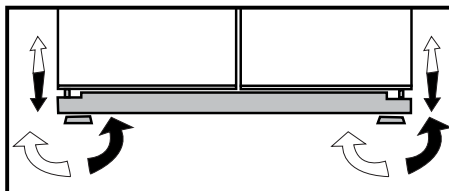
4. Холодильник має стояти на рівній поверхні, щоб не виникало трясіння.

5. Температура приміщення, в якому знаходиться холодильник, не має бути менше за 10°C.

Регулювання положення на підлозі

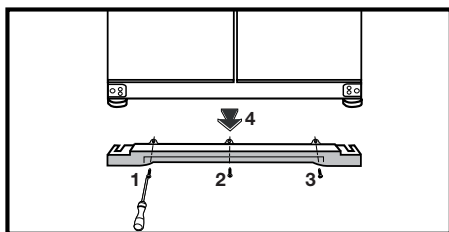
Якщо холодильник не збалансовано;

1. Викрутіть гвинти, які тримають вентиляційну кришку, як показано на малюнку. Ви можете збалансувати холодильник, обертаючи його передні ніжки, як показано на малюнку. Кут холодильника, в якому знаходиться ніжка, опускатиметься, якщо повертати в напрямку чорної стрілки,



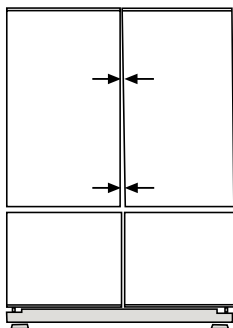
і підійматиметься, якщо повертати у зворотному напрямку. Якщо хтось допоможе підняти холодильник, це полегшить процес.

2. Після завершення процесу балансування встановіть вентиляційну кришку на місце та закріпіть її гвинтами.

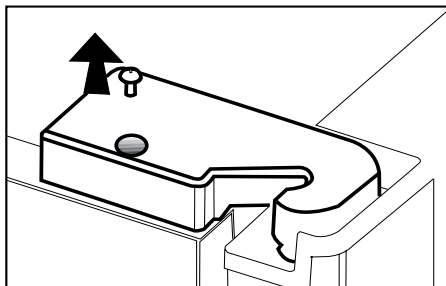


3. Викрутіть гвинти, які тримають нижню вентиляційну кришку, за допомогою викрутки Philips.

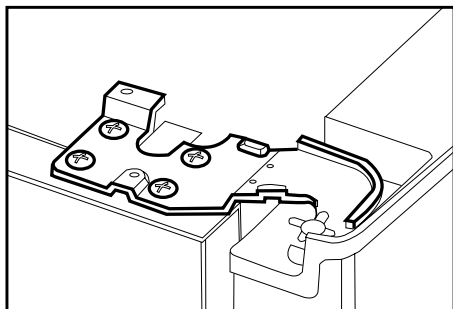
Регулювання зазору між верхніми дверцятами



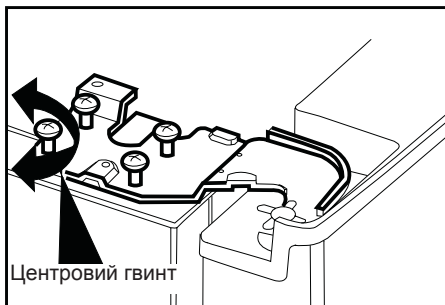
• Ви можете відрегулювати зазор між дверцятами холодильної камери, як показано на малюнку.



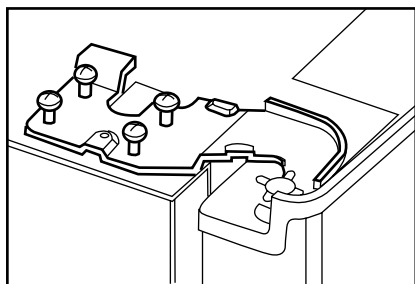
• Відрегулюйте дверцята на власний розсуд, трохи ослабивши гвинти.



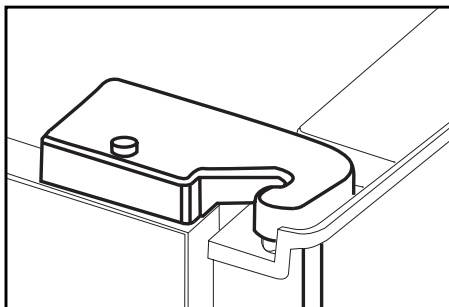
Під час регулювання дверцят по висоті полиці дверцят мають бути порожніми.



• Зафіксуйте відрегульовані дверцята, затягнувши гвинти, не змінюючи положення дверцят.
• Встановіть на місце кришку завіси та зафіксуйте гвинтом.



• За допомогою викрутки викрутіть гвинт з кришки верхньої завіси тих дверцят, які треба відрегулювати.



Встановлення водяного фільтра

(у деяких моделях)

Для подачі води до холодильника можна під'єднати два різні джерела води: лінію подачі холодної води й воду з бака.

Вимоги щодо встановлення

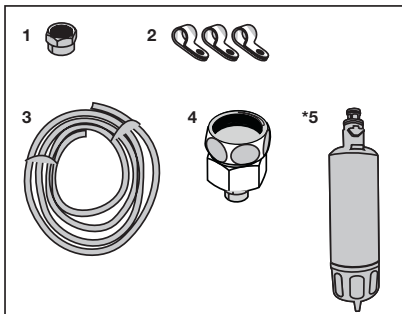
У другому випадку слід використати насос.

Перевірте наявність указаних нижче запчастин у комплекті постачання холодильника.

1. Гайка для під'єднання водогінної труби до заднього боку приладу. (Якщо вона не підходить, зверніться до найближчої авторизованої сервісної служби.)
2. 2 скоби водостічної труби (якщо вони потрібні для кріплення водостічної труби)

Примітка: У випадку використання води з бака ці запчастини не потрібні, тому можуть не входити до комплекту постачання.

3. 5-метрова водогінна труба (діаметром 1/4 дюйма)
4. Клапан у водогінній лінії із сітчастим фільтром (перехідна втулка)
5. Водяний фільтр або фільтр, приєднаний ззовні, слід прикріпити до скоби всередині холодильного відділення.



Спершу визначте місце кріплення зовнішнього фільтра. (Стосується фільтра, використовуваного зовні холодильника.) Потім виміряйте відстань між фільтром і холодильником і необхідну довжину шланга від фільтра до отвору подачі води.

Водяний фільтр має знаходитися у вертикальному положенні, як показано на малюнку. Дуже важливо правильно прикріпити фільтр до отворів подачі та зливання води.

Встановивши фільтр, не використовуйте перших 3-4 склянок води.

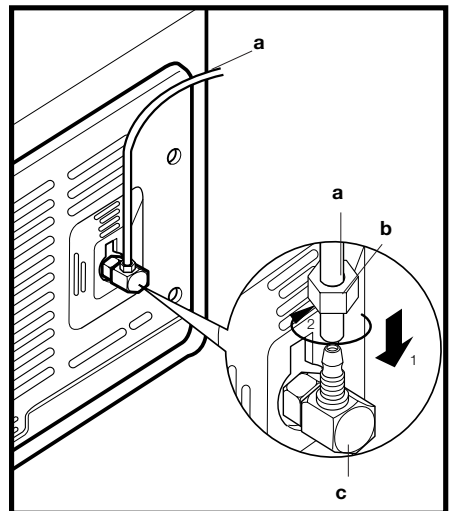
Під'єднання водогінної труби до холодильника

1. Після встановлення гайки на водогінну трубу вставте трубу до впускного клапана холодильника, сильно натиснувши його вниз.

2. Закріпіть гайку, як показано на малюнку, натиснувши рукою на впускний клапан холодильника.

(а – водогінна труба, б – гайка, с – клапан)

ⓘ Примітка 1. Щоб вузол був водонепроникним, не треба закручувати гайку якимось інструментом. У випадку протікання закрутіть гайку гайковим ключем чи плоскогубцями.

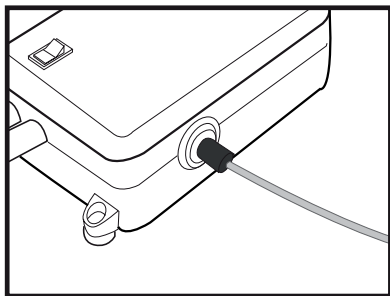
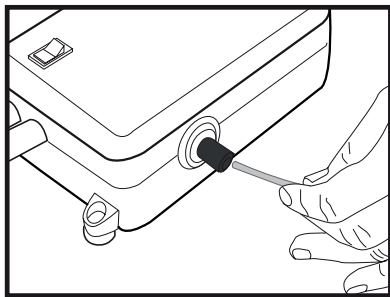


Під'єднання шланга подачі води до бака (у деяких моделях)

Для подачі в холодильник води з бака потрібен насос. Виконайте викладені нижче інструкції після під'єднання одного кінця водогінної труби, яка виходить з насоса, до холодильника, як описано на попередній сторінці.

1. Завершіть з'єднання, вставивши інший кінець водогінної труби у відповідний вхідний отвір насоса, як показано на малюнку.
2. Вставте й закріпіть шланг насоса в бак, як показано на малюнку.
3. По завершенні монтажу під'єднайте насос до мережі живлення й увімкніть його.

Ефективна робота насоса розпочнеться через 2-3 хвилини після його увімкнення.



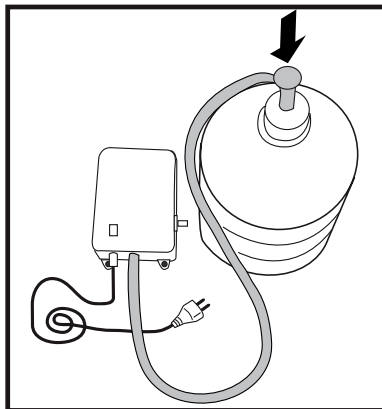
i Виконуючи під'єднання води, звертайтеся до посібника користувача насосом.

i У разі використання бака немає необхідності в роботі водяного фільтра.

i У разі використання бака потрібен насос.

Під'єднання водогінної труби до водогінної лінії (у деяких моделях)

Під'єднання холодильника до лінії подачі холодної води у вашому будинку відбувається за допомогою стандартного патрубку з клапаном 1/2". Якщо такий клапан відсутній чи ви не впевнені в своїх діях, зверніться до кваліфікованого водопровідника.



1. Від'єднайте гайку від перехідної втулки (малюнок А).
2. Під'єднайте перехідну втулку до патрубку з клапаном 1/2", як показано на малюнку. (Малюнок Б)
3. Після встановлення гайки на водогінну трубу встановіть трубу на перехідну втулку і вставте втулку (малюнок В).
4. Закрутіть гайку вручну. У випадку протікання закрутіть гайку гайковим ключем чи плоскогубцями.

⚠ Увага! За допомогою скоб закріпіть водогінну трубу у відповідних місцях, щоб уникнути пошкоджень, зміщення чи випадкового від'єднання.

⚠ Увага! Після повороту клапана водогінної лінії перевірте, щоб в обох точках з'єднання водогінної труби не було витоків. У випадку протікання негайно вимкніть клапан і знову затягніть усі з'єднання гайковим ключем чи плоскогубцями.

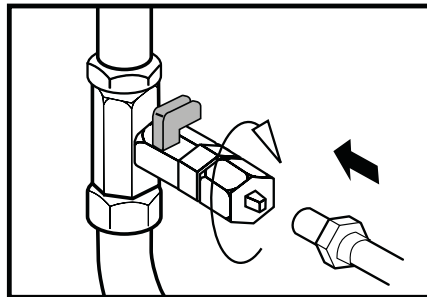
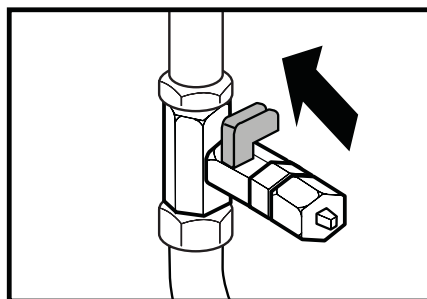
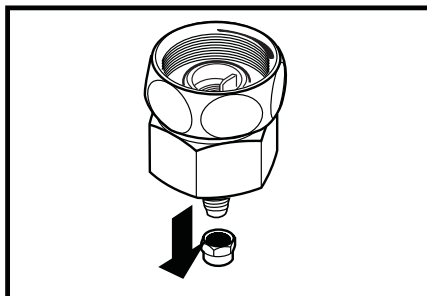
⚠ Увага! Переконайтеся в наявності стандартного патрубка з клапаном 1/2" в лінії подачі холодної води і в тому, що він повністю підключений.

Для установки водяного фільтра дотримуйтеся наведених нижче інструкцій і малюнків.

1. Натисніть кнопку зупинки утворення льоду на дисплеї
2. Зніміть кришку повітряного фільтра в холодильному відділенні, потягнувши її на себе
3. Зніміть кришку обвідної лінії водяного фільтра, обертаючи її вниз

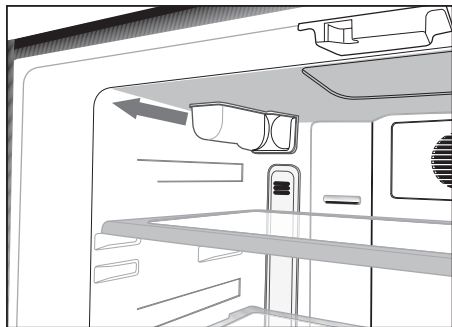
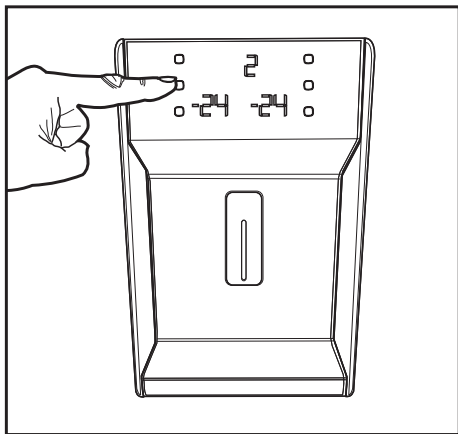
⚠ Увага! Перш ніж зняти кришку, переконайтеся, що режим утворення льоду вимкнений.

Примітка: падіння кількох крапель води після зняття кришки є нормальним явищем.



4. Зніміть кришку на водяному фільтрі, щоб встановити, як показано на малюнку, й поверніть її вгору до фіксації
5. Знову натисніть кнопку вимкнення утворення льоду на дисплеї для виходу з даного режиму.

Водяний фільтр необхідно міняти кожні 6 місяців.

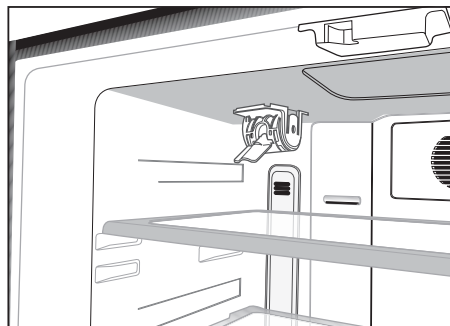
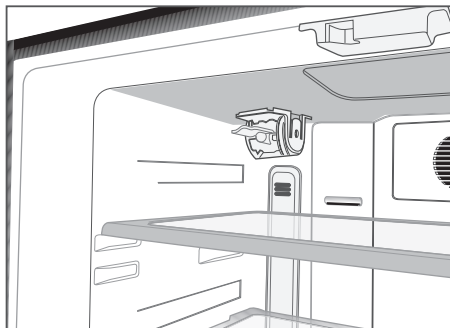


Для налаштування автоматичного визначення часу заміни фільтра й отримання відповідного попередження див. розділ «Автоматичне визначення терміну використання фільтра».

Якщо водяний фільтр треба замінити або він більше не використовується, його треба зняти, як показано на малюнку, та прикріпити кришку обвідної лінії. Перед тим як знімати кришку переконайтеся, що режим утворення льоду вимкнено.

⚠ Увага! Водяний фільтр видаляє з води сторонні частки. Він не очищає воду від мікроорганізмів.

⚠ Увага! При заміні водяного фільтра чи установці кришки обвідної лінії треба завжди вимкати режим утворення льоду, натиснувши кнопку «Ice off» («Вимкнення льоду»).

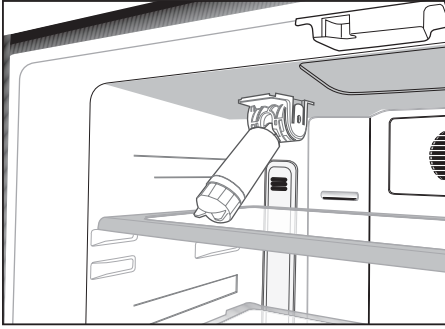


Перш ніж використовувати розподільник води

i Тиск у водогінній лінії не має бути нижчим за 1 бар.

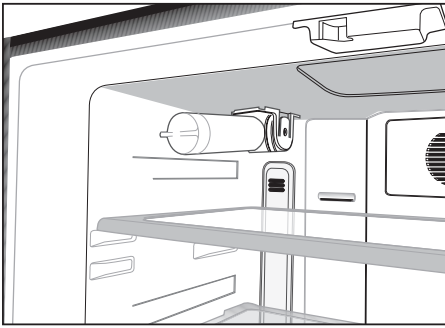
i Тиск у водогінній лінії не має перевищувати 8 бар.

i Якщо тиск у водогінній лінії впав нижче 1 бара чи в разі застосування бака, треба використовувати насоси.



i Водяна система холодильника має бути під'єднана до лінії холодної води. Її не можна під'єднувати до лінії гарячої води.

i При початковому увімкненні холодильника воду одержати не можна. Це спричинено наявністю повітря в системі. Для випуску повітря із системи натискайте клямку розподільника з інтервалом в 1 хвилину, доки не з'явиться вода. Спочатку потік води може бути нерівномірним. Він нормалізується після випуску повітря із системи.



i При початковому увімкненні холодильника до отримання холодної води має минути орієнтовно 12 годин.

i Для безперебійної роботи розподільника льоду/води тиск у водогінній лінії має бути в межах 1-8 бар. Для цього перевірте, чи можна наповнити склянку води (100 куб. см) за 10 секунд.

i Перші 10 склянок води пити не можна.

i Приблизно 30 перших кубиків льоду, одержаних із розподільника, вживати не можна.

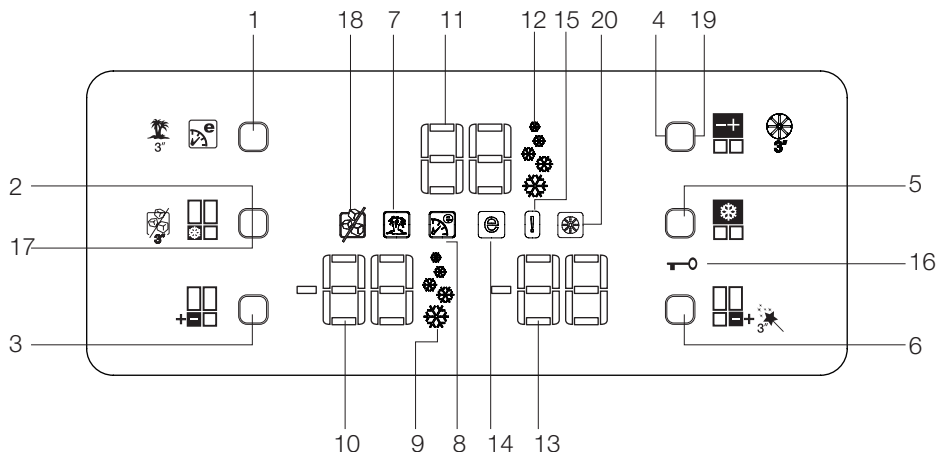
i Якщо бак не використовується, застосуйте водяний фільтр.

4 Підготовка

- Холодильник слід встановити на відстані щонайменше 30 см від джерел тепла, таких як жарівниці, плити, батареї центрального опалення й печі, а також не ближче 5 см від електричних духових шаф, у місцях, куди не духових шаф пічокпряме сонячне світло.
- Температура повітря в приміщенні, де встановлюється холодильник, має бути не менше 10°C. Використовувати холодильник в умовах нижчої температури не рекомендується з міркувань його низької ефективності.
- Упевніться в тому, що всередині холодильник старанно вимитий.
- Якщо два холодильники встановлюються поряд, між ними має бути відстань не менше 2 см.
- При першому увімкненні холодильника, протягом перших шести годин роботи дотримуйтеся наступних інструкцій.
- Не відчиняйте часто дверцята.
- Холодильник мусить працювати порожнім, без продуктів усередині.
- Не відключайте холодильник від електромережі. Якщо сталося порушення електропостачання, див. застереження у розділі "Рекомендації з вирішення проблем".
- Для забезпечення низького споживання енергії та поліпшення умов зберігання необхідно використовувати контейнери/ящики, що постачаються разом з морозильною камерою.
- Контакт їжі з датчиком температури в морозильній камері може спричинити збільшення споживання енергії пристроєм. Таким чином, слід уникати будь-якого контакту з датчиком(ами).
- Оригінальну упаковку та плівку слід зберегти для транспортування або переміщення холодильника в майбутньому.
- В деяких моделях приладова панель автоматично вимикається через 5 хвилин після закривання дверей. Вона повторно активізується після відчинення дверей або натискання будь-якої клавіші.
- Конденсація вологи на полицях дверцят/корпусу та скляних контейнерах є нормальним явищем і виникає завдяки зміні температури внаслідок відкриття/закриття дверцят під час функціонування виробу.

5 Користування холодильником

Панель індикаторів



За допомогою сенсорної індикаторної панелі можна регулювати температуру, не відчиняючи дверцята холодильника. Для цього натискайте відповідні кнопки.

- | | |
|---|--|
| 1. Кнопка «Eco-Extra»/тимчасового вимкнення | холодильного відділення |
| 2. Кнопка швидкого заморозування | 12. Індикатор режиму швидкого охолодження |
| 3. Кнопка регулювання температури морозильного відділення | 13. Індикатор температури відділення Multi Zone |
| 4. Кнопка регулювання температури холодильного відділення | 14. Індикатор економічного режиму |
| 5. Кнопка швидкого охолодження | 15. Індикатор несправності |
| 6. Кнопка регулювання температури відділення Multi Zone | 16. Індикатор блокування |
| 7. Індикатор режиму тимчасового вимкнення | 17. Кнопка вимкнення утворення льоду |
| 8. Індикатор режиму Eco-Extra | 18. Кнопка режиму вимкнення льоду |
| 9. Індикатор режиму швидкого заморозування | 19. Кнопка вимкнення попередження про заміну фільтра |
| 10. Індикатор температури морозильного відділення | 20. Індикатор попередження про заміну фільтра |
| 11. Індикатор температури | |

i Ілюстрації в даній інструкції є схематичними і можуть відрізнятися від вашої моделі. Якщо до комплектації моделі, яку ви придбали, не входять згадані деталі, вони призначені для інших моделей.

1. Кнопка «Eco Extra»/тимчасового вимкнення

При короткочасному натисканні цієї кнопки вмикається режим Eco-Extra. Після натискання й утримання кнопки протягом 3 секунд вмикається режим тимчасового вимкнення. Для вимкнення вибраного режиму слід знову натиснути цю кнопку.

2. Кнопка швидкого заморожування

При короткочасному натисканні цієї кнопки вмикається режим швидкого заморожування. Для вимкнення вибраного режиму слід знову натиснути цю кнопку.

3. Кнопка регулювання температури морозильного відділення

Ця кнопка призначена для вибору температури морозильного відділення: -18, -20, -22 або -24. Натисніть на цю кнопку, щоб встановити потрібну температуру морозильного відділення.

4. Кнопка регулювання температури холодильного відділення

Натисніть цю кнопку, щоб налаштувати такі значення температури холодильного відділення: 8, 6, 4, 2, 8... відповідно. Для встановлення потрібної температури в холодильному відділенні натискайте цю кнопку.

5. Кнопка швидкого охолодження

При короткочасному натисканні цієї кнопки вмикається режим швидкого охолодження. Для вимкнення вибраного режиму слід знову натиснути цю кнопку.

6. Кнопка регулювання температури відділення Multi Zone

Ви можете встановити у відділенні Multi Zone режим морозильника чи холодильника. Для цього натисніть й утримуйте вказану кнопку протягом 3 секунд. Заводське налаштування цього відділення – морозильник.

Якщо у відділенні Multi Zone встановлено режим морозильника, при кожному натисканні кнопки температура змінюватиметься в такій послідовності: -18, -20, -22, -24, -18... відповідно. Якщо у відділенні Multi Zone встановлено режим холодильника, при кожному натисканні кнопки температура змінюватиметься в такій послідовності: 10, 8, 6, 4, 2, 0, -6, ... відповідно.

7. Індикатор режиму тимчасового вимкнення

Світиться, коли режим тимчасового вимкнення увімкнений. Під час дії цього режиму на індикаторі холодильного відділення відображаються символи «- -», і відділення не охолоджується. Інші відділення охолоджуються відповідно до встановленої температури.

Щоб вимкнути вибраний режим, ще раз натисніть на відповідну кнопку.

8. Індикатор режиму Eco Extra

Вказує, що режим Eco Extra увімкнено. У цьому режимі холодильник автоматично визначає періоди мінімального завантаження, протягом яких охолодження відбуватиметься в режимі енергозбереження. Увесь цей час індикатор економічного режиму буде увімкнено.

Щоб вимкнути вибраний режим, ще раз натисніть на відповідну кнопку.

9. Індикатор режиму швидкого заморожування

Вказує, що режим швидкого заморожування увімкнено. Використовуйте цей режим, якщо розміщуєте в морозильному відділенні свіжі продукти, або якщо вам потрібен лід. У цьому режимі холодильник працюватиме певний проміжок часу.

Щоб вимкнути вибраний режим, ще раз натисніть на відповідну кнопку.

10. Індикатор температури морозильного відділення

Показує температуру, встановлену для морозильного відділення.

11. Індикатор температури холодильного відділення

Вказує температуру, встановлену для холодильного відділення.

12. Індикатор режиму швидкого охолодження

Світиться, коли режим швидкого охолодження увімкнений. Використовуйте цей режим, якщо розміщуєте в холодильному відділенні свіжі продукти, або якщо продукти потрібно швидко охолодити. У цьому режимі холодильник безперервно працюватиме протягом 2 годин.

Щоб вимкнути вибраний режим, іще раз натисніть на відповідну кнопку.

13. Індикатор температури відділення Multi Zone

Вказує температуру, встановлену для відділення Multi Zone.

14. Індикатор економічного режиму

Вказує, що холодильник працює в режимі енергозбереження. Температура морозильного відділення

Індикатор буде увімкнено, якщо встановлено температуру -18 або в режимі Eco Extra відбувається охолодження з енергозбереженням.

15. Індикатор несправності

Цей індикатор вмикається при порушенні нормальної роботи холодильника або при несправності датчика. Коли світиться цей індикатор, на індикаторі температури морозильного відділення з'являється символ «E», а на індикаторі холодильного відділення — цифри «1,2,3...». Ці цифри вказують працівникам сервісного центру на тип несправності.

16. Індикатор блокування

Використовуючи цей режим, можна запобігти зміні налаштувань температури в холодильнику. Для вимкнення цього режиму одночасно натисніть кнопку швидкого охолодження та кнопку регулювання температури відділення Flexi Zone й утримуйте їх щонайменше 3 секунди.

Для вимкнення вибраного режиму слід знову натиснути цю кнопку.

17. Кнопка вимкнення утворення льоду

Для припинення утворення льоду натискайте кнопку вимкнення утворення льоду протягом 3 секунд. Коли льодогенератор вимкнений, вода в контейнер для льоду не подається. Проте в контейнері може залишатися лід, який при потребі можна вибрати. Для поновлення утворення льоду натискайте кнопку вимкнення утворення льоду протягом 3 секунд.

18. Індикатор вимкнення утворення льоду

Вмикайте цей режим, коли лід не потрібен. Щоб вимкнути льодогенератор, натискайте кнопку вимкнення утворення льоду протягом 3 секунд.

19. Кнопка вимкнення попередження про заміну фільтра

Фільтр холодильника слід замінити кожні 6 місяців. У разі виконання інструкцій на стор. 22 холодильник визначатиме термін використання фільтра автоматично, і після закінчення цього терміну вмикатиметься індикатор попередження про заміну фільтра. Для поновлення автоматичного визначення терміну використання фільтра після його заміни натискайте кнопку вимкнення попередження про заміну фільтра протягом 3 секунд.

20. Індикатор вимкнення попередження про заміну фільтра

Індикатор попередження про заміну фільтра вмикається після закінчення терміну використання фільтра.

Сигнал про відчинені дверцята

Якщо дверцята холодильного відділення або відділення Flexi Zone залишити відкритими на 1 хвилину чи довше, прозвучить сигнал про відчинені дверцята. Для вимкнення сигналу слід натиснути будь-яку кнопку на індикаторній панелі або зачинити дверцята.

Попередження про відкриті дверцята

Якщо дверцята холодильної камери залишити відкритими понад одну хвилину, буде подано звуковий попереджувальний сигнал. Звуковий сигнал припиниться після натискання будь-якої кнопки на дисплеї, або після зачинення дверцят.

Подвійна система охолодження

Холодильник оснащено двома окремими системами охолодження: відділення для свіжих продуктів і морозильного відділення. Через це повітря відділення для свіжих продуктів не змішується з повітрям у морозильному відділенні. Завдяки використанню двох окремих систем охолодження, швидкість охолодження набагато вища, ніж у звичайних холодильниках. Запахи у відділеннях не змішуються. Крім того, це забезпечує економію електроенергії, оскільки розмороження відбувається окремо.

Замороження свіжих продуктів

- Краще загорнути або накрити продукти, перш ніж завантажувати їх у холодильник.
- Перш ніж класти гарячі продукти до морозильного відділення, слід охолодити їх до кімнатної температури.
- Заморожені продукти мають бути свіжими та якісними.
- Продукти слід розділити на порції відповідно до щоденних потреб родини, або до використання для приготування страв.
- Продукти мають бути герметично упаковані для запобігання висиханню, навіть якщо вони призначені для нетривалого зберігання.
- Матеріали для упаковки мають бути міцними та стійкими до холоду, вологості, запаху, олій та кислот, а також герметичними. Крім того, вони мають добре закриватися і бути виготовлені з легких у використанні матеріалів, які можуть бути використані для глибокого замороження.
- Для початкового замороження рекомендується класти продукти на верхню полицю морозильного відділення.
- Наведені дані про морозильну здатність холодильника можуть бути досягнені, якщо покласти продукти на верхню полицю, а функцію швидкого замороження активувати за 4 години до завантаження продуктів.
- Продукти, які необхідно заморозити, слід покласти до морозильного відділення. (Вони не мають торкатися вже заморожених продуктів, щоб запобігти їх частковому таненню. Морозильну здатність приладу наведено в технічних характеристиках холодильника).
- Періоди, вказані в інформації про глибоке замороження, мають відповідати часу зберігання.

Налаштування морозильного відділення	Налаштування холодильного відділення	Пояснення
-18°C	+4°C	Це нормальний рекомендований режим.
-20, -22 або -24°C	+4°C	Ці режими рекомендується використовувати, коли температура навколишнього середовища перевищує 30°C.
Швидке замороження	+4°C	Використовуйте цю функцію, якщо хочете швидко заморозити продукти. По завершенні процесу холодильник повернеться до попереднього режиму.
-18°C або нижче	+2°C	Рекомендується для випадків, коли можливою причиною недостатньо низької температури в холодильному відділенні є спекотна погода або часте відчинення й зачинення дверей.
-18°C або нижче	Швидке охолодження	Використовується, коли холодильне відділення перевантажене, або коли ви хочете швидко охолодити продукти. Функцію швидкого охолодження рекомендується вмикати за 4-8 годин до завантаження продуктів у холодильник.

- Заморожені продукти слід використати одразу після відтанення і ніколи не заморожувати їх знову.
- Для досягнення найкращих результатів дотримуйтеся наступних інструкцій.
 1. Не заморожуйте одночасно занадто велику кількість продуктів. Якість продуктів підтримується найкращим чином, якщо вони якнайшвидше промерзають.
 2. Розміщення теплих продуктів у морозильному відділенні примушує компресор холодильника працювати безперервно, до повного замороження продуктів.
 3. Зверніть особливу увагу на те, що не можна змішувати вже заморожені та свіжі продукти.
- Не розміщуйте продукти перед вентилятором морозильного відділення, щоб не перешкоджати циркуляції повітря. Завантаження продуктів таким чином призведе до підвищеного споживання електроенергії та погіршення ефективності зберігання продуктів у морозильному відділенні холодильника.
- Для забезпечення якісного та корисного для здоров'я зберігання продуктів, слід пам'ятати наступне:
 1. Розміщуйте упаковки з продуктами в морозильному відділенні якомога швидше після придбання.
 2. Перевірте, щоб вміст було марковано й датовано.
 3. Не перевищуйте терміни зберігання та вживання продуктів.

У випадку порушення електропостачання не відчиняйте дверцята морозильного відділення. Навіть якщо тривалість відсутності електроенергії перевищує «Час підвищення температури», вказаний у розділі «Технічні характеристики вашого холодильника», це не вплине на заморожені продукти. Якщо електроенергія відсутня довше, продукти слід перевірити і, в разі

Рекомендації щодо зберігання заморожених продуктів

- Упаковані продукти, заморожені в промислових умовах, слід зберігати відповідно до інструкцій їхнього виробника для відділення **✳ ***** (4 зірки) зберігання заморожених продуктів.

необхідності, негайно вжити або заморозити після приготування.

- Під час придбання продуктів зважайте на кінцеву дату придатності до вживання, максимальний дозволений період зберігання, а також на рекомендовану температуру зберігання продуктів. Якщо дату придатності до вживання перевищено, не споживайте продукти.
- Якщо заморожені продукти відтанули, не заморозуйте їх знову. Продукти, що відтали, слід вжити в їжу або негайно приготувати. Рекомендується приготувати страви з таких продуктів, перш ніж заморозити їх знову, в разі необхідності.
- Час підвищення температури в морозильному відділенні покращиться, якщо акумулятори холоду розмістити в місцях, указаних на малюнку нижче. Наведений час підвищення температури досягається, якщо розміщувати акумулятори холоду у відповідних місцях, як показано нижче.

Розмороження

Морозильне відділення розморожується автоматично.

Інформація про глибоке замороження

Продукти, покладені в холодильник, мають бути заморожені якомога швидше, щоб зберегти їх у гарній якості.

Ви можете зберігати продукти свіжими протягом багатьох місяців (при температурі -18°C або нижче в умовах глибокого замороження), відповідно до інструкцій, наведених на упаковці виробника продуктів.

ПОПЕРЕДЖЕННЯ! ⚠

• Продукти слід розділити на порції відповідно до щоденних потреб родини, або до використання для приготування страв.

• Продукти мають бути герметично упаковані для запобігання висиханню, навіть якщо вони призначені для нетривалого зберігання.

Матеріали, необхідні для пакування:

- Холодостійка клейка стрічка
- Наклейки
- Гумові кільця
- Авторучка

Матеріали для упаковки мають бути міцними та стійкими до холоду, вологості, запаху, олій та кислот.

Продукти, призначені для замороження, не повинні торкатися вже заморожених продуктів, щоб запобігти їх частковому таненню.

Дотримуйтеся значень, вказаних у таблицях періодів зберігання.

Заморожені продукти слід використати одразу після відтанення, і ніколи не заморозувати їх знову.

• Не кладіть у холодильник гарячі продукти.

Розміщення продуктів

Полиці морозильного відділення	Різні заморожені продукти, наприклад, м'ясо, риба, морозиво, овочі тощо
Відділення для яєць	Яйця
Полиці холодильного відділення	Продукти в каструлях, на накритих тарілках і в закритих контейнерах
Дверні полиці холодильного відділення	Невеликі й упаковані продукти та напої (молоко, фруктовий сік, пиво)
Контейнер для овочів і фруктів	Овочі та фрукти
Відділення зони свіжості	Делікатесні продукти (сир, масло, салями тощо)

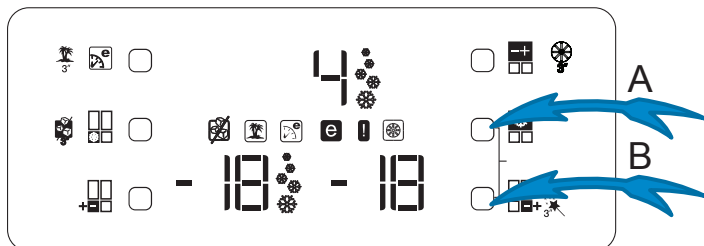
Рекомендації щодо відділення для свіжих продуктів

- Не допускайте контакту будь-яких продуктів із датчиком температури у відділенні для свіжих продуктів. Для підтримання ідеальної температури зберігання у відділенні для свіжих продуктів датчик не повинен закриватись продуктами, що там зберігаються.
- Не кладіть у холодильник гарячі продукти.

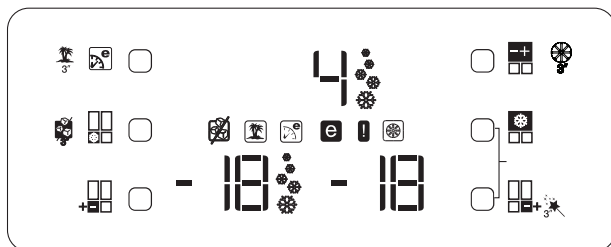
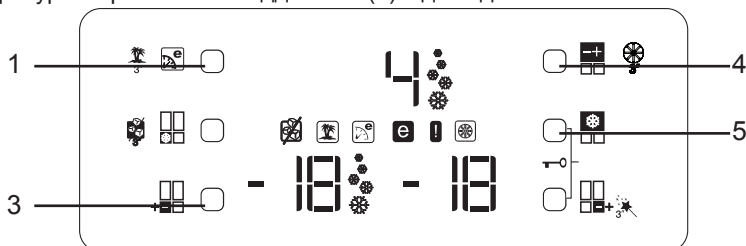
Щоб налаштувати автоматичне визначення терміну використання фільтра, виконайте такі дії.

(Для виробів, під'єднаних до водопровідної лінії та обладнаних фільтром.)

1 – Під'єднавши холодильник до електромережі, одночасно натисніть кнопки А і В для ввімкнення блокування кнопок.



2 – Потім натисніть кнопки Есо-Extra (1), налаштування температури холодильного відділення (4), швидкого охолодження (5) та налаштування температури морозильного відділення (3) відповідно.



Якщо натиснути кнопки в правильній послідовності, символ блокування кнопок згасне, невдовзі буде активовано зумер, а індикатор попередження про заміну фільтра ввімкнеться. Після заміни фільтра натисніть кнопку вимкнення попередження про заміну фільтра (номер 19 в описі дисплея) для налаштування автоматичного визначення терміну використання фільтра.

ПРИМІТКА

1. Якщо термін використання фільтра визначається автоматично, індикатор попередження про заміну фільтра ввімкнеться через кілька секунд після під'єднання виробу до електромережі.
2. Автоматичне визначення часу використання фільтра не є заводським налаштуванням. У виробих з фільтром його треба активувати.
3. Щоб вимкнути автоматичне визначення терміну використання фільтра, повторіть усі наведені вище дії.

Лоток для яєць

Відділення для яєць можна, за бажанням, встановити на двері чи полицю відділення.

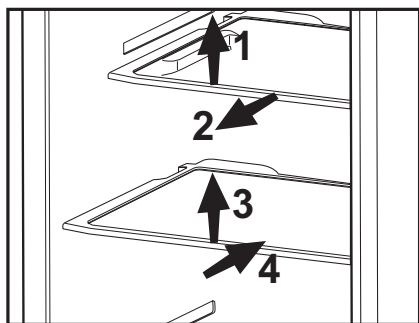
Не розміщуйте відділення для яєць у морозильному відділенні.

Ковзні полиці відділення

• Ковзні полиці відділення можна висувати, трохи піднявши спереду й посуваючи вперед і назад. При висуванні вперед вони фіксуються, аби ви могли дістати продукти вглибині полиці; полицю відділення можна зняти, висунувши її до другої точки фіксації та трохи піднявши спереду.

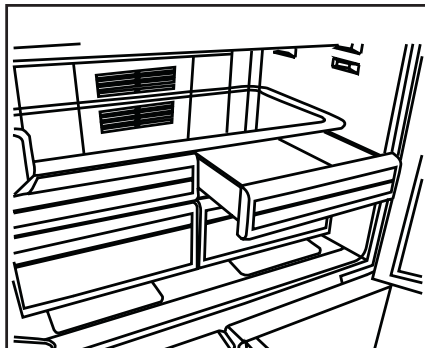
Щоб запобігти перекиданню полиці, міцно тримайте її знизу. Полиці відділення встановлено на напрямних по боках корпусу холодильника, аби її можна було переміщувати нижче чи вище.

Щоб повернути полицю на місце, посувайте її назад.



Контейнер для овочів і фруктів

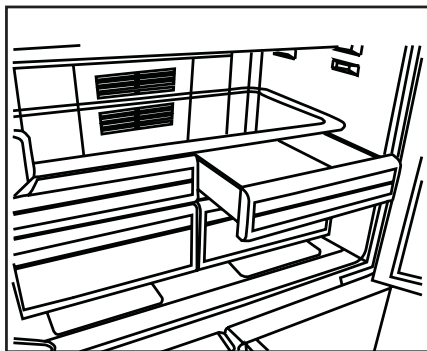
Контейнер для овочів і фруктів спеціально призначений для збереження овочів і фруктів свіжими без втрати ними вологості. Для досягнення цієї мети навколо контейнера циркулює холодне повітря.



Охолоджувач

Охолоджувач готує продукти до заморожування. Крім того, ви можете використовувати ці відділення для зберігання продуктів при температурі, на кілька градусів нижчій за температуру холодильного відділення.

Ви можете збільшити внутрішній простір холодильника, вийнявши будь-яке відділення для закусок. Для цього потягніть відділення на себе; коли буде досягнуто обмежувача, відділення зупиниться. Після цього підійміть його приблизно на 1 см і потягніть на себе.



Середня секція, що обертається

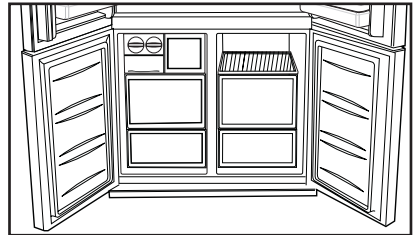
Середня секція, що обертається, призначена для запобігання потраплянню холодного повітря всередині холодильника за його межі. Вона сприяє ущільненню, оскільки прокладки дверцят тиснуть на поверхню середньої секції, коли дверцята холодильного відділення зачинені. Крім того, середня секція, що обертається, збільшує ємність холодильного відділення. Зазвичай середні секції займають простір, який не використовується.

Середня секція, що обертається, має бути зачищеною, якщо ліві дверцята холодильного відділення відчинені. Її не слід відчиняти вручну; вона обертається за рахунок пластикового компоненту, вмонтованого в корпус.

Відділення для зберігання продуктів Multi Zone

Відділення для зберігання продуктів Multi Zone вашого холодильника можна використовувати в будь-якому потрібному режимі, встановивши температуру холодильної (2/4/6/8 °C) чи морозильної (-18/-20/-22/-24) камер. За допомогою кнопки регулювання температури відділення Multi Zone можна встановлювати в ньому потрібну температуру. Температуру відділення Multi Zone можна встановити на значення від 0 до 10 градусів додатково до температури холодильної камери й -6 градусів додатково до температури морозильної камери. При значенні 0 довше зберігаються делікатеси, а при -6 можна протягом двох тижнів зберігати м'ясні продукти в легкому для нарізання стані.

i Переключення між режимами холодильного й морозильного відділень дозволяє охолоджувальний елемент, який знаходиться у закритому відділенні (відділення компресора) за холодильником. Коли цей елемент працює, з холодильника лунає шум, який нагадує цокання механічного годинника. Це цілком нормально і не є ознакою несправності.



Синє світло

У продуктах, які зберігаються в контейнерах із синім підсвічуванням, триває процес фотосинтезу завдяки довжині хвиль синього світла; таким чином вони зберігають свіжість, а вміст вітамінів у них збільшується.

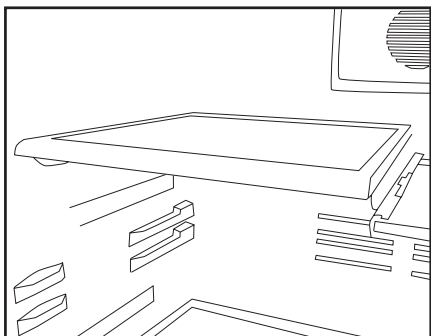


Ковзні полиці відділення

Ковзні полиці відділення можна висувати, трохи піднявши спереду й посуваючи вперед і назад. При висуванні вперед вони фіксуються, аби ви могли дістати продукти вглибину полиці; полицю відділення можна зняти, висувавши її до другої точки фіксації та трохи піднявши спереду.

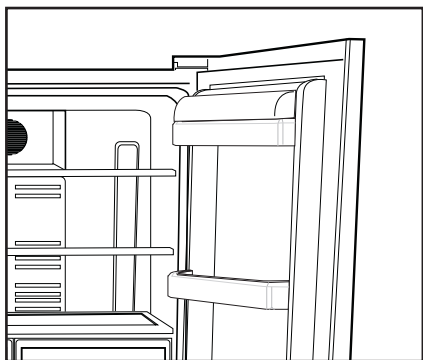
Щоб запобігти перекиданню полиці, міцно тримайте її знизу. Полиці відділення встановлено на напрямних по боках корпусу холодильника, аби її можна було переміщувати нижче чи вище.

Щоб повернути полицю на місце, посуньте її назад.



Полиця для масла та сиру

На цій полиці з кришкою можна зберігати масло, сир і маргарин.

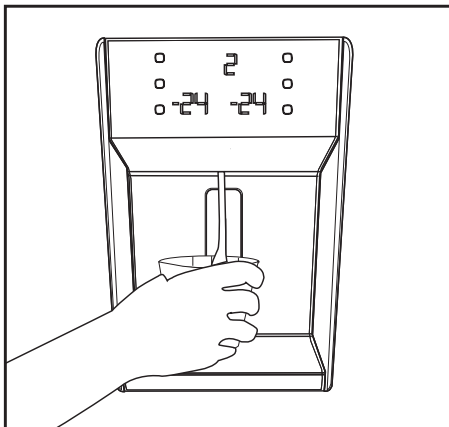


Використання крана подачі води

Застереження

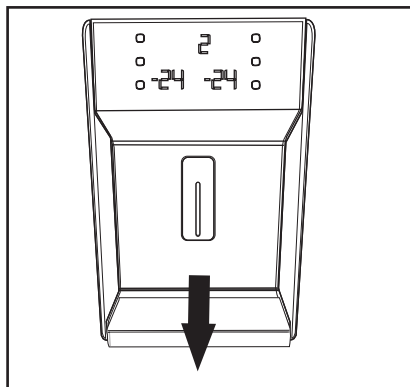
Кілька перших склянок води із розподільника можуть бути теплими. Це цілком нормально.

Якщо розподільник води використовується не часто, для одержання свіжої води необхідно злити певну кількість води із розподільника.



Лоток для розлитих продуктів

Краплі води, які капають під час роботи, накопичуються в лотку для розлитих продуктів. Ви можете дістати лоток, потягнувши його на себе чи натиснувши на край (залежно від моделі). Воду можна видалити за допомогою губки чи шматка м'якої тканини.



Міні-бар

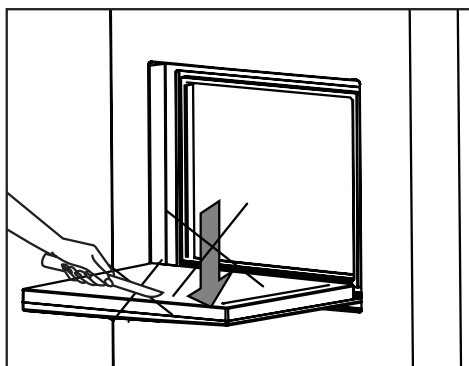
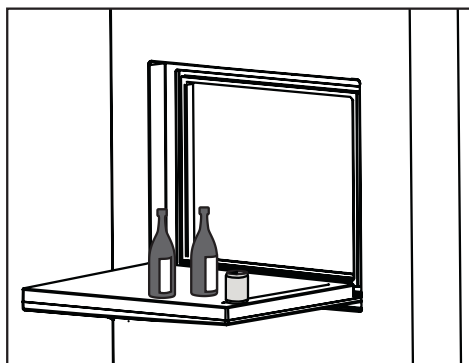
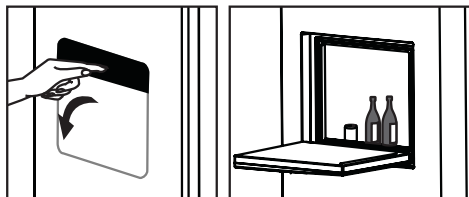
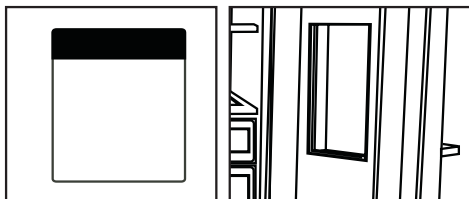
Дверцята міні-бару призначені для підвищення зручності користування холодильником. Наявність цих дверцят дає змогу легко дістати з полиці на дверях холодильника їжу й напої, які часто вживаються, не відкриваючи холодильник. Оскільки двері холодильника відкриваються не так часто, як звичайно, холодильник споживає менше електроенергії.

Щоб відкрити дверцята міні-бару, слід притиснути їх рукою і відпустити.

Коли дверцята міні-бару відчинені, їхню внутрішню поверхню можна використовувати як підставку і ненадовго ставити на неї пляшки й склянки, як показано на малюнку.

⚠ Попередження. Не навантажуйте ці дверцята понад міру, тобто не сідайте і не спирайтеся на них, а також не ставте на них важкі предмети. Це може спричинити пошкодження холодильника чи травмування.

⚠ Попередження. Не використовуйте дверцята для нарізання продуктів і бережіть їх від пошкодження гострими предметами.



6 Догляд та очищення

- ⚠ Не використовуйте бензин чи подібні матеріали для чищення.
- ⚠ Перед виконанням чищення рекомендуємо від'єднати холодильник від електромережі.
- ⓘ Заборонено використовувати для чистки гострі абразивні засоби, мило, засоби для видалення плям, миючі засоби та поліролі на основі воску.
- ⓘ Промийте шафу холодильника ледь теплою водою та витріть насухо.
- ⓘ У приладах без функції розморожування No Frost на задній стінці холодильного відділення можуть утворюватися краплі води та шар іню завтовшки не більше товщини пальця. Не зчищайте його; не застосовуйте для чищення масляні або аналогічні засоби.
- ⓘ Для чищення зовнішньої поверхні приладу використовуйте тільки злегка зволожену ганчірку з мікрофібри. Губки та інші види ганчірок можуть подряпати поверхню.
- ⓘ Для мийки відділене усередині холодильника користуйтеся ганчіркою, змоченою у розчині, який складається з чайної ложки питної соди на півлітра води, потім витріть їх насухо.
- ⚠ Слідкуйте, щоб вода не потрапила до корпусу лампочки та в інші електричні прилади.
- ⚠ Якщо прилад не буде використовуватися протягом тривалого часу, вимкніть його з електромережі, звільніть від усіх продуктів, протріть і залишіть дверцята відчиненими.
- ⓘ Регулярно перевіряйте, чи не забруднений шматочками їжі ущільнювач на дверях.
- ⓘ Для знімання лотка у дверях розвантажте його, а потім просто підштовхніть угору.
- ⓘ У жодному разі не використовуйте засоби для чищення чи воду, що містять хлор, для чищення зовнішніх поверхонь або хромованих деталей виробу. Хлор викликає корозію таких металевих поверхонь.
- ⓘ Не використовуйте гострі та абразивні засоби або мило, засоби для догляду за оселею, синтетичні миючі засоби, бензин, бензол, віск і т.д., в іншому випадку на пластикових частинах з'являться сліди і відбудеться їх деформація. Використовуйте для чищення теплу воду і м'яку тканину, а потім витріть насухо.

Захист пластикових поверхонь

- ⓘ Не зберігайте рідкі олії чи продукти з додаванням олії в холодильник у відкритому вигляді чи негерметичній упаковці, вони можуть зіпсувати пластикові поверхні холодильника. У разі потрапляння олії на пластикову поверхню очистіть цю частину поверхні теплою водою.

7 Рекомендації з усунення несправностей

Перед тим як звертатися до авторизованої сервісної служби, ознайомтеся з наведеною інформацією. Це допоможе вам заощадити гроші й час. Наведений нижче перелік містить найчастіші несправності, не викликані зіпсованим обладнанням чи матеріалом. Деякі з функцій, що наведені тут, можуть бути відсутні у вашому виробі.

Холодильник не працює.

- Чи під'єднаний холодильник до мережі правильним чином? Вставте штепсель до настінної розетки.
- Чи справна запобіжна пробка, до якої підключено холодильник, чи не перегорів запобіжник? Перевірте запобіжник.

Конденсація на бічній стінці холодильного відділення (MULTI ZONE, COOL CONTROL і FLEXI ZONE).

- Дуже низька температура навколишнього середовища. Дверцята холодильника часто відчиняють і зачиняють. Висока вологість навколишнього середовища. Зберігання продуктів, які містять рідину, у відкритих контейнерах. Нещільно зачинені дверцята. Перемкніть термостат на нижчу температуру
- Не тримайте дверцята відчиненими або відчиняйте їх рідше.
- Накривайте продукти, які зберігаються у відкритих контейнерах, відповідним матеріалом.
- Витріть конденсат сухою тканиною та перевірте, чи з'являється він знову.

Компресор не працює.

- Термозахист компресора може бути пошкоджений в результаті несподіваного збою енергопостачання чи увімкнення-вимкнення, оскільки тиск хладагенту в системі охолодження не встиг збалансуватися. Холодильник почне працювати орієнтовно через 6 хвилин. Якщо після закінчення цього періоду холодильник не запрацює, зверніться до сервісної служби.
- Холодильник перебуває у стані розморожування. Для холодильника, що розморожується автоматично, це цілком нормально. Розморожування відбувається періодично.
- Холодильник не під'єднано до мережі. Переконайтеся, що вилка належним чином вставлена в розетку.
- Чи правильно відрегульовано температуру?
- Можливо, відключена подача електроенергії.

Холодильник вмикається занадто часто або працює занадто довго.

- Ваш новий холодильник може бути ширшим за попередній. Це цілком нормально. Великі холодильники працюють протягом тривалішого часу.
- Температура навколишнього середовища може бути зависокою. Це цілком нормально.
- Холодильник міг бути нещодавно увімкнений чи завантажений продуктами. Повне охолодження холодильника може тривати на кілька годин довше.
- Можливо, у холодильник нещодавно завантажили велику кількість гарячих продуктів. Гарячі продукти спрчиняють довшу роботу холодильника з метою досягнення потрібної температури зберігання.
- Можливо, двері часто відчиняють, або вони тривалий час були нещільно зачинені. Тепле повітря, що потрапляє до холодильника, спричиняє його довшу роботу. Відчиняйте дверцята рідше.
- Нещільно зачинені двері холодильного чи морозильного відділень. Перевірте, чи щільно зачинені дверцята.
- Холодильник відрегульовано на дуже низьку температуру. Відрегулюйте температуру холодильного відділення до вищого значення, поки не буде досягнута потрібна температура.
- Ущільнювач дверцята холодильного чи морозильного відділень, можливо, забруднений, зношений, зіпсутий або неправильно встановлений. Ущільнювач дверей треба почистити чи замінити. Пошкоджений ущільнювач примушує холодильник працювати довше для того, щоб підтримувати температуру.

Температура морозильного відділення занижка, тоді як температура холодильника достатня.

- Морозильне відділення відрегульовано на дуже низьку температуру. Відрегулюйте температуру морозильного відділення до вищого значення та перевірте.

Температура холодильника занижка, тоді як температура морозильного відділення достатня.

- Холодильник налаштовано на дуже низьку температуру. Відрегулюйте температуру холодильника до вищого значення та перевірте.

Продукти, що зберігаються у холодильному відділенні, заморожуються.

- Холодильник налаштовано на дуже низьку температуру. Відрегулюйте температуру холодильника до вищого значення та перевірте.

Температура у холодильному чи морозильному відділеннях зависока.

- Холодильник налаштовано на дуже високу температуру. Температура холодильного відділення впливає на температуру морозильного. Змініть температуру холодильника чи морозильника, поки не буде досягнуто потрібне значення.
- Можливо, дверцята часто відчиняють, або вони тривалий час були нещільно зачинені; відчиняйте дверцята рідше.
- Можливо, дверцята холодильника прочинені; зачиніть їх повністю.
- Можливо, у холодильник нещодавно завантажили велику кількість гарячих продуктів. Заждіть, поки холодильник чи морозильник досягне потрібної температури.
- Можливо, холодильник нещодавно увімкнули. На повне охолодження холодильника буде потрібен час.

Рівень робочого шуму підвищується під час роботи холодильника.

- Робочі характеристики холодильника можуть змінюватися у залежності від температури навколишнього середовища. Це цілком нормально і не свідчить про несправність.

Вібрації або шум

<ul style="list-style-type: none"> • Нерівна чи нестійка підлога. При повільному переміщенні холодильник дрижить. Переконайтеся, що підлога рівна і може витримати вагу холодильника. • Шум може бути спричинений предметами, що покладені зверху на холодильник. Сторонні предмети слід прибрати з холодильника.
З холодильника лунає шум, наче летіється чи розбризкується рідина.
<ul style="list-style-type: none"> • Рідини і гази протікають у системі охолодження холодильника відповідно до принципу його роботи. Це цілком нормально і не свідчить про несправність.
Чується шум, наче дме вітер.
<ul style="list-style-type: none"> • Для охолодження холодильника використовуються вентилятори. Це цілком нормально і не свідчить про несправність.
Конденсат на внутрішніх стінках холодильника.
<ul style="list-style-type: none"> • Спекотна й волога погода сприяє утворенню льоду та появі конденсату. Це цілком нормально і не свідчить про несправність. • Можливо, дверцята холодильника прочинені; зачиніть їх повністю. • Можливо, дверцята часто відчиняють, або вони тривалий час були нещільно зачинені; відчиняйте дверцята рідше.
Поява вологи зовні холодильника чи між стулками дверей.
<ul style="list-style-type: none"> • Повітря вологе; при вологій погоді це цілком нормально. Коли волога зменшиться, конденсація зникне.
Поганий запах всередині холодильника.

<ul style="list-style-type: none"> • Слідкуйте за тим, щоб холодильник усередині був чистим. Протріть внутрішню частину холодильника губкою, змоченою в теплій чи газованій воді. • Деякі види упаковки чи контейнерів для зберігання також можуть бути джерелом запаху. Використовуйте інший контейнер чи матеріал для упакування.
Дверцята не зачиняються.
<ul style="list-style-type: none"> • Продукти можуть заважати зачиненню дверцят. Перекладіть продукти, які заважають зачиненню дверцят. • Можливо, холодильник стоїть не зовсім вертикально. Це може викликати дрижання при найменшому русі. Відрегулюйте гвинт регулювання висоти. • Нерівна чи неміцна підлога. Переконайтеся, що підлога рівна і може витримати вагу холодильника.
Контейнери злиплися.
<ul style="list-style-type: none"> • Можливо, продукти торкаються верхньої частини контейнера. Перекладіть продукти в контейнері.
Якщо Поверхня Пристрою Є Гарячою
<ul style="list-style-type: none"> • Під час роботи пристрою простір між двома дверима, бічні панелі й задня решітка можуть нагріватися до високої температури. Це цілком нормально і не потребує технічного обслуговування.

Офіційний представник на території України: ТОВ «Беко Україна», адреса: 03150, м. Київ, вул. Антоновича, буд. 72 тел/факс.: 0-800-500-4-3-2”

Інформацію про сертифікацію продукту Ви можете уточнити зателефонувавши на гарячу лінію 0-800-500-4-3-2.

Термін служби десять років



58 0134 0000/AC
4/4
SV-UK



www.beko.com