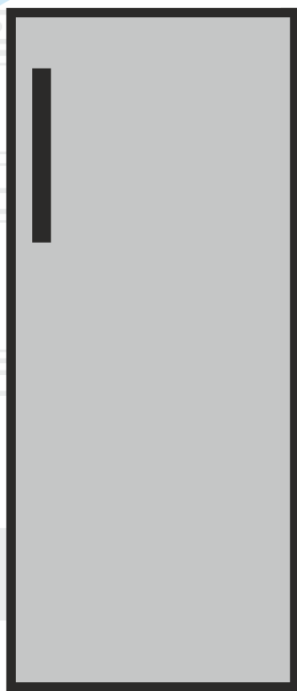


**Refrigerator-Freezer Type I  
Frigo-Congelatore di Tipo I  
Réfrigérateur-Congélateur de Type I  
Hűtő-És Fagyasztógép I-Es Típusú  
Kühl-Gefrier-Typ I  
Hladnjak-Zamrzivač Tipa I**

Instruction of use  
Istruzioni per l'uso  
Notice d'utilisation  
Használati útmutató  
Gebrauchsanweisung  
Upute za uporabu



**RSSA250K20W**

**EN | IT | FR | HU | D | HR**

**beko**



## WARNING!

In order to ensure a normal operation of your refrigerating appliance, which uses a completely environmentally friendly refrigerant the R600a (flammable only under certain conditions) you must observe the following rules:

- ◆ Do not hinder the free circulation of the air around the appliance.
- ◆ Do not use mechanical devices in order to accelerate the defrosting, others than the ones recommended by the manufacturer.
- ◆ Do not destroy the refrigerating circuit.
- ◆ Do not use electric appliances inside the food keeping compartment, other than those that might have been recommended by the manufacturer.

## AVVERTENZA!

Per garantire il funzionamento adeguato dell'elettrodomestico, che utilizza il refrigerante R600a completamente adatto all'ambiente (infiammabile solo in determinate condizioni), è necessario attenersi alle seguenti regole:

- ◆ Non ostacolare la libera circolazione dell'aria attorno all'elettrodomestico.
- ◆ Per accelerare lo sbrinamento non utilizzare dispositivi meccanici diversi da quelli consigliati dal produttore.
- ◆ Non danneggiare il circuito refrigerante.
- ◆ Non utilizzare all'interno del comparto del cibo elettrodomestici diversi da quelli consigliati dal produttore.

## ATTENTION!

Pour assurer un fonctionnement normal de votre appareil qui utilise un agent frigorigère écologique, R600a (inflammable seulement sous certaines conditions) vous devez respecter les règles suivantes:

- ◆ N'empêchez pas la libre circulation de l'air autour de l'appareil.
- ◆ N'utilisez pas des dispositifs mécaniques pour accélérer le dégivrage, autres que ceux recommandés par le fabriquant.
- ◆ Ne détruisez pas le circuit frigorifique.
- ◆ N'utilisez pas des appareils électriques à l'intérieur du compartiment pour conserver les aliments, hormis celles qui sont éventuellement recommandés par le fabriquant.

## FIGYELMEZTETÉS!

Az R600a (csak bizonyos körülmények között gyúlékony) teljesen környezetbarát gázzal működő hűtőberendezés normál üzemeltetése érdekében kövesse a következő szabályokat:

- ◆ Ne gátolja a levegő keringését a készülék körül!
- ◆ Ne használjon más mechanikus eszközöket a gyorsabb felolvasztás érdekében, mint amit a gyártó ajánl!
- ◆ Ne szakítsa meg a hűtőközeg keringési rendszerét!
- ◆ Ne használjon a gyártó által javasoltaktól eltérő elektromos készüléket a mélyfagyasztó részben!

## WARNUNG!

Ihr Gerät verwendet ein umweltverträgliches Kältemittel, R600a (nur unter bestimmten Umständen brennbar). Um einen einwandfreien Betrieb Ihres Gerätes sicherzustellen, beachten Sie bitte folgende Vorschriften:

- ◆ Die Luftzirkulation um das Gerät darf nicht behindert sein.
- ◆ Verwenden Sie außer der vom Hersteller empfohlenen, keine mechanischen Hilfsmittel, um den Abtauprozess zu beschleunigen.
- ◆ Der Kältemittelkreislauf darf nicht beschädigt werden.
- ◆ Verwenden Sie im Lebensmittelaufbewahrungsbereich Ihres Gerätes keine elektrischen Geräte, es sei denn, sie sind vom Hersteller empfohlen.

## UPOZORENJE!

Da biste osigurali normalan rad Vašeg hladnjaka, koji koristi potpuno po okoliš neškodljivu tvar za hlađenje R600a (zapaljiv samo pod određenim uvjetima), morate se držati sljedećih pravila:

- ◆ Nemojte sprječavati slobodan protok zraka oko uređaja.
- ◆ Nemojte koristiti mehaničke uređaje da biste ubrzali odmrzavanje, osim onih koje je preporučio proizvođač.
- ◆ Ne uništavajte sklop za zamrzavanje.
- ◆ Ne koristite električne uređaje u odjeljku za hranu, osim onih koje je preporučio proizvođač.

## EN Index

Safety first /1  
Electrical requirements /2  
Transportation instructions /2  
Installation instructions /2  
Getting to know your appliance /3  
Suggested arrangement of food in the appliance /3  
Temperature control and adjustment /3  
Before operating /3  
Freezing fresh food /4  
Making ice cubes /4  
Defrosting /4  
Replacing the interior light bulb /4  
Cleaning and care /5  
Repositioning the door /5  
Do's and don'ts /5  
Troubleshooting /6

## IT Indice

Sicurezza iniziale /7  
Requisiti elettrici /8  
Istruzioni per il trasporto /8  
Istruzioni di installazione /8  
Conoscere l'elettrodomestico /9  
Suggerimenti sulla disposizione del cibo nell'elettrodomestico /9  
Controllo e regolazione della temperatura /9  
Prima della messa in funzione /9  
Congelamento di cibi freschi /10  
Preparazione dei cubetti di ghiaccio /10  
Sbrinamento /10  
Sostituzione della lampadina interna /11  
Pulizia e manutenzione /11  
Riposizionamento dello sportello /11  
Cosa fare e cosa non fare /11  
Risoluzione dei problemi /12

## FR Sommaire

La sécurité d'abord /13  
Conditions électriques /14  
Instructions de transport /14  
Instructions d'installation /14  
Apprendre à connaître votre appareil /15  
Suggestion d'agencement des denrées dans l'appareil /15  
Commande de température et réglages /15  
Avant l'utilisation /16  
Congélation des produits frais /16  
Fabrication de glaçons /16  
Dégivrage /16  
Remplacer l'ampoule intérieure /17  
Repositionnement de la porte /17  
Nettoyage et entretien /17  
À faire / À éviter /17  
Diagnostic /18

## HU Tájékoztató

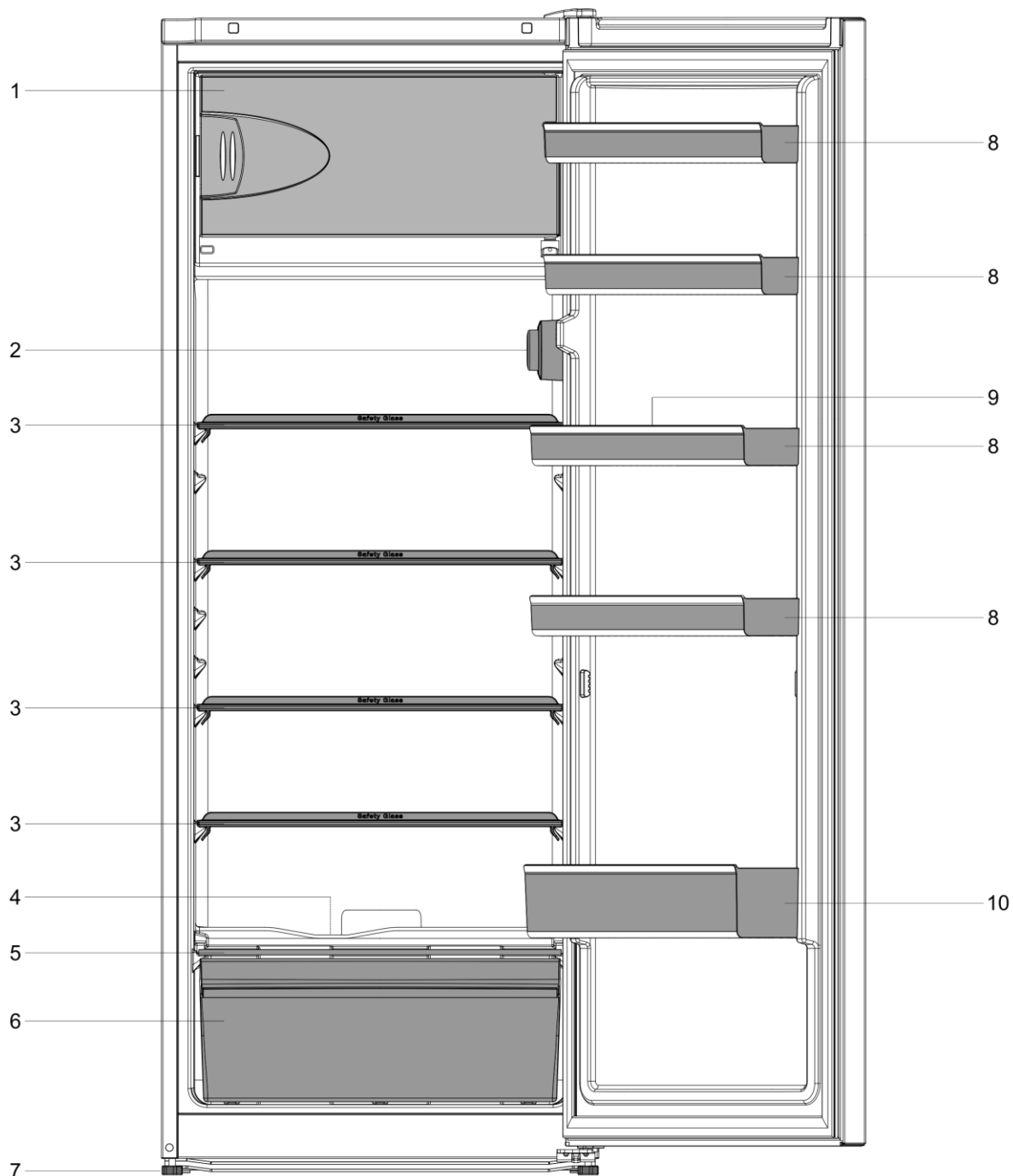
Első a biztonság! /19  
Elektromos követelmények /20  
Szállítási utasítások /20  
Beüzemelési utasítások /20  
Ismerje meg készülékét /21  
Hőmérséklet szabályozás és – beállítás /21  
A működés megkezdése előtt /21  
Friss étel lefagyasztása /22  
Jégkocka-készítés /22  
Kioldasztás /22  
Belső villanykörte cseréje /22  
Tisztítás és ápolás /23  
Ajtó áthelyezése /23  
Tegye és ne tegye /23  
Problémakeresés /24

## D Inhalt

Sicherheit an erster Stelle /25  
Voraussetzungen für den elektroanschluss /26  
Transportvorschriften /26  
Hinweise zur Installation und zum Aufstellungsort /26  
Kennenlernen des geräts /27  
Vorschläge für das einordnen von Lebensmitteln /27  
Einstellung und Regelung der Temperatur /27  
Inbetriebnahme /28  
Einfrieren von frischen Lebensmitteln /28  
Herstellung von eiswürfeln /28  
Abtauen /28  
Auswechseln der Glühlampe für die Innenbeleuchtung /29  
Reinigung und Pflege /29  
Wechseln des türanschlags /29  
Was Sie tun sollten und was auf keinen fall-einige hinweise /29  
Massnahmen bei Betriebsstörung /30

## HR Sadržaj

Prvo sigurnost /32  
Električni zahtjevi /33  
Upute za prijevoz /33  
Upute za ugradnju /33  
Upoznavanje s Vašim uređajem /33  
Predloženo slaganje hrane u uređaju /33  
Kontrola i prilagodavanje temperature /34  
Prije rada /34  
Pohrana svježe hrane /34  
Pravljenje kockica leda /34  
Odmrzavanje /35  
Zamjena unutarnje žarulje /35  
Čišćenje i održavanje /35  
Prebacivanje vrata /35  
Što se smije a što se ne smije /35  
Rješavanje problema /36



# 1

**i** Figures that take place in this instruction manual are schematic and may not correspond exactly with your product. If the subject parts are not included in the product you have purchased, then it is valid for other models.

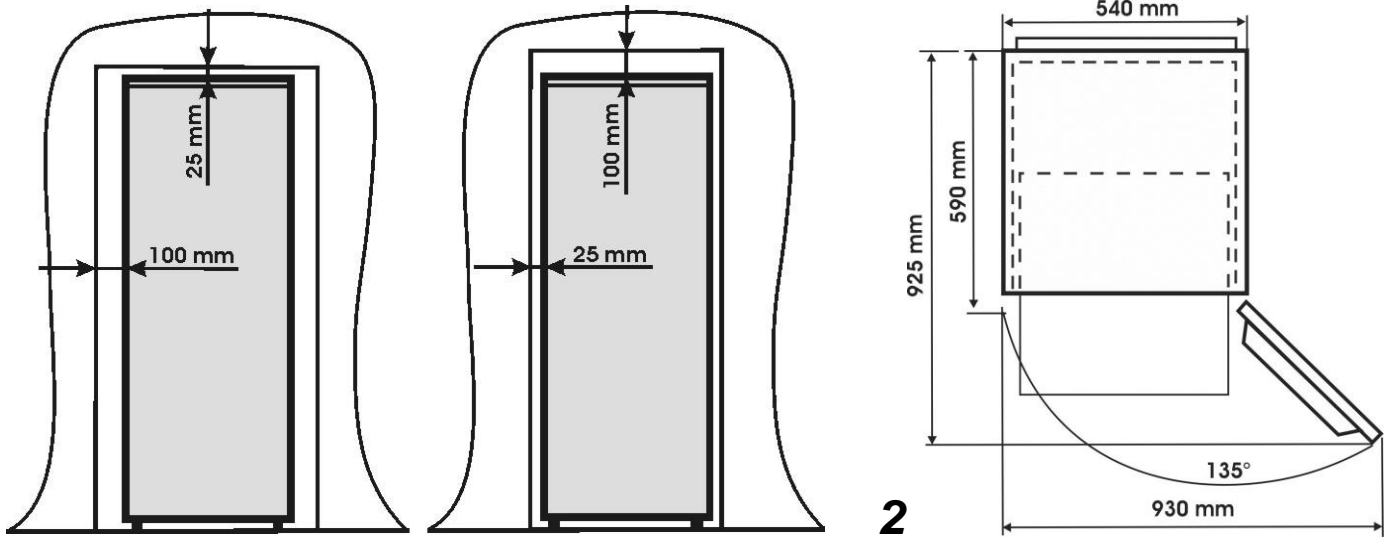
**i** Le illustrazioni contenute in questa guida sono schematiche e potrebbero non corrispondere esattamente al prodotto in uso. Se le parti in oggetto non sono incluse nel prodotto acquistato, significa che sono da intendersi per altri modelli.

**i** Les illustrations présentées dans cette notice d'utilisation sont schématiques et peuvent ne pas correspondre exactement à votre produit. Si des pièces présentées ne sont pas comprises dans le produit que vous avez acheté, elles sont valables pour d'autres modèles.

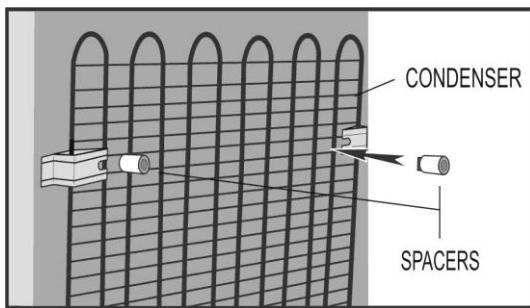
**i** A használati útmutatóban található képek szemléltető jellegűek, nem a valódi terméket ábrázolják. Amennyiben olyan részeket talál, melyek nem találhatók meg, az Ön által megvásárolt termékben, akkor azok más modellekre vonatkoznak.

**i** Abbildungen und Angaben in dieser Anleitung sind schematisch und können etwas von Ihrem Produkt abweichen. Falls Teile nicht zum Lieferumfang des erworbenen Gerätes zählen, gelten sie für andere Modelle.

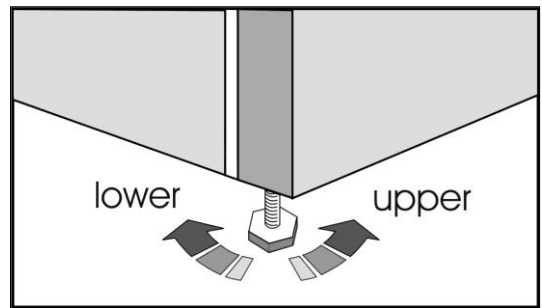
**i** Slike koje se nalaze u ovom priručniku su shematske i možda se ne ogovaraju u potpunosti vašem proizvodu. Ako dijelovi naslova nisu sadržani u proizvodu koji ste kupili, onda to vrijedi za ostale modele.



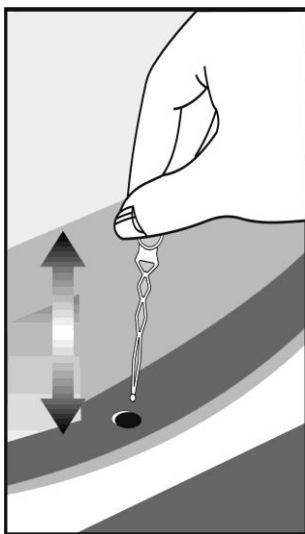
**2**



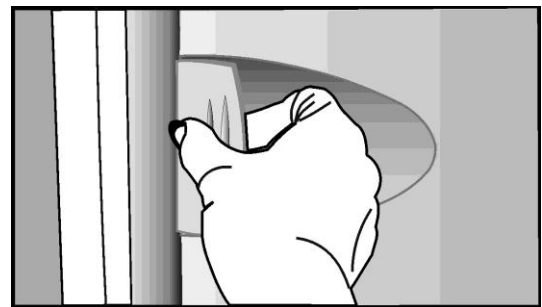
**3**



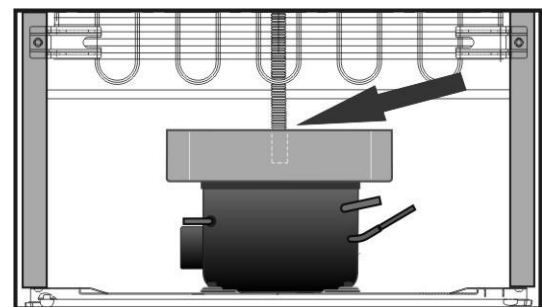
**4**



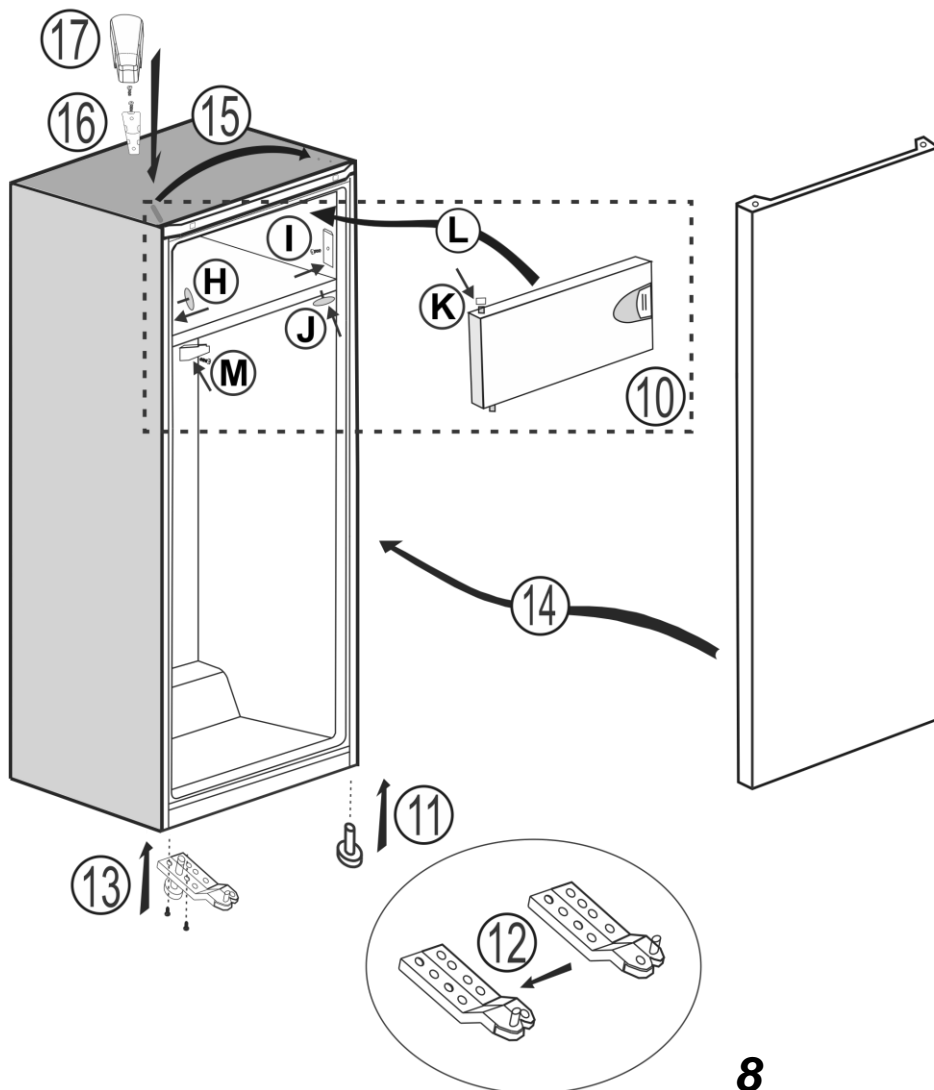
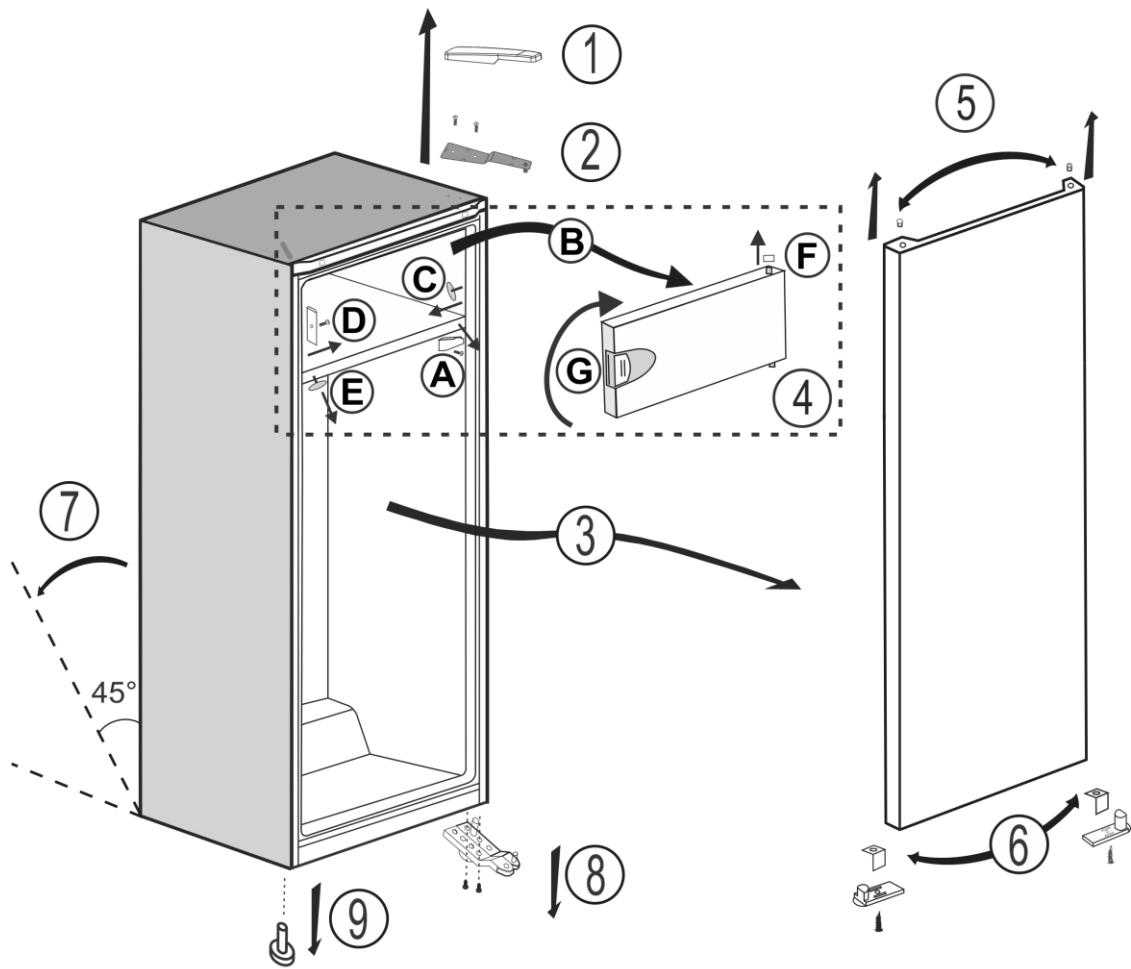
**6**



**5**



**7**



Congratulations on your choice of a **Beko** Quality Appliance, designed to give you many years of service.

### ***Safety first!***

Do not connect your appliance to the electricity supply until all packing and transit protectors have been removed.

- Leave to stand for at least 4 hours before switching on, to allow compressor oil to settle, if transported horizontally.
- If you are discarding an old appliance with a lock or latch fitted to the door, ensure that it is left in a safe condition to prevent the entrapment of children.
- This appliance must only be used for its intended purpose.
- Do not dispose of the appliance on a fire. Your appliance contains non CFC substances in the insulation which are flammable. We suggest you contact your local authority for information on disposal and available facilities.
- We do not recommend use of this appliance in an unheated, cold room. (e.g. garage, conservatory, annex, shed, out-house etc.)

To obtain the best possible performance and trouble free operation from your appliance it is very important to read these instructions carefully. Failure to observe these instructions may invalidate your right to free service during the guarantee period.

Please keep these instructions in a safe place for easy reference.

Original Spare parts will be provided for 10 years, following the product purchasing date.

**This appliance is not intended for use by person with reduced physical, sensory or mental capabilities or lack of experience and knowledge unless they have been given supervision or instruction concerning use of the appliance by a person responsible for their safety.  
Children should be supervised to ensure that they do not play with the appliance.**

### **Electrical requirements**

Before inserting the plug into the wall socket make sure that the voltage and the frequency shown in the rating plate inside the appliance corresponds to your electricity supply.

We recommend that this appliance is connected to the mains supply via a suitably switched and fused socket in a readily accessible position.

**Warning! This appliance must be earthed.**

Repairs to electrical equipment should only be performed by a qualified technician. Incorrect repairs carried out by an unqualified person are carry risks that may have critical consequences for the user of the appliance.

**ATTENTION!**

This appliance operates with R600a which is an environmental friendly but flammable gas.

During the transportation and fixing of the product, care must be taken not to damage the cooling system. If the cooling system is damaged and there is a gas leakage from the system, keep the product away from open flame sources and ventilate the room for a while.

**WARNING** - Do not use mechanical devices or other means to accelerate the defrosting process, others than those recommended by the manufacturer.

**WARNING** - Do not damage the refrigerant circuit.

**WARNING** - Do not use electrical appliances inside the food storage compartments of the appliance, unless they are of the type recommended by the manufacturer.

**WARNING** - If the supply cord is damaged, it must be replaced by the manufacturer, its service agent or similarly qualified persons in order to avoid a hazard.

### **Transportation instructions**

1. The appliance should be transported only in an upright position. The packing as supplied must be intact during transportation.

2. If during the transport the appliance, has been positioned horizontally, it must not be operated for at least 4 hours, to allow the system to settle.

3. Failure to comply with the above instructions could result in damage to the appliance, for which the manufacturer will not be held liable.

4. The appliance must be protected against rain, moisture and other atmospheric influences.

### **Important!**

- Care must be taken while cleaning/carrying the appliance not to touch the bottom of the condenser metal wires at the back of the appliance, as this could cause injury to fingers and hands.

- Do not attempt to sit or stand on top of your appliance as it is not designed for such use. You could injure yourself or damage the appliance.

- Make sure that the mains cable is not caught under the appliance during and after moving, as this could damage the cable.

- Do not allow children to play with the appliance or tamper with the controls.

- When you open/shut the door of the low temperature compartment, pull the closing flap slightly (**Item 5**).

### **Installation instructions**

1. Do not keep your appliance in a room where the temperature is likely to fall below 10 degrees C (50 degrees F) at night and/or especially in winter, as it is designed to operate in ambient temperatures between +10 and +38 degrees C (50 and 100 degrees F). At lower temperatures the appliance may not operate, resulting in a reduction in the storage life of the food.

2. Do not place the appliance near cookers or radiators or in direct sunlight, as this will cause extra strain on the appliance's functions. If installed next to a source of heat or freezer, maintain the following minimum side clearances:

From Cookers 30 mm

From Radiators 300 mm

From Freezers 25 mm

3. Make sure that sufficient room is provided around the appliance to ensure free air circulation (**Item 2**).

- Put the back airing lid to the back of your refrigerator to set the distance between the refrigerator and the wall (**Item 3**).

4. The appliance should be positioned on a smooth surface. The two front feet can be adjusted as required. To ensure that your appliance is standing upright adjust the two front feet by turning clockwise or anti-clockwise, until firm contact is secured with the floor. Correct adjustment of feet prevents excessive vibration and noise (**Item 4**).

5. Refer to "Cleaning and Care" section to prepare your appliance for use.





## Getting to know your appliance

### (Item 1)

- 1 - Low temperature compartment
- 2 - Thermostat and lamp housing
- 3 - Adjustable cabinet shelves
- 4 - Defrost water collection channel - drain tube
- 5 - Crisper cover
- 6 - Crisper
- 7 - Adjustable front feet
- 8 - Jars shelf
- 9 - Egg tray
- 10 - Bottle shelf

## Suggested arrangement of food in the appliance

Guidelines for obtaining optimum storage and hygiene:

1. The fridge compartment is for the short-term storage of fresh food and drinks.
2. The low temperature compartment is  rated and suitable for the freezing and storage of pre-frozen food. The recommendation for  storage as stated on the food packaging should be observed at all times.
3. Cooked dishes should be stored in airtight containers.
4. Fresh wrapped produce can be kept on the shelf. Fresh fruit and vegetables should be cleaned and stored in the crispers.
5. Bottles can be kept in the door section.
6. To store raw meat, wrap in polythene bags and place on the lowest shelf. Do not allow to come into contact with cooked food, to avoid contamination. For safety, only store raw meat for two to three days.
7. For maximum efficiency, the removable shelves should not be covered with paper or other materials to allow free circulation of cool air.
8. Do not keep vegetable oil on door shelves. Keep the food packed, wrapped or covered. Allow hot food and beverages to cool before refrigerating. Leftover canned food should not be stored in the can.
9. Fizzy drinks should not be frozen and products such as flavoured water ices should not be consumed too cold.
10. Some fruit and vegetables suffer damage if kept at temperatures near 0°C. Therefore wrap pineapples, melons, cucumbers, tomatoes and similar produce in polythene bags.

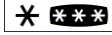
11. High-proof alcohol must be stored upright in tightly closed containers. Never store products that contain an inflammable propellant gas (e.g. cream dispensers, spray cans, etc.) or explosive substances. These are an explosion hazard.

## Temperature control and adjustment

Operating temperatures are controlled by the thermostat knob.

If the thermostat knob is in position "0" the appliance is off. In this case neither the lamp for inside lighting will light.

If the appliance works correctly the following temperatures are obtained:

- Low temperature compartment (marked with 4 stars ): -18°C or a lower temperature.

- Fridge compartment: 0 ÷ +5°C.

The inside temperatures can vary according to the use conditions of the appliance: location, ambient temperature, door opening frequency, charge with food. The position of the thermostat knob will be modified according to these conditions. Generally, for an ambient temperature of 25°C, the thermostat knob will be adjusted on an average position.

Avoid a thermostat knob position which could result in a continuous operation of the appliance. This leads to the decrease of the temperatures below 0°C, with the danger of drinks and fresh food freezing, and of excessive ice build-up on the evaporator and on the evaporator door as well as of decreasing the energy efficiency of the appliance (increase of the energy consumption).

## Before operating

### Final Check

Before you start using the appliance check that:

1. The feet have been adjusted for perfect levelling.
2. The interior is dry and air can circulate freely at the rear.
3. The interior is clean as recommended under "Cleaning and care."
4. The plug has been inserted into the wall socket and the electricity is switched on. When the door is open the interior light will come on.

**And note that:**

5. You will hear a noise as the compressor starts up. The liquid and gases sealed within the refrigeration system may also make some (noise), whether the compressor is running or not. This is quite normal.

6. Slight undulation of the top of the cabinet is quite normal due to the manufacturing process used; it is not a defect.

7. We recommend setting the thermostat knob midway and monitor the temperature to ensure the appliance maintains desired storage temperatures (See section Temperature Control and Adjustment).

8. Do not load the appliance immediately it is switched on. Wait until the correct storage temperature has been reached. We recommend checking the temperature with an accurate thermometer (see; Temperature Control and Adjustment).

**Freezing fresh food**

Please observe the following instructions to obtain the best results.

Do not freeze too large a quantity at any one time. The quality of the food is best preserved when it is frozen right through to the core as quickly as possible.

Do not exceed the freezing capacity of your appliance in 24 h.

Placing warm food into the low temperature compartment causes the refrigeration machine to operate continuously until the food is frozen solid. This can temporarily lead to excessive cooling of the refrigeration compartment.

When freezing fresh food, keep the thermostat knob at medium position. Small quantities of food up to 1/2 kg. (1 lb) can be frozen without adjusting the temperature control knob. Take special care not to mix already frozen food and fresh food.

**Making ice cubes**

Fill the ice - cube tray 3/4 full with water and place it in the freezer. Loosen frozen trays with a spoon handle or a similar implement; never use sharp-edged objects such as knives or forks.

**Defrosting**

**A) The fridge compartment** defrosts automatically. The defrost water runs to the drain tube via a collection container at the back of the appliance (**Item 6**).

During defrosting, water droplets may form at the back of the fridge compartment where a concealed evaporator is located. Some droplets may remain on the liner and refreeze when defrosting is completed. Do not use pointed or sharp-edged objects such as knives or forks to remove the droplets which have refrozen.

If, at any time, the defrost water does not drain from the collection channel, check that no food particles have blocked the drain tube. The drain tube can be cleared with a pipe-cleaner or similar implement.

Check that the tube is permanently placed with its end in the collecting tray on the compressor to prevent the water spilling on the electric installation or on the floor (**Item 7**).

**B) Freezer compartment****The low temperature compartment:**

defrost twice a year or when a frost layer of around 7 (1/4") mm has formed. To start the defrosting procedure, switch off the appliance at the socket outlet and pull out the mains plug.

All food should be wrapped in several layers of newspaper and stored in a cool place (e.g. fridge or larder).

Containers of warm water may be placed carefully in the freezer to speed up the defrosting.

Do not use pointed or sharp-edged objects, such as knives or forks to remove the frost. Never use hairdryers, electrical heaters or other such electrical appliances for defrosting. Sponge out the defrost water collected in the bottom of the freezer compartment. After defrosting, dry the interior thoroughly. Insert the plug into the wall socket and switch on the electricity supply.

**Replacing the interior light bulb**

To change the Bulb/LED used for illumination of your refrigerator, call your Authorised Service.

The lamp(s) used in this appliance is not suitable for household room illumination. The intended purpose of this lamp is to assist the user to place foodstuffs in the refrigerator/freezer in a safe and comfortable way.

The lamps used in this appliance have to withstand extreme physical conditions such as temperatures below -20°C.

### **Cleaning and care**

1. We recommend that you switch off the appliance at the socket outlet and pull out the mains plug before cleaning.
2. Never use any sharp instruments or abrasive substances, soap, household cleaner, detergent or wax polish for cleaning.
3. Use luke warm water to clean the cabinet of the appliance and wipe it dry.
4. Use a damp cloth wrung out in a solution of one teaspoon of bicarbonate of soda to one pint of water to clean the interior and wipe it dry.
5. Make sure that no water enters the temperature control box.
6. If the appliance is not going to be used for a long period of time, switch it off, remove all food, clean it and leave the door ajar.
7. We recommend that you polish the metal parts of the product (i.e. door exterior, cabinet sides) with a silicone wax (car polish) to protect the high quality paint finish.
8. Any dust that gathers on the condenser, which is located at the back of the appliance, should be removed once a year with a vacuum cleaner.
9. Check door seals regularly to ensure they are clean and free from food particles.
10. Never:
  - Clean the appliance with unsuitable material; eg petroleum based products.
  - Subject it to high temperatures in any way,
  - Scour, rub etc., with abrasive material.
11. Removal of door tray:
  - To remove a door tray, remove all the contents and then simply push the door tray upwards from the base.
12. Make sure that the special plastic container at the back of the appliance which collects defrost water is clean at all times. If you want to remove the tray to clean it, follow the instructions below:
  - Switch off at the socket outlet and pull out the mains plug.
  - Gently uncrimp the stud on the compressor, using a pair of pliers, so that the tray can be removed.
  - Lift it up.
  - Clean and wipe it dry.
  - Reassemble, reversing the sequence and operations.
13. Large accumulation of ice will impair the performance of the low temperature compartment.

### **Repositioning the door**

Proceed in numerical order (**Item 8**).

#### **Do's and don'ts**

- Do-** Clean and defrost your appliance regularly (See "Defrosting")
- Do-** Keep raw meat and poultry below cooked food and dairy products.
- Do-** Take off any unusable leaves on vegetables and wipe off any soil.
- Do-** Leave lettuce, cabbage, parsley and cauliflower on the stem.
- Do-** Wrap cheese firstly in greaseproof paper and then in a polythene bag, excluding as much air as possible. For best results, take out of the fridge compartment an hour before eating.
- Do-** Wrap raw meat and poultry loosely in polythene or aluminium foil. This prevents drying.
- Do-** Wrap fish and offal in polythene bags.
- Do-** Wrap food with a strong odour or which may dry out, in polythene bags, or aluminium foil or place in airtight container.
- Do-** Wrap bread well to keep it fresh.
- Do-** Chill white wines, beer, lager and mineral water before serving.
- Do-** Check contents of the freezer every so often.
- Do-** Keep food for as short a time as possible and adhere to "Best Before" and "Use by" etc. dates.
- Do-** Store commercially frozen food in accordance with the instructions given on the packets.
- Do-** Always choose high quality fresh food and be sure it is thoroughly clean before you freeze it.
- Do-** Prepare fresh food for freezing in small portions to ensure rapid freezing.
- Do-** Wrap all food in aluminium foil or freezer quality polythene bags and make sure any air is excluded.
- Do-** Wrap frozen food immediately after purchasing and put it in to the freezer as soon as possible.
- Do-** Defrost food in the fridge compartment.
- Don't-** Store bananas in your fridge compartment.
- Don't-** Store melon in your fridge. It can be chilled for short periods as long as it is wrapped to prevent it flavouring other food.

- Don't-** Cover the shelves with any protective materials which may obstruct air circulation.
- Don't-** Store poisonous or any dangerous substances in your appliance. It has been designed for the storage of edible foodstuffs only.
- Don't-** Consume food which has been refrigerated for an excessive length of time.
- Don't-** Store cooked and fresh food together in the same container. They should be packaged and stored separately.
- Don't-** Let defrosting food or food juices drip onto food.
- Don't-** Leave the door open for long periods, as this will make the appliance more costly to run and cause excessive ice formation.
- Don't-** Use sharp edged objects such as knives or forks to remove the ice.
- Don't-** Put hot food into the appliance. Let it cool down first.
- Don't-** Put liquid-filled bottles or sealed cans containing carbonated liquids into the freezer, as they may burst.
- Don't-** Exceed the maximum freezing loads when freezing fresh food.
- Don't-** Give children ice-cream and water ices direct from the freezer. The low temperature may cause 'freezer burns' on lips.
- Don't-** Freeze fizzy drinks.
- Don't-** Try to keep frozen food which has thawed; it should be eaten within 24 hours or cooked and refrozen.
- Don't-** Remove items from the freezer with wet hands.

### **Troubleshooting**


If the appliance does not operate when switched on, check;

- That the plug is inserted properly in the socket and that the power supply is on. (To check the power supply to the socket, plug in another appliance).
- Whether the fuse has blown/circuit breaker has tripped/main distribution switch has been turned off.
- That the temperature control has been set correctly.
- That the new plug is wired correctly, if you have changed the fitted, moulded plug.

If the appliance is still not operating at all after above checks, contact the dealer from whom you purchased the unit.

Please ensure that above checks have been done, as a charge will be made if no fault is found.



The symbol  on the product or on packaging indicates that this product may not be treated as household waste. Instead it shall be handed over to the applicable collection point for the recycling of electrical and electronic equipment. By ensuring this product is disposed of correctly, you will help prevent potential negative consequences for the environment and human health, which could otherwise be otherwise be caused by inappropriate waste handling of this product. For more detailed information about recycling of this product, please contact your local city office, your household waste disposal service or the shop where you purchased the product.

Complimenti per la scelta di un **Beko** elettrodomestico di qualità, progettato per una lunga durata.

### ***Innanzitutto la sicurezza!***

Non collegare l'elettrodomestico all'alimentazione elettrica finché non sono stati rimossi l'imballaggio e le protezioni per il trasporto.

- Lasciare l'elettrodomestico diritto per almeno 4 ore prima di accenderlo, per consentire all'olio del compressore di risistemarsi se è stato trasportato in modo orizzontale.
- Se si dismette un elettrodomestico vecchio con lucchetto o chiusura sullo sportello, assicurarsi che sia in condizione di sicurezza per evitare che un bambino vi resti intrappolato.
- Questo elettrodomestico deve essere utilizzato esclusivamente per l'uso per cui è stato progettato.
- Non gettare l'elettrodomestico nel fuoco. L'elettrodomestico contiene sostanze non CFC nel materiale isolante che sono infiammabili. Si consiglia di contattare l'autorità locale per informazioni sullo smaltimento e sugli impianti disponibili.
- È sconsigliato l'utilizzo dell'elettrodomestico in ambienti freddi e non riscaldati (ad esempio garage, serra, dipendenza, rimessa, giardino, etc.).

Per ottenere le migliori prestazioni possibili e un funzionamento senza problemi è molto importante leggere con attenzione le seguenti informazioni. La mancata osservanza di queste istruzioni può invalidare il diritto alla manutenzione gratuita in periodo di garanzia.

Conservare queste istruzioni al sicuro per una rapida consultazione.

I pezzi di ricambio originali verranno forniti per 10 anni, successivamente alla data di acquisto del prodotto.

**Questo apparecchio elettrico non è inteso per essere utilizzato da persona con handicap fisico, e/o mentale o con mancanza di esperienza e competenza anche se ad esse siano state date istruzioni concernenti l'uso da un supervisore o da persona con esperienza.**

**I bambini devono essere supervisionati da un adulto affinché non utilizzino l'apparecchio per il gioco.**

## Requisiti elettrici

Prima di inserire la spina nella presa a muro assicurarsi che la tensione e la frequenza riportate sull'etichetta informativa all'interno dell'elettrodomestico corrispondano all'alimentazione in uso.

Si consiglia di collegare questo elettrodomestico alla rete di alimentazione tramite una presa dotata di interruttore e fusibile in una posizione facilmente accessibile.

**Avvertenza! Questo elettrodomestico deve essere dotato di messa a terra.**

Le riparazioni all'apparecchiatura elettrica devono essere eseguite esclusivamente da tecnici qualificati. Riparazioni errate eseguite da persone non qualificate possono provocare conseguenze cruciali per l'utilizzatore dell'elettrodomestico.

### ATTENZIONE!

Questo elettrodomestico utilizza il gas R600a che rispetta l'ambiente ma è infiammabile.

Durante il trasporto e l'installazione del prodotto è necessario fare attenzione a non danneggiare il sistema di raffreddamento. Se il sistema di raffreddamento è danneggiato e vi è perdita di gas dal sistema, tenere il prodotto lontano da fiamme e ventilare la stanza per il tempo necessario.

**AVVERTENZA** - Non utilizzare apparecchiature meccaniche o altri mezzi diversi da quelli consigliati dal produttore per accelerare il processo di sbrinamento.

**AVVERTENZA** - Non danneggiare il circuito del refrigerante.

**AVVERTENZA** - Non utilizzare componenti elettrici all'interno degli scomparti per la conservazione del cibo, a meno che non siano del tipo consigliato dal produttore.

**AVVERTENZA** - Se il cavo di alimentazione è danneggiato, deve essere sostituito dal produttore, dal suo agente per l'assistenza o da persone similmente qualificate per evitare rischi.

## Istruzioni per il trasporto

1. L'elettrodomestico deve essere trasportato solo in posizione verticale. L'imballaggio fornito deve essere intatto durante il trasporto.

2. Se l'elettrodomestico è stato trasportato in posizione orizzontale, non deve essere messo in funzione per almeno 4 ore per consentire al sistema di risistemarsi.

3. La mancata osservanza delle istruzioni sopra riportate può causare danni all'elettrodomestico dei quali il produttore non è responsabile.

4. L'elettrodomestico deve essere protetto da pioggia, umidità e altri fenomeni atmosferici.

## Importante!

- È necessario fare attenzione quando si pulisce/trasporta l'elettrodomestico affinché quest'ultimo non tocchi la parte inferiore dei cavi metallici del condensatore sulla parte posteriore dell'elettrodomestico in quanto potrebbero verificarsi lesioni alle dita e alle mani.

- Non tentare di sedersi o di stare in piedi sull'elettrodomestico poiché non è progettato per tale uso. Potrebbero risultarne lesioni personali o danni all'elettrodomestico.

- Assicurarsi che i cavi principali non siano impigliati sotto l'elettrodomestico durante e dopo lo spostamento poiché potrebbero derivarne danni ai cavi.

- Non permettere ai bambini di giocare con l'elettrodomestico o di manomettere i comandi. Quando si apre/chiude lo sportello dello scomparto bassa temperatura, tirare delicatamente l'aletta di chiusura **(elemento 5)**.

## Istruzioni di installazione

1. Non tenere l'elettrodomestico in un ambiente in cui la temperatura scenderà con ogni probabilità sotto i 10°C (50°F) di notte e/o in inverno, poiché è progettato per il funzionamento a temperature comprese tra i +10 e +38°C (50 e 100°F). A temperature più basse, l'elettrodomestico potrebbe non funzionare, provocando una riduzione nella durata di conservazione del cibo.

2. Non posizionare l'elettrodomestico vicino a fornelli o radiatori o alla luce diretta del sole, poiché ciò causerebbe ulteriore sollecitazione sulle funzioni dell'elettrodomestico. Se viene installato accanto a una fonte di calore o a un freezer, mantenere le seguenti distanze laterali minime:

Da fornelli 30 mm

Da radiatori 300 mm

Da freezer 25 mm

3. Assicurarsi che ci sia spazio sufficiente intorno all'elettrodomestico per garantire la libera circolazione dell'aria **(elemento 2)**.

- Collocare il coperchio di aerazione posteriore sul retro del frigorifero per impostare la distanza tra il frigorifero e il muro **(elemento 3)**.

4. L'elettrodomestico deve essere collocato su una superficie piana. È possibile regolare i due piedi anteriori come necessario. Per assicurare che l'elettrodomestico sia in posizione verticale regolare i due piedi anteriori ruotandoli in senso orario o antiorario finché non si ottiene contatto stabile con il pavimento. La corretta regolazione dei piedi previene vibrazione e rumore eccessivi **(elemento 4)**.



5. Consultare il capitolo "Pulizia e manutenzione" per preparare l'elettrodomestico per l'uso.

### **Conoscere l'elettrodomestico (elemento 1)**

- 1 - Scomparto bassa temperatura
- 2 - Alloggiamento del termostato e della spia
- 3 - Mensole regolabili dell'armadietto
- 4 - Canale di raccolta dell'acqua di sbrinamento - tubo di drenaggio
- 5 - Coperchio scomparto frutta e verdura
- 6 - Scomparto frutta e verdura
- 7 - Piedi anteriori regolabili
- 8 - Mensola barattoli
- 9 - Scomparto uova
- 10 - Mensola bottiglie

### **Suggerimenti sulla disposizione del cibo nell'elettrodomestico**

Linee guida per ottenere la conservazione e l'igiene ottimale:

1. Lo scomparto frigo serve per la conservazione a breve termine di cibi freschi e bevande.
2. Lo scomparto bassa temperatura è  adatto al congelamento e alla conservazione di cibo precongelato. È necessario osservare sempre i consigli per la conservazione  riportati sulla confezione dei cibi.
3. I piatti cotti devono essere conservati in contenitori a tenuta d'aria.
4. I prodotti freschi incartati possono essere conservati sulla mensola. La frutta fresca e le verdure devono essere puliti e conservati nello scomparto apposito.
5. È possibile conservare le bottiglie nell'apposito spazio nello sportello.
6. Per conservare carne cruda avvolgerla in buste di polietilene e collocarla sulla mensola più bassa. Non mettere la carne cruda in contatto con cibi cotti, per evitare contaminazioni. Per sicurezza conservare la carne cruda solo per due o tre giorni.
7. Per la massima efficienza le mensole amovibili non devono essere coperte di carta o altri materiali affinché sia possibile la libera circolazione dell'aria fredda.
8. Non conservare oli vegetali sulle mensole dello sportello. Conservare i cibi confezionati, incartati o coperti. Permettere ai cibi e alle bevande calde di raffreddarsi prima di inserirle nel frigorifero. I cibi in scatole di latta parzialmente consumati non devono essere conservati nella latta.

9. Non congelare bevande gasate e non consumare prodotti come cubetti di ghiaccio aromatizzati troppo freddi.

10. Alcuni tipi di frutta e verdura si rovinano se conservati a temperature intorno a 0°C.

Pertanto avvolgere ananas, meloni, cetrioli e prodotti simili in buste di polietilene

11. I super alcolici devono essere conservati in posizione verticale in contenitori ben chiusi.


Non conservare mai prodotti che contengono gas propellenti infiammabili (ad esempio erogatori di crema, bombolette spray, ecc.) o sostanze esplosive. Sono a rischio di esplosione.

### **Controllo e regolazione della temperatura**

Le temperature di funzionamento sono controllate dalla manopola del termostato.

Se la manopola del termostato è nella posizione "0" l'elettrodomestico è spento. In tal caso la luce interna non si illuminerà.

Se l'apparecchio funziona in modo corretto, saranno presenti le seguenti temperature:

- Scomparto bassa temperatura (marcato con 4 stelle ): -18°C o una temperatura inferiore.

- Scomparto frigo: 0 ÷ +5°C.

Le temperature ottenute all'interno possono variare in base alle condizioni di utilizzo dell'elettrodomestico: posizionamento, temperatura ambiente, frequenza di apertura dello sportello, alimenti caricati. La posizione della manopola del termostato cambierà in base a queste condizioni. In genere con una temperatura ambientale di 25 °C, il termostato verrà regolato su una posizione media.

Evitare una posizione del termostato che potrebbe provocare il funzionamento continuo dell'apparecchio. Questo porta alla diminuzione della temperatura al di sotto di 0°C, a danno di bevande e cibi freschi che si congelano e provocando una eccessiva formazione di ghiaccio sullo sportello dell'evaporatore nonché una diminuzione dell'efficienza energetica dell'apparecchio (aumento di consumo energetico).

### **Prima della messa in funzione**

#### **Controllo finale**

Prima di cominciare a utilizzare l'elettrodomestico controllare che:

1. I piedi siano stati regolati per un livellamento perfetto.

2. L'interno sia asciutto e l'aria circoli liberamente nella parte posteriore.

3. L'interno sia pulito come consigliato nel capitolo "Pulizia e manutenzione".

4. La spina sia stata inserita nella presa a muro e l'elettricità sia accesa. Quando lo sportello è aperto la luce interna è accesa.

#### **Si noti che:**

5. Si udrà un rumore quando il compressore si avvia. I liquidi e i gas sigillati nel sistema refrigerante possono produrre dei rumori, che il compressore sia in funzione o meno. Ciò è abbastanza normale.

6. La leggera ondulazione della parte superiore dell'armadietto è abbastanza normale a causa del processo di fabbricazione utilizzato: non si tratta di un difetto.

7. Si consiglia di impostare la manopola del termostato a metà strada e di monitorare la temperatura per assicurare che l'elettrodomestico mantenga la temperatura di conservazione desiderata (vedere il capitolo Controllo e regolazione della temperatura).

8. Non caricare l'elettrodomestico appena lo si accende. Attendere finché non viene raggiunta la temperatura di conservazioni corretta. Si consiglia di controllare la temperatura con un termometro di precisione (vedere il capitolo Controllo e regolazione della temperatura).

### **Congelamento di cibi freschi**

Attenersi alle seguenti istruzioni per ottenere i risultati migliori.

Non congelare quantità troppo grandi in una volta sola. La qualità del cibo viene preservata in modo ottimale quando il cibo viene congelato il più velocemente possibile.

Non superare la capacità di congelamento dell'elettrodomestico in 24 ore.

Il posizionamento di cibi caldi nello scomparto bassa temperatura provoca il funzionamento continuo del refrigeratore finché il cibo non si solidifica. Ciò può causare un raffreddamento temporaneo eccessivo dello scomparto di refrigerazione.

Quando si congela cibo fresco, tenere la manopola del termostato in una posizione intermedia. È possibile congelare piccole quantità di cibo fino a 1/2 kg. (1 lb) senza regolare la manopola della temperatura. Fare attenzione a non mescolare cibi già congelati e cibi freschi.

### **Preparazione dei cubetti di ghiaccio**

Riempire la vaschetta per cubetti di ghiaccio per 3/4 con acqua e metterla nel freezer. Allentare la vaschetta congelata con un cucchiaino o un attrezzo simile; non utilizzare mai oggetti appuntiti come coltelli o forchette.

### **Sbrinamento**

**A) Lo scomparto frigo** si sbrina automaticamente. L'acqua di sbrinamento scorre nel tubo di scarico tramite un contenitore di raccolta posizionato nella parte posteriore dell'elettrodomestico (**elemento 6**). Durante lo sbrinamento, possono formarsi goccioline d'acqua nella parte posteriore dello scomparto frigo in cui è posto un evaporatore nascosto. Alcune goccioline possono rimanere sul bordo e congelarsi di nuovo al termine dello sbrinamento. Non utilizzare oggetti appuntiti come coltelli o forchette per rimuovere le goccioline ricongelate. Se in qualsiasi momento l'acqua di sbrinamento non viene scaricata dal canale di raccolta, controllare che il tubo di scarico non sia stato ostruito da particelle di cibo. È possibile pulire il tubo di scarico con un pulitore per tubi o un attrezzo analogo. Controllare che il tubo sia collocato in modo stabile con l'estremità nel vassoio di raccolta sul compressore per evitare che l'acqua spruzzi sull'installazione elettrica o sul pavimento (**elemento 7**).

#### **B) Scomparto bassa temperatura:**

sbrinare due volte all'anno o quando si crea uno spessore di ghiaccio di circa 7 mm (1/4"). Per avviare la procedura di sbrinamento, spegnere l'elettrodomestico sulla presa e scollegare il cavo di alimentazione. Tutto il cibo deve essere incartato in diversi strati di carta di giornale e conservato in un luogo fresco (ad esempio un frigorifero o una dispensa).

È possibile porre con attenzione contenitori di acqua calda nel freezer per accelerare lo sbrinamento.

Non utilizzare oggetti appuntiti come coltelli o forchette per rimuovere il ghiaccio.

Non utilizzare mai asciugacapelli, stufe o altri elettrodomestici simili per lo sbrinamento.

Pulire via l'acqua di sbrinamento raccolta nella parte inferiore dello scomparto freezer. Dopo lo sbrinamento, asciugare completamente l'interno. Inserire la spina nella presa a muro e accendere l'alimentazione elettrica.



### **Sostituzione della lampadina interna**

Per cambiare lampadina/LED utilizzati per illuminare il frigorifero, rivolgersi al Servizio Assistenza Autorizzato.

La lampada (le lampade) usata (usate) nell'apparecchiatura non è (sono) adatta (adatte) per l'illuminazione domestica.

L'obiettivo previsto per questa lampada è quello di assistere l'utente in fase di posizionamento degli alimenti all'interno del frigorifero / congelatore in modo sicuro e comodo.

Le lampadine utilizzate in questo apparecchio devono sopportare condizioni fisiche estreme come temperature inferiori a -20°C.

### **Pulizia e manutenzione**

1. Si consiglia di spegnere l'elettrodomestico dalla presa e di scollegare il cavo di alimentazione prima di pulire.

2. Non utilizzare mai attrezzi appuntiti o sostanze abrasive, saponi, detersivi per la casa o cere per la pulizia.

3. Utilizzare acqua tiepida per pulire l'armadietto del dispositivo e asciugarlo.

4. Utilizzare un panno umido intriso di una soluzione composta da un cucchiaino di bicarbonato di soda e da circa mezzo litro di acqua e pulire l'interno, quindi asciugare.

5. Assicurarsi che l'acqua non penetri nel quadro di comando della temperatura.

6. Se l'elettrodomestico non viene usato per un lungo periodo di tempo, spegnerlo, togliere tutti gli alimenti dal suo interno, pulirlo e lasciare lo sportello aperto.

7. Si consiglia di pulire le parti metalliche del prodotto (ad esempio l'esterno dello sportello e i lati dell'armadietto) con una cera al silicone (lucidante per auto) per proteggere la finitura della vernice di alta qualità.

8. La polvere che si raccoglie sul condensatore, che si trova sul retro dell'elettrodomestico, deve essere rimossa una volta all'anno con un aspirapolvere.

9. Controllare le guarnizioni dello sportello periodicamente per garantire che siano pulite e che non siano presenti particelle di cibo.

10. Non:

- Pulire l'elettrodomestico con sostanze non adatte ad esempio prodotti a base di petrolio.
- Esporre mai ad alte temperature in alcun modo.
- Strofinare, sfregare o simili con sostanze abrasive.

11. Rimozione del ripiano della porta:

- Per rimuovere il vassoio dello sportello, rimuovere tutto il contenuto e spingere semplicemente il vassoio verso l'alto.

12. Verificare che il contenitore speciale in plastica sul retro dell'elettrodomestico che raccoglie l'acqua di sbrinamento sia sempre pulito. Per rimuovere il vassoio per pulirlo, attenersi alle istruzioni seguenti:

- Spegnerla la presa di corrente ed estrarre la spina di rete.
- Aprire delicatamente la borchia sul compressore utilizzando un paio di pinze in modo che sia possibile rimuovere il vassoio
- Sollevarlo.
- Pulire e asciugare
- Rimontare invertendo la sequenza delle operazioni

13. Un grande accumulo di ghiaccio influenzerà negativamente le prestazioni dello scomparto bassa temperatura.

### **Riposizionamento dello sportello**

Procedere seguendo l'ordine numerico (elemento 8).

### **Cosa fare e cosa non fare**

- Sì** - Pulire e sbrinare periodicamente l'elettrodomestico (vedere "Sbrinamento").
- Sì** - Conservare la carne e il pollame crudi sotto il cibo cotto e i prodotti caseari.
- Sì** - Togliere le foglie delle verdure non utilizzabili ed eliminare eventuale terra.
- Sì** - Lavare lattuga, cavolo, prezzemolo e cavolfiore su gambo.
- Sì** - Avvolgere i formaggi prima in carta a prova di grasso e quindi in una bustina in polietilene, escludendo l'aria quanto più possibile. Per migliori risultati estrarre il cibo dal frigorifero un'ora prima di mangiarlo.
- Sì** - Incartare la carne e il pollame crudi in fogli di polietilene o alluminio. In tal modo si evita la secchezza.
- Sì** - Avvolgere il pesce e le interiora in bustine in polietilene.
- Sì** - Avvolgere i cibi con odore forte o che possono seccarsi in bustine di polietilene o in fogli di alluminio oppure riporli in contenitori a tenuta d'aria.
- Sì** - Incartare bene il pane per conservarne la freschezza.
- Sì** - Raffreddare vini bianchi, birra, birra chiara e acqua minerale prima di servirli.

- Si** - Controllare il contenuto del freezer frequentemente.
- Si** - Conservare il cibo per brevi periodi come possibile e attenersi alle date di scadenza.
- Si** - Conservare i cibi congelati in commercio seguendo le istruzioni presenti sulla confezione.
- Si** - Scegliere sempre cibo fresco di alta qualità e assicurarsi che sia completamente pulito prima di congelarlo.
- Si** - Preparare il cibo fresco per il congelamento in piccole porzioni per assicurare un congelamento rapido.
- Si** - Incartare tutti i cibi in foglie di alluminio o in sacchetti in polietilene per freezer e assicurarsi di avere eliminato l'aria.
- Si** - Avvolgere i cibi congelati subito dopo l'acquisto e metterli nel freezer appena possibile.
- Si** - Scongelerare i cibi nello scomparto frigo.
- No** - Non conservare banane nello scomparto frigo.
- No** - Non conservare melone nel frigo. Può essere raffreddato per brevi periodi purché incartato per evitare che l'aroma contami gli altri cibi.
- No** - Non coprire le mensole con sostanze protettive che possono ostruire la circolazione dell'aria.
- No** - Non conservare sostanze velenose o pericolose nell'elettrodomestico. È stato progettato solo per la conservazione di cibi commestibili.
- No** - Non consumare cibo che è stato raffreddato per troppo tempo.
- No** - Non conservare cibi freschi e cotti insieme, nello stesso contenitore. Devono essere confezionati e conservati separatamente.
- No** - Non consentire a cibi scongelati o succhi di sgocciolare nei cibi.
- No** - Non lasciare lo sportello aperto per lunghi periodi poiché il funzionamento dell'elettrodomestico diventa più costoso e causa un'eccessiva formazione di ghiaccio.
- No** - Non usare mai oggetti con bordi taglienti come coltelli o forchette per rimuovere il ghiaccio.
- No** - Non introdurre cibi caldi nell'elettrodomestico. Attendere prima che si raffreddino.
- No** - Non inserire bottiglie riempite di liquidi o barattoli di latta contenenti liquidi carbonati nel freezer in quanto possono scoppiare.
- No** - Non superare il carico massimo di congelamento durante il congelamento di cibi freschi.
- No** - Non dare ai bambini gelati e ghiaccio presi direttamente dal freezer. La bassa temperatura può provocare bruciate da freddo alle labbra.
- No** - Non congelare bevande gasate.
- No** - Non tentare di conservare cibi congelati che si sono scongelati; devono essere mangiati entro 24 ore o cucinati e ricongelati.
- No** - Non rimuovere il cibo dal freezer con le mani bagnate.

### **Risoluzione dei problemi**


Se l'elettrodomestico non funziona quando è acceso, controllare:

- che la spina sia inserita correttamente nella presa e che l'alimentazione sia accesa (per controllare l'alimentazione della presa, collegare ad essa un altro elettrodomestico).
- se il fusibile è bruciato/l'interruttore di distribuzione è spento.
- che il comando della temperatura sia impostato correttamente.
- che la nuova spina sia cablata correttamente se è stata cambiata la spina.

Se l'elettrodomestico ancora non funziona dopo i controlli elencati in precedenza, contattare il distributore presso il quale è stata acquistata l'unità.

Assicurarsi di aver effettuato questi controlli poiché verrà richiesto un sovrapprezzo se non viene trovato alcun guasto.



Il simbolo  sul prodotto o sulla confezione indica che questo prodotto non può essere trattato come normale rifiuto domestico. Invece deve essere portato al punto di raccolta adatto per il riciclaggio delle apparecchiature elettriche ed elettroniche. Assicurando il corretto smaltimento di questo prodotto, si evitano potenziali conseguenze negative per l'ambiente e la salute, che potrebbero derivare da una gestione inappropriata del prodotto. Per informazioni più dettagliate sul riciclaggio di questo prodotto, contattare l'ufficio cittadino locale, il servizio di smaltimento dei rifiuti domestici o il negozio dove è stato acquistato il prodotto.

Félicitations pour avoir choisi un appareil **Beko**, fabriqué dans des usines modernes.

### ***La sécurité d'abord !***

Ne connectez pas votre appareil à l'alimentation électrique avant d'avoir enlevé tous les emballages et protections de transport.

- Attendez au moins 4 heures avant de le brancher pour permettre à l'huile du compresseur de se stabiliser si l'appareil a été transporté couché.
- Si vous vous débarrassez d'un vieil appareil à ressort ou loquet intégré à la porte, prenez soin de le rendre hors de danger pour éviter que les enfants ne s'enferment à l'intérieur.
- L'utilisation de cet appareil s'applique uniquement à l'usage prévu.
- Ne vous débarrassez pas de l'appareil dans un feu. L'isolation de votre appareil contient des substances non CFC qui sont inflammables. Veuillez contacter les autorités locales pour obtenir des renseignements concernant la mise au rebut et les endroits existants.
- L'utilisation de cet appareil dans une pièce froide, non chauffée n'est pas recommandée (garage, jardin d'hiver, annexe, abri, remise, etc.).

Afin d'obtenir les meilleurs résultats possibles et un fonctionnement sans encombres de votre appareil, veuillez lire ces instructions attentivement. Le non-respect de ces instructions pourrait annuler votre droit à l'assistance sans frais pendant la période de garantie. Veuillez conserver ces instructions soigneusement à titre de référence pratique.

Les pièces détachées d'origine sont disponibles pendant 10 ans, à compter de la date d'achat du produit.

**Cet appareil ne sera pas utilisé par des personnes ayant capacités physiques, sensorielles ou mentales réduites, ou sans expérience concernant l'utilisation de l'appareil, si une personne responsable de leur sécurité ne les a pas instruites pour ce but.**

**Les enfants doivent être surveillés pour avoir la certitude qu'ils ne jouent pas avec l'appareil.**

### Conditions électriques

Avant de brancher l'appareil à la prise murale, vérifiez que la tension et la fréquence indiquées sur la plaque signalétique à l'intérieur de l'appareil correspondent à votre alimentation électrique.

Nous recommandons de connecter cet appareil au réseau électrique par le biais d'une prise dotée d'un commutateur et d'un fusible et placée de façon à être facile d'accès.

#### **Avertissement ! Cet appareil doit être branché à une borne de mise à la terre.**

Les réparations de l'appareillage électrique sont réservées exclusivement à un technicien qualifié. De mauvaises réparations réalisées par une personne non qualifiée peuvent occasionner des risques dont les conséquences peuvent être critiques pour l'utilisateur de l'appareil.

#### **ATTENTION !**

Cet appareil fonctionne avec du R 600a, un gaz qui contribue à la protection de l'environnement mais qui est inflammable. Pendant le transport et l'installation du produit, veillez à ne pas endommager le système réfrigérant. Si le système réfrigérant est abîmé et qu'une fuite de gaz se produit, tenez l'appareil à l'écart des sources de flammes vives et aérer bien la pièce.

**AVERTISSEMENT** - N'utilisez pas d'outils mécaniques ou autres moyens pour accélérer le processus de décongélation autres que ceux qui sont recommandés par le fabricant.

**AVERTISSEMENT** - N'abîmez pas le circuit réfrigérant.

**AVERTISSEMENT** - Ne faites pas fonctionner d'appareils électriques à l'intérieur des compartiments de conservation de denrées, à moins qu'ils soient conformes au type d'appareils recommandés par le fabricant.

**AVERTISSEMENT** - Si le cordon d'alimentation est endommagé, celui-ci doit être remplacé par le fabricant, ses agents agréés ou tout autre agent qualifié afin d'être à l'abri de tout danger.

### Instructions de transport

1. L'appareil doit être transporté en position debout uniquement. L'emballage fourni doit rester intact pendant le transport.

2. Si l'appareil a été couché pendant le transport, il ne doit pas être mis en service pendant au moins 4 heures pour permettre au système de se stabiliser.

3. Le non-respect des instructions ci-dessus pourrait endommager l'appareil et ne saurait engager la responsabilité du fabricant.

4. L'appareil doit être protégé contre la pluie, l'humidité et autres conditions atmosphériques.

#### **Important !**

- Lors du nettoyage/déplacement de l'appareil, prenez soin de ne pas toucher les câbles métalliques du condenseur au dos de l'appareil, cela pouvant occasionner des blessures aux doigts et aux mains.
- N'essayez pas de vous asseoir ou de vous monter sur l'appareil, celui-ci n'étant pas prévu à cet effet. Vous pourriez vous blesser ou endommager l'appareil.
- Assurez-vous que le câble d'alimentation ne soit pas coincé sous l'appareil pendant et après son déplacement car cela pourrait endommager le câble.
- Veillez à ce que les enfants ne jouent pas avec l'appareil et ne touchent pas aux commandes.
- Quand vous ouvrez/fermez la porte du compartiment de basse température, tirez légèrement par le volet (**figure 5**).

### Instructions d'installation

1. N'installez pas votre appareil dans une pièce dont la température peut descendre en dessous de 10 degrés Celsius (50 degrés Fahrenheit) la nuit et/ou particulièrement en hiver. En effet, il est conçu pour fonctionner à des températures ambiantes comprises entre +10 et +38 degrés Celsius (50 et 100 degrés Fahrenheit). En cas de températures inférieures, l'appareil peut ne pas fonctionner correctement et la durée de conservation des denrées pourrait être réduite.

2. Ne placez pas l'appareil à proximité de cuisinières, radiateurs ou à la lumière directe du soleil, car cela entraînerait un effort supplémentaire pour les fonctions de l'appareil. S'il est installé à côté d'une source de chaleur ou d'un congélateur, respectez les dégagements latéraux minimum suivants:

- des cuisinières 30 mm
- des radiateurs 300 mm
- des congélateurs 25 mm

3. Assurez-vous de laisser suffisamment d'espace autour de l'appareil pour que l'air puisse circuler librement (**figure 2**).

• Placez la grille d'aération au dos de votre réfrigérateur pour établir la distance nécessaire entre le réfrigérateur et le mur (**figure 3**).

4. L'appareil doit être posé sur une surface lisse. Les deux pieds avant peuvent se régler si nécessaire. Pour s'assurer que votre appareil est à niveau, ajustez les deux pieds avant en tournant dans le sens des aiguilles d'une montre ou dans le sens inverse jusqu'à ce que l'appareil soit bien calé au sol. Le réglage approprié des pieds évite les vibrations excessives et le bruit (**figure 4**).

5. Référez-vous à la section « Nettoyage et Entretien » pour préparer votre appareil à l'emploi.

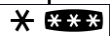
### **Apprendre à connaître votre appareil (figure 1)**


- 1 - Compartiment basse température
- 2 - Logement du thermostat et de la lampe
- 3 - Clayettes en verre
- 4 - Voie de récupération de l'eau de dégivrage - tube d'écoulement
- 5 - Couvercle du bac à légumes
- 6 - Bac à légumes
- 7 - Pieds avant réglables
- 8 - Balconnet à bords
- 9 - Casier à oeufs
- 10 - Balconnet range-bouteilles

### **Suggestion d'agencement des denrées dans l'appareil**

Indications pour obtenir une conservation et une hygiène optimales:

1. Le compartiment réfrigérateur est destiné à la conservation à court terme d'aliments frais et boissons.

2. Le compartiment basse température est de niveau  et est destiné à la congélation et la conservation de denrées surgelées.

La recommandation de conservation  indiquée sur l'emballage des aliments doit toujours être respectée.

3. Les aliments cuisinés doivent être conservés dans des récipients hermétiques.

4. Les produits frais emballés peuvent être placés sur la clayette. Les fruits et légumes frais doivent être lavés et rangés dans les bacs à légumes.

5. Les bouteilles peuvent être placées dans la porte.

6. Pour conserver la viande crue, emballez-la dans des sachets plastiques et placez-la sur la clayette la plus basse. Veillez à ce qu'elle ne touche pas les aliments cuisinés afin d'éviter toute contamination. Pour votre sécurité, ne conservez pas la viande crue plus de deux à trois jours.

7. Pour une efficacité optimale, ne couvrez pas les clayettes amovibles de papier ou autres matériaux afin que l'air puisse circuler librement.

8. Ne conservez pas d'huile végétale dans les balconnets de porte. Conservez les denrées emballées, enveloppées ou couvertes. Laissez refroidir les aliments et boissons chauds avant de les introduire dans le réfrigérateur. Le reste du contenu des boîtes de conserve ne doit pas être conservé dans la boîte.

9. Ne congelez pas de boissons gazeuses et ne consommez pas de produits tels que des bâtonnets glacés à l'eau lorsqu'ils sont trop froids.

10. Certains fruits et légumes s'abîment s'ils sont conservés à une température avoisinant 0°C. Emballez les ananas, melons, concombres, tomates et produits similaires dans des sacs en polyéthylène.

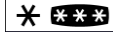
11. L'alcool à teneur élevée doit être conservé debout dans des récipients fermés hermétiquement. Ne conservez jamais de produits contenant du gaz propulseur inflammable (crème en bombe, bombes aérosols, etc.) ou des substances explosives. Ils présentent un risque d'explosion.

### **Commande de température et réglages**

Les températures de fonctionnement s'ajustent à l'aide de la manette du thermostat.

Si la manette du thermostat se trouve sur la position « 0 », l'appareil est éteint. Dans ce cas-là, l'éclairage intérieur ne fonctionnera pas.

Dans des conditions normales d'utilisation, pour la position moyenne du thermostat, on peut obtenir les températures suivantes:

- Le compartiment de basse température (marqué à 4 étoiles ): -18°C ou une température plus basse.

- Compartiment réfrigérateur: 0 ÷ +5°C

Les températures internes peuvent varier selon les conditions d'utilisation de l'appareil: emplacement, température ambiante, fréquence d'ouverture de la porte, quantité de denrées introduites. Le réglage du thermostat sera modifié en fonction de ces conditions. De manière générale, pour une température ambiante de 25°C, la commande du thermostat sera réglée sur une position médiane.

Évitez de sélectionner un réglage du thermostat qui pourrait entraîner le fonctionnement continu de l'appareil. Ceci aurait pour conséquence la baisse des températures en dessous de 0°C, ce qui risquerait de congeler les boissons et produits frais, de former une couche excessive de glace sur l'évaporateur et sa porte et de réduire l'efficacité énergétique de l'appareil (augmentation de la consommation d'énergie).

### **Avant l'utilisation**

#### **Vérification finale**

Avant de commencer à utiliser l'appareil, vérifiez que :

1. Les pieds ont été ajustés et sont parfaitement à niveau.
2. L'intérieur est sec et l'air peut circuler librement derrière l'appareil.
3. L'intérieur est propre, conformément aux indications de la section « Nettoyage et entretien ».
4. La prise de l'appareil a été branchée dans la prise murale et le courant passe. Lorsque la porte est ouverte, l'éclairage intérieur s'allumera.

#### **Notez que :**

5. Vous remarquerez un bruit lorsque le compresseur se met en marche. Le liquide et les gaz intégrés au système du réfrigérateur peuvent également faire du bruit, que le compresseur soit en marche ou non. Ceci est tout à fait normal.
6. Une légère ondulation du dessus de la carrosserie est normale du fait du procédé de fabrication utilisé et ne constitue pas un défaut.
7. Nous recommandons de régler la manette du thermostat sur la position médiane et de contrôler la température pour vérifier que l'appareil maintienne les températures de conservation souhaitées (voir la section Commande de température et Réglages).
8. Ne remplissez pas l'appareil immédiatement après l'avoir branché. Attendez que la bonne température de conservation soit atteinte. Nous vous conseillons de vérifier la température à l'aide d'un thermomètre précis (voir Commande de température et Réglages).

### **Congeler les produits frais**

Veillez respecter les instructions suivantes afin d'obtenir les meilleurs résultats.

Ne congelez pas une quantité trop importante à la fois. La qualité des aliments est préservée de façon optimale lorsqu'ils sont entièrement congelés aussi rapidement que possible.

Ne dépassez pas le pouvoir de congélation de votre appareil pour 24 heures.

Le fait d'introduire des aliments chauds dans le compartiment basse température entraîne le fonctionnement du dispositif de réfrigération en continu jusqu'à ce que les aliments soient entièrement congelés.

Faites particulièrement attention à ne pas mélanger les produits déjà congelés et les produits frais.

### **Fabrication de glaçons**

Remplissez les bacs à glaçons d'eau jusqu'aux  $\frac{3}{4}$  et introduisez les dans le congélateur. Dégagez les bacs à glaçons à l'aide du manche d'une cuillère ou outil similaire, n'utilisez jamais d'objets tranchants tels que des couteaux ou fourchettes.

### **Dégivrage**

**A) Le compartiment réfrigérateur** dégivre automatiquement. L'eau de dégivrage s'évacue par le tube d'écoulement et se déverse dans le bac de récupération à l'arrière de l'appareil (**figure 6**).

Pendant le dégivrage, des gouttelettes d'eau peuvent se former à l'arrière du compartiment réfrigérateur, où un évaporateur est dissimulé. Des gouttelettes peuvent rester sur la cuve et geler une fois le dégivrage achevé. N'utilisez pas d'objets pointus ou tranchants tels que couteaux ou fourchettes pour enlever les gouttelettes ayant gelé à nouveau.

Si, à tout moment, l'eau de dégivrage ne s'évacue pas par la gouttière de récupération, vérifiez qu'aucune particule alimentaire ne bloque le tube d'écoulement. Le tube d'écoulement peut être débouché à l'aide d'un cure-pipe ou autre outil similaire.

Vérifiez que le tube soit placé de façon permanente de telle manière que son extrémité se trouve dans le bac récupérateur situé sur le compresseur afin d'éviter que l'eau n'entre en contact avec l'installation électrique ou le sol (**figure 7**).

**B) Compartiment basse température :**

Dégivrez deux fois par an ou lorsque la couche de givre atteint environ 7 mm (1/4"). Pour procéder au dégivrage, déconnectez l'appareil et débranchez la prise d'alimentation.

Emballer les denrées dans plusieurs couches de papier journal et stockez-les dans un endroit frais (réfrigérateur ou cellier par exemple).

Des récipients d'eau chaude peuvent être placés avec précaution dans le congélateur pour accélérer le dégivrage.

N'utilisez pas d'objets pointus ou tranchants tels que couteaux ou fourchettes pour enlever le givre.

N'utilisez jamais de sèche-cheveux, radiateurs électriques ou autres appareils électriques similaires pour dégivrer. Épongez l'eau de dégivrage située au fond du compartiment congélateur. Une fois le dégivrage terminé, séchez soigneusement l'intérieur. Branchez l'appareil à la prise murale et rétablissez l'alimentation électrique.

### **Remplacer l'ampoule intérieure**

Pour remplacer la lampe LED du réfrigérateur, veuillez contacter le service après-vente agréé.

La lampe (s) utilisée dans cet appareil ne convient pas pour l'éclairage de la cuisine. Le but visé par cette lampe est d'aider à l'utilisateur de placer les aliments dans le réfrigérateur / congélateur d'une manière sûre et confortable. Les voyants utilisés dans cet appareil doivent résister aux conditions physiques extrêmes telles que des températures inférieures à -20°C.

### **Repositionnement de la porte**

Procédez dans l'ordre numérique (**figure 8**).

### **Nettoyage et entretien**

1. Avant de procéder au nettoyage, veuillez déconnecter le réfrigérateur et débrancher la prise d'alimentation.

2. N'utilisez jamais d'ustensiles tranchants ni de substances abrasives, savon, produit de nettoyage domestique, détergent ou cirage pour le nettoyer.

3. Utilisez de l'eau tiède pour nettoyer la carrosserie et séchez soigneusement à l'aide d'un chiffon.

4. Utilisez un chiffon humide imbibé d'une solution composée d'une cuillère à café de bicarbonate de soude pour un demi litre d'eau pour nettoyer l'intérieur et séchez soigneusement.

5. Prenez soin de ne pas faire couler d'eau dans le boîtier de commande de température.

6. En cas de non utilisation de l'appareil pendant une période prolongée, débranchez-le, sortez toutes les denrées, nettoyez-le et laissez la porte entrouverte.

7. Il est recommandé de polir les parties métalliques de votre appareil (extérieur de la porte, parois latérales de la carrosserie) à l'aide d'une cire en silicone (cire pour voiture) pour protéger la surface peinte de qualité supérieure.

8. Dépoussiérez le condenseur situé à l'arrière de l'appareil une fois par an à l'aide d'un aspirateur.

9. Inspectez les joints de porte régulièrement pour vérifier qu'ils sont propres et qu'il n'y a pas de particules de nourriture.

10. Ne jamais:

- Nettoyer l'appareil au moyen d'un produit inadapté, à base de pétrole par exemple.
- L'exposer à de hautes températures en aucune façon.
- Récurer, frotter etc. avec un matériau abrasif.

11. Les balconnets:

- Pour retirer un balconnet, sortez tout son contenu puis poussez simplement le balconnet vers le haut à partir de la base.

12. Assurez-vous que le récipient spécial en plastique à l'arrière de l'appareil qui récupère l'eau de dégivrage soit propre en permanence. Si vous souhaitez retirer le bac pour le nettoyer, suivez les instructions ci-dessous:

- Déconnecter la prise de courant et débrancher la prise d'alimentation.
- Dessertir doucement le goujon situé sur le compresseur à l'aide d'une pince afin de pouvoir enlever le bac.
- Soulevez-le.
- Nettoyez et séchez-le soigneusement.
- Ré-assemblez, en procédant dans l'ordre inverse des opérations.

13. Une couche de glace trop épaisse diminuera les résultats de l'appareil.

### **A faire / A ne pas faire**

**À faire-** Nettoyer et dégivrer votre appareil régulièrement (voir « Dégivrage »).

**À faire-** Conserver la viande et volaille crue en dessous des aliments cuits et produits laitiers.

**À faire-** Ôter les feuilles inutilisables des légumes et enlever la terre.

**À faire-** Laisser la salade, chou, persil et chou-fleur sur leur tige.

**À faire-** Emballer le fromage d'abord dans du papier sulfurisé puis dans un sachet plastique, en retirant le plus d'air possible. Pour les meilleurs résultats possibles, le sortir du compartiment réfrigérateur une heure avant la dégustation.

**À faire-** Emballer viande et volaille crue dans un sachet plastique ou aluminium. Cela évite qu'elles ne se dessèchent.

**À faire-** Emballer le poisson et les abats dans des sachets plastiques.

**À faire-** Envelopper les denrées dont l'odeur est forte ou risquant de se dessécher dans des sacs en polyéthylène, du papier aluminium ou récipient hermétique.

**À faire-** Envelopper le pain soigneusement pour qu'il reste frais.

**À faire-** Réfrigérer les vins blancs, bière, bière blonde et eau minérale avant de servir.

**À faire-** Inspecter le contenu du congélateur à intervalles réguliers.

**À faire-** Conserver les denrées pendant une durée aussi courte que possible et respecter les « dates limite de conservation » et « dates limite de consommation ».

**À faire-** Stockez les aliments surgelés dans le commerce selon les instructions indiquées sur les emballages.

**À faire-** Toujours Sélectionner des produits frais de bonne qualité et veiller à les nettoyer soigneusement avant de les congeler.

**À faire-** Préparer de petites portions de produits frais à congeler pour permettre une congélation rapide.

**À faire-** Emballer toutes les denrées dans du papier aluminium ou des sachets congélation en polyéthylène de bonne qualité et veiller à le vider de son air.

**À faire-** Emballer les produits surgelés juste après les avoir achetés et les mettre au congélateur dès que possible.

**À faire-** Dégeler les aliments dans le compartiment réfrigérateur.

**À éviter-** Conserver les bananes dans le compartiment réfrigérateur.

**À éviter-** Conserver le melon au réfrigérateur. Il peut être réfrigéré pendant de courtes durées dans la mesure où il est emballé pour éviter de parfumer d'autres denrées.

**À éviter-** Couvrir les clayettes de matériaux de protection qui pourraient obstruer la circulation d'air.

**À éviter-** Conserver des substances toxiques ou dangereuses dans l'appareil. Ce dernier a été conçu pour la conservation de denrées alimentaires uniquement.

**À éviter-** Consommer des aliments qui ont été réfrigéré pendant une durée excessive.

**À éviter-** Conserver les aliments cuits et les produits frais ensemble dans le même récipient. Ils doivent être emballés et conservés séparément.

**À éviter-** Laisser les aliments ou jus des aliments en train de décongeler goutter sur les denrées de votre réfrigérateur.

**À éviter-** Laisser la porte ouverte pendant une durée prolongée car cela augmentera le coût de fonctionnement de l'appareil et entraînera un dépôt excessif de glace.

**À éviter-** Utiliser des objets tranchants tels que couteaux ou fourchettes pour enlever la glace.

**À éviter-** Introduire des aliments chauds dans l'appareil. Le laisser refroidir au préalable.

**À éviter-** Mettre des bouteilles remplies de liquide ou cannettes fermées hermétiquement contenant des liquides gazeux au congélateur car elles pourraient éclater.

**À éviter-** Dépasser le pouvoir de congélation maximal lors de la congélation de produits frais.

**À éviter-** Consommer de la glace ou des bâtonnets glacés dès leur sortie du congélateur. La basse température peut provoquer des brûlures aux lèvres.

**À éviter-** Congeler des boissons gazeuses.

**À éviter-** Conserver un produit congelé qui a été dégelé; il doit être consommé sous 24 heures ou bien cuit puis recongelé.

**À éviter-** Sortir des produits du congélateur avec les mains mouillées.

### Diagnostic

Si l'appareil ne fonctionne pas quand il est branché, vérifiez:

- Que la prise de l'appareil est branchée correctement à la prise murale et que le courant passe (pour vérifier l'alimentation à la prise murale, branchez un autre appareil).
- Si le fusible a sauté/le disjoncteur s'est déclenché/l'interrupteur du réseau d'alimentation est éteint.
- Que la commande de température soit réglée correctement.
- Que la nouvelle prise soit montée correctement si vous avez changé la prise moulée intégrée.

Si l'appareil ne fonctionne toujours pas après avoir effectué toutes les vérifications ci-dessus, contactez le fournisseur qui vous a vendu le produit.

Veillez vous assurer d'avoir effectué toutes les vérifications ci-dessus car vous serez facturés si aucun défaut n'est détecté.

### Recyclage



Ce produit est marqué du symbole du tri sélectif, relatif aux déchets d'équipements électriques et électroniques. Cela signifie que ce produit doit être pris en charge par un système de collecte sélectif conformément à la directive européenne 2002/96/CE, afin de pouvoir être recyclé ou démantelé dans le but de réduire tout impact sur l'environnement. Attention les produits électroniques n'ayant pas fait l'objet d'un tri sélectif sont potentiellement dangereux pour l'environnement et la santé humaine en raison de la présence potentielle de substances dangereuses.



Gratulálunk a **Beko** minőségű készülékválasztásához, melyet sok évnyi használatra terveztek.

### ***Első a biztonság!***

Ne csatlakoztassa a készüléket elektromos ellátáshoz, amíg minden csomagolást és szállításvédelmi eszközt el nem távolított.

- Hagyja állni 4 órát, mielőttbekapcsolná a készüléket, hogy a kompresszor olajsintje leülepedjen, ha vízszintesen szállították.
- Ha lecseréli régi, zárral vagy retesszel felszerelt készülékét, győződjön meg róla, hogy biztonságos, hogy elkerülje egy gyermek benntrekedését.
- A készüléket csak arra a célra szabad használni, amire tervezték.
- Ne dobja tűzre a készüléket. A készülék szigetelése CFC anyagokat (fluór-klór-szénhidrogén) tartalmaz, amelyek gyúlékonyak. Azt ajánljuk, hogy további információért, hogy hogyan szabaduljon meg készülékétől és lehetséges szolgáltatásokért, lépjen kapcsolatba a helyi hatósággal.
- Nem ajánljuk a készülék használatát fűtetlen, hideg helyiségben. (pl.: garázs, télikert, melléképület, fészer, házon kívül stb.)

A lehető legjobb teljesítmény és zavarmentes működés érdekében nagyon fontos, hogy ezeket az utasításokat figyelmesen olvassa el. Ezen utasítások elmulasztása érvénytelenítheti az ingyen szervizhez való jogot a garancia időtartama alatt.

Kérjük, tartsa ezeket az utasításokat biztonságos helyen a gyorsabb használhatóság érdekében.

**A készüléket nem tervezték korlátozott fizikai, érzékelő vagy mentális képességekkel rendelkező, illetve gyakorlatlan személy által történő használatra, kivéve, ha az ilyen személy felügyeletét valamely, annak biztonságáért felelős személy látja el, illetve ez a személy a készülék használatára vonatkozóan útmutatást biztosít.**

**Biztosítani kell a gyermekek felügyeletét, hogy azok ne játsszanak a készülékkel.**

### Elektromos követelmények

Mielőtt bedugná a csatlakozót a konnektorba, győződjön meg róla, hogy a feszültség és frekvenciamutató megfelel a készülék hátulján szereplő osztályozásnak. Azt ajánljuk, hogy a készülékét a fő áramkörhöz egy megfelelő kapcsolón keresztül csatlakoztassa egy könnyedén elérhető állásba.

**FIGYELMEZTETÉS! Ezt a készüléket földelni kell.**

Az elektromos berendezés javítását csak képezett technikus végezheti. A képzetlen személy által végrehajtott javítás kockázatot rejt, amely kritikus következményekkel járhat a készülék felhasználója számára.

#### Figyelem!

Ez a készülék R600a – val működik, amely környezetbarát, de gyúlékony gáz. A termék szállítása és rögzítése folyamán ügyelnie kell arra, hogy ne sértse meg a hűtőrendszert. Ha a hűtőrendszer megsérül és a gáz szivárog a rendszerből, tartsa távol nyílt lángtól és szellőztesse ki a helyiséget rövid időre.

**FIGYELMEZTETÉS** - Ne használjon mechanikus berendezéseket vagy egyéb eszközöket a kiolvasztás felgyorsításához, mint amelyeket a gyártó ajánlott.

**FIGYELMEZTETÉS** – Ne sértse meg az újrafagyasztó áramkört.

**FIGYELMEZTETÉS** - Ne használjon elektromos berendezést a készülék élelmiszer tárolására alkalmas rekeszeiben, kivéve a gyártó által ajánlott típusokat.

**FIGYELMEZTETÉS** - Ha az áramellátó zsinór megsérült, annak kicserélését a gyártóval, a gyártó szervizelőjével vagy hasonló képzett szakemberrel kell elvégeztetni a veszély elkerülése érdekében.

### Szállítási utasítások

1. A készüléket csak függőleges állapotban szabad szállítani. A szállítmány csomagolásának sértetlennek kell lennie a szállítás alatt.
2. Ha a készüléket vízszintesen helyezik el a szállítás alatt, legalább 4 óráig nem szabad működtetni, hogy a rendszer, hogy a rendszer helyreálljon.
3. Ha a fenti utasításoknak elmulaszt eleget tenni, az a készülék sérülését eredményezheti, amelyért a gyártó nem vállal felelősséget.
4. A készüléket óvni kell esőtől, nedvességtől és egyéb légköri hatásoktól.

### Fontos!

- Óvatosnak kell lennie a készülék tisztítása/szállítása alatt, hogy a kondenzátor drót huzaljai ne érintkezzenek a készülék hátuljában, mivel az ujjak és kezek sérülését okozhatják.
- Ne próbáljon meg ráülni vagy ráállni készülékének tetejére, mivel nem hasonló használatra tervezték.. Megsérülhet vagy károsíthatja a készüléket.
- Győződjön meg róla, hogy a fő kábel nem csípődött be a készülék alá a mozgatás alatt, mivel ez megsértheti a kábelt
- Ne engedje, hogy a gyerekek játszanak a készülékkel vagy megváltoztassák a vezérlést.
- Amikor a fagyasztórekesz ajtaját nyitja/zárja, húzza meg óvatosan a zárófedőt **(5. ábra)**.

### Beüzemelési utasítások


1. Ne tartsa a készüléket olyan helyiségben, ahol a hőmérséklet valószínűleg 10°C (50 F) alá esik éjjel és/vagy különösen télen, mivel azt +10 és +38°C (50-100 F) közötti külső hőmérsékletre tervezték. Alacsonyabb hőmérsékleten a berendezés esetleg nem működik, és ez az étel tárolási időtartamának csökkenését eredményezi.
2. Ne tegye a berendezést tűzhelyek vagy fűtőtestek közelébe, illetve közvetlen napfényre, mivel ez különösen hathat a készülék funkcióira. Ha meleg vagy mélyhűtő mellé helyezi, tartsa be a következő minimális oldaltávolságokat:  
Tűzhelyektől 30 mm  
Fűtőtestektől 300 mm  
Fagyasztóktól 25 mm
3. Győződjön meg róla, hogy elég hely van a berendezés körül ahhoz, hogy biztosítsa a levegő szabad áramlását **(2. ábra)**.
- Tegye a hátsó szellőző fedelet a hűtőszekrény hátuljára, hogy beállítsa a hűtőszekrény és fal közötti távolságot **(3. ábra)**.
4. A készüléket sima felületre kell helyezni. A két első lábat beállíthatja, ha szükséges. Annak biztosításához, hogy a berendezés egyenesen álljon, forgassa a két első lábat az óra járásával megegyező vagy ellentétes irányba, amíg biztonságosan nem áll a padlón. A lábak megfelelő beállításával elkerüli a túlzott rezgést és hangot **(4. ábra)**.
5. Hivatkozzon a „Tisztítás és ápolás” részre, hogy a berendezést előkészítse a használatra.


**Ismerje meg készülékét****(1. ábra)**

- 1 - Fagyasztórekesz
- 2 - Hőszabályozó és lámpaház
- 3 - Állítható szekrénypolcok
- 4 - Leolvasztott víz összegyűjtő csatorna - nyelőcsatorna
- 5 - Fiókfedő
- 6 - Crisper
- 7 - Állítható első lábak
- 8 - Üvegpolc
- 9 - Tojástartó.
- 10 - Polc üvegeknek

**Javasolt a készülékben lévő étel elrendezése**

Útmutatások az optimális tárolás és higiénia eléréséhez:

1. A hűtőszekrény rekesze támogatja a friss ételek és italok rövidtávú tárolását.
2. A fagyasztórekesz  besorolású, és megfelel az előfagyasztott étel fagyasztására és tárolására.

Az ajánlott tárolásért  mindenkor figyelembe kell venni az étel csomagolásán meghatározottakat.


3. A főzött ételeket légmentes tartályokban kell tárolni.
4. A friss, csomagolt termékeket tarthatja a polcon. A friss gyümölcsöket és zöldségeket meg kell tisztítani és frissen kell tárolni.
5. A palackokat tarthatja az ajtó részben.
6. A nyers hús tárolásához használjon polietilén zacskókat, és helyezze a húst a legalsó polcra. Ne hagyja, hogy főtt ételekkel érintkezzen, és így elkerülje a szennyeződést. A biztonság érdekében csak 2-3 napig tárolja a nyers húst.
7. A maximális hatékonyság érdekében ne fedje be papírral vagy egyéb anyaggal a kivehető polcokat, hogy a hideg levegő szabadon áramolhasson.
8. Ne tároljon növényi olajat az ajtópolcokon. A csomagolt ételt tárolja lefedve és becsomagolva. Hagyja kihűlni a forró ételeket és italokat, mielőtt hűtőbe helyezi őket. Az eltett ételmaradékot ne tárolja dobozban.
9. Ne fagyassza le a szénsavas italokat és termékeket, mint például ízesített vizes fagyalt, mert nem kell túl hidegen fogyasztani.
10. Néhány gyümölcs és zöldség kárt szenved, ha 0 °C körül tartják. Ezért az ananászokat, dinnyéket, uborkákat, paradicsomokat és hasonló termékeket csomagolja be polietilén zacskóba.

11. Magas alkoholtartalmú italokat egyenesen, szűken zárt tartóban kell tárolni. Soha ne tároljon olyan terméket, amely gyúlékony hajtógázt (pl. Tejszín sprayt, aeroszolos dobozokat, stb.) vagy robbanásveszélyes anyagokat tartalmaznak. Ezek robbanásveszélyesek.

**Hőmérséklet szabályozás és -beállítás**

A működési hőmérséklet a termosztát gombbal szabályozható.

Ha a hőszabályozó gomb "0" állapotban van, a készülék ki van kapcsolva. Ebben az esetben egyik lámpa sem fog világítani belül. A készülék megfelelő működése esetén az alábbi hőmérsékleteket éri el:

- Fagyasztórekesz (4 csillag besorolású ): 18°C vagy alacsonyabb hőmérséklet
- Hűtőszekrény rekesz: 0 ÷ +5°C.

A belső hőmérséklet a készülék használati feltételeinek függvényében változhat: elhelyezés, környezeti hőmérséklet, ajtó nyitásának gyakorisága, ételmennyiség. Ezen körülményeket figyelembe véve állítsa be a hőmérséklet szabályozó gombot. A környező hőmérséklet általában körülbelül 25°C, ilyenkor a hőmérséklet szabályozó gombot közepes állásba kell állítani.

Ne állítsa olyan helyzetbe a hőmérséklet szabályozó gombot, amely a készülék folyamatos működését eredményezné. Ez ahhoz vezethet, hogy a hőmérséklet 0°C alá essen, így az ételek és a friss étel megfagyhat, ugyanakkor a párologtatón és a párologtató ajtaján túl sok jég képződik, valamint csökken a készülék energiahatékonysága (növekszik az energiafogyasztás).

**A működés megkezdése előtt Végső ellenőrzés**

Mielőtt elkezdi használni a készüléket, ellenőrizze az alábbiakat:

1. A lábak a megfelelő szintre vannak beállítva.
2. A belső rész száraz, és a levegő szabadon tud keringeni a hátsó résznél.
3. A belső rész tiszta a „Tisztítás és ápolás” részben leírtak alapján.
4. A csatlakozó be van helyezve a foglalatba, és az áram be van kapcsolva. Ha az ajtó nyitva van, a belső világítás bekapcsol.

**És jegyezze meg, hogy:**

5. Hangot fog hallani, amint a kompresszor beindul.

A folyadék és a gázok, amelyeket a hűtésrendszeren belül lezártak, szintén (hangot) adhatnak ki, akár működik a kompresszor, akár nem. Ez teljesen normális jelenség.

6. A szekrény tetejének enyhe hullámossága teljesen normális a gyártó által használt eljárásnak köszönhetően, ez nem hiba.

7. Azt ajánljuk, hogy a hőszabályozó gombot középre állítsa és kísérelje figyelemmel a hőmérsékletet, hogy biztosítsa a készülék kívánt hőmérsékletének fenntartását (Lásd Hőmérsékletszabályozás és -beállítás fejezet).

8. Ne töltsse fel azonnal a készüléket, amikor bekapcsolja. Várjon, míg a készülék eléri a megfelelő tárolási hőmérsékletet. Azt tanácsoljuk, hogy ellenőrizze a hőmérsékletet pontos hőmérővel (lásd Hőmérsékletszabályozás és -beállítás).

### **Friss étel lefagyasztása**

Kérem vegye figyelembe a következő utasításokat, hogy a legjobb eredményeket érje el.

Ne fagyasszon le egyszerre túl nagy mennyiséget. Az étel minősége akkor a legjobban konzervált, ha olyan gyorsan van lefagyasztva, amennyire lehetséges.

Ne lépje túl 24 órán belül a készüléke fagyasztó kapacitását. A fagyasztórekeszbe helyezett meleg étel a hűtőgép a készülék folyamatos működését eredményezi az étel teljes lefagyásáig. Ez a hűtőrekesz ideiglenes túlzott lehüléséhez vezethet.

Ha friss ételt fagyaszt le, tartsa a hőszabályozó gombot középső állásban. Kis mennyiségű ételt ½ kg-ig (1 lb) lefagyaszthat anélkül, hogy a hőmérsékletet szabályozó gombot beállítaná. Különösen figyeljen arra, hogy ne keverje a már lefagyasztott és friss ételeket.

### **Jégkocka-készítés**

Töltse meg a jégkocka-tartót 3/4-ig vízzel és helyezze a fagyasztóba. Lazítsa meg a tálcát egy kanál nyelével vagy hasonló eszközzel, soha ne használjon éles szélű tárgyakat, mint pl. kés vagy villa.

### **Kiolvasztás**

**A) A hűtőrekesz** automatikusan felenged. A kiolvasztott víz a lefolyócsőhöz fut egy a készülék hátulján található gyűjtőtartályon keresztül (6. ábra).

Kiolvasztás alatt a hűtőszekrény hátsó oldalán vízcseppek keletkezhetnek, ahol egy elrejtett párologtató van elhelyezve. Néhány csepp a borításon maradhat és visszafagyhat, ha a kiolvasztás befejeződött. A visszafagyott cseppek eltávolításához ne használjon hegyes vagy éles szélű tárgyakat, mint pl. kés vagy villa.

Ha a kiolvasztott víz nem folyik le a gyűjtő csatornából, ellenőrizze, hogy nem tömítették-e el a lefolyócsövet ételdarabok. A lefolyócsövet csőtisztítóval vagy hasonló eszközzel tisztíthatja.

Ellenőrizze, hogy a cső vége mindig a kompresszoron lévő tálcában legyen, biztosítva ezzel, hogy a víz ne folyék az elektromos alkatrészekre vagy a padlóra (7. ábra).

### **B) Mélyhűtő rekesz**

#### **Fagyasztórekesz:**

Olvassa ki évente kétszer vagy ha kb. 7 mm (1/4") fagyréteg alakult ki. A kiolvasztás eljárás elindításához kapcsolja ki a készüléket a fali kimenetnél és húzza ki a fődugót.

Minden ételt be kell csomagolni több rétegben újságpapírba és hűvös helyen kell tárolni (hűtőszekrényben vagy kamrában).

Melegvizes tartályokat helyezhet el óvatosan a mélyhűtőben, hogy felgyorsítsa a kiolvasztást.

Ne használjon hegyes vagy éles szélű tárgyakat, mintpl. Kés vagy villa, hogy a fagyot eltávolítsa. Soha ne használjon hajszárítót, elektromos fűtőtestet vagy egyéb elektromos berendezést a kiolvasztáshoz. Törölje ki szivaccsal a mélyhűtő rekeszének aljában összegyűlt kiolvasztott vizet.

A felengedés után alaposan szárítsa meg a belső részt. Helyezze a dugót a fali csatlakozóba és kapcsolja be az elektromos áramot.

### **Belső villanykörte cseréje**

A hűtőszekrény lámpájának cseréjéhez, kérjük, hívja fel a szakszervizt.

A készülékben lévő lámpa/lámpák háztartásban lévő helyiségek megvilágítására nem alkalmas/alkalmasak. A lámpa rendeltetése, hogy segítse a felhasználót az élelmiszerek hűtőszekrénybe / fagyasztószekrénybe való gyors és biztonságos behelyezésében.

A készülékben használt lámpáknak extrém környezeti hatásokat kell kibírniuk, mint pl. a -20°C hőmérséklet.

## Tisztítás és ápolás

1. Azt tanácsoljuk, hogy tisztítás előtt kapcsolja ki a készüléket, és húzza ki a fő csatlakozót.
2. Soha ne használjon éles tárgyat vagy csiszoló anyagot, szappant, háztartási tisztítót, tisztítószeret vagy viaszpolítúrt a tisztításhoz.
3. Használjon langyos vizet a készülék belsejének tisztításához, és törölje szárazra azt.
4. A belső rész tisztításához mártson egy ruhát fél liter vízbe, amelyben feloldott egy teáskanál szódabikarbónát, csavarja ki, és törölje át vele a belsőt, majd törölje szárazra.
5. Ellenőrizze, hogy ne kerüljön víz a hőmérsékletszabályozó dobozba.
6. Ha a készüléket hosszú ideig nem használják, kapcsolja ki, távolítson el minden élelmiszert, tisztítsa meg, és hagyja félig nyitva az ajtót.
7. Azt tanácsoljuk, hogy a termék fémrészeit (pl.: külső ajtó, vitrin oldalak) szilikon wax-szal (autó polírozó) polírozza, hogy a minőségi fedőfestést megóvja.
8. Évente egyszer vákuumos tisztítóval távolítsa el a kondenzátoron, a készülék hátulján felgyülemlt port.
9. Rendszeresen ellenőrizze az ajtótomítékeket, hogy meggyőződjön róla, hogy azok tiszták és ételmaradékoktól mentesek.
10. Soha:
  - Ne tisztítsa a készüléket arra alkalmatlan anyagokkal, pl. petróleum alapú termékekkel.
  - Semmilyen körülmények között ne tegye ki magas hőnek.
  - Ne tisztítsa, súrolja stb. csiszoló anyaggal.
11. Az ajtótarca eltávolítása:
  - Az ajtótarca eltávolításához vegyen ki onnan mindent majd egyszerűen tolja fel az alapzatról.
12. Ellenőrizze, hogy a felolvasztott vizet gyűjtő kiolvasztó tartály, amely a készülék hátoldalán található, mindig tiszta legyen. Ha el akarja távolítani a tálcát, hogy megtisztítsa, kövesse az alábbi utasításokat:
  - Kapcsolja ki az áramkört, és húzza ki a fő csatlakozót.
  - Fogó segítségével finoman csavarja ki a kompresszoron található csavart, így a tálcát eltávolítható.
  - Emelje fel a tálcát.

- Tisztítsa meg, és törölje szárazra.
  - A sorrendet megfordítva végezze el a műveleteket, és állítsa össze újra.
13. A jég nagymértékű felhalmozódása gyengíti a fagyasztórekesz teljesítményét.

## Ajtó áthelyezése

Eljárás számsorrendben (8. ábra).

## Tegye és ne tegye

- Tegye** - Rendszeresen tisztítsa és olvassa ki a készüléket (Lásd „Kiolvasztás”)
- Tegye** - A nyers húst és a baromfihúst a főtt ételek és tejtermékek alatt tartani.
- Tegye** - Eltávolítani el minden használhatatlan levelet a zöldségekről, és letörölni róluk a földet.
- Tegye** - A salátát, káposztát, petrezselymet és karfiolt a törzsön/száron hagyni.
- Tegye** - A sajtot előbb zsírpapírba, majd polietilén zacskóba csomagolni, annyira kizárva a levegőt, amennyire lehetséges. A legjobb eredményért vegye ki a hűtőből egy órával a fogyasztás előtt.
- Tegye** - A nyers húst és szárnyasokat lazán polietilén- vagy alufóliába csomagolni. Ez megakadályozza a kiszáradást.
- Tegye** - A halakat és belsejüket polietilén zacskóba csomagolni.
- Tegye** - Az erős szaggal rendelkező vagy gyorsan kiszáradó ételeket polietilén zacskókba vagy alufóliába csomagolni, esetleg légmentesen zárható dobozba helyezni.
- Tegye** - Jól becsomagolni a kenyeret, hogy friss maradjon.
- Tegye** - Felszolgálás előtt lehűteni a fehér borokat, sört és ásványvizet.
- Tegye** - Ellenőrizze időnként a mélyhűtő tartalmát.
- Tegye** - Az ételt minél előbb elhasználni, és szem előtt tartani a „Minőségét megőrzi” dátumokat.
- Tegye** - A kereskedelmileg lefagyasztott ételeket a csomagoláson megadott utasításoknak megfelelően tárolja.
- Tegye** - Mindig kiváló minőségű friss ételt válasszon és győződjön meg róla, hogy alaposan meg van tisztítva, mielőtt lefagyasztja.
- Tegye** - A friss ételt kis adagokban készítse elő, hogy biztosítsa a gyors lefagyasztást.
- Tegye** - Minden ételt csomagoljon be alufóliába vagy a fagyasztóhoz használt polietilén zacskókba és gondoskodjon a légmentességükről.

**Tegy** - A fagyasztott ételt azonnal csomagolja be, mmiután megvásárolta és tegye a fagyasztóba, amint lehetséges.

**Tegy** - Az ételt a hűtőszekrény rekeszében olvassza ki.

**Ne tegye** - Ne tárolja a banánt a hűtőszekrény rekeszében.

**Ne tegye** - Ne tárolja a dinnyét a hűtőszekrény rekeszében. Rövid időre hűtheti, ha becsomagolja, ezzel megakadályozva, hogy más étel átvegye a szagát.

**Ne tegye** - Ne fedje be a polcokat semmilyen védőanyaggal, amely akadályozhatja a levegő áramlását.

**Ne tegye** - Ne tároljon mérgező vagy bármilyen veszélyes anyagot a készülékben. A készüléket csak emberi fogyasztásra alkalmas élelmiszerek tárolására tervezték.

**Ne tegye** - Ne fogyasszon olyan ételt, amely túl sokáig volt lefagyasztva.

**Ne tegye** - Ne tároljon főtt és friss ételt ugyanabban a tárolóban. Ezeket elkülönítve kell csomagolni és tárolni.

**Ne tegye** - Hagyja felengedni az ételt vagy gyümölcslevet.

**Ne tegye** - Ne hagyja nyitva az ajtót hosszú ideig, mert költségesebbé válik a működés és túlzott jégképződést okoz.

**Ne tegye** - Ne használjon a jég eltávolításához éles szélű tárgyat, mint pl. kést vagy villát.

**Ne tegye** - Ne tegyen forró ételt a készülékbe. Először hűtse le.

**Ne tegye** - Ne tegyen szénsavas folyadékkal teli palackokat vagy tartályokat a fagyasztóba, mert szétrobbanhat.

**Ne tegye** - Ne lépje túl a maximális fagyasztási töltetet, amikor friss ételt fagyaszt.

**Ne tegye** - Ne adjon a gyerekeknek jégkrémet vagy jeges vizet közvetlenül a fagyasztóból. Az alacsony hőmérséklet a mélyhűtő leégését okozhatja a széleken.

**Ne tegye** - Ne fagyasszon le szénsavas italokat.

**Ne tegye** - Ne próbáljon meg mélyhűtött ételt tárolni, amelyet 24 órán belül le kell fagyasztani vagy meg kell főzni.


**Ne tegye** - Ne távolítsa el nedves kézzel a teteleket a hűtőszekrényből.

### Problémakeresés

Ha a készülék nem működik, amikor bekapcsolja, akkor ellenőrizze az alábbiakat:

- A dugó megfelelően van-e bedugva a fali csatlakozóba és hogy van-e áram. ( Az elektromos áramellátás ellenőrzéséhez dugjon be más készüléket).
- A biztosíték ki van-e ütve/ az áramkörmegszakító kiment-e/ a fő elosztó ki van-e kapcsolva.
- A hőmérsékletszabályozó megfelelően van-e beállítva.
- Az új csatlakozó helyesen van-e bekötve, ha megváltoztatta az illesztést és formadugót. Ha a készülék még mindig egyáltalán nem működik a fenti ellenőrzések után, lépjen kapcsolatba a kereskedővel, akinél a készüléket vásárolta. Kérjük, ellenőrizze, hogy a fenti ellenőrzéseket elvégezte, mert fizetnie kell, ha nem találnak hibát.



A terméken vagy a csomagoláson található  ábra azt jelzi, hogy a termék nem kezelhető háztartási hulladékként, hanem a megfelelő, az elektromos és elektronikus felszerelések újrahasznosítására létesült begyűjtő pontokban kell leadni. Ha gondoskodik a termék megfelelő leselejtezéséről, segít megelőzni azokat a környezetre és egészségre káros hatásokat, amelyeket a termék nem megfelelő leselejtezése eredményezne. A termék leselejtezésével kapcsolatos további részletekért forduljon a lakóhelyén található háztartási hulladék begyűjtőhöz vagy az áruházhoz, ahol a terméket megvásárolta.

Wir beglückwünschen Sie dazu, daß Sie sich für ein Haushaltsgerät von **Beko** entschieden haben - ein Produkt von hoher Qualität, das Ihnen sicher viele Jahre lang wertvolle Dienste leisten wird.

### ***Sicherheit an erster Stelle!***

Schließen Sie Ihr Gerät NICHT an die Stromversorgung an, bevor Sie die gesamte Verpackung und alle Transportschutzvorrichtungen entfernt haben.

- Lassen Sie das Gerät vor dem Einschalten für mindestens 4 Stunden aufrecht stehen, damit sich nach einem waagerechten Transport zunächst das Kompressoröl sammeln kann.
- Falls Sie ein Altgerät entsorgen und sich an dessen Tür ein Schloß oder eine Verriegelung befindet, dann achten Sie darauf, daß Sie letztere in einem sicheren Zustand hinterlassen, so daß sich Kinder nicht versehentlich im Gerät einschließen können.
- Dieses Haushaltgerät darf nur für seinen vorgesehenen Verwendungszweck eingesetzt werden.
- Bei der Entsorgung des Geräts darf kein Feuer zum Einsatz kommen. Die Isolierung des Geräts enthält FCKW-freie Stoffe, die jedoch entflammbar sind und daher nicht mit Feuer in Berührung kommen dürfen. Bitte informieren Sie sich bei den vor Ort zuständigen Behörden über die vorhandenen Entsorgungsmöglichkeiten und-einrichtungen.
- Vom Einsatz dieses Geräts in einem ungeheizten bzw. kühlen Raum wird abgeraten (z.B. Garage, Wintergarten, Abstellraum, Schuppen, Nebengebäude usw.).

Um eine optimale Leistung und einen störungsfreien Betrieb des Geräts zu erreichen, sollten Sie sich die vorliegende Bedienungsanleitung unbedingt genau durchlesen.

Die Nichtbeachtung dieser Bedienungsanleitung kann den Verlust Ihres Rechts auf kostenlosen Service während der Garantiezeit zur Folge haben.

Bitte bewahren Sie diese Bedienungsanleitung gut auf, damit Sie sie bei Bedarf jederzeit zur Hand haben.

Originalersatzteile stehen für einen Zeitraum von 10 Jahren ab Kaufdatum zur Verfügung.

**Dieses Gerät ist nicht dafür bestimmt durch Personen (einschließlich Kinder) mit eingeschränkten physischen, sensorischen oder geistigen Fähigkeiten oder mangels Erfahrung und/oder mangels Wissen benutzt zu werden, es sei denn, sie werden durch eine für ihre Sicherheit zuständige Person beaufsichtigt oder erhielten von ihr Anweisungen, wie das Gerät zu benutzen ist.**

## Voraussetzungen für den elektroanschluss

Bevor Sie das Gerät mit einer Steckdose verbinden, sollten Sie sich vergewissern, daß Spannung und Frequenz der Stromversorgung mit den Angaben auf dem Typenschild übereinstimmen, das sich im Innenraum des Geräts befindet. Das Gerät sollte an einer ordnungsgemäß installierten und leicht zugänglichen Steckdose angeschlossen werden, die mit einer Sicherung abgesichert ist.

**Achtung!** Dieses Gerät muß über einen ordnungsgemäßen Erdanschluß verfügen! Reparaturen an elektrischen Geräten dürfen ausschließlich von einem hierfür qualifizierten Fachmann ausgeführt werden. Eine falsch bzw. nicht fachgerecht ausgeführte Reparatur kann Gefahren mit möglicherweise gravierenden Folgen für den Benutzer herbeiführen. Wenn die Netzanschlussleitung dieses Gerätes beschädigt wird, muss sie durch den Hersteller oder seinen Kundendienst oder eine ähnlich qualifizierte Person ersetzt werden, um Gefährdungen zu vermeiden.

## Transportvorschriften

1. Das Gerät sollte wenn möglich ausschließlich senkrecht transportiert werden. Während eines Transports muß sich die mitgelieferte Verpackung komplett am Gerät befinden.
2. Wenn sich das Gerät während eines Transports in waagerechter Lage befunden hat, darf es danach für einen Zeitraum von 4 Stunden nicht in Betrieb genommen werden, damit sich das Kühlsystem wieder stabilisieren kann.
3. Die Nichtbeachtung der obengenannten Vorschriften kann zu einer Beschädigung des Geräts führen. Der Hersteller kann nicht zur Verantwortung gezogen werden, wenn diese Vorschriften sind nicht beachtet.
4. Das Gerät muß so transportiert werden, daß es vor Regen, Feuchtigkeit und anderen Witterungseinflüssen geschützt ist.

## Wichtiger Hinweis!

- Achten Sie beim Reinigen / Tragen des Geräts darauf, daß Sie die unteren Enden des Kondensator-Drahtgitters an der Rückseite des Geräts nicht berühren, da Sie sich dabei an den Fingern / Händen verletzen könnten.
- Sie sollten sich auf keinen Fall auf das Gerät stellen oder setzen, da es nicht für eine solche Belastung ausgelegt ist.

Sie könnten sich hierdurch verletzen oder das Gerät beschädigen.

- Stellen Sie sicher, daß sich das Anschlußkabel beim Tragen / Verrücken des Geräts bzw. danach nicht unter diesem verfängt und dadurch abgetrennt oder anderweitig beschädigt wird.
- Achten Sie darauf, daß Kinder nicht mit dem Gerät spielen oder sich an den Bedienelementen zu schaffen machen.
- Ziehen Sie beim Öffnen/Schließen des Kühlfaches etwas an der Schließklappe (**Abb. 5**).

## Hinweise zur installation und zum aufstellungsort

1. Stellen Sie das Gerät nicht in einem Raum auf, wo die Temperaturen nachts bzw. besonders im Winter leicht unter 10°C (50°F) fallen können. Das Gerät ist für einen Betrieb bei einer Umgebungstemperatur zwischen +10°C und +38°C (bzw. 50 bis 100°F) ausgelegt. Wenn Sie das Gerät in einem ungeheizten / kühlen Raum (z.B. Wintergarten, Abstellraum, Schuppen, Garage usw.) aufstellen, dann beeinträchtigt dies die Funktion und kann zu einer Verkürzung der Lagerungszeit von Tiefkühlware führen.
2. Stellen Sie das Gerät nicht in der Nähe eines Herds, eines Heizkörpers oder im Bereich direkter Sonneneinstrahlung auf, da das Kühlaggregat dann stärker arbeiten muß. Wenn die Aufstellung in der Nähe einer Wärmequelle oder eines Gefrierschranks erfolgt, dann sind die folgenden seitlichen Mindestabstände einzuhalten:
 

von Herden	30 mm
von Heizkörpern:	300 mm
von Gefriergeräten:	25 mm
3. Achten Sie darauf, daß um das Gerät herum genügend Platz verbleibt, so daß für eine ausreichende Luftzirkulation gesorgt ist (**Abb. 2**).
  - Bringen Sie die hinter Lüftungsabdeckung an der Rückseite des Geräts an, um den Abstand zwischen dem Kühlschrank und der Wand zu bestimmen (**Abb. 3**).
4. Das Gerät sollte auf einer ebenen Fläche stehen. Die beiden vorderen Füße sind je nach Bedarf höhenverstellbar. Um eine genau senkrechte Stellung zu erzielen, können Sie die beiden vorderen Füße durch Drehen im Uhrzeigersinn oder umgekehrt so einstellen, bis das Gerät überall fest auf dem Boden steht. Durch ein korrektes Einstellen der Füße lassen sich darüber hinaus überflüssige Schwingungen und Geräusche vermeiden (**Abb. 4**).
5. Lesen Sie vor einer ersten Benutzung des Geräts den Abschnitt „Reinigung und Pflege“.





## Kennenlernen des Geräts

(Abb. 1)

- 1 - Tiefkühlfachtür
- 2 - Thermostat und Beleuchtungsarmatur
- 3 - Verstellbare Ablagen
- 4 - Tauwasserablauf
- 5 - Deckel für Gemüseschublade
- 6 - Obst- und Gemüsekorb
- 7 - Höhenverstellbare Füßen
- 8 - Gläserfach
- 9 - Eierhalter
- 10 - Flaschenfach

## Vorschläge für das Einordnen von Lebensmitteln

Zur Erzielung bestmöglicher Ergebnisse und zur Einhaltung der Lebensmittelhygiene berücksichtigen Sie bitte die folgenden Regeln und Hinweise:


1. Das Kühlabteil dient dem kurzzeitigen Lagern von frischen Lebensmitteln und Getränken.
2. Das Gefrierfach ist ein  Fach und eignet sich zum Einfrieren und für die Lagerung von Tiefkühlware, wie sie im Handel erhältlich ist. Beachten Sie in jedem Falle die Empfehlungen für  Lagerung, wie sie auf der Lebensmittelverpackung angegeben sind.
3. Gekochte Speisen müssen in luftdicht verschlossenen Behältern aufbewahrt werden.
4. Frische, noch verpackte Lebensmittel können auf einer Ablage eingeordnet werden. Frisches Obst und Gemüse sollten Sie säubern und in den dafür vorgesehenen Körben lagern.
5. Flaschen können im Türbereich eingeordnet werden.
6. Rohes Fleisch sollten Sie in Polyethylenbeutel wickeln und auf der untersten Ablage verstauen, wobei Sie darauf achten sollten, daß es nicht mit gekochten Speisen in Berührung kommt, um eine Übertragung von Keimen zu verhindern. Rohes Fleisch sollte sicherheitshalber nicht länger als zwei bis drei Tage gelagert werden.
7. Zur maximalen Ausnutzung der Kühlleistung sollten Sie die herausnehmbaren Ablagen nicht mit Papier oder anderen Materialien bedecken, so daß für eine gute Zirkulation der Kaltluft gesorgt ist.
8. Stellen Sie keine Behälter mit Pflanzenöl auf die Ablageborde in der Tür. Lagern Sie die Lebensmittel in ihrer Verpackung bzw. eingewickelt oder abgedeckt. Lassen Sie heiße Speisen und Getränke abkühlen, bevor Sie sie in das Gerät stellen. Lagern Sie keine explosiven Stoffe ein.

Hochprozentiger Alkohol muß in aufrecht stehenden, dicht verschlossenen Behältern gelagert werden. Reste von Lebensmitteln, die in Konservendosen geliefert werden, sollten nicht in der Dose selbst aufbewahrt werden.

9. Kohlensäurehaltige Getränke dürfen nicht Eissorbetts sollten Sie nicht zu kühl genießen.
10. Bei einigen Obst- und Gemüsesorten tritt eine Qualitätsminderung ein, wenn sie bei einer Temperatur nahe 0°C gelagert werden. Bewahren Sie daher Ananas, Melonen, Gurken, Tomaten und ähnliche Erzeugnisse in Polyethylenbeuteln auf.
11. Hochprozentiger Alkohol muß in aufrecht stehenden, dicht verschlossenen Behältern gelagert werden. Neuartige Lebensmittel, bei denen ein brennbares Treibgas verwendet wird (Sahnespender, Sprühdosen usw.), oder explosive Stoffe sollten niemals im Gerät aufbewahrt werden - Explosionsgefahr!

## Einstellung und Regelung der Temperatur

Die Innentemperaturen werden über den Drehknopf auf dem Thermostat geregelt. Wenn der Thermostat - Drehknopf in Stellung „0“ ist, dann ist das Gerät eingestellt. In diesem Fall wird auch die Glühbirne der Innenbeleuchtung nicht aufleuchten.

Das Gerät ist so gebaut, damit für eine mittlere Position des Thermostat - Drehknopfes die folgenden Temperaturen erzielt werden können:  
- im Tiefkühlfach (gekennzeichnet mit 4 Sternen ):

- 18°C oder eine niedrigere Temperatur.
- im Fach für frische Lebensmittel: 0 ÷ +5°C

Die erzielten Innentemperaturen können unterschiedlich sein, je nach den Betriebsbedingungen des Gerätes: Aufstellung, Umgebungstemperatur, Häufigkeit der Türöffnung, Befüllungsgrad mit Lebensmitteln. Die Einstellung des Thermostat - Drehknopfes hat auch nach diesen Bedingungen zu erfolgen. Gewöhnlicherweise bei einer Außentemperatur von ca. 25°C und bei der ersten Inbetriebnahme des Gerätes, ist der Drehknopf auf eine mittlere Stellung zu bringen. Diese Stellung kann nachher auf- oder abwärts geregelt werden, je nach Wunsch jedes einzelnen Verwenders. Vermeiden Sie die Stellung des Thermostat Drehknopfes welche zu einem Dauerbetrieb des Gerätes führen würde. Dieses verursacht das Senken der Temperaturen unter 0°C im Kühlfach, mit der Gefahr der Tiefgefrierung der Getränke und der frischen Lebensmittel,

und einer überschüssigen Anhäufung von Eis auf der Innenwand, mit der Verminderung der Gerätwirtschaftlichkeit (Erhöhung des Energieverbrauchs). Der Thermostat sichert das automatische Enteisen des Kühlfaches bei jedem Betriebszyklus. Während des Gerätebetriebes treten Kondensierungs- und Eistropfen auf der hinteren Innenwand auf. Sie müssen diese Tropfen nicht wegwischen, da die Rückwand automatisch enteist wird. Das resultierende Wasser fließt durch einen speziellen Kanal und sammelt sich in einem Gefäß situiert auf dem Kompressor, von wo es verdunstet.

### **Inbetriebnahme**

#### **Abschließende Kontrolle**

Kontrollieren Sie die folgenden Punkte, bevor Sie das Gerät in Betrieb nehmen:

1. Die Füße müssen so eingestellt sein, daß das Gerät genau waagrecht steht.
2. Der Innenraum muß trocken sein, und die Luft muß hinter dem Gerät ungehindert zirkulieren können.
3. Reinigen Sie den Innenraum gemäß den Hinweisen im Abschnitt „Reinigung und Pflege“.
4. Verbinden Sie den Netzstecker mit der Steckdose und schalten Sie die Stromversorgung ein. Sofern die Tür geöffnet ist, sollte nun die Beleuchtung angehen.
5. Beim Einschalten des Kompressors ist ein Geräusch zu hören. Darüber hinaus können die im Kühlsystem enthaltenen flüssigen und gasförmigen Stoffe bestimmte Geräusche erzeugen, und zwar unabhängig davon, ob der Kompressor gerade läuft oder nicht. Auch hierbei handelt es sich um eine normale Erscheinung.
6. Eine leicht gewellte Oberfläche der Deckplatte ist normal und steht mit dem Herstellungsprozeß im Zusammenhang. Diese Erscheinung stellt keinen Schaden dar und sollte daher kein Anlaß zur Beunruhigung sein.
7. Es wird empfohlen, den Thermostatknopf auf eine mittlere Position einzustellen und zu kontrollieren, ob die jeweils gewünschte Lagertemperatur eingehalten wird (vgl. hierzu den Abschnitt „Einstellung und Regelung der Temperatur“).
8. Beladen Sie das Gerät nicht schon unmittelbar nach dem Einschalten, sondern warten Sie solange, bis die richtige Lagertemperatur erreicht ist. Die Überprüfung der Temperatur mit einem gut geeichten Thermometer wird empfohlen (siehe Abschnitt „Einstellung und Regelung der Temperatur“).

### **Einfrieren von frischen Lebensmitteln**

Zur Erzielung bestmöglicher Ergebnisse berücksichtigen Sie bitte die folgenden Hinweise: Frieren Sie nie eine zu große Menge auf einmal ein. Die Qualität von Lebensmitteln bleibt dann am besten erhalten, wenn sie so schnell wie möglich vollständig durchfrieren. Das Gefriervermögen Ihres Geräts pro 24 Stunden darf nicht überschritten werden.

Wenn Sie warme Speisen in das Gefrierabteil stellen, dann wird das Kühlaggregat solange ununterbrochen arbeiten, bis die Speisen eingefroren sind. Zeitweise kann dies auch dazu führen, daß es im Kühlabteil wesentlich kälter wird, als es normalerweise der Fall wäre. Zum Einfrieren frischer Lebensmittel stellen Sie den Thermostatknopf auf eine mittlere Position. Kleinere Mengen Lebensmittel, d.h. bis zu 1/2 kg (1 Pfund), können eingefroren werden, ohne den Temperaturwahlschalter extra neu einzustellen. Achten Sie unbedingt darauf, daß Sie bereits eingelagerte Tiefkühlware nicht unmittelbar neben frische Lebensmittel legen.

### **Herstellung von Eiswürfeln**

Füllen Sie die Eiswürfelschale zu zwei Dritteln mit Wasser, und stellen Sie sie dann in das Gefrierabteil. Eine festgefrorene Schale mittels eines Löffelstiels o.ä. lösen, aber hierzu niemals scharfkantige Gegenstände verwenden, wie etwa Messer oder Gabel.

### **Abtauen**

#### **A) Kühlabteil**

Das Kühlabteil verfügt über eine Abtau-Automatik. Das Tauwasser läuft über einen Sammelbehälter an der Rückwand in die Tauwasserablaufleitung (**Abb. 6**). Während des Abtauens können sich an der Rückwand des Kühlabteils, hinter dem der Verdampfer verborgen ist, Wassertropfen bilden. Dabei können einige Tropfen auf der Verkleidung der Rückwand verbleiben und nach dem Abtauen wieder gefrieren. Verwenden Sie zum Entfernen solcher gefrorenen Tropfen niemals einen spitzen oder scharfkantigen Gegenstand, wie etwa ein Messer oder eine Gabel. Sollte das Tauwasser einmal nicht aus dem Sammelkanal ablaufen, so überprüfen Sie, ob evtl. die Tauwasserablaufleitung durch Reste von Lebensmitteln o.ä. verstopft wurde. Zum Reinigen der Ablaufleitung kann man ein geeignetes Werkzeug hindurchführen, z.B. einen Pfeifenputzer o.ä. - vgl. (**Abb. 7**).

## B) Gefrierabteil

Durch den eingebauten Tauwasser sammelbehälter gestaltet sich das Abtauen sehr einfach und unkompliziert. Sie sollten etwa zweimal pro Jahr abtauen, bzw. wenn sich eine Eisschicht von etwa 7 mm (1/4") Stärke gebildet hat. Schalten Sie zum Abtauen das Gerät ggf. an der Steckdose ab und ziehen Sie den Netzstecker. Wickeln Sie die Lebensmittel in mehrere Lagen Zeitungspapier und verstauen Sie dann alles an einem kühlen Ort (z.B. Kühlschrank oder Speisekammer). Um das Abtauen zu beschleunigen, können Sie vorsichtig Behälter mit warmem Wasser in das Gefrierabteil stellen. Verwenden Sie zum Entfernen des Eises niemals einen spitzen oder scharfen Gegenstand, wie etwa ein Messer oder eine Gabel. Verwenden Sie zum Abtauen niemals einen Haartrockner, ein elektrisches Heizgerät oder ähnliche Elektroapparate. Wischen Sie das Tauwasser auf, das sich am Boden des Gefrierabteils angesammelt hat, und trocknen Sie den Innenraum nach dem Abtauen gründlich ab. Verbinden Sie den Netzstecker mit der Steckdose und schalten Sie den Strom wieder an.

## Auswechseln der Glühlampe für die Innenbeleuchtung

Die Innenbeleuchtung Ihres Kühlschranks sollte ausschließlich vom autorisierten Kundendienst ausgetauscht werden. Die Glühbirnen für dieses Haushaltsgerät sind für Beleuchtungszwecke nicht geeignet. Die beabsichtigte Aufgabe dieser Lampe ist es den Benutzer zu ermöglichen die Platzierung der Lebensmittel in den Kühlschrank / Eiskühltruhe sicher und bequem vorzunehmen. Die in diesem Gerät verwendeten Lampen müssen extremen physikalischen Bedingungen, wie z. B. Temperaturen von -20°C, standhalten.

## Reinigung und Pflege

1. Vor der Reinigung empfiehlt es sich, das Gerät ggf. an der Steckdose abzuschalten und den Netzstecker zu ziehen.
2. Verwenden Sie zum Reinigen weder scharfe Gegenstände noch Scheuermittel, Seife, Haushaltsreiniger, andere Putzmittel oder Wachspolitur.
3. Reinigen Sie den Innenraum des Geräts mit lauwarmem Wasser und reiben Sie ihn dann trocken.
4. Befeuchten Sie zum Reinigen ein Tuch in einer Lösung aus einem Teelöffel Natriumbikarbonat (doppeltkohlensaures Natron) und einem halben Liter Wasser, und wischen Sie den Innenraum damit aus.

5. Achten Sie darauf, daß kein Wasser in die Thermostateinheit gelangt.
6. Wenn das Gerät für eine längere Zeit nicht verwendet werden soll, dann schalten Sie es ab, nehmen Sie sämtliche Lebensmittel heraus, reinigen Sie es, und lassen Sie die Tür leicht geöffnet.
7. Zum Polieren der Metallteile des Geräts (d.h. die Türaußenseite und die seitlichen Außenwände) empfehlen wir die Verwendung eines Wachses auf Silikonbasis (Autopolitur). Auf diese Weise wird die hochwertige Außenlackierung geschützt.
8. Staub, der sich auf dem Kondensator hinter dem Gerät ansammelt, sollte einmal pro Jahr mit einem Staubsauger entfernt werden.
9. Überprüfen Sie die Türdichtung regelmäßig auf Sauberkeit und achten Sie darauf, daß sich keine Reste von Lebensmitteln o.ä. darauf befinden.
10. Vermeiden Sie es in jedem Fall,
  - das Gerät mit ungeeigneten Substanzen zu reinigen, wie etwa mit benzinhaltigen Mitteln,
  - es allzu hohen Temperaturen auszusetzen,
  - es mit scheuernden Substanzen zu putzen, abzureiben o.ä.
11. Achten Sie darauf, daß die Plastikschaale an der Rückseite des Geräts, die zum Sammeln von Tauwasser dient, immer sauber bleibt. Wenn Sie die Schale zum Reinigen ausbauen wollen, dann gehen Sie wie folgt vor:
  - Das Gerät ggf. an der Steckdose abschalten und den Netzstecker ziehen.
  - Den Stift am Kompressor vorsichtig mit einer Zange zurückbiegen, so daß die Schale freiliegt.
  - Die Schale abnehmen.
  - Die Schale reinigen und trockenreiben.
  - Zum Wiedereinbauen die gleichen Schritte in umgekehrter Reihenfolge ausführen.
12. Stärkere Eisablagerungen sollten regelmäßig mittels ein Eisschabers aus Plastik entfernt werden. Massive Eisablagerungen vermindern die Kühlleistung Ihres Geräts.

## Wechseln des Türanschlags

Befolgen Sie nacheinander die einzelnen Schritte entsprechend der Numerierung (**Abb. 8**).

## Was sie tun sollten und was auf keinen fall-einige hinweise

- Richtig:** Das Gerät regelmäßig reinigen und abtauen (siehe Abschnitt „Abtauen“).
- Richtig:** Rohes Fleisch und Geflügel tiefer lagern als gekochte Speisen und Molkereiprodukte.
- Richtig:** Bei Gemüse alles unbrauchbare Blattwerk entfernen und etwaigen Schmutz abwischen.

- Richtig:** Blattsalat, Kohl, Petersilie und Blumenkohl am Stiel belassen.
- Richtig:** Käse fest in Butterbrotpapier und dann in einen Beutel aus Polyethylen wickeln, und die Luft soweit als möglich herausdrücken. Käse schmeckt am besten, wenn er eine Stunde vor dem Verzehr aus dem Kühlteil genommen wird.
- Richtig:** Rohes Fleisch und Geflügel nicht zu fest in Polyethylen- oder Aluminiumfolie einwickeln, um ein Austrocknen zu verhindern.
- Richtig:** Fisch und Innereien in Polyethylenbeutel wickeln.
- Richtig:** Lebensmittel, die einen starken Geruch haben oder nicht austrocknen sollen, in Polyethylenbeutel oder Aluminiumfolie wickeln oder in luftdichten Behältern lagern.
- Richtig:** Brot gut einwickeln, damit es frisch bleibt.
- Richtig:** Weißwein, Bier und Mineralwasser vor dem Servieren gut kühlen.
- Richtig:** Von Zeit zu Zeit den Inhalt des Gefrierabteils überprüfen.
- Richtig:** Lebensmittel so kurz wie möglich aufbewahren und die Angaben „Mindestens haltbar bis:“ bzw.
- Richtig:** Handelsübliche Tiefkühlware entsprechend der Hinweise auf der jeweiligen Verkaufsverpackung lagern.
- Richtig:** Zum Einfrieren nur frische Lebensmittel bester Qualität verwenden und diese vorher gründlich säubern.
- Richtig:** Einzufrierende Lebensmittel vorher in kleine Portionen zerlegen, damit sie rasch durchfrieren.
- Richtig:** Lebensmittel zum Einfrieren in Aluminiumfolie oder Gefrierbeutel aus einwandfreiem Polyethylen packen und darauf achten, daß die Luft vollständig herausgedrückt wurde.
- Richtig:** Tiefkühlware gleich nach dem Einkaufen einwickeln und sobald als möglich in das Gefrierabteil legen. Tiefkühlware zum Auftauen ins Kühlteil legen.
- Falsch:** Bananen im Kühlteil lagern.
- Falsch:** Melonen im Kühlteil lagern. - Melonen können allerdings für kurze Zeit gekühlt werden, solange sie eingewickelt werden, so daß sich ihr Aroma nicht auf andere Lebensmittel überträgt.
- Falsch:** Die Ablagen mit einem schonenden Material bedecken. - Dies würde die Kaltluftzirkulation behindern.
- Falsch:** Gifte oder Gefahrenstoffe im Gerät lagern. - Das Gerät ist ausschließlich für die Lagerung von Lebensmitteln bestimmt.
- Falsch:** Lebensmittel verzehren, die zu lange im Gerät gelagert wurden.
- Falsch:** Gekochte Speisen und frische Lebensmittel zusammen in einen Behälter tun. - Beides sollte getrennt verpackt und gelagert werden.
- Falsch:** Beim Auftauen Wasser oder Flüssigkeit von Lebensmitteln auf andere Lebensmittel tropfen lassen.
- Falsch:** Die Tür längere Zeit offenstehen lassen. - Hierdurch wird der Betrieb des Geräts teurer, und die Eisbildung verstärkt sich.
- Falsch:** Zum Entfernen des Eises spitze oder scharfe Gegenstände verwenden, wie etwa ein Messer oder eine Gabel.
- Falsch:** Warme Speisen ins Gerät stellen. - Besser zuerst abkühlen lassen.
- Falsch:** Mit Flüssigkeit gefüllte Flaschen oder ungeöffnete Konserven mit kohlenensäurehaltigen Getränken in das Gefrierabteil stellen. - Diese können zerplatzen.
- Falsch:** Beim Einfrieren frischer Lebensmittel das maximale Gefriervermögen überschreiten.
- Falsch:** Kindern Speiseeis oder Eissorbets unmittelbar nach dem Herausnehmen aus dem Gefrierabteil geben. - Die sehr niedrige Temperatur kann zu 'kalten Verbrennungen' an den Lippen führen.
- Falsch:** Kohlenensäurehaltige Getränke einfrieren.
- Falsch:** Aufgetaute Tiefkühlware weiter aufbewahren. - Statt dessen innerhalb von 24 Stunden verzehren oder kochen und wiedereinfrieren.
- Falsch:** Mit feuchten Händen etwas aus dem Gefrierabteil herausnehmen.
- Massnahmen bei Betriebsstörung**  
Wenn das Gerät nach dem Einschalten nicht funktionieren sollte, dann prüfen Sie, ob
- der Netzstecker richtig in der Steckdose steckt, und daß der Strom angeschaltet ist (zum Prüfen der Stromversorgung können Sie ein anderes Gerät an die Steckdose anschließen);
  - ob evtl. die Sicherung durchgebrannt ist / der Sicherungsautomat ausgelöst wurde oder der Hauptschalter auf Aus steht;
  - ob der Temperaturwahlschalter richtig eingestellt wurde;
  - (falls der angegossene Stecker ersetzt wurde) ob der neu angebrachter Stecker richtig verdrahtet wurde.

Sollte das Gerät nach dieser Überprüfung immer noch nicht funktionieren, dann setzen Sie sich bitte mit dem Händler in Verbindung, bei dem Sie das Gerät erworben haben.

Denken bitte Sie daran, daß eine Gebühr fällig wird, wenn am Gerät kein Fehler gefunden werden sollte; prüfen Sie das Gerät daher auf jeden Fall wie oben beschrieben.



### **Bedeutung des Symbols „Mülltonne“**



Schonen Sie unsere Umwelt, Elektrogeräte gehören nicht in den Hausmüll.

Nutzen Sie die für die Entsorgung von Elektrogeräten vorgesehenen Sammelstellen und geben dort Ihre Elektrogeräte ab die Sie nicht mehr benutzen werden.

Sie helfen damit die potenziellen Auswirkungen, durch falsche Entsorgung, auf die Umwelt und die menschliche Gesundheit zu vermeiden.

Sie leisten damit Ihren Beitrag zur Wiederverwertung, zum Recycling und zu anderen Formen der Verwertung von Elektro- und Elektronik-Altgeräten.

Informationen, wo die Geräte zu entsorgen sind, erhalten Sie über Ihre Kommunen oder die Gemeindeverwaltungen.

In vielen Ländern der EU ist die Entsorgung von Elektro- und Elektronik-Altgeräten über den Haus- und/oder Restmüll ab 13.8.2005 verboten.

In Deutschland ab 23.3.2006.

Čestitamo na Vašem izboru kvalitetnog uređaja **Beko**, koji je dizajniran da vam pruži godine uporabe.

### ***Prvo sigurnost!***

Ne spajajte Vaš uređaj u struju dok ne skinete cijelo pakiranje i zaštitu za prijenos.

\* Ostavite da da stoji najmanje 4 sata prije nego ga uključite, da biste dopustili da se ulje kompresora slegne, ako je prevožen horizontalno.

\* Ako odlazete stari aparat s bravom ili kvakom na vratima, pazite da je ostavljena u sigurnom položaju da biste spriječili da djeca ostanu zatvorena unutra.

Ovaj se aparat smije koristiti samo u predviđenu svrhu.

\* Ne odlazite uređaj u vatru. Vaš uređaj sadržava tvari bez klorofluorouglijika u izolaciji, koje su zapaljive. Preporučamo Vam da za informacije o odlaganju i dostupnim objektima kontaktirate Vaše lokalne vlasti.

\* Ne preporučamo uporabu ovog aparata u negrijanoj, hladnoj sobi. (npr. garaži, ostavi, dodatku, šupi, izvan kuće, itd.)

Da biste od vašeg aparata dobili najbolje moguće performanse i rad bez greške, jako je važno da pažljivo pročitate ove upute. Ako se ne budete držali ovih uputa, to može poništiti Vaše pravo na besplatan servis tijekom razdoblja trajanja jamstva.

Molimo čuvajte ove upute na sigurnom mjestu da bi bile lako dostupne.

**Uređaj nije namijenjen za uporabu od strane osoba sa smanjenim tjelesnim, osjetilnim ili mentalnim sposobnostima ili manjkom iskustva i znanja osim su pod nadzorom ili ih je osoba odgovorna za njihovu sigurnost naučila da koriste uređaj.**

**Djeca trebaju biti pod nadzorom da se ne bi igrali uređajem**

## Električni zahtjevi

Prije uključivanja utikača u utičnicu, pazite da su napon i frekvencija navedeni na aparatu jednaki onima u vašoj električnoj mreži. Preporučamo da se ovaj uređaj spaja u struju pomoću prikladne uzemljene utičnice sa sklopkom na dostupnom položaju.

### **Upozorenje! Aparat mora biti uzemljen.**

Popravke na električnoj opremi smije izvoditi samo kvalificirani tehničar. Pogrešne popravke koje izvede nekvalificirana osoba za sobom nose rizik od opasnih posljedica po korisnika aparata.

### **PAŽNJA!**

Ovaj aparat radi s R600a, koji je plin bezopasan za okoliš, ali je zapaljiv. Za vrijeme transporta i popravke proizvoda, mora se paziti da se ne ošteti sustav za hlađenje. Ako je sustav za hlađenje oštećen i plin curi iz sustava, držite uređaj podalje od izvora otvorenog plamena i neko vrijeme zračite sobu.

**UPOZORENJE** - ne koristite mehaničke uređaje ili druge načine za ubrzavanje procesa topljenja od onih koje preporuča proizvođač.

**UPOZORENJE** - nemojte oštećivati sklop odjeljka za zamrzavanje.

**UPOZORENJE** - Ne koristite električne aparate unutar odjeljaka za spremanje hrane u aparatu, osim ako nisu vrste kakvu preporuča proizvođač.

**UPOZORENJE** - Ako je kabel napajanja oštećen, mora ga zamijeniti proizvođač, njegov serviser ili jednako kvalificirana osoba da bi se izbjegla opasnost.

## Upute za prijevoz

1. Aparat se treba prevoziti samo u uspravnom položaju. Pakiranje mora tijekom transporta ostati neoštećeno onako kako je dostavljeno.

2. Ako je za vrijeme transporta uređaj bio postavljen horizontalno, ne smije raditi najmanje 4 sata, da bi se sustav smirio.

3. Nepridržavanje gore navedenih uputa može rezultirati oštećenjem aparata za koje proizvođač neće biti odgovoran.

4. Uređaj mora biti zaštićen od kiše, vlage i drugih vremenskih utjecaja.

### **Važno!**

- Morate paziti kad čistite/nosite uređaj da ne dodirnete dno metalnih žica kondenzatora na stražnjem dijelu uređaja, jer to može dovesti do povrede prstiju i ruku.
- Ne pokušavajte sjediti ili stajati na uređaju jer nije dizajniran za takvu uporabu. Mogli biste se ozlijediti ili oštetiti aparat.
- Pazite da strujni kabel ne zapne pod aparat za vrijeme i nakon pomicanja, jer to može oštetiti kabel.
- Ne dopuštajte djeci da se igraju s uređajem ili da se igraju s kontrolnim gumbima.

- Kod otvaranja / zatvaranja vrata odjeljka s niskom temperaturom lagano povucite zatvarač **(Slika 5)**.

## Upute za ugradnju

1. Ne držite aparat u sobi gdje temperatura može pasti ispod 10°C (50 F) noću i/ili posebno zimi, jer je napravljen za rad na temperaturama okoline između +10 i +38°C (50 i 100 F). Pri nižim temperaturama aparat neće raditi, što će smanjiti vijek trajanja hrane.

2. Ne stavljajte uređaj blizu štednjaka ili radijatora ili pod direktnu sunčevu svjetlost, jer će to prouzročiti posebni napor u radu aparata.

Ukoliko se ugradi blizu izvora topline ili škrinje, držite sljedeći najmanji razmak sa strane:

Od štednjaka 30 mm

Od radijatora 300 mm

Od škrinja 25 mm

3. Pazite da oko aparata ima dovoljno prostora da bi se omogućila slobodna cirkulacija zraka **(Slika 2)**.

• Stavite stražnji poklopac za prozračivanje na Vašem hladnjaku da biste odredili razmak između hladnjaka i zida **(Slika 3)**.

4. Aparat treba postaviti na glatku površinu. Dvije prednje nožice se mogu prilagoditi po potrebi. Da biste bili sigurni da Vaš uređaj stoji uspravno,

prilagodite dvije prednje nožice okretanjem u smjeru kretanja kazaljke na satu ili suprotnom smjeru, dok ne uspostavite čvrsti kontakt s tlom. Točno postavljanje nožica smanjuje pretjeranu vibraciju i buku **(Slika 4)**.

5. Pogledajte dio „Čišćenje i briga“ da biste pripremili uređaj za uporabu.

## Upoznavanje Vašeg uređaja **(Slika 1)**

- 1 - Odjeljak s niskom temperaturom
- 2 - Kućište termostata i lampice
- 3 - Prilagodljive police unutrašnjosti
- 4 - Kanal za skupljanje vode od odleđivanja - cijev za odvodnju
- 5 - Poklopac odjeljka za povrće
- 6 - Odjeljak za povrće
- 7 - Prilagodljive prednje nožice
- 8 - Polica za tegle
- 9 - Ladica za jaje
- 10 - Polica za boce

## Predloženo slaganje hrane u uređaju

Smjernice za dobivanje optimalnog mjesta za spremanje i higijene:

1. Pretinac hladnjaka služi za kratkotrajnu pohranu svježe hrane i pića.

2. Pretinac s niskom temperaturom je označen s **\* \*\* \*** i podesan je za zamrzavanje i skladištenje već smrznute hrane.

Svo vrijeme se treba pridržavati preporuke za **\* \*\* \*** pohranu na pakiranju hrane.

3. Kuhana jela se trebaju skladištiti u posudama koje ne prošuštaju zrak.

4. Svježe umotani proizvodi se trebaju čuvati na polici. Svježe voće i povrće se treba očistiti i staviti u odjeljak za povrće.

5. Boce se mogu čuvati u dijelu u vratima.

6. Da biste pohranili meso, zamotajte ga u plastične vrećice i stavite na najnižu policu. Nemojte dopustiti da dođe u kontakt s kuhanom hranom, da biste izmijegli kontaminaciju. Zbog sigurnosti, svježe meso čuvajte samo dva ili tri dana.

7. Za maksimalnu učinkovitost, pomične police se ne smiju omatati papirom ili drugim materijalima da bi se dopustio slobodan protok zraka.

8. Ne držite biljno ulje na policama vrata. Držite hranu zapakiranu, zamotanu ili pokrivenu. Prije nego ih stavite u hladnjak, pustite vruću hranu i pića da se ohlade. Ostaci hrane iz konzerve se ne smiju spremati u konzervi.

9. Gazirana pića se ne smiju zamrzavati i proizvodi kao što su vodenasti sladoledi se ne smiju konzumirati prehladni.

10. Neko voće i povrće se oštećuje ako se čuva pri temperaturi nižoj od 0°. Zato omotajte ananas, dinje, krastavce, rajčicu i slične plodove u plastične vrećice.

11. Jaki alkohol se mora spremati u uspravnom položaju u dobro zatvorenim spremnicima. Nikad nemojte stavljati proizvode koji sadrže zapaljivi plin (npr. spremnike sa šlagom, sprejeve, itd.) ili eksplozivne tvari. Oni mogu prouzročiti eksploziju.

### **Kontrola i prilagođavanje temperature**

Radne temperature se kontroliraju gumbom termostata. Ako je tipka termostata na položaju "0", uređaj je isključen. U tom slučaju neće svijetliti ni lampa za osvijetljavanje unutrašnjosti. Ako uređaj radi kako treba, dobiju se sljedeće temperature: Pretinac s niskim temperaturama (označen s 4 zvjezdice **\* \*\* \***): temperatura od -18°C ili niža. Odjeljak hladnjaka 0 ÷ +5°C.

Unutarnje temperature mogu varirati ovisno o uvjetima aparata: Mjestu, temperaturi okoline, učestalosti otvaranja vrata, količini hrane. Položaj gumba termostata će se mijenjati prema tim uvjetima. Obično, ako je na primjer temperatura okoline 25°C, termostat će biti prilagođen na srednji položaj. Izbjegavajte položaj termostata koji bi mogao dovesti do stalnog rada uređaja. To vodi do smanjenja temperatura ispod 0°C,

s opasnošću od zamrzavanja pića i svježe hrane, i pretjeranog stvaranja leda na vratima uređaja za isparavanje, kao i smanjenja energetske učinkovitosti uređaja (povećanje potrošnje energije).

### **Prije rada**

#### **Zadnja provjera**

Prije nego počnete koristiti uređaj, provjerite da:

1. Da su nožice postavljene za savršenu ravnotežu.
2. Da je unutrašnjost suha i da zrak može slobodno cirkulirati.
3. Da je unutrašnjost čista kako se preporuča u „Čišćenju i održavanju“.
4. Da je utikač utaknut u utičnicu i da je struja uključena.

#### **I imajte na umu da:**

5. Čut ćete buku kad kompresor počne raditi. Tekućina i plinovi koji su zatvoreni u sustavu hladnjaka također mogu napraviti nešto buke, bez obita na to da li kompresor radi ili ne. To je u potpunosti normalno.
6. Malo talasanje na vrhu kutije je potpuno normalno zbog korištenog procesa proizvodnje, to nije greška.
7. Preporučamo postavljanje gumba termostata na pola i da provjeravate temperaturu da biste bili sigurni da aparat održava željenu temperaturu (Vidite dio Kontrola i postavljanje temperature)
8. Ne punite aparat odmah čim je uključen. Čekajte dok se ne dosegna željena temperatura. Preporučamo provjeravanje temperature točnim termometrom (vidite Kontrola i prilagođavanje temperature).

### **Pohrana svježe hrane**

Molimo Pazite na sljedeće upute da biste dobili najbolje rezultate. Nemojte zamrzavati prevelike količine u isto vrijeme. Kvaliteta hrane se najbolje čuva ako se zamrzava što je brže moguće. Nemojte prelaziti kapacitet zamrzavanja Vašeg aparata u 24 h. Stavljanje tople hrane u odjeljak za zamrzavanje uzrokuje stalni rad stroja dok se hrana u potpunosti ne zamrzne. Ovo može privremeno dovesti do pretjeranog hlađenja odjeljka za zamrzavanje. Kad zamrzavate svježu hranu, držite gumb termostata na srednjem položaju. Male količine hrane do ½ kg se mogu zamrznuti bez prilagođavanja gumba za kontrolu temperature. Posebno pazite da ne miješate već zamrznutu i svježu hranu.

### **Priprava kockica leda**

Ispunite posudu za led 3/4 vodom i stavite je u hladnjak. Olabavite smrznute pladnjeve drškom žlice ili sličnim predmetom, nikada ne koristite oštre predmete kao što su noževi ili vilice.



## Odmrzavanje

Pretinac za zamrzavanje automatski odmrzava. Voda od odmrzavanja ide kroz cijev za odvod preko spremnika za sakupljanje na stražnjem dijelu uređaja (**Slika 6**).

Za vrijeme odmrzavanja, kapi vode se mogu stvarati na stražnjem dijelu hladnjaka gdje se nalazi sakriven uređaj za isparavanje. Neke kapi mogu ostati na kućištu i zamrznuti se kad je odmrzavanje gotovo. Ne koristite oštre predmete kao što su noževi ili vilice da biste uklonili kapi koje su se ponovno zamrznule. Ako se, bilo kada, voda od odmrzavanja ne odlijeva iz kanala za sakupljanje, provjerite da dijelovi hrane nisu začepili cijev za odvodnju. Cijev za odvodnju se može očistiti s alatom za čišćenje cijevi ili sličnim predmetom. Provjerite da je cijev stavljena za stalno s krajem u posudi za sakupljanje na kompresoru da bi se spriječilo prelijevanje vode na električne instalacije ili na pod (**Slika 7**).

## B) Odjeljak za hlađenje

### Odjeljak s niskom temperaturom:

Odmrzavajte dva outa godišnje kad se skupi sloj leda od otprilike 7 mm. Da biste započeli s postupkom odleđivanja, isključite uređaj iz utičnice i povucite utikač van. Svu hranu treba zamotati u nekoliko slojeva novinskog papira i staviti na hladno mjesto (npr. hladnjak ili ostavu).

Spremnike s toplom vodom možete pažljivo staviti u škrinju da biste ubrzali odmrzavanje.

Ne koristite oštre predmete kao što su noževi ili vilice da biste uklonili led. Nikada ne koristite fen, električne grijalice ili slične električne aparate za odmrzavanje. Spužvom uklonite odmrznutu vodu sakupljenu na dnu odjeljak za zamrzavanje. Nakon otapanja, potpuno osušite unutrašnjost. Umetnite utikač u utičnicu i uključite dovod energije.

### Zamjena unutarnje žarulje

Da biste zamijenili lampicu koja se koristi za osvjetljavanje, molimo nazovite svoj ovlašteni servis. Lampa koja se koristi u ovom uređaju nije podesna za uporabu za osvjetljenje doma. Predviđena namjena ove lampe je da pomogne korisniku da stavi hranu u hladnjak/škrinju na siguran i ugodan način. Svjetiljke ovog uređaja moraju podnijeti ekstremne uvjete poput temperatura nižih od -20°C.

### Čišćenje i održavanje

1. Preporučamo da isključite aparat iz utičnice i izvucete utikač prije čišćenja.

2. Nikada za čišćenje nemojte koristiti oštre predmete ili abrazivne tvari, sapun, tekućinu za čišćenje kućanstva, deterdžent ili vosak za poliranje.

3. Koristite mlaku vodu da biste očistili kutiju aparata i osušite je krpom.

4. Koristite ocijeđenu vlažnu krpu potopljenu u otopini jedne žličice sode bikarbone na pola litre vode da biste očistili unutrašnjost i osušite je krpom.

5. Pazite da voda ne uđe u kutiju za kontroliranje temperature.

6. Ako se aparat neće koristiti dulje vrijeme, isključite ga, izvadite svu hranu, očistite ga i ostavite vrata otvorena.

7. Preporučamo Vam da ispolirate metalne dijelove proizvoda (npr. vanjski dio vrata, dijelove kutije) silikonskim voskom (za poliranje automobila) da biste zaštitili visokokvalitetni premaz.

8. Svu prašinu koja se skupi na kondenzatoru koji se nalazi na stražnjoj strani uređaja uklonite usisavačem.

9. Provjeravajte brtve na vratima redovito da biste bili sigurni da su čisti i da na njima nema dijelova hrane.

10. Nikada nemojte:

- Čistiti aparat s nepodesnim materijalom, npr. proizvodima na osnovi petroleja,
- Ni na koji način izlagati visokim temperaturama,
- Čistiti, trljati, itd. abrazivnim sredstvima.

11. Uklanjanje pladnja vrata:

• Da biste skinuli policu vrata, izvadite sav sadržaj i tada jednostavno gumite policu vrata gore iz osnove.

12. Pazite da je poseban plastični spremnik na stražnjem dijelu uređaja koji skluplja odmrznutu vodu uvijek čist. Ako želite ukloniti policu da biste je očistili, slijedite sljedeće upute:

- Isključite uređaj iz struje i izvucite utikač iz utičnice.
- Nježno otpustite tipku na kompresoru pomoću kliješta tako da se policica može ukloniti.
- Podignite je.
- Očistite je i potpuno osušite.
- Montirajte je natrag pomoću obrnutog slijeda operacija.

13. Velike nakupine leda će nepovoljno utjecati na rad pretinca s niskom temperaturom.

### Prebacivanje vrata

Nastavite po rednim brojevima (**Slika 8**).

### Što se smije a što se ne smije

**Smije se** - redovito čistiti i odmrzavati Vaš uređaj (vidite „Odmrzavanje”).

**Smije se** - Držati svježe meso i perad ispod kuhane hrane i mliječnih proizvoda.

**Smije se** - Skinuti sve beskorisne listove na povrću i ukloniti svu zemlju.

**Smije se** - Ostaviti zelenu salatu, kupus, peršin i cvjetaču na stabljici.

**Smije se** - Umotati sir prvo u papir otporan na masnoću i zatim u plastičnu vrećicu, istisnuvši zrak što je više moguće.

Za najbolje rezultate, izvadite hranu iz odjeljka za zamrzavanje bar sat vremena prije jela.

**Smije se** - Omotati svježe meso i piletinu labavo u plastičnu i aluminijsku foliju. To sprječava sušenje.

**Smije se** - Zamotati ribu i iznutrice u plastične vrećice.

**Smije se** - Zamotati hranu s jakim mirisom ili onu koja se može osušiti u plastične vrećice ili aluminijsku foliju i staviti u spremnik koji ne propušta zrak.

**Smije se** - Dobro omotati kruh da ostane svjež.

**Smije se** - Hladiti bijela vina, crno i svijetlo pivo i mineralna voda prije serviranja.

**Smije se** - Provjeravati sadržaj škrinje svako malo.

**Smije se** - Držati hranu što je moguće kraće vrijeme i držati se datuma vezanim uz vijek trajanja.

**Smije se** - Pohraniti komercijalno zamrznutu hranu u skladu s uputama danim na pakiranju.

**Smije se** - Uvijek birati kvalitetnu hranu i paziti da je čista prije nego je zamrznete.

**Smije se** - Pripremati svježa hrana za zamrzavanje u malim porcijama da bi se osiguralo brzo zamrzavanje.

**Smije se** - Zamotati hranu u aluminijsku foliju ili kvalitetne plastične vrećice za škrinju i paziti da nema zraka u njima.

**Smije se** - Zamotati zamrznuta hrana odmah nakon kupnje i staviti u hladnjak čim prije.

**Smije se** - Uvijek odmrzavati hranu u odjeljku za hlađenje.

**Ne smije se** Pohraniti banane u odjeljak škrinje.

**Ne smije se** Pohraniti dinju ili lubenicu u škrinju. Može se hladiti kratko vrijeme dok god je omotana da biste spriječili prenošenje mirisa na drugu hranu.

**Ne smije se** Prekrivati police bilo kakvim zaštitnim materijalima koji sprječavaju cirkulaciju zraka.

**Ne smije se** Skladištiti otrovne ili bilo kakve opasne supstance u Vašem aparatu. Dizajniran je samo za pohranu hrane.

**Ne smije se** Konzumirati hrana koja je bila zamrznuta dulje vrijeme.

**Ne smije se** Stavljati kuhana i svježa hrana skupa u isti spremnik. Oni se moraju pakirati i spremati osvojeno.

**Ne smije se** Dopustiti da hrana ili sokovi hrane kapaju na hranu.

**Ne smije se** Ostavljati vrata otvorena dulje vrijeme, jer će rad aparata biti skuplji i stvorit će se previše leda.

**Ne smije se** Koristiti oštre predmete poput noževa ili vilica da bi se uklonio led.

**Ne smije se** Stavljati topla hrana u uređaj. Pustite je prvo da se ohladi.

**Ne smije se** Stavljati boce punjene tekućinom ili limenke s gaziranim pićem u škrinju, jer može eksplodirati.

**Ne smije se** Prijeći maksimalni količinu kad zamrzavate hranu.

**Ne smije se** Davati djeci sladoled i vodenaste sladolede direktno iz škrinje. Niske temperature mogu povrijediti usne.

**Ne smije se** Zamrzavati gazirane sokove.

**Ne smije se** Pokušavati zamrznutu hranu koja je otopljena; ona se treba pojesti unutar 24 sata ili se skuhati i ponovno zamrznuti.

**Ne smije se** Vaditi stvari iz škrinje mokrim rukama.


### Rješavanje problema

Ako aparat ne radi kad se uključi, provjerite;

- ♦ Da je utikač dobro utaknut u utičnicu i da je dovod energije uključen. (Da biste provjerili dovod energije u utičnicu, uključite drugi uređaj).
- ♦ Da li je iskočio osigurač / je li isključena glavna sklopka dovoda energije.
- ♦ Da li je gumb za kontrolu temperature dobro postavljen.
- ♦ Da je novi utikač dobro umrežen, ako ste mijenjali ugrađeni utikač.

Ako aparat još uvijek ne radi nakon gore navedenih promjena, kontaktirajte prodavača od kojih ste kupili uređaj. Pazite da ste napravili sve gore navedene provjere, jer će Vam biti naplaćena naknada ako se ne nađe greška.



Znak  na proizvodu ili pakiranju označava da se proizvod ne smije tretirati kao kućni otpad. Umjesto toga, treba se predati u odgovarajućem centru za reciklažu električne i elektronske opreme. Osiguranjem pravilnog odlaganja ovog proizvoda, pomoći ćete u sprječavanju mogućih negativnih posljedica na okolinu i zdravlje ljudi, koji bi inače bili uzrokovani neodgovarajućim rukovanjem otpadom ovog proizvoda. Za detaljnije informacije o reciklaži ovog proizvoda, molimo javite se u ured lokalne samouprave, Vašu tvrtku za zbrinjavanje otpada ili trgovinu u kojoj ste kupili proizvod.





[www.beko.com](http://www.beko.com)

4578333540/AD  
EN,IT,FR,HU,D,HR