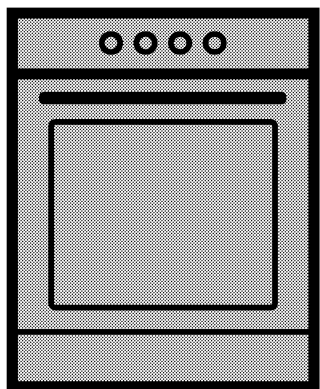


Oven

User manual



CDF 67100 G
FDF67110GW

EN | DE | HU

285.3024.75/R.AF/06.02.2018

Please read this user manual first!

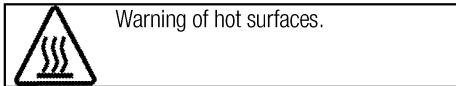
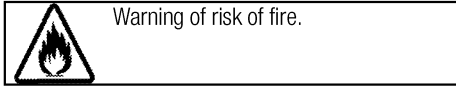
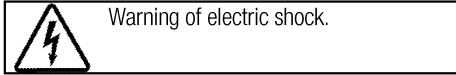
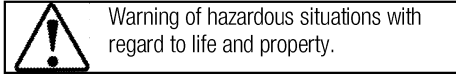
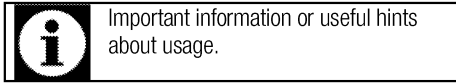
Dear Customer,

Thank you for purchasing this Beko product. We hope that you get the best results from your product which has been manufactured with high quality and state-of-the-art technology. Therefore, please read this entire user manual and all other accompanying documents carefully before using the product and keep it as a reference for future use. If you handover the product to someone else, give the user manual as well. Follow all warnings and information in the user manual.

Remember that this user manual is also applicable for several other models. Differences between models will be identified in the manual.

Explanation of symbols

Throughout this user manual the following symbols are used:



Arçelik A.Ş.

Karaağaç caddesi No:2-6
34445 Söğütözü/İstanbul/TURKEY

Made in TURKEY

CE

This product was manufactured using the latest technology in environmentally friendly conditions.

**1 Important instructions and warnings
for safety and environment 4**

General safety 4
 Electrical safety 4
 Product safety 5
 Intended use 8
 Safety for children 8
 Disposing of the old product 8
 Package information 9
 Future Transportation 9

2 General information 10

Overview 10
 Package contents 11
 Technical specifications 12

3 Installation 13

Before installation 13
 Installation and connection 14

4 Preparation 16

Tips for saving energy 16
 Initial use 16
 First cleaning of the appliance 16
 Initial heating 16

5 How to use the hob 17

General information about cooking 17
 Using the hobs 17

6 How to operate the oven 19

General information on baking, roasting and grilling 19
 How to operate the electric oven 19
 Operating modes 20
 Using the oven clock 20
 Cooking times table 21
 How to operate the grill 22
 Cooking times table for grilling 22
 How to operate the top oven 23
 Cooking times table 23

7 Maintenance and care 24

General information 24
 Cleaning the hob 24
 Cleaning the control panel 24
 Cleaning the oven 24
 Removing the oven door 25
 Removing the door inner glass(if the door has 3
 glasses) 25
 Removing the door inner glass(if the door has 2
 glasses) 26
 Replacing the oven lamp 27

8 Troubleshooting 28

1 Important instructions and warnings for safety and environment

This section contains safety instructions that will help protect from risk of personal injury or property damage. Failure to follow these instructions shall void any warranty.

General safety

- This appliance can be used by children aged from 8 years and above and persons with reduced physical, sensory or mental capabilities or lack of experience and knowledge if they have been given supervision or instruction concerning use of the appliance in a safe way and understand the hazards involved.

Children shall not play with the appliance. Cleaning and user maintenance shall not be made by children without supervision.

- The appliance is not to be used by persons (including children) with reduced physical, sensory or mental capabilities, or lack of experience and knowledge, unless they have been given supervision or instruction. Children should be supervised and ensure they do not play with the appliance
- If the product is handed over to someone else for personal use or second-hand use purposes, the

user manual, product labels and other relevant documents and parts should be also given.

- Never place the product on a carpet-covered floor. Otherwise, lack of airflow beneath the product will cause electrical parts to overheat. This will cause problems with your product.
- Installation and repair procedures must always be performed by Authorised Service Agents. The manufacturer shall not be held responsible for damages arising from procedures carried out by unauthorised persons which may also void the warranty. Before installation, read the instructions carefully.
- Do not operate the product if it is defective or has any visible damage.
- Ensure that the product function knobs are switched off after every use.

Electrical safety

- If the product has a failure, it should not be operated unless it is repaired by an Authorised Service Agent. There is the risk of electric shock!
- Only connect the product to a grounded outlet/line with the

voltage and protection as specified in the “Technical specifications”. Have the grounding installation made by a qualified electrician while using the product with or without a transformer. Our company shall not be liable for any problems arising due to the product not being earthed in accordance with the local regulations.

- Never wash the product by spreading or pouring water onto it! There is the risk of electric shock!
- The product must be disconnected during installation, maintenance, cleaning and repairing procedures.
- If the power connection cable for the product is damaged, it must be replaced by the manufacturer, its service agent or similarly qualified persons in order to avoid a hazard.
- The appliance must be installed so that it can be completely disconnected from the mains supply. The separation must be provided by a switch built into the fixed electrical installation, according to construction regulations.
- Rear surface of the oven gets hot when it is in use. Make sure that the electrical connection does not contact the rear surface;

otherwise, connections can get damaged.

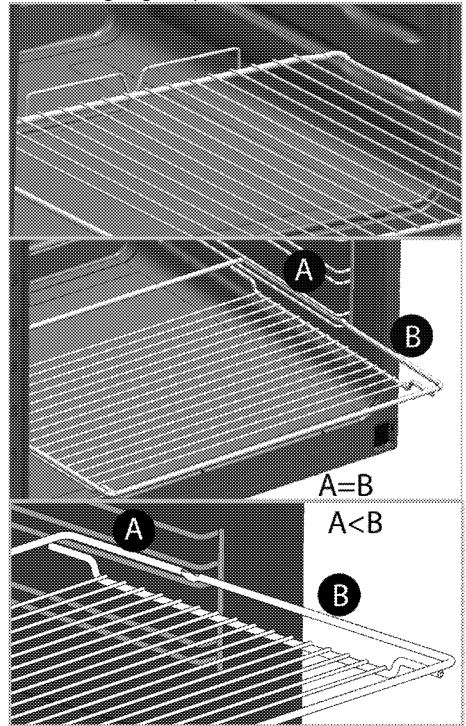
- Do not trap the mains cable between the oven door and frame and do not route it over hot surfaces. Otherwise, cable insulation may melt and cause fire as a result of short circuit.
- Any work on electrical equipment and systems should only be carried out by authorised and qualified persons.
- In case of any damage, switch off the product and disconnect it from the mains. To do this, turn off the fuse at home.
- Make sure that fuse rating is compatible with the product.

Product safety

- **WARNING:** The appliance and its accessible parts become hot during use. Care should be taken to avoid touching heating elements. Children less than 8 years of age shall be kept away unless continuously supervised.
- Never use the product when your judgment or coordination is impaired by the use of alcohol and/or drugs.
- Be careful when using alcoholic drinks in your dishes. Alcohol evaporates at high temperatures and may cause fire since it can ignite when it comes into contact with hot surfaces.

- Food Poisoning Hazard: Do not let food sit in oven for more than 1 hour before or after cooking. Doing so can result in food poisoning or sickness.
- Do not place any flammable materials close to the product as the sides may become hot during use.
- During use the appliances becomes hot. Care should be taken to avoid touching heating elements inside the oven.
- Keep all ventilation slots clear of obstructions.
- Do not heat closed tins and glass jars in the oven. The pressure that would build-up in the tin/jar may cause it to burst.
- Do not place baking trays, dishes or aluminium foil directly onto the bottom of the oven. The heat accumulation might damage the bottom of the oven.
- Do not use harsh abrasive cleaners or sharp metal scrapers to clean the oven door glass since they can scratch the surface, which may result in shattering of the glass.
- Do not use steam cleaners to clean the appliance as this may cause an electric shock.
- (Varies depending on the product model.)

Placing the wire shelf and tray onto the wire racks properly
 It is important to place the wire shelf and/or tray onto the rack properly. Slide the wire shelf or tray between 2 rails and make sure that it is balanced before placing food on it (Please see the following figure).



- Do not use the product if the front door glass removed or cracked.
- Do not use the oven handle to hang towels for drying. Do not hang up towel, gloves, or similar textile products when the grill function is at open door.
- Always use heat resistant oven gloves when putting in or

removing dishes into/from the hot oven.

- Place the baking paper into the cooking pot or on to the oven accessory (tray, wire grill etc) together with the food and then insert all into the preheated oven. Remove the excess parts of the baking paper overflowing from the accessory or the pot in order to prevent the risk of touching the oven's heating elements. Never use the baking paper in an operating temperature higher than the indicated value for the baking paper. Do not place the baking paper directly on the base of the oven.
- **WARNING:** Ensure that the appliance is switched off before replacing the lamp to avoid the possibility of electric shock.
- The appliance must not be installed behind a decorative door in order to avoid overheating.
- Product must be placed directly on the floor. It must not be placed onto a base or a pedestal.
- **WARNING:** Unattended cooking on a hob with fat or oil can be dangerous and may result in fire. NEVER try to extinguish a fire with water, but switch off the appliance and then cover flame e.g. with a lid or a fire blanket.
- **CAUTION:** The cooking process has to be supervised. A short term cooking process has to be supervised continuously.
- **WARNING:** Danger of fire: Do not store items on the cooking surfaces.
- **WARNING:** If the surface is cracked, switch off the appliance to avoid the possibility of electric shock.
- In case of hotplate glass breakage : Immediately shut off all burners and any electrical heating element and isolate the appliance from the power supply. Do not touch the appliance surface. Do not use the appliance.
- The appliance is not intended to be operated by means of an external timer or separate remote-control system.
- Vapour pressure that build up due to the moisture on the hob surface or at the bottom of the pot can cause the pot to move. Therefore, make sure that the oven surface and bottom of the pots are always dry.
- **WARNING:** Use only hob guards designed by the manufacturer of the cooking appliance or indicated by the manufacturer of the appliance in the instructions for use as suitable or hob guards incorporated in the appliance. The

use of inappropriate guards can cause accidents.

Prevention against possible fire risk!

- Ensure all electrical connections are secure and tight to prevent risk of arcing.
- Do not use damaged cables or extension cables.
- Ensure liquid or moisture is not accessible to the electrical connection point.

Intended use

- This product is designed for domestic use. Commercial use will void the guarantee.
- This appliance is for cooking purposes only. It must not be used for other purposes, for example room heating.
- This product should not be used for warming the plates under the grill, drying towels, dish cloths etc. by hanging them on the oven door handles. This product should also not be used for room heating purposes.
- The manufacturer shall not be liable for any damage caused by improper use or handling errors.
- The oven can be used for defrosting, baking, roasting and grilling food.

Safety for children

- **WARNING:** Accessible parts may become hot during use. Young children should be kept away.

- The packaging materials will be dangerous for children. Keep the packaging materials away from children. Please dispose of all parts of the packaging according to environmental standards.
- Electrical products are dangerous to children. Keep children away from the product when it is operating and do not allow them to play with the product.
- Do not place any items above the appliance that children may reach for.
- When the door is open, do not load any heavy object on it and do not allow children to sit on it. It may overturn or door hinges may get damaged.

Disposing of the old product

Compliance with the WEEE Directive and Disposing of the Waste Product:



This product complies with EU WEEE Directive (2012/19/EU). This product bears a classification center symbol for waste electrical and electronic equipment (WEEE).

This product has been manufactured with high quality parts and materials which can be reused and are suitable for recycling. Do not dispose of the waste product with normal domestic and other wastes at the end of its service life. Take it to the collection center for the recycling of electrical and electronic equipment. Please consult your local authorities to learn about these collection centers.

Compliance with RoHS Directive:

The product you have purchased complies with EU RoHS Directive (2011/65/EU). It does not contain harmful and prohibited materials specified in the Directive.

Package information

- Packaging materials of the product are manufactured from recyclable materials in accordance with our National Environment Regulations. Do not dispose of the packaging materials together with the domestic or other wastes. Take them to the packaging material collection points designated by the local authorities.

Future Transportation

- Keep the product's original carton and transport the product in it. Follow the instructions on the carton. If you do not have the original carton, pack the product in bubble wrap or thick cardboard and tape it securely.

- To prevent the wire grill and tray inside the oven from damaging the oven door, place a strip of cardboard onto the inside of the oven door that lines up with the position of the trays. Tape the oven door to the side walls.
- Do not use the door or handle to lift or move the product.



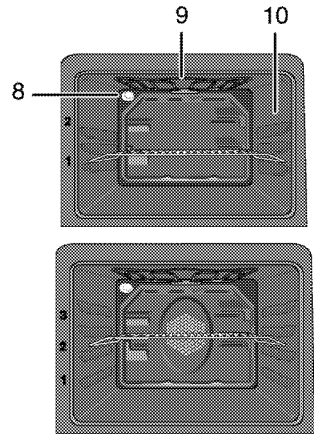
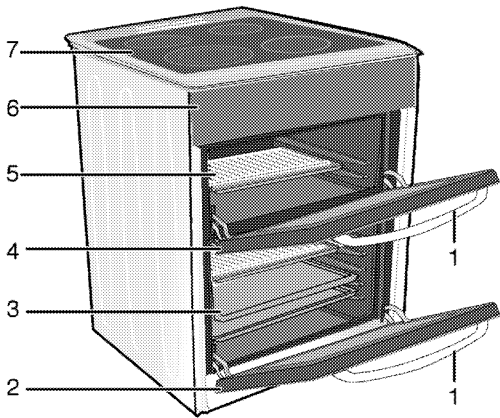
Do not place any objects onto the product and move it in upright position.



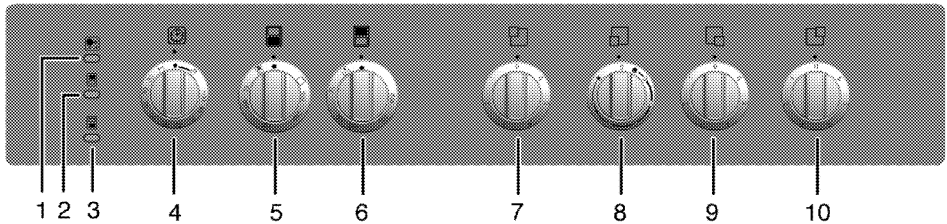
Check the general appearance of your product for any damages that might have occurred during transportation.

2 General information

Overview



- | | | | |
|---|----------------|----|---------------------|
| 1 | Handle | 6 | Control panel |
| 2 | Main oven door | 7 | Burner plate |
| 3 | Tray | 8 | Lamp |
| 4 | Top oven door | 9 | Top heating element |
| 5 | Wire shelf | 10 | Shelf positions |



- | | |
|----|--|
| 1 | Warning lamp |
| 2 | Thermostat lamp for top oven |
| 3 | Thermostat lamp for main oven |
| 4 | Mechanical timer |
| 5 | Main oven function knob |
| 6 | Top oven function knob |
| 7 | Single-circuit cooking plate Rear left |
| 8 | Dual-circuit cooking plate Front left |
| 9 | Single-circuit cooking plate Front right |
| 10 | Single-circuit cooking plate Rear right |

Package contents

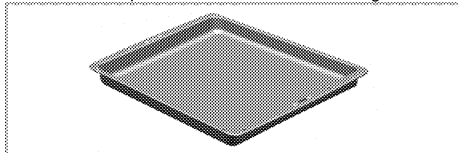


Accessories supplied can vary depending on the product model. Not every accessory described in the user manual may exist on your product.

1. **User manual**

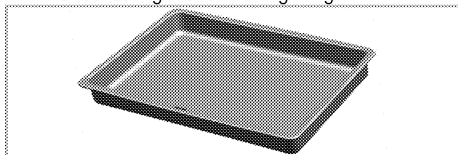
2. **Oven tray**

Used for pastries, frozen foods and big roasts.



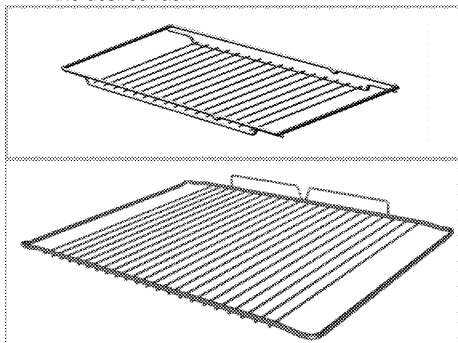
3. **Deep tray**

Used for pastries, large roasts, juicy dishes, and for collecting the fat while grilling.



4. **Wire Shelf**

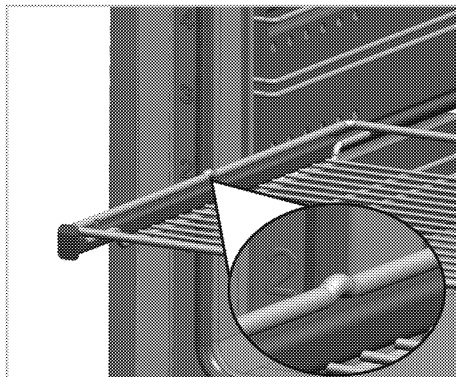
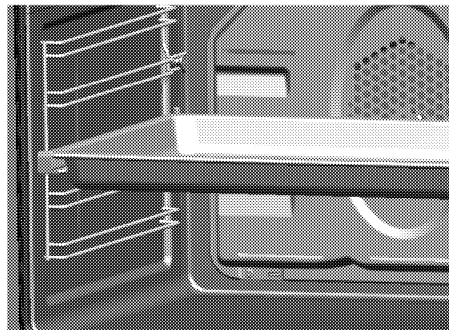
Used for roasting and for placing the food to be baked, roasted or cooked in casserole dishes to the desired rack.



5. **Placing the wire shelf and tray onto the telescopic racks properly**
(This feature is optional. It may not exist on your product.)

Telescopic racks allow you to install and remove the trays and wire shelf easily.

When using the tray and wire shelf with telescopic racks, make sure that the pins at the rear section of the telescopic rack stands against the edges of the wire shelf and tray.



Technical specifications

GENERAL	
External dimensions (height / width / depth)	850 mm/600 mm/600 mm
Voltage / frequency	220-240 V ~ 50 Hz
Total power consumption	max. 9.1 kW
Fuse	32 A
Cable type / section	H05VV-FG 3 x 4 mm ²
HOB	
Burners	
Rear left	Single-circuit cooking plate
Dimension	140 mm
Power	1200 W
Front left	Dual-circuit cooking plate
Dimension	180/120 mm
Power	700/1700 W
Front right	Single-circuit cooking plate
Dimension	140 mm
Power	1200 W
Rear right	Single-circuit cooking plate
Dimension	180 mm
Power	1700 W
OVEN/GRILL	
Top oven	Conventional oven
Inner lamp	15–25 W
Main oven	Fan oven/Grill oven
Inner lamp	15–25 W
Grill power consumption	2.2kW

Basics: Information on the energy label of electrical ovens is given in accordance with the EN 60350-1 / IEC 60350-1 standard. Those values are determined under standard load with bottom-top heater or fan assisted heating (if any) functions.

Energy efficiency class is determined in accordance with the following prioritization depending on whether the relevant functions exist on the product or not. 1-Cooking with eco-fan, 2- Turbo slow cooking, 3- Turbo cooking, 4- Fan assisted bottom/top heating, 5-Top and bottom heating.



Technical specifications may be changed without prior notice to improve the quality of the product.



Figures in this manual are schematic and may not exactly match your product.



Values stated on the product labels or in the documentation accompanying it are obtained in laboratory conditions in accordance with relevant standards. Depending on operational and environmental conditions of the product, these values may vary.

3 Installation

Product must be installed by a qualified person in accordance with the regulations in force. The manufacturer shall not be held responsible for damages arising from procedures carried out by unauthorized persons which may also void the warranty.



Preparation of location and electrical installation for the product is under customer's responsibility.



DANGER:

The product must be installed in accordance with all local electrical regulations.



DANGER:

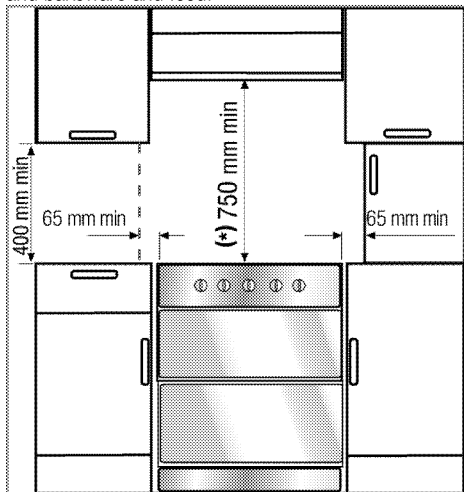
Prior to installation, visually check if the product has any defects on it. If so, do not have it installed.

Damaged products cause risks for your safety.

Before installation

To ensure that critical air gaps are maintained under the appliance, we recommend that this appliance is mounted on a solid base and that the feet do not sink into any carpet or soft flooring.

The kitchen floor must be able to carry the weight of the appliance plus the additional weight of cookware and bakeware and food.



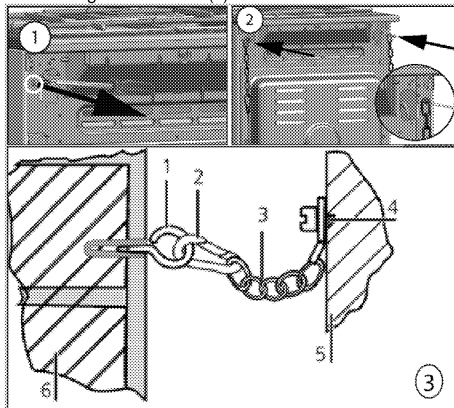
- It can be used with cabinets on either side but in order to have a minimum distance of 400mm above hotplate level allow a side clearance of 65mm between the appliance and any wall, partition or tall cupboard.

- It can also be used in a free standing position. Allow a minimum distance of 750 mm above the hob surface.
- (*) If a cooker hood is to be installed above the cooker, refer to cooker hood manufacturer' instructions regarding installation height (min 650 mm).
- Movement of your appliance is most easily achieved by lifting the front as follows and pulling towards. Open the top oven door and the bottom oven door sufficiently to allow a comfortable grip on the underside front edge of the oven roofs. While gripping, it should be avoided to damage any grill elements or oven interior furniture.
- The appliance corresponds to device class 1, i.e. it may be placed with the rear and **one** side to kitchen walls, kitchen furniture or equipment of any size. The kitchen furniture or equipment on the **other** side may only be of the same size or smaller.
- Any kitchen furniture next to the appliance must be heat-resistant (100 °C min.).

Safety chain

If your product has 2 safety chains;

The appliance must be secured against overbalancing by using the supplied two safety chains on your oven. Fasten hook (1) by using a proper peg to the kitchen wall (6) and connect safety chain (3) to the hook via the locking mechanism (2).



- 1 Stability hook
- 2 Locking mechanism
- 3 Safety chain (supplied and mounted to oven)
- 4 Firmly fix chain to cooker rear

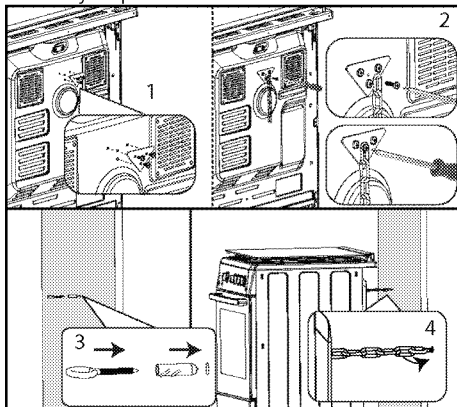
5 Rear of cooker

6 Kitchen wall

If your product has 1 safety chain;

The appliance must be secured against overbalancing by using the supplied one safety chain on your oven.

Follow below steps in the picture to secure the safety chain to your product.



i Stability chain to be as short as practicable to avoid oven tilting forward and diagonal to avoid oven side tilting.

Cooker stability chain for cookers is not designed with bracket engagement slot.

Installation and connection

Product can only be installed and connected in accordance with the statutory installation rules.

i Do not install the product next to refrigerators or freezers. The heat emitted by the product will increase the energy consumption of cooling appliances.

- Carry the product with at least two persons.
- Product must be placed directly on the floor. It must not be placed onto a base or a pedestal.

i Do not use the door and/or handle to carry or move the product. The door, handle or hinges get damaged.

Electrical connection

Connect the product to a grounded outlet/line protected by a fuse of suitable capacity as stated in the "Technical specifications" table. Have the grounding installation made by a qualified electrician while using the product with or without a transformer. Our company shall not be liable for any damages that will arise due to using the product without a grounding installation in accordance with the local regulations.



DANGER:

The product must be connected to the mains supply only by an authorised and qualified person. The product's warranty period starts only after correct installation. Manufacturer shall not be held responsible for damages arising from procedures carried out by unauthorised persons.



DANGER:

The power cable must not be clamped, bent or trapped or come into contact with hot parts of the product. A damaged power cable must be replaced by a qualified electrician. Otherwise, there is risk of electric shock, short circuit or fire!

The mains supply data must correspond to the data specified on the type label of the product. The rating plate is either seen when the door or the lower cover is opened or it is located at the rear wall of the unit depending on the unit type. Power cable of your product must comply with the values in "Technical specifications" table.



DANGER:

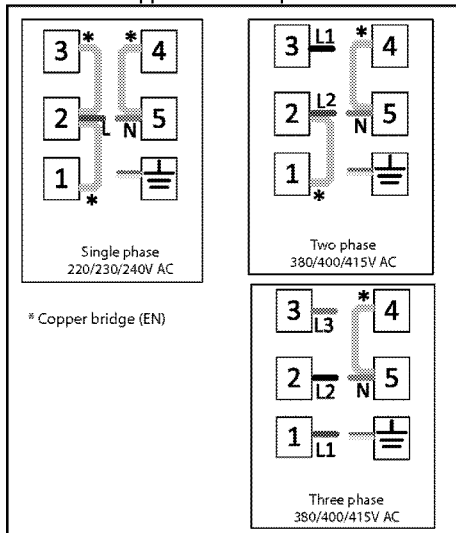
Before starting any work on the electrical installation, disconnect the product from the mains supply. There is the risk of electric shock!

Connecting the power cable

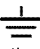
1. If it is not possible to disconnect all poles in the supply power, a disconnection unit with at least 3 mm contact clearance (fuses, line safety switches, contactors) must be connected and all the poles of this disconnection unit must be adjacent to (not above) the product in accordance with IEE directives. Failure to obey this instruction may cause operational problems and invalidate the product warranty.

Additional protection by a residual current circuit breaker is recommended.

If a cable is supplied with the product:



2. **For single-phase connection**, connect as identified below:

- Brown cable = L (Phase)
- Blue cable = N (Neutral)
- Green/yellow cable = (E)  (Ground)
- Push the product towards the kitchen wall.

• **Adjusting the feet of oven**

Vibrations during use may cause cooking vessels to move. This dangerous situation can be avoided if the product is level and balanced.

For your own safety please ensure the product is level by adjusting the four feet at the bottom by turning left or right and align level with the work top.

Final check

1. Reconnect the product to the mains.
2. Check electrical functions.

4 Preparation

Tips for saving energy

The following information will help you to use your appliance in an ecological way, and to save energy:

- Use dark coloured or enamel coated cookware in the oven since the heat transmission will be better.
- While cooking your dishes, perform a preheating operation if it is advised in the user manual or cooking instructions.
- Do not open the door of the oven frequently during cooking.
- Try to cook more than one dish in the oven at the same time whenever possible. You can cook by placing two cooking vessels onto the wire shelf.
- Cook more than one dish one after another. The oven will already be hot.
- You can save energy by switching off your oven a few minutes before the end of the cooking time. Do not open the oven door.
- Defrost frozen dishes before cooking them.
- Use pots/pans with cover for cooking. If there is no cover, energy consumption may increase 4 times.
- Select the burner which is suitable for the bottom size of the pot to be used. Always select the correct pot size for your dishes. Larger pots require more energy.
- Pay attention to use flat bottom pots when cooking with electric hobs.
Pots with thick bottom will provide a better heat conduction. You can obtain energy savings up to 1/3.
- Vessels and pots must be compatible with the cooking zones. Bottom of the vessels or pots must not be smaller than the hotplate.
- Keep the cooking zones and bottom of the pots clean. Dirt will decrease the heat conduction between the cooking zone and bottom of the pot.
- For long cookings, turn off the cooking zone 5 or 10 minutes before the end of cooking time. You can obtain energy savings up to 20% by using the residual heat.

Initial use

First cleaning of the appliance



The surface might get damaged by some detergents or cleaning materials. Do not use aggressive detergents, cleaning powders/creams or any sharp objects during cleaning. Do not use harsh abrasive cleaners or sharp metal scrapers to clean the oven door glass since they can scratch the surface, which may result in shattering of the glass.

1. Remove all packaging materials.
2. Wipe the surfaces of the appliance with a damp cloth or sponge and dry with a cloth.

Initial heating

Heat up the product for about 30 minutes and then switch it off. Thus, any production residues or layers will be burnt off and removed.



WARNING

Hot surfaces cause burns!
Product may be hot when it is in use. Never touch the hot burners, inner sections of the oven, heaters and etc. Keep children away. Always use heat resistant oven gloves when putting in or removing dishes into/from the hot oven.

Electric oven

1. Take all baking trays and the wire grill out of the oven.
2. Close the oven door.
3. Select the highest oven power; See *How to operate the electric oven, page 19*.
4. Operate the oven for about 30 minutes.
5. Turn off your oven; See *How to operate the electric oven, page 19*

Grill oven

1. Take all baking trays and the wire grill out of the oven.
2. Close the oven door.
3. Select the highest grill power; see *How to operate the grill, page 22*.
4. Operate the grill about 30 minutes.
5. Turn off your grill; see *How to operate the grill, page 22*



Smoke and smell may emit for a couple of hours during the initial operation. This is quite normal. Ensure that the room is well ventilated to remove the smoke and smell. Avoid directly inhaling the smoke and the smell that emits.

5 How to use the hob

General information about cooking



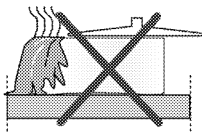
Never fill the pan with oil more than one third of it. Do not leave the hob unattended when heating oil. Overheated oils bring risk of fire. **Never attempt to extinguish a possible fire with water!** When oil catches fire, cover it with a fire blanket or damp cloth. Turn off the hob if it is safe to do so and call the fire department.

- Before frying foods, always dry them well and gently place into the hot oil. Ensure complete thawing of frozen foods before frying.
- Do not cover the vessel you use when heating oil.
- Place the pans and saucepans in a manner so that their handles are not over the hob to prevent heating of the handles. Do not place unbalanced and easily tilting vessels on the hob.
- Do not place empty vessels and saucepans on cooking zones that are switched on. They might get damaged.
- Operating a cooking zone without a vessel or saucepan on it will cause damage to the product. Turn off the cooking zones after the cooking is complete.
- As the surface of the product can be hot, do not put plastic and aluminum vessels on it. Clean any melted such materials on the surface immediately. Such vessels should not be used to keep foods either.
- Use flat bottomed saucepans or vessels only.
- Put appropriate amount of food in saucepans and pans. Thus, you will not have to make any unnecessary cleaning by preventing the dishes from overflowing. Do not put covers of saucepans or pans on cooking zones. Place the saucepans in a manner so that they are centered on the cooking zone. When you want to move the saucepan onto another cooking zone, lift and place it onto the cooking zone you want instead of sliding it.

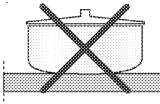
Tips about glass ceramic hobs

- Glass ceramic surface is heatproof and is not affected by big temperature differences.

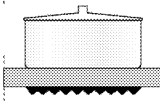
- Do not use the glass ceramic surface as a place of storage or as a cutting board.
- Use only the saucepans and pans with machined bottoms. Sharp edges create scratches on the surface.
- Do not use aluminum vessels and saucepans. Aluminum damages the glass ceramic surface.



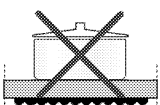
Spills may damage the glass ceramic surface and cause fire.



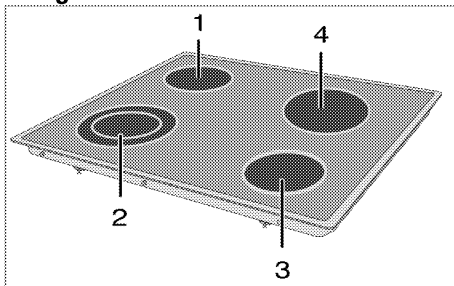
Do not use vessels with concave or convex bottoms.



Use only the saucepans and pans with flat bottoms. They ensure easier heat transfer. If the diameter of the saucepan is too small, energy will be wasted.



Using the hobs



- 1 Single-circuit cooking plate 14-16 cm
- 2 Dual-circuit cooking plate 18-20/12-14 cm
- 3 Single-circuit cooking plate 14-16 cm
- 4 Single-circuit cooking plate 18-20 cm is list of advised diameter of pots to be used on related burners.

**DANGER:**

Do not allow any object to drop on the hob. Even small objects such as a saltshaker may damage the hob.
Do not use cracked hobs. Water may leak through these cracks and cause short circuit. In case of any kind of damage on the surface (eg., visible cracks), switch off the product immediately to minimize the risk of electric shock.

Glass ceramic hob is equipped with an operation light and a hot zone warning indicator.

Hot zone warning indicator indicates the status of the active zone and it remains lit after the plate is turned off. When the temperature of the plate cools down to a level that it can be touched by hand, warning indicator turns off. Flickering of the hot zone warning indicator is not a failure.



Quick heating glass-ceramic hobs emit a bright light when they are switched on. Do not stare at the bright light.

Turning on the ceramic plates

The hob control knobs are used for operating the plates. To obtain the desired cooking power, turn the hob control knobs to the corresponding level.

Cooking level	1	2 — 3	4 — 6
	warming	stewing, simmering	cooking, roasting, boiling
Cooking level	1	2	3
	warming	stewing, simmering	cooking, roasting, boiling

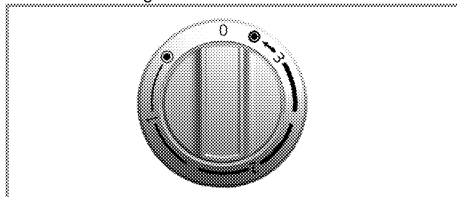
Turning off the ceramic plates

Turn the plate knob to OFF (upper) position.

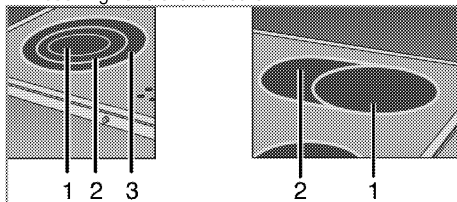
Using multi-segmented cooking zones

Multi-segmented cooking zones allows to cook with different size of saucepans on the same cooking zone. When these cooking zones are activated, first the inward cooking zone turns on.

- To change the active cooking zone diameter, turn the control knob clockwise.
- A "click" will be heard as soon as the hotplate radius changes.

**Turning off multi-segment cooking zones**

- Turn the knob counter clockwise to OFF (upper) position to turn off the oven. All segments of the cooking zone are turned off.



- Position 1
- Position 2
- Position 3



Position 2 and 3 of the multi-segment cooking zones do not operate independently.

6 How to operate the oven

General information on baking, roasting and grilling



WARNING

Hot surfaces cause burns!
Product may be hot when it is in use. Never touch the hot burners, inner sections of the oven, heaters and etc. Keep children away. Always use heat resistant oven gloves when putting in or removing dishes into/from the hot oven.



DANGER:

Be careful when opening the oven door as steam may escape.
Exiting steam can scald your hands, face and/or eyes.

Tips for baking

- Use non-sticky coated appropriate metal plates or aluminum vessels or heat-resistant silicone moulds.
- Make best use of the space on the rack.
- Place the baking mould in the middle of the shelf.
- Select the correct rack position before turning the oven or grill on. Do not change the rack position when the oven is hot.
- Keep the oven door closed.

Tips for roasting

- Treating whole chicken, turkey and large piece of meat with dressings such as lemon juice and black pepper before cooking will increase the cooking performance.
- It takes about 15 to 30 minutes longer to roast meat with bones when compared to roasting the same size of meat without bones.
- Each centimeter of meat thickness requires approximately 4 to 5 minutes of cooking time.
- Let meat rest in the oven for about 10 minutes after the cooking time is over. The juice is better distributed all over the roast and does not run out when the meat is cut.
- Fish should be placed on the middle or lower rack in a heat-resistant plate.

Tips for grilling

When meat, fish and poultry are grilled, they quickly get brown, have a nice crust and do not get dry. Flat pieces, meat skewers and sausages are particularly suited for grilling as are vegetables with high water content such as tomatoes and onions.

- Distribute the pieces to be grilled on the wire shelf or in the baking tray with wire shelf in such a way that the space covered does not exceed the size of the heater.
- Slide the wire shelf or baking tray with grill into the desired level in the oven. If you are grilling on the wire shelf, slide the baking tray to the lower rack to collect fats. Add some water in the tray for easy cleaning.



Foods that are not suitable for grilling carry the risk of fire. Only grill food which is suitable for intensive grilling heat.

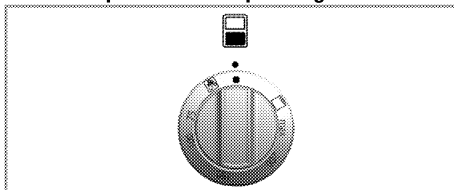
Do not place the food too far in the back of the grill. This is the hottest area and fatty food may catch fire.

How to operate the electric oven

Product is equipped with two ovens. Overview section indicates the relevant knobs for each oven.

How to operate the main oven

Select temperature and operating mode



1. Set the oven timer to the desired cooking time; see *Using the oven clock*, page 20.
2. Set the Function knob to the desired temperature.
» Oven heats up to the adjusted temperature and maintains it. During heating, temperature lamp stays on.

Switching off the electric oven

Switch the oven timer to off position.



When the timer is set to a certain time, it will turn off automatically; see *Using the oven clock*, page 20

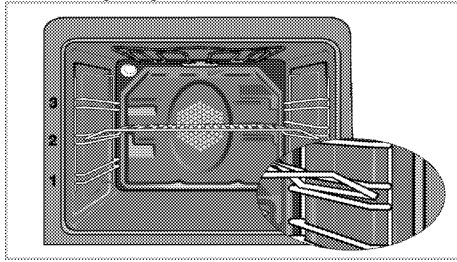
Turn the Function knob to Off (top) position.

Rack positions (For models with wire shelf)

It is important to place the wire shelf onto the side rack correctly. Wire shelf must be inserted between the side racks as illustrated in the figure.

Do not let the wire shelf stand against the rear wall of the oven. Slide your wire shelf to the front section of

the rack and settle it with the help of the door in order to obtain a good grill performance.



Operating modes

All functions in your oven (including the main oven) are described in this section. The order of operating modes shown here may be different from the arrangement on your product.

Oven lamp



The oven is not heated. Only the oven lamp is turned on. Other functions are for cooking; select suitable temperature for your food.

Operating with fan



The oven is not heated. Only the oven lamp and the fan (in the rear wall) are in operation. Suitable for thawing frozen granular food slowly at room temperature and cooling down the cooked food.

Other functions are for cooking; select suitable temperature for your food.

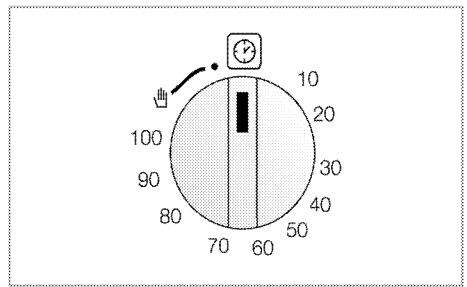
Full grill



Large grill at the ceiling of the oven is in operation. It is suitable for grilling large amount of meat.

- Put big or medium-sized portions in correct rack position under the grill heater for grilling.
- Set the temperature to maximum level.
- Turn the food after half of the grilling time.

Using the oven clock



Starting the cooking



In order to operate the oven, you must select cooking mode and the desired temperature and set the time. Otherwise, the oven will not operate.

1. Turn the Time Adjustment knob clockwise to set the cooking time.
2. Put your dish into the oven.
3. Select operation mode and temperature; see *How to operate the electric oven, page 19*.
» The oven will be heated up to the preset temperature and will maintain this temperature until the end of the cooking time you selected.
4. Once the cooking time is over, Time Setting knob will automatically rotate counterclockwise. A warning sound indicating that the set time is over is heard and the power is cut.



If you do not want to use the timer function, turn the knob counterclockwise towards the hand symbol.

5. Turn off the oven with the Time Setting knob, function knob and temperature knob.

Turning off the oven before the set time

1. Turn the Time Adjustment knob counterclockwise until it stops.
2. Turn off the oven with the Function knob and Temperature knob.

Cooking times table



The timings in this chart are meant as a guide. Timings may vary due to temperature of food, thickness, type and your own preference of cooking.

Dish	Cooking level number	Rack position	Temperature (°C)	Cooking time (approx. in min.)
Cakes in tray*	One level	1	175	30 ... 40
Cakes in mould*	One level	1	175	50 ... 60
Cakes in cooking paper*	One level	1	175	25 ... 35
Sponge cake*	One level	1	200	8 ... 15
Cookies*	One level	1	175	25 ... 30
	2 levels	1 - 3	170 ... 180	35 ... 45
Dough pastry*	One level	1	200	35 ... 45
Rich pastry*	One level	1	190	25 ... 35
	2 levels	1 - 3	190	35 ... 45
Leaven*	One level	1	200	35 ... 45
Lasagna*	One level	1	200	30 ... 40
Beef steak (whole) / Roast	One level	1	25 min. 250/max, then 180 ... 190	100 ... 120
Leg of Lamb (casserole)	One level	1	25 min. 220 then 180 ... 190	70 ... 90
Roasted chicken	One level	1	15 min. 250/max, then 190	55 ... 65
Turkey (Sliced)	One level	1	25 min. 250/max, then 190	150 ... 210
Fish	One level	2	200	20 ... 30

(**) In a cooking that requires preheating, preheat at the beginning of cooking until the thermostat lamp turns off.

Tips for baking cake

- If the cake is too dry, increase the temperature by 10°C and decrease the cooking time.
- If the cake is wet, use less liquid or lower the temperature by 10°C.
- If the cake is too dark on top, place it on a lower rack, lower the temperature and increase the cooking time.
- If cooked well on the inside but sticky on the outside use less liquid, lower the temperature and increase the cooking time.

Tips for baking pastry

- If the pastry is too dry, increase the temperature by 10°C and decrease the cooking time. Dampen the layers of dough with a sauce composed of milk, oil, egg and yoghurt.
- If the pastry takes too long to bake, pay care that the thickness of the pastry you have prepared does not exceed the depth of the tray.
- If the upper side of the pastry gets browned, but the lower part is not cooked, make sure that the amount of sauce you have used for the pastry is not too much at the bottom of the pastry. Try to scatter the sauce equally between the dough layers and on the top of pastry for an even browning.

Baking and roasting



1st rack of the oven is the **bottom** rack.



Cook the pastry in accordance with the mode and temperature given in the cooking table. If the bottom part is still not browned enough, place it on one lower rack next time.

Tips for cooking vegetables

- If the vegetable dish runs out of juice and gets too dry, cook it in a pan with a lid instead of a tray. Closed vessels will preserve the juice of the dish.
- If a vegetable dish does not get cooked, boil the vegetables beforehand or prepare them like canned food and put in the oven.

How to operate the grill



WARNING

Close oven door during grilling.
Hot surfaces may cause burns!

- Turn the Time Adjustment knob **counterclockwise** to Hand symbol when grilling.

Switching on the grill

1. Turn the Function knob clockwise to the Grill symbol.
 2. If required, perform a preheating of about 5 minutes.
- » Temperature light turns on.



Do not attempt to turn the Function knob **clockwise** to set it to the Off (upper) position.

Switching off the grill

1. Turn the Function knob **counterclockwise** to Off (upper) position.



Foods that are not suitable for grilling carry the risk of fire. Only grill food which is suitable for intensive grilling heat.

Do not place the food too far in the back of the grill. This is the hottest area and fatty food may catch fire.

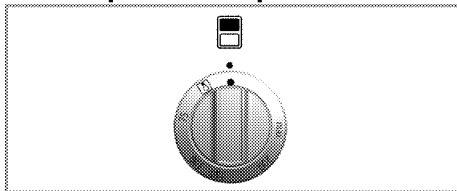
Cooking times table for grilling

Grilling with electric grill

Food	Insertion level	Grilling time (approx.)
Fish	2...3	20...25 min. [#]
Sliced chicken	2...3	25...35 min.
Lamb chops	2...3	20...25 min.
Roast beef	2...3	25...30 min. [#]
Veal chops	2...3	25...30 min. [#]
Toast bread	3	1...2 min.

[#] depending on thickness

How to operate the top oven



Select temperature and operating mode

1. Set the Function knob to the desired temperature.
 » Oven heats up to the adjusted temperature and maintains it. During heating and cooling, thermostat light turns on.

Switching off the electric oven

Turn the Function knob to Off (top) position.

Cooking times table

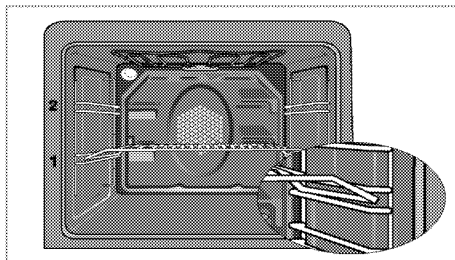
i The timings in this chart are meant as a guide. Timings may vary due to temperature of food, thickness, type and your own preference of cooking.

i Maximum load capacity of oven tray: 4 kg (8.8 lb).



1st rack of the oven is the **bottom** rack.

- Do not place cookware with rough bases on the oven door.
- Ensure that there is at least 25mm space at top of oven when cooking larger foods or using taller cookware.



Baking and roasting



1st rack of the oven is the **bottom** rack.

Food	Cooking level number	Rack position	Temperature (°C)	Cooking time (min.) (approx.)
Cake in tray	One level	1	175	25 ... 35
Cakes in paper	One level	1	175	25 ... 30
Sponge cake	One level	1	200	5 ... 10
Cookies	One level	1	175	25 ... 30
Dough pastry	One level	1	200	35 ... 40
Filled savory pastry	One level	1	180	25 ... 35
Beefsteak (whole)/ Roast	One level	1	25 min. 250 after 180 ... 190	100 ... 120
Roast chicken (Sliced)	One level	1	15 min. 250 after 190	55 ... 65
Fish	One level	1	200	20 ... 30

7 Maintenance and care

General information

Service life of the product will extend and the possibility of problems will decrease if the product is cleaned at regular intervals.



DANGER:

Disconnect the product from mains supply before starting maintenance and cleaning works.
There is the risk of electric shock!



DANGER:

Allow the product to cool down before you clean it.
Hot surfaces may cause burns!

- Clean the product thoroughly after each use. In this way it will be possible to remove cooking residues more easily, thus avoiding these from burning the next time the appliance is used.
- No special cleaning agents are required for cleaning the product. Use warm water with washing liquid, a soft cloth or sponge to clean the product and wipe it with a dry cloth.
- Always ensure any excess liquid is thoroughly wiped off after cleaning and any spillage is immediately wiped dry.
- Do not use cleaning agents that contain acid or chloride to clean the stainless or inox surfaces and the handle. Use a soft cloth with a liquid detergent (not abrasive) to wipe those parts clean, paying attention to sweep in one direction.



The surface might get damaged by some detergents or cleaning materials.
Do not use aggressive detergents, cleaning powders/creams or any sharp objects during cleaning.
Do not use harsh abrasive cleaners or sharp metal scrapers to clean the oven door glass since they can scratch the surface, which may result in shattering of the glass.



Do not use steam cleaners to clean the appliance as this may cause an electric shock.

Cleaning the hob

Glass ceramic surfaces

Wipe the glass ceramic surface using a piece of cloth dampened with cold water in a manner as not to leave any cleaning agent on it. Dry with a soft and dry cloth.

Residues may cause damage on the glass ceramic surface when using the hob for the next time. Dried residues on the glass ceramic surface should under no circumstances be scraped with hook blades, steel wool or similar tools.
Remove calcium stains (yellow stains) by a small amount of lime remover such as vinegar or lemon juice. You can also use suitable commercially available products.

If the surface is heavily soiled, apply the cleaning agent on a sponge and wait until it is absorbed well. Then, clean the surface of the hob with a damp cloth.



Sugar-based foods such as thick cream and syrup must be cleaned promptly without waiting the surface to cool down. Otherwise, glass ceramic surface may be damaged permanently.

Slight color fading may occur on coatings or other surfaces in time. This will not affect operation of the product.

Color fading and stains on the glass ceramic surface is a normal condition, and not a defect.

Cleaning the control panel

Clean the control panel and knobs with a damp cloth and wipe them dry.



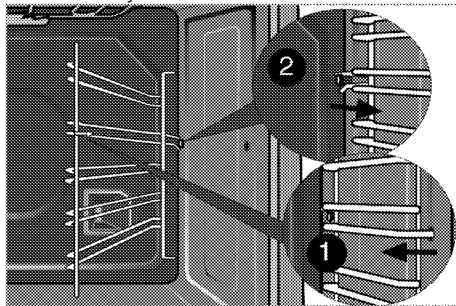
Do not remove the control buttons/knobs to clean the control panel.
Control panel may get damaged!

Cleaning the oven

To clean the side wall

(This feature is optional. It may not exist on your product.)

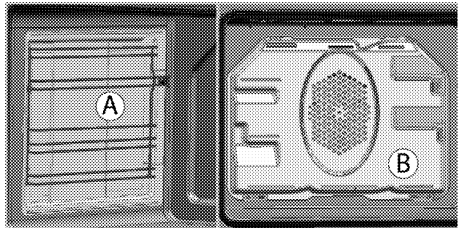
1. Remove the front section of the side rack by pulling it in the opposite direction of the side wall.
2. Remove the side rack completely by pulling it towards you.



Catalytic walls

(This feature is optional. It may not exist on your product.)

The inner side walls (A) and/or the rear wall (B) of your product may be coated with catalytic enamel. Catalytic walls have a light matte colour and a porous surface. Catalytic walls of the oven should not be cleaned. Porous surfaces of the catalytic walls are automatically cleaned by absorbing and converting the spilled oil (steam and carbon dioxide).



Clean oven door

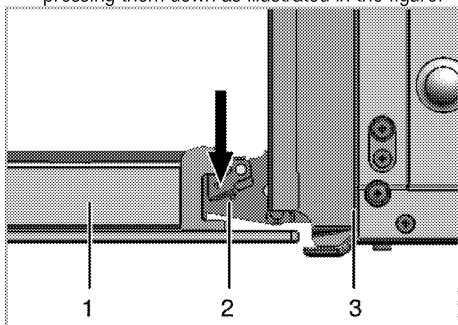
To clean the oven door, use warm water with washing liquid, a soft cloth or sponge to clean the product and wipe it with a dry cloth.



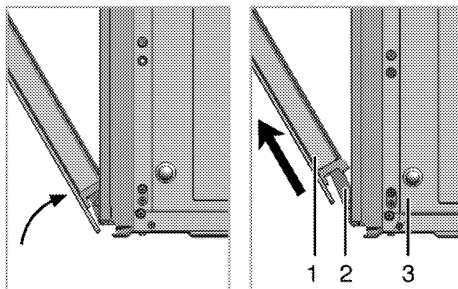
Don't use any harsh abrasive cleaners or sharp metal scrapers for cleaning the oven door. They could scratch the surface and destroy the glass.

Removing the oven door

1. Open the front door (1).
2. Open the clips at the hinge housing (2) on the right and left hand sides of the front door by pressing them down as illustrated in the figure.



- 1 Front door
- 2 Hinge
- 3 Oven



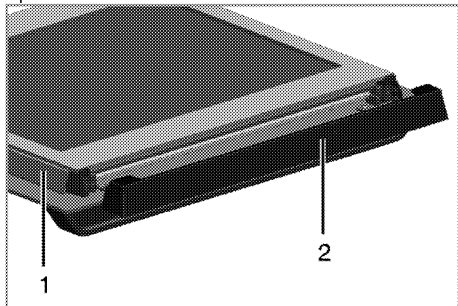
3. Move the front door to half-way.
4. Remove the front door by pulling it upwards to release it from the right and left hinges.



Steps carried out during removing process should be performed in reverse order to install the door. Do not forget to close the clips at the hinge housing when reinstalling the door.

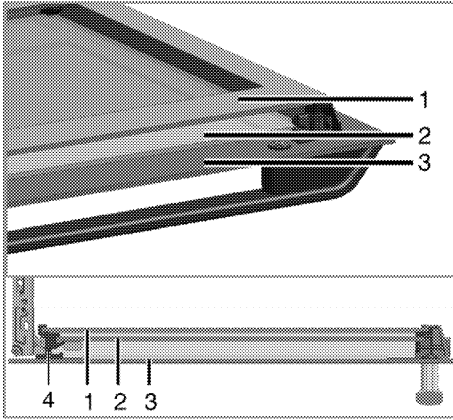
Removing the door inner glass(if the door has 3 glasses)

Open the oven door.



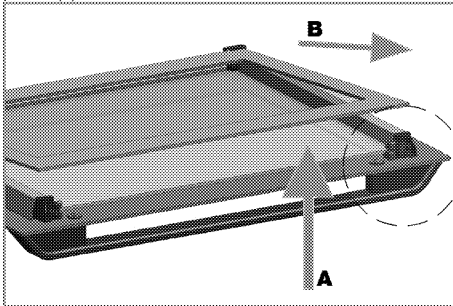
- 1 Frame
- 2 Plastic part

Pull towards yourself and remove the plastic part installed to upper section of the front door.



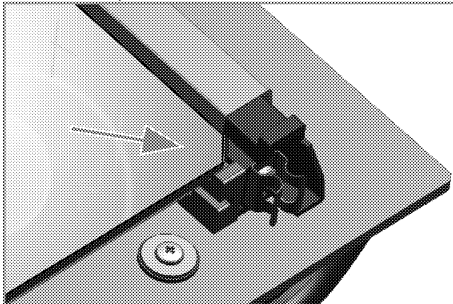
- 1 Innermost glass panel
- 2 Inner glass panel
- 3 Outer glass panel
- 4 Plastic glass panel slot-Lower

As illustrated in figure, raise the innermost glass panel (1) slightly in direction **A** and pull it out in direction **B**. Repeat the same procedure to remove the inner glass panel (2).



The first step to regroup the door is reinstalling inner glass panel (2).

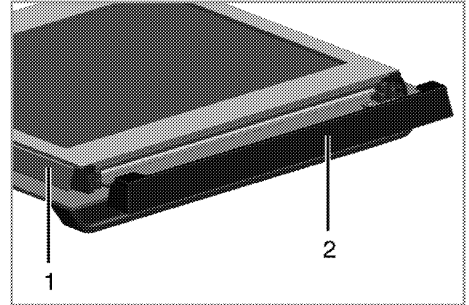
As illustrated in figure, place the chamfered corner of the glass panel so that it will rest in the chamfered corner of the plastic slot.



Inner glass panel (2) must be installed into the plastic slot close the innermost glass panel (1). When installing the innermost glass panel (1), make sure that the printed side of the panel faces towards the inner glass panel. It is important to seat lower corner of inner glass panel into the lower plastic slot. Push the plastic part towards the frame until you hear a "click".

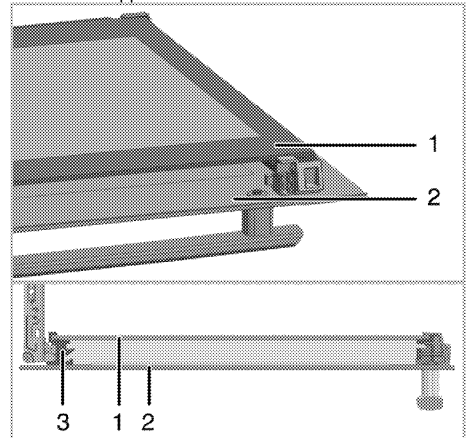
Removing the door inner glass(if the door has 2 glasses)

Open the oven door.



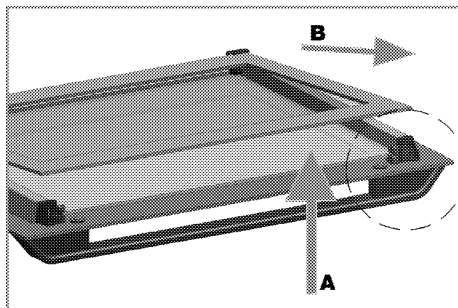
- 1 Frame
- 2 Plastic part

Pull towards yourself and remove the plastic part installed to upper section of the front door.



- 1 Inner glass panel
- 2 Outer glass panel
- 3 Plastic glass panel slot-Lower

As illustrated in figure, raise the innermost glass panel (1) slightly in direction **A** and pull it out in direction **B**.



When installing the inner glass panel (1), make sure that the printed side of the panel faces towards the inner.

It is important to seat lower corner of inner glass panel into the lower plastic slot.

Push the plastic part towards the frame until you hear a "click".

Replacing the oven lamp



DANGER:

Before replacing the oven lamp, make sure that the product is disconnected from mains and cooled down in order to avoid the risk of an electrical shock.

Hot surfaces may cause burns!



The oven lamp is a special electric light bulb that can resist up to 300 °C. See *Technical specifications, page 12* for details. Oven lamps can be obtained from Authorised Service Agents or technician with licence.



Position of lamp might vary from the figure.



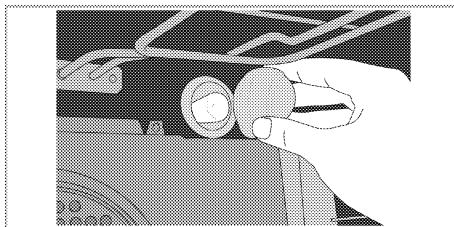
The lamp used in this appliance is not suitable for household room illumination. The intended purpose of this lamp is to assist the user to see foodstuffs.



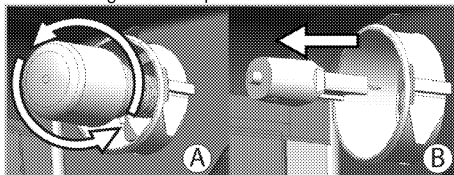
The lamps used in this appliance have to withstand extreme physical conditions such as temperatures above 50 °C.

If your oven is equipped with a round lamp:

1. Disconnect the product from mains.
2. Turn the glass cover counter clockwise to remove it.



3. If your oven lamp is of type (A) shown in the figure below, remove it by rotating as shown and replace it. If it is of type (B), pull and remove it as shown in the figure and replace it.



4. Install the glass cover.

8 Troubleshooting

Oven emits steam when it is in use.

- It is normal that steam escapes during operation. >>> *This is not a fault.*

Product emits metal noises while heating and cooling.

- When the metal parts are heated, they may expand and cause noise. >>> *This is not a fault.*

Product does not operate.

- The mains fuse is defective or has tripped. >>> *Check fuses in the fuse box. If necessary, replace or reset them.*
- Product is not plugged into the (grounded) socket. >>> *Check the plug connection.*

Oven light does not work.

- Oven lamp is defective. >>> *Replace oven lamp.*
- Power is cut. >>> *Check if there is power. Check the fuses in the fuse box. If necessary, replace or reset the fuses.*

Oven does not heat.

- Function and/or Temperature are not set. >>> *Set the function and the temperature with the Function and/or Temperature knob/key.*
- In models equipped with a timer, the timer is not adjusted. >>> *Adjust the time.*
(In products with microwave oven, timer controls only microwave oven.)
- Power is cut. >>> *Check if there is power. Check the fuses in the fuse box. If necessary, replace or reset the fuses.*

(In models with timer) Clock display is blinking or clock symbol is on.

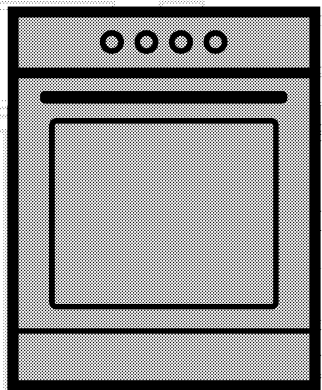
- A previous power outage has occurred. >>> *Adjust the time / Switch of the product and switch it on again.*



Consult the Authorised Service Agent or technician with licence or the dealer where you have purchased the product if you can not remedy the trouble although you have implemented the instructions in this section. Never attempt to repair a defective product yourself.

Backofen

Gebrauchsanleitung



DE

beko

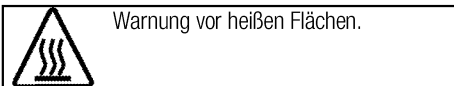
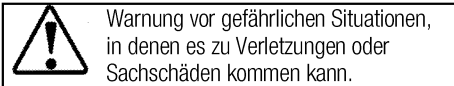
Bitte zuerst diese Bedienungsanleitung lesen!

Sehr geehrte Kundin, sehr geehrter Kunde,
vielen Dank für den Kauf eines Beko-Produktes. Wir hoffen, dass dieses Produkt, das mit hochwertiger und hochmoderner Technologie hergestellt wurde, beste Ergebnisse erzielt. Daher bitte die gesamte Bedienungsanleitung und alle beiliegenden Dokumente aufmerksam durchlesen und zum zukünftigen Nachschlagen aufbewahren. Bei Weitergabe des Produktes auch die Bedienungsanleitung mit aushändigen. Alle Warnungen und Informationen in der Bedienungsanleitung einhalten.

Bitte beachten, dass diese Bedienungsanleitung für unterschiedliche Modelle geschrieben wurde. Unterschiede zwischen den verschiedenen Modellen werden natürlich in der Anleitung erwähnt.

Die Symbole

In dieser Anleitung verwenden wir folgende Symbole:



Arçelik A.Ş.
Karaağaç caddesi No:2-6
34445 Sülüce/Istanbul/TURKEY
Made in TURKEY

1 Wichtige Sicherheits- und Umwelthinweise 4

Allgemeine Sicherheit.....	4
Elektrische Sicherheit.....	5
Produktsicherheit.....	6
Bestimmungsgemäße Verwendung	8
Sicherheit von Kindern	9
Altgeräte entsorgen.....	9
Verpackungsmaterialien entsorgen	9
Transport	9

2 Allgemeine Informationen 11

Geräteübersicht.....	11
Lieferumfang.....	12
Technische Daten	13

3 Installation 14

Vor der Installation.....	14
Einbauen und Anschließen	15

4 Vorbereitungen 17

Tipps zum Energiesparen	17
Erste Inbetriebnahme	17
Erstreinigung des Gerätes.....	17
Erstaufheizung.....	17

5 Bedienung Kochfeld 19

Allgemeine Hinweise zum Kochen.....	19
Kochfeld verwenden.....	20

6 Bedienung des Backofens 21

Allgemeine Hinweise zum Backen, Braten und Grillen	21
So bedienen Sie den Backofen.....	21
Betriebsarten	22
Ofenuhr verwenden.....	22
Garzeitentabelle	23
So bedienen Sie den Grill.....	24
Garzeitentabelle zum Grillen.....	24
So bedienen Sie den oberen Ofen	25
Garzeitentabelle	25

7 Reinigung und Wartung 26

Allgemeine Hinweise	26
Kochfeld reinigen	26
Bedienfeld reinigen	26
Backofen reinigen	26
Backofentür ausbauen.....	27
Türinnenscheibe ausbauen(3 scheibe).....	27
Türinnenscheibe ausbauen(2 scheibe).....	28
Beleuchtung des Backofens auswechseln	29

8 Problemlösungen 30

1 Wichtige Sicherheits- und Umwelthinweise

Dieser Abschnitt enthält Hinweise, die für die Sicherheit des Benutzers und anderer Personen unerlässlich sind. Diese Hinweise müssen beachtet werden, damit es nicht zu Verletzungen oder Sachschäden kommt.

Bei Nichteinhaltung dieser Anweisungen erlöschen sämtliche Garantieansprüche.

Allgemeine Sicherheit

- Dieses Gerät darf von Kindern (ab acht Jahren) oder Personen bedient werden, die unter körperlichen, sensorischen oder geistigen Einschränkungen leiden oder denen es an der nötigen Erfahrung und Wissen im Umgang mit solchen Geräten mangelt, wenn solche Personen beaufsichtigt werden und, zuvor gründlich mit der sicheren Bedienung des Gerätes vertraut gemacht wurden und sich der damit verbundenen Gefahren voll und ganz bewusst sind. Kinder dürfen nicht mit dem Gerät spielen. Reinigungs- und Wartungsarbeiten dürfen von Kindern nicht ohne Aufsicht eines Erwachsenen durchgeführt werden.
- Das Gerät darf nicht von Personen genutzt werden, die unter körperlichen oder geistigen Einschränkungen leiden oder denen es an der nötigen Erfahrung im Umgang mit solchen Geräten mangelt. Ausnahmen sind nur dann möglich, wenn solche Personen beaufsichtigt werden oder gründlich über den richtigen Umgang mit dem Gerät aufgeklärt wurden. Dies gilt natürlich auch für Kinder. Kinder müssen stets beaufsichtigt werden, damit sie nicht mit dem Gerät spielen.
- Falls das Produkt an jemand anderen zur persönlichen oder Secondhand-Benutzung übergeben wird, sollten Bedienungsanleitung, Produktetiketten und andere relevante Dokumente und Teile ebenfalls übergeben werden.
- Produkt niemals auf einen Teppichboden stellen. Andernfalls kann die geringe Luftzirkulation unter dem Produkt eine Überhitzung der elektrischen Teile zur Folge haben. Dies führt zu Problemen mit dem Produkt.
- Installation und Reparaturen müssen grundsätzlich vom autorisierten Kundendienst ausgeführt werden. Der Hersteller haftet nicht für Schäden, die durch den Eingriff nicht

autorisierter Personen entstehen; zudem kann dadurch die Garantie erlöschen. Vor der Installation aufmerksam alle Anweisungen lesen.

- Gerät nicht nutzen, falls es nicht ordnungsgemäß funktioniert oder sichtbare Beschädigungen aufweist.
- Nach jeder Benutzung prüfen, ob die Funktionsknöpfe des Produktes ausgeschaltet sind.

Elektrische Sicherheit

- Falls das Produkt einen Fehler aufweist, sollte es bis zur Reparatur durch einen autorisierten Kundendienstmitarbeiter nicht in Betrieb genommen werden. Es besteht Stromschlaggefahr!
- Schließen Sie das Produkt nur an eine geerdete Steckdose an, deren Spannung und Schutz den Angaben unter „Technische Daten“ entsprechen. Lassen Sie durch einen qualifizierten Elektriker eine Erdung vornehmen. Unser Unternehmen haftet nicht für Probleme, die durch ein nicht entsprechend den örtlichen Richtlinien geerdetes Produkt entstehen.
- Reinigen Sie das Produkt niemals, indem Sie Wasser darauf verteilen oder schütten! Es besteht Stromschlaggefahr!
- Das Produkt darf während Installation, Wartung, Reinigung und Reparatur nicht an eine Steckdose angeschlossen sein.
- Falls das Netzkabel des Produktes beschädigt ist, muss es zur Vermeidung von Gefahren vom Hersteller, einem Kundendienstmitarbeiter oder vergleichbar qualifizierten Personen ausgetauscht werden.
- Das Gerät muss so installiert sein, dass es vollständig vom Netzwerk getrennt werden kann. Die Trennung muss entsprechend den Baurichtlinien entweder durch einen Netzstecker oder einen in der festen elektrischen Installation eingebauten Schalter ermöglicht werden.
- Die Rückseite des Ofens wird im Betrieb heiß. Achten Sie darauf, dass der Elektroanschluss die Rückseite nicht berührt; andernfalls kann der Anschluss beschädigt werden.
- Klemmen Sie das Netzkabel nicht zwischen Backofentür und Rahmen ein; führen Sie es nicht über heiße Oberflächen. Andernfalls kann die Kabelisolierung schmelzen und in Folge eines Kurzschlusses einen Brand verursachen.
- Jegliche Arbeiten an elektrischen Geräten und Systemen sollten von

autorisierten und qualifizierten Personen ausgeführt werden.

- Schalten Sie das Gerät bei Schäden aus, unterbrechen Sie die entsprechende Stromversorgung. Schalten Sie dazu die Sicherungen im Haus ab.
- Stellen Sie sicher, dass die Sicherungsangaben mit dem Produkt kompatibel sind.

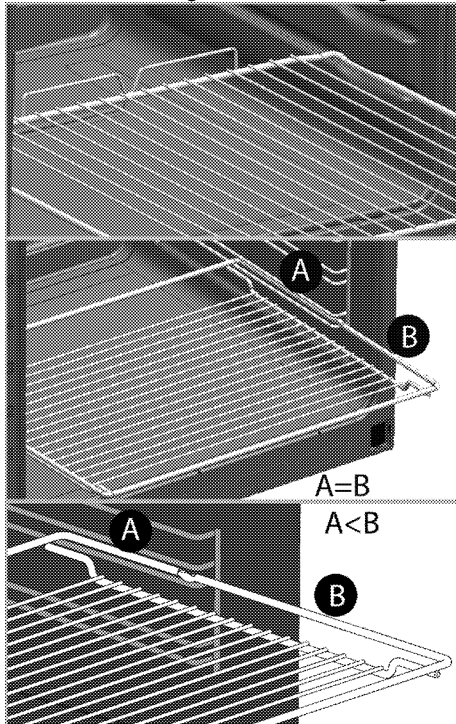
Produktsicherheit

- **WARNUNG:** Das Gerät und seine zugänglichen Teile werden während des Betriebs heiß. Keine Heizelemente berühren. Kinder unter 8 Jahren fernhalten, sofern nicht kontinuierlich beaufsichtigt.
- Produkt niemals nutzen, wenn Urteilsvermögen oder Koordination durch Alkohol und/oder Drogen beeinträchtigt sind.
- Bei alkoholischen Getränken in den Gerichten entsprechend vorsichtig sein. Alkohol verdampft bei hohen Temperaturen und kann durch Entzünden bei Kontakt mit heißen Oberflächen Feuer verursachen.
- Keine brennbaren Materialien in der Nähe des Produktes aufstellen, da die Seiten während des Gebrauchs heiß werden können.
- Während des Gebrauchs wird das Gerät heiß. Keine Heizelemente

im Inneren des Backofens berühren.

- Darauf achten, dass keine Belüftungsschlitze blockiert werden.
- Keine geschlossenen Dosen und Glasgefäße im Ofen erhitzen. Der in der Dose/im Glasgefäß entstehende Druck könnte Dose/Glasgefäß bersten lassen.
- Backbleche, Gerichte und Alufolie nicht direkt auf den Boden des Backofens stellen. Der Hitzestau kann den Boden des Backofens beschädigen.
- Zur Reinigung der Backofen-Glastür keine aggressiven scheuernden Reiniger oder scharfen Metallschaber verwenden, da diese die Oberfläche zerkratzen und so das Glas springen lassen können.
- Zur Reinigung des Gerätes keine Dampfreiniger verwenden; andernfalls besteht Stromschlaggefahr.
- (Variiert je nach Produktmodell.) Rost und Backblech richtig einsetzen
Es ist wichtig, dass Rost und/oder Blech richtig in den Einschüben sitzen. Schieben Sie Rost oder Blech zwischen zwei Schienen ein, vergewissern Sie sich, dass insbesondere der Rost gerade sitzt, bevor Sie Lebensmittel

darauf legen; bitte schauen Sie sich die folgende Abbildung an.



- Produkt nicht verwenden, falls das Glas der Fronttür entfernt oder gesprungen ist.
- Griff der Ofentüre nicht zum Trocknen von Geschirrtüchern verwenden. Keine Geschirrtücher, Handschuhe oder vergleichbare Textilprodukte aufhängen, wenn die Grillfunktion bei geöffneter Tür arbeitet.
- Beim Hineingeben oder Herausnehmen von Gerichten in den/aus dem heißen Ofen immer hitzebeständige Handschuhe verwenden.

- Legen Sie das Backpapier mit den Lebensmitteln in einem Kochtopf oder auf einem Ofenzubehör (Backblech, Rost etc.) aus und geben Sie alles zusammen in den vorgeheizten Ofen. Entfernen Sie überschüssige Bereiche des Backpapiers, die über das Zubehör oder den Topf hinausragen, damit es keine Heizelemente des Ofens berührt. Verwenden Sie Backpapier niemals bei einer Betriebstemperatur, welche die für das Backpapier angegebenen Werte übersteigen. Legen Sie Backpapier nicht direkt auf dem Boden des Ofens aus.
- **WARNUNG:** Zur Vermeidung von Stromschlaggefahr vor dem Auswechseln der Lampe sicherstellen, dass das Gerät abgeschaltet ist.
- Damit es nicht zu Überhitzung kommt, darf das Gerät nicht hinter Zierklappen/Ziertüren aufgestellt werden
- Das Gerät muss direkt auf dem Boden stehen. Es darf nicht auf Sockeln oder anderweitig erhöht aufgestellt werden.
- **WARNUNG:** Unbeaufsichtigtes Garen auf einem Kochfeld mit Fett oder Öl kann gefährlich sein und Brände verursachen. Niemals versuchen, ein Feuer mit Wasser

zu löschen; stattdessen das Gerät abschalten und Flammen z. B. mit einem Deckel oder einer Feuerlöschdecke abdecken.

- VORSICHT: Das Gerät muss beim Kochen im Auge behalten werden. Auch bei kurzen Zubereitungen muss das Gerät ständig im Auge behalten werden.
- WARNUNG: Brandgefahr: Keine Gegenstände auf den Kochoberflächen aufbewahren.
- WARNUNG: Falls die Oberfläche gesprungen ist, Gerät zur Vermeidung möglicher Stromschlaggefahr abschalten.
- Falls das Glas der Herdplatte springt: Schalten Sie umgehend alle Brenner und elektrischen Heizelemente aus und trennen Sie das Gerät von der Stromversorgung. Geräteoberfläche nicht berühren! Gerät nicht benutzen.
- Das Gerät darf nicht über externe Timer oder separate Fernsteuerungssysteme betrieben werden.
- Dampfdruck, der aufgrund von Feuchtigkeit an der Kochfeldoberfläche oder an der Unterseite des Kochgeschirrs entsteht, kann dazu führen, dass sich das Kochgeschirr bewegt. Daher muss sichergestellt werden,

dass Kochfeldoberfläche und Unterseite des Kochgeschirrs immer trocken sind.

- WARNUNG: Verwenden Sie nur Kochfeldschutzabdeckungen, die vom Hersteller des Gerätes entwickelt wurden oder vom Gerätehersteller in der Anleitung als geeignet angegeben sind, bzw. die mit dem Gerät gelieferten Kochfeldschutzabdeckungen. Die Nutzung nicht geeigneter Schutzabdeckungen kann Unfälle verursachen.

Brandschutzvorkehrungen des Produktes:

- Sicherstellen, dass die elektrische Verbindung richtig in die Steckdose eingesteckt ist und keine Funken erzeugt.
- Keine beschädigten oder abgeschnittenen Kabel bzw. Verlängerungskabel verwenden; nur das Originalkabel einsetzen.
- Beim Anschließen des Produktes sicherstellen, dass sich keine Flüssigkeit oder Feuchtigkeit an der elektrischen Verbindung befindet.

Bestimmungsgemäße Verwendung

- Dieses Gerät wurde für den reinen Hausgebrauch entwickelt. Eine gewerbliche Nutzung ist nicht zulässig.
- Dieses Gerät dient ausschließlich der Zubereitung von Speisen. Es

- darf nicht zu anderen Zwecken eingesetzt werden.
- Benutzen Sie das Gerät nicht zum Vorwärmen von Tellern, hängen Sie keine Küchentücher, Handtücher und dergleichen zum Trocknen oder Anwärmen an die Griffe.
- Der Hersteller haftet nicht für Schäden, die durch unsachgemäßen Gebrauch oder falsche Bedienung verursacht werden.
- Das Gerät ist zum Garen, Auftauen, Backen, Braten und Grillen von Lebensmitteln geeignet.

Sicherheit von Kindern

- **WARNUNG:** Verschiedene Teile des Gerätes werden während des Gebrauchs heiß. Daher kleine Kinder vom Gerät fernhalten.
- Verpackungsmaterialien können eine Gefahr für Kinder darstellen. Sämtliche Verpackungsmaterialien an einem sicheren Ort und außerhalb der Reichweite von Kindern aufbewahren.
- Elektrische Produkte können eine Gefahr für Kinder darstellen. Kinder im Betrieb daher unbedingt vom Gerät fernhalten. Kinder nicht mit dem Gerät spielen lassen.

- Keine Gegenstände auf das Gerät stellen, die Kinder erreichen können.
- Wenn die Ofentür geöffnet ist, keine schweren Gegenstände darauf ablegen und keine Kinder darauf sitzen lassen. Das Gerät kann kippen oder die Ofentür oder die Türscharniere können beschädigt werden.

Altgeräte entsorgen

Erfüllung von WEEE-Vorgaben zur Entsorgung von Altgeräten:



Dieses Produkt erfüllt die Vorgaben der EU-WEEE-Direktive (2012/19/EU). Das Produkt wurde mit einem Klassifizierungssymbol für elektrische und elektronische Altgeräte (WEEE) gekennzeichnet. Dieses Gerät wurde aus hochwertigen Materialien hergestellt, die wiederverwendet und recycelt werden können. Entsorgen Sie das Gerät am Ende seiner Einsatzzeit nicht mit dem regulären Hausmüll; geben Sie es stattdessen bei einer Sammelstelle zur Wiederverwertung von elektrischen und elektronischen Altgeräten ab. Ihre Stadtverwaltung informiert Sie gerne über geeignete Sammelstellen in Ihrer Nähe.

Einhaltung von RoHS-Vorgaben:

Das von Ihnen erworbene Produkt erfüllt die Vorgaben der EU-RoHS Direktive (2011/65/EU). Es enthält keine in der Direktive angegebenen gefährlichen und unzulässigen Materialien.

Verpackungsmaterialien entsorgen

- Die Verpackung des Gerätes besteht aus wiederverwertbaren Materialien. Entsorgen Sie diese vorschriftsgemäß und entsprechend sortiert. Entsorgen Sie solche Materialien nicht mit dem normalen Hausmüll.

Transport

- Bewahren Sie den Originalkarton auf, falls Sie das Gerät künftig transportieren müssen. Halten Sie sich an die Hinweise auf dem Karton. Falls Sie den Originalkarton nicht mehr besitzen sollten, verpacken Sie das Gerät in

Luftpolsterfolie oder starken Karton,
anschließend gut mit Klebeband sichern.

- Damit Gitterroste und Bleche nicht zu Beschädigungen der Ofentür führen, schützen Sie die Ofentür von innen mit einem passenden Stück Karton. Fixieren Sie die Ofentür mit Klebeband.
- Verwenden Sie die Tür/den Türgriff nicht zum Anheben oder Bewegen des Gerätes.



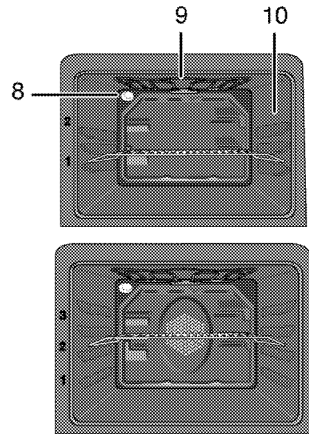
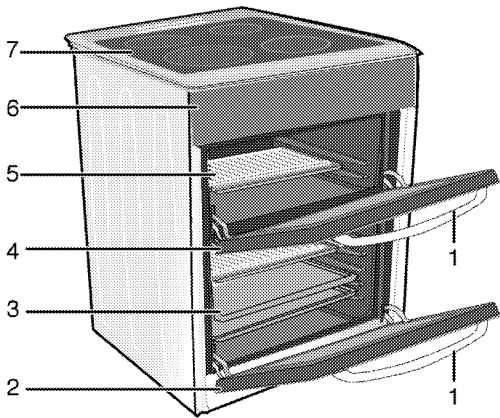
Legen Sie keine Gegenstände auf dem Gerät ab, bewegen Sie das Gerät grundsätzlich in aufrechter Position.



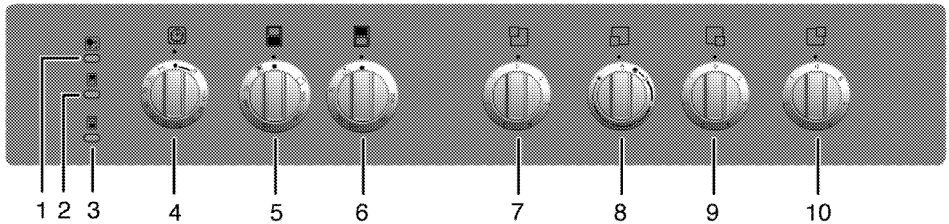
Überprüfen Sie das Gerät nach dem Transport genau, überzeugen Sie sich davon, dass es nicht zu Beschädigungen gekommen ist.

2 Allgemeine Informationen

Geräteübersicht



- | | | | |
|---|-------------------|----|--------------------|
| 1 | Griff | 6 | Bedienfeld |
| 2 | Hauptofentür | 7 | Brennerplatte |
| 3 | Backblech | 8 | Beleuchtung |
| 4 | Obere Backofentür | 9 | Oberes Heizelement |
| 5 | Gitterrost | 10 | Einschubpositionen |



- | | |
|----|-----------------------------------|
| 1 | Warnleuchte |
| 2 | Temperaturleuchte für oberen Ofen |
| 3 | Temperaturleuchte für Hauptofen |
| 4 | Mechanischer Timer |
| 5 | Hauptofen-Funktionsknopf |
| 6 | Oberer Ofen-Funktionsknopf |
| 7 | Einzelkochplatte Hinten links |
| 8 | Doppelkochplatte Vorne links |
| 9 | Einzelkochplatte Vorne rechts |
| 10 | Einzelkochplatte Hinten rechts |

Lieferumfang

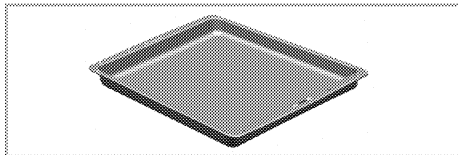


Je nach Modell wird eventuell unterschiedliches Zubehör mitgeliefert. Daher kann es vorkommen, dass nicht sämtliches in der Anleitung erwähntes Zubehör mit Ihrem Gerät geliefert wird.

1. **Bedienungsanleitung**

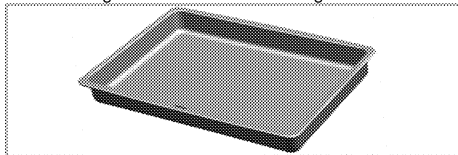
2. **Backblech**

Für Backwaren, Tiefkühlgerichte und große Braten.



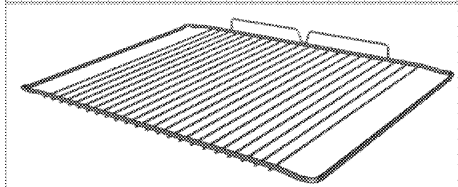
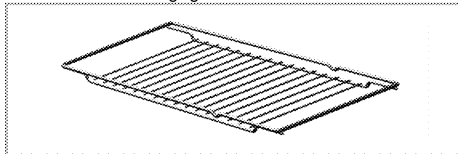
3. **Tiefes Backblech/Tropfschale**

Für Gebäck, große Braten, Gerichte mit viel Flüssigkeit und zum Fettauffangen beim Grillen.



4. **Gitterrost**

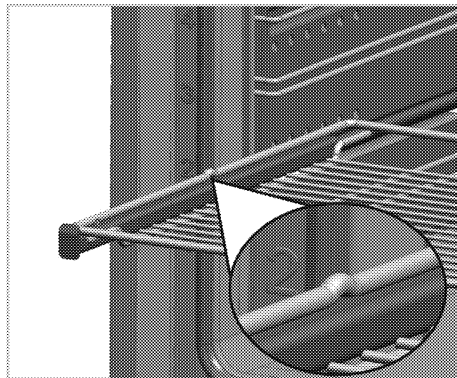
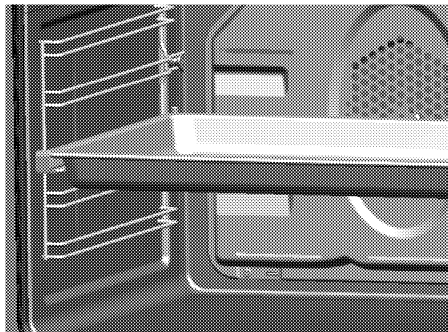
Zum Rösten und Grillen und als Unterlage für Behälter, in denen unterschiedlichste Lebensmittel gegart werden können.



5. **Gitterrost und Backblech richtig in die Teleskopeinschübe einschieben**
(Dieses Merkmal ist optional. Es ist bei Ihrem Modell möglicherweise nicht vorhanden.)

Durch die Teleskopeinschübe lassen sich Bleche und Rost besonders leicht einlegen und entfernen.

Achten Sie beim Einsatz von Backblech und Gitterrost mit den Teleskopeinschüben darauf, dass die Stifte am rückwärtigen Teil des Teleskopeinschubs die Kanten von Backblech und Gitterrost berühren.



Technische Daten

ALLGEMEIN	
Außenabmessungen (Höhe/Breite/Tiefe)	850 mm/600 mm/600 mm
Spannung/Frequenz	220-240 V 50 Hz
Leistungsaufnahme gesamt	max. 9,1 kW
Sicherung	Minimum 32 A
Kabeltyp/Kabelquerschnitt	H05VV-FG 3 x 4 mm ²
KOCHFELD	
Kochzonen	
Hinten links	Einzelkochplatte
Abmessungen	140 mm
Leistung	1200 W
Vorne links	Doppelkochplatte
Abmessungen	180/120 mm
Leistung	700/1700 W
Vorne rechts	Einzelkochplatte
Abmessungen	140 mm
Leistung	1200 W
Hinten rechts	Einzelkochplatte
Abmessungen	180 mm
Leistung	1700 W
BACKOFEN/GRILL	
Oberer Ofen	Herkömmlicher Ofen
Garraumleuchte	15–25 W
Hauptofen	Umluftofen/Grill
Garraumleuchte	15–25 W
Leistungsaufnahme Grill	2,2kW

Allgemeine Hinweise: Energieangaben von Elektroöfen werden gemäß der Richtlinie EN 60350-1 / IEC 60350-1 ermittelt. Die entsprechenden Werte werden unter üblichen Einsatzbedingungen bei Ober-/Unterhitze oder im Umluftbetrieb (sofern vorhanden) ermittelt.

Die Energieeffizienzklasse wird gemäß Funktion ermittelt: je nachdem, ob das Gerät mit den entsprechenden Funktionen ausgestattet ist. 1. Garen mit Eco-Umluft, 2. Turbo-Niedertemperaturgaren, 3. Turbogaren, 4. Ober-/Unterhitze mit Umluft, 5. Ober-/Unterhitze



Im Zuge der Qualitätsverbesserung können sich technische Daten ohne Vorankündigung ändern.



Die Abbildungen in dieser Anleitung dienen lediglich der Veranschaulichung und können etwas vom tatsächlichen Aussehen des Gerätes abweichen.



Angaben am Produkt oder in der begleitenden Dokumentation wurden unter Laborbedingungen unter Berücksichtigung der zutreffenden Richtlinien ermittelt. Solche Werte können je nach Einsatzumgebung und Nutzungsweise des Gerätes abweichen.

3 Installation

Gerät vom nächstgelegenen autorisierten Kundendienst gemäß gültigen Bestimmungen installieren lassen. Andernfalls erlischt die Garantie. Der Hersteller haftet nicht für Schäden, die durch Aktivitäten nicht autorisierter Personen entstehen; zudem kann dadurch die Garantie erlöschen.



Die Vorbereitung des Aufstellungsortes und der elektrischen und Anschlüsse sind Sache des Kunden.



GEFAHR:

Die Installation des Gerätes muss in Übereinstimmung mit sämtlichen zutreffenden Vorschriften zur Elektroinstallation erfolgen.



GEFAHR:

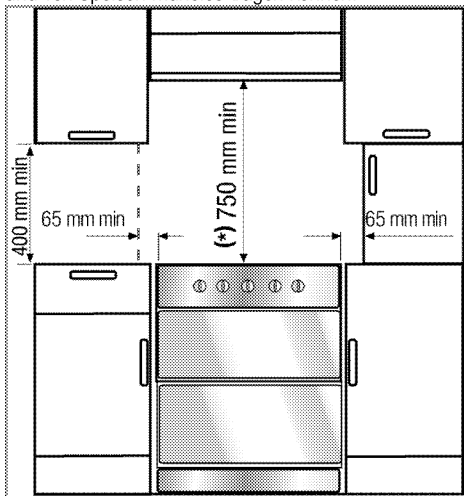
Gerät vor der Installation auf eventuelle, sichtbare Defekte untersuchen. Falls Defekte vorliegen, darf das Gerät nicht installiert werden.

Beschädigte Geräte müssen grundsätzlich als Sicherheitsrisiko betrachtet werden.

Vor der Installation

Un sicherzustellen, dass unter dem Produkt genügend Abstand zur Oberfläche ist, empfehlen wir, dass das Produkt auf einer soliden Basis montiert wird und dass die Füße nicht auf einen Teppich oder eine andere weiche Oberfläche gestellt werden.

Der Küchenboden muss das Gerätegewicht sowie zusätzlich das Gewicht von Koch- bzw. Backgeschirr und von Speisen mühelos tragen können.



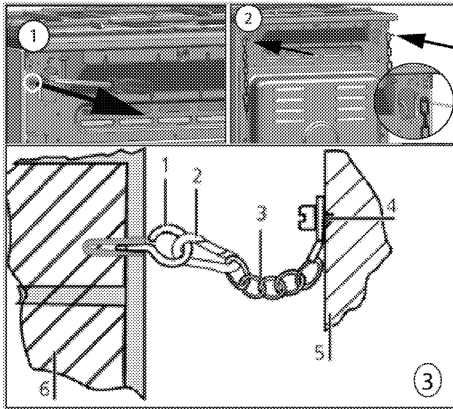
- Der Ofen kann mit Schränken an beiden Seiten benutzt werden. Ein Abstand von mindestens 400 mm über der Herdplatte und ein Abstand von 65 mm zwischen Gerät und Wand oder Hochschrank muss eingehalten werden.
- Das Kochfeld kann auch freistehend benutzt werden. Achten Sie auf einen minimalen Abstand von 750 mm oberhalb des Kochfeldes.
- (*) Wenn eine Dunstabzugshaube über dem Kochfeld installiert werden soll, beachten Sie die Anweisungen des Herstellers zur Installationshöhe (mindestens 650 mm Abstand).
- Am einfachsten können Sie den Herd bewegen, indem Sie die Vorderseite wie folgt anheben und das Gerät zu sich hin ziehen: Öffnen Sie die obere und untere Ofentür so weit, dass Sie das Gerät bequem an der Oberkante des Ofeninnenraums fassen können. Achten Sie darauf, weder Heizelemente noch andere Dinge im Ofen zu beschädigen.
- Das Gerät entspricht der Geräteklasse 1, d. h. es kann mit der Rückwand und **einer** Seitenwand an Küchenwände, Küchenmöbel oder Geräte beliebiger Höhe gestellt werden. An der anderen Seitenwand dürfen **nur Küchenmöbel** oder Geräte mit gleicher oder geringerer Höhe stehen.
- Angrenzende Küchenmöbel müssen hitzebeständig sein (bis mindestens 100 °C).

Sicherheitskette

Falls Ihr Gerät zwei Sicherheitsketten besitzt:

Das Gerät muss mit der mitgelieferte Kette gegen Umkippen gesichert werden.

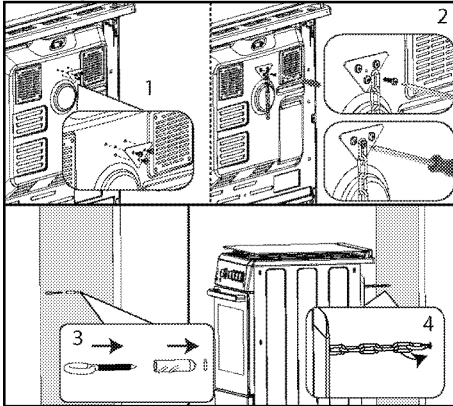
Befestigen Sie den Haken (1) mit einem geeigneten Hering an der Küchenwand (6), verbinden Sie die Sicherheitskette (3) per Verschlussmechanismus (2) mit dem Haken.



- 1 Befestigungshaken
- 2 Verschlussmechanismus
- 3 Sicherheitskette
- 4 Kette an der Herdrückseite fixieren
- 5 Herdrückseite
- 6 Küchenwand

Falls Ihr Gerät eine Sicherheitskette besitzt:

Das Gerät muss mit den beiden mitgelieferten Ketten gegen Umkippen gesichert werden. Bringen Sie die Kette anhand der Schritte in der Abbildung an Ihrem Gerät an.



i Die Haltekette sollte so kurz wie möglich sein, damit der Ofen nicht nach vorne umkippt; sie sollte diagonal verlaufen, damit der Ofen nicht zur Seite kippt.

Herd-Haltekette für Herde, die über keinen Schlitz zur Halterbefestigung verfügen.

Einbauen und Anschließen

Das Gerät darf nur nach den gesetzlichen Installationsvorschriften angeschlossen und installiert werden.



Stellen Sie das Gerät nicht neben Kühl- oder Gefriergeräten auf. Die Wärmeabgabe des Gerätes führt zu steigendem Energieverbrauch der Kühlgeräte.

- Tragen Sie das Gerät grundsätzlich mit mindestens zwei Personen.
- Das Gerät muss direkt auf dem Fußboden stehen. Es darf nicht auf einen Sockel oder eine andere Erhöhung gestellt werden.



Missbrauchen Sie die Tür/den Türgriff nicht zum Anheben oder Bewegen des Gerätes. Tür, Griff und Scharniere können beschädigt werden.

Elektrischer Anschluss

Schließen Sie das Gerät an eine geerdete Leitung an, die mit einer Sicherung passender Kapazität abgesichert wird siehe dazu den Abschnitt "Technische Daten". Lassen Sie die Erdung in jedem Fall von einem qualifizierten Elektriker vornehmen oder überprüfen. Der Hersteller haftet nicht bei Schäden, die durch den Einsatz des Gerätes ohne vorchriftsmäßige Erdung entstehen.



GEFAHR:

Das Gerät darf nur von einer autorisierten Fachkraft an das Stromnetz angeschlossen werden. Der Hersteller haftet nicht für Schäden, die durch Aktivitäten nicht autorisierter Dritter entstehen.



GEFAHR:

Das Netzkabel darf nicht eingeklemmt, geknickt oder gequetscht werden und darf nicht mit heißen Geräteteilen in Berührung kommen. Beschädigte Netzkabel müssen durch einen zugelassenen Elektriker ausgetauscht werden. Andernfalls kann es zu Stromschlägen, Kurzschlüssen und Bränden kommen!

Die Netzanschlussdaten müssen mit den Daten auf dem Typenschild des Gerätes übereinstimmen. An das Typenschild gelangen Sie nach Öffnen der Tür oder der unteren Abdeckung; je nach Modell kann es sich auch an der Rückwand des Gerätes befinden. Verwenden Sie nur Netzkabel, die den Angaben im Abschnitt „Technische Daten“ entsprechen.



GEFAHR:

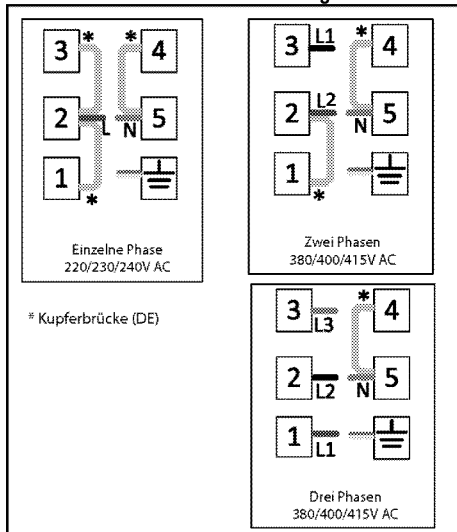
Trennen Sie das Gerät vollständig von der Stromversorgung, bevor Sie mit der Elektroinstallation beginnen. Es besteht Stromschlaggefahr!

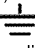
Netz Kabel anschließen

1. Falls der Netzanschluss nicht vollständig getrennt werden kann, muss ein Trennschalter (Sicherung, Netzschalter oder dergleichen) mit mindestens 3 mm Kontaktabstand zwischengeschaltet werden. Die einschlägigen Installationsvorschriften (in Deutschland VDE 0100) sind dabei einzuhalten. Bei Nichtbeachtung kann es zu Betriebsstörungen und zum Erlöschen der Garantie kommen.

Wir empfehlen eine zusätzliche Absicherung mit einem Fehlerstromschutzschalter (FI-Schutzschalter).

Falls ein Netzkabel mit dem Gerät geliefert wird:



2. **Bei Einphasenanschluss** erfolgt der Anschluss wie folgt:
 - Braunes Kabel = L (Phase)
 - Blaues Kabel = N (Nullleiter)
 - Grünes/gelbes Kabel = (E)  (Erde)
 - Schieben Sie das Produkt an die Küchenwand.
 - **FüÙe des Ofens anpassen**

Vibrationen während des Betriebs können das Kochgeschirr in Bewegung versetzen. Diese Gefahrensituation kann vermieden werden, wenn das Produkt ebenerdig steht.

Achten Sie zu Ihrer eigenen Sicherheit darauf, dass das Produkt gerade steht, indem Sie die vier FüÙe an der Unterseite nach links oder rechts drehen und dadurch die Ebenenrigkeit der Arbeitsoberfläche anpassen.

Endkontrolle

1. Schließen Sie das Gerät wieder an die Stromversorgung an.
2. Elektrische Funktionen prüfen.

4 Vorbereitungen

Tipps zum Energiesparen

Mit den folgenden Hinweisen nutzen Sie Ihr Gerät umweltbewusst und energiesparend:

- Verwenden Sie am besten dunkles oder emailliertes Kochgeschirr – dies leitet die Wärme besser.
- Lassen Sie den Backofen vorheizen, wenn dies durch Bedienungs- oder Zubereitungsanleitung empfohlen wird.
- Verzichten Sie bei der Zubereitung auf häufiges Öffnen der Backofentür.
- Bereiten Sie mehrere Gerichte gleichzeitig zu, sofern dies möglich ist. Dazu stellen Sie einfach mehrere Behälter auf den Gitterrost.
- Größere Gerichte und solche, deren Geschmack sich nicht gegenseitig beeinflussen soll, bereiten Sie nacheinander zu. Der Backofen ist dann bereits vorgeheizt.
- Sie können zusätzliche Energie sparen, indem Sie den Backofen ein paar Minuten vor Ende der Garzeit bereits abschalten. Verzichten Sie während der Zubereitung möglichst auf ein Öffnen der Backofentür.
- Tauen Sie gefrorene Gerichte vor der Zubereitung auf.
- Kochen Sie mit Deckel. Beim Kochen ohne Deckel kann der Energieverbrauch auf das Vierfache ansteigen.
- Wählen Sie stets die zum Bodendurchmesser des Kochgeschirrs passende Kochstelle. Entscheiden Sie sich immer für Kochgeschirr in der passenden Größe. Größeres Kochgeschirr verbraucht mehr Energie.
- Achten Sie darauf, beim Kochen mit Elektroherden grundsätzlich Kochgeschirr mit flachem Boden zu verwenden. Kochgeschirr mit dickem Boden leitet die Wärme besser und speichert diese eine Weile. Auf diese Weise können Sie bis zu ein Drittel Energie einsparen.
- Die Größe des Kochgeschirrs muss grundsätzlich zur Kochzone passen. Der Boden des Kochgeschirrs darf nicht kleiner als die Kochstelle sein.
- Halten Sie das Kochfeld und den Boden des Kochgeschirrs sauber. Verschmutzungen verschlechtern die Wärmeübertragung zwischen Kochfeld und Kochgeschirrboden.
- Wenn die Zubereitung etwas länger dauert, schalten Sie die Kochzone 5 – 10 Minuten vor

Ablauf der Garzeit ab. Durch Ausnutzung der Restwärme können Sie bis zu 20 % Energie einsparen.

Erste Inbetriebnahme Erstreinigung des Gerätes



Durch bestimmte Reinigungsmittel können die Oberflächen des Gerätes beschädigt werden. Verwenden Sie keine aggressiven Reinigungsmittel, keine Scheuermittel und keine scharfen oder spitzen Gegenstände bei der Reinigung.

1. Entfernen Sie sämtliches Verpackungsmaterial.
2. Geräteoberflächen mit einem feuchten Tuch oder Schwamm abwischen und mit einem Tuch trocknen.

Erstaufheizung

Lassen Sie das Gerät etwa 30 Minuten lang aufheizen, schalten Sie es anschließend ab. Auf diese Weise werden sämtliche Rückstände und Beschichtungen durch Abbrennen entfernt.



WARNUNG

Verbrennungsgefahr durch heiße Flächen! Das Gerät kann sich im Betrieb stark aufheizen. Berührung Sie niemals heiße Brenner, das Innere des Backofens, Heizelemente und so weiter. Halten Sie Kinder fern. Tragen Sie grundsätzlich hitzebeständige Schutzhandschuhe, wenn Sie etwas in den Backofen stellen oder herausnehmen.

Elektroofen

1. Nehmen Sie sämtliches Zubehör (z. B. Backbleche und Gitterrost) aus dem BackOfen heraus.
2. Schließen Sie die BackOfentür.
3. Wählen Sie die höchste Ofentemperatur; Siehe "*So bedienen Sie den Backofen, Seite 21*".
4. Lassen Sie den BackOfen etwa 30 Minuten lang arbeiten.
5. Schalten Sie den BackOfen ab; Siehe "*So bedienen Sie den Backofen, Seite 21*".

Grill

1. Nehmen Sie sämtliches Zubehör (z. B. Backbleche und Gitterrost) aus dem BackOfen heraus.
2. Schließen Sie die BackOfentür.
3. Wählen Sie die höchste Temperatureinstellung; Siehe "*So bedienen Sie den Grill, Seite 24*".
4. Lassen Sie den Grill etwa 30 Minuten lang arbeiten.
5. Schalten Sie den Grill ab; Siehe "*So bedienen Sie den Grill, Seite 24*".



Bei der ersten Inbetriebnahme kann es über mehrere Stunden zu Rauch- und Geruchsentwicklung kommen. Dies ist völlig normal. Lüften Sie den Raum gut durch, damit Rauch und Gerüche schnell abziehen können. Atmen Sie die Dämpfe möglichst nicht ein.

5 Bedienung Kochfeld

Allgemeine Hinweise zum Kochen



Füllen Sie Kochgeschirr maximal bis zu einem Drittel mit Öl. Lassen Sie das Kochfeld niemals unbeaufsichtigt, wenn Sie mit heißem Öl arbeiten. Überhitzte Öle und Fette können Brände verursachen. **Versuchen Sie niemals, Fettbrände mit Wasser zu löschen!** Falls Öle oder Fette Feuer fangen, ersticken Sie die Flammen mit einer Löschdecke, notfalls mit einem leicht feuchten Tuch. Trennen Sie den Herd von der Stromversorgung, falls dies gefahrlos möglich ist, rufen Sie die Feuerwehr.

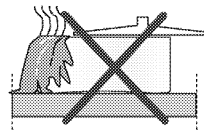
- Vor dem Frittieren trocknen Sie die Lebensmittel gründlich und lassen sie langsam in das heiße Öl hinab. Achten Sie darauf, dass gefrorene Lebensmittel vor dem Frittieren restlos aufgetaut sind.
- Decken Sie das Kochgeschirr beim Frittieren nicht ab.
- Platzieren Sie das Kochgeschirr so auf dem Kochfeld, dass dessen Griffe oder Stiele nicht von anderen Kochstellen erhitzt werden. Stellen Sie keine Behälter auf das Kochfeld, die zum Kippen neigen.
- Stellen Sie kein leeres Kochgeschirr auf eingeschaltete Kochzonen. Es kann zu Beschädigungen kommen.
- Wenn Sie eine Kochzone verwenden, ohne Kochgeschirr darauf zu platzieren, verursacht dies Schäden am Gerät. Schalten Sie die Kochzonen nach dem Gebrauch aus.
- Da sich die Oberfläche des Gerätes erhitzt, legen Sie niemals Gegenstände aus Kunststoff oder Aluminium darauf ab.
Entfernen Sie geschmolzene Rückstände solcher Materialien sofort von der Oberfläche. Übrigens sollten Lebensmittel grundsätzlich nicht in solchen Gefäßen gelagert werden.
- Verwenden Sie ausschließlich Kochgeschirr mit flachem Boden.
- Geben Sie die richtige Menge an Lebensmitteln in das jeweilige Kochgeschirr; nicht überfüllen. Dadurch ersparen Sie sich unnötige Reinigungsarbeit durch überlaufende Speisen.

Legen Sie die Deckel des Kochgeschirrs nicht auf den Kochzonen ab.

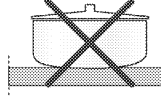
Stellen Sie Kochgeschirr so auf das Kochfeld, dass es exakt in der Mitte der Kochzone steht. Wenn Sie Kochgeschirr von einer Kochzone zur nächsten bewegen möchten, heben Sie das Kochgeschirr an, anstatt es über das Kochfeld zu schieben, da es ansonsten zu Schäden der Glaskeramik kommt.

Tipps zu Glaskeramik-Kochfeldern

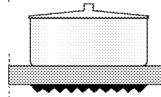
- Glaskeramik ist hitzefest und beständig gegen starke Temperaturdifferenzen.
- Missbrauchen Sie die Glaskeramik nicht als Ablage oder als Schneidbrett.
- Verwenden Sie ausschließlich Kochgeschirr mit entsprechend bearbeitetem Boden. Scharfe Kanten verursachen Kratzer auf der Oberfläche.
- Benutzen Sie kein Kochgeschirr aus Aluminium. Aluminium beschädigt die Glaskeramik.



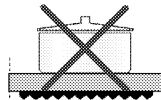
Überlaufende Speisen können die Glaskeramik beschädigen und Brände verursachen.



Kein Kochgeschirr mit gewölbtem Boden verwenden.

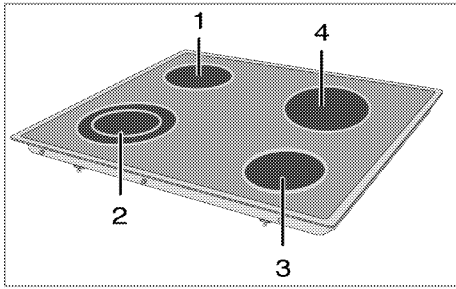


Ausschließlich Kochgeschirr mit ebenem Boden verwenden. Dadurch wird die Hitze optimal übertragen.



Bei Kochgeschirr mit zu geringem Durchmesser verschwenden Sie Energie.

Kochfeld verwenden



- 1 Einzelkochplatte 14-16 cm
- 2 Doppelkochplatte 18-20/12-14 cm
- 3 Einzelkochplatte 14-16 cm
- 4 Einzelkochplatte 18-20 cm ist eine Liste mit für die jeweiligen Brenner empfohlenen Geschirrdurchmessern.



GEFAHR:

Lassen Sie keine Gegenstände auf das Kochfeld fallen. Selbst kleine Gegenstände wie Salzstreuer können das Kochfeld beschädigen. Verwenden Sie keine Kochfelder, die gesprungen sind. Durch die Sprünge kann Wasser eindringen und einen gehörigen Kurzschluss verursachen. Falls Sie Beschädigungen der Glaskeramik (z. B. sichtbare Sprünge) bemerken sollten, unterbrechen Sie sofort die Stromversorgung, damit es nicht zu Stromschlägen kommt.

Glaskeramikkochfelder sind mit einer Betriebsanzeige und einer Heizzonenwarnanzeige ausgestattet. Die Heizzonenwarnanzeige zeigt die Position der aktiven Kochzone an; sie leuchtet auch nach dem Abschalten der Kochzone weiter und dient als Restwärmeanzeige. Sobald die Kochzone so weit abgekühlt ist, dass sie gefahrlos berührt werden kann, erlischt die Warnanzeige. Ein Flackern der Heizzonenwarnanzeige weist nicht auf einen Fehler hin.



Glaskeramik-Schnellkochstellen leuchten nach dem Einschalten hell auf. Nicht in das helle Licht schauen.

Glaskeramik-Kochzonen einschalten

Die Glaskeramik-Kochzonen werden mit den Kochzonentasten bedient. Stellen Sie den jeweiligen Kochzonenregler auf die gewünschte Leistungsstufe ein.

Leistungsstufe	1	2 — 3	4 — 6
	Erhitzen	Sieden, Ruhen	Kochen, Braten
Leistungsstufe	1	2	3
	Erhitzen	Sieden, Ruhen	Kochen, Braten

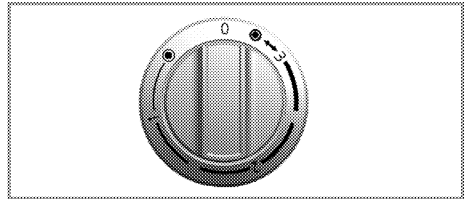
Glaskeramik-Kochzonen abschalten

Drehen Sie den Regler der Kochstelle in die Aus-Position (oben).

Mehrsegment-Kochzonen verwenden

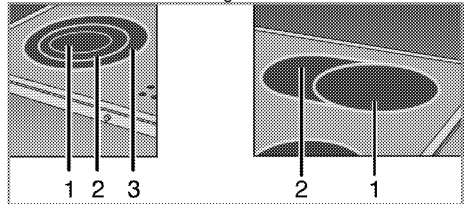
Die Mehrsegment-Kochzonen ermöglichen Ihnen die Zubereitung mit unterschiedlich großem Kochgeschirr auf derselben Kochzone. Wenn diese Kochzonen aktiviert werden, schaltet sich zuerst die innere Kochzone ein.

1. Drehen Sie den Regler zur Änderung des Durchmessers der aktiven Kochzone im Uhrzeigersinn.
2. Sobald sich der Radius der Kochzone verändert, ertönt ein Klicken.



Mehrsegment-Kochzonen abschalten

1. Zum Abschalten der Kochzone drehen Sie den Regler gegen den Uhrzeigersinn in die Aus-Position (oben). Sämtliche Segmente der Kochzone werden abgeschaltet.



- 1 Position 1
- 2 Position 2
- 3 Position 3



Position 2 und 3 der Mehrsegment-Kochzonen arbeiten nicht unabhängig voneinander.

6 Bedienung des Backofens

Allgemeine Hinweise zum Backen, Braten und Grillen



WARNUNG

Verbrennungsgefahr durch heiße Flächen! Das Gerät kann sich im Betrieb stark aufheizen. Berührung Sie niemals heiße Brenner, das Innere des Backofens, Heizelemente und so weiter. Halten Sie Kinder fern.

Tragen Sie grundsätzlich hitzebeständige Schutzhandschuhe, wenn Sie etwas in den Backofen stellen oder herausnehmen.



GEFAHR:

Öffnen Sie die Backofentür vorsichtig: Heißer Dampf kann austreten.

Der austretende Dampf kann zu Verbrühungen von Händen, Gesicht und Augen führen.

Tipps zum Backen

- Benutzen Sie Metallgeschirr mit Antihafbeschichtung oder hitzebeständige Silikonformen.
- Nutzen Sie den Platz auf dem Gitterrost gut aus.
- Stellen Sie Backformen in die Mitte des Gitterrostes.
- Wählen Sie die richtige Einschubposition, bevor Sie Backofen oder Grill einschalten. Wechseln Sie die Einschubposition nicht, solange der Backofen heiß ist.
- Halten Sie die Backofentür geschlossen.

Tipps zum Rösten

- Eine Würzmischung aus Zitronensaft und schwarzem Pfeffer sorgt für eine besonders schmackhafte Zubereitung von ganzen Hühnern, Puten und größeren Fleischportionen.
- Fleisch mit Knochen braucht etwa 15 – 30 Minuten länger zum Garen als dieselbe Menge Fleisch ohne Knochen.
- Jeder Zentimeter an Fleischdicke braucht etwa 4 – 5 Minuten mehr an Garzeit.
- Lassen Sie Fleisch nach Ablauf der Garzeit noch etwa 10 Minuten im Backofen ruhen. Der Fleischsaft verteilt sich so gleichmäßiger im Braten und läuft beim Anschneiden nicht aus.
- Fisch stellen Sie auf einem hitzebeständigem Teller möglichst in der mittleren oder unteren Einschubposition in den Backofen.

Tipps zum Grillen

Fleisch, Geflügel und Fisch werden durch das Grillen schnell braun, bekommen eine schöne Kruste und trocknen dabei nicht aus. Insbesondere flache Stücke, Fleischspieße und Würstchen sowie Gemüse mit hohem Wasseranteil (wie Tomaten oder Zwiebeln) sind zum Grillen gut geeignet.

- Verteilen Sie das Grillgut so auf dem Gitterrost, dass es nicht über die Kanten des Gitterrostes hinausragt.
- Schieben Sie den Gitterrost (mit darunter eingeschobener Tropfschale) in die richtige Einschubposition. Vergessen Sie nicht, die Tropfschale beim Grillen in den untersten Einschub einzuschieben, damit das Fett aufgefangen wird. Geben Sie etwas Wasser in die Tropfschale – so wird die Reinigung einfacher.



Lebensmittel, die nicht zum Grillen geeignet sind, können sich im schlimmsten Fall entzünden. Grillen Sie nur Lebensmittel, die bei der starken Hitze beim Grillen keinen Schaden nehmen.

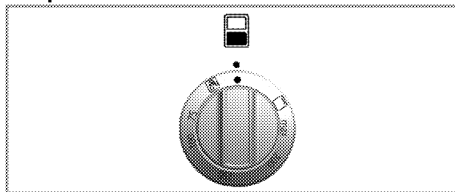
Platzieren Sie das Grillgut nicht nahe der Backofenrückwand. Dort wird es besonders heiß, fettes Grillgut kann in Brand geraten.

So bedienen Sie den Backofen

Das Produkt ist mit zwei Öfen ausgestattet. Die Übersicht zeigt die entsprechenden Knöpfe der einzelnen Öfen.

So bedienen Sie den Hauptofen

Temperatur und Betriebsart einstellen



1. Stellen Sie den Ofentimer auf die gewünschte Garzeit ein; siehe *Ofenuhr verwenden*, Seite 22
2. Stellen Sie mit dem Funktionswähler die gewünschte Temperatur ein.

» Der Ofen heizt sich auf die eingestellte Temperatur auf und hält diese aufrecht. Während des Aufheizens bleibt die Temperaturleuchte eingeschaltet.

Backofen ausschalten

Bringen Sie den Ofentimer in die Aus-Position.



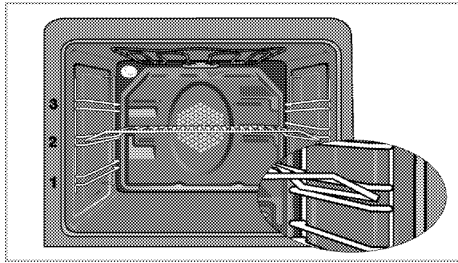
Wenn der Timer auf eine bestimmte Zeit eingestellt ist, schaltet er sich automatisch ab; siehe *Ofenuhr verwenden*, Seite 22

Drehen Sie den Funktionswähler in die Aus-Position (oben).

Einschubpositionen (bei Modellen mit Grillrost)

Es ist wichtig, dass der Grillrost richtig in die Einschübe eingesetzt wird. Setzen Sie den Grillrost wie in der Abbildung gezeigt in den Einschub ein.

Achten Sie darauf, dass der Grillrost nicht die Rückwand des Ofens berührt. Schieben Sie den Rost daher nur so weit ein, bis sich die Backofentür problemlos schließen lässt – so funktioniert der Grill am besten.



Betriebsarten

Sämtliche Backofenfunktionen (einschließlich Hauptbackofen) werden in diesem Abschnitt aufgeführt.

Die hier gezeigte Reihenfolge der Betriebsarten kann je nach Gerätemodell etwas abweichen.

Backofenlampe



Der Backofen wird nicht beheizt. Nur die Backofenlampe wird eingeschaltet.

Andere Funktionen sind zum Garen vorgesehen; wählen Sie die passende Temperatur für Ihre Speisen.

Umluftbetrieb



Der Backofen wird nicht beheizt. Bei dieser Betriebsart werden nur Backofenbeleuchtung und Umluft (hinteres Heizelement) eingesetzt. Gefrorene Lebensmittel werden langsam bei Zimmertemperatur aufgetaut, heiße Lebensmittel abgekühlt.

Andere Funktionen sind zum Garen vorgesehen; wählen Sie die passende Temperatur für Ihre Speisen.

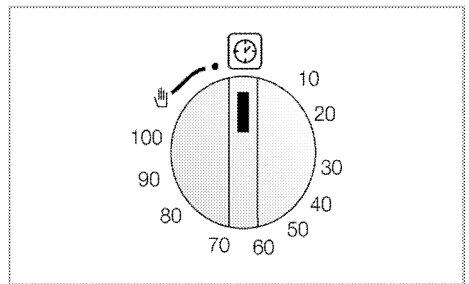
Grill, groß



Der große Grill an der Oberseite des Backofens ist in Betrieb. Diese Betriebsart eignet sich insbesondere zum Grillen größerer Fleischmengen.

- Stellen Sie mittelgroße bis große Portionen auf dem richtigen Einschub direkt unter das Grillelement.
- Stellen Sie die maximale Temperatur ein.
- Wenden Sie das Grillgut nach der Hälfte der Garzeit.

Ofenuhr verwenden



Garvorgang starten



Damit der Ofen in Betrieb genommen werden kann, müssen Sie eine Betriebsart und die gewünschte Temperatur auswählen sowie die Zeit einstellen. Andernfalls arbeitet der Ofen nicht.

1. Drehen Sie den Zeitknopf zum Einstellen der Uhrzeit im Uhrzeigersinn.
2. Schieben Sie die Lebensmittel in den Ofen.
3. Wählen Sie Betriebsart und Temperatur; siehe. *So bedienen Sie den Backofen*, Seite 21.

» Der Ofen heizt sich bis zur vorgegebenen Temperatur auf und hält diese Temperatur bis zum eingestellten Garzeitende.

- Nachdem die Garzeit abgelaufen ist, stellt sich der Zeiteinstellungsknopf automatisch gegen den Uhrzeigersinn zurück. Ein Signalton zeigt an, dass die eingestellte Zeit abgelaufen ist und die Stromversorgung unterbrochen wird.



Wenn Sie die Timerfunktion nicht nutzen möchten, drehen Sie den Knopf gegen den Uhrzeigersinn auf das Handsymbol.

- Schalten Sie den Ofen mit dem Zeit-, Funktions- und Temperaturknopf ab.

Ofen vor der eingestellten Zeit ausschalten

- Drehen Sie den Zeitknopf soweit wie möglich gegen den Uhrzeigersinn.
- Schalten Sie den Ofen mit dem Temperaturknopf und Funktionswähler ab.

Garzeitentabelle



Die Zeitangaben in dieser Tabelle sollen als Richtwerte dienen. Zeitangaben können aufgrund von Temperatur, Dicke, Typ der Lebensmittel und Ihren eigenen Vorlieben abweichen.

Backen und Braten



Der erste Einschub ist der **untere** Einschub.

Gericht	Leistungsstufe	Einschubposition	Temperatur (°C)	Gardauer (ca.-Angabe in Min.)
Kuchenblech*	Einschub 1	1	175	30 ... 40
Kuchen, Form*	Einschub 1	1	175	50 ... 60
Kuchen in Backpapier*	Einschub 1	1	175	25 ... 35
Biskuitkuchen*	Einschub 1	1	200	8 ... 15
Kekse*	Einschub 1	1	175	25 ... 30
	Einschub 2	1 - 3	170 ... 180	35 ... 45
Teiggebäck*	Einschub 1	1	200	35 ... 45
Teilchen*	Einschub 1	1	190	25 ... 35
	Einschub 2	1 - 3	190	35 ... 45
Sauerteig*	Einschub 1	1	200	35 ... 45
Lasagne*	Einschub 1	1	200	30 ... 40
Rindersteak (ganz)/Braten	Einschub 1	1	25 Min. bei 250 max., dann 180 ... 190	100 ... 120
Lammkeule (Auffauf)	Einschub 1	1	25 Min. bei 220, dann 180 ... 190	70 ... 90
Brathähnchen	Einschub 1	1	15 Min. bei 250 max., dann 190	55 ... 65
Pute (in Scheiben)	Einschub 1	1	25 Min. bei 250 max., dann 190	150 ... 210
Fisch	Einschub 1	2	200	20 ... 30


(**) Wenn vorgeheizt werden muss, lassen Sie den Ofen zu Beginn vorheizen, bis die Temperaturleuchte erlischt.

Tipps zum Kuchenbacken

- Falls Gebäck zu trocken wird, erhöhen Sie die Temperatur etwas und vermindern gleichzeitig die Garzeit.
- Werden Kuchen zu feucht, reduzieren Sie die Flüssigkeiten oder senken die Temperatur um 10 °C.
- Sofern die Oberseite des Kuchens zu stark gebräunt wird, backen Sie etwas länger mit reduzierter Temperatur.
- Wenn der Kuchen außen gut gelingt, innen jedoch noch klebrig ist, geben Sie weniger Flüssigkeit hinzu, senken die Temperatur und verlängern dafür die Garzeit etwas.

Tipps für Gebäck


- Falls Gebäck zu trocken wird, erhöhen Sie die Temperatur etwas und vermindern gleichzeitig die Garzeit. Befeuchten Sie den Teig mit einer Mischung aus Milch, Öl, Ei und Joghurt.
- Sollte Gebäck sehr lange zum Garen benötigen, achten Sie darauf, dass das Gebäck nicht über die Oberkante des Backblechs hinausragt.
- Wird Gebäck an der Oberseite gut gebräunt, innen jedoch nicht richtig gar, achten Sie darauf, dass sich Flüssigkeiten nicht am Boden des Gebäcks konzentrieren. Versuchen Sie, Flüssigkeitsmischungen gleichmäßig zwischen den Teigschichten zu verteilen; so erreichen Sie eine gleichmäßige Bräunung.

 Halten Sie sich beim Backen an die Betriebsart- und Temperaturempfehlungen der Zubereitungstabelle. Falls die Unterseite nicht ausreichend gebräunt wird, nutzen Sie beim nächsten Mal den nächstniedrigeren Einschub.

Tipps zur Zubereitung von Gemüse

- Falls Gemüsegerichte zu trocken werden, bereiten Sie diese in einem Geschirr mit Deckel statt auf dem Blech zu. Geschlossene Behälter sorgen dafür, dass nicht zu viel Flüssigkeit verloren wird.
- Falls Gemüsegerichte nicht richtig gar werden, kochen Sie das Gemüse zuvor und geben es erst danach in den Ofen.


So bedienen Sie den Grill

 **WARNUNG**
Backofentür beim Grillen geschlossen halten. Verbrennungsgefahr durch heiße Flächen!

- **Drehen Sie den Zeitknopf während des Grillens gegen den Uhrzeigersinn auf das Handsymbol.**


Grill einschalten

1. Drehen Sie den Funktionswähler im Uhrzeigersinn auf das Grillsymbol.
2. Heizen Sie den Grill bei Bedarf etwa 5 Minuten vor.
» Die Temperaturleuchte schaltet sich ein.

 Versuchen Sie nicht, den Funktionswähler durch Drehen im **Uhrzeigersinn** auf die Aus-Position (oben) einzustellen.

Grill ausschalten

1. Drehen Sie den Grill-Regler **gegen den Uhrzeigersinn** in die Aus-Position (oben).

 Lebensmittel, die nicht zum Grillen geeignet sind, können sich im schlimmsten Fall entzünden. Grillen Sie nur Lebensmittel, die bei der starken Hitze beim Grillen keinen Schaden nehmen.
Platzieren Sie das Grillgut nicht nahe der Backofenrückwand. Dort wird es besonders heiß, fettes Grillgut kann in Brand geraten.

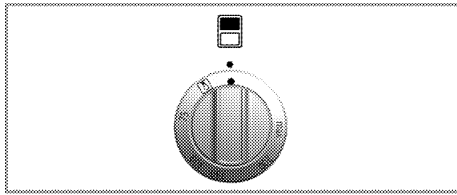
Garzeitentabelle zum Grillen

Elektrischer Grill

Speise	Einschubebene	Grilldauer (ca.)
Fisch	2..3	20...25 Min. [#]
Hühnerklein	2..3	25...35 Min.
Lammkoteletts	2..3	20...25 Min.
Rinderbraten	2..3	25...30 Min. [#]
Kalbskoteletts	2..3	25...30 Min. [#]
Toastbrot	3	1...2 min.

[#] je nach Dicke

So bedienen Sie den oberen Ofen



Temperatur und Betriebsart einstellen

1. Stellen Sie mit dem Funktionswähler die gewünschte Temperatur ein.

» Der Ofen heizt sich auf die eingestellte Temperatur auf und hält diese aufrecht. Während des Aufheizens und Abkühlens schaltet sich die Temperaturleuchte ein.

Backofen ausschalten

Drehen Sie den Funktionswähler in die Aus-Position (oben).

Garzeitentabelle



Die Zeitangaben in dieser Tabelle sollen als Richtwerte dienen. Zeitangaben können aufgrund von Temperatur, Dicke, Typ der Lebensmittel und Ihren eigenen Vorlieben abweichen.

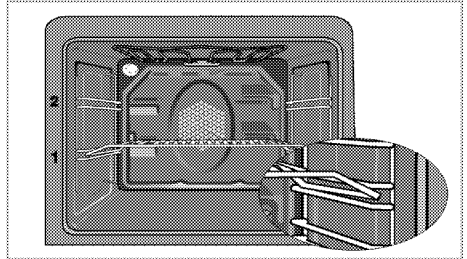


Maximale Tragkraft des Backbleches: 4 kg (8.8 lb).



Der erste Einschub ist der **untere** Einschub.

- Stellen Sie kein Kochgeschirr mit rauen Unterseiten auf die Ofentür.
- Achten Sie beim Garen größerer Speisen bzw. Einsatz größeren Kochgeschirrs auf einen Freiraum von mindestens 25 mm zur Ofendecke.



Backen und Braten



Der erste Einschub ist der **untere** Einschub.

Speise	Leistungsstufe	Einschubposition	Temperatur (°C)	Gardauer (Min.) (ca.)
Kuchen (Blech)	Einschub 1	1	175	25 ... 35
Kuchen (Papier)	Einschub 1	1	175	25 ... 30
Biskuitkuchen	Einschub 1	1	200	5 ... 10
Kekse	Einschub 1	1	175	25 ... 30
Teiggebäck	Einschub 1	1	200	35 ... 40
Pikant gefüllter Blätterteig	Einschub 1	1	180	25 ... 35
Beefsteak (ganz)/Braten	Einschub 1	1	25 Min. 250 nach 180 ... 190	100 ... 120
Brathähnchen (in Scheiben)	Einschub 1	1	15 Min. 250 nach 190	55 ... 65
Fisch	Einschub 1	1	200	20 ... 30

7 Reinigung und Wartung

Allgemeine Hinweise

Durch regelmäßiges Reinigen verlängern Sie die Lebenserwartung Ihres Gerätes und beugen Fehlfunktionen vor.



GEFAHR:

Trennen Sie das Gerät von der Stromversorgung, bevor Sie es reinigen. Es besteht Stromschlaggefahr!



GEFAHR:

Lassen Sie das Gerät vor dem Reinigen gründlich abkühlen. Verbrennungsgefahr durch heiße Flächen!

- Reinigen Sie das Gerät nach jedem Gebrauch gründlich. Dadurch lassen sich Speisereste leichter entfernen und können sich beim nächsten Einsatz des Backofens nicht einbrennen.
- Zur Reinigung benötigen Sie keine Spezialreiniger. Verwenden Sie am besten warmes Wasser mit etwas herkömmlichem Reiniger, ein weiches Tuch oder einen Schwamm. Anschließend mit einem Tuch trocknen.
- Achten Sie stets darauf, überschüssige und verschüttete Flüssigkeiten nach der Reinigung gründlich ab- bzw. aufzuwischen.
- Wenn Sie Edelstahl und Griffe reinigen verzichten Sie auf Reinigungsmittel, die Säuren oder Chlor enthalten. Reinigen Sie diese Teile mit einem weichen Tuch und etwas Flüssigreiniger (kein Scheuermittel); wischen Sie dabei am besten nur in eine Richtung.



Durch bestimmte Reinigungsmittel können die Oberflächen des Gerätes beschädigt werden. Verwenden Sie keine aggressiven Reinigungsmittel, keine Scheuermittel und keine scharfen oder spitzen Gegenstände bei der Reinigung.



Nutzen Sie keine Dampfreiniger zur Reinigung des Gerätes – es besteht Stromschlaggefahr.

Kochfeld reinigen

Glaskeramik

Wischen Sie die Glaskeramik mit einem mit kaltem Wasser angefeuchteten Tuch sauber. Anschließend mit einem weichen Tuch trocknen. Achten Sie darauf, dass keine Rückstände auf der Glaskeramik verbleiben;

andernfalls kann das Kochfeld bei der nächsten Nutzung beschädigt werden.

Versuchen Sie niemals, Rückstände mit Messern, Stahlwolle und ähnlichen Hilfsmitteln von der Glaskeramik zu entfernen.

Entfernen Sie Kalkflecken (beige bis gelbe Flecken) mit etwas Kalkentferner; Essig oder Zitronensaft funktionieren ebenfalls. Alternativ können Sie entsprechende handelsübliche Produkte verwenden. Bei hartnäckigen Verschmutzungen tragen Sie Reinigungsmittel mit einem Schwamm auf und warten ab, bis das Mittel richtig in den Schmutz eingezogen ist. Anschließend wischen Sie die Glaskeramik des Kochfeldes mit einem feuchten Tuch sauber.



Stark zuckerhaltige Lebensmittel müssen sofort entfernt werden, bevor die Glaskeramik abkühlt. Andernfalls kann die Glaskeramik dauerhaft beschädigt werden.

Mit der Zeit kann es zu leichten Farbveränderungen der Glaskeramik und der Markierungen kommen. Die Funktion des Gerätes wird dadurch nicht beeinträchtigt. Farbveränderungen und sonstige leichte optische Veränderungen sind bei Glaskeramik normal; es handelt sich nicht um einen Defekt.

Bedienfeld reinigen

Reinigen Sie Bedienfeld und Knöpfe mit einem feuchten Tuch; anschließend trocken reiben.



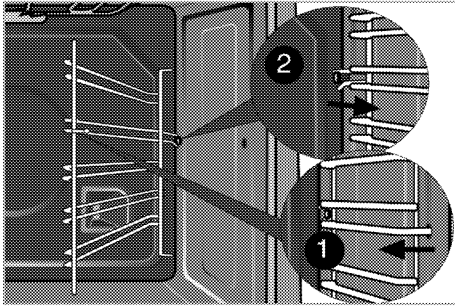
Ziehen Sie die Knöpfe zum Reinigen des Bedienfelds nicht ab. Das Bedienfeld kann beschädigt werden!

Backofen reinigen

So reinigen Sie die Seitenwand

(Dieses Merkmal ist optional. Es ist bei Ihrem Modell möglicherweise nicht vorhanden.)

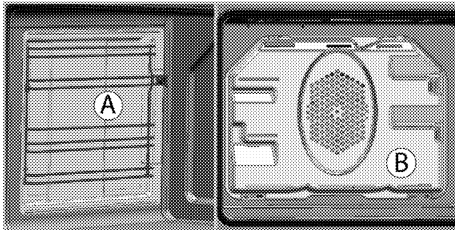
1. Lösen Sie den vorderen Bereich der seitlichen Halterungen, indem Sie diese von der Seitenwand wegziehen.
2. Ziehen Sie die seitliche Halterung komplett zu sich hin heraus.



Katalytische Seitenwände

(Dieses Merkmal ist optional. Es ist bei Ihrem Modell möglicherweise nicht vorhanden.)

Seitenwände (A) und/oder Rückwand (B) Ihres Produktes können mit katalytischer Emaille beschichtet sein. Die katalytischen Wände haben eine helle matte Farbe und eine poröse Oberfläche. Die katalytischen Seitenwände des Backofens sollten nicht gereinigt werden. Die poröse Oberfläche der katalytischen Wände reinigt sich durch Absorbierung und Umwandlung von Rückständen (Dampf und Kohlendioxid) von selbst.



Backofentür reinigen

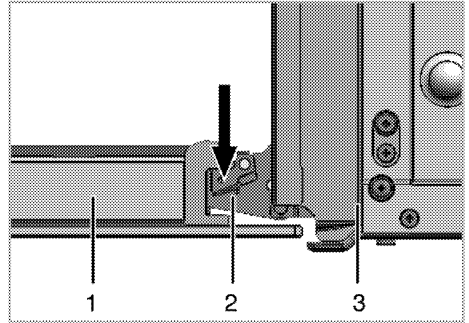
Verwenden Sie zum Reinigen der Backofentür am besten warmes Wasser mit etwas herkömmlichem Reiniger, ein weiches Tuch oder einen Schwamm. Anschließend mit einem Tuch trocknen.



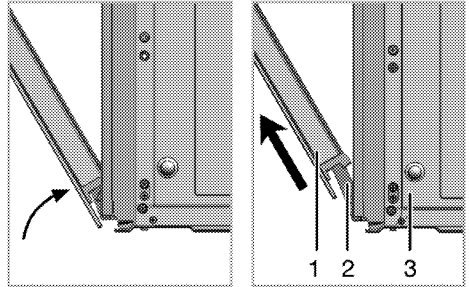
Verzichten Sie bei der Reinigung der Backofentür auf aggressive Reinigungsmittel und auf scharfkantige Schaber aus Metall. Solche Hilfsmittel können die Oberflächen zerkratzen und das Glas beschädigen.

Backofentür ausbauen

1. Öffnen Sie die Backofentür (1).
2. Öffnen Sie die Clips am Scharniergehäuse links und rechts der Backofentür, indem Sie diese wie in der Abbildung gezeigt nach unten drücken.



- 1 Backofentür
- 2 Scharnier
- 3 Backofen



3. Öffnen Sie die Backofentür zur Hälfte.
4. Nehmen Sie die Ofentür heraus, indem Sie diese etwas anheben und von den Scharnieren rechts und links lösen.

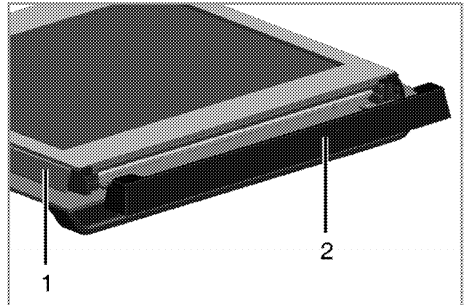


Zum Einbau führen Sie die obigen Schritte wieder in umgekehrter Reihenfolge aus.

Vergessen Sie nicht, die Clips am Scharniergehäuse nach dem Wiedereinsetzen der Tür wieder zu schließen.

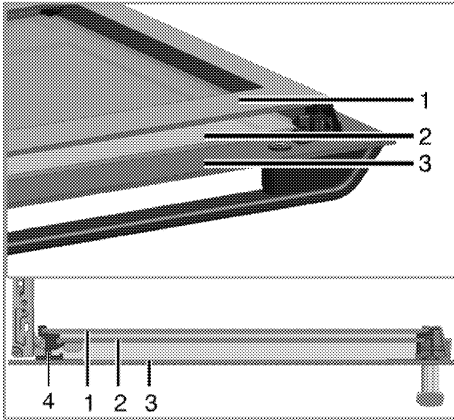
Türinnenscheibe ausbauen(3 scheibe)

Öffnen Sie die Backofentür.



- 1 Rahmen
- 2 Kunststoffteil

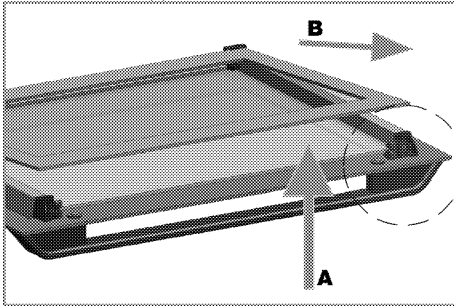
Ziehen Sie das im oberen Bereich der Fronttür installierte Kunststoffteile zu sich heraus.



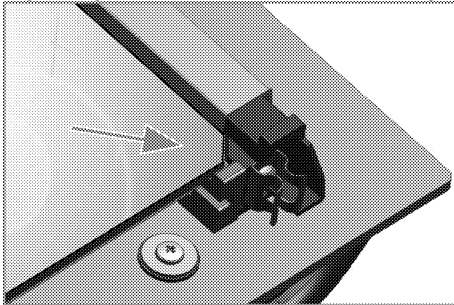
- 1 Innerste Scheibe
- 2 Innenscheibe
- 3 Äußere Glasscheibe
- 4 Scheibenkunststoffschlitz, unten

Heben Sie die innerste Scheibe (1) wie in der Abbildung gezeigt leicht in Richtung **A** an, ziehen Sie sie in Richtung **B** heraus.

Wiederholen Sie dieses Verfahren zum Entfernen der inneren Scheibe (2).



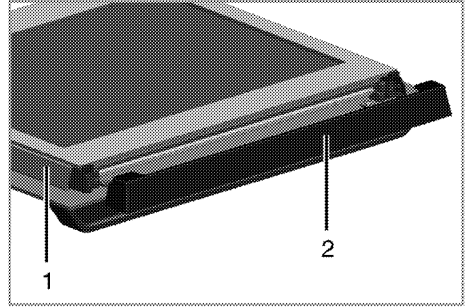
Der erste Schritt zum Zusammensetzen der Tür besteht darin, die Innenscheibe (2) wieder anzubringen. Platzieren Sie die abgeschrägte Ecke der Scheibe wie in der Abbildung gezeigt so, dass sie in der abgeschrägten Ecke des Kunststoffschlitzes aufliegt.



Die Innenscheibe (2) muss im Kunststoffschlitz in der Nähe der innersten Scheibe (1) installiert werden. Achten Sie bei der Anbringung der innersten Scheibe (1) darauf, dass die bedruckte Seite der Scheibe in Richtung der inneren Scheibe zeigt. Es ist wichtig, die untere Kante der inneren Scheibe im unteren Kunststoffschlitz einzusetzen. Drücken Sie das Kunststoffteil gegen den Rahmen, bis es mit einem Klickgeräusch einrastet.

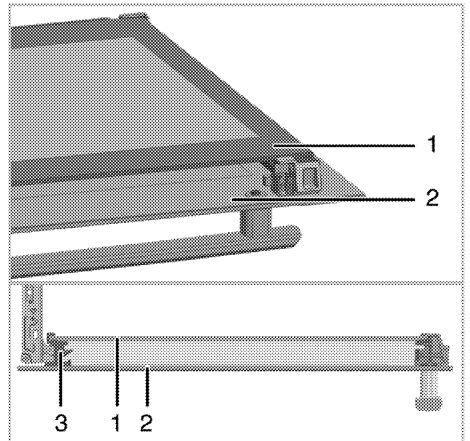
Türinnenscheibe ausbauen(2 schiebe)

Öffnen Sie die Backofentür.



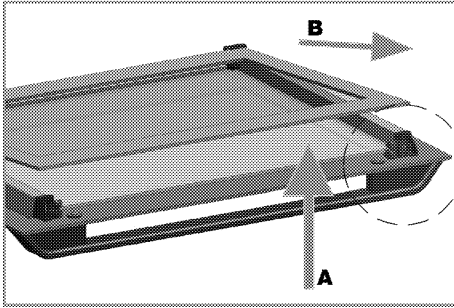
- 1 Rahmen
- 2 Kunststoffteil

Ziehen Sie das im oberen Bereich der Fronttür installierte Kunststoffteile zu sich heraus.



- 1 Innenscheibe
- 2 Äußere Glasscheibe
- 3 Scheibenkunststoffschlitz, unten

Heben Sie die innerste Scheibe (1) wie in der Abbildung gezeigt leicht in Richtung **A** an, ziehen Sie sie in Richtung **B** heraus.



Achten Sie bei der Anbringung der inneren Scheibe (1) darauf, dass die bedruckte Seite der Scheibe nach innen zeigt.

Es ist wichtig, die untere Kante der inneren Scheibe im unteren Kunststoffsschlitz einzusetzen.

Drücken Sie das Kunststoffteil gegen den Rahmen, bis es mit einem Klickgeräusch einrastet.

Beleuchtung des Backofens auswechseln



GEFAHR:

Bevor Sie die Beleuchtung des Backofens auswechseln, sorgen Sie dafür, dass das Gerät vollständig von der Stromversorgung getrennt und komplett abgekühlt ist; ansonsten droht Verbrennungs- und Stromschlaggefahr. Verbrennungsgefahr durch heiße Flächen!



Als Leuchtmittel wird eine spezielle Glühlampe eingesetzt, die für Temperaturen bis 300 °C ausgelegt ist. Weitere Hinweise finden Sie in "Technische Daten, Seite 13". Passende Leuchtmittel erhalten Sie beim autorisierten Kundendienst.



Die Position der Beleuchtung kann etwas von der Abbildung abweichen.



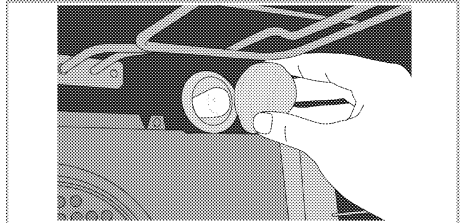
Die in diesem Gerät verwendete Lampe ist nicht zur Raumbeleuchtung geeignet. Der vorgesehene Zweck dieser Lampe besteht darin, dass der Nutzer Lebensmittel besser sehen kann.



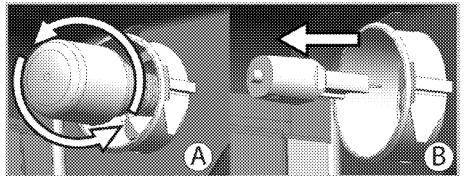
Die in diesem Gerät verwendeten Lampen müssen extremen physikalischen Bedingungen, wie Temperaturen über 50 °C standhalten.

Wenn Ihr Ofen mit einer runden Leuchte ausgestattet ist:

1. Trennen Sie das Gerät vollständig von der Stromversorgung.
2. Schrauben Sie die Glasabdeckung gegen den Uhrzeigersinn ab.



3. Wenn es sich bei Ihrer Ofenlampe um den in der nachstehenden Abbildung gezeigten Typ (A) handelt, drehen Sie sie wie abgebildet heraus und wechseln Sie sie. Falls sie vom Typ (B) ist, ziehen Sie sie wie abgebildet heraus und wechseln Sie sie.



4. Glasabdeckung wieder anbringen.

8 Problemlösungen

Aus dem Backofen tritt im Betrieb Dampf aus.

- Während des Betriebs ist ein Dampfaustritt normal. >>> *Dies ist kein Fehler.*

Beim Aufheizen und Abkühlen sind metallische Geräusche zu hören.

- Wenn sich die Temperatur von Metallteilen ändert, dehnen sich diese aus oder ziehen sich zusammen – dabei entstehen Geräusche. >>> *Dies ist kein Fehler.*

Das Gerät funktioniert nicht.

- Die Sicherung ist durchgebrannt oder ausgelöst. >>> *Kontrollieren Sie die Sicherungen im Sicherungskasten. Bei Bedarf austauschen oder zurücksetzen.*
- Das Gerät ist nicht richtig an die (geerdete) Steckdose angeschlossen. >>> *Überprüfen Sie die Steckerverbindung.*

Die Ofenbeleuchtung funktioniert nicht.

- Das Leuchtmittel ist defekt. >>> *Tauschen Sie das Leuchtmittel aus.*
- Die Stromversorgung wurde unterbrochen. >>> *Überprüfen Sie die Stromversorgung. Kontrollieren Sie die Sicherungen im Sicherungskasten. Sicherungen bei Bedarf austauschen oder zurücksetzen.*

Backofen heizt nicht.

- Falsche Funktion ausgewählt und/oder Temperatur nicht richtig eingestellt. >>> *Stellen Sie Funktion und Temperatur entsprechend ein.*
- Bei Modellen mit Timer ist der Timer eventuell nicht richtig eingestellt. >>> *Stellen Sie die richtige Zeit ein.*
(Bei Produkten mit Mikrowellenofen kontrolliert der Timer nur die Mikrowelle.)
- Die Stromversorgung wurde unterbrochen. >>> *Überprüfen Sie die Stromversorgung. Kontrollieren Sie die Sicherungen im Sicherungskasten. Sicherungen bei Bedarf austauschen oder zurücksetzen.*

(Bei Modellen mit Timer:) Die Uhrzeitanzeige blinkt oder das Uhrensymbold leuchtet.

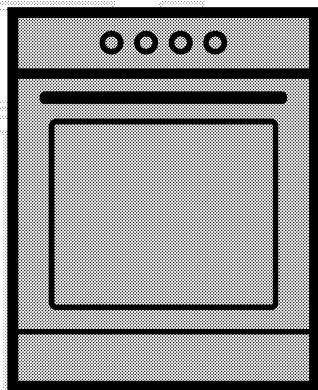
- Es gab einen Stromausfall. >>> *Stellen Sie die aktuelle Uhrzeit ein, schalten Sie das Gerät aus und anschließend wieder ein.*



Falls sich ein Problem nicht mit den obigen Hinweisen lösen lassen sollte, wenden Sie sich bitte an den autorisierten Kundendienst oder an den Händler, bei dem Sie das Gerät gekauft haben. Versuchen Sie niemals, ein defektes Gerät selbst zu reparieren.

Sütő

Használati útmutató



HU

beko

A termék használatbavétele előtt kérjük, olvassa el alaposan a használati útmutatót!

Kedves Vásárlónk!

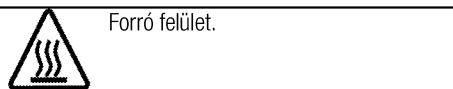
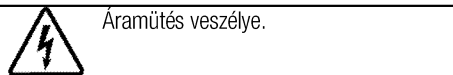
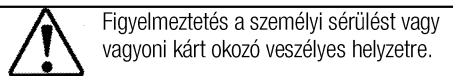
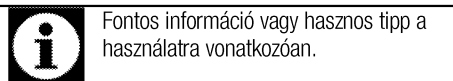
Köszönjük, hogy Beko terméket vásárolt. Bizunk benne, hogy nagyszerű eredményeket érhet el a csúcsmínőségű és modern technológiájával készült termék segítségével. Ezért kérjük, a készülék használatba vétele előtt olvassa végig a használati útmutatót és minden hozzákapcsolódó dokumentumot. Ezeket ne dobja ki, mert a jövőben még szüksége lehet rájuk. Ha a terméket továbbadja, kérjük, a jelen használati útmutatót is adja át a termék új tulajdonosának.

Figyeljen oda a használati útmutatóban lévő figyelmeztetésekre és információkra.

Ne feledje, hogy a használati útmutatóban több modell leírása is szerepelhet. Az egyes modellek közti különbségekre külön felhívjuk a figyelmet.

Jelmagyarázat

A használati útmutatóban az alábbi szimbólumokat használjuk:



Arçelik A.Ş.
Karaağaç caddesi No:2-6
34445 Sütlüce/Istanbul/TURKEY
Made in TURKEY

1 Fontos biztonsági és környezetvédelmi utasítások és figyelmeztetések **4**

Általános biztonsági utasítások	4
Elektromos biztonság	5
Termékbiztonság	5
Rendeltetés	8
Biztonsági előírások gyermekekre nézve	8
A régi termék leselejtezése	9
A csomagolóanyag kidobása	9
A régi termék leselejtezése	9

2 Általános tájékoztató **10**

Áttekintés	10
A csomag tartalma	11
Műszaki adatok	12

3 Beszerelés **13**

Üzembe helyezés előtt	13
Üzembe helyezés és csatlakoztatás	14

4 Elkészítés **16**

Energiatakarékossági tippek	16
Első használat	16
A készülék első tisztítása	16
Első bekapcsolás	16

5 A főzőlap használata **17**

A főzőessel kapcsolatos általános információk	17
A főzőlapok használata	17

6 A sütő működtetése **19**

Általános információ sütésről, roston sütésről és grillezésről	19
Az elektromos sütő használata	19
Működési módok	20
A sütő órájának használata	20
Sütési időtáblázat	21
A grillsütő működtetése	22
Sütési idő táblázat grillezéshez	22
A felső sütő működtetése	23
Sütési időtáblázat	23

7 Karbantartás és tisztítás **24**

Általános tájékoztató	24
A főzőlap tisztítása	24
A vezérlőpult tisztítása	24
A sütő tisztítása	24
A sütő ajtajának eltávolítása	25
Az ajtó belső üvegének eltávolítása (3 üvegének) ...	25
Az ajtó belső üvegének eltávolítása (2 üvegének) ...	26
A sütő lámpájának cseréje	27

8 Hibaelhárítás **28**

1 Fontos biztonsági és környezetvédelmi utasítások és figyelmeztetések

A fejezetben található biztonsági utasítások segítenek a sérülések elkerülésében. Ezen utasítások figyelmen kívül hagyása a garancia elvesztését eredményezheti.

Általános biztonsági utasítások

- A készüléket csak abban az esetben használhatják 8 év alatti gyermekek és csökkent fizikai, érzékszervi vagy mentális képességekkel rendelkező vagy tapasztalatlan emberek, amennyiben megfelelő felügyeletet vagy a készülék biztonságos használatára vonatkozó utasításokat kapnak és megértik a termékkel kapcsolatos veszélyeket.
Ne hagyja, hogy a gyermekek a termékkel játszanak. A tisztítást és a felhasználói karbantartást a gyermekek csak felügyelet mellett végezhetik el.
- A készüléket nem használhatja csökkent fizikai, érzékelési, illetve mentális képességű vagy hiányos tapasztalatokkal és ismeretekkel rendelkező személy (a gyermekeket beleértve) kivéve megfelelő utasítások vagy felügyelet mellett.
Gyermekek felügyelet mellett sem játszhatnak a készülékkel.

- Ha a terméket átadja más személy részére személyes használatra, vagy eladásra kerül, győződjön meg róla, hogy átadja a kézikönyvet, termék címkéket és más, a termékhez tartozó dokumentumokat.
- Soha ne helyezze a terméket szőnyegre. Ellenkező esetben a termék alatt lévő légáramlás megszűnik, mely az elektromos alkatrészek túlmelegedését eredményezheti. Ez a termék meghibásodását okozhatja.
- Az üzembe helyezést és a javítást minden esetben Képzett Szerelőnek kell elvégeznie. A gyártó nem vállal felelősséget azokért a károkért, melyek képzetlen személy által végzett javítási munkák következtében jönnek létre és érvényteleníthetik a garanciát. Az üzembe helyezés előtt alaposan olvassa át a használati útmutatót.
- Ne működtesse a berendezést, ha az meghibásodott, vagy látható sérülés van rajta.
- Biztosítsa, hogy a termék funkciógombjai minden használat után ki legyenek kapcsolva.

Elektromos biztonság

- A termék meghibásodása esetén fel kell függeszteni annak használatát, és hivatalos szervvel kell megjavíttatni. Áramütés kockázata áll fenn!
- A terméket mindig a "Műszaki specifikációkban" meghatározott feszültségű és védelmű földelt konnektorhoz/vezetékhez csatlakoztassa. A készüléket képzett villanszerelő által készített földelt konnektorral használja. A terméket transzformátorral és anélkül is használhatja. Vállalatunk nem vállal felelősséget az olyan jellegű károkért, melyek abból erednek, hogy a terméket nem a helyi előírások szerint földelte.
- Soha ne tisztítsa úgy a terméket, hogy vizet önt rá! Áramütés kockázata áll fenn!
- A terméket beszerelés, karbantartás, tisztítás és javítás során ki kell húzni.
- Amennyiben a termék tápkábele megsérült, a veszélyek elkerülése érdekében azt csak a gyártó, annak szervizközpontja vagy hasonlóan képzett személyek cserélhetik ki.
- A készüléket úgy kell beszerelni, hogy az teljesen leválasztható legyen a rendszerről. A leválaszthatóságot hálózati

csatlakozódugóval, vagy az elektromos berendezésbe épített kapcsolóval kell biztosítani, a szerelési szabályozásoknak megfelelően.

- Használat közben a sütő hátsó felülete felforrósodik. Biztosítsa, hogy a elektromos csatlakozások ne érjenek hozzá a hátsó felülethez, ellenkező esetben ezek megsérülhetnek.
- A tápkábelt soha ne csíptesse a sütő ajtaja és annak háza közé, illetve soha ne vezesse el forró felületek felett. Ellenkező esetben a kábel szigetelése elolvadhat, ez pedig rövidzárlatot és tüzet okozhat.
- Az elektromos berendezéseken csak szakképzett és engedéllyel rendelkező személy dolgozhat.
- Meghibásodás esetén kapcsolja ki a készüléket, és húzza ki a konnektorból. Ennek elvégzéséhez kapcsolja le a biztosítékot.
- Győződjön meg róla, hogy a biztosíték teljesítménye megfelel-e a terméknek.

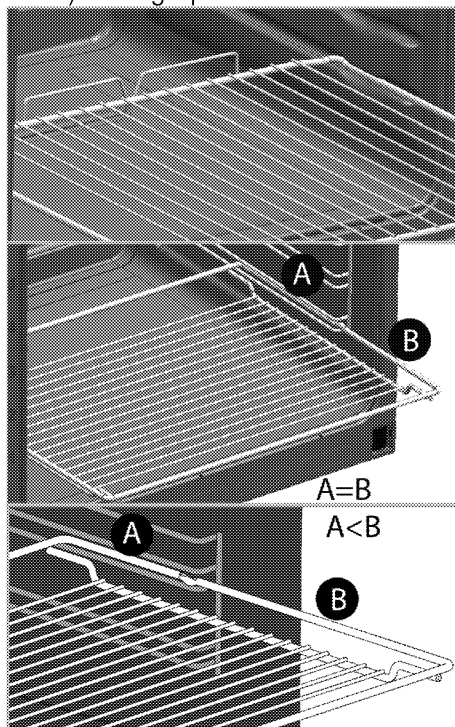
Termékbiztonság

- FIGYELEM: A készülék és annak alkatrészei használat közben felforrósodhatnak. Ügyeljen arra, hogy ne érintse meg a sütő melegítő részeit. Tartsa a 8 évnél fiatalabb gyerekeket távol a

terméktől, vagy folyamatosan felügyeljen rájuk annak közelében.

- Ne használja a terméket, ha alkohol és/vagy drogok befolyása alatt áll.
- Ha az ételekben alkoholos italokat használ, legyen óvatos. Az alkohol magas hőmérsékleten elpárolog, és tüzet okozhat, forró felületekkel érintkezve ugyanis meggyullad.
- Soha ne helyezzen gyúlékony anyagokat a termék közelébe, mivel használat közben a termék oldala is felmelegedhet.
- Használat során a készülék felforrósodik. Ne érintse meg a sütő melegítő részeit.
- Tartson minden szellőzőnyílást szabadon.
- A sütőben soha ne melegítsen lezárt konzervet vagy befőttésüveget. A tartályban/üvegben keletkező nyomás azok szétrobbanását okozhatja.
- Ne helyezzen közvetlenül a sütő aljára sütőtálcákat, edényeket vagy alufóliát. A felgyülemelő hő károsíthatja a sütő alját.
- A sütőajtó üvegének tisztításához ne használjon durva súrolószereket vagy fém dörzsit, mivel ezek az üveg karcolódását okozhatják.

- A készülék tisztításához ne használjon gőztisztítót, mivel az áramütést okozhat.
- (Modellenként eltérő.)
A sütőrács és a tálca megfelelő felhelyezése a tartóra
Nagyon fontos, hogy a sütőrácsot és/vagy tálcát megfelelően helyezze fel a tartóra. A sütőrácsot vagy tálcát csúsztassa be a 2 sín közé és győződjön meg róla, hogy egyensúlyban van-e mielőtt felhelyezi rá az ételmiszert (Kérjük, tekintse meg a következő ábrát)./Paragraph



- Soha ne használja a sütőt, ha az elülső üvegajtó nincs a helyén, vagy törött.

- A sütő fogantyúja nem törölközőszárító. Ne akasszon törölközőt, kesztyűt vagy hasonló textil terméket a fogantyúra, amikor a grill funkció van bekapcsolva a nyitott ajtó mellett.
- Ha a forró sütőbe ételt tesz be, vagy ételt vesz ki belőle, minden esetben használjon hőálló kesztyűt.
- Helyezze a sütőpapírt a kondér aljára vagy a sütő edényre (tepsi, rostély stb.) az étellel együtt, majd tegye előmelegített sütőbe. Távolítsa el a sütőpapír kilógó, felesleges részeit úgy, hogy a papír ne érintkezzen a sütő forró részeivel. Soha ne használja a sütőpapírt a sütőpapír dobozán jelzett hőmérsékletet meghaladó sütési hőmérsékleten. Ne tegye a sütőpapírt közvetlenül a sütő aljára.
- FIGYELEM: Mielőtt égőt cserél, az áramütés megelőzése érdekében győződjön meg róla, hogy a készüléket kikapcsolta.
- A készüléket nem szabad dekoratív ajtó mögé telepíteni a túlmelegedés elkerülése érdekében.
- A készüléket közvetlenül a padlóra kell helyezni. Ne álljon semmiféle talapzaton vagy emelvényen.
- FIGYELEM: Soha ne hagyja őrizetlenül a sütőt, ha a főzőlapon zsírral vagy olajjal főz, mert az tűzveszélyes lehet. SOHA ne próbálja a lángokat vízzel eloltani, hanem kapcsolja ki a készüléket és fedje be a lángokat egy fedővel vagy egy tűzálló ruhával.
- VIGYÁZAT: A főzési folyamatot felügyelni kell. Egy rövid időtartamú főzési folyamatot folyamatosan felügyelni kell.
- FIGYELEM: Tűzveszély: Ne tároljon semmilyen tárgyat a sütőfelületeken.
- FIGYELEM: Ha a felület megreped, az áramütés elkerülése érdekében kapcsolja ki a készüléket.
- Amennyiben a meleg üveg eltörik: Kapcsolja ki az összes főzőfelületet és az összes elektromos sütő egységet, majd csatlakoztassa le a hálózatról. Ne érjen hozzá a készülék forró felületeihez! Ne használja a készüléket!
- A készülék nem működtethető külső időzítővel vagy különálló távirányító rendszerrel.
- A felszabaduló pára következtében a főzőlap felületén vagy az edény alján létrejövő nyomás hatására előfordulhat, hogy az edény elmozdul. Ezért

ügyeljen arra, hogy az edény alja és a főzőlap felszíne mindig száraz legyen.

- **FIGYELEM:** Kizárólag a főzőkészülék gyártója által tervezett vagy a készülék gyártója által a használati útmutatóban alkalmasnak feltüntetett, illetve a készülékbe beépített főzőlap-őrzőt használjon! A nem megfelelő őrző használata balesetet okozhat!

A termék kigyulladásának elkerülése érdekében:

- Ügyeljen arra, hogy a dugó megfelelően illeszkedjen a konnektorba, hogy ne képződhessenek szikrák.
- Ne használjon sérült, elvágott vagy hosszabbító kábeleket. Mindig csak az eredeti kábelt használja.
- Ügyeljen arra, hogy a termék dugóját és a konnektort ne érintje folyadék vagy nedvesség.

Rendeltetés

- Ez a termék kizárólag otthoni használatra készült. Kereskedelmi használata nem engedélyezett.
- A készülék csak főzéshez használható. Egyéb célokra, pl. a szoba fűtése, nem használható.
- A termék nem használható a tányérok melegítésére a grill alatt, nem akasztható törlőrongy, konyharuha stb. a fogantyúra

szárítás céljából, és nem használható fűtésre.

- A gyártó nem vállal felelősséget a nem megfelelő használatból vagy kezelésből eredő károkért.
- A sütő élelmiszerek felolvasztására, sütésére és grillezésére alkalmas.

Biztonsági előírások gyermekekre nézve

- **FIGYELEM:** A hozzáférhető részek használat közben felforrósodhatnak. A kisgyermeket tartsa távol a berendezéstől!
- A csomagolóanyag a gyermekekre nézve veszélyes lehet. Tartsa távol a gyermekektől a csomagolóanyagot. Kérjük, a csomagolás valamennyi részét a környezetvédelmi szabványoknak megfelelően selejtezze le.
- A villanypalán működő termékek veszélyesek a gyermekekre. Tartsa gyermekeit távol a terméktől, amikor az üzemel, és ne hagyja, hogy játszzanak azzal.
- Ne helyezzen olyan tárgyakat a készülék fölé, amelyeket a gyerekek esetleg meg akarnak érinteni.
- Ha az ajtó nyitva van, ne tegyen rá nehéz tárgyat és ne engedje ráülni a gyermeket. Felborulhat vagy elromolhat a zsanér.

A régi termék leselejtezése

A WEEE-irányelvnek való megfelelés és a hulladék termék megsemmisítése:



A termék megfelel az uniós WEEE-irányelv (2012/19/EU) követelményeinek. A terméken megtalálható az elektromos és elektronikus hulladékok besorolására vonatkozó szimbólum (WEEE).

A terméket magas minőségű alkatrészekből és anyagokból állították elő, amelyek ismételten felhasználhatók és alkalmasak az újrahasznosításra. A hulladék terméket annak élettartamának végén ne a szokásos háztartási vagy egyéb hulladékkal együtt selejtezze le. Vigye el azt egy az elektromos és elektronikus berendezések újrahasznosítására szakosodott begyűjtőhelyre. A begyűjtőhelyek kapcsán kérjük, tájékozódjon a helyi hatóságoknál.

Az RoHS-irányelvnek való megfelelés:

Az Ön által megvásárolt termék megfelel az uniós RoHS-irányelv (2011/65/EU) követelményeinek. A termék nem tartalmaz az irányelvben meghatározott káros vagy tiltott anyagokat.

A csomagolóanyag kidobása

- A csomagolóanyagok veszélyt jelentenek a gyermekek számára. Ezért a csomagolóanyag

gyermekektől távol tartandó. A termék csomagolóanyaga újrahasznosított anyagokból készül. Selejtezze le ezeket ennek megfelelően. A csomagolóanyagot ne háztartási hulladékként kezelje.

A régi termék leselejtezése

- Őrizze meg a termék eredeti csomagolását, és abban szállítsa a terméket. Járjon el a csomagoláson feltüntetett utasítások szerint. Ha a termék eredeti csomagolása már nincs meg, akkor csomagolja a terméket buborékfóliába vagy vastag kartondobozba, majd zárja azt le szigszalaggal.
- Annak megelőzésére, hogy a sütő grill és a tálca ne okozzon kárt a sütő ajtajában, helyezzen egy 1-1,5 cm méretű kartonpapírt a sütő belső ajtajára, ami a tálcával egy szintben van. A sütő ajtaját ragassza az oldalsó falaihoz.
- A termék emelésére és szállítására az ajtót vagy a fogantyút ne használja.



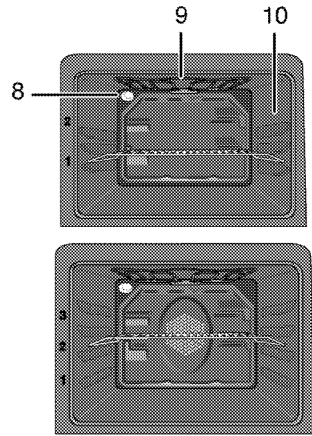
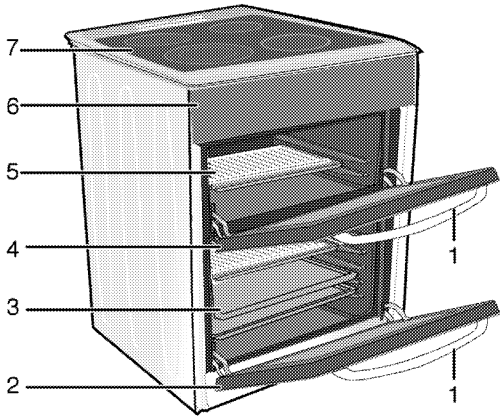
Ne helyezzen semmilyen tárgyat a termékre, és állítsa függőleges helyzetbe.



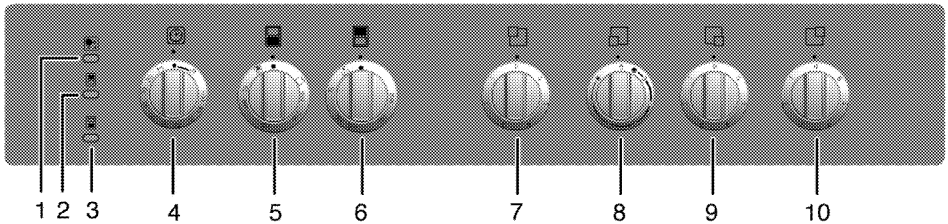
Szemrevételezéssel ellenőrizze, hogy a terméken nem keletkeztek-e sérülések a szállítás során.

2 Általános tájékoztató

Áttekintés



- | | | | |
|---|-----------------|----|---------------------|
| 1 | Fogó | 6 | Vezérlőpanel |
| 2 | Fő sütő ajtó | 7 | Főzőmező |
| 3 | Tálca | 8 | Lámpa |
| 4 | Felső sütő ajtó | 9 | Felső melegítő elem |
| 5 | Sütőrács | 10 | Polc elhelyezése |



- | | |
|----|-------------------------------------|
| 1 | Melegítő lámpa |
| 2 | Termosztát lámpa felső sütőhöz |
| 3 | Termosztát lámpa fő sütőhöz |
| 4 | Mechanikus időzítő |
| 5 | Fő sütő funkció gomb |
| 6 | Felső sütő funkció gomb |
| 7 | Három fokozatú főzőlap Bal hátulsó |
| 8 | Két fokozatú főzőlap Bal elülső |
| 9 | Három fokozatú főzőlap Jobb elülső |
| 10 | Három fokozatú főzőlap Jobb hátulsó |

A csomag tartalma

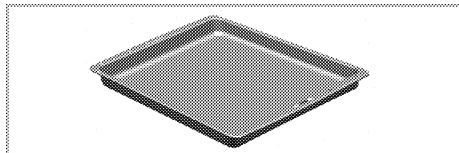


A tartozékok a modell függvényében változhatnak. Az Ön készülékében nem található meg valamennyi, jelen kézikönyvben bemutatott tartozék.

1. **Használati útmutató**

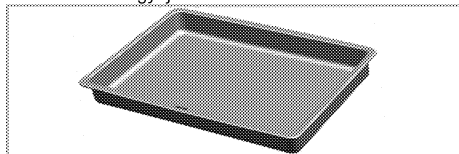
2. **Sütőtálca**

Süteményekhez, fagyaszott ételekhez és sültetek használható.



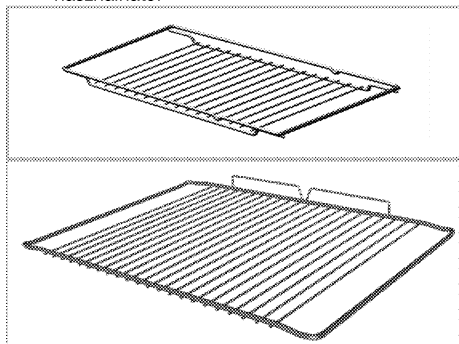
3. **Mély tálca**

Tésztákhoz, nagyobb sültetekhez, rendkívül szaftos ételekhez, továbbá a grillezés közben kioldódó zsír összegyűjtéséhez használható.



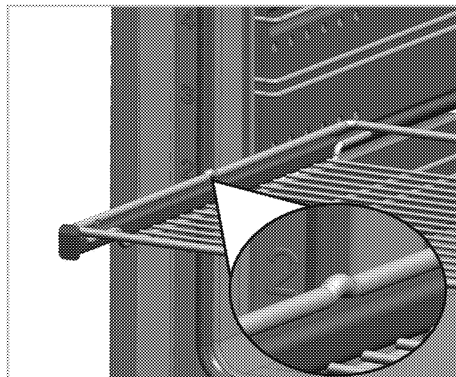
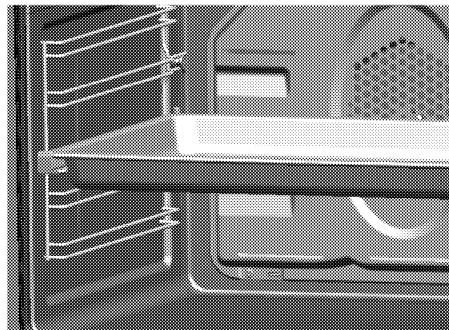
4. **Sütőrács**

Sütéshez, illetve a sütésre vagy főzésre kerülő ételek kívánt szintre történő helyezéséhez használható.



5. **A sütőrács és a tálca megfelelő felhelyezése a teleszkópos tartóra** (Ez a funkció opcionális. Nem biztos, hogy elérhető az Ön készülékén.)

A teleszkópos tartók a tálcák és a sütőrács könnyű behelyezését és kivételét teszik lehetővé. Amikor a tálcát és a sütőrácsot a teleszkópos tartóval használja, győződjön meg róla, hogy a teleszkópos tartók hátsó részén található tűk a sütőrács és a tálca pereménél legyenek.



Műszaki adatok

ALTALÁNOS	
Külső méretek (magasság/szélesség/mélység)	850 mm/600 mm/600 mm
Feszültség/frekvencia	220-240 V 50 Hz
Teljes energiafogyasztás	max. 9.1 kW
Biztosíték	perc 32 A
Vezeték típus / keresztmetszet	H05VV-FG 3 x 4 mm ²
HOB	
Gáزرózsák	
Bal hátulsó	Három fokozatú főzőlap
Méret	140 mm
Teljesítmény	1200 Szélesség
Bal elülső	Két fokozatú főzőlap
Méret	180/120 mm
Teljesítmény	700/1700 Szélesség
Jobb elülső	Három fokozatú főzőlap
Méret	140 mm
Teljesítmény	1200 Szélesség
Jobb hátulsó	Három fokozatú főzőlap
Méret	180 mm
Teljesítmény	1700 Szélesség
SÜTŐ/GRILL	
Felső sütő	Hagyományos sütő
Belső lámpa	15-25 Szélesség
Fő sütő	Ventilátoros sütő/Grillsütő
Belső lámpa	15-25 Szélesség
Grill áramfogyasztás	2.2kW

* Alapvető tudnivalók: Az elektromos sütők energiacímkején közölt információkat az EN 60350-1 / IEC 60350-1 szabvány alapján adtuk meg. Ezeket az értékeket standard terhelés mellett alsó és felső melegítés vagy ventilátoros melegítés (ha van) mellett adtuk meg.

Az energiahatékonysági besorolást a következő prioritással határoztuk meg attól függően, hogy az adott termék rendelkezik-e az adott funkcióval. 1-Főzés gazdaságos ventilátorral, 2- Turbó lassú sütés, 3- Turbó sütés, 4- Ventilátoros alsó/felső melegítés, 5-Alsó és felső melegítés.



A gép műszaki adatai minőség fejlesztése érdekében előzetes értesítés nélkül megváltozhatnak.



A jelen használati utasításban található értékek csak példaadatok, így elképzelhető, hogy nem egyeznek száz százalékban az ön gépénél megadott értékekkel.



A gép címkein vagy a dokumentumokon feltüntetett értékek laboratóriumi körülmények között kerültek meghatározásra, a vonatkozó szabványok szem előtt tartása mellett. A működési körülményektől függően az értékek eltérőek lehetnek.

3 Beszerelés

A termék kizárólag képzett szakember, a hatályban lévő törvényeknek megfelelően helyezheti üzembe. Ellenkező esetben a garancia érvényét veszti. A gyártó nem vállal felelősséget azokért a károkért, melyek képzetlen személy által végzett javítási munkák következtében jönnek létre és érvényteleníthetik a garanciát.



A hely biztosítása, valamint az elektromos csatlakozások kialakítása az ügyfél kötelessége.



VESZÉLY:

Üzembe helyezéshez a készüléket a helyi gáz és/vagy elektromos szabványoknak megfelelően kell csatlakoztatni.

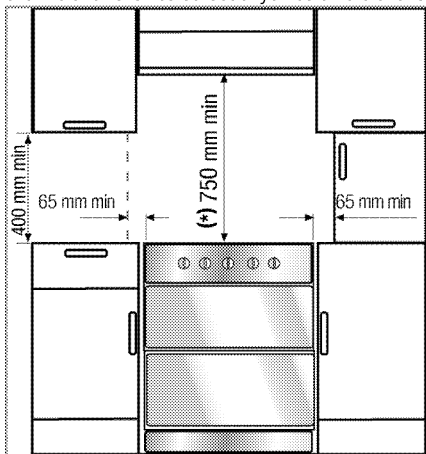


VESZÉLY:

A beszerelés előtt szemrevételezéssel ellenőrizze a termék sértetlenségét. Ha a termék sérült, ne szerelje azt be. A sérült termékek balesetveszélyesek lehetnek.

Üzembe helyezés előtt

Győződjön meg róla, hogy a készülék alatt a levegőnyílások szabadon vannak, ajánljuk, hogy a készüléket szilárd talajon tárolja, hogy lábai ne süllyedjenek szőnyeg vagy puha padlózat felületébe. A konyha padlójának el kell bírnia készülék súlyát és ezen felül a főző- és sütőedények és az ételeket súlyát.



- Bármely oldali szekrényel is használható, de a minimum 400 mm sütőlap feletti távolság megtartásához hagyjon 65mm helyet a készülék és a fal, válaszfal vagy magas konyhaszekrény között.

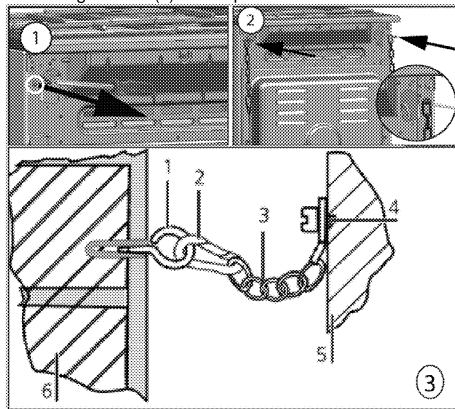
- Szabodonálló helyzetben is használható. A sütőlap felett minimum 750 mm szabad helyet hagyjon.
- (*) Ha a szagelszívót a sütő fölé kell elhelyezni, akkor tekintse meg a szagelszívó gyártója által megadott utasításokat a sütőtől való minimális távolságot illetően (min. 650 mm).
- A készülék mozgatása legegyszerűbben az előlső oldalon történő megemelésével és kihúzásával történhet. Nyissa ki a felső és az alsó sütőajtót annyira, hogy kényelmes fogást találjon a sütő teteje előlső élének alsó felén. A művelet közben ügyelni kell rá, hogy ne sérüljön egyetlen grillező vagy más belső elem.
- A készülék első osztályba tartozó eszköz, tehát a hátsó, **egyetlen alkalmas** oldalával kell elhelyezni a konyhafal, bútor vagy egyéb berendezés mellett. Bútor vagy egyéb felszerelés, mely a **másik** oldalán kap helyet, csak azonos vagy kisebb méretű lehet.
- A készülék mellett elhelyezett minden készüléknek hőállóknak kell lennie (min. 100 °C).

Biztonsági lánc

Ha a terméke 2 biztonsági láncsal rendelkezik;

A készüléket az instabilitás elkerülése érdekében a hozzá adott két láncsal rögzíteni kell.

Egy megfelelő csapszeg használatával rögzítse a kampót (1) a konyha falához (6) és a reteszelőszerkezeten keresztül (2) csatlakoztassa a biztonsági láncot (3) a kampóhoz.



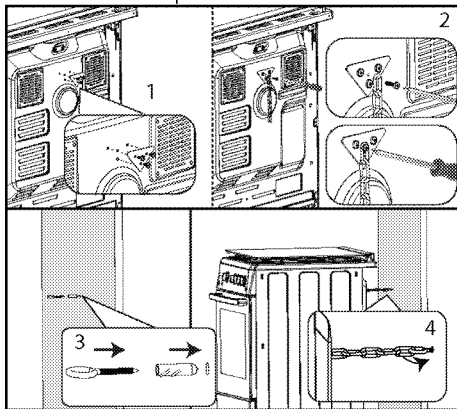
- Stabilitási kampó
- Reteszelőszerkezet
- Biztonsági lánc
- A láncot rögzítse erősen a sütő hátuljához.

5 A sütő hátulja

6 A konyha fala

Ha a termék 1 biztonsági láncsal rendelkezik;

A készüléket az eldőlés elkerülése érdekében rögzíteni kell a sütőn lévő mellékelt biztonsági lánc segítségével. A biztonsági láncnak a termékhez történő rögzítéséhez kövesse az alábbi lépéseket.



Célszerűen rövidebbre állított stabilizáló lánc a sütő előre borulásának megelőzésére, illetve átíós rögzítés a sütő oldalra dőlésének megakadályozására.

A sütőkhöz tervezett sütő stabilizáló láncokhoz nem tartozik kapcsolódó horonykar.

Üzembe helyezés és csatlakoztatás

A terméket a beszerelésre vonatkozó jogszabályok szerint szerelhető be és csatlakoztatható.



Ne helyezze a készüléket hűtőszekrény vagy mélyhűtő mellé. A készülék által leadott hő a hűtőkészülékek esetében fokozott energiafelhasználást eredményez.

- Legalább két ember vigye a terméket.
- A készüléket közvetlenül a padlóra kell helyezni. Ne álljon semmiféle talpazaton vagy emelvényen.



A termék emelésére és/vagy szállítására az ajtót vagy a fogantyút ne használja. Az ajtó, a fogantyú vagy a pántok megsérülhetnek.

Elektromos csatlakoztatás

A terméket a "Műszaki specifikációk" táblázatban leírt biztosítékkal védett, földelt konnektorhoz csatlakoztassa. A készüléket képzett villanyszerelő által készített földelt konnektorral használja. A terméket transzformátorral és anélkül is használhatja. Cégünk nem vállal felelősséget a termék (az országában érvényes jogszabályoknak megfelelő) földelés nélküli használatából eredő károkért.



VESZÉLY:

A terméket csak szakképzett személy csatlakoztathatja a hálózathoz. A termék garanciális ideje a helyes beszerelés után kezdődik csak el. A gyártó nem vállal felelősséget azokért a károkért, melyek egy képzetlen személy által végzett javítási munkák következtében jönnek létre.



VESZÉLY:

A vezeték nem szabad beszorítani, meghajlítani, és nem érintkezhet a termék forró részeivel. A sárült vezeték csak szakképzett szerelő cserélheti ki. Ellenkező esetben áramütés, rövidzárlat vagy tűz veszélye áll fenn!

A hálózati adatoknak és a terméken található típus táblázat adatainak meg kell egyezniük. A típus táblázat a készülék típusától függően az ajtó vagy az alsó borítás kinyitásával látható vagy a készülék hátoldalán található.

A vezetéknek meg kell felelnie a "Műszaki adatok" táblázatban feltüntetett értékeknek.



VESZÉLY:

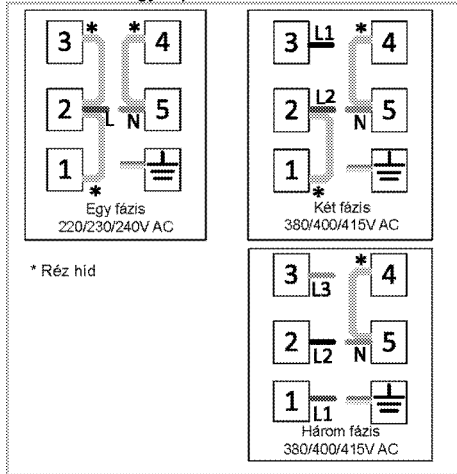
Mielőtt bármilyen elektromos beszerelési munkát végezne, csatlakoztassa le a terméket a fő áramforrásról. Ezzel áramütésnek teszi ki magát!

A tápkábel csatlakoztatása

1. Amennyiben az áramforrás összes pólusának leválasztása nem lehetséges, egy leválasztó egységet kell csatlakoztatni, melynek 3 mm-re kell lennie a biztosítékoktól, biztonsági kapcsolóktól és érintkezőktől, továbbá az IEE irányelveknek megfelelően a leválasztó egységnek a termék mellett (nem felette) kell elhelyezkednie. Ezen utasítás figyelmen kívül hagyása működési problémákat és a termék garanciavisztesztét okozhatja.

További biztonsági intézkedésként a maradék áram megszakítása ajánlott.

A termékhez egy tápkábel is tartozik:



2. **Egyfázisos csatlakoztatás esetén**, a vezetékeket a következő módon kell csatlakoztatni:

- Barna kábel = L (fázis)
- Kék kábel = N (0 fázis)
- Zöld/sárga kábel = (E) \equiv (Földelés)
- Tolja a készüléket a konyha falához.
- **A sütő lábainak beállítása**

A használat során fellépő rezgések az edények mozgását okozhatják. A veszélyes helyzetek a termék kiegyensúlyozásával és vízszintes helyezésével elkerülhetők.

A saját biztonsága érdekében kérjük, a lábak alján található csavarok jobbra és balra történő forgatásával szintezze be a készüléket, és a szintet a munkalap szintjébe állítsa be.

Utolsó ellenőrzés

1. Ismét csatlakoztassa a terméket az elektromos hálózathoz.
2. Ellenőrizze az elektromos funkciókat.

4 Elkészítés

Energiatakarékossági tippek

A következő információk segítenek Önnek készüléke környezetkímélő, energiatakarékos módon való használatában:

- Használjon sötét színű zománcs tepsit, mert az jobban vezeti a meleget,
- Ha ezt ajánlja a felhasználói kézikönyv vagy a szakácskönyv, sütés előtt melegítse elő a táányérokat.
- Sütés közben ne nyitogassa a sütő ajtaját.
- Amikor csak lehetséges próbáljon meg minél több ételt egyszerre megsütni a sütőben. A sütést úgy is elvégezheti, hogy egyszerre két edényt helyez a grillrácsra.
- Süssön több ételt egymás után. Így a következő étel behelyezésekor a sütő már meleg lesz.
- Azzal is energiát takaríthat meg, ha a sütési idő letelte előtt néhány perccel kikapcsolja a sütőt. Ne nyissa ki a sütő ajtaját.
- Sütés előtt olvassa ki a mirelit ételt.
- A sütőedényeket fedővel használja. Amennyiben az edénynek nincs fedele, az energiafogyasztás a négyszeresére nőhet.
- Olyan lapot válasszon, mely a legjobban megfelel az edény alsó méretének. Mindig a megfelelő edényméretet válassza. A nagyobb edények több energiát igényelnek.
- Az elektromos főzőlapon történő főzéskor mindig lapos fenekű edényeket használjon. A vastag alsó résszel rendelkező edények jobban vezetik a hőt. Ezzel 33%-os energiamegtakarítást érhet el.
- Az edényeknek minden esetben kompatibilisnek kell lenniük a sütési zónákkal. Az edények aljának mindig kisebbnek kell lennie a főzőlap méreténél.
- A sütési zónákat és az edények alját mindig tartsa tisztán. A szennyeződések csökkentik az edény alja és a sütési zónák közti hőátvitelt.
- Hosszú sütések esetén a sütési idő letelte előtt 5-10 perccel kapcsolja ki a sütési zónát. A reziduális hő segítségével 20%-os energiamegtakarítást érhet el.

Első használat

A készülék első tisztítása



Egyes tisztítószeres károsíthatják a felületet. Ne használjon durva tisztítószereseket, súrolóport/-krémet vagy éles tárgyakat.

1. Távolítsa el minden csomagolóanyagot.
2. Törölje le a készüléket egy nedves ruhával vagy szivaccsal, majd szárass ruhával.

Első bekapcsolás

Kapcsolja be a készüléket körülbelül 30 percre, majd kapcsolja ki. Ennek következtében a felületről leég minden gyártási reziduum és réteg.



FIGYELMEZTETÉS

A forró felületek égési sérülést okozhatnak! A készülék használat közben felforrósodhat. Soha ne érjen hozzá a forró főzőlapokhoz, a sütő belső részéhez, a fűtőelemekhez stb. A gyermekeket tartsa távol! Ha a forró sütőbe ételt tesz be, vagy ételt vesz ki belőle, minden esetben használjon hőálló kesztyűt.

Elektromos sütő

1. Vegyen ki minden sütőtálcát és grillrácsot a sütőből.
2. Csukja be a sütő ajtaját.
3. Állítsa a grillt a legmagasabb fokozatra; lásd *Az elektromos sütő használatát, oldal 19.*
4. Járassa a sütőt kb. 30 percig.
5. Kapcsolja ki a sütőt; lásd *Az elektromos sütő használatát, oldal 19.*

Grillsütő

1. Vegyen ki minden sütőtálcát és grillrácsot a sütőből.
2. Csukja be a sütő ajtaját.
3. Állítsa a grillt a legmagasabb fokozatra; lásd *A grillsütő működése, oldal 22.*
4. Járassa a sütőt kb. 30 percig.
5. Kapcsolja ki a grillt; lásd *A grillsütő működése, oldal 22.*



Amikor első alkalommal működteti, néhány órán át füst és szag képződhet. Ez teljesen normális. A füst és szag eltávolításához győződjön meg arról, hogy a helyiség megfelelően szellőzik. Kerülje a kilépő füst és szag közvetlen belégzését.

5 A főzőlap használata

A főzéssel kapcsolatos általános információk



Maximum az edény egyharmadát töltsön olaját. Olaj melegítésekor soha ne hagyja azt őrizetlenül. A túlmelegített olaj tűzveszélyes lehet. **Az esetleges tüzet sose próbálja vízzel kioltani!** Ha az olaj lángra kapna, fedje le tűzálló lepedővel vagy nedves ruhával. Ha biztonságosan meg tudja tenni, kapcsolja ki a főzőlapot, majd azonnal hívja a tűzoltókat.

- Az ételek sütése előtt mindig szárítsa meg őket, és mindig óvatosan helyezze őket az olajba. A sütés előtt mindig ellenőrizze, hogy a fagyasztott élelmiszerek teljesen felolvadtak-e.
- Olaj melegítésekor soha ne fedje le az edényt.
- Az edényeket és a serpenyőket úgy helyezze a főzőlapra, hogy a fogantyút ne a főzőlap felett legyenek, mert a főzőlap feletti fogantyúk felforrósodhatnak. Soha ne helyezzen instabil vagy könnyedén felboruló edényeket a főzőlapra.
- Soha ne helyezzen üres edényeket vagy serpenyőket a bekapcsolt főzési zónákra. Ezek megsérülhetnek.
- A főzési zónák edény vagy serpenyő nélküli használata a készülék sérülését okozhatja. A főzés befejezése után kapcsolja le a főzési zónákat.
- Mivel a termék felülete forró marad, soha ne helyezzen rá műanyag vagy alumínium edényeket.

A ráolvadt anyagokat azonnal törölje le a felületről.

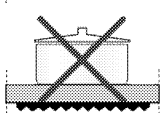
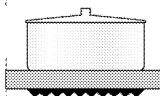
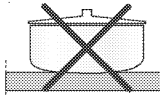
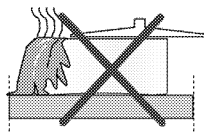
Az ilyen edények az élelmiszerek tárolásához sem használhatók.

- Kizárólag lapos fenekű serpenyőket és edényeket használjon.
 - Mindig megfelelő mennyiségű ételmeiszert helyezzen az edényekbe és a serpenyőkbe. Ezáltal elkerülhetővé válik az élelmiszerek kifutása miatt szükséges tisztítás.
- Soha ne fedje le a főzési zónákon lévő edényeket és serpenyőket.

A serpenyőket mindig a főzési zóna közepére helyezze. Ha a serpenyőt egy másik főzési zónára kívánja áthelyezni, emelje fel és helyezze át egy másik fűtési zónára. Soha se csúsztassa.

Tippek üvegkerámia főzőlaphoz

- Az üvegkerámia egy hőálló felület, melyre nincsenek hatással a nagy hőmérsékletváltozások.
- Az üvegkerámia felületet soha ne használja tárolásra vagy vágódeszkának.
- Csak megmunkált fenékel rendelkező serpenyőket és edényeket használjon. Az éles sarkok megkarcolhatják a felszínt.
- Soha ne használjon alumínium edényeket és serpenyőket. Az alumínium megsértheti az üvegkerámia felületet.

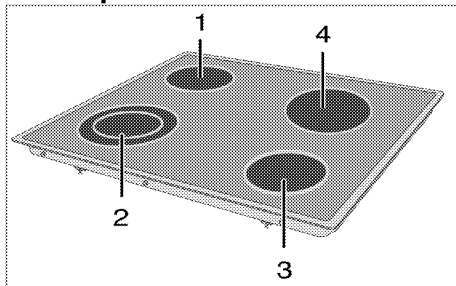


A kifröccsenő étel károsíthatja a kerámia felületet és tüzet okozhat.

Ne használjon homorú vagy domború aljú edényeket.

Csak lapos fenekű serpenyőket és edényeket használjon. Ezek jobb hővezetők. Túl kicsi átmérőjű serpenyők használata esetén az energiafelhasználás hatékonysága alacsony.

A főzőlapok használata



- 1 Három fokozatú főzőlap 14-16 cm
- 2 Két fokozatú főzőlap 18-20/12-14 cm
- 3 Három fokozatú főzőlap 14-16 cm

- 4 Három fokozatú főzőlap 18-20 cm megtalálható az égőknek megfelelő méretű edények átmérőjének listája.

VESZÉLY:
 Óvja a főzőlapot minden ütődéstől. Még az olyan kis ráseső tárgyak, mint egy sótartó is károsíthatják a főzőlapot. Ne használjon megkarcolódott főzőlapot. A víz beszivároghat ezeken a repedéseken és rövidzárlatot okozhat. Bármilyen felületi sérülés esetén (pl. látható karcolások), azonnal kapcsolja ki a készüléket, hogy minimálisra csökkentse az áramütés veszélyét.

Az üvegkerámia főzőlap működésjelző lámpával és forró zóna figyelmeztető jelzéssel van ellátva. A forró zóna figyelmeztető jelzés az aktív főzőzóna pozícióját jelzi, és a főzőzóna kikapcsolása után is bekapcsolva marad. Amikor a főzőzóna annyira lehűl, hogy kézzel is megérinthetővé válik, a figyelmeztető jelzés kikapcsol. A forró zóna figyelmeztető jelzés villogása nem utal hibára.

i A gyorsfőző üvegkerámia lap a bekapcsoláskor erős fényt bocsát ki. Ne nézzen bele az erős fénybe.

Az üvegkerámia főzési zónák bekapcsolása

A főzőzóna gombok segítségével állíthatja meg az üvegkerámia főzőzónákat. A kívánt főzőzóna beállításához állítsa a gombot a megfelelő főzési szintre.

Főzési szint	1	2 — 3	4 — 6
	melegítés	forralás, pihentetés	főzés, sütés
Főzési szint	1	2	3
	melegítés	forralás, pihentetés	főzés, sütés

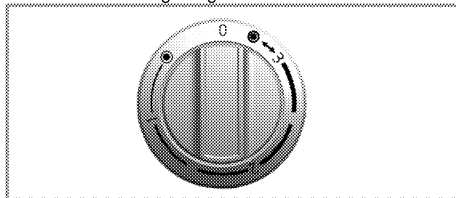
Az üvegkerámia főzési zónák kikapcsolása

Állítsa a főzőlap gombját OFF (felső) pozícióba.

Többszegmenses főzési zónák használata

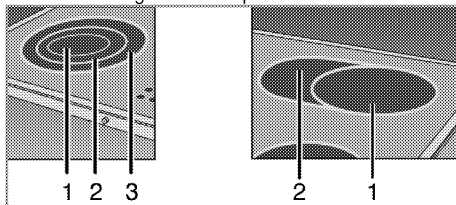
A többszegmenses főzési zónák segítségével különféle méretű serpenyőket használhat ugyanazon a főzési zónán. A főzési zónák aktiválásakor a belső zónák kapcsolnak be először.

1. Az aktív főzési zóna átmérőjének módosításához forgassa el jobbra a vezérlőgombot.
2. A főzőzóna átmérőjének módosításakor egy "kattanó" hang hallgató.



A többszegmenses főzési zónák kikapcsolása

1. A főzőzóna kikapcsolásához forgassa el balra a gombot a felső pozícióba. Ekkor a főzési zóna összes szegmense lekapcsol.



1. 1. pozíció:
2. 2. pozíció:
3. 3. pozíció:

i A többszegmenses főzési zóna 2. és 3. szegmense nem függetlenül működik egymástól.

6 A sütő működtetése

Általános információ sütésről, roston sütésről és grillezésről



FIGYELMEZTETÉS

A forró felületek égési sérülést okozhatnak! A készülék használat közben felforrósodhat. Soha ne érjen hozzá a forró főzőlapokhoz, a sütő belső részéhez, a fűtőelemekhez stb. A gyermekeket tartsa távol!

Ha a forró sütőbe ételt tesz be, vagy ételt vesz ki belőle, minden esetben használjon hőálló kesztyűt.



VESZÉLY:

A sütőajtót óvatosan nyissa ki, mivel gőz távozhat.

A kiáramló gőz megégetheti kezét, arcát és/vagy szemét.

Tippek sütéshez

- Megfelelő teflon bevonatú fém-, alumínium edényt vagy hőálló szilikon sütőformát használjon.
- Használja ki megfelelően a rács felületét.
- Helyezze a sütőformát a rács közepére.
- Válassza ki a megfelelő sín pozíciót a sütő vagy grill bekapcsolása előtt. Amíg a sütő forró, ne változtassa meg a rács pozícióját.
- Tartsa csukva a sütőajtót.

Tippek roston sütéshez

- Ha az egész csirkét/pulykát vagy nagydarab húsokat sütés előtt bekeni (pl. citromlével és feketeborssal), akkor a javul a sütési teljesítmény.
- A csontozott hús sütéséhez képest az azonos méretű, csontos hús sütése körülbelül 15-30 perccel tovább tart.
- A hús vastagságának minden centiméterére körülbelül 3-5 perc sütési idő számolandó.
- Hagyja a húst a sütőben 10 perccel a sütési idő lejártá után. A citromlé egyenletesen oszlassa el, így nem folyik ki, amikor elvágja a húst.
- A halat hőálló tálnban, a közepső, vagy alsó rácsra helyezze.

Tippek grillezéshez

- Ha halat, szárnyast vagy egyéb húst grillez, gyorsan megpirul, ropogóssá válik és nem szárad ki. A hússzeletek, saslikok és kolbászok, továbbá a nagy víztartalmú zöldségek, mint pl. a paradicsom és a hagyma kifejezetten jól grillezhetők.
- Helyezze el a grillezni kívánt ételeket a grillrácsra vagy a grillrácsos sütőtepsiben úgy, hogy az

ételek által elfoglalt hely ne haladja meg a melegítő méretét.

- Csúsztassa a grillrácsot vagy a tepsit a sütőbe a kívánt szintre. Ha a grillezéshez grillrácsot használ, csúsztassa a sütőtepsit az alsó sínre a kicsöpögő zsír felfogására. A könnyebb tisztíthatóság érdekében öntsön vizet a sütőtepsibe.



A grillezéshez nem alkalmas élelmiszerek grillezése tűzveszélyes lehet. Csak olyan élelmiszert grillezzen, ami bírja a magas hőt.

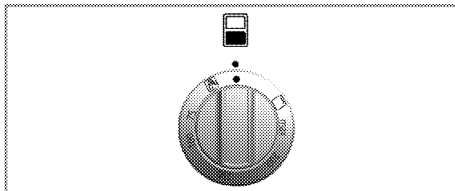
Ne helyezze az ételt túl hátra a grill hátsó részébe. Ez a legforróbb felület, itt a zsíros étel meggyulladhat.

Az elektromos sütő használata

A termék két sütővel felszerelt. Az áttekinthető részben megtalálja a sütőkhoz tartozó megfelelő gombokat.

A fő sütő működtetése

Válassza ki a hőmérsékletet és a működési módot



1. Állítsa be az időzítőt a kívánt sütési időre; lásd *A sütő órájának használata, oldal 20*.
2. Állítsa a funkció gombot a kívánt hőmérsékletre. » A sütő felmelegszik a beállított hőmérsékletre és megtartja azt. Melegítés alatt a hőmérsékletjelző lámpa ég.

Az elektromos sütő kikapcsolása

Kapcsolja ki a sütő időzítőt.



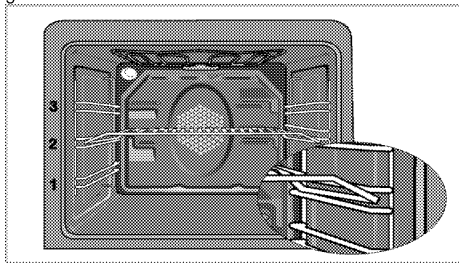
Ha az iszító be van programozva, a készülék automatikusan kikapcsol; lásd *A sütő órájának használata, oldal 20*

Fordítsa a funkciógombot Kí állásba (felső).

Sín pozíciók (grillrácsos modellek esetében)

Fontos, hogy megfelelően helyezze a grillrácsot a sínekbe. A grillrácsot az illusztrált módon helyezze a sínek közé.

A grillrács ne feszüljön a sütő hátsó falának. A megfelelő grillezési teljesítmény érdekében próbálja a grillrácsot a sín elülső részére csúsztatni.



Működési módok

A sütő összes funkciója (a fő sütőt is ideértve) kifejtésre kerül ebben a szakaszban.

Az itt látható működési módok sorrendje eltérhet az Ön készülékén látható elrendezéstől.

Sütőlámpa



A sütő nem meleg. Csak a lámpa világít.

A többi funkció sütésre alkalmas; válassza a megfelelő hőmérsékletet az étel típusától függően.

Ventilátorral működik



A sütő nem meleg. Csak a sütőlámpa, valamint ventilátor (a hátsó falban) van bekapcsolva. Fagyasztott ételek lassú, szobahőmérsékleten történő kiolvasztásához és a megsült étel lehűtéséhez használható.

A többi funkció sütésre alkalmas; válassza a megfelelő hőmérsékletet az étel típusától függően.

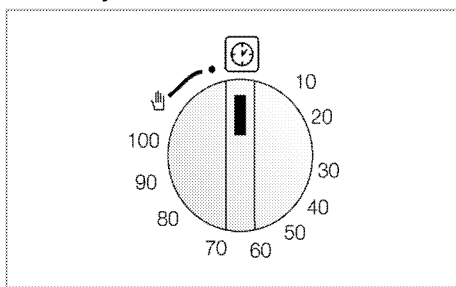
Teljes grill



A sütő tetején található nagy grill működésben van. Alkalmas nagyobb darab húsok grillezésére.

- Grillezéshez tegyen nagyobb vagy közepes méretű adagokat megfelelő magasságba a grill melegítő alá.
- Állítsa maximumra a hőmérsékletet.
- A grillezési idő felénél fordítsa meg az ételt.

A sütő órájának használata



A sütés indítása



A sütő használatához ki kell választania a sütési módot és a kívánt hőmérsékletet, továbbá be kell állítania az időt. Ellenkező esetben a sütő nem működik.

1. A sütési idő beállításához fordítsa el jobbra az Időbeállító gombot.
2. Tegye be az edényt a sütőbe.
3. Válassza ki a működési módot és a hőmérsékletet; lásd. *Az elektromos sütő használata, oldal 19.*
» A sütő felmelegszik a beállított hőmérsékletre, és a beállított sütési idő végéig fenntartja ezt a hőmérsékletet.
4. A sütési idő letelte után az Időbeállító gomb automatikusan elfordul balra. A sütési idő leteltét és az áram lekapcsolását egy hangjelzés jelzi.



Ha nem kívánja használni az időzítő funkciót, forgassa a gombot az óramutató járásával ellentétes irányba a kéz ábrára.

5. Az Időbeállító gomb, a funkciógomb és a hőszabályzó gomb segítségével kapcsolja ki a sütőt.
- ### A sütő lekapcsolása a beállított idő letelte előtt
1. Forgassa el balra az Időbeállító gombot, míg meg nem áll.
 2. A funkciógomb és a hőszabályzó gomb segítségével kapcsolja ki a sütőt.

Sütési időtáblázat



A táblázatban feltüntetett időzítések útmutatóként szolgálnak. Az idő beállítása függhet az étel hőmérsékletétől, vastagságától, típusától és az Ön főzési szokásaitól.

Sütés és roston sütés



Az első sín a sütő **alsó** sínje.

Étel	Sütési szint száma	Rúd helyzete	Hőmérséklet (°C)	Sütési idő (kb. érték percekben)
Tálcában készült sütemények*	Egy szint	1	175	30 ... 40
Sütőformában készült sütemények*	Egy szint	1	175	50 ... 60
Sütőpapírral készült sütemények*	Egy szint	1	175	25 ... 35
Piskóta*	Egy szint	1	200	8 ... 15
Aprósütemény*	Egy szint	1	175	25 ... 30
	2 szint	1 - 3	170 ... 180	35 ... 45
Süteménytészta*	Egy szint	1	200	35 ... 45
Gazdag tészta*	Egy szint	1	190	25 ... 35
	2 szint	1 - 3	190	35 ... 45
Kelt tészta*	Egy szint	1	200	35 ... 45
Lasagna*	Egy szint	1	200	30 ... 40
Marha steak (egész) / Rostélyos	Egy szint	1	25 perc 250/max, majd 180 ... 190	100 ... 120
Báránycomb (ragu)	Egy szint	1	25 perc 220, majd 180 ... 190	70 ... 90
Sült csirke	Egy szint	1	15 perc 250/max, majd 190	55 ... 65
Pulyka (szeletelt)	Egy szint	1	25 perc 250/max, majd 190	150 ... 210
Hal	Egy szint	2	200	20 ... 30

(**) Ha elő kell melegítenie a sütőt, azt a sütés megkezdése előtt tegye meg, és várja meg, míg a hőfokszabályzó lámpája kialszik.

Tippék sütemény sütéshez

- Túl száraz sütemény esetén 10 -kal növelje a hőmérsékletet és csökkentse a sütési időt.
- Nedves sütemény esetén kevesebb folyadékot használjon és csökkentse a hőmérsékletet 10 -kal.
- Amennyiben a sütemény teteje túl sötét, helyezze a tálcat egy alacsonyabb szintre, csökkentse a hőmérsékletet és növelje a sütési időt.
- Amennyiben a sütemény kívül megfelelően megsült, de belül nem teljesen, kevesebb folyadékot használjon, csökkentse a hőmérsékletet és növelje a sütési időt.

Tippék tészta sütéshez

- Túl száraz tészta esetén 10 -kal növelje a hőmérsékletet és csökkentse a sütési időt. Kenje be a tészta rétegeit tejből, olajból, tojásból és joghurtból álló keverékkel.
- Amennyiben a tészta elkészítése túl sokáig tart, figyeljen oda, hogy a tészta vastagsága ne legyen nagyobb, mint a tálca mélysége.

- Amennyiben a tészta felső oldala megpirul, de a belső része nem fő meg rendszeren, győződjön meg róla, hogy megfelelő mennyiségű szószt használt-e a tészta elkészítéséhez. Egyenletesen oszlassa el a keveréket a tésztarétegek között és a tészta tetején, hogy egyenletesen piruljon.



A tésztát a sütési táblázatban megjelölt mód és hőmérséklet szerint süssse. Ha az alsó rész még mindig nem pirult meg rendszeren, legközelebb helyezze egy szinttel lejjebb.

Tippék zöldségsütéshez

- Amennyiben a zöldségtől kezd kiszáradni és megbarnulni, a tálca helyett inkább fedeles serpenyőt használjon a sütéshez. A lezárt edények jobban megőrzik a leveket.
- Amennyiben a zöldségek nem főnek meg rendszeren, a sütést megelőzően főzze meg őket vagy a konzerves termékekhez hasonlóan készítse el őket, majd utána tegye be őket a sütőbe.

A grillsütő működtetése



FIGYELMEZTETÉS

Grillezés közben csukja be a sütőajtót.
A forró felület égési sérülést okozhat!

- Grillezéskor fordítsa el az időbeállító gombot az óramutató járásával ellentétes irányba a kéz ábrára.

A grill bekapcsolása

1. Fordítsa a funkciógombot az óramutató járásával megegyező irányban a grill jelhez.
 2. Ha szükséges, melegítse elő a sütőt körülbelül 5 percre.
- » A hőmérséklet jelző fény kigyullad.



Ne próbálja a funkciógombot az óramutató járásával megegyező irányba elfordítani. amikor Ki (felső) állásba állítja.

A grill kikapcsolása

1. A sütő kikapcsolásához fordítsa el a funkciógombot az óramutató járásával ellentétes irányba Ki (felső) állásba.



A grillezéshez nem alkalmas élelmiszerek grillezése tűzveszélyes lehet. Csak olyan élelmiszert grillezzen, ami bírja a magas hőt.

Ne helyezze az ételt túl hátra a grill hátsó részébe. Ez a legforróbb felület, itt a zsíros étel meggyulladhat.

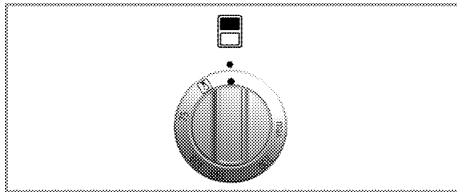
Sütési idő táblázat grillezéshez

Grillezés elektromos grillel

Élelmiszer	Sütési szint	Sütési idő (kb.)
Hal	2..3	20..25 min. #
Szeletelt csirke	2..3	25...35 min.
Bárányporda	2..3	20..25 min.
Marhasült	2..3	25...30 min. #
Borjúporda	2..3	25..30 min. #
Toast kenyér	3	1...2 min.

vastagságtól függ

A felső sütő működtetése



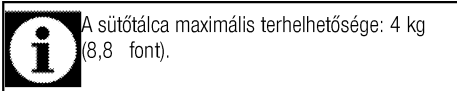
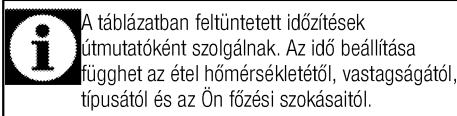
Válassza ki a hőmérsékletet és a működési módot

1. Állítsa a funkció gombot a kívánt hőmérsékletre.
 » A sütő felmelegszik a beállított hőmérsékletre és megtartja azt. A felmelegedés és lehűlés során a hőmérséklet jelzőfény világít.

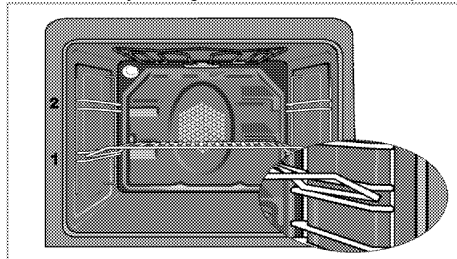
Az elektromos sütő kikapcsolása

Fordítsa a funkciógombot Ki állásba (felső).

Sütési időtáblázat



- Ne helyezzen durva aljú sütőedényt a sütő ajtóra.
- Ha nagyobb adag ételt készít vagy magasabb sütőedényt használ, győződjön meg róla, hogy a sütő tetejénél legalább 25 mm szabad hely van.



Sütés és roston sütés



Élelmiszer	Sütési szint száma	A sín helyzete	Hőmérséklet (°C)	Sütési idő (min.) (kb.)
Tepsis sütemény	Egy szint	1	175	25 ... 35
Papírban sült sütemény	Egy szint	1	175	25 ... 30
Piskóta	Egy szint	1	200	5 ... 10
Aprósütemény	Egy szint	1	175	25 ... 30
Süteménytészta	Egy szint	1	200	35 ... 40
Töltött pikáns ízű tészta	Egy szint	1	180	25 ... 35
Bífsztek (egész)/roston sült	Egy szint	1	25 min. 250 majd 180 ... 190	100 ... 120
Sült csirke (Szeletelt)	Egy szint	1	15 min. 250 majd 190 ...	55 ... 65
Hal	Egy szint	1	200	20 ... 30

7 Karbantartás és tisztítás

Általános tájékoztató

A termék rendszeres tisztításával megnő a termék élettartama és csökkennek a gyakran előforduló problémák.



VESZÉLY:

Karbantartás és tisztítás előtt válassza le a készüléket a tápellátásról.
Ezzel áramütésnek teszi ki magát!



VESZÉLY:

Hagyja hogy a készülék kihűljön mielőtt hozzákezd a tisztításához.
A forró felület égési sérülést okozhat!

- Minden használat során alaposan tisztítsa meg a terméket. Ilyen módon könnyebben eltávolíthatók a főzési szennyeződések, ezáltal elkerülheti, hogy következő használatkor ráégnienek a felületre.
- A termék tisztításához nincs szükség speciális eszközökre. A termék tisztításához mosószeres vízbe áztatott puha ruhát vagy szivacsot használjon, majd törölje szárazra terméket.
- A tisztítás után minden esetben törölje le a felesleges folyadékot, és a nagymennyiségben kiömlött folyadékot pedig azonnal törölje le.
- A rozsdamentes acél vagy inox felületek, továbbá a fogantyú tisztításához soha ne használjon savat vagy klórt tartalmazó tisztítószereket. Ezen részek tisztításához egy mosószerbe áztatott puha ruhát használjon, és figyeljen, hogy mindig egy irányba törölje a felületet.



Egyes tisztítószerek károsíthatják a felületet.
Ne használjon durva tisztítószereket, súrolóport/-krémet vagy éles tárgyakat.



A készülék tisztításához ne használjon gőztisztítót, mivel az áramütést okozhat.

A főzőlap tisztítása

Üvegkerámia felületek

Az üvegkerámia felületet egy hidegvízbe áztatott ruha segítségével tisztítsa meg, mivel a tisztítószerek nyomot hagyhatnak rajta. Egy száraz ruha segítségével törölje szárazra. A főzőlap következő használatakor a felületen maradt anyagok kárt tehetnek az üvegkerámia lapban.

Az üvegkerámia lapra rászáradt anyagokat semmilyen körülmények közt ne próbálja meg dörzsível vagy hasonló eszközökkel lekoparni.

A kalciumos szennyeződések (sárga foltok) kismennyiségű vízkőmentesítő szerrel távolítsa el, pl. ecet vagy citromlé. A kereskedelemben kapható egyéb termékeket is használhatja.

Erősen szennyezett felület esetén, vigyen fel tisztítószert egy szivacsra, és várja meg, míg megfelelően felszívódik. Ezután egy nedves ruha segítségével tisztítsa meg a főzőlap felületét.



A cukros élelmiszerek, pl. tejszín és szirup, azonnal le kell törölni, nem szabad megvárni, hogy a felület lehűljön. ellenkező esetben az üvegkerámia felület véglegesen megsérülhet.

Idővel kismértékű elszíneződés jelentkezhet a felületeken. Ez nem befolyásolja a termék működését. Az üvegkerámia lap elszíneződése és foltjainak megjelenése teljesen normális, ez nem utal hibára.

A vezérlőpult tisztítása

A vezérlőpult és a gombok tisztításához használjon nedves rongyot, majd a tisztítást követően töröljön szárazra minden felületet.



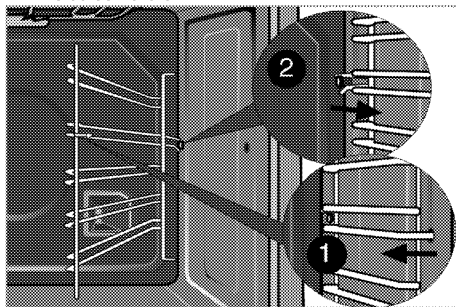
A vezérlőpanel tisztításához ne távolítsa el a vezérlőgombokat.
A vezérlőpanel megsérülhet!

A sütő tisztítása

Az oldalfalak tisztítása

(Ez a funkció opcionális. Nem biztos, hogy elérhető az Ön készülékén.)

1. Az oldalsó keret elülső részének eltávolításához húzza azt el az oldalfaltól.
2. Húzza meg maga felé, és vegye ki teljesen az oldalsó keretet.

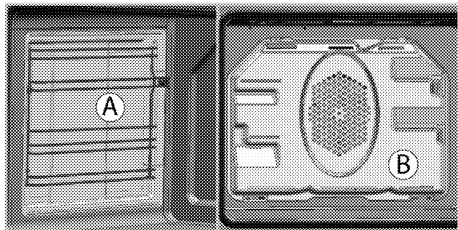


Katalitikus falak

(Ez a funkció opcionális. Nem biztos, hogy elérhető az Ön készülékén.)

A sütő belső falfelülete (A) és/vagy a hátsó fala (B) katalitikus anyaggal van bevonva. A katalitikus fal enyhén matt színű és porózus felületű. A sütő

katalitikus falát nem szabad tisztítani. A katalitikus falak porózus felülete a kifolyt olaj elnyelésével és konvertálásával (gőzzé és szén-dioxidá) automatikusan tisztulnak.



A sütőajtó tisztítása

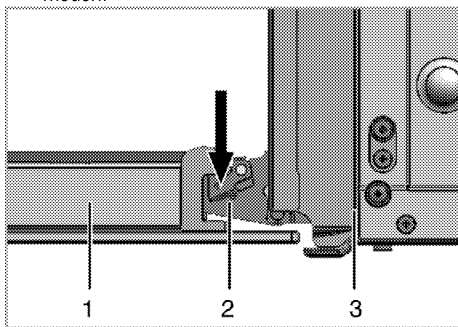
Az sütőajtó oldalfal tisztításához mosószeres vízbe áztatott puha ruhát vagy szivacsot használjon, majd törölje szárazra terméket.



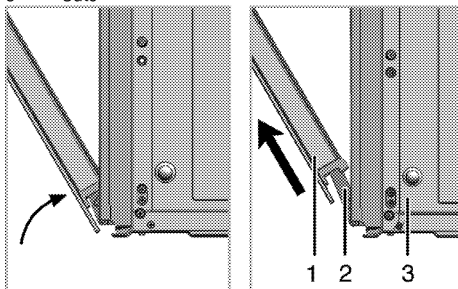
A sütőajtó tisztításához ne használjon erős súrolószereket vagy éles kaparókat. Ezek megsérthetik a felületet, és az üveg tönkremehet.

A sütő ajtajának eltávolítása

1. Nyissa ki az ajtót (1).
2. Nyomja le és nyissa ki az elülső ajtó jobb és bal oldalán található zsanérokat (2), az ábrán látható módon.



- 1 Elülső ajtó
- 2 Zsanér
- 3 Sütő



3. Csukja be félig az elülső ajtót.

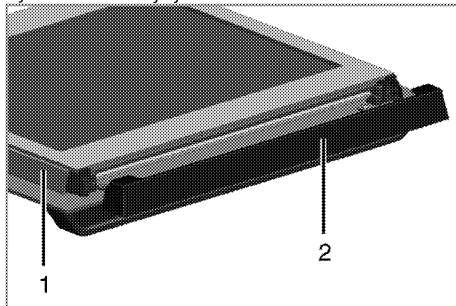
4. Távolítsa el az elülső ajtót felfelé húzva, míg kienged a jobb és bal oldali zsanérokból.



Az ajtó visszaszereléséhez fordított sorrendben végezze el a fenti műveleteket. Ügyeljen rá, hogy visszacsukja a zsanérnál található kapcsokat az ajtó visszahelyezése után.

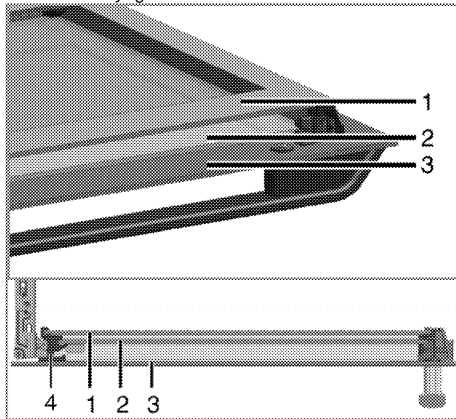
Az ajtó belső üvegének eltávolítása (3 üvegének)

Nyissa ki a sütő ajtaját.



- 1 Keret
- 2 Műanyag elem

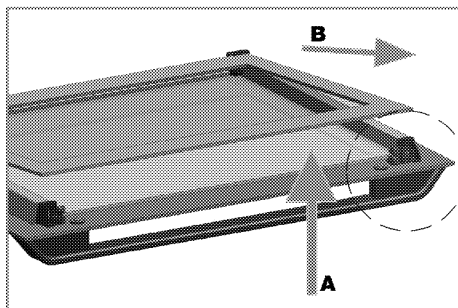
Húzza meg és távolítsa el az elülső ajtó felső részére szerelt műanyag részt.



- 1 Legbelső üvegpanel
- 2 Belső üvegpanel
- 3 Külső üvegpanel
- 4 Műanyag üvegpanel-nyílás – Alsó

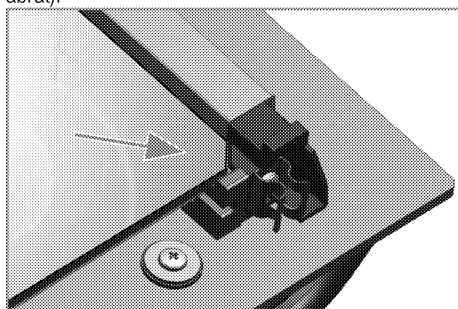
Az ábrán látható módon finoman emelje fel a legbelső üvegpanelt (1) az A-val jelzett helyen, majd húzza azt ki a B-vel jelzett irányba.

Ismételje meg a műveletet a belső üvegpanel (2) eltávolításához.



Az ajtó átcsoportosításához vezető első lépés a belső üvegepanel (2) visszahelyezése.

Az üvegepanel levágott sarkát helyezze úgy, hogy az a műanyag nyílás levágott sarkán nyugodjon (lásd az ábrát).



A belső üvegepanel (2) a legbelső üvegepanel (1) melletti műanyag nyílásra kell szerelni.

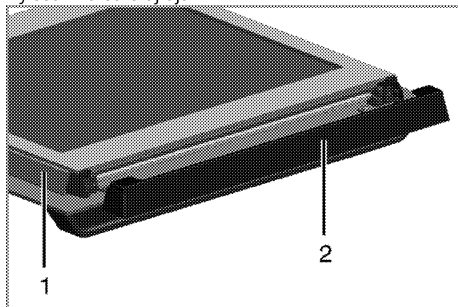
A legbelső üvegepanel (1) visszahelyezésekor ügyeljen rá, hogy a panel nyomtatott fele a legbelső üvegepanel felé nézzen.

Fontos, hogy a belső üvegepanel alsó sarka a műanyag nyílásba kerüljön.

Nyomja a műanyag részt a váz felé úgy, hogy kattánó hangot halljon.

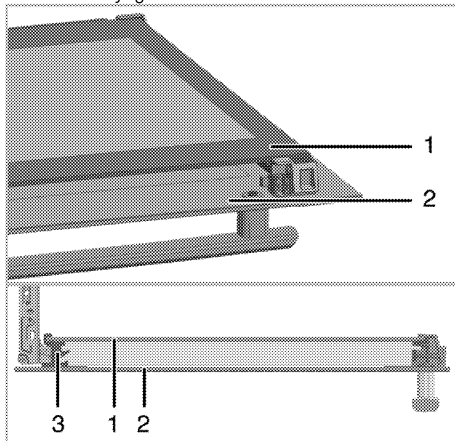
Az ajtó belső üvegeinek eltávolítása (2 üvegeinek)

Nyissa ki a sötét ajtaját.



1 Keret

2 Műanyag elem
Húzza meg és távolítsa el az elülső ajtó felső részére szerelt műanyag részt.

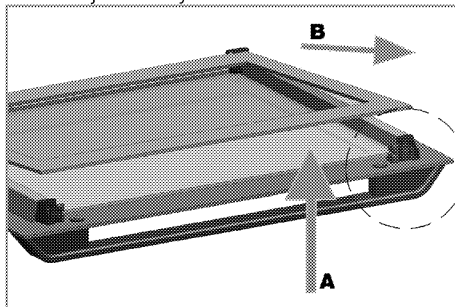


1 Belső üvegepanel

2 Külső üvegepanel

3 Műanyag üvegepanel-nyílás – Alsó

Az ábrán látható módon finoman emelje fel a legbelső üvegepanel (1) az **A**-val jelzett helyen, majd húzza azt ki a **B**-vel jelzett irányba.



A belső üvegepanel (1) visszahelyezésekor ügyeljen rá, hogy a panel nyomtatott fele a belső üvegepanel felé nézzen.

Fontos, hogy a belső üvegepanel alsó sarka a műanyag nyílásba kerüljön.

Nyomja a műanyag részt a váz felé úgy, hogy kattánó hangot halljon.

A sütő lámpájának cseréje



VESZÉLY:

A sütő lámpájának cseréje előtt, az áramütés elkerülése érdekében győződjön meg róla, hogy a termék ki van-e húzva a konnektorból és a megfelelően lehűlt-e.

A forró felület égési sérülést okozhat!



A sütő egy speciális elektromos lámpát használ, mely egészen 300 °C-os hőmérsékletet is kibír. További részletekért tekintse meg a *Műszaki adatok, oldal 12* című fejezetet. Lámpát a Hivatalos Szervizektől vásárolhat.



A lámpa helyzete eltérhet az ábrán látható pozíciótól.



A készülékben használt lámpa nem alkalmas a házban történő megvilágításra. A lámpa célja, hogy látható legyen az étel.

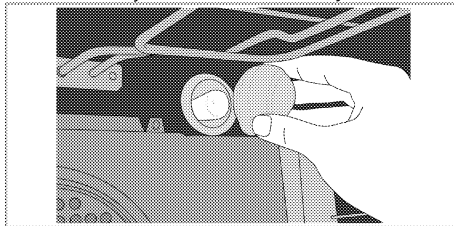


A készülékben használt lámpáknak extrém környezeti hatásoknak kell ellenállniuk, mint pl. az 50 °C hőmérséklet.

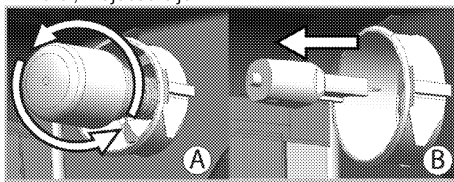
Amennyiben a sütője kör alakú lámpával rendelkezik:

1. Húzza ki a készüléket a konnektorból.

2. Az üveg burkolat eltávolításához forgassa az óramutató járásával ellentétes irányba a burkolatot.



3. Ha az önsütője az alábbi ábrán látható (A) típusú lámpával van felszerelve, akkor az ábrán látható módon forgatással távolítsa el és cserélje ki. Ha (B) típusú akkor az ábrán látható módon húzza ki és távolítsa el, majd cserélje ki.



4. Tegye vissza az üveg burkolatot.

8 Hibaelhárítás

A sütő gőzt bocsát ki magából használat közben.

- Normális jelenség, hogy működtetés közben gőz képződjön. >>> *Ez nem hiba.*

A termék fémes hangokat bocsát ki felmelegedés vagy lehülés közben.

- Ha a fém alkatrészek felhevülnek, kitágulhatnak, és ez zajt eredményezhet. >>> *Ez nem hiba.*

A termék nem működik.

- A főbiztosító kiégett vagy lekapcsolódott. >>> *Ellenőrizze a biztosítékokat a biztosítékdobozban. Szükség szerint cserélje ki vagy kapcsolja vissza a biztosítékot.*
- A készülék nincs bedugva a (földelt) konnektorba. >>> *Ellenőrizze a dugasz csatlakozását.*

A sütővilágítás nem működik.

- A sütőlámpa meghibásodott. >>> *Cserélje ki a sütőlámpát.*
- Nincs áramellátás. >>> *Ellenőrizze, hogy van-e áram. Ellenőrizze a biztosítékokat a biztosítékdobozban. Szükség szerint cserélje ki vagy kapcsolja vissza a biztosítékot.*

A sütő nem melegít.

- Nincs beállítva funkció és/vagy hőmérséklet. >>> *Állítson be funkciót és hőmérsékleti értéket a Funkció és/vagy Hőmérsékletbeállító gombbal.*
- Időzítővel felszerelt modellek esetén az időzítő nincs beállítva. >>> *Állítsa be az időt.* (Mikrohullámú sütővel ellátott termékek esetén az időzítő kizárólag a mikrohullámú sütőre érvényes.)
- Nincs áramellátás. >>> *Ellenőrizze, hogy van-e áram. Ellenőrizze a biztosítékokat a biztosítékdobozban. Szükség szerint cserélje ki vagy kapcsolja vissza a biztosítékot.*

(Időzítővel ellátott modellek esetén) Az óra kijelzője villog, vagy megjelenik az óra szimbólum.

- Áramszünet történt. >>> *Állítsa be az időt / Kapcsolja ki, majd vissza a terméket.*



Amennyiben az ebben a fejezetben leírt utasításokat betartva sem tudja megszüntetni a hibajelenséget, vegye fel a kapcsolatot a Hivatalos Szervizzel vagy a kereskedővel, akitől a terméket vásárolta. Soha ne kísérelje meg maga megjavítani a hibás készüléket.

