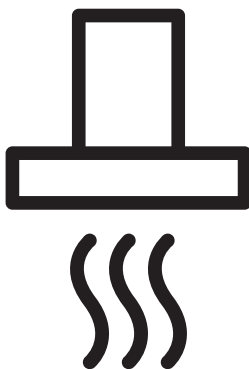




Cooker Hood

User Manual



HCA62640WH HCA92640WH
HCA62640BH HCA92640BH
HCA62540B HCA92540B

EN - DE - ES - FR - PL - NL - CS - IT - SL - SK - UA - RU - RO - PT - LT - LV - ET -
DA - NO - SV - FI - EL - HR - HU - SR



01M-8848773200-2223-15 01M-8848793200-2223-15
01M-8848783200-2223-15 01M-8848803200-2223-15
01M-8851123200-2223-15 01M-8851313200-2223-15

CONTENTS

ENGLISH	3-17
DEUTSCH	18-35
ESPAÑOL	36-51
FRANÇAIS	52-67
POLSKI	68-85
NEDERLANDS	86-102
ČESKY	103-117
ITALIANO	118-132
SLOVENŠČINA	133-147
SLOVENSKÝ	148-162
УКРАЇНСЬКА	163-183
РУССКИЙ	184-206
ROMÂNĂ	207-225
PORTUGUÊS	226-243
LIETUVIŲ K	244-258
LATVIEŠU	259-273
EESTI	274-288
DANSK	289-303
NORSK	304-318
SVENSKA	319-333
SUOMI	334-348
ΕΛΛΗΝΙΚΑ	349-367
HRVATSKI	368-382
MAGYAR	383-398
СРПСКИ	399-415

Please read this user manual first!

Dear Valued Customer,

Thank you for preferring this Beko appliance. We hope that you get the best results from your appliance which has been manufactured with high quality and state-of-the-art technology. For this reason, please read this entire user manual and all other accompanying documents carefully before using the appliance and keep it as a reference for future use. If you handover the appliance to someone else, give the user manual as well. Follow the instructions by paying attention to all the information and warnings in the user manual.

Remember that this user manual may also apply to other models. Differences between models are explicitly described in the manual.

Meanings of the Symbols

Following symbols are used in various sections of this user manual:



Important information and useful hints about usage.



WARNING: Warnings against dangerous situations concerning the security of life and property.



WARNING: Warning for danger of fire.



WARNING: Warning for electric shock.

1 Important safety and environmental instructions

1.1 General Safety

Important Safety Instructions Read Carefully And Keep For Future Reference This section contains safety instructions that will help protect from risk of fire, electric shock, exposure to leak microwave energy, personal injury or property damage. Failure to follow these instructions shall void any warranty.

- Beko products comply with the applicable safety standards; therefore, in case of any damage on the appliance or power cable, it should be repaired or replaced by the dealer, service center or a specialist and authorized service alike to avoid any danger. Faulty or unqualified repair work may be dangerous and cause risk to the user.
- This appliance is intended to be used in household and similar applications such as:
 - Staff kitchen areas in shops, offices and other working environments;
 - Farm houses
 - By clients in hotels, and other residential type environments;
 - Bed and Breakfast type environments.
- Operate the appliance for its intended purpose only as described in this manual.
- The manufacturer cannot be held liable for damages resulting from improper installation or misuse of the product.
- This appliance can be used by children aged from 8 years and above and persons with reduced physical, sensory or mental capabilities or lack of experience and knowledge if they have been given supervision or instruction concerning use of the appliance in a safe way and understand the hazards involved.
- Children shall not be allowed play with the appliance. Cleaning and user maintenance shall not be made by children without supervision.
- The minimum distance between the supporting surface for the cooking vessels on the hob and the lowest part of your product must be at least 50 cm.

1 Important safety and environmental instructions

- If the instructions for installation for the gas hob specify a greater distance, this has to be taken into account.
 - Make sure that your mains power supply complies with the information supplied on the rating plate of the appliance.
 - Never use the appliance if the power cable or the appliance itself is damaged.
 - Prevent damage to the power cable by not squeezing, bending, or rubbing it on sharp edges. Keep the power cable away from hot surfaces and naked flame.
 - Use the appliance with a grounded outlet only.
- WARNING:** Do not connect the appliance to the mains until the installation is fully complete.
- Place the appliance in a way so that the plug is always accessible.
 - Do not touch the lamps if they have operated for a long time. They can burn your hands since they will be hot.
 - Follow the regulations set out by competent authorities on discharge of the exhaust air (this warning is not applicable for use without flue).
 - Operate your appliance after putting a pot, pan etc. on the hob. Otherwise, high heat may cause deformation in some parts of your product.
 - Turn off the hob before taking the pot, pan etc. from it.
 - Do not leave hot oil on the hob. Pans with hot oil may cause self combustion.
 - Pay attention to your curtains and covers since oil may catch fire while cooking food such as fries.
 - Grease filter must be cleaned at least monthly. Carbon filter must be replaced at least every 3 months.
 - Product shall be cleaned accordance with user manual. If cleaning was not carried out in accordance with user manual, there may be fire risk.
 - Do not use non-fire-resistant filtering materials instead of the current filter.
 - Only use the original parts or

1 Important safety and environmental instructions

parts recommended by the manufacturer.

- Do not operate the product without the filter and do not remove the filters while the product is running.
- In the event of be started any flame, de-energize your product and cooking appliances.
- In the event of be started any flame, cover the flame and never use water to extinguish.
- Unplug the appliance before each cleaning and when the appliance is not in use.
- The negative pressure in the environment should not exceed 4 Pa (4x10 bar) while the hood for electric hob and appliances running on another type of energy but electricity operate simultaneously.
- In the environment where the appliance is being used, the exhaust of devices running on fuel oil or gas, such as room heater device must be absolutely isolated or device must be hermetical type.
- When connecting the flue, use pipes with a diameter of 120 or 150 mm. Pipe connection must

be as short as possible and have as few elbows as possible.

Danger of choking! Keep all the packaging materials away from children.

CAUTION: Accessible parts may become hot when used with cooking appliances.

- The product outlet must not be connected to air channels that include other smoke.
 - The ventilation in the room may be insufficient when the hood for electric hob is used simultaneously with the devices operating on gas or other fuels (this may not apply to appliances that only discharge the air back into the room).
 - Objects placed on the product may fall. Do not place any objects on the product.
 - Do not flambe under the your product.
- WARNING:** Before installing the Hood, remove the protective films.
- Never leave high naked flames under the hood when it is in operation
 - Deep fat fryers must be con-

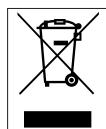
1 Important safety and environmental instructions

tinuously monitored during use: overheated oil can burst into flames.

aging material collection points designated by the local authorities.

1.2 Compliance with the WEEE Directive and Disposing of the Waste Product:

This product complies with EU WEEE Directive (2012/19/EU). This product bears a classification symbol for waste electrical and electronic equipment (WEEE).



This symbol indicates that this product shall not be disposed with other household wastes at the end of its service life. Used device must be returned to official collection point for recycling of electrical and electronic devices. To find these collection systems please contact to your local authorities or retailer where the product was purchased. Each household performs important role in recovering and recycling of old appliance. Appropriate disposal of used appliance helps prevent potential negative consequences for the environment and human health.

1.3 Compliance with RoHS Directive

The product you have purchased complies with EU RoHS Directive (2011/65/EU). It does not contain harmful and prohibited materials specified in the Directive.

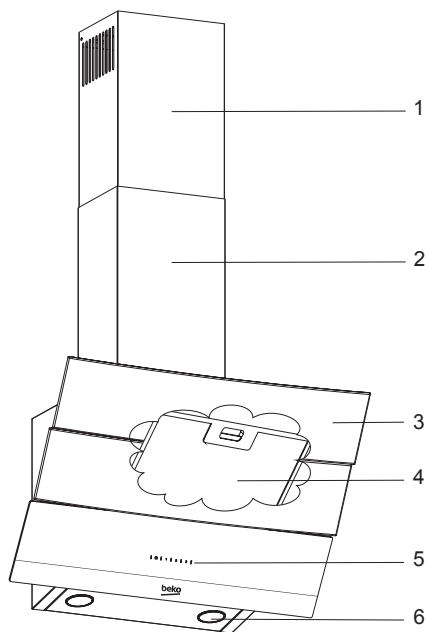
1.4 Package Information



Packaging materials of the product are manufactured from recyclable materials in accordance with our National Environment Regulations. Do not dispose of the packaging materials together with the domestic or other wastes. Take them to the pack-

2 General appearance

2.1 Overview

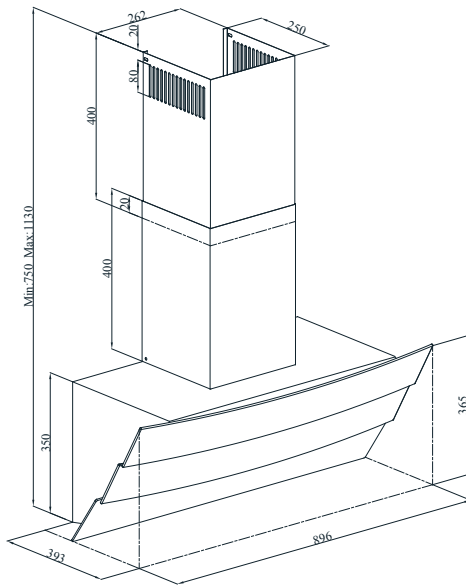


1. Inner chimney
2. Outer chimney
3. Glass cover
4. Grease filter (Behind Glass Cover)
5. Control panel
6. Lighting

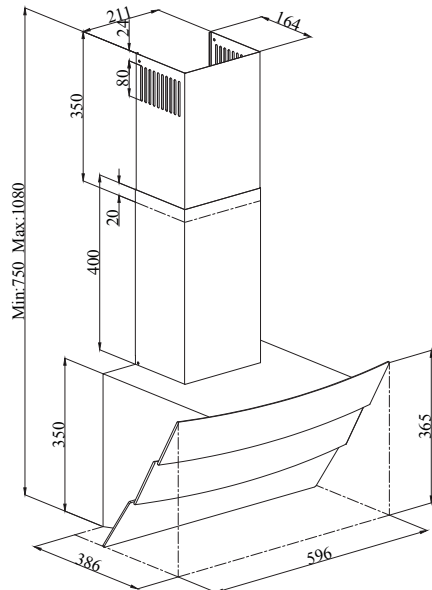
2 General appearance

2.2 Technical data

	HCA62640WH HCA62640BH	HCA62540B	HCA92640WH HCA92640BH	HCA92540B
Width	596 mm		896 mm	
Depth	386 mm		393 mm	
Height	750/1080 mm		750/1130 mm	
Supply voltage & frequency	220-240V ~, 50 Hz			
Control	With 3 levels			
Lamp power	2x3 W			
Air outlet pipe	120/150 mm			
Flow rate – 3. Level	537 m³/h	566 m³/h	577 m³/h	593 m³/h
Motor power	210 W			
Total power	216 W			
Insulation class of motor	Class F			
Insulation class	Class I			



HCA92640WH
HCA92640BH
HCA92540B



HCA62640WH
HCA62640BH
HCA62540B

3 Operation of the appliance

3.1 Controlling the appliance

✨ 1 2 3			
A	B	C	D
KEY	FUNCTION		
A : Light On / Off	You may illuminate the cooking area by pressing this button. Re-press the button to turn off the lamp.		
B : 1. Stage Button	Operates the appliance on 1st speed. When you press this button again to turn off the appliance, the screen speed stage turns off.		
C : 2. Stage Button	Operates the appliance on 2nd speed. When you press this button again to turn off the appliance, the screen speed stage turns off.		
D : 3. Stage Button	Operates the appliance on 3rd speed. When you press this button again to turn off the appliance, the screen speed stage turns off.		

3.2 Efficient use in terms of energy saving

- When using your appliance, adjust the speed settings according to vapour and odour intensity, in order to save energy.
- Use low speeds (1-2) under normal conditions, and high speed (3) for intense odour and vapour.
- The lamps on the hood are placed for illuminating the cooking area.
- Using them for environmental lighting shall cause unnecessary energy expenditure and insufficient lighting.

3.3 Operation of the hood

- Your appliance contains a motor that has various speeds.
- For better performance, we recommend using low speeds under normal conditions and high speeds in cases of strong odours and intense

vapour.

- You can start your appliance by pressing on the desired speed setting button. (B,C,D)
- You can illuminate the cooking area by pressing the lamp. (A)

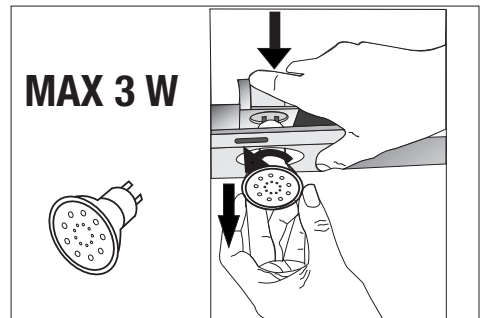
3.4 Auto-stop in 15 min.

This appliance is equipped with an Auto-Stop function which allows the appliance to ventilate the room for an additional period of time in order to remove the unpleasant odour and vapour in the room after the cooking is over. Appliance stops automatically after a certain period of time. To enable the Auto-stop function, press any of the speed level keys (B, C, D) on the control for longer than 2 seconds. A timer with 15 minutes will be activated. If you press the same speed level key while the Auto-stop function is enabled, function will be disabled and the appliance will stop. If you select a different speed level this function will be disabled. If you want your appliance to stop automatically, you must enable the Auto-stop function again.

Periodical cleaning of metal filters

Filters must be cleaned at about every 60 hours of operation or 4 weeks depending on the frequency of usage.

3.5 Replacing the lamps




3 Operation of the appliance

Disconnect the hood from the mains supply. This appliance is equipped with 3 W halogen lamps. To replace the halogen lamps, press the lamp downwards from the rear section of the lamp holder to release the lamp. Then turn it counterclockwise by 1/4 tour and remove it. Perform the above steps in reverse order to fit the new lamps.

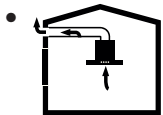


You may procure lamps from Authorised Service Agents.

Bulb	
Bulb Power	3 W
Holder / Socket	GZ 10
Bulb Voltage	220 - 240 V
Size	53 x 50 mm
ILCOS Code	DR/F3-220-240-GZ10-50-53
Luminous flux	260 lm
Correlated colour temperature	3000 K

This product contains a light source of energy efficiency class "F".

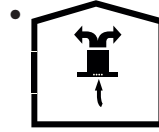
3.6 Operation with chimney connection



Vapour is extracted through the flue duct, which is fastened to the connection head on the hood.

- The diameter of the flue duct must be the same as the connection ring. In horizontal settings, the pipe has to have a slight upward slope (around 10°) so that the air can exit the room easily.

3.7 Operation without chimney connection



Air is filtered through the carbon filter and recirculated in the room. Carbon filter is used when it is impossible to use a flue in the house.

- In flueless use, remove the flaps inside the flue adapter.
- Remove the Grease filter. To install the carbon filter, fit the filter to the tabs by centring it on the plastic piece on both sides of the fan body. Tighten it by turning right or left.
- Replace Grease filter.

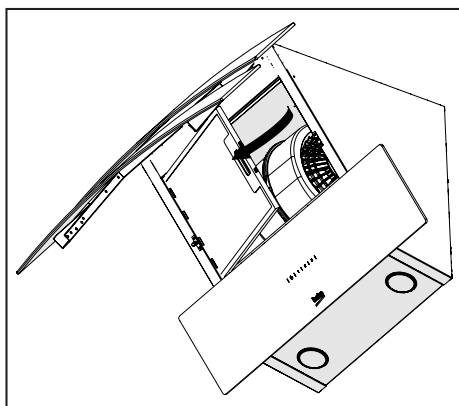
4 Cleaning and maintenance



Before cleaning and maintenance, unplug the product or turn off the switch.

4.1 Cleaning of the grease filter

Grease filter retains the oil particles in the air. Grease filters may change colour after repeated cleaning. This is normal and does not require replacement of filters.



- Push the grease filter lock forward.
- Then pull it slightly down and pull it out. Otherwise, you can bend the filter. Wash and rinse grease filters with liquid detergent and replace grease filters to their sockets by carrying out the steps specified above in reverse order. This filter retains the oil particles in the air.



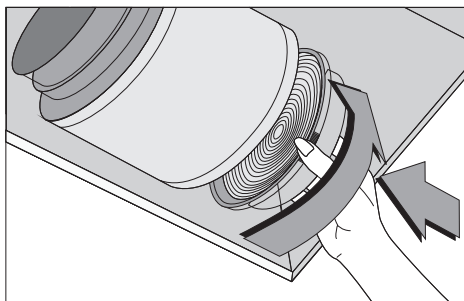
You may wash your grease filters in the dishwasher.



CAUTION: In case of normal use, clean your filter once in a month.

4.2 Replacement of carbon filters

Odour removing filters contain charcoal (Active carbon). Grease filters must be installed in the product, regardless of whether or not carbon filters are used.



- Remove the grease filter.
- To remove the carbon filter, remove the carbon filter from its housing by rotating it counter-clockwise from the tab.
- Install the new carbon filter.
- Install the grease filter.

CAUTION



- Carbon filter shall never be washed.
- Replace carbon filters once every 3 months.
- You can obtain the carbon filter from the authorized services.

5 Installation of appliance



WARNING: Before starting the installation, read the safety information on user manual.

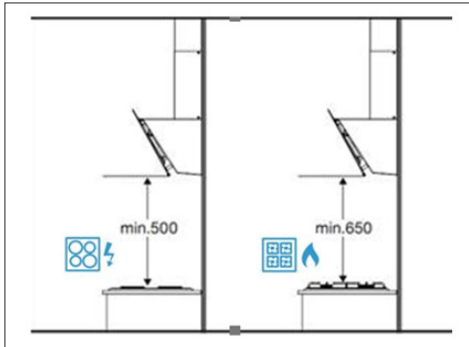


WARNING: Failure to install with screws and stabilizers in accordance with these instructions may result in electric shock.

For the installation of the hood, please contact the nearest Authorized Service.

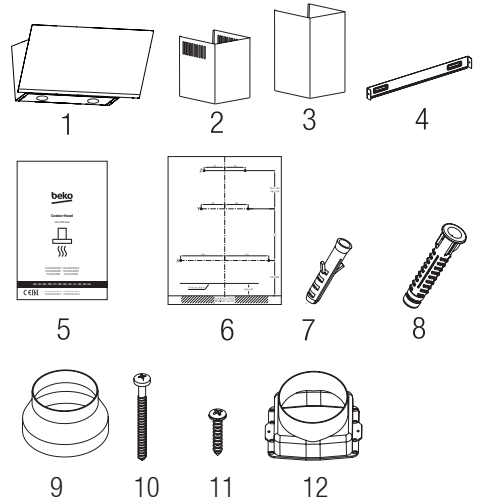
It is the customer's responsibility to prepare the location and electrical installation of the hood.

5.1 Position of the appliance



- In all cooker hood types, the installation distance on Gas hob and Electric hob is min 650 mm. For **inclined cooker hoods** only, the installation distance on the **electric hob** is min 500 mm.
- Distance must be measured from the surface of grate for gas cookers, from surface of glass for electric cookers.

5.2 Installation accessories



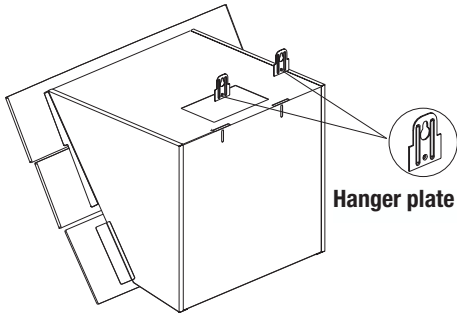
1. Product
2. Inner Chimney
3. Outer Chimney
4. Chimney Connection Plate
5. User Manual
6. Assembly Pattern
7. Ø6mm Plastic Dowel
8. Ø8mm Plastic Dowel
9. 150/120mm Plastic Chimney Adapter
10. 4.9x50 Cross-head screw
11. 3.9x22 Cross-head screw
12. Ø150 mm plastic flue

Information required for the preparation of the installation place for your hood is given below.

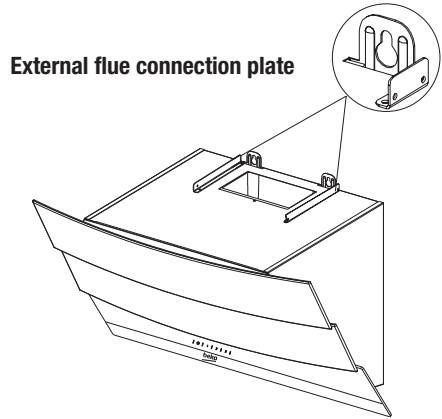
5.3 Installing the hood onto the wall

To install the hood onto the wall, loosen the screws of hanger plates on the motor housing and pull the plates upwards. Then, tighten the screws of the hanger plates. (Figure 1a).

5 Installation of appliance



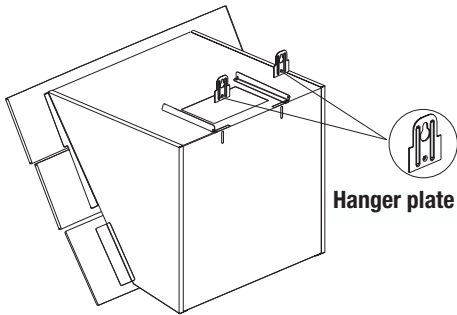
(Figure 1a-60)



(Figure 1b-90)

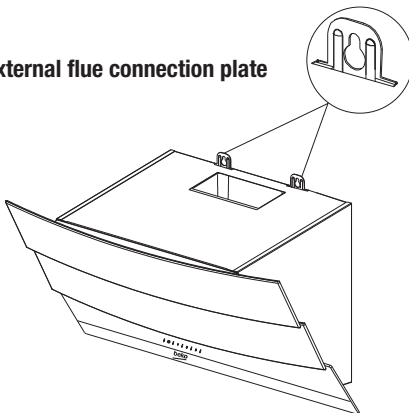
Secure the 150 mm plastic flue adapter onto the top of the body with 3.5x9.5 screw included in installation accessories (Figure 2).

If you will use \varnothing 120 mm flue pipe, install \varnothing 120 mm flue adapter onto it.

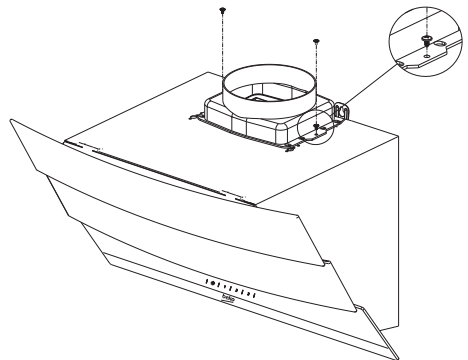


(Figure 1a-90)

External flue connection plate

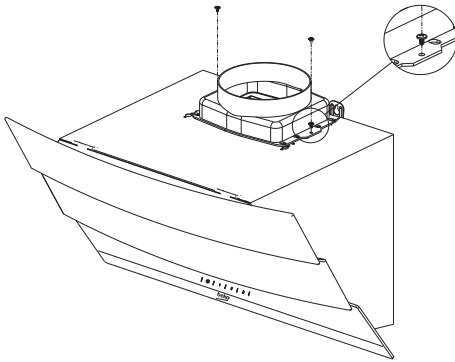


(Figure 1b-60)



(Figure 2-60)

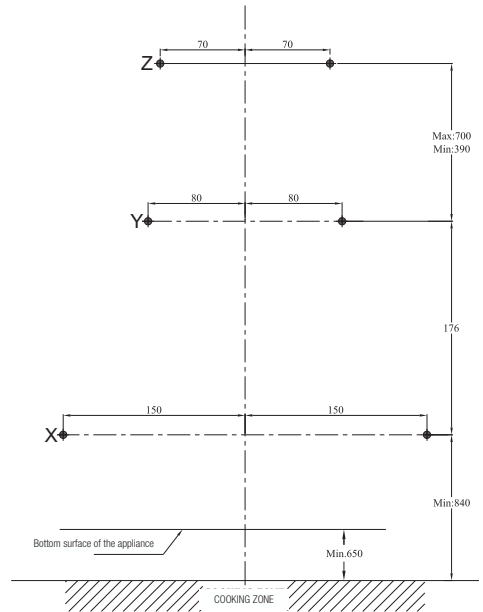
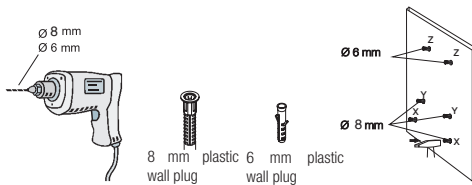
5 Installation of appliance



(Figure 2-90)

5.4 Boring the hanger holes

Affix the installation template onto the installation place of the hood. Drill the points marked with (X,Y) using a $\varnothing 8$ mm bit and points marked with (Z) using a $\varnothing 6$ mm bit. (Figure 3)



(Figure 3)

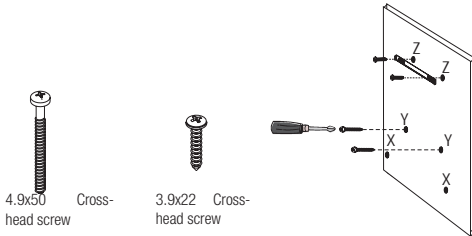
5.5 Hammering the wall plugs

Hammer $\varnothing 8$ mm wall plugs (X,Y) into the holes drilled for hanger screws. Hammer 2 x $\varnothing 6$ mm wall plugs (Z) into the holes drilled with a $\varnothing 6$ mm bit for the external flue connection plate. (Figure 3)

5.6 Installing the hanger screws

Install 4.9x50 hanger screws into the $\varnothing 8$ mm wall plugs (Y) you have hammered into the wall. There must be a gap of 5 mm between the screw head and the wall. Connect the internal flue connection plate to the 8 mm wall plugs (Z) on the wall using $\varnothing 3.9 \times 22$ screws. (Figure 4)

5 Installation of appliance



(Figure 4)

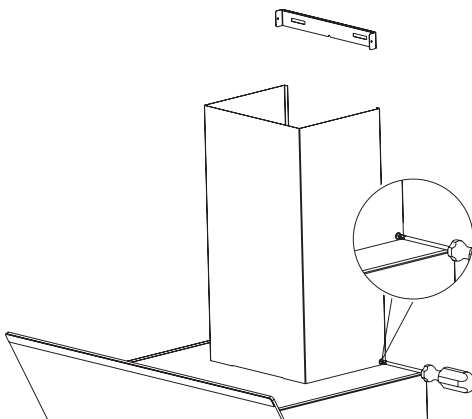
5.7 Hanging the hood onto the wall

- Hang the hood onto the screws you have installed into the Y holes.
- Open the side suction window of the hood by pulling it towards yourself. Install the 4.9x50 screws through the X holes located inside in order to secure the appliance.

5.8 Installing the hood flue

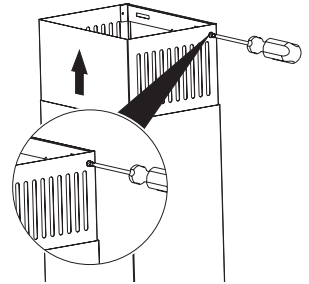
Disconnect the product from mains supply before starting flue installation. Fit the sheet metal flue parts around the body.

Screw the external flue to the external flue connection plates located on the motor housing. (Figure 1b/5)



(Figure 5)

Extend and screw the internal flue from its outer edges onto the flue connection plate which was secured to the wall (Figure 6).



(Figure 6)

5.9 Flue connection

Place adapter supplied together with the hood into the ventilation hole located on the top section of the hood. Procure a pipe with a diameter of 120/150 mm. Connect one end of the pipe to the adapter and the other end to the flue. Make sure that these two connections are secure enough so that they will not dislocate when the hood is operated in max. speed. Check that the flaps inside flue are functional when tightened with the clamp. Fit the flue connection pipe onto the adapter. If you fit the flue connection pipe inside the adapter, air suction will not occur since the flaps that prevent air backflow will remain closed. It is not advisable to make connections to the flues connected with stoves or exhaust shafts. Do not make connections to such flues. Pipe connection must be as short as possible and have minimum number of elbows.

A: Flue outlet pipe

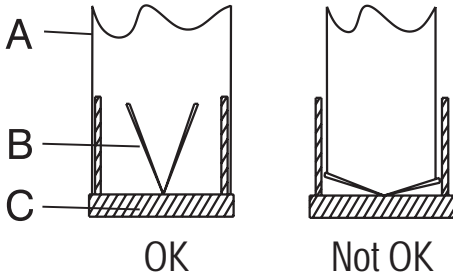
B: Flaps that prevent backflow

C: Plastic flue

5 Installation of appliance

5.10 Backflow prevention system (N-RV)

When the hood is operated, flaps are closed in order to prevent possible odours and dust from entering into the ambient from outside.



5.11 Storage

- If you do not intend to use the appliance for a long time, please store it carefully.
- Please make sure that the appliance is unplugged, cooled down and totally dry.
- Store the appliance in a cool and dry place.
- Keep the appliance out of the reach of children.

5.12 Handling and transportation

- During handling and transportation, carry the appliance in its original packaging. The packaging of the appliance protects it against physical damages.
- Do not place heavy loads on the appliance or the packaging. The appliance may be damaged.
- Dropping the appliance will render it non-operational or cause permanent damage.

6 Troubleshooting

Troubleshooting	Root Cause	Help
Appliance is not working.	Check your fuses.	Fuse may be blown, inspect and restore it.
Appliance is not working.	Check the electrical connection.	Mains voltage shall be between 220 and 240 V.
Appliance is not working.	Check the electrical connection.	Check if other appliance in your kitchen operate.
Illumination light does not operate.	Check the electrical connection.	Mains voltage shall be between 220 and 240 V.
Illumination light does not operate.	Inspect the lamp switch.	Lamp switch shall be at "on" position.
Illumination light does not operate.	Inspect the lamps.	The lamps of the appliance shall illuminate.
Air inlet of the appliance is inadequate.	Inspect the grease filter.	Under normal operating conditions, grease filter shall be cleaned at least once in a month.
Air inlet of the appliance is inadequate.	Check the air discharge flue.	The air discharge flue shall be at "on" position.
Air inlet of the appliance is inadequate.	Inspect the carbon filter.	The filters of the appliances with carbon filters shall be replaced once in every 3 months under normal conditions.

Bitte lesen Sie zunächst diese Anleitung!

Sehr geehrte Kundin, sehr geehrter Kunde,

Vielen Dank, dass Sie sich für dieses Gerät der Marke Beko entschieden haben. Wir sind überzeugt, dass Sie mit diesem Gerät, das mit den höchsten Qualitätsanforderungen und modernster Technologie hergestellt wurde, beste Ergebnisse erzielen werden. Bitte lesen Sie die gesamte Bedienungsanleitung und alle anderen Begleitdokumente aufmerksam, bevor Sie das Gerät verwenden; bewahren Sie sie zum künftigen Nachschlagen sicher auf. Wenn Sie das Gerät an jemanden weitergeben, händigen Sie ihm bitte auch diese Anleitung aus. Befolgen Sie die Anweisungen, indem Sie alle Informationen und Warnhinweise in der Bedienungsanleitung beachten.

Bitte denken Sie daran, dass diese Bedienungsanleitung eventuell für mehrere Modelle geschrieben wurde. Unterschiede zwischen den Modellen werden in der Anleitung klar und deutlich beschrieben.

Bedeutung der Symbole

Folgende Symbole werden in den verschiedenen Abschnitten dieser Anleitung verwendet:



Wichtige Informationen und nützliche Hinweise zur Verwendung.



WARNUNG: Warnhinweise zu gefährlichen Situationen im Hinblick auf die Sicherheit von Leib, Leben und Eigentum.



Warnung vor Brandgefahr.



Warnung vor Stromschlägen.



RECYCELTES UND
RECYCELBARES
PAPIER

1 Wichtige Sicherheits- und Umwelanweisungen

1.1 Allgemeine Sicherheit

Wichtige Sicherheitsanweisungen sorgfältig lesen und zum künftigen Nachschlagen aufbewahren

Dieser Abschnitt enthält Sicherheitsanweisungen, die beim Schutz vor Personen- und Sachschäden, Bränden, Stromschlägen und dem Austreten von Mikrowellenenergie helfen. Bei Nichtbeachtung dieser Anweisungen erlischt die Gewährleistung.

- Beko-Produkte stimmen mit geltenden Sicherheitsstandards überein; daher sollten Gerät oder Netzkabel zur Vermeidung von Gefahren im Falle von Schäden durch den Händler, ein Kundencenter oder einen spezialisierten, autorisierten Serviceanbieter repariert oder ersetzt werden. Fehlerhafte oder unqualifizierte Reparaturen können Gefahren und Risiken für den Benutzer verursachen.
- Dieses Gerät ist für den Einsatz in Haushalten und ähnlichen Bereichen vorgesehen, wie:
 - In Betriebsküchen, Läden,

Büros und anderen Arbeitsumgebungen;

- Bauernhöfen;
 - Von Gästen in Hotels und anderen Wohnumgebungen;
 - Pensionen und Jugendherbergen.
- Das Gerät darf nur für seinen in dieser Anleitung beschriebenen vorgesehenen Zweck verwendet werden.
 - Der Hersteller haftet nicht für Schäden, die auf unsachgemäße Installation oder fehlerhaften Gebrauch zurückzuführen sind.
 - Das Gerät darf nur dann von Kindern ab 8 Jahren und Personen mit körperlichen oder geistigen Einschränkungen genutzt werden, wenn diese beaufsichtigt werden oder gründlich über den richtigen und sicheren Umgang mit dem Gerät aufgeklärt wurden und sich sämtlicher möglicher Gefahren bewusst sind.
 - Kinder dürfen nicht mit dem Gerät spielen. Reinigungs- und Wartungsarbeiten dürfen nicht unbeaufsichtigt von Kindern ausgeführt werden.

1 Wichtige Sicherheits- und Umwelanweisungen

- Der Abstand zwischen der Stützfläche für Kochgeschirr auf dem Kochfeld und dem niedrigsten Teil der Abzugshaube muss mindestens 50 cm betragen.
 - Falls die Anweisungen zur Installation eines Gasherdes einen größeren Abstand angeben, ist dieser einzuhalten.
 - Stellen Sie sicher, dass Ihre Stromversorgung mit den Angaben am Typenschild des Gerätes übereinstimmt.
 - Benutzen Sie das Gerät niemals, wenn das Netzkabel oder das Gerät selbst beschädigt ist.
 - Vermeiden Sie Schäden am Netzkabel, indem Sie es nicht quetschen, knicken oder über scharfe Kanten ziehen. Halten Sie das Netzkabel von heißen Oberflächen und offener Flamme fern.
 - Verwenden Sie das Gerät nur mit einer geerdeten Steckdose.
- WARNUNG:** Schließen Sie das Gerät erst nach vollständig abgeschlossener Installation an das Stromnetz an.
- Stellen Sie das Gerät so auf, dass der Netzstecker immer zugänglich ist.
 - Berühren Sie die Lampen nicht, falls sie lange Zeit in Betrieb waren. Sie könnten sich die Finger verbrennen, da die Lampen heiß werden.
 - Befolgen Sie die von zuständigen Behörden festgelegten Richtlinien zum Abführen von Abluft (diese Warnung ist bei Einsatz ohne Abzug nicht zutreffend).
 - Nehmen Sie Ihr Gerät erst in Betrieb, nachdem Sie ein Kochgeschirr auf das Kochfeld gestellt haben. Andernfalls könnte hohe Hitze zur Verformung von Teilen Ihres Geräts führen.
 - Schalten Sie die Kochfelder ab, bevor Sie das Kochgeschirr herunternehmen.
 - Lassen Sie kein heißes Öl auf das Kochfeld gelangen. Kochgeschirr mit heißem Öl kann sich selbst entzünden.
 - Achten Sie auf Vorhänge und Abdeckungen, da Öl beim Zubereiten von Lebensmitteln, wie Pommes frites, Feuer fangen kann.

1 Wichtige Sicherheits- und Umwelanweisungen

- Der Fettfilter muss mindestens einmal im Monat ersetzt werden. Der Kohlefilter muss mindestens alle 3 Monate ersetzt werden.
- Das Produkt muss entsprechend der Bedienungsanleitung gereinigt werden. Falls die Reinigung nicht entsprechend der Bedienungsanleitung durchgeführt wird, besteht Brandgefahr.
- Verwenden Sie kein nicht feuerbeständiges Filtermaterial anstelle des aktuellen Filters.
- Verwenden Sie nur Originalteile und vom Hersteller empfohlene Teile.
- Verwenden Sie das Gerät nicht ohne Filter. Entfernen Sie die Filter nicht, während das Gerät läuft.
- Sollte sich etwas entzünden, unterbrechen Sie als erstes sofort die Energieversorgung.
- Ersticken Sie ein Feuer mit einer geeigneten Decke oder ähnlich, verwenden Sie zum Löschen niemals Wasser.
- Trennen Sie das Gerät vor jeder Reinigung und bei Nichtbenutzung von der Stromversorgung.
- Der Unterdruck in der Umgebung darf 4 Pa (4×10^{-2} bar) nicht überschreiten, während die Dunstabzugshaube für das elektrische Kochfeld und Geräte mit einer anderen Energiequelle als Strom gleichzeitig laufen.
- Falls sich ein mit Heizöl oder Brenngasen betriebenes Gerät, z. B. Heizungen, in der Nähe der Dunstabzugshaube befindet, muss die Abluft dieses Gerätes vollständig getrennt abgeführt werden oder es muss hermetisch sein.
- Verwenden Sie zum Anschluss des Abzugs Rohre mit einem Durchmesser von 120 oder 150 mm. Der Rohranschluss muss möglichst kurz sein und sollte möglichst wenige Biegungen aufweisen.

Verschluckungsgefahr! Halten Sie alle Verpackungsmaterialien von Kindern fern.

ACHTUNG: Zugängliche Teile können bei Verwendung mit Kochgeräten heiß werden.

- Der Auslass des Produktes darf nicht an Luftkanäle angeschlossen

1 Wichtige Sicherheits- und Umwelanweisungen

sen werden, die auch andere Ab-
luft abführen.

- Die Belüftung im Raum reicht möglicherweise nicht aus, wenn die Abzugshaube für das elektrische Kochfeld gemeinsam mit Geräten, die mit Gas oder anderen Kraftstoffen laufen, betrieben wird (dies trifft möglicherweise nicht auf Geräte zu, die die Luft zurück in den Raum abgeben).
- Auf dem Produkt platzierte Gegenstände könnten herunterfallen. Stellen Sie keine Gegenstände auf das Produkt.
- Flambieren Sie nicht unter dem Gerät.

WARNUNG: Entfernen Sie vor Installation der Dunstabzugshaube die Schutzfolien.

- Achten Sie darauf, dass niemals hohe offene Flammen unter der Dunstabzugshaube entstehen, wenn diese in Betrieb ist.
- Fritteusen müssen während der Benutzung kontinuierlich überwacht werden; überhitztes Öl kann Feuer fangen.

1.2 Ihre Pflichten als Endnutzer



Dieses Produkt erfüllt die Vorgaben der EU-WEEE-Direktive (2012/19/EU). Das Produkt wurde mit einem Klassifizierungssymbol für elektrische und elektronische Altgeräte (WEEE) gekennzeichnet.

Dieses Elektro- bzw. Elektronikgerät ist mit einer durchgestrichenen Abfalltonne auf Rädern gekennzeichnet. Das Gerät darf deshalb nur getrennt vom unsortierten Siedlungsabfall gesammelt und zurückgenommen werden. Es darf somit nicht in den Hausmüll gegeben werden. Das Gerät kann z.B. bei einer kommunalen Sammelstelle oder ggf. bei einem Vertreiber (siehe unten zu deren Rücknahmepflichten in Deutschland) abgegeben werden.

Das gilt auch für alle Bauteile, Unterbaugruppen und Verbrauchsmaterialien des zu entsorgenden Altgeräts.

Bevor das Altgerät entsorgt werden darf, müssen alle Altbatterien und Altakkumulatoren vom Altgerät getrennt werden, die nicht vom Altgerät umschlossen sind. Das gleiche gilt für Lampen, die zerstörungsfrei aus dem Altgerät entnommen werden können. Der Endnutzer ist zudem selbst dafür verantwortlich, personenbezogene Daten auf dem Altgerät zu löschen.

Die ordnungsgemäße Entsorgung gebrauchter Geräte trägt dazu bei, mögliche negative Folgen für die Umwelt und die menschliche Gesundheit zu vermeiden.

1.3 Hinweise zum Recycling



Helfen Sie mit, alle Materialien zu recyceln, die mit diesem Symbol gekennzeichnet sind. Entsorgen Sie solche Materialien, insbesondere Verpackungen, nicht im Hausmüll, sondern über

1 Wichtige Sicherheits- und Umwelanweisungen

die bereitgestellten Recyclingbehälter oder die entsprechenden örtlichen Sammelsysteme.

Recyceln Sie zum Umwelt- und Gesundheitsschutz elektrische und elektronische Geräte.

1.4 Rücknahmepflichten der Verreiber

Wer auf mindestens 400 m² Verkaufsfläche Elektro- und Elektronikgeräte vertreibt oder diese gewerblich an Endnutzer abgibt, ist verpflichtet, bei Abgabe eines neuen Gerätes, ein Altgerät des Endnutzers der gleichen Geräteart, das im Wesentlichen die gleichen Funktionen wie das neue Gerät erfüllt, am Ort der Abgabe oder in unmittelbarer Nähe, unentgeltlich zurückzunehmen. Das gilt auch für Verreiber von Lebensmitteln mit einer Gesamtverkaufsfläche von mindestens 800 m², die mehrmals im Kalenderjahr oder dauerhaft Elektro- und Elektronikgeräte anbieten und auf dem Markt bereitstellen. Solche Verreiber müssen zudem auf Verlangen des Endnutzers Altgeräte, die in keiner äußeren Abmessung größer als 25 cm sind, (kleine Elektrogeräte) im Einzelhandelsgeschäft oder in unmittelbarer Nähe hierzu unentgeltlich zurückzunehmen; die Rücknahme darf in diesem Fall nicht an den Kauf eines Elektro- oder Elektronikgerätes verknüpft, kann aber auf drei Altgeräte pro Geräteart beschränkt werden.

Ort der Abgabe ist auch der private Haushalt, wenn das neue Elektro- oder Elektronikgerät dorthin geliefert wird; in diesem Fall ist die Abholung des Altgerätes für den Endnutzer kostenlos.

Die vorstehenden Pflichten gelten auch für den Vertrieb unter Verwendung von Fernkommunikationsmitteln, wenn die Verreiber Lager- und Versandflächen für Elektro- und Elektronikgeräte bzw. Gesamtlager und Versandflächen für Lebensmittel beinhalten, die den oben genannten Verkaufsflächen ent-

sprechen. Die unentgeltliche Abholung von Elektro- und Elektronikgeräten ist dann aber auf Wärmeüberträger (z.B. Kühlschrank), Bildschirme, Monitore und Geräte, die Bildschirme mit einer Oberfläche von mehr als 100 cm² enthalten und Geräte beschränkt, bei denen mindestens eine der äußeren Abmessungen mehr

1.5 Einhaltung von RoHS-Vorgaben

Das von Ihnen erworbene Produkt erfüllt die Vorgaben der EU-RoHS Richtlinie (2011/65/EU). Es enthält keine in der Richtlinie angegebenen gefährlichen und unzulässigen Materialien.

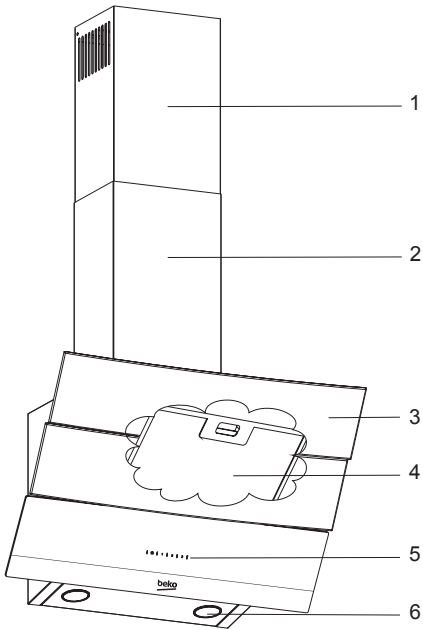
1.6 Hinweise zur Verpackung



Die Verpackungsmaterialien des Produktes sind aus recyclingfähigen Materialien entsprechend unseren nationalen Umweltschutzbestimmungen hergestellt. Entsorgen Sie die Verpackungsmaterialien nicht mit dem Hausmüll oder anderem Müll. Bringen Sie sie zu einer von der Stadtverwaltung bereitgestellten Sammelstelle für Verpackungsmaterial.

2 Allgemeines Erscheinungsbild

2.1 Übersicht

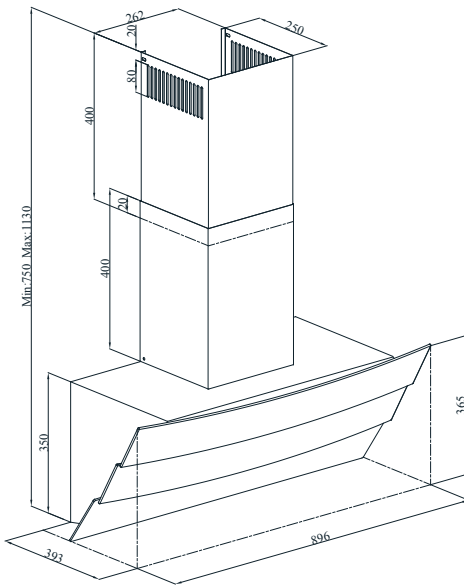


1. Innerer Abluftkanal
2. Äußerer Abluftkanal
3. Glasdeckel
4. Aluminium Oil Filters (Behind Glass Cover)
5. Kontroll-Baugruppe
6. Lampe

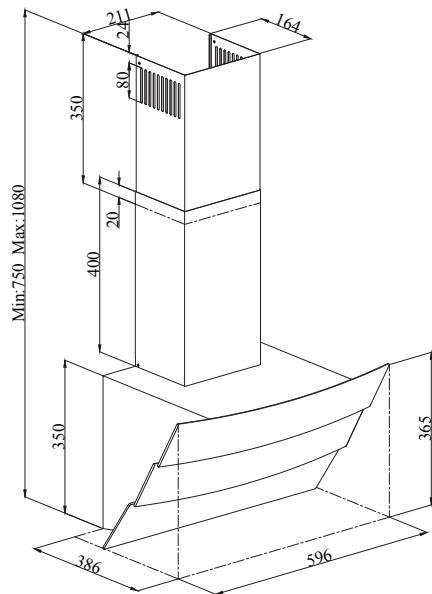
2 Allgemeines Erscheinungsbild

2.2 Technische Daten

	HCA62640WH HCA62640BH	HCA62540B	HCA92640WH HCA92640BH	HCA92540B
Breite	596 mm		896 mm	
Tiefe	386 mm		393 mm	
Höhe	750/1080 mm		750/1130 mm	
Betriebsspannung	220-240V ~, 50 Hz			
Steuerung	Mit 3 Stufen			
Lampenleistung	2x3 W			
Abluftrohr	120/150 mm			
Fließrate – 3. Stufe	537 m³/h	566 m³/h	577 m³/h	593 m³/h
Motorleistung	210 W			
Gesamtleistung	216 W			
Isolationsklasse des Motors	Klasse F			
Isolationsklasse	Klasse I			



HCA92640WH
HCA92640BH
HCA92540B



HCA62640WH
HCA62640BH
HCA62540B

3 Verwendung des Geräts

3.1 Steuerung des Geräts

 1 2 3				
A	B	C	D	
SCHLÜSSEL	FUNKTION			
A : Ein-/Aus des Lichts	Mit dieser Taste können Sie den Garbereich beleuchten.			
B : 1. Bühne Taste	Mit dieser Taste können Sie Ihre Dunstabzugshaube bei Geschwindigkeitsstufe 1 starten. Wenn Sie diese Taste zum Abschalten des Gerätes noch einmal drücken, verschwindet die Anzeige der Geschwindigkeitsstufe im Display.			
C : 2. Bühne Taste	Mit dieser Taste können Sie Ihre Dunstabzugshaube bei Geschwindigkeitsstufe 2 starten. Wenn Sie diese Taste zum Abschalten des Gerätes noch einmal drücken, verschwindet die Anzeige der Geschwindigkeitsstufe im Display.			
D : Bühne 3. Taste	Mit dieser Taste können Sie Ihre Dunstabzugshaube bei Geschwindigkeitsstufe 3 starten. Wenn Sie diese Taste zum Abschalten des Gerätes noch einmal drücken, verschwindet die Anzeige der Geschwindigkeitsstufe im Display.			

3.2 Energieeffiziente Nutzung

- Wenn Sie Ihr Gerät benutzen, passen Sie die Geschwindigkeitseinstellungen je nach Dampf- und Geruchsintensität an, um Energie zu sparen.
- Verwenden Sie niedrige Geschwindigkeiten (1-2) unter normalen Bedingungen und hohe Geschwindigkeiten (3) für intensive Gerüche und Dämpfe.
- Die Lampen der Abzugshaube sind so angebracht, dass sie den Herdbereich beleuchten.
- Ihr Nutzung für die Beleuchtung der Küche kann zu unnötigen zusätzlichen Stromkosten führen, ohne dass die Raumbelichtung ausreichend wäre.

3.3 Bedienung der Abzugshaube

- Ihr Gerät enthält einen Motor, der verschiedene Geschwindigkeiten hat.
- Für eine bessere Leistung empfehlen wir niedrige Geschwindigkeiten unter normalen Bedingungen und hohe Geschwindigkeiten bei starken Gerüchen und intensiven Dämpfen.
- Sie können Ihr Gerät starten, indem Sie auf die Taste für die gewünschte Geschwindigkeitseinstellung drücken. (B, C, D)
- Sie können die Kochstelle beleuchten, indem Sie die Lampe (A) drücken.

3.4 Auto-Stopp in 15 Minuten

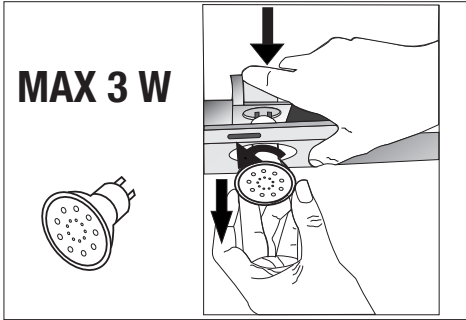
Dieses Gerät ist mit einer Auto-Stopp-Funktion ausgestattet, die es dem Gerät ermöglicht, den Raum über eine zusätzliche Zeitspanne zu belüften und unangenehme Gerüche sowie Dünste nach dem Kochen zu beseitigen. Das Gerät stoppt nach einem bestimmten Zeitraum automatisch. Halten Sie zum Aktivieren der Auto-Stopp-Funktion eine beliebige Geschwindigkeitseinstelltaste (B, C, D) am Bedienfeld länger als 2 Sekunden gedrückt. Ein Timer mit 15 Minuten wird aktiviert. Wenn Sie dieselbe Geschwindigkeitstaste bei aktiver Auto-Stopp-Funktion erneut drücken, wird die Funktion deaktiviert und das Gerät stellt den Betrieb ein. Wenn Sie eine andere Geschwindigkeitsstufe wählen, wird diese Funktion deaktiviert. Falls Sie möchten, dass Ihr Gerät automatisch stoppt, müssen Sie die Auto-Stopp-Funktion wieder aktivieren.

Regelmäßige Reinigung der Metallfilter

Filter müssen je nach Nutzungsfrequenz etwa alle 60 Betriebsstunden oder alle 4 Wochen gereinigt werden.

3 Verwendung des Geräts

3.5 Lampen austauschen



Dunstabzugshaube von der Stromversorgung trennen. Dieses Gerät ist mit 3 W-Halogenlampen ausgestattet. Zum Auswechseln der Halogenlampen lösen Sie diese, indem Sie sie von der Rückseite der Lampenhalterung nach hinten drücken. Anschließend um eine viertel Umdrehung gegen den Uhrzeigersinn drehen und herausnehmen. Befolgen Sie zum Einsetzen neuer Lampen die obigen Schritte in umgekehrter Reihenfolge.



Lampen erhalten Sie beim autorisierten Kundendienst.

Glühbirne	
Leistung der Lampe	3 W
Halter / Sockel	GZ 10
Die Spannung der Glühbirne	220 - 240 V
Größe	53 x 50 mm
PIN-Code	DR/F3-220-240-GZ10-50-53
Lichtstrom	250 lm
Korrelierte Farbtemperatur	3000 K

Dieses Produkt enthält eine Lichtquelle der Energieeffizienzklasse "F".

3.6 Verwendung mit Abluftkanalanschluss

- Der Dampf wird durch das Abluftrohr, der am Anschlusskopf der Abzugshaube auf dem Herd befestigt ist, abgesaugt.
- Der Durchmesser des Abluftrohrs muss dem Durchmesser des Anschlussrings entsprechen. Bei horizontaler Anordnung muss das Rohr ein leichtes Gefälle (ca. 10°) nach oben haben, damit die Luft leicht aus dem Raum austreten kann.

3.7 Verwendung ohne Abluftkanalanschluss

- Die Luft wird durch den Kohlefilter gefiltert und im Raum recirkuliert. Der Kohlefilter wird verwendet, wenn es unmöglich ist, einen Rauchabzug im Haus zu benutzen.
- Im rauchgaslosen Betrieb sind die Klappen im Inneren des Rauchgasadapters zu entfernen.
- Entfernen Sie den Fettfilter. Zum Einbau des Kohlefilters den Filter auf die Laschen aufsetzen, indem Sie ihn auf dem Kunststoffteil auf beiden Seiten des Gebläsegehäuses zentrieren. durch Rechts- oder Linksdrehung festziehen.
- Fettfilter ersetzen.

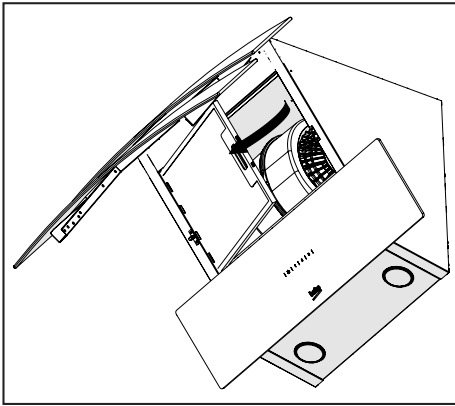
4 Reinigung und Wartung



Ziehen Sie vor der Reinigung und Wartung den Netzstecker oder schalten Sie den Schalter aus.

4.1 Reinigung des Aluminium-Ölfilters

Dieser Filter hält die Ölpartikel in der Luft zurück. Aluminium-Ölfiler können sich beim Waschen verfärben; dies ist normal und erfordert keinen Austausch Ihrer Aluminium-Ölfiler.



- Drücken Sie den Aluminium-Ölfiltersverschluss nach vorne.
- Ziehen Sie ihn dann leicht nach unten und ziehen Sie ihn heraus. Andernfalls können Sie den Filter verbiegen. Waschen und spülen Sie Aluminiumölfiler mit flüssigem Reinigungsmittel und ersetzen Sie Aluminiumölfiler bis zu ihren Sitzen, indem Sie die oben angegebenen Schritte in umgekehrter Reihenfolge durchführen. Dieser Filter hält die Ölpartikel in der Luft zurück.



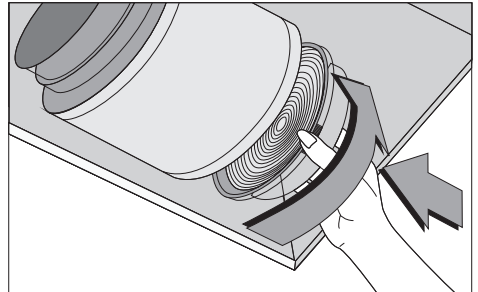
Sie können Ihre Aluminium-Ölfiler in der Spülmaschine waschen.



VORSICHT: Reinigen Sie Ihren Aluminium-Ölfiler bei normalem Gebrauch einmal im Monat.

4.2 Austausch des Kohlefilters

Geruchsbeseitigende Filter enthalten Holzkohle (Aktivkohle). Das Gerät muss stets mit eingesetzten Fettfiltern betrieben werden, unabhängig davon, ob ein Aktivkohlefilter verwendet wird oder nicht.



- Entfernen Sie die Aluminium-Ölfiler.
- Um den Kohlefilter zu entfernen, nehmen Sie den Kohlefilter aus seinem Gehäuse heraus, indem Sie ihn gegen den Uhrzeigersinn aus der Lasche drehen.
- Installieren Sie den neuen Kohlefilter.
- Installieren Sie den Aluminium-Ölfiler.



VORSICHT

- Kohlefilter dürfen niemals gewaschen werden.
- Ersetzen Sie die Kohlefilter einmal alle 3 Monate.
- Sie können den Kohlefilter bei den autorisierten Diensten beziehen.

5 Installation des Geräts



WARNUNG: Lesen Sie vor Beginn der Installation die Sicherheitshinweise im Benutzerhandbuch.

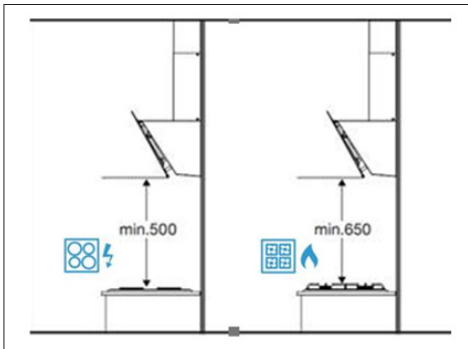


WARNUNG: Wird die Installation mit Schrauben und Stabilisatoren nicht in Übereinstimmung mit diesen Anweisungen durchgeführt, kann dies zu einem elektrischen Schlag führen.

Für die Installation der Abzugshaube wenden Sie sich bitte an den nächstgelegenen autorisierten Service.

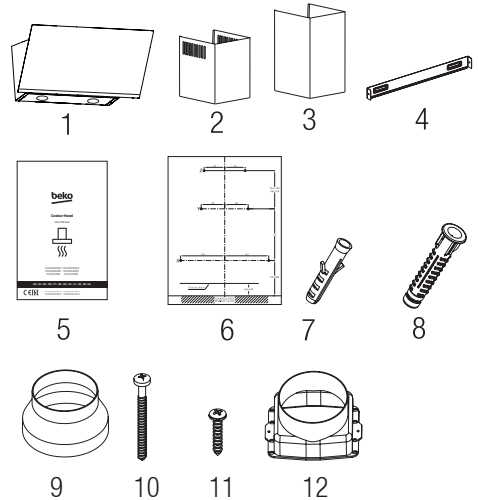
Es liegt in der Verantwortung des Kunden, den Standort und die elektrische Installation der Abzugshaube vorzubereiten.

5.1 Positionierung des Geräts



- Bei allen Dunstabzugshauben beträgt der Installationsabstand bei Gas- und Elektrokochfeldern mindestens 650 mm. Nur bei **schrägen Dunstabzugshauben** beträgt der Installationsabstand über dem **Elektrokochofeld** mindestens 500 mm.
- Der Abstand muss bei Gasherden von der Oberfläche des Rostes, bei Elektroherden von der Oberfläche des Glases gemessen werden.

5.2 Installations-Zubehör

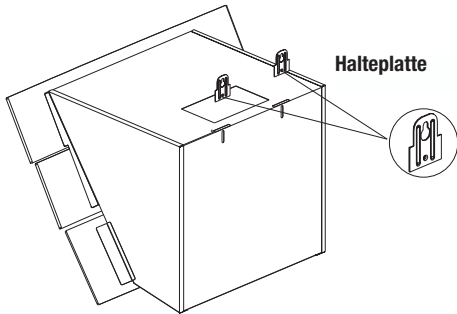


1. Produkt
 2. Innerer Abluftkanal
 3. Äußerer Abluftkanal
 4. Verbindungsplatte des Abluftkanals
 5. Benutzerhandbuch
 6. Montageschema
 7. Ø6mm Kunststoff-Dübel
 8. Ø8mm Kunststoffdübel
 9. 1 x Kunststoffabzugadapter (Ø 120/150 mm)
 10. Kreuzschraube 4,9x50
 11. Kreuzschraube 3,9 x 22
 12. 1 x Kunststoffabzug (Ø 150 mm)
- Nachstehend finden Sie die zur Vorbereitung des Installationsstandortes benötigten Informationen.

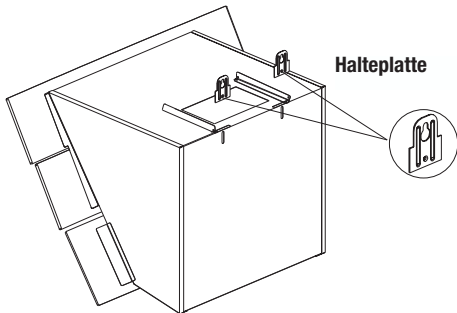
5 Installation des Geräts

5.3 Dunstabzugshaube an der Wand installieren

Zum Installieren der Dunstabzugshaube an der Wand die Schrauben der Halteplatten am Motorgehäuse lösen und die Platten nach oben ziehen. Anschließend die Schrauben der Halteplatten festziehen. (Abbildung 1a).

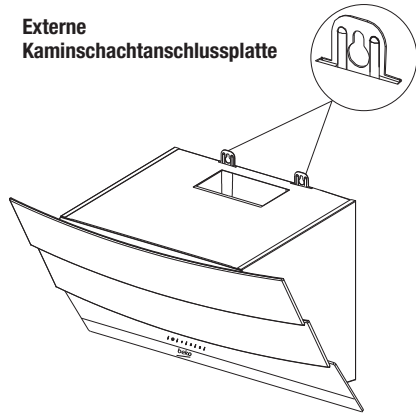


(Abbildung 1a-60)



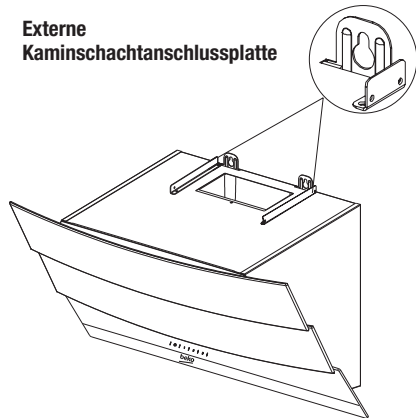
(Abbildung 1a-90)

Externe
Kaminschachtanschlussplatte



(Abbildung 1b-60)

Externe
Kaminschachtanschlussplatte



(Abbildung 1b-90)

Befestigen Sie den Kunststoffrohradapter mit einem Durchmesser von 150 mm mit Schrauben (3,5 x 9,5) aus dem Installationszubehör an der Oberseite des Gehäuses (Abbildung 2).

Falls Sie das Abzugsrohr mit einem Durchmesser von 120 mm verwenden, installieren Sie den 120-mm-Rohradapter daran.

5 Installation des Geräts

5.6 Halteschrauben installieren

Drehen Sie die Halteschrauben (4,9x50) in die 8-mm-Dübeln (Y), die Sie mit einem Hammer in die Wand geschlagen haben. Zwischen Schraubkopf und Wand muss ein Abstand von 5 mm eingehalten werden. Befestigen Sie die interne Kaminschachtanschlussplatte mit Schrauben (Ø 3,9 x 22) an den 6-mm-Dübeln (Z) in der Wand. (Abbildung 4)



(Abbildung 4)

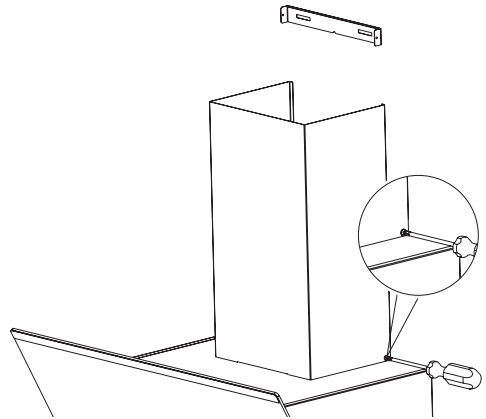
5.7 Dunstabzugshaube an die Wand hängen

- Hängen Sie die Dunstabzugshaube in die Schrauben ein, die Sie in den Y-Löchern installiert haben.
- Öffnen Sie das seitliche Saugfenster der Dunstabzugshaube, indem Sie es zu sich ziehen. Installieren Sie die Schrauben (4,9x50) zur Befestigung des Gerätes in den Löchern X an der Innenseite.

5.8 Abzugsschacht installieren

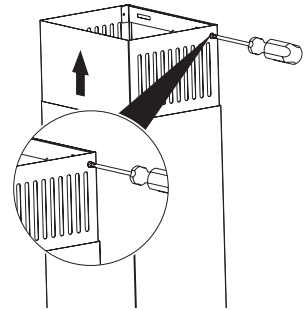
Trennen Sie das Produkt vor dem Kaminschachtanschluss von der Stromversorgung. Bringen Sie die Blechabzugsteile rund um das Gehäuse an.

Schrauben Sie den externen Abzugsschacht an die externen Kaminschachtanschlussplatten am Motorgehäuse. (Abbildung 1b/5)



(Abbildung 5)

Verlängern und Schrauben Sie den internen Abzugsschacht von seinen Außenkanten an die Kaminschachtanschlussplatte, die an der Wand befestigt wurde (Abbildung 6).



(Abbildung 6)

5.9 Kaminschachanschluss:

Platzieren Sie den mit der Dunstabzugshaube gelieferten Adapter im Luftloch im oberen Bereich der Dunstabzugshaube. Besorgen Sie ein Rohr mit einem Durchmesser von 120/150 mm. Verbinden Sie ein Ende des Rohrs mit dem Adapter und das andere Ende mit dem Abzugsschacht. Stellen Sie sicher, dass diese beiden Verbindungen so fest sind, dass sie nicht verrutschen, wenn die Dunstabzugshaube

5 Installation des Geräts

bei maximaler Geschwindigkeit arbeitet. Prüfen Sie, ob die Klappen im Abzugsschacht arbeiten, wenn sie mit der Klemme festgezogen sind. Bringen Sie das Abluftanschlussrohr am Adapter an. Wenn Sie das Abluftanschlussrohr im Adapter befestigen, wird keine Luft angesaugt, da die Klappen zur Vermeidung eines Rückstroms geschlossen bleiben. Es sollten keine Anschlüsse an Kaminschächte durchgeführt werden, die mit Öfen oder Abluftschächten verbunden sind. Stellen Sie keine Verbindungen zu solchen Kaminschächten her. Der Rohranschluss muss möglichst kurz sein und eine minimale Anzahl an Biegungen aufweisen.

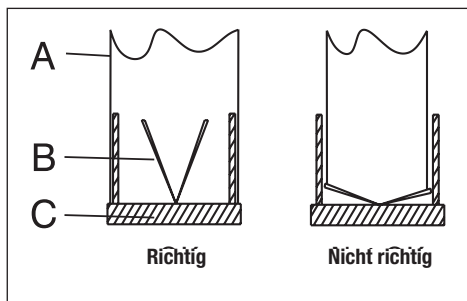
A: Abluftrohr

B: Klappen, die Rückstrom verhindern

C: Kunststoffrohr

5.10 Rückstromsperrsystem (N-RV)

Wenn sich die Dunstabzugshaube in Betrieb befindet, werden die Klappen geschlossen, damit Gerüche und Staub nicht von außen in die Umgebung gelangen können.



5.11 Lagerung

- Wenn Sie beabsichtigen, das Gerät für längere Zeit nicht zu benutzen, bewahren Sie es bitte sorgfältig auf.
- Bitte stellen Sie sicher, dass das Gerät ausgesteckt, abgekühlt und vollständig trocken ist.

- Lagern Sie das Gerät an einem kühlen und trockenen Ort.
- Bewahren Sie das Gerät außerhalb der Reichweite von Kindern auf

5.12 Handhabung und Transport

- Tragen Sie das Gerät während der Handhabung und des Transports in der Originalverpackung. Die Verpackung des Geräts schützt es vor physischen Schäden.
- Legen Sie keine schweren Lasten auf das Gerät oder auf die Verpackung. Das Gerät kann beschädigt werden.
- Das Herunterfallen des Geräts macht es funktionsunfähig oder verursacht bleibende Schäden.

6 Fehlerbehebung

Fehlerbehebung	Grund	Hilfe
Das Produkt funktioniert nicht.	Überprüfen Sie Ihre Sicherung	Ihre Sicherung könnte geschlossen sein, sorgen Sie dafür, dass sie funktioniert.
Das Produkt funktioniert nicht.	Überprüfen Sie die elektrische Verbindung.	Die Netzspannung sollte zwischen 220-240V liegen.
Das Produkt funktioniert nicht.	Überprüfen Sie die elektrische Verbindung.	Überprüfen Sie, ob die anderen Produkte in Ihrer Küche funktionieren oder nicht.
Die Beleuchtung Lampe funktioniert nicht.	Überprüfen Sie die elektrische Verbindung.	Die Netzspannung sollte zwischen 220-240V liegen.
Die Beleuchtung Lampe funktioniert nicht.	Überprüfen Sie den Lampenschalter.	Der Lampenschalter sollte sich in der Position "Ein/on" befinden.
Die Beleuchtung Lampe funktioniert nicht.	Überprüfen Sie die Lampen.	Die Lampen des Produkts sollten nicht defekt sein.
Die Luftzufuhr des Produkts ist schlecht.	Prüfen Sie den Aluminiumfilter.	Der Aluminium-Ölfilter sollte unter normalen Bedingungen mindestens einmal im Monat gereinigt werden.
Die Luftzufuhr des Produkts ist schlecht.	Überprüfen Sie den Abluftkamin.	Der Entlüftungskanal sollte sich in der "Ein" Stellung befinden.
Die Luftzufuhr des Produkts ist schlecht.	Überprüfen Sie den Kohlefilter.	Bei Produkten mit Kohlefilter sollte der Filter normalerweise alle 3 Monate gewechselt werden.

Garantiebedingungen

Anschrift:

Beko Grundig Deutschland GmbH
Rahmannstraße 3
65760 Eschborn

Kundendienst-Tel.: 06102-86 86 891

Fax: 01805-414 400 *

E-Mail: Kundendienst@beko.com

Ersatzteile-Tel.: 01805-242 515 *

Fax: 01805-345 001*

E-Mail: ersatzteile@beko.com

Sehr geehrte Kundin, sehr geehrter Kunde,

wir gratulieren Ihnen zum neuen Gerät der Marke Beko und wünschen Ihnen viel Freude daran. Sollten Sie dennoch einmal einen Grund zu einer Reklamation erkennen, dann wenden Sie sich bitte an unseren Kundendienst. Geben Sie im Falle einer Störung Ihre genaue Anschrift, Telefonnummer und den GERÄTETYP (vom Typenschild des Gerätes) an.

Hinweis für Kühl- und Gefriergeräte, Achtung!

Um voll funktionsfähig zu sein, benötigt Ihr Gerät nach dem Transport ca. 24 Stunden, in denen sich das Kühlmittel stabilisiert. Sofern es nicht vermeidbar ist und Sie das Gerät sofort nach Aufstellung mit Gefriergut bestücken wollen, müssen Sie damit rechnen, dass die rote Lampe bis zur Stabilisierung des Kühlkreislaufs aufleuchtet. Die Kühlleistung beginnt jedoch vom Augenblick des Anschlusses an sich auf zu bauen.

Die Garantiezeit beträgt 24 Monate ab Kaufdatum.

Bedingungen:

Dieses Gerät wurde nach den modernsten Methoden hergestellt und geprüft. Der Hersteller leistet unabhängig von der gesetzlichen Gewährleistungsverpflichtung des Verkäufers / Händlers für die Dauer von 24 Monaten, gerechnet vom Tag des Kaufes, Garantie für einwandfreies Material und fehlerfreie Fertigung.

Der Garantieanspruch erlischt bei Eingriffen durch den Käufer oder durch Dritte, die vom Hersteller nicht für den Service autorisiert sind oder wenn das Gerät zu gewerblichen Zwecken eingesetzt wird. Schäden die durch unsachgemäße Behandlung oder Bedienung, durch falsches Aufstellen oder Aufbewahren, durch unsachgemäßen Anschluss, oder fehlerhafte Installationen sowie durch höhere Gewalt oder sonstige äußere Einflüsse entstehen, fallen nicht unter die Gewährleistung.

Abhilfemöglichkeiten:

Wir behalten uns vor, bei Reklamationen die defekten Teile auszubessern oder zu ersetzen oder das Gerät auszutauschen. Ausgetauschte Teile oder ausgetauschte Geräte gehen in unser Eigentum über. Nur wenn durch Nachbesserung(en) oder Umtausch des Gerätes die herstellenseitig vorgesehene Nutzung endgültig nicht zu erreichen sein sollte, kann der Käufer aus Gewährleistung innerhalb von 24 Monaten, gerechnet vom Tag des Kaufes, Herabsetzung des Kaufpreises oder Aufhebung des Kaufvertrages verlangen. Nachbesserungen verlängern nicht die Gewährleistungszeit. Schadenersatzansprüche, auch hinsichtlich Folgeschäden, sind, soweit sie nicht auf Vorsatz oder grober Fahrlässigkeit beruhen, ausgeschlossen.

Bei unnötiger oder unberechtigter Beanspruchung des Kundendienstes berechnet dieser Zeit- und Wegeentgelt. Reklamationen sind unmittelbar nach Feststellung zu melden. Der Garantieanspruch ist vom Käufer, durch Vorlage der Kaufquittung, nachzuweisen. Bei Nicht-vorlage ist die Reparatur kostenpflichtig. Eine Rückerstattung – nach späterer Einsendung der Kaufquittung – kann nur innerhalb von einem Monat nach Rechnungsdatum gewährt werden.

Diese Garantiezusage ist gültig innerhalb der Bundesrepublik Deutschland
***) 0,14 EUR/Min. aus dem Festnetz der T-Com; Mobilfunk max. 0,42 EUR/Min. (nur für Deutschland)**

¡Lea el manual de usuario antes de utilizar el aparato!





Estimado cliente:

Gracias por elegir un aparato Beko. Esperamos que obtenga los mejores resultados de su aparato, ya que ha sido fabricado con gran calidad y con tecnología de última generación. Por esta razón, le aconsejamos que lea este manual de usuario y todos los demás documentos adjuntos con atención antes de utilizar el aparato y que los guarde para futuras consultas. Si entrega este aparato a otra persona, proporciónese también el manual de usuario. Siga las instrucciones prestando especial atención a toda la información y advertencias incluidas en el manual de usuario.

Recuerde que este manual de usuario también puede servir para otros modelos. En el manual se describen las diferencias entre los modelos explícitamente.

Significado de los símbolos

Los siguientes símbolos se usan en las diversas secciones del presente manual de usuario:

	Información importante y consejos útiles sobre su uso.
	ADVERTENCIA: Advertencias de situaciones peligrosas sobre la seguridad de las personas y la propiedad.
	ADVERTENCIA: Advertencia de peligro de incendio.
	ADVERTENCIA: Advertencia sobre posibles descargas eléctricas.

1 Instrucciones importantes para la seguridad y el medio ambiente

1.1 Seguridad general

Lea las instrucciones importantes de seguridad y guárdelas para su futura consulta

Esta sección contiene instrucciones de seguridad que ayudarán a la protección contra los riesgos de incendio, descargas eléctricas, exposición a la energía de microondas, lesiones personales o daño a la propiedad. El incumplimiento de estas instrucciones anulará cualquier tipo de garantía.

- Los productos Beko cumplen con todas las normas de seguridad aplicables; por ello, si el cable o el aparato presentan daños, deberán ser reparados o sustituidos por el distribuidor, un servicio técnico o una persona cualificada y autorizada para evitar cualquier peligro. Los trabajos de reparación deficientes o realizados por personal no cualificado puede ser peligrosos y entrañar riesgos para el usuario.
- Este aparato está destinado al uso doméstico y aplicaciones parecidas, como por ejemplo:

- Cocinas para uso del personal de tiendas, oficinas y otros entornos laborales;
- Casa rurales;
- Por clientes en hoteles o cualquier otro tipo de entorno residencial;
- Entornos de tipo «Habitación y desayuno» (Bed and Breakfast).
- Utilice este aparato únicamente para su uso previsto, tal como se describe en este manual.
- El fabricante no se hace responsable de los daños provocados por una instalación incorrecta o un uso inapropiado del producto.
- Este aparato puede ser utilizado por niños mayores de 8 años y por personas con capacidades físicas, sensoriales o mentales reducidas o con falta de experiencia y conocimientos, siempre que estén bajo supervisión o hayan recibido instrucciones pertinentes sobre el uso del aparato de manera segura y comprendan los peligros que conlleva.
- No deje que los niños jueguen

1 Instrucciones importantes para la seguridad y el medio ambiente

con el aparato. La limpieza y mantenimiento del usuario no deben ser realizados por niños sin supervisión.

- La distancia mínima entre la superficie de soporte de los recipientes para cocinar en los fogones y la parte más baja de su aparato debe ser de al menos 50 cm.
- Si en las instrucciones de instalación de la placa de gas se indica una distancia superior, deberá tenerse en cuenta este hecho.
- Asegúrese de que la fuente de alimentación cumpla con la información que se indica en la placa de datos del aparato.
- Nunca utilice el aparato si está dañado el cable de alimentación o el mismo aparato.
- Evite daños al cable procurando que no sufra tirones, no se doble y no roce con bordes afilados para evitar dañarlo. Mantenga el cable de corriente alejado de superficies calientes y llamas descubiertas.
- Use el aparato únicamente con un enchufe con toma a tierra.

ADVERTENCIA: No conecte el aparato a la red eléctrica antes de que la instalación se haya realizado por completo.

- Coloque siempre el aparato de forma que el enchufe quede a mano.
- No toque las lámparas si han estado en funcionamiento durante mucho tiempo. Pueden ocasionar quemaduras en las manos ya que estarán calientes.
- Siga las normas establecidas por las autoridades competentes para la descarga del aire de salida (esta advertencia no es aplicable sin la conexión de la chimenea).
- Encienda el aparato después de colocar una olla, una sartén, etc, en los fogones. De lo contrario, las altas temperaturas pueden provocar deformaciones en algunas partes del aparato.
- Apague los fogones antes de retirar las ollas, los sartenes, etc.
- No deje aceite caliente en los fogones. Las sartenes con aceite caliente pueden ocasionar auto-

1 Instrucciones importantes para la seguridad y el medio ambiente

combustión.

- Preste atención a las cortinas y los estores, ya que, al cocinar platos como patatas fritas, el aceite puede originar un incendio.
- El filtro antigrasa se debe reemplazar por lo menos una vez al mes. El filtro de carbón se debe reemplazar por lo menos cada 3 meses.
- El producto se debe limpiar siguiendo las instrucciones del manual de usuario. Si la limpieza no se ha llevado a cabo siguiendo el manual de usuario, puede haber riesgo de incendio.
- No use materiales filtrantes que no resistan el fuego en vez del filtro actual.
- Utilice únicamente accesorios originales o bien los que recomienda el fabricante.
- No use el aparato sin el filtro y no retire los filtros mientras el aparato esté en funcionamiento.
- En caso de fuego, desactive su producto y los aparatos de cocina.
- En caso de fuego, cubra la llama y nunca utilice agua para apagarlo.
- Desenchufe el aparato antes de cada limpieza y cuando no esté en uso.
- La presión negativa de la estancia no debe superar los 4 Pa (4 x 10 bar) cuando la campana para una placa eléctrica funcione simultáneamente con dispositivos de otro tipo de energía excepto la electricidad.
- En la estancia en donde se encuentra el aparato, el escape de equipos de combustible o gas, como calefactores, deben ser herméticos o estar absolutamente aislados.
- Para la conexión de la chimenea, use tuberías de 120 o 150 mm de diámetro. La conexión de las tuberías debe ser lo más corta posible y tener la menor cantidad de codos de tubería.

¡Peligro de descarga eléctrica!

Mantenga todos los materiales de embalaje alejados de los niños.

PRECAUCIÓN: Las partes accesibles pueden alcanzar temperaturas elevadas al usarse con cocinas.

1 Instrucciones importantes para la seguridad y el medio ambiente

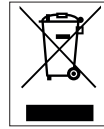
- El canal de salida del aparato no debe estar conectado a canales de aire por los que pasan humo.
- La ventilación de la estancia puede ser insuficiente cuando la campana extractora para placas eléctricas se utiliza al mismo tiempo que los aparatos que funcionan con gas u otros combustibles (esto puede no ser aplicable a los aparatos que solamente descargan el aire de nuevo en la estancia).
- Los objetos colocados encima del producto pueden caerse. No coloque ningún objeto encima del aparato.
- No flambear debajo del aparato.

ADVERTENCIA: Antes de instalar la campana, retire las películas protectoras.

- No dejar llamas altas descubiertas debajo de la campana extractora cuando está en funcionamiento
- Las freidoras se deberán vigilar continuamente durante su utilización: el aceite sobrecalentado es inflamable.

1.2 De conformidad con la Directiva RAEE y eliminación del producto al final de su vida útil:

Este producto cumple con la Directiva RAEE de la UE (2012/19/UE). Este producto lleva un símbolo de clasificación de residuos de aparatos eléctricos y electrónicos (RAEE).



Este símbolo indica que este producto no debe eliminarse con otros residuos domésticos al final de su vida útil. El aparato usado debe ser devuelto al punto de recogida oficial para el reciclaje de aparatos eléctricos y electrónicos. Para encontrar estos sistemas de recogida, por favor, póngase en contacto con las autoridades locales o con el distribuidor donde se compró el producto. Cada hogar desempeña un papel importante en la recuperación y el reciclaje de los aparatos viejos. La eliminación adecuada de los aparatos usados ayuda a prevenir las posibles consecuencias negativas para el medio ambiente y la salud humana.

1.3 Conformidad con la Directiva RoHS

El producto que ha adquirido cumple con la Directiva RoHS de la UE (2011/65/UE). No contiene materiales peligrosos ni prohibidos especificados en la Directiva.

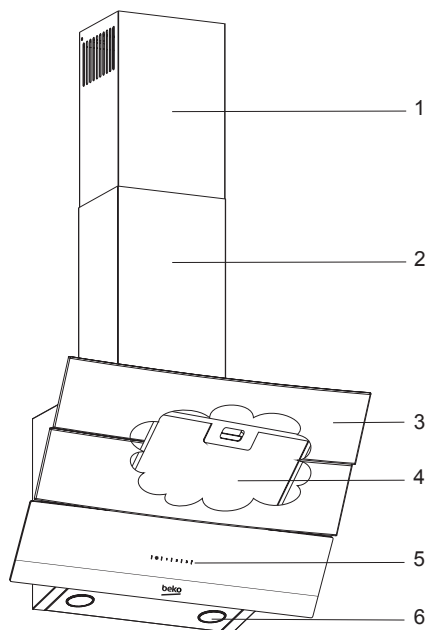
1.4 Información sobre el embalaje



Los materiales de embalaje del producto están fabricados con materiales reciclables de acuerdo con nuestra Normativa Medioambiental Nacional. No deseche los materiales de embalaje junto con los residuos domésticos o de otro tipo. Lívelos a los puntos de recogida de material de embalaje designados por las autoridades locales.

2 Apariencia general

2.1 Descripción general

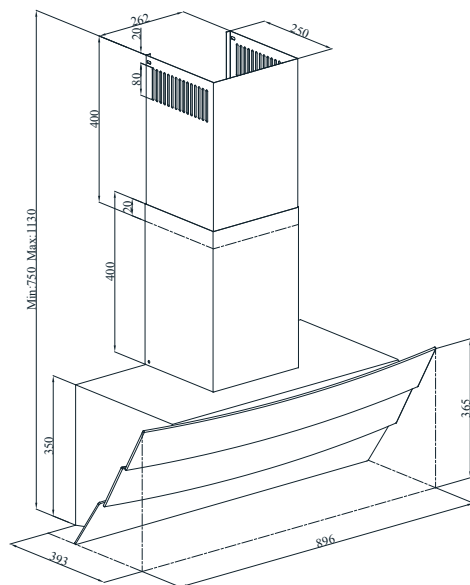


1. Conducto interno
2. Conducto exterior
3. Cubierta de vidrio
4. Filtros de aceite de aluminio (Detrás de la cubierta de vidrio)
5. Montaje de control
6. Lámpara

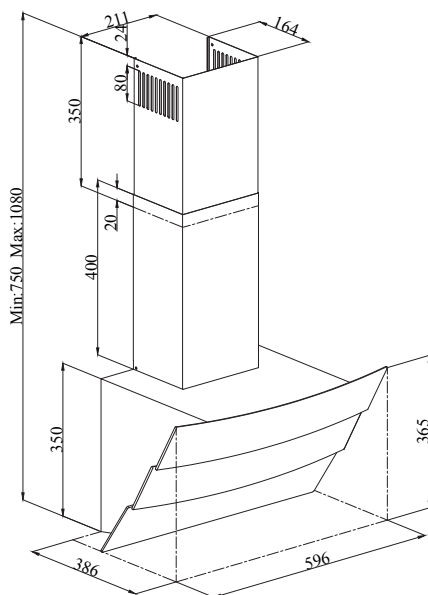
2 Apariencia general

2.2 Datos técnicos

	HCA62640WH HCA62640BH	HCA62540B	HCA92640WH HCA92640BH	HCA92540B
Ancho	596 mm		896 mm	
Profundidad	386 mm		393 mm	
Altura	750/1080 mm		750/1130 mm	
Tensión	220-240V ~, 50 Hz			
Panel de control	Con 3 niveles			
Potencia iluminación	2x3 W			
Conducto de salida	120/150 mm			
Caudal - 3. Nivel	537 m³/h	566 m³/h	577 m³/h	593 m³/h
Potencia motor	210 W			
Potencia total	216 W			
Clase de aislamiento del motor	Class F			
Clase de aislamiento	Class I			



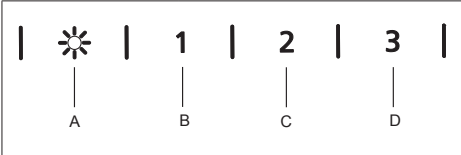
HCA92640WH
HCA92640BH
HCA92540B



HCA62640WH
HCA62640BH
HCA62540B

3 Funcionamiento de su aparato

3.1 Control del aparato

	
BOTÓN	FUNCIÓN
A : Interruptor de encendido / apagado de la luz	Se puede iluminar el área de cocción pulsando este interruptor.
B : Interruptor de 1.º nivel	Se puede iniciar la campana al nivel de velocidad 1 pulsando este interruptor. Cuando se pulsa este interruptor nuevamente para apagar el aparato, la indicación de nivel de velocidad en la pantalla desaparece.
C : Interruptor de 2.º nivel	Se puede iniciar la campana al nivel de velocidad 2 pulsando este interruptor. Cuando se pulsa este interruptor nuevamente para apagar el aparato, la indicación de nivel de velocidad en la pantalla desaparece.
D : Interruptor de 3.º nivel	Se puede iniciar la campana al nivel de velocidad 3 pulsando este interruptor. Cuando se pulsa este interruptor nuevamente para apagar el aparato, la indicación de nivel de velocidad en la pantalla desaparece.

3.2 Funcionamiento eficiente y ahorro de energía uso

- Al utilizar su campana, ajuste la velocidad de acuerdo a la cantidad de vapores y olores existentes, para así ahorrar energía.
- Utilice velocidades bajas (1-2) en condiciones normales, y velocidades altas (3) para el olor y el vapor intensos.
- Las lámparas en la campana son colocadas para iluminar la superficie donde se cocina.
- Al usarlas como luces de ambientación se desperdiciará energía innecesariamente y dará una luz insuficiente.
- Para que el aparato consuma menos electricidad, hágalo funcionar a un nivel de velocidad bajo.

- El aparato reducirá el consumo eléctrico, ya que funcionará más eficazmente cuando le proporcione una entrada de aire suficiente.
- Ponga el aparato en el nivel de potencia de aspiración intensa antes de la formación de vapor, en los casos en que sepa que se producirá el vapor denso. Así, reducirá el consumo eléctrico utilizándolo durante menos tiempo, ya que tendrá una entrada de aire suficiente.
- Mantenga las tapas de las ollas cerradas para reducir la evolución del vapor.

3.3 Instrucciones de funcionamiento

- Su campana contiene un motor con varias velocidades.
- Para un mejor rendimiento, recomendamos utilizar velocidades bajas en condiciones normales y velocidades altas en casos de olores fuertes y vapor intenso.
- Puede iniciar su campana pulsando el botón de la velocidad deseada. (B, C, D)
- Puede iluminar el área de cocción presionando la lámpara (A).

3.4 Parada automática en 15 min.:

Este aparato está equipado con una función de parada automática que permite que el aparato ventile el ambiente por un período de tiempo adicional para poder eliminar el olor desagradable y el vapor en el ambiente una vez que se haya terminado de cocinar. El aparato se detendrá automáticamente tras un determinado período de tiempo. Para habilitar la función de Parada automática, pulse cualquiera de los interruptores de nivel de velocidad (B, C, D) sobre el panel de control por más de 2 segundos. Se activará un temporizador con 15 minutos. Si se presiona el mismo interruptor de nivel de velocidad mientras la función de Parada automática está habilitada, se desactivará la función y el aparato se detendrá. Si se seleccio-

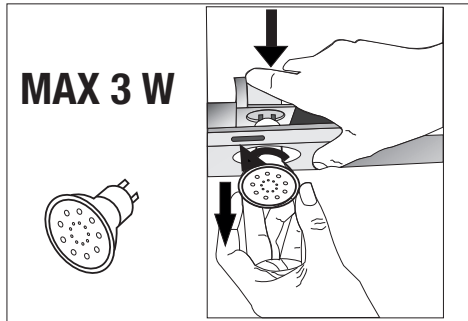
3 Funcionamiento de su aparato

na un nivel de velocidad diferente, esta función se deshabilitará. Si quiere que su aparato se detenga automáticamente, debe habilitar la función de Parada automática de nuevo.

Limpieza periódica de los filtros de metal:

Los filtros se deben limpiar cada 60 horas de operación o cada 4 semanas, según la frecuencia de utilización.

3.5 Reemplazo de la lámpara



Desconecte la campana de la red eléctrica. Este aparato está equipado con lámparas halógenas de 3 W. Para sustituir las lámparas halógenas, presione la lámpara hacia abajo desde la sección trasera del soporte de la lámpara para desmontarla. Luego, gírela en sentido antihorario dando 1/4 de vuelta y retírela. Lleve a cabo los pasos explicados anteriormente, en orden inverso, para colocar las lámparas nuevas.



Las lámparas deben ser adquiridas a los Servicios técnicos autorizados.

Bombilla	
Potencia de la bombilla	3W

Soporte/Enchufe	GZ 10
Voltaje de la bombilla	220 - 240 V
Tamaño	53 x 50 mm
Código ILCOS	DR/F3-220-240-GZ10-50-53
Flujo luminoso	250 lm
Temperatura de color correlativa	3000 K

Este producto dispone de una fuente luminosa de clase de eficiencia energética "F".

3.6 Funcionamiento con conexión al conducto

- El vapor se extrae a través del conducto de humo, que está sujeto a la cabeza de conexión en la campana.
- El diámetro del conducto de humos debe ser el mismo que el del anillo de conexión. En los entornos horizontales, el tubo tiene que tener una ligera inclinación hacia arriba (alrededor de 10°) para que el aire pueda salir fácilmente de la habitación.

3.7 Funcionamiento sin conexión al conducto

- El aire se filtra a través del filtro de carbón y circula en la habitación. El filtro de carbón se utiliza cuando es imposible utilizar un conducto para humos en casa.
- Si el funcionamiento es sin conducto, quite las tapas dentro del adaptador del conducto.
- Retire el filtro de aceite. Para instalar el filtro de carbón, colóquelo en las pestañas centrándolo en la pieza de plástico a ambos lados del cuerpo del ventilador. Apriételo girando a la derecha o a la izquierda.
- Reemplace el filtro de aceite.

4 Limpieza y mantenimiento

Deberá limpiar y mantener el aparato regularmente. No mantener el aparato limpio afectará negativamente a la vida útil del mismo. Para la limpieza y el mantenimiento, siga las instrucciones indicadas en el manual.



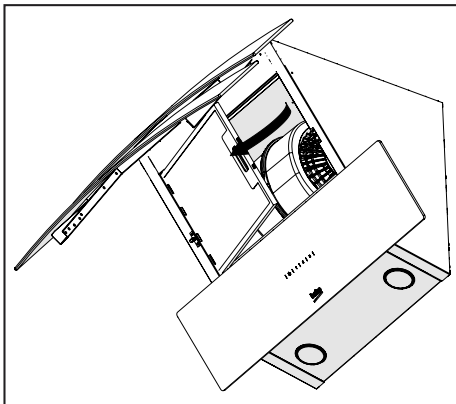
Antes de la limpieza y el mantenimiento, desenchufe el producto o apague el interruptor.



El incumplimiento de las disposiciones relativas a la limpieza del aparato y a la sustitución de los filtros puede suponer un riesgo de incendio. Por lo tanto, se recomienda seguir las directrices aquí indicadas. El fabricante no se hace responsable de los daños en el motor o de los incendios originados por un uso inadecuado.

4.1 Limpieza del filtro de aceite de aluminio

Este filtro retiene las partículas de aceite en el aire. Los filtros de aceite de aluminio pueden cambiar de color al ser lavados; esto es normal y no requiere la sustitución de los mismos.



- Empuje el cierre del filtro de aceite de aluminio hacia adelante.
- Luego tire ligeramente hacia abajo y sáquelo. De lo contrario, puede doblar el filtro. Lave y enjuague los filtros de aceite de aluminio con detergente líquido y reemplace los filtros de aceite de aluminio realizando los pasos especificados anteriormente en orden inverso. Este filtro retiene las partículas de aceite en el aire.



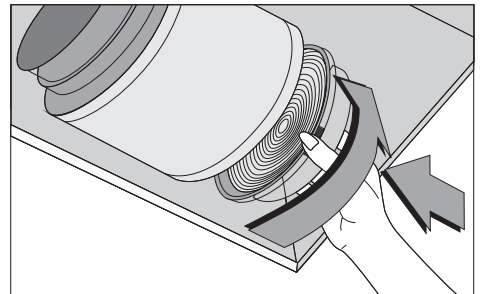
Puede lavar sus filtros de aceite de aluminio en el lavavajillas.



PRECAUCIÓN: En caso de uso normal, limpie su filtro una vez al mes.

4.2 Sustitución de los filtros de carbón

Los filtros de eliminación de olores contienen carbón (carbón activo). Los filtros de grasa deben estar instalados en el producto, sin importar si se utilizan filtros de carbón o no.



- Retire el filtro de aceite de aluminio.
- Para retirar el filtro de carbón, sáquelo de su alojamiento girándolo en sentido contrario a las agujas del reloj desde la pestaña.
- Instale el nuevo filtro de carbón.
- Instale el filtro de aceite de aluminio.

4 Limpieza y mantenimiento



PRECAUCIÓN

- El filtro de carbón nunca será lavado.
- Reemplace los filtros de carbón una vez cada 3 meses.
- Puede obtener el filtro de carbón en los servicios técnicos autorizados.

5 Instalación del aparato



¡ADVERTENCIA: Antes de comenzar la instalación, lea la información de seguridad en el manual de usuario.

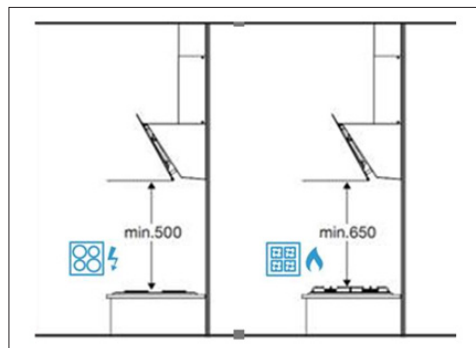


¡ADVERTENCIA: Si no se instalan los tornillos y estabilizadores de acuerdo con estas instrucciones, puede producirse una descarga eléctrica.

Para la instalación de la campana, por favor contacte con el servicio técnico autorizado más cercano.

Es responsabilidad del cliente proveer la ubicación e instalación eléctrica apropiadas para la campana.

5.1 Posición del aparato

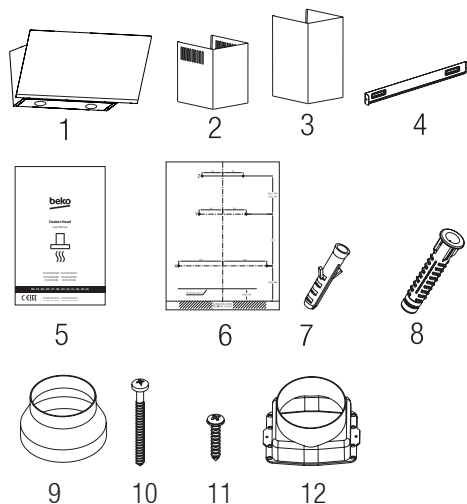


- Para todos los tipos de campanas de cocina, la distancia de instalación en Placa de Gas y Placa Eléctrica es de 650 mm como mínimo. Solo para **las campanas de cocina inclinadas**, la dis-

tancia de instalación en la **placa eléctrica** es de 500 mm como mínimo.

- La distancia debe medirse desde la superficie de la rejilla para las cocinas de gas, y desde la superficie del vidrio para las cocinas eléctricas.

5.2 Accesorios de instalación



1. Producto
2. Conducto interno
3. Conducto exterior
4. Placa de conexión del conducto
5. Manual de Usuario
6. Patrón de ensamblaje
7. Taco plástico de pared de $\varnothing 6$ mm

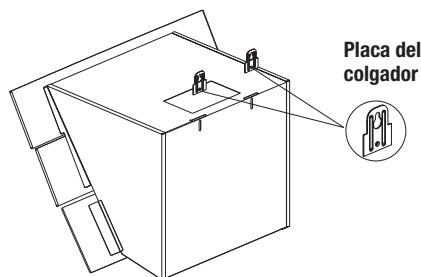
5 Instalación del aparato

8. Taco plástico de pared de $\varnothing 8$ mm
9. Adaptador plástico de chimenea de $\varnothing 150$ mm
10. Tornillo de cabeza cruciforme de 4,9x50
11. Tornillo de cabeza cruciforme de 3,9 x 22
12. 1 x chimenea plástica de $\varnothing 150$ mm

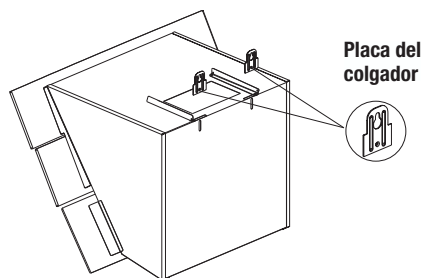
A continuación se proporciona la información necesaria para la preparación del lugar de instalación para su campana extractora.

5.3 Instalación de la campana extractora en la pared

Para instalar la campana extractora en la pared, afloje los tornillos de las placas del colgador en la carcasa del motor y tire las placas hacia arriba. Luego, ajuste los tornillos de las placas del colgador. (Figura 1a).

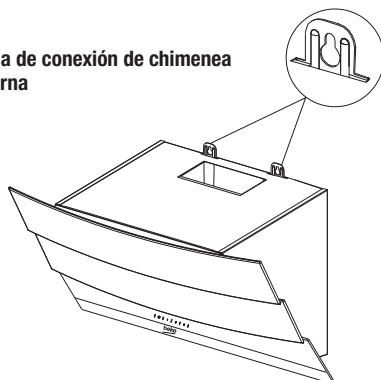


(Figura 1a-60)



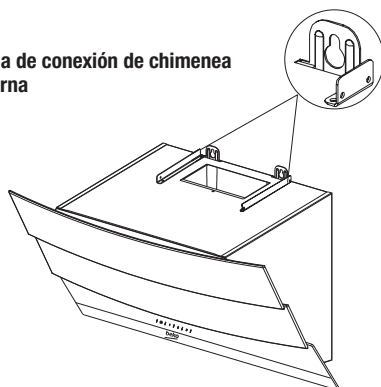
(Figura 1a-90)

Placa de conexión de chimenea externa



(Figura 1b-60)

Placa de conexión de chimenea externa

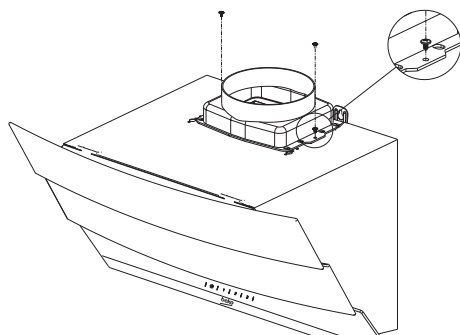


(Figura 1b-90)

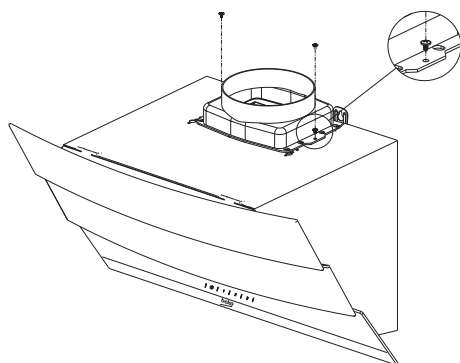
Ajuste el adaptador plástico de chimenea en el extremo superior del cuerpo con un tornillo de 3,5x9,5 incluido en los accesorios de instalación. (Figura 2)

Si va a utilizar un tubo de $\varnothing 120$ mm, instale un adaptador de chimenea de $\varnothing 120$ mm sobre el mismo.

5 Instalación del aparato



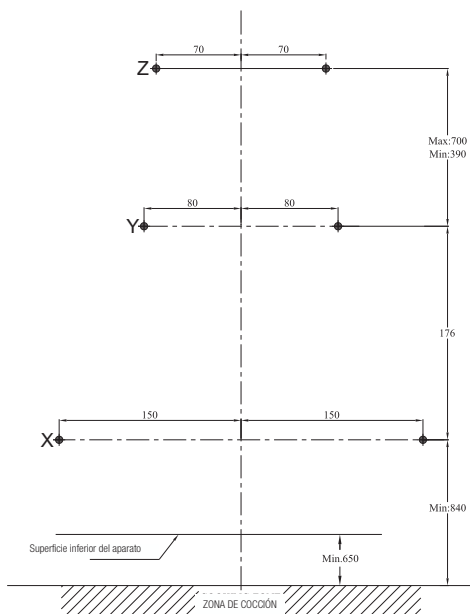
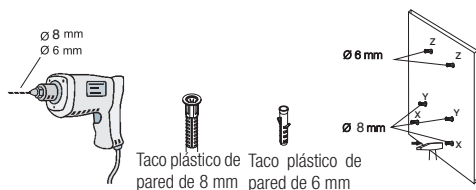
(Figura 2-60)



(Figura 2-90)

5.4 Perforación de los orificios para el colgador

Fije la plantilla de instalación en el lugar de instalación de la campana. Perfore los puntos marcados con (X,Y) utilizando una broca de $\varnothing 8$ mm y los puntos marcados con (Z) utilizando una broca de $\varnothing 6$ mm. (Figura 3)



(Figura 3)

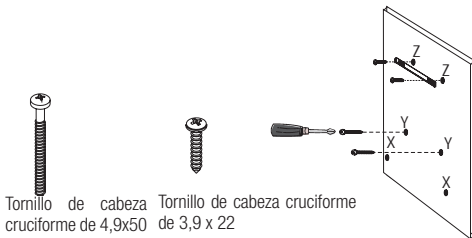
5.5 Ajuste con martillo de los tacos en la pared

Martille los tacos de pared de $\varnothing 8$ mm (X,Y) en los orificios taladrados para los tornillos del colgador. Martille 2 x tacos de pared de $\varnothing 6$ mm (Z) en los orificios taladrados con una broca de $\varnothing 6$ mm para la placa de conexión de la chimenea externa. (Figura 3)

5.6 Instalación de los tornillos del colgador

Instale los tornillos del colgador de 4,9x50 en los tacos de pared de $\varnothing 8$ mm (Y) que ha martillado en la pared. Debe haber una distancia de 5 mm entre la cabeza del tornillo y la pared. Conecte la placa de conexión de la chimenea interna a los tacos de pared de 6 mm (Z) sobre la pared utilizando tornillos de $\varnothing 3,9 \times 22$. (Figura 4)

5 Instalación del aparato



(Figura 4)

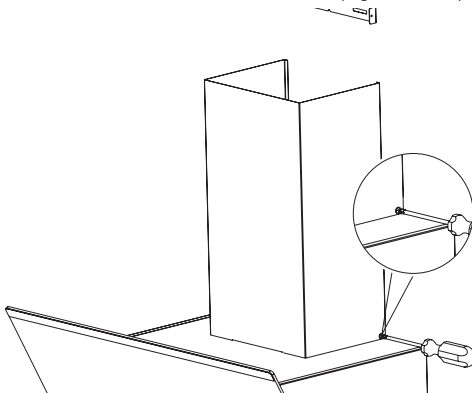
5.7 Colocación de la campana extractora colgada en la pared

- Cuelgue la campana extractora en los tornillos que ha instalado en los orificios Y.
- Abra la ventana de aspiración lateral de la campana tirando hacia usted. Instale los tornillos de 4,9x50 a través de los orificios X ubicados adentro, para fijar el aparato.

5.8 Instalación de la chimenea de la campana extractora

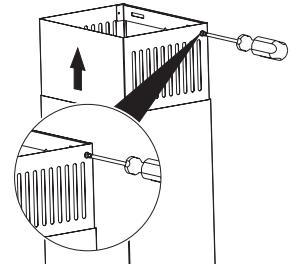
Desconecte el producto de la corriente antes de comenzar la instalación de la chimenea. Ajuste las partes de la hoja metálica de la chimenea alrededor del cuerpo.

Atornille las placas de conexión de la chimenea externa ubicadas en la carcasa del motor. (Figura 1b / 5)



(Figura 5)

Extienda y atornille la chimenea interna con sus bordes externos sobre la placa de conexión de la chimenea que se fijó a la pared (Figura 6).



(Figura 6)

5.9 Conexión de la chimenea:

Coloque el adaptador en dotación junto con la campana en el orificio de ventilación ubicado en la sección superior de la campana. Consiga un tubo con un diámetro de 120/150 mm. Conecte un extremo del tubo al adaptador y el otro extremo a la chimenea. Asegúrese de que estas dos conexiones estén lo suficientemente fijadas de manera tal que no se desenganchen cuando la campana esté funcionando a máxima velocidad. Verifique que las solapas dentro de la chimenea sean funcionales cuando se ajusten con la abrazadera. Ajuste el tubo de conexión de la chimenea en el adaptador. Si ajusta el tubo de conexión de la chimenea dentro del adaptador, no se producirá la aspiración del aire debido a que las solapas que evitan el reflujo del aire permanecerán cerradas. No es aconsejable realizar conexiones a las chimeneas que están conectadas con fogones o conductos de ventilación. No realice conexiones con dichas chimeneas. El recorrido del conducto deberá ser lo más corto posible y tener una cantidad mínima de codos.

A: Conducto de salida de la chimenea

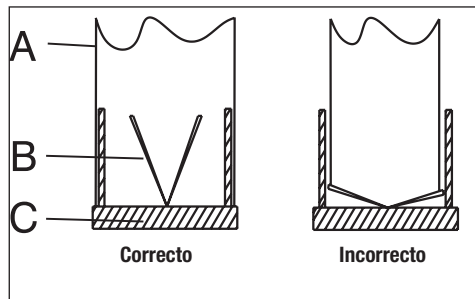
B: Solapas que evitan el reflujo

C: Chimenea plástica

5 Instalación del aparato

5.10 Sistema de prevención de reflujo (N-RV)

Cuando se pone en funcionamiento la campana extractora, las solapas se cierran para evitar que entren al ambiente posibles olores y polvo desde el exterior.



5.11 Almacenamiento

- Si no tiene intención de usar el aparato durante mucho tiempo, por favor, guárdelo con cuidado.
- Por favor, asegúrese de que el aparato esté desenchufado, enfriado y totalmente seco.
- Guarde el aparato en un lugar fresco y seco.
- Mantenga el aparato fuera del alcance de los niños.

5.12 Manipulación y transporte

- Durante el manejo y el transporte, lleve el aparato en su embalaje original. El embalaje del aparato lo protege de daños físicos.
- No coloque cargas pesadas sobre el aparato o el embalaje. El aparato puede dañarse.
- Si el aparato se cae, dejará de funcionar o causará daños permanentes.

6 Solución de problemas

Solución de problemas	Causa principal	Ayuda
El aparato no funciona.	Revise los fusibles.	El fusible puede estar fundido, revíselo y cámbielo, si es necesario.
El aparato no funciona.	Revise la conexión eléctrica.	El voltaje de la red debe ser entre 220 y 240 V.
El aparato no funciona.	Revise la conexión eléctrica.	Compruebe si funcionan otros aparatos en la cocina.
La bombilla de iluminación no funciona.	Revise la conexión eléctrica.	El voltaje de la red debe ser entre 220 y 240 V.
La bombilla de iluminación no funciona.	Revise el interruptor de la bombilla.	El interruptor de la bombilla debe estar en posición "on" (encendido).
La bombilla de iluminación no funciona.	Revise las bombillas.	Las bombillas del aparato se iluminarán.
La entrada de aire del aparato no es adecuada.	Revise el filtro.	En condiciones normales de funcionamiento, el filtro de grasa se limpiará al menos una vez al mes.
La entrada de aire del aparato no es adecuada.	Revise el conducto de descarga de aire.	El conducto de descarga de aire debe estar en posición "on" .
La entrada de aire del aparato no es adecuada.	Revise el filtro de carbón.	Los filtros de carbón serán reemplazados una vez cada 3 meses en condiciones normales.



**Contacto para asistencia técnica:
902 877 665 / 932 992 581**

CONDICIONES DE GARANTIA - ESPAÑA

El presente certificado cubre la garantía de reparación de su electrodoméstico de gama blanca y PAE (*) durante el periodo de garantía legal previsto en la ley, a partir de la fecha de venta, contra todo defecto de funcionamiento proveniente de fabricación o materiales; o de sustitución del aparato, salvo que una de estas opciones resulte imposible o desproporcionada respecto de la otra. Cuando usted detecte un defecto o anomalía en el aparato contacte de forma inmediata con nosotros para informarnos de la falta de conformidad. Los pequeños electrodomésticos (PAE) deberán ser entregados en el taller del servicio oficial de la marca para su revisión.

La presente garantía sólo será válida si se presenta factura, ticket de compra o el albarán de entrega correspondiente a la adquisición del producto. La presente garantía es válida en el territorio español y portugués para los aparatos distribuidos por Beko Electronics España S.L.. La garantía sólo tendrá validez sobre el primer comprador o adquirente del producto. La garantía será válida para aquellos aparatos cuya instalación sea correcta y estén ubicados en condiciones climáticas y medioambientales adecuadas para su correcto funcionamiento.

EXCLUSIONES DE LA GARANTIA

El coste de la reparación será a cargo del usuario en los siguientes casos:

- Los aparatos utilizados para uso profesional o no exclusivamente doméstico.
- Los aparatos desmontados o manipulados por personas ajenas a los servicios técnicos expresamente autorizados.
- Las instalaciones, transporte, sustitución de aparatos, puestas en marcha, cambio de sentido de puertas.
- Intervenciones de mantenimiento o de información sobre el uso de los aparatos.
- Cambio de inyectores en aparatos de gas.
- Las averías provocadas por falta de mantenimiento o limpieza o aquellas provocadas por un uso indebido, sobrecarga, abandono o de manera no conforme a las instrucciones de uso o de instalación de los aparatos.
- Las averías producidas por causas fortuitas, siniestros de fuerza mayor o derivados de instalación incorrecta y en general, averías por causas ajenas al propio aparato.
- Las averías provocadas por conexiones que puedan presentar fluctuaciones, irregularidades o falta de uniformidad en el suministro, por ejemplo: suministro de agua impulsado por grupos de presión, energía solar, energía eólica, generadores eléctricos, u otro tipo de suministro no normalizado.
- La sustitución de materiales rotos o deteriorados por desgaste o uso no normal del aparato, o materiales consumibles tales como: juntas, plásticos, gomas, correas, cristales, escobillas, bombillas, asas, tiradores, tapas de quemadores, filtros, rejillas, ánodos de sacrificio (magnesio o similares) de calentadores o calderas, etc.
- Los aparatos que presenten oxidación, o daños por corrosión en esmaltes o pinturas, que puedan ser provocados por efectos químicos o electroquímicos del agua o cualquier otra sustancia, o aceleradas por circunstancias ambientales o climáticas no propicias.
- Defectos estéticos en serigrafía o pintura.
- Los daños de transporte o manipulación, golpes, etc.
- Los aparatos deben instalarse de forma accesible para su reparación, debiendo asumir el usuario los costes necesarios para el acceso al aparato para su reparación y sustitución.

La presente garantía no afecta a los derechos de que dispone el consumidor conforme a lo previsto en la legislación vigente. El Servicio Oficial de Asistencia Técnica resolverá cualquier incidencia que pudiera precisar su electrodoméstico siempre que el aparato esté instalado de forma accesible.

Para asegurarse que su electrodoméstico va a ser intervenido por un técnico oficial autorizado, rogamos solicite el carnet avalado por ANFEL (Asociación Nacional de Fabricantes de Electrodomésticos) a nuestros técnicos.

Las marcas BEKO y GRUNDIG se distribuyen por Beko Electronics España S.L.

DATOS APARATO (a rellenar por el Distribuidor):

Titular:		Sello Establecimiento:
Modelo:	Núm. serie:	
Establecimiento:	Fecha de compra:	

**El garante e importador de su electrodoméstico es: BEKO ELECTRONICS ESPAÑA S.L. Calle Provenza nº 388
3º Barcelona 08025, España.**

Conózcanos mejor en nuestra página: www.beko.com Conserve este documento, es importante para usted.

(*) Se consideran electrodomésticos de gama blanca, los aparatos de gran tamaño de cocina, limpieza, refrigeración y ventilación y el pequeño aparato electrodoméstico (PAE) aquellos aparatos de higiene personal, mantenimiento del hogar y preparación de alimentos.

Avant toute chose, veuillez lire ce manuel d'utilisation !

Chère cliente, cher client,

Merci d'avoir choisi cet appareil Beko. Nous espérons que cet appareil, fabriqué dans des installations modernes et soumis à un processus de contrôle qualité rigoureux, vous offre les meilleures performances possible. C'est pourquoi nous vous recommandons, avant d'utiliser l'appareil, de lire attentivement et complètement ce manuel d'utilisation ainsi que tous les autres documents fournis et de les conserver soigneusement pour une utilisation future. Si vous cédez l'appareil à quelqu'un d'autre, remettez-lui également le manuel d'utilisation. Suivez les instructions en accordant une attention particulière à toutes les informations et les avertissements contenus dans le manuel d'utilisation.

Notez que ce manuel d'utilisation peut également s'appliquer à d'autres modèles. Les différences entre les modèles sont clairement décrites dans le manuel.

Signification des symboles

Les pictogrammes suivants sont repris tout au long de ce manuel :

 Informations importantes et conseils utiles concernant l'utilisation de l'appareil.

 **AVERTISSEMENT:** Avertissement sur les situations dangereuses concernant la sécurité des biens et des personnes.

 **AVERTISSEMENT:** Avertissement contre le risque d'incendie.

 **AVERTISSEMENT:** Avertissement contre le risque d'électrocution.



Points de collecte sur www.quefairedemesdechets.fr
Privilégiez la réparation ou le don de votre appareil !



1 Instructions importantes en matière de sécurité et d'environnement

1.1 Consignes générales de sécurité

Consignes de sécurité importantes
- Lire attentivement et conserver pour référence ultérieure

Cette section contient les consignes de sécurité qui aident à se prémunir contre les risques d'incendie, d'électrocution, d'exposition aux fuites d'énergie à micro-ondes, de dommages corporels ou de dégâts matériels. Le non-respect de ces instructions entraînera l'annulation de toute garantie.

- Les produits Beko sont conformes aux normes de sécurité applicables. Par conséquent, en cas de dommage sur l'appareil ou son câble d'alimentation, le faire réparer ou remplacer par le revendeur, le centre SAV, un spécialiste ou des services habilités afin de prévenir tout danger. Des réparations défectueuses et non professionnelles peuvent être sources de danger et de risque pour l'utilisateur.
- Cet appareil est conçu pour un

usage domestique et des utilisations similaires comme :

- dans les coins cuisine du personnel dans les magasins, bureaux, et autres environnements de travail ;
- les fermes
- Par les clients des hôtels et autres types d'environnements résidentiels ;
- et dans les chambres d'hôte.
- Utiliser l'appareil uniquement aux fins pour lesquelles il a été conçu, comme décrit dans les présentes instructions.
- Le fabricant n'est pas responsable des dommages résultant d'une mauvaise installation ou d'une mauvaise utilisation du produit.
- Cet appareil peut être utilisé par des enfants de 8 ans minimum, des personnes à capacités physiques, sensorielles ou mentales réduites et des personnes manquant d'expérience ou de connaissances suffisantes en la matière, à condition qu'elles aient été préparées à un manie-

1 Instructions importantes en matière de sécurité et d'environnement

ment sécurisé de l'appareil et qu'elles aient pleinement conscience des risques encourus.

- Les enfants n'ont pas le droit de jouer avec l'appareil. Le nettoyage et l'entretien de l'appareil ne doivent pas être effectués par des enfants laissés sans surveillance.
- La distance minimale entre la surface d'appui des récipients de cuisson sur la plaque de cuisson et la partie la plus basse de votre produit doit être d'au moins 50 cm.
- Si des instructions relatives à l'installation de la plaque à gaz exigent plus de distance, prenez-les en compte.
- S'assurer que la source d'alimentation électrique est conforme aux informations spécifiées sur la plaque signalétique de l'appareil.
- Ne jamais utiliser l'appareil si le câble d'alimentation ou l'appareil lui-même est endommagé.
- Pour éviter d'endommager le câble d'alimentation, éviter de

l'aplatir, de le plier ou même de le frotter contre des bords coupants. Éloigner le câble d'alimentation de toute surface brûlante et des flammes.

- Utilisez l'appareil uniquement avec une prise de terre.

AVERTISSEMENT: Ne branchez pas l'appareil sur le secteur avant la fin de l'installation.

- Placer l'appareil de sorte que la prise soit toujours accessible.
- Ne touchez pas les lampes si elles ont été utilisées pendant une longue période. Elles sont chaudes et risqueraient donc de provoquer des brûlures aux mains.
- Respectez la réglementation des autorités compétentes en matière d'évacuation de l'air évacué (cette mise en garde ne s'applique pas à l'utilisation sans conduit).
- Faites fonctionner votre appareil après avoir posé une casserole, une poêle, etc. sur la plaque de cuisson. Autrement, la température élevée peut provoquer la dé-

1 Instructions importantes en matière de sécurité et d'environnement

formation de certaines pièces de votre produit.

- Éteignez la plaque de cuisson avant d'en retirer la casserole, la poêle, etc.
- Ne laissez pas d'huile chaude sur la plaque de cuisson. Les casseroles contenant de l'huile chaude peuvent s'enflammer.
- Faites attention à vos rideaux et à vos couvertures, car l'huile peut prendre feu pendant la cuisson de certains aliments, comme les frites.
- Le filtre à graisse doit être remplacé au moins une fois par mois. Le filtre à charbon doit être remplacé au moins tous les 3 mois.
- Le produit doit être nettoyé conformément au manuel d'utilisation. Si le nettoyage n'a pas été effectué conformément au manuel d'utilisation, il peut y avoir un risque d'incendie.
- N'utilisez pas de matériaux filtrants ignifuges à la place des filtres actuels.
- Utilisez uniquement des pièces d'origine ou pièces recommandées par le fabricant.
- N'utilisez jamais l'appareil sans le filtre et ne retirez pas les filtres lorsque l'appareil est en marche.
- En cas d'apparition d'une flamme, éteignez votre produit et vos appareils de cuisson.
- En cas d'apparition d'une flamme, couvrez la flamme et n'utilisez jamais d'eau pour l'éteindre.
- Débranchez l'appareil avant chaque nettoyage et lorsque l'appareil n'est pas en cours d'utilisation.
- La pression négative dans l'environnement ne doit pas dépasser 4 Pa (4 x 10 bars) lorsque la hotte de la table de cuisson électrique et les appareils fonctionnant avec un autre type d'énergie que l'électricité fonctionnent simultanément.
- Dans l'environnement dans lequel l'appareil est utilisé, les gaz résiduels des appareils fonctionnant au fioul ou au gaz, tels que le chauffage de la pièce, doivent être totalement isolés

1 Instructions importantes en matière de sécurité et d'environnement

ou l'appareil doit être de type étanche.

- Pour le raccordement du conduit, utilisez des tuyaux d'un diamètre de 120 ou 150 mm. Le raccordement du tuyau doit être aussi court que possible et avoir le minimum de coudes que possible.
- Risque d'étranglement ! Conservez tous les emballages hors de portée des enfants.

ATTENTION: Les pièces accessibles peuvent devenir chaudes lorsqu'elles sont utilisées avec des appareils de cuisson.

- Ne connectez pas la prise du produit aux canaux d'air qui contiennent d'autres fumées.
- La ventilation de la pièce peut être insuffisante lorsque la hotte de la table de cuisson électrique est utilisée en même temps que les appareils fonctionnant au gaz ou avec d'autres combustibles (ceci peut ne pas s'appliquer aux appareils qui rejettent uniquement l'air dans la pièce).
- Les objets placés sur le produit

peuvent tomber. Ne posez aucun objet sur le produit.

- Ne brûlez rien sous votre produit.
- AVERTISSEMENT:** Retirez les films protecteurs avant d'installer la hotte.
- Ne laissez jamais des grandes flammes nues sous la hotte lorsqu'elle est en fonctionnement.
 - Gardez les friteuses en permanence sous surveillance pendant l'utilisation : de l'huile surchauffée peut prendre feu.

1.2 Conformité avec la Directive DEEE et Mise au rebut des appareils usagés :

Cet appareil est conforme à la directive DEEE. (2012/19/UE). Cet appareil porte le symbole de classification pour les déchets des équipements électriques et électroniques (DEEE).



Ce symbole indique que ce produit ne doit pas être jeté avec les déchets ménagers à la fin de sa vie utile. Les appareils usagés doivent être retournés au point de collecte officiel pour le recyclage des appareils électriques et électroniques. Pour trouver ces systèmes de collecte, veuillez contacter les autorités locales ou le détaillant auprès duquel vous avez acheté le produit. Chaque ménage joue un rôle important dans la récupération et le recyclage des appareils ménagers usagés. L'élimination appropriée des appareils usagés aide à prévenir les conséquences négatives po-

1 Instructions importantes en matière de sécurité et d'environnement

tentielles pour l'environnement et la santé humaine.

1.3 Conformité avec la directive RoHS

L'appareil que vous avez acheté est conforme à la Directive RoHS de l'UE (2011/65/UE). Il ne contient pas de matières dangereuses et interdites spécifiées dans la directive.

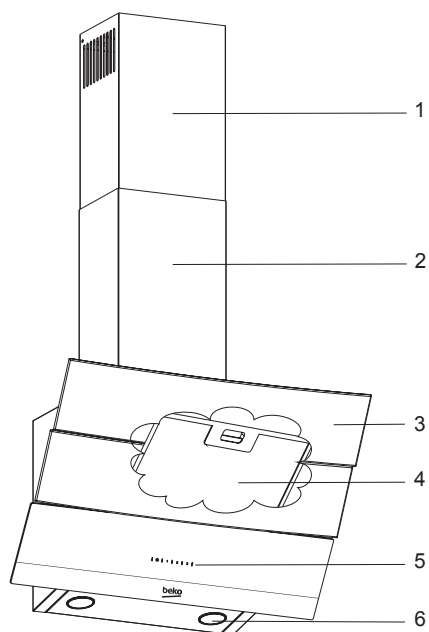
1.4 Informations concernant l'emballage



Les matériaux d'emballage du produit sont fabriqués à partir de matériaux recyclables conformément à notre réglementation nationale sur la protection de l'environnement. Ne jetez pas les matériaux d'emballage avec les déchets domestiques et autres déchets. Déposez-les dans l'un des points de collecte de matériaux d'emballage prévus par l'autorité locale.

2 Apparence générale

2.1 Vue d'ensemble

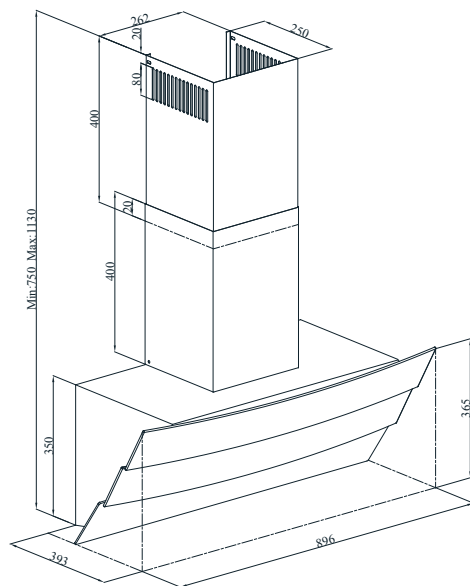


1. Conduit interne
2. Conduit externe
3. Couvercle en verre
4. Filtres à huile en aluminium (derrière couvercle en verre)
5. Assemblée de contrôle
6. Lampe

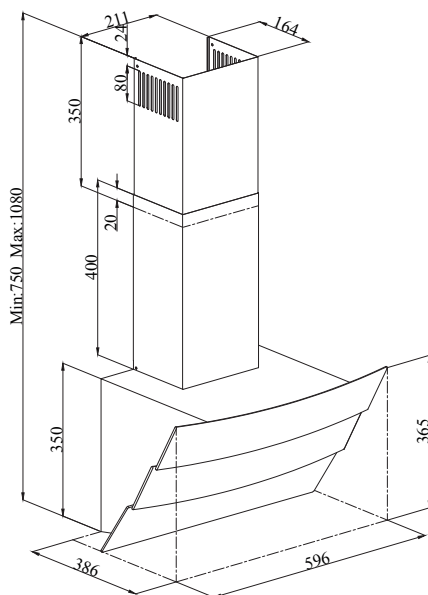
2 Apparence générale

2.2 Données techniques

	HCA62640WH HCA62640BH	HCA62540B	HCA92640WH HCA92640BH	HCA92540B
Largeur	596 mm		896 mm	
Profondeur	386 mm		393 mm	
Hauteur	750/1080 mm		750/1130 mm	
Tension d'alimentation	220-240V ~, 50 Hz			
Commande	3 niveaux			
Puissance de l'ampoule	2x3 W			
Tuyau de sortie d'air	120/150 mm			
Débit - 3 Niveau	537 m³/h	566 m³/h	577 m³/h	593 m³/h
Puissance du moteur	210 W			
Puissance totale	216 W			
Moteur de classe d'isolation	Classe F			
Classe d'isolation	Classe I			



HCA92640WH
HCA92640BH
HCA92540B



HCA62640WH
HCA62640BH
HCA62540B

3 Fonctionnement de l'appareil

3.1 Contrôle de l'appareil

 1 2 3	
A B C D	
TOUCHE	FONCTION
A : Bouton Marche/Arrêt de l'éclairage	Vous pouvez éclairer la zone de cuisson en appuyant sur ce bouton.
B : Bouton du niveau 1	Vous pouvez mettre votre hotte en marche au niveau de vitesse 1 en appuyant sur ce bouton. Appuyez à nouveau sur ce bouton pour éteindre l'appareil, alors l'indicateur de niveau de vitesse à l'écran disparaît.
C : Bouton du niveau 2	Vous pouvez mettre votre hotte en marche au niveau de vitesse 2 en appuyant sur ce bouton. Appuyez à nouveau sur ce bouton pour éteindre l'appareil, alors l'indicateur de niveau de vitesse à l'écran disparaît.
D : Bouton du niveau 3	Vous pouvez mettre votre hotte en marche au niveau de vitesse 3 en appuyant sur ce bouton. Appuyez à nouveau sur ce bouton pour éteindre l'appareil, alors l'indicateur de niveau de vitesse à l'écran disparaît.

3.2 Fonctionnement efficace en termes d'économies d'énergie Utilisation

- Lorsque vous utilisez votre appareil, réglez la vitesse en fonction de l'intensité de la vapeur et de l'odeur afin d'économiser de l'énergie.
- Utilisez les vitesses basses (1-2) dans des conditions normales, et les vitesses élevées (3) pour les odeurs et vapeurs intenses.
- Les lampes situées sur la hotte sont destinées à l'éclairage de la zone de cuisson.
- L'utilisation de ces lampes pour l'éclairage de la pièce entraîne une consommation d'énergie inutile et un éclairage insuffisant.

3.3 Instructions d'utilisation

- Votre appareil contient un moteur qui a des vitesses différentes.
- Pour de meilleures performances, nous recommandons d'utiliser des vitesses basses dans des conditions normales et des vitesses élevées en cas fortes odeurs et de vapeur intense.
- Vous pouvez démarrer votre appareil en appuyant sur le bouton de réglage de la vitesse souhaitée. (B, C, D)
- Vous pouvez éclairer la zone de cuisson en appuyant sur la lampe (A).

3.4 Arrêt automatique dans 15 minutes:

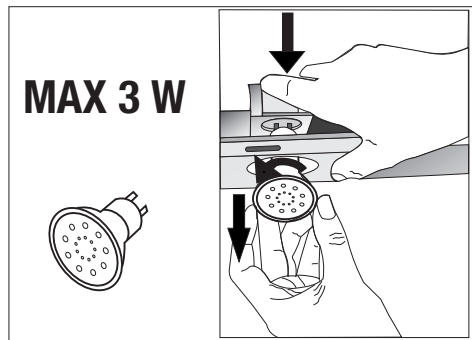
Cet appareil dispose d'une fonction d'arrêt automatique qui permet à l'appareil de ventiler la pièce pendant une période de temps supplémentaire afin d'éliminer l'odeur désagréable et la vapeur à la fin de la cuisson. L'appareil s'arrête automatiquement après un certain temps. Pour activer la fonction d'arrêt automatique, appuyez sur l'un des boutons de niveau de vitesse (B, C, D) sur le panneau pendant plus de 2 secondes. Une minuterie affichant 15 minutes est alors activée. Si vous appuyez sur le même bouton alors que la fonction d'arrêt automatique est désactivée, cette fonction sera désactivée et l'appareil arrêtera de fonctionner. Si vous sélectionnez un niveau différent de vitesse, alors cette fonction sera désactivée. Si vous souhaitez que votre appareil s'arrête automatiquement, vous devez activer de nouveau la fonction d'arrêt automatique.

Nettoyage périodique des filtres métalliques:

Les filtres doivent être nettoyés environ toutes les 60 heures de fonctionnement, ou après 4 semaines selon la fréquence d'utilisation.

3 Fonctionnement de l'appareil


3.5 Remplacement de la lampe



Débranchez l'appareil de la source d'alimentation. Cet appareil est équipé d'ampoules halogènes de 3 W. Pour remplacer ces ampoules halogènes, appuyez sur l'ampoule vers le bas à partir de la section arrière de la douille afin de la desserrer. Ensuite, tournez l'ampoule au 1/4 dans le sens antihoraire et retirez-la. Suivez les étapes ci-dessus dans l'ordre inverse pour fixer les nouvelles ampoules.

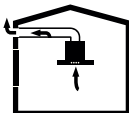


Vous pouvez obtenir des ampoules auprès des agents de service agréés.

Ampoule	
Puissance de l'ampoule	3 W
Support / Prise	GZ 10
Voltage de l'ampoule	220 / 240 V
Taille	53 x 50 mm
Code ILCOS	DR/F 3 - 2 2 0 - 2 4 0 - GZ10-50-53
Flux lumineux	250 lm
Température de couleur corrélée	3000 K

Ce produit contient une source lumineuse de classe d'efficacité énergétique "F".

3.6 Opération avec raccordement au conduit de fumée

-  La vapeur est extraite par le conduit de fumée, qui est fixé à la tête de raccordement sur la hotte.
- Le diamètre du conduit de fumées doit être le même que celui de la bague de raccordement. En position horizontale, le tuyau doit avoir une légère pente ascendante (environ 10°) afin que l'air puisse sortir facilement de la pièce.

3.7 Fonctionnement sans raccordement au réseau d'évacuation des fumées

-  L'air est filtré par le filtre à charbon et recirculé dans la pièce. Le filtre à charbon est utilisé lorsqu'il est impossible d'utiliser un conduit de fumée dans la maison.
- En cas d'utilisation sans conduit, retirez les rabats à l'intérieur de l'adaptateur de conduit.
- Retirez le filtre à huile. Pour installer le filtre à charbon, fixez le filtre sur les languettes en le centrant sur la pièce en plastique des deux côtés du corps du ventilateur. Resserrez-le en tournant à droite ou à gauche.
- Remplacez le filtre à huile en aluminium.

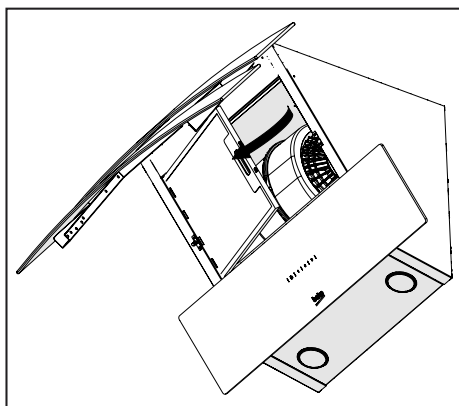
4 Nettoyage et entretien



Avant de procéder au nettoyage et à l'entretien, débranchez le produit ou éteignez l'interrupteur.

4.1 Nettoyage du filtre à huile en aluminium

Ce filtre retient les particules d'huile dans l'air. Les filtres à huile en aluminium peuvent changer de couleur au fur et à mesure qu'ils sont lavés ; c'est normal et cela ne nécessite pas le remplacement de vos filtres à huile en aluminium.



- Poussez le verrou du filtre à huile en aluminium vers l'avant.
- Puis tirez-le légèrement vers le bas et retirez-le. Sinon, vous pouvez plier le filtre. Lavez et rincez les filtres à huile en aluminium avec un détergent liquide et remplacez les filtres à huile en aluminium par leurs douilles en effectuant les étapes indiquées ci-dessus dans l'ordre inverse. Ce filtre retient les particules d'huile dans l'air.



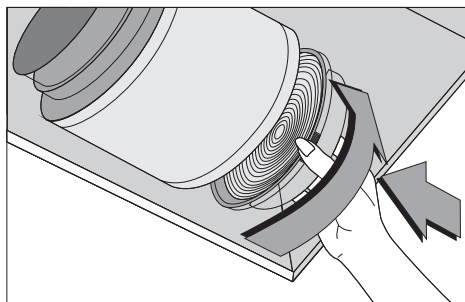
Vous pouvez laver vos filtres à huile en aluminium dans le lave-vaisselle.



ATTENTION: En cas d'utilisation normale, nettoyez votre filtre une fois par mois.

4.2 Remplacement des filtres à carbone

Les filtres désodorisants contiennent du charbon de bois (charbon actif). Des filtres à graisse doivent être installés dans le produit, que des filtres à charbon soient utilisés ou non.



- Retirez le filtre à huile en aluminium.
- Pour retirer le filtre à charbon, retirez le filtre à charbon de son logement en le faisant tourner dans le sens inverse des aiguilles d'une montre à partir de la languette.
- Installez le nouveau filtre à charbon.
- Installez le filtre à huile en aluminium.

ATTENTION



- Le filtre à charbon ne doit jamais être lavé.
- Remplacez les filtres à charbon une fois tous les trois mois.
- Vous pouvez obtenir un filtre à charbon actif auprès des services autorisés.

5 Installation de l'appareil



ATTENTION: Avant de commencer l'installation, lisez les informations de sécurité figurant dans le manuel d'utilisation.

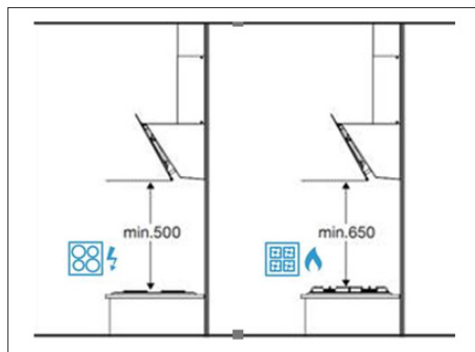


ATTENTION: Si l'installation n'est pas effectuée avec des vis et des stabilisateurs conformément à ces instructions, elle peut entraîner un choc électrique.

Pour l'installation de la hotte, veuillez contacter le Service Autorisé le plus proche.

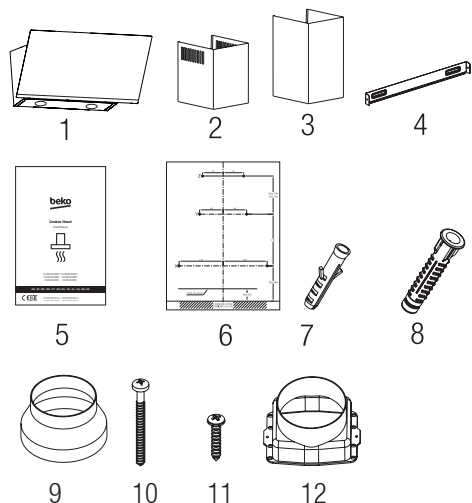
Il est de la responsabilité du client de préparer l'emplacement et l'installation électrique de la hotte.

5.1 Position de l'appareil



- Pour tous les types de hottes de cuisine, la distance d'installation sur les plaques de cuisson au gaz et électriques est de 650 mm au minimum. Pour les **hottes inclinées** uniquement, la distance d'installation sur la **plaque de cuisson électrique** est d'au moins 500 mm.
- La distance doit être mesurée à partir de la surface de la grille pour les cuisinières à gaz, à partir de la surface du verre pour les cuisinières électriques.

5.2 Accessoires d'installation



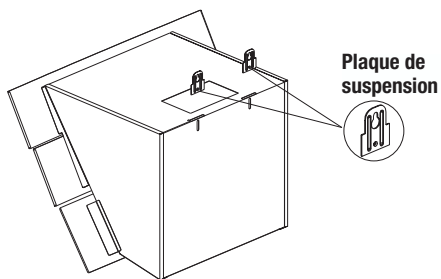
1. Produit
2. Conduit interne
3. Conduit externe
4. Plaque de connexion du conduit
5. Manuel de l'utilisateur
6. Schéma d'assemblage
7. Cheville en plastique $\varnothing 6$ mm
8. Cheville en plastique $\varnothing 8$ mm
9. Adaptateur de conduit de fumée en plastique 120/150mm
10. Vis cruciforme de 4,9x50
11. Vis cruciforme de 3,9 x 22
12. 1 x chimenea plástica de $\varnothing 150$ mm

Les informations requises pour la préparation de l'emplacement de la hotte sont ci-après données.

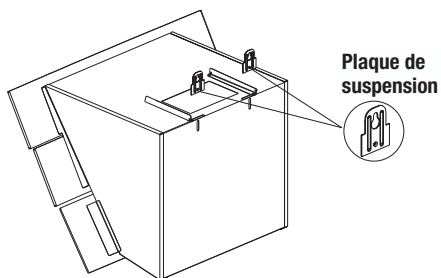
5.3 Installation de la hotte sur le mur

Pour installer la hotte sur le mur, desserrez les vis des plaques de suspension sur le boîtier du moteur et tirez les plaques vers le haut. Ensuite, serrez les vis des plaques de suspension. (Figure 1a).

5 Installation de l'appareil

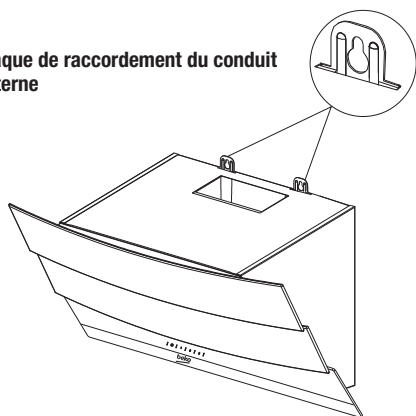


(Figure 1a-60)



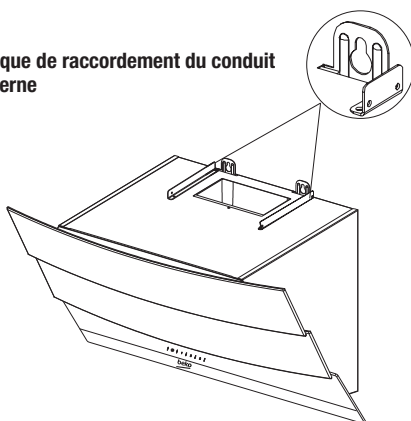
(Figure 1a-90)

Plaque de raccordement du conduit externe



(Figure 1b-60)

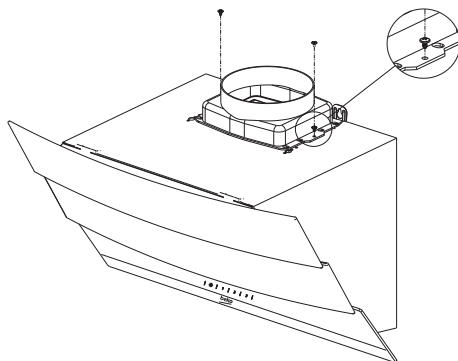
Plaque de raccordement du conduit externe



(Figure 1b-90)

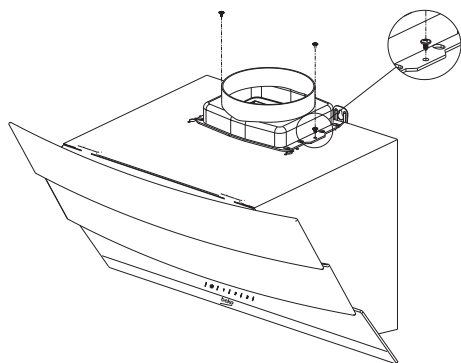
Fixez l'adaptateur du conduit en plastique de 150 mm de diamètre au dessus du corps de l'appareil à l'aide d'une vis de 3,5x9,5 incluse dans les accessoires d'installation (Figure 2).

Si vous utilisez un tuyau de conduit de 120 mm de diamètre, installez également un adaptateur du même diamètre au-dessus.



(Figure 2-60)

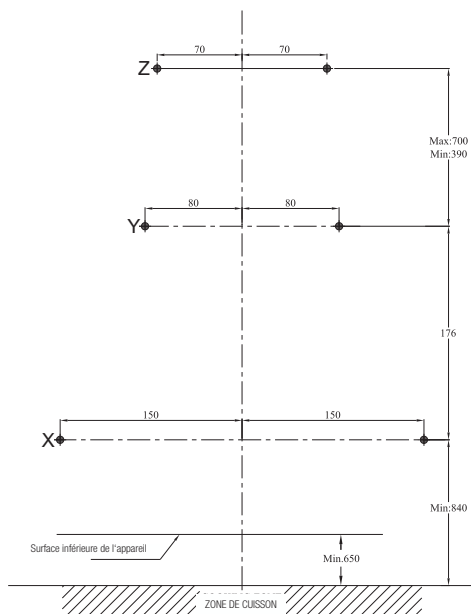
5 Installation de l'appareil



(Figure 2-90)

5.4 Perçage des trous de suspension

Fixez le gabarit d'installation à l'emplacement prévue pour la hotte. Percez des trous sur les points (X,Y); à l'aide d'un foret de 8 mm de diamètre. Pour les points marqués avec un (Z), utilisez un foret de 6 mm de diamètre. (Figure 3)



(Figure 3)

5.5 Fixation des chevilles

Fixez les chevilles de 8 mm de diamètre (X,Y) dans les trous pour vis de suspension. Fixez des chevilles de 2 x 6 mm de diamètre (Z) dans les trous percés avec un foret de 6 mm pour la plaque de raccordement du conduit externe. (Figure 3)

5.6 Installation des vis de suspension

Installez des vis de suspension de 4,9x50 dans les chevilles de 8 mm de diamètre (Y) que vous avez fixés sur le mur. Gardez un écart de 5 mm entre la tête de vis et le mur. Connectez la plaque de raccordement du conduit aux chevilles de 6 mm (Z) au mur à l'aide des vis de 3,9x22 de diamètre. (Figure 4)

5 Installation de l'appareil



(Figure 4)

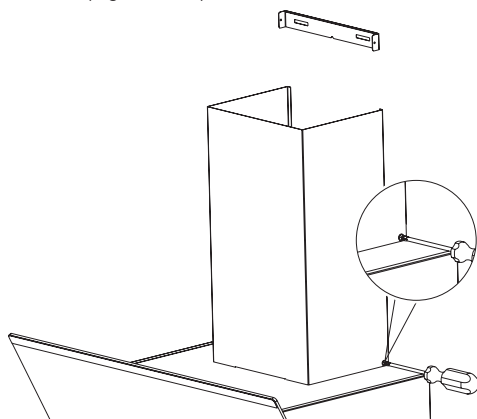
5.7 Fixation de la hotte sur le mur

- Fixez la hotte sur les vis installées dans les trous Y.
- Ouvrez la fenêtre d'aspiration latérale de la hotte en la tirant vers vous. Afin de fixer l'appareil, installez des vis de 4,9x50 dans les trous X situés à l'intérieur.

5.8 Installation du conduit de cheminée de la hotte

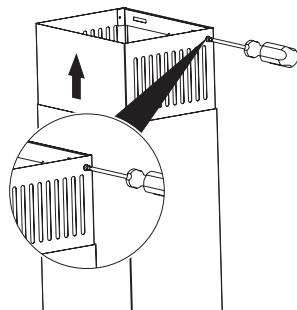
Débranchez l'appareil de l'alimentation principale avant de débiter l'installation du conduit. Montez les parties en tôle du conduit tout autour du corps de l'appareil.

À l'aide des vis, fixez le conduit externe à la plaque de raccordement dédiée, située dans le boîtier du moteur. (Figure 1b/5)



(Figure 5)

Déployez et vissez les bords externes du conduit interne à la plaque de raccordement du conduit installée sur le mur (Figure 5).



(Figure 5)

5.9 Raccordement du conduit de cheminée :

Placez l'adaptateur fourni avec la hotte dans l'orifice de ventilation situé au-dessus de la hotte. Vous devez disposer d'un tuyau de 120/150 mm de diamètre. Raccordez l'une des extrémités du tuyau à l'adaptateur et l'autre au conduit de cheminée. Assurez-vous que ces deux raccords sont correctement sécurisés pour éviter toute rupture lors du fonctionnement de la hotte à la vitesse maximale. Vérifiez que les rabats internes du conduit sont fonctionnels lors du serrage avec les colliers. Emboîtez le tuyau de raccordement du conduit à l'adaptateur. L'emboîtement de ce tuyau à l'adaptateur permet d'éviter l'aspiration de l'air, puisque les rabats anti-refoulement restent fermés. N'effectuez aucun raccordement sur les conduits connectés aux cuisinières et aux conduits d'évacuation. Évitez tout branchement similaire. Le raccordement du tuyau doit être aussi court que possible et avoir le minimum de coudes.

A : Tuyau de sortie du conduit

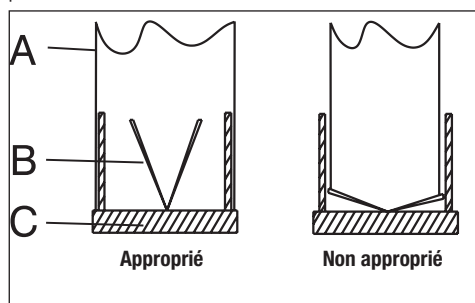
B : Rabats anti-refoulement

C : Conduit de cheminée en plastique

5 Installation de l'appareil

5.10 Dispositif anti-refoulement (N-RV)

Lorsque la hotte fonctionne, les rabats sont fermés pour prévenir l'entrée possible des odeurs et des poussières venant de l'extérieur.



5.11 Rangement

- Si vous ne comptez pas utiliser votre appareil

pendant un certain temps, veuillez le ranger soigneusement.

- Veillez également à ce que l'appareil soit débranché, complètement refroidi et entièrement sec.
- Conservez l'appareil dans un endroit frais et sec.
- Tenez l'appareil hors de la portée des enfants.

5.12 Manipulation et transport

- Pendant la manipulation et le transport, portez toujours l'appareil dans son emballage d'origine. L'emballage de l'appareil le protège des dommages physiques.
- Ne placez pas de charges lourdes sur l'appareil ou sur l'emballage. Cela pourrait l'endommager.
- Toute chute de l'appareil peut le rendre non opérationnel ou l'endommager de façon permanente.

6 Dépannage

Dépannage	Problème	Solution
L'appareil ne fonctionne pas.	Vérifiez le fusible.	Il se peut que votre fusible soit coupé ; remettez-le en marche.
L'appareil ne fonctionne pas.	Vérifiez le branchement.	La tension du secteur doit être comprise entre 220 et 240 V.
L'appareil ne fonctionne pas.	Vérifiez le branchement.	Vérifiez si les autres appareils de votre cuisine fonctionnent ou pas.
L'ampoule ne fonctionne pas.	Vérifiez le branchement.	La tension du secteur doit être comprise entre 220 et 240 V.
L'ampoule ne fonctionne pas.	Vérifiez l'interrupteur de l'ampoule.	L'interrupteur de l'ampoule doit être en position « Allumé ».
L'ampoule ne fonctionne pas.	Vérifiez les ampoules.	Les ampoules de l'appareil ne doivent pas être défectueuses.
L'appareil n'aspire pas l'air correctement.	Vérifiez le filtre en aluminium.	L'aluminium du filtre doit être nettoyé au moins une fois par mois en conditions d'utilisation normales.
L'appareil n'aspire pas l'air correctement.	Vérifiez l'évent d'aération.	L'évent d'aération doit être en position « Marche ».
L'appareil n'aspire pas l'air correctement.	Vérifiez le filtre à charbon.	Pour les appareils dotés d'un filtre à charbon, celui-ci doit normalement être remplacé tous les 3 mois.

Proszę najpierw przeczytać tę instrukcję obsługi!

Szanowny Kliencie,

dziękujemy za wybranie urządzenia marki Beko. Mamy nadzieję, że zakupione urządzenie, wyprodukowane z zapewnieniem wysokiej jakości przy użyciu najnowszych technologii, okaże się w pełni zadowalające. W tym celu przed użyciem urządzenia należy uważnie przeczytać całą instrukcję obsługi oraz dołączone dokumenty i zachować je do wglądu na przyszłość. Przekazując urządzenie innemu użytkownikowi, należy dołączyć również niniejszą instrukcję. Należy postępować zgodnie z instrukcjami, zwracając uwagę na wszystkie informacje i ostrzeżenia zamieszczone w niniejszym dokumencie.

Należy pamiętać, że niniejsza instrukcja może odnosić się także do innych modeli. Różnice pomiędzy modelami są wyraźnie opisane w instrukcji.

Znaczenie symboli

W różnych częściach niniejszej instrukcji obsługi stosowane są następujące symbole:



Ważne informacje i przydatne wskazówki dotyczące użytkowania.



OSTRZEŻENIE: Ostrzeżenia przed niebezpiecznymi sytuacjami zagrażającymi życiu i mieniu.



Niebezpieczeństwo pożaru.



Ostrzeżenie przed porażeniem prądem.



**PAPIER Z RECYKLINGU
I NADAJĄCY SIĘ
DO PONOWNEGO
PRZETWORZENIA**

1 Ważne instrukcje dotyczące bezpieczeństwa i ochrony środowiska

1.1 Ogólne zasady dotyczące bezpieczeństwa

Ważne zasady dotyczące bezpieczeństwa. Przeczytaj je uważnie i zachowaj na przyszłość. Rozdział ten zawiera instrukcje zachowania bezpieczeństwa, które pomogą chronić się przed ryzykiem pożaru, porażenia prądem elektrycznym, wycieku mikrofal, obrażeniami ciała lub szkodami w mieniu. Nieprzestrzeganie tych instrukcji spowoduje unieważnienie gwarancji.

- Produkty firmy Beko spełniają wszystkie wymogi stosownych norm bezpieczeństwa. W przypadku jakiegokolwiek uszkodzenia urządzenia lub przewodu zasilającego, aby uniknąć wszelkich zagrożeń, należy oddać je do naprawy lub wymiany przez sprzedawcę, punkt serwisowy lub specjalistę albo autoryzowany serwis. Błędna lub niefachowa naprawa może być niebezpieczna i powodować zagrożenie dla użytkowników.
- To urządzenie jest przeznaczone

do użytku domowego i podobnych zastosowań, na przykład:

- na zapleczu kuchennym przez personel sklepów, biur i innych miejsc pracy;
 - w gospodarstwach rolnych;
 - do użytku przez klientów hoteli i innych obiektów noclegowych;
 - w pensjonatach.
- Urządzenie należy stosować tylko zgodnie z jego przeznaczeniem, w sposób opisany w niniejszej instrukcji.
 - Producent nie ponosi odpowiedzialności za szkody powstałe w wyniku nieprawidłowej instalacji lub niewłaściwego stosowania produktu.
 - Urządzenie może być obsługiwane przez dzieci w wieku 8 lat i starsze, osoby o ograniczonych możliwościach fizycznych, postrzegania lub umysłowych, a także osoby bez doświadczenia lub wiedzy w zakresie obsługi urządzenia, o ile będą one pod nadzorem lub zostaną szczegółowo poinstruowane

1 Ważne instrukcje dotyczące bezpieczeństwa i ochrony środowiska

o bezpiecznym korzystaniu z urządzenia i zrozumieją potencjalne zagrożenia.

- Nie należy pozwalać dzieciom bawić się urządzeniem. Dzieci nie mogą czyścić ani konserwować urządzenia bez nadzoru.
- Minimalna odległość pomiędzy powierzchniami podpór garnków znajdującymi się na szczycie kuchenki a najniższą częścią produktu musi wynosić co najmniej 50 cm.
- Jeżeli w instrukcji instalacji gazowej płyty kuchennej podano odległość większą, wówczas należy zastosować wskazaną wartość.
- Zasilanie z domowej sieci elektrycznej musi być zgodne z informacjami podanymi na tabliczce znamionowej urządzenia.
- Urządzenia nie wolno nigdy używać, jeśli przewód zasilający lub samo urządzenie są uszkodzone.
- Aby zapobiec uszkodzeniu przewodu zasilającego, nie wolno dopuścić do jego ściskania, zginania lub ocierania o ostre krawędzie. Trzymaj przewód zasi-

lający z dala od gorących powierzchni i otwartego ognia.

- Urządzenia można używać tylko wtedy, gdy jest podłączone do gniazda ściennego z uziemieniem.

OSTRZEŻENIE: Podłącz urządzenie do zasilania dopiero po całkowitym zakończeniu montażu.

- Urządzenie ustaw tak, aby zawsze był możliwy dostęp do wtyczki.
- Nie należy dotykać lamp, jeśli były włączone przez długi czas. Grozi to poparzeniem dłoni gorącą żarówką.
- Należy stosować się do wymagań dotyczących odprowadzania powietrza wywiewanego (to ostrzeżenie nie dotyczy sytuacji korzystania z okapu bez przewodu spalinowego).
- Okap należy uruchamiać po ustawieniu garnka, patelni itp. na płycie grzewczej. W przeciwnym wypadku wysoka temperatura może doprowadzić do zniekształcenia niektórych części produktu.

1 Ważne instrukcje dotyczące bezpieczeństwa i ochrony środowiska

- Okap należy wyłączać przed zdjęciem garnka, patelni itp. z płyty grzewczej.
- Nie pozostawiać rozgrzanego oleju na płycie grzewczej. Garnki z gorącym olejem mogą się zapalić samoczynnie.
- Należy uważać na zasłony i inne elementy osłaniające okna, ponieważ olej może zapalić się samoczynnie podczas smażenia np. frytek.
- Filtr tłuszczu należy wymieniać co najmniej raz w miesiącu. Filtr węglowy należy wymieniać co najmniej raz na 3 miesiące.
- Produkt należy czyścić zgodnie z instrukcją obsługi. Czyszczenie w sposób niezgodny z instrukcją obsługi może prowadzić do ryzyka pożaru.
- Zabrania się stosowania materiałów filtracyjnych nieodpornych na ogień zamiast właściwych filtrów.
- Należy stosować wyłącznie oryginalne lub zalecane przez producenta części zamienne.
- Nie uruchamiać produktu bez zamontowanego filtra ani nie wyjmować filtrów z pracującego okapu.
- W razie pojawienia się płomieni odłączyć produkt oraz urządzenia kuchenne od zasilania.
- W razie pojawienia się płomieni przykryć płomień i w żadnym wypadku nie gasić go wodą.
- Przed każdym czyszczeniem urządzenia i gdy nie jest ono używane należy wyjąć wtyczkę z gniazdka ściennego.
- Podciśnienie w otoczeniu nie może przekraczać 4 Pa (4 × 10 barów) przy równoczesnym działaniu okapu nad elektryczną płytą grzewczą i urządzeń AGD zasilanych elektrycznie prądem o innych parametrach.
- Jeśli w pomieszczeniu, w którym działa okap, są wykorzystywane urządzenia zasilane olejem opałowym lub gazem, jak np. ogrzewacze pomieszczeń, to wylot spalin z takich urządzeń musi być całkowicie odizolowany lub takie urządzenia muszą być hermetyczne.

1 Ważne instrukcje dotyczące bezpieczeństwa i ochrony środowiska

- Jako przewody spalinowe należy stosować rury o średnicy 120 lub 150 mm. Rura łącząca musi być możliwie jak najkrótsza i mieć jak najmniej kolanek.

- **Niebezpieczeństwo zadławienia!** Wszystkie materiały opakowaniowe należy trzymać z dala od dzieci.

OSTRZEŻENIE: Jeśli jest to okap nad kuchnią, jego wystające części mogą się nagrzewać.

- Wylotu produktu nie wolno przyłączać do kanałów powietrznych, które odprowadzają inny dym.

- Wentylacja w pomieszczeniu może być niewystarczająca w przypadku równoczesnego korzystania z okapu nad elektryczną płytą grzewczą oraz urządzeń zasilanych gazem lub innymi paliwami (niniejsze ostrzeżenie może nie dotyczyć urządzeń, które odprowadzają powietrze z powrotem do pomieszczenia).

- Przedmioty znajdujące się na produkcie mogą spaść. Nie stawiać żadnych przedmiotów na

produkcie.

- Nie flambiować bezpośrednio nad urządzeniem.

OSTRZEŻENIE: Przed zamontowaniem okapu usunąć folię ochronną.

- Nie wolno pozostawiać otwartego ognia pod działającym okapem

- Frytkownice trzeba stale obserwować w trakcie użytkowania: przegrzany olej może zająć się płomieniem.

1.2 Zgodność z dyrektywą WEEE i pozbywanie się zużytych wyrobów:

Wyrób ten jest zgodny z dyrektywą Unii Europejskiej w sprawie zużytego sprzętu elektrycznego i elektronicznego (WEEE) (2012/19/UE). Wyrób opatrzony jest symbolem klasyfikacyjnym dla zużytego sprzętu elektrycznego i elektronicznego (WEEE).



Symbol ten oznacza, że produktu nie należy utylizować z innymi domowymi śmieciami po zakończeniu okresu użytkowania. Zużyte urządzenie należy oddać do oficjalnego punktu odbioru zajmującego się recyklingiem urządzeń elektrycznych i elektronicznych. Aby odnaleźć tego typu miejsce, należy skontaktować się z lokalnymi władzami lub sprzedawcą, u którego zakupiono produkt. Każde gospodarstwo domowe odgrywa ważną rolę w odzyskiwaniu i recyklingu starych urządzeń. Odpowiednia utylizacja zużytego urządzenia pomaga zapobiegać potencjalnie negatywnym konsekwencjom dla środowiska i zdrowia ludzi.

1.3 Zgodność z dyrektywą RoHS

Zakupiony wyrób jest zgodny z dyrektywą RoHS Unii Europejskiej (2011/65/UE). Nie zawiera szkodliwych ani zakazanych materiałów wyszczególnionych w tej Dyrektywie.

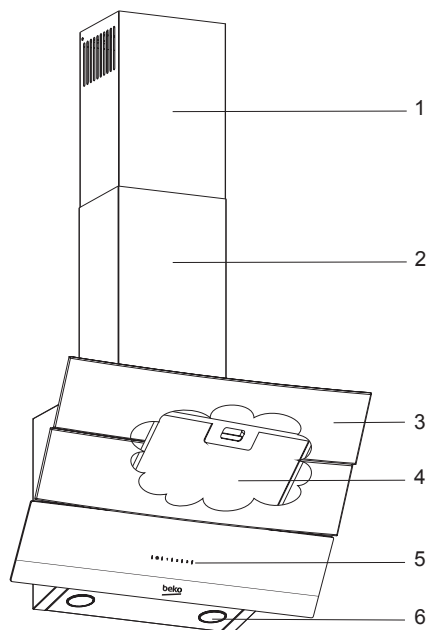
1.4 Informacje o opakowaniu



Materiały, w które opakowany jest produkt zostały wyprodukowane z surowców uzyskanych w procesie recyklingu zgodnie z krajowymi przepisami z zakresu ochrony środowiska. Nie należy utylizować materiałów opakowaniowych wraz z innymi odpadami domowymi. Należy oddać je w jednym z punktów zbiórki materiałów opakowaniowych wyznaczonych przez władze lokalne.

2 Ogólny wygląd

2.1 Omówienie

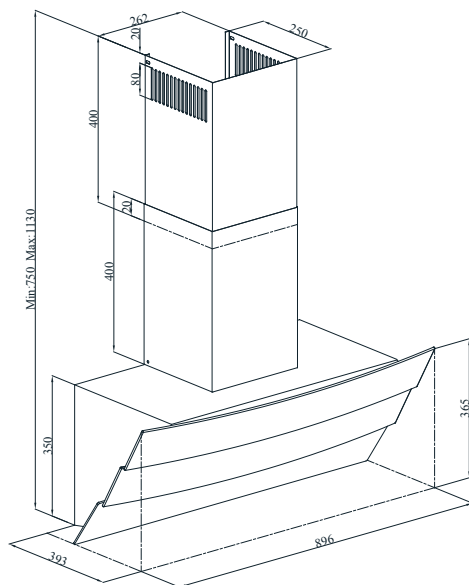


1. Wewnętrzny kanał spalinowy
2. Zewnętrzny przewód kominowy
3. Szklana pokrywa
4. Aluminiowe filtry oleju (za szklaną pokrywą)
5. Zespół sterujący
6. Lampa

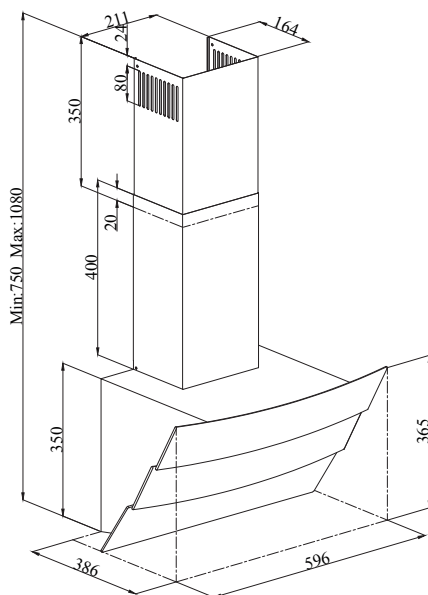
2 Ogólny wygląd

2.2 Dane techniczne

	HCA62640WH HCA62640BH	HCA62540B	HCA92640WH HCA92640BH	HCA92540B
Szerokość	596 mm		896 mm	
Głębokość	386 mm		393 mm	
Wysokość	750/1080 mm		750/1130 mm	
Napięcie zasilania	220-240V ~, 50 Hz			
Sterowanie	3-poziomowe			
Moc lampki	2x3 W			
Rura wylotu powietrza	120/150 mm			
Przepływ - 3. Poziom	537 m³/h	566 m³/h	577 m³/h	593 m³/h
Moc silnika	210 W			
Łączna moc	216 W			
Klasa izolacji silnika	Klasa F			
Klasa izolacji	Klasa I			




HCA92640WH
HCA92640BH
HCA92540B



HCA62640WH
HCA62640BH
HCA62540B

3 Działanie urządzenia

3.1 Sterowanie urządzeniem

	1	2	3
A	B	C	D
PRZYCISK	FUNKCJA		
A : Wyt./zał. oświetlenia	Za naciśnięciem tego przycisku oświetla się kuchenkę.		
B : 1. poziom	Za naciśnięciem tego przycisku uruchamia się okap z prędkością na poziomie 1. Po ponownym naciśnięciu tego przycisku, aby wyłączyć okap, wskaźnik poziomu prędkości zniknie z wyświetlacza.		
C : 2. poziom	Za naciśnięciem tego przycisku uruchamia się okap z prędkością na poziomie 2. Po ponownym naciśnięciu tego przycisku, aby wyłączyć okap, wskaźnik poziomu prędkości zniknie z wyświetlacza.		
D : 3. poziom	Za naciśnięciem tego przycisku uruchamia się okap z prędkością na poziomie 3. Po ponownym naciśnięciu tego przycisku, aby wyłączyć okap, wskaźnik poziomu prędkości zniknie z wyświetlacza.		

3.2 Wydajność pracy pod względem energooszczędności Wykorzystanie

- Podczas korzystania z okapu dostosuj ustawienia prędkości do intensywności oparów i zapachu, aby oszczędzać energię.
- Używaj niskich prędkości (1-2) w normalnych warunkach i wysokich prędkości (3) przy silnym zapachu i intensywnych oparach.
- Lampy w okapie są umieszczone w celu oświetlenia kuchenki.
- Wykorzystanie ich do oświetlenia otoczenia powoduje niepotrzebne wydatki na energię i zapewnia niewystarczające oświetlenie.

3.3 Instrukcje użytkowania

- Twoje urządzenie posiada silnik, który pracuje z różnymi prędkościami.

- Aby uzyskać lepszą wydajność, zalecamy stosowanie niskich prędkości w normalnych warunkach i dużych prędkości w przypadkach silnego zapachu i intensywnych oparów.
- Możesz uruchomić urządzenie, naciskając przycisk żądanego ustawienia prędkości. (B, C, D)
- Możesz podświetlić powierzchnię gotowania włączając lampę (A).

3.4 Auto-stop za 15 min.:

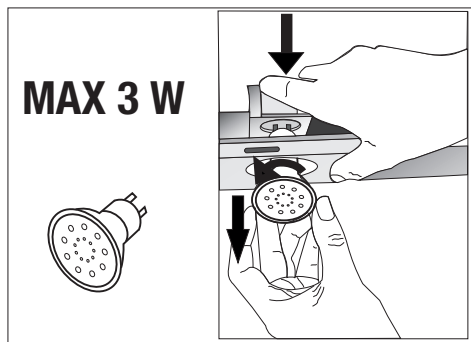
Urządzenie to wyposażone jest w funkcję Auto-Stop, która umożliwia mu wentylację pomieszczenia przez dodatkowy czas w celu usunięcia z kuchni nieprzyjemnego zapachu i oparów po ukończeniu gotowania. Urządzenie to zatrzyma się automatycznie po upływie określonego czasu. Aby załączyć funkcję Auto-stop, naciśnij jeden z klawiszy poziomu prędkości (B, C, D) i przytrzymaj ponad 2 sekundy. Uruchomi się 15-minutowy zegar. Jeśli naciśnię się ten sam przycisk poziomu prędkości przy załączonej funkcji Auto-stop, funkcja zostanie wyłączona, a urządzenie zatrzyma się. Jeśli wybierze się inny poziom prędkości, funkcja ta zostanie wyłączona. Jeśli chcesz, aby okap wyłączył się automatycznie, musisz ponownie załączyć funkcję Auto-stop.

Okresowe czyszczenie filtrów metalowych:

Filtry trzeba czyścić co ok. 60 godzin pracy, lub 4 tygodnie, w zależności od częstotliwości używania.

3 Działanie urządzenia

3.5 Wymiana lamp



Odłącz okap od zasilania elektrycznego. Okap wyposażony jest w lampy halogenowe 3 W. Aby wymienić lampę halogenową, uwolnij ją naciskając na tylną część oprawki. Następnie obróć zgodnie z ruchem zegara o 1/4 obrotu i wyjmij. Nowe lampy zakłada się wykonując te czynności w odwrotnej kolejności.

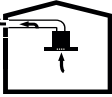


Lampy należy nabyć u Autoryzowanych Serwisowych Agentów.

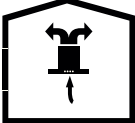
Żarówka	
Moc żarówki	3 W
Uchwyt/gniazdo	GZ 10
Napięcie żarówki	220 - 240 V
Wymiary	53 x 50 mm
Kod ILCOS	D R / F 3 - 2 2 0 - 2 4 0 - GZ10-50-53
Strumień świetlny	250 lm
Skorelowana temperatura barwowa	3000 K

Ten produkt zawiera źródło światła o klasie efektywności energetycznej "F".

3.6 Praca z odprowadzaniem spalin

-  Opary są odprowadzane przez kanał spalinowy, który jest przy mocowany do głowicy przyłączeniowej na okapie.
- Średnica kanału spalinowego musi być taka sama jak pierścienia przyłączeniowego. W ustawieniach poziomych rura musi mieć niewielkie nachylenie do góry (około 10°), aby powietrze mogło łatwo opuścić pomieszczenie.

3.7 Praca bez odprowadzania spalin

-  Powietrze jest filtrowane przez filtr węglowy i recykulowane w pomieszczeniu. Filtr węglowy stosuje się, gdy nie można skorzystać z przewodu kominowego w domu.
- W przypadku zastosowania bez odprowadzania spalin, usuń kłapy wewnątrz adaptera do przewodu kominowego.
- Wyjmij filtr olejowy. Aby zainstalować filtr węglowy, dopasuj filtr do wypustek, wyśrodkowując go na plastikowym elemencie po obu stronach korpusu wentylatora. Dokręć, obracając w prawo lub w lewo.
- Wymień aluminiowy filtr oleju.

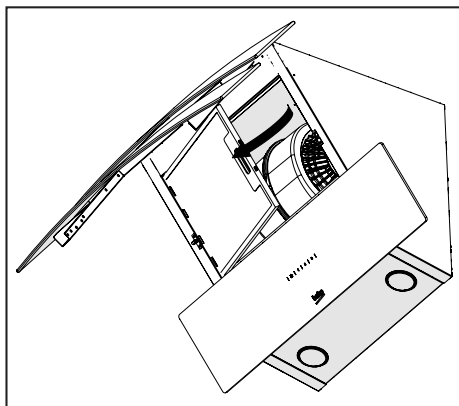
4 Czyszczenie i konserwacja



Przed czyszczeniem i konserwacją należy odłączyć produkt od zasilania lub wyłączyć przełącznik.

4.1 Czyszczenie aluminiowego filtra oleju

Ten filtr zatrzymuje cząsteczki oleju w powietrzu. Aluminiowe filtry oleju mogą zmieniać kolor podczas mycia; jest to normalne i nie wymaga wymiany aluminiowych filtrów oleju.



- Popchnij blokadę aluminiowego filtra oleju do przodu.
- Następnie pociągnij go lekko w dół i wyciągnij. W przeciwnym razie możesz wyjąć filtr. Aluminiowe filtry oleju umyj i wypłucz płynnym detergentem i włóż umieszczone je z powrotem na ich gniazdach, wykonując powyższe czynności w odwrotnej kolejności. Ten filtr zatrzymuje cząsteczki oleju w powietrzu.



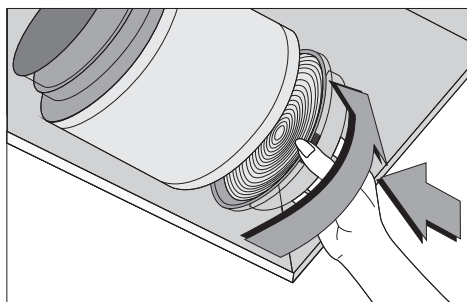
Możesz myć aluminiowe filtry oleju w zmywarce do naczyń.



UWAGA: W przypadku normalnego użytkowania wyczyść filtr raz na miesiąc.

4.2 Wymiana filtra węglowego

Filtry usuwające nieprzyjemny zapach zawierają węgiel drzewny (węgiel aktywny). W produkcie muszą być zainstalowane filtry tłuszczu, niezależnie od tego, czy są stosowane filtry węglowe.



- Wyjmij aluminiowy filtr oleju.
- Aby wyjąć filtr węglowy, wyjmij go z obudowy, obracając go w lewo z zaczepu.
- Zainstaluj nowy filtr węglowy.
- Zainstaluj aluminiowy filtr oleju.

UWAGA



- Nie wolno myć filtra węglowego.
- Wymieniaj filtry węglowe co 3 miesiące.
- Filtr węglowy można zakupić w autoryzowanych serwisach.

5 Instalacja urządzenia



OSTRZEŻENIE: Przed rozpoczęciem instalacji przeczytaj informacje dotyczące bezpieczeństwa w instrukcji obsługi.

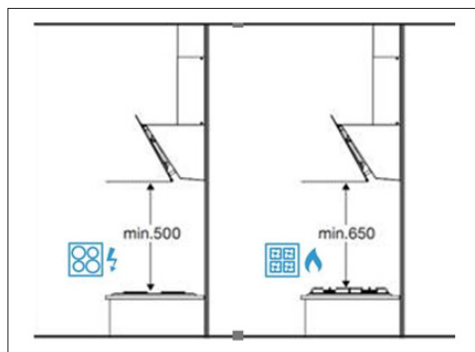


OSTRZEŻENIE: Niezainstalowanie za pomocą śrub i stabilizatorów zgodnie z niniejszą instrukcją może spowodować porażenie prądem.

Aby zainstalować okap, skontaktuj się z najbliższym autoryzowanym serwisem.

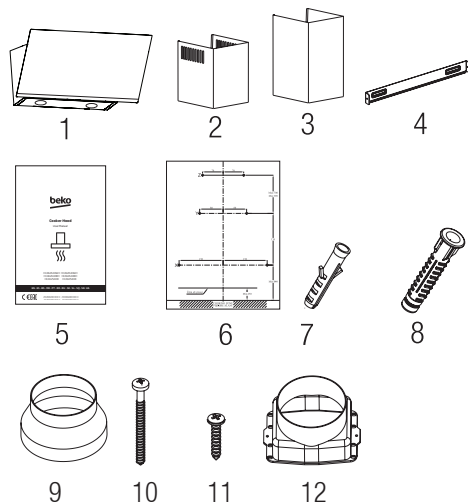
Obowiązkiem klienta jest przygotowanie lokalizacji i instalacji elektrycznej okapu.

5.1 Pozycja urządzenia



- We wszystkich typach okapów kuchennych odległość montażu nad płytą gazową i płytą elektryczną wynosi min. 650 mm. Tylko w przypadku **okapów kuchennych skośnych** odległość montażu nad **płytą elektryczną** wynosi min. 500 mm.
- W przypadku kucharek gazowych odległość należy zmierzyć od powierzchni rusztu, lub od szklanej powierzchni kucharek elektrycznych.

5.2 Akcesoria do montażu

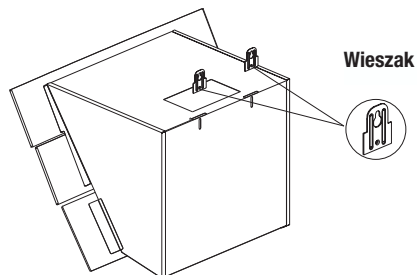


1. Produkt
 2. Wewnętrzny kanał spalinowy
 3. Zewnętrzny przewód kominowy
 4. Płyta przyłączeniowa przewodu kominowego
 5. Instrukcja obsługi
 6. Wzór montażu
 7. Plastikowe kołki $\varnothing 6\text{mm}$
 8. Plastikowe kołki $\varnothing 8\text{mm}$
 9. Plastikowy adapter do przewodu kominowego 120/150mm
 10. Vis cruciforme de 4,9x5
 11. Vis cruciforme de 3,9x22
 12. 1 x komin plastikowy $\varnothing 150\text{ mm}$
- Poniżej podano informacje potrzebne do przygotowania miejsca montażu okapu.

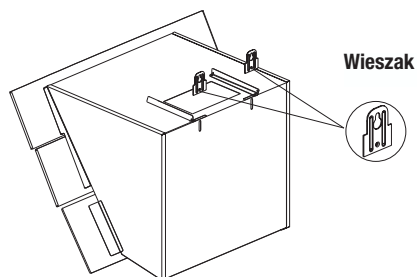
5 Instalacja urządzenia

5.3 Montaż okapu na ścianie

Aby zamontować okap na ścianie, poluzuj śruby w wieszakach na obudowie silnika i wyciągnij wieszaki. Następnie dokręć śruby w wieszakach. (Rysunek 1a).

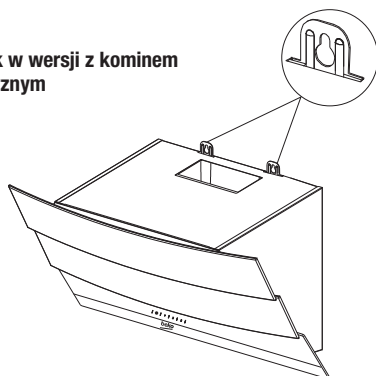


(Rysunek 1a-60)



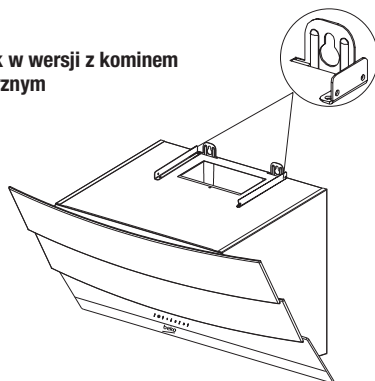
(Rysunek 1a-90)

Wieszak w wersji z kominem zewnętrznym



(Rysunek 1b-60)

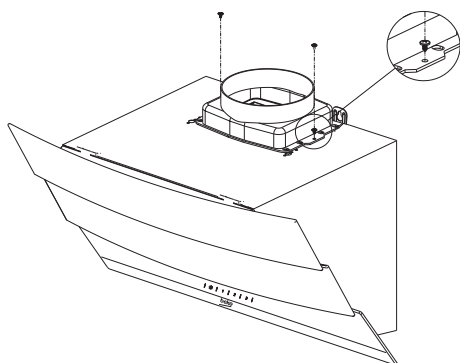
Wieszak w wersji z kominem zewnętrznym



(Rysunek 1b-90)

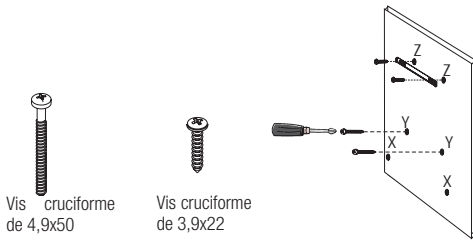
Zamocuj plastikowa złączkę przewodu kominia $\varnothing 150$ na szczycie korpusu wkrętami $3,5 \times 9,5$ dostarczonymi razem z akcesoriami do montażu. (Rysunek 2).

Jeśli stosujesz komin $\varnothing 120$, załóż nań złączkę rurową $\varnothing 120$ mm.



(Figure 2-60)

5 Instalacja urządzenia



(Rysunek 4)

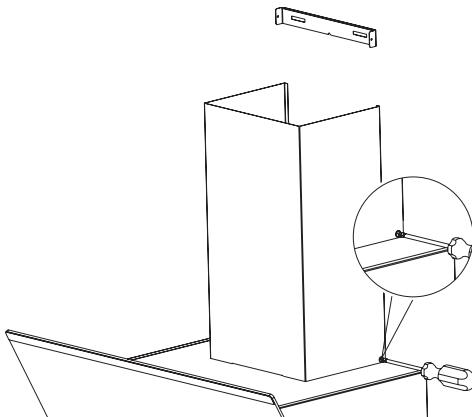
5.7 Wieszanie okapu na ścianie

- Zawieś okap na śrubach wkręconych w otwory Y.
- Otwórz boczne okienko wlotowe w okapie pociągając za nie ku sobie. Załóż śruby 4,9x50 w otwory umieszczone wewnątrz, aby zabezpieczyć okap.

5.8 Montaż komina okapu

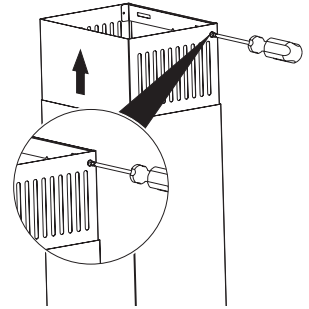
Przed montażem komina odłączyć okap od zasilania elektrycznego. Zamontuj blaszane części komina wokół korpusu.

Przykręć komin zewnętrzny do płytki złącza na obudowie silnika. (Rysunek 1b/5)



(Rysunek 5)

Założ i przykręć komin wewnętrzny zewnętrzną krawędzią do przytwierdzonej do ściany płytki złącza (Rysunek 6).



(Rysunek 6)

5.9 Wylot do przewodu kominowego:

Włóż dostarczoną wraz z okapem złączkę rurową do otworu wentylacyjnego w górnej części okapu. Zaopatrz się w rurę o średnicy 120/150 mm. Przyłącz jeden koniec rury do złączki, a drugi koniec do przewodu kominowego. Upewnij się, że oba te połączenia są wystarczająco trwałe, aby nie rozłączyły się, gdy okap działa z maksymalną prędkością. Sprawdź, że klapki wewnątrz komina działają, gdy zaciągnie się je klamerką. Osadź rurę wylotową na złączce. Jeśli założy się rurę wylotową wewnątrz złączki, powietrze nie będzie zasysane ponieważ zapobiegające cofaniu powietrza klapki pozostaną zamknięte. Nie zaleca się przyłączania wylotu okapu do przewodów kominowych połączonych z kuchenkami ani do szybów wylotowych. Nie należy przyłączać wylotu okapu do takich przewodów kominowych. Rura łącząca musi być możliwie najkrótsza i mieć niewiele kolanek.

A: Rura wylotowa

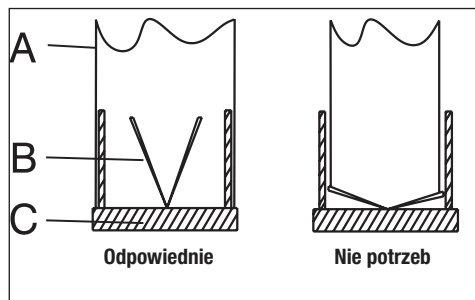
B: Klapki zapobiegające cofaniu powietrza

C: Plastikowy przewód kominowy

5 Instalacja urządzenia

5.10 System zapobiegania cofaniu powietrza (N-RV)

Gdy okap działa, klapy są zamknięte, aby zapobiec ewentualnemu przenikaniu do wewnątrz zapachów i kurzu z zewnątrz.



5.11 Przechowywanie

• Jeśli urządzenie nie będzie używane przez dłuższy czas, należy je starannie przechowywać.

- Przed podniesieniem urządzenia odłącz je od zasilania i pozwól całkowicie ostygnąć.
- Przechowuj urządzenie i jego akcesoria w ich oryginalnych opakowaniach.
- Urządzenie należy przechowywać w chłodnym, suchym miejscu.
- Urządzenie należy trzymać poza zasięgiem dzieci.

5.12 Przenoszenie i transport

- Urządzenie należy przenosić i transportować w oryginalnym opakowaniu. Zabezpiecza ono urządzenie przed fizycznymi uszkodzeniami.
- Nie wolno umieszczać ciężkich ładunków na urządzeniu lub opakowaniu. Może to spowodować uszkodzenie urządzenia.
- Upuszczenie urządzenia może spowodować jego awarię lub trwałe uszkodzenie.

6 Rozwiązywanie problemów

Rozwiązywanie problemów	Problem	Pomoc
Produkt nie działa.	Sprawdź bezpiecznik.	Bezpiecznik może być zablokowany, napraw to.
Produkt nie działa.	Sprawdź połączenie elektryczne.	Napięcie sieciowe powinno wynosić między 220-240 V.
Produkt nie działa.	Sprawdź połączenie elektryczne.	Sprawdź, czy inne przedmioty w Twojej kuchni działają, czy nie.
Oświetlenie nie działa.	Sprawdź połączenie elektryczne.	Napięcie sieciowe powinno wynosić między 220-240 V.
Oświetlenie nie działa.	Sprawdź włącznik oświetlenia.	Powinny się znajdować w pozycji „ON”
Oświetlenie nie działa.	Sprawdź lampy.	Lampy nie powinny być uszkodzone.
Pobór powietrza jest słaby.	Sprawdź filtr przeciw tłuszczowy.	Aluminiowy filtr przeciw tłuszczowy należy czyścić co najmniej raz w miesiącu przy normalnym użytkowaniu.
Pobór powietrza jest słaby.	Sprawdź kanał wentylacyjny.	Powinny się znajdować w pozycji „ON”
Pobór powietrza jest słaby.	Sprawdź filtr węglowy.	W przypadku produktów z filtrami węglowymi filtr należy wymieniać co 3 miesiące.

Drodzy Klienci,

Dziękujemy za zakup naszych produktów. Jesteśmy przekonani, że nasze urządzenia będą służyć przez lata. Każdy produkt firmy Beko jest objęty 2-letnim okresem gwarancji.

Warunki gwarancji Beko S.A- (małe urządzenia AGD)

BEKO spółka akcyjna z siedzibą w Warszawie (02-819), przy ulicy Puławskiej 366, wpisana do rejestru przedsiębiorców prowadzonego przez Sąd Rejonowy dla m.st. Warszawy w Warszawie, XIII Wydział Gospodarczy Krajowego Rejestru Sądowego, pod numerem: 0000078147 (dalej: „BEKO”) udziela gwarancji jakości (dalej: „Gwarancja”) na wprowadzone przez BEKO do obrotu na terenie Polski produkty marki BEKO (dalej: „Urządzenia”) osobom, które nabyły te produkty („Użytkownik”) na następujących warunkach:

I. ZAKRES OCHRONY.

BEKO gwarantuje, że Urządzenie zakupione przez Użytkownika jest wolne od wad produkcyjnych lub materiałowych, powstałych z przyczyn tkwiących w tym Urządzeniu (dalej: „Wada”), które ujawnią się w ciągu terminu określonego w części II. niniejszych Warunków Gwarancji (dalej: „Okres Gwarancyjny”).

W razie ujawnienia się Wady Produktu w trakcie Okresu Gwarancyjnego, zostanie ona usunięta na koszt BEKO w sposób uzależniony od właściwości wady, na zasadach i w zakresie określonym w niniejszych Warunkach Gwarancji.

BEKO zobowiązuje się do usunięcia Wady poprzez dokonanie nieodpłatnej naprawy lub wymiany Urządzenia, bądź też reklamacja zgłoszona na podstawie niniejszych Warunków Gwarancji zostanie rozpoznana w inny sposób uzgodniony przez BEKO i Użytkownika. Udzielona gwarancja jest ważna na terytorium Rzeczypospolitej Polskiej.

II. CZAS TRWANIA GWARANCJI.

Okres Gwarancyjny wynosi 24 miesiące licząc od daty zakupu Urządzenia przez pierwszego Użytkownika.

III. PROCEDURA ZGŁOSZENIA REKLAMACYJNEGO.

Wady Urządzenia ujawnione w Okresie Gwarancyjnym będą usuwane pod warunkiem przedstawienia przez Użytkownika dowodu zakupu tego Urządzenia zawierającego oznaczenia niezbędne do jego identyfikacji (model, datę zakupu).

Uprawnienia wynikające z niniejszych Warunków Gwarancji mogą być zrealizowane przez Użytkownika wyłącznie w Autoryzowanych Punktach Serwisowych BEKO (dalej: „Serwis”) po uprzednim dokonaniu zgłoszenia na Infolinii BEKO pod numerem telefonu: 222501414. Urządzenie powinno być odpowiednio zapakowane i zabezpieczone przez Użytkownika na czas transportu do punktu serwisowego Beko.

Wady Urządzenia będą usunięte w terminie 14 dni od daty zgłoszenia Wady na Infolinii BEKO.

Jeżeli część zamienna wymieniana w ramach uprawnień wynikających z niniejszych Warunków Gwarancji Urządzenia jest sprowadzana z zagranicy, termin naprawy, o którym

mowa w punkcie 5 powyżej, może ulec wydłużeniu jednak, nie więcej niż do 30 dni licząc odpowiednio od daty zgłoszenia Wady na Infolinii BEKO. Informacje o spodziewanych terminach napraw dostępne są na Infolinii BEKO pod numerem 222501414. Po usunięciu Wady, Urządzenie zostanie dostarczone Użytkownikowi na koszt BEKO.

IV. WYŁĄCZENIA.

Warunkiem skorzystania z niniejszych Warunków Gwarancji jest:

użytkowanie Urządzenia zgodnie z Instrukcją Obsługi dołączoną do tego Urządzenia i jego przeznaczeniem, jak również odpowiednie czyszczenie i konserwację Urządzenia; użytkowanie w warunkach indywidualnego gospodarstwa domowego. Urządzenie nie jest używane do celów prowadzenia działalności gospodarczej lub w zastosowaniach eksploatacji masowej, w szczególności w gastronomicznej działalności hoteli, restauracji i innych obiektów turystyczno-rekreacyjnych lub zbiorowego żywienia. stosowanie osprzętu zalecanego przez producenta; brak ingerencji w Urządzenie przez osoby do tego nieupoważnione; brak ingerencji w tabliczkę znamionową z numerem seryjnym Urządzenia. Udzielona przez Beko Gwarancja nie obejmuje:

wad powstałych z przyczyn innych niż tkwiące w Urządzeniu;

normalnego zużycia elementów eksploatacyjnych tj. akumulatory, baterie, noże, filtry, żarówki, szczotki, itp.;

czynności przewidzianych w Instrukcji Obsługi, do wykonania których zobowiązany jest Użytkownik Urządzenia we własnym zakresie i na swój koszt, w tym: instruktażu dotyczącego obsługi Urządzenia, instalacji oraz regulacji urządzenia.

usterek powstałych w wyniku nieprawidłowego lub niewłaściwego użytkowania, niedbalstwa, przypadkowego uszkodzenia Urządzenia, nieodpowiedniego napięcia prądu lub dokonania jakichkolwiek zmian, które mają wpływ na niewłaściwe działanie Urządzenia, i które naprawiane były przez osoby nieupoważnione, używania instalacji niezgodnych z odpowiednimi Polskimi Normami i innych niż wymienione w Instrukcji Obsługi Urządzenia; uszkodzeń mechanicznych, termicznych, chemicznych, korozji, innych uszkodzeń spowodowanych działaniem lub zaniedbaniem Użytkownika lub powstałych na skutek działania sił zewnętrznych (do których zalicza się w szczególności wyładowania atmosferyczne, skoki napięcia, wszystkiego rodzaju awarie domowej instalacji wodno-kanalizacyjnej, itp.), a także powstałych na skutek przedostania się zanieczyszczeń lub ciał obcych do Urządzenia, zakamienienia (proces odkamieniania musi być przeprowadzany zgodnie z instrukcją obsługi z użyciem odpowiednich środków czyszczących) elementów ze szkła, plastiku oraz porcelany; odbarwień Urządzenia lub poszczególnych jego części; usterek powstałych na skutek przechowywania i użytkowania Urządzenia w warunkach, które są niezgodne z normalnymi warunkami domowymi określonymi wymaganiami powszechnie obowiązujących przepisów prawa i odpowiednich Polskich Norm;

V. POZOSTAŁE POSTANOWIENIA.

Niniejsze warunki gwarancji mają zastosowanie do Urządzeń zakupionych od dnia 01.03.2019 r. Gwarant oświadcza, że niniejsza Gwarancja jest udzielana Użytkownikowi dodatkowo i nie wyłącza, nie ogranicza ani nie zawiesza uprawnień Użytkownika wynikających z przepisów o rękojmi za wady rzeczy sprzedanej na podstawie Kodeksu cywilnego.

Lees eerst deze gebruikershandleiding!

Zeer gewaardeerde klant,

Bedankt voor uw voorkeur voor dit Beko-toestel. Wij hopen dat u de beste resultaten haalt uit uw toestel dat met hoge kwaliteit en de modernste technologie is geproduceerd. Lees daarom deze gehele gebruikershandleiding en alle andere bijgeleverde documenten zorgvuldig door voordat u het apparaat gaat gebruiken en bewaar deze ter referentie in de toekomst. Als u het product aan iemand anders geeft, overhandig dan ook de gebruikershandleiding. Volg de instructies op door op alle informatie en waarschuwingen te letten in de gebruikershandleiding.

Vergeet niet dat deze gebruikershandleiding ook van toepassing kan zijn op andere modellen. Verschillen tussen de modellen worden expliciet beschreven in de handleiding.

Betekenis van de symbolen

De volgende symbolen worden gebruikt in de verschillende delen van deze handleiding:



Belangrijke informatie en nuttige tips over het gebruik.



WAARSCHUWING: Waarschuwingen voor levensgevaarlijke situaties en schade aan eigendommen.



WAARSCHUWING: Waarschuwing voor brandgevaar.



WAARSCHUWING: Gevaar voor elektrische schok.

1 Belangrijke veiligheids- en milieu-instructies

1.1 Algemene veiligheid

Belangrijke veiligheidsinstructies. Lees zorgvuldig en bewaar ter referentie in de toekomst Dit deel bevat veiligheidsinstructies die u beschermen tegen het risico op brand, elektrische schok, blootstelling aan lekkende magnetronstralen, persoonlijk letsel of materiële schade. Het niet opvolgen van deze instructies maakt elke garantie ongeldig.

- Beko-producten voldoen aan de van toepassing zijnde veiligheidsnormen; daarom moet in het geval van beschadiging aan het apparaat of het stroom snoer dit worden gerepareerd of vervangen door de dealer, het servicecentrum of een specialist en erkende service om elk gevaar te vermijden. Verkeerd of niet-gekwalificeerd reparatiewerk kan gevaarlijk zijn en een risico vormen voor de gebruiker.
- Dit apparaat is bedoeld voor huishoudelijk gebruik en vergelijkbare toepassingen zoals:
 - personeelskeukens in winkels, kantoren en andere werkomgevingen;
 - boerderijen;
 - bij klanten in hotels en andere types van overnachtingsomgevingen;
 - omgevingen van het type bed-and-breakfast.
- Gebruik dit apparaat uitsluitend voor het beoogde doel zoals beschreven in deze handleiding.
- De producent kan niet aansprakelijk worden gehouden voor schade die is ontstaan door ongeschikte installaties of onjuist gebruik van het product.
- Dit apparaat kan worden gebruikt door kinderen vanaf 8 jaar en personen met verminderde fysieke, zintuiglijke of mentale vermogens, of met een gebrek aan ervaring en kennis, als deze onder toezicht staan of instructies hebben gekregen betreffende het veilige gebruik van het apparaat en op de hoogte zijn van de betrokken gevaren.
- Laat kinderen niet met het apparaat spelen. Reiniging en gebruikersonderhoud dienen niet zonder toezicht door kinderen

1 Belangrijke veiligheids- en milieu-instructies

uitgevoerd te worden.

- De minimale afstand tussen het ondersteunende oppervlak voor het kookgerei op de kookplaat en het laagste gedeelte van uw product moet minstens 50 cm zijn.
 - Als de installatie-instructies voor het gasfornuis een grotere afstand aangeeft, dient hier rekening mee te worden gehouden.
 - Zorg ervoor dat uw netstroom overeenkomt met de informatie die staat op het typeplaatje van het apparaat.
 - Gebruik het apparaat nooit als de stroomkabel of het apparaat zelf beschadigd is.
 - Vermijd schade aan de stroomkabel door knijpen, buigen of wrijven langs scherpe randen. Houd de stroomkabel uit de buurt van hete oppervlakken en open vuur.
 - Gebruik het apparaat uitsluitend met een geaard stopcontact.
- WAARSCHUWING:** Sluit het apparaat niet op het stroomnetwerk aan totdat de installatie volledig is afgerond.
- Plaats het apparaat zodanig dat de stekker altijd toegankelijk is.
 - De verlichting na langdurige werking niet aanraken. De lampen zijn heet en kunnen uw handen verbranden.
 - Volg de voorschriften op die door de deskundige autoriteiten zijn bepaald wat betreft de luchtafvoer (deze waarschuwing is niet van toepassing bij gebruik zonder rookkanaal).
 - Zet het apparaat aan nadat er een pan op de kookplaat is gezet. Anders kan de hoge warmte in sommige delen van uw product vervorming veroorzaken.
 - Zet de kookplaat uit voordat u de pan van de kookplaat haalt.
 - Laat geen hete olie achter op de kookplaat. Pannen met hete olie kunnen in brand vliegen.
 - Let op uw gordijnen en andere afdekkingen, want olie kan bij de bereiding van bijvoorbeeld patat in brand vliegen.
 - Vetfilters moeten minstens eens per maand worden vervangen. Koolstoffilters moeten minstens eens per 3 maanden worden vervangen.

1 Belangrijke veiligheids- en milieu-instructies

- Het product moet worden gereinigd in overeenstemming met de gebruikershandleiding. Als bij reiniging de gebruikershandleiding niet wordt opgevolgd, kan er brandgevaar ontstaan.
 - Gebruik in plaats van het huidige filter geen filtermaterialen die niet vuurbestendig zijn.
 - Gebruik alleen de originele onderdelen of onderdelen aanbevolen door de fabrikant.
 - Gebruik het product niet zonder filter en verwijder de filters niet als het product in werking is.
 - In het geval er vlammen ontstaan, schakelt u uw apparaat en kooktoestellen uit.
 - Bedek de vlammen als deze ontstaan en blus ze nooit met water.
 - Trek de stekker van het apparaat uit het stopcontact vóór elke reiniging en wanneer het apparaat niet in gebruik is.
 - De negatieve druk in de ruimte mag niet hoger zijn dan 4 Pa (4 x 10 bar) als de afzuigkap voor de elektrische kookplaat en apparaten op een andere energiebron werken, maar de stroom tegelijkertijd in werking is.
 - In de ruimte waar het apparaat wordt gebruikt, moeten de uitlaten van apparaten die op olie of gas werken, zoals een kamerverwarming, volledig worden geïsoleerd of het apparaat moet van een hermetisch afgesloten type zijn.
 - Gebruik om het rookkanaal aan te sluiten pijpen met een diameter van 120 of 150 mm. De pijp aansluiting moet zo kort mogelijk zijn en zo min mogelijk ellebogen hebben.
 - Verstikkingsgevaar! Houd alle verpakkingsmaterialen uit de buurt van kinderen.
- LET OP:** Toegankelijke delen kunnen indien gebruikt met kookapparaten heet worden.
- De afvoer van het product mag niet worden aangesloten op luchtkanalen die een ander soort rook bevatten.
 - Er kan onvoldoende ventilatie in de ruimte zijn als de afzuigkap voor de elektrische kookplaat tegelijk wordt gebruikt met de toestellen die op gas of andere brandstoffen werken (dit is mo-

1 Belangrijke veiligheids- en milieu-instructies

gelijk niet van toepassing op apparaten die de lucht uitsluitend terug in de ruimte brengen).

- Op het product geplaatste voorwerpen kunnen vallen. Plaats geen voorwerpen op het product.
- Flambeer niet onder uw product.

WAARSCHUWING: Verwijder de beschermende folie voordat u de afzuigkap installeert.

- Zorg tijdens de werking dat er zich onder de afzuigkap nooit hoge vlammen bevinden.
- Frituurpannen moeten tijdens gebruik voortdurend onder toezicht staan: oververhitte olie kan in brand vliegen.

1.2 Naleving van de WEEE-norm en verwerking van afvalproducten:

Dit product voldoet aan de WEEE-norm van de EU (2012/19/EU). Dit product heeft een classificatiesymbool voor verwerking van elektrische en elektronische apparatuur (WEEE).



Dit symbool geeft aan dat dit product niet met ander huishoudelijk afval mag worden weggegooid aan het einde van zijn levensduur. Het gebruikte apparaat moet worden geretourneerd naar het

officiële inzamelpunt voor recycling van elektrische en elektronische apparaten. Om deze inzamelpunten te vinden kunt u contact opnemen met uw lokale autoriteiten of detailhandelaar waar het product werd verkocht. Ieder huishouden voert een belangrijke rol uit in terugwinnen en recycling van

oude apparatuur. Een juiste afvalbehandeling levert een bijdrage ter voorkoming van de negatieve gevolgen voor het milieu en de volksgezondheid.

1.3 Naleving van de RoHS-richtlijn

Het door u aangekochte product voldoet aan de EU RoHS-norm (2011/65/EU). Het bevat geen schadelijke en verboden materialen die in de norm zijn vermeld.

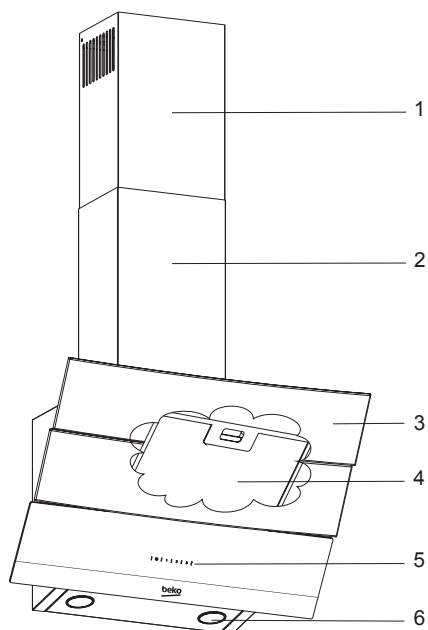
1.4 Verpakkingsinformatie



Verpakkingsmaterialen van het product zijn gemaakt uit recycleerbare materialen in overeenstemming met onze nationale milieuvorderingen. Gooi de verpakkingsmaterialen niet samen met het huishoudelijk afval of ander afval weg. Breng ze naar de inzamelpunten voor verpakkingsmaterialen aangewezen door de lokale instanties.

2 Algemeen uiterlijk

2.1 Overzicht

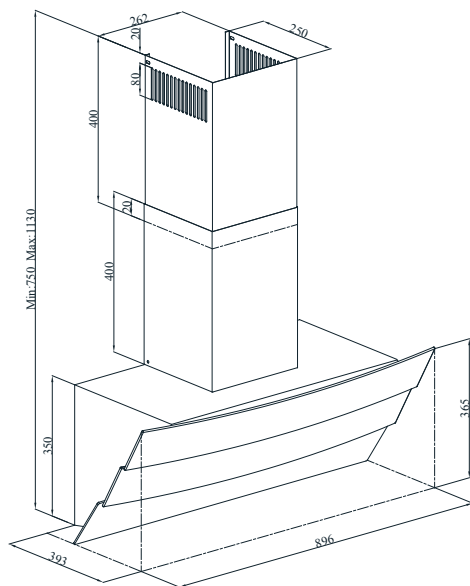


1. Binnenkanaal
2. Buitenste rookkanaal
3. Glazen deksel
4. Aluminium Oliefilters (achter glasafdekking)
5. Besturingsassemblage
6. Lamp

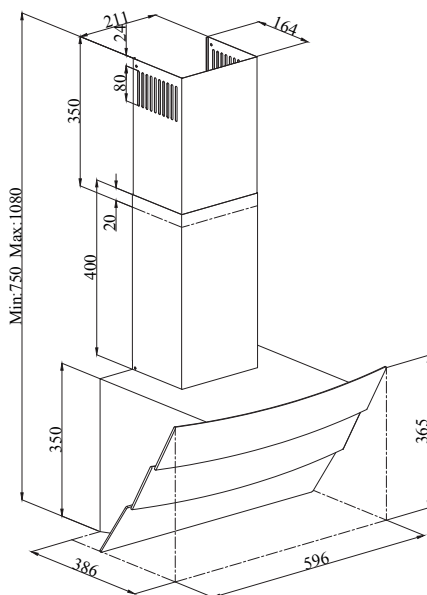
2 Algemeen uiterlijk

2.2 Technische gegevens

	HCA62640WH HCA62640BH	HCA62540B	HCA92640WH HCA92640BH	HCA92540B
Breedte	596 mm		896 mm	
Diepte	386 mm		393 mm	
Hoogte	750/1080 mm		750/1130 mm	
Stroomvoltagte	220-240V ~, 50 Hz			
Bediening	Met 3 standen			
Lampvermogen	2x3 W			
Luchtuitlaatpijp	120/150 mm			
Debiet – 3. Niveau	537 m³/h	566 m³/h	577 m³/h	593 m³/h
Motorvermogen	210 W			
Totaal vermogen	216 W			
Isolatieklasse van de motor	Klasse F			
Isolatieklasse	Klasse I			



HCA92640WH
HCA92640BH
HCA92540B



HCA62640WH
HCA62640BH
HCA62540B

3 Werking van het apparaat

3.1 Bediening van het toestel

	
Sleutel	Functie
A : Aan/uit-knop verlichting	U kunt de kookruimte verlichten door deze knop in te drukken.
B : Knop voor 1e stand	U kunt uw afzuigkap op stand 1 laten werken door op deze knop te drukken. Als u deze toets nogmaals indrukt om het apparaat uit te schakelen, verdwijnt de vermogensindicator op het display.
C : Knop voor 2e stand	U kunt uw afzuigkap op stand 2 laten werken door op deze knop te drukken. Als u deze toets nogmaals indrukt om het apparaat uit te schakelen, verdwijnt de vermogensindicator op het display.
D : Knop voor 3e stand	U kunt uw afzuigkap op stand 3 laten werken door op deze knop te drukken. Als u deze toets nogmaals indrukt om het apparaat uit te schakelen, verdwijnt de vermogensindicator op het display.

3.2 Energie-efficiënt gebruik

- Wanneer u uw apparaat gebruikt, moet u de snelheidsinstellingen aanpassen aan de intensiteit van de damp en de geur, om energie te besparen.
- Gebruik lage snelheden (1-2) onder normale omstandigheden, en hoge snelheden (3) voor intense geur en damp.
- De lampen op de afzuigkap zijn geplaatst voor het verlichten van de kookzone.
- Het gebruik ervan voor milieuverlichting moet leiden tot onnodige energie-uitgaven en onvoldoende verlichting.

3.3 De bediening van de afzuigkap

- Uw toestel bevat een motor met verschillende snelheden.

- Voor betere prestaties raden wij aan om lage snelheden te gebruiken onder normale omstandigheden en hoge snelheden in geval van sterke geuren en intense dampen.
- U kunt uw apparaat starten door op de gewenste snelheidsinsteltoets te drukken. (B, C, D).
- U kunt het kookgedeelte verlichten door op de lamp (A) te drukken.

3.4 Auto-stop binnen 15 min.:

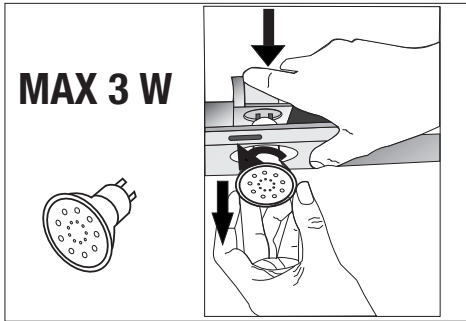
Dit apparaat is uitgerust met een auto-stopfunctie die het mogelijk maakt het apparaat de ruimte gedurende extra tijd te ventileren om ongewenste geuren en dampen in de ruimte na het koken te verwijderen. Het apparaat stopt automatisch na een bepaalde tijdsduur. Om de auto-stopfunctie te activeren, drukt u minstens 2 seconden op een van de vermogenstoetsen (B, C, D) op het bedieningspaneel. Er worden 15 minuten geactiveerd op een tijdsklok. Als u dezelfde vermogenstoets indrukt terwijl de auto-stopfunctie actief is, wordt de functie uitgeschakeld en stopt het apparaat. Als u een andere vermogenstoets selecteert, wordt deze functie uitgeschakeld. Als u uw apparaat automatisch wilt laten stoppen, moet u de auto-stopfunctie opnieuw activeren.

Periodieke reiniging van metalen filters:

Filters moeten afhankelijk van het gebruik na ongeveer iedere 60 werkingsuren of 4 weken worden gereinigd.

3 Werking van het apparaat


3.5 Vervanging van de lamp



Sluit de afzuigkap af van de stroomtoevoer. Dit apparaat is uitgerust met halogeenlampen van 3 W. Om de halogeenlampen te vervangen drukt u de lamp van het achtergedeelte van de lamphouder naar beneden om de lamp vrij te geven. Draai hem dan 1/4 draai tegen wijzerzin en verwijder hem. Voer bovenstaande stappen in omgekeerde volgorde uit om de nieuwe lampen te bevestigen.



U kunt lampen verkrijgen bij de erkende serviceagenten.

Lamp	
Lampvermogen (W)	3 W
Houder / Stopcontact	GZ 10
Lampspanning	220 - 240 V
Afmeting	53*50 mm
ILCOS Code	DR/F3-220-240-GZ10-50-53
Lichtstroom	250 lm
Georreleerde kleurtemperatuur	3000 K

Dit product bevat een lichtbron van energie efficiëntieklasse "F".

3.6 Bediening met schouwaansluiting

-  De damp wordt afgezogen via het rookkanaal, dat aan de aansluitkop op de kap wordt bevestigd.
- De diameter van het rookkanaal moet gelijk zijn aan de aansluitring. Bij een horizontale opstelling moet de buis een lichte opwaartse helling hebben (ongeveer 10°), zodat de lucht gemakkelijk de ruimte kan verlaten.

3.7 Bediening zonder schouwaansluiting

-  De lucht wordt door het koolstoffilter gefilterd en in de ruimte gerecirculeerd. Koolstoffilter wordt gebruikt wanneer het onmogelijk is om een rookgasafvoer in huis te gebruiken.
- Bij gebruik zonder afvoer verwijdert u de kleppen in de rookgasadapter.
- Het aluminium vetfilter verwijderen. Om het koolstoffilter te installeren, plaatst u het filter op de lipjes door het te centreren op het kunststofstuk aan beide zijden van het ventilatorhuis. draai het vast door naar rechts of naar links te draaien.
- Het aluminium vetfilter vervangen.

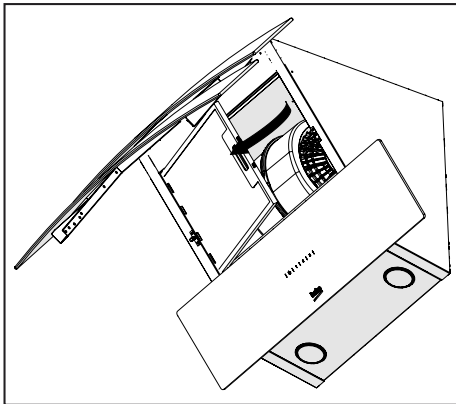
4 Reiniging en onderhoud



Trek de stekker uit het stopcontact of zet de schakelaar uit voordat u het product reinigt en onderhoud.

4.1 Reinigen van aluminium oliefilter

Dit filter houdt de oliedeeltjes in de lucht vast. Aluminium oliefilters kunnen van kleur veranderen als ze worden gewassen; dit is normaal en vereist geen vervanging van uw aluminium oliefilters.



- Duw het aluminium vetfilter naar voren.
- Trek het dan iets omlaag en verwijder het. Anders kun je het filter buigen. Was en spoel het aluminium vetfilter met vloeibaar reinigingsmiddel en vervang het aluminium vetfilter op hun zittingen door de bovenstaande stappen uit te voeren in omgekeerde volgorde. Dit aluminium vetfilter wordt gebruikt om de oliedeeltjes in de lucht vast te houden.



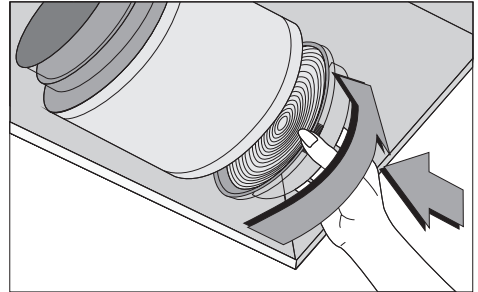
U mag het aluminium vetfilter ook wassen in de wasmachine.



OPGELET: Bij normaal gebruik dient u uw aluminium vetfilter één keer per maand te reinigen.

4.2 Vervanging van de koolstoffilters

Geurverwijderende filters bevatten houtskool (actieve kool). Vetfilters moeten in het product worden geïnstalleerd, ongeacht of er al dan niet koolstoffilters worden gebruikt.



- Verwijder het aluminium oliefilter.
- Om het koolstoffilter te verwijderen, verwijdert u het koolstoffilter uit de behuizing door het tegen de wijzers van de klok in te draaien op het tabblad.
- Installeer het nieuwe koolstoffilter.
- Installeer het aluminium oliefilter.

OPGELET



- Koolstoffilter mag nooit worden gewassen.
- Vervang de koolstoffilters eens in de 3 maanden.
- Het koolstoffilter is verkrijgbaar bij de geautoriseerde diensten.

5 Installatie van het apparaat



WAARSCHUWING: Lees de veiligheidsinformatie in de gebruikershandleiding voordat u met de installatie begint.

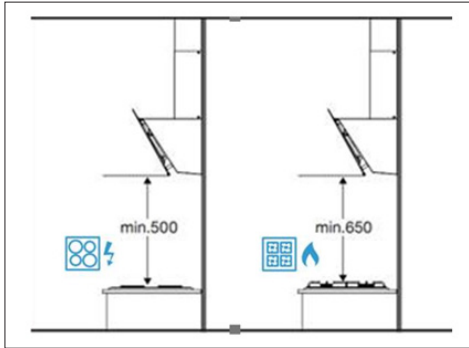


WAARSCHUWING: Het niet installeren met schroeven en stabilisatoren in overeenstemming met deze instructies kan leiden tot elektrische schokken.

Neem voor de installatie van de kap contact op met de dichtstbijzijnde geautoriseerde service.

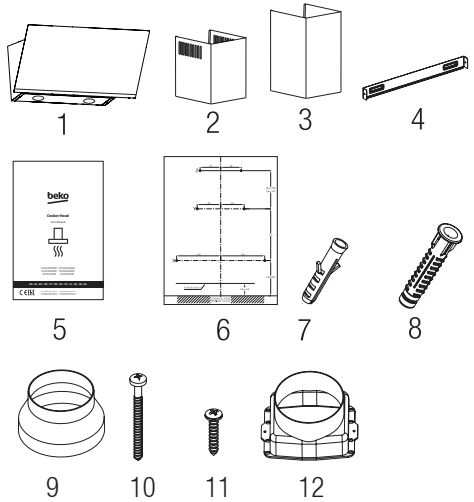
Het is de verantwoordelijkheid van de klant om de locatie en de elektrische installatie van de kap voor te bereiden.

5.1 Positie van het apparaat



- Voor alle soorten afzuigkappen moet de installatie-afstand op de gasbrander en de elektrische kookplaat ten minste 650 mm zijn. Alleen voor **hellende afzuigkappen** moet de installatie-afstand op de **elektrische kookplaat** 500 mm zijn.
- Bij gasfornuizen moet de afstand tot het oppervlak van het rooster worden gemeten, van het glazen oppervlak voor elektrische fornuizen.

5.2 Installatieaccessoires



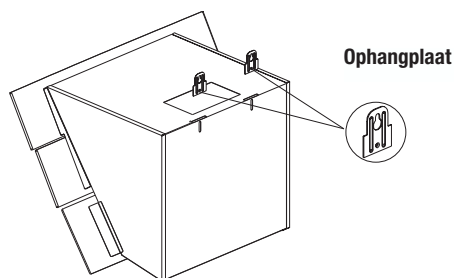
1. Product
2. Binnenkanaal
3. Buitenste rookkanaal
4. Schoorsteenaansluiting Plaatje
5. Gebruikershandleiding
6. Assemblage patroon
7. Ø6mm Plastic deugel
8. Ø8mm Plastic deugel
9. Ø120/150 mm kunststof aansluitstuk voor rookkanaal
10. 4,9x50 kruiskopschroef
11. 3,9 x 22 kruiskopschroef
12. 1.2 x Ø150 mm kunststof rookkanaal

De benodigde informatie voor de voorbereiding van de plaats van installatie voor uw afzuigkap vindt u hieronder.

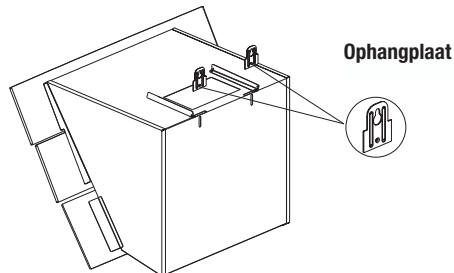
5 Installatie van het apparaat

5.3 Installatie van de afzuigkap tegen de wand

Om de afzuigkap tegen de wand te installeren, schroeft u de schroeven van de ophangplaten op de motorbehuizing los en trekt u de platen naar boven. Draai daarna de schroeven van de ophangplaten vast. (Afbeelding 1a).

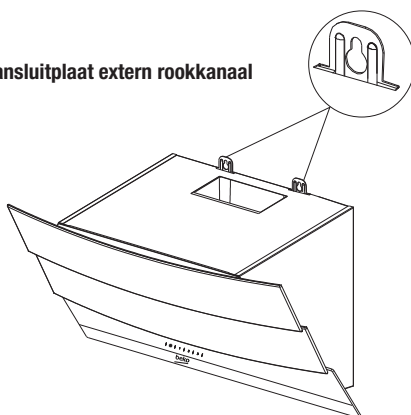


(Afbeelding 1a-60)



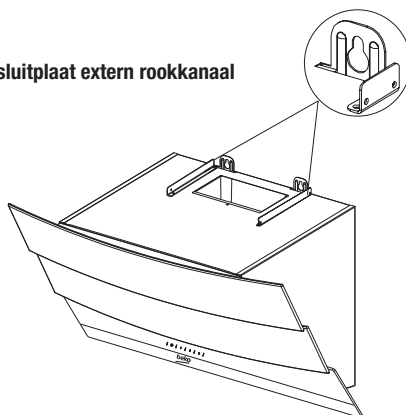
(Afbeelding 1a-90)

Aansluitplaat extern rookkanaal



(Afbeelding 1b-60)

Aansluitplaat extern rookkanaal

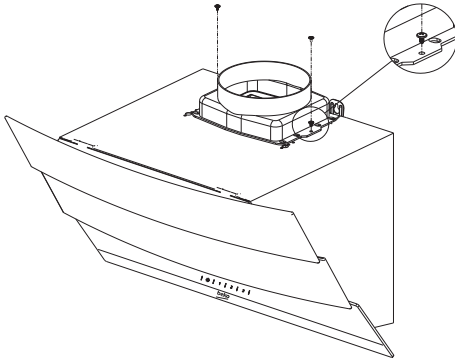


(Afbeelding 1b-90)

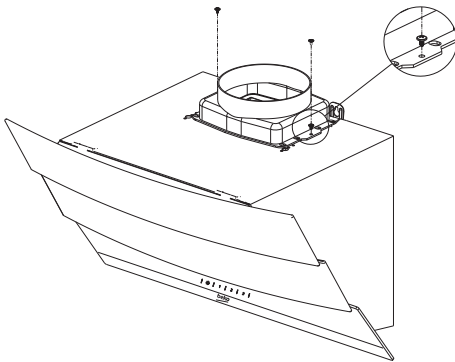
Bevestig het kunststof aansluitstuk voor rookkanaal met \varnothing 150 mm met meegeleverde schroef 3,5 x 9,5 op de bovenkant van de behuizing. (Afbeelding 2).

Als u een rookkanaal gebruikt met \varnothing 120 mm plaatst u het aansluitstuk met \varnothing 120 mm.

5 Installatie van het apparaat



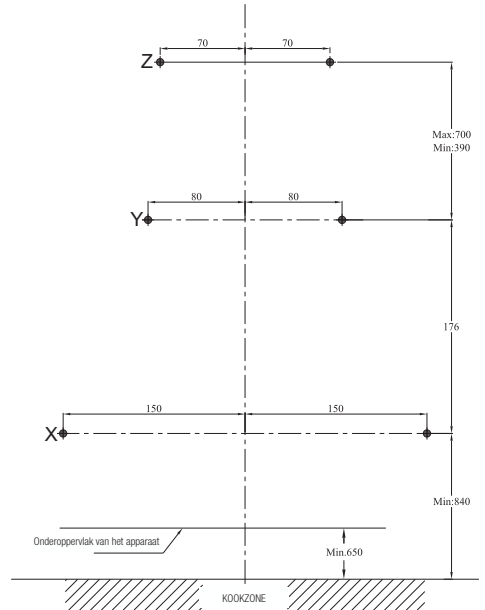
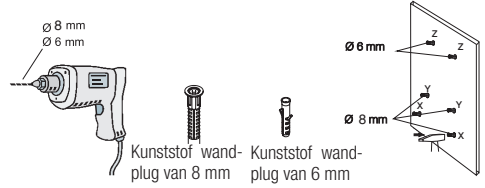
(Afbeelding 2-60)



(Afbeelding 2-90)

5.4 Boren van gaten voor ophanging

Plaats het installatiesjabloon op de plek van installatie van de afzuigkap. Boor de punten gemarkeerd met (X,Y) met gebruik van een $\varnothing 8$ mm boor en de punten gemarkeerd met (Z) met gebruik van een $\varnothing 6$ mm boor. (Afbeelding 3)



(Afbeelding 3)

5.5 De wandpluggen inslaan met hamer

Tik met een hamer de wandpluggen met $\varnothing 8$ mm (X,Y) in de geboorde gaten voor de ophangschroeven. Tik met een hamer 2 wandpluggen met $\varnothing 6$ mm (Z) in de geboorde gaten met $\varnothing 6$ mm voor de aansluitplaat van het externe rookkanaal. (Afbeelding 3)

5 Installatie van het apparaat

5.6 Plaatsen van de ophangschroeven

Draai de ophangschroeven van 4,9x50 in de wandpluggen met \varnothing 8 mm (Y) die u met een hamer in de wand heeft getikt. Er moet een afstand van 5 mm zijn tussen de schroefkop en de wand. Sluit de aansluitplaat voor het interne rookkanaal met de wandpluggen van 6 mm (Z) aan op de wand met schroeven van 3,9 x 22. (Afbeelding 4)



(Afbeelding 4)

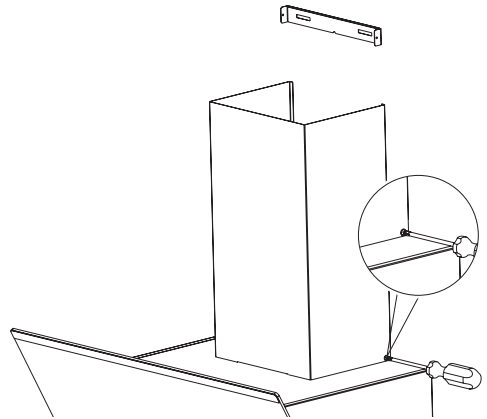
5.7 De afzuigkap ophangen aan de wand

- Hang de afzuigkap op aan de schroeven die u in de Y-gaten heeft geschroefd.
- Open het afzuigvenster aan de zijkant van de afzuigkap door dit naar u toe te trekken. Installeer de schroeven van 4,9x50 in de X-gaten die zich binnenin bevinden om het apparaat te vergrendelen.

5.8 Installatie van rookkanaal van de afzuigkap

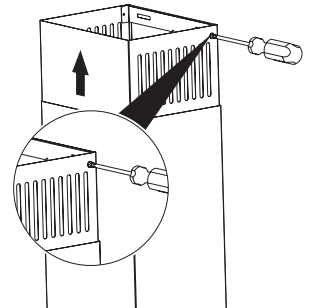
Sluit het product af van de stroom voordat gestart wordt met de installatie van het rookkanaal. Bevestig de bladmetalen rookkanaalonderdelen om de behuizing.

Schroef het externe rookkanaal op de aansluitplaten van het externe rookkanaal die zich op de motorbehuizing bevinden. (Afbeelding 1b/5)



(Afbeelding 5)

Trek het interne rookkanaal uit zijn buitenranden en schroef hem op de aansluitplaten van het rookkanaal dat op de wand is bevestigd (Afbeelding 6).



(Afbeelding 6)

5.9 Aansluiting op rookkanaal:

Plaats het aansluitstuk dat meegeleverd is met de afzuigkap in het ventilatiegat dat zich bovenaan de afzuigkap bevindt. Zorg voor een pijp met een diameter van 120/150 mm. Sluit een stuk van de pijp aan op het aansluitstuk en de andere kant op het rookkanaal. Zorg dat deze twee aansluitingen goed vast zitten zodat ze niet los kunnen komen als de afzuigkap op maximaal vermogen werkt. Controleer dat de flappen in het rookkanaal

5 Installatie van het apparaat

functioneren als u deze met de klem vastmaakt. Bevestig de aansluitpijp van het rookkanaal op het aansluitstuk. Als u de aansluitpijp van het rookkanaal in het aansluitstuk bevestigt, zal er geen luchtafzuiging plaatsvinden, omdat de flappen die de terugcirculerende lucht voorkomen gesloten blijven. Het wordt niet aangeraden aansluitingen te maken op rookkanalen die zijn aangesloten op kachels of uitlaatschachten. Sluit niet aan op dergelijke rookkanalen. De pijp aansluiting moet zo kort mogelijk zijn en zo min mogelijk ellebogen hebben.

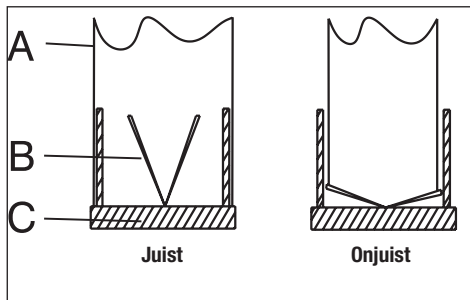
A: Uitlaatpijp rookkanaal

B: Flappen die terugcirculerende lucht voorkomen

C: Kunststof rookkanaal

5.10 Preventiesysteem terugcirculerende lucht (N-RV)

Als de afzuigkap in werking is, zijn de flappen gesloten om te voorkomen dat mogelijke geuren en stof van buiten de ruimte inkomen.



5.11 Opslag

- Als u van plan bent het apparaat gedurende een lange periode niet te gebruiken, ruim het dan zorgvuldig op.
- Zorg ervoor dat het apparaat los is van het stopcontact, volledig is afgekoeld en compleet droog is.
- Bewaar het apparaat op een koele en droge plaats.

- Bewaar het apparaat buiten het bereik van kinderen.

5.12 Hantering en transport

- Wanneer u het apparaat hanteert en verplaatst, moet u het in de originele verpakking dragen.
- De verpakking van het apparaat beschermt het tegen fysieke schade.
- Plaats geen zware lasten op het apparaat of op de verpakking. Het apparaat kan worden beschadigd.

6 Probleemoplossing

Probleemoplossing	Reden	Help
Het product werkt niet.	Controleer uw zekering.	Uw zekering is mogelijk afgesloten, schakel ze in.
Het product werkt niet.	Controleer de elektrische aansluiting.	De netspanning moet tussen 220-240 V bedragen.
Het product werkt niet.	Controleer de elektrische aansluiting.	Controleer of de andere producten in uw keuken werken.
De lamp werkt niet.	Controleer de elektrische aansluiting.	De netspanning moet tussen 220-240 V bedragen.
De lamp werkt niet.	Controleer de schakelaar van de lamp.	De lampschakelaar moet in de "Aan" positie staan.
De lamp werkt niet.	Controleer de lampen.	De lampen van het product mogen niet defect zijn.
De luchtinlaat van het product is slecht.	Controleer het aluminium filter.	Het aluminium oliefilter moet één maal per maand worden gewassen bij normaal gebruik.
De luchtinlaat van het product is slecht.	Controleer het luchtuitlaat rookkanaal.	Het luchtuitlaat rookkanaal moet in de "Aan" positie staan.
De luchtinlaat van het product is slecht.	Controleer het koolstoffilter.	Voor producten met koolstoffilters moet het filter normaal gezien elke drie maanden worden vervangen.

Slijtage door normaal gebruik

U heeft een Beko of Grundig Groot huishoudelijk product gekocht waarvan u bij goed gebruik vele jaren plezier kunt hebben. Goed gebruik betekent dat u de instructies in de gebruiksaanwijzing toepast, vooral die over de wijze van gebruik en onderhoud. Dit is erg belangrijk voor een goede werking van het product, ook op de lange termijn. Daarnaast moet u er rekening mee houden dat elk product slijtagegevoelige onderdelen bevat. Sommige onderdelen slijten pas nadat de normale levensduur van het product voorbij is. Andere onderdelen slijten eerder, al voordat de normale levensduur van het product voorbij is. Het is met die onderdelen net als met een auto: ruitenwissers en banden moeten vaak al na enkele jaren worden vervangen, terwijl de auto zelf nog heel veel jaren mee kan.

Bij elektrisch-huishoudelijke apparaten kan bijvoorbeeld worden gedacht aan de volgende slijtagegevoelige onderdelen:

- bewegende delen (zoals motor, scharnier, wieltjes)
- elektronica-modules (zoals printplaat, sensoren, verlichting)
- kunststof- en rubberen delen (zoals deurrubber, reservoirs, geleiders)
- afdichtingen (slangen)
- verwarmingselementen
- lagers

Dit soort onderdelen slijt vaak eerder dan u van het totale product verwacht. Die eerdere slijtage is normaal, net als bij auto-onderdelen. De kwaliteit van het product is daardoor niet minder. De kosten van vervanging of reparatie van die onderdelen zijn daarom voor rekening van u als gebruiker van het product. Afhankelijk van de omstandigheden kan er voor de verkoper altijd reden zijn om de kosten niet of slechts gedeeltelijk aan u in rekening te brengen. Als sprake is van abnormale slijtage bij normaal gebruik zijn de kosten sowieso voor rekening van de verkoper.

Houdt er rekening mee dat de levensduur van een product afhangt van hoe vaak u het gebruikt, hoe u het gebruikt en waar u het product gebruikt.

Nejprve si přečtěte tento návod k použití!





Vážený zákazníku,

Děkujeme, že jste si vybrali tento produkt značky Beko. Doufáme, že s tímto spotřebičem, který byl vyroben s využitím vysoce kvalitní a moderní technologie, dosáhnete těch nejlepších výsledků. Z tohoto důvodu si před použitím spotřebiče pečlivě přečtěte celý návod k použití a jakékoli doplňující dokumenty a uchovejte je pro budoucí použití. Pokud spotřebič předáte další osobě, rovněž jí předejte návod k použití. Dodržujte pokyny a věnujte pozornost všem informacím a varováním uvedeným v návodu k použití.

Nezapomeňte, že se tento návod může vztahovat i k několika jiným modelům. Rozdíly mezi modely jsou v návodu výslovně popsány.

Význam symbolů

V různých částech tohoto návodu k použití jsou použity následující symboly:

	Důležité informace a užitečné tipy k použití.
	VAROVÁNÍ: Upozornění na nebezpečné situace týkající se ohrožení života a majetku.
	Varování před nebezpečím požáru.
	Varování před úrazem elektrickým proudem.

1 Důležité pokyny z hlediska bezpečnosti a životního prostředí

1.1 Obecné bezpečnostní pokyny

Důležité bezpečnostní pokyny, přečtěte si je pozorně a uchovejte pro pozdější použití

Tento oddíl obsahuje bezpečnostní pokyny, které vám pomohou ochránit před vznikem požáru, zásahem elektrickým proudem, následky unikající mikrovlnné energie, zraněním osob nebo poškozením majetku. Nedodržení těchto pokynů zruší platnost záruky.

- Výrobky značky Beko splňují platné bezpečnostní normy; proto v případě jakéhokoli poškození spotřebiče nebo napájecího kabelu musí být provedena oprava nebo výměna prodejcem, servisním centrem nebo odborníkem z autorizovaného servisu, aby se předešlo nebezpečí. Chybná nebo neodborná oprava může být nebezpečná pro uživatele.
- Toto zařízení je určeno pouze pro domácí a podobné použití, například:
 - v prostorách kuchyňského personálu v obchodech,

kancelářích a dalších pracovních prostředích;

- na farmách;
- klienty v hotelech a dalších typech obytného prostředí;
- v prostředí typu Bed and Breakfast.
- Spotřebič používejte pouze k určenému účelu, jak je popsáno v tomto návodu.
- Výrobce nenes odpovědnost za žádné škody plynoucí z nesprávné instalace či nevhodného způsobu použití spotřebiče.
- Tento spotřebič mohou používat děti starší 8 let a osoby s omezenými tělesnými, smyslovými nebo mentálními schopnostmi anebo osoby bez příslušných znalostí a zkušeností, pokud jsou pod dozorem nebo byly poučeny o bezpečném užívání tohoto přístroje a chápou související nebezpečí.
- Děti si se spotřebičem nesmí hrát. Čištění a údržba nesmí být prováděny dětmi bez dohledu dospělé osoby.
- Minimální vzdálenost mezi nos-

1 Důležité pokyny z hlediska bezpečnosti a životního prostředí

nými plochami varných nádob na varné desce a nejnižší stranou výrobku musí být nejméně 50 cm.

- Pokud v návodu k instalaci plynové desky najdete větší vzdálenost, je nutno postupovat podle toho.
- Zkontrolujte, zda vaše napájení odpovídá informacím uvedeným na štítku spotřebiče.
- Nikdy nepoužívejte spotřebič, pokud je poškozen napájecí kabel nebo spotřebič.
- Předejděte poškození napájecího kabelu zabráněním jeho zmáčknutí, ohnutí nebo odírání o ostré hrany. Napájecí kabel udržujte mimo horké povrchy a otevřený oheň.
- Spotřebič zapojujte pouze do uzemněné zásuvky.
- **VAROVÁNÍ:** Nezapojujte spotřebič do sítě, dokud není instalace zcela dokončena.
- Spotřebič umístěte tak, aby byla zástrčka vždy přístupná.
- Nedotýkejte se žárovek, pokud jsou v provozu delší dobu. Mohou

spálit ruce, protože budou horké.

- Dodržujte předpisy stanovené příslušnými úřady o vypouštění odpadního vzduchu (toto upozornění se nevztahuje na použití bez kouřovodu).
- Spusťte spotřebič po umístění hrnce, pánve apod. na varnou desku. V opačném případě může vysoká teplota způsobit deformaci některých částí výrobku.
- Před sejmutím hrnce, pánve apod. vypněte varnou desku.
- Nenechávejte na varné desce horký olej. Nádobky s horkým olejem mohou způsobit samovznícení.
- Dávejte pozor na záclony a závěsy, protože olej se může při smažení některých potravin, jako jsou hranolky, vznítit.
- Tukový filtr musí být vyměněn nejméně jednou měsíčně. Uhlíkový filtr musí být vyměněn nejméně každé 3 měsíce.
- Spotřebič musí být čištěn v souladu s návodem k použití. Pokud čištění nebylo provedeno v souladu s návodem k použití, může

1 Důležité pokyny z hlediska bezpečnosti a životního prostředí

hrozit nebezpečí požáru.

- Namísto stávajícího filtru nepoužívejte filtrační materiály neodolné proti ohni.
- Používejte pouze originální části doporučené výrobcem.
- Neprovozujte spotřebič bez filtru a neodstraňujte filtry, když je spotřebič spuštěn.
- V případě, že dojde k zapálení plamene, vypněte napájení spotřebiče a vaříčů.
- V případě, že dojde k zapálení plamene, plamen zakryjte a nikdy k jeho hašení nepoužívejte vodu.
- Spotřebič odpojte před každým čištěním a v případě, že jej nepoužíváte.
- Podtlak v místnosti nesmí překročit 4 Pa (4 x 10 bar), zatímco digestoř pro elektrickou varnou desku a spotřebiče pracující na jiném typu energie, než je elektřina, pracují současně.
- V prostředí, kde je spotřebič používán, musí být odvětrávání zařízení běžících na topném oleji nebo plynu, jako je teplovzdušný ventilátor, naprosto izolováno

nebo zařízení musí být hermetického typu.

- Při připojování kouřovodu použijte trubky o průměru 120 nebo 150 mm. Připojení trubek musí být co nejkratší a mít co nejméně záhybů.

Riziko zadušení! Všechny obaly uchovejte mimo dosah dětí.

UPOZORNĚNÍ: Přístupné součástky se mohou zahřát při použití s vaříči.

- Vývod spotřebiče nesmí být připojen ke vzduchovodům, do kterých je vyveden jiný kouř.
- Ventilace v místnosti může být nedostatečná, pokud je digestoř pro elektrickou varnou desku používána současně se zařízeními na plyn nebo jiná paliva (to neplatí pro spotřebiče, které vypouštějí vzduch zpět do místnosti).
- Předměty umístěné na spotřebiči mohou spadnout. Na spotřebič neumísťujte žádné předměty.
- Pod spotřebičem nikdy neřezávejte.

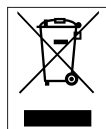
1 Důležité pokyny z hlediska bezpečnosti a životního prostředí

VAROVÁNÍ: Před instalací digestoře odstraňte ochranné fólie.

- Nikdy nenechávejte obnažený plamen pod digestoří, která je zapnutá.
- Pánve na smažení je nutno během používání stále sledovat: přehřátý olej může vzplanout.

1.2 Shoda se směrnicí OEEZ a likvidace výrobku:

Tento výrobek splňuje požadavky směrnice EU OEEZ (2012/19/EU). Tento výrobek je označen symbolem pro třídění elektrického a elektronického odpadu (OEEZ).



Tento symbol znamená, že příslušný výrobek na konci jeho životnosti nesmí být likvidován spolu s jiným domácím odpadem. Použité zařízení musíte odnést do oficiální sběrný pro recyklaci elektrických a elektronických zařízení. Obrat se na místní úřady nebo na prodejce, u kterého jste si zařízení zakoupili, a informujte se o umístění sběrných zařízení. Každá domácnost hraje důležitou roli ve sběru a recyklaci starých zařízení.

Správná likvidace starého zařízení pomáhá předejít možným negativním následkům pro životní prostředí a lidské zdraví.

1.3 Dodržování směrnice RoHS

Výrobek, který jste zakoupili, splňuje požadavky směrnice EU RoHS (2011/65/EU). Neobsahuje škodlivé ani zakázané materiály specifikované ve směrnici.

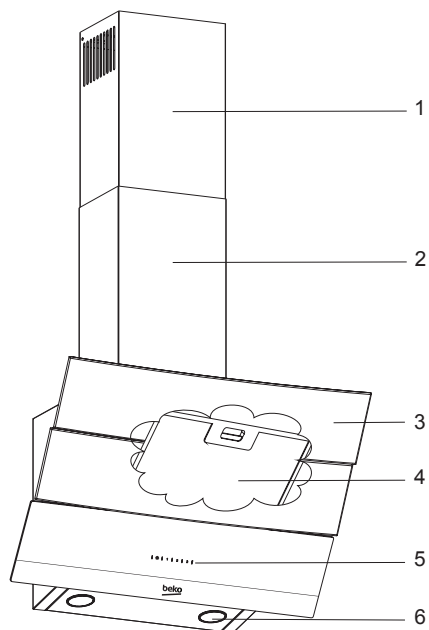
1.4 Informace o balení



Obalové materiály produktu jsou vyrobeny z recyklovatelných materiálů v souladu s naší národní legislativou na ochranu životního prostředí. Obalové materiály nelikvidujte společně s domácím nebo jiným druhem odpadu. Odveďte je na sběrné místo obalových materiálů určené místními úřady.

2 Celkový vzhled

2.1 Přehled

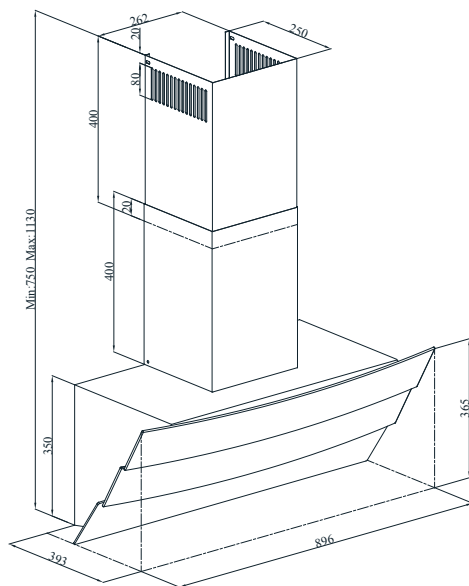


1. Vnitřní kouřovod
2. Vnější kouřovod
3. Skleněný kryt
4. Hliníkové olejové filtry (za skleněným krytem)
5. Ovládací panel
6. Osvětlení

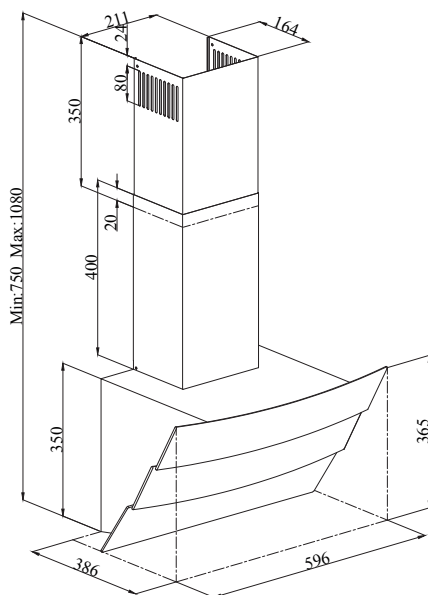
2 Celkový vzhled

2.2 Technické údaje

	HCA62640WH HCA62640BH	HCA62540B	HCA92640WH HCA92640BH	HCA92540B
Šířka	596 mm		896 mm	
Hloubka	386 mm		393 mm	
Výška	750/1080 mm		750/1130 mm	
Napájecí napětí	220-240V ~, 50 Hz			
Ovládání	Se 3 úrovněmi			
Výkon světla	2x3 W			
Odvodní trubice	120/150 mm			
Rychlost proudění – 3. úroveň	537 m ³ /h	566 m ³ /h	577 m ³ /h	593 m ³ /h
Výkon motoru	210 W			
Celkový výkon	216 W			
Třída izolace motoru	Třída F			
Třída izolace	Třída I			



HCA92640WH
HCA92640BH
HCA92540B



HCA62640WH
HCA62640BH
HCA62540B

3 Používání spotřebiče

3.1 Ovládání spotřebiče

✨ 1 2 3	
A B C D	
TLAČÍTKO	FUNKCE
A : Zapnutí / vypnutí světla	Varnou plochu můžete osvětlit tímto tlačítkem.
B : Tlačítko 1. úrovně	Digestoř můžete spustit na rychlost 1 stiskem tohoto tlačítka. Dalším stiskem tohoto tlačítka můžete digestoř vypnout, údaje o rychlosti na displeji se vypnou.
C : Tlačítko 2. úrovně	Digestoř můžete spustit na rychlost 2 stiskem tohoto tlačítka. Dalším stiskem tohoto tlačítka můžete digestoř vypnout, údaje o rychlosti na displeji se vypnou.
D : Tlačítko 3. úrovně	Digestoř můžete spustit na rychlost 3 stiskem tohoto tlačítka. Dalším stiskem tohoto tlačítka můžete digestoř vypnout, údaje o rychlosti na displeji se vypnou.

3.2 Energeticky účinný provoz z hlediska úspory Použití

- Při používání spotřebiče upravte nastavení rychlosti podle intenzity páry a zápachu, abyste ušetřili energii.
- Za normálních podmínek používejte nízké rychlosti (1–2) a vysokou rychlost (3) používejte pro intenzivní zápach a páry.
- Žárovky jsou na digestoři umístěny za účelem osvětlení oblasti vaření.
- Jejich používání na osvětlení většího prostoru povede ke zbytečné spotřebě energie a k nedostatečnému osvětlení.

3.3 Pokyny k použití

- Váš spotřebič má motor, který pracuje různými rychlostmi.
- Pro dosažení lepší výkonnosti doporučujeme za normálních podmínek používat nízké rychlosti

a vysoké rychlosti používat v případě silných zápachů a intenzivních par.

- Spotřebič můžete zapnout stisknutím tlačítka požadované rychlosti. (B, C, D)
- Oblast vaření osvětlíte stisknutím tlačítka osvětlení (A).

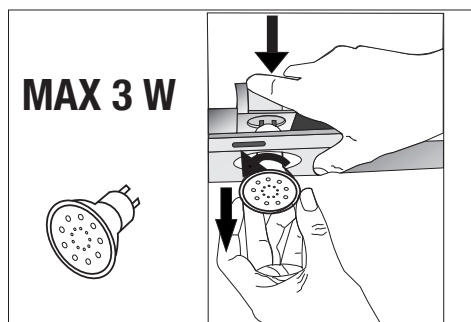
3.4 Automatické vypnutí za 15 min:

Tento spotřebič je vybaven funkcí automatického vypnutí, která umožní odvětrat místnost další dobu, abyste odstranili nepříjemný zápach a páru z místnosti po konci vaření. Spotřebič se automaticky zastaví po určité době. Chcete-li funkci automatického vypnutí vypnout, stiskněte libovolné tlačítko úrovně rychlosti (B, C, D) na ovladači déle než na 2 sekundy. Aktivuje se časovač na 15 minut. Pokud stisknete totéž tlačítko úrovně rychlosti, zatímco je zapnuta funkce automatického zastavení, funkce se vypne a spotřebič se zastaví. Zvolíte-li odlišnou úroveň rychlosti, tato funkce se vypne. Pokud chcete, aby se spotřebič automaticky vypnul, musíte funkci automatického zastavení znovu zapnout.

Pravidelné čištění kovových filtrů:

Filtry je nutno čistit přibližně každých 60 hodin provozu nebo každé 4 týdny podle četnosti používání.

3.5 Výměna žárovky



3 Používání spotřebiče

Odpojte napájení ze sítě. Spotřebič je vybaven halogenovými žárovkami 3 W. Chcete-li halogenovou žárovku vyměnit, stiskněte žárovku dolů ze zadní části držáku a uvolněte ji. Pak ji otočte proti směru hodinových ručiček o 1/4 otočky a vyjměte ji. Předchozí kroky proveďte v opačném pořadí při nasazování nových žárovek.

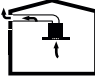


Žárovky získáte od autorizovaných servisů Beko.

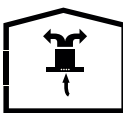
Žárovka	
Příkon žárovky	3 W
Držák/objímka	GZ 10
Napětí žárovky	220 - 240 V
Velikost	53 x 50 mm
Kód ILCOS	DR/F3-220-240-GZ10-50-53
Světelný tok	250 lm
Související teplota barvy	3000 K

Tento výrobek obsahuje světelný zdroj třídy energetické účinnosti "F".

3.6 Používání s připojením ke kouřovodu

-  Pára je odsávána potrubím kouřovodu, které je upevněno k připojovací hlavě na digestoři.
- Průměr potrubí kouřovodu musí být stejný jako u připojovacího prstence. Při vodorovném nastavení musí mít potrubí mírný sklon směrem nahoru (kolem 10°), aby mohl vzduch snadněji odcházet z místnosti.

3.7 Používání bez připojení ke kouřovodu

-  Vzduch se filtruje přes uhlíkový filtr a recirkuluje v místnosti. Uhlíkový filtr se používá, když není v domě možné použít kouřovod.
- Při použití bez kouřovodu vyjměte klapky uvnitř adaptéru kouřovodu.
- Vyjměte olejový filtr. Chcete-li nainstalovat uhlíkový filtr, nasadte filtr na příchytky vystředěním na plastový díl na obou stranách tělesa ventilátoru. Utáhněte jej otáčením doprava nebo doleva.
- Vyměňte hliníkový olejový filtr.

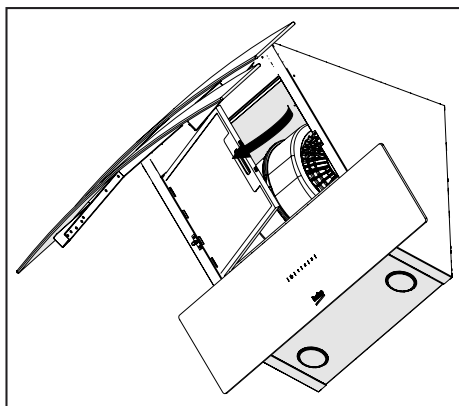
4 Čištění a údržba



Před čištěním a údržbou výrobek odpojte nebo vypněte spínačem.

4.1 Čištění hliníkových olejových filtrů

Tento filtr zadržuje částice oleje ve vzduchu. Hliníkové olejové filtry mohou při omývání změnit barvu. Je to normální a neznamená to potřebu výměny hliníkových olejových filtrů.



- Zatlačte zámek hliníkového olejového filtru dopředu.
- Potom jej lehce táhněte dolů a vytáhněte ven. Jinak se může filtr ohnout. Hliníkové olejové filtry omyjte a opláchněte tekutým čisticím prostředkem a vraťte je do jejich lůžek provedením výše uvedených kroků v opačném pořadí. Tyto hliníkové olejové filtry se používají k zadržení olejových částic ve vzduchu.



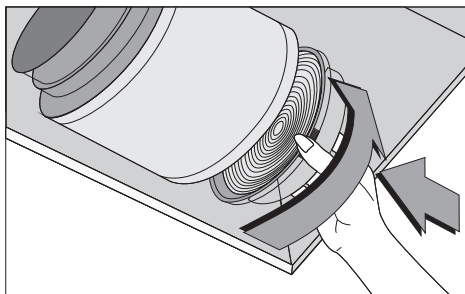
Hliníkové olejové filtry můžete také mýt v myčce.



UPOZORNĚNÍ: V případě běžného používání hliníkový olejový filtr vyčistěte jednou za měsíc.

4.2 Výměna uhlíkových filtrů

Filtry pro odstranění zápachu obsahují aktivní uhlí. Ve výrobku musí být nainstalovány tukové filtry, bez ohledu na to, zda jsou nebo nejsou používány uhlíkové filtry.



- Vyměňte hliníkový olejový filtr.
- Chcete-li vyjmout uhlíkový filtr, vyjměte uhlíkový filtr z jeho krytu otáčením proti směru hodinových ručiček od přichytky.
- Nainstalujte nový uhlíkový filtr.
- Nainstalujte hliníkový olejový filtr.

UPOZORNĚNÍ



- Uhlíkový filtr se nesmí nikdy mýt.
- Uhlíkové filtry vyměňte jednou za 3 měsíce.
- Uhlíkový filtr můžete získat v autorizovaných servisech.

5 Instalace spotřebiče



UPOZORNĚNÍ: Před zahájením instalace si přečtěte bezpečnostní informace v uživatelské příručce.

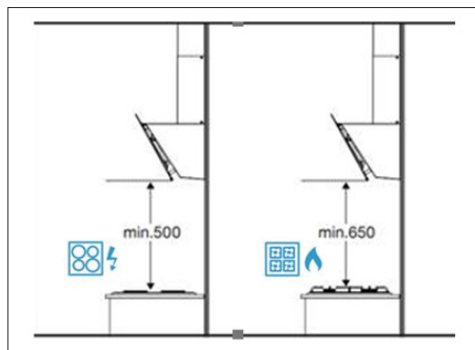


UPOZORNĚNÍ: Pokud nebudete šrouby a stabilizátory instalovat podle těchto pokynů, může dojít k úrazu elektrickým proudem.

Chcete-li si nechat digestoř nainstalovat, obraťte se na nejbližší autorizovaný servis.

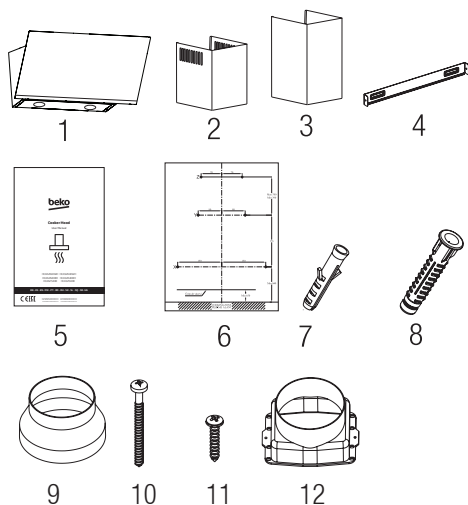
Za přípravu místa a elektrickou instalaci pro digestoř odpovídá zákazník.

5.1 Umístění spotřebiče



- U všech typů odsavačů par je instalační vzdálenost nad plynovou a elektrickou varnou deskou min. 650 mm. Jen u **šikmých odsavačů** par je instalační vzdálenost nad **elektrickou varnou** deskou min. 500 mm.
- U plynových sporáků se vzdálenost musí měřit od povrchu roštu, u elektrických sporáků od povrchu skla.

3.1 Postup instalace

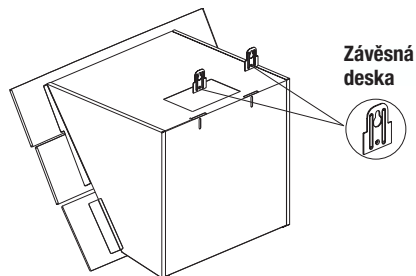


1. Výrobek
 2. Vnitřní kouřovod
 3. Vnější kouřovod
 4. Deska pro připojení kouřovodu
 5. Uživatelská příručka
 6. Instalační plánek
 7. Plastová hmoždinka Ø6 mm
 8. Plastová hmoždinka Ø8 mm
 9. Ø120/150 mm adaptér na plastový odvod
 10. 4,9x50 křížový šroub
 11. 3,9 x 22 křížový šroub
 12. 1 x Ø150 mm plastová trubice
- Informace nezbytné pro přípravu místa instalace digestoře jsou uvedeny níže.

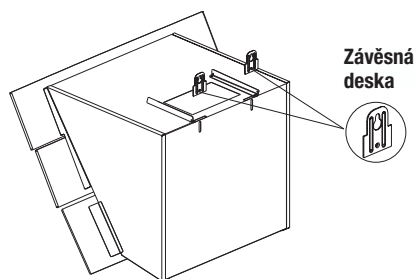
5 Instalace spotřebiče

5.3 Montáž digestoře na stěnu

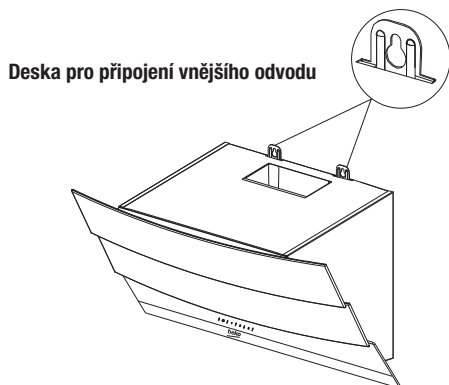
Chcete-li nainstalovat digestoř na stěnu, po-
volte šrouby závěsných desek na krytu motoru
a přitáhněte desky nahoru. Pak utáhněte šrouby
závěsných desek. (Obrázek 1a).



(Obrázek 1a-60)

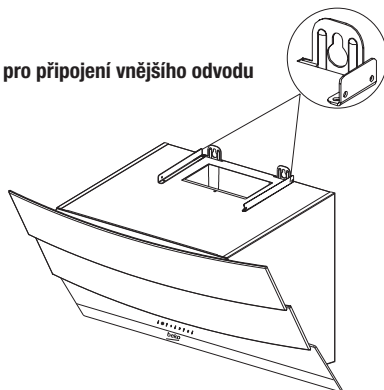


(Obrázek 1a-90)



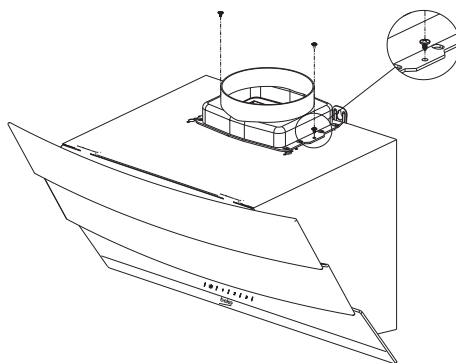
(Obrázek 1b-60)

Deska pro připojení vnějšího odvodu



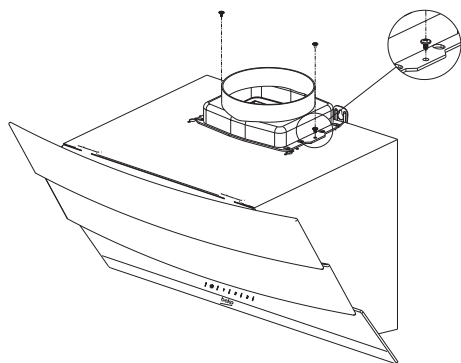
(Obrázek 1b-90)

Upevníte \varnothing 150 mm adaptér na plastový odvod na
horní stranu trupu pomocí šroubu 3,5x9,5, který
je přibaleno do příslušenství k montáži (Obrázek 2).
Pokud použijete \varnothing 120 mm odvodní trubici, nains-
talujte na ni adaptér \varnothing 120 mm.



(Obrázek 2-60)

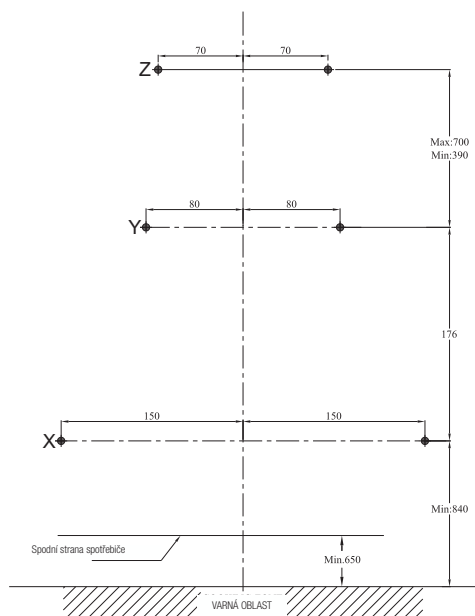
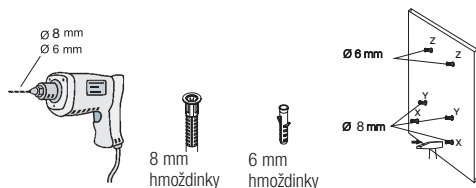
5 Instalace spotřebiče



(Obrázek 2-90)

5.4 Vrtání otvorů pro zavěšení

Upevněte šablonu pro montáž na místo pro instalaci digestoře. Vyrtejte body označené (X,Y) pomocí vrtáku o \varnothing 8 mm a body označené (Z) vrtákem o \varnothing 6 mm. (Obrázek 3)



(Obrázek 3)

5.5 Zatloukání hmoždinek

Zasuňte hmoždinky \varnothing 8 mm (X,Y) do otvorů vyvrtaných pro šrouby na zavěšení. Zasuňte hmoždinky 2 x \varnothing 6 mm (Z) do otvorů vyvrtaných vrtákem \varnothing 6 mm pro desku pro připojení vnějšího odvodu. (Obrázek 3)

5.6 Montáž šroubů pro zavěšení

Nainstalujte šrouby 4,9x50 do hmoždinek \varnothing 8 mm (Y), které jste zasunuli do otvoru ve stěně. Mezi hlavou šroubu a stěnou musí být mezera 5 mm. Připojte vnitřní desku pro připojení odvodu ke hmoždinkám 6 mm (Z) na stěně pomocí šroubů \varnothing 3,9x22. (Obrázek 4)

5 Instalace spotřebiče



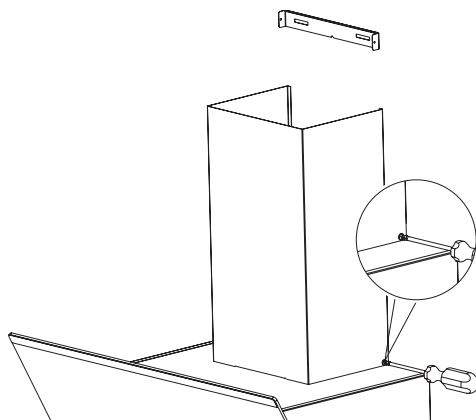
(Obrázek 4)

5.7 Montáž digestoře na stěnu

- Zavěste digestoř na šrouby, které jste umístili do otvorů Y.
- Otevřete boční sací kryt na digestoři tak, že jej stáhnete k sobě. Nainstalujte šrouby 4,9x50 do otvorů X umístěných uvnitř, abyste spotřebič zajistili.

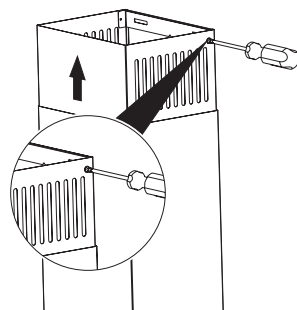
5.8 Montáž odvodu digestoře

Odpojte výrobek od napájení, než zahájíte instalaci odvodu. Upevněte kovové součásti odvodu kolem trupu výrobku. Našroubujte vnější odvod k deskám pro připojení vnějšího odvodu na krytu motoru. (Obrázek 1b/5)



(Obrázek 5)

Roztáhněte a našroubujte vnitřní odvod z vnějších okrajů k desce pro připojení odvodu, kterou jste upevnili na stěnu (Obrázek 6).



(Obrázek 6)

5.9 Připojení odvodu:

Umístěte dodaný adaptér společně s digestoři do otvoru pro ventilaci umístěného na horní straně digestoře. Připravte si trubku s průměrem 120/150 mm. Připojte jeden konec trubky k adaptéru a druhý k odvodu. Zkontrolujte, zda jsou obě připojení dokonale pevná, neschválně povolte, jakmile digestoř spustíte na max. rychlost. Zkontrolujte, zda jsou klapky v odvodu funkční, když je utáhnete svorkou. Umístěte připojení odvodní trubky na adaptér. Pokud upevníte trubku pro připojení odvodu k vnitřku adaptéru, k odsávání vzduchu nedojde, jelikož klapky, které brání zpětnému proudění vzduchu, zůstanou zavřené. Nedoporučujeme provádět připojení k odvodům připojeným ke sporákům nebo odpadním šachtám. Nepřipojujte spotřebič k těmto odvodům. Připojení trubek musí být co nejkratší a mít co nejméně záhybů.

A: Odvodní trubice

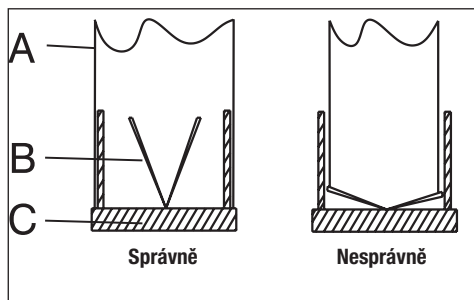
B: Klapky bránící zpětnému proudění

C: Plastový odvod

5.10 Systém prevence zpětného proudění (N-RV)

Když se digestoř používá, klapky jsou uzavřeny, aby zápach a prach nevnikaly do prostředí zvenčí.

5 Instalace spotřebiče



5.11 Skladování

- Pokud nechcete přístroj používat delší dobu, patrně ho uložte.

- Ujistěte se, že je trouba odpojena od elektrické sítě, vychlazená a zcela suchá.
- Spotřebič skladujte na chladném a suchém místě.
- Držte přístroj mimo dosah dětí.

5.12 Zacházení a přeprava

- Během manipulace a přepravy uchovávejte přístroj v původním obalu. Balení chrání spotřebič před fyzickým poškozením.
- Na zařízení ani na obal nepokládejte těžká břemena. Může dojít k poškození spotřebiče.
- Pád přístroje může způsobit jeho nefunkčnost nebo trvalé poškození.

6 Řešení problémů

Řešení problémů	Důvod	Pomoc
Produkt nefunguje.	Zkontrolujte pojistky.	Vaše pojistka může být vybitá, zprovozněte ji.
Produkt nefunguje.	Zkontrolujte elektrické připojení.	Síťové napětí má být mezi 220-240 V.
Produkt nefunguje.	Zkontrolujte elektrické připojení.	Zkontrolujte, zda fungují ostatní výrobky v kuchyni.
Lampa osvětlení nefunguje.	Zkontrolujte elektrické připojení.	Síťové napětí má být mezi 220-240 V.
Lampa osvětlení nefunguje.	Zkontrolujte spínač lampy.	Spínač lampy musí být v poloze "zapnuto".
Lampa osvětlení nefunguje.	Zkontrolujte lampu.	Lampy produktu nesmí být vadné.
Přívod vzduchu do výrobku je slabý.	Zkontrolujte hliníkový filtr.	Hliníkový filtr na olej za obvyklého používání je třeba vyčistit alespoň jednou za měsíc.
Přívod vzduchu do výrobku je slabý.	Zkontrolujte kryt vzduchovodu.	Vzduchovod musí být v poloze "zapnuto".
Přívod vzduchu do výrobku je slabý.	Zkontrolujte uhlíkový filtr.	U výrobků s uhlíkovými filtry filtr obvykle vyměňujte každé 3 měsíce.

Si prega di leggere questo manuale prima dell'uso!

Gentile e stimato Cliente,

grazie per aver scelto questo apparecchio Beko. Ci auguriamo che riesca ad ottenere i risultati migliori da questo prodotto, realizzato con tecnologia all'avanguardia e di alta qualità. Pertanto, prima di utilizzare il prodotto, La preghiamo di leggere con attenzione e per intero il presente manuale e ogni altro documento allegato, conservandoli come riferimento per impieghi futuri. Nel caso cedesse il prodotto ad altre persone, consegni loro anche queste istruzioni. Segua tutte le avvertenze e le informazioni riportate nel manuale utente.

Consideri che questo manuale utente può risultare valido anche per altri modelli. Il contenuto ne descrive chiaramente le eventuali differenze.

Significato dei simboli

I seguenti simboli sono utilizzati in diverse sezioni del presente manuale utente:



Informazioni importanti e suggerimenti utili sull'utilizzo.



AVVERTENZA: Avvisi in merito a situazioni pericolose per la sicurezza di persone e cose.



Avvertenza per pericolo di incendio



Avvertenza per shock elettrico.

1 Istruzioni importanti per la sicurezza e l'ambiente

1.1 Sicurezza generale

Istruzioni importanti per la sicurezza. Leggere con attenzione e conservare per riferimenti futuri. Questa sezione contiene istruzioni di sicurezza che consentono di prevenire il pericolo di incendio, scossa elettrica, esposizione all'energia delle microonde, di lesioni personali o di danni materiali. L'inosservanza di queste istruzioni invalida la garanzia accordata.

- I prodotti Beko sono conformi agli standard di sicurezza applicabili; pertanto, in caso di danni all'apparecchio o al cavo di alimentazione, esso deve essere riparato o sostituito dal rivenditore, da un centro assistenza o da un centro specializzato e autorizzato per evitare danni. Lavori di riparazione errati o non autorizzati possono provocare danni e rischi per l'utente.
- Questo apparecchio è concepito per l'uso domestico e impieghi affini, come:
 - Aree ristoro per il personale in negozi, uffici ed altri ambienti di lavoro;
 - Agriturismi
 - Clienti di hotel e altri contesti di tipo residenziale;
 - Strutture tipo bed & breakfast.
- Utilizzare l'apparecchio per l'uso previsto, solo secondo quanto descritto in questo manuale.
- Il produttore non è da ritenersi responsabile di danni risultanti da un'installazione o un utilizzo non adeguati.
- Questo apparecchio può essere usato da bambini di età superiore agli 8 anni e da persone con ridotte capacità fisiche, sensoriali o mentali o prive dell'esperienza e delle conoscenze necessarie solo sotto supervisione o con l'ausilio delle istruzioni riguardanti l'uso dell'apparecchio in modo sicuro e con la comprensione dei rischi che ne derivano.
- I bambini non devono giocare con il dispositivo. Le operazioni di pulizia e manutenzione non devono essere eseguite da bambini in assenza di supervisione.
- La distanza minima tra la superficie di supporto per i contenitori per la cottura sul piano cottura

1 Istruzioni importanti per la sicurezza e l'ambiente

e la parte inferiore dell'apparecchio deve essere di almeno 50 cm.

- Se le istruzioni per l'installazione del fornello a gas specificano una distanza maggiore, si deve considerare questa misura.
 - Assicurarsi che l'alimentazione elettrica sia conforme alle informazioni fornite sulla targhetta di classificazione dell'apparecchio.
 - L'apparecchio non deve essere usato se questo o il cavo di alimentazione sono danneggiati.
 - Per evitare danni al cavo di alimentazione, evitare di schiacciarlo, piegarlo o strofinarlo su bordi taglienti.
 - Tenere il cavo di alimentazione lontano da superfici calde e fiamme libere.
 - Usare l'apparecchio solo con una presa con messa a terra.
- AVVERTENZA:** Non collegare l'apparecchio alla rete fino al completamento dell'installazione.
- Posizionare l'apparecchio in modo tale che la spina sia sempre accessibile.
 - Non toccare le lampadine se
- sono rimaste in funzione a lungo. Sono molto calde e possono causare ustioni alle mani.
- Seguire le regole stabilite dalle autorità competenti per lo scarico dell'aria di sfato (questa avvertenza non è applicabile per l'utilizzo senza tubo).
 - Mettere in funzione l'apparecchio prima di posizionare una pentola, una padella, ecc. sul piano di cottura. In caso contrario, il calore elevato potrebbe causare deformazioni ad alcune parti dell'apparecchio.
 - Spegnerne il piano cottura prima di rimuovere la pentola, la padella, ecc.
 - Non lasciare olio caldo sul piano cottura. Le padelle con olio caldo possono causare autocombustione.
 - Fare attenzione a tende e coperte: l'olio può prendere fuoco quando si cucinano alimenti come le patate fritte.
 - Il filtro antigrasso deve essere sostituito almeno una volta al mese. Il filtro a carbonio deve essere sostituito almeno una volta

1 Istruzioni importanti per la sicurezza e l'ambiente

ogni 3 mesi.

- L'apparecchio deve essere pulito secondo quanto indicato nel manuale utente. Nel caso in cui la pulizia non venga effettuata rispettando tali indicazioni si rischiano incendi.
 - Non utilizzare materiali di filtraggio non antincendio al posto dell'attuale filtro.
 - Usare solo parti originali o quelle consigliate dal produttore.
 - Non mettere in funzione l'apparecchio senza filtro e non rimuovere i filtri durante il funzionamento dell'apparecchio.
 - Nel caso in cui si sprigionino fiamme, interrompere l'alimentazione all'apparecchio e alle apparecchiature per la cottura.
 - Nel caso in cui si sprigionino fiamme, coprire la fiamma e non utilizzare mai acqua per spegnerla.
 - Scollegare l'apparecchio prima di ogni pulizia e quando non è in uso.
 - La pressione negativa nell'ambiente non dovrebbe essere superiore a Pa (4 x 10 bar) quando la cappa per il piano di cottura elettrico e le apparecchiature che funzionano con un tipo di energia diverso dall'elettricità sono in funzione simultaneamente.
 - Nell'ambiente in cui viene utilizzato l'apparecchio, lo scarico dei dispositivi che funzionano a gasolio o gas, come una stufetta, deve essere assolutamente isolato oppure il dispositivo deve essere di tipo ermetico.
 - Per il collegamento del tubo utilizzare elementi con un diametro di 120 o 150 mm. Il collegamento del tubo deve essere quanto più corto possibile e avere meno gomiti possibile.
 - Pericolo di soffocamento! Tenere tutti i materiali di imballaggio lontani dalla portata dei bambini.
- ATTENZIONE:** Le parti accessibili potrebbero diventare molto calde se utilizzate con apparecchiature di cottura.
- Lo sfiato dell'apparecchio non deve essere collegato a canali per l'aria in cui siano presenti altri fumi.
 - La ventilazione nella stanza po-

1 Istruzioni importanti per la sicurezza e l'ambiente

trebbe risultare insufficiente quando la cappa del piano di cottura è utilizzata in contemporanea con i dispositivo funzionanti a gas o altri combustibili (ciò potrebbe non essere applicabile per apparecchi che si limitano a scaricare nuovamente l'aria nella stanza).

- Gli oggetti posizionati sull'apparecchio potrebbero cadere. Non posizionare oggetti sull'apparecchio.
- Non cucinare al flambé sotto l'apparecchio.

AVVERTENZA: Prima di installare la cappa rimuovere le pellicole protettive.

- Non lasciare mai la fiamma nuda alta sotto la cappa quando questa è in funzione.
- Le friggitorici devono essere monitorate costantemente durante l'uso: l'olio surriscaldato può innescare fiamme.

1.2 Conformità alla direttiva RAEE e smaltimento rifiuti:

Questo prodotto è conforme alla direttiva UE RAEE (2012/19/EU). Questo prodotto porta un simbolo di classificazione per la strumentazione elettrica ed elettronica di scarto (WEEE).



Questo simbolo indica che il prodotto non deve essere smaltito con altri rifiuti domestici al termine della sua vita utile. Il dispositivo usato deve essere riportato al punto di raccolta ufficiale per il riciclaggio dei dispositivi elettrici ed elettronici. Per individuare questi punti di raccolta, contattare le proprie autorità locali oppure il rivenditore presso cui è stato acquistato il prodotto. Ciascuna famiglia riveste un ruolo importante nel recupero e riciclaggio di vecchi apparecchi.

Lo smaltimento appropriato degli apparecchi usati aiuta a prevenire potenziali conseguenze negative per l'ambiente e la salute umana.

1.3 Conformità alla direttiva RoHS

Il prodotto acquistato è conforme alla direttiva UE RoHS (2011/65/UE). Non contiene materiali dannosi e vietati specificati nella Direttiva.

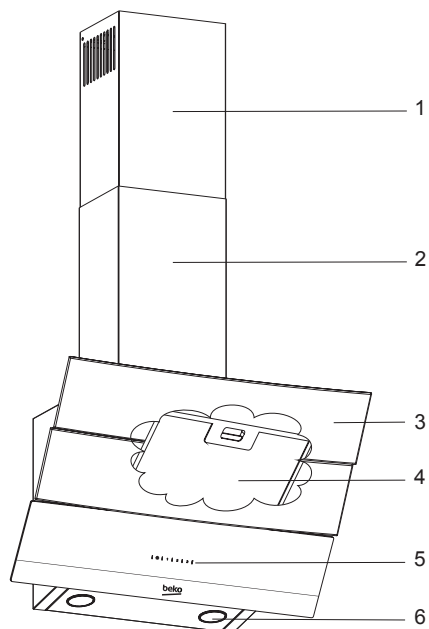
1.4 Informazioni sull'imballaggio



I materiali di imballaggio del prodotto sono realizzati impiegando materiali riciclabili in conformità con le nostre Norme nazionali in materia di ambiente.

Non smaltire i materiali dell'imballaggio con i rifiuti domestici o altri rifiuti. Portarli presso i punti di raccolta per materiali di imballaggio indicati dalle autorità locali.

2 Specifiche tecniche dell'apparecchio

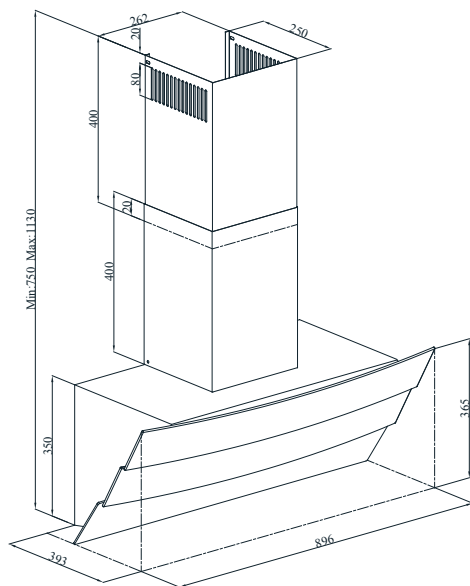


1. Camino interno
2. Camino esterno
3. Copertura di vetro
4. Filtro antigrasso (dietro il coperchio in vetro)
5. Pannello di controllo
6. Luci

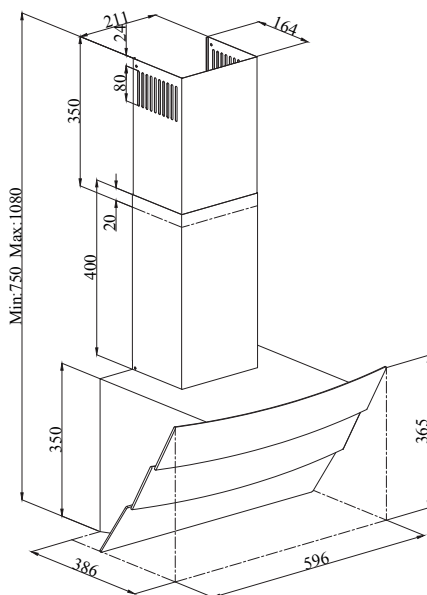
2 Specifiche tecniche dell'apparecchio

2.2 Dati tecnici

	HCA62640WH HCA62640BH	HCA62540B	HCA92640WH HCA92640BH	HCA92540B
Larghezza	596 mm		896 mm	
Profondità	386 mm		393 mm	
Altezza	750/1080 mm		750/1130 mm	
Tensione di alimentazione	220-240V ~, 50 Hz			
Comando	Con 3 livelli			
Potenza lampadina	2x3 W			
Tubo di uscita dell'aria	120/150 mm			
Portata – 3. Livello	537 m³/h	566 m³/h	577 m³/h	593 m³/h
Potenza motore	210 W			
Potenza totale	216 W			
Classe di isolamento del motore	Classe F			
Classe di isolamento	Classe I			



HCA92640WH
HCA92640BH
HCA92540B



HCA62640WH
HCA62640BH
HCA62540B

3 Funzionamento dell'apparecchio

3.1 Controllo dell'apparecchio

	
CHIAVE	FUNZIONE
A : Tasto accensione / spegnimento luci	Premendo questo tasto, si può illuminare l'area di cottura.
B : Tasto primo livello	Premendo questo tasto, si può avviare la cappa con una velocità di livello 1. Quando si preme di nuovo questo tasto, l'apparecchio si spegne e scompare l'indicazione del livello di velocità sul display.
C : Tasto secondo livello	Premendo questo tasto, si può avviare la cappa con una velocità di livello 2. Quando si preme di nuovo questo tasto, l'apparecchio si spegne e scompare l'indicazione del livello di velocità sul display.
D : Tasto terzo livello	Premendo questo tasto, si può avviare la cappa con una velocità di livello 3. Quando si preme di nuovo questo tasto, l'apparecchio si spegne e scompare l'indicazione del livello di velocità sul display.

3.2 Utilizzo ad efficienza energetica:

- Quando si utilizza la cappa, regolare il livello di velocità secondo l'intensità dell'odore e del vapore per evitare un consumo energetico non necessario.
- Utilizzare basse velocità in condizioni normali (1-2) e alta velocità (3) quando odore e vapori sono più intensi.
- Le luci sulla cappa sono concepite per illuminare la zona di cottura.
- Utilizzarle per illuminare l'ambiente/la cucina provoca un consumo energetico non necessario, nonché illuminazione inadeguata.

3.3 Funzionamento della cappa:

- La cappa è dotata di un motore che ha varie velocità di velocità.
- Per una migliore prestazione, consigliamo di utilizzare velocità basse in condizioni normali e velocità alta quando odore e vapori sono più intensi.
- Si può avviare la cappa premendo il tasto del livello di velocità desiderato (B, C, D).
- Si può illuminare l'area di cottura premendo il tasto della luce. (A)

3.4 Arresto automatico entro 15 min.:

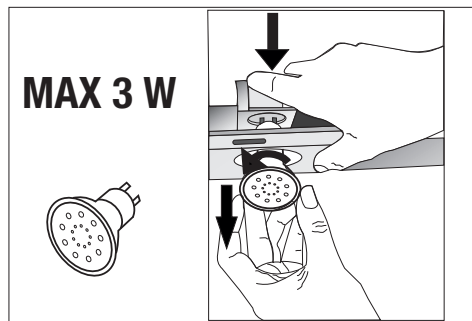
Questo apparecchio è dotato di funzione di arresto automatico che consente all'apparecchio di ventilare l'ambiente per un periodo di tempo aggiuntivo per rimuovere odori e vapori sgradevoli nell'ambiente alla fine della cottura. L'apparecchio si arresta automaticamente dopo un determinato periodo di tempo. Per abilitare la funzione di arresto automatico, premere uno dei tasti di livello della velocità (B, C, D) per più di 2 secondi. Si attiva un timer di 15 minuti. Se si preme lo stesso tasto di livello della velocità mentre la funzione di arresto automatico è attiva, la funzione si disattiva e l'apparecchio si arresta. Se si seleziona un diverso livello di velocità, questa funzione si disattiva. Se si desidera che l'apparecchio si arresti automaticamente, bisogna attivare di nuovo la funzione di arresto automatico.

Pulizia periodica dei filtri di metallo:

I filtri devono essere puliti circa ogni 60 ore di funzionamento o 4 settimane a seconda della frequenza di utilizzo.

3 Funzionamento dell'apparecchio


3.5 Sostituzione delle lampadine



Scogliere la cappa dall'alimentazione elettrica. Questo apparecchio è dotato di lampadine alogene da 3 W. Per sostituire le lampadine alogene, premere la lampadina verso il basso dalla parte posteriore del supporto della lampadina stessa per rilasciarla. Poi ruotarla in senso antiorario di 1/4 di giro e rimuoverla. Eseguire i passi suddetti al contrario per montare le nuove lampadine.

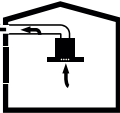


Le lampadine sono disponibili presso gli agenti autorizzati per l'assistenza.

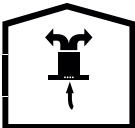
Lampadina	
Potenza della lampadina	3 W
Supporto / Presa	GZ 10
Tensione della lampadina	220 - 240 V
Misurare	53 x 50 mm
Codice ILCOS	DR/F3-220-240-GZ10-50-53
Flusso luminoso	250 lm
Temperatura del colore correlata	3000 K

Questo prodotto contiene una sorgente luminosa di classe di efficienza energetica "F".

3.6 Utilizzo con il collegamento del tubo

-  Il vapore viene rimosso mediante un tubo fissato alla testa di collegamento della cappa.
- Il diametro del tubo deve essere pari al diametro dell'anello di collegamento. Per consentire lo sfiato dell'aria senza problemi fuori dall'ambiente nelle sistemazioni orizzontali, il tubo deve essere leggermente inclinato verso l'alto (circa 10°).

3.7 Utilizzo senza il collegamento del tubo

-  L'aria è filtrata dal filtro di carbonio e immessa di nuovo nell'ambiente. Il filtro di carbonio è utilizzato quando non ci sono tubi in casa.
- Se la cappa sarà utilizzata senza collegamento del tubo, rimuovere i deviatori interni all'adattatore del tubo.
- Rimuovere il filtro di alluminio. Per montare il filtro di carbonio, centrarlo sulla parte in plastica a entrambi i lati del corpo della ventola e fissarlo alle alette. Fissare il filtro ruotando le alette verso destra o sinistra.
- Montare il filtro di alluminio.

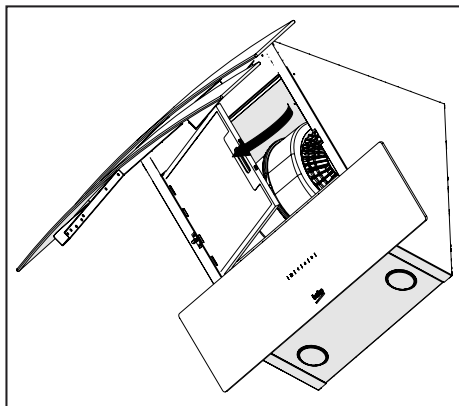
4 Pulizia e manutenzione



Prima di pulizia e manutenzione, scollegare l'apparecchio o spegnere l'interruttore principale o allentare il fusibile che alimenta la cappa.

4.1 Pulizia dei filtri di alluminio

Questo filtro cattura le particelle d'olio nell'aria. Si consiglia di pulire il filtro ogni mese in condizioni normali d'uso. Per prima cosa rimuovere i filtri di alluminio per questo processo. Lavare i filtri con detersivo liquido e sciacquarli con acqua; rimontarli dopo che si sono asciugati. I filtri di alluminio possono scolorire con il lavaggio; ciò è normale e non è necessario cambiare il filtro.



1. Spingere in avanti il blocco del filtro di alluminio.
2. Poi abbassarlo leggermente e tirare avanti. Altrimenti il filtro potrebbe piegarsi. Quando il filtro di alluminio è lavato e asciugato, rimontarlo nella apposita apertura ripetendo i punti precedenti in ordine inverso.



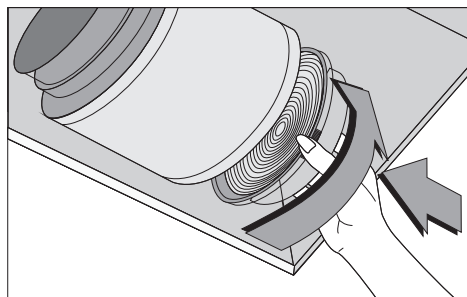
I filtri di alluminio possono anche essere lavati in lavastoviglie.



ATTENZIONE: In caso di uso normale, pulire il filtro una volta al mese.

4.2 Sostituzione del filtro di carbonio

I filtri anti-odore contengono carbone (carbonio attivo). Sia che si usi il filtro di carbone o non, i filtri di alluminio devono essere sempre installati. Non utilizzare l'apparecchio senza il filtro di alluminio in posizione. L'utilizzo del filtro di carbonio fa diminuire le prestazioni di aspirazione dell'apparecchio.



- Rimuovere i filtri di alluminio.
- Per rimuovere il filtro di carbonio, ruotare le alette in senso antiorario e rilasciare il filtro.
- Installare il nuovo filtro di carbonio.
- Montare i filtri di alluminio.

ATTENZIONE



- Il filtro di carbonio non deve mai essere lavato.
- Devono essere sostituiti dopo un periodo di circa 3 mesi.
- I filtri di carbonio possono essere ordinati presso gli agenti autorizzati per l'assistenza.

5 Montaggio dell'apparecchio



AVVERTENZA: prima di iniziare l'installazione, leggere le informazioni di sicurezza sul manuale utente.

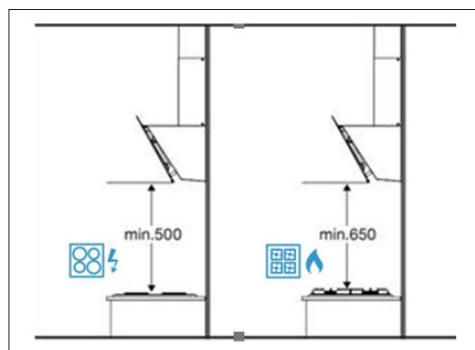


AVVERTENZA: la mancata installazione con viti e stabilizzatori in conformità con queste istruzioni può causare scosse elettriche.

Consultare l'agente autorizzato per l'assistenza più vicino per il montaggio della cappa.

La preparazione della posizione e l'installazione elettrica per il prodotto sono responsabilità del cliente.

5.1 Posizione dell'apparecchio

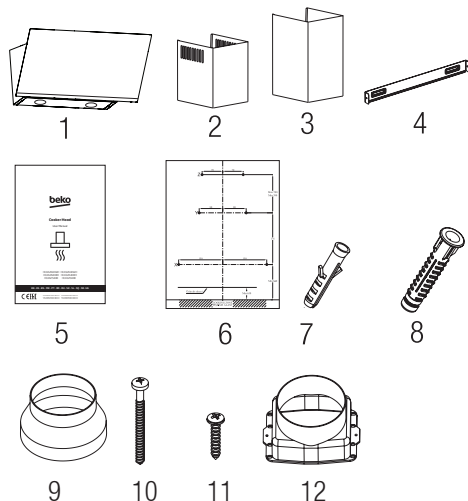


- In tutti i tipi di cappa, la distanza di installazione su piani cottura a gas ed elettrici è di almeno 650 mm. Solo per **le cappe inclinate**, la distanza di installazione dal **piano di cottura elettrico** è di almeno 500 mm.
- La distanza deve essere misurata dalla superficie della griglia per cucine a gas, da superficie di vetro per cucine elettriche.



ATTENZIONE: Rimuovere la pellicola protettiva (se presente) dalla cappa e dalla superficie del tubo dopo il montaggio.

5.2 Montaggio degli accessori



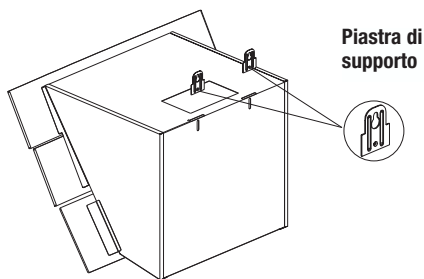
1. Prodotto
2. Camino interno
3. Camino esterno
4. Piastra di collegamento camino
5. Manuale utente
6. Schema di assemblaggio
7. Tassello a muro di plastica da $\varnothing 6$ mm
8. Tassello a muro di plastica da $\varnothing 8$ mm
9. Adattatore camino di plastica $\varnothing 120/150$ mm
10. Vite con intaglio da croce da 4,9x50
11. Vite con intaglio da croce da 3,9 x 22
12. 1 x tubo di plastica $\varnothing 150$ mm

Le informazioni necessarie per la preparazione del pezzo di montaggio della cappa sono date di seguito.

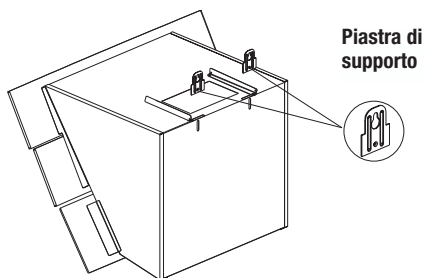
5.3 Montaggio della cappa a parete

Per montare la cappa a parete, allentare le viti delle piastre di supporto dall'alloggiamento del motore e tirare le piastre verso l'alto. Poi stringere le viti delle piastre di supporto. (Figura 1a).

5 Montaggio dell'apparecchio

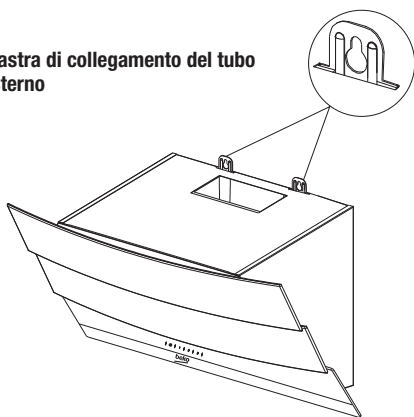


(Figura 1a-60)



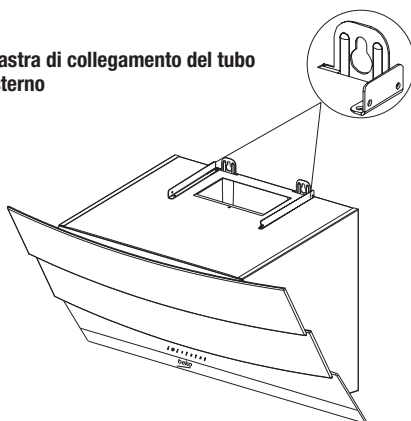
(Figura 1a-90)

Piastra di collegamento del tubo esterno



(Figura 1b-60)

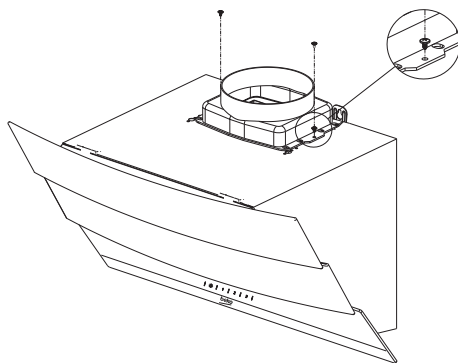
Piastra di collegamento del tubo esterno



(Figura 1b-90)

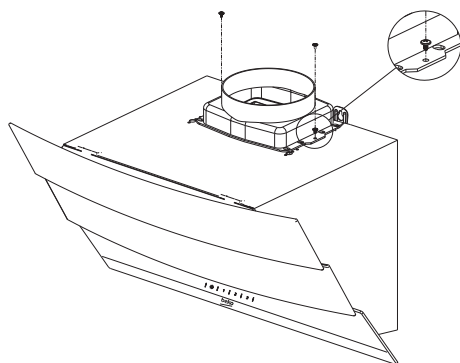
Fissare l'adattatore del tubo di plastica da \varnothing 150 mm sul corpo con la vite da 3,5x9,5 in dotazione con gli accessori per il montaggio (Figura 2).

Se si utilizza un tubo da \varnothing 120 mm, montare l'adattatore da \varnothing 120 mm sullo stesso.



(Figura 2-60)

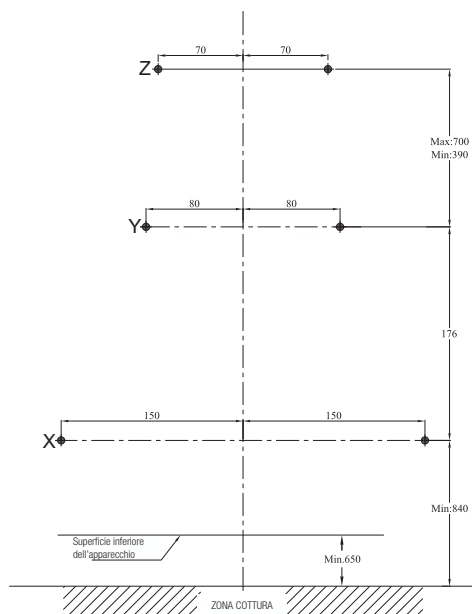
5 Montaggio dell'apparecchio



(Figura 2-90)

5.4 Perforazione dei fori per il supporto

Fissare lo schema di montaggio sul pezzo di montaggio della cappa. Trapanare i punti contrassegnati con (X,Y) utilizzando una punta da $\varnothing 8$ mm e i punti contrassegnati con (Z) utilizzando una punta da $\varnothing 6$ mm. (Figura 3)



(Figura 3)

5.5 Fissaggio con martello dei tasselli a muro

Fissare con un martello i tasselli a muro da $\varnothing 8$ mm (X,Y) nei fori trapanati per le viti di supporto. Fissare con un martello 2 tasselli a muro da $\varnothing 6$ mm (Z) nei fori trapanati con una punta da $\varnothing 6$ mm per la piastra di collegamento del tubo esterno. (Figura 3)

5.6 Montaggio delle viti di supporto

Montare le viti di supporto da 4,9x50 nei tasselli a muro da $\varnothing 8$ mm (Y) creati nella parete. Deve esserci una distanza di 5 mm tra la testa della vite e la parete. Collegare la piastra di collegamento del tubo interno ai tasselli a muro da 6 mm (Z) alla parete utilizzando vite da $\varnothing 3,9$ x22. (Figura 4)

5 Montaggio dell'apparecchio



(Figura 4)

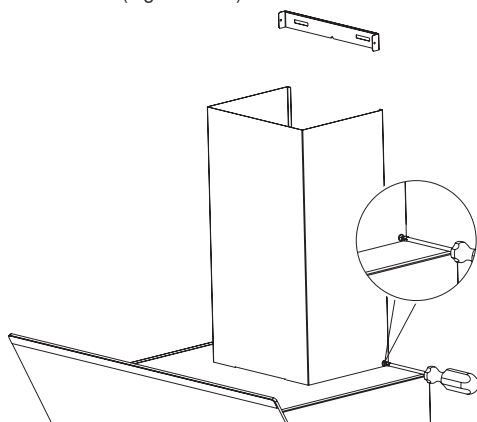
5.7 Montaggio della cappa a parete

- Montare la cappa sulle viti installate nei fori Y.
- Aprire la finestra di aspirazione laterale della cappa tirandola verso di sé. Montare le viti da 4,9x50 attraverso i fori X collocati all'interno per fissare l'apparecchio.

5.8 Montaggio del tubo della cappa

Scollegare l'apparecchio dalla rete elettrica prima di avviare il montaggio del tubo. Fissare le parti del tubo metallico attorno al corpo.

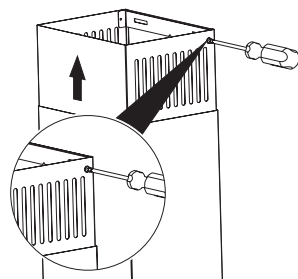
Avvitare il tubo esterno alle piastre di collegamento del tubo esterno che si trovano sull'alloggiamento del motore. (Figura 1b/5)



(Figura 5)

Allungare e avvitare il tubo interno dai bordi esterni sulla piastra di collegamento del tubo fissata alla

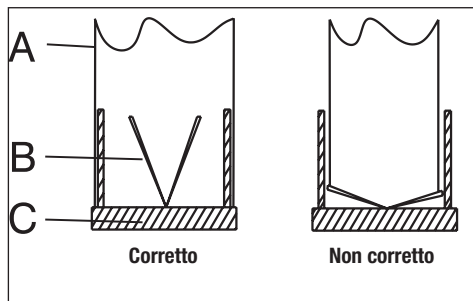
parete (Figura 6).



(Figura 6)

5.9 Collegamento tubo

Mettere l'adattatore in dotazione con la cappa nel foro di ventilazione che si trova nella sezione superiore della cappa. Trovare un tubo con un diametro di 120/150 mm. Collegare un'estremità del tubo all'adattatore e l'altra estremità al tubo. Assicurarsi che questi due collegamenti siano abbastanza fermi così da non spostarsi quando la cappa opera alla velocità massima. Controllare che le alette interne al tubo siano funzionanti quando sono strette con il morsetto. Fissare il tubo di collegamento sull'adattatore. Se si monta il tubo di collegamento all'interno dell'adattatore, l'aspirazione dell'aria non si verifica poiché le alette che impediscono il reflusso dell'aria restano chiuse. Non si consiglia di eseguire collegamenti ai tubi già collegati a piani cottura o a tubi di sfiato. Non eseguire collegamenti a tali tubi. Il collegamento del tubo deve essere quanto più corto possibile e avere un numero minimo di gomiti.



5 Montaggio dell'apparecchio

A: Tubo di uscita

B: Alette che impediscono il reflusso

C: Tubo di plastica

5.10 Sistema prevenzione reflusso (N-RV)

Quando si utilizza la cappa, le alette sono chiuse per impedire che odori e polvere entrino nell'ambiente dall'esterno.

5.11 Conservazione

- Se non si intende usare l'apparecchio per molto tempo, conservatelo con cura.
- Assicurarsi che l'apparecchio sia scollegato, raffreddato e completamente asciutto.

- Conservare l'apparecchio in un luogo fresco e asciutto.
- Tenere l'apparecchio fuori dalla portata dei bambini

5.12 Manipolazione e trasporto

- Durante la manipolazione e il trasporto, trasportare l'apparecchio nel suo imballo originale. L'imballaggio dell'apparecchio lo protegge da danni fisici.
- Non appoggiare carichi pesanti sull'apparecchio o sull'imballaggio. L'apparecchio potrebbe essere danneggiato.
- La caduta dell'apparecchio ne causerà il malfunzionamento o potrebbe essere causa di danni permanenti.

6 Risoluzione dei problemi

Risoluzione dei problemi	Motivo	Soluzione
Il prodotto non funziona.	Controllare il fusibile.	Il fusibile potrebbe essere chiuso, farlo funzionare.
Il prodotto non funziona.	Controllare il collegamento elettrico.	La tensione di rete deve essere compresa tra 220-240 V.
Il prodotto non funziona.	Controllare il collegamento elettrico.	Controllare se gli altri elettrodomestici in cucina funzionano o meno.
La lampadina non funziona.	Controllare il collegamento elettrico.	La tensione di rete deve essere compresa tra 220-240 V.
La lampadina non funziona.	Controllate l'interruttore della luce.	L'interruttore della lampadina dovrebbe essere in posizione "on".
La lampadina non funziona.	Controllare le lampadine.	Le lampadine del prodotto non dovrebbero essere difettose.
L'aspirazione dell'aria del prodotto è scarsa.	Controllare il filtro di alluminio.	Il filtro dell'olio in alluminio deve essere pulito almeno una volta al mese in condizioni normali.
L'aspirazione dell'aria del prodotto è scarsa.	Controllare la canna fumaria.	L'interruttore della canna fumaria dovrebbe essere in posizione "on".
L'aspirazione dell'aria del prodotto è scarsa.	Controllare il filtro al carbone.	Per i prodotti con filtro a carbone, il filtro dovrebbe essere sostituito di norma ogni 3 mesi.

Najprej preberite priročnik za uporabo!

Spoštovana stranka,

Zahvaljujemo se vam, da ste se odločili za nakup izdelka Beko. Upamo, da boste dosegli najboljše rezultate vašega aparata, ki je bil izdelan z visoko kakovostjo in najsodobnejšo tehnologijo. Zaradi tega pred uporabo naprave natančno preberite celoten uporabniški priročnik in vse druge priložene dokumente in jih shranite kot referenco za nadaljnjo uporabo. Če napravo predate komu drugemu, mu predajte še uporabniški priročnik. Upoštevajte navodila ter vse informacije in opozorila v uporabniškem priročniku.

Ne pozabite, da lahko ta uporabniški priročnik velja tudi za druge modele. Razlike med posameznimi modeli so natančno navedene v priročniku.

Pomen Simbolov

Naslednji simboli so uporabljeni v različnih razdelkih tega uporabniškega priročnika:



Pomembne informacije in koristni nasveti za uporabo.



OPOZORILO: Opozorila pred nevarnimi situacijami, ki zadevajo varnost življenja in premoženja.



OPOZORILO: Opozorilo za nevarnost požara



OPOZORILO: Opozorilo za električni udar.



RECIKLIRANI PAPIR in
PAPIR ZA RECIKLIRANJE

1 Pomembna navodila za varnost in okolje

1.1 Splošna varnost

Pomembna varnostna navodila. Pozorno preberite in hranite za referenco v prihodnje. Ta razdelek vsebuje varnostna navodila, ki vam bodo pomagala zaščititi pred nevarnostjo požara, električnega udara, izpostavljenosti mikrovalovne energije, osebnih poškodb ali materialne škode. Neupoštevanje teh navodil lahko razveljavi kakršno koli garancijo.

- Beko izdelki ustrezajo veljavnim varnostnim standardom; v primeru kakršnih koli poškodb na napravi ali napajalnem kablu, jih mora popraviti ali zamenjati prodajalec, servisni center ali specialist in pooblaščen servis, da se izognete kakršni koli nevarnosti. Neustrezna ali nekvalificirana popravila so lahko nevarna in povzročijo tveganje za uporabnika.
- Ta aparat je namenjen za uporabo v gospodinjstvih in podobnih aplikacijah, kot so:
 - Kuhinjske površine osebja v trgovinah, pisarnah in drugih delovnih okoljih;
 - Kmečke hiše
 - Stranke v hotelih in drugih stanovanjskih okoljih;
 - Garni hoteli.
- Napravo uporabljajte samo za predvideni namen, kot je opisano v tem priročniku.
- Proizvajalec ne more biti odgovoren za škodo, nastalo zaradi nepravilne namestitve ali zlorabe izdelka.
- Otroci od 8. leta starosti ter osebe z zmanjšanimi telesnimi, zaznavnimi ali duševnimi sposobnostmi ali s pomanjkanjem izkušenj in znanja lahko napravo uporabljajo le, če so pod nadzorom ali pa so prejele ustrezna navodila glede varne uporabe naprave in razumejo nevarnosti, ki so povezane z njeno uporabo.
- Otroci se ne smejo igrati z napravo. Čiščenje in vzdrževanje uporabnikov ne smejo izvajati otroci brez nadzora.
- Najmanjša razdalja med podporno površino kuhalnih plošč na kuhalni plošči in najnižjim delom izdelka mora biti najmanj 50 cm.
- Če navodila za vgradnjo plinske

1 Pomembna navodila za varnost in okolje

kuhalne plošče določajo večjo razdaljo, je to treba upoštevati.

- Prepričajte se, da vaše napajalno omrežje ustreza podatkom, navedenim na tipski plošči naprave.
- Naprave nikoli ne uporabljajte, če sta električni kabel ali naprava poškodovana.
- Preprečite poškodbe napajalnega kabla, tako da ga ne stisnete, upognete ali drgnete po ostrih robovih. Električni kabel hranite stran od vročih površin in odprtega ognja.
- Napravo uporabljajte samo z ozemljeno vtičnico.

OPOZORILO: Naprave ne priključujte na električno omrežje, dokler namestitev ni popolnoma končana.

- Napravo namestite tako, da je vtič vedno dostopen.
- Ne dotikajte se svetilk, če so že dolgo obratovala. Lahko vam opečejo roke, saj bodo vroče.
- Upoštevajte predpise, ki jih določijo pristojni organi o odvajanju izpušnega zraka (to opozorilo ne velja za uporabo brez ventilacijske cevi).

- Upravljajte z napravo, potem ko na kuhalno ploščo postavite lonec, ponev itd., V nasprotnem primeru lahko visoka toplota povzroči deformacijo v nekaterih delih izdelka.
- Preden vzamete lonec, ponev itd., izklopite kuhalno ploščo.
- Na kuhalni plošči ne puščajte vročega olja. Ponev z vročim oljem lahko povzroči samo zgozrevanje.
- Bodite pozorni na zavese in prevleke, saj se lahko olje med kuhanjem hrane, kot je krompirček, vname.
- Mastni filter morate zamenjati vsaj mesečno. Ogljikov filter je treba zamenjati vsaj vsake 3 mesece.
- Izdelek je treba očistiti v skladu z navodili za uporabo. Če čiščenje ni bilo izvedeno v skladu z navodili za uporabo, lahko pride do nevarnosti požara.
- Namesto trenutnega filtra ne uporabljajte filtrov, ki niso odporni na ogenj.
- Uporabljajte samo originalne dele ali dele, ki jih priporoča proizvajalec.

1 Pomembna navodila za varnost in okolje

- Izdelka ne uporabljajte brez filtra in ne odstranjujte filtrov med delovanjem izdelka.
- V primeru, da se začne plamen, izklopite napajanje izdelka in kuhalne naprave.
- Če se začne plamen, ga pokrijte in nikoli ne uporabljajte vode za gašenje.
- Napravo izklopite pred vsakim čiščenjem in ko je ne uporabljate.
- Negativni tlak v okolju ne sme presežati 4 Pa (4 x 10 barov), medtem ko napa za električno kuhalno ploščo in naprave deluje na drugi vrsti energije, vendar elektrika deluje hkrati.
- V okolju, kjer uporabljate aparat, mora biti izpuh naprav, ki delujejo na kurilno olje ali plin, na primer grelec za prostore, popolnoma izoliran ali naprava mora biti hermetičnega tipa.
- Pri priključitvi ventilacijske cevi uporabljajte cevi s premerom 120 ali 150 mm. Cevni priključek mora biti čim krajši in imeti čim manj komolcev.

Nevarnost zadušitve! Embalažni material hranite izven dosega otrok.

POZOR: Pri uporabi s kuharskimi napravami lahko dostopni deli postanejo vroči.

- Izhodna cev izdelka ne sme biti povezana z zračnimi kanali, ki vključujejo drug dim.
- Prezračevanje v prostoru morda ni zadostno, če se napa za električno kuhalno ploščo uporablja hkrati z napravami, ki delujejo na plin ali druga goriva (to ne velja za naprave, ki v prostor odvajajo samo zrak).
- Predmeti, postavljeni na izdelek, lahko padejo. Na izdelek ne postavljajte nobenih predmetov.
- Ne vžigajte pod svojim izdelkom.

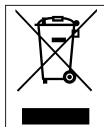
OPOZORILO: Pred namestitvijo Nape odstranite zaščitne folije.

- Nikoli ne puščajte visoko odprtega ognja pod napa, ko deluje
- Friteze z globoko vsebnostjo maščobe je treba med uporabo nenehno nadzorovati: pregreto olje lahko vname plamen.

1.2 Skladnost z direktivo o OEEO in odstranjevanje odpadkov:

Izdelek je v skladu z Direktivo EU OEEO (2012/19/EU). Ta izdelek ima klasifikacijski simbol za odpadno električno in elektronsko opremo (OEEO).

1 Pomembna navodila za varnost in okolje



Ta simbol pomeni, da tega izdelka ob koncu življenjske dobe ne smete odlagati skupaj z drugimi gospodinjskimi odpadki. Rabljeno napravo je treba vrniti v uradno zbirno mesto za recikliranje električnih in elektronskih naprav. Če želite najti te sisteme zbiranja, se obrnite na lokalne organe ali prodajalca, kjer je bil izdelek kupljen. Vsako gospodinjstvo ima pomembno vlogo pri predelavi in recikliranju starega aparata. Ustrezno odlaganje uporabljene naprave pomaga pri varstvu pred morebitnimi negativnimi vplivi na okoljevarstvo in zdravje človeka.

1.3 Skladnost z direktivo RoHS

Izdelek, ki ste ga kupili, je skladen z direktivo EU RoHS (2011/65/EU). Ne vsebuje škodljivih in prepovedanih materialov, določenih v Direktivi.

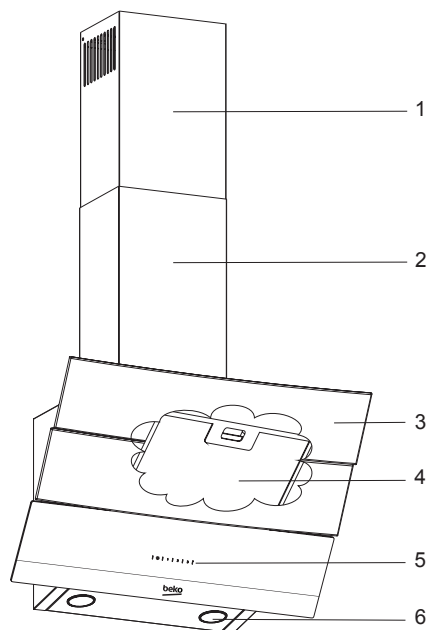
1.4 Podatki o embalaži



Embalažni materiali izdelka so izdelani iz materialov, ki jih je mogoče reciklirati, v skladu z našimi Nacionalnimi predpisi o okolju. Embalažnega materiala ne odložite skupaj z gospodinjskimi ali drugimi odpadki. Odnosite ga na zbirna mesta za embalažni material, ki so jih določile lokalne oblasti.

2 Splošen videz

2.1 Pregled

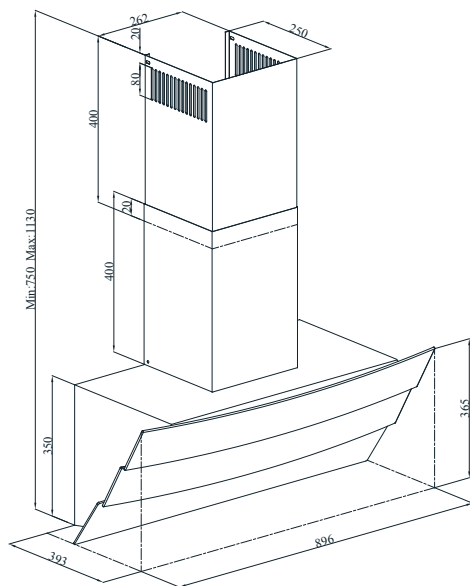


1. Notranji dimni kanal
2. Zunanji dimni kanal
3. Aluminijasti maščobni filter (Za steklom)
4. Stekljeni pokrov
5. Upravljalna plošča
6. Osvetlitev

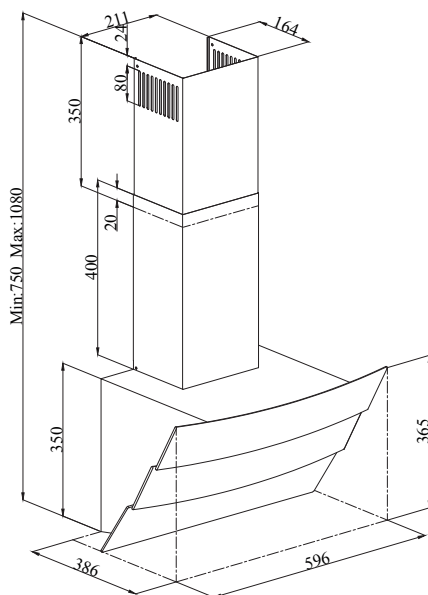
2 Splošen videz

2.2 Tehnični podatki

	HCA62640WH HCA62640BH	HCA62540B	HCA92640WH HCA92640BH	HCA92540B
Širina	596 mm		896 mm	
Globina	386 mm		393 mm	
Višina	750/1080 mm		750/1130 mm	
Napajalna napetost	220-240V ~, 50 Hz			
Upravljanje	3 ravni			
Moč svetilke	2x3 W			
Cev za odvod zraka	120/150 mm			
Stopnja pretoka – 3. stopnja	537 m ³ /h	566 m ³ /h	577 m ³ /h	593 m ³ /h
Moč motorja	210 W			
Moč skupaj	216 W			
Izolacijski razred motorja	Razred F			
Izolacijski razred	Razred I			



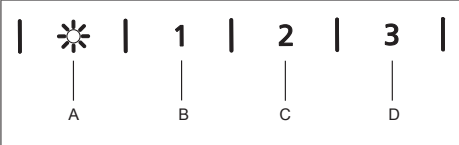
HCA92640WH
HCA92640BH
HCA92540B



HCA62640WH
HCA62640BH
HCA62540B

3 Delovanje naprave

3.1 Upravljanje naprave

	
TIPKA	FUNKCIJA
A : Tipka za vključitev/ izključitev svetilke	S pritiskom na tipko osvetlite kuhalno površino.
B : Tipka za 1. raven	S pritiskom na to tipko zaženete napo s hitrostjo 1. ravni. Če ponovno pritisnete na to tipko, napravo izključite in na zaslonu ugasne oznaka ravni hitrosti.
C : Tipka za 2. raven	S pritiskom na to tipko zaženete napo s hitrostjo 2. ravni. Če ponovno pritisnete na to tipko, napravo izključite in na zaslonu ugasne oznaka ravni hitrosti.
D : Tipka za 3. raven	S pritiskom na to tipko zaženete napo s hitrostjo 3. ravni. Če ponovno pritisnete na to tipko, napravo izključite in na zaslonu ugasne oznaka ravni hitrosti.

3.2 Energijsko učinkovita uporaba

- Med delovanjem aparata prilagodite nastavitve hitrosti glede na količino pare in intenzivnost vonja, da zmanjšate porabo energije.
- V običajnih razmerah uporabljajte nizki hitrosti (1–2), pri veliki količini pare in močnem vonju pa uporabljajte visoko hitrost (3).
- Lučke na napi so namenjene osvetlitvi kuhalnega mesta.
- Če jih uporabljate za osvetlitev prostora, lahko pride do nepotrebne porabe energije in nezadostne osvetlitve.

3.3 Delovanje nape

- Aparat je opremljen z motorjem, ki ima različne hitrosti.
- Za boljšo učinkovitost priporočamo, da v običajnih razmerah uporabljate nizke hitrosti, pri veliki količini pare in močnem vonju pa visoko hitrost.

- Aparat lahko vklopite tako, da pritisnete gumb za nastavitve zelene hitrosti. (B,C,D)
- Za osvetlitev kuhalnega mesta pritisnite lučko. (A)

3.4 Samodejna zaustavitev v 15 min:

Ta naprava ima funkcijo samodejne zaustavitve, prek katere lahko naprava prezračuje prostor do daten čas, da odstrani neprijetne vonje in hlape iz prostora po končani kuhi. Naprava se samodejno zaustavi po določenem času. Funkcijo samodejne zaustavitve vključite tako, da za več kot 2 sekundi pritisnete na katero koli tipko za raven hitrosti (A, B, C) na nadzorni plošči. Sistem vključi časomer, nastavljen na 15 minut. Če še enkrat pritisnete na isto tipko za raven hitrosti, medtem ko je vključena funkcija samodejne zaustavitve, funkcijo izključite in zaustavite napravo. S preklopom na drugo raven hitrosti napravo izključite. Če želite, da se naprava zaustavi samodejno, ponovno vključite funkcijo samodejne zaustavitve.

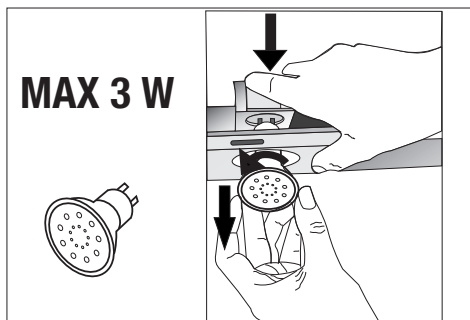
Redno čiščenje kovinskih filtrov:

Filte je treba čistiti na približno 60 ur obratovanja ali na 4 tedne, odvisno od pogostosti uporabe.


3.5 Zamenjava svetilk

Izključite napravo iz omrežne napetosti. Naprava je opremljena s halogenskimi svetilkami 3W. Halogenske svetilke zamenjate tako, da pritisnete dol svetilko zadaj na nosilcu, tako da se svetilka iztakne. Nato jo zavrtite v nasprotni smeri urnega kazalca za 1/4 obrata in vzemite ven. Novo svetilko namestite v obratnem vrstnem redu navodil zgoraj.

3 Delovanje naprave

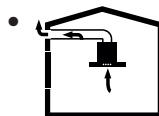


Svetilke nabavite na pooblaščenem servisu.

Žarnica	
Moč žarnice	3 W
Držalo/vtičnica	GZ 10
Napetost žarnice	220 - 240 V
Velikost	53 x 50 mm
Koda ILCOS	DR/F3-220-240-GZ10-50-53
Svetlobni tok	250 lm
Korelirana barvna temperatura	3000 K

Ta izdelek vsebuje svetlobni vir razreda energijske učinkovitosti "F".

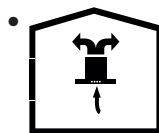
3.6 Operation with chimney connection



Vapour is extracted through the flue duct, which is fastened to the connection head on the hood.

- The diameter of the flue duct must be the same as the connection ring. In horizontal settings, the pipe has to have a slight upward slope (around 10°) so that the air can exit the room easily.

3.7 Operation without chimney connection



Air is filtered through the carbon filter and recirculated in the room. Carbon filter is used when it is impossible to use a flue in the house.

- In flueless use, remove the flaps inside the flue adapter.
- Remove the Grease filter. To install the carbon filter, fit the filter to the tabs by centring it on the plastic piece on both sides of the fan body. tighten it by turning right or left.
- Replace Grease filter.

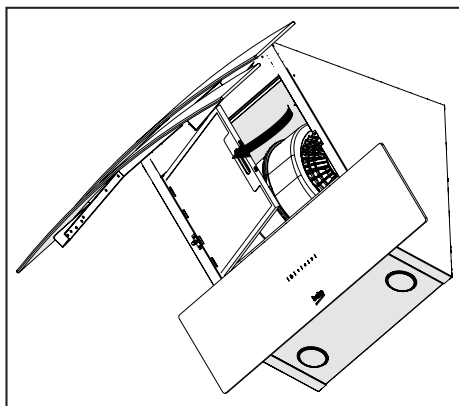
4 Čiščenje in vzdrževanje



Pred čiščenjem in vzdrževanjem odklopite izdelek ali izklopite stikalo.

4.1 Čiščenje aluminijastega filtra za maščobo

Ta filter zadržuje oljne delce v zraku. Aluminijasti maščobni filtri lahko med pranjem spremenijo barvo; to je normalno in ne zahteva zamenjave aluminijastega filtra za maščobo.



- Pritisnite zaklep aluminijastega filtra za maščobo naprej.
- Nato ga malce povlecite navzdol in navzven. V nasprotnem primeru ga lahko zvijete. Umijte in splaknite aluminijasti filter za maščobo s tekočim detergentom in ga zamenjajte po zgoraj opisanem postopku v obratni smeri. Ta filter zadržuje oljne delce v zraku.



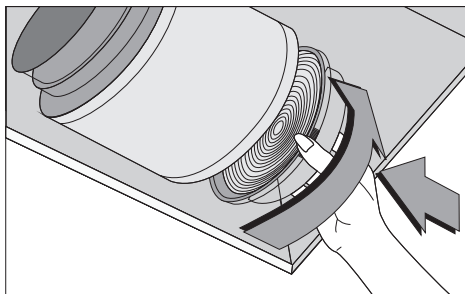
Svoj aluminijasti filter za maščobo lahko umijete v pomivalnem stroju.



POZOR: V primeru običajne uporabe filter očistite enkrat na mesec.

4.2 Zamenjava oglenih filtrov

Filtri za odstranjevanje neprijetnih vonjav vsebujejo oglje (aktivni ogljik). Aluminijasti maščobni filter je treba namestiti v izdelek, ne glede na to, ali uporabljate ogljeni filter.



- Odstranite aluminijasti filter za maščobo.
- Da odstranite ogljeni filter, ga vzemite iz ohišja tako, da ga zasukate v nasprotni smeri.
- Namestite novi ogljeni filter.
- Namestite aluminijasti filter za maščobo.

POZOR



- Ogljenega filtra nikoli ne umivajte.
- Ogljeni filter zamenjate enkrat na tri mesece.
- Ogljeni filter lahko kupite pri pooblaščenih prodajalcih.

5 Namestitev naprave



OPOZORILO: Pred začetkom namestitve preberite varnostne informacije v uporabniškem priročniku.

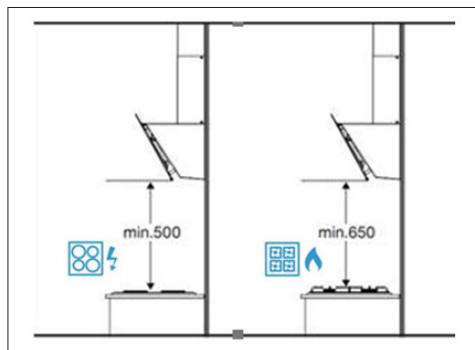


OPOZORILO: Če naprave ne namestite z vijaki in stabilizatorji v skladu s temi navodili, lahko pride do električnega šoka.

Za namestitev pokrova se obrnite na najbližji pooblaščen servis.

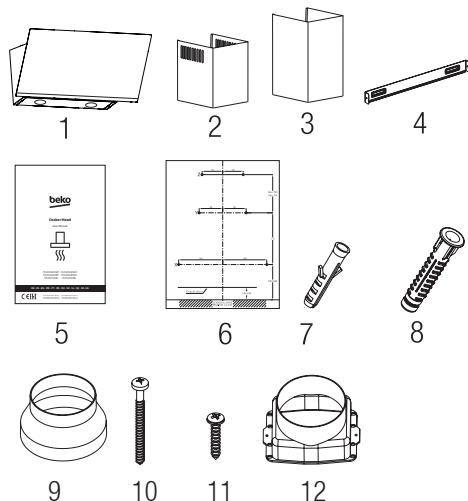
Odgovornost kupca je, da pripravi lokacijo in električno instalacijo za pokrov.

5.1 Položaj naprave



- Pri vseh tipih nap je vgradna razdalja na plinsko in električno kuhhalno ploščo najmanj 650 mm. Samo pri **poševnih napah** je vgradna razdalja na **električno kuhhalno ploščo** najmanj 500 mm.
- Razdaljo je treba izmeriti od površine rešetke plinskih gorilnikov, površine steklene električne kuhhalne plošče.

5.2 Namestitev dodatkov



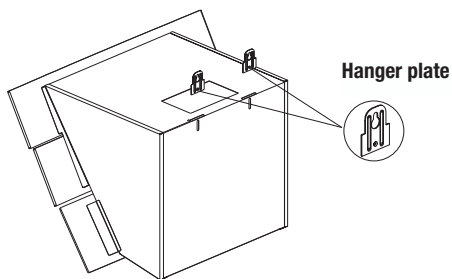
1. Izdelek
2. Notranji dimni kanal
3. Zunanji dimni kanal
4. Povezovalna plošča cevi za dimni plin
5. Uporabniški priročnik
6. Montažni vzorec
7. 6 mm plastic wall plug
8. 8 mm plastic wall plug
9. Plastični vmesnik za cev za dimni plin $\varnothing 120/150$ mm
10. 4.9x50 Cross-head screw
11. 3.9 x 22 Cross-head screw
12. Plasticna cev za dimni plin 1 x $\varnothing 150$ mm

V nadaljevanju so informacije, potrebne za pripravo mesta za namestitev nape.

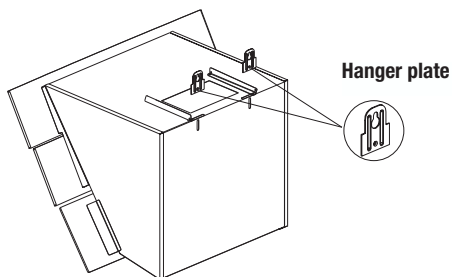
5.3 Namestitev nape na steno

Napo namestite na steno tako, da najprej odvijete vijake na nosilnih ploščah na motornem zakrovu in potisnete plošče gor. Nato, privijte vijake plošč nosilca. (Slika 1a).

5 Namestitev naprave

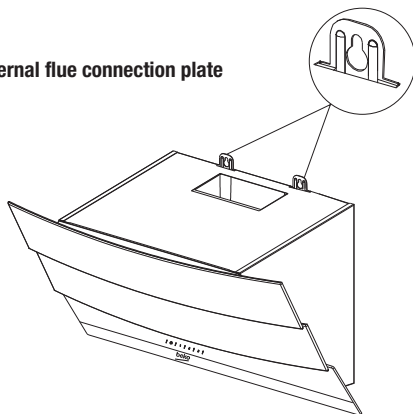


(Slika 1a-60)



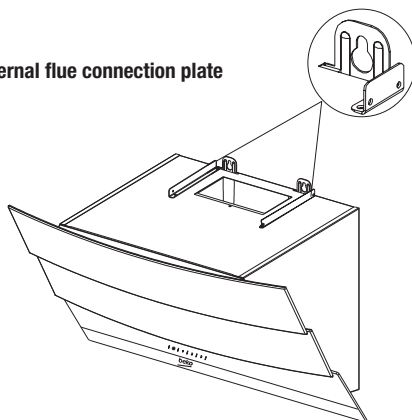
(Slika 1a-90)

External flue connection plate



(Slika 1b-60)

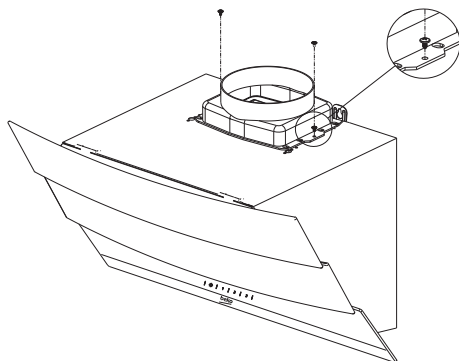
External flue connection plate



(Slika 1b-90)

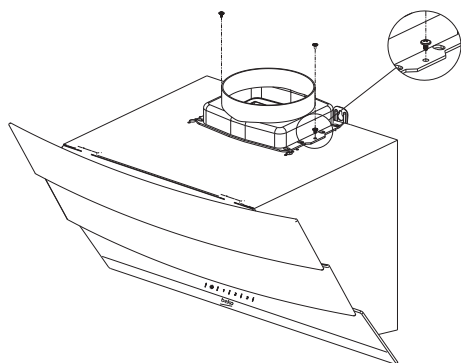
Pritrdite plastični vmesnik za cev za dimni plin $\varnothing 150$ mm na vrh ohišja, in sicer z vijakom 3,5x9,5, ki je med dodatki za namestitev (Slika 2).

Če ima cev za dimni plin premer $\varnothing 120$ mm, namestite vmesnik $\varnothing 120$ mm.



(Slika 2-60)

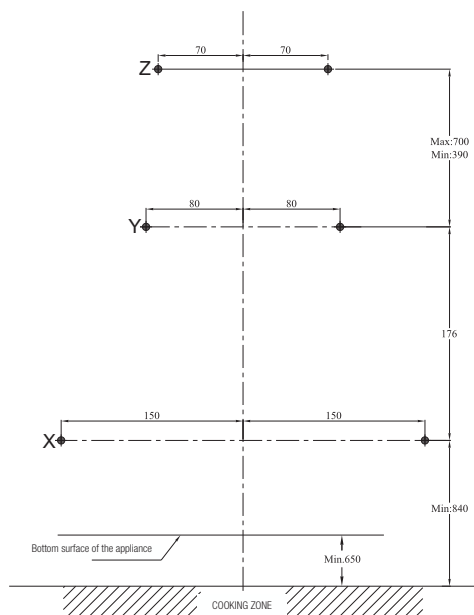
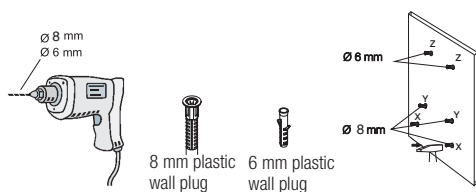
5 Namestitev naprave



(Slika 2-90)

5.4 Vrtanje lukenj za nosilec

Pritrdite namestitveno šablono na mesto za namestitev nape. Izvrtajte luknje na točkah, označenih z (X,Y), s svedrom \varnothing 8 mm in na točkah, označenih z (Z), s svedrom \varnothing 6 mm. (Slika 3)



(Slika 3)

5.5 Zabijanje stenskih vtičev

Zabijte stenske vtiče \varnothing 8 mm (X,Y) v odprtini, izvrtani za vijake nosilca. Zabijte stenska vtiča 2 x \varnothing 6 mm (Z) v odprtini, izvrtani s svedrom \varnothing 6 mm za povezovalno ploščo za zunanjo cev za dimni plin. (Slika 3)

5.6 Namestitev vijakov za nosilec

Namestite vijaka za nosilec 4.9x50 v stenska vtiča \varnothing 8 mm (Y), ki ste ga zabili v steno. Med glavo vijaka in steno mora biti razmik 5 mm. Povežite povezovalno ploščo notranje cevi za dimni plin na stenska vtiča 6 mm (Z) na steni, in sicer z vijaki \varnothing 3.9x22. (Slika 4)

5 Namestitev naprave



(Slika 4)

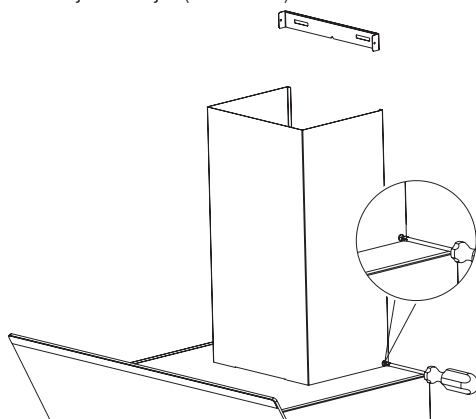
5.7 Obesiti napa na steno

- Napa obesite na vijaka, ki ste ju namestili v luknji Y.
- Odprite stransko sesalno okno na napi tako, da ga potisnete proti sebi. Namestite vijaka 4.9x50 skozi odprtini X na notranji strani, tako da ju pritrdite na napravo.

5.8 Namestitev cevi za dimni plin nape

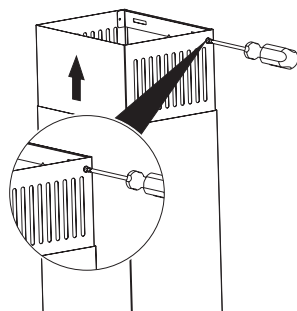
Preden se lotite inštalacije cevi za dimni plin, odklopite izdelek iz omrežne napetosti. Namestite pločevinaste dele cevi za dimni plin okoli ohišja.

Privijte zunanjo cev za dimni plin na zunanji povezovalni plošči za zunanjo cev za dimni plin, ki sta na ohišju motorja. (Slika 1b/5)



(Slika 5)

Razširite in privijte notranjo cev za dimni plin z zunanji robovi na povezovalno ploščo cevi za dimni plin, ki ste jo že pritrdili na steno (Slika 6).



(Slika 6)

5.9 Povezava cevi za dimni plin

Namestite priloženi vmesnik v prezračevalno odprtino zgoraj na napi. Nabavite cev s premerom 120/150 mm. Povežite en konec cevi na vmesnik in drugi konec na cev za dimni plin. Povezavi varno pritrdite, da se ne bosta premaknili, ko bo napa delovala s polno hitrostjo. Preverite in potrdite, da lopute v cevi za dimni plin delujejo, ko pritrdite s sponko. Namestite povezovalno cev za dimni plin na vmesnik. Če namestite povezovalno cev za dimni plin v vmesnik, naprava ne bo sesala zraka, saj se ne odprejo lopute, ki preprečujejo povratni tok zraka. Ne priporočamo, da naredite povezave na cevi za dimni plin, povezane na štedilnik ali izpušne jaške. Ne povezujte na takšne cevi za dime pline. Cevna povezava naj bo čim krajša in naj ima čim manj cevnih kolen.

A: Cev za odvod dimnih plinov

B: Lopute, ki preprečijo povratni tok

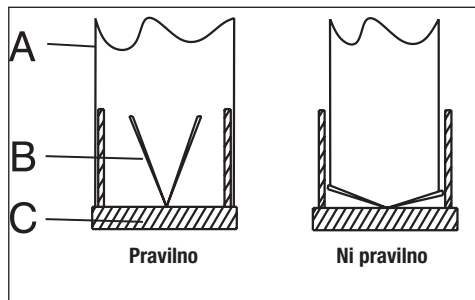
C: Plastična cev za dimni plin

5.10 Sistem za zaščito pred povratnim tokom (N-RV)

Med obratovanjem nape so lopute zaprte tako, da preprečijo vdor od zunaj morebitnih vonjav in

5 Namestitev naprave

prahu v prostor.



5.11 Shranjevanje

- Če naprave ne želite uporabljati dlje časa, jo skrbno shranite.

- Prepričajte se, da je naprava izključena iz omrežja, ohlajena in popolnoma suha.
- Napravo hranite na hladnem in suhem mestu.
- Napravo shranjujte izven dosega otrok.

5.12 Ravnanje in transport

- Med rokovanjem in transportom nosite aparat v originalni embalaži. Embalaža aparata ščiti pred fizičnimi poškodbami.
- Na aparat ali embalažo ne postavljajte težkih bremen. Aparat je lahko poškodovan.
- Če aparat pade, bo nedelujoč ali povzročil trajno škodo. Pred čiščenjem in vzdrževanjem odklopite napravo in izključite glavno stikalo ali odklopite varovalko, ki napaja napo.

6 Odpravljanje težav

Odpravljanje težav	Glavni razlog	Pomoč
Naprava ne deluje.	Preverite varovalke.	Varovalka je lahko pokvarjena. Preglejte jo in jo popravite.
Naprava ne deluje.	Preverite električno povezavo.	Napetost mora biti med 220 in 240 V.
Naprava ne deluje.	Preverite električno povezavo.	Preverite, ali delujejo druge naprave v vaši kuhinji.
Žarnica za osvetlitev ne deluje.	Preverite električno povezavo.	Napetost mora biti med 220 in 240 V.
Žarnica za osvetlitev ne deluje.	Preverite stikalo lučke.	Stikalo lučke mora biti v položaju »vključeno«.
Žarnica za osvetlitev ne deluje.	Preverite lučke.	Lučke za osvetlitev mora zasvetiti.
Vhod zraka v napravo ni ustrezen.	Preverite aluminijasti filter.	Pri normalnih pogojih delovanja je treba aluminijaste filtre za maščobo čistiti vsaj enkrat na mesec.
Vhod zraka v napravo ni ustrezen.	Preverite dimni kanal za izpust zraka.	Dimni kanal za izpust zraka mora biti v položaju "vklop".
Vhod zraka v napravo ni ustrezen.	Preverite ogljeni filter.	V običajnih razmerah je treba ogljeni filter v napravah, ki so opremljene z njim, zamenjati vsake 3 mesece.

Najskôr si prečítajte túto používateľskú príručku!

Vážený zákazník,

Ďakujeme vám, že ste si vybrali tento spotrebič značky Beko. Dúfame, že s týmto spotrebičom, ktorý bol vyrobený vo vysokej kvalite a s najmodernejšími technológiami, dosiahnete tie najlepšie výsledky. Z tohto dôvodu si pred použitím spotrebiča pozorne prečítajte celú túto používateľskú príručku a všetky ostatné sprievodné dokumenty a uschovajte ich pre prípad potreby do budúcnosti. Ak dáte spotrebič niekomu inému, dajte mu tiež používateľskú príručku. Postupujte podľa pokynov a venujte pozornosť všetkým informáciám a varovaniam v používateľskej príručke.

Pamätajte, že sa táto používateľská príručka môže vzťahovať aj na iné modely. Rozdiely medzi modelmi budú v príručke výslovne popísané.

Význam symbolov

V rôznych častiach tejto používateľskej príručky sú použité nasledujúce symboly:



Dôležité informácie a užitočné tipy na použitie.



VAROVANIE: Upozornenia na nebezpečné situácie týkajúce sa ohrozenia života a majetku.



VAROVANIE: Upozornenia na nebezpečenstvo požiaru.



VAROVANIE: Varovanie pred zásahom elektrickým prúdom.



RECYKLOVANÝ A
RECYKLOVATEĽNÝ
PAPIER

1 Dôležité pokyny týkajúce sa bezpečnosti a životného prostredia

1.1 Všeobecná bezpečnosť

Dôležité bezpečnostné pokyny: Dôkladne si ich prečítajte a uschovejte pre nahliadnutie v budúcnosti. Táto časť obsahuje bezpečnostné pokyny, ktoré pomôžu ochrániť pred zranením osôb, poškodením majetku, vznikom požiaru alebo pred zásahom elektrickým prúdom. Nedodržanie týchto pokynov zruší platnosť akejkoľvek záruky.

- Produkty Beko spĺňajú platné bezpečnostné štandardy. V prípade akéhokoľvek poškodenia spotrebiča alebo napájacieho kábla musí byť oprava alebo výmena vykonaná predajcom, servisným centrom alebo odborníkom z autorizovaného servisu, aby sa predišlo akémukoľvek nebezpečenstvu. Chybná alebo neodborná oprava môže pre užívateľa predstavovať nebezpečenstvo a riziko.
- Tento spotrebič je určený len na použitie v domácnostiach a podobných prostrediach, ako sú napríklad:

- kuchynky pre zamestnancov v obchodoch, kanceláriách a iných pracovných prostrediach,
- budovy na farmách,
- priestory pre klientov v hoteloch, motelloch a ďalších obytných prostrediach,
- prostredia ubytovania typu Bed and Breakfast.
- Spotrebič používajte iba na určený účel, ako je popísané v tomto návode.
- Výrobca nenesie žiadnu zodpovednosť za žiadne škody spôsobené nesprávnou alebo nevhodnou inštaláciou alebo nevhodným používaním produktu.
- Tento spotrebič môžu používať deti staršie ako 8 rokov a osoby so zníženými fyzickými, vnemovými alebo mentálnymi schopnosťami, prípadne nedostatkom skúseností a vedomostí, pokiaľ sú počas prevádzky spotrebiča pod náležitým dozorom alebo sú im dané inštrukcie o bezpečnom používaní spotrebiča a sú si vedomí sprievodných rizík.

1 Dôležité pokyny týkajúce sa bezpečnosti a životného prostredia

- Deťom nesmie byť dovolené hrať sa so spotrebičom. Deti bez dozoru nesmú vykonávať čistenie ani používateľskú údržbu.
 - Minimálna vzdialenosť medzi varnými plochami sporáka a najnižšou časťou odsávača musí byť najmenej 50 cm.
 - Ak sa v pokynoch pre plynový sporák uvádza väčšia vzdialenosť, musíte ju zohľadniť.
 - Skontrolujte, či vaše napájanie zodpovedá informáciám uvedeným na štítku spotrebiča.
 - Nikdy nepoužívajte spotrebič, ak je napájací kábel alebo samotný spotrebič poškodený.
 - Zabráňte poškodeniu napájacieho kábla tým, že zabránite jeho pritlačeniu, ohýbaniu alebo odieraniu sa o ostré hrany. Napájací kábel udržiajte mimo horúcich povrchov a otvoreného ohňa.
 - Spotrebič zapájajte iba do uzemnenej zásuvky.
- VAROVANIE:** Spotrebič nepripájajte k elektrickej sieti, kým úplne nedokončíte inštaláciu.
- Spotrebič umiestnite tak, aby bola zástrčka vždy prístupná.
 - Nedotýkajte sa lúčov, ak boli v prevádzke po dlhý čas. Keďže sú horúce, mohli by ste si popáliť ruky.
 - Dodržiavajte predpisy vydané kompetentnými úradmi týkajúce sa vypúšťania odsávaného vzduchu (toto neplatí pre použitie bez dymovodu).
 - Váš spotrebič spustíte len vtedy, ak je na varnej doske hrniec, panvica atď. V opačnom prípade môže teplo spôsobiť deformáciu niektorých častí vášho spotrebiča.
 - Varnú dosku vypnite pred tým, ako z nej zložíte hrniec, panvicu a pod.
 - Na varnej doske nenechávajte horúci olej. Panvice s horúcim olejom môžu zapríčiniť samovznietenie.
 - Dávajte pozor na závesy a prikrývky, keďže by olej pri tepelnej úprave mohol vzbĺknuť, napr. pri smažení.
 - Filter mastnoty sa musí vymieňať aspoň raz mesačne. Uhlíkový

1 Dôležité pokyny týkajúce sa bezpečnosti a životného prostredia

filter sa musí vymieňať aspoň každé 3 mesiace.

- Spotrebič musí byť čistený v súlade s používateľskou príručkou. Ak čistenie nebolo vykonané v súlade s používateľskou príručkou, môže hroziť nebezpečenstvo požiaru.
- Súčasné filtre nenahrádzajte materiálmi, ktoré nie sú ohňovzdorné.
- Používajte len originálne časti odporúčané výrobcom.
- Spotrebič nespúšťajte bez filtra a filtre nevyberajte počas prevádzky spotrebiča.
- V prípade, ak sa na spotrebiči objavia plamene, odpojte spotrebič aj zariadenia určené na varenie od elektrickej siete.
- V prípade vzniku ohňa zakryte plamene a nikdy nepoužívajte vodné hasiace prístroje.
- Spotrebič odpojte pred každým čistením a v prípade, že ho nepoužívate.
- Negatívny tlak prostredia by nemal presiahnuť 4 Pa (4 x 10 bar), pokiaľ je digestor pre

elektrickú varnú dosku v prevádzke súčasne so spotrebičmi fungujúcimi na inom type energie.

- V prostredí, kde je tento spotrebič používaný, musia byť výfuky zariadení fungujúcich na palivách, ako je olej alebo plyn, napr. izbové vykurovacie telesá, úplne oddelené alebo tieto zariadenia musia byť hermetického typu.
- Pri montáži dymovodu použite potrubie s priemerom 120 mm alebo 150 mm. Pripojenie cez potrubie musí byť čo najkratšie a mať čo najmenej kolien.

Nebezpečenstvo udusení!

Všetky obaly uchovajte mimo dosahu detí.

VÝSTRAHA: Prístupné časti sa počas súčasného používania so spotrebičmi na varenie môžu zahriať.

- Výfuk spotrebiča nesmie byť napojený na vzduchové potrubia, ktoré obsahujú iný dym.
- Vetranie miestnosti môže byť nedostatočné, ak sa digestor pre elektrické varné dosky používa súčasne so zariadeniami využíva-

1 Dôležité pokyny týkajúce sa bezpečnosti a životného prostredia

júcimi plyn alebo iné palivá (toto sa nevzťahuje na zariadenia, ktoré vypúšťajú vzduch späť do tej istej miestnosti).

- Predmety položené na spotrebič môžu spadnúť. Na spotrebič nekladte žiadne predmety.

- Pod spotrebičom neflambujte.

VAROVANIE: Pred inštaláciou digestora odstráňte ochranné fólie.

- Počas prevádzky pod digestorom nikdy nenechávajte vysoké priame plamene.
- Fritézy sa musia počas používania nepretržite monitorovať: prehriaty olej môže vzplanúť.

1.2 Súlad so smernicou o OEEZ a likvidácia vyradeného produktu:

Tento výrobok je v súlade so smernicou o OEEZ. (2012/19/EU). Tento výrobok je označený klasifikačným symbolom pre odpad z elektrických a elektronických zariadení (OEEZ).



Tento symbol znamená to, že tento výrobok sa na konci jeho životnosti nesmie likvidovať spolu s iným domácim odpadom.

Použitý spotrebič sa musia odovzdať na oficiálnych zberných miestach na recykláciu elektrických a elektronických zariadení. Obráťte sa na miestne úrady alebo na predajcu, u ktorého ste si výrobok zakúpili, a informujte sa o umiestnení zberných zariadení. Každá domácnosť zohráva

dôležitú úlohu v obnove a recyklácii starých spotrebičov. Správna likvidácia starého spotrebiča pomáha predísť možným negatívnym následkom pre životné prostredie a ľudské zdravie.

1.3 Súlad so smernicou RoHS

Výrobok, ktorý ste si zakúpili, vyhovuje smernici EÚ RoHS (2011/65/EÚ). Neobsahuje škodlivé ani zakázané materiály špecifikované v tejto smernici.

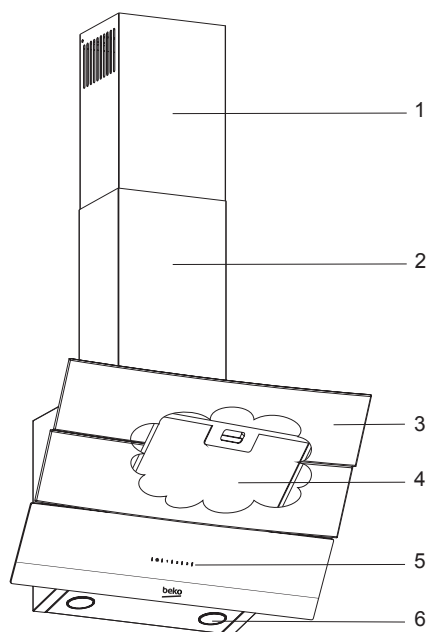
1.4 Informácie o balení



Obalové materiály tohto výrobku sú vyrobené z recyklovateľných materiálov v súlade s našimi Národnými environmentálnymi predpismi. Baliaci materiál nelikvidujte spolu s domovým odpadom alebo inými druhmi odpadu. Odnesť ich na zberné miesto baliaceho materiálu, určené miestnymi úradmi.

2 Všeobecný vzhľad

2.1 Prehľad

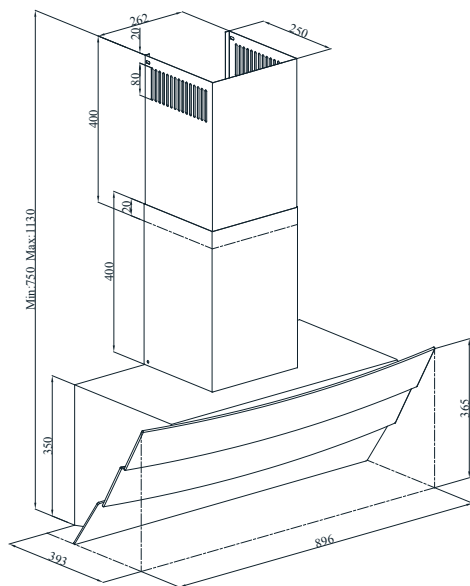


1. Vnútorný dymovod
2. Vonkajší dymovod
3. Skleneným krytom
4. Hliníkový tukový filter (Za skleneným krytom)
5. Kontrolný panel
6. Osvetlenie

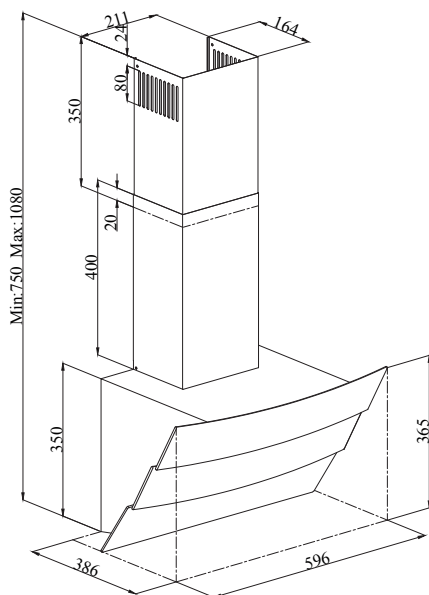
2 Všeobecný vzhľad

2.2 Technické údaje

	HCA62640WH HCA62640BH	HCA62540B	HCA92640WH HCA92640BH	HCA92540B
Šírka	596 mm		896 mm	
Hĺbka	386 mm		393 mm	
Výška	750/1080 mm		750/1130 mm	
Privádzané napätie	220-240V ~, 50 Hz			
Regulácia	S 3 úrovňami			
Výkon žiarivky	2x3 W			
Potrúbie vzduchového vývodu	120/150 mm			
Stopnja pretoka – 3. stopnja	537 m ³ /h	566 m ³ /h	577 m ³ /h	593 m ³ /h
Výkon motora	210 W			
Celkový výkon	216 W			
Izolacijski razred motorja	Razred F			
Izolacijski razred	Razred I			




HCA92640WH
HCA92640BH
HCA92540B



HCA62640WH
HCA62640BH
HCA62540B

3 Prevádzka spotrebiča

3.1 Ovládanie zariadenia

 1 2 3	
A B C D	
KEY	FUNKCIE
A : Tlačidlo zapnutia/vypnutia žiarivky	Varnú oblasť môžete osvetliť stlačením tohto tlačidla.
B : Tlačidlo 1. úrovne	Stlačením tohto tlačidla môžete digestor spustiť s otáčkami na úrovni 1. Keď toto tlačidlo stlačíte znova pre vypnutie spotrebiča, signalizácia úrovne otáčok zmizne z displeja.
C : Tlačidlo 2. úrovne	Stlačením tohto tlačidla môžete digestor spustiť s otáčkami na úrovni 2. Keď toto tlačidlo stlačíte znova pre vypnutie spotrebiča, signalizácia úrovne otáčok zmizne z displeja.
D : Tlačidlo 3. úrovne	Stlačením tohto tlačidla môžete digestor spustiť s otáčkami na úrovni 3. Keď toto tlačidlo stlačíte znova pre vypnutie spotrebiča, signalizácia úrovne otáčok zmizne z displeja.

3.2 Efektívne využitie z hľadiska Úspory energie

- Pri používaní spotrebiča, upravte nastavenie rýchlosti podľa intenzity pary a zápachov, z dôvodu šetrenia energie.
- Používajte nízku rýchlosť (1-2) za obvyklých podmienok a vysokú rýchlosť (3) pri intenzívnom zápachu a pary.
- Lampy na odsávači sú umiestnené pre osvetlenie priestoru na varenie.
- Ich používanie na osvetlenie priestoru bude viesť k zbytočným výdavkom energie a k nedostatočnému osvetleniu.

3.3 Ovládanie Odsávača pár

- Váš spotrebič obsahuje motor, ktorý má premenlivú rýchlosť.

- Pre lepšiu výkonnosť odporúčame používať nízke rýchlosti za normálnych podmienok a vysoké rýchlosti v prípade silných zápachov a intenzívnych výparov.
- Spotrebič môžete spustiť stlačením tlačidla požadovaného nastavenia rýchlosti. (A,B,C)
- Varnú zónu môžete osvetliť stlačením lampy. (D)

3.4 Automatické zastavenie o 15 min.:

Tento spotrebič je vybavený funkciou automatického zastavenia, ktorá umožňuje spotrebiču vyvetrať miestnosť po predĺžené časové obdobie za účelom odstránenia neprijemného zápachu a výparov z miestnosti po dokončení varenia. Spotrebič sa po určitom čase automaticky zastaví. Ak chcete aktivovať funkciu automatického zastavenia, stlačte ľubovoľné z tlačidiel úrovne otáčok (A, B, C) na ovládacom paneli a podržte ho stlačené 2 sekundy. Aktivuje sa 15 minútový časovač. Ak stlačíte rovnaké tlačidlo úrovne otáčok, kým je aktivovaná funkcia automatického zastavenia, funkcia sa vyradí a spotrebič sa zastaví. Ak vyberiete inú úroveň otáčok, funkcia sa vyradí. Ak chcete, aby sa váš spotrebič zastavil automaticky, musíte znovu aktivovať funkciu automatického zastavenia.

Pravidelné čistenie kovových filtrov:

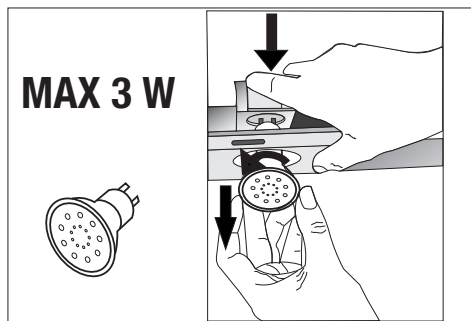
Filtre je potrebné čistiť po približne každých 60 hodinách prevádzky alebo 4 týždňoch v závislosti od frekvencie používania.

3.5 Výmena žiariviek

Digestor odpojte od zdroja napájania. Tento spotrebič je vybavený 3 W halogénovými žiarivkami. Ak chcete vymeniť halogénové žiarivky, uvoľnite ich zatlačením na zadnú časť držiaka žiarivky v smere nadol. Potom ju otočte o 1/4 otáčky proti smeru hodinových ručičiek a odstráňte ju. Pri

3 Prevádzka spotrebiča

montáži nových žiaroviek vykonajte vyššie uvedené postup v opačnom poradí krokov.



Žiarivky môžete zakúpiť u autorizovaných servisných agentov.

Žiarovka	
Výkon žiarovky	3 W
Držiak / zásuvka	GZ 10
Napätie žiarovky	220 - 240 V
Veľkosť	53x50 mm
ILCOS kód	DR/F3-220-240-GZ10-50-53
Svetelný tok	260 lm
Súvisiaca teplota farby	3000 K

Tento výrobok obsahuje svetelný zdroj triedy energetickej účinnosti "F".

3.6 Prevádzka s komínom

- Para sa odvádza cez komínové potrubie, ktoré je pripojené k pripojovacej hlave na odsávači pár.
- Priemer komína musí byť rovnaký ako spojovací krúžok. V horizontálnych nastaveniach musí mať potrubie mierny sklon nahor (okolo 10 °), aby mohol vzduch ľahko unikať z miestnosti.

3.7 Prevádzka bez komína

- Vzduch sa filtruje cez uhlíkový filter a recirkuluje v miestnosti. Uhlíkový filter sa používa, keď nie je možné v dome použiť komín.
- Pri bezprúdovom používaní odstráňte klapky vo vnútri komínového adaptéra.
- Odstráňte hliníkové tukové kazety. Ak chcete nainštalovať uhlíkový filter, nasadte filter na úchytky centrovane na plastový kus na oboch stranách tela ventilátora. Dotiahnite ho otočením doprava alebo doľava.
- Vymeňte hliníkový tukový filter.

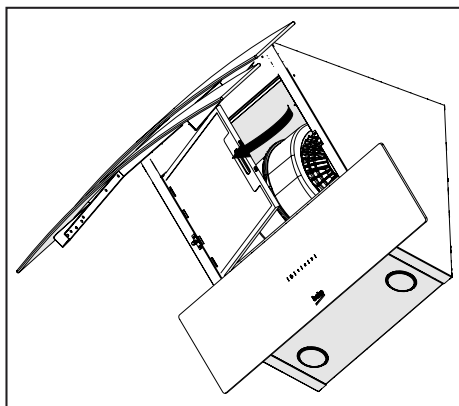
4 Čistenie a údržba



Pred čistením a údržbou výrobok odpojte alebo vypnite vypínač.

4.1 Čistenie hliníkových tukových filtrov

Tento filter zadržiava častice oleja zo vzduchu. Hliníkové tukové filtre môžu pri umývaní zmeniť farbu; je to normálne a nevyžaduje výmenu hliníkových tukových filtrov.



- Hliníkový tukový filter zatlačte dopredu.
- Potom ho mierne potiahnite a vytiahnite). V opačnom prípade môžete filter ohnúť. Hliníkové tukové filtre umyte a opláchnite tekutým čistiacim prostriedkom a vráťte hliníkové tukové filtre do svojich uložení vykonaním vyššie uvedených krokov v opačnom poradí. Tento filter zadržiava častice oleja zo vzduchu.



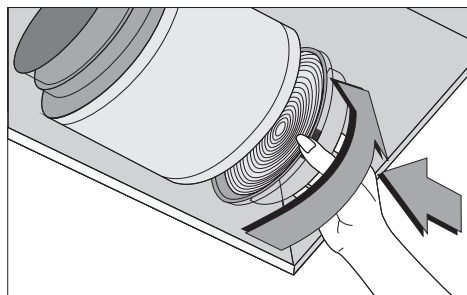
Hliníkové tukové filtre môžete umývať v umývačke riadu



VÝSTRAHA: V prípade normálneho používania vyčistite filter raz za mesiac.

4.2 Výmena uhlíkových filtrov

Filtere na odstraňovanie zápachu obsahujú aktívne uhlie (aktívny karbón). V produkte musí byť inštalovaný tukový filter, bez ohľadu na to, či sú alebo nie sú používané filtre s aktívnym uhlím.



- Odstráňte hliníkové tukové filtre.
- Ak chcete vybrať uhlíkový filter, vyberte uhlíkový filter z jeho krytu jeho otočením proti smeru hodinových ručičiek z úchytky.
- Nainštalujte nový uhlíkový filter.
- Inštalácia hliníkového tukového filtra.

VÝSTRAHA



- Uhlíkový filter sa nesmie nikdy umývať.
- Vymeňte uhlíkové filtre raz za 3 mesiace.
- Uhlíkový filter môžete získať od autorizovaných servisov.

5 Inštalácia spotrebiča



UPOZORNENIE: Pred začatím inštalácie si prečítajte bezpečnostné pokyny v používateľskej príručke.

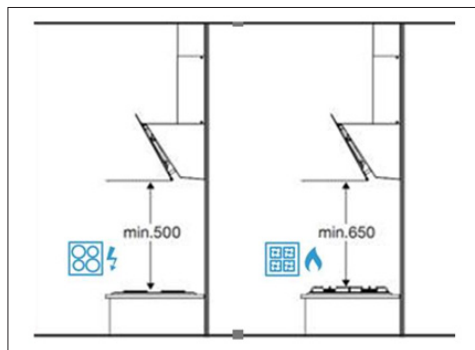


UPOZORNENIE: Neinštalovanie skrutiek a stabilizátorov podľa týchto pokynov môže mať za následok úraz elektrickým prúdom.

Ak chcete nainštalovať odsávač pár, kontaktujte najbližšiu autorizovanú službu.

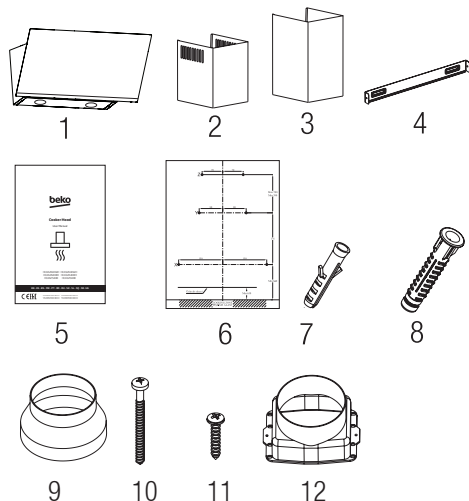
Zákazník je zodpovedný za prípravu umiestnenia a elektrickej inštalácie odsávača pár.

5.1 Pozícia spotrebiča



- Pri všetkých typoch odsávačov pár je inštalačná vzdialenosť nad plynovou a elektrickou varnou doskou min. 650 mm. Len pri **šikmých odsávačoch** pár je inštalačná vzdialenosť nad **elektrickou varnou doskou** min. 500 mm.
- U plynových sporákov sa musí merať vzdialenosť od povrchu mriežky, pre elektrické sporáky od povrchu skla

5.2 Inštalačné príslušenstvo



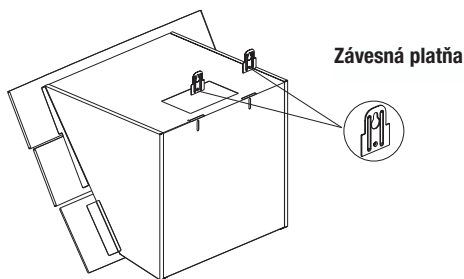
1. Výrobok
2. Vnútorý vzduchovod
3. Vonkajší vzduchovod
4. Platňa pripojenia vetracieho kanálu
5. Návod na použitie
6. Rozmery zostavy
7. Ø6mm Plastová hmoždinka
8. Ø8mm Plastová hmoždinka
9. Ø120/150 mm plastový adaptér pre vetrací kanál
10. 4,9x5mm skrutka s krížovou hlavou
11. 3,9 x 22 skrutka s krížovou hlavou
12. 1 x Ø150 mm plastový vetrací kanál

Nižšie uvádzame informácie nevyhnutné na prípravu miesta inštalácie digestora.

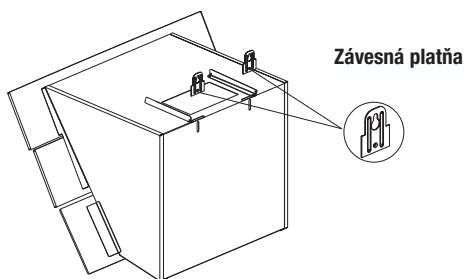
5.3 Montáž digestora na stenu

Ak chcete digestor namontovať na stenu, povolte skrutky závesných platní na puzdre motora a platne potiahnite nahor. Potom zatiahnite skrutky závesných platní. (Obrázok 1a).

5 Inštalácia spotrebiča

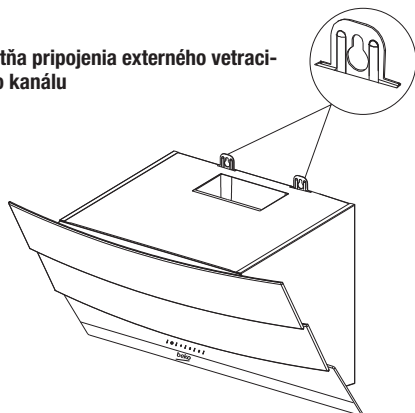


(Obrázok 1a-60)



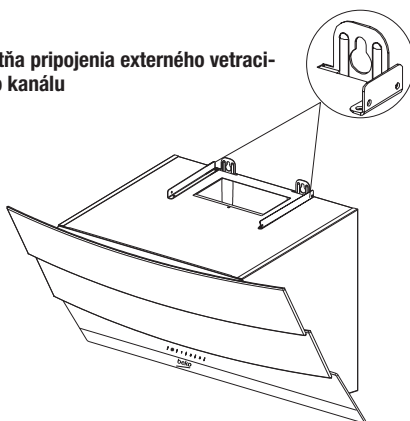
(Obrázok 1a-90)

Platňa pripojenia externého vetracieho kanálu



(Obrázok 1b-60)

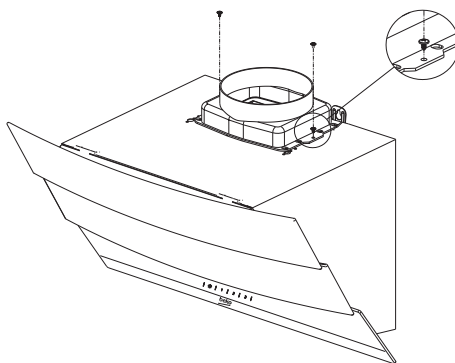
Platňa pripojenia externého vetracieho kanálu



(Obrázok 1b-90)

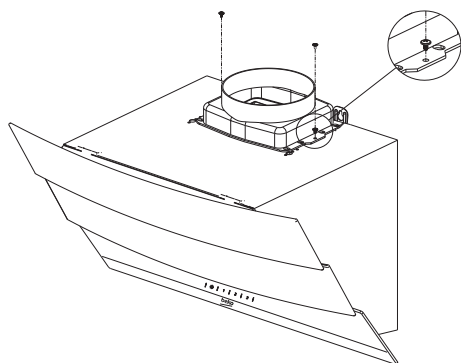
Upevnite $\varnothing 150$ mm plastový adaptér vetracieho kanálu k hornej časti telesa pomocou pripalenej 3,5x9,5 skrutky (Obrázok 4).

Ak budete používať $\varnothing 120$ mm trubicu vetracieho kanálu, nainštalujte na ňu $\varnothing 120$ mm adaptér vetracieho kanálu.



(Obrázok 2-60)

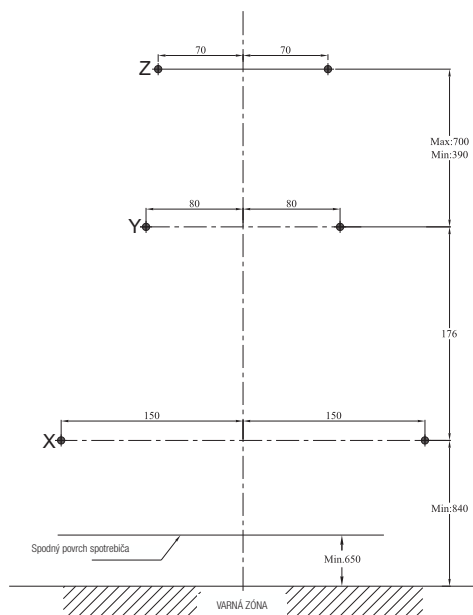
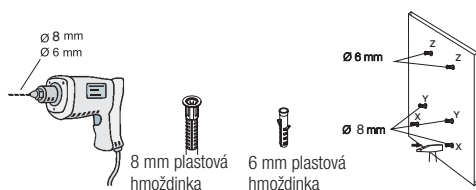
5 Inštalácia spotrebiča



(Obrázok 2-90)

5.4 Vrtanie závesných otvorov

Upevnite inštalačnú šablónu na miesto inštalácie digestora. Vyvrtajte diery v bodoch označených symbolmi (X,Y) pomocou $\varnothing 8$ mm vrtáku a bodoch označených symbolom (Z) pomocou $\varnothing 6$ mm vrtáku. (Obrázok 2)



(Obrázok 3)

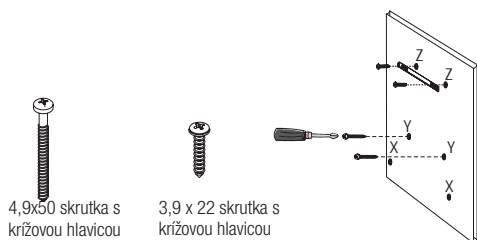
5.5 Pribitie hmoždieniek kladivom

Kladivom pribite $\varnothing 8$ mm hmoždinky (X,Y) do otvorov vyvrtaných pre závesné skrutky. Kladivom pribite 2 x $\varnothing 6$ mm hmoždinky (Z) do otvorov vyvrtaných $\varnothing 6$ mm vrtákom pre pripojovaciu platňu externého vetracieho kanálu. (Obrázok 3)

5.6 Montáž závesných skrutiek

Zaskrutkujte 4,9x50 závesné skrutky do $\varnothing 8$ mm hmoždieniek (Y), ktoré ste kladivom pribili do steny. Medzi hlavou skrutky a stenou musí zostať 5 mm medzera. Pripevnite pripojovaciu platňu interného vetracieho kanálu k 6 mm hmoždinkám (Z) v stene pomocou $\varnothing 3,9$ x22 skrutiek. (Obrázok 4)

5 Inštalácia spotrebiča



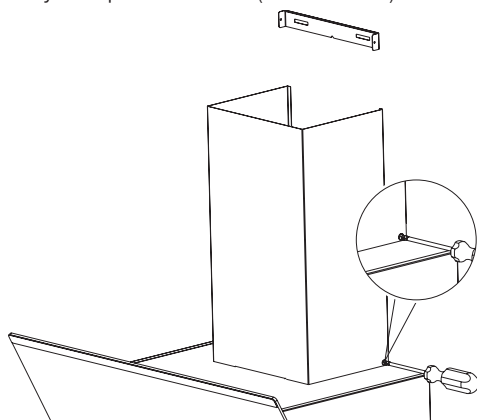
(Obrázok 4)

5.7 Zavesenie digestora na stenu

- Digestor zavesíte na skrutky, ktoré ste zaviedli do otvorov Y.
- Otvorte bočné nasávacie okienko digestora potiahnutím k sebe. Spotrebič upevníte zavedením 4,9x50 skrutiek do otvorov X nachádzajúcich sa vo vnútri.

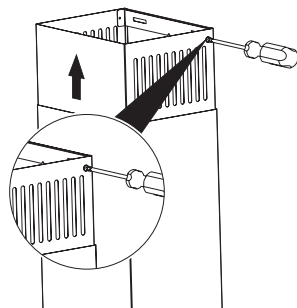
5.8 Montáž vetracieho kanálu digestora

Pred zahájením montáže vetracieho kanálu odpojte produkt od zdroja napájania. Osadte diely vetracieho kanálu z kovových platní okolo telesa. Priskrutkujte externý vetrací kanál k pripojovacím platniam externého vetracieho kanálu umiestneným na puzdre motora. (Obrázok 1b/5)



(Obrázok 5)

Vysuňte a priskrutkujte interný vetrací kanál od vonkajších okrajov na pripojovacia platňa vetracieho kanálu, ktoré bola pripravená k stene (Obrázok 6).



(Obrázok 6)

5.9 Pripojenie k vetraciemu kanálu:

Adaptér dodávaný spolu s digestorom umiestnite do vetracieho otvoru v hornej časti digestora. Obstarajte si potrubie s priemerom 120/150 mm. Jeden koniec potrubia pripojte k adaptéru a druhý koniec k vetraciemu kanálu. Uistite sa, že tieto dve pripojenia sú dostatočne pevné na to, aby sa pri prevádzke digestora pri max. otáčkach spojenie neuvoľnilo. Skontrolujte, či sú záslepky vo vnútri vetracieho kanála funkčné pri zatiahnutí pomocou svorky. Nasadte potrubie vetracieho kanálu na adaptér. Ak osadíte pripojovacie potrubie vetracieho kanálu do vnútra adaptéra, nebude dochádzať k odsávaniu vzduchu, pretože záslepky brániace v spätnom prietoku vzduchu zostanú uzavreté. Neodporúča sa produkt pripájať k vetracím kanálom, ku ktorým sú už pripojené sporáky alebo odvádzacie šachty. Potrubné pripojenie musí byť čo najkratšie a mať čo najmenej kĺbov.

A: Vývodné potrubie vetracieho kanála

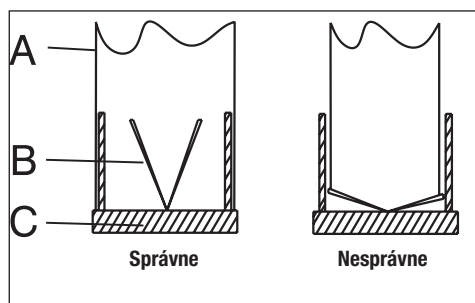
B: Záslepky brániace v spätnom prietoku

C: Plastový vetrací kanál

5 Inštalácia spotrebiča

5.10 Systém na prevenciu spätného toku (N-RV)

Keď je digestor v prevádzke, záslepky sú uzavreté, aby do prostredia neprenikali zápachy a prach zvonka.



5.11 Skladovanie

- Ak nechcete spotrebič dlhšiu dobu používať, dôkladne ho uskladnite.
- Skontrolujte, či je spotrebič odpojený, vychladnutý a úplne suchý.
- Spotrebič skladujte na suchom, chladnom mieste.
- Spotrebič skladujte mimo dosahu detí.

5.12 Zaoberanie a preprava

- Počas manipulácie a prepravy majte prístroj v pôvodnom obale. Balenie spotrebiča ho chráni pred fyzickým poškodením.
- Na zariadenie ani na obal nekladte ťažké bremená. Prístroj sa môže poškodiť.
- Pád prístroja môže spôsobiť jeho nefunkčnosť alebo trvalé poškodenie.

6 Odstraňovanie problémov

Odstraňovanie problémov	Príčina	Pomoc
Zariadenie nefunguje.	Skontrolujte svoje poistky.	Poistka môže byť vypálená, skontrolujte a obnovte ju.
Zariadenie nefunguje.	Skontrolujte elektrické pripojenie.	Sieťové napätie musí byť medzi 220 a 240 V.
Zariadenie nefunguje.	Skontrolujte elektrické pripojenie.	Skontrolujte, či vo vašej kuchyni funguje iný spotrebič.
Osvetľovacie svetlo nefunguje.	Skontrolujte elektrické pripojenie.	Sieťové napätie musí byť medzi 220 a 240 V.
Osvetľovacie svetlo nefunguje.	Skontrolujte spínač žiarovky.	Prepínač lampy musí byť v polohe "zapnuté".
Osvetľovacie svetlo nefunguje.	Skontrolujte žiarovky.	Svietidlá zariadenia sa musia rozsvietiť.
Prívod vzduchu do zariadenia nie je dostatočný.	Skontrolujte hliníkový filter.	Za normálnych prevádzkových podmienok sa musí hliníkový filter čistiť najmenej raz za mesiac.
Prívod vzduchu do zariadenia nie je dostatočný.	Skontrolujte vývod vzduchu z komína.	Komín pre odvod vzduchu musí byť v polohe „zapnutý“.
Prívod vzduchu do zariadenia nie je dostatočný.	Skontrolujte uhlíkový filter.	Filtere spotrebičov s uhlíkovými filterami sa za normálnych podmienok vymieňajú raz za každé 3 mesiace.

Перед використанням прочитайте цей посібник!

Вельмишановний клієнте!

Дякуємо за придбання цього приладу торгової марки Веко. Ми сподіваємося, що Ви отримаєте найкращі результати від використання приладу, виготовленого за найкращими стандартами якості з використанням найсучасніших технологій. Саме тому, будь ласка, уважно й повністю прочитайте цей посібник користувача й усі інші супровідні документи перед використанням виробу та збережіть посібник для довідки в майбутньому. Передавати прилад іншій особі треба разом з посібником користувача. Дотримуйтесь інструкцій, звертаючи увагу на всю інформацію й попередження в посібнику користувача.

Пам'ятайте, що цей посібник може також застосовуватися до інших моделей. Відмінності між моделями чітко описано в посібнику.

Значення символів

У різних розділах цього керівництва використовуються такі символи:



Важлива інформація й корисні рекомендації щодо використання.



УВАГА: Попередження про небезпечні ситуації, пов'язані з безпекою для життя й майна.



УВАГА: Попередження про небезпеку виникнення пожежі.



УВАГА: Попередження про ризик ураження електричним струмом.



ПЕРЕРОБЛЕНИЙ ПАПІР І
ПАПІР, ЩО ПІДДАЄТЬСЯ
ПЕРЕРОБЦІ

1.1. Загальні правила техніки безпеки

Важливі інструкції з техніки безпеки: уважно ознайомтеся та збережіть для подальшого використання. Цей розділ містить інструкції з техніки безпеки, дотримання яких допоможе виключити ризик виникнення пожежі, ураження електричним струмом, впливу витоків мікрохвильового випромінювання, отримання інших травм або заподіяння матеріальної шкоди. У разі недотримання цих інструкцій усі гарантійні зобов'язання анулюються.

- Продукція торгової марки Веко відповідає чинним стандартам безпеки; у разі пошкодження електроприладу або шнура живлення, щоб уникнути небезпечних ситуацій, ремонт або заміну повинні здій-

снювати дилер, сервісний центр, фахівець або авторизована служба. Неправильно або непрофесіонально виконані ремонтні роботи можуть призвести до небезпечних для користувача ситуацій.

- Цей електроприлад призначено тільки для побутового й подібного застосування, а саме:
 - у кухонних зонах для персоналу в магазинах, офісах та інших робочих приміщеннях;
 - на фермах
 - у номерах готелів, мотелів тощо;
 - у приміщеннях, що надаються для проживання на умовах напівпансіону.
- Використовуйте цей електроприлад тільки за його безпосереднім призначенням, як описано в цьому посібнику.

- Виробник не несе відповідальності за збитки, які виникли внаслідок неправильного встановлення або неналежного використання виробу.
- Цей прилад не призначено для використання дітьми віком до 8 років та особам з обмеженими фізичними, сенсорними або розумовими можливостями або особами, які не мають відповідного досвіду чи знань з використання приладу, за винятком випадків, коли вони перебувають під наглядом або проінструктовані щодо використання пристрою в безпечний спосіб і розуміють небезпеку.
- Використання дітьми виробу як іграшки заборонено. Очищення й обслуговування не мають здійснювати діти без нагляду.
- Мінімальна відстань між опорною поверхнею ємності для приготування їжі на варильній поверхні й найнижчою частиною виробу має бути не менше 50 см.
- Якщо інструкція щодо встановлення газової варильної поверхні визначає більшу відстань, такі рекомендації треба брати до уваги.
- Переконайтеся, що ваша електрична мережа відповідає вимогам, зазначеним на паспортній табличці приладу.
- У жодному разі не користуйтеся електроприладом, якщо шнур живлення або сам електроприлад пошкоджено.
- Намагайтеся запобігати пошкодженню кабелю живлення: уникайте його стискання, згинання або контакту з гострими

предметами. Не тримайте кабель живлення біля гарячих поверхонь і відкритого вогню.

- Під'єднання приладу треба здійснювати виключно в розетку із заземлювальним контактом.

УВАГА: Не під'єднуйте прилад до електромережі до цілковитого завершення монтажних робіт.

- Розташуйте прилад так, щоб вилка була завжди доступною.
- Не торкайтеся ламп після їх тривалої роботи. Вони мають високу температуру й можуть обпекти кінцівки.
- Дотримуйтеся визначених компетентними органами правил щодо відведення повітряних мас (це попередження не застосовується для використань без газовідводів).

- Експлуатація приладу здійснюється після розміщення на варильній поверхні каструлі, сковорідки тощо. Інакше висока температура може спричинити деформування деяких деталей виробу.

- Перед зняттям каструлі, сковорідки тощо вимкніть варильну поверхню.

- Не залишайте гарячу олію на варильній поверхні. Сковорідки із залишками гарячої олії можуть загорітися.

- Зверніть увагу на штори й чохли, оскільки олія може загорітися під час приготування їжі, наприклад картоплі фрі.

- Заміну жировловлювального фільтра треба здійснювати щонайменше раз на місяць. Заміну вугільного фільтра треба здійснювати

- щонайменше раз на 3 місяці.
- Чищення виробу треба виконувати відповідно до рекомендацій, зазначених у посібнику користувача. Якщо чищення виробу виконувалося не відповідно до рекомендацій посібника користувача, існує ризик виникнення пожежі.
 - Використання протипожежних фільтрувальних матеріалів замість поточного фільтра заборонено.
 - Використовуйте лише оригінальні деталі або ж деталі, рекомендовані виробником.
 - Використання виробу без фільтра й виймання фільтрів під час роботи виробу заборонено.
 - У разі виникнення пожежі вимкніть живлення виробу й кухонних приладів.
 - У разі виникнення пожежі накрийте полум'я та ніколи не використовуйте воду для його гасіння.
 - Від'єднуйте прилад від електромережі перед кожним чищенням, а також коли він не використовується.
 - Під час одночасної роботи витяжки для електричної варильної панелі або для приладів, що працюють на іншому виді енергії, відмінної від електрики, від'ємний тиск навколишнього середовища не повинен перевищувати 4 Па (4 x 10 бар).
 - У приміщенні, де використовується прилад, вихлопні гази пристроїв, що працюють на мазуті або газі, наприклад нагрівача приміщення, повинні бути абсолютно ізольованими або ж такий пристрій повинен

1 Важливі інструкції з техніки безпеки й охорони довкілля

мати герметичне виконання.

- Під час під'єднання газовідводу використовуйте труби діаметром 120 або 150 мм. Трубопровід має бути якомога коротшим і мати якомога меншу кількість колін.

Небезпека задухи!
Зберігайте пакувальні матеріали в недоступному для дітей місці.

Обережно! Під час використання кухонних приладів легкодоступні деталі можуть нагріватися.

- Випускний отвір виробу не можна під'єднувати до повітряних каналів, де є інший дим.
- Коли витяжка для електричної варильної панелі використовується одночасно з пристроями, що працюють на газі чи іншому паливі (це може не стосуватися приладів, які лише випускають повітря в примі-

щення), вентилявання в приміщенні може бути недостатнім.

- Розміщені на виробі предмети можуть упасти. Не розміщуйте на витяжці будь-які предмети.
- Фламбування страв, які розташовано під виробом, заборонено.

УВАГА: Перед установленням витяжки зніміть захисну плівку.

- Ніколи не залишайте джерела високого відкритого полум'я під витяжкою, яка працює
- Треба забезпечити постійний контроль фритюрниць під час їх роботи: перегріта олія може спалахнути.

1.2 Відповідність вимогам Директиви щодо утилізування відходів електричного й електронного обладнання (WEEE) та утилізування продукту:

Цей пристрій відповідає вимогам Директиви EU WEEE (2012/19/EU). Цей виріб має класифікаційний знак утилізування відходів електричного й електронного обладнання (WEEE).



Цей знак означає, що цей виріб після завершення строку служби не підлягає утилізуванню разом з іншими побутовими приладами.

Уживаний пристрій треба здавати до офіційного пункту утилізування електричного й електронного обладнання. Інформацію щодо розташування таких пунктів можна отримати в місцевих органах влади або в точці роздрібного продажу, де було придбано виріб. Кожне домоволодіння відіграє важливу роль у відновленні й переробці старих побутових приладів. Належне утилізування використаних приладів сприяє запобіганню негативних наслідків для довкілля та здоров'я людини.

1.3 Відповідність вимогам Директиви ЄС щодо обмеження використання небезпечних речовин

Пристрій, який ви придбали, відповідає вимогам Директиви ЄС щодо обмеження використання небезпечних речовин (2011/65/EU). Пристрій

не містить шкідливих і заборонених речовин, указаних у Директиві.

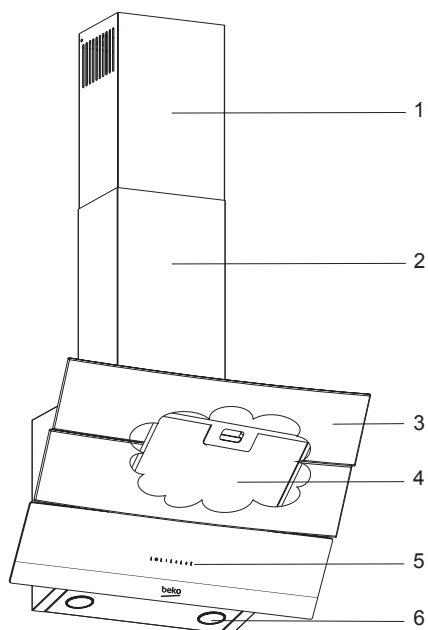
1.4 Інформація про пакування



Пакувальні матеріали виробу виготовлені з матеріалів вторинної переробки, відповідно до наших Національних природоохоронних норм. Не утилізуйте пакувальні матеріали разом із побутовими й іншими відходами. Здавайте їх у спеціальні пункти приймання тари, споруджені місцевими службами.

2 Технічні характеристики приладу

2.1 Огляд

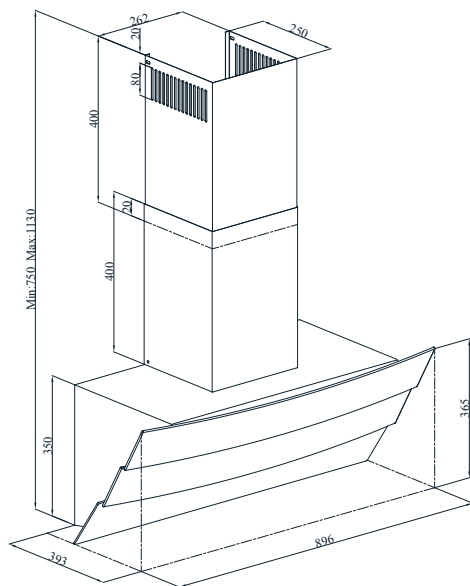


1. внутрішній повітропровід
2. Зовнішній повітропровід
3. Скляна кришка
4. Жировий фільтр (за склянню кришкою)
5. Панель управління
6. Освітлення

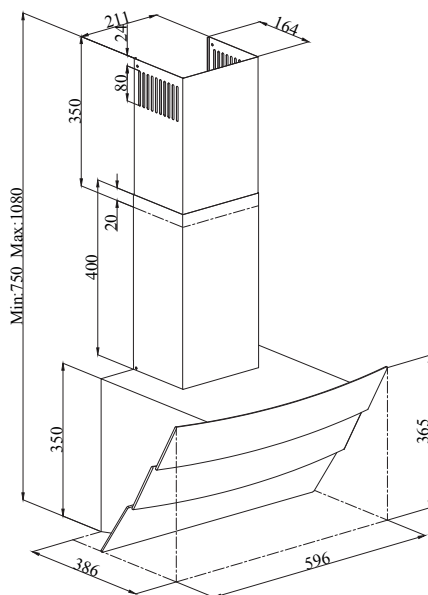
2 Технічні характеристики приладу

2.2 Технічні дані

	HCA62640WH HCA62640BH	HCA62540B	HCA92640WH HCA92640BH	HCA92540B
Ширина	596 mm		896 mm	
Глибина	386 mm		393 mm	
Висота	750/1080 mm		750/1130 mm	
Напруга електроживлення	220-240V ~, 50 Hz			
Управління	3-рівневе			
Потужність лампи	2x3 W			
Повітровипускна труба	120/150 mm			
Швидкість потоку - 3 рівні	537 m³/h	566 m³/h	577 m³/h	593 m³/h
Потужність двигуна	210 W			
Загальна потужність	216 W			
Клас ізоляції двигуна	Клас F			
Клас ізоляції	Клас I			



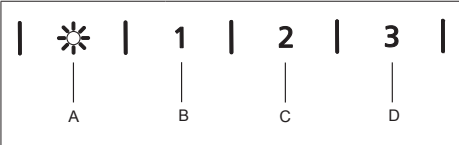
**HCA92640WH
HCA92640BH
HCA92540B**



**HCA62640WH
HCA62640BH
HCA62540B**

3 Експлуатація приладу

3.1 Керування приладом

	
КЛЮЧ	ФУНКЦІЯ
А : Кнопка увімк./вимк. світла	Якщо ви ще раз натиснете на цю кнопку, щоб вимкнути прилад, індикація рівня швидкості на екрані зникне.
В : кнопка 1-го рівня	Натиснувши на цю кнопку, можна увімкнути витяжку на другому рівні швидкості. Якщо ви ще раз натиснете на цю кнопку, щоб вимкнути прилад, індикація рівня швидкості на екрані зникне.
С : кнопка 2-го рівня	Натиснувши на цю кнопку, можна увімкнути витяжку на другому рівні швидкості. Якщо ви ще раз натиснете на цю кнопку, щоб вимкнути прилад, індикація рівня швидкості на екрані зникне.
Д : кнопка 3-го рівня	натиснувши на цю кнопку, можна увімкнути витяжку на третьому рівні швидкості. Якщо ви ще раз натиснете на цю кнопку, щоб вимкнути прилад, індикація рівня швидкості на екрані зникне.

3.2 Енергоєфективна експлуатація:

- під час використання витяжки, регулюйте рівень швидкості, залежно від інтенсивності запахів та випарів, щоб запобігти надмірному споживанню енергії.

- За звичайних умов, встановлюйте низьку швидкість (1-2), і збільшуйте її (3), якщо рівень запахів та випарів стає більш інтенсивним.
- Лампи на витяжці призначені для освітлення зони приготування їжі.
- Використання їх з метою освітлення навколишньої зони або кухні призведе до нецільового енергоспоживання та недостатнього рівня світла.

3.3 Експлуатація витяжки:

- Витяжка оснащена двигуном, що має різні налаштування швидкості.
- Для кращої роботи приладу за нормальних умов рекомендується використовувати низькі швидкості, і високі, якщо рівень запахів та випарів стає більш інтенсивним.
- Витяжка вмикається, якщо натиснути кнопку необхідного рівня швидкості (В, С, D).
- Освітлення зони приготування їжі вмикається з допомогою кнопки підсвічування. (А)

3.4 Автоматична зупинка через 15 хв.:

цей прилад оснащений функцією «Автоматична зупинка», яка дозволяє провітрювати приміщення протягом додаткового часу з метою видалення неприємних запахів і випарів після приготування їжі. Прилад зупиняється автоматично по закінченню певного проміжку часу. Щоб увімкнути функцію «Автоматична зупинка», натисніть будь-яку кнопку рівня швидкості (В, С, D) на панелі та утримуйте її 2 секунди. Увімкнеться таймер на 15

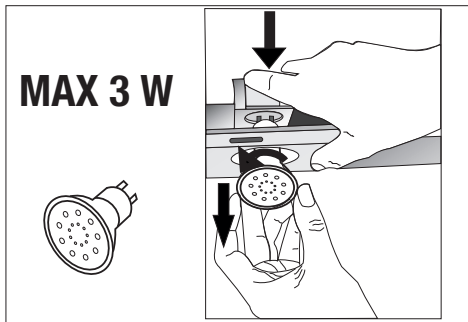
3 Експлуатація приладу

хвилин. Якщо натиснути ту саму кнопку рівня швидкості, коли увімкнена функція «Автоматична зупинка», то ця функція вимкнеться, а прилад зупиниться. Якщо обрати інший рівень швидкості, то ця функція вимкнеться. Якщо потрібна автоматична зупинка приладу, потрібно ще раз вимкнути функцію «Автоматична зупинка».

Періодична очистка металевих фільтрів:

фільтри слід очищувати приблизно кожні 60 годин роботи або кожні 4 тижні, залежно від частоти використання.

3.5 Заміна ламп



Від'єднайте витяжку від мережі електроживлення. Цей прилад оснащений галогенними лампами 3 Вт. Щоб замінити галогенну лампу, натисніть на неї у напрямку вниз на задній частині патрону. Після цього поверніть лампу проти годинникової стрілки на 1/4 оберту і зніміть її. Щоб встановити нову лампу, виконайте вищевказані дії у зворотному порядку.



придбати лампи можна у представників авторизованого сервісного центру.

Лампа	
Потужність лампи	3 W
Тримач/Гніздо	GZ 10
Напруга лампи	220 - 240 V
Розмір	53 x 50 mm
Код за системою міжнародного кодування ламп (ILCOS)	DR/F3-220-240-GZ10-50-53
Світловий потік	260 lm
Корельована колірна температура	3000 K

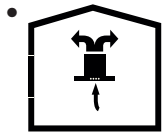
Цей виріб містить джерело світла, яке відноситься до класу енергоефективності F.

3.6 Використання витяжки із повітропроводом

-  Пара видаляється із приміщення через трубу повітропровода, яка прикріплена до з'єднувальної головки витяжки.
- Діаметр труби повітропровода має дорівнювати діаметру з'єднувального кільця. Щоб забезпечити належне виведення повітря з приміщення у горизонтальному напрямку, трубу необхідно злегка підняти вгору (приблизно на 10°).

3 Експлуатація приладу

3.7 Використання витяжки без повітропроводу



- Повітря фільтрується вугільним фільтром і повертається у приміщення. Вугільний фільтр використовується, якщо у будинку немає повітропроводу.
- Якщо витяжка використовуватиметься без повітропроводу, зніміть відповідні пристрої всередині адаптера повітропроводу.

- Зніміть алюмінієвий фільтр. Щоб встановити вугільний фільтр, розмістіть його у пластикових деталях з обох сторін корпусу вентилятора і прикріпіть його до планок. Щоб зафіксувати фільтр, поверніть планки вліво або вправо.
- Встановіть алюмінієвий фільтр.

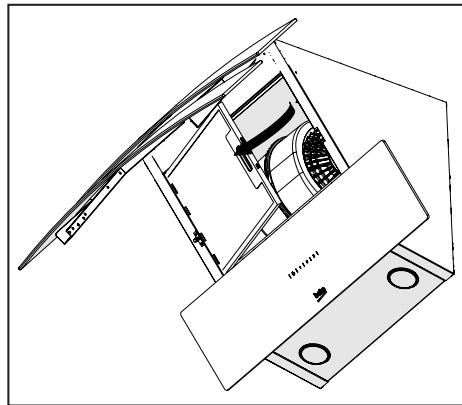
4 Очищення і технічне обслуговування



Перед очищенням і технічним обслуговуванням від'єднайте прилад від мережі електроживлення або вимкніть головний вимикач, або відкрутіть запобіжник, який здійснює електроживлення витяжки.

4.1 Зняття алюмінієвих фільтрів

Цей фільтр вловлює частки олії у повітрі. Для цього спочатку необхідно зняти алюмінієві фільтри. Промийте фільтри рідким миючим засобом і сполосніть їх чистою водою. Після цього дозвольте фільтрам висохнути і встановіть їх на місце. Алюмінієві фільтри можуть втратити колір внаслідок миття. Це нормально, фільтр, у такому випадку, змінювати не потрібно.



1. Посуньте вперед фіксатор алюмінієвого фільтра.
2. Після цього злегка опустіть його і потягніть вперед. У іншому випадку ви можете погнути фільтр. Після миття і висушування фільтра встановіть його на місце, виконуючи вищевказані кроки у зворотному порядку.

4 Очищення і технічне обслуговування



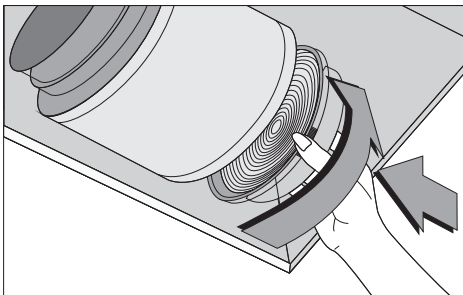
Миття алюмінієвих фільтрів можна здійснювати у посудомийній машині.



УВАГА: За нормальних умов експлуатації рекомендується очищувати цей фільтр щомісяця.

4.2 Заміна вугільного фільтра

Цей фільтр видаляє запахи приготування їжі. Фільтри, що усувають запах, містять деревне вугілля (активне вугілля). Якщо немає можливості використовувати повітропровід, фільтр очищує повітря, яке повертається назад у кухню. З часом вугільний фільтр приладу може засмітитися в залежності від частоти використання витяжки, способу приготування їжі і частоти очищення алюмінієвих фільтрів.



- Зніміть алюмінієві фільтри.
- Щоб зняти вугільний фільтр поверніть планки проти годинникової стрілки і зніміть фільтр.
- Встановіть новий вугільний фільтр.
- Встановіть алюмінієві фільтри.

УВАГА



- Мити вугільний фільтр заборонено.
- Заміну таких фільтрів необхідно виконувати кожні 3 місяців.
- Придбати вугільні фільтри можна у представників авторизованого сервісного центру.

5 Установка приладу



ПОПЕРЕДЖЕННЯ: перед початком встановлення ознайомтеся з інформацією з техніки безпеки в посібнику користувача.

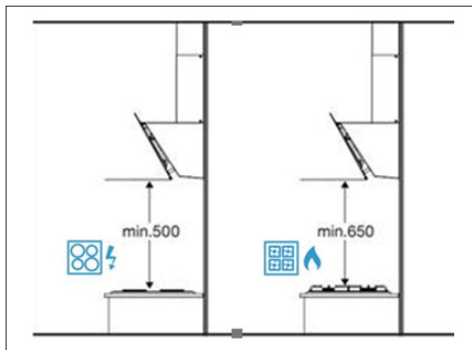


ПОПЕРЕДЖЕННЯ: Якщо не виконувати монтаж гвинтів і стабілізаторів відповідно до цих інструкцій, це може призвести до ураження електричним струмом.

Щодо установки приладу проконсультуйтеся у найближчому авторизованому сервісному центрі.

Покупець несе відповідальність за підготовку місця і електромонтаж продукту.

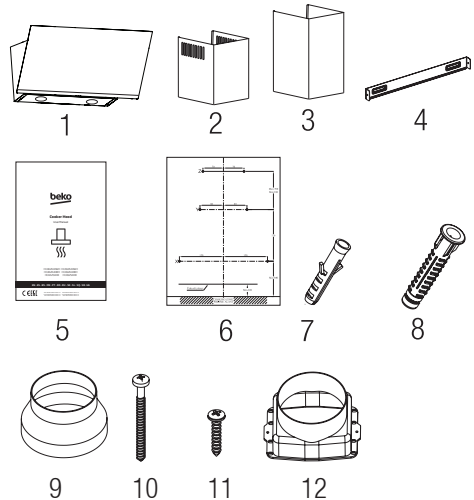
5.1 Розташування приладу



- Необхідно, щоб відстань між встановленою кухонною витяжкою будь-якого типу і газовою та електричною варильними поверхнями складала щонайменше 650 мм. Тільки в разі монтажу **похилих кухонних витяжок** слід дотримуватися відстані щонайменше 500 мм.
- Відстань необхідно вимірювати від

поверхні решіток газових плит і, поверхні скла електричних плит.

5.2 Засоби установки



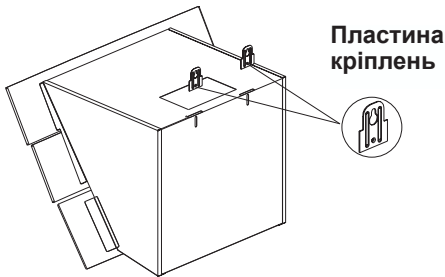
1. Продукт
2. внутрішній повітропровід
3. Зовнішній повітропровід
4. Платка під'єднання повітропроводу
5. Посібник користувача
6. Шаблон складання
7. Пластикові дюбеля 6 мм
8. Пластикові дюбеля 8 мм
9. Ø120/150 мм пластиковий адаптер для повітропроводу
10. Гвинт 4,9x50 з напівкруглою головкою
11. Гвинт 3,9 x 22 з напівкруглою головкою
12. 1xØ150 мм пластиковий повітропровід

Інформація, необхідна для підготовки місця установки витяжки, подана нижче.

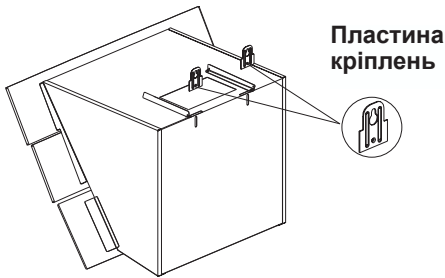
5 Установка приладу

5.3 Установка витяжки на стіні

Щоб встановити витяжку на стіні, відкрутіть гвинти пластин кріплень на корпусі двигуна і потягніть пластини вверх. Після цього закрутіть гвинти пластин кріплень. (Рисунок 1а)



(Рисунок 1а-60)



(Рисунок 1а-90)

Планка під'єднання зовнішнього повітропроводу



(Рисунок 1b-60)

Планка під'єднання зовнішнього повітропроводу

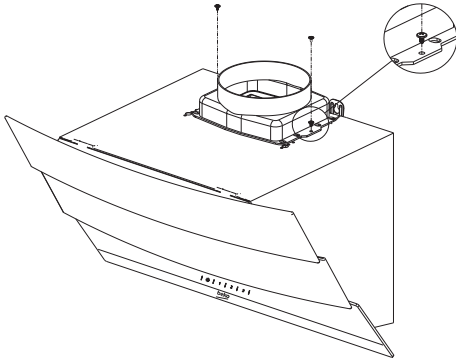


(Рисунок 1b-90)

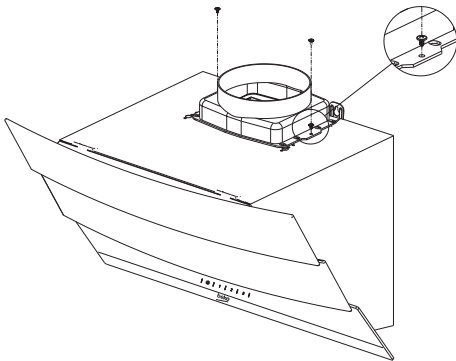
Зафіксуйте пластиковий адаптер Ø 150 мм Повітропроводу на верхній частині корпусу за допомогою гвинтів 3,5 x 9,5, що включені до комплекту засобів для установки (Рисунок 2).

Якщо використовується повітропровід Ø 120 мм, установіть адаптер (Ø 120 мм) повітропроводу на нього.

5 Установка приладу



(Рисунок 2-60)



(Рисунок 2-90)

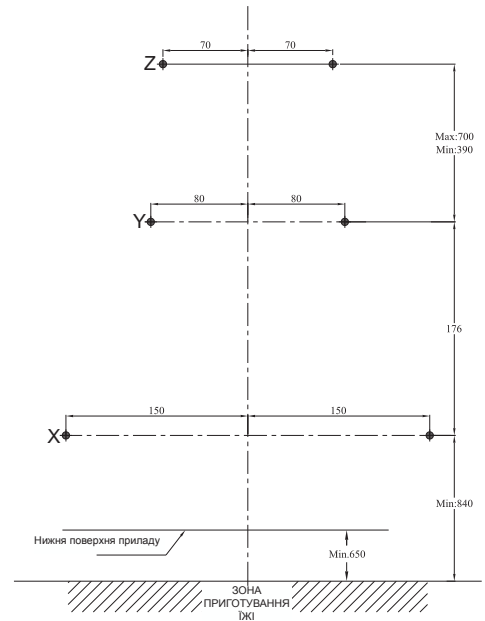
5.4 Свердління отворів для кріплень

Прикріпіть монтажний шаблон на місце установки витяжки. Висвердліть отвори у точках, позначених (X,Y), за допомогою свердла $\varnothing 8$ мм, а точки, позначені (Z) за допомогою свердла $\varnothing 6$ мм. (Рисунок 3)



Пластикові дюбеля 8 мм

Пластикові дюбеля 6 мм



(Рисунок 3)

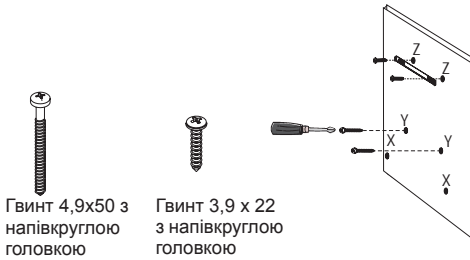
5.5 Забивання дюбелів молотком

Забийте молотком дюбеля $\varnothing 8$ мм (X,Y) в отвори, висвердлені для підвісних гвинтів. Забийте молотком 2 x $\varnothing 6$ мм дюбеля (Z) у отвори, висвердлені свердлом $\varnothing 6$ мм, для планки під'єднання зовнішнього повітропроводу. (Рисунок 3)

5 Установка приладу

5.6 Установка підвісних гвинтів

Встановіть 4,9х50 підвісні гвинти у дюбелях Ø 8 мм (Y), забитих у стіну. Між головкою гвинта і стіною має бути відстань 5 мм. Закріпіть планку під'єднання зовнішнього повітропроводу на дюбелях 6 мм (Z) за допомогою гвинтів Ø 3,9 x 22. (Рисунок 4)



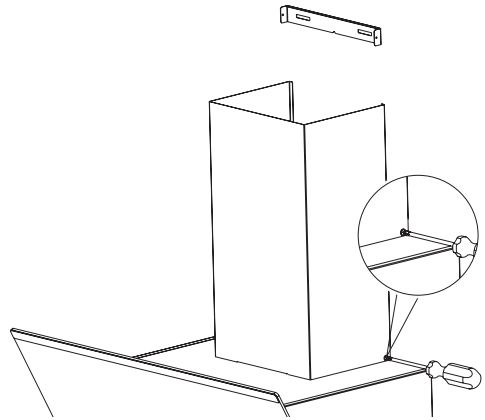
(Рисунок 4)

5.7 Підвішування витяжки на стіні

- Підвісьте витяжку на гвинти, встановлені у отворах Y.
- Відкрийте бічне вікно всмоктування, потягнувши його на себе. Встановіть гвинти 4,9х50 у отвори X, які знаходяться всередині, щоб закріпити прилад.

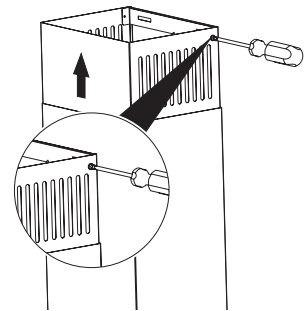
5.8 Установка повітропроводу витяжки

Під час виконання робіт з установки пристрій необхідно від'єднати від мережі електроживлення. Встановіть металеві пластини навколо корпусу. Прикрутіть зовнішній повітропровід до планки під'єднання зовнішнього повітропроводу, яка знаходиться на корпусі двигуна. (Рисунок 1b/5)



(Рисунок 5)

Розсуньте і закріпіть зовнішні краї внутрішнього повітропроводу у пластині під'єднання повітропроводу, яка встановлена на стіні (Рисунок 6).



(Рисунок 6)

5.9 Під'єднання повітропроводу:

Встановіть адаптер, який поставляється разом із витяжкою, у вентиляційному отворі, що знаходиться у верхній частині витяжки. Придбайте трубу діаметром 120/150 мм. Під'єднайте один кінець труби

5 Установакa приладу

до адаптера, а інший – до повітропроводу. Переконайтеся, що ці два під'єднання достатньо надійні, щоб не змішувалися, коли витяжка працює на повній потужності. Перевірте, чи засувки у повітропроводі можуть функціонувати, якщо їх зафіксувати хомутом. Встановіть трубу під'єднання повітропроводу до адаптера. Якщо ви прикріпите трубу під'єднання повітропроводу до адаптеру, всмоктування повітря не відбуватиметься, оскільки засувки, які перешкоджають зворотній циркуляції потоку повітря, залишаться закритими. Не рекомендується під'єднувати витяжку до повітропроводів, які підключені до печей або витяжних шахт. Не під'єднуйте витяжку до таких повітропроводів. З'єднувальний трубопровід має бути якомога коротшим і мати якомога меншу кількість колін.

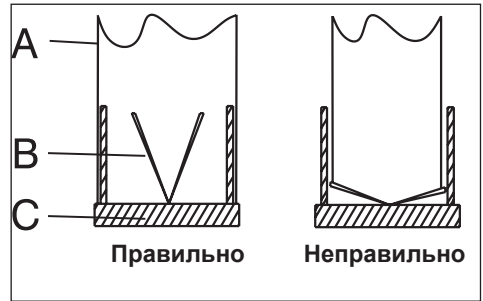
А: Випускна труба повітропроводу

В: Засувки, що перешкоджають зворотній циркуляції потоку

С: Пластиковий повітропровід

5.10 Система запобігання зворотній циркуляції потоку (N-RV)

Під час роботи витяжки засувки закриті з метою запобігання можливому потраплянню запахів і пилу ззовні у приміщення.



5.11 Зберігання

- Якщо ви збираєтесь тривалий час не використовувати прилад, зберігайте його дбайливо.
- Переконайтеся, що прилад від'єднаний від мережі, охолоджений та повністю сухий.
- Зберігайте прилад в прохолодному та сухому місці.
- Зберігайте прилад у недоступному для дітей місці.

5.12 Обробка та транспортування

- Під час роботи та транспортування носите прилад в оригінальній упаковці. Упаковка пристрою захищає його від фізичних пошкоджень.
- Не перевантажуйте прилад чи упаковку. Пристрій може бути пошкоджений.
- Падіння приладу призведе до його неприцездатності або до постійних пошкоджень.

Визначення несправності	Причина	Підказка
Виріб не працює.	Перевірте запобіжник.	Є вірогідність того, що запобіжник згорів, забезпечте його робочий стан.
Виріб не працює.	Перевірте електричне з'єднання.	Необхідний рівень напруги в мережі: 220–240 В.
Виріб не працює.	Перевірте електричне з'єднання.	Перевірте, чи працює інше обладнання у вашій кухні.
Лампа освітлення не працює.	Перевірте електричне з'єднання.	Необхідний рівень напруги в мережі: 220–240 В.
Лампа освітлення не працює.	Перевірте перемикач лампи.	Необхідно, щоб перемикач лампи знаходився в положенні «увімкн.».
Лампа освітлення не працює.	Перевірте лампи.	Необхідно забезпечити справність ламп виробу.
Виріб забезпечує недостатній забір повітря.	Перевірте алюмінієвий фільтр.	Алюмінієвий масляний фільтр слід очищати не рідше одного разу на місяць у звичайних умовах використання.
Виріб забезпечує недостатній забір повітря.	Перевірте вентиляційну трубу.	Необхідно, щоб перемикач системи витяжної вентиляції знаходився в положенні «увімкн.».
Виріб забезпечує недостатній забір повітря.	Перевірте вугільний фільтр.	Якщо у виробі використовується вугільний фільтр, його зазвичай потрібно міняти кожні 3 місяці.

beko
ГАРАНТІЙНИЙ ТАЛОН

ПТ-22

1

Модель

Серійн, номер

Вид ремонту

Майстер

Дата продажу

ШТАМП МАГАЗИНУ

beko
ГАРАНТІЙНИЙ ТАЛОН

ПТ-22

2

Модель

Серійн, номер

Вид ремонту

Майстер

Дата продажу

ШТАМП МАГАЗИНУ

beko
ГАРАНТІЙНИЙ ТАЛОН

ПТ-22

3

Модель

Серійн, номер

Вид ремонту

Майстер

Дата продажу

ШТАМП МАГАЗИНУ

beko
ГАРАНТІЙНИЙ ТАЛОН

ПТ-22

4

Модель

Серійн, номер

Вид ремонту

Майстер

Дата продажу

ШТАМП МАГАЗИНУ

Шановний Покупце!

Оплата робіт по встановленню та підключенню виробу відбувається за прейскурантом сервісного центру. Умови оплати робіт по встановленню та підключенню регулюються чинним законодавством. Виробник не несе відповідальності за будь-який збиток, нанесений майну громадянам внаслідок установки і підключення, які не відповідають вимогам, що зазначені в інструкції / або проведених не уповноваженими на це особами.

УВАГА!

Виріб, що має трьох-контактну мережеву вилку, обов'язково повинен бути заземленим!

Виконання робіт гарантійного обслуговування

Дата	Найменування робіт	Штампів сервісного центру
№1		
№2		
№3		
№4		

ГАРАНТІЙНИЙ ТАЛОН

ПТ-22

Модель

Серійний номер виробу

Дата продажу

Компанія

Підпис продавця

Штамп

Покупець

Прізвище, ім'я, по батькові

Виріб перевіряється у присутності покупця, покупець з умовами гарантії ознайомлений і згодний

Підпис покупця

Сервісний центр

Дата встановлення

Телефон сервісного центру

Підпис майстра

Штамп

beko

ГАРАНТІЙНИЙ ТАЛОН

ШАНОВНИЙ ПОКУПЕЦЬ!

З ПИТАНЬ ГАРАНТІЙНОГО ОБСЛУГОВУВАННЯ ОБОВ'ЯЗКОВО ТЕЛЕФОНУЙТЕ ЗА НОМЕРОМ:

0-800-500-4-3-2

ПРОСИМО ОБОВ'ЯЗКОВО ЗАРЕЄСТРУВАТИ ПРИБІВАНУ ТЕХНІКУ ЗА ТЕЛЕФОНОМ ГАРЯЧОЇ ЛІНІЇ
(цеilingи в стандартному телефоні в Україні безкоштовні)



номер реєстрації



номер заявки

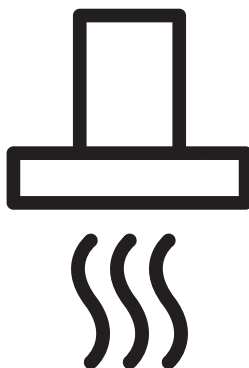
www.beko.ua

beko
ГАРАНТІЙНИЙ ТАЛОН ДІЄТЬСЯ НА ТЕРИТОРІЇ УКРАЇНИ



Вытяжка

Руководство пользователя



HCA62640WH HCA92640WH
HCA62640BH HCA92640BH
HCA62540B HCA92540B

RU



01M-8848773200-2223-15 01M-8848793200-2223-15
01M-8848783200-2223-15 01M-8848803200-2223-15
01M-8851123200-2223-15 01M-8851313200-2223-15

Ознакомьтесь с этим руководством перед началом эксплуатации!

Уважаемый покупатель!

Благодарим Вас за выбор этого изделия компании Веко. Мы надеемся, что продукция, изготовленная на современном оборудовании и имеющая высокий уровень качества, будет служить вам наилучшим образом. Для этого, перед началом эксплуатации, внимательно прочтите данное руководство и все прочие сопроводительные документы, и используйте их в дальнейшем в справочных целях. При передаче устройства другому лицу необходимо также передать это руководство. Соблюдайте указания, которые даны в этом руководстве пользователя, и обращайтесь особое внимание на справочные пометки и предупреждения.

Имейте в виду, что данное руководство пользователя может также относиться к другим моделям. Различия между моделями четко описаны в руководстве.

Условные обозначения

В разных разделах данного руководства пользователя используются следующие символы:



Важная информация и полезные советы относительно эксплуатации.



ВНИМАНИЕ: Предупреждения об опасности травмирования или повреждения имущества.



Предупреждение об опасности возникновения пожара.



Предупреждение об опасности поражения электрическим током.



ПЕРЕРАБОТАННАЯ И
ПЕРЕРАБАТЫВАЕМАЯ
БУМАГА

1 Важные инструкции по технике безопасности и защите окружающей среды

1.1. Общие правила техники безопасности

Важные инструкции по технике безопасности: внимательно ознакомьтесь и сохраните для дальнейшего использования. В этом разделе содержатся правила техники безопасности, соблюдение которых позволит исключить риск возникновения пожара, поражения электрическим током, воздействия утечек микроволнового излучения, получения иных травм или причинения материального ущерба. При несоблюдении этих правил все гарантийные обязательства аннулируются.

- Изделия торговой марки Веко соответствуют действующим стандартам безопасности. В случае повреждения электроприбора или шнура питания, во избежание

опасных ситуаций, ремонт или замена должны производиться дилером, сервисным центром, специалистом или авторизованной службой. Неправильно или непрофессионально выполненные ремонтные работы могут привести к опасным для пользователя ситуациям.

- Этот прибор предназначен только для бытового и сходного с ним применения, а именно:
 - в кухонных зонах для персонала в магазинах, офисах и других рабочих помещениях;
 - на фермах;
 - в номерах гостиниц, мотелей и т. п.;
 - в помещениях, предоставляемых для проживания на условиях полупансиона.
- Используйте данный электроприбор только

1 Важные инструкции по технике безопасности и защите окружающей среды

по его прямому назначению, как описано в данном руководстве.

- Производитель не несет ответственности за любые повреждения, возникшие в результате неправильного использования или неправильной установки изделия.
- Дети старше 8 лет, а также лица с ограниченными физическими, сенсорными и умственными способностями или без соответствующих навыков и опыта могут использовать данный прибор только под присмотром или после получения инструкций по поводу безопасного использования прибора и осознания связанных с этим опасностей.
- Не позволяйте детям играть с прибором. Не позволяйте детям самостоятельно выполнять очистку и обслуживание прибора.
- Минимальное расстояние между опорной поверхностью емкостей для приготовления пищи на варочной панели и самой нижней частью изделия должно быть не менее 50 см.
- Если в инструкции по установке газовой плиты указано большее расстояние, это следует принять во внимание.
- Напряжение сети питания должно соответствовать номинальным характеристикам, указанным на паспортной табличке электроприбора.
- Ни в коем случае не пользуйтесь электроприбором, если шнур питания или электроприбор повреждены.
- Во избежание повреждения шнура питания не допускайте его сдавливания, перегиба

1 Важные инструкции по технике безопасности и защите окружающей среды

или контакта с острыми кромками. Не допускайте соприкосновения шнура питания с горячими поверхностями или открытым пламенем.

- Включайте прибор только в розетку с заземляющим контактом.

ВНИМАНИЕ: Не подключайте прибор к электросети до полного завершения работ по установке.

- Электроприбор следует располагать таким образом, чтобы штепсельная вилка была легкодоступна.
- Не прикасайтесь к лампам, если они работали в течение длительного времени. Это может вызвать ожог рук, поскольку лампы очень горячие.
- Следуйте инструкциям, установленным компетентными органами относительно выпуска

отработанного воздуха (данное предупреждение касается вентиляционных труб).

- Включите прибор после того, как поставите кастрюлю, сковороду и т. д. на варочную панель. В противном случае высокая температура может привести к деформации некоторых частей изделия.
- Отключайте варочную панель перед тем, как убрать с нее кастрюлю, сковороду и т.д.
- Не оставляйте горячее масло на варочной панели. Сковорода с горячим маслом может стать причиной самовозгорания.
- Следите за шторами и занавесками, поскольку при приготовлении таких блюд, как картофель фри масло может загореться.

- Замену жироулавливателя следует осуществлять, как минимум, раз в месяц. Замену угольного фильтра осуществлять, как минимум, раз в 3 месяца.
- Чистку изделия необходимо выполнять в соответствии с инструкциями руководства пользователя. Если чистка изделия не осуществляется в соответствии с указаниями руководства пользователя, существует риск возникновения пожара.
- Не используйте неогнеупорные фильтрующие материалы вместо текущего фильтра.
- Используйте только оригинальные детали или же рекомендованные производителем детали.
- Не эксплуатируйте изделие без фильтра и не снимайте фильтры во время работы изделия.
- В случае возникновения пожара, отключите питание изделия и кухонной плиты.
- В случае возникновения пожара, накройте источник огня. Применение воды для тушения не допускается.
- Отключайте прибор от электросети перед чисткой, а также когда он не используется.
- Отрицательное давление окружающей среды не должно превышать 4 Па (4 x 10 бар) во время одновременной работы вытяжки для электрической варочной панели и приборов, работающих от другого источника энергии.
- В среде, где используется прибор, выхлопные газы устройств, работающих на жидком топливе или газе, таких как комнатный обогрева-

1 Важные инструкции по технике безопасности и защите окружающей среды

тель, должны быть полностью изолированы, или должны быть герметичными.

- При подсоединении к вытяжной трубе, используйте трубы диаметром 120 или 150 мм. Соединения труб должны быть как можно более короткими и иметь минимальное количество колен.

- Существует опасность удушья! Храните упаковочные материалы в недоступном для детей месте.

О С Т О Р О Ж Н О : Доступные детали прибора могут нагреваться во время использования кухонных плит.

- Выход вытяжки нельзя подключать в воздуховодам, которые заняты отводом других отработанных воздушных масс.
- Вентиляция в помещении может быть недо-

статочной в случае, если вытяжка для электрической варочной панели используется одновременно с устройствами, работающими на газе или других видах топлива (это не относится к приборам, которые только выпускают воздух обратно в помещение).

- Находящиеся на изделии предметы могут упасть. Не следует класть посторонние предметы на вытяжку.
- Фламбирование блюд под изделием не допускается.

ВНИМАНИЕ: Перед началом работ по установке вытяжки удалите защитную пленку.

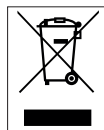
- Никогда не оставляйте открытым высокое пламя под работающей вытяжкой.
- Во время использования

1 Важные инструкции по технике безопасности и защите окружающей среды

фритюрниц их необходимо держать под постоянным присмотром: сильно нагретое масло может загореться.

1.2 Соответствие Директиве по утилизации отходов электрического и электронного оборудования и утилизация продукта:

Данное изделие соответствует требованиям Директивы по утилизации отходов электрического и электронного оборудования (2012/19/ЕС). На изделие нанесено условное обозначение для отходов электрического и электронного оборудования (WEEE).



Этот символ означает, что по истечении срока службы данного прибора, он не должен утилизироваться вместе с другими бытовыми отходами.

Бывшее в употреблении устройство необходимо сдать в официальный пункт сбора для утилизации электрического и электронного оборудования. Для получения информации о таких пунктах сбора, пожалуйста, свяжитесь с местными органами власти или розничной торговли, по месту покупки настоящего прибора. В вопросах восстановления и утилизации бывших в употреблении приборов каждый конкретный владелец играет важную роль. Надлежащая утилизация использованного бывшего в употреблении прибора помогает предотвратить потенциальные негативные последствия для окружающей среды

и здоровья человека.

1.3 Соответствие Директиве ЕС об ограничении содержания вредных веществ (RoHS):

Приобретенное вами изделие соответствует Директиве ЕС о правилах ограничения содержания вредных веществ (2011/65/EU). Оно не содержит вредных и запрещенных материалов, указанных в Директиве.

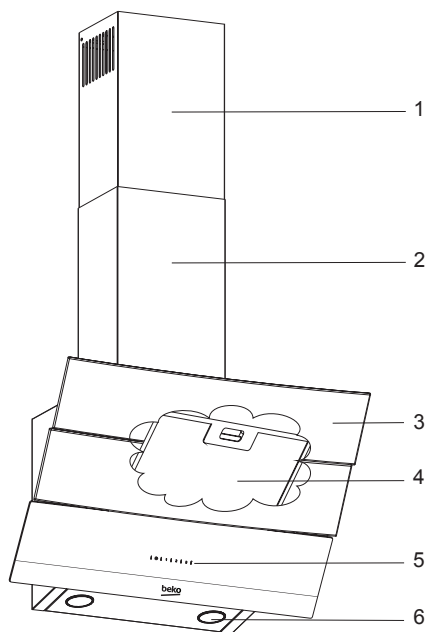
1.4 Информация об упаковке



Упаковка прибора изготовлена из вторичного сырья, в соответствии с нашими государственными законами об охране окружающей среды. Не выбрасывайте упаковочные материалы вместе с бытовыми или другими отходами. Отнесите их в пункты приема упаковочных материалов, утвержденные местными органами власти.

2 Общий вид

2.1 Краткое описание

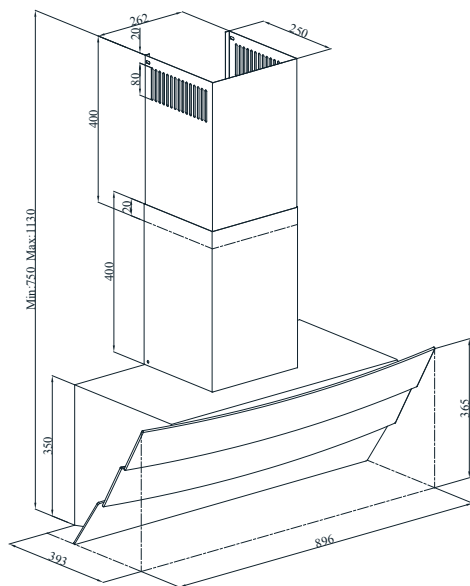


1. Внутренний дымоход
2. Внешний дымоход
3. Стелянная крышка
4. Алюминиевый жировой фильтр (За стеклянной крышкой)
5. Панель управления
6. Освещение

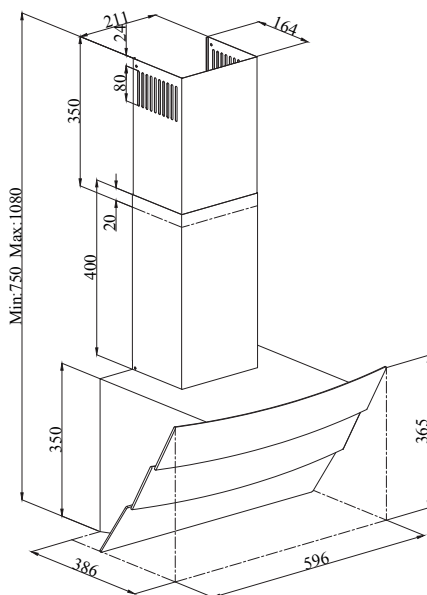
2 Общий вид

2.2 Технические данные

	HCA62640WH HCA62640BH	HCA62540B	HCA92640WH HCA92640BH	HCA92540B
Ширина	596 mm		896 mm	
Глубина	386 mm		393 mm	
Высота	750/1080 mm		750/1130 mm	
Напряжение сети	220-240V ~, 50 Hz			
Управление	3 уровня управления			
Мощность ламп освещения	2x3 W			
Труба воздуховыпускного отверстия	120/150 mm			
Поток - 3. Уровень	537 m³/h	566 m³/h	577 m³/h	593 m³/h
Мощность двигателя	210 W			
Полная мощность	216 W			
Класс изоляции мотора	Класс F			
Класс изоляции	Класс I			



HCA92640WH
HCA92640BH
HCA92540B



HCA62640WH
HCA62640BH
HCA62540B

3 Эксплуатация устройства

3.1 Управление Устройством

 1 2 3	
A B C D	
КНОПКА	НАЗНАЧЕНИЕ
A : Кнопка вкл./выкл. освещения	при нажатии этой кнопки освещается варочная поверхность.
B : кнопка 1-го уровня	При нажатии этой кнопки устанавливается уровень 1 скорости работы вытяжки. При повторном нажатии этой кнопки для отключения вытяжки индикация уровня скорости на дисплее исчезнет.
C : кнопка 2-го уровня	При нажатии этой кнопки устанавливается уровень 2 скорости работы вытяжки. При повторном нажатии этой кнопки для отключения вытяжки индикация уровня скорости на дисплее исчезнет.
D : кнопка 3-го уровня	При нажатии этой кнопки устанавливается уровень 3 скорости работы вытяжки. При повторном нажатии этой кнопки для отключения вытяжки индикация уровня скорости на дисплее исчезнет.

3.2 Энергоэффективное использование

- При использовании вытяжки для экономии электроэнергии устанавливайте скорость в соответствии с интенсивностью образования пара или запаха.
- В обычных условиях используйте низкие скорости (1-2), а при интенсивном образовании пара и запаха – высокую (3).
- Лампы на вытяжке предназначены для освещения места готовки.

- Их использование для освещения помещения приведет к чрезмерному потреблению электроэнергии и будет недостаточным.

3.3 Эксплуатация вытяжки

- В вытяжке имеется мотор, работающий на разных скоростях.
- Для лучшей производительности мы рекомендуем использовать низкие скорости в нормальных условиях и высокие скорости в случае сильного запаха и интенсивного пара.
- Вы можете запустить прибор, нажав кнопку желаемой скорости. (B, C, D)
- Вы можете осветить зону приготовления, нажав на лампу (A).

3.4 Автоматическое отключение через 15 минут:

данный прибор оснащен функцией автоматического отключения, которая позволяет вентилировать помещение в течение дополнительного периода времени для удаления неприятного запаха и пара в помещении после завершения приготовлений пищи. Вытяжка автоматически прекращает работу по истечении определенного периода времени. Чтобы включить функцию автоматического отключения, необходимо нажать любую из кнопок уровня скорости (B, C, D) на панели управления и удерживать более 2 секунд. Будет запущен таймер на 15 минут. Если нажать ту же клавишу уровня скорости, когда функция автоматического отключения включена, функция будет отключена, и вытяжка прекратит работу. При выборе другого уровня скорости эта функция будет отключена. Для того чтобы вы-

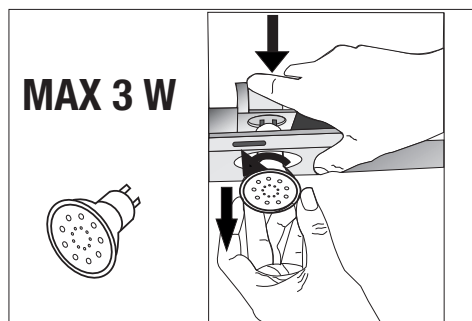
3 Эксплуатация устройства

тяжка прекращала работу автоматически, необходимо включить функцию автоматического отключения сна.

Периодическая чистка металлических фильтров

Фильтры необходимо чистить каждые 60 часов работы или каждые 4 недели в зависимости от частоты использования.

3.5 Замена ламп



Отсоединить вытяжку от розетки электросети. Данный прибор оснащен галогенными лампами мощностью 50 Вт. Для замены галогенных ламп следует нажать лампу вниз от задней части держателя лампы, затем повернуть лампу против часовой стрелки на 1/4 поворота и вынуть ее. Установку новой лампы выполнять в обратном порядке.



Лампы можно приобрести у авторизованных технических специалистов.

Лампочка	
Мощность лампочки	3 W
Держатель / Гнездо	GZ 10
Напряжение лампочки	220 - 240 V
Размер	53 x 50 mm
Код ILCOS	DR/F3-220-240-GZ10-50-53
Световой поток	260 lm
Коррелированная цветовая температура	3000 K

Этот продукт содержит источник света класса энергоэффективности «F».

3.6 Работа с подключением к дымоходу

- Пар выводится через дымоход, который крепится к соединительной головке вытяжки.
- Диаметр дымохода должен быть таким же, как у соединительного кольца. В горизонтальном положении труба должна иметь небольшой наклон вверх (около 10°), чтобы воздух мог легко выходить из комнаты.

3.7 Работа без подключения к дымоходу

- Воздух фильтруется через угольный фильтр и рециркулирует в помещении. Угольный фильтр меняется, когда в доме нельзя использовать дымоход.

3 Эксплуатация устройства

- При использовании без дымохода снимите заслонки внутри переходника дымохода.
- Снимите алюминиевый жировой фильтр. Чтобы установить угольный фильтр, прикрепите фильтр к выступам, центрируя его на пластиковом элементе с обеих сторон корпуса вентилятора. Затяните, повернув вправо или влево.
- Заменить алюминиевый жировой фильтр.

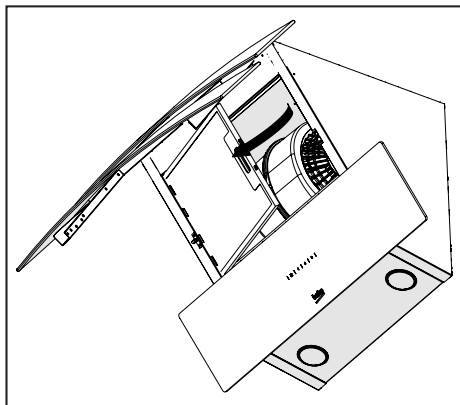
4 Очистка и уход



Отключите устройство от сети или выключите соединения перед чисткой и техническим обслуживанием.

4.1 Очистка алюминиевого жирового фильтра

Алюминиевый жировой фильтр используется для удержания частиц масла в воздухе. Алюминиевый жировой фильтр может изменить цвет после многократной очистки. Это нормально, и вам не нужно менять фильтры.



- Выдвиньте затвор алюминиевого масляного фильтра вперед.

- Затем слегка потяните вниз и вытащите. Иначе вы можете искривить фильтр. Вымойте и прополощите алюминиевые жировые фильтры жидким моющим средством и замените фильтры в их гнездах, выполнив действия, указанные выше, в обратном порядке. Этот фильтр задерживает частицы масла из воздуха.



Вы также можете мыть алюминиевый жировой фильтр в посудомоечной машине.

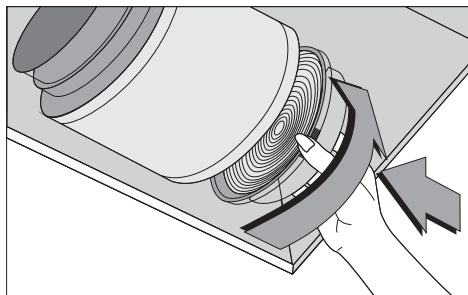


ВНИМАНИЕ: В случае нормальной эксплуатации очищайте алюминиевый жировой фильтр один раз в месяц.

4.2 Замена угольных фильтров

Фильтры для удаления запахов содержат древесный уголь (активированный уголь). В продукт необходимо устанавливать алюминиевый жировой фильтр, независимо от того, используются ли угольные фильтры.

4 Очистка и уход



- Снимите алюминиевый жировой фильтр.
- Для того, чтобы снять угольный фильтр, изымите его из корпуса, по-

вернув против часовой стрелки от таблички.

- Установите новый угольный фильтр.
- Установите алюминиевый жировой фильтр.



ВНИМАНИЕ

- Запрещено мыть угольные фильтры.
- Заменяйте угольные фильтры каждые 3 месяца.
- Вы можете приобрести угольный фильтр в авторизованных сервисах.

5 Установка изделия



ПРЕДУПРЕЖДЕНИЕ: Перед началом установки прочтите информацию по безопасности в Руководстве пользователя.

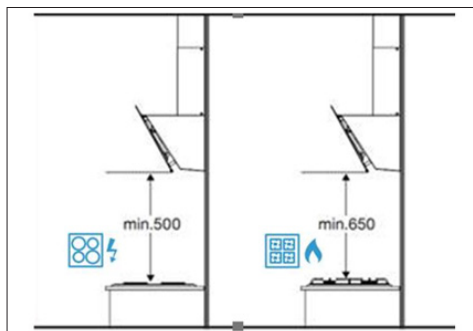


ПРЕДУПРЕЖДЕНИЕ: Несоблюдение инструкций по установке с помощью винтов и стабилизаторов может привести к поражению электрическим током.

По вопросам установки вытяжки обращайтесь в ближайший авторизованный сервисный центр.

Заказчик несет ответственность за подготовку места и электрического монтажа вытяжки.

5.1 Положение изделия



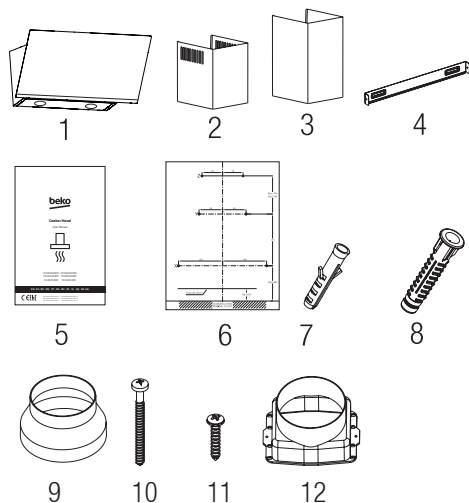
(Рисунке 6)

- Во всех типах вытяжек, расстояние установки над газовой плитой и электрической плитой должно быть не менее 650 мм. Только для **наклонных вытяжек** расстояние установки над **электрической плитой** должно быть не менее 500 мм.
- Расстояние необходимо измерять

5 Установка изделия

- от поверхности решетки для газовых плит, от поверхности стекла для электрических плит.

5.2 Принадлежности для установки



1. Прибор
 2. Внутренний дымоход
 3. Внешний дымоход
 4. Соединительная пластина для трубы
 5. Руководство по эксплуатации
 6. Схема сборки
 7. Пластиковый дюбель 6 мм
 8. Пластиковый дюбель 8 мм
 9. Адаптер для пластиковой трубы 1 x Ø 120/150 мм
 10. Винт с полукруглой головкой 4,9x50 мм
 11. Винт с полукруглой головкой 3,9 x 22 мм
 12. Пластиковая труба 1x Ø 150 мм
- Информация, необходимая для подготовки места установки вытяжки,

приводится ниже.

5.3 Крепление вытяжки к стене

Чтобы прикрепить вытяжку к стене, необходимо ослабить винты пластин подвески на корпусе двигателя и потянуть пластины вверх. Затем затянуть винты пластин подвески (Рисунок 1а).

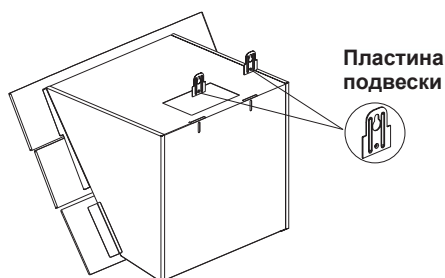


Рисунок 1а-60

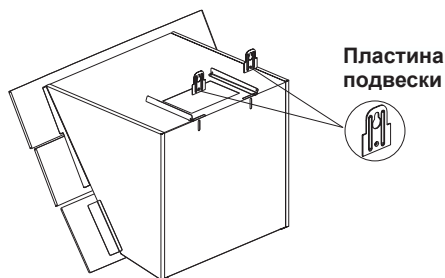


Рисунок 1а-60

5 Установка изделия

Соединительная пластина для внешней трубы



Рисунок 1b-60

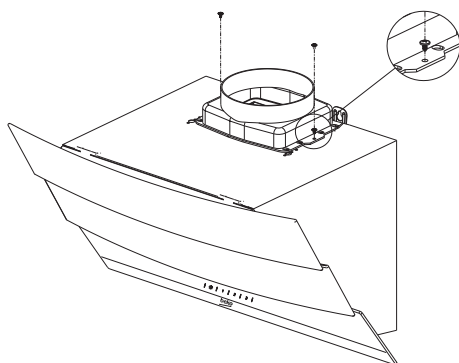
Соединительная пластина для внешней трубы



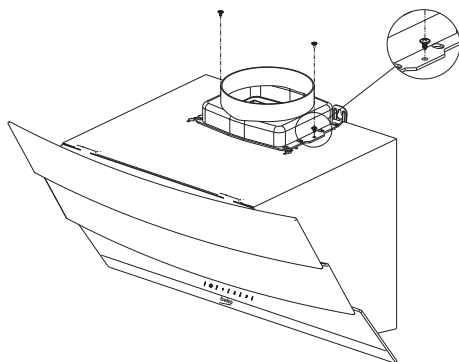
Рисунок 1b-90

Присоединить адаптер пластиковой трубы диаметром 150 мм к верхней части корпуса Вытяжки при помощи винта 3,5 x 9,5, который входит в комплект принадлежностей Для установки (Рисунок 2).

При использовании дымохода диаметром 120 мм следует установить в нем адаптер диаметром 120 мм.



(Рисунок 2-60)

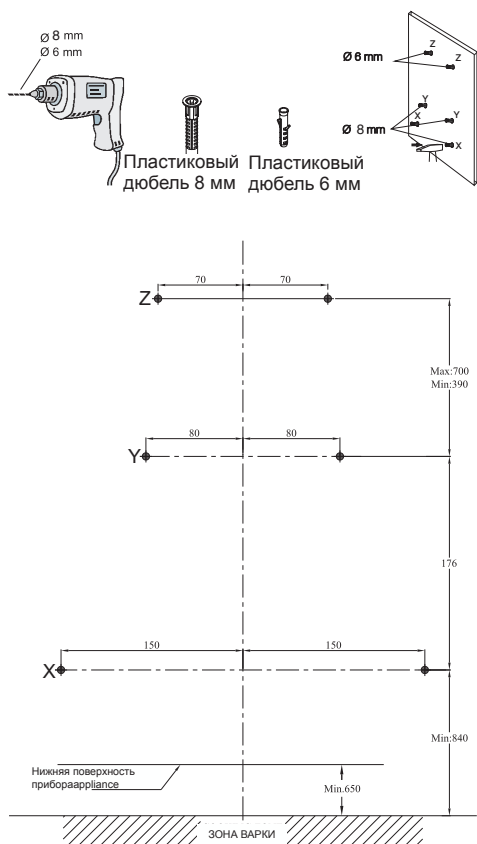


(Рисунок 2-90)

5.4 Сверление отверстий для подвески

Прикрепить монтажный шаблон к месту установки вытяжки. Просверлить отверстия, помеченные (X, Y), с помощью сверла диаметром 8 мм, и отверстие, помеченное (Z), с помощью сверла диаметром 6 мм. (Рисунок 3)

5 Установка изделия



(Рисунок 3)

5.5 Забивание дюбелей

Забить молотком дюбеля (X, Y) диаметром 8 мм в отверстия, просверленные для винтов подвески. Забить 2 дюбеля (Z) диаметром 6 мм в отверстия, просверленные при помощи сверла диаметром 6 мм для соединительной пластины наружной трубы (Рисунок 3).

5.6 Установка винтов для подвески

Установить винты подвески 4,9x50 в дюбеля (Y) диаметром 8 мм, которые забили в стену. Между головкой винта и стеной должен быть зазор в 5 мм. Прикрепить соединительную пластину внутренней трубы к дюбелям (Z) длиной 6 мм на стене, используя винты диаметром 3,9 x 22 (Рисунок 4).



(Рисунок 4)

5.7 Подвешивание вытяжки на стену

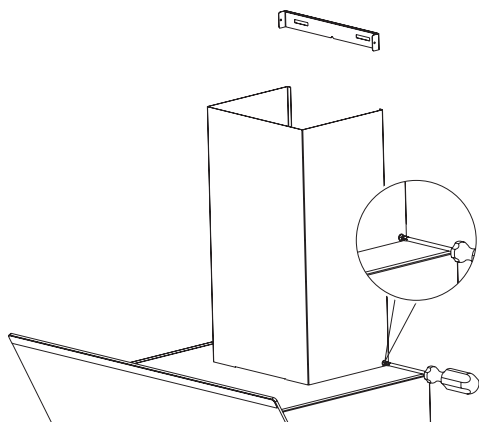
- Подвесить вытяжку на винты, установленные в отверстия, помеченных буквой Y.
- Открыть боковое окно вытяжки для всасывания, потянув на себя. Установить винты 4,9x50 в отверстия, помеченные буквой X, расположенные внутри, чтобы закрепить вытяжку.

5.8 Установка вытяжной трубы

Необходимо отключать прибор от электросети, прежде чем приступать к установке трубы. Установить металлические листы трубы вокруг корпуса. Прикрутить наружную трубу к соединительным пластинам внешней тру-

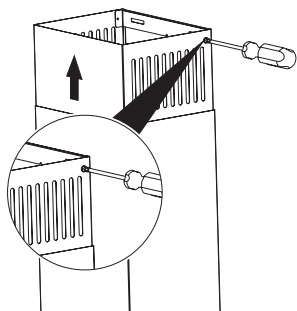
5 Установка изделия

бы, расположенным на корпусе двигателя (Рисунок 1b/5).



(Рисунок 5)

Расширить и прикрутить внутреннюю трубу от ее внешнего края к соединительной пластине трубы, прикрепленной к стене (Рисунок 6).



(Рисунок 6)

5.9 Подключение к дымоходу

Поместить адаптер, который поставляется вместе с вытяжкой, в вентиляционное отверстие, расположенное в верхней секции вытяжки. Необходима труба диаметром 120/150 мм. Подключить один конец трубы к адаптеру, а другой конец к дымоходу.

Следует проверить, чтобы эти два соединения были надежно закреплены таким образом, чтобы не сместились, когда вытяжка работает на максимальной скорости. Необходимо проверить, чтобы задвижки внутри дымохода функционировали при затяжке с зажимом. Установить соединительную трубу дымохода на адаптер. Если установить соединительную трубу дымохода внутри адаптера, всасывания воздуха не произойдет, так как задвижки, которые препятствуют обратному потоку воздуха, остаются закрытыми. Не рекомендуется подключаться к дымоходам, соединенным с плитой или выходными вентиляционными шахтами. Не следует подключаться к таким дымоходам. Соединения труб должны быть как можно более короткими и иметь минимальное количество колен.

A: воздуховыпускное отверстие дымохода

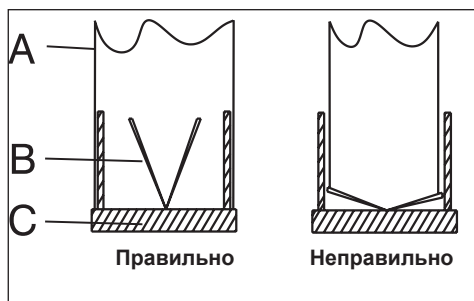
B: задвижки, препятствующие обратному потоку воздуха

C: пластиковая труба

5.10 Система предотвращения обратного потока воздуха (N-RV)

Когда вытяжка работает, задвижки закрыты, чтобы предотвратить попадание извне возможных запахов и пыли.

5 Установка изделия



5.11 Хранение

- Если вы не планируете использовать электроприбор в течение длительного времени, то его следует хранить надлежащим образом.
- Убедитесь, что электроприбор отключен от электросети, остыл, а его поверхности полностью сухие.
- Хранить прибор следует в сухом прохладном месте.
- Храните устройство в недоступном для детей месте.

5.12 Обращение и транспортировка

- Во время обработки и транспортировки переносите прибор в оригинальной упаковке.
- Упаковка устройства защищает его от физических повреждений.
- Не кладите тяжелые грузы на прибор или упаковку. Возможно повреждение прибора.

6 Устранение неисправностей

Устранение неисправностей	Причина	Решение
Изделие не работает.	Проверить предохранитель.	Предохранитель может быть отключен, включите его.
Изделие не работает.	Проверьте электрическое соединение.	Напряжение в сети должно составлять 220-240 В.
Изделие не работает.	Проверьте электрическое соединение.	Проверьте, работает ли другое оборудование на кухне.
Не горит лампа освещения.	Проверьте электрическое соединение.	Напряжение в сети должно составлять 220-240 В.
Не горит лампа освещения.	Проверьте выключатель лампы.	Выключатель лампы должен находиться в положении «вкл.».
Не горит лампа освещения.	Проверьте лампы.	Лампы изделия должны быть исправны.
Изделие не обеспечивает эффективный забор воздуха.	Проверьте алюминиевый фильтр.	При обычных условиях эксплуатации алюминиевый фильтр необходимо чистить не реже раза в месяц.
Изделие не обеспечивает эффективный забор воздуха.	Проверьте воздушную заслонку вентиляционной трубы.	Заслонка вентиляционной трубы должна находиться в положении «вкл.».
Изделие не обеспечивает эффективный забор воздуха.	Проверьте угольный фильтр.	При обычных условиях эксплуатации в изделиях, оборудованных угольным фильтром, его замену следует производить каждые 3 месяца.

- а) если изделие, предназначенное для личных (бытовых, семейных) нужд, использовалось для осуществления предпринимательской деятельности, а также в иных целях, не соответствующих его прямому назначению;
 - б) в случае нарушения правил и условий эксплуатации, установки изделия, изложенных в инструкции по эксплуатации и инструкции по установке;
 - в) если изделие имеет следы попытки неквалифицированного ремонта;
 - г) если дефект вызван изменением конструкции или схемы изделия, не предусмотренные изготовителем;
 - д) если дефект вызван действием непреодолимых сил, несчастными случаями, умышленными или неосторожными действиями потребителя или третьих лиц;
 - е) если обнаружены повреждения, вызванные попаданием внутрь изделия посторонних предметов, веществ, жидкостей, насекомых;
 - ж) использование неоригинальных расходных материалов автоматически лишает Вас гарантии изготовителя.
5. Гарантийные обязательства и бесплатное сервисное обслуживание не распространяются на следующие недостатки изделия:
- а) механические повреждения, возникшие после передачи товара потребителю;
 - б) повреждения, вызванные несоответствием стандартам параметров питающих, телекоммуникационных, кабельных сетей и других подобных внешних факторов;
 - в) повреждения, вызванные использованием нестандартных и (или) некачественных расходных материалов, принадлежностей, запасных частей;
6. В случае несовершеного (стуся больше чем один месяц) извещения о выявленных недостатках изделия, изготовитель оставляет за собой право отказать полностью или частично от удовлетворения предъявляемых требований (ст. 436 ГК РК).

НАЗАР АУДАРЫҢЫЗДАР!

Үш контактілі желілік айыры бар бұйым, міндетті түрде, жерге тұйықталуы тиіс. **ВНИМАНИЕ!** Изделие, имеющее трехконтактную сетевую вилку, обязательно должно быть заземлено.

Қазақстан Республикасы аумағында өрекет етеді. Действует на территории Республики Казахстан.

Покупатель _____ Фамилия, Имя, Отчество	Покупатель _____ Фамилия, Имя, Отчество	Покупатель _____ Фамилия, Имя, Отчество
Адрес _____	Адрес _____	Адрес _____
Тел. _____	Тел. _____	Тел. _____
Дата ремонта _____	Дата ремонта _____	Дата ремонта _____
Серв. центр _____	Серв. центр _____	Серв. центр _____
Мастер _____	Мастер _____	Мастер _____
Фамилия, Имя, Отчество _____	Фамилия, Имя, Отчество _____	Фамилия, Имя, Отчество _____

Дата	Характер неисправности	Принятые меры

М.П. _____ Подпись ответственного лица _____



Қазақстан Республикасы аумағында өрекет етеді
 Действует на территории Республики Казахстан

<http://www.beiko.ru>

Адрес: 109004, Россия, Москва, ул. Станиславского д.21, стр.1
 Телефоны горячей линии **8-800-200-23-56**
 (Звонок бесплатен на всей территории Республики Казахстан)

Гарантийный талон №




Модель..... Серийный номер

Дата продажи	Дата установки
Компания	Компания
Подпись продавца	Подпись мастера
ПЕЧАТЬ	ПЕЧАТЬ

Покупатель Телефон

Изделие проверилось в присутствии покупателя, покупатель с условиями гарантии ознакомлен. Претензий к внешнему виду и комплектации не имею

Отрывные купоны гарантийного талона являются средством отчетности о выполнении сервисным центром гарантийных работ. Купон изымается из гарантийного талона после удовлетворения Ваших претензий.

серия № серия № серия №

Дата продажи Дата продажи Дата продажи

ПЕЧАТЬ МАГАЗИНА ПЕЧАТЬ МАГАЗИНА ПЕЧАТЬ МАГАЗИНА

5. Төмендегі жағдайларда бұйымға келіпдік міндеттемелер таратылмайды және тегін сервистік қызмет көрсетілмейді:

- Бұйымды тұтынушы тасырағанын кейін пайда болған механикалық зақымдар;
- Қуат және телекоммуникациялық, кабельдік желілер параметрлерінің дұрыс жұмыс істеуі (және немесе) стандарттарға сәйкес келмейді және осы сияқты өзге де сыртқы факторлардың салдарынан пайда болған бұзылулар;
- Стандарттарға сай келмейтін және (немесе) сапасыз шығыс материалдары, жабдықтар, қосалқы бөлшектер, қуат көзі элементтері, акпаратты тасымалдаушылар қолданудан пайда болған бұзылулар;
- Тұтынушы орын алған кемшіліктер жөнінде уақталты (бір айда нестасма уақыт өткен жағдайда) хабарламаған жағдайда. Әндрүшті тұтынушының талаптарын толық немесе ішінара қанағаттандырмауға құқылы (ҚР АҚ 436-баббы).

Уажааемый Покупатель!

Благодарим Вас за выбор изделия торговой марки БЕКО.

БЕКО устанавливает официальный срок службы на крупную бытовую технику 10 (десять) лет со дня передачи потребителю. На прочую бытовую технику, телевизоры, аудио-видео и радио аппаратуру, кондиционеры, предназначенные для использования в быту, устанавливается срок службы 5 (пять) лет, при условии соблюдения правил эксплуатации. Учитывая высокие качество, надежность и степень безопасности продукции БЕКО фактический срок эксплуатации может значительно превышать официальный. Вся продукция, предназначенная БЕКО для поставки в определенную страну, изготовлена с учетом условий эксплуатации этой страны. Чтобы убедиться в этом, просим Вас проверить наличие на изделии и упаковке официальных знаков соответствия. Если у Вас возникнут какие-либо проблемы, настоятельно рекомендуем Вам обратиться в уполномоченные сервисные центры БЕКО, адреса и телефоны которых Вы можете узнать из приложения к гарантийному талону. Данный гарантийный талон (взноск подтверждает принятие на себя обязательств по удовлетворению требований потребителя, в случае обнаружения недостатков изделия. Однако БЕКО оставляет за собой право отказать как в гарантийном, так и бесплатном сервисном обслуживании изделия в случае несоблюдения изложенных ниже условий. Все условия гарантийных обязательств и бесплатного сервисного обслуживания действуют в рамках законодательства о защите прав потребителей.

Условия гарантийных обязательств и бесплатного сервисного обслуживания:

- Гарантийные обязательства. Изготовитель и бесплатный сервисный обслуживающие, предоставляющие услуги по гарантийному обслуживанию, осуществляют свои обязательства только на модели, предназначенные сервисными центрами, изготовителя, расположенными только на территории РК и прошедшие сертификацию на соответствие ГОСТам РК.
- Изготовитель устанавливает следующие гарантийные сроки на изделия БЕКО:
Крупная бытовая техника: 2 (два) года со дня передачи потребителю.
Прочая бытовая техника, телевизоры: аудио-видео радио аппаратура, кондиционеры, другие значимые изделия использования в быту – 1 (один) год со дня передачи потребителю.
- Гарантийные обязательства не распространяются на перечисленные ниже принадлежности изделия, если их замена предусмотрена конструкцией и не связана с разборкой изделия.

Для нас виды обслуживания:

- на тулыты диспетчерского управления, аккумуляторные батареи, элементы питания (батарейки), внешние блоки питания и зарядные устройства;
- сердентильные кабели, антенны и принадлежности для них, наушники, микрофоны;
- чехлы, ремни, шнурки для переноски, монтажные приспособления, инструменты, документация, цено, прилагаемая к изделию.

Дополнительно для:

- холодильников, на поглотители запахов, очистители воздуха (биодезодораторы), фильтры;
- микроволновых печей: на тарелки, вертела, решетки, блюда;
- стиральных машин: на шланги, трубки, щетки, насадки, пылесборники, фильтры;
- кондиционеров, воздушных фильтров, шланги подвода/слива воды;
- Изготовитель не несет гарантийные обязательства и не производит бесплатное сервисное обслуживание изделия в случаях:

Құрметті Сатып алушы!

БЕКО сауда маркасының бұйымның тағдааныңыз үшін алғыс білдіреміз.

БЕКО ті тұрмыстық техникаға тұтынушы тасыраған күннен бастап 10 (он) жыл ресми қызмет көрсету мерзімін белгілейді. Өзге тұрмыстық техникаға, теледидарларға, аудио-видео және радио аппаратураларға, тұрмыста қолдануға арналған, кондиционерлерге пайдалану жөніндегі нұсқау-ақпараттардан жағдайда. 5 (бес) жыл ресми қызмет көрсету мерзімін белгілейді. БЕКО өнімдерінің жағары сапасын, беріктігі мен құрапсіздік дәрежесін ескерсек, өнімнің қызмет мерзімі ресми пайдалану мерзімінен өтеуір ұзаарды. Белгілі бір мемлекетке сатуға арналған БЕКО өнім сол мемлекеттің пайдалану жөніндегі талаптарын негіздеп отырып жасалған. Осыған қаз жеткізу үшін бұйым мен бұйымның орнандырағы ресми белгілердің сәйкестігін тексеруіңізді сұраймыз. Егер қанат дай да бір сұрақтар туындайтын болса, Озден міндетті түрде БЕКО қызмет көрсету орталығына хабарлауыңызға сұраймыз. Қызмет көрсету орталығының мекенжайы мен телефон нөмірлерін келіпдік талонына берілген қосымшалардан көре аласыз (Қазақстан Республикасы аумағында телефон соғу тегін). Осы келіпдік талонымен БЕКО өзге де бұйымға кемшіліктер анықталған жағдайда, тұтынушының құқығын қорғау бойынша заңимен әрекет етілетін тұтынушы талаптарын қанағаттандыру бойынша өзі міндеттемелерді қабылдауын растайды. Алайда, БЕКО компаниясы тұтынушы төменде аталған талаптарды орындамаған жағдайда келіпдіктен, соңдаық бұйымға тегін қызмет көрсетуден бас тарту құқығын өзіне қалдырады. Келіпдік міндеттемелер мен тегін қызмет көрсету талаптары Тұтынушылардың құқықтарын қорғау жөніндегі заңнама аясында әрекет етеді.

Келіпдік міндеттемелер мен тегін қызмет көрсету талаптары:

- Әндрүшінің, келіпдік талаптары мен уәкілі етілген қызмет көрсету орталықтары ұсынатын тегін қызмет көрсету тек қана БЕКО модельдеріне сәйкес алу және жүзеге асыру үшін ҚР елінің аумағына және ҚР мемлекетінің Мемлекеттік Стандартына сәйкес сертификациялаудан өткен мамлекеттерге таратылады.
- Әндрүші БЕКО өнімдеріне төмендегі келіпдік мерзімін белгілейді: ті тұрмыстық техника: тұтынушыға тасыраған күннен бастап - 2 (екі) жыл. Өзге тұрмыстық техникаға, теледидарларға, аудио-видео және радио аппаратураларға, тұрмыста қолдануға арналған кондиционерлерге тұтынушыға тасыраған күннен бастап - 1 (бір) жыл.
- Егер бұйымның құрал-жабдықтары оның құрылысына өзіндік құны және бұйымды бөлшектеуге байланысты болмаса, төмендегі құрал-жабдықтарға келіпдік міндеттемелер таратылмайды.

Бұйымның барлық түрлері үшін:

- қашықтан басқару пульстеріне, аккумуляторлы батареяларға, қоректендіу элементтеріне (батареяларға), қоректендіу блоктарының сыртқы бөлшектеріне және қуат бергіш құрылыстарға;
- жалғызғаш кабельдерге, антенналарға және оларға арналған еткізгіштерге, құлаққаптарға, микрофондарға;
- бұйыммен бірге берілетін қаптарға, бөліктіктерге, тасымалдауға арналған шнурларға, монтажды құралғыларға, аспаптарға, құжаттарға;

Төмендегілерді қоса алғанда:

- Толқандықшыларға: иіс сорғыштарға, ауа тазартқыштарға (биодезодораторларға), сүзгілерге;
- Қысқа толқынды пештерге, табықшаларға, отқа ет қақпайтын іспіктерге, торларға, табықшаларға;
- Шлан сорғыштарға, түтіктерге, шлангтерге, шөкшаларға, қондырғыларға, шаң жинағыштарға, сүзгілерге;
- Кондиционерлерге, ауа тазартқыштарға, сүзгілерге;
- Әндрүші мынадай жағдайларда бұйымға келіпдік бермейді және тегін қызмет көрсетпейді: іске әмқаждққ үшін қажет болған бұйым (тұрмыстық отбасылық), өндірістік қызметтеді іске асыру үшін және оның негізгі апаратының қызметіне сәйкес келмейтін басқа да мақсаттарда қолданған жағдайда;
- пайдалану әрекеттері мен талаптарын, пайдалану жөніндегі нұсқаулықта және бұйымды орнату жөніндегі нұсқаулықта жазылған талаптарды бұзған жағдайда;
- Егер бұйымға рұқсат етілмеген жөндеу жұмыстарының ізі анықталса;
- Бұйымның құрылысы мен жамансыздық рұқсат етілмеген өзгерістер орын алса;
- Егер ақау өсеріліміс күштіік іс-әрекет, өзі және жағдайлармен, тұтынушының немесе үшінші тұлғаның қасақана немесе абайсыз іс-әрекетінің арқасында орын алса;
- Бұйымның ішіне басқа бір заттардың, сұйықтықтардың, шыбын-шіркейлердің түсіп кетуінен пайда болған зақымданулар табылса;
- Тұтынушы болып саналмайтын шығын материалдарын қолдану Оздік автоматты түрде Әндрүші келіпдік пен атырады.

Производитель: "Arçelik A.S."

Karaağaç Caddesi No: 2-6 Sütlüce, 34445, Турция

Сделано в Китае

Импортер на Территории РФ/Уполномоченное изготовителем лицо: ООО «БЕКО»
Юридический адрес: 601021 Россия, Владимирская обл., Киржачский р-н, дер.
Федоровское, ул. Сельская, д. 49

Дата изготовления включена в серийный номер, указанный на этикетке, расположенной на продукте, следующим образом:

Первые две цифры серийного номера обозначают год выпуска, а вторые две – месяц.

Например, «10-05-100001» означает, что продукт был произведен в мае 2010 года.

Vă rugăm să citiți mai întâi acest manual de utilizare!





Stimate client,

Vă mulțumim pentru că ați ales acest produs Beko. Sperăm să obțineți cele mai bune rezultate de la aparatul dumneavoastră, care a fost fabricat la o calitate înaltă și cu tehnologie performantă. Din acest motiv, vă rugăm să citiți cu atenție și în întregime acest manual de utilizare și toate celelalte documente însoțitoare înainte de a utiliza aparatul și să le păstrați pentru consultări ulterioare. Dacă transmiteți produsul altei persoane, oferiți-i și manualul de utilizare. Urmați instrucțiunile și acordați atenție tuturor informațiilor și avertismentelor din manualul de utilizare.

Nu uitați că acest manual de utilizare poate fi aplicat și altor modele. Diferențele dintre modele sunt descrise în manual în mod explicit.

Semnificația simbolurilor

Următoarele simboluri sunt utilizate în diverse părți ale acestui manual de utilizare:

	Informații importante și sugestii utile cu privire la utilizare.
	AVERTISMENT: Avertismente pentru situații periculoase referitoare la siguranța vieții și bunurilor.
	AVERTISMENT: Avertisment pentru pericol de incendiu.
	AVERTISMENT: Avertisment privind electrocutarea.

1 Instrucțiuni importante cu privire la siguranță și mediu

1.1 Siguranță generală

Instrucțiuni importante cu privire la siguranță Citiți cu atenție și păstrați-le pentru consultare ulterioară Această secțiune conține instrucțiuni privind siguranța, care vă vor proteja împotriva riscului de incendiu, electrocutare, expunere la scurgeri de microunde, vătămare corporală și pagube materiale. Nerespectarea acestor instrucțiuni atrage anularea garanțiilor acordate.

- Produsele de la Beko sunt conforme standardelor de siguranță aplicabile; din acest motiv, în caz de defecțiune a produsului sau a cablului de alimentare, acestea trebuie reparate sau înlocuite de distribuitor, un centru de service sau un service similar specializat și autorizat, pentru evitarea oricărui pericol. Lucrările de reparații greșite sau efectuate de persoane necalificate pot cauza pericole sau riscuri utilizatorului.
- Acest aparat este destinat pentru a fi utilizat în scop casnic și aplicații similare cum ar fi:
 - Bucătării pentru personalul din magazine, birouri sau alte medii de lucru;
 - Ferme
 - De către clienți în hoteluri, moteluri sau alte medii de tip rezidențial;
 - Medii de tip pensiune.
- Utilizați acest produs doar pentru uzul desemnat, așa cum este descris în acest manual.
- Producătorul nu își asumă răspunderea pentru daunele provocate de instalarea incorectă sau utilizarea greșită a produsului.
- Acest aparat poate fi utilizat de către copii cu vârsta minimă de 8 ani și de către persoanele cu capacități fizice, senzoriale sau mentale reduse sau lipsite de experiență și de cunoștințe, dacă aceștia au fost supravegheați sau instruiți cu privire la utilizarea produsului într-un mod sigur și dacă înțeleg pericolele implicate.
- Copiii nu trebuie să se joace cu aparatul. Operațiunile de curățare și întreținere nu trebuie să fie efectuate de către copii fără

1 Instrucțiuni importante cu privire la siguranță și mediu

supraveghere.

- Distanța minimă dintre suprafețele de susținere pentru vasele de gătit de pe plită și partea cea mai joasă a hotei trebuie să fie de 50 cm.
- Dacă instrucțiunile de instalare a plitei cu gaz specifică distanțe mai mari decât cele de mai sus, se vor respecta instrucțiunile respective.
- Asigurați-vă că tensiunea de alimentare corespunde cu informațiile furnizate pe plăcuța cu date tehnice a produsului.
- Nu utilizați aparatul atunci când cablul de alimentare sau aparatul în sine este avariata.
- Nu strângeți, nu îndoiți și nu frecăți cablul de alimentare de margini tăioase, pentru a preveni avariata acestuia. Feriți cablul de alimentare de suprafețele fierbinți și focul deschis.
- Utilizați produsul doar cu o priză cu împământare.
- **AVERTISMENT:** Nu conectați produsul la priza de alimentare înainte de finalizarea instalării.
- Amplasați aparatul astfel încât ștecherul să fie întotdeauna accesibil.
- Nu atingeți lămpile dacă au funcționat mult timp. Vă pot arde mâinile, deoarece vor fi fierbinți.
- Respectați reglementările stabilite de autoritățile competente privind evacuarea aerului rezidual (acest avertisment nu este valabil la utilizarea fără coșul de fum).
- Folosiți produsul după ce ați pus o oală, o tigaie etc. pe plită. În caz contrar, căldura ridicată poate cauza deformări în unele părți ale produsului.
- Opriți plita înainte de a lua oala, tigaia etc. de pe aceasta.
- Nu lăsați ulei fierbinte pe plită. Tigaiele cu ulei fierbinte pot provoca auto-combustia.
- Fiți atenți la perdele și huse, deoarece uleiul poate lua foc în timp ce gătiți alimente cum ar fi cartofi prăjiți.
- Filtrul de grăsime trebuie înlocuit cel puțin lunar. Filtrul de carbon trebuie înlocuit cel puțin o dată

1 Instrucțiuni importante cu privire la siguranță și mediu

la 3 luni.

- Produsul trebuie curățat conform manualului de utilizare. În cazul în care curățarea nu a fost efectuată conform manualului de utilizare, există risc de incendiu.
- Nu folosiți materiale de filtrare care nu sunt rezistente la foc, în locul filtrului actual.
- Utilizați doar componentele originale sau componentele recomandate de către producător.
- Nu folosiți produsul fără filtru și nu scoateți filtrele în timp ce produsul funcționează.
- În cazul în care se produce o flacără, opriți alimentarea produsului și aparatele de gătit.
- În cazul în care se produce o flacără, acoperiți flacăra și nu utilizați apă pentru stingere.
- Înainte de fiecare curățare și atunci când produsul nu este folosit, scoateți-l din priză.
- Presiunea negativă în mediu nu trebuie să depășească 4 Pa (4 x 10 bari), în timp ce hota pentru plita electrică și aparatele care funcționează cu un alt tip de energie decât electricitatea funcționează simultan.
- În mediul în care este folosit produsul, evacuarea dispozitivelor care funcționează pe combustibil lichid sau motorină, cum ar fi radiatorul, trebuie să fie complet izolată sau dispozitivul trebuie să fie de tip ermetic.
- La conectarea coșului de evacuare, folosiți țevi cu diametrul de 120 sau 150 mm. Racordul țevelor trebuie să fie cât mai scurt posibil și să aibă cât mai puține coturi.
- Pericol de sufocare! Păstrați materialele de ambalare la loc inaccesibil copiilor.

ATENȚIE: În timpul utilizării cu aparate de gătit, piesele accesibile se pot încinge.

- Evacuarea hotei nu trebuie să fie conectată la canalele de aer care includ alte tipuri de fum.
- Ventilația în cameră poate fi insuficientă atunci când hota pentru plita electrică este folosită simultan cu dispozitive care funcționează cu gaz sau alți combustibili

1 Instrucțiuni importante cu privire la siguranță și mediu

(nu se aplică neapărat în cazul aparatelor care doar evacuează aerul înapoi în cameră).

- Obiectele plasate pe produs pot să cadă. Nu amplasați nici un obiect pe aparat.
- Nu flambați alimente sub produs.

AVERTISMENT: Îndepărtați foliile de protecție înainte de a instala hota.

- Nu lăsați niciodată focul deschis la intensitate mare sub hotă când aceasta funcționează.
- Friteuzele trebuie supravegheate permanent în timpul folosirii: uleiul supraîncălzit se poate aprinde.

1.2 Conformitate cu Directiva DEEE și eliminarea deșeurilor:

Acest produs este conform cu Directiva DEEE a UE (2012/19/EU). Acest produs poartă un simbol pentru deșeuri de echipamente electrice (DEEE).



Acest simbol indică faptul că acest produs nu trebuie eliminat împreună cu alte deșeuri menajere la sfârșitul duratei sale de utilizare. Dispozitivul uzat trebuie returnat către un punct

oficial de colectare pentru reciclarea dispozitivelor electrice și electronice. Pentru a găsi aceste sisteme de colectare contactați autoritățile locale sau distribuitorul de la care a fost achiziționat produsul. Fiecare gospodărie are un rol important în recuperarea și reciclarea electrocasnicelor vechi.

Eliminarea corespunzătoare a electrocasnicelor uzate ajută la prevenirea posibilelor consecințe negative pentru mediu și sănătatea umană.

1.3 Conformitatea cu Directiva RoHS

Produsul pe care l-ați achiziționat este conform cu Directiva RoHS UE (2011/65/UE). Produsul nu conține materiale dăunătoare sau interzise specificate în Directivă.

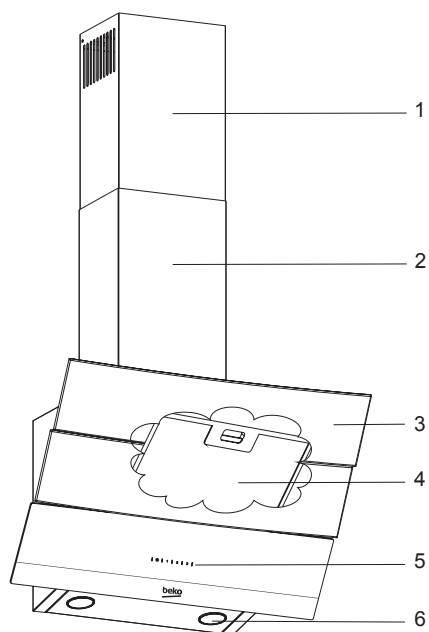
1.4 Informații despre ambalaj



Ambalajul produsului este fabricat din materiale reciclabile, în conformitate cu reglementările naționale de mediu. Nu eliminați ambalajul împreună cu deșeurile menajere sau de alt tip. Transportați-le la punctele de colectare a ambalajelor desemnate de către autoritățile locale.

2 Aspect general

2.1 Prezentare generală

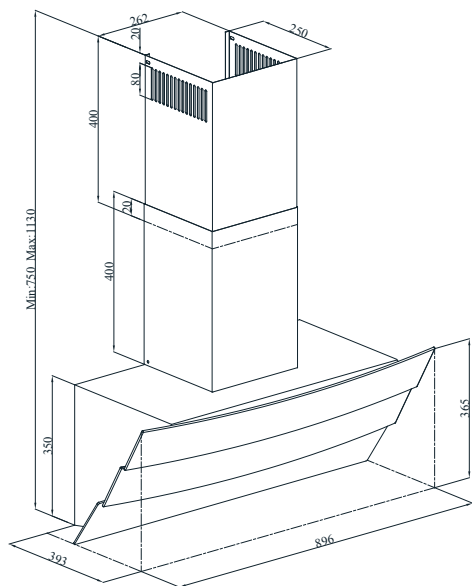


1. Tub de evacuare intern
2. Tub de evacuare extern
3. Capac de sticlă
4. Filtre de ulei din aluminiu (în spatele capacului de sticlă)
5. Ansamblu de control
6. Lampă

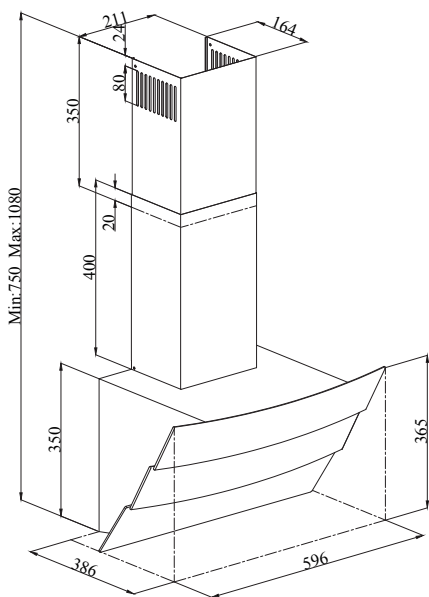
2 Aspect general

2.2 Date tehnice

	HCA62640WH HCA62640BH	HCA62540B	HCA92640WH HCA92640BH	HCA92540B
Lățime	596 mm		896 mm	
Adâncime	386 mm		393 mm	
Înălțime	750/1080 mm		750/1130 mm	
Tensiune de alimentare	220-240V ~, 50 Hz			
Comandă	Cu 3 niveluri			
Putere lampă	2x3 W			
Conductă de evacuare a aerului	120/150 mm			
Debit – 3. Nivel	537 m ³ /h	566 m ³ /h	577 m ³ /h	593 m ³ /h
Putere motor	210 W			
Putere totală	216 W			
Clasa de izolație motor	Clasa F			
Clasa de izolație	Clasa I			



HCA92640WH
HCA92640BH
HCA92540B



HCA62640WH
HCA62640BH
HCA62540B

3 Utilizarea aparatului

3.1 Controlul aparatului

	1	2	3
A	B	C	D
CHEIE	FUNCTIE		
A : Tastă de aprindere / stingere a lămpii	Puteți să iluminați zona de gătit apăsând această tastă.		
B : Tastă nivel 1	Puteți să porniți hota la turația 1 apăsând această tastă. Apăsati din nou această tastă pentru a opri aparatul; indicatorul de turație de pe afișaj se va stinge.		
C : Tastă nivel 2	Puteți să porniți hota la turația 2 apăsând această tastă. Apăsati din nou această tastă pentru a opri aparatul; indicatorul de turație de pe afișaj se va stinge.		
D : Tastă nivel 3	Puteți să porniți hota la turația 3 apăsând această tastă. Apăsati din nou această tastă pentru a opri aparatul; indicatorul de turație de pe afișaj se va stinge.		

3.2 Funcționarea eficientă din punct de vedere energetic în termeni de economisire Folosire

- Când folosiți hota, ajustați setările de viteză conform vaporilor și intensității mirosului, pentru a economisi energie.
- Folosiți viteze mici (1-2) în condiții normale și viteze mari (3) pentru mirosuri intense și vapori.
- Lămpile de pe hotă sunt plasate pentru iluminarea zonei de gătit.
- Folosirea lor pentru lumina ambientală va produce consul de energie inutil și lumină insuficientă.

3.3 Instrucțiuni de utilizare

- Hota dvs. conține un motor care are viteze diferite.
- Pentru o performanță mai bună, vă recomandăm să utilizați viteze reduse în condiții normale și viteze mari în caz de mirosuri puternice și vapori intensi.
- Puteți porni aparatul apăsând butonul de setare a vitezei dorit. (B, C, D)
- Puteți ilumina zona de gătit apăsând lampa (A).

3.4 Oprire automată în 15 min.:

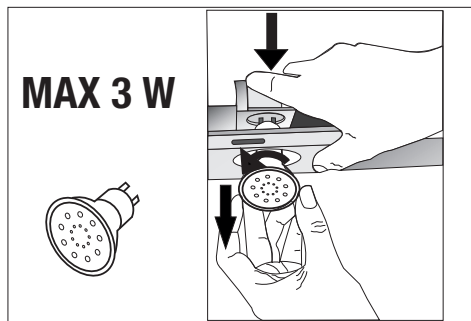
Acest aparat este echipat cu o funcție de oprire automată, pentru ventilarea încăperii o perioadă suplimentară de timp cu scopul îndepărtării mirosurilor neplăcute și a vaporilor după terminarea gătitului. Aparatul se oprește automată după o anumită perioadă de timp. Pentru a activa funcția de oprire automată, apăsați oricare dintre tastele de turație (B, C, D) de pe panoul de comandă mai mult de 2 secunde. Va fi activat temporizatorul de 15 minute. Dacă apăsați aceeași tastă de turație în timp ce funcția de oprire automată este activată, funcția va fi dezactivată, iar aparatul se va opri. Dacă selectați altă treaptă de turație, funcția va fi dezactivată. Dacă doriți ca aparatul să se oprească automat, trebuie să activați din nou funcția de oprire automată.

Curățarea periodică a filtrelor metalice:

Filtrele trebuie curățate la fiecare 60 de ore de funcționare, sau la 4 săptămâni, în funcție de frecvența utilizării.

3 Utilizarea aparatului


3.5 Înlocuirea lămpilor



Deconectați hota de la priză. Acest aparat este echipat cu lămpi cu halogen de 3 W. Pentru a înlocui lămpile cu halogen, apăsați partea din spate a suportului lămpii pentru a debloca lampa. Rotiți-o apoi în sens anti-orar cu 1/4 de tură și demontați-o. Parcurgeți etapele de mai sus în ordine inversă pentru a monta lămpile noi.

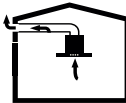


Puteți să procurați lămpi de la agenții de service autorizați.

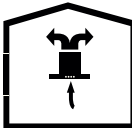
Bec	
Putere Bec	3 W
Suport / priză	GZ 10
Tensiune bec	220 - 240 V
Dimensiune	53 x 50 mm
Cod ILCOS	DR/F3-220-240-GZ10-50-53
Flux de lumină	260 lm
Temperatură de culoare corespondentă	3000 K

Acest produs conține o sursă de lumină din clasa de eficiență energetică "F".

3.6 Funcționare cu racordare la tubul de evacuare

-  Vaporii sunt extrași prin conducta de evacuare, care este fixată pe capul de conectare de pe hotă.
- Diametrul conductei de evacuare trebuie să fie același cu cel al inelului de conectare. În setări orizontale, țeava trebuie să aibă o ușoară pantă ascendentă (aproximativ 10°), astfel încât aerul să poată ieși cu ușurință din cameră.

3.7 Funcționare fără racordare la tubul de evacuare

-  Aerul este filtrat prin filtrul de carbon și recirculat în cameră. Filtrul de carbon este utilizat atunci când este imposibil de utilizat un tub în casă.
- În cazul utilizării fără tub de evacuare, îndepărtați clapetele din interiorul adaptorului pentru tubul de evacuare.
- Scoateți filtrul de ulei. Pentru a instala filtrul de carbon, montați filtrul pe clapete centrându-l pe piesa din plastic de pe ambele părți ale corpului ventilatorului. Strângeți-l prin rotirea spre dreapta sau spre stânga.
- Înlocuiți filtrul de ulei de aluminiu.

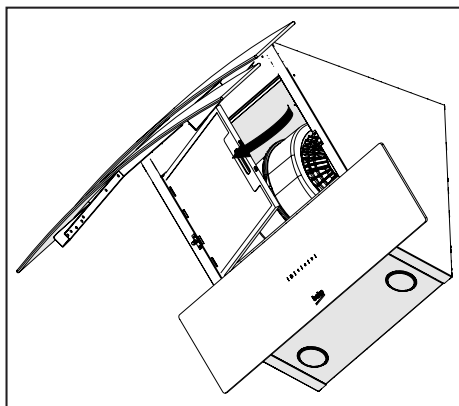
4 Curățarea și întreținerea



Înainte de curățare și întreținere, deconectați produsul sau opriți întrerupătorul.

4.1 Curățarea filtrului de ulei de aluminiu

Acest filtru reține particulele de ulei din aer. Filtrele de ulei de aluminiu își pot schimba culoarea pe măsură ce sunt spălate; acest lucru este normal și nu necesită înlocuirea filtrelor de ulei de aluminiu.



- Împingeți înainte blocarea filtrului de ulei din aluminiu.
- Apoi trageți-l ușor în jos și trageți-l afară. În caz contrar, filtrul poate fi îndoit. Spălați și clătiți filtrele de ulei din aluminiu cu detergent lichid și înlocuiți filtrele de ulei din aluminiu, efectuând pașii specificați mai sus în ordine inversă. Acest filtru reține particulele de ulei din aer.



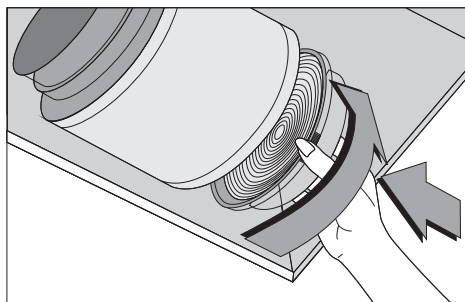
Puteți spăla filtrele de ulei de aluminiu în mașina de spălat vase.



ATENȚIE: În caz de utilizare normală, curățați filtrul o dată pe lună.

4.2 Înlocuirea filtrelor de carbon

Filtrele de îndepărtare a mirosului conțin cărbune (carbon activ). Indiferent dacă este utilizat sau nu un filtru de carbon, trebuie instalate filtrele de grăsime.



- Îndepărtați filtrul de ulei din aluminiu.
- Pentru a scoate filtrul de carbon, scoateți filtrul de carbon din carcasă rotindu-l în sens antiorar de pe clapetă.
- Instalați noul filtru de carbon.
- Atașați filtrul de ulei de aluminiu.

ATENȚIE



- Filtrul de carbon nu trebuie spălat niciodată.
- Înlocuiți filtrele de carbon o dată la 3 luni. Puteți obține filtrul de carbon de la vânzătorii autorizați.
- Puteți să obțineți filtre cu carbon de la agenții de service autorizați.

5 Instalarea aparatului



AVERTISMENT: Înainte de a începe instalarea, citiți informațiile de siguranță din Manualul utilizatorului.

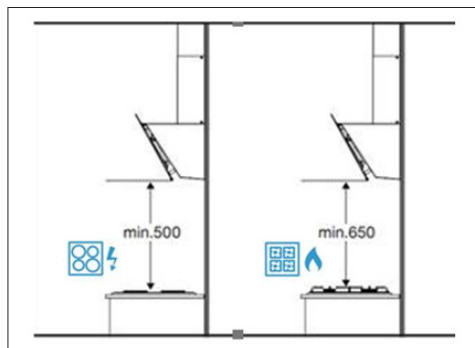


AVERTISMENT: Neinstalarea cu șuruburi și stabilizatori în conformitate cu aceste instrucțiuni poate duce la electrocutare.

Pentru instalarea hotei, vă rugăm să contactați cel mai apropiat serviciu autorizat.

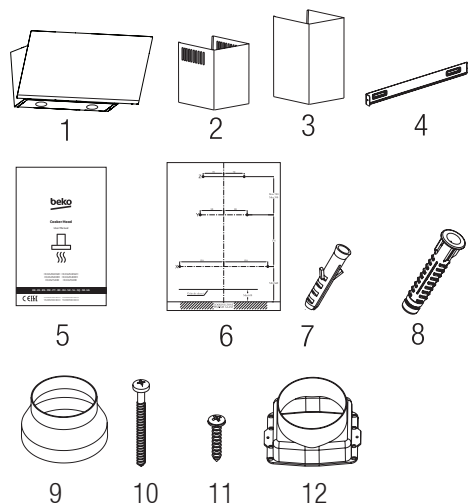
Este responsabilitatea clientului să pregătească locația și instalarea electrică a hotei.

5.1 Poziția aparatului



- La toate tipurile de hote, distanța de instalare pe plita pe gaz și pe plita electrică este de cel puțin 650 mm. Doar pentru **hotele înclinate**, distanța de instalare pe **plita electrică** este de cel puțin 500 mm.
- Distanța trebuie măsurată de la suprafața grătarului pentru aragazuri pe gaz, de la suprafața sticlei pentru aragazuri electrice.

5.2 Accesorii de instalare



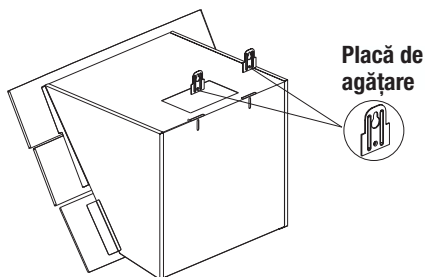
1. Produsul
2. Tub de evacuare intern
3. Tub de evacuare extern
4. Placă de racordare evacuare
5. Manual de utilizare
6. Schema de instalare
7. Dibluri din plastic \varnothing 6 mm
8. Dibluri din plastic \varnothing 8 mm
9. Adaptor evacuare din plastic \varnothing 120/150 mm
10. Diblu de plastic de 6 mm
11. Diblu de plastic de 8 mm
12. 1 x evacuare din plastic \varnothing 150 mm

Informațiile necesare pentru pregătirea locului de instalare a hotei sunt prezentate mai jos.

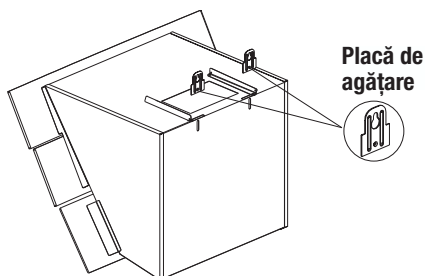
5.3 Instalarea hotei pe perete

Pentru a monta hota pe perete, slăbiți șuruburile plăcilor de agățare de pe carcasa motorului și ridicați plăcile. Strângeți apoi șuruburile plăcilor de agățare. (Figura 1a)

5 Instalarea aparatului

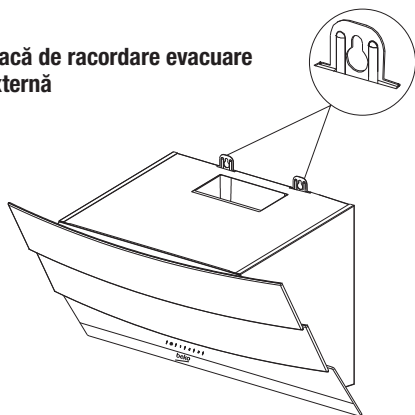


(Figura 1a-60)



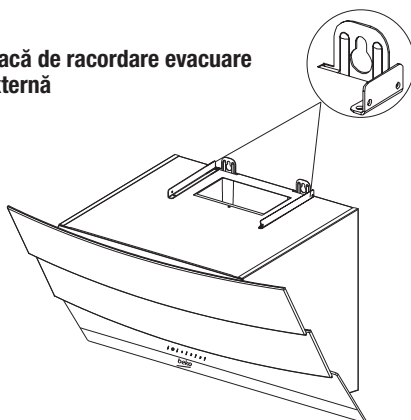
(Figura 1a-90)

Placă de racordare evacuare externă



(Figura 1b-60)

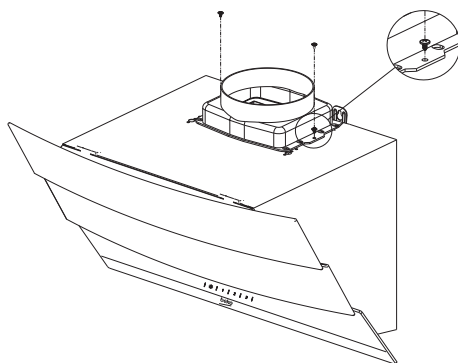
Placă de racordare evacuare externă



(Figura 1b-90)

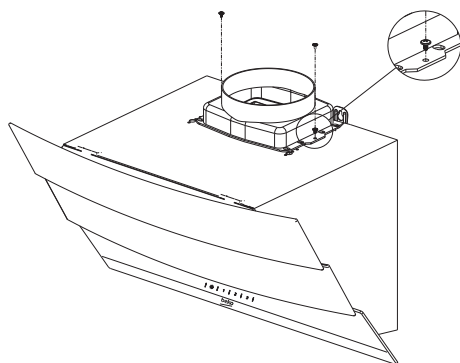
Fixați adaptorul de evacuare din plastic Ø150 mm pe partea superioară a carcasei folosind șurubul 3,5x9,5 inclus în accesoriile de instalare (Figura 2).

Dacă veți folosi o conductă de evacuare Ø 120 mm, montați adaptorul de evacuare Ø 120 mm pe aceasta.



(Figura 2-60)

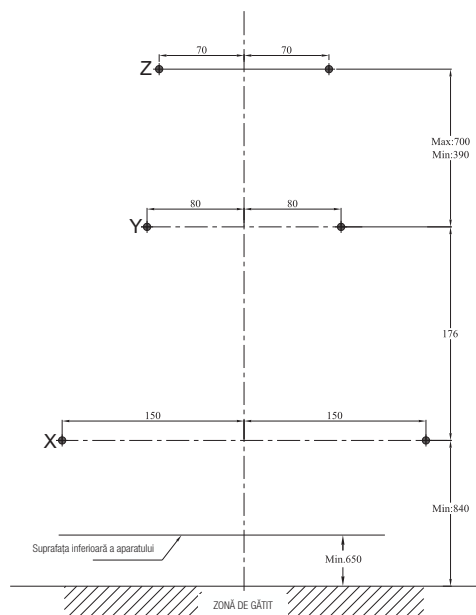
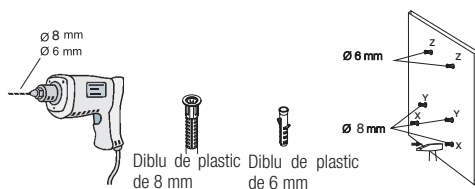
5 Instalarea aparatului



(Figura 2-90)

5.4 Realizarea orificiilor de agățare

Fixați șablonul de instalare pe locul de instalare a hotei. Dați găuri în punctele marcate cu (X,Y) cu un burghiu de $\varnothing 8$ mm și în punctele marcate cu (Z) cu un burghiu de $\varnothing 6$ mm. (Figura 3)



(Figura 3)

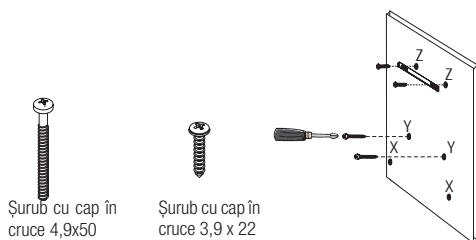
5.5 Introducerea diblurilor

Introduceți cu ajutorul ciocanului diblurile de $\varnothing 8$ mm (X,Y) în orificiile realizate pentru șuruburile de agățare. Introduceți cu ajutorul ciocanului diblurile $2 \times \varnothing 6$ mm (Z) în orificiile realizate cu burghiul de $\varnothing 6$ mm pentru placa de racordare a evacuării externe. (Figura 3)

5.6 Instalarea șuruburilor de agățare

Instalați șuruburile de agățare $4,9 \times 50$ în diblurile de $\varnothing 8$ mm (Y) pe care le-ați introdus în perete. Între capul șurubului și perete trebuie să existe o distanță de 5 mm. Conectați placa de racordare a evacuării interne la diblurile de 6 mm (Z) din perete folosind șuruburi $\varnothing 3,9 \times 22$. (Figura 4)

5 Instalarea aparatului



(Figura 4)

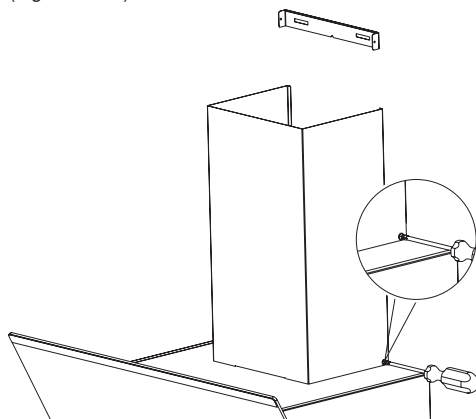
5.7 Agățarea hotei pe perete

- Agățați hota pe șuruburile instalate în orificiile Y.
- Deschideți fereastra de aspirare laterală a hotei trăgând-o spre dvs. Montați șuruburile 4,9x50 în orificiile X din interior pentru a fixa aparatul.

5.8 Instalarea evacuării hotei

Deconectați produsul de la priză înainte de a începe instalarea evacuării. Montați piesele din tablă ale evacuării în jurul carcasei.

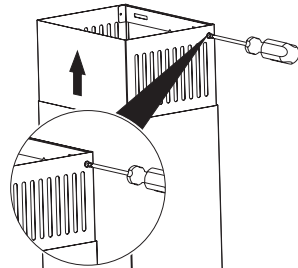
Înșurubați evacuarea externă pe plăcile de conectare a evacuării externe de pe carcasa motorului. (Figura 1b/4)



(Figura 5)

Extindeți și înșurubați evacuarea internă dinspre marginile exterioare pe placa de conectare a eva-

cuării fixată pe perete (Figura 6).



(Figura 6)

5.9 Racordul la evacuare:

Amplasați adaptorul furnizat împreună cu hota pe orificiul de ventilare din partea superioară a hotei. Procurați o conductă cu diametrul de 120/150 mm. Conectați un capăt al conductei la adaptor și celălalt capăt la calea de evacuare. Asigurați-vă că cele două conexiuni sunt suficient de bine fixate pentru a nu se desprinde când hota funcționează la turație maximă. Verificați dacă clapetele din evacuare sunt funcționale după strângerea clemei. Montați conducta de racordare la evacuare pe adaptor. Dacă montați conducta de racordare la evacuare în interiorul adaptorului, aerul nu va fi aspirat deoarece clapetele care previn curentul invers de aer vor rămâne închise. Nu se recomandă racordarea la căi de evacuare conectate la sobe sau la căi de evacuare pentru gaze arse. Nu racordați hota la astfel de căi de evacuare. Conducta de racordare trebuie să fie cât mai scurtă și cu cât mai puține coturi.

A: Conductă de evacuare

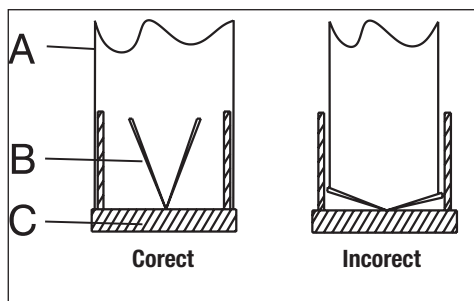
B: Clapete pentru prevenirea curentului invers

C: Evacuare din plastic

5.10 Sistem de prevenire a curentului invers (N-RV)

La folosirea hotei, clapetele se închid pentru a preveni intrarea mirosurilor și prafului dinspre exterior spre interior.

5 Instalarea aparatului



5.11 Depozitarea

- Dacă nu doriți să utilizați aparatul pentru o perioadă lungă de timp, depozitați-l cu grijă.

- Asigurați-vă că aparatul este decuplat, că s-a răcit complet și că este perfect uscat.
- Depozitați aparatul într-un loc uscat și rece.
- Nu lăsați aparatul la îndemâna copiilor

5.12 Manevrarea și transportul

- În timpul manevrării și transportului, transportați produsul în ambalajul său original. Ambalajul aparatului îl protejează împotriva deteriorării fizice.
- Nu plasați obiecte grele pe aparat sau pe ambalaj. Aparatul poate fi deteriorat.
- Căderea aparatului îl poate face nefuncțional sau poate provoca daune permanente.

6 Depanarea

Problemă	Cauză	Soluție
Produsul nu funcționează.	Verificați siguranța dvs.	Dacă siguranța dvs. este închisă, deschideți-o.
Produsul nu funcționează.	Verificați conexiunea electrică.	Tensiunea rețelei trebuie să fie între 220 și 240 V.
Produsul nu funcționează.	Verificați conexiunea electrică.	Verificați dacă și celelalte aparate din bucătărie funcționează.
Lampa de iluminare nu funcționează.	Verificați conexiunea electrică.	Tensiunea rețelei trebuie să fie între 220 și 240 V.
Lampa de iluminare nu funcționează.	Verificați comutatorul lămpii.	Comutatorul pentru lampă trebuie să fie în poziția „on” (pornit).
Lampa de iluminare nu funcționează.	Verificați becurile.	Becurile produsului nu trebuie să fie defecte.
Admisia de aer a produsului este slabă.	Verificați filtrul de aluminiu.	În condiții normale de funcționare, filtrul de ulei din aluminiu trebuie curățat cel puțin o dată pe lună.
Admisia de aer a produsului este slabă.	Verificați tubul de evacuare a aerului.	Tubul de evacuare a aerului trebuie să fie în poziția „on” (pornit).
Admisia de aer a produsului este slabă.	Verificați filtrul de carbon.	Pentru produsele cu filtre de carbon, filtrul trebuie schimbat în mod normal la fiecare 3 luni.



CERTIFICAT DE GARANȚIE

Tensiune de alimentare/frecvență: 220-240V~, 50-60Hz

Importator: ARCTIC S.A., Găești, Dâmbovița, str. 13 Decembrie nr. 210, email: office@arctic.ro

TIP: Aragaz Cuptor încorporabil Plită încorporabilă Hotă

Model / Serie:.....

VÂNZĂTOR

Nr. factură:.....Data:

Vânzător (firma, localitatea):

CUMPĂRĂTOR

NumeLocalitatea

Str.Nr.BlocSc.Et.Ap.

Județ TelefonE-mail

S-a efectuat proba de funcționare a aparatului, s-a prezentat modul de folosire, s-au predat instrucțiunile de utilizare și toate accesoriile. Am primit aparatul în perfectă stare de funcționare.

Stimați clienți,

La cumpărare vă recomandăm să solicitați efectuarea probei de funcționare și să verificați existența instrucțiunilor de utilizare și a accesoriilor.

Pentru a putea beneficia de toate avantajele produselor și serviciilor noastre vă rugăm:

- să citiți cu atenție și să respectați recomandările prezentate în "Instrucțiunile de utilizare".

- să păstrați cu grijă acest certificat pentru a-l putea prezenta (împreună cu documentul fiscal de achiziție), personalului SERVICE ARCTIC, la orice sesizare efectuată în perioada de garanție.

Vă mulțumim că ați optat pentru cumpărarea unui produs Beko!

Garanția legală de conformitate

Durata medie de utilizare a produsului este de 10 ani!

Perioada de garanție legală de conformitate este de 2 ani de la livrarea produsului*,

*prin „produs” se înțelege „bun” conform OUG nr. 140/2021¹

Perioada de garanție legală de conformitate pentru conținutul digital sau serviciul digital în cazul bunurilor cu elemente digitale pentru care contractul de vânzare-cumpărare prevede furnizarea continuă de conținut digital sau a serviciului digital pe durată determinată este de:

a) 2 ani de la livrare, respectiv de la livrarea bunului - pentru produse cu durata medie de utilizare de 5 ani (art. 9 (3) din OUG nr. 140/2021);

b) 5 ani de la livrare, respectiv de la livrarea bunului - pentru produse cu durata medie de utilizare mai mare de 5 ani (art. 9 (3) din OUG nr. 140/2021);

c) Pe tot parcursul perioadei de furnizare a conținutului / serviciului digital - pentru furnizare continuă a conținutului / serviciului digital pe o perioadă mai mare de 5 ani (art. 9 (4) din OUG nr. 140/2021).

¹Ordonanță de urgență 140/2021 privind anumite aspecte referitoare la contractele de vânzare de bunuri



Service-ul acestui produs este asigurat de ARCTIC S.A. cu sediul în Găești, Dâmbovița, str. 13 Decembrie nr. 210. • *9010 • www.arctic.ro • www.beko.ro • e-mail: service@arctic.ro
Program Call Center: Luni - Vineri 08:30 - 20:00; Sâmbătă 08:30 - 17:00



Remedii incluse în garanția legală de conformitate conform OUG nr. 140/2021
(vă rugăm să aveți în vedere prevederile de mai jos)

ARCTIC garantează toate drepturile legale prevăzute de OUG nr. 140/2021 în beneficiul consumatorilor cu privire la garanția legală de conformitate. Dispozițiile prezentului certificat de garanție legală de conformitate se completează, în mod corespunzător, cu dispozițiile OUG nr. 140/2021.

În caz de neconformitate, consumatorul are dreptul de a beneficia de aducerea în conformitate a bunurilor, de a beneficia de o reducere proporțională a prețului sau de a obține încetarea contractului, în condițiile legii - art. 11 (1).

Consumatorii pot să opteze pentru o anumită măsură corectivă în cazul în care neconformitatea bunurilor este constatată la scurt timp după livrare, fără a depăși 30 de zile calendaristice - art. 11 (7).

Pentru ca bunurile să fie aduse în conformitate, consumatorul poate opta între reparație și înlocuire, cu excepția cazului în care măsura corectivă aleasă ar fi imposibilă sau, în comparație cu cealaltă măsură corectivă disponibilă, ar impune vânzătorului costuri care ar fi disproporționate, luând în considerare toate circumstanțele (ex. valoarea bunurilor în cazul în care nu ar fi existat neconformitatea, gravitatea neconformității sau dacă măsura corectivă alternativă ar putea fi executată fără vreun inconvenient semnificativ pentru consumator) - art. 11 (2).

Instalarea incorectă a bunurilor (art. 7).

Orice neconformitate cauzată de instalarea incorectă a bunurilor este considerată ca reprezentând o neconformitate a bunurilor, în oricare din următoarele situații:

- a) instalarea face parte din contractul de vânzare și a fost realizată de vânzător sau sub răspunderea vânzătorului;
- b) instalarea, destinată să fie realizată de consumator, a fost realizată de acesta și instalarea incorectă s-a datorat unor deficiențe în instrucțiunile de instalare furnizate de vânzător sau, în cazul bunurilor cu elemente digitale, de către vânzătorul sau furnizorul conținutului digital sau al serviciului digital.

Proba neconformității.

Orice neconformitate care este constatată în termen de un an de la data la care bunurile (inclusiv cele cu elemente digitale) au fost livrate este prezumată a fi existat deja în momentul livrării bunurilor până la proba contrarie sau cu excepția cazului în care această prezumție este incompatibilă cu natura bunurilor sau cu natura neconformității - art. 10 (1).

În cazul bunurilor cu elemente digitale pentru care contractul de vânzare prevede furnizarea continuă de conținut digital sau de servicii digitale pentru o anumită perioadă, sarcina probei cu privire la conformitatea conținutului digital sau a serviciului digital pe parcursul perioadelor de garanție legală îi revine vânzătorului în cazul unei neconformități care este constatată pe parcursul acestei perioade - art. 10 (3).

Remediere prin reparație.

În cazul în care neconformitatea este remediată prin reparație, termenele de garanție legală se prelungesc cu timpul de nefuncționare a bunului, din momentul la care a fost adusă la cunoștința vânzătorului lipsa de conformitate până la predarea efectivă a bunului în stare de utilizare normală către consumator - art. 12 (6).

Remediere prin înlocuire.

În cazul în care neconformitatea este remediată prin înlocuire, pentru bunurile care înlocuiesc bunurile neconforme, termenele legale de garanție pentru produsul înlocuit încep să curgă de la data înlocuirii cu noul produs - art. 12 (7).

Reducerea prețului și încetarea contractului.

Consumatorul are dreptul fie să obțină o reducere proporțională a prețului în conformitate cu legea, fie să obțină încetarea contractului de vânzare în condițiile legii, în oricare dintre următoarele cazuri - art. 11(4):

- a) vânzătorul nu a finalizat reparația sau înlocuirea sau, după caz, nu a finalizat reparația sau înlocuirea potrivit prevederilor legii sau vânzătorul a refuzat să aducă în conformitate bunurile potrivit prevederilor legii;
- b) se constată o neconformitate, în pofida eforturilor vânzătorului de a o remedia;
- c) neconformitatea este de o asemenea gravitate încât justifică o reducere de preț sau dreptul la încetarea imediată a contractului de vânzare;
- d) vânzătorul a declarat că nu va aduce bunurile în conformitate într-un termen rezonabil sau fără inconveniente semnificative pentru consumator ori acest lucru reiese clar din circumstanțele cazului.

Consumatorul are dreptul de a suspenda plata unei părți restante din prețul bunurilor sau a unei părți a acesteia până în momentul în care vânzătorul își va fi îndeplinit obligațiile care îi revin în temeiul legii - art. 11(6). Reducerea de preț este proporțională cu diminuarea valorii bunurilor primite de consumator în comparație cu valoarea pe care bunurile ar avea-o dacă ar fi în conformitate - art.13.

Încetarea contractului:

- a) nu poate fi solicitată dacă vânzătorul dovedește că neconformitatea este minoră;
- b) poate fi solicitată pentru totalitatea bunurilor achiziționate și livrate, deși motivul de încetare vizează doar anumite bunuri, în cazul în care consumatorul nu i se poate pretinde în mod rezonabil să accepte să păstreze numai bunurile conforme;
- c) determină obligația consumatorului de a returna vânzătorului bunurile, pe cheltuiala vânzătorului;
- d) determină obligația vânzătorului de a rambursa consumatorului prețul plătit pentru bunuri la primirea bunurilor sau a unei dovezii prezentate de consumator că bunurile au fost returnate; vânzătorul va folosi aceleași modalități de plată ca și cele folosite de consumator pentru tranzacția inițială, cu excepția cazului în care consumatorul a fost de acord cu o altă modalitate de plată și cu condiția de a nu cădea în sarcina consumatorului plata de comisioane în urma rambursării.

Garanția legală pentru viciu ascuns este aplicabilă în condițiile legii, conform OG nr. 21/1992 (reviziu 2) privind protecția consumatorului, OUG nr. 140/2021 și Codului Civil. Viciul ascuns reprezintă deficiența calitativă a unui produs livrat sau a unui serviciu prestat care nu a fost cunoscută și nici nu putea fi cunoscută de către consumator prin mijloacele obișnuite de verificare.



Service-ul acestui produs este asigurat de ARCTIC S.A. cu sediul în Găești, Dâmbovița, str.13 Decembrie nr. 210. • *9010 • www.arctic.ro • www.beko.ro • e-mail: service@arctic.ro
Program Call Center: Luni - Vineri 08:30 - 20:00; Sâmbătă 08:30 - 17:00

UNITĂȚILE SERVICE ALE ARCTIC S.A. EXECUTĂ REPARAȚII ÎN TERMENUL DE GARANȚIE ȘI ÎN AFARA ACESTUIA

Nr. crt.	Data Reclamației	Data primirii în reparație	Reparat			Efectuarea verificării
			Programat	Data ridicării aparatului	Cauza întârzierii	
						Reparația curentă și/sau componenta înlocuită
						Prelungirea termenului de garanție
						SERVICE
						CLIENT

CONDIȚII SUPLEMENTARE DE GARANȚIE LEGALĂ DE CONFORMITATE:

Pentru orice defecțiune aparută în perioada de garanție legală, apelați la vânzător (respectiv, prin magazinul de unde a fost achiziționat produsul sau direct prin Call Center Arctic). Prelungirea termenului de garanție se va înscrie în certificatul de garanție de către unitatea SERVICE care a efectuat reparația. Garanția acoperă repararea și/sau înlocuirea pieselor constatate ca neconforme în sensul OUG nr. 140/2021. (necauzate de consumator) de către tehnicienii Service Arctic.

Termenul de realizare a operațiilor de reparare, înlocuire sau întreprinere este de 15 zile calendaristice de la data la care cumpărătorul a sesizat lipsa de conformitate către vânzător (respectiv, prin magazinul de unde a achiziționat produsul sau direct prin Call Center Arctic).

- Reparațiile / înlocuirile se efectuează cu respectarea următoarelor condiții - art. 12(1)-(5) din OUG nr. 140/2021:
- fără costuri și fără vreun inconvenient semnificativ pentru consumator, înmând seama de natura bunurilor și de scopul pentru care consumatorul a solicitat bunurile în cauză;
 - consumatorul pune bunurile la dispoziția vânzătorului, iar vânzătorul preia bunurile înlocuite pe propria cheltuială;
 - obligăția de a repara sau înlocui bunurile include, după caz, demontarea bunurilor neconforme și instalarea bunurilor de înlocuire sau a bunurilor reparate sau suportarea costurilor aferente demontării și instalării;
 - consumatorul nu este obligat să plătească pentru utilizarea normală a bunurilor înlocuite în perioada care a precedat înlocuirea acestora.

Reclamațiile referitoare la aspectele prevăzute mai jos, se rezolvă numai contra cost:

- piesele și accesoriile care prezintă lovituri, zgârieturi, spărturi sau deformări din vina exclusivă a consumatorului.

PRODUSUL NU BENEFICIAZĂ DE GARANȚIE LEGALĂ DE CONFORMITATE ÎN URMĂTOARELE CAZURI:

- Nu au fost respectate instrucțiunile de transport, manipulare, instalare, utilizare și întreținere prescrite.
- Subansamblurile și accesoriile casabile care se deteriorează în timpul transportului vor fi înlocuite de vânzător (în cazul în care transportul e asigurat de vânzător sau sub responsabilitatea acestuia).
- Garanția nu se acordă subsansamblelor și accesoriilor casabile ale produselor care suferă deteriorări din vina exclusivă a consumatorului.
- Tensiunea de alimentare are valori care nu se încadrează în limitele prevăzute de standarde (SR EN 50160).
- Instalația electrică a utilizatorului prezintă improvizații sau neconformități.
- Produsul a fost folosit în alte scopuri decât cel pentru care a fost proiectat.
- Produsul a suportat intervenții (reparații, modificări) din partea unor persoane neautorizate de producător.

Drepturile consumatorului sunt cele prevăzute în OUG nr. 140/2021 și OG 21/1992 (republicată).

În cadrul acestui proces, Arctic vă prelucrează date cu caracter personal, cu respectarea legilor aplicabile privind confidențialitatea și protecția datelor. Pentru informații complete despre modul în care vă prelucreăm datele, precum și despre drepturile dumneavoastră, vă rugăm să consultați secțiunea "Protecția datelor personale"; accesând site-ul nostru la adresa <https://www.beko.ro/>.

Leia este manual do utilizador em primeiro lugar!

Prezado Cliente,

Obrigado por preferir este aparelho da Beko. Esperamos que obtenha os melhores resultados com o nosso aparelho, que foi fabricado com tecnologia avançada e de alta qualidade. Como tal, leia com atenção todo este manual do utilizador e os outros documentos que o acompanham antes de utilizar o aparelho e guarde-o como referência para uso futuro. Se passar o aparelho para outra pessoa, dê-lhe também este manual do utilizador. Siga as instruções estando atento às informações e avisos no manual do utilizador.

Lembre-se que este manual do utilizador também pode aplicar-se a outros modelos. As diferenças entre modelos são explicitamente descritas no manual.

Significados dos símbolos

Os seguintes símbolos são usados em várias secções deste manual:



Informações importantes ou dicas úteis sobre a utilização.



AVISO: Avisos para situações perigosas relativas à segurança de pessoas e bens.



Aviso sobre perigo de incêndio.



Aviso de choque elétrico.



**PAPEL RECICLADO e
RECICLÁVEL**

1 Instruções importantes sobre segurança e meio ambiente

1.1 Segurança geral

Instruções importantes sobre a segurança, leia com cuidado e mantenha para a referência futura. Esta secção contém instruções de segurança que ajudarão a protegê-lo(a) contra o risco de incêndio, exposição a energia de micro-ondas libertada acidentalmente, ferimentos pessoais ou danos à propriedade. O não cumprimento destas instruções invalida a garantia concedida.

- Os produtos Beko estão em conformidade com as normas de segurança aplicáveis; portanto, em caso de qualquer dano no aparelho ou cabo de alimentação, deve ser reparado ou substituído pelo revendedor, centro de assistência ou por uma assistência especializada e autorizada para evitar qualquer perigo. Reparações defeituosas ou não qualificadas podem ser perigosas e constituir riscos para o utilizador.
- Este aparelho destina-se à utilização doméstica e aplicações semelhantes, como por exemplo:
 - Áreas da cozinha dos funcionários em lojas, escritórios e outros ambientes de trabalho;
 - Casas de turismo rural;
 - Por clientes em hotéis, pensões e outros tipos de ambientes residenciais;
 - Alojamentos do tipo cama e pequeno-almoço.
- Use este aparelho apenas para os fins a que se destina e tal como descrito neste manual.
- O fabricante não se responsabiliza por quaisquer danos resultantes de uma instalação incorreta ou imprópria.
- Este equipamento pode ser usado por crianças com idade de 8 anos ou mais e por pessoas com capacidades físicas, sensoriais ou mentais reduzidas ou com falta de experiência e conhecimento se forem supervisionadas ou que lhes tenha sido dada instrução a respeito da utilização do equipamento de um modo

1 Instruções importantes sobre segurança e meio ambiente

seguro e que compreendam os perigos envolvidos.

- As crianças não devem brincar com o aparelho. A limpeza e a manutenção do utilizador não devem ser realizadas por crianças sem serem supervisionadas.
- A distância mínima entre a superfície de apoio para os recipientes na placa de cozinha e a parte inferior do produto deve ser de 50 cm, no mínimo.
- Se as instruções de instalação para a placa de cozinha a gás especificarem uma distância maior, esta deve ser tida em consideração.
- Certifique-se de que a alimentação elétrica está em conformidade com as informações fornecidas na placa de dados do aparelho.
- Nunca utilize o aparelho se o cabo de alimentação ou o próprio aparelho estiverem danificados.
- Evite danos ao cabo de alimentação, evitando apertá-lo, dobrá-lo ou arrastá-lo sobre extremidades pontiagudas.

Mantenha o cabo de alimentação afastado de superfícies quentes e chamas vivas.

- Apenas utilize o aparelho numa tomada com ligação à terra.

AVISO: Não ligue o aparelho à corrente até que a instalação esteja concluída.

- Coloque o aparelho de modo a que a ficha esteja sempre acessível.
- Não toque nas lâmpadas caso tenham estado acesas durante muito tempo. Estas podem queimar as suas mãos, dado que ficam quentes.
- Siga os regulamentos estabelecidos pelas autoridades competentes relativos ao ar de exaustão (este aviso não se aplica se o aparelho for utilizado sem chaminé).
- Utilize o aparelho apenas depois de colocar um tacho, uma frigideira, etc. na placa de cozinha. Caso contrário, o calor excessivo pode deformar algumas partes do aparelho.
- Desligue a placa de cozinha

1 Instruções importantes sobre segurança e meio ambiente

- antes de retirar o tacho, a frigideira, etc.
- Não deixe óleo quente na placa de cozinha. As frigideiras com óleo quente podem entrar em combustão espontânea.
 - Preste atenção às cortinas e tampas, pois o óleo pode incendiar-se enquanto se cozinha, por exemplo, batatas fritas.
 - O filtro de gordura deve ser substituído, no mínimo, mensalmente. O filtro de carbono deve ser substituído, no mínimo, a cada 3 meses.
 - O aparelho deve ser limpo de acordo com as instruções do manual do utilizador. Pode existir perigo de incêndio caso a limpeza não seja realizada de acordo com as instruções do manual do utilizador.
 - Não utilize materiais de filtração que não sejam resistentes ao fogo além do filtro atual.
 - Utilize apenas as peças originais ou peças recomendadas pelo fabricante.
 - Não utilize o aparelho sem o filtro e não retire os filtros durante o funcionamento do aparelho.
 - No caso de deflagrar uma chama, corte a alimentação elétrica do aparelho e dos eletrodomésticos.
 - No caso de deflagrar uma chama, cubra-a e nunca use água para extingui-la.
 - Desligue o aparelho antes de cada limpeza e quando este não estiver a ser utilizado.
 - A pressão negativa no ambiente não deverá exceder 4 Pa (4 x 10 bar) enquanto o exaustor para a placa de cozinha elétrica e os aparelhos alimentados por outro tipo de energia além da eletricidade estiverem a funcionar em simultâneo.
 - No ambiente em que o aparelho está a ser utilizado, a exaustão dos dispositivos que funcionam a óleo combustível ou gás, como é o caso dos aquecedores, deverá ficar totalmente isolada. Caso contrário, o aparelho terá de ser de tipo hermético.
 - Ao fazer a ligação à chaminé,

1 Instruções importantes sobre segurança e meio ambiente

utilize tubos com 120 ou 150 mm de diâmetro. A ligação do tubo deve ser o mais curta possível e ter o menor número de curvas possível.

Perigo de asfixia! Mantenha todos os materiais da embalagem afastados das crianças.

ATENÇÃO: Partes acessíveis podem ficar quentes quando utilizadas com aparelhos de cozinha.

- A saída do exaustor não pode estar ligada aos canais de ar que incluem outros fumos.
- A ventilação na divisão poderá ser insuficiente quando se utilizar o exaustor para a placa de cozinha elétrica simultaneamente com os dispositivos que funcionam a gás ou outros combustíveis (isto poderá não se aplicar aos aparelhos que apenas fazem o retorno do ar para a divisão).
- Os objetos colocados em cima do aparelho podem cair. Não coloque quaisquer objetos em cima do aparelho.
- Não flambeie debaixo do aparelho.

AVISO: Remova as películas protetoras antes de instalar a Placa de cozinha.

- Nunca deixe chamas vivas altas sob o exaustor quando este estiver em funcionamento
- Mantenha as fritadeiras sob controlo durante a utilização: o óleo sobreaquecido pode inflamar-se.

1.2 Conformidade com a Diretiva REEE e eliminação do produto residual:

Este produto está em conformidade com a Diretiva REEE da UE (19/2012/UE). Este produto traz um símbolo de classificação para reciclagem de equipamentos elétricos e eletrónicos (REEE).



Este símbolo indica que o produto não deve ser eliminado juntamente com o lixo doméstico no fim da sua vida útil. Os aparelhos usados devem ser levados para um ponto de recolha oficial para a reciclagem de aparelhos elétricos e eletrónicos. Para encontrar estes sistemas de recolha, entre em contacto com as autoridades locais ou com o revendedor através do qual adquiriu o produto. Cada domicílio desempenha um papel fundamental na recolha e reciclagem de aparelhos antigos. A eliminação correta de aparelhos usados ajuda a prevenir potenciais efeitos negativos ao meio ambiente e à saúde humana.

1 Instruções importantes sobre segurança e meio ambiente

1.3 Conformidade com a Diretiva RoHS

O produto adquirido está em conformidade com a Diretiva RoHS da UE (65/2011/UE). Não contém materiais prejudiciais ou proibidos especificados na Diretiva.

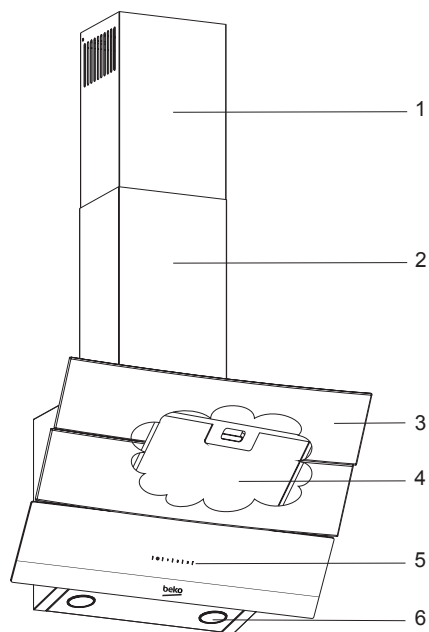
1.4 Informação de embalagem



Os materiais para embalagem do produto são fabricados a partir de materiais recicláveis, em conformidade com a nossa Regulamentação Nacional do Ambiente. Não elimine os materiais da embalagem juntamente com os resíduos domésticos ou outros tipos de resíduos. Leve-os para os pontos de recolha de materiais de embalagem designados pelas autoridades locais.

2 Aspeto geral

2.1 Generalidades

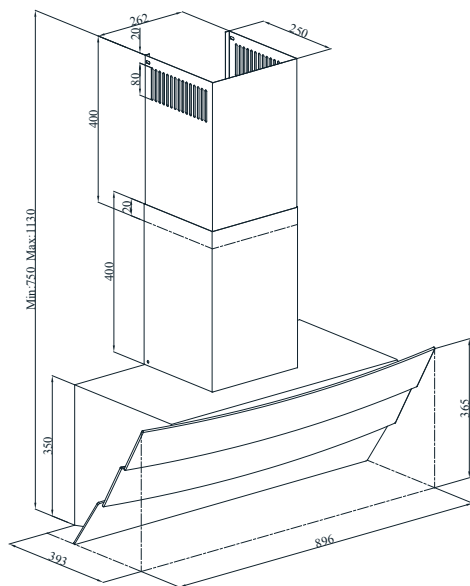


1. Chaminé interior
2. Chaminé exterior
3. Tampa de vidro
4. Filtro de gorduras em alumínio (Por trás da tampa de vidro)
5. Painel de Controlo
6. Iluminação

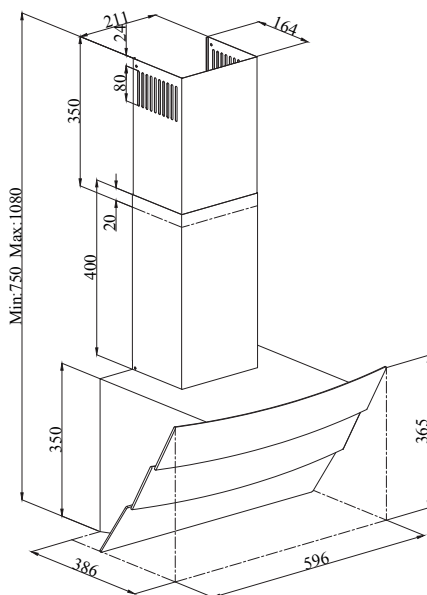
2 Aspeto geral

2.2 Dados técnicos

	HCA62640WH HCA62640BH	HCA62540B	HCA92640WH HCA92640BH	HCA92540B
Largura	596 mm		896 mm	
Profundidade	386 mm		393 mm	
Altura	750/1080 mm		750/1130 mm	
Tensão de alimentação	220-240V ~, 50 Hz			
Controlo	Com 3 níveis			
Potência da lâmpada	2x3 W			
Tubo de saída de ar	120/150 mm			
Taxa de fluxo – 3. Nivel	537 m³/h	566 m³/h	577 m³/h	593 m³/h
Potência do motor	210 W			
Potência total	216 W			
Classe de isolamento do motor	Classe F			
Classe de isolamento	Classe I			



HCA92640WH
HCA92640BH
HCA92540B



HCA62640WH
HCA62640BH
HCA62540B

3 Funcionamento do aparelho

Controlar o aparelho

	
TECLA	FUNÇÃO
A : Botão Luz acesa/apagada	Podem premir este botão para iluminar a área de cozedura.
B : Botão de 1.º nível	Podem premir este botão para ligar o exaustor no nível de velocidade 1. Quando prime novamente este botão para desligar o aparelho, a indicação do nível de velocidade desaparece do ecrã.
C : Botão de 2.º nível	Podem premir este botão para ligar o exaustor no nível de velocidade 2. Quando prime novamente este botão para desligar o aparelho, a indicação do nível de velocidade desaparece do ecrã.
D : Botão de 3.º nível	Podem premir este botão para ligar o exaustor no nível de velocidade 3. Quando prime novamente este botão para desligar o aparelho, a indicação do nível de velocidade desaparece do ecrã.

3.2 Utilização eficiente em termos de Poupança de Energia

- Quando usar o seu aparelho, ajustar as definições da velocidade de acordo com a intensidade de vapor e de odor, de modo a economizar energia.
- Usar as velocidades reduzidas (1-2) em condições normais e a velocidade mais elevada (3) com vapor e odor intensos.
- As lâmpadas no exaustor são colocadas para iluminar a zona de cozedura.
- Se usar as mesmas para iluminação ambiente irá provocar consumo desnecessário de energia e iluminação insuficiente.

3.3 Funcionamento do exaustor

- O seu aparelho inclui um motor com várias velocidades.
- Para um melhor desempenho, recomendamos usar velocidades reduzidas em condições normais e velocidades elevadas no caso de odores fortes e de vapor intenso.
- Pode começar a usar o seu aparelho premindo no botão de definição da velocidade pretendida. (B,C,D)
- Pode iluminar a zona de cozedura premindo a lâmpada. (A)

3.4 Paragem automática em 15 minutos:

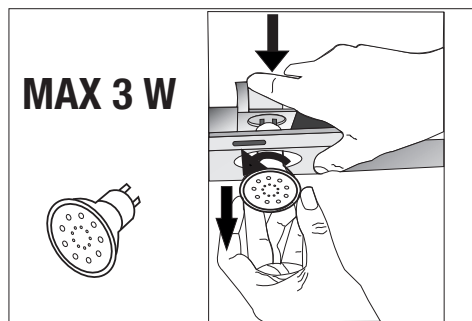
Este aparelho está equipado com uma função de paragem automática, que permite ao mesmo ventilar a divisão durante um período de tempo adicional, para remover os odores e vapores desagradáveis que permanecem depois de cozinhar. O aparelho para automaticamente ao fim de um determinado período de tempo. Para ativar a função de paragem automática, prima qualquer um dos botões de nível (B, C, D) no controlo durante mais de dois segundos. É ativado um temporizador com 15 minutos. Se premir o mesmo botão de velocidade enquanto a função de paragem automática está ativada, a mesma é desativada e o aparelho para. Se selecionar outro nível de velocidade, esta função é desativada. Se pretender que o aparelho pare automaticamente, tem de voltar a ativar a função de paragem automática.

Limpeza periódica dos filtros de metal:

Os filtros devem ser limpos de 60 em 60 horas de funcionamento ou de 4 em 4 semanas, consoante a frequência de utilização.

3 Funcionamento do aparelho

3.5 Substituição das lâmpadas



Desligue o exaustor da tomada. Este aparelho está equipado com lâmpadas de 3 W. Para substituir as lâmpadas, pressione as lâmpadas para baixo na secção traseira do encaixe para as libertar. Em seguida, gire-as no sentido contrário ao dos ponteiros do relógio em 1/4 e retire-as. Siga os passos acima por ordem inversa para pôr as lâmpadas novas.



Pode adquirir lâmpadas em Agentes de Serviço Autorizados.

Lâmpada	
Potência da lâmpada	3 W
Suporte / Tomada	GZ 10
Tensão da lâmpada	220 - 240 V
Dimensão	53x50 mm
Código ILCOS	DR/F3-220-240-GZ10-50-53
Fluxo luminoso	260 lm
Temperatura de cor relacionada	3000 K

Este produto contém uma fonte de luz com a classe de eficiência energética “F”.

3.6 Funcionamento com ligação à chaminé

- O vapor é extraído através da conduta da chaminé, que é fixada à cabeça de ligação no exaustor.
- O diâmetro da conduta da chaminé tem de ser o mesmo do anel de ligação. Nas definições horizontais, o tubo tem de ter uma ligeira inclinação para cima (cerca de 10°) de modo a que o ar possa sair facilmente do espaço.

3.7 Funcionamento sem ligação à chaminé

- O ar filtrado através do filtro de carvão e recirculado no espaço. O filtro de carvão é usado quando é impossível usar uma Chaminé dentro de casa.
- Na Chaminé com pouco uso, remover as abas no interior do adaptador da mesma.
- Retirar o filtro de gordura em alumínio. Para instalar o filtro de carvão, encaixar o filtro nas guias centrando o mesmo na peça de plástico nos dois lados da estrutura da ventoinha. Apertar o mesmo rodando-o para a direita ou para a esquerda.
- Voltar a colocar o filtro de gordura em alumínio.

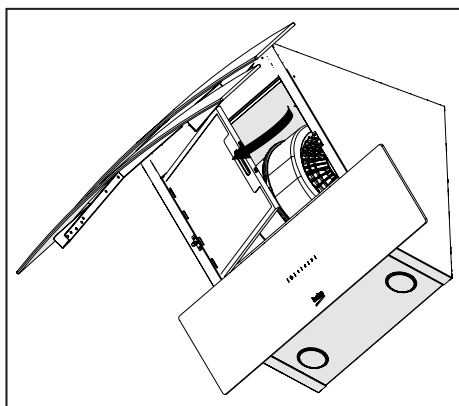
4 Limpeza e manutenção



Antes de efetuar a limpeza e a manutenção, desligar o produto ou desligar o interruptor.

4.1 Limpeza do filtro de gordura em alumínio

Este filtro retém as partículas do óleo existentes no ar. Os filtros de gordura em alumínio podem mudar de cor à medida que vão sendo lavados, isto é normal e não exige a substituição dos seus filtros de gordura em alumínio.



- Empurrar para a frente o fecho do filtro de gordura em alumínio.
- Seguidamente, puxar o mesmo para baixo e remover. Caso contrário, pode dobrar o filtro. Lavar e enxaguar os filtros de gordura em alumínio com líquido com detergente e voltar a colocar os mesmos nas tomadas respetivas realizando os passos acima na ordem inversa. Este filtro retém as partículas do óleo existentes no ar.



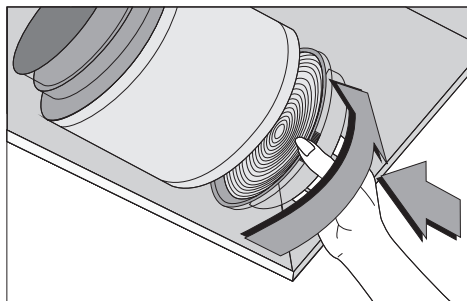
Pode lavar o filtro de gordura em alumínio na máquina de lavar loiça.



CUIDADO: Com uma utilização normal, limpar o filtro do óleo uma vez por mês.

4.2 Substituição dos filtros de carvão

Is filtros de eliminação de odores contêm carvão (Carvão ativo). Os filtros do óleo têm de ser instalados no produto, independentemente se forem usados filtros de carvão ou não.



- Retira o filtro de gorduras em alumínio.
- Para remover o filtro de carvão, remover o mesmo do respetivo compartimento rodando-o no sentido anti-horário a partir da guia
- Instalar o novo filtro de carvão.
- Instalar o filtro de gordura em alumínio

CUIDADO

- O filtro de carvão nunca deve ser lavado.
- Substituir os filtros de carvão uma vez em cada 3 meses.
- Pode obter o filtro de carvão nos revendedores autorizados.



5 Instalação do aparelho



ADVERTÊNCIA: Antes de iniciar a instalação, deve ler a informação de segurança no Manual do Utilizador.

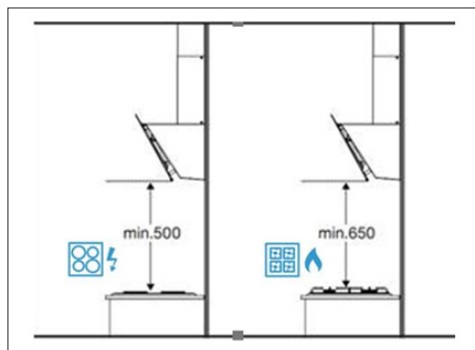


ADVERTÊNCIA: Não instalar com parafusos e estabilizadores de acordo com estas instruções pode resultar em choque elétrico.

Para instalar o exaustor, deve contactar o Serviço Autorizado mais próximo.

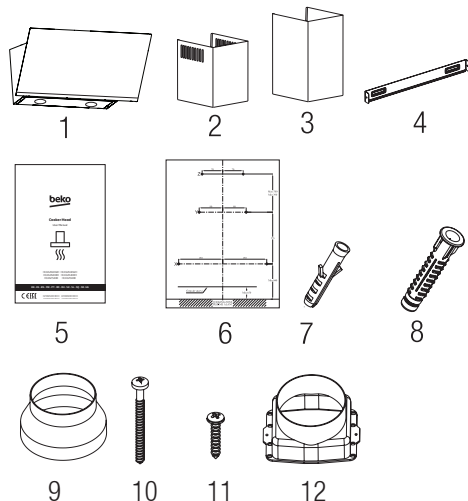
É da responsabilidade do cliente preparar a localização e a instalação elétrica do exaustor.

5.1 Posição do aparelho



- Em todos os tipos de exaustor, a distância da instalação por cima da placa a gás e da placa elétrica é no mínimo de 650 mm. Somente para **exaustores inclinados**, a distância de instalação por cima da **placa elétrica** é no mínimo de 500 mm.
- A distância tem de ser medida a partir da superfície da grelha para os fogões a gás, a partir da superfície de vidro para os fogões elétricos.

5.2 Acessórios de instalação



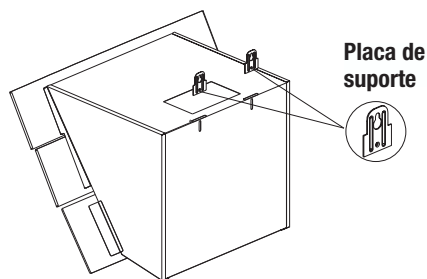
1. Produto
2. Conduto interior
3. Conduto exterior
4. Placa de ligação de chaminé
5. Manual do Utilizador
6. Desenho da montagem
7. Tomada de parede de plástico de 6 mm
8. Tomada de parede de plástico de 8 mm
9. Adaptador de chaminé de plástico de Ø120/150 mm
10. Parafuso de fenda em cruz 4,8x50
11. Parafuso de fenda em cruz 3,9 x 22
12. 1 x chaminé de plástico de Ø150 mm

A informação necessária para a preparação do local de instalação do seu exaustor é fornecida abaixo.

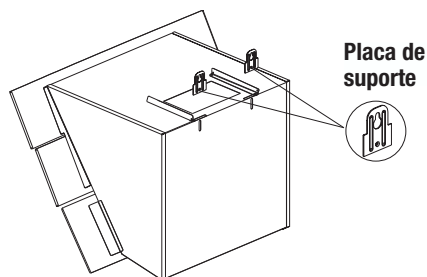
5.3 Instalação do exaustor na parede

Para instalar o exaustor na parede, desaperte os parafusos das placas de suporte no compartimento do motor e puxe as placas para cima. Depois, aperte os parafusos das placas de suporte. (Figura 1a).

5 Instalação do aparelho

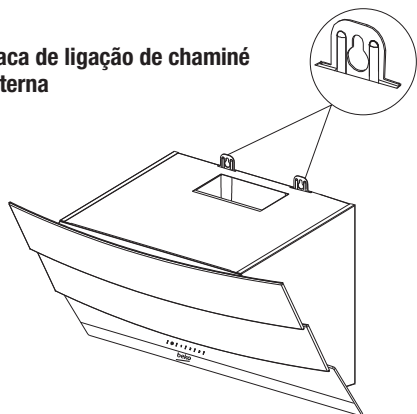


(Figura 1a-60)



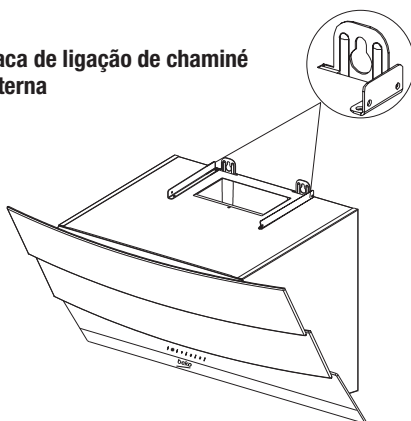
(Figura 1a-90)

Placa de ligação de chaminé externa



(Figura 1b-60)

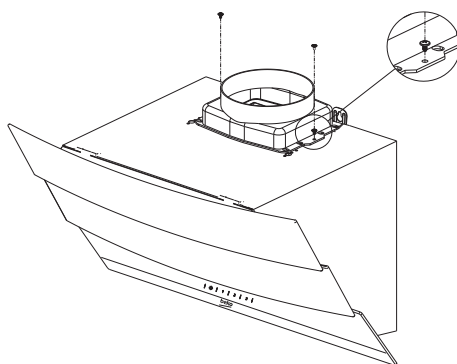
Placa de ligação de chaminé externa



(Figura 1b-90)

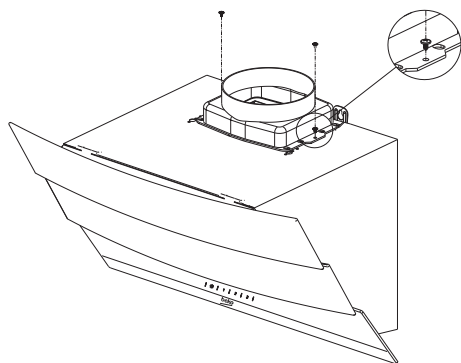
Aperte o adaptador de chaminé de plástico de $\varnothing 150$ mm na parte superior do corpo com o parafuso de $3,5 \times 9,5$ incluído nos acessórios de instalação (Figura 2).

Se utilizar o tubo de chaminé de $\varnothing 120$ mm, instale o adaptador de chaminé de $\varnothing 120$ mm no mesmo.



(Figura 2-60)

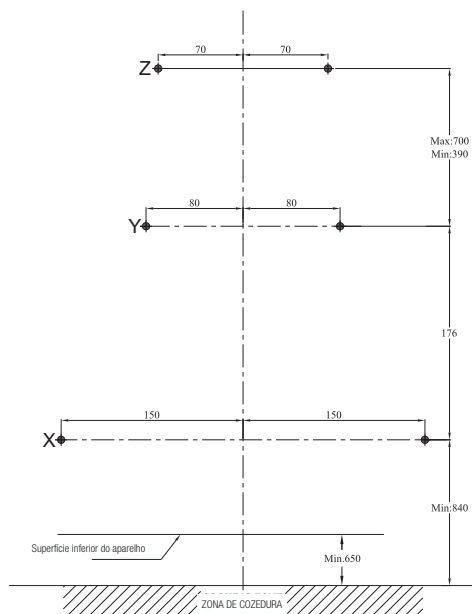
5 Instalação do aparelho



(Figura 2-90)

5.4 Perfuração dos orifícios do suporte

Afixe o modelo de instalação ao local de instalação do exaustor. Perfure os pontos assinalados com (X,Y) com uma broca de $\varnothing 8$ mm e os pontos assinalados com (Z) com uma broca de $\varnothing 6$ mm. (Figura 2)



(Figura 3)

5.5 Inserção das buchas

Insira as buchas de $\varnothing 8$ mm (X,Y) nos orifícios perfurados para os parafusos do suporte. Insira 2 buchas de $\varnothing 6$ mm (Z) nos orifícios perfurados com uma broca de $\varnothing 6$ mm para a placa de ligação de chaminé externa. (Figura 3)

5.6 Instalação dos parafusos do suporte

Instale os parafusos de 4,8 x 50 nas buchas de $\varnothing 8$ mm (Y) que inseriu na parede. Deverá haver uma abertura de 5 mm entre a cabeça do parafuso e a parede. Afixe a placa de ligação da chaminé interna às buchas de 8 mm (Z) da parede com os parafusos de $\varnothing 3,9$ x 22. (Figura 4)

5 Instalação do aparelho



(Figura 4)

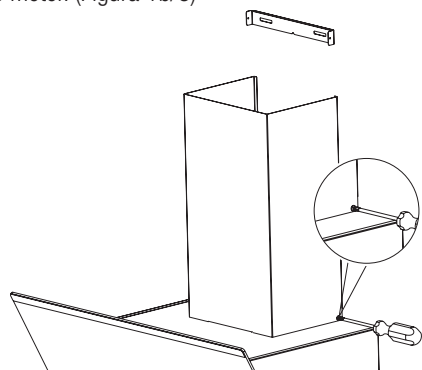
5.7 Montagem do exaustor na parede

- Monte o exaustor nos parafusos que instalou nos orifícios Y.
- Abra a janela de sucção lateral do exaustor ao puxá-la na sua direção. Instale os parafusos 4,9x50 através dos orifícios X, localizados no interior, para segurar o aparelho.

5.8 Instalação da chaminé do exaustor

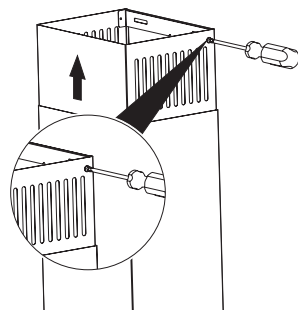
Desligue o produto da rede elétrica antes de iniciar a instalação da chaminé. Encaixe as peças da chaminé da chapa à volta do corpo.

Aparafuse a chaminé externa às placas de ligação da chaminé externa, localizada no compartimento do motor. (Figura 1b/5)



(Figura 5)

Expanda e aparafuse a chaminé interna das extremidades de fora na placa de ligação da chaminé que foi afixada à parede (Figura 6).



(Figura 6)

5.9 Ligação da chaminé

Coloque o adaptador fornecido com o exaustor no orifício de ventilação localizado na parte superior da secção do exaustor. Instale um tubo com um diâmetro de 120/150 mm. Ligue uma extremidade do tubo ao adaptador e a outra extremidade à chaminé. Certifique-se de que ambas as ligações estão suficientemente apertadas para que não se desloquem quando o exaustor estiver a funcionar na velocidade máxima. Verifique se as abas dentro da chaminé estão a funcionar depois de apertadas com o grampo. Ajuste o tubo de ligação da chaminé dentro do adaptador, não haverá sucção do ar, pois as abas que impedem o refluxo do ar permanecerão fechadas. Não é aconselhável fazer ligações às chaminés ligadas a fogões ou eixos de exaustão. Não faça ligações a essas chaminés. A ligação do tubo deve ser o mais curta possível e ter o mínimo número de curvas.

A: Tubo de saída da chaminé

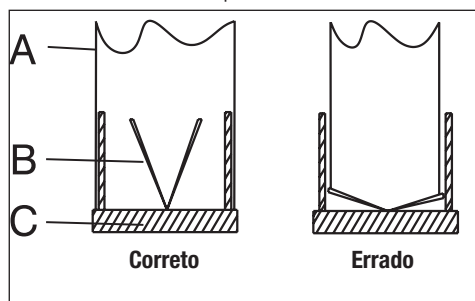
B: Abas que impedem o refluxo

C: Chaminé de plástico

5 Instalação do aparelho

5.10 Sistema de prevenção de refluxo (N-RV)

Durante o funcionamento do exaustor, as abas são fechadas para evitar que possíveis odores e poeiras entrem do exterior para o ambiente.



5.11 Depozitarea

- Dacă nu doriți să utilizați aparatul pentru o perioadă lungă de timp, depozitați-l cu grijă.
- Asigurați-vă că aparatul este decuplat, că s-a răcit complet și că este perfect uscat.
- Depozitați aparatul într-un loc uscat și rece.
- Nu lăsați aparatul la îndemâna copiilor

5.12 Manevrarea și transportul

- În timpul manevrării și transportului, transportați produsul în ambalajul său original. Ambalajul aparatului îl protejează împotriva deteriorării fizice.
- Nu plasați obiecte grele pe aparat sau pe ambalaj. Aparatul poate fi deteriorat.
- Căderea aparatului îl poate face nefuncțional sau poate provoca daune permanente.

6 Resolução de problemas

Resolução de problemas	Causa Origem	Ajuda
O aparelho não está a funcionar.	Verificar os fusíveis.	Os fusíveis podem ter rebentado, inspecionar e restaurar.
O aparelho não está a funcionar.	Verificar a instalação elétrica.	A tensão de corrente elétrica deve estar entre 220 e 240 V.
O aparelho não está a funcionar.	Verificar a instalação elétrica.	Verificar se outro aparelho na sua cozinha está a funcionar.
A lâmpada de iluminação não funciona	Verificar a instalação elétrica.	A tensão de corrente elétrica deve estar entre 220 e 240 V.
A lâmpada de iluminação não funciona	Verificar o interruptor da lâmpada.	O interruptor da lâmpada deve estar na posição "ligado".
A lâmpada de iluminação não funciona	Inspecionar as lâmpadas.	As lâmpadas do aparelho devem acender.
A entrada de ar do aparelho é inadequada.	Inspecionar o filtro de alumínio.	Em condições normais de funcionamento, o filtro de gordura em alumínio deve ser limpo pelo menos uma vez por mês.
A entrada de ar do aparelho é inadequada.	Verificar a descarga de ar da chaminé.	A descarga de ar da chaminé deve estar na posição "ligado".
A entrada de ar do aparelho é inadequada.	Inspecionar o filtro de carvão.	Nos filtros em que são utilizados filtros de carvão, o filtro de carvão deve ser substituído a cada 3 meses em condições normais.



**Contacte a assistência técnica:
707 014 192 / 215 557 319**

CONDIÇÕES DE GARANTIA - PORTUGAL

Este certificado cobre a garantia de reparação do seu eletrodoméstico da linha branca e pequeno eletrodoméstico (*) durante o período de garantia legal determinado pela legislação em vigor a contar da data de compra, contra defeitos de funcionamento provenientes do fabrico ou dos materiais; ou de substituição do aparelho, a menos que uma dessas opções seja impossível ou desproporcionada em relação à outra. Quando detetar um defeito ou anomalia no aparelho entre imediatamente em contacto connosco para nos informar da não conformidade. Os pequenos eletrodomésticos devem ser entregues na oficina de serviço oficial da marca para a sua revisão.

Esta garantia só será válida se for apresentada a fatura, o recibo de compra, ou a nota de entrega correspondente a aquisição do produto. Esta garantia é válida em território espanhol e português para aparelhos distribuído pela Beko Home Appliances Portugal, Unipessoal, Lda. A garantia só é válida para o primeiro comprador ou adquirente do produto. A garantia será válida para os aparelhos cuja instalação esteja correta e que estejam localizados em condições climáticas e ambientais adequadas para o seu correto funcionamento.

EXCLUSÕES DA GARANTIA

O custo da reparação será pago pelo utilizador nos seguintes casos:

- Aparelhos utilizados para uso profissional ou não exclusivamente doméstico.
- Os equipamentos desmontados ou manuseados por outras pessoas que não os serviços técnicos expressamente autorizados.
- Instalações, transporte, substituição de equipamento, colocação em funcionamento, alteração do sentido das portas.
- Intervenções de manutenção ou informações sobre a utilização dos aparelhos.
- Alteração de injetores em aparelhos a gás.
- As avarias causadas pela falta de manutenção ou limpeza, ou aquelas causadas por um uso inadequado, sobrecarga, abandono ou de uma forma a não respeitar as instruções de uso ou instalação dos aparelhos.
- As avarias provocadas por causas acidentais, sinistros de força maior ou resultantes de instalação inadequada e em geral, avarias por razões não relacionadas com o produto.
- As avarias causadas por ligações que podem apresentar flutuações, irregularidades ou falta de uniformidade no fornecimento, por exemplo: abastecimento de água impulsionado por grupos de pressão, energia solar, energia eólica, geradores de energia elétrica ou outro tipo de fornecimento não-padrão.
- A substituição de materiais quebrados ou danificados por desgaste ou uso não normal do aparelho, ou consumíveis tais como: juntas, plásticos, borracha, correias, vidros, pincéis, lâmpadas, asas, puxadores, tampas de queimadores, filtros, grelhas, ânodos de sacrifício (magnésio ou similares) de aquecedores ou caldeiras, etc.
- Os aparelhos que apresentem oxidação, ou danos por corrosão nos esmaltes ou na pintura, que possam ter sido causados por efeitos químicos ou eletroquímicos da água ou de qualquer outra substância, ou acelerados por circunstâncias ambientais ou climáticas desfavoráveis.
- Defeitos estéticos em serigrafia ou pintura.
- Os danos causados por transporte ou manuseio, colisões, etc.
- Os aparelhos devem ser instalados de forma acessível em caso de reparação, devendo o utilizador assumir os custos necessários para aceder ao aparelho para reparação e substituição.

A presente garantia não afeta os direitos de que o consumidor dispõe conforme o previsto na legislação em vigor. O Serviço Oficial de Assistência Técnica resolverá qualquer incidente que o seu aparelho possa necessitar, desde que o aparelho seja instalado de forma acessível.

As marcas BEKO e GRUNDIG são distribuídas por Beko Home Appliances Portugal, Unipessoal, Lda

DADOS DO APARELHO (a ser preenchido pelo Distribuidor):

Detentor:		Carimbo do estabelecimento:
Modelo:	Nº série:	
Estabelecimento:	Data de compra:	

O fiador e o importador do seu eletrodoméstico é: Beko Home Appliances Portugal, Unipessoal, Lda; Edifício Amoreiras Square; Rua Carlos Alberto da Mota Pinto, nº 17, 3ªA, Amoreiras 1070-313, Lisboa, Portugal.

Conheça-nos melhor na nossa página: www.beko.com Conserve este documento, é importante para si.

(*) São considerados eletrodomésticos da linha branca, os aparelhos de cozinha, limpeza, refrigeração e ventilação de tamanho grande e pequenos eletrodomésticos, os de higiene pessoal, manutenção do lar e preparação de alimentos.

Pirmiausia perskaitykite šią naudojimo instrukciją!

Brangus kliente,

Dėkojame, kad pasirinkote šį “Beko” prietaisą. Tikimės, kad šiuo prietaisu, kuris buvo pagamintas naudojant aukščiausios kokybės moderniausią technologiją, liksite patenkinti. Dėl to, prieš pradėdami naudoti šį prietaisą, perskaitykite visą šią naudojimo instrukciją bei prie jos pridėdamus dokumentus ir juos pasilikite, jei prireiktų ateityje. Jeigu atiduotumėte šį prietaisą kam nors kitam, kartu atiduokite ir šią naudojimo instrukciją. Laikykitės naudojimo instrukcijoje pateiktų nurodymų, atkreipkite dėmesį į visą informaciją ir įspėjimus.

Atkreipkite dėmesį, kad ši naudojimo instrukcija gali būti taikoma ir kitiems modeliams. Modelių skirtumai yra aiškiai aprašyti šioje instrukcijoje.

Ženklių reikšmės

Įvairiuose šios naudojimo instrukcijos skyriuose naudojami šie simboliai:



Svarbi informacija ir naudingi patarimai, kaip naudoti prietaisą.



ĮSPĖJIMAS: Įspėjimai apie pavojingas situacijas, keliančias pavojų gyvybei ir turtui.



Įspėjimas dėl gaisro pavojaus.



Įspėjimas dėl elektros smūgio.

1 Svarbios saugos ir aplinkos apsaugos taisyklės

1.1 Bendrieji saugos reikalavimai

Svarbios saugos instrukcijos Atidžiai perskaitykite ir pasilikite ateičiai Šiame skyriuje pateikiama saugos informacija, kuri padės išvengti gaisro, elektros smūgio, mikrobangų krosnelės spinduliuojamos energijos poveikio pavojaus, susižeidimų ar materialinės žalos. Jei nesilaikysite šių instrukcijų, nebebus taikoma garantija.

- “Beko” gaminiai atitinka galiojančius saugos standartus, todėl, jeigu prietaisas arba jo maitinimo laidas būtų pažeistas, jį privalo paleisti platintojas, aptarnavimo centras ar specialistas arba bet kuris kitas įgaliotasis atstovas, kad būtų išvengta bet kokių pavojų. Klaidingi arba netinkami remonto darbai gali kelti pavojų ir riziką vartotojui.
- Šis įrenginys yra skirtas naudoti buitiniams ir panašioms tikslams, pvz.:
 - darbuotojų valgomouose, pavyzdžiui, parduotuvėse, biuruose ir kitoje darbo aplinkoje;

- ūkininkų gyvenamuosiuose namuose;
 - klientams viešbučiuose ir kitoje gyvenamojo aplinkoje;
 - viešbučiuose, kuriose siūloma nakvynė su pusryčiais.
- Prietaisą naudokite tik pagal paskirtį, aprašytą šiose naudojimo instrukcijose.
 - Gamintojas neatsako už žalą, patirtą dėl netinkamo gaminio įrengimo ar naudojimo.
 - Šį prietaisą leidžiama naudoti vaikams nuo 8 metų amžiaus ir asmenims, turintiems fizinių, jutimo ar psichinių negalių, arba neturintiems patirties ir žinių, kaip naudoti šį prietaisą, su sąlyga, kad jie bus prižiūrimi arba išmokyti, kaip saugiai naudoti šį prietaisą, ir supras atitinkamus pavojus.
 - Neleiskite vaikams žaisti su šiuo prietaisu. Neprižiūrimi vaikai negali atlikti valymo ir naudotojo atliekamų techninės priežiūros darbų.
 - Mažiausias atstumas tarp kaitlentės virimo indų atraminio paviršiaus ir žemiausios gaminio

1 Svarbios saugos ir aplinkos apsaugos taisyklės

dalies turi būti bent 50 cm.

- Jei dujinės kaitlentės montavimo instrukcijose nurodytas didesnis atstumas, reikia jį atsižvelgti.
- Pasirūpinkite, kad jūsų elektros tinklo duomenys atitiktų prietaiso kategorijos plokštelėje nurodytus duomenis.
- Niekada nenaudokite prietaiso, jeigu šis yra sugadintas arba pažeistas jo maitinimo laidas.
- Saugokite maitinimo laidą, kad jis nebūtų suspaustas, užlenktas arba trinamas į aštirus kraštus. Saugokite maitinimo kabelį nuo įkaitusių paviršių ir atviros ugnies.
- Prietaisąjunkite tik prie įžeminto elektros lizdo.

ĮSPĖJIMAS: Nejunkite prietaiso prie elektros tinklo, kol jis nėra visiškai sumontuotas.

- Prietaisą pastatykite taip, kad elektros kištukas visada būtų pasiekiamas.
- Nelieskite lempučių, jeigu jos ilgai švietė. Jos bus karštos, dėl to galite nusideginti rankas.
- Laikykitės kompetentingų valdžios institucijų nustatytų tai-

syklių dėl ištraukiamojo oro išleidimo (šis įspėjimas netaikomas, jeigu prietaisas naudojamas be dūmtraukio).

- Įjunkite prietaisą po to, kai pastatysite ant kaitvietės puodą, keptuvę ir t.t. Priešingu atveju dėl didelio karščio kai kurios jūsų gaminio dalys gali deformuotis.
- Išjunkite kaitvietę prieš nuimdami nuo jos puodą, keptuvę ir t.t.
- Nepalikite ant kaitvietės karšto aliejaus. Keptuvės su karštu aliejumi gali tapti užsidegimo priežastimi.
- Atkreipkite dėmesį į užuolaidas ir uždangalus, nes kepat, pvz., bulvių šiaudelius, aliejus gali užsiliepsnoti.
- Riebalų filtrą reikia keisti bent kartą per mėnesį. Anglies filtrą reikia keisti bent kartą per 3 mėnesius.
- Gaminys turi būti valomas pagal naudojimo instrukciją. Jei valymas atliktas ne pagal naudojimo instrukciją, gali kilti gaisro pavojus.

1 Svarbios saugos ir aplinkos apsaugos taisyklės

- Vietoje dabartinio filtro nenaudokite ugniai neatsparių filtravimo medžiagų.
- Naudokite tik originalias arba gamintojo rekomenduojamas dalis.
- Nenaudokite prietaiso be filtro ir neišimkite filtrų iš veikiančio prietaiso.
- Atsiradus liepsnai, išjunkite gaminį ir maisto gaminimo prietaisus.
- Atsiradus liepsnai, ją uždenkite ir jokiū būdu negesinkite vandeniu.
- Jeigu prietaiso nenaudojate arba prieš jį valydami, atjunkite jį nuo elektros tinklo.
- Patalpoje, kurioje vienu metu veikia virš elektrinės kaitlentės montuojamas garų rinktuvas ir kiti, ne elektra maitinami prietaisai, neigiamas slėgis neturi viršyti 4 Pa (4 x 10 bar).
- Patalpoje, kurioje naudojamas prietaisas, mazutu arba dujomis kūrenamų prietaisų, pvz., šildytuvo, išmetamos dujos privalo būti visiškai izoliuotos arba tokie prietaisai privalo būti hermetiški.
- Dūmtraukiui prijungti naudokite 120 mm arba 150 mm skers-

mens vamzdžius. Vamzdžio jungtis turi būti kuo trumpesnė, o alkūnių skaičius – minimalus.

Pavojus uždusti! Visas pakuotės dalis laikykite vaikams nepasiekiamoje vietoje.

ATSARGIAI: Naudojant su maisto gaminimo prietaisais, liečiamos prietaiso dalys gali įkaisti.

- Gaminio išleidimo vamzdžio negalima jungti prie ortakių, kuriuose yra kitų dūmų.
 - Vienu metu patalpoje naudojant virš elektrinės kaitlentės montuojamą garų rinktuvą ir dujomis arba kitu kuru kūrenamus prietaisus ventiliacija gali būti nepakankama (ši nuostata gali būti netaikoma prietaisams, kurie orą išleidžia tik atgal į patalpą).
 - Ant gaminio sudėti daiktai gali nukristi. Nedėkite jokių daiktų ant gaminio.
 - Neuždeginėkite po gaminiu.
- ĮSPĖJIMAS:** Prieš montuodami garų rinktuvą, nuimkite apsaugines plėveles.
- Niekada nepalikite atviros liepsnos po veikiančiu garų rinktuvu.

1 Svarbios saugos ir aplinkos apsaugos taisyklės

- Naudojant gruzdintuves, jas reikia nuolat prižiūrėti: per daug įkaitęs aliejus gali užsiliepsnoti.

1.2 Atitiktis EEJA direktyvai ir atitarnavusio gaminio sutvarkymas:

Šis gaminys atitinka ES EEJA direktyvą (2012/19/ES). Šis gaminys žymimas elektros ir elektroninės įrangos atliekų (EEJA) simboliu.



Šis simbolis reiškia, kad, kai produktas tampa nebenaudojamas, jo negalima šalinti kartu su kitomis buitinėmis atliekomis. Panaudotą prietaisą būtina pristatyti į elektros ir elektroninių prie-

taisų surinkimo ir perdirbimo punktą. Norėdami sužinoti, apie surinkimo ir perdirbimo punktus - susisiekite su vietos institucijomis arba pardavėju. Kiekvienas atliekame svarbų vaidmenį saugodami gamtą ir perdirbdami senus buitinius prietaisus. Atitinkamas panaudotų buitinių prietaisų šalinimas padeda išvengti neigiamos žalos gamtai ir žmogaus sveikatai.

1.3 Atitiktis RoHS direktyvai

Jūsų įsigytas gaminys atitinka ES RoHS direktyvą (2011/65/ES). Jame nėra direktyvoje nurodytų kenksmingų ar draudžiamų medžiagų.

1.4 Informacija apie pakuotę

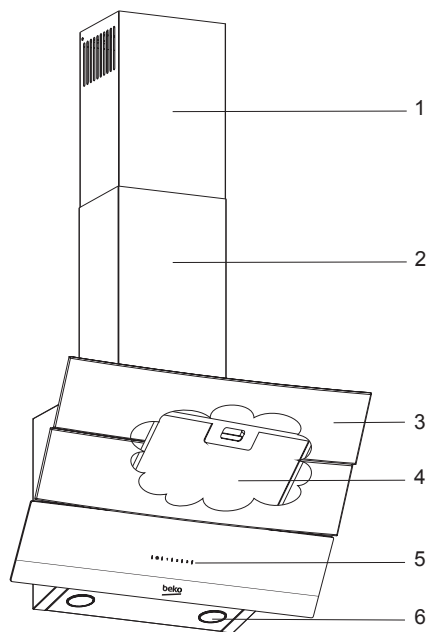


Šio gaminio pakavimo medžiagos pagamintos iš pakartotinai panaudojamų medžiagų, atsižvelgiant į mūsų nacionalinius aplinkosaugos reglamentus.

Neišmeskite pakavimo medžiagų kartu su buitinėmis atliekomis arba kitomis šiukšlėmis. Jas atiduokite į vietinių valdžios institucijų nurodytus pakavimo medžiagų surinkimo punktus.

2 Jūsų prietaiso techninės specifikacijos

2.1 Apžvalga

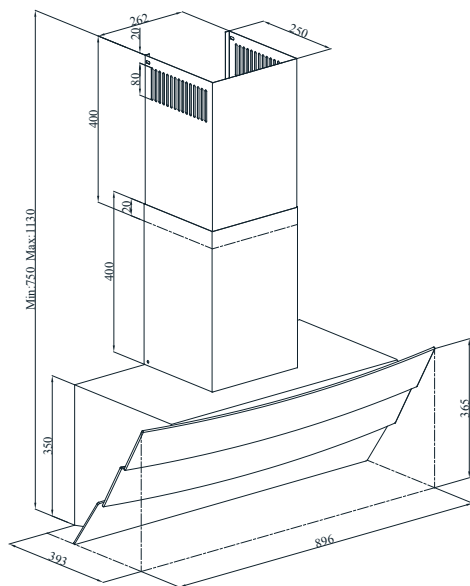


1. Vidinis dūmtraukis
2. Išorinis dūmtraukis
3. Stiklo dangtis
4. Riebalų filtras (Už stiklo gaubto)
5. Valdymo skydelis
6. Apšvietimas

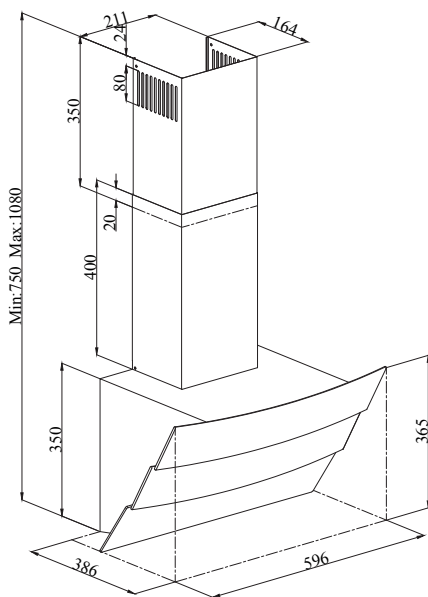
2 Jūsų prietaiso techninės specifikacijos

2.2 Techniniai duomenys

	HCA62640WH HCA62640BH	HCA62540B	HCA92640WH HCA92640BH	HCA92540B
Plotis	596 mm		896 mm	
Gylis	386 mm		393 mm	
Aukštis	750/1080 mm		750/1130 mm	
Tiekimo įtampa	220-240V ~, 50 Hz			
Valdiklis	3 lygių			
Lemputės galia	2x3 W			
Oro išleidimo vamzdžiai	120/150 mm			
Oro srautas – 3. lygis	537 m³/h	566 m³/h	577 m³/h	593 m³/h
Variklio galingumas	210 W			
Visa galia	216 W			
Variklio izoliacijos klasė	klasė F			
Izoliacijos klasė	klasė I			



**HCA92640WH
HCA92640BH
HCA92540B**



**HCA62640WH
HCA62640BH
HCA62540B**

3 Prietaiso naudojimas

3.1 Prietaiso valdymas

✨ 1 2 3	
A B C D	
RAKTAS	FUNKCIJA
A : Apšvietimo įjungimo ir išjungimo mygtukas	Apšvietimo įjungimo ir išjungimo mygtukas: Gaminimo zoną galima apšviesti spaudžiant šį mygtuką.
B : 1-o lygio mygtukas	Galite įjungti gartraukį veikti 1 greičiu paspausdami šį režimą. Kai paspaudžiate šį mygtuką dar kartą, kad išjungtumėte prietaisą, greičio lygio indikatorius ekrane išsijungia.
C : 2-o lygio mygtukas	Galite įjungti gartraukį veikti 2 greičiu paspausdami šį režimą. Kai paspaudžiate šį mygtuką dar kartą, kad išjungtumėte prietaisą, greičio lygio indikatorius ekrane išsijungia.
D : 3-o lygio mygtukas	Galite įjungti gartraukį veikti 3 greičiu paspausdami šį režimą. Kai paspaudžiate šį mygtuką dar kartą, kad išjungtumėte prietaisą, greičio lygio indikatorius ekrane išsijungia.

3.2 Energijos efektyvumas

- kai gartraukis veikia, reguliuokite greičio lygį pagal garų ir kvapo intensyvumą, kad gartraukis be reikalo nenaudotų energijos.
- Įprastomis sąlygomis rinkitės mažą greitį (1-2), o jei garai ir kvapai yra intensyvūs, nustatykite didesnį greitį (3).
- Lemputės gartraukyje yra skirtos apšviesti gaminimo zoną.
- Naudojant šias lemputes kaip virtuvės apšvietimą, bus be reikalo švaistoma energija ir apšvietimas bus netinkamas.

3.3 Gartraukio veikimas:

- Gartraukis turi keliais greičiais nustatomą ventiliatorių su varikliu.

- Kad gartraukis veiktų geriau, įprastomis sąlygomis rekomenduojame rinktis mažą greitį, o kai garų ir dūmų yra daug – didelį greitį.
- Gartraukį galima įjungti spaudžiant norimo greičio mygtuką (B, C, D).
- Gaminimo zoną galima apšviesti spaudžiant apšvietimo mygtuką. (A)

3.4 Automatinis sustabdymas po 15 min.:

Šiame prietaise yra automatinio sustabdymo funkcija, leidžianti prietaisui vėdinti patalpą ilgiau, kad po to, kai baigiate gaminti, iš patalpos būtų išsiurbtas nemalonus kvapas ir garai. Prietaisas automatiškai išsijungia po tam tikro laiko tarpo. Kad įsijungtų automatinio sustabdymo funkcija, paspauskite bet kurį iš greičio lygių mygtuką (B, C, D) ilgiau nei 2 sekundes. Įsijungs 15 minučių laikmatis. Jei paspaudžiate tą patį greičio lygio mygtuką, kai yra įjungta automatinio sustabdymo funkcija, ši funkcija bus išjungta ir prietaisas išsijungs. Jei pasirenkate kitą greičio lygį, ši funkcija bus išjungta. Jei norite, kad jūsų prietaisas išsijungtų automatiškai, galite vėl įjungti automatinio sustabdymo funkciją.

Periodinis metalo filtrų valymas:

Filtrus reikia valyti maždaug kas 60 darbo valandų arba kas 4 savaites, priklausomai nuo naudojimo dažnumo.

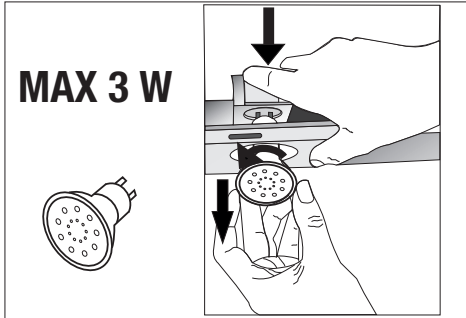
3.5 Lempučių pakeitimas

Atjunkite prietaisą nuo maitinimo tinklo. Šiame prietaise naudojamos 3 W halogeninės lemputės. Norėdami pakeisti halogeninę lemputę, paspauskite ją žemyn iš galinės lempučių laikiklio pusės, kad ji atsifikuotų. Pasukite 1/4 apsisukimo prieš laikrodžio rodyklę ir išimkite. Naują lemputę sumontuosite atlikdami šiuos veiksmus priešinga eilės tvarka.

3 Prietaiso naudojimas



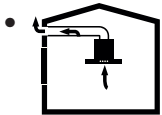
Lempučių galite įsigyti iš įgaliotųjų aptarnavimo atstovų.



Elektros lemputė	
Lemputės galingumas	3 W
Laikiklis / lizdas	GZ 10
Lemputės įtampa	220 - 240 V
Dydis	53 x 50 mm
ILCOS kodas	DR/F3-220-240-GZ10-50-53
Šviesos srautas	260 lm
Susietoji spalvinė temperatūra	3000 K

Šiame gaminyje yra "F" efektyvumo klasės energijos suvartojimo šviesos šaltinis.

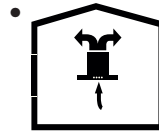
3.6 Naudojimas su dūmtraukiu



Garai yra pašalinami per dūmtraukio vamzdį, pritvirtintą prie gartraukio jungiamosios galvutės.

- Dūmtraukio skersmuo turi atitikti jungiamojo žiedo skersmenį. Kad oras būtų lengvai ištraukiamas iš patalpos per horizontaliai tvirtinamą vamzdį, vamzdį reikia sumontuoti šiek tiek pakreiptą į viršų (10° kampu).

3.7 Naudojimas be dūmtraukio



- Oras yra filtruojamas per anglies filtrą ir išmetamas atgal į patalpą. Jei namuose nėra dūmtraukio, naudojamas anglies filtras.
- Jei gartraukis bus naudojamas be dūmtraukio jungties, išimkite iš dūmtraukio adapterio nukreipiklius.
- Išimkite aliuminio filtrą. Norėdami sumontuoti anglies filtrą, į jį įstatykite centre tarp abiejų ventiliatoriaus korpuso dalių ir užfiksuokite spaus-tukus. Pritvirtinkite filtrą sukdami spaus-tukus į kairę arba į dešinę.
- Įstatykite aliuminio filtrą.

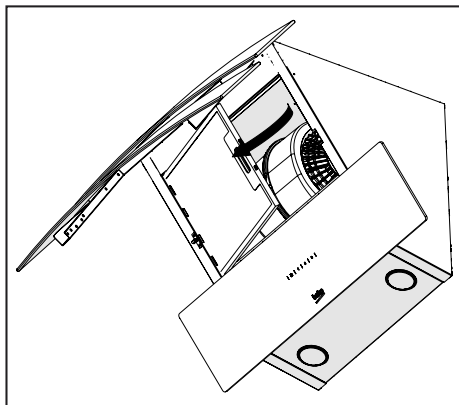
4 Valymas ir priežiūra



Prieš atlikdami valymo ir priežiūros darbus atjunkite prietaisą arba išjunkite pagrindinį maitinimo jungiklį, arba atsukite saugiklį, esantį gartraukyje.

4.1 Aliuminio filtrų išėmimas

Šis filtras surenka riebalų daleles iš oro. Iš pradžių išimkite aliuminio filtrus. Nuplaukite filtrus su indų plovikliu ir išskalaukite vandeniu, kai išdžiūsta, įstatykite atgal. Aliumininiai riebalų filtrai gali pakeisti spalvą plaunant, tai normalu, filtro dėl to keisti nereikia.



1. Pastumkite aliuminio filtro užraktą į priekį.
2. Po to šiek tiek nuleiskite ir patraukite į priekį. Priešingu atveju filtrą galima sulankstyti. Po to, kai aliuminio filtras išplaunamas ir išdžiovinamas, vėl įstatykite filtrą į jo angą, atlikdami aukščiau išvardintus veiksmus priešinga eilės tvarka.



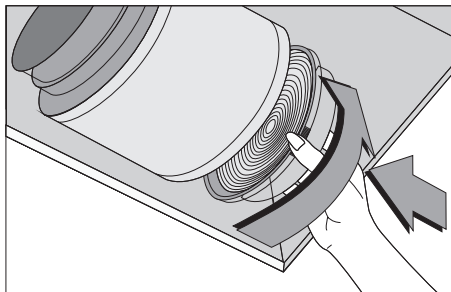
Aliuminio filtrus taip pat galima plauti indaplovėje.



DĖMESIO: Rekomenduojama filtrą valyti kiekvieną mėnesį, kai jis naudojamas įprastu dažnumu.

4.2 Anglies filtro pakeitimas

Šis filtras pašalina gaminimo kvapus. Nuo kvapų apsaugančiuose filtruose yra anglies (aktyvios anglies). Nepriklausomai nuo to, ar naudojate anglies filtrą, ar ne, visada turi būti įstatyti aliuminio filtrai. Nenaudokite prietaiso be šių aliuminio filtrų.



- Išimkite aliuminio filtrus.
- Norėdami išimti anglies filtrą, pasukite skirtukus prieš laikrodžio rodyklę ir atfisuokite filtrą.
- Įstatykite naują anglies filtrą.
- Įstatykite aliuminio filtrus.

DĖMESIO



- Anglies filtrų negalima plauti.
- Juos reikia keisti kas maždaug 6 mėnesius.
- Anglies filtrų galite įsigyti iš įgaliotųjų aptarnavimo įmonių.

5 Prietaiso įrengimas



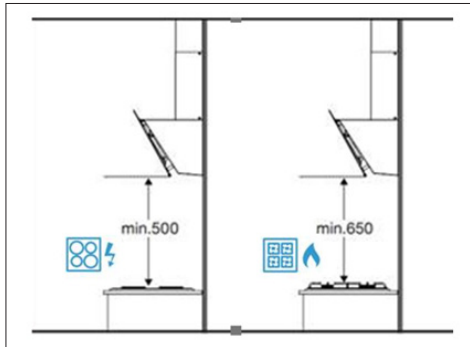
DĖMESIO: Prieš pradėdami montuoti perskaitykite naudotojo vadovo saugos informaciją.



DĖMESIO: Neįstačius varžtų ir stabilizatorių pagal šias instrukcijas gali ištikti elektros smūgis.

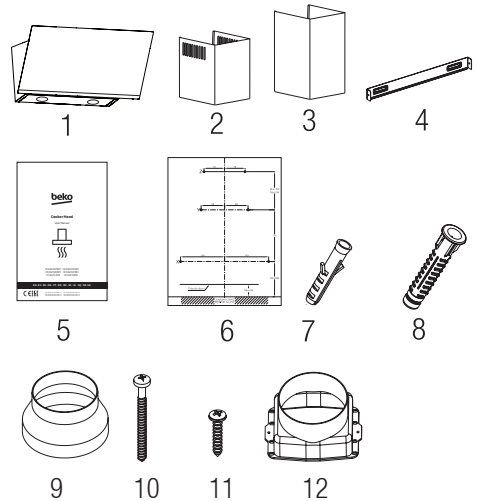
Dėl gartraukio sumontavimo kreipkitės į artimiausią įgaliotąjį techninio aptarnavimo centro atstovą. Vartotojas yra atsakingas už vietos, elektros ir dujų instaliacijos paruošimą šiam gaminiui.

5.1 Padėties nustatymas



- Visų tipų garų surinktuvuose montavimo atstumas ant dujinės ir elektrinės kaitlentės yra ne mažesnis kaip 650 mm. Tik **nuožuoliams gartraukiams** montavimo atstumas ant **elektrinės kaitlentės** yra ne mažesnis kaip 500 mm.
- Atstumą reikia matuoti nuo gartraukio grotelių dujinėms viryklėms, nuo stiklinio paviršiaus elektrinėms viryklėms.

5.2 Montavimo priedai



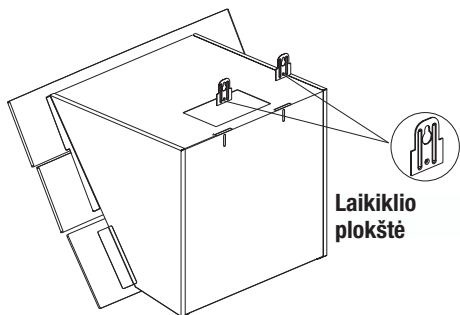
1. Produktas
2. Vidinis dūmtraukis
3. Išorinis dūmtraukis
4. Plokščia jungiamoji plokštė
5. Naudojimo instrukcija
6. Montavimo šablone
7. 6 mm plastikinis sienos kaištis
8. 8 mm plastikinis sienos kaištis
9. Ø120/150 mm plastikinis dūmtraukio adapteris
10. 4,9 x 50 varžtai su kryžmine galvute
11. 3,9 x 22 varžtai su kryžmine galvute
12. 1 x 150 mm skersmens plastikinis ortakis

Kaip paruošti vietą, kur montuosite gartraukį, apibūdinta toliau.

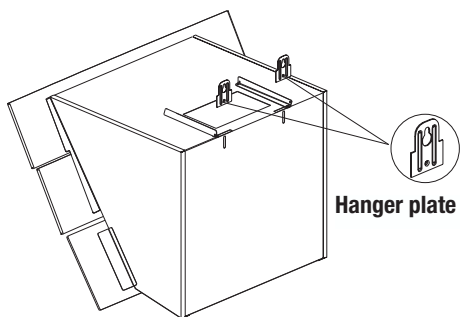
5.3 Gartraukio tvirtinimas prie sienos

Norėdami pritvirtinti gartraukį prie sienos, atsukite varžtus nuo laikiklio plokščių ant variklio korpuso ir patraukite plokštes į viršų. Po to vėl priveržkite laikiklio plokščių varžtus. (1a pav.)

5 Prietaiso įrengimas

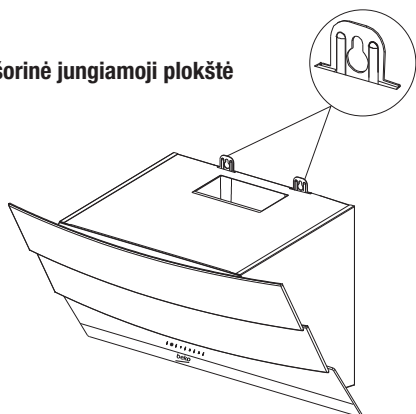


(1a pav.-60)



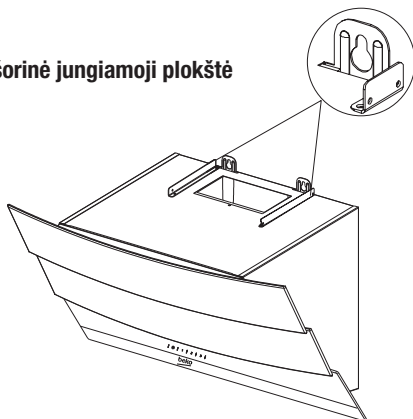
(1a pav.-90)

Išorinė jungiamoji plokštė



(1b pav.-60)

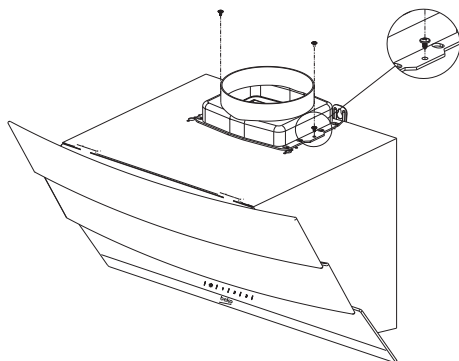
Išorinė jungiamoji plokštė



(1b pav.-90)

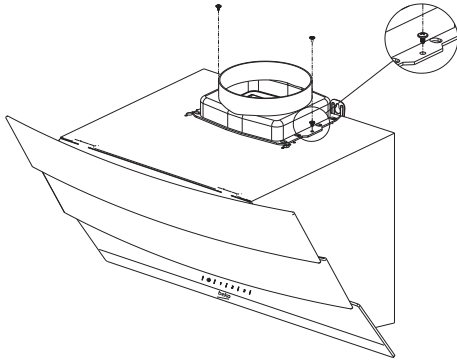
Pritvirtinkite 150 mm skersmens plastikini ortakio adapteri prie korpuso viršaus 3,5 x 9,5 varžtu, kuri rasite tarp montavimo priedu (2 pav.).

Jei naudojate Ø 120 mm kamino vamzdį, ant jo uždėkite Ø 120 mm kamino adapterį.



(2 pav.-60)

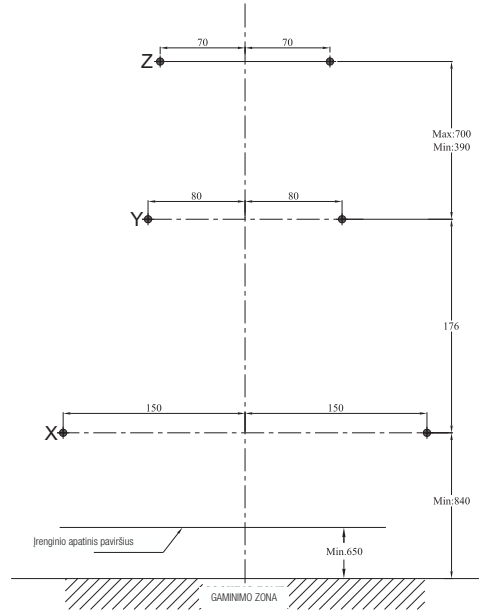
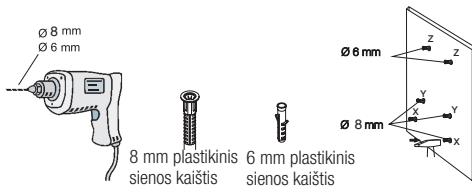
5 Prietaiso įrengimas



(2 pav.-90)

5.4 Angų laikikliui išgręžimas

Pritvirtinkite montavimo šabloną ant gaubto montavimo vietos. Pragręžkite angas, pažymėtas (X,Y) su $\varnothing 8$ mm grąžtu, ir angas, pažymėtas (Z) su $\varnothing 6$ mm grąžtu. (3 pav.)



(3 pav.)

5.5 Sienos kaiščių įstatymas

Plaktuku įmuškite $\varnothing 8$ mm sienos kaiščių (X,Y) į angas, išgręžtas laikiklio varžtams. Įmuškite 2 $\varnothing 6$ mm sienos kaiščius (Z) į angas, išgręžtas $\varnothing 6$ mm grąžtu, išorinei jungiamajai plokštei. (3 pav.)

5.6 Laikiklio varžtų įmonavimas

Įsukite 4,9 x 50 laikiklio varžtus į $\varnothing 8$ mm sienos kaiščius (Y), kuriuos įstatėte į sieną. Tarp varžto galvutės ir sienos reikia išlaikyti 5 mm tarpą. Prijunkite vidinę dūmtraukio jungiamąją plokštę prie 8 mm sienos kaiščių (Z) $\varnothing 3,9$ x 22 varžtais. (4 pav.)

5 Prietaiso įrengimas



4,9 x 50 varžtai su kryžmine galvute

3,9 x 22 varžtai su kryžmine galvute

(4 pav.)

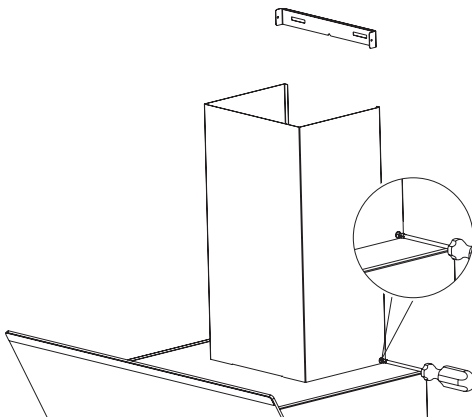
5.7 Gartraukio kabinimas ant sienos

- Pakabinkite gartraukį ant varžtų, kuriuos įstatėte į Y angas.
- Atidarykite gartraukio šoninį siurbimo langelį, patraukdami į save. Įstatykite 4,9 x 50 varžtus per X angas viduje, taip pritvirtinsite prietaisą.

5.8 Gartraukio kamino sumontavimas

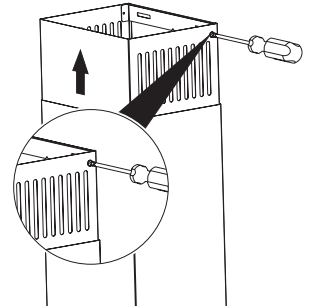
Prieš montuodami kaminą, prietaisą atjunkite nuo maitinimo tinklo. Aplink korpusą apdėkite metalo lakštus.

Priveržkite išorinį kaminą prie išorinės jungiamosios plokštės ant variklio korpuso. (1b/5 pav.)



(5 pav.)

Ištraukite ir užsukite vidinį dūmtraukį ant plokščios jungiamosios plokštės, pritvirtintos prie sienos (6 pav.).



(6 pav.)

5.9 Dūmtraukio jungtis:

Adapterį, pateikiamą kartu su gartraukiu, įstatykite į ventilacijos angą gartraukio viršutinėje dalyje. Naudokite 120 / 150 mm skersmens vamzdį. Vieną vamzdžio galą prijunkite prie adapterio, kitą – prie gartraukio. Įsitikinkite, kad abu sujungimai yra pakankamai sandarūs, kad neatsikabintų, kai gartraukis veikia didžiausiu greičiu. patikrinkite, kad priveržus su spaustuku gartraukyje mentės veiktų tinkamai. Užmaukite dūmtraukio jungiamąjį vamzdį ant adapterio. Jei įstatote dūmtraukio jungiamąjį vamzdį į adapterį, oras nebus siurbiamas, nes mentės, kurios saugo nuo srauto tekėjimo atgal, liks uždarytos. Nerekomenduojama jungti gartraukio prie dūmtraukių, sujungtų su vryklėmis ar ištraukimo šachtomis. Nejunkite prie tokių gartraukių.

Jungiant vamzdį atstumai ir alkūnių jungtys turi būti minimalūs.

A: Dūmtraukio išleidimo vamzdis

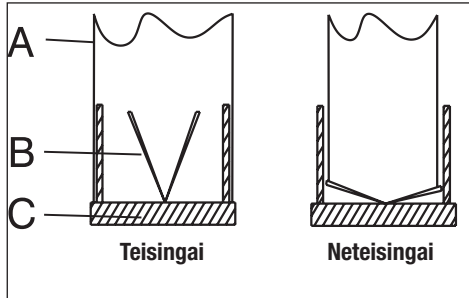
B: Mentės, apsaugančios nuo oro tekėjimo atgal

C: Plastikinis dūmtraukis

5 Prietaiso įrengimas

5.10 Apsaugos nuo oro tekėjimo atgal sistema (N-RV)

Kai gartraukis veikia, mentės yra uždaromos, kad kvapai ir dulkės iš išorės nepatektų į vidų.



5.11 Saugojimas

- Jeigu prietaiso ilgai nenaudosite, padėkite jį į saugią vietą.
- Patikrinkite, ar prietaisas yra atjungtas nuo elektros tinklo, atvėšęs ir visiškai sausas.
- Prietaisą laikykite vėsioje, sausoje vietoje.
- Saugokite prietaisą nuo vaikų.

5.12 Tvarkymas ir transportavimas

- Tvarkydami ir transportuodami prietaisą neškite originalioje pakuotėje. Prietaiso pakuotė apsaugo jį nuo fizinių pažeidimų.
- Nedėkite didelių apkrovų ant prietaiso ar pakuotės. Prietaisas gali būti sugadintas.
- Numetus prietaisą jis neveiks arba sugadins jį visam laikui.

6 Trikčių šalinimas

Trikčių šalinimas	Priežastis	Pagalba
Gaminys neveikia.	Patikrinkite saugiklį.	Saugiklis gali būti uždarytas, atidarykite jį.
Gaminys neveikia.	Patikrinkite elektros jungtį.	Tinklo įtampa turėtų būti 220 – 240 V.
Gaminys neveikia.	Patikrinkite elektros jungtį.	Patikrinkite, ar kiti jūsų virtuvės gaminiai veikia.
Apšvietimo lemputė neveikia.	Patikrinkite elektros jungtį.	Tinklo įtampa turėtų būti 220 – 240 V.
Apšvietimo lemputė neveikia.	Patikrinkite lemputės jungiklį.	Lemputės jungiklis turėtų būti įjungtas.
Apšvietimo lemputė neveikia.	Patikrinkite lemputes.	Gaminio lemputės neturėtų būti sugadintos.
Gaminio oro įsiurbimas prastas.	Patikrinkite aliuminio filtrą.	Aliuminio alyvos filtrą normaliomis sąlygomis reikia valyti bent kartą per mėnesį.
Gaminio oro įsiurbimas prastas.	Patikrinkite oro išleidimo angą.	Oro išleidimo dūmtakis turėtų būti „įjungtas“ padėtyje.
Gaminio oro įsiurbimas prastas.	Patikrinkite anglies filtrą.	Gaminiams su anglies filtrais paprastai filtrus reikia keisti kas 3 mėnesius.

Lūdzu, vispirms izlasiet šo lietotāja rokasgrāmatu.

Godātais klient!

Paldies, ka izvēlējāties šo "Beko" ierīci. Mēs ceram, ka šis produkts, kas ražots ar jaunāko augstas kvalitātes tehnoloģiju, jums sniegs vislabākos rezultātus. Tādēļ, pirms sākat to lietot, rūpīgi izlasiet visu lietotāja rokasgrāmatu un pārējo dokumentāciju un saglabājiet to lietošanai turpmāk. Ja jūs nododat izstrādājumu citai personai, kopā ar to nododiet arī šo lietotāja rokasgrāmatu. Rīkojieties atbilstoši norādījumiem, ņemot vērā visu lietotāja rokasgrāmatā sniegto informāciju un brīdinājumus.

Atcerieties, ka lietotāja rokasgrāmata var attiekties arī uz citiem modeļiem. Rokasgrāmatā ir skaidri aprakstītas modeļu atšķirības.

Simbolu nozīme

Dažādās šīs rokasgrāmatas nodaļās tiek izmantoti šie simboli:



Svarīga informācija un noderīgi padomi par lietošanu.



UZMANĪBU: Brīdinājumi par bīstamām situācijām, kas saistītas ar apdraudējumu dzīvībai un īpašumam.



Brīdinājums par ugunsbīstamību.



Brīdinājums par elektrošoku.



PĀRSTRĀDĀTS UN
PĀRSTRĀDĀJAMS
PAPĪRS

1 Svarīgi norādījumi par drošību un vides aizsardzību

1.1 Vispārēja drošība

Svarīgi drošības norādījumi — rūpīgi izlasiet un uzglabāiet, lai lietotu nākotnē Šajā nodaļā doti drošības norādījumi, kas palīdzēs izvairīties no ugunsgrēka, elektrošoka, saskares ar mikroviļņu starojuma noplūdi, savainojumu un īpašuma bojājumu riska. Šo norādījumu neievērošana anulēs preces garantiju.

- “Beko” izstrādājumi atbilst piemērojamajiem drošības standartiem; tāpēc, lai novērstu jebkādu draudus, ierīces vai elektrības vada bojājuma gadījumā remonta vai aizvietošanas darbs ir jāveic izplatītājam, servisa centram vai speciālistam un apstiprinātam pakalpojumu sniedzējam. Kļūdainais vai nekvalificētais remonts var būt bīstams un lietotājam riskants.
- Šo ierīci ir paredzēts izmantot mājāsaimniecībā un tai līdzīgos apstākļos, piemēram:
 - darbinieku virtuvēs veikalos, birojos un citos darba vides apstākļos;
 - lauku mājās;

- viesnīcas viesu vajadzībām un citās dzīvojamās vidēs;
- B&B tipa apstākļos.
- Lietojiet ierīci tikai tai šajā rokasgrāmatā aprakstītajam nolūkam.
- Ražotājs nav atbildīgs par zaudējumiem, kas radušies nepareizas produkta uzstādīšanas vai nepareizas lietošanas dēļ.
- Šo ierīci drīkst lietot bērni no 8 gadu vecuma un personas ar ierobežotām fiziskām, uztveres vai garīgajām spējām, kā arī personas bez atbilstošas pieredzes un zināšanām, pie nosacījuma, ka tiek uzraudzītas vai informētas par ierīces drošu lietošanu un ar to saistītajiem riskiem.
- Neļaujiet bērniem spēlēties ar ierīci. Bērni nedrīkst bez uzraudzības veikt ierīces apkopi un tīrīt to.
- Minimālajam attālumam starp plīts gatavošanas trauku atbalsta virsmu un izstrādājuma zemāko daļu jābūt vismaz 50 cm.
- Ja gāzes plīts uzstādīšanas norādījumos ir norādīts lielāks attālums, tas ir jāņem vērā.

1 Svarīgi norādījumi par drošību un vides aizsardzību

- Pārliecinieties, vai jūsu elektrības padeve atbilst informācijai, kas sniegta ierīces nominālo parametru plāksnītē.
 - Nekādā gadījumā neizmantojiet ierīci, ja elektrības vads vai pati ierīce ir bojāta.
 - Lai nepieļautu bojājumus, nespiediet, nelokiet un nerīvējiet elektrības vadu pret asām malām. Pārliecinieties, ka elektrības vads neatrodas tuvu karstām virsmām vai atklātai liesmai.
 - Izmantojiet ierīci tikai ar sazemētu kontaktligzdu.
- UZMANĪBU:** Nepievienojiet ierīci elektrotīklam, kamēr nav pabeigti uzstādīšanas darbi.
- Novietojiet ierīci tā, lai kontaktdakša būtu vienmēr pieejama.
 - Nepieskarieties lampām, ja tās ir degušas ilgu laiku. Tās var apdedzināt jūsu rokas, jo ir ļoti karstas.
 - Rīkojieties atbilstoši kompetento iestāžu noteikumiem par izplūdes gaisa izvadīšanu (šis brīdinājums neattiecas, ja ierīci izmanto bez dūmvada).
 - Ierīci iedarbiniet pēc tam, kad uz plīts uzlikts katliņš, panna utt. Citādi lielais karstums var deformēt dažas jūsu ierīces daļas.
 - Pirms no plīts noņemat katlu, pannu utt., izslēdziet plīti.
 - Neatstājiet uz plīts karstu eļļu. Pannas ar karstu eļļu var izraisīt pašaiizdeģšanos.
 - Uzmaniet aizkarus un pārsegus, jo eļļa ēdiena, piemēram, eļļā vārītu kartupeļu, gatavošanas laikā var aizdegties.
 - Tauku filtrs jāmaina vismaz reizi mēnesī. Ogles filtrs jāmaina vismaz reizi 3 mēnešos.
 - Ierīce ir jātīra saskaņā ar lietotāja rokasgrāmatu. Ja tīrīšana nav veikta saskaņā ar lietotāja rokasgrāmatu, pastāv aizdeģšanās risks.
 - Nelietojiet ugunsnedrošus filtra materiālus esošā filtra vietā.
 - Lietojiet tikai oriģinālās vai ražotāja ieteiktās rezerves daļas.
 - Nedarbiniet ierīci bez filtra, neizņemiet filtrus, kamēr ierīce darbojas.
 - Aizdeģšanās gadījumā, atslēdziet savu ierīci un gatavošanas ierīces no elektrotīkla.

1 Svarīgi norādījumi par drošību un vides aizsardzību

- Aizdeģšanās gadījumā, pārklājiet liesmas, bet nedzēsiet to ar ūdeni.
- Atvienojiet ierīci no kontaktligzdas, kad tā netiek lietota un pirms katras tīrīšanas.
- Darbinot tvaiku nosūcēju vienlaikus ar elektrisko plīti un ierīcēm ar citu enerģijas avotu, telpas negatīvajam spiedienam nevar jādzētu pārsniegt 4 Pa (4 x 10 bar).
- Telpā, kurā izmanto ierīci, ierīcēm, kuras darbina ar degvielu vai gāzi, piemēram, sildītājiem, jābūt absolūti izolētiem, vai ierīcei jābūt hermētiskai.
- Pievienojot dūmvadam, izmantojiet 120 vai 150 mm diametra caurules. Caurules savienojumam ir jābūt pēc iespējas īsākam ar iespējami mazāko līkumu skaitu.
- Nosmakšanas risks! Iepakojuma materiālus glabājiet bērniem nepieejamā vietā.

UZMANĪBU: Aizsniedzamās daļas var sakarst, kad darbina kopā ar gatavošanas ierīcēm.

- Ierīces izvadu nedrīkst pievienot

gaisa kanāliem, pa kuriem plūst citi dūmi.

- Ja elektriskās plīts tvaika nosūcēju (tas neattiecas uz ierīcēm, kuras gaisu izvada atpakaļ telpā) lieto vienlaikus ar iekārtām, kuras darbina ar gāzi vai citiem kurināmajiem, telpā var nebūt pietiekama ventilācija.
- Priekšmeti, kas novietoti uz ierīces, var nokrist. Nelieciet uz ierīces nekādus priekšmetus.
- Nededziniet alkoholu zem ierīces.

UZMANĪBU: Pirms tvaika nosūcēja uzstādīšanas noņemiet aizsargplēvi.

- Tvaika nosūcēja darbības laikā zem tā nenovietojiet atklātu liesmu
- Izmantojot dziļās cepšanas ierīces, tās ir nepārtraukti jāuzrauga: pārkarseta eļļa var aizdegties.

1.2 Atbilstība EIEA direktīvai un izstrādājuma apsaimniekošanas noteikumiem:

Šis izstrādājums atbilst ES EIEA direktīvai (2012/19/EU). Šim izstrādājumam ir klasifikācijas simbols, kas norāda uz elektrisko un elektronisko iekārtu atkritumiem (EIEA).

1 Svarīgi norādījumi par drošību un vides aizsardzību



Šis simbols norāda uz to, ka šo produktu pēc tā kalpošanas beigām nedrīkst izmest kopā ar mājsaimniecības atkritumiem. Nolietoto ierīci ir jānodod oficiālā savākšanas punktā, kurā pārstrādei pieņem elektriskās un elektroniskās ierīces. Lai atrastu šīs atkritumu savākšanas sistēmas, lūdzu, sazinieties ar vietējām iestādēm vai mazumtirgotāju, pie kura iegādājāties izstrādājumu. Katrai mājsaimniecībai ir būtiska loma vecu sadzīves iekārtu nodošanā un pārstrādē. Pareiza sadzīves iekārtu utilizācija palīdz novērst potenciāli negatīvu ietekmi uz apkārtējo vidi un cilvēku veselību.

1.3 Atbilstība RoHS direktīvai

Produkts, ko jūs iegādājāties, atbilst ES RoHS direktīvai (2011/65/EU). Tas nesatur kaitīgos un aizliegtos materiālus, kas minēti direktīvā.

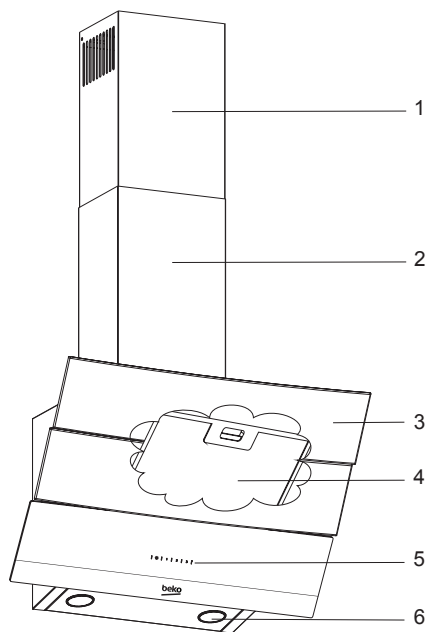
1.4 Informācija par iepakojumu



Iepakojuma materiāli ir ražoti no pārstrādātiem materiāliem saskaņā ar mūsu nacionālajām vides regulām. Neizmetiet iepakojuma materiālus kopā ar sadzīves vai citiem atkritumiem. Nogādājiet tos uz vietējo iestāžu noteiktajiem iepakojuma materiālu savākšanas punktiem.

2 Vispārējais izskats

2.1 Pārskats

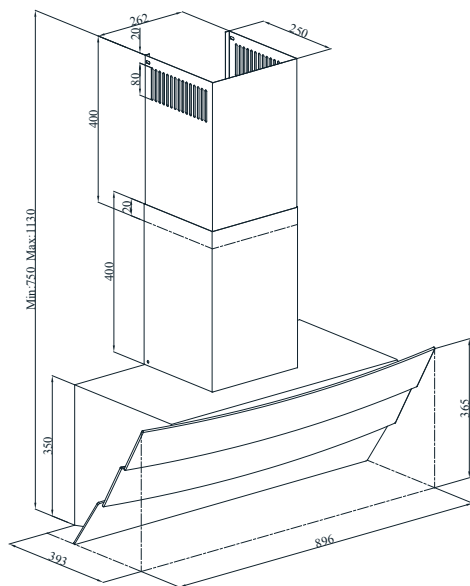


1. Iekšējais dūmvads
2. Ārējais dūmvads
3. Stikla pārsegs
4. Tauku filtrs (Aiz stikla pārsega)
5. Vadības panelis
6. Apgaismojums

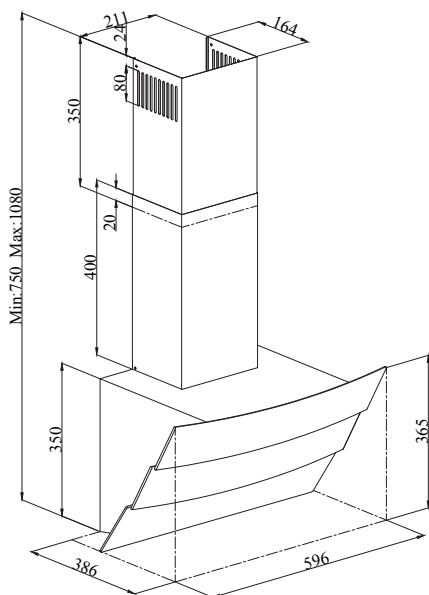
2 Vispārējais izskats

2.2 Tehniskie dati

	HCA62640WH HCA62640BH	HCA62540B	HCA92640WH HCA92640BH	HCA92540B
Platums	596 mm		896 mm	
Dziļums	386 mm		393 mm	
Augstums	750/1080 mm		750/1130 mm	
Tīkla spriegums	220-240V ~, 50 Hz			
Vadība	Ar 3 līmeņiem			
Lampas jauda	2x3 W			
Gaisa izplūdes caurule	120/150 mm			
Gaisa plūsma - 3. Līmenis	537 m³/h	566 m³/h	577 m³/h	593 m³/h
Motora jauda	210 W			
Kopējā jauda	216 W			
Motora izolācijas klase	KLASE F			
Izolācijas klase	KLASE I			



**HCA92640WH
HCA92640BH
HCA92540B**



**HCA62640WH
HCA62640BH
HCA62540B**

3 Ierīces lietošana

3.1 Ierīces vadība

✨ 1 2 3	
A B C D	
ATSLĒGA	FUNKCIJA
A : Apgaismojuma ieslēgšanas/izslēgšanas taustiņš	Apgaismojuma ieslēgšanas/izslēgšanas taustiņš: gatavošanas zonu var apgaismot, nospiežot šo taustiņu.
B : 1. līmeņa taustiņš	Nospiežot šo taustiņu, tvaika nosūcēju var iedarbināt 1. ātruma līmenī. Nospiežot šo taustiņu vēlreiz, lai izslēgtu ierīci, displejā pazūd ātruma līmeņa indikācija.
C : 2. līmeņa taustiņš	Nospiediet šo taustiņu, lai iedarbinātu kapuci 2. ātruma līmenī. Nospiežot šo taustiņu vēlreiz, lai izslēgtu ierīci, displejā pazūd ātruma līmeņa indikācija.
D : 3. līmeņa taustiņš	Nospiediet šo taustiņu, lai iedarbinātu kapuci 3. ātruma līmenī. Nospiežot šo taustiņu vēlreiz, lai izslēgtu ierīci, displejā pazūd ātruma līmeņa indikācija.

3.2 Energoefektīva izmantošana:

- Darbinot tvaika nosūcēju, pielāgojiet ātruma līmeni atbilstoši smakai un tvaika intensitātei, lai novērstu nevajadzīgu enerģijas patēriņu.
- Lietojiet nelielu ātrumu normālos apstākļos (1–2) un lielu ātrumu (3), ja ir pastiprināta smaka un tvaiki.
- Gaismas uz tvaika nosūcēja ir paredzētas gatavošanas zonas apgaismošanai.
- Ja tos izmantosit apkārtējās vides/virtuves apgaismošanai, būs nevajadzīgs enerģijas patēriņš un nepietiekams apgaismojums.

3.3 Tvaika nosūcēja darbināšana:

- Tvaika nosūcējs ir aprīkots ar motoru ar dažādiem ātruma iestatījumiem.

- Lai nodrošinātu labāku sniegumu, mēs iesakām normālos apstākļos izmantot nelielu ātrumu un lielu ātrumu, ja smaka un tvaiki ir pastiprināti.
- Tvaika nosūcēju var iedarbināt, nospiežot vēlamo ātruma līmeņa taustiņu (B, C, D).
- Gatavošanas zonu var apgaismot, nospiežot gaismas taustiņu. (A)

3.4 Automātiska apstāšanās 15 minūtēs:

Šī ierīce ir aprīkota ar automātiskās apturēšanas funkciju, kas ļauj ierīcei papildu laiku vēdināt telpu, lai pēc ēdiena gatavošanas beigām telpā noņemtu nepatīkamo smaku un tvaikus. Pēc noteikta laika ierīce automātiski apstājas. Lai iespējotu automātiskās apturēšanas funkciju, ilgāk nekā 2 sekundes nospiediet jebkuru no vadības taustiņiem (B, C, D). Tiks aktivizēts 15 minūšu taimeris. Ja nospiedīsīt to pašu ātruma līmeņa taustiņu, kamēr ir iespējota automātiskās apturēšanas funkcija, šī funkcija tiks atspējota un ierīce apstāties. Ja izvēlaties citu ātruma līmeni, šī funkcija tiks atspējota. Ja vēlaties, lai jūsu ierīce automātiski apstātos, jums atkal jāatspējo automātiskās apturēšanas funkcija.

Periodiska metāla filtru tīrīšana:

Filtri jātīra apmēram ik pēc 60 darba stundām vai 4 nedēļām atkarībā no lietošanas biežuma.

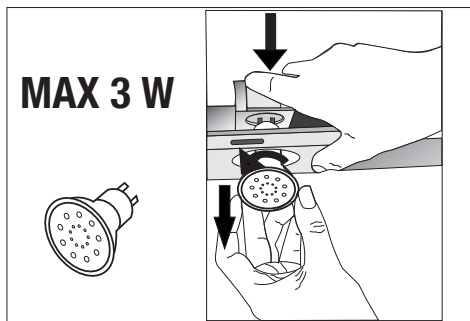
3.5 Lampu nomaiņa

Atvienojiet tvaika nosūcēju no elektrotīkla. Šī ierīce ir aprīkota ar 3 W halogēna lampām. Lai nomainītu halogēna lampas, nospiediet lampu uz leju no spuldzes turētāja aizmugures sekcijas, lai lampu atbrīvotu. Pēc tam pagrieziet to pretēji pulksteņrādītāja virzienam, veicot 1/4 pagriezienu un noņemiet to. Veiciet iepriekš aprakstītās darbības apgrieztā secībā, lai uzstādītu jaunās lampas.

3 Ierīces lietošana



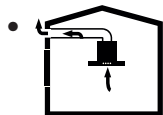
Spuldzes var iegādāties autorizētajos apkopes centros.



Spuldze	
Spuldzes jauda	3 W
Turētājs / ligzda	GZ 10
Spuldzes spriegums	220 - 240 V
Izmērs	53 x 50 mm
ILCOS kods	DR/F3-220-240-GZ10-50-53
Gaismas plūsma	260 lm
Korelējoša krāsas temperatūra	3000 K

Šis produkts satur F klases energoefektivitātes gaismas avotu.

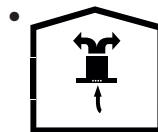
3.6 Dūmvada savienojuma izmantošana



- Tvaiki tiek noņemti caur dūmvada cauruli, kas ir piestiprināta pie savienojuma galvas uz tvaika nosūcēja.
- Dūmvada caurules diametram jābūt vienādam ar savienojuma gredzena diametru. Lai gaisu varētu viegli izvadīt no telpas horizontālā stāvo-

klī, caurulei jābūt nedaudz noliekta uz augšu (aptuveni 10°).

3.7 Izmantošana bez dūmvada savienojuma



- Gaisu filtrē ar oglekļa filtru un ievada atkārtoti telpā. Oglekļa filtru izmanto, ja mājā nav dūmvada.
 - Ja tvaika nosūcējs tiks izmantots bez dūmvada savienojuma, noņemiet novirzītājus dūmvada adaptera iekšpusē.
- Noņemiet alumīnija filtru. Lai uzstādītu oglekļa filtru, centrējiet oglekļa filtru uz plastmasas daļas abās ventilatora korpusa pusēs un nostipriniet to uz izciļņiem. Nostipriniet filtru, pagriežot izciļņus pa labi vai pa kreisi.
- Uzstādiet alumīnija filtru.

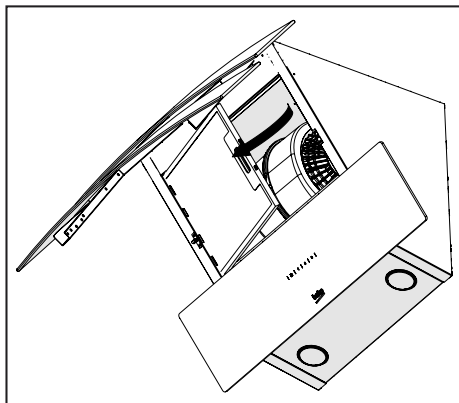
4 Tīršana un apkope



Pirms tīršanas un apkopes atvienojiet ierīci no elektrotīkla vai izslēdziet galveno slēdzi vai atļaidiet drošinātāju, kas nodrošina tvaika nosūcēju.

4.1 Alumīnija filtru izņemšana

Šis filtrs aiztur gaisā esošās eļļas daļiņas. Lai veiktu šo procesu, vispirms noņemiet tauku filtrus. Nomazgājiet filtrus ar šķidru mazgāšanas līdzekli un noskalojiet tos ar ūdeni; pēc tam uzstādiet filtrus atpakaļ, kad tie būs izžuvuši. Alumīnija filtri mazgāšanas laikā var zaudēt krāsu; tas ir normāli, un filtrs nav jāmaina.



1. Bīdīet alumīnija filtra fiksatoru uz priekšu.
2. Pēc tam nedaudz nolaidiet to un velciet uz priekšu. Pretējā gadījumā varat saliekt filtru. Pēc tam, kad alumīnija filtrs ir nomazgāts un nožāvēts, atkārtoti uzstādiet filtru tā spraugā, veicot iepriekš aprakstītās darbības apgrieztā secībā.



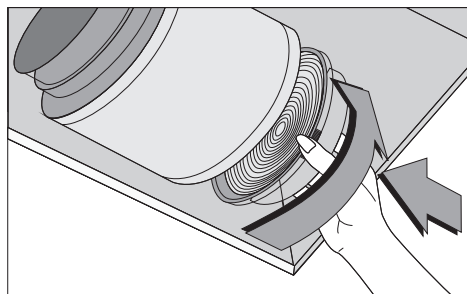
Alumīnija filtrus varat mazgāt arī trauku mazgājamajā mašīnā.



BRĪDINĀJUMS: leteicams tīrīt filtru ik mēnesi normālos lietošanas apstākļos.

4.2 Oglekļa filtra nomaiņa

Šis filtrs noņem gatavošanas smakas. Pret-smaku filtri satur kokogles (aktīvo ogli). Neatkarīgi no tā, vai tiek izmantots oglekļa filtrs, alumīnija filtri vienmēr ir jāuzstāda. Nedarbiniet ierīci, ja nav uzstādīts alumīnija filtrs.



- Noņemiet alumīnija filtrus.
- Lai noņemtu oglekļa filtru, pagrieziet izciļņus pretēji pulksteņrādītāja virzienam un atļaidiet filtru.
- Uzstādiet jauno oglekļa filtru.
- Uzstādiet alumīnija filtrus.

UZMANĪBU



- Oglekļa filtru nekad nedrīkst mazgāt.
- Tie jāmaina aptuveni ik 3 mēnešus.
- Oglekļa filtrus varat iegādāties pie pilnvarotiem servisa aģentiem.

5 Ierīces uzstādīšana



BRĪDINĀJUMS: Pirms uzstādīšanas uzmanīgi izlasiet informāciju Lietotāja rokasgrāmatā.

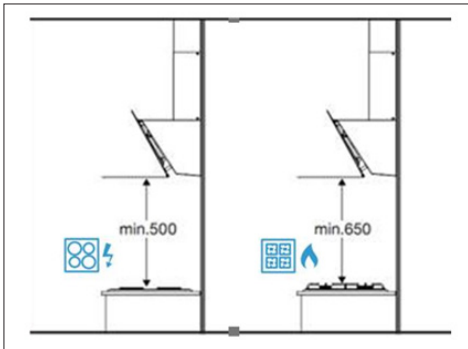


BRĪDINĀJUMS: Ja skrūves vai stabilizatori netiks uzstādīti saskaņā ar šīm instrukcijām, tas var izraisīt elektriskā trieciena risku.

Lai uzzinātu, kā uzstādīt nosūcēju, lūdzu, sazinieties ar tuvāko pilnvaroto servisa pārstāvi.

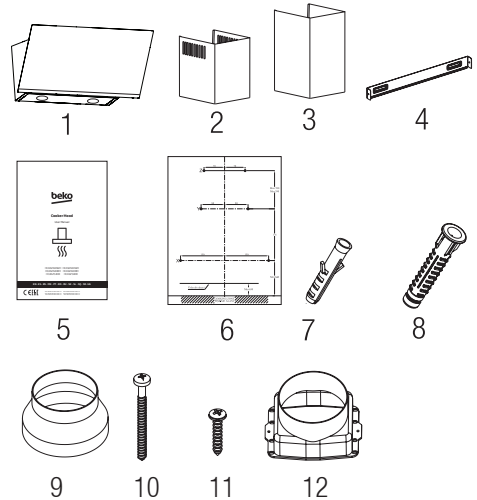
Par izstrādājuma atrašanās vietas un elektriskās instalācijas sagatavošanu ir atbildīgs klients.

5.1 Ierīces novietojums



- Visos tvaika nosūcēja veidos uzstādīšanas attālums uz gāzes plīts un elektriskās plīts ir vismaz 650 mm. Tikai **slīpiem tvaika nosūcējiem** uzstādīšanas attālums uz **elektriskās plīts** ir vismaz 500 mm.
- Attālums tiek mērīts no gāzes plīts režģa virsmas vai, no elektriskās plīts stikla virsmas.

5.2 Uzstādīšanas piederumi



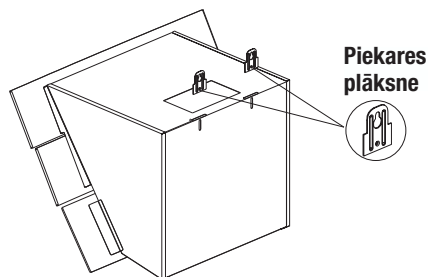
1. Produkts
2. Iekšējais dūmvads
3. Ārējais dūmvads
4. 1 x dūmvada savienojuma plāksne
5. Lietotāja rokasgrāmatā
6. Uzstādīšanas veidnē
7. 6 mm plastmasas sienas tapa
8. 8 mm plastmasas sienas tapa
9. 150/1 x Ø120/150 mm plastmasas dūmvada adapteris
10. 4.9x50 šķērskrūves
11. 3.9 x 22 šķērskrūves
12. Plastmasas gaisa izplūdes caurule, diametrs 150 mm, 1 gab.

Zemāk ir sniegta informācija, kas nepieciešama tvaika nosūcēja uzstādīšanas vietas sagatavošanai.

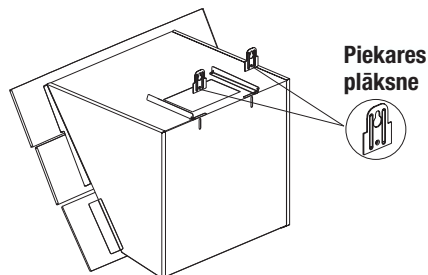
5 Ierīces uzstādīšana

5.3 Tvaika nosūcēja uzstādīšana pie sienas

Lai uzstādītu tvaika nosūcēju pie sienas, atskrūvējiet motora korpusa piekares plāksni skrūves un velciet plāksnes uz augšu. Pēc tam pievelciet piekares plāksni skrūves. (1a. attēls).

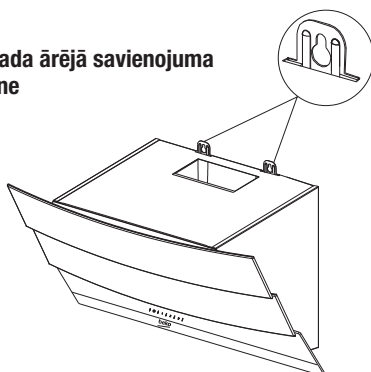


(1a attēls-60)



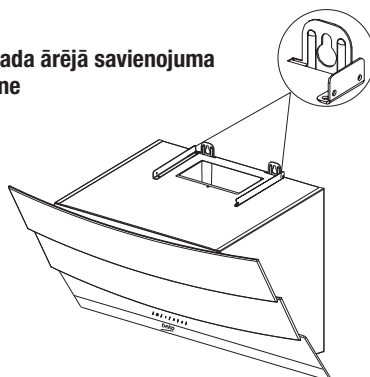
(1a attēls-90)

Dūmvada ārējā savienojuma plāksne



(1b attēls-60)

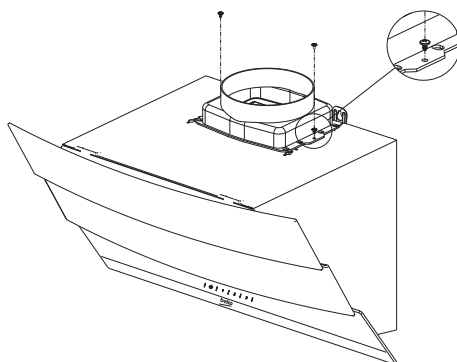
Dūmvada ārējā savienojuma plāksne



(1b attēls-90)

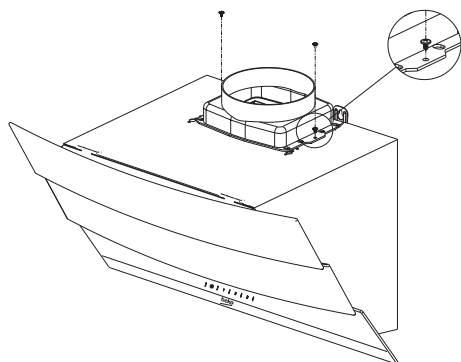
Nostipriniet plastmasas gaisa izplūdes cauruli ar diametru 150 mm pie korpusa augšdaļas ar uzstādīšanas piederumu komplekta esošo 3,5x9,5 skrūvi (2. attēls).

Ja izmantojat Ø 120 mm dūmvadu, uzstādiet uz tā Ø 120 mm dūmvada adapteri.



(2. attēls-60)

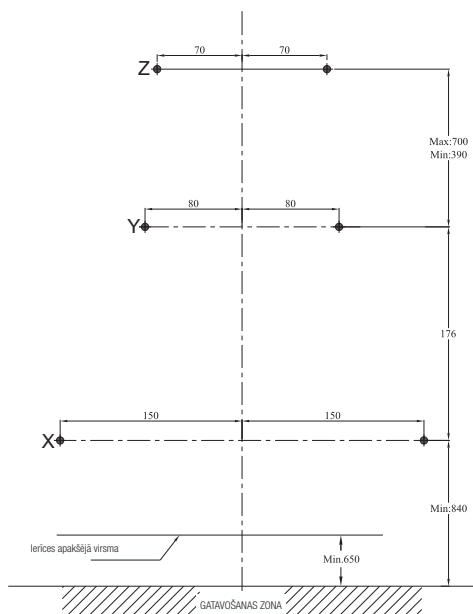
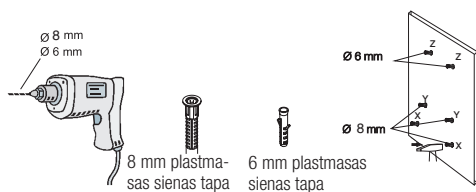
5 Ierīces uzstādīšana



(2. attēls-90)

5.4 Piekares urbumu urbšana

Piestipriniet uzstādīšanas veidni tvaika nosūcēja uzstādīšanas vietā. Urbiet punktus, kas marķēti ar (X,Y), izmantojot $\varnothing 8$ mm uzgali, un punktus, kas marķēti ar (Z), izmantojot $\varnothing 6$ mm uzgali. (3. attēls)



(3. attēls)

5.5 Sienas tapu iedzišana

Iedzeniet $\varnothing 8$ mm sienas tapas (X, Y) caurumos, kas urbti piekares skrūvēm. Iedzeniet 2 x $\varnothing 6$ mm sienas tapas (Z) caurumos, kas urbti ar $\varnothing 6$ mm uzgali ārējai dūmvada savienojuma plāksnei. (3. attēls)

5.6 Piekares skrūvju uzstādīšana

Ievietojiet 4.9x50 piekares skrūves $\varnothing 8$ mm sienas tapās (Y), kurus iedzītas sienā. Starp skrūves galviņu un sienu jābūt 5 mm atstarpei. Pievienojiet iekšējo dūmvada savienojuma plāksni ar 8 mm sienas tapām (Z) pie sienas, izmantojot $\varnothing 3,9 \times 22$ skrūves. (4. attēls)

5 Ierīces uzstādīšana



(4. attēls)

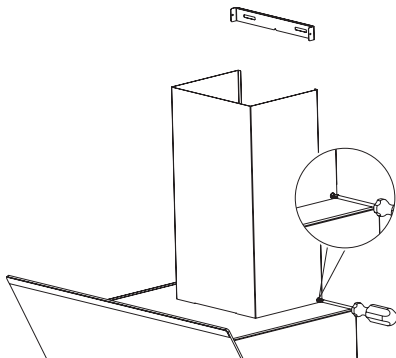
5.7 Tvaika nosūcēja piekarināšana pie sienas

- Uzkariniet tvaika nosūcēju uz skrūvēm, kuras esat uzstādījis Y caurumos.
- Atveriet tvaika nosūcēja sānu iesūkšanas logu, velkot to pret sevi. Uzstādiat 4.9x50 skrūves X caurumos, kas atrodas iekšpusē, lai ierīci nostiprinātu.

5.8 Tvaika nosūcēja dūmvada uzstādīšana

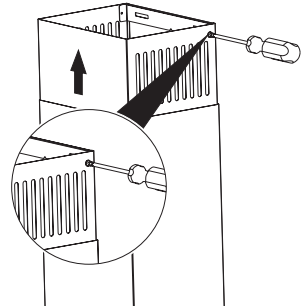
Pirms dūmvada uzstādīšanas atvienojiet izstrādājumu no elektrotīkla. Novietojiet dūmvada metāla lokšņu daļas ap korpusu.

Pieskrūvējiet ārējo dūmvadu pie ārējām dūmvada savienojuma plāksnēm, kas atrodas uz motora korpusa. (1b / 5. attēls)



(5. attēls)

Pagariniet un pieskrūvējiet iekšējo dūmvadu no ārējām malām uz dūmvada savienojuma plāksnes, kas bija piestiprināta pie sienas. (6. attēls)



(6. attēls)

5.9 Dūmvada savienojums:

ievietojiet adapteri, kas iekļauts komplektācijā ar tvaika nosūcēju, ventilācijas atverē, kas atrodas tvaika nosūcēja augšējā daļā. Iegādājieties cauruli ar diametru 120/150 mm. Vienu caurules galu savienojiet ar adapteri, bet otru - ar dūmvadu. Pārliedzinieties, vai šie abi savienojumi ir pietiekami droši tā, lai tie neizkustētos, kad tvaika nosūcēju darbina ar maks. ātrumu. Pārbaudiet, vai dūmvada iekšpusē esošie vārsti darbojas, kad tie ir pievilkti ar skavu. Uzstādiat dūmvada savienojuma cauruli uz adaptera. Ja ievietojat dūmvada savienojuma cauruli adaptera iekšpusē, gaisa iesūkšana nenotiks, jo vārsti, kas novērš gaisa atpakaļplūsmu, paliks aizvērti. Nav ieteicams veikt savienojumus ar dūmvadiem, kas saistīti ar krāsnīm vai izplūdes vārpstām. Neveiciet savienojumus ar šādiem dūmvadiem. Cauruļu savienojumam jābūt pēc iespējas īsākam un ar minimālu izliekumu skaitu.

A: dūmvada izplūdes caurule

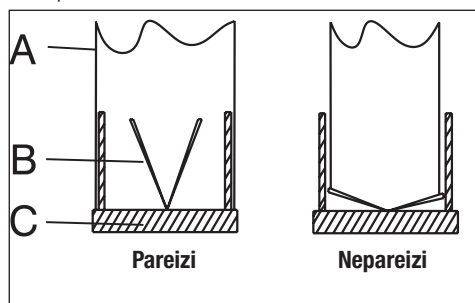
B: atloki, kas novērš pretplūdi

C: plastmasas dūmvads

5 Ierīces uzstādīšana

5.10 Pretplūdes novēršanas sistēma (N-RV)

Darbinot tvaika nosūcēju, aizvari tiek aizvērti, lai novērstu iespējamo smaku un putekļu iekļūšanu no ārpusēs.



5.11 Uzglabāšana

- Ja neplānojat lietot ierīci ilgu laiku, lūdzu, rūpīgi uzglabājiet to.
- Lūdzu, pārliecinieties, vai ierīce ir atvienota, atdzisusi un pilnībā sausa.
- Glabājiet ierīci vēsā un sausā vietā.
- Glabājiet ierīci bērniem nepieejamā vietā.

5.12 Pārkraušana un transportēšana

- Apstrādes un transportēšanas laikā ierīci nēsājiet oriģinālajā iepakojumā. Ierīces iepakojums pasargā to no fiziskiem bojājumiem.
- Nenovietojiet uz ierīces vai iepakojuma smagas slodzes. Ierīce var tikt bojāta.
- Nometot ierīci, tā nedarbosies vai radīs neatgriezeniskus bojājumus.

6 Traucējumu meklēšana

Traucējumu meklēšana	Iemesls	Risinājums
Izstrādājums nedarbojas.	Pārbaudiet drošinātāju.	Drošinātājs var būt izslēgts, ieslēdziet to.
Izstrādājums nedarbojas.	Pārbaudiet elektrisko savienojumu.	Elektriskā tīkla spriegumam ir jābūt 220-240 V.
Izstrādājums nedarbojas.	Pārbaudiet elektrisko savienojumu.	Pārbaudiet, vai parējās ierīces virtuvē darbojas.
Apgaismojuma spuldze nedarbojas.	Pārbaudiet elektrisko savienojumu.	Elektriskā tīkla spriegumam ir jābūt 220-240 V.
Apgaismojuma spuldze nedarbojas.	Pārbaudiet spuldzes slēdzi.	Spuldzes slēdzim ir jābūt stāvoklī "iesl.".
Apgaismojuma spuldze nedarbojas.	Pārbaudiet spuldzes.	Izstrādājuma spuldzēm ir jābūt darba kārtībā.
Izstrādājums nenodrošina efektīvu gaisa nosūci.	Pārbaudiet alumīnija filtru.	Normālos lietošanas apstākļos alumīnija filtrs ir jātīra ik mēnesi.
Izstrādājums nenodrošina efektīvu gaisa nosūci.	Pārbaudiet ventilācijas caurules aizbīdņi.	Ventilācijas caurules aizbīdņim ir jābūt stāvoklī "iesl.".
Izstrādājums nenodrošina efektīvu gaisa nosūci.	Pārbaudiet oglekļa filtru.	Normālos lietošanas apstākļos izstrādājumos, kas ir aprīkoti ar oglekļa filtru, filtrs ir jāmaina ik pēc 3 mēnešiem.

Lugege esmalt seda kasutusjuhendit.





Hea klient!

Täname, et valisite Beko seadme. Loodetavasti saate parimad tulemused, kuna see toode on valmistatud väga kvaliteetselt ja uusima tehnoloogiaga. Selleks tutvuge enne toote kasutamist hoolikalt kasutusjuhendi ja kõigi kaasasolevate dokumentidega ning hoidke need tuleviku tarbeks alles. Kui annate toote üle kellelegi teisele, andke kaasa ka kasutusjuhend. Järgige kõiki juhiseid, pöörates tähelepanu kasutusjuhendis toodud teabele ja kõikidele hoiatustele.

Pidage meeles, et see kasutusjuhend võib kehtida ka teiste mudelite kohta. Mudelitevahelisi erinevusi on kasutusjuhendis selgelt kirjeldatud.

Sümbolite tähendused

Selle kasutusjuhendi erinevates jaotistes kasutatakse järgmisi sümboleid.

	Oluline teave ja kasulikud nõuanded kasutamisel
	HOIATUS! Hoiatused elule ja varale ohtlike olukordade kohta
	Hoiatus tulekahjuohu kohta
	Hoiatus elektrilöögi kohta

1 Olulised ohutus- ja keskkonnajuhised

1.1 Üldine ohutus

Olulised ohutusjuhised Lugege juhised hoolikalt läbi ja hoidke hili-semaks kasutamiseks alles

See jaotis sisaldab ohutusjuhi-seid, mis aitavad teil vältida tu-leohtu, elektrilööke, kokkupuutu-mist lekkinud mikrolaineenergia-ga, kehavigastusi ja varalist kahju. Nende juhiste eiramisel garantii tühistatakse.

- Beko tooted vastavad kehtivatele ohutusstandarditele, seepärast tuleb ohu vältimiseks lasta eda-simüüjal, teeninduskeskusel, spetsialistil või volitatud hooldu-skeskusel seade alati parandada või välja vahetada, kui seadmel või selle toitejuhtmel on kahjus-tusi. Puudulikud või oskamatud parandustööd võivad olla oh-tlikud ja põhjustada kasutajale ohtu.
- Seade on mõeldud kasutami-seks kodumajapidamistes ja jär-gmistes sarnastes kohtades, nt:
 - töötajate köögid poodides, kontorites ja teistes töökoh-tades;
 - maamajapidamised;

- klientidele hotellides ja teistes majutusasutustes;
- hommikusöögiga ööbi-miskohtades.
- Kasutage seadet ainult ettenäh-tud eesmärkidel ja selle juhendi kohaselt.
- Tootja ei vastuta väärast paigal-damisest või toote valest kasuta-misest tingitud kahju eest.
- Seda seadet tohivad kasutada vähemalt 8-aastased lapsed ning piiratud füüsiliste, sensoor-sete või vaimsete võimetega või kogemuste ja teadmisteta isikud, kui neid on juhendatud seadet ohutult kasutama või nad teevad seda järelevalve all ja mõistavad seadme kasutamisega seotud ohte.
- Lapsed ei tohi seadmega män-gida. Lapsed ei tohi seadet puhastada ja hooldada ilma järe-levalveta.
- Minimaalne kaugus keedualal olevate keedunõude restide ja õhupuhasti madalaima osa vahel peab olema vähemalt 50 cm.
- Kui gaasipliidi paigaldamise juhistes on märgitud ülalnimeta-

1 Olulised ohutus- ja keskkonnajuhised

tust suurem vahekaugus, tuleb seda arvesse võtta.

- Veenduge, et teie toiteallikas vastaks seadme andmesildil toodud andmetele.
- Ärge kasutage seadet, kui toitejuhe või seade on kahjustatud.
- Toitejuhtme kahjustumise vältimiseks hoiduge selle pigistamisest, murdmisest või hõõrumisest vastu teravaid servi. Hoidke toitejuhe eemal kuumadest pindadest ja lahtisest tulest.
- Kasutage seadet ainult koos mandatud pistikupesaga.

HOIATUS! Ärge ühendage seadet toitevõrku enne, kui paigaldus on täielikult lõpetatud.

- Paigutage seade nii, et pistikule oleks alati võimalik ligi pääseda.
- Ärge puudutage lampe, kui need on pikemat aega põlenud. Võite oma käsi põletada, sest lambid on kuumad.
- Järgige pädevate asutuste eeskirju õhu väljatõmbe kohta (see hoiatus ei kehti ilma lõõrita kasutamise korral).
- Lülitage seade tööle kohe pärast poti, panni jms asetamist pliidile.

Muidu võivad seadme osad kuumuse tõttu deformeeruda.

- Enne poti, panni vms võtmist pliidilt lülitage see välja.
- Ärge jätke kuuma õli pliidile. Kuuma õliga pannid võivad süttida.
- Pöörake tähelepanu kardinatele ja katetele, sest näiteks friikartulite valmistamisel võib õli põlema minna.
- Rasvafiltrit tuleb vahetada vähemalt kord kuus. Sööfiltrit tuleb vahetada vähemalt kord kolme kuu jooksul.
- Toodet tuleb puhastada kasutusjuhendi kohaselt. Kui seadet ei puhastata kasutusjuhendi kohaselt, tekib süttimisoht.
- Ärge kasutage originaalfiltri asemel materjale, mis ei ole tulekindlad.
- Kasutage ainult originaal- või valmistaja soovitatud osi.
- Ärge kasutage toodet ilma filtrita ja ärge eemaldage filtreid, kui toode töötab.
- Tule süttimise korral katkestage toote ja küpsetusseadme toide.
- Tule süttimise korral katke leek,

1 Olulised ohutus- ja keskkonnajuhised

aga ärge mingil juhul kasutage kustutamiseks vett.

- Enne igat puhastamist ja ajal, kui seadet ei kasutata, eemaldage toitejuhe vooluvõrgust.
- Negatiivne surve keskkonnas ei tohi ületada 4 Pa (4×10 baari), kui kasutate ühel ajal elektripliidi õhupuhastit ja seadmeid, millel on muu toiteallikas kui elekter.
- Seadme kasutuskeskkonnas peab õli- või gaasiseadmete, nagu ruumi soojendi väljatõmme olema täielikult isoleeritud või seade peab olema hermeetilist tüüpi.
- Kasutage lõõri ühendamiseks 120–150 mm läbimõõduga torusid. Toruühendus peab olema võimalikult lühike ja sellel peab olema minimaalselt torupõlvi.

Lämbumisoht! Hoidke pakke- materjalid väljaspool laste käeul- latust.

ETTEVAATUST! Seadme ligipää- setavad osad võivad koos küpse- tusseadmetega kasutamisel kuu- meneda.

- Toote äratõmmet ei tohi ühen- dada õhukanalitega, milles on

suitsu.

- Tagage ruumi piisav ventilat- sioon, kui elektripliidi õhupuhastit kasutatakse koos seadmetega, mis kasutavad gaasi või muid kütuseid (see ei kehti seadmete kohta, mis tõmbavad ainult õhku ruumi tagasi).
- Tootele asetatud esemed võivad kukkuda. Ärge asetage tootele esemeid.
- Ärge flambeerige toote all.

HOIATUS! Enne õhupuhasti pai- galdamist eemaldage kaitsekiled.

- Töötava õhupuhasti all ei tohi ku- nagi olla lahtist kõrget leeki.
- Fritüüre tuleb küpsetamise ajal pidevalt jälgida: ülekuumenenud õli võib leegida põlema süttida.

1.2 WEEE-direktiivi täitmine ja kasutuskõlbmatute toodete kõrvaldamine

Toode vastab Euroopa Liidu elektri- ja elek- troonikaseadmete jäätmete (WEEE) direktiivile (2012/19/EU). Sellel tootel on klassifitseerimise sümbol elektri- ja elektroonikaseadmete (WEEE) kohta.



See sümbol näitab, et seda toodet ei tohi pärast kasutusea lõppu kõrvalda- da koos muu olmeprügiga. Kasutatud seade tuleb saata elektri- ja elektroo- nikaseadmete ametlikku kogumis-

1 Olulised ohutus- ja keskkonnajuhised

punkti. Selliste kogumissüsteemide leidmiseks pöörduge kohaliku omavalitsuse või toote müünud jaemüüja poole. Igal majapidamisel on oluline osa vana seadme taastamisel ja ringlusse andmisel. Kasutatud seadme korrektne käitlemine aitab ära hoida negatiivseid tagajärgi keskkonnale ja tervisele.

1.3 Vastavus RoHS-direktiivile

Toode vastab Euroopa Liidu RoHS-direktiivile (2011/65/EL). See ei sisalda direktiivis mainitud kahjulikke ja keelatud materjale.

1.4 Teave pakendi kohta

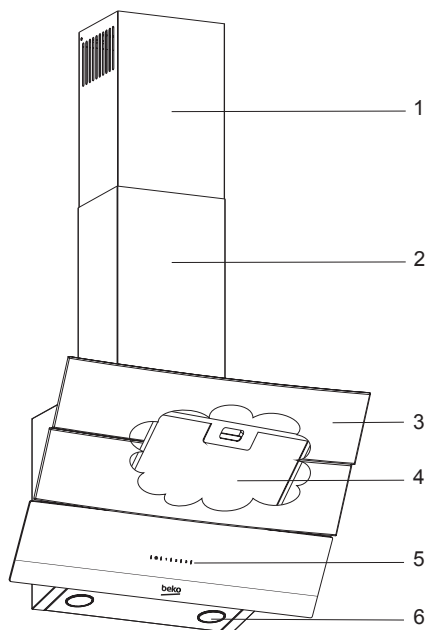


Toote pakkematerjalid on valmistatud ringlusse võetavatest materjalidest riiklike keskkonnaeeskirjade kohaselt.

Ärge visake pakkematerjale tavalise olmeprügi või muude jäätmete hulka. Viige need kohaliku omavalitsuse määratud pakendikogumispunkti.

2 Teie toote tehnilised kirjeldused

2.1 Ülevaade

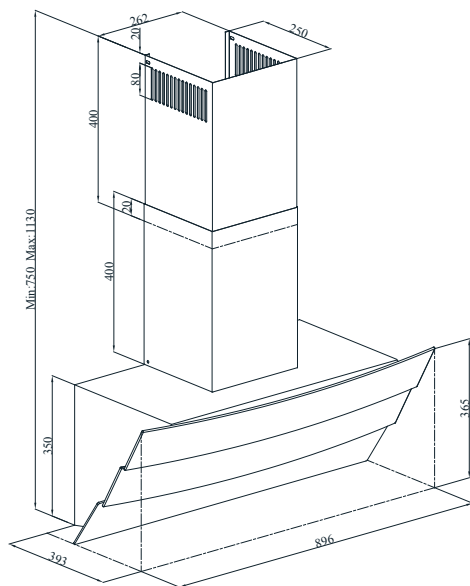


1. Sisemine suitsutoru
2. Väline suitsutoru
3. Klaasist kate
4. Rasvafilter (klaasi katte taga)
5. Juhtpaneel
6. Valgustus

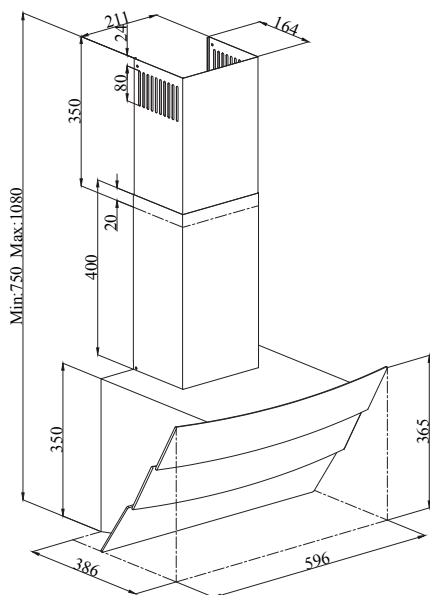
2 Teie toote tehnilised kirjeldused

2.2 Tehnilised andmed

	HCA62640WH HCA62640BH	HCA62540B	HCA92640WH HCA92640BH	HCA92540B
Laius	596 mm		896 mm	
Sügavus	386 mm		393 mm	
Kõrgus	750/1080 mm		750/1130 mm	
Toitepinge	220-240V ~, 50 Hz			
Juhtimisseadis	3 astmega			
Lambi võimsus	2x3 W			
Õhu väljalaske kanal	120/150 mm			
Voolukiirus – 3. Tase	537 m ³ /h	566 m ³ /h	577 m ³ /h	593 m ³ /h
Mootorivõimsus	210 W			
Koguvõimsus	216 W			
Mootori isolatsiooniklass	Klass F			
Isolatsiooniklass	Klass I			



**HCA92640WH
HCA92640BH
HCA92540B**



**HCA62640WH
HCA62640BH
HCA62540B**

3 Teie seadme käsitlemine

3.1 Seadme juhtimine

✨ 1 2 3	
A B C D	
KEY	FUNCTION
A : Valgustuse sisse-/väljalülit	Toiduvalmistamisala valgustamiseks vajutage seda klahvi.
B : 1. astme klahv	Selle klahvi vajutamisega saate õhupuhasti käivitada kiirusel 1. Kui seadme väljalülitamiseks uuesti selle nupu vajutate, kaob ekraanilt kiiruse näit.
C : 2. astme klahv	Selle klahvi vajutamisega saate õhupuhasti käivitada kiirusel 2. Kui seadme väljalülitamiseks uuesti selle nupu vajutate, kaob ekraanilt kiiruse näit.
D : 3. astme klahv	Selle klahvi vajutamisega saate õhupuhasti käivitada kiirusel 3. Kui seadme väljalülitamiseks uuesti selle nupu vajutate, kaob ekraanilt kiiruse näit.

3.2 Energiatõhus kasutamine:

- Õhupuhasti käsitlemisel reguleerige kiiruse astet vastavalt lõhna tugevusele ja auru kogusele, et vältida tarbetut energiatarvet.
- Normaalses oludes madalat kiirust (1–2) ja suurt kiirust (3) lõhna tugevuse ja auru koguse suurendamiseks.
- * Õhupuhastisse paigaldatud valgustid on mõeldud toiduvalmistamise ala valgustamiseks.
- Nende kasutamine keskkonna/köögi valgustamiseks põhjustab tarbetut energiatarvet ja ebapiisavat valgustust.

3.3 Õhupuhasti käsitlemine:

- Õhupuhasti on varustatud erinevate kiiruseseadetega mootoriga.
- Parima jõudluse huvides soovime tavatingimustes kasutada väiksemaid kiirusi ja eriti tugevate toidulõhnade ja auru eemaldamiseks

suuremaid kiirusi.

- Õhupuhasti käivitamiseks vajutage soovitud kiiruse astme klahv (B, C, D).
- Toiduvalmistamisala valgustamiseks vajutage valgustusklahvi. (A)

3.4 Automaatne seiskamine 15 minuti pärast:

See seade on varustatud automaatse seiskamise funktsiooniga, mis võimaldab seadmel täiendavalt ruumi ventileerida, et pärast toiduvalmistamise lõppu eemaldada ruumist ebameeldiv lõhn ja aur. Seade seiskub teatud aja möödudes automaatselt. Automaatse seiskamise funktsiooni lubamiseks hoidke all mis tahes kiiruse astme nuppu (B, C, D) kauem kui 2 sekundit. Aktiveeritakse taimer ajavahemikuga 15 minutit. Sama kiiruse astme nupu vajutamisel pärast automaatse seiskamise funktsiooni lubamist lülitatakse see funktsioon välja ja seade seiskub. Mõne muu kiiruse astme valimisel funktsioon keelatakse. Kui soovite, et Teie seade seiskuks automaatselt, peate uuesti automaatse seiskamise funktsiooni lubama.

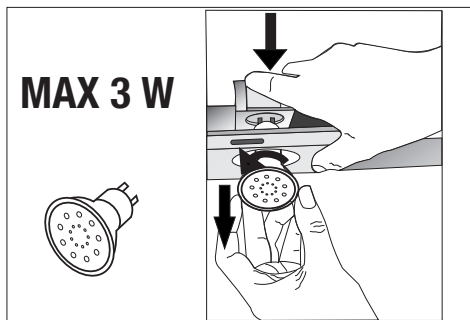
Perioodiline metallfiltrite puhastamine:

Filtreid tuleb puhastada umbes iga 60 töötundi või 4 nädala tagant sõltuvalt kasutamissagedusest.


3.5 Elektripirnide väljahahetamine

Ühendage õhupuhasti vooluvõrgust lahti. See seade on varustatud 3 W halogeenlampidega. Halogeenlampide väljavahetamiseks vajutage lambipesa tagumisest osast allapoole, et lamp vabastada. Seejärel keerake seda 1/4 pööret vastupäeva ja eemaldage see. Uute lampide paigaldamiseks korra ülatoodud samme vastupidises järjekorras.

3 Teie seadme käsitlemine

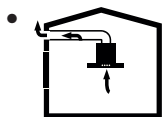


Võite hankida lampe volitatud teenusepakujalt.

Pirn	
Pirni võimsus	3 W
Hoidja / Pesa	GZ 10
Pirni pinge	220 - 240 V
Suurus	53 x 50 mm
ILCOS kood	DR/F3-220-240-GZ10-50-53
Valgusvoog	260 lm
Lähim värvsus-temperatuur	3000 K

See toode sisaldab valgusallikat energiatõhususe klassiga F.

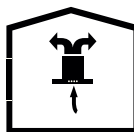
3.6 Kasutamine korstnäühenduse korral



Aur eemaldatakse suitsutoru kaudu, mis kinnitatakse õhupuhasti ühenduspea külge.

- Suitsutoru diameeter peab olema sama nagu ühendusrõngal. Horisontaalsel paigaldusel peab toru olema väikse kalde all (umbes 10°), et õhk saaks ruumist lihtsalt väljuda.

3.7 Kasutamine korstnäühenduse puudumise korral



Õhku filtreeritakse läbi söefiltri ja suunatakse tuppa tagasi. Söefiltrit kasutatakse siis, kui majas pole võimalik suitsutoru kasutada.

- Suitsutoru puudumise korral eemaldage suitsutoru adapteri klapid.
- Eemaldage alumiiniumist rasvafilter. Söefiltri paigaldamiseks pange filter lapatside vahele, tsentreerides selle õhupuhasti raami külgede plastikosadele. Pingutage, pöörates paremale või vasakule.
- Vahetage alumiiniumist rasvafilter välja.

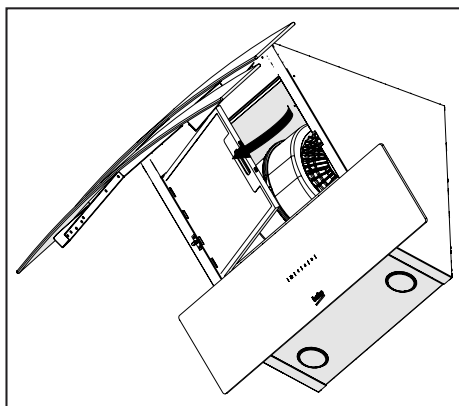
4 Puhastamine ja hooldus



Enne puhastamist ja hooldust eemaldage toode vooluvõrgust või lülitage lüliti välja.

4.1 Rasvafiltri puhastus

Rasvafiltrit kasutatakse õliosakeste õhus hoidmiseks. Alumiiniumfiltrid võivad pärast mitmendat pesukorda muuta värvi. See on normaalne ja ei vaja filtri väljavahetamist.



- Lükake alumiiniumfiltri lukk ettepoole.
- Seejärel laske see veidi madalamale ja tõmmake ettepoole. Vastasel juhul võite filtri painutada. Pärast alumiiniumfiltri pesemist ja kuivatamist paigaldage filter uuesti oma pesa, korrates ülaltoodud samme vastupidises järjekorras.



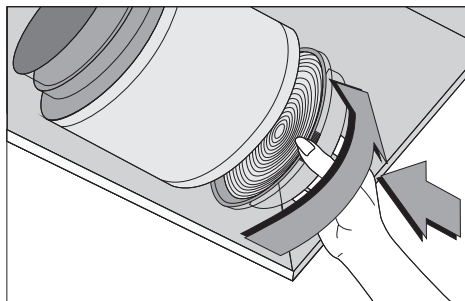
Alumiiniumfiltreid võib pesta ka nõudepesumasinas.



ETTEVAATUST: Tavakasutuse korral puhastage rasvafiltrit kord kuus.

4.2 Söefiltri vahetamine

Lõhna eemaldavad filtrid sisaldavad sütt (aktiivsüsi). Tootesse tuleb paigaldada rasvafilter, olenemata sellest, kas söefiltreid kasutatakse või mitte.



- Eemaldage rasvafilter.
- Söefiltri eemaldamiseks eemaldage söefilter selle korpusest, pöörates seda saki küljest vastupäeva.
- Paigaldage uus süsinikfilter.
- Paigaldage rasvafilter.

ETTEVAATUST



- Süsinikfiltrit ei tohi kunagi pesta.
- Vahetage söefiltrid kord 3 kuu jooksul.
- Söefiltri saate hankida volitatud teenindusest.

5 Seadme seadistamine



HOIATUS: Enne paigaldamist lugege kasutusjuhendi turvateavet.

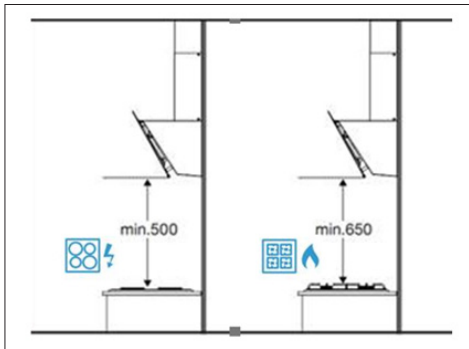


HOIATUS: Kui te ei paigalda kruvisid ja stabiliseerijad vastavalt nendele juhistele, võib tekkida elektrilöögi oht.

Õhupuhasti paigaldamiseks võtke ühendust lähima volitatud teenindusega.

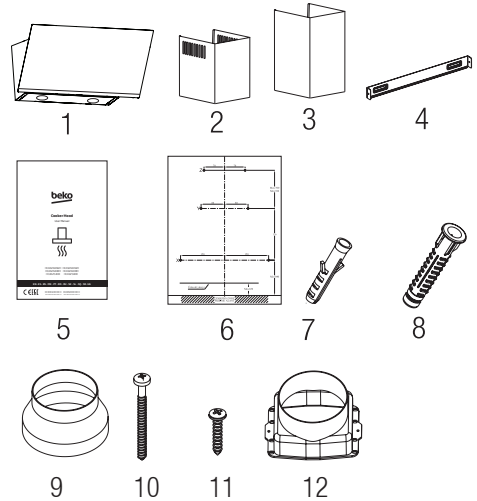
Õhupuhasti asukohta ja elektripaigaldise ettevalmistamine on kliendi kohustus.

5.1 Seadme asukoht



- Kõigi õhupuhasti tüüpide puhul on gaasi- ja elektripliidiplaadi paigalduskaugus vähemalt 650 mm. Ainult **kaldega õhupuhastite** puhul on **elektripliidiplaadi** paigalduskaugus vähemalt 500 mm.
- Vahet tuleb mõõta gaasipliidi pinnalt, elektripliidide puhul klaaspinnalt.

5.2 Pakendi sisu



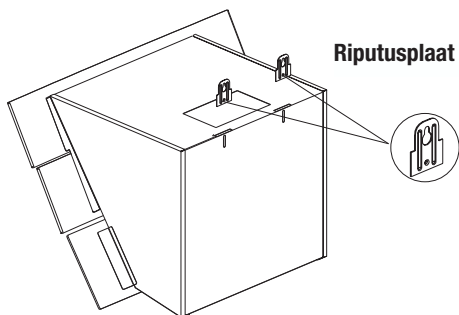
1. Toode
2. Sisemine suitsutoru
3. Väline suitsutoru
4. 1 x suitsutoruplaat
5. Kasutusjuhend
6. Paigaldusjuhend
7. Ø6 mm plasttüübel
8. Ø8 mm plasttüübel
9. 1 x plastsuitsutoru adapter (läbimõduga 120/150 mm)
10. 4.9x50 ristpeakruvi
11. 3.9x22 ristpeakruvi
12. 1 x plastsuitsutoru (läbimõduga 150 mm)

Allpool on toodud õhupuhasti paigalduskoha ettevalmistamiseks vajalik teave.

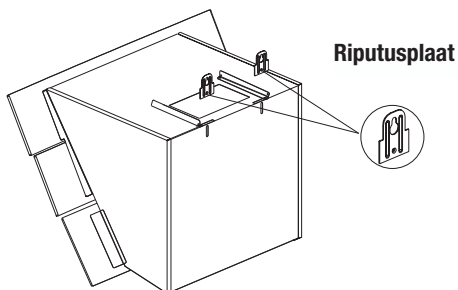
5 Seadme seadistamine

5.3 Õhupuhasti paigaldamine seinale

Õhupuhasti seinale paigaldamiseks vabastage mootori korpuse riputusplaatide kruvid ja tõmmake plaadid üles. Seejärel pingutage riputusplaatide kruvid. (Joonis 1a).

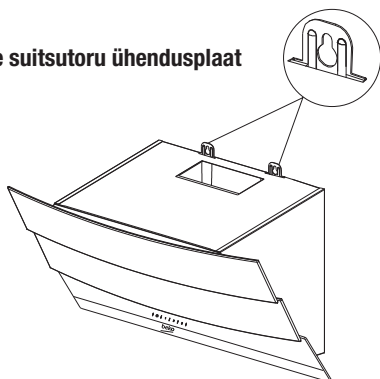


(Joonis 1a-60)



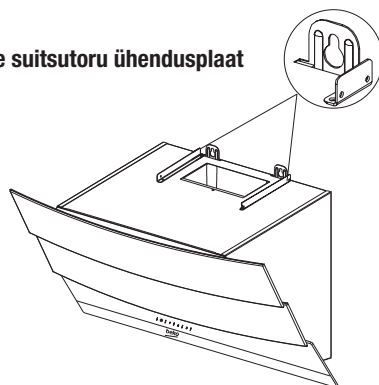
(Joonis 1a-90)

Välise suitsutoru ühendusplaat



(Joonis 1b-60)

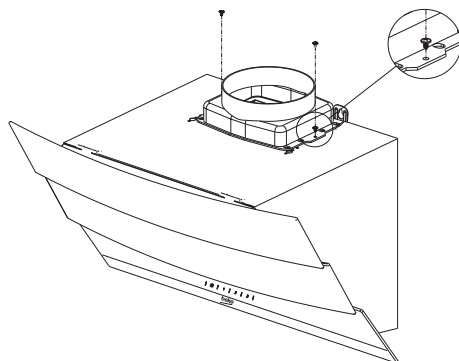
Välise suitsutoru ühendusplaat



(Joonis 1b-90)

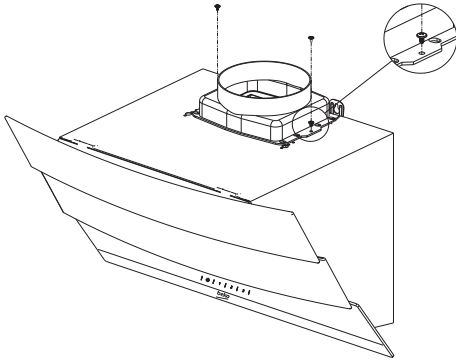
Kinnitage 150 mm läbimõduga suitsutoru adapter korpuse ülaosa külge 3,5 x 9,5 kruvidega, mis kuulub paigaldustarvikute komplekti (Joonis 2).

Kui kasutate Ø 120 mm suitsutoru, paigaldage sellele Ø 120 mm suitsutoru adapter.



(Joonis 2-60)

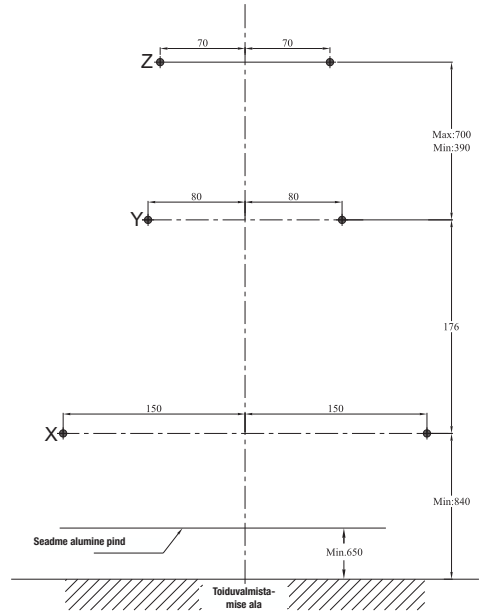
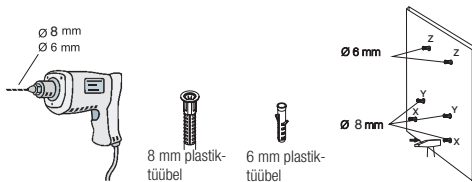
5 Seadme seadistamine



(Joonis 2-90)

5.4 Seina aukude puurimine

Kinnitage paigaldusmall õhupuhasi paigalduskohale. Puurige (X,Y)-ga märgitud punktides, kasutades $\varnothing 8$ mm otsikut ning (Z)-ga märgitud punktides, kasutades $\varnothing 6$ mm otsikut. (Joonis 3)



(Joonis 3)

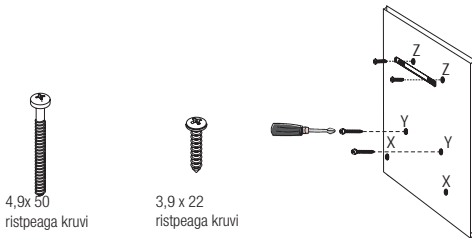
5.5 Tüüblite sisselöömine

Lööge $\varnothing 8$ mm tüüblid (X, Y) riputuskruides jaoks puuritud aukudesse. Lööge $2 \times \varnothing 6$ mm tüüblid (Z) välise suitsutoru ühendusplaadi jaoks $\varnothing 6$ mm otsikuga puuritud aukudesse. (Joonis 3)

5.6 Riputuskruides paigaldamine

Keerake 4,9x50 riputuskruidid $\varnothing 8$ mm (Y) tüüblitesse, mida olete seina sisse lõõnud. Krupi pea ja seina vahel peab olema 5 mm vahe. Ühendage sisemise suitsutoru ühendusplaat $\varnothing 3,9 \times 22$ kruides abil 8 mm tüüblitega (Z). (Joonis 4)

5 Seadme seadistamine



(Joonis 4)

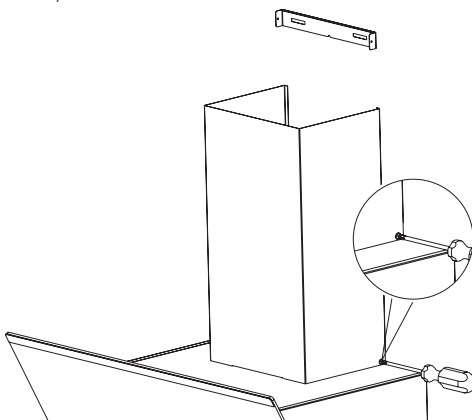
5.7 Õhupuhasti riputamine seinale

- Riputage õhupuhasti kruvidele, mis asuvad Y-ga märgitud aukudes.
- Avage õhupuhasti külgmine imemiskaas, tõmmates seda enda poole. Seadme kinnitamiseks asetage 4,9x50 kruvid X-ga märgitud aukudesse seadme sees.

5.8 Õhupuhasti suitsutoru paigaldamine

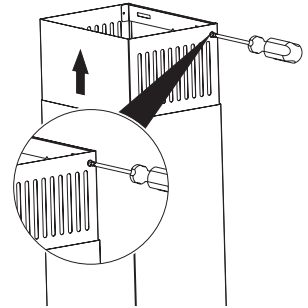
Enne suitsutoru paigaldamise alustamist ühendage toode vooluvõrgust lahti. Paigaldage suitsutoru lehtmelist osad seadme ümber.

Kruvige väline suitsutoru mootori korpusel olevate välise suitsutoru ühendusplaatide külge. (Joonis 1b/ 5)



(Joonis 5)

Laiendage ja kruvige sisemine suitsutoru selle välisservadest seina külge kinnitatud suitsutoru ühendusplaadile (Joonis 6).



(Joonis 6)

5.9 Lõõriühendus:

Asetage koos õhupuhastiga kaasasolev adapter õhupuhasti ülaosas asuvasse ventilatsioonivasse. Hankige toru läbimõõduga 120/150 mm. Ühendage toru üks ots adapteriga ja teine ots lõõriga. Veenduge, et nimetatud kaks ühendust oleksid piisavalt kindlalt paigas, nii et ei nihkuks lahti, kui õhupuhastit käsitsetakse maksimaalsel kiirusel. Klambriga pingutamisel kontrollige, kas suitsutoru sees olevad klapid töötavad. Paigaldage lõõri ühendustoru adapterile. Kui paigaldate lõõri ühendustoru adapterisse, ei toimu õhu imemist, kuna õhu tagasivoolu takistavad klapid jäävad suletuks. Ei ole soovitatav ühendada ahjude või väljalaskehahtidega ühendatud lõõridega. Ärge tehke ühendusi selliste lõõridega.

Toruühendus peab olema võimalikult lühike ja põlvede arv minimaalne.

A: Suitsutoru väljalaske kanal

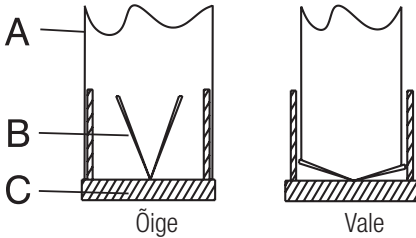
B: Klapid, mis takistavad tagasivoolu

C: Plastist suitsutoru

5 Seadme seadistamine

5.10 tagasivoolu ennetamise süsteem (N-RV)

Õhupuhas kasutamisel suletakse klapid, et vältida võimaliku lõhna ja tolmu sattumist ümbritsesse keskkonda.



5.11 Ladustamine

- Kui te ei kavatsen seadet pika aja vältel kasutada, ladustage see hoolikalt.
- Veenduge, et seade on vooluvõrgust eemaldatud, maha jahtunud ja täiesti kuiv.
- Ladustage seade jahedas ja kuivas kohas.
- Hoidke seadet lastele kättesaamatus kohas.

5.12 Käitlemine ja transport

- Käsitsemise ja transportimise ajal kandke seadet originaalpakendis. Seadme pakend kaitseb seda füüsiliste kahjustuste eest.
- Ärge asetage seadmele ega pakendile raskeid koormaid. Seade võib kahjustuda.
- Seadme mahakukkumine muudab selle mitte-töötavaks või põhjustab püsivaid kahjustusi.

6 Tõrkeotsing

Tõrkeotsing	Põhjus	Abi
Toode ei tööta	Kontrollige kaitselüliti.	Kaitselüliti võib olla väljas, lülitage see sisse.
Toode ei tööta	Kontrollige elektriühendust.	Võrgupinge peaks olema vahemikus 220–240 V.
Toode ei tööta	Kontrollige elektriühendust.	Kontrollige, kas muud tooted Teie köögis töötavad või mitte.
Valgustus ei tööta.	Kontrollige elektriühendust.	Võrgupinge peaks olema vahemikus 220–240 V.
Valgustus ei tööta.	Kontrollige valgustuse lüliti.	Lüliti peaks olema asendis „sees“.
Valgustus ei tööta.	Kontrollige lampe.	Toote lambid ei tohiks olla rikkis.
Toote õhuvõtt on halb.	Kontrollige alumiiniumfiltrit.	Alumiiniumist õlifiltrit tuleks normaaltingimustes puhastada vähemalt kord kuus.
Toote õhuvõtt on halb.	Kontrollige õhuava lõõri.	Lõõr peaks olema asendis „sees“.
Toote õhuvõtt on halb.	Kontrollige söefiltrit.	Söefiltritega toodete puhul tuleks filtrit tavaliselt vahetada iga 3 kuu tagant.

Læs denne brugervejledning først!

Kære værdsatte kunde

Tak, fordi du har købt dette Beko-apparat. Vi håber, du får det bedste ud af dit apparat, som er fremstillet ved hjælp af moderne teknologi af højeste kvalitet. Af denne årsag skal du læse hele brugervejledningen og alle andre medfølgende dokumenter grundigt igennem, inden du tager apparatet i brug. Gem brugervejledningen til fremtidig brug. Hvis du giver apparatet videre til en anden, skal du huske også at give brugervejledningen videre. Følg vejledningen ved at læse alle brugervejledningens oplysninger og advarsler omhyggeligt.

Husk, at denne brugervejledning også gælder for andre modeller. Forskelle mellem modellerne er udtrykkeligt beskrevet i vejledningen.

Symbolernes betydning

Følgende symboler bruges i brugervejledningens forskellige afsnit:



Vigtige oplysninger og nyttige brugsråd.



ADVARSEL: Advarsler om farlige situationer vedrørende sikkerhed for personer og ejendele.



ADVARSEL: Advarsel om brandfare.



ADVARSEL: Advarsel mod elektrisk stød.

1 Vigtige anvisninger vedrørende sikkerhed og miljø

1.1 Generelle sikkerhedsregler

Vigtige sikkerhedsanvisninger. Læs dem omhyggeligt, og opbevar dem til fremtidig brug

Dette afsnit indeholder sikkerhedsanvisninger om beskyttelse mod brandfare, elektrisk stød, læk af stråling fra mikrobølgeovnen, personskade og materielskade. Hvis disse anvisninger ikke følges, er en eventuel garanti ugyldig.

- Beko-produkter overholder gældende sikkerhedsstandarder. I tilfælde af eventuelle skader på apparatet eller strømkablet skal det derfor repareres eller udskiftes af forhandleren, et servicecenter eller lignende specialiseret og autoriseret serviceudbyder for at undgå enhver fare. Forkert eller ukvalificeret reparation kan forårsage skader og risici for brugeren.
- Apparatet er kun beregnet til husholdningsbrug og lignende anvendelser, som for eksempel:
 - I personalekøkkener i butikker, på kontorer og andre arbejdspladser,

- På gårde,
 - Af gæster på hoteller, moteller og lignende boliglignende virksomheder,
 - I bed and breakfast-lignende miljøer.
- Brug kun dette apparat til den tilsigtede brug beskrevet i denne vejledning.
 - Producenten påtager sig ikke ansvar for skader som følge af ukorrekt eller fejlagtig installation af produktet.
 - Dette apparat kan bruges af børn over 8 år og af personer med reducerede fysiske, psykiske eller mentale evner eller mangel på erfaring og viden, hvis de har været under opsyn eller har fået instruktioner i brugen af apparatet på en sikker måde og forstår de farer, der måtte være involveret.
 - Børn må ikke lege med apparatet. Rengøring og vedligeholdelse må ikke foretages af børn uden opsyn.
 - Minimumsafstanden mellem den understøttende overflade til madlavningsudstyret på ko-

1 Vigtige anvisninger vedrørende sikkerhed og miljø

gepladen og den laveste del af produktet 50 cm.

- Hvis installationsvejledningen for gaskomfuret angiver en større afstand, skal denne overholdes.
- Sørg for, at strømforsyningen overholder værdierne, der er angivet på apparatets typeplade.
- Brug aldrig apparatet, hvis det eller strømkablet er beskadiget.
- For at undgå skade på strømkablet skal du undlade at klemme, bøje eller gnide det mod skarpe kanter. Hold strømkablet væk fra varme overflader og åben ild.
- Brug kun apparatet med en stikkontakt med jordforbindelse.

ADVARSEL: Slut ikke apparatet til netstrøm, før det er helt færdigmonteret.

- Placer apparatet således, at stikket altid er tilgængeligt.
- Berør ikke emhættens lamper, efter de har været tændt i en længere periode. Du kan brænde hænderne på dem, da de er varme.
- Følg de regler, der er fastsat af de kompetente myndigheder, vedrørende udledningen af ud-

stødningsluften (denne advarsel gælder ikke i forbindelse med brug uden aftræk).

- Betjen apparatet, når der er sat en gryde, pande eller lignende på komfuret. Ellers kan varmen forårsage deformation i visse dele af produktet.
- Sluk for komfuret, inden gryden, panden eller lignende tages af.
- Efterlad ikke varm olie på komfuret. Pander med varm olie kan selvantænde.
- Hold øje med gardiner og andre tekstiler, da der kan gå ild i olien under tilberedning af madvarer som f.eks. pommes frites.
- Fedtfilteret skal udskiftes mindst en gang om måneden. Kulfilteret skal udskiftes mindst hver tredje måned.
- Produktet skal rengøres i henhold til brugervejledningen. Hvis rengøringen ikke udføres i henhold til brugervejledningen, kan der være brandfare.
- Brug ikke-brandhæmmende filtermaterialer i stedet for det nuværende filter.
- Brug kun originale dele eller dele

1 Vigtige anvisninger vedrørende sikkerhed og miljø

anbefalet af producenten.

- Brug ikke produktet uden filteret, og fjern ikke filtrene, mens produktet er i brug.
- Hvis der skulle opstå brand, skal du slukke for produktet og eventuelt madlavningsudstyr.
- Hvis der skulle opstå brand, skal flammen tildækkes. Brug aldrig vand til at slukke branden med.
- Træk apparatets stik ud af stikkontakten før hver rengøring, og når apparatet ikke er i brug.
- Det negative tryk i omgivelserne bør maksimalt være 4 Pa (4 x 10 bar), når emhætten og apparater, der kører på en anden type energi, er tilsluttet strøm samtidigt.
- I det rum, hvor apparatet bruges, skal udledningen fra apparater, der kører på fyringsolie eller gas, som f.eks. et varmeapparat, være helt isoleret, eller apparatet skal være hermetisk.
- Når aftrækket tilsluttes, skal der bruges rør med en diameter på 120 eller 150 mm. Rørtilslutningen skal være så kort som muligt og have så få bøjninger som muligt.

- Fare for kvælning! Hold al emballage væk fra børn.

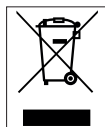
FORSIGTIG: Emhættens tilgængelige dele kan blive varme, når de bruges med kogeudstyr.

- Produktets aftræk må ikke være forbundet med luftkanaler, der indeholder anden røg.
 - Ventilationen i rummet skal være tilstrækkelig, når emhætten bruges samtidig med apparater, der kører på gas eller andre brændstoffer (dette gælder muligvis ikke for apparater, der kun udleder luften tilbage i rummet).
 - Genstande, der anbringes på produktet, kan vælte. Anbring ikke genstande på produktet.
 - Undlad at flambere noget under produktet.
- ADVARSEL:** Fjern den beskyttende film, inden emhætten installeres.
- Efterlad aldrig store åbne flammer under emhætten, når den er i brug.
 - Frituregryder skal altid være under opsyn - overophedet olie kan bryde i flammer.

1 Vigtige anvisninger vedrørende sikkerhed og miljø

1.2 Overholdelse af WEEE-direktivet og affaldshåndtering:

Dette produkt overholder EU's WEEE-direktiv (2012/19/EU). Dette produkt er mærket med piktogrammet for elektrisk og elektronisk skrot (WEEE).



Dette symbol indikerer, at dette produkt ikke må bortskaffes sammen med almindeligt husholdningsaffald, når slutningen på dets levetid er nået. Det brugte apparat skal afleveres på en offentlig genbrugsplads for elektriske og elektroniske apparater. Kontakt din kommune eller forhandleren af produktet for at finde ud af, hvor disse genbrugspladser ligger. Alle husholdninger spiller en vigtig rolle i forhold til genanvendelse og genbrug af gamle apparater. Korrekt bortskaffelse af brugte apparater hjælper med at beskytte mod potentielt negative konsekvenser for miljøet og mennesker.

1.3 Overholdelse af RoHS-direktivet

Det produkt, du har købt, overholder EU's RoHS-direktiv (2011/65/EU). Det indeholder ikke skadelige og forbudte materialer som angivet i direktivet.

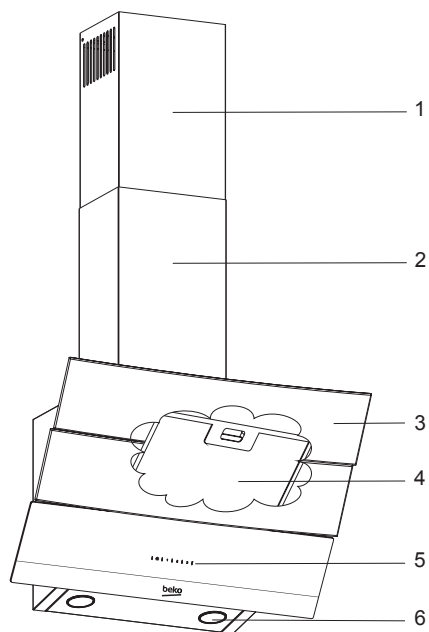
1.4 Information om emballagen



Produktets emballage er fremstillet af genbrugsmaterialer i overensstemmelse med nationale miljølove. Emballagen må ikke smides ud sammen med husholdningsaffald eller andet affald. Emballagen skal afleveres på en genbrugsplads, der tager imod emballage, som anvist af dine lokale myndigheder.

2 Generelt udseende

2.1 Oversigt

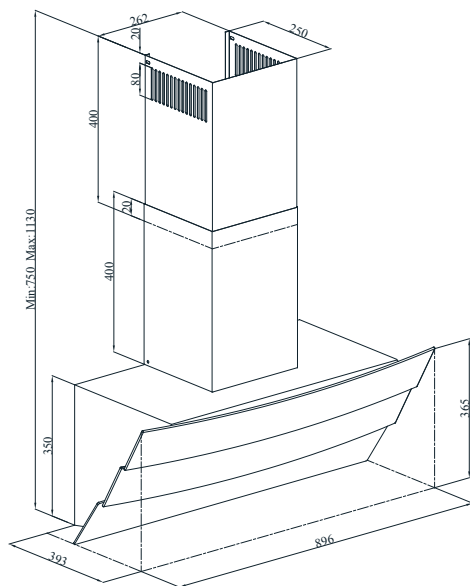


1. Indre skorsten
2. Ydre skorsten
3. Glasdæksel
4. Fedtfilter (bag glasdæksel)
5. Betjeningspanel
6. Belysning

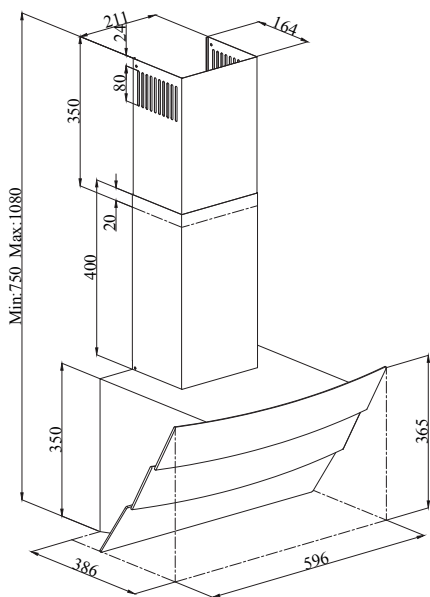
2 Generelt udseende

2.2 Tekniske oplysninger

	HCA62640WH HCA62640BH	HCA62540B	HCA92640WH HCA92640BH	HCA92540B
Bredde	596 mm		896 mm	
Dybde	386 mm		393 mm	
Højde	750/1080 mm		750/1130 mm	
Forsyningsspænding og frekvens	220-240V ~, 50 Hz			
Lampeeffekt	Med 3 trin			
Lampeeffekt	2x3 W			
Luftudtagsrør	120/150 mm			
Flowhastighed – 3. Niveau	537 m ³ /h	566 m ³ /h	577 m ³ /h	593 m ³ /h
Motoreffekt	210 W			
Total effekt	216 W			
Isoleringsklasse til motor	Klasse F			
Isoleringsklasse	Klasse I			



**HCA92640WH
HCA92640BH
HCA92540B**



**HCA62640WH
HCA62640BH
HCA62540B**

3 Brug af produktet

3.1 Styring af apparatet

	
Tast	Funktion
A: Lys Tænd/Sluk	Du kan belyse madlavningsområdet ved at trykke på denne knap. Tryk på denne knap for at slukke lampen.
B: 1. Trinreguleringsknap	Driver apparatet på 1. trin. Når du klikker på denne knap igen for at slukke apparatet, slukker hastigheds-trinnet på skærmen.
C: 2. Trinreguleringsknap	Driver apparatet på 2. trin. Når du klikker på denne knap igen for at slukke apparatet, slukker hastigheds-trinnet på skærmen.
D: 3. Trinreguleringsknap	Driver apparatet på 3. trin. Når du klikker på denne knap igen for at slukke apparatet, slukker hastigheds-trinnet på skærmen.

3.2 Energieffektiv anvendelse

- Når du bruger din emhætte, kan du justere hastigheden efter damp- og lugt-intensitet, for at spare energi.
- Brug hastigheder (1- 2) under normale forhold, og høje hastigheder (3) ved intens lugt og damp.
- Lamperne på emhætten er placeret til belysning af madlavningsområde.
- Brug til miljømæssig belysning vil skabe unødigt energiforbrug og utilstrækkelig belysning.

3.3 Betjening af produktet

- Din emhætte indeholder en motor, der har forskellige hastigheder.

- For at opnå en god funktion anbefaler vi at bruge lave hastigheder under normale forhold og høj hastighed i tilfælde af stærke lugte og intens damp.
- Du kan starte din emhætte ved at trykke på den ønskede hastighedsindstillings-knap. (B, C, D).
- Du kan belyse madlavningsområdet ved at trykke på lampen (A).

3.4 Nødstop

Dit apparat har en automatisk stopfunktion, der sætter den i stand til at ventilere en smule mere og fjerne uønskede lugte og damp fra omgivelserne, og slukke automatisk efter at tilberedningen er slut. For at starte den automatiske stopfunktion, så tryk en af hastighedstrinknapperne (B, C, D) på kontrolpanelet i mere end 2 sekunder - 15 min.- timeren skal aktiveres. Når den automatiske stopfunktion er aktiv, skal et tryk på den samme hastighedsknap deaktivere den automatiske stopfunktion og apparatets motor skal stoppe. Denne funktion bliver deaktiveret, når du skifter mellem forskellige hastighedstrin. Hvis du ønsker at dit apparat skal stoppe automatisk, skal du aktivere den automatiske stopfunktion igen.

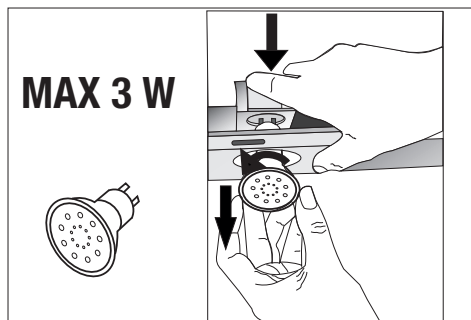
Periodisk rengøring af metalfiltre:


Filtre skal rengøres ca. hver 60. driftstime eller 4 uger afhængigt af hyppigheden af brugen.

3.5 Udskiftning af lampen

Udfør elforbindelser til apparatet Dit apparat bruger en 3W spot LED-pære. For udskiftning af lamper, skub nedad på lampeholderen fra dens bagside, drej den en lille smule mod uret, og tag den ud i nedadgående retning. Foretag ovenstående operation i omvendt orden, for at installere nye lamper.

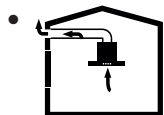
3 Brug af produktet



Pære	
Strøm til pære	3 W
Holder/fatning	GZ 10
Pærespænding	220 - 240 V
Størrelse	53 x 50 mm
ILCOS-kode	DR/F3-220-240-GZ10-50-53
Lysflow	260 lm
Tilpasset farvetemperatur	3000 K

Dette produkt indeholder en lyskilde af energieffektivklasse "F"

3.6 Drift med skorstenstilslutning



Dampen fjernes via røggasstuds, der er fastgjort til forbindelseshovedet på emhætten.

- Diameteren af røggasstudsens skal være den samme som tilslutningsringen. I vandret tilslutning, skal røret skråne let opad på skrå (ca. 10°), så luften let kan forlade rummet.

3.7 Drift uden skorstenstilslutning

-  Luft filtreres af kulfilteret og returneres til rummet. Kulfilter bruges, når der ikke er nogen røggas i huset.
- Ved brug uden røggasstuds, fjernes flapperne inden i røggasstudsadapteren.
- Fjern aluminiumsfedfilteret. For at installere kulfilteret, sæt filteret på fanerne ved at centrere dem på plastikstykket på begge sider af ventilatoren. Stram den ved at dreje til højre eller venstre.
- Udskift aluminiumsfedfilter

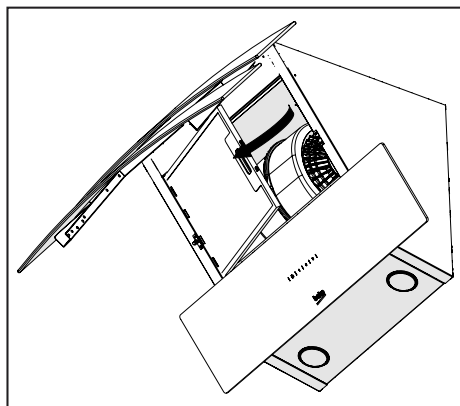
4 Rengøring og vedligeholdelse



Før rengøring og vedligeholdelse, afbryd strømmen eller sluk for kontakten.

4.1 Rengøring af aluminiumsfedfilter

Aluminiumsfedfilteret bruges til at tilbageholde oliepartikler i luften. Aluminiumsfedfilteret kan skifte farve efter gentagen rengøring. Dette er normalt, og det er ikke nødvendigt at skifte filterne.



- Skub aluminiumsfilterlåsen fremad.
- Træk den derefter lidt ned og træk ud. Ellers kan du bøje filteret. Vask og rens aluminiumsfedfilteret med flydende sæbe og sæt det på plads i holderne ved at udføre ovenstående trin i omvendt rækkefølge. Disse aluminiumsfedfiltre bruges til at tilbageholde oliepartikler i luften.



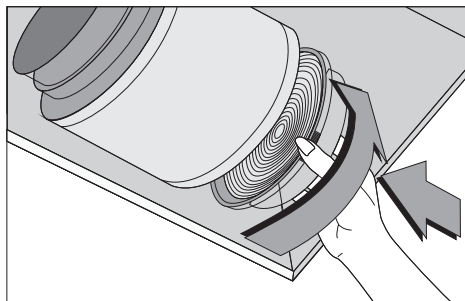
Du kan også vaske aluminiumsfedfilteret i vaskemaskinen.



FORSIGTIG: I tilfælde af normal brug, skal du rense aluminiumsfedfilteret en gang hver måned.

4.2 Udskiftning af kulfiltere

Anti-lugtfiltre indeholder trækul (aktivt kul). Uanset om kulfilteret bruges eller ej, skal der altid monteres aluminiumsfiltere.



- Fjern aluminiumsfilterne.
- Fjern kulfilteret ved at dreje tapperne mod uret og løsne filteret.
- Monter det nye kulfilter.
- Monter aluminiumsfilterne.

FORSIGTIG



- Kulfilteret må aldrig vaskes.
- Skift kulfiltre hver 3 måned.
- Du kan skaffe ekstra kulfiltre fra autoriserede tjenester.

5 Installation af apparatet



ADVARSEL: Læs sikkerhedsoplysningerne i brugsanvisningen før du begynder installationen.

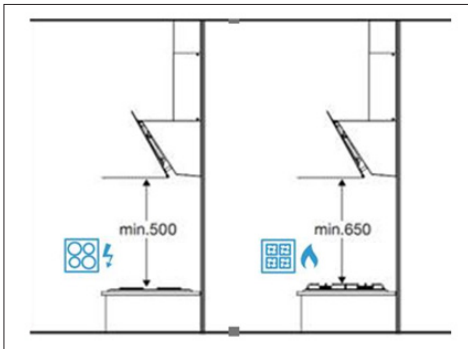


ADVARSEL: Hvis du ikke installerer med skruer og stabilisatorer i overensstemmelse med disse instruktioner, kan det resultere i elektrisk stød.

For installation af emhætten, skal du kontakte den nærmeste autoriserede serviceværksted.

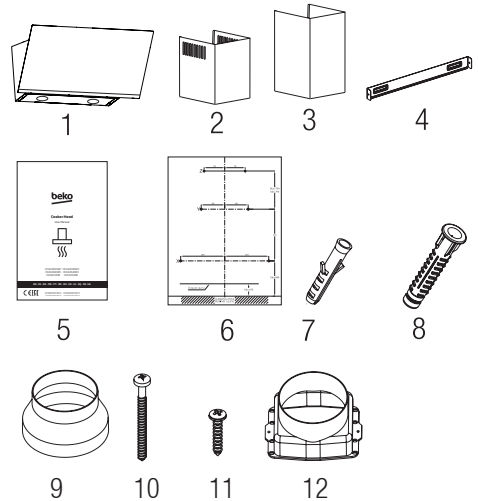
Det er kundens ansvar at forberede placeringen og elinstallationen af emhætten.

5.1 Placering af produktet



- Ved alle typer af emhætter, skal installationsafstanden til gaskomfur og elkomfur være min. 650 mm. For **skrå emhætter** skal installationsafstanden til **elkomfuret** være min. 500 mm.
- Afstanden skal måles fra overfladen af risten for gasbrændere, fra glasoverfladen for elkomfurer.

5.2 Tilbehør til installation



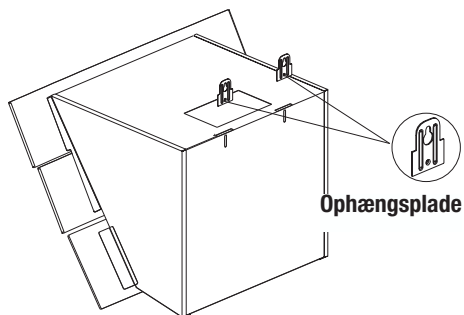
1. Produkt
2. Indre skorsten
3. Ydre skorsten
4. Røggasstuds-forbindelsesplade
5. Brugermanual
6. Monteringsskabelon
7. Ø6 mm plastik-dyvel
8. Ø8 mm plastik-dyvel
9. Ø150/120 mm plastik-røggasstudsadapter
10. 4,9 x 50 krydshovedskruer
11. 3,9 x 22 krydshovedskruer
12. Plastikdyvel 2x Ø150 mm

Oplysninger om at tilpasse placeringen af emhætten findes nedenfor.

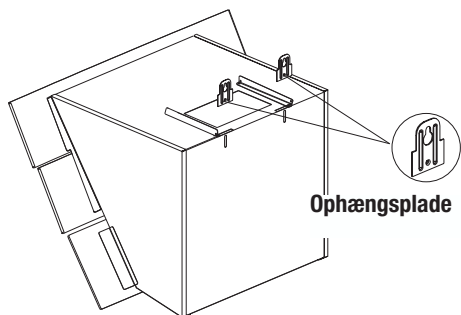
5.3 Installation af emhætten på væggen

For at montere emhætten på væggen skal du løsne skruerne på bøjlepladerne på motorhuset og trække pladerne opad. Stram derefter skruerne på bøjlepladerne. (Figur 1a).

5 Installationafapparatet

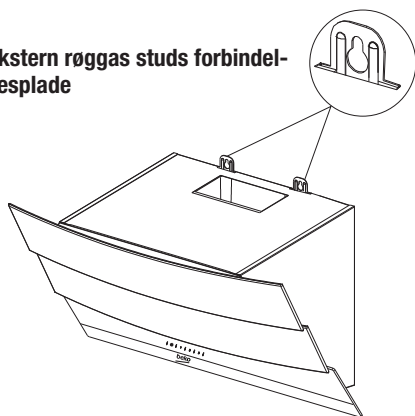


(Figur 1a-60)



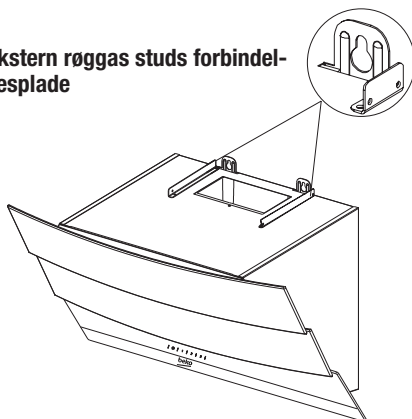
(Figur 1a-90)

Ekstern røggas studs forbindelsesplade



(Figur 1b-60)

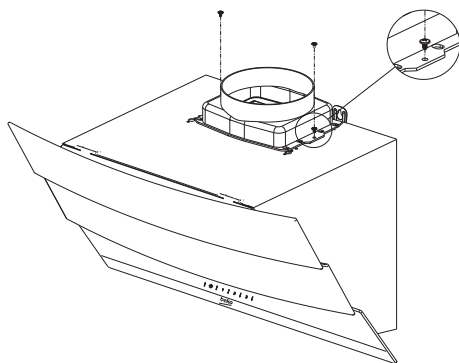
Ekstern røggas studs forbindelsesplade



(Figur 1b-90)

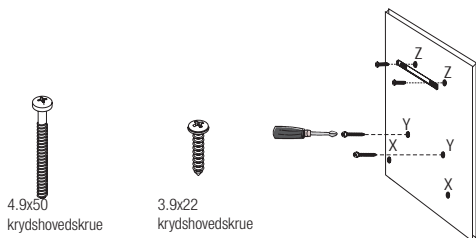
Fastgør \varnothing 150 mm plastrøgadapteren på toppen af kroppen med en 3,5x9,5 skrue inkluderet i installationstilbehøret (Figur 2).

Hvis du bruger \varnothing 120 mm røgrør, skal du installere \varnothing 120 mm røggasadapter på det.



(Figur 2-60)

5 Installation af apparatet



(Figur 4)

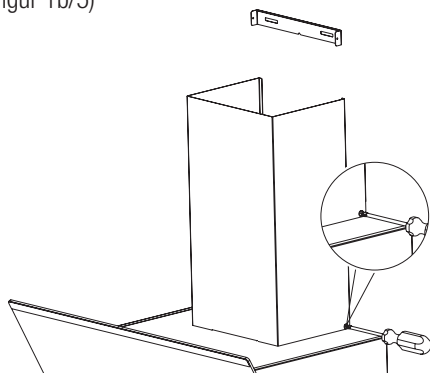
5.7 Ophængning af emhætten på væggen

- Hæng emhætten på skruerne, du har installeret, i Y-hullerne.
- Åbn emhættens sidesugevindue ved at trække det mod dig selv. Installer skruerne på 44,8 x 50 gennem X-hullerne indeni for at fastgøre apparatet.

5.8 Installation af røggasstuds til emhætten

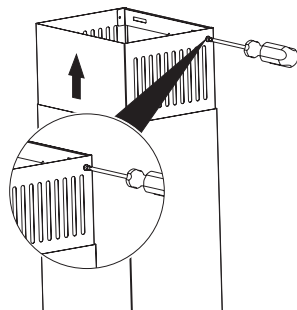
Afbryd produktet fra strømforsyningen, inden installationen af røggas påbegyndes. Montér metalpladendele rundt om kroppen.

Skrue den udvendige røggasstuds til de eksterne røgforbindelsesplader placeret på motorhuset. (Figur 1b/5)



(Figur 5)

Forlæng og skru den indvendige røggasstuds af dens yderkanter på røgforbindelsespladen, der var fastgjort til væggen (Figur 6).



(Figur 6)

5.9 Røggasstuds tilslutning

Anbring adapteren, der leveres sammen med emhætten, i ventilationshullet på den øverste del af emhætten. Skaf et rør med en diameter på 120/150 mm. Tilslut den ene ende af røret til adapteren og den anden ende til røgrøret. Sørg for, at disse to forbindelser er sikre nok så de ikke løsner sig, når emhætten betjenes i maks. hastighed. Kontroller, at klapperne inden i røgrøret er funktionelle, når de spændes med klemmen. Monter røgrørstilslutningsrøret på adapteren. Hvis du monterer røgrørforbindelsesrøret inde i adapteren, vil der ikke forekomme luftsugning, da klapperne, der forhindrer luftstrøm, forbliver lukkede. Det tilrådes ikke at oprette forbindelse til skorstene, der er forbundet med ovne eller udstødningsaksler. Foretag ikke forbindelser til sådanne kanaler. Rørforbindelse skal være så kort som muligt og have et minimum antal albuer.

A: Skorstensudgangsør

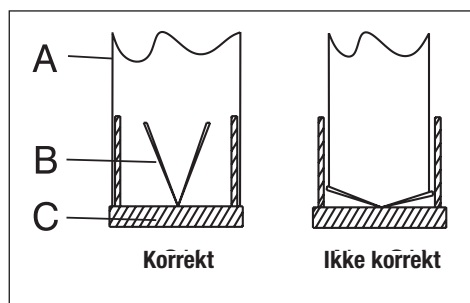
B: Flapper til forhindring af returluft

C: Røggasstuds af plast

5 Installationafapparatet

5.10 System til forebyggelse af tilbagestrømning (N-RV)

Når emhætten betjenes, lukkes klapperne for at forhindre, at lugt og støv trænger ind i omgivelserne udefra.



5.11 Opbevaring

- Hvis du ikke skal bruge apparatet i en længere periode, skal det opbevares forsigtigt.
- Sørg for, at apparatet ikke er tilsluttet, er kølet helt ned og tørt.
- Opbevar apparatet på et køligt, tørt sted.
- Hold apparatet ude af børns rækkevidde.

5.12 Håndtering og transport

- Under håndtering og transport skal apparatet bæres i den originale emballage. Apparatets emballage beskytter det mod fysiske skader.
- Placer ikke tunge ting på apparatet eller emballagen. Apparatet kan blive beskadiget.
- Hvis apparatet tabes, vil det miste funktionsevne eller lide permanent skade.

6 Fejfinding

Fejfinding	Årsag	Hjælp
Produktet virker ikke:	Kontroller sikringen.	Din sikring er muligvis lukket, så få den til at fungere.
Produktet virker ikke:	Kontroller tilstanden af de elektriske forbindelser	Netspændingen skal være mellem 220-240 V.
Produktet virker ikke:	Kontroller tilstanden af de elektriske forbindelser	Kontroller, om de andre produkter i dit køkken fungerer eller ej.
Belysningslampen fungerer ikke.	Kontroller tilstanden af de elektriske forbindelser	Netspændingen skal være mellem 220-240 V.
Belysningslampen fungerer ikke.	Kontroller lampekontakten.	[Lampekontakten skal være i tændt position.
Belysningslampen fungerer ikke.	Kontroller lamper.	Produktets lamper bør ikke være defekte.
Produktets luftindtag er dårligt.	Kontroller aluminiumsfilteret	Aluminiumsoliefilteret skal vaskes en gang om måneden under normale forhold.
Produktets luftindtag er dårligt.	Check røggasstuds.	[Lampekontakten skal være i "tændt" position.
Produktets luftindtag er dårligt.	Kontroller kulfilteret.	På produkter med kulfiltre skal filteret normalt skiftes hver 3. måned.

Les denne bruksanvisningen først!

Kjære kunde,

Takk for at du valgte dette Beko-apparatet. Vi håper at du får de beste resultatene av produktet, som har blitt produsert med høy kvalitet og topp teknologi. Derfor bør du lese hele denne brukerhåndboken og alle andre tilhørende dokumenter nøye før du bruker produktet og tar vare på den som en referanse for fremtidig bruk. Hvis du overfører produktet videre til noen andre, sørg da også for at brukerhåndboken følger med. Følg instruksjonene ved å være oppmerksom på all informasjon og advarsler i brukerhåndboken.

Husk at denne bruksanvisningen også kan gjelde andre modeller. Forskjeller mellom modellene er nøye forklart i bruksanvisningen.

Symbolenes betydning

Følgende symboler brukes i de ulike delene av denne brukerhåndboken:



Viktig informasjon og nyttige tips om bruken.



ADVARSEL: Advarsler om farlige situasjoner vedrørende sikkerhet for liv og eiendom.



ADVARSEL: Advarsel om brannfare.



ADVARSEL: Advarsel om elektrisk støt.

1 Merknad om sikkerhet og miljøvern

1.1 Generell sikkerhet

Viktige sikkerhetsinstruksjoner
Les nøye og ta vare på for fremtidig referanse
Denne delen inneholder sikkerhetsinstruksjoner som vil bidra til å beskytte mot brann, elektrisk støt, eksponering for lekkasje av mikrobølgeenergi, personskade eller skade på eiendom. Unnlater du å følge disse instruksjonene, vil garantien anses som ugyldig.

- Produkter fra Beko er i overholdelse med aktuelle sikkerhetsstandarder. Hvis det skulle oppstå skader på apparatet eller strømkabelen, må den repareres eller skiftes ut av forhandlere, et serviceverksted eller et spesialisert autorisert serviceverksted. Feilaktig eller ukvalifisert reparasjonsarbeid kan forårsake fare og risiko for brukeren.
- Dette produktet er kun ment for bruk i private husholdninger eller lignende, som f.eks.:
 - kjøkkenområder til ansatte i forretninger, på kontorer og i andre arbeidsmiljøer
 - gårdsbygninger
 - av gjester på hoteller, moteller

og andre overnattingssteder

– bed and breakfast-miljøer

- Apparatet må bare brukes til det formålet det er beregnet på, som beskrevet i denne håndboken.
- Produsenten blir ikke holdt ansvarlig for eventuelle skader som oppstår av feil installasjon eller bruk av produktet.
- Dette apparatet kan brukes av barn fra åtte år og oppover og personer med reduserte fysiske, sensoriske eller mentale evner eller mangel på erfaring og kunnskap, så langt de er under tilsyn eller mottar instruksjoner om bruk av apparatet på en sikker måte og forstår farene som er involvert.
- Barn må ikke leke med apparatet. Rengjøring og vedlikehold skal ikke utføres av barn uten tilsyn.
- Minste avstand mellom støtteflaten for kokekarene på kokeplaten og den laveste delen av produktet, må være minst 50 cm.
- Hvis instruksjonene for installasjon for gasstoppen angir større

1 Merknad om sikkerhet og miljøvern

avstand, må dette tas med i betraktningen.

- Hovedstrømforsyningen skal være i samsvar med informasjonen som er oppgitt på apparatets typeskilt.
- Apparatet skal aldri brukes hvis strømledningen eller apparatet er skadet.
- Unngå skader på strømledningen ved at den blir klempt, bøyd eller gnidd mot skarpe kanter. Hold strømledningen unna varme overflater og åpen ild.
- Bruke apparatet kun sammen med en jordet stikkontakt.

ADVARSEL: Ikke koble enheten til strømnettet før installasjonen er fullført.

- Plasser apparatet slik at støpselet alltid er tilgjengelig.
- Ikke berør lampene hvis de har vært i bruk i lang tid. Du kan brenne deg på hendene, etter som de er varme.
- Følg forskriftene fra kompetente myndigheter angående utslipp av avtrekksluft (denne advarselen gjelder ikke for bruk uten røykrør).

- Bruk apparatet etter å ha satt en gryte, panne osv. på komfyren. Ellers kan sterk varme føre til deformering i enkelte deler av enheten.
- Slå av kokeplaten før du tar gryten, pannen osv. fra det.
- Etterlat ikke varm olje på kokeplatene. Panner med varm olje i kan selvantennes.
- Vær oppmerksom på gardinene og dekslene, siden olje kan ta fyr mens du koker mat som pommes frites.
- Fettfilter må byttes minst månedlig. Karbonfilter må byttes minst hver 3. måned.
- Produktet skal rengjøres i henhold til bruksanvisningen. Hvis rengjøring ikke ble utført i samsvar med bruksanvisningen, kan det være brannfare.
- Ikke bruk ikke-brannsikre filtermaterialer i stedet for gjeldende filter.
- Bruk kun originale deler eller deler som anbefales av produsenten.
- Ikke bruk produktet uten filteret, og fjern ikke filterene mens pro-

1 Merknad om sikkerhet og miljøvern

duktet kjører.

- Ved eventuell flamme, må du slå av produktet og kokeapparater.
- Ved eventuell flamme, dekk flammen og bruk aldri vann til å slukke.
- Trekk ut strømledningen før hver rengjøring av produktet og når det ikke brukes.
- Undertrykket i miljøet bør ikke overstige 4 Pa (4 x 10 bar) mens hetten for elektrisk komfyr og apparater som kjører på en annen type energi, men strøm fungerer samtidig.
- I miljøet der apparatet brukes, må eksosen fra apparater som kjører på fyringsolje eller gass, for eksempel romvarmer, være absolutt isolert, eller enheten må være hermetisk.
- Når du kobler til røykrøret, bruk rør med en diameter på 120 eller 150 mm. Rørforbindelsen skal være så kort som mulig og ha minst mulig bøyer.
- Kvelningsfare! Hold barn på avstand fra innpakningsmateriale.

FORSIKTIG: Tilgjengelige deler av avtrekket kan bli varme når de

brukes sammen med kjøkkenutstyr.

- Produktet utløp må ikke kobles til luftkanaler som annen røyk føres gjennom.
 - Ventilasjonen i rommet kan være utilstrekkelig når hetten for elektrisk komfyr brukes samtidig med enhetene som opererer på gass eller annet brensel (dette gjelder kanskje ikke apparater som bare slipper ut luften tilbake i rommet).
 - Gjenstander som settes på produktet kan falle. Ikke sett gjenstander på produktet.
 - Ikke flamber under produktet.
- ADVARSEL:** Fjern de beskyttende filmene før viften installeres.
- La det aldri være åpne flammer under viften når den er i drift
 - Frityrgryster må kontinuerlig overvåkes under bruk: overopphetet olje kan begynne å brenne.

1.2 Samsvar med WEEE-direktivet og bortskaffing av avfallsprodukt:

Dette produktet er i samsvar med EUs WEEE-direktiv (2012/19/EU). Dette produktet har et klassifiserings symbol for kasserte elektriske og elektroniske produkter (WEEE).

1 Merknad om sikkerhet og miljøvern



Dette symbolet indikerer at dette produktet ikke skal kasseres med annet husholdningsavfall på slutten av dets levetid. Brukt produkt må returneres til offisielt oppsamlingspunkt for resirkulering av elektriske og elektroniske enheter. For å finne disse innsamlingsstedene, vennligst kontakt din lokale myndighet eller forhandler der produktet ble kjøpt. Alle husholdninger spiller en viktig rolle i gjenvinning og resirkulering av gammelt utstyr. Passende avhending av brukt apparat bidrar til å forhindre potensielle negative konsekvenser for miljøet og menneskers helse.

1.3 Samsvar med RoHS-direktivet

Produktet du har kjøpt, er i samsvar med EUs RoHS-direktiv (2011/65/EU). Det inneholder ikke skadelige eller forbudte materialer som spesifisert i direktivet.

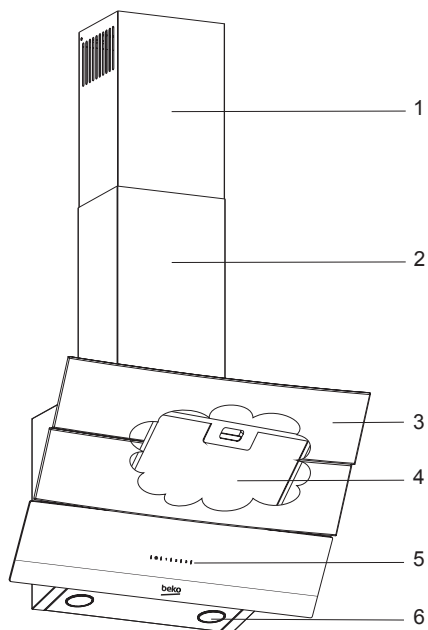
1.4 Pakningsinformasjon



Pakningsmaterialer for produkter er produsert av resirkulerbare materialer i henhold til våre nasjonale miljøforskrifter. Ikke kasser pakningsmaterialene sammen med husholdningsavfall eller annet avfall. Ta dem med til miljøstasjoner som er opprettet av lokale offentlige myndigheter.

2 Generelt utseende

2.1 Oversikt

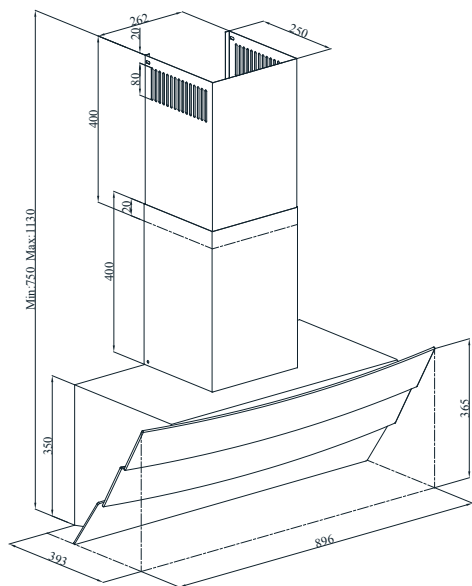


1. Indre skorsteinsrør
2. Ytre skorsteinsrør
3. Glassdeksel
4. Fettfilter (bak glassdeksel)
5. Kontrollpanel
6. Belysning

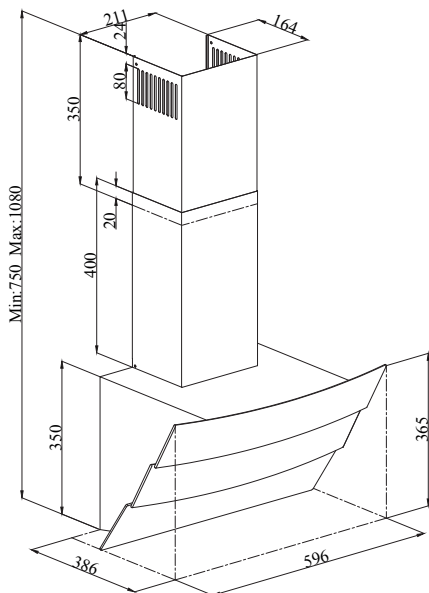
2 Generelt utseende

2.2 Tekniske data

	HCA62640WH HCA62640BH	HCA62540B	HCA92640WH HCA92640BH	HCA92540B
Bredde	596 mm		896 mm	
Dybde	386 mm		393 mm	
Høyde	750/1080 mm		750/1130 mm	
Forsyningsspenning og -frekvens	220-240V ~, 50 Hz			
Kontroll	Med 3 nivåer			
Lampeeffekt	2x3 W			
Luftutløpsrør	120/150 mm			
Gjennomstrømningsrate - 3 Nivå	537 m ³ /h	566 m ³ /h	577 m ³ /h	593 m ³ /h
Motoreffekt	210 W			
Total effekt	216 W			
Isolasjonsklasse for motor	Klasse F			
Isolasjonsklasse	Klasse I			



**HCA92640WH
HCA92640BH
HCA92540B**



**HCA62640WH
HCA62640BH
HCA62540B**

3 Bruk av apparatet

3.1 Kontroll av apparatet

	
Tast	Funksjon
A: Lys Av/På	Du kan belyse kokeområdet ved å trykke på denne tasten. Gjentatt trykk på knappen for å slå av belysningen.
B: 1.trinns-brytere	Drifter apparatet på hastighetstrinn 1. Når du trykker på denne knappen igjen for å slå av apparatet, slås skjermhastighetstrinnet av.
C: 2.trinns-brytere	Drifter apparatet på hastighetstrinn 2. Når du trykker på denne knappen igjen for å slå av apparatet, slås skjermhastighetstrinnet av.
D: 3. trinns-brytere	Drifter apparatet på hastighetstrinn 3. Når du trykker på denne knappen igjen for å slå av apparatet, slås skjermhastighetstrinnet av.

3.2 Energieffektivt bruk

- Når du bruker apparatet, må du justere hastighetsinnstillingene i henhold til damp og lukttintensitet for å spare energi.
- Bruk lave hastigheter (1-2) under normale forhold og høy vift hastighet (3) for intens lukt og store dampmengder.
- Lyset på ventilatoren er ment for å belyse kokesonen.
- Bruk av lyset for opplysning av området medfører unødvendig sløsing med energi og utilstrekkelig belysning-

3.3 Bruk av kjøkkenventilatoren

- Apparateret inneholder én motor med forskjellige hastigheter.
- For bedre ytelse anbefaler vi å bruke lave hastigheter under normale forhold og høye hastigheter i tilfeller av sterk lukt og intens damp.
- Du kan starte apparatet ved å trykke på ønsket hastighetsknapp. (B, C, D).
- Du kan belyse kokeområdet ved å trykke på lampen (A).

3.4 Automatisk stopp

Apparatet ditt har automatisk stoppfunksjon, slik at det kan ventilere litt mer og fjerne uønsket lukt og damp i omgivelsene og slå seg av automatisk etter tilberedningen. For å aktivere funksjonen Automatisk stopp, trykk på hvilken som helst hastighetsknapp (B, C, D) på kontrollpanelet i mer enn 2 sekunder; 15-minutters timerfunksjonen skal aktiveres. Når den automatiske stoppfunksjonen er aktiv, deaktiverer et trykke på samme hastighetsknapp den automatiske stoppfunksjonen, og apparatets motor stopper. Funksjonen deaktiveres når du bytter mellom forskjellige hastighetstrinn. Dersom du vil at apparatet skal stoppe automatisk, må du aktivere funksjonen for automatisk stopp på ny.

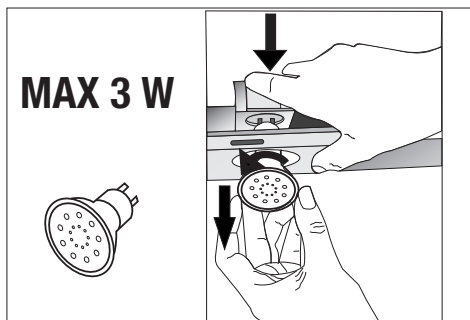
Periodisk rengjøring av metallfiltre


Filtrene må rengjøres omtrent hver 60. driftstime eller 4. uke, avhengig av bruksfrekvens.

3.5 Utskifting av lampe

Åpne apparatets elektriske tilkøpling. Apparateret ditt bruker 3W LED-lampe-spotlys. For å skifte lampene, trykk på holderen bakfra, vri den mot klokken og trekk den utover. Gjennomfør ovenstående operasjon i motsatt retning for å installere nye lamper.

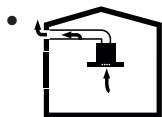
3 Bruk av apparatet



Lyspære	
Lyspærens effekt	3 W
Sokkel	GZ 10
Lyspærens spenning	220 - 240 V
Størrelse	53 x 50 mm
Internasjonal lampekode	DR/F3-220-240-GZ10-50-53
Lysflow	260 lm
Tilpasset farvetemperatur	3000 K

Dette produkt inneholder en lyskilde af energieffektivitetsklasse "F".

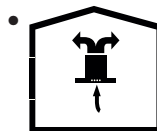
3.6 Drift med skorsteinstilkopling



Damp ekstraheres gjennom røykrøret, som er festet til hetens tilkoplingshode.

- Røykrørdiameteren må være identisk med tilkoplingsringen. I horisontale innstillinger må røret ha en svak stigning oppover (omkring 10°) slik at luften lett kan komme ut av rommet.

3.7 Drift uten skorsteinstilkopling



Luft filtreres gjennom kullfilteret og returneres til rommet. Kullfilter brukes når det ikke fins avtrekksrør i huset.

- Hvor det ikke fins spjeld, fjern klaffene inni spjeldadapteren.
- Fjern aluminiumsfilteret (fettfilteret). For å installere kullfilteret, tilpass filteret til flikene ved å sentrere det mot plaststykket på begge sider av viftehøuset. Stram ved å vri til høyre eller venstre.
- Bytt fettfilteret (aluminium)

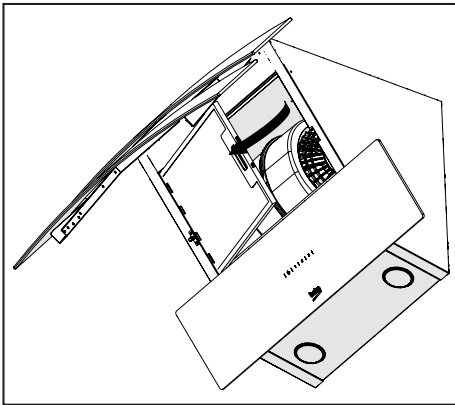
4 Rengjøring og vedlikehold



Kople fra ventilatoren eller slå av bryteren før vedlikehold eller rengjøring.

4.1 Rengjøring av fettfilteret.

Fettfilter i aluminium brukes for å fjerne oljepartikler fra luften. Fettfilter i aluminium kan endre farge etter gjentatte rengjøringer. Dette er normalt, og det er ikke nødvendig å skifte filterene.



- Skyv aluminiumsfilterlåsen forover.
- Trekk den deretter ned og trekk den ut. Ellers kan du bøye filteret. Vask og skylld fettfilteret (aluminium) med flytende vaskemiddel, og sett aluminiumsfilteret på plass i festene ved å utføre trinnene som er angitt ovenfor i omvendt rekkefølge. Disse fettfilterene brukes for å fjerne oljepartikler fra luften.



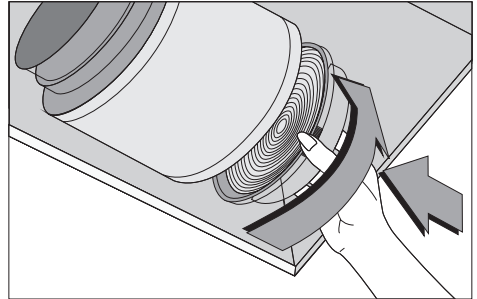
Du kan også vaske fettfilteret (aluminium) i vaskemaskinen.



FORSIKTIG: Ved normal bruk, rengjør du fettfilteret (aluminium) en gang i måneden.

4.2 Utskifting av kullfiltere

Luktfilterene inneholder kull (aktivt karbon). Uavhengig av om du bruker et kullfilter eller ikke, skal aluminiumsfilterene alltid monteres.



- Ta ut aluminiumsfilterene.
- Kullfilteret tas ut ved å dreie flikene mot urviseren og frigjøre filteret.
- Sett i det nye kullfilteret.
- Sett inn aluminiumsfilterene.

FORSIKTIG:



- Kullfilteret skal aldri vaskes.
- Kullfilteret skal skiftes hver tredje måned.
- Nye kullfilter fås kjøpt hos autorisert leverandør.

5 Installasjon av apparatet



ADVARSEL: Før installasjonen begynner; må sikkerhetsmanualen leses.

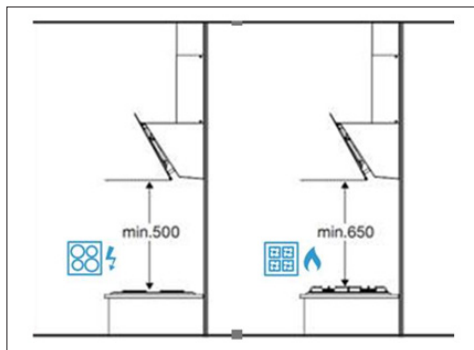


ADVARSEL: Unnlatelse av å installere skruer eller festeanordningen i samsvar med disse instruksjonene kan føre til elektriske farer.

Kontakt nærmeste leverandør/sørvisenhet for montering av ventilatoren.

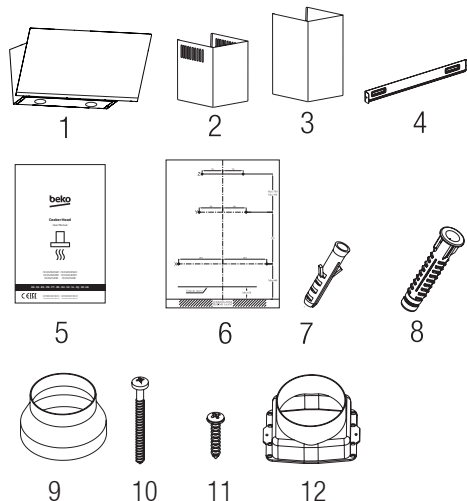
Det er kundens eget ansvar å gjøre området klart for elektrisk installasjon av hetten.

5.1 Bruk av apparatet



- I alle typer ovnshetter er installasjonsavstanden på gassdrevet og elektrisk platetopp min. 650 mm. Kun for **skrånende ovnshetter** er installasjonsavstanden på den **elektriske platetoppen** min. 500 mm.
- Avstanden må målet fra overflaten av risten for gasskomfyrer, fra den keramiske overflaten for elektriske komfyrer.

3.1 Monteringstilbehør



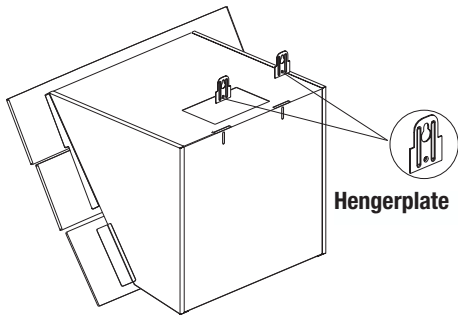
1. Produkt
2. Indre skorsteinsrør
3. Ytre skorsteinsrør
4. Skorsteinsforbindelsesplate
5. Bruksanvisning
6. Monteringsmønster
7. Ø6 mm plastdyvel
8. Ø8 mm plastdyvel
9. Ø150/120 mm plastspjeldadapter
10. 4,9 x 50 kryssskruer
11. 3,9 x 22 kryssskruer
12. Ø150 mm plastavtrekk

Informasjon som er nødvendig for å gjøre lokaliteten passende for installasjonen av hetten følger nedenunder.

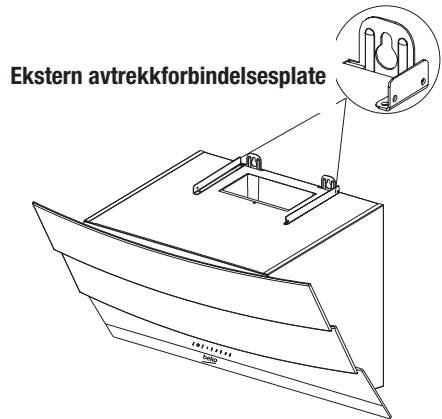
5.3 Installere kjøkkenventilatoren på vegg

For å montere kjøkkenventilatoren på vegg, løser du skruene på hengerplatene på motorhuset og trekker platene oppover. Stram deretter skruene på hengerplateneds. (Figur 1a).

5 Installasjon av apparatet



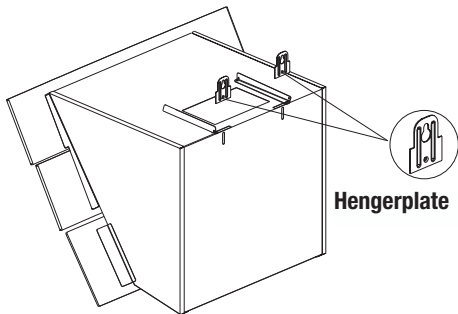
(Figur 1a-60)



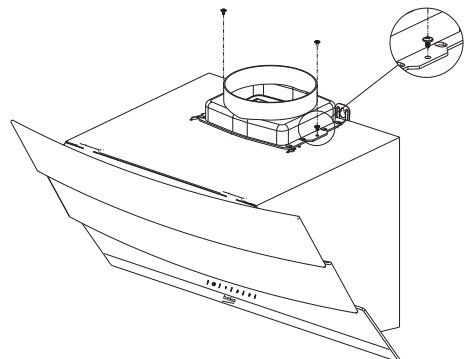
(Figur 1b-90)

Fest \varnothing 150 mm plastavtrekkadapteren på toppen av kroppen med 3,5x9,5 skruen som følger med installasjonstilbehøret (Figur 2).

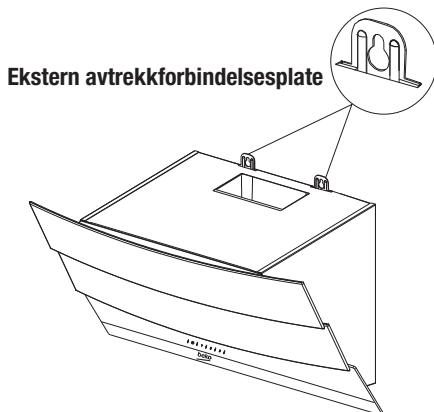
Hvis du bruker \varnothing 120 mm avtrekksrøret, installer du \varnothing 120 mm avtrekksrøradapteren på det.



(Figur 1a-90)

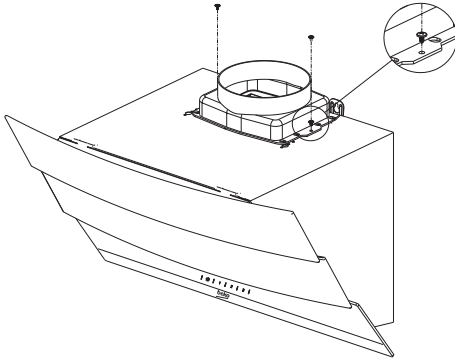


(Figur 2-60)



(Figur 1b-60)

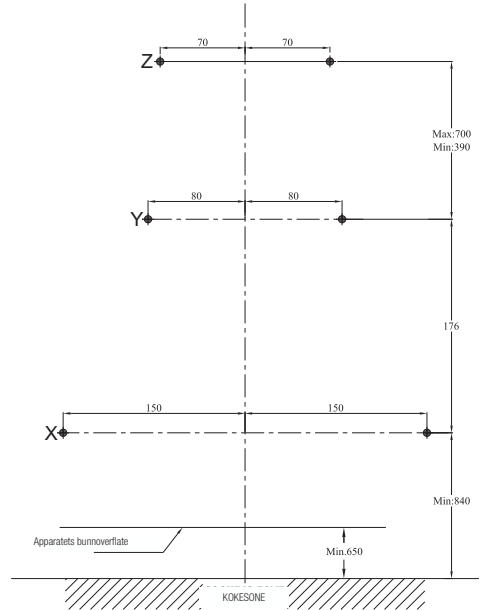
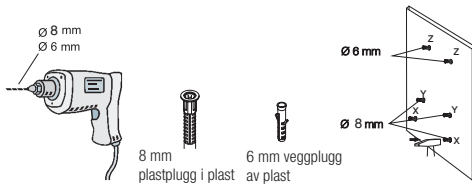
5 Installasjon av apparatet



(Figur 2-90)

5.4 Boring av hengerhullene

Fest installasjonsmalen på installasjonsplassen for kjøkkenventilatoren. Bor punktmerket med (X,Y) ved hjelp av en $\varnothing 8$ mm bit og punktmerket med (Z) ved hjelp av en $\varnothing 6$ mm bit. (Figur 3)



(Figur 3)

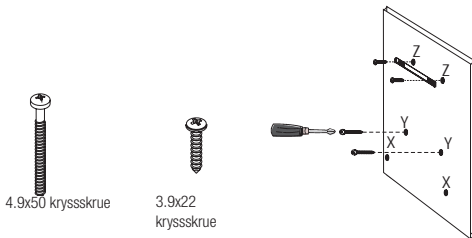
5.5 Hamring av veggpluggene

Hamre $\varnothing 8$ mm veggpluggene (X, Y) i hullene som er boret for hengeskruer. Hamre 2 x $\varnothing 6$ mm veggplugg (Z) i hullene boret med en $\varnothing 6$ mm bit for den eksterne avtrekkforbindelsesplaten. (Figur 3)

5.6 Installere hengeskruene

Installer 4,8 X50 hengeskruer i de $\varnothing 8$ mm veggpluggene (Y) du har hamret inn i vegg. Det bør være et mellomrom på 5 mm mellom skruhodet og vegg. Koble den interne avtrekkforbindelsesplaten til 6 mm veggpluggene (Z) på vegg med $\varnothing 3,9$ x22 skruer. (Figur 4)

5 Installasjon av apparatet



(Figur 4)

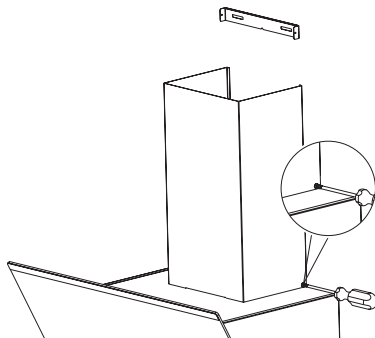
5.7 Henging av kjøkkenventilatoren på veggen

- Heng kjøkkenventilatoren på skruene du har installert i Y-hullene.
- Åpne sugevinduet på siden ved å trekke det mot deg selv. Installer skruene på 44,8 x 50 gjennom X-hullene på innsiden for å feste apparatet.

5.8 Installere kjøkkenventilatoren

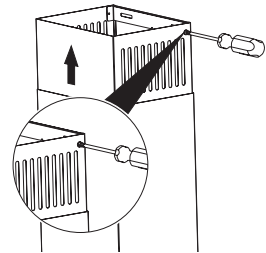
Koble produktet fra strømforsyningen før du begynner å installere avtrekket. Plasser blikkavtrekkdelene rundt kroppen.

Skrut ut det ytre avtrekket til de eksterne avtrekksforbindelsesplatene på motorhuset. (Figur 1b/5)



(Figur 5)

Trekk ut og skru inn det indre avtrekket fra ytterkantene på avtrekksforbindelsesplaten som var festet til veggen. (Figur 6).



(Figur 6)

5.9 Avtrekkforbindelse

Plasser adapteren som leveres sammen med kjøkkenventilatoren i ventilasjonshullet på toppen av ventilatoren. Skaff et rør med en diameter på 120/150 mm. Koble den ene enden av røret til adapteren og den andre enden til avtrekket. Forsikre deg om at disse to forbindelsene er sikre nok slik at de ikke løsner når ventilatoren brukes i maks. hastighet. Kontroller at klaffene inne i avtrekket fungerer når de strammes med klemmen. Monter avtrekksforbindelsesrøret på adapteren. Hvis du monterer avtrekksforbindelsesrøret inne i adapteren, vil det ikke forekomme luftsuging siden klaffene som hindrer luftstrøm vil forbli lukket. Det anbefales ikke å koble til avtrekkene forbundet med ovner eller eksosaksler. Ikke koble til slike kanaler. Rørforbindelsen må være så kort som mulig, og ha så få bøyninger som mulig.

A: Avtrekksutløpsrør

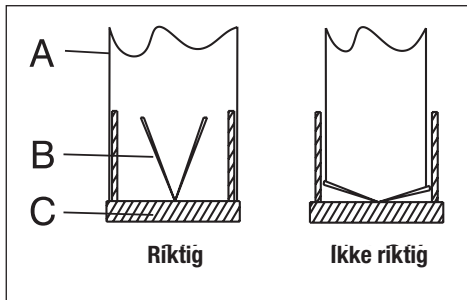
B: Klaffer som forhindrer tilbakestrømming

C: Plastavtrekk

5.10 System for forebygging av tilbakestrømming (N-RV)

Når kjøkkenventilatoren brukes, lukkes klaffene for å forhindre at lukt og støv kommer inn i omgivelsene utenfra.

5 Installasjonen av apparatet



5.11 Lagring

- Dersom du ikke har tenkt å bruke apparatet på lenge, må du lagre det nøye.
- Trekk ut støpselet før du løfter apparatet og la

det avkjøles helt.

- Oppbevar apparatet og dets tilbehør i originalemballasjen.
- Oppbevar på et kjølig, tørt sted.
- Hold apparatet alltid utilgjengelig for barn.

5.12 Håndtering og transport

- Bær apparatet i originalemballasjen under håndtering og transport. Apparatets emballasje beskytter den mot fysiske skader.
- Ikke legg store belastninger på apparatet eller emballasjen. Apparatet bli skadet.
- Hvis du mister apparatet, vil det ikke fungere eller forårsake permanent skade.

6 Feilsøking

Feilsøking	Årsak	Hjelp
Produktet fungerer ikke.	Sjekk sikringen din.	Sikringen din kan være lukket, få den til å fungere.
Produktet fungerer ikke.	Sjekk den elektriske tilkoblingen.	Netspanningen skal være mellom 220-240 V.
Produktet fungerer ikke.	Sjekk den elektriske tilkoblingen.	Sjekk om de andre produktene på kjøkkenet ditt fungerer eller ikke.
Belysningslampen fungerer ikke.	Sjekk den elektriske tilkoblingen.	Netspanningen skal være mellom 220-240 V.
Belysningslampen fungerer ikke.	Sjekk lampebryteren.	Lampebryteren skal være i «på»-posisjon.
Belysningslampen fungerer ikke.	Sjekk lampene.	Lampene til produktet skal ikke være defekte.
Luftinntaket til produktet er dårlig.	Sjekk aluminiumsfilteret.	Aluminiumsoljefilteret skal rengjøres minst én gang i måneden under normale forhold.
Luftinntaket til produktet er dårlig.	Kontroller luftehullets røykrør.	Luftehullets røykrør skal være i «på»-posisjonen.
Luftinntaket til produktet er dårlig.	Sjekk karbonfilteret.	For produkter med karbonfilter bør filteret normalt skiftes hver tredje måned.

Läs den här bruksanvisningen först!


Kära kund,

Tack för att du valt denna Beko-produkt. Vi hoppas att du får det bästa resultatet från din apparat som har tillverkats med hög kvalitet och den senaste tekniken i världsklass. Läs därför hela bruksanvisningen och alla andra medföljande dokument noga innan du använder apparaten och förvara dem som referens för framtida bruk. Om du överlämnar apparaten till någon annan, ge även instruktionsboken. Följ instruktionerna genom att uppmärksamma all information och varningar i bruksanvisningen.

Kom ihåg att denna bruksanvisning även kan gälla för flera andra modeller. Skillnader mellan modellerna är tydligt angivna i bruksanvisningen.

Symbolernas betydelse

Följande symboler används i de olika delarna av bruksanvisningen:

	Viktig information och användbara tips om användning.
--	---

	WARNING: Varningar för farliga situationer som rör säkerheten för liv och egendom.
--	---

	WARNING: Varning för brandfara.
--	--

	WARNING: Varning för elektrisk stöt.
---	---

1 Viktig säkerhets- och miljöinformation

1.1 Allmän säkerhet

Viktiga säkerhetsinstruktioner Läs noggrant och spara för framtida bruk Det här avsnittet innehåller säkerhetsinstruktioner som hjälper dig att undvika brand, elektriska stötar, exponering för läckande mikrovågsenergi, skador på person eller egendom. Om du inte följer dessa instruktioner gäller inte garantin.

- Beko-produkter efterlever tillämpliga säkerhetsstandarder och därför ska apparaten eller strömkabeln om den skadas, bytas eller lagas av en återförsäljare, ett servicecenter, en expert eller auktoriserad service, för att undvika skada. Felaktigt eller obehörigt reparationsarbete kan orsaka fara och risker för användaren.
- Denna apparat är avsedd att användas i hushåll och liknande miljöer som:
 - Personalutrymmen i butiker, kontor och andra arbetsmiljöer;
 - Bondgårdar;
 - Av kunder på hotell och andra bostadslika miljöer;
 - Miljöer som bed&breakfast.
- Använd denna apparat endast för dess avsedda syfte, enligt beskrivningen i den här bruksanvisningen.
- Tillverkaren kan inte hållas ansvarig för eventuella skador till följd av olämplig installation eller felaktig användning av produkten.
- Denna apparat får användas av barn från 8 år och uppåt, och av personer med nedsatt fysisk eller psykisk förmåga eller brist på erfarenhet och kunskap, om de under översyn har fått lära sig att använda apparaten på ett säkert sätt och är införstådda med riskerna.
- Barn får inte tillåtas leka med enheten. Rengöring och skötsel får inte utföras av barn utan övervakning.
- Minsta avståndet mellan bärytan för kokkärnen på spisen och den lägsta delen av din produkt måste vara minst 50 cm.

1 Viktig säkerhets- och miljöinformation

- Om installationsanvisningarna för gashäll anger ett större avstånd måste detta beaktas.
 - Kontrollera att nätspänningen överensstämmer med uppgifterna på apparatens märkplåt.
 - Använd aldrig apparaten om strömkabeln eller apparaten är skadad.
 - Förhindra skada på strömsladden, genom att inte klämma, böja eller skava den mot vassa kanter. Håll strömsladden borta från heta ytor och öppen eld.
 - Använd bara apparaten i ett jordat uttag.
- WARNING:** Anslut inte apparaten till elnätet innan installationen är fullbordad.
- Placera apparaten på så sätt att kontakten alltid är tillgänglig.
 - Vidrör inte vid lamporna om de har använts under lång tid. De kan bränna dina händer eftersom de kommer att vara heta.
 - Följ de föreskrifter som de behöriga myndigheterna har angett om utsläppsluft (denna varning är inte tillämplig för användning utan rökkanal).
 - Hantera apparaten när du har satt på en gryta, panna etc. på hällen. Annars kan hög värme orsaka deformation i vissa delar av din produkt.
 - Stäng av hällen innan du tar grytan, pannan etc. från den.
 - Lämna inte varm olja på hällen. Kockärl med varm olja kan orsaka självantändning.
 - Var uppmärksam på dina gardiner och överdrag eftersom olja kan fatta eld när du lagar mat som pommes frites.
 - Fettfilter måste bytas ut minst varje månad. Kolfilter måste bytas ut minst var tredje månad.
 - Produkten ska rengöras enligt bruksanvisningen. Om rengöring inte utförts i enlighet med bruksanvisningen kan det föreligga brandrisk.
 - Använd inte icke-brandbeständiga filtermaterial istället för det aktuella filtret.
 - Använd endast originaltillbehör eller de som rekommenderas av tillverkaren.

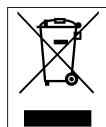
1 Viktig säkerhets- och miljöinformation

- Använd inte produkten utan filtret och ta inte bort filtren medan produkten körs.
 - I händelse av att lågor uppstår, slå av energiförsörjningen till din produkt och köksredskap.
 - I händelse av att lågor uppstår, täck lågan och använd aldrig vatten för att släcka.
 - Koppla ur apparaten innan varje rengöring och när apparaten inte används.
 - Undertrycket i miljön bör inte överstiga 4 Pa (4 x 10 bar) medan fläkten för elektrisk håll och apparater som körs på en annan typ av energi än el fungerar samtidigt.
 - I den miljö där apparaten används måste utsläppen från enheter som körs på eldningsolja eller gas, t. ex. rumsvärmare, vara helt isolerade eller så måste enheten vara hermetiskt tillsluten.
 - Vid anslutning av rökkanalen, använd rör med en diameter på 120 eller 150 mm. Röranslutningen ska vara så kort som möjligt och ha så få krökar som möjligt.
 - Risk för kvävning! Förvara allt förpackningsmaterial utom räckhåll för barn.
- FÖRSIKTIGHET:** Tillgängliga delar kan bli heta när de används med köksredskap.
- Produktuttaget får inte anslutas till luftkanaler som inkluderar annan rök.
 - Ventilationen i rummet kan vara otillräcklig när fläkten för den elektriska hällen används samtidigt med de enheter som arbetar med gas eller annat bränsle (detta är inte tillämpligt för apparater som endast släpper ut luften tillbaka i rummet).
 - Objekt placerade på produkten kan falla. Placera inga objekt på produkten.
 - Flambera ej under produkten.
- WARNING:** Innan fläkten installeras, ta bort all skyddsfilm.
- Lämna aldrig öppna lågor under fläkten när den används.
 - Fritöspannor måste övervakas under användning: överhettad olja kan antända.

1 Viktig säkerhets- och miljöinformation

1.2 Efterlevnad av WEEE-direktivet och kassering av den förbrukade produkten:

Den här produkten uppfyller kraven enligt EU:s WEEE-direktiv (2012/19/EU). Den här produkten har en klassificeringssymbol för elektriskt och elektroniskt avfall (WEEE).



Denna symbol indikerar att den här produkten inte ska kasseras med annat hushållsavfall vid slutet av dess livslängd. Använd enhet måste lämnas till en officiell insamlingsplats för återvinning av elektriska och elektroniska enheter. För att lokalisera dessa insamlingssystem, kontakta lokala myndigheter eller den återförsäljare där produkten införskaffades. Varje hushåll spelar en viktig roll vid återställning och återvinning av gamla apparater. Lämpligt bortskaftande av använda apparater hjälper till att förhindra eventuella negativa konsekvenser för miljön och människors hälsa.

1.3 Efterlevnad av RoHS-direktivet

Produkten du har köpt uppfyller kraven för EU:s RoHS-direktiv (2011/65/EU). Den innehåller inte skadliga och förbjudna material som specificerats i direktivet.

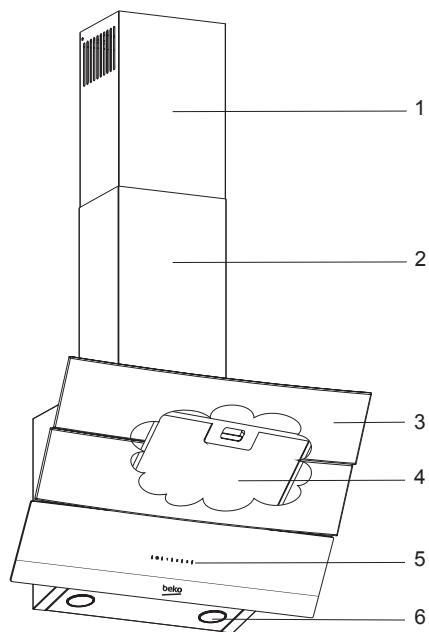
1.4 Förpackningsinformation



Produktens förpackningsmaterial är tillverkade av återvinningsbara material i enlighet med vår nationella miljölagstiftning. Kasta inte förpackningsmaterial i hushållsavfall eller annat liknande avfall. Ta dem till ett insamlingsställe för förpackningsmaterial som anvisas av lokala myndigheter.

2 Generell utseende

2.1 Översikt

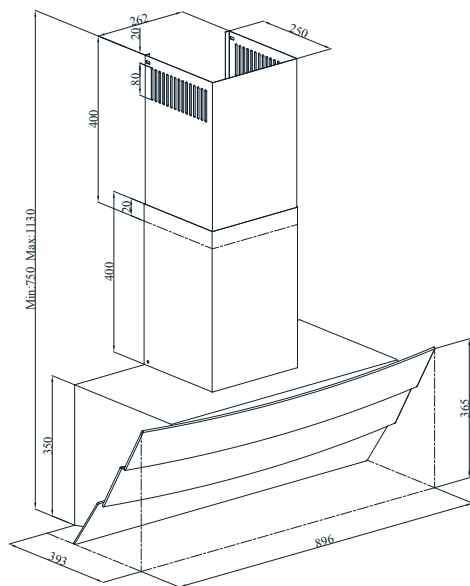


1. Inre röckanal
2. Yttre röckanal
3. Glaskåpan
4. Fettfilter (bakom glaskåpan)
5. Kontrollpanel
6. Belysning

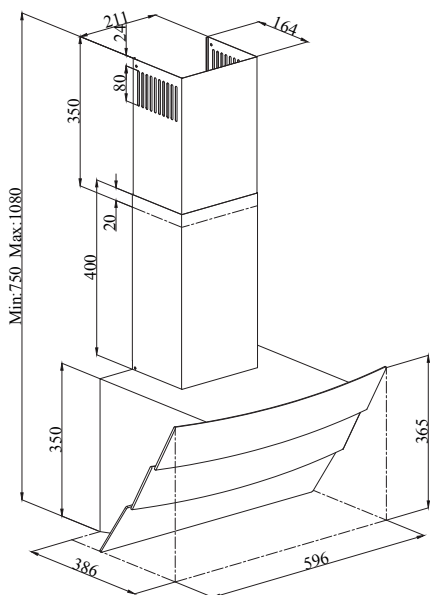
2 Generell utseende

2.2 Teknisk specifikation

	HCA62640WH HCA62640BH	HCA62540B	HCA92640WH HCA92640BH	HCA92540B
Bredd	596 mm		896 mm	
Djup	386 mm		393 mm	
Höjd	750/1080 mm		750/1130 mm	
Ingångsspänning och frekvens	220-240V ~, 50 Hz			
Kontroll	Med 3 nivåer			
Lampans effekt	2x3 W			
Luftutloppsrör	120/150 mm			
Flödeshastighet – 3. Nivå	537 m ³ /h	566 m ³ /h	577 m ³ /h	593 m ³ /h
Motoreffekt	210 W			
Totaleffekt	216 W			
Motorns isoleringsklass	Klass F			
Isoleringsklass	Klass I			




**HCA92640WH
HCA92640BH
HCA92540B**



**HCA62640WH
HCA62640BH
HCA62540B**

3 Användning av apparaten

3.1 Kontroll av apparaten

 1 2 3	
A B C D	
KNAPP	FUNKTION
A : Belysning På/Av	Matlagingsområdet kan belysas genom att trycka på denna knapp. Tryck på den här knappen för att släcka lampan.
B : 1. Steg-knapp	Apparaten används på 1:a hastighet. När denna knapp trycks in igen för att stänga av apparaten, stängs även hastighetssteget på skärmen.
C : 2. Steg-knapp	Apparaten används på 2:a hastighet. När denna knapp trycks in igen för att stänga av apparaten, stängs även hastighetssteget på skärmen.
D : 3:e Steg-knapp	Apparaten används på 3:e hastighet. När denna knapp trycks in igen för att stänga av apparaten, stängs även hastighetssteget på skärmen.

3.2 Energieffektiv användning

- Justera hastigheten under användning av apparaten enligt ång- och luktmängden för att spara energi.
- Använd låga hastigheter (1-2) under normala förhållanden och hög hastighet (3) för hög ång- och luktnivå.
- Lyset i kåpan är ämnad för belysning av matlagingsområdet.
- Användning av dem till belysning av rummet förbrukar energi i onödan och är otillräcklig.

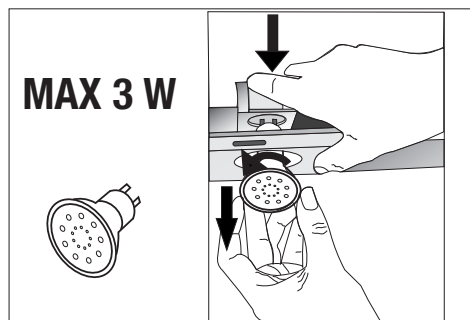
3.3 Användning av spiskåpan

- Apparaten innehåller en motor med olika hastigheter.
- Vi rekommenderar att man använder låga hastigheter i normala förhållanden och hög hastighet, när lukten och ångnivån ökar.
- Starta apparaten genom att trycka på önskad hastighetsinställningsknapp. (B, C, D).
- Matlagingsområdet kan belysas genom att trycka på lampan (A).

3.4 Automatisk avstängning


Apparaten har en automatisk avstängningsfunktion, som ventilerar rummet lite längre för att bort oönskad lukt och ånga och stängs av automatiskt, när matlagningen är färdig. För att använda den automatiska avstängningsfunktionen, tryck på en av hastighetsstegknapparna (B, C, D) på kontrollpanelen längre än 2 sekunder; 15-minuters timern aktiveras. När den automatiska avstängningsfunktionen är aktiverad, stänger tryckningen av samma hastighetsknapp av den automatiska avstängningsfunktionen och apparatens motor stannar. Funktionen avaktiveras, när du byter mellan de olika hastighetsstegen. Om du vill att apparaten stängs av automatiskt, måste den automatiska avstängningsfunktionen aktiveras igen.

3.5 Byte av lampa



3 Användning av apparaten

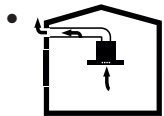
Utför apparatens elanslutningar. Apparaten använder en 3 W LED-lampa. För att byta lampan, tryck ner dess fäste från baksidan, vrid den motsols och dra ut den. Installera ny lampa i motsatt ordning.

Lampa	
Lampans effekt	3 W
Fäste/kontakt	GZ 10
Lampans spänning	220 - 240 V
Mått	53 x 50 mm
ILCOS-kod	DR/F3-220-240-GZ10-50-53
Ljusflöde	260 lm
Korrigerad färgtemperatur	3000 K

Denna produkt innehåller ljuskälla med energieffektivitetsklass "F".

- Ta bort aluminiumfettfiltret. För att installera kolfiltret, centrera den på fläktstommens plastdelens båda sidor och fäst den med flikarna. Spänn den genom att vrida till höger eller vänster.
- Byte av aluminiumfettfilter

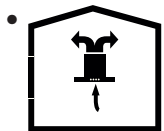
3.6 Användning med skorstensanslutning



Ångan förs bort via rökröret, som är fäst i anslutningshuvudet på kåpan.

- Rökkanalens diameter måste vara samma som anslutningsringens. I vågräta inställningar, ska röret vara riktad lätt uppåt (ca. 10°), så att luften kan lämna rummet lätt.

3.7 Användning utan skorstensanslutning



Luften filtreras genom kolfilter och returneras in i rummet. Kolfilter används, när det inte finns rökkanal i byggnaden.

- I användning utan rökkanal, ska klaffarna inuti rökkanalens adapter tas bort.

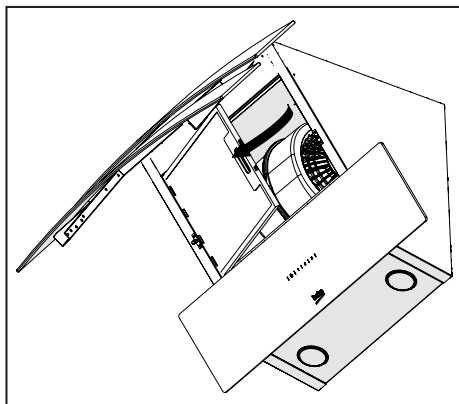
4 Rengöring och underhåll



Koppla ur apparaten ur strömförsörjningen eller koppla ur huvudbrytaren innan rengöring och underhåll.

4.1 Rengöring av aluminiumfettfiltret

Aluminiumfettfiltret används till borttagning av oljepartiklar i luften. Aluminiumfettfiltrets färg kan ändras efter upprepad rengöring. Detta är normalt och filtret behöver inte bytas.



- Tryck aluminiumfettfilterns lås framåt.
- Dra sedan försiktigt ner och ut. Annars kan filtret böjas. Tvätta och skölj aluminiumfettfiltret med flytande rengöringsmedel och installera aluminiumfettfiltret på plats, genom att utföra ovan specificerade steg i omvänd ordning. Dessa aluminiumfettfilter används till borttagning av oljepartiklar i luften.



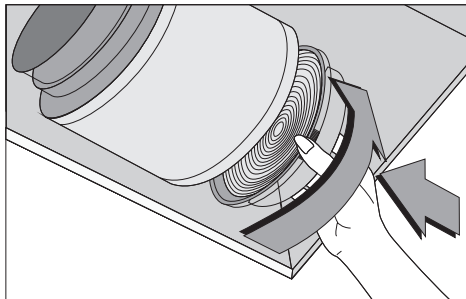
Aluminiumfettfiltret kan även tvättas i diskmaskin.



FARA: Under normal användning ska aluminiumfettfiltret tvättas en gång i månaden.

4.2 Byte av kolfiltren

Anti-luftfilter innehåller kol (aktivt kol). Oberoende om ett kolfilter används eller inte, måste aluminiumfilter alltid installeras.



- Avlägsna aluminiumfiltren.
- För att ta bort kolfiltret, vrid flikarna motsols och lossa filtret.
- Installera det nya kolfiltret.
- Installera aluminiumfiltren.

FARA:



- Kolfiltret ska aldrig rengöras.
- Byt kolfiltret var 3:e månad.
- Kolfiltret kan köpas från auktoriserad service.

5 Installation av apparaten



VARNING: Läs säkerhetsinformationen i bruksanvisningen, innan installationen påbörjas.

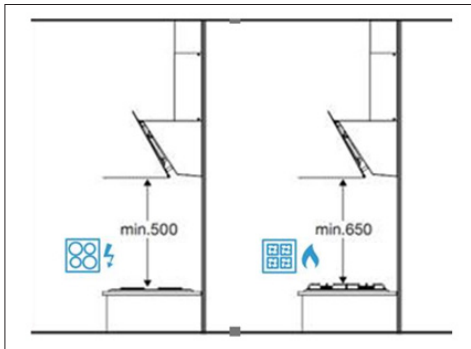


VARNING: Om skruvar eller fixeringsanordningar inte installeras enligt dessa instruktioner, kan det orsaka elchock.

Kontakta närmaste auktoriserad service för att installera spiskåpan.

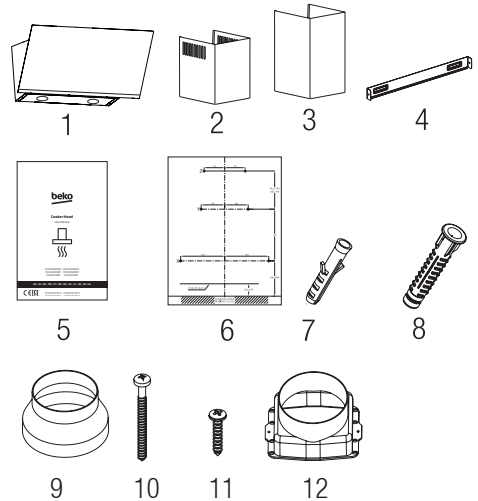
Det är kundens ansvar att preparera spiskåpan installationsplats och elinstallationer.

5.1 Apparats position



- Med alla spisfläkstyper är installationsdistansen med gas- och elhällar minst 650 mm. Med **lutande spisfläktar** är installationsdistansen med **elähäll** minst 500.
- Avståndet ska mätas från gallrets yta på gashällar, från glasytan på elhällar.

5.2 Installationsutrustning



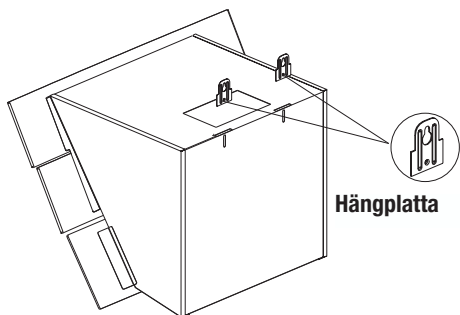
1. Produkt
2. Inre rökkanal
3. Yttre rökkanal
4. Skorstenens anslutningsplatta
5. Användarmanual
6. Installationsmönster
7. Ø6 mm plastväggplugg
8. Ø8 mm plastväggplugg
9. Ø150/120 mm rökkanalens plastadapter
10. 4,9 x 50 Stjärnskruv
11. 3,9 x 22 Stjärnskruv
12. Ø150 mm plaströkkanal

Informationen angående förberedelse av spiskåpan installationsplats har angivits nedan.

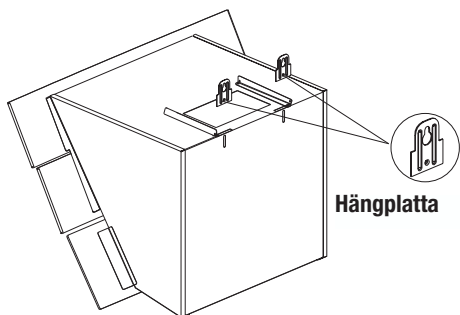
5.3 Kåpan installering i väggen

För att installera kåpan i väggen, lossa på hängplattornas skruvar i motorkåpan och dra plattorna uppåt. Dra sedan åt hängplattornas skruvar. (Bild 1a).

5 Installation av apparaten

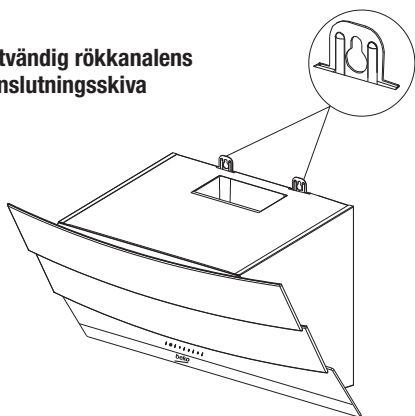


(Bild 1a-60)



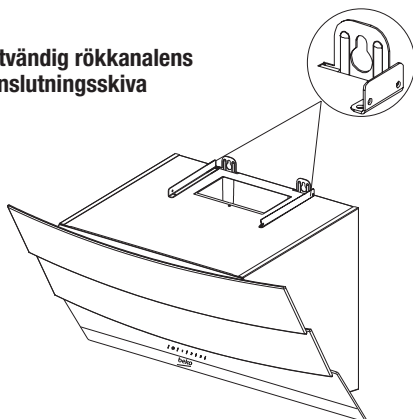
(Bild 1a-90)

Utvändig rökkanalens
anslutningsskiva



(Bild 1b-60)

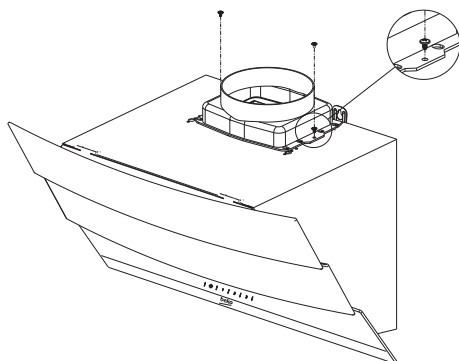
Utvändig rökkanalens
anslutningsskiva



(Bild 1b-90)

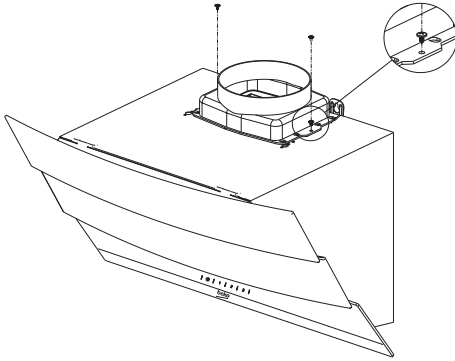
Fäst \varnothing 150 mm rökkanalens plastadapter på stommens överdel med i installationstillbehören medföljande 3.5x9.5 skruvar (Bild 2).

Om du använder \varnothing 120 mm rökkanal, installera \varnothing 120 mm rökkanaladapter på den.



(Bild 2-60)

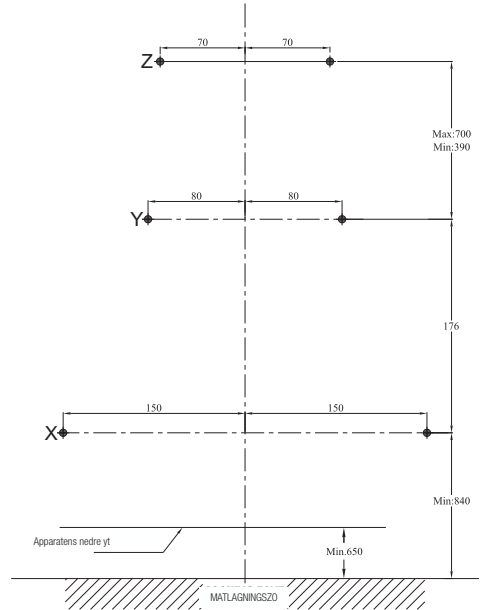
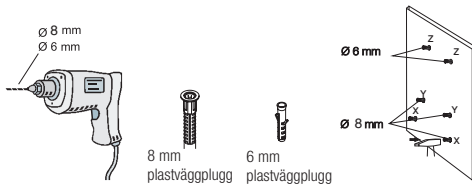
5 Installation av apparaten



(Bild 2-90)

5.4 Borring av hängarens håll

Fäst installationsmallen på kåpens installationsplats. Borra i punkterna markerade (X,Y) med en \varnothing 8 mm borr och punkterna märkta (Z) med en \varnothing 6 mm borr. (Bild 3)



(Bild 3)

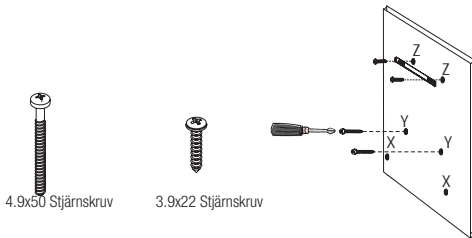
5.5 Montering av väggpluggen

Slå in \varnothing 8 mm väggpluggarna (X,Y) i de för hängskruvarna borrarade hålen med hammare. Slå in 2 x \varnothing 6 mm väggpluggar (Z) i de med \varnothing 6 mm borrarade hålen för den externa rökkanalens platta. (Bild 3)

5.6 Montering av hängskruvarna

Installera 4,8 X50 hängskruvarna i \varnothing 8 mm väggpluggar (Y), som slagits in i väggen. 5 mm mellanrum måste finnas mellan skruvhuvud och vägg. Anslut den interna rökkanalens anslutningsplatta i 6 mm väggpluggarna (Z) i väggen med \varnothing 3,9 x22 skruvar. (Bild 4)

5 Installation av apparaten



(Bild 4)

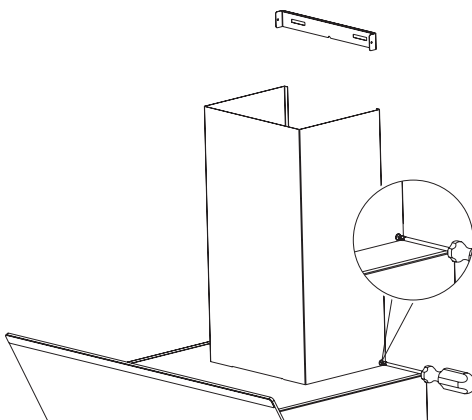
5.7 Kåpens hängning i väggen

- Häng kåpan på de i Y-hålen installerade skruvarna.
- Öppna kåpens sidosuglucka genom att dra det mot dig själv. Installera 44.8 x 50 skruvarna genom X-hålen på insidan, för att fästa apparaten.

5.8 Installering av kåpens rökkanal

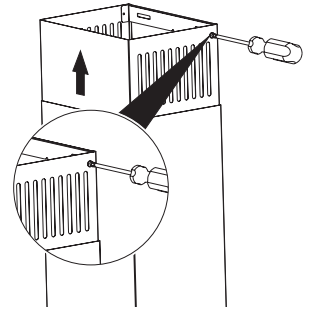
Koppla ur apparaten från strömförsörjningen innan rökkanalens installation påbörjas. Montera rökkanalens metalldelar runt stommen.

Skruva den externa rökkanalen i de utvändiga rökkanalens anslutningsplattor i motorkåpan. (Bild 1b/5)



(Bild 5)

Förläng och skruva den interna rökkanalen från dess ytterkant i rökkanalens anslutningsplatta, som har fästs i väggen. (Bild 6).



(Bild 6)

5.9 Rökkanalsanslutning

Placera den med kåpan medföljande adaptern i ventilationsöppningen i kåpens övre sektion. Ta fram ett rör med diameter 120/150 mm. Anslut rörets ena ände till adaptern och andra ände i rökkanalen. Se till att dessa anslutningar är ordentligt åtdragna, så att de inte lossnar när kåpan används på max. hastighet. Kontrollera att klaffarna på insidan av rökkanalen fungerar, när de dras åt med klämman. Montera rökkanalsanslutningen i adaptern. Om rökkanalens anslutningsrör installeras på insidan av adaptern sker inte utsugning av luften, då klaffarna som förhindrar luftens återflöde, hålls stängda. Vi rekommenderar inte att anslutning till rökkanal görs, om den är ansluten till ugn eller skorstenar. Gör inte anslutning till dessa rökkanaler. Röranslutningen ska vara så kort som möjligt och ha så få böjar som möjligt.

A: Rökutloppsrör

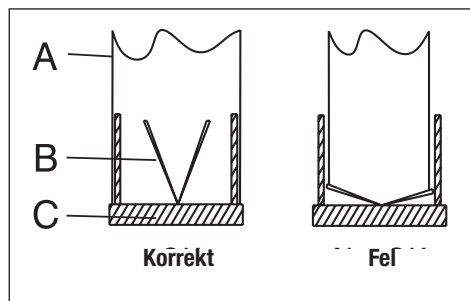
B: Klaffar som förhindrar återflöde

C: Plaströkkanal

5 Installation av apparaten

5.10 System för förhindrande av återflöde (N-RV)

Klaffarna är stängda när kåpan används för att förhindra möjliga lukter och damm från att komma in i rummet utifrån.



5.11 Förvaring

- Om apparaten inte används under en längre tid ska den förvaras korrekt och skyddat.
- Se till att apparaten är bortkopplad, nedkyld och helt torr.
- Förvara apparaten på en sval och torr plats.
- Förvara enheten utom räckhåll för barn

5.12 Hantering och transport

- Bär apparaten i originalförpackningen vid hantering eller transport. Apparatsens förpackning skyddar mot fysiska skador.
- Placera inga tunga laster på apparaten eller förpackningen. Apparaten kan skadas.
- Om man råkar tappa apparaten blir den icke-operativ och man orsakar permanenta skador.

6 Felsökning

Felsökning	Orsak	Hjälp
Produkten fungerar inte.	Kontrollera säkringen.	Säkringen kan vara utlöst, returnera den.
Produkten fungerar inte.	Kontrollera elanslutningen.	Nätspänningen ska vara mellan 220-240 V.
Produkten fungerar inte.	Kontrollera elanslutningen.	Kontrollera om andra produkter i köket fungerar.
Lampan fungerar inte.	Kontrollera elanslutningen.	Nätspänningen ska vara mellan 220-240 V.
Lampan fungerar inte.	Kontrollera lampans brytare.	Lampans brytare ska vara i "on" position.
Lampan fungerar inte.	Kontrollera lamporna.	Produktens lampor ska inte vara felaktiga.
Produktens luftintag är lågt.	Kontrollera aluminiumfiltret.	Aluminiumoljefiltret ska rengöras minst en gång i månaden under normala förhållanden.
Produktens luftintag är lågt.	Kontrollera ventilationskanalen.	Ventilationskanalen ska vara i "on" position.
Produktens luftintag är lågt.	Kontrollera kolfiltret.	Produkter med kolfilter, ska filtren bytas ut normalt vart 3. månad.

Lue ensin tämä käyttöopas!

Hyvä asiakas,

Kiitos, että hankit Beko-laitteen. Tämä laite on valmistettu korkealaatuisia materiaaleja ja innovatiivista teknologiaa hyödyntäen, ja toivomme, että nautit sen käytöstä. Lue tämä käyttöopas ja kaikki muut laitteen mukaan toimitetut asiakirjat huolellisesti ennen laitteen käytön aloittamista ja säilytä ne mahdollista myöhempää tarvetta varten. Jos laite luovutetaan jollekin kolmannelle osapuolelle, luovuta tämä käyttöopas sen mukana. Noudata ohjeita ja kiinnitä huomiota kaikkiin käyttöoppaassa annettuihin tietoihin ja varoituksiin.

Ota huomioon, että tämä käyttöopas voi käsittää useita muitakin malleja. Mallikohtaiset erot esitetään käyttöoppaassa selvästi.

Symbolien selitykset

Tässä käyttöoppaassa on käytetty seuraavia symboleja:



Tärkeää tietoa ja tuotteen käyttöä koskevia hyödyllisiä vinkkejä.



VAROITUS: Henkilö- tai omaisuusvahinkojen vaaran aiheuttavia tilanteita koskeva varoitus.



VAROITUS: Tulipalovaaraa koskeva varoitus.



VAROITUS: Sähköiskun vaaraa koskeva varoitus.



**KIERRÄTETTY JA
KIERRÄTETTÄVÄ
PAPERI**

1.1 Yleinen turvallisuus

Tärkeitä turvallisuutta koskevia ohjeita – lue huolellisesti ja säilytä mahdollista myöhempää tarvetta varten

Tämä osio sisältää turvallisuusohjeita, jotka auttavat suojaamaan tulipalon, sähköiskun, mikroaalto-säteilyvuodon, henkilö- tai omaisuusvahinkojen varalta. Näiden ohjeiden noudattamatta jättäminen mitätöi takuun.

- Beko-tuotteet ovat kaikkien soveltuvien turvallisuusstandardien mukaisia. Jos laite tai sen verkkojohto on vaurioitunut, laite tulee vaihtaa tai korjata jälleenmyyjän, huoltokeskuksen tai valtuutetun sähköasentajan tai huoltoliikkeen toimesta vaaran välttämiseksi. Väärin tehty tai valtuuttamaton korjaus voi olla vaarallista ja aiheuttaa käyttäjälle vaaran.
- Tämä laite on tarkoitettu käytettäväksi kotitalouksissa ja muissa vastaavissa ympäristöissä, kuten:
 - henkilökunnan keittiötiloissa myymälöissä, toimistoissa ja muissa työympäristöissä;

- maataloilla;
- hotelleissa ja muissa vastaavissa majoitustiloissa asiakkaiden käytössä;
- aamiaismajoitusta tarjoavissa kohteissa.

- Käytä laitetta vain sille suunniteltuun käyttötarkoitukseen tässä käyttöoppaassa kuvatulla tavalla.
- Valmistaja ei ole vastuussa mistään vahingoista joita aiheutuu tuotteen väärästä tai epäasianmukaisesta asennuksesta tai väärinkäytöstä.
- Tätä laitetta voivat käyttää 8-vuotiaat ja sitä vanhemmat lapset sekä sellaiset henkilöt, joiden fyysiset, aistinvaraiset tai henkiset kyvyt ovat alentuneet, tai joilla ei ole aikaisempaa kokemusta tai tietoa laitteen käytöstä, jos heidän käyttöönsä valvotaan tai jos he ovat saaneet ohjeistusta koskien laitteen turvallista käyttötapaa, ja ymmärtävät sen käyttöön liittyvät vaarat.
- Lasten ei saa antaa leikkiä laitteella. Lasten ei tule antaa suo-

rittaa puhdistusta tai huoltoa ilman aikuisten valvontaa.

- Asennetun tuotteen matalimman kohdan täytyy olla vähintään 50 cm:n etäisyydellä liedellä olevan keittoastian tukipinnasta.
- Jos kaasulieden asennusohjeissa mainitaan tätä suurempi etäisyys, sitä on noudatettava.
- Varmistu siitä että verkkovirran jännite vastaa laitteen tyyppikilvessä annettuja arvoja.
- Älä koskaan käytä laitetta, jos laite tai sen verkkojohto on vaurioitunut.
- Älä purista tai taivuta virtajohtoa tai anna sen hankautua teräviä reunoja vasten, jotta se ei vahingoitu. Pidä verkkojohto kaukana kuumista pinnoista ja avotulesta.
- Kytke laite ainoastaan maadoitettuun pistorasiaan.

VAROITUS: Älä liitä laitetta verkkovirtaan, ennen kuin asennus on suoritettu loppuun.

- Sijoita laite niin, että sen pistoke on aina vapaasti saatavilla.
- Älä koske liesituulettimen valaisimiin, kun ne ovat olleet käy-

tössä pitkään. Kuumentuneet lamput voivat polttaa kättä.

- Noudata toimivaltaisen viranomaisen antamia määräyksiä poistoilman käsittelystä (tämä varoitus ei koske käyttöä ilman hormia).
- Käynnistä laite, kun liedelle on asetettu kattila, pannu tai muu keittoastia. Muuten kuumuus voi saada tuotteen joitakin osia vääntymään.
- Sammuta liesi, ennen kuin nostat keittoastian liedeltä.
- Älä jätä kuumaa öljyä liedelle. Keittoastian kuuma öljy voi syttyä palamaan.
- Kiinnitä huomiota lähellä oleviin verhoihin ja kankaisiin, sillä öljy voi syttyä palamaan esimerkiksi uppopaistettaessa ranskanperunoita.
- Rasvasuodatin täytyy vaihtaa vähintään kuukausittain. Hiilisuodatin täytyy vaihtaa vähintään kolmen kuukauden välein.
- Tuotteen puhdistuksessa on noudatettava käyttöoppaan ohjeita. Käyttöoppaan ohjeiden

laiminlyönti puhdistuksessa voi aiheuttaa palovaaran.

- Mukana tuleva suodatin voidaan vaihtaa ainoastaan palosuojattuun suodattimeen.
- Käytä vain alkuperäisiä tai valmistajan suosittelemia lisävarusteita.
- Älä käytä tuotetta ilman suodatinta äläkä irrota suodattimia tuotteen ollessa käynnissä.
- Jos liedellä leimahtaa, katkaise virta tuotteesta ja liedestä.
- Jos liedellä leimahtaa, tukahduta liekki – älä käytä vettä sen sammuttamiseen.
- Irrota laite pistorasiasta aina ennen puhdistamista sekä laitteen ollessa poissa käytöstä.
- Tilan alipaine ei saa olla korkeampi kuin 4 Pa (4 x 10 bar), kun sähkölieden liesituuletin ja muulla energialla kuin sähköllä toimivat laitteet ovat käytössä samanaikaisesti.
- Jos laitteen käyttöympäristössä käytetään polttoöljyllä tai kaasulla toimivia lämmittimiä tai muita laitteita, on ehdottoman

tärkeää, että niiden pakokaasunpoisto on erotettu tai että ne ovat hermeettisesti suljettuja.

- Hormin liittämiseen täytyy käyttää putkea, jonka halkaisija on 120 tai 150 mm. Putkiliitännän tulee olla mahdollisimman lyhyt ja sisältää mahdollisimman vähän mutkia.
- Tukehtumisvaara! Säilytä kaikki pakkaustarvikkeet lasten ulottumattomissa.

HUOMIO: Näkyvillä olevat osat voivat kuumentua keittolaitteen käytön aikana.

- Tuotteen poistoaukkoa ei saa liittää ilmakehään, jossa liikkuu muuta savua.
- Huoneen ilmanvaihto ei välttämättä riitä, kun sähkölieden liesituuletinta käytetään samanaikaisesti kaasulla tai muilla polttoaineilla toimivien laitteiden kanssa (tämä ei välttämättä koske laitteita, jotka vain palauttavat ilman takaisin huoneeseen).
- Tuotteen päälle asetetut esineet voivat pudota. Älä aseta mitään esineitä tuotteen päälle.

- Älä liekitä (flambeeraa) ruokaa tuotteen alla.

VAROITUS: Poista suojakalvot ennen liesituulettimen asentamista.

- Liedellä ei saa olla korkeita avo- liekkiä liesituulettimen ollessa toiminnassa.
- Syviä rasvakattiloita on valvottava jatkuvasti käytön aikana. Ylikuumentunut öljy voi syttyä palamaan.

1.2 WEEE-direktiivin noudattaminen ja laitteen hävittäminen:

Tämä tuote täyttää Euroopan unionin WEEE-direktiivin (2012/19/EU) vaatimukset. Tuotteella on sähkö- ja elektroniikkalaiteromun (SER) luokitusmerkintä.



Merkintä ilmaisee, että tuotetta ei tule hävittää tavanomaisen kotitalousjätteen mukana sen käyttöään päätyttyä. Käytetty laite on toimitettava sähkö- ja elektroniikkalaitteiden viralliseen kierrätyspisteeseen.

Tietoja paikallisista kierrätyspisteistä saat paikallisilta viranomaisilta ja myymälästä, josta tuote on ostettu. Kotitalouksilla on tärkeä rooli vanhojen laitteiden keräämisessä ja kierrättämisessä. Kun hävität käytetyt laitteet asianmukaisella tavalla, olet mukana torjumassa niistä aiheutuvia mahdollisia ympäristö- ja terveyshaittoja.

1.3 RoHS-direktiivin noudattaminen

Tämä tuote täyttää Euroopan unionin RoHS-direktiivin (2011/65/EU) vaatimukset. Se ei sisällä direktiivissä määriteltyjä haitallisia ja kiellettyjä aineita.

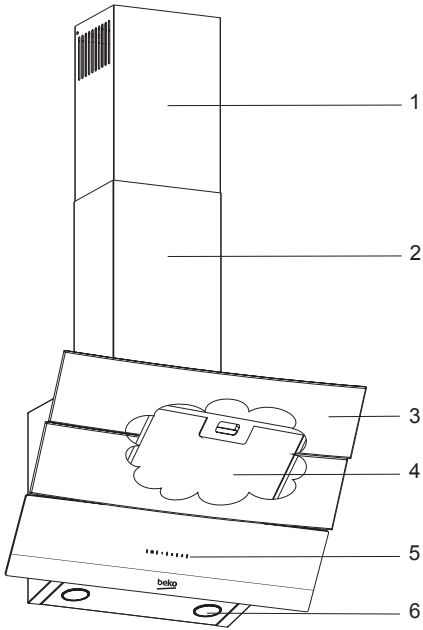
1.4 Pakkaustiedot



Tuotteen pakkausmateriaalit on valmistettu kierrätettävistä materiaaleista kansallisten ympäristömääräysten mukaisesti. Älä hävitä pakkausmateriaaleja kotitalousjätteen tai muiden jätteiden mukana. Toimita pakkausmateriaalit paikallisten viranomaisten hyväksymään keräyspisteeseen.

2 Yleinen ulkomuoto

2.1 Yleiskuva

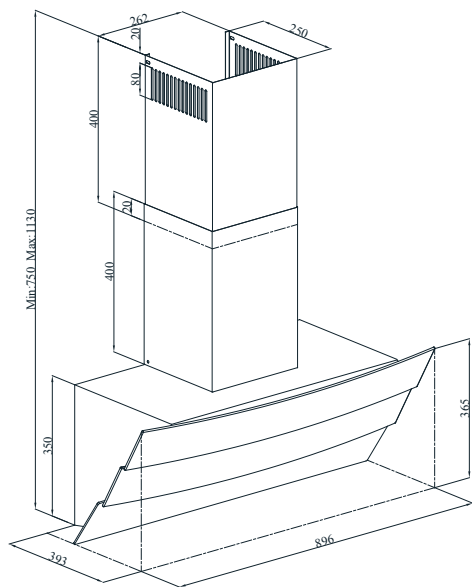


1. Sisempi savupiippu
2. Ulompi savupiippu
3. Rasvasuodatin (lasikannen takana)
4. Ohjauspaneeli
5. Valaistus

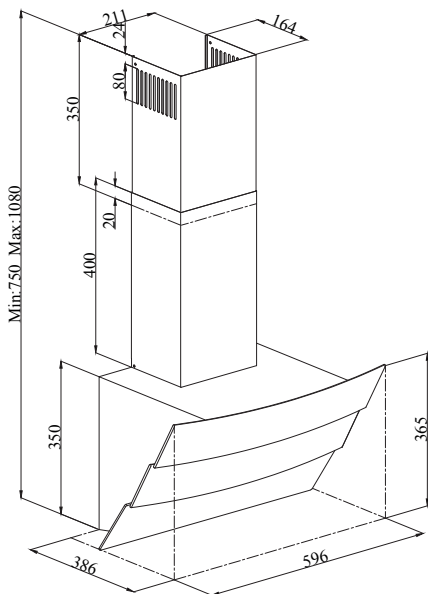
2 Yleinen ulkomuoto

2.2 Tekniset tiedot

	HCA62640WH HCA62640BH	HCA62540B	HCA92640WH HCA92640BH	HCA92540B
Leveys	596 mm		896 mm	
Syvyys	386 mm		393 mm	
Korkeus	750/1080 mm		750/1130 mm	
Syöttöjännite ja taajuus	220-240V ~, 50 Hz			
Ohjaus	3 tasoa			
Lampun teho	2x3 W			
Ilmanpoistoputki	120/150 mm			
Virtausnopeus – 3. Taso	537 m³/h	566 m³/h	577 m³/h	593 m³/h
Moottorin teho	210 W			
Kokonaisteho	216 W			
Moottorin eristysluokka	Luokka F			
Eristysluokka	Luokka I			



**HCA92640WH
HCA92640BH
HCA92540B**



**HCA62640WH
HCA62640BH
HCA62540B**

3 Laitteen käyttö

3.1 Laitteen ohjaus

	1	2	3
A	B	C	D
KEY	FUNCTION		
A : Valaistus päälle/pois	Keittoalueelle saa valon painamalla tätä näppäintä. Paina uudelleen valaistuksen sammuttamiseksi.		
B : 1. vaiheen painike	Käyttää laitetta 1. nopeudella. Kun tätä painiketta painetaan uudelleen laitteen sammuttamiseksi, sammuu nopeusvaiheen näyttö.		
C : 2. vaiheen painike	Käyttää laitetta 2. nopeudella. Kun tätä painiketta painetaan uudelleen laitteen sammuttamiseksi, sammuu nopeusvaiheen näyttö.		
D : 3. vaiheen painike	Käyttää laitetta 3. nopeudella. Kun tätä painiketta painetaan uudelleen laitteen sammuttamiseksi, sammuu nopeusvaiheen näyttö.		

3.2 Energiatehokas käyttö

- Säädä nopeus höyryn ja hajun mukaan laitteen käytön aikana energian säästämiseksi.
- Käytä alhaisia nopeuksia (1-2) normaaleissa olosuhteissa ja korkeaa nopeutta (3), jos höyryä ja hajua esiintyy enemmän.
- Liesituulettimen valot on tarkoitettu keittoalueen valaisemiseen.
- Niiden käyttö huoneen valaistukseen kuluttaa energiaa turhaan ja antaa riittämättömän valaistuksen.

3.3 Liesituulettimen käyttö

- Laitteessa on moottori eri nopeuksilla.
- Suoritustehon parantamiseksi, käytä alhaisia nopeuksia normaaleissa olosuhteissa ja korkeaa nopeutta, jos höyryä ja hajua esiintyy enemmän.
- Käynnistä laite painamalla haluttua nopeuden asetuspainiketta. (B, C, D).

- Keittoalueelle saa valon painamalla lampun (A).

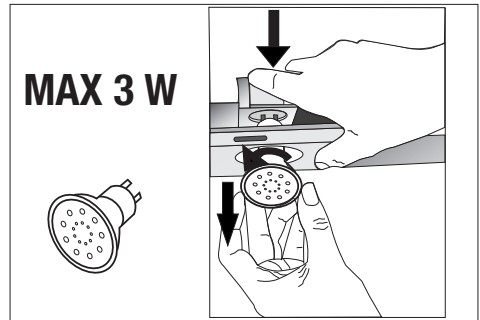
3.4 Automaattinen pysäytys

Laitteessa on automaattinen pysäytystoiminto, jolla laite toimii hieman kauemmin hajujen ja höyryn poistamiseksi huoneesta ja sammuu automaattisesti ruoanlaiton päätyttyä. Automaattisen pysäytystoiminnon käyttämiseksi, paina yhtä nopeusvaihepainikkeista (B, C, D) ohjauspaneelissa yli 2 sekuntia: 15 minuutin ajastin aktivoituu. Kun automaattinen pysäytystoiminto on aktivoitu, saman painikkeen painaminen sammuttaa automaattisen pysäytystoiminnon ja laitteen moottori pysähtyy. Tämä toiminto pysähtyy myös, kun eri nopeusvaihe valitaan. Jos haluat laitteen pysähtyvän automaattisesti, ota automaattinen pysäytystoiminto käyttöön uudelleen.

Metallisuodattimien säännöllinen puhdistus

Suodattimet on puhdistettava noin 60 käyttötunnin tai 4 viikon välein käyttötiheydestä riippuen.


3.5 Lampun vaihto



Tee tuotteen sähköliittännät. Laitteessa on 3 W LED-lamppu. Lamppujen vaihtamiseksi, paina lampun pidikettä alaspäin sen takapuolelta, kierre sitä hieman vastapäivään ja poista se ulospäin. Asenna uusi lamppu päinvastaisessa järjestyksessä.



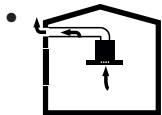
Voit hankkia lamput valtuutetuilta huoltoedustajilta.

Polttimo	
Polttimon teho	3 W
Pidike/pistoke	GZ 10
Polttimon jännite	220 - 240 V
Koko	53 x 50 mm
ILCOS-koodi	DR/F3-220-240-GZ10-50-53
Valovirta	260 lm
Korjattu väriämpötila	3000 K

Tämä tuote sisältää valolähteen energiatehokkuusluokalla "F".

- Poista alumiininen rasvasuodatin Asenna hiilisuodatin sijoittamalla kielekkeisiin keskittämällä se tuulettimen rungon molemmilla puolilla olevaan muovikappaleeseen. Kiristä se kiertämällä vasemmalle tai oikealle.
- Vaihda alumiininen rasvasuodatin.

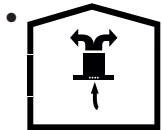
3.6 Käyttö savupiippuliitännän kanssa



Höyry poistuu liesituulettimen liitospähän kiinnitetyn hormiputken kautta.

- Hormiputken halkaisijan on oltava sama kuin liitäntärenkaan. Vaaka-asennuksissa, putken on oltava kallistettu hieman ylöspäin (n. 10°), jotta ilma poistuisi huoneesta helposti.

3.7 Käyttö ilman savupiippuliitäntää



Hiilisuodatin suodattaa ilman, jonka jälkeen se palautetaan huoneeseen. Hiilisuodatinta käytetään, jos asunnossa ei ole hormia.

- Käytössä ilman hormia, poista läpät hormisovittimen sisältä.

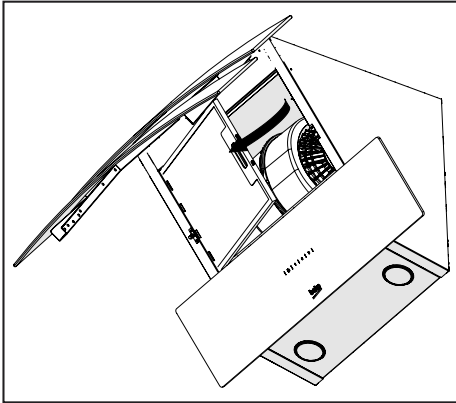
4 Puhdistus ja huolto



Irrota laite virransyötöstä tai kytke kytkin pois päältä, ennen puhdistusta tai huoltoa.

4.1 Alumiinisen rasvasuodattimen puhdistus

Alumiinista rasvasuodatinta käytetään öljyhiukkasten poistoon ilmasta. Alumiinisen rasvasuodattimen väri voi muuttua toistuvan puhdistuksen jälkeen. Tämä on normaalia, eikä suodattimia tarvitse vaihtaa.



- Työnnä alumiinisen rasvasuodattimen lukkoa eteenpäin.
- Vedä sitten hieman alas ja sitten ulos. Muut toimet saattavat vääntää suodatinta. Pese ja huuhtele alumiininen rasvasuodatin nestemäisellä pesuaineella ja asenna se paikalleen suorittamalla yllä kuvatut vaiheet päinvastaisessa järjestyksessä. Alumiinisia rasvasuodattimia käytetään öljyhiukkasten poistoon ilmasta.



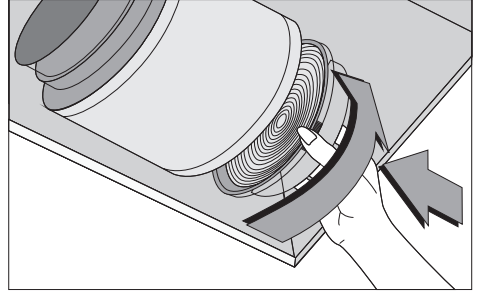
Alumiininen rasvasuodatin voidaan pestä astianpesukoneessa.



HUOMIO: Normaalisessa käytössä alumiininen rasvasuodatin tulee pestä kerran kuukaudessa.

4.2 Hiilisuodattimien vaihto

Kärynpoistosuodattimet sisältävät hiiltä (aktiivihiihi). Aktiivihiihiisuodattimien käytöstä riippumatta, alumiinisuodattimet tulee aina olla asennettuna.



- Irrota alumiinisuodattimet.
- Irrottaaksesi aktiivihiihiisuodattimen, käännä kiekkeitä vastapäivään ja irrota suodatin.
- Asenna uusi aktiivihiihiisuodatin.
- Asenna alumiinisuodattimet.

HUOMIO:



- Hiilisuodatinta ei saa koskaan pestä.
- Vaihda hiilisuodattimet 3 kuukauden välein.
- Hiilisuodatin voidaan hankkia valtuutetusta huoltoyrityksestä.

5 Laitteen asennus



VAROITUS: Lue käyttöohjeessa olevat turvaohjeet, ennen asennuksen aloittamista.

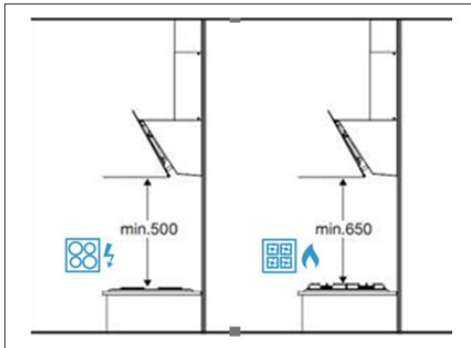


VAROITUS: Jos ruuveja tai kiinnityslaitetta ei asenneta näiden ohjeiden mukaan, voi se johtaa sähköiskuvaaraan.

Ota yhteys lähimpään valtuutettuun huoltoon liesituulettimen asentamiseksi.

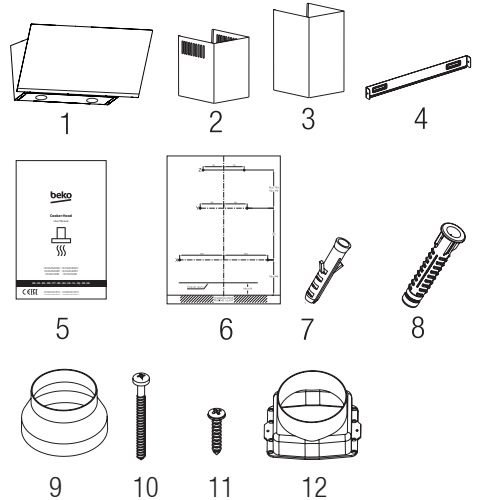
Asiakkaan vastuulla on valmistella liesituulettimen asennuspaikka ja sähköliittännät.

5.1 Laitteen sijoitus



- Kaikilla liesituulettintyypeillä asennusetäisyys kaasu- ja sähköliedellä on vähintään 650 mm. **Kallistetuilla liesituulettimilla**, asennusetäisyys **sähköliedellä** on vähintään 500 mm.
- Etäisyys mitataan ritilän pinnasta kaasuliesissä, lasipinnasta sähköliesissä.

5.2 Asennustarvikkeet

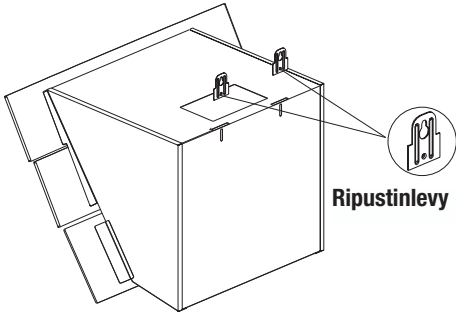


1. Tuote
 2. Sisempi savupiippu
 3. Ulompi savupiippu
 4. Savukanavan liitäntälevy
 5. Käyttöopas
 6. Asennusmalli
 7. Ø6 mm muovitulppa
 8. Ø8 mm muovitulppa
 9. Ø150/120 mm muovinen hormin sovitin
 10. 4,9 x 50 ruuvi
 11. 3,9 x 22 ruuvi
 12. Ø150 mm muovinen hormi
- Sopiva liesituulettimen asennuspaikka on kuvattu alla.

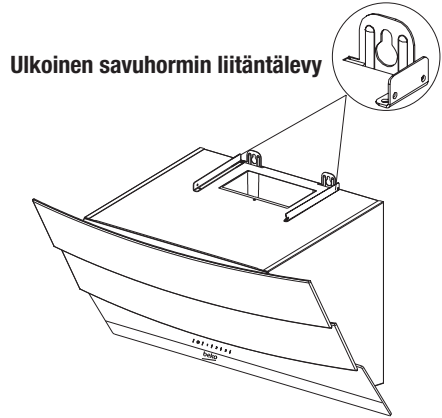
5.3 Liesituulettimen asennus seinään

Asenna liesituuletin seinään löysäämällä moottorikotelon ripustuslevyjien ruuvit ja vetämällä levyjä ylöspäin. Kiristä sitten ripustuslevyjien ruuvit. (Kuva 1a).

5 Laitteen asennus



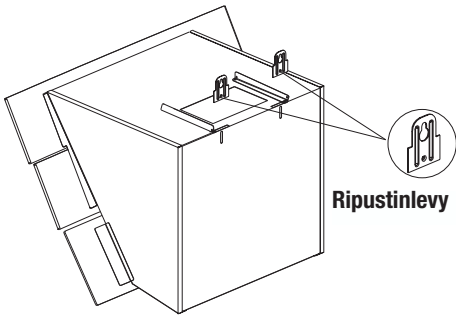
(Kuva 1a-60)



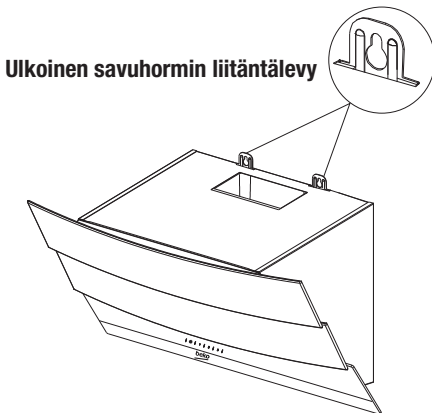
(Kuva 1b-90)

Kiinnitä 150 mm muovinen hormiadapteri rungon yläosaan asennustarvikkeiden mukana toimitetulla 3,5x9,5 ruuvilla (Kuva 2).

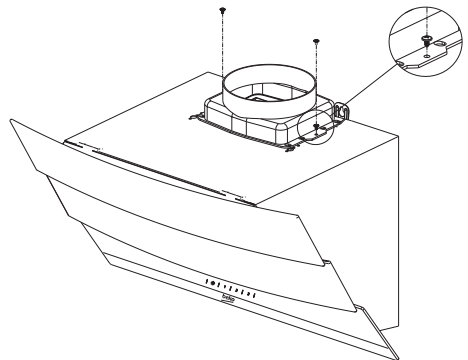
Jos käytät Ø 120 mm hormiputkea, asenna siihen Ø 120 mm hormiadapteri.



(Kuva 1a-90)

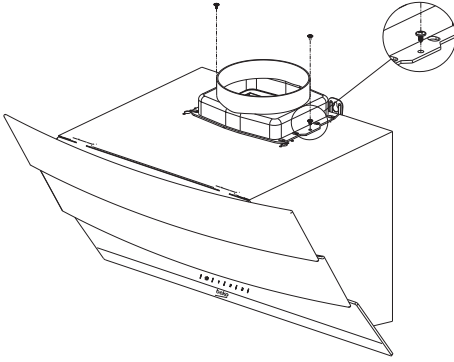


(Kuva 1b-60)



(Kuva 2-60)

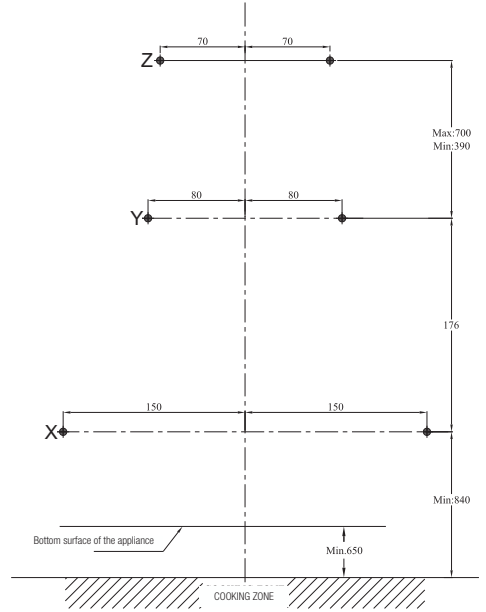
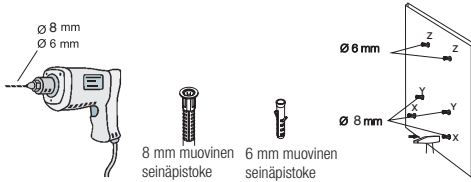
5 Laitteen asennus



(Kuva 2-90)

5.4 Ripustimen reikien poraus

Kiinnitä asennusmalli liesituulettimen asennuspaikkaan. Pora pistemerkinnät (X,Y) Ø8 mm:n terällä ja pistemerkinnät (Z) Ø6 mm:n terällä. (Kuva 3)



(Kuva 3)

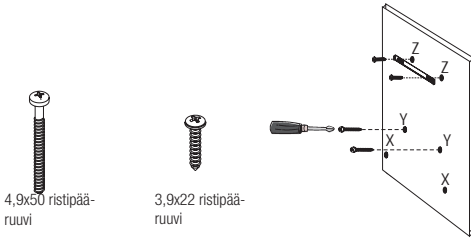
5.5 Seinätulppien vasarointi

Vasara Ø8 mm seinätulpat (X,Y) ripustusruuveille porattuihin reikiin. Vasara 2 x Ø6 mm seinätulppaa (Z) ulkoisen hormiliitoslevyn Ø6 mm:n terällä porattuihin reikiin. (Kuva 3)

5.6 Ripustinruuvien asennus

Asenna 4,9x50 ripustusruuvit Ø 8 mm:n seinätulppaan (Y), jonka olet vasaroinut seinään. Ruuvin kannan ja seinän välissä tulee olla 5 mm rako. Liitä sisähormin liitäntälevy 8 mm:n seinäpistokkeisiin (Z) seinässä Ø3,9x22 ruuveilla. (Kuva 4)

5 Laitteen asennus



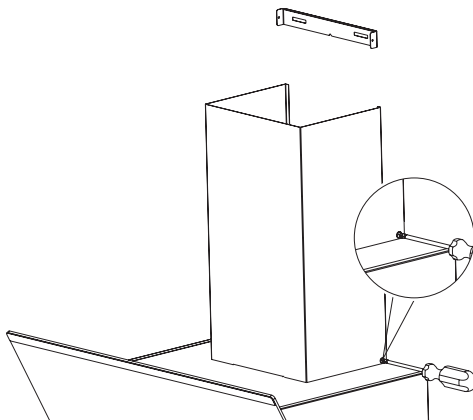
5.7 Hupun ripustaminen seinään

- Ripusta liesituuletin ruuveihin, jotka olet asentanut Y-reikiin.
- Avaa liesituulettimen sivuimuikkuna vetämällä sitä itseäsi kohti. Asenna 4,9x50 ruuvit sisällä olevien X-reikien läpi laitteen kiinnittämiseksi.

5.8 Huuvan savuhormin asennus

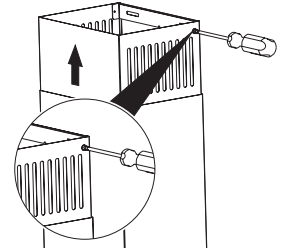
Irrota tuote verkkovirrasta ennen savuhormin asennuksen aloittamista. Kiinnitä peltihormin osat rungon ympärille.

Ruuvaa ulkoinen savuhormi moottorikotelossa oleviin ulkoiisiin hormiliitäntälevyihin. (Kuva 1b/5)



(Kuva 5)

Vedä sisähormi ulos ja ruuvaa se ulkoreunoistaan hormiliitoslevyyn, joka oli kiinnitetty seinään (Kuva 6).



(Kuva 6)

5.9 Liitäntä savukanavaan

Jos Ø 120/150 mm muovista hormisovittinta käytetään, liitä putken toinen pää tähän sovittimeen. Jos sitä ei käytetä, liitä se suoraan tuotteen poistoon. Liitä putken toinen pää savukanavaan. Tarkasta, että nämä kaksi liitäntää ovat tiukassa niin, etteivät ne irtoa laitteen toimiessa täydellä teholla. Tarkasta, että läpät savukanavan sisällä toimivat, kun ne on kiinnitetty kiinnikkeillä. Liitä savukanavan liitäntäputki sovittimen ulkopuolelle. Jos liitäntäputki asennetaan sovittimen sisälle, ei ilman imua tapahdu, koska ilman paluun estävä savukanavan läppä pysyy suljetuna. Liitäntäputken pituuden ja kulmakappaleiden määrä tulee myös olla mahdollisimman pieni.

A : Savukanavan poistoputki

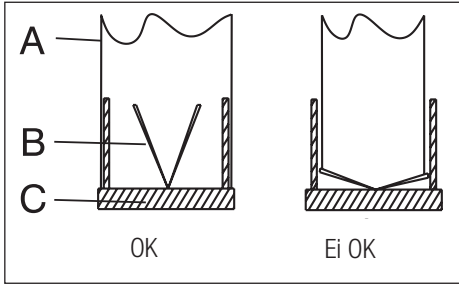
B: Sulkuläpät

C: Muovinen hormi

5.10 Takaisinvirtauksen estojärjestelmä (IN-RV)

Kun liesituuletinta käytetään, läpät ovat kiinni, jotta mahdolliset haju- ja pölyt eivät pääse ulkoa ympäristöön.

5 Laitteen asennus



5.11 Säilytys

- Jos et aio käyttää laitetta pitkään aikaan, säilytä sitä huolellisesti.

- Varmista, että laite on irrotettu pistorasiasta, jäähtynyt ja täysin kuiva.
- Säilytä laitetta viileässä, kuivassa paikassa.
- Pidä laite poissa lasten ulottuvilta.

5.12 Kuljetus ja käsittely

- Säilytä laitetta alkuperäisessä pakkauksessaan kuljetuksen ja käsittelyn aikana. Pakkaus suojaa laitetta fyysisiltä vahingoilta.
- Älä aseta raskaita kuormia laitteen tai pakkauksen päälle. Muuten laite voi vaurioitua.
- Laitteen pudottaminen voi tehdä sen toimimattomaksi tai aiheuttaa pysyviä vaurioita.

6 Vianmääritys

Vianmääritys	Syy	Ohje
Tuote ei toimi.	Tarkista varoke.	Varoke voi olla lauennut, palauta se.
Tuote ei toimi.	Tarkista sähköliitäntä.	Verkojännitteen on oltava välillä 220-240 V
Tuote ei toimi.	Tarkista sähköliitäntä.	Tarkista toimivatko muut laitteet keittiössä.
Valo ei toimi.	Tarkista sähköliitäntä.	Verkojännitteen on oltava välillä 220-240 V
Valo ei toimi.	Tarkista valokatkaisin.	Valokatkaisimen on oltava "on"-asennossa.
Valo ei toimi.	Tarkista lamput.	Tuotteen lamput eivät saa olla vialliset.
Tuotteen ilmanotto on heikko.	Tarkista alumiini-suodatin.	Alumiininen öljy-suodatin tulee puhdistaa vähintään kerran kuukaudessa normaaleissa olosuhteissa.
Tuotteen ilmanotto on heikko.	Tarkista ilmanpoistokanava.	Ilmanpoistokanavan on oltava "on"-asennossa.
Tuotteen ilmanotto on heikko.	Tarkista hiili-suodatin.	Tuotteissa hiili-suodattimilla, suodattimet on vaihdettava tavallisesti 3 kuukauden välein.

Παρακαλούμε διαβάστε πρώτα αυτές τις οδηγίες χρήσης!

Αξιότιμε πελάτη μας,

Ευχαριστούμε για την προτίμησή σας σε αυτή τη συσκευή Beko. Ελπίζουμε να έχετε τα καλύτερα αποτελέσματα από τη συσκευή της εταιρείας μας, η οποία έχει κατασκευαστεί με υψηλή ποιότητα και τεχνολογία αιχμής. Για το λόγο αυτόν, διαβάστε στην ολότητά τους και προσεκτικά αυτό το εγχειρίδιο χρήσης καθώς και όλα τα άλλα συνοδευτικά έγγραφα πριν χρησιμοποιήσετε αυτή τη συσκευή και φυλάξτε τη σαν αναφορά για μελλοντική χρήση. Αν παραδώσετε τη συσκευή σε κάποιον άλλον, παραδώστε και αυτό το εγχειρίδιο χρήσης. Ακολουθήστε τις οδηγίες προσέχοντας όλες τις πληροφορίες και τις προειδοποιήσεις που θα βρείτε στο εγχειρίδιο χρήσης.

Να έχετε υπόψη σας ότι αυτό το εγχειρίδιο χρήσης μπορεί να έχει εφαρμογή και σε άλλα μοντέλα. Οι διαφορές μεταξύ των μοντέλων περιγράφονται ρητά στο εγχειρίδιο.

Σημασία των Συμβόλων

Τα σύμβολα που ακολουθούν χρησιμοποιούνται σε διάφορες ενότητες αυτού του εγχειριδίου χρήσης:



Σημαντικές πληροφορίες και χρήσιμες συμβουλές σχετικά με τη χρήση.



ΠΡΟΕΙΔΟΠΟΙΗΣΗ: Προειδοποιήσεις σχετικά με επικίνδυνες καταστάσεις σχετικά με την ασφάλεια της ζωής και της περιουσίας.



Προειδοποίηση για κίνδυνο φωτιάς.



ΠΡΟΕΙΔΟΠΟΙΗΣΗ: Προειδοποίηση για ηλεκτροπληξία.



ΑΝΑΚΥΚΛΩΜΕΝΟ &
ΑΝΑΚΥΚΛΩΣΙΜΟ
ΧΑΡΤΙ

1.1 Γενικά για την ασφάλεια

Σημαντικές Οδηγίες Ασφαλείας Διαβάστε τις Προσεκτικά και Φυλάξτε τις για Μελλοντική Αναφορά. Η ενότητα αυτή περιέχει οδηγίες ασφαλείας που θα βοηθήσουν στην προστασία από κίνδυνο φωτιάς, ηλεκτροπληξίας, έκθεσης σε διαρροή ενέργειας μικροκυμάτων, τραυματικό ή υλικές ζημιές. Η μη τήρηση των οδηγιών αυτών θα καταστήσει άκυρη κάθε εγγύηση.

- Τα προϊόντα Beko συμμορφώνονται με τα εφαρμοστέα πρότυπα ασφαλείας. Επομένως, σε περίπτωση οποιασδήποτε ζημιάς στη συσκευή ή στο καλώδιο ρεύματος, η επισκευή τους θα πρέπει να γίνεται από την αντιπροσωπεία, ένα κέντρο σέρβις ή ένα εξειδικευμένο και εξουσιοδοτημένο

σέρβις, για την αποφυγή κάθε κινδύνου. Τυχόν λανθασμένη ή ακατάλληλη εργασία επισκευής μπορεί να είναι επικίνδυνη και να προκαλέσει κίνδυνο στον χρήστη.

- Αυτή η συσκευή προορίζεται να χρησιμοποιείται σε οικιακές και παρόμοιες εφαρμογές, όπως:
 - Περιοχές κουζίνας προσωπικού για καταστήματα, γραφεία και άλλα περιβάλλοντα εργασίας.
 - Αγροικίες.
 - Από πελάτες σε ξενοδοχεία, και άλλα περιβάλλοντα οικιακού τύπου.
 - Περιβάλλοντα τύπου ε ν ο ι κ ι α ζ ό μ ε ν ο υ δωματίου με πρωινό.
- Χρησιμοποιείτε τη συσκευή μόνο για την προβλεπόμενη χρήση της όπως αυτή περιγράφεται

στο παρόν εγχειρίδιο.

- Ο κατασκευαστής δεν μπορεί να θεωρηθεί υπεύθυνος για οποιεσδήποτε ζημιές προκληθούν από ακατάλληλη εγκατάσταση ή κακή χρήση του προϊόντος.
- Αυτή η συσκευή μπορεί να χρησιμοποιηθεί από παιδιά από 8 ετών και άνω και από άτομα με μειωμένες σωματικές, αντιληπτικές ή διανοητικές ικανότητες ή με έλλειψη εμπειρίας και γνώσης, αν τους έχει δοθεί επιτήρηση ή εκπαίδευση σχετικά με την ασφαλή χρήση της συσκευής και κατανοούν τους ενεχόμενους κινδύνους.
- Τα παιδιά δεν πρέπει να επιτρέπεται να παίζουν με τη συσκευή. Ο καθαρισμός και η συντήρηση από το χρήστη δεν θα πρέπει να γίνεται από παιδιά χωρίς επίβλεψη.
- Η ελάχιστη απόσταση ανάμεσα στην επιφάνεια υποστήριξης για τα σκεύη μαγειρέματος στην εστία μαγειρέματος και στην κάτω πλευρά του προϊόντος πρέπει να είναι τουλάχιστον 50 cm.
- Αν οι οδηγίες εγκατάστασης της εστίας αερίου καθορίζουν μεγαλύτερη απόσταση, αυτό πρέπει να ληφθεί υπόψη.
- Βεβαιωθείτε ότι η παροχή σας ρεύματος δικτύου συμμορφώνεται με τις πληροφορίες που παρέχονται στην πινακίδα στοιχείων της συσκευής.
- Σε καμία περίπτωση μη χρησιμοποιήσετε τη συσκευή αν το καλώδιο ρεύματος ή η ίδια η συσκευή έχει υποστεί ζημιά.
- Προστατεύετε το καλώδιο ρεύματος από ζημιά, με το να μην το συμπιέζετε, λυγίζετε ή αφήνετε να

τρίβεται πάνω σε αιχμηρές ακμές. Κρατάτε το καλώδιο ρεύματος μακριά από καυτές επιφάνειες και γυμνή φλόγα.

- Χρησιμοποιείτε τη συσκευή μόνο με γειωμένη πρίζα.

ΠΡΟΕΙΔΟΠΟΙΗΣΗ: Μη συνδέσετε τη συσκευή στο ρεύμα δικτύου μέχρι να ολοκληρωθεί πλήρως η εγκατάστασή της.

- Τοποθετήστε τη συσκευή με τρόπο ώστε το φως της να είναι πάντα προσβάσιμο.
- Μην αγγίζετε τους λαμπτήρες αν έχουν λειτουργήσει για πολλή ώρα. Μπορεί να κάψουν τα χέρια σας, γιατί θα βρίσκονται σε υψηλή θερμοκρασία.
- Τηρείτε τους κανονισμούς που εκδίδουν οι αρμόδιες αρχές σχετικά με την εξαγωγή του εξαγόμενου αέρα (αυτή η προειδοποίηση δεν ισχύει

σε περίπτωση χρήσης χωρίς αγωγό εξαγωγής αέρα).

- Χρησιμοποιείτε τη συσκευή σας μόνο αφού τοποθετήσετε πάνω στην εστία μια κατσαρόλα, ένα τηγάνι κλπ. Διαφορετικά, η υψηλή θερμοότητα μπορεί να προκαλέσει την παραμόρφωση ορισμένων μερών του προϊόντος.
- Απενεργοποιείτε την εστία πριν αφαιρέσετε την κατσαρόλα, το τηγάνι κλπ. από την εστία.
- Μην αφήνετε καυτό λάδι πάνω στην εστία. Τα τηγάνια με καυτό λάδι μπορούν να προκαλέσουν αυτανάφλεξη.
- Προσέχετε τις κουρτίνες και τα καλύμματά σας επειδή το λάδι μπορεί να αναφλεγεί όταν μαγειρεύετε φαγητά όπως πατάτες.

- Το φίλτρο λίπους πρέπει να αντικαθίσταται τουλάχιστον κάθε μήνα. Το φίλτρο άνθρακα πρέπει να αντικαθίσταται τουλάχιστον κάθε 3 μήνες.
- Το προϊόν θα πρέπει να καθαρίζεται σύμφωνα με τις οδηγίες στο εγχειρίδιο χρήσης. Αν ο καθαρισμός δεν πραγματοποιήθηκε σύμφωνα με το εγχειρίδιο χρήσης, ενδέχεται να υπάρξει κίνδυνος φωτιάς.
- Μη χρησιμοποιείτε υλικά φιλτραρίσματος που δεν είναι ανθεκτικά στη φωτιά, αντί για το τρέχον φίλτρο.
- Χρησιμοποιείτε μόνο γνήσια ανταλλακτικά ή ανταλλακτικά που συνιστά ο κατασκευαστής.
- Μη χρησιμοποιείτε το προϊόν χωρίς το φίλτρο και μην αφαιρείτε τα φίλτρα ενώ είναι σε λειτουργία το προϊόν.
- Σε περίπτωση ανάφλεξης, απενεργοποιήστε το προϊόν και τις συσκευές μαγειρέματος.
- Σε περίπτωση ανάφλεξης, καλύψτε τη φλόγα και ποτέ μη χρησιμοποιήσετε νερό για να τη σβήσετε.
- Αποσυνδέετε τη συσκευή πριν από κάθε καθαρισμό και όταν δεν χρησιμοποιείται η συσκευή.
- Η αρνητική πίεση στο χώρο της συσκευής δεν πρέπει να υπερβαίνει τα 4 Pa (4 x 10 bar) ενώ λειτουργούν ταυτόχρονα ο απορροφητήρας για την ηλεκτρική εστία και συσκευές που λειτουργούν με άλλο τύπο ενέργειας.
- Στον χώρο όπου χρησιμοποιείται η συσκευή, η εξαγωγή αερίων από συσκευές που λειτουργούν με αέριο ή πετρέλαιο, όπως σόμπα δωματίου πρέπει να είναι πλήρως απομονωμένη ή η συσκευή πρέπει να είναι

ερμητικού τύπου.

- Όταν συνδέετε τον αγωγό εξαγωγής αέρα, χρησιμοποιείτε σωλήνες διαμέτρου 120 ή 150 mm. Η σωλήνωση πρέπει να είναι όσο το δυνατόν μικρότερου μήκους και να έχει όσο το δυνατόν μικρότερες γωνίες.
- Κίνδυνος ασφυξίας! Κρατάτε όλα τα υλικά συσκευασίας μακριά από παιδιά.

ΠΡΟΣΟΧΗ: Προσπελάσιμα μέρη της συσκευής μπορεί να αποκτήσουν υψηλή θερμοκρασία κατά τη χρήση με συσκευές μαγειρέματος.

- Η έξοδος του προϊόντος δεν πρέπει να συνδέεται με αγωγούς αέρα στους οποίους υπάρχουν άλλα απαέρια.
- Όταν ο απορροφητήρας για ηλεκτρική κουζίνα χρησιμοποιείται ταυτόχρονα με άλλες συσκευές που χρησιμοποιούν αέριο ή

άλλα καύσιμα, ενδέχεται να μην είναι επαρκής ο αερισμός στο δωμάτιο (ίσως να μην ισχύει για συσκευές που εξάγουν τον αέρα πάλι στο δωμάτιο).

- Αντικείμενα που τοποθετούνται πάνω στο προϊόν μπορεί να πέσουν. Μην τοποθετείτε κανένα αντικείμενο πάνω στο προϊόν.
- Μην παρασκευάζετε φαγητά με συνταγές φλαμπέ κάτω από το προϊόν.

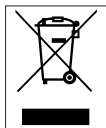
ΠΡΟΕΙΔΟΠΟΙΗΣΗ: Πριν εγκαταστήσετε τον απορροφητήρα, αφαιρέστε τις προστατευτικές μεμβράνες.

- Ποτέ μην αφήνετε ψηλές γυμνές φλόγες κάτω από τον απορροφητήρα, όταν αυτός βρίσκεται σε λειτουργία
- Τα σκεύη τηγανίσματος με πολύ λάδι ή λίπος πρέπει να επιτηρούνται συνεχώς κατά τη χρήση: αν το λάδι

υπερθερμανθεί μπορεί να αναφλεγεί.

1.2 Συμμόρφωση με την Οδηγία περί αποβλήτων ηλεκτρικού και ηλεκτρονικού εξοπλισμού (ΑΗΗΕ) και τελική διάθεση του προϊόντος:

Το προϊόν αυτό συμμορφώνεται με την Οδηγία της Ευρωπαϊκής Ένωσης περί αποβλήτων ηλεκτρικού και ηλεκτρονικού εξοπλισμού (ΑΗΗΕ) (2012/19/ΕΕ). Το προϊόν φέρει σύμβολο ταξινόμησης για απόβλητα ηλεκτρικού και ηλεκτρονικού εξοπλισμού (ΑΗΗΕ).



Αυτό το σύμβολο υποδεικνύει ότι το προϊόν αυτό δεν πρέπει να απορριφθεί μαζί με τα υπόλοιπα οικιακά απορρίμματα στο τέλος της ωφέλιμης ζωής του. Η χρησιμοποιημένη συσκευή πρέπει να επιστραφεί σε επίσημο σημείο συλλογής για ανακύκλωση ηλεκτρικών και ηλεκτρονικών συσκευών. Για να βρείτε αυτά τα σημεία συλλογής επικοινωνήστε με τις τοπικές σας αρχές ή με το κατάστημα όπου αγοράσατε το προϊόν. Κάθε νοικοκυριό παίζει σημαντικό ρόλο στην ανάκτηση και την ανακύκλωση παλιών συσκευών. Η σωστή απόρριψη της χρησιμοποιημένης συσκευής συμβάλλει στην αποτροπή ενδεχόμενων αρνητικών συνεπειών για το περιβάλλον και την ανθρώπινη υγεία.

1.3 Συμμόρφωση με την Οδηγία περί περιορισμού χρήσης ορισμένων επικίνδυνων ουσιών (RoHS):

Το προϊόν που έχετε προμηθευτεί συμμορφώνεται με την Οδηγία της Ευρωπαϊκής ένωσης περί περιορισμού χρήσης ορισμένων επικίνδυνων ουσιών (RoHS) (2011/65/ΕΕ). Δεν περιέχει επικίνδυνα και απαγορευμένα υλικά που ορίζονται στην Οδηγία.

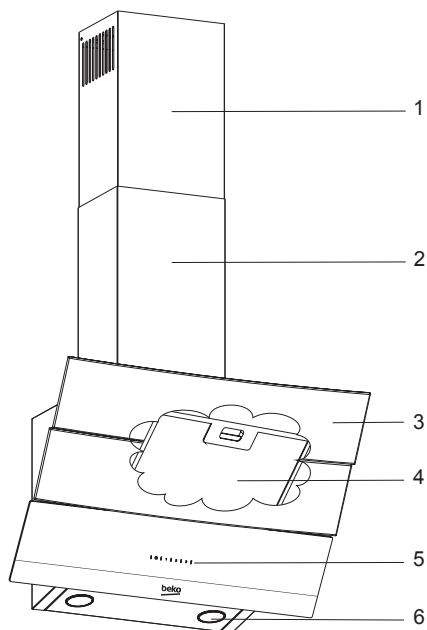
1.4 Πληροφορίες σχετικά με τη συσκευασία



Τα υλικά συσκευασίας του προϊόντος είναι κατασκευασμένα από ανακυκλώσιμα υλικά σύμφωνα με τους εθνικούς μας κανονισμούς προστασίας του περιβάλλοντος. Μην απορρίψετε τα υλικά συσκευασίας μαζί με τα οικιακά ή άλλα απορρίμματα. Παραδώστε τα στα σημεία συλλογής υλικών συσκευασίας που έχουν καθοριστεί από τις τοπικές αρχές.

2 Γενική εμφάνιση

2.1 σφαιρική εικόνα

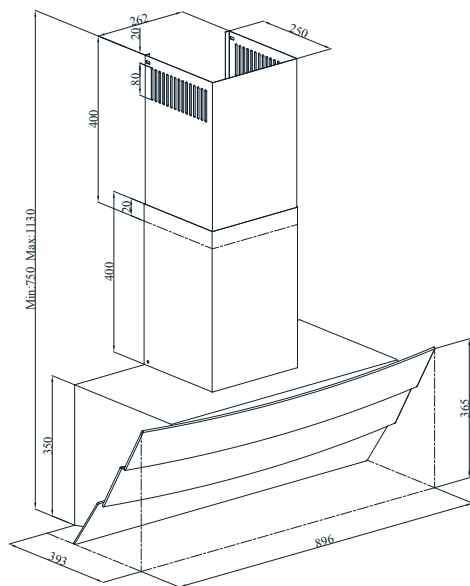


1. Εσωτερικός αγωγός εξαγωγής
2. Εξωτερικός αγωγός εξαγωγής
3. Γυάλινο κάλυμμα
4. Φίλτρο (κάτω από το γυάλινο κάλυμμα)
5. Πίνακας ελέγχου
6. Φωτισμός

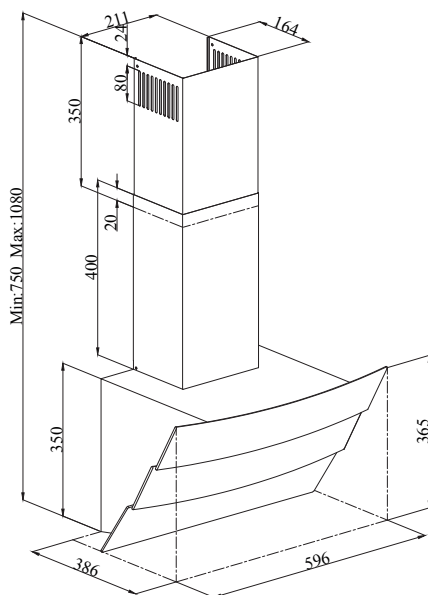
2 Γενική εμφάνιση

2.2 Τεχνικά δεδομένα

	HCA62640WH HCA62640BH	HCA62540B	HCA92640WH HCA92640BH	HCA92540B
Πλάτος	596 mm		896 mm	
Βάθος	386 mm		393 mm	
Ύψος	750/1080 mm		750/1130 mm	
Τάση τροφοδοσίας	220-240V ~, 50 Hz			
Χειρισμός	Με 3 επίπεδα			
Ισχύς λαμπτήρων	2x3 W			
Αγωγός εξόδου αέρα	120/150 mm			
Ρυθμός ροής – 3. Επίπεδο	537 m ³ /h	566 m ³ /h	577 m ³ /h	593 m ³ /h
Ισχύς κινητήρα	210 W			
Ολική ισχύς	216 W			
Κατηγορία μόνωσης κινητήρα	Τάξη F			
Κατηγορία μόνωσης	Τάξη I			



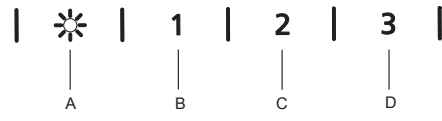
**HCA92640WH
HCA92640BH
HCA92540B**



**HCA62640WH
HCA62640BH
HCA62540B**

3 Χειρισμός της συσκευής σας

3.1 Έλεγχος της συσκευής

	1	2	3
A	B	C	D
ΚΛΕΙΔΙ	ΛΕΙΤΟΥΡΓΙΑ		
A : Πλήκτρο ενεργοποίησης/ απενεργοποίησης φωτισμού	Μπορείτε να φωτίσετε την περιοχή μαγειρέματος πατώντας αυτό το πλήκτρο.		
B : Πλήκτρο 1ου επιπέδου	Πατώντας αυτό το πλήκτρο μπορείτε να θέσετε σε λειτουργία τον απορροφητήρα στο επίπεδο 1. Όταν πατήσετε πάλι αυτό το πλήκτρο για να απενεργοποιήσετε τη συσκευή, η ένδειξη επιπέδου ταχύτητας στην περιοχή ενδείξεων παύει να εμφανίζεται.		
C : Πλήκτρο 2ου επιπέδου	Πατώντας αυτό το πλήκτρο μπορείτε να θέσετε σε λειτουργία τον απορροφητήρα στο επίπεδο 2. Όταν πατήσετε πάλι αυτό το πλήκτρο για να απενεργοποιήσετε τη συσκευή, η ένδειξη επιπέδου ταχύτητας στην περιοχή ενδείξεων παύει να εμφανίζεται.		

D : Πλήκτρο 3ου επιπέδου

Πατώντας αυτό το πλήκτρο μπορείτε να θέσετε σε λειτουργία τον απορροφητήρα στο επίπεδο 2. Όταν πατήσετε πάλι αυτό το πλήκτρο για να απενεργοποιήσετε τη συσκευή, η ένδειξη επιπέδου ταχύτητας στην περιοχή ενδείξεων παύει να εμφανίζεται.

3.2 Ενεργειακά αποδοτική χρήση

- Όταν χρησιμοποιείτε τον απορροφητήρα, ρυθμίστε το επίπεδο ταχύτητας ανάλογα με το βαθμό επιβάρυνσης με οσμές και ατμούς, ώστε να αποφεύγετε άσκοπη κατανάλωση ενέργειας.
- Χρησιμοποιείτε χαμηλές ταχύτητες (1-2) σε κανονικές συνθήκες, και υψηλή ταχύτητα (3) όταν υπάρχει έντονη παραγωγή οσμών και ατμών.
- Οι λαμπτήρες στον απορροφητήρα προορίζονται για φωτισμό της περιοχής μαγειρέματος.
- Η χρήση τους για περιβαλλοντικό φωτισμό ή φωτισμό της κουζίνας θα επιφέρει άσκοπη κατανάλωση ενέργειας και ανεπαρκή φωτισμό.

3.3 Χειρισμός του απορροφητήρα

- Ο απορροφητήρας είναι εξοπλισμένος με κινητήρα ο οποίος διαθέτει έναν αριθμό ρυθμίσεων ταχύτητας.
- Για καλύτερες επιδόσεις σας συνιστούμε να χρησιμοποιείτε χαμηλές ταχύτητες σε κανονικές συνθήκες, και υψηλές ταχύτητας όταν υπάρχει

3 Χειρισμός της συσκευής σας

έντονη παραγωγή οσμών και ατμών.

- Μπορείτε να θέσετε σε λειτουργία τον απορροφητήρα πατώντας το επιθυμητό πλήκτρο επιπέδου ταχύτητας (B,C,D).
- Μπορείτε να φωτίσετε την περιοχή μαγειρέματος πατώντας το κουμπί φωτισμού. (A)

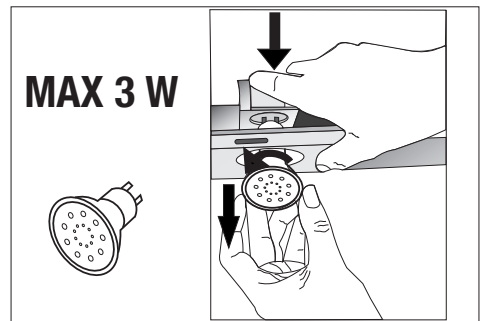
3.4 Αυτόματη διακοπή σε 15 λεπτά

Αυτή η συσκευή είναι εξοπλισμένη με λειτουργία αυτόματης διακοπής η οποία επιτρέπει στη συσκευή να αερίζει τον χώρο για πρόσθετη χρονική περίοδο, για αφαίρεση των δυσάρεστων οσμών και ατμών στο δωμάτιο αφού ολοκληρωθεί το μαγείρεμα. Η συσκευή σταματά αυτόματα μετά από ορισμένη χρονική περίοδο. Για να ενεργοποιήσετε τη λειτουργία αυτόματης διακοπής, πατήστε οποιοδήποτε από τα πλήκτρα επιπέδου ταχύτητας (B, C, D) στο χειριστήριο για περισσότερο από 2 δευτερόλεπτα. Θα ενεργοποιηθεί ένας χρονοδιακόπτης 15 λεπτών. Αν πατήσετε το ίδιο πλήκτρο επιπέδου ταχύτητας ενώ είναι ενεργοποιημένη η λειτουργία Αυτόματης διακοπής, η λειτουργία θα απενεργοποιηθεί και η συσκευή θα σταματήσει να λειτουργεί. Αν επιλέξετε ένα διαφορετικό επίπεδο ταχύτητας, αυτή η λειτουργία θα απενεργοποιηθεί. Αν θέλετε να σταματήσει η συσκευή σας αυτόματα, πρέπει να ενεργοποιήσετε πάλι τη λειτουργία Αυτόματης διακοπής.

Περιοδικός καθαρισμός των μεταλλικών φίλτρων:

Τα φίλτρα πρέπει να καθαρίζονται περίπου κάθε 60 ώρες λειτουργίες ή κάθε 4 εβδομάδες, ανάλογα με τη συχνότητα χρήσης.

3.5 Αντικατάσταση των λαμπτήρων



Αποσυνδέστε τον απορροφητήρα από την παροχή ρεύματος δικτύου. Αυτή η συσκευή είναι εξοπλισμένη με λαμπτήρες LED των 3 W. Για να αντικαταστήσετε τους λαμπτήρες LED, πιέστε τον λαμπτήρα προς τα κάτω από το πίσω τμήμα της υποδοχής του λαμπτήρα για να ελευθερώσετε τον λαμπτήρα. Κατόπιν περιστρέψτε τον λαμπτήρα αριστερόστροφα κατά 1/4 της στροφής και αφαιρέστε τον. Εκτελέστε τα παραπάνω βήματα με αντίστροφη σειρά για να τοποθετήσετε τους καινούργιους λαμπτήρες.



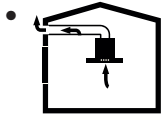
Μπορείτε να προμηθευτείτε λαμπτήρες από εξουσιοδοτημένους εκπροσώπους σέρβις.

3 Χειρισμός της συσκευής σας

Βολβός	
Ισχύς λαμπτήρα	3 W
Στήριγμα / Πρίζα	GZ 10
Τάση λαμπτήρα	220 - 240 V
Μέγεθος	53 x 50 mm
Κωδικός ILCOS	DR/F3-220-240-GZ10-50-53
Φωτεινή ροή	260 lm
Συσχετισμένη θερμοκρασία χρώματος	3000 K

Αυτό το προϊόν περιέχει μια φωτεινή πηγή κλάσης ενεργειακής απόδοσης "F".

3.6 Χρήση με σύνδεση αγωγού εξαγωγής

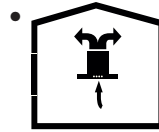


Οι ατμοί απομακρύνονται μέσω του σωλήνα αγωγού εξαγωγής ο οποίος στερεώνεται στην κεφαλή σύνδεσης πάνω

στον απορροφητήρα.

- Η διάμετρος του σωλήνα αγωγού εξαγωγής θα πρέπει να είναι ίση με τη διάμετρο του δακτυλίου σύνδεσης. Για να μπορεί να απομακρύνεται εύκολα ο αέρας από τον χώρο σε περιπτώσεις οριζόντιας διάταξης του αγωγού, ο σωλήνα πρέπει να έχει ελαφρά κλίση προς τα πάνω (περίπου 10°).

3.7 Χρήση χωρίς συνδεδεμένο αγωγό εξαγωγής



Ο αέρας φιλτράρεται από το φίλτρο άνθρακα και επιστρέφει στο δωμάτιο. Το φίλτρο άνθρακα χρησιμοποιείται όταν δεν υπάρχει αγωγός εξαγωγής στο σπίτι.

- Αν ο απορροφητήρας πρόκειται να χρησιμοποιηθεί χωρίς σύνδεση αγωγού εξαγωγής, αφαιρέστε τους εκτροπείς από το εσωτερικό του προσαρμογέα αγωγού εξαγωγής.
- Αφαιρέστε το αλουμινένιο φίλτρο. Για να εγκαταστήσετε το φίλτρο άνθρακα, κεντράρετε το φίλτρο άνθρακα στο πλαστικό εξάρτημα και στις δύο πλευρές του κορμού ανεμιστήρα, και στερεώστε το πάνω στις ειδικές προεξοχές. Στερεώστε το φίλτρο περιστρέφοντας τις προεξοχές προς τα δεξιά ή αριστερά.
- Εγκαταστήστε το αλουμινένιο φίλτρο.

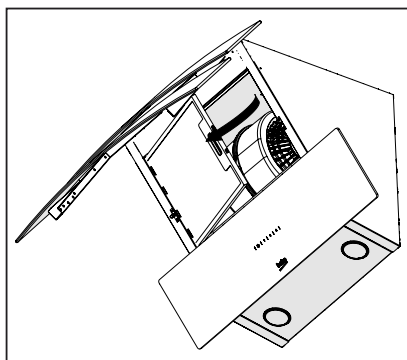
4 Καθαρισμός και συντήρηση



Πριν τον καθαρισμό και τη συντήρηση, αποσυνδέστε τη συσκευή από την πρίζα ή απενεργοποιήστε τον γενικό διακόπτη ή λασκάρτε την ασφάλεια που τροφοδοτεί τον απορροφητήρα.

4.1 Καθαρισμός του φίλτρου λίπους

Αυτό το φίλτρο κατακρατεί τα σωματίδια λαδιού από τον αέρα. Μπορεί το χρώμα των αλουμινένιων φίλτρων να αλλιωθεί καθώς πλένονται - αυτό είναι φυσιολογικό και δεν χρειάζεται να αντικαταστήσετε το φίλτρο για το λόγο αυτό.



- Σπρώξτε την ασφάλιση του αλουμινένιου φίλτρου προς τα εμπρός.
- Κατόπιν, χαμηλώστε το ελαφρά και τραβήξτε το προς τα εμπρός. Διαφορετικά μπορεί να λυγίσετε το φίλτρο. Αφού το αλουμινένιο φίλτρο έχει πλυθεί και στεγνώσει, επανεγκαταστήστε το φίλτρο στην υποδοχή του εφαρμόζοντας τα παραπάνω βήματα με αντίστροφη σειρά.



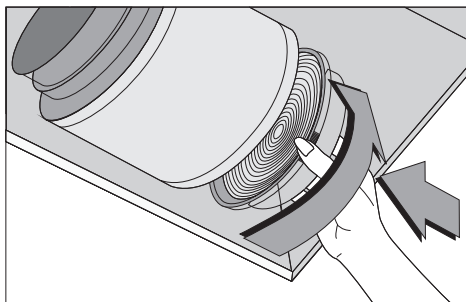
Μπορείτε επίσης να πλένετε τα αλουμινένια φίλτρα σε πλυντήριο πιάτων.



ΠΡΟΣΟΧΗ: Πρέπει να αντικαθίστανται σε περιόδους περίπου 1 μήνες.

4.2 Αντικατάσταση του φίλτρου άνθρακα

Τα φίλτρα κατά των οσμών περιέχουν ειδικό τύπο κάρβουνου (ενεργό άνθρακα). Ανεξάρτητα από τη χρήση φίλτρου άνθρακα ή όχι, τα αλουμινένια φίλτρα πρέπει να είναι πάντα εγκατεστημένα.



- Αφαιρέστε τα αλουμινένια φίλτρα.
- Για να αφαιρέσετε το φίλτρο άνθρακα, περιστρέψτε τις προεξοχές αριστερόστροφα και ελευθερώστε το φίλτρο.
- Εγκαταστήστε το καινούργιο φίλτρο άνθρακα.
- Εγκαταστήστε τα αλουμινένια φίλτρα.



Προσοχή!

- Το φίλτρο άνθρακα δεν πρέπει να πλένεται ποτέ.
- Αντικαταστήστε τα φίλτρα άνθρακα μία φορά κάθε 3 μήνες.
- Μπορείτε να προμηθευτείτε φίλτρα άνθρακα από εξουσιοδοτημένους εκπροσώπους σέρβις της.

5 Εγκατάσταση της συσκευής σας



ΠΡΟΕΙΔΟΠΟΙΗΣΗ: Πριν ξεκινήσετε την εγκατάσταση, διαβάστε τις πληροφορίες ασφαλείας στο εγχειρίδιο χρήσης.

- την επιφάνεια της σχάρας για κουζίνες
- υγραερίου, από επιφάνεια γυαλιού για ηλεκτρικές κουζίνες.

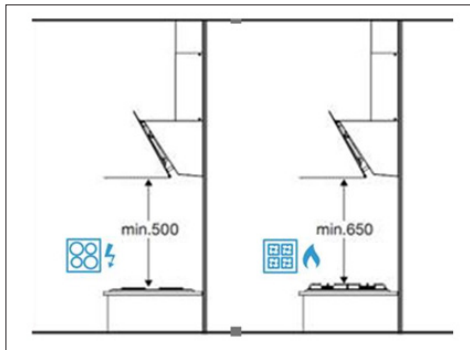


ΠΡΟΕΙΔΟΠΟΙΗΣΗ: Η μη εγκατάσταση με βίδες και σταθεροποιητές σύμφωνα με αυτές τις οδηγίες μπορεί να προκαλέσει ηλεκτροπληξία.

Παρακαλούμε συμβουλευτείτε τον πλησιέστερό σας εξουσιοδοτημένο εκπρόσωπο σέρβις για την εγκατάσταση του απορροφητήρα σας.

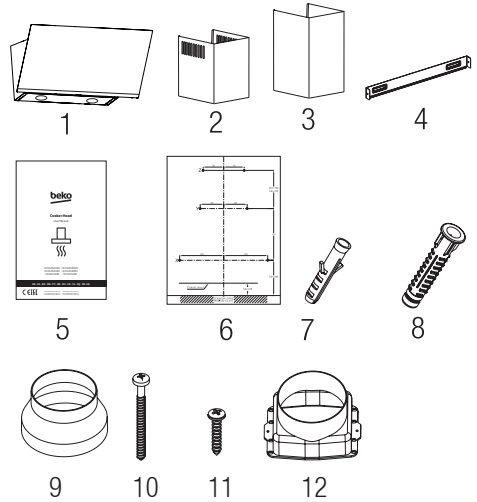
Η προετοιμασία της θέσης και της ηλεκτρικής εγκατάστασης για το προϊόν αποτελούν ευθύνη του πελάτη.

5.1 Θέση της συσκευής



- Για κάθε τύπο απορροφητήρα κουζίνας, η απόσταση εγκατάστασης σε πλάκα εστιών αερίου και ηλεκτρική πλάκα εστιών, είναι τουλάχιστον 650 mm. Μόνο για **κεκλιμένους απορροφητήρες** κουζίνας τύπου καμινάδας, η απόσταση εγκατάστασης σε **ηλεκτρική πλάκα εστιών είναι** τουλάχιστον 500 mm.
- Η απόσταση πρέπει να μετράται από

5.2 Εξαρτήματα εγκατάστασης



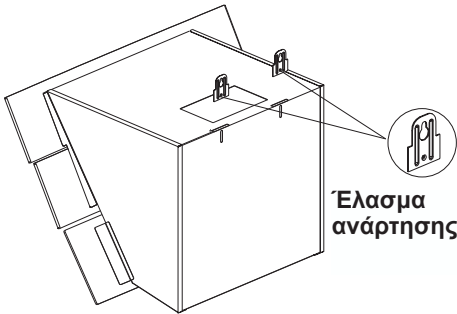
1. Προϊόν
2. Εσωτερικός αγωγός εξαγωγής
3. Εξωτερικός αγωγός εξαγωγής
4. 1 τεμ. έλασμα σύνδεσης αγωγού εξαγωγής
5. Εγχειρίδιο χρήσης
6. Μοτίβο συναρμολόγησης
7. Πλαστικό βύσμα τοίχου (ούπατ) 6 mm
8. Πλαστικό βύσμα τοίχου (ούπατ) 8 mm
9. 1 τεμ. πλαστικός προσαρμογέας αγωγού εξαγωγής Ø120/150 mm
10. Βίδα σταυρωτής κεφαλής 4,9 x 50
11. Βίδα σταυρωτής κεφαλής 3,9 x 22
12. 1 τεμ. πλαστικός αγωγός εξαγωγής Ø150 mm

5 Εγκατάσταση της συσκευής σας

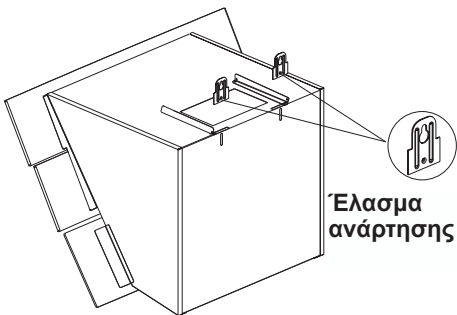
Οι πληροφορίες που απαιτούνται για την προετοιμασία του χώρου εγκατάστασης του απορροφητήρα δίνονται παρακάτω.

5.3 Εγκατάσταση του απορροφητήρα στον τοίχο

Για να εγκαταστήσετε τον απορροφητήρα στον τοίχο, λασκάρετε τις βίδες ανάρτησης στο περίβλημα κινητήρα και τραβήξτε τα ελάσματα προς τα πάνω. Κατόπιν, σφίξτε τις βίδες των ελασμάτων ανάρτησης. (Εικόνα 1a).

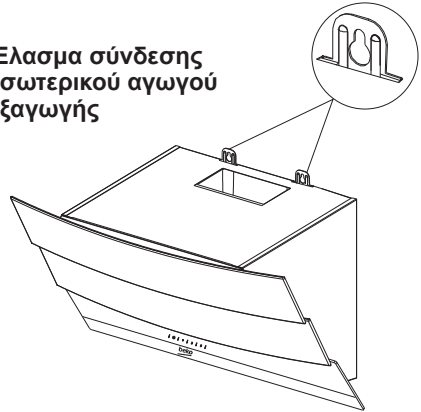


(Εικόνα 1a-60)



(Εικόνα 1a-90)

Έλασμα σύνδεσης εσωτερικού αγωγού εξαγωγής



(Εικόνα 1b-60)

Έλασμα σύνδεσης εσωτερικού αγωγού εξαγωγής

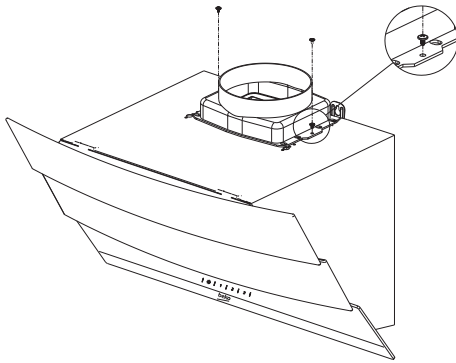


(Εικόνα 1b-90)

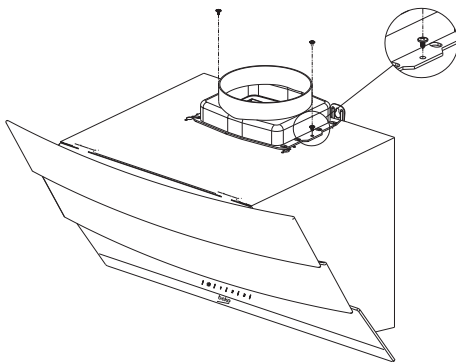
Στερεώστε τον πλαστικό προσαρμογέα αγωγού εξαγωγής Ø 150 mm στο πάνω μέρος του σώματος της συσκευής με βίδα 3,5x9,5 που περιλαμβάνεται στα αξεσουάρ εγκατάστασης (Εικόνα 2).

Αν πρόκειται να χρησιμοποιήσετε σωλήνα αγωγού εξαγωγής Ø120 mm, εγκαταστήστε πάνω του τον προσαρμογέα αγωγού εξαγωγής Ø120 mm.

5 Εγκατάσταση της συσκευής σας



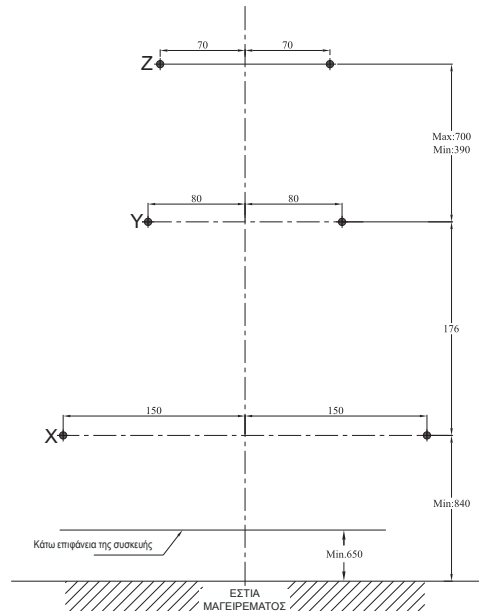
(Εικόνα 2-60)



(Εικόνα 2-90)

5.4 Διάνοιξη με τρυπάνι των οπών ανάρτησης

Στερεώστε το υπόδειγμα εγκατάστασης πάνω στο σημείο εγκατάστασης του απορροφητήρα. Διανοίξτε οπές στα σημεία που επισημαίνονται με (X,Y), χρησιμοποιώντας ένα τρυπάνι $\varnothing 8 \text{ mm}$ τα σημεία που επισημαίνονται με (Z) χρησιμοποιώντας ένα τρυπάνι $\varnothing 6 \text{ mm}$. (Εικόνα 3)



(Εικόνα 3)

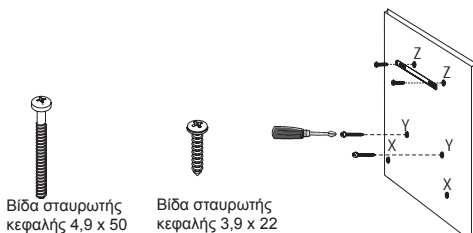
5.5 Εισαγωγή των ούπατ με σφυρί

Με τη βοήθεια σφυριού εισάγετε ούπατ $\varnothing 8 \text{ mm}$ (X,Y) στις οπές που διανοίξατε για τις βίδες ανάρτησης. Με τη βοήθεια σφυριού εισάγετε 2 τεμ. ούπατ $\varnothing 6 \text{ mm}$ (Z) στις οπές που διανοίξατε στον τοίχο για το έλασμα σύνδεσης εξωτερικού αγωγού εξαγωγής. (Εικόνα 3)

5 Εγκατάσταση της συσκευής σας

5.6 Εγκατάσταση των βιδών ανάρτησης

Εγκαταστήστε βίδες ανάρτησης 4,9 X50 στα ούπατα \varnothing 8 mm (Y) που έχετε εισάγει στον τοίχο με τη βοήθεια σφυριού. Πρέπει να υπάρχει διάκενο 5 mm ανάμεσα στην κεφαλή της βίδας και στον τοίχο. Συνδέστε το έλασμα σύνδεσης αγωγού εξαγωγής στον τοίχο με τα ούπατα 6 mm (Z) χρησιμοποιώντας βίδες \varnothing 3,9 x22. (Εικόνα 4)



(Εικόνα 4)

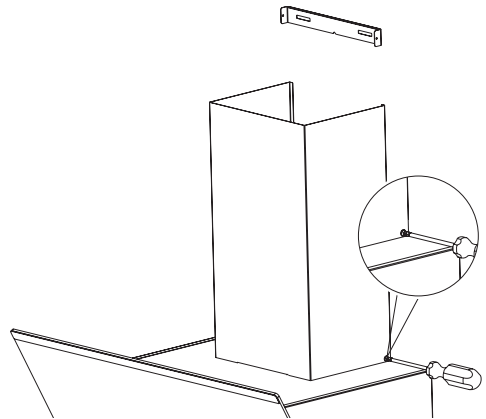
5.7 Ανάρτηση του απορροφητήρα στον τοίχο

- Αναρτήστε τον απορροφητήρα στις βίδες που έχετε εγκαταστήσει στις οπές Y.
- Ανοίξτε το πλευρικό παράθυρο αναρρόφησης του αισθητήρα τραβώντας το προς το μέρος σας. Εγκαταστήστε τις βίδες 44,8 x 50 μέσα στις οπές X που βρίσκονται μέσα, ώστε να ασφαλίσετε τη συσκευή.

5.8 Εγκατάσταση του αγωγού εξαγωγής του απορροφητήρα

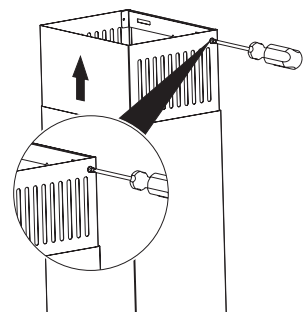
Αποσυνδέστε το προϊόν από την παροχή ρεύματος, πριν αρχίσετε την εγκατάσταση του αγωγού εξαγωγής. Εφαρμόστε τα μέρη του μεταλλικού αγωγού εξαγωγής γύρω από τον κορμό.

Βιδώστε τον εξωτερικό αγωγό εξαγωγής στα ελάσματα σύνδεσης εξωτερικού αγωγού εξαγωγής που βρίσκεται πάνω στο περιβλήμα κινητήρα. (Εικόνα 1b/5)



(Εικόνα 5)

Εκτείνετε και βιδώστε τον εσωτερικό αγωγό εξαγωγής από τα εξωτερικά άκρα του ως το έλασμα σύνδεσης αγωγού εξαγωγής που στερεώθηκε στον τοίχο (Εικόνα 6).



(Εικόνα 6)

5 Εγκατάσταση της συσκευής σας

5.9 Σύνδεση αγωγού εξαγωγής:

Τοποθετήστε τον προσαρμογέα που παρέχεται μαζί με τον απορροφητήρα στην οπή αερισμού που βρίσκεται στο πάνω τμήμα του απορροφητήρα. Πάρτε ένα σωλήνα με διάμετρο 120/150 mm. Συνδέστε το ένα άκρο του σωλήνα στον προσαρμογέα και το άλλο άκρο στον αγωγό εξαγωγής. Βεβαιωθείτε ότι αυτές οι δύο συνδέσεις είναι αρκετά ασφαλείς έτσι ώστε να μην υπάρξει πρόβλημα μετατόπισης όταν ο απορροφητήρας λειτουργεί με τη μέγιστη ταχύτητα. Ελέγξτε ότι τα πτερύγια στο εσωτερικό του αγωγού εξαγωγής είναι λειτουργικά όταν συσφικτούν με τον σφιγκτήρα. Εφαρμόστε τον σωλήνα σύνδεσης αγωγού εξαγωγής στον προσαρμογέα. Αν εφαρμόσετε τον σωλήνα σύνδεσης αγωγού εξαγωγής μέσα στον προσαρμογέα, δεν θα προκύψει αναρρόφηση αέρα επειδή τα πτερύγια που εμποδίζουν την επιστροφή αέρα θα παραμένουν κλειστά. Δεν συνιστάται να πραγματοποιείτε συνδέσεις στους αγωγούς εξαγωγής που συνδέονται με σόμπες ή καμινάδες. Μην πραγματοποιείτε συνδέσεις με τέτοιους αγωγούς εξαγωγής. Η σύνδεση σωλήνα πρέπει να είναι όσο το δυνατόν πιο μικρού μήκους με τις λιγότερες δυνατές γωνίες στη διαδρομή της.

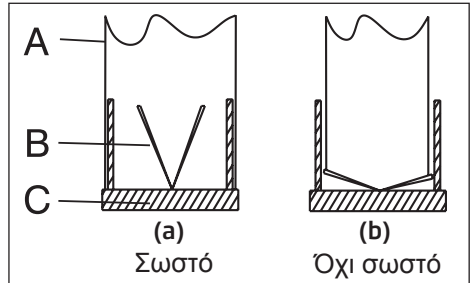
A: Σωλήνας εξόδου αγωγού εξαγωγής

B: Πτερύγια που αποτρέπουν την αντίστροφη ροή

C: Πλαστικός αγωγός εξαγωγής

5.10 Σύστημα αποτροπής αντίστροφης ροής (NRV)

Όταν χρησιμοποιείται ο απορροφητήρας, τα πτερύγια είναι κλειστά για να αποτρέπουν πιθανή είσοδο οσμών και σκόνης από το εξωτερικό περιβάλλον.



5.11 Αποθήκευση

- Αν δεν σκοπεύετε να χρησιμοποιήσετε τη συσκευή για μεγάλο χρονικό διάστημα, αποθηκεύστε την προσεκτικά.
- Αποσυνδέστε τη συσκευή από την πρίζα και περιμένετε να κρυώσει τελείως πριν την αποθηκεύσετε.
- Αποθηκεύστε τη συσκευή σε δροσερό και στεγνό μέρος.
- Κρατάτε τη συσκευή μακριά από παι-διά.

5.12 Μετακίνηση και μεταφορά

- Μεταφέρετε τη συσκευή στην αρχική της συσκευασία κατά τη μετακίνηση και μεταφορά της. Η συσκευασία της συσκευής την προστατεύει από φυσικές ζημιές.
- Μην τοποθετείτε βαριά αντικείμενα πάνω στη συσκευή ή στη συσκευασία. Η συσκευή μπορεί να υποστεί ζημιά.
- Τυχόν πτώση της συσκευής μπορεί να την καταστήσει μη λειτουργική ή να της προκαλέσει μόνιμη ζημιά..

6 Αντιμετώπιση προβλημάτων

Αντιμετώπιση προβλημάτων	Αιτία	Διορθωτική ενέργεια
Το προϊόν δεν λειτουργεί.	Ελέγξτε την ασφάλειά σας.	Η ασφάλειά σας μπορεί να έπεσε, ενεργοποιήστε την.
Το προϊόν δεν λειτουργεί.	Ελέγξτε την ηλεκτρική σύνδεση.	Η τάση ρεύματος δικτύου θα πρέπει να είναι 220-240 V.
Το προϊόν δεν λειτουργεί.	Ελέγξτε την ηλεκτρική σύνδεση.	Ελέγξτε αν οι άλλες συσκευές στην κουζίνα σας λειτουργούν ή όχι.
Η λάμπα φωτισμού δεν λειτουργεί.	Ελέγξτε την ηλεκτρική σύνδεση.	Η τάση ρεύματος δικτύου θα πρέπει να είναι 220-240 V.
Η λάμπα φωτισμού δεν λειτουργεί.	Ελέγξτε τον διακόπτη της λάμπας.	Ο διακόπτης της λάμπας πρέπει να είναι στη θέση "ενεργοποίησης".
Η λάμπα φωτισμού δεν λειτουργεί.	Ελέγξτε τις λάμπες.	Οι λάμπες του προϊόντος δεν πρέπει να έχουν βλάβη.
Η αναρρόφηση αέρα στο προϊόν είναι ανεπαρκής.	Ελέγξτε το αλουμινένιο φίλτρο.	Το αλουμινένιο φίλτρο λαδιού θα πρέπει να καθαρίζεται τουλάχιστον μία φορά το μήνα υπό κανονικές συνθήκες.
Η αναρρόφηση αέρα στο προϊόν είναι ανεπαρκής.	Ελέγξτε τον αγωγό εξαγωγής αέρα.	Ο αγωγός εξαγωγής αέρα θα πρέπει να είναι ρυθμισμένος στην "ενεργοποιημένη" θέση.
Η αναρρόφηση αέρα στο προϊόν είναι ανεπαρκής.	Ελέγξτε το φίλτρο άνθρακα.	Για προϊόντα με φίλτρα άνθρακα, το φίλτρο θα πρέπει κανονικά να αλλάζεται κάθε 3 μήνες.

Molimo, prvo pročitajte ovaj priručnik!





Poštovani,

zahvaljujemo na odabir uređaja tvrtke Beko. Nadamo se da će vas ovaj uređaj koji je proizveden primjenom kvalitetne i najmodernije tehnologije dobro služiti. Zbog toga, molimo pažljivo pročitajte cijeli ovaj korisnički priručnik i ostale priložene dokumente prije korištenja uređaja te ga sačuvajte za buduću upotrebu. Ako uređaj predajete nekom drugom tada im dajte i korisnički priručnik. Pridržavajte se uputa tako da posvetite pažnju svim informacijama i upozorenjima u korisničkom priručniku.

Upamtite da se ovaj korisnički priručnik može odnositi i na druge modele. Razlike između modela izričito su opisane u priručniku.

Značenje simbola

Sljedeći simboli koriste se u različitim dijelovima ovog korisničkog priručnika:

	Važne informacije i korisni savjeti za upotrebu.
	UPOZORENJE: Upozorenje na opasne situacije u vezi sa zaštitom života i imovine.
	Upozorenje na opasnost od požara.
	Upozorenje na električni udar.

1 Važne sigurnosne i ekološke upute

1.1. Opća sigurnost

Važne sigurnosne upute Pažljivo pročitajte i čuvajte za buduću upotrebu. Ovaj dio sadrži sigurnosne upute koji će vam pomoći u zaštiti od požara, električnog udara, izlaganja propuštanju mikrovalne energije, tjelesnih ozljeda i oštećenja imovine. Nepridržavanje ovih uputa poništiti će jamstvo.

- Proizvodi tvrtke Beko usklađeni su sa svim važećim sigurnosnim standardima, stoga, u slučaju bilo kakvog oštećenja uređaja ili strujnog kabela treba ih popraviti ili zamijeniti zastupnik, servis ili stručnjak i ovlašteni servis kako bi se izbjegle opasnosti. Neispravan ili neovlašteni popravak može biti opasan i predstavljati rizik za korisnika.
- Ovaj uređaj namijenjen je za upotrebu u kućanstvu i za slične primjene:
 - za kuhinje za osoblje u trgovinama, uredima i drugim radnim prostorima;
 - na farmama
- od strane gostiju u hotelima, motelima ili drugim vrstama sličnih uslužnih objekata;
- u uslužnim objektima poput pansiona.
- Uređaj koristite samo u svrhu za koju je namijenjen kako je opisano u ovom priručniku.
- Proizvođač nije odgovoran za štete nastale zbog neispravne instalacije ili neispravnog korištenja proizvoda.
- Ovaj uređaj mogu koristiti djeca od 8 godina ili starija te osobe sa smanjenim fizičkim, osjetilnim ili intelektualnim sposobnostima ili se nedovoljnim iskustvom i znanjem ako su pod nadzorom ili ako su upućeni u sigurnu upotrebu uređaja i razumiju moguće opasnosti.
- Djeci se ne smije dozvoliti da se igraju s uređajem. Djeca ne smiju obavljati čišćenje i održavanje bez nadzora.
- Minimalna udaljenost između potporne površine kuhinjskog posuđa i nape te najnižeg dijela proizvoda treba biti najmanje 50 cm.

1 Važne sigurnosne i ekološke upute

- Ako upute za instalaciju plinske ploče za kuhanje navode veći razmak tada to treba uzeti u obzir.
 - Pripazite odgovara li napajanje s informacijama navedenim na nazivnoj pločici uređaja.
 - Nikad ne koristite uređaj ako su strujni kabel ili uređaj oštećeni.
 - Spriječite oštećenje strujnog kabela tako da ga ne gnječite, savijte i da se ne povlači po oštrim rubovima. Strujni kabel držite podalje od vrućih površina i otvorenog plamena.
 - Uređaj koristite samo s uzemljenom utičnicom.
- UPOZORENJE:** Ne priključujte uređaj na strujno napajanje sve dok se instalacija potpuno ne završi.
- Uređaj postavite tako da je utikač uvijek dostupan.
 - Ne dirajte žarulje ako rade duže vrijeme. One vam mogu opečiti ruke jer će biti vruće.
 - Pridržavajte se propisa koje su donijela nadležna tijela u vezi s ispuštanjem ispusnog zraka (ovo upozorenje ne odnosi se na primjenu s dimnjakom).
- Uređajem rukujte nakon što ste stavili lonac, tavu, itd. na ploču za kuhanje. U protivnom, velika toplina može izazvati deformacije nekih dijelova proizvoda.
 - Isključite ploču za kuhanje prije nego uklonite lonac, tavu, itd.
 - Ne ostavljajte vruće ulje na ploči za kuhanje. Lonci s vrućim uljem mogu se zapaliti.
 - Pripazite na zavjese i pokrivače jer se ulje može zapaliti prilikom kuhanja hrane poput prženih krumpirića.
 - Filtri masnoće moraju se zamijeniti barem jednom mjesečno. Ugljeni filter mora se zamijeniti barem svaka 3 mjeseca.
 - Proizvod se treba čistiti u skladu s korisničkim priručnikom. Ako se čišćenje nije obavilo u skladu s korisničkim priručnikom postoji opasnost od požara.
 - Ne koristite materijale za filtriranje koji nisu vatrootporni umjesto trenutnog filtra.
 - Koristite samo originalne dijelove ili dijelove koje je preporučio proizvođač.

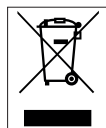
1 Važne sigurnosne i ekološke upute

- Ne rukujte proizvodom bez filtra i ne uklanjajte filtre dok proizvod radi.
- U slučaju požara proizvod i uređaje za kuhanje isključite iz struje.
- U slučaju požara prekrijte vatru, nikad ne koristite vodu za gašenje požara.
- Isključite uređaj iz strujne utičnice prije svakog čišćenja i kada se uređaj ne koristi.
- Negativni tlak u okruženje ne smije premašiti 4 Pa (4 x 10 bar) dok napa električne ploče za kuhanje i uređaja adi na drugoj vrsti energije ali električna energija radi istovremeno.
- U okruženju u kojem se uređaj koristi ispuh uređaja koji rade na lož ulje ili plin, poput grijalica, moraju se potpuno izolirati ili uređaj mora biti hermetičnog tipa.
- Prilikom spajanja na dimnjak koristite cijevi s pomjerom od 120 ili 150 mm. Spoj cijevi treba biti što kraći i sa što manje cijevnih koljena.
- **Opasnost od gušenja!** Sav ambalažni materijal držite podalje od djece.
- **OPREZ:** Dostupni dijelovi mogu postati vući kada se koriste s uređajima za kuhanje.
- Izlazni otvor proizvoda ne smije biti spojen na druge kanale za zrak koji uključuju drugi dim.
- Ventilacija prostorije može biti nedovoljna kada se napa za električnu kuhinjsku ploču koristi istovremeno s uređajima koji rade na plin ili druga goriva (ovo se možda ne odnosi na uređaje koji samo ispuštaju zrak natrag u prostoriju).
- Predmeti stavljeni na proizvod mogu pasti. Ne stavlajte nikakve predmete na proizvod.
- Ne flambirajte ispod proizvoda.
- **UPOZORENJE:** Prije instalacije nape uklonite zaštitne folije.
- Nikad ne ostavljajte visoki otvoreni plamen ispod nape dok ona radi.
- Friteze se trebaju neprekidno paziti tijekom upotrebe: pregrijano ulje može se zapaliti.

1 Važne sigurnosne i ekološke upute

1.2 Usklađeno s WEEE direktivom i zbrinjavanje otpada:

Ovaj proizvod usklađen je s WEEE direktivom EZ (2012/19/EZ). Ovaj proizvod nosi klasifikacijski simbol za električni i elektronički otpad (WEEE).



Ovaj simbol označava kako se ovaj proizvod ne smije zbrinjavati s drugim komunalnim otpadom na kraju svog vijeka trajanja. Iskorišteni uređaj treba se odnijeti u službeni sabirni centar za recikliranje električnih i elektroničkih uređaja. Za pronalazak ovih sustava prikupljanja kontaktirajte lokalna nadležna tijela ili trgovinu u kojoj ste kupili proizvod. Svako kućanstvo igra važnu ulogu u oporabi i recikliranju starih uređaja. Odgovarajuće zbrinjavanje iskorištenih proizvoda pomaže u sprječavanju mogućih negativnih posljedica na okoliš i ljudsko zdravlje.

1.3 Usklađenost s direktivom RoHS

Ovaj proizvod usklađen je s RoHS direktivom EZ (2011/65/EZ). On ne sadrži štetne i zabranjene materijale navedene u direktivi.

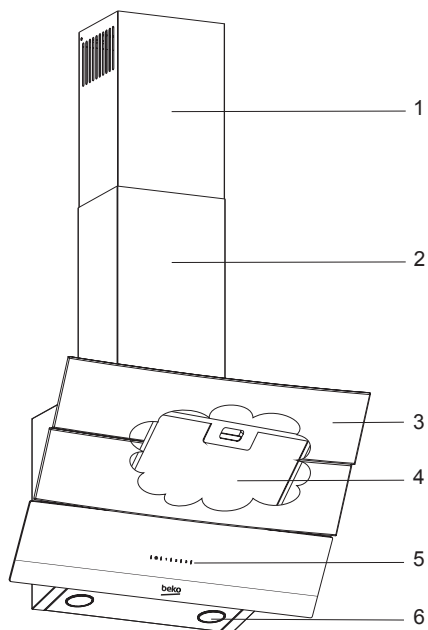
1.4 Informacije o pakiranju



Ambalažni materijal proizvoda proizveden je od materijala koji se može reciklirati u skladu s našim nacionalnim ekološkim popisima. Ambalažni materijal ne zbrinjavajte zajedno s komunalnim i drugim otpadom. Odnosite ga u sabirne centre za ambalažni materijal koje su odredila lokalna nadležna tijela.

2 Opći izgled

2.1 Pregled

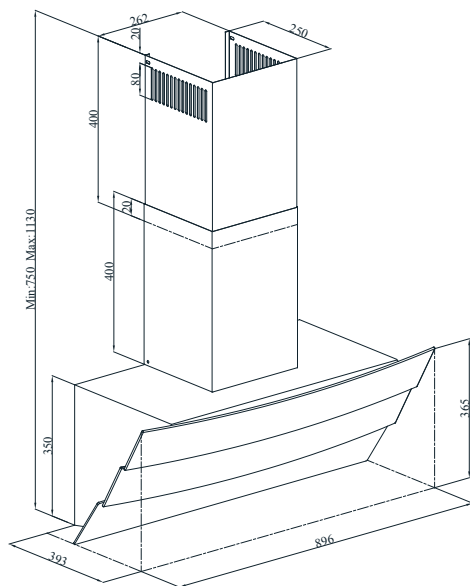


1. Unutarnji ventilacijski kanal
2. Vanjski ventilacijski kanal
3. Stakleni poklopac
4. Filter (ispod staklenog poklopca)
5. Upravljačka ploča
6. Svjetlo

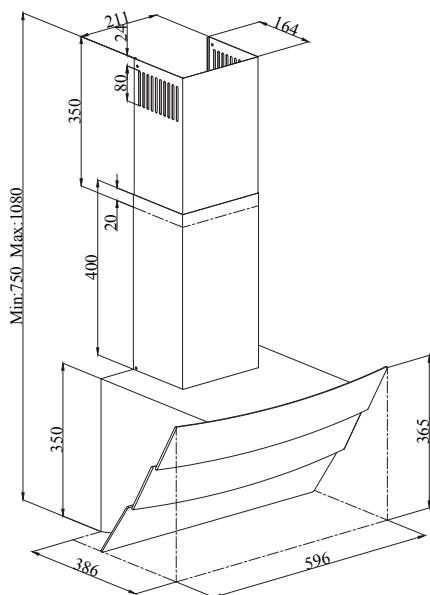
2 Opći izgled

2.2 Tehnički podaci

	HCA62640WH HCA62640BH	HCA62540B	HCA92640WH HCA92640BH	HCA92540B
Širina	596 mm		896 mm	
Dubina	386 mm		393 mm	
Visina	750/1080 mm		750/1130 mm	
Napon napajanja	220-240V ~, 50 Hz			
Upravljanje	S 3 razine			
Snaga žarulje	2x3 W			
Cijev izlaznog zraka	120/150 mm			
Brzina protoka – 3. Razina	537 m ³ /h	566 m ³ /h	577 m ³ /h	593 m ³ /h
Snaga motora	210 W			
Ukupna snaga	216 W			
Razred izolacije motora	RAZRED F			
Razred izolacije	RAZRED I			



HCA92640WH
HCA92640BH
HCA92540B



HCA62640WH
HCA62640BH
HCA62540B

3 Korištenje uređaja

3.1 Uporaba uređaja

	
KLJUČ	FUNKCIJA
A : Prekidač za uključivanje/isključivanje svjetla	Pritiskom na ovaj gumb možete osvijetliti područje kuhanja.
B : Gumb 1. razine	Pritiskom na ovaj gumb možete pokrenuti napu na razini 1. brzine. Kada ponovno pritisnete ovaj gumb za isključivanje uređaja tada će sa zaslona nestati pokazatelj razine brzine.
C : Gumb 2. razine	Pritiskom na ovaj gumb možete pokrenuti napu na razini 2. brzine. Kada ponovno pritisnete ovaj gumb za isključivanje uređaja tada će sa zaslona nestati pokazatelj razine brzine.
D : Gumb 3. razine	Pritiskom na ovaj gumb možete pokrenuti napu na razini 3. brzine. Kada ponovno pritisnete ovaj gumb za isključivanje uređaja tada će sa zaslona nestati pokazatelj razine brzine.

3.2 Energetski učinkovita upotreba

- Kada koristite uređaj podesite postavke brzine u skladu s intenzitetom pare i mirisa i kako biste uštedjeli energiju.
- Sporije brzine (1-2) koristite u normalnim uvjetima, a veliku brzinu (3) koristite za intenzivne mirise i pare.
- Svjetla na napi služe za osvijetljavanje područja kuhanja.
- Ako ih koristite za rasvjetu okruženja tada će te potrošiti nepotrebnu energiju, a rasvjeta neće biti dovoljna.

3.3 Rukovanje napom

- Uređaj ima motor s različitim brzinama.
- Za bolju učinkovitost preporučujemo koristiti sporije brzine u normalnim uvjetima, a veću brzinu u slučaju jakih mirisa i intenzivne pare.
- Uređaj možete pokrenuti pritiskom na gumb željene postavke brzine. (B, C, D)
- Pritiskom na gumb svjetla (A) možete osvijetliti područje kuhanja.

3.4 Automatsko zaustavljanje za 15 minuta:

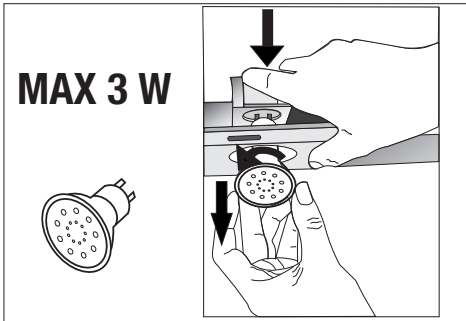
Ovaj uređaj opremljen je s funkcijom automatskog zaustavljanja koja omogućuje uređaju prozračivanje prostorije u dodatnom vremenu kako bi se uklonili svi neugodni miris i pare iz prostorije prije završetka kuhanja. Uređaj se automatski zaustavlja nakon određenog vremena. Za aktiviranje funkcije automatskog zaustavljanja pritisnite bilo koji od gumba razine brzine (B, C, D) na upravljačkoj ploči duže od 2 sekunde. Tada će se aktivirati tajmer na 15 minuta. Ako pritisnete isti gumb razine brzine kada je aktivirana funkcija zaustavljanja tada će se funkcija deaktivirati, a uređaj će prestati s radom. Ako odaberete različitu razinu brzine tada će se ova funkcija deaktivirati. Ako želite da se uređaj automatski zaustavi tada trebate ponovno aktivirati funkciju automatskog zaustavljanja.

Periodično čišćenje metalnih filtera:

Filtri se trebaju čistiti približno svakih 60 sati rada ili 4 tjedna ovisno o učestalosti korištenja.

3 Korištenje uređaja

3.5 Zamjena svjetiljke



Iskopčajte napu iz strujne utičnice. Ovaj uređaj je opremljen s 3 W LED lampicama. Za zamjenu LED lampice pritisnite lampicu prema dolje na stražnjoj strani drača lampice i oslobodite lampicu. Zatim je okrenite u smjeru obrnutom od smjera kazaljke na satu za 1/4 okreta i uklonite je. Za pričvršćivanje nove lampice ponovite gornje korake u obrnutom redoslijedu.

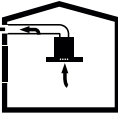


Žarulje za svjetlo možete kupiti od ovlaštenog servisnog zastupnika.

Žarulja	
Snaga žarulje	3 W
Držač / utičnica	GZ 10
Napon žarulje	220 - 240 V
Veličina	53 x 50 mm
ILCOS kod	DR/F3-220-240-GZ10-50-53
Svjetlosni tok	260 lm
Odgovarajuća temperatura boje	3000 K

Ovaj proizvod sadrži izvor svjetla klase energetske učinkovitosti F.

3.6 Rad s priključenim dimnjakom

-  Pare se uklanjaju kroz cijev ventilacijskog kanala koja je pričvršćena na priključnu glavu nape.
- Promjer cijevi ventilacijskog kanala isti je kao i spojni prsten. U vodoravnoj instalaciji, cijev treba imati lagani nagib prema gore (približno 10°) tako da zrak može lako izaći iz prostorije.

3.7 Rad bez priključenog dimnjaka

-  Zrak se filtrira kroz ugljeni filter i vraća se u prostoriju. Ugljeni filter koristi se kada se u kući ne može koristiti ventilacijski kanal.
 - Kod primjene bez ventilacijskog kanala, uklonite preklope unutar adaptera ventilacijskog kanala.
- Uklonite aluminijski filter masnoće. Za instalaciju ugljanog filtra pričvrstite filtre na kvačice centriranjem na plastičnom komadu s obje strane kućišta ventilatora, zategnite ih okretanjem desno ili lijevo.
- Zamijenite aluminijski filter masnoće.

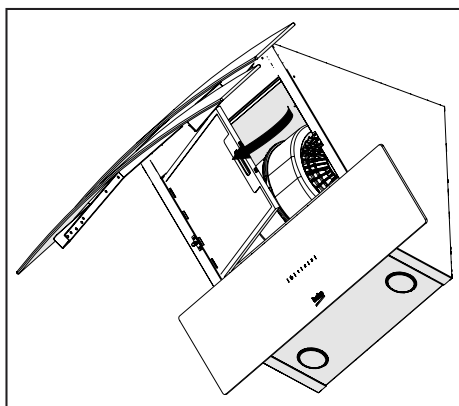
4 Čišćenje i održavanje



Prije čišćenja i održavanja iskopčajte proizvod iz strujne utičnice ili isključite prekidač.

4.1. Čišćenje filtra masnoće

Filtar masnoće koristi se za hvatanje čestica ulja u zraku. Filtar masnoće mijenja boju nakon uzastopnog čišćenja. To je normalno i zbog toga ne trebate mijenjati filtre.



- Gurnite blokadu filtra masnoće prema naprijed.
- Zatim je lagano povucite prema dolje i van. U protivnom možete saviti filtar. Operite i isperite filtar masnoće s tekućim deterdžentom i vratite filtar masnoće na njegovo mjesto u skladu s gore navedenim koracima samo obrnutim redoslijedom. Ovi filtri masnoće koriste se za hvatanje čestica ulja u zraku.



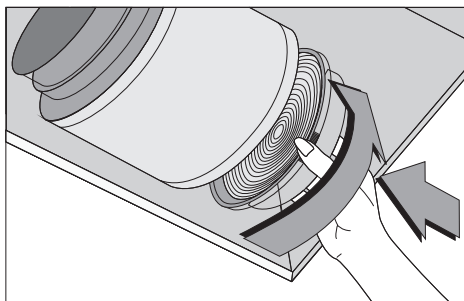
Filtar masnoće možete prati u perlici posuđa.



OPREZ: Prilikom normalne primjene filtar masnoće očistite jednom mjesečno.

4.2 Zamjena ugljenih filtara

Filtri za uklanjanje mirisa sadrže ugljen (aktivni ugljen). Filtar masnoće mora se instalirati u proizvodu bez obzira koriste li se ugljeni filtri ili ne.



- Uklonite filtar masnoće.
- Za uklanjanje ugljenog filtra, izvadite ugljeni filtar iz njegovog kućišta okretanjem u smjeru obrnutom od smjera kazaljke na satu od jezičca.
- Instalirajte novi ugljeni filtar.
- Instalirajte filtar masnoće.

OPREZ



- Ugljeni filtar nikad se ne smije prati.
- Ugljeni filtar zamijenite svaka 3 mjeseca.
- Ugljeni filtar možete nabaviti u ovlaštenom servisu.

5 Instalacija uređaja



UPOZORENJE: Prije početka instalacije, pročitajte sigurnosne informacije u korisničkom priručniku.

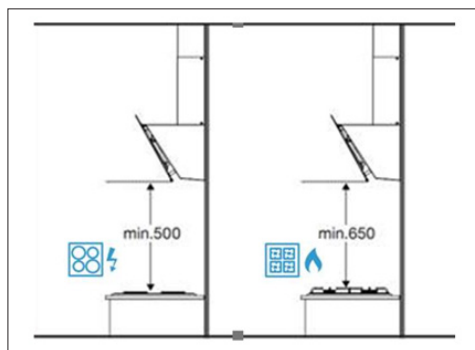


UPOZORENJE: Ako instalaciju ne instalirate s vijcima i stabilizatorima u skladu s ovim uputama, to može rezultirati strujnim udarom.

Za instalaciju nape kontaktirajte najbliži ovlašteni servis.

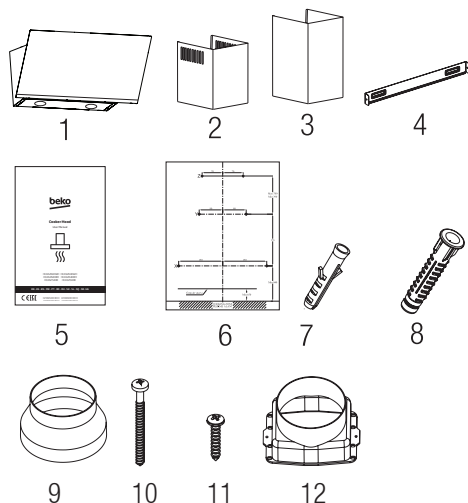
Kupac je odgovoran za pripremu mjesta instalacije i električnih instalacija nape.

5.1 Položaj uređaja



- Kod svih vrsta kuhinjskih napa razmak ugradnje na plinsku i električnu ploču za kuhanje je najmanje 650 mm. Samo za **kose kuhinjske nape**, udaljenost ugradnje na **električnu ploču za kuhanje** je najmanje 500 mm.
- Mjeru morate uzeti od površine grila na plinskim pločama za kuhanje i od staklene površine električnih ploča za kuhanje.

5.2 Sadržaj pakiranja



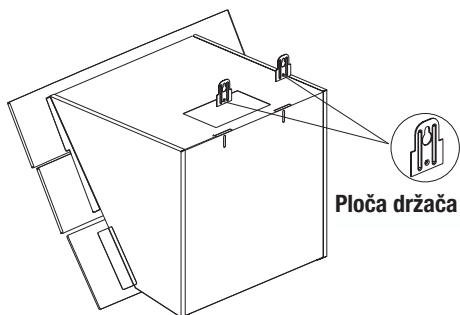
1. Proizvod
2. Unutarnji ventilacijski kanal
3. Vanjski ventilacijski kanal
4. priključna ploča ventilacijskog kanala
5. Korisnički priručnik
6. Šablon za montažu
7. 6 mm plastični zidni tipal
8. 8 mm plastični zidni tipal
9. Ø120/150 mm adapter plastičnog ventilacijskog kanala
10. 4,9 x 50 Vijak s križnom glavom
11. 3,9 x 22 Vijak s križnom glavom
12. Ø150 mm plastični ventilacijski kanal

U nastavku su navedene informacije potrebne za pripremanje lokacije na kojoj će se instalirati napa.

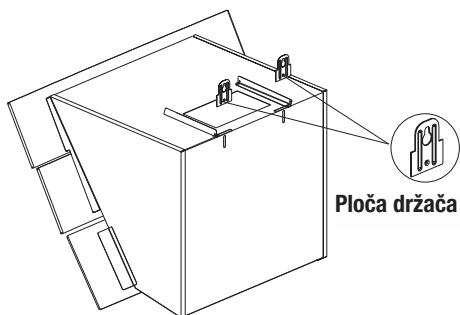
5 Instalacija uređaja

5.3 Instaliranje nape na zid

Za instaliranje nape na zid olabavite vijke ploče držača na kućištu motora i povucite ploče prema gore. Zatim, zategnite vijke ploče držača. (Slika 1a).

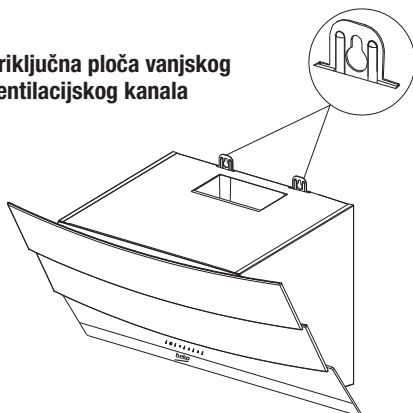


(Slika 1a-60)



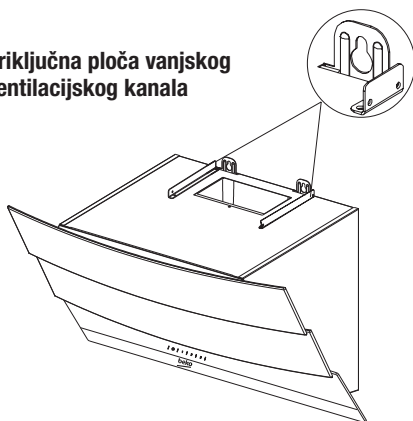
(Slika 1a-90)

Priključna ploča vanjskog ventilacijskog kanala



(Slika 1b-60)

Priključna ploča vanjskog ventilacijskog kanala

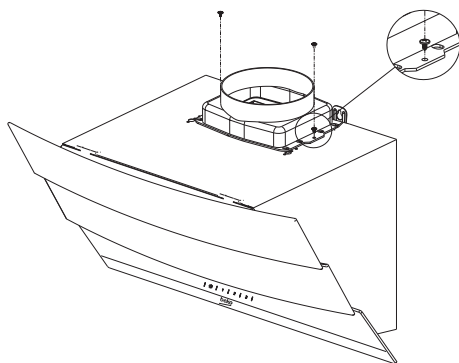


(Slika 1b-90)

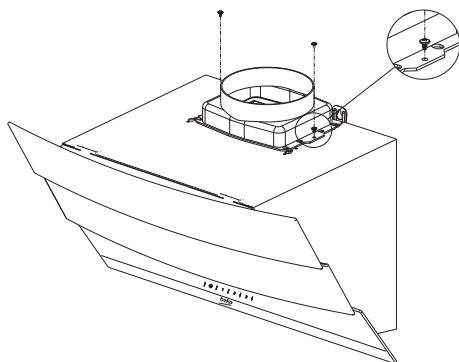
Pričvrstite adapter plastičnog ventilacijskog kanala s \varnothing 150 mm na vrh kućišta s vijekom 3.5x9.5 koji se nalazi u priboru za instalaciju (Slika 2).

Ako ćete koristiti cijev ventilacijskog kanala \varnothing 120 mm tada na nju instalirajte adapter ventilacijskog kanala \varnothing 120 mm.

5 Instalacija uređaja



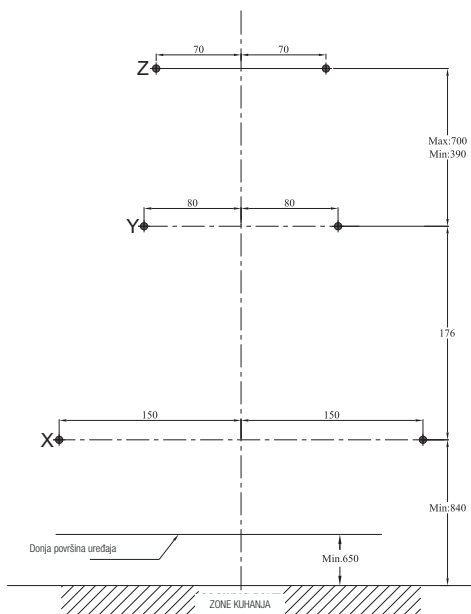
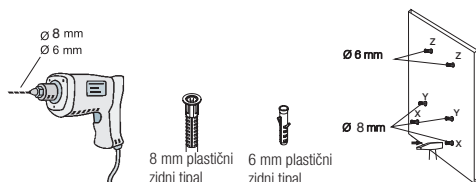
(Slika 2-60)



(Slika 2-90)

5.4 Bušenje otvora na držaču

Pričvrstite predložak na mjesto instalacije nape. Izbušite točke označene s (X,Y) sa $\varnothing 8$ mm svrdlom i točke označene s sa a $\varnothing 6$ mm svrdlom. (Slika 3)



(Slika 3)

5.5 Zabijanje zidnih tipala

Zabijte $\varnothing 8$ mm zidne tiple (X,Y) u otvore izbušene za vijke držača. Zabijte 2 x $\varnothing 6$ mm zidne tipke (Z) u otvore izbušene sa $\varnothing 6$ mm svrdlom za ploču vanjskog ventilacijskog kanala. (Slika 3)

5.6 Stavljanje vijaka držača

Stavite 4,8 X50 vijke držače u $\varnothing 8$ mm zidne tiple (Y) koje ste zabili u zid. Mora postojati razmak od 5 mm između glave vijka i zida. Spojite priključnu ploču unutarnjeg ventilacijskog kanala na 6 mm zidne tiple (Z) u zidu koristeći $\varnothing 3.9$ x22 vijke. (Slika 4)

5 Instalacija uređaja



(Slika 4)

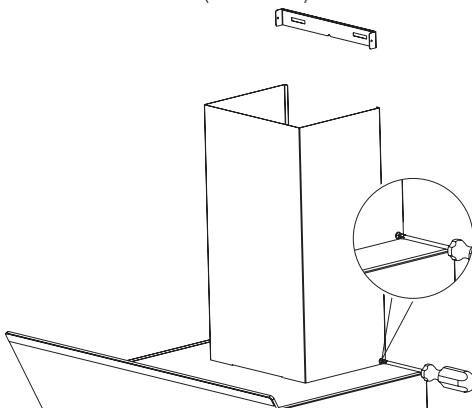
5.7 Vješanje nape na zid

- Objesite napu na vijke koje ste umetnuli u Y otvore.
- Otvorite bočni usisni prozor nape tako što ćete je povući prema sebi. Stavite 4.9x50 vijke kroz X otvore koji se nalaze s unutarnje strane i tako pričvrstite uređaj.

5.8 Instaliranje ventilacijskog kanala nape

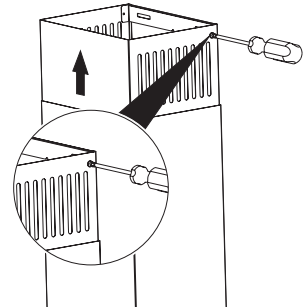
Odspojite proizvod od električnog mrežnog napajanja prije početka instalacije ventilacijskog kanala. Pričvrstite metalne dijelove ventilacijskog kanala oko kućišta.

Zavijte vanjski ventilacijski kanal na priključne ploče vanjskog ventilacijskog kanala koje se nalaze u kućištu motora. (Slika 1b/5)



(Slika 5)

Proširite i zavijte unutarnji ventilacijski kanal na njegovim vanjskim rubovima na priključnu ploču ventilacijskog kanala koja je vijcima pričvršćena na zid (Slika 6).



(Slika 6)

5.9 Priključak ventilacijskog kanala

Adapter isporučen zajedno s napom postavite u ventilacijski otvor koji se nalazi na gornjem dijelu nape. Kupite cijev promjera 120/150 mm. Pričvrstite jedan kraj cijevi na adapter, a drugi kraj na ventilacijski kanal. Pripazite da su oba priključka dobro pričvršćena tako da se ne pomaknu kada napa radi maksimalnom brzinom. Provjerite jesu li preklopi unutar ventilacijskog kanala su funkcionalni kada se zategnu s objumicom. Pričvrstnu cijev ventilacijskog kanala pričvrstite na adapter. Ako pričvrstnu cijev ventilacijskog kanala pričvrstite unutar adaptera tada neće doći do usisa zraka jer će preklopi koji sprječavaju povratni tok zraka ostati zatvoreni. Nije preporučivo spajanje na ventilacijske kanale spojene sa štednjakom ili otvorima za ventilaciju. Ne spajate napu na takve ventilacijske kanale. Priključna cijev mora biti što kraća i imati što manje „koljena“.

A: Izlazna cijev ventilacijskog kanala

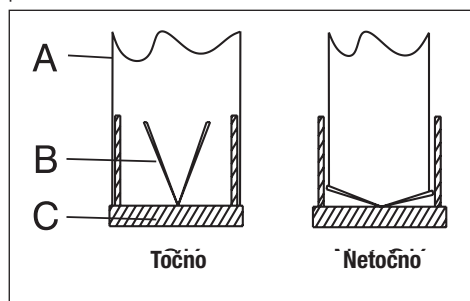
B: Preklopi koji sprječavaju povratni tok zraka

C: Plastični ventilacijski kanal

5 Instalacija uređaja

5.10 Sustav sprječavanja povratnog toka zraka (N-RV)

Kada napa radi, preklopi su zatvoreni kako bi spriječili ulazak mogućih vanjskih neugodnih mirisa i prašine unutra.



5.11 Pohrana

- Ako uređaj ne namjeravate koristiti duže vrijeme, pažljivo ga pohranite.
- Pripazite je li uređaj iskopčan iz strujne utičnice, je li se ohladi i je li potpuno suh.
- Uređaj čuvajte na hladnom i suhom mjestu.
- Uređaj držite izvan dohvata djece

5.12 Rukovanje i transport

- Za vrijeme rukovanja i transporta nosite uređaj u njegovom originalnom pakiranju. Pakiranje štiti uređaj od fizičkih oštećenja.
- Ne stavljajte teške predmete na uređaj ili pakiranje. Uređaj se može oštetiti.
- Ako ispustite uređaj to može učiniti neupotrebljivim ili izazvati trajno oštećenje.

6 Rješavanje problema

Rješavanje problema	Razlog	Pomoć
Proizvod nije u funkciji.	Provjerite osigurač.	Možda je vaš osigurač isključen, potrebno je da ga osposobite.
Proizvod nije u funkciji.	Provjerite priključak na napajanje električnom energijom.	Mrežni napon treba biti između 220-240 V.
Proizvod nije u funkciji.	Provjerite priključak na napajanje električnom energijom.	Provjerite da li su u funkciji ostali proizvodi u vašoj kuhinji.
Lampica za rasvjetu ne radi.	Provjerite priključak na napajanje električnom energijom.	Mrežni napon treba biti između 220-240 V.
Lampica za rasvjetu ne radi.	Provjerite prekidač za lampicu.	Prekidač za lampicu trebao bi biti u položaju "uključeno".
Lampica za rasvjetu ne radi.	Provjerite lampice.	Lampice proizvoda ne bi trebalo da budu neispravne.
Ulaz zraka u proizvod je slab.	Provjerite aluminijski filter.	Aluminijski filter za masnoću treba očistiti najmanje jednom mjesečno u normalnim uvjetima.
Ulaz zraka u proizvod je slab.	Provjerite odvodnik zraka.	Odvodnik zraka trebao bi biti u položaju "uključeno".
Ulaz zraka u proizvod je slab.	Provjerite karbonski filter.	Za proizvode s karbonskim filtrima, filter se obično treba mijenjati svaka 3 mjeseca.

Kérjük, először olvassa el ezt a használati útmutatót!

Tisztelt Vásárló,

Köszönjük, hogy ezt a Beko készüléket választotta. Reméljük, hogy a készülékével amelyet kiváló minőséggel és a legkorszerűbb technológiával gyártottak, a legjobb eredményeket érheti el. Ezért kérjük, mielőtt a készüléket felhasználná, figyelmesen olvassa el ezt a teljes felhasználói kézikönyvet és az összes többi kísérő dokumentumot és őrizze meg a későbbi felhasználási referenciaként. Ha a készüléket továbbadja, akkor adja tovább a felhasználói kézikönyvet is. Kövesse az utasításokat, vegye figyelembe a felhasználói kézikönyv összes információját és figyelmeztetését.

Ne feledje, hogy ez a felhasználói kézikönyv más modellekre is vonatkozhat. A modellek közötti különbségeket a kézikönyv kifejezetten leírja.

A szimbólumok jelentése

A felhasználói kézikönyv egyes szakaszaiban az alábbi szimbólumokat használjuk:



Fontos információk és hasznos tippek a használatához.



FIGYELMEZTETÉS: Figyelmeztetések az élet és vagyon biztonságát érintő veszélyes helyzetekre.



Tűzveszély figyelmeztetés.



Áramütés figyelmeztetés.



ÚJRAHASZNOSÍTOTT ÉS
ÚJRAFELDOLGOZHATÓ
PAPÍR

1 Fontos biztonsági és környezetvédelmi utasítások

1.1 Általános biztonság

Fontos biztonsági utasítások
Olvassa el figyelmesen, és őrizze meg a jövőbeli referenciák céljából Ez a szakasz olyan biztonsági utasításokat tartalmaz, amelyek megvédik a tűz, az áramütés, a szivárgó mikrohullámú energia, a személyi sérülések és az anyagi károk veszélyétől. Ezen utasítások be nem tartása a garancia érvényvesztését okozza.

- A Beko termékek megfelelnek az alkalmazandó biztonsági előírásoknak; ezért a készülék vagy a tápkábel sérülése esetén a veszély elkerülése érdekében a terméket a forgalmazó, a szakszerviz vagy a szakember és hivatalos szerviz javíthatja, bármely veszély elkerülése érdekében. A hibás vagy minősítés nélküli javítás veszélyes lehet, és kockázatot jelenthet a felhasználó számára.
 - A berendezést otthoni, valamint az alábbi helyeken történő használatra tervezték:
 - Üzletek, irodák és egyéb munkahelyek személyzeti ko-
- nyhája;
- Farm házak,
 - szállodák és más szálláshelyek vendégei általi használat;
 - Bed and Breakfast szolgáltatók;
- A készüléket csak rendeltetészerűen, a használati útmutatóban leírtak szerint használja.
 - A gyártó nem vállal felelősséget a termék nem megfelelő beszereléséből vagy helytelen felhasználásából eredő károkért.
 - A készülék használható 8 éves és ennél nagyobb gyermekek által, valamint csökkentett fizikális, érzékelési vagy mentális készségekkel rendelkező személyek által, vagy tapasztalattal és tudással nem rendelkező személyek által, ha őket a biztonságukért felelős személy a készülék használatával kapcsolatban tájékoztatással vagy iránymutatással látta el.
 - Gyermekek nem játszhatnak a készülékkel. A tisztítást és a karbantartást gyermekek felügyelet nélkül nem végezhetik.

1 Fontos biztonsági és környezetvédelmi utasítások

- A főzőlap főzőedényeinek tartófelülete és a termék alsó része közötti minimális távolságnak legalább 50 cm-nek kell lennie.
 - Ha a gáztűzhely beszerelési útmutatója nagyobb távolságot ír elő, ezt figyelembe kell venni.
 - Ellenőrizze, hogy a hálózati áramellátás megfelel-e a készülék adattábláján szereplő információknak.
 - Soha ne használja a készüléket, ha a tápkábel vagy maga a készülék megsérült.
 - Kerülje el a tápkábel sérülését azáltal, hogy nem szorítja, hajlíttja vagy dörzsöli éles szélekre. Tartsa távol a tápkábelt forró felületektől és nyílt lángtól.
 - A készüléket csak földelt aljzattal használja.
- FIGYELMEZTETÉS:** Ne csatlakoztassa a készüléket a hálózathoz, amíg a telepítés teljesen be nem fejeződött.
- Helyezze el a készüléket oly módon, hogy a csatlakozó dugó mindig hozzáférhető legyen.
 - Ne érintse meg a lámpákat, ha azok hosszú ideig működtek.
- Megégethetik a kezét, mivel forrók lesznek.
- Kövesse az illetékes hatóságok által a füstgáz kibocsátására vonatkozó előírásokat (ez a figyelmeztetés nem vonatkozik az égéstermék nélküli használatra).
 - A készülékét csak csésze, serpenyő esetén használhatja. Ellenkező esetben az erős hő a termék egyes elemeinek deformációját okozhatja.
 - Mielőtt levinné az edényt, serpenyőt, stb., kapcsolja ki a főzőlapot.
 - Ne hagyjon forró olajat a tűzhelyen. Forró olajat tartalmazó edények öngyulladást okozhatnak.
 - Vigyázzon a függönyökre és takarókra, mivel az olaj étel, például sült krumpli, sütés közben felgyulladhat.
 - A zsír szűrőt minden hónapban ki kell cserélni. A szénzsűrőt legalább háromhavonta ki kell cserélni.
 - A terméket a felhasználói kézikönyvnek megfelelően kell megtisztítani. Ha a tisztítást nem

1 Fontos biztonsági és környezetvédelmi utasítások

a felhasználói kézikönyv szerint hajtották végre, tüzet okozhat.

- A jelenlegi szűrők helyett ne használjon nem tűzálló szűrőanyagokat.
- Csak eredeti alkatrészeket vagy a gyártó által ajánlott alkatrészeket használjon.
- Ne működtesse a terméket szűrő nélkül, és ne távolítsa el a szűrőket, amíg a termék működik.
- Ha bármilyen láng elindul, áramtalanítsa a terméket és a főzőkészülékeket.
- A láng belobbanása esetén takarja el a lángot, soha ne használjon az oltáshoz vizet.
- Minden egyes tisztítás előtt és amikor a készüléket nem használja, húzza ki a konnektorból.
- A környezeti negatív nyomás nem haladhatja meg a 4 Pa-t (4 x 10 bar), ha az elektromos főzőlap páraelszívója és az elektromos áramtól eltérő, más típusú energiára működő készülékek egyszerre működnek.
- A környezetben, ahol a készüléket használják, a tüzelőolajra

vagy gázra működő eszközök, pl. helyiségfűtő berendezések füstgázainak teljesen elszigetelten kell működnie, vagy az eszköznek hermetikus típusúnak kell lennie.

- Az égéstermék-elvezetéshez használjon 120 vagy 150 mm átmérőjű csöveket. A csőcsatlakozásnak a lehető legrövidebbnek kell lennie és a lehető legkevesebb könyököt kell felhasználnia.

Fulladás veszély! A csomagolóanyagokat tartsa távol gyermekektől.

VIGYÁZAT: Főzőeszközökkel történő használat esetén a hozzáférhető részek forróak lehetnek.

- A termék kimenete nem csatlakoztatható más füstöt tartalmazó légcsatornákhoz.
- Lehet, hogy a helyiség szellőztetése nem elegendő, ha az elektromos főzőlap burkolatát egyidejűleg használják a gázzal vagy más üzemanyaggal működő eszközökkel (ez nem vonatkozik azokra a készüléke-

1 Fontos biztonsági és környezetvédelmi utasítások

kre, amelyek csak a levegőt vezetik vissza a helyiségbe).

- A termékre helyezett tárgyak leeshetnek. Ne tegyen semmilyen tárgyat a készülékre.
- Ne lánjoljon a termék alatt.

FIGYELMEZTETÉS: A páraelszívó felszerelése előtt távolítsa el a védőfóliákat.

- Soha ne hagyjon magas nyílt lángot a páraelszívót alatt, amikor az működésben van.
- Használat közben a folyamatosan ellenőrizze a fritőzöket: a túlmelegedett olaj fellángolhat.

1.2 A WEEE-irányelvnek való megfelelés és hulladékártalmatlanítás:

A termék megfelel a WEEE (elektromos és elektronikus berendezések hulladékairól szóló 2012/19/EU) irányelv követelményeinek. Ez a termék elektromos és elektronikus hulladék osztályozási szimbólummal (WEEE) rendelkezik.



Ez a szimbólum azt jelzi, hogy a terméket az élettartama végén nem szabad közösen más háztartási hulladékokkal együtt kidobni. A használt eszközt vissza kell vinni a hivatalos

gyűjtőhelyre az elektromos és elektronikus szkezők újrahasznosítása céljából. A gyűjtőrendszerek megtalálásához vegye fel a kapcsolatot a helyi hatóságokkal vagy a kereskedővel, ahol a terméket vásárolták. Minden háztartás fontos szerepet tölt be a régi készülékek visszanyerésében és újrahas-

znosításában. A használt készülék megfelelő ártalmatlanítása segít megelőzni a környezetre és az emberi egészségre gyakorolt lehetséges negatív következményeket.

1.3 Az RoHS irányelv betartása

A megvásárolt termék megfelel az EU RoHS Irányelvének (2011/65/EU). Nem tartalmaz az irányelvben meghatározott káros és tiltott anyagokat.

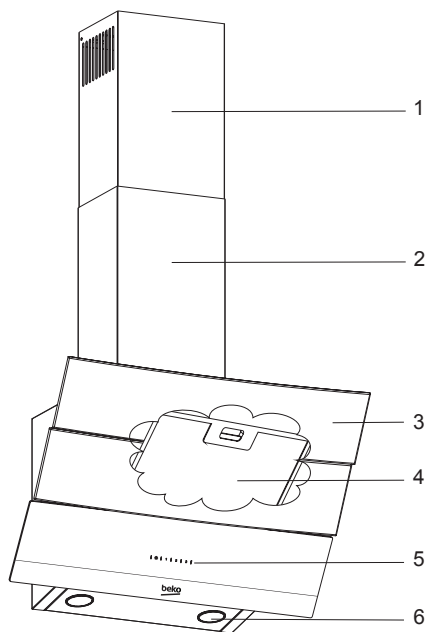
1.4 Csomagolási információ



A termék csomagolóanyagait újrahasznosítható anyagokból gyártják, a nemzeti környezetvédelmi rendeleteinknek megfelelően. A csomagolóanyagokat ne dobja el a háztartási vagy egyéb hulladékok közé. TVigye őket a helyi hatóságok által kijelölt csomagolóanyag-gyűjtő helyekre.

2 Általános megjelenés

2.1 Áttekintés

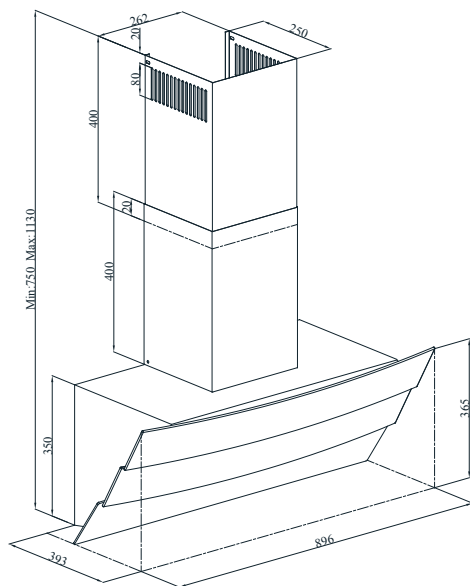


1. Belső kűrtő
2. Külső kűrtő
3. Üveg burkolat
4. Szűrő (az üveg burkolat alatt)
5. Kezelőpanel
6. Megvilágítás

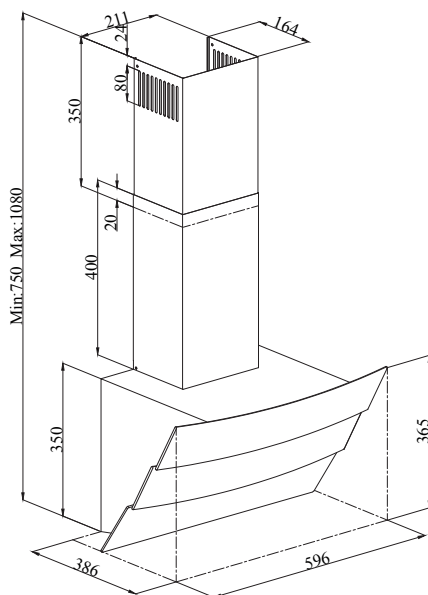
2 Általános megjelenés

2.2 Technical data

	HCA62640WH HCA62640BH	HCA62540B	HCA92640WH HCA92640BH	HCA92540B
Szélesség	596 mm		896 mm	
Mélység	386 mm		393 mm	
Magasság	750/1080 mm		750/1130 mm	
Tápfeszültség	220-240V ~, 50 Hz			
Vezérlés	3 szinttel			
Lámpa teljesítménye	2x3 W			
Elvezetőcső	120/150 mm			
Áramlási sebesség – 3. Szint	537 m ³ /h	566 m ³ /h	577 m ³ /h	593 m ³ /h
Motor teljesítménye	210 W			
Összteljesítmény	216 W			
A motor szigetelési osztálya	F osztály			
Szigetelési osztály	I osztály			



**HCA92640WH
HCA92640BH
HCA92540B**



**HCA62640WH
HCA62640BH
HCA62540B**

3 A készülék működése

3.1 A készülék vezérlése

			
			
KULCS	FUNKCIÓ		
A : Fény Be/Ki kapcsoló	A kapcsoló megnyomásával megvilágíthatja a főzőterületet.		
B : 1. szint kapcsoló	A kapcsoló megnyomásával elindíthatja a páraelszívót az 1. szinten. Ha ezt a kapcsolót még egyszer megnyomja a berendezés kikapcsolásához, a sebességjelzés eltűnik a kijelzőről.		
C : 2. szint kapcsoló	A kapcsoló megnyomásával elindíthatja a páraelszívót a 2. szinten. Ha ezt a kapcsolót még egyszer megnyomja a berendezés kikapcsolásához, a sebességjelzés eltűnik a kijelzőről.		
D : 3. szint kapcsoló	A kapcsoló megnyomásával elindíthatja a páraelszívót a 3. szinten. Ha ezt a kapcsolót még egyszer megnyomja a berendezés kikapcsolásához, a sebességjelzés eltűnik a kijelzőről.		

3.2 Energiatakarékos használat

- A páraelszívó használatakor a szagok és gőzök intenzitásának megfelelően válassza ki a sebességet, így megakadályozhatja a szükségtelen áramfogyasztást.
- Normál körülmények között használja az alacsony sebességeket (1-2), ha a szagok és a gőzök intenzívebbek, akkor a magasabb sebességet (3).
- A páraelszívón található lámpák feladata a főzőzónák megvilágítása.
- Amennyiben ezeket használja a környezet/konyha megvilágítására, az szükségtelen áramfogyasztást és elégtelen megvilágítást eredményez.

3.3 A páraelszívó használata

- A páraelszívó egy olyan motorral van felszerelve, amely különböző sebességbeállításokkal rendelkezik.
- A jobb teljesítmény érdekében azt javasoljuk, hogy normál körülmények között használja az alacsony sebességet, intenzívebb szagok és gőzök esetén pedig a magasabb sebességet.
- A páraelszívót elindíthatja a kívánt sebesség kapcsolójának megnyomásával (B,C,D).
- A világításkapcsoló megnyomásával megvilágíthatja a főzőterületet (A).

3.4 Automatikus leállítás

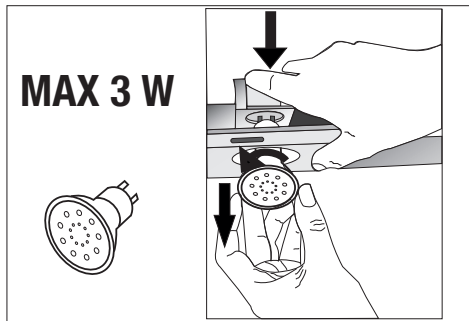
Ez a berendezés fel van szerelve egy automatikus leállító funkcióval, amely lehetővé teszi, hogy a főzést követően a berendezés még egy előre meghatározott ideig szellőztesse a helyiséget a kellemetlen szagok és gőzök megszüntetése érdekében. A berendezés a megadott időtartamot követően automatikusan leáll. Az automatikus leállítási funkció engedélyezéséhez nyomja bármelyik sebességválasztó gombot (B, C, D) 2 másodpercnél hosszabban. A 15 perces időzítő aktiválásra kerül. Ha megnyomja ugyanazt a sebességválasztó gombot, miközben az automatikus leállítási funkció aktíválva van, a funkció törlésre kerül és a berendezés leáll. Ha egy másik sebességszintet választ ki, a funkció akkor is leállítása kerül. Ha szeretné, hogy a berendezés ismét automatikusan álljon le, újra engedélyeznie kell az automatikus leállítási funkciót.

A fém szűrők időszakos tisztítása:

A szűrőket kb. minden 60 üzemórát követően vagy 4 hét elteltével tisztítani kell, függően a használat hatékonyságától.

3 A készülék működése

3.5 Lámpák cseréje



Válassza le a páraelszívót az áramforrásról. Ebben a berendezésben 3 W LED lámpák találhatóak. A LED lámpák cseréjéhez nyomja lefelé a lámpákat a lámpatartó hátsó részénél, hogy kioldhassa a lámpát. Majd az eltávolításhoz forgassa el 1/4 fordulattal az óramutató járásával megegyezően. Az új lámpa behelyezéséhez hajtsa végre a fenti lépéseket fordított sorrendben.

Izzó	
Izzó teljesítmény	3 W
Tartó / Aljzat	GZ 10
Izzófeszültség	220 - 240 V
Méret	53x50 mm
ILCOS kód	DR/F3-220-240-GZ10-50-53
Fényáram	260 lm
Kapcsolódó színhőmérséklet	3000 K

Ez a termék "F" energiahatékonysági osztályú fényforrást tartalmaz.

3.6 Üzemeltetés kürtőcsatlakozással

-  A gőzök a kürtőn keresztül kerülnek eltávolításra, amely a páraelszívó csatlakozófejehez van rögzítve.
- A kürtő átmérőjének ugyanakkorának kell lennie, mint a csatlakozógyűrű. Vízszintes elhelyezés esetén a csövet egy kis lejtéssel kell beszerelni (kb. 10°), hogy a levegő könnyen távozhasson a helyiségből.

3.7 Üzemeltetés kürtőcsatlakozás nélkül

-  A levegőt a szénoszűrő megszűri, majd visszavezeti a helyiségbe. A szénoszűrő akkor használatos, amikor nincs lehetőség kürtőbe történő csatlakoztatásra.
- Kürtő nélküli használat esetén távolítsa el a kürtőadapterben található terelőlapokat.
- Távolítsa el a zsírszűrőt. A szénoszűrő behelyezéséhez illessze a szűrőt a fülékbe úgy, hogy a ventilátor burkolatának két oldalán található műanyag darabokra központosítja. Rögzítse úgy, hogy balra vagy jobbra elforgatja.
- Cserélje ki a zsírszűrőt.

4 Tisztítás és karbantartás

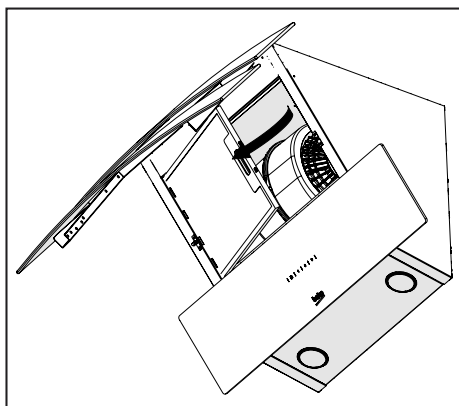


A tisztítás és karbantartás előtt húzza ki a berendezést vagy kapcsolja ki a főkapcsolót, vagy kapcsolja le a biztosítékot, amely a páraelszívót biztosítja.

4.1 A zsírszűrő tisztítása

A szűrő felfogja a levegőben lévő olajrészecskéket.

Az alumínium szűrők elszíneződhetnek mosás közben; ez normális, ezért nem kell kicserélnie a szűrőt.



- Nyomja meg az alumínium szűrő rögzítését előre.
- Majd kissé engedje le és húzza előre. Ellenkező esetben a szűrő elgörbülhet. Azt követően, hogy az alumínium szűrőt kimosta és megszádította, helyezze vissza a nyílásba a fenti lépések fordított sorrendjében.



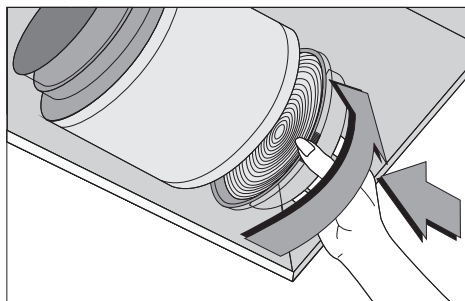
Az alumínium szűrőket mosógépben is moshatja.



VIGYÁZAT: Javasoljuk, hogy normál használat mellett havonta tisztítsa meg a szűrőt.

4.2 Szénszűrő cseréje

A szagmentesítő szűrők szénen tartalmaznak (aktívszén). Függetlenül attól, hogy használ-e szénszűrőket vagy sem, az alumínium szűrőket minden esetben be kell helyezni.



- Távolítsa el az alumínium szűrőket.
- A szénszűrő eltávolításához forgassa el a füleket az óramutató járásával ellentétesen és oldja ki a szűrőt.
- Helyezze be az új szénszűrőt.
- Helyezze be az alumíniumszűrőket.

VIGYÁZAT



- A szénszűrőt soha nem szabad kimosni.
- Cserélje ki a szénszűrőket 3 havonta egyszer.
- A szénszűrőt a hivatalos szerviztől szerezheti be.

5 Készülék telepítése



FIGYELEM: A telepítés megkezdése előtt olvassa el a felhasználói kézikönyvben található biztonsági információkat.

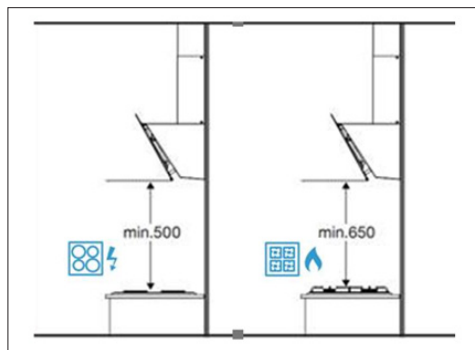


FIGYELEM: Ha a csavarokat és a stabilizátorokat nem az előírásoknak megfelelően szereli fel, fennáll az áramütés veszélye.

A páraelszívó telepítéséhez keresse fel a legközelebbi hivatalos szervizt.

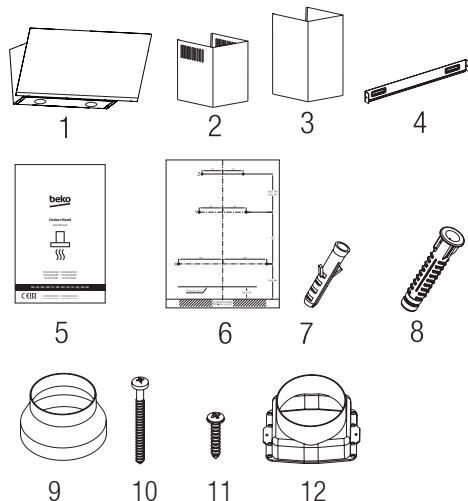
A telepítés helyének előkészítése, illetve az elektromos csatlakozás kiépítése az ügyfél felelőssége.

5.1 A berendezés pozíciója



- Minden páraelszívó típusnál a beépítési távolság a gázfőzőlap felett és az elektromos főzőlap felett legalább 650 mm. Kizárólag **ferde páraelszívók** esetében a beépítési távolság az **elektromos főzőlap** felett min. 500 mm.
- A távolságot a gáz főzőlap edénytartójától, illetve az elektromos főzőlap felületétől kell mérni.

5.2 Csomag tartalma



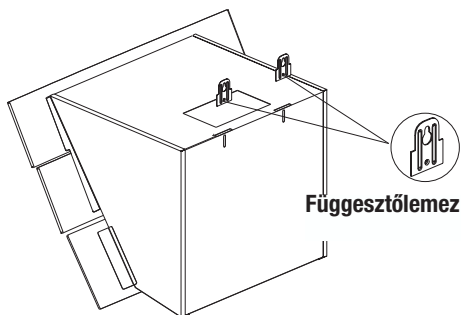
1. Termék
2. Belső kürtő
3. Külső kürtő
4. Kürtő csatlakozó lemez
5. Felhasználói kézikönyv
6. Beszerelési sablon
7. 6 mm-es műanyag tipli
8. 8 mm-es műanyag tipli
9. Ø120/150mm műanyag kürtő adapter
10. 4,9 x 50 keresztfejű csavar
11. 3,9 x 22 keresztfejű csavar
12. Ø150 mm műanyag kürtő

Az alábbiakban található információk segítségével alkalmassá teheti az adott helyet a páraelszívó felszereléséhez.

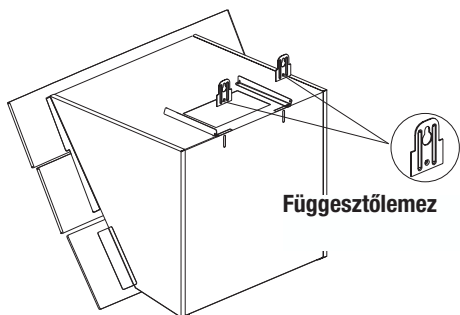
5.3 Páraelszívó telepítése a falra

Ahhoz, hogy a páraelszívót a falra felszerelhesse, lazítsa meg a függesztőlemezek csavarjait a motorburkolaton és húzza a lemezeket felfelé. Ezt követően húzza meg a függesztőlemezek csavarjait. (1a. ábra).

5 Készülék telepítése

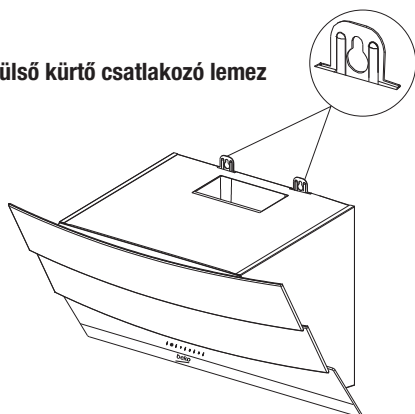


(1a. ábra-60)



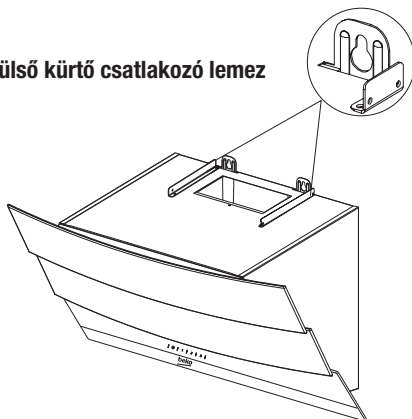
(1a. ábra-90)

Külső kürtő csatlakozó lemez



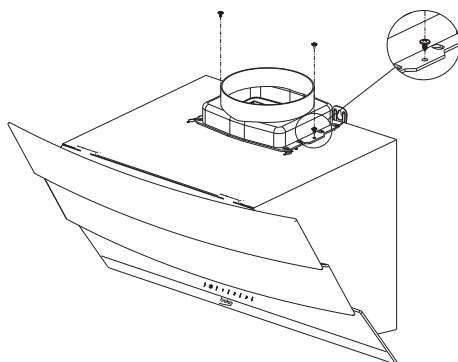
(1b. ábra-60)

Külső kürtő csatlakozó lemez



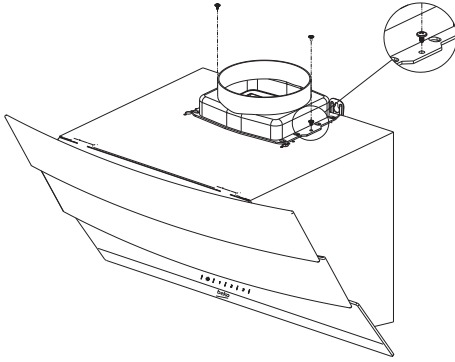
(1b. ábra-90)

Rögzítse a \varnothing 150 mm-es műanyag kürtő adaptert a burkolat felső részére a 3,5 x 9,5 csavarral, amely a kiegészítők között megtalálható (2. ábra). Ha \varnothing 120 mm-es kürtőt használ, szerelje fel a \varnothing 120 mm-es adaptert.



(2. ábra-60)

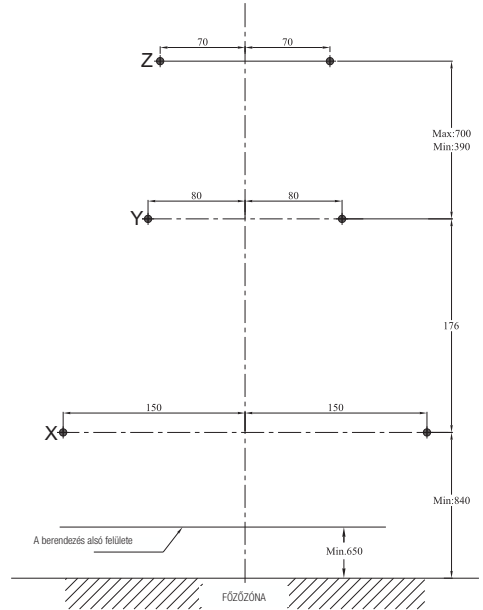
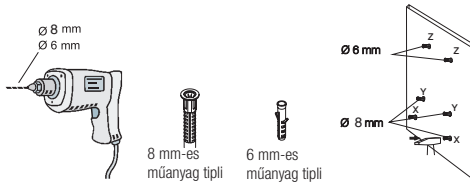
5 Készülék telepítése



(2. ábra-90)

5.4 A függesztés furatainak kifúrása

Rögzítse a telepítéshez használatos sablont a páramentesítő telepítési helyére. Fúrja ki az (X,Y) furatokat egy $\varnothing 8$ mm-es fúróval, illetve a (Z) furatokat egy $\varnothing 6$ mm-es fúróval. (3. ábra)



(3. ábra)

5.5 Tiplik beütése

Egy kalapáccsal üsse be a $\varnothing 8$ mm-es tipliket (X,Y) a függesztéshez kifúrt furatokba. A külső kürtőcsatlakozáshoz kifúrt $\varnothing 6$ mm-es furatokba egy kalapáccsal üsse be a $2 \times \varnothing 6$ mm-es (Z) tipliket. (3. ábra)

5.6 A függesztőcsavarok behelyezése

Helyezze be a 4,9 X50 függesztőcsavarokat a $\varnothing 8$ mm-es tiplikbe (Y), amelyeket kalapáccsal ütött be a falba. A csavar feje és a fal síkja között 5 mm-es hézag legyen. Csatlakoztassa a belső kürtő csatlakozólemezt a 6 mm-es tiplikhez (Z) a $\varnothing 3,9 \times 22$ csavarok segítségével. (4. ábra)

5 Készülék telepítése



(4. ábra)

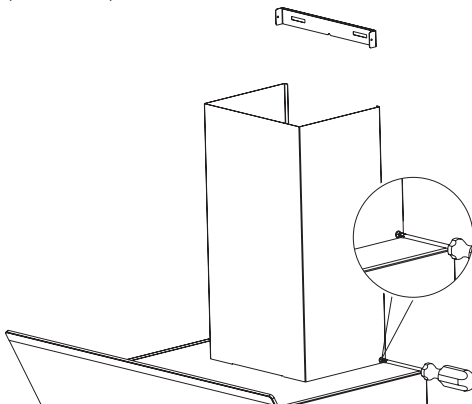
5.7 Páraelszívó függesztése a falra

- Függeszse fel a páraelszívót a csavarokara, amelyeket az Y furatokba becsavarozott.
- Nyissa ki a páraelszívó oldalsó szívónyílását úgy, hogy saját maga felé húzza. A berendezés rögzítéséhez helyezze be a 4.9x50 csavarokat a belül található X nyílásokon keresztül..

5.8 A páraelszívó kürtőjének telepítése

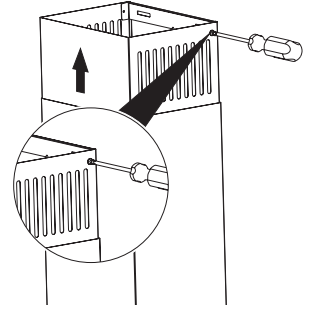
Mielőtt a kürtő telepítését megkezdené, csatlakoztassa le a terméket az elektromos hálózatról. Helyezze fel a fém kürtőrészeket a burkolat köré.

Csavarozza fel a külső kürtőt a külső kürtő csatlakozólemezére, amely a motor burkolatán található. (1b. ábra/5)



(5. ábra)

Húzza ki és csavarozza fel a belső kürtőt a kürtő csatlakozólemezére, amelyet a már a falhoz rögzített (6. ábra).



(6. ábra)

5.9 Kürtő csatlakoztatása

Helyezze fel a termékhez kapott adaptert a szellőzőnyílásba, amely a páraelszívó felső részén található. Szerezzen be egy csövet, amelynek az átmérője 120/150 mm. Csatlakoztassa a cső egyik végét az adapterhez, a másik végét a kürtőhöz. Győződjön meg róla, hogy ez a két csatlakozás megfelelően meg van húzva, azok nem mozdulnak el, amikor a páraelszívó maximális sebességgel működik. Ellenőrizze, hogy a belső tereplőlapok működnek-e, amikor a bilincs meg van húzva. Csatlakoztassa fel a kürtő csatlakozócsövét az adapterre. Ha a kürtőt az adapteren belül csatlakoztatja, nem lesz levegőelszívás, mivel a levegő visszaáramlását megakadályozó lapok zárva maradnak. Nem javasolt a kürtő csatlakoztatása olyan kürtőkhöz, amelyekbe kályhák vannak bekötve, illetve szellőzőaknába. Ne kösse be a kürtőt ilyen helyekre. A csőcsatlakozás a lehető legrövidebb legyen, a lehető legkevesebb hajlattal..

A: Elvezetőkürtő

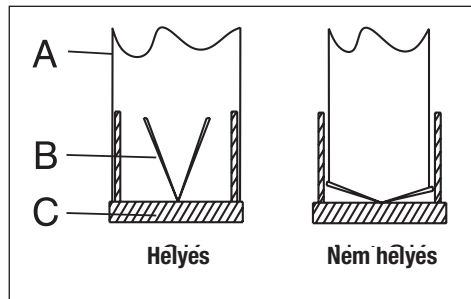
B: Tereplőlapok, amelyek megakadályozzák a visszaáramlást

C: Műanyag kürtő

5 Készülék telepítése

5.10 Visszáramlást megakadályozó rendszer (NRV)

Amikor a páraelszívót működteti, a terelőlapok zárt pozícióban vannak, így megakadályozzák azt, hogy a környezetből kellemetlen szagok és por áramoljon vissza.



5.11 Tárolás

- Ha hosszú ideig nem fogja használni a készüléket, tárolja gondosan.
- Kérjük győződjön meg róla, hogy a készüléket kihúzta, lehűlt és teljesen száraz.
- A készüléket tartsa hűvös, száraz helyen.
- A készüléket tartsa gyermekek által nem hozzáférhető helyen.

5.12 Kezelés és szállítás

- Kezelés és szállítás során tartsa a készüléket az eredeti csomagolásában! A készülék csomagolása megvédi a terméket a fizikai sérülésektől.
- Ne helyezzen nehéz tárgyat sem a készülékre, sem a csomagolásra! A készülék megsérülhet.
- Ha leejti a készüléket, azzal működésképtelenné teheti vagy maradandó károsodást okozhat benne.

6 Hibaelhárítás

Hibaelhárítás	Ok	Megoldás
A berendezés nem működik.	Ellenőrizze a biztosítékot.	Lehet, hogy a biztosíték le van kapcsolva, hozzá működésbe.
A berendezés nem működik.	Ellenőrizze az elektromos csatlakozást.	A hálózati feszültségnek 220–240 V között kell lennie.
A berendezés nem működik.	Ellenőrizze az elektromos csatlakozást.	Ellenőrizze, hogy a konyhában lévő többi termék működik-e vagy sem.
A lámpa nem működik.	Ellenőrizze az elektromos csatlakozást.	A hálózati feszültségnek 220–240 V között kell lennie.
A lámpa nem működik.	Ellenőrizze a lámpa kapcsolót.	A lámpa kapcsolójának "be" állásban kell lennie.
A lámpa nem működik.	Ellenőrizze a lámpákat.	A termék lámpáinak nem szabad hibásnak lennie.
A termék légszívása rossz.	Ellenőrizze az alumínium szűrőt.	Az alumínium olaj szűrőt normál használat mellett legalább havonta egyszer tisztítani kell.
A termék légszívása rossz.	Ellenőrizze a levegő kivezető kürtőt.	A kürtőnek "be" helyzetben kell lennie.
A termék légszívása rossz.	Ellenőrizze a szénszűrőt.	Szénszűrővel rendelkező termékek esetében a szűrőt általában háromhavonta cserélni kell.

Најпре прочитајте овај приручник!

Поштовани купци,

Захваљујемо вам што сте одабрали производ компаније Веко. Желимо да постигнете оптималну ефикасност овог висококвалитетног производа који је произведен уз примену врхунске технологије. Обавезно прочитајте и схватите у потпуности овај приручник и додатну документацију пре употребе, и исти чувати за накнадне референце. Не одвајајте овај приручник од јединице ако желите да је предате неком другом лицу. Придржавајте се свих упозорења и информација датих овде и следите упутства.

Имајте на уму да се овај кориснички приручник може примењивати на неколико модела производа. Приручник јасно указује на све варијације код различитих модела.

Симболи и њихова значења

Симболи наведени у наставку су употребљени у овом приручнику:



Важне информације и препоруке у вези с коришћењем уређаја.



ОПРЕЗ: Упозорења на личне повреде или оштећење имовине.



ОПРЕЗ: Упозорење за електрични удар.



Опасност од пожара.



РЕЦИКЛИРАНА
РЕЦИКЛИРАЧКА
ХАРТИЈА

1.1 Општа безбедност

- Важна упутства у вези са безбедношћу пажљиво прочитајте и и сачувајте их за будућу употребу. Овај одељак садржи упутства у вези са безбедношћу која ће вам помоћи у заштити од опасности од пожара, струјног удара, изложености цурењу микроталасне енергије, личних повреда или оштећења имовине. Непоштовање ових упутстава поништава одобрену гаранцију.
- Веко производи су у складу са важећим безбедносним стандардима; према томе, у случају било каквих оштећења на уређају или каблу за напајање, исте треба да поправи или замени продавач, сервисни центар или стручно лице и овлашћени сервис како би

се избегла било каква опасност. Неисправни или неквалификовани радови на поправци могу бити опасни и могу довести до опасности за корисника.

- Овај апарат је намењен за употребу у домаћинствима и сличним објектима као што су:
 - кухиње за запослене у продавницама, канцеларијама и другим радним окружењима;
 - куће на фармама;
 - од стране клијената у хотелима и осталим стамбеним окружењима;
 - објекти који нуде ноћење и доручак.
- Управљајте уређајем према предвиђеној намени само како је описано у овом упутству.
- Произвођач не може бити одговоран за штету насталу непрописном

уградњом или злоупотребом производа.

- Овај уређај могу да користе деца која имају 8 и више година, особе са непотпуно развијеним телесним, чулним или менталним способностима, као и особе које немају довољно потребног искуства и знања све док су под надзором или им се дају упутства у погледу безбедне употребе уређаја и док схватају ризике који су обухваћени употребом производа.
- Деца не смеју да се играју уређајем. Чишћење и корисничко одржавање не смеју да обављају деца без надзора.
- Минимална удаљеност између носеће површине посуда за кување на плочи за кување и најнижег дела вашег производа мора бити најмање 50 цм.
- Ако је упутствима за

уградњу плинске плоче дефинисана већа удаљеност, то се мора узети у обзир.

- Ваше мрежно напајање струјом мора бити у складу са информацијама на плочици на уређају.
- Никада не користите уређај ако је кабл за напајање или сам уређај оштећен.
- Спречите оштећење кабла за напајање тако што га нећете стискати, савијати или трљати по оштрим ивицама. Држите кабл за напајање даље од врућих површина и извора пламена.
- Уређај користите само са уземљеном утичницом.

УПОЗОРЕЊЕ: Не прикључујте уређај на напајање пре потпуне уградње уређаја.

- Поставите уређај на начин да утикач буде увек доступан.

- Не дирајте лампице ако су дуго радиле. Могу вам створити опекотине на рукама јер ће бити загрејане.
- Придржавајте се прописа који су утврдили надлежни органи о испусту издувног ваздуха (ово упозорење није применљиво за употребу без димњака).
- Укључите уређај након што ставите лонац, таву итд. на плочу за кување. У супротном, велика топлота може проузроковати деформације у неким деловима вашег производа.
- Искључите плочу пре него што са ње склоните лонац, таву итд.
- Не остављајте вруће уље на плочи за кување. Посуде са врућим уљем могу изазвати само-сагоревање.
- Обратите пажњу на за-
весе и прекриваче, јер се уље може запалити док спремате храну као што је помфрит.
- Филтер за масноће треба чистити најмање једном месечно. Карбонски филтер се мора заменити најмање једном у свака 3 месеца.
- Производ се чисти у складу са упутством за коришћење. Ако чишћење није извршено у складу с упутствима за коришћење, може доћи до опасности од пожара.
- Не користите материјале за филтрирање који нису отпорни на ватру уместо тренутног филтера.
- Користите само оригиналне делове или делове које је препоручио произвођач.
- Не користите производ без филтера и не уклањајте филтере док

је производ у функцији.

- У случају појаве пламена, искључите ваш производ и уређаје за кување са напајања електричном енергијом.
- У случају појаве пламена, прекријте пламен и никада не користите воду за гашење.
- Искључите уређај са напајања пре сваког чишћења и када уређај не користите.
- Негативни притисак у околини не би требало да пређе 4 Ра (4 x 10 бара) док истовремено раде аспиратор за електричну плочу и уређаји који раде на другој врсти енергије а не на струју.
- У окружењу у којем се користи уређај, испусни отвор уређаја који раде на лож-гориво или плин, као што су собна грејна тела, мора бити апсолутно изолован или

уређај треба да буде херметичног типа.

- При повезивању одводне цеви користите цеви пречника 120 или 150 mm. Прикључак цеви мора бити што краћи и имати што је могуће мање преламања.

Опасност од гушења!

Амбалажу држите ван дохвата деце.

ОПРЕЗ: Приступачни делови се могу загријати када се користе са уређајима за кување.

- Излазни отвор производа не сме бити повезан са ваздушним каналима који спроводе другу врсту дима.
- Вентилација у просторији може бити недовољна када се аспиратор за електричну плочу користи истовремено са уређајима који раде на плин или друга горива (ово можда није

применљиво на уређаје који само доводе ваздух у просторију).

- Предмети стављени на производ могу пасти. Не стављајте никакве предмете на производ.
- Не фламбирајте храну испод производа.

УПОЗОРЕЊЕ: Пре уградње аспиратора уклоните заштитне фолије.

- Никада не остављајте високо отворен пламен испод аспиратора док је исти у функцији
- Фритезе са дубоким уљем морају се непрестано надгледати током употребе: прегрејано уље може да плане.

1.2 Усаглашеност са WEEE директивом и одлагање отпада:

Овај производ је усаглашен са WEEE директивом Европске уније (2012/19/ЕУ). Овај уређај поседује симбол класификације за отпад електричне и електронске опреме (WEEE).

Овај симбол означава да се овај производ не сме одлагати заједно с осталим отпадом из домаћинства на крају његовог радног века. Коришћени уређај мора се вратити на службено сабирно место за рециклирање електричних и електронских уређаја. Да бисте пронашли ове сабирне системе, обратите се локалним надлежним телима или продавцу где је производ купљен. Свако домаћинство има важну улогу у опораци и рециклажи старих уређаја. Одговарајуће одлагање искоришћеног уређаја помаже у спречавању потенцијалних негативних последица по животну средину и здравље људи.

1.3 Усклађеност са директивом RoHS

Производ који сте купили у сагласности је са RoHS директивом Европске уније (2011/65/ЕУ). Он не садржи штетне и забрањене материјале наведене у Директиви.

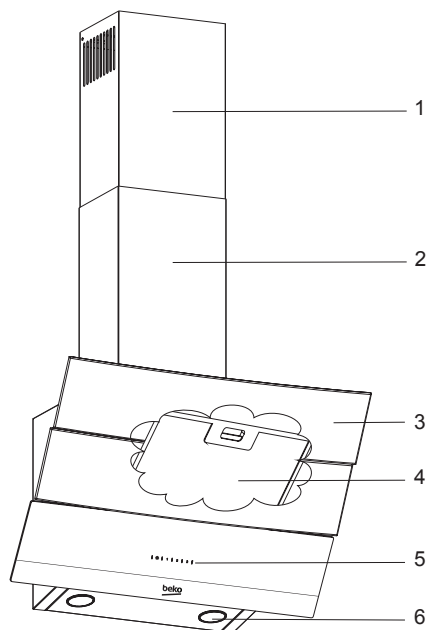
1.4 Информације о паковању



Амбалажни материјали овог производа су направљени од материјала који могу да се рециклирају у складу са националним прописима о заштити животне средине. Амбалажне материјале не одлагати заједно са отпадом из домаћинства или другим отпадом. Однесите их на места за прикупљање амбалажног материјала одређена од стране локалних надлежних тела.

2 Општи изглед

2.1 Приказ

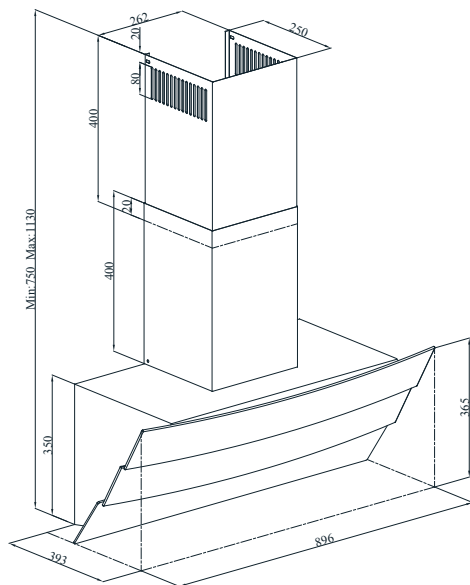


1. Унутрашњи димњак
2. Спољни димњак
3. Кућиште
4. Алуминијумски филтер за масноће
(Иза стакленог поклопца)
5. Контролна табла
6. Светло

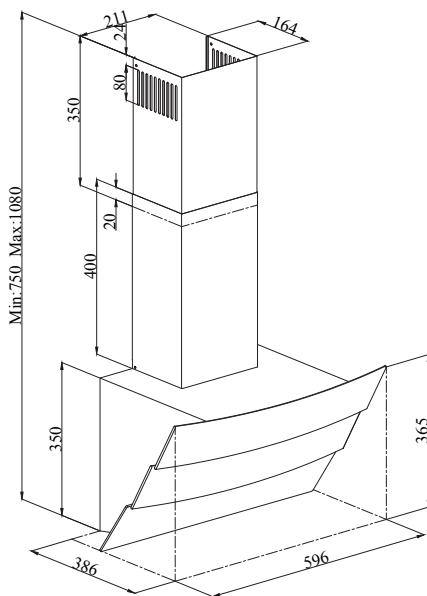
2 Општи изглед

2.2 Технички подаци

	HCA62640WH HCA62640BH	HCA62540B	HCA92640WH HCA92640BH	HCA92540B
Ширина	596 mm		896 mm	
Дубина	386 mm		393 mm	
Висина	750/1080 mm		750/1130 mm	
Напон	220-240V ~, 50 Hz			
Контрола	Са 3 нивоа			
Снага лампице	2x3 W			
Изразна цев за ваздух	120/150 mm			
Проток ваздуха – 3. Ниво	537 m³/h	566 m³/h	577 m³/h	593 m³/h
Снага мотора	210 W			
Укупна снага напајања	216 W			
Класа изолације мотора	Класа F			
Класа изолације	Класа I			



**HCA92640WH
HCA92640BH
HCA92540B**



**HCA62640WH
HCA62640BH
HCA62540B**

3 Руковање уређајем

3.1 Контрола уређаја

	
ТИПКА	ФУНКЦИЈА
A : Укључено/ Искључено светло	Можете осветлити површину за кување притиском на ову типку. Поновно притисните типку да бисте искључили лампицу.
B : 1. Дугме за фазу	Управља уређајем у 1. брзини. Кад поновно притиснете ово дугме за искључивање уређаја, искључује се степен брзине на екрану.
C : 2. Дугме за фазу	Управља уређајем у 2. брзини. Кад поновно притиснете ово дугме за искључивање уређаја, искључује се степен брзине на екрану.
D : 3. Дугме за фазу	Управља уређајем у 3. брзини. Кад поновно притиснете ово дугме за искључивање уређаја, искључује се степен брзине на екрану.

3.2 Ефикасна употреба у сврху уштеде енергије

- Кад користите уређај, подесите поставке брзине према интензитету паре и мириса, да бисте уштедели енергију.
- Користите ниске брзине (1-2) у нормалним условима, а велике брзине (3) за интензиван мирис и испаравање.
- Лампице на аспиратору су постављене за осветљавање подручја кувања.
- Њихова употреба за осветљење околног простора узроковаће непотребне трошкове енергије и недовољно осветљење.

3.3 Рад аспиратора

- Ваш уређај има мотор с различитим брзинама.
- За бољи учинак препоручујемо употребу ниских брзина у нормалним условима и велике брзине у случају јаких мириса и интензивне паре.
- Уређај можете покренути притиском на типку за подешавање жељене брзине. (B, C, D)
- Подручје за кување можете осветлити притиском на лампицу. (A)

3 Руковање уређајем

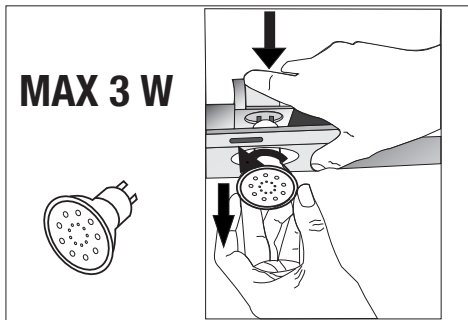
3.4 Аутоматско заустављање

Ваш уређај има функцију аутоматског заустављања, што му омогућава да се вентилира још мало и уклони нежељене мирисе и пару из околине и аутоматски се искључи након завршетка кувања. Да бисте омогућили функцију аутоматског заустављања, притисните типку за било који степен брзине (Б, Ц, Д) на управљачкој плочи дуже од 2 секунде; активира се функција 15-минутног мерача времена. Када је активна функција аутоматског заустављања, притиском на типку за исту брзину онемогућиће се функција аутоматског заустављања и мотор уређаја ће се зауставити. Ова функција је онемогућена кад прелазите између различитих степена брзине. Ако желите да се уређај аутоматски заустави, морате поновно омогућити функцију аутоматског заустављања.

Периодично чишћење металних филтера:

Филтери се морају чистити отприлике сваких 60 сати рада или 4 недеље, у зависности од учесталости употребе.

3.5 Замена лампице

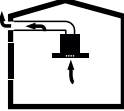


Прикључите уређај на мрежу напјања електричном енергијом. Ваш уређај користи директне ЛЕД лампице од 3W. Да бисте заменили лампице, гурните држач са задње стране одоздо према доле, окрените га у смеру супротном од казаљке на сату и извадите га према доле. Примените наведену операцију обрнутим поступком да бисте уградили нове лампице.

Сијалица	
Снага сијалице	3 W
Држач/утичница	GZ 10
Напон сијалице	220 - 240 V
Величина	53x50 mm
ILCOS код	DR/F3-220-240-GZ10-50-53
Svetlosni tok	260 lm
Odgovarajuća temperatura boje	3000 K

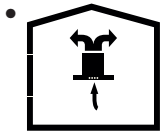
Ovaj proizvod sadrži izvor svetla klase energetske efikasnosti F.

3.6 Рад са прикључком на димњак

-  Пара се одводи кроз димоводни канал, који је причвршћен на прикључну главу на аспиратору.
- Промер димоводног канала мора бити исти као и прикључни прстен. У хоризонталним поставкама цев мора имати благи нагиб према горе (око 10°) да би ваздух могао лако изаћи из просторије.

3 Руковање уређајем

3.7 Рад без прикључка на димњак



Ваздух се филтрира кроз карбонски филтер и рециркулира у просторији. Карбонски филтер се користи када није могуће користити димовод у кући.

- У случају употребе без димовода, уклоните заклопке унутар адаптера за димовод.
- Уклоните алуминијски филтер за масноће. Да бисте уградили карбонски филтер, филтер наместите на језичке тако што ћете га центрирати на пластични комад с обе стране кућишта вентилатора. Затегните га окретањем удесно или улево.
- Замените алуминијски филтер за масноћу.

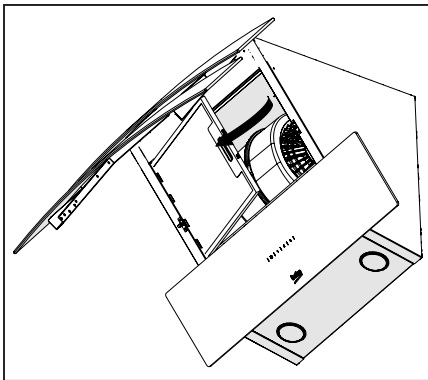
4 Чишћење и одржавање



Пре чишћења и одржавања, искључите производ с напајања или искључите на прекидачу.

4.1 Чишћење алуминијског филтера за масноћу

Овај филтер сакупља честице масноће у ваздуху. Алуминијски филтери за масноћу могу променити боју приликом прања; то је нормално и не захтева замену ваших алуминијских филтера за масноћу.



- Гурните браву алуминијског филтера за масноћу према напред.
- Затим је лагано повуците према доле и извучите је. У супротном можете савити филтер. Оперите и исперите алуминијски филтер за масноћу течним детерџентом и вратите алуминијски филтер за масноћу на његово место тако што ћете извести горе наведене кораке обрнутим редоследом. Овај филтер сакупља честице масноће у ваздуху.



Алуминијски филтери за масноћу можете опрати у машини за прање судова.



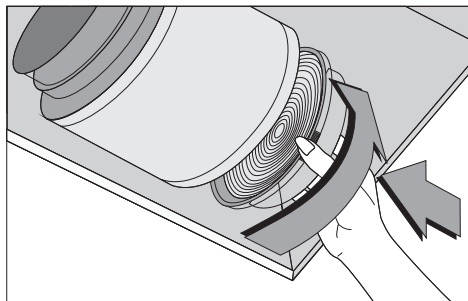
ОПРЕЗ: У случају нормалне употребе, очистите филтер једном месечно.

4.2 Замена карбонских филтера

Филтери за уклањање мириса садрже угљен (активни угљен). У производу морају бити уграђени филтери за

4 Чишћење и одржавање

масноћу, без обзира на то употребљавате ли карбонске филтере или не.



- Уклоните алуминијске филтере за масноћу.

- Да бисте уклонили карбонски филтер, извадите га из његовог кућишта тако што ћете га окренути у смеру супротном од казаљке на сату.
- Уградите нови карбонски филтер.
- Уградите алуминијске филтере за масноћу.

ОПРЕЗ



- Карбонски филтер се никада не пере.
- Замените карбонске филтере једном свака 3 месеца.
- Карбонски филтер можете набавити код овлашћених сервиса.

5 Уградња уређаја



УПОЗОРЕЊЕ: Пре започињања уградње прочитајте безбедносне информације у корисничком приручнику.

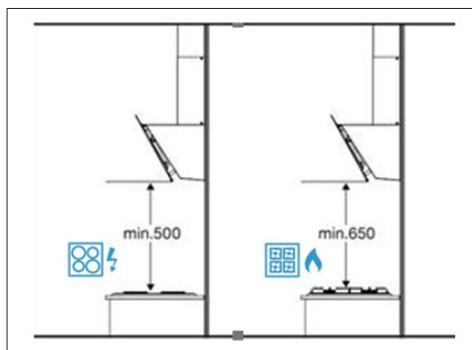


УПОЗОРЕЊЕ: Ако не поставите шrafoве или уређај за причвршћивање у складу с овим упутствима, може доћи до опасности од електричне енергије.

За уградњу аспиратора обратите се најближем овлашћеном сервису.

Корисник је одговоран да припреми локацију и електричну инсталацију за аспиратор.

5.1 Положај уређаја

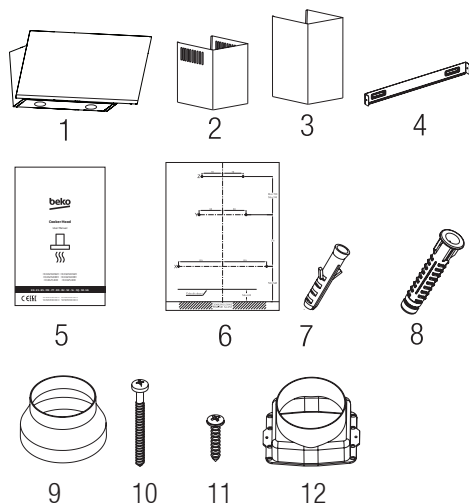


- Kod svih tipova kuhinjskih napa, растојанје уградње на gasну i електричну ploчу за kuvanje је minimalно 650 mm. Samo kod **kosih kuhinjskih napa**, растојанје уградње на **електричну ploчу за kuvanje** је minimalно 500 mm.

5 Уградња уређаја

- Удаљеност се мора мерити од површине решетке за плинске штедњаке, од површине стакла за електричне штедњаке.

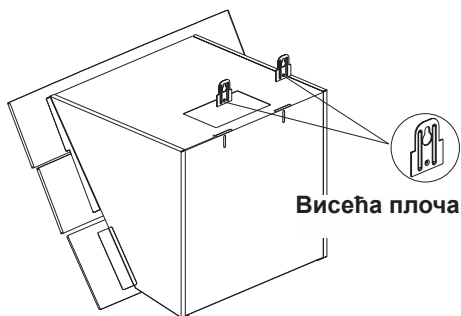
5.2 Прибор за уградњу



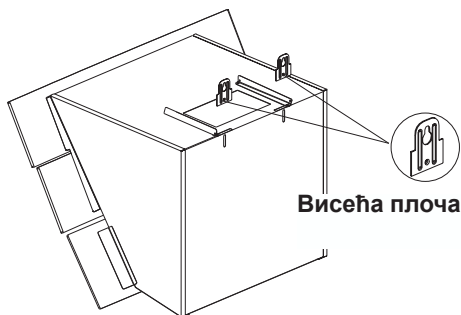
1. Производ
 2. Унутрашњи димњак
 3. Спољни димњак
 4. Плоча за прикључак на димњак
 5. Упутство за коришћење
 6. Образац монтаже
 7. Ø6mm пластични клип
 8. Ø8mm пластични клип
 9. Ø120/150 mm адаптер за пластични димњак
 10. 4.9x50 вијак за зидну монтажу
 11. 3.9x22 вијак за плочу за прикључак на димњак
 12. Ø150 mm пластични димовод
- Информације потребне за припрему локације прикладне за постављање аспиратора дате су у наставку.

5.3 Уградња аспиратора на зид

Да бисте аспиратор поставили на зид, спустите завртње на плочама са држачима на кућишту мотора и повуците плоче према горе. Затим затегните завртње на плочама са држачима. (Слика 1а).



(Слика 1а-60)



(Слика 1а-90)

5 Уградња уређаја

Спољна прикључна
плоча за димовод



(Слика 1b-60)

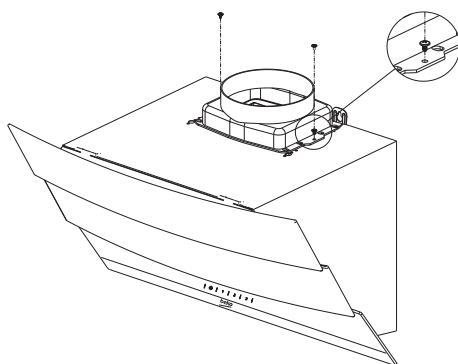
Спољна прикључна
плоча за димовод



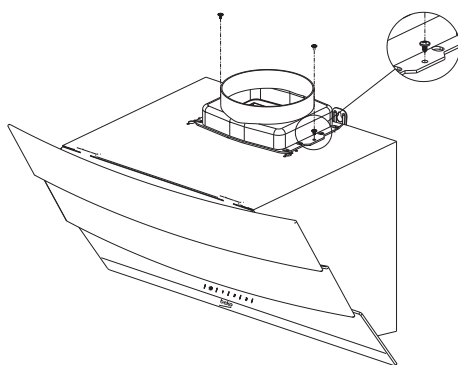
(Слика 1b-90)

Причврстите пластични адаптер за димовод димензија \varnothing 150 mm на врх кућишта завртњем од 3.5x9.5 који је дио додатака за уградњу (Слика 2).

Ако ћете користити димоводну цев димензије \varnothing 120 mm, на њу уградите димоводни адаптер од \varnothing 120 mm.



(Слика 2-60)

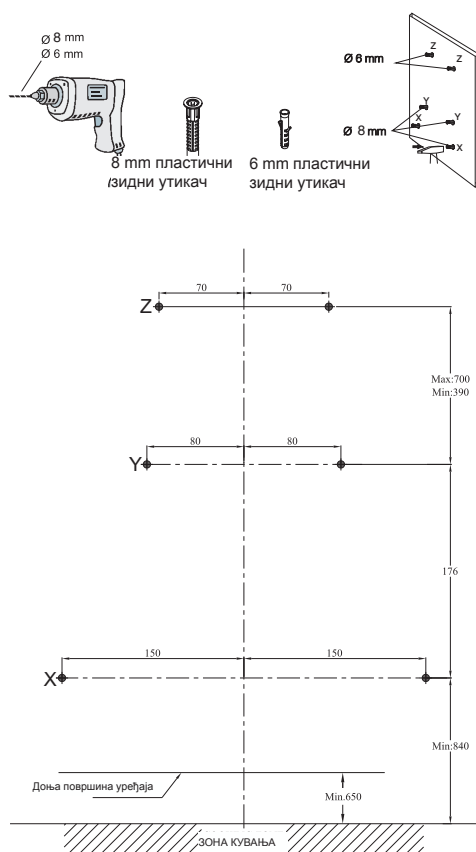


(Слика 2-90)

5.4 Бушење рупа за држач

Поставите образац за уградњу на место уградње аспиратора. Избушите тачке означене са (X,Y) помоћу сврдла \varnothing 8 mm, а тачке означене са (Z) помоћу сврдла \varnothing 6 mm. (Слика 3)

5 Уградња уређаја



(Слика 3)

5.5 Закуцавање зидних чепова

Закуцајте зидне чепове (X,Y) од $\varnothing 8$ mm у рупе избушене за завртње држача. Закуцајте зидне чепове (Z) 2 x $\varnothing 6$ mm у рупе избушене сврдлом $\varnothing 6$ mm за спољашњу прикључну плочу димовода. (Слика 3)

5.6 Постављање завртња држача

Поставите завртње држача од 4,9 X50 у зидне чепове $\varnothing 8$ mm (Y) које сте закуцали у зид. Између главе завртња и зида морате оставити размак од 5 mm. Спојите унутрашњу прикључну плочу димоводне цеви на зидне чепове од 6 mm (Z) на зиду помоћу завртња $\varnothing 3.9$ x22. (Слика 4)



(Слика 4)

5.7 Качење аспиратора на зид

- Окачите аспиратор на завртње које сте поставили у Y рупе.
- Отворите бочни уусни прозор аспиратора повлачећи га према себи. Поставите завртње 44.9 x 50 кроз X рупе које се налазе унутра како бисте обезбедили уређај.

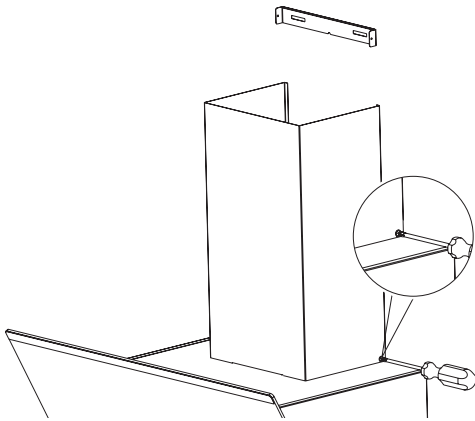
5.8 Постављање димовода аспиратора

Искључите производ са мрежног напајања пре започињања уградње димоводних цеви. Димоводне делове у виду металних табли поставите око кућишта.

Пришрафите спољни димовод на спољашње прикључне плоче спољног

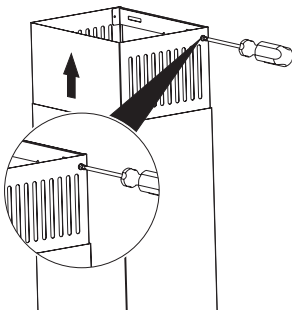
5 Уградња уређаја

димовода које се налазе на кућишту мотора. (Слика 1b/5)



(Слика 5)

Растегните и зашрафите унутрашњи димоводни канал са његових спољних ивица на прикључну плочу димоводне цеви која је била причвршћена за зид (Слика 6).



(Слика 6)

5.9 Прикључак за димовод

Поставите адаптер испоручен заједно с аспиратором у вентилациони отвор који се налази на горњем делу аспиратора. Обезбедите цев пречника 120/150 mm. Повежите један крај цеви

на адаптер, а други крај на димовод. Водите рачуна да су ова два прикључка причвршћена тако да се не дислоцирају када аспиратор ради максималном брзином. Проверите да ли језици унутар димовода функционишу када се стегну стезаљком. Подесите димоводну цев на адаптер. Ако димоводну прикључну цев уградите у адаптер, неће доћи до усисавања ваздуха јер језици који спречавају повратни проток ваздуха остати затворени. Није препоручљиво направити прикључак на димоводне канале повезане са пећима или издувним отворима. Немојте правити прикључке на такве димоводе. Прикључна цев мора бити што краћа и мора имати минималан број прелома (колена).

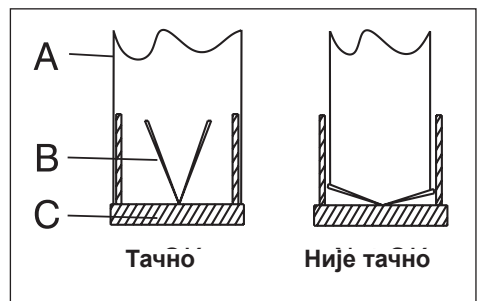
A: Излазна цев димовода

B: Језици који спречавају повратни ток

C: Пластични димовод

5.10 Систем за спречавање повратног тока (N-RV)

Када се аспиратор користи, језици се затварају како би се спречило да унутра улазе мириси и прашина извана.



5 Уградња уређаја

5.11 Čuvanje

- Ако не планирате да користите уређај дуђе време, молимо Вас да га паљливо одложите.
- Молимо вас, проверите да ли је уређај искључен, хладан и потпуно сув.
- Оставите уређај на суво и хладно место.
- Држите уређај ван домашјаја деце.

5.12 Baratanje i transport

- Токот премештанја и транспорта носите уређај спакован у оригиналну амбалажу. Амбалажа штити уређај од физичких оштећења.
- Не стављајте терет на уређај или на амбалажу. Уређај се може оштетити.
- Пазите да Вам уређај не падне на под, јер то може изазвати трајна оштећења и квар уређаја.

6 Решавање проблема

Решавање проблема	Изворни разлог	Помоћ
Уређај не ради.	Проверите осигураче.	Можда је осигурач прегорио, проверите и вратите га.
Уређај не ради.	Проверите прикључак на напајање електричном енергијом.	Напон мреже мора бити између 220 и 240 V.
Уређај не ради.	Проверите прикључак на напајање електричном енергијом.	Проверите раде ли други уређаји у вашој кухињи.
Расветна лампица не ради.	Проверите прикључак на напајање електричном енергијом.	Напон мреже мора бити између 220 и 240 V.
Расветна лампица не ради.	Проверите прекидач за лампицу.	Прекидач за лампицу мора бити у положају „Укључено“.
Расветна лампица не ради.	Проверите лампице.	Лампице уређаја морају светлити.
Довод ваздуха у уређају није довољан.	Проверите алуминијски филтер.	У нормалним радним условима, алуминијски филтер за масноћу се чисти најмање једном месечно.
Довод ваздуха у уређају није довољан.	Проверите одвод ваздуха (димовод).	Прекидач за одвод ваздуха (димњак) треба да буде у положају „Укључено“.
Довод ваздуха у уређају није довољан.	Проверите карбонски филтер.	Филтере уређаја с карбонским филтерима треба заменити једном у 3 месеца у нормалним условима.

Arçelik A.Ş.
Karaağaç Caddesi No: 2-6, 34445,
Sütlüce, İstanbul, Türkiye

www.beko.com