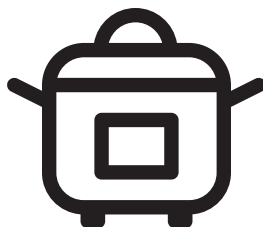




## Hot Air Fryer

User Manual



FRL 5388 B

EN - DE - FR - ES - RO - IT - PL - SR - BG - AR



01M-8913883200-1723-04

## CONTENTS

---

**ENGLISH** 03-19

---

**DEUTSCH** 20-39

---

**FRANÇAIS** 40-57

---

**ESPAÑOL** 58-77

---

**ROMÂNĂ** 78-98

---

**ITALIANO** 99-117

---

**POLSKI** 118-136

---

**СРБИН** 137-154

---

**БЪЛГАРСКИ** 155-173

---

## Please read this guide first!

Dear Customer,

Thank you for choosing a BEKO product. We would like you to achieve the optimal efficiency from this high quality product which has been manufactured with state of the art technology. Please make sure you read and understand this guide and supplementary documentation fully before use and keep it as a reference. Include this guide with the unit if you hand it over to someone else. Observe all warnings and information herein and follow the instructions.

## Symbols and their meanings

These symbols are used throughout this guide:



Important information and recommendations regarding the use of the appliance.



**WARNING:** Warnings on personal injury or property damage.



Suitable for contact with food.



Do not immerse the appliance, the power cord or the plug in water or in any other liquids.



Electric shock protection rating



**RECYCLED &  
RECYCLABLE  
PAPER**

# 1 Important safety and environmental instructions

This section contains safety instructions to prevent hazards that can result in injury or property damage. Any warranty is void if these instructions are not followed.

## 1.1 General safety

- This appliance complies with international safety standards.
- This appliances is intended to be used in household and similar applications such as:
  - -staff kitchen areas in shops, offices and others working environments;
  - -farm houses;
  - -by clients in hotels, motels and other residential type environments;
  - -bed and breakfast type environments.
- If the use of the appliance is limited to less than the above, this shall be clearly stated in the instructions.
- Children being supervised not to play with the appliance
- This appliance can be used by children aged from 8 years and above and persons with reduced physical, sensory or mental capabilities or lack of experience and knowledge if they have been given supervision or instruction concerning use of the appliance in a safe way and understand the hazards involved.
- If the supply cord is damaged, it must be replaced by the manufacturer, its service agent or similarly qualified persons in order to avoid a hazard.
- Cleaning and user maintenance shall not be made by children unless they are older than 8 and supervised.
- Keep the product and the product cable out of the reach of children under the age of 8.
- Position the handles of the cooking appliances (if any) so that hot liquids do not spill and place them securely.
- Make sure that the voltage indicated on the appliance is the same as the mains voltage in your home.
- Use the appliance in a grounding plug.
- Do not use the appliance with

# 1 Important safety and environmental instructions

an extension cord.

- Do not place your appliance on or near heat sources such as ovens and stoves.
- To prevent damage to the power cord, prevent it from being pinched, crimped or rubbed against sharp edges.
- Do not unplug the appliance by pulling on the cord.
- Do not immerse the appliance or its power cord in water.
- Do not leave the appliance unattended while it is plugged in.
- Do not disassemble the appliance.
- Use only original parts or parts recommended by the manufacturer.
- Unplug the appliance before cleaning and dry all parts completely after cleaning.
- Clean the appliance in accordance with the instructions in the Cleaning and Maintenance section.
- Do not put large pieces of food in the appliance as it may cause a fire.
- Do not touch the plug of the appliance while your hands are damp or wet.
- Do not use the appliance in humid environments.
- Do not move the appliance while it is in use and the oil inside is hot.
- Do not use the appliance in or near explosive or flammable environments and substances.
- To avoid the risk of burns, do not touch hot surfaces.
- Let the appliance cool down in a safe place out of the reach of children.
- Do not block the air inlet and air outlet openings while the appliance is operating.
- Do not lean over while the appliance is in use. Hot air rises from the appliance during use!
- The appliance becomes hot during use. To avoid the risk of burns, do not touch hot surfaces.
- Make sure that the room is adequately ventilated during use.
- In case of fire, unplug the appliance.

# 1 Important safety and environmental instructions

- Do not pour water on the appliance, as it may cause electric shock hazard.
- Do not operate the appliance with an external timer or a separate remote control system.
- Only use metal kitchenware with insulated handles with the appliance.
- Do not put anything on the appliance while it is operating or hot.
- To disconnect, turn the timer dial and temperature dial to the off position. Then unplug the appliance.
- If you keep the packaging materials, keep them out of the reach of children.

## 1.1 Compliance with the WEEE Directive and Disposing of the Waste Product:

This product complies with EU WEEE Directive (2012/19/EU). This product bears a classification symbol for waste electrical and electronic equipment (WEEE).



This symbol indicates that this product shall not be disposed with other household wastes at the end of its service life. Used device must be returned to official collection point for recycling of electrical and electronic devices. To find these collection systems please contact your local au-

thorities or retailer where the product was purchased. Each household performs important role in recovering and recycling of old appliance. Appropriate disposal of used appliance helps prevent potential negative consequences for the environment and human health.

## 1.2 Compliance with RoHS Directive

The product you have purchased complies with EU RoHS Directive (2011/65/EU). It does not contain harmful and prohibited materials specified in the Directive.

## 1.3 Package information

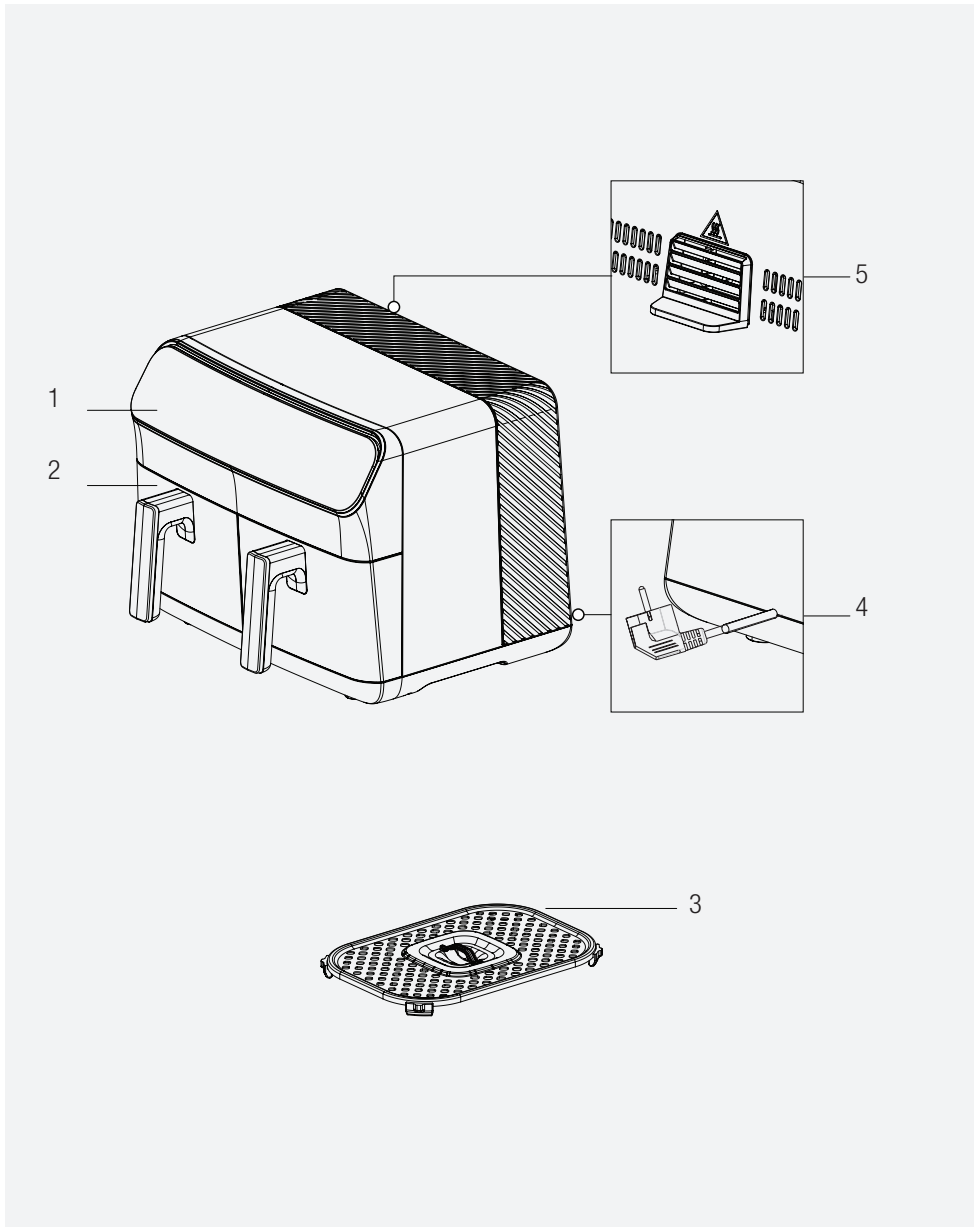


Packaging materials of the product are manufactured from recyclable materials in accordance with our National Environment Regulations. Do not dispose of the packaging materials together with the domestic or other wastes. Take them to the packaging material collection points designated by the local authorities.

## 1.4 Important points for saving energy

Comply with the times recommended by the manual while using the appliance. Unplug the appliance after each use.

## 2 Your Hot Air Fryer



Signs on the appliance and values specified by the documents provided along with the product have been obtained under laboratory conditions in accordance with the related standards. The values may vary based on use of the appliance and ambient conditions. Power values have been tested in the voltage of 230 V.

## 2 Your Hot Air Fryer

1. Digital control panel
2. Removable cooking chamber
3. Cooking rack
4. Power cable
5. Air outlet

### Technical data

<b>Power supply</b>	220-240 V ~ 50-60 Hz
<b>Power consumption</b>	2000-2400W
<b>Tray capacity</b>	8,5 L (4,25 L + 4,25 L)



## 3 Usage

### 3.1 Intended use

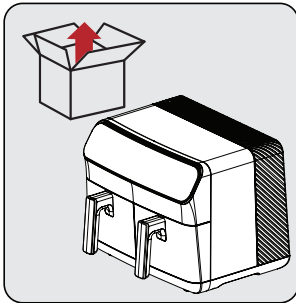
The appliance is intended for home use only and is not suitable for professional use.



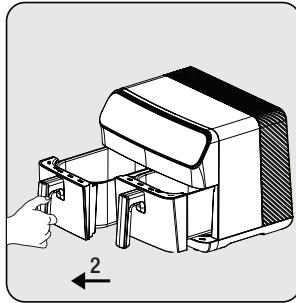
When you use the appliance for the first time, there may be a slight emission of smoke. This is normal.

### 3.2 Preparing the appliance for use

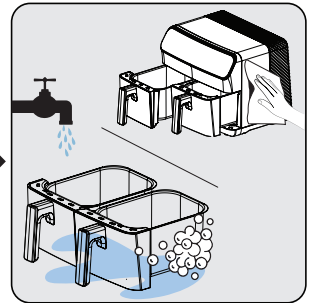
- Use the appliance in an upright position on a stable, level, clean, dry and non-slip surface.



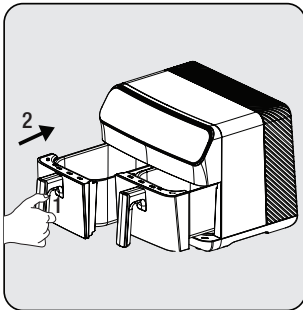
Before using the appliance for the first time, remove the packaging material and place the appliance on a flat, clean work surface.



To open the removable cooking trays (2), grasp the handles firmly; then pull the chambers out of their slots.



Clean the removable cooking trays (2) with warm soapy water.









After cleaning all parts, insert the cooking tray (2). The appliance is ready for use.

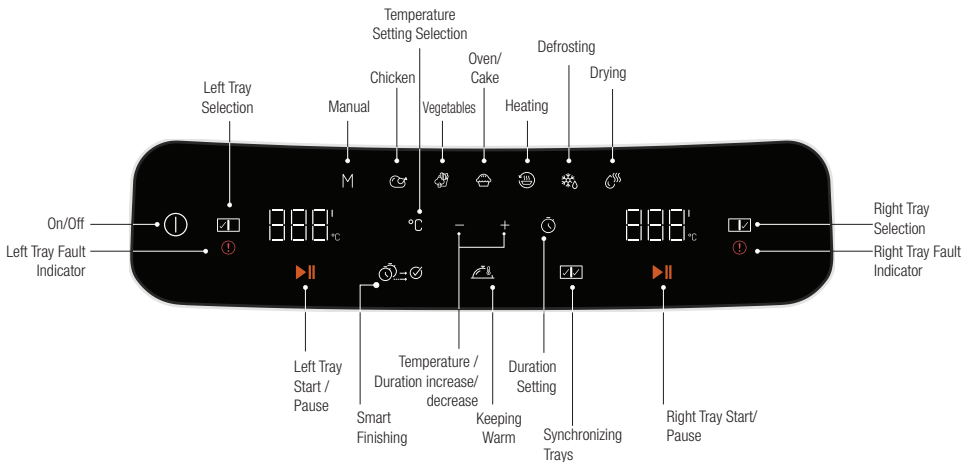


For first time use, set the appliance to "M" mode, set it to the highest temperature and let it run for 10 minutes without adding any ingredients.

## 3 Usage

### 3.3 Control panel and LED display:

M	Manual	Created for general use. The manual program allows you to prepare your food outside the set programs.
	Chicken	This program is specially designed for poultry. You can also cook seafood using this program.
	Vegetables	This program is specially designed for vegetables. You can use this program to fry potatoes and all kinds of vegetables.
	Oven/Cake	This program is specially designed for baked goods such as cakes and bread.
	Heating	This program is specially designed for reheating.
	Defrosting	This program is specially designed program for defrosting.
	Drying	Specially designed program for drying food. It is used together with the drying accessories.

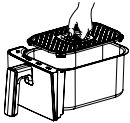


## 3 Usage

### 3.4 Warnings before first use



- When the appliance is in operation and the removable cooking tray (2) is retracted, hot steam will escape from the air outlet (6) and the top of the basket. Therefore, be careful not to burn yourself on the hot steam.
- When using the cooking trays (2) at high temperatures, take care to avoid direct contact.



The best browning and cooking is usually achieved on the cooking rack. It is recommended to use the cooking rack for all recipes and roasts.

### 3.5 Operation

#### 3.5.1 Selecting and starting a program

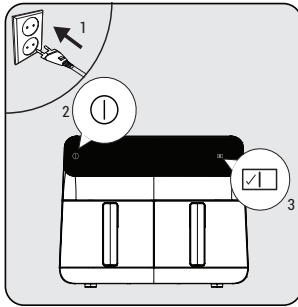



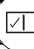
If you want to switch to another program after starting the appliance, press and hold the "Start/Stop" key or the "Select Tray" key for 3 seconds. Then select the desired program by selecting the tray again.

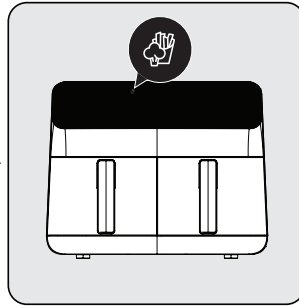


- The display shows the automatically set temperatures and times according to the selected cooking functions. You can change these temperatures and times as desired.
- To cancel the cooking process, press and hold the "Start/Stop" key or the "Select chamber" key for 3 seconds. The cooking program you have selected will be cancelled.

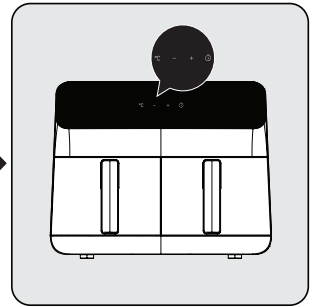
## 3 Usage



Plug in the appliance and press the on/off button “”. After the tray lights come on, select the desired tray “”. After selecting the tray, select the desired program from the Programs menu according to what you wish to cook.




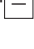


After selecting the desired program, the selected program will light up in bright light. If you want to change the program, you can select one of the dimly lit programs.



After selecting the program, you can set the temperature and cooking time by pressing the temperature and time icons. Start the cooking process by pressing the start icon. When wishing to cook in the other chamber, repeat the process by selecting a tray.

### 3.5.2 Temperature and time setting

Press the “C” or “” buttons to set the temperature or time. The “+” symbol is activated. Set the temperature and time to the desired value using the “+” symbol.


### 3.5.3 Function settings

#### 3.5.3.1 Smart finishing

The 'Smart Finish' function allows you to start and finish 2 different foods simultaneously at different temperatures, cooking times and cooking modes.

1. Prepare the cooking settings for the left tray of the appliance as described in section 3.5.1.
2. Then select the right tray and adjust the cooking settings.
3. Select the 'Smart Finishing' function on the appliance.
4. Start the cooking process by pressing one of the start buttons. The appliance will start the cooking process to finish both trays simultaneously.



To select the "Smart Finish " function, the cooking process must not have started in either tray. If cooking has already started in at least one tray, the "Smart Finish" function cannot be selected.

## 3 Usage

### 3.5.3.2 Keeping warm

The 'Keep Warm' feature allows you to keep your food warm when it is finished cooking.

1. Prepare the desired tray for cooking as described in 3.5.1. Then press the 'Start' button to start cooking.
2. Once cooking has started, press the 'Keep Warm' icon. (You can also press the 'Keep warm' icon before you start cooking.)
3. After the cooking process is complete, the appliance will maintain the temperature of your food.



- The keep warm function remains activated for 15 minutes.
- You can also select the "Keep warm" function before starting the cooking process.

### 3.5.3.3 Synchronize cooking

With the synchronize cooking function, you can easily match the trays when you cook the same food in both trays.

1. Prepare the left or right tray of the appliance as described in 3.5.1.
2. Then select the right chamber of the appliance and press the "Synchronize cooking" icon.
3. All temperatures and operating times are synchronized in both trays.
4. If you press the "Start" icon, you can perform the same cooking process in two separate trays.



After activating the "Synchronize cooking" function, all changes you make in one tray are transferred to the other.

## 3.6 Cooking

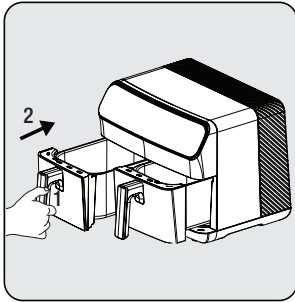


You will achieve better results if you mix the food with a small amount of oil using brush the food with oil before placing it in the cooking tray.

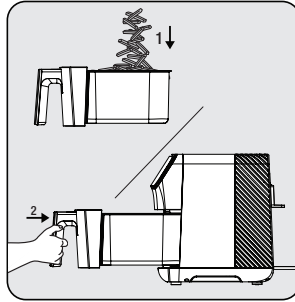


Do not touch the removable cooking trays when they are hot, except for the handles.

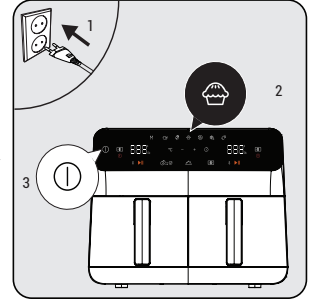
### 3 Usage



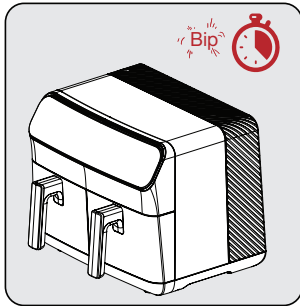
Remove the cooking tray and place it on a flat, clean surface.



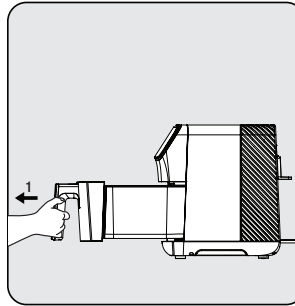
Place the food in the cooking tray. Then insert the tray into the appliance and make sure it is properly seated.



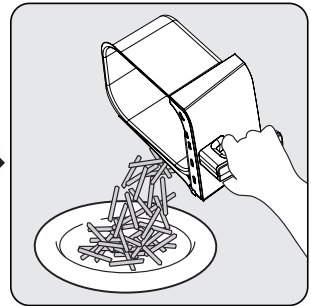
Connect the appliance and select the desired cooking program. Then start the cooking process.



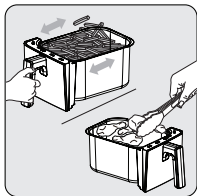
When the selected cooking time is up, a warning tone will sound and the appliance will automatically stop cooking.



Remove the tray and check if the food is fully cooked. If further cooking is required, you can extend the cooking time a little more.

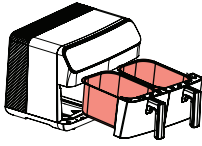


When the process is complete, transfer the cooked food to a bowl or plate.



- To ensure even cooking, carefully remove and shake the cooking tray midway through the cooking process, or use tongs to turn the cooking food so as not to scratch the tray.
- Do this procedure more often if you are doing a long cooking cycle or if you want crispier results.

### 3 Usage



Do not allow the cooking basket to touch the outside of the appliance as the surface of the cooking tray (2) will be hot during and after cooking.



- Let the food rest for 5 to 10 seconds before removing it from the removable cooking tray (2).
- Use tongs to remove coarse or soft food from the cooking tray without damaging the inner surface of the appliance.
- When one batch is ready, the appliance is immediately ready for another batch.



- Note that the device can become very hot during the turning process.
- Do not place the product on your worktop in such a way that it blocks the air outlet channels.
- Do not place any other product on the appliance.

The default temperature and time settings of the programs of the appliance are set automatically.

The following table gives an overview of cooking times for different foods. Cooking times depend on the thickness, brand and consistency of the food. The recommended times and quantities should be regarded as approximate.

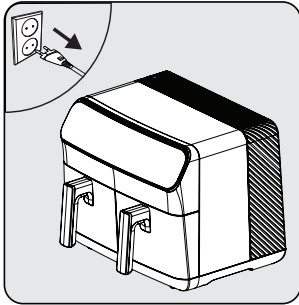
Program	Food	Temperature	Duration
Chicken	Drumstick (4 pieces)	180°C	24 - 30 min
	Chicken Breast (2 * 200 gr)	180°C	24 - 30 min
	Wing (8 pieces) 180 degrees	180°C	22 - 26 min
Vegetables	Fresh potato 200 g	200°C	20 - 25 min
	Fresh potato 500 g	200°C	24 - 30 min
	Frozen potato 500 g	200°C	20 - 27 min
	Frozen potato 1000 gr	200°C	42 - 48 min
	Potato - Carrot Cubes Garnish	190°C	15 - 20 min
	Onion Ring	190°C	10 - 15 min
	Zucchini and Eggplant (cut into rings - 1 piece)	180°C	20 - 25 min
Oven/cake	Muffin	160°C	15 - 19 min
Defrosting	Minced meat, chicken, meatballs, etc.	35- 50°C	15 - 30 min
Drying	Tomato (2-3 mm thick)	55°C	7 - 9 hours
	Apple (2-3 mm thick)	55°C	7 - 8 hours
	Banana (2-3 mm thick)	60°C	7 - 9 hours
	Eggplant (2-3 mm thick)	55°C	7 - 8 hours
	Mushroom (3-4 mm thick)	60°C	6 - 8 hours
	Pineapple (4-5 mm thick)	60°C	6 - 8 hours



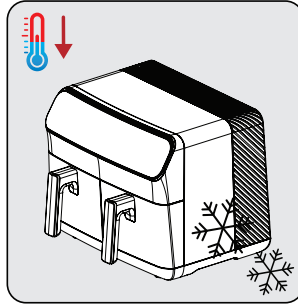
## 5 Cleaning and maintenance

### 5.1 Cleaning

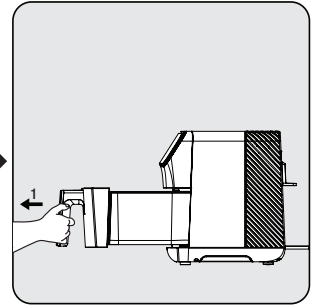
**i** Never use gasoline, solvents, abrasive cleaners, metal objects or hard brushes to clean the appliance.



Switch off the appliance and disconnect it from the power supply.



Allow the appliance to cool down completely.

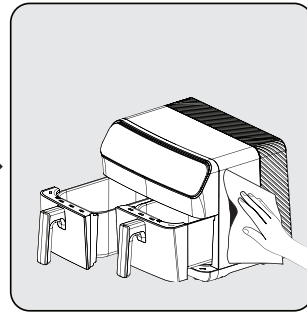


Remove the removable cooking basket (5) from the drawer.

**i** Remove the cooking trays from the appliance to allow the appliance to cool down more quickly.



You can wash the cooking tray in warm soapy water or in the dishwasher.



Clean the outside of the appliance with a damp cloth. Dry the outside of the appliance completely.

**i** Always keep the bottom of the cooking tray clean to avoid the accumulation of foreign objects.

## **5** Cleaning and maintenance

### **5.2 Storage**

- If you do not intend to use the appliance for a longer period of time, store it carefully.
- Unplug the appliance and let it cool down before putting it away.
- Store the appliance in a cool and dry place.
- Keep the appliance and the cable out of the reach of children.

### **5.3 Transport and shipping**

- Transport the appliance in its original packaging during handling and transport. The packaging protects the appliance from physical damage.
- Do not place heavy objects on the appliance or its packaging. The appliance may be damaged.
- If the appliance is dropped, it may stop working or permanent damage may occur.

## 6

# Troubleshooting

	The problem	Cause	Solution
1	Product does not work	Power outages	Check the power supply and make sure there is power
		No power or poor contact at the power outlet	
		The power supply voltage of the product	
2	The food is insufficiently cooked/burnt	The cooking time is not correct	Combine recipes and your personal experience to adjust preparation and timing
3	Smoke during first use	Anti-rust grease on the heater of the product	When using for the first time, set the temperature to maximum and preheat for 10-15 minutes to remove the anti-rust oil on the heater of the product
4	Strange smell	Cooking tray, tray drawer, Foreign body on the heater	Remove the foreign object
5	The display shows E1 and the product does not work anymore	Left cooking tray NTC disconnected	Send to service for repair
6	The display shows E2 and the product no longer works	Left cooking tray NTC does not work	
7	The display shows E3 and the product has stopped working	Right cooking tray NTC disconnected	
8	The screen shows E4 and the product has stopped working	Right cooking tray NTC not working	
9	The screen shows E5 and the product has stopped working	Problem with power PCB (left cooking tray NTC)	
10	The screen shows E6 and the product has stopped working	Problem with power PCB (right cooking tray NTC)	
11	The screen shows E7 and the product has stopped working	Problem with the power PCB (Connection problem)	
12	The screen shows E8 and the product has stopped working	Problem with the power PCB (Connection problem)	
13	The screen shows E9 and the product has stopped working	Problem with the power PCB	
14	The display shows E10 and the product has stopped working	Problem with the power PCB (left cooking tray resistance)	
15	The display shows E10 and the product has stopped working	Problem with the power PCB (right cooking tray resistance)	

# Bitte lesen Sie zuerst dieses Benutzerhandbuch!

Sehr geehrter Kunde,

Vielen Dank, dass Sie sich für ein BEKO-Produkt entschieden haben. Wir möchten, dass Sie mit diesem qualitativ hochwertigen Produkt, das nach dem neuesten Stand der Technik hergestellt wurde, die optimale Effizienz erreichen. Bitte stellen Sie sicher, dass Sie diesen Leitfaden und die ergänzende Dokumentation vor der Verwendung vollständig gelesen und verstanden haben, und bewahren Sie ihn als Referenz auf. Legen Sie diesen Leitfaden dem Gerät bei, wenn Sie es an eine andere Person weitergeben. Beachten Sie alle hierin enthaltenen Warnungen und Informationen und befolgen Sie die Anweisungen.

## Symbole und ihre Bedeutungen

Diese Symbole werden in diesem Leitfaden durchgängig verwendet:



Wichtige Informationen und Empfehlungen zum Gebrauch des Geräts.



**WARNUNG:** Warnhinweise zu Personen- oder Sachschäden.



Geeignet für den Kontakt mit Lebensmitteln.



Tauchen Sie das Gerät, das Netzkabel oder den Netzstecker niemals in Wasser oder andere Flüssigkeiten.



Schutzart gegen Stromschlag



**RECYCELTES  
und RECYCEL-  
BARES PAPIER**

Dieser Abschnitt enthält Sicherheitshinweise zur Vermeidung von Gefahren, die zu Verletzungen oder Sachschäden führen können.

Jede Garantie erlischt, wenn diese Anweisungen nicht befolgt werden.

### 1.1 Allgemeine Sicherheit

- Dieses Gerät entspricht den internationalen Sicherheitsstandards.
- Dieses Gerät ist ausschließlich zur Verwendung in einem Haushalt und vergleichbaren Einrichtungen gedacht, darunter:
  - - Personalküchenbereiche in Geschäften, Büros und anderen Arbeitsumgebungen,
  - - Bauernhöfen;
  - - von Gästen in Hotels, Motels und anderen wohnungsähnlichen Umgebungen,
  - - kleineren Pensionen oder vergleichbaren Einrichtungen
- Ist die Verwendung des Geräts auf weniger als die oben genannten Punkte beschränkt, muss dies in der Gebrauchsanweisung deutlich angegeben werden.
- Kinder sollten beaufsichtigt werden, damit sie nicht mit dem Gerät spielen
- Dieses Gerät kann von Kindern ab 8 Jahren und Personen mit eingeschränkten körperlichen, sensorischen oder geistigen Fähigkeiten oder fehlender Erfahrung und Kenntnissen benutzt werden, wenn sie in sicherer Weise beaufsichtigt oder unterwiesen wurden und die damit verbundenen Gefahren verstehen.
- Sollte das Netzkabel beschädigt sein, muss es durch den Hersteller, dessen Kundendienst oder eine Person mit gleicher technischer Qualifikation ausgetauscht werden.
- Reinigung und Wartung dürfen nicht von Kindern durchgeführt werden, sofern diese nicht älter als 8 und unbeaufsichtigt sind.
- Bewahren Sie das Produkt und das Produktkabel außerhalb der Reichweite von Kindern unter 8 Jahren auf.
- Positionieren Sie die Griffe der Küchengeräte (falls vorhanden)

so, dass keine heißen Flüssigkeiten verschüttet werden, und legen Sie sie sicher ab.

- Vergewissern Sie sich, dass die auf dem Gerät angegebene Spannung mit der Netzspannung in Ihrem Haus übereinstimmt.
- Verwenden Sie das Gerät in einem Erdungsstecker.
- Verwenden Sie das Gerät nicht mit einem Verlängerungskabel.
- Stellen Sie Ihr Gerät nicht auf oder in die Nähe von Wärmequellen wie Öfen und Herde.
- Um eine Beschädigung des Netzkabels zu vermeiden, verhindern Sie, dass es eingeklemmt, gequetscht oder an scharfen Kanten gerieben wird.
- Ziehen Sie den Netzstecker des Geräts nicht durch Ziehen am Kabel aus.
- Tauchen Sie das Gerät, oder sein Stromkabel nicht im Wasser für Reinigung, ein.
- Lassen Sie das Gerät nicht unbeaufsichtigt, während es eingesteckt ist.
- Zerlegen Sie das Gerät nicht.
- Verwenden Sie nur Originalteile oder Teile empfohlen von der Hersteller.
- Ziehen Sie vor der Reinigung den Netzstecker und trocknen Sie alle Teile nach der Reinigung vollständig ab.
- Reinigen Sie das Gerät gemäß den Anweisungen im Abschnitt Reinigung und Wartung.
- Legen Sie keine großen Stücke von Lebensmitteln in das Gerät, da dies zu einem Brand führen kann.
- Berühren Sie den Stecker des Geräts nicht, solange Ihre Hände feucht oder nass sind.
- Verwenden Sie das Gerät nicht in feuchten Umgebungen.
- Bewegen Sie das Gerät nicht, wenn es in Betrieb ist und das Öl im Inneren heiß ist.
- Verwenden Sie das Gerät nicht in oder in der Nähe von explosiven oder entflammaren Umgebungen und Substanzen.
- Um die Gefahr von Verbrennungen zu vermeiden, berühren Sie keine heißen Oberflächen.
- Lassen Sie das Gerät an einem

# 1 Wichtige Sicherheits- und Umwelthinweise

sicheren Ort außerhalb der Reichweite von Kindern abkühlen.

- Blockieren Sie die Lufteinlass- und Luftauslass Öffnungen nicht, während das Gerät in Betrieb ist.
- Beugen Sie sich nicht vor, während das Gerät in Betrieb ist. Während der Benutzung steigt heiße Luft aus dem Gerät auf!
- Das Gerät wird während des Gebrauchs heiß. Um die Gefahr von Verbrennungen zu vermeiden, berühren Sie keine heißen Oberflächen.
- Stellen Sie sicher, dass der Raum während der Benutzung ausreichend belüftet wird.
- Ziehen Sie im Falle eines Brandes den Netzstecker.
- Gießen Sie kein Wasser auf das Gerät, da dies die Gefahr eines Stromschlags birgt.
- Betreiben Sie das Gerät nicht mit einer externen Zeitschaltuhr oder einem separaten Fernbedienungssystem.
- Verwenden Sie mit dem Gerät nur Küchengeräte aus Metall

mit isolierten Griffen.

- Legen Sie keine Gegenstände auf das Gerät, während es in Betrieb oder heiß ist.
- Um die Verbindung zu trennen, drehen Sie den Timer- und Temperaturregler auf die Position "Aus". Ziehen Sie dann den Netzstecker des Geräts heraus.
- Wenn Sie die Verpackung der Materialien behalten, lagern Sie diese aus dem Reichweite von Kindern.

## Informationen zur Entsorgung

### 1.2 Ihre Pflichten als Endnutzer



Dieses Produkt erfüllt die Vorgaben der EU-WEEE-Direktive (2012/19/ EU). Das Produkt wurde mit einem Klassifizierungssymbol für elektrische und elektronische Altgeräte (WEEE) gekennzeichnet.

Dieses Elektro- bzw. Elektronikgerät ist mit einer durchgestrichenen Abfalltonne auf Rädern gekennzeichnet. Das Gerät darf deshalb nur getrennt vom unsortierten Siedlungsabfall gesammelt und zurückgenommen werden. Es darf somit nicht in den Hausmüll gegeben werden. Das Gerät kann z.B. bei einer kommunalen Sammelstelle oder ggf. bei einem Vertreiber (siehe unten zu deren Rücknahmepflichten in Deutschland) abgegeben werden.

Das gilt auch für alle Bauteile, Unterbaugruppen und Verbrauchsmaterialien des zu entsorgenden

Altgeräts.

Bevor das Altgerät entsorgt werden darf, müssen alle Altbatterien und Altkumulatoren vom Altgerät getrennt werden, die nicht vom Altgerät umschlossen sind. Das gleiche gilt für Lampen, die zerstörungsfrei aus dem Altgerät entnommen werden können. Der Endnutzer ist zudem selbst dafür verantwortlich, personenbezogene Daten auf dem Altgerät zu löschen.

Die ordnungsgemäße Entsorgung gebrauchter Geräte trägt dazu bei, mögliche negative Folgen für die Umwelt und die menschliche Gesundheit zu vermeiden.

### 1.3 Hinweise zum Recycling



Helfen Sie mit, alle Materialien zu recyceln, die mit diesem Symbol gekennzeichnet sind. Entsorgen Sie solche Materialien, insbesondere

Verpackungen, nicht im Hausmüll, sondern über die bereitgestellten Recyclingbehälter oder die entsprechenden örtlichen Sammelsysteme.

Recyceln Sie zum Umwelt- und Gesundheitsschutz elektrische und elektronische Geräte.

### 1.4 Rücknahmepflichten der Vertreiber

Wer auf mindestens 400 m<sup>2</sup> Verkaufsfläche Elektro- und Elektronikgeräte vertreibt oder diese gewerblich an Endnutzer abgibt, ist verpflichtet, bei Abgabe eines neuen Gerätes, ein Altgerät des Endnutzers der gleichen Geräteart, das im Wesentlichen die gleichen Funktionen wie das neue Gerät erfüllt, am Ort der Abgabe oder in unmittelbarer Nähe, unentgeltlich zurückzunehmen. Das gilt auch für Vertreiber von Lebensmitteln mit einer Gesamtverkaufsfläche von mindestens 800 m<sup>2</sup>, die mehrmals im Kalenderjahr oder dauerhaft Elektro- und Elektronikgeräte anbieten und auf dem Markt bereitstellen. Solche Vertreiber müssen zudem auf Verlangen des Endnutzers Altgeräte, die in keiner äußeren Abmessung größer als 25 cm sind,

(kleine Elektrogeräte) im Einzelhandelsgeschäft oder in unmittelbarer Nähe hierzu unentgeltlich zurückzunehmen; die Rücknahme darf in diesem Fall nicht an den Kauf eines Elektro- oder Elektronikgerätes verknüpft, kann aber auf drei Altgeräte pro Geräteart beschränkt werden.

Ort der Abgabe ist auch der private Haushalt, wenn das neue Elektro- oder Elektronikgerät dorthin geliefert wird; in diesem Fall ist die Abholung des Altgerätes für den Endnutzer kostenlos.

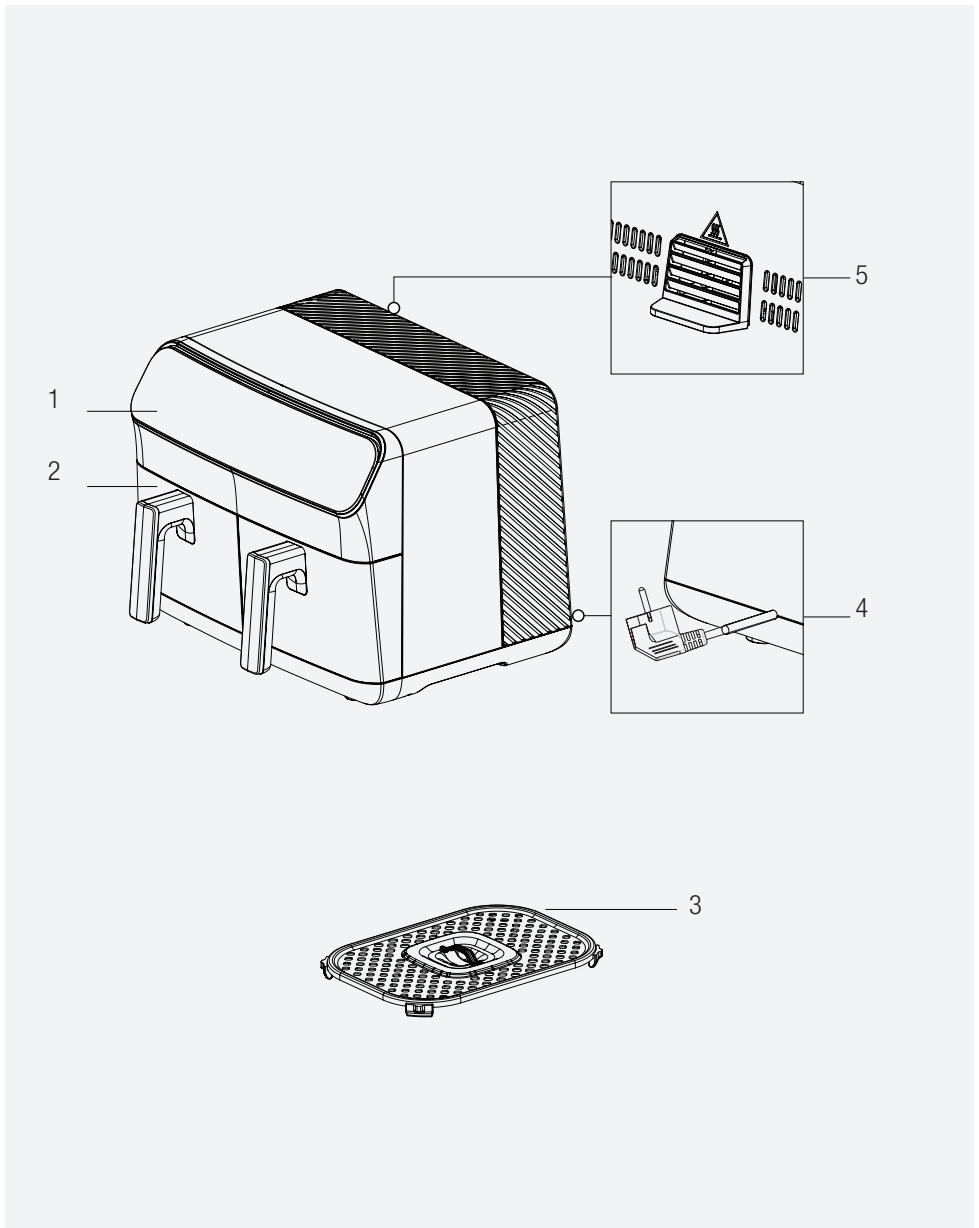
Die vorstehenden Pflichten gelten auch für den Vertrieb unter Verwendung von Fernkommunikationsmitteln, wenn die Vertreiber Lager- und Versandflächen für Elektro- und Elektronikgeräte bzw. Gesamtlager und Versandflächen für Lebensmittel beinhalten, die den oben genannten Verkaufsflächen entsprechen. Die unentgeltliche Abholung von Elektro- und Elektronikgeräten ist dann aber auf Wärmeüberträger (z.B. Kühlschrank), Bildschirme, Monitore und Geräte, die Bildschirme mit einer Oberfläche von mehr als 100 cm<sup>2</sup> enthalten und Geräte beschränkt, bei denen mindestens eine der äußeren Abmessungen mehr als 50 cm beträgt. Für alle übrigen Elektro- und Elektronikgeräte muss der Vertreiber geeignete Rückgabemöglichkeiten in zumutbarer Entfernung zum jeweiligen Endnutzer gewährleisten; das gilt auch für kleine Elektrogeräte (s.o.), die der Endnutzer zurückgeben möchte, ohne ein neues Gerät zu erwerben.

### 1.5 Einhaltung von RoHS-Vorgaben:

Das von Ihnen erworbene Produkt erfüllt die Vorgaben der EU-RoHS Richtlinie (65/2011/EU). Es enthält keine in der Richtlinie angegebenen gefährlichen und unzulässigen Materialien.



## 2 Ihre Heißluftfritteuse



Die auf dem Gerät angebrachten Zeichen und die in den mitgelieferten Unterlagen angegebenen Werte wurden unter Laborbedingungen in Übereinstimmung mit den entsprechenden Normen ermittelt. Die Werte können je nach Verwendung des Geräts und den Umgebungsbedingungen variieren. Die Leistungswerte wurden mit einer Spannung von 230 V getestet.

## 2 Ihre Heißluftfritteuse

1. Digitales Bedienfeld
2. Herausnehmbarer Garraum
3. Grillrost
4. Netzkabel
5. Luftauslass

### Technische Daten

<b>Stromversorgung</b>	220-240 V ~ 50-60 Hz
<b>Stromverbrauch</b>	2000-2400W
<b>Blechkapazität</b>	8,5 L (4,25 L + 4,25 L)

## 3 Verwendung

### 3.1 Vorgesehene Verwendung

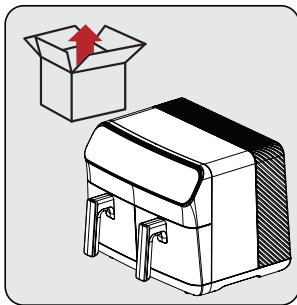
Dieses Gerät ist für den Hausgebrauch bestimmt und nicht für den professionellen Einsatz geeignet.



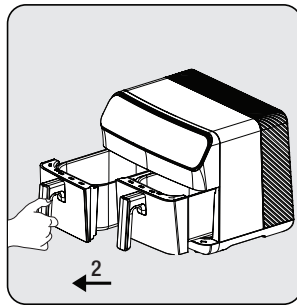
Wenn Sie das Gerät zum ersten Mal benutzen, kann es zu einer leichten Rauchentwicklung kommen. Das ist normal.

### 3.2 Vorbereiten des Geräts für den Gebrauch

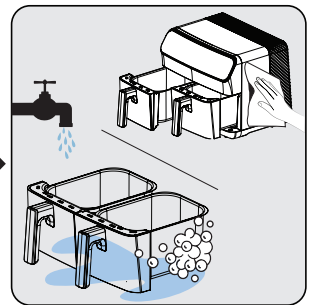
- Verwenden Sie das Gerät in aufrechter Position auf einer stabilen, ebenen, sauberen, trockenen und rutschfesten Oberfläche.



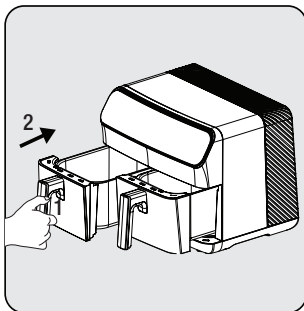
Bevor Sie das Gerät zum ersten Mal benutzen, entfernen Sie das Verpackungsmaterial und stellen Sie das Gerät an einem flachen und sauberen Oberfläche auf.



Um die herausnehmbaren Garbehälter (2) zu öffnen, fassen Sie die Griffe fest an und ziehen Sie die Behälter aus ihren Schlitzen.



Reinigen Sie die herausnehmbaren Gareinsätze (2) mit warmem Seifenwasser.









Nachdem Sie alle Teile gereinigt haben, setzen Sie den Gareinsatz (2) Das Gerät ist einsatzbereit.

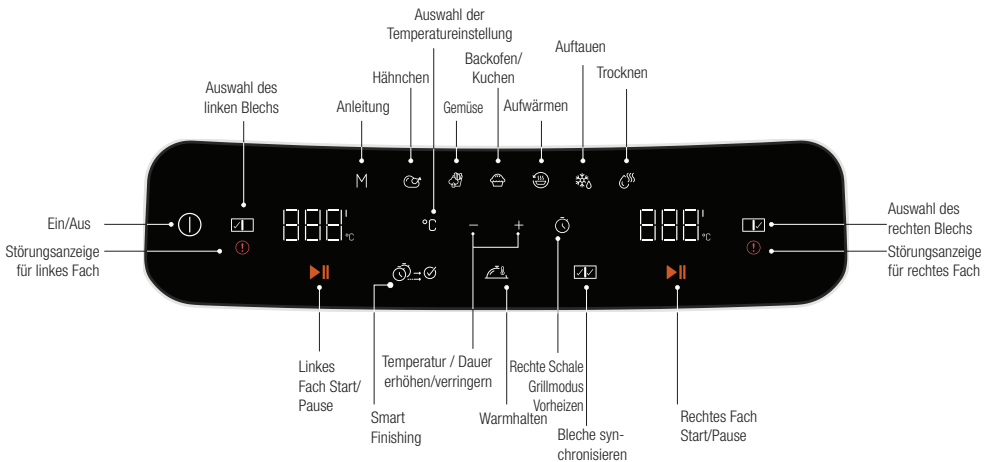


Stellen Sie das Gerät bei der ersten Inbetriebnahme auf die Betriebsart "M", stellen Sie die höchste Temperatur ein und lassen Sie es 10 Minuten lang laufen, ohne Zutaten hinzuzufügen.

## 3 Verwendung

### 3.3 Bedienfeld und LED-Anzeige:

M	Anleitung	Zur allgemeinen Nutzung erstellt. Das manuelle Programm ermöglicht Ihnen, Ihre Speise außerhalb der eingestellten Programme zuzubereiten.
	Hähnchen	Dieses Programm ist speziell für Geflügel konzipiert. Sie können mit diesem Programm auch Meeresfrüchte zubereiten.
	Gemüse	Dieses Programm wurde speziell für Gemüse entwickelt. Sie können dieses Programm zum Braten von Kartoffeln und allen Arten von Gemüse verwenden.
	Backofen/ Kuchen	Dieses Programm ist speziell für Backwaren wie Kuchen und Brot geeignet.
	Aufwärmen	Dieses Programm ist speziell für das Wiederaufwärmen gedacht.
	Auftauen	Dieses Programm wurde speziell für Abtauen entwickelt.
	Trocknen	Speziell entwickeltes Programm zum Trocknen von Lebensmitteln. Es wird zusammen mit dem Trocknen verwendet.



### 3.4 Warnungen vor dem ersten Gebrauch



- Wenn das Gerät in Betrieb ist und der herausnehmbare Garbehälter (2) eingefahren ist, entweicht heißer Dampf aus dem Luftauslass (6) und oben aus dem Korb. Achten Sie deshalb darauf, sich nicht am heißen Dampf zu verbrennen.
- Achten Sie darauf, dass Sie bei der Verwendung der Backbleche (2) bei hohen Temperaturen keinen direkten Kontakt haben.



Die beste Bräunung und das beste Garen wird in der Regel auf dem Rost erreicht. Es wird empfohlen, den Bratrost für alle Rezepte und Braten zu verwenden.

### 3.5 Bedienung

#### 3.5.1 Auswählen und Starten eines Programms

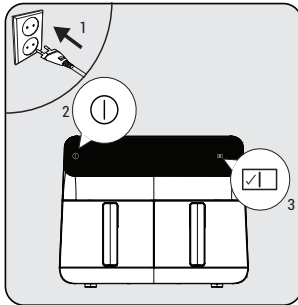


Wenn Sie nach dem Einschalten des Geräts zu einem anderen Programm wechseln möchten, halten Sie die Taste "Start/Stop" oder die Taste "Blech wählen" 3 Sekunden lang gedrückt. Wählen Sie dann das gewünschte Programm, indem Sie das Fach erneut auswählen.

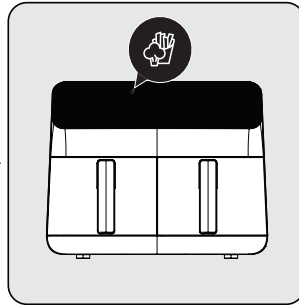


- Auf dem Display werden die automatisch eingestellten Temperaturen und Zeiten entsprechend den gewählten Garfunktionen angezeigt. Sie können diese Temperaturen und Zeiten nach Belieben ändern.
- Um den Garvorgang abzubrechen, halten Sie die Taste "Start/Stop" oder die Taste "Garraum wählen" 3 Sekunden lang gedrückt. Das von Ihnen gewählte Kochprogramm wird abgebrochen.

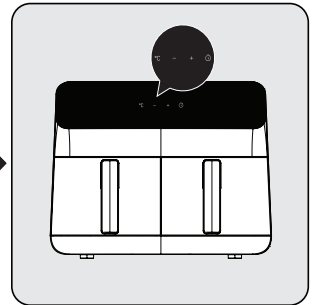
## 3 Verwendung



Schließen Sie das Gerät an und drücken Sie die Ein/Aus-Taste "I/O". Wählen Sie nach dem Aufleuchten der Fachbeleuchtung das gewünschte Fach "I/O". Nach der Auswahl des Fachs wählen Sie das gewünschte Programm aus dem Menü Programme, je nachdem, was Sie zubereiten möchten.



Nachdem Sie das gewünschte Programm ausgewählt haben, leuchtet das gewählte Programm in hellem Licht auf. Wenn Sie das Programm ändern möchten, können Sie eines der schwach beleuchteten Programme wählen.



Nachdem Sie das Programm ausgewählt haben, können Sie die Temperatur und die Garzeit durch Drücken der Temperatur- und Zeitsymbole einstellen. Starten Sie den Garvorgang, indem Sie auf das Startsymbol drücken. Wenn Sie in der anderen Kammer garen möchten, wiederholen Sie den Vorgang, indem Sie ein Fach auswählen.

### 3.5.2 Temperatur- und Zeiteinstellung

Drücken Sie die Tasten "°C" oder "⌚", um die Temperatur oder die Zeit einzustellen. Das Symbol "[-][+]" wird aktiviert. Stellen Sie die Temperatur und die Zeit mit Hilfe des Symbols "[-][+]" auf den gewünschten Wert ein.


### 3.5.3 Funktionseinstellungen

#### 3.5.3.1 Intelligentes Fertigstellen

Mit der Funktion "Smart Finish" können Sie 2 verschiedene Speisen gleichzeitig bei unterschiedlichen Temperaturen, Garzeiten und Garmodi starten und fertigstellen.

1. Nehmen Sie die Einstellungen für den linken Einschub des Geräts wie in Abschnitt 3.5.1 beschrieben vor.
2. Wählen Sie dann den rechten Einschub und passen Sie die Einstellungen für den Garvorgang an.
3. Wählen Sie am Gerät die Funktion "Smart Finishing".
4. Starten Sie den Garvorgang durch Drücken einer der Starttasten. Das Gerät startet den Garvorgang, um beide Bleche gleichzeitig fertig zu stellen.



Um die Funktion "Smart Finish 

 zu wählen, darf der Garvorgang in keinem der beiden Einschübe begonnen haben. Wenn der Garvorgang in mindestens einem Blech bereits begonnen hat, kann die Funktion "Smart Finish" nicht ausgewählt werden.

### 3.5.3.2 Warmhalten

Mit der Funktion "Warmhalten" können Sie Ihre Speisen nach dem Garen warmhalten.

1. Bereiten Sie das gewünschte Blech zum Garen vor, wie unter 3.5.1 beschrieben. Drücken Sie dann die Taste "Start", um den Garvorgang zu starten.
2. Sobald der Garvorgang begonnen hat, drücken Sie das Symbol "Warmhalten". (Sie können das Symbol "Warmhalten" auch drücken, bevor Sie mit dem Garen beginnen).
3. Nach Abschluss des Garvorgangs hält das Gerät die Temperatur Ihrer Speisen aufrecht.



- Die Funktion "Warmhalten" bleibt 15 Minuten lang aktiviert. Sie können die Funktion "Warmhalten" auch vor Beginn des Garvorgangs wählen.
- Nach dem Aktivieren der Funktion "Garen synchronisieren" werden alle Änderungen, die Sie auf einem Blech vornehmen, auf das andere übertragen.

### 3.5.3.3 Synchronisiertes Garen

Mit der Funktion Synchrongaren können Sie die Einschübe einfach aufeinander abstimmen, wenn Sie auf beiden Einschüben die gleichen Speisen garen.

1. Bereiten Sie den linken oder rechten Einschub des Geräts wie in 3.5.1 beschrieben vor.
2. Wählen Sie dann den rechten Garraum des Geräts und drücken Sie auf das Symbol "Garen synchronisieren".
3. Alle Temperaturen und Betriebszeiten werden in beiden Schächten synchronisiert.
4. Wenn Sie auf das Symbol "Start" drücken, können Sie denselben Garvorgang in zwei getrennten Schächten durchführen.



Bessere Ergebnisse erzielen Sie, wenn Sie das Gargut mit einem Messlöffel mit einer kleinen Menge Öl vermischen oder das Gargut mit Öl bepinseln, bevor Sie es in den Garbehälter geben.

## 3.6 Garen

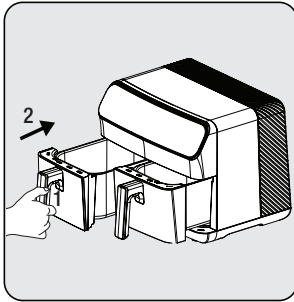


Berühren Sie die herausnehmbaren Backbleche nicht, wenn sie heiß sind, außer an den Griffen.

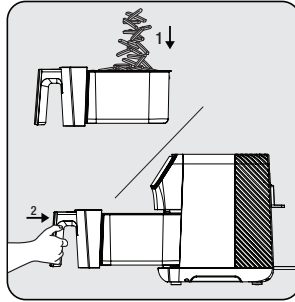


Lassen Sie das Gargut 5 bis 10 Sekunden ruhen, bevor Sie es aus dem herausnehmbaren Garbehälter nehmen (2).

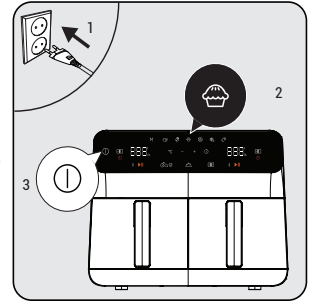
### 3 Verwendung



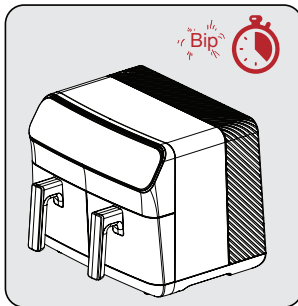
Nehmen Sie das Garblech heraus und stellen Sie es auf eine ebene, saubere Fläche.



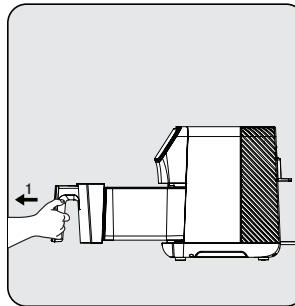
Geben Sie die Speisen in den Garbehälter. Setzen Sie dann den Einsatz in das Gerät ein und vergewissern Sie sich, dass er richtig sitzt.



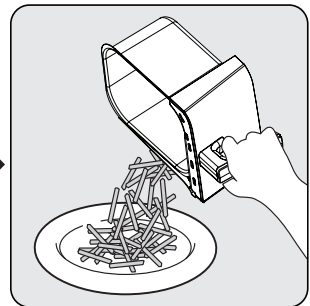
Schließen Sie das Gerät an und wählen Sie das gewünschte Garprogramm. Dann starten Sie den Garvorgang.



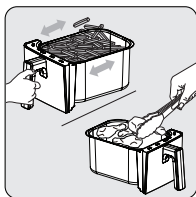
Wenn die gewählte Garzeit abgelaufen ist, ertönt ein Warnton und das Gerät beendet automatisch den Garvorgang.



Nehmen Sie das Blech heraus und prüfen Sie, ob das Essen vollständig gegart ist. Wenn ein weiteres Garen erforderlich ist, können Sie die Garzeit noch etwas verlängern.



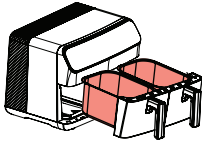
Wenn der Vorgang abgeschlossen ist, geben Sie die gegarten Speisen in eine Schüssel oder auf einen Teller.



- Um ein gleichmäßiges Garen zu gewährleisten, nehmen Sie das Backblech nach der Hälfte des Garvorgangs vorsichtig heraus und schütteln Sie es, oder wenden Sie das Gargut mit einer Zange, um das Blech nicht zu zerkratzen.
- Führen Sie diesen Vorgang öfter durch, wenn Sie einen langen Garvorgang durchführen oder wenn Sie knusprigere Ergebnisse wünschen.



### 3 Verwendung



Achten Sie darauf, dass der Garkorb nicht die Außenseite des Geräts berührt, da die Oberfläche des Backblechs (2) während und nach dem Garen heiß ist.



- Verwenden Sie eine Zange, um grobe oder weiche Speisen aus dem Garbehälter zu nehmen, ohne die Innenfläche des Geräts zu beschädigen.
- Verwenden Sie eine Zange, um grobe oder weiche Speisen aus dem Garbehälter zu nehmen, ohne die Innenfläche des Geräts zu beschädigen.
- Wenn eine Charge fertig ist, ist das Gerät sofort für eine weitere Charge bereit.



- Beachten Sie, dass das Gerät während des Wendevorgangs sehr heiß werden kann.
- Stellen Sie das Gerät nicht so auf die Arbeitsplatte, dass es die Luftauslasskanäle blockiert.
- Stellen Sie keine anderen Produkte auf das Gerät.

Die Standard-Temperatur- und Zeiteinstellungen der Programme des Geräts werden automatisch eingestellt.

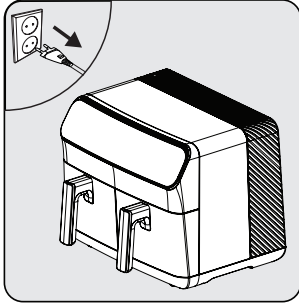
Die folgende Tabelle gibt einen Überblick über die Garzeiten für verschiedene Lebensmittel. Die Garzeiten hängen von der Dicke, der Marke und der Konsistenz der Lebensmittel ab. Die empfohlenen Zeiten und Mengen sind als Richtwerte zu betrachten.

Programm	Lebensmittel	Temperatur	Zeit
<b>Hähnchen</b>	Hähnchenschenkel (4 Stück)	180°C	24 - 30 min
	Hähnchenbrust (2 * 200 gr)	180°C	24 - 30 min
	Flügel (8 Stück) 180 Grad	180°C	22 - 26 min
<b>Gemüse</b>	Frische Kartoffeln 200 g	200°C	20 - 25 min
	Frische Kartoffeln 500 g	200°C	24 - 30 min
	Tiefgefrorene Kartoffel 500 g	200°C	20 - 27 min
	Tiefgefrorene Kartoffel 1000 g	200°C	42 - 48 min
	Kartoffel-Karottenwürfel als Beilage	190°C	15 - 20 min
	Zwiebelring	190°C	10 - 15 min
	Zucchini und Aubergine (in Ringe geschnitten - 1 Stück)	180°C	20 - 25 min
<b>Backofen/ Kuchen</b>	Muffin	160°C	15 - 19 min
<b>Auftauen</b>	Hackfleisch, Hähnchen, Frikadellen, etc.	35- 50°C	15 - 30 min
<b>Trocknen</b>	Tomate (2-3 mm dick)	55°C	7- 9 Stunden
	Apfel (2-3 mm dick)	55°C	7- 8 Stunden
	Banane (2-3 mm dick)	60°C	7- 9 Stunden
	Aubergine (2-3 mm dick)	55°C	7- 8 Stunden
	Pilze (3-4 mm dick)	60°C	6- 8 Stunden
	Ananas (4-5 mm dick)	60°C	6- 8 Stunden

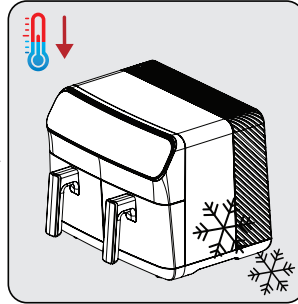
## 5 Reinigung und Wartung

### 5.1 Reinigung

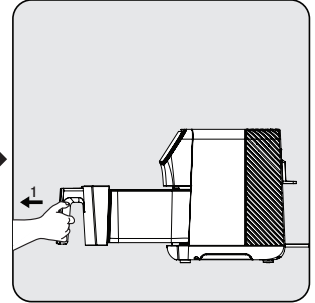
**i** Verwenden Sie zur Reinigung des Geräts niemals Benzin, Lösungsmittel, Scheuermittel, Metallgegenstände oder harte Bürsten.



Schalten Sie das Gerät aus und trennen Sie es vom Stromnetz.



Lassen Sie das Gerät vollständig abkühlen.

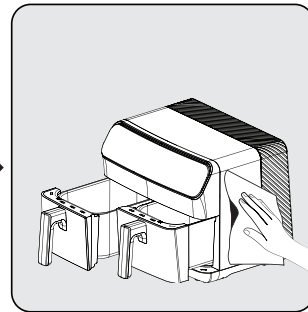


Nehmen Sie den herausnehmbaren Garkorb (5) aus der Schublade.

**i** Nehmen Sie die Backbleche aus dem Gerät, damit das Gerät schneller abkühlen kann.



Sie können den Garkorb und in warmem Seifenwasser oder in der Spülmaschine waschen.



Reinigen Sie die Außenseite des Geräts mit einem feuchten Tuch. Trocknen Sie die Außenseite des Geräts vollständig ab.

**i** Halten Sie den Boden des Backblechs immer sauber, um die Ansammlung von Fremdkörpern zu vermeiden.

### 5.2 Lagerung

- Wenn Sie das Gerät über einen längeren Zeitraum nicht benutzen wollen, bewahren Sie es sorgfältig auf.
- Ziehen Sie den Netzstecker und lassen Sie das Gerät abkühlen, bevor Sie es wegstellen.
- Lagern Sie das Gerät an einem kühlen und trockenen Ort.
- Bewahren Sie das Gerät und das Netzkabel außerhalb der Reichweite von Kindern auf.

### 5.3 Transport und Versand

- Transportieren Sie das Gerät während der Handhabung und des Transports in seiner Originalverpackung. Die Verpackung schützt das Gerät vor physischen Schäden.
- Platzieren Sie keine schweren Gegenstände auf das Gerät oder seine Verpackung. Das Gerät kann beschädigt werden.
- Wenn das Gerät fallen gelassen wird, kann es aufhören zu funktionieren, oder es können dauerhafte Schäden entstehen.

	Das Problem	Ursache	Lösung
1	Das Produkt funktioniert nicht	Stromausfälle	Prüfen Sie die Stromversorgung und stellen Sie sicher, dass Strom vorhanden ist.
		Kein Strom oder schlechter Kontakt an der Steckdose	
		Die Stromversorgungsspannung des Produkts	
2	Die Speisen sind unzureichend gegart/gebrannt	Die Garzeit ist nicht korrekt	Kombinieren Sie Rezepte und Ihre persönliche Erfahrung, um die Zubereitung und den Zeitpunkt anzupassen.
3	Rauch beim ersten Gebrauch	Rostschutzfett auf der Heizung des Produkts	Bei der ersten Verwendung die Temperatur auf Maximum stellen und 10-15 Minuten vorheizen, um das Rostschutzöl auf dem Heizelement des Produkts zu entfernen.
4	Seltsamer Geruch	Kochtopf, Schublade, Fremdkörper auf der Heizung	Entfernen Sie den Fremdkörper
5	Das Display zeigt E1 an und das Gerät funktioniert nicht mehr	Linker Garbehälter NTC abgeklemmt	Zur Reparatur an den Kundendienst schicken
6	Auf dem Display erscheint E2 und das Produkt funktioniert nicht mehr	Linker Garbehälter NTC funktioniert nicht	
7	Auf dem Display erscheint E3 und das Gerät funktioniert nicht mehr	NTC des rechten Garbehälters abgeklemmt	
8	Das Display zeigt E4 an und das Produkt hat aufgehört zu funktionieren	Rechter Garbehälter NTC nicht in Betrieb	
9	Auf dem Bildschirm wird E5 angezeigt und das Gerät funktioniert nicht mehr	Problem mit der Leistungsplatine (NTC des linken Garbehälters)	
10	Auf dem Bildschirm wird E6 angezeigt und das Gerät funktioniert nicht mehr	Problem mit der Leistungsplatine (NTC des rechten Garbehälters)	
11	Auf dem Bildschirm wird E7 angezeigt und das Gerät funktioniert nicht mehr	Problem mit der Leistungsplatine (Anschlussproblem)	
12	Auf dem Bildschirm wird E8 angezeigt und das Gerät funktioniert nicht mehr	Problem mit der Leistungsplatine (Anschlussproblem)	
13	Auf dem Bildschirm wird E9 angezeigt und das Gerät funktioniert nicht mehr	Problem mit der Leistungsplatine	
14	Auf dem Display erscheint E10 und das Gerät funktioniert nicht mehr	Problem mit der Leistungsplatine (Widerstand des linken Garraums)	
15	Auf dem Display erscheint E10 und das Gerät funktioniert nicht mehr	Problem mit der Leistungsplatine (Widerstand des rechten Garraums)	

**Technische Daten**

Stromversorgung: 220-240 V~, 50-60 Hz

Leistung: 2000-2400 W

Technische und optische Änderungen vorbehalten.

**Service und Ersatzteile**

Unsere Geräte werden nach den neuesten technischen Erkenntnissen entwickelt, produziert und geprüft. Sollte trotzdem eine Störung auftreten, so bitten wir Sie, sich mit Ihrem Fachhändler bzw. mit der Verkaufsstelle in Verbindung zu setzen. Sollte dies nicht möglich sein, wenden Sie sich bitte an das BEKO GRUNDIG Service-Center unter folgenden Kontaktdaten:

Telefon: 29 597 590 / 0911  
(Montag bis Freitag von 08.00 bis 18.00 Uhr)  
Telefax: 31 597 590 / 0911  
E-Mail: [service@grundig.com](mailto:service@grundig.com)  
<http://www.grundig.com/de-de/support>

Unter den obengenannten Kontaktdaten erhalten Sie ebenfalls Auskunft über den Bezug möglicher Ersatz- und Zubehörteile.

**BEKO GRUNDIG Kundenberatungszentrum**

Montag bis Freitag von 8.00 bis 18.00 Uhr  
Deutschland : 30 597 590 / 0911  
Österreich : 22 33 220 / 0820 \*  
\* gebührenpflichtig (0,145 €/Min. aus dem Festnetz, Mobilfunk: max. 0,20 €/Min.)

Haben Sie Fragen?

Unser Kundenberatungszentrum steht Ihnen werktags stets von 18.00 – 8.00 Uhr zur Verfügung.

Sehr geehrte Kundin, sehr geehrter Kunde,

als Käufer eines Haushaltskleingerätes der Marke Beko stehen Ihnen die gesetzlichen Gewährleistungsrechte (Nachbesserung und Nacherfüllung) aus dem Kaufvertrag zu. Die Gewährleistung erfolgt für die Fehlerfreiheit bei Geräteübergabe entsprechend dem jeweiligen Stand der Technik. Über die Gewährleistung hinaus räumt Ihnen der Hersteller eine Garantie ein, diese schränkt die gesetzliche Gewährleistung – die für 24 Monate ab dem Kaufdatum gilt - nicht ein. Garantiert wird die Mängelbeseitigung durch Reparatur oder Austausch nach Wahl des Herstellers.

Sollte eine Störung an Ihrem Gerät auftreten, wenden Sie sich bitte an Ihren Fachhändler bzw. den Verkäufer. Dieser wird vor Ort das Gerät prüfen und den Kundenservice durchführen. Auch soweit Ansprüche aus der Herstellergarantie bestehen, werden diese nur durch den Verkäufer abgewickelt.

### **Die Garantiezeit beträgt 24 Monate ab Kaufdatum.**

#### **Bedingungen:**

1. Ein maschinell erstellter Original-Kaufbeleg liegt vor.
2. Das Gerät ist nur mit Original-Zubehör und Original-Ersatzteilen betrieben worden.
3. Die in der Gebrauchsanweisung erwähnten Wartungs- und Reinigungsarbeiten sind entsprechend ausgeführt worden.
4. Das Gerät wurde nicht geöffnet/zerlegt.
5. Bauteile, die einem gebrauchsbedingtem Verschleiß unterliegen, fallen nicht unter die Garantie
6. Ausgewechselte Teile werden Eigentum des Herstellers.
7. Ausgeschlossen von der Garantie sind die Mängel, die durch unsachgemäße Installation, z.B. Nichtbeachtung der VDE-Vorschriften; unsachgemäße Aufstellung, z.B. Nichtbeachtung der Einbau- oder Installationsvorschriften; äußere Einwirkung, z.B. Transportschäden, Beschädigung durch Stoß oder Schlag, Schäden durch Witterungseinflüsse, unsachgemäße Bedienung oder Beanspruchung, z.B. Nichtbeachtung der Gebrauchsanweisungen verursacht wurden.
8. Eine gewerbliche oder gleichzustellende Nutzung, z.B. in Hotels, Pensionen, Gaststätten, Arztpraxen oder Gemeinschaftsanlagen, gilt als eine nicht bestimmungsgemäße Benutzung, die die Garantie ausschließt.
9. Die Mängelbeseitigung verlängert die ursprüngliche Garantiezeit nicht.
10. Schadenersatzansprüche, auch hinsichtlich Folgeschäden, sind, soweit sie nicht auf Vorsatz oder grober Fahrlässigkeit beruhen, ausgeschlossen.
11. Der Anspruch auf Garantieleistung steht nur dem Erstkäufer zu und erlischt bei Weiterverkauf des Produktes durch den Erstkunden.
12. Die Garantie gilt für neue Produkte und nicht für Produkte, die als Gebrauchtgeräte verkauft worden sind und nicht für B-Ware.
13. Die Garantie ist nicht übertragbar.

**Diese Garantiezusage ist nur gültig innerhalb der Bundesrepublik Deutschland**

Garantiebedingungen - Beko – Version Februar 2021

# **Veillez d'abord lire ce manuel !**

Cher/Chère client(e),

Merci d'avoir choisi un produit Beko. Nous aimerions que vous obteniez une efficacité optimale de ce produit de haute qualité qui a été fabriqué avec une technologie de pointe. Veillez à lire et à comprendre entièrement ce guide et la documentation supplémentaire avant toute utilisation et conservez-les comme référence. Joignez ce guide au produit si vous le remettez à quelqu'un d'autre. Respectez tous les avertissements et informations contenues dans le présent document et suivez les instructions.

## **Symboles et leurs significations**

Ces symboles sont utilisés tout au long de ce guide :



Informations et recommandations importantes concernant l'utilisation de l'appareil.



**AVERTISSEMENT** : Avertissements sur les dommages corporels ou matériels.



Convient pour le contact avec les aliments.



Ne plongez jamais l'appareil, le câble d'alimentation ou la fiche dans de l'eau ou dans tout autre liquide.



Indice de protection contre les chocs électriques



FR

Cet appareil  
et ses accessoires  
se recyclent

À DÉPOSER  
EN MAGASIN



OU

À DÉPOSER  
EN DÉCHÈTERIE



Points de collecte sur [www.quefairedemesdechets.fr](http://www.quefairedemesdechets.fr)  
Privilégiez la réparation ou le don de votre appareil !



FR

**ÉLÉMENTS  
PAPIER**



**PAPIER RECYCLÉ ET  
RECYCLABLE**



## 1 Instructions importantes en matière de sécurité et d'environnement

Cette section contient des instructions de sécurité visant à prévenir les dangers qui peuvent entraîner des blessures ou des dommages matériels.

Toute garantie est nulle si ces instructions ne sont pas suivies.

### 1.1 Sécurité générale

- Cet appareil est conforme aux normes internationales de sécurité.
- Cet appareil est conçu pour être utilisé dans les maisons et des endroits similaires tels que :
  - - les espaces de cuisine dans les boutiques, bureaux et autres environnements de travail,
  - - maisons de campagne ;
  - - cuisines pour clients dans les hôtels, motels et autres lieux d'habitation ;
  - - les gîtes touristiques.
- Si l'utilisation de l'appareil est limitée à moins que ce qui précède, cela doit être clairement indiqué dans les instructions.
- Ne laissez pas les enfants jouer avec l'appareil sans surveillance
- Cet appareil peut être utilisé par des enfants âgés de 8 ans et plus et des personnes ayant des capacités physiques, sensorielles ou mentales réduites ou un manque d'expérience et de connaissances s'ils ont reçu une supervision ou des instructions concernant l'utilisation de l'appareil de manière sûre et comprennent les dangers impliqués.
- Si le cordon d'alimentation est endommagé, il doit être remplacé par le fabricant, son agent de service ou toute autre personne qualifiée afin d'éviter tout risque.
- Le nettoyage et l'entretien par les utilisateurs ne doivent pas être effectués par des enfants, sauf s'ils ont plus de 8 ans et s'ils sont surveillés.
- Gardez le produit et le câble du produit hors de portée des enfants de moins de 8 ans.
- Positionnez les poignées des appareils de cuisson (s'il y en a) de manière à ce que les liquides chauds ne se répandent pas et placez-les de manière sûre.

## 1 Instructions importantes en matière de sécurité et d'environnement

- Assurez-vous que la tension indiquée sur l'appareil est la même que celle du réseau électrique de votre domicile.
- Utilisez l'appareil dans une prise de terre.
- N'utilisez pas l'appareil avec une rallonge.
- Ne placez pas votre appareil sur ou près de sources de chaleur telles que les fours et les cuisinières.
- Pour éviter d'endommager le cordon d'alimentation, évitez qu'il soit pincé, serti ou frotté contre des arêtes vives.
- Ne débranchez pas l'appareil en tirant sur le cordon.
- N'immergez pas l'appareil ou son cordon d'alimentation dans l'eau.
- Ne laissez pas l'appareil sans surveillance lorsqu'il est branché.
- Ne démontez pas l'appareil.
- Utilisez uniquement les pièces d'origine ou celles recommandées par le fabricant.
- Débranchez l'appareil avant de le nettoyer et séchez complètement toutes les pièces après le nettoyage.
- Nettoyez l'appareil conformément aux instructions de la section Nettoyage et entretien.
- Ne mettez pas de gros morceaux d'aliments dans l'appareil car cela pourrait provoquer un incendie.
- Ne touchez pas la fiche de l'appareil lorsque vos mains sont humides ou mouillées.
- N'utilisez pas l'appareil dans des environnements humides.
- Ne déplacez pas l'appareil lorsqu'il est en service et que l'huile à l'intérieur est chaude.
- N'utilisez pas l'appareil dans ou à proximité d'environnements et de substances explosives ou inflammables.
- Pour éviter tout risque de brûlure, ne touchez pas les surfaces chaudes.
- Laissez l'appareil refroidir dans un endroit sûr, hors de portée des enfants.
- Ne bloquez pas les ouvertures d'entrée et de sortie d'air pendant que l'appareil fonctionne.

# 1 Instructions importantes en matière de sécurité et d'environnement

- Ne vous penchez pas pendant l'utilisation de l'appareil. De l'air chaud s'élève de l'appareil pendant son utilisation !
- L'appareil devient chaud pendant son utilisation. Pour éviter tout risque de brûlure, ne touchez pas les surfaces chaudes.
- Veillez à ce que la pièce soit suffisamment ventilée pendant l'utilisation.
- En cas d'incendie, débranchez l'appareil.
- Ne versez pas d'eau sur l'appareil, car cela pourrait provoquer un risque de choc électrique.
- Ne faites pas fonctionner l'appareil avec une minuterie externe ou un système de télécommande séparé.
- Utilisez uniquement des ustensiles de cuisine en métal avec des poignées isolées avec l'appareil.
- Ne posez rien sur l'appareil lorsqu'il est en marche ou chaud.
- Pour débrancher l'appareil, mettez la minuterie et la température en position d'arrêt. Ensuite, débranchez l'appareil.
- Si vous conservez les matériaux d'emballage, gardez-les hors de portée des enfants.

## 1.1 Conformité avec la directive WEEE et élimination des déchets :

Ce produit est conforme à la directive européenne WEEE (2012/19/EU). Ce produit porte un symbole de classification pour les déchets d'équipements électriques et électroniques (WEEE).



Ce symbole indique que ce produit ne doit pas être éliminé avec les autres déchets ménagers à la fin de sa vie utile. Les appareils usagés doivent être retournés au point de collecte officiel pour le recyclage des dispositifs électriques et électroniques. Pour trouver ces systèmes de collecte, veuillez contacter les autorités locales ou le détaillant où le produit a été acheté. Chaque foyer joue un rôle important dans la récupération et le recyclage des vieux appareils. La mise au rebut appropriée des appareils usagés permet de prévenir les conséquences négatives potentielles pour l'environnement et la santé humaine.

## 1.2 Conformité avec la Directive RoHS

Votre appareil est conforme à la directive RoHS de l'Union européenne (2011/65/UE). Il ne contient pas de matériaux nuisibles et interdits spécifiés dans la directive.

## 1.3 Informations sur l'emballage

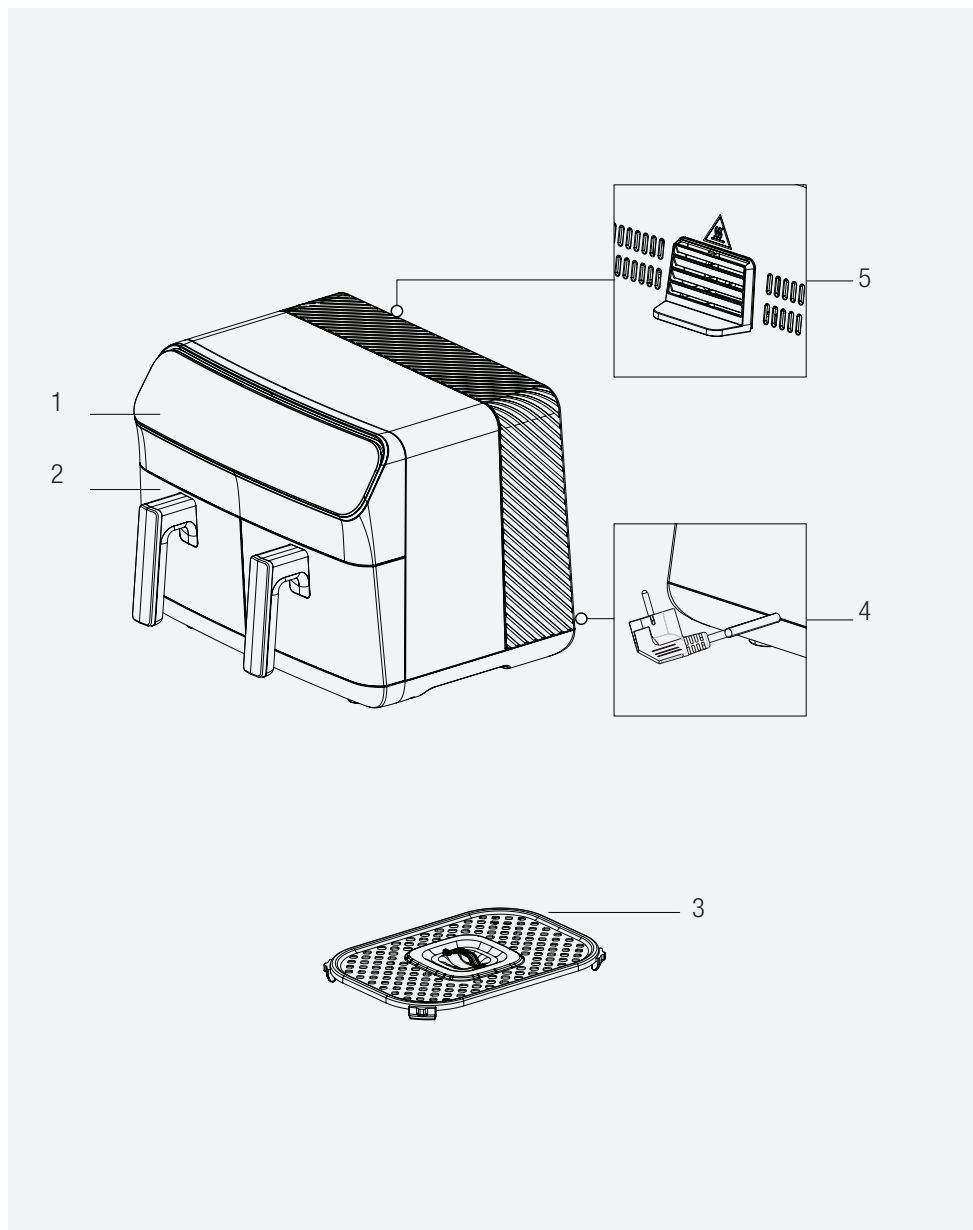


L'emballage du produit est constitué de matériaux recyclables, conformément à la Législation Nationale. Ne pas jeter les déchets d'emballage avec les déchets ménagers ou d'autres déchets, les déposer dans les zones de collecte des emballages spécifiées par les autorités locales.

## 1.4 Points importants pour économiser l'énergie

Respectez les temps recommandés par le manuel lors de l'utilisation de l'appareil. Débranchez l'appareil après chaque utilisation.

## 2 Friteuse sans huile



Les signes sur l'appareil et les valeurs spécifiées par les documents fournis avec l'appareil ont été obtenus dans des conditions de laboratoire, conformément aux normes correspondantes. Les valeurs peuvent varier en fonction de l'utilisation de l'appareil et des conditions ambiantes. Les valeurs de puissance ont été testées sous une tension de 230 V.

## 2 Friteuse sans huile

1. Panneau de commande numérique
2. Cuves amovibles
3. Grille de cuisson
4. Câble d'alimentation
5. Bouche de sortie d'air

### Données techniques

<b>Alimentation</b>	220-240 V ~ 50-60 Hz
<b>Consommation d'énergie</b>	2000-2400W
<b>Capacité des cuves</b>	8,5 L (4,25 L + 4,25 L)

## 3 Utilisation

### 3.1 Utilisation prévue

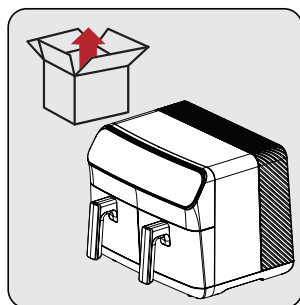
L'appareil est destiné à un usage domestique uniquement, et il n'est pas adapté à un usage professionnel.



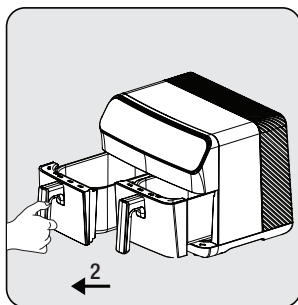
Lorsque vous utilisez l'appareil pour la première fois, il peut y avoir une légère émission de fumée. C'est normal.

### 3.2 Préparation de l'appareil pour son utilisation

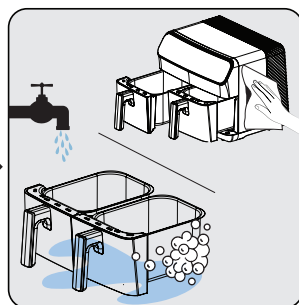
- Utilisez l'appareil en position verticale (sur une surface stable, de niveau, propre et non inclinée).



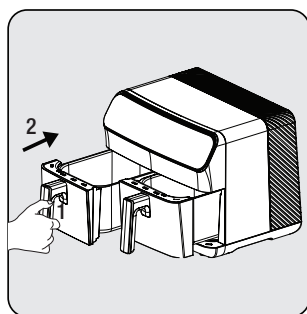
Avant d'utiliser l'appareil pour la première fois, retirez le matériel d'emballage et placez l'appareil sur une surface de travail plane et propre.



Pour ouvrir les bacs de cuisson amovibles (2), saisissez fermement les poignées ; puis tirez les bacs hors de leurs fentes.



Nettoyez les cuves amovibles (2) et la grille de cuisson (3) à l'eau chaude savonneuse.







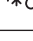

Après avoir nettoyé toutes les pièces, réinsérez les cuves (2). L'appareil est prêt à être utilisé.

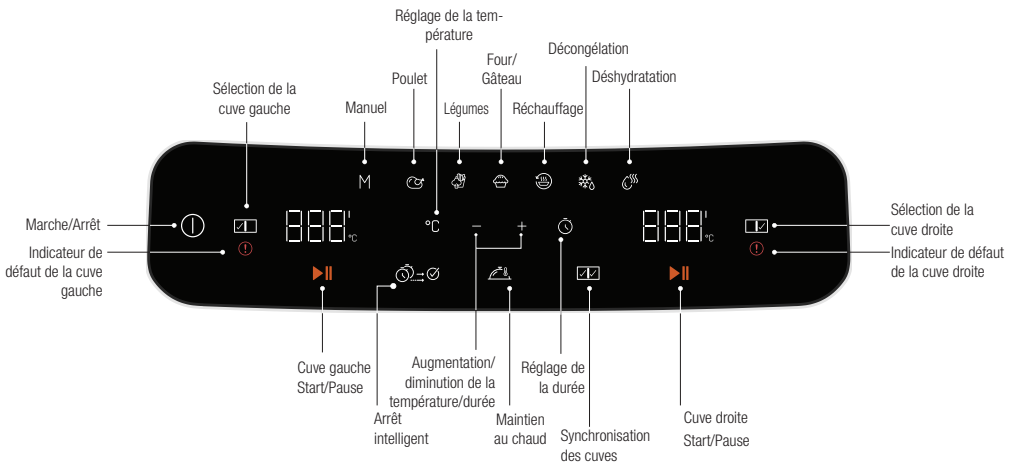


Pour la première utilisation, mettez l'appareil en mode "M", réglez-le sur la température la plus élevée et laissez-le fonctionner pendant 10 minutes sans ajouter d'ingrédients.

## 3 Utilisation

### 3.3 Panneau de commande et affichage à LED :

M	Manuel	Créé pour un usage général. Le programme manuel vous permet de préparer vos aliments en dehors des programmes définis.
	Poulet	Ce programme est spécialement conçu pour les volailles. Vous pouvez également cuisiner des fruits de mer à l'aide de ce programme.
	Légumes	Ce programme est spécialement conçu pour les légumes. Vous pouvez utiliser ce programme pour faire frire des pommes de terre et toutes sortes de légumes.
	Four/Gâteau	Ce programme est spécialement conçu pour les produits cuits au four comme les gâteaux ou le pain.
	Réchauffage	Ce programme est spécialement conçu pour le réchauffage.
	Décongélation	Ce programme est spécialement conçu pour la décongélation
	Déshydratation	Programme spécialement conçu pour la déshydratation des aliments. Il s'utilise avec les accessoires de déshydratation.





## 3 Utilisation

### 3.4 Avertissements avant la première utilisation



- Lorsque l'appareil est en marche et que la cuve amovible (2) est dans l'appareil, de la vapeur chaude s'échappe de la sortie d'air (6) et du haut du panier.
- Lorsque vous utilisez l'appareil à des températures élevées, veillez à éviter tout contact direct avec les cuves (2).



Le meilleur brunissement et la meilleure cuisson sont généralement obtenus sur la grille de cuisson. Il est recommandé d'utiliser la grille de cuisson pour toutes les recettes et les rôtis.

### 3.5 Fonctionnement

#### 3.5.1 Sélection et démarrage d'un programme

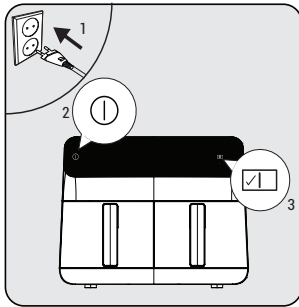


Si vous voulez passer à un autre programme après avoir mis l'appareil en marche, appuyez pendant 3 secondes sur la touche « Start/Pause » ou sur la touche « Sélection de la cuve ». Sélectionnez ensuite le programme souhaité en sélectionnant à nouveau la cuve.

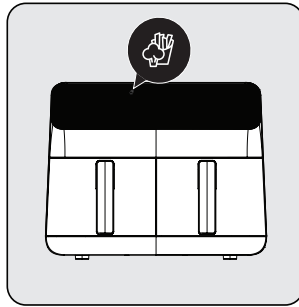
## 3 Utilisation



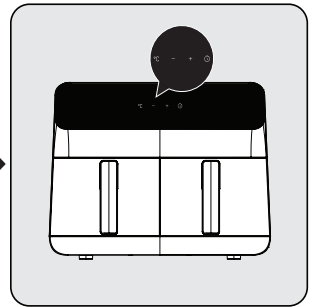
- L'écran affiche les températures et les temps réglés automatiquement en fonction des fonctions de cuisson sélectionnées. Vous pouvez modifier ces températures et ces durées à votre guise.
- Pour annuler le processus de cuisson, appuyez pendant 3 secondes sur la touche « Marche/Arrêt » ou sur la touche « Sélection de la cuve ». Le programme de cuisson que vous avez sélectionné est annulé.



Branchez l'appareil et appuyez sur le bouton marche/arrêt « 1 ». Une fois les voyants allumés, sélectionnez la cuve souhaitée « 2 ». Après avoir choisi la cuve, sélectionnez le programme souhaité dans le menu Programmes en fonction de ce que vous souhaitez cuisiner.



Après avoir sélectionné le programme souhaité, le programme sélectionné s'allume en lumière vive. Si vous voulez changer de programme, vous pouvez sélectionner l'un des programmes à faible luminosité.



Après avoir sélectionné le programme, vous pouvez régler la température et le temps de cuisson en appuyant sur les icônes de température et de temps. Démarrez le processus de cuisson en appuyant sur l'icône start.. Si vous souhaitez cuisiner dans l'autre cuve, répétez le processus en sélectionnant l'autre cuve.

### 3.5.2 Réglage de la température et de l'heure

Appuyez sur le symbole °C ou ⌚ pour régler la température et la minuterie. Le symbole « - + » est activé. Réglez la température et la minuterie sur la valeur souhaitée à l'aide du symbole « - + ».

### 3.5.3 Paramètres des fonctions

#### 3.5.3.1 Arrêt intelligent

La fonction « Arrêt intelligent » vous permet de commencer et de terminer simultanément deux plats différents à des températures, des temps de cuisson et des modes de cuisson différents.

1. Préparez les réglages de cuisson pour la cuve de gauche de l'appareil comme décrit au paragraphe 3.5.1.
2. Sélectionnez ensuite l'autre cuve et préparez les réglages de cuisson
3. Sélectionnez la fonction « Arrêt intelligent » sur l'appareil.

## 3 Utilisation

4. Démarrez le processus de cuisson en appuyant sur l'un des boutons de démarrage. L'appareil commencera le processus de cuisson pour terminer les deux cuves simultanément.



Pour sélectionner la fonction "Arrêt intelligent" , le processus de cuisson ne doit pas avoir commencé dans l'une des deux cuves. Si la cuisson a déjà commencé dans au moins une cuve, la fonction "Arrêt Intelligent" ne peut pas être sélectionnée.

### 3.5.3.2 Garder la chaleur

La fonction « Maintien au chaud » vous permet de garder vos aliments au chaud une fois la cuisson terminée.

1. Préparez la cuve souhaitée pour la cuisson comme décrit au point 3.5.1. Appuyez ensuite sur le bouton « Start » pour lancer la cuisson.
2. Une fois la cuisson commencée, appuyez sur l'icône « Maintien au chaud ». (Vous pouvez également appuyer sur l'icône « Maintien au chaud » avant de commencer la cuisson).
3. Une fois le processus de cuisson terminé, l'appareil maintient la température de vos aliments.



- La fonction de maintien au chaud reste activée pendant 15 minutes.
- Vous pouvez également sélectionner la fonction "Maintien au chaud" avant de commencer la cuisson.

### 3.5.3.3 Synchroniser la cuisson

Grâce à la fonction de synchronisation de la cuisson, vous pouvez facilement faire correspondre les cuves lorsque vous faites cuire le même aliment dans les deux plateaux.

1. Préparez la cuve droite ou gauche de l'appareil comme décrit au point 3.5.1.
2. Sélectionnez ensuite la cuve droite de l'appareil et appuyez sur l'icône « Synchroniser la cuisson ».
3. Toutes les températures et les temps de fonctionnement sont synchronisés dans les deux cuves.
4. Si vous appuyez sur l'icône « Start », vous pouvez effectuer la même cuisson dans les deux cuves.

### 3 Utilisation

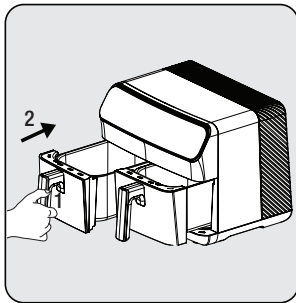
**i** Après avoir activé la fonction "Synchronisation de la cuisson", toutes les modifications effectuées dans une cuve sont transférées dans l'autre.

#### 3.6 Cuisson

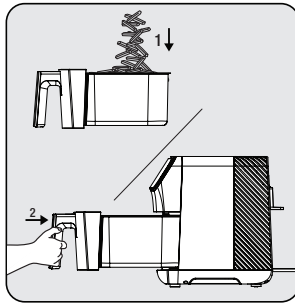
**i** Vous obtiendrez de meilleurs résultats si vous mélangez les aliments avec une cuillère à café d'huile ou si vous badigeonnez les aliments d'huile avant de les placer dans la cuve de cuisson.



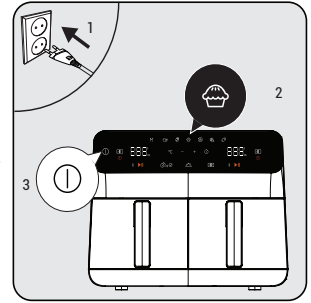
Ne touchez pas les cuves de cuisson amovibles lorsqu'elles sont chaudes, à l'exception des poignées.



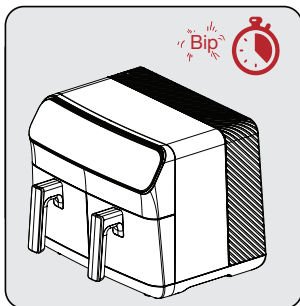
Retirez la cuve et posez-la sur une surface plane et propre.



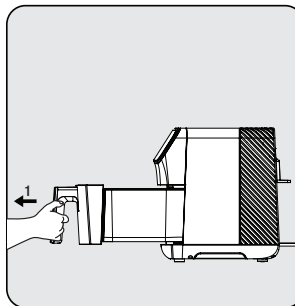
Placez les aliments dans la cuve puis insérez-la dans l'appareil et assurez-vous qu'elle est bien en place.



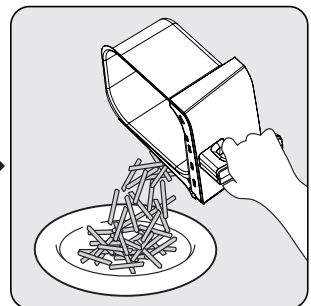
Branchez l'appareil et sélectionnez le programme de cuisson souhaité. Ensuite commencez la cuisson.



Lorsque le temps de cuisson sélectionné est écoulé, un signal sonore retentit et l'appareil arrête automatiquement la cuisson.

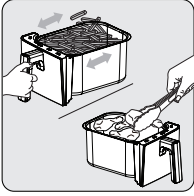


Retirez la cuve et vérifiez si les aliments sont entièrement cuits. Si une cuisson supplémentaire est nécessaire, vous pouvez prolonger un peu plus le temps de cuisson.

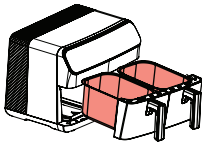


Lorsque le processus est terminé, transférez les aliments cuits dans un bol ou une assiette.

### 3 Utilisation



- Pour assurer une cuisson uniforme, retirez et secouez soigneusement la cuve à mi-cuisson, ou utilisez des pinces pour retourner les aliments sans rayer le plateau.
- Effectuez cette procédure plus souvent si vous effectuez un cycle de cuisson long ou si vous souhaitez obtenir des résultats plus croustillants.



Ne laissez pas le panier de cuisson toucher l'extérieur de l'appareil car la surface de la cuve de cuisson (2) sera chaude pendant et après la cuisson.



- Laissez les aliments reposer pendant 5 à 10 secondes avant de les sortir de la cuve amovible de cuisson amovible (2).
- Utilisez des pinces pour retirer les aliments les plus gros de la cuve sans endommager la surface intérieure de l'appareil.
- Lorsqu'une fournée est terminée, l'appareil est instantanément prêt pour une nouvelle fournée.



- Notez que le dispositif peut devenir très chaud pendant le processus de cuisson.
- Ne bloquez pas la sortie d'air de l'appareil et faites attention à ce qu'elle ne soit pas bloquée lorsque l'appareil est sur le plan de travail.
- Ne placez aucun objet sur l'appareil.

## 4 Temps de cuisson

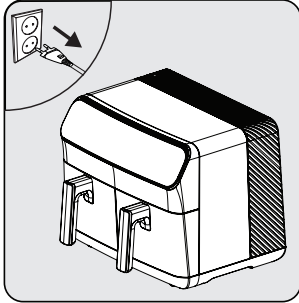
La température la minuterie par défaut des programmes de l'appareil sont réglées automatiquement. Le tableau suivant donne un aperçu des temps de cuisson de différents aliments. Les temps de cuisson dépendent de l'épaisseur, de la marque et de la consistance des aliments. Les durées et les quantités recommandées doivent être considérées comme approximatives.

Programme	Aliment	Température	Durée
Poulet	Pilon (4 pièces)	180°C	24 - 30 min
	Blanc de poulet (2*200 g)	180°C	24 - 30 min
	Chicken wings (8 pièces)	180°C	22 - 26 min
Légumes	Pomme de terre fraîche 200 g	200°C	20 - 25 min
	Pomme de terre fraîche 500 g	200°C	24 - 30 min
	Pommes de terre congelées 500 g	200°C	20 - 27 min
	Pommes de terre congelées 1000 g	200°C	42 - 48 min
	Cubes de pommes de terre et de carottes Suppress «Garniture»	190°C	15 - 20 min
	Onion Ring	190°C	10 - 15 min
	Courgettes et aubergines (coupées en rondelles - 1 pièce)	180°C	20 - 25 min
Four/gâteau	Muffins	160°C	15 - 19 min
Décongélation	Viande hachée, poulet, boulettes de viande, etc.	35- 50°C	15 - 30 min
Déshydratation	Tomate (2-3 mm d'épaisseur)	55°C	7- 9 heures
	Pomme (2-3 mm d'épaisseur)	55°C	7- 8 heures
	Banane (2-3 mm d'épaisseur)	60°C	7- 9 heures
	Aubergine (2-3 mm d'épaisseur)	55°C	7- 8 heures
	Champignon (3-4 mm d'épaisseur)	60°C	6- 8 heures
	Ananas (4-5 mm d'épaisseur)	60°C	6- 8 heures

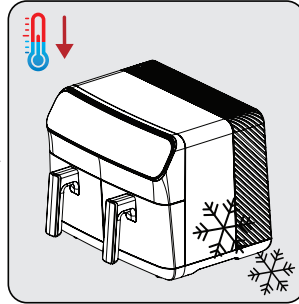
## 5 Nettoyage et entretien

### 5.1 Nettoyage

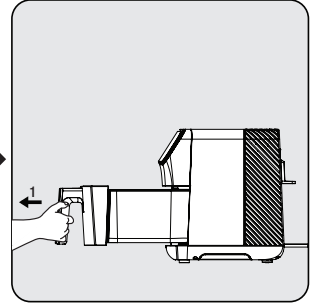
**i** N'utilisez jamais d'essence, de solvants, de nettoyeurs abrasifs, d'objets métalliques ou de brosses dures pour nettoyer l'appareil.



Éteignez l'appareil et débranchez-le de l'alimentation électrique.



Laissez l'appareil refroidir complètement.

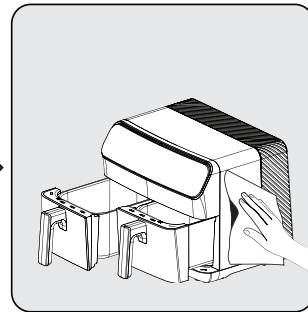


Sortez la cuve amovible (2) du tiroir.

**i** Retirez les grilles de cuisson de l'appareil pour permettre à l'appareil de refroidir plus rapidement.



Vous pouvez laver la cuve de cuisson à l'eau chaude savonneuse ou au lave-vaisselle.



Nettoyez l'extérieur de l'appareil avec un chiffon humide. Séchez complètement l'extérieur de l'appareil.

**i** Maintenez toujours le fond de la cuve de cuisson propre pour éviter l'accumulation de corps étrangers.

### **5.2 Stockage**

- Si vous n'avez pas l'intention d'utiliser l'appareil pendant une plus longue période, rangez-le soigneusement.
- Débranchez l'appareil et laissez-le refroidir avant de le ranger.
- Conservez l'appareil dans un endroit frais et sec.
- Gardez l'appareil et le câble d'alimentation hors de portée des enfants.

### **5.3 Transport et livraison**

- Transportez l'appareil dans son emballage d'origine pendant la manutention et le transport. L'emballage le protège des dommages physiques.
- Ne posez pas d'objets lourds sur l'appareil ou son emballage. L'appareil peut être endommagé.
- Si l'appareil tombe, il peut s'arrêter de fonctionner ou subir des dommages permanents.



## 6 Dépannage

	Le problème	Cause	Solution
1	L'appareil ne fonctionne pas	Coupures de courant	Vérifiez l'alimentation électrique et assurez-vous qu'il y a du courant.
		Pas de courant ou mauvais contact sur la prise de courant	
		La tension d'alimentation du produit	
2	Les aliments ne sont pas suffisamment cuits/brûlés	Le temps de cuisson n'est pas correct	Combinez les recettes et votre expérience personnelle pour ajuster la préparation et le temps.
3	Fumée lors de la première utilisation	Huile antirouille sur la résistance du produit	Lors de la première utilisation, réglez la température au maximum et préchauffez pendant 10 à 15 minutes afin d'éliminer l'huile antirouille sur la résistance du produit.
4	Odeur étrange	Cuve de cuisson, tiroir de la cuve, corps étranger sur la résistance	Retirez le corps étranger
5	L'écran affiche E1 et le produit ne fonctionne plus.	NTC de la cuve gauche déconnecté	Envoyez-le à un service agréé pour réparation
6	L'écran affiche E2 et le produit ne fonctionne plus.	Le NTC de la cuve gauche ne fonctionne pas	
7	L'écran affiche E3 et le produit ne fonctionne plus.	NTC de la cuve droite déconnecté	
8	L'écran affiche E4 et le produit ne fonctionne plus.	Le NTC de la cuve droite ne fonctionne pas	
9	L'écran affiche E5 et le produit ne fonctionne plus.	Problème avec le PCB d'alimentation (NTC de la cuve gauche)	
10	L'écran affiche E6 et le produit ne fonctionne plus.	Problème avec le PCB d'alimentation (NTC de la cuve droite)	
11	L'écran affiche E7 et le produit ne fonctionne plus.	Problème avec le PCB d'alimentation (problème de connexion)	
12	L'écran affiche E8 et le produit ne fonctionne plus.	Problème avec le PCB d'alimentation (problème de connexion)	
13	L'écran affiche E9 et le produit ne fonctionne plus.	Problème avec le PCB d'alimentation	
14	L'écran affiche E10 et le produit ne fonctionne plus.	Problème avec le PCB d'alimentation (résistance de la cuve gauche)	
15	L'écran affiche E10 et le produit ne fonctionne plus.	Problème avec le PCB d'alimentation (résistance de la cuve droite)	

## ¡Por favor, lea esta guía primero!

Estimado cliente,

Gracias por elegir un producto BEKO. Nos gustaría que sacara el máximo provecho de este producto de alta calidad que ha sido fabricado con tecnología punta. Por favor, asegúrese de leer y entender completamente esta guía y la documentación complementaria antes de usarla y guárdela como referencia. Entregue esta guía junto al aparato si se entrega o vende a otra persona. Observe todas las advertencias e información aquí contenidas y siga las instrucciones.

## Símbolos y sus significados

Estos símbolos se utilizan a lo largo de esta guía:



Información importante y recomendaciones sobre el uso del aparato.



**ADVERTENCIA:** Advertencias sobre lesiones personales o daños a la propiedad.



Suitable para el contacto con los alimentos.



No coloque el aparato, el cable de alimentación o el enchufe en agua corriente ni en otros líquidos.



Índice de protección contra descargas eléctricas



**PAPEL RECICLA-  
DO & RECICLA-  
BLE**

## 1 Instrucciones importantes para la seguridad y el medio ambiente

Esta sección contiene instrucciones de seguridad para evitar peligros que puedan provocar lesiones o daños materiales.

Cualquier garantía se anula si no se siguen estas instrucciones.

### 1.1 Seguridad general

- Este aparato cumple con las normas de seguridad internacionales.
- Este aparato está destinado para usos domésticos y similares como en:
  - -zonas de cocina del personal en tiendas, oficinas y otros entornos de trabajo;
  - -casas de campo;
  - -por clientes en hoteles, moteles y otros entornos de tipo residencial;
  - -entornos de tipo cama y desayuno.
- Si el uso del aparato se limita a menos de lo indicado anteriormente, deberá indicarse claramente en las instrucciones.
- Se debe supervisar a los niños para que no jueguen con el aparato
- Este aparato lo podrán utilizar niños de 8 años o mayores, así como personas con discapacidad física, sensorial o mental, o falta de experiencia y conocimientos, siempre y cuando hayan recibido supervisión o instrucciones relativas al uso del aparato de una manera segura y comprendan los riesgos involucrados.
- Si el cable de alimentación está dañado, debe ser reemplazado por el fabricante o su agente de servicio o por una persona cualificada similar para evitar riesgos.
- La limpieza y el mantenimiento por el usuario no deberá ser realizado por niños a menos que sean mayores de 8 y estén supervisados.
- Mantenga el producto y el cable del producto fuera del alcance de los niños menores de 8 años.
- Posicione los mangos de los aparatos de cocción (si existen) de forma que no se derramen los líquidos calientes y colóquelos de forma segura.

## 1 Instrucciones importantes para la seguridad y el medio ambiente

- Compruebe que la tensión indicada en el aparato es la misma que la tensión de la red eléctrica de su casa.
- Utilice el aparato en un enchufe con toma de tierra.
- No utilice este aparato con un cable alargador.
- No sitúe su aparato sobre o cerca de fuentes de calor tales como hornos y estufas.
- Evite que el cable de alimentación se dañe, pellizque, engarce o roce con bordes afilados para evitar posibles daños en el cable.
- No desenchufe el aparato tirando del cable.
- No sumerja el aparato ni su cable en agua.
- No deje el aparato sin supervisión mientras esté enchufado.
- No desmonte el aparato.
- Utilice únicamente las piezas originales o las recomendadas por el fabricante.
- Antes de limpiar el aparato, desenchúfelo y, después de la limpieza, seque completamente todas las piezas.
- Realice la limpieza del aparato conforme a las instrucciones de la sección de Limpieza y Mantenimiento.
- No introduzca trozos grandes de comida en el aparato, ya que podría provocar un incendio.
- No toque el enchufe del aparato con las manos húmedas o mojadas.
- No utilice el aparato en ambientes húmedos.
- No mueva el aparato mientras esté en uso y con aceite caliente en su interior.
- No utilice el aparato en o cerca de ambientes y sustancias explosivas o inflamables.
- No toque las superficies calientes para evitar el riesgo de quemaduras.
- Permita que el aparato se enfríe en un lugar seguro y fuera del alcance de los niños.
- Mientras el aparato funciona, no obstruya las aberturas de entrada y salida de aire.
- Cuando el aparato está en uso, no se incline sobre el mismo. Durante el uso sale aire caliente del aparato.

# 1 Instrucciones importantes para la seguridad y el medio ambiente

- El aparato se calienta durante el uso. No toque las superficies calientes para evitar el riesgo de quemaduras.
- Asegúrese la ventilación adecuada de la habitación durante su uso.
- En caso de incendio, desenchufe el aparato.
- No vierta agua sobre el aparato, puesto que esto podría provocar una descarga eléctrica.
- No utilice el aparato con un temporizador externo o un sistema de control remoto independiente.
- Utilice únicamente utensilios de cocina metálicos con asas aisladas con el aparato.
- No ponga nada sobre el aparato mientras esté en funcionamiento o caliente.
- A fin de desconectar el aparato, gire el dial del temporizador y el de la temperatura a la posición de apagado. A continuación, desenchufe el aparato.
- Si guarda el material de embalaje, manténgalo fuera del alcance de los niños.

## 1.1 Cumplimiento de la Directiva WEEE y Eliminación del Producto de Desecho

Este aparato cumple con la Directiva WEEE (RAEE) de la UE (2012/19/EU). El presente producto lleva el símbolo de clasificación de residuos de aparatos eléctricos y electrónicos (RAEE).



Este símbolo indica que este producto no debe desecharse junto con otros desechos domésticos al final de su vida útil. El dispositivo usado debe devolverse a un punto de recolección oficial para el reciclaje de dispositivos eléctricos y electrónicos. Para encontrar estos sistemas de recogida, por favor, póngase en contacto con las autoridades locales o con el distribuidor donde se compró el producto. Cada hogar desempeña un papel importante en la recuperación y el reciclaje de los aparatos antiguos. La eliminación adecuada de los electrodomésticos usados ayuda a prevenir posibles consecuencias negativas para el medio ambiente y la salud humana.

## 1.2 Cumplimiento de la Directiva RoHS

El producto que ha adquirido es conforme con la Directiva RoHS de UE sobre la restricción de sustancias peligrosas (2011/65/EU). No contiene materiales nocivos y prohibidos especificados en la Directiva.

## 1.3 Información sobre el paquete

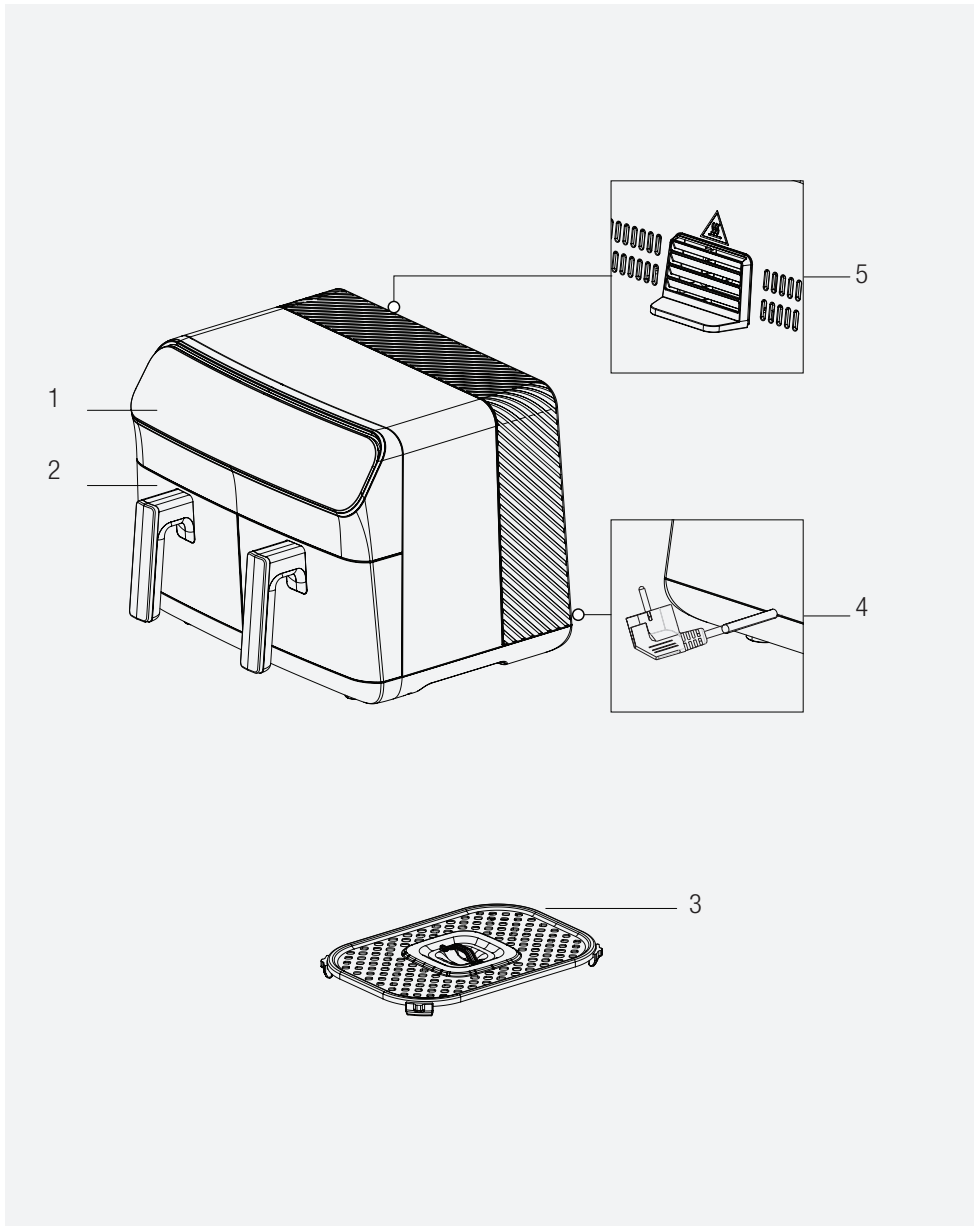


El embalaje del producto está hecho de materiales reciclables, de acuerdo con la legislación nacional. No deseché el embalaje junto con la basura doméstica u otros residuos; deseche en los puntos de recolección especificados por la autoridad local.

## 1.4 Puntos importantes para ahorrar energía

Al utilizar el aparato respete los tiempos recomendados por el manual. Desenchufe el aparato después de cada uso.

## 2 Su Cocina con Menos Aceite



Los símbolos que aparecen en el aparato y los valores especificados en los documentos suministrados junto con el producto se han obtenido en condiciones de laboratorio conforme a las normas correspondientes. Los valores pueden variar en función del uso del aparato y de las condiciones ambientales. Los valores de potencia han sido probados en la tensión de 230 V.

## 2 Su Cocina con Menos Aceite

1. Panel de Control Digital
2. Cámara de cocción extraíble
3. Estante de cocción
4. Cable de potencia
5. Salida de aire

### Datos técnicos

<b>Suministro eléctrico</b>	220-240 V ~ 50-60 Hz
<b>Consumo de energía</b>	2000-2400W
<b>Capacidad de bandeja</b>	8,5 L (4,25 L + 4,25 L)



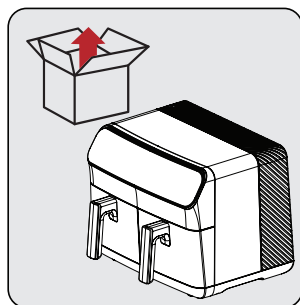
## 3.1 Uso previsto

Este aparato está diseñado exclusivamente para uso doméstico, no es adecuado para uso profesional.

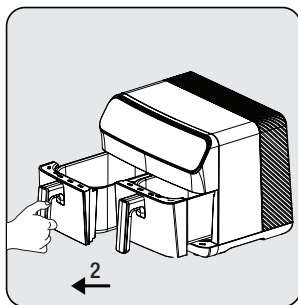
**i** Al utilizar el aparato por primera vez, puede producir una ligera emisión de humo. Esto es normal.

## 3.2 Preparar el aparato para su uso

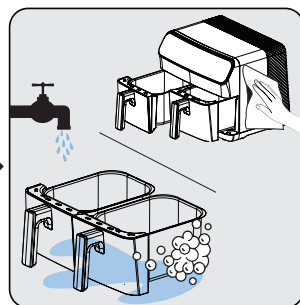
- Utilice el aparato en posición vertical sobre una superficie estable, plana, limpia, seca y antideslizante.



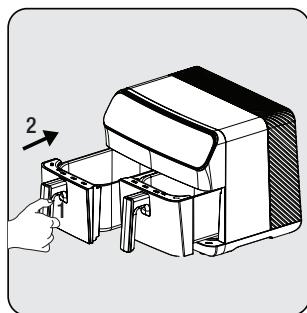
Antes de utilizar el aparato por primera vez, quite el material de embalaje y coloque el aparato en un lugar de trabajo limpio.



Con el fin de abrir las bandejas de cocción extraíbles (2), sujete firmemente los mangos; a continuación, extraiga las cámaras de sus ranuras.










Limpie las bandejas de cocción extraíbles (2) con agua jabonosa tibia.

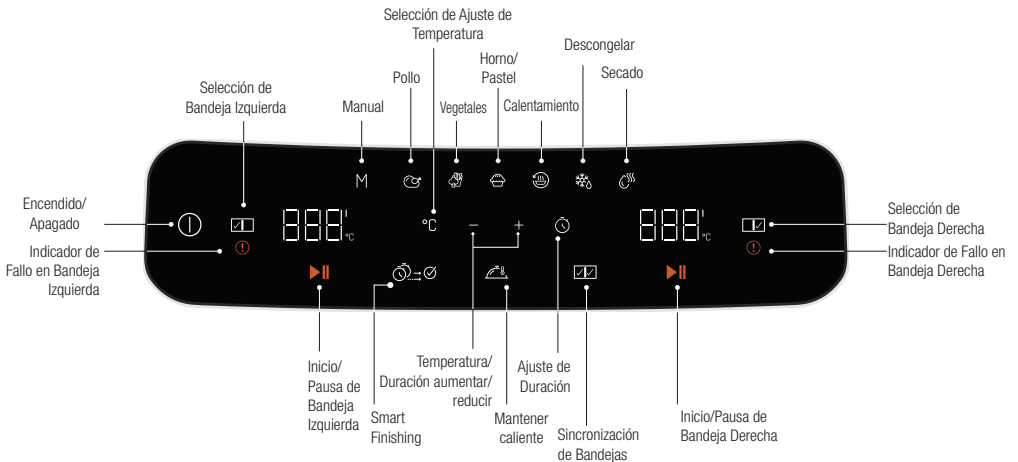


Después de limpiar todas las piezas, introduzca la bandeja de cocción (2). El aparato está listo para ser utilizado.

**i** Para utilizar el aparato por primera vez, póngalo en modo "M", ajústelo a la temperatura más alta y déjelo funcionar durante 10 minutos sin añadir ningún ingrediente.

## 3.3 Panel de control y pantalla LED:

	Manual	Creado para uso general. El programa manual le permite preparar su comida fuera de los programas establecidos.
	Pollo	Este programa está especialmente diseñado para aves de corral. También puede cocinar marisco utilizando este programa.
	Vegetales	Este programa está especialmente diseñado para vegetales. Puede utilizar este programa para freír patatas y todo tipo de verduras.
	Horno/Pastel	Este programa está especialmente diseñado para productos horneados como pasteles y pan.
	Calentamiento	Este programa está especialmente diseñado para recalentamiento
	Descongelar	Este programa está especialmente diseñado para descongelar.
	Secado	Programa especialmente diseñado para el secado de alimentos. Se utiliza junto con accesorios de secado.



### 3.4 Advertencias antes del primer uso



- Mientras el aparato esté en funcionamiento, si la bandeja de cocción extraíble (2) está recogida, saldrá vapor caliente por la salida de aire (6) y por la parte superior de la cesta. Por consiguiente, tenga cuidado de no quemarse con el vapor caliente.
- Al utilizar las bandejas de cocción (2) a altas temperaturas, tenga cuidado de evitar el contacto directo.



El mejor dorado y cocción se consigue normalmente en estante de cocción. Es recomendable utilizar el estante de cocción para todas las recetas y asados.

### 3.5 Operación

#### 3.5.1 Seleccionar e iniciar un programa

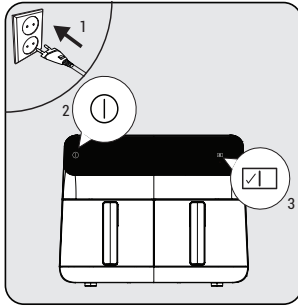


En caso de desear cambiar de programa después de poner en marcha el aparato, mantenga pulsada la tecla "Inicio/Parada" o la tecla "Seleccionar Bandeja" durante 3 segundos. Luego seleccione el programa deseado seleccionando de nuevo la bandeja.

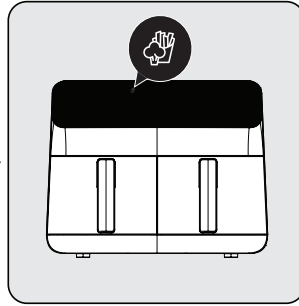


- En la pantalla se muestran las temperaturas y tiempos ajustados automáticamente según las funciones de cocción seleccionadas. Es posible modificar estas temperaturas y tiempos según se desee.
- Si desea anular el proceso de cocción, mantenga pulsada la tecla "Inicio/Parada" o la tecla "Seleccionar cámara" durante 3 segundos. Se cancelará el programa de cocción seleccionado.

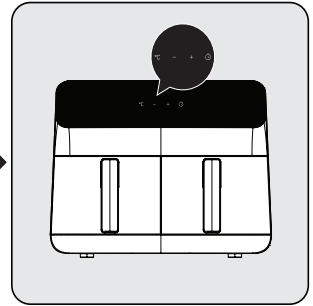
## 3 Uso



Encuche el aparato y pulse el botón de encendido/apagado "1". Una vez que se iluminen las luces de la bandeja, seleccione la bandeja deseada "2". Tras seleccionar la bandeja, seleccione el programa deseado en el menú Programas según lo que desee cocinar.



Una vez seleccionado, el programa seleccionado se iluminará con luz brillante. Si desea cambiar el programa, puede seleccionar uno de los programas con luz tenue.



Después de seleccionar el programa puede ajustar la temperatura y el tiempo de cocción pulsando los iconos de temperatura y tiempo. Inicie el proceso de cocción pulsando el icono de inicio. Cuando desee cocinar en la otra cámara repita el proceso seleccionando una bandeja.

### 3.5.2 Ajuste de temperatura y tiempo

Pulse el botón "°C" o "⌚" para ajustar la temperatura y la hora. El símbolo "[-][+]" se activa. Ajuste la temperatura y el tiempo al valor deseado mediante el símbolo "[-][+]".

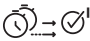
### 3.5.3 Ajustes de Función

#### 3.5.3.1 Smart finishing

La función "Smart Finish" le permite iniciar y finalizar 2 alimentos diferentes en mismo tiempo a diferentes temperaturas, tiempos de cocción y modos de cocción.

1. Prepare los ajustes de cocción para la bandeja izquierda del aparato como se describe en la sección 3.5.1.
2. A continuación, seleccione la bandeja derecha y ajuste los parámetros de cocción.
3. Seleccione la función "Smart Finishing" en el aparato.
4. Inicie el proceso de cocción pulsando uno de los botones de inicio. El aparato iniciará el proceso de cocción para terminar ambas bandejas simultáneamente.



Para que la función "Smart Finish  pueda ser seleccionada, el proceso de cocción no debe haber comenzado en ninguna de las bandejas. Si ya se ha iniciado la cocción en al menos una bandeja, no podrá seleccionarse la función "Smart Finish".

### 3.5.3.2 Mantener caliente

La función "Mantener caliente" le permite mantener caliente la comida cuando haya terminado de cocinarla.

1. Prepare la bandeja deseada para la cocción como se describe en el apartado 3.5.1. A continuación, pulse el botón "Inicio" para iniciar la cocción.
2. Una vez iniciada la cocción, pulse el icono "Mantener caliente". (También puede pulsar el icono 'Mantener caliente' antes de iniciar la cocción).
3. Una vez finalizado el proceso de cocción, el aparato mantendrá la temperatura de sus alimentos.



- La función "Mantener caliente" permanece activada durante 15 minutos.
- También puede seleccionar la función "Mantener caliente" antes de iniciar el proceso de cocción.

### 3.5.3.3 Sincronizar la cocción

Con la función de sincronización de cocción, podrá emparejar fácilmente las bandejas cuando cocine el mismo alimento en ambas bandejas.

1. Prepare la bandeja izquierda o derecha del aparato como se describe en 3.5.1.
2. Luego, seleccione la bandeja derecha del aparato y pulse el icono "Sincronizar cocción".
3. Todas las temperaturas y tiempos de funcionamiento se sincronizan en ambas bandejas.
4. Si pulsa el icono "Iniciar", podrá realizar el mismo proceso de cocción en dos bandejas separadas.



Tras activar la función "Sincronizar cocción", todos los cambios que realice en una bandeja se transferirán a la otra.

## 3.6 Cocción

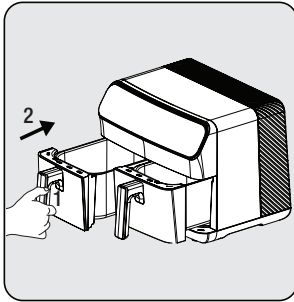


Logrará mejores resultados si mezcla los alimentos con una pequeña cantidad de aceite utilizando una cuchara dosificadora o si pincela los alimentos con aceite antes de colocarlos en la bandeja de cocción.

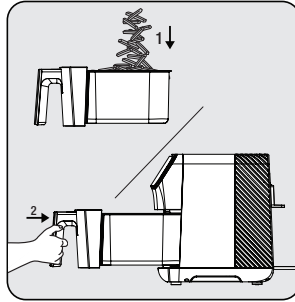


No toque las bandejas de cocción extraíbles cuando estén calientes, excepto por los mangos.

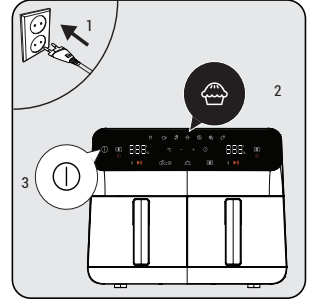
### 3 Uso



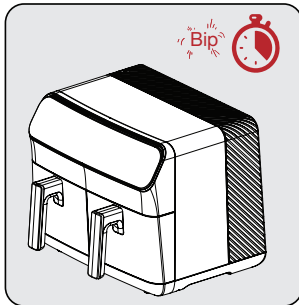
Retire la bandeja de cocción y colóquela sobre una superficie plana y limpia.



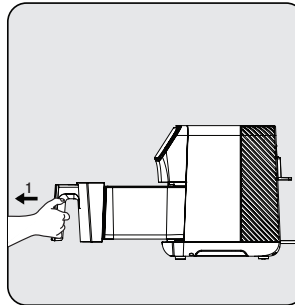
Coloque los alimentos en la bandeja de cocción. Luego, introduzca la bandeja en el aparato y asegúrese de que está bien asentada.



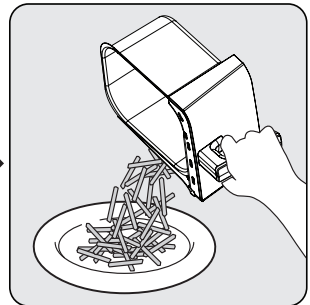
Conecte el aparato y seleccione el programa de cocción deseado. A continuación inicie el proceso de cocción.



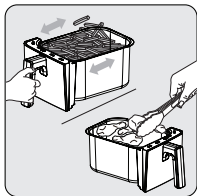
Cuando finalice el tiempo de cocción seleccionado, sonará un tono de aviso y el aparato se detendrá automáticamente la cocción.



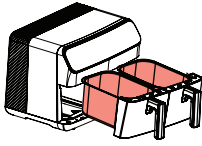
Retire la bandeja y compruebe si los alimentos están totalmente cocinados. Si necesita más cocción, puede prolongar el tiempo de cocción un poco más.



Una vez finalizado el proceso, transfiera los alimentos cocinados a un bol o plato.



- A fin de asegurar la cocción uniforme, retire y agite con cuidado la bandeja de cocción a mitad del proceso de cocción, o utilice unas pinzas para girar los alimentos para no rayar la bandeja.
- Si está realizando un ciclo de cocción largo o si desea obtener resultados más crujientes repita este proceso más a menudo.



No toque el exterior del aparato con la cesta de cocción, ya que la superficie de la bandeja de cocción (2) estará caliente durante y después de la cocción.



- Deje reposar los alimentos de 5 a 10 segundos antes de sacarlos de la bandeja de cocción extraíble (2).
- Para retirar los alimentos gruesos o blandos de la bandeja de cocción sin dañar la superficie interior del aparato, utilice unas pinzas.
- Cuando un lote esté listo, el aparato estará inmediatamente listo para otro lote.



- Recuerde que el aparato puede estar muy caliente durante el funcionamiento y giro.
- No ponga el producto sobre la encimera de manera que bloquee los canales de salida de aire.
- No ponga ningún otro producto sobre el aparato.

## 4 Tiempo de cocción

La temperatura y el tiempo por defecto de los programas del aparato se ajustan automáticamente.

La siguiente tabla ofrece un resumen de los tiempos de cocción para diferentes alimentos. Los tiempos de cocción dependen del grosor, la marca y la consistencia de los alimentos. Los tiempos y cantidades recomendados deben considerarse como aproximados.

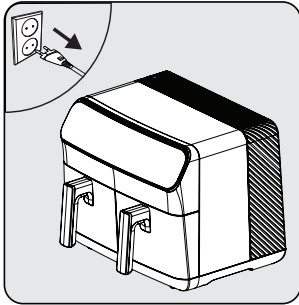
Programa	Alimento	Temperatura	Duración
Pollo	Baquetas (4 piezas)	180°C	24 - 30 min
	Pechuga de pollo (2 * 200 gr)	180°C	24 - 30 min
	Alitas (8 piezas) 180 grados	180°C	22 - 26 min
Vegetales	Patata fresca 200 g	200°C	20 - 25 min
	Patata fresca 500 g	200°C	24 - 30 min
	Patata congelada 500 g	200°C	20 - 27 min
	Patata congelada 1000 gr	200°C	42 - 48 min
	Guarnición de Cubos de Patata-Zanahoria	190°C	15 - 20 min
	Aros de Cebolla	190°C	10 - 15 min
	Calabacín y Berenjena (cortados en aros - 1 pieza)	180°C	20 - 25 min
Horno/ Pastel	Panecillo	160°C	15 - 19 min
Descongelar	Carne picada, pollo, albóndigas, etc.	35- 50°C	15 - 30 min
Secado	Tomato (2-3 mm de grosor)	55°C	7- 9 horas
	Manzana (2-3 mm de grosor)	55°C	7- 8 horas
	Plátano (2-3 mm de grosor)	60°C	7- 9 horas
	Berenjena (2-3 mm de grosor)	55°C	7- 8 horas
	Setas (3-4 mm de grosor)	60°C	6- 8 horas
	Piña (4-5 mm de grosor)	60°C	6- 8 horas



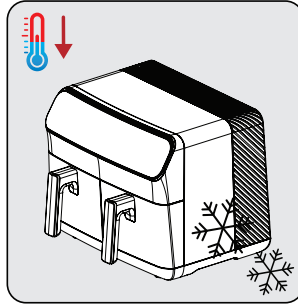
## 5 Limpieza y mantenimiento

### 5.1 Limpieza

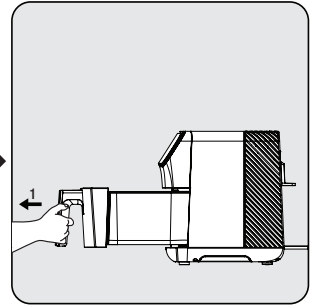
**i** No utilice nunca gasolina, disolvente, limpiadores abrasivos, objetos metálicos o cepillos duros para limpiar el aparato.



Apague y desconecte el aparato de la toma de corriente.



Espere a que el aparato se enfríe completamente.

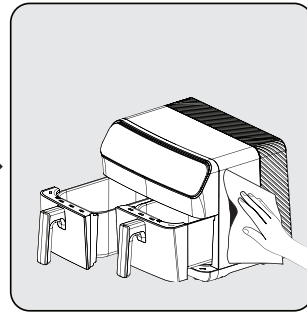


Saque la cesta de cocción extraíble (5) del cajón.

**i** Retire las bandejas de cocción del aparato para que éste se enfríe más rápidamente.



Puede lavar la bandeja de cocción en agua tibia jabonosa o en el lavavajillas.



Limpie el exterior del aparato con un paño húmedo. Seque completamente el exterior del aparato.

**i** Mantenga limpio siempre el fondo de la bandeja de cocción para evitar la acumulación de objetos extraños.

### 5.2 Almacenamiento

- Si no va a utilizar el aparato durante un periodo prolongado de tiempo, guárdelo cuidadosamente.
- Desenchufe el aparato y deje que se enfríe antes de almacenarlo.
- Guarde el aparato en un lugar fresco y seco.
- Mantenga el aparato y el cable fuera del alcance de los niños.

### 5.3 Transporte y envío

- Transporte el aparato en su embalaje original durante su manipulación y transporte. El embalaje protegerá el aparato contra daños físicos.
- No coloque objetos pesados sobre el aparato o su embalaje. El aparato puede dañarse.
- Si el aparato se cae, es posible que deje de funcionar o que se produzcan daños permanentes.

## 6 Solución de problemas

	Problema	Causa	Solución
1	El producto no funciona	Cortes de electricidad	Controle suministro eléctrico y asegúrese que exista energía
		No hay corriente o hay mal contacto en la toma de corriente	
		La tensión de suministro eléctrico del producto	
2	La comida está insuficientemente cocinada/quemada	El tiempo de cocción no es correcto	Combine las recetas y su experiencia personal para ajustar la preparación y los tiempos
3	Humo en el primer uso	Grasa antioxidante en el calentador del producto	Cuando se utilice por primera vez, ajuste la temperatura al máximo y precaliéntelo durante 10-15 minutos para eliminar el aceite antioxidante del calentador del producto
4	Olor raro	Bandeja de cocción, cajón de la bandeja, Cuerpo extraño en el calentador	Retire el cuerpo extraño
5	La pantalla muestra E1 y el producto deja de funcionar	Bandeja de cocción izquierda NTC desconectada	Enviar al servicio técnico para reparación
6	La pantalla muestra E2 y el producto no sigue su función	Bandeja de cocción izquierda NTC no funciona	
7	La pantalla muestra E3 y el producto detuvo su función	Bandeja de cocción derecha NTC desconectada	
8	La pantalla muestra E4 y el producto detuvo su función	Bandeja de cocción derecha NTC no funciona	
9	La pantalla muestra E5 y el producto detuvo su función	Problema con PCB de potencia (bandeja de cocción izquierda NTC)	
10	La pantalla muestra E6 y el producto detuvo su función	Problema con PCB de potencia (bandeja de cocción derecha NTC)	
11	La pantalla muestra E7 y el producto detuvo su función	Problema con PCB de potencia (Problema de conexión)	
12	La pantalla muestra E8 y el producto detuvo su función	Problema con PCB de potencia (Problema de conexión)	
13	La pantalla muestra E9 y el producto detuvo su función	Problema con PCB de potencia	
14	La pantalla muestra E10 y el producto detuvo su función	Problema con PCB de potencia (resistencia de bandeja de cocción izquierda)	
15	La pantalla muestra E10 y el producto detuvo su función	Problema con PCB de potencia (resistencia de bandeja de cocción derecha)	



**Contacto para asistencia técnica:  
902 877 665 / 932 992 581**

### CONDICIONES DE GARANTÍA - ESPAÑA

El presente certificado cubre la garantía de reparación de su electrodoméstico de gama blanca y PAE (\*) durante el periodo de garantía legal previsto en la ley, a partir de la fecha de venta, contra todo defecto de funcionamiento proveniente de fabricación o materiales; o de sustitución del aparato, salvo que una de estas opciones resulte imposible o desproporcionada respecto de la otra. Cuando usted detecte un defecto o anomalía en el aparato contacte de forma inmediata con nosotros para informarnos de la falta de conformidad. Los pequeños electrodomésticos (PAE) deberán ser entregados en el taller del servicio oficial de la marca para su revisión.

La presente garantía sólo será válida si se presenta factura, ticket de compra o el albarán de entrega correspondiente a la adquisición del producto. La presente garantía es válida en el territorio español y portugués para los aparatos distribuidos por Beko Electronics España S.L.. La garantía sólo tendrá validez sobre el primer comprador o adquirente del producto. La garantía será válida para aquellos aparatos cuya instalación sea correcta y estén ubicados en condiciones climáticas y medioambientales adecuadas para su correcto funcionamiento.

### EXCLUSIONES DE LA GARANTÍA

El coste de la reparación será a cargo del usuario en los siguientes casos:

- Los aparatos utilizados para uso profesional o no exclusivamente doméstico.
- Los aparatos desmontados o manipulados por personas ajenas a los servicios técnicos expresamente autorizados.
- Las instalaciones, transporte, sustitución de aparatos, puestas en marcha, cambio de sentido de puertas.
- Intervenciones de mantenimiento o de información sobre el uso de los aparatos.
- Cambio de inyectores en aparatos de gas.
- Las averías provocadas por falta de mantenimiento o limpieza o aquellas provocadas por un uso indebido, sobrecarga, abandono o de manera no conforme a las instrucciones de uso o de instalación de los aparatos.
- Las averías producidas por causas fortuitas, siniestros de fuerza mayor o derivados de instalación incorrecta y en general, averías por causas ajenas al propio aparato.
- Las averías provocadas por conexiones que puedan presentar fluctuaciones, irregularidades o falta de uniformidad en el suministro, por ejemplo: suministro de agua impulsado por grupos de presión, energía solar, energía eólica, generadores eléctricos, u otro tipo de suministro no normalizado.
- La sustitución de materiales rotos o deteriorados por desgaste o uso no normal del aparato, o materiales consumibles tales como: juntas, plásticos, gomas, correas, cristales, escobillas, bombillas, asas, tiradores, tapas de quemadores, filtros, rejillas, ánodos de sacrificio (magnesio o similares) de calentadores o calderas, etc.
- Los aparatos que presenten oxidación, o daños por corrosión en esmaltes o pinturas, que puedan ser provocados por efectos químicos o electroquímicos del agua o cualquier otra sustancia, o aceleradas por circunstancias ambientales o climáticas no propicias.
- Defectos estéticos en serigrafía o pintura.
- Los daños de transporte o manipulación, golpes, etc.
- Los aparatos deben instalarse de forma accesible para su reparación, debiendo asumir el usuario los costes necesarios para el acceso al aparato para su reparación y sustitución.

La presente garantía no afecta a los derechos de que dispone el consumidor conforme a lo previsto en la legislación vigente. El Servicio Oficial de Asistencia Técnica resolverá cualquier incidencia que pudiera precisar su electrodoméstico siempre que el aparato esté instalado de forma accesible.

Para asegurarse que su electrodoméstico va a ser intervenido por un técnico oficial autorizado, rogamos solicite el carnet avalado por ANFEL (Asociación Nacional de Fabricantes de Electrodomésticos) a nuestros técnicos.

Las marcas BEKO y GRUNDIG se distribuyen por Beko Electronics España S.L.

### DATOS APARATO (a rellenar por el Distribuidor):

Titular:		Sello Establecimiento:
Modelo:	Núm. serie:	
Establecimiento:	Fecha de compra:	

**El garante e importador de su electrodoméstico es: BEKO ELECTRONICS ESPAÑA S.L. Calle Provenza nº 388  
3º Barcelona 08025, España.**

**Conózanos mejor en nuestra página: [www.beko.com](http://www.beko.com) Conserve este documento, es importante para usted.**

(\*) Se consideran electrodomésticos de gama blanca, los aparatos de gran tamaño de cocina, limpieza, refrigeración y ventilación y el pequeño aparato electrodoméstico (PAE) aquellos aparatos de higiene personal, mantenimiento del hogar y preparación de alimentos.



**Contacte a assistência técnica:  
707 014 192 / 215 557 319**

### CONDIÇÕES DE GARANTIA - PORTUGAL

Este certificado cobre a garantia de reparação do seu eletrodoméstico da linha branca e pequeno eletrodoméstico (\*) durante o período de garantia legal determinado pela legislação em vigor a contar da data de compra, contra defeitos de funcionamento provenientes do fabrico ou dos materiais; ou de substituição do aparelho, a menos que uma dessas opções seja impossível ou desproporcionada em relação à outra. Quando detetar um defeito ou anomalia no aparelho entre imediatamente em contacto connosco para nos informar da não conformidade. Os pequenos eletrodomésticos devem ser entregues na oficina de serviço oficial da marca para a sua revisão.

Esta garantia só será válida se for apresentada a fatura, o recibo de compra, ou a nota de entrega correspondente a aquisição do produto. Esta garantia é válida em território espanhol e português para aparelhos distribuído pela Beko Home Appliances Portugal, Unipessoal, Lda. A garantia só é válida para o primeiro comprador ou adquirente do produto. A garantia será válida para os aparelhos cuja instalação esteja correta e que estejam localizados em condições climáticas e ambientais adequadas para o seu correto funcionamento.

### EXCLUSÕES DA GARANTIA

O custo da reparação será pago pelo utilizador nos seguintes casos:

- Aparelhos utilizados para uso profissional ou não exclusivamente doméstico.
- Os equipamentos desmontados ou manuseados por outras pessoas que não os serviços técnicos expressamente autorizados.
- Instalações, transporte, substituição de equipamento, colocação em funcionamento, alteração do sentido das portas.
- Intervenções de manutenção ou informações sobre a utilização dos aparelhos.
- Alteração de injetores em aparelhos a gás.
- As avarias causadas pela falta de manutenção ou limpeza, ou aquelas causadas por um uso inadequado, sobrecarga, abandono ou de uma forma a não respeitar as instruções de uso ou instalação dos aparelhos.
- As avarias provocadas por causas acidentais, sinistros de força maior ou resultantes de instalação inadequada e em geral, avarias por razões não relacionadas com o produto.
- As avarias causadas por ligações que podem apresentar flutuações, irregularidades ou falta de uniformidade no fornecimento, por exemplo: abastecimento de água impulsionado por grupos de pressão, energia solar, energia eólica, geradores de energia elétrica ou outro tipo de fornecimento não-padrão.
- A substituição de materiais quebrados ou danificados por desgaste ou uso não normal do aparelho, ou consumíveis tais como: juntas, plásticos, borracha, correias, vidros, pincéis, lâmpadas, asas, puxadores, tampas de queimadores, filtros, grelhas, ânodos de sacrifício (magnésio ou similares) de aquecedores ou caldeiras, etc.
- Os aparelhos que apresentem oxidação, ou danos por corrosão nos esmaltes ou na pintura, que possam ter sido causados por efeitos químicos ou eletroquímicos da água ou de qualquer outra substância, ou acelerados por circunstâncias ambientais ou climáticas desfavoráveis.
- Defeitos estéticos em serigrafia ou pintura.
- Os danos causados por transporte ou manuseio, colisões, etc.
- Os aparelhos devem ser instalados de forma acessível em caso de reparação, devendo o utilizador assumir os custos necessários para aceder ao aparelho para reparação e substituição.

A presente garantia não afeta os direitos de que o consumidor dispõe conforme o previsto na legislação em vigor.

O Serviço Oficial de Assistência Técnica resolverá qualquer incidente que o seu aparelho possa necessitar, desde que o aparelho seja instalado de forma acessível.

As marcas BEKO e GRUNDIG são distribuídas por Beko Home Appliances Portugal, Unipessoal, Lda

### DADOS DO APARELHO (a ser preenchido pelo Distribuidor):

Detentor:		Carimbo do estabelecimento:
Modelo:	Nº série:	
Estabelecimento:	Data de compra:	

**O fiador e o importador do seu eletrodoméstico é: Beko Home Appliances Portugal, Unipessoal, Lda; Edifício Amoreiras Square; Rua Carlos Alberto da Mota Pinto, nº 17, 3ªA, Amoreiras 1070-313, Lisboa, Portugal.**

Conheça-nos melhor na nossa página: [www.beko.com](http://www.beko.com) Conserve este documento, é importante para si.

(\*) São considerados eletrodomésticos da linha branca, os aparelhos de cozinha, limpeza, refrigeração e ventilação de tamanho grande e pequenos eletrodomésticos, os de higiene pessoal, manutenção do lar e preparação de alimentos.

## Vă rugăm citiți mai întâi acest ghid!

Stimate client,

Vă mulțumim că ați ales un produs BEKO. Dorim să obțineți eficiența optimă de la acest produs de înaltă calitate fabricat cu tehnologie de ultimă generație. Vă rugăm să citiți și să înțelegeți integral acest ghid și documentația suplimentară înainte de utilizare și să îl păstrați ca referință. Includeți acest ghid împreună cu unitatea dacă o predați altcuiva. Respectați toate avertismentele și informațiile din acest document și urmați instrucțiunile.

## Simboluri și semnificațiile lor

Aceste simboluri sunt utilizate în prezentul ghid:



Informații și recomandări importante privind utilizarea aparatului.



**AVERTIZARE:** Avertismente privind vătămarea corporală sau daunele materiale.



Adecvat pentru contactul cu alimentele.



Nu imersați aparatul, cablul de alimentare sau ștecherul de alimentare în apă sau în alte lichide.



Clasa de protecție la electrocutare



**HÂRTIE  
RECICLATĂ &  
RECICLABILĂ**

## 1 Instrucțiuni importante privind siguranța și mediul

Această secțiune conține instrucțiuni de siguranță pentru prevenirea pericolelor care pot cauza vătămări corporale sau daune materiale.

Orice garanție este nulă dacă aceste instrucțiuni nu sunt respectate.

### 1.1 Siguranță generală

- Acest aparat este conform cu standardele internaționale de siguranță.
- Acest aparat este destinat pentru a fi folosit în gospodărie sau aplicații similare, precum:
  - - chichinete pentru angajați în magazine, birouri sau alte spații de lucru,
  - - ferme;
  - - de către clienți în hoteluri, moteluri și alte tipuri de medii rezidențiale,
  - - unități de tip pensiune.
- În cazul în care utilizarea aparatului este limitată la mai puțin decât cele de mai sus, acest lucru trebuie să fie menționat în mod clar în instrucțiuni.
- Copiii trebuie supravegheați pentru ca să nu se joace cu aparatul
- Acest aparat poate fi utilizat de către copii cu vârsta minimă de 8 ani și de persoanele cu capacități fizice, senzoriale sau mentale reduse sau fără experiență și cunoștințe dacă aceștia sunt supravegheați sau au fost instruiți cu privire la utilizarea aparatului într-un mod sigur și dacă înțeleg pericolele implicate.
- În cazul în care cablul de alimentare electrică este deteriorat, acesta trebuie înlocuit de producător, reprezentantul său de service sau persoane cu calificări similare pentru a evita orice pericol.
- Curățarea și întreținerea nu vor fi efectuate de către copii, cu excepția situațiilor în care aceștia au vârste mai mari de 8 ani și sunt supravegheați de adulți.
- Nu lăsați produsul și cablul acestuia la îndemâna copiilor cu vârsta sub 8 ani.
- Poziționați mânerul aparatelor de gătit (dacă există) astfel încât lichidele fierbinți să nu curgă și să le așezați în siguranță.

## 1 Instrucțiuni importante privind siguranța și mediul

- Asigurați-vă că tensiunea indicată pe aparat este aceeași cu tensiunea de alimentare de la priză.
- Utilizați aparatul cu o fișă cu împământare.
- Nu utilizați aparatul cu un prelungitor.
- Nu așezați aparatul pe sau lângă surse de căldură, precum cupatoare și sobe.
- Pentru a preveni deteriorarea cablului de alimentare, evitați prinderea, îndoirea sau frecarea acestuia de margini ascuțite.
- Nu deconectați aparatul prin tragerea de cablu.
- Nu imersați aparatul sau cablul acestuia în apă pentru curățare.
- Nu lăsați aparatul nesupravegheat în timp ce este conectat la priză.
- Nu dezamblați aparatul.
- Utilizați doar componente originale sau componente recomandate de către producător.
- Scoateți aparatul din priză înainte de a curăța și usca complet toate componentele după curățare.
- Curățați aparatul conform instrucțiunilor din secțiunea Curățarea și întreținerea.
- Nu introduceți bucăți mari de alimente în aparat, deoarece pot provoca un incendiu.
- Nu atingeți ștecherul aparatului dacă aveți mâinile umede sau ude.
- Nu utilizați aparatul în medii umede.
- Nu deplasați aparatul în timpul utilizării și dacă uleiul din interior este fierbinte.
- Nu utilizați aparatul în medii și substanțe explozive sau inflamabile sau în apropierea acestora.
- Pentru a evita riscul de arsuri, nu atingeți suprafețele fierbinți.
- Lăsați aparatul să se răcească într-un loc sigur, inaccesibil copiilor.
- Nu blocați orificiile de admisie și de evacuare a aerului în timpul funcționării aparatului.
- Nu vă aplecați deasupra aparatului în timp ce acesta este în uz. În timpul utilizării, din aparat iese aer fierbinte!



# 1 Instrucțiuni importante privind siguranța și mediul

- Aparatul se încălzește în timpul utilizării. Pentru a evita riscul de arsuri, nu atingeți suprafețele fierbinți.
- Asigurați-vă că încăperea este ventilată corespunzător în timpul utilizării.
- În caz de incendiu, scoateți aparatul din priză.
- Nu turnați apă pe aparat, deoarece poate provoca pericol de electrocutare.
- Nu utilizați aparatul cu un cronometru extern sau cu un sistem de telecomandă separat.
- Pentru acest aparat, utilizați numai articole de bucătărie metalice cu mânere izolate.
- Nu puneți nimic pe aparat în timpul funcționării sau încălzirii.
- Pentru a deconecta, rotiți selectorul de timp și selectorul de temperatură în poziția oprit. Apoi scoateți aparatul din priză.
- Dacă păstrați materialele de ambalare, depozitați-le în locuri inaccesibile copiilor.

## 1.1 Conformitatea cu Directiva WEEE și eliminarea produsului uzat:

Acest produs este în conformitate cu Directiva UE privind WEEE (2012/19/EU). Acest produs este prevăzut cu un simbol de clasificare pentru deșeurile de echipamente electrice și electronice (WEEE).



Acest simbol arată că acest produs nu trebuie eliminat împreună cu deșeurile menajere la sfârșitul perioadei sale de utilizare. Aparatul uzat trebuie transportat la un punct de colectare pentru reciclarea echipamentelor electrice și electronice. Pentru a găsi aceste sisteme de colectare, vă rugăm să contactați autoritățile locale sau comerciantul unde a fost pus în vânzare produsul. Fiecare gospodărie are un rol important în recuperarea și reciclarea electrocasnicilor vechi. Eliminarea corespunzătoare a aparatelor utilizate ajută la prevenirea posibilelor consecințe negative pentru mediu și sănătatea umană.

## 1.2 Conformitatea cu Directiva RoHS

Produsul achiziționat de dumneavoastră este în conformitate cu Directiva UE RoHS (2011/65/UE). Acesta nu conține materiale periculoase și interzise, specificate în această Directivă.

## 1.3 Informații despre ambalaj

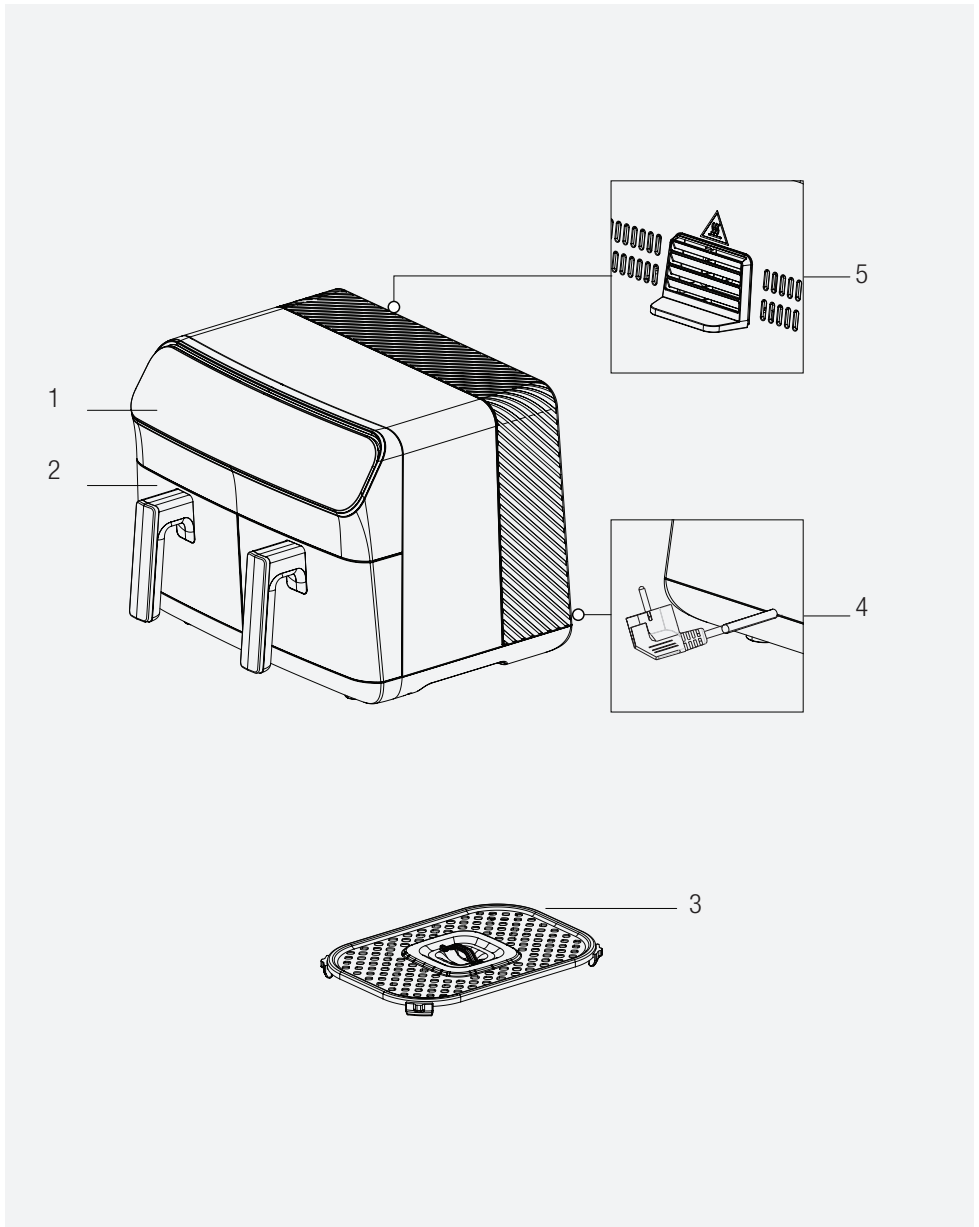


Ambalajul produsului este fabricat din materiale reciclabile, în conformitate cu legislația națională. Nu eliminați deșeurile de ambalaje împreună cu deșeurile menajere sau alte deșeuri, ci eliminați-le în zonele de colectare a ambalajelor specificate de către autoritățile locale.

## 1.4 Aspecte importante pentru economisirea energiei

În timpul utilizării aparatului, respectați timpii recomandați în manual. Scoateți din priză aparatul după fiecare utilizare.

## 2 Friteuza dumneavoastră cu ulei puțin



Semnele de pe aparat și valorile specificate în documentele furnizate împreună cu produsul au fost obținute în condiții de laborator în conformitate cu standardele aferente. Valorile pot varia în funcție de utilizarea aparatului și de condițiile ambientale. Valorile de alimentare au fost testate la o tensiune de 230 V.

1. Panou de control digital
2. Coș de gatit detașabil
3. Grătar de gătit
4. Cablu de alimentare
5. Evacuare aer

**Date tehnice**

<b>Sursă de alimentare</b>	220-240 V ~ 50-60 Hz
<b>Consum electric</b>	2000-2400W
<b>Capacitatea tăvii</b>	8,5 L (4,25 L + 4,25 L)

## 3 Utilizare

### 3.1 Utilizarea destinată

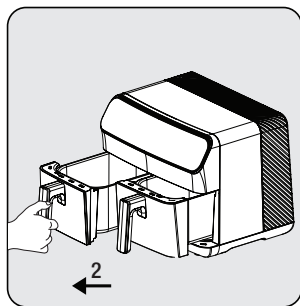
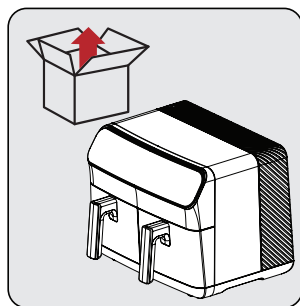
Aparatul este destinat numai pentru uzul casnic și nu este adecvat pentru uzul profesional.



Atunci când utilizați aparatul pentru prima dată, este posibil să existe o ușoară emisie de fum. Acesta este un lucru normal.

### 3.2 Pregătirea aparatului pentru utilizare

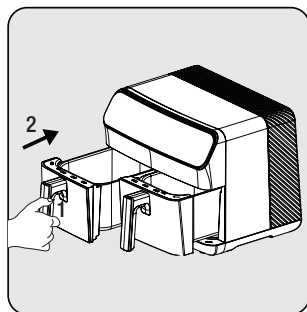
- Folosiți aparatul în poziție verticală, pe o suprafață stabilă, plană, curată, uscată și antiderapantă.



Înainte de a utiliza aparatul pentru prima dată, îndepărtați materialul de ambalare și așezați aparatul pe o suprafață de lucru plană și curată.

Pentru a deschide tăvile de gătit detașabile (2), prindeți ferm mânerul; apoi scoateți camerele din fantele lor.

Curățați tăvile de gătit detașabile (2) cu apă caldă cu săpun.








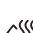
După ce ați curățat toate piesele, introduceți tava de gătit (2). Aparatul este gata de utilizare.

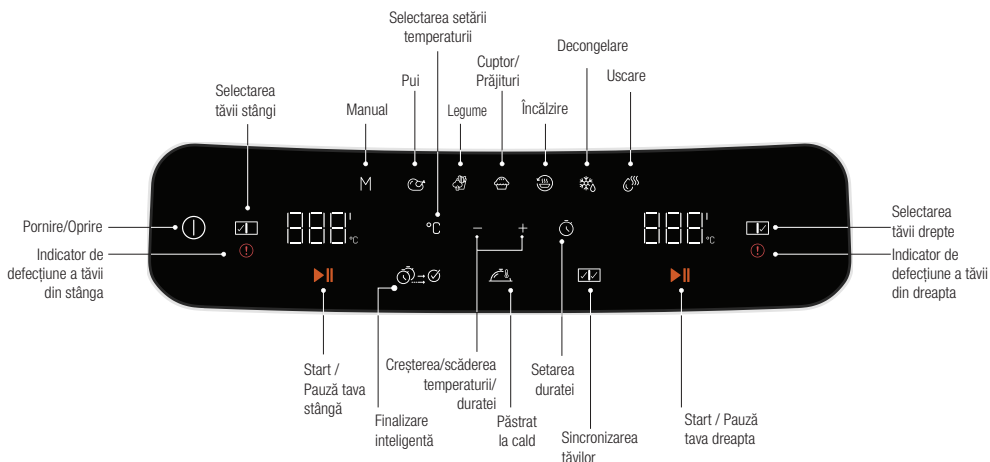


La prima utilizare, setați aparatul în modul "M", setați-l la cea mai mare temperatură și lăsați-l să funcționeze timp de 10 minute fără a adăuga vreun ingredient.

## 3 Utilizare

### 3.3 Panoul de control și afișajul cu LED-uri:

M	Manual	Conceput pentru uz general. Programul manual vă permite să vă pregătiți mâncarea în afara programelor setate.
	Pui	Acest program este special conceput pentru carne de pasăre. De asemenea, folosind acest program puteți găti fructe de mare.
	Legume	Acest program este special conceput pentru legume. Puteți folosi acest program pentru a prăji cartofi și orice fel de legume.
	Cuptor/ Prăjituri	Acest program este special conceput pentru produse de patiserie, cum ar fi prăjiturile și pâinea.
	Încălzire	Acest program este special conceput pentru reîncălzire.
	Decongelare	Acest program este special conceput pentru decongelare.
	Uscare	Program special conceput pentru dehidratarea alimentelor. Este utilizat împreună cu accesoriile pentru dehidratare.



## 3 Utilizare

### 3.4 Avertizări înainte de prima utilizare



- Atunci când aparatul este în funcțiune și tava de gătit detașabilă (2) este retrasă, prin ieșirea de aer (6) și prin partea superioară a coșului va ieși aburul fierbinte. Prin urmare, aveți grijă să nu vă opăriți cu aburul fierbinte.
- Atunci când folosiți tăvile de gătit (2) la temperaturi ridicate, aveți grijă să evitați contactul direct.



Cea mai bună rumenire și gătire se obține, de obicei, pe grătarul de gătit. Se recomandă utilizarea grătarului de gătit pentru toate rețetele și fripturile

### 3.5 Funcționarea

#### 3.5.1 Selectarea și pornirea unui program

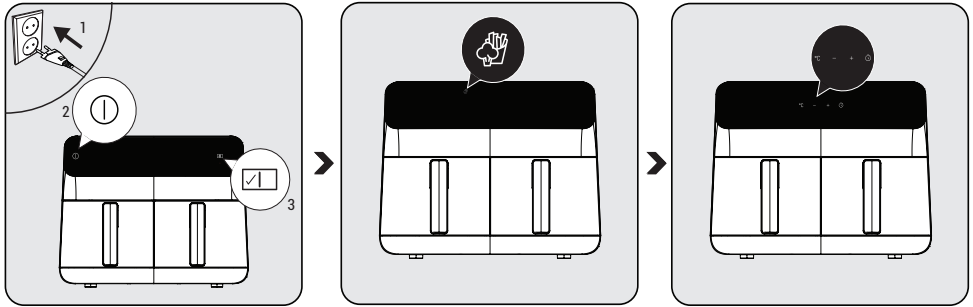


Dacă doriți să treceți la un alt program după pornirea aparatului, apăsați și mențineți apăsată tasta "Start/Stop" sau tasta "Select Tray" (Selectare tavă) timp de 3 secunde. Selectați apoi programul dorit prin selectarea din nou a tăvii.



- Afișajul indică temperaturile și timpii setați automat în funcție de funcțiile de gătit selectate. Puteți modifica aceste temperaturi și timpi după cum doriți.
- Pentru a anula procesul de gătit, apăsați și mențineți apăsată tasta "Start/Stop" sau tasta "Select chamber" (Selectare cameră) timp de 3 secunde. Programul de gătit pe care l-ați selectat va fi anulat.

## 3 Utilizare



Introduceți aparatul în priză și apăsați butonul de pornire/oprire "⏻". După ce luminile tăvii se aprind, selectați tava dorită "☑". După selectarea tăvii, selectați programul dorit din meniul Programs (Programe) în funcție de ceea ce doriți să gătiți.

După selectarea programului dorit, programul selectat se va aprinde cu o lumină puternică. Dacă doriți să schimbați programul, puteți selecta unul dintre programele slab iluminate.

După selectarea programului, puteți seta temperatura și timpul de gătire prin apăsarea pictogramelor de temperatură și timp. Începeți procesul de gătire prin apăsarea pictogramei de pornire. Când doriți să gătiți în cealaltă cameră, repetați procesul selectând o tavă.

### 3.5.2 Setarea temperaturii și a timpului

Apăsați butoanele "°C" sau "⌚" pentru a seta temperatura sau ora. Simbolul "[-][+]" este activat. Setati temperatura și timpul la valoarea dorită cu ajutorul simbolului "[-][+]".

### 3.5.3 Setările funcțiilor

#### 3.5.3.1 Finalizarea inteligentă

Funcția "Smart Finish" (Finalizare inteligentă) vă permite să începeți și să terminați simultan 2 mâncăruri distincte la temperaturi, timpi și moduri de gătire diferite.

1. Pregătiți setările de gătit pentru tava stângă a aparatului, așa cum este descris în secțiunea 3.5.1.
2. Selectați apoi tava potrivită și reglați setările de gătire.
3. Selectați funcția "Smart Finishing" (Finalizare inteligentă) de pe aparat.
4. Începeți procesul de gătire apăsând unul dintre butoanele de pornire. Aparatul va începe procesul de gătire astfel încât ambele tăvi să fie terminate simultan.



Pentru a selecta funcția "Smart Finish " (Finalizare inteligentă), procesul de gătit nu trebuie să fi început în niciuna dintre tăvi. Dacă gătitul a început deja în cel puțin o tavă, funcția "Smart Finish" (Finalizare inteligentă) nu poate fi selectată.

### 3.5.3.2 Păstrarea la cald

Funcția "Keep Warm" (Păstrare la cald) vă permite să păstrați mâncarea caldă atunci când gătitul s-a finalizat.

1. Pregătiți tava dorită pentru gătit așa cum este descris la punctul 3.5.1. Apoi apăsați butonul "Start" pentru a începe gătitul.
2. După ce a început gătitul, apăsați pictograma "Keep Warm" (Păstrare la cald). (Puteți, de asemenea, să apăsați pictograma "Păstrare la cald" înainte de a începe să gătiți.)
3. După ce procesul de gătit este finalizat, aparatul va menține temperatura alimentelor.



- Funcția de păstrare la cald rămâne activată timp de 15 minute.
- De asemenea, puteți selecta funcția "Păstrare la cald" înainte de a începe procesul de gătit.

### 3.5.3.3 Sincronizarea gătitului

Cu funcția de sincronizare a gătitului, puteți potrivi cu ușurință tăvile atunci când gătiți aceeași mâncare în ambele tăvi.

1. Pregătiți tava stângă sau dreaptă a aparatului așa cum este descris la punctul 3.5.1.
2. Selectați apoi camera din dreapta a aparatului și apăsați pictograma "Synchronize cooking" (Sincronizare gătit).
3. Toate temperaturile și timpii de funcționare sunt sincronizate în ambele tăvi.
4. Dacă apăsați pictograma "Start", puteți efectua același proces de gătit în două tăvi separate.



După activarea funcției "Sincronizare gătit", toate modificările pe care le faceți într-o tavă sunt transferate în cealaltă.

## 3.6. Gătitul



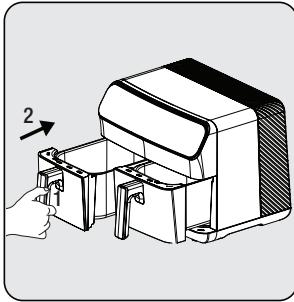
Veți obține rezultate mai bune dacă amestecați alimentele cu o cantitate mică de ulei folosind o lingură de măsurare sau dacă ungeți alimentele cu ulei înainte de a le pune în tava de gătit.



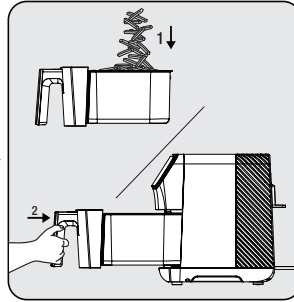
Nu atingeți tăvile de gătit detașabile atunci când sunt fierbinți, cu excepția mânerelor.



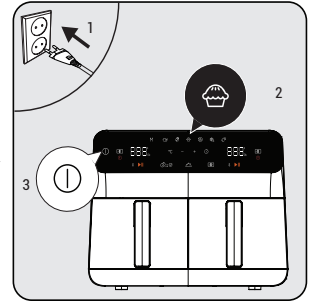
### 3 Utilizare



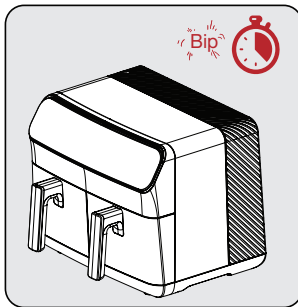
Scoateți tava de gătit și așezați-o pe o suprafață plană și curată.



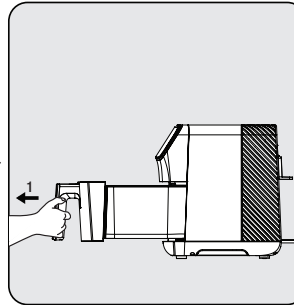
Așezați alimentele în tava de gătit. Apoi introduceți tava în aparat și asigurați-vă că este așezată corect.



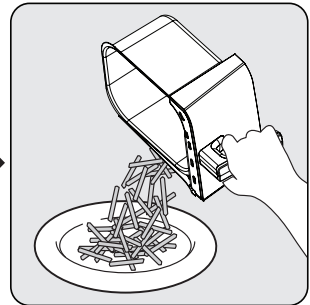
Conectați aparatul și selectați programul de gătit dorit. Apoi începeți procesul de gătit.



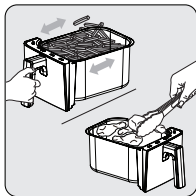
Când timpul de gătit selectat a expirat, se va auzi un semnal sonor de avertizare și aparatul va opri automat gătitul.



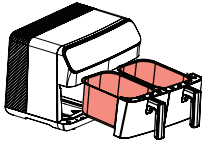
Scoateți tava și verificați dacă mâncarea este complet gătită. Dacă este necesară un gătit suplimentar, puteți prelungi timpul de gătit încă puțin.



Când procesul este complet, transferați mâncarea gătită într-un castron sau pe o farfurie.



- Pentru a asigura un gătit uniform, scoateți cu grijă și scuturați tava de gătit la jumătatea procesului de gătit sau folosiți un clește pentru a întoarce alimentele pentru a nu zgâria tava.
- Efectuați această procedură mai des dacă efectuați un ciclu lung de gătit sau dacă doriți ca mâncarea să fie mai crocantă.



Nu lăsați coșul de gătit să atingă partea exterioară a aparatului, deoarece suprafața tăvii de gătit (2) va fi fierbinte în timpul și după gătit.



- Lăsați mâncarea să se odihnească timp de 5 până la 10 secunde înainte de a le scoate din tava de gătit detașabilă (2).
- Folosiți un clește pentru a îndepărta alimentele grosiere sau moi din tava de gătit fără a deteriora suprafața interioară a aparatului.
- Când o parte este gata, aparatul este imediat pregătit pentru o altă parte.



- Rețineți că dispozitivul poate deveni foarte fierbinte în timpul procesului de rotire.
- Nu așezați produsul pe blatul de lucru în așa fel încât să blocheze canalele de ieșire a aerului.
- Nu plasați niciun alt produs pe aparat.

## 4 Timpul de gătit

Setările implicite de temperatură și timp ale programelor aparatului sunt setate automat.

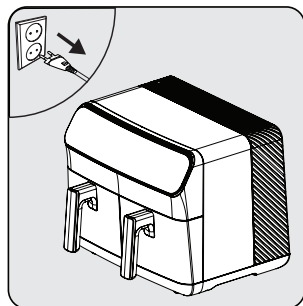
Tabelul următor oferă o prezentare generală a timpilor de gătit pentru diferite alimente. Timpii de gătit depind de grosimea, marca și consistența alimentelor. Timpii și cantitățile recomandate trebuie considerate ca fiind aproximative.

Program	Aliment	Temperatură	Timp
Pui	Copane (4 bucăți)	180°C	24 - 30 min
	Piept de pui (2 * 200 gr)	180°C	24 - 30 min
	Aripioare (8 bucăți) 180 de grade	180°C	22 - 26 min
Legume	Cartofi proaspeți 200 g	200°C	20 - 25 min
	Cartofi proaspeți 500 g	200°C	24 - 30 min
	Cartofi congelați 500 g	200°C	20 - 27 min
	Cartofi congelați 1000 gr	200°C	42 - 48 min
	Garnitură de cubulețe de cartofi - morcovi	190°C	15 - 20 min
	Inele de ceapă	190°C	10 - 15 min
	Dovlecei și vinete (taiate în inele - 1 bucată)	180°C	20 - 25 min
Cuptor/ Prăjituri	Brioșe	160°C	15 - 19 min
Decongelare	Carne tocată, pui, chiftele, etc.	35- 50°C	15 - 30 min
Uscare	Roșii (2-3 mm grosime)	55°C	7- 9 ore
	Mere (2-3 mm grosime)	55°C	7- 8 ore
	Banane (2-3 mm grosime)	60°C	7- 9 ore
	Vinete (2-3 mm grosime)	55°C	7- 8 ore
	Ciuperci (3-4 mm grosime)	60°C	6- 8 ore
	Ananas (4-5 mm grosime)	60°C	6- 8 ore

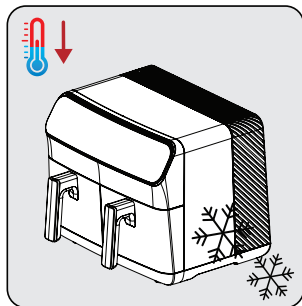
## 5 Curățarea și întreținerea

### 5.1 Curățarea

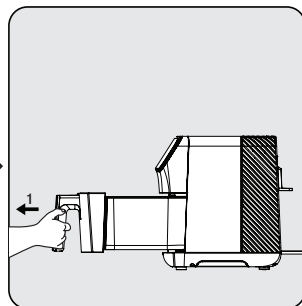
**i** Nu utilizați benzină, solvenți, agenți abrazivi de curățare, obiecte metalice sau perii dure pentru a curăța aparatul.



Opriti aparatul și deconectați-l de la sursa de alimentare.



Lăsați aparatul să se răcească complet.

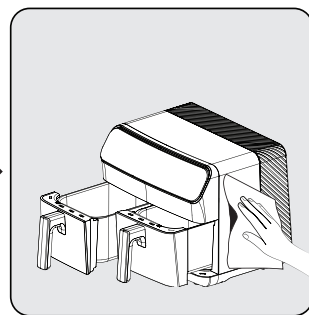


Scoateți coșul de gătit detașabil (5) din sertar.

**i** Scoateți tăvile de gătit din aparat pentru a permite aparatului să se răcească mai repede.



Puteți spăla tava de gătit în apă caldă cu săpun sau în mașina de spălat vase.



Curățați partea exterioară a aparatului cu o cârpă umedă. Uscați complet exteriorul aparatului.

**i** Păstrați întotdeauna curată partea inferioară a tăvii de gătit pentru a evita acumularea de corpuri străine.

### 5.2 Depozitarea

- Dacă nu doriți să utilizați aparatul pentru o perioadă mai lungă de timp, depozitați-l cu grijă.
- Scoateți aparatul din priză și lăsați-l să se răcească înainte de a-l pune deoparte.
- Depozitați aparatul într-un loc uscat și rece.
- Păstrați aparatul și cablul într-un loc inaccesibil copiilor.

### 5.3 Transportul și expedierea

- Transportați aparatul în ambalajul său original în timpul manipulării și transportului. Ambalajul protejează aparatul împotriva deteriorării fizice.
- Nu puneți obiecte grele pe produs sau pe ambalajul acestuia. Aparatul poate fi deteriorat.
- Dacă aparatul este scăpat, este posibil să nu mai funcționeze sau să se producă daune permanente.

## 6 Depanare

	Problema	Cauză	Soluție
1	Produsul nu funcționează	Întreruperi de curent	Verificați sursa de alimentare și asigurați-vă că este curent
		La priza de alimentare nu este curent sau contactul este slab	
		Tensiunea de alimentare a produsului	
2	Mâncarea este insuficient gătită/arsă	timpul de gătit nu este corect	Combinați rețetele și experiența dvs. personală pentru a regla gătitul și timpul necesar
3	Fum în timpul primei utilizări	Unsoare anticorozivă pe încălzitorul produsului	La prima utilizare, setați temperatura la maxim și preîncălziți timp de 10-15 minute pentru a îndepărta unsoarea anticorozivă de pe dispozitivul de încălzire al produsului.
4	Miros ciudat	Tavă de gătit, sertar tavă, Corp străin pe încălzitor	Îndepărtați obiectul străin
5	Afișajul indică E1 și produsul nu mai funcționează	NTC deconectat la tava de gătit din stânga	Trimiteți aparatul la un service pentru reparație
6	Afișajul indică E2 și produsul nu mai funcționează	NTC nu funcționează la tava de gătit din stânga	
7	Afișajul indică E3 și produsul produsul a încetat să mai funcționeze	NTC deconectat la tava de gătit din dreapta	
8	Afișajul indică E4 și produsul a încetat să mai funcționeze	NTC nu funcționează la tava de gătit din dreapta	
9	Afișajul indică E5 și produsul produsul a încetat să mai funcționeze	Problemă cu PCB de alimentare (NTC tava de gătit din stânga)	
10	Afișajul indică E6 și produsul produsul a încetat să mai funcționeze	Problemă cu PCB de alimentare (NTC tava de gătit din dreapta)	
11	Afișajul indică E7 și produsul produsul a încetat să mai funcționeze	Problemă cu PCB de alimentare (problemă conexiune)	
12	Afișajul indică E8 și produsul produsul a încetat să mai funcționeze	Problemă cu PCB de alimentare (problemă conexiune)	
13	Afișajul indică E9 și produsul produsul a încetat să mai funcționeze	Problemă cu PCB de alimentare	
14	Afișajul indică E10 și produsul produsul a încetat să mai funcționeze	Problemă cu PCB de alimentare (rezistența tăvii de gătit din stânga)	
15	Afișajul indică E10 și produsul produsul a încetat să mai funcționeze	Problemă cu PCB de alimentare (rezistența tăvii de gătit din dreapta)	



# CERTIFICAT DE GARANȚIE

Tensiune de alimentare/frecvență: 220-240V~, 50-60Hz  
Importator: ARCTIC S.A., Găești, Dâmbovița, str. 13 Decembrie nr. 210, email: office@arctic.ro

**TIP:**  **Electrocasnice mici de bucătărie**

**Cuptor cu microunde**

**Purificatoare de aer**

Model / Serie:.....

## VÂNZĂTOR

Nr. factură:.....Data: .....

Vânzător (firma, localitatea): .....

## CUMPĂRĂTOR

Nume .....Localitatea .....

Str. ....Nr. ....Bloc .....Sc. ....Et. ....Ap. ....

Județ ..... Telefon .....E-mail .....

S-a efectuat proba de funcționare a aparatului, s-a prezentat modul de folosire, s-au predat instrucțiunile de utilizare și toate accesoriile. Am primit aparatul în perfectă stare de funcționare.

Stimați clienți,

La cumpărare vă recomandăm să solicitați efectuarea probei de funcționare și să verificați existența instrucțiunilor de utilizare și a accesoriilor.

Pentru a putea beneficia de toate avantajele produselor și serviciilor noastre vă rugăm:

- să citiți cu atenție și să respectați recomandările prezentate în "Instrucțiunile de utilizare".

- să păstrați cu grijă acest certificat pentru a-l putea prezenta (împună cu documentul fiscal de achiziție), personalului SERVICE ARCTIC, la orice sesizare efectuată în perioada de garanție.

Vă mulțumim că ați optat pentru cumpărarea unui produs Beko!

## Garanția legală de conformitate

**Durata medie de utilizare a produsului este de 5 ani!**

**Perioada de garanție a produsului este de 3 ani de la livrarea produsului\*.**

**Perioada de 3 ani garanție se compune din garanția legală de conformitate de 2 (doi) ani la care se adaugă garanția comercială de durabilitate de 1 (un) an. Acordarea garanției comerciale de durabilitate se acordă în aceleași condiții în care se acordă garanția legală de conformitate.**

\*prin „produs” se înțelege „bun” conform OUG nr. 140/2021<sup>1</sup>

Perioada de garanție legală de conformitate pentru conținutul digital sau serviciul digital în cazul bunurilor cu elemente digitale pentru care contractul de vânzare-cumpărare prevede furnizarea continuă de conținut digital sau a serviciului digital pe durată determinată este de:

a) 2 ani de la livrare, respectiv de la livrarea bunului - pentru produse cu durata medie de utilizare de 5 ani (art. 9 (3) din OUG nr. 140/2021);

b) 5 ani de la livrare, respectiv de la livrarea bunului - pentru produse cu durata medie de utilizare mai mare de 5 ani (art. 9 (3) din OUG nr. 140/2021);

c) Pe tot parcursul perioadei de furnizare a conținutului / serviciului digital - pentru furnizare continuă a conținutului / serviciului digital pe o perioadă mai mare de 5 ani (art. 9 (4) din OUG nr. 140/2021).

<sup>1</sup>Ordonanță de urgență 140/2021 privind anumite aspecte referitoare la contractele de vânzare de bunuri



Service-ul acestui produs este asigurat de ARCTIC S.A. cu sediul în Găești, Dâmbovița, str. 13 Decembrie nr. 210. • \*9010 • www.arctic.ro • www.beko.ro • e-mail: service@arctic.ro  
Program Call Center: Luni - Vineri 08:30 - 20:00; Sâmbătă 08:30 - 17:00



## **Remedii incluse în garanția legală de conformitate conform OUG nr. 140/2021** (vă rugăm să aveți în vedere prevederile de mai jos)

### **ARCTIC garantează toate drepturile legale prevăzute de OUG nr. 140/2021 în beneficiul consumatorilor cu privire la garanția legală de conformitate. Dispozițiile prezentului certificat de garanție legală de conformitate se completează, în mod corespunzător, cu dispozițiile OUG nr. 140/2021.**

În caz de neconformitate, consumatorul are dreptul de a beneficia de aducerea în conformitate a bunurilor, de a beneficia de o reducere proporțională a prețului sau de a obține încetarea contractului, în condițiile legii - art. 11 (1).

Consumatorii pot să opteze pentru o anumită măsură corectivă în cazul în care neconformitatea bunurilor este constatată la scurt timp după livrare, fără a depăși 30 de zile calendaristice - art. 11 (7).

Pentru ca bunurile să fie aduse în conformitate, consumatorul poate opta între reparație și înlocuire, cu excepția cazului în care măsura corectivă aleasă ar fi imposibilă sau, în comparație cu cealaltă măsură corectivă disponibilă, ar impune vânzătorului costuri care ar fi disproportionale, luând în considerare toate circumstanțele (ex. valoarea bunurilor în cazul în care nu ar fi existat neconformitatea, gravitatea neconformității sau dacă măsura corectivă alternativă ar putea fi executată fără vreun inconvenient semnificativ pentru consumator) - art. 11 (2).

#### **Instalarea incorectă a bunurilor (art. 7).**

Orice neconformitate cauzată de instalarea incorectă a bunurilor este considerată ca reprezentând o neconformitate a bunurilor, în oricare din următoarele situații:

- a) instalarea face parte din contractul de vânzare și a fost realizată de vânzător sau sub răspunderea vânzătorului;
- b) instalarea, destinată să fie realizată de consumator, a fost realizată de acesta și instalarea incorectă s-a datorat unor deficiențe în instrucțiunile de instalare furnizate de vânzător sau, în cazul bunurilor cu elemente digitale, de către vânzătorul sau furnizorul conținutului digital sau al serviciului digital.

#### **Proba neconformității.**

Orice neconformitate care este constatată în termen de un an de la data la care bunurile (inclusiv cele cu elemente digitale) au fost livrate este prezumată a fi existat deja în momentul livrării bunurilor până la proba contrarie sau cu excepția cazului în care această prezumție este incompatibilă cu natura bunurilor sau cu natura neconformității - art. 10 (1).

În cazul bunurilor cu elemente digitale pentru care contractul de vânzare prevede furnizarea continuă de conținut digital sau de servicii digitale pentru o anumită perioadă, sarcina probei cu privire la conformitatea conținutului digital sau a serviciului digital pe parcursul perioadelor de garanție legală îi revine vânzătorului în cazul unei neconformități care este constatată pe parcursul acestei perioade - art. 10 (3).

#### **Remediere prin reparație.**

În cazul în care neconformitatea este remediată prin reparație, termenele de garanție legală se prelungesc cu timpul de nefuncționare a bunului, din momentul la care a fost adusă la cunoștință vânzătorului lipsa de conformitate până la predarea efectivă a bunului în stare de utilizare normală către consumator - art. 12 (6).



## **Remediere prin înlocuire.**

În cazul în care neconformitatea este remediată prin înlocuire, pentru bunurile care înlocuiesc bunurile neconforme, termenele legale de garanție pentru produsul înlocuit încep să curgă de la data înlocuirii cu noul produs - art. 12 (7).

## **Reducerea prețului și încetarea contractului.**

Consumatorul are dreptul fie să obțină o reducere proporțională a prețului în conformitate cu legea, fie să obțină încetarea contractului de vânzare în condițiile legii, în oricare dintre următoarele cazuri - art. 11(4):

- a) vânzătorul nu a finalizat reparația sau înlocuirea sau, după caz, nu a finalizat reparația sau înlocuirea potrivit prevederilor legii sau vânzătorul a refuzat să aducă în conformitate bunurile potrivit prevederilor legii;
- b) se constată o neconformitate, în pofida eforturilor vânzătorului de a o remedia;
- c) neconformitatea este de o asemenea gravitate încât justifică o reducere de preț sau dreptul la încetarea imediată a contractului de vânzare;
- d) vânzătorul a declarat că nu va aduce bunurile în conformitate într-un termen rezonabil sau fără inconveniente semnificative pentru consumator ori acest lucru reiese clar din circumstanțele cazului.

Consumatorul are dreptul de a suspenda plata unei părți restante din prețul bunurilor sau a unei părți a acesteia până în momentul în care vânzătorul își va fi îndeplinit obligațiile care îi revin în temeiul legii - art. 11(6). Reducerea de preț este proporțională cu diminuarea valorii bunurilor primite de consumator în comparație cu valoarea pe care bunurile ar avea-o dacă ar fi în conformitate - art.13.

## **Încetarea contractului:**

- a) nu poate fi solicitată dacă vânzătorul dovedește că neconformitatea este minoră;
- b) poate fi solicitată pentru totalitatea bunurilor achiziționate și livrate, deși motivul de încetare vizează doar anumite bunuri, în cazul în care consumatorului nu i se poate pretinde în mod rezonabil să accepte să păstreze numai bunurile conforme;
- c) determină obligația consumatorului de a returna vânzătorului bunurile, pe cheltuiala vânzătorului;
- d) determină obligația vânzătorului de a rambursa consumatorului prețul plătit pentru bunuri la primirea bunurilor sau a unei dovezi prezentate de consumator că bunurile au fost returnate; vânzătorul va folosi aceleași modalități de plată ca și cele folosite de consumator pentru tranzacția inițială, cu excepția cazului în care consumatorul a fost de acord cu o altă modalitate de plată și cu condiția de a nu cădea în sarcina consumatorului plata de comisioane în urma rambursării.

Garanția legală pentru viciu ascuns este aplicabilă în condițiile legii, conform OG nr. 21/1992 (revizia 2) privind protecția consumatorului, OUG nr. 140/2021 și Codului Civil. Viciul ascuns reprezintă deficiența calitativă a unui produs livrat sau a unui serviciu prestat care nu a fost cunoscută și nici nu putea fi cunoscută de către consumator prin mijloacele obișnuite de verificare.



Service-ul acestui produs este asigurat de ARCTIC S.A. cu sediul în Găești, Dâmbovița, str. 13 Decembrie nr. 210. • \*9010 • [www.arctic.ro](http://www.arctic.ro) • [www.beko.ro](http://www.beko.ro) • e-mail: [service@arctic.ro](mailto:service@arctic.ro)  
Program Call Center: Luni - Vineri 08:30 - 20:00; Sâmbătă 08:30 - 17:00

## UNITĂȚILE SERVICE ALE ARCTIC S.A. EXECUTĂ REPARAȚII ÎN TERMENUL DE GARANȚIE ȘI ÎN AFARA ACESTUIA

Nr. crt.	Data Reclamației	Data primirii în reparație	Reparat			Prelungirea termenului de garanție	Efectuarea verificării	
			Programat	Data ridicării aparatului	Cauza întârzierii		SERVICE	CLIENT

### CONDIȚII SUPLEMENTARE DE GARANȚIE :

Pentru orice defecțiune apărută în perioada de garanție, apleați la vânzător (respectiv, prin magazinul de unde a fost achiziționat produsul sau direct prin Call Center Arctic). Prelungirea termenului de garanție se va înscrice în certificatul de garanție de către unitatea SERVICE care a efectuat reparația. Garanția acoperă repararea și/sau înlocuirea pieselor constatate ca neconforme în sensul OUG nr.140/2021. (necauzate de consumator) de către tehnicienii Service Arctic.

Termenul de realizare a operațiilor de reparare, înlocuire sau întreținere este de 15 zile calendaristice de la data la care cumpărătorul a sesizat lipsa de conformitate către vânzător (respectiv, prin magazinul de unde a achiziționat produsul sau direct, prin Call Center Arctic).

Reparațiile /înlocuirile se efectuează cu respectarea următoarelor condiții - art.12(1)-(5) din OUG nr.140/2021:

- a) fără costuri și fără vreun inconvenient semnificativ pentru consumator, fiindă seama de natura bunurilor și de scopul pentru care consumatorul a solicitat bunurile în cauză;
- b) consumatorul pune bunurile la dispoziția vânzătorului, iar vânzătorul preia bunurile înlocuite pe propria cheltuielă;
- c) obligația de a repara sau înlocui bunurile include, după caz, demontarea bunurilor neconforme și instalarea bunurilor de înlocuire sau a bunurilor reparate sau suportarea costurilor aferente demontării și instalării;
- d) consumatorul nu este obligat să plătească pentru utilizarea normală a bunurilor înlocuite în perioada care a precedat înlocuirea acestora.

### Reclamațiile referitoare la aspectele prevăzute mai jos, se rezolvă numai contra cost:

- piesele și accesoriile care prezintă lovituri, zgârieturi, spărturi sau deformări din vina exclusivă a consumatorului.

### PRODUSUL NU BENEFICIAZĂ DE GARANȚIE ÎN URMĂTOARELE CAZURI:

1. Nu au fost respectate instrucțiunile de garanție, manipulare, instalare, utilizare și întreținere prescrite.
2. Subansamblurile și accesoriile casabile care se deteriorează în timpul transportului vor fi înlocuite de vânzător (în cazul în care transportul e asigurat de vânzător sau sub responsabilitatea acestuia).
3. Garanția nu se acordă subansamblelor și accesoriilor casabile ale produselor care suferă deteriorări din vina exclusivă a consumatorului.
4. Tensiunea de alimentare are valori care nu se încadrează în limitele prevăzute de standarde (SREN 50160).
5. Instalația electrică a utilizatorului prezintă improvizații sau neconformități.
6. Produsul a fost folosit în alte scopuri decât cel pentru care a fost proiectat.
7. Produsul a suportat intervenții (reparații, modificări) din partea unor persoane neautorizate de producător.

### Drepturile consumatorului sunt cele prevăzute în OUG nr. 140/2021 și OG 21/1992 (republicată).

În cadrul acestui proces, Arctic vă prelucrează date cu caracter personal, cu respectarea legilor aplicabile privind confidențialitatea și protecția datelor. Pentru informații complete despre modul în care vă prelucreăm datele, precum și despre drepturile dumneavoastră, vă rugăm să consultați secțiunea 'Protecția datelor personale', accesând site-ul nostru la adresa <https://www.beko.ro/>.

## Si prega di leggere questa guida prima dell'uso!

Gentile Cliente,

Grazie per aver scelto un prodotto BEKO. Vorremmo che da questo prodotto di alta qualità fabbricato con una tecnologia all'avanguardia ottenessi l'efficienza ottimale. Prima dell'uso assicurati di aver letto e compreso a fondo questa guida e la documentazione supplementare e conservale come riferimento. Fornisci questa guida con l'unità se la consegni a qualcun altro. Osserva tutte le avvertenze e le informazioni qui contenute e segui le istruzioni.

### Simboli e loro significati

In tutta questa guida sono utilizzati i seguenti simboli:



Informazioni importanti e raccomandazioni sull'uso dell'elettrodomestico.



**ATTENZIONE:** Avvertenze su lesioni personali o danni materiali.



Prodotto adatto al contatto con gli alimenti.



Non immergere l'elettrodomestico, il cavo di alimentazione o la spina in acqua o altri liquidi.



Grado di protezione contro le scosse elettriche



**CARTA RICICLA-  
TA E RICICLA-  
BILE**

## 1 Importanti istruzioni di sicurezza e ambientali

Questa sezione contiene istruzioni di sicurezza per prevenire pericoli che possono provocare lesioni o danni materiali.

Qualsiasi garanzia è nulla se queste istruzioni non vengono seguite.

### 1.1 Norme di sicurezza generali

- Questo elettrodomestico è conforme alle norme di sicurezza internazionali.
- L'apparecchio è destinato all'uso domestico e applicazioni simili, tra cui:
  - - aree cucina per il personale in negozi, uffici e altri ambienti di lavoro;
  - - fattorie;
  - - da clienti in hotel, motel e altri ambienti di tipo residenziale;
  - - ambienti tipo bed and breakfast.
- Se l'uso dell'apparecchio è limitato a meno di quanto sopra, questo deve essere chiaramente indicato nelle istruzioni.
- I bambini senza supervisione non devono giocare con l'apparecchio
- Questo apparecchio può essere utilizzato da bambini dagli 8 anni in su e da persone con ridotte capacità fisiche, sensoriali o mentali o con mancanza di esperienza e conoscenze, se sotto supervisione o se hanno ricevuto istruzioni sull'uso dell'apparecchio in modo sicuro e ne comprendono i pericoli.
- Se il cavo di alimentazione è danneggiato, deve essere sostituito dal produttore, da un tecnico autorizzato o da una persona qualificata per evitare situazioni di pericolo.
- Gli interventi di pulizia e manutenzione non vanno eseguiti da bambini a meno che non abbiano almeno 8 anni e siano supervisionati.
- Tenere il prodotto e il cavo del prodotto fuori dalla portata dei bambini di età inferiore agli 8 anni.
- Posizionare le impugnature degli apparecchi di cottura (ove presenti) in modo che i liquidi caldi non fuoriescano. Collocare gli apparecchi di cottura in po-

## 1 **Importanti istruzioni di sicurezza e ambientali**

sizioni sicure.

- Assicurarsi che la tensione indicata sull'apparecchiatura corrisponda alla tensione di rete della propria abitazione.
- Utilizzare l'apparecchiatura con una presa di terra.
- Non usare l'elettrodomestico con una prolunga.
- Non posizionare l'apparecchiatura sopra o vicino a fonti di calore quali ad esempio forni e stufe.
- Per far sì che il cavo di alimentazione non venga danneggiato, evitare che venga schiacciato, piegato o sfregato su bordi taglienti.
- Non scollegare l'apparecchiatura tirandola per il cavo.
- Non immergere l'apparecchiatura o il suo cavo di alimentazione in acqua.
- Non lasciare l'apparecchiatura incustodita mentre è collegata alla rete elettrica.
- Non smontare l'elettrodomestico.
- Servirsi unicamente di ricambi originali o consigliati dal produttore.
- Scollegare l'apparecchiatura prima della pulizia e asciugare completamente tutte le sue parti dopo la pulizia.
- Pulire l'apparecchiatura attenendosi alle istruzioni nella sezione Pulizia e manutenzione.
- Non inserire grandi pezzi di cibo nell'apparecchiatura in quanto ciò potrebbe provocare un incendio.
- Non toccare la spina dell'apparecchiatura con le mani umide o bagnate.
- Non utilizzare l'apparecchiatura in ambienti umidi.
- Non spostare l'apparecchiatura mentre è in uso e l'olio al suo interno è caldo.
- Non utilizzare l'elettrodomestico in ambienti e sostanze esplosive o infiammabili o nelle loro vicinanze.
- Al fine di evitare il rischio di ustioni, non toccare le superfici calde.
- Far raffreddare l'apparecchiatura in un luogo sicuro, fuori dalla portata dei bambini.
- Non ostruire le aperture di in-

# 1 Importanti istruzioni di sicurezza e ambientali

gresso e uscita dell'aria mentre l'apparecchiatura è in funzione.

- Non sporgersi mentre l'apparecchiatura è in uso. Durante l'uso fuoriesce aria calda dall'apparecchiatura!
- L'apparecchiatura si scalda durante l'uso. Al fine di evitare il rischio di ustioni, non toccare le superfici calde.
- Accertarsi che durante l'uso la stanza sia adeguatamente ventilata.
- In caso di incendio, scollegare l'apparecchiatura.
- Non versare acqua sull'apparecchiatura, dato che ciò potrebbe causare scosse elettriche.
- Non utilizzare l'apparecchiatura con un timer esterno o un sistema di controllo remoto separato.
- Servirsi unicamente di stoviglie in metallo con manici isolati con l'apparecchiatura.
- Non appoggiare nulla sull'apparecchiatura mentre è in funzione oppure è calda.
- Per disconnettersi, ruotare il quadrante del timer e il qua-

drante della temperatura in posizione off. Quindi, procedere allo scollegamento dell'apparecchiatura.

- Se si conserva il materiale d'imballaggio, tenerlo fuori dal portata dei bambini.

## 1.1 Conformità alla direttiva WEEE e smaltimento dei rifiuti:

Questo prodotto è conforme alla direttiva WEEE dell'UE (2012/19/EU). Questo prodotto reca un simbolo che lo classifica tra i rifiuti di apparecchiature elettriche ed elettroniche (WEEE).



Il simbolo indica che, al termine della sua vita utile, questo prodotto non dovrà essere smaltito insieme ad altri rifiuti domestici. Il dispositivo da smaltire deve essere restituito al punto di raccolta ufficiale per il riciclaggio dei dispositivi elettrici ed elettronici. Per trovare questi punti di raccolta, contattare le autorità locali o il rivenditore presso il quale il prodotto è stato acquistato. Ogni famiglia svolge un ruolo importante nel recupero e nel riciclo dei vecchi elettrodomestici. Uno smaltimento appropriato degli apparecchi usati aiuta a prevenire potenziali conseguenze negative per l'ambiente e la salute umana.

## 1.2 Conformità con la direttiva RoHS

Il prodotto acquistato è conforme alla Direttiva UE RoHS (2011/65/UE). Non contiene i materiali dannosi e proibiti indicati nella Direttiva.

# 1 Importanti istruzioni di sicurezza e ambientali

## 1.3 Informazioni sull'imballaggio



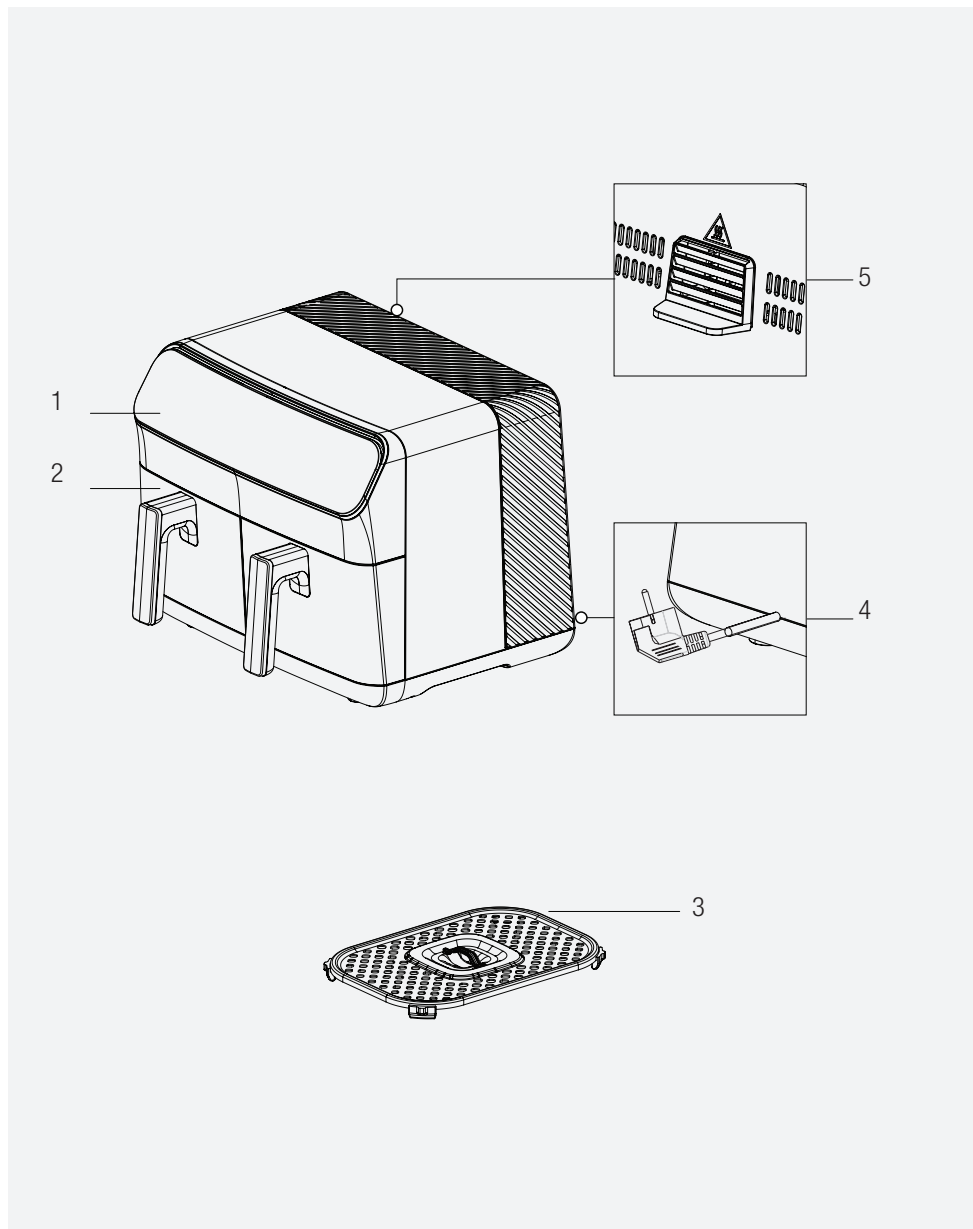
L'imballaggio del prodotto è realizzato con materiali riciclabili, in conformità con la legislazione nazionale.

Non smaltire i rifiuti di imballaggio con i rifiuti domestici o altri rifiuti, smaltirli nelle aree di raccolta degli imballaggi specificate dalle autorità locali.

## 1.4 Punti importanti per il risparmio energetico

Rispettare i tempi consigliati dal manuale durante l'utilizzo dell'apparecchiatura. Scollegare l'elettrodomestico dopo ogni uso.

## 2 La tua Friggitrice ad aria calda



Le indicazioni sull'apparecchiatura oltre che i valori indicati nei documenti forniti in dotazione con il prodotto sono stati ottenuti in condizioni di laboratorio secondo le relative norme. I valori possono variare in base all'uso dell'apparecchiatura e alle condizioni ambientali. I valori di potenza sono stati testati nella tensione di 230 V.



## 2 La tua Friggitrice ad aria calda

1. Pannello di controllo digitale
2. Camera di cottura rimovibile
3. Griglia
4. Cavo di alimentazione
5. Uscita dell'aria

### Dati tecnici

<b>Alimentazione</b>	220-240 V ~ 50-60 Hz
<b>Consumo energetico</b>	2000-2400W
<b>Capacità cestello</b>	8,5 L (4,25 L + 4,25 L)

## 3 Utilizzo

### 3.1 Uso previsto

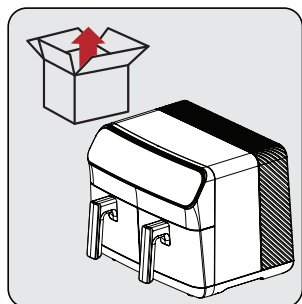
L'apparecchiatura è destinata esclusivamente all'uso domestico e non è adatta per un uso professionale.



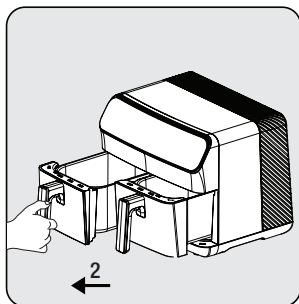
Quando si utilizza l'elettrodomestico per la prima volta, potrebbe esserci una leggera emissione di fumo. Non si tratta di un'anomalia di funzionamento.

### 3.2 Preparazione dell'elettrodomestico per l'uso

- Utilizzare l'elettrodomestico in posizione verticale su una superficie stabile, piana, pulita, asciutta e non scivolosa.



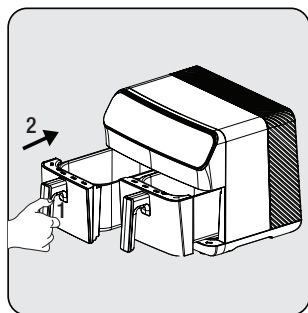
Prima di iniziare a utilizzare l'elettrodomestico, rimuovere i materiali di imballaggio e posizionarlo su una superficie piana e pulita.



Per aprire i cestelli di cottura rimovibili (2), afferrare saldamente i manici; quindi estrarre le camere dalle loro guide.



Pulire i cestelli di cottura rimovibili (2) di cottura con acqua tiepida e sapone.









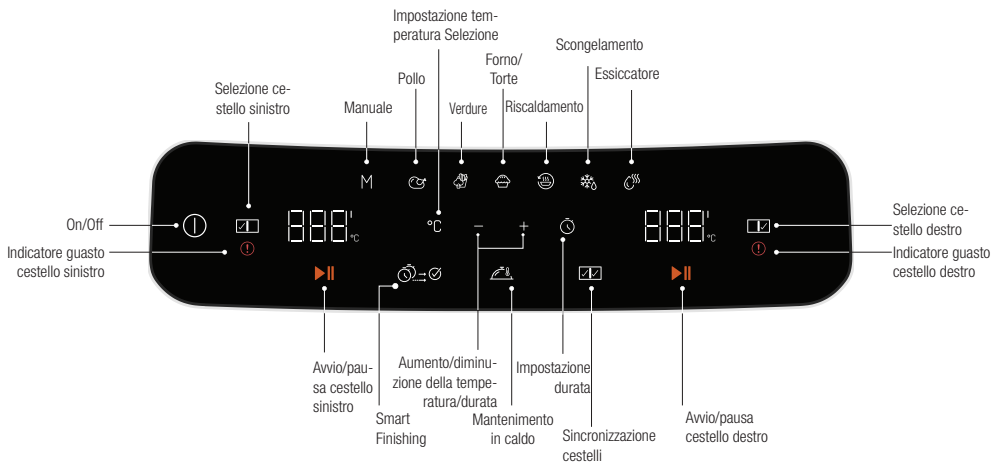
Dopo aver pulito tutte le parti, inserire il cestello di cottura (2). L'elettrodomestico è pronto all'uso.



Per il primo utilizzo, impostare l'elettrodomestico sulla modalità "M", configurarlo alla temperatura più alta e farlo funzionare per 10 minuti senza aggiungere altri ingredienti.

## 3.3 Pannello di controllo e display LED:

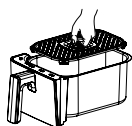
M	Manuale	Creato per uso generale. Il programma manuale consente di preparare il cibo oltre ai programmi pre-impostati.
	Pollo	Questo programma è ideato appositamente per il pollame. E' possibile anche cucinare pesce usando questo programma.
	Verdure	Questo programma è ideato appositamente per la verdura. E' possibile utilizzare questo programma per patate fritte e tutte le tipologie di verdura.
	Forno/Torte	Questo programma è appositamente ideato per prodotti da forno come torte e pane.
	Riscaldamento	Questo programma è ideato appositamente per riscaldare.
	Scongelamento	Questo programma è ideato appositamente per lo scongelamento.
	Essiccatore	Programma appositamente ideato per essiccare il cibo. Viene utilizzato insieme agli accessori per essiccare.



### 3.4 Avvertenze prima di iniziare a usare l'apparecchiatura



- Durante il funzionamento dell'elettrodomestico e viene estratto il cestello di cottura estraibile (2), fuoriuscirà del vapore caldo dall'uscita dell'aria (6) e dalla parte superiore del cestello. Pertanto, prestare attenzione a non scottarsi con il vapore caldo.
- Quando si usano i cestelli di cottura (2) ad alte temperature, prestare attenzione ad evitare il contatto diretto.



La doratura e la cottura migliori si ottengono generalmente sulla griglia di cottura. Si consiglia di utilizzare la griglia di cottura per tutte le ricette e gli arrostiti.

### 3.5 Funzionamento

#### 3.5.1 Selezionare e avviare un programma

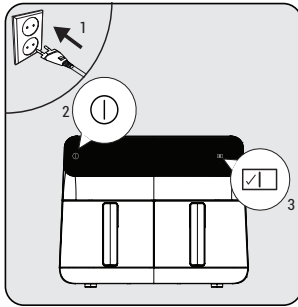


Se si desidera passare ad un altro programma dopo aver avviato l'elettrodomestico, tenere premuto il tasto "Avvio/Stop" o il tasto "Seleziona cestello" per 3 secondi. Quindi scegliere il programma desiderato selezionando nuovamente il cestello.

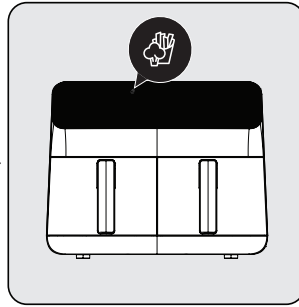


- Il display mostra le temperature e i tempi impostati automaticamente in base alle funzioni di cottura selezionate. È possibile modificare queste temperature e tempi come desiderato.
- Per annullare il processo di cottura, tenere premuto il tasto "Start/Stop" o il tasto "Seleziona camera" per 3 secondi. Il programma di cottura selezionato verrà annullato.

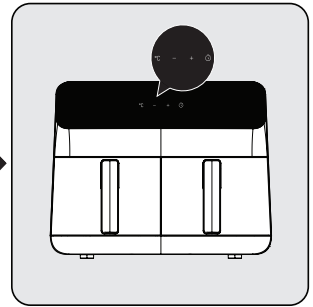
## 3 Utilizzo



Collegare l'elettrodomestico e premere il pulsante on/off "1". Dopo che le luci del cestello si accendono, selezionare il cestello desiderato "2". Dopo aver selezionato la teglia, selezionare dal menu Programmi il programma desiderato in base a ciò che si desidera cucinare.



Dopo aver selezionato il programma desiderato, il programma selezionato si illuminerà con una luce intensa. Se si desidera modificare il programma, è possibile selezionare uno dei programmi meno illuminati.



Dopo aver selezionato il programma, è possibile impostare la temperatura e il tempo di cottura premendo le icone di temperatura e tempo. Avviare il processo di cottura premendo l'icona di avvio. Quando si desidera cucinare nell'altra camera, ripetere il processo selezionando un cestello.

### 3.5.2 Impostazione della temperatura e dell'ora

Premere i pulsanti "°C" o "⌚" per impostare la temperatura o il tempo. Il simbolo "[-][+]" si attiva. Impostare temperatura e tempo al valore desiderato utilizzando il simbolo "[-][+]" .

### 3.5.3 Impostazioni della funzione

#### 3.5.3.1 Smart finishing

La funzione 'Smart Finish' consente di avviare e terminare 2 cibi diversi contemporaneamente a temperature, tempi e modalità di cottura diversi.

1. Preparare le impostazioni di cottura per il cestello sinistro dell'apparecchio come descritto nella sezione 3.5.1.
2. Quindi selezionare il cestello giusto e regolare le impostazioni di cottura.
3. Selezionare la funzione 'Smart Finishing' sull'elettrodomestico.
4. Avviare il processo di cottura premendo uno dei pulsanti di avvio. L'elettrodomestico avvierà il processo di cottura per terminarla in entrambi i cestelli contemporaneamente.



Per selezionare la funzione "Smart Finish" il processo di cottura non deve essere iniziato in nessuno dei due cestelli. Se la cottura è già iniziata in almeno un cestello, non è possibile selezionare la funzione "Smart Finish".

### 3.5.3.2 Keep warm (Tenere al caldo)

La funzione "Keep Warm" consente di mantenere il cibo caldo al termine della cottura.

1. Preparare la teglia desiderata per la cottura come descritto in 3.5.1. Quindi premere il pulsante di "Avvio" per iniziare la cottura.
2. Una volta iniziata la cottura, premere l'icona "Keep warm". (E' possibile anche premere l'icona "Keep warm" prima di iniziare a cucinare.)
3. Al completamento del processo di cottura, l'elettrodomestico manterrà la temperatura del cibo.



- La funzione di mantenimento in caldo rimane attiva per 15 minuti.
- È inoltre possibile selezionare la funzione "Mantenimento in caldo" prima di iniziare il processo di cottura.

### 3.5.3.3 Cottura sincronizzata

Con la funzione di cottura sincronizzata, è possibile abbinare facilmente i cestelli quando si cucina lo stesso cibo in entrambi i cestelli.

1. Preparare il cestello sinistro o destro dell'elettrodomestico come descritto in 3.5.1.
2. Selezionare quindi la camera destra dell'elettrodomestico e premere l'icona "Sincronizza cottura".
3. Tutte le temperature e i tempi di funzionamento sono sincronizzati in entrambi i cestelli.
4. Se si preme l'icona "Start", è possibile eseguire lo stesso processo di cottura in due cestelli separati.



Dopo aver attivato la funzione "Sincronizza cottura", tutte le modifiche apportate in un cestello vengono trasferite nell'altro.

## 3.6 Cottura

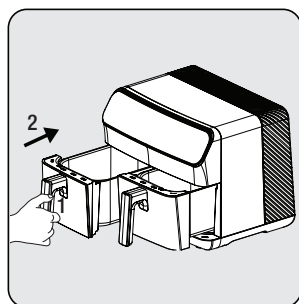


Si otterranno risultati migliori mescolando il cibo con una piccola quantità di olio usando un misurino o spennellando il cibo con olio prima di metterlo nel cestello di cottura.

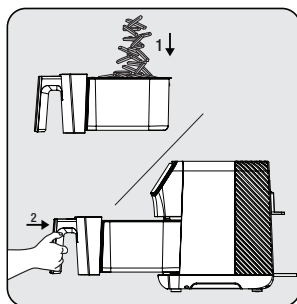


Non toccare i cestelli di cottura estraibili quando sono caldi, ad eccezione dei manici.

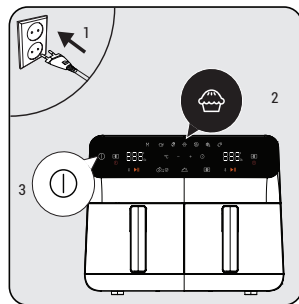
### 3 Utilizzo



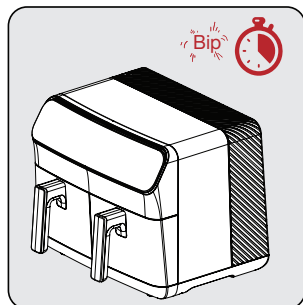
Rimuovere il cestello di cottura e posizionarlo su una superficie piatta e pulita.



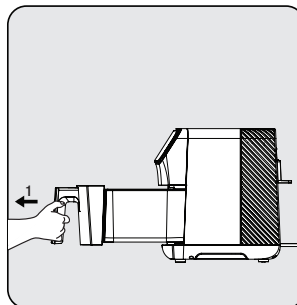
Mettere il cibo nel cestello di cottura. Sistemare quindi il cestello nell'elettrodomestico e accertarsi che si inserisca alla perfezione.



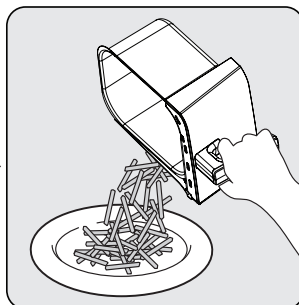
Collegare l'elettrodomestico e selezionare il programma di cottura desiderato. Quindi avviare il processo di cottura.



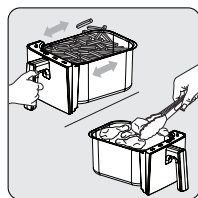
Quando il tempo di cottura selezionato è scaduto, verrà emesso un segnale acustico e l'elettrodomestico interromperà automaticamente la cottura.



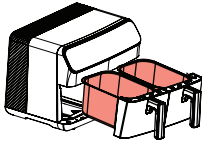
Rimuovere il cestello e controllare che il cibo sia completamente cotto. Se è necessaria un'ulteriore cottura, è possibile prolungare ulteriormente il tempo di cottura.



Quando il processo è completo, trasferire il cibo cotto in una ciotola o in un piatto.



- Per garantire una cottura uniforme, rimuovere con cura e scuotere il cestello di cottura a metà del processo di cottura, oppure utilizzare delle pinze per girare il cibo in cottura in modo da non graffiare il cestello.
- Eseguire questa procedura più spesso se si esegue un ciclo di cottura lungo o se si desidera ottenere cibi più croccanti.



Evitare il contatto del cestello di cottura con la superficie esterna dell'elettrodomestico, in quanto la superficie del cestello di cottura (2) sarà calda durante e dopo la cottura.



- Lasciare riposare gli alimenti per 5-10 secondi prima di rimuoverli dal cestello di cottura estraibile (2).
- Utilizzare le pinze per rimuovere gli alimenti grossolani o morbidi dal cestello di cottura senza danneggiare la superficie interna dell'elettrodomestico.
- Quando il cibo è pronto, l'elettrodomestico è immediatamente pronto per altro cibo.



- Attenzione, l'elettrodomestico potrebbe diventare molto calda durante il processo di rotazione.
- Non posizionare il prodotto sul piano di lavoro in modo tale da ostruire i canali di uscita dell'aria.
- Non posizionare nessun altro prodotto sull'elettrodomestico.



## 4 Tempo di cottura

Le impostazioni predefinite di temperatura e tempo dei programmi dell'elettrodomestico vengono impostate automaticamente.

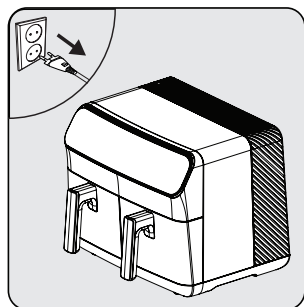
La tabella seguente fornisce una panoramica dei tempi di cottura per diversi alimenti. I tempi di cottura dipendono dallo spessore, dalla marca e dalla consistenza del cibo. I tempi e le quantità consigliate sono da considerarsi indicativi.

Programma	Alimento	Temperatura	Durata
Pollo	Bacchette (4 pezzi)	180°C	24 - 30 min
	Petto di Pollo (2 * 200 gr)	180°C	24 - 30 min
	Alette (8 pezzi) 180°	180°C	22 - 26 min
Verdure	Patate fresche 200 g	200°C	20 - 25 min
	Patate fresche 500 g	200°C	24 - 30 min
	Patate surgelate 500 g	200°C	20 - 27 min
	Patate surgelate 1000 gr	200°C	42 - 48 min
	Guarnizioni in cubetti patate - carote	190°C	15 - 20 min
	Anelli di cipolla	190°C	10 - 15 min
	Zucchine e Melanzane (tagliate in anelli - 1 pezzi)	180°C	20 - 25 min
Forno/Torte	Muffin	160°C	15 - 19 min
Scongelo	Carne macinata, pollo, polpette, ecc.	35- 50°C	15 - 30 min
Essiccatore	Pomodoro (spessore 2-3 mm)	55°C	7- 9 ore
	Mela (spessore 2-3 mm)	55°C	7- 8 ore
	Banana (spesso 2-3 mm)	60°C	7- 9 ore
	Melanzana (spessore 2-3 mm)	55°C	7- 8 ore
	Fungo (spesso 3-4 mm)	60°C	6- 8 ore
	Ananas (spessore 4-5 mm)	60°C	6- 8 ore

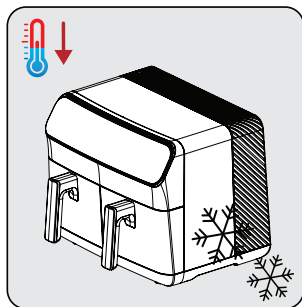
## 5 Pulizia e manutenzione

### 5.1 Pulizia

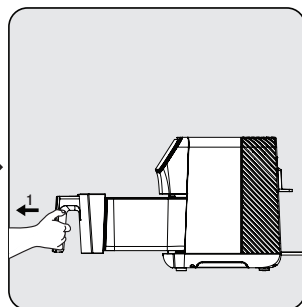
**i** Non utilizzare benzina, solventi, detersivi abrasivi, oggetti metallici o spazzole dure per pulire l'elettrodomestico.



Spegnere l'elettrodomestico e staccare l'alimentazione.



Lasciare raffreddare completamente l'elettrodomestico.

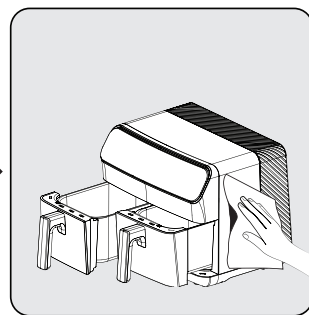


Estrarre il cestello di cottura estraibile (5) dal cassetto.

**i** Rimuovere i cestelli di cottura dall'elettrodomestico per farlo raffreddare più velocemente.



E' possibile lavare il cestello di cottura in acqua saponata tiepida o in lavastoviglie.



Pulire l'esterno dell'elettrodomestico un panno umido. Asciugare completamente l'esterno dell'apparecchiatura.

**i** Tenere sempre pulito il fondo del cestello di cottura per impedire l'accumulo di corpi estranei.

### **5.2 Conservazione**

- Se non si intende utilizzare l'elettrodomestico per un lungo periodo di tempo, conservarlo con cura.
- Scollegare l'elettrodomestico e lasciarla raffreddare prima di riporlo.
- Conservare l'elettrodomestico in un luogo fresco e asciutto.
- Conservare l'elettrodomestico e il suo cavo di alimentazione fuori dalla portata dei bambini.

### **5.3 Trasporto e spedizione**

- Trasportare l'elettrodomestico nel suo imballo originale durante la movimentazione e il trasporto. L'imballaggio protegge l'elettrodomestico da danni fisici.
- Non appoggiare oggetti pesanti sull'elettrodomestico o sull'imballaggio. L'elettrodomestico potrebbe essere danneggiato.
- In caso di caduta, l'elettrodomestico potrebbe non funzionare o subire danni permanenti.

	Problema	Causa	Soluzione
1	Il prodotto non funziona	Interruzioni di corrente	Controllare l'alimentazione e assicurarsi che ci sia alimentazione
		Mancanza di alimentazione o scarso contatto alla presa di corrente	
		La tensione di alimentazione del prodotto	
2	Il cibo non è sufficientemente cotto/bruciato	Il tempo di cottura non è corretto	Combina le ricette e la tua esperienza personale per regolare la preparazione e i tempi
3	Emissione di fumo al primo utilizzo	Grasso antiruggine sul riscaldatore del prodotto	Quando si utilizza per la prima volta, impostare la temperatura al massimo e preriscaldare per 10-15 minuti per rimuovere l'olio antiruggine sul riscaldatore del prodotto
4	Strano odore	Cestello di cottura, cassetto cestello, Corpo estraneo sul riscaldatore	Rimuovere l'oggetto estraneo
5	Il display mostra E1 e il prodotto non funziona più	NTC cestello sinistro scollegato	Inviare il prodotto ad un centro autorizzato per la riparazione
6	Il display mostra E2 e il prodotto non funziona più	Cestello di cottura sinistro NTC non funziona	
7	Il display mostra E3 e il prodotto ha smesso di funzionare	NTC cestello destro scollegato	
8	Il display mostra E4 e il prodotto non funziona più	Cestello di cottura destro NTC non funziona	
9	Il display mostra E5 e il prodotto ha smesso di funzionare	Problema con alimentazione PCB (cestello di cottura sinistro NTC)	
10	Il display mostra E6 e il prodotto ha smesso di funzionare	Problema con alimentazione PCB (cestello di cottura destro NTC)	
11	Il display mostra E7 e il prodotto ha smesso di funzionare	Problema con alimentazione PCB (Problema di connessione)	
12	Il display mostra E8 e il prodotto ha smesso di funzionare	Problema con alimentazione PCB (Problema di connessione)	
13	Il display mostra E9 e il prodotto ha smesso di funzionare	Problema con alimentazione PCB	
14	Il display mostra E10 e il prodotto ha smesso di funzionare	Problema con alimentazione PCB (resistenza cestello di cottura sinistro)	
15	Il display mostra E10 e il prodotto ha smesso di funzionare	Problema con alimentazione PCB (resistenza cestello di cottura destro)	



## CERTIFICATO DI GARANZIA

La presente garanzia commerciale si intende aggiuntiva e non sostitutiva di ogni altro diritto di cui gode il consumatore, intendendo per consumatore esclusivamente colui che utilizza il bene per scopi estranei all'attività imprenditoriale o professionale eventualmente svolta e pertanto per uso domestico/privato, e in particolare non pregiudica in alcun modo i diritti del consumatore stabiliti dal Dlgs 206/05. BEKO Italy S.r.l. in conformità alla facoltà prevista dalla legge, offre al consumatore una garanzia commerciale aggiuntiva, nei termini e nei modi di seguito indicati.

Questo certificato non deve essere spedito per la convalida. E' valido e operante solo se conservato assieme alla ricevuta fiscale o altro documento reso fiscalmente obbligatorio.

### Condizioni di Garanzia

1. BEKO Italy S.r.l. garantisce l'apparecchio per un periodo di 2 anni dalla data di acquisto (12 mesi se acquistato con fattura di vendita e non con scontrino fiscale).
2. La garanzia è valida esclusivamente sul territorio italiano compresa la Repubblica di San Marino e la città del Vaticano e deve essere comprovata da scontrino fiscale o fattura, che riporti il nominativo del Rivenditore, la data di acquisto dell'apparecchio nonché gli estremi i identificativi dello stesso (tipo, modello).
3. Per garanzia s'intende la sostituzione o riparazione gratuita delle parti componenti l'apparecchio che sono risultate difettose all'origine, per vizi di fabbricazione.
4. L'utente decade dai dritti di garanzia se non denuncia il difetto di conformità entro 2 mesi dalla scoperta dello stesso.
5. Diritto di Chiamata: gratuita per i primi 12 mesi di garanzia, a pagamento per gli altri 12 mesi nel caso l'utente non sia in grado di provare che il difetto sia dovuto a vizio di conformità del prodotto.
6. Manodopera e ricambi gratuiti per i 24 mesi del periodo di garanzia.
7. L'intervento di riparazione viene effettuato presso il centro di assistenza reperibile presso il call centre e sul sito [www.beko.it](http://www.beko.it), fatto salvo i casi d'impossibilità oggettiva o di forza maggiore.
8. La riparazione o sostituzione dei componenti o dell'apparecchio stesso, non estendono la durata della garanzia.
9. Tutte le parti asportabili e tutte le parti estetiche, non sono coperte da garanzia.
10. Tutti i materiali soggetti ad usura non sono coperti da garanzia a meno che venga dimostrata la difettosità risalente a vizio di fabbricazione delle stesse.
11. La BEKO Italy S.r.l. declina ogni responsabilità per eventuali danni che possano derivare, direttamente od indirettamente, a persone e cose come conseguenza del mancato rispetto delle istruzioni tutte, incluse nell'apposito Manuale per l'uso dell'apparecchio allegato a ciascuno apparecchio, da parte dell'utente ed in particolar modo per quanto concerne le avvertenze relative alla installazione, all'uso ed alla manutenzione dell'apparecchio stesso.
12. La garanzia non diventa operante e l'assistenza sarà effettuata totalmente a pagamento nei seguenti casi:
  - a. Danni dovuti al trasporto o alla movimentazione delle merci.
  - b. Interventi di installazione e montaggio, così come l'errata connessione o errata erogazione dalle reti di alimentazione, mancanza di allacciamento alla presa di terra.
  - c. Installazione errata, imperfetta o incompleta, per incapacità d'uso da parte dell'Utente, se mancano gli spazi necessari ad operare attorno ai prodotti, per eccessiva o scarsa temperatura dell'ambiente,.
  - d. Interventi nei quali non è stato riscontrato il difetto lamentato, o per generici problemi di funzionamento causati da errata impressione del cliente
  - e. Danni causati da agenti atmosferici ( fulmini, terremoti, incendi, alluvioni, ecc.)
  - f. Se il numero di matricola risulta asportato, cancellato o manomesso.
  - g. Riparazioni, modifiche o manomissioni effettuate da persone non autorizzate dal produttore o comunque per cause non dipendenti dal prodotto. Per guasti dovuti a mancanza di regolare manutenzione ( pulizia e manutenzione del prodotto,).
  - h. Mancanza dei documenti fiscali o se gli stessi risultano contraffatti o non inerenti al prodotto.
  - i. L'uso improprio dell'apparecchio, non di tipo domestico o diverso da quanto stabilito dal produttore, fa decadere il dritto alla Garanzia.
  - j. Per tutte le circostanze esterne che non siano riconducibili a difetti di fabbricazione dell'elettrodomestico.
  - k. Si intendono a pagamento anche tutti gli eventuali trasporti necessari per lo svolgimento degli interventi legati ai casi citati.

Il Servizio Assistenza di BEKO Italy S.r.l. è l'unico autorizzato a riparare i prodotti a marchio BEKO. Per ogni controversia è competente il foro di Milano.

Durante e dopo il periodo di garanzia, vi consigliamo di rivolgervi sempre ai nostri centri di assistenza autorizzati. Per contattare il Centro di Assistenza Tecnica Autorizzato operante nella sua zona chiami il numero unico per l'Italia:

**02.03.03**

Prima di contattare l'assistenza tecnica, al fine di agevolare la gestione della chiamata, è necessario avere a portata di mano il modello del prodotto e il documento fiscale di acquisto.

## Proszę najpierw przeczytać ten przewodnik!

Drogi kliencie,

Dziękujemy za wybór produktu BEKO. Chcemy, abyś osiągnął optymalną wydajność dzięki temu wysokiej jakości urządzeniu, które zostało wyprodukowane przy użyciu najnowocześniejszej technologii. Przed użyciem należy dokładnie przeczytać i zrozumieć ten przewodnik oraz dokumentację uzupełniającą oraz zachować go do wykorzystania w przyszłości. Dołącz ten przewodnik do urządzenia, jeśli przekażesz go komuś innemu. Przestrzegaj wszystkich ostrzeżeń i informacji zawartych w tym dokumencie i postępuj zgodnie z instrukcjami.

## Symbole i ich znaczenie

Poniższe symbole są używane w tym przewodniku:



Ważne informacje i zalecenia dotyczące użytkowania urządzenia.



**OSTRZEŻENIE:** Ostrzeżenia dotyczące obrażeń ciała lub szkód materialnych.



Produkt przeznaczony do kontaktu z żywnością.



Nie zanurzaj urządzenia, przewodu zasilającego ani wtyczki w wodzie ani w innych cieczach.



Stopień ochrony przed porażeniem elektrycznym



**PAPIER MAKULATUROWY I  
NADAJĄCY SIĘ DO WTÓRNE-  
GO PRZETWORZENIA**

Ta sekcja zawiera instrukcje bezpieczeństwa, aby zapobiec zagrożeniom, które mogą spowodować obrażenia ciała lub uszkodzenie mienia. Wszelkie gwarancje są nie będą ważne, jeśli instrukcje nie będą przestrzegane.

### 1.1 Ogólne zasady bezpieczeństwa

- Urządzenie jest zgodne z międzynarodowymi normami bezpieczeństwa.
- Urządzenie jest przeznaczone do użytku domowego i podobnych zastosowań, takich jak:
  - - kuchnie personelu w sklepach, biurach i innych środowiskach pracy;
  - - gospodarstwa rolnych;
  - - przez klientów hoteli, moteli i innych miejsc typu mieszkalnego;
  - - pensjonaty;
- Jeżeli korzystanie z urządzenia jest bardziej ograniczone niż opisano powyżej, należy to wyraźnie zaznaczyć w instrukcji.
- Dzieci należy nadzorować, aby nie bawiły się urządzeniem
- To urządzenie może być obsługiwane przez dzieci w wieku 8 lat i starsze, osoby niepełnosprawne fizycznie, psychicznie lub sensorycznie, a także osoby bez doświadczenia lub wiedzy w zakresie obsługi urządzenia, o ile znajdują się one pod nadzorem lub zostały szczegółowo poinstruowane o bezpiecznym korzystaniu z urządzenia i potencjalnych zagrożeniach.
- Jeśli kabel zasilania jest uszkodzony, musi on zostać wymieniony przez producenta, serwisanta lub inną wykwalifikowaną osobę w celu uniknięcia niebezpieczeństwa.
- Czyszczenie i konserwacja nie powinny być wykonywane przez dzieci poniżej 8 roku życia i bez nadzoru.
- Produkt i kabel produktu należy przechowywać w miejscu niedostępnym dla dzieci poniżej 8 lat.
- Uchwyty urządzeń kuchennych (jeśli są) należy ustawić bezpiecznie, tak aby nie pryskały na nie gorące płyny.
- Należy upewnić się, że napięcie podane na urządzeniu jest takie

## 1 Ważne instrukcje dotyczące bezpieczeństwa i ochrony środowiska

- samo jak napięcie sieciowe w domu.
- Używaj urządzenia z wtyczką uziemiającą.
  - Nie używaj przedłużaczy.
  - Nie stawiaj urządzenia na źródłach ciepła, takich jak piekarniki i piece, ani w ich pobliżu.
  - Aby zapobiec uszkodzeniu przewodu zasilającego, nie należy go zgniatać, zaciskać ani ocierać o ostre krawędzie.
  - Nie wyciągaj wtyczki z gniazdka ciągnąc za przewód.
  - Podczas czyszczenia nie wolno zanurzać urządzenia ani przewodu zasilającego w wodzie.
  - Nie pozostawiaj urządzenia bez nadzoru, gdy jest podłączone.
  - Nie demontuj urządzenia.
  - Należy stosować wyłącznie oryginalne lub zalecane przez producenta części zamienne.
  - Urządzenie należy odłączyć od zasilania przed czyszczeniem i dokładnie wysuszyć wszystkie części po czyszczeniu.
  - Urządzenie należy wyczyścić zgodnie z instrukcjami w rozdziale Czyszczenie i konserwacja.
  - Do urządzenia nie należy wkładać dużych kawałków jedzenia, ponieważ może to spowodować pożar.
  - Nie dotykaj wtyczki urządzenia mokrymi lub wilgotnymi rękami.
  - Nie używaj urządzenia w wilgotnym pomieszczeniu.
  - Nie przenoś urządzenia, gdy jest w użyciu, a olej w środku jest gorący.
  - Nie używaj urządzenia w otoczeniu lub w pobliżu materiałów wybuchowych lub łatwopalnych.
  - Aby uniknąć ryzyka poparzenia, nie dotykaj gorących powierzchni.
  - Urządzenie powinno ostygnąć w bezpiecznym miejscu niedostępnym dla dzieci.
  - Nie należy blokować otworów wlotowych i wylotowych powietrza podczas pracy urządzenia.
  - Nie należy pochylać się nad urządzeniem, jest w użyciu. Gorące powietrze unosi się z urządzenia podczas użytkowania!
  - Urządzenie nagrzewa się podczas użytkowania. Aby uniknąć ryzyka poparzenia, nie dotykaj gorących powierzchni.



# 1 Ważne instrukcje dotyczące bezpieczeństwa i ochrony środowiska

- Należy upewnić się, że pomieszczenie jest odpowiednio wentylowane podczas użytkowania.
- W przypadku pożaru odłącz urządzenie od sieci.
- Nie należy nalewać wody do urządzenia, ponieważ może to spowodować porażenie prądem.
- Nie należy używać urządzenia z zewnętrznym zegarem lub oddzielnym systemem zdalnego sterowania.
- Do urządzenia należy używać wyłącznie metalowych naczyń kuchennych z uchwytami.
- Nie należy kłaść niczego na pracującym lub gorącym urządzeniu.
- Aby wyłączyć, ustaw pokrętko programatora i pokrętko temperatury w pozycji wyłączonej. Następnie odłącz urządzenie od sieci.
- Opakowanie urządzenia należy przechowywać poza zasięgiem dzieci.

## 1.1 Zgodność z dyrektywą WEEE i utylizacja odpadowego produktu:

Wyrób ten jest zgodny z dyrektywą WEEE Unii Europejskiej (2012/19/UE). Wyrób ten jest oznaczony symbolem klasyfikacyjnym dla zużytego sprzętu elektrycznego i elektronicznego (WEEE).



Ten symbol oznacza, że sprzęt nie może być umieszczany łącznie z innymi odpadami gospodarstwa domowego po okresie jego użytkowania. Zużyte urządzenie należy oddać do specjalnego punktu zbiórki zużytego sprzętu elektrycznego i elektronicznego w celu utylizacji. Aby uzyskać informacje o punktach zbiórki w swojej okolicy należy skontaktować się z lokalnymi władzami lub punktem sprzedaży tego produktu. Gospodarstwo domowe spełnia ważną rolę w przyczynianiu się do ponownego użycia i odzysku zużytego sprzętu. Odpowiednie postępowanie ze zużytym sprzętem zapobiega potencjalnym negatywnym konsekwencjom dla środowiska naturalnego i ludzkiego zdrowia.

## 1.2 Zgodność z dyrektywą RoHS

Zakupione urządzenie jest zgodne z dyrektywą UE RoHS (2011/65/UE). Nie zawiera szkodliwych i zakazanych materiałów, podanych w tej dyrektywie.

## 1.3 Opakowanie urządzenia

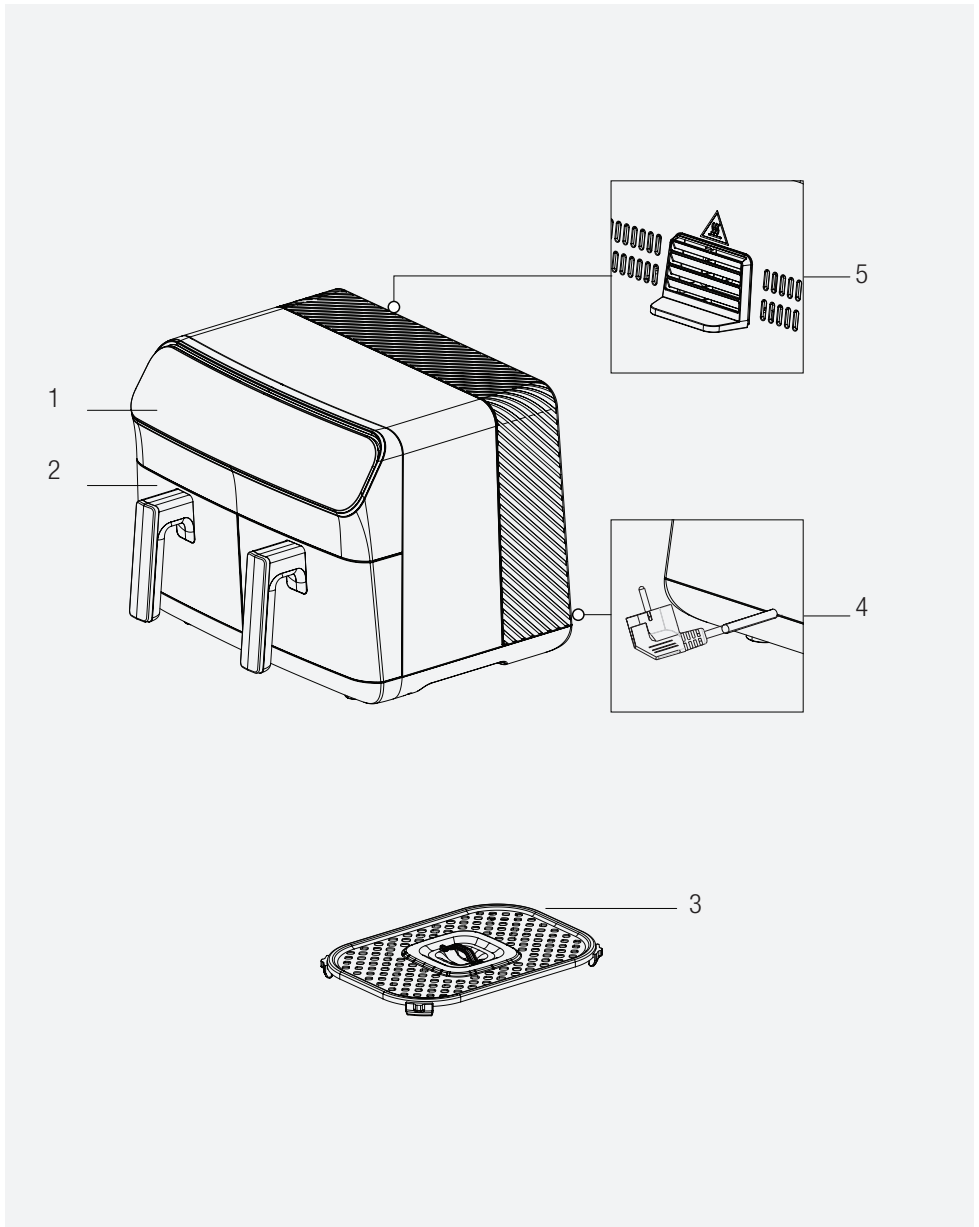


Opakowanie urządzenia jest wykonane z materiałów nadających się do recyklingu zgodnie z przepisami krajowymi. Nie należy wyrzucać odpadów opakowaniowych wraz z odpadami pochodzącymi z gospodarstw domowych lub innymi odpadami. Należy oddawać je do punktów zbiórki opakowań wyznaczonych przez władze lokalne.

## 1.4 Ważne punkty dotyczące oszczędzania energii

Podczas użytkowania urządzenia należy przestrzegać czasów zalecanych przez tę instrukcję. Po użyciu odłącz urządzenie od zasilania.

## 2 Twoja Frytkownica na gorące powietrze



Znaki na urządzeniu i wartości określone przez dokumenty dostarczone wraz z produktem zostały uzyskane w warunkach laboratoryjnych zgodnie z normami pokrewnymi. Wartości mogą się różnić w zależności od sposobu użytkowania urządzenia i warunków otoczenia. Wartości mocy zostały przetestowane w napięciu 230 V.

## 2 Twoja Frytkownica na gorące powietrze

1. Cyfrowy panel sterowania
2. Zdemontowana komora gotowania
3. Tacka do pieczenia
4. Kabel zasilania
5. Wylot powietrza

### Dane techniczne

Zasilanie	220-240 V ~ 50-60 Hz
Zużycie energii	2000-2400W
Pojemność ta- cek	8,5 L (4,25 L + 4,25 L)

## 3 Zastosowanie

### 3.1 Przeznaczenie

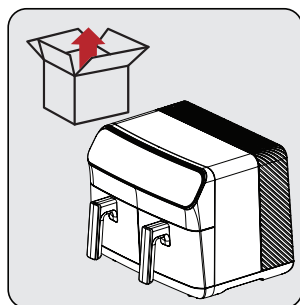
Urządzenie jest przeznaczone wyłącznie do użytku domowego i nie nadaje się do użytku profesjonalnego.



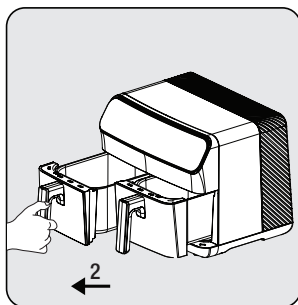
Podczas pierwszego użycia urządzenia może wystąpić niewielka emisja dymu. To normalne.

### 3.2 Przygotowanie urządzenia do użycia

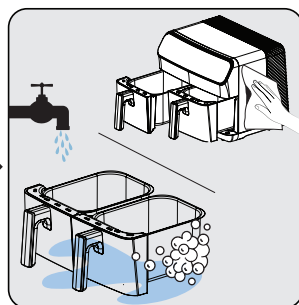
- Urządzenia należy używać w pozycji pionowej na stabilnej, równej, czystej, suchej i antypoślizgowej powierzchni.



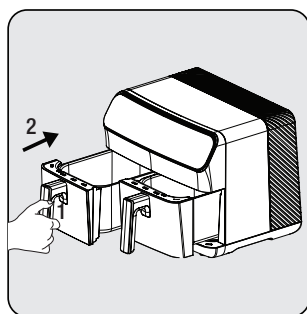
Przed pierwszym użyciem urządzenia należy usunąć materiał opakowaniowy i umieścić urządzenie na płaskiej, czystej powierzchni roboczej.



Aby otworzyć wyjmowane komory do pieczenia (2), należy mocno chwycić za uchwyty; następnie wyciągnąć komory z ich szczelin.



Zdejmowane tace do pieczenia (2) należy czyścić ciepłą wodą z mydłem.









Po oczyszczeniu wszystkich części wóź do urządzenia tacę do pieczenia (2). Urządzenie jest gotowe do użycia.

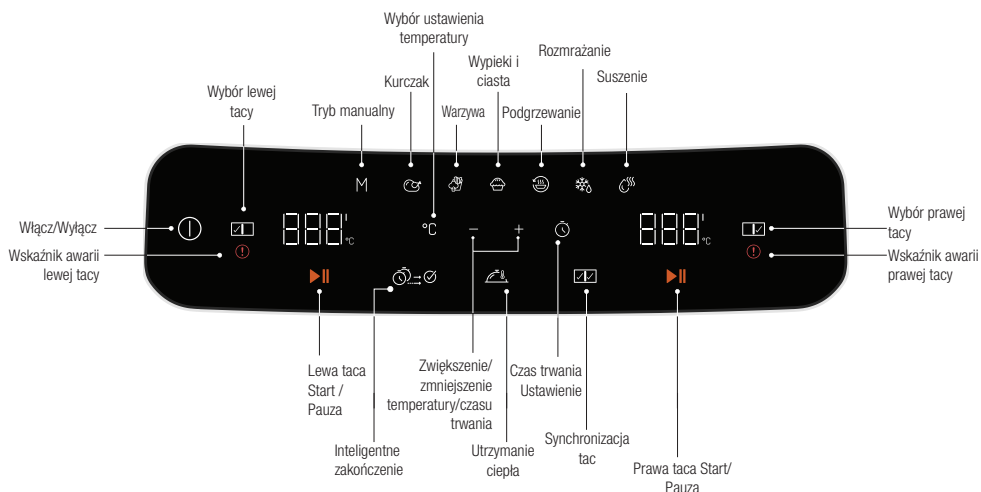


Przy pierwszym użyciu ustaw urządzenie w trybie „M”, ustaw na najwyższą temperaturę i pozwól mu pracować przez 10 minut bez dodawania jakichkolwiek składników.

## 3 Zastosowanie

### 3.3 Panel sterowania i wyświetlacz LED:

M	Tryb manualny	Stworzony do ogólnego użytku. Program ręczny pozwala na przygotowanie potraw poza ustawionymi programami.
	Kurczak	Ten program jest specjalnie zaprojektowany dla drobiu. Za pomocą tego programu możesz również przyrządzać owoce morza.
	Warzywa	Ten program jest specjalnie zaprojektowany dla warzyw. Możesz użyć tego programu do smażenia ziemniaków i wszystkich rodzajów warzyw.
	Wypieki i ciasta	Ten program jest specjalnie zaprojektowany dla wypieków takich jak ciasta i chleb.
	Podgrzewanie	Ten program jest specjalnie zaprojektowany do ponownego podgrzewania.
	Rozmrażanie	Ten program jest specjalnie zaprojektowany do rozmrażania.
	Suszenie	Specjalnie zaprojektowany program do suszenia żywności. Stosuje się go razem z akcesoriami do suszenia.



## 3 Zastosowanie

### 3.4 Ostrzeżenia przed pierwszym użyciem



- Gdy urządzenie pracuje i wyjmowana taca do pieczenia (2) jest schowana, gorąca para wydostaje się z wylotu powietrza (6) i górnej części kosza. Dlatego należy uważać, aby nie poparzyć się gorącą parą.
- Podczas używania tac do pieczenia (2) w wysokich temperaturach należy uważać, aby uniknąć bezpośredniego kontaktu.



Najlepsze przyrumienienie i pieczenie uzyskuje się zazwyczaj używając tacki do pieczenia. Zaleca się używanie tacki do pieczenia do wszystkich przepisów i pieczeni.

### 3.5 Obsługa

#### 3.5.1 Wybór i uruchomienie programu

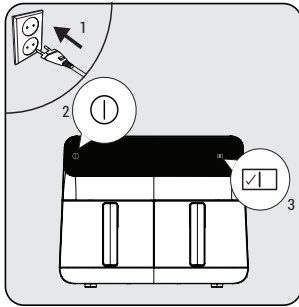


Jeśli po uruchomieniu urządzenia chcesz przełączyć się na inny program, naciśnij i przytrzymaj przez 3 sekundy przycisk „Start/Stop” lub przycisk „Wybierz tacę”. Następnie wybierz żądany program, wybierając ponownie tacę.

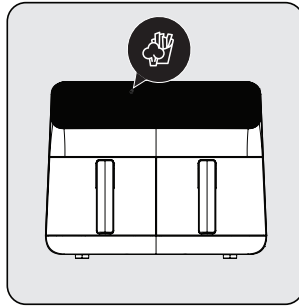


- Na wyświetlaczu pojawiają się automatycznie ustawione temperatury i czasy zgodnie z wybranymi funkcjami pieczenia. Można dowolnie zmieniać te temperatury i czasy.
- Aby anulować proces pieczenia, naciśnij i przytrzymaj przez 3 sekundy przycisk „Start/Stop” lub przycisk „Wybierz komorę”. Wybrany program pieczenia zostanie anulowany.

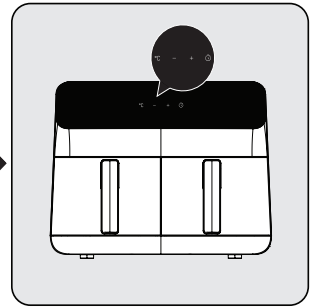
## 3 Zastosowanie



Podłącz urządzenie do prądu i naciśnij przycisk włączania/wyłączania "ⓘ". Po zapaleniu się kontrolki tac, wybierz żądaną tacę "☑". Po wybraniu tacy, wybierz z menu Programy żądany program w zależności od tego, co chcesz upiec.



Po wybraniu żądanego programu, wybrany program zaświeci się jasnym światłem. Jeśli chcesz zmienić program, możesz wybrać jeden z przyciemnionych programów.



Po wybraniu programu możesz ustawić temperaturę i czas pieczenia, naciskając ikony temperatury i czasu. Rozpocznij proces gotowania, naciskając ikonę startu. Jeśli chcesz piec w drugiej komorze, powtórz proces, wybierając tacę.

### 3.5.2 Ustawienie temperatury i czasu

Naciśnij przycisk "°C" lub "⌚", aby ustawić temperaturę lub czas. Symbol "[-][+]" jest aktywowany. Ustaw temperaturę i czas na żądaną wartość za pomocą symbolu "[-][+]".


### 3.5.3 Ustawienia funkcji

#### 3.5.3.1 Inteligentne zakończenie

Funkcja „Inteligentne zakończenie” umożliwia jednocześnie rozpoczęcie i zakończenie pieczenia 2 różnych potraw w różnych temperaturach, czasach pieczenia i trybach pieczenia.

1. Przygotuj ustawienia pieczenia dla lewej tacy urządzenia zgodnie z opisem w rozdziale 3.5.1.
2. Następnie wybierz odpowiednią tacę i dostosuj ustawienia pieczenia.
3. Wybierz na urządzeniu funkcję „Inteligentne zakończenie”.
4. Rozpocznij proces pieczenia, naciskając jeden z przycisków startowych. Urządzenie rozpocznie proces pieczenia, aby ukończyć dla obu tac jednocześnie.



Aby wybrać funkcję „Inteligentne zakończenie ”, proces pieczenia nie może być rozpoczęty w żadnej z tac. Jeśli pieczenie zostało już rozpoczęte w co najmniej jednej tacy, nie można wybrać funkcji "Inteligentne zakończenie".

## 3 Zastosowanie

### 3.5.3.2 Utrzymywanie ciepła

Funkcja „Utrzymywanie ciepła” pozwala na utrzymanie ciepła potraw po zakończeniu pieczenia.

1. Przygotuj żadaną tacę do pieczenia zgodnie z opisem w rozdziale 3.5.1. Następnie naciśnij przycisk „Start”, aby rozpocząć pieczenie.
2. Po rozpoczęciu pieczenia naciśnij ikonkę „Utrzymywanie ciepła”. (Możesz również nacisnąć ikonę „Utrzymywanie ciepła” przed rozpoczęciem pieczenia)
3. Po zakończeniu procesu pieczenia urządzenie będzie utrzymywać temperaturę Twojej potrawy.



- Funkcja utrzymywania ciepła pozostaje aktywna przez 15 minut.
- Przed rozpoczęciem pieczenia można również wybrać funkcję „Utrzymywanie ciepła”.

### 3.5.3.3 Synchronizacja pieczenia

Dzięki funkcji synchronizacji pieczenia możesz łatwo dopasować tace, gdy na obu tacach pieczesz tę samą potrawę.

1. Przygotuj lewą lub prawą tacę urządzenia zgodnie z opisem w rozdziale 3.5.1.
2. Następnie wybierz prawą komorę urządzenia i naciśnij ikonkę „Synchronizacja pieczenia”.
3. Wszystkie temperatury i czasy pracy będą zsynchronizowane dla obu tac.
4. Po naciśnięciu ikonki „Start” można przeprowadzić ten sam proces pieczenia w dwóch oddzielnych tacach.



Po aktywacji funkcji „Synchronizacja pieczenia” wszystkie zmiany dokonane w jednej tacy są przenoszone na drugą.

## 3.6 Pieczenie



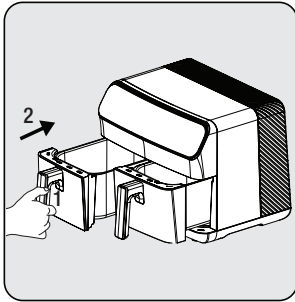
Lepsze rezultaty osiągniesz, jeśli wymieszasz potrawę z niewielką ilością oleju za pomocą łyżki z miarką lub posmarujesz ją olejem przed umieszczeniem w naczyniu do pieczenia.



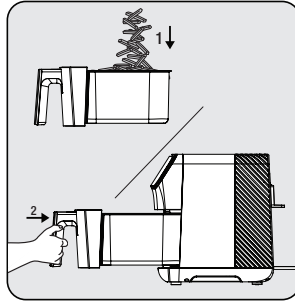
Nie należy dotykać wyjmowanych tac do pieczenia, gdy są gorące, za wyjątkiem uchwytów.



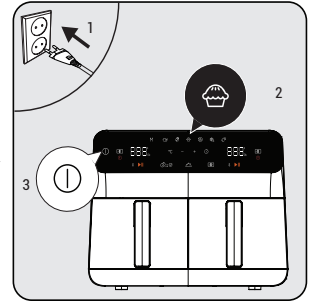
### 3 Zastosowanie



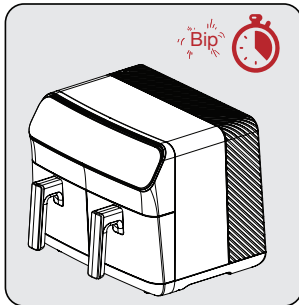
Wyjmij tacę do pieczenia i umieść ją na płaskiej, czystej powierzchni.



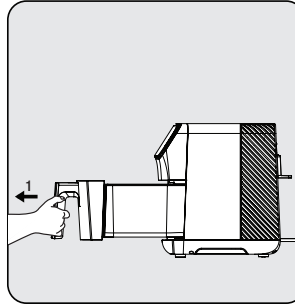
Umieść jedzenie w tacy do pieczenia. Następnie włóż tacę do urządzenia i upewnij się, że jest prawidłowo osadzona.



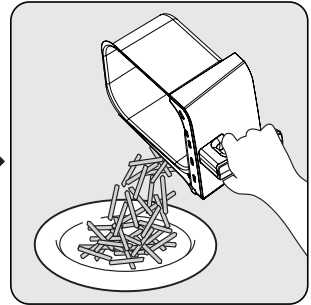
Podłącz urządzenie i wybierz żądany program pieczenia. Następnie rozpocznij proces pieczenia.



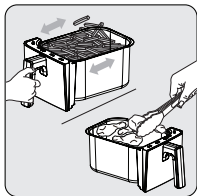
Po upływie wybranego czasu pieczenia rozlegnie się sygnał ostrzegawczy i urządzenie automatycznie przerwie pieczenie.



Wyjmij tacę i sprawdź, czy potrawa jest w pełni upieczona. Jeśli wymagane jest dalsze pieczenie, możesz trochę wydłużyć czas pieczenia.

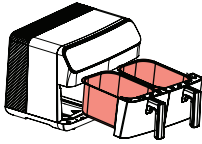


Po zakończeniu procesu przelóż upieczoną potrawę do miski lub na talerz.



- Aby zapewnić równomierne pieczenie, należy ostrożnie wyjąć i wstrząsnąć tacą w połowie procesu pieczenia lub użyć szczypec do obracania pieczonych potraw tak, aby nie porysować tacy.
- Wykonuj tę czynność częściej, jeśli cykl pieczenia jest długi lub jeśli chcesz uzyskać bardziej chrupiące rezultaty.

### 3 Zastosowanie



Nie pozwól, aby kosz do pieczenia dotykał zewnętrznej strony urządzenia, ponieważ powierzchnia tacy do pieczenia (2) będzie gorąca podczas i po zakończeniu pieczenia.



- Pozwól potrawom odpocząć przez 5 do 10 sekund przed wyjęciem ich z wyjmowanej tacy do pieczenia (2).
- Użyj szczypic, aby usunąć szorstką lub miękką żywność z tacy do pieczenia bez uszkodzenia wewnętrznej powierzchni urządzenia.
- Gdy jedna partia jest gotowa, urządzenie jest natychmiast gotowe na kolejną partię.



- Należy pamiętać, że podczas procesu pieczenia urządzenie może się bardzo nagrzać.
- Nie należy umieszczać produktów na blacie kuchennym w taki sposób, aby blokował on kanały wylotu powietrza.
- Nie umieszczaj na urządzeniu żadnych innych produktów.

## 4 Czas pieczenia

Domyślne ustawienia temperatury i czasu programów urządzenia są ustawiane automatycznie.

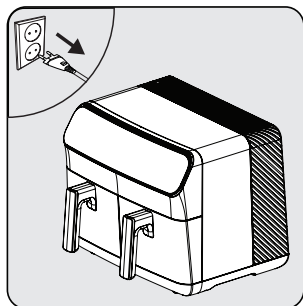
Poniższa tabela zawiera przegląd czasów pieczenia dla różnych potraw. Czas pieczenia zależy od grubości, gatunku i konsystencji potrawy. Zalecane czasy i ilości należy traktować jako przybliżone.

Program	Żywność	Temperatura	Czas trwania
Kurczak	Podudzie (4 sztuki)	180°C	24 - 30 min
	Pierś z kurczaka (2 * 200 gr)	180°C	24 - 30 min
	Skrzydółko (8 sztuk) 180 stopni	180°C	22 - 26 min
Warzywa	Świeży ziemniak 200 g	200°C	20 - 25 min
	Świeży ziemniak 500 g	200°C	24 - 30 min
	Mrożony ziemniak 500 g	200°C	20 - 27 min
	Mrożony ziemniak 1000 gr	200°C	42 - 48 min
	Ziemniak - marchewka w kostkach Dekoracja	190°C	15 - 20 min
	Krążek cebuli	190°C	10 - 15 min
	Cukinia i bakłażan (pokrojone w krążki - 1 szt.)	180°C	20 - 25 min
Wypieki i ciasta	Muffinka	160°C	15 - 19 min
Rozmrażanie	Mięso mielone, kurczak, klopsiki itp.	35- 50°C	15 - 30 min
Suszenie	Pomidor (o grubości 2-3 mm)	55°C	7 - 9 godzin
	Jabłko (o grubości 2-3 mm)	55°C	7 - 8 godzin
	Banan (o grubości 2-3 mm)	60°C	7 - 9 godzin
	Bakłażan (o grubości 2-3 mm)	55°C	7 - 8 godzin
	Pieczarka (o grubości 3-4 mm)	60°C	6 - 8 godzin
	Ananas (o grubości 4-5 mm)	60°C	6 - 8 godzin

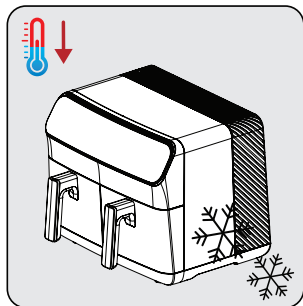
## 5 Czyszczenie i konserwacja

### 5.1 Czyszczenie

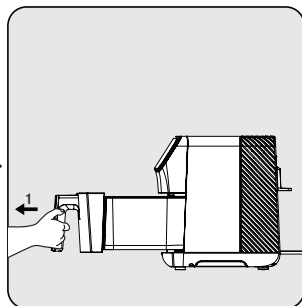
**i** Do czyszczenia urządzenia nigdy nie używaj benzyny, rozpuszczalników, ściernych środków czyszczących, metalowych przedmiotów ani twardych szczotek.



Wyłącz urządzenie i odłącz je od zasilania.



Pozostaw urządzenie do całkowitego ostygnięcia.

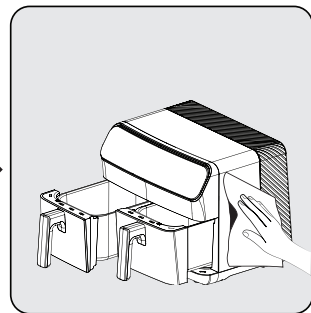


Wymij z szuflady wymowany kosz do pieczenia (5).

**i** Wymij tace do pieczenia z urządzenia, aby umożliwić szybsze schłodzenie urządzenia.



Tacę do pieczenia można myć w ciepłej wodzie z mydłem lub w zmywarce.



Wyczyść zewnętrzną stronę urządzenia wilgotną szmatką. Dokładnie wysusz obudowę urządzenia.

**i** Zawsze utrzymuj dno tacy do pieczenia w czystości, aby uniknąć gromadzenia się ciał obcych.

### 5.2 Przechowywanie

- Jeśli nie zamierzasz używać urządzenia przez dłuższy czas, przechowuj je starannie.
- Odłącz urządzenie i pozwól mu ostygnąć przed odstawieniem.
- Urządzenie należy przechowywać w chłodnym i suchym miejscu.
- Urządzenie i kabel należy przechowywać w miejscu niedostępnym dla dzieci.

### 5.3 Transport i wysyłka

- Podczas przenoszenia i transportu urządzenie należy przewozić w oryginalnym opakowaniu. Opakowanie chroni urządzenie przed uszkodzeniami fizycznymi.
- Nie należy umieszczać ciężkich przedmiotów na urządzeniu lub jego opakowaniu. Może to spowodować uszkodzenie urządzenia.
- W przypadku upuszczenia urządzenia może ono przestać działać lub może dojść do trwałego uszkodzenia.

## 6 Rozwiązywanie problemów

	Problem	Przyczyna	Rozwiązanie
1	Urządzenie nie działa	Przerwy w dostawie prądu	Sprawdź zasilacz i upewnij się, że jest zasilanie
		Brak zasilania lub słaby kontakt w gniazdku sieciowym	
		Napięcie zasilania produktu	
2	Potrawy są niedostatecznie upieczone/spalone	Czas pieczenia nie jest prawidłowy	Połącz przepisy i swoje osobiste doświadczenia, aby dostosować przygotowanie i czas
3	Dym podczas pierwszego użycia	Smar antykorozyjny na grzejniku urządzenia	Przy pierwszym użyciu należy ustawić temperaturę na maksimum i podgrzewać przez 10-15 minut, aby usunąć olej antykorozyjny z grzałki urządzenia
4	Dziwny zapach	Taca do pieczenia, szuflada na tacę, Ciało obce na grzejniku	Usuń obcy przedmiot
5	Na wyświetlaczu pojawia się E1 i urządzenie nie działa	Odłączony czujnik temperatury lewej tacy	Wyślij do serwisu w celu naprawy
6	Na wyświetlaczu pojawia się E2 i urządzenie nie działa	Nie działa czujnik temperatury lewej tacy	
7	Na wyświetlaczu pojawia się E3 i urządzenie przestało działać	Odłączony czujnik temperatury prawej tacy	
8	Na ekranie pojawia się E4 i urządzenie przestało działać	Nie działa czujnik temperatury prawej tacy	
9	Na ekranie pojawia się E5 i urządzenie przestało działać	Problem z płytką zasilającą (czujnik temperatury lewej tacy)	
10	Na ekranie pojawia się E6 i urządzenie przestało działać	Problem z płytką zasilającą (czujnik temperatury prawej tacy)	
11	Na ekranie pojawia się E7 i urządzenie przestało działać	Problem z płytką zasilającą (problem z połączeniem)	
12	Na ekranie pojawia się E8 i urządzenie przestało działać	Problem z płytką zasilającą (problem z połączeniem)	
13	Na ekranie pojawia się E9 i urządzenie przestało działać	Problem z płytką zasilającą	
14	Na wyświetlaczu pojawia się komunikat E10 i urządzenie przestało działać	Problem z płytką zasilającą (opór lewej tacy do pieczenia)	
15	Na wyświetlaczu pojawia się komunikat E10 i urządzenie przestało działać	Problem z płytką zasilającą (opór prawej tacy do pieczenia)	

Drodzy Klienci,

Dziękujemy za zakup naszych produktów. Jesteśmy przekonani, że nasze urządzenia będą służyć przez lata. Każdy produkt firmy Beko jest objęty 2-letnim okresem gwarancji.

## **Warunki gwarancji Beko S.A. (małe urządzenia AGD)**

BEKO spółka akcyjna z siedzibą w Warszawie (02-819), przy ulicy Puławskiej 366, wpisana do rejestru przedsiębiorców prowadzonego przez Sąd Rejonowy dla m.st. Warszawy w Warszawie, XIII Wydział Gospodarczy Krajowego Rejestru Sądowego, pod numerem: 0000078147 (dalej: „BEKO”) udziela gwarancji jakości (dalej: „Gwarancja”) na wprowadzone przez BEKO do obrotu na terenie Polski produkty marki BEKO (dalej: „Urządzenia”) osobom, które nabyły te produkty („Użytkownik”) na następujących warunkach:

### **I. ZAKRES OCHRONY.**

BEKO gwarantuje, że Urządzenie zakupione przez Użytkownika jest wolne od wad produkcyjnych lub materiałowych, powstałych z przyczyn tkwiących w tym Urządzeniu (dalej: „Wada”), które ujawnią się w ciągu terminu określonego w części II. niniejszych Warunków Gwarancji (dalej: „Okres Gwarancyjny”).

W razie ujawnienia się Wady Produktu w trakcie Okresu Gwarancyjnego, zostanie ona usunięta na koszt BEKO w sposób uzależniony od właściwości wady, na zasadach i w zakresie określonym w niniejszych Warunkach Gwarancji.

BEKO zobowiązuje się do usunięcia Wady poprzez dokonanie nieodpłatnej naprawy lub wymiany Urządzenia, bądź też reklamacja zgłoszona na podstawie niniejszych Warunków Gwarancji zostanie rozpatrzona w inny sposób uzgodniony przez BEKO i Użytkownika.

Udzielona gwarancja jest ważna na terytorium Rzeczypospolitej Polskiej.

### **II. CZAS TRWANIA GWARANCJI.**

Okres Gwarancyjny wynosi 24 miesiące licząc od daty zakupu Urządzenia przez pierwszego Użytkownika.

### **III. PROCEDURA ZGŁOSZENIA REKLAMACYJNEGO.**

Wady Urządzenia ujawnione w Okresie Gwarancyjnym będą usuwane pod warunkiem przedstawienia przez Użytkownika dowodu zakupu tego Urządzenia zawierającego oznaczenia niezbędne do jego identyfikacji (model, datę zakupu).

Uprawnienia wynikające z niniejszych Warunków Gwarancji mogą być zrealizowane przez Użytkownika wyłącznie w Autoryzowanych Punktach Serwisowych BEKO (dalej: „Serwis”) po uprzednim dokonaniu zgłoszenia na Infolinii BEKO pod numerem telefonu: 22 250 14 14. Urządzenie powinno być odpowiednio zapakowane i zabezpieczone przez Użytkownika na czas transportu do punktu serwisowego Beko.

Wady Urządzenia będą usunięte w terminie 14 dni od daty zgłoszenia Wady na Infolinii BEKO.

Jeżeli część zamienna wymieniana w ramach uprawnień wynikających z niniejszych Warunków Gwarancji Urządzenia jest sprowadzana z zagranicy, termin naprawy, o którym mowa w punkcie 5 powyżej, może ulec wydłużeniu jednak, nie więcej niż do 30 dni licząc odpowiednio od daty zgłoszenia Wady na Infolinii BEKO. Informacje o spodziewanych terminach napraw dostępne są na Infolinii BEKO pod numerem 22 250 14 14. Po usunięciu Wady, Urządzenie zostanie dostarczone Użytkownikowi na koszt BEKO.

### **IV. WYŁĄCZENIA.**

Warunkiem skorzystania z niniejszych Warunków Gwarancji jest:

- użytkowanie Urządzenia zgodnie z Instrukcją Obsługi dołączonej do tego Urządzenia i jego przeznaczeniem, jak również odpowiednie czyszczenie i konserwacje Urządzenia;
- użytkowanie w warunkach indywidualnego gospodarstwa domowego. Urządzenie nie jest używane do celów prowadzenia działalności gospodarczej lub w zastosowaniach eksploatacji masowej, w

szczególności w gastronomicznej działalności hoteli, restauracji i innych obiektów turystyczno-rekreacyjnych lub zbiorowego żywienia. Stosowanie osprzętu zalecanego przez producenta; brak ingerencji w Urządzenie przez osoby do tego nieupoważnione; brak ingerencji w tabliczkę znamionową z numerem seryjnym Urządzenia.

Udzielona przez Beko Gwarancja nie obejmuje:

- wad powstałych z przyczyn innych niż tkwiące w Urządzeniu;
- normalnego zużycia elementów eksploatacyjnych tj. akumulatory, baterie, noże, filtry, żarówki, szczotki, itp.;
- czynności przewidzianych w Instrukcji Obsługi, do wykonania których zobowiązany jest Użytkownik Urządzenia we własnym zakresie i na swój koszt, w tym: instruktażu dotyczącego obsługi Urządzenia, instalacji oraz regulacji urządzenia.
- usterek powstałych w wyniku nieprawidłowego lub niewłaściwego użytkowania, niedbalstwa, przypadkowego uszkodzenia Urządzenia, nieodpowiedniego napięcia prądu lub dokonania jakichkolwiek zmian, które mają wpływ na niewłaściwe działanie Urządzenia, i które naprawiane były przez osoby nieupoważnione, używania instalacji niezgodnych z odpowiednimi Polskimi Normami i innych niż wymienione w Instrukcji Obsługi Urządzenia;
- uszkodzeń mechanicznych, termicznych, chemicznych, korozji, innych uszkodzeń spowodowanych działaniem lub zaniedbaniem Użytkownika lub powstałych na skutek działania sił zewnętrznych (do których zalicza się w szczególności wyładowania atmosferyczne, skoki napięcia, wszystkiego rodzaju awarie domowej instalacji wodno-kanalizacyjnej, itp.), a także powstałych na skutek przedostania się zanieczyszczeń lub ciał obcych do Urządzenia, zakamienienia (proces odkamieniania musi być przeprowadzany zgodnie z instrukcją obsługi z użyciem odpowiednich środków czyszczących) elementów ze szkła, plastiku oraz porcelany; odbarwień Urządzenia lub poszczególnych jego części;
- usterek powstałych na skutek przechowywania i użytkowania Urządzenia w warunkach, które są niezgodne z normalnymi warunkami domowymi określonymi wymaganiami powszechnie obowiązujących przepisów prawa i odpowiednich Polskich Norm;

## **V. POZOSTAŁE POSTANOWIENIA.**

Niniejsze warunki gwarancji mają zastosowanie do Urządzeń zakupionych od dnia 01.03.2019 r. Gwarant oświadcza, że niniejsza Gwarancja jest udzielana Użytkownikowi dodatkowo i nie wyłącza, nie ogranicza ani nie zawiesza uprawnień Użytkownika wynikających z przepisów o rękojmi za wady rzeczy sprzedanej na podstawie Kodeksu cywilnego.



## Najpre pročitate ovaj priručnik!

Poštovani kupci,

Zahvaljujemo vam što ste odabrali proizvod kompanije Beko. Želimo da postignete optimalnu efikasnost ovog visokokvalitetnog proizvoda koji je proizveden uz primenu vrhunske tehnologije. Obavezno je pročitati i potpuno razumeti ovaj vodič i dodatnu dokumentaciju pre upotrebe, i isti čuvati za naknadne upute. Ne odvajajte ovaj vodič od jedinice ako želite da je predate nekom drugom licu. Pridržavajte se svih upozorenja i informacija datim ovde i sledite uputstva.

## Simboli i njihova značenja

Dole navedeni simboli su upotrebljeni u ovom vodiču:



Važne informacije i preporuke u vezi s korišćenjem uređaja.



**UPOZORENJE:** Upozorenja na lične povrede ili oštećenje imovine.



Prikladno za kontakt sa hranom.



Uređaj, kabl za napajanje ili utikač ne potapajte u vodu ili bilo koju drugu tečnost.



Ocena zaštite od električnog udara



RECIKLIRANI I  
RECIKLABILNI  
PAPIR

Ovaj odeljak sadrži bezbednosna uputstva za sprečavanje opasnosti koje mogu dovesti do povreda ili materijalne štete.

Svaka garancija je nevažeća ako se ove upute ne poštuju.

### 1.1 Opšta bezbednost

- Ovaj aparat je usklađen sa međunarodnim standardima bezbednosti.
- Ovaj uređaj je predviđen za upotrebu u domaćinstvu i sličnim aplikacijama kao što su:
  - - kuhinje za osoblje u prodavnicama, kancelarijama i drugim radnim okruženjima;
  - - farme;
  - - od strane klijenata u hotelima, motelima i drugim okruženjima stambenog tipa;
  - - ugostiteljski objekti.
- Ako je upotreba uređaja ograničena na manje od navedenog, to će biti jasno navedeno u uputstvima.
- Deca su pod nadzorom kako se ne bi igrala uređajem
- Ovaj uređaj mogu da koriste deca koja imaju 8 i više godina, osobe sa nepotpuno razvijenim telesnim, senzornim ili mentalnim sposobnostima, kao i osobe koje nemaju dovoljno potrebnog znanja i iskustva sve dok su pod nadzorom ili im se daju uputstva u pogledu bezbedne upotrebe i dok shvataju rizike koji su obuhvaćeni upotrebom proizvoda.
- Ako je kabl za napajanje oštećen, mora ga zameniti proizvođač, njegov serviser ili slično kvalifikovano lice kako bi se izbegla opasnost.
- Čišćenje i održavanje od strane korisnika ne bi trebalo da obavljaju deca osim ako su starija od 8 godina i ako su pod nadzorom.
- Proizvod i kabl proizvoda držite van domašaja dece mlađe od 8 godina.
- Postavite ručke uređaja za kuvanje (ako ih ima) tako da se vrele tečnosti ne prolivaju i postavite ih na sigurno.
- Vodite računa da je napon naveden na uređaju isti kao i napon u vašoj kući.

## 1 Važna uputstva u vezi sa bezbednošću i zaštitom životne sredine

- Uređaj koristite sa uzemljenim utikačem.
- Nemojte koristiti aparat s produžnim kablom.
- Ne postavljajte aparat na ili u blizini izvora toplote, poput pećnica i šporeta.
- Da biste sprečili oštećenje kabla za napajanje, sprečite da se priklešti, uvije ili grebe na oštrim ivicama.
- Ne isključujte aparat na utikaču povlačenjem kabla.
- Nemojte uranjati aparat ili njegov kabl za napajanje u vodu.
- Ne ostavljajte aparat bez nadzora dok je uključen.
- Nemojte rasklapati ovaj aparat.
- Koristite samo originalne delove ili delove koje je preporučio proizvođač.
- Isključite aparat sa napajanja pre čišćenja i potpuno osušite sve delove nakon čišćenja.
- Očistite aparat u skladu sa uputstvima u odeljku Čišćenje i održavanje.
- Ne stavljajte velike komade hrane u aparat jer to može izazvati požar.
- Ne dodirujte utikač uređaja dok su vam ruke vlažne ili mokre.
- Ne koristite aparat u okruženjima sa velikom vlažnošću vazduha.
- Ne pomerajte aparat dok je u upotrebi i dok je ulje vruće.
- Ne koristite aparat u eksplozivnom ili zapaljivom okruženju ili u blizini istog.
- Da biste izbegli rizik od opekotina, ne dodirujte vruće površine.
- Ostavite aparat da se ohladi na bezbednom mestu van domašaja dece.
- Ne blokirajte otvore za ulaz i izlaz vazduha dok aparat radi.
- Ne naginjite se preko uređaja dok je u upotrebi. Iz uređaja tokom upotrebe izlazi vruć vazduh!
- Uređaj postaje vruć tokom upotrebe. Da biste izbegli rizik od opekotina, ne dodirujte vruće površine.
- Vodite računa da je prostorija tokom upotrebe adekvatno provetrena.
- U slučaju požara, isključite

# 1 Važna uputstva u vezi sa bezbednošću i zaštitom životne sredine

aparatus napajanja.

- Ne sipajte vodu na aparat jer to može prouzrokovati opasnost od strujnog udara.
- Ne koristite aparat sa spoljnim tajmerom ili posebnim sistemom daljinskog upravljanja.
- Sa uređajem koristite samo metalno kuhinjsko posuđe sa izolovanim ručkama.
- Ne stavljajte ništa na aparat dok radi ili je vruć.
- Da biste prekinuli napajanje, okrenite regulator tajmera i regulator temperature u položaj za isključivanje. Zatim isključite aparat sa napajanja.
- Ako čuvate ambalažu, čuvajte je van domašaja dece.

## 1.1 Usaglašenost sa WEEE direktivom i odlaganje otpada:

Ovaj proizvod je usaglašen sa WEEE direktivom Evropske unije (2012/19/EU). Ovaj proizvod nosi simbol klasifikacije za odlaganje električne i elektronske opreme (WEEE).



Ovaj simbol označava da se ovaj proizvod ne sme odlagati zajedno s ostalim kućnim otpadom na kraju njegovog radnog veka. Korišćeni aparat mora se vratiti na službeno mesto za sakupljanje za recikliranje električnih i elektronskih uređaja. Da biste pronašli ove sisteme za sakupljanje, obratite se lokalnim nadležnim telima

ili prodavcu gde je proizvod kupljen. Svako domaćinstvo ima važnu ulogu u vraćanju i recikliranju starih uređaja. Odgovarajuće odlaganje korišćenog uređaja pomaže u sprečavanju potencijalnih negativnih posledica po životnu sredinu i zdravlje ljudi.

## 1.2 Usaglašenost sa RoHS direktivom

Proizvod koji ste kupili u saglasnosti je sa RoHS Direktivom Evropske unije (2011/65/EU). On ne sadrži štetne i zabranjene materijale navedene u Direktivi.

## 1.3 Informacije o pakovanju



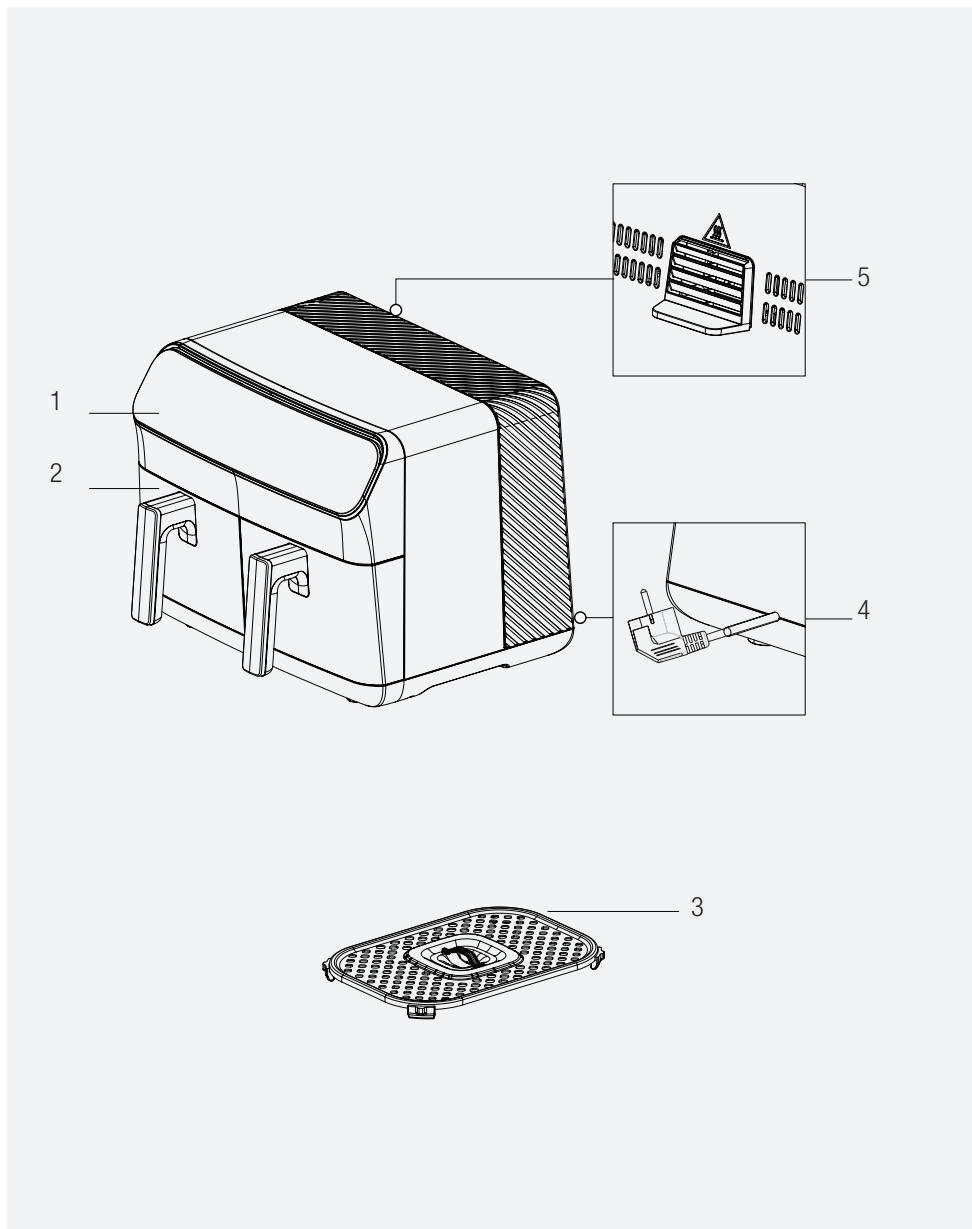
Ambalaža proizvoda je napravljena od materijala koji mogu da se recikliraju, u skladu sa nacionalnim propisima o zaštiti životne sredine.

Ambalažu ne odložite sa kućnim otpadom ili drugim vrstama otpada već je odložite u sabirne centre za ambalažu koje su navele lokalne vlasti.

## 1.4 Važne tačke za uštedu energije

Pridržavajte se vremena preporučenog u priručniku dok koristite aparat. Nakon svake upotrebe iskopčajte aparat iz struje.

## 2 Friteza na vrući vazduh



Znakovi na uređaju i vrednosti navedene u dokumentima priloženim uz proizvod su dobijeni u laboratorijskim uslovima u skladu sa relevantnim standardima. Vrednosti se mogu razlikovati u zavisnosti od upotrebe uređaja i uslova okoline. Vrednosti snage su testirane na naponu od 230 V.

## 2 Friteza na vrući vazduh

1. Digitalna kontrolna tabla
2. Uklonjiva komora za kuvanje
3. Stalak za kuvanje
4. Kabl za napajanje
5. Izlaz za vazduh

### Tehnički podaci

Napajanje	220-240 V ~ 50-60 Hz
P o t r o š n j a e l e k t r i č n e energije	2000-2400W
Kapacitet pleha	8,5 l (4,25 l + 4,25 l)

## 3 Upotreba

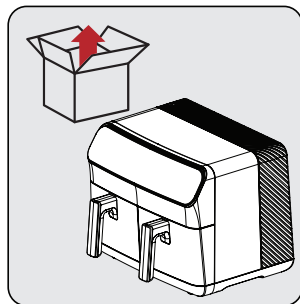
### 3.1 Predviđena upotreba

Aparat je namenjen isključivo za kućnu upotrebu i nije pogodan za profesionalnu upotrebu.

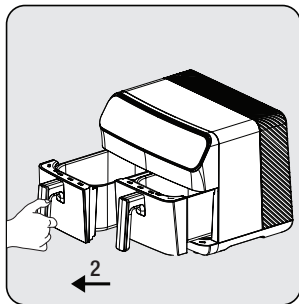
**i** Kada prvi put koristite uređaj, može doći do blagog ispuštanja dima. To je normalno.

### 3.2 Priprema uređaja za upotrebu

- Aparat koristite u uspravnom položaju na stabilnoj, ravnoj, čistoj, suvoj i neklizajućoj površini.



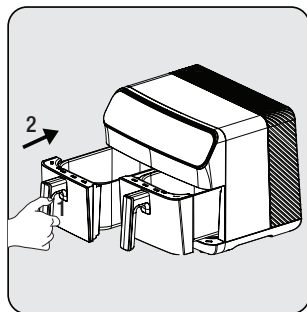
Pre prve upotrebe aparata, uklonite ambalažni materijal i stavite uređaj na ravnu, čistu radnu površinu.



Da biste otvorili uklonjive plehove za kuvanje (2), čvrsto uhvatite ručke, a zatim izvucite komore iz njihovih otvora.



Očistite uklonjive plehove za kuvanje (2) toplom sapunicom.






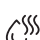


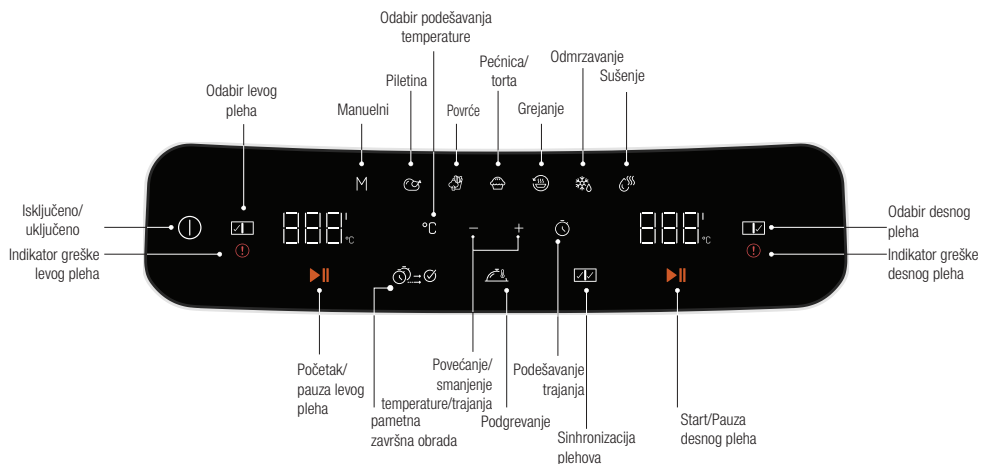
Nakon čišćenja svih delova, umetnite pleh za kuvanje (2). Aparat je spreman za upotrebu.

**i** Za prvu upotrebu, postavite aparat na "M" mod, postavite ga na najvišu temperaturu i ostavite da radi 10 minuta bez dodavanja sastojaka.

## 3 Upotreba

### 3.3 Kontrolna tabla i LED displej:

M	Manuelni	Napravljen za opštu upotrebu. Ručni program omogućava da pripremite hranu van podešenih programa.
	Piletina	Ovaj program je posebno namenjen za perad. Pomoću ovog programa možete kuvati i morske plodove.
	Povrće	Ovaj program je posebno namenjen za povrće. Ovaj program može da se koristi za prženje krompira i svih vrsta povrća.
	Pečnica/torta	Ovaj program je posebno namenjen za peciva kao što su kolači i hljeb.
	Grejanje	Ovaj program je posebno namenjen za ponovno zagrevanje.
	Odmrzavanje	Ovaj program je posebno namenjen program za odmrzavanje.
	Sušenje	Posebno namenjen program za sušenje hrane. Koristi se sa priborom za sušenje.





## 3 Upotreba

### 3.4 Upozorenja pre prve upotrebe



- Kada je uređaj u funkciji, a uklonjivi pleh za kuvanje (2) je uvučen, vruća para će izlaziti iz otvora za vazduh (6) i vrha korpe. Zato pazite da se ne opečete vrućom parom.
- Kada koristite posude za kuvanje (2) na visokim temperaturama, izbegnite direktan kontakt.



Najbolje pečenje i kuvanje se obično postižu na stalak za kuvanje. Preporučljivo je koristiti rešetku za kuvanje za sve recepte i pečenja.

### 3,5 Rad

#### 3.5.1 Odabir i pokretanje programa

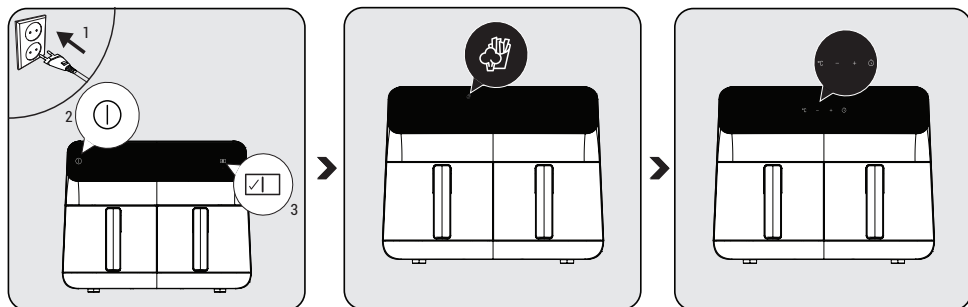


Ako želite da pređete na drugi program nakon pokretanja uređaja, pritisnite i držite dugme "Start/Stop" ili dugme "Select Tray" 3 sekunde. Zatim izaberite željeni program tako da ponovo izaberete pleh.



- Displej prikazuje automatski podešene temperature i vremena prema odabranim funkcijama kuvanja. Ove temperature i vremena možete promeniti po želji.
- Da biste otkazali proces kuvanja, pritisnite i držite dugme "Start/Stop" ili dugme "Odaberi komoru" 3 sekunde. Program kuvanja koji ste odabrali se otkazuje.

## 3 Upotreba



Uključite uređaj i pritisnite dugme za uključivanje/isključivanje "⏻". Nakon što se upali lampica za pleh, odaberite željeni pleh "☑". Nakon odabira pleha, odaberite željeni program iz menija Programi zavisno od hrane koju kuvate.

Nakon odabira željenog programa, odabrani program će jako zasvetliiti. Ako želite promeniti program, možete odabrati jedan od slabo osvetljenih programa.

Nakon odabira programa, možete podesiti temperaturu i vreme kuvanja pritiskom na ikone temperature i vremena. Započnite proces kuvanja pritiskom na ikonu za početak. Kada želite da kuvate u drugoj komori, ponovite postupak odabirom pleha.

### 3.5.2 Podešavanje temperature i vremena

pritisnite dugme "°C" ili "⌚" za podešavanje temperature ili vremena. Simbol "[-][+]" je aktiviran. Podesite temperaturu i vreme na željenu vrednost simbolom "[-][+]".


### 3.5.3 Podešavanja funkcije

#### 3.5.3.1 Pametna završna obrada

Funkcija 'Pametna završna obrada' vam omogućava da započnete i završite 2 različite namirnice istovremeno na različitim temperaturama, vremenu kuvanja i modovima kuvanja.

1. Pripremite podešavanja kuvanja za levi pleh uređaja kako je opisano u odeljku 3.5.1.
2. Zatim odaberite odgovarajući pleh i prilagodite podešavanja kuvanja.
3. Odaberite funkciju 'Pametna završna obrada' na uređaju.
4. Započnite proces kuvanja pritiskom na jedno dugme za pokretanje. Aparat će započeti proces kuvanja kako bi istovremeno završio oba pleha.



Da biste odabrali "Smart Finish ", proces kuvanja ne sme započeti u nijednoj posudi. Ako je kuvanje već počelo u barem jednoj posudi, funkcija "Smart Finish" se ne može odabrati.

## 3 Upotreba

### 3.5.3.2 Održavanje toplote

Funkcija 'Podgrevanje' vam omogućava da hranu održite toplom kada kuvanje završi.

1. Pripremite željeni pleh za kuvanje kako je opisano u 3.5.1. Zatim pritisnite dugme 'Start' za početak kuvanja.
2. Kada je kuvanje počelo, pritisnite ikonu 'Podgrevanje'. (Takođe možete pritisnuti ikonu 'Podgrevanje' pre nego što počnete kuvati.)
3. Nakon završetka procesa kuvanja, uređaj će održavati temperaturu vaše hrane.



- Funkcija održavanja toplote ostaje aktivirana 15 minuta.
- Takođe možete odabrati funkciju "Održavanje toplote" pre početka kuvanja.

### 3.5.3.3 Sinhronizacija kuvanja

Pomoću funkcije sinhronizovanog kuvanja možete lako usaglastiti plehove kada kuvate istu hranu u oba pleha.

1. Pripremite levi i desni pleh uređaja kako je opisano u 3.5.1.
2. Zatim odaberite desnu komoru uređaja i pritisnite ikonu "Sinhronizuj kuvanje".
3. Sve temperature i radna vremena su sinhronizovani u oba pleha.
4. Ako pritisnete ikonu "Start", možete izvršiti isti proces kuvanja u dva odvojena pleha.



Nakon aktiviranja funkcije "Sinhronizuj kuvanje", sve promene koje napravite u jednoj posudi se prenose na drugu.

## 3.6 Kuvanje

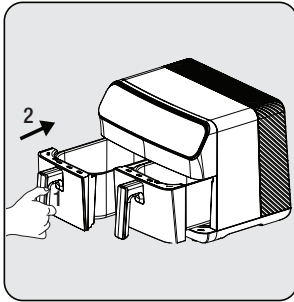


Bolje rezultate ćete postići ako hranu pomešate sa malom količinom ulja uz pomoć merne kašike ili premažite hranu uljem pre nego što je stavite u posudu za kuvanje.

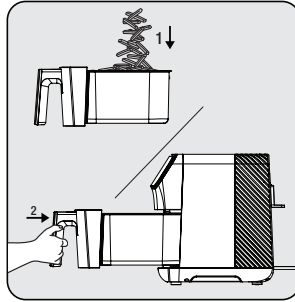


Ne dirajte uklonjive posude za kuvanje kada su vruće, osim ručki.

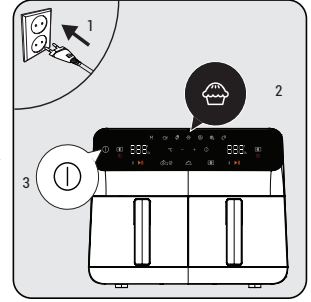
### 3 Upotreba



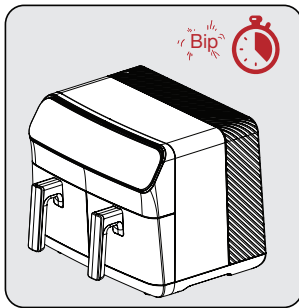
Uklonite pleh za kuvanje i stavite ga na ravnu, čistu površinu.



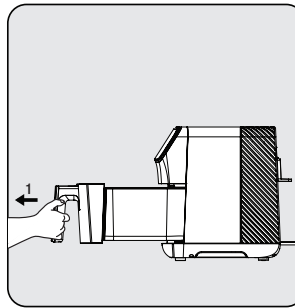
Stavite hranu u posudu za kuvanje. Zatim umetnite poslužavnik u uređaj i uverite se da je pravilno postavljen.



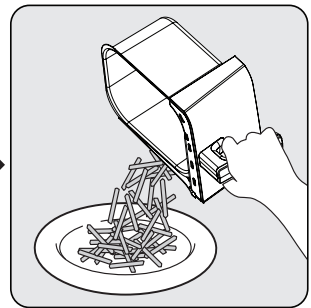
Prikjučite aparat i odaberite željeni program kuvanja. Zatim započnite proces kuvanja.



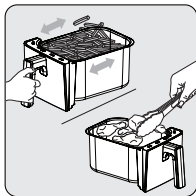
Kada istekne odabrano vreme kuvanja, čuje se ton upozorenja i uređaj automatski zaustavlja kuvanje.



Uklonite pleh i proverite da li je hrana potpuno skuvana. Ako je potrebno dalje kuvanje, možete još malo produžiti vreme kuvanja.

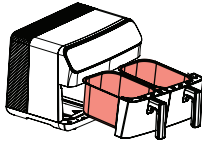


Kada je proces završen, skuvanu hranu prebacite u posudu ili tanjir.



- Kako biste osigurali ravnomerno kuvanje, pažljivo izvadite i protresite posudu za kuvanje usred procesa kuvanja ili upotrebite klešta za okretanje hrane prilikom kuvanja kako ne biste izgubili pleh.
- Radite to češće ako imate dugi ciklus kuvanja ili ako želite hrskaviju hranu.

### 3 Upotreba



Ne dozvolite da korpa za kuvanje dodiruje spoljnu stranu uređaja jer će površina posude za kuvanje (2) biti vruća tokom i nakon kuvanja.



- Ostavite hranu da odstoji 5 do 10 sekundi pre nego što je izvadite iz uklonjive posude za kuvanje (2).
- Upotrebite hvataljke za uklanjanje grube ili meke hrane iz posude za kuvanje bez oštećenja unutrašnje površine uređaja.
- Kada je jedna serija spremna, uređaj je odmah spreman za drugu seriju.



- Imajte na umu da se uređaj može jako zagrejati tokom okretanja.
- Ne stavljajte proizvod na radnu ploču tako da blokira izlazne kanale vazduha.
- Ne stavljajte nikakve druge proizvode na uređaj.

## 4 Vreme kuvanja

Zadata podešavanja temperature i vremena u programima uređaja se postavljaju automatski.

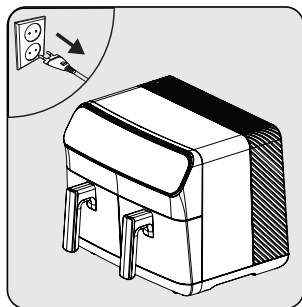
Sledeća tabela daje pregled vremena kuvanja različitih namirnica. Vreme kuvanja zavisi od debljine, marke i konzistencije hrane. Preporučena vremena i količine treba smatrati približnim vrednostima.

Program	Hrana	Temperatura	Trajanje
Piletina	Batak (4 komada)	180°C	24 - 30 min
	Pileća prsa (2 x 200 g)	180°C	24 - 30 min
	Krilo (8 komada) 180 stepeni	180°C	22 - 26 min
Povrće	Sveži krompir 200 g	200°C	20 - 25 min
	Sveži krompir 500 g	200°C	24 - 30 min
	Smrznuti krompir 500 g	200°C	20 - 27 min
	Smrznuti krompir 1000 gr	200°C	42 - 48 min
	Krompir - šargarepa, kockice, ukras	190°C	15 - 20 min
	Kolutiči luka	190°C	10 - 15 min
	Tikvice i patlidžan (narezan na kolutiče - 1 komad)	180°C	20 - 25 min
Pećnica/torta	Mafini	160°C	15 - 19 min
Odmrzavanje	Mleveno meso, piletina, ćufte itd.	35-50°C	15 - 30 min
Sušenje	Paradajz (debljine 2-3 mm)	55°C	7 - 9 sati
	Jabuka (2-3 mm debljine)	55°C	7 - 8 sati
	Banana (2-3 mm debljine)	60°C	7 - 9 sati
	Patlidžan (2-3 mm debljine)	55°C	7 - 8 sati
	Pečurke (3-4 mm debljine)	60°C	6 - 8 sati
	Ananas (debljine 4-5 mm)	60°C	6 - 8 sati

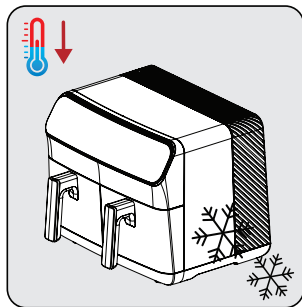
## 5 Čišćenje i održavanje

### 5.1 Čišćenje

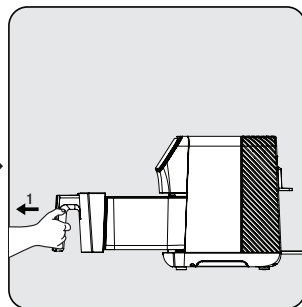
**i** Nikada ne koristite benzin, otapala, abrazivna sredstva za čišćenje, metalne predmete ili tvrde četke za čišćenje uređaja.



Isključite uređaj i iskopčajte ga iz električne mreže.



Pustite da se aparat potpuno ohladi.

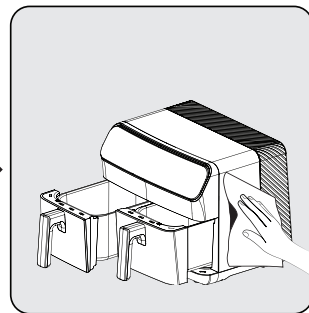


Izvadite uklonjivu korpu za kuvanje (5) iz fioke.

**i** Uklonite posude za kuvanje iz uređaja kako biste omogućili da se uređaj brže ohladi.



Posudu za kuvanje možete prati u toploj sapunici ili mašini za pranje suđa.



Očistite spoljni deo uređaja vlažnom krpom. Potpuno osušite aparat spolja.

**i** Uvek održavajte dno posude za kuvanje čisto da biste izbegli razne taloge.

### 5.2 Skladištenje

- Ako uređaj ne nameravate koristiti duže vreme, pažljivo ga uskladištite.
- Iskopčajte uređaj i pustite ga da se ohladi pre nego ga uskladištite.
- Postavite uređaj na hladno i suvo mesto.
- Držite uređaj i kabl van domašaja dece.

### 5.3 Transport i otprema

- Prevozite uređaj u originalnoj ambalaži tokom rukovanja i transporta. Ambalaža štiti uređaj od fizičkih oštećenja.
- Ne stavljajte teške predmete na uređaj ili njegovu ambalažu. Uređaj može biti oštećen.
- Ako aparat padne, može prestati raditi ili može doći do trajnog oštećenja.



## 6 Rešavanje problema

	Problem	Uzrok	Rešenje
1	Proizvod ne radi	Prekidi struje	Proverite napajanje i proverite da li ima struje
		Nema napajanja ili je slab kontakt na utičnici	
		Napon napajanja proizvoda	
2	Hrana je nedovoljno kuvana/ izgorela	Vreme kuvanja nije odgovarajuće	Kombinujte recepte i svoje iskustvo da biste prilagodili pripremu i vreme
3	Dimiti prilikom prve upotrebe	Mast protiv rđe na grejaču proizvoda	Kada koristite prvi put, podesite temperaturu na maksimalnu i zagrevajte 10-15 minuta kako biste uklonili ulje protiv hrđe na grejaču proizvoda
4	Čudan miris	Posuda za kuvanje, fioka za plehove, Strano telo na grejaču	Uklonite strani predmet
5	Na displeju se prikazuje E1 i proizvod više ne radi	Levi pleh za kuvanje NTC isključen	Poslati serviseru na popravku
6	Na displeju se prikazuje E2 i proizvod više ne radi	Levi pleh za kuvanje NTC ne radi	
7	Na displeju se prikazuje E3 i proizvod je prestao da radi	Desni pleh za kuvanje NTC isključen	
8	Na displeju se prikazuje E4 i proizvod je prestao da radi	Desna posuda za kuvanje NTC ne radi	
9	Na displeju se prikazuje E5 i proizvod je prestao da radi	Problem sa zaštitnim prekidačem napajanja (levi pleh za kuvanje NTC)	
10	Na displeju se prikazuje E6 i proizvod je prestao da radi	Problem sa zaštitnim prekidačem napajanja (desni pleh za kuvanje NTC)	
11	Na displeju se prikazuje E7 i proizvod je prestao da radi	Problem ssa zaštitnim prekidačem napajanja (problem sa priključkom)	
12	Na displeju se prikazuje E8 i proizvod je prestao da radi	Problem ssa zaštitnim prekidačem napajanja (problem sa priključkom)	
13	Na displeju se prikazuje E9 i proizvod je prestao da radi	Problem sa zaštitnim prekidačem napajanja	
14	Na displeju se prikazuje E10 i proizvod je prestao da radi	Problem sa zaštitnim prekidačem napajanja (otpor levog pleha za kuvanje)	
15	Na displeju se prikazuje E10 i proizvod je prestao da radi	Problem sa zaštitnim prekidačem napajanja (otpor desnog pleha za kuvanje)	

# Моля, прочетете първо това ръководство!

Уважаеми клиенти,

Благодарим ви, че закупихте продукт на ВЕКО. Бихме искали да постигнете оптималната ефективност от този висококачествен продукт, произведен с най-съвременна технология. Моля, уверете се, че сте прочели и разбрали това ръководство и допълнителната документация преди употреба и ги запазете за справка в бъдеще. Включете това ръководство с устройството, ако го предавате на някой друг. Спазвайте всички предупреждения и информация посочени тук и следвайте инструкциите.

## Символи и техните значения

Тези символи се използват в цялото ръководство:



Важна информация и препоръки относно използването на уреда.



**ВНИМАНИЕ:** Предупреждения за телесни наранявания или материални щети.



Подходящ за контакт с храна.



Не потапяйте уреда, хранящия кабел или щепсела във вода или в други течности.



Степен на защита от токов удар



РЕЦИКЛИРАНА и  
РЕЦИКЛИРУЕМА  
ХАРТИЯ

Този раздел съдържа инструкции за безопасност за предотвратяване на опасности, които могат да доведат до нараняване или материални щети.

Всяка гаранция е невалидна, ако тези инструкции не се спазват.

## 1.1 Общи правила за безопасност

- Този уред отговаря на международните стандарти за безопасност.
- Този уред е предназначен да се използва в битови и подобни приложения, като например:
  - - служители в кухненските зони на магазините, офисите и други работни среди,
  - - стопански постройки;
  - -от клиенти в хотели, мотели и други типове жилищни среди;
  - - различни видове настаняване с нощувка

със закуска.

- Ако използването на уреда е ограничено до по-малко от горно споменатото, това трябва да бъде ясно посочено в инструкциите.
- Децата да се наблюдават да не си играят с уреда
- Този уред може да се използва от деца над 8 годишна възраст, хора с физически, слухови или умствени затруднения, както и от хора с липса на опит или познания, ако е осигурен контрол или им е предоставена информация относно опасностите.
- Ако захранващият кабел е повреден, той трябва да бъде заменен от производителя, негов сервизен агент или лица с подобна квалификация, за да се избегне опасност.

- Почистването и поддръжката от потребителя не трябва да се извършва от деца, освен ако те не са над 8 години и някой ги наблюдава.
- Пазете продукта и кабела на продукта далеч от обсега на деца под 8-годишна възраст.
- Разположете дръжките на уредите за готвене (ако има такива) така, че горещите течности да не се разливат и ги поставете стабилно.
- Уверете се, че напрежението, посочено на уреда, е същото като напрежението на електрическата мрежа във Вашия дом.
- Използвайте уреда със заземителен контакт.
- Не използвайте уреда с удължителен кабел.
- Не поставяйте уреда върху или близо до източници на топлина като фурни и печки.
- За да предотвратите повреда на хранящия кабел, не позволявайте да се прищипва, притиска или трие в остри ръбове.
- Не изключвайте уреда от контакта, като дърпате кабела.
- Не потапяйте уреда или хранящия му кабел във вода.
- Не оставяйте уреда без надзор, докато е включен в електрическата мрежа.
- Не разглобявайте уреда.
- Използвайте само оригинални части или части, препоръчани от производителя.
- Изключете уреда от контакта преди почистване и подсушете напълно всички части след почистване.
- Почистете уреда в съответствие с инструкциите в

раздел Почистване и поддръжка.

- Не поставяйте големи парчета храна в уреда, тъй като това може да причини пожар.
- Не докосвайте щепсела на уреда, докато ръцете ви са влажни или мокри.
- Не използвайте уреда във влажна среда.
- Не местете уреда, докато се използва и маслото вътре е горещо.
- Не използвайте уреда в или в близост до експлозивни или запалими среди и вещества.
- За да избегнете опасността от изгаряния, не докосвайте горещи повърхности.
- Оставете уреда да изстине на безопасно място, недостъпно за деца.
- Не блокирайте отворите за вход и изход за въздух, докато уредът работи.
- Не се навеждайте над уреда, докато се използва. По време на употреба от уреда се издига горещ въздух!
- Уредът се нагорещява по време на употреба. За да избегнете опасността от изгаряния, не докосвайте горещи повърхности.
- Уверете се, че помещението е подходящо проветрено по време на употреба.
- В случай на пожар изключете уреда от контакта.
- Не изливайте вода върху уреда, тъй като това може да причини опасност от токов удар.
- Не използвайте уреда с външен таймер или отделна система за дистанционно управление.
- Използвайте само метални кухненски

съдове с изолирани дръжки с уреда.

- Не поставяйте нищо върху уреда, докато работи или е горещ.
- За да прекъснете връзката, завъртете диска на таймера и диска за температурата на изключено положение. След това изключете уреда от контакта.
- Съхранявайте опаковъчните материали на недостъпно за деца място.

## 1.1 Съответствие с Директивата за WEEE и изхвърляне на отпадъчни продукти:

Този продукт е в съответствие с Директивата за WEEE на EU (2012/19 / EU). Този продукт носи класификационен символ за отпадъчно електрическо и електронно оборудване (WEEE).



Този символ показва, че този продукт не трябва да се изхвърля заедно с други битови отпадъци в края на експлоатационния му живот. Използваното устройство трябва да бъде върнато в официалния пункт за

събиране и рециклиране на електрически и електронни устройства. За да намерите тези системи за събиране, моля свържете се с местните власти или търговец на дребно, от където е закупен продукта. Всяко домакинство играе важна роля за възстановяването и рециклирането на стар уред. Правилното изхвърляне на използвания уред помага за предотвратяване на потенциални негативни последици за околната среда и човешкото здраве.

## 1.2 Съответствие с директивата RoHS

Продуктът, който сте закупили, отговаря на Директивата на ЕС RoHS (2011/65/EU). Той не съдържа вредни и забранени материали, посочени в директивата.

## 1.3 Информация за опаковката

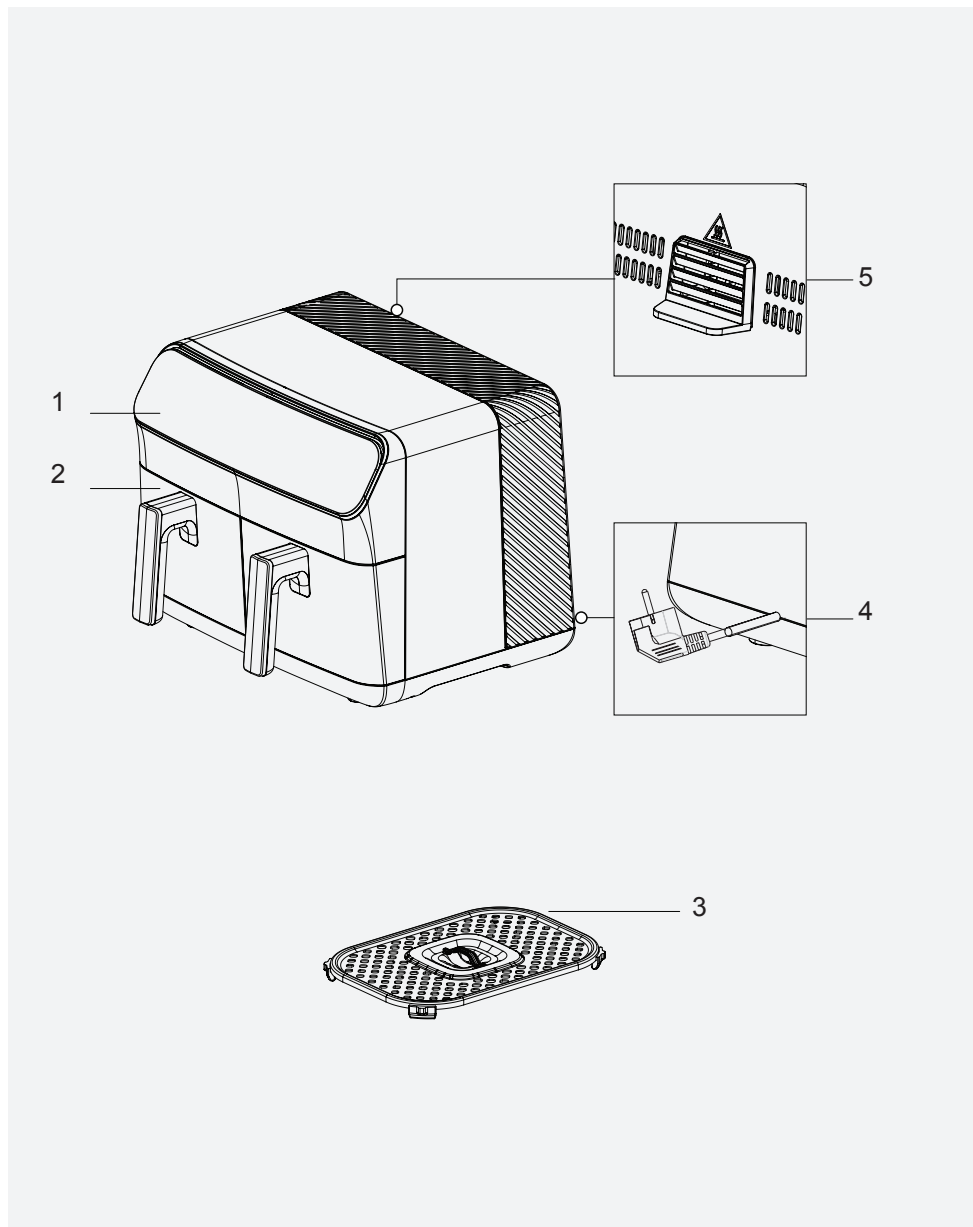


Опаковъчните материали на продукта са произведени от рециклируеми материали в съответствие с нашите национални разпоредби за околната среда. Не изхвърляйте опаковъчните материали заедно с битовите или други отпадъци. Върнете ги в пунктовете за събиране на опаковъчни материали, определени от местните власти.

## 1.4 Важни точки за пестене на енергия

Спазвайте времето, препоръчано в ръководството, докато използвате уреда. Изключвайте уреда от контакта след всяка употреба.

## 2 Вашият Фритюрник с Горещ Въздух



Знаците върху уреда и стойностите, посочени в документите, предоставени заедно с продукта, са получени в лабораторни условия в съответствие със съответните стандарти. Стойностите може да варират в зависимост от употребата на уреда и условията на околната среда. Стойностите на мощността са тествани при напрежение 230 V.

## 2 Вашият Фритюрник с Горещ Въздух

1. Цифров контролен панел
2. Подвижна камера за готвене
3. Стелаж за готвене
4. Захранващ кабел
5. Изход за въздух

### Технически данни

<b>Захранване</b>	220-240 V ~ 50-60 Hz
<b>Консумация на енергия</b>	2000-2400W
<b>Капацитет на тавата</b>	8,5 L (4,25 L + 4,25 L)



## 3 Употреба

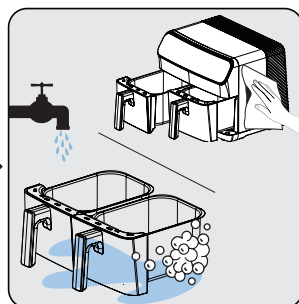
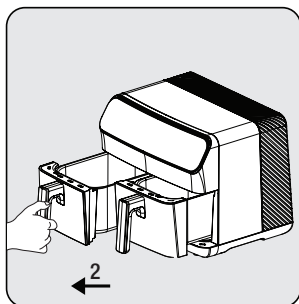
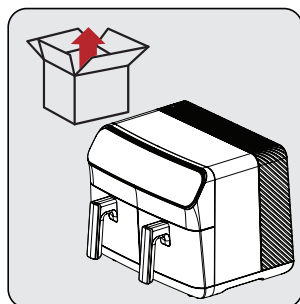
### 3.1 Употреба по предназначение

Уредът е предназначен само за домашна употреба, не е подходящ за професионална употреба.

**i** Когато използвате уреда за първи път, може да има лек дим. Това е нормално.

### 3.2 Подготовка на уреда за употреба

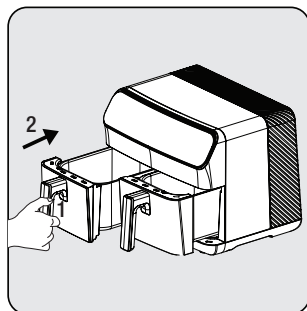
- Използвайте уреда в изправено положение върху стабилна, равна, чиста, суха и неплъзгаща се повърхност.



Преди да използвате уреда за първи път, отстранете опаковъчните материали и поставете уреда върху равна, чиста работна повърхност.

За да отворите подвижните тави за готвене (2), хванете здраво дръжките; след това издърпайте камерите от слотовете им.

Почистете подвижните тави за готвене (2) с топла сапунена вода.









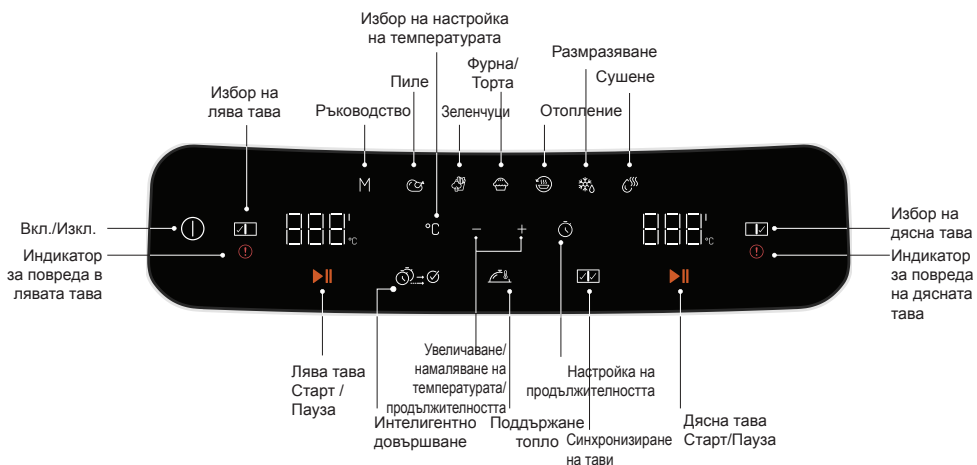
След като почистите всички части, поставете тавата за готвене (2). Уредът е готов за употреба.

**i** За първи път настройте уреда на режим "M", настройте го на най-висока температура и го оставете да работи 10 минути, без да добавяте никакви съставки.

## 3 Употреба

### 3.3 Контролен панел и LED дисплей:

M	Ръководство	Създаден за общо ползване. Ръчната програма ви позволява да пригответе храната си извън зададените програми.
	Пиле	Тази програма е специално разработена за домашни птици. С тази програма можете също да готвите морски дарове.
	Зеленчуци	Тази програма е специално разработена за зеленчуци. Можете да използвате тази програма за пържене на картофи и всякакви зеленчуци.
	Фурна/Торта	Тази програма е специално проектирана за печива, като сладкиши и хляб.
	Отопление	Тази програма е специално разработена за претопляне.
	Размразяване	Тази програма е специално разработена програма за размразяване.
	Сушене	Специално разработена програма за сушене на храна. Използва се заедно с аксесоарите за сушене.



## 3 Употреба

### 3.4 Предупреждения преди първа употреба



• Когато уредът работи и подвижната тава за готвене (2) е прибрана, горещата пара ще излиза от изхода за въздух (6) и горната част на кошницата. Затова внимавайте да не се изгорите от горещата пара.

• Когато използвате тавите за готвене (2) при високи температури, внимавайте да избегнете директен контакт.



Най-доброто покафеняване и готвене обикновено се постига върху решетката за готвене. Препоръчва се да използвате решетката за готвене за всички рецепти и печени ястия.

### 3.5 Действие

#### 3.5.1 Избор и стартиране на програма

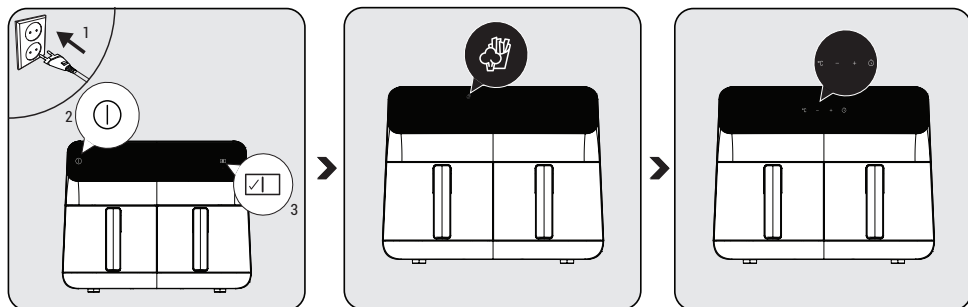


Ако искате да превключите на друга програма след стартиране на уреда, натиснете и задръжте бутона "Старт/Стоп" или бутона "Избор на тава" за 3 секунди. След това изберете желаната програма, като изберете тавата отново.



- Дисплеят показва автоматично зададените температури и времена според избраните функции за готвене. Можете да промените тези температури и времена по желание.
- За да отмените процеса на готвене, натиснете и задръжте бутона "Старт/Стоп" или бутона "Избор на камера" за 3 секунди. Програмата за готвене, която сте избрали, ще бъде отменена.

## 3 Употреба



Включете уреда в контакта и натиснете бутона за включване/изключване "ⓘ". След като лампичките на тавата светнат, изберете желаната тава "☑". След като изберете тавата, изберете желаната програма от меню Програми според това, което желаете да готвите.

След избиране на желаната програма, избраната програма ще светне с ярка светлина. Ако искате да промените програмата, можете да изберете една от слабо осветените програми.

След като изберете програмата, можете да зададете температурата и времето за готвене, като натиснете иконите за температура и време. Стартирайте процеса на готвене, като натиснете иконата за старт. Когато желаете да готвите в другата камера, повторете процеса, като изберете тава.

### 3.5.2 Настройка на температура и време

Натиснете бутоните "°C" или "⌚", за да зададете температурата или времето. Символът "[-][+]"

е активиран. Задайте температурата и времето на желаната стойност, като използвате символа "[-][+]".

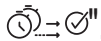
### 3.5.3 Настройки на функциите

#### 3.5.3.1 Интелигентно довършване

Функцията "Интелигентно довършване" ви позволява да започнете и завършите 2 различни храни едновременно при различни температури, времена и режими на готвене.

1. Подгответе настройките за готвене за лявата тава на уреда, както е описано в раздел 3.5.1.
2. След това изберете правилната тава и регулирайте настройките за готвене.
3. Изберете функцията „Интелигентно довършване“ на уреда.
4. Стартирайте процеса на готвене, като натиснете един от бутоните за стартиране. Уредът ще започне процеса на готвене, за да завърши и двете тави едновременно.



За да изберете функцията "Интелигентно довършване" , процесът на готвене не трябва да е започнал в нито една тава. Ако готвенето вече е започнало в поне една тава, функцията "Интелигентно довършване" не може да бъде избрана.

### 3.5.3.2 Поддържане топло

Функцията „Поддържане топло“ ви позволява да поддържате храната си топла, когато приключи с готвенето.

1. Подгответе желаната тава за готвене, както е описано в 3.5.1. След това натиснете бутона "Старт", за да започнете готвенето.
2. След като готвенето започне, натиснете иконата „Поддържане топло“. (Можете също да натиснете иконата „Поддържане топло“, преди да започнете да готвите.)
3. След приключване на процеса на готвене уредът ще поддържа температурата на вашата храна.



- Функцията за поддържане на топлина остава активирана за 15 минути.
- Можете също така да изберете функцията "Поддържане топло", преди да започнете процеса на готвене.

### 3.5.3.3 Синхронизиране на готвенето

С функцията за синхронизиране на готвенето можете лесно да съчетаете тавите, когато готвите една и съща храна и в двете тави.

1. Подгответе лявата или дясната тава на уреда, както е описано в 3.5.1.
2. След това изберете дясната камера на уреда и натиснете иконата "Синхронизиране на готвенето".
3. Всички температури и работни времена са синхронизирани в двете тави.
4. Ако натиснете иконата "Старт", можете да извършите един и същ процес на готвене в две отделни тави.



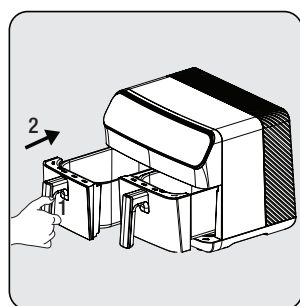
След активиране на функцията "Синхронизиране на готвенето" всички промени, които правите в една тава, се прехвърлят в другата.

## 3 Употреба

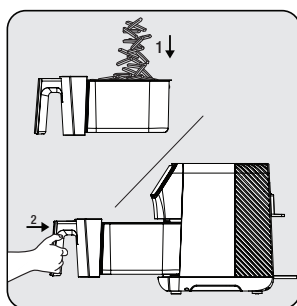
### 3.6 Готвене

**i** Ще постигнете по-добри резултати, ако смесите храната с малко количество масло, като намажете храната с масло, преди да я поставите в тавата за готвене.

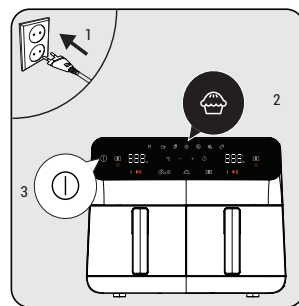
**!** Не докосвайте подвижните тави за готвене, когато са горещи, с изключение на дръжките.



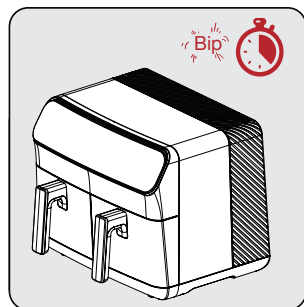
Извадете тавата за готвене и я поставете върху равна, чиста повърхност.



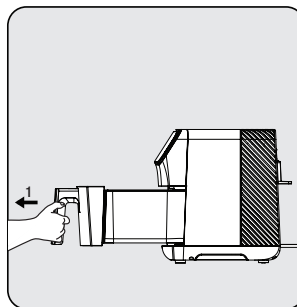
Поставете храната в тавата за готвене. След това поставете тавата в уреда и се уверете, че е поставена правилно.



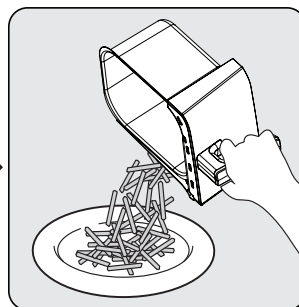
Свържете уреда и изберете желаната програма за готвене. След това започнете процеса на готвене.



Когато избраното време за готвене изтече, ще прозвучи предупредителен сигнал и уредът автоматично ще спре готвенето.



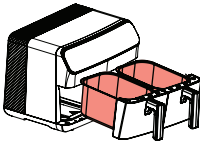
Извадете тавата и проверете дали храната е напълно сготвена. Ако е необходимо допълнително готвене, можете да удължите времето за готвене още малко.



Когато процесът приключи, прехвърлете сготвеното в купа или чиния.

### 3 Употреба

- За да осигурите равномерно готвене, внимателно извадете и разклатете тавата за готвене по средата на процеса на готвене или използвайте щипки, за да обърнете храната, за да не надраскате тавата.
- Правете тази процедура по-често, ако правите дълъг цикъл на готвене или ако искате по-хрупкави резултати.



Не позволявайте на кошницата за готвене да докосва външната страна на уреда, тъй като повърхността на тавата (2) ще бъде гореща по време и след готвене.



- Оставете храната да почине за 5 до 10 секунди, преди да я извадите от подвижната тава за готвене (2).
- Използвайте щипки, за да отстраните груби или меки храни от тавата за готвене, без да повредите вътрешната повърхност на уреда.
- Когато една партида е готова, уредът веднага е готов за друга партида.



- Имайте предвид, че устройството може да стане много горещо по време на процеса на завъртане.
- Не поставяйте продукта върху работния си плот по такъв начин, че да блокира каналите за изход на въздух.
- Не поставяйте други продукти върху уреда.

## 4 Време за готвене

Настройките по подразбиране на температурата и времето на програмите на уреда се задават автоматично.

Следващата таблица дава общ преглед на времето за готвене за различни храни. Времето за готвене зависи от дебелината, марката и консистенцията на храната. Препоръчаните времена и количества трябва да се считат за приблизителни.

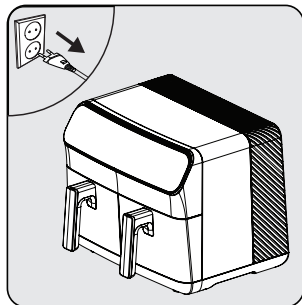
Програма	Храна	Температура	Продължителност
<b>Пиле</b>	Бутчета (4 броя)	180°C	24 - 30 мин
	Пилешки гърди (2 * 200 гр.)	180°C	24 - 30 мин
	Крилца (8 броя) 180 градуса	180°C	22 - 26 мин
<b>Зеленчуци</b>	Пресни картофи 200 гр	200°C	20 - 25 мин
	Пресни картофи 500 гр	200°C	24 - 30 мин
	Замразени картофи 500 гр	200°C	20 - 27 мин
	Замразени картофи 1000 гр	200°C	42 - 48 мин
	Картофи - моркови гарнитурa на кубчета	190°C	15 - 20 мин
	Лучени Кръгчета	190°C	10 - 15 мин
	Тиквичка и патладжан (нарязани на колелца - 1 бр.)	180°C	20 - 25 мин
<b>Фурна/Торта</b>	Мъфин	160°C	15 - 19 мин
<b>Размразяване</b>	Кайма, пилешко, кюфтета и др.	35- 50°C	15 - 30 мин
<b>Сушене</b>	Домат (2-3 мм дебелина)	55°C	7- 9 часа
	Ябълка (2-3 мм дебелина)	55°C	7- 8 часа
	Банан (2-3 мм дебелина)	60°C	7- 9 часа
	Патладжан (2-3 мм дебелина)	55°C	7- 8 часа
	Гъба (дебелина 3-4 мм)	60°C	6- 8 часа
	Ананас (дебелина 4-5 мм)	60°C	6- 8 часа



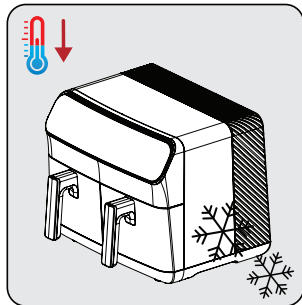
## 5 Почистване и поддръжка

### 5.1 Почистване

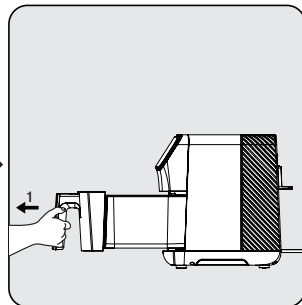
**i** Никога не използвайте бензин, разтворители, абразивни почистващи препарати, метални предмети или твърди четки за почистване на уреда.



Изключете уреда и го изключете от захранването.



Оставете уреда да изстине напълно.

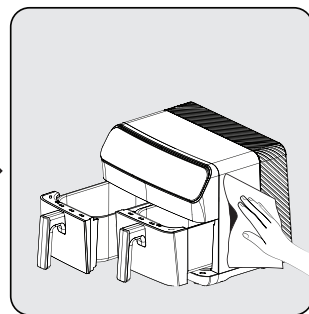


Извадете подвижната кошница за готвене (5) от чекмеджето.

**i** Извадете тавите за готвене от уреда, за да позволите на уреда да се охлади по-бързо.



Можете да измиете тавата за готвене в топла сапунена вода или в съдомиялна машина.



Почистете външната страна на уреда с влажна кърпа. Изсушете напълно външната част на уреда.

**i** Винаги поддържайте дъното на тавата за готвене чисто, за да избегнете натрупването на чужди тела.

### **5.2 Съхранение**

- Ако не възнамерявате да използвате уреда за по-дълъг период от време, съхранявайте го внимателно.
- Изключете уреда от контакта и го оставете да изстине, преди да го приберете.
- Съхранявайте уреда на хладно и сухо място.
- Пазете уреда и кабела далеч от деца.

### **5.3 Транспорт и доставка**

- Транспортирайте уреда в оригиналната му опаковка по време на работа и транспорт. Опаковката предпазва уреда от физическа повреда.
- Не поставяйте тежки предмети върху уреда или неговата опаковка. Уредът може да се повреди.
- Ако уредът бъде изпуснат, той може да спре да работи или да настъпи трайна повреда.

	Проблемът	Причина	Решение
1	Продуктът не работи	Прекъсвания на електрозахранването	Проверете захранването и се уверете, че има захранване
		Няма захранване или лоша връзка на електрическия контакт	
		Захранващото напрежение на продукта	
2	Храната е недостатъчно сготвена/изгоряла	Времето за готвене не е правилно	Комбинирайте рецепти и личния си опит, за да коригирате подготовката и времето
3	Пуши при първа употреба	Смазка срещу ръжда върху нагревателя на продукта	Когато използвате за първи път, настройте температурата на максимум и загрейте предварително за 10-15 минути, за да премахнете маслото против ръжда върху нагревателя на продукта
4	Странна миризма	Тава за готвене, чекмедже за тава, Чуждо тяло върху нагревателя	Отстранете чуждия предмет
5	Дисплеят показва E1 и продуктът вече не работи	Лявата тава за готвене NTC е изключена	Изпратете на сервиз за ремонт
6	Дисплеят показва E2 и продуктът вече не работи	Лявата тава за готвене NTC не работи	
7	Дисплеят показва E3 и продуктът е спрял да работи	Дясната тава за готвене NTC е изключена	
8	Екранът показва E4 и продуктът е спрял да работи	NTC на дясната тава за готвене не работи	
9	Екранът показва E5 и продуктът е спрял да работи	Проблем със захранваща печатна платка (лява тава за готвене NTC)	
10	Екранът показва E6 и продуктът е спрял да работи	Проблем със захранваща печатна платка (дясна тава за готвене NTC)	
11	Екранът показва E7 и продуктът е спрял да работи	Проблем със захранващата платка (Проблем с връзката)	
12	Екранът показва E8 и продуктът е спрял да работи	Проблем със захранващата платка (Проблем с връзката)	

## 6 Отстраняване на неизправности

13	Екранът показва E9 и продуктът е спрял да работи	Проблем със захранващата платка
14	Дисплеят показва E10 и продуктът е спрял да работи	Проблем със захранващата платка (съпротивление на лява тава за готвене)
15	Дисплеят показва E10 и продуктът е спрял да работи	Проблем със захранващата печатна платка (съпротивление на дясната тава за готвене)

Arçelik A.Ş.  
Karaağaç Caddesi No:2-6, 34445,  
Sütlüce / İSTANBUL / TÜRKİYE  
[www.beko.com](http://www.beko.com)

المشكلة	السبب	الحل
المنتج لا يعمل	انقطاع التيار الكهربائي	تحقق من مصدر الطاقة وتأكد من وجود تيار كهربائي
	لا توجد كهرباء أو اتصال ضعيف في منفذ الطاقة	
	جهد إمداد الطاقة للمنتج	
الطعام غير مطهي بشكل غير كاف/محترق	وقت الطهي غير صحيح	امزج بين الوصفات وخبرائك الشخصية لضبط الإعداد والتوقيت
إبعث دخان أثناء الاستخدام لأول مرة	شحيم مضاد للصدأ على سخان المنتج	عند الاستخدام لأول مرة، اضبط درجة الحرارة على الحد الأقصى وقم بالتسخين المسبق لمدة 10-15 دقيقة لإزالة الزيت المضاد للصدأ من سخان المنتج
رائحة غريبة	صينية الطبخ، درج الصينية، جسم غريب على السخان	قم بإزالة الجسم الغريب
تعرض الشاشة E1 والمنتج لا يعمل	صينية الطهي اليسرى مفصولة NTC	أرسله إلى الخدمة للإصلاح
تعرض الشاشة E2 والمنتج لم يعد يعمل	صينية الطهي اليسرى لا تعمل NTC	
تعرض الشاشة E3 وتوقف المنتج عن العمل	صينية الطهي اليمنى مفصولة NTC	
تعرض الشاشة E4 وتوقف المنتج عن العمل	صينية الطهي اليمنى لا تعمل NTC	
تعرض الشاشة E5 وتوقف المنتج عن العمل	مشكلة في طاقة PCB (صينية الطهي اليسرى) NTC	
تعرض الشاشة E6 وتوقف المنتج عن العمل	مشكلة في طاقة PCB (صينية الطهي اليمنى) NTC	
تعرض الشاشة E7 وتوقف المنتج عن العمل	مشكلة في الطاقة PCB (مشكلة في الاتصال)	
تعرض الشاشة E8 وتوقف المنتج عن العمل	مشكلة في الطاقة PCB (مشكلة في الاتصال)	
تعرض الشاشة E9 وتوقف المنتج عن العمل	مشكلة في الطاقة PCB	
تعرض الشاشة E10 وتوقف المنتج عن العمل	مشكلة في الطاقة PCB (مقاومة صينية الطهي اليسرى)	
تعرض الشاشة E10 وتوقف المنتج عن العمل	مشكلة في PCB (مقاومة صينية الطهي اليمنى)	

### 5.2 التخزين

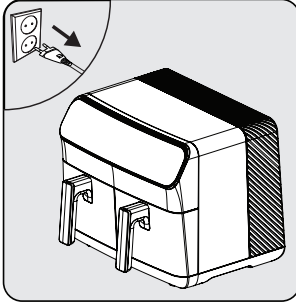
- إذا كنت لا تنوي استخدام الجهاز لفترة أطول، فقم بتخزينه بعناية.
- افصل الجهاز عن الكهرباء واتركه يبرد قبل وضعه بعيداً.
- قم بتخزين الجهاز في مكان بارد وجاف.
- احتفظ بالجهاز والكابل بعيداً عن متناول الأطفال.

### 5.3 النقل والشحن

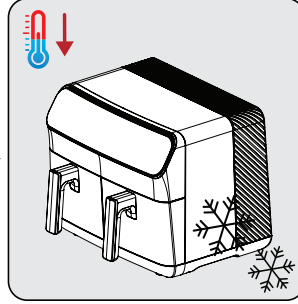
- انقل الجهاز في عبوته الأصلية أثناء المناولة والنقل. العبوة تحمي الجهاز من التلف المادي.
- لا تضع أشياء ثقيلة على الجهاز أو عبوته. حيث قد يتعرّض الجهاز للتلف.
- في حالة سقوط الجهاز، فقد يتوقف عن العمل أو يتعرض لتلف دائم.

5.1 التنظيف

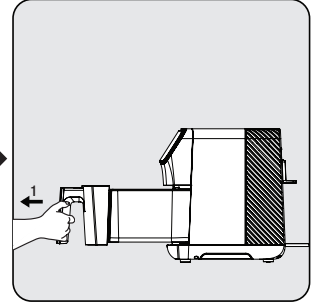
تجنب تمامًا استخدام البنزين أو المذيبات أو المنظفات الكاشطة أو الأشياء المعدنية أو الفرش الصلبة لتنظيف الجهاز.



أوقف تشغيل الجهاز وافصله عن مصدر الطاقة.



اترك الجهاز ليبرد تمامًا.

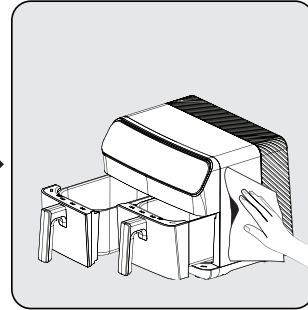


قم بإزالة سلة الطهي القابلة للإزالة (5) من الدرج.

قم بإزالة صواني الطهي من الجهاز للسماح بتبريد الجهاز بسرعة أكبر.



يمكنك غسل صينية الطهي بالماء الدافئ والصابون أو في غسالة الأطباق.



نظف الجزء الخارجي من الجهاز بقطعة قماش مبللة. جفف الجزء الخارجي من الجهاز تمامًا.

حافظ دائمًا على نظافة الجزء السفلي من صينية الطهي لتجنب تراكم الأجسام الغريبة.

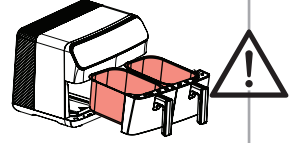




يتم ضبط الإعدادات الافتراضية لدرجة الحرارة والوقت لبرامج الجهاز تلقائيًا. يقدم الجدول التالي نظرة عامة على أوقات الطهي للأطعمة المختلفة. تعتمد أوقات الطهي على سمك ونوع واتساق الطعام. يجب اعتبار الأوقات والكميات الموصى بها تقريبية.

المدة الزمنية	درجة الحرارة	الطعام	البرنامج
24 - 30 دقيقة	180°C	أفخاذ (4 قطع).	الدجاج
24 - 30 دقيقة	180°C	صدر دجاج (2 * 200 جرام)	
22 - 26 دقيقة	180°C	أجنحة (8 قطع) 180 درجة	
20 - 25 دقيقة	200°C	بطاطس طازجة 200 جرام	الخضروات
24 - 30 دقيقة	200°C	بطاطس طازجة 500 جرام	
20 - 27 دقيقة	200°C	بطاطس مجمدة 500 جرام	
42 - 48 دقيقة	200°C	بطاطس مجمدة 1000 جرام	
15 - 20 دقيقة	190°C	طبق مكعبات البطاطس والجزر	
10 - 15 دقيقة	190°C	حلقات البصل	
20 - 25 دقيقة	180°C	كوسة وبانجان (مقطعة إلى حلقات - قطعة واحدة)	
15 - 19 دقيقة	160°C	مافن	اللفرن / الكعك
15 - 30 دقيقة	35- 50°C	لحم مفروم، دجاج، كرات لحم، الخ.	إذابة التجمد
7 - 9	55°C	الطماطم (2-3 مم)	التجفيف
7 - 8	55°C	التفاح (2-3 مم)	
7 - 9	60°C	الموز (2-3 مم)	
7 - 8	55°C	البانجان (2-3 مم)	
6 - 8	60°C	المشروم (3-3 مم)	
6 - 8	60°C	الأناناس (4-5 مم)	

لا تدع سلة الطهي تلمس الجزء الخارجي من الجهاز لأن سطح صينية الطهي (2) سيكون ساخناً أثناء الطهي وبعده.

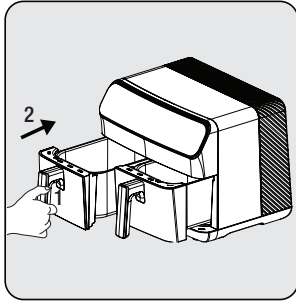


- اترك الطعام لمدة 5 إلى 10 ثوانٍ قبل إخراجها من صينية الطهي القابلة للإزالة (2).
- استخدم الملقط لإزالة الطعام الخشن أو الناعم من صينية الطهي دون الإضرار بالسطح الداخلي للجهاز.
- عندما تكون دفعة واحدة جاهزة، يكون الجهاز جاهزاً على الفور لدفعة أخرى.

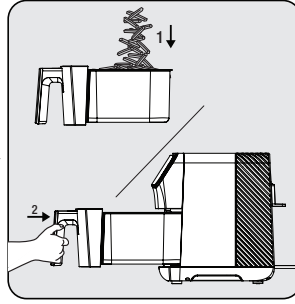
i

- لاحظ أن الجهاز قد يصبح ساخناً جداً أثناء عملية التقليب.
- لا تضع المنتج على السطح بشكل يسد قنوات خروج الهواء.
- لا تضع أي منتج آخر على الجهاز.

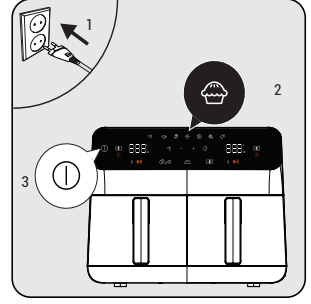




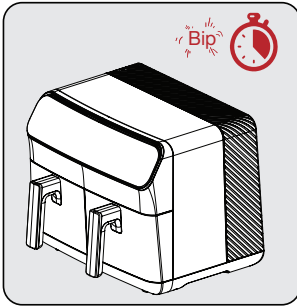
أخرج صينية الطهي وضعها على سطح مستو ونظيف.



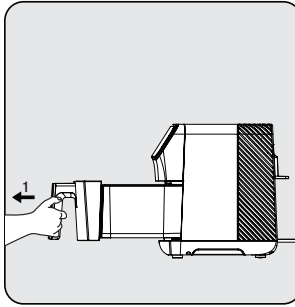
ضع الطعام في صينية الطهي. ثم أدخل الصينية في الجهاز وتأكد من تثبيتها بشكل صحيح.



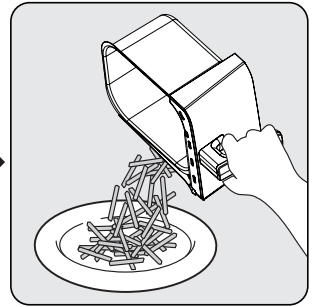
قم بتوصيل الجهاز وحدد برنامج الطهي المطلوب. ثم ابدأ عملية الطهي.



عندما ينتهي وقت الطهي المحدد، ستصدر نغمة تحذير وسيوقف الجهاز تلقائيًا عن الطهي.

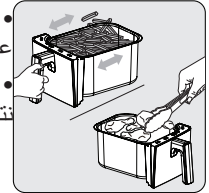


أخرج الصينية وتحقق من نضج الطعام بالكامل. يمكنك إطالة وقت الطهي قليلاً إذا تطلب الأمر مزيداً من الطهي.



عند اكتمال العملية، أفرغ الطعام المطهي إلى وعاء أو طبق.

لضمان الطهي المتساوي، قم بإزالة صينية الطهي بعناية ورجها في منتصف عملية الطهي، أو استخدم الملقط لقلب طعام الطهي حتى لا تحدش الصينية. قم بهذا الإجراء في كثيرًا إذا كنت تقوم بدورة طهي طويلة أو إذا كنت تريد نتائج مقرمشة.



3.5.3.2 الحفاظ على الحرارة 

- تتيح لك ميزة "الحفاظ على الحرارة" الحفاظ على حرارة طعامك عند الانتهاء من طهيهِ.
1. قم بإعداد الصينية المطلوبة للطهي كما هو موضح في 3.5.1. ثم اضغط على زر "البدء" لبدء الطهي.
  2. بمجرد بدء الطهي، اضغط على أيقونة "الحفاظ على الحرارة". (يمكنك أيضًا الضغط على أيقونة "الحفاظ على الحرارة" قبل بدء الطهي).
  3. بعد اكتمال عملية الطهي، سيحافظ الجهاز على درجة حرارة طعامك.

- تظل وظيفة الحفاظ على الحرارة نشطة لمدة 15 دقيقة.
- يمكنك أيضًا تحديد وظيفة "الحفاظ على الحرارة" قبل بدء عملية الطهي.


3.5.3.3 الطهي المتزامن 

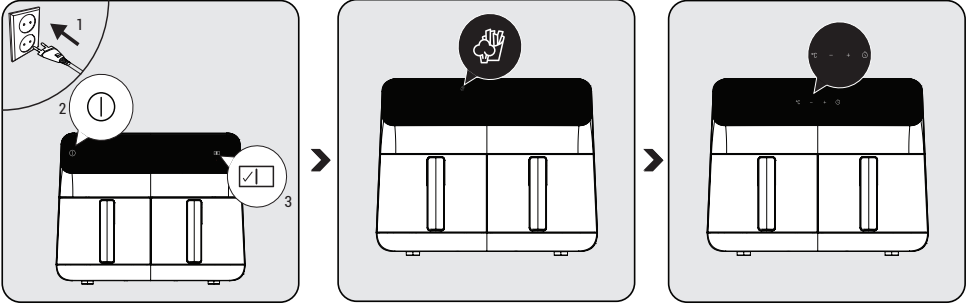
- مع وظيفة الطهي المتزامن، يمكنك بسهولة مطابقة الصواني عند طهي نفس الطعام في كلا الصينيين.
1. قم بإعداد الصينية اليسرى واليمنى للجهاز كما هو موضح في 3.5.1.
  2. ثم حدد الحجره اليمنى للجهاز واضغط على أيقونة "الطهي المتزامن".
  3. تتم مزامنة جميع درجات الحرارة وأوقات التشغيل في كلا الصينيين.
  4. إذا ضغطت على أيقونة "البدء"، يمكنك إجراء نفس عملية الطهي في صينيتين منفصلين.

بعد تنشيط وظيفة "الطهي المتزامن"، يتم نقل جميع التغييرات التي تجربها في أحد الصواني إلى الأخرى.

## 3.6 الطهي

ستحقق نتائج أفضل إذا قمت بخلط الطعام بكمية صغيرة من الزيت باستخدام ملعقة قياس أو دهن الطعام بالزيت قبل وضعه في صينية الطهي.

لا تلمس صواني الطهي القابلة للإزالة عندما تكون ساخنة،  
باستثناء المقابض. 



قم بتوصيل الجهاز واضغط على زر التشغيل / الإيقاف "⏻". بعد أن تضيء مصابيح الصينية، حدد الصينية المطلوبة "☑". بعد تحديد الصينية، حدد البرنامج المطلوب من قائمة البرامج وفقاً لما ترغب في طهيته.

بعد تحديد البرنامج المطلوب، سيضيء البرنامج المحدد في ضوء ساطع. إذا كنت تريد تغيير البرنامج، فيمكنك تحديد أحد البرامج ذات الإضاءة الخافتة.

بعد تحديد البرنامج، يمكنك ضبط درجة الحرارة ووقت الطهي بالضغط على أيقونات درجة الحرارة والوقت. ابدأ عملية الطهي بالضغط على أيقونة البدء. عندما ترغب في الطهي في الحجرة الأخرى، كرر العملية عن طريق اختيار صينية.

### 3.5.2 ضبط درجة الحرارة والوقت

اضغط على الزر "°C" أو "°F" لضبط درجة الحرارة أو الوقت. تم تنشيط الرمز "⊕⊖". اضبط درجة الحرارة والوقت على القيمة المرغوبة باستخدام رمز "⊕⊖".

### 3.5.3 إعدادات الوظائف

#### 3.5.3.1 إنهاء الذكي

- تتيح لك وظيفة "الإنهاء الذكي" بدء وإنهاء نوعين مختلفين من الأطعمة في وقت واحد في درجات حرارة مختلفة وأوقات طهي وأوضاع طهي مختلفة.
1. قم بإعداد إعدادات الطهي للصينية اليسرى من الجهاز كما هو موضح في القسم 3.5.1.
  2. ثم حدد الصينية اليمنى واضبط إعدادات الطهي.
  3. حدد وظيفة "الإنهاء الذكي" في الجهاز.
  4. ابدأ عملية الطهي بالضغط على أحد أزرار البدء. سيبدأ الجهاز في عملية الطهي لإنهاء كلا الصينيتين في وقت واحد.

لتحديد وظيفة "الإنهاء الذكي" ، يجب ألا تكون عملية الطهي قد بدأت في أي من الصينيتين. إذا بدأ الطهي بالفعل في صينية واحدة على الأقل، فلا يمكن تحديد وظيفة "الإنهاء الذكي".



## 3.4 تحذيرات قبل استخدام الجهاز لأول مرة

- عندما يكون الجهاز قيد التشغيل ويتم سحب صينية الطهي القابلة للإزالة (2)، سوف يتسرب البخار الساخن من مخرج الهواء (6) وأعلى السلة. لذلك، احرص على عدم حرق نفسك بالبخار الساخن.
- احرص على تجنب التلامس المباشر عند استخدام صواني الطهي (2) في درجات حرارة عالية.



عادة ما يتم الحصول على أفضل نتائج للتحمير والطهي على رف الطهي. يوصى باستخدام رف الطهي لجميع الوصفات والتحميص



## 3.5 التشغيل

## 3.5.1 تحديد البرنامج وبدء تشغيله

إذا كنت تريد التبديل إلى برنامج آخر بعد بدء تشغيل الجهاز، فاضغط مع الاستمرار على مفتاح "بدء/ إيقاف" أو مفتاح "تحديد الصينية" لمدة 3 ثوانٍ. ثم حدد البرنامج المطلوب عن طريق تحديد الصينية مرة أخرى.

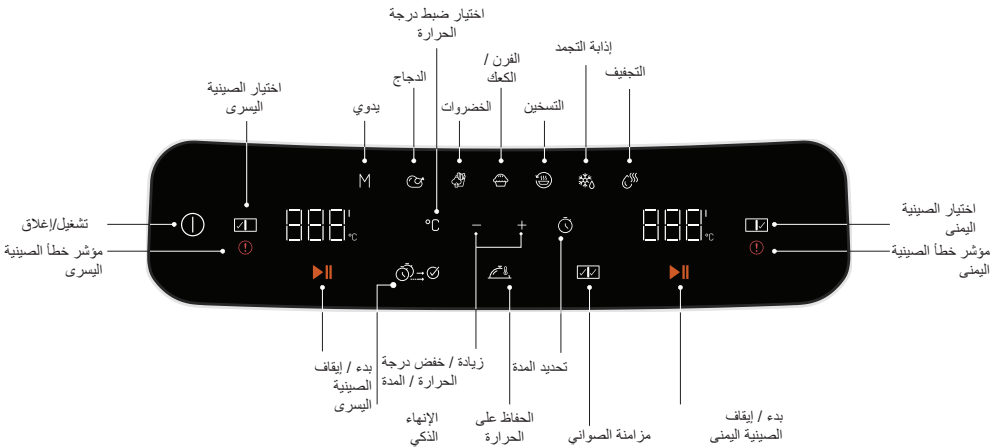


- تعرض الشاشة درجات الحرارة والأوقات التي تم ضبطها تلقائيًا وفقًا لوظائف الطهي المحددة. يمكنك تغيير درجات الحرارة والأوقات حسب الرغبة.
- لإلغاء عملية الطهي، اضغط مطولاً على مفتاح "بدء / إيقاف" أو مفتاح "تحديد الحجر" لمدة 3 ثوانٍ. سيتم إلغاء برنامج الطهي الذي حددته.



### 3.3 لوحة تحكم وشاشة LED

معد للاستخدام العام. يسمح لك البرنامج اليدوي بإعداد طعامك خارج البرامج المحددة.	M	يدوي
تم تصميم هذا البرنامج خصيصًا للدواجن. يمكنك أيضًا طهي المأكولات البحرية باستخدام هذا البرنامج.	🐔	الدجاج
تم تصميم هذا البرنامج خصيصًا للخضروات. يمكنك استخدام هذا البرنامج لقلي البطاطس وجميع أنواع الخضار.	🥕	الخضروات
تم تصميم هذا البرنامج خصيصًا للمخبوزات مثل الكعك والخبز.	🍰	الفرن / الكعك
تم تصميم هذا البرنامج خصيصًا لإعادة التسخين.	🔥	التسخين
هذا البرنامج مصمم خصيصًا لإذابة التجمد.	❄️	إذابة التجمد
برنامج مصمم خصيصًا لتجفيف الطعام. يتم استخدامه مع ملحقات التجفيف.	🌬️	التجفيف



### 3.1 الاستخدام المخصص

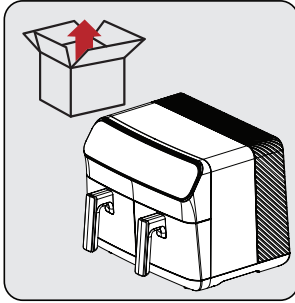
هذا الجهاز مخصص للاستخدام المنزلي فقط، فهو غير مناسب للاستخدام المهني.

قد يكون هناك انبعاث طفيف للدخان عند استخدام الجهاز لأول مرة. هذا أمر طبيعي.

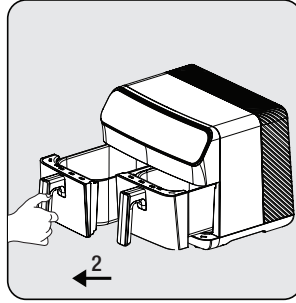


### 3.2 إعداد الجهاز للاستخدام

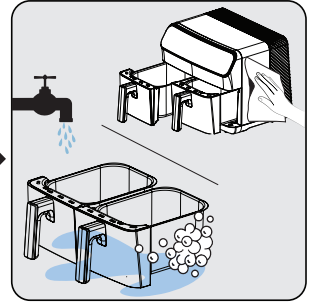
• استخدم الجهاز في وضع عمودي على سطح ثابت ومستوي ونظيف وجاف وغير قابل للانزلاق.



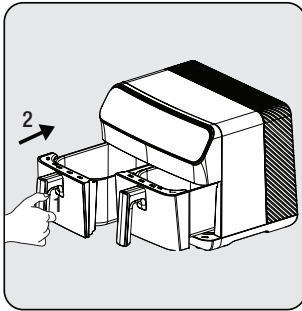
أزل مواد التعبئة والتغليف قبل استخدام الجهاز لأول مرة وضعه في منطقة مسطحة ونظيفة.



افتح صواني الطهي القابلة للإزالة (2)، أمسك المقابض بإحكام، ثم اسحب الحجرة من فتحتها.



نظف صواني الطهي القابلة للإزالة (2) بالماء الدافئ والصابون.



بعد تنظيف جميع الأجزاء، أدخل صينية الطهي (2) جهازك جاهز للاستخدام الآن.

عند الاستخدام لأول مرة، اضبط الجهاز على الوضع "M"، واضبطه على أعلى درجة حرارة واتركه يعمل لمدة 10 دقائق دون إضافة أي مكونات.

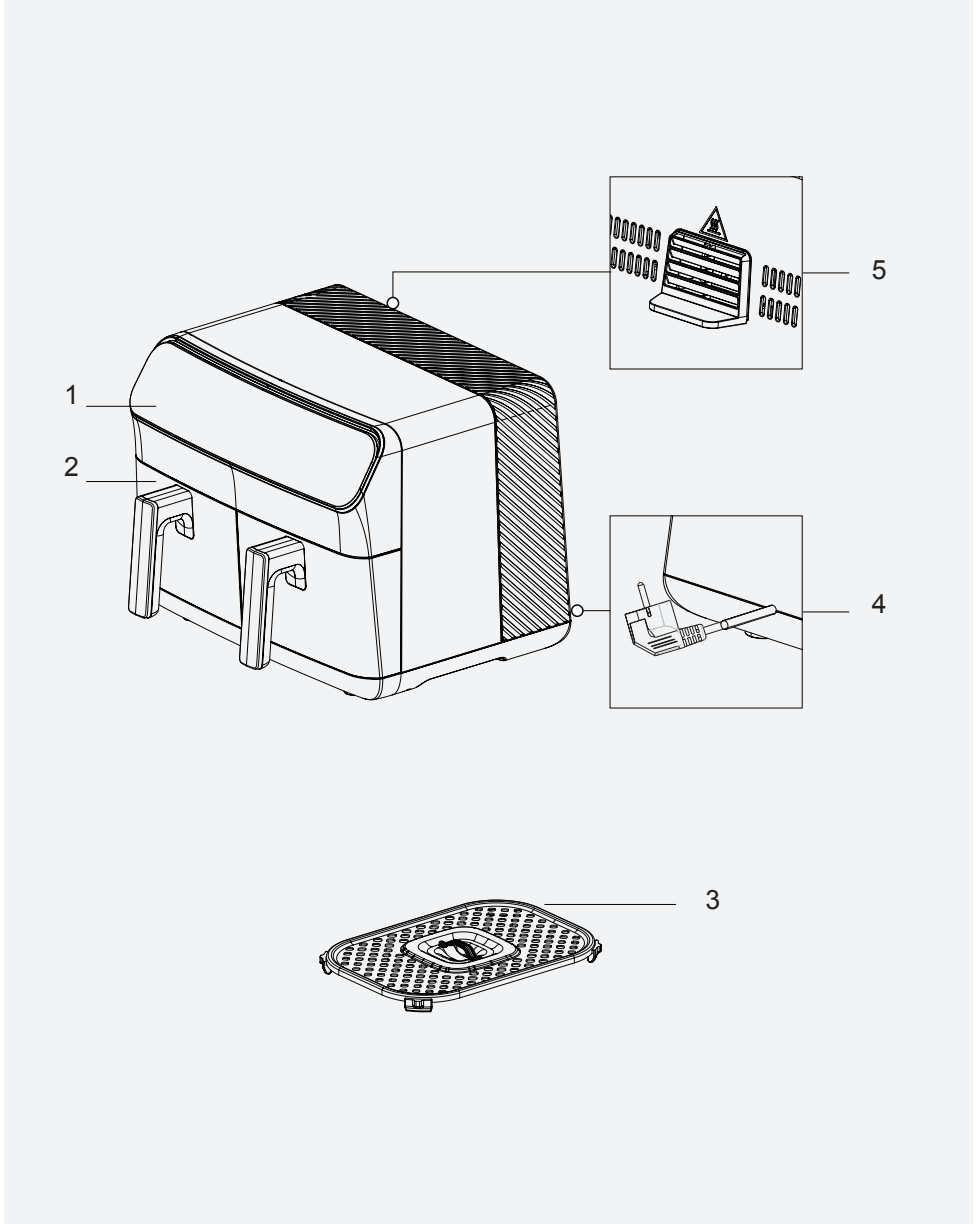




1. لوحة التحكم الرقمية
2. حجرة طهي قابلة للإزالة
3. رف الطهي
4. كابل الطاقة
5. مخرج الهواء

### البيانات التقنية

إمداد الطاقة	220-240 فولت ~ 50-60 هرتز
استهلاك الطاقة	2000-2400 واط
سعة الصينية	8,5 ل (4,25 ل + 4,25 ل)



إن العلامات الموجودة على الجهاز والقيم المحددة في المستندات المقدمة مع المنتج جرى الحصول عليها في ظل ظروف معملية وفقاً للمعايير ذات الصلة. قد تختلف القيم حسب استخدام الجهاز والظروف المحيطة. لقد خضعت قيم الطاقة للاختبار في جهد 230 فولت.

## 1.1 الامتثال للتوجيهات الخاصة بنفايات الأجهزة والتخلص منها:

هذا المنتج متوافق مع توجيهات EU WEEE (EU/2012/19). يحمل هذا المنتج رمز تصنيف التخلق من الأجهزة الكهربائية والإلكترونية (WEEE).

يشير هذا الرمز إلى أنه لا يجب التخلص من هذا المنتج مع النفايات المنزلية الأخرى في نهاية عمره التشغيلي. يجب إعادة الجهاز المستخدم إلى نقطة التجميع الرسمية لإعادة تدوير الأجهزة الكهربائية والإلكترونية.



للعثور على أنظمة التجميع هذه، يرجى الاتصال بالسلطات المحلية أو بائع التجزئة الذي تم شراء المنتج منه. تؤدي كل أسرة دورًا مهمًا في استعادة وإعادة تدوير الأجهزة القديمة. حيث يساعد التخلص المناسب من الأجهزة المستخدمة على منع النتائج السلبية المحتملة على البيئة وصحة الإنسان.

## 1.2 الامتثال لتوجيهات حظر المواد الخطرة:

هذا المنتج متوافق مع توجيهات EU RoHS (2011/65/EU). وهو لا يحتوي على مواد ضارة أو محظورة محددة في التوجيهات.

## 1.3 معلومات التغليف

إن غلاف المنتج مصنوع من مواد قابلة للتدوير، طبقًا للأنظمة الوطنية. لا تتخلص من نفايات التغليف مع النفايات المنزلية أو النفايات الأخرى، وتخلص منها في مناطق التجميع المحددة من قبل السلطات المحلية.



## 1.4 نقاط مهمة بخصوص توفير الطاقة

التزم بالأوقات الموصى بها في الدليل أثناء استخدام الجهاز. افصل الجهاز بعد كل استخدام.

- يحظر ترك الجهاز بدون مراقبة أثناء تشغيله.
- لا تقم بتفكيك الجهاز.
- لا تستخدم سوى الأجزاء الأصلية أو الأجزاء التي يُوصي بها المُصنّع.
- افصل الجهاز عن الكهرباء قبل التنظيف وجفف جميع الأجزاء تمامًا بعد التنظيف.
- نظف الجهاز وفقًا للإرشادات الواردة في قسم التنظيف والصيانة.
- لا تضع قطعًا كبيرة من الطعام داخل الجهاز لأنها قد تتسبب في نشوب حريق.
- لا تلمس قابس الجهاز إذا كانت يديك رطبة أو مبلّلة.
- لا تضع الجهاز في أماكن رطبة.
- لا تحرك الجهاز أثناء استخدامه والزيوت بداخله ساخن.
- لا تستخدم الجهاز في بيئات ومع مواد قابلة للانفجار أو الاشتعال أو بالقرب منها.
- لا تلمس الأسطح الساخنة لتجنب خطر الإصابة بحروق.
- دع الجهاز يبرد في مكان آمن بعيدًا عن متناول الأطفال.
- لا تسد فتحتي مدخل الهواء ومخرجه أثناء تشغيل الجهاز.
- لا تتحني أثناء استخدام الجهاز. الهواء الساخن يتصاعد من الجهاز أثناء الاستخدام!
- يصبح الجهاز ساخنًا أثناء الاستخدام. لا تلمس الأسطح الساخنة لتجنب خطر الإصابة بحروق.
- تأكد من أن الغرفة جيدة التهوية أثناء الاستخدام.
- افصل الجهاز عن الكهرباء في حالة نشوب حريق.
- لا تقم بصب الماء على الجهاز، فقد يتسبب ذلك في حدوث صدمة كهربائية.
- لا تستخدم المنتج مع مؤقت خارجي أو نظام تحكم عن بعد منفصل.
- لا تستخدم سوى أدوات المطبخ المعدنية ذات المقابض المعزولة مع الجهاز.
- لا تضع أي شيء فوق الجهاز أثناء تشغيله أو إذا كان ساخنًا.
- لفصل الاتصال، قم بتحويل قرص المؤقت وقرص درجة الحرارة إلى وضع الإيقاف. ثم افصل الجهاز عن التيار الكهربائي.
- إذا احتفظت بمواد التغليف، فاحفظها بعيدًا عن متناول الأطفال.

باستخدام الجهاز بطريقة آمنة وكانوا يدركون المخاطر المنطوية على ذلك.

• إذا كان السلك تالفاً، فاستبدله من المصنع، أو الوكيل، أو أي شخص مؤهل بنفس الدرجة لتجنب المخاطر.

• يحظر إجراء أعمال التنظيف والصيانة بواسطة الأطفال إلا إذا كانوا أكبر من 8 أعوام وتحت الإشراف.

• احتفظ بالمنتج وكابله بعيداً عن متناول الأطفال دون سن 8 سنوات.

• اضبط موضع مقابض أجهزة الطهي (إن وجدت) بحيث لا تنسكب السوائل الساخنة وضعها في مكان آمن.

• تأكد من أن الجهد الموضح على الجهاز هو نفس الجهد الكهربائي في منزلك.

• استخدم الجهاز في مقبس مؤرض.

• لا تستخدم الجهاز بسلك تطويل.

• لا تضع جهازك على مصادر الحرارة مثل الأفران والمواقد أو بالقرب منها.

• لمنع تلف سلك الطاقة، احرص على حمايته من الانضغاط أو التجعيد أو الاحتكاك بالحواف الحادة.

• لا تفصل الجهاز عن طريق سحب السلك.

• لا تغمر الجهاز أو سلك الطاقة في الماء لتنظيفه.

يحتوي هذا القسم على تعليمات خاصة بالسلامة للوقاية من المخاطر التي يمكن أن تؤدي إلى الإصابة أو تلف الممتلكات.

يكون أي ضمان باطلاً في حالة عدم الالتزام بهذه التعليمات.

## 1.1 السلامة العامة

• يتوافق هذا الجهاز مع معايير السلامة الدولية.

• هذا الجهاز مصمم للاستخدام المنزلي والتطبيقات المماثلة مثل:

• - مناطق المطابخ المخصصة للعاملين في المتاجر والمكاتب وبيئات العمل الأخرى.

• - منازل المزارع.

• - النزلاء في الفنادق وفنادق الطرق والبيئات السكنية المماثلة.

• - الأماكن التي توفر خدمات مبيت وإفطار.

• إذا اقتصر استخدام الجهاز على أقل من المذكور أعلاه، فيجب توضيح ذلك في التعليمات.

• يجب الإشراف على الأطفال لمنع عبثهم بالجهاز.


• يمكن استخدام هذا الجهاز من قبل الأطفال بعمر 8 أعوام فما فوق والأشخاص الذين يعانون من قدرات بدنية أو حسية أو عقلية متدنية أو يفتقرون للخبرة والمعرفة إذا تم منحهم الإشراف أو التعليمات الخاصة

## يُرجى قراءة هذا الدليل أولاً!

عميلنا العزيز،  
شكراً لكم على اختيار إحدى منتجات بيكو. نتمنى لكم تحقيق الاستفادة المثلى من هذا المنتج عالي الجودة والذي استُخدم في تصنيعه أحدث التقنيات. يُرجى التأكد من قراءة هذا الدليل والوثائق الملحقة بالكامل وفهمها جيداً قبل استخدام المنتج، مع الاحتفاظ بهذا الدليل كمرجع. يُرجى إرفاق هذا الدليل مع المنتج في حالة تسليمه إلى شخص آخر. التزم بجميع التحذيرات والمعلومات الواردة هنا واتبع التعليمات.

## الرموز ومعانيها

تُستخدَم الرموز التالية في هذا الدليل:

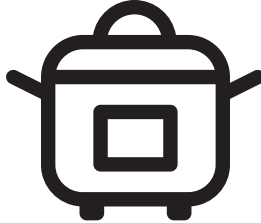
معلومات وتوصيات مهمة بخصوص استخدام الجهاز.	
<b>تحذير:</b> تحذيرات بشأن الإصابة الشخصية أو تلف الممتلكات.	
مناسب للتلامس مع الطعام.	
لا تغمر الجهاز أو سلك الطاقة أو القابس في الماء أو أي سائل آخر.	
تصنيف الحماية من الصدمات الكهربائية	



# beko

جهاز الطهي بقليل من الزيت

دليل المُستخدم



FRL 5388 B

AR

CE

01M-8913883200-1723-04