

beko

Refrigerator

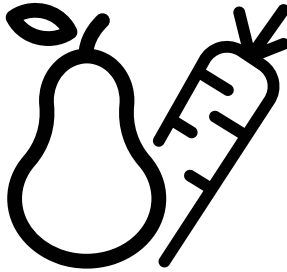
User Manual

الثلاجة

دليل المستخدم

מדריך למשתמש

מקרר



CN160235W

EN/AR/HE

58 6248 0000/AA -EN-AR-HE



Please read this user manual first!





Dear Customer,

Thank you for preferring our product. We hope that you get the best results from your product which has been manufactured with high quality and state-of-the-art technology. Therefore, please read this entire user manual and all other accompanying documents carefully before using the product and keep it as a reference for future use. If you handover the product to someone else, give the user manual as well. Follow all warnings and information in the user manual.

Remember that this user manual is also applicable for several other models. Differences between models will be identified in the manual.

Explanation of symbols

Throughout this user manual the following symbols are used:

	Important information or useful hints about usage.
	Warning for hazardous situations with regard to life and property.
	Warning for electric shock.
	Packaging materials of the product are manufactured from recyclable materials in accordance with our National Environment Regulations.

Contents

1- Safety Instructions	3	4 Preparation	13
2 Your appliance	8	5 Using the product	14
3 Installation	9	5.1. Indicator panel	14
3.1. Appropriate installation location	9	5.2. Dual cooling system	20
3.2. Installing the plastic wedges	9	5.3. Freezing fresh food	20
3.3. Electrical connection	10	5.4. Recommendations for preserving the frozen food	21
3.4. Adjusting the feet	10	5.5. Placement of food	21
3.5. Illumination lamp	10	5.6. Deep-freeze information	21
3.6. Door open warning	10	5.7. Ice machine	22
3.7. Transportation of the product	11	5.8. Icematic	22
4 Preparation	12	5.9. Ice container	23
4.1. Things to be done for energy saving	12	5.10. Blue light/HarvestFresh	23
4.2. Recommendations on the fridge compartment	12	5.11. Egg holder	23
4.3. Initial use	13	5.12. Description and cleaning of odor filter	24
		5.13. Snack compartment	24
		5.14. Sliding storage container	25
		5.15. Rotary storage container	25
		5.16. Crisper	26
		5.17. Using the water dispenser	27
		5.18. Filling the water dispenser's tank	27
		5.19. Cleaning the water tank	28
		5.20. Drip tray	29
		5.21. Humidity-controlled crisper (Ever Fresh)	29
		5.22. Quick bottle cooling/quick ice making compartment	33
		6 Maintenance and cleaning	36
		7. Troubleshooting	37

1 Safety Instructions

- This section contains safety instructions that will help get protected against risks of personal injury or property damage.
- Our company shall not be responsible for damages that may arise when these instructions are not followed.



Installation and repair procedures must always be performed by the manufacturer, authorised service agent or a qualified person specified by the importer.



Only use original parts and accessories.



Original spare parts will be provided for 10 years, following the product purchasing date.



Do not repair or replace any part of the product unless specified expressly in the user manual.



Do not make any technical modifications to the product.



1.1 Intended Use

- This product is not suitable for commercial use and it must not be used out of its intended use. This product is designed to be used in houses and indoor places. For example:
 - Personnel kitchens in stores, offices and other working environments,

- Farm houses,
 - Areas used by customers at hotels, motels and other types of accommodation,
 - Bed&breakfast type hotels, boardinghouses,
 - Catering and similar non-retail applications.
- This product should not be used outdoors with or without a tent above it such as boats, balconies or terraces. Do not expose the product to rain, snow, sun or wind.
- There is the risk of fire!



1.2 - Safety for children, vulnerable persons and pets

- This product can be used by children at and above 8 years old and by persons with limited physical, sensory or mental capabilities or who lack experience and knowledge provided that they are supervised or trained on the safe use of the product and the risks it brings out.
- Children aged from 3 to 8 years are allowed to load and unload refrigerating products.
- Electrical products are dangerous for children and pets. Children and pets must not play with, climb or enter the product.
- Cleaning and user maintenance should not be performed by children unless they are supervised by someone.
- Keep packaging materials away from children. There is the risk of injury and suffocation!
- Before disposing of the old or obsolete product:
 1. Unplug the product by gripping from the plug.
 2. Cut the power cable and remove it from the appliance together with its plug
 3. Do not remove the shelves or drawers so that it is harder for children to enter the product.
 4. Remove the doors.
 5. Keep the product in a way that it will not tip over.
 6. Do not allow children play with the old product.
- Never throw the product into fire for disposal. There is the risk of explosion!
- If there is a lock on the door of the product, the key should be kept out of the reach of children.

Important instructions for safety and environment



1.3 - Electrical safety

- The product must be unplugged during installation, maintenance, cleaning, repairing and moving procedures.
- If the power cable is damaged, it must be replaced by a qualified person specified by the manufacturer, authorised service agent or importer in order to avoid potential dangers.
- Do not squeeze the power cable under or behind the product. Do not place heavy objects on the power cable. Power cable must not be bent excessively, pinched or get in contact with any heat source.
- Do not use extension cords, multi-sockets or adapters to operate the product.
- Portable multi-sockets or portable power sources can overheat and cause fire. Therefore, do not keep any multi-sockets behind or near the product.
- Plug must be easily accessible. If this is not possible, the electrical installation to which the product is connected must contain a device (such as a fuse, switch, circuit breaker, etc.) which conforms to the electrical regulations and disconnects all poles from the grid.
- Do not touch the power plug with wet hands.
- Remove the plug from the socket by gripping the plug and not the cable.



1.4 - Transportation safety

- Product is heavy; do not move it alone.
- Do not hold its door when moving the product.
- Pay attention not to damage the cooling system or the piping during transportation. If the piping is damaged, do not operate the product and call the authorised service agent.



1.5 - Installation safety

- Call the authorised service agent for installation of the product. To make the product ready for use, check the information in the user manual to make sure that the electricity and water installations are suitable. If they are not, call a qualified electrician and plumber to have the necessary arrangements made. Otherwise, there is the risk of electric shock, fire, problems with the product, or injury!
- Prior to installation, check if the product has any defects on it. If the product is damaged, do not have it installed.
- Place the product on a clean, flat and solid surface and balance it with adjustable feet. Otherwise, the product may tip over and cause injuries.
- The installation location must be dry and well ventilated. Do not place carpets, rugs or similar covers under the product. Insufficient ventilation causes the risk of fire!
- Do not cover or block the ventilation openings. Otherwise, power consumption increases and your product may get damaged.
- Product must not be connected to supply systems such as solar power supplies. Otherwise, your product may get damaged due to sudden voltage changes!
- The more refrigerant a refrigerator contains, the larger the installation location must be. If the installation location is too small, flammable refrigerant and air mixture will accumulate in cases of refrigerant leakage in cooling system. The required space for each 8 gr of refrigerant is 1 m³ minimum. The amount of refrigerant in your product is indicated on the Type Label.
- Product must not be installed in places exposed to direct sunlight and it must be kept away from heat sources such as hobs, radiators, etc.

Important instructions for safety and environment

If it is inevitable to install the product close to a heat source, a suitable insulation plate must be used in between and the following minimum distances must be kept to the heat source:

- Minimum 30 cm away from heat sources such as hobs, ovens, heater units or stoves,
- Minimum 5 cm away from electric ovens.

- Protection class of your product is Type I. Plug the product in a grounded socket that conforms the voltage, current and frequency values stated on the type label of the product. The socket must be equipped with a 10 A – 16 A circuit breaker. Our company shall not be liable for any damages that will arise when the product is used without grounding and electrical connection in accordance with the local and national regulations.
- Product must not be plugged in during installation. Otherwise, there is the risk of electric shock and injury!
- Do not plug the product in sockets that are loose, dislocated, broken, dirty, greasy or bear the risk of getting in contact with water.
- Route the power cable and hoses (if any) of the product in a way that they do not cause risk of tripping over.
- Exposing the live parts or power cable to humidity may cause short circuit. Therefore, do not install the product in places such as garages or laundry rooms where humidity is high or water may splash. If the refrigerator gets wet with water, unplug it and call the authorised service agent.
- Never connect your refrigerator to energy saving devices. Such systems are harmful to your product.
- If the product malfunctions, unplug it and do not operate until it is repaired by the authorised service agent. There is the risk of electric shock!
- Do not place flame sources (lit candles, cigarettes, etc.) on or close to the product.
- Do not climb on the product. There is the risk of falling and getting injured!
- Do not damage the pipes of the cooling system with sharp or penetrating objects. The refrigerant that might come out when the refrigerant pipes, pipe extensions or surface coatings are punctured causes skin irritations and eye injuries.
- Unless recommended by the manufacturer, do not place or use electrical devices inside the refrigerator/deep freezer.
- Be careful not to trap your hands or any other part of your body in the moving parts inside the refrigerator. Pay attention not to squeeze your fingers between the door and the refrigerator. Be careful when opening and closing the door particularly if there are children around.
- Never eat ice cream, ice cubes or frozen food right after removing them from the refrigerator. There is the risk of frostbite!
- When your hands are wet, do not touch the inner walls or metal parts of the freezer or the food stored therein. There is the risk of frostbite!
- Do not place tins or bottles that contain carbonated drinks or freezable liquids in the freezer compartment. Tins and bottles may burst. There is the risk of injury and material damage!
- Do not place or use flammable sprays, flammable materials, dry ice, chemical substances or similar heat-sensitive materials near the refrigerator. There is the risk of fire and explosion!
- Do not store explosive materials that contain flammable materials, such as aerosol cans, in your product.



1.6- Operational safety

- Never use chemical solvents on the product. There is the risk of explosion!

Important instructions for safety and environment

- Do not place containers filled with liquid onto the product. Splashing water on an electrical part may cause electric shock or the risk of fire.
- This product is not intended for storing medicines, blood plasma, laboratory preparations or similar medical substances and products subject to Medical Products Directive.
- Using the product against its intended purpose may cause the products stored inside it to deteriorate or spoil.
- If your refrigerator is equipped with blue light, do not look at this light with optical tools. Do not stare at UV LED lamp directly for a long time. Ultraviolet light may cause eye strain.
- Do not overload the product. Objects in the refrigerator may fall down when the door is opened, causing injury or damage. Similar problems may arise if any object is placed onto the product.
- To avoid injuries, make sure that you have cleaned all the ice and water that may have fallen or splashed on the floor.
- Change the position of the shelves/bottle holders on the door of your refrigerator only when they are empty. There is the risk of injury!
- Do not place objects that can fall down/tip over onto the product. Such objects may fall down when the door is opened and cause injuries and/or material damage.
- Do not hit or exert excessive force on glass surfaces. Broken glass may cause injuries and/or material damage.
- Cooling system of your product contains R600a refrigerant: Type of the refrigerant used in the product is indicated on the type label. This refrigerant is flammable. Therefore, pay attention not to damage the cooling system or the piping while the product is in use. If the piping is damaged:
 - Do not touch the product or the power cable,
 - Keep away potential sources of fire that may cause the product to catch fire.
 - Ventilate the area where the product is located. Do not use fans.
 - Call the authorised service agent.
- If the product is damaged and you see refrigerant leak, please stay away from the refrigerant. Refrigerant may cause frostbite in case of skin contact.

For products with a Water Dispenser/Ice Machine

- Use only potable water. Do not fill the water tank with any liquids -such as fruit juice, milk, carbonated beverages or alcoholic drinks- that are not suitable for use in the water dispenser.
- There is the risk for health and safety!
- Do not allow children play with the water dispenser or ice machine (Icematic) in order to prevent accidents or injuries.
- Do not insert your fingers or other objects into the water dispenser hole, water channel or ice machine container. There is the risk of injury or material damage!



1.7- Maintenance and cleaning safety

- Do not pull from the door handle if you need to move the product for cleaning purposes. Handle may break and cause injuries if you exert excessive force on it.
- Do not spray or pour water on or inside the product for cleaning purposes. There is the risk of fire and electric shock!
- Do not use sharp or abrasive tools when cleaning the product. Do not use household cleaning products, detergent, gas, gasoline,

Important instructions for safety and environment

thinner, alcohol, varnish etc.

- Only use cleaning and maintenance products inside the product that are not harmful for food.
- Never use steam or steam assisted cleaners to clean or defrost the product. Steam gets into contact with the live parts in your refrigerator, causing short circuit or electric shock!
- Make sure that no water enters the electronic circuits or lighting elements of the product.
- Use a clean and dry cloth to wipe the foreign materials or dust on the pins of the plug. Do not use a wet or damp cloth to clean the plug. There is the risk of fire and electric shock!



1.8- HomeWhiz

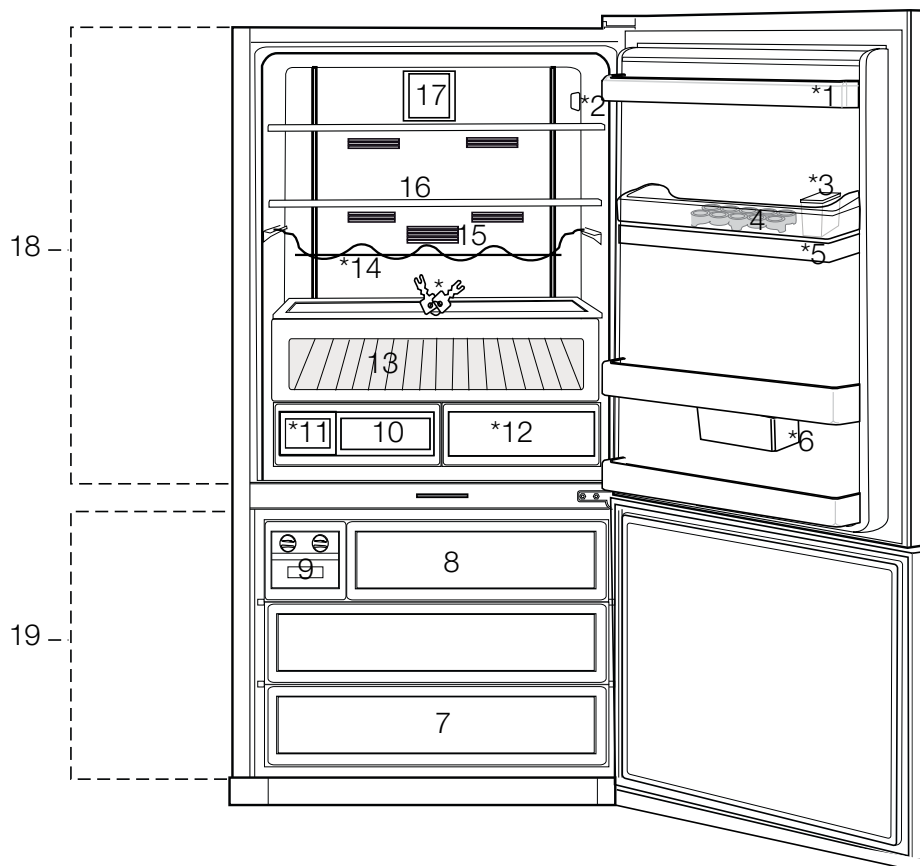
- When you operate your product through HomeWhiz application, you must observe the safety warnings even when you are away from the product. You must also follow the warnings in the application.



1.9- Lighting

- Call the authorised service when it is required to replace the LED/bulb used for lighting.

2 Your appliance



1. Door shelves of fridge compartment
 2. Display
 3. Water dispenser filling tank
 4. Egg section
 5. Water dispenser reservoir
 6. Rotary storage container
 7. Freezer compartment drawers
 8. Icematic drawer
 9. Icematic
 10. Crisper
 11. Water tank
 12. Crisper
 13. Chiller compartment
 14. Bottle shelf
 15. Odor filter
 16. Glass shelves of fridge compartment
 17. Fan
 18. Glass shelves of fridge compartment
 19. Freezer compartment
- *optional








***optional:** Figures in this user manual are given as an example and may not match the product exactly. If the relevant parts are not available in the product you purchased, the figure applies to other models.


3 Installation

Always have the installation and repairing procedures carried out by the Authorized Service Agent. Manufacturer shall not be held liable for damages that may arise from procedures carried out by unauthorized persons.

Refer to the nearest Authorized Service Agent for installation of the product. To make the product ready for use, make sure that the electricity installation is appropriate before calling the Authorized Service Agent. If not, call a qualified electrician to have any necessary arrangements carried out.

	Preparation of the location and electrical installation at the place of installation is under customer's responsibility.
	Product must not be plugged in during installation. Otherwise, there is the risk of death or serious injury!
	WARNING: Installation and electrical connections of the product must be carried out by the Authorised Service Agent. Manufacturer shall not be held liable for damages that may arise from procedures carried out by unauthorised persons.
	WARNING: Prior to installation, visually check if the product has any defects on it. If so, do not have it installed. Damaged products cause risks for your safety.
	Make sure that the power cable is not pinched or crushed while pushing the product into its place after installation or cleaning procedures.

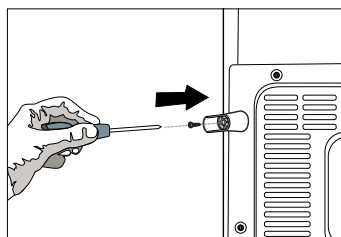
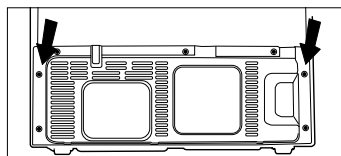
3.1. Appropriate installation location


	WARNING: If the door of the room where the product will be placed is too small for the product to pass, then the product's doors must be removed and the product must be turned aside to pass it through.
--	--

- Choose a place at where you would use the product comfortably.
- Install the product at least 30 cm away from heat sources such as hobs, ovens, heater cores and stoves and at least 5 cm away from electrical ovens. Product must not be subjected

to direct sun light and kept in humid places after installation.

- Your product requires adequate air circulation to function efficiently. If the product will be placed in an alcove, remember to leave at least 5 cm clearance between the product and the ceiling, rear wall and the side walls.
- If the product will be placed in an alcove, remember to leave at least 5 cm clearance between the product and the ceiling, rear wall and the side walls. Check if the rear wall clearance protection component is present at its location (if provided with the product). If the component is not available, or if it is lost or fallen, position the product so that at least 5 cm clearance shall be left between the rear surface of the product and the wall of the room. The clearance at the rear is important for efficient operation of the product.
- Do not place the product on the materials such as rugs or carpets.
- Place the product on an even floor surface to prevent jolts.
- Do not install the product in places where the temperature falls below 10°C.



	If two coolers are to be installed side by side, there should be at least 8 cm distance between them. Otherwise, adjacent side walls may get damp.
---	--

3.2. Installing the plastic wedges

Plastic wedges are used to create the distance for the air circulation between the product and the rear wall. Insert the 2 plastic wedges onto the rear ventilation cover as illustrated in the figure. To

Installation

install the wedges, remove the screws on the product and use the screws given in the same pouch with the wedges.

3.3. Electrical connection

Connect the product to a grounded outlet protected by a fuse complying with the values in the rating plate. Our company shall not be liable for any damages that will arise when the product is used without grounding in accordance with the local regulations.

- Electrical connection must comply with national regulations.
- Power cable plug must be within easy reach after installation.
- The voltage and allowed fuse or breaker protection are specified in the Rating Plate which is affixed to interior of the product. If the current value of the fuse or breaker in the house does not comply with the value in the rating plate, have a qualified electrician install a suitable fuse.
- The specified voltage must be equal to your mains voltage.
- Do not make connections via extension cables or multi-plugs.



WARNING: Damaged power cable must be replaced by the Authorized Service Agent.



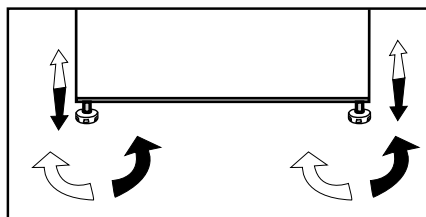
WARNING: If the product has a failure, it should not be operated unless it is repaired by the Authorised Service Agent! There is the risk of electric shock!

3.4. Adjusting the feet

If the product stands unbalanced after installation adjust the feet. Taking help from someone to slightly lift the product will facilitate this process.



WARNING: First unplug the product. Product must not be plugged in when adjusting the feet. There is the risk of electric shock!



Turn the front feet to balance the product. The corner where the foot exists is lowered when you turn in the direction of arrow and raised when you turn it in the opposite direction.

3.5. Illumination lamp

Do not attempt to repair yourself but call the Authorized Service Agent if the illumination lamps do not go on or are out of order.

The lamp(s) used in this appliance is not suitable for household room illumination. The intended purpose of this lamp is to assist the user to place foodstuffs in the refrigerator/freezer in a safe and comfortable way.

3.6. Door open warning

(This feature is optional)

An audio warning signal will be given when the door of your product is left open for 1 minute. This warning will be muted when the door is closed or any of the display buttons (if any) are pressed.

3.7. Transportation of the product

1. Unplug the product before transporting it.
2. Clean the interior of the product as recommended in the “Maintenance and cleaning” section.
3. Secure the shelves, accessories, crisper and etc. in the product by adhesive tape before repackaging it.

	Packaging must be tied with thick tapes or strong ropes and the rules of transportation printed on the package must be followed.
	Original packaging and foam materials should be kept for future transportations.
	Packaging materials are dangerous for the children. Keep packaging materials in a safe place away from reach of the children.

4 Preparation

4.1. Things to be done for energy saving



Connecting the product to electric energy saving systems is risky as it may cause damage on the product.

- Do not leave the doors of your product open for a long time.
- Do not put hot food or drinks in your product.
- Do not overload the product. Cooling capacity will fall when the air circulation inside is hindered.
- Do not place the product in places subject to direct sunlight. Install the product at least 30 cm away from heat sources such as hobs, ovens, heater cores and stoves and at least 5 cm away from electrical ovens.
- Store your food in product in closed containers.
- You can load maximum amount of food to the freezer compartment of the product by removing the freezer compartment shelf of drawer. Declared energy consumption value of the product was determined with the freezer compartment shelf or drawer removed and with maximum amount of food loaded. There is no risk in using a shelf or drawer suitable for the shapes and sizes of the foods to be frozen.
- Thawing frozen food in fridge compartment will both provide energy saving and preserve the food quality.
- Since hot and humid air will not directly penetrate into your product when the doors are not opened, your product will optimize itself in conditions sufficient to protect your food. Functions and components such as compressor, fan, heater, defrost, lighting, display and so on will operate according to the needs to consume minimum energy under these circumstances.



The ambient temperature of the room where you install the product should at least be -5°C . Operating your product under cooler conditions than this is not recommended.



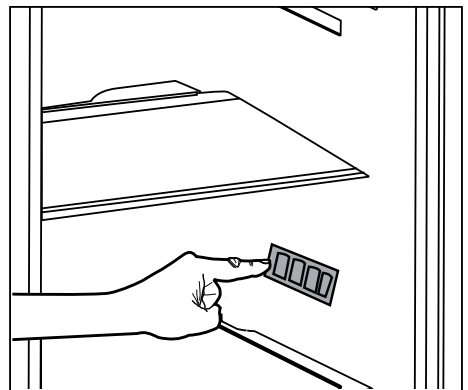
Inside of your product must be cleaned.



If two coolers are to be installed side by side, there should be at least 4 cm distance between them.

4.2. Recommendations on the fridge compartment

- Do not allow the food to touch the temperature sensor in fridge compartment. To allow the fridge compartment keep its ideal storage temperature, sensor must not be hindered by food.
- The baskets/drawers that are provided with the chill compartment must always be in use for low energy consumption and for better storage conditions.
- Food contact with the temperature sensor in the freezer compartment may increase energy consumption of the appliance. Thus any contact with the sensor(s) must be avoided.
- Do not put hot food and beverages inside the product.



4 Preparation

4.3. Initial use

Before starting to use the product, check that all preparations are made in accordance with the instructions in sections "Important instructions for safety and environment" and "Installation".

- Clean the interior of the product as recommended in the "Maintenance and cleaning" section. Check that inside of it is dry before operating it.
- Plug the product into the grounded wall outlet. When the door is opened the interior illumination will turn on.
- Run the product without putting any food for 6 hours and do not open its door unless certainly required.



You will hear a noise when the compressor starts up. The liquids and gases sealed within the refrigeration system may also give rise to noise, even if the compressor is not running and this is quite normal.



Front edges of the product may feel warm. This is normal. These areas are designed to be warm to avoid condensation.



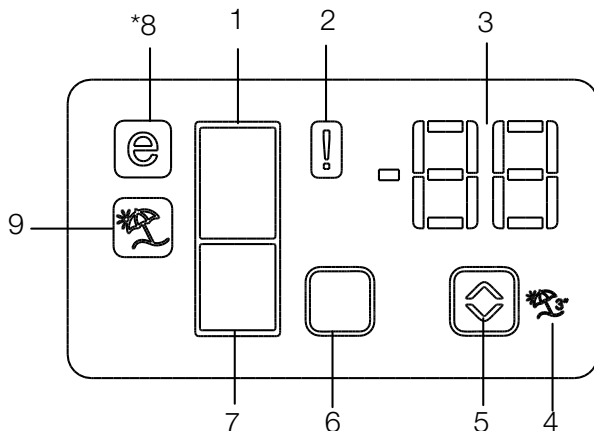
In some models, the instrument panel automatically turns off 5 minutes after the door has closed. It will be reactivated when the door has opened or pressed on any key.

5 Using the product

5.1. Indicator panel

Indicator panels may vary according to the product model.

Audio – visual functions on the indicator panel helps you in using your product.



1. Fridge Compartment Indicator
2. Error status indicator
3. Temperature indicator
4. Vacation function button
5. Temperature setting button
6. Compartment selection button
7. Freezer compartment indicator
8. Economy mode indicator
9. Vacation function indicator

***optional**



***Optional:** Figures in this user manual are given as an example and may not match the product exactly. If the relevant parts are not available in the product you purchased, the figure applies to other models.

5 Using the product

1. Fridge compartment indicator

Fridge compartment light is illuminated while the fridge compartment temperature is set.

2. Error status indicator

If your refrigerator does not perform enough cooling or in case of a sensor fault, this indicator is activated. When this indicator is activated, "E" is displayed on the freezer compartment temperature indicator, and numbers such as "1,2,3..." are displayed on the fridge compartment temperature indicator. These numbers on the indicator inform service personnel about the error.

3. Temperature indicator

Indicates freezer, fridge compartment temperature.

4. Vacation function button

Press on Vacation Button for 3 seconds to activate this function. When the vacation function is activated, "- -" is displayed on the fridge compartment temperature indicator and no active cooling is performed on the fridge compartment. It is not suitable to keep the food in the fridge compartment when this function is activated. Other compartments shall be continued to be cooled as per their set temperature.

To cancel this function press **Vacation** button again.

5. Temperature setting button

Changes the temperature of the relevant compartment between -24°C... -18°C and 8°C...1°C.

6. Compartment selection button

Selection button: Press compartment selection button to switch between fridge and freezer compartments.

7. Freezer compartment indicator

Fridge compartment light is illuminated while the freezer compartment temperature is set.

8. Economy mode indicator

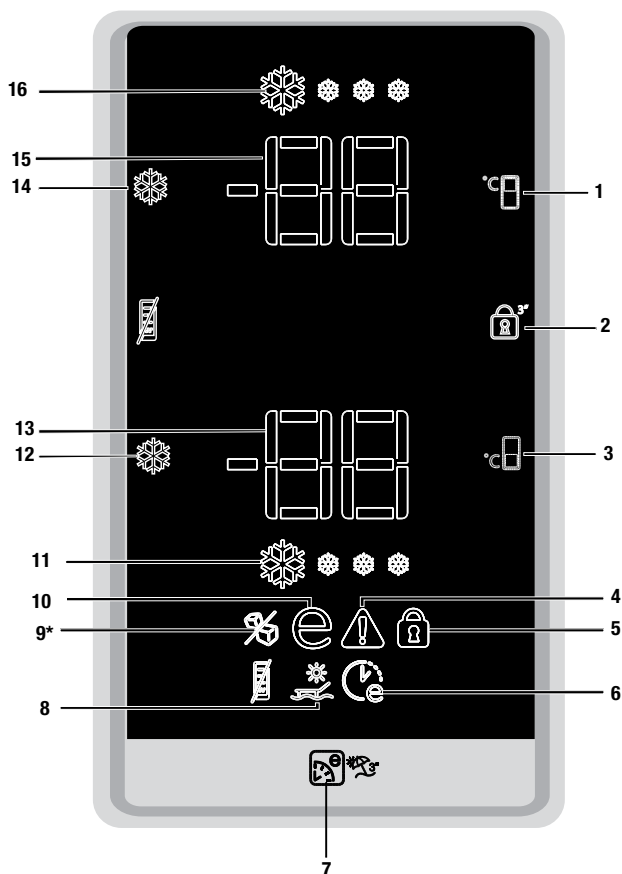
Indicates that the refrigerator operates in energy saving mode. This display shall be activated if the freezer compartment temperature is set to -18°C.

9. Vacation function indicator

Indicates that vacation is activated.

5 Using the product

*optional



1. Fridge compartment temperature setting button
2. Key lock button
3. Freezer compartment temperature setting button
4. Error status indicator
5. Key lock indicator
6. Eco Extra Function Indicator
7. Eco Extra / Vacation Button
8. Vacation function indicator
9. Icematic Off Indicator
(*In some models)
10. Economic usage indicator
11. Quick freeze function indicator
12. Quick freeze function button/ Icematic on-off button
13. Freezer compartment temperature indicator
14. Quick cool function
15. Fridge Compartment Temperature indicator
16. Quick cooling function indicator



***Optional:** Figures in this user manual are given as an example and may not match the product exactly. If the relevant parts are not available in the product you purchased, the figure applies to other models.

Using your appliance

1. Fridge compartment temperature setting button

Press this button to set the temperature of the fridge compartment to 8, 7,6, 5,4,3, 2, 8... respectively. Press this button to set the fridge compartment temperature to the desired value.

2. Key lock button

Pressing and holding this button for 3 seconds will activate the key lock function and the key lock indicator will turn on. Pressing and holding this button again for 3 seconds will deactivate the key lock function.

3. Freezer compartment temperature setting button

Press this button to set the temperature of the freezer compartment to -18,-19,-20,-21, -22,-23,-24, -18... respectively. Press this button to set the freezer compartment temperature to the desired value.

4. Error status indicator

If your product does not perform enough cooling or in case of a sensor fault, this indicator is activated.

When this indicator is activated, "E" is displayed on the freezer compartment temperature indicator, and numbers such as "1,2,3..." are displayed on the fridge compartment temperature indicator. The numbers on the indicator inform service personnel about the error.



When you place hot food into the freezer compartment or if you leave the door open for a long time, an exclamation mark can be displayed for some time. This is not a failure; this warning will disappear when the food cools down.

5. Key lock indicator

Use this function if you want to prevent changing of the temperature setting of the

product. To activate it press and hold fridge compartment temperature setting button and freezer compartment temperature setting button simultaneously for 3 seconds.

6. Eco extra function indicator

Indicates that the Eco Extra function is active. If this function is active, your product will automatically detect the least usage periods and energy-efficient cooling will be performed during those times.



Economy indicator will be active while energy-efficient cooling is performed.



Press the relevant button to disable the function.

7. Eco extra / Vacation button

Pressing this button briefly will activate the Eco Extra function. Pressing and holding this button for 3 seconds will activate the Vacation function. Pressing this button again will deactivate the selected function.

8. Vacation function indicator

Indicates that the Vacation Function is active. When this function is active "- -" appears on the Fridge Compartment Temperature indicator and no cooling is performed in the fridge compartment. Other compartments will be cooled in accordance with the temperature set for them.



Press the relevant button to disable the function.

9. Icematic off indicator

Indicates whether the icematic is on or off. If On, then the icematic is not operating. To operate the icematic again press and hold the On-Off button for 3 seconds.

Using your appliance



Water flow from water tank will stop when this function is selected. However, ice made previously can be taken from the icematic.



This function is not recalled when power restores after a power failure.

10. Economic usage indicator

Indicates that the product is running in energy-efficient mode. This indicator will be active if the Freezer Compartment temperature is set to -18 or the energy efficient cooling is being performed due to Eco-Extra function.



Economic usage indicator is turned off when quick cooling or quick freeze functions are selected.

11. Quick freeze function indicator

Flashes in an animated style to indicate that the Quick Freeze function is enabled.

12. Quick freeze function button/ Icematic on-off button

Press this button to activate or deactivate the quick freezing function. When you activate the function, the freezer compartment will be cooled to a temperature lower than the set value. To turn on and off the icematic press and hold it for 3 seconds.



Use the quick freeze function when you want to quickly freeze the food placed in fridge compartment. If you want to freeze large amounts of fresh food, activate this function before putting the food into the product.



If you do not cancel it, Quick Freeze will cancel itself automatically after 24 hours or when the fridge compartment reaches to the required temperature.

13. Freezer compartment temperature indicator

Indicates the temperature set for freezer compartment.

14. Quick cool function

The button has two functions. To activate or deactivate the quick cool function press it briefly. Quick Cool indicator will turn off and the product will return to its normal settings.



Use quick cooling function when you want to quickly cool the food placed in the fridge compartment. If you want to cool large amounts of fresh food, activate this function before putting the food into the product.



If you do not cancel it, quick cooling will cancel itself automatically after 1 hours or when the fridge compartment reaches to the required temperature.



If you press the quick cooling button repeatedly with short intervals, the electronic circuit protection will be activated and the compressor will not start up immediately.



This function is not recalled when power restores after a power failure.

15. Fridge compartment temperature indicator

Indicates the temperature set for Fridge compartment.

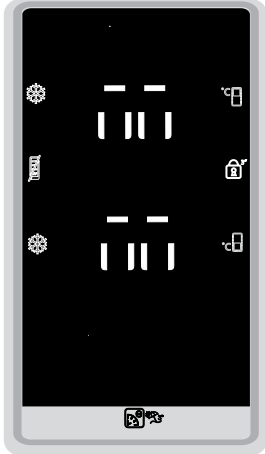
16. Quick cooling function indicator

Flashes in an animated style to indicate that the Quick Cooling function is enabled.

Using your appliance

Sabbath Mode:*optional

Press the Quick Cool Button for 3 seconds to activate or deactivate the Sabbath Mode. When Sabbath Mode is activated, the display, alarm, door opening or light buttons will not function:



If the user does not deactivate the Sabbath mode, the refrigerator will automatically cancel it in 76 hours.

Using your appliance

5.2. Dual cooling system

Your product is equipped with two separate cooling systems to cool the fresh food compartment and freezer compartment. Thus, air and odor in the fresh food compartment and frozen food compartment do not get mixed. Thanks to these two separate cooling systems, cooling speed is much higher than other refrigerators. Also additional power saving is provided since the defrosting is performed individually.

5.3. Freezing fresh food

- Place the food in the product wrapped or covered.
- Hot food must be cooled down to the room temperature before putting them in the product.
- The food that you want to freeze must be fresh and in good quality.
- Divided the food into portions according to your family's daily or meal based consumption needs.
- Pack the food in an airtight manner to prevent them from drying even if they are going to be stored for a short time.

- Materials to be used for packaging must be tear-proof and resistant to cold, humidity, odor, oils and acids and they must also be airtight. Moreover, they must be well closed and they must be made from easy-to-use materials that are suitable for deep-freezers.
- Frozen food must be used immediately after they are thawed and they should never be re-frozen.
- Do not freeze too large quantities of food at one time. The quality of the food is best preserved when it is frozen right through to the core as quickly as possible.
- Placing warm food into the freezer compartment causes the cooling system to operate continuously until the food is frozen solid.
- Take special care not to mix already frozen food and fresh food.
- If the product has a quick freeze function, activate the quick freeze function when you want to freeze the food.

Freezer compartment setting	Fridge compartment setting	Remarks
-18°C	4°C	This is the normal recommended setting.
-20, -24 or -24°C	4°C	These settings are recommended when the ambient temperature exceeds 30°C.
Quick freeze	4°C	Use when you wish to freeze your food in a short time. Your product will return to its previous mode when the process is over.
-18°C or colder	2°C	Use these settings if you think that your fridge compartment is not cold enough because of the hot ambient conditions or frequent opening and closing of the door.
-18°C or colder	Quick fridge	Use this function when you place too much into the fridge compartment or when you need to cool your food quickly. It is recommended that you activate quick fridge function 4-8 hours before placing the food.

Using your appliance

5.4. Recommendations for preserving the frozen food

• Frozen food that you have purchased should be stored in accordance with the frozen food manufacturer's instructions for a frozen food storage compartment.

Note the following to ensure that the high quality achieved by the frozen food manufacturer and the food retailer is maintained:

1. Put packages in the freezer as quickly as possible after purchase.
2. Ensure that contents are labeled and dated.
3. Do not exceed "Use By", "Best Before" dates on the packaging.

5.5. Placement of food

Freezer compartment shelves	Various frozen food such as meat, fish, ice cream, vegetables and etc.
Egg section	Eggs
Refrigerator compartment shelves	Food in pans, covered plates and closed containers
Door shelves of fridge compartment	Small and packaged food and beverage (such as milk, fruit juice, beer and etc.)
Crisper	Vegetables and fruits
Freshzone compartment	Delicatessen products (cheese, butter, salami and etc.)

5.6. Deep-freeze information

Food must be frozen as rapidly as possible when they are put in a product refrigerator in order to keep them in good quality.

It is possible to preserve the food for a long time only at -18°C or lower temperatures.

You can keep the freshness of food for many months (at -18°C or lower temperatures in the deep freeze).

Divided the food into portions according to your family's daily or meal based consumption needs.

Pack the food in an airtight manner to prevent them from drying even if they are going to be stored for a short time.

Materials necessary for packaging:

- Cold resistant adhesive tape
- Self-adhesive label
- Rubber rings
- Pen

Materials to be used for packaging the foodstuff must be tear-proof and resistant to cold, humidity, dour, oils and acids.

Foods to be frozen should not be allowed to come in contact with the previously frozen items to prevent them from getting thawed partially.

Frozen food must be used immediately after they are thawed and they should never be re-frozen.

Using your appliance

5.7. Ice machine

***optional**

Icematic allows you to obtain ice from the product easily.

Using the icematic

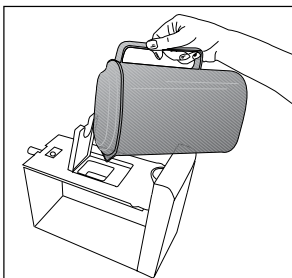
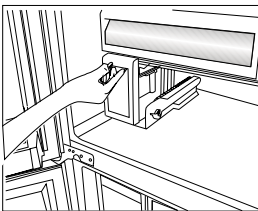
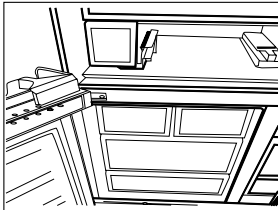
1. Remove the water tank from the fridge compartment.
2. Fill water tank with water.
3. Replace the water tank. First ice cubes will be ready in approximately four hours in the icematic drawer located in the freezer compartment.



While the water tank is completely filled, you will be able to obtain approximately 60-70 ice cubes.



The water within the tank should be renewed in every 2-3 weeks.



5.8. Icematic

***optional**

Icematic allows you to obtain ice from the product easily.

Using the icematic

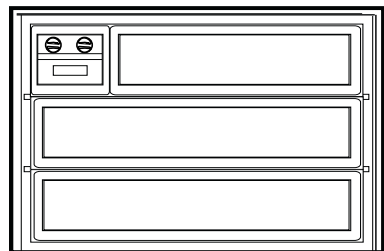
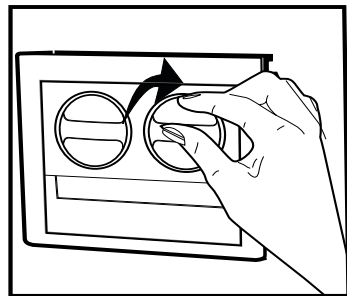
1. Take out the icematic pulling it out carefully.
2. Fill the Icematic with water.
3. Place Icematic in place. About two hours later, the ice is ready.
4. To obtain ice, turn the knobs on the ice reservoirs clockwise by 90° degrees. Ice cubes in the reservoirs will fall down into the ice storage container below.
5. You may take out the ice storage container and serve the ice cubes.



Do not remove the Icematic from its seating to obtain ice.



If you wish, you may keep the ice cubes in the ice storage container. The ice storage container is just for accumulating ice cubes. Do not put water in it. Otherwise, it will break.



Using your appliance

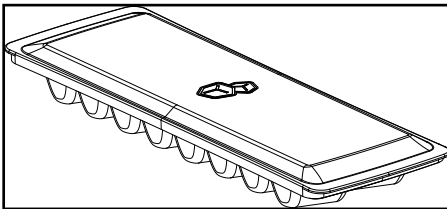
5.9. Ice container

*optional

Icematic allows you to obtain ice from the product easily.

Using the ice container

1. Remove the ice container from the freezer compartment.
2. Fill the ice container with water.
3. Place the ice container in the freezer compartment. About two hours later, the ice is ready.
4. Remove the ice container from the freezer compartment and bend it over the service plate. Ice cubes will easily fall down to the service plate.



5.10. Blue light/HarvestFresh

*May not be available in all models

For the blue light,

Fruits and vegetables stored in the crispers that are illuminated with a blue light continue their photosynthesis by means of the wavelength effect of blue light and thus preserve their vitamin content.

For HarvestFresh,

Fruits and vegetables stored in crispers illuminated with the HarvestFresh technology preserve their vitamins for a longer time thanks to the blue, green, red lights and dark cycles, which simulate a day cycle.

If you open the door of the refrigerator during the dark period of the HarvestFresh technology, the refrigerator will automatically detect this and enable the blue-green or red light to illuminate the crisper for your convenience. After you have closed the door of the refrigerator, the dark period will continue, representing the night time in a day cycle.

5.11. Egg holder

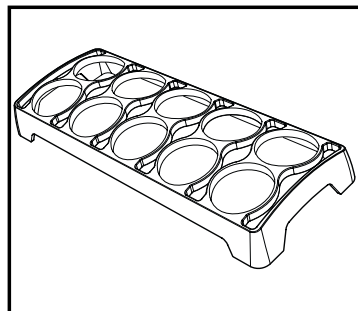
You can install the egg holder to the desired door or body shelf. If it will be placed on body shelves than the lower cooler shelves are recommended.



Never place the egg holder in the freezer compartment



Make sure that eggs are not in direct contact with other food products.



Using your appliance

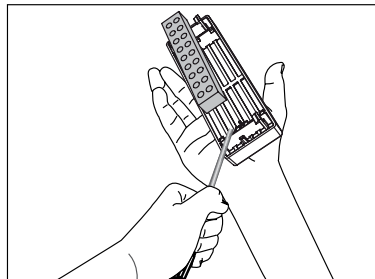
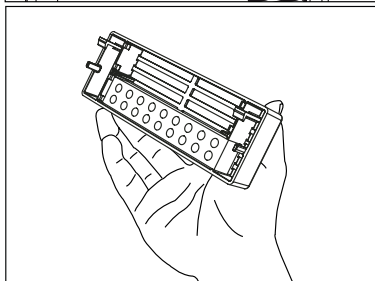
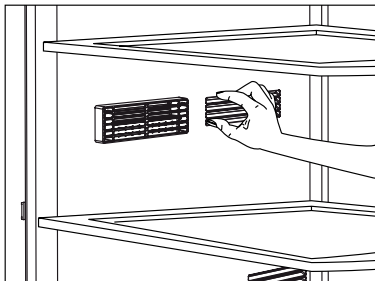
5.12. Description and cleaning of odor filter

Odor filter prevents unpleasant odor build-up in your product.

1. Pull the cover into which the odor filter is installed downwards from the front section and remove as illustrated.
2. Leave the filter under sunlight for one day. Filter will be cleaned during this time.
3. Install the filter back to its place.



Odor filter must be cleaned once in a year.



5.13. Snack compartment

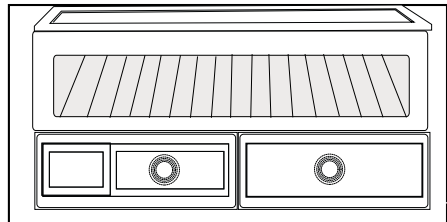
It is used for storing food such as fish, red meat, chicken meat, and dairy products such as cheese, yoghurt and milk that need to be kept a few degrees cooler than the fridge compartment.



It is not recommended to place fruit and vegetables in the snack compartment. Especially tomatoes, eggplants, zucchinis, cucumbers and lemons are sensitive to the cold. They should not be stored in the snack compartment.

You can increase the inner volume of your product by removing the snack compartment:

1. Pull the compartment towards yourself until it rests and stops against the stopper.
2. Lift the front section and pull towards yourself to remove the compartment from its seating.

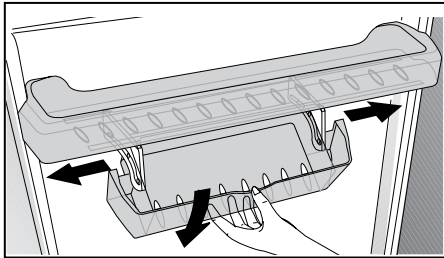


Using your appliance

5.14. Sliding storage container

*optional

This accessory is designed to increase the usable volume of the door shelves. It allows you to easily place the tall bottles, jars and tins to the lower bottle shelf thanks to its ability to move right or left.



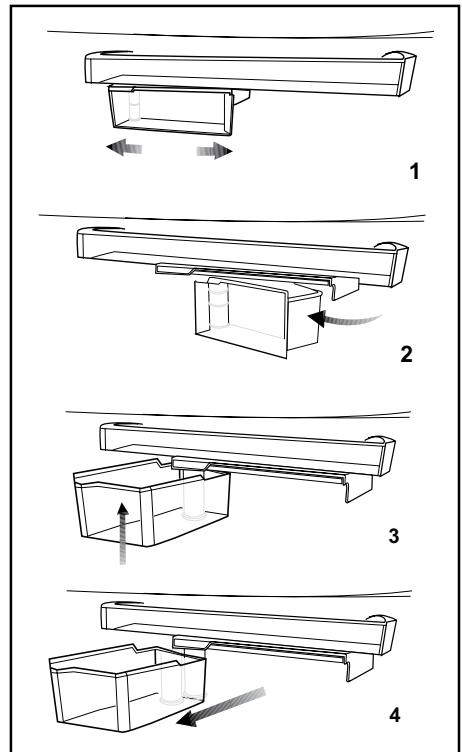
5.15. Rotary storage container

*optional

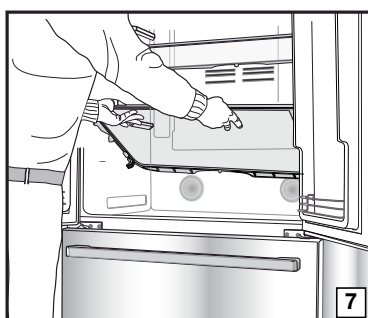
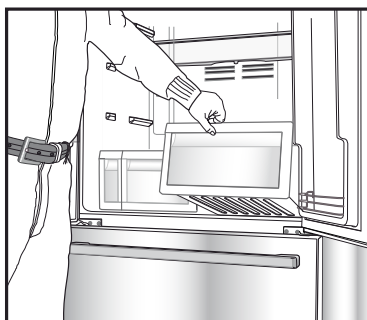
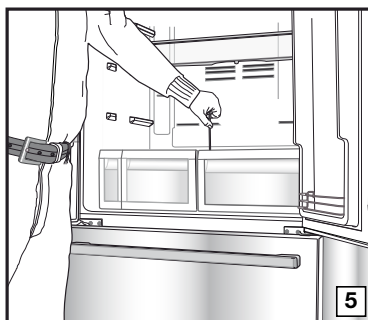
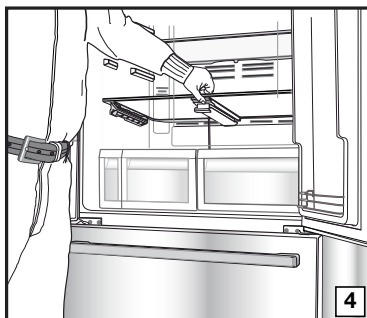
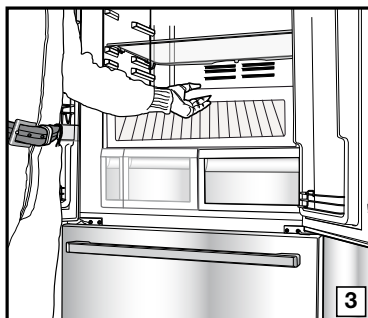
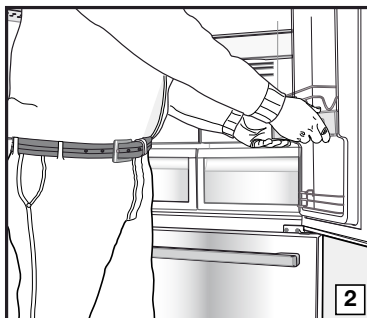
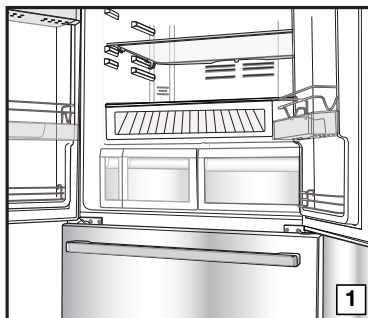
Rotary storage container can also be moved to right or left. In this way, long bottles, jars or boxes can be placed easily in the bottom shelf (Fig. 1).

You can reach the food that you have placed into the shelf by grabbing and turning it from its right edge (Fig.2).

When you want to load or remove it to clean, turn it by 90 degrees, raise it up and pull towards yourself (Fig. 3-4).



Using your appliance





5.16. Crisper

Crisper of the product is designed specially to keep the vegetables fresh without losing their humidity. For this purpose, cool air circulation is intensified around the crisper in general. Remove the door shelves that stand against the crisper before removing the crispers.

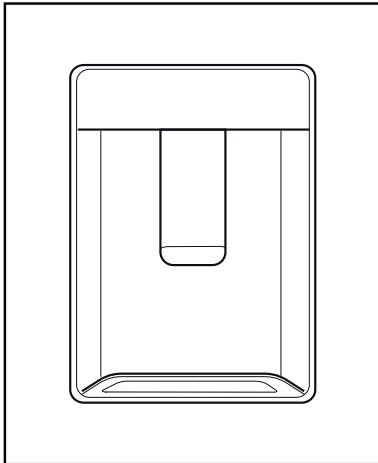
Using your appliance


5.17. Using the water dispenser

*optional

	It is normal for the first few glasses of water taken from the dispenser to be warm.
	If the water dispenser is not used for a long period of time, dispose of first few glasses of water to obtain fresh water.

1. Push in the lever of the water dispenser with your glass. If you are using a soft plastic cup, pushing the lever with your hand will be easier.
2. After filling the cup up to the level you want, release the lever.




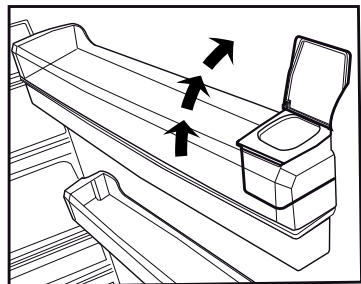
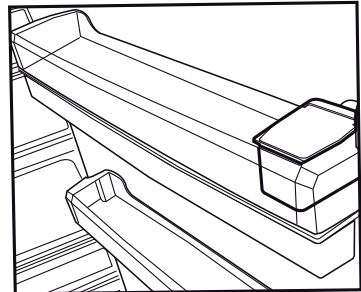
	Please note, how much water flows from the dispenser depends on how far you depress the lever. As the level of water in your cup / glass rises, gently reduce the amount of pressure on the lever to avoid overflow. If you slightly press the arm, the water will drip; this is quite normal and not a failure.
---	--

5.18. Filling the water dispenser's tank

Water tank filling reservoir is located inside the door rack.

1. Open the cover of the tank.
2. Fill the tank with fresh drinking water.
3. Close the cover.

	Do not fill the water tank with any other liquid except for water such as fruit juices, carbonated beverages or alcoholic drinks which are not suitable to use in the water dispenser. Water dispenser will be irreparably damaged if these kinds of liquids are used. Warranty does not cover such usages. Some chemical substances and additives contained in these kinds of drinks/liquids may damage the water tank.
---	--



Using your appliance



Use clean drinking water only.



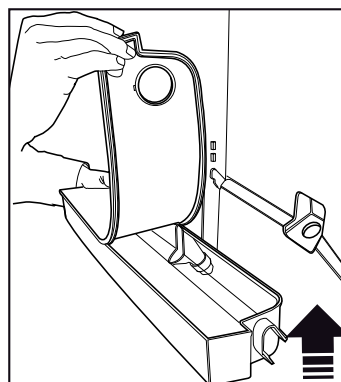
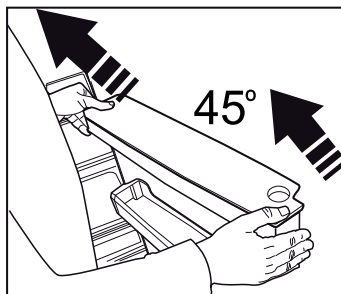
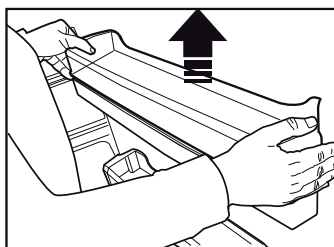
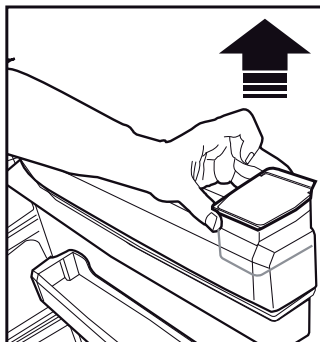
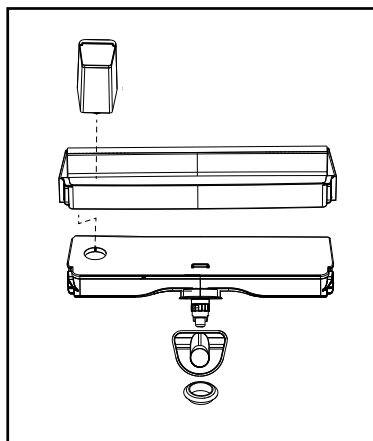
Capacity of the water tank is 3 liters; do not overfill.

5.19. Cleaning the water tank

1. Remove the water filling reservoir inside the door rack.
2. Remove the door rack by holding from both sides.
3. Grab the water tank from both sides and remove it with an angle of 45°C.
4. Remove the cover of the water tank and clean the tank.



Components of the water tank and water dispenser should not be washed in dishwasher.



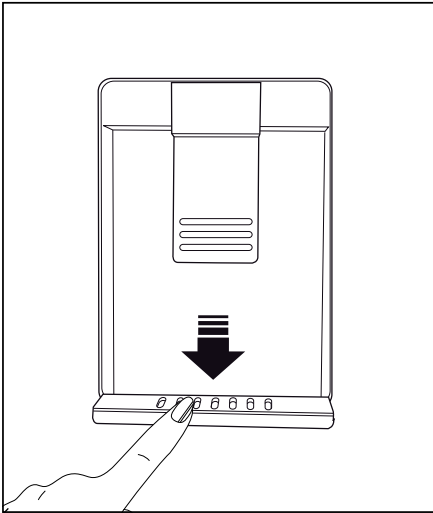
Using your appliance

5.20. Drip tray

Water that dripped while using the water dispenser accumulates in the spillage tray.

Remove the plastic filter as shown in the figure.

With a clean and dry cloth, remove the water that has accumulated.



5.21. Humidity-controlled crisper (Ever Fresh)

*optional

Humidity rates of the vegetables and fruit are kept under control with the feature of humidity-controlled crisper and the food is ensured to stay fresh for longer.

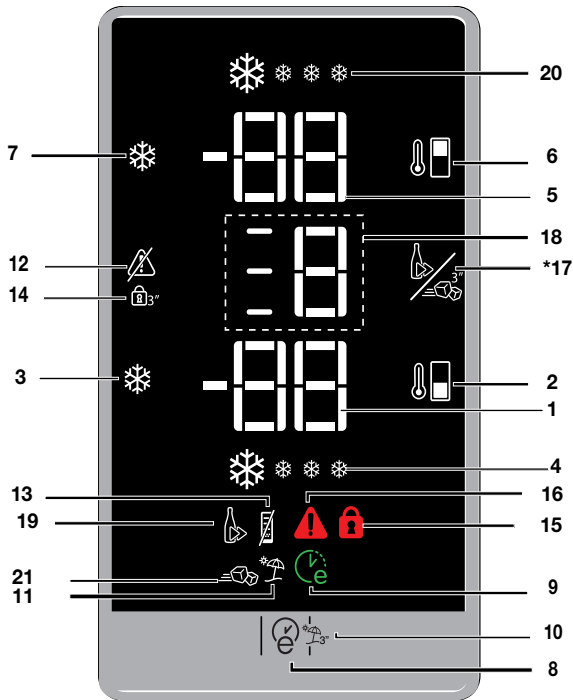
Never leave the vegetables inside the crisper in their bags. If the vegetables are left inside their bags, this will cause them to decompose in a short period of time. When a high level of humidity is set, your vegetables keep their humidity content and can be preserved for a reasonable period of time without needing to leave them inside their bags. In case contacting with other vegetables is not preferred for hygiene concerns, use a perforated paper, foam and other similar packaging materials instead of a bag.

While the vegetables are being placed, specific gravity of the vegetables should be taken into consideration. Heavy and hard vegetables should be put at the bottom of the crisper and the lightweight and soft vegetables should be placed over.

Do not place together the pear, apricot, peach, etc. and apple in particular which have a high level of generation of ethylene gas in the same crisper with the other vegetables and fruit. The ethylene gas which is emitted by these fruit may cause the other fruit to ripen faster and decompose in a shorter time.

Do not take the crisper main body out of the refrigerator apart from the drawers unless you have to, and call for technical service if necessary. Before removing the crisper main body from its place, wipe and clean it with a wet piece of cloth.

Using your appliance



1. Freezer compartment temperature setting indicator
 2. Freezer compartment temperature setting function
 3. Quick freeze function button icematic on-off button (3") function
 4. Quick freeze function indicator
 5. Fridge compartment temperature setting indicator
 6. Fridge compartment temperature setting function
 7. Quick fridge function button
 8. Eco-Fuzzy (special economic usage) function
 9. Eco-Fuzzy (special economic usage) indicator
 10. Vacation function
 11. Vacation function indicator
 12. Alarm off warning function
 13. Energy saving indicator
 14. Key lock function
 15. Key lock indicator
 16. Power failure / High temperature / error warning indicator
 17. Quick bottle cooling/quick ice making selection function (Rapid Cooler)
 18. Quick bottle cooling/quick ice making function indicator
 19. Quick bottle cooling indicator (Rapid Cooler)
 20. Quick cooling indicator
 21. Quick ice making indicator
- *optional



***Optional:** Figures in this user manual are given as an example and may not match the product exactly. If the relevant parts are not available in the product you purchased, the figure applies to other models.

Using your appliance

1.Freezer compartment temperature indicator

Indicates the temperature set for the Freezer Compartment.

2.Freezer compartment temperature setting function

Allows you to set the temperature of the freezer compartment. Press this button to set the temperature of the freezer compartment to -18, -19, -20, -21 -22, -23 and -24, respectively.

3.Quick freeze function button icematic on-off button (3'') function

Quick freeze indicator is illuminated when the quick freeze function is active. To cancel this function, press the quick freeze button again. Quick freeze indicator will turn off and return to its normal settings. If you do not cancel it, the quick freeze will cancel itself automatically after 4 hours or when the freezer compartment reaches the required temperature. If you want to freeze large amounts of fresh food, press the quick freeze button before putting the food into the freezer compartment. If you press the quick freeze button repeatedly with short intervals, the electronic circuit protection will be activated and the compressor will not start up immediately. This function is not recalled when power restores after a power failure!

4.Quick freeze function indicator

This symbol flashes in an animated style when the quick freeze function is active.

5.Fridge compartment temperature setting indicator

Indicates the temperature set for the fridge compartment.

6.Fridge compartment temperature setting function

Allows you to set the fridge compartment's temperature. Press this button to set the

temperature of the fridge compartment to 8, 7, 6, 5, 4, 3, 2 degrees, respectively.

7.Quick fridge function button

When you press the quick fridge button, the temperature of the compartment will be colder than the adjusted values. This function can be used for food required to be cooled down rapidly in the fridge compartment. If you want to cool large amounts of fresh food, it is recommended to activate this function before putting the food into the fridge. Quick fridge indicator is illuminated when the quick fridge function is active. To cancel this function, press the quick fridge button again. The quick fridge indicator will turn off and the unit will return to its normal settings. If you do not cancel it, the quick fridge function will cancel itself automatically after 2 hours or when the fridge compartment reaches the required temperature.

This function is not recalled when power restores after a power failure.

8.Eco-Fuzzy (special economic usage) function

When you press the eco-fuzzy button, the eco fuzzy function will be activated and the eco-fuzzy indicator will illuminate. The refrigerator will start operating in the most economic mode at least 6 hours later and the economic usage indicator will turn on when the function is active. To deactivate the eco-fuzzy function, You need to press the eco-fuzzy button again.

9.Eco-Fuzzy (special economic usage) indicator

This symbol illuminates when the eco-fuzzy function is active.

10.Vacation function

If you press and hold the eco fuzzy button for 3 seconds, the vacation function will be activated

Using your appliance

and the vacation indicator will illuminate. The cooling of the fridge compartment is stopped and the temperature of the fridge compartment is fixed to 15 degrees to prevent bad odors. When this function is active, the fridge compartment temperature indicator will not display the temperature.

To deactivate the vacation function, press and hold the Eco-fuzzy button for 3 seconds.

11. Vacation function indicator

This indicator illuminates when the vacation function is active.

12. Alarm off warning function

In case of power failure/high temperature alarm, after checking the foods in the freezer compartment, press the alarm off button to clear the warning.

13. Energy saving function (display off) indicator

If the product doors are kept closed for a long time, the energy saving function is automatically activated and the energy saving symbol is illuminated. When the energy saving function is activated, all symbols on the display will turn off except for the energy saving symbol. When the energy saving function is activated, if any button is pressed or the door is opened, energy saving function will be canceled and the symbols on display will return to normal.

Energy saving function is activated during delivery from factory and cannot be canceled.

14. Key lock function

When you press and hold the key lock button for 3 seconds, the key lock function will be activated and the key lock indicator will illuminate. No button will operate when this function is active. Press and hold the key lock button for 3 seconds again to deactivate this function.

15. Key lock indicator

This indicator will illuminate when the key lock function is active.

16. Power failure / High temperature / error warning indicator

This indicator illuminates during power failure, high temperature failures and error warnings. During long-term power failures, the highest temperature value that the freezer compartment reaches will blink on the digital display. After checking the food located in the freezer compartment, press the alarm off button to clear the warning.

Please refer to "solutions recommended for troubleshooting" section on your manual if you observe that this indicator is illuminated.

17. Quick bottle cooling/quick ice making function selection

When the quick bottle cooling/quick ice making function button is pressed and held for 3 seconds, "1" will be displayed on the quick bottle cooling-quick ice making function indicator.

If this button is not pressed again in 1 minute, display will return to its previous view, the quick bottle cooling and quick ice making selection indicators will turn off.

After "1" is displayed, each press on the Quick bottle cooling-quick ice making button will increase the number on the display one by one. If "1" is displayed, the quick bottle cooling function can be enabled. If "2" is displayed, quick ice making function can be enabled. If you press and hold the quick bottle cooling-quick ice making button for 3 seconds while "1" is being displayed, the quick bottle cooling function will be enabled and the quick bottle cooling indicator will turn on. "1" will light up continuously and the icons on the left will light up as an animation. If you press

Using your appliance

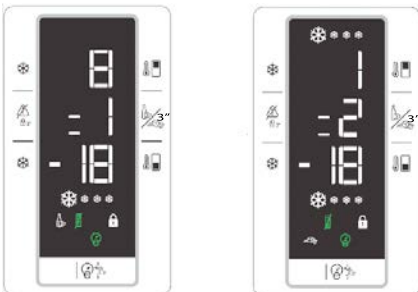
and hold the quick bottle cooling-quick ice making button for 3 seconds while "2" is being displayed, the quick ice making button will be enabled and the quick ice making indicator will turn on. "2" will light up continuously and the icons on the left will light up as an animation.

If you short press the quick bottle cooling-quick ice making button while the function is enabled, no change will occur on the display. If a power outage occurs while the quick bottle cooling or quick ice making function is enabled, the function will resume where it left off once power is restored. Quick bottle cooling function lasts 15 minutes, and the quick ice making function lasts 40 minutes. Once the time for the selected function is over, the icons will go off.

After completing 3 cycles in the quick bottle cooling function and 1 cycle in the quick ice making function, wait for the refrigerator to cool down and for the compressor to stop.

If you want to enable the function in the meantime, the display will show "0".

Function cannot be enabled. You will hear a warning if you press the quick bottle cooling-quick ice making button. Once the refrigerator has cooled down, you can enable the desired function again.



18.Quick bottle cooling/quick ice making function indicator

Displays the set function. If "1" is displayed, this means that the quick bottle cooling function will be or has been selected and if "2" is displayed, this means that the quick ice making function will be or has been selected.

19.Quick bottle cooling indicator

Displays the quick bottle cooling function.

20.Quick fridge button

This symbol flashes in an animated style when the quick fridge function is active.

21.Quick ice making indicator

Displays the quick ice making function

5.22. Quick bottle cooling/quick ice making compartment

(Rapid Cooler)

(This feature is optional)

You can use the quick bottle cooling compartment for making ice or cooling your beverages quickly.

This closed compartment, which is located at the lower left part in the fridge compartment, is cooled with the help of a separate fan and cooler surface.

After placing the icebox or the beverage you want to cool in this compartment, you can initiate the quick fridge function by pressing the relevant buttons on the indicator.

Using your appliance



When the cooling is done, the "=" symbol on the indicator disappears. After the process ends, remove the beverage or the ice you have placed in the compartment. If you want to cool them further, you can activate the same function again while your beverage or icebox is inside the compartment.



If you see "0" warning message on the display when you want to activate the quick bottle cooling function, wait for a while. This warning message may appear when you have used the compartment 4 times at frequent intervals. When you see this message, your refrigerator will not allow the compartment to be used for a while in order to deliver the best cooling performance and maintain the storage temperature of the food. When the inner temperatures of the refrigerator are balanced, the compartment will be ready to be used again. Please try again later.



If you see "0" warning message on the display when you want to activate the ice making function, wait for a while. This warning message may appear when you have used the compartment 2 times at frequent intervals. When you see this message, your refrigerator will not allow the compartment to be used for a while in order to deliver the best cooling performance and maintain the storage temperature of the food. When the inner temperatures of the refrigerator are balanced, the compartment will be ready to be used again. Please try again later.



Do not place any other material in this compartment other than beverages and the supplied icebox. Make sure that the caps of the beverages you are going to put in the compartment are closed.



Before activating the function, ensure that the door of the compartment is completely closed. This compartment has been designed to cool 1.5 liters of water at 20°C down to 10°C in 15 minutes. If you think that the beverage you are going to remove from the compartment is not cold enough, you can activate the compartment again.

Using your appliance



Do not leave a cold beverage inside the compartment for your own hygiene and safety. Keeping your fizzy drinks in the compartment for a long time may lead to risks such as cracking etc.

When the ice making function is over, the ice in the icebox may melt as the compartment will return to fresh food storing temperatures. Do not leave frozen ice in the compartment.

When this compartment is activated, the fan in the compartment will operate at the highest speed in order to deliver the best cooling performance in the shortest period of time. For this reason, the sound that will arise when the compartment is operating is normal.



6 Maintenance and cleaning

Cleaning your fridge at regular intervals will extend the service life of the product.



WARNING:

Unplug the product before cleaning it.

- Never use gasoline, benzene or similar substances for cleaning purposes.
- Never use any sharp and abrasive tools, soap, household cleaners, detergent and wax polish for cleaning.
- For non-No Frost products, water drops and frosting up to a fingerbreadth occur on the rear wall of the Fridge compartment. Do not clean it; never apply oil or similar agents on it.
- Only use slightly damp microfiber cloths to clean the outer surface of the product. Sponges and other types of cleaning cloths may scratch the surface
- Dissolve one teaspoon of bi-carbonate in half litre of water. Soak a cloth with the solution and wrung it thoroughly. Wipe the interior of the refrigerator with this cloth and the dry thoroughly.
- Make sure that no water enters the lamp housing and other electrical items.
- If you will not use the refrigerator for a long period of time, unplug it, remove all food inside, clean it and leave the door ajar.
- Check regularly that the door gaskets are clean. If not, clean them.

- To remove door and body shelves, remove all of its contents.
- Remove the door shelves by pulling them up. After cleaning, slide them from top to bottom to install.
- Never use cleaning agents or water that contain chlorine to clean the outer surfaces and chromium coated parts of the product. Chlorine causes corrosion on such metal surfaces.

6.1 Avoiding bad odours

- Materials that may cause odour are not used in the production of our refrigerators. However, due to inappropriate food preserving conditions and not cleaning the inner surface of the refrigerator as required can bring forth the problem of odour. Pay attention to following to avoid this problem:
- Keeping the refrigerator clean is important. Food residuals, stains, etc. can cause odour. Therefore, clean the refrigerator with bi-carbonate dissolved in water every few months. Never use detergents or soap.
- Keep the food in closed containers. Microorganisms spreading out from uncovered containers can cause unpleasant odours.
- Never keep the food that have passed best before dates and spoiled in the refrigerator.

6.2 Protecting the plastic surfaces

Do not put liquid oils or oil-cooked meals in your refrigerator in unsealed containers as they damage the plastic surfaces of the refrigerator. If oil is spilled or smeared onto the plastic surfaces, clean and rinse the relevant part of the surface at once with warm water.

7 Troubleshooting

Check this list before contacting the service. Doing so will save you time and money. This list includes frequent complaints that are not related to faulty workmanship or materials. Certain features mentioned herein may not apply to your product.

The refrigerator is not working.

- The power plug is not fully settled. >>> Plug it in to settle completely into the socket.
- The fuse connected to the socket powering the product or the main fuse is blown. >>> Check the fuses.

Condensation on the side wall of the cooler compartment (MULTI ZONE, COOL, CONTROL and FLEXI ZONE).

- The door is opened too frequently >>> Take care not to open the product's door too frequently.
- The environment is too humid. >>> Do not install the product in humid environments.
- Foods containing liquids are kept in unsealed holders. >>> Keep the foods containing liquids in sealed holders.
- The product's door is left open. >>> Do not keep the product's door open for long periods.
- The thermostat is set to too low temperature. >>> Set the thermostat to appropriate temperature.

Compressor is not working.

- In case of sudden power failure or pulling the power plug off and putting back on, the gas pressure in the product's cooling system is not balanced, which triggers the compressor thermic safeguard. The product will restart after approximately 6 minutes. If the product does not restart after this period, contact the service.

- Defrosting is active. >>> This is normal for a fully-automatic defrosting product. The defrosting is carried out periodically.
- The product is not plugged in. >>> Make sure the power cord is plugged in.
- The temperature setting is incorrect. >>> Select the appropriate temperature setting.
- The power is out. >>> The product will continue to operate normally once the power is restored.

The refrigerator's operating noise is increasing while in use.

- The product's operating performance may vary depending on the ambient temperature variations. This is normal and not a malfunction.

The refrigerator runs too often or for too long.

- The new product may be larger than the previous one. Larger products will run for longer periods.
- The room temperature may be high. >>> The product will normally run for long periods in higher room temperature.
- The product may have been recently plugged in or a new food item is placed inside. >>> The product will take longer to reach the set temperature when recently plugged in or a new food item is placed inside. This is normal.
- Large quantities of hot food may have been recently placed into the product. >>> Do not place hot food into the product.
- The doors were opened frequently or kept open for long periods. >>> The warm air moving inside will cause the product to run longer. Do not open the doors too frequently.

Troubleshooting

- The freezer or cooler door may be ajar. >>> Check that the doors are fully closed.
- The product may be set to temperature too low. >>> Set the temperature to a higher degree and wait for the product to reach the adjusted temperature.
- The cooler or freezer door washer may be dirty, worn out, broken or not properly settled. >>> Clean or replace the washer. Damaged / torn door washer will cause the product to run for longer periods to preserve the current temperature.

The freezer temperature is very low, but the cooler temperature is adequate.

- The freezer compartment temperature is set to a very low degree. >>> Set the freezer compartment temperature to a higher degree and check again.

The cooler temperature is very low, but the freezer temperature is adequate.

- The cooler compartment temperature is set to a very low degree. >>> Set the freezer compartment temperature to a higher degree and check again.

The food items kept in cooler compartment drawers are frozen.

- The cooler compartment temperature is set to a very low degree. >>> Set the freezer compartment temperature to a higher degree and check again.

The temperature in the cooler or the freezer is too high.

- The cooler compartment temperature is set to a very high degree. >>> Temperature setting of the cooler compartment has an effect on

the temperature in the freezer compartment. Wait until the temperature of relevant parts reach the sufficient level by changing the temperature of cooler or freezer compartments.

- The doors were opened frequently or kept open for long periods. >>> Do not open the doors too frequently.
- The door may be ajar. >>> Fully close the door.
- The product may have been recently plugged in or a new food item is placed inside. >>> This is normal. The product will take longer to reach the set temperature when recently plugged in or a new food item is placed inside.
- Large quantities of hot food may have been recently placed into the product. >>> Do not place hot food into the product.

Shaking or noise.

- The ground is not level or durable. >>> If the product is shaking when moved slowly, adjust the stands to balance the product. Also make sure the ground is sufficiently durable to bear the product.
- Any items placed on the product may cause noise. >>> Remove any items placed on the product.

The product is making noise of liquid flowing, spraying etc.

- The product's operating principles involve liquid and gas flows. >>> This is normal and not a malfunction.

There is sound of wind blowing coming from the product.

- The product uses a fan for the cooling process. This is normal and not a malfunction.

Troubleshooting

There is condensation on the product's internal walls.

- Hot or humid weather will increase icing and condensation. This is normal and not a malfunction.
- The doors were opened frequently or kept open for long periods. >>> Do not open the doors too frequently; if open, close the door.
- The door may be ajar. >>> Fully close the door.

There is condensation on the product's exterior or between the doors.

- The ambient weather may be humid, this is quite normal in humid weather. >>> The condensation will dissipate when the humidity is reduced.

The interior smells bad.

- The product is not cleaned regularly. >>> Clean the interior regularly using sponge, warm water and carbonated water.
- Certain holders and packaging materials may cause odour. >>> Use holders and packaging materials without free of odour.
- The foods were placed in unsealed holders. >>> Keep the foods in sealed holders. Micro-organisms may spread out of unsealed food items and cause malodour. Remove any expired or spoiled foods from the product.

The door is not closing.

- Food packages may be blocking the door. >>> Relocate any items blocking the doors.
- The product is not standing in full upright position on the ground. >>> Adjust the stands to balance the product.
- The ground is not level or durable. >>> Make sure the ground is level

and sufficiently durable to bear the product.

The vegetable bin is jammed.

- The food items may be in contact with the upper section of the drawer. >>> Reorganize the food items in the drawer.

If The Surface Of The Product Is Hot.

- High temperatures may be observed between the two doors, on the side panels and at the rear grill while the product is operating. This is normal and does not require service maintenance! Be careful when touching these areas.



WARNING:

If the problem persists after following the instructions in this section, contact your vendor or an Authorised Service. Do not try to repair the product.





يرجى قراءة دليل المستخدم هذا أولاً!

عميلنا العزيز،

شكراً لتفضيلك منتجاتنا. نرجو أن تحصل على أفضل النتائج من المنتج الذي صنع بأفضل جودة وأحدث تكنولوجيا. لذا، يُرجى قراءة دليل المستخدم بالكامل وكافة المستندات المصاحبة للمنتج بعناية قبل استخدام المنتج والاحتفاظ بهم للرجوع إليهم في المستقبل. إذا قمت بإعطاء المنتج لشخص آخر، فقم بإعطائه دليل المستخدم كذلك. اتبع كافة التحذيرات والمعلومات الواردة في دليل المستخدم. تذكر أن دليل المستخدم هذا ينطبق على العديد من الموديلات الأخرى. سوف يتم تحديد الاختلافات بين الموديلات في هذا الدليل.

شرح الرموز

يتم استخدام الرموز التالية في هذا الدليل:

معلومات هامة أو تلميحات مفيدة حول الاستخدام.	
تحذير مواقف خطيرة على الحياة والممتلكات.	
تحذير خطر الصدمة الكهربائية.	
تم تصنيع مواد التغليف الخاصة بهذا المنتج من مواد قابلة لإعادة التصنيع وفقاً للوائح البيئية المحلية الخاصة بنا.	

20.	5.12 وصف فلتر الروائح وتنظيفه:	3	1- تعليمات السلامة
21.	5.13 مقصورة الوجبات الخفيفة.	7	2 التعرف على الجهاز الخاص بك
21.	5.14 مقصورات التخزين المائلة	8	3 التركيب
22.	5.15 مقصورة التخزين الدوارة	8.1	3.1 موقع التركيب الملائم.
23.	5.16 مقصورة الطعام الطازج	8.2	3.2 تركيب الأسافين البلاستيكية
24.	5.17 استخدام موزع المياه.	9.3	3.3 التوصيل الكهربائي.
24.	5.18 تعبئة خزان توزيع المياه.	9.4	3.4 ضبط الأقدام.
25.	5.19 تنظيف خزان المياه	9.5	3.5 مصباح الإضاءة
26.	5.20 درج المياه	9.6	3.6 تحذير فتح الباب
26.	5.21 درج التحكم بالرطوبة (دائمًا طازج).	9.7	3.7 نقل المنتج
26.	5.22 غرفة تبريد الزجاجات السريع/صنع الثلج السريع	10	4 الإعداد
31.	6 الصيانة والتنظيف	10.1	4.1 أشياء يجب عملها لتوفير الطاقة
33	6.1 تجنب الروائح الكريهة	10.2	4.2 تكثف في جانب مقصورة التلاجة
33.	6.2 حماية الأسطح البلاستيكية	10.3	4.3 الاستخدام الأولي
34	7 حلول مقترحة للمشكلات	11	5 استخدام جهازك
		11.1	5.1 لوحة المؤشر
		17.1	5.2 نظام التبريد المزدوج.
		17.2	5.3 تجميد الأطعمة الطازجة
		18.1	5.4 توصيات المحافظة على الأطعمة المجمدة
		18.2	5.5 وضع الطعام
		18.3	5.6 معلومات التجميد السريع.
		18.4	5.7 آلة الثلج
		19.1	5.8 مقصورة الثلج.
		19.2	5.9 حاوية الثلج
		20.1	5.10 الضوء الأزرق.
		20.2	5.11 حامل البيض

- فنادق المبيت والإفطار ، النزول،
- خدمات تقديم الطعام والخدمات المماثلة التي لا تتضمن البيع.
- لا ينبغي استخدام هذا المنتج في أماكن الهواء الطلق مثل القوارب أو الشرفات أو التراسات سواء مع أو بدون خيمة فوقه. لا تعرض المنتج للمطر أو الثلج أو الشمس أو الرياح.
- هناك خطر اندلاع حريق!

- يحتوي هذا القسم على تعليمات السلامة التي ستساعد في الحماية من مخاطر الإصابة الشخصية أو تلف الممتلكات.
- لن تكون شركتنا مسؤولة عن الأضرار التي قد تنشأ عن عدم اتباع هذه التعليمات.



يجب دائمًا تنفيذ إجراءات التركيب والإصلاح من قبل الشركة المصنعة أو وكيل الخدمة المعتمد أو شخص مؤهل يحدده المستورد.

1.2 - السلامة للأطفال

والضعفاء والحيوانات الأليفة

- يمكن استخدام هذا المنتج من قبل الأطفال الذين تزيد أعمارهم عن 8 سنوات والأشخاص ذوي القدرات البدنية أو الحسية أو العقلية المحدودة أو الذين يفتقرون إلى الخبرة والمعرفة بشرط أن يخضعوا للإشراف أو التدريب على الاستخدام الآمن للمنتج والمخاطر التي يشكلها.
- يسمح للأطفال الذين تتراوح أعمارهم بين 3 إلى 8 سنوات بوضع وإخراج منتجات في البراد.
- تشكل المنتجات الكهربائية خطراً على الأطفال والحيوانات الأليفة. يجب عدم لعب الأطفال والحيوانات الأليفة بالمنتج أو تسلقه أو دخوله.
- لا يجب إجراء التنظيف وصيانة المنتج من قبل الأطفال ما لم يكن ذلك تحت إشراف شخص ما.
- قم بالحفاظ على مواد التعبئة والتغليف بعيداً عن متناول أيدي الأطفال. هناك خطر حدوث إصابات واختناق!
- قبل التخلص من المنتج القديم أو الذي استعمل لمدة طويلة:

1. افصل المنتج عن طريق سحبه من المقبس.
2. قم بفصل كابل الطاقة وإزالتها من الجهاز مع قابسه
3. لا تقم بإزالة الأرفف أو الأدراج بحيث يصعب على الأطفال الدخول إلى داخل المنتج.
4. انزع الأبواب
5. احتفظ بالمنتج بطريقة تضمن بها أن لا ينقلب.
6. لا تسمح للأطفال باللعب بالمنتج القديم.
- لا تقم أبداً بإلقاء المنتج في النار للتخلص منه. هناك خطر حدوث انفجار!
- إذا كان هناك قفل على باب المنتج ، فيجب أن يبقى المفتاح بعيداً عن متناول الأطفال.



استخدم قطع الغيار والملحقات الأصلية فقط



سيتم توفير قطع غيار أصلية لمدة 10 أعوامًا، بعد تاريخ الشراء المنتج



لا تقم بإصلاح أو استبدال أي جزء من المنتج إذا لم ينص على ذلك صراحة في دليل المستخدم.



لا تقم بإجراء أي تعديلات فنية على المنتج.



1.1 الاستخدام المقصود

- هذا المنتج غير مناسب للاستخدام التجاري ولا يجب استخدامه خارج الاستخدام المقصود.
- تم تصميم هذا المنتج ليتم استخدامه في المنازل والأماكن المغلقة.
- على سبيل المثال:
- مطابخ الموظفين في المتاجر والمكاتب وبيئات العمل الأخرى ،
- بيوت المزارع ،
- المناطق التي يستخدمها الزبائن في الفنادق والموتيلات وأنواع أماكن الإقامة الأخرى ،



1.3 - السلامة الكهربائية

- قبل التركيب، تحقق مما إذا كان هناك أي عيوب في المنتج. في حالة تلف المنتج، لا تقم بتركيبه.
- ضع المنتج على سطح نظيف ومستوي وصلب ووازنه بأرجل قابلة للتعديل. خلاف ذلك، قد ينقلب المنتج ويسبب إصابات.
- يجب أن يكون موقع التركيب جافاً وجيد التهوية. لا تضع السجاد أو البساط أو أغطية مماثلة تحت المنتج. التهوية غير الكافية تسبب خطر نشوب حريق! لا تقم بتغطية أو سد فتحات التهوية. خلاف ذلك، سيزداد استهلاك الطاقة وقد يتضرر منتجك.
- يجب ألا يكون المنتج متصلاً بأنظمة الإمداد مثل إمدادات الطاقة الشمسية. خلاف ذلك، قد يتلف المنتج الخاص بك بسبب التغيرات المفاجئة في الجهد!
- كلما زادت مواد التبريد في الثلاجة، يجب أن يكون موقع التركيب أكبر. إذا كان موقع التركيب صغيراً جداً، فسينتراكم مزيج سائل التبريد القابل للاشتعال والهواء عند حدوث حالات تسرب مادة التبريد في نظام التبريد. المساحة المطلوبة لكل 8 غرام من مادة التبريد هي 1 متر مكعب على الأقل. يشار إلى كمية مادة التبريد في المنتج الخاص بك على ملصق النوع.
- يجب ألا يتم تركيب المنتج في الأماكن المعرضة لأشعة الشمس المباشرة ويجب أن يبقى بعيداً عن مصادر الحرارة مثل الأفران، المشعات، إلخ.
- إذا كان من الضروري تثبيت المنتج بالقرب من مصدر الحرارة، فيجب استخدام لوحة عازلة مناسبة بين المنتج والمصدر ويجب الاحتفاظ بالحد الأدنى من المسافات التالية بين المنتج ومصدر الحرارة:
- على بعد 30 سم على الأقل من مصادر الحرارة مثل المواقد أو الأفران أو وحدات التدفئة،
- على بعد 5 سم على الأقل من الأفران الكهربائية.

1.4 - سلامة النقل

- المنتج ثقيل لا تحركه لوحده.
- لا تمسك باب المنتج عند تحريكه.
- احرص على عدم تلف نظام التبريد أو الأنابيب أثناء النقل. في حالة تلف الأنابيب، لا تقم بتشغيل المنتج واتصل بوكيل الخدمة المعتمد.



1.5 - سلامة التركيب

- اتصل بوكيل الخدمة المعتمد لتركيب المنتج. لجعل المنتج جاهزاً للاستخدام، راجع المعلومات الموجودة في دليل المستخدم للتأكد من أن تمديدات الكهرباء والماء مناسبة. إذا لم تكن كذلك، فاتصل بفني كهربائي وسباك للحصول على الترتيبات اللازمة. خلاف ذلك، هناك خطر حدوث صدمة كهربائية أو حرق أو مشاكل في المنتج أو إصابة ما

- هذا المنتج ليس مخصصاً لتخزين الأدوية أو بلازما الدم أو المواد المخبرية أو المواد الطبية المماثلة والمنتجات التي تخضع لتوجيه المنتجات الطبية. قد يتسبب استخدام المنتج بشكل يخالف الغرض المقصود منه في تلف أو فساد المنتجات المخزنة داخله.

- إذا كانت ثلاجتك مزودة بضوء أزرق ، فلا تنظر إلى هذا الضوء باستخدام أدوات بصرية. لا تحدد في مصباح ليد ذي الأشعة فوق البنفسجية LED UV مباشرة لفترة طويلة. قد تسبب لأشعة فوق البنفسجية إجهاد في العين.

- لا تملأ المنتج بشكل يزيد عن سعته. قد تسقط الأجسام الموجودة في الثلاجة عند فتح الباب ، مما يتسبب في حدوث إصابة أو ضرر. قد تنشأ مشاكل مماثلة إذا تم وضع أي عنصر على المنتج.
- لتفادي وقوع إصابات ، تأكد من قيامك بتنظيف كامل الجليد والماء الذي قد يتساقط أو ينسكب على الأرض. قم بتغيير موضع الأرفف / حاملات الزجاجات على باب الثلاجة فقط عندما تكون فارغة. هناك خطر حدوث إصابة!

- لا تضع الأشياء التي يمكن أن تسقط / تنقلب على المنتج. قد تسقط هذه الأشياء عندما يتم فتح الباب وتسبب إصابات و / أو أضرار مادية.
- لا تضغط أو تمارس قوة مفرطة على الأسطح الزجاجية. قد يسبب الزجاج المكسور إصابات و / أو أضرار مادية.

- يحتوي نظام التبريد الخاص بمنتجك على سائل تبريد R600a: يشار إلى نوع مادة التبريد المستخدمة في المنتج على ملصق النوع. سائل التبريد هذا قابل للاشتعال ، لذلك ، يجب الانتباه إلى عدم إتلاف نظام التبريد أو الأنابيب أثناء استخدام المنتج. في حالة تلف الأنابيب:

- لا تلمس المنتج أو كابل الطاقة ،
- أبعد مصادر النار المحتملة التي قد تتسبب في اشتعال المنتج.
- قم بتهوية المنطقة التي يوجد بها المنتج. لا تستخدم المراوح.
- اتصل بوكيل الخدمة المعتمد.

- إذا كان المنتج تالفاً ووجدت تسرب في سائل التبريد يرجى الابتعاد عن سائل التبريد. قد يسبب المبرد قزمة الصقيع في حالة ملامسته للجلد.

- المنتج في أماكن مثل مراتب السيارات أو غرف الغسيل التي تكون فيها الرطوبة مرتفعة أو يرش فيها الماء. إذا كانت الثلاجة مبللة بالماء ، فافصلها واتصل بوكيل الخدمة المعتمد.
- لا تقم بتوصيل الثلاجة الخاصة بك بأجهزة توفير الطاقة. هذه الأنظمة ضارة بمنتجك.



1.6- السلامة التشغيلية

- لا تستخدم المذيبات الكيميائية على المنتج. هناك خطر حدوث انفجار!
- إذا تعطل المنتج ، فقم بفصله ولا تشغيله حتى يتم إصلاحه بواسطة وكيل الخدمة المعتمد. هناك خطر حدوث صدمة كهربائية!
- لا تضع مصادر اللهب (الشموع المضاءة ، السجائر ، إلخ) على المنتج أو بالقرب منه.
- لا تصعد على المنتج. هناك خطر السقوط والإصابة!
- لا تتلف أنابيب نظام التبريد بأشياء حادة أو مخترقة. تسبب مادة التبريد التي قد تظهر عند ثقب أنابيب التبريد أو تمديدات الأنابيب أو الطلاء السطحي تهيج الجلد وإصابات في العين.
- لا تضع أو تستخدم الأجهزة الكهربائية داخل الثلاجة / الفريزر إلا إذا أوصت بذلك الشركة المصنعة.
- احرص على عدم حبس يديك أو أي جزء آخر من جسمك في الأجزاء المتحركة داخل الثلاجة. انتبه إلى عدم ضغط أصابعك بين الباب والثلاجة. كن حذراً عند فتح وإغلاق الباب خاصة إذا كان هناك أطفال حوله.
- لا تأكل الأيس كريم أو مكعبات الثلج أو الطعام المجمد مباشرة بعد إخراجها من الثلاجة. هناك خطر الإصابة بقزمة الصقيع!
- عندما تكون يديك رطبة ، لا تلمس الجدران الداخلية أو الأجزاء المعدنية من الثلاجة أو الطعام المخزن فيها. هناك خطر الإصابة بقزمة الصقيع!
- لا تضع العلب أو الزجاجات التي تحتوي على مشروبات غازية أو سوائل قابلة للتجميد في حجرة التجميد. قد تتفجر العلب والزجاجات. هناك خطر حدوث إصابة واضرار مادية!
- لا تضع أو تستخدم الرشاشات القابلة للاشتعال أو المواد القابلة للاشتعال أو الثلج الجاف أو المواد الكيميائية أو المواد المماثلة الحساسة للحرارة بالقرب من الثلاجة. هناك خطر اندلاع حريق وانفجار!
- لا تقم بتخزين المواد المتفجرة التي تحتوي على مواد قابلة للاشتعال ، مثل علب الإيروسول في منتجك.
- لا تضع حاويات مملوءة بالسائل على المنتج. قد يؤدي رش الماء على جزء كهربائي إلى صدمة كهربائية أو خطر نشوب حريق.



1.8- تطبيق هوم ويز HomeWhiz

- عندما تقوم بتشغيل منتجك من خلال تطبيق HomeWhiz ، يجب مراعاة تحذيرات الأمان حتى عندما تكون بعيدًا عن المنتج. يجب عليك أيضًا اتباع التحذيرات الموجودة في التطبيق.



1.9- الإضاءة

- اتصل بالخدمة المعتمدة عندما يتطلب الأمر استبدال مصباح ليد LED / المصباح المستخدم للإضاءة.

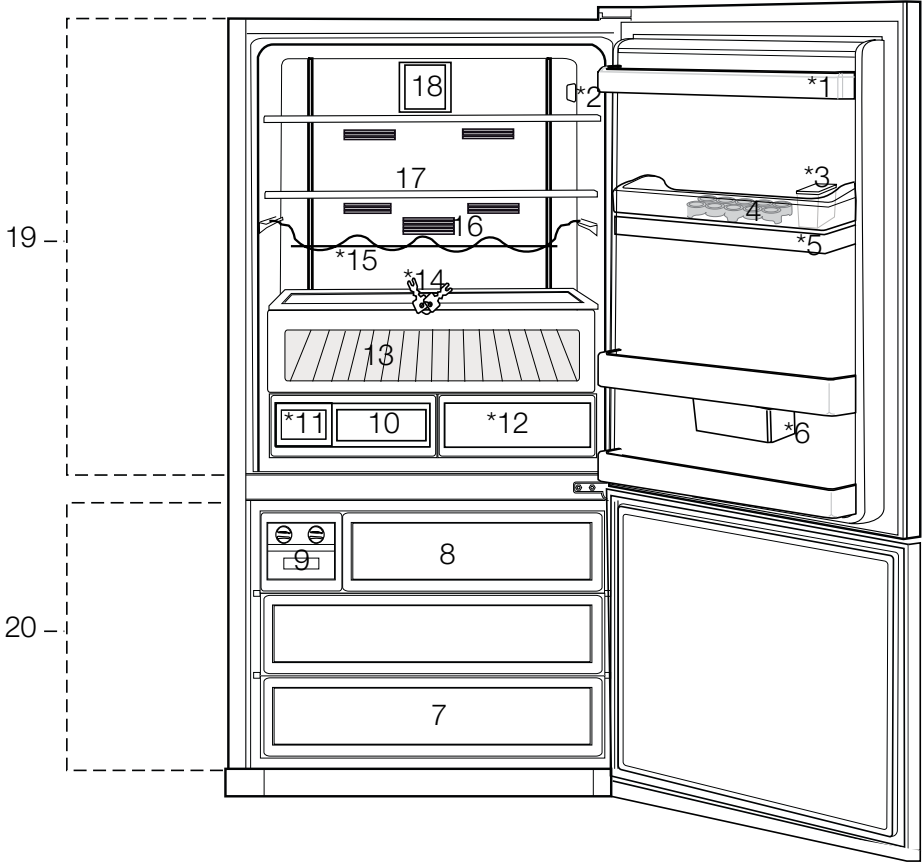
بالنسبة للمنتجات التي تحتوي على براد ماء/ آلة ثلج

- استخدم مياه الشرب فقط. لا تملأ خزان الماء بأي سوائل - مثل عصير الفاكهة أو الحليب أو المشروبات الغازية أو المشروبات الكحولية - التي لا تصلح للاستخدام في براد الماء.
- هناك خطر على الصحة والسلامة! لا تسمح للأطفال باللعب مع براد الماء أو آلة صنع الثلج (Icematic) من أجل منع الحوادث أو الإصابات.
- لا تقم بإدخال أصابعك أو أشياء أخرى في فتحة براد الماء أو القناة المائية أو خزان آلة الثلج. هناك خطر حدوث إصابة واضرار مادية!



1.7- سلامة الصيانة والتنظيف

- لا تسحب المنتج من مقبض الباب إذا كنت بحاجة إلى تحريك المنتج لأغراض التنظيف. قد ينكسر المقبض ويسبب إصابات إذا مارست قوة مفرطة عليه.
- لا تقم برش أو سكب الماء على المنتج أو داخله لأغراض التنظيف. هناك خطر نشوب حريق وصدمة كهربائية!
- لا تستخدم الأدوات الحادة أو الكاشطة عند تنظيف المنتج. لا تستخدم منتجات التنظيف المنزلية ، والمنظفات ، والغاز ، والبنزين ، ومرقق الطلاء، والكحول ، والورنيش ، إلخ.
- استخدم فقط منتجات التنظيف والصيانة غير الضارة بالطعام داخل المنتج.
- لا تستخدم مطلقًا أجهزة التنظيف بالبخار أو التي تحتوي على البخار لتنظيف أو إزالة الجليد من المنتج. يتلامس البخار مع الأجزاء الحية في الثلاجة ، مما يسبب ماس كهربائي أو صدمة كهربائية!
- تأكد من عدم دخول أي ماء إلى الدوائر الإلكترونية أو عناصر الإضاءة للمنتج.
- استخدم قطعة قماش نظيفة وجافة لمسح المواد الغريبة أو الأتربة الموجودة على دبابيس القابس. لا تستخدم قطعة قماش مبللة أو رطبة لتنظيف القابس. هناك خطر نشوب حريق وصدمة كهربائية!



- | | |
|--------------------------------|---------------------------|
| 12. مقصورة الطعام الطازج | 1. ارفف باب مقصورة الجهاز |
| 13. مقصورة مبرد المياه | 2. العرض |
| 14. مفتاح | 3. خزان تعبئة موزع المياه |
| 15. رف الزجاجات | 4. الجزء الخاص بالبيض |
| 16. فلتر الروائح | 5. صهريج توزيع المياه |
| 17. أرفف زجاجية لمقصورة الجهاز | 6. مقصورة التخزين الدوارة |
| 18. مروحة | 7. أدراج مقصورة الفريزر |
| 19. أرفف زجاجية لمقصورة الجهاز | 8. درج مقصورة الثلج |
| 20. مقصورة الفريزر (اختياري) | 9. مقصورة الثلج |
| | 10. درج |
| | 11. خزان الماء |



*اختياري إن الأشكال الواردة في هذا الدليل عبارة عن رسومات بيانية وقد لا تتطابق تمامًا مع المنتج. إذا لم تكن الأجزاء ذات الصلة غير متاحة في المنتج الذي قمت بشراؤه، ينطبق الشكل على الموديلات الأخرى.

إذا كنت ستضع الجهاز في تجويف بالجدار، فتذكر ترك خلوص لا يقل عن 5 سم بين الجهاز وكل من السقف والجدار الخلفي والجدران الجانبية. تأكد أن مكوّن الحماية الخاص بالخلوص بين الجهاز والجدار الخلفي موجود في مكانه (إذا كان مزوداً مع المنتج). في حالة عدم توفر المكون المشار إليه أعلاه، أو في حالة فقدانه أو سقوطه، ضع الجهاز مع ترك خلوص لا يقل عن 5 سم بين السطح الخلفي للجهاز وجدار الغرفة. الخلوص في خلفية الجهاز مهم لتشغيل الجهاز بكفاءة.

اطلب دائماً من مندوب خدمة معتمد القيام بأعمال التركيب والإصلاح. لن تكون الشركة المصنعة مسؤولة عن التلف الذي يحدث نتيجة إجراء أعمال التركيب والصيانة من قبل أشخاص غير معتمدين.

ارجع إلى أقرب مندوب خدمة معتمد لإجراء عملية تركيب المنتج. حتى يكون المنتج جاهزاً للاستخدام، تأكد من أن تركيب الكهرباء ملائماً قبل الاتصال بمندوب الخدمة المعتمد. إن لم يكن ملائماً، فقم بالاتصال بكهربائي مؤهل للقيام بكافة التجهيزات اللازمة.

- لا تضع المنتج على مواد مثل السجاد أو الموكيت.
- ضع المنتج على سطح مستو لمنع الحركة المفاجئة.
- لا تقم بتركيب المنتج في أماكن تنخفض بها درجة الحرارة أقل من 10° درجة مئوية.

يتمثل العميل مسؤولة إعداد الموقع والتركيب الكهربائي في مكان تركيب المنتج.



يجب أن لا يتم توصيل المنتج أثناء التركيب. وإلا، قد يكون هناك خطر الوفاة أو الإصابات الخطيرة!



تحذير: يجب أن يقوم مندوب صيانة معتمد بكافة عمليات التركيب والتوصيلات الكهربائية للمنتج. لن تكون الشركة المصنعة مسؤولة عن التلف الذي يحدث نتيجة إجراء أعمال التركيب والصيانة من قبل أشخاص غير معتمدين.



تحذير: قبل التركيب، تحقق بالنظر للتأكد من خلو المنتج من العيوب. إن وجدت عيوب، فلا تقم بتركيب المنتج. حيث تتسبب المنتجات التالفة في مخاطر على سلامتك.



تأكد من أن كابل الطاقة غير مشدود أو مفتت أثناء نقل المنتج إلى مكانه بعد التركيب أو بعد التنظيف.

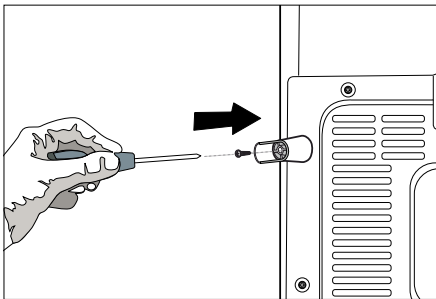
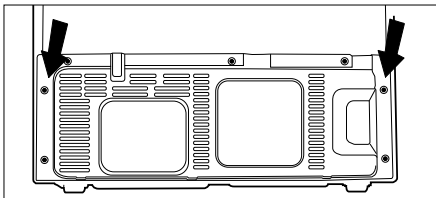


إذا كنت بصدد تركيب مبردتين جنباً إلى جنب، يجب المبادعة بينهما بمسافة 8 سم على الأقل. وإلا فقد تصحج الجدران الجانبية المقابلة لبعضها البعض رطبة.



3.2. تركيب الأسافين البلاستيكية

يتم استخدام الأسافين البلاستيكية لإيجاد مسافة لتدوير الهواء بين المنتج والحائط الخلفي. ادخل الطرفان البلاستيكيان داخل فتحة التهوية الخلفية كما هو موضح في الشكل. لتركيب الأسافين، قم بفك المسامير المربوطة بالمنتج واستخدم المسامير المرفقة مع نفس الكيس مع الأسافين.



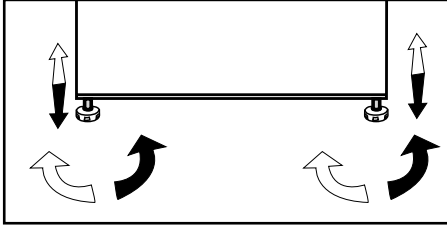
3.1. موقع التركيب الملائم

تحذير: إذا كان باب الغرفة التي سيتم وضع المنتج بها صغيراً جداً ولا يمكن تمرير المنتج منه، ففي هذه الحالة يجب إزالة أبواب المنتج وقلب المنتج على جانبه لكي يمر من خلال الباب.



- اختر مكاناً يمكنك استخدام المنتج به بشكل مريح.
- قم بتركيب المنتج على بعد 30 سم على الأقل بعيداً عن مصادر الحرارة مثل المواقد، والأفران، وقلب السخان والمواقد الغازية وعلى بعد 5 سم على الأقل بعيداً عن الأفران الكهربائية. لا يجوز أن يتعرض الجهاز لضوء الشمس المباشر ويحفظ في أماكن رطبة بعد التركيب.
- يتطلب المنتج الخاص بك توزيع الهواء بصورة كافية حتى يعمل بكفاءة. إذا كنت ستضع الجهاز في تجويف بالجدار، فتذكر ترك خلوص لا يقل عن 5 سم بين الجهاز وكل من السقف والجدار الخلفي والجدران الجانبية.

3.3. التوصيل الكهربائي



وصل المنتج بمنفذ حائط مؤرض من خلال مصر يتطابق مع القيم الموجودة في لوحة التصنيف. لن تكون شركتنا مسؤولة عن أي تلف يحدث نتيجة استخدام المنتج بدون التأريض وفقاً للوائح المحلية.

• يجب أن تتوافق الوصلات الكهربائية مع اللوائح المحلية.

• يجب أن يكون قابس كابل الطاقة في مكان قريب من مكان التركيب.

• الجهد والمصنهر المسموح لحماية القاطع محددين في لوحة التعريف المثبت على الجهاز من الخارج. إذا كانت قيمة المصنهر أو القاطع الموجودين في البيت لا تتوافق مع القيمة الموجودة في لوحة التصنيف، فاطلب من كهربائي مؤهل أن يركب مصنهر مناسب.

• يجب أن تكون الفولتية المقررة مساوية لفولتية منفذ التيار الرئيسي.

• لا تقم بإجراء أي عمليات توصيل باستخدام كابل تمديد أو مقابس متعددة.

3.5. مصباح الإضاءة

لا تحاول القيام بعملية الإصلاح بنفسك، ولكن اتصل بمندوب خدمة معتمد إذا كانت مصابيح الإضاءة LED لا تعمل أو معطلة.

المصباح (المصابيح) المستخدمة في هذا الجهاز غير مناسبة للإضاءة في الغرف المنزلية. الغرض الأساسي لهذا المصباح هو مساعدة المستخدم لوضع أدوات الطعام في الثلاجة/المجمد بطريقة سهلة وأمنة

3.6. تحذير فتح الباب

(هذه الخاصية اختيارية)

يتم سماع صوت تحذير عندما يكون باب مقصورة الجهاز مفتوحاً لمدة 1 دقيقة على الأقل. سيتوقف هذا التحذير عندما يتم إغلاق الباب أو تم الضغط على أياً من مفاتيح العرض (إن وجدت).

تحذير: يجب أن يقوم مندوب خدمة معتمد باستبدال كابل الطاقة التالف.



تحذير: إذا تعطل المنتج، يجب أن لا يتم تشغيله حتى تتم عملية الإصلاح من قبل مندوب خدمة معتمد! حيث يوجد خطر يكمن في التعرض لصدمة كهربائية!



3.7. نقل المنتج

1. قم بفصل المنتج قبل نقله.
2. نظف الجزء الداخلي للجهاز كما هو موصى به في قسم "الصيانة والتنظيف".
3. ثبت الأرفف، والملحقات، والدرج الخ داخل الجهاز باستخدام شريط لاصق قبل إعادة تغليفها.

يجب إحكام العبوة بأشرطة لاصقة سميكة أو حبال قوية، كما يجب اتباع تعليمات النقل المطبوعة على العبوة.



يجب الحفاظ على العبوة الأصلية ومواد التغليف المصاحبة لأغراض النقل المستقبلية.



تعد مواد التغليف خطرة على صحة الأطفال. احتفظ بمواد التغليف في مكان آمن بعيداً عن متناول الأطفال.



3.4. ضبط الأقدام

إذا كان المنتج غير متزن بعد عملية التركيب، فقط بضبط القدم. ستساعد الاستعانة بشخص آخر في رفع الجهاز قليلاً في إنجاز هذه العملية.

تحذير: قم أولاً بفصل المنتج عن التيار الكهربائي. يجب عدم توصيل المنتج بالتيار الكهربائي أثناء ضبط القدم. حيث يوجد خطر يكمن في التعرض لصدمة كهربائية!



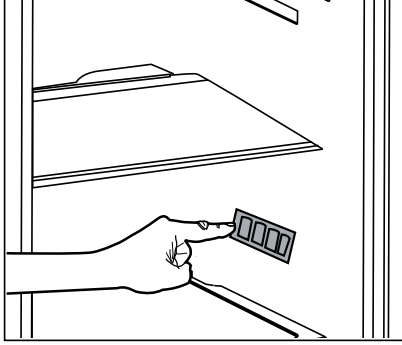
أدر القدم الأمامية لموازنة المنتج. يتم خفض الركن الموجود به القدم عند التدوير باتجاه السهم ويرتفع عند التدوير في الاتجاه المعاكس.

4.1. أشياء يجب عملها لتوفير الطاقة

يعد توصيل الجهاز بأنظمة توفير الطاقة الكهربائية أمرًا خطيرًا حيث قد يتسبب في تلف الجهاز.



- لا تضع الأطعمة أو المشروبات الساخنة داخل الجهاز.
- نظرًا لأن الهواء الساخن والرطب لن يدخل مباشرة إلى المنتج الخاص بك عند عدم فتح الأبواب، فسوف يحسن المنتج الخاص بك نفسه في ظروف كافية لحماية طعامك. باستخدام وظيفة توفير الطاقة، ستعمل الوظائف والمكونات مثل الضاغط والمروحة والسخان وإزالة التجميد والإضاءة وشاشة العرض وما إلى ذلك وفقًا لاحتياجات استهلاك الحد الأدنى من الطاقة مع المحافظة على طزاجة موادك الغذائية.



4.3. الاستخدام الأولي

- قبل بدء استخدام المنتج، احرص على إجراء كافة التجهيزات وفقًا للتعليمات الواردة في قسمي "تعليمات هامة للسلامة والبيئة" و "التركيب".
- نظف الجزء الداخلي للجهاز كما هو موصى به في قسم "الصيانة والتنظيف". تأكد من خلو الجزء الداخلي قبل التشغيل.
- توصيل القابس بمنفذ الكهرباء بالحائط. عند فتح الباب سيضيء المصباح الداخلي.
- قم بتشغيل الجهاز دون وضع أي أطعمة بداخلها لمدة 6 ساعات ولا تقم بفتح الباب ما لم تكن هناك ضرورة.

- لا تترك أبواب الجهاز مفتوحة لفترة طويلة.
- لا تضع الأطعمة أو الخضروات الساخنة في الجهاز.
- لا تحمل المنتج بشكل زائد. سوف تتخفض كفاءة التبريد عند إعاقة دوران الهواء داخل المنتج.
- لا تضع الجهاز في أماكن تتعرض لضوء الشمس المباشر. ركب المنتج على بعد 30 سم على الأقل بعيدًا عن مصادر الحرارة مثل المواقد، والأفران، وقلب السخان والمواقد الغازية وعلى بعد 5 سم على الأقل بعيدًا عن الأفران الكهربائية.
- يجب وضع الطعام في علب مغلقة داخل الجهاز.
- يمكنك وضع أطعمة أكثر داخل مقصورة الفريزر في الجهاز من خلال إخراج رف مقصورة الفريزر الموجود في الدرج. تم تحديد قيمة استهلاك الطاقة المعلنة للجهاز مع إزالة رف مقصورة الفريزر أو درجه وتحت أقصى قدر من تحميل الأطعمة. ولا توجد خطورة من استخدام الرف أو الدرج المناسب للأشكال وأحجام الأطعمة المطلوب تجميدها.
- إذابة الطعام المجمد في مقصورة الجهاز ستوفر الطاقة وتحفظ جودة الطعام.

<p>يجب أن تكون درجة الحرارة المحيطة للرفة التي تضع فيها الجهاز 5°C درجات مئوية على الأقل. ويوصى بعدم تشغيل الجهاز في ظروف درجة حرارة أقل من ذلك تحقيقًا لكفائتها.</p>	
<p>يجب تنظيف الجزء الداخلي من الجهاز بعناية.</p>	
<p>إذا كنت بصدد تركيب مبردين جنبًا إلى جنب، يجب المباعرة بينهما بمسافة 4 سم على الأقل.</p>	

4.2. تكتف في جانب مقصورة الثلجة

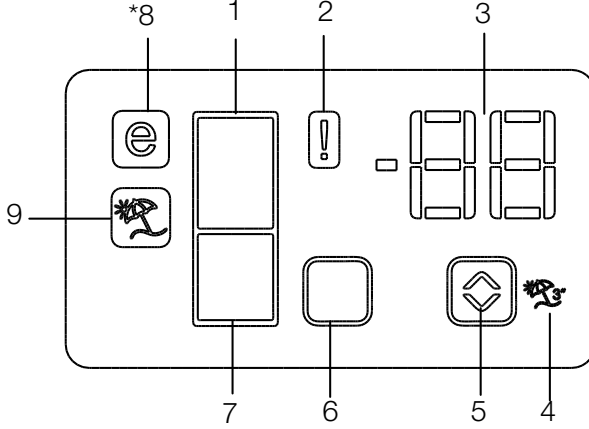
- لا تجعل الطعام يلامس مستشعر درجة الحرارة داخل مقصورة الثلجة، حتى تحتفظ مقصورة الثلجة بدرجة الحرارة المثالية، يجب أن لا تعيق الأطعمة المستشعر.
- يجب استخدام السلال/الجوارير التي تزود مع حجرة التبريد دائما لتقليل استهلاك الطاقة ومن أجل ظروف تخزين أفضل.
- إن احتكاك الطعام مع مجس درجة الحرارة في حجرة المجمد قد يزيد من استهلاك الطاقة في الجهاز. لذا يجب تجنب الاحتكاك مع المجس.

<p>سوف تسمع ضوضاء عند بدء عمل جهاز ضغط الهواء. قد تؤدي السوائل والغازات المتسربة من نظام التبريد إلى إحداث ضوضاء، حتى إن كان جهاز ضغط الهواء لا يعمل وهذا أمر طبيعي.</p>	
<p>قد يكون ملمس الحواف الأمامية للجهاز دافئًا. هذا شيء طبيعي. حيث تم تصميم هذه المناطق حتى تكون دافئة تجنبًا للتكاثف.</p>	

<p>في بعض الموديلات، تتوقف لوحة الأدوات 5 دقائق بعد إغلاق الباب. سيتم إعادة تفعيلها عند فتح الباب أو الضغط على أي مفتاح.</p>	
--	--

5.1 لوحة المؤشر

قد تختلف لوحات المؤشر وفقاً لموديل المنتج الخاص بك.
الصوت - الوظائف البصرية على لوحة المؤشر تساعدك على استخدام جهازك.



1. مؤشر مقصورة الثلجة
 2. مؤشر حالة الخطأ
 3. مؤشر درجة الحرارة
 4. زر وظيفة الأجازات
 5. زر ضبط درجة الحرارة
 6. مفتاح تحديد المقصورة
 7. مؤشر مقصورة الفريزر
 8. مؤشر الوضع الاقتصادي
 9. مؤشر وظيفة الإجازة
- *اختياري

*اختياري: إن الأشكال الواردة في هذا الدليل عبارة عن رسومات بيانية وقد لا تتطابق تمامًا مع المنتج. إذا لم تكن الأجزاء ذات الصلة غير متاحة في المنتج الذي قمت بشراؤه، ينطبق الشكل على الموديلات الأخرى.



1. مؤشر مقصورة الثلجة

يومض ضوء مقصورة الثلجة عند تعديل درجة حرارة مقصورة الثلجة.

2. مؤشر حالة الخطأ

إذا لم تعمل ثلاجتك بتبريد كاف أو في حالة عطل في المستشعر، سيتم تفعيل هذا المؤشر. عندما يتم تنشيط هذا المؤشر، يعرض مؤشر درجة حرارة مقصورة الفريزر "E" ويعرض مؤشر درجة حرارة مقصورة الثلجة أرقاماً مثل "1 و 2 و 3...". توفر تلك الأرقام الموجودة على المؤشر معلومات حول الخطأ بالنسبة لموظفي الخدمة.

3. مؤشر درجة الحرارة

يشير إلى درجة حرارة الفريزر، ومقصورة الثلجة.

4. زر وظيفة الأجازات

اضغط على زر الإجازات لمدة 3 ثوان لتتنشيط هذه الوظيفة. عند تنشيط وظيفة الأجازة، تظهر العلامة "-" على مؤشر درجة حرارة مقصورة الثلجة ولا يتم التبريد داخل مقصورة الثلجة. في هذه الوظيفة، من غير المناسب الاحتفاظ بالطعام في مقصورة الثلجة عند تفعيلها. ستستمر المقصورات الأخرى في البرودة وفقاً لدرجات الحرارة المضبوطة لها. لإلغاء هذا الوظيفة، اضغط على زر الأجازة Vacation مرة أخرى.

5. زر ضبط درجة الحرارة

تغيير درجة الحرارة للمقصورة ذات الصلة بين 24- درجة مئوية و 18- درجة مئوية.

6. مفتاح تحديد المقصورة

زر التحديد: اضغط على مفتاح تحديد المقصورة للتبديل بين مقصورة الثلجة والفريزر.

7. مؤشر مقصورة الفريزر

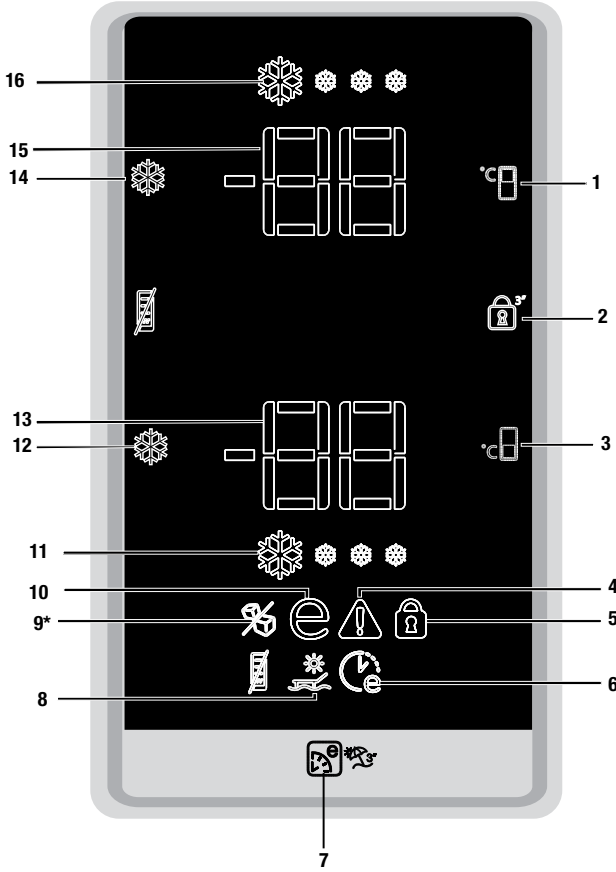
يومض ضوء مقصورة الثلجة عند تعديل درجة حرارة مقصورة الثلجة.

8. مؤشر الوضع الاقتصادي

يشير إلى أن الثلجة تعمل بوضع حفظ الطاقة. سيتم تفعيل هذه الشاشة إذا تم ضبط درجة حرارة مقصورة الفريزر عند 18- درجة مئوية.

9. مؤشر وظيفة الأجازة

يشير إلى أنه قد تم تفعيل وظيفة الأجازة



1. تجلثلا ةروصقم ةرارذ ةجرد طبض رز
2. "Key lock" حاتفملا لفة رز
3. رزيرفلا ةروصقم ةرارذ ةجرد طبض رز
4. أطخلا ةلاد رشؤم
5. جيتافملا نيمأت رشؤم
6. Eco Extra ةقبطو رشؤم
7. Eco Extra /تازاجلا رز
8. ةزاجلا ةقبطو رشؤم
9. ديمجتلا فاقيا رشؤم (تلايدوملا ضعب في)*
10. يدانصتقلا مادختسلا رشؤم
11. عيرسلا ديمجتلا ةقبطو رشؤم
12. - ليشختر ز "Quick freeze" عيرسلا ديمجتلا رز جثلا عنص فاقيا
13. رزيرفلا ةروصقم ةرارذ ةجرد رشؤم
14. جثلا عنص فاقيا
15. رزيرفلا ةروصقم ةرارذ ةجرد رشؤم
16. عيرسلا ديربتلا ةقبطو رشؤم

*اختياري: إن الأشكال الواردة في هذا الدليل عبارة عن رسومات بيانية وقد لا تتطابق تمامًا مع المنتج. إذا لم تكن الأجزاء ذات الصلة غير متاحة في المنتج الذي قمت بشرائه، ينطبق الشكل على الموديلات الأخرى.



سيتم تنشيط مؤشر الاقتصاد أثناء عمل وظيفة التبريد الموفرة للطاقة.



اضغط على الزر مرة أخرى لتعطيل الوظيفة.



7. زر الإجازات/ Eco Extra

اضغط على هذا الزر لفترة قصيرة لتنشيط وظيفة التوفير الإضافي. بالضغط والاستمرار على هذا الزر لمدة 3 ثوان سيؤدي إلى إلغاء تفعيل وظيفة قفل الأجازات. اضغط على هذا الزر لإلغاء تنشيط الوظيفة المحدده.

8. مؤشر وظيفة الإجازة

يوضح أن وظيفة الإجازة في وضع نشط. عند تنشيط وظيفة الإجازة، تظهر العلامة "E" على مؤشر درجة حرارة مقصورة الثلاجة ولا يتم التبريد داخل مقصورة الثلاجة. يتم تبريد المقصورات الأخرى بالتوافق مع درجة الحرارة التي تم ضبطها لهم.

اضغط على الزر مرة أخرى لتعطيل الوظيفة.



9. مؤشر إيقاف تكوين الثلج

يشير ما إذا كان مقصورة الثلج قيد التشغيل أم الإيقاف. إذا كان على وضع التشغيل، فعندها ستكون مقصورة الثلج لا تعمل. لتشغيل مقصورة الثلج مرة أخرى اضغط واستمر بالضغط على زر تشغيل-إيقاف لمدة 3 ثوان.

سيتوقف تدفق المياه من خزان المياه عندما يتم اختيار هذه الوظيفة. ومع ذلك؛ يمكن إخراج الثلج الموجود من وحدة التوزيع.



1. زر ضبط درجة حرارة مقصورة الثلجة

اضغط على هذا الزر لضبط درجة حرارة مقصورة الثلجة على 8، 7، 6، 5، 4، 3، 2، 8... بالترتيب. اضغط على هذا الزر لضبط درجة حرارة مقصورة الثلجة على القيمة المطلوبة.

2. زر قفل المفاتيح "Key lock"

بالضغط والاستمرار على هذا الزر لمدة 3 ثوان سيؤدي إلى تفعيل وظيفة قفل المفاتيح وسيعمل مؤشر قفل المفاتيح. بالضغط والاستمرار على هذا الزر لمدة 3 ثوان سيؤدي إلى إلغاء تفعيل وظيفة قفل المفاتيح.

3. زر ضبط درجة حرارة مقصورة الفريزر

اضغط على هذا الزر لضبط درجة حرارة مقصورة الفريزر على 18-، 19-، 20-، 21-، 22-، 23-، 24-، على الترتيب. اضغط على هذا الزر لضبط درجة حرارة مقصورة الفريزر على القيمة المطلوبة.

4. مؤشر حالة الخطأ

إذا لم تعمل ثلاجتك بتبريد كاف أو في حالة عطل في المستشعر، سيتم تفعيل هذا المؤشر.

عندما يتم تنشيط هذا المؤشر، يعرض مؤشر درجة حرارة مقصورة الفريزر "E" ويعرض مؤشر درجة حرارة مقصورة الثلجة أرقاماً مثل "1 و 2 و 3...". توفر تلك الأرقام الموجودة على المؤشر معلومات حول الخطأ بالنسبة لموظفي الخدمة.

عندما تضع طعام ساخن في مقصورة الفريزر، أو إذا تركت الباب مفتوحاً لفترة طويلة، فستومض علامة تعجب لبعض الوقت. هذا ليس خطأ، فهذا التنبيه سيختفي عندما يبرد الطعام.



5. مؤشر قفل المفاتيح

استخدم هذه الوظيفة إذا كنت ترغب في منع تغيير إعدادات درجة الحرارة الخاصة بالجهاز. اضغط على زر ضبط درجة حرارة مقصورة الثلجة وزر ضبط درجة حرارة مقصورة الفريزر معا لمدة 3 ثوانٍ لتنشيط هذه الميزة.

6. مؤشر وظيفة Eco Extra

يوضح أن وظيفة Eco Extra في وضع نشط. في حالة تنشيط هذه الوظيفة، ستكتشف ثلاجتك تلقائياً أقل فترات الاستخدام وستعمل وظيفة التبريد الموفرة للطاقة خلال تلك الفترات.

10. مؤشر الاستخدام الاقتصادي

يوضح أن التلاجة تعمل باستخدام وضع موفر للطاقة. يكون هذا المؤشر نشطاً إذا تم ضبط الوظيفة على درجة حرارة 18- درجة مئوية أو كانت وظيفة التبريد الموفرة للطاقة تعمل نتيجة لوظيفة التوفير الإضافي. Eco-Extra.



يتوقف مؤشر الاستخدام الاقتصادي عند تحديد وظائف التبريد السريع أو التجميد السريع.

11. مؤشر وظيفة التجميد السريع

يوضح أن وظيفة التبريد السريع ممكنة.

12. زر التجميد السريع "Quick freeze"/ زر تشغيل - إيقاف صنع الثلج

اضغط على هذا الزر لفترة قصيرة لتنشيط أو تعطيل وظيفة التجميد السريع. عند تفعيلك لهذه الوظيفة، سيتم تبريد مقصورة الفريزر إلى درجة حرارة أقل من القيمة المحددة. لتنشيط أو تفعيل صنع الثلج اضغط واستمر بالضغط عليه لمدة 3 ثوان.



استخدم وظيفة التجميد السريع، قم بتنشيطها عندما تحتاج لتجميد الطعام الموضوع في مقصورة التلاجة سريعاً. إذا أردت تجميد كمية كبيرة من الطعام الطازج، يوصى بتنشيط هذه الميزة قبل وضع الطعام في التلاجة.



إذا لم يتم إغائها، ستلغي وظيفة التجميد السريع نفسها تلقائياً بعد مرور 24 ساعات أو عندما تصل درجة حرارة مقصورة التلاجة إلى الدرجة المطلوبة.



لن يتم استعادة هذه الوظيفة عندما يتم استعادة التيار الكهربائي بعد انقطاعه.

13. مؤشر درجة حرارة مقصورة الفريزر

يوضح درجة الحرارة المضبوطة لمقصورة الفريزر.

14. وظيفة التبريد السريع Quick Cool لهذا الزر

وظيفتين. اضغط على هذا الزر لفترة قصيرة لتنشيط أو تعطيل وظيفة التبريد السريع. ينطفئ مؤشر التبريد السريع وتعود الإعدادات إلى الوضع الطبيعي.



استخدم وظيفة التجميد السريع عندما تحتاج لتجميد الطعام الموضوع في مقصورة التلاجة سريعاً. إذا أردت تبريد كمية كبيرة من الطعام الطازج، يوصى بتنشيط هذه الميزة قبل وضع الطعام في التلاجة.



إذا لم يتم إغائها، ستلغي وظيفة التبريد السريع نفسها تلقائياً بعد مرور 1 ساعة أو عندما تصل درجة حرارة مقصورة التلاجة إلى الدرجة المطلوبة.



إذا ضغطت على زر التبريد السريع بشكل متكرر لفترات قصيرة، سيتم تنشيط حماية الدائرة الإلكترونية ولن يبدأ تشغيل الضاغط فوراً.



لن يتم استعادة هذه الوظيفة عندما يتم استعادة التيار الكهربائي بعد انقطاعه.

15. مؤشر درجة حرارة مقصورة التلاجة

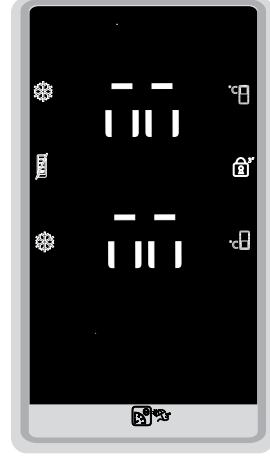
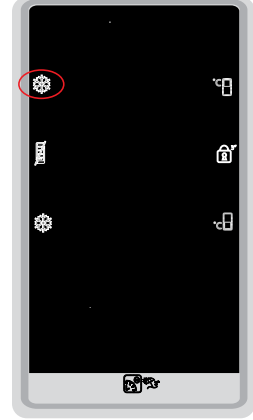
يوضح درجة الحرارة المضبوطة لمقصورة التلاجة.

16. مؤشر وظيفة التبريد السريع

يوضح بشكل رسومي للإشارة إلى أن وظيفة التبريد السريع قيد التنشيط.

وضع السبيت: * اختياري

اضغط على زر التبريد السريع لمدة 3 ثوان لتتنشيط أو إلغاء تنشيط وضع السبيت. عند تنشيط وضع السبيت ، لن تعمل أزرار الشاشة أو التنبيه أو فتح الباب أو الإضاءة:



إذا لم يتم المستخدم بإلغاء تنشيط وضع السبيت ، فستقوم الثلاجة بإلغائه تلقائيًا خلال 76 ساعة.

5.2 نظام التبريد المزوج

- يجب استخدام الطعام المجمد مباشرة بعد إذابته، كما يجب عدم إعادة تجميده مطلقاً.
- * لا تقم بتجميد كميات كبيرة من الطعام مرة واحدة في نفس الوقت. يتم الاحتفاظ بجودة الطعام بشكل أفضل عند تجميده بطريقة صحيحة بالكامل في أسرع وقت ممكن.
- يتسبب وضع الطعام دافئ في تجويف الفريزر إلى عمل نظام التبريد باستمرار حتى يتم تجميد الطعام وجعله صلباً.
- تoux الحذر جيداً لعدم خلط الأطعمة المجمدة فعلياً بالأطعمة الطازجة.
- يوجد في الثلاجة وظيفة التجميد السريع، قم بتنشيطها عندما تحتاج لتجميد الطعام.

5.3 تجميد الأطعمة الطازجة

- تحفظ الأطعمة معينة وملفوفة أو مغطاة.
- يجب تبريد الطعام الساخن إلى درجة حرارة الغرفة قبل وضعه في الثلاجة.
- يجب أن يكون الطعام المراد تجميده جيداً وطازجاً.
- قم بتقسيم الأطعمة إلى أجزاء طبقاً للاستهلاك اليومي للعائلة أو الوجبة اليومية.
- فك تعبئة الأطعمة بطريقة محكمة لمنع جفاف أي منها إذا كانت ستخزن لوقت قصير.
- يجب أن تكون المواد المستخدمة في التعبئة ضد القلع ومقاومة للبرد والرطوبة والرائحة والزيوت والأحماض كما يجب أن تكون محكمة الهواء. وبالإضافة إلى ذلك، يجب أن تكون هذه المواد مغلقة ومصنوعة من مواد سهلة الاستخدام ومناسبة للاستخدام في الديب فريزر.

ملاحظات	إعداد مقصورة الثلاجة	إعداد مقصورة الفريزر
هذا هو الضبط الموصى به بشكل طبيعي.	4 درجات مئوية	18-درجة مئوية
هذه هي إعدادات الضبط الموصى بها عندما تتجاوز درجة الحرارة المحيطة 30 درجة مئوية.	4 درجات مئوية	20- أو -24 درجة مئوية
استخدم هذا عندما ترغب في تجميد الطعام في وقت قصير. سترجع الثلاجة إلى وضعها السابق عندما تنتهي هذه العملية.	4 درجات مئوية	التجميد السريع
استخدم هذه الإعدادات إذا اعتقدت أن مقصورة الثلاجة غير باردة بدرجة كافية بسبب الظروف المحيطة الساخنة أو الفتح المتكرر للأبواب أو إغلاقها، فيمكن الضبط على هذه القيم.	2 درجة مئوية	18- درجة مئوية أو أقل
استخدم هذه الوظيفة عند وضعك كمية كبيرة في مقصورة الثلاجة أو عندما تحتاج إلى تبريد الأطعمة سريعاً. يوصى بتنشيط وظيفة التبريد السريع من 4 إلى 8 ساعات قبل وضع الطعام فيها.	التبريد السريع	18- درجة مئوية أو أقل

5.4. توصيات المحافظة على الأطعمة المجمدة

يجب أن تكون المواد المزمع استخدامها لتعبئة الطعام مقاومة للقطع وللبرد والرطوبة والزيوت والأحماض. يجب عدم ملامسة الأطعمة المزمع تجميدها للمواد المذابة سابقاً لمنع الإذابة الجزئية. يجب استخدام الطعام المجمد مباشرة بعد إذابته، كما يجب عدم إعادة تجميده مطلقاً.

5.5. آلة الثلج

*اختباري

تسمح وحدة صنع الثلج بالحصول على الثلج من الثلجة بسهولة.

استخدام وحدة صنع الثلج

1. قم بإزالة خزان المياه في مقصورة الثلجة.

2. قم بتعبئة خزان المياه بالمياه.

3. استبدال خزان المياه. ستكون أول مكعبات ثلجية

جاهزة في خلال ساعتين تقريباً في درج الثلج الموجود في مقصورة الفريزر.

• يجب حفظ الأطعمة المجمدة التي اشتريتها وفقاً لإرشادات الشركة المصنعة للطعام المجمد بالنسبة لمقصورة حفظ الطعام المجمد.

لاحظ التالي لضمان تحقيق أفضل جودة من خلال جهة تصنيع الأطعمة المجمد وبانعي الأغذية:

1. توضع العبوات في الفريزر بأسرع ما يمكن بعد الشراء.

2. تأكد من أن المحتويات ملصقة على العبوة ومدون عليها التاريخ.

3. يجب عدم تجاوز تاريخ 'استخدام حتى' أو 'يفضل قبل' على العبوة.

5.5. وضع الطعام

أرفف مقصورة الفريزر	طعام مجمد متنوع مثل اللحم والسّمك والأيس كريم والخضروات إلخ.
الجزء الخاص بالبيض	البيض
أرفف مقصورة الثلجة	الطعام في معلبات وأطباق مغطاة وعلب مغلقة.
أرفف باب مقصورة الثلجة	طعام قليل أو مغلف أو مشروبات (مثل اللبن، وعصائر الفواكه، إلخ).
مقصورة الطعام الطازج	الخضروات والفاكهة
مقصورة منطقة الطعام الطازج	منتجات الأطعمة المعلبة (الجبين والزبد والسلامي... إلخ).

5.6. معلومات التجميد السريع

يجب تجميد الطعام بأسرع ما يمكن عند وضعه في الثلجة للحفاظ على جودته.

قم بتقسيم الأطعمة إلى أجزاء طبقاً للاستهلاك اليومي للعائلة أو الوجبة اليومية.

فك بتعبئة الأطعمة بطريقة محكمة لمنع جفاف أي منها إذا كانت ستُخزن لوقت قصير.



المواد الضرورية للتعبئة.

• شريط لاصق مقاوم للبرد

• شريط لاصق ذاتي

• حلقات مطاطية

• قلم

إذا ملئت خزان المياه بالكامل، ستستطيع الحصول على حوالي 60-70 مكعب ثلجي.	
يتم تجديد المياه في الخزان كل 2-3 أسابيع.	

5. يمكن إخراج خزان الثلج وتقديم مكعبات الثلج.

لا تخرج مقصورة الثلج من مكانها لإخراج الثلج.



يمكن الاحتفاظ بمكعبات الثلج في خزان الثلج إذا أردت. فخزان الثلج مخصص فقط لتجميع مكعبات الثلج. لا تضع ماء فيه. وإلا فينكسر.



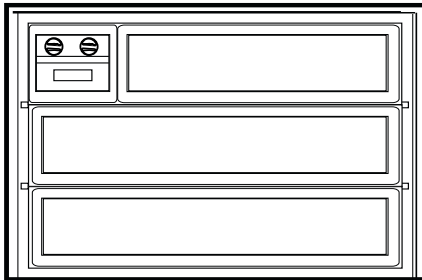
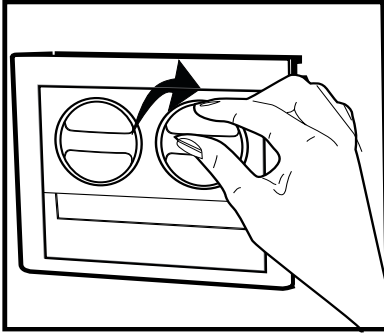
5.9 حاوية الثلج

*اختياري

تسمح وحدة صنع الثلج بالحصول على الثلج من التلاجة بسهولة.

استخدام حاوية الثلج

1. قم بإزالة حاوية الثلج من مقصورة الفريزر.
2. قم بتعبئة حاوية الثلج بالمياه.
3. ضع حاوية الثلج في مقصورة الفريزر. وبعد ساعتين، سيكون الثلج جاهزاً.



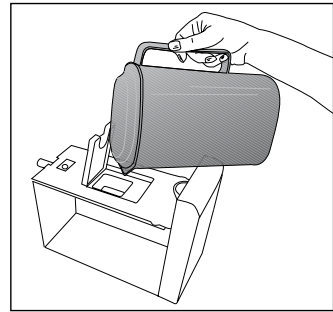
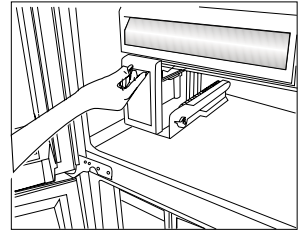
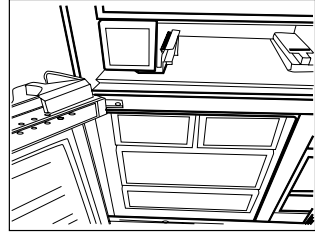
5.8 مقصورة الثلج

*اختياري

تسمح وحدة صنع الثلج بالحصول على الثلج من التلاجة بسهولة.

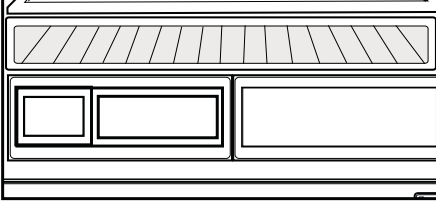
استخدام وحدة صنع الثلج

1. أخرج مقصورة الثلج بسحبها للخارج بعناية.
2. • قم بتعبئة مقصورة الثلج بالمياه.
3. ضع مقصورة الثلج في مكانها. وبعد ساعتين، سيكون الثلج جاهزاً.
4. للحصول على الثلج، أدر المقابض في مقصورة الثلج باتجاه عقارب الساعة 90 درجة. ستسقط مكعبات الثلج التي في المقصورة إلى خزان الثلج أدناه.



5.11 حامل البيض

يمكن تركيب حامل البيض بالباب المطلوب أو رف الجسم. إذا كان سيتم وضعه على أرفف الجسم فعنها يوصى بالأرفف ذات أقل تبريد.



لا تضع حامل البيض في مقصورة الفريزر أبداً.

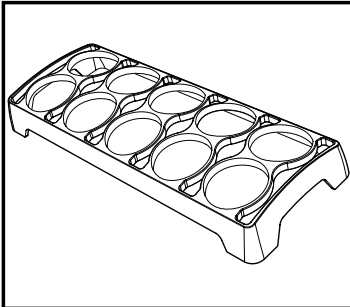


تأكد من أن البيض ليس في اتصال مباشر مع الأطعمة الأخرى بالجهاز.

5.12 وصف فلتر الروائح وتنظيفه:

يمنع فلتر الروائح تراكم الروائح الكريهة داخل الثلاجة.

1. اجذب الغطاء المركب فيه فلتر الروائح لأسفل من الجزء الأمامي وأخرجه كما هو موضح في الشكل.
2. اترك الفلتر معرضاً لأشعة الشمس لمدة يوم واحد. سيتم تنظيف الفلتر خلال هذه المدة الزمنية.

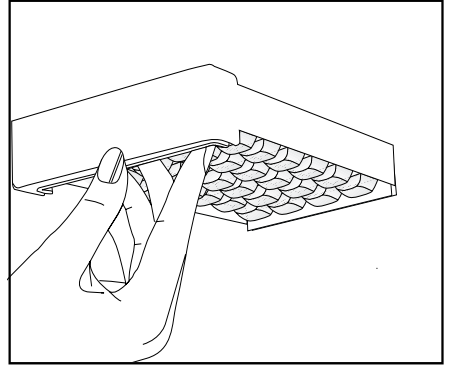


4. قم بإزالة حاوية الثلج من مقصورة الفريزر وقم بثنيتها على لوحة الخدمة. ستسقط مكعبات الثلج بسهولة في لوحة الخدمة.

5.10 الضوء الأزرق

(اختياري)

عوضلاً بـ 6مجلاتلاب جزاطلا ماعطلا قروصقم ضموئسد نع 6متجزاطب جاردلأا في ف نزخملا ماعطلا ظفئحدي. قرزلأا ظفئحدي لاتلابو قرزلأا عوضلاً 6مجوملا لوط ريثأا قيرط نيتوربلا تايوتحم نديزيو 6متجزاطب.



3. قم بتركيب الفلتر مرة أخرى في مكانه.



لا يوصى بوضع الفواكة والخضروات في مقصورة الوجبات الخفيفة. وبالأخص الطماطم والباذنجان والكوسا والخيار والليمون حيث أنها منتجات حساسة للبرودة. لا يجب حفظها في مقصورة الوجبات الخفيفة.



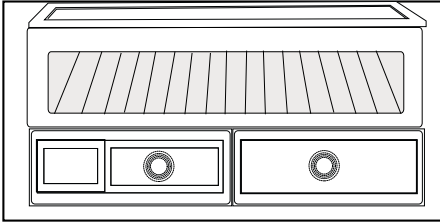
يجب تنظيف فلتر الروائح مرة كل عام.

5.13 مقصورة الوجبات الخفيفة

تستخدم لتخزين الأطعمة مثل السمك واللحوم الحمراء ولحوم الدواجن ومنتجات الألبان مثل الجبن والزبادي واللبن التي تحتاج للحفظ في مكان أكثر برودة بدرجات قليلة عن مقصورة التلاجة.

يمكن زيادة الحجم الداخلي للتلاجة بإخراج مقصورة الوجبات الخفيفة المطلوبة.

1. اجذب المقصورة تجاهك حتى توقفها الحاجز.
2. ارفع القسم الأمامي واسحبه نحوك لإزالة المقصورة من مكانها.

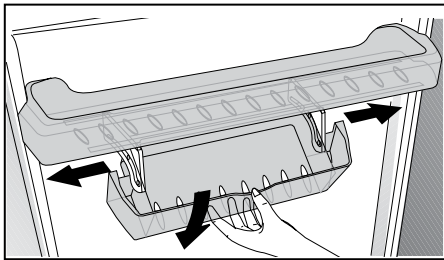
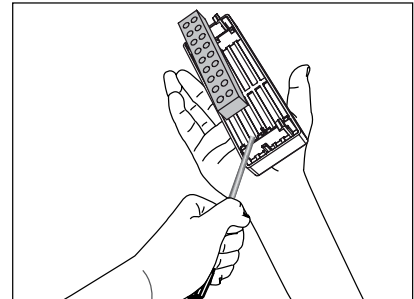
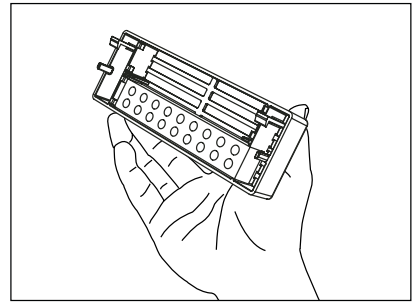
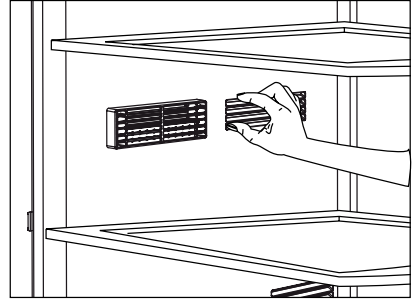


5.14 مقصورات التخزين المانلة

*اختياري

تم تصميم هذا الملحق للاستفادة من حجم أرفف الباب بشكل أكثر كفاءة. فهو يسمح لك بوضع الزجاجات الطويلة والمرطبات والعلب في صف الزجاجات السفلي بفضل

قدرته على الحركة لليمين أو اليسار.

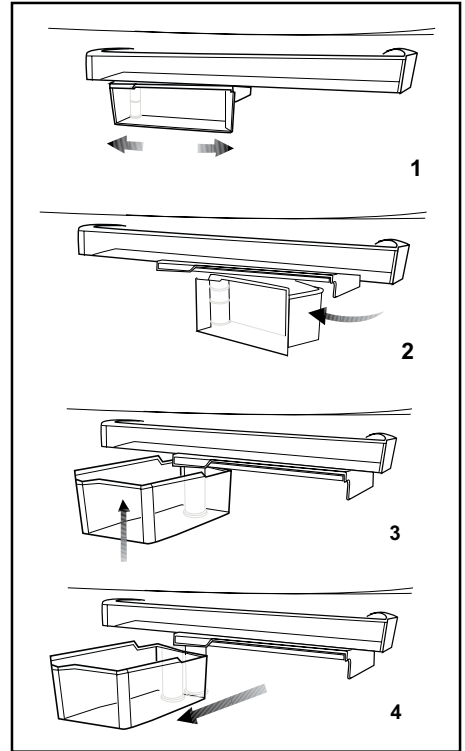


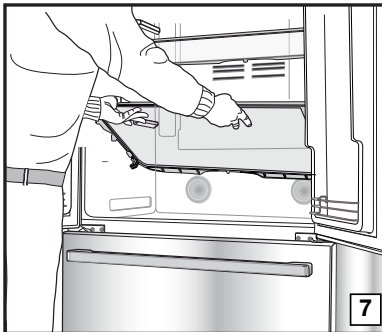
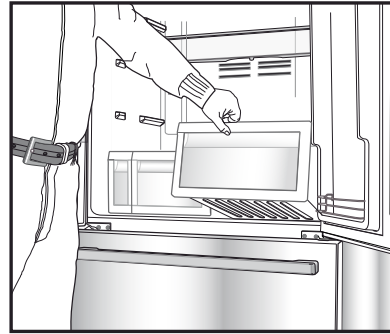
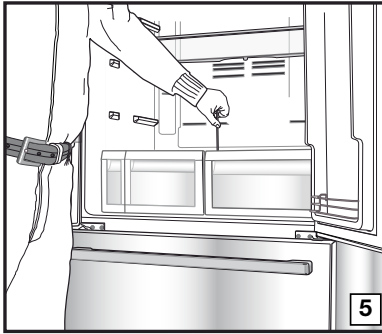
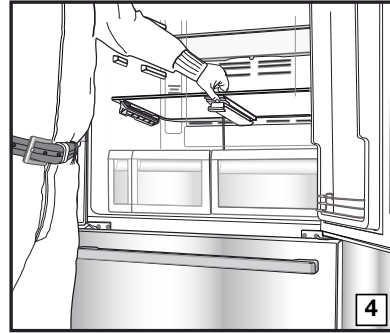
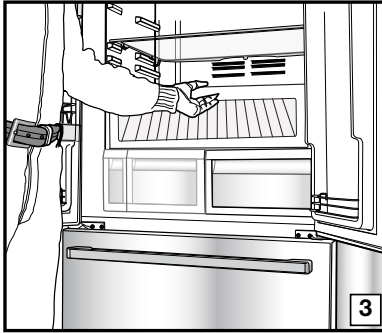
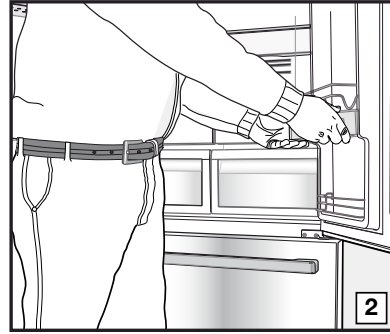
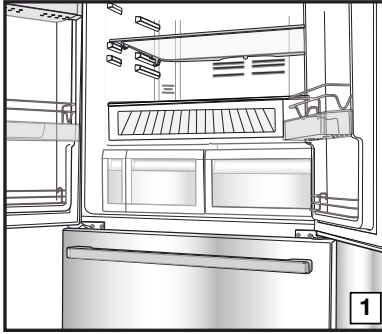
5.15 مقصورة التخزين الدوارة

*اختياري

يمكن أيضاً نقل مقصورة التخزين الدوارة إلى اليمين أو اليسار. بهذه الطريقة، يمكن وضع الزجاجات الطويلة، والبرطمانات أو الصناديق بسهولة في الرف السفلي (الشكل 1).

يمكن الوصول إلى الطعام الذي وضعته في الرف من خلال جذبته وتدويره من حافته اليمنى (الشكل 2). عندما تريد تحميله أو إخراجته لتنظيفه، أدّره بمقدار 90 درجة وارفعه واجذبه تجاهك (الشكل 3-4).





5.16 مقصورة الطعام الطازج

صممت مقصورة الطعام الطازج بالتلاجة خصيصاً بحيث تحتفظ بالخضروات طازجة دون فقدان رطوبتها. لهذا الغرض، تكون دورة الهواء البارد مكثفة حول الدرج بوجه عام. أخرج أرفف الباب المقابلة للدرج قبل إخراج الدرج.

5.17. استخدام موزع المياه

*اختياري

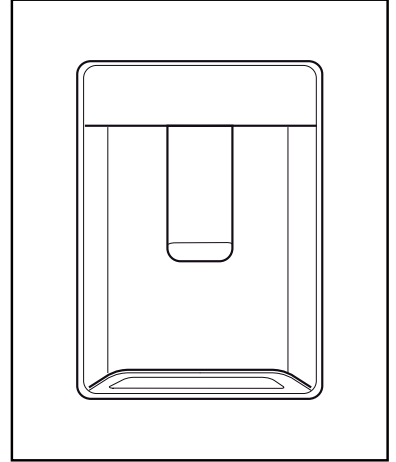
من الطبيعي أن تكون أكواب المياه القليلة الأولى المأخوذة من وحدة التوزيع دافئة.



إذا لم يتم استخدام موزع المياه لفترة طويلة، فتخلص من أكواب المياه الأولى التي تحصل عليها من الماء العذب.



1. اضغط على مزلاج صنوبر الماء بالكوب. إذا كنت تستخدم كوب بلاستيكي ضعيف، فدفع الصنوبر بيدك سيكون أسهل.
2. بعد تعبئة الكوب حتى المستوى الذي تريد، قم بتحرير الصنوبر.



يرجى ملاحظة أن كمية تدفق المياه تعتمد على مدى وكلما ارتفع مستوى المياه في الكوب / الكاس، خفف كمية الضغط على المزلاج لتجنب زيادة التدفق. إذا ضغطت برفق على الذراع، سيقطر الماء، وهذا أمر طبيعي وليس عيباً.



5.18. تعبئة خزان توزيع المياه

يوجد صهريج ملى خزان المياه بداخل رف الباب.

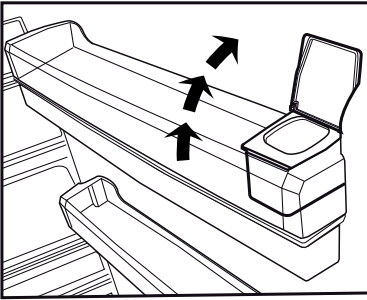
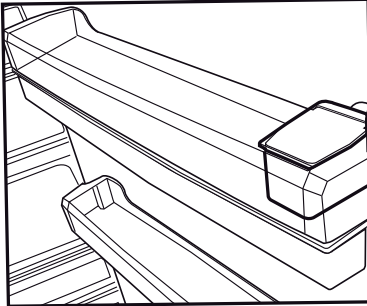
1. افتح غطاء الخزان.
2. قم بتعبئة الخزان بمياه شرب نقية.
3. أغلق الغطاء.



لا تملأ خزان المياه بأى سائل آخر غير مياه الشرب والمشروبات مثل عصائر الفاكهة والمشروبات الغازية، أما المشروبات الكحولية فغير مناسبة للاستخدام في موزع المياه. سيتلف موزع المياه بشكل لا يمكن إصلاحه إذا تم استخدام هذا النوع من السوائل. ولا يشمل الضمان هذا النوع من الاستخدامات فبعض المواد الكيميائية والإضافات الموجودة في هذه السوائل/ المشروبات قد تتلف مواد خزان المياه.



استخدم مياه الشرب النظيفة فقط.



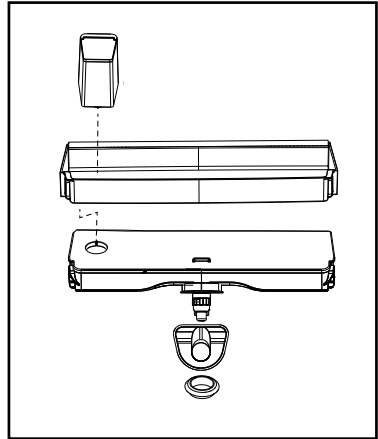
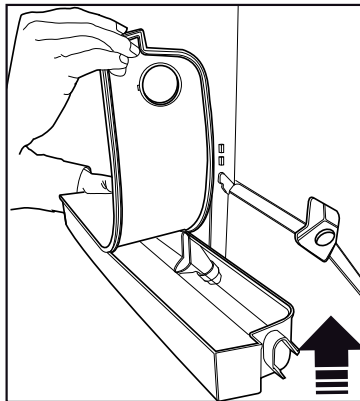
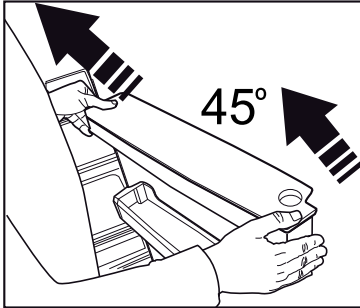
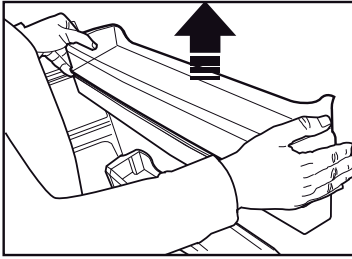
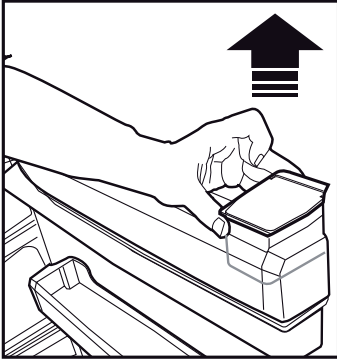
سعة خزان المياه 3 لتر، لا تملأه على نحو مفرط.



5.19 تنظيف خزان المياه

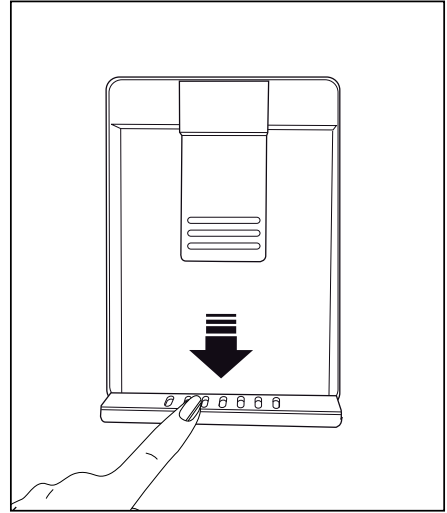
1. قم بفك صهريج تعبئة المياه داخل رف الباب.
2. قم بفك رف الباب بإمساكه من كلا الجانبين.
3. امسك خزان المياه من كلا الجانبين وقم بفكه بزاوية 45 درجة .
4. قم بإزالة غطاء خزان المياه وتنظيف الخزان.

يجب ألا يتم غسل أجزاء خزان المياه وموزع المياه في غسالة الأطباق.



5.20. درج المياه

المياه التي تتساقط أثناء استخدام موزع المياه تتجمع في درج المياه. اسحب الفلتر البلاستيكي كما يظهر في الشكل. بقطعة قماش نظيفة وجافة، قم بإزالة المياه التي تراكمت.



5.21. درج التحكم بالرطوبة (دائمًا طازج).

(اختياري)

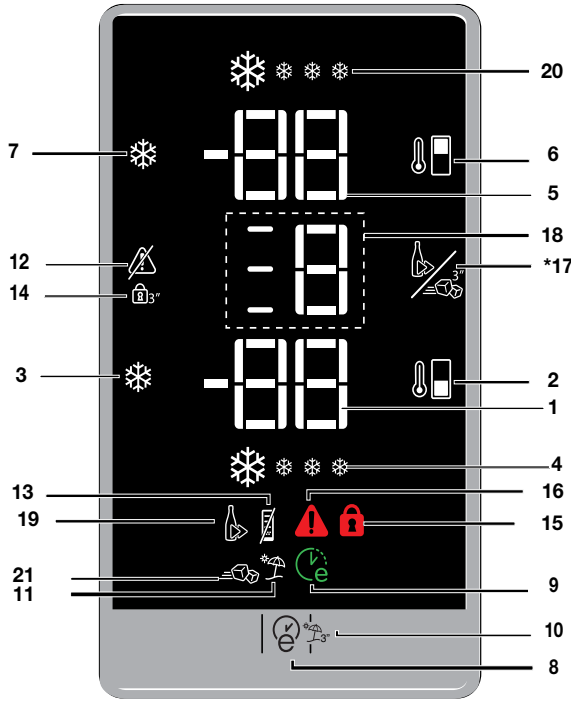
مع خاصية درج التحكم بالرطوبة تظل معدلات الرطوبة للخضروات والفواكة تحت التحكم ويظل الطعام طازج لمدة أطول.

ضع الخضروات الورقية مثل الخس والسبانخ والخضروات الحساسة لفقدان الرطوبة في وضع أفقي قدر الإمكان في الدرج وليس على جذورها وبوضع رأسي.

لا تترك الخضروات أبدًا داخل الدرج في أكياسها. إذا تركت الخضروات في أكياسها، سيتسبب هذا في تحللها في فترة قصيرة. عند الضغط على مستوى عالي من الرطوبة، ستحتفظ خضرواتك بمحتوياتها من الرطوبة ويمكن حفظها لفترة معقولة من الوقت دون الحاجة لوضعها في أكياسها. في حالة تلامس الخضروات ببعضها وهو أمر غير صحي، استخدم ورق مثقوب أو الفوم أو أي مادة أخرى مشابهة من مواد التغليف بدلاً من الأكياس.

أثناء وضع الخضروات يجب أن نأخذ في الاعتبار أن نضعها بوضع جانبي معين. الخضروات الثقيلة والصلبة يجب وضعها في أسفل الدرج والخضروات الخفيفة والناعمة يجب أن توضع بالأعلى.

لا تضع الكمثرى والشمش والخرخ وغيرها معاً في نفس الدرج مع الخضار والفواكه الأخرى، وعلى وجه الخصوص التفاح والذي به مستوى عال من توليد غاز الإيثيلين. غاز الإيثيلين الذي ينبعث من هذه الفاكهة قد يتسبب في نضج الفاكهة الأخرى بشكل أسرع والتحلل في وقت أقل.



1. رزيرفلا قروصقمه قراره مجرد طبضه رشوم
 2. رزيرفلا قودنصه قراره مجرد طبضه تفيظو
 3. حاتفم "Quick freeze" عيرسلا ديمجتلا رز تفيظو (3")
 4. عيرسلا ديمجتلا تفيظو رشوم
 5. تاجلاثلا قراره مجرد طبضه رشوم
 6. تاجلاثلا قودنصه قراره مجرد طبضه تفيظو
 7. "Quick fridge" عيرسلا ديربتلا رز
 8. (صراذ يداصتقا مادختسا) Eco-Fuzzy تفيظو
 9. (صراذ يداصتقا مادختسا) Eco-Fuzzy تفيظو رشوم
 10. تازاجلا تفيظو
 11. تازاجلا تفيظو رشوم
 12. راذنلا اعافطنا ريذنته تفيظو
 13. تقاطلا ظفد رشوم
 14. حاتفملا لفة تفيظو
 15. حيتافملا نيمات رشوم
 16. ميينت / قرارحلا مجرد عافترا / تقاطلا لشف رشوم اعاطلا
 17. عنص/عيرسلا تاجاجزلا ديربت رايثخا تفيظو (عيرسلا دريملا) عيرسلا جلاثلا
 18. /عيرسلا تاجاجزلا ديربت رايثخا تفيظو رشوم عيرسلا جلاثلا عنص
 19. (عيرسلا دريملا) عيرسلا تاجاجزلا ديربت رشوم
 20. عيرسلا ديربتلا رشوم
 21. عيرسلا جلاثلا عنص رشوم
- * اختياري

*اختياري: إن الأشكال الواردة في هذا الدليل عبارة عن رسومات بيانية وقد لا تتطابق تماماً مع المنتج. إذا لم تكن الأجزاء ذات الصلة غير متاحة في المنتج الذي قمت بشراؤه، ينطبق الشكل على الموديلات الأخرى.



1. مؤشر درجة حرارة مقصورة الفريزر يبين وضع ضبط درجة الحرارة لغرفة المجمد.
2. وظيفة ضبط درجة حرارة صندوق الفريزر تسمح لك بضبط درجة حرارة مقصورة الفريزر. اضغط على هذا الزر لضبط درجة حرارة مقصورة الفريزر على 18- و 20- و 19- و 24- بالترتيب.
3. زر التجميد السريع "Quick freeze" مفتاح تشغيل- إيقاف التجميد (3") وظيفة يضيء مؤشر التجميد السريع عند تنشيط وظيفة التجميد السريع. لإلغاء هذا الوظيفة، اضغط على زر التجميد السريع مرة أخرى. ينطفئ مؤشر التجميد السريع وتعود الإعدادات إلى الوضع الطبيعي. إذا لم يتم إلغاء ستلغي وظيفة التجميد السريع نفسها تلقائياً بعد مرور 4 ساعات أو عندما تصل درجة حرارة صندوق الفريزر إلى الدرجة المطلوبة. إذا أردت تجميد كمية كبيرة من الطعام الطازج، يرجى الضغط على التجميد السريع قبل وضع الطعام في صندوق الفريزر. إذا ضغطت على زر Quick Freeze (التجميد السريع) بشكل متكرر لفترات قصيرة، سيتم تنشيط حماية الدائرة الإلكترونية ولن يبدأ تشغيل الضاغط فوراً. لن يتم استدعاء هذه الوظيفة عندما يتم استعادة التيار الكهربائي بعد انقطاعه!
4. مؤشر وظيفة التجميد السريع يومض هذا الرمز بشكل مجسم عند تنشيط وظيفة التجميد السريع.
5. مؤشر ضبط درجة حرارة مقصورة الثلجة يبين درجة الحرارة المضبوطة لمقصورة الثلجة.
6. وظيفة ضبط درجة حرارة صندوق الثلجة تسمح لك بضبط درجة حرارة مقصورة الثلجة. اضغط على هذا الزر لضبط درجة حرارة مقصورة الثلجة على 2، 3، 4، 5، 6، 7، 8 درجة على الترتيب.
7. زر التبريد السريع "Quick fridge" عند الضغط على زر التبريد السريع "Quick Fridge"، تصبح درجة حرارة الصندوق أبرد من القيم المضبوطة. هذه الوظيفة يمكن استخدامها لتسريع تبريد الطعام في مقصورة الثلجة. إذا أردت تبريد كمية كبيرة من الطعام الطازج، يوصى بتنشيط هذه الميزة قبل وضع الطعام في الثلجة. يضيء مؤشر التبريد السريع عند تنشيط وظيفة التبريد السريع. لإلغاء هذا الوظيفة، اضغط على زر التبريد السريع مرة أخرى. ينطفئ مؤشر التثليج السريع وتعود الوحدة إلى الإعدادات الطبيعية. إذا لم يتم
- يتم إلغاء ستلغي وظيفة التثليج السريع نفسها تلقائياً بعد مرور ساعتان أو عندما تصل درجة حرارة مقصورة الثلجة إلى الدرجة المطلوبة.
- لن يتم استدعاء هذه الوظيفة عندما يتم استعادة التيار الكهربائي بعد انقطاعه.
8. وظيفة Eco-Fuzzy (استخدام اقتصادي خاص) عند الضغط على زر Eco-Fuzzy (الاستخدام الاقتصادي)، سيتم تنشيط وظيفة Eco-Fuzzy وسيضيء مؤشر Eco-Fuzzy. سيبدأ تشغيل الثلجة في أقصى وضع اقتصادي بعد مرور 6 ساعات تقريباً وسيتم تشغيل مؤشر الاستخدام الاقتصادي عند تنشيط هذه الوظيفة. لإلغاء تنشيط وظيفة Eco-Fuzzy، قم بالضغط على زر Eco-Fuzzy مرة أخرى.
9. مؤشر وظيفة Eco-Fuzzy (استخدام اقتصادي خاص) يضيء هذا الرمز عند تنشيط وظيفة Eco-Fuzzy (الاستخدام الاقتصادي).
10. وظيفة العطلة عند الضغط والاستمرار في الضغط على مفتاح Eco Fuzzy لمدة 3 ثوانٍ؛ سيتم تنشيط مؤشر وضع الإجازة وسوف يضيء مؤشر الإجازات. يتوقف تبريد مقصورة الثلجة ودرجة حرارة مقصورة الثلجة يثبت عند 15 درجة لمنع الروائح الكريهة. عند تنشيط هذه الوظيفة، لن يعرض مؤشر درجة حرارة مقصورة الثلجة درجة الحرارة.
- لإيقاف تنشيط وظيفة الإجازات، اضغط واستمر بالضغط على زر Eco-Fuzzy لمدة 3 ثوانٍ.
11. مؤشر وظيفة الإجازة يضيء هذا الرمز عند تنشيط وظيفة الإجازة.
12. وظيفة تحذير إطفاء الإنذار في حال صدور إنذار قصور الطاقة/ارتفاع درجة الحرارة، فقم بعد التحقق من الطعام الموجود في غرفة المجمد، بالضغط على زر انطفاء الإنذار للتغلب على التحذير.
13. مؤشر وظيفة توفير الطاقة (عرض إيقاف) عند الاحتفاظ بأبواب المنتج مغلقة لفترة طويلة فسوف يتم أوتوماتيكياً تفعيل وظيفة توفير الطاقة ويضيء رمز توفير الطاقة. عند تفعيل وظيفة توفير الطاقة، فسوف تنطفئ كل الرموز في الشاشة ما عدا رمز توفير الطاقة. عندما تكون وظيفة توفر الطاقة مفعلة، فعند الضغط على أي زر أو فتح الباب، سيتم إلغاء وظيفة توفير الطاقة وسوف ترجع الرموز على الشاشة إلى الوضع الطبيعي.

وظيفة توفير الطاقة تكون مفعله عند التوريد من المصنع ولا يمكن إلغاؤها.

14. وظيفة قفل المفاتيح

عند الضغط واستمرار الضغط على زر قفل المفاتيح "Key Lock" لمدة 3 ثوان سيتم تنشيط وظيفة قفل المفاتيح وسيضيئ مؤشر قفل المفاتيح. لن يعمل اي زر عندما تكون هذه الوظيفة نشطة. لإلغاء هذه الوظيفة اضغط على زر قفل المفاتيح لمدة 3 ثوانٍ.

15. مؤشر قفل المفاتيح

يضيء هذا الرمز عند تنشيط وظيفة قفل المفاتيح.

16. مؤشر قصور الطاقة / درجة الحرارة المرتفعة /

التحذير بوقوع خطأ

يضيء هذا المؤشر في حالة أعطال الطاقة أو مشكلات درجة الحرارة المرتفعة. أثناء فترة قصور الطاقة المستديم فإن أعلى درجة حرارة تصل إليها غرفة المجمد سوف تومض على الشاشة الرقمية. بعد التحقق من الطعام الموجود في مقصورة الثلاجة اضغط على زر الانذار لإلغاء التحذير.

يرجى الرجوع إلى قسم "الحلول المقترحة للمشكلات المكتشفة" في الدليل الخاص بك إذا لاحظت إضاءة هذا المؤشر.

17. وظيفة تبريد الزجاجات السريع / اختبار صنع الثلج

السريع

عند الضغط على زر وظيفة تبريد الزجاجات السريع/ اختبار صنع الثلج السريع والاستمرار في الضغط عليه لمدة 3 ثوان، فسوف يتم عرض الرقم "1" على مؤشر وظيفة تبريد الزجاجات السريع-اختبار صنع الثلج السريع.

إذا لم يتم الضغط على هذا الزر مرة أخرى خلال دقيقة واحدة ستعود الشاشة إلى الوضع السابق، وستتوقف مؤشرات اختيار وضع صنع الثلج السريع.

بعد أن يتم عرض "1"، كل ضغطة تتم على زر تبريد الزجاجات السريع-صنع الثلج السريع ستزيد العدد على الشاشة واحد لكل ضغطة. في حالة عرض الرقم "1"، سيكون من الممكن تمكين وظيفة تبريد الزجاجات السريع. في حالة عرض الرقم "2"، سيكون من الممكن تمكين وظيفة صنع الثلج السريع. عند الضغط والاستمرار في الضغط على زر وظيفة تبريد الزجاجات السريع-صنع الثلج السريع لمدة 3 ثوان عند عرض الرقم "1"، فسوف يتم تمكين وظيفة تبريد الزجاجات السريع وسوف يتم تشغيل مؤشر تبريد الزجاجات السريع. سيضيء الرقم "1" باستمرار وستضيء الأيقونات على اليسار في صور

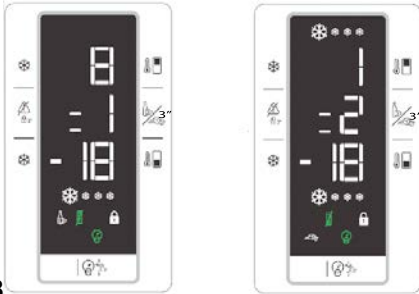
متحركة. عند الضغط والاستمرار في الضغط على زر وظيفة تبريد الزجاجات السريع-صنع الثلج السريع لمدة 3 ثوان عند عرض الرقم "2"، فسوف يتم تمكين صنع الثلج السريع وسوف يتم تشغيل مؤشر صنع الثلج السريع. سيضيء الرقم "2" باستمرار وستضيء الأيقونات على اليسار في صور متحركة.

إذا ضغطت ضغطة قصيرة على زر وظيفة تبريد الزجاجات السريع-صنع الثلج السريع في حالة تمكين الوظيفة، فلن يحدث أي تغيير على الشاشة. إذا انقطع التيار الكهربائي أثناء تمكين وظيفة تبريد الزجاجات السريع أو صنع الثلج السريع، ستستأنف الوظيفة عملها من حيث توقفت بمجرد عودة التيار الكهربائي. تستمر وظيفة تبريد الزجاجات السريع لمدة 15 دقيقة، وتستمر وظيفة صنع الثلج السريع لمدة 40 دقيقة. بمجرد انتهاء وقت الوظيفة المحددة، ستنتطفئ الأيقونات.

بعد اكتمال 3 دورات في وظيفة تبريد الزجاجات السريع ودورة واحدة في وظيفة صنع الثلج السريع، انتظر حتى تبرد الثلاجة ويتوقف جهاز ضغط الهواء.

إذا أردت تمكين الوظيفة في غضون ذلك، فسيظهر على الشاشة الرقم "0".

يتعذر تمكين الوظيفة. سوف تسمع تحذيرًا في حالة الضغط على زر تبريد الزجاجات السريع-صنع الثلج السريع. بمجرد أن تبرد الثلاجة، يمكنك تمكين الوظيفة المرغوبة مرة أخرى.



18. مؤشر وظيفة اختبار تبريد الزجاجات السريع/صنع الثلج السريع

يعرض وظيفة الضبط. إذا تم عرض الرقم "1" فهذا يعني أن وظيفة تبريد الزجاجات السريع سوف يتم أو أنه تم اختيارها، وإذا تم عرض الرقم "2" فهذا يعني أن وظيفة صنع الثلج السريع سيتم أو أنه اختيارها.

19. مؤشر تبريد الزجاجات السريع

يعرض وظيفة تبريد الزجاجات السريع.

20. زر التبريد السريع "Quick fridge"

يوضح هذا الرمز بشكل مجسم عند تنشيط وظيفة التبريد السريع.

21. مؤشر صنع الثلج السريع

تعرض وظيفة صنع الثلج السريع

5.22. غرفة تبريد الزجاجات السريع/صنع الثلج السريع

(المبرد السريع)

(هذه الخاصية اختيارية)

يمكنك استخدام غرفة تبريد الزجاجات السريع لغرض صنع الثلج أو تبريد المقلبات بسرعة.

الغرفة المغلقة الموجودة في الجزء السفلي الأيسر في غرفة الفريزر يتم تبريدها بمساعدة مروحة منفصلة و سطح المبرد.

بعد أن يتم وضع صندوق الثلج أو المقلبات التي تريد تبريدها في هذه الغرفة، فيمكنك بدء وظيفة التبريد السريع من خلال الضغط على الأزرار ذات الصلة بالموشر.



إذا رأيت رسالة التحذير "0" على الشاشة إذا رأيت تنشيط وظيفة صنع الثلج، فانتظر فترة معينة. رسالة التحذير هذه يمكن أن تظهر إذا ما استخدمت الغرفة مرتين على فترات مستمرة. إذا ما رأيت هذه الرسالة فلن تسمح ثلاجتك بأن يتم استخدام الغرفة لفترة معينة لغرض الحصول على أفضل قدرة أداء تبريد والمحافظة على درجة حرارة حفظ الطعام. عند موازنة درجات الحرارة الداخلية في ثلاجتك، فسوف تكون الغرفة جاهزة للاستخدام مرة أخرى. يرجى إعادة المحاولة لاحقاً.



لا تضع أية مواد أخرى في هذه الغرفة غير المقلبات وصندوق الثلج المورد. تحقق من غلق أعطية أطباق المقلبات التي سوف تضعها في الغرفة.



قبل تنشيط الوظيفة فتتحقق من غلق باب الغرفة تماماً.

تم تصميم هذه الغرفة لتبريد كمية 1.5 لتر ماء عند درجة حرارة 20 م لتصل إلى 10 م في فترة 15 دقيقة. إذا كنت تعتقد أن المقلبات التي سوف تزيلها من الغرفة ليست باردة بالقدر الكافي، فسوف يمكنك تنشيط الغرفة مرة أخرى.



عند الانتهاء من التبريد، سوف يخفي رمز "=" بالموشر. بعد انتهاء العملية قم بإخراج المقلبات أو الثلج الذي وضعته في الغرفة. إذا أردت الاستمرار في تبريدها فيمكنك تنشيط الوظيفة ذاتها مرة أخرى بينما المقلبات أو صندوق الثلج في الغرفة.



إذا رأيت رسالة التحذير "0" على الشاشة إذا رأيت تنشيط وظيفة تبريد الزجاجات السريع، فانتظر فترة معينة. رسالة التحذير هذه يمكن أن تظهر إذا ما استخدمت الغرفة 4 مرات على فترات مستمرة. إذا ما رأيت هذه الرسالة فلن تسمح ثلاجتك بأن يتم استخدام الغرفة لفترة معينة لغرض الحصول على أفضل قدرة أداء تبريد والمحافظة على درجة حرارة حفظ الطعام. عند موازنة درجات الحرارة الداخلية في ثلاجتك، فسوف تكون الغرفة جاهزة للاستخدام مرة أخرى. يرجى إعادة المحاولة لاحقاً.



لا تترك مقبلات باردة بداخل الغرفة لصحتك وسلامتك. إبقاء المشروبات الفوارية في الغرفة لفترة طويلة يمكن أن يؤدي إلى نشوء مخاطر، مثل تشقق الأوعية وما إلى ذلك.

عند إنهاء عمل وظيفة صندوق الثلج، فيمكن أن ينصهر صندوق الثلج، حيث تعود الغرفة إلى العمل لدرجات حرارة تخزين الطعام الطازج. لا تترك ثلجًا مجمدًا في الغرفة.

عند تنشيط هذه الغرفة فسوف تعمل المروحة في الغرفة بأعلى سرعة لغرض توفير أفضل قدرة تبريد في أقصر فترة زمنية. لهذا السبب سوف يرتفع الصوت عندما تعمل الغرفة في الوضع العادي.

- يجب حفظ الأطعمة في أوعية مغطاة. حيث قد تتسبب الكائنات الدقيقة الصادرة عن الأطعمة غير المغطاة في انبعاث روائح كريهة.
- ينبغي عدم الاحتفاظ بالأطعمة منتهية الصلاحية والأطعمة الفاسدة في الثلاجة.

6.2. حماية الأسطح البلاستيكية

لا تضع زيوتًا سائلة أو وجبات مطبوخة بالزيت في الثلاجة في علب غير معزولة، إذ قد تتسبب في تلف الأسطح البلاستيكية للثلاجة. في حالة سكب زيت أو تسربه على الأسطح البلاستيكية، نظف هذا الجزء من واشطفه فوراً بماء فاتر.

يزيد عمر الخدمة للمنتج ونقل أيضاً المشاكل التي تتعرض لها كثيرًا إذا ما قمت بتنظيم المنتج بشكل متكرر.

تحذير: إننا نوصي بفصل الجهاز عن التيار الكهربائي قبل التنظيف.



- لا تستخدم جازولين أو أية مواد مشابهة بغرض التنظيف.
- لا تستخدم أبدًا الأدوات الحادة وكاشطة، والصابون، والمنظفات المنزلية، ومنظفات غسيل أو شمع التلميع عند التنظيف.
- قم بإذابة مقدار ملعقة شاي من الكربون في نصف لتر ماء. انقع قطع قماش في المحلول واعصرها بعناية. امسح الجزء الخارجي من الثلاجة باستخدام هذه القماشة وجفف الثلاجة بعناية.
- تأكد من عدم دخول المياه إلى مبييت المصباح وغيره من العناصر الكهربائية.
- في حال عدم استخدام الثلاجة لفترة طويلة، قم بفصلها، وأخرج كافة الأطعمة الموجودة بداخلها، ونظفها واتركها مفتوح جزئيًا.
- تحقق باستمرار من أن حشيات الباب نظيفة. إذا لم تكن نظيفها، فقم بتنظيفها.
- لإزالة الباب وأرفف الجسم، عليك إزالة جميع محتوياتها.
- عليك إزالة أرفف الباب بسحبها لأعلى. بعد التنظيف، مررهم من الأعلى للأسفل للتركيب.
- لا تستخدم أبدًا مواد التنظيف أو المياه التي تحتوي على الكلورين لتنظيف الأسطح الخارجية والأجزاء المطلية بالكروم من المنتج. فالكالورين يتسبب في تآكل هذه الأسطح المعدنية.

6.1. تجنب الروائح الكريهة

لم يتم استخدام المواد التي قد تنتج روائح عند تصنيع منتجاتنا. إلا أنه قد تصادف مشكلة انبعاث روائح بسبب الأحوال غير المناسبة لحفظ الطعام وعدم تنظيف السطح الداخلي للثلاجة كما هو مطلوب. انتبه لما يلي لتفادي هذه المشكلة:

- يُعد المحافظة على الثلاجة نظيفة أمرًا هامًا. يمكن أن تسبب بقايا الطعام أو البقع أو ما شابه انبعاث روائح. لذا، قم بتنظيف الثلاجة باستخدام كربونات مذابة في ماء كل 15 يومًا. لا تستخدم المنظفات أو الصابون أبدًا.

يرجى مراجعة هذه القائمة قبل الاتصال بمركز الخدمة. فقد يوفر عليك وقتاً ومالاً. تشمل هذه القائمة الشكاوى التي لم تنتج عن عيوب صناعة أو المواد المستخدمة. قد لا تتوافر بعض الميزات الواردة في هذا الدليل في المنتج الخاص بك.

- قد تكون الثلاجة الجديدة أكبر من القديمة. هذا شيء طبيعي تمامًا. الثلاجات الكبيرة تعمل لفترات أطول.
 - قد تكون درجة الحرارة المحيطة عالية. وهذا أمر طبيعي جداً.
 - الثلاجة متصلة بالكهرباء منذ قليل أو مليئة بالطعام. قد يستمر تبريد الثلاجة كليا لساعات أطول.
 - قد تكون هناك كميات كبيرة من الطعام الساخن تم وضعها في الثلاجة مؤخراً. يتسبب الطعام الساخن في تشغيل الثلاجة حتى يصل إلى درجة حرارة التخزين الآمنة.
 - قد تكون الأبواب مفتوحة بصورة متكررة أو مفتوحة جزئياً لفترة طويلة. يتسبب الهواء الساخن الذي دخل الثلاجة في تشغيل الثلاجة لفترة أطول. افتح الأبواب عدداً أقل من المرات.
 - قد يكون باب صندوق الفريزر أو الثلاجة مفتوح جزئياً. تأكد أن الأبواب مغلقة تماماً.
 - تم ضبط الثلاجة على درجة باردة جداً. اضبط درجة حرارة الفريزر على درجة أعلى وانتظر حتى تصل إلى درجة الحرارة المطلوبة.
 - قد يكون عازل باب الثلاجة أو الفريزر متسخاً أو بالياً أو متهتكاً أو مثبت بطريقة غير صحيحة. نظف العازل أو استبدله. لأن العازل التالف أو المتهتك يتسبب في أن تعمل الثلاجة لفترات أطول للحفاظ على درجة الحرارة الحالية.
- | |
|--|
| درجة حرارة الفريزر منخفضة جداً بينما درجة حرارة الثلاجة غير كافية. |
| • تم ضبط الفريزر على درجة باردة جداً. اضبط درجة حرارة الفريزر على درجة أعلى ثم تأكد ثانية. |
| درجة حرارة الثلاجة منخفضة جداً بينما درجة حرارة الفريزر غير كافية. |
| • تم ضبط الثلاجة على درجة باردة جداً. اضبط درجة حرارة الثلاجة على درجة أعلى ثم تحقق ثانية. |
| تجمد الطعام المحفوظ في أدراج صندوق الثلاجة. |
| • تم ضبط الثلاجة على درجة باردة جداً. اضبط درجة حرارة الثلاجة على درجة أعلى ثم تحقق ثانية. |
| درجة حرارة الثلاجة أو الفريزر عالية جداً. |

الثلاجة لا تعمل
<ul style="list-style-type: none"> • هل الثلاجة متصلة بالتيار الكهربائي؟ توصيل القابس بمنفذ الكهرباء بالحائط. • هل احترق منصهر القابس المتصلة به الثلاجة أو المنصهر الرئيسي؟ افحص المنصهر.
تكدّف في جانب صندوق الثلاجة. (المنطقة المتعددة، التحكم في التبريد، والمنطقة المرنة)
<ul style="list-style-type: none"> • الظروف المحيطة باردة جداً. فتح الأبواب وغلقتها بشكل متكرر. الظروف المحيطة عالية الرطوبة. تخزين طعام يحتوي على سائل في أوعية مفتوحة. ترك الباب مفتوح جزئياً. • تغيير وضع الترموستات إلى الدرجة أكثر برودة. • تقليل الوقت الذي ترك الباب فيه مفتوحاً أو استخدامه بصورة أقل. • تغطية الطعام المخزن في حاويات مفتوحة بمادة مناسبة. • مسح التكدّف بقطعة قماش جافة والتحقق من بقائه.
جهاز ضغط الهواء لا يعمل
<ul style="list-style-type: none"> • سينصهر العازل الحراري لجهاز ضغط الهواء أثناء الانقطاع المفاجئ للتيار الكهربائي أو توصيل قابس الثلاجة بالتيار الكهربائي أو فصله، لأن ضغط الثلاجة في نظام تبريد الثلاجة لم يتوازن بعد. • ستبدأ الثلاجة في العمل بعد 6 دقائق تقريباً. يرجى الاتصال بمركز الصيانة إذا لم تبدأ الثلاجة في العمل بعد انتهاء هذه المدة. • الثلاجة في دورة إزالة الثلج. هذا أمر عادي لكل الثلاجات الأوتوماتيكية التي تزيل الثلج. تحدث عملية إزالة الثلج دورياً. • الثلاجة غير متصلة بالقابس. تأكد أن القابس موضوع بإحكام في مقبس الحائط. • هل تم ضبط درجة الحرارة بشكل صحيح؟ انقطاع التيار الكهربائي. اتصل بشركة الكهرباء.
تعمل الثلاجة بصورة متكررة أو لوقت طويل.

تحدث الرطوبة في الإطار الخارجي للثلاجة أو بين الأبواب.
<ul style="list-style-type: none"> • قد يكون الطقس رطباً. هذا شيء طبيعي جداً في الأجواء الرطبة. وعندما تكون الرطوبة أقل؛ يخففي التكثف.
توجد رائحة كريهة داخل الثلاجة.
<ul style="list-style-type: none"> • يجب تنظيف الجزء الداخلي من الثلاجة. نظف داخل الثلاجة بقطعة أسفنجية وماء دافئ أو ماء مكرين. • قد تتسبب بعض الأوعية أو مواد التعبئة في هذه الرائحة. استخدم وعاء مختلف أو مواد تعبئة مختلفة.
الباب (الأبواب) لا يغلق.
<ul style="list-style-type: none"> • عيوب الطعام قد تمنع إغلاق الباب. غير وضع عيوب الطعام التي تعيق الباب. • الثلاجة ليست عمودياً تماماً على الأرض وقد تهتز عند تحريكها قليلاً اضبط مسامير الارتفاع. • الأرض ليست مستوية أو قوية. تأكد من أن الأرض مستوية وتتحمل الثلاجة.
الأدراج عالقة.
<ul style="list-style-type: none"> • قد يكون الطعام ملامساً لسقف الدرج. أعد ترتيب الطعام في الدرج.
إذا كان سطح المنتج ساخناً
<ul style="list-style-type: none"> • قد يلاحظ ارتفاع درجات الحرارة بين البابين، وعلى الألواح الجانبية والشوابة الخلفية أثناء تشغيل المنتج. وهذا طبيعي ولا يعد ذلك عيباً يتطلب الصيانة. كن حذراً عند لمس هذه الأماكن.

<ul style="list-style-type: none"> • تم ضبط الثلاجة على درجة حرارة عالية جداً. يؤثر ضبط الثلاجة على درجة حرارة الفريزر. غير درجة حرارة الثلاجة أو الفريزر حتى تصل إلى مستوى مناسب. • قد يكون الباب مفتوح جزئياً. أغلق الباب تماماً. • قد تكون هناك كميات كبيرة من الطعام الساخن تم وضعها في الثلاجة مؤخرًا. انتظر حتى تصل الثلاجة أو الفريزر إلى درجة الحرارة المطلوبة. • تم توصيل الثلاجة بالكهرباء مؤخراً. فتبريد الثلاجة تمامًا يستغرق وقتاً بسبب الحجم.
تشبه الضوضاء الناتجة عن الثلاجة صوت الثواني الذي تصدره ساعة.
<ul style="list-style-type: none"> • تصدر هذه الضوضاء من صمام اللولبي للثلاجة. يعمل هذا الصمام بغرض ضمان تبريد المسار عبر الصندوق والذي يمكن ضبطه على درجات حرارة التبريد أو التجميد، كما أنه يقوم بوظائف التبريد. وهذا أمر طبيعي وليس عيباً.
ترتفع ضوضاء التشغيل عند تشغيل الثلاجة.
<ul style="list-style-type: none"> • قد تتغير سمات أداء الثلاجة تبعاً للتغيرات في درجة الحرارة المحيطة بالثلاجة. وهذا طبيعي ولا يعد ذلك عيباً.
اهتزازات أو ضوضاء.
<ul style="list-style-type: none"> • الأرض ليست مستوية أو ليست صلبة. تهتز الثلاجة عند تحريكها ببطء. تأكد من أن الأرض مستوية وقوية وتتحمل الثلاجة. • قد يصدر صوت من الأشياء الموضوعة على الثلاجة. يجب إزالة هذه الأشياء من على سطح الثلاجة.
تصدر ضوضاء مثل صوت انسكاب سائل أو رشه.
<ul style="list-style-type: none"> • تنساب السوائل والغازات وفقاً لوقود تشغيل الثلاجة. وهذا طبيعي ولا يعد ذلك عيباً.
تحدث ضوضاء شبيهة بصفير الرياح.
<ul style="list-style-type: none"> • تستخدم منشطات الهواء (المراوح) للسماح للثلاجة بالتبريد بشكل فعال. وهذا طبيعي ولا يعد ذلك عيباً.
تكاثف في الحوائط الداخلية للثلاجة.
<ul style="list-style-type: none"> • يزيد الطقس الحار والرطب من التثليج والتكاثف. وهذا طبيعي ولا يعد ذلك عيباً. • الأبواب مفتوحة جزئياً. تأكد أن الأبواب مغلقة تماماً. • قد تكون الأبواب مفتوحة بصورة متكررة جداً أو قد تكون متروكة مفتوحة لفترة طويلة. افتح الأبواب بتكرار أقل.

10	4 הכנה	2	1 הוראות סביבה ובטיחות
10.....	4.3. שימוש ראשון	6	2 המכשיר
11	5 שימוש במכשיר	7	3 התקנה
11.....	5.1. לוח מחוונים	7.....	3.1. מיקום התקנה הולם
17.....	5.2. מערכת קירור כפולה	7.....	3.2. התקנת טריזי פלסטיק
17.....	5.3. הקפאת מזון טרי	8.....	3.3. חיבור חשמלי
18.....	5.4. המלצות לשימור המזון הקפוא	8.....	3.4. כוונן הרגליות
18.....	5.5. הנחת המזון	8.....	3.5. הנורה הפנימית
18.....	5.6. מידע בנושא הקפאה עמוקה	8.....	3.6. אזהרת פתיחת דלת
18.....	5.7. מכשיר ליצירת קרח	8.....	3.7. הובלת המוצר
19.....	5.8. מתקן קוביות קרח	9	4 הכנה
19.....	5.9. מכל קרח	9.....	4.1. פעולות לחיסכון באנרגיה
20.....	5.10. אור כחול/HarvestFresh	9.....	4.2. המלצות המתייחסות לתא הקירור
20.....	5.11. מתקן לאחסון ביצים		
21.....	5.12. תיאור מסנן הריחות וניקוי		
21.....	5.13. תא חטיפים		
21.....	14. מכל אחסון נשלף		
22.....	5.15. מכל אחסון סיבובי		
23.....	5.16. מגירת ירקות		
24.....	5.17. שימוש במתקן המים		
24.....	5.18. מילוי מכל המים של מתקן המים		
25.....	5.19. ניקוי מכל המים		
26.....	5.20. מגש גלישת המים		
26.....	5.21. מגירת ירקות עם בקרת לחות		
31.....	5.22. תא קירור בקבוקים מהיר/יצירת קרח מהירה		
33	6 אחזקה וניקיון		
34	7 פתרון בעיות		

1.1 בטיחות כללית

- חל איסור על אנשים עם מוגבלויות פיסייות, חושיות או נפשיות, וכן על ילדים, להשתמש במוצר זה ללא הדרכה מספקת. אנשים אלו יכולים להשתמש במוצר אך ורק כאשר הם תחת השגחה ומקבלים הוראות בטיחות מאדם אחראי. אין להתיר לילדים לשחק עם מכשיר זה.
- במקרה של תפקוד לקוי, נתק את התקע מהחשמל
- לאחר הניתוק, המתן לפחות חמש דקות לפני חיבורו. נתק את המכשיר מהחשמל כאשר הוא לא נמצא בשימוש אין לגעת בשקע עם ידיים רטובות! אין למשוך את כבל החשמל בשביל לנתק מהחשמל, יש תמיד להשתמש בתקע.
- אין לחבר את המקרר במידה והשקע רפוי.
- נתק את המכשיר בזמן התקנה, תחזוקה, ניקוי ותיקון.
- אם אתה הולך לא להשתמש במוצר לתקופה, נתק אותו מהחשמל והוצא כל מזון שנמצא בפנים.
- אין להשתמש בניקוי באדים או בחומר ניקוי מאודים בשביל לנקות את המקרר ולהפשיר את הקרח בפנים. האדים עלולים לגעת באזורים חשמליים ולגרום לקצר חשמלי או התחשמלות!
- אין לשטוף את המוצר על ידי התזת מים! סיכון להתחשמלות!
- לעולם אין להשתמש במוצר במידה ובחלק העליון או התחתון של המוצר שלך יש ציור של מעגל חשמלי פתוח (הדפס של מעגל חשמלי פתוח) (1)

מקטע זה מספק את הוראות הבטיחות הדרושות כדי למנוע פציעה ונזקה לרכוש. אי ציות להוראות אלו מבטל כל סוג של אחריות על המוצר.

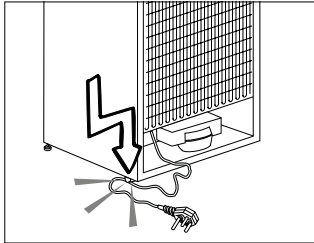
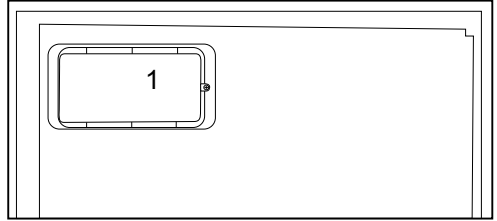
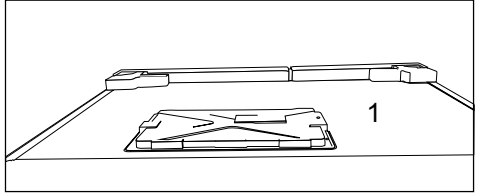
השימוש המיועד

	<p>אזהרה: ודא שפתחי האוורור, גם במעטפת המכשיר וגם בחלקו הפנימי, אינם חסומים.</p>
	<p>אזהרה: אסור לזרז את תהליך ההפשרה בעזרת מכשירים מכניים או באמצעים אחרים, אלא רק בדרכים שהומלצו ע"י היצרן.</p>
	<p>אזהרה: אסור לפגוע במעגל החשמלי של המקרר.</p>
	<p>אזהרה: אסור להשתמש במכשירי חשמל בתוך תאי אחסון המזון של המכשיר, אלא אם כן הם מסוג שהומלץ ע"י היצרן.</p>
	<p>אזהרה: אין לאחסן במכשיר חומרים נפוצים כמו תרסיסים עם חומר נפץ דליק.</p>

יר מיועד לשימוש ביתי ולשימושים דומים, כגון:

- אזור המטבח לעובדים, בחנויות, במשרדים ובסביבות עבודה אחרות
- אורחים במלונות, בהוסטלים ובסוגים אחרים של בתי הארחה
- צימרים
- קייטרינג ושימושים לא קמעונאיים דומים

- הדלת. הידית עלולה להתנתק.
- המנע מלתקוע את ידיך או גופך באחד מהחלקים הנעים של המוצר.
- אין לדרוך או להישען על הדלת, המגירות או חלקים דומים של המקרר. זה יגרום לנפילת המוצר ולנזק לחלקיו.
- שים לב שכבל החשמל או ילכד.
- בעת הצבת המכשיר, ודא שכבל החשמל אינו לכוד או פגום.
- אין להניח מאחורי המכשיר מפצל נייד מרובה שקעים או ספקי כוח ניידים.



לילדים בגיל 3 עד 8 מותר להכניס פריטים אל מכשירי הקירור ולהוציא אותם מהם.

- כדי למנוע זיהום מזון, יש למלא אחר ההוראות הבאות:
- פתיחת הדלת לפרקי זמן ארוכים יכולה לגרום לעלייה משמעותית של הטמפרטורה בתאי המכשיר.
- נקה בקביעות משטחים שיכולים לבוא במגע עם מזון ומערכות ניקוז נגישות.
- נקה מכלי מים אם לא נעשה בהם שימוש במשך 48 שעות; שטוף את מערכת המים המחוברת לברז המים הראשי אם לא הוצאו ממנה מים במשך 5 ימים.
- אחסן בשר ודגים לא מבושלים במכלים מתאימים במקרר, כך שלא יבואו במגע עם

- במקרה של תפקוד לקוי, אין להשתמש במוצר, הדבר עלול לגרום להתחשמלות. צור קשר עם השירות המורשה לפני ביצוע כל פעולה.
- חבר את המוצר לשקע מוארק. העיגון צריך להיעשות על ידי חשמלאי מורשה.
- במידה ויש למוצר תאורת LED, צור קשר עם שירות מורשה לצורכי החלפה או תיקון.
- אין לגעת במוצרים קפואים עם ידיים רטובות! זה עשוי להזיק לידיים!
- אין לשים נוזלים בתוך בקבוקים או פחיות בתא המקפיא. הם עלולים להתפוצץ!
- מקם נוזלים במצב מאוזן לאחר סגירת המכסה בזירות.
- אין לרסס חומצות דליקות ליד המוצר, הוא עלול להישרף או להתפוצץ.
- אין לאחסן חומרים דליקים ומוצרים עם גז דליק במקרר.
- אין לשים מכליות המכילות נוזלים מעל המכשיר. התזת מים על חלק מוליך חשמל עלולה לגרום להתחשמלות או שריפה.
- חשיפת המוצר לגשם, שלג, שמש ישירה ורוח עלולים לגרום לנזק חשמלי. בעת העברת המוצר, אין למשוך בידי

- אין להתקין את כניסת המים החמים. נקוט אמצעי זהירות אם קיים סיכון לקפיאת הצינורות. המרווח התפעולי של טמפרטורת המים יהיה בין 33°F (0.6°C) (מינימום לבין 100°F (38°C) מקסימום).
- השתמש במי שתיה בלבד

1.2 שימוש מכוון

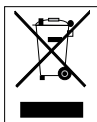
- מוצר זה מעוצב עבור שימוש ביתי הוא אינו מתאים לשימוש מסחרי או ציבורי.
- יש להשתמש במוצר לאחסון מזון ומשקאות בלבד
- אין לאחסן מוצרים רגישים הדורשים טמפ' מבוקרות (חיסונים, תרופות הרגישות לחום, מוצרים רפואיים וכו') במקרר.
- היצרן לא לוקח אחריות על נזק כתוצאה משימוש לקוי.
- חלקי חילוף מקוריים יסופקו במשך 10 שנים, החל מתאריך הרכישה של המוצר

1.3 בטיחות ילדים

- הרחק את חומרי האריזה מהישג ידם של ילדים.
- אין להתיר לילדים לשחק עם מכשיר זה.
- עם דלת המוצר מכילה מנעול, הרחק את המפתח מהישג ידם של ילדים.

1.4 תאימות להנחיית WEEE (על פסולת של מכשירים חשמליים ואלקטרוניים) וסילוק פסולת המוצר:

דוחיאה ל- WEEE היחנהל תייצמ הז רצומ למס אשונ הז רישכמ (2012/19/EU) יפוריאה םיינורטקלאו םיילמשח םירישכמ לש תלוספל נוימ (WEEE).



תורישה ייח םויס םע יכ ןייצמ הז למס הפשאל הז רצומ רילשהל ןיא, ולש רישכמ. תרחא תייתיב תלוספ םע דחי ףוסיאה תדוקנל ריזחהל שי שמושמ םיילמשח םירישכמ רוזחמל תימשרה רוציל שי, ףוסיאה תונחת תאיצמל. םיינורטקלאו יאנועמקה םע וא תימוקמה תיושרה םע רשק

מזון אחר או יטפטפו עליו.

- תאים למזון קפוא בעלי שני כוכבים מתאימים לאחסון מזון לפני הקפאה, לאחסון גלידה או להכנתה ולהכנת קוביות קרח
- תאים בעלי כוכב אחד, שני כוכבים ושלושה כוכבים אינם מתאימים להקפאת מזון טרי.
- אם מכשיר הקירור נשאר ריק למשך פרקי זמן ממושכים, כבה אותו, הפשר את המזון שיש בו, נקה ויבש אותו, והשאר
- את הדלת פתוחה כדי למנוע התפתחות של עובש בתוך המכשיר.

1.1.1 הזהרת HCA

במידה והמוצר מכיל מערכת קירור גז R600a, המנע מנזק למערכת הקירור ולצינורותיה בזמן השימוש וההובלה של המוצר. הגז דליק. במידה ומערכת הקירור פגומה, הרחק את המוצר ממקורות אש ואוורר את החדר



התווית על הצד השמאלי הפנימי מציינת את סוג הגז הנמצא בשימוש במוצר.

1.1.2 עבור דגמים עם מזרקת מים

• לחץ כניסת המים הקרים יגיע ל-psi 90 (ליברה לאינץ') (kPa 620) מקסימום. אם לחץ המים עובר את 80 psi (550 kPa) בריים, השתמש בשסתום להגבלת לחץ במערכת אספקת המים. אם אינך יודע כיצד לבדוק את לחץ המים, בקש עזרה משרברב מקצועי.

- אם קיים סיכון לתופעת הלם מים בהתקן שלך, השתמש תמיד בהתקן בציוד למניעת הלם מים. היוועץ בשרברבים מקצועיים אם אינך בטוח שקיימת בהתקן שלך תופעת הלם מים.

דיקפת אלממ תיב קשמ לכ. רצומה שכרנ ולצאש תכלשה. נשי רישכמ לש רוזחמבו רוזחשב בושח תענומ הנוכנ הרוצב הפשאל שמושמ רישכמ תואירב לעו הביבסה לע תוילילש תוכלשה סדאה.

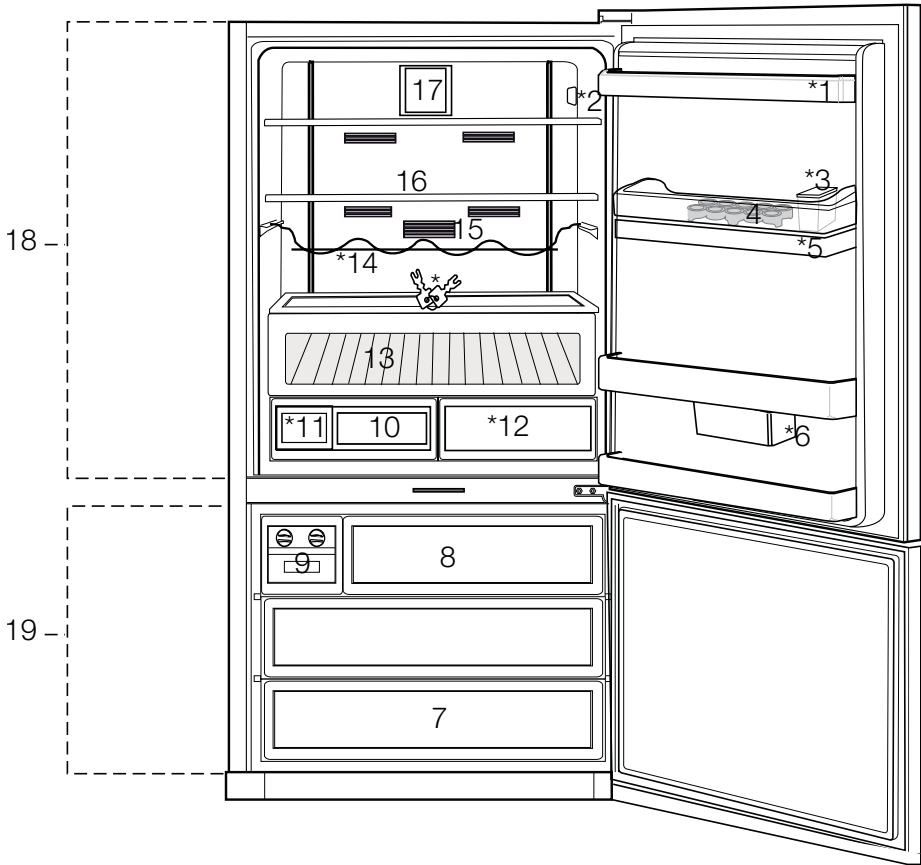
1.5 תאימות להנחיית RoHS (ההנחיה להגבלת חומרים מסוכנים)

לש RoHS תייחנה תא סאות תשכרש רצומה ליכמ וניא אוה. (2011/65/EU) יפוריאה דוחיאה היחנהב מיניוצמה מירוסא וא מיקזמ מירמוח.

1.6 פרטי האריזה



מירצוימ רצומה לש הזירא ירמוח רוזחמל מינתינה מירמוחמ תוימואלה תונקתל סאתהב קלסל ניא. ונלש הביבסה תוכיאל סע דחיב הזירא ירמוח הפשאל סתוא חק. תרחא תלוספ וא תיתיב הפשא סשל וצקהש הזיראה ירמוח לש פוסיאה תודוקנל תוימוקמה תויושרה רכ.



- | | |
|-------------------------------|-------------------------|
| 11. מכל מים | 1. מדפי דלת תא הקירור |
| 12. מגירת ירקות | 2. תצוגה |
| 13. תא קירור באפס מעלות | 3. מכל למילוי מתקן המים |
| 14. מדף לבקבוקים | 4. אגף הביצים |
| 15. מסנני ריחות | 5. מכל מתקן המים |
| 16. מדפי הזכוכית של תא הקירור | 6. מכל אחסון סיבובי |
| 17. המאוורר | 7. מגירות תא ההקפאה |
| 18. מדפי הזכוכית של תא הקירור | 8. מגירת קוביות קרח |
| 19. תא ההקפאה | 9. מתקן קוביות קרח |
| *אופציונאלי | 10. מגירת ירקות |


***אופציונאלי:** האיורים במדריך הוראות זה מוצגים לצורך המחשה וייתכן שלא יתאימו בדיוק למוצר שברשותך. אם החלקים הרלוונטיים אינם קיימים במוצר שרכשת, האיור מתייחס לדגמים אחרים.



הקפד תמיד שפעולות ההתקנה והתיקון יבוצעו על ידי נציג שירות מוסמך. היצרן לא יישא באחריות לנזקים שעלולים להיגרם כתוצאה מפעולות שנעשו על ידי גורמים בלתי מוסמכים. פנה לנציג שירות מוסמך הקרוב למקום מגוריך לשם התקנת המוצר. להכנת המוצר לשימוש, ודא שמערכת החשמל תקינה לפני שתקרא לנציג שירות מוסמך. אם היא אינה תקינה, הזמן חשמלאי מוסמך שיבצע את הפעולות הדרושות.


<p>הכנת המיקום למתקני החשמל במקום ההתקנה היא באחריות הלקוח.</p>	
<p>אין לחבר את המוצר לחשמל במהלך ההתקנה. חיבור המוצר לחשמל מהווה סכנת מוות או פציעה קשה!</p>	
<p>אזהרה: פעולות ההתקנה והחיבורים החשמליים של המוצר יבוצעו על ידי נציג שירות מוסמך. היצרן לא יישא באחריות לנזקים שעלולים להיגרם כתוצאה מפעולות שנעשו על ידי גורמים בלתי מוסמכים.</p>	
<p>אזהרה: לפני ההתקנה הסתכל אם יש למוצר פגמים כלשהם. אם יש, דאג שהמוצר לא יותקן. מוצרים פגומים מהווים סכנה לבטיחותך.</p>	
<p>ודא שכבל החשמל אינו מקופל או מעוך ושלא מופעל עליהם לחץ בעת דחיפת המוצר למקומו לאחר פעולות ההתקנה והניקוי.</p>	

3.1 מיקום התקנה הולם

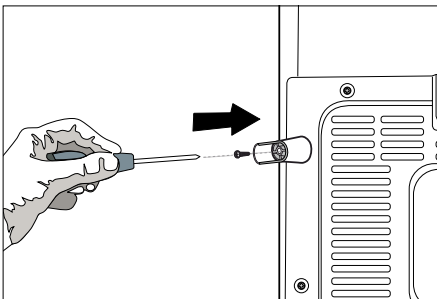
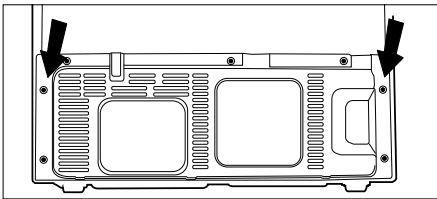
<p>אזהרה: אם דלת החדר שבו יוצב המקרר קטנה מדי ואינה מאפשרת את מעברת המקרר דרך הדלת, יש להסיר את הדלת ולסובב את המקרר על צדו כדי שיעבור דרך הדלת.</p>	
---	--

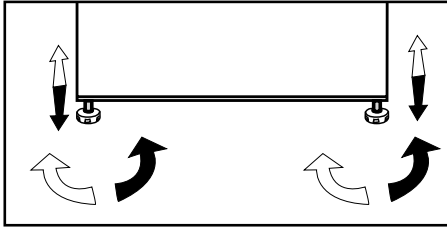
- בחר מקום שבו תוכל להשתמש במוצר בנוחות.
- התקן את המוצר במרחק של לפחות 30 ס"מ ממקורות חום, כמו כיריים, תנורי גז לבישול, תנורי חימום ושל לפחות 5 ס"מ מתנורים חשמליים. כמו כן, אין להציבו כשהוא חשוף לשמש ישירה. לאחר ההתקנה אין לחשוף את המוצר לשמש ישירה או להציב אותו במקומות לחים.

- מוצר זה דורש אורור נאות כדי לתפקד בעילות. אם המוצר ימוקם בחדרון, זכרו להשאיר מרווח של לפחות 5 ס"מ בין המוצר לבין התקרה והקירות.
- אם המוצר ימוקם בחדרון, זכרו להשאיר מרווח של לפחות 5 ס"מ בין המוצר לבין התקרה והקירות. ודאו שרכיב ההגנה על המרווח מהקיר האחורי נמצא במקומו (אם סופק עם המוצר). אם הרכיב אינו זמין, או אם הוא אבד או נפל, יש למקם את המוצר כך שיישאר מרווח של לפחות 5 ס"מ בין המוצר לקירות החדר. המרווח מאחור חשוב עבור תפעול יעיל של המוצר.
- אין להניח את המוצר על אריגים כמו של מרבד או שטיח.
- הצב את המקרר על משטח רצפה מאוזן כדי למנוע עזעזעים.
- אין להתקין את המקרר במקומות שבהם הטמפרטורה צונחת אל מתחת ל-10°C.

<p>אם מתקנים שני מקררים זה לצד זה, יש להקפיד על מרחק של לפחות 8 ס"מ ביניהם. אם מרחק זה לא יישמר, עלולה להצטבר לחות על הדפנות החיצוניות הסמוכות.</p>	
---	---

3.2 התקנת טריזי פלסטיק





כאשר מסובבים אותה בכיוון החץ השחור ומוגבהת כאשר מסובבים אותה בכיוון ההפוך.

3.5 הנורה הפנימית

אל תנסה לתקן את המכשיר בעצמך אלא קרא לנציג שירות מוסמך אם הנורות הפנימיות אינן נדלקות או אינן תקינות.

הנורה המשמשת במכשיר זה אינה מתאימה לתאורת חדר בתוך הבית. נורה זו נועדה לעזור למשתמש להכניס מצרכי מזון למקרר או למקפיא בצורה בטוחה ונוחה.

3.6 אזהרת פתיחת דלת

(תכונה זו היא אופציונאלית)

אות אזהרת שמע יישמע כאשר דלת המוצר נשארת פתוחה במשך דקה אחת. אזהרה זאת תושתק עם סגירת הדלת או בעת לחיצה על לחצן תצוגה כלשהו (אם קיים).

3.7 הובלת המוצר

- נתק את המוצר מהחשמל לפני הובלתו.
- נקח את פנים המוצר לפי ההמלצות המופיעות בפרק "תחזוקה וניקוי".
- לפני האריזה, הדק את המדפים, האביזרים, מגירת הירקות וכו' למקומם במוצר על ידי סרט הדבקה.

יש להדק את האריזה באמצעות סרטים עבים או חבלים חזקים ולציית לכללי ההובלה המודפסים על האריזה.	
יש לשמור את האריזה המקורית ואת חומר הריפוד לשימוש עתידי במקרה של הובלה.	
חומרי האריזה מסוכנים לילדים. הנח את חומרי האריזה במקום בטוח הרחק מהישג ידם של ילדים.	

טריזי פלסטיק משמשים ליצירת מרחק כדי לאפשר זדימת אוויר בין המוצר לקיר האחורי. הכנס את 2 טריזי הפלסטיק למכסה האווור האחורי, כפי שמודגם באיור. להתקנת הטריזים, הסר את הברגים מהמוצר והשתמש בברגים שסופקו באותו נרתיק עם הטריזים.

3.3 חיבור חשמלי

חבר את המוצר לשקע מוארק המוגן על ידי נתיך המתאים לערכים הנקובים בתווית הנתונים. החברה שלנו לא תישא באחריות לנזקים כלשהם שייגרמו עקב שימוש במוצר ללא הארקה, בהתאם לתקנות המקומיות.

- על החיבור לחשמל להתבצע בהתאם לתקנות הארציות.
- על תקע כבל החשמל להיות נגיש בקלות לאחר ההתקנה.
- המתח והגנת הנתיכים או מפסק הזרם המותרת מצוינים בתווית הנתונים המודבקות בחלקו הפנימי של המוצר. אם הערך הנוכחי של הנתיך או מפסק הזרם בבית אינם תואמים לערך המצוין בתווית הנתונים, הזמן חשמלאי מוסמך להתקנת נתיך מתאים.
- על המתח המצוין להיות שווה למתח החשמל.
- אין לבצע חיבורים בעזרת כבלים מאריכים או מפצלים.

אזהרה: כבל חשמל פגום יוחלף על ידי נציג שירות מורשה.	
אזהרה: אם קיימת תקלה במוצר, יש להפעילו אך ורק לאחר שתוקן על ידי נציג שירות מוסמך! קיימת סכנת התחשמלות!	

3.4 כוונן הרגליות

אם המוצר אינו יציב כשהוא ניצב על הרצפה לאחר ההתקנה, כוונן את הרגליות לשם כך, בקש ממישהו שיעזור לך להרים מעט את המוצר.

אזהרה: ראשית, נתק את המוצר מהחשמל. יש לוודא שהמוצר לא יהיה מחובר לחשמל בעת כוונן הרגליות. קיימת סכנת התחשמלות!	
---	--

סובב את הרגליות הקדמיות כדי לאזן את המוצר. הפינה שבה נמצאת הרגלית מונמכת

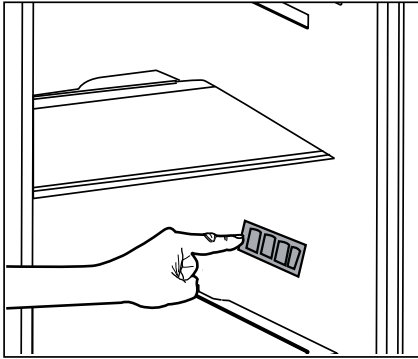
4.1 פעולות לחיסכון באנרגיה



מסוכן לחבר את המוצר למערכות חשמל לחיסכון באנרגיה, מכיוון שהן עלולות לגרום נזק למוצר.

- אין להשאיר את דלתות המוצר פתוחות לזמן ממושך.
- אין להכניס למוצר מזון או משקאות חמים.
- אין להעמיס את המקרר במזון יתר על המידה. יכולת הקירור תפחת אם תעוכב זרימת האוויר בתוכו.
- אין להציב את המוצר במקומות החשופים לשמש ישירה. התקן את המוצר במרחק של לפחות 30 ס"מ ממקורות חום, כמו כיריים, תנורי גז לבישול, תנורי חימום ושל לפחות 5 ס"מ מתנורים חשמליים. כמו כן, אין להציבו כשהוא חשוף לשמש ישירה.
- אחסן את המזון במוצר במכלים סגורים.
- תוכל להעמיס כמות מרבית של מזון בתא ההקפאה של המוצר על ידי הסרת המדף או המגירה של תא ההקפאה. ערך צריכת האנרגיה המוצהרת של המוצר נקבע כאשר המדף או המגירה של תא ההקפאה הוסרו וכשהוא מכיל כמות מרבית של מזון. אין כל סכנה אם משתמשים במדף או במגירה בהתאם לצורות ולגדלים של המזון שיש להקפיא.
- הפשרת מזון קפוא בתא הקירור גם תגרום לחיסכון באנרגיה וגם תשמר את איכות המזון.
- מאחר שאוויר חם ולח לא יחדור ישירות אל המוצר כאשר הדלתות אינן פתוחות, המוצר ימטב את עצמו בתנאים המספיקים להגנת המזון. פונקציות ורכיבים כמו מדחס, מאוורר, גוף חימום, הפשרה, תאורה, תצוגה ועוד, יפעלו בהתאם לצורך, כדי לצרוך מינימום אנרגיה בניסבות אלה.

אם מתקינים שני מקררים זה לצד זה, יש להקפיד על מרחק של לפחות 4 ס"מ ביניהם.



4.2 המלצות המתייחסות לתא הקירור

- אין לאפשר למזון לגעת בחיישן הטמפרטורה בתא הקירור. כדי לאפשר לתא הקירור לשמור על טמפרטורת האחסון האידיאלית שלו, אזור שהמזון יפריע בפעולתו.
- השימוש בסלים/מגירות המסופקים עם תא הקירור מפחית את צריכת האנרגיה ומשפר את תנאי האחסון, ולפיכך יש להשתמש בהם תמיד.
- כל מגע של מזון עם חיישן הטמפרטורה בתא הקירור עלול להגביר את צריכת האנרגיה של המכשיר, ולפיכך יש למנוע כל מגע עם החיישן/ים.
- אין להכניס למוצר מזון ומשקאות חמים.



טמפרטורת החדר שבו יותקן המוצר חייבת להיות לפחות 5°C מעלות צלזיוס. לא מומלץ להפעיל את המוצר בטמפרטורה נמוכה יותר.



יש לנקות את המוצר מבפנים.

4.3. שימוש ראשון

- לפני שתתחיל להשתמש במוצר, ודא שנעשו כל ההכנות בהתאם להוראות המופיעות בפרקים "הוראות בטיחות חשובות" ו"התקנה".
- נקה את פנים המוצר לפי ההמלצות המופיעות בפרק "תחזוקה וניקוי". לפני הפעלת המקרר ודא שהוא יבש מבפנים.
 - חבר את המוצר אל שקע החשמל המוארק. כאשר הדלת נפתחת נדלקת הנורה הפנימית.
 - הפעל את המוצר בלי להכניס לתוכו מזון במשך 6 שעות ואין לפתוח את הדלת אלא אם כן ממש חייבים.

נשמע רעש כשהמחס מתחיל לפעול. הנוזלים והגזים האטומים במערכת הקירור עשויים גם הם להשמיע רעש גם אם המדחס אינו פועל; זוהי תופעה רגילה.



ייתכן שהקצוות הקדמיים של המוצר יהיו חמים למגע. זה נורמלי. אזורים אלה נועדו להיות חמים כדי למנוע התעבות.

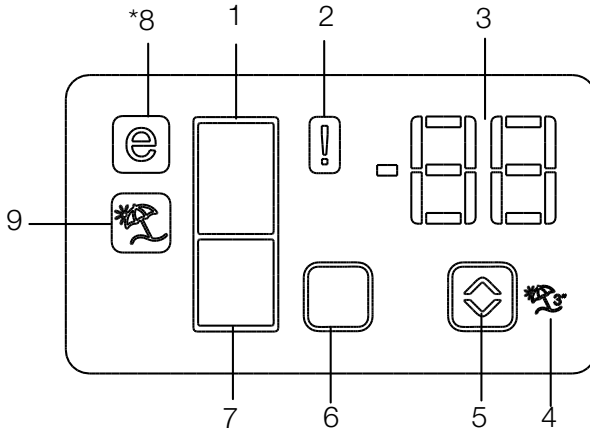


בדגמים מסוימים, פאנל המכשירים נכבה אוטומטית 5 דקות לאחר סגירת הדלת. פאנל זה יופעל שוב לאחר שהדלת תיפתח, או בעקבות לחיצה על מקש כלשהו.



5.1 לוח מחוונים

לוחות המחוונים עשויים להשתנות בהתאם לדגם המוצר. פונקציות אורקוליות בלוח המחוונים מסייעות בשימוש במוצר.



1. מחוון תא הקירור
2. מחוון סטאטוס שגיאה
3. מחוון טמפרטורה
4. לחצן פונקציית חופשה
5. לחצן הגדרת הטמפרטורה
6. לחצן בחירת תא
7. מחוון תא הקפאה
8. מחוון מצב חיסכון
9. מחוון פונקציית חופשה

*אופציונאלי

*אופציונאלי האוירים במדריך הוראות זה מוצגים לצורך המחשה וייתכן שלא יתאימו בדיוק למוצר שברשותך. אם החלקים הרלוונטיים אינם קיימים במוצר שרכשת, האזור מתייחס לדגמים אחרים.



1. מחוון תא הקירור

נורת תא הקירור מאירה לאחר הגדרת טמפרטורת תא הקירור.

2. מחוון סטאטוס שגיאה

מחוון זה יופעל אם המקרר אינו מקרר במידה מספקת או אם קיימת תקלת חיישן. כאשר מחוון זה פעיל, במחוון טמפרטורת תא ההקפאה תוצג האות "E" ובמחוון טמפרטורת תא הקירור יוצגו מספרים כמו "1,2,3...". מספרים אלה במחוון מספקים מידע על השגיאה לאנשי השירות.

3. מחוון טמפרטורה

מציין את טמפרטורת תא ההקפאה ותא הקירור.

4. לחצן פונקציית חופשה

לחץ על לחצן חופשה במשך 3 שניות כדי להפעיל את הפונקציה הזאת. כאשר פונקציית החופשה פעילה, הכיתוב "-" - יוצג במחוון הטמפרטורה של תא הקירור ולא יבוצע קירור בפועל בתא הקירור. אין זה מתאים להחזיק מזון בתא הקירור כשפונקציה זו פעילה. תאים אחרים ימשיכו לקרר לפי הטמפרטורה שהוגדרה להם.

כדי לבטל את הפונקציה הזאת, לחץ שוב על לחצן חופשה.

5. לחצן הגדרת הטמפרטורה

משנה את טמפרטורת התא הרלוונטי בין $18^{\circ}\text{C} \dots 24^{\circ}\text{C}$ ו- $1^{\circ}\text{C} \dots 8^{\circ}\text{C}$.

6. לחצן בחירת תא

לחצן בחירה: לחץ על לחצן בחירת התא כדי לעבור בין תא הקירור לתא ההקפאה.

7. מחוון תא הקפאה

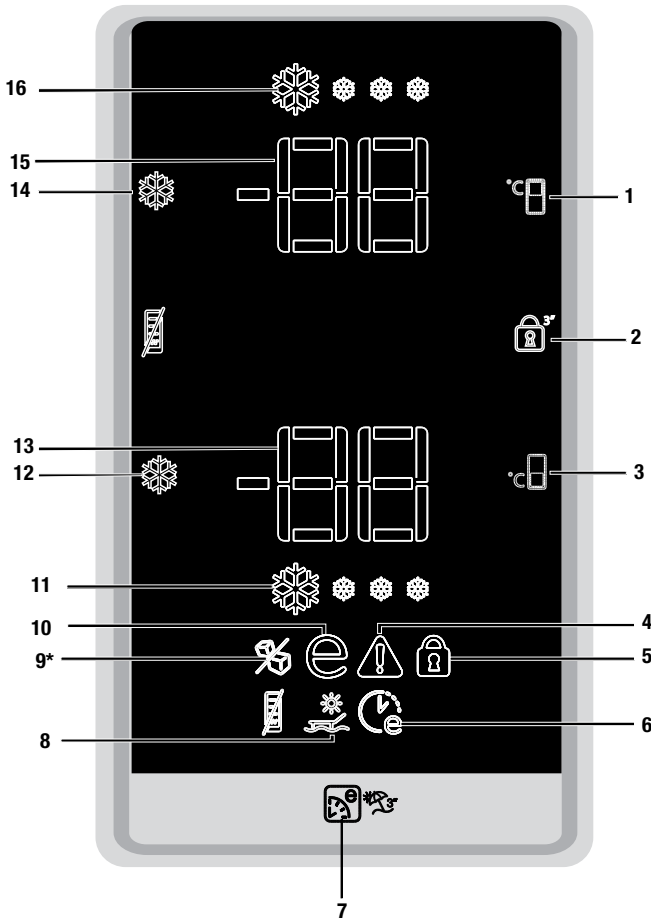
נורת תא הקירור מאירה לאחר הגדרת טמפרטורת תא ההקפאה.

8. מחוון מצב חיסכון

מציין שהמקרר פועל במצב חיסכון באנרגיה. תצוגה זו תופעל אם טמפרטורת תא ההקפאה תהיה מכוונת ל- 18°C .

9. מחוון פונקציית חופשה

מציין שמצב חופשה הופעל.



- | | |
|---|--|
| <p>9. חרקה תיבוק וקתמ יוביכ ונוחמ (ימגדהמ קלחב*)</p> <p>10. ינוכסח שומישה ונוחמ</p> <p>11. הריהמה האפקהה תייצקנופ ונוחמ</p> <p>12. תייצקנופ הריהמה האפקהה תייצקנופ וצחל חרקה תיבוק וקתמ לש / ריהמה רוריקה</p> <p>13. האפקהה את תרוטרפמט ונוחמ</p> <p>14. וביכ-הלעפה וצחל</p> <p>15. רוריקה את תרוטרפמט ונוחמ</p> <p>16. ריהמה רוריקה תייצקנופ ונוחמ</p> | <p>1. רוריקה את תרוטרפמט תרדגה רותפכ</p> <p>2. מישקמ תליענ וצחל</p> <p>3. האפקהה את תרוטרפמט תרדגה רותפכ</p> <p>4. האיגש סוטאטס ונוחמ</p> <p>5. מינחל תליענ ונוחמ</p> <p>6. פסונ ונכסיה תייצקנופ ונוחמ</p> <p>7. השפוח / פסונ ונכסיה וצחל</p> <p>8. השפוח תייצקנופ ונוחמ</p> |
|---|--|

*אופציונאלי האירוס במדריך הוראות זה מוצגים לצורך המחשה וייתכן שלא יתאימו בדיוק למוצר שברשותך. אם החלקים הרלוונטיים אינם קיימים במוצר שרכשת, האירוס מתייחס לדגמים אחרים.



1. כפתור הגדרת טמפרטורת תא הקירור

לחץ על לחצן זה כדי להגדיר את טמפרטורת תא המקרר 8, 7, 6, 5, 4, 3, 2, 8... respectively. לחץ על לחצן זה כדי להגדיר את טמפרטורת תא הקירור לערך הרצוי.

2. לחצן נעילת מקשים


לחץ על לחצן זה והחזק אותו לחוץ במשך 3 שניות כדי להפעיל את פונקציית נעילת המקשים, ומחונן נעילת המקשים יופעל. לחץ שוב על לחצן זה והחזק אותו לחוץ במשך 3 שניות כדי לבטל את הפעלת את פונקציית נעילת המקשים.

3. כפתור הגדרת טמפרטורת תא ההקפאה

לחץ על לחצן זה כדי להגדיר את טמפרטורת תא ההקפאה 18--19, -20, -21, -22, -23, -24, 18--... בהתאמה. לחץ על לחצן זה כדי להגדיר את טמפרטורת תא ההקפאה לערך הרצוי.

4. מחונן סטאטוס שגיאה

מחונן זה יופעל אם המוצר אינו מקרר במידה מספקת או אם קיימת תקלת חיישן. כאשר מחונן זה פעיל, במחונן טמפרטורת תא ההקפאה תוצג האות "E" ובמחונן טמפרטורת תא הקירור יוצגו מספרים כמו "1,2,3...". המספרים במחונן מספקים מידע על השגיאה לאנשי השירות.



	אם אתה מכניס מזון חם לתא ההקפאה או משאיר את הדלת פתוחה במשך זמן ממושך, יופיע בתצוגה סימן קריאה לזמן-מה. זו אינה תקלה, אזהרה זו תיעלם לאחר התקררות המזון.
---	--

5. מחונן נעילת לחצנים

השתמש בפונקציה זו אם ברצונך למנוע את שינוי הגדרת הטמפרטורה של המוצר. לחץ בו זמנית על לחצן הגדרת הטמפרטורה של תא הקירור ועל לחצן הגדרת הטמפרטורה של תא ההקפאה והחזק אותם לחוצים במשך 3 שניות כדי להפעיל פונקציה זו.

6. מחונן פונקציית חיסכון נוסף

מציין שפונקציית החיסכון הנוסף פעילה. אם פונקציה זו פעילה, המוצר יאתר אוטומטית את פרקי הזמן שבו נעשה שימוש מזערי במקרר ובאותם פרקי זמן יבוצע קירור יעיל בצריכת החשמל.


	מחונן חיסכון יהיה פעיל בעת ביצוע קירור יעיל בצריכת חשמל.
	לחץ על הלחצן הרלוונטי כדי להשבית את הפונקציה.

7. לחצן חיסכון נוסף / חופשה

לחץ על לחצן זה במהירות כדי להפעיל את פונקציית החיסכון הנוסף. לחץ על לחצן זה והחזק אותו לחוץ במשך 3 שניות כדי להפעיל את פונקציית החופשה. לחץ על לחצן זה שוב כדי לבטל את הפעלת הפונקציה שנבחרה.


8. מחונן פונקציית חופשה

מציין שפונקציית החופשה פעילה. כאשר פונקציה זו פעילה, הכיתוב "- -" יופיע במחונן הטמפרטורה של תא הקירור ולא יבוצע קירור בתא הקירור. התאים האחרים יקוררו בהתאם לטמפרטורה שנקבעה עבורם.

	לחץ על הלחצן הרלוונטי כדי להשבית את הפונקציה.
--	---

9. מחונן כיבוי מתקן קוביות הקרח

מציין אם מתקן קוביות הקרח מופעל או כבוי. אם פונקציית כיבוי מתקן קוביות הקרח מופעלת, המתקן אינו פועל. כדי להפעיל שוב את מתקן קוביות הקרח, לחץ על לחצן הפעלה-כיבוי והחזק אותו לחוץ במשך 3 שניות.

	זרימת המים ממכל המים תיעצר בעת בחירת פונקציה זו. אולם, ניתן להוציא מהמתקן קרח שכבר קיים בו.
---	---

10. מחוון השימוש החסכוני

מציין שהמוצר פועל במצב של יעילות בצריכת החשמל. מחוון זה יהיה פעיל אם טמפרטורת תא ההקפאה נקבעה ל-18 או שמבוצע קירור יעיל מבחינת צריכת החשמל בזכות פונקציית החיסכון הנוסף.



לא ניתן לשחזר פונקציה זו לאחר הפסקת חשמל.

13. מחוון טמפרטורת תא ההקפאה

מציין את הטמפרטורה שנקבעה לתא ההקפאה.

14. פונקציית הקירור המהיר

ללחצן שתי פונקציות. לחץ על לחצן זה במהירות כדי להפעיל את פונקציית הקירור המהיר או לבטל את הפעלתו. מחוון הקירור המהיר יכבה והמוצר יחזור להגדרות הרגילות שלו.



מחוון השימוש החסכוני נכבה כאשר בוחרים את פונקציית הקירור המהיר או את פונקציית ההקפאה המהירה.

11. מחוון פונקציית ההקפאה המהירה

מהבהב בסגנון הנפשה כדי לציין שפונקציית ההקפאה המהירה פעילה.

12. לחצן פונקציית ההקפאה המהירה/ לחצן

הפעלה-כיבוי של מתקן קוביות הקרח

לחץ על לחצן זה כדי להפעיל את פונקציית ההקפאה המהירה או לבטל את הפעלתה. כאשר אתה מפעיל את הפונקציה, תא ההקפאה יתקרר ויגיע לטמפרטורה נמוכה מהערך שהוגדר. להפעלה וכיבוי של מתקן קוביות הקרח, לחץ על לחצן ההפעלה-כיבוי שלו והחזק אותו לחוץ במשך 3 שניות.



השתמש בפונקציית הקירור המהיר כשאתה רוצה לקרר במהירות את המזון המונח בתא הקירור. אם ברצונך לקרר כמויות גדולות של מזון טרי, הפעל פונקציה זו לפני שתכניס את המזון למוצר.



אם אינך רוצה לבטל אותה, התכונה 'קירור מהיר' תבטל אוטומטית כעבור 1 שעות או כאשר תא הקירור יגיע לטמפרטורה הרצויה.



אם תלחץ על הלחצן 'קירור מהיר' שוב ושוב בהפרשי זמן קצרים, תופעל ההגנה על המעגל החשמלי והמדחס לא יתחיל לפעול מייד.



לא ניתן לשחזר פונקציה זו לאחר הפסקת חשמל.



השתמש בפונקציית ההקפאה המהירה כשאתה רוצה להקפיא במהירות את המזון המונח בתא הקירור. אם ברצונך להקפיא כמויות גדולות של מזון טרי, הפעל פונקציה זו לפני שתכניס את המזון למוצר.



אם אינך רוצה לבטל אותה, התכונה 'הקפאה מהירה' תבטל אוטומטית כעבור 24 שעות או כאשר תא הקירור יגיע לטמפרטורה הרצויה.

15. מחוון טמפרטורת תא הקירור

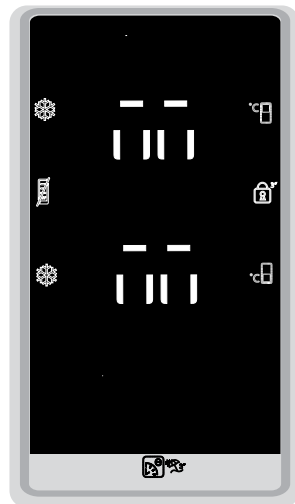
מציין את הטמפרטורה שנקבעה לתא הקירור.

16. מחוון פונקציית הקירור המהיר

מהבהב בסגנון הנפשה כדי לציין שפונקציית הקירור המהיר פעילה.

מצב שבת: *אופציונאלי

לחץ על לחצן 'קירור מהיר' במשך 3 שניות כדי להפעיל או להשבית את מצב שבת. כאשר מופעל מצב שבת, לחצני התצוגה, ההתראה, פתיחת דלת או אור לא יפעלו:



אם המשתמש אינו מבטל את מצב שבת, המקרר יבטל אותו אוטומטית תוך 76 שעות.

5.2 מערכת קירור כפולה

במוצר שתי מערכות קירור נפרדות לקירור תא המזון הטרי ותא ההקפאה. לכן האוויר והריחות בתא המזון הטרי אינו מתערבב עם האוויר שבתא המזון הקפוא. בזכות שתי מערכות הקירור הנפרדות, מהירות הקירור במקרר זה מהירה הרבה יותר מאשר במקררים אחרים. כמו כן, נחסך חשמל, מאחר שההפשרה מתבצעת בנפרד.

5.3 הקפאת מזון טרי

- וחומצה. על חומרי האריזה גם להיות אטימים. כמו כן, עליהם להיות סגורים היטב ועשויים מחומרים נוחים לשימוש ומתאימים להקפאה עמוקה.
- יש להשתמש במזון קפוא מייד לאחר הפשרתו ואין להקפיאו שוב לאחר שהופשר.
- אין להקפיא כמויות מזון גדולות מדי בבת אחת. איכות המזון נשמרת בצורה הטובה ביותר כאשר הוא קופא במלואו במהירות האפשרית.
- הנחת מזון חם בתא ההקפאה תגרום למערכת הקירור לפעול ללא הפסקה עד לקפיאתו המוחלטת של המזון.
- הקפד במיוחד שלא לערבב מזון קפוא במזון טרי.
- אם במוצר קיימת פונקציית הקפאה מהירה, הפעל אותה כשתרצה להקפיא את המזון.

- הנח את המזון במוצר כשהוא עטוף או מכוסה.
- יש להמתין עד שהמזון החם יגיע לטמפרטורת החדר לפני אחסונו במוצר.
- המזון שברצונך להקפיא חייב להיות טרי ובאיכות טובה.
- חלק את המזון למנות בהתאם לצריכה היומית או הצריכה לארוחה של המשפחה.
- ארוז את המזון באריזה אטימה כדי למנוע את התייבשותו, גם אם הוא מאוחסן במקרר לזמן קצר.
- יש להשתמש בחומרי אריזה בלתי קריעים וחסייני קור, לחות, ריחות, שמן

הגדרת תא ההקפאה	הקפאת תא הקירור	הערות
-18°C	4°C	זוהי ההמלצה המומלצת הרגילה.
-20, -24 או -24°C	4°C	הגדרות אלה מומלצות כאשר טמפרטורת החדר עולה על 30 מעלות צלזיוס.
הקפאה מהירה	4°C	השתמש בה אם ברצונך להקפיא את המזון תוך זמן קצר. המוצר יחזור למצבו הקודם עם תום התהליך.
-18°C מעלות צלזיוס או קר יותר	2°C	השתמש בהגדרות אלה אם נראה לך שתא הקירור אינו קר מספיק עקב תנאי הסביבה החמים או עקב פתיחות וסגירות תכופות של הדלת.
-18°C מעלות צלזיוס או קר יותר	קירור מהיר	השתמש בפונקציה זו בעת הנחת מזון רב מדי בתא הקירור או כאשר אתה צריך לקרר את האוכל שלך במהירות. מומלץ להפעיל את פונקציית הקירור מהיר 4-8 שעות לפני הכנסת המזון למקרר.

חומרי האריזה הנחוצים:

- סרט הדבקה עמיד בפני קור
- מדבקה
- גומיות
- עט

יש להשתמש בחומרי אריזה בלתי קריעים וחסייני קור, לחות, ריחות, שמן וחומצה.

אין לאפשר למוצרי מזון המיועדים להקפאה לבוא במגע עם פריטי מזון שכבר הוקפאו קודם לכן, וזאת כדי למנוע הפשרה חלקית.

יש להשתמש במזון קפוא מייד לאחר הפשרתו ואין להקפיאו שוב לאחר שהופשר

5.7. מכשיר ליצירת קרח

*אופציונאלי

מתקן קוביות הקרח מאפשר ליצור בקלות קרח מהמוצר.

שימוש במתקן קוביות הקרח

5.4. המלצות לשימור המזון הקפוא

יש לאחסן מזון קפוא שקנית בהתאם להוראות היצרן הכתובות על מזון קפוא לגבי תא אחסון של מזון קפוא.

כדי להבטיח שגם היצרן וגם הקמעונאי של המזון הקפוא ישמרו על איכות גבוהה, יש לשים לב לנקודות הבאות:

1. הנח את החבילות במקפיא מהר ככל האפשר לאחר הקנייה.
2. ודא שהתכולה מותיגת ורשום עליה תאריך.
3. אסור שהחבילות יעברו את "תאריך השימוש האחרון" ואת "תאריך התפוגה" הרשומים על החבילה.



5.5. הנחת המזון

מדפי תא ההקפאה	מצרכי מזון שונים קפואים, כמו בשר, דגים, גלידות, ירקות וכו'.
אגף הביצים	ביצים
מדפי תא הקירור	מזון בסירים, צלחות מכוסות ומכלים סגורים
מדפי דלת תא הקירור	מזון ומשקה ארוזים במנות קטנות (כמו חלב, מיץ פירות, בירה ועוד)
מגירת ירקות	ירקות ופירות
תא המזון הטרי	מעדנים (גבינה צהובה, חמאה, נקניק וכו')



5.6. מידע בנושא הקפאה עמוקה

כדי לשמור על איכותו, יש להקפיא מזון במהירות האפשרית מייד עם הנחתו במוצר. אפשר לשמור את המזון במקפיא לתקופה ממושכת רק אם הטמפרטורה בתא ההקפאה מגיעה ל--18 מעלות צלזיוס או פחות. ניתן לשמור על טריות המזון למשך חודשים רבים (בטמפרטורה של -18 מעלות צלזיוס או פחות בהקפאה עמוקה). חלק את המזון למנות בהתאם לצריכה היומית או הצריכה לארוחה של המשפחה. ארוז את המזון באריזה אטימה כדי למנוע את התייבשותו, גם אם הוא מאוחסן במקרר לזמן קצר.

1. הוצא את מכל המים מתא הקירור.
2. מלא את מכל המים במים.
3. הנח את מכל המים בתחילה, יהיו קוביות הקרח מוכנות תוך כארבע שעות במגירת קוביות הקרח הממוקמת בתא ההקפאה.

<p>כשמכל המים מלא עד הסוף, תוכל לקבל כ-60-70 קוביות קרח.</p>	
<p>יש למלא שוב את המים במכל פעם בשבועיים עד שלושה שבועות.</p>	

1. הוצא את מתקן קוביות הקרח בזהירות.
2. מלא את מתקן קוביות הקרח במים.
3. הנח את מתקן קוביות הקרח במקומו. הקרח יהיה מוכן כשעתיים מאוחר יותר.
4. לקבלת קרח, סובב את הידיות שעל מכלי הקרח ב-90 מעלות בכיוון השעון. קוביות הקרח מהמכלים ייפלו אל המכל לאחסון הקרח שמתחת.
5. ניתן להוציא את המכל לאחסון הקרח ולהגיש את קוביות הקרח.

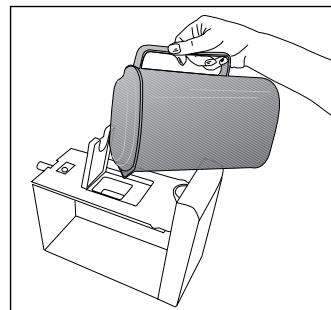
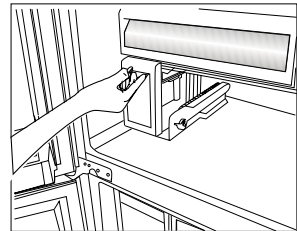
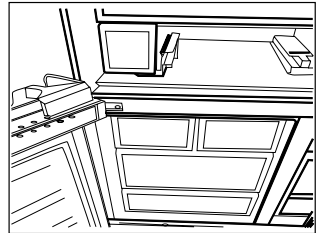
<p>אין להסיר את מתקן קוביות הקרח ממקומו כדי לקבל קרח.</p>	
<p>ניתן גם להשאיר את קוביות הקרח במכל לאחסון הקרח. מכל אחסון הקרח נועד לצבירת קוביות קרח. אין למלא בו מים. הוא עלול להישבר.</p>	

5.8 מתקן קוביות קרח

*אופציונלי

מתקן קוביות הקרח מאפשר ליצור בקלות קרח מהמוצר.

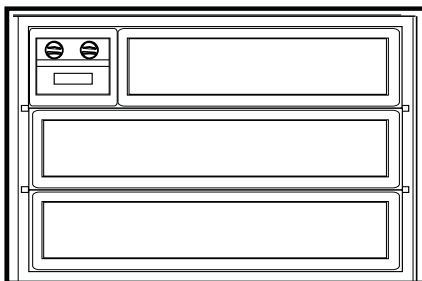
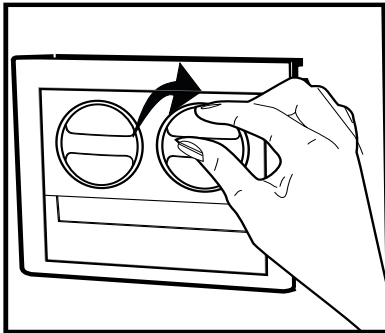
שימוש במתקן קוביות הקרח



5.9 מכל קרח

ילאוניצפוא*

חרק תולקב רוציל רשפאמ חרקה תויבוק וקתמ רצומה.



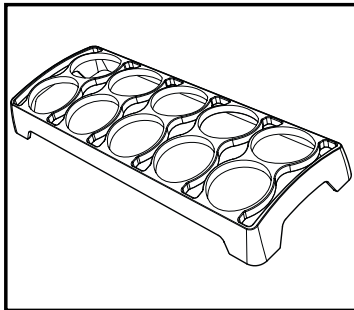
5.11 מתקן לאחסון ביצים

ניתן להתקין את המתקן לאחסון ביצים בדלת הרצויה במדף הרצוי בגוף המקרר. אם הוא יונח על מדפים בתוך המקרר, מומלץ להניח אותו על מדפים נמוכים וקרים יותר במקרר.

אין לשים את המתקן לאחסון ביצים בתא ההקפאה.



ודא שהביצים אינם באים במגע ישיר עם מוצרי מזון אחרים.



חרקה לכמב שומיש

1. האפקהה אתמ חרקה את תא רסה.
2. םימב חרקה לכמ תא אלמ.
3. חרקה. האפקהה אתמ חרקה את תא רסה. רתוי רחואמ םייתעשכ נכומ היהי
4. פפוכו האפקהה אתמ חרקה את תא רסה. ולפיי חרקה תויבוק. השגהה תחלצ לעמ ותוא השגהה תחלצל תולקב

5.10 אור כחול/ HarvestFresh

*ייתכן שלא יהיה זמין בכל הדגמים

עבור אור כחול,

ירקות ופירות המאוחסנים בתאי הפירות והירקות שמוארים באור כחול ממשיכים את תהליך הפוטוסינתזה הודות להשפעת אורך הגל של אור זה, ומשום כך הם משמרים את תכולת הוויטמינים שלהם.


עבור HarvestFresh,

פירות וירקות המאוחסנים בתאי הפירות והירקות שמוארים בטכנולוגיית HarvestFresh משמרים את תוכן הוויטמינים שלהם למשך זמן ארוך יותר הודות לאור הכחול, הירוק והאדום וכן למחזורי החושך, אשר מדמים את מחזור היום. אם תפתח את דלת המקרר בזמן ההחשכה של טכנולוגיית HarvestFresh, המקרר יזהה זאת באופן אוטומטי ויפעיל לנוחיותך תאורה כחולה-ירוקה או אדמה בתא הפירות והירקות. לאחר שתסגור את דלת המקרר המערכת תמשיך את זמן ההחשכה שמייצג את שעות הלילה במחזור היום.

5.13 תא חטיפים

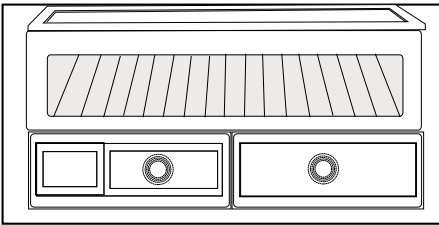
משמש לאחסון מזון כמו דגים, בשר אדום, בשר עוף, ומוצרי חלב כמו גבינה צהובה, יוגורט וחלב, שאותם יש לאחסן במקרר במקום קריר יותר במספר מעלות.

אין זה מומלץ להניח פירות וירקות בתא החטיפים. במיוחד לא עגבניות, חצילים, קישויים, מלפפונים ולימונים, שהם רגישים לקור. אין לאחסן אותם בתא החטיפים.



תוכל להגדיל את הנפח הפנימי של המוצר על ידי הסרת תא החטיפים:

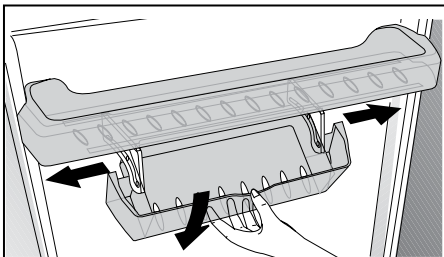
1. משוך את התא לעברך עד שיישען על המגופה ויעצור.
2. הרים את החלק הקדמי ומשוך אותו לעברך כדי להסיר את התא ממקומו.



5.14 מכל אחסון נשלף

***אופציונלי**

אביזר זה נועד להגדיל את קיבולת מדפי הדלת. הוא מאפשר לך להכניס בקלות בקבוקים גבוהים וצנצנות ופחיות גבוהות למדף הבקבוקים הנמוך יותר בזכות יכולתו לנוע ימינה או שמאלה.



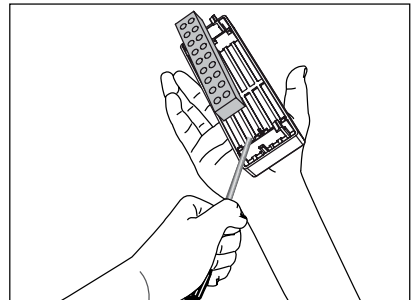
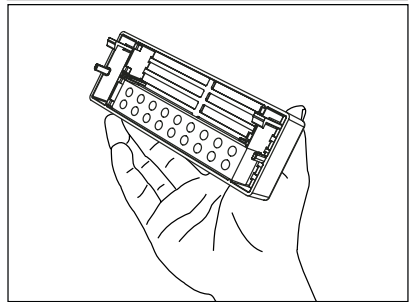
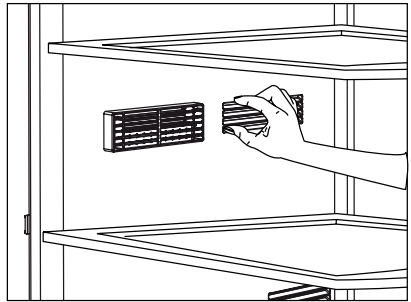
5.12 תיאור מסנן הריחות וניקוי:

מסנן הריחות מונע הצטברות של ריחות לא נעימים במוצר.

1. משוך כלפי מטה מהחלק הקדמי את המכסה שבתוכו מותקן מסנן הריחות והסר אותו, לפי המודגם באיור.
2. השאר את המסנן באור שמש למשך יום אחד. במשך זמן זה יתנקה המסנן.
3. התקן את המסנן חזרה למקומו.

יש לנקות את מסנן הריחות פעם בשנה.





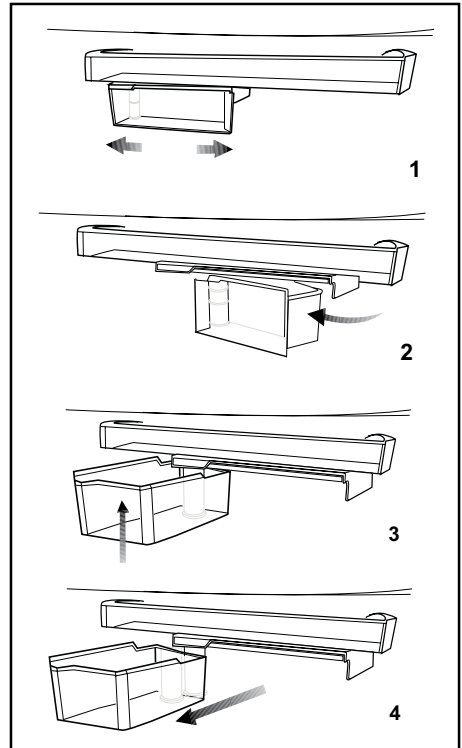
5.15. מכל אחסון סיבובי

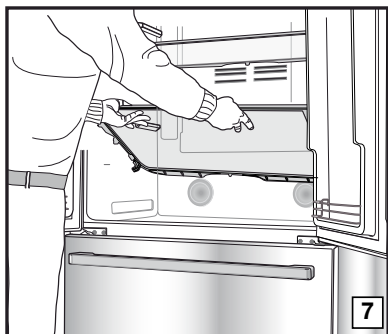
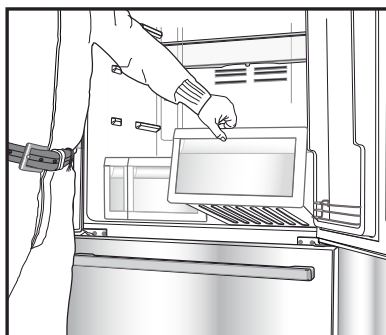
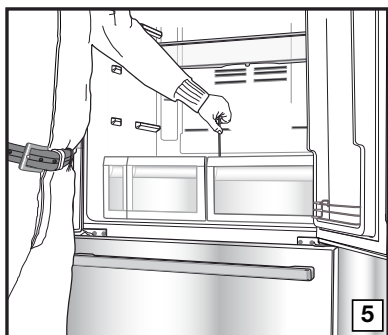
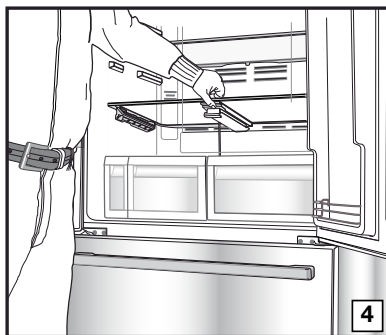
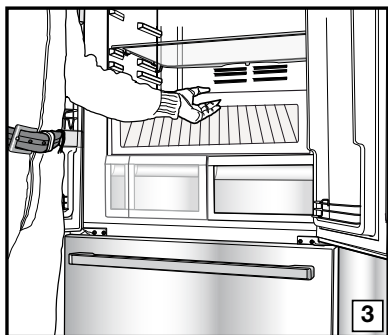
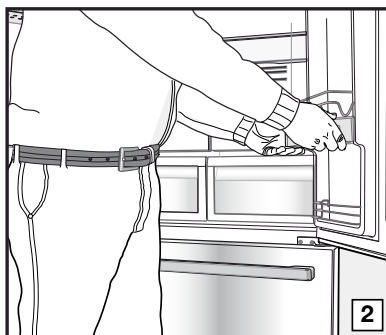
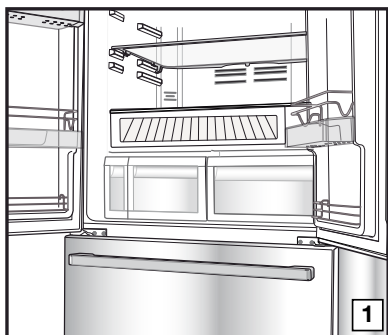
*אופציונאלי

גם את מכל האחסון הסיבובי ניתן להזיז ימינה או שמאלה. באופן זה ניתן להכניס בקלות בקבוקים גבוהים וצנצנות וקופסאות גבוהות לתא התחתון (איור 1).

תוכל להגיע אל המזון שהנחת על המדף על ידי תפיסתו וסיבובו מהקצה הימני (איור 2).

אם ברצונך להעמיס עליו מזון או להסירו לצורך ניקוי, סובב אותו ב-90 מעלות, הרם אותו כלפי מעלה ומשוך אותו לעברך (איורים 3 ו-4).





5.16 מגירת ירקות

מגירת הירקות במוצר נועדה באופן מיוחד לשמור על הירקות טריים מבלי שיאבדו את הלחות שבהם. לשם כך, באופן כללי מתגברת זרימת אוויר קר סביב מגירת הירקות. לפני הסרת מגירות הירקות, הסר את מדפי הדלת הנשענים על מגירות הירקות.

5.17 שימוש במתקן המים

*אופציונאלי

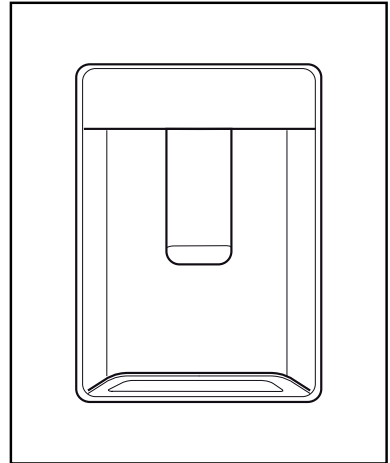
זוהי תופעה רגילה שהמים בכוסות הראשונות היוצאות מהמתקן חמים.



אם לא נעשה שימוש במתקן המים במשך זמן ממושך, יש לשפוך את הכוחות הראשונות כדי לקבל מים טריים.



1. לחץ על דושת מתקן המים באמצעות הכוס שבידך. אם אתה משתמש בכוס פלסטיק רכה, יהיה לך קל יותר לדחוף את הדושה בידך.
2. אחרי מילוי הכוס בכמות הרצויה, שחרר את הדושה.



שים לב, כמות המים הזורמים ממתקן המים תלויה במרחק שעד אליו דוחפים את הדושה. ככל שעולה מפלס המים בספל / כוס, הרפה בעדינות את הלחץ מהדושה כדי למנוע גלישת מים. אם אתה לוחץ מעט על הדושה, יישפכו מים, זוהי תופעה רגילה ואינה מעידה על תקלה.



5.18 מילוי מכל המים של מתקן המים

1. פתח את מכסה המכל.
2. מלא את המכל במי שתייה טריים.
3. סגור את המכסה.

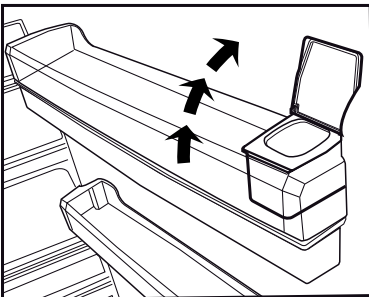
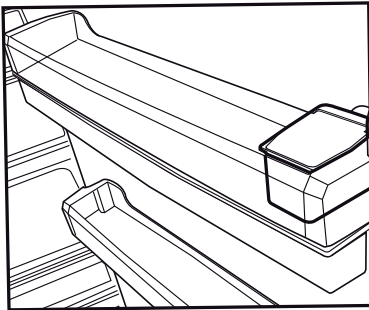
אין למלא את מכל המים בשום נזל אחר, למעט מים; משקאות כמו מיצי פירות, משקאות מוגזים או משקאות אלכוהול אינם מתאימים לשימוש במתקן המים. מתקן המים ייזק באופן בלתי הפיך, אם יעשה שימוש במשקאות הנ"ל. האחריות אינה מכסה שימוש בסוג זה. כמה מהחומרים הכימיים והתוספים הקיימים במשקאות/נוזלים אלה עלולים לגרום נזק למכל המים.



השתמש אך ורק במי שתייה נקיים.



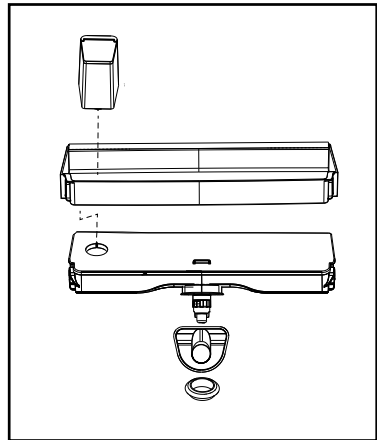
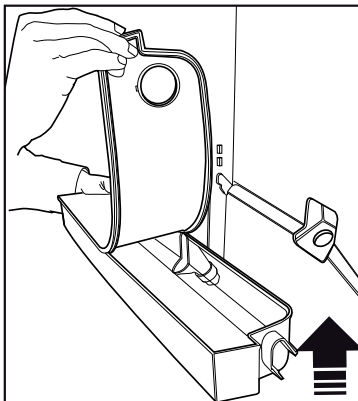
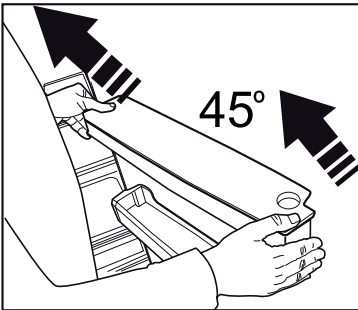
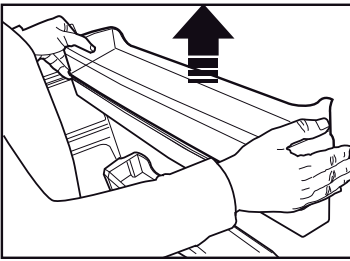
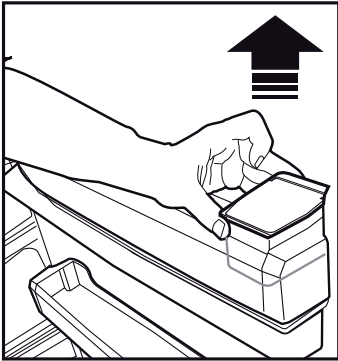
קיבולת המים במכל היא 3 ליטרים, אין למלא אותו יתר על המידה.



5.19 ניקוי מכל המים

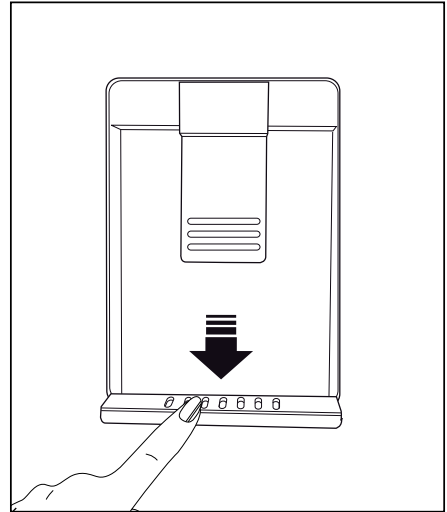
1. הסר את המכל למילוי מים בתוך מגש הדלת.
2. הסר את מגש הדלת על ידי אחיזתו משני צדיו.
3. משוך את מכל המים משני צדיו והסר אותו בזווית של 45°C .
4. הסר את מכסה המכל.

אין להדיח במדיח כלים את מכל המים ואת מתקן המים.



5.20 מגש גלישת המים

מים שמטפטים במהלך השימוש במתקן המים מצטברים במגש גלישת המים. הסר את מסנן הפלסטיק כפי שמוצג באיור. בעזרת מטלית נקיה ויבשה הסר את המים שהצטברו.



5.21 מגירת ירקות עם בקרת לחות

(FreSHelf)

(תכונה זו היא אופציונאלית)

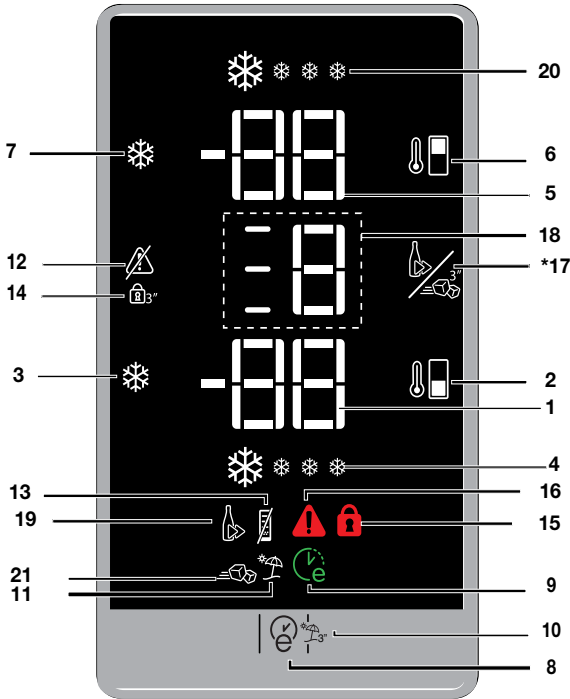
שיעורי הלחות של הירקות והפירות נשמרים מאוזנים באמצעות התכונה מגירת ירקות מבוקרת לחות ומובטח שהמזון יישאר טרי לפרק זמן ממושך יותר.

מומלץ להניח את הירקות בעלי העלים, כמו חסה, תרד וירקות הרגישים לאובדן לחות, בצורה אנכית ככל האפשר בתוך מגירת הירקות, ואל תעמיד אותם על השורשים שלהם בצורה אנכית.

כשמניחים את הירקות, יש לקחת בחשבון גם את המשקל הסגולי שלהם. ירקות כבדים וקשים יש להניח בתחתית מגירת הירקות, ואת הירקות הרכים והקלים יש להניח מעליהם.

בשום פנים ואופן אין להשאיר את הירקות שבמגירת הירקות בתוך שקית. אם הירקות נשארים בתוך שקית, הם יירקבו תוך פרק זמן קצר. אם מסיבות של היגיינה אתה מעדיף שהירקות לא יבואו במגע עם ירקות אחרים, השתמש בנייר נקבובי, וחומרי אריזה דומים במקום בשקית.

אין להניח אגסים, אפרסקים, וכו', ובאופן מיוחד תפוחים המייצרים גז אתילן ברמה גבוהה. באותה מגירת ירקות עם ירקות ופירות אחרים. גז האתילן הנפלט מפירות אלה עלול לגרום לפירות אחרים להיות בשלים מהר יותר ולהירקב תוך פרק זמן קצר יותר.



- | | | |
|-----------------------------------|------------|---|
| היגרנאב ונכסיה ונוחמ | .13 | 1.האפקהה את לש הרוטרפמטה תרדגה ונוחמ |
| שישקמ תליענ תייצקנופ | .14 | 2.האפקהה אתב הרוטרפמטה תרדגה תייצקנופ |
| שישקמ תליענ ונוחמ | .15 | 3.תייצקנופ הריהמה האפקהה תייצקנופ וצחל |
| הרוטרפמט / למשח תקספה ונוחמ | .16 | 3) (" חרק תויבוק וקתמ לש יוביכ-הלעפה וצחל |
| האיגש תרהזא / ההובג | .17 | 4.הריהמה האפקהה תייצקנופ ונוחמ |
| ריהמ סיקובקב רוריק תריחב היצקנופה | .17 | 5.רוריקה את לש הרוטרפמטה תרדגה ונוחמ |
| ריהמ רוריק) הריהמ חרק תריצי | .18 | 6.רוריקה אתב הרוטרפמטה תרדגה תייצקנופ |
| ריהמ סיקובקב רוריק היצקנופה ונוחמ | .18 | 7.ריהמה רוריקה תייצקנופ וצחל |
| הריהמ חרק תריצי | .19 | 8.(דחוימ ינוכסח שומיש) Eco-Fuzzy היצקנופה |
| רוריק) ריהמ סיקובקב רוריק ונוחמ | .19 | 9.(דחוימ ינוכסח שומיש) Eco-Fuzzy ונוחמה |
| ריהמ | .20 | 10.השפוח תייצקנופ |
| ריהמ רוריק ונוחמ | .21 | 11.השפוח תייצקנופ ונוחמ |
| הריהמ חרק תריצי ונוחמ | .21 | 12.תלעופ הארתה תרהזא תייצקנופ |
- *אופציונאלי

***אופציונאלי:** האירורים במדריך הוראות זה מוצגים לצורך המחשה וייתכן שלא יתאימו בדיוק למוצר שברשותך. אם החלקים הרלוונטיים אינם קיימים במוצר שרכשת, האירור מתייחס לדגמים אחרים.



1. מחוון טמפרטורת תא ההקפאה

מציין את הטמפרטורה שנקבעה לתא ההקפאה.

2. פונקציית הגדרת הטמפרטורה בתא ההקפאה

מאפשרת לך להגדיר את טמפרטורת תא ההקפאה. לחץ על לחצן זה כדי להגדיר את טמפרטורת תא ההקפאה ל-18, -19, -20, -21, -22, -23 ו-24 בהתאמה.

3. לחצן פונקציית ההקפאה המהירה פונקציית לחצן הפעלה-כיבוי של מתקן קוביות קרח (3")

מחווה ההקפאה המהירה יאיר כאשר הפונקציה פעילה. כדי לבטל את הפונקציה הזאת, לחץ שוב על לחצן ההקפאה המהירה. מחווה ההקפאה המהירה יכבה ויחזור להגדרות הרגילות שלו. אם אינך מבטל אותה, התכונה 'הקפאה מהירה' תתבטל אוטומטית כעבור 4 שעות או כאשר תא ההקפאה יגיע לטמפרטורה הרצויה. אם ברצונך להקפיא כמויות גדולות של מזון טרי, לחץ על לחצן ההקפאה המהירה לפני הנחת המזון בתא ההקפאה. אם תלחץ על הלחצן 'הקפאה מהירה' שוב ושוב בהפרשי זמן קצרים, תופעל ההגנה על המעגל החשמלי והמדחס לא יתחיל לפעול מיד. לא ניתן לשחזר פונקציה זו לאחר הפסקת חשמל!

4. מחוון פונקציית ההקפאה המהירה

סמל זה מהבהב בסגנון הנפשה כאשר הפונקציה 'הקפאה מהירה' פעילה.

5. מחוון הגדרת הטמפרטורה של תא הקירור

מציין את הטמפרטורה שנקבעה לתא הקירור.

6. פונקציית הגדרת הטמפרטורה בתא הקירור

מאפשרת לך להגדיר את הטמפרטורה בתא הקירור. לחץ על לחצן זה כדי להגדיר את הטמפרטורה בתא הקירור ל-2, 3, 4, 5, 6, 7, 8 מעלות בהתאמה.

7. לחצן פונקציית הקירור המהיר

בעת לחיצה על הלחצן 'קירור מהיר', הטמפרטורה בתא תהיה קרה יותר מהערכים שכווננו. בפונקציה זו ניתן להשתמש במזון יש צורך שיתקרר במהירות בתא הקירור. אם ברצונך לקרר כמויות גדולות של מזון טרי, מומלץ להפעיל פונקציה זו לפני שתכניס את

המזון למקרר. מחווה הקירור המהיר יאיר כאשר הפונקציה קירור מהיר פעילה. לביטול פונקציה זו, לחץ שוב על הלחצן קירור מהיר. מחווה הקירור המהיר יכבה והיחידה תחזור להגדרות הרגילות שלה. אם אינך מבטל אותה, הפונקציה 'קירור מהיר' תתבטל אוטומטית כעבור שתיים או כאשר תא הקירור יגיע לטמפרטורה הרצויה. לא ניתן לשחזר פונקציה זו לאחר הפסקת חשמל.

8. הפונקציה Eco-Fuzzy (שימוש חסכוני מיוחד)

כשאתה לוחץ על הלחצן Eco-Fuzzy, הפונקציה Eco Fuzzy תופעל והמחווה Eco-Fuzzy יאיר. המקרר יתחיל לפעול במצב החסכוני ביותר לפחות 6 שעות מאוחר יותר ומחווה השימוש החסכוני ידלוק כשהפונקציה תהיה פעילה. כדי להשבית את הפונקציה Eco-Fuzzy עליך ללחוץ שוב על הלחצן Eco-Fuzzy.

9. המחווה Eco-Fuzzy (שימוש חסכוני מיוחד)

סמל זה יאיר כשהפונקציה Eco-Fuzzy פעילה.

10. פונקציית חופשה

אם אתה לוחץ על הלחצן 'Eco Fuzzy' ומחזיק אותו לחוץ במשך 3 שניות, פונקציית החופשה תופעל ומחווה החופשה יאיר. קירור תא הקירור נעצר והטמפרטורה בתא הקירור נקבעת ל-15 מעלות כדי למנוע ריחות. כשפונקציה זו פעילה, מחווה הטמפרטורה של תא הקירור לא יציג את הטמפרטורה.

לביטול הפעלת פונקציית החופשה, לחץ על הלחצן Eco Fuzzy והחזק אותו לחוץ במשך 3 שניות.

11. מחוון פונקציית חופשה

מחווה זה מאיר כשפונקציית החופשה פעילה.

12. פונקציית אזהרת התראה פועלת

במקרה של התראת תקלה בחשמל/טמפרטורה גבוהה, לאחר בדיקת המזון שבתא ההקפאה, לחץ על הלחצן 'התראה פועלת' כדי לנקות את האזהרה.

13. מחוון פונקציית החיסכון באנרגיה (התצוגה כבויה)

אם דלתות המוצר נשארות סגורות במשך זמן ממושך, פונקציית החיסכון באנרגיה מופעלת אוטומטית וסמל החיסכון באנרגיה מואר.

אם פונקציית החיסכון באנרגיה מופעלת, כל הסמלים בתצוגה, שאינם חיסכון באנרגיה, יכבו. כאשר הפונקציה חיסכון באנרגיה מופעלת, לחיצה על לחצן כלשהו או פתיחת הדלת יגרמו לביטול הפונקציה חיסכון באנרגיה, והסמלים בתצוגה יחזרו למצבם הרגיל.

הפונקציה חיסכון באנרגיה מופעלת במהלך ההובלה מהיצרן ולא ניתן לבטלה.

14. פונקציית נעילת מקשים

כשאתה לוחץ על הלחצן נעילת מקשים ומחזיק אותו לוחץ במשך 3 שניות, הפונקציה נעילת מקשים תופעל ומחוון נעילת המקשים יאיר. לא יופעלו לחצנים כשפונקציה זו פעילה. לחץ שוב על הלחצן נעילת מקשים והחזק אותו לוחץ במשך 3 שניות כדי להשבית פונקציה זו.

15. מחוון נעילת מקשים

מחוון זה מאיר כשהפונקציה נעילת מקשים פעילה.

16. מחוון הפסקת חשמל / טמפרטורה גבוהה / אזהרת שגיאה

מחוון זה יאיר בעת תקלה בחשמל, תקלות בטמפרטורה הגבוהה ובעת אזהרות שגיאה. במשך תקלות ממושכות בחשמל, ערך הטמפרטורה הגבוהה ביותר שאליה יגיע תא ההקפאה יבהב בתצוגה הדיגיטלית. לאחר בדיקת המזון הנמצא בתא ההקפאה, לחץ על הלחצן 'התראה פועלת' כדי לנקות את האזהרה. יש לעיין בסעיף "הפתרונות המומלצים לתיקון תקלות" במדריך שלך, אם אתה רואה שמחוון זה מאיר.

17. בחירת הפונקציה קירור בקבוקים מהיר/ יצירת קרח מהירה

כאשר לוחצים על לחצן הפונקציה קירור בקבוקים מהיר/יצירת קרח מהירה ומחזיקים אותו לוחץ במשך 3 שניות, "1" יוצג במחוון הפונקציה קירור הבקבוקים מהיר/ יצירת קרח מהירה.

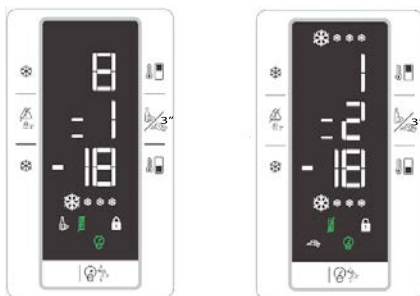
אם לא לוחצים שוב על לחצן זה תוך דקה אחת, המסך חוזר לתצוגה הקודמת שלו, ומחווני בחירת קירור הבקבוקים המהיר ויצירת קרח מהירה יכבו.

לאחר ש-"1" מוצג, כל לחיצה על לחצן קירור בקבוקים מהיר/יצירת קרח מהירה תעלה את המספר באחד. אם "1" מוצג, ניתן להפעיל את הפונקציה קירור בקבוקים מהיר. אם "2" מוצג, ניתן להפעיל את הפונקציה יצירת קרח מהירה. אם אתה לוחץ על הלחצן קירור בקבוקים מהיר/ יצירת קרח מהירה במשך 3 שניות כאשר מוצג המספר "1", הפונקציה קירור בקבוקים מהיר תופעל ומחוון הפונקציה קירור בקבוקים מהיר יאיר. "1" יאיר ברציפות והסמלים שמשמאל יאירו כהנפשה. אם אתה לוחץ על הלחצן קירור בקבוקים מהיר/יצירת קרח מהירה במשך 3 שניות כאשר מוצג המספר "2", הלחצן יצירת קרח מהירה תופעל והמחוון של יצירת קרח מהירה יאיר. "2" יאיר ברציפות והסמלים שמשמאל יאירו כהנפשה.

אם אתה לוחץ לחיצה קצרה על הלחצן קירור בקבוקים מהיר/יצירת קרח מהירה כשהפונקציה מופעלת, לא יראה כל שינוי בתצוגה. אם מתרחשת הפסקת חשמל בזמן שהפונקציה קירור בקבוקים מהיר או יצירת קרח מהירה מופעלת, הפונקציה תחדש את פעולתה עם חזרת החשמל מהמקום שבו הופסקה אספקתו. הפונקציה קירור בקבוקים מהיר נמשכת 15 דקות, והפונקציה יצירת קרח מהירה נמשכת 40 דקות. לאחר שזמן הפונקציה שנבחרה עבר, הסמלים יכבו.

לאחר סיום 3 המחזורים בפונקציה קירור הבקבוקים המהיר ומחזור אחד ביצירת קרח מהירה, המתן עד שהמקרר יתקרר ועד שהמדחס יעצור. אם ברצונך להפעיל בינתיים את הפונקציה, יופיע בתצוגה "0".

לא ניתן להפעיל את הפונקציה. אם תלחץ על הלחצן קירור בקבוקים מהיר-יצירת קרח מהירה, תשמע אות אזהרה. לאחר שהמקרר התקרר, תוכל להפעיל שוב את הפונקציה הרצויה.



18. מחוון הפונקציה קירור בקבוקים מהיר/יצירת

קרח מהירה

מציג את הפונקציה שהוגדרה. אם מוצג המספר "1", פירוש הדבר הוא שהפונקציה קירור הבקבוקים המהיר תיבחר או נבחרה, ואם מוצג המספר "2", פירוש הדבר הוא שהפונקציה יצירת קרח מהירה תיבחר או נבחרה.

19. מחוון קירור בקבוקים מהיר

מציג את הפונקציה קירור בקבוקים מהיר.

20. לחצן קירור מהיר

סמל זה מהבהב בסגנון הנפשה כאשר פונקציית הקירור המהיר פעילה.

21. מחוון יצירת קרח מהירה

מציג את הפונקציה יצירת קרח מהירה

5.22. תא קירור בקבוקים מהיר/ יצירת קרח מהירה

(קירור מהיר)

(תכונה זו היא אופציונאלית)

תוכל להשתמש בתא קירור הבקבוקים המהיר ליצירת קרח או לקירור מהיר של משקאות. את סגור זה הנמצא בחלקו השמאלי התחתון של את הקירור, מקורר בעזרת מאוורר נפרד ומשטח קירור.

לאחר הנחת תיבת הקרח או המשקאות שברצונך לקרר בתא זה, תוכל להפעיל את פונקציית הקירור המהיר בלחיצה על הלחצנים הרלוונטיים במחווין.



אם אתה רואה בתצוגה את הודעת האזהרה "0" כשאתה רוצה להפעיל את הפונקציה יצירת קרח, המתן זמן מה. הודעת אזהרה זו עשויה להופיע אם תשתמש בתא פעמיים במרווחי זמן תכופים. כשתראה הודעה זו, המקרר לא יאפשר להשתמש בתא לפרק זמן מסוים, כדי לאפשר את ביצועי הקירור הטובים ביותר ולשמר את טמפרטורת האחסון של המזון. כאשר הטמפרטורות הפנימיות של המקרר מאוזנות, התא יהיה מוכן שוב לשימוש. נסה שוב מאוחר יותר.



אין להניח בתא זה כל דבר אחר שאינו משקאות ותיבת הקרח המגיעה עם המקרר. ודא שמכסי המשקאות שאתה מתכוון להכניס לתא סגורים.



לפני הפעלת הפונקציה, ודא שדלת התא סגורה לחלוטין. תא זה נועד לקרר 1.5 ליטרים מים מ-20°C עד 10°C תוך 15 דקות. אם אתה חושב שהמשקאות שאתה מתכוון להוציא מהתא אינם קרים במידה מספקת, תוכל להפעיל את התא שוב.



לאחר שבוצע הקירור, נעלם הסמל "=" במחווין. עם סיום התהליך, הוצא מהתא את המשקאות או את הקרח שהנחת בו. אם ברצונך לקרר אותם עוד, תוכל להפעיל שוב את אותה פונקציה כשהמשקאות או תיבת הקרח נמצאים בתוך התא.



אם אתה רואה בתצוגה את הודעת האזהרה "0" כשאתה רוצה להפעיל את הפונקציה קירור בקבוקים מהיר, המתן זמן מה. הודעת אזהרה זו עשויה להופיע אם תשתמש בתא 4 פעמים במרווחי זמן תכופים. כשתראה הודעה זו, המקרר לא יאפשר להשתמש בתא לפרק זמן מסוים, כדי לאפשר את ביצועי הקירור הטובים ביותר ולשמר את טמפרטורת האחסון של המזון. כאשר הטמפרטורות הפנימיות של המקרר מאוזנות, התא יהיה מוכן שוב לשימוש. נסה שוב מאוחר יותר.



למען השמירה על ההיגיינה ועל הבטיחות, אין להשאיר משקאות קרים בתוך התא. השארת משקאות תוססים בתא למשך פרק זמן ממושך, עלולה להוות סכנה, כמו סדקים וכו'.

עם סיום פעולת הפונקציה יצירת קרח, הקרח בתיבת הקרח עשוי להפשיר, שכן טמפרטורת התא חוזרת להיות טמפרטורת אחסון של מזון טרי. אין להשאיר בתא קרח קפוא.

כשתא זה מופעל, המאוורר בתא פועל במהירות הגבוהה ביותר כדי להגיע לביצועי הקירור הטובים ביותר בפרק הזמן הקצר ביותר. לכן, הצליל שנשמע בעת הפעלת התא הוא תופעה רגילה.

6.2 הגנה על משטחי פלסטיק

- שמן שנשפך על משטחי הפלסטיק עלול לגרום נזק למשטח ויש לנקותו מיד עם מים חמים.

ניקוי המוצר באופן סדיר יאריך את חייו.



אזהרה: נתק את החשמל לפני ניקוי המקרר.

- המס כפית מלאה בנתר במים. הרטב סמרטוט במים וסחוט. נקה את המכשיר עם מטלית זו ונגב.
- ודא להרחיק את המים ממכסה המנורה וחלקים חשמליים אחרים.
- נקה את הדלת באמצעות סמרטוט רטוב.
- הסר את כל הפריטים בפנים ונתק את הדלת ואת המדפים. הרם את המדפים כלפי מעלה על מנת לנתק. נקה ויבש את המדפים, לאחר מכן חבר אותם בחזרה למקום על ידי החלקתם מלמעלה.
- במוצרים שאינם No Frost, טיפות מים ושכבת קרח בעובי של רוחב אצבע נוצרות בדופן האחורית של תא הקירור. אל תנקה אותן; בשום פנים ואופן אין לטפסף עליהן שמן או חומרים דומים.
- השתמש אך ורק במטליות מיקרופיבר לחות מעט כדי לנקות את המשטח החיצוני של המוצר. ספוגים וסוגים אחרים של מטליות ניקוי עלולים לשרוט את המשטח.
- אין להשתמש במים כלוריים או מוצרי ניקוי על המשטח החיצוני והחלקים המצופים בכרום של המוצר. כלור יגרום לחלודה על חלקים מתכתיים.
- אין להשתמש בכלים חדים ושוחקים, חומרים ניקוי ביתיים, גז, בנזין, שעווה וכו'. אחרת החותמות על חלקי הפלסטיק ירדו והכלי יאבד מצורתו. השתמש במים חמים ומטלית רכה לניקוי ונגב ליבוש.

6.1 מניעת ריח רע

- המוצר יותר ללא מוצרים היוצרים ריח רע. אולם, אחסון המזון באזורים לא הולמים או ניקוי בלתי הולם של משטחים פנימיים עלול ליצור ריח רע.
- כדי למנוע זאת, נקה מבפנים עם מי סודה כל 15 ימים.
- אחסן את המזון באריזות אטומות. בקטריה עלול להתפשט מתוך פריטי מזון לא אטומים וליצור ריח רע.
- אין לאחסן מזונות מקולקלים או שפג תוקפה במקרר.

- ייתכן כי המוצר החדש גדול יותר מהקודם. מוצרים גדולים יותר עובדים לתקופות ארוכות יותר.
- ייתכן כי טמפרטורת החדר גבוהה מדי.
- <<< המוצר עובד לתקופות ארוכות בטמפ' חדר גבוהות יותר.
- ייתכן כי המוצר חובר לאחרונה או כי פריט מזון חדש הוכנס פנימה. <<< ייקח למוצר יותר זמן להגיע לטמפ' המוגדרת כאשר הוא חובר לאחרונה לחשמל או כאשר פריט מזון חדש הוכנס. הדבר נורמלי.
- ייתכן כי כמויות גדולות של מזון חם הוכנסו למוצר לאחרונה. <<< אין לאחסן מזון חם בתוך המוצר.
- הדלתות נפתחו לאחרונה או נשארו פתוחות לתקופות ארוכות. <<< האוויר החם שנכנס פנימה יגרם למוצר לקרר לתקופות זמן ארוכות יותר. אין לפתוח את הדלתות לעיתים קרובות מדי.
- ייתכן כי דלת המקפיא או המקרר לא סגורה כראוי. <<< בדוק כי הדלתות סגורות לגמרי.
- ייתכן כי המוצר מוגדר לטמפ' נמוכה מדי. <<< הגדר את הטמפ' למעלה הגבוהה ביותר והמתן עד שהמוצר מגיעה
- ייתכן כי דסקית המקרר או המקפיא מלוכלכת, שחוקה, שבורה או לא יושבת טוב במקום. <<< נקה או החלף את הדסקית. דסקית דלת פגומה / קרועה תגרם למוצר לעבוד לתקופות ארוכות על מנת לשמור על הטמפ' הנוכחית.

טמפ' המקפיא נמוכה מדי, אך טמפ' המקרר מתאימה.

- תא המקפיא מכוון על טמפ' נמוכה מדי. <<< כוון את טמפ' המקפיא למעלה גבוהה יותר ובדוק שוב.

טמפ' המקרר נמוכה מדי, אך טמפ' המקפיא מתאימה.

- * תא המקרר מכוון על טמפ' נמוכה מדי. <<< כוון את טמפ' המקפיא למעלה גבוהה יותר ובדוק שוב.

פריטי המזון המאוחסנים במגירות תא המקרר קפואים.

- תא המקרר מכוון על טמפ' נמוכה מדי. <<< כוון את טמפ' המקפיא למעלה גבוהה יותר ובדוק שוב.

הטמפ' במקרר קרה מדי והטמפ' במקפיא חמה מדי.

- עיין ברשימה זו לפני הפנייה למרכז השירות. הדבר יחסוך לך זמן וכסף.
- רשימה זו כוללת טענות נפוצות אשר קשורות לטעויות אנוש או חומרים.
- חלק מהאפשרויות שהוזכרו כאן עלולות להיות לא רלוונטיות למוצרך.

המקרר לא עובד.

- תקע החשמל לא ממוקם היטב. <<< חבר אותו שוב כדי שיהיה מחובר היטב לשקע.
- הנתך במחבר לשקע אליו מחובר המוצר או הנתך המרכזי שרוף. <<< בדוק את הנתכים.

התעבות על הקיר הצדדי של תא המקרר (MULTI ZONE, COOL, CONTROL ו-FLEXI ZONE).

- הדלת נפתחת בתדירות גבוהה מדי <<< שים לב לא לפתוח את דלת המוצר לעיתים קרובות מדי.
- הסביבה לחה מדי. <<< אין להתקין את המוצר בסביבות לחות מדי.
- מזונות המכילים נוזלים נשמרים באריזות לא אטומות. <<< אחסן את המזון באריזות אטומות.
- דלת המוצר נשארה פתוחה. <<< אין להשאיר את דלת המקרר פתוחה לתקופות ארוכות.
- התרמוסטט מכוון לטמפ' נמוכה מדי. <<< כוון את התרמוסטט לטמפ' מתאימה

המדחס לא עובד.

- במקרה של כשל חשמלי פתאומי או הוצאת תקע החשמל והחזרתו, לחץ הגז במערכת הקירור של המוצר לא מאוזן, מה שמפעיל את ההגנה הטרמית של המדחס. המוצר יתחיל מחדש לפעול לאחר 6 דקות. במידה והמוצר לא מתחיל לפעול לאחר תקופה זו, צור קשר עם השירות.
- ההפשרה פעילה. <<< הדבר נורמלי עבור מוצר מפשיר אוטומטי במלאו. ההפשרה נערכת מעת לעת.
- המוצר לא מחובר. <<< ודא כי תקע החשמל מחובר.
- הגדרת הטמפ' לא נכונה. <<< בחר את הגדרת הטמפ' הראויה.
- * החשמל מכובה. <<< המוצר ימשיך לפעול נורמלית ברגע שכבל החשמל יוחזר.

רעש ההפעלה של המקרר גובר במהלך השימוש.

- התפעול של המקרר עלול להשתנות בהתאם לטמפ' החדר. זה נורמלי וזה אינו תפקוד לקוי.

המקרר פועל לעיתים תכופות מדי לתקופות ארוכות מדי.

- אתה לא מנקה את המוצר באופן סדיר.
- << נקה את פנים המוצר באופן סדיר באמצעות ספוג, מים חמים ומי סודה.
- חומרי אריזה ואחסון מסוימים עשויים ליצור ריח. << השתמש בחומרי אריזה ללא ריח.
- * המזונות מוקמו בקופסאות לא אטומות. << אחסן את המזון באריזות אטומות. בקטריה עלול להתפשט מתוך פריטי מזון לא אטומים וליצור ריח רע.
- * הסר מוצרים מקולקלים או שפג תוקפם מהמוצר.

הדלת לא נסגרת.

- יתכן כי אריזות מזון חוסמות ת הדלת. << שנה את מיקום הפריטים החוסמים את הדלתות.
- המוצר לא עומד בצורה מאוזנת על הקרקע. << כוונן את המעמדים על מנת לאזן את המוצר.
- האדמה לא מפולסת או מוצקה. << ודא גם כי האדמה קשה מספיק על מנת לשאת את המוצר.
- סלסלת הירקות תקועה.
- פריטי המזון נמצאים במגע עם המקטע העליון של המגירה. << זהה את מוצרי המזון במגירה.

סלסלת הירקות תקועה.

- פריטי המזון נמצאים במגע עם המקטע העליון של המגירה. << זהה את מוצרי המזון במגירה.



אזהרה: אם הבעיות ממשיכות לאחר ההוראות במקטע זה, תור קשר עם המוכר שמכר לך את המוצר או עם שירות מורשה. אל תנסה לתקן את המוצר.

- תא המקרר מכוון על טמפ' גבוהה מדי. << לטמפ' תא המקרר יש השפעה על טמפ' תא המקפיא. שנה את טמפ' תא המקפיא או המקרר והמתן עד שהתאים יגיעו לרצת המתיאמה.
- הדלתות נפתחו לאחרונה או נשארו פתוחות לתקופות ארוכות. << אין לפתוח את הדלתות לעיתים קרובות מדי.
- יתכן כי הדלת לא סגורה היטב. << סגור היטב את הדלת.
- ייתכן כי המוצר חובר לאחרונה או כי פריט מזון חדש הוכנס פנימה. << הדבר נורמלי. ייקח למוצר יותר זמן להגיע לטמפ' המוגדרת כאשר הוא חובר לאחרונה לחשמל או כאשר פריט מזון חדש הוכנס.
- * יתכן כי כמויות גדולות של מזון חם הוכנסו למוצר לאחרונה. << אין לאחסן מזון חם בתוך המוצר.

רעד או רעש.

- האדמה לא מפולסת או מוצקה. << במידה והמוצר רועד כאשר הוא הוזז לאט, התאם את המעמדים על מנת לאזן את המוצר. ודא גם כי האדמה קשה מספיק על מנת לשאת את המוצר.
- יתכן כי פריטים שהוכנסו למוצר יוצרים רעש. << הכנס את המוצרים שהוכנסו למוצר.

המוצר יוצר רעש של זרימת נוזלים, ריסוס וכו'.

- עקרונות ההפעלה של המוצר כוללים זרימת גז ונוזל. << זה נורמלי וזה אינו תפקוד לקוי.

ש רעש של רוח נושבת מהמוצר.

- * המוצר משתמש במאוורר למען תהליך הקירור. זה נורמלי וזה אינו תפקוד לקוי.
- יש התעבות בקירות הפנימיים של המוצר.
- מזג אוויר חם או לח יגביר את ההתקרחות וההתעבות. זה נורמלי וזה אינו תפקוד לקוי.
- הדלתות נפתחו לאחרונה או נשארו פתוחות לתקופות ארוכות. << אין לפתוח את הדלתות לעיתים קרובות מדי; אם הדלת פתוחה, סגור אותה.
- יתכן כי הדלת לא סגורה היטב. << סגור היטב את הדלת.

יש התעבות בחלק החיצוני של המוצר או בין שתי הדלתות.

- * יתכן כי טמפ' החדר לחה מדי, הדבר נורמלי במזג אוויר לח. << ההתעבות תתפזר כאשר הלחות תרד.

פנים המוצר מריח רע.

BRIMAG

שירות

שרות

כל התערבות שהיא במוצר שרכשתם, חייבת להיות מבוצעת ע"י טכנאי שהוסמך על ידי **BRIMAG** שירות.

על-מנת לאפשר לנו לתת לכם את השרות האיכותי והמהיר ביותר, בעת שתתקשרו תתבקשו לציין את מס' הלקוח שלכם ופרטי המוצר שברשותכם (סוג ודגם). פרטים אלו, מופיעים בתעודת האחריות ועל התוויות בגב או בחזית המוצר.

לתשומת ליבכם

חברתנו אחראית לפעולתו התקינה של המוצר בתנאי עבודה ואחזקה נכונים. אין החברה אחראית לכל נזק או קלקול אשר ייגרם למוצר כתוצאה מתקלות והפרעות חיצוניות, או כתוצאה משימוש הנוגד את הוראות הפעלה אלו.

מחלקת השרות של חברת **BRIMAG** שירות, תשמח לעמוד לשירותכם בבדיקה, הדרכה, ייעוץ ושרות בכל עת, בין הימים א' – ה' בין השעות 08:00 עד 19:00 ובימי שישי וערבי חג, בין השעות 08:00 עד 12:00.



ליצירת קשר עם כל מעבדות השרות, נא חייגו:



*8404



Email: main@brimag-service.co.il

מרכז	"ברימאג שירות"	הבנאי 12, א.ת. חולון	פקס: 03-5586196
צפון	"ברימאג שירות"	ההסתדרות 88, חיפה	פקס: 04-8424411
דרום	"ברימאג שירות"	הנגרים 5, ב"ש	פקס: 08-6232838
ירושלים	"ברימאג שירות"	כנפי נשרים 24, ירושלים	פקס: 02-6527468
אילת	"ברימאג שירות"	הבנאי 3, א.ת. אילת	פקס: 03-5586196

שירותכם **BRIMAG** ככל את! שירות

