

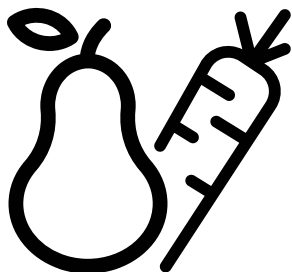


Refrigerator

User Manual

Frigorifero

Manuale utente



RDNE455E20DS-RDNE455E20DB-RDNE455E20T-
RDNE455E30DZXB-RDNE455E30DZXB-N-RDNE455E31ZXBN



EN/IT

57 7588 0000/AP-1/3- EN-IT

Please read this user manual first!

Dear Customer,

We hope that your product, which has been produced in modern plants and checked under the most meticulous quality control procedures, will provide you an effective service.

Therefore, read this entire user manual carefully before using the product and keep it as a reference. If you handover the product to someone else, give the user manual as well.



The user manual will help you use the product in a fast and safe way.






- Read the manual before installing and operating the product.
- Make sure you read the safety instructions.
- Keep the manual in an easily accessible place as you may need it later.
- Read the other documents given with the product.

Remember that this user manual is also applicable for several other models. Differences between models will be identified in the manual.

Explanation of symbols

Throughout this user manual the following symbols are used:

	Important information or useful hints.
	Risk of injury and damage to the property.
	Risk of electric shock.
	Packaging materials of the product are manufactured from recyclable materials in accordance with our National Environment Regulations.





 INFORMATION	
 	.The model information as stored in the product data base can be reached by entering following website and searching for your model identifier (*) found on energy label.
SUPPLIER'S NAME → MODEL IDENTIFIER (*)	https://eprel.ec.europa.eu/
	

Contents

1. Safety and environment instructions	3	5.8. Egg holder	24
1.1. General safety	3	5.9. Fan	24
1.1.1 HC warning	5	5.10. Crisper	24
1.1.2 For models with water dispenser	5	5.11. Chiller compartment	24
1.2. Intended use	5	5.12. Moving door shelf	25
1.3. Child safety	5	5.13. Sliding storage container	25
1.4. Compliance with the WEEE Directive and Disposing of the Waste Product:	6	5.14. Blue light	25
1.5. Compliance with RoHS Directive	6	5.15. Humidity controlled crisper ...	26
1.6. Package information	6	5.16. Auto Icematic	26
2 Your appliance	7	5.17. Description and cleaning of odor filter	27
3 Installation	8	5.18. HerbBox/HerbFresh	27
3.1. Appropriate installation location	8	5.19. Using the water dispenser	28
3.2. Installing the plastic wedges	8	5.20. Using the water dispenser	28
3.3. Adjusting the feet	8	5.21. Filling the water dispenser's tank	29
3.4. Electrical connection	9	5.22. Cleaning the water tank	30
3.5. Reversing the doors	10	5.23. Drip tray	31
3.6. Reversing the doors	11	5.24. Freezing fresh food	32
4 Preparation	12	5.25. Recommendations for preserving the frozen food	33
4.1. Things to be done for energy saving	12	5.26. Deep-freeze information	33
4.2. Initial use	12	5.27. Placing the food	33
5 Operating the product	13	5.28. Door open warning	34
5.1. Temperature setting button ...	13	5.29. Changing the door opening direction	34
5.2. Fast freeze	13	5.30. Illumination lamp	34
5.3. Vacation function	14	6 Maintenance and cleaning 35	
5.4. Indicator panel	15	6.1. Avoiding bad odors	35
5.5. Indicator panel	18	6.2. Protecting the plastic surfaces	35
5.6. Twist Ice - matic	23	6.3. Door Glasses	35
5.7. Ice container	24	6 Maintenance and cleaning 36	
		7. Troubleshooting	37

This section provides the safety instructions necessary to prevent the risk of injury and material damage. Failure to observe these instructions will invalidate all types of product warranty.

Intended use

	<p>WARNING: Keep ventilation openings, in the appliance enclosure or in the built-in structure, clear of obstruction.</p>
	<p>WARNING: Do not use mechanical devices or other means to accelerate the defrosting process, other than those recommended by the manufacturer.</p>
	<p>WARNING: Do not damage the refrigerant circuit.</p>
	<p>WARNING: Do not use electrical appliances inside the food storage compartments of the appliance, unless they are of the type recommended by the manufacturer.</p>

This appliance is intended to be used in household and similar applications such as

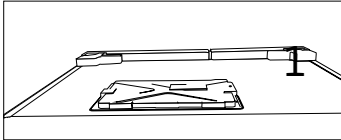
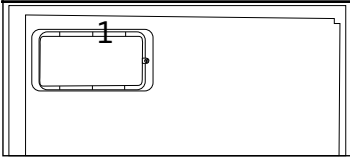
- staff kitchen areas in shops, offices and other working environments;

- farm houses and by clients in hotels, motels and other residential type environments;
- bed and breakfast type environments;
- catering and similar non-retail applications.

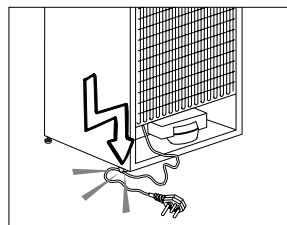
1.1. General safety

- This product should not be used by persons with physical, sensory and mental disabilities, without sufficient knowledge and experience or by children. The device can only be used by such persons under supervision and instruction of a person responsible for their safety. Children should not be allowed to play with this device.
- In case of malfunction, unplug the device.
- After unplugging, wait at least 5 minutes before plugging in again.
- Unplug the product when not in use.
- Do not touch the plug with wet hands! Do not pull the cable to plug off, always hold the plug.
- Do not plug in the refrigerator if the socket is loose.
- Unplug the product during installation, maintenance, cleaning and repair.
- If the product will not be used for a while, unplug the product and remove any food inside.
- Do not use the product when the compartment with circuit cards located on the upper back part of the product (electrical card box cover) (1) is open.

Instructions for safety and environment



- Do not use steam or steamed cleaning materials for cleaning the refrigerator and melting the ice inside. Steam may contact the electrified areas and cause short circuit or electric shock!
- Do not wash the product by spraying or pouring water on it! Danger of electric shock!
- In case of malfunction, do not use the product, as it may cause electric shock. Contact the authorised service before doing anything.
- Plug the product into an earthed socket. Earthing must be done by a qualified electrician.
- If the product has LED type lighting, contact the authorised service for replacing or in case of any problem.
- Do not touch frozen food with wet hands! It may adhere to your hands!
- Do not place liquids in bottles and cans into the freezer compartment. They may explode.
- Place liquids in upright position after tightly closing the lid.
- Do not spray flammable substances near the product, as it may burn or explode.
- Do not keep flammable materials and products with flammable gas (sprays, etc.) in the refrigerator.
- Do not place containers holding liquids on top of the product. Splashing water on an electrified part may cause electric shock and risk of fire.
- Exposing the product to rain, snow, sunlight and wind will cause electrical danger. When relocating the product, do not pull by holding the door handle. The handle may come off.
- Take care to avoid trapping any part of your hands or body in any of the moving parts inside the product.
- Do not step or lean on the door, drawers and similar parts of the refrigerator. This will cause the product to fall down and cause damage to the parts.
- Take care not to trap the power cable.



Instructions for safety and environment

1.1.1 HC warning

If the product comprises a cooling system using R600a gas, take care to avoid damaging the cooling system and its pipe while using and moving the product. This gas is flammable. If the cooling system is damaged, keep the product away from sources of fire and ventilate the room immediately.



The label on the inner left side indicates the type of gas used in the product.

1.1.2 For models with water dispenser

- Pressure for cold water inlet shall be maximum 90 psi (620 kPa). If your water pressure exceeds 80 psi (550 kPa), use a pressure limiting valve in your mains system. If you do not know how to check your water pressure, ask for the help of a professional plumber.
- If there is risk of water hammer effect in your installation, always use a water hammer prevention equipment in your installation. Consult Professional plumbers if you are not sure that there is no water hammer effect in your installation.

- Do not install on the hot water inlet. Take precautions against of the risk of freezing of the hoses. Water temperature operating interval shall be 33°F (0.6°C) minimum and 100°F (38°C) maximum.
- Use drinking water only.

1.2. Intended use

- This product is designed for home use. It is not intended for commercial use.
- The product should be used to store food and beverages only.
- Do not keep sensitive products requiring controlled temperatures (vaccines, heat sensitive medication, medical supplies, etc.) in the refrigerator.
- The manufacturer assumes no responsibility for any damage due to misuse or mishandling.
- Original spare parts will be provided for 10 years, following the product purchasing date.

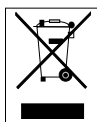
1.3. Child safety

- Keep packaging materials out of children's reach.
- Do not allow the children to play with the product.
- If the product's door comprises a lock, keep the key out of children's reach.

Instructions for safety and environment

1.4. Compliance with the WEEE Directive and Disposing of the Waste Product:

This product complies with EU WEEE Directive (2012/19/EU). This product bears a classification symbol for waste electrical and electronic equipment (WEEE).



This symbol indicates that this product shall not be disposed with other household wastes at the end of its service life. Used device must be returned to official collection point for recycling of electrical and electronic devices. To find these collection systems please contact to your local authorities or retailer where the product was purchased. Each household performs important role in recovering and recycling of old appliance. Appropriate disposal of used appliance helps prevent potential negative consequences for the environment and human health.

1.5. Compliance with RoHS Directive

The product you have purchased complies with EU RoHS Directive (2011/65/EU). It does not contain harmful and prohibited materials specified in the Directive.

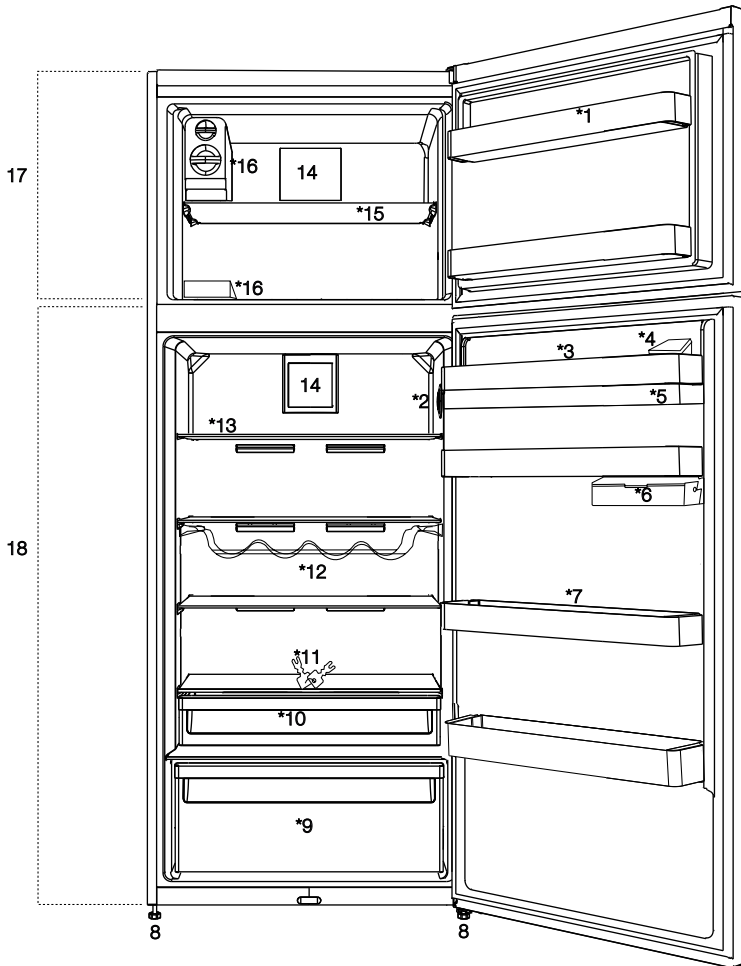
1.6. Package information



Packaging materials of the product are manufactured from recyclable materials in accordance with our National Environment Regulations.

Do not dispose of the packaging materials together with the domestic or other wastes. Take them to the packaging material collection points designated by the local authorities.

2 Your appliance



1. Fridge - compartment door shelf
2. Temperature setting button
3. Water dispenser filling tank
4. Egg section
5. Water dispenser reservoir
6. Storage container under the door shelf
7. Moving door shelf
8. Adjustable feet
9. Crisper
10. Chiller compartment
11. Lock and key
12. Bottle shelf
13. Fridge - compartment glass shelf
14. Fan
15. Freezer compartment shelf
16. Icebox / Ice-making compartment
17. Freezer compartment
18. Fridge compartment



***optional:** Figures in this user manual are given as an example and may not match the product exactly. If the relevant parts are not available in the product you purchased, the figure applies to other models.

3.1. Appropriate installation location

Contact an Authorized Service for the installation of the product. In order to prepare the product for use, refer the information in the user manual and ensure that electrical installation and water installation are appropriate. If not, call a qualified electrician and technician to have any necessary arrangements carried out.

	WARNING: Manufacturer shall not be held liable for damages that may arise from procedures carried out by unauthorized persons.
	WARNING: Product must not be plugged in during installation. Otherwise, there is the risk of death or serious injury!
	WARNING: If the door clearance of the room where the product shall be placed is so tight to prevent passing of the product, remove the door of the room and pass the product through the door by turning it to its side; if this does not work, contact the authorized service.

- Place the product on an even floor surface to prevent jolts.
- Install the product at least 30 cm away from heat sources such as hobs, heater cores and stoves and at least 5 cm away from electrical ovens.
- Product must not be subjected to direct sun light and kept in humid places.
- Your product requires adequate air circulation to function efficiently. If the product will be placed in an alcove, remember to leave at least 5 cm clearance between the product and the ceiling, rear wall and the side walls.

If the product will be placed in an alcove, remember to leave at least 5 cm clearance between the product and the ceiling, rear wall and the side walls. Check if the rear wall clearance protection component is present at its location (if provided with the product). If the component is not available, or if it is lost or fallen, position the product so that at least 5 cm clearance shall be left between the rear surface of the product and the wall of the room. The clearance at the rear is important for efficient operation of the product.

- Do not install the product in places where the temperature falls below -5°C .

3.2. Installing the plastic wedges

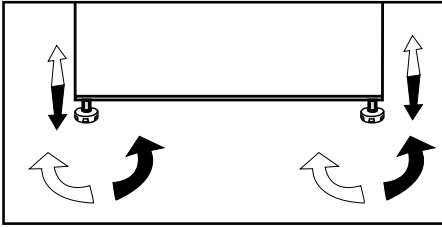
Plastic wedges supplied with the product are used to create the distance for the air circulation between the product and the rear wall.

1. To install the wedges, remove the screws on the product and use the screws supplied together with the wedges.
2. Insert the 2 plastic wedges onto the rear ventilation cover as illustrated in the figure.

3.3. Adjusting the feet

If the product stands unbalanced after installation, adjust the feet on the front by rotating them to the right or left.

Installation



3.4. Electrical connection



WARNING: Do not make connections via extension cables or multi-plugs.



WARNING: Damaged power cable must be replaced by the Authorized Service Agent.



If two coolers are to be installed side by side, there should be at least 4 cm distance between them.



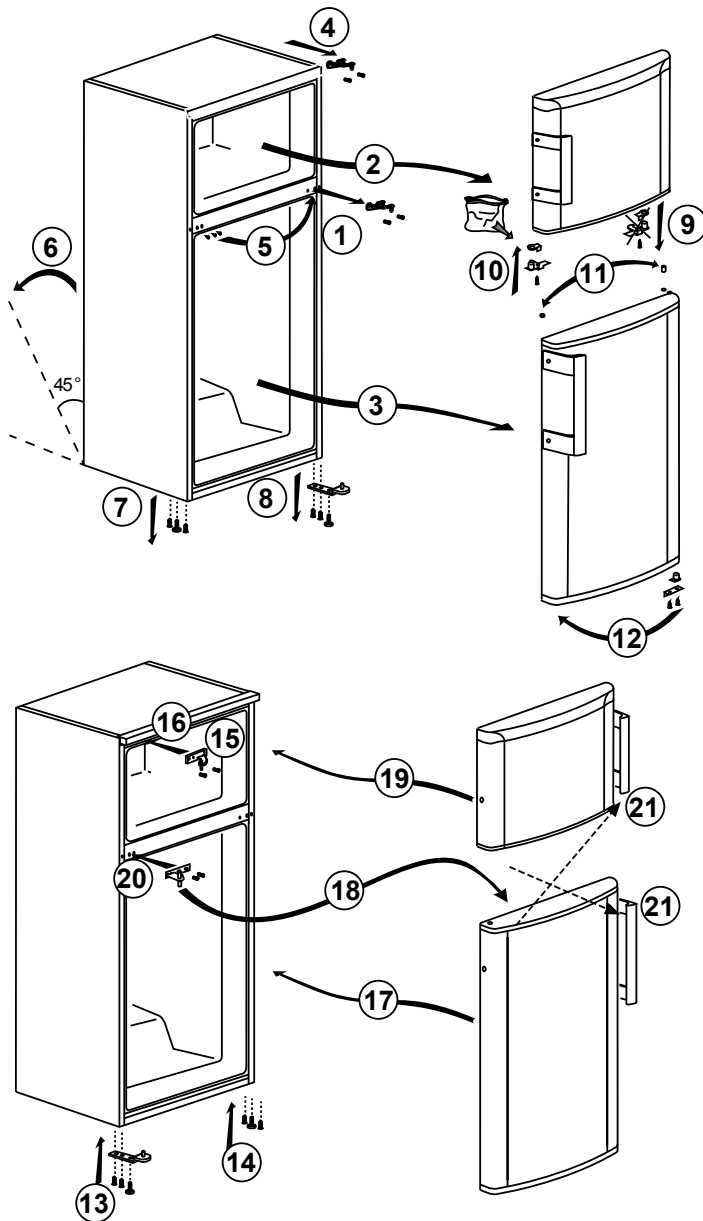
Hot Surface Warning!
Side walls of your product is equipped with refrigerant pipes to improve the cooling system. Refrigerant with high temperatures may flow through these areas, resulting in hot surfaces on the side walls. This is normal and does not need any servicing. Please pay attention while touching these areas.

- Our company shall not be liable for any damages that will arise when the product is used without grounding and electrical connection in accordance with the national regulations.
- Power cable plug must be within easy reach after installation.
- Do not extension cords or cordless multiple outlets between your product and the wall outlet.

Installation

3.5.Reversing the doors

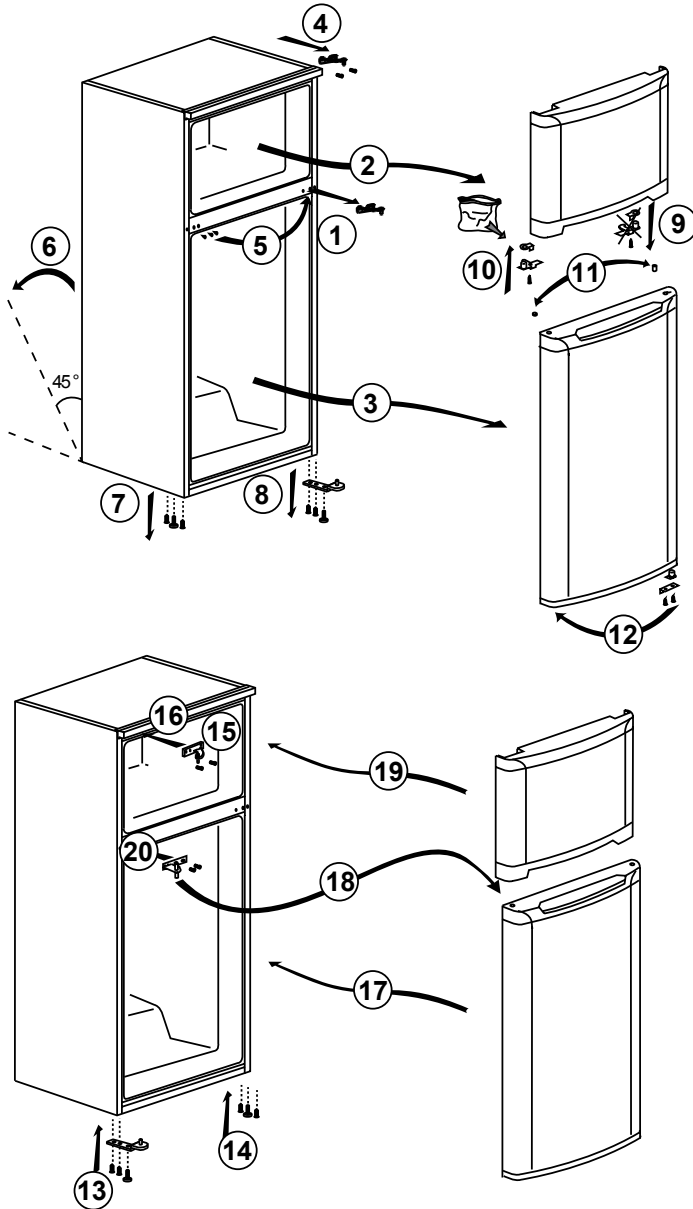
Proceed in numerical order .



Installation

3.6. Reversing the doors

Proceed in numerical order .

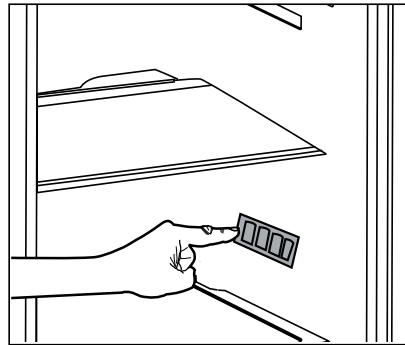


4.1. Things to be done for energy saving



Connecting the product to electric energy saving systems is risky as it may cause damage on the product.

- For a freestanding appliance; 'this refrigerating appliance is not intended to be used as a built-in appliance'.
- Do not leave the doors of your refrigerator open for a long time.
- Do not put hot food or drinks in your refrigerator.
- Do not overload the refrigerator, cooling capacity will fall when the air circulation inside is hindered.
- In order to store maximum amount of food in the freezer compartment, the icematic, available in the freezer compartment and easily removable by hand, shall be taken out. Net volume and energy consumption values declared on the power data plate of your refrigerator are measured and tested by removing the icematic. Do not remove the shelves inside the freezer compartment and on the door of freezer compartment shall not be removed and they shall always be used they provide ease of use and efficiency in energy consumption.
- Since hot and humid air will not directly penetrate into your product when the doors are not opened, your product will optimize itself in conditions sufficient to protect your food. Functions and components such as compressor, fan, heater, defrost, lighting, display and so on will operate according to the needs to consume minimum energy under these circumstances.
- Airflow should not be blocked by placing foods on the sides of the freezer compartment fan. A minimum distance of 3 cm shall be provided on the sides of protective fan cover.
- The baskets/drawers that are provided with the chill compartment must always be in use for low energy consumption and for better storage conditions.



- Food contact with the temperature sensor in the freezer compartment may increase energy consumption of the appliance. Thus any contact with the sensor(s) must be avoided.
- Depending on the features of your product, thawing frozen food in fridge compartment will both provide energy saving and preserve the food quality.
- Do not allow contact of the food with the fridge compartment temperature sensor shown in the figure below.

4.2. Initial use

Before starting to use your refrigerator, ensure that all preparations are made in accordance with the instructions in sections "Instructions for safety and environment" and "Installation".

- Run the product without putting any food for 6 hours and do not open its door unless certainly required.



You will hear a noise when the compressor starts up. The liquids and gases sealed within the refrigeration system may also give rise to noise, even if the compressor is not running and this is quite normal.



Front edges of the product may feel warm. This is normal. These areas are designed to be warm to avoid condensation.



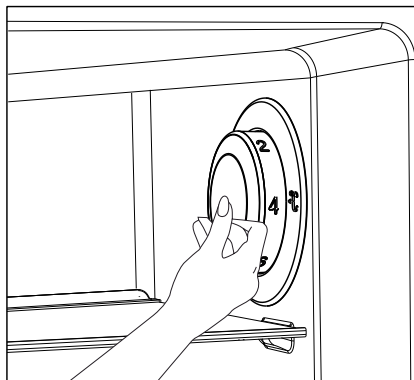
In some models, the instrument panel automatically turns off 5 minutes after the door has closed. It will be reactivated when the door has opened or pressed on any key.

5 Operating the product

5.1. Temperature setting button

The interior temperature of your refrigerator changes for the following reasons;

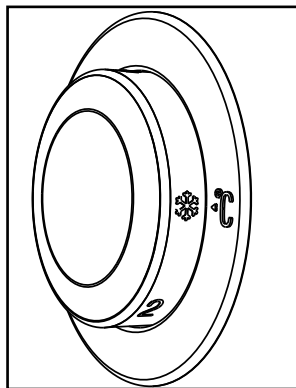
- Seasonal temperatures,
- Frequent opening of the door and leaving the door open for long periods,
- Food put into the refrigerator without cooling down to the room temperature,
- The location of the refrigerator in the room (e.g. exposing to sunlight),
- You may adjust the varying interior temperature due to such reasons by using the setting button.
- The numbers around the control knob indicate the temperature values in "°C".
- If the ambient temperature is 25°C, we recommend you to use the temperature control knob of your refrigerator at 4°C. This value may be increased or decreased as required in other ambient temperatures.



5.2. Fast freeze

If large amounts of fresh food are going to be frozen, adjust the temperature control knob to (❄️) max. 24 hours before putting the fresh food in the fast freeze compartment.

It is strongly recommended to keep the knob at this position at least 24 hours to freeze maximum amount of fresh food declared as freezing capacity. Take special care not to mix frozen food and fresh food.



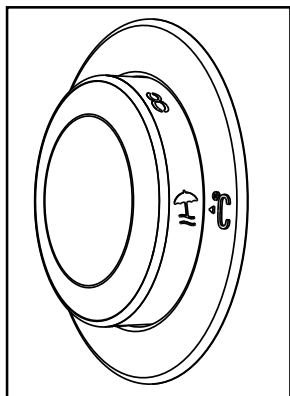
Operating the product

Remember to turn the temperature control knob back to its previous position once food has frozen.

5.3. Vacation function

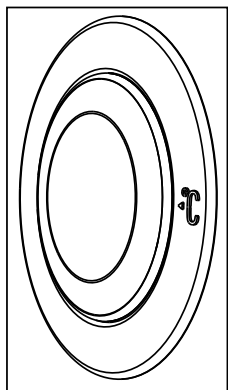
If the doors of the product are not opened for 12 hours after the temperature control knob is switched to the hottest position, then the vacation function will be activated automatically.

- When the setting operation is completed, you may press the temperature control knob and have it hidden.



To cancel the function, change the knob setting.

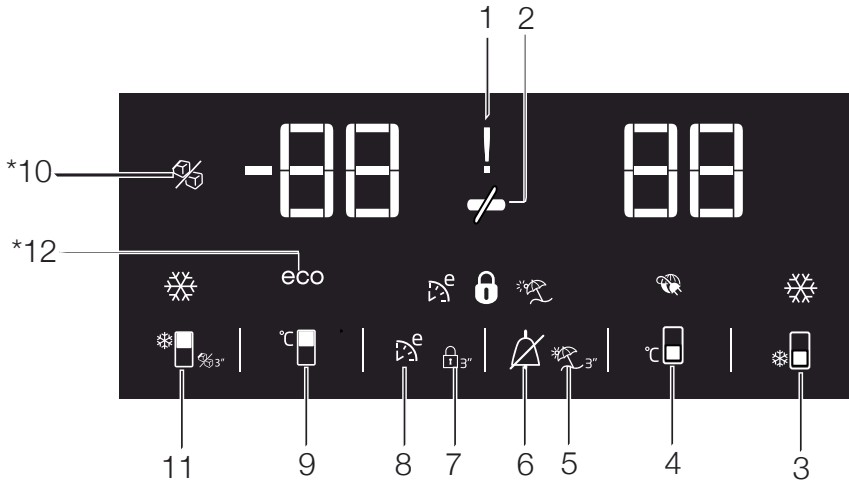
It is not recommended to store food in cooler compartment when the vacation function is active.



Operating the product

5.4. Indicator panel

Indicator panel allows you to set the temperature and control the other functions related to the product without opening the door of the product. Just press the inscriptions on relevant buttons for function settings.



1. Power Failure / High temperature / Error status indicator

This indicator (1) illuminates in case of power failure, high temperature and error warnings.

When the temperature of the freezer compartment is heated up to a critical level for the frozen food, the maximum value reached by the freezer compartment temperature flashes on the digital indicator.

Check the food in the freezer compartment.

This is not a malfunction. The warning may be deleted by pressing any button or on high temperature alarm off button. (Cancelling by pressing any button is not

applicable for every model.)

This indicator illuminates when a sensor failure occurs, too. When this indicator is illuminated, "E" and figures such as "1,2,3..." are displayed alternatively on the temperature indicator. These figures on the indicator inform the service personnel about the error.

2. Energy saving function (display off):

If the product doors are kept closed for a long time energy saving function is automatically activated and energy saving symbol is illuminated. (X)

When energy saving function is activated, all symbols on the display



***Optional:** Figures in this user manual are schematic and may not match the product exactly. If the subject parts are not included in the product you have purchased, then those parts are valid for other models.

Operating the product

other than energy saving symbol will turn off. When the Energy Saving function is activated, if any button is pressed or the door is opened, energy saving function will be canceled and the symbols on display will return to normal.

Energy saving function is activated during delivery from factory and cannot be canceled.

3. Quick fridge function

The button has two functions. To activate or deactivate the quick cool function press it briefly. Quick Cool indicator will turn off and the product will return to its normal settings. (●🔒)



Use quick cooling function when you want to quickly cool the food placed in the fridge compartment. If you want to cool large amounts of fresh food, activate this function before putting the food into the product.



If you do not cancel it, quick cooling will cancel itself automatically after 8 hours or when the fridge compartment reaches to the required temperature.



If you press the quick cooling button repeatedly with short intervals, the electronic circuit protection will be activated and the compressor will not start up immediately.



This function is not recalled when power restores after a power failure.

4. Fridge compartment temperature setting button

Press this button to set the

temperature of the fridge compartment to 8, 7, 6, 5, 4, 3, 2, 8... respectively. Press this button to set the fridge compartment temperature to the desired value. (🔒)

5. Vacation Function

In order to activate vacation function, press the this button (☀️) for 3 seconds, and the vacation mode indicator (☀️) will be activated. When the vacation function is activated, "- -" is displayed on the fridge compartment temperature indicator and no active cooling is performed on the fridge compartment. It is not suitable to keep the food in the fridge compartment when this function is activated. Other compartments shall be continued to be cooled as per their set temperature.

To cancel this function press **Vacation function** button again.

6. Termination of the High Temperature Warning

In case of power failure/high temperature warning, you may delete the warning (🔔) by pressing any button on the indicator or high temperature alarm off button for 1 second after checking the food inside the freezer compartment.

Note: Cancelling by pressing any button is not applicable for every model.

7. Key lock

Press key lock button (🔒) simultaneously for 3 seconds. Key lock symbol

(🔒) will light up and key lock mode will be activated. Buttons will not function if the Key lock mode is active. Press key lock button simultaneously for 3

Operating the product

seconds again. Key lock symbol will turn off and the key lock mode will be exited.

Press the **key lock** button if you want to prevent changing of the temperature setting of the refrigerator (🔒).

8. Eco fuzzy

Press and hold eco fuzzy button for 1 seconds to activate eco fuzzy function. Refrigerator will start operating in the most economic mode at least 6 hours later and the economic usage indicator will turn on when the function is active (🌿). Press and hold eco fuzzy function button for 3 seconds to deactivate eco fuzzy function.

This indicator is illuminated after 6 hours when eco fuzzy is activated.

9. Freezer compartment temperature setting button

Press this button to set the temperature of the freezer compartment to -18,-19,-20,-21,-22,-23,-24,-18... respectively. Press this button to set the freezer compartment temperature to the desired value. (❄️)

10. Icematic off indicator

Indicates whether the icematic is on or off. (🚰) If On, then the icematic is not operating. To operate the icematic again press and hold the On-Off button for 3 seconds.



Water flow from water tank will stop when this function is selected. However, ice made previously can be taken from the icematic.

11. Quick freeze function button/ icematic on-off button

Press this button to activate or deactivate the quick freezing function. When you activate the function, the freezer compartment will be cooled to a temperature lower than the set value. (❄️)

To turn on and off the icematic press and hold it for 3 seconds.



Use the quick freeze function when you want to quickly freeze the food placed in fridge compartment. If you want to freeze large amounts of fresh food, activate this function before putting the food into the product.



If you do not cancel it, Quick Freeze will cancel itself automatically after 4 hours or when the fridge compartment reaches to the required temperature.



This function is not recalled when power restores after a power failure.

12. Economic usage indicator

Indicates that the product is running in energy-efficient mode. This indicator will be active if the Freezer Compartment temperature is set to -18 or the energy efficient cooling is being performed due to Eco-Extra function.



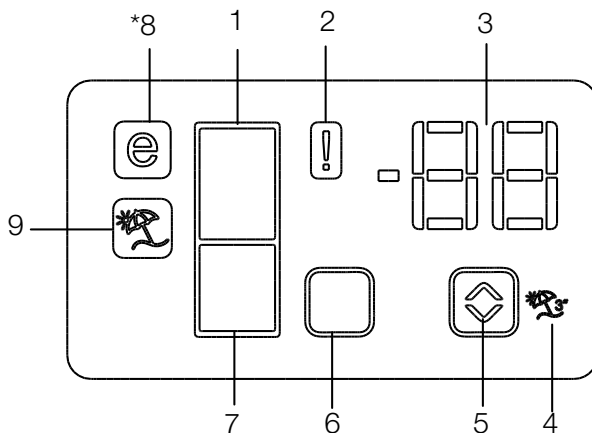
Economic usage indicator is turned off when quick cooling or quick freeze functions are selected.

Operating the product

5.5. Indicator panel

Indicator panels may vary according to the product model.

Audio - visual functions on the indicator panel helps you in using your product.



1. Fridge Compartment Indicator
2. Error status indicator
3. Temperature indicator
4. Vacation function button
5. Temperature setting button
6. Compartment selection button
7. Freezer compartment indicator
8. Economy mode indicator
9. Vacation function indicator

***optional**



***Optional:** Figures in this user manual are schematic and may not match the product exactly. If the subject parts are not included in the product you have purchased, then those parts are valid for other models.

Operating the product

1. Fridge compartment indicator

Fridge compartment light is illuminated while the fridge compartment temperature is set.

2. Error status indicator

If your refrigerator does not perform enough cooling or in case of a sensor fault, this indicator is activated.

When this indicator is activated, "E" is displayed on the freezer compartment temperature indicator, and numbers such as "1,2,3..." are displayed on the fridge compartment temperature indicator. These numbers on the indicator inform service personnel about the error.

3. Temperature indicator

Indicates freezer, fridge compartment temperature.

4. Vacation function button

Press on Vacation Button for 3 seconds to activate this function.

When the vacation function is activated, "- -" is displayed on the fridge compartment temperature indicator and no active cooling is performed on the fridge compartment. It is not suitable to keep the food in the fridge compartment when this function is activated. Other compartments shall be continued to be cooled as per their set temperature.

To cancel this function press **Vacation** button again.

5. Temperature setting button

Changes the temperature of the relevant compartment between -24°C... -18°C and 8°C...1°C.

6. Compartment selection button

Selection button: Press compartment selection button to switch between fridge and freezer compartments.

7. Freezer compartment indicator

Fridge compartment light is illuminated while the freezer compartment temperature is set.

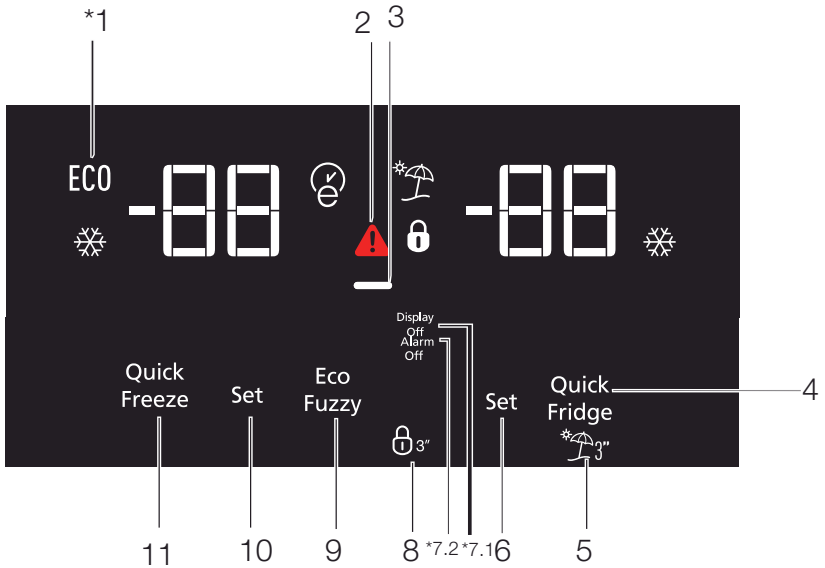
8. Economy mode indicator

Indicates that the refrigerator operates in energy saving mode. This display shall be activated if the freezer compartment temperature is set to -18°C.

9. Vacation function indicator

Indicates that vacation is activated.

Operating the product



1. Economy

This symbol is illuminated when the freezer compartment is set to -18°C as the most economical setting value (ECO). Economy indicator is turned off when quick cooling or quick freeze functions are selected.

2. High temperature / error warning indicator

This indicator (⚠) illuminates during high temperature failures and error warnings.

3. Energy saving function (display off)

If the product doors are kept closed for a long time energy saving function is automatically activated and energy saving symbol is illuminated. When energy saving function is activated, all symbols on the display other than energy saving symbol will turn off. When the Energy Saving function is activated, if any button is pressed or the door is opened, energy saving function will be canceled and the symbols on display will return to normal.



***Optional:** Figures in this user manual are schematic and may not match the product exactly. If the subject parts are not included in the product you have purchased, then those parts are valid for other models.

Operating the product

Energy saving function is activated during delivery from factory and cannot be canceled.

4. Quick cool

Quick cooling indicator (❄️) is illuminated when quick cooling function is activated and fridge compartment temperature indicator value is displayed as 1. To cancel this function press Quick cooling button again. Quick cooling indicator will turn off and refrigerator will return to its normal settings. Quick cooling function is canceled automatically in 1 hour if you do not cancel it before. If you want to cool large amounts of fresh food, press the Quick cooling button before putting the food into the fridge compartment.

5. Vacation function

In order to activate vacation function, press the button no.

(🏖️) for 3 seconds, and the vacation mode indicator activates. When the vacation function is activated, "- -" is displayed on the fridge compartment temperature indicator and no active cooling is performed on the fridge compartment. It is not suitable to keep the food in the fridge compartment when this function is activated. Other compartments shall be continued to be cooled as per their set temperature.

To cancel this function press **Vacation function** button again.

6. Fridge compartment temperature setting

When the button no. is pressed, you may set the temperature of the fridge compartment to 8,7,6,5,4,3,2 and 1 respectively (📺).

7.1 Energy saving function (display off):

Energy saving symbol (⏻) is illuminated and Energy saving function is activated when you press this button (⏻). When energy saving function is activated, all symbols on the display other than energy saving symbol will turn off. When the Energy Saving function is activated, if any button is pressed or the door is opened, energy saving function will be canceled and the symbols on display will return to normal. Energy saving symbol is turned off and energy saving function is deactivated when you press this button (⏻) again.

7.2. Alarm off warning

In case of power failure/high temperature alarm, after checking the food located in the freezer compartment press the alarm off button to clear the warning.

8. Key lock

Press key lock button (🔒) simultaneously for 3 seconds. Key lock symbol (🔒) will light up and key lock mode will be activated. Buttons will not function if the Key lock mode is active. Press key lock button simultaneously for 3 seconds again.

Operating the product

Key lock symbol will turn off and the key lock mode will be exited.

Press the **key lock** button if you want to prevent changing of the temperature setting of the refrigerator (🔒).

9. Eco fuzzy

Press and hold eco fuzzy button for 1 seconds to activate eco fuzzy function. Refrigerator will start operating in the most economic mode at least 6 hours later and the economic usage indicator will turn on when the function is active (🌿). Press and hold eco fuzzy function button for 3 seconds to deactivate eco fuzzy function.

This indicator is illuminated after 6 hours when eco fuzzy is activated.

10. Freezer compartment temperature setting

Temperature setting for freezer compartment is performed here. When button no. is pressed, you may set the temperature of the freezer compartment to -18, -19, -20, -21, -22, -23 and -24 respectively.

11. Fast freeze

Press button no. for fast freeze operation, quick freeze indicator (❄️) shall be activated.

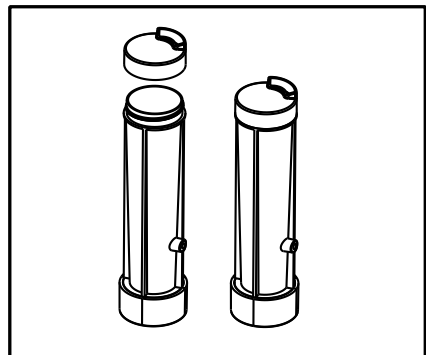
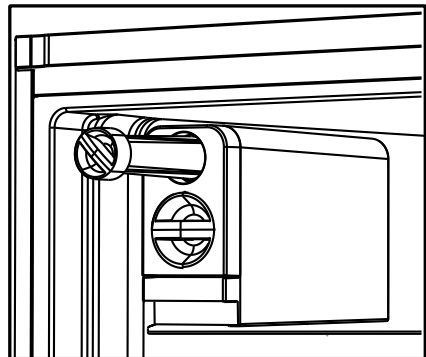
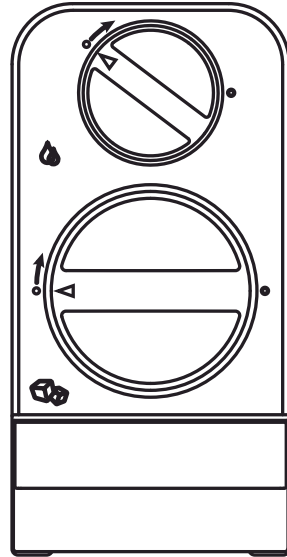
Quick freeze indicator is illuminated when quick freeze function is activated and fridge compartment temperature indicator is displayed as -27. To cancel this function press quick freeze button (❄️) again. Quick freeze indicator will turn off and refrigerator will return to its normal settings. Quick freeze function is canceled automatically in 24 hour if you do not cancel it before. If you want to freeze large amounts of fresh food, press the quick freeze button before putting the food into the freezer compartment.

Operating the product

5.6. Twist Ice - matic

(This feature is optional)

- Remove the water tank by rotating it to the left.
- Open the water tank cover by turning it and add water to the water tank up to the lower part of the water tank cover.
- Place the water tank on its place as shown in the figure after adding water and have it seated by rotating it on the direction of the arrow. Water shall be poured down to the icebank.
- When ice has formed, rotate icebank knob in the direction of the arrow to allow that the ice is dropped down to the ice drawer.
- Take the ice cubes by pulling ice drawer out.
- Pull the front face towards you in order to wash the icebank, and put it on the slides on the interior area and push it to its place in order to replace it.
- Pull the twist icematic unit towards you in order to remove the unit, and put it on the slides on the ceiling and push it to its place in order to replace it.



Operating the product

5.7. Ice container

- Remove the ice container from the freezer compartment.
- Fill the ice container with water.
- Place the ice container in the freezer compartment. About two hours later, the ice is ready.
- Remove the ice container from the freezer compartment and bend it over the service plate. Ice cubes will easily fall down to the service plate.

5.8. Egg holder

You can install the egg holder to the desired door or body shelf. If it will be placed on body shelves than the lower cooler shelves are recommended.

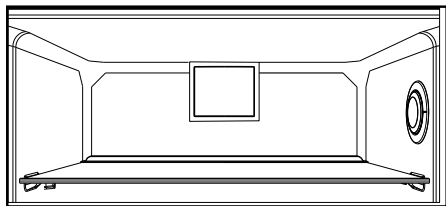


Never place the egg holder in the freezer compartment

5.9. Fan

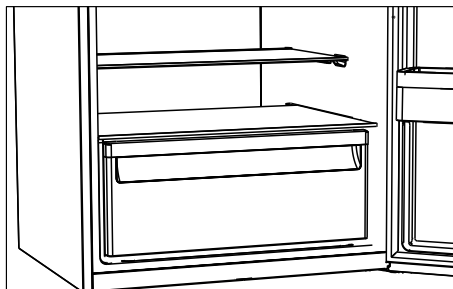
Fan is designed to ensure homogeneous distribution and circulation of the cold air inside your refrigerator. Operation time of the fan may vary depending on the properties of your product.

While the fan works only with the compressor in some products, the control system determines its operation time in some products in accordance with the cooling requirement.



5.10. Crisper

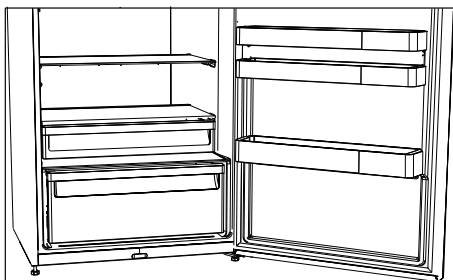
Crisper of the product is designed specially to keep the vegetables fresh without losing their humidity. For this purpose, cool air circulation is intensified around the crisper in general.



5.11. Chiller compartment

(This feature is optional)

Use this compartment to store delicatessen that shall be stored in a lower temperature or meat products that you will consume in a short time. Chiller compartment is the coolest place in your refrigerator where you can keep dairy products, meat, fish and poultry under ideal storage conditions. Fruits and vegetables should not be stored in this compartment.



Operating the product

5.12. Moving door shelf

(This feature is optional)

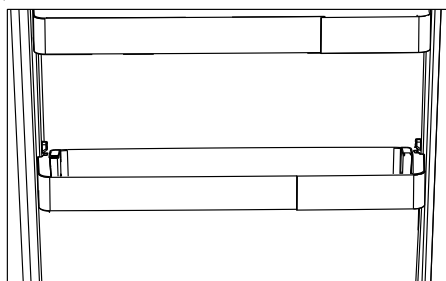
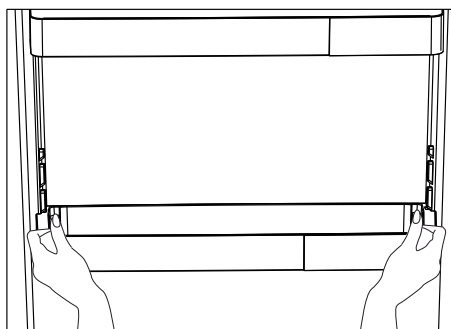
Moving door shelf may be fixed in 3 different positions.

Press the buttons shown in the sides at the same amount in order to move the shelf. Shelf shall be movable.

Move the shelf up or down.

Release the buttons when you have the shelf in the desired position.

Shelf shall be fixed on the position where you release the buttons.

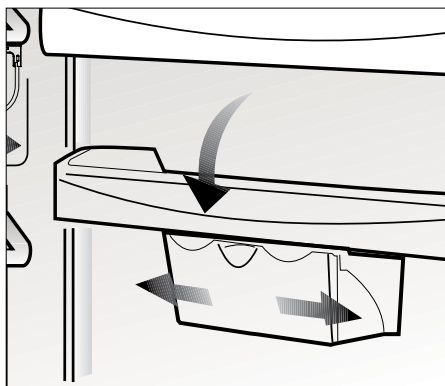


5.13. Sliding storage container

(This feature is optional)

This accessory is designed to increase the usable volume of the door shelves.

It allows you to easily place the tall bottles, jars and tins to the lower bottle shelf thanks to its ability to move right or left.



5.14. Blue light

(This feature is optional)

This accessory is designed to increase the usable volume of the door shelves.

It allows you to easily place the tall bottles, jars and tins to the lower bottle shelf thanks to its ability to move right or left.

Operating the product

5.15. Humidity controlled crisper

(FreSHelf)

(This feature is optional)

Humidity rates of the vegetables and fruit are kept under control with the feature of humidity-controlled crisper and the food is ensured to stay fresh for longer.

We recommend you to place the leafy vegetables such as lettuce, spinach and the vegetables which are sensitive to humidity loss, in a horizontal manner as much as possible inside the crisper, not on their roots in a vertical position.

While the vegetables are being placed, specific gravity of the vegetables should be taken into consideration. Heavy and hard vegetables should be put at the bottom of the crisper and the lightweight and soft vegetables should be placed over.

Never leave the vegetables inside the crisper in their bags. If the vegetables are left inside their bags, this will cause them to decompose in a short period of time. In case contacting with other vegetables is not preferred for hygiene concerns, use a perforated paper and other similar packaging materials instead of a bag.

Do not place together the pear, apricot, peach, etc. and apple in particular which have a high level of generation of ethylene gas in the same crisper with the other vegetables and fruit. The ethylene gas which is emitted by these fruit may cause the other fruit to ripen faster and decompose in a shorter time.

5.16. Auto Icematic

(This feature is optional)

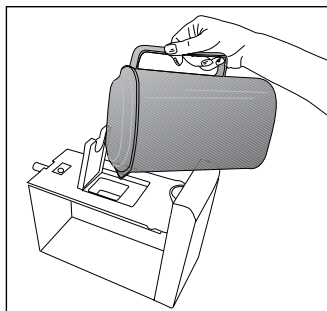
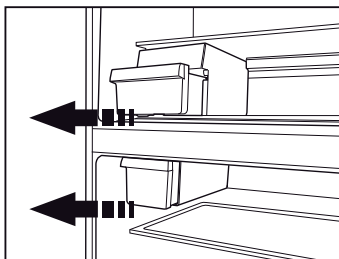
The Auto Icematic allows you to make ice in the fridge easily. Remove the water tank in the fridge compartment, fill it with water and install it back to obtain ice from the Icematic.

First ice cubes will be ready in approximately 2 hours in the Icematic drawer located in the freezer compartment.

If you fill the water tank completely, you will be able to obtain approximately 60-70 ice cubes. Change the water in water tank if it has waited around 2-3 weeks.



For the products having automatic Icematic, sound may be heard during ice pouring. This sound is normal and does not signal any error.



Operating the product

5.17. Description and cleaning of odor filter

(This feature is optional)

Odor filter prevents unpleasant odor build-up in your product.

1. Pull the cover into which the odor filter is installed downwards from the front section and remove as illustrated.
2. Leave the filter under sunlight for one day. Filter will be cleaned during this time.
3. Install the filter back to its place.



Odor filter must be cleaned once in a year.

5.18. HerbBox/ HerbFresh

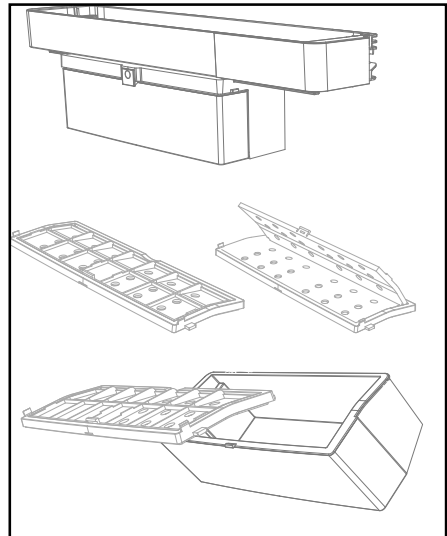
Remove the film container from HerbBox/HerbFresh+

Take the film out of the bag and put it into the film container as shown in the image.

Seal the container again and replace it into HerbBox/HerbFresh+ unit.

HerbBox-HerbFresh+ sections are especially ideal for storage of various herbs that are supposed to be kept in delicate conditions. You can store your unbagged herbs (parsley, dill, etc.) in this section horizontally and keep them fresh for a much longer period.

The film shall be replaced in every six months.



Operating the product

5.19. Using the water dispenser

***optional**



It is normal for the first few glasses of water taken from the dispenser to be warm.

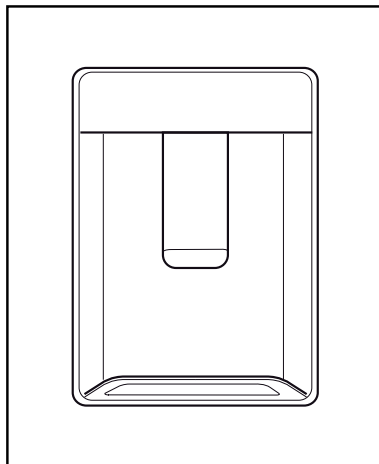


If the water dispenser is not used for a long period of time, dispose of first few glasses of water to obtain fresh water.

1. Push in the lever of the water dispenser with your glass. If you are using a soft plastic cup, pushing the lever with your hand will be easier.
2. After filling the cup up to the level you want, release the lever.



Please note, how much water flows from the dispenser depends on how far you depress the lever. As the level of water in your cup / glass rises, gently reduce the amount of pressure on the lever to avoid overflow. If you slightly press the arm, the water will drip; this is quite normal and not a failure.



5.20. Using the water dispenser

***optional**



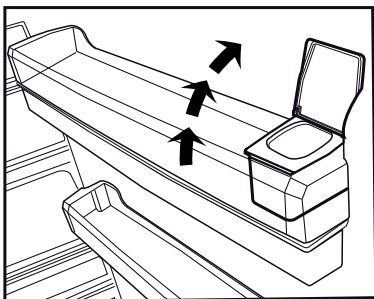
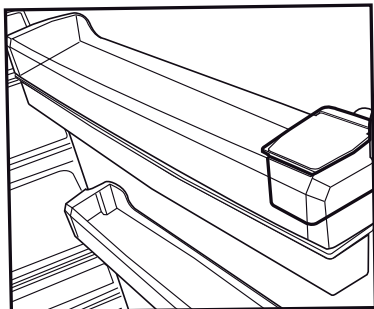
It is normal for the first few glasses of water taken from the dispenser to be warm.



If the water dispenser is not used for a long period of time, dispose of first few glasses of water to obtain fresh water.

1. Push in the lever of the water dispenser with your glass. If you are using a soft plastic cup, pushing the lever with your hand will be easier.
2. After filling the cup up to the level you want, release the lever.

Operating the product



Please note, how much water flows from the dispenser depends on how far you depress the lever. As the level of water in your cup / glass rises, gently reduce the amount of pressure on the lever to avoid overflow. If you slightly press the arm, the water will drip; this is quite normal and not a failure.

5.21. Filling the water dispenser's tank

Water tank filling reservoir is located inside the door rack.

1. Open the cover of the tank.
2. Fill the tank with fresh drinking water.
3. Close the cover.



Do not fill the water tank with any other liquid except for water such as fruit juices, carbonated beverages or alcoholic drinks which are not suitable to use in the water dispenser. Water dispenser will be irreparably damaged if these kinds of liquids are used. Warranty does not cover such usages. Some chemical substances and additives contained in these kinds of drinks/liquids may damage the water tank.



Use clean drinking water only.



Capacity of the water tank is 3 litres; do not overfill.

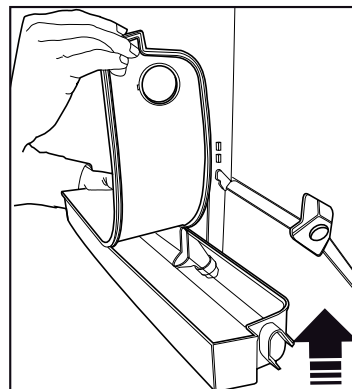
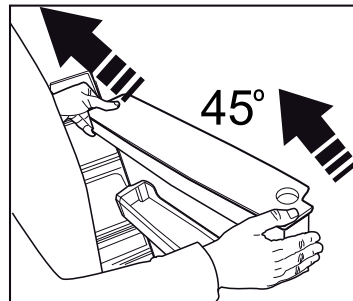
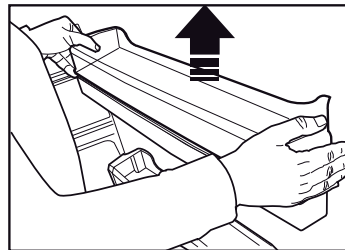
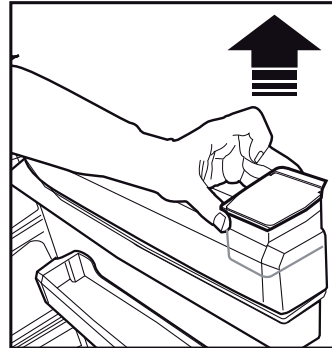
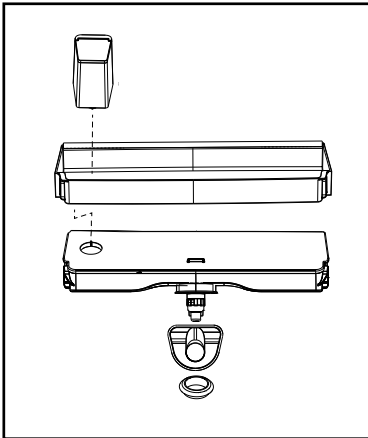
Operating the product

5.22. Cleaning the water tank

1. Remove the water filling reservoir inside the door rack.
2. Remove the door rack by holding from both sides.
3. Grab the water tank from both sides and remove it with an angle of 45°.
4. Remove the cover of the water tank and clean the tank.



Components of the water tank and water dispenser should not be washed in dishwasher.



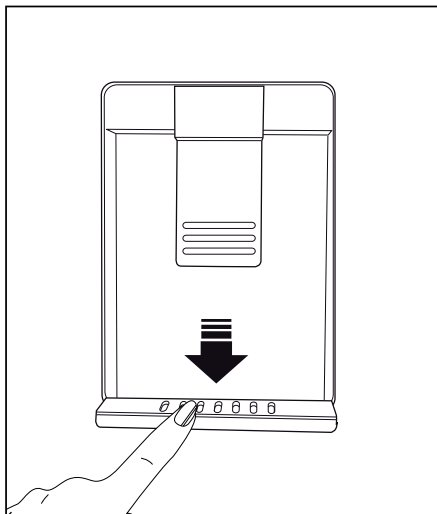
Operating the product

5.23. Drip tray

Water that dripped while using the water dispenser accumulates in the spillage tray.

Remove the plastic filter as shown in the figure.

With a clean and dry cloth, remove the water that has accumulated.



Operating the product

5.24. Freezing fresh food

- In order to preserve the quality of the food, it shall be frozen as quickly as possible when it is placed in the freezer compartment, use the fast freezing feature for this purpose.
- You may store the food longer in freezer compartment when you freeze them while they are fresh.
- Pack the food to be frozen and close the packing so that it would not allow entrance of air.
- Ensure that you pack your food before putting them in the freezer. Use freezer containers, foils and moisture-proof papers, plastic bags and other packing materials instead of traditional packing papers.
- Label each pack of food by adding the date before freezing. You may distinguish the freshness of each food pack in this way when you open your freezer each time. Store the food frozen before in the front side of compartment to ensure that they are used first.



The freezer compartment defrosts automatically.

- Frozen food must be used immediately after they are thawed and they should not be re-frozen.
- Do not freeze too large quantities of food at one time.

Freezer Compartment Setting	Fridge compartment Setting	Remarks
-18°C	4°C	This is the normal recommended setting.
-20,-22 or -24°C	4°C	These settings are recommended when the ambient temperature exceeds 30°C.
Quick Freeze	4°C	Use when you wish to freeze your food in a short time. Your product will return to its previous mode when the process is over.
-18°C or colder	2°C	Use these settings if you think that your fridge compartment is not cold enough because of the hot ambient conditions or frequent opening and closing of the door.

Operating the product

5.25. Recommendations for preserving the frozen food

Compartment shall be set to -18°C at least.

1. Put packages in the freezer as quickly as possible after purchase without allowing the to thaw.
2. Check whether the "Use By" and "Best Before" dates on the packaging are expired or not before freezing it.
3. Ensure that the package of the food is not damaged.

5.26. Deep-freeze information

According to IEC 62552 standards, the product shall freeze at least 4.5 kg of food at 25°C ambient temperature to -18°C or lower within 24 hours for every 100-litres of freezer volume.

It is possible to preserve the food for a long time only at -18°C or lower temperatures.

You can keep the freshness of food for many months (at -18°C or lower temperatures in the deep freeze). Foods to be frozen should not be allowed to come in contact with the previously frozen items to prevent them from getting thawed partially.

Boil the vegetables and drain their water in order to store vegetables for a longer time as frozen. After draining their water, put them in air-proof packages and place them inside the freezer. Food such as bananas, tomatoes, lettuce, celery, boiled eggs, potatoes are not suitable for freezing. When these foods are frozen, only their nutritional value and taste shall be affected negatively. They shall not be spoiled so that they would create a risk for human health.

5.27. Placing the food

Freezer compartment shelves	Various frozen food such as meat, fish, ice cream, vegetables and etc.
Refrigerator compartment shelves	Food in pans, covered plates and closed containers, eggs (in closed container)
Door shelves of fridge compartment	Small and packaged food or beverage
Crisper	Vegetables and fruits
Fresh zone compartment	Delicatessen (breakfast food, meat products that shall be consumed in a short time)

Operating the product

5.28. Door open warning

(This feature is optional)

Door open warning is given to user both visually and acoustically. If the warning continues for 10 minutes, interior lights will be turned off.

5.29. Changing the door opening direction

Door opening direction of your refrigerator can be changed according to the place you are using it. If this is necessary, please call your nearest Authorized Service.

Above description is a general expression. For information on changing the opening direction of the door, you must refer to the warning label located on the inner side of the door.

5.30. Illumination lamp

LED lamps are used as illumination lamps. Contact authorized service in case of any problem with this type of light.

The lamp(s) used in this appliance is not suitable for household room illumination. The intended purpose of this lamp is to assist the user to place foodstuffs in the refrigerator/freezer in a safe and comfortable way.

Service life of the product is increase if it is regularly cleaned



WARNING: First unplug the product before cleaning your refrigerator.

- Never use any sharp and abrasive tools, soap, household cleaners, detergent and wax polish for cleaning.
- Dissolve one teaspoon of carbonate in half liter of water. Soak a cloth with the solution and wrung it thoroughly. Wipe the interior of the appliance with this cloth and the dry thoroughly.
- Make sure that no water enters the lamp housing and other electrical items.
- Clean the door with a damp cloth. To remove door and body shelves, remove all of its contents. Remove door shelves by moving them upwards. After cleaning, slide them from top to bottom to install.
- Never use cleaning agents or water that contain chlorine to clean the outer surfaces and chromium coated parts of the product. Chlorine causes corrosion on such metal surfaces.
- Do not use sharp, abrasive tools, soap, household cleaning agents, detergents, kerosene, fuel oil, varnish etc. to prevent removal and deformation of the prints on the plastic part. Use lukewarm water and a soft cloth for cleaning and then wipe it dry.

6.1. Avoiding bad odors

Materials that may cause odor are not used in the production of our appliances. However, due to inappropriate food preserving conditions and not cleaning the inner surface of the appliance as required can bring forth the problem of odor.

Therefore, clean the refrigerator with carbonate dissolved in water every 15 days.

- Keep the food in closed containers. Microorganisms spreading out from uncovered containers can cause unpleasant odours.
- Never keep the food that have expired best before dates and spoiled in the refrigerator.

6.2. Protecting the plastic surfaces

Clean with arm water immediately as the oil may cause damage on the surface when it is poured on plastic surfaces.

6.3. Door Glasses

Remove the protective foil on the glasses.

There is a coating on the surface of the glasses. This coating minimizes the stain build-up and helps to remove the possible stains and dirt easily. Glasses that are not protected with such a coating may be subject to persistent binding of air or water based organic or inorganic dirt such as limescale, mineral salts, unburned hydrocarbons, metal oxides and silicones that can easily and quickly cause stains or material damage. Keeping the glass clean becomes too difficult despite the regular cleaning. Consequently, the appearance and the transparency of the glass deteriorates. Harsh and corrosive cleaning methods and compounds will intensify these defects and speed up the deterioration process.

Water-based cleaning products that are not alkaline and corrosive must be used for regular cleaning purposes.

Non-alkaline and non-corrosive materials must be used for cleaning so that the service life of this coating lasts for a long time.

These glasses are tempered to increase their durability against impacts and breaking. A safety film is also applied to their rear surfaces as an extra safety measure in order to prevent them from causing damage to their surrounding in case of a breakage.

*Alkali is a base that forms hydroxide ions (OH^-) when it is dissolved in water. Li (Lithium), Na (Sodium), K (Potassium) Rb (Rubidium), Cs (Cesium) and artificial and radioactive Fr (Francium) metals are called ALKALI METALS.

7 Troubleshooting

Check this list before contacting the service. Doing so will save you time and money. This list includes frequent complaints that are not related to faulty workmanship or materials. Certain features mentioned herein may not apply to your product.

The refrigerator is not working.

- The power plug is not fully settled. >>> Plug it in to settle completely into the socket.
- The fuse connected to the socket powering the product or the main fuse is blown. >>> Check the fuses.

Condensation on the side wall of the cooler compartment (MULTI ZONE, COOL, CONTROL and FLEXI ZONE).

- The door is opened too frequently >>> Take care not to open the product's door too frequently.
- The environment is too humid. >>> Do not install the product in humid environments.
- Foods containing liquids are kept in unsealed holders. >>> Keep the foods containing liquids in sealed holders.
- The product's door is left open. >>> Do not keep the product's door open for long periods.
- The thermostat is set to too low temperature. >>> Set the thermostat to appropriate temperature.

Compressor is not working.

- In case of sudden power failure or pulling the power plug off and putting back on, the gas pressure in the product's cooling system is not balanced, which triggers the compressor thermic safeguard. The product will restart after approximately 6 minutes. If the

product does not restart after this period, contact the service.

- Defrosting is active. >>> This is normal for a fully-automatic defrosting product. The defrosting is carried out periodically.
- The product is not plugged in. >>> Make sure the power cord is plugged in.
- The temperature setting is incorrect. >>> Select the appropriate temperature setting.
- The power is out. >>> The product will continue to operate normally once the power is restored.

The refrigerator's operating noise is increasing while in use.

- The product's operating performance may vary depending on the ambient temperature variations. This is normal and not a malfunction.

The refrigerator runs too often or for too long.

- The new product may be larger than the previous one. Larger products will run for longer periods.
- The room temperature may be high. >>> The product will normally run for long periods in higher room temperature.
- The product may have been recently plugged in or a new food item is placed inside. >>> The product will take longer to reach the set temperature when recently plugged in or a new food item is placed inside. This is normal.
- Large quantities of hot food may have been recently placed into the product. >>> Do not place hot food into the product.

Troubleshooting

- The doors were opened frequently or kept open for long periods. >>> The warm air moving inside will cause the product to run longer. Do not open the doors too frequently.
- The freezer or cooler door may be ajar. >>> Check that the doors are fully closed.
- The product may be set to temperature too low. >>> Set the temperature to a higher degree and wait for the product to reach the adjusted temperature.
- The cooler or freezer door washer may be dirty, worn out, broken or not properly settled. >>> Clean or replace the washer. Damaged / torn door washer will cause the product to run for longer periods to preserve the current temperature.

The freezer temperature is very low, but the cooler temperature is adequate.

- The freezer compartment temperature is set to a very low degree. >>> Set the freezer compartment temperature to a higher degree and check again.

The cooler temperature is very low, but the freezer temperature is adequate.

- The cooler compartment temperature is set to a very low degree. >>> Set the freezer compartment temperature to a higher degree and check again.

The food items kept in cooler compartment drawers are frozen.

- The cooler compartment temperature is set to a very low degree. >>> Set the freezer compartment temperature to a higher degree and check again.

The temperature in the cooler or the freezer is too high.

- The cooler compartment temperature is set to a very high degree. >>> Temperature setting of the cooler compartment has an effect on the temperature in the freezer compartment. Wait until the temperature of relevant parts reach the sufficient level by changing the temperature of cooler or freezer compartments.
- The doors were opened frequently or kept open for long periods. >>> Do not open the doors too frequently.
- The door may be ajar. >>> Fully close the door.
- The product may have been recently plugged in or a new food item is placed inside. >>> This is normal. The product will take longer to reach the set temperature when recently plugged in or a new food item is placed inside.
- Large quantities of hot food may have been recently placed into the product. >>> Do not place hot food into the product.

Shaking or noise.

- The ground is not level or durable. >>> If the product is shaking when moved slowly, adjust the stands to balance the product. Also make sure the ground is sufficiently durable to bear the product.
- Any items placed on the product may cause noise. >>> Remove any items placed on the product.

The product is making noise of liquid flowing, spraying etc.

Troubleshooting

- The product's operating principles involve liquid and gas flows.
>>> This is normal and not a malfunction.

There is sound of wind blowing coming from the product.

- The product uses a fan for the cooling process. This is normal and not a malfunction.

There is condensation on the product's internal walls.

- Hot or humid weather will increase icing and condensation. This is normal and not a malfunction.
- The doors were opened frequently or kept open for long periods.
>>> Do not open the doors too frequently; if open, close the door.
- The door may be ajar. >>> Fully close the door.

There is condensation on the product's exterior or between the doors.

- The ambient weather may be humid, this is quite normal in humid weather. >>> The condensation will dissipate when the humidity is reduced.

The interior smells bad.

- The product is not cleaned regularly. >>> Clean the interior regularly using sponge, warm water and carbonated water.
- Certain holders and packaging materials may cause odour.
>>> Use holders and packaging materials without free of odour.
- The foods were placed in unsealed holders. >>> Keep the foods in sealed holders. Micro-organisms may spread out of unsealed food items and cause malodour.

Remove any expired or spoilt foods from the product.

The door is not closing.

- Food packages may be blocking the door. >>> Relocate any items blocking the doors.
- The product is not standing in full upright position on the ground. >>> Adjust the stands to balance the product.
- The ground is not level or durable.
>>> Make sure the ground is level and sufficiently durable to bear the product.

The vegetable bin is jammed.

- The food items may be in contact with the upper section of the drawer. >>> Reorganize the food items in the drawer.

If The Surface Of The Product Is Hot.

- High temperatures may be observed between the two doors, on the side panels and at the rear grill while the product is operating. This is normal and does not require service maintenance! Be careful when touching these areas.



WARNING:

If the problem persists after following the instructions in this section, contact your vendor or an Authorised Service. Do not try to repair the product.

DISCLAIMER / WARNING

Some (simple) failures can be adequately handled by the end-user without any safety issue or unsafe use arising, provided that they are carried out within the limits and in accordance with the following instructions (see the “Self-Repair” section).

Therefore, unless otherwise authorized in the “Self-Repair” section below, repairs shall be addressed to registered professional repairers in order to avoid safety issues. A registered professional repairer is a professional repairer that has been granted access to the instructions and spare parts list of this product by the manufacturer according to the methods described in legislative acts pursuant to Directive 2009/125/EC.

However, only the service agent (i.e. authorized professional repairers) that you can reach through the phone number given in the user manual/ warranty card or through your authorized dealer may provide service under the guarantee terms. Therefore, please be advised that repairs by professional repairers (who are not authorized by Beko) shall void the guarantee.

Self-Repair

Self-repair can be done by the end-user with regard to the following spare parts: door handles, door hinges, trays, baskets and door gaskets (an updated list is also available in support.beko.com as of 1st March 2021).

Moreover, to ensure product safety and to prevent risk of serious injury, the mentioned self-repair shall be done following the instructions in the user manual for self-repair or which are available in support.beko.com. For your safety, unplug the product before attempting any self-repair.

Repair and repair attempts by end-users for parts not included in such list and/or not following the instructions in the user manuals for self-repair or which are available in support.beko.com, might give raise to safety issues not attributable to Beko, and will void the warranty of the product.

Therefore, it is highly recommended that end-users refrain from the attempt to carry out repairs falling outside the mentioned list of spare parts, contacting in such cases authorized professional repairers or registered professional repairers. On the contrary, such attempts by end-users may cause safety issues and damage the product and subsequently cause fire, flood, electrocution and serious personal injury to occur.

By way of example, but not limited to, the following repairs must be addressed to authorized professional repairers or registered professional repairers: compressor, cooling circuit, main board, inverter board, display board, etc.

The manufacturer/seller cannot be held liable in any case where end-users do not comply with the above.

The spare part availability of the refrigerator that you purchased is 10 years. During this period, original spare parts will be available to operate the refrigerator properly. The minimum duration of guarantee of the refrigerator that you purchased is 24 months.

This product is equipped with a lighting source of the "G" energy class. The lighting source in this product shall only be replaced by professional repairers.

Gentile cliente,

ci piacerebbe che lei potesse raggiungere un livello di efficacia ottimale dal nostro prodotto, che è stato realizzato in una struttura moderna, adottando controlli meticolosi a livello qualitativo.

A tal fine la invitiamo a leggere con attenzione il manuale dell'utente prima di iniziare a servirsi del dispositivo. La invitiamo altresì a conservare il presente manuale per poterlo consultare in futuro. Qualora dovesse cedere il prodotto a terzi, consigliamo di accludere il presente manuale.






Il manuale dell'utente garantisce un utilizzo veloce e sicuro dell'apparecchiatura.

- Consigliamo di leggere il manuale dell'utente prima di installare e mettere in funzione l'apparecchiatura.
 - Rispettare sempre le istruzioni di sicurezza.
 - Consigliamo di tenere la guida dell'utente a portata di mano per poterla consultare in futuro.
 - La invitiamo a leggere gli altri eventuali documenti forniti con l'apparecchiatura
- Ricordi che questo manuale può riferirsi a diversi modelli. Il manuale indica chiaramente le eventuali variazioni da un modello all'altro.

Simboli e note

Nel manuale sono utilizzati i seguenti simboli:

	Informazioni importanti e consigli utili.
	Rischio di vita e proprietà.
	Rischio di scosse elettriche.
	L'imballaggio del prodotto è fatto di materiali riciclabili, in conformità con la Normativa Ambientale Nazionale.

 INFORMATION	
	
<small>SUPPLIER'S NAME</small> 	<small>MODEL IDENTIFIER</small> → (*) 
<p>.Le informazioni sul modello memorizzate nella banca dati dei prodotti possono essere consultate sul seguente sito web, cercando l'identificativo del modello (*) presente sull'etichetta energetica.</p> <p>https://eprel.ec.europa.eu/</p>	

Indice

1. Istruzioni relative a sicurezza e ambiente 3

- 1.1. Uso previsto 3
- 1.2. Norme di sicurezza generali 3
- 1.3. Avvertenza HC 5
- 1.4. Conformità alla direttiva WEEE e allo smaltimento dei rifiuti: 6
- 1.5. Conformità alla Direttiva RoHS: . 6
- 1.6. Informazioni di imballaggio..... 6

2 Frigorifero 7

3. Installazione 8

- 3.1 Luogo idoneo per l'installazione.. 8
- 3.2 Prima di avviare il frigorifero..... 8
- 3.3 Collegamenti elettrici..... 9
- 3.4 Cambiare la lampadina di illuminazione 9
- 3.5 Regolazione dei piedini..... 9
- 3.6 Avvertenza sportello aperto 9

4 Preparazione 10

- 4.1 Cose da fare ai fini del risparmio energetico 10
- 4.2 Uso iniziale..... 11

4 Preparazione 11

5 Utilizzo del frigorifero 12

- 5.1 Pulsante di impostazione della temperatura 12
- 5.2 Congelamento rapido 12
- 5.3 Funzione assenza 13
- 5.4 Pannello dei comandi..... 14
- 5.5 Pannello dei comandi..... 16
- 5.6 Pannello dei comandi..... 19
- 5.7 Icematic a torsione 22
- 5.8 Preparazione ghiaccio 23

- 5.9 Scomparto per le uova..... 23
- 5.10 Ventola raffreddamento turbo 23
- 5.11 Scomparto temperatura zero .. 23
- 5.12 Scomparto frutta e verdura 24
- 5.13 Spia blu 24
- 5.14 Ripiano mobile dello sportello.. 25
- 5.15 Ripiani estraibili..... 25
- 5.16 Cursori di controllo dell'umidità dello scomparto frutta e verdura 26
- 5.17 Auto Icematic 26
- 5.18 Descrizione e pulizia del filtro odori:..... 27
- 5.19 HerbBox/HerbFresh..... 27
- 5.20 Erogatore d'acqua 28
- 5.21 Uso dell'erogatore d'acqua 28
- 5.22 Riempimento del serbatoio dell'erogatore d'acqua 28
- 5.23 Pulizia del serbatoio dell'acqua 29
- 5.24 Vaschetta per l'acqua 30
- 5.25 Consigli per conservare alimenti surgelati 31
- 5.26 Dettagli congelatore..... 31
- 5.27 Posizionamento degli alimenti . 32
- 5.28 Avvertenza sportello aperto ... 32
- 5.29 Cambiamento della direzione di apertura della porta 32
- 5.30 Cambiare la lampadina di illuminazione 32

6. Pulizia e manutenzione 33

- 6.1. Evitare i cattivi odori..... 33
- 6.2. Protezione delle superfici in plastica..... 33

7. Risoluzione dei problemi 34

1. Istruzioni relative a sicurezza e ambiente

Questa sezione fornisce le istruzioni di sicurezza necessarie per evitare il rischio di lesioni e danni materiali. Il mancato rispetto di queste istruzioni invalida tutti i tipi di garanzia esistenti sul prodotto.

1.1. Uso previsto

AVVERTENZA:

Assicurarsi che i fori di ventilazione non siano chiusi quando il dispositivo è nella sua custodia o quando lo si inserisce nel suo alloggiamento.

AVVERTENZA:

Non utilizzare alcun dispositivo meccanico o altri dispositivi per accelerare il processo di sbrinamento e seguire solo i consigli del fabbricante.

AVVERTENZA:

Non danneggiare il circuito del liquido refrigerante.

AVVERTENZA: Non utilizzare apparecchi elettrici non consigliati dal fabbricante all'interno dei vani per la conservazione degli alimenti.

AVVERTENZA: Non conservare sostanze esplosive come aerosol con gas propellenti infiammabili nell'apparecchio.



Questo apparecchio è stato progettato per applicazioni domestiche e per la seguenti

applicazioni similari:

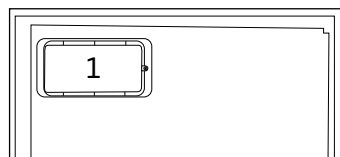
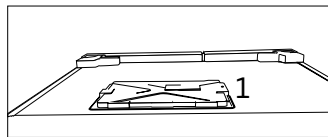
- Per essere utilizzato nelle cucine del personale di negozi, uffici e altri luoghi di lavoro;
- Per essere utilizzato dai clienti negli alberghi e nelle case di campagna, motel e altri luoghi di alloggio.
- in ambienti tipo pensioni
- in luoghi simili che non offrano servizi di ristorazione e non siano di vendita al dettaglio.

1.2. Norme di sicurezza generali

- Questo prodotto non dovrebbe essere usato da persone con disabilità a livello fisico, sensoriale e mentale, da persone senza un quantitativo sufficiente di conoscenze ed esperienza e da bambini. Queste persone potranno usare il dispositivo unicamente sotto la supervisione e le istruzioni di una persona responsabile della loro sicurezza. Ai bambini non dovrebbe essere consentito di giocare con questo dispositivo.
- In caso di malfunzionamento, scollegare il dispositivo.
- Dopo aver scollegato il dispositivo, attendere almeno cinque minuti prima di collegarlo nuovamente. Scollegare il prodotto se non viene usato. Non toccare la presa con le mani umide! Non tirare il cavo per eseguire lo scollegamento; prenderlo sempre per la spina.
- Non collegare il frigorifero se la presa sembra essere allentata.
- Scollegare il prodotto in fase di installazione, manutenzione, pulizia e riparazione.

Istruzioni relativamente a sicurezza e ambiente

- Qualora si preveda di non utilizzare il prodotto per un po' di tempo, scollegarlo ed estrarre gli eventuali elementi contenuti al suo interno.
- Non usare vapore o materiali detergenti a base di vapore per la pulizia del frigorifero e per lo scioglimento del ghiaccio al suo interno. Il vapore potrebbe entrare in contatto con le aree sotto tensione elettrica e causare cortocircuiti o scosse elettriche!
- Non lavare il prodotto spruzzando o versando acqua sullo stesso! Pericolo di scossa elettrica!
- Non usare mai il prodotto se la sezione che si trova sulla parte superiore o posteriore del prodotto, con le schede dei circuiti elettronici stampati all'interno, è aperta (coprire schede dei circuiti elettronici stampati) (1).



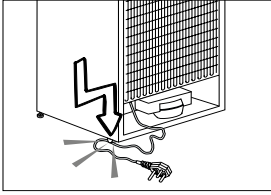
- In caso di malfunzionamento, non usare il prodotto, dato che potrebbe emettere scosse elettriche. Contattare il servizio autorizzato prima di intervenire.
- Collegare il prodotto a una presa che disponga di messa

a terra. L'operazione di messa a terra deve essere eseguita da un elettricista qualificato.

- Qualora il prodotto disponga di un'illuminazione a LED, contattare l'assistenza autorizzata per la sostituzione.
- Non toccare alimenti congelati con le mani bagnate! Gli alimenti si potrebbero attaccare alle mani!
- Non posizionare liquidi in bottiglie o lattine all'interno dello scomparto congelatore. Potrebbero esplodere!
- Collocare i liquidi in posizione verticale dopo aver saldamente chiuso il tappo.
- Non spruzzare sostanze infiammabili vicino al prodotto. Potrebbero bruciare o esplodere!
- Non conservare materiali e prodotti infiammabili, come ad esempio spray, all'interno del frigorifero.
- Non collocare contenitori di liquidi sopra al prodotto. Gli spruzzi su parti sotto tensione potrebbero provocare scosse elettriche e rischio di incendio.
- L'esposizione del prodotto a pioggia, neve, sole e vento potrebbe causare pericoli a livello elettrico. Qualora sia necessario spostare il prodotto, non tirarlo per la maniglia della porta. La maniglia si potrebbe staccare.
- Evitare che parti delle mani o del corpo restino impigliate nei meccanismi mobili all'interno del prodotto.
- Non calpestare o appoggiarsi a porta, cassetti e altre componenti del frigorifero. Così facendo il prodotto potrebbe cadere e si potrebbe danneggiare.

Istruzioni relativamente a sicurezza e ambiente

- Fare attenzione a non bloccare il cavo di alimentazione.



1.3. Avvertenza HC

Qualora il prodotto sia dotato di sistema di raffreddamento che utilizza il gas R600a, fare attenzione ad evitare di danneggiare il sistema di raffreddamento e il relativo tubo in fase di utilizzo e spostamento del prodotto. Questo gas è infiammabile. Se viene danneggiato il sistema di raffreddamento, tenere il prodotto lontano da fonti di calore e provvedere immediatamente ad arieggiare la stanza.



Sul lato sinistro interno è indicato il tipo di gas utilizzato nel prodotto.

Per i modelli con la fontana d'acqua

- La pressione di ingresso dell'acqua fredda dovrebbe essere al massimo 90 psi (620 kPa). Qualora la pressione dell'acqua superi il valore 80 psi (550 kPa), utilizzare una valvola di limitazione della pressione nel sistema principale. Qualora non si sappia come verificare la pressione dell'acqua, chiedere aiuto a ad un idraulico professionista.
- In caso di rischio dell'effetto 'colpo d'ariete' nel proprio impianto, usare la strumentazione adatta per ridurre la probabilità di accadimento. Rivolgersi a

idraulici professionisti in caso di dubbio relativamente alla presenza o meno dell'effetto 'colpo d'ariete' nel proprio impianto.

- Non installare l'ingresso dell'acqua calda. Prendere precauzioni contro il rischio di congelamento dei tubi. La gamma di funzionamento della temperatura dell'acqua dovrebbe essere 33°F (0,6°C) come minimo e 100°F (38°C) al massimo.
- Utilizzare solo acqua potabile.

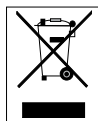
Impiego conforme allo scopo previsto

- Questo prodotto è stato pensato per essere utilizzato in ambito domestico. Non è stato pensato per un uso di tipo commerciale.
- Il prodotto dovrebbe essere utilizzato unicamente per la conservazione di alimenti e bevande.
- Non tenere prodotti dedicati, che richiedano temperature controllate, quali ad esempio vaccini, farmaci sensibili al calore, all'interno del frigorifero.
- Il produttore non si assume nessuna responsabilità per gli eventuali danni causati da un cattivo utilizzo o da un uso scorretto.
- I pezzi di ricambio originali verranno forniti per 10 anni, successivamente alla data di acquisto del prodotto.

Istruzioni relativamente a sicurezza e ambiente

1.4. Conformità alla direttiva WEEE e allo smaltimento dei rifiuti:

Questo apparecchio è conforme alla Direttiva UE WEEE (2012/19/EU). Questo apparecchio riporta il simbolo di classificazione per i rifiuti delle apparecchiature elettriche ed elettroniche (WEEE).



Questo simbolo indica che questo prodotto non deve essere smaltito con altri rifiuti domestici al termine della sua vita utile. Il dispositivo usato deve essere

portato a un punto di raccolta ufficiale per il riciclaggio di dispositivi elettrici ed elettronici. Per individuare questi punti di raccolta, contattare le proprie autorità locali oppure il rivenditore presso cui è stato acquistato il prodotto. Ciascuna famiglia ha un ruolo importante nel recupero e riciclaggio di vecchi apparecchi. Lo smaltimento appropriato degli apparecchi usati aiuta a prevenire potenziali conseguenze negative per l'ambiente e la salute umana.

1.5. Conformità alla Direttiva RoHS:

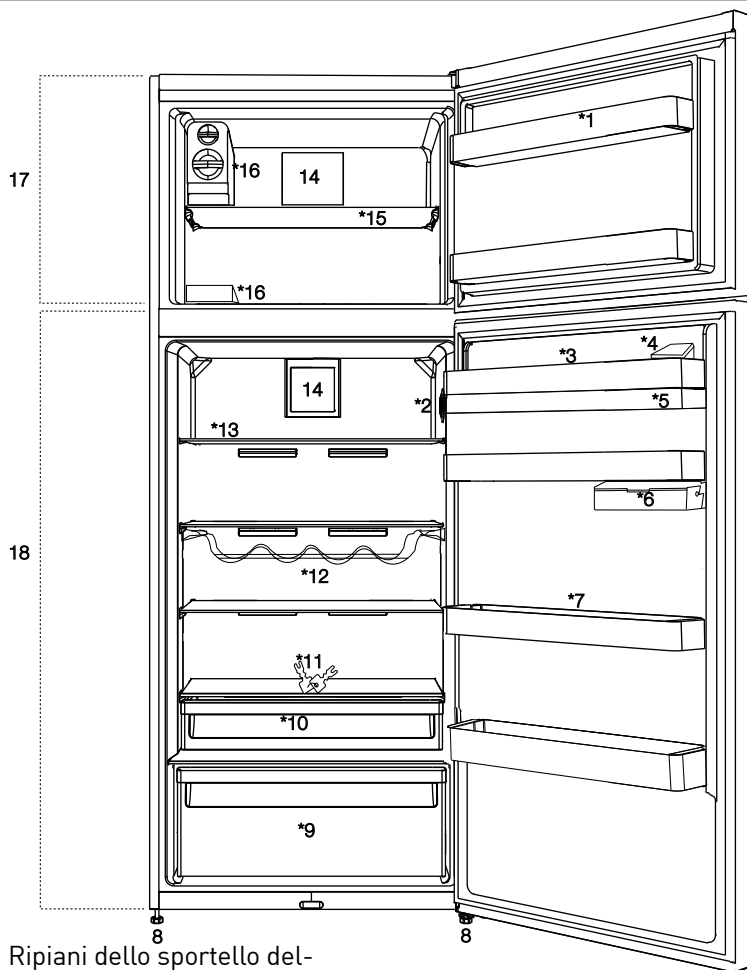
L'apparecchio acquistato è conforme alla Direttiva UE RoHS (2011/65/EU). Non contiene materiali pericolosi o proibiti specificati nella Direttiva.

1.6. Informazioni di imballaggio



L'imballaggio del prodotto è fatto di materiali riciclabili in conformità con la normativa nazionale. Non smaltire i materiali di imballaggio con i rifiuti domestici o altri rifiuti. Portarli ai punti di raccolta per materiali di imballaggio previsti dalle autorità locali.

2 Frigorifero



- | | |
|--|--|
| <p>1. Ripiani dello sportello dello scomparto frigo</p> <p>2. Tasto di impostazione della temperatura</p> <p>3. Rastrelliere dello sportello dello scomparto freezer</p> <p>4. Contenitore riempimento erogatore acqua</p> <p>5. Porta uovo</p> <p>6. Serbatoio erogatore acqua</p> <p>7. Mensola porta Moving</p> <p>8. Piedini regolabili</p> <p>9. Scomparto frutta e verdura</p> | <p>10. Scomparto per bibite o bibite fredde</p> <p>11. Serratura e chiave</p> <p>12. Ripiano bottiglie</p> <p>13. Ripiani dello sportello dello scomparto frigo</p> <p>14. Ventola</p> <p>15. Rastrelliere dello sportello dello scomparto freezer</p> <p>16. Ghiacciaia vano / Ice-making</p> <p>17. Scomparto freezer</p> <p>18. Scomparto frigo</p> <p>*Opzionale</p> |
|--|--|



*Opzionale: Le figure in questo manuale utente sono schematiche, e potrebbero non corrispondere esattamente al prodotto. Qualora il prodotto non contenga le parti descritte, l'informazione riguarda altri modelli.

3 Installazione

3.1 Luogo idoneo per l'installazione

Rivolgersi al Servizio Autorizzato per l'installazione del prodotto. Per rendere il prodotto pronto per essere installato, confrontare le informazioni nella guida dell'utente e accertarsi che i servizi elettrici e idrici siano presenti. In caso contrario contattare un elettricista e un idraulico per rendere questi servizi conformi ai requisiti.

	AVVERTENZA: Il prodotto non si assume nessuna responsabilità per gli eventuali danni causati dagli interventi eseguiti da personale non autorizzato.
	AVVERTENZA: Il cavo di alimentazione del prodotto deve essere scollegato in fase di utilizzo. Il mancato rispetto di queste istruzioni potrebbe provocare morte o altre gravi lesioni!
	AVVERTENZA: Qualora la porta sia troppo stretta per consentire il passaggio del prodotto, togliere la porta e ruotarla; qualora ciò non funzioni, contattare il servizio autorizzato.

- Collocare il prodotto su una superficie piana per evitare le vibrazioni.
- Collocare il prodotto ad almeno a 30 cm dal termosifone, dalla stufa e da altre fonti di calore e ad almeno 5 cm da eventuali forni elettrici.
- Non esporre il prodotto alla luce solare diretta o conservare in ambienti umidi.
- Il prodotto necessita di adeguata ventilazione per un funzionamento efficiente. Se in prodotto viene collocato in una alcova, lasciare almeno 5 cm di spazio tra il prodotto, il soffitto, i muri laterali e il muro retrostante.

- Se in prodotto viene collocato in una alcova, lasciare almeno 5 cm di spazio tra il prodotto, il soffitto, i muri laterali e il muro retrostante. Controllare se il componente di protezione della parete posteriore è presente e nel suo alloggio (se fornito con il prodotto). Se il componente non è disponibile, o se è stato smarrito o è caduto, posizionare il prodotto in modo tale da lasciare almeno 5 cm di spazio libero tra il retro del prodotto e le pareti del locale. Lo spazio libero nella parte posteriore è importante per il funzionamento efficiente del prodotto.

3.2 Prima di avviare il frigorifero

Controllare quanto segue prima di utilizzare il frigorifero:

1. Montare i 2 cunei in plastica come illustrato sotto. I cunei in plastica servono a mantenere la distanza che assicura la circolazione dell'aria tra frigorifero e parete. (L'immagine è creata per illustrare e non è identica all'apparecchio).
2. Pulire la parte interna del frigorifero come consigliato nella sezione "Manutenzione e pulizia".
3. Collegare la spina del frigorifero alla presa elettrica. Quando lo sportello del frigorifero è aperto, la lampadina interna si accende.
4. Quando il compressore comincia a funzionare, si sente un rumore. I liquidi e i gas sigillati nel sistema refrigerante possono produrre dei rumori, anche se il compressore non è in funzione; questo è abbastanza normale.
5. I bordi anteriori del frigorifero possono essere tiepidi. Questo è normale. Queste zone sono progettate per essere tiepide per evitare la condensazione.

Installazione

3.3 Collegamenti elettrici

Collegare il frigorifero ad una presa di messa a terra protetta da un fusibile della capacità appropriata.

Importante:

- Il collegamento deve essere conforme ai regolamenti nazionali.
- La spina elettrica deve essere facilmente accessibile dopo l'installazione.
- La sicurezza elettrica del frigorifero è garantita unicamente se il sistema di messa a terra dell'apparecchiatura è conforme agli standard.
- La tensione dichiarata sull'etichetta che si trova nel lato interno a sinistra dell'apparecchio deve essere pari alla tensione di rete



Avvertenza superficie calda

Le pareti laterali del prodotto sono dotate di tubi refrigeranti per migliorare il sistema di raffreddamento. Il refrigerante a temperature elevate potrebbe scorrere in queste aree, causando così superfici calde sulle pareti laterali. Non si tratta di un'anomalia di funzionamento e non sono necessari interventi di manutenzione. Fare attenzione quando si toccano queste aree.

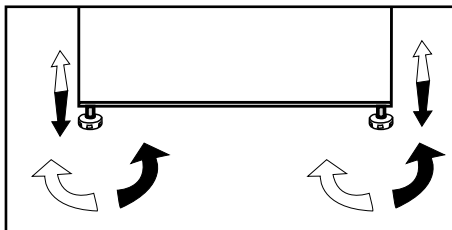
3.4 Cambiare la lampadina di illuminazione

Per cambiare lampadina/LED utilizzare per illuminare il frigorifero, rivolgersi al Servizio Assistenza Autorizzato.

La lampada (le lampade) usata (usate) nell'apparecchiatura non è (sono) adatta (adatte) per l'illuminazione domestica. L'obiettivo previsto per questa lampada è quello di assistere l'utente in fase di posizionamento degli alimenti all'interno del frigorifero / congelatore in modo sicuro e comodo.

3.5 Regolazione dei piedini

Se il frigorifero non è in equilibrio: è possibile bilanciare il frigorifero ruotando i piedini anteriori come illustrato in figura. L'angolo in cui i piedini sono più bassi quando girati in direzione della freccia nera e rialzati quando girati in direzione opposta. Un aiuto per sollevare leggermente il frigorifero faciliterà tale processo.



3.6 Avvertenza sportello aperto

(Questa funzione è opzionale)

Un segnale di avvertenza audio viene emesso quando lo sportello dell'apparecchio viene lasciato aperto per almeno 1 minuto. Questa avvertenza scompare quando lo sportello viene chiuso o se viene premuto uno dei pulsanti del display (se presenti).

4 Preparazione

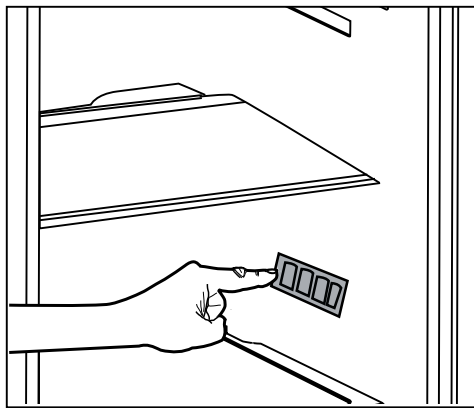
4.1 Cose da fare ai fini del risparmio energetico



La connessione del prodotto a sistemi di risparmio elettrico è rischiosa poiché potrebbe provocare danni allo stesso.

- Per apparecchio indipendente; "questo apparecchio refrigerante non è destinato a essere utilizzato come apparecchio da incasso".
- Non lasciare lo sportello del frigorifero aperto per lungo tempo.
- Non inserire alimenti caldi o bevande calde nell'elettrodomestico.
- Non sovraccaricare il frigorifero, la capacità di raffreddamento peggiora quando la circolazione dell'aria è ostacolata.
- Per conservare la quantità massima di alimenti nello scomparto freezer, lo scomparto icematic, disponibile nello scomparto freezer e facilmente rimuovibile a mano, deve essere estratto. Il volume netto e i valori di consumo energetico dichiarati sulla piastra del frigorifero sono misurati e testati rimuovendo l'icematic. Non rimuovere i ripiani all'interno dello scomparto freezer né quelli dello sportello dello scomparto freezer. Essi devono essere utilizzati perché garantiscono facilità di utilizzo ed efficienza nel consumo energetico.
- Poiché l'aria calda e umida non penetra direttamente nel prodotto quando le porte non sono aperte, il prodotto si ottimizza in condizioni sufficienti a proteggere il cibo. Funzioni e componenti quali compressore, ventola, caloriferi, sbrinamento, illuminazione, display e via dicendo funzionano secondo necessità per consumare il minimo di energia in tali circostanze.

- Il flusso dell'aria non deve essere bloccato mettendo alimenti ai lati della ventola dello scomparto frigo. Una distanza minima di 3 cm deve essere garantita ai lati della copertura della ventola di protezione.
- Cestelli/cassetti in dotazione con lo scomparto Chiller devono essere sempre in uso per un basso consumo energetico e per migliori condizioni di conservazione.
- Il contatto degli alimenti con il sensore della temperatura nello scomparto freezer potrebbe far aumentare il consumo energetico dell'apparecchio. Pertanto è necessario evitare il contatto con i sensori.



- A seconda delle caratteristiche dell'apparecchio, scongelare alimenti congelati nello scomparto frigo garantisce risparmio energetico e conserva la qualità degli alimenti.
- Non consentire che gli alimenti entrino in contatto con il sensore della temperatura dello scomparto frigo mostrato nella figura sotto.

4 Preparazione

4.2 Uso iniziale

Prima di cominciare ad usare il frigorifero, assicurarsi di eseguire tutte le preparazioni secondo le istruzioni delle sezioni "Istruzioni per la sicurezza e l'ambiente" e "Installazione".

- Utilizzare l'apparecchio senza mettere alimenti all'interno per 6 ore e non aprire lo sportello a meno che non sia necessario.



Si sente un rumore quando il compressore si avvia. I liquidi e i gas sigillati nel sistema refrigerante possono produrre dei rumori, anche se il compressore non è in funzione; questo è abbastanza normale.



I bordi anteriori dell'apparecchio possono essere tiepidi. Questo è normale. Queste zone sono progettate per essere tiepide per evitare la condensazione.



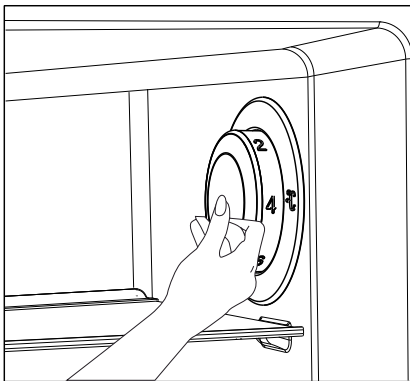
In alcuni modelli il pannello degli strumenti si spegne automaticamente 5 minuti dopo la chiusura dello sportello. Si riattiva quando lo sportello viene aperto o se viene premuto un pulsante.

5 Utilizzo del frigorifero

5.1 Pulsante di impostazione della temperatura

La temperatura interna del frigorifero cambia per le seguenti cause;

- Temperature stagionali,
- Apertura frequente dello sportello e sportello lasciato aperto per lunghi periodi,
- Alimenti messi nel frigorifero senza lasciarli prima raffreddare a temperatura ambiente,
- Posizionamento del frigorifero nella stanza (per esempio, esposizione alla luce solare).
- Si può regolare la temperatura interna del frigorifero, che varia a causa di questi fattori, utilizzando il pulsante di impostazione.
- I numeri della manopola di controllo indicano i valori di temperatura in "°C".
- Se la temperatura ambiente è 25 °C, consigliamo di usare la manopola di controllo della temperatura del frigorifero sulla posizione 4°C. Questo valore può essere aumentato o diminuito come richiesto da altre temperature ambientali.



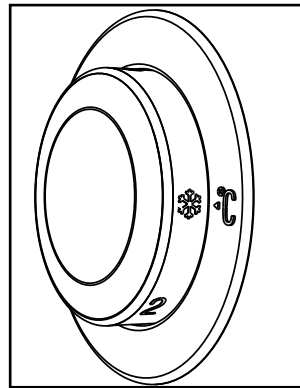
5.2 Congelamento rapido

Se è necessario congelare grosse quantità di alimenti freschi, portare la manopola di controllo

(❄) sulla posizione max. 24 ore prima di mettere gli alimenti freschi nello scomparto di congelamento rapido.

Si consiglia di tenere la manopola in questa posizione per almeno 24 ore per congelare la quantità massima di cibo fresco riportata come capacità di congelamento. Fare attenzione a non mescolare cibi congelati e cibi freschi.

Ricordare di riportare la manopola di controllo della temperatura sulla posizione precedente quando gli alimenti si sono congelati.

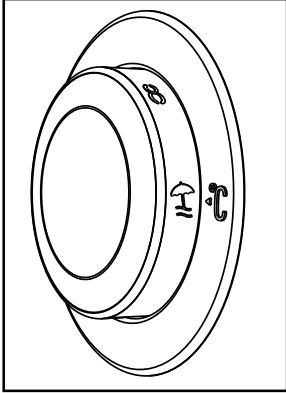


***Opzionale:** I dati in questo manuale devono essere intesi come bozze, e potrebbero non essere perfettamente corrispondenti al vostro prodotto. Qualora il prodotto non contenga le parti descritte, l'informazione riguarda altri modelli.

Utilizzo del frigorifero

5.3 Funzione assenza

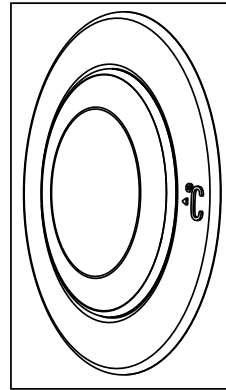
Se gli sportelli dell'apparecchio non sono aperti per 12 ore dopo il posizionamento della manopola di controllo della temperatura sulla posizione più alta, allora si attiva automaticamente la funzione assenza.



Per annullare questa funzione, modificare l'impostazione della manopola.

Non si consiglia di conservare alimenti nello scomparto più freddo quando è attiva la funzione assenza.

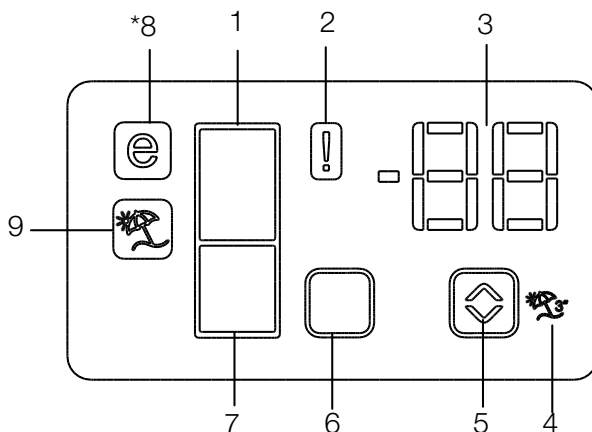
- Quando l'operazione di impostazione è completa, si può premere la manopola di controllo della temperatura e nasconderla.



Utilizzo del frigorifero

5.4 Pannello dei comandi

I pannelli degli indicatori possono variare secondo il modello del prodotto. Il pannello degli indicatori aiuta ad usare il frigorifero con le relative funzioni audio e visive.



1. Indicatore dello scomparto frigorifero
2. Indicatore di stato errore
3. Indicatore della temperatura
4. Pulsante funzione vacanza
5. Tasto impostazione temperatura
6. Tasto di selezione del vano
7. Indicatore dello scomparto frigorifero
8. Indicatore Modalità Economy
9. Indicatore funzione vacanza

***Facoltativo:**



***Opzionale:** I dati in questo manuale devono essere intesi come bozze, e potrebbero non essere perfettamente corrispondenti al vostro prodotto. Qualora il prodotto non contenga le parti descritte, l'informazione riguarda altri modelli.

Utilizzo del frigorifero

1. Indicatore dello scomparto frigorifero

La spia dello scomparto frigorifero si accende in una fase di regolazione della temperatura dello scomparto del frigorifero.

2. Indicatore di stato errore


Questo sensore si attiva se il frigorifero non sta raffreddando in modo adeguato oppure in caso di guasto del sensore. Quando questo indicatore è attivo, l'indicatore di temperatura dello scomparto del congelatore visualizza una lettera, "E", e l'indicatore della temperatura dello scomparto del frigorifero visualizza i numeri "1, 2, 3...". I numeri sull'indicatore servono a comunicare al personale di servizio il tipo di guasto.

3. Indicatore della temperatura

Indica la temperatura degli scomparti congelatore e frigorifero.

4. Pulsante funzione vacanza

Per attivare questa funzione, premere e tenere premuto il pulsante vacanza per 3 secondi. Quando la funzione vacanza è attiva, l'indicatore di temperatura dello scomparto del frigorifero visualizza la dicitura "- -" e nessun processo di raffreddamento sarà attivo all'interno dello scomparto di raffreddamento. Questa funzione non è adatta per conservare alimenti all'interno dello scomparto frigorifero. Gli altri scomparti rimarranno freschi con la rispettiva temperatura impostata per ogni singolo scomparto.

Premere nuovamente il pulsante Vacation () per annullare questa funzione.

5. Tasto impostazione temperatura

La temperatura nel rispettivo scomparto varia a intervalli di -24°C..... -18°C e 8°C...1°C.

6. Tasto di selezione del vano

Servirsi del pulsante di selezione dello scomparto frigorifero per spostarsi fra lo scomparto frigorifero e lo scomparto congelatore.

7. Indicatore dello scomparto frigorifero

La spia dello scomparto congelatore si accende in una fase di regolazione della temperatura dello scomparto del frigorifero.

8. Indicatore Modalità Economy

Indica che il frigorifero sta funzionando in modalità di risparmio energetico. Questo indicatore sarà attivo quando la temperatura nello scomparto del congelatore viene impostata a -18°.

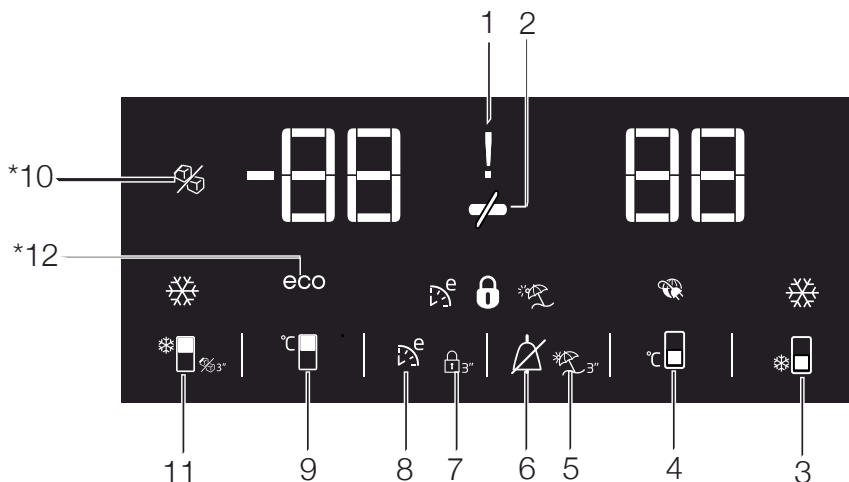
9. Indicatore funzione vacanza

Indica che la funzione vacanza è attiva.

Utilizzo del frigorifero

5.5 Pannello dei comandi

Il pannello con gli indicatori consente di impostare la temperatura e di controllare le altre funzioni collegate all'apparecchio senza aprire lo sportello dell'apparecchio. Basta premere le scritte sui pulsanti pertinenti per l'impostazione delle funzioni.



1. Mancanza di alimentazione / Alta temperatura / Indicatore di stato di errore

Questo indicatore (🔔) si illumina in caso di mancanza di corrente, temperatura elevata e avvisi di errore.

Quando la temperatura dello scomparto congelatore si scalda fino a un livello critico per gli alimenti congelati, il valore massimo raggiunto dalla temperatura dello scomparto congelatore lampeggia sull'indicatore digitale.

Controllare gli alimenti nello scomparto congelatore.

Non si tratta di un malfunzionamento. L'avviso può essere cancellato premendo un tasto qualsiasi o il tasto di spegnimento dell'allarme di alta temperatura. (L'annullamento mediante la pressione di un tasto qualsiasi non è applicabile a tutti i modelli).

Questo indicatore si illumina anche quando si verifica un guasto del sensore. Quando questo indicatore è illuminato, "E" e delle cifre come "1,2,3..." vengono visualizzate alternativamente sull'indicatore della temperatura. Queste cifre sull'indicatore informano il personale specializzato dell'errore.

2. Funzione risparmio energetico (display spento):

Se gli sportelli dell'apparecchio sono tenuti chiusi a lungo, si attiva automaticamente una funzione di risparmio energetico a lungo termine e si accende il simbolo del risparmio energetico. (🔒)

Quando la funzione di risparmio energetico è attiva, tutti simboli sul display tranne quella del risparmio




*Opzionale: I dati in questo manuale devono essere intesi come bozze, e potrebbero non essere perfettamente corrispondenti al vostro prodotto. Qualora il prodotto non contenga le parti descritte, l'informazione riguarda altri modelli.

Utilizzo del frigorifero

energetico si spengono. Quando la funzione risparmio energetico è attivata, se viene premuto un pulsante o lo sportello è aperto, si esce dalla modalità risparmio energetico e i simboli sul display tornano normali.

La funzione di risparmio energetico è attivata al momento della consegna della fabbrica e non può essere annullata.

3. Funzione Quick Fridge

Questo pulsante ha due funzioni. Per attivare o disattivare la funzione Quick Cool premerlo brevemente. L'indicatore Quick Cool si spegnerà e l'apparecchio tornerà alle sue normali impostazioni. ()



Usare la funzione Quick Cool quando si desidera raffreddare velocemente gli alimenti posti nello scomparto frigo. Se è necessario raffreddare grandi quantità di cibo fresco, attivare questa funzione prima di inserire il cibo nel frigo.



Se non si annulla manualmente, la funzione Quick Cool si annullerà automaticamente dopo 8 ore o quando lo scomparto frigo ha raggiunto la temperatura richiesta.




Premendo il pulsante Quick Cool ripetutamente a brevi intervalli, il compressore non comincerà a funzionare immediatamente, in quanto il sistema di protezione del circuito elettronico sarà attivato.





Questa funzione non viene richiamata quando l'alimentazione si ripristina dopo un'assenza di corrente.

4. Pulsante di impostazione temperatura scomparto frigo

Premere questo pulsante per impostare

la temperatura dello scomparto frigo rispettivamente su 8, 7,6, 5,4,3, 2, 8... Premere questo pulsante per impostare la temperatura desiderata per lo scomparto frigo. ()

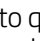
5. Funzione assenza

Per attivare la funzione assenza, premere questo pulsante () per 3 secondi e l'indicatore della modalità Vacation () si attiva.

Quando la funzione assenza è attiva, "- -" si visualizza sull'indicatore della temperatura dello scomparto frigo e non viene eseguito il raffreddamento attivo nello scomparto frigo. Non si possono conservare gli alimenti nello scomparto frigo quando questa funzione è attivata. Gli altri scomparti saranno ancora raffreddati secondo la loro temperatura impostata.

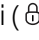
Per annullare questa funzione, premere di nuovo il pulsante della **funzione assenza**.

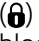
6. Termine dell'avviso di alta temperatura

In caso di mancanza di corrente/avviso di alta temperatura, è possibile cancellare l'avviso () premendo un tasto qualsiasi sull'indicatore o il tasto di spegnimento dell'allarme di alta temperatura per 1 secondo dopo aver controllato gli alimenti all'interno del congelatore.

Nota: La cancellazione premendo un pulsante qualsiasi non è applicabile a tutti i modelli.

7. Blocco tasti

Premere il pulsante di blocco tasti () contemporaneamente per 3 secondi. Simbolo blocco tasti

() si accende e si attiva la modalità blocco tasti. I pulsanti non funzionano quando è attiva la modalità blocco tasti. Premere di nuovo il pulsante di blocco

Utilizzo del frigorifero

tasti per 3 secondi. Il simbolo del blocco tasti si spegne e si esce dalla modalità blocco tasti.

Premere il pulsante **blocco tasti** se si desidera impedire la modifica dell'impostazione di temperatura del frigorifero (🔒).

8. Eco Fuzzy

Tenere premuto il pulsante Eco Fuzzy per 1 secondo per attivare la funzione Eco Fuzzy. Se viene attivata questa funzione, il frigo comincia a funzionare con la modalità più economica minimo 6 ore dopo e l'indicatore di uso economico si accende (💡). Tenere premuto il pulsante Eco Fuzzy per 3 secondi per disattivare la funzione Eco Fuzzy.

Questo indicatore si accende dopo 6 ore quando si attiva la funzione Eco Fuzzy.

9. Pulsante di impostazione temperatura scomparto freezer

Premere questo pulsante per impostare la temperatura dello scomparto freezer a -18,-19,-20,-21, -22, -23,-24, -18..., rispettivamente. Premere questo pulsante per impostare la temperatura desiderata per lo scomparto freezer. (🔧)

10. Indicatore disattivazione Icematic

Indica se Icematic è attivo o disattivato. (❄️) Se è attivo, l'Icematic non è in funzione. Per attivare di nuovo l'Icematic tenere premuto il pulsante On-Off per 3 secondi.



Il flusso dell'acqua dal serbatoio dell'acqua si arresta quando viene selezionata questa funzione. Il ghiaccio preparato in precedenza, può essere prelevato da Icematic.

11. Pulsante funzione Quick Freeze/ Pulsante Icematic on-off

Premere questo pulsante per attivare o disattivare la funzione Quick Freeze. Quando si attiva la funzione, lo scomparto freezer viene raffreddato a una temperatura inferiore rispetto a quella impostata. (❄️)

Per attivare e disattivare l'Icematic, tenerlo premuto per 3 secondi.



Usare la funzione Quick Freeze quando si desidera congelare velocemente gli alimenti posti nello scomparto frigo. Se è necessario congelare grandi quantità di cibo fresco, attivare questa funzione prima di inserire il cibo nel frigo.



Se non si annulla manualmente, la funzione Quick Freeze si annullerà automaticamente dopo 4 ore o quando lo scomparto frigo ha raggiunto la temperatura richiesta.



Questa funzione non viene richiamata quando l'alimentazione si ripristina dopo un'assenza di corrente.

12. Indicatore uso economico

Indica che l'apparecchio è in funzione in modalità a risparmio energetico. (eco) Questo indicatore sarà attivo se la temperatura dello scomparto freezer è impostata su -18 o se il raffreddamento a risparmio energetico è attivo grazie alla funzione Eco-Extra.

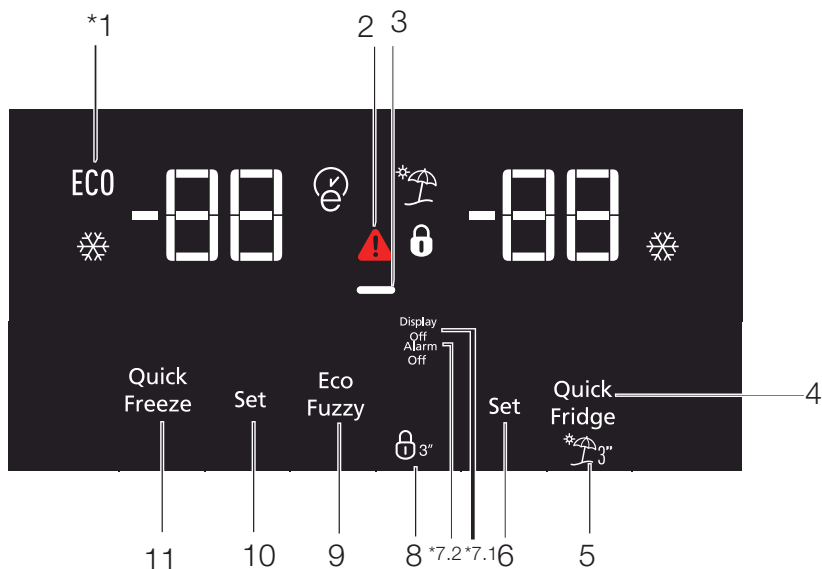


L'indicatore dell'uso economico si spegne quando sono selezionate le funzioni Quick Cool o Quick Freeze.

Utilizzo del frigorifero

5.6 Pannello dei comandi

I pannelli degli indicatori possono variare secondo il modello del prodotto. Il pannello degli indicatori aiuta ad usare il frigorifero con le relative funzioni audio e visive.



1. Economy

Questo simbolo si accende quando lo scomparto freezer è impostato a -18°C . Questo è il valore di impostazione più economico (ECO). L'indicatore Economy si spegne quando sono selezionate le funzioni di raffreddamento o congelamento rapido.

2. Indicatore di avvertenza errore/ alta temperatura

Questo indicatore (⚠) si accende in caso di problemi di alta temperatura e avvertenze di errore.

3. Funzione risparmio energetico (display spento)

Se gli sportelli dell'apparecchio

sono tenuti chiusi a lungo, si attiva automaticamente una funzione di risparmio energetico a lungo termine e si accende il simbolo del risparmio energetico. Quando la funzione di risparmio energetico è attiva, tutti i simboli sul display tranne quella del risparmio energetico si spengono. Quando la funzione risparmio energetico è attivata, se viene premuto un pulsante o lo sportello è aperto, si esce dalla modalità risparmio energetico e i simboli sul display tornano normali. La funzione di risparmio energetico è attivata al momento della consegna della fabbrica e non può essere annullata.



*Opzionale: I dati in questo manuale devono essere intesi come bozze, e potrebbero non essere perfettamente corrispondenti al vostro prodotto. Qualora il prodotto non contenga le parti descritte, l'informazione riguarda altri modelli.

Utilizzo del frigorifero

4. Raffreddamento veloce

L'indicatore Quick Cool (❄️) si accende quando la funzione di raffreddamento rapido si attiva e il valore dell'indicatore della temperatura dello scomparto frigo viene visualizzato come 1. Per annullare questa funzione, premere nuovamente il pulsante Quick Cool. L'indicatore Quick Cool si spegnerà e il frigorifero tornerà alle sue normali impostazioni. La funzione Quick Cool si annulla automaticamente entro 1 ora se non la si annulla prima. Se si vogliono raffreddare grandi quantità di alimenti freschi, premere il pulsante Quick Cool prima di inserire gli alimenti nello scomparto frigo.

5. Funzione assenza

Per attivare la funzione assenza, premere il pulsante n. (👤) per 3 secondi e si attiva l'indicatore della modalità assenza. Quando la funzione assenza è attiva, "- -" si visualizza sull'indicatore della temperatura dello scomparto frigo e non viene eseguito il raffreddamento attivo nello scomparto frigo. Non si possono conservare gli alimenti nello scomparto frigo quando questa funzione è attivata. Gli altri scomparti saranno ancora raffreddati secondo la loro temperatura impostata.

Per annullare questa funzione, premere di nuovo il pulsante della **funzione assenza**.

6. Impostazione temperatura scomparto frigo

Quando il pulsante n. è premuto, si può impostare la temperatura dello scomparto frigo 8,7,6,5,4,3,2 e 1 rispettivamente (📏).

7.1 Funzione risparmio energetico (display spento):

Il simbolo di risparmio energetico (—) si accende e la funzione di risparmio energetico si attiva quando si preme questo pulsante (—). Quando la funzione di risparmio energetico è attiva, tutti simboli sul display tranne quella del risparmio energetico si spengono. Quando la funzione risparmio energetico è attivata, se viene premuto un pulsante o lo sportello è aperto, si esce dalla modalità risparmio energetico e i simboli sul display tornano normali. Il simbolo del risparmio energetico si spegne e la funzione di risparmio energetico si disattiva quando si preme di nuovo questo pulsante (—).

7.2 Avvertenza disattivazione allarme

In caso di allarme per assenza di alimentazione/elevata temperatura, dopo aver controllato gli alimenti che si trovano nello scomparto freezer, premere il pulsante di disattivazione allarme per annullare l'allarme.

8. Blocco tasti

Premere il pulsante di blocco tasti (🔒) contemporaneamente per 3 secondi. Simbolo blocco tasti

(🔒) si accende e si attiva la modalità blocco tasti. I pulsanti non funzionano quando è attiva la modalità blocco tasti. Premere di nuovo il pulsante di blocco tasti per 3 secondi. Il simbolo del blocco tasti si spegne e si esce dalla modalità blocco tasti.

Premere il pulsante **blocco tasti** se si desidera impedire la modifica dell'impostazione di temperatura del frigorifero (🔒).

9. Eco Fuzzy

Tenere premuto il pulsante Eco Fuzzy per 1 secondo per attivare la funzione Eco Fuzzy. Se viene attivata questa funzione, il frigo comincia a funzionare con la modalità più economica minimo 6 ore dopo e l'indicatore di uso economico si accende (🌀). Tenere premuto il pulsante Eco Fuzzy per 3 secondi per disattivare la funzione Eco Fuzzy.

Questo indicatore si accende dopo 6 ore quando si attiva la funzione Eco Fuzzy.

10. Impostazione temperatura scomparto freezer

Qui si esegue l'impostazione della temperatura dello scomparto freezer. Quando si preme il pulsante n. 9, si può impostare la temperatura dello scomparto freezer a -18, -19, -20, -21, -22, -23 e -24 rispettivamente.

11. Congelamento rapido

Premere il pulsante n. per il congelamento rapido, l'indicatore Quick Freeze (❄️) si attiva.

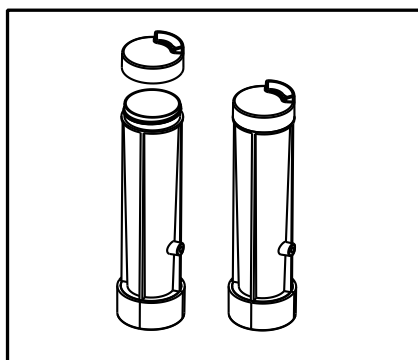
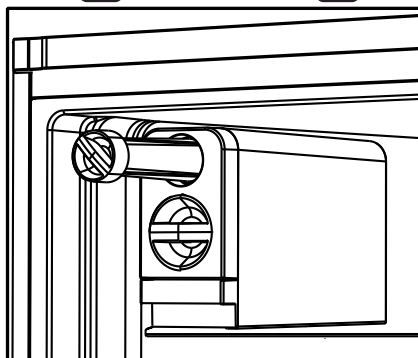
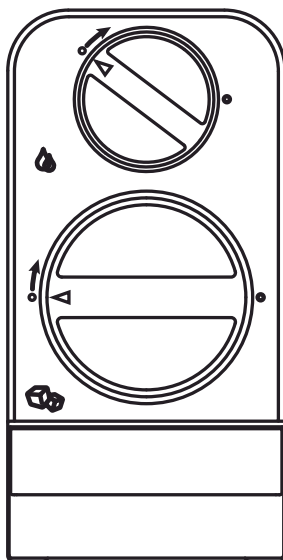
L'indicatore Quick Freeze si accende quando la funzione di congelamento rapido si attiva e il valore dell'indicatore della temperatura dello scomparto frigo viene visualizzato come -27. Per annullare questa funzione premere nuovamente il pulsante Quick Freeze (❄️). L'indicatore Quick Freeze si spegnerà e il frigorifero tornerà alle sue normali impostazioni. La funzione Quick Freeze si annulla automaticamente entro 24 ore se non la si annulla prima. Se si vogliono congelare grandi quantità di alimenti freschi, premere il pulsante Quick Freeze prima di inserire gli alimenti nello scomparto freezer.

Utilizzo del frigorifero

5.7 Icematic a torsione

(Questa funzione è opzionale)

- Rimuovere il serbatoio dell'acqua ruotandolo verso sinistra.
- Aprire la copertura del serbatoio dell'acqua ruotandola e poi aggiungere acqua al serbatoio fino alla parte inferiore della copertura.
- Mettere il serbatoio dell'acqua in posizione come mostrato nella figura dopo aver aggiunto l'acqua e sistemarlo ruotandolo nella direzione della freccia. L'acqua deve essere versata nella scatola del ghiaccio.
- Quando si forma il ghiaccio, ruotare la manopola della scatola del ghiaccio nella direzione della freccia per far cadere il ghiaccio nel cassetto apposito.
- Prendere i cubetti di ghiaccio estraendo il cassetto del ghiaccio.
- Tirare la parte anteriore verso di sé per lavare la scatola del ghiaccio e metterla sui binari della parte interna e spingerla in posizione per sistemarla di nuovo.
- Tirare l'icematic a torsione verso di sé per rimuovere l'unità e metterlo sui binari del soffitto e spingerlo in posizione per sistemarlo di nuovo.



Utilizzo del frigorifero

5.8 Preparazione ghiaccio

Riempire il contenitore del ghiaccio con acqua e metterlo in sede. Il ghiaccio sarà pronto in due ore circa.

È possibile rimuovere facilmente il ghiaccio torcendo leggermente il contenitore del ghiaccio.

5.9 Scomparto per le uova

È possibile installare il porta uova sul ripiano desiderato della porta o del corpo.

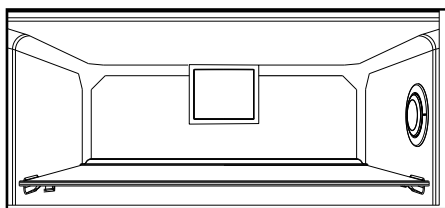
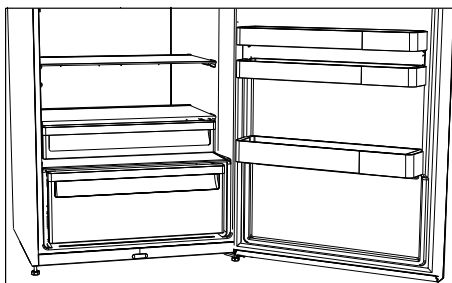
Non porre mai il porta uova nello scomparto del freezer

5.10 Ventola raffreddamento turbo

“La ventola di raffreddamento turbo è ideata per assicurare distribuzione e circolazione omogenee dell’aria fredda all’interno del frigorifero. Il tempo di funzionamento della ventola di raffreddamento turbo può variare a seconda delle proprietà del prodotto. Mentre la ventola turbo funziona solo con il compressore in alcuni prodotti, il sistema di controllo determina il suo funzionamento in alcuni prodotti secondo i requisiti di raffreddamento. Questa situazione è presentata su un’etichetta di avvertenza e informazioni separata attaccata al frigorifero in prodotti dotati di ventole turbo che funzionano in condizioni diverse dal compressore”.

5.11 Scomparto temperatura zero

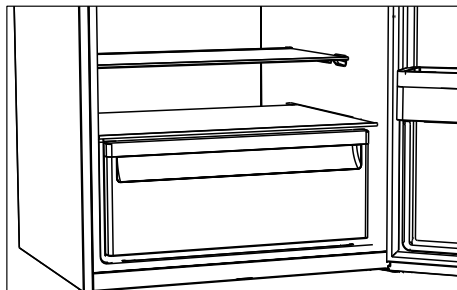
Questo scomparto è stato creato per conservare in condizioni migliori e più sane alimenti congelati che devono essere scongelati lentamente (carne, pesce, pollo, ecc.) come necessario o alimenti che non si devono congelare e devono essere consumati in breve tempo. Non mettere prodotti caseari o alimenti simili da non congelare in questo scomparto, che è il più freddo dello scomparto frigo.



Utilizzo del frigorifero

5.12 Scomparto frutta e verdura

Lo scomparto frutta e verdura del frigo è progettato in modo speciale per tenere la verdura fresca senza che perda la sua umidità. A questo scopo, si verifica una circolazione di aria fredda intorno allo scomparto frutta e verdura in generale. Rimuovere i ripiani dello sportello che si allineano con lo scomparto frutta e verdura prima di rimuovere gli scomparti frutta e verdura. Si possono rimuovere gli scomparti frutta e verdura come illustrato nella figura.



5.13 Spia blu

***opzionale**

Gli alimenti immagazzinati nei cestelli che sono segnati da una spia blu continuano la loro fotosintesi grazie all'effetto delle onde della luce blu e quindi conservano la freschezza e aumentano il contenuto di vitamine.

Utilizzo del frigorifero

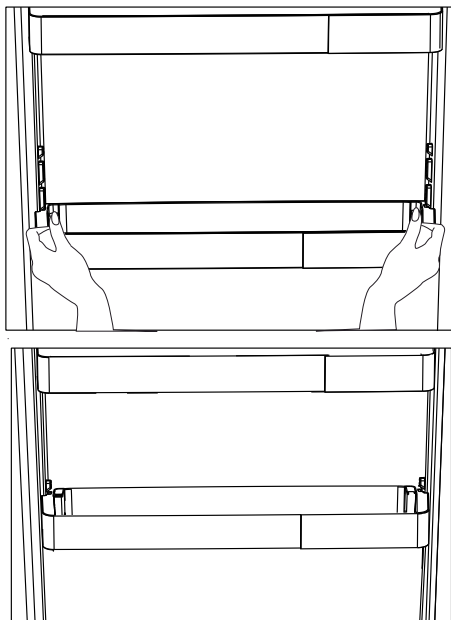
5.14 Ripiano mobile dello sportello

(Questa funzione è opzionale)

Il ripiano mobile dello sportello può essere fissato in 3 diverse posizioni. Premere i pulsanti mostrati ai lati allo stesso livello per spostare il ripiano. Il ripiano si sposta.

Spostare il ripiano verso l'alto o verso il basso.

Rilasciare i pulsanti quando il ripiano è nella posizione desiderata. Il ripiano si fissa sulla posizione in cui si rilasciano i pulsanti.

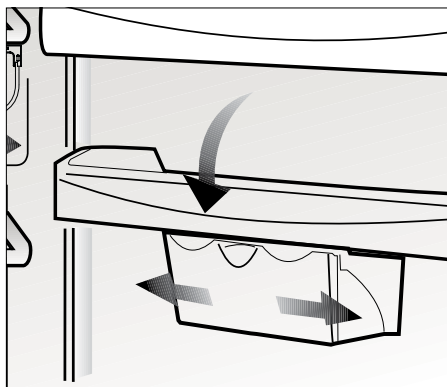


5.15 Ripiani estraibili

I ripiani estraibili possono essere tolti sollevandoli leggermente dalla parte anteriore e muovendoli avanti e indietro. Essi arrivano ad un punto di arresto quando vengono tirati in avanti consentendo di raggiungere gli alimenti che si trovano sul retro; quando vengono tirati leggermente verso l'alto al secondo punto di arresto, il ripiano viene rilasciato.

Il ripiano deve essere tenuto stretto dal basso per evitare che si capovolga. Il ripiano è posto sui binari ai lati del corpo del frigorifero portandolo ad un livello inferiore o superiore.

Il ripiano deve essere spinto all'indietro per sistemarsi completamente.



Utilizzo del frigorifero

5.16 Corsori di controllo dell'umidità dello scomparto frutta e verdura

Lo scomparto frutta e verdura del frigo è progettato in modo speciale per tenere la verdura fresca senza che perda la sua umidità. L'aria fredda circola intorno a frutta e verdura e il quantitativo di aria che passa attraverso la frutta e la verdura è controllato dai cursori sul lato anteriore del coperchio dello scomparto.

I cursori di controllo dell'umidità possono essere regolati alla posizione adatta alle condizioni di umidità e raffreddamento degli alimenti nello scomparto. Se si desidera che gli alimenti nello scomparto si raffreddino di più, aprire i fori dei cursori di controllo dell'umidità e se si vuole che si raffreddino di meno e conservino più a lungo l'umidità, chiudere i fori.

5.17 Auto Icematic

(Questa funzione è opzionale)

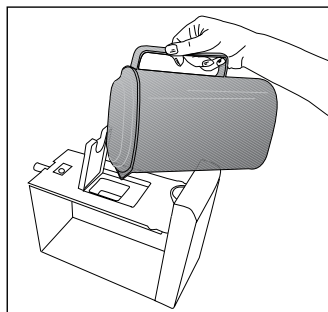
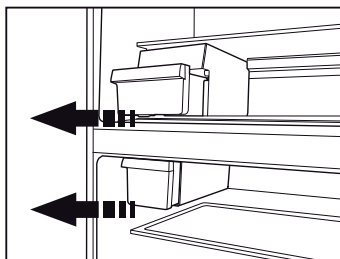
La funzione Icematic automatica consente di preparare facilmente il ghiaccio nel frigo. Rimuovere il serbatoio dell'acqua dallo scomparto frigo, riempirlo di acqua e reinstallarlo per ottenere il ghiaccio dall'Icematic. I primi cubetti di ghiaccio saranno pronti in circa 2 ore nel cassetto Icematic che si trova nello scomparto freezer.

Se si riempie completamente il serbatoio dell'acqua, sarà possibile ottenere circa 60-70 cubetti di ghiaccio.

Cambiare l'acqua nel serbatoio dell'acqua dopo circa 2-3 settimane.



per gli apparecchi dotati della funzione Icematic automatica, si può avvertire un rumore durante il versamento del ghiaccio. Questo rumore è normale e non indica un errore.



Utilizzo del frigorifero

5.18 Descrizione e pulizia del filtro odori:

OPZIONALE *

Il filtro odori evita la formazione di odori sgradevoli nel frigorifero.

Tirare verso il basso il coperchio in cui è installato il filtro odori e rimuovere secondo l'illustrazione. Lasciare il filtro per un giorno alla luce del sole. In filtro si pulirà in questo lasso di tempo. Installare di nuovo il filtro in posizione.

Il filtro odori deve essere pulito una volta all'anno.

5.19 HerbBox/HerbFresh

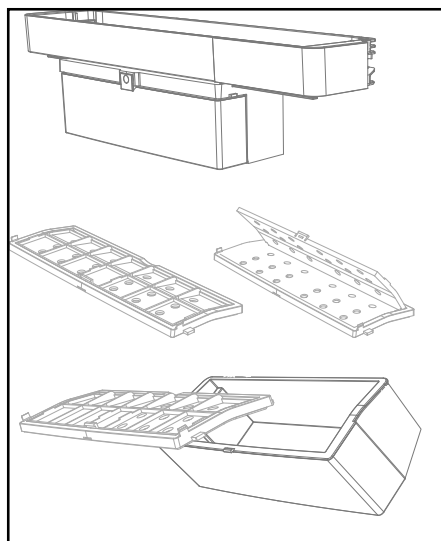
Togliere la custodia della pellicola dal HerbBox/HerbFresh+.

Togliere la pellicola dal sacchetto e inserirla nella custodia della pellicola come indicato in figura.

Chiudere la custodia e inserirla nuovamente nell'unità HerbBox/HerbFresh+.

Gli scomparti di HerbBox-HerbFresh+ sono ideali per la conservazione delle specie di erbe specialmente per quelle che devono essere conservate in condizioni sensibili. Potete conservare fresche le vostre verdure (prezzemolo, aneto, ecc) che avete tolto dal loro sacchetto in questo scomparto in posizione orizzontale per un periodo più lungo.

La pellicola deve essere sostituita ogni sei mesi.

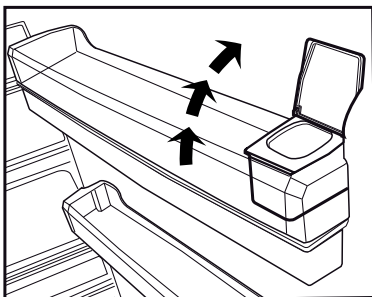
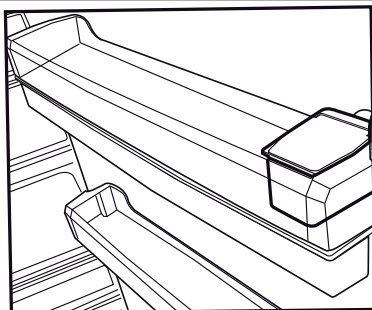
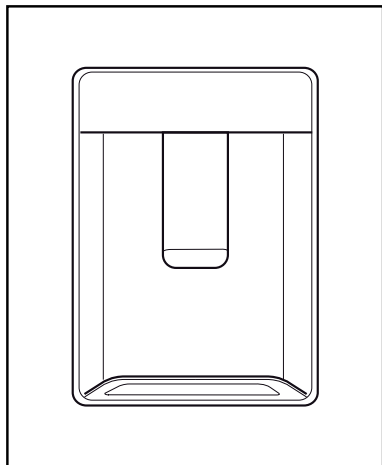


Utilizzo del frigorifero

5.20 Erogatore d'acqua

(in alcuni modelli)

L'erogatore dell'acqua è una funzione molto utile per ottenere acqua fredda senza aprire lo sportello del frigorifero. Dal momento che non bisogna aprire con frequenza lo sportello del frigorifero, si risparmia energia.



5.21 Uso dell'erogatore d'acqua

Premere il braccio dell'erogatore d'acqua col bicchiere. L'erogatore smette di erogare quando viene rilasciato il braccio. Quando si usa l'erogatore dell'acqua, il flusso massimo può essere ottenuto premendo completamente il braccio. Ricordare che la quantità del flusso dall'erogatore è soggetta al livello di pressione sul braccio.

Quando il livello dell'acqua nel bicchiere/nel contenitore aumenta, diminuire leggermente la pressione sul braccio per evitare traboccamento. Se si preme delicatamente il braccio, l'acqua gocciola; questo è normale e non è un guasto.

5.22 Riempimento del serbatoio dell'erogatore d'acqua

Il serbatoio per il riempimento dell'acqua si trova all'interno della rastrelliera dello sportello. Aprire il coperchio del serbatoio e riempire di acqua potabile pulita. E poi chiudere il coperchio.

Avvertenza!

- Non riempire il serbatoio d'acqua con liquidi diversi dall'acqua, come succhi di frutta, bevande gassate o bevande alcoliche che non sono adatte per essere usate nell'erogatore d'acqua. L'erogatore d'acqua si danneggerebbe in modo irreparabile a causa dell'uso di questi liquidi. La garanzia non copre tali usi. Alcune sostanze chimiche e alcuni additivi contenuti in questo tipo di bevande/liquidi possono danneggiare il materiale del serbatoio d'acqua.
- Usare solo acqua potabile pulita e pura.

Utilizzo del frigorifero

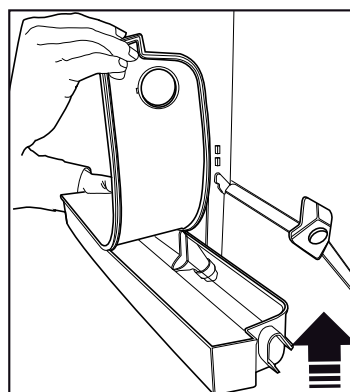
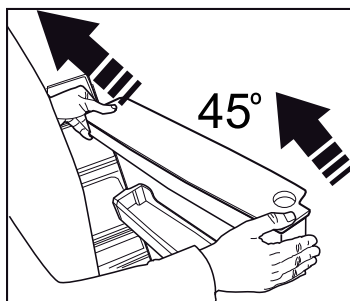
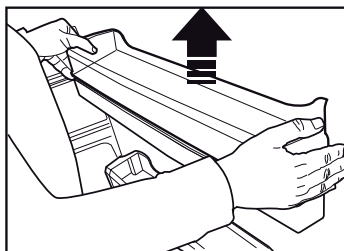
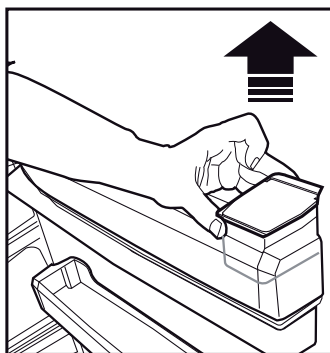
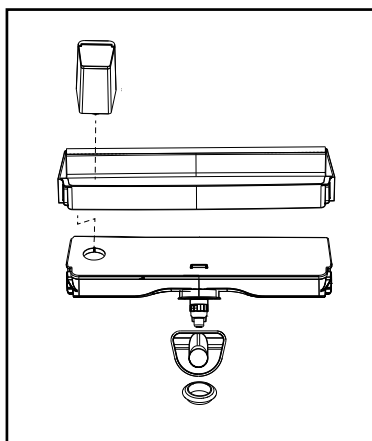
- La capacità del serbatoio dell'acqua è 3 litri; non riempire oltre.
- Premere il braccio dell'erogatore d'acqua con un bicchiere rigido. Se si usano bicchieri di plastica usa e getta, spingere il braccio con le dita da dietro il bicchiere.

5.23 Pulizia del serbatoio dell'acqua

- Rimuovere il serbatoio di riempimento dell'acqua dalla rastrelliera interna dello sportello.
- Rimuovere la rastrelliera tenendo da entrambi i lati.
- Afferrare il serbatoio dell'acqua da entrambi i lati e rimuoverlo con un angolo di 45°C.
- Pulire il serbatoio dell'acqua rimuovendone il coperchio.

Importante:

I componenti del serbatoio dell'acqua e dell'erogatore dell'acqua non devono essere lavati in lavastoviglie.



Utilizzo del frigorifero

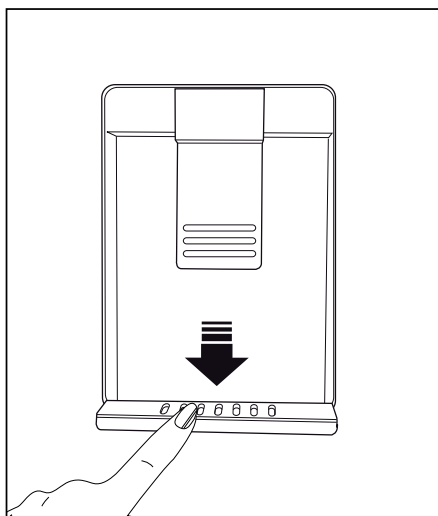
5.24 Vaschetta per l'acqua

L'acqua che sgocciola durante l'uso dell'erogatore si accumula nell'apposita vaschetta.

Estrarre la vaschetta in plastica come mostrato nella figura.

Con un panno asciutto e pulito, rimuovere l'acqua accumulata.

ATTENZIONE: Collegare solo ad una linea di acqua potabile.



Utilizzo del frigorifero

Impostazione Scomparto Congelatore	Impostazione Scomparto Frigorifero	Descrizioni
-18°C	4°C	Questa è l'impostazione predefinita è consigliata.
-20,-22 o -24°C	4°C	Queste impostazioni sono consigliate per temperature ambiente che superano i 30°C.
Congelamento rapido	4°C	Servirsi di questa opzione per congelare alimenti in un breve lasso di tempo; il dispositivo tornerà alle impostazioni precedenti al termine del processo.
-18°C o inferiore	2°C	Servirsi di queste impostazioni qualora si ritenga che lo scomparto frigorifero non sia abbastanza freddo a causa della temperatura ambiente o a causa delle frequenti aperture della porta.

5.25 Consigli per conservare alimenti surgelati

Lo scomparto deve essere impostato a una temperatura minima di -18°C.

1. Collocare gli alimenti all'interno del congelatore quanto più rapidamente possibile per evitare che si scongelino.
2. Prima del congelamento, verificare la "data di scadenza" sulla confezione per accertarsi del fatto che il prodotto non sia scaduto.
3. Accertarsi che la confezione dell'alimento non sia danneggiata.

5.26 Dettagli congelatore

Conformemente agli standard IEC 62552, Il congelatore deve avere la capacità di congelare 4,5 chili di alimenti a una temperatura di -18°C o inferiore, in 24 ore, per ogni 100 l di volume di scomparto di congelamento. Gli alimenti possono essere preservati solo per lunghi periodi di tempo a temperature uguali o inferiori a -18°. Sarà possibile conservare gli alimenti freschi per mesi,

all'interno del congelatore a temperature uguali o inferiori a -18°).

Gli alimenti da congelare non devono entrare in contatto con gli altri alimenti già congelati all'interno del congelatore, per evitare uno scongelamento parziale. Bollire le verdure filtrare l'acqua per estendere il tempo di conservazione congelato. Collocare gli alimenti in sacchetti ermetici, dopo aver eseguito il filtraggio e il posizionamento all'interno del congelatore. Banane, pomodori, lattuga, sedano, uova bollite, patate e altri alimenti simili non dovrebbero essere congelati. Congelando questi alimenti se ne ridurrà il valore nutrizionale e la qualità alimentare; i prodotti si potrebbero inoltre rovinare, il che causa problemi a livello di salute.

Utilizzo del frigorifero

5.27 Posizionamento degli alimenti

Ripiani dello scomparto congelatore	Vari alimenti congelati quali ad esempio carne, pesce, gelato, verdura, eccetera.
Ripiani dello scomparto frigorifero	Alimenti all'interno di pentole, vassoi e contenitori, uova, all'interno di una confezione
Ripiani della porta scomparto frigorifero	Piccoli alimenti o bevande
Cassetto verdura	Frutta e verdura
Scomparto alimenti freschi	Prodotti gastronomici, ad esempio colazione, carne da consumare a breve

5.28 Avvertenza sportello aperto (Questa funzione è opzionale)

Un segnale di avvertenza audio viene emesso quando lo sportello dell'apparecchio viene lasciato aperto per almeno 1 minuto. Questa avvertenza scompare quando lo sportello viene chiuso o se viene premuto uno dei pulsanti del display (se presenti).

5.29 Cambiamento della direzione di apertura della porta

La direzione di apertura della porta del frigorifero può essere modificata secondo il luogo in cui il frigorifero stesso sarà utilizzato. Per farlo, chiamare l'assistenza autorizzata più vicina.

La descrizione sopra è generale. Per informazioni sulla modifica della direzione di apertura della porta, bisogna vedere l'etichetta di avvertenza posizionata sul lato interno della porta.

5.30 Cambiare la lampadina di illuminazione

Per cambiare lampadina/LED utilizzati per illuminare il frigorifero, rivolgersi al Servizio Assistenza Autorizzato.

La lampada (le lampade) usata (usate) nell'apparecchiatura non è (sono) adatta (adatte) per l'illuminazione domestica. L'obiettivo previsto per questa lampada è quello di assistere l'utente in fase di posizionamento degli alimenti all'interno del frigorifero / congelatore in modo sicuro e comodo.

6. Pulizia e manutenzione

Pulendo il prodotto a intervalli regolari sarà possibile prolungare la durata di vita.



AVVERTENZA: Scollegare il frigorifero dalla corrente prima di eseguire la pulizia.

- Non usare strumenti appuntiti e abrasivi, sapone, materiali per pulire la casa, detersivi, gas, gasolio, vernice e sostanze simili per gli interventi di pulizia.
- Per i prodotti non-No Frost, si verifica la formazione di gocce di acqua e ghiaccio fino allo spessore di un dito sulla parete posteriore dello scomparto frigo. Non pulire; non applicare mai olio né agenti simili.
- Utilizzare solo panni umidi in microfibra per pulire la superficie esterna del prodotto. Spugne e altri tipi di panni per la pulizia possono graffiare la superficie.
- Sciogliere un cucchiaino di bicarbonato in acqua. Ammorbidire un panno in acqua, quindi strizzarlo. Pulire il dispositivo con questo panno, quindi asciugare completamente.
- Fare attenzione a tenere lontana l'acqua dalla copertura delle lampade dalle altre componenti elettriche.
- Pulire la porta con un panno bagnato. Togliere tutti gli elementi all'interno per staccare la porta ed i ripiani del telaio. Sollevare i ripiani della porta verso l'alto per poterli rimuovere. Pulire e asciugare i ripiani, poi fissare nuovamente in posizione facendo scorrere da sopra.

- Non usare cloro cronico o prodotti detersivi sulla superficie esterna del dispositivo e sulle componenti rivestite in cromo del prodotto. Il cloro provoca ruggine su queste superfici metalliche.

6.1. Evitare i cattivi odori

Il prodotto è stato realizzato senza materiali che emettono cattivi odori. Conservare tuttavia gli alimenti in sezioni non adeguate e pulire le superfici interne in modo non consona potrebbe provocare cattivi odori.

A tal fine consigliamo di pulire l'interno con acqua gassata ogni 15 giorni.

- Tenere gli alimenti in contenitori sigillati. I microrganismi potrebbero fuoriuscire dagli alimenti non sigillati causando così cattivi odori.
- Non conservare alimenti scaduti e marci all'interno del frigorifero.
- Non usare strumenti affilati e abrasivi o sapone, agenti detersivi domestici, detersivi, gasolio, benzene, cera, ecc., altrimenti le indicazioni sulle parti in plastica si toglieranno e si verificherà deformazione. Usare acqua tiepida e un panno morbido unicamente per le operazioni di pulizia e asciugatura.

6.2. Protezione delle superfici in plastica

L'olio rovesciato sulle superfici in plastica potrebbe danneggiare la superficie, e deve essere pulito immediatamente servendosi di acqua tiepida.

7. Risoluzione dei problemi

Controllare questo elenco prima di contattare l'assistenza clienti. Questa operazione vi consentirà di risparmiare soldi. Questo elenco contiene i problemi più frequenti che non a livello di manodopera o materiali. Alcune funzioni qui indicate potrebbero non essere valide per il vostro prodotto.

Il frigorifero non funziona.

- La presa di corrente non è stata inserita correttamente. >>> Spingerla fino a inserirla completamente nella presa.
- Il fusibile collegato alla presa che alimenta il prodotto, oppure il fusibile principale, è bruciato. >>> Controllare i fusibili.

Condensa sulla parete laterale dello scomparto frigorifero (MULTI ZONE, COOL, CONTROL e FLEXI ZONE).

- La porta viene aperta troppo spesso >>> Fare attenzione a non aprire eccessivamente la porta del dispositivo.
- L'ambiente è troppo umido. >>> Non installare il prodotto in ambienti umidi.
- Gli alimenti che contengono liquidi vengono conservati in contenitori non sigillati. >>> Tenere gli alimenti in contenitori sigillati.
- La porta viene lasciata aperta. >>> Non tenere aperte a lungo le porte del frigorifero.
- Il termostato è impostato su una temperatura troppo bassa. >>> Impostare il termostato su una temperatura adeguata.

Il compressore non funziona.

- In caso di improvviso black out, o nel caso in cui la spina venga tolta e poi reinserita, la pressione del gas nel sistema di raffreddamento del dispositivo non è equilibrata, il che fa scattare la protezione termica del compressore. Il dispositivo si riavvierà dopo circa 6 minuti. Qualora il prodotto non si riavvia dopo questo periodo, contattare l'assistenza.
- La modalità di scongelamento è attiva. >>>> Si tratta di una condizione normale per un frigorifero con funzione di sbrinamento completamente automatica. Lo sbrinamento avviene a intervalli periodici.
- Il prodotto non è collegato. >>> Verificare che il cavo di alimentazione sia collegato.
- L'impostazione di temperatura non è corretta. >>> Selezionare l'impostazione di temperatura adeguata.
- Assenza di corrente. >>> Il prodotto continuerà a funzionare normalmente quando viene ripristinata la corrente elettrica.

Il rumore di funzionamento del frigorifero aumenta col passare del tempo.

- Le prestazioni operative del prodotto possono variare a seconda delle variazioni di temperatura ambiente. Questa non è un'anomalia di funzionamento.

Il frigorifero funziona troppo spesso o troppo lungo.

Risoluzione dei problemi

- Il nuovo prodotto potrebbe essere più grande di quello precedente. I prodotti più grandi funzioneranno più a lungo.
- La temperatura ambiente potrebbe essere alta. >>> Il prodotto funzionerà normalmente per lunghi periodi di tempo con temperature superiori.
- Il prodotto potrebbe essere stato di recente collegato alla corrente, oppure al suo interno potrebbero essere stati recentemente aggiunti vari alimenti. >>> Allo prodotto servirà più tempo per raggiungere la temperatura impostata, se collegato di recente, oppure nel caso in cui vengano collocati nuovi elementi al suo interno, Non si tratta di un'anomalia.
- Forse di recente sono state introdotte nel frigorifero grandi quantità di alimenti caldi. >>> Non mettere alimenti caldi direttamente dentro al frigorifero.
- Le porte sono state aperte frequentemente o tenute aperte a lungo. >>> L'aria calda che si muove all'interno provocherà un funzionamento più lungo. Non aprire le porte con troppa frequenza.
- Le porte del congelatore o del frigorifero potrebbero essere socchiuse. >>> Controllare che le porte siano totalmente chiuse.
- Il prodotto potrebbe essere impostato su una temperatura troppo bassa, >>> Impostare la temperatura su un livello più alto e attendere che il prodotto raggiunga la temperatura desiderata.
- La rondella della porta del frigorifero del congelatore potrebbe essere sporca, usurata, rotta o non correttamente configurata, >>> Pulire e sostituire la rondella. Le rondelle consumate e usurate faranno funzionare il prodotto più a lungo per conservare la temperatura attuale.

La temperatura del congelatore è molto bassa, ma la temperatura del frigorifero è corretta.

- La temperatura dello scomparto congelatore è impostata su un livello molto basso, >>> Impostare la temperatura dello scomparto congelatore su un livello più alto, quindi eseguire un controllo.

La temperatura del frigorifero è molto bassa, ma la temperatura del congelatore è corretta.

- La temperatura dello scomparto frigorifero è impostata su un livello molto basso, >>> Impostare la temperatura dello scomparto frigorifero su un livello più alto, quindi eseguire un controllo.

Gli alimenti conservati nei cassetti dello scomparto frigorifero sono congelati.

- La temperatura dello scomparto frigorifero è impostata su un livello molto basso, >>> Impostare la temperatura dello scomparto congelatore su un livello più alto, quindi eseguire un controllo.

La temperatura nel vano frigorifero e congelatore è troppo alta.

Risoluzione dei problemi

- La temperatura dello scomparto frigorifero è impostata su un livello molto alto. >>> L'impostazione della temperatura dello scomparto frigorifero influenza la temperatura dello scomparto del congelatore. Modificare la temperatura dello scomparto congelatore o frigorifero e attendere che tutti gli scomparti interessati raggiungano il livello di temperatura impostata.
- Le porte sono state aperte frequentemente o tenute aperte a lungo. >>> Non aprire le porte con troppa frequenza.
- La porta potrebbe essere socchiusa. >>> Chiudere completamente la porta.
- Il prodotto potrebbe essere stato di recente collegato alla corrente, oppure al suo interno potrebbero essere stati recentemente aggiunti vari alimenti. >>> Al prodotto servirà più tempo per raggiungere la temperatura impostata, se collegato di recente, oppure nel caso in cui vengano collocati nuovi elementi al suo interno.
- Di recente sono state introdotte nel frigorifero grandi quantità di alimenti caldi. >>> Non mettere alimenti caldi direttamente dentro al frigorifero.
- Il pavimento non è in piano o resistente. >>> Se il prodotto vibra, quando viene spostato lentamente, regolare i supporti per equilibrare il prodotto. Verificare inoltre che la superficie di appoggio sia sufficientemente resistente per supportarne il peso.
- Gli eventuali oggetti collocati sul prodotto potrebbero essere fonte di rumore. >>> Togliere gli eventuali elementi collocati sul prodotto.

Il prodotto emette rumori, come ad esempio liquido che scorre, spruzzo, eccetera

- I principi operativi del prodotto prevedono la presenza di flussi di liquidi e flussi di gas. >>> Questa non è un'anomalia di funzionamento.

C'è un rumore, simile a un soffio, che proviene dal prodotto.

- Il prodotto si serve di una ventola per il processo di raffreddamento. Questa non è un'anomalia di funzionamento.

Si è formata condensa sulle pareti interne del dispositivo.

- Le condizioni meteo calde o umide aumentano la formazione di ghiaccio e di condensa. Questa non è un'anomalia di funzionamento.
- Le porte sono state aperte frequentemente o tenute aperte a lungo. >>> Non aprire le porte con troppa frequenza; se la porta è aperta, chiuderla.
- La porta potrebbe essere socchiusa. >>> Chiudere completamente la porta.

Vibrazioni o rumore.

Risoluzione dei problemi

Si è formata condensa sulla superficie esterna del dispositivo o fra le porte.

- Le condizioni ambientali potrebbero essere umide, e ciò è normale. >>> La condensa si dissipa quando l'umidità viene ridotta.

L'interno emette cattivi odori.

- Il prodotto non viene pulito regolarmente. >>> Pulire la superficie interna a intervalli regolari servendosi di spugna, acqua tiepida, e acqua gassata.
- Alcuni contenitori e imballaggi potrebbero emettere cattivi odori. >>> Servirsi di imballaggi che non emettano cattivi odori.
- Gli alimenti sono stati collocati all'interno di contenitori non sigillati. >>> Tenere gli alimenti in contenitori sigillati. I microrganismi potrebbero fuoriuscire dagli alimenti non sigillati causando così cattivi odori.
- Rimuovere gli eventuali alimenti scaduti o rovinati dal dispositivo.

La porta non si chiude correttamente.

- Le confezioni di cibo potrebbero bloccare la porta. >>> Trovare una nuova posizione per gli alimenti che bloccano le porte.
- Il prodotto non è in posizione verticale, appoggiato per terra. >>> Regolare i supporti per l'equilibrio del prodotto.
- Il pavimento non è in piano o resistente. >>> Verificare che la superficie di appoggio sia sufficientemente resistente per supportarne il peso.

Il cassetto verdura si è inceppato.

- Gli alimenti potrebbero entrare in contatto con la sezione superiore cassetto. >>> Ri-organizzare gli alimenti nel cassetto.

Se La Superficie Del Prodotto È Bollente.

- Quando il prodotto è in funzione, possono essere osservate alte temperature tra i due sportelli, sui pannelli laterali e sul grill posteriore. Ciò è normale e non richiede manutenzione!



AVVERTENZA: Qualora il problema persista dopo aver seguito le istruzioni contenute in questa sezione, contattare il proprio fornitore oppure un Servizio Autorizzato. Evitare in ogni caso di riparare il prodotto.

DISCLAIMER / AVVERTENZE

Alcuni guasti (semplici) possono essere adeguatamente gestiti dall'utente finale senza che sorgano problemi di sicurezza o utilizzi non sicuri, a condizione che vengano eseguiti entro i limiti e in conformità con le seguenti istruzioni (vedere la sezione "Riparazione fai da te").

Pertanto, salvo diversa autorizzazione nella sezione di seguito "Riparazione fai da te", le riparazioni devono essere indirizzate a manutentori professionisti registrati al fine di evitare problemi di sicurezza. Un manutentore professionista registrato è un manutentore professionista a cui è stato concesso l'accesso alle istruzioni e all'elenco dei pezzi di ricambio di questo prodotto dal produttore secondo le modalità descritte negli atti legislativi ai sensi della Direttiva 2009/125/CE.

Tuttavia, solo l'agente dell'assistenza (ovvero i manutentori professionisti autorizzati) che è possibile contattare tramite il numero di telefono indicato nel manuale dell'utente / scheda di garanzia o tramite il rivenditore autorizzato che può fornire assistenza in base ai termini di garanzia. Pertanto, si prega di notare che le riparazioni da parte di manutentori professionisti (non autorizzati da Beko) invaliderà la garanzia.

Riparazione fai da te

La riparazione fai da te può essere eseguita dall'utente finale per quanto riguarda i seguenti pezzi di ricambio: maniglie delle porte, cerniere delle porte, vassoi, cestelli e guarnizioni delle porte (un elenco aggiornato è disponibile anche su support.beko.com dal 1° marzo 2021)

Inoltre, per garantire la sicurezza del prodotto e per prevenire il rischio di lesioni gravi, la suddetta riparazione fai da te deve essere eseguita seguendo le istruzioni nel manuale utente per la riparazione fai da te o disponibili in support.beko.com Per la propria sicurezza, scollegare il prodotto prima di tentare qualsiasi riparazione fai da te.

Tentativi di riparazione e riparazione da parte degli utenti finali per parti non incluse in tale elenco e/o che non seguono le istruzioni nei manuali utente per la riparazione fai da te o che sono disponibili in support.beko.com, potrebbe dar luogo a problemi di sicurezza non imputabili a Beko e invaliderà la garanzia del prodotto.

Pertanto, si raccomanda vivamente agli utenti finali di astenersi dal tentativo di eseguire riparazioni che non rientrano nell'elenco dei pezzi di ricambio menzionato, contattando in tali casi manutentori professionisti autorizzati o manutentori professionisti registrati. Altrimenti, tali tentativi da parte degli utenti finali possono causare problemi di sicurezza e danneggiare il prodotto e conseguentemente causare incendi, inondazioni, elettrocuzione e gravi lesioni personali.

A titolo esemplificativo, ma non esaustivo, le seguenti riparazioni devono essere indirizzate ai manutentori professionisti autorizzati o manutentori professionisti registrati: compressore, circuito frigorifero, scheda principale, scheda inverter, scheda display ecc.

Il produttore/venditore non può essere ritenuto responsabile in ogni caso in cui gli utenti finali non rispettano quanto sopra.

La disponibilità dei pezzi di ricambio frigorifero che hai acquistato è di 10 anni. Durante questo periodo saranno disponibili ricambi originali per il corretto funzionamento frigorifero.

La durata minima della garanzia del frigorifero acquistato è di 24 mesi.

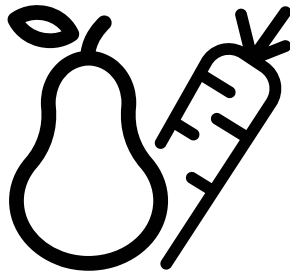
Questo prodotto è dotato di una sorgente di illuminazione con classe energetica "G".

La sorgente di illuminazione nel prodotto dovrà essere sostituita solo da professionisti nel campo della riparazione.



Réfrigérateur
Manuel d'utilisation

Refrigerador
Manual del usuario



RDNE455E20DS-RDNE455E20DB-RDNE455E20T-
RDNE455E30DZXB-RDNE455E30DZXBN-RDNE455E31ZXBN



FR/ES
57 7588 0000/AP-2/3- FR-ES

Veillez d'abord lire ce manuel d'utilisation !

Chère cliente, cher client,

Nous aimerions que vous soyez entièrement satisfait de notre appareil, fabriqué dans des infrastructures modernes et ayant fait l'objet d'un contrôle de qualité minutieux.

À cet effet, veuillez lire en intégralité le manuel d'utilisation avant d'utiliser cet appareil, et conservez-le pour références ultérieures. Si vous offrez cet appareil à une autre personne, remettez-lui également le manuel d'utilisation.

Le manuel d'utilisation garantit l'utilisation rapide et sécurisée du réfrigérateur.

- Veuillez lire le manuel d'utilisation avant d'installer et d'utiliser le réfrigérateur,
- Respectez toujours les instructions de sécurité en vigueur,
- Tenez le manuel d'utilisation à portée pour références ultérieures,
- Veuillez lire tous les autres documents fournis avec l'appareil,

Veillez noter que ce manuel d'utilisation peut se rapporter à plusieurs modèles de cet appareil. Le manuel indique clairement toutes les différences entre les modèles.

Symboles et commentaires

Les symboles suivants sont utilisés dans le manuel d'utilisation :

	Informations importantes et renseignements utiles,
	Avertissement relatif aux conditions dangereuses pour la vie et la propriété,
	Risque d'électrocution,
	L'emballage de l'appareil a été fabriqué à partir de matériaux recyclables, conformément à la législation nationale en matière d'environnement,

INFORMATION



SUPPLIER'S NAME

MODEL IDENTIFIER → (*)

A

A

.Vous pouvez accéder aux informations relatives au modèle telles que sauvegardées dans la base de données des produits en entrant le site internet suivant et en recherchant l'identifiant de votre modèle (*) qui se trouve sur la vignette énergie

<https://eprel.ec.europa.eu/>

1 Instructions en matière de sécurité et d'environnement 3

1.1. Consignes générales de sécurité	3
1.1.1 Avertissement HC	5
1.1.2 Pour les modèles avec distributeur d'eau	5
1.2. Utilisation préconisée	5
1.3. Sécurité des enfants	6
1.4. Conformité avec la directive DEEE et mise au rebut des déchets	6
1.5. Conformité avec la directive LdSD	6
1.6. Information sur l'emballage	6

2 Votre réfrigérateur 7

3 Installation 8

3.1. Lieu idéal d'installation	8
3.2. Fixation des cales en plastique	8
3.3. Réglage des pieds	8
3.4. Branchement électrique	9
3.5. Réversibilité des portes	10
3.6. Réversibilité des portes	11

4 Préparation 12

4.1. Moyens d'économiser l'énergie	12
4.2. Première utilisation	13

4 Préparation 13

5 utilisation de l'appareil 14

5.1. Bouton de réglage de température	14
5.2. Congélation rapide	14
5.3. Fonction Vacances	15
5.4. Panneau indicateur	16
5.5. Bandeau indicateur	18
5.6. Distributeur de glaçons rotatif	25
5.7. Seau à glace	26
5.8. Support d'œufs	26
5.9. Ventilateur	26

5.10. Bac à légumes	27
5.11. Compartiment zéro degré	27
5.12. Balconnet de porte amovible	28
5.13. Boîte de stockage coulissante	28
5.14. Bac à légumes à humidité contrôlée	29
5.15. Machine à glace automatique	29
5.16. Description et nettoyage du filtre à odeurs	30
5.17. Éclairage bleu	31
5.18. Distributeur d'eau	31
5.19. Utilisation du distributeur	32
5.20. Remplir le réservoir d'eau de la fontaine frigorifique	32
5.21. Nettoyer le réservoir d'eau	33
5.22. Bac à eau	34
5.23. Congélation des produits frais	35
5.24. Recommandations relatives à la conservation des aliments congelés	36
5.25. Informations relatives au congélateur	36
5.26. Disposition des denrées	36
5.27. Alerte ouverture de porte	37
5.28. Inversion de la direction d'ouverture de la porte	37
5.29. Éclairage interne	37

6 Entretien et nettoyage 38

6.1. Prévention Des Mauvaises Odeurs	38
6.2. Protection Des Surfaces En Plastique	38
6.3. Vitre De Porte	38

6 Entretien et nettoyage 39

7 Dépannage 40

Veillez examiner les informations suivantes :

Cet appareil peut être utilisé par des enfants âgés d'au moins 8 ans et par des personnes ayant des capacités physiques, sensorielles ou mentales réduites ou dénuées d'expérience ou de connaissance, s'ils (si elles) sont correctement surveillé(e)s ou si des instructions relatives à l'utilisation de l'appareil en toute sécurité leur ont été données et si les risques encourus ont été appréhendés. Les enfants ne doivent pas jouer avec l'appareil. Le nettoyage et l'entretien par l'utilisateur ne doivent pas être effectués par des enfants sans surveillance.

Le non respect de ces consignes peut entraîner des blessures ou dommages matériels. Sinon, tout engagement lié à la garantie et à la fiabilité du produit devient invalide.

La durée de vie moyenne du produit que vous avez acheté est de 10 ans. Il s'agit ici de la période au cours de laquelle vous devez conserver les pièces de rechange nécessaires à son fonctionnement.

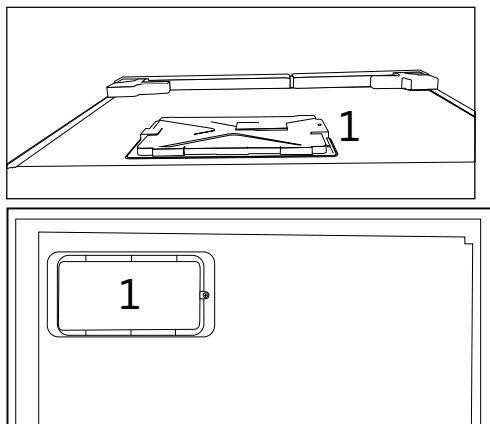
1.1. Consignes générales de sécurité

- Cet appareil ne doit pas être utilisé par des personnes atteintes de déficience physique, sensorielle ou mentale, des personnes sans connaissances suffisantes et inexpérimentées ou par des enfants. Il ne doit être utilisé

par ces personnes que si elles sont supervisées ou sous les instructions d'une personne responsable de leur sécurité. Ne laissez pas les enfants jouer avec l'appareil.

- En cas de dysfonctionnement, débranchez l'appareil.
- Après avoir débranché l'appareil, patientez 5 minutes avant de le rebrancher.
- Débranchez l'appareil lorsqu'il n'est pas utilisé.
- Évitez de toucher le cordon d'alimentation avec des mains humides ! Ne le débranchez jamais en tirant le câble, mais plutôt en tenant la prise.
- Évitez de brancher le réfrigérateur lorsque la prise est instable.
- Débranchez l'appareil pendant l'installation, l'entretien, le nettoyage et la réparation.
- Si l'appareil ne sera pas utilisé pendant une longue période, débranchez-le et videz l'intérieur.
- Évitez d'utiliser l'appareil lorsque le compartiment équipé des cartes de circuits situé sur la partie supérieure de l'appareil (couvercle du boîtier de la carte d'alimentation) (1) est ouvert.

Instructions en matière de sécurité et d'environnement

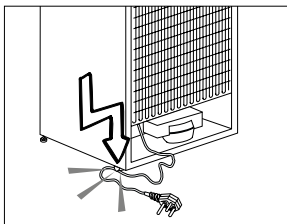


- N'utilisez pas la vapeur ou de matériel de nettoyage à vapeur pour nettoyer le réfrigérateur et faire fondre la glace. La vapeur peut atteindre les zones électrifiées et causer un court-circuit ou l'électrocution !
- Ne lavez pas l'appareil par pulvérisation ou aspersion d'eau ! Risque d'électrocution !
- En cas de dysfonctionnement, n'utilisez pas l'appareil car il peut entraîner une électrocution. Contactez le service agréé avant de procéder à toute intervention.
- Branchez votre appareil à une prise de mise à la terre. La mise à la terre doit être effectuée par un technicien qualifié.
- Si l'appareil possède un éclairage de type DEL, contactez le service agréé pour tout remplacement ou en cas de problème.
- Évitez de toucher les aliments congelés avec des mains humides ! Ils pourraient coller à vos mains !
- Ne placez pas de boissons en bouteille ou en canette dans le compartiment de congélation. Elles risquent d'exploser !
- Placez les boissons verticalement, dans des récipients convenablement fermés.
- Ne pulvérisez pas de substances contenant des gaz inflammables près du réfrigérateur pour éviter tout risque d'incendie et d'explosion.
- Ne conservez pas de substances et produits inflammables (vaporisateurs, etc.) dans le réfrigérateur.
- Ne placez pas de récipients contenant des liquides au-dessus du réfrigérateur. Les projections d'eau sur des pièces électrifiées peuvent entraîner des électrocutions et un risque d'incendie.
- L'exposition du produit à la pluie, à la neige, au soleil et au vent présente des risques pour la sécurité électrique. Quand vous transportez le réfrigérateur, ne le tenez pas par la poignée de la porte.

Instructions en matière de sécurité et d'environnement

Elle peut se casser.

- Évitez que votre main ou toute autre partie de votre corps ne se retrouve coincée dans les parties amovibles de l'appareil.
- Évitez de monter ou de vous appuyer contre la porte, les tiroirs ou toute autre partie du réfrigérateur. Cela peut faire tomber l'appareil et l'endommager.
- Évitez de coincer le câble d'alimentation.



1.1.1 Avertissement HC

Si votre réfrigérateur possède un système de refroidissement utilisant le gaz R600a, évitez d'endommager le système de refroidissement et sa tuyauterie pendant l'utilisation et le transport de l'appareil. Ce gaz est inflammable. Si le système de refroidissement est endommagé, éloignez l'appareil des flammes et aérez la pièce immédiatement.



L'étiquette sur la paroi intérieure gauche de l'appareil indique le type de gaz utilisé.

1.1.2 Pour les modèles avec distributeur d'eau

- La pression de l'eau froide à l'entrée ne doit pas excéder 90 psi (6.2 bar). Si votre pression d'eau dépasse 80 psi (5,5 bar), utilisez une soupape de limitation de pression sur votre réseau de conduite. Si vous ne savez pas comment vérifiez la pression de l'eau, demandez l'assistance d'un plombier professionnel.
- S'il existe un risque d'effet coup de bélier sur votre installation, utilisez systématiquement un équipement de protection contre l'effet coup de bélier sur celle-ci. Consultez des plombiers professionnels si vous n'êtes pas sûr de la présence de cet effet sur votre installation.
- Ne l'installez pas sur l'entrée d'eau chaude. Prenez des précautions contre le risque de congélation des tuyaux. L'intervalle de fonctionnement de la température des eaux doit être de 33 F (0,6°C) au moins et de 100 F (38 C) au plus.
- Utilisez uniquement de l'eau potable.

1.2. Utilisation préconisée

- Cet appareil est exclusivement conçu pour un usage domestique. Il n'est pas destiné à un usage commercial.

Instructions en matière de sécurité et d'environnement

- Il doit être exclusivement utilisé pour le stockage des denrées et des boissons.
- Les produits qui nécessitent un contrôle de température précis (vaccins, médicaments sensibles à la chaleur, matériels médicaux, etc.) ne doivent pas être conservés dans le réfrigérateur.
- Le fabricant ne sera pas tenu responsable de tout dommage résultant d'une mauvaise utilisation ou manipulation.
- Les pièces détachées d'origine sont disponibles pendant 10 ans, à compter de la date d'achat du produit.

1.3. Sécurité des enfants

- Conservez les matériaux d'emballage hors de la portée des enfants.
- Ne laissez pas les enfants jouer avec l'appareil.
- Si la porte de l'appareil est dotée d'une serrure, gardez la clé hors de la portée des enfants.

1.4. Conformité avec la directive DEEE et mise au rebut des déchets :

Ce produit est conforme à la directive DEEE (2012/19/UE) de l'Union européenne). Ce produit porte un symbole de classification pour la mise au rebut des équipements électriques et électroniques (DEEE).



Ce symbole indique que ce produit ne doit pas être jeté avec les déchets ménagers à la fin de sa vie utile. Les appareils usagés doivent être retournés au point de collecte officiel destiné au recyclage des appareils électriques et électroniques. Pour trouver ces systèmes de collecte, veuillez contacter les autorités locales ou le détaillant auprès duquel vous avez acheté le produit. Chaque ménage joue un rôle important dans la récupération et le recyclage des appareils ménagers usagés. L'élimination appropriée des appareils usagés aide à prévenir les conséquences négatives potentielles pour l'environnement et la santé humaine.

1.5. Conformité avec la directive LdSD :

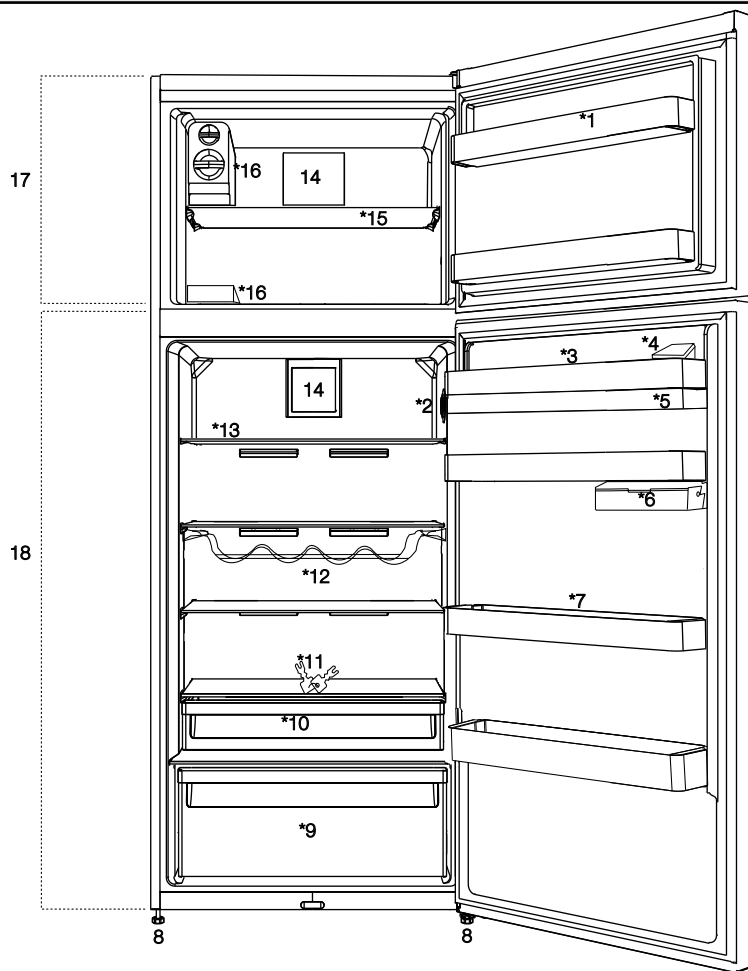
L'appareil que vous avez acheté est conforme à la directive LdSD (2011/65/UE) de l'Union européenne. Il ne comporte pas les matériels dangereux et interdits mentionnés dans la directive.

1.6. Information sur l'emballage



L'emballage du produit est composé de matériaux recyclables, conformément à notre réglementation nationale. Ne jetez pas les éléments d'emballage avec les déchets domestiques et autres déchets. Déposez-les dans un des points de collecte d'éléments d'emballage que vous indiquera l'autorité locale dont vous dépendez.

2 Votre réfrigérateur



1. Réfrigérateur - étagère porte du compartiment
2. Bouton de réglage de la température
3. Distributeur de réservoir d'eau de remplissage
4. Section de Egg
5. Réservoir de distribution de l'eau
6. Récipient de rangement sous le plateau de porte
7. Étagère porte en mouvement
8. Pieds réglables
9. Crisper
10. Compartiment Chiller
11. Serrure et clé
12. Bouteille plateau
13. Réfrigérateur - étagère en verre compartiment
14. Ventilateur
15. Congélateur compartiment plateau
16. Glacière / compartiment fabrication de glace
17. Compartiment congélateur
18. Compartiment réfrigérateur



***En option :** Les images présentées dans ce manuel sont fournies à titre indicatif et elles peuvent ne pas correspondre exactement à votre appareil. Si votre appareil ne dispose pas des parties citées, alors l'information s'applique à d'autres modèles.

3.1. Lieu idéal d'installation

Contactez le service agréé pour l'installation de votre réfrigérateur. Pour préparer l'installation du réfrigérateur, lisez attentivement les instructions du manuel d'utilisation et assurez-vous que les équipements électriques et d'approvisionnement d'eau sont installés convenablement. Si non, contactez un électricien et un plombier pour effectuer les réparations nécessaires.

	AVERTISSEMENT : Le fabricant ne sera pas tenu responsable en cas de problèmes causés par des travaux effectués par des personnes non autorisées.
	AVERTISSEMENT : Débranchez le câble d'alimentation du réfrigérateur pendant l'installation. Le non-respect de cette consigne peut entraîner la mort ou des blessures graves !
	AVERTISSEMENT : Si le cadre de la porte est trop étroit pour laisser passer l'appareil, retirez la porte et faites passer l'appareil sur les côtés ; si cela ne fonctionne pas, contactez le service agréé.

- Placez l'appareil sur une surface plane pour éviter les vibrations.
- Placez le produit à 30 cm du chauffage, de la cuisinière et des autres sources de chaleur similaires et à au moins 5 cm des fours électriques.
- N'exposez pas le produit directement à lumière du soleil et ne le laissez pas dans des environnements humides.
- Le bon fonctionnement de votre réfrigérateur nécessite la bonne circulation de l'air.

- Votre produit nécessite une circulation d'air adéquate pour pouvoir fonctionner efficacement. S'il est placé dans une alcôve, n'oubliez pas de laisser un espace d'au moins 5 cm entre l'appareil, le plafond, la paroi arrière et les parois latérales.

S'il est placé dans une alcôve, n'oubliez pas de laisser un espace d'au moins 5 cm entre l'appareil, le plafond, la paroi arrière et les parois latérales. Vérifiez que l'élément de protection d'espace de la façade arrière est présent à son emplacement (au cas où il est fourni avec l'appareil). Si l'élément n'est pas disponible, perdu ou tombé, positionnez l'appareil de manière à laisser un espace d'au moins 5 cm entre la surface arrière de l'appareil et les murs de la pièce. L'espace prévu à l'arrière est important pour le fonctionnement efficace de l'appareil.

- Ne placez pas le réfrigérateur dans des environnements avec des températures inférieures à -5 °C.

3.2. Fixation des cales en plastique

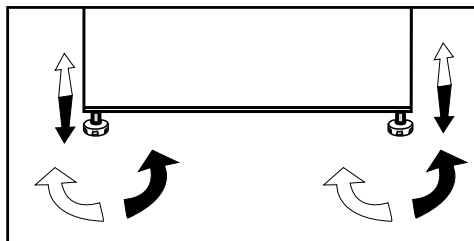
Utilisez les cales en plastiques fournies avec le réfrigérateur pour créer une circulation d'air suffisante entre le réfrigérateur et le mur.

1. Pour fixer les cales, retirez les vis du réfrigérateur et utilisez celles fournies avec les cales,
2. Fixez 2 cales en plastique sur le couvercle de ventilation tel qu'illustré par l'image.

3.3. Réglage des pieds

Si le réfrigérateur n'est pas équilibré, réglez les pieds avant en les tournant vers la gauche ou la droite.

Installation



3.4. Branchement électrique



AVERTISSEMENT : Ne branchez pas le réfrigérateur sur une rallonge ou une multiprise.



AVERTISSEMENT : Les câbles d'alimentation endommagés doivent être remplacés par le service agréé.



Lorsque deux réfrigérateurs sont installés côte à côte, ils doivent être séparés par au moins 4 cm.

- Notre entreprise ne sera pas tenue responsable de tout dommage résultant de l'utilisation de l'appareil sans prise de mise à la terre ou branchement électrique conforme à la norme nationale en vigueur.
- Gardez la fiche du câble d'alimentation à portée de main après l'installation.
- N'utilisez pas de fiches multiples avec ou sans câble d'extension entre la prise murale et le réfrigérateur.

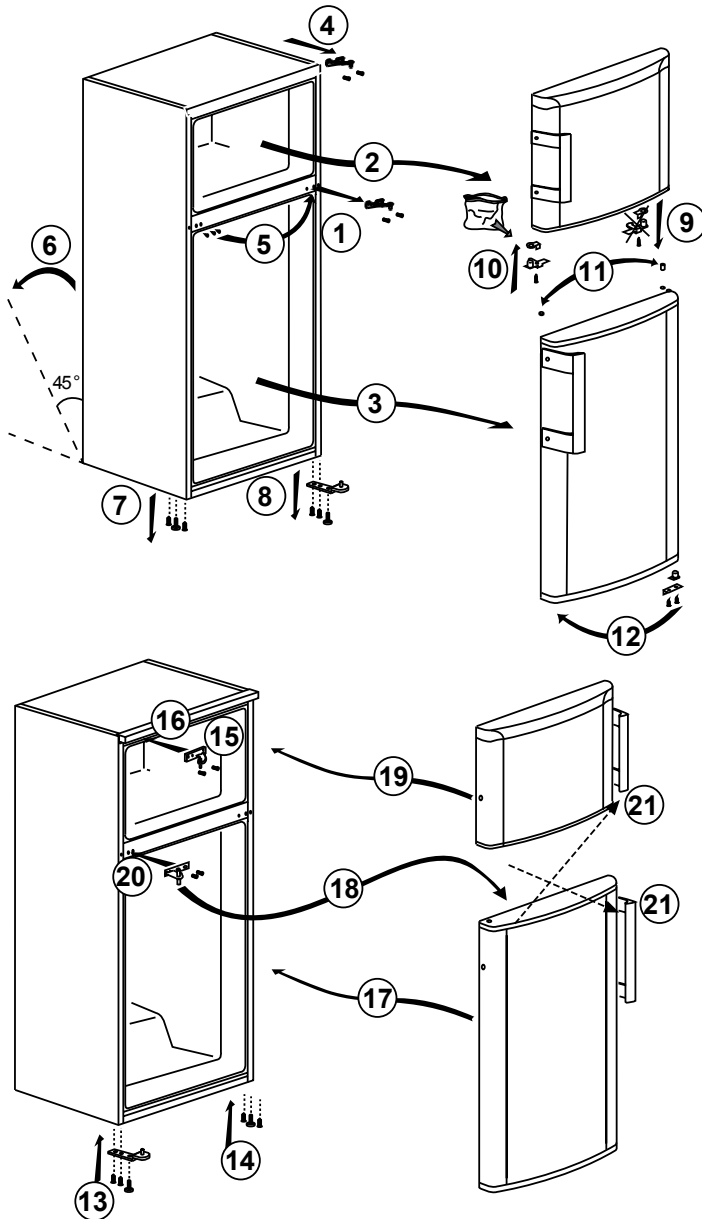


Avertissement relatif à la surface chaude
Les parois latérales de votre appareil sont équipées de conduits frigorifiques visant à améliorer le système de refroidissement. Le réfrigérant porté à des températures élevées peut jaillir à travers ces zones, entraînant ainsi le réchauffement des parois latérales. Ce phénomène est normal et ne nécessite aucun entretien. Soyez prudent au moment de toucher à ces zones.

Installation

3.5. Réversibilité des portes

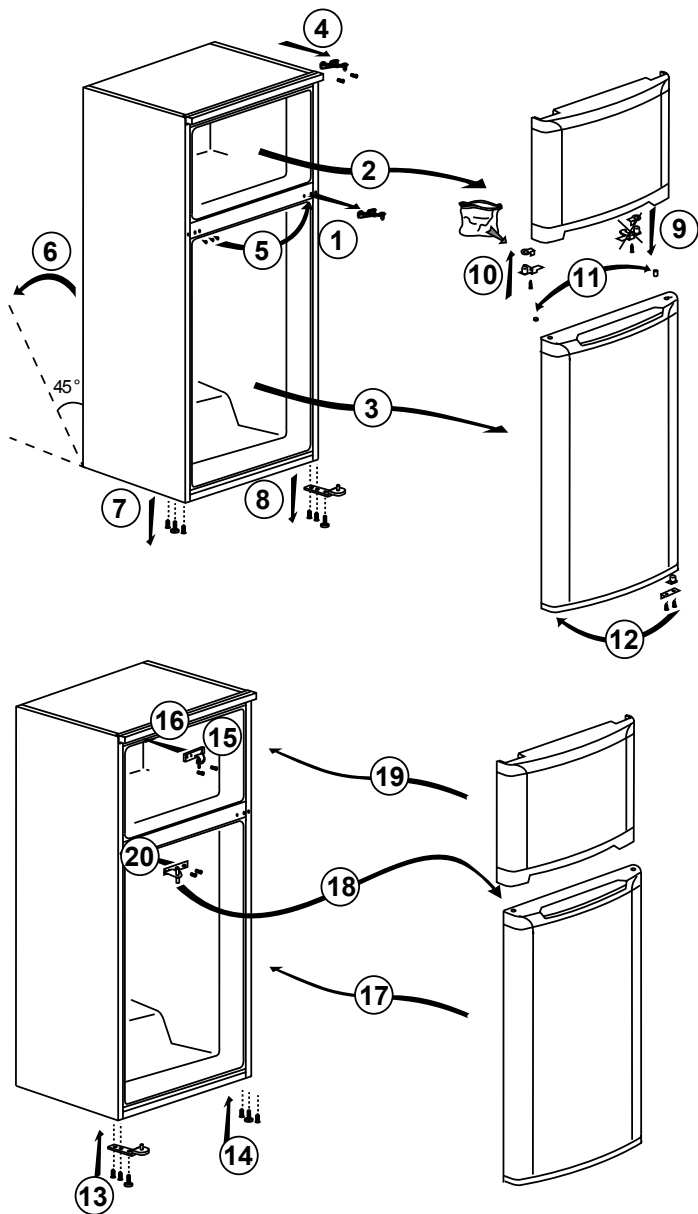
Procédez dans l'ordre numérique.



Installation

3.6. Réversibilité des portes

Procédez dans l'ordre numérique.



4 Préparation

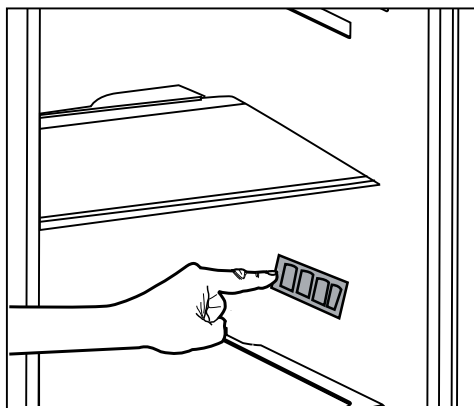
4.1. Moyens d'économiser l'énergie



Il est dangereux de connecter l'appareil aux systèmes électroniques d'économie d'énergie, ils pourraient l'endommager.

- Pour un appareil amovible, 'cet appareil de réfrigération n'est pas conçu pour être utilisé comme un appareil à encastrer'.
- Ne laissez pas la porte du réfrigérateur ouverte longtemps.
- Ne conservez pas des aliments ou des boissons chauds dans le réfrigérateur.
- Ne surchargez pas le réfrigérateur, l'obstruction du flux d'air interne réduira la capacité de réfrigération.
- Pour stocker une quantité maximale d'aliments dans le compartiment réfrigérateur, retirez les tiroirs supérieurs et placez-les sur l'étagère pour verres. La consommation énergétique définie de votre réfrigérateur est déterminée lorsque vous retirez le refroidisseur, le bac à glaçons et les tiroirs supérieurs d'une manière qui permettra un chargement maximal. Il est fortement recommandé d'utiliser le tiroir inférieur lors du chargement. Activez la fonction Économie d'énergie pour une meilleure consommation énergétique.
- Évitez de bloquer le flux d'air en plaçant les aliments devant le ventilateur du refroidisseur. Laissez un espace de 3 cm devant la grille de protection du ventilateur lors du chargement des aliments.
- Selon les caractéristiques de l'appareil, le dégivrage des aliments congelés dans le compartiment réfrigérateur assurera l'économie d'énergie et la préservation de la qualité des aliments.

- Placez les aliments dans les étagères à l'intérieur du compartiment réfrigérateur afin de réaliser des économies d'énergie et de conserver les aliments dans un meilleur environnement.
- Veillez à ce que les emballages d'aliments ne soient pas en contact direct avec le capteur de chaleur situé dans le compartiment réfrigérateur. Dans le cas contraire, la consommation énergétique de votre appareil pourrait augmenter.



- Comme l'air chaud et humide ne pénètre pas directement dans votre produit lorsque les portes ne sont pas ouvertes, votre produit optimisera son fonctionnement en fonction des conditions pour protéger vos aliments. Les fonctions et les composants tels que le compresseur, le ventilateur, le chauffage, le dégivrage, l'éclairage, l'affichage, etc. fonctionneront en fonction des besoins pour consommer un minimum d'énergie dans de telles circonstances.

- Veuillez-vous assurer que les aliments ne sont pas en contact direct avec le capteur de température du compartiment réfrigérateur décrit ci-après.

4.2. Première utilisation

Avant d'utiliser votre réfrigérateur, assurez-vous que les installations nécessaires sont conformes aux instructions des sections « Instructions en matière de sécurité et d'environnement » et « Installation ».

- Laissez l'appareil vide en marche pendant 6 heures, et ne l'ouvrez pas sauf en cas de nécessité absolue.



Un son retentit à l'activation du compresseur. Il est également normal d'entendre ce son lorsque le compresseur est inactif, en raison des liquides et des gaz comprimés présents dans le système de réfrigération.



Les bords avant du réfrigérateur peuvent chauffer. Ce phénomène est normal. Ces parties doivent en principe être chaudes afin d'éviter la condensation.



Dans certains modèles, le panneau indicateur se met automatiquement en veilleuse 5 minutes après la fermeture de la porte. Ce panneau s'active à nouveau lorsque la porte est ouverte ou lorsqu'on appuie sur un bouton.

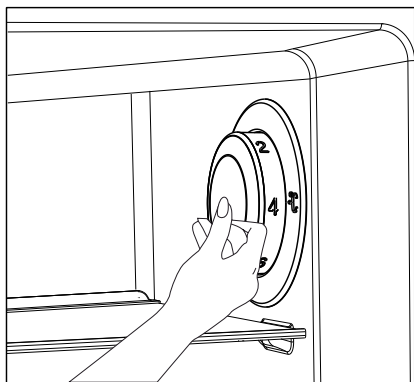
5.1. Bouton de réglage de température

La température interne de votre réfrigérateur varie selon les raisons suivantes :

- Températures saisonnières,
- les portes sont ouvertes fréquemment et restent longtemps ouvertes,
- les aliments sont introduits dans le réfrigérateur sans réduction de la température à la température ambiante,
- l'emplacement du réfrigérateur dans la pièce (par ex. exposition à la lumière directe du soleil),
- La variation de la température interne en raison de ces facteurs peut être réglée via le bouton de réglage de la température.

Les chiffres autour du bouton de réglage indiquent les degrés de température comme « °C ».

Si la température ambiante est de 20 °C, il est recommandé de régler la température du réfrigérateur à 4 °C. Sous d'autres températures ambiantes, cette valeur peut être personnalisée.

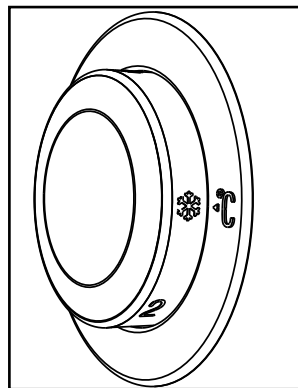


5.2. Congélation rapide

Si vous souhaitez congeler de grandes quantités d'aliments frais, placez le bouton de réglage de la température sur la position (❄️) avant d'introduire les aliments dans le compartiment de congélation rapide.

Nous vous recommandons de laisser le bouton à cette position pendant au moins 24 heures pour congeler une quantité maximale d'aliments correspondant à la capacité de congélation stipulée. Veillez surtout à ne pas mélanger les aliments congelés et les aliments frais.

Assurez-vous de placer le bouton de réglage de température à sa position initiale.



***en option :** Les chiffres présentés dans ce guide sont à titre indicatif et peuvent ne pas correspondre à votre appareil. Si votre appareil ne dispose pas des parties citées, alors l'information s'applique à d'autres modèles.

Utilisation de l'appareil

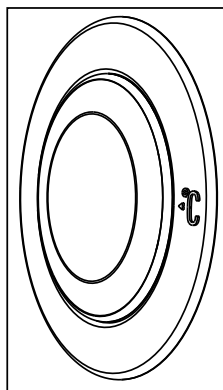
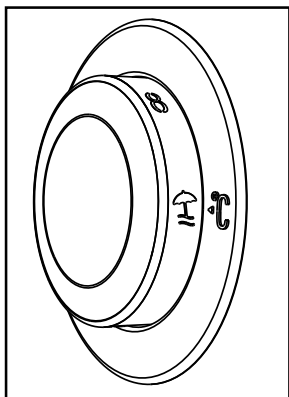
5.3.Fonction Vacances

Si les portes de votre réfrigérateur ne sont pas (🔒) ouvertes pendant au moins 12 heures après l'ajustement du bouton de réglage de la température à la position la plus élevée, la fonction Vacances est automatiquement activée.

Les paramètres du bouton peuvent être modifiés afin d'annuler cette fonction.

Il n'est pas recommandé de conserver les aliments dans le compartiment réfrigérateur lorsque cette fonction est activée.

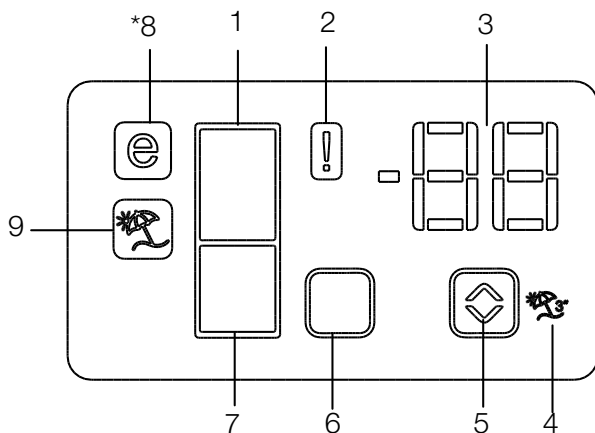
- Une fois le réglage terminé, vous pouvez dissimuler le bouton de réglage de la température en l'appuyant à l'intérieur.



Utilisation de l'appareil

5.4. Panneau indicateur

Les panneaux indicateurs varient en fonction du modèle de votre appareil. Les fonctions sonores et visuelles dudit panneau vous aident à utiliser votre réfrigérateur.



1. Indicateur du compartiment réfrigérateur
2. Indicateur de dysfonctionnements
3. Indicateur de température
4. Touche de la fonction Vacances
5. Bouton de réglage de température
6. Touche de sélection du compartiment
7. Indicateur du compartiment réfrigérateur
8. Indicateur du mode Économie
9. Indicateur de la fonction Vacances

***En option**



***en option** : Les chiffres présentés dans ce guide sont à titre indicatif et peuvent ne pas correspondre à votre appareil. Si votre appareil ne dispose pas des parties citées, alors l'information s'applique à d'autres modèles.

Utilisation de l'appareil

1. Indicateur du compartiment réfrigérateur

La lampe du compartiment réfrigérateur s'allume au moment du réglage de la température dans ce compartiment.

2. Indicateur de dysfonctionnements


Ce capteur s'active quand le réfrigérateur ne refroidit pas correctement ou en cas de panne du capteur. Lorsque cet indicateur est actif, l'indicateur du compartiment congélateur affichera l'inscription « E » et, l'indicateur du compartiment réfrigérateur affichera ces chiffres « 1, 2, 3 ... » etc. Ces chiffres renseignent le service d'entretien sur le dysfonctionnement.

3. Indicateur de température

Il indique la température des compartiments congélateur et réfrigérateur.

4. Touche de la fonction Vacances

Pour activer cette fonction, appuyez pendant 3 secondes sur le bouton Vacances. Lorsque la fonction Vacances est activée, l'indicateur de température du compartiment réfrigérateur affichera l'inscription «- -» et, le processus de réfrigération ne fonctionnera pas dans le compartiment réfrigérateur. Cette fonction n'est pas appropriée pour la conservation d'aliments dans le compartiment réfrigérateur. Les autres compartiments resteront froids en fonction de leurs températures de réglage respectives.

Appuyez à nouveau sur le bouton Vacances () pour annuler cette fonction.

5. Bouton de réglage de température

Les températures des compartiments respectifs varient de -24 °C à -18 °C et de 8 °C à 1 °C.

6. Touche de sélection du compartiment

Utilisez la touche de sélection du compartiment réfrigérateur pour basculer entre les compartiments réfrigérateur et congélateur.

7. Indicateur du compartiment réfrigérateur

La lampe du compartiment congélateur s'allume au moment du réglage de la température dans ce compartiment.

8. Indicateur du mode Économie

Il signale que le réfrigérateur fonctionne en mode économie d'énergie. Cet indicateur s'active lorsque la température du compartiment congélateur est à -18 °C.

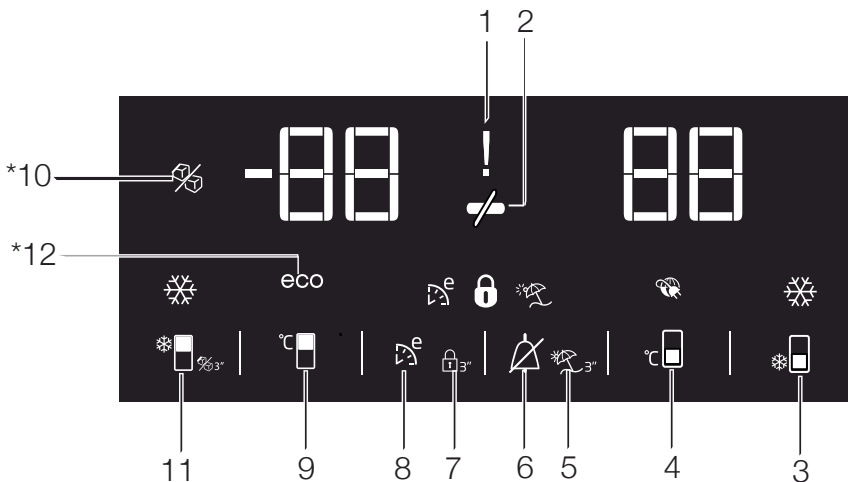
9. Indicateur de la fonction Vacances

Il signale l'activation de la fonction Vacances.

Utilisation de l'appareil

5.5. Bandeau indicateur

Le panneau indicateur vous permet de régler la température et de contrôler les autres fonctions liées à votre appareil sans ouvrir la porte du réfrigérateur. Appuyez simplement sur les inscriptions des boutons appropriés pour effectuer le réglage des fonctions.



1. Panne de courant / Température élevée / Indicateur d'état d'erreur

Cet indicateur (⚡) s'allume en cas de panne de courant, de température élevée et d'avertissements d'erreur.

Lorsque la température du compartiment congélateur est portée à un niveau critique pour les aliments congelés, la valeur maximale atteinte par la température du compartiment congélateur clignote sur l'indicateur numérique.

Vérifiez les aliments dans le compartiment du congélateur.

Ce n'est pas un dysfonctionnement. L'avertissement peut être supprimé en appuyant sur n'importe quel bouton ou

sur le bouton d'arrêt de l'alarme de température élevée. (L'annulation par pression sur n'importe quel bouton n'est pas applicable à tous les modèles.)

Cet indicateur s'est également allumé en cas de défaillance d'un capteur. Lorsque cet indicateur est allumé, "E" et des chiffres tels que "1,2,3..." sont affichés alternativement sur l'indicateur de température. Ces chiffres sur l'indicateur informent le personnel de service de l'erreur.

2. Fonction Économie d'énergie (Arrêt de l'affichage) :

Si les portes de l'appareil restent fermées pendant longtemps, la



***en option :** Les chiffres présentés dans ce guide sont à titre indicatif et peuvent ne pas correspondre à votre appareil. Si votre appareil ne dispose pas des parties citées, alors l'information s'applique à d'autres modèles.

Utilisation de l'appareil

fonction Économie d'énergie s'active automatiquement et le symbole d'Économie d'énergie s'allume. (🔌) Si la fonction Économie d'énergie est active, tous les symboles de l'écran hormis celui de l'Économie d'énergie s'éteindront. Lorsque la Fonction Économie d'énergie est active, si vous appuyez sur un bouton quelconque ou ouvrez la porte, cette fonction sera désactivée et les symboles qui se trouvent à l'écran redeviendront normaux.

La fonction Économie d'énergie est activée à la sortie de l'appareil de l'usine et ne peut être annulée.

3. Fonction de réfrigération rapide

Ce bouton est doté de deux fonctions. Appuyez brièvement sur ce bouton pour activer ou désactiver la fonction de refroidissement rapide. Le voyant de refroidissement rapide s'éteint et l'appareil retourne à son réglage normal. (●🔌)



Utilisez la fonction de refroidissement rapide lorsque vous souhaitez refroidir rapidement les aliments placés dans le compartiment réfrigérateur. Si vous souhaitez refroidir de grandes quantités d'aliments frais, nous vous recommandons d'activer cette fonction au préalable.



Après 8 heures de temps ou lorsque le compartiment réfrigérateur atteint la température souhaitée, la fonction de refroidissement rapide s'annulera automatiquement si vous ne le faites pas.



Si vous appuyez sur le bouton de refroidissement rapide de façon répétée à des intervalles courts, alors le système de protection du circuit électronique s'activera et le compresseur ne démarrera pas automatiquement.



Cette fonction n'est pas reprise lorsque le courant est rétabli après une panne de courant.

4. Bouton de réglage de la température du compartiment réfrigérateur

Appuyez sur ce bouton pour régler la température du compartiment réfrigérateur à 8, 7, 6, 5, 4, 3, 2, 8 respectivement. Appuyez sur ce bouton pour définir la température souhaitée pour le compartiment du réfrigérateur. (🔌)

5. Fonction Vacances

Pour activer la fonction Vacances, appuyez sur ce bouton (🌴) pendant 3 secondes. Le voyant du mode Vacances (🌴) s'allume. Si la fonction Vacances est activée, "--" s'affiche sur l'indicateur de température du compartiment réfrigérateur et aucun refroidissement actif n'est sélectionné sur le compartiment réfrigérateur. Il n'est pas adapté de conserver les denrées dans le compartiment réfrigérateur lorsque cette fonction est activée. D'autres compartiments doivent continuer à se refroidir conformément à leur température réglée.

Annulez cette fonction en appuyant à nouveau sur le bouton **Fonction Vacances**.

Utilisation de l'appareil

6. Fin de l'Avertissement de Température élevée

En cas de panne de courant ou d'avertissement de température élevée, vous pouvez supprimer l'avertissement (🔊) en appuyant sur n'importe quel bouton de l'indicateur ou sur le bouton d'arrêt de l'alarme de température élevée pendant 1 seconde après avoir vérifié les aliments à l'intérieur du compartiment congélateur.

Note : L'annulation en appuyant sur un bouton n'est pas applicable à tous les modèles.

7. Verrouillage des commandes

Appuyez simultanément sur le bouton de verrouillage des commandes (🔒) pendant 3 secondes. L'icône du verrouillage des commandes (🔒) s'allume et le mode verrouillage des commandes est activé. Les boutons ne fonctionneront pas si le mode Verrouillage des commandes est actif. Appuyez simultanément sur le bouton Key lock pendant 3 secondes à nouveau. Lorsque l'icône de verrouillage des commandes s'éteint, le mode Verrouillage des commandes est désactivé.

Appuyez sur le bouton **Verrouillage des commandes** si vous souhaitez éviter toute modification du réglage de la température du réfrigérateur (🌡️). Appuyez simultanément sur le bouton Verrouillage des commandes pendant 3 secondes à nouveau. Le symbole de verrouillage des commandes s'éteint et le mode Verrouillage des commandes est désactivé.

Appuyez sur le bouton **Verrouillage des commandes** si vous souhaitez éviter toute modification du réglage de température du réfrigérateur (🌡️).

8. Eco fuzzy

Appuyez et maintenez enfoncé le bouton Eco fuzzy pendant 1 seconde pour activer la fonction Eco fuzzy. Le réfrigérateur commence à fonctionner dans le mode le plus économique au moins 6 heures plus tard et le voyant d'utilisation économique s'allume lorsque la fonction est activée. (🌿). Appuyez et maintenez enfoncé le bouton Eco fuzzy pendant 3 secondes pour désactiver la fonction Eco fuzzy. Ce témoin s'allume après 6 heures lorsque le bouton Eco fuzzy est activé.

9. Bouton de réglage de la température du compartiment de congélation

Appuyez sur ce bouton pour régler la température du compartiment de congélation à -18, -19, -20, -21, -22, -23, -24, -18... respectivement. Appuyez sur ce bouton pour définir la température souhaitée pour le compartiment congélateur. (❄️)

10. Voyant du distributeur de glaçons désactivé


Indique si le distributeur de glaçons est activé ou non. (🌊) Si le voyant est activé, alors le distributeur de glaçons ne fonctionne pas. Pour activer le distributeur de glaçons à nouveau, maintenez le bouton Marche-Arrêt enfoncé pendant 3 secondes.

Utilisation de l'appareil



L'arrivée d'eau du réservoir à eau sera arrêtée en sélectionnant cette fonction. Toutefois, les glaçons déjà formés peuvent être retirés du distributeur.

11. Bouton de fonction Congélation rapide /Bouton marche/arrêt du distributeur de glaçons

Appuyez sur ce bouton pour activer ou désactiver la fonction de congélation rapide. Lorsque vous activez la fonction, le compartiment congélateur sera refroidi à une température inférieure à la valeur de consigne. ()

Pour activer et désactiver le distributeur de glaçons, maintenez le bouton enfoncé pendant 3 secondes.



Utilisez la fonction de congélation rapide lorsque vous souhaitez congeler rapidement les aliments placés dans le compartiment réfrigérateur. Si vous souhaitez congeler de grandes quantités d'aliments, nous vous recommandons d'activer cette fonction au préalable.




Après 4 heures de temps ou lorsque le compartiment réfrigérateur atteint la température souhaitée, la fonction de congélation rapide s'annulera automatiquement si vous ne le faites pas.



Cette fonction n'est pas reprise lorsque le courant est rétabli après une panne de courant.

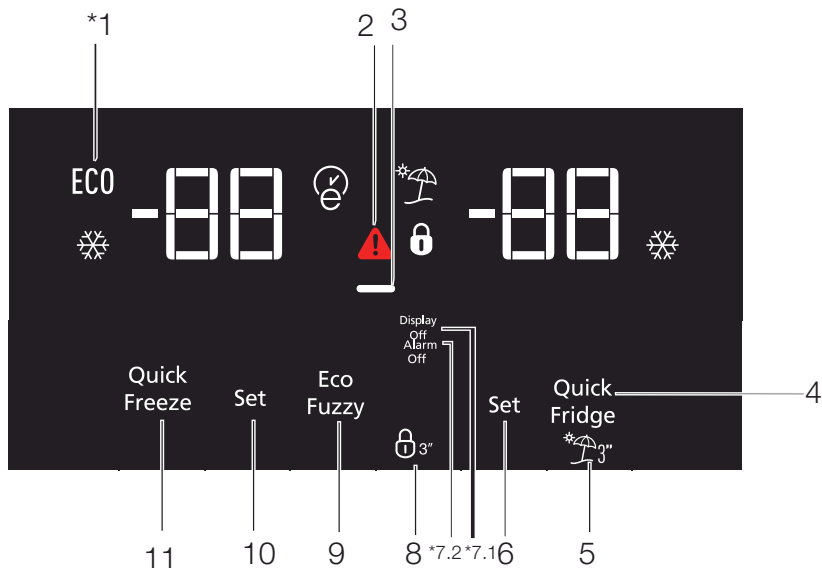
12. Voyant d'économie d'énergie

Indique que le réfrigérateur fonctionne en mode d'économie d'énergie. () Ce voyant sera activé si la température du compartiment congélateur est réglée sur -18 ou si le refroidissement à économie d'énergie est réalisé suite à l'activation de la fonction Eco Extra.



Le voyant d'économie d'énergie s'éteint lorsque la fonction de réfrigération rapide ou de congélation rapide est sélectionnée.

Utilisation de l'appareil



1. Économie

Ce symbole s'allume lorsque le compartiment congélateur est réglé sur -18°C comme la valeur de réglage la plus économique (ECO). Le voyant d'économie d'énergie s'éteint lorsque les fonctions de réfrigération rapide ou de congélation rapide sont sélectionnées.

2. Indicateur de Coupure de courant / Température élevée / d'avertissement d'erreur

Cet indicateur s'allume en cas de coupure de courant, d'échecs de température élevée et de messages d'erreur. Pendant les coupures de courant prolongées, le niveau de température le plus élevé atteint par

le compartiment congélateur clignote sur l'affichage numérique. Après avoir vérifié les aliments situés dans le compartiment congélateur, appuyez sur le bouton de désactivation d'alarme pour supprimer le message d'erreur.

3. Fonction Économie d'énergie (Arrêt de l'affichage) :

Si les portes du réfrigérateur restent fermées pendant longtemps, la fonction Économie d'énergie s'active automatiquement et le symbole d'économie d'énergie s'allume.



***en option :** Les chiffres présentés dans ce guide sont à titre indicatif et peuvent ne pas correspondre à votre appareil. Si votre appareil ne dispose pas des parties citées, alors l'information s'applique à d'autres modèles.

Utilisation de l'appareil

Si la fonction Économie d'énergie est active, tous les symboles de l'écran hormis celui de l'Économie d'énergie s'éteindront. Lorsque la fonction Économie d'énergie est active, si vous appuyez sur un bouton quelconque ou ouvrez la porte, cette fonction se désactive et les symboles affichés redeviennent normaux.

La fonction Économie d'énergie est activée à la sortie du réfrigérateur de l'usine et ne peut être annulée.

4. Refroidissement rapide

Le voyant de refroidissement rapide (❄️) s'allume lorsque la fonction de refroidissement rapide est activée et le voyant de température du compartiment réfrigérateur affiche 1. Pour annuler cette fonction, appuyez à nouveau sur le bouton Refroidissement rapide. L'indicateur de refroidissement rapide s'éteindra et le réfrigérateur retournera à son réglage normal. Après 1 heure, la fonction de refroidissement rapide s'annule automatiquement si vous ne l'avez pas fait avant. Si vous souhaitez introduire de grandes quantités de produits frais dans le réfrigérateur, appuyez sur le bouton Refroidissement rapide avant d'introduire ces produits dans le compartiment réfrigérateur.

5. Fonction Vacances

Pour activer la fonction Vacances, appuyez sur le bouton no (4) (🏖️) pendant 3 secondes. Le voyant du mode Vacances s'allume. Si la fonction Vacances est activée, " - - " s'affiche sur l'indicateur de température du compartiment réfrigérateur et

aucun refroidissement actif n'est sélectionné sur le compartiment réfrigérateur. Il n'est pas adapté de conserver les denrées dans le compartiment réfrigérateur lorsque cette fonction est activée. D'autres compartiments doivent continuer à se refroidir conformément à leur température réglée.

Annulez cette fonction en appuyant à nouveau sur le bouton **Fonction Vacances**.

6. Réglage de la température du compartiment réfrigérateur

Lorsque vous appuyez sur le bouton no (5), vous pourrez régler la température du compartiment réfrigérateur respectivement sur 8, 7, 6, 5, 4, 3, 2 et 1 (📺).

7.1 Fonction Économie d'énergie (Arrêt de l'affichage)


Le symbole d'économie d'énergie (⚡) s'allume et la fonction Économie d'énergie s'active lorsque vous appuyez sur ce bouton (⚡). Si la fonction Économie d'énergie est active, tous les symboles de l'écran hormis celui de l'Économie d'énergie s'éteindront. Lorsque la Fonction Économie d'énergie est active, si vous appuyez sur un bouton quelconque ou ouvrez la porte, cette fonction sera désactivée et les symboles qui se trouvent à l'écran redeviendront normaux. Le symbole d'économie d'énergie s'éteint et la fonction Économie d'énergie est désactivée lorsque vous appuyez à nouveau sur ce bouton (⚡).

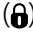
Utilisation de l'appareil

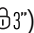
7.2 Avertissement de désactivation d'alarme

En cas d'alarme de coupure de courant / température élevée, après avoir vérifié les aliments stockés dans le compartiment congélateur, appuyez sur le bouton de désactivation d'alarme pour supprimer le message d'avertissement.


8. Verrouillage des commandes

Appuyez simultanément sur le bouton de verrouillage des commandes () pendant 3 secondes. Symbole de verrouillage des touches

() s'allume et le mode verrouillage des commandes est activé. Les boutons ne fonctionneront pas si le mode Verrouillage des commandes est actif. Appuyez simultanément sur le bouton Key lock pendant 3 secondes à nouveau. Lorsque l'icône de verrouillage des commandes s'éteint, le mode Verrouillage des commandes est désactivé.

Appuyez sur le bouton **Verrouillage des commandes** si vous souhaitez éviter toute modification du réglage de la température du réfrigérateur ().

9. Eco fuzzy


Appuyez et maintenez enfoncé le bouton Eco fuzzy pendant 1 seconde pour activer la fonction Eco fuzzy. Le réfrigérateur commence à fonctionner dans le mode le plus économique au moins 6 heures plus tard et le voyant d'utilisation économique s'allume lorsque la fonction est activée. (). Appuyez


et maintenez enfoncé le bouton Eco fuzzy pendant 3 secondes pour désactiver la fonction Eco fuzzy. Ce témoin s'allume après 6 heures lorsque le bouton Eco fuzzy est activé.

10. Réglage de température du compartiment congélateur

C'est ici que s'effectue le réglage de la température du compartiment congélateur. Appuyez sur le bouton no.9 pour régler la température du compartiment congélateur respectivement sur -18, -19, -20, -21, -22, -23 et -24.

11. Congélation rapide

Appuyez sur le bouton no.(10) pour l'opération de congélation rapide. Le voyant de congélation rapide () s'allume.

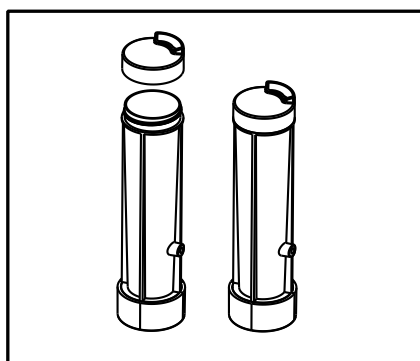
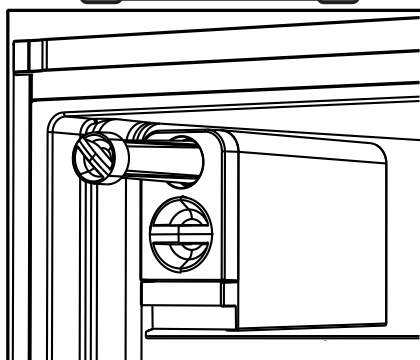
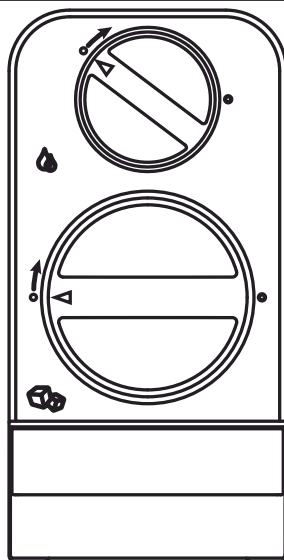
Le voyant de congélation rapide s'allume lorsque la fonction de congélation rapide est activée et le voyant de température du compartiment réfrigérateur affiche -27. Pour annuler cette fonction, appuyez à nouveau sur le bouton Congélation rapide (). L'indicateur de congélation rapide s'éteindra et le réfrigérateur retournera à son réglage normal. Après 24 heures, la fonction de congélation rapide s'annule automatiquement si vous ne l'avez pas fait avant. Si vous souhaitez congeler de grandes quantités de produits frais, appuyez sur le bouton Congélation rapide avant d'introduire ces produits dans le compartiment de congélation.

Utilisation de l'appareil

5.6. Distributeur de glaçons rotatif

(Cette caractéristique est en option)

- Retirez le réservoir d'eau en le tournant vers la gauche.
- Ouvrez le couvercle du réservoir d'eau en le tournant et ajoutez de l'eau dans le réservoir jusqu'à la limite inférieure du couvercle.
- Placez le réservoir d'eau sur son socle tel qu'illustré par la figure après avoir ajouté de l'eau et fixez-le en le tournant dans la direction de la flèche. De l'eau est dirigée vers l'appareil à glaçons.
- Lorsque la glace est formée, tournez le bouton de l'appareil à glaçons dans la direction de flèche pour orienter les blocs de glace vers le tiroir à glaçons.
- Récupérez les blocs de glace en sortant le tiroir à glaçons.
- Tirez la face avant vers vous pour laver l'appareil à glaçons, placez-le sur les glissières à l'intérieur et poussez vers l'intérieur pour le remettre en place.
- Tirez le distributeur à glaçons rotatif vers vous pour retirer l'unité, placez-le sur les glissières supérieures et poussez vers l'intérieur pour le remettre en place.



Utilisation de l'appareil

5.7. Seau à glace

(En option)

- Retirez le seau à glace du compartiment congélateur.
- Remplissez-le d'eau.
- Remplacez le seau à glace dans le compartiment congélateur.
- Les glaçons seront prêts après environ deux heures. Retirez le seau à glace du compartiment congélateur et tordez-le légèrement au-dessus du support dans lequel vous souhaitez servir les glaçons. Les glaçons se verseront donc facilement dans le support dans lequel vous souhaitez les servir.

5.8. Support d'œufs

Vous pouvez placer le support d'œufs sur la porte ou l'étagère de votre choix. Si vous décidez de le placer sur l'étagère, il est recommandé de le placer sur les étagères inférieures car elles sont plus froides.

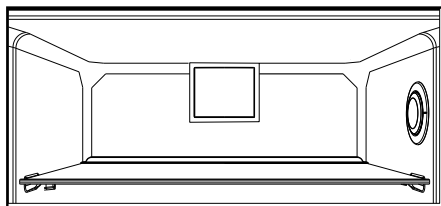


Évitez de placer le support d'œufs dans le compartiment congélateur.

5.9. Ventilateur

Le ventilateur a été conçu pour faire circuler de manière homogène l'air froid à l'intérieur de votre réfrigérateur. La durée de fonctionnement du ventilateur varie en fonction des propriétés de votre appareil.

Dans certains réfrigérateurs, le ventilateur fonctionne uniquement avec compresseur, dans d'autres systèmes de commande, il permet de déterminer la durée de fonctionnement basée sur le besoin de refroidissement.

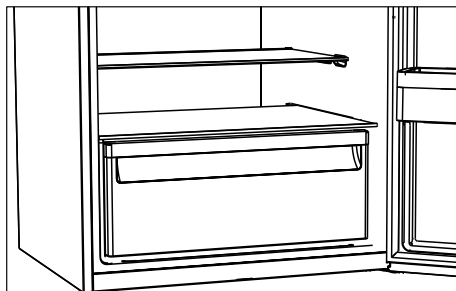


Utilisation de l'appareil

5.10. Bac à légumes

(En option)

Le bac à légumes du réfrigérateur est conçu pour conserver les légumes frais en préservant l'humidité. Pour cela, la circulation de la totalité de l'air froid est intensifiée dans le bac à légumes.

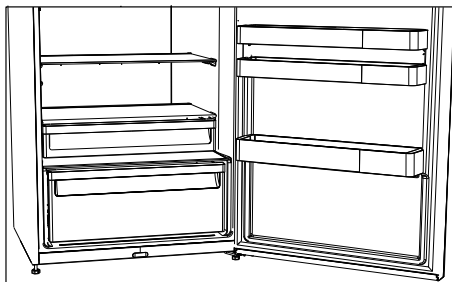


5.11. Compartiment zéro degré

(En option)

Utilisez ce compartiment pour conserver de l'épicerie fine à des températures faibles, ou des produits carnés destinés à une consommation immédiate.

Le compartiment Zéro degré est l'endroit le plus froid où vous pouvez conserver les aliments tels que les produits laitiers, la viande, le poisson et la volaille dans des conditions idéales. Les légumes et/ou fruits ne doivent pas être conservés dans ce compartiment.



Utilisation de l'appareil

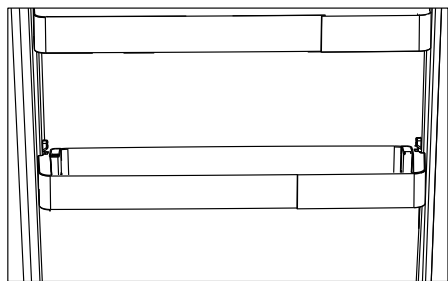
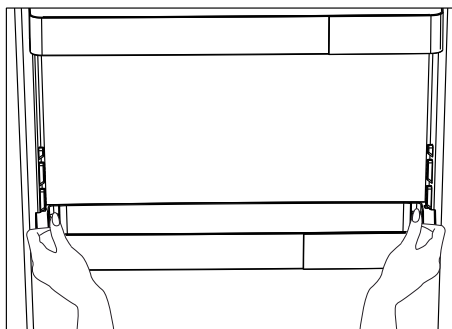
5.12. Balconnet de porte amovible

(En option)

Le balconnet de porte amovible peut être fixé de 3 manières différentes. Pour déplacer le balconnet, appuyez uniformément sur les boutons situés sur le côté. Ainsi, le balconnet est amovible.

Déplacez le balconnet vers le haut ou vers le bas.

Une fois que ce dernier se trouve dans la position de votre choix, relâchez les boutons. Assurez-vous que le balconnet est fixé à nouveau à la position initiale.

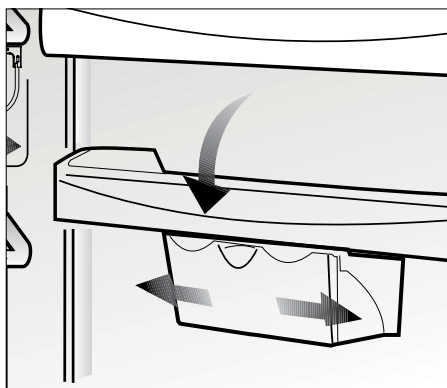


5.13. Boîte de stockage coulissante

(En option)

Cet accessoire a été conçu dans le but de renforcer les capacités des balconnets de porte.

Grâce à sa capacité à se déplacer latéralement, elle vous permet de disposer facilement de longues bouteilles, des bocaux ou des boîtes que vous placez dans le range-bouteilles inférieur.



Utilisation de l'appareil

5.14. Bac à légumes à humidité contrôlée

(En option)

Grâce à la fonction de contrôle de l'humidité, la quantité d'humidité de légumes et de fruits est maintenue sous contrôle. Cette fonction assure également une période de fraîcheur prolongée pour les aliments.

Il est recommandé de ne pas conserver les légumes à feuilles vertes, tels que les feuilles de laitue, les épinards, ainsi que les légumes similaires générant une perte d'humidité, sur leurs racines, mais en position horizontale dans le bac à légumes, autant que possible.

Lorsque vous stockez les légumes, placez les légumes lourds et durs au fond du bac et les légumes légers et doux au-dessus, en tenant compte des poids spécifiques de légumes.

Ne placez pas les légumes dans le bac à légumes lorsqu'ils sont encore dans les sacs en plastique. Lorsque vous les laissez dans les sacs en plastique, ces légumes pourrissent en un laps de temps. En cas de mélange de légumes non recommandé, utilisez des matériaux d'emballage tels que le papier qui possède une certaine porosité en termes d'hygiène.

Évitez de placer des fruits qui ont une production de gaz à haute teneur en éthylène tels que la poire, l'abricot, la pêche et en particulier la pomme dans le même bac à légumes que d'autres légumes et fruits. Le gaz d'éthylène provenant de ces fruits pourrait accélérer la maturité d'autres légumes et fruits qui pourraient pourrir en un laps de temps.

5.15. Machine à glace automatique

(En option)

La machine à glace automatique vous permet de faire facilement des glaçons dans votre réfrigérateur. Pour obtenir des glaçons à partir de la machine à glace, retirez le réservoir d'eau du compartiment réfrigérateur, remplissez-le d'eau et remplacez-le.

Les premiers glaçons seront prêts dans environ 2 heures dans le tiroir à glace situé dans le compartiment réfrigérateur.

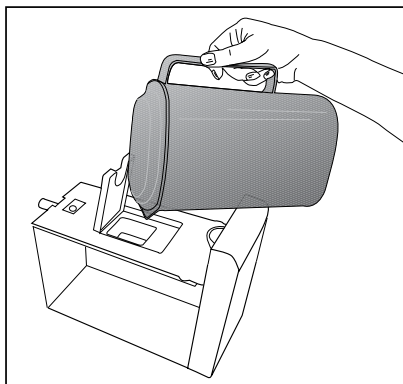
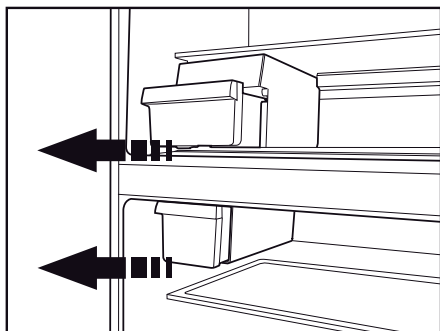
Après avoir placé le réservoir rempli, vous pouvez obtenir environ 60 à 70 cubes de glace jusqu'à ce qu'il soit entièrement vide.

Utilisation de l'appareil

Si l'eau contenue dans le réservoir date de 2 à 3 semaines, veuillez la remplacer.



Dans les réfrigérateurs équipés de machine à glace automatique, vous pourriez entendre un son lorsque vous versez la glace. Ce phénomène est tout à fait normal et ne constitue nullement un signe de dysfonctionnement.



5.16. Description et nettoyage du filtre à odeurs

Le filtre à odeurs empêche la formation d'odeurs désagréables dans votre réfrigérateur.

1. Tirez sur le couvercle dans lequel le filtre à odeurs est installé et enlevez-le comme indiqué.
2. Exposez le filtre à la lumière directe du soleil pendant un jour. Cela contribuera à nettoyer le filtre.
3. Remettez le filtre à sa place.



Le filtre à odeurs doit être nettoyé une fois l'an.

Utilisation de l'appareil

5.17. Éclairage bleu

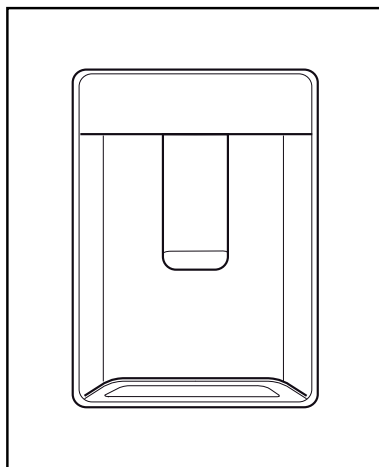
***en option**

Les denrées conservées dans les bacs à légumes sont éclairées par une lumière bleue qui, grâce aux effets de sa longueur d'onde, permet aux fruits et légumes de continuer la photosynthèse et ainsi de conserver leur fraîcheur et leur teneur en vitamines.

5.18. Distributeur d'eau

***en option**

Cette fontaine est très important pour obtenir de l'eau fraîche sans avoir à ouvrir la porte de votre réfrigérateur. Comme vous n'aurez pas à ouvrir fréquemment la porte de votre réfrigérateur, cela vous permettra d'économiser de l'énergie.



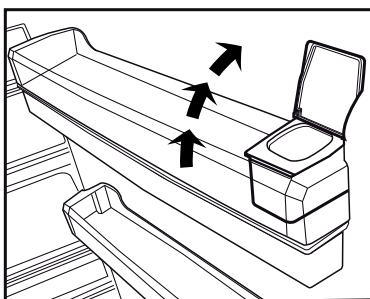
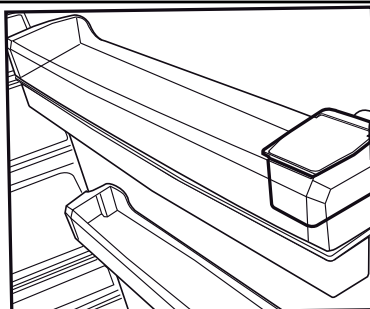
Utilisation de l'appareil

5.19. Utilisation du distributeur

Appuyez sur le bouton de la fontaine avec votre verre. La fontaine cessera de fonctionner lorsque vous aurez relâché le bouton.

Pendant le fonctionnement de la fontaine, vous pouvez obtenir une quantité maximale en appuyant à fond sur le bouton. N'oubliez pas que la quantité de liquide obtenue est fonction du degré d'appui que vous exercez sur le bouton.

A mesure que le niveau d'eau de votre tasse / verre augmente, réduisez doucement la quantité de pression du bouton pour éviter tout risque de débordement. Si vous appuyez légèrement sur le bouton, l'eau s'écoulera ; ce phénomène est tout à fait normal et n'est pas un dysfonctionnement.



5.20. Remplir le réservoir d'eau de la fontaine frigorigère

Le réservoir d'approvisionnement en eau se trouve dans le balconnet de la porte. Vous pouvez ouvrir le couvercle du réservoir et remplir celui-ci d'eau potable. Refermez ensuite le couvercle.

Avertissement !

- Ne remplissez pas le réservoir avec un liquide autre que de l'eau. Les boissons gazeuses, alcoolisées, jus de fruits ou autres ne sont pas adaptés pour être utilisés avec le distributeur d'eau. Si de tels liquides sont utilisés, le distributeur connaîtra un dysfonctionnement et peut être profondément endommagé. La garantie ne couvre pas de telles utilisations.

Utilisation de l'appareil

Certaines substances chimiques et certains additifs contenus dans de telles boissons / breuvages peuvent également endommager le réservoir d'eau.

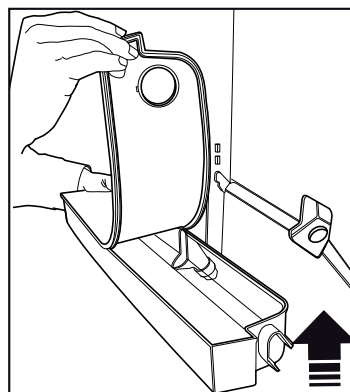
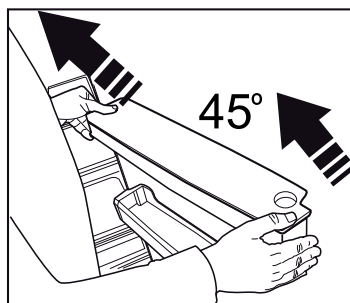
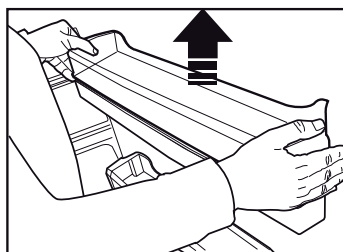
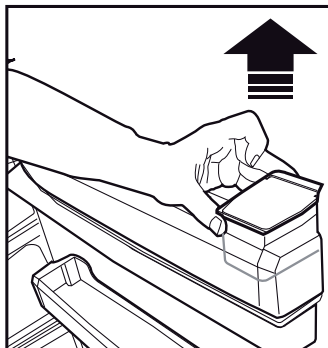
- Utilisez uniquement de l'eau potable propre.
- La capacité du réservoir est de 3 litres; ne dépassez pas la limite.
- Appuyez sur le bouton de la fontaine avec votre verre. Si vous utilisez une tasse jetable, poussez le bouton avec vos doigts à partir de l'arrière de la tasse.

5.21. Nettoyer le réservoir d'eau

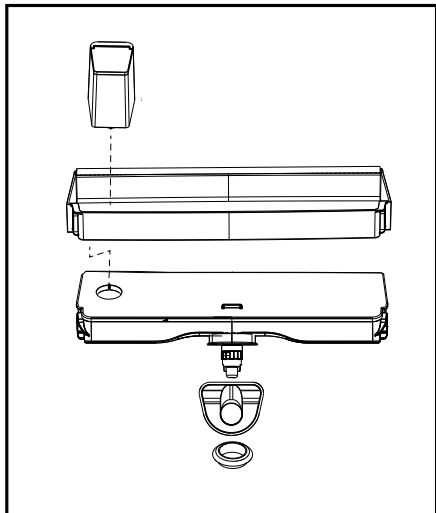
- Retirez le réservoir d'approvisionnement en eau du balconnet de la porte.
- Retirez le balconnet de la porte en le tenant par les deux côtés.
- Tenez le réservoir par ses deux côtés et retirez-le selon un angle de 45 degrés.
- Retirez le couvercle afin de nettoyer le réservoir.

Important :

Le réservoir d'eau et les composants du distributeur d'eau ne peuvent pas être passés au lave-vaisselle.



Utilisation de l'appareil

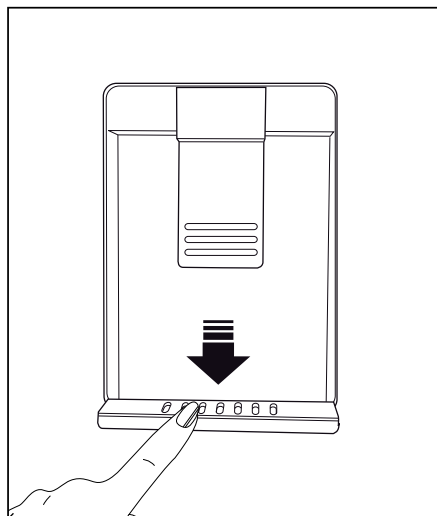


5.22. Bac à eau

L'eau qui s'écoule lors de l'utilisation du distributeur d'eau s'accumule dans le bac de dégivrage.


Retirez la crépine en plastique comme sur le schéma.

Essuyez l'excédent d'eau à l'aide d'un chiffon propre et sec.



Utilisation de l'appareil

5.23. Congélation des produits frais

- Pour conserver la qualité des aliments, les denrées placées dans le compartiment congélateur doivent être congelées le plus rapidement possible, à l'aide de la fonction de congélation rapide.
 - Le fait de congeler les denrées à l'état frais prolongera la durée de conservation dans le compartiment congélateur.
 - Emballez les aliments dans des emballages sous vide et scellez-les correctement.
 - Assurez-vous que les aliments sont emballés avant de les placer dans le congélateur. Utilisez des récipients pour congélateur, du papier aluminium et du papier résistant à l'humidité, des sacs en plastique ou du matériel d'emballage similaire au lieu d'un papier d'emballage ordinaire.
-  La glace contenue dans le compartiment congélateur dégèle automatiquement.
- Marquez chaque emballage en y écrivant la date avant de le placer au congélateur. Ceci vous permettra de déterminer la fraîcheur de chaque paquet lors des ouvertures du congélateur. Mettez les aliments les plus anciens à l'avant pour vous assurer qu'ils sont utilisés en premier.
 - Les aliments congelés doivent être utilisés immédiatement après le dégivrage et ne doivent pas être congelés à nouveau.
 - Ne retirez pas de grandes quantités d'aliments au même moment.

Réglage de la température du compartiment congélateur	Réglage de la température du compartiment réfrigérateur	Détails
-18°C	4°C	Ceci est le paramètre par défaut recommandé.
-20,-22 ou -24°C	4°C	Ces réglages sont recommandés pour des températures ambiantes excédant 30 °C.
Congélation rapide	4°C	Cet indicateur est utilisé lorsque vous souhaitez congeler vos aliments pendant une courte période. Une fois le processus terminé, l'appareil retourne à son réglage initial.
Inférieure ou égale à -18°C	2°C	Utilisez ces réglages si vous estimez que le compartiment réfrigérateur n'est pas assez frais à cause de la température ambiante ou de l'ouverture fréquente de la porte.

Utilisation de l'appareil

5.24. Recommandations relatives à la conservation des aliments congelés

Le compartiment doit être réglé à -18°C minimum.

1. Placez les aliments dans le congélateur le plus rapidement possible pour éviter leur dégivrage.
2. Avant de les faire dégivrer, vérifiez la « date d'expiration » sur l'emballage pour vous assurer de l'état des aliments.
3. Assurez-vous que l'emballage de l'aliment n'est pas endommagé.

5.25. Informations relatives au congélateur

Selon la norme CEI 62552, le congélateur doit être doté d'une capacité de congélation des aliments de 4,5 kg à une température inférieure ou égale à -18°C en 24 heures pour chaque 100 litres du volume du compartiment congélateur.

Les aliments peuvent être préservés pour des périodes prolongées uniquement à des températures inférieures ou égales à -18°C .

Vous pouvez garder les aliments frais pendant des mois (dans le congélateur à des températures inférieures ou égales à 18°C).

Les aliments à congeler ne doivent pas être en contact avec ceux déjà congelés pour éviter un dégivrage partiel.

Faites bouillir les légumes et filtrer l'eau pour prolonger la durée de conservation à l'état congelé. Placez les aliments dans des conditionnements hermétiques après filtrage et placez-les dans le congélateur. Les bananes, les tomates, les feuilles de laitue, le céleri, les oeufs durs, les pommes de terre et les aliments similaires ne doivent pas être congelés. Lorsque les aliments pourrissent, seules les valeurs nutritionnelles et les qualités alimentaires sont négativement affectées. Il ne s'agit pas d'un aliment détérioré susceptible de constituer un danger pour la santé humaine.

5.26. Disposition des denrées

Étagères du compartiment congélateur	Vous pouvez congeler différents aliments comme de la viande, du poisson, des crèmes glacées, des légumes, etc.
Étagères du compartiment réfrigérateur	Les aliments contenus dans des casseroles, des plats couverts, des gamelles et les œufs (dans des gamelles)

Utilisation de l'appareil

Balconnets de la porte du compartiment réfrigérateur	Aliments emballés et de petite taille ou des boissons
Bac à légumes	Fruits et légumes
Compartiment des aliments frais	Épicerie fine (aliments pour petit déjeuner, produits carnés à consommer à court terme)

5.27. Alerte ouverture de porte

(En option)

Un signal sonore est émis si la porte de l'appareil reste ouverte pendant au moins 1 minute. Le signal sonore s'arrête à la fermeture de la porte ou lorsqu'on appuie sur bouton de l'écran (si disponible).

Ce signal destiné à l'utilisateur est à la fois audible et visuel. Le voyant intérieur s'allume si le signal d'avertissement est émis pendant 10 minutes.

5.28. Inversion de la direction d'ouverture de la porte

Vous pouvez inverser le sens d'ouverture de votre réfrigérateur, en fonction de son emplacement. Lorsque vous souhaitez effectuer cette opération, contactez le service agréé le plus proche.

L'explication ci-dessus est une déclaration générale. Veuillez vérifier l'étiquette d'avertissement située à l'intérieur de l'emballage de votre appareil, au sujet de l'inversion de la direction de la porte.

5.29. Éclairage interne

L'éclairage interne utilise une lampe de type DEL. Contactez le service agréé pour tout problème lié à cette lampe.

N'utilisez pas l'ampoule de cet appareil pour l'éclairage des maisons. Cette ampoule a été conçue pour permettre à l'utilisateur de placer les aliments dans le réfrigérateur / congélateur en toute sécurité et confortablement.

6 Entretien et nettoyage

Un nettoyage régulier prolonge la durée de vie de votre réfrigérateur



AVERTISSEMENT : Débranchez votre réfrigérateur avant de le nettoyer.

- N'utilisez jamais d'outils pointus et abrasifs, de savon, de produits nettoyage domestiques, d'essence, de carburant, du cirage ou des substances similaires pour le nettoyage du produit.
- Faites dissoudre une cuillerée à café de carbonate dans de l'eau. Trempez un morceau de tissu dans cette eau et essorez-le. Nettoyez soigneusement l'appareil avec ce chiffon et ensuite avec un chiffon sec.
- Veillez à ne pas mouiller le logement de la lampe ainsi que d'autres composants électriques.
- Nettoyez la porte à l'aide d'un chiffon humide. Retirez tous les aliments avant le retrait de la porte et des balconnets. Retirez les balconnets de la porte en les tirant vers le haut. Nettoyez et séchez les étagères, puis refixez-les en les faisant glisser à partir du haut.
- N'utilisez pas d'eau contenant du chlore, ou des produits de nettoyage pour les surfaces externes et les pièces chromées de l'appareil. Le chlore provoque la rouille de ces surfaces métalliques.

6.1. Prévention Des Mauvaises Odeurs

À sa sortie d'usine, cet appareil ne contient aucun matériau odorant. Cependant; la conservation des aliments dans des sections inappropriées et le mauvais nettoyage de l'intérieur peuvent donner lieu aux mauvaises odeurs.

Pour éviter cela, nettoyez l'intérieur à l'aide de carbonate dissout dans l'eau tous les 15 jours.

- Conservez les aliments dans des récipients fermés. Les micro-organismes pourraient se propager sur les produits alimentaires non fermés et émettre de mauvaises odeurs.
- Ne conservez pas d'aliments périmés ou avariés dans le réfrigérateur.

6.2. Protection Des Surfaces En Plastique

Si de l'huile se répand sur les surfaces en plastique, il faut immédiatement les nettoyer avec de l'eau tiède, sinon elles seront endommagées.

6.3. Vitre De Porte

Retirez le film protecteur qui recouvre les vitres.

La surface des vitres est dotée d'un revêtement. Il s'agit d'une sorte de revêtement qui élimine les taches au minimum et permet un nettoyage facile des taches formées. Toutes vitres non protégées à l'aide d'un revêtement pourraient être exposées à la dépendance permanente des organismes pathogènes propagés par l'air et l'eau ou des agents inorganiques tels que le calcaire, les sels minéraux, les hydrocarbures imbrûlés, les oxydes et silicones métalliques qui causent facilement des taches et des dommages physiques dans une courte durée. Par conséquent, le maintien des vitres propres devient très difficile, malgré le lavage fréquent. En outre, la clarté et l'apparence propre des vitres sont impossibles. Des méthodes et composants de nettoyage décapants et corrosifs intensifient ce défaut et accélèrent le processus d'abrasion.

6 Entretien et nettoyage

Pour les travaux de nettoyage de routine, il est recommandé d'utiliser des produits de nettoyage à base d'eau qui sont non-alcalins et non-abrasifs.

Pour prolonger la durée de vie de ce revêtement, évitez d'utiliser des matériaux alcalins et abrasifs.

Ces vitres ont subi un processus d'humidification, afin de les protéger contre tous chocs et brisement.

En plus des vitres, un film de sécurité a été appliqué à la surface arrière afin d'éviter les dommages à l'environnement dans le cas où elles se briseraient.

*L'alcali est une base qui forme les ions d'hydroxyde (OH^-) lorsqu'il est dissout dans de l'eau.

Les métaux Li (Lithium), Na (Sodium), K (Potassium), Rb (Rubidium), Cs (Caesium) et radioactifs Fr (Francium) constituent les MÉTAUX ALCALI.

Parcourez la liste ci-après avant de contacter le service de maintenance. Cela devrait vous éviter de perdre du temps et de l'argent. Cette liste répertorie les plaintes fréquentes ne provenant pas de vices de fabrication ou des défauts de pièces. Certaines fonctionnalités mentionnées dans ce manuel peuvent ne pas exister sur votre modèle.

Le réfrigérateur ne fonctionne pas.

- La fiche d'alimentation n'est pas bien fixée. >>> Branchez-la en l'enfonçant complètement dans la prise.
- Le fusible branché à la prise qui alimente l'appareil ou le fusible principal est grillé. >>> Vérifiez le fusible.

Condensation sur la paroi latérale du congélateur (MULTI ZONE, COOL, CONTROL et FLEXI ZONE).

- La porte est ouverte trop fréquemment >>> Évitez d'ouvrir trop fréquemment la porte de l'appareil.
- L'environnement est trop humide. >>> N'installez pas l'appareil dans des endroits humides.
- Les aliments contenant des liquides sont conservés dans des récipients non fermés. Conservez ces aliments dans des emballages scellés.
- La porte de l'appareil est restée ouverte. >>> Ne laissez pas la porte du réfrigérateur ouverte longtemps.
- Le thermostat est réglé à une température trop basse. >>> Réglez le thermostat à la température appropriée.

Le compresseur ne fonctionne pas.

- En cas de coupure soudaine de courant ou de débranchement intempestif, la pression du gaz dans le système de réfrigération de l'appareil n'est pas équilibrée, ce qui déclenche la fonction de conservation thermique du compresseur. L'appareil se remet en marche au bout de 6 minutes environ. Dans le cas contraire, veuillez contacter le service de maintenance.
- L'appareil est en mode dégivrage. >>> Ce processus est normal pour un appareil à dégivrage complètement automatique. Le dégivrage se déclenche périodiquement.
- L'appareil n'est pas branché. >>> Vérifiez que le cordon d'alimentation est connecté à la prise.
- Le réglage de température est inapproprié. >>> Sélectionnez le réglage de température approprié.
- Cas de coupure de courant. >>> L'appareil continue de fonctionner normalement dès le retour du courant.

Le bruit du réfrigérateur en fonctionnement s'accroît pendant son utilisation.

Dépannage

- Le rendement de l'appareil en fonctionnement peut varier en fonction des fluctuations de la température ambiante. Ceci est normal et ne constitue pas un dysfonctionnement.

Le réfrigérateur fonctionne fréquemment ou pendant de longues périodes.

- Il se peut que le nouvel appareil soit plus grand que l'ancien. Les appareils plus grands fonctionnent plus longtemps.
- La température de la pièce est probablement élevée. Il est normal que l'appareil fonctionne plus longtemps lorsque la température de la pièce est élevée.
- L'appareil vient peut-être d'être branché ou chargé de nouveaux aliments. >>> L'appareil met plus longtemps à atteindre la température réglée s'il vient d'être branché ou récemment rempli d'aliments. Ce phénomène est normal.
- Il est possible que des quantités importantes d'aliments chauds aient été récemment placées dans l'appareil. >>> Ne placez pas d'aliments chauds dans votre appareil.
- Les portes étaient ouvertes fréquemment ou sont restées longtemps ouvertes. >>> L'air chaud circulant à l'intérieur de l'appareil le fera fonctionner plus longtemps. N'ouvrez pas les portes trop régulièrement.
- Le congélateur ou le réfrigérateur est peut-être resté entrouvert. >>> Vérifiez que les portes sont bien fermées.
- L'appareil peut être réglé à une température trop basse. >>> Réglez la température à un degré supérieur et patientez que l'appareil atteigne la nouvelle température.
- Le joint de la porte du réfrigérateur ou du congélateur peut être sale, usé, brisé ou mal positionné. >>> Nettoyez ou remplacez le joint. Si le joint de la porte est endommagé ou arraché, l'appareil mettra plus de temps à conserver la température actuelle.

La température du réfrigérateur est très basse, alors que celle du congélateur est appropriée.

- La température du compartiment congélateur est réglée à un degré très bas. >>> Réglez la température du compartiment congélateur à un degré supérieur et procédez de nouveau à la vérification.

La température du réfrigérateur est très basse, alors que celle du congélateur est appropriée.

- La température du compartiment réfrigérateur est réglée à un degré très bas. >>> Réglez la température du compartiment congélateur à un degré supérieur et procédez de nouveau à la vérification.

Les aliments conservés dans le compartiment réfrigérateur sont congelés.

- La température du compartiment réfrigérateur est réglée à un degré très bas. >>> Réglez la température du compartiment congélateur à un degré supérieur et procédez de nouveau à la vérification.

Dépannage

La température du compartiment réfrigérateur ou congélateur est très élevée.

- La température du compartiment réfrigérateur est réglée à un degré très élevé. >>> Le réglage de la température du compartiment réfrigérateur a un effet sur la température du compartiment congélateur. Patientez que la température des parties concernées atteigne le niveau suffisant en changeant la température des compartiments réfrigérateur et congélateur.
- Les portes étaient ouvertes fréquemment ou sont restées longtemps ouvertes. >>> N'ouvrez pas les portes trop régulièrement.
- La porte est peut-être restée ouverte. >>> Fermez hermétiquement la porte du réfrigérateur.
- L'appareil vient peut-être d'être branché ou chargé de nouveaux aliments. >>> Ce phénomène est normal. L'appareil met plus longtemps à atteindre la température réglée s'il vient d'être branché ou récemment rempli d'aliments.
- Il est possible que des quantités importantes d'aliments chauds aient été récemment placées dans l'appareil. >>> Ne placez pas d'aliments chauds dans votre appareil.

En cas de vibrations ou de bruits.

- Le sol n'est pas plat ou solide. >>> Si l'appareil balance lorsqu'il est déplacé doucement, ajustez les supports afin de le remettre en équilibre. Vérifiez également que le sol est assez solide pour supporter le poids de l'appareil.
- Les éléments placés sur le réfrigérateur pourraient faire du bruit. >>> Veuillez les retirer.

L'appareil émet un bruit d'écoulement de liquide ou de pulvérisation, etc.

- Le fonctionnement de l'appareil implique des écoulements de liquides et des émissions de gaz. >>> Ce phénomène est normal et ne constitue pas un dysfonctionnement.

L'appareil émet un sifflement.

- L'appareil effectue le refroidissement à l'aide d'un ventilateur. Ceci est normal et ne constitue pas un dysfonctionnement.

Les parois internes de l'appareil présentent une condensation.

- Un climat chaud ou humide accélère le processus de givrage et de condensation. Ceci est normal et ne constitue pas un dysfonctionnement.
- Les portes étaient ouvertes fréquemment ou sont restées longtemps ouvertes. >>> N'ouvrez pas les portes trop fréquemment ; fermez-les lorsqu'elles sont ouvertes.
- La porte est peut-être restée ouverte. >>> Fermez hermétiquement la porte du réfrigérateur.

Il y a de la condensation sur les parois externes ou entre les portes de l'appareil.

- Il se peut que le climat ambiant soit humide, auquel cas cela est normal. >>> La condensation se dissipe lorsque l'humidité baisse.

Dépannage

Présence d'une odeur désagréable dans l'appareil.

- • L'appareil n'est pas nettoyé régulièrement. > > Nettoyez régulièrement l'intérieur du réfrigérateur en utilisant une éponge, de l'eau chaude et de l'eau gazeuse.
- • Certains récipients et matériaux d'emballage sont peut-être à l'origine de mauvaises odeurs. > > Utilisez des récipients et des emballages exempts de toute odeur.
- • Les aliments ont été placés dans des récipients non fermés. > > Conservez les aliments dans des récipients fermés. Les micro-organismes pourraient se propager sur les produits alimentaires non fermés et émettre de mauvaises odeurs. Retirez tous les aliments périmés ou avariés de l'appareil.

La porte ne se ferme pas.

- Des emballages d'aliments peuvent bloquer la porte. > > Déplacez tout ce qui bloque les portes.
- L'appareil ne se tient pas parfaitement droit sur le sol. > > Ajustez les pieds afin de remettre l'appareil en équilibre.
- Le sol n'est pas plat ou solide. > > Assurez-vous que le sol est plat et assez solide pour supporter le poids de l'appareil.

Le bac à légumes est engorgé.

- Il est possible que les aliments soient en contact avec la section supérieure du tiroir. > > Reclassez les aliments dans le tiroir.



AVERTISSEMENT : Si le problème persiste même après observation des instructions contenues dans cette partie, contactez votre fournisseur ou un service de maintenance agréé. N'essayez pas de réparer l'appareil de vous-même.

CLAUSE DE NON-RESPONSABILITÉ / AVERTISSEMENT

Il est possible de remédier à certaines défaillances (simples) de manière adéquate par l'utilisateur final sans qu'il y ait de problème de sécurité ou d'utilisation dangereuse, à condition qu'elles soient effectuées dans les limites et conformément aux instructions suivantes (voir la section « Auto-réparation »).

Dès lors, sauf autorisation contraire dans la section « Auto-réparation » ci-dessous, les réparations doivent être adressées à des réparateurs professionnels agréés afin d'éviter les problèmes de sécurité. Un réparateur professionnel agréé est un réparateur professionnel à qui le fabricant a donné accès aux instructions et à la liste des pièces détachées de ce produit selon les méthodes décrites dans les actes législatifs en application de la directive 2009/125/CE.

Par contre, tel que mentionné dans le manuel d'utilisation/carte de garantie, seul l'agent de service (c'est-à-dire les réparateurs professionnels agréés) que vous pouvez joindre au numéro de téléphone indiqué dans le manuel d'utilisation/carte de garantie ou par l'intermédiaire de votre revendeur agréé peut fournir un service dans le cadre des conditions de garantie. Par conséquent, veuillez noter que les réparations effectuées Beko par des réparateurs professionnels (qui ne sont pas autorisés par) annuleront la garantie.

Auto-réparation

L'utilisateur final peut lui-même réparer les pièces de rechange ci-après : poignées de porte, charnières de porte, plateaux, paniers et joints de porte (une liste mise à jour est également disponible à l'adresse support.beko.com au 1er mars 2021).

En outre, pour garantir la sécurité du produit et éviter tout risque de blessure grave, l'autoréparation mentionnée doit être effectuée en suivant les instructions du manuel d'utilisation pour l'autoréparation ou qui sont disponibles dans support.beko.com. Pour votre sécurité, débranchez le produit avant de tenter toute autoréparation.

Les réparations et tentatives de réparation par les utilisateurs finaux pour les pièces ne figurant pas dans cette liste et/ou ne suivant pas les instructions des manuels d'utilisation pour l'autoréparation ou qui sont disponibles dans support.beko.com, pourrait donner lieu à des problèmes de sécurité non imputables à Beko, et annulera la garantie du produit.

Il est donc fortement recommandé aux utilisateurs finaux de s'abstenir de tenter d'effectuer des réparations ne figurant pas sur la liste des pièces de rechange mentionnée, en s'adressant dans ce cas à des réparateurs professionnels autorisés ou à des réparateurs professionnels agréés. Au contraire, de telles tentatives de la part des utilisateurs finaux peuvent causer des problèmes de sécurité et endommager le produit et, par la suite, provoquer un incendie, une inondation, une électrocution et des blessures corporelles graves.

Sans être exhaustives, les réparations suivantes par exemple doivent être effectuées par des personnes qualifiées : les réparateurs professionnels ou les réparateurs professionnels agréés : compresseur, circuit de refroidissement, carte mère, carte de convertisseur, carte d'affichage, etc.

Le fabricant/vendeur ne peut être tenu responsable dans tous les cas où les utilisateurs finaux ne se conforment pas à ce qui précède.

La disponibilité des pièces de rechange du réfrigérateur que vous avez acheté est de 10 ans.

Pendant cette période, des pièces de rechange originales seront disponibles pour faire fonctionner correctement le réfrigérateur.

La durée minimale de garantie du réfrigérateur que vous avez acheté est de 24 mois.

Cet appareil est doté d'une source d'éclairage de classe énergétique "G".

Seuls des réparateurs qualifiés sont autorisés à procéder au remplacement de la source d'éclairage de cet appareil.

Lea este manual de usuario antes de utilizar el aparato.

Estimado cliente:

Esperamos que este aparato, que ha sido fabricado en plantas dotadas de la más avanzada tecnología y sometido a los más estrictos procedimientos de control de calidad, le preste un servicio eficaz.

Por lo tanto, lea detenidamente este manual de instrucciones antes de utilizar el aparato y guardar el manual como referencia. Si entrega el aparato a otro propietario, no olvide incluir el manual de usuario.

El manual del usuario le ayudará a usar el aparato de manera rápida y segura.



- Lea el manual antes de instalar y poner en funcionamiento el aparato.
- Asegúrese de haber leído las instrucciones de seguridad.
- Conserve el manual en un sitio de fácil acceso, ya que podría necesitarlo en el futuro.
- Lea los otros documentos incluidos con el producto.

Recuerde que este manual de usuario también es aplicable a otros modelos. Las diferencias entre los modelos se identificarán en el manual.

Explicación de los símbolos

En este manual se utilizan los siguientes símbolos:

	Información importante o consejos de utilidad.
	Existe un riesgo de lesiones y de daños a la propiedad.
	Existe riesgo de descargas eléctricas.
	El embalaje del aparato se fabrica con materiales reciclables, de acuerdo con nuestro Reglamento Nacional sobre Medio Ambiente.

 INFORMATION	
	. La información del modelo, tal como está almacenada en la base de datos de productos, puede ser consultada en la página web siguiente introduciendo el identificador del modelo (*) que se encuentra en la etiqueta de clasificación energética. https://eprel.ec.europa.eu/

Contenidos

1. Instrucciones de seguridad y medio ambiente 3

- 1.1. Seguridad general 3
- 1.1.2 Para los modelos con dispensador de agua 5
- 1.2. Uso previsto 5
- 1.3. Seguridad para niños 5
- 1.4. Conformidad con la normativa WEEE y eliminación del aparato al final de su vida útil: 6
- 1.5. Cumplimiento de la directiva RoHS: . 6
- 1.6. Información de embalaje 6

2 Familiarizarse con el electrodoméstico 7

3 Instalación 8

- 3.1. Ubicación adecuada para la instalación 8
- 3.2. Instalación de las cuñas de plástico . 8
- 3.3. Ajuste de los pies 9
- 3.4. Conexión eléctrica 9
- 3.5. Inversión de las puertas 10
- 3.6. Inversión de las puertas 11

4 Preparación 12

- 4.1. Consejos para el ahorro de energía 12
- 4.2. Uso inicial 13

5 Manejo del aparato 14

- 5.1. Botón de ajuste de la temperatura .14
- 5.2. Congelación rápida 14
- 5.3. Función de vacaciones 15
- 5.4. Panel indicador 16
- 5.5. Panel indicador 20
- 5.6. Twist Ice - matic 25
- 5.7. Huevera 26
- 5.8. Ventilador 26
- 5.9. Cajón de frutas y verduras 26
- 5.10. Compartimento de enfriamiento .. 26
- 5.11. Mover el estante de la puerta. 27
- 5.12. Contenedor de almacenamiento deslizable 27

- 5.13. Luz azul 27
- 5.14. Icematic automático 28
- 5.15. Compartimento para verduras con control de humedad 28
- 5.16. Descripción y limpieza del filtro antiolores 29
- 5.17. Uso del dispensador de agua 30
- 5.18. Uso del dispensador de agua 30
- 5.19. Llenar el depósito del dispensador de agua 31
- 5.20. Limpieza del depósito de agua ... 32
- 5.21. Bandeja de goteo 33
- 5.22. HerbBox/HerbFresh (Cajón para hierbas/Hierbas frescas) 33
- 5.23. Congelación de alimentos frescos. 34
- 5.24. Recomendaciones para la conservación de alimentos congelados 35
- 5.25. Información sobre la congelación.. 35
- 5.26. Colocar los alimentos 35
- 5.27. Aviso de puerta abierta 36
- 5.28. Cambio de la dirección de apertura de la puerta 36
- 5.29. Lámpara de iluminación 36

6 Mantenimiento y limpieza 37

- 6.1. Cómo evitar malos olores 37
- 6.2. Protección de las superficies de plástico 37
- 6.3. Vidrios de las puertas 38

7 Resolución de problemas 39

1 Instrucciones de seguridad y medio ambiente

Esta sección proporciona las instrucciones de seguridad necesarias para evitar el riesgo de lesión y daños materiales. El incumplimiento de estas instrucciones puede invalidar cualquier tipo de garantía del aparato.

Finalidad prevista



ADVERTENCIA:

Asegúrese de que cuando el dispositivo está en su custodia o durante su montaje en el alojamiento, los orificios de ventilación no están cerrados.



ADVERTENCIA:

Con el fin de acelerar la operación de derretimiento del hielo, no utilice cualquier dispositivo o aparato mecánico que no es recomendado por el fabricante



ADVERTENCIA:

No dañe el circuito de fluido refrigerante.



ADVERTENCIA:

No utilice dispositivos eléctricos que no estén recomendados por el fabricante en los compartimentos del dispositivo para la conservación de alimentos.

Este dispositivo está diseñado para ser utilizado en el hogar o en las siguientes aplicaciones similares:

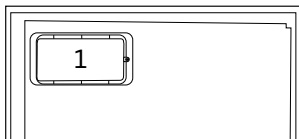
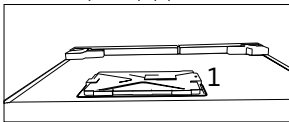
- Con el fin de ser utilizado en las cocinas para el personal de las tiendas, oficinas y otros lugares de trabajo;
- Con el fin de ser utilizado por los clientes en casas de campo y hoteles, moteles y otros lugares de alojamiento;
- en entornos tales pensiones;
- en lugares similares que no ofrecen servicios de restauración y no es al por menor.

1.1. Seguridad general

- Este aparato no debe ser utilizado por personas con discapacidades físicas, sensoriales y mentales, sin el conocimiento y la experiencia suficiente o por los niños. El aparato solo puede ser utilizado por estas personas bajo la supervisión y la instrucción de una persona responsable de su seguridad. A los niños no se les debe permitir jugar con este dispositivo.
- En caso de mal funcionamiento, desconecte el dispositivo.

Instrucciones para la seguridad y el medio ambiente

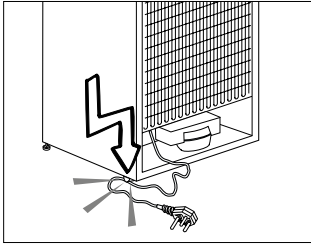
- Después de desconectar, espere por lo menos 5 minutos antes de conectar de nuevo. Desenchufe el aparato cuando no esté en uso. ¡No toque el enchufe con las manos mojadas! No tire del cable para enchufar para sacarlo de la toma de la pared, hágalo tomándolo de la cabeza del enchufe.
- No enchufe el refrigerador si la toma de corriente está floja.
- Desenchufe el aparato durante la instalación, el mantenimiento, limpieza y reparación.
- Si el aparato no se utiliza durante un tiempo, desenchufe el aparato y elimine cualquier alimento en el interior.
- No utilice vapor ni materiales de limpieza al vapor para la limpieza del refrigerador y el derretimiento del hielo en el interior. ¡El vapor podría contactar las zonas electrificadas y causar un cortocircuito o una descarga eléctrica!
- ¡No lave el aparato rociando ni vertiendo agua sobre él! ¡Riesgo de descarga eléctrica!
- Nunca utilice el producto si la sección situada en la parte superior o posterior del producto que tiene las placas de circuitos impresos electrónicos en el interior está abierta (cubierta de la placa del circuito electrónico impreso) (1).



- En caso de mal funcionamiento, no utilice el aparato, ya que puede causar una descarga eléctrica. Póngase en contacto con el servicio técnico autorizado antes de hacer cualquier cosa.

- Conecte el aparato a una toma de tierra. La puesta a tierra debe ser realizada por un electricista calificado.
- Si el aparato tiene un LED de iluminación y requiere sustituirlo, póngase en contacto con el servicio técnico autorizado para sustituirlo o en caso de cualquier problema.
- ¡No toque la comida congelada con las manos mojadas! ¡Se podría adherir a sus manos!
- No coloque líquidos en botellas ni latas en el compartimento del congelador. ¡Podrían estallar!
- Coloque los líquidos en posición vertical después de cerrar bien la tapa.
- No rocíe sustancias inflamables cerca del aparato, ya que podría quemarse o explotar.
- No guarde materiales ni aparatos con gases inflamables (sprays, etc.) en el refrigerador.
- No ponga recipientes que contengan líquido encima del aparato. Salpicar agua en una parte electrificada podría provocar descargas eléctricas y riesgos de incendio.
- La exposición del aparato a la lluvia, la nieve, la luz directa del sol y el viento causarán un peligro eléctrico. Cuando traslade el aparato, no tire sujetando la manija de la puerta. El mango se podría salir.
- Tenga cuidado de no atrapar ninguna parte de sus manos o de su cuerpo en cualquiera de las partes móviles en el interior del aparato.
- No se pare ni se apoye en las puertas, cajones y partes similares de la nevera. Esto causará que el aparato se caiga hacia y dañe sus partes.
- Tenga cuidado de no tropezar con el cable de alimentación.

Instrucciones para la seguridad y el medio ambiente



1.1.1 Aviso HC

Si el aparato dispone de un sistema de refrigeración que utilizan gas R600a, tenga cuidado de no dañar el sistema de refrigeración y su tubería mientras se utiliza o mueva el aparato. Este gas es inflamable. Si el sistema de refrigeración está dañado, mantenga el aparato alejado de fuentes de incendio y ventile la habitación inmediatamente.



La etiqueta en la parte interior izquierda indica el tipo de gas utilizado en el aparato.

1.1.2 Para los modelos con dispensador de agua

- La presión en la entrada de agua fría será a un máximo de 90 psi (620 kPa). Si la presión del agua es superior a 80 psi (550 kPa), utilice una válvula limitadora de presión en el sistema de red. Si usted no sabe cómo controlar la presión del agua, pida la ayuda de un plomero profesional. Si hay riesgo de

golpe de ariete en la instalación, siempre utilice un equipo de prevención contra golpes de ariete en la instalación. Consulte a un fontanero profesional si no está seguro de que no hay un efecto del golpe de ariete en la instalación.

- No instale en la entrada de agua caliente. Tome precauciones contra del riesgo de congelación en las mangueras. El intervalo de funcionamiento de la temperatura del agua debe ser un mínimo de 33°F (0.6°C) y un máximo de 100°F (38°C).
- Solo use agua potable apta para beber.

1.2. Uso previsto

- Este aparato está diseñado para uso en el hogar. No es adecuado para un uso comercial.
- El aparato debe utilizarse para solamente para almacenar alimentos y bebidas.
- No guarde aparatos sensibles que requieran temperatura controlada (vacunas, medicamentos sensibles al calor, equipos médicos, etc.) en el refrigerador.
- El fabricante no asume ninguna responsabilidad por los daños debidos al mal uso o mal manejo.
- Se proporcionarán piezas de recambio originales durante 10 años, después de la fecha de compra del producto.

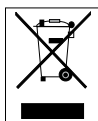
1.3. Seguridad para niños

- Guarde los materiales de embalaje fuera del alcance de los niños.
- A los niños no se les debe permitir jugar con el aparato.
- Si la puerta del aparato usa una cerradura, guarde la llave fuera del alcance de los niños.

Instrucciones para la seguridad y el medio ambiente

1.4. Conformidad con la normativa WEEE y eliminación del aparato al final de su vida útil:

Este producto es conforme con la directiva de la UE sobre residuos de aparatos eléctricos y electrónicos (WEEE) (2012/19/UE). Este producto incorpora el símbolo de la clasificación selectiva para los residuos de aparatos eléctricos y electrónicos (WEEE).



Este símbolo indica que este producto no debe eliminarse con otros desechos domésticos al final de su vida útil. El dispositivo usado debe ser devuelto al punto de recogida oficial para el reciclaje de los dispositivos eléctricos y electrónicos. Para encontrar estos sistemas de recogida, por favor, póngase en contacto con las autoridades locales o con el distribuidor donde se compró el producto. Cada hogar desempeña un papel importante en la recuperación y el reciclaje de los aparatos antiguos. La eliminación adecuada de los aparatos usados ayuda a prevenir las posibles consecuencias negativas para el medio ambiente y la salud humana.

1.5. Cumplimiento de la directiva RoHS:

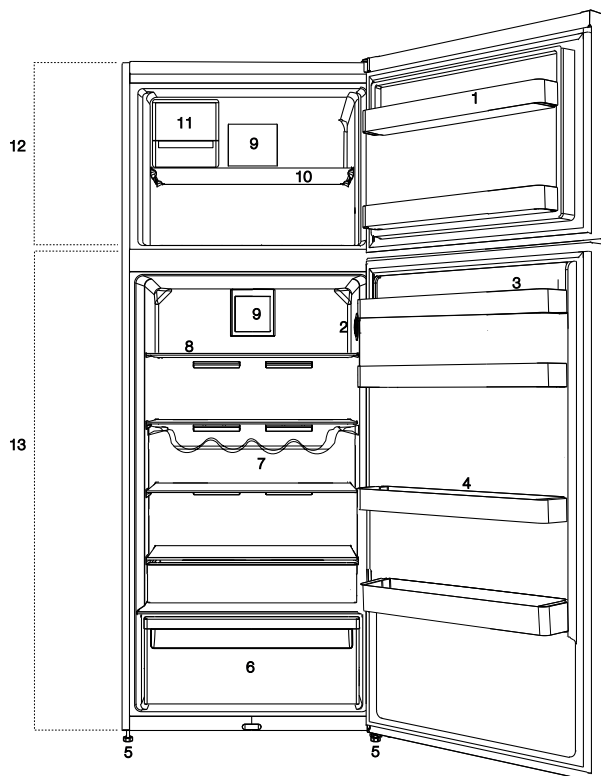
El producto que ha adquirido es conforme con la directiva de la UE sobre la restricción de sustancias peligrosas (RoHS) (2011/65/UE). No contiene ninguno de los materiales nocivos o prohibidos especificados en la directiva.

1.6. Información de embalaje



El embalaje del producto está fabricado con material reciclable de acuerdo con las normativas nacionales sobre medio ambiente. No se deshaga del material de embalaje ni de los desechos domésticos o de otro tipo. Llévelos a los puntos de recogida de material de embalaje designados por las autoridades locales.

2 Familiarizarse con el electrodoméstico



1. Estante de la puerta del compartimento congelador
2. Botón de ajuste de la temperatura
3. Contenedor de llenado del dispensador de agua
4. Huevera
5. Depósito del dispensador de agua
6. Contenedor de almacenamiento bajo el estante de la puerta
7. Estante móvil
8. Pies ajustables
9. Cajón de frutas y verduras
10. Compartimento de enfriamiento
11. Bloqueo y tecla
12. Estante para botellas
13. Estante de vidrio del compartimento refrigerador
14. Ventilador
15. Estante del compartimento congelador
16. Compartimento de producción de cubitos
17. Compartimento congelador
18. Compartimento frigorífico



***opcional:** Las ilustraciones de este manual se proporcionan a modo de ejemplo y podrían no corresponderse exactamente con su aparato. Si determinadas partes no están presentes en el aparato que usted ha adquirido, indica que la figura corresponde a otro modelo.

3.1. Ubicación adecuada para la instalación

Contacte con un Servicio Técnico autorizado para la instalación del aparato. Para preparar el aparato para su uso, consulte la información en el manual de instrucciones y asegúrese de que la instalación eléctrica y la instalación de agua sean apropiadas. En caso contrario, llame a un electricista cualificado para la realización de los trabajos necesarios.

	<p>ADVERTENCIA: El fabricante no se hará responsable de los daños derivados de la realización de dichos procedimientos por parte de personas no autorizadas.</p>
	<p>ADVERTENCIA: El aparato no debe estar enchufado durante la instalación. De lo contrario, ¡podría sufrir lesiones graves o mortales!</p>
	<p>ADVERTENCIA: Si el espacio de la puerta de la estancia donde vaya a colocar el producto es ajustado que impide el paso del aparato, retire la puerta de la habitación girándola hacia a un lado. Si no funciona, contacte con un servicio técnico autorizado.</p>

- Coloque el aparato sobre una superficie lisa para evitar sacudidas.
- Instale el aparato a una distancia no inferior de 30 cm de fuentes de calor como placas, hornos, radiadores y estufas y una distancia no inferior a 5 cm de cualquier horno eléctrico.
- No instale el aparato en estancias húmedas o expuestas a la luz solar directa.

- Su producto requiere una circulación de aire adecuada para funcionar eficientemente. Si el producto va a ser colocado en un hueco, recuerde dejar al menos 5 cm de espacio entre el producto y el techo, la pared trasera y las paredes laterales.
- Si el producto va a ser colocado en un hueco, recuerde dejar al menos 5 cm de espacio entre el producto y el techo, la pared trasera y las paredes laterales. Compruebe si el componente de protección de la parte trasera se encuentra colocado en su lugar (en caso de ser suministrado con el producto). Si el componente no está disponible, o si se pierde o se cae, coloque el producto de manera que quede un espacio libre, de al menos 5 cm, entre la superficie trasera del producto y la pared de la habitación. El espacio libre en la parte trasera es importante para el funcionamiento eficiente del producto.
- No instale el aparato en lugares en donde la temperatura pueda ser inferior a -5°C.

3.2. Instalación de las cuñas de plástico

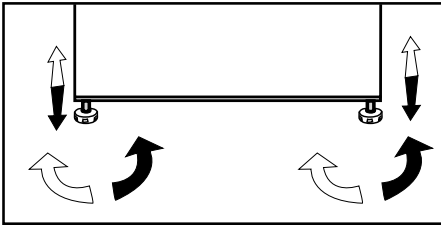
Las cuñas de plástico que vienen con el producto se utilizan para crear la distancia para la circulación del aire entre el aparato y la pared trasera.

1. Para ello, retire los tornillos del aparato y utilice los que encontrará en la bolsa de las cuñas.
2. Coloque las dos cuñas de plástico en la cubierta de ventilación trasera, como se muestra en la figura.

Instalación

3.3. Ajuste de los pies

Si el aparato no queda equilibrado tras su instalación, ajuste las pies frontales girándolos de la derecha a la izquierda.



3.4. Conexión eléctrica



ADVERTENCIA: No utilice cables de extensión ni ladrones para realizar la conexión eléctrica.



ADVERTENCIA: Deje en manos de un servicio técnico autorizado la sustitución de un cable de alimentación dañado.



En caso de que vaya a instalar dos frigoríficos uno al lado del otro, debe dejar una separación no inferior a 4 cm entre ellos.

- Nuestra empresa no se hará responsable de daños provocados por el uso del aparato sin una toma de tierra conforme a las normativas nacionales.
- Tras la instalación, el enchufe del cable de alimentación debe quedar al alcance de la mano.
- No use cables de extensión ni múltiples tomacorrientes sin cable entre el aparato y la toma de pared.



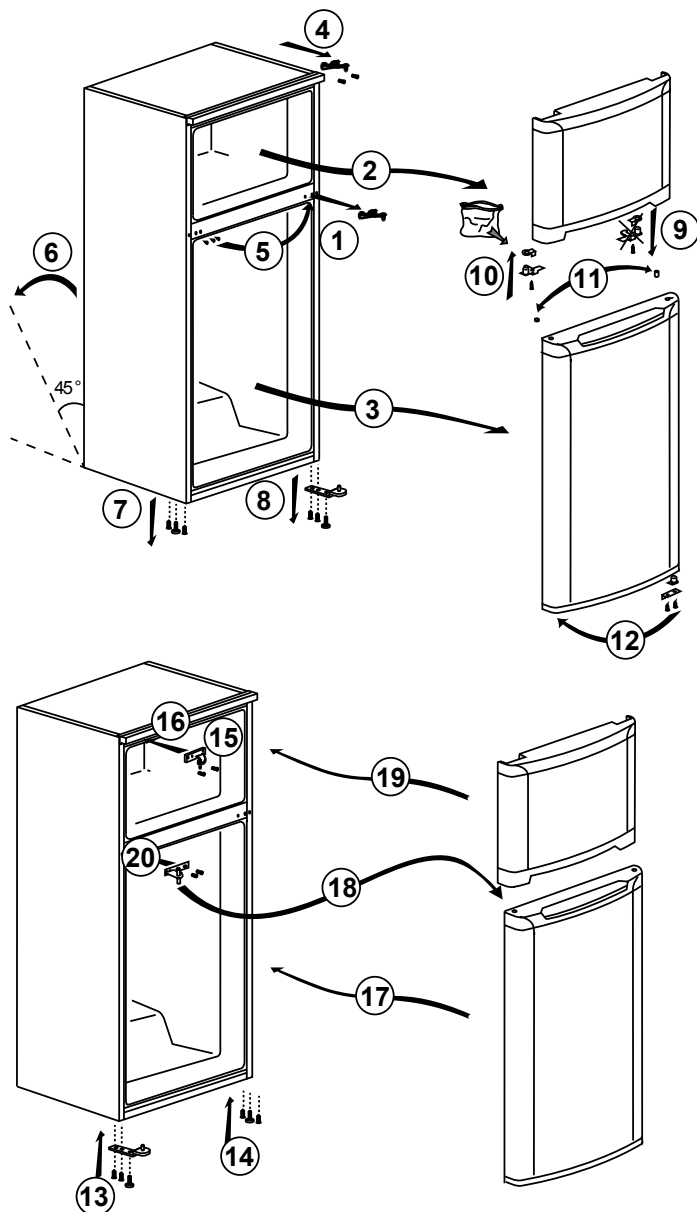
Advertencia de superficie caliente

Las paredes laterales de su producto están equipadas con tubos de refrigerante para mejorar el sistema de refrigeración. El refrigerante con altas temperaturas puede fluir a través de estas áreas, lo que resulta en superficies calientes en las paredes laterales. Esto es normal y no necesita ningún mantenimiento. Por favor, tenga cuidado al tocar estas áreas.

Instalación

3.5. Inversión de las puertas

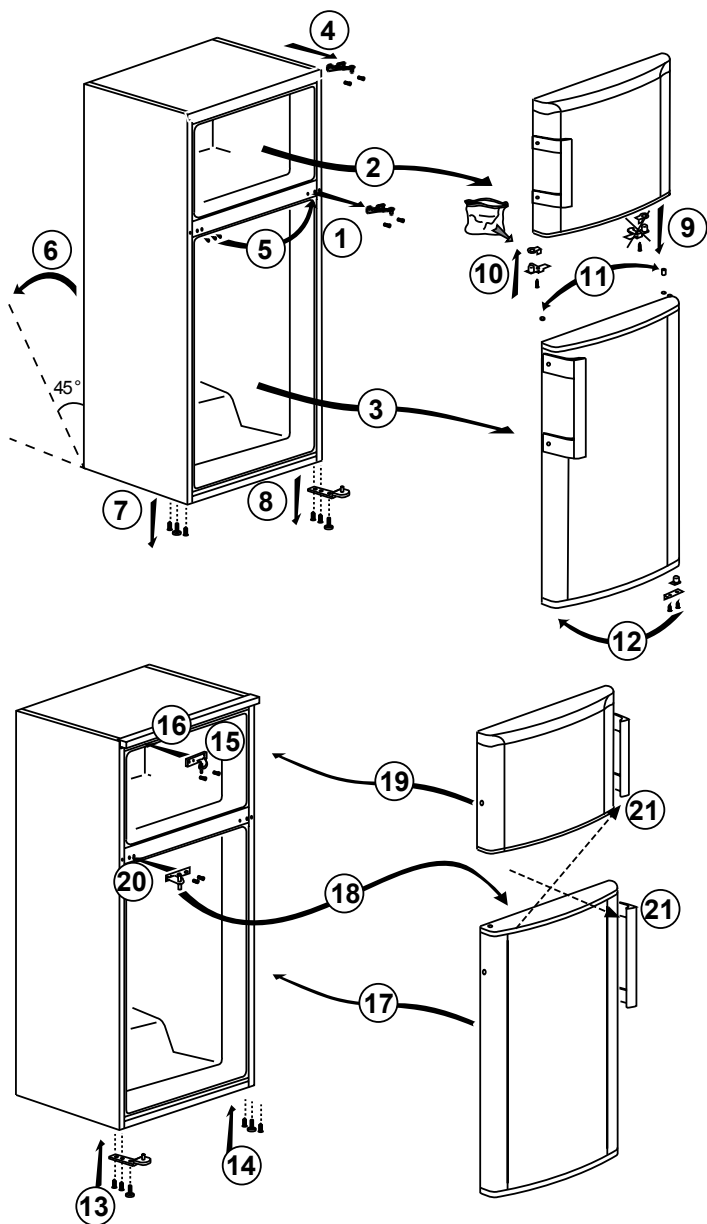
Proceder en orden numérico.



Instalación

3.6. Inversión de las puertas

Proceder en orden numérico.

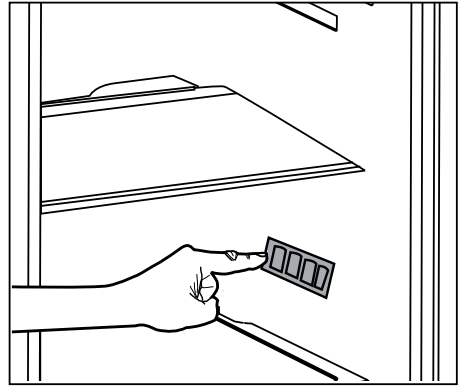


4.1. Consejos para el ahorro de energía



El aparato podría sufrir daños si se conecta a sistemas de ahorro de energía, por lo que es arriesgado.

- Para uso no empotrado: "este aparato de refrigeración no está destinado a ser utilizado como electrodoméstico empotrado".
- No deje las puertas del frigorífico abiertas durante periodos largos de tiempo.
- No introduzca alimentos o bebidas calientes en el frigorífico.
- No sobrecargue el frigorífico, pues se reducirá la capacidad de enfriamiento si se obstaculiza la circulación del aire en el interior.
- Para poder almacenar la máxima cantidad de alimentos en el compartimento del congelador, debe retirar el icematic, ubicado allí y que puede ser retirado con la mano. El volumen neto y el consumo energético especificados en la placa de datos del frigorífico se miden y se prueban retirando el frigorífico. No retire los estantes de dentro del compartimento del congelador de la puerta del compartimento del congelador. Úselos siempre, pues facilitan el uso del aparato y ayudan al consumo energético eficiente.
- Puesto que el aire caliente y húmedo no penetra directamente en su producto cuando las puertas no están abiertas, su producto se optimiza en condiciones suficientes para proteger sus alimentos. Las funciones y componentes como el compresor, ventilador, calentador, descongelador, iluminación, pantalla, etc. funcionarán de acuerdo con las necesidades de consumo mínimo de energía en estas circunstancias.
- No bloquee el flujo de aire colocando alimentos a los lados del ventilador del compartimento del congelador. Deje una distancia mínima de 3 cm a los lados de las paredes de la cobertura de protección del ventilador.
- Use siempre los canastos/cajones que se suministran con el compartimento del congelador para obtener un menor consumo de energía y mejores condiciones de almacenamiento.
- El contacto de los alimentos con el sensor de temperatura en el compartimento congelador puede elevar el consumo de energía del electrodoméstico. Por lo tanto, se debe evitar todo contacto con el/los sensor/es.
- Según las características del electrodoméstico, descongele alimentos congelados en el compartimento del frigorífico para obtener un ahorro energético y conservar la calidad de los alimentos.



- No deje que los alimentos entren en contacto con el sensor de temperatura del compartimento del frigorífico que aparece en la imagen de más arriba.

4.2. Uso inicial

Antes de empezar a utilizar el frigorífico, compruebe que se hayan realizado todas las preparaciones indicadas en las secciones "Instrucciones importantes sobre seguridad" e "Instalación".

- Mantenga el aparato en funcionamiento durante 6 horas sin alimentos en su interior y no abra la puerta si no es estrictamente necesario.



Se oye un ruido cada vez que el compresor se pone en funcionamiento. Los líquidos y los gases contenidos en el sistema de refrigeración pueden también generar ruidos, incluso aunque el compresor no esté funcionando, lo cual es normal.



Es posible que las aristas delanteras del aparato se noten calientes al tacto. Esto es normal. Estas zonas deben permanecer calientes para evitar la condensación.



En algunos modelos, el panel de instrumentos se apaga automáticamente 5 minutos después de que la puerta se haya cerrado. Se reactivará cuando la puerta se abra o cuando se pulse cualquier tecla.

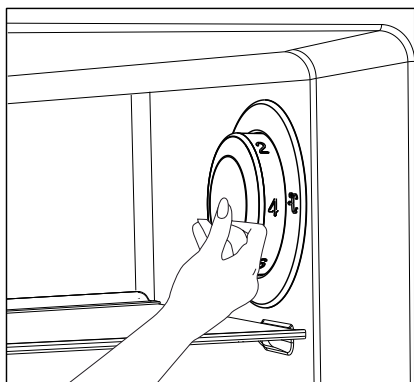
5.1. Botón de ajuste de la temperatura

La temperatura interior del frigorífico cambia debido a los siguientes motivos;

- Temperatura de la estación.
- Abrir la puerta con frecuencia y dejarla abierta durante mucho tiempo.
- Introducir en el frigorífico alimentos sin esperar que su temperatura alcance la temperatura ambiente
- La ubicación del frigorífico en la estancia (por ejemplo, que esté expuesto a la luz solar)
- Puede ajustar las variaciones de la temperatura interior debidas, por ejemplo, a la utilización del botón de ajuste.

Los números alrededor del mando de control indican los valores de temperatura en "°C".

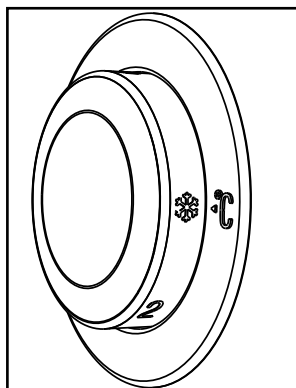
Si la temperatura ambiente es de 25°C, le recomendamos que use el mando de control del frigorífico a 4°C. Puede aumentar o disminuir este valor como sea necesario en otras temperaturas ambiente.



5.2. Congelación rápida

Si va a congelar grandes cantidades de alimentos frescos, ponga el mando de control en la posición de (❄️) máx. 24 horas antes de depositar los alimentos en el compartimento de congelación rápida.

Se recomienda encarecidamente mantener el mando de control en la posición MAX durante por lo menos 24 horas para congelar la cantidad máxima de alimentos correspondiente a la capacidad de congelación. Ponga especial cuidado en no mezclar alimentos frescos y alimentos ya congelados.



***opcional:** Las ilustraciones de este manual se proporcionan a modo de ejemplo y podrían no corresponderse exactamente con su aparato. Si determinadas partes no están presentes en el aparato que usted ha adquirido, indica que la figura corresponde a otro modelo.

Funcionamiento del aparato

Recuerde volver a situar el mando del termostato en su posición previa una vez los alimentos se hayan congelado.

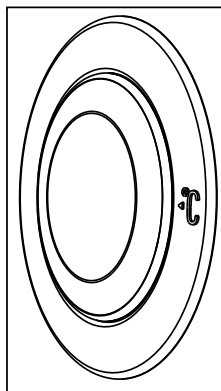
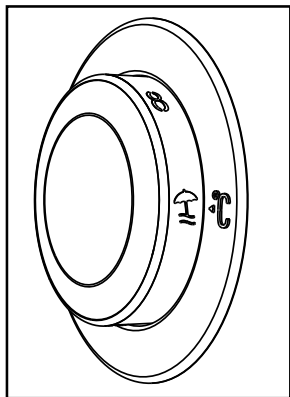
5.3. Función de vacaciones

Si las puertas del aparato no se abren durante 12 horas tras poner el termostato en la posición de máximo calor, la función de vacaciones se activará automáticamente.

Para cancelar la función, cambie los ajustes del mando.

No se recomienda almacenar alimentos en el compartimento de más frío cuando la función de vacaciones esté activa.

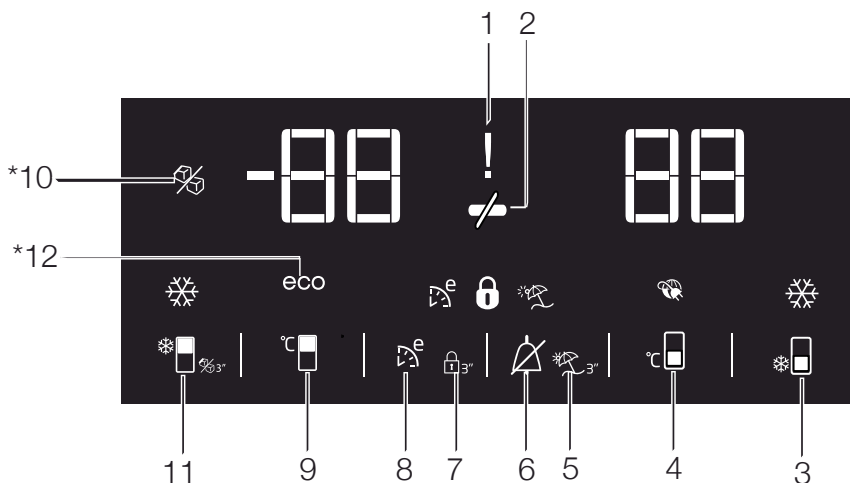
- Cuando el ajuste haya finalizado, podrá pulsar el termostato y esconderlo.



Funcionamiento del aparato

5.4. Panel indicador

El panel indicador le permite ajustar la temperatura y controlar as otras funciones relacionadas con el aparato sin abrir sus puertas. Basta con pulsar las inscripciones en los botones correspondientes para los ajustes de la función.



1. Fallo de Alimentación / Alta temperatura / Indicador de estado de error

Se ilumina este indicador (10) al producirse un fallo de alimentación, alta temperatura y advertencias de error.

En el caso de que la temperatura del compartimento de congelación llegue a un nivel crítico para los alimentos congelados, en el indicador digital parpadea el valor máximo de temperatura alcanzado por el compartimento de congelación.

Revise los alimentos que hay en el compartimento del congelador. Esto no es un mal funcionamiento. Esta alerta se puede borrar pulsando

cualquier botón o en el botón de apagado de la alarma por temperatura alta. (La cancelación pulsando cualquier botón no es aplicable en todos los modelos).

Este indicador también se ilumina al producirse un fallo en el sensor. Al iluminarse este indicador, en el indicador de temperatura se muestra alternativamente "E" y figuras como "1,2,3...". Estas figuras que aparecen en el indicador informan al personal de servicio sobre el error.

2. Función de ahorro de energía (pantalla apagada):

Si las puertas de la nevera se



***opcional:** Las ilustraciones de este manual se proporcionan a modo de ejemplo y podrían no corresponderse exactamente con su aparato. Si determinadas partes no están presentes en el aparato que usted ha adquirido, indica que la figura corresponde a otro modelo.

Funcionamiento del aparato

La función de ahorro de energía se activará durante la entrega desde la batería y no se puede cancelar.

3. Función de refrigeración rápida

El botón tiene dos funciones. Pulse brevemente este botón para activar o desactivar la función de enfriamiento rápido. La luz de refrigeración rápida y el aparato volverán a su configuración habitual. (🔌)



Use la función de enfriamiento rápido cuando desee enfriar con rapidez los alimentos depositados en el compartimento frigorífico. Si desea enfriar grandes cantidades de alimentos frescos, active esta función antes de depositar los alimentos en el aparato.



Si no cancela manualmente la función, esta se cancelará automáticamente transcurridas ocho horas o bien una vez el compartimento frigorífico alcance la temperatura deseada.



Si pulsa el botón de enfriamiento rápido repetidamente a intervalos breves, se activará la protección del circuito electrónico y el compresor no se pondrá en marcha inmediatamente.



En caso de corte del fluido eléctrico, esta función no se activará automáticamente al restablecerse el suministro eléctrico.

4. Botón de ajuste de la temperatura del compartimento frigorífico

Pulse este botón para ajustar la temperatura del compartimento

frigorífico a 8, 7, 6, 5, 4, 3, 2 y 8... respectivamente. Pulse este botón para ajustar la temperatura que desee para el compartimento frigorífico. (🔌)

5. Función de Vacaciones

Para activar la función de vacaciones, pulse este botón (🌴) durante 3 segundos, y la luz del modo de vacaciones (🌴) se activará. Cuando la función de vacaciones está activa, aparece " - " en el indicador de temperatura del compartimento frigorífico y este compartimento no enfría. Cuando esta función está activa no es adecuado conservar alimentos en el compartimento frigorífico. El resto de compartimentos seguirán refrigerados a la temperatura ajustada para ellos.

Para cancelar esta función, pulse de nuevo el botón de la **función de Vacaciones**.

6. Eliminación de Advertencia de Alta Temperatura

En caso de alerta de fallo de alimentación/alta temperatura, puede eliminar la advertencia (🔔) pulsando cualquier botón del indicador o el botón de apagado de la alarma por temperatura alta durante 1 segundo después de revisar los alimentos que están dentro del compartimento del congelador. Nota: La cancelación pulsando cualquier botón no es aplicable en todos los modelos.

7. Bloqueo de teclas

Pulse el botón de bloqueo de teclas (🔒) simultáneamente durante 3

Funcionamiento del aparato

segundos. Símbolo de bloqueo de teclas (🔒) se iluminará y el modo de bloqueo de teclas se activará. Los botones no funcionarán si el modo de bloqueo de

teclas está activo. Pulse el botón de bloqueo de teclas simultáneamente durante 3 segundos. El indicador de bloqueo de teclas se apagará y el modo de bloqueo de teclas se cancelará.

Pulse el botón de **bloqueo de teclas** para evitar modificar los ajustes de temperatura del frigorífico (🔒).

8. Eco fuzzy

Pulse el botón Eco-Fuzzy y manténgalo pulsado durante 1 segundo para activar la función eco fuzzy. El frigorífico comenzará a funcionar en el modo más económico durante un mínimo de 6 horas y el indicador de uso económico se iluminará cuando esta función esté activa. (🌿). Pulse y mantenga pulsado el botón Eco-Fuzzy y manténgalo pulsado durante 3 segundos para activar la función eco fuzzy.

Esta luz se iluminará después de 6 horas cuando la función eco fuzzy esté activada.

9. Botón de ajuste de la temperatura del compartimento congelador

Pulse este botón para ajustar la temperatura del compartimento congelador a -18,-19, -20,-21,-22,-23, -24, -18... respectivamente. Pulse este botón para ajustar la temperatura del compartimento del frigorífico al valor deseado. (📺)

10. Indicador de apagado del Icematic

Indica si el Icematic está encendido o apagado. (🌊) Si está encendido, entonces significa que el icematica no está en funcionamiento. Para activar de nuevo el Icematic, mantenga pulsado el botón de activación/desactivación durante 3 segundos.



El flujo de agua desde el depósito se detendrá al seleccionar esta función. No obstante, podrá seguir extrayendo del Icematic el hielo ya fabricado.

11. Función de congelado rápido/ botón de encendido-apagado del icematic.

Pulse brevemente este botón para activar o desactivar la función de enfriamiento rápido. Cuando active la función, el compartimento congelador se enfriará hasta alcanzar una temperatura inferior al valor fijado. (📺)

Para activar o desactivar el Icematic, mantenga el botón pulsado durante 3 segundos.



Use la función de congelación rápida cuando desee congelar con rapidez los alimentos depositados en el compartimento frigorífico. Si desea enfriar grandes cantidades de alimentos frescos, active esta función antes de depositar los alimentos en el aparato.

Funcionamiento del aparato



Si no cancela manualmente la función de congelación rápida, ésta se cancelará automáticamente transcurridas cuatro horas o bien una vez el compartimento frigorífico alcance la temperatura deseada.



En caso de corte del fluido eléctrico, esta función no se activará automáticamente al restablecerse el suministro eléctrico.

12. Indicador del modo ahorro

Indica que el aparato está funcionando en el modo de eficiencia energética. () Esta luz estará activada si la temperatura del compartimento del frigorífico está ajustada a -18 o si el enfriamiento eficiente se está llevando a cabo con la función Eco-Extra.

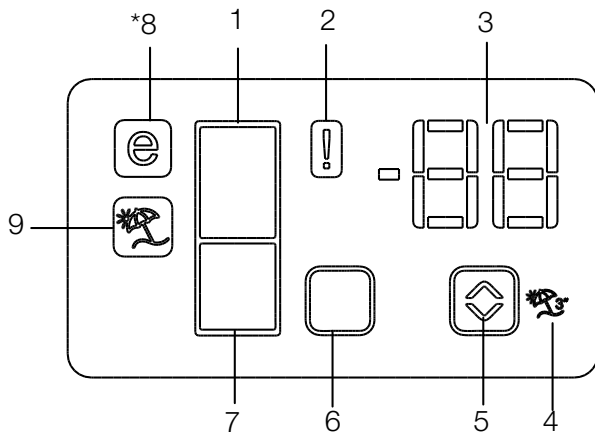


El indicador de uso económico se desactiva al seleccionar las funciones de enfriamiento rápido o congelación rápida.

Funcionamiento del aparato

5.5. Panel indicador

Los paneles indicadores pueden variar dependiendo del modelo de aparato. Las funciones audiovisuales del panel indicador le ayudan a utilizar el aparato.



1. Indicador del compartimento frigorífico
2. Indicador de error
3. Indicador de temperatura
4. Botón del modo vacaciones
5. Botón de ajuste de la temperatura
6. Botón de selección de compartimento
7. Indicador del compartimento congelador
8. Indicador del modo ahorro
9. Indicador de la función de vacaciones

***opcional**



***opcional:** Las ilustraciones de este manual se proporcionan a modo de ejemplo y podrían no corresponderse exactamente con su aparato. Si determinadas partes no están presentes en el aparato que usted ha adquirido, indica que la figura corresponde a otro modelo.

Funcionamiento del aparato

1. Indicador del compartimento frigorífico

La luz del compartimento frigorífico se enciende al ajustar la temperatura del compartimento frigorífico.

2. Indicador de error

Este indicador se activa si su frigorífico no enfría o suficiente o en caso de fallo de un sensor. Cuando este indicador se active, el indicador de la temperatura del compartimento congelador mostrará "E" y el indicador de temperatura del compartimento frigorífico mostrará números, por ejemplo "1,2,3...". Estos números proporcionan al personal de mantenimiento información acerca del error.

3. Indicador de temperatura

Indicador de temperatura del compartimento frigorífico y congelador.

4. Botón del modo vacaciones

Pulse el botón de vacaciones durante 3 segundos para activar esta función. Cuando la función de vacaciones está activa, aparece "- -" en el indicador de temperatura del compartimento frigorífico y este compartimento no enfría. Cuando esta función está activa no es adecuado conservar alimentos en el compartimento frigorífico. El resto de compartimentos seguirán refrigerados a la temperatura ajustada para ellos. Para cancelar esta función, pulse de nuevo el botón **Vacaciones**.

5. Botón de ajuste de la temperatura

Cambia la temperatura del compartimento correspondiente en un rango de entre -24 °C... -18 °C y 8 °C...1 °C.

6. Botón de selección de compartimento

Botón de selección: Pulse el botón de selección de compartimento para alternar entre el compartimento frigorífico y el compartimento congelador.

7. Indicador del compartimento congelador

La luz del compartimento frigorífico se enciende al ajustar la temperatura del compartimento congelador.

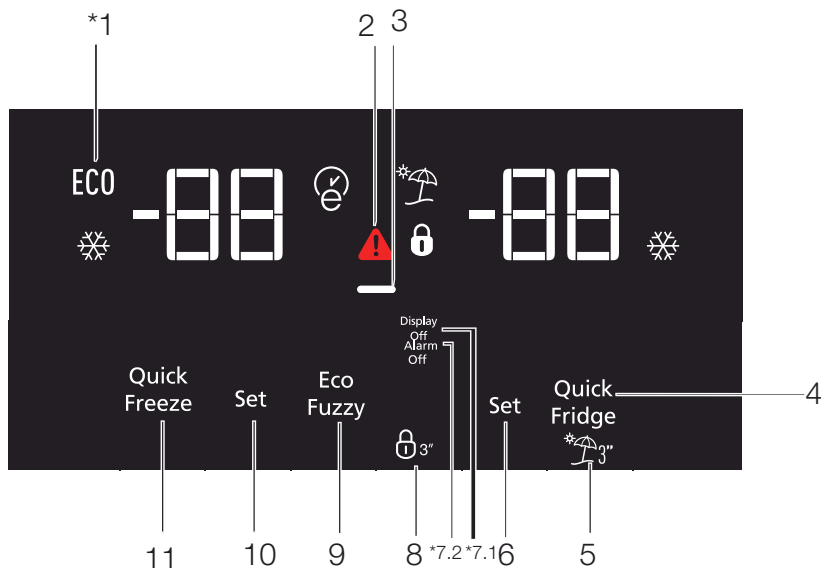
8. Indicador del modo ahorro

Indica que el frigorífico opera en el modo de ahorro de energía. Este indicador estará activo si la temperatura del compartimento congelador se fija en -18 °C.

9. Indicador de la función de vacaciones

Indica que la función de vacaciones está activa.

Funcionamiento del aparato



1. Economía

Este indicador se ilumina cuando el compartimento congelador se ajusta a -18°C , que es la posición de funcionamiento más económica (ECO). El indicador de uso económico se desactiva al seleccionar las funciones de enfriamiento rápido o congelación rápida.

2. Indicador de temperatura alta / indicador de aviso de error

Este indicador (⚠) se ilumina durante un apagón, fallos de alta temperatura y avisos de errores.

3. Función de ahorro de energía (visor apagado)

Si las puertas de la nevera se mantienen cerradas durante un tiempo largo, la función de ahorro de energía se activa automáticamente y el símbolo de ahorro de energía se ilumina. Si la función de ahorro de energía está activa, todos los símbolos del visor se apagarán excepto el símbolo de energía. Cuando el modo de ahorro de energía está activo, si se pulsa cualquier botón o se abre la puerta, la función de ahorro de energía se cancelará y los símbolos en el visor volverán a su estado normal. La función de ahorro de energía se activará durante la entrega desde la batería y no se puede cancelar.



***opcional:** Las ilustraciones de este manual se proporcionan a modo de ejemplo y podrían no corresponderse exactamente con su aparato. Si determinadas partes no están presentes en el aparato que usted ha adquirido, indica que la figura corresponde a otro modelo.

Funcionamiento del aparato

4. Enfriamiento rápido

El indicador de refrigeración rápida se encenderá (❄️) y el valor del indicador de temperatura del compartimento refrigerador se mostrará como 1 cuando se active la función de refrigeración rápida. Para cancelar esta función, pulse nuevamente el botón de refrigeración rápida. El indicador de congelación rápida se apagará y el frigorífico volverá a sus valores normales. Si no lo cancela, la función de congelación rápida se anulará automáticamente 1 hora más tarde. Si desea congelar grandes cantidades de alimentos frescos, pulse el botón de congelación rápida antes de introducir los alimentos en el compartimento frigorífico.

5. Función de vacaciones

Para activar la función de vacaciones, pulse el botón nº (4) (🏠) durante 3 segundos, y el indicador de modo de vacaciones se activará. Cuando la función de vacaciones está activa, aparece "- -" en el indicador de temperatura del compartimento frigorífico y este compartimento no enfría. Cuando esta función está activa no es adecuado conservar alimentos en el compartimento frigorífico. El resto de compartimentos seguirán refrigerados a la temperatura ajustada para ellos. Para cancelar esta función, pulse de nuevo el botón de la **función de Vacaciones**.

6. Ajuste de temperatura del compartimento frigorífico

Cuando el botón nº. (5) podrá ajustar la temperatura del compartimento de la nevera a 8, 7, 6, 5, 4, 3 y 1 respectivamente. (📺).

7. 1 Función de ahorro de energía (pantalla apagada):

Al pulsar este botón, el indicador de ahorro de energía (—) se iluminará y la función de ahorro de energía se activará (—). Si la función de ahorro de energía está activa, todos los símbolos del visor se apagarán excepto el símbolo de energía. Cuando el modo de ahorro de energía está activo, si se pulsa cualquier botón o se abre la puerta, la función de ahorro de energía se cancelará y los símbolos en el visor volverán a su estado normal. Si pulsa de nuevo este botón (—), el símbolo ahorro de energía se apagará y la función de ahorro de energía no estará activa.


7.2 Aviso de desconexión de la alarma:


En caso de apagón/alarma de alta temperatura, pulse el botón de desconexión de alarma para eliminar el aviso después de comprobar los alimentos en el compartimento del congelador.

8. Bloqueo de teclas


Pulse el botón de bloqueo de teclas (🔒) simultáneamente durante 3 segundos. Símbolo de bloqueo de teclas

Funcionamiento del aparato

() se iluminará y el modo de bloqueo de teclas se activará. Los botones no funcionarán si el modo de bloqueo de teclas está activo. Pulse el botón de bloqueo de teclas simultáneamente durante 3 segundos. El indicador de bloqueo de teclas se apagará y el modo de bloqueo de teclas se cancelará.

Pulse el botón de **bloqueo de teclas** para evitar modificar los ajustes de temperatura del frigorífico ()

9. Eco fuzzy

Pulse el botón Eco-Fuzzy y manténgalo pulsado durante 1 segundo para activar la función eco fuzzy. El frigorífico comenzará a funcionar en el modo más económico durante un mínimo de 6 horas y el indicador de uso económico se iluminará cuando esta función esté activa. () Pulse y mantenga pulsado el botón Eco-Fuzzy y manténgalo pulsado durante 3 segundos para activar la función eco fuzzy.

Esta luz se iluminará después de 6 horas cuando la función eco fuzzy esté activada.

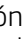
10. Ajuste de temperatura del compartimento congelador

Se realiza un ajuste de temperatura en el compartimento congelador. Pulse el botón 9 para ajustar la temperatura del compartimento congelador a -18, -19, -20, -21, -22, -23 y -24°C, respectivamente.

11. Congelación rápida

Pulse el botón nº (10) Para un a congelación rápida, indicador de congelación rápida

() deberá activarse.

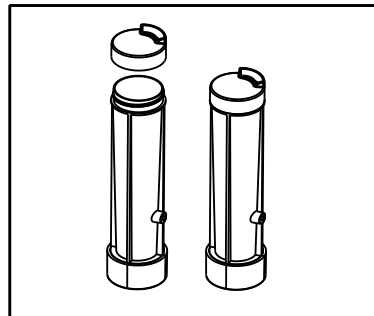
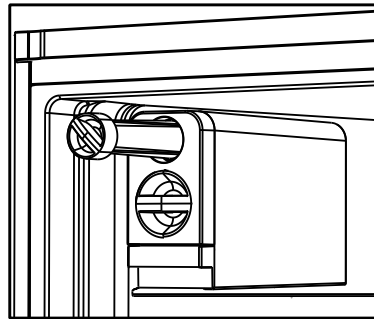
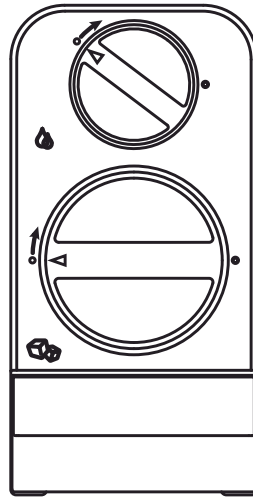
El indicador de congelación rápida se ilumina cuando la función de congelación rápida esté activa y el visor del compartimento refrigerador muestre -27. Para cancelar esta función pulse de nuevo () el botón de congelación rápida. El indicador de congelación rápida se apagará y el frigorífico volverá a sus valores normales. Si no se cancela manualmente, la función de congelación rápida se anulará automáticamente 24 horas más tarde. Si desea congelar grandes cantidades de alimentos frescos, pulse el botón de congelación rápida antes de introducir los alimentos en el compartimento congelador.

Funcionamiento del aparato

5.6. Twist Ice - matic

(Característica opcional)

- Retire el depósito de agua girándolo hacia la izquierda.
- Abra a cobertura del depósito de agua girándolo y añádale agua hasta la parte inferior de la cubierta de éste.
- Coloque el depósito de agua en su sitio tal como se indica en la imagen después de añadir agua y haberlo colocado girándolo en la dirección de la flecha. Vierta el agua a la bandeja para hielo.
- Cuando se haya formado hielo, gire la bandeja para hielo para que el hielo caiga desde el cajón para hielo.
- Saque el cajón para hielo para extraer los cubitos de hielo.
- Tire de la cara frontal hacia usted para lavar la bandeja para hielo y colóquelo en los laterales de la zona interior y colóquelo de nuevo empujándolo hacia su sitio.
- Tire de la cara frontal hacia usted para lavar la bandeja para hielo y colóquelo en los laterales de la zona interior y colóquelo de nuevo empujándolo hacia su sitio.



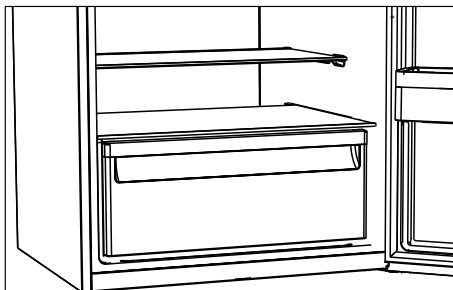
Funcionamiento del aparato

5.7. Huevera

Puede instalar la huevera en la puerta o el estante que desee. Si va a colocarlo en los estantes del cuerpo, se recomienda usar los estantes inferiores más fríos.



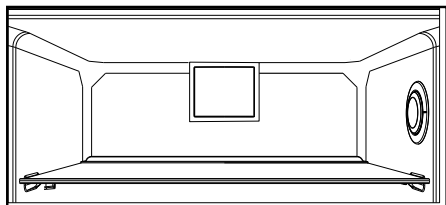
No ponga la huevera en el compartimento congelador



5.8. Ventilador

El ventilador turbo está diseñado para garantizar una distribución y circulación homogéneas del aire frío en el interior del su frigorífico. El tiempo de funcionamiento puede variar según las propiedades del electrodoméstico.

En algunos modelos, el ventilador funciona únicamente cuando lo hace el compresor, mientras que en otros el sistema de control determina su tiempo de funcionamiento de acuerdo con las necesidades de enfriamiento.



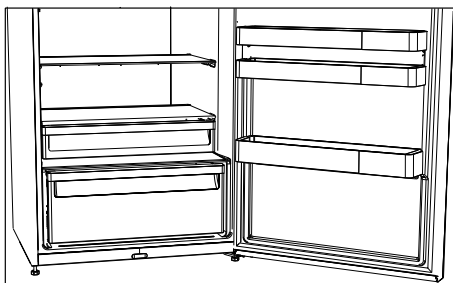
5.9. Cajón de frutas y verduras

El cajón de frutas y verduras de su aparato está especialmente diseñado para mantener la frescura de sus vegetales sin que pierdan su humedad. Con este fin, alrededor del cajón de frutas y verduras se intensifica la circulación de aire frío.

5.10. Compartimento de enfriamiento

(Característica opcional)

Use este compartimento para almacenar delicatessen que deban almacenarse a temperaturas más bajas o productos cárnicos que vaya a consumir dentro de poco tiempo. El compartimento refrigerador es el lugar más frío del frigorífico, donde podrá almacenar productos lácteos, carnes, pescado y carne de ave de corral en las mejores condiciones. No almacene frutas ni verduras en este compartimento.



Funcionamiento del aparato

5.11. Mover el estante de la puerta

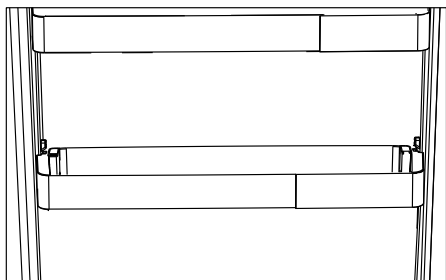
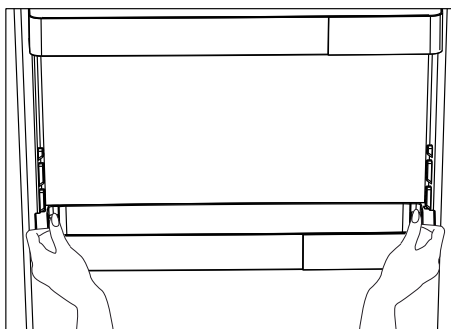
(Característica opcional)

La estantería móvil de la puerta puede fijarse en 3 posiciones diferentes.

Pulse los botones que se muestran a los lados de la misma manera para mover la estantería. La estantería debe ser móvil.

Mueva el estante hacia arriba o hacia abajo.

Suelte los botones cuando la estantería esté en la posición deseada. Debe fijar la estantería en la posición donde suelte los botones.

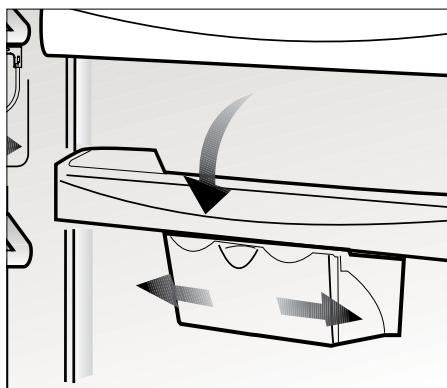


5.12. Contenedor de almacenamiento deslizante

(Característica opcional)

Este accesorio está diseñado para incrementar el volumen útil de los estantes de las puertas.

Le permite colocar con facilidad las botellas, jarras y conservas de mayor altura en el botellero inferior gracias a su capacidad para desplazarse a izquierda o derecha.



5.13. Luz azul

(Característica opcional)

Este accesorio está diseñado para incrementar el volumen útil de los estantes de las puertas.

Le permite colocar con facilidad las botellas, jarras y conservas de mayor altura en el botellero inferior gracias a su capacidad para desplazarse a izquierda o derecha.

Funcionamiento del aparato

5.14. Icematic automático

(Característica opcional)

El Icematic automático le permite fabricar hielo en el frigorífico fácilmente. Retire el depósito del agua del compartimento frigorífico, llénelo de agua y vuélvalo a colocar para obtener hielo del sistema Icematic.

Los primeros cubitos estarán disponibles al cabo de unas dos horas en la cubitera del sistema Icematic ubicada en el compartimento congelador.

Si llena por completo el depósito de agua, podrá obtener aproximadamente entre 60 y 70 cubitos de hielo.

Cambie el agua del depósito de agua si ha estado allí durante 2-3 semanas.

5.15. Compartimento para verduras con control de humedad

(FreSHelf)

(Característica opcional)

Los niveles de humedad de las frutas y de las verduras se mantienen bajo control con la función del cajón de frutas y verduras con control de humedad y se garantiza que los alimentos se mantengan frescos por más tiempo.

Le recomendamos colocar las verduras de hoja, tales como lechuga, espinaca y aquellas hortalizas sensibles a la pérdida de humedad, en posición horizontal en la medida de lo posible, dentro del cajón, no sobre sus raíces en posición vertical.

Mientras se guardan las frutas y verduras, tenga en cuenta su peso específico. Las frutas y verduras más duras y pesadas deben colocarse en el fondo del cajón y aquellas más blandas y livianas deben ubicarse arriba.

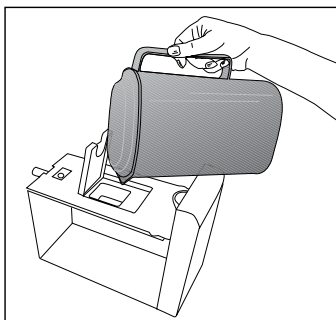
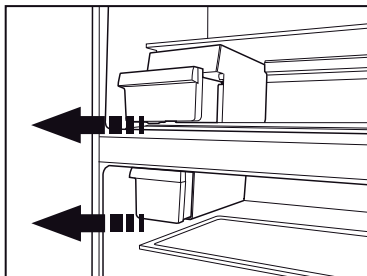
Nunca deje las hortalizas dentro del cajón de frutas y verduras en sus bolsas. Si las hortalizas se dejan dentro de sus bolsas, se descompondrán en un breve período de tiempo. En caso de que no desee que las frutas y verduras estén en contacto entre sí por cuestiones de higiene, utilice un papel perforado, espuma u otros materiales de embalaje similares en lugar de una bolsa.

No coloque juntos peras, albaricoques, melocotones, etc. y manzanas, en particular, en el mismo cajón que otras frutas y verduras, ya que tienen un alto nivel de generación de gas etileno. El gas etileno emitido por estas frutas puede ocasionar que las otras frutas maduren más rápido y se echen a perder en poco tiempo.

Funcionamiento del aparato



Para los productos que tienen el Icematic automático, se puede oír cuando se esté formando el hielo. Este sonido es normal y en ningún caso indica un fallo.



5.16. Descripción y limpieza del filtro antiolores

(Característica opcional)

El filtro antiolores evita la proliferación de olores desagradables en el interior del frigorífico.

1. Tire hacia abajo de la cubierta en la que está instalado el filtro desde la sección delantera y retírela, tal como se muestra en la ilustración.
2. Deje el filtro expuesto a la luz solar durante un día. El filtro se limpiará en este período de tiempo.
3. Vuelva a colocar el filtro en su lugar.





El filtro antiolores debe limpiarse una vez al año.


Funcionamiento del aparato

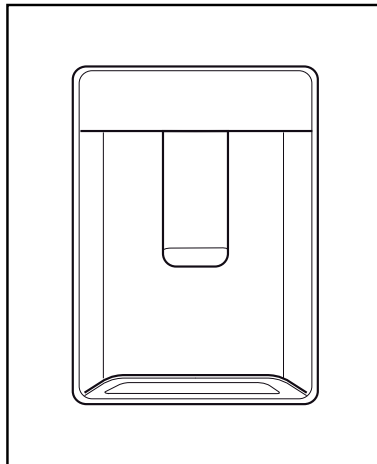
5.17. Uso del dispensador de agua

*opcional

	Es normal que los primeros vasos de agua servidos por el dispensador estén calientes.
	Si no se usa el dispensador de agua durante un periodo de tiempo prolongado, no consuma los primeros vasos de agua.



1. Presione la palanca del dispensador de agua con el vaso. Si está usando un vaso blando de plástico, le será más fácil empujar la palanca con la mano.
2. Una vez haya llenado el vaso hasta el nivel que desee, suelte la palanca.

	Tenga en cuenta que el caudal de agua que suministra el dispensador depende del recorrido de la palanca. A medida que el nivel del agua en su copa o vaso llegue al borde, reduzca suavemente la presión ejercida sobre la palanca con el fin de evitar el rebosamiento. Si presiona la palanca levemente el agua goteará, es bastante normal, no se trata de un fallo.
---	---

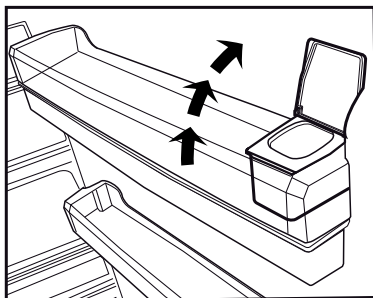
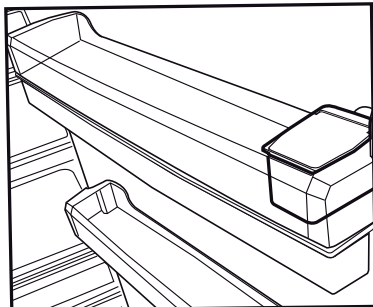


5.18. Uso del dispensador de agua

*opcional

	Es normal que los primeros vasos de agua servidos por el dispensador estén calientes.
	Si no se usa el dispensador de agua durante un periodo de tiempo prolongado, no consuma los primeros vasos de agua.

1. Presione la palanca del dispensador de agua con el vaso. Si está usando un vaso blando de plástico, le será más fácil empujar la palanca con la mano.
2. Una vez haya llenado el vaso hasta el nivel que desee, suelte la palanca.



Tenga en cuenta que el caudal de agua que suministra el dispensador depende del recorrido de la palanca. A medida que el nivel del agua en su copa o vaso llegue al borde, reduzca suavemente la presión ejercida sobre la palanca con el fin de evitar el rebosamiento. Si presiona la palanca levemente el agua goteará, es bastante normal, no se trata de un fallo.

5.19. Llenar el depósito del dispensador de agua

El depósito de agua se encuentra dentro de la bandeja de la puerta.

1. Abra la tapa del depósito.
2. Llene el depósito con agua potable.
3. Cierre la cubierta.



No vierta en el depósito de agua ningún otro líquido que no sea agua; la bebidas tales como los zumos de frutas, bebidas carbonatadas o bebidas alcohólicas no son adecuadas para el dispensador de agua. El dispensador de agua quedará dañado de forma irreparable si se utilizan dichos líquidos. La garantía no cubre estos usos. Algunas sustancias químicas y aditivos que contienen esos tipos de bebidas/líquidos pueden dañar el depósito de agua.



Utilice únicamente agua potable limpia.



La capacidad del depósito de agua es de 3 litros, no lo llene excesivamente.

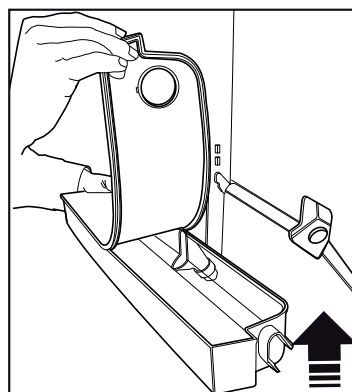
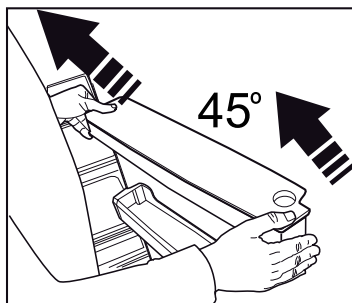
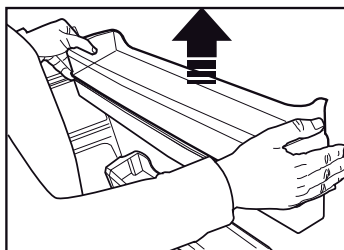
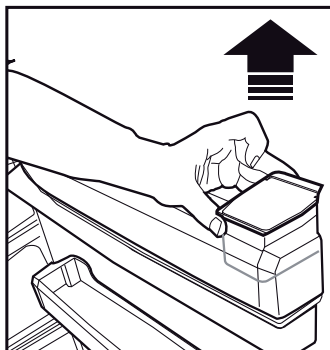
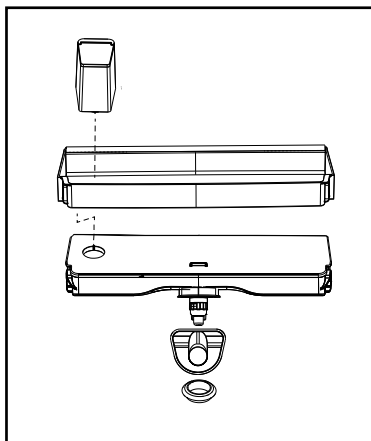
Funcionamiento del aparato

5.20. Limpieza del depósito de agua

1. Retire el depósito de llenado de agua del interior de la rejilla de la puerta.
2. Retire la rejilla de la puerta sujetando por ambos lados.
3. Sujete el depósito de agua por ambos lados y retírelo en un ángulo de 45°.
4. Retire la tapa del depósito y limpie el depósito.



Los componentes del depósito de agua y del dispensador de agua no deben lavarse en el lavavajillas.



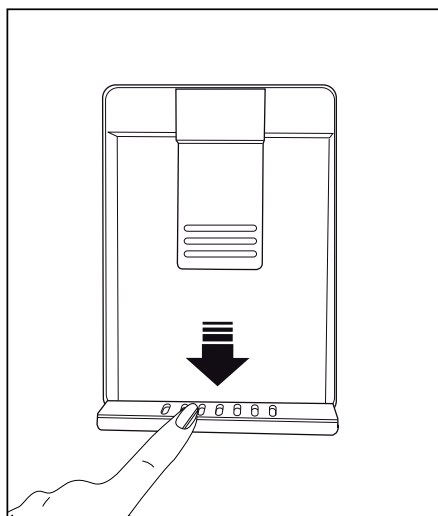
Funcionamiento del aparato

5.21. Bandeja de goteo

El agua que gotea durante el uso del dispensador de agua se acumula en la bandeja de derramamiento.

Retire el filtro de plástico tal y como se muestra en la figura.

Enjuague el agua acumulada con un trapo limpio y seco.



5.22. HerbBox/ HerbFresh (Cajón para hierbas/ Hierbas frescas)

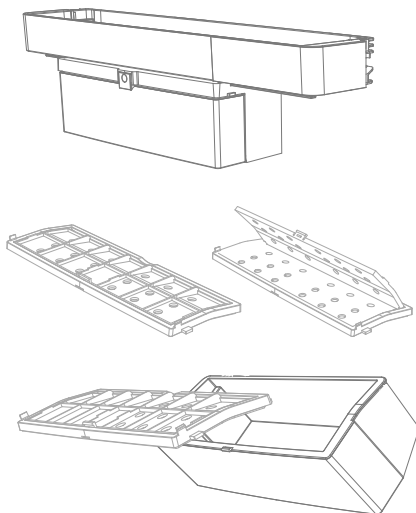
Retire el contenedor de película plástica del HerbBox/HerbFresh+

Saque la película plástica de la bolsa y póngala en el recipiente para la película plástica como se muestra en la imagen.

Vuelva a sellar el recipiente y vuelva a colocarlo en la unidad HerbBox/HerbFresh+.

Las secciones del HerbBox-HerbFresh+ son especialmente ideales para el almacenamiento de diversas hierbas que deben mantenerse en condiciones delicadas. Usted puede almacenar sus hierbas sin empaque (perejil, eneldo, etc) en esta sección horizontalmente y mantenerlas frescas durante un período mucho más largo.

La película deberá ser sustituida cada seis meses.



Funcionamiento del aparato

5.23. Congelación de alimentos frescos

- Para preservar la calidad de los alimentos, debe congelarlos tan pronto como sea posible cuando los coloque en el compartimento congelador. Utilice la función de congelación rápida para esta finalidad.
- Puede guardar los alimentos durante más tiempo en el compartimento congelador cuando los congele cuando estén frescos.
- Envuelva los alimentos que vaya a congelar y cierre el envase para que quede hermético.
- Asegúrese de envolver bien los alimentos antes de colocarlos en el congelador. Use contenedores para congelador, láminas y papeles antihumedad, bolsas de plástico y otros materiales de embalaje en vez de papeles de embalaje tradicionales.

- Etiquete cada paquete de alimentos con la fecha antes de congelarlos. De esta manera, podrá distinguir el frescor de cada paquete de alimentos cada vez que abra el congelador. Guarde los alimentos congelados en la parte frontal del compartimento para asegurar que se consuman primero.



El compartimento del congelador se deshuela de manera automática.

- Consuma inmediatamente los alimentos recién descongelados, y no los vuelva a congelar.
- No congele cantidades demasiado grandes de una sola vez.

Ajuste del compartimento congelador	Ajuste del compartimento frigorífico	Comentarios
-18°C/4°F	4°C/40°F	Estos son los valores de uso recomendados.
-20/-4°F,-22/ -6°F o -24°C/-11°F	4°C/40°F	Se recomiendan estos valores cuando la temperatura ambiente rebase los 30 °C.
Congelación rápida	4°C/40°F	Se utiliza para congelar los alimentos rápidamente. El aparato volverá a su modo de funcionamiento previo una vez finalizado el proceso.
-18°C/4°F o más frío	2°C/37°F	Utilice estos ajustes si cree que el compartimento frigorífico no está suficientemente frío debido a las altas temperaturas ambientales o por la frecuente apertura y cierre de la puerta.

Funcionamiento del aparato

5.24. Recomendaciones para la conservación de alimentos congelados

El compartimento no debe estar a más de -18°C .

1. Coloque los paquetes de alimentos congelados en el congelador lo antes posible tras su compra sin dejar que se descongelen.
2. Compruebe si las fechas de consumo preferente y caducidad de los envases han vencido o no antes de congelarlos.
3. Asegúrese de que el envase de comida no esté dañado.

5.25. Información sobre la congelación

Las normas TSE 62552 exigen que el aparato congele al menos 4,5 kg de alimentos a una temperatura ambiente de 32°C a una temperatura interior de -18°C o inferior en menos de 24 horas por cada 100 litros (3,5 metros cúbicos) de volumen del congelador.

Los alimentos sólo pueden conservarse durante periodos prolongados de tiempo a temperaturas de -18°C o menos.

Los alimentos frescos pueden conservarse durante muchos meses en el congelador a temperaturas de -18°C o menos.

No deje que los alimentos entren en contacto con alimentos previamente congelados, con el fin de evitar que éstos puedan descongelarse parcialmente. Hierva las verduras y drene el agua para almacenarla durante más tiempo ya que estarán congeladas. Después de descargar el agua, colóquelos en paquetes herméticos y colóquelos dentro del congelador. Alimentos tales como plátanos, tomates, lechuga, huevos duros y patatas hervidas saladas no son aptas para la congelación. Cuando estos alimentos estén congelados, su valor nutricional y sabor pueden verse afectados negativamente. Esto podría crear un riesgo para la salud humana.

5.26. Colocar los alimentos

Estantes del compartimento congelador	Alimentos congelados diversos tales como carnes, pescados, helados, verduras, etc.
Estantes del compartimento frigorífico	Alimentos en cazuelas, platos cubiertos y recipientes cerrados, huevos (en recipientes cerrados)
Estantes de la puerta del compartimento frigorífico	Alimentos o bebidas en envases pequeños

Funcionamiento del aparato

Cajón de frutas y verduras	Verduras y frutas
Compartimento de alimentos frescos	Las delicatessen (comida de desayuno, productos cárnicos que vayan a consumirse en poco tiempo)

5.27. Aviso de puerta abierta

(Característica opcional)

El frigorífico emitirá una señal acústica de aviso cuando la puerta del aparato permanezca abierta más de un 1 minuto. Está advertencia quedará silenciada cuando se cierre la puerta o se pulse cualquiera de los botones de la pantalla (si los hay).

La advertencia de puerta abierta se da tanto en forma visual como acústica. Si la advertencia prosigue durante 10 minutos, las luces interiores se apagarán.

5.28. Cambio de la dirección de apertura de la puerta

Puede cambiar la dirección de apertura de la puerta de su frigorífico en función del lugar en donde lo use. Si es necesario, or favor, llame al servicio técnico más cercado.

La descripción anterior es una información acerca del cambio de la dirección de la puerta, deberá consultar la etiqueta de advertencia del lado interior de la puerta.

5.29. Lámpara de iluminación

Las luces LED se usan como lámparas de iluminación. Contacte con un servicio técnico autorizado en caso de que haya algún problema con este tipo de luz.

La(s) luz(ces) usadas en este aparato no son aptas para la iluminación de las habitaciones del hogar. El fin previsto de la luz es ayudar al usuario a colocar alimentos en el frigorífico/congelador de una manera segura y cómoda.

6 Mantenimiento y limpieza

La vida útil del aparato aumentará si lo limpia regularmente.



ADVERTENCIA: Desenchufe primero el aparato antes de limpiarlo.

- No utilice nunca para la limpieza herramientas afiladas o abrasivas, jabones, limpiadores domésticos, detergentes ni ceras abrillantadoras.
- Disuelva una cucharadita de bicarbonato en medio cuarto de agua. Empape un trapo en la solución y escúrralo totalmente. Limpie el interior del aparato con este paño y luego séquelo totalmente.
- Asegúrese de que no penetre agua en el alojamiento de la lámpara ni otros elementos eléctricos.
- Utilice un paño húmedo para limpiar la puerta. Para retirar la puerta y los estantes, retire todos sus contenidos. Retire los estantes de la puerta tirando de ellos hacia arriba. Tras limpiarlos, deslícelos de arriba hacia abajo para su colocación.
- Nunca use agentes de limpieza o agua que contengan cloro para limpiar las superficies exteriores y los cromados del producto, ya que el cloro corroe dichas superficies metálicas.
- No use herramientas afiladas o abrasivas, jabón, agentes de limpieza domésticos detergentes, queroseno, gasolina, barniz, etc. para eliminar las huellas dactilares de las piezas de plástico. Use agua tibia un paño suave para limpiarlo, y luego séquelo.

6.1. Cómo evitar malos olores

Nuestros electrodomésticos no se fabrican con materiales que puedan producir olores. Sin embargo, una conservación inadecuada de los alimentos y la falta de limpieza de la superficie interior del electrodoméstico pueden dar lugar a un problema de olores.

Por lo tanto, limpie el frigorífico con bicarbonato disuelto en agua cada 15 días.

- Conserve los alimentos en recipientes cerrados. Los microorganismos que proliferan en los envases no cubiertos pueden causar malos olores.
- Retire del frigorífico los alimentos cuya fecha de caducidad haya vencido y estén en mal estado.

6.2. Protección de las superficies de plástico

Límpielos con agua caliente inmediatamente, puesto que el aceite podría dañar las superficies de plástico.

6.3. Vidrios de las puertas

Retire la lámina protectora de los vidrios.

Hay una capa que reduce al mínimo la formación de manchas y ayuda a eliminarlas con facilidad, así como la suciedad que pueda depositarse. Los vidrios que no disponen de este recubrimiento de protección pueden verse sometidos a la acción persistente de sustancias orgánicas o inorgánicas presentes en el aire o el agua como por ejemplo cal, sales minerales, hidrocarburos sin quemar, óxidos de metal y siliconas que pueden causar con facilidad y rapidez manchas o daños materiales. Resulta muy difícil mantener el vidrio siempre limpio, a pesar de la limpieza regular. En consecuencia, el aspecto y la transparencia del vidrio se deteriora. Los métodos y productos de limpieza fuertes y corrosivos intensificarán estos efectos y acelerarán el proceso de deterioro.

Limpie siempre los vidrios con productos de limpieza con base acuosa que no sean alcalinos ni corrosivos.

Utilice siempre productos no alcalinos ni corrosivos para la limpieza, a fin de prolongar al máximo la vida útil de este recubrimiento.

Son vidrios templados para incrementar su resistencia frente a impactos y roturas.

La superficie posterior de los vidrios cuenta con una película de seguridad que evita que cause daños a los objetos circundantes en caso de rotura.

Consulte la siguiente lista antes de llamar al servicio técnico. Si lo hace podrá ahorrar tiempo y dinero. La lista incluye las quejas más comunes que no tienen relación con un problema de fabricación ni con el material usado. Puede que ciertas características mencionadas aquí no sean de aplicación a este aparato.

El frigorífico no funciona.

- El enchufe de alimentación no está colocada correctamente. >>> Enchúfelo para colocarlo correctamente en la toma de alimentación.
- El fusible conectado a la toma de corriente del aparato o el fusible principal están fundidos. >>> Compruebe los fusibles.

Condensación en la pared lateral del compartimento frigorífico (MULTIZONA, CONTROL DE FRÍO y FLEXI ZONA).

- El ambiente es demasiado frío. >>> No instale el aparato en ambientes con una temperatura por debajo de -5°C.
- La puerta se abre con demasiada frecuencia >>> Intente no abrir la puerta tan a menudo.
- El ambiente es demasiado húmedo. >>> No instale el aparato en ambientes demasiado húmedos.
- Los alimentos que contengan líquidos están guardados en recipientes no sellados. >>> Guarde los alimentos que contengan líquidos en recipientes sellados.
- La puerta del aparato se ha dejado abierta. >>> No deje la puerta del aparato abierta durante mucho tiempo.
- El termostato está ajustado a un nivel muy bajo. >>> Ajuste el termostato a una temperatura adecuado.

El compresor no funciona.

- En caso de que haya un apagón repentino o de desenchufar el cable y enchufarlo de nuevo, la presión de gas del sistema de refrigeración del aparato no estará equilibrada, lo que accionará la protección térmica del compresor. El aparato se reiniciará aproximadamente al cabo de 6 minutos. Si el aparato no se reinicia después de este período, contacte con el servicio técnico.
- La descongelación está todavía activo. >>> Esto es normal en un congelador con descongelación automática. La descongelación se realiza periódicamente.
- El aparato no está enchufado. >>> Asegúrese de que el cable de alimentación está enchufado.
- El ajuste de temperatura es incorrecto. >>> Seleccione el ajuste de temperatura adecuado.
- Se ha cortado el suministro eléctrico. >>> El aparato seguirá funcionando con normalidad una vez que el suministro se haya restablecido.

El ruido de funcionamiento del frigorífico aumenta durante su uso.

- Tales valores variarán en función de las fluctuaciones de la temperatura ambiente. Esto es perfectamente normal, y no constituye una avería.

El frigorífico está mucho tiempo funcionando o se enciende con demasiada frecuencia.

Resolución de problemas

- Puede que su nuevo aparato sea más grande que el que tenía anteriormente. Los aparatos más grandes funcionarán durante más tiempo.
- Puede que la temperatura ambiente sea alta. >>> El aparato funcionará normalmente durante largos períodos de tiempo con una temperatura ambiente más alta.
- Puede que el aparato se haya enchufado recientemente o que se haya colocado un nuevo alimento en su interior. >>> El aparato tardará más en alcanzar la temperatura cuando haya sido enchufado recientemente o cuando se coloque un nuevo alimento en su interior. Esto es normal.
- Puede que se haya colocado grandes cantidades de alimentos calientes en el aparato. >>> No coloque alimentos calientes en el aparato.
- Las puertas se han abierto demasiado a menudo o se dejan abiertas durante largos períodos de tiempo. >>> El aire circulante en el interior hará que el aparato funcione durante más tiempo. No abra las puertas con demasiada frecuencia.
- Puede que el congelador o la puerta del congelador esté entreabierta. >>> Compruebe que las puertas estén totalmente cerrados.
- Puede que el aparato esté configurado con una temperatura demasiado baja. >>> Fije la temperatura a un grado más alto y espere a que el aparato alcance la temperatura establecida.
- Es posible que la junta de la puerta del compartimento frigorífico o congelador esté sucia, desgastada, rota o no asentada correctamente. >>> Limpie o sustituya la junta. Una junta de puerta rota / dañada hará que el aparato funcione durante más tiempo para preservar la temperatura actual.

La temperatura del frigorífico es muy baja, pero la del congelador es adecuada.

- La temperatura del compartimento congelador está fijada a un grado muy bajo. >>> Fíjela a un grado más alto y compruébelo de nuevo.

La temperatura del frigorífico es muy baja, mientras que la del congelador es adecuada.

- La temperatura del compartimento congelador está fijada a un grado muy bajo. >>> Fíjela a un grado más alto y compruébelo de nuevo.

Los alimentos depositados en los cajones del compartimento frigorífico están congelados.

- La temperatura del compartimento congelador está fijada a un grado muy bajo. >>> Fíjela a un grado más alto y compruébelo de nuevo.

La temperatura del congelador o del frigorífico es demasiado alta.

Resolución de problemas

- La temperatura del compartimento congelador está fijada a un grado muy bajo. >>> La temperatura del compartimento refrigerador incide en la temperatura del compartimento congelador. Cambie las temperaturas del frigorífico o el congelador y espere hasta que la temperatura de los compartimentos correspondientes estén a un nivel adecuado.
- Las puertas se han abierto demasiado a menudo o se dejan abiertas durante largos períodos de tiempo. >>> No abra las puertas con demasiada frecuencia.
- Puede que la puerta esté entreabierta. >>> Cierre la puerta totalmente.
- Puede que el aparato se haya enchufado recientemente o que se haya colocado un nuevo alimento en su interior. >>> Esto es normal. El aparato tardará más en alcanzar la temperatura cuando haya sido enchufado recientemente o cuando se coloque un nuevo alimento en su interior.
- Puede que se haya colocado grandes cantidades de alimentos calientes en el aparato. >>> No coloque alimentos calientes en el aparato.

Sacudidas o ruidos.

- El suelo no está nivelado o estable. >>> Si el aparato vibra, ajuste los pies para equilibrarlo. Compruebe además que el suelo sea lo suficientemente firme para soportar el aparato.
- Cualquier elemento colocado en el aparato puede provocar ruidos >>> Retire cualquier elemento colocado en el producto.

El aparato emite ruido del líquido en circulación, pulverización, etc.

- Los líquidos y gases fluyen en función de los principios de funcionamiento del frigorífico. >>> Esto es normal y no es una avería.

El aparato emite un ruido de soplo de viento.

- El aparato usa un ventilador para el proceso de refrigeración. Esto es perfectamente normal, y no constituye una avería.

Hay condensación en las paredes internas del aparato.

- El tiempo cálido y húmedo favorece la formación de hielo y la condensación. Esto es perfectamente normal, y no constituye una avería.
- Las puertas se han abierto demasiado a menudo o se dejan abiertas durante largos períodos de tiempo. >>> No abra las puertas con demasiada frecuencia. Si las abre, cíérrelas.
- Puede que la puerta esté entreabierta. >>> Cierre la puerta totalmente.

Hay condensación en el exterior del aparato o entre sus puertas.

- Puede que haya humedad en el aire; es algo bastante normal en climas húmedos. >>> Cuando el grado de humedad descienda, la condensación desaparecerá.

El interior huele mal.

Resolución de problemas

- El producto no se limpia regularmente. >>> Limpie el interior regularmente con una esponja, agua caliente y bicarbonato.
- Ciertos recipientes y materiales de embalaje pueden causar mal olor. >>> Utilice recipientes y materiales de embalaje libres de malos olores.
- Los alimentos están guardados en recipientes no sellados. >>> Guarde los alimentos en recipientes sellados. Los microorganismos pueden propagarse fuera de los recipientes de alimentos y causar olores desagradables.
- Retire cualquier alimentos caducado o descompuesto del aparato.

La puerta no cierra.

- Puede que los paquetes de comida estén bloqueando la puerta. >>> Recoloque los elementos que estén bloqueando la puerta.
- El aparato no está colocado en el suelo en una posición totalmente vertical. >>> Ajuste los soportes para equilibrar el aparato.
- El suelo no está equilibrado o no es sólido. >>> Compruebe además que el suelo esté nivelado y que sea capaz de soportar el peso del frigorífico.

El cajón de las verduras está atascado.

- Puede que los alimentos estén en contacto con la sección superior del cajón. >>> Reorganice los alimentos del cajón.



ADVERTENCIA: Si el problema persiste después de seguir las instrucciones en este apartado, contacte con un distribuidor o con el servicio técnico autorizado. No intente reparar el aparato.

EXENCIÓN DE RESPONSABILIDADES / ADVERTENCIA

Es posible que algunas fallas (simples) sean tratadas de manera adecuada por el usuario final sin que se plantee ningún problema de seguridad o uso no seguro, siempre y cuando se lleven a cabo dentro de los límites y de conformidad con las siguientes instrucciones (véase la sección "Autorreparación").

En consecuencia, siempre y cuando no se autorice lo contrario en la sección "Autorreparación" que se encuentra a continuación, las reparaciones deben ser dirigidas a los reparadores profesionales registrados para evitar problemas de seguridad. Se considera un reparador profesional registrado el que ha tenido acceso a las instrucciones y a la lista de piezas de repuesto de este producto por parte del fabricante de acuerdo con los métodos descritos en los actos legislativos en virtud de la Directiva 2009/125/CE.

No obstante, según las condiciones de la garantía, sólo el agente de servicio (por ejemplo, los reparadores profesionales autorizados) al que puede llamar utilizando el número de teléfono que figura en el manual de usuario/tarjeta de garantía o bien a través de su distribuidor autorizado puede prestar servicio. Por consiguiente, por favor, tenga en cuenta que las reparaciones realizadas por reparadores profesionales (no autorizados por Beko) anularán la garantía.

Autorreparación

El usuario final puede realizar la reparación por su cuenta con respecto a las siguientes piezas de repuesto: manijas de puertas, bisagras de puertas, bandejas, cestas y juntas de puertas (una lista actualizada también estará disponible en support.beko.com a partir del 1 de Marzo de 2021).

Por otra parte, con el fin de garantizar la seguridad del producto y prevenir el riesgo de lesiones graves, la autorreparación citada se llevará a cabo siguiendo las instrucciones del manual de usuario para la autorreparación o las que están disponibles en support.beko.com Para su seguridad, desenchufe el producto antes de intentar cualquier autorreparación.

La reparación y los intentos de reparación por parte de los usuarios finales de piezas no incluidas en dicha lista y/o no seguir las instrucciones contenidas en los manuales de usuario para la autorreparación o que están disponibles en support.beko.com, podrían causar problemas de seguridad no atribuibles a Beko, y anularían la garantía del producto.

Por ello, es muy recomendable que los usuarios finales se abstengan de intentar realizar las reparaciones que estén fuera de la lista de piezas de repuesto mencionada, comunicándose en tales casos con los reparadores profesionales autorizados o con los reparadores profesionales registrados. Al contrario, dichos intentos por parte de los usuarios finales pueden provocar problemas de seguridad y dañar el producto y, en consecuencia, provocar incendios, inundaciones, electrocución y lesiones personales graves.

Con carácter ejemplar, pero no limitado a ello, las siguientes reparaciones deben dirigirse a los autorizados reparadores profesionales o reparadores profesionales registrados: compresor, circuito de refrigeración, placa principal, tablero del inversor, tablero de la pantalla, etc.

En caso de que los usuarios finales no cumplan con lo anterior, el fabricante/ vendedor no podrá ser considerado responsable.

La disponibilidad de piezas de repuesto del refrigerador que ha adquirido es de 10 años.

Durante este período, las piezas de repuesto originales estarán disponibles para el funcionamiento apropiado del refrigerador.

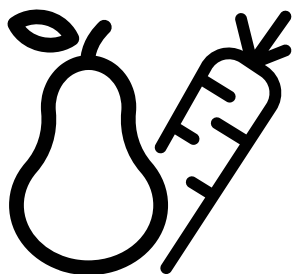
La duración mínima de la garantía del refrigerador que ha comprado es de 24 meses.

Este producto está equipado con una fuente de iluminación de la clase energética "G".

La fuente de iluminación de este producto sólo debe ser sustituida por reparadores profesionales.



Frigorífico
Manual do Utilizador



RDNE455E20DS-RDNE455E20DB-RDNE455E20T-
RDNE455E30DZXB-RDNE455E30DZXBN-RDNE455E31ZXBN

PT

57 7588 0000/AP-3/3- PT



Caro Cliente,

Gostaríamos que aproveitasse a óptima eficiência do nosso produto, fabricado em modernas instalações segundo controlos de qualidade meticulosos.

Para este propósito, ler integralmente o guia do utilizador antes de utilizar o produto e manter o guia como fonte de referência. Se ceder este produto a outra pessoa, fornecer este guia em conjunto com o produto.

O guia do utilizador assegura a utilização rápida e segura do produto.





- Ler o guia do utilizador antes de instalar e operar com o produto.
- Observar sempre as instruções de segurança aplicáveis.
- Manter o guia do utilizador em local de fácil acesso para uso futuro.
- Ler quaisquer outros documentos fornecidos com o produto.

Ter em mente que este guia do utilizador é aplicável a vários modelos do produto. O guia indica claramente quaisquer variações de modelos diferentes.

Símbolos e Observações

No guia do utilizador são usados os símbolos seguintes:

	Informações importantes e dicas úteis.
	Risco de vida e do equipamento.
	Risco de choque eléctrico.
	A embalagem do produto é feita com materiais recicláveis, de acordo com a Legislação Ambiental Nacional.

	INFORMATION	
		
SUPPLIER'S NAME	MODEL IDENTIFIER → (*)	
		

.A informação do modelo conforme memorizada na base de dados do produto pode ser acedida entrando no seguinte sítio web e através da busca do identificador do seu modelo (*) que se encontra na etiqueta de classificação energética.

<https://eprel.ec.europa.eu/>

1 Instruções de segurança e ambientais **3**

- 1.1. Segurança geral 3
- 1.1.1 Advertência HC 4
- 1.1.2 Para modelos com dispensador de água5
- 1.2. Utilização prevista. 5
- 1.3. Segurança das crianças 5
- 1.4. Conformidade com a Directiva WEEE e Eliminação de Resíduos: 6
- 1.5. Cumprimento com a Directiva RoHS: . . 6
- 1.6. Informação de embalagem 6

2 O seu aparelho **7**

3 Instalação **8**

- 3.1. Local de instalação apropriado 8
- 3.2. Instalar os calços de plástico 8
- 3.3. Ajustar os pés 8
- 3.4. Ligação elétrica 9
- 3.5. Inverter as portas 10
- 3.6. Inverter as portas 11

4 Preparação **12**

- 4.1. Coisas a serem feitas para poupar energia 12
- 4.2. Uso inicial 12

5 Operar com o produto **13**

- 5.1. Botão de definição de temperatura . . 13
- 5.2. Congelar rápido 13
- 5.3. Função férias 14
- 5.4. Painel indicador 15
- 5.5. Painel indicador 17
- 5.6. Twist Icematic 22
- 5.7. Recipiente para o gelo 23
- 5.8. Suporte para ovos. 23
- 5.9. Ventilador. 23
- 5.10. Gaveta para vegetais 23
- 5.11. Compartimento refrigerador 23
- 5.12. Mover a prateleira da porta 24

- 5.13. Recipiente de armazenamento deslizante 24
- 5.14. Luz azul 24
- 5.15. Gaveta de vegetais com humidade controlada 25
- 5.16. Icematic automático 25
- 5.17. Descrição e limpeza do filtro de odores26
- 5.18. HerbBox/HerbFresh. 26
- 5.19. Utilizar a fonte de água fresca 27
- 5.20. Utilizar a fonte de água fresca 27
- 5.21. Encher o depósito do dispensador de água 28
- 5.22. Limpar o depósito de água 29
- 5.23. Tabuleiro para gotas de água. 29
- 5.24. Congelar alimentos frescos 30
- 5.25. Recomendações para preservar alimentos congelados. 30
- 5.26. Informação do congelador. 30
- 5.27. Colocar alimentos. 31
- 5.28. Botão para abrir a porta 31
- 5.29. Mudar a direção da abertura da porta 31
- 5.30. Lâmpada de iluminação 31
- 5.31. Recomendações para preservar alimentos congelados. 31
- 5.32. Informação do congelador 32
- 5.33. Colocar alimentos. 32
- 5.34. Botão para abrir a porta 32
- 5.35. Mudar a direção da abertura da porta 32
- 5.36. Lâmpada de iluminação 32

6 Manutenção e limpeza **33**

- 6.1. Evitar maus odores 33
- 6.2. Proteger superfícies de plástico 33
- 6.3. Vidros da Porta 33

7. Resolução de problemas **34**

Esta secção fornece as instruções de segurança necessárias para prevenir risco de lesões e danos materiais. O não cumprimento destas instruções invalidará todos os tipos de garantia do produto.

1.1. Segurança geral

AVISO:

Manter as aberturas de ventilação, na caixa de proteção do aparelho ou na estrutura embutida, sem obstruções.

ADVERTÊNCIA:

Não usar dispositivos mecânicos nem outros meios para acelerar o processo de descongelação, exceto os recomendados pelo fabricante.



AVISO:

Não danificar o circuito de refrigeração.

ADVERTÊNCIA:

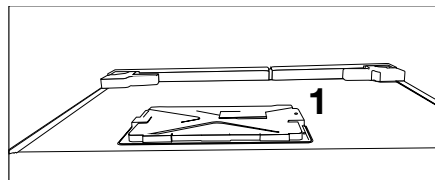
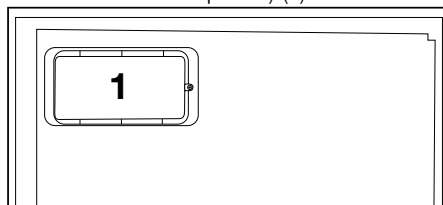
Não usar aparelhos eléctricos no interior dos compartimentos de armazenamento de alimentos do aparelho, a menos que sejam do tipo recomendado pelo fabricante.

Este aparelho é destinado a ser usado em uso doméstico e aplicações similares como

- zonas de cozinha em estabelecimentos comerciais, escritórios ou outros ambientes laborais;
- casas rurais e pelos clientes em hotéis, motéis e outros ambientes de tipo residencial;
- ambientes de tipo alojamento e pequeno almoço;
- utilizações de refeições e outros não-retalhistas similares.

- Este produto não deve ser usado por pessoas com deficiências físicas, sensoriais e mentais, sem conhecimento e experiência suficiente ou por crianças. O dispositivo apenas pode ser usado por estas pessoas sob supervisão e instrução de uma pessoa responsável pela sua segurança. As crianças não devem ser autorizadas a brincar com este aparelho.

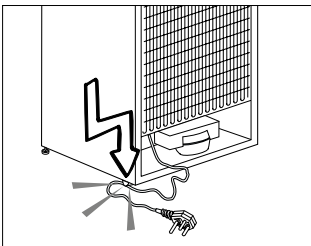
- Em caso de mau funcionamento, desligue o aparelho.
- Depois de desligar, aguarde pelo menos 5 minutos antes de ligar novamente. Desligar o produto quando não está em uso. Não tocar na ficha com as mãos molhadas! Não puxar pelo cabo para desligar, segurar sempre pela ficha.
- Não ligar o frigorífico se a tomada estiver solta.
- Desligar o produto durante a instalação, manutenção, limpeza e reparação.
- Se o produto não for usado por uns tempos, desligar o produto e retirar quaisquer alimentos do interior.
- Não utilizar materiais de limpeza a vapor ou vapor para limpar o frigorífico e derreter o gelo no interior. O vapor pode entrar em contacto com as áreas electrificadas e causar curto-circuito ou choque eléctrico!
- Não lavar o produto pulverizando-o ou deitando água sobre o mesmo! Perigo de choque eléctrico!
- Nunca usar o produto se a secção localizada na parte superior ou traseira do seu produto com placas de circuitos impressos electrónicos no interior estiver aberta (tampa da placa de circuito electrónico impresso) (1).



- Em caso de mau funcionamento, não usar o produto, porque pode provocar um choque eléctrico. Contactar a assistência autorizada antes de fazer alguma coisa.
- Ligar o produto a uma tomada com ligação à terra. A ligação à terra deve ser feita por um electricista qualificado.

Instruções de segurança e ambientais

- Se o produto tem luz tipo LED, contactar a assistência autorizada para substituir ou em caso de quaisquer problemas.
- Não tocar em alimentos congelados com as mãos molhadas! Podem aderir às suas mãos!
- Não colocar líquidos em garrafas e latas no compartimento de congelação. Podem explodir!
- Colocar os líquidos em posição vertical depois de fechar a tampa firmemente.
- Não pulverizar substâncias inflamáveis perto do produto, podem incendiar ou explodir.
- Não manter no frigorífico materiais inflamáveis e produtos com gás inflamável (sprays, etc.).
- Não colocar recipientes com líquidos em cima do produto. Pulverizar água sobre as partes eléctricas pode causar choque eléctrico e risco de incêndio.
- Expor o produto à chuva, neve, sol e vento pode causar perigo eléctrico. Quando recolocar o produto, não puxar pelo puxador da porta. O puxador pode soltar-se.
- Ter cuidado para evitar prender qualquer parte das suas mãos ou corpo em alguma das partes móveis dentro do produto.
- Não pisar ou apoiar-se nas portas, gavetas e peças similares do frigorífico. Isto pode causar avaria do produto e danificar as partes.
- Ter cuidado para não prender o cabo de alimentação.
- Ao instalar o eletrodoméstico, certifique-se de que o cabo de alimentação não fica entalado nem danificado.
- Não coloque tomadas múltiplas nem fontes de alimentação portáteis junto à parte traseira do eletrodoméstico.
- As crianças com idade entre 3 e 8 anos podem colocar e retirar cargas de aparelhos de refrigeração.
- Para evitar a contaminação dos alimentos, respeite as instruções a seguir apresentadas:
 - – abrir a porta durante longos períodos de tempo pode causar um aumento de temperatura significativo nos compartimentos do aparelho;
 - – limpe regularmente as superfícies que podem entrar em contacto com alimentos, assim como os sistemas de drenagem acessíveis;
 - – limpe os reservatórios de água se não forem utilizados durante 48 horas; lave o sistema de ligação ao fornecimento de água, se não tiver sido extraída água durante 5 dias;
 - – armazene carne e peixe crus em recipientes adequados, no frigorífico, para que não entrem em contacto ou pinguem para os outros alimentos;
 - – os compartimentos para congelação de alimentos de duas estrelas são adequados para armazenar alimentos pré-congelados, armazenar ou fazer gelados e fazer cubos de gelo;
 - – os compartimentos de uma, duas e três estrelas não são adequados para congelar alimentos frescos;
 - – se o aparelho de refrigeração ficar vazio durante longos períodos de tempo, desligue, descongele, limpe, seque e deixe a porta aberta para evitar a formação de bolor no interior do aparelho.



1.1.1 Advertência HC

Se o produto inclui um sistema de refrigeração com gás R600a, ter cuidado para não danificar o sistema de arrefecimento e a sua tubagem durante a utilização e movimentação do produto. O gás é inflamável. Se o sistema de refrigeração estiver danificado, manter o produto longe de fontes de ignição e ventilar

Instruções de segurança e ambientais

imediatamente o espaço onde o frigorífico se encontra.



A etiqueta no lado esquerdo interior indica o tipo de gás usado no produto.

1.1.2 Para modelos com dispensador de água

- A pressão para a entrada de água fria deve ser no máximo de 90 psi (620 kPa). Se a sua pressão de água exceder 80 psi (550 kPa, utilize uma válvula limitadora de pressão no seu sistema de alimentação. Se não sabe como verificar a sua pressão de água, deve solicitar a ajuda de um canalizador profissional.
- Se existir o risco de o golpe de ariete afetar a sua instalação, deve utilizar sempre um equipamento de prevenção do golpe de ariete na sua instalação. Deve consultar os canalizadores profissionais se não tiver a certeza se existe o efeito de golpe de ariete na sua instalação.
- Não instalar na entrada de água quente. Deve tomar precauções relativamente ao risco de congelamento nas tubagens. O intervalo de funcionamento de temperatura da água deve ser 33°F (0,6°C) de mínimo e 100°F (38°C) de máximo.
- Usar apenas água potável.

1.2. Utilização prevista

- Este produto é concebido para utilização doméstica. Não está previsto para utilização comercial.
- O produto deve ser utilizado apenas para armazenar alimentos e bebidas.
- Não manter no frigorífico produtos sensíveis que requerem temperaturas controladas (vacinas, medicamentos sensíveis ao calor, equipamentos médicos, etc.).
- O fabricante não assume responsabilidades por qualquer dano devido a uso indevido ou inadequado.
- O tempo de vida do produto é de 10 anos. As peças sobresselentes necessárias ao funcionamento do produto estarão disponíveis durante o referido período de tempo.

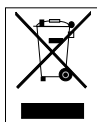
1.3. Segurança das crianças

- Manter os materiais de embalagem fora do alcance das crianças.
- Não permitir que as crianças brinquem com o produto.
- Se a porta do produto incluir uma fechadura, manter a chave fora do alcance das crianças.

Instruções de segurança e ambientais

1.4. Conformidade com a Directiva WEEE e Eliminação de Resíduos:

Este produto está em conformidade com a Directiva WEEE da UE (2012/19/EU). Este produto porta um símbolo de classificação para resíduos de equipamentos eléctricos e electrónicos (WEEE).



Este símbolo indica que o produto não deve ser eliminado juntamente com o lixo doméstico no fim da sua vida útil. O dispositivo usado deve ser devolvido num ponto de recolha oficial para reciclagem de dispositivos eléctricos e electrónicos.

Para encontrar estes sistemas de recolha, entre em contacto com as autoridades locais ou com o revendedor através do qual adquiriu o produto. Todos desempenham um papel importante na recuperação e reciclagem de aparelhos velhos. A eliminação correta de aparelhos usados ajuda a prevenir potenciais efeitos negativos ao meio ambiente e à saúde humana.

1.5. Cumprimento com a Directiva RoHS:

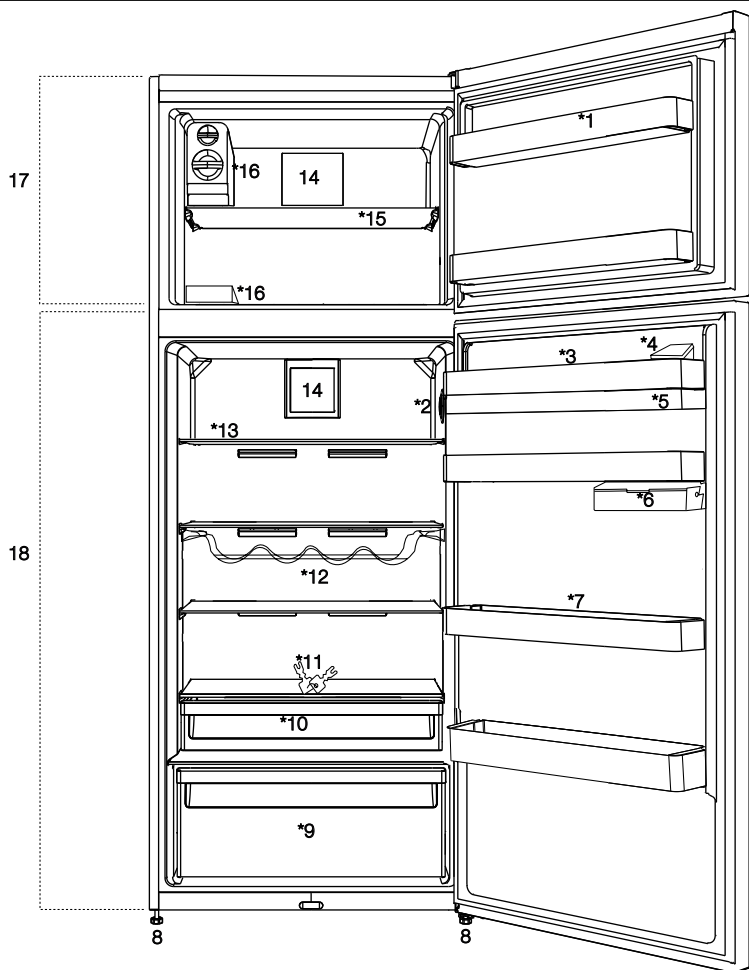
O produto que adquiriu está em conformidade com a Directiva RoHS da UE (2011/65/EU). Ele não contém materiais perigosos e proibidos especificados na Directiva.

1.6. Informação de embalagem



A embalagem do produto é feita de materiais recicláveis, de acordo com a nossa legislação nacional. Não elimine os materiais da embalagem juntamente com os resíduos domésticos ou outros tipos de resíduos. Leve-os para os pontos de recolha de materiais de embalagem designados pelas autoridades locais.

2 0 seu aparelho



1. Frigorífico - prateleira da porta do compartimento
2. Botão de definição de temperatura
3. Depósito de enchimento do dispensador de água
4. Secção dos ovos
5. Reservatório do dispensador de água
6. Recipiente de armazenamento sob a prateleira da porta
7. Mover a prateleira da porta
8. Pé ajustável
9. Gaveta para vegetais
10. Compartimento refrigerador
11. Bloqueio e chave
12. Prateleira para garrafas
13. Frigorífico - prateleira de vidro do compartimento
14. Ventilador
15. Prateleira do compartimento congelador
16. Caixa de gelo / Compartimento para fazer gelo
17. Compartimento congelador
18. Compartimento frigorífico



***opcional:**As figuras neste manual do utilizador são dadas como um exemplo e podem não coincidir exatamente com o produto. Se as partes relevantes não estão disponíveis no produto que comprou, a figura aplica-se a outros modelos.

3.1. Local de instalação apropriado

Contactar uma Assistência Autorizada para a instalação do produto. De modo a preparar o produto para utilização, consultar a informação no manual do utilizador e assegurar que a instalação elétrica e a instalação de água são apropriadas. Se não, chamar um electricista e técnico qualificados para realizarem quaisquer arranjos necessários.

	ADVERTÊNCIA: O fabricante não será responsabilizado por danos que possam surgir a partir de procedimentos realizados por pessoas não autorizadas.
	ADVERTÊNCIA: O produto não deve ser ligado à tomada durante a instalação. Caso contrário, há o risco de morte ou lesão grave!
	ADVERTÊNCIA: Se o afastamento da porta da divisão onde o produto deve ser colocado for tão apertado impeça a passagem do produto, remover a porta da divisão e passar o produto pela porta girando-o para o seu lado; se isto não funcionar, contactar a assistência autorizada.

- Colocar o produto numa superfície de chão plana para evitar sacudidelas.
- Instalar o produto afastado pelo menos 30 cm de fontes de calor tais como fogões, núcleos de aquecedores e fornos e pelo menos a 5 cm de fornos elétricos.
- O produto não deve ser exposto à luz solar direta e mantido em locais húmidos.
- Este produto exige circulação de ar adequada para funcionar eficientemente. Se o produto for colocado num nicho, devem ser deixados pelo menos 5 cm de espaço entre o produto e o teto, as paredes traseiras e laterais.
- Se o produto for colocado num nicho, devem ser deixados pelo menos 5 cm de espaço entre o produto e o teto, as paredes traseiras e laterais. Verificar se o componente de proteção de espaço da parede traseira está presente na sua localização (se fornecido com o produto). Se o componente não estiver disponível, ou se se perder ou cair, posicionar o produto de

forma a deixar pelo menos 5 cm de espaço entre o produto e as paredes da divisão. O espaço na parte traseira é importante para o funcionamento eficiente do produto.

- Não instalar o produto em locais onde a temperatura desça abaixo de -5°C.

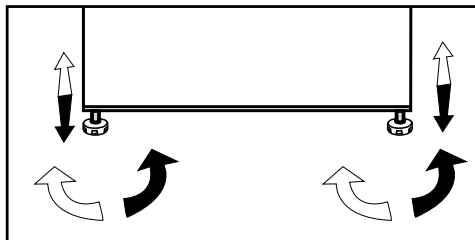
3.2. Instalar os calços de plástico

Os calços de plástico fornecidos com o produto são usados para criar a distância para a circulação de ar entre o produto e a parede de trás.

1. Para instalar os calços, retirar os parafusos no produto e usar os parafusos fornecidos em conjunto com os calços.
2. Inserir os 2 calços de plástico na tampa de ventilação de trás como mostrado na figura.

3.3. Ajustar os pés

Se o produto ficar desequilibrado depois da instalação, ajustar os pés da frente rodando-os para a esquerda ou direita.



Instalação

3.4. Ligação elétrica

	ADVERTÊNCIA: Não fazer ligações através de cabos de extensão ou fichas múltiplas.
	ADVERTÊNCIA: O cabo de alimentação danificado deve ser substituído pelo Agente de Assistência Autorizado.
	Se dois refrigeradores são para ser instalados lado a lado, deve haver pelo menos 4 cm de distância entre eles.

- A nossa empresa não será responsável por quaisquer danos que possam ocorrer quando o produto for usado sem ligação à terra e elétrica em conformidade com os regulamentos nacionais.
- A ficha do cabo de alimentação deve ser de fácil acesso após a instalação.
- Ligar o seu frigorífico a uma tomada ligada à terra classificada para um valor de tensão de 220-240V /50 Hz. A tomada deve ter um fusível de 10 a 16A.
- Sem cabos de extensão ou tomadas múltiplas sem cabo entre o seu produto e a tomada da parede.



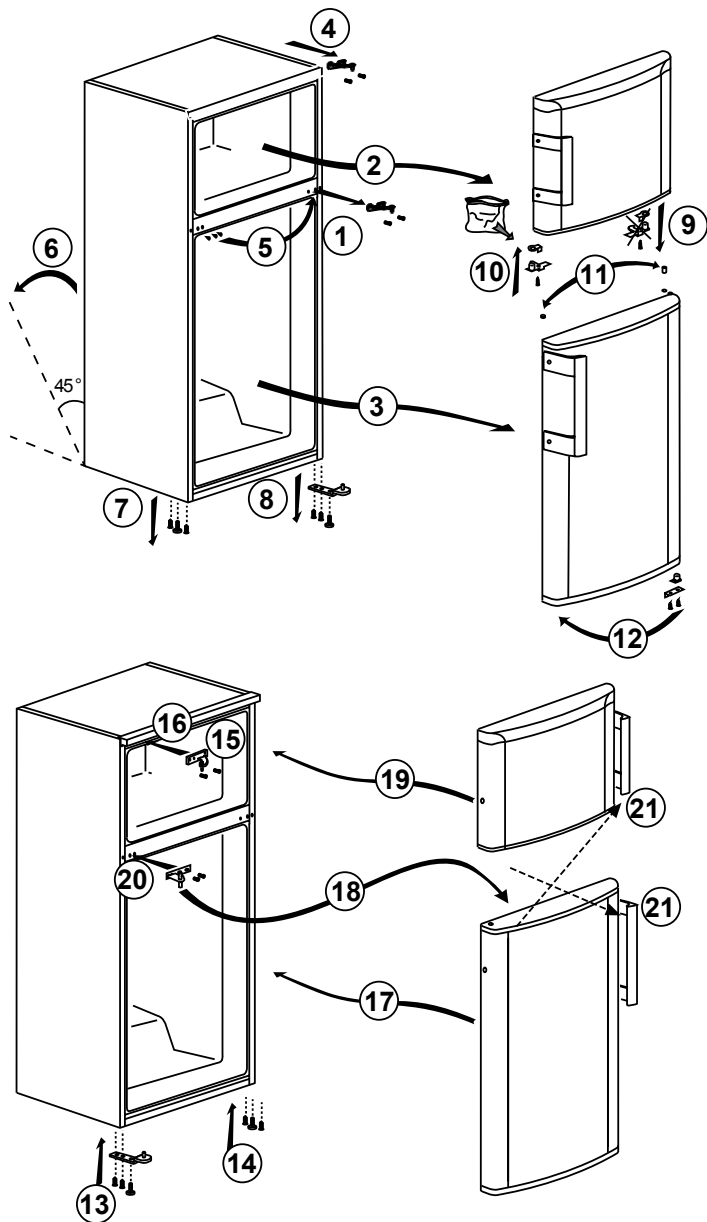
Advertência de Superfície Quente

As paredes laterais do seu produto são equipadas com tubos refrigerantes para melhorar o sistema de refrigeração. O refrigerante com altas temperaturas pode fluir através destas áreas, resultando em superfícies quentes nas paredes laterais. Isto é normal e não exige qualquer reparação. Deve ter cuidado quando tocar nestas áreas.

Instalação

3.5. Inverter as portas

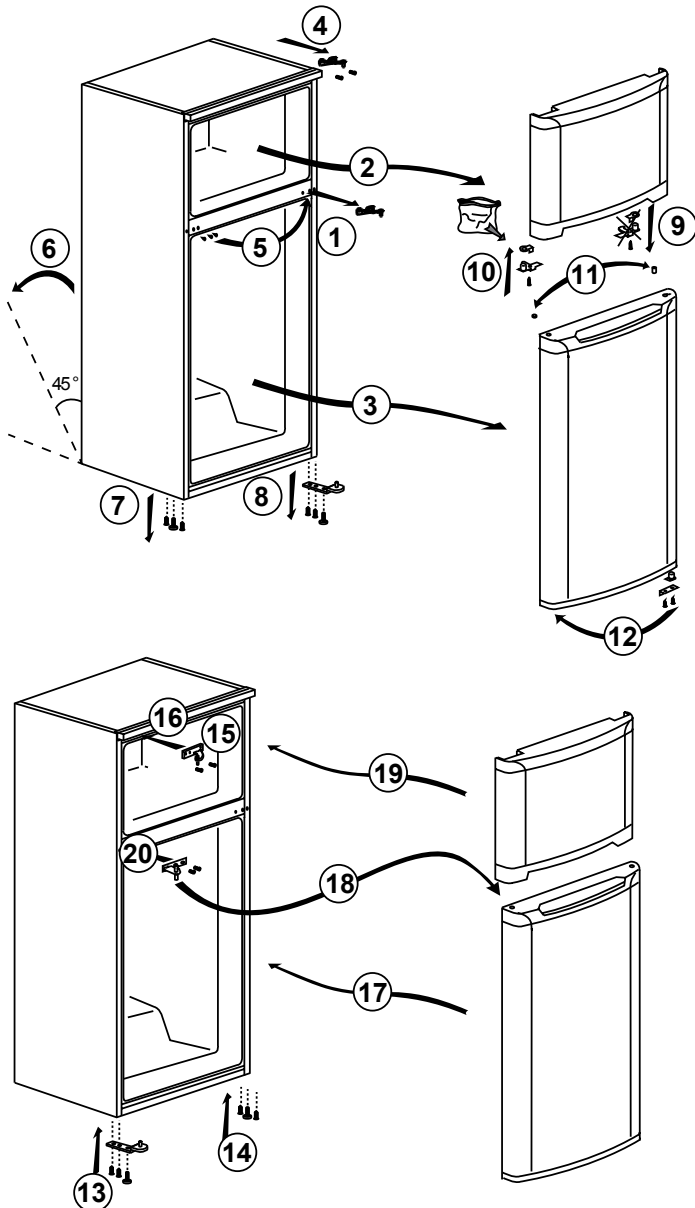
Seguir a ordem numérica.



Instalação

3.6. Inverter as portas

Seguir a ordem numérica.



4 Preparação

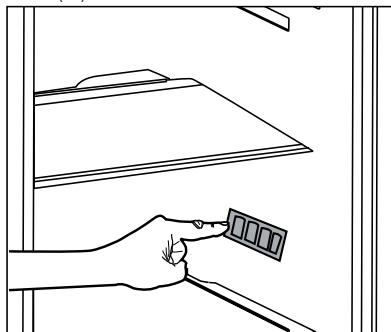
4.1. Coisas a serem feitas para poupar energia



Ligar o produto a sistemas eletrónicos de poupança de energia é arriscado pois podem danificar o produto.

- Para um aparelho de instalação independente: "este frigorífico não se destina a ser usado como um aparelho de encastrar". Não deixar as portas do seu frigorífico abertas por muito tempo.
- Não colocar alimentos ou bebidas quentes no seu frigorífico.
- Não sobrecarregar o frigorífico, a capacidade de arrefecimento falhará quando a circulação de ar interior for impedida.
- De modo a armazenar a quantidade máxima de alimentos no compartimento frigorífico, o Icmatic, disponível no compartimento congelador e facilmente removível à mão, deverá ser retirado. Os valores declarados de volume líquido e consumo de energia declarados na placa de dados de energia do seu frigorífico são medidos e testados retirando o Icmatic. Não retirar as prateleiras do interior do compartimento congelador e na porta do compartimento congelador não devem ser removidas e devem ser sempre usadas pois proporcionam facilidade de utilização e eficiência no consumo de energia.
- Já que o ar quente e húmido não irá penetrar diretamente o seu produto enquanto as portas não estiverem abertas, o seu produto irá otimizar-se por si próprio para possuir condições suficientes para proteger os seus alimentos. As funções e os componentes como o compressor, a ventoinha, o aquecedor, o descongelador, a iluminação, o visor, entre outros, funcionarão de acordo com as necessidades para o consumo mínimo de energia nestas circunstâncias.
- O fluxo de ar não deve ser bloqueado colocando alimentos nas laterais do ventilador do compartimento do congelador. Deve ser disponibilizada uma distância mínima de 3 cm nas laterais da tampa protetora do ventilador.
- Os cestos/gavetas que são fornecidos com o compartimento para os frescos têm de ser sempre utilizados para um menor consumo de energia e para melhores condições de armazenamento.

- O contacto dos alimentos com o sensor de temperatura no compartimento do congelador pode aumentar o consumo de energia do aparelho. Assim deve ser evitado qualquer contacto com o(s) sensor(es).



- Dependendo das características de seu produto, o descongelamento de alimentos congelados no compartimento frigorífico irá proporcionar a poupança de energia e preservar a qualidade dos alimentos.
- Não permitir o contacto de alimentos com o sensor de temperatura do compartimento frigorífico exibido na figura abaixo.

4.2. Uso inicial

Antes de começar a usar o seu frigorífico, assegurar que todos os preparativos são feitos de acordo com as instruções nas secções "Instruções de segurança e ambientais" e "Instalação".

- Pôr o produto a trabalhar sem quaisquer alimentos durante 6 horas e não abrir a porta, a menos que absolutamente necessário.



Ouvirá um ruído quando o compressor arrancar. Os líquidos e gases vedados no sistema de refrigeração podem também dar origem a ruídos, mesmo se o compressor não estiver a funcionar o que é perfeitamente normal.



As extremidades dianteiras do produto podem ficar quentes. Isto é normal. Estas áreas são concebidas para aquecer para evitar a condensação.

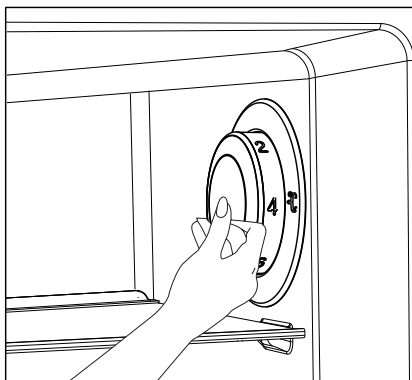


Em alguns modelos, o painel de instrumentos desliga automaticamente 5 minutos depois de a porta ser fechada. Será reativado quando a porta for aberta ou premida qualquer tecla.

5.1. Botão de definição de temperatura

A temperatura interior do seu frigorífico altera-se pelas seguintes razões:

- Temperaturas sazonais,
- Abertura frequente da porta e deixar a porta aberta por períodos longos,
- Alimentos postos no frigorífico sem arrefecer à temperatura da divisão,
- Localização do frigorífico na divisão (p.ex. exposto à luz solar).
- Deve ajustar a variação da temperatura interior devido a tais razões usando o botão de definição.
- Os números à volta do botão de controlo indicam os valores da temperatura em “°C”.
- Se a temperatura ambiente for 25°C, recomendamos que use o botão de controlo de temperatura do seu frigorífico a 4°C. Este valor deve ser aumentado ou diminuído se necessário noutras temperaturas de ambiente.

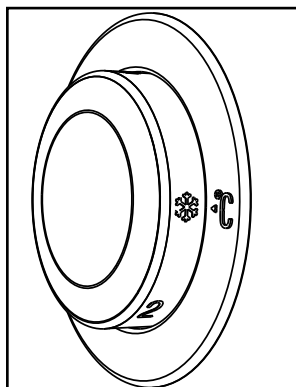


5.2. Congelar rápido

Se foram congeladas grandes quantidades de alimentos frescos, ajustar o botão de controlo de temperatura para (❄️) máx. 24 horas antes de pôr os alimentos frescos no compartimento de congelamento rápido.

É fortemente recomendado manter o botão nesta posição pelos menos 24 horas para congelar a quantidade máxima de alimentos frescos declarados como capacidade de congelamento. Ter especial cuidado para não misturar alimentos congelados e alimentos frescos.

Lembrar de rodar o botão controlo de temperatura de volta à sua posição anterior, uma vez os alimentos congelados.



***Opcional:** As figuras neste manual do utilizador são esquemáticas e podem não coincidir exatamente com o produto. Se as partes sujeitas não estão incluídas no produto que comprou, então essas partes são válidas para outros modelos.

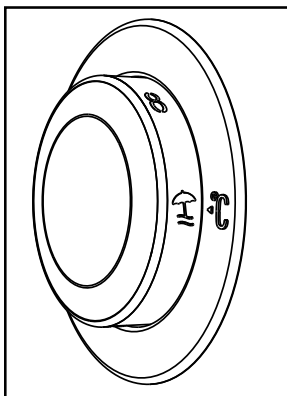
Operar com o produto

5.3. Função férias

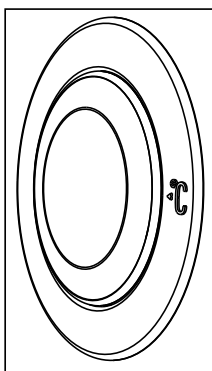
Se as portas do produto não forem abertos durante 12 horas após o botão de controlo de temperatura ser mudado para o posição mais quente, então a função de férias será ativada automaticamente.

Para cancelar a função, mudar a definição do botão.

Não é recomendado armazenar alimentos no compartimento frigorífico quando a função de férias está ativa.



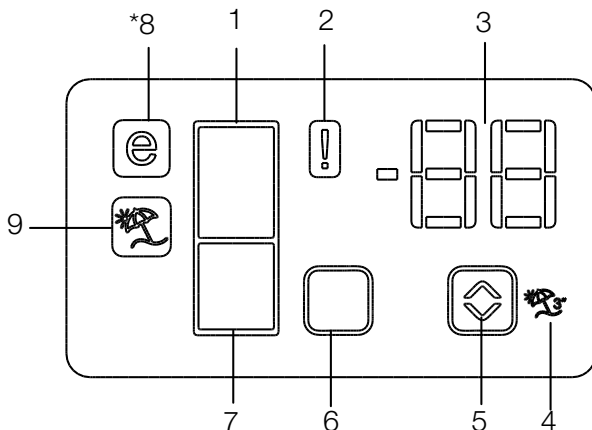
- Quando a operação de definição estiver concluída, deve premir o botão de controlo de temperatura e escondê-lo.



Operar com o produto

5.4. Painel indicador

Os painéis indicadores podem variar de acordo com o modelo do produto. As funções áudio e vídeo do painel indicador irão ajudar na utilização do produto.



1. Indicador do compartimento frigorífico
2. Indicador do estado do erro
3. Indicador da temperatura
4. Botão da função férias
5. Botão de definição de temperatura
6. Botão de seleção de compartimento
7. Indicador do compartimento congelador
8. Indicador do modo económico
9. Indicador da função férias

***opcional**



***Opcional:** As figuras neste manual do utilizador são esquemáticas e podem não coincidir exatamente com o produto. Se as partes sujeitas não estão incluídas no produto que comprou, então essas partes são válidas para outros modelos.

Operar com o produto

1. Indicador do compartimento frigorífico

A luz do compartimento do frigorífico ilumina-se quando a temperatura do compartimento frigorífico é definida.

2. Indicador do estado do erro

Se o frigorífico não produz frio suficiente ou no caso de falha do sensor, este indicador é ativado. Quando o indicador é ativado, é exibido "E" no indicador de temperatura do compartimento congelador, e números como "1,2,3..." são exibidos no indicador de temperatura do compartimento frigorífico. Estes números no indicador servem para informar o pessoal da assistência sobre o erro.

3. Indicador da temperatura

Indica congelador, temperatura do compartimento frigorífico.

4. Botão da função férias

Premir o botão férias durante 3 segundos para ativar esta função. Quando a função férias é ativada, "- -" é exibido no indicador de temperatura do compartimento frigorífico e não é realizado arrefecimento ativo no compartimento frigorífico. Não é adequado manter os alimentos no compartimento do frigorífico quando esta função é ativada. Outros compartimentos continuarão a ser arrefecidos conforme a temperatura definida.

Para cancelar esta função premir de novo o botão **Férias**.

5. Botão de definição de temperatura

Altera a temperatura do compartimento relevante entre -24°C... -18°C e 8°C...1°C.

6. Botão de seleção de compartimento

Botão de seleção: Premir o botão de seleção do compartimento para alterar entre compartimentos frigorífico e congelador.

7. Indicador do compartimento congelador

A luz do compartimento do frigorífico ilumina-se quando a temperatura do compartimento congelador é definida.

8. Indicador do modo económico

Indica que o frigorífico funciona em modo de poupança de energia. Este visor será ativado se a temperatura do compartimento congelador for definida para -18°C.

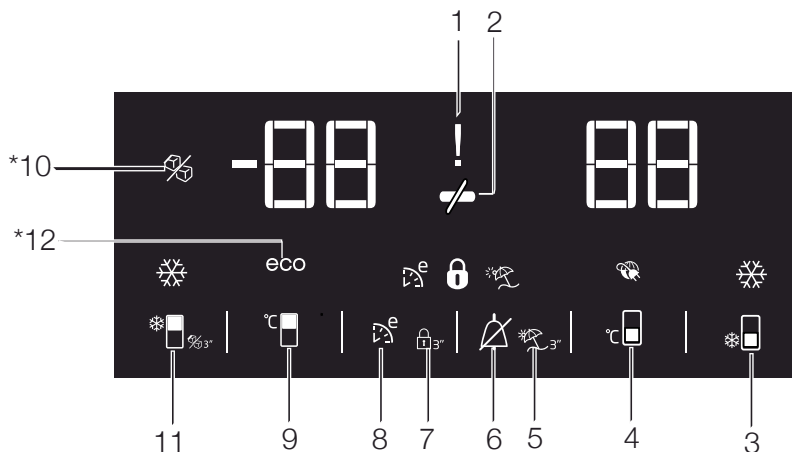
9. Indicador da função férias

Indica que férias está ativada.


Operar com o produto

5.5. Painel indicador

O painel indicador permite-lhe definir a temperatura e controlar as outras funções relativas ao produto sem abrir a porta do produto. Premir apenas as inscrições nos botões relevantes para definições de função.



1. Interrupção de energia / Temperatura elevada / Indicador de erro de estado

Este indicador  acende-se no caso de falha de energia, temperaturas elevadas e de avisos de erro.


Quando a temperatura do compartimento do congelador aquece até um nível crítico para os alimentos congelados, o valor máximo atingido pela temperatura do compartimento do congelador fica a piscar no indicador digital. Verificar os alimentos no compartimento do congelador.

Isto não é um mau funcionamento. O aviso pode ser apagado premindo qualquer botão ou no botão de desligar o alarme de alta temperatura. (Cancelar premindo qualquer botão não é aplicável para todos os modelos.)

Este indicador acende-se também quando

ocorre uma falha no sensor. Quando o indicador se acender, são exibidos alternativamente "E" e números como "1,2,3,..." no indicador da temperatura. Estes números no indicador informam o pessoal da manutenção acerca do erro.

2. Poupança de energia (visor desligado):

Se as portas do produto são mantidas fechadas durante muito tempo a função de poupança de energia é automaticamente ativada e o símbolo de poupança de energia ilumina-se. 

Quando a função de poupança de energia é ativada, todos os símbolos no visor que não o símbolo de poupança de energia apagam-se. Quando a função de poupança de energia é ativada, se qualquer botão for premido ou a porta for aberta, a função de poupança de energia será cancelada e os símbolos no visor voltarão ao normal.



***Opcional:** As figuras neste manual do utilizador são esquemáticas e podem não coincidir exatamente com o produto. Se as partes sujeitas não estão incluídas no produto que comprou, então essas partes são válidas para outros modelos.

Operar com o produto

A função de poupança de energia é ativada durante a entrega de fábrica e não pode ser cancelada.

3. Função frio rápido

O botão tem duas funções. Para ativar ou desativar a função de frio rápido premi-lo brevemente. O indicador de Frio rápido desligará e o produto voltará às definições normais.



Usar a função de frio rápido quando quiser arrefecer rapidamente os alimentos colocados no compartimento frigorífico. Se quiser arrefecer grandes quantidades de alimentos frescos, ativar esta função antes de pôr os alimentos no produto.



Se não o cancelar, o frio rápido será cancelado automaticamente depois de 8 horas ou quando o compartimento do frigorífico alcançar a temperatura pretendida.



Se premir o botão de frio rápido repetidamente com intervalos curtos, a proteção de circuito eletrónico será ativada e o compressor não arrancará de imediato.



Esta função não é lembrada quando a energia é restaurada após uma falha de energia.

4. Botão de definição de temperatura do compartimento frigorífico

Premir este botão para definir a temperatura do compartimento frigorífico para 8,7,6, 5,4,3, 2, 8... respetivamente. Premir este botão para definir a temperatura do compartimento frigorífico para o valor pretendido.

5. Função férias

De modo a ativar a função férias, premir este botão durante 3 segundos, e o indicador de modo de férias será ativado. Quando a função férias é ativada, “- -” é exibido no

indicador de temperatura do compartimento frigorífico e não é realizado arrefecimento ativo no compartimento frigorífico. Não é adequado manter os alimentos no compartimento do frigorífico quando esta função é ativada. Outros compartimentos continuarão a ser arrefecidos conforme a temperatura definida.

Para cancelar esta função premir de novo o botão de função **Férias**.

6. Fim do aviso de temperatura elevada

No caso de aviso de interrupção de energia/ Temperatura elevada, pode apagar o aviso premindo qualquer botão no indicador ou o botão para desligar o alarme de alta temperatura durante 1 segundo depois de verificar os alimentos no interior do compartimento do congelador.

Nota: Cancelar premindo qualquer botão não é aplicável para todos os modelos.

7. Bloqueio de teclas

Premir o botão de bloqueio de teclas simultaneamente durante 3 segundos. Símbolo de bloqueio de teclas


acenderá e o modo de bloqueio de teclas será ativado. Os botões não funcionarão se o modo de bloqueio de teclas está ativado. Premir o botão de bloqueio de teclas simultaneamente durante 3 segundos. O símbolo de bloqueio de teclas desliga e o modo de bloqueio de teclas será desligado.

Premir o botão **bloqueio de teclas** se quer evitar alteração da definição de temperatura do frigorífico .


8. Eco-inteligente

Premir e manter premido o botão eco-inteligente durante 1 segundo para ativar a função eco-inteligente. O frigorífico começará a funcionar no modo mais económico, pelo menos mais 6 horas e o indicador de uso económico será ligado quando a função está


Operar com o produto

ativa (). Premir e manter premido o botão da função eco-inteligente durante 3 segundo para desativar a função eco-inteligente. Este indicador ilumina-se após 6 horas quando eco-inteligente é ativada.

9. Botão de definição de temperatura do compartimento congelador

Premir este botão para definir a temperatura do compartimento congelador para -18,-19,-20,-21, -22, -23,-24, -18... respetivamente. Premir este botão para definir a temperatura do compartimento congelador para o valor pretendido. ()


10. Indicador de Icematic desligado

Indica se Icematic está ligado ou desligado. () Se Ligado, então o icematic não está a funcionar. Para funcionar de novo o Icematic premir e manter premido durante 3 segundo o botão Ligado-Desligado.



O fluxo de água do depósito de água parará quando esta função é selecionada. Contudo, gelo feito previamente pode ser tirado do Icematic.

11. Botão de função congelar rápido / Botão Icematic ligado-desligado

Premir este botão para ativar ou desativar a função congelamento rápido. Quando ativar esta função, o compartimento congelador será arrefecido para uma temperatura inferior ao valor definido. ()

Para ligar e desligar o Icematic premir e manter premido durante 3 segundos.



Usar a função de congelar rápido quando quiser congelar rapidamente os alimentos colocados no compartimento congelador. Se quiser congelar grandes quantidades de alimentos frescos, ativar esta função antes de pôr os alimentos no produto.




Se não o cancelar, o congelar rápido será cancelado automaticamente depois de 4 horas ou quando o compartimento congelador alcançar a temperatura pretendida.



Esta função não é lembrada quando a energia é restaurada após uma falha de energia.

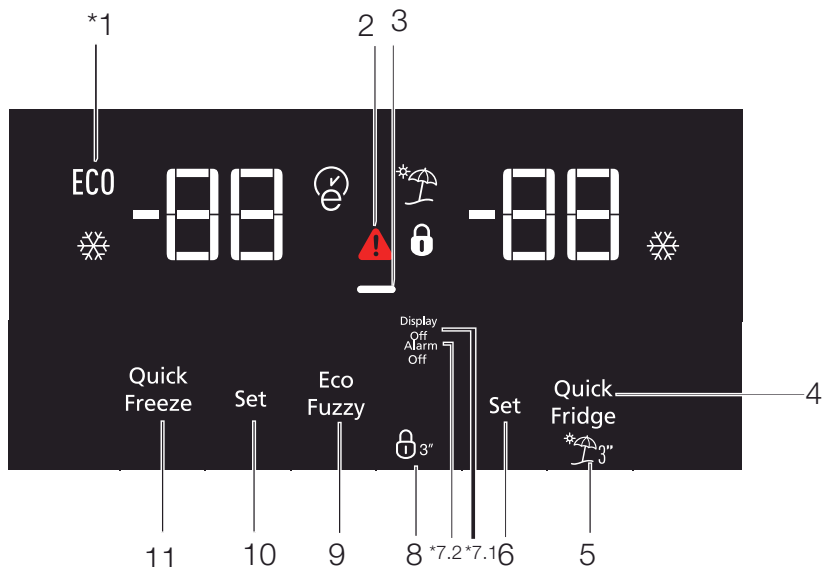
12. Indicador de utilização económica

Indica que o produto está a trabalhar no modo de energia eficiente. () Este indicador ficará ativo quando a temperatura do compartimento de congelamento está definida em -18 ou refrigeração de energia eficiente está acionada pela função eco-extra.



O Indicador de utilização económica desliga quando são selecionadas as funções de frio ou congelamento rápido.

Operar com o produto



1. Economia

Este sinal acende quando o compartimento de congelamento está definido para -18°C ou o valor de definição mais económico (ECO). O indicador de utilização económica desliga quando são selecionadas as funções de frio ou congelamento rápido.

2. Temperatura elevada / indicador de advertência de erro

Este indicador (▲) ilumina-se durante a temperatura elevada e advertências de erro.

3. Frio rápido

O indicador de frio rápido (❄) ilumina-se quando a função de frio rápido é ativada e o valor do indicador de temperatura do compartimento frigorífico é exibido como 1. Para cancelar esta função premir de novo o botão Frio rápido. O indicador de Frio rápido desligará e o frigorífico voltará às definições

normais. A função de frio rápido é cancelada automaticamente após 1 hora se não a cancelar antes. Para refrigerar uma grande quantidade de alimentos frescos, premir o botão frio rápido antes de colocar os alimentos no compartimento frigorífico.

4. Função férias

De modo a ativar a função férias, premir o botão nº. (4) (🔔) durante 3 segundos, e o indicador de modo de férias ativa. Quando a função férias é ativada, "- -" é exibido no indicador de temperatura do compartimento frigorífico e não é realizado arrefecimento ativo no compartimento frigorífico. Não é adequado manter os alimentos no compartimento do frigorífico quando esta função é ativada. Outros compartimentos continuarão a ser arrefecidos conforme a temperatura definida.


Para cancelar esta função premir de novo o botão de **função Férias**.



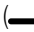


***Opcional:** As figuras neste manual do utilizador são esquemáticas e podem não coincidir exatamente com o produto. Se as partes sujeitas não estão incluídas no produto que comprou, então essas partes são válidas para outros modelos.

Operar com o produto

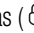
5. Definição de temperatura do compartimento frigorífico


Quando o botão nº. (5) é premido, pode definir a temperatura do compartimento frigorífico para 8,7,6,5,4,3,2 e 1 respetivamente ().


6. Poupança de energia (visor desligado):

O símbolo de poupança de energia () ilumina-se e a função de poupança de energia é ativada quando premir este botão (). Quando a função de poupança de energia é ativada, todos os símbolos no visor que não o símbolo de poupança de energia apagam-se. Quando a função de poupança de energia é ativada, se qualquer botão for premido ou a porta for aberta, a função de poupança de energia será cancelada e os símbolos no visor voltarão ao normal. O símbolo de poupança de energia desliga-se e a função de poupança de energia é desativada quando premir este botão () de novo.


7. Bloqueio de teclas

Premir o botão de bloqueio de teclas () simultaneamente durante 3 segundos. Símbolo de bloqueio de teclas

() acenderá e o modo de bloqueio de teclas será ativado. Os botões não funcionarão se o modo de bloqueio de teclas está ativado. Premir o botão de bloqueio de teclas simultaneamente durante 3 segundos. O símbolo de bloqueio de teclas desliga e o modo de bloqueio de teclas será desligado.

Premir o botão **bloqueio de teclas** se quer evitar alteração da definição de temperatura do frigorífico ().

8. Eco-inteligente


Premir e manter premido o botão eco-inteligente durante 1 segundo para ativar a função eco-inteligente. O frigorífico começará a funcionar no modo mais económico, pelo menos mais 6 horas e o indicador de uso económico será ligado quando a função está ativa (). Premir e manter premido o botão da função eco-inteligente durante 3 segundos para desativar a função eco-inteligente.

Este indicador ilumina-se após 6 horas quando eco-inteligente é ativada.

9. Definição de temperatura do compartimento congelador

A definição de temperatura do compartimento congelador é realizada aqui. Quando o botão nº. 9 é premido, pode definir a temperatura do compartimento congelador para -18,-19,-20,2 e -22 respetivamente.

10. Congelar rápido

Premir o botão nº. (10) para a operação de congelar rápido, o indicador de congelar rápido () será ativado.

O indicador de congelar rápido ilumina-se quando a função de congelar rápido é ativada e o valor do indicador de temperatura do compartimento frigorífico é exibido como -27.

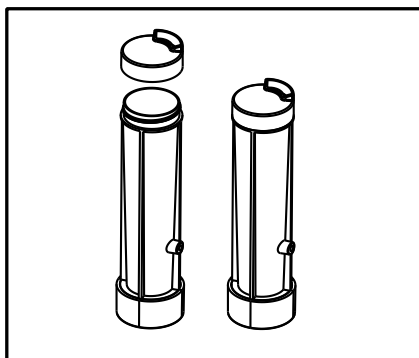
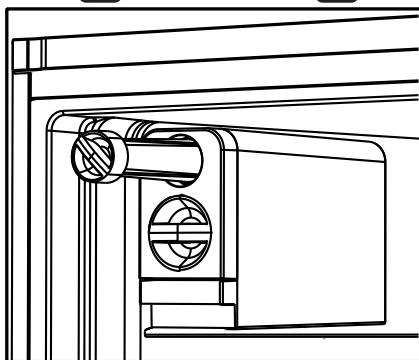
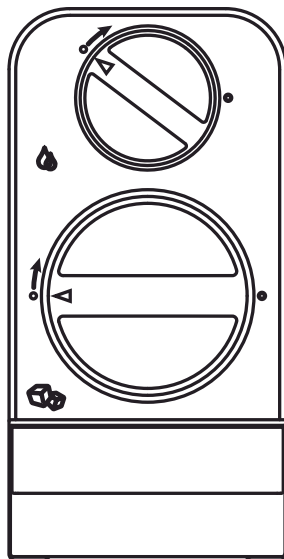
Operar com o produto

Para cancelar esta função premir de novo o botão congelar rápido (❄️). O indicador de congelar rápido desligará e o frigorífico voltará às definições normais. A função de congelar rápido é cancelada automaticamente após 24 hora se não a cancelar antes. Para congelar uma grande quantidade de alimentos frescos, premir o botão congelar rápido antes de colocar os alimentos no compartimento congelador.

5.6. Twist Icematic

(Esta característica é opcional)

- Retirar o depósito de água rodando-o para a esquerda.
- Abrir a tampa do depósito de água rodando-a e adicionar água ao depósito de água até à parte inferior da tampa do depósito de água.
- Colocar o depósito de água no lugar como mostrado na figura depois de adicionar água e o ter encaixado na direção da seta. A água deve ser vertida no compartimento do gelo.
- Quando o gelo estiver feito, rodar o botão do compartimento de gelo na direção da seta para permitir que o gelo caia para a gaveta do gelo.
- Retirar os cubos de gelo puxando a gaveta do gelo para fora.
- Puxar voltado para a frente em direção para poder lavar o compartimento do gelo, e depois volte a colocá-lo nas guias na zona interior e empurre o mesmo para a posição para que fique preparado novamente.
- Puxar o twist icematic para a frente para remover a unidade, e depois voltar a colocá-lo nas guias na zona superior e empurrar o mesmo para a posição para que fique preparado novamente.



Operar com o produto

5.7. Recipiente para o gelo

- Remover o depósito do gelo do compartimento de congelamento.
- Encher o depósito com água.
- Colocar o depósito do gelo do compartimento de congelamento. Duas horas mais tarde, o gelo está pronto para usar.
- Remover o depósito do gelo do compartimento de congelamento e dobrá-lo sobre uma placa de serviço. Os cubos de gelo cairão com facilidade para a placa de serviço.

5.8. Suporte para ovos

Pode instalar o suporte para ovos na porta pretendida ou na estrutura da prateleira. Se for colocado na estrutura de prateleiras então as prateleiras de refrigeração inferiores são as recomendadas.

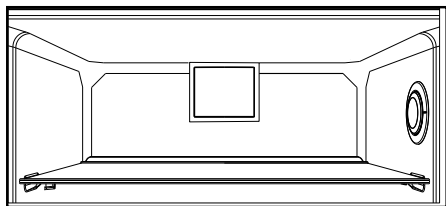


Colocar o depósito do gelo do compartimento de congelamento.

5.9. Ventilador

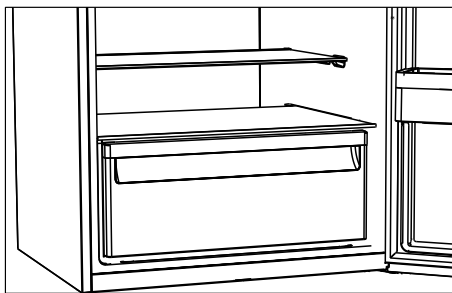
O ventilador tem a finalidade de assegurar uma distribuição homogénea e circulação do ar frio no interior do seu frigorífico. O tempo de funcionamento do ventilador pode variar dependendo das propriedades do seu produto.

Enquanto o ventilador está a funcionar apenas com o compressor nalguns produtos, o sistema de controlo determina o seu tempo de funcionamento em alguns produtos de acordo com os requisitos de refrigeração.



5.10. Gaveta para vegetais

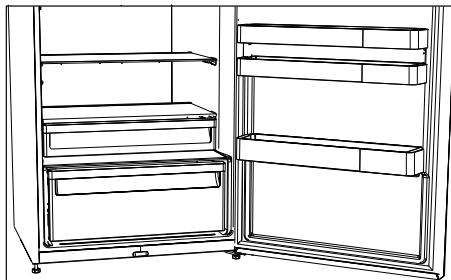
A gaveta para vegetais do produto destina-se especialmente a manter os vegetais frescos sem que percam a respetiva humidade. Para este efeito, a circulação de ar frio é intensificada de um modo geral em volta da gaveta para vegetais.



5.11. Compartimento refrigerador

(Esta característica é opcional)

Usar este compartimento para armazenar produtos delicados que devem ser armazenados a temperaturas baixas ou produtos de carne que devem ser consumidos num curto espaço de tempo. O compartimento refrigerador é o local mais fresco do seu frigorífico onde pode manter os produtos lácteos, carne, peixe e aves nas condições ideais de armazenamento. As frutas e os vegetais não devem ser armazenados neste compartimento.



Operar com o produto

5.12. Mover a prateleira da porta

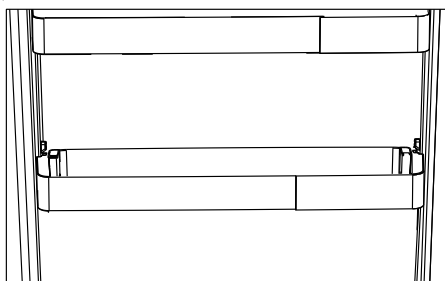
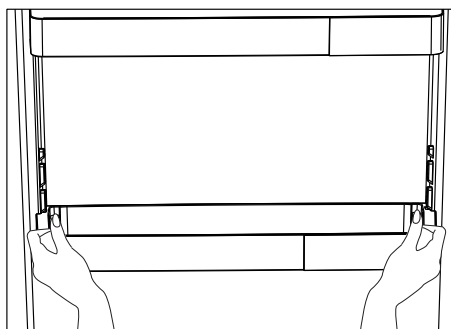
(Esta característica é opcional)

Ao mover a prateleira da porta pode fixá-la em 3 posições diferentes.

Premir os botões mostrados nas partes laterais simultaneamente de modo a mover a prateleira. A prateleira deve ser amovível.

Mover a prateleira para cima ou para baixo.

Soltar os botões quando tiver a prateleira na posição desejada. A prateleira deve ser fixada na posição depois de libertar os botões.

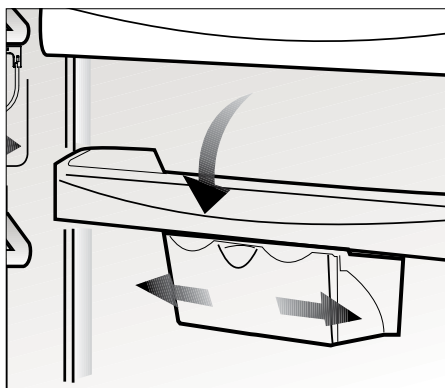


5.13. Recipiente de armazenamento deslizante

(Esta característica é opcional)

Este acessório é concebido para aumentar o volume de utilização das prateleiras da porta.

Permite-lhe com facilidade colocar garrafas mais altas e latas na prateleira de garrafas mais baixas graças à possibilidade de a mover para a direita ou para a esquerda.



5.14. Luz azul

(Esta característica é opcional)

Este acessório é concebido para aumentar o volume de utilização das prateleiras da porta.

Permite-lhe com facilidade colocar garrafas mais altas e latas na prateleira de garrafas mais baixas graças à possibilidade de a mover para a direita ou para a esquerda.

Operar com o produto

5.15. Gaveta de vegetais com humidade controlada

(FreSHelf)

(Esta característica é opcional)

As taxas de humidade dos vegetais e da fruta são mantidas sob controlo com a função de gaveta de vegetais com humidade controlada e os alimentos mantêm-se frescos durante mais tempo.

Recomendamos que coloque os vegetais de folhas como a alface, espinafres e os vegetais que são sensíveis à perda de humidade, na posição horizontal tanto quanto possível dentro da gaveta para vegetais, e não sobre as raízes na posição vertical.

Enquanto os vegetais estão a ser colocados, a gravidade específica dos mesmos deve ser tida em conta. Os vegetais pesados e rijos devem ser colocados na parte de baixo da gaveta para vegetais e os mais leves e macios devem ser colocados por cima.

Nunca deixar os vegetais dentro da gaveta dentro dos sacos. Se os vegetais forem deixados dentro dos sacos respetivos, isso dará origem à decomposição dos mesmos num curto período de tempo. No caso de não se pretender o contacto com outros vegetais por razões de higiene, deve usar papel perfurado ou outro tipo de materiais de embalagem semelhantes em vez do saco. Não colocar juntos peras, alperces, pêssegos, etc. e maçãs em especial as quais têm um elevado nível de geração de gás etileno na mesma gaveta de vegetais com outros vegetais e fruta. O gás etileno que é produzido por estes frutos pode dar origem a que outros frutos amadureçam mais rapidamente e entrem em decomposição num curto espaço de tempo.

5.16. Icematic automático

(Esta característica é opcional)

O Icematic automático permite-lhe fazer gelo com facilidade no frigorífico. Remover o depósito de água no compartimento do frigorífico, encher com água e instalá-lo novamente para obter gelo a partir do Icematic.

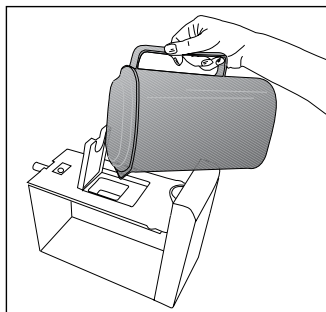
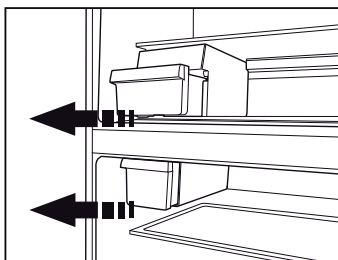
Os primeiros cubos de gelo estarão prontos em aproximadamente 2 horas, na gaveta do Icematic localizada no compartimento do congelador.

Se encher totalmente com água, tem possibilidade de obter aproximadamente 60-70 cubos de gelo.

Substituir a água no depósito da mesma se esta tiver sido colocada no mesmo há cerca de 2-3 semanas.



Para os produtos com Icematic automático, pode ser ouvido um som durante a queda do gelo. Este som é normal e não indício de qualquer erro.



Operar com o produto

5.17. Descrição e limpeza do filtro de odores

(Esta característica é opcional)

O filtro de odores impede a formação de odores desagradáveis no seu produto.

1. Puxar para baixo a tampa na qual está instalado o filtro de odores a partir da secção frontal e remover conforme mostrado.
2. Deixar o filtro ao sol durante um dia. O filtro será limpo durante este período.
3. Instalar novamente o filtro na sua posição.



O filtro de odores tem de ser limpo uma vez por ano.

5.18. HerbBox/HerbFresh

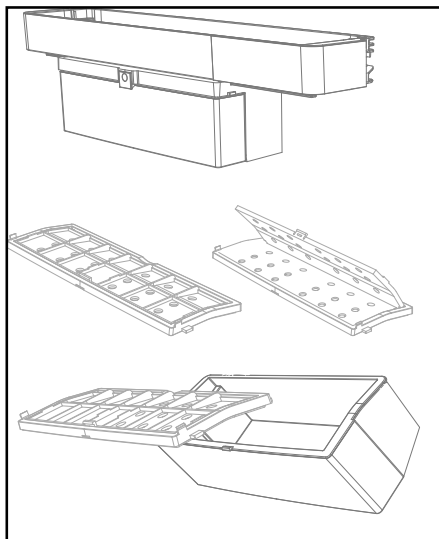
Remover o recipiente da película da HerbBox/HerbFresh+

Remover a película do saco e colocá-la no recipiente da película conforme mostrado na figura.

Fechar novamente o recipiente e voltar a colocá-lo no compartimento HerbBox/HerbFresh+.

Os compartimentos HerbBox/HerbFresh+ são ideais para o armazenamento das várias ervas aromáticas que são supostas serem guardadas em condições delicadas. Pode armazenar as suas ervas aromáticas não embaladas (salsa, endro, etc.) neste compartimento na posição horizontal e poderá assim mantê-las frescas durante muito mais tempo.



A película deve ser substituída em cada seis meses.




Operar com o produto

5.19.Utilizar a fonte de água fresca

*opcional



	É normal que a água dos primeiros copos retirados do dispensador esteja quente.
	Se o dispensador de água não for usado durante muito tempo, eliminar os primeiros copos de água para obter água limpa.

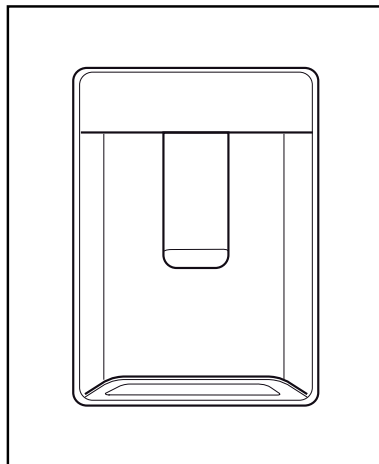
1. Empurrar a alavanca do dispensador de água com o seu copo. Se estiver a usar um copo de plástico macio, empurrar a alavanca com a mão para ser mais fácil.
2. Depois de encher o copo até ao nível pretendido, soltar a alavanca.

	Deve notar que a quantidade do fluxo de água do dispensador depende da velocidade com que solta a alavanca. À medida que o nível de água na sua taça/copo aumenta, reduzir suavemente a quantidade de pressão na alavanca para evitar derramamento. Se pressionar ligeiramente a alavanca, a água pingará, isto é muito normal e não é uma avaria.
---	--


5.20.Utilizar a fonte de água fresca

*opcional

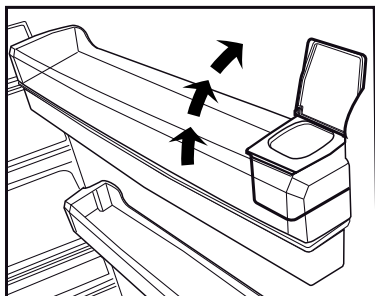
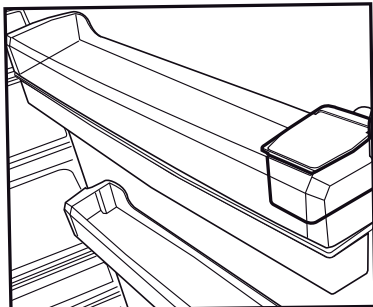
	É normal que a água dos primeiros copos retirados do dispensador esteja quente.
	Se o dispensador de água não for usado durante muito tempo, eliminar os primeiros copos de água para obter água limpa.



1. Empurrar a alavanca do dispensador de água com o seu copo. Se estiver a usar um copo de plástico macio, empurrar a alavanca com a mão para ser mais fácil.
2. Depois de encher o copo até ao nível pretendido, soltar a alavanca.

	Deve notar que a quantidade do fluxo de água do dispensador depende da velocidade com que solta a alavanca. À medida que o nível de água na sua taça/copo aumenta, reduzir suavemente a quantidade de pressão na alavanca para evitar derramamento. Se pressionar ligeiramente a alavanca, a água pingará, isto é muito normal e não é uma avaria.
---	--

Operar com o produto



5.21. Encher o depósito do dispensador de água

O reservatório para enchimento do depósito de água está localizado no interior da estrutura da porta.

1. Abrir a tampa do depósito.
2. Encher o depósito com água potável fresca.
3. Fechar a tampa.



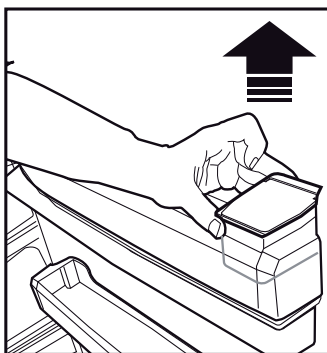
Não encher o depósito de água com qualquer outro líquido exceto água, como sumos de fruta, bebidas gasosas ou bebidas alcoólicas que não são adequadas para usar no dispensador de água. O dispensador de água ficará irremediavelmente danificado se forem usados estes tipos de líquidos. A garantia não cobre estas utilizações. Algumas substâncias químicas e aditivos contido neste tipo de bebidas/líquidos podem danificar o depósito da água.



Usar apenas água potável.



A capacidade do depósito de água é de 3 litros, não encher demasiado.



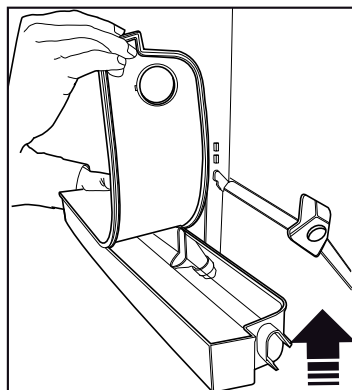
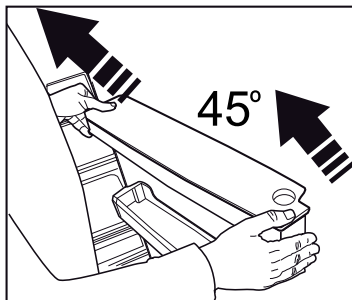
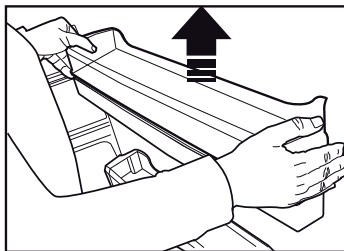
Operar com o produto

5.22. Limpar o depósito de água

1. Remover o reservatório de enchimento de água no interior da estrutura da porta.
2. Remover a estrutura da porta segurando em ambos os lados.
3. Segurar o depósito de água de ambos os lados e removê-lo com um ângulo de 45°C.
4. Remover a tampa do depósito de água e limpar o mesmo.



Os componentes do depósito de água e do dispensador de água não podem ser lavados na máquinas de lavar loiça.

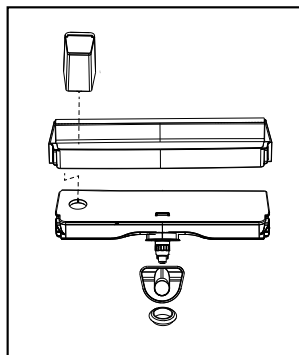
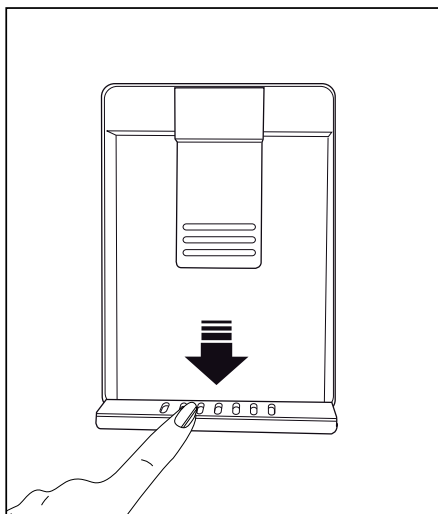


5.23. Tabuleiro para gotas de água

A água que pinga enquanto está a usar o dispensador de água acumula-se no tabuleiros para os pingos de água.

Remover o filtro de plástico conforme mostrado na figura.

Com um pano limpo e seco, remover a água que ficou acumulada.



Operar com o produto

5.24. Congelar alimentos frescos

- De modo a preservar a qualidade dos alimentos, estes devem ser congelados tão rapidamente quanto possível quando é colocado no compartimento do congelador, usar a função de congelamento rápido para este efeito.
- Pode armazenar os alimentos durante mais tempo no compartimento do congelador quando os congela quando ainda estão frescos.
- Embalar os alimentos a serem congelados e fechar a embalagem de modo a que não haja entrada de ar.
- Assegurar que embala os seus alimentos antes de os colocar no congelador. Usar recipientes para congelamento, papel de alumínio e papel à prova de humidade, sacos de plástico ou materiais de embalagem semelhantes, em vez do papel de embalagem tradicional.
- Etiquetar cada uma das embalagens adicionando a data antes de congelar. Pode distinguir a frescura de cada embalagem de alimentos de cada vez que abre o congelador. Armazenar os alimentos congelados na parte frontal do compartimento para assegurar que são os primeiros a serem utilizados.



O compartimento do congelador descongela automaticamente.

- Os alimentos congelados têm de ser usados imediatamente depois de terem sido descongelados e não devem ser congelados novamente.
- Não congelar grandes quantidades de alimentos de uma só vez.

5.25. Recomendações para preservar alimentos congelados

O compartimento deve estar colocado a -18°C no mínimo.

1. Colocar as embalagens no congelador o mais rapidamente possível depois da compra sem permitir que descongelem.
2. Verificar se as datas de “Usar por” e “Validade” na embalagem já estão expiradas ou não antes de o congelar.
3. Assegurar que a embalagem dos alimentos não está danificada.

5.26. Informação do congelador

De acordo com as normas IEC 62552, o produto deve congelar pelo menos 4,5 kg de alimentos a 25°C de temperatura ambiente para -18°C ou mais baixa em 24 horas por cada 100 litros de volume do congelador.

É possível preservar os alimentos durante um longo período de tempo apenas a -18°C ou temperaturas mais baixas.

Definições do Compartimento Congelador	Definições do compartimento frigorífico	Observações
-18°C	4°C	Esta é a definição normal recomendada.
-20°C , -22°C ou -24°C	4°C	Estas definições são recomendadas para temperaturas ambientes excedendo 30°C .
Congelamento Rápido	4°C	Usar quando pretender congelar os seus alimentos num curto espaço de tempo. O seu produto voltará ao modo anterior quando o processo termina.
-18°C ou mais frio	2°C	Usar estas definições se achar que o compartimento do seu frigorífico não estiver suficientemente frio devido às condições ambientais quentes ou à abertura e fecho frequente da porta.

Operar com o produto

Pode manter a frescura dos alimentos durante muitos meses (a -18°C ou temperaturas mais baixas na congelação profunda).

Os alimentos a serem congelados não devem entrar em contacto com itens anteriormente congelados para evitar que fiquem parcialmente descongelados. Ferver os vegetais e esvaziar a respetiva água de modo a guardar os vegetais congelados durante um longo período de tempo. Depois de esvaziar a respetiva água, colocá-los em embalagens de vácuo e colocar as mesmas dentro do congelador. Alimentos como as bananas, tomates, alface, aipo, ovos cozidos, batatas não são adequados para congelar. Quando estes alimentos são congelados, somente é afetado negativamente o seu valor nutricional e o seu sabor. Não devem deteriorados de modo que não criem situações de risco para a saúde humana.

5.27. Colocar alimentos

Prateleiras do compartimento congelador	Vários produtos congelados, incluindo carne, peixe, gelado, vegetais, etc.
Prateleiras do compartimento refrigerador	Alimentos em frigideiras, pratos com tampa e recipientes fechados, ovos (em recipiente fechado)
Prateleiras da porta do compartimento do frigorífico	Alimentos pequenos e embalados ou bebidas
Gaveta para vegetais	Vegetais e fruta
Compartimento de alimentos frescos	Charcutaria (pequeno almoço, produtos de carne a serem consumidos a curto prazo)

5.28. Botão para abrir a porta

(Esta característica é opcional)

O aviso de abertura da porta é dado ao utilizador tanto visual como acusticamente. Se o aviso continuar durante 10 minutos, as luzes no interior desligar-se-ão.

5.29. Mudar a direção da abertura da porta

A direção da abertura da porta do seu refrigerador pode ser alterada conforme o local em que o está a utilizar. Se isto for necessário, deve contactar o Serviço Autorizado mais próximo.

A descrição acima é uma informação geral. Para informação sobre como alterar a direção da abertura da porta, deve consultar o rótulo de advertência localizado no lado de dentro da porta.

5.30. Lâmpada de iluminação

As lâmpadas LED são usadas como lâmpadas de iluminação. Contactar o serviço autorizado no caso de surgir algum problema com este tipo de luz. A(s) lâmpada(s) usada(s) neste aparelho não são adequadas para iluminação de salas domésticas. O fim adequado desta lâmpada é ajudar o utilizador a colocar produtos alimentares no frigorífico/ congelador de forma segura e confortável.

5.31. Recomendações para preservar alimentos congelados

O compartimento deve estar colocado a -18°C no mínimo.

4. Colocar as embalagens no congelador o mais rapidamente possível depois da compra sem permitir que descongelem.
5. Verificar se as datas de "Usar por" e "Validade" na embalagem já estão expiradas ou não antes de o congelar.
6. Assegurar que a embalagem dos alimentos não está danificada.

Operar com o produto

5.32. Informação do congelador

De acordo com as normas IEC 62552, o produto deve congelar pelo menos 4,5 kg de alimentos a 25°C de temperatura ambiente para -18°C ou mais baixa em 24 horas por cada 100 litros de volume do congelador.

É possível preservar os alimentos durante um longo período de tempo apenas a -18°C ou temperaturas mais baixas.

Pode manter a frescura dos alimentos durante muitos meses (a -18°C ou temperaturas mais baixas na congelação profunda).

Os alimentos a serem congelados não devem entrar em contacto com itens anteriormente congelados para evitar que fiquem parcialmente descongelados. Ferver os vegetais e esvaziar a respetiva água de modo a guardar os vegetais congelados durante um longo período de tempo. Depois de esvaziar a respetiva água, colocá-los em embalagens de vácuo e colocar as mesmas dentro do congelador. Alimentos como as bananas, tomates, alface, aipo, ovos cozidos, batatas não são adequados para congelar. Quando estes alimentos são congelados, somente é afetado negativamente o seu valor nutricional e o seu sabor. Não devem deteriorados de modo que não criem situações de risco para a saúde humana.

5.33. Colocar alimentos

Prateleiras do compartimento congelador	Vários produtos congelados, incluindo carne, peixe, gelado, vegetais, etc.
Prateleiras do compartimento do refrigerador	Alimentos em frigideiras, pratos com tampa e recipientes fechados, ovos (em recipiente fechado)
Prateleiras da porta do compartimento do frigorífico	Alimentos pequenos e embalados ou bebidas
Gaveta para vegetais	Vegetais e fruta

Compartimento de alimentos frescos	Charcuteria (pequeno almoço, produtos de carne a serem consumidos a curto prazo)
------------------------------------	--

5.34. Botão para abrir a porta

(Esta característica é opcional)

O aviso de abertura da porta é dado ao utilizador tanto visual como acusticamente. Se o aviso continuar durante 10 minutos, as luzes no interior desligar-se-ão.

5.35. Mudar a direção da abertura da porta

A direção da abertura da porta do seu refrigerador pode ser alterada conforme o local em que o está a utilizar. Se isto for necessário, deve contactar o Serviço Autorizado mais próximo.

A descrição acima é uma informação geral. Para informação sobre como alterar a direção da abertura da porta, deve consultar o rótulo de advertência localizado no lado de dentro da porta.

5.36. Lâmpada de iluminação

As lâmpadas LED são usadas como lâmpadas de iluminação. Contactar o serviço autorizado no caso de surgir algum problema com este tipo de luz. A(s) lâmpada(s) usada(s) neste aparelho não são adequadas para iluminação de salas domésticas. O fim adequado desta lâmpada é ajudar o utilizador a colocar produtos alimentares no frigorífico/ congelador de forma segura e confortável.

6 Manutenção e limpeza

A vida útil do produto aumenta se este for limpo regularmente.



ADVERTÊNCIA: Desligar em primeiro lugar o produto antes de limpar o frigorífico.

- Nunca usar para a limpeza utensílios afiados e abrasivos, detergente, soluções de limpeza doméstica, cera para polir.
- Dissolver uma colher de chá de carbonato em meio litro de água. Embeber um pano com a solução e torcê-lo totalmente. Limpar o interior do aparelho com este pano e secar totalmente.
- Assegurar que não entra água no compartimento da lâmpada e de outros itens elétricos.
- Limpar a porta usando um pano húmido. Para remover a porta e a estrutura das prateleiras, remover todo o seu conteúdo. Remover as prateleiras da porta movendo-as para cima. Depois de limpar, desligar as mesmas do topo para a base para as instalar.
- Nunca usar soluções de limpeza ou água que contenha lexívia para limpar as superfícies exteriores e as partes cromadas do produto. A lexívia dá origem a corrosão nas referidas superfícies metálicas.

6.1. Evitar maus odores

Os materiais que podem causar odores não são usados na produção dos nossos equipamentos. No entanto, devido a condições deficientes de conservação de alimentos e à não limpeza da superfície interior do aparelho conforme é necessário, isso pode dar origem ao problema do odor.

Portanto, limpar o frigorífico com carbonato dissolvido em água em cada duas semanas.

- Manter os alimentos em recipientes fechados. Os microorganismos espalham-se a partir dos recipientes não tapados e podem dar origem a odores desagradáveis.
- Nunca guardar alimentos no frigorífico com a data de validade ultrapassada ou se estiverem estragados.

6.2. Proteger superfícies de plástico

Limpar imediatamente com água morna dado o óleo poder causar danos na superfície quando é derramado sobre superfícies plásticas.

6.3. Vidros da Porta

Retirar toda a película de proteção dos vidros.

Há um revestimento nas superfícies de vidro. Este revestimento minimiza a formação de manchas e ajuda a remover as possíveis manchas e sujidade com facilidade. Os vidros que não estão protegidos com o referido revestimento podem estar sujeitos à pressão persistente de sujidade orgânica ou inorgânica baseada em água ou ar como o calcário, sais minerais, hidrocarbonetos não queimados, óxidos de metal e silicões que podem fácil e rapidamente causar manchas ou danos no material. Manter o vidro limpo torna-se muito difícil apesar da limpeza regular. Consequentemente, o aspeto e a transparência do vidro deteriora-se. Métodos e compostos de limpeza abrasivos e corrosivos intensificarão estes defeitos e acelerarão o processo de deterioração.

Têm de ser usados produtos de limpeza baseados em água que não são alcalinos e corrosivos para a limpeza regular.

Têm de ser usados materiais não alcalinos e não corrosivos para a limpeza de modo que a vida útil deste revestimento dure durante um longo período de tempo. Estes vidros são temperados para aumentar a sua durabilidade contra impactos e quebra. É igualmente aplicada uma película de segurança nas respetivas superfícies traseiras como medida suplementar de modo a impedir que causem danos à sua volta no caso de uma quebra.

“Álcali é uma base que forma os iões de hidróxido (OH) quando é dissolvido na água.

Li (Lítio), Na (Sódio), K (Potássio) Rb (Rubídio), Cs (Césio) e metais artificiais e radioativos Fr (Fân-sium) são designados por METAIS ALCALINOS.

Verificar a lista antes de contactar a assistência. Fazer isto poupa-lhe tempo e dinheiro. Esta lista inclui queixas frequentes que não estão relacionadas com o fabrico ou materiais defeituosos. Certas características mencionadas neste documento podem não ser aplicáveis ao seu produto.

O frigorífico não está a funcionar.

- A ficha de alimentação não está totalmente ajustada. >>> Ligá-la para a ajustar completamente à tomada.
- O fusível ligado à tomada de ligação do produto ou o fusível principal está queimado. >>> Verificar os fusíveis.

Condensação na parede lateral do compartimento refrigerador (ZONA MÚLTIPLA, ZONA DE FRESCOS, CONTROLO e FLEXIVEL).

- A porta é aberta com muita frequência >>> Ter cuidado para não abrir a porta do produto tão frequentemente.
- O ambiente está demasiado húmido. >>>> Não instalar o produto em ambientes húmidos.
- Alimentos contendo líquidos estão colocados em recipientes não fechados. >>> Manter os alimentos contendo líquidos em recipientes fechados.
- A porta do produto foi deixada aberta. >>> Não manter a porta do produto aberta por períodos longos.
- O termostato está definido para temperatura demasiado baixa. >>> Definir o termostato para temperatura adequada.

O compressor não está a funcionar.

- Em caso de falta de energia repentina ou retirar a ficha de alimentação e colocar de novo, a pressão do gás no sistema de refrigeração do produto não é equilibrada, o que desencadeia a salvaguarda térmica do compressor. O produto voltará a ligar-se depois de aproximadamente 6 minutos. Se o produto não se voltar a ligar depois deste período, contactar a assistência.
- Descongelação está activa. >>> Isto é normal para um produto de descongelação totalmente automática. A descongelação é executada periodicamente.
- O produto não está ligado. >>> Assegurar que o cabo de alimentação está ligado.
- A definição de temperatura é incorrecta. >>> Seleccionar a definição de temperatura adequada.
- Não há energia. >>> O produto continuará a funcionar normalmente assim que a energia seja restabelecida.

O ruído de funcionamento do frigorífico aumenta durante a utilização.

- O desempenho de funcionamento do produto pode variar dependendo das variações de temperatura do ambiente. Isto é normal e não é um mau funcionamento.

O frigorífico funciona muito frequentemente ou por muito tempo.

Resolução de problemas

- O novo produto pode ser maior do que o anterior. Produtos maiores funcionam por períodos mais longos.
- A temperatura da sala pode ser elevada. >>> O produto funcionará normalmente por períodos mais longos com temperaturas de sala mais elevadas.
- O produto foi ligado recentemente ou foi colocado no interior um novo alimento. >>> O produto levará mais tempo a atingir a temperatura definida quando recentemente ligado ou quando é colocado um novo alimento no interior. Isto é normal.
- Grandes quantidades de alimentos quentes podem ter sido colocadas recentemente no produto. >>> Não colocar alimentos quentes no produto.
- As portas foram abertas frequentemente ou deixadas abertas por períodos longos. >>> O ar quente que se move no interior fará o produto funcionar mais tempo. Não abrir as portas com demasiada frequência.
- A porta do congelador ou refrigerador pode estar entreaberta. >>> Verificar se as portas estão completamente fechadas.
- O produto pode estar definido para temperatura demasiado baixa. >>> Definir a temperatura para um grau mais elevado e aguardar que o produto atinja a temperatura ajustada.
- A junta da porta do congelador ou refrigerador pode estar suja, desgastada, partida ou não ajustada adequadamente. >>> Limpar ou substituir a junta. A junta da porta danificada / cortada fará o produto funcionar por períodos mais longos para preservar a temperatura actual.

A temperatura do congelador está muito baixa, mas a temperatura do refrigerador é adequada.

- A temperatura do compartimento de congelação está definida para um grau muito baixo. >>> Definir a temperatura do compartimento de congelação para um grau mais elevado e verificar de novo.

A temperatura do refrigerador está muito baixa, mas a temperatura do congelador é adequada.

- A temperatura do compartimento de refrigeração está definida para um grau muito baixo. >>> Definir a temperatura do compartimento de refrigeração para um grau mais elevado e verificar de novo.

Os alimentos guardados em gavetas do compartimento de refrigeração estão congelados.

- A temperatura do compartimento de refrigeração está definida para um grau muito baixo. >>> Definir a temperatura do compartimento de congelação para um grau mais elevado e verificar de novo.

A temperatura no refrigerador ou congelador é demasiado elevada.

- A temperatura do compartimento de refrigeração está definida para um grau muito elevado. >>> A definição de temperatura do compartimento de refrigeração influencia a temperatura do compartimento de congelação. Altere a temperatura do compartimento de refrigeração ou congelação e aguarde até que os referidos compartimentos atinjam o nível de temperatura ajustado.
- As portas foram abertas frequentemente ou deixadas abertas por períodos longos. >>> Não abrir as portas com demasiada frequência.
- A porta pode estar entreaberta. >>> Fechar completamente a porta.
- O produto foi ligado recentemente ou foi colocado no interior um novo alimento. >>> Isto é normal. O produto levará mais tempo a atingir a temperatura definida quando recentemente ligado ou um novo alimento é colocado no interior.
- Grandes quantidades de alimentos quentes podem ter sido colocadas recentemente no produto. >>> Não colocar alimentos quentes no produto.

Vibração ou ruído.

Resolução de problemas

- O chão não está nivelado ou não é resistente. >>> Se o produto vibra quando movido lentamente, ajustar os pés para equilibrar o produto. Assegurar também que o chão é suficientemente resistente para suportar o produto.
- Alguns itens colocados no produto podem causar ruídos. >>> Retirar alguns itens colocados no produto.

O produto está a fazer ruído de líquido a fluir, pulverização, etc.

- Os princípios de funcionamento do produto incluem fluídos líquidos e gasosos. >>> Isto é normal e não um mau funcionamento.

Há som de vento a soprar proveniente do produto.

- O produto usa uma ventoinha no processo de refrigeração. Isto é normal e não é um mau funcionamento.

Há condensação nas paredes internas do produto.

- Meio ambiente quente ou húmido aumentará a formação de gelo e condensação. Isto é normal e não é um mau funcionamento.
- As portas foram abertas frequentemente ou deixadas abertas por períodos longos. Não abrir as portas com demasiada frequência; se aberta, fechar a porta.
- A porta pode estar entreaberta. >>> Fechar completamente a porta.

Há condensação no exterior do produto ou entre as portas.

- O meio ambiente pode estar húmido, isto é perfeitamente normal com tempo húmido. >>> A condensação dissipa quando a humidade diminuir.

O interior cheira mal.

- O produto não é limpo regularmente. >>> Limpar o interior regularmente usando uma esponja, água quente e água com carbonato.
- Alguns recipientes e materiais de embalagem podem provocar odores. >>> Usar recipientes e materiais de embalagem isentos de odor.
- Os alimentos foram colocados em recipientes não vedados. >>> Manter os alimentos em recipientes fechados. Os microrganismos podem disseminar-se dos alimentos não fechados e causar mau cheiro.
- Retirar quaisquer alimentos fora de prazo e estragados do frigorífico.

A porta não está a fechar.

- Embalagens de alimentos podem bloquear a porta. >>> Recolocar quaisquer itens que bloqueiem as portas.
- O produto não está colocado em posição vertical no chão. >>> Ajustar os pés para equilibrar o produto.
- O chão não está nivelado ou não é resistente. >>> Assegurar que o chão é nivelado e suficientemente resistente para suportar o produto.

A gaveta para vegetais está presa.

- Os alimentos podem estar em contacto com a secção superior da gaveta. >>> Reorganizar os alimentos na gaveta.

Se a superfície do produto estiver quente.

- Podem notar-se temperaturas elevadas entre as duas portas, nos painéis laterais e na grelha traseira quando o produto está a funcionar. Esta situação é normal e não exige serviço de manutenção!



RECOMENDAÇÕES: Se os problemas persistirem depois de seguir as instruções nesta secção, contactar o seu vendedor ou uma Assistência Autorizada. Não tentar reparar o produto.

ISENÇÃO DE RESPONSABILIDADE /ADVERTÊNCIA

Algumas falhas (simples) podem ser tratadas de forma adequada pelo utilizador final sem que surja qualquer problema de segurança ou de utilização não segura, desde que as mesmas sejam solucionadas dentro dos limites e de acordo com as seguintes instruções (consultar a secção “Reparação Autónoma”.

Portanto, exceto se contrariamente autorizado na secção “Reparação Autónoma” abaixo, as reparações devem ser realizadas por profissionais reparadores registados de modo a evitar problemas de segurança. Um reparador profissional registado é um reparador profissional a quem o fabricante concedeu acesso às instruções e à lista de peças de substituição deste produto de acordo com os métodos descritos na lei nos termos da Diretiva 2009/125/CE.

No entanto, apenas o agente de reparação (ou seja, os reparadores profissionais autorizados) com quem pode entrar em contacto através do número de telefone fornecido no manual do utilizador/cartão da garantia ou através do seu revendedor autorizado que pode fornecer serviços de acordo com os termos de garantia. Portanto, deve estar ciente de que as reparações feitas por reparadores profissionais (não autorizados por Beko) anulam a garantia.

Reparação Autónoma

A reparação autónoma pode ser feita pelo utilizador final em relação à seguintes peças de substituição: porta, manípulos, dobradiças das portas, tabuleiros, cestos e vedantes da porta (é disponibilizada uma lista atualizada em support.beko.com).a partir de 1 de março de 2021).

Além disso, para garantir a segurança do produto e evitar o risco de ferimentos graves, a reparação autónoma referida deve ser feita seguindo as instruções do manual do utilizador para reparação autónoma ou as que estão disponíveis em support.beko.com Para sua segurança, deve desligar o produto antes de tentar fazer qualquer reparação autónoma.

As tentativas de reparação feitas pelos utilizadores finais de peças não incluídas na referida lista e/ou não seguindo as instruções nos manuais do utilizador relativamente à mesma ou que se encontram disponíveis em support.beko.com, podem levantar questões de segurança não atribuíveis a Beko, e anularão a garantia do produto.

Portanto, é altamente recomendável que os utilizadores finais evitem tentar realizar reparações que não se enquadrem na lista mencionada de peças de substituição, e nesse caso deverão contactar com reparadores profissionais autorizados ou reparadores profissionais registados. Por outro lado, as referidas tentativas por parte dos utilizadores finais podem provocar problemas de segurança e danificar o produto e, subseqüentemente, provocar incêndio, inundação, eletrocussão e ferimentos graves.

Por exemplo, mas não limitado a, as seguintes reparações devem ser realizadas por Reparadores profissionais autorizados ou registados: compressor, circuito de refrigeração, placa de circuitos, placa do inversor, placa do visor, etc.

O fabricante/vendedor não pode ser responsabilizado em circunstâncias em que os utilizadores finais não cumpram com o acima referido.

A disponibilidade de peças de substituição da frigorífico que comprou é de 10 anos. Durante este período, as peças de substituição originais estarão disponíveis para operar corretamente a frigorífico.

A duração mínima da garantia do frigorífico que adquiriu é de 24 meses.

Este produto está equipado com uma fonte de iluminação da classe energética "G"

A fonte de iluminação neste produto deve somente ser substituída por reparadores profissionais.