

# beko

## **Refrigerator**

Instruction of use

## **Kühlschrank**

Gebrauchsanweisung

## **Réfrigérateur**

Notice d'utilisation

## **Refrigerador**

Instrucciones para el uso

## **Hladilnik**

Navodila za uporabo

## **Hladnjak**

Upute za uporabu



BD250KFSN

EN-DE-FR-ES-SL-HR

## Please read this manual first!

Dear Customer,

We hope that your product, which has been produced in modern plants and checked under the most meticulous quality control procedures, will provide you an effective service.




For this, we recommend you to carefully read the entire manual of your product before using it and keep it at hand for future references.

## This manual

- Will help you use your appliance in a fast and safe way.
- Read the manual before installing and operating your product.
- Follow the instructions, especially those for safety.
- Keep the manual in an easily accessible place as you may need it later.
- Besides, read also the other documents provided with your product.
- Please note that this manual may be valid for other models as well.

## Symbols and their descriptions

This instruction manual contains the following symbols:

-  Important information or useful usage tips.
-  Warning against dangerous conditions for life and property.
-  Warning against electric voltage.



### **WARNING!**

In order to ensure a normal operation of your refrigerating appliance, which uses a completely environmentally friendly refrigerant the R600a (flammable only under certain conditions) you must observe the following rules:

- Do not hinder the free circulation of the air around the appliance.
- Do not use mechanical devices in order to accelerate the defrosting, others than the ones recommended by the manufacturer.
- Do not destroy the refrigerating circuit.
- Do not use electric appliances inside the food keeping compartment, other than those that might have been recommended by the manufacturer.

## INFORMATION



# ENERGY



SUPPLIER'S NAME

MODEL IDENTIFIER (\*)

A

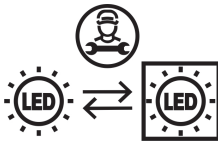
A

The model information as stored in the product data base can be reached by entering following website and searching for your model identifier (\*) found on energy label.

<https://eprel.ec.europa.eu/>

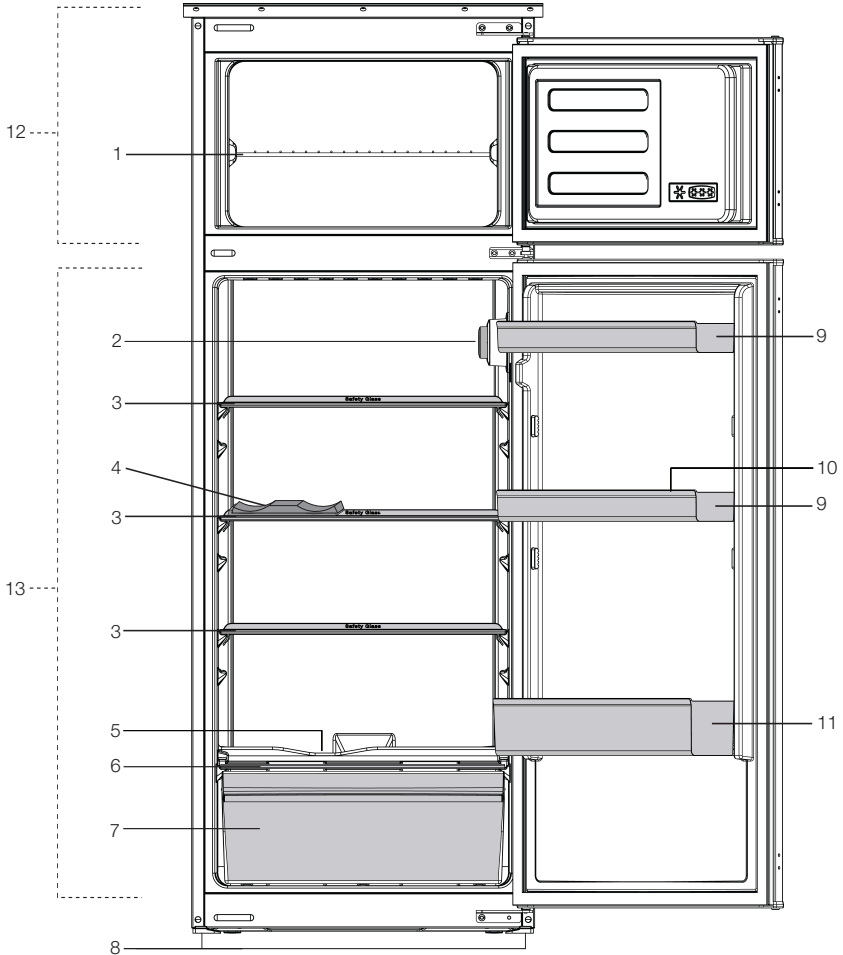
## CONTENTS

<b>1 Your refrigerator</b>	<b>3</b>	<b>4 Preparation</b>	<b>10</b>
<b>2 Important Safety Warnings</b>	<b>4</b>	<b>5 Using your refrigerator</b>	<b>11</b>
Intended use .....	4	Thermostat setting button.....	11
General safety .....	4	Cooling.....	11
For products with a water dispenser ..	6	Freezing.....	11
Child safety.....	6	Defrost .....	11
Compliance with WEEE Directive and Disposing of the Waste Product: .....	6	Stopping your product.....	12
Compliance with RoHS Directive: .....	6	Ice making.....	12
Package information.....	6	Bottle holder.....	12
HCA Warning .....	6		
Things to be done for energy saving ..	6		
<b>3 Installation</b>	<b>7</b>	<b>6 Maintenance and cleaning</b>	<b>13</b>
Points to be considered when re- transporting your refrigerator .....	7	Protection of plastic surfaces .....	13
Before operating your refrigerator .....	7		
Electric connection .....	7	<b>7 Recommended solutions for the problems</b>	<b>14</b>
Disposing of the packaging .....	8		
Disposing of your old refrigerator .....	8		
Placing and Installation .....	8		
Replacing the interior light bulb .....	8		
Reversing the doors .....	9		



This product is equipped with a lighting source of the "G" energy class. The lighting source in this product shall only be replaced by professional repairers.

# 1 Your refrigerator



- |   |                         |
|---|-------------------------|
| 1. Freezer shelf                                    | 8. Front feet           |
| 2. Light bulb and thermostat box                    | 9. Door shelves         |
| 3. Fridge compartment shelves                       | 10. Egg tray            |
| 4. Bottle holder                                    | 11. Bottle shelf        |
| 5. Defrost water collection channel<br>- drain tube | 12. Freezer compartment |
| 6. Crisper cover                                    | 13. Fridge compartment  |
| 7. Salad crisper                                    |                         |

**i** Figures that take place in this instruction manual are schematic and may not correspond exactly with your product. If the subject parts are not included in the product you have purchased, then it is valid for other models.

## 2 Important Safety Warnings

---

Please review the following information. Failure to observe this information may cause injuries or material damage. Otherwise, all warranty and reliability commitments will become invalid.

Original Spare parts will be provided for 10 years, following the product purchasing date.

### Intended use

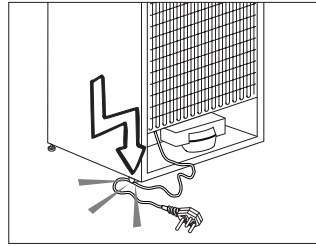
This product is intended to be used:

- indoors and in closed areas such as homes;
- in closed working environments such as stores and offices;
- in closed accommodation areas such as farm houses, hotels, pensions.
- This product should not be used outdoors.

### General safety

- When you want to dispose/scrap the product, we recommend you to consult the authorized service in order to learn the required information and authorized bodies.
- Consult your authorized service for all your questions and problems related to the refrigerator. Do not intervene or let someone intervene to the refrigerator without notifying the authorised services.
- For products with a freezer compartment; Do not eat cone ice cream and ice cubes immediately after you take them out of the freezer compartment! (This may cause frostbite in your mouth.)
- For products with a freezer compartment; Do not put bottled and canned liquid beverages in the freezer compartment. Otherwise, these may burst.
- Do not touch frozen food by hand; they may stick to your hand.
- Vapor and vaporized cleaning materials should never be used in cleaning and defrosting processes of your refrigerator. In such cases, the vapor may get in contact with the electrical parts and cause short circuit or electric shock.
- Unplug your refrigerator before cleaning or defrosting.
- Never use the parts on your refrigerator such as the door as a means of support or step.
- Do not use electrical devices inside the refrigerator.
- Do not damage the parts, where the refrigerant is circulating, with drilling or cutting tools. The refrigerant that might blow out when the gas channels of the evaporator, pipe extensions or surface coatings are punctured causes skin irritations and eye injuries.
- Do not cover or block the ventilation holes on your refrigerator with any material.
- Electrical devices must be repaired by only authorised persons. Repairs performed by incompetent persons create a risk for the user.
- In case of any failure or during a maintenance or repair work, disconnect your refrigerator's mains supply by either turning off the relevant fuse or unplugging your appliance.
- Do not pull by the cable when pulling off the plug.
- Place the beverage with higher proofs tightly closed and vertically.
- Never store spray cans containing flammable and explosive substances in the refrigerator.
- Do not use mechanical devices or other means to accelerate the defrosting process, other than those recommended by the manufacturer.

- This appliance is not intended for use by persons (including children) with reduced physical, sensory or mental capabilities, or lack of experience and knowledge, unless they have been given supervision or instruction concerning use of the appliance by a person responsible for their safety. Children should be supervised to ensure that they do not play with the appliance.
- Do not operate a damaged refrigerator. Consult with the service agent if you have any concerns.
- Electrical safety of your refrigerator shall be guaranteed only if the earth system in your house complies with standards.
- Exposing the product to rain, snow, sun and wind is dangerous with respect to electrical safety.
- Contact authorized service when there is a power cable damage to avoid danger.
- Never plug the refrigerator into the wall outlet during installation. Otherwise, risk of death or serious injury may arise.
- This refrigerator is intended for only storing food items. It must not be used for any other purpose.
- Label of technical specifications is located on the left wall inside the refrigerator.
- Never connect your refrigerator to electricity-saving systems; they may damage the refrigerator.
- If there is a blue light on the refrigerator, do not look at the blue light with optical tools.
- For manually controlled refrigerators, wait for at least 5 minutes to start the refrigerator after power failure.
- This operation manual should be handed in to the new owner of the product when it is given to others.
- Avoid causing damage on power cable when transporting the refrigerator. Bending cable may cause fire. Never place heavy objects on power cable. Do not touch the plug with wet hands when plugging the product.



- Do not plug the refrigerator if the wall outlet is loose.
- Water should not be sprayed directly on inner or outer parts of the product for safety purposes.
- Do not spray substances containing inflammable gases such as propane gas near the refrigerator to avoid fire and explosion risk.
- Never place containers filled with water on top of the refrigerator, otherwise this may cause electric shock or fire.
- Do not overload your refrigerator with excessive amounts of food. If overloaded, the food items may fall down and hurt you and damage refrigerator when you open the door. Never place objects on top of the refrigerator; otherwise, these objects may fall down when you open or close the refrigerator's door.
- As they require a precise temperature, vaccines, heat-sensitive medicine and scientific materials and etc. should not be kept in the refrigerator.
- If not to be used for a long time, refrigerator should be unplugged. A possible problem in power cable may cause fire.
- The plug's tip should be regularly cleaned; otherwise, it may cause fire.
- The plug's tip should be cleaned regularly with a dry cloth; otherwise, it may cause fire.
- Refrigerator may move if adjustable legs are not properly secured on the floor. Properly securing adjustable legs on the floor can prevent the refrigerator to move.
- When carrying the refrigerator, do not hold it from door handle. Otherwise, it may be snapped.
- When you have to place your product next to another refrigerator or freezer, the distance between devices should be at least 8 cm. Otherwise, adjacent side walls may be humidified.

## For products with a water dispenser

Pressure of water mains should be minimum 1 bar. Pressure of water mains should be maximum 8 bars.

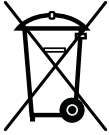
- Use only potable water.

## Child safety

- If the door has a lock, the key should be kept away from reach of children.
- Children must be supervised to prevent them from tampering with the product.

## Compliance with WEEE Directive and Disposing of the Waste Product:

This product complies with EU WEEE Directive (2012/19/EU). This



product bears a classification symbol for waste electrical and electronic equipment (WEEE). This product has been manufactured with high quality parts and

materials which can be reused and are suitable for recycling. Do not dispose of the waste product with normal domestic and other wastes at the end of its service life. Take it to the collection center for the recycling of electrical and electronic equipment. Please consult your local authorities to learn about these collection centers.

## Compliance with RoHS Directive:

The product you have purchased complies with EU RoHS Directive (2011/65/EU). It does not contain harmful and prohibited materials specified in the Directive.

## Package information

Packaging materials of the product are manufactured from recyclable materials in accordance with our National Environment Regulations. Do not dispose of the packaging materials together with the domestic or other wastes. Take them to the packaging material collection points designated by the local authorities.

## HCA Warning

### If your product's cooling system contains R600a:

This gas is flammable. Therefore, pay attention to not damaging the cooling system and piping during usage and transportation. In the event of damage, keep your product away from potential fire sources that can cause the product catch a fire and ventilate the room in which the unit is placed.

### Ignore this warning if your product's cooling system contains R134a.

Type of gas used in the product is stated in the type plate which is on the left wall inside the refrigerator.

Never throw the product in fire for disposal.

## Things to be done for energy saving

- Do not leave the doors of your refrigerator open for a long time.
- Do not put hot food or drinks in your refrigerator.
- Do not overload your refrigerator so that the air circulation inside of it is not prevented.
- Do not install your refrigerator under direct sunlight or near heat emitting appliances such as ovens, dishwashers or radiators.
- Pay attention to keep your food in closed containers.
- For products with a freezer compartment; You can store maximum amount of food items in the freezer when you remove the shelf or drawer of the freezer. Energy consumption value stated for your refrigerator has been determined by removing freezer shelf or drawer and under maximum load. There is no harm to use a shelf or drawer according to the shapes and size of food to be frozen.
- Thawing frozen food in fridge compartment will both provide energy saving and preserve the food quality.

### 3 Installation

---

⚠ Please remember that the manufacturer shall not be held liable if the information given in the instruction manual is not observed.

#### Points to be considered when re-transporting your refrigerator

1. Your refrigerator must be emptied and cleaned prior to any transportation.
2. Shelves, accessories, crisper and etc. in your refrigerator must be fastened securely by adhesive tape against any jolt before repackaging.
3. Packaging must be tied with thick tapes and strong ropes and the rules of transportation printed on the package must be followed.

#### Please do not forget...

Every recycled material is an indispensable source for the nature and for our national resources.

If you wish to contribute to recycling the packaging materials, you can get further information from the environmental bodies or local authorities.

#### Before operating your refrigerator

Before starting to use your refrigerator check the following:

1. Is the interior of the refrigerator dry and can the air circulate freely in the rear of it?
2. Clean the interior of the refrigerator as recommended in the "Maintenance and cleaning" section.

3. Plug the refrigerator into the wall outlet. When the fridge door is open, the fridge compartment interior light will come on.
4. You will hear a noise as the compressor starts up. The liquid and gases sealed within the refrigeration system may also give rise to noise, even if the compressor is not running and this is quite normal.
5. Front edges of the refrigerator may feel warm. This is normal. These areas are designed to be warm to avoid condensation

#### Electric connection

Connect your product to a grounded socket which is being protected by a fuse with the appropriate capacity.

Important:

- The connection must be in compliance with national regulations.
- The power cable plug must be easily accessible after installation.
- The specified voltage must be equal to your mains voltage.
- Extension cables and multiway plugs must not be used for connection.

⚠ A damaged power cable must be replaced by a qualified electrician.

⚠ Product must not be operated before it is repaired! There is danger of electric shock!



## Disposing of the packaging

The packing materials may be dangerous for children. Keep the packing materials out of the reach of children or dispose of them by classifying them in accordance with the waste instructions. Do not dispose of them along with the normal household waste.

The packing of your refrigerator is produced from recyclable materials.


## Disposing of your old refrigerator

Dispose of your old refrigerator without giving any harm to the environment.

- You may consult your authorised dealer or waste collection center of your municipality about the disposal of your refrigerator.

Before disposing of your refrigerator, cut out the electric plug and, if there are any locks on the door, make them inoperable in order to protect children against any danger.

## Placing and Installation

 If the entrance door of the room where the refrigerator will be installed is not wide enough for the refrigerator to pass through, then call the authorised service to have them remove the doors of your refrigerator and pass it sideways through the door.

1. Install your refrigerator to a place that allows ease of use.
2. Keep your refrigerator away from heat sources, humid places and direct sunlight.

3. There must be appropriate air ventilation around your refrigerator in order to achieve an efficient operation. If the refrigerator is to be placed in a recess in the wall, there must be at least 5 cm distance with the ceiling and at least 5 cm with the wall. If the floor is covered with a carpet, your product must be elevated 2.5 cm from the floor.
4. Place your refrigerator on an even floor surface to prevent jolts.
5. Do not keep your refrigerator in ambient temperatures under 10°C.

## Replacing the interior light bulb

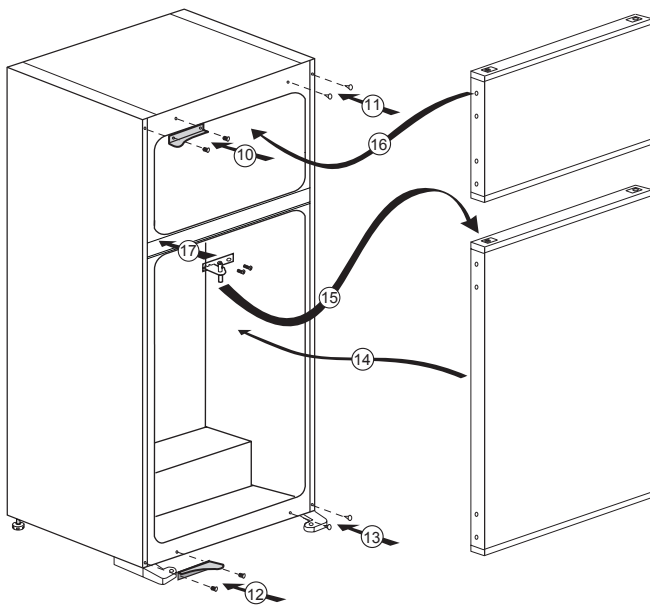
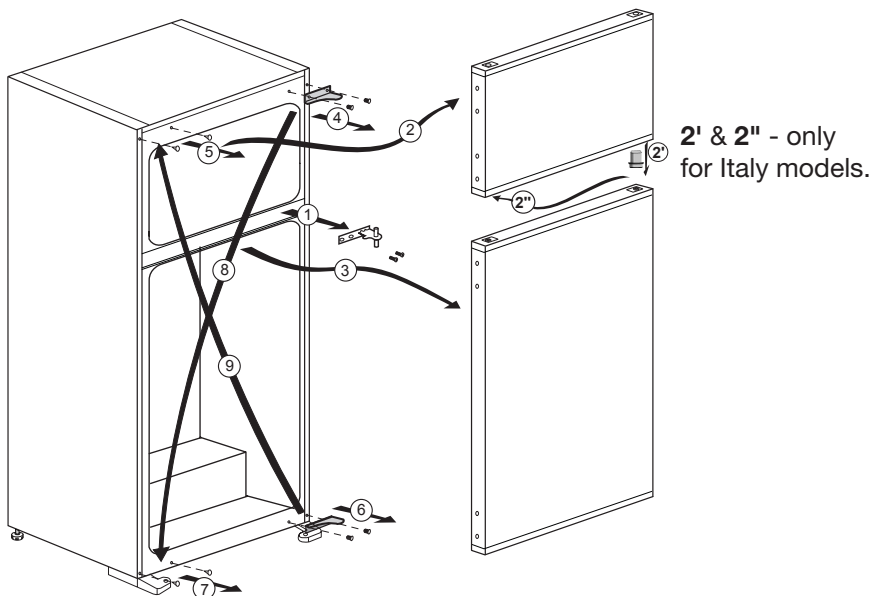
To change the Bulb/LED used for illumination of your refrigerator, call your Authorised Service.

The lamp(s) used in this appliance is not suitable for household room illumination. The intended purpose of this lamp is to assist the user to place foodstuffs in the refrigerator/freezer in a safe and comfortable way.

The lamps used in this appliance have to withstand extreme physical conditions such as temperatures below -20°C.

# Reversing the doors

Proceed in numerical order.



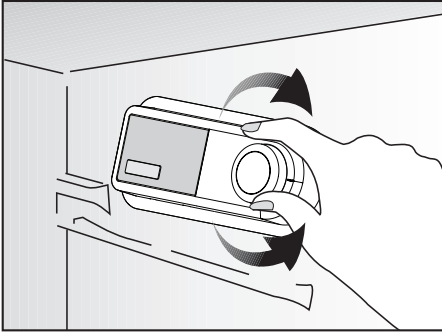
## 4 Preparation

---

- i** Your refrigerator should be installed at least 30 cm away from heat sources such as hobs, ovens, central heater and stoves and at least 5 cm away from electrical ovens and should not be located under direct sunlight.
- i** The ambient temperature of the room where you install your refrigerator should at least be 10°C. Operating your refrigerator under cooler conditions than this is not recommended with regard to its efficiency.
- i** Please make sure that the interior of your refrigerator is cleaned thoroughly.
- i** If two refrigerators are to be installed side by side, there should be at least 2 cm distance between them.
- i** When you operate your refrigerator for the first time, please observe the following instructions during the initial six hours.
  - The door should not be opened frequently.
  - It must be operated empty without any food in it.
  - Do not unplug your refrigerator. If a power failure occurs out of your control, please see the warnings in the “Recommended solutions for the problems” section.
- i** Original packaging and foam materials should be kept for future transportations or moving.

## 5 Using your refrigerator

### Thermostat setting button



The interior temperature of your refrigerator changes for the following reasons:

- Seasonal temperatures.
- Frequent opening of the door and leaving the door open for long periods.
- Food put into the refrigerator without cooling down to the room temperature.
- The location of the refrigerator in the room (e.g. exposing to sunlight).
- You may adjust the varying interior temperature due to such reasons by using the thermostat. Numbers around the thermostat button indicates the cooling degrees.
- If the ambient temperature is higher than 32°C, turn the thermostat button to maximum position.
- If the ambient temperature is lower than 25°C, turn the thermostat button to minimum position.

### Cooling

#### Food storage

The fridge compartment is for the short-term storage of fresh food and drinks.

### Freezing

#### Freezing food

The freezing compartment is marked with ❄️\*\*\* this symbol.

You can use the appliance for freezing fresh food as well as for storing pre-frozen food.

Please refer to the recommendations given on the packaging of your food.

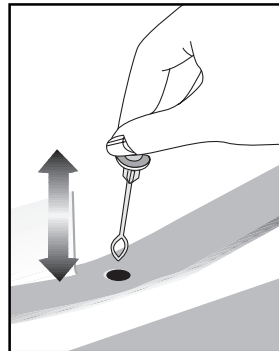
### Defrost

#### A) Fridge compartment

Fridge compartment performs full-automatic defrosting.

Water resulting from the defrosting passes from the water collection groove and flows into the evaporator through the drain pipe and evaporates here by itself.

Check regularly to see if the drain pipe is clogged or not and clear it with the stick in the hole when necessary.



## B) Freezer compartment

Deep freezer compartment does not perform automatic defrosting in order to prevent decaying of the frozen food.

Frost formation in the freezer compartment must be defrosted every 6 months. It is recommended to defrost the ice when the deep freezer compartment is not filled too much or is empty.

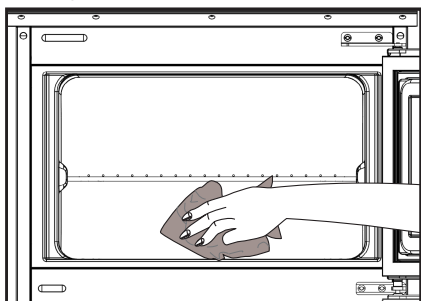
To do this, wrap the frozen food by paper and keep them in the coolest place possible or in another refrigerator if available.

Stop your refrigerator by means of the temperature setting button or unplug the power cord from the outlet. You can place a container filled with hot water into the freezer compartment or leave the door of the freezer compartment open in order to hasten the defrosting.

Remove the water that accumulates in the freezer compartment with an absorbent cloth or sponge.

Dry the freezer compartment completely and return the temperature setting button to its previous position.

Operate your refrigerator for 2 hours while it is empty and its doors are closed before replacing your food into the deep freezer.



## Stopping your product

If your thermostat is equipped with "0" position:

- Your product will stop operating when you turn the thermostat button to "0" (zero) position. Your product will not start unless to you turn the thermostat button to position "1" or one of the other positions again.

If your thermostat is equipped with "min" position:

- Unplug your product to stop it.

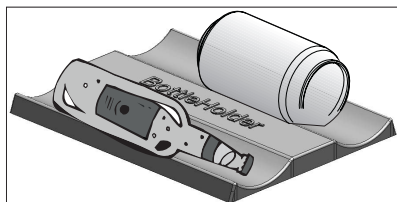
## Ice making

Fill the ice container with water and place it into its seat. Your ice will be ready approximately in two hours.

You can easily remove your ice by slightly twisting the ice container.

## Bottle holder

This accessory can be used for storing bottles or cans side by side.



## 6 Maintenance and cleaning

---

- ⚠ Never use gasoline, benzene or similar substances for cleaning purposes.
- ⚠ We recommend that you unplug the appliance before cleaning.
- ⚠ Never use any sharp abrasive instrument, soap, household cleaner, detergent and wax polish for cleaning.
- ℹ Use lukewarm water to clean the cabinet of your refrigerator and wipe it dry.
- ℹ Use a damp cloth wrung out in a solution of one teaspoon of bicarbonate of soda to one pint of water to clean the interior and wipe it dry.
- ⚠ Make sure that no water enters the lamp housing and other electrical items.
- ⚠ If your refrigerator is not going to be used for a long period of time, unplug the power cable, remove all food, clean it and leave the door ajar.
- ℹ Check door seals regularly to ensure they are clean and free from food particles.
- ⚠ To remove door racks, remove all the contents and then simply push the door rack upwards from the base.
- ⚠ Never use cleaning agents or water that contain chlorine to clean the outer surfaces and chromium coated parts of the product. Chlorine causes corrosion on such metal surfaces.

### Protection of plastic surfaces

- ℹ Do not put the liquid oils or oil-cooked meals in your refrigerator in unsealed containers as they damage the plastic surfaces of your refrigerator. In case of spilling or smearing oil on the plastic surfaces, clean and rinse the relevant part of the surface at once with warm water.

## 7 Recommended solutions for the problems

Please review this list before calling the service. It might save you time and money. This list includes frequent complaints that are not arising from defective workmanship or material usage. Some of the features described here may not exist in your product.

The refrigerator does not operate.

- Is the refrigerator properly plugged in? Insert the plug to the wall socket.
- Is the fuse of the socket which your refrigerator is connected to or the main fuse blown out? Check the fuse.

Condensation on the side wall of the fridge compartment (MULTIZONE, COOL CONTROL and FLEXI ZONE).

- Very cold ambient conditions. Frequent opening and closing of the door. Highly humid ambient conditions. Storage of food containing liquid in open containers. Leaving the door ajar. Switching the thermostat to a colder degree.
- Decreasing the time the door left open or using it less frequently.
- Covering the food stored in open containers with a suitable material.
- Wipe the condensation using a dry cloth and check if it persists.

Compressor is not running.

- Protective thermic of the compressor will blow out during sudden power failures or plug-out plug-ins as the refrigerant pressure in the cooling system of the refrigerator has not been balanced yet. Your refrigerator will start running approximately after 6 minutes. Please call the service if the refrigerator does not startup at the end of this period.
- The fridge is in defrost cycle. This is normal for a full-automatically defrosting refrigerator. Defrosting cycle occurs periodically.
- Your refrigerator is not plugged into the socket. Make sure that the plug is properly fit into the socket.
- Are the temperature adjustments correctly made?
- Power might be cut off.

The fridge is running frequently or for a long time.

- Your new product may be wider than the previous one. This is quite normal. Large refrigerators operate for a longer period of time.
- The ambient room temperature may be high. This is quite normal.
- The refrigerator might have been plugged in recently or might have been loaded with food. Cooling down of the refrigerator completely may last for a couple of hours longer.
- Large amounts of hot food might have been put in the refrigerator recently. Hot food causes longer running of the refrigerator until they reach the safe storage temperature.
- Doors might have been opened frequently or left ajar for a long time. The warm air that has entered into the refrigerator causes the refrigerator to run for longer periods. Open the doors less frequently.
- Freezer or fridge compartment door might have been left ajar. Check if the doors are tightly closed.
- The refrigerator is adjusted to a very low temperature. Adjust the refrigerator temperature to a warmer degree and wait until the temperature is achieved.
- Door seal of the fridge or freezer may be soiled, worn out, broken or not properly seated. Clean or replace the seal. Damaged/broken seal causes the refrigerator to run for a longer period of time in order to maintain the current temperature.

Freezer temperature is very low while the fridge temperature is sufficient.

- The freezer temperature is adjusted to a very low temperature. Adjust the freezer temperature to a warmer degree and check.

Fridge temperature is very low while the freezer temperature is sufficient.

- The fridge temperature might have been adjusted to a very low temperature. Adjust the fridge temperature to a warmer degree and check.

Food kept in the fridge compartment drawers are freezing.

- The fridge temperature might have been adjusted to a very low temperature. Adjust the fridge temperature to a warmer degree and check.

Temperature in the fridge or freezer is very high.

- The fridge temperature might have been adjusted to a very high degree. Fridge adjustment has an effect on the temperature of the freezer. Change the temperature of the fridge or freezer until the fridge or freezer temperature reaches to a sufficient level.
- Doors might have been opened frequently or left ajar for a long time; open them less frequently.
- Door might have been left ajar; close the door completely.
- Large amount of hot food might have been put in the refrigerator recently. Wait until the fridge or freezer reaches the desired temperature.
- The refrigerator might have been plugged in recently. Cooling down of the refrigerator completely takes time.



The operation noise increases when the refrigerator is running.
<ul style="list-style-type: none"> <li>The operating performance of the refrigerator may change due to the changes in the ambient temperature. It is normal and not a fault.</li> </ul>
Vibrations or noise.
<ul style="list-style-type: none"> <li>The floor is not even or it is weak. The refrigerator rocks when moved slowly. Make sure that the floor is strong enough to carry the refrigerator, and level.</li> <li>The noise may be caused by the items put onto the refrigerator. Items on top of the refrigerator should be removed.</li> </ul>
There are noises coming from the refrigerator like liquid spilling or spraying.
<ul style="list-style-type: none"> <li>Liquid and gas flows happen in accordance with the operating principles of your refrigerator. It is normal and not a fault.</li> </ul>
There is a noise like wind blowing.
<ul style="list-style-type: none"> <li>Fans are used in order to cool the refrigerator. It is normal and not a fault.</li> </ul>
Condensation on the inner walls of refrigerator.
<ul style="list-style-type: none"> <li>Hot and humid weather increases icing and condensation. It is normal and not a fault.</li> <li>Doors might have been left ajar; make sure that the doors are closed fully.</li> <li>Doors might have been opened frequently or left ajar for a long time; open them less frequently.</li> </ul>
Humidity occurs on the outside of the refrigerator or between the doors.
<ul style="list-style-type: none"> <li>There might be humidity in the air; this is quite normal in humid weather. When the humidity is less, condensation will disappear.</li> </ul>
Bad odour inside the refrigerator.
<ul style="list-style-type: none"> <li>Inside of the refrigerator must be cleaned. Clean the inside of the refrigerator with a sponge, lukewarm water or carbonated water.</li> <li>Some containers or package materials might cause the smell. Use a different container or different brand packaging material.</li> </ul>
The door is not closing.
<ul style="list-style-type: none"> <li>Food packages may prevent the door's closing. Replace the packages that are obstructing the door.</li> <li>The refrigerator is not completely upright on the floor and rocking when slightly moved. Adjust the elevation screws.</li> <li>The floor is not level or strong. Make sure that the floor is level and capable to carry the refrigerator.</li> </ul>
Crispers are stuck.
<ul style="list-style-type: none"> <li>The food might be touching the ceiling of the drawer. Rearrange food in the drawer.</li> </ul>

## Bitte lesen Sie zuerst diese Anleitung!

Lieber Kunde,

Wir sind sicher, dass Ihnen dieses Produkt, das in modernsten Fertigungsstätten hergestellt und den strengsten Qualitätsprüfungen unterzogen wurde, lange Zeit gute Dienste leisten wird.




Wir empfehlen Ihnen, vor Inbetriebnahme des Gerätes das gesamte Handbuch durchzulesen und es anschließend aufzubewahren.

### Diese Anleitung...

- Hilft Ihnen, Ihr Gerät schnell und sicher zu bedienen.
- Lesen Sie die Anleitung, bevor Sie Ihr Gerät aufstellen und bedienen.
- Halten Sie sich an die Anweisungen, beachten Sie insbesondere die Sicherheitshinweise.
- Bewahren Sie die Anleitung an einem leicht zugänglichen Ort auf, damit Sie jederzeit darin nachschlagen können.
- Lesen Sie auch die weiteren Dokumente, die mit Ihrem Produkt geliefert wurden.
- Bitte beachten Sie, dass diese Anleitung eventuell auch für andere Geräte eingesetzt werden kann.

### Symbole und ihre Bedeutung

In dieser Anleitung finden Sie die folgenden Symbole:

-  Wichtige Informationen oder nützliche Tipps.
-  Warnung vor Verletzungen oder Sachschäden.
-  Warnung vor elektrischem Strom.



### **WARNUNG!**

Ihr Gerät verwendet ein umweltverträgliches Kältemittel, R600a (nur unter bestimmten Umständen brennbar). Um einen einwandfreien Betrieb Ihres Gerätes sicherzustellen, beachten Sie bitte folgende Vorschriften:

- Die Luftzirkulation um das Gerät darf nicht behindert sein.
- Verwenden Sie außer der vom Hersteller empfohlenen, keine mechanischen Hilfsmittel, um den Abtauprozess zu beschleunigen.
- Der Kältemittelkreislauf darf nicht beschädigt werden.
- Verwenden Sie im Lebensmittelaufbewahrungsbereich Ihres Gerätes keine elektrischen Geräte, es sei denn, sie sind vom Hersteller empfohlen.

### **ANGABEN**



# ENERG



SUPPLIER'S NAME

MODEL IDENTIFIER (\*)

A

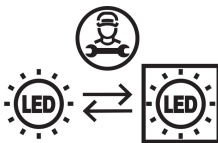
A

Die Modellinformationen, wie sie in der Produktdatenbank gespeichert sind, können durch Eingabe der folgenden Webseite und Suche nach Ihrer Modellkennung (\*) auf dem Energieetikett erreicht werden.

<https://eprel.ec.europa.eu/>

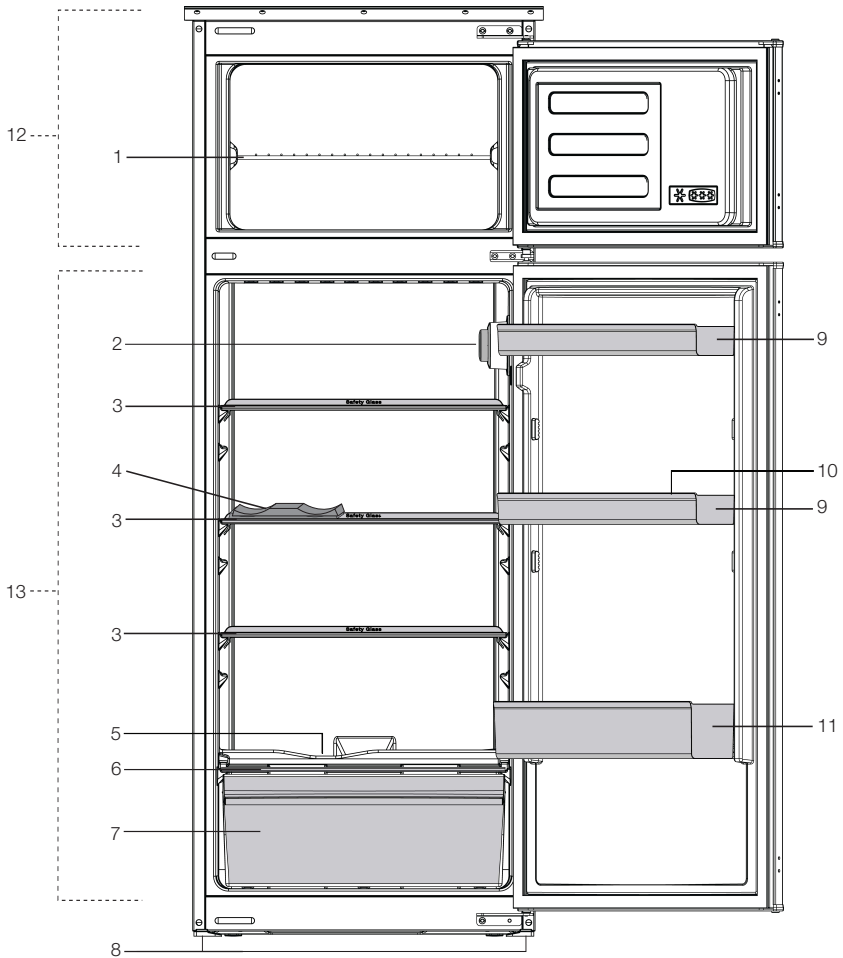
# INHALT

<b>1 Ihr Kühlschrank</b>	<b>3</b>	<b>4 Vorbereitung</b>	<b>11</b>
<b>2 Wichtige Sicherheitshinweise</b>	<b>4</b>	<b>5 Nutzung des Kühlschranks</b>	<b>12</b>
Bestimmungsgemäßer Einsatz.....	4	Thermostateinstelltaste.....	12
Allgemeine Hinweise zu Ihrer Sicherheit .....	4	Kühlen.....	12
Bei Geräten mit Wasserspender: .....	6	Gefrieren.....	12
Kinder – Sicherheit .....	6	Abtauen.....	12
Konformität mit der WEEE-Richtlinie zur Entsorgung von Altgeräten .....	6	Gerät stoppen .....	13
Hinweise zur Verpackung .....	7	Eis herstellen .....	13
HCA-Warnung.....	7	Flaschenhalter .....	13
Tipps zum Energiesparen .....	7		
<b>3 Installation</b>	<b>8</b>	<b>6 Wartung und Reinigung</b>	<b>14</b>
Wenn Sie den Kühlschrank versetzen möchten:.....	8	Schutz der Kunststoffflächen .....	14
Vor dem Einschalten .....	8		
Elektrischer Anschluss.....	8	<b>7 Problemlösung</b>	<b>15</b>
Verpackungsmaterialien entsorgen ...	9		
Altgeräte entsorgen .....	9		
Aufstellung und Installation .....	9		
Austausch der Innenbeleuchtung .....	9		
Türanschlag umkehren.....	10		



Dieses Produkt ist mit einer Lichtquelle der Energieklasse „G“ ausgestattet. Die Lichtquelle in diesem Produkt darf nur von professionellen Reparaturtechnikern ersetzt werden.

# 1 Ihr Kühlschrank



- |  |                    |
|--|--------------------|
| 1. Gefrierfach-Ablage                  | 8. Vorderfüße      |
| 2. Innenbeleuchtung und Thermostat     | 9. Türablagen      |
| 3. Bewegliche Ablagen                  | 10. Eierbehälter   |
| 4. Flaschenhalter                      | 11. Flaschenablage |
| 5. Tauwassersammelkanal - Abflusskanal | 12. Gefrierfach    |
| 6. Gemüsefachabdeckung                 | 13. Kühlbereich    |
| 7. Gemüsefach                          |                    |

**i** Abbildungen und Angaben in dieser Anleitung sind schematisch und können etwas von Ihrem Produkt abweichen. Falls Teile nicht zum Lieferumfang des erworbenen Gerätes zählen, gelten sie für andere Modelle.

## 2 Wichtige Sicherheitshinweise

---

Bitte lesen Sie die folgenden Hinweise aufmerksam durch. Bei Nichtbeachtung dieser Angaben kann es zu Verletzungen und Sachschäden kommen. In diesem Fall erlöschen auch sämtliche Garantie- und sonstigen Ansprüche.

Originalersatzteile stehen für einen Zeitraum von 10 Jahren ab Kaufdatum zur Verfügung.

### Bestimmungsgemäßer Einsatz

Dieses Produkt dient dem Einsatz in

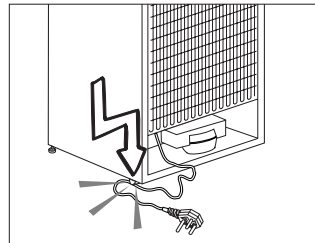
- Innenräumen und geschlossenen Bereichen, wie z. B. Haushalten;
- Das Gerät sollte nicht im Freien benutzt werden.

### Allgemeine Hinweise zu Ihrer Sicherheit

- Wenn Sie das Gerät entsorgen möchten, wenden Sie sich am besten an den autorisierten Kundendienst. Hier erhalten Sie notwendige Informationen und erfahren, welche Stellen für die Entsorgung zuständig sind.
- Bei Problemen und Fragen zum Gerät wenden Sie sich grundsätzlich an den autorisierten Kundendienst. Ziehen Sie keine Dritten zu Rate, versuchen Sie nichts in Eigenregie, ohne den autorisierten Kundendienst davon in Kenntnis zu setzen.
- Bei Geräten mit Tiefkühlbereich: Der Verzehr von Speiseeis und Eiswürfeln unmittelbar nach der Entnahme aus dem Tiefkühlbereich ist nicht ratsam. (Dies kann zu Erfrierungen führen.)
- Bei Geräten mit Tiefkühlbereich: Bewahren Sie Getränke in Flaschen sowie Dosen niemals im Tiefkühlbereich auf. Diese platzen.
- Berühren Sie gefrorene Lebensmittel nicht mit der Hand; sie können festfrieren.
- Trennen Sie Ihren Kühlschrank vor dem Reinigen oder Abtauen vom Stromnetz.
- Verwenden Sie niemals Dampf- oder Sprühreiniger zum Reinigen und Abtauen Ihres Kühlschranks. Die Dämpfe oder Nebel können in Kontakt mit stromführenden Teilen geraten und Kurzschlüsse oder Stromschläge auslösen.
- Missbrauchen Sie niemals Teile Ihres Kühlschranks (z. B. Tür) als Befestigungen oder Kletterhilfen.
- Nutzen Sie keine elektrischen Geräte innerhalb des Kühlschranks.
- Achten Sie darauf, den Kühlkreislauf keinesfalls mit Bohr- oder Schneidwerkzeugen zu beschädigen. Das Kühlmittel kann herauspritzen, wenn die Gaskanäle des Verdunsters, Rohr- und Schlauchleitungen oder Oberflächenversiegelungen beschädigt werden. Dies kann zu Hautreizungen und Augenverletzungen führen.
- Decken Sie keinerlei Belüftungsöffnungen des Kühlschranks ab.
- Elektrische Geräte dürfen nur von autorisierten Fachkräften repariert werden. Reparaturen durch weniger kompetente Personen können erhebliche Gefährdungen des Anwenders verursachen.
- Sollten Fehler oder Probleme während der Wartung oder Reparaturarbeiten auftreten, so trennen Sie den Kühlschrank von der Stromversorgung, indem Sie die entsprechende Sicherung abschalten oder den Netzstecker ziehen.
- Ziehen Sie niemals am Netzkabel – ziehen Sie direkt am Stecker.

- Lagern Sie hochprozentige alkoholische Getränke gut verschlossen und aufrecht.
- Bewahren Sie niemals Sprühdosen mit brennbaren und explosiven Substanzen im Kühlschrank auf.
- Nutzen Sie keine mechanischen oder anderen Hilfsmittel, um das Gerät abzutauen – es sei denn, solche Hilfsmittel werden ausdrücklich vom Hersteller empfohlen.
- Dieses Produkt darf nicht von Personen (einschließlich Kindern) mit eingeschränkten physischen, sensorischen oder geistigen Fähigkeiten bedient werden, sofern sie nicht durch eine Person, die für ihre Sicherheit verantwortlich ist, in der Bedienung des Produktes angeleitet werden.
- Nehmen Sie einen beschädigten Kühlschrank nicht in Betrieb. Wenden Sie sich bei jeglichen Zweifeln an einen Kundendienstmitarbeiter.
- Die elektrische Sicherheit des Gerätes ist nur dann gewährleistet, wenn das hausinterne Erdungssystem den zutreffenden Normen entspricht.
- Setzen Sie das Gerät keinem Regen, Schnee, direktem Sonnenlicht oder Wind aus; dies kann die elektrische Sicherheit gefährden.
- Wenden Sie sich zur Vermeidung von Gefahren an den autorisierten Kundendienst, falls das Netzkabel beschädigt ist.
- Stecken Sie während der Installation niemals den Netzstecker ein. Andernfalls kann es zu schweren bis tödlichen Verletzungen kommen.
- Dieser Kühlschrank dient nur der Aufbewahrung von Lebensmitteln. Für andere Zwecke sollte er nicht verwendet werden.
- Das Etikett mit den technischen Daten befindet sich an der linken Innenwand des Kühlschranks.

- Schließen Sie Ihren Kühlschrank niemals an energiesparende Systeme an; dies kann den Kühlschrank beschädigen.
- Falls der Kühlschrank über ein blaues Licht verfügt, blicken Sie nicht mit optischen Werkzeugen in das blaue Licht.
- Bei manuell gesteuerten Kühlschränken warten Sie mindestens 5 Minuten, bevor Sie den Kühlschrank nach einem Stromausfall wieder einschalten.
- Falls Sie das Gerät an einen anderen Besitzer weitergeben, vergessen Sie nicht, die Bedienungsanleitung ebenfalls auszuhändigen.
- Achten Sie darauf, dass das Netzkabel beim Transport des Kühlschranks nicht beschädigt wird. Übermäßiges Biegen des Kabels birgt Brandgefahr. Platzieren Sie keine schweren Gegenstände auf dem Netzkabel.



- Berühren Sie den Netzstecker niemals mit feuchten oder gar nassen Händen.
- Schließen Sie den Kühlschrank nicht an lose Steckdosen an.
- Sprühen Sie aus Sicherheitsgründen niemals Wasser auf die Innen- und Außenflächen des Gerätes.
- Sprühen Sie keine Substanzen mit brennbaren Gasen, wie z. B. Propangas, in die Nähe des Kühlschranks; andernfalls bestehen Brand- und Explosionsgefahr.
- Stellen Sie keine mit Wasser gefüllten Gegenstände auf den Kühlschrank; dies birgt Brand- und Stromschlaggefahr.

- Überladen Sie das Gerät nicht mit Lebensmitteln. Wenn das Gerät überladen ist, können beim Öffnen der Kühlschranktür Lebensmittel herausfallen und Verletzungen verursachen.
- Stellen Sie keinesfalls Gegenstände auf den Kühlschrank; sie könnten beim Öffnen oder Schließen der Kühlschranktür herunterfallen.
- Materialien wie beispielsweise Impfstoffe, wärmeempfindliche Arznei, wissenschaftliche Proben usw. sollten nicht im Kühlschrank aufbewahrt werden, da sie bei exakt festgelegten Temperaturen gelagert werden müssen.
- Trennen Sie den Kühlschrank vom Stromnetz, wenn er längere Zeit nicht benutzt wird. Ein mögliches Problem im Netzkabel kann einen Brand auslösen.
- Die Steckerkontakte sollten regelmäßig mit einem trockenen Tuch gereinigt werden; andernfalls besteht Brandgefahr.
- Wenn die höhenverstellbaren Füße nicht sicher auf dem Boden stehen, kann sich der Kühlschrank bewegen. Die angemessene Sicherung der höhenverstellbaren Füße am Boden kann eine Bewegung des Kühlschranks verhindern.
- Halten Sie den Kühlschrank beim Tragen nicht am Türgriff. Andernfalls könnte er abbrechen.
- Wenn Sie Ihr Produkt neben einem anderen Kühl- oder Gefrierschrank aufstellen möchten, sollte der Abstand zwischen beiden Geräten mindestens 8 cm betragen. Andernfalls können die benachbarten Seitenwände feucht werden.

### Bei Geräten mit Wasserspender

- Der Wasserdruck sollte zwischen 1 und 8 bar liegen.
- Nur Trinkwasser verwenden.

### Kinder – Sicherheit

- Bei abschließbaren Türen bewahren Sie den Schlüssel außerhalb der Reichweite von Kindern auf.
- Achten Sie darauf, dass Kinder nicht mit dem Produkt spielen.

### Konformität mit der WEEE-Richtlinie zur Entsorgung von Altgeräten

Dieses Produkt enthält keine der in der vom türkischen Ministerium für Umwelt und Städteplanung ausgestellten „Richtlinie zur Steuerung von elektrischen und elektronischen Altgeräten“ beschriebenen gefährlichen oder verbotenen Materialien.

Übereinstimmung mit WEEE-Richtlinie.



Dieses Gerät wurde mit hochwertigen Materialien hergestellt, die wiederverwendet und recycelt werden können.

Entsorgen Sie das Gerät am Ende seiner Einsatzzeit

daher nicht mit dem regulären Hausmüll. Bringen Sie das Gerät zu einer Sammelstelle zum Recycling von elektrischen und elektronischen Geräten. Ihre Stadtverwaltung informiert Sie gerne über Sammelstellen in Ihrer Nähe. Durch das Recycling von Altgeräten leisten Sie einen wichtigen Beitrag zum Umweltschutz und zum Erhalt natürlicher Ressourcen. Zur Sicherheit von Kindern: Schneiden Sie vor der Entsorgung des Produktes das Netzkabel ab und setzen Sie den Sperrmechanismus der Tür außer Kraft (sofern vorhanden).

## Hinweise zur Verpackung

Die Verpackungsmaterialien des Gerätes wurden gemäß nationalen Umweltschutzbestimmungen aus recyclingfähigen Materialien hergestellt. Entsorgen Sie Verpackungsmaterialien nicht mit dem regulären Hausmüll oder anderen Abfällen. Bringen Sie Verpackungsmaterialien zu geeigneten Sammelstellen; Ihre Stadtverwaltung berät Sie gern.

### **Nicht vergessen!**

Recycelte Materialien leisten einen wichtigen Beitrag zu einer schönen und gesunden Umwelt.

Wenn Sie zur Wiederverwertung von Verpackungsmaterialien beitragen möchten, informieren Sie sich bei Ihren Umweltschutzbehörden oder der Stadtverwaltung, wo entsprechende Sammelstellen zu finden sind.

## HCA-Warnung

### **Falls das Kühlsystem Ihres Produktes R600a enthält:**

Dieses Gas ist leicht entflammbar. Achten Sie also darauf, Kühlkreislauf und Leitungen während Betrieb und Transport nicht zu beschädigen. Bei Beschädigungen halten Sie das Produkt von potenziellen Zündquellen (z. B. offenen Flammen) fern und sorgen für eine gute Belüftung des Raumes, in dem das Gerät aufgestellt wurde.

### **Ignorieren Sie diese Warnung, falls das Kühlsystem Ihres Produktes R134a enthält.**

Die Art des im Gerät eingesetzten Gases wird auf dem Typenschild an der linken Innenwand des Kühlschranks angegeben. Entsorgen Sie das Produkt keinesfalls durch Verbrennen.

## Tipps zum Energiesparen

- Halten Sie die Kühlschranktüren nur möglichst kurz geöffnet.
- Geben Sie keine warmen Speisen oder Getränke in den Kühlschrank.
- Überladen Sie den Kühlschrank nicht; die Luft muss frei zirkulieren können.
- Stellen Sie den Kühlschrank nicht im direkten Sonnenlicht oder in der Nähe von Wärmequellen wie Öfen, Spülmaschinen oder Heizkörpern auf. Halten Sie den Kühlschrank mindestens 30 cm von Wärmequellen und mindestens 5 cm von elektrischen Öfen entfernt.
- Achten Sie darauf, Ihre Lebensmittel in verschlossenen Behältern aufzubewahren.
- Bei Geräten mit Tiefkühlbereich: Sie können noch mehr Lebensmittel einlagern, wenn Sie die Ablage oder Schublade aus dem Tiefkühlbereich herausnehmen. Der für Ihren Kühlschrank angegebene Energieverbrauch wurde nach dem Entfernen der Ablage oder Schublade und bei maximaler Beladung bestimmt. Ansonsten ist es Ihnen freigestellt, die Ablage oder Schublade zu verwenden.
- Das Auftauen von gefrorenen Lebensmitteln im Kühlbereich ist energiesparend und bewahrt die Qualität der Lebensmittel.



## 3 Installation

⚠ Der Hersteller haftet nicht, falls die Angaben in dieser Anleitung nicht berücksichtigt werden.

### Wenn Sie den Kühlschrank versetzen möchten:

1. Ziehen Sie zuvor den Netzstecker. Der Kühlschrank sollte geleert und gesäubert werden, bevor Sie ihn transportieren oder versetzen.
2. Sichern Sie die beweglichen Teile im Inneren (z. B. Ablagen, Zubehör, Gemüsefach etc.) vor dem Verpacken mit Klebeband, schützen Sie solche Teile vor Stößen. Umwickeln Sie die Verpackung mit kräftigem Klebeband oder stabilen Schnüren, beachten Sie die Transporthinweise auf der Verpackung.
3. Originalverpackung und Schaumstoffmaterialien sollten zum zukünftigen Transport des Gerätes aufbewahrt werden.

### Vergessen Sie nicht...

Jeder wiederverwendete Artikel stellt eine unverzichtbare Hilfe für unsere Natur und unsere Ressourcen dar. Wenn Sie zur Wiederverwertung von Verpackungsmaterialien beitragen möchten, können Sie sich bei Umweltschutzvereinigungen und Ihren Behörden vor Ort informieren.

### Vor dem Einschalten

Beachten Sie Folgendes, bevor Sie Ihren Kühlschrank benutzen:

1. Ist der Innenraum des Kühlschranks trocken, kann die Luft frei an der Rückseite zirkulieren?
2. Reinigen Sie das Innere des Kühlschranks wie im Abschnitt „Wartung und Reinigung“ beschrieben.

3. Schließen Sie den Netzstecker des Kühlschranks an eine Steckdose an. Beim Öffnen der Tür leuchtet die Innenbeleuchtung auf.
4. Beim Anspringen des Kompressors sind Geräusche zu hören. Die Flüssigkeiten und Gase im Kühlsystem können auch leichte Geräusche erzeugen, wenn der Kompressor nicht läuft. Dies ist völlig normal.
5. Die Vorderkanten des Kühlgerätes können sich warm anfühlen. Dies ist normal. Diese Bereiche wärmen sich etwas auf, damit sich kein Kondenswasser bildet.

### Elektrischer Anschluss

Schließen Sie das Gerät an eine geerdete (Schuko-) Steckdose an. Diese Steckdose muss mit einer passenden Sicherung abgesichert werden. Wichtig:

- Der Anschluss muss gemäß lokaler Vorschriften erfolgen.
- Der Netzstecker muss nach der Installation frei zugänglich bleiben.
- Die elektrische Sicherheit des Gerätes ist nur dann gewährleistet, wenn das hausinterne Erdungssystem den zutreffenden Normen entspricht.
- Die auf dem Typenschild an der linken Innenwand des Gerätes angegebene Spannung muss mit Ihrer Netzspannung übereinstimmen.
- **Zum Anschluss dürfen keine Verlängerungskabel oder Mehrfachsteckdosen verwendet werden.**

- ⚠ Ein beschädigtes Netzkabel muss unverzüglich durch einen qualifizierten Elektriker ausgetauscht werden.
- ⚠ Das Gerät darf vor Abschluss der Reparaturen nicht mehr betrieben werden! Es besteht Stromschlaggefahr!

## Verpackungsmaterialien entsorgen

Das Verpackungsmaterial kann eine Gefahr für Kinder darstellen. Halten Sie Verpackungsmaterialien von Kindern fern oder entsorgen Sie das Verpackungsmaterial gemäß gültigen Entsorgungsbestimmungen. Entsorgen Sie das Verpackungsmaterial über geeignete Sammelstellen (Ihre Stadtverwaltung informiert Sie gerne), nicht über den regulären Hausmüll.

Die Verpackung Ihres Gerätes wurde aus recyclingfähigen Materialien hergestellt.

## Altgeräte entsorgen

Entsorgen Sie Altgeräte auf umweltfreundliche Weise.

- Bei Fragen zur richtigen Entsorgung wenden Sie sich bitte an Ihren Händler, an eine Sammelstelle oder an Ihre Stadtverwaltung.

Bevor Sie das Gerät entsorgen, schneiden Sie den Netzstecker ab und machen die Türverschlüsse (sofern vorhanden) unbrauchbar, damit Kinder nicht in Gefahr gebracht werden.

## Aufstellung und Installation

⚠ Falls die Tür des Raumes, in dem der Kühlschrank aufgestellt werden soll, nicht breit genug ist, wenden Sie sich an den autorisierten Kundendienst, lassen die Kühlschranktüren demontieren und befördern das Gerät seitlich durch die Tür.

1. Stellen Sie Ihren Kühlschrank an einer gut erreichbaren Stelle auf.
2. Platzieren Sie den Kühlschrank nicht in der Nähe von Wärmequellen oder dort, wo er Feuchtigkeit oder direktem Sonnenlicht ausgesetzt ist.
3. Damit das Gerät richtig arbeiten kann, müssen Sie ausreichend Platz um das Gerät herum freilassen, damit eine ordentliche Belüftung gewährleistet ist. Wenn Sie den Kühlschrank in einer Nische aufstellen, müssen Sie einen Abstand von mindestens 5 cm zur Decke und 5 cm zu den Wänden einhalten. Stellen Sie das Gerät nicht auf Materialien wie Teppichen oder Teppichböden auf.
4. Stellen Sie Ihren Kühlschrank auf einem ebenen Untergrund auf, damit er nicht wackelt.
5. Stellen Sie den Kühlschrank nicht an Stellen auf, an denen Temperaturen von weniger als 10°C herrschen.

## Austausch der Innenbeleuchtung

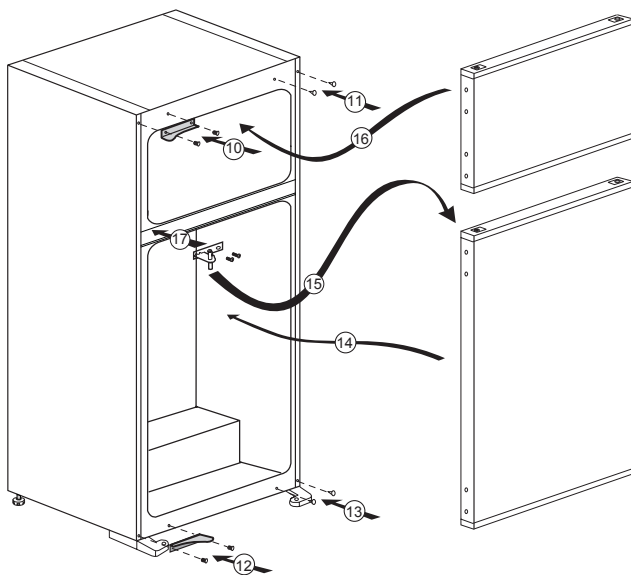
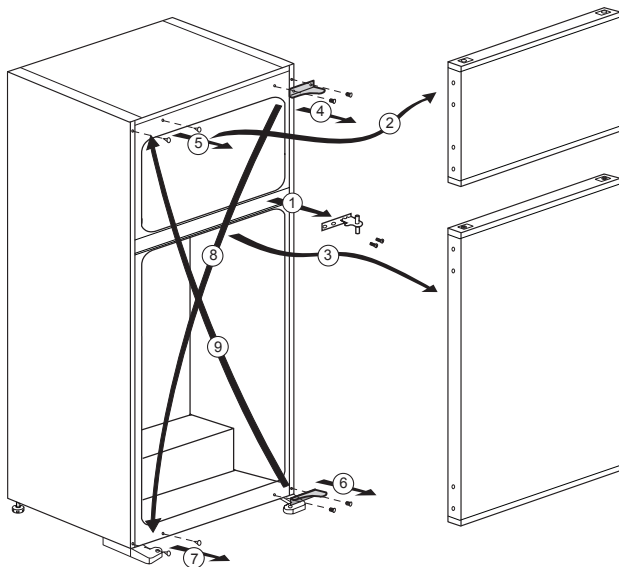
Die Innenbeleuchtung Ihres Kühlschranks sollte ausschließlich vom autorisierten Kundendienst ausgetauscht werden.

Die Glühbirnen für dieses Haushaltsgerät sind für Beleuchtungszwecke nicht geeignet. Die beabsichtigte Aufgabe dieser Lampe ist es den Benutzer zu ermöglichen die Platzierung der Lebensmittel in den Kühlschrank / Eiskühltruhe sicher und bequem vorzunehmen.

Die in diesem Gerät verwendeten Lampen müssen extremen physikalischen Bedingungen, wie z. B. Temperaturen von -20°C, standhalten.

# Türanschlag umkehren

Gehen Sie der Reihe nach vor.



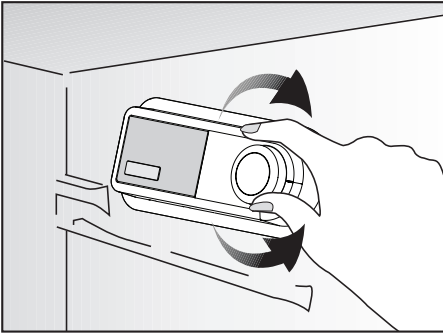
## 4 Vorbereitung

---

- i** Ihr Kühlschrank sollte mindestens 30 cm von Hitzequellen wie Kochstellen, Öfen, Heizungen, Herden und ähnlichen Einrichtungen aufgestellt werden. Halten Sie mindestens 5 cm Abstand zu Elektroöfen ein, vermeiden Sie die Aufstellung im direkten Sonnenlicht.
- i** Die Zimmertemperatur des Raumes, in dem der Kühlschrank aufgestellt wird, sollte mindestens 10°C betragen. Im Hinblick auf den Wirkungsgrad ist der Betrieb des Kühlschranks bei geringerer Umgebungstemperatur nicht ratsam.
- i** Sorgen Sie dafür, dass das Innere Ihres Kühlschranks gründlich gereinigt wird.
- i** Falls zwei Kühlschränke nebeneinander aufgestellt werden sollen, achten Sie darauf, dass sie mindestens 2 cm voneinander entfernt platziert werden.
- i** Wenn Sie den Kühlschrank zum ersten Mal in Betrieb nehmen, halten Sie sich bitte an die folgenden Anweisungen für die ersten sechs Betriebsstunden.
  - Die Kühlschranktür sollte nicht zu häufig geöffnet werden.
  - Der Kühlschrank muss zunächst vollständig leer arbeiten.
  - Ziehen Sie nicht den Netzstecker. Falls der Strom ausfallen sollte, beachten Sie die Warnhinweise im Abschnitt „Problemlösung“.
- i** Originalverpackung und Schaumstoffmaterialien sollten zum zukünftigen Transport des Gerätes aufbewahrt werden.

## 5 Nutzung des Kühlschranks

### Thermostateinstelltaste



Die Innentemperatur Ihres Kühlschranks hängt teilweise von folgenden Einflüssen ab:

- Umgebungstemperatur.
- Häufigkeit der Türöffnungen, Offenstehen der Tür über längere Zeit.
- Einlagern von Lebensmitteln, ohne diese zuvor auf Raumtemperatur abkühlen zu lassen.
- Platzierung des Kühlschranks innerhalb des Raumes (z. B. im direkten Sonnenlicht).
- Zum Anpassen der Innentemperatur an solche Einflüsse benutzen Sie das Thermostat. Die Zahlen rund um die Thermostateinstelltaste zeigen die Kühlungsleistung an.
- Falls die Umgebungstemperatur mehr als 32°C beträgt, wählen Sie die höchstmögliche Thermostateinstellung.
- Sofern die Umgebungstemperatur weniger als 25°C beträgt, wählen Sie die geringste Thermostateinstellung.


### Kühlen

#### Lagern von Lebensmitteln

Der Kühlbereich ist für die kurzfristige Lagerung von frischen Lebensmitteln und Getränken vorgesehen.

### Gefrieren

#### Einfrieren von Lebensmitteln

Der Gefrierbereich ist mit dem Symbol  gekennzeichnet.

In Ihrem Gerät können Sie frische Nahrungsmittel einfrieren und auch bereits gefrorene Lebensmittel lagern.

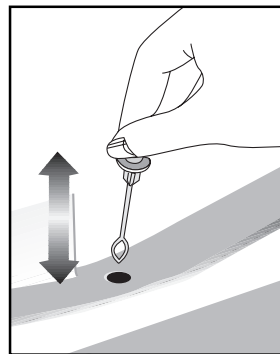
Bitte beachten Sie dazu die Empfehlungen auf der Verpackung der Lebensmittel.

### Abtauen

#### A) Kühlbereich

Der Kühlbereich tau vollautomatisch ab. Beim Abtauen läuft das Tauwasser in die Ablaufrinne und fließt anschließend zum Verdampfer - hier verdunstet das Wasser automatisch.

Überzeugen Sie sich regelmäßig davon, dass der Ablauf nicht verstopft ist; beseitigen Sie eventuelle Verstopfungen mit dem Stäbchen.



## B) Tiefkühlbereich

Der Tiefkühlbereich wird nicht automatisch abgetaut, da es ansonsten schnell zum Verderben gefrorener Lebensmittel kommen könnte.

Eisbildung im Tiefkühlbereich muss alle 6 Monate abgetaut werden. Wir empfehlen, das Eis bei kaum gefülltem, am besten bei vollständig leerem Tiefkühlbereich abzutauen.

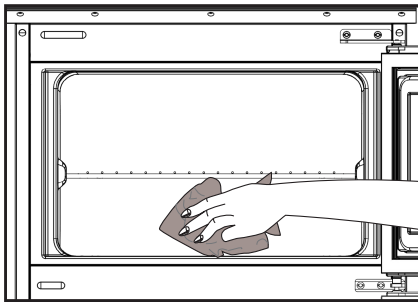
Wickeln Sie das Gefriergut in Zeitungspapier ein, und lagern Sie es an einem kühlen Platz oder in einem anderen Tiefkühler.

Stoppen Sie den Tiefkühler mit der Temperaturtaste oder ziehen Sie den Stecker aus der Steckdose. Sie können einen Behälter mit heißem Wasser in den Tiefkühlbereich stellen oder die Tür zum öffnen lassen, um das Abtauen zu beschleunigen.

Saugen Sie das Abtauwasser im Tiefkühlbereichs mit einem Lappen oder Schwamm auf.

Trocknen Sie den Tiefkühlbereich und stellen Sie die Temperatur wie gewünscht ein.

Lassen Sie den Tiefkühler bei geschlossenen Türen 2 Stunden lang leer arbeiten, bevor Sie die Lebensmittel wieder in das Gerät geben.



## Gerät stoppen

Bei Thermostaten mit 0-Position:

- Ihr Gerät stoppt, wenn Sie den Thermostatknopf in die 0-Position drehen. Das Gerät läuft erst dann wieder an, wenn Sie den Thermostatknopf wieder auf 1 oder eine höhere Position einstellen.

Bei Thermostaten mit „min“-Position:

- Bitte ziehen Sie zum Abschalten den Netzstecker.

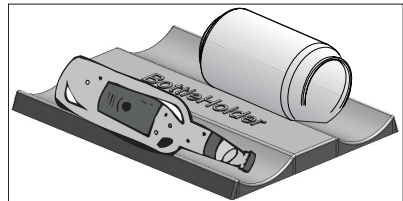
## Eis herstellen

Füllen Sie die Eisschale mit Wasser, setzen Sie sie in ihre Halterung. Ihr Eis ist nach etwa zwei Stunden fertig.

Sie können das Eis leichter entnehmen, wenn Sie die Eisschale etwas verdrehen.

## Flaschenhalter

Dieses Zubehörteil kann verwendet werden von Flaschen oder Dosen nebeneinander aufnehmen.



## 6 **Wartung und Reinigung**

---

- ⚠ Verwenden Sie zu Reinigungszwecken niemals Benzin oder ähnliche Substanzen.
- ⚠ Wir empfehlen, vor dem Reinigen den Netzstecker zu ziehen.
- ℹ Verwenden Sie zur Reinigung niemals scharfe Gegenstände, Seife, Haushaltsreiniger, Waschmittel oder Wachspolituren.
- ℹ Reinigen Sie das Gehäuse des Gerätes mit lauwarmem Wasser, wischen Sie die Flächen danach trocken.
- ⚠ Zur Reinigung des Innenraums verwenden Sie ein feuchtes Tuch, das Sie in eine Lösung aus 1 Teelöffel Natron und einem halben Liter Wasser getaucht und ausgewrungen haben. Nach dem Reinigen wischen Sie den Innenraum trocken.
- ⚠ Achten Sie darauf, dass kein Wasser in das Lampengehäuse oder andere elektrische Komponenten eindringt.
- ⚠ Wenn Ihr Kühlgerät längere Zeit nicht benutzt wird, ziehen Sie den Netzstecker, nehmen alle Lebensmittel heraus, reinigen das Gerät und lassen die Türe geöffnet.
- ℹ Kontrollieren Sie die Türdichtungen regelmäßig, um sicherzustellen, dass diese sauber und frei von Speiseresten sind.
- ℹ Zum Entfernen einer Türablage räumen Sie sämtliche Gegenständen aus der Ablage und schieben diese dann nach oben heraus.

- ℹ Verwenden Sie zur Reinigung der Außenflächen und Chrombeschichteten Produktteile niemals Reinigungsmittel oder Wasser, die/das Chlor enthält. Chlor lässt Metalloberflächen korrodieren.

### **Schutz der Kunststoffflächen**

- ℹ Geben Sie keine Öle oder stark fetthaltige Speisen offen in Ihren Kühlschrank / Gefrierschrank – dadurch können die Kunststoffflächen angegriffen werden. Sollten die Plastikoberflächen einmal mit Öl in Berührung kommen, so reinigen Sie die entsprechend Stellen umgehend mit warmem Wasser.

## 7 Problemlösung

Bitte arbeiten Sie diese Liste durch, bevor Sie sich an den Kundendienst wenden. Dies kann Ihnen Zeit und Geld sparen. In der Liste finden Sie häufiger auftretende Probleme, die nicht auf Verarbeitungs- oder Materialfehler zurückzuführen sind. Nicht alle hier beschriebenen Funktionen sind bei jedem Modell verfügbar.

### Der Kühlschrank arbeitet nicht.

- Der Netzstecker ist nicht richtig eingesteckt. >>> Stecken Sie den Netzstecker bis zum Anschlag in die Steckdose.
- Die entsprechende Haussicherung ist herausgesprungen oder durchgebrannt. >>> Überprüfen Sie die Sicherung.

### Kondensation an den Seitenwänden des Kühlbereiches (Multizone, Kühlkontrolle und FlexiZone).

- Die Umgebungsluft ist zu kalt. >>> Stellen Sie den Kühlschrank nicht an Orten mit Temperaturen unter 10°C auf.
- Die Tür wurde häufig geöffnet. >>> Verzichten Sie auf häufiges Öffnen der Kühlschranktür.
- Die Luftfeuchtigkeit in der Umgebung ist zu hoch. >>> Stellen Sie Ihren Kühlschrank nicht an Orten mit hoher Luftfeuchtigkeit auf.
- Lebensmittel mit hohem Flüssigkeitsanteil werden in offenen Behältern aufbewahrt. >>> Bewahren Sie Lebensmittel mit hohem Flüssigkeitsanteil nicht in offenen Behältern auf.
- Die Kühlschranktür steht offen. >>> Schließen Sie die Kühlschranktür.
- Das Thermostat ist auf eine sehr geringe Temperatur eingestellt. >>> Stellen Sie das Thermostat entsprechend nach.

### Der Kompressor läuft nicht.

- Eine Schutzschaltung stoppt den Kompressor bei kurzzeitigen Unterbrechungen der Stromversorgung und wenn das Gerät zu oft und schnell ein- und ausgeschaltet wird, da der Druck des Kühlmittels eine Weile lang ausgeglichen werden muss. Der Kühlschrank beginnt nach etwa sechs Minuten wieder zu arbeiten. Bitte wenden Sie sich an den Kundendienst, falls Ihr Kühlschrank nach Ablauf dieser Zeit nicht wieder zu arbeiten beginnt.
- Der Kühlschrank taut ab. >>> Dies ist bei einem vollautomatisch abtauenden Kühlschrank völlig normal. Das Gerät taut von Zeit zu Zeit ab.
- Der Netzstecker ist nicht eingesteckt. >>> Überprüfen Sie, ob der Netzstecker richtig eingesteckt wurde.
- Die Temperatur ist nicht richtig eingestellt. >>> Wählen Sie eine geeignete Temperatur.
- Der Strom ist ausgefallen. >>> Sobald die Stromversorgung wiederhergestellt ist, nimmt der Kühlschrank den Betrieb wieder auf.



Das Betriebsgeräusch nimmt zu, wenn der Kühlschrank arbeitet.

- Das Leistungsverhalten des Kühlgerätes kann sich je nach Umgebungstemperatur ändern. Dies ist völlig normal und keine Fehlfunktion.

Der Kühlschrank arbeitet sehr intensiv oder über eine sehr lange Zeit.

- Ihr neues Gerät ist vielleicht etwas breiter als sein Vorgänger. Große Kühlgeräte arbeiten oft etwas länger.
- Die Umgebungstemperatur ist eventuell sehr hoch. >>> Bei hohen Umgebungstemperaturen arbeitet das Gerät etwas länger.
- Der Kühlschrank wurde möglicherweise erst vor Kurzem in Betrieb genommen oder mit Lebensmitteln gefüllt. >>> Wenn der Kühlschrank erst vor Kurzem in Betrieb genommen oder mit Lebensmitteln gefüllt wurde, dauert es einige Zeit, bis er die eingestellte Temperatur erreicht. Dies ist normal.
- Kurz zuvor wurden größere Mengen warmer Speisen in den Kühlschrank gestellt. >>> Geben Sie keine warmen oder gar heißen Speisen in den Kühlschrank.
- Die Türen wurden häufig geöffnet oder längere Zeit nicht richtig geschlossen. >>> Der Kühlschrank muss länger arbeiten, weil warme Luft in den Innenraum eingedrungen ist. Verzichten Sie auf häufiges Öffnen der Türen.
- Die Türen des Kühl- oder Tiefkühlbereiches wurden nicht richtig geschlossen. >>> Vergewissern Sie sich, dass die Türen richtig geschlossen wurden.
- Die Kühlschranktemperatur ist sehr niedrig eingestellt. >>> Stellen Sie die Kühlschranktemperatur höher ein. Warten Sie dann ab, bis die gewünschte Temperatur erreicht ist.
- Die Türdichtungen von Kühl- oder Gefrierbereich sind verschmutzt, verschlissen, beschädigt oder sitzen nicht richtig. >>> Reinigen oder ersetzen Sie die Dichtung. Beschädigte oder defekte Dichtungen führen dazu, dass der Kühlschrank länger arbeiten muss, um die Temperatur halten zu können.

Die Temperatur im Tiefkühlbereich ist sehr niedrig, während die Temperatur im Kühlbereich normal ist.

- Die Tiefkühltemperatur ist sehr niedrig eingestellt. >>> Stellen Sie die Tiefkühltemperatur wärmer ein, prüfen Sie die Temperatur nach einer Weile.

Die Temperatur im Kühlbereich ist sehr niedrig, während die Temperatur im Tiefkühlbereich normal ist.

- Die Kühltemperatur ist sehr niedrig eingestellt. >>> Stellen Sie die Kühlbereichtemperatur wärmer ein, prüfen Sie die Temperatur nach einer Weile.

Im Kühlbereich gelagerte Lebensmittel frieren ein.

- Die Kühltemperatur ist sehr niedrig eingestellt. >>> Wählen Sie eine höhere Kühlbereichtemperatur, prüfen Sie die Temperatur nach einer Weile.

Die Temperatur im Kühl- oder Tiefkühlbereich ist sehr hoch.
<ul style="list-style-type: none"> <li>• Die Kühltemperatur ist sehr hoch eingestellt. &gt;&gt;&gt; Die Kühlbereichtemperatur wirkt sich auf die Temperatur des Tiefkühlbereichs aus. Ändern Sie die Temperatur des Kühl- oder Tiefkühlbereichs und warten Sie, bis die entsprechenden Fächer eine geeignete Temperatur erreicht haben.</li> <li>• Türen wurden häufig geöffnet oder längere Zeit nicht richtig geschlossen. &gt;&gt;&gt; Verzichten Sie auf häufiges Öffnen der Türen.</li> <li>• Die Tür steht offen. &gt;&gt;&gt; Schließen Sie die Tür komplett.</li> <li>• Der Kühlschrank wurde möglicherweise erst vor Kurzem in Betrieb genommen oder mit Lebensmitteln gefüllt. &gt;&gt;&gt; Dies ist normal. Wenn der Kühlschrank erst vor Kurzem in Betrieb genommen oder mit Lebensmitteln gefüllt wurde, dauert es einige Zeit, bis er die eingestellte Temperatur erreicht.</li> <li>• Kurz zuvor wurden größere Mengen warmer Speisen in den Kühlschrank gestellt. &gt;&gt;&gt; Geben Sie keine warmen oder gar heißen Speisen in den Kühlschrank.</li> </ul>
Vibrationen oder Betriebsgeräusche.
<ul style="list-style-type: none"> <li>• Der Boden ist nicht eben oder nicht stabil genug. &gt;&gt;&gt; Falls der Kühlschrank bei leichten Bewegungen wackelt, gleichen Sie ihn mit Hilfe seiner Füße aus. Achten Sie außerdem darauf, dass der Boden eben ist und das Gewicht des Kühlschranks problemlos tragen kann.</li> <li>• Gegenstände, die auf dem Kühlschrank abgestellt wurden, können Geräusche verursachen. &gt;&gt;&gt; Nehmen Sie die Gegenstände vom Kühlschrank.</li> </ul>
Fließ- oder Spritzgeräusche sind zu hören.
<ul style="list-style-type: none"> <li>• Aus technischen Gründen bewegen sich Flüssigkeiten und Gase innerhalb des Gerätes. Dies ist völlig normal und keine Fehlfunktion.</li> </ul>
Der Kühlschrank pfeift.
<ul style="list-style-type: none"> <li>• Zum gleichmäßigen Kühlen werden Ventilatoren eingesetzt. Dies ist völlig normal und keine Fehlfunktion.</li> </ul>
Kondensation an den Kühlschrankinnenflächen.
<ul style="list-style-type: none"> <li>• Bei heißen und feuchten Wetterlagen treten verstärkt Eisbildung und Kondensation auf. Dies ist völlig normal und keine Fehlfunktion.</li> <li>• Türen wurden häufig geöffnet oder längere Zeit nicht richtig geschlossen. &gt;&gt;&gt; Verzichten Sie auf häufiges Öffnen der Türen. Schließen Sie geöffnete Türen.</li> <li>• Die Tür steht offen. &gt;&gt;&gt; Schließen Sie die Tür komplett.</li> </ul>
Feuchtigkeit sammelt sich an der Außenseite des Kühlschranks oder an den Türen.
<ul style="list-style-type: none"> <li>• Eventuell herrscht hohe Luftfeuchtigkeit; dies ist je nach Wetterlage völlig normal. Die Kondensation verschwindet, sobald die Feuchtigkeit abnimmt.</li> </ul>
Unangenehmer Geruch im Kühlschrank.
<ul style="list-style-type: none"> <li>• Der Kühlschrank wurde nicht regelmäßig gereinigt. &gt;&gt;&gt; Reinigen Sie das Innere des Kühlschranks regelmäßig mit einem Schwamm, den Sie mit lauwarmem Wasser oder einer Natron-Wasser-Lösung angefeuchtet haben.</li> <li>• Bestimmte Behälter oder Verpackungsmaterialien verursachen den Geruch. &gt;&gt;&gt; Verwenden Sie andere Behälter oder Verpackungsmaterial einer anderen Marke.</li> <li>• Lebensmittel wurden in offenen Behältern in den Kühlschrank gegeben. &gt;&gt;&gt; Lagern Sie Lebensmittel in geschlossenen Behältern. Mikroorganismen, die aus unverschlossenen Behältern entweichen, können üble Gerüche verursachen.</li> <li>• Nehmen Sie Lebensmittel mit abgelaufenem Mindesthaltbarkeitsdatum sowie verdorbene Lebensmittel aus dem Kühlschrank.</li> </ul>
Die Tür lässt sich nicht schließen.
<ul style="list-style-type: none"> <li>• Lebensmittelpackungen verhindern ein vollständiges Schließen der Tür. &gt;&gt;&gt; Entfernen Sie die Verpackungen, welche die Tür blockieren.</li> <li>• Der Kühlschrank steht nicht vollständig eben auf dem Boden. &gt;&gt;&gt; Gleichen Sie den Kühlschrank mit Hilfe der Füße aus.</li> <li>• Der Boden ist nicht eben oder nicht stabil genug. &gt;&gt;&gt; Achten Sie darauf, dass der Boden eben ist und das Gewicht des Kühlschranks problemlos tragen kann.</li> </ul>
Das Gemüsefach klemmt.
<ul style="list-style-type: none"> <li>• Lebensmittel berühren eventuell den oberen Teil der Schublade. &gt;&gt;&gt; Ordnen Sie die Lebensmittel in der Schublade anders an.</li> </ul>

## **Veillez d'abord lire la notice d'utilisation !**

Chère cliente, cher client,

Nous espérons que votre produit, qui a été fabriqué dans des usines modernes et vérifié au terme des procédures de contrôle de qualité les plus méticuleuses, vous rendra satisfaction.




Pour cette raison, nous vous conseillons de lire attentivement tout le manuel d'utilisation de votre produit avant de vous en servir, et de le conserver ensuite pour une utilisation ultérieure.

### **Le présent manuel**

- Vous aidera à utiliser votre produit avec rapidité et sécurité.
- Lisez le manuel avant d'installer et de faire fonctionner votre produit.
- Respectez les instructions, notamment celles relatives à la sécurité.
- Conservez ce manuel dans un endroit facilement accessible car vous pouvez en avoir besoin ultérieurement.
- En plus, lisez également les autres documents fournis avec votre produit.
- Veuillez noter que ce manuel peut également être valide pour d'autres modèles.

### **Symboles et descriptions**

Vous retrouverez les symboles suivants dans le présent manuel :

-  Informations importantes ou astuces.
-  Avertissement relatif aux conditions dangereuses pour la vie et la propriété.
-  Avertissement relatif à la tension électrique.



### **ATTENTION!**

Pour assurer un fonctionnement normal de votre appareil qui utilise un agent frigorigère écologique, R600a (inflammable seulement sous certaines conditions) vous devez respecter les règles suivantes:

- N'empêchez pas la libre circulation de l'air autour de l'appareil.
- N'utilisez pas des dispositifs mécaniques pour accélérer le dégivrage, autres que ceux recommandés par le fabricant.
- Ne détruisez pas le circuit frigorigère.
- N'utilisez pas des appareils électriques à l'intérieur du compartiment pour conserver les aliments, hormis celles qui sont éventuellement recommandés par le fabricant.



### **INFORMATIONS**



# **ENERG**



SUPPLIER'S NAME

MODEL IDENTIFIER

(\*)

A

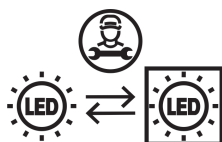
A

Vous pouvez accéder aux informations relatives au modèle telles que sauvegardées dans la base de données des produits en entrant le site internet suivant et en recherchant l'identifiant de votre modèle (\*) qui se trouve sur la vignette énergie

<https://eprel.ec.europa.eu/>

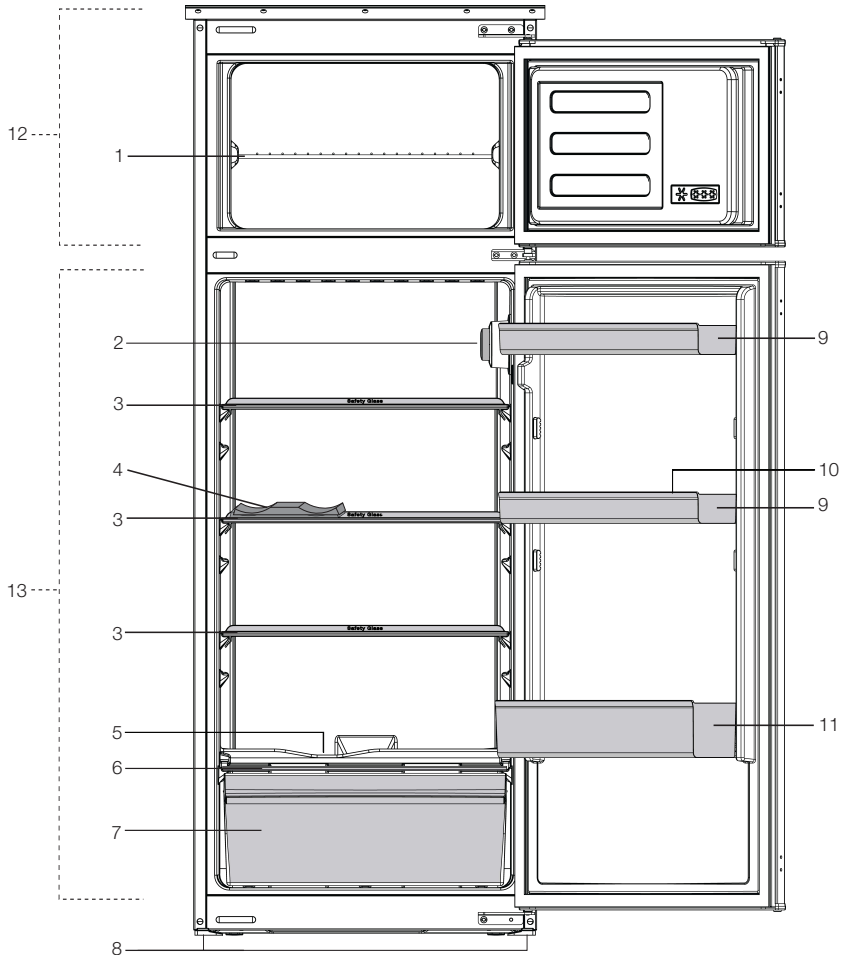
## TABLE DES MATIÈRES

<b>1</b>	<b>Votre réfrigérateur</b>	<b>3</b>	<b>4</b>	<b>Préparation</b>	<b>11</b>
<b>2</b>	<b>Précautions de sécurité importantes</b>	<b>4</b>	<b>5</b>	<b>Utilisation du réfrigérateur</b>	<b>12</b>
	Utilisation préconisée.....	4		Bouton de réglage du thermostat ....	12
	Sécurité générale.....	4		Réfrigération .....	12
	Pour les appareils dotés d'une fontaine à eau reliée à l'eau courante.....	6		Congélation .....	12
	Sécurité enfants.....	6		Décongélation .....	12
	Conformité avec la réglementation DEEE et mise au rebut des déchets...6			Eteindre le produit.....	13
	Informations relatives à l'emballage....6			Fabrication de glaçons.....	13
	Avertissement sur l'usage des fluides frigorigènes .....	7		Porte-bouteille.....	13
	Mesures d'économie d'énergie.....	7	<b>6</b>	<b>Entretien et nettoyage</b>	<b>14</b>
<b>3</b>	<b>Installation</b>	<b>8</b>		Protection des surfaces en plastique. ....	14
	Éléments à prendre en considération lors du déménagement de votre réfrigérateur .....	8	<b>7</b>	<b>Dépannage</b>	<b>15</b>
	Avant de mettre votre réfrigérateur en marche,.....	8			
	Branchement électrique.....	8			
	Mise au rebut de l'emballage .....	9			
	Mise au rebut de votre ancien réfrigérateur .....	9			
	Disposition et Installation .....	9			
	Remplacement de l'ampoule intérieure .....	9			
	Réversibilité des portes.....	10			



Cet appareil est doté d'une source d'éclairage de classe énergétique "G". Seuls des réparateurs qualifiés sont autorisés à procéder au remplacement de la source d'éclairage de cet appareil.

# 1 Votre réfrigérateur



1. Clayette du congélateur
2. Ampoule et boîtier de thermostat
3. Clayettes en verre
4. Porte-bouteille
5. Voie de récupération de l'eau de dégivrage  
- tube d'écoulement
6. Couvercle du bac à légumes
7. Bac à légumes
8. Pieds avant
9. Balconnets réglables
10. Casier à œufs
11. Balconnet range-bouteilles
12. Compartiment congélateur
13. Compartiment réfrigérateur

**ⓘ** Les illustrations présentées dans cette notice d'utilisation sont schématiques et peuvent ne pas correspondre exactement à votre produit. Si des pièces présentées ne sont pas comprises dans le produit que vous avez acheté, elles sont valables pour d'autres modèles.

## 2 Précautions de sécurité importantes

Veillez examiner les informations suivantes: Le non respect de ces consignes peut entraîner des blessures ou dommages matériels. Sinon, tout engagement lié à la garantie et à la fiabilité du produit devient invalide.

Les pièces détachées d'origine sont disponibles pendant 10 ans, à compter de la date d'achat du produit.

### Utilisation préconisée

Ce produit est prévu pour une utilisation

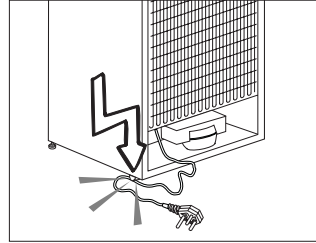
- en intérieur et dans des zones fermées telles que les maisons;
- dans les environnements de travail fermés, tels que les magasins et les bureaux;
- dans les lieux d'hébergement fermés, tels que les fermes, hôtels, pensions.
- Il ne doit pas être utilisé en extérieur.

### Sécurité générale

- Avant de vous débarrasser de votre appareil, veuillez consulter les autorités locales ou votre revendeur pour connaître le mode opératoire et les organismes de collecte agréés.
- Consultez le service après-vente agréé concernant toutes questions ou problèmes relatifs au réfrigérateur. N'intervenez pas ou ne laissez personne intervenir sur le réfrigérateur sans le communiquer au service après-vente agréé.
- Pour les produits équipés d'un compartiment congélateur: ne mangez pas de cônes de crème glacée ou des glaçons immédiatement après les avoir sortis du compartiment de congélation ! (Cela pourrait provoquer des engelures dans votre bouche).
- Pour les produits équipés d'un compartiment congélateur: ne placez pas de boissons en bouteille ou en cannette dans le compartiment de congélation. Cela peut entraîner leur éclatement.
- Ne touchez pas des produits congelés avec les mains, ils pourraient se coller à celles-ci.
- Débranchez votre réfrigérateur avant de le nettoyer ou de le dégivrer.
- La vapeur et des matériaux de nettoyage pulvérisés ne doivent jamais être utilisés pour les processus de nettoyage ou de dégivrage de votre réfrigérateur. La vapeur pourrait pénétrer dans les pièces électriques et provoquer des courts-circuits ou des électrocutions.
- Ne jamais utiliser les pièces de votre réfrigérateur telles que la porte, comme un support ou une marche.
- N'utilisez pas d'appareils électriques à l'intérieur du réfrigérateur.
- N'endommagez pas les pièces où circule le liquide réfrigérant avec des outils de forage ou coupants. Le liquide réfrigérant qui pourrait s'échapper si les canalisations de gaz de l'évaporateur, les rallonges de tuyau ou les revêtements de surface étaient percés, peut irriter la peau et provoquer des blessures aux yeux.
- Ne pas couvrir ou obstruer les orifices de ventilation du réfrigérateur.
- Les appareils électriques peuvent être réparés seulement par des personnes autorisées. Les réparations réalisées par des personnes ne présentant pas les compétences requises peuvent présenter un risque pour l'utilisateur.
- En cas de dysfonctionnement ou lors d'opérations d'entretien ou de réparation, débranchez l'alimentation électrique du réfrigérateur soit en désactivant le fusible correspondant, soit en débranchant l'appareil.
- Ne tirez pas sur le câble lorsque vous débranchez la prise.
- Placez les boissons alcoolisées verticalement, dans des récipients convenablement fermés.
- Ne conservez jamais des aérosols contenant des substances inflammables et explosives dans le réfrigérateur.

- N'utilisez pas d'outils mécaniques ou autres dispositifs pour accélérer le processus de décongélation autres que ceux qui sont recommandés par le fabricant.
- Ce produit n'est pas conçu pour être utilisé par des personnes (enfants compris) souffrant de déficience physique, sensorielle, mentale, ou inexpérimentées, à moins d'avoir obtenu une autorisation auprès des personnes responsables de leur sécurité.
- Ne faites pas fonctionner un réfrigérateur endommagé. Consultez le service agréé en cas de problème.
- La sécurité électrique du réfrigérateur n'est assurée que si le système de mise à la terre de votre domicile est conforme aux normes en vigueur.
- L'exposition du produit à la pluie, la neige, au soleil ou au vent présente des risques concernant la sécurité électrique.
- Contactez le service agréé quand un câble d'alimentation est endommagé pour éviter tout danger.
- Ne branchez jamais le réfrigérateur à la prise murale au cours de l'installation. Vous vous exposeriez à un risque de mort ou à de blessures graves.
- Ce réfrigérateur est conçu seulement pour conserver des aliments. Par conséquent, il ne doit pas être utilisé à d'autres fins.
- L'étiquette avec les caractéristiques techniques est située sur le mur gauche à l'intérieur du réfrigérateur.
- Ne branchez jamais votre réfrigérateur à des systèmes d'économie d'énergie, cela peut l'endommager.
- S'il y a une lumière bleue sur le réfrigérateur, ne la regardez pas avec des outils optiques.
- Pour les réfrigérateurs contrôlés manuellement, attendez au moins 5 minutes pour allumer le réfrigérateur après une coupure de courant.
- Si cet appareil venait à changer de propriétaire, n'oubliez pas de remettre la présente notice d'utilisation au nouveau bénéficiaire.

- Évitez d'endommager le câble d'alimentation quand vous transportez le réfrigérateur. Tordre le câble peut entraîner un incendie. Ne placez jamais d'objets lourds sur le câble d'alimentation.



- Évitez de toucher à la prise avec des mains mouillées au moment de brancher l'appareil.
- Évitez de brancher le réfrigérateur lorsque la prise de courant électrique a lâché.
- Pour des raisons de sécurité, évitez de pulvériser directement de l'eau sur les parties externes et internes du réfrigérateur.
- Ne pulvérisez pas de substances contenant des gaz inflammables comme du propane près du réfrigérateur pour éviter tout risque d'incendie et d'explosion.
- Ne placez jamais de récipients contenant de l'eau sur votre réfrigérateur, ils pourraient causer des chocs électriques ou un incendie.
- Évitez de surcharger le réfrigérateur avec une quantité excessive d'aliments. S'il est surchargé, les aliments peuvent tomber, vous blesser et endommager le réfrigérateur quand vous ouvrez la porte.
- Ne placez jamais d'objets au-dessus du réfrigérateur, ils pourraient tomber quand vous ouvrez ou fermez la porte du réfrigérateur.
- Les produits qui nécessitent un contrôle de température précis (vaccin, médicament sensible à la chaleur, matériels scientifiques, etc.) ne doivent pas être conservés dans le réfrigérateur.

- Si le réfrigérateur n'est pas utilisé pendant longtemps, il doit être débranché. Un problème avec le câble d'alimentation pourrait causer un incendie.
- Le bout de la prise électrique doit être nettoyé régulièrement à l'aide d'un chiffon sec, sinon il peut provoquer un incendie.
- Le réfrigérateur peut bouger si ses pieds réglables ne sont pas bien fixés sur le sol. Bien fixer les pieds réglables sur le sol peut empêcher le réfrigérateur de bouger.
- Quand vous transportez le réfrigérateur, ne le tenez pas par la poignée de la porte. Cela peut l'endommager.
- Quand vous devez placer votre produit près d'un autre réfrigérateur ou congélateur, la distance entre les appareils doit être d'au moins 8 cm. Sinon, les murs adjacents peuvent être humidifiés.

## Pour les appareils dotés d'une fontaine à eau

La pression de l'alimentation en eau doit être comprise entre 1 et 8 bars.

- Utilisez uniquement de l'eau potable.

## Sécurité enfants

- Si la porte a un verrouillage, la clé doit rester hors de portée des enfants.
- Les enfants doivent être surveillés et empêchés de s'amuser avec le produit.

## Conformité avec la réglementation DEEE et mise au rebut des déchets

Ce produit ne contient pas de matériaux dangereux et interdits décrits dans la « Règlementation sur le contrôle des déchets d'équipements électriques et électroniques » publié par le Ministère de l'Environnement et de l'Urbanisme. Conforme avec la réglementation DEEE.



Le présent produit a été fabriqué avec des pièces et du matériel de qualité supérieure susceptibles d'être réutilisés et adaptés au recyclage. Par conséquent, nous vous

conseillons de ne pas le mettre au rebut aux côtés des ordures ménagères à la fin de sa durée de vie. Au contraire, rendez-vous dans un point de collecte pour le recyclage de tout matériel électrique et électronique. Veuillez vous rapprocher des autorités de votre localité pour plus d'informations concernant le point de collecte le plus proche. Aidez-nous à protéger l'environnement et les ressources naturelles en recyclant les produits usagés. Pour la sécurité des enfants, coupez le câble d'alimentation et le mécanisme de verrouillage de la porte, le cas échéant. Ce faisant, vous rendez l'appareil inopérant avant sa mise au rebut.

## Informations relatives à l'emballage

Les matériaux d'emballage de cet appareil sont fabriqués à partir de matériaux recyclables, conformément à nos Réglementations Nationales en Environnement. Ne mélangez pas les matériaux d'emballage avec les déchets domestiques ou d'autres déchets. Amenez-les aux points de collecte des matériaux d'emballage, désignés par les autorités locales.

### N'oubliez pas...

Pour la préservation de la nature et de notre santé, il est indispensable de recycler les matières.

Si vous voulez contribuer au recyclage des matériaux d'emballage, vous pouvez vous renseigner auprès d'organisations environnementales ou de l'autorité locale proche de votre domicile.



## **Avertissement sur l'usage des fluides frigorigènes**

### **Si le système de refroidissement de votre appareil contient R600a:**

Ce gaz est inflammable. Par conséquent, veuillez prendre garde à ne pas endommager le système de refroidissement et les tuyauteries lors de son utilisation ou de son transport. En cas de dommages, éloignez votre produit de toute source potentielle de flammes susceptible de provoquer l'incendie de l'appareil. De même, placez le produit dans une pièce aérée.

### **Ne tenez pas compte de cet avertissement si le système de refroidissement de votre appareil contient R134a.**

Le type de gaz utilisé dans l'appareil est mentionné sur la plaque signalétique située sur la paroi gauche de l'intérieur du réfrigérateur.

Ne jetez jamais l'appareil au feu pour vous en débarrasser.

- Pour les produits équipés d'un compartiment congélateur: vous pouvez conserver une quantité maximale d'aliments dans le congélateur quand vous enlevez l'étagère ou le tiroir du congélateur. La consommation d'énergie précisée pour votre réfrigérateur a été déterminée en enlevant l'étagère ou le tiroir du congélateur et avec la charge maximale. Il n'y a aucun risque à utiliser une étagère ou un tiroir en fonction des formes et tailles des aliments à congeler.
- La décongélation des aliments dans le compartiment réfrigérateur permet de faire des économies d'énergie et de préserver la qualité des aliments.

## **Mesures d'économie d'énergie**

- Ne laissez pas les portes du réfrigérateur ouvertes pendant une durée prolongée.
- N'introduisez pas de aliments ou de boissons chaudes dans le réfrigérateur.
- Ne surchargez pas le réfrigérateur pour ne pas obstruer pas la circulation d'air à l'intérieur.
- N'installez pas le réfrigérateur à la lumière directe du soleil ou près d'appareil émettant de la chaleur tels qu'un four, un lave-vaisselle ou un radiateur. Maintenez une distance d'au moins 30 cm entre votre réfrigérateur et toute source de chaleur, et à une distance de 5 cm d'un four électrique.
- Veillez à conserver vos aliments dans des récipients fermés.

### 3 Installation

⚠ Dans l'hypothèse ou l'information contenue dans ce manuel n'a pas été prise en compte par l'utilisateur, le fabricant ne sera aucunement responsable en cas de problèmes.

#### Éléments à prendre en considération lors du déménagement de votre réfrigérateur

1. Le congélateur / réfrigérateur doit être vidé et nettoyé avant tout transport.
2. Les clayettes, accessoires, bac à légumes, etc. de votre congélateur/ réfrigérateur doivent être fixés solidement avec de la bande adhésive avant de remballer l'appareil, pour le protéger en cas de chocs.
3. L'emballage doit être fixé avec une bande adhésive forte et des cordes solides, et les normes de transport indiquées sur l'emballage doivent être appliquées.

#### Gardez à l'esprit les points suivants...

Chaque matériau recyclé est une participation indispensable à la préservation de la nature et conservation de nos ressources nationales.

Si vous souhaitez contribuer à recycler les matériaux d'emballage, vous pouvez obtenir des informations supplémentaires auprès des organismes environnementaux ou des autorités locales.

#### Avant de mettre votre réfrigérateur en marche

Vérifiez les points suivants avant de commencer à utiliser votre réfrigérateur:

1. L'intérieur du réfrigérateur est sec et l'air peut circuler librement à l'arrière?
2. Nettoyez l'intérieur du réfrigérateur tel qu'indiqué dans la section « Entretien et nettoyage ».
3. Insérez la prise du réfrigérateur dans la prise murale. Lorsque la porte du réfrigérateur est ouverte, la lampe interne du réfrigérateur s'éclaire.
4. Lorsque le compresseur commence à fonctionner, il émettra un son. Le liquide et les gaz intégrés au système du réfrigérateur peuvent également faire du bruit, que le compresseur soit en marche ou non. Ceci est tout à fait normal.
5. Les parties antérieures du réfrigérateur peuvent chauffer. Ce phénomène est normal. Ces zones doivent en principe être chaudes pour éviter tout risque de condensation.

#### Branchement électrique

Branchez votre réfrigérateur à une prise électrique protégée par un fusible ayant une capacité appropriée. Important:

- Le branchement doit être conforme aux normes en vigueur sur le territoire national.
- La fiche du câble d'alimentation doit être facilement accessible après installation.
- La sécurité électrique du réfrigérateur n'est assurée que si le système de mise à la terre de votre domicile est conforme aux normes en vigueur.
- La tension indiquée sur l'étiquette située sur la paroi gauche interne de votre produit doit correspondre à celle fournie par votre réseau électrique.
- **Les rallonges et multiprises ne doivent pas être utilisés pour brancher l'appareil.**

⚠ Un câble d'alimentation endommagé doit être remplacé par un électricien qualifié.

⚠ L'appareil ne doit pas être mis en service avant d'être réparé ! Cette précaution permet d'éviter tout risque de choc électrique!

## Mise au rebut de l'emballage

Les matériaux d'emballage peuvent être dangereux pour les enfants. Tenez les matériaux d'emballage hors de portée des enfants ou jetez-les conformément aux consignes établies par les autorités locales en matière de déchets. Ne les jetez pas avec les déchets domestiques, déposez-les dans les centres de collecte désignés par les autorités locales.

L'emballage de votre appareil est produit à partir de matériaux recyclables.

## Mise au rebut de votre ancien réfrigérateur

Débarrassez-vous de votre ancien réfrigérateur sans nuire à l'environnement.

- Vous pouvez consulter le service après-vente agréé ou le centre chargé de la mise au rebut dans votre municipalité pour en savoir plus sur la mise au rebut de votre produit.

Avant de procéder à la mise au rebut de votre machine, coupez la prise électrique et, le cas échéant, tout verrouillage susceptible de se trouver sur la porte. Rendez-les inopérants afin de ne pas exposer les enfants à d'éventuels dangers.

## Disposition et Installation

⚠ Si la porte d'entrée de la pièce où sera installé le réfrigérateur n'est pas assez large pour laisser passer le réfrigérateur, appelez le service après-vente qui retirera les portes du réfrigérateur et le fera entrer latéralement dans la pièce.

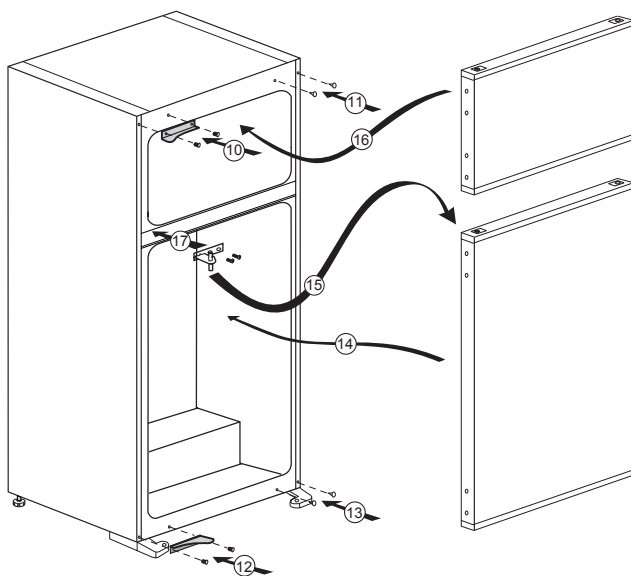
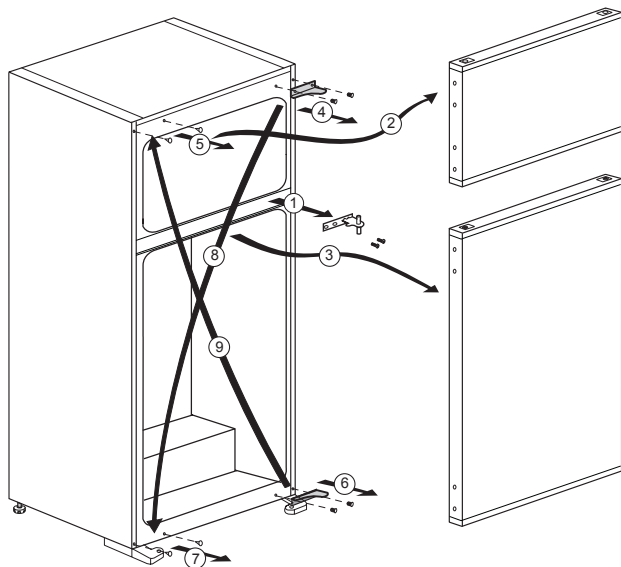
1. Installez le réfrigérateur dans un emplacement qui permette une utilisation pratique.
2. Maintenez le réfrigérateur éloigné de toutes sources de chaleur, des endroits humides et de la lumière directe du soleil.
3. Une ventilation d'air autour du réfrigérateur doit être aménagée pour obtenir un fonctionnement efficace. Si le réfrigérateur est placé dans un enfoncement du mur, il doit y avoir un espace d'au moins 5 cm avec le plafond et d'au moins 5 cm avec le mur. Ne placez pas l'appareil sur des revêtements tels qu'un tapis ou de la moquette.
4. Placez le réfrigérateur sur une surface plane afin qu'il soit stable.
5. N'exposez pas le réfrigérateur à des températures ambiantes inférieures à 10°C.

## Remplacement de l'ampoule intérieure

Pour remplacer l'ampoule LED du réfrigérateur, veuillez contacter le service après-vente agréé. L'ampoule (s) utilisé dans cet appareil ne convient pas pour l'éclairage de la cuisine. Le but visé par cette l'ampoule est d'aider à l'utilisateur de placer les aliments dans le réfrigérateur /congélateur d'une manière sûre et confortable. Les voyants utilisés dans cet appareil doivent résister aux conditions physiques extrêmes telles que des températures inférieures à -20°C.

## Réversibilité des portes

Procédez dans l'ordre numérique.



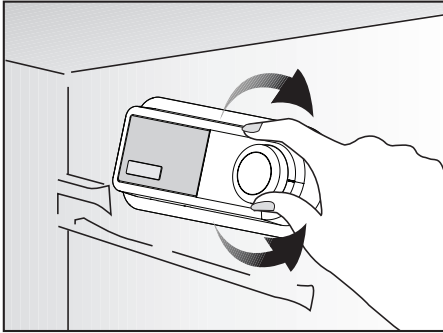
## 4 Préparation

---

- Votre congélateur / réfrigérateur doit être installé à au moins 30 cm des sources de chaleur telles que les plaques de cuisson, les fours, appareils de chauffage ou cuisinières, et à au moins 5 cm des fours électriques. De même, il ne doit pas être exposé à la lumière directe du soleil.
- Veuillez vous assurer que l'intérieur de votre appareil est soigneusement nettoyé.
- La température ambiante de la pièce où vous installez le congélateur / réfrigérateur doit être d'au moins 10°C. Faire fonctionner l'appareil sous des températures inférieures n'est pas recommandé et pourrait nuire à son efficacité.
- Si deux congélateur / réfrigérateurs sont installés côte à côte, ils doivent être séparés par au moins 2 cm.
- Lorsque vous faites fonctionner le congélateur / réfrigérateur pour la première fois, assurez-vous de suivre les instructions suivantes pendant les six premières heures.
- La porte ne doit pas être ouverte fréquemment.
- Le congélateur / réfrigérateur doit fonctionner à vide, sans aliments à l'intérieur.
- Ne débranchez pas le congélateur / réfrigérateur. Si une panne de courant se produit, veuillez vous reporter aux avertissements dans la section «Dépannage».
- L'emballage et les matériaux de protection d'emballage doivent être conservés pour les éventuels transports ou déplacements à venir.

## 5 Utilisation du réfrigérateur

### Bouton de réglage du thermostat



La température intérieure de votre réfrigérateur change pour les raisons suivantes:

- Températures saisonnières.
- Ouverture fréquente de la porte et porte laissée ouverte pendant de longues périodes.
- Aliments introduites dans le réfrigérateur sans réduction à la température ambiante.
- Emplacement du réfrigérateur dans la pièce (par ex. exposition à la lumière directe du soleil).
- Vous pouvez régler les différentes températures intérieures dues à de telles raisons en utilisant le thermostat. Les numéros entourant le bouton du thermostat indiquent le niveau de refroidissement.
- Si la température ambiante est supérieure à 32°C, réglez le bouton du thermostat à la position maximale.
- Si la température ambiante est inférieure à 25°C, réglez le bouton du thermostat à la position minimale.

### Réfrigération

#### Conservation des aliments

Le compartiment réfrigérateur est destiné à la conservation à court terme d'aliments frais et de boissons.

### Congélation

#### Congeler les aliments

Le compartiment de congélation porte ce symbole .

Vous pouvez utiliser cet appareil pour congeler des aliments frais ainsi que pour stocker des aliments surgelés.

Veuillez vous référer aux recommandations indiquées sur l'emballage de votre aliment.

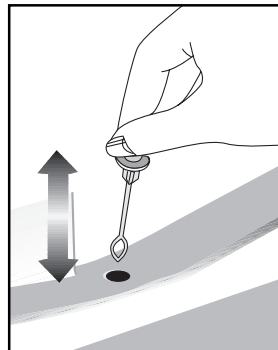
### Décongélation

#### A) Compartiment réfrigérateur

Le compartiment réfrigérateur se dégivre automatiquement.

L'eau générée par le dégivrage s'écoule dans la rainure de collecte de l'eau et passe dans l'évaporateur par le tuyau de vidange où elle s'évapore.

Vérifiez régulièrement le tuyau de vidange pour vous assurer qu'il n'est pas obstrué et débouchez-le en introduisant un bâton dans le trou si nécessaire.



## B) Compartiment congélateur

Le compartiment du congélateur ne réalise pas de dégivrage automatique pour empêcher la détérioration des aliments congelés.

La formation de givre dans le compartiment de congélation doit être éliminée tous les 6 mois. Il est recommandé de réaliser le dégivrage lorsque le compartiment du surgélateur n'est pas beaucoup rempli ou lorsqu'il est vide.

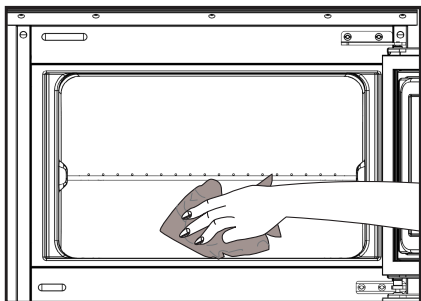
Emballer les aliments congelés dans le réfrigérateur à l'aide de quelques feuilles de papier et conservez-le dans l'endroit le plus froid possible ou dans un autre réfrigérateur.

Arrêtez votre réfrigérateur à l'aide du bouton de réglage de la température, ou débranchez la prise d'alimentation. Vous pouvez mettre un récipient plein d'eau chaude dans le compartiment congélateur ou laisser sa porte ouverte afin d'accélérer le processus de dégivrage.

Enlevez l'eau qui s'accumule dans le compartiment de congélation à l'aide d'une éponge ou d'un chiffon absorbant.

Séchez le compartiment complètement et remplacez le bouton de réglage de la température dans sa position d'origine.

Faites fonctionner votre réfrigérateur à vide pendant 2 heures, portes fermées, avant d'y remettre vos aliments.



## Eteindre le produit

Si la position « 0 » se trouve sur votre thermostat:

- Votre appareil cessera de fonctionner lorsque vous mettrez le bouton du thermostat à la position « 0 » (zéro). Votre appareil ne démarrera pas à moins que vous mettiez le bouton du thermostat sur la position « 1 » ou sur l'une des autres positions.

Si la position « min » se trouve sur votre thermostat:

- Débranchez votre appareil pour l'arrêter.

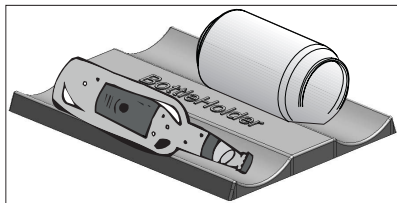
## Fabrication de glaçons

Remplissez le récipient à glaçons avec de l'eau et remettez-le à sa place. Vos glaçons seront prêts dans environ deux heures.

Vous pouvez facilement enlever votre glaçon en tordant légèrement le récipient qui le contient.

## Porte-bouteille

Cet accessoire peut être utilisé pour stocker des bouteilles soit canettes côte à côte.



## 6 Entretien et nettoyage

---

- ⚠ N'utilisez jamais d'essence, de benzène ou de matériaux similaires pour le nettoyage.
- ⚠ Nous vous recommandons de débrancher l'appareil avant de procéder au nettoyage.
- ℹ N'utilisez jamais d'ustensiles tranchants, savon, produit de nettoyage domestique, détergent et cirage pour le nettoyage.
- ℹ Utilisez de l'eau tiède pour nettoyer la carrosserie du congélateur / réfrigérateur et séchez-la soigneusement à l'aide d'un chiffon.
- ℹ Utilisez un chiffon humide imbibé d'une solution composée d'une cuillère à café de bicarbonate de soude pour un demi litre d'eau pour nettoyer l'intérieur et séchez soigneusement.
- ⚠ Prenez soin de ne pas faire couler d'eau dans le logement de la lampe et dans d'autres éléments électriques.
- ⚠ En cas de non utilisation de votre congélateur / réfrigérateur pendant une période prolongée, débranchez le câble d'alimentation, sortez toutes les aliments, nettoyez-le et laissez la porte entrouverte.
- ℹ Inspectez les joints de porte régulièrement pour vérifier qu'ils sont propres et qu'il n'y a pas de résidus de nourriture.

ℹ Pour retirer les balconnets de portes, sortez tout son contenu puis poussez simplement le balconnet vers le haut à partir de la base.

ℹ Ne jamais utiliser des produits nettoyants ou de l'eau contenant du chlore pour le nettoyage des surfaces externes et des pièces chromées du produit. Le chlore entraîne la corrosion de ces surfaces métalliques.

### Protection des surfaces en plastique

- Ne placez pas d'huiles ou de plats huileux dans le congélateur / réfrigérateur dans des récipients non fermés, car les graisses peuvent endommager les surfaces en plastique du congélateur / réfrigérateur. Si vous versez ou éclaboussez de l'huile sur les surfaces en plastique, nettoyez et lavez les parties souillées avec de l'eau chaude immédiatement.



## 7 Dépannage

Veillez vérifier la liste suivante avant d'appeler le service après-vente. Cela peut vous faire économiser du temps et de l'argent. Cette liste regroupe les problèmes les plus fréquents ne provenant pas d'un défaut de fabrication ou d'utilisation du matériel. Il se peut que certaines des fonctions décrites ne soient pas présentes sur votre produit.

### Le réfrigérateur ne fonctionne pas.

- La fiche n'est pas insérée correctement dans la prise de courant. >>>Insérez correctement la fiche dans la prise de courant.
- Est-ce que le fusible ou la douille de raccord du réfrigérateur sont connectés ou est-ce que le fusible principal a sauté ? >>>Vérifiez le fusible.

### Condensation sur la paroi intérieure du compartiment réfrigérateur. (MULTIZONE, COOL CONTROL et FLEXI ZONE).

- La température ambiante est très froide. >>>N'installez pas le réfrigérateur dans des endroits où la température peut être inférieure à 10°C.
- La porte a été ouverte souvent. >>>Évitez d'ouvrir et de fermer trop fréquemment la porte du réfrigérateur.
- L'environnement est très humide. >>>N'installez pas votre réfrigérateur dans des endroits très humides.
- La nourriture contenant du liquide est conservée dans des récipients ouverts. >>>Ne conservez pas de la nourriture contenant du liquide dans des récipients ouverts.
- La porte du réfrigérateur est laissée entrouverte. >>>Fermez la porte du réfrigérateur.
- Le thermostat est réglé à un niveau très froid. >>>Réglez le thermostat à un niveau adapté.

### Le compresseur ne fonctionne pas.

- Le dispositif de protection thermique du compresseur sautera en cas de coupures soudaines du courant ou de débranchement intempestif, en effet la pression du liquide réfrigérant du système de refroidissement ne sera pas équilibrée. Le réfrigérateur recommencera à fonctionner normalement après 6 minutes environ. Veuillez contacter le service après-vente si le réfrigérateur ne redémarre pas après cette période.
- Le réfrigérateur est en mode de dégivrage. >>>Cela est normal pour un réfrigérateur à dégivrage semi-automatique. Le cycle de dégivrage se déclenche régulièrement.
- Le réfrigérateur n'est pas branché à la prise. >>>Assurez-vous que la prise est branchée dans la prise murale.
- Les réglages de température ne sont pas effectués correctement. >>>Sélectionnez la température appropriée.
- Il y a une panne de courant. >>>Le réfrigérateur recommence à fonctionner normalement après le retour du courant.

### Le niveau sonore augmente lorsque le réfrigérateur est en marche.

- Les caractéristiques de performance du réfrigérateur peuvent changer en raison des variations de la température ambiante. Cela est normal et n'est pas un défaut.

Le réfrigérateur fonctionne fréquemment ou pendant de longues périodes.

- Votre nouveau réfrigérateur est peut-être plus large que l'ancien. Les grands réfrigérateurs durent plus longtemps.
- La température de la pièce est probablement élevée. >>>Il est normal que l'appareil fonctionne plus longtemps quand la température ambiante est élevée.
- Le réfrigérateur pourrait y avoir été branché tout récemment ou pourrait avoir été chargé de aliments alimentaires. >>>Quand le réfrigérateur a été branché ou récemment rempli avec de la nourriture, il met plus de temps à atteindre la température réglée. Ce phénomène est normal.
- D'importantes quantités de aliments chaudes ont peut-être été introduites dans le réfrigérateur récemment. >>>Ne mettez pas de nourriture chaude dans le réfrigérateur.
- Les portes ont peut-être été ouvertes fréquemment ou laissées entrouvertes pendant une durée prolongée. >>>L'air chaud qui entre dans l'appareil oblige le réfrigérateur à travailler sur de plus longues périodes. N'ouvrez pas les portes fréquemment.
- La porte du congélateur ou du réfrigérateur est probablement entrouverte. >>>Vérifiez que les portes sont bien fermées.
- Le réfrigérateur est réglé à une température très basse. >>>Réglez la température du réfrigérateur à un degré supérieur et attendez que la température réglée soit atteinte.
- Le joint de la porte du réfrigérateur ou du congélateur peut être sale, déchiré, rompu ou mal en place. >>>Nettoyez ou remplacez le joint. Tout joint endommagé/déchiré fait fonctionner le réfrigérateur pendant une période de temps plus longue afin de conserver la température actuelle.

La température du congélateur est très basse alors que celle du réfrigérateur est correcte.

- La température du congélateur est réglée à une température très basse. >>>Réglez la température du congélateur à un degré supérieur et vérifiez.

La température du réfrigérateur est très basse alors que celle du congélateur est correcte.

- La température du réfrigérateur est réglée à une température très basse. >>>Réglez la température du réfrigérateur à un degré supérieur et vérifiez.

Les aliments conservés dans les tiroirs du compartiment de réfrigération sont congelés.

- La température du réfrigérateur est réglée à une température très basse. >>>Réglez la température du réfrigérateur à un niveau inférieur et vérifiez.

<p>La température dans le réfrigérateur ou le congélateur est très élevée.</p> <ul style="list-style-type: none"> <li>• La température du réfrigérateur est réglée à une température très basse. &gt;&gt;&gt;Le réglage du compartiment réfrigérant a un effet sur la température du congélateur. Changez les températures du réfrigérateur ou du congélateur et attendez que les compartiments atteignent une température suffisante.</li> <li>• Les portes ont peut être été ouvertes fréquemment ou laissées entrouvertes pendant une durée prolongée. &gt;&gt;&gt;N'ouvrez pas les portes fréquemment.</li> <li>• La porte est entrouverte. &gt;&gt;&gt;Refermez complètement la porte.</li> <li>• Le réfrigérateur a été récemment branché ou rempli avec de la nourriture. &gt;&gt;&gt;Ce phénomène est normal. Lorsque le réfrigérateur vient d'être branché ou récemment rempli avec de la nourriture, il met plus de temps à atteindre la température réglée.</li> <li>• D'importantes quantités de aliments chaudes ont peut être été introduites dans le réfrigérateur récemment. &gt;&gt;&gt;Ne mettez pas de nourriture chaude dans le réfrigérateur.</li> </ul>
<p>Vibrations ou bruits.</p> <ul style="list-style-type: none"> <li>• Le sol n'est pas plat ou stable. &gt;&gt;&gt;Si le réfrigérateur balance lorsqu'il est déplacé lentement, équilibrez-le en ajustant sa base. Assurez-vous que le sol est plat et suffisamment solide pour supporter le poids et le volume de l'appareil.</li> <li>• Les éléments placés sur le réfrigérateur peuvent faire du bruit. &gt;&gt;&gt;Enlevez les éléments du haut du réfrigérateur.</li> </ul>
<p>Le réfrigérateur produit des bruits semblables à de l'eau qui coule, à la pulvérisation d'un liquide, etc.</p> <ul style="list-style-type: none"> <li>• Des écoulements de gaz et de liquides surviennent dans le réfrigérateur, de par ses principes de fonctionnement Cela est normal et n'est pas un défaut.</li> </ul>
<p>Un sifflement sort du réfrigérateur.</p> <ul style="list-style-type: none"> <li>• Les ventilateurs sont utilisés pour refroidir le réfrigérateur. Cela est normal et n'est pas un défaut.</li> </ul>
<p>Condensation sur les parois intérieures du réfrigérateur.</p> <ul style="list-style-type: none"> <li>• Un temps chaud et humide augmente la formation de givre et de condensation. Cela est normal et n'est pas un défaut.</li> <li>• Les portes ont peut être été ouvertes fréquemment ou laissées entrouvertes pendant une durée prolongée. &gt;&gt;&gt;N'ouvrez pas les portes fréquemment. Refermez-les si elles sont ouvertes.</li> <li>• La porte est entrouverte. &gt;&gt;&gt;Refermez complètement la porte.</li> </ul>
<p>De l'humidité est présente à l'extérieur ou entre les portes du réfrigérateur.</p> <ul style="list-style-type: none"> <li>• Il y a peut être de l'humidité dans l'air; ceci est tout à fait normal par un temps humide. Lorsque l'humidité est faible, la condensation disparaîtra.</li> </ul>
<p>Présence d'une mauvaise odeur dans le réfrigérateur.</p> <ul style="list-style-type: none"> <li>• Il n'y a pas de nettoyage régulier effectué. &gt;&gt;&gt;Nettoyez régulièrement l'intérieur du réfrigérateur avec une éponge, de l'eau tiède ou du carbonate dissout dans l'eau.</li> <li>• Certains récipients ou matériaux d'emballage peuvent provoquer ces odeurs. &gt;&gt;&gt;Utilisez un autre récipient ou changez de marque de matériau d'emballage.</li> <li>• Les aliments sont mises au réfrigérateur dans des récipients sans couvercle. &gt;&gt;&gt;Conservez les aliments liquides dans des récipients fermés. Les micro-organismes issus de récipients non fermés peuvent dégager des odeurs désagréables.</li> <li>• Enlevez les aliments périmés et pourris du réfrigérateur.</li> </ul>
<p>La porte ne se ferme pas.</p> <ul style="list-style-type: none"> <li>• Des récipients empêchent la fermeture de la porte. &gt;&gt;&gt;Retirez les emballages qui obstruent la porte.</li> <li>• Le réfrigérateur n'est pas complètement vertical sur le sol. &gt;&gt;&gt;Ajustez les pieds du réfrigérateur pour l'équilibrer.</li> <li>• Le sol n'est pas plat ou solide. &gt;&gt;&gt;Assurez-vous que le sol est plat et qu'il peut supporter le poids du réfrigérateur.</li> </ul>
<p>Les bacs à légumes sont coincés.</p> <ul style="list-style-type: none"> <li>• Il se peut que les aliments touchent le haut du tiroir. &gt;&gt;&gt;Disposez à nouveau les aliments dans le tiroir.</li> </ul>

## Lea este manual antes de utilizar el frigorífico!

Estimado cliente:

Esperamos que este aparato, que ha sido fabricado en plantas dotadas de la más avanzada tecnología y sometido a los más estrictos procedimientos de control de calidad, le preste un servicio eficaz.




Para ello, le recomendamos que lea atentamente el presente manual antes de utilizar el aparato, y que lo tenga a mano para futuras consultas.

### Este manual

- Le ayudará a usar el electrodoméstico de manera rápida y segura.
- Lea el manual antes de instalar y poner en funcionamiento el aparato.
- Siga las instrucciones, en particular las relacionadas con la seguridad.
- Conserve el manual en un sitio de fácil acceso, ya que podría necesitarlo en el futuro.
- Lea también los demás documentos suministrados junto con el aparato.
- Tenga en cuenta que este manual también podría ser válido para otros modelos.

### Símbolos y sus descripciones

El presente manual de instrucciones emplea los siguientes símbolos:

-  Información importante o consejos útiles sobre el funcionamiento.
-  Advertencia sobre situaciones peligrosas para la vida y la propiedad.
-  Advertencia acerca de la tensión eléctrica.



### ¡ADVERTENCIA!

Para asegurarse del funcionamiento normal de vuestro refrigerador, conteniendo el refrigerante R600a que contribuye a la protección del ámbito (inflamable sólo en ciertas condiciones), le conviene a respetar las reglas siguientes:

- No impide la circulación del aire alrededor del aparato.
- No utilizar utensilios mecánicos o otros dispositivos para acelerar el proceso de descongelación otros de los recomendados por el fabricante.
- No cause daño al circuito refrigerante.
- No utilizar aparatos eléctricos en el interior de los compartimentos de la conservación de los alimentos, si estos no están conformes con el tipo de aparato recomendado por el fabricante.

### INFORMACIÓN



**ENERG**



SUPPLIER'S NAME

MODEL IDENTIFIER

(\*)

A

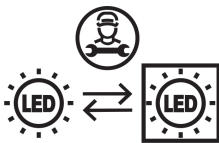
A

La información del modelo, tal como está almacenada en la base de datos de productos, puede ser consultada en la página web siguiente introduciendo el identificador del modelo (\*) que se encuentra en la etiqueta de clasificación energética.

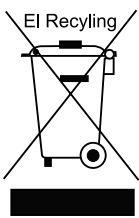
<https://eprel.ec.europa.eu/>

# ÍNDICE

<b>1 Su frigorífico</b>	<b>3</b>	<b>4 Preparación</b>	<b>10</b>
<b>2 Avisos importantes sobre la seguridad</b>	<b>4</b>	<b>5 Uso del frigorífico</b>	<b>11</b>
Finalidad prevista.....	4	Botón de ajuste del termostato.....	11
Seguridad general.....	4	Refrigeración .....	11
Productos equipados con dispensador de agua:.....	6	Congelación .....	11
Seguridad infantil.....	6	Deshielo .....	11
Advertencia sobre la seguridad de la salud .....	6	Parada del aparato .....	12
Consejos para el ahorro de energía ...	6	Producción de hielo .....	12
		Retenedor de botellas .....	12
<b>3 Instalación</b>	<b>7</b>	<b>6 Mantenimiento y limpieza</b>	<b>13</b>
Cuestiones a considerar a la hora de transportar el frigorífico .....	7	Protección de las superficies de plástico.....	13
Antes de usar el frigorífico.....	7		
Conexiones eléctricas.....	7	<b>7 Sugerencias para la solución de problemas</b>	<b>14</b>
Eliminación del embalaje.....	8		
Eliminación de su viejo frigorífico.....	8		
Colocación e instalación .....	8		
Sustitución de la bombilla interior .....	8		
Inversión de las puertas .....	9		

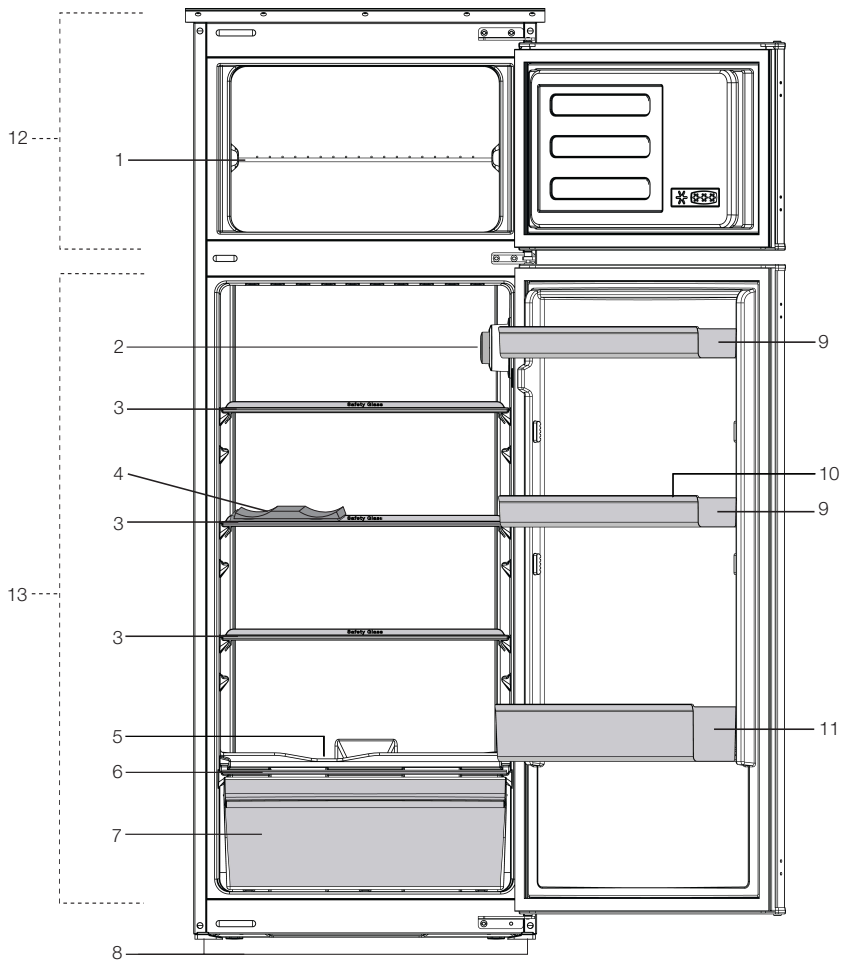


Este producto está equipado con una fuente de iluminación de la clase energética "G". La fuente de iluminación de este producto sólo debe ser sustituida por reparadores profesionales.



Este producto incorpora el símbolo de recogida selectiva de residuos de equipos eléctricos y electrónicos. Ello significa que este producto debe ser manipulado teniendo en cuenta la Directiva Europea 2012/19/EU, en orden de ser reciclado o recuperado para minimizar su impacto en el medio ambiente. Para más información rogamos contacte con las autoridades locales o regionales más próximas a su domicilio. Los productos electrónicos no incluidos en el proceso de recogida selectiva son potencialmente peligrosos para el medio ambiente y la salud humana debido a la presencia de ciertas sustancias.

# 1 Su frigorífico



- |  |                               |
|--|-------------------------------|
| 1. Estante del congelador              | 7. Cajón de frutas y verduras |
| 2. Bombilla y termostato               | 8. Pies delanteros            |
| 3. Estantes móviles                    | 9. Estantes de la puerta      |
| 4. Retenedor de botellas               | 10. Ajustables Huevera        |
| 5. Colector de agua                    | 11. Estantes para botellas    |
| 6. Tapa del cajón de frutas y verduras | 12. Compartimento congelador  |
|  | 13. Compartimento frigorífico |

**i** Las ilustraciones incluidas en el presente manual de instrucciones son esquemáticas y puede que no se adecúen a su aparato con exactitud. Si alguno de los elementos reflejados no se corresponde con el aparato que usted ha adquirido, entonces será válido para otros modelos.

## 2 Avisos importantes sobre la seguridad

Lea con atención la siguiente información. No tener en cuenta dicha información podría acarrear lesiones o daños materiales. En tal caso, las garantías y los compromisos de fiabilidad quedarían anulados.

Se proporcionarán piezas de recambio originales durante 10 años, después de la fecha de compra del producto.

### Finalidad prevista

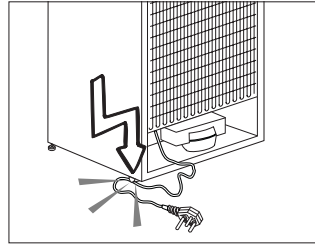
Este aparato está diseñado para usarse en los siguientes entornos:

- Interiores y entornos cerrados tales como domicilios particulares;
- Este aparato no se debe usar al aire libre.

### Seguridad general

- Cuando desee deshacerse del aparato, le recomendamos que solicite a su servicio técnico autorizado la información necesaria a este respecto, así como la relación de entidades locales a las que puede dirigirse.
- En caso de dudas o problemas, diríjase a su servicio técnico autorizado. No intente reparar el frigorífico sin consultar con el servicio técnico, ni deje que nadie lo haga.
- Para aparatos equipados con un compartimento congelador: no consuma los helados o cubitos de hielo inmediatamente después de sacarlos del compartimento congelador, ya que podría sufrir daños en su boca a causa del frío.
- Para aparatos equipados con un compartimento congelador: no deposite bebidas embotelladas o enlatadas en el compartimento congelador, ya que podrían estallar.
- No toque con la mano los alimentos congelados, ya que podrían adherirse a ella.
- Desenchufe su frigorífico antes de proceder a su limpieza o deshielo.
- No utilice nunca materiales de limpieza que usen vapor para limpiar o descongelar el frigorífico. El vapor podría entrar en contacto con los elementos eléctricos y causar cortocircuitos o descargas eléctricas.
- No utilice nunca elementos del frigorífico tales como la puerta como medio de sujeción o como escalón.
- No utilice aparatos eléctricos en el interior del frigorífico.
- Evite dañar el circuito del refrigerante con herramientas cortantes o de perforación. El refrigerante que puede liberarse si se perforan los canales de gas del evaporador, los conductos o los recubrimientos de las superficies causa irritaciones en la piel y lesiones en los ojos.
- No cubra ni bloquee los orificios de ventilación de su frigorífico con ningún material.
- Deje la reparación de los aparatos eléctricos únicamente en manos de personal autorizado. Las reparaciones realizadas por personas incompetentes generan riesgos para el usuario.
- En caso de fallo o cuando vaya a realizar cualquier operación de reparación o mantenimiento, desconecte el frigorífico de la corriente apagando el fusible correspondiente bien desenchufando el aparato.
- No desenchufe el aparato de la toma de corriente tirando del cable.
- Coloque las bebidas de mayor graduación alcohólica juntas y en posición vertical.
- No almacene en el frigorífico aerosoles que contengan sustancias inflamables o explosivas.
- No utilice dispositivos mecánicos u otros medios para acelerar el proceso de deshielo distintos de los recomendados por el fabricante.

- Este aparato no debe ser utilizado por niños o por personas con sus facultades físicas, sensoriales o mentales reducidas o bien que carezcan de la experiencia y los conocimientos necesarios, a menos que lo hagan bajo la supervisión de personas responsables de su seguridad o bien tras haber recibido instrucciones de uso por parte de dichas personas.
- No utilice un frigorífico que haya sufrido daños. Consulte con el servicio de atención al cliente en caso de duda.
- La seguridad eléctrica de su frigorífico sólo estará garantizada si el sistema de toma de tierra de su domicilio se ajusta a los estándares.
- Desde el punto de vista de la seguridad eléctrica, es peligroso exponer el aparato a la lluvia, la nieve o el viento.
- Póngase en contacto con el servicio técnico autorizado en caso de que el cable de alimentación principal se dañe, para evitar cualquier peligro.
- Nunca enchufe el frigorífico en la toma de corriente durante su instalación. Existe peligro de lesiones graves e incluso de muerte.
- Este frigorífico está únicamente diseñado para almacenar alimentos. No debe utilizarse para ningún otro propósito.
- La etiqueta que contiene los datos técnicos del frigorífico se encuentra en la parte interior izquierda del mismo.
- Jamás conecte el frigorífico a sistemas de ahorro de electricidad, ya que podría dañarlo.
- Si el frigorífico está equipado con una luz azul, no la mire a través de dispositivos ópticos.
- En los frigoríficos de control manual, si se produce un corte del fluido eléctrico espere al menos 5 minutos antes de volver a ponerlo en marcha.
- Cuando entregue este aparato a un nuevo propietario, asegúrese de entregar también este manual de instrucciones.
- Tenga cuidado de no dañar el cable de alimentación al transportar el frigorífico. Doblar el cable podría causar un incendio. Nunca deposite objetos pesados encima del cable de alimentación. No toque el enchufe con las manos mojadas para conectar el aparato.



- No enchufe el frigorífico si el enchufe no encaja con firmeza en la toma de corriente de la pared.
- Por razones de seguridad, no pulverice agua directamente en la partes interiores o exteriores de este aparato.
- No rocíe cerca del frigorífico sustancias que contengan gases inflamables tales como gas propano para evitar riesgos de incendio y explosiones.
- Nunca coloque recipientes con agua sobre el frigorífico, ya que podría provocar una descarga eléctrica o un incendio.
- No deposite cantidades excesivas de alimentos en el frigorífico. Si lo hace, al abrir la puerta del frigorífico los alimentos podrían caerse y provocar lesiones personales o dañar el frigorífico. Nunca coloque objetos sobre el frigorífico, ya que podrían caer al abrir o cerrar la puerta.
- No guarde en el frigorífico productos que necesiten un control preciso de la temperatura tales como vacunas, medicamentos sensibles al calor, materiales científicos, etc.
- Desenchufe el frigorífico si no lo va a utilizar durante un periodo prolongado de tiempo. Un problema en el cable de alimentación podría causar un incendio.
- Limpie regularmente la punta del enchufe, ya que de lo contrario puede provocar un incendio.
- Limpie regularmente la punta del enchufe con un paño seco; de lo contrario podría provocarse un incendio.



- El frigorífico podría moverse si los pies no están adecuadamente asentados en el suelo. Fijar adecuadamente los pies del frigorífico en el suelo puede ayudar a evitar que se mueva.
- Cuando transporte el frigorífico, no lo aferre del asa de la puerta. De lo contrario, podría romperla.
- Cuando tenga que colocar el frigorífico cerca de otro frigorífico o congelador, deberá dejar un espacio entre ambos aparatos de 8 cm como mínimo. De lo contrario, podría formarse humedad en las paredes adyacentes.

## Productos equipados con dispensador de agua

La presión de la red de suministro de agua debe ser de un mínimo de 1 bar. La presión de la red de suministro de agua debe ser de 8 bares como máximo.

- Use agua potable únicamente.

## Seguridad infantil

- Si la puerta tiene cerradura, mantenga la llave fuera del alcance de los niños.
- Vigile a los niños para evitar que manipulen el aparato.

## Advertencia sobre la seguridad de la salud

### Si el sistema de refrigeración de su aparato contiene R600a:

Este gas es inflamable. Por lo tanto, procure no dañar el sistema de enfriamiento ni sus conductos durante el uso o el transporte del aparato. En caso de daños, mantenga el aparato alejado de fuentes potenciales de ignición que puedan provocar que éste sufra un incendio, y ventile la estancia en la que se encuentre el aparato.


### Ignore esta advertencia si el sistema de refrigeración de su aparato contiene R134a.

El tipo de gas utilizado en el aparato se indica en la placa de datos ubicada en la pared interior izquierda del frigorífico. Jamás arroje el aparato al fuego.

## Consejos para el ahorro de energía

- No deje las puertas del frigorífico abiertas durante periodos largos de tiempo.
- No introduzca alimentos o bebidas calientes en el frigorífico.
- No sobrecargue el frigorífico, ya que entorpecería la circulación del aire en su interior.
- No instale el frigorífico de forma que quede expuesto a la luz solar directa o cerca de aparatos que irradian calor tales como hornos, lavavajillas o radiadores.
- Procure depositar los alimentos en recipientes cerrados.
- Productos equipados con compartimento congelador: puede disponer del máximo volumen para el depósito de alimentos retirando el estante o el cajón del congelador. El consumo energético que se indica para su frigorífico se ha calculado retirando el estante o el cajón del congelador y en condiciones de máxima carga. No existe ningún riesgo en la utilización de un estante o cajón según las formas o tamaños de los alimentos que se van a congelar.
- Descongele los alimentos congelados en el compartimento frigorífico; ahorrará energía y preservará la calidad de los alimentos.

### 3 Instalación

 Recuerde que el fabricante declina toda responsabilidad en caso de incumplimiento de las instrucciones de este manual.

#### Cuestiones a considerar a la hora de transportar el frigorífico

1. El frigorífico debe estar vacío y limpio antes de proceder a su transporte.
2. Los estantes, accesorios, el cajón de frutas y verduras, etc., deben sujetarse con cinta adhesiva antes de embalar el frigorífico para evitar que se muevan.
3. Encinte el frigorífico una vez embalado con cinta gruesa y fíjelo con cuerdas resistentes. Siga las reglas de transporte que encontrará impresas en el propio embalaje.

#### No olvide que:

El reciclaje de materiales es un asunto de vital importancia para la naturaleza y para los recursos del país.

Si desea contribuir al reciclaje de los materiales de embalaje, solicite más información a los responsables medioambientales de su zona o a las autoridades locales.

#### Antes de usar el frigorífico

Antes de empezar a usar el frigorífico, verifique lo siguiente:

1. El interior del frigorífico está seco y el aire puede circular con libertad por su parte posterior.
2. Limpie el interior del frigorífico de la forma recomendada en la sección "Mantenimiento y Limpieza".


3. Enchufe el frigorífico a la toma de corriente. Al abrir la puerta del frigorífico, la luz interior del compartimento frigorífico se enciende.
4. Se oye un ruido cada vez que el compresor se pone en funcionamiento. El líquido y los gases contenidos en el sistema de refrigeración pueden también generar ruidos, incluso aunque el compresor no esté funcionando, lo cual es normal.
5. Es posible que las aristas delanteras del aparato se noten calientes al tacto, cosa que es perfectamente normal. Estas zonas deben permanecer calientes para evitar la condensación.


#### Conexiones eléctricas

Conecte el frigorífico a una toma de corriente provista de toma de tierra y protegida por un fusible de la capacidad adecuada.

Importante:

- La conexión debe cumplir con las normativas nacionales.
- El enchufe de alimentación debe ser fácilmente accesible tras la instalación.
- La tensión especificada debe corresponder a la tensión de la red eléctrica.
- No use cables de extensión ni enchufes múltiples para conectar la unidad.

 Todo cable de alimentación dañado debe ser reemplazado por un electricista cualificado.

 No ponga en funcionamiento el aparato hasta que esté reparado, ya que existe peligro de cortocircuito.

## Eliminación del embalaje

Los materiales de empaque pueden ser peligrosos para los niños.

Manténgalos fuera de su alcance o deshágase de ellos clasificándolos según las instrucciones para la eliminación de residuos. No los tire junto con los residuos domésticos normales.

El embalaje del frigorífico se ha fabricado con materiales reciclables.

## Eliminación de su viejo frigorífico

Deshágase de su viejo frigorífico de manera respetuosa con el medio ambiente.

- Consulte las posibles alternativas a un distribuidor autorizado o al centro de recogida de residuos de su municipio.

Antes de proceder a la eliminación del frigorífico, corte el enchufe y, si las puertas tuvieran cierres, destrúyalos para evitar que los niños corran riesgos.

## Colocación e instalación

⚠ Si la puerta de entrada a la estancia donde va a instalar el frigorífico no es lo suficientemente ancha como para permitir su paso, solicite al servicio técnico que retire las puertas del frigorífico y lo pase de lado a través de la puerta.

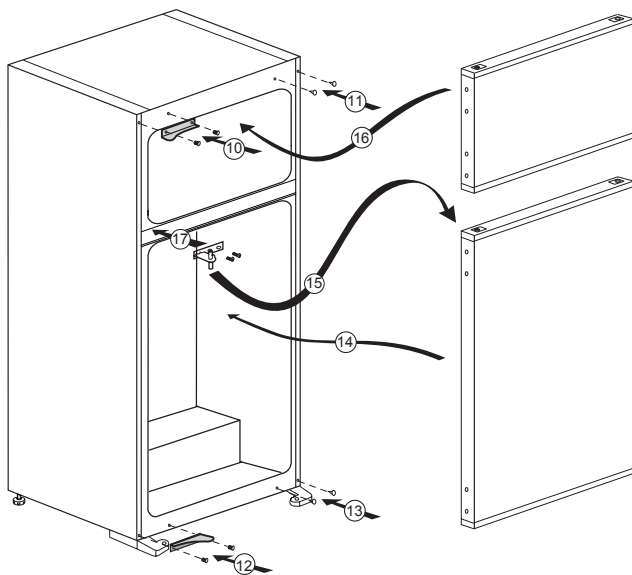
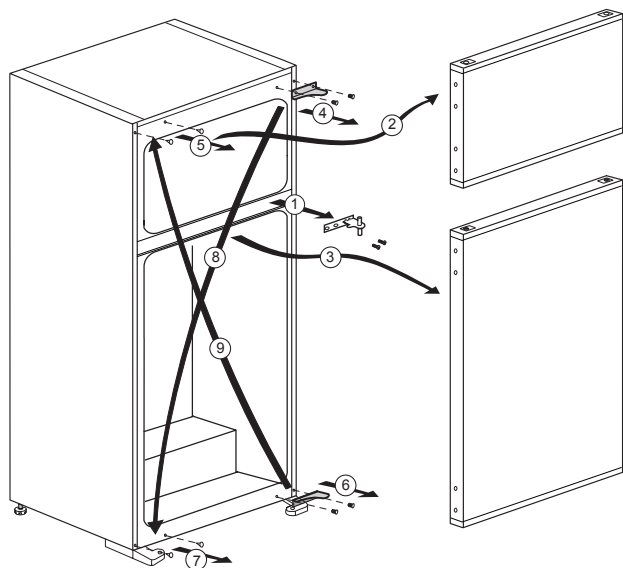
1. Instale el frigorífico en un lugar en el que pueda utilizarse con comodidad.
2. Mantenga el frigorífico alejado de fuentes de calor y lugares húmedos y evite su exposición directa a la luz solar.
3. Para que el frigorífico funcione con la máxima eficacia, debe instalarse en una zona que disponga de una ventilación adecuada. Si el frigorífico va a instalarse en un hueco de la pared, debe dejarse un mínimo de 5 cm de separación con el techo y de 5 cm con las paredes. Si el suelo está cubierto con una alfombra, deberá elevar el frigorífico 2,5 cm del suelo.
4. Coloque el frigorífico sobre una superficie lisa para evitar sacudidas.
5. No instale el frigorífico en estancias cuya temperatura ambiente sea inferior a 10°C.

## Sustitución de la bombilla interior

Para cambiar la bombilla utilizada para iluminar el frigorífico, póngase en contacto con el servicio técnico autorizado. Las bombillas de este electrodoméstico no sirven para la iluminación en el hogar. Su propósito es el de ayudar al usuario a colocar los alimentos en el frigorífico o congelador de forma cómoda y segura. Las lámparas utilizadas en este electrodoméstico deben soportar unas condiciones físicas extremas como temperaturas inferiores a -20°C.

## Inversión de las puertas

Proceder en orden numérico.



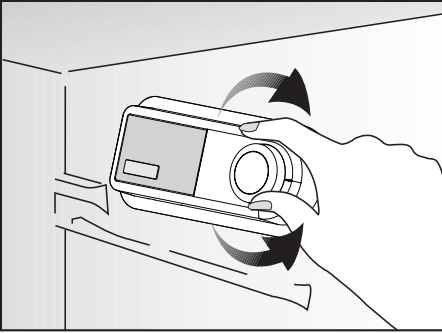
## 4 Preparación

---

- El frigorífico debe instalarse dejando una separación no inferior a 30 cm respecto a fuentes de calor tales como quemadores, hornos, calefacciones o estufas y no inferior a 5 cm con respecto a hornos eléctricos, evitando asimismo su exposición directa a la luz solar.
- La temperatura ambiente de la estancia donde instale el frigorífico no debe ser inferior a 10°C. A temperaturas inferiores, el frigorífico puede ver reducida su eficacia.
- Asegúrese de limpiar meticulosamente el interior del frigorífico.
- En caso de que vaya a instalar dos frigoríficos uno al lado del otro, debe dejar una separación no inferior a 2 cm entre ellos.
- Al utilizar el frigorífico por primera vez, siga las siguientes instrucciones referentes a las primeras seis horas.
- No abra la puerta con frecuencia.
- No deposite alimentos en el interior.
- No desenchufe el frigorífico. En caso de corte del suministro eléctrico ajeno a su voluntad, consulte las advertencias de la sección "Sugerencias para la solución de problemas".
- Guarde el embalaje original para futuros traslados.

## 5 Uso del frigorífico

### Botón de ajuste del termostato



La temperatura interior del frigorífico varía por diversos motivos, entre ellos:

- Temperatura de la estación.
- Abrir la puerta con frecuencia y dejarla abierta durante mucho tiempo.
- Introducir en el frigorífico alimentos sin esperar que su temperatura alcance la temperatura ambiente.
- La ubicación del frigorífico en la estancia (por ejemplo, que esté expuesto a la luz solar).
- Puede ajustar las variaciones de la temperatura interior debidas, por ejemplo, a la utilización del termostato. Los números alrededor del botón del termostato indican los grados de enfriamiento.
- Si la temperatura ambiente es superior a 32°C, coloque el termostato al máximo.
- Si la temperatura ambiente es inferior a 25°C, coloque el termostato al mínimo.

### Refrigeración

#### Almacenamiento de los alimentos

El compartimento frigorífico está destinado al almacenamiento de alimentos frescos y bebidas por un periodo de tiempo breve.

### Congelación

#### Congelación de alimentos

El compartimento de congelación aparece marcado con el símbolo



El electrodoméstico puede utilizarse para congelar alimentos frescos así como para almacenar preparados precongelados.

Por favor, consulte las recomendaciones que figuran en el envase de los alimentos

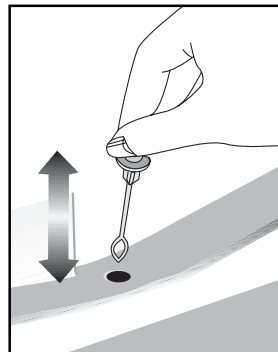
### Deshielo

#### A) Compartimento frigorífico

El compartimento frigorífico realiza un deshielo totalmente automático.

El agua resultante del deshielo pasa por la ranura de recogida de agua y fluye al evaporador a través del tubo de drenaje, donde se evapora.

Compruebe con regularidad los posibles atascos del tubo de drenaje y límpielo introduciendo un palillo en el orificio, si es necesario.



## B) Compartimento congelador

El compartimento congelador no realiza deshielo automático para evitar cualquier efecto sobre los alimentos congelados.

La escarcha que se forma en el compartimento congelador debe eliminarse cada 6 meses. Se recomienda descongelar cuando el compartimento congelador esté medio vacío o vacío del todo.

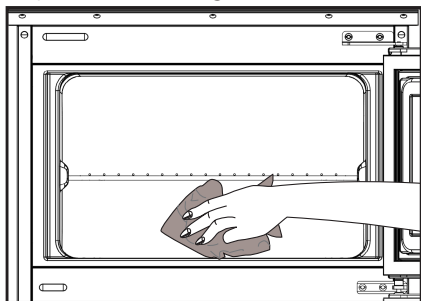
Para ello, envuelva los alimentos en papel y deposítelos en un lugar lo más frío posible o en otro frigorífico si fuese posible.

Pare el frigorífico por medio del botón de ajuste de temperatura o desconecte el enchufe de la toma de corriente. Puede colocar un contenedor lleno de agua caliente en el compartimento congelador o dejar la puerta del compartimento congelador abierta con el fin de acelerar el proceso.

Retire el agua que se acumula en el compartimento congelador con un paño absorbente u una esponja.

Seque completamente el compartimento congelador y vuelva a colocar el botón de ajuste de la temperatura en su posición previa.

Deje el frigorífico vacío y con las puertas cerradas en funcionamiento durante dos horas antes de volver a introducir los alimentos en el compartimento congelador.



## Parada del aparato

Si su termostato dispone de posición "0":

- Su aparato dejará de funcionar al poner el botón del termostato en la posición "0" (cero). El aparato no se pondrá en marcha hasta que no sitúe de nuevo el botón del termostato en la posición "1" o en cualquiera de las demás posiciones.

Si su termostato dispone de posición "min":

- Desenchufe el aparato para detener su funcionamiento.

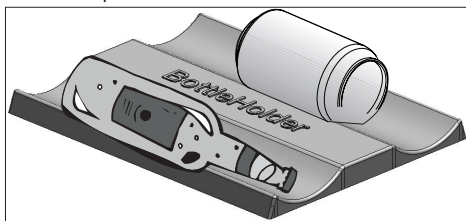
## Producción de hielo

Llene el contenedor de hielo con agua y colóquelo en su sitio. El hielo estará listo en unas dos horas.

Puede extraer fácilmente el hielo retorciendo ligeramente el contenedor de hielo.

## Retenedor de botellas

Puede usarse para guardar botellas o latas dispuestas lateralmente.



## 6 Mantenimiento y limpieza

---

- ⚠ No utilice nunca gasolina, benceno o sustancias similares para la limpieza.
- ⚠ Le recomendamos desenchufar el aparato antes de proceder a su limpieza.
- ℹ No utilice nunca para la limpieza instrumentos afilados o sustancias abrasivas, jabones, limpiadores domésticos, detergentes ni ceras abrillantadoras.
- ℹ Limpie el armario del frigorífico con agua tibia y séquelo con un paño.
- ℹ Para limpiar el interior, utilice un paño humedecido en un vaso grande de agua con una cucharadita de bicarbonato sódico disuelta y séquelo con un trapo.
- ⚠ Asegúrese de que no penetre agua en el alojamiento de la lámpara ni en otros elementos eléctricos.
- ⚠ Si no va a utilizar el frigorífico durante un periodo prolongado, desenchúfelo, retire todos los alimentos, límpielo y deje la puerta entreabierta.
- ℹ Compruebe regularmente los cierres herméticos de la puerta para asegurarse de que estén limpios y sin restos de alimentos.

- ℹ Para extraer las bandejas de la puerta, retire todo su contenido y, a continuación, simplemente empuje la bandeja hacia arriba desde su base.
- ℹ Nunca use agentes de limpieza o agua que contengan cloro para limpiar las superficies exteriores y los cromados del producto, ya que el cloro corroe dichas superficies metálicas.

### Protección de las superficies de plástico

- ℹ No deposite aceites líquidos o alimentos aceitosos en recipientes no cerrados ya que dañarán las superficies de plástico de su frigorífico. En caso de derrame de aceite sobre las superficies de plástico, limpie y enjuague con agua caliente la parte afectada de inmediato.



## 7 Sugerencias para la solución de problemas

Le rogamos compruebe la siguiente lista antes de llamar al servicio técnico. Puede ahorrarle tiempo y dinero. Esta lista incluye problemas frecuentes no achacables a defectos en materiales o manufactura. Es posible que algunas de las características mencionadas no estén presentes en su aparato.

### El frigorífico no funciona.

- ¿Está el frigorífico convenientemente enchufado? Inserte el enchufe en la toma de corriente.
- ¿Están fundidos el fusible principal o el fusible del enchufe al cual ha conectado el frigorífico? Revise los fusibles.

### Condensación en la pared lateral del compartimento frigorífico (MULTIZONA, CONTROL DE FRÍO y FLEXI ZONA).

- Condiciones ambientales muy frías. Frecuente apertura y cierre de la puerta. Nivel alto de humedad ambiental. Almacenamiento de alimentos que contienen líquidos en recipientes abiertos. Dejar la puerta entreabierta. Ponga el termostato a una temperatura más baja.
- Deje la puerta abierta durante menos tiempo o ábrala con menos frecuencia.
- Cubra los alimentos almacenados en recipientes abiertos con un material adecuado.
- Enjugue el agua condensada con un paño seco y compruebe si la condensación persiste.

### El compresor no funciona.

- El dispositivo térmico protector del compresor saltará en caso de un corte súbito de energía o de idas y venidas de la corriente, ya que la presión del refrigerante en el sistema de enfriamiento aún no se ha estabilizado. Su frigorífico se pondrá en marcha transcurridos unos 6 minutos. Llame al servicio técnico si su frigorífico no se pone en marcha transcurrido ese periodo.
- El frigorífico se encuentra en el ciclo de descongelación. Esto es normal en un frigorífico con descongelación automática. El ciclo de descongelación se produce de forma periódica.
- El frigorífico no está enchufado. Asegúrese de que el enchufe esté bien colocado en la toma.
- ¿Está la temperatura correctamente fijada?
- Puede haberse cortado el suministro eléctrico.

El frigorífico está en funcionamiento con frecuencia o durante periodos prolongados.

- Puede que su nuevo frigorífico sea más grande que el que tenía anteriormente. Esto es perfectamente normal. Los frigoríficos de mayor tamaño funcionan durante más tiempo.
- Puede que la temperatura ambiente de la estancia sea alta. Esto es perfectamente normal.
- Es posible que haya enchufado el frigorífico o bien lo haya cargado de alimentos recientemente. Puede que el frigorífico tarde unas dos horas en enfriarse por completo.
- Es posible que recientemente haya depositado grandes cantidades de alimentos en el frigorífico. Los alimentos calientes pueden ocasionar que el frigorífico trabaje durante más tiempo hasta alcanzar la temperatura de almacenamiento seguro.
- Es posible que las puertas se hayan abierto con frecuencia o que se hayan dejado entreabiertas por un tiempo prolongado. El aire caliente que ha penetrado en el frigorífico hace que éste funcione durante más tiempo. Abra las puertas con menos frecuencia.
- Es posible que la puerta del compartimento frigorífico o congelador se haya dejado entreabierta. Compruebe que las puertas estén bien cerradas.
- El frigorífico está ajustado a una temperatura muy baja. Ajuste la temperatura del frigorífico a un valor más alto y espere a que se alcance dicha temperatura.
- La junta de la puerta del compartimento frigorífico o congelador puede estar sucia, desgastada, rota o no asentada correctamente. Limpie o sustituya la junta. Una junta rota o dañada hace que el frigorífico funcione durante más tiempo con el fin de mantener la temperatura actual.

La temperatura del congelador es muy baja, mientras que la del frigorífico es correcta.

- La temperatura del congelador está ajustada a un valor muy bajo. Ajuste la temperatura del congelador a un valor más elevado y compruebe.

La temperatura del frigorífico es muy baja, mientras que la del congelador es correcta.

- La temperatura del compartimento frigorífico podría estar ajustada a un valor muy bajo. Ajuste la temperatura del frigorífico a un valor más elevado y compruebe.

Los alimentos depositados en los cajones del compartimento frigorífico se están congelando.

- La temperatura del compartimento frigorífico podría estar ajustada a un valor muy bajo. Ajuste la temperatura del frigorífico a un valor más elevado y compruebe.

La temperatura del congelador o el frigorífico es muy alta.
<ul style="list-style-type: none"> <li>• La temperatura del compartimento frigorífico podría estar ajustada a un valor muy alto. El ajuste de la temperatura del frigorífico afecta a la temperatura del congelador. Cambie la temperatura del frigorífico o del congelador hasta que alcance un nivel suficiente.</li> <li>• Es posible que las puertas se hayan abierto con frecuencia o que se hayan dejado entreabiertas por un tiempo prolongado; ábralas con menor frecuencia.</li> <li>• Se ha podido dejar la puerta entreabierta; cierre la puerta completamente.</li> <li>• Es posible que recientemente haya depositado grandes cantidades de alimentos en el frigorífico. Espere hasta que el frigorífico o el congelador alcance la temperatura deseada.</li> <li>• Es posible que el frigorífico haya sido enchufado recientemente. Enfriar por completo el frigorífico lleva un tiempo.</li> </ul>
El nivel de ruidos propios del funcionamiento se incrementa cuando el frigorífico está en marcha.
<ul style="list-style-type: none"> <li>• El rendimiento del frigorífico puede cambiar en función de las variaciones en la temperatura ambiente. Esto es perfectamente normal, no es ninguna avería.</li> </ul>
Vibraciones o ruidos.
<ul style="list-style-type: none"> <li>• El suelo no está nivelado ni es firme. El frigorífico oscila al moverlo lentamente. Compruebe que el suelo esté nivelado y que sea capaz de soportar el peso del frigorífico.</li> <li>• El ruido puede deberse a los elementos guardados en el frigorífico. Retire los objetos colocados sobre el frigorífico.</li> </ul>
Pueden oírse ruidos como si un líquido se derramara o se pulverizara.
<ul style="list-style-type: none"> <li>• Los líquidos y gases fluyen en función de los principios de funcionamiento del frigorífico. Esto es perfectamente normal, no es ninguna avería.</li> </ul>
Puede oírse un ruido parecido al viento.
<ul style="list-style-type: none"> <li>• Se utilizan ventilador para enfriar el frigorífico. Esto es perfectamente normal, no es ninguna avería.</li> </ul>
Condensación en las paredes interiores del frigorífico.
<ul style="list-style-type: none"> <li>• El tiempo cálido y húmedo favorece la formación de hielo y la condensación. Esto es perfectamente normal, no es ninguna avería.</li> <li>• Pueden haberse dejado las puertas entreabiertas; asegúrese de cerrarlas completamente.</li> <li>• Es posible que las puertas se hayan abierto con frecuencia o que se hayan dejado entreabiertas por un tiempo prolongado; ábralas con menor frecuencia.</li> </ul>
Hay humedad en el exterior del frigorífico o entre las puertas.
<ul style="list-style-type: none"> <li>• Puede haber humedad en el aire; es algo bastante normal en lugares húmedos. Cuando el grado de humedad descienda, la condensación desaparecerá.</li> </ul>
Mal olor en el interior del frigorífico.
<ul style="list-style-type: none"> <li>• El interior del frigorífico debe limpiarse. Limpie el interior del frigorífico con una esponja empapada en agua caliente o agua con gas.</li> <li>• Es posible que el olor provenga de algún recipiente o envoltorio. Utilice otro recipiente o materiales para envolver de una marca diferente.</li> </ul>
La puerta no cierra.
<ul style="list-style-type: none"> <li>• Puede que los paquetes de alimentos depositados no dejen que las puertas se cierren. Recoloque los paquetes que estén obstruyendo la puerta.</li> <li>• El frigorífico no se ha colocado completamente vertical y podría oscilar cuando se mueve ligeramente. Ajuste los tornillos de elevación.</li> <li>• El suelo no está nivelado o no es firme. Compruebe que el suelo esté nivelado y que sea capaz de soportar el peso del frigorífico.</li> </ul>
Los cajones están atascados.
<ul style="list-style-type: none"> <li>• Es posible que algún alimento toque el techo del cajón. Cambie la distribución de los alimentos en el cajón.</li> </ul>

## Prosimo, da najprej preberete navodila za uporabo!

Dragi kupec,

upamo, da bo naprava, ki je bila izdelana v modernih obratih in preizkušena z natančnimi postopki kakovosti, zagotovila učinkovito delovanje.

Zato priporočamo, da pred uporabo pazljivo preberete celotna navodila za uporabo naprave in jih hranite v bližini, saj jih boste morda potrebovali v prihodnje.

## Priročnik

- Priročnik vam bo pomagal pri hitri in varni uporabi naprave.
- Priročnik preberite preden napravo namestite in uporabite.
- Sledite navodilom, predvsem varnostnim.
- Priročnik hranite na lahko dosegljivem mestu, saj ga boste morda kasneje potrebovali.
- Poleg tega preberite tudi ostale dokumente, ki so priloženi napravi.
- Prosimo upoštevajte, da je priročnik lahko veljaven tudi za druge modele.

## Simboli in njihov opis

Navodila za uporabo vsebujejo naslednje simbole:

 Pomembne informacije in koristni nasveti za uporabo.

 Opozorila pred nevarnostmi za življenje in lastnino.

 Opozorila pred električno napetostjo.

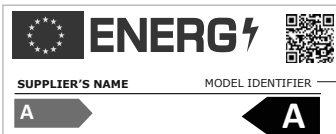


## **OPOZORILO!**

Za normalno delovanje vaše zamrzovalne naprave, ki uporablja naravi prijazno hladilno sredstvo R600a (vnetljivo samo pod določenimi pogoji), je treba upoštevati naslednja pravila:

- Ne zadržujte prostega pretoka zraka okoli naprave.
- Za hitrejšo odtajanje, ne uporabljajte mehanskih naprav, ki jih ni priporočil proizvajalec.
- Ne uničujte hladilnega krogotoka.
- V prostoru za hrano ne uporabljajte električnih naprav, ki jih ni priporočil proizvajalec.

## INFORMACIJE

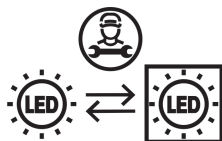


Do informacij o modelu, ki so shranjene v zbirki podatkov o izdelkih, lahko pridete tako, da obiščete naslednje spletno mesto in poiščete identifikator modela (\*), ki je naveden na energijski nalepki.

<https://eprel.ec.europa.eu/>

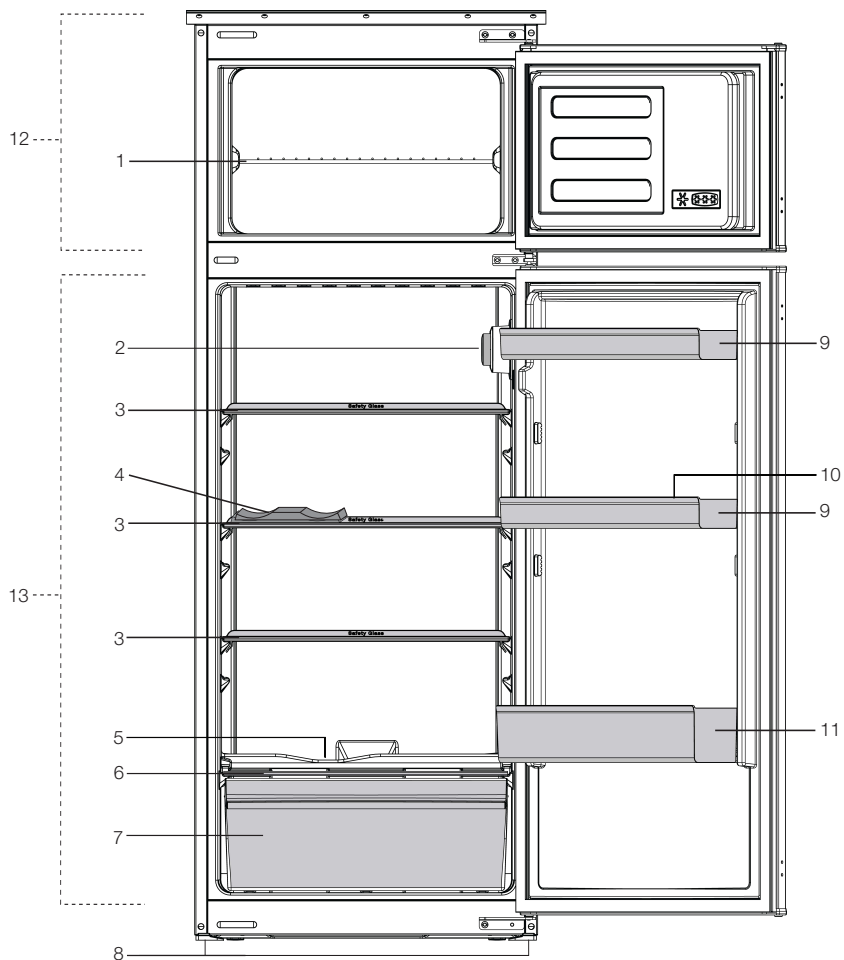
## VSEBINA

<b>1 Vaš hladilnik</b>	<b>3</b>	<b>4 Priprava</b>	<b>10</b>
<b>2 Pomembna varnostna opozorila</b>	<b>4</b>	<b>5 Uporaba hladilnika</b>	<b>11</b>
Namen uporabe .....	4	Gumb za nastavitev termostata .....	11
Splošna varnost .....	4	Hlajenje .....	11
Za naprave z dispenzerjem za vodo; .....	5	Zamrzovanje .....	11
Varnost otrok .....	6	Odtajanje .....	11
Skladnost z direktivo WEEE in odstranjevanjem odpadnih izdelkov; .....	6	Zaustavitev naprave .....	12
Skladnost z direktivo RoHS: .....	6	Priprava ledu .....	12
Informacije o embalaži .....	6	Podpora za steklenice .....	12
Opozorilo HCA .....	6	<b>6 Vzdrževanje in čiščenje</b>	<b>13</b>
Varčevanje z energijo .....	6	Zaščita plastičnih površin .....	13
<b>3 Namestitev</b>	<b>7</b>	<b>7 Priporočljive rešitve za težave</b>	<b>14</b>
Napotki, ki jih je treba upoštevati ob ponovnem prevozu hladilnika .....	7		
Pred uporabo hladilnika .....	7		
Električna povezava .....	7		
Odstranjevanje embalaže .....	8		
Odstranjevanje starega hladilnika .....	8		
Namestitev in montaža .....	8		
Zamenjava notranje žarnice .....	8		
Obrniti vrata .....	9		



Ta izdelek je opremljen z svetlobnim virom energijskega razreda "G". Svetlobni vir v tem izdelku lahko zamenjajo samo poklicni serviserji.

# 1 Vaš hladilnik



- |  |                          |
|--|--------------------------|
| 1. Polica zamrzovalnika                          | 8. Sprednja noga         |
| 2. Termostat in ohišje luči                      | 9. Police na vratih      |
| 3. Police hladilnega dela                        | 10. Pladenj za jajca     |
| 4. Podpora za steklenice                         | 11. Polica za steklenice |
| 5. Zbiralni kanal odtaljene vode - cev za izpust | 12. Zamrzovalni del      |
| 6. Pokrov predala za sveža živila                | 13. Hladilni del         |
| 7. Predel za svežo solato                        |                          |

**i** Slike v navodilih za uporabo so shematske in morda ne ustrezajo vašemu proizvodu. Če naprava, ki ste jo kupili, ne vsebuje določenih delov, so veljavni za druge modele.

## 2 Pomembna varnostna opozorila

Prosimo, preglejte naslednje informacije. Če ne boste upoštevali teh informacij, lahko pride do telesnih poškodb ali poškodb materiala. V nasprotnem primeru garancija in zanesljivost nista veljavni.

### Namen uporabe

Naprava je namenjena uporabi

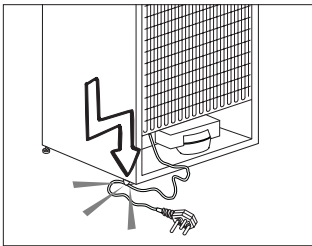
- znotraj in v zaprtih prostorih, kot so domovi;
- v zaprtih delovnih prostorih kot so trgovine ali pisarne;
- v zaprtih prostorih za nastanitev, kot so kmetije, hoteli, penzionci.
- Naprave ne uporabljajte na prostem.

### Splošna varnost

- Ko želite proizvod odstraniti/odvreči, Vam priporočamo, da se posvetujete s pooblaščen servisno službo in organi, da pridobite potrebne informacije.
- Pri morebitnih vprašanjih ali težavah s hladilnikom se posvetujte s pooblaščen servisno službo. Brez sporočila pooblaščen servisni službi ne posegajte v hladilnik sami ali s tujo pomočjo.
- Za naprave z zamrzovalnim delom; Sladoleda in ledenih kock ne jejte takoj, ko jih vzamete iz zamrzovalnega dela! (Povzročijo lahko ozeblino v ustih.)
- Za naprave z zamrzovalnim delom; V zamrzovalnem delu ne shranjujte tekočin v steklenicah ali pločevinkah. V nasprotnem primeru lahko počijo.
- Zamrznjenih živil se ne dotikajte z rokami, saj lahko primrznejo.
- Pred čiščenjem ali odtajanjem hladilnik izključite iz električnega omrežja.
- Hladilnika nikoli ne čistite in odtajajte s paro ali parnimi čistilnimi sredstvi. Para lahko pride v stik z električnimi deli in povzroči kratki stik ali električni udar.

- Delov hladilnika kot so vrata nikoli ne uporabljajte kot opornike ali stopnico.
- V hladilniku ne uporabljajte električnih naprav.
- Delov, kjer hladilno sredstvo kroži, ne poškodujte z napravami za vrtnanje ali rezanje. Če se plinski kanali izparilnika, podaljški cevi ali površinske prevleke prebodejo, lahko hladilno sredstvo prodre in povzroči draženje kože ali poškodbe oči.
- Ne pokrivajte ali blokirajte zračnih odprtin na hladilniku z nobenim materialom.
- Električne naprave lahko popravljajo samo pooblaščen osebe. Popravila, ki jih izvajajo nepooblaščen osebe, povzročijo nevarnost za uporabnika.
- V primeru kakršnekoli napake ali pred vzdrževalnimi deli in popravili obvezno izključite električno napajanje hladilnika tako, da izključite zadevno varovalko ali iztaknete vtič naprave.
- Ko izklopote vtič, ne vlecite za kabel.
- Koncentrirane alkoholne pijače hranite dobro zaprte in v pokončnem položaju.
- V hladilniku nikoli ne shranjujte razpršilcev, ki vsebujejo vnetljive in eksplozivne substance.
- Za pospeševanje postopka odtajanja ne uporabljajte mehanskih naprav ali drugih pripomočkov, razen tistih, ki jih priporoča proizvajalec.
- Naprave naj ne uporabljajo osebe s fizičnimi, senzornimi ali duševnimi motnjami ali osebe, ki nimajo potrebnega znanja oziroma izkušenj (vključno z otroki), razen če jih nadzira oseba, ki je odgovorna za njihovo varnost ali oseba, ki jim bo ustrezno svetovala glede uporabe naprave.
- Ne uporabljajte poškodovanega hladilnika. Če imate kakršne koli pomisleke, se obrnite na servisno službo.
- Električna varnost hladilnika je zagotovljena, le če ozemljitveni sistem v hiši ustreza standardom.

- Izpostavljanje proizvoda dežju, snegu, soncu ali vetru predstavlja električno nevarnost.
- Če je napetostni kabel poškodovan, se obrnite na pooblaščen servisno službo, da se izognete nevarnostim.
- Hladilnika med montažo nikoli ne vključite v vtičnico. V nasprotnem primeru obstaja nevarnost smrti ali resne poškodbe.
- Hladilnik je namenjen samo shranjevanju živil. Ne uporabljajte ga v druge namene.
- Etiketa s tehničnimi specifikacijami se nahaja na levi steni znotraj hladilnika.
- Hladilnika ne priključujte na sisteme varčevanja električne energije, saj ga lahko poškodujejo.
- Če je na hladilniku modra lučka, ne glejte vanjo skozi optične naprave.
- Pri hladilnikih z ročnim upravljanjem, počakajte vsaj 5 minut, preden ga po električnem izpadu ponovno priključite.
- Če napravo dobi nov lastnik, mu izročite tudi navodila za uporabo.
- Med prenašanjem hladilnika ne poškodujte napetostnega kabla. Upogibanje kabla lahko povzroči požar. Na napetostni kabel nikoli ne postavljajte težkih predmetov. Ko napravo priklapljate, se ne dotikajte vtiča z mokrimi rokami.



- Hladilnika ne priključujte v razrahljano vtičnico.
- Iz varnostnih razlogov na notranjih ali zunanjih delih naprave ne škropite vode.
- V bližini hladilnika ne pršite vnetljivih plinov, kot je propan, saj obstaja nevarnost požara ali eksplozije.

- Na hladilnik nikoli ne postavljajte posod z vodo, saj to lahko povzroči električni udar ali požar.
- Hladilnika ne preobremenjujte s prekomernimi količinami živil. Če je naprava prenapolnjena, lahko živila med odpiranjem vrat hladilnika padejo dol in vas poškodujejo ali povzročijo škodo na hladilniku. Na hladilnik nikoli ne postavljajte predmetov, saj lahko med odpiranjem ali zapiranjem vrat hladilnika padejo dol.
- Cepiv, zdravil, občutljivih na toploto, znanstvenih materialov itd. ne shranjujte v hladilnik, saj zahtevajo določeno temperaturo.
- Če hladilnika ne boste uporabljali dlje časa, ga izklopite. Težave v napetostnem kablu namreč lahko povzročijo požar.
- Konico vtiča je treba redno čistiti, saj lahko v nasprotnem primeru povzroči požar.
- Konico vtiča je treba redno čistiti s suho krpo, saj lahko v nasprotnem primeru povzroči požar.
- Če nastavljive noge niso dobro nameščene na tleh, se hladilnik lahko premika. Če nastavljive noge dobro namestite na tla, lahko preprečite premikanje hladilnika.
- Med prenašanjem hladilnika ne držite za ročaje na vratih, saj jih lahko odtrgate.
- Če napravo namestite zraven drugega hladilnika ali zamrzovalnika, naj bo razdalja med napravami vsaj 8 cm. V nasprotnem primeru se lahko na sosednjih stenah naprav pojavi vlaga.

## Za naprave z dispencerjem za vodo

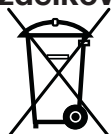
- Pritisk vodovodnega omrežja naj bo vsaj 1 bar. Pritisk vodovodnega omrežja naj bo največ 8 barov.
- Uporabljajte samo pitno vodo.



## Varnost otrok

- Če imajo vrata ključavnico, jo hranite izven dosega otrok.
- Otroke je treba nadzirati, da se ne igrajo z napravo.

## Skladnost z direktivo WEEE in odstranjevanjem odpadnih izdelkov:



Izdelek je v skladu z direktivo EU WEEE (2012/19/EU). Izdelek vsebuje simbol za razvrstitev odpadne električne in elektronske opreme (WEEE).

Izdelek je bil izdelan z visokokakovostnimi sestavnimi deli in materiali, ki jih je mogoče ponovno uporabiti in so primerni za recikliranje. Odsluženega odpadnega izdelka ne odlagajte z običajnimi gospodinjstvi in drugimi odpadki. Odnosite ga na center za zbiranje in recikliranje električne in elektronske opreme. Za informacije o teh centrih za zbiranje se obrnite na lokalne oblasti.

## Skladnost z direktivo RoHS:

Izdelek, ki ste ga kupili, je v skladu z direktivo EU RoHS (2011/65/EU). Ne vsebuje škodljivih in prepovedanih materialov, ki so navedeni v direktivi.

## Informacije o embalaži

Embalažni material izdelka je izdelan iz materiala, ki ga je mogoče reciklirati, v skladu z našimi nacionalnimi okoljskimi predpisi. Embalažnega materiala ne odlagajte skupaj z gospodinjstvi in drugimi odpadki. Odnosite ga na zbirna mesta za embalažni material, ki so jih določile lokalne oblasti.

## Opozorilo HCA

### Če hladilni sistem naprave vsebuje R600a:

Ta plin je vnetljiv. Zato pazite, da med uporabo in transportom ne poškodujete hladilnega sistema in cevi. V primeru poškodbe, naj proizvod ne bo v bližini potencialnih virov ognja, ob katerih se lahko vname in prezračite prostor, v katerem je naprava.

### To opozorilo ne velja, če hladilni sistem vaše naprave vsebuje R134a.

Vrsta plina, ki ga vsebuje naprava, je navedena na tipski plošči na levi steni znotraj hladilnika.

Naprave nikoli ne sežgite, da bi se je znebili.

## Varčevanje z energijo

- Vrat hladilnika ne puščajte odprtih dalj časa.
- V hladilniku ne shranjujte toplih živil ali pijač.
- Hladilnika ne napolnite preobilno, saj s tem preprečite kroženje zraka.
- Hladilnika ne postavljajte na neposredno sočno svetlobo ali v bližino naprav, ki oddajajo toploto, kot so peči, pomivalni stroji ali radiatorji.
- Živila shranjujte v zaprtih posodah.
- Za naprave z zamrzovalnim delom; v napravo lahko shranite največjo količino živil, če odstranite polico ali predal zamrzovalnika. Vrednost porabe energije se je določila, ko se je odstranila polica ali predal zamrzovalnika in je bila naprava napolnjena z največjo količino živil. Uporaba police ali predala glede na oblike in velikost živil, ki jih želite shraniti, ne predstavlja nevarnosti.
- Odtajanje zamrznjenih živil v hladilnem delu, bo privarčevalo energijo in ohranilo kakovost živil.

### 3 Namestitev

⚠ Proizvajalec ne bo odgovarjal, če ne boste upoštevali informacij v navodilih za uporabo.

#### Napotki, ki jih je treba upoštevati ob ponovnem prevozu hladilnika

1. Hladilnik morate izprazniti in očistiti pred vsakim prevozom.
2. Police, pripomočke, predale za sveža živila itd. v hladilniku pred ponovnim pakiranjem varno pritrdite z lepilnim trakom, da jih zaščitite pred sunki.
3. Embalažo pričvrstite z debelimi trakovi in močnimi vrvmi ter sledite navodilom za prevoz natisnjenih na embalaži.

#### Prosimo, ne pozabite ...

Vsak recikliran material je nujen vir za naravo in nacionalne vire.

Če želite sodelovati pri recikliranju embalažnega materiala, se za nadaljnje informacije obrnite na okoljske organe ali lokalne oblasti.

#### Pred uporabo hladilnika

Preden pričnete uporabljati hladilnik, preverite naslednje

1. Ali je notranjost hladilnika suha in lahko zrak v zadnjem delu prosto kroži?
2. Notranjost hladilnika očistite kot je priporočeno v poglavju »Vzdrževanje in čiščenje«.

3. Hladilnik priključite v vtičnico električnega omrežja. Ko se vrata hladilnika odprejo, zasveti notranja luč hladilnega dela.
4. Ko se vklopi kompresor, boste zaslišali hrup. Tekočina in plini v hladilnem sistemu običajno lahko povzročijo hrup, tudi kadar kompresor ne deluje.
5. Sprednji robovi hladilnika so lahko topli na dotik. To je običajno. Te površine so oblikovane, tako da so tople, kar preprečuje kondenzacijo.

#### Električna povezava

Napravo priključite v ozemljeno vtičnico, ki je zaščiten z varovalko ustrezne zmogljivosti.

Pomembno;

- Priključitev mora ustrezati nacionalnim predpisom.
  - Vtič napajalnega kabla naj bo po namestitvi lahko dostopen.
  - Določena napetost mora ustrezati omrežni napetosti.
  - Za priključitev ne uporabljajte podaljševalnih kablov ali večpotnih vtičev.
- ⚠ Poškodovan napajalni kabel lahko zamenja le usposobljen električar.
- ⚠ Naprave ne uporabljajte preden ni popravljena! Obstaja nevarnost električnega udara!

## Odstranjevanje embalaže

Embalažni material je lahko nevaren za otroke. Embalažni material hranite izven dosega otrok ali ga odstranite v skladu z navodili za odstranjevanje odpadkov. Ne odstranite ga z običajnimi gospodinjskimi odpadki.

Embalaža hladilnika je izdelana iz materiala primerne za recikliranje.

## Odstranjevanje starega hladilnika

Staro napravo odstranite okolju prijazno.

- Glede odstranjevanja hladilnika se posvetujte s pooblaščenim prodajalcem ali centrom za zbiranje odpadkov v vaši občini.

Preden odstranite hladilnik, izklopite električni vtič in onemogočite morebitne ključavnice na vratih, da zaščitite otroke pred nevarnostmi.

## Namestitev in montaža

⚠ Če vhodna vrata sobe, kjer boste namestili hladilnik niso dovolj široka, da bi hladilnik lahko spravili skozi, pokličite pooblaščen servisno službo, da bodo odstranili vrata hladilnika in ga bočno spravite skozi vrata.

1. Namestite hladilnik na mesto, ki bo omogočalo preprosto uporabo.

2. Hladilnik naj ne bo v bližini toplotnih virov, vlažnih prostorov ali neposredne sončne svetlobe.

3. Za učinkovito delovanje mora biti prostor okrog hladilnika ustrezno prezračen. Če bo hladilnik nameščen v vdolbino v steni, mora biti najmanj 5 cm razmika od stropa in najmanj 5 cm razmika od stene. Če so tla pokrita s preprogo, mora biti proizvod 2,5 cm nad tlemi.

4. Da bi preprečili tresenje, namestite hladilnik na ravno talno površino.

5. Temperatura prostora, kjer je hladilnik, naj ne bo pod 10°C.

## Zamenjava notranje žarnice

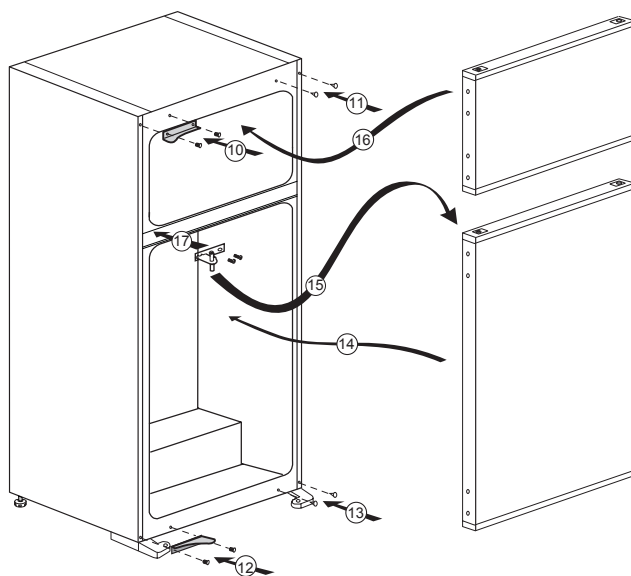
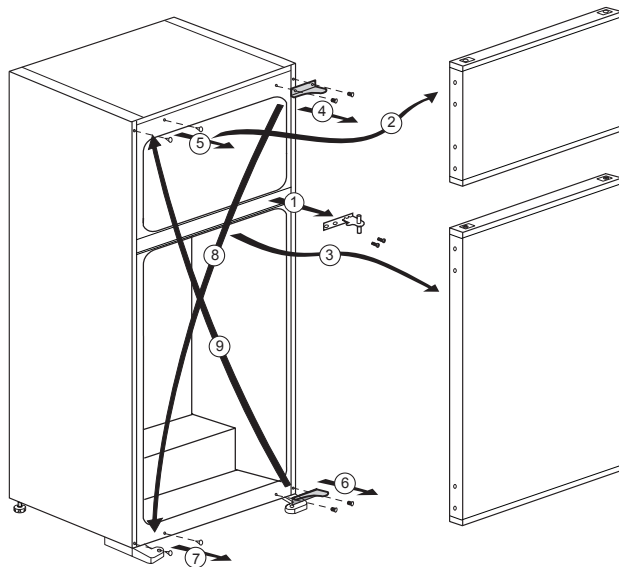
Zamenjavo žarnice, ki se uporablja za osvetlitev hladilnika, naročite na pooblaščenem servisu.

Lučka, uporabljena v tej napravi, ni primerna za razsvetljavo prostorov v gospodinjstvu. Namembnost te lučke je pomagati uporabniku, da lahko daje živila v hladilnik / zamr-zovalnik na varen in udoben način.

Luči, uporabljene v tej napravi, morajo prenesti ekstremne fizične pogoje, kot so temperature pod -20°C.

## Obrniti vrata

Nadaljujte v številčnem vrstnem redu.



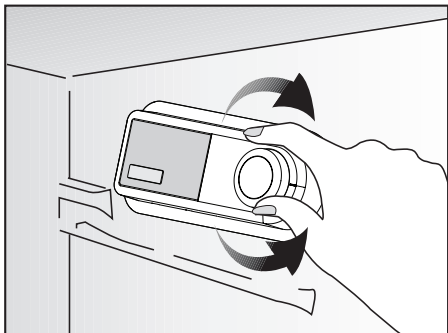
## 4 Priprava

---

- i** Hladilnik morate namestiti vsaj 30 cm od virov toplote kot so kuhalne plošče, pečice, glavni grelci ali štedilniki in vsaj 5 cm od električnih pečic, prav tako ga ne postavljajte pod neposredno sončno svetlobo.
- i** Temperatura prostora kjer boste namestili hladilnik naj bo vsaj 10°C. Delovanje hladilnika v hladnejših pogojih ni priporočljivo, saj vpliva na njegovo učinkovitost.
- i** Prepričajte se, da je notranost hladilnika popolnoma čista.
- i** Če bosta dva hladilnika nameščena drug ob drugem, naj bo vmes vsaj 2 cm razmika.
- i** Pri prvi uporabi hladilnika upoštevajte naslednja navodila med prvimi šestimi urami delovanja.
  - Izognite se pogostemu odpiranju vrat.
  - Delovati mora prazen, brez živil.
  - Hladilnika ne izklopite. Če se pojavi nenadzorovan izpad elektrike, upoštevajte opozorila v poglavju »Priporočljive rešitve za težave«.
- i** Originalno embalažo in penasti material shranite za prihodnji prevoz ali premikanje.

## 5 Uporaba hladilnika

### Gumb za nastavitve termostata



Notranja temperatura hladilnika se spremeni iz naslednjih razlogov:

- sezonske temperature.
- pogosto odpiranje vrat in puščanje vrat odprtih za dlje časa.
- postavljanje živil v hladilnik, preden se ohladijo na sobno temperaturo.
- položaj hladilnika v prostoru (npr. izpostavljenost sončni svetlobi).
- Notranjo temperaturo, ki se spreminja zaradi teh razlogov, lahko nastavite s termostatom. Številke okrog termostata označujejo hladilne stopinje.
- Če je temperatura prostora višja od 32°C, zavrtite gumb termostata na najvišji položaj.
- Če je temperatura prostora nižja od 25°C, zavrtite gumb termostata na najnižji položaj.

### Hlajenje Shranjevanje hrane

Hladilni del je namenjen shranjevanju svežih živil in pijač za kratek čas.

### Zamrzovanje Zamrzovanje živil

Zamrzovalni del je označen s simbolom **\* \*\* \***.

Napravo lahko uporabite tako za zamrzovanje svežih živil kot za shranjevanje prej zamrznjenih živil.

Prosimo, glejte priporočila na embalaži živil.

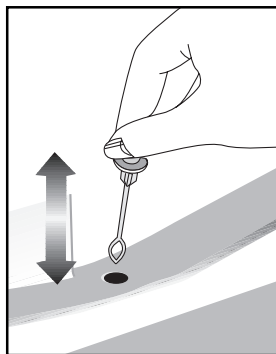
### Odtajanje

#### A) Predel hladilnika

Hladilni del ima popolnoma samodejno odtajanje.

Voda, ki nastane pri odtajanju teče iz zbiralnega kanala vode preko odtočne cevi v izparilnik, kjer izhlapi.

Redno preverjajte, če je odtočna cev zamašena, in jo po potrebi očistite z vbodom v odprtino.



## B) Zamrzovalni predel

Predel za globoko zamrzovanje ne izvaja samodejnega odtajanja, saj bi se zamrznjena živila pokvarila.

Nastali led v zamrzovalniku je treba odtajati vsakih 6 mesecev.

Priporočamo, da ga led odtajate, ko predel za globoko zamrzovanje ni prenapolnjen ali je celo prazen.

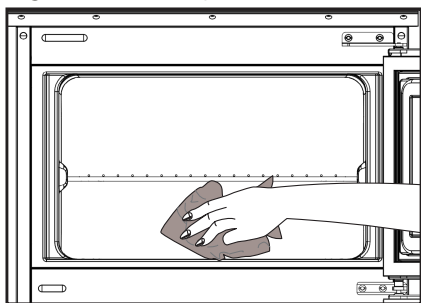
Zamrznjena ivila zavijte v papir in jih hranite na hladnem mestu ali v drugem hladilniku, če je to mogoče.

Z gumbom za nastavitev temperature izklopite hladilnik ali pa izklopite kabel iz vtičnice. V zamrzovalnik lahko postavite posodo vroče vode ali pustite vrata zamrzovalnika odprta, da pospešite postopek odtajanja.

Vodo, ki se zbira v spodnjem zbiralniku zamrzovalnega dela odstranite s krpo ali gobo.

Zamrzovalni del popolnoma osušite in gumb za nastavitev temperature ponovno nastavite na prejšnjo nastavitev.

Zamrzovalnik pri zaprtih vratih pustite delovati 2 uri, ko je še prazen in ga šele nato napolnite z ivili.



## Zaustavitev naprave

Če ima termostat na voljo položaj "0";

- Naprava bo prenehala z delovanjem, ko boste obrnili gumb termostata na položaj "0" (nič). Naprava bo ponovno začela delovati, šele ko boste gumb termostata ponovno nastavili na položaj "1" ali kateri drug položaj.

Če ima termostat na voljo položaj "min";

- Napravo zaustavite, tako da jo izključite.

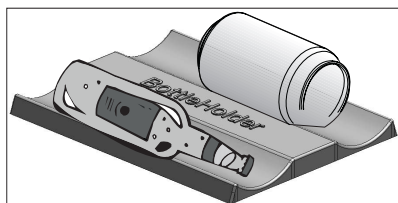
## Priprava ledu

Posodo za led napolnite z vodo in jo postavite na ustrezno mesto. Led bo pripravljen približno v dveh urah.

Led brez težav odstranite, če nekoliko upognete posodo za led.

## Podpora za steklenice

Ta dodatek se lahko uporablja za shranjevanje bodisi steklenica ali pločevinke strani s strani.



## 6 Vzdrževanje in čiščenje

⚠ Pri čiščenju nikoli ne uporabljajte bencina, benzena ali podobnih snovi.

⚠ Priporočamo, da napravo pred čiščenjem izključite iz električnega omrežja.

ℹ Za čiščenje ne uporabljajte ostrih abrazivnih predmetov, mila, gospodinjskih čistil, čistilnih sredstev in loščila.

ℹ Omarico hladilnika očistite z mlačno vodo in jo do suhega obrišite.

ℹ Za čiščenje notranjosti uporabite izžeto krpo, ki ste jo namočili v raztopino ene čajne žličke sode bikarbonata in 500 ml vode ter nato do suhega obrišite.

⚠ Preprečite, da bi ohišje luči in ostali električni predmeti prišli v stik z vodo.

⚠ Če hladilnika dalj časa ne boste uporabljali, izključite električni kabel, odstranite vsa živila, ga očistite in pustite vrata priprta.

ℹ Preverite, da so tesnila na vratih čista in ne vsebujejo delcev živil.

ℹ Če želite odstraniti vratne police, jih izpraznite in jih enostavno potisnite navzgor od podlage.

ℹ Za čiščenje zunanjih površin in kromiranih delov izdelka ne uporabljajte čistilnih sredstev ali klorirane vode. Klor povzroči korozijo na kovinskih površinah.

### Zaščita plastičnih površin

ℹ Tekočega olja ali na olju kuhanih jedi ne shranjujte v hladilniku v odprtih posodah, saj lahko poškodujejo plastične površine hladilnika. Če na plastičnih površinah razlijete olje ali jih umažete z oljem, jih očistite in splaknite s toplo vodo.



## 7 Priporočljive rešitve za težave

Prosimo, preglejte ta seznam preden pokličete servisno službo. Lahko Vam prihrani čas in denar. Na seznamu so pogoste pritožbe, ki niso posledica pomanjkljive izdelave ali materiala. Nekatere izmed opisanih značilnosti, morda ne veljajo za vašo napravo.

### Hladilnik ne deluje.

- Ali je hladilnik pravilno priključen? Priključite vtič v vtičnico na steni.
- Ali je glavna varovalka ali pa varovalka vtičnice v katero je priključen hladilnik pregorela? Preverite varovalko.

### Kondenzacija na stranski steni hladilnega dela. (MULTI ZONE, COOL CONTROL in FLEXI ZONE).

- Zelo hladne prostorske razmere. Pogosto odpiranje in zapiranje vrat. Visoka vlažnost v prostoru. Shranjevanje živil, ki vsebujejo tekočino, v odprtih posodah. Vrata so bila priprta.
- Termostat preklopite na hladnejšo stopnjo.
- Vrata naj bodo odprta manj časa ali pa jih ne uporabljajte tako pogosto.
- Živila, ki so shranjena v odprtih posodah, pokrijte z ustrezno ovojnino.
- Kondenzacijo obrišite s suho krpo in preverite, če se ponovi.

### Kompresor ne deluje.

- Termična zaščita kompresorja bo med nenadnimi izpadi električnega toka ali pri izključevanju-vključevanju pregorela, saj pritisk hladilnega sredstva v hladilnem sistemu še ni uravnotežen.
- Po približno 6 minutah se bo hladilnik zagnal. Če se hladilnik po tem času ne zažene, pokličite servisno službo.
- Hladilnik se odtaja. Za hladilnik s popolnoma samodejnim odtajanjem je to običajno. Odtajanje poteka v rednih presledkih.
- Hladilnik ni vključen v vtičnico. Prepričajte se, da je vtič dobro priključen v vtičnico.
- Ali so temperature pravilno nastavljene? Izpad električnega toka. Pokličite vašega dobavitelja električne energije.

### Delovanje hladilnika je pogosto ali traja dalj časa.

<ul style="list-style-type: none"> <li>• Nov hladilnik je širši od prejšnjega. To je običajno. Veliki hladilniki delujejo dalj časa.</li> <li>• Temperatura prostora je lahko visoka. To je normalno.</li> <li>• Hladilnik je bil pred kratkim priključen ali pa je bil prenapolnjen z živili. Popolno ohlajanje hladilnika lahko traja nekaj ur dlje.</li> <li>• V hladilnik so bile nedavno postavljene večje količine toplih živil. Topla živila povzročijo daljše delovanje hladilnika, da dosežejo varno temperaturo za shranjevanje.</li> <li>• Vrata so se pogosto odpirala ali bila dalj časa priprta. Topel zrak, ki je prišel v hladilnik, povzroča daljše delovanje hladilnika. Vrata odpirajte manj pogosto.</li> <li>• Vrata zamrzovalnega ali hladilnega dela so bila priprta. Preverite, če so vrata dobro zaprta.</li> <li>• Hladilnik je nastavljen na zelo nizko temperaturo. Temperaturo hladilnika nastavite na toplejšo stopnjo in počakajte, da jo doseže.</li> <li>• Tesnilo na vratih hladilnika ali zamrzovalnika je umazano, izrabljeno, zlomljeno ali nepravilno nameščeno. Tesnilo očistite ali zamenjajte. Poškodovano/ zlomljeno tesnilo povzroča, da hladilnik deluje dalj časa za vzdrževanje trenutne temperature.</li> </ul>
Temperatura zamrzovalnika je zelo nizka, medtem ko je temperatura hladilnika.
<ul style="list-style-type: none"> <li>• Temperatura zamrzovalnika je nastavljen na zelo nizko stopnjo. Temperaturo zamrzovalnika nastavite na toplejšo stopnjo in preverite.</li> </ul>
Temperatura hladilnika je zelo nizka, medtem ko je temperatura zamrzovalnika ustrežna.
<ul style="list-style-type: none"> <li>• Temperatura hladilnika je nastavljen na zelo nizko stopnjo. Temperaturo hladilnika nastavite na toplejšo stopnjo in preverite.</li> </ul>
Živila shranjena v predalih hladilnega dela zamrzujejo.
<ul style="list-style-type: none"> <li>• Temperatura hladilnika je nastavljen na zelo nizko stopnjo. Temperaturo hladilnika nastavite na toplejšo stopnjo in preverite.</li> </ul>
Temperature v hladilniku ali zamrzovalniku so zelo visoke.
<ul style="list-style-type: none"> <li>• Temperatura hladilnika je nastavljen na zelo visoko stopnjo. Nastavitev hladilnika vpliva na temperaturo zamrzovalnika. Spremenite temperaturo hladilnika ali zamrzovalnika, da dosežete ustrezno temperaturo.</li> <li>• Vrata so priprta. Dobro zaprite vrata.</li> <li>• V hladilnik so bile nedavno postavljene večje količine toplih živil. Počakajte, da hladilnik ali zamrzovalnik doseže želeno temperaturo.</li> <li>• Hladilnik je bil pred kratkim priključen. Zaradi velikosti hladilnik potrebuje čas, da se popolnoma ohladi.</li> </ul>
Hladilnik oddaja zvok, ki je podoben zvoku analogne ure.

<ul style="list-style-type: none"> <li>• Ta zvok oddaja elektromagnetni ventil hladilnika. Elektromagnetni ventil zagotavlja prehajanje hladilnega sredstva, ki ga lahko nastavimo na hladilne ali zamrzovalne temperature oz. hladilne funkcije. To je normalno in ni okvara.</li> </ul>
Med delovanjem hladilnika se hrup poveča.
<ul style="list-style-type: none"> <li>• Značilnosti učinkovitosti delovanja hladilnika se lahko spremenijo glede na spremembe temperature prostora. To je običajno in ni napaka.</li> </ul>
Tresljaji ali hrup.
<ul style="list-style-type: none"> <li>• Neravna ali slabotna tla. Hladilnik se med počasnim premikanjem trese. Prepričajte se, da so tla ravna, močna in primerna podpora za hladilnik.</li> <li>• Hrup lahko povzročajo predmeti, ki so postavljeni na hladilniku. Takšne predmete odstranite z vrha hladilnika.</li> </ul>
Hrup podoben prelivanju tekočine ali pršenju.
<ul style="list-style-type: none"> <li>• Način delovanja hladilnika povzroča pretok tekočine in plinov. To je običajno in ni napaka.</li> </ul>
Hrup podoben pihanju vetra.
<ul style="list-style-type: none"> <li>• Zračni aktivatorji (ventilatorji) pripomorejo k učinkovitemu hlajenju hladilnika. To je običajno in ni napaka.</li> </ul>
Kondenzacija na notranjih stenah hladilnika.
<ul style="list-style-type: none"> <li>• Vroče in vlažno vreme poveča zaledenitev in kondenzacijo. To je običajno in ni napaka.</li> <li>• Vrata so priprta. Prepričajte se, da so vrata popolnoma zaprta.</li> <li>• Vrata so se pogosto odpirala ali bila dalj časa priprta. Vrata odpirajte manj pogosto.</li> </ul>
Na zunanji strani hladilnika ali med vrati se pojavi vlaga.
<ul style="list-style-type: none"> <li>• Vlažno vreme. Pri vlažnem vremenu je to običajno. Ko se vlaga zniža, bo kondenzacija izginila.</li> </ul>
Neprijeten vonj v hladilniku.
<ul style="list-style-type: none"> <li>• Notranjost hladilnika naj bo čista. Notranjost hladilnika očistite z gobo, toplo ali gazirano vodo.</li> <li>• Vonj povzročajo nekatere posode ali materiali pakiranja. Uporabite druge posode ali drugačno vrsto materialov pakiranja.</li> </ul>
Vrata se ne zapirajo.
<ul style="list-style-type: none"> <li>• Ovojnine živil preprečujejo zapiranje vrat. Prestavite pakiranja, ki ovirajo vrata.</li> <li>• Hladilnik ni popolnoma pokončno postavljen na tla in se zatrese ob rahlem premiku. Prilagodite vijake za nastavitev.</li> <li>• Neravna ali šibka tla. Prepričajte se, da so tla ravna in primerna podpora za hladilnik.</li> </ul>
Predali so obtičali.
<ul style="list-style-type: none"> <li>• Živila se dotikajo stropa predala. Ponovno razporedite živila v predalu.</li> </ul>

## Molimo prvo pročitajte ovaj priručnik!

Poštovani kupci,




Nadamo se da će vam naš proizvod, proizveden u suvremenim postrojenjima i provjeren po strogim procedurama kontrole kvalitete, pružiti učinkovit rad. Zbog toga vam preporučujemo da pažljivo pročitate cijeli priručnik proizvoda prije uporabe te da ga čuvate na pristupačnom mjestu zbog buduće uporabe.

### Ovaj priručnik

- Pomoći će vam da koristite svoj uređaj brzo i sigurno.
- Pročitajte priručnik prije instaliranja i rada s vašim proizvodom.
- Slijedite upute, posebno one vezane za sigurnost.
- Čuvajte priručnik na lako dostupnom mjestu jer vam može zatrebati kasnije.
- Osim toga, također pročitajte druge dokumente dostavljene s vašim proizvodom.
- Molimo imajte na umu da ovaj priručnik može vrijediti i za druge modele.

### Simboli i njihovi opisi

Ovaj korisnički priručnik sadrži sljedeće simbole:

-  Važne informacije ili korisni savjeti za uporabu.
-  Upozorenja protiv opasnosti po život i imovinu.
-  Upozorenje protiv električnog napona.



### UPOZORENJE!

Da biste osigurali normalan rad Vašeg hladnjaka, koji koristi potpuno po okoliš neškodljivu tvar za hlađenje R600a (zapaljiv samo pod određenim uvjetima), morate se držati sljedećih pravila:

- Nemojte sprječavati slobodan protok zraka oko uređaja.
- Nemojte koristiti mehaničke uređaje da biste ubrzali odmrzavanje, osim onih koje je preporučio proizvođač.
- Ne uništavajte sklop za zamrzavanje.
- Ne koristite električne uređaje u odjeljku za hranu, osim onih koje je preporučio proizvođač.

### PODACI



# ENERG



SUPPLIER'S NAME

MODEL IDENTIFIER

(\*)

A

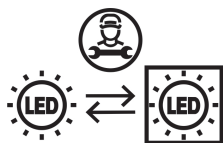
A

Podaci o modelu pohranjeni u bazi podataka o proizvodu mogu se dobiti unosom sledeće mrežne stranice i pretragom po identifikacionom broju vašeg modela (\*) koji se nalazi na oznaci potrošnje električne energije.

<https://eprel.ec.europa.eu/>

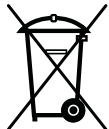
## SADRŽAJ

<b>1 Vaš hladnjak</b>	<b>3</b>	<b>4 Priprema</b>	<b>10</b>
<b>2 Važna sigurnosna upozorenja</b>	<b>4</b>	<b>5 Uporaba hladnjaka</b>	<b>11</b>
Predviđena namjena .....	4	Tipka za postavljanje termostata.....	11
Opća sigurnost .....	4	Hlađenje .....	11
Za proizvode s raspršivačem za vodu.....	6	Zamrzavanje .....	11
Sigurnost djece .....	6	Odmrzavanje .....	11
Upozorenje za HCA .....	6	Zaustavljanje uređaja .....	12
Stvari koje se trebaju uraditi za uštedu energije.....	6	Pravljenje leda .....	12
		Držać za boce .....	12
<b>3 Instalacija</b>	<b>7</b>	<b>6 Održavanje i čišćenje</b>	<b>13</b>
Stvari kojih se treba pridržavati kod ponovnog transporta vašeg hladnjaka.....	7	Zaštita plastičnih površina .....	13
Prije uključivanja vašeg hladnjaka .....	7	<b>7 Preporučena rješenja za probleme</b>	<b>14</b>
Električno spajanje .....	7		
Odlaganje pakiranja .....	8		
Odlaganje stalnog hladnjaka .....	8		
Postavljanje i instalacija.....	8		
Zamjena žarulje unutarnjeg svjetla .....	8		
Mijenjanje smjera otvaranja vrata .....	9		



Ovaj proizvod opremljen je izvorom osvjetljenja energetske klase „G“. Izvor osvjetljenja u ovom proizvodu smiju zamijeniti samo stručni serviseri.

### Reciklaža

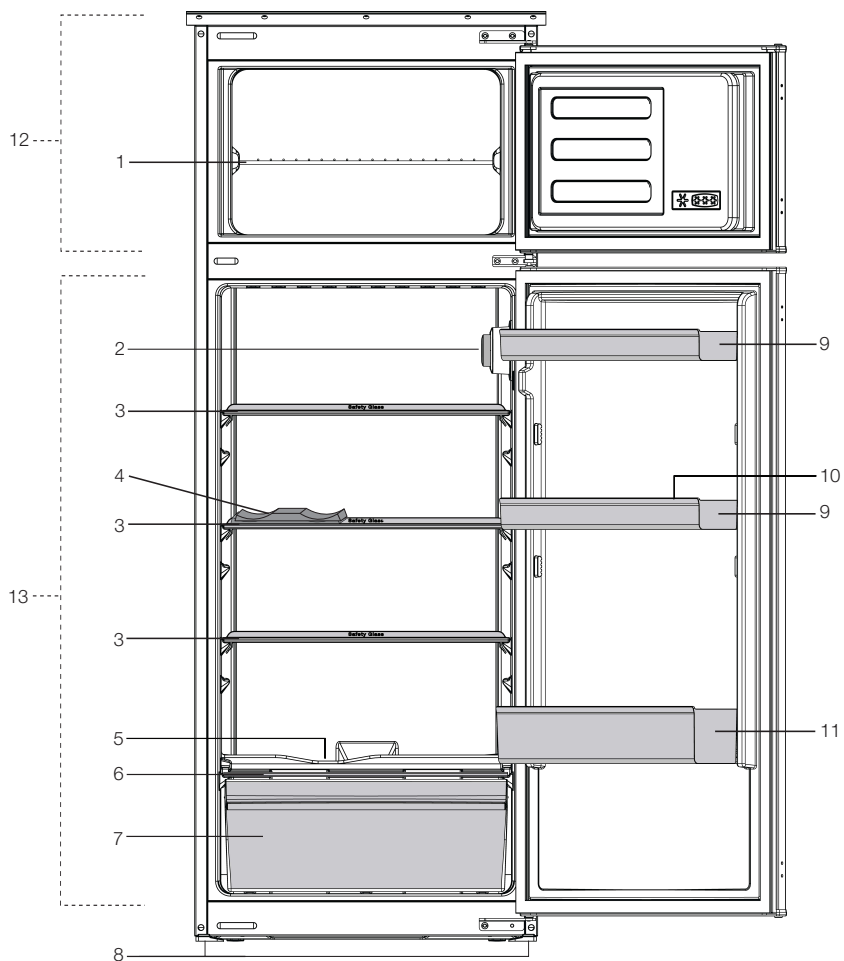


Ovaj proizvod nosi znak selektivnog razvrstavanja za električni i elektronski otpad (WEEE).

To znači da se ovim proizvodom mora rukovati prema Europskoj direktivi 2012/19/EU da bi se reciklirao ili razmontirao da bi se smanjio utjecaj na okoliš. Za daljnje informacije, molimo javite se lokalnim ili regionalnim vlastima.

Elektronski proizvodi koji nisu uključeni u postupak selektivnog razvrstavanja su potencijalno opasni za okoliš i ljudsko zdravlje zbog prisutnosti opasnih tvari.

# 1 Vaš hladnjak



- |  |                        |
|--|------------------------|
| 1- Polica hladnjaka  | 8- Prednje nožice      |
| 2- Kućište termostata i žaruljice                              | 9- Police vrata        |
| 3- Police odjeljka hladnjaka                                   | 10- Polica za jaja     |
| 4- Držač za boce   | 11- Polica za boce     |
| 5- Kanal za skupljanje otopljene vode –<br>crijevo za odvodnju | 12- Odjeljak škrinje   |
| 6- Poklopac odjeljka za povrće                                 | 13- Odjeljak hladnjaka |
| 7- Pretinac za povrće  |                        |

**i** Slike koje se nalaze u ovom priručniku su shematske i možda se ne ogovaraju u potpunosti vašem proizvodu. Ako dijelovi naslova nisu sadržani u proizvodu koji ste kupili, onda to vrijedi za ostale modele.

## 2 Važna sigurnosna upozorenja

Molimo pregledajte sljedeće informacije. Nepridržavanje ovih informacija može uzrokovati ozljede ili materijalnu štetu. U suprotnom će sva upozorenja i obveze za pouzdanost postati nevaljane.

### Predviđena namjena

Ovaj je proizvod predviđen za uporabu:

- u zatvorenom prostoru, npr. unutar kuće;
- u zatvorenim radnim okruženjima, kao što su trgovine i uredi;
- u zatvorenim prostorima za smještaj, kao što su kuće na farmama, hoteli, penzioni.
- Ovaj se proizvod ne smije se koristiti vani.

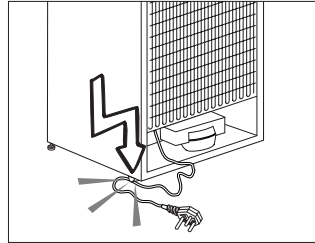
### Opća sigurnost

- Kad budete željeli odložiti uređaj, preporučujemo da konzultirate ovlaštenu servis da biste saznali potrebne informacije i ovlaštena tijela.
- Konzultirajte se s ovlaštenim servisom za sva pitanja i probleme vezane za hladnjak. Nemojte intervenirati ili dopustiti da netko intervenira na hladnjaku bez prethodnog obavještanja ovlaštenih servisa.
- Za proizvode u odjeljku škrinje; Ne jedite kornete sladoleda i kockice leda odmah nakon vađenja kad ih izvadite iz odjeljka hladnjaka! (To može uzrokovati ozljede od hladnoće u vašim ustima.)
- Za proizvode s odjeljkom sa škrinjom; ne stavljajte tekućinu u bocama i konzervama u odjeljak škrinje. U suprotnom bi mogli puknuti.
- Ne dodirujte smrznutu hranu rukom; može vam se zalijepiti za ruku.

- Isključite svoj hladnjak prije čišćenja ili odmrzavanja.
- Para i raspršujuća sredstva za čišćenje se nikada ne smiju koristiti tijekom postupka čišćenja i odmrzavanja u vašem hladnjaku. U takvim slučajevima, para može doći u kontakt s električnim dijelovima i uzrokovati kratki spoj ili strujni udar.
- Nikada ne koristite dijelove vašeg hladnjaka, kao što su vrata, za pridržavanje ili za stajanje na njima.
- Ne koristite električne uređaje unutar hladnjaka.
- Ne oštećujte dijelove gdje cirkulira rashladno sredstvo pomoću alata za bušenje ili rezanje. Rashladno sredstvo koje može eksplodirati kad se plinski kanali isparivača, produžetka cijevi ili površinskih premaza probuše, može uzrokovati iritaciju kože i ozljede oka.
- Ne pokrivajte i ne blokirajte otvore za ventilaciju na vašem hladnjaku bilo kakvim materijalom.
- Električne aparate smiju popravljati samo ovlaštene osobe. Popravke koje izvrše nestručne osobe mogu predstavljati rizik za korisnika.
- U slučaju bilo kakvog kvara tijekom održavanja ili popravke, otpojite hladnjak s napajanja ili isključivanjem odgovarajućeg osigurača ili isključivanjem vašeg uređaja iz struje.
- Kod isključivanja utikača, nemojte povlačiti za kabel.
- Stavite jača pića čvrsto zatvorena i uspravno.
- Nikada ne držite konzerve sa sprejevima koji sadrže zapaljive i eksplozivne tvari u hladnjaku.
- Ne koristite mehaničke uređaje ili druge načine za ubravanje procesa topljenja, osim onih koje preporuča proizvođač.

- Ovaj uređaj nije namijenjen uporabi od strane osoba s fizičkim osjetilnim ili mentalnim nedostacima ili osoba bez znanja ili iskustva (uključujući djecu), osim ako su pod nadzorom osobe koja će biti odgovorna za njihovu sigurnost ili koja će ih valjano uputiti o uporabi proizvoda.
- Ne uključujte oštećeni hladnjak. Konzultirajte se sa serviserom ako imate bilo kakvih nedoumica.
- Za električnu sigurnost vašeg hladnjaka se jamči samo ako je uzemljenje u vašoj kući u skladu sa standardima.
- Izlaganje proizvoda kiši, snijegu, suncu i vjetru je opasno u pogledu električne sigurnosti.
- Kad je oštećen kabel, javite se ovlaštenom servisu da izbjegnute opasnost.
- Nikada ne uključujte hladnjak u zidnu utičnicu tijekom instalacije. Inače može doći do opasnosti po život ili ozbiljne ozljede.
- Hladnjak je namijenjen samo držanju hrane. Ne smije se koristiti u bilo koje druge svrhe.
- Najljepnica s tehničkim specifikacijama se nalazi na lijevoj stijenci unutar hladnjaka.
- Nikada ne spajajte hladnjak na sustave za uštedu energije; oni mogu oštetiti hladnjak.
- Ako na hladnjaku postoji plavo svjetlo, nemojte gledati u plavo svjetlo optičkim alatima.
- Za hladnjake kojima se upravlja manualno, sačekajte bar 5 minuta da biste uključili hladnjak nakon nestanka el. energije.
- Ukoliko se uređaj da nekom drugom, korisnički priručnik se mora predati novom vlasniku.

- Pazite da ne oštetite kabel kod prijevoza hladnjaka. Presavijanje kabela može uzrokovati požar. Nikada ne stavljajte teške predmete na kabel napajanja. Ne dodirujte utikač mokrim rukama kad uključujete uređaj.



- Ne uključujte hladnjak ako je električna utičnica labava.
- Voda se ne smije špricati izravno na unutarnje ili vanjske dijelove proizvoda zbog sigurnosnih razloga.
- Nemojte špricati tvari koje sadrže zapaljive plinove kao što je propan blizu hladnjaka da biste izbjegli opasnost od požara i eksplozije.
- Nikada na hladnjak ne stavljajte posude s vodom, jer inače mogu uzrokovati električni udar ili požar.
- Nemojte prepuniti hladnjak s previše hrane. Ako se prepuni, hrana može pasti i ozlijediti vas kad otvorite vrata. Nikad ne stavljajte predmete na hladnjak, inače ti predmeti mogu pasti kad otvarate ili zatvarate vrata hladnjaka.
- Proizvodi za koje je potrebna precizna kontrola temperature, cjepiva, lijekovi osjetljivi na toplinu, znanstveni materijali, itd. se ne smiju držati u hladnjaku.
- Ako se neće koristiti dulje vrijeme, hladnjak se treba isključiti. Mogući problem na kabelu napajanja može uzrokovati požar.
- Vrh utikača se treba redovito čistiti, u suprotnom može uzrokovati požar.
- Vrh čepa se treba čistiti redovito suhom krpom; u suprotnom, može izazvati požar.



- Hladnjak se može pomaknuti ako podesive noge nisu pravilno pričvršćena na podu. Pravilno pričvršćivanje podesivih nogu na podu može spriječiti pomicanje hladnjaka.
- Kad nosite hladnjak, nemojte ga držati za ručku vrata. U suprotnom, može puknuti.
- Kad morate staviti svoj proizvod pored drugog hladnjaka ili škrinje, udaljenost između uređaja treba biti najmanje 8 cm. U suprotnom, susjedne bočne stjenke se mogu navlažiti.

## Za proizvode s raspršivačem za vodu

Tlak vode treba biti najmanje 1 bar.

Tlak vode treba biti najviše 8 bara.

- Koristite samo pitku vodu.

## Sigurnost djece

- Ako vrata imaju bravu, ključ se treba držati podalje od dosega djece.
- Djeca moraju biti pod nadzorom da bi se spriječilo neovlašteno korištenje proizvoda.

## Upozorenje za HCA

**Ako rashladni sustav vašeg uređaja sadrži R600a:**

Ovaj plin je zapaljiv. Zato pazite da tijekom uporabe i transporta ne oštetite sustav za hlađenje i cijevi. U slučaju oštećenja, držite uređaj podalje od potencijalnog izvora plamena koji može dovesti do toga da uređaj zapali, te prozračujete sobu u kojoj se nalazi uređaj.

**Ignorirajte ovo upozorenje ako rashladni sustav vašeg uređaja sadrži R134a.**

Vrsta plina koja se koristi u proizvodu je navedena na tipskoj pločici koja je na lijevoj stijenci unutar hladnjaka. Nikada kod odlaganja ne bacajte uređaj u vatru.

## Stvari koje se trebaju uraditi za uštedu energije

- Ne ostavljajte vrata vašeg hladnjaka otvorena dulje vrijeme.
- Ne stavljajte toplu hranu ili pića u hladnjak.
- Nemojte prepuniti hladnjak tako da se ne sprječava cirkuliranja zraka u unutrašnjosti.
- Ne postavljajte vaš hladnjak izravno na sunčevu svjetlost ili blizu uređaja koji emitiraju toplinu kao što su pećnice, perilice suđa ili radijatori.
- Pazite da držite svoju hranu u zatvorenim posudama.
- Za uređaje s odjeljkom škrinje; možete spremiti maksimalnu količinu hrane u škrinju kad uklonite policu ili ladicu škrinje. Vrijednost potrošnje energije koja je navedena za vaš hladnjak je određena tako da je uklonjena polica ili ladica škrinje i pod maksimalnim opterećenjem. Ne postoji opasnost od uporabe police ili ladice prema oblicima i veličinama hrane koja će biti zamrznuta.
- Topljenje smrznute hrane u odjeljku hladnjaka će osigurati uštedu energije u sačuvati kvalitetu hrane.

### 3 Instalacija

⚠ Molimo imajte na umu da se proizvođač neće smatrati odgovornim ukoliko se ne budete pridržavali informacija navedenih u korisničkom priručniku.

#### Stvari kojih se treba pridržavati kod ponovnog transporta vašeg hladnjaka

1. Vaš hladnjak mora biti ispražnjen i očišćen prije bilo kakvog transporta.
2. Police, dodaci, odjeljak za povrće itd. u vašem hladnjaku moraju biti čvrsto pričvršćeni ljepljivom trakom zbog treskanja prije ponovnog pakiranja.
3. Pakiranje se mora pričvrstiti ljepljivom trakom i mora se pridržavati pravila o transportu ispisanih na pakiranju.

#### Molimo ne zaboravite...

Svaki reciklirani materijal je nezamjenjiv izvor za prirodu i za naše nacionalne izvore.

Ako želite pridonijeti reciklaži materijala pakiranja, možete dobiti dodatne informacije od ureda za okoliš ili lokalnih vlasti.

#### Prije uključivanja vašeg hladnjaka

Prije početka uporabe vašeg hladnjaka provjerite sljedeće:

1. Je li unutrašnjost hladnjaka suha i može li zrak slobodno cirkulirati sa stražnje strane?
2. Očistite unutrašnjost hladnjaka kako je preporučeno u dijelu "Održavanje i čišćenje".
3. Uključite hladnjak u zidnu utičnicu. Kad su vrata hladnjaka otvorena, uključit će se unutrašnje svjetlo.

4. Čut ćete buku kad kompresor počne raditi. Tekućine i plinovi zabrtvljeni u rashladnom sustavu također mogu stvarati buku, čak i kad kompresor ne radi i to je potpuno normalno.
5. Prednji krajevi hladnjaka mogu biti topli na opip. To je normalno. Ova područja su napravljena da budu topla da bi se se izbjegla kondenzacija.

#### Električno spajanje

Spojite svoj proizvod u uzemljenu utičnicu koja je zaštićena osiguračem odgovarajućeg kapaciteta.

Važno:

- Spoj mora biti u skladu s nacionalnim zakonskim odredbama.
  - Kabel napajanja mora biti lako dostupan nakon postavljanja.
  - Navedeni napon mora biti jednak naponu el. energije.
  - Produžni kabeli i razvodnici se ne smiju koristiti za spajanje.
- ⚠ Oštećeni kabel napajanja mora zamijeniti kvalificirani električar.
- ⚠ Proizvod ne smije raditi prije popravke! Postoji opasnost od električnog udara!

## Odlaganje pakiranja

Materijali pakiranja mogu biti opasni za djecu. Čuvajte materijale pakiranja dalje od dohvata djece ili ih odložite svrstavanjem u skladu s uputama o odlaganju. Nemojte ih odlagati s normalnim otpadom iz kućanstva. Pakiranje vašeg hladnjaka je proizvedeno od recikliranih materijala.

## Odlaganje stalnog hladnjaka

Odlaganje vašeg starog stroja bez štete za okoliš.

- O odlaganju vašeg hladnjaka se možete konzultirati s vašim ovlaštenim dobavljačem ili centrom za sakupljanje otpada u vašoj općini.

Prije odlaganja vašeg hladnjaka, odrežite električni utikač i, ukoliko postoje bilo kakve brave na vratima, onesposobite ih da biste zaštitili djecu od bilo kakve opasnosti.

## Postavljanje i instalacija

**⚠** Ako ulaz u prostoriju gdje će biti postavljen hladnjak nije dovoljno širok da hladnjak kroz njega prođe, pozovite ovlaštenu servis da skine vrata vašeg hladnjaka tako da kroz vrata prođe bočno.

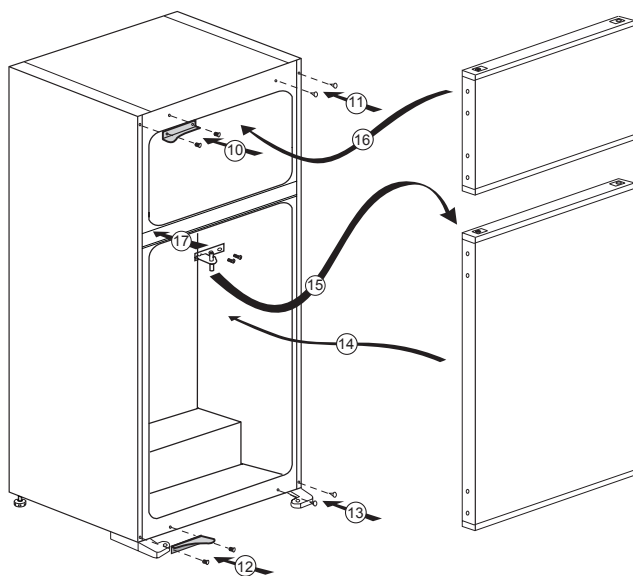
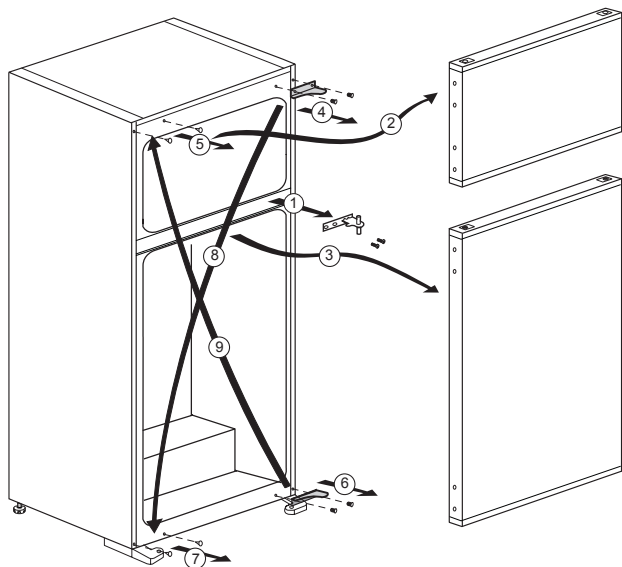
1. Instalirajte vaš hladnjak na mjesto koje dopušta laku uporabu.
2. Držite vaš hladnjak podalje od izvora topline, vlažnih mjesta i direktne sunčeve svjetlosti.
3. Da bi se postigao učinkoviti rad, oko vašeg hladnjaka mora postojati odgovarajuća ventilacija. Ako se hladnjak treba postaviti u otvor u zidu, mora postojati udaljenost najmanje 5 cm od plafona i 5 cm od zida. Ako je pod prekriven tepihom, vaš uređaj mora biti podignut od poda 2.5 cm.
4. Stavite svoj hladnjak na ravnu površinu poda da biste spriječili udarce.
5. Ne držite svoj hladnjak na temperaturama nižim od 10°C.

## Zamjena žarulje unutarnjeg svjetla

Da biste zamijenili lampicu koja se koristi za osvjetljavanje, molimo nazovite svoj ovlaštenu servis. Lampa koja se koristi u ovom uređaju nije podesna za uporabu za osvjetljenje doma. Predviđena namjena ove lampe je da pomogne korisniku da stavi hranu u hladnjak/škrinju na siguran i ugodan način. Svjetiljke ovog uređaja moraju podnijeti ekstremne uvjete poput temperatura nižih od -20°C.

## Mijenjanje smjera otvaranja vrata

Nastavite po rednim brojevima.



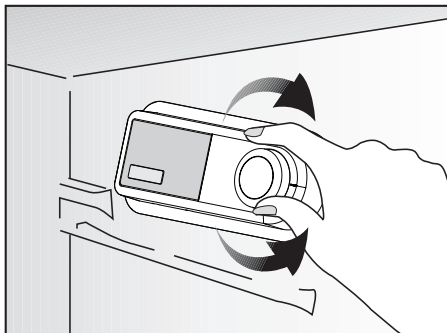
## 4 Priprema

---

- i** Vaš hladnjak se treba postaviti najmanje 30 cm od izvora topline kao što su plamenici, pećnice, grijalice i štednjaci i najmanje 5 cm dalje od električnih pećnica te se ne smiju stavljati na direktnu sunčevu svjetlost.
- i** Sobna temperatura u prostoriji u koju postavite hladnjak treba biti najmanje 10°C. Rad vašeg hladnjaka u hladnijim uvjetima od navedenih se ne preporuča vezano za učinkovitost.
- i** Pazite da se unutrašnjost vašeg hladnjaka temeljito čisti.
- i** Ako se dva hladnjaka trebaju instalirati jedan do drugog, između njih treba postojati razmak od najmanje 2 cm.
- i** Kada prvi put uključite hladnjak, molimo pridržavajte se sljedećih uputa tijekom prvih šest sati.
  - Vrata se ne smiju često otvarati.
  - Mora raditi prazan, bez ikakve hrane u njemu.
  - Ne isključujte vaš hladnjak. Ako dođe do nestanka el. energije na koji ne možete utjecati, molimo pogledajte upozorenja u dijelu "Preporučena rješenja za probleme".
- i** Originalno pakiranje i materijali od pjene se trebaju čuvati zbog budućeg transporta ili selidbe.

## 5 Uporaba hladnjaka

### Tipka za postavljanje termostata



Unutarnja temperatura vašeg hladnjaka se mijenja zbog sljedećih razloga:

- Temperatura godišnjih doba.
- Često otvaranje vrata i ostavljanje vrata otvorenim dulje vrijeme.
- Stavljanje hrane u hladnjak bez prethodnog hlađenja na sobnu temperaturu.
- Smještaj hladnjaka u sobi (npr. izlaganje sunčevoj svjetlosti).
- Zbog takvih razloga, pomoću termostata možete prilagoditi različite temperature unutrašnjosti. Brojevi oko tipki termostata označavaju razinu hladnoće.
- Ako je temperatura okoline viša od 32°C, okrenite tipku termostata na maksimalni položaj.
- Ako je temperatura okoline niža od 25°C, okrenite tipku termostata na minimalni položaj.

### Hlađenje Spremanje hrane

Odjeljak hladnjaka služi za kratkotrajnu pohranu svježe hrane i pića.

### Zamrzavanje Zamrzavanje hrane

Odjeljak za zamrzavanje hrane je označeno **\* \*\* \*** ovim simbolom.

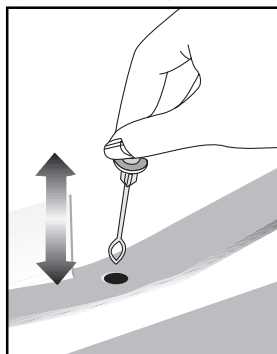
Možete koristiti uređaj za zamrzavanje svježe hrane kao i pohranu već smrznute hrane.

Molimo pogledajte preporuke dane na pakiranju Vaše hrane.

### Odmrzavanje A) Odjeljak za hlađenje

Odjeljak hladnjaka obavlja potpuno automatsko odmrzavanje. Voda koja nastaje od otapanja prolazi iz žlijeba za nakupljanje vode i teče u isparivač kroz cijev za odlijevanje i tu sama isparava.

Redovito provjeravajte da biste vidjeli je li cijev za odлив začepljena i po potrebi je očistite štapom u rupi.



## B) Odjeljak za zamrzavanje

Odjeljak za brzo zamrzavanje ne obavlja automatsko odmrzavanje da bi se spriječilo propadanje zamrznute hrane.

Inje u odjeljku škrinje se mora odmrznuti svakih 6 mjeseci. Preporučuje se da odmrzavate led kad odjeljak škrinje nije previše ispunjen ili je prazan.

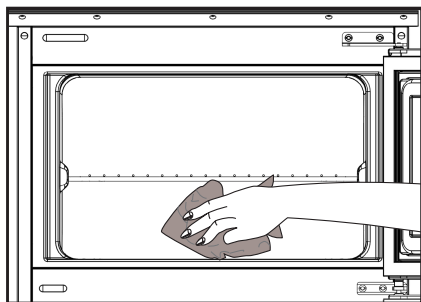
Da biste to uradili, omotajte zamrznutu hranu papirom i držite ju na najhladnijem mjestu ili u drugom hladnjaku, ukoliko je dostupan.

Isključite svoj hladnjak tipkom za podešavanje temperature ili isključite kabel napajanja s utičnice. Možete staviti posudu ispunjenu vrućom vodom u odjeljak škrinje ili ostaviti vrata odjeljka hladnjaka otvorena da biste ubrzali otapanje.

Uklonite vodu koja se nakuplja u donjem odjeljku škrinje krpom ili spužvom koji dobro upijaju.

Osušite do kraja odjeljak škrinje i vratite tipku postavki temperature na prethodni položaj.

Prije vraćanja hrane u škrinju, neka vam hladnjak radi 2 sata prazan, sa zatvorenim vratima.



## Zaustavljanje uređaja

Ako je vaš termostat opremljen s položajem „0“:

- Vaš uređaj će prestati raditi kad okrenete tipku termostata na položaj “0” (nula). Vaš uređaj se neće pokrenuti ako ne okrenete tipku termostata ponovno na položaj „1“ ili neki drugi položaj.

Ako je vaš termostat opremljen s položajem „min“:

- Isključite uređaj s napajanja da biste ga zaustavili.

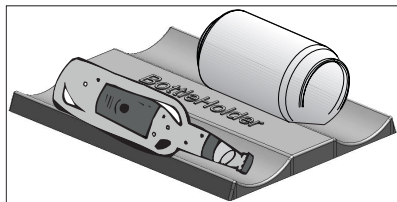
## Pravljenje leda

Ispunite spremnik za led vodom i stavite ga na mjesto. Vaš led će biti gotov za otprilike dva sata.

Možete lako izvaditi led tako da lagano okrenete posudu za led.

## Držać za boce

Ovaj dodatak može se koristiti za skladištenje bilo boca ili limenki strani po strani.



## 6 Održavanje i čišćenje

- ⚠ Nikada za čišćenje nemojte koristiti benzin ili slične materijale.
- ⚠ Savjetujemo da isključite uređaj iz struje prije čišćenja.
- ⓘ Nikada za čišćenje nemojte koristiti oštre predmete ili abrazivne tvari, sapun, tekućinu za čišćenje kućanstva, deterdžent ili vosak za poliranje.
- ⓘ Koristite mlaku vodu za čišćenje kutije hladnjaka i osušite ga krpom.
- ⓘ Koristite ocijeđenu vlažnu krpu potopljenu u otopini jedne žličice sode bikarbone na pola litre vode da biste očistili unutrašnjost i osušite je krpom.
- ⚠ Pazite da voda ne uđe u kućište lampe i druge električne dijelove.
- ⚠ Ako se aparat neće koristiti dulje vrijeme, isključite ga, izvadite svu hranu, očistite ga i ostavite vrata otvorena.
- ⓘ Provjeravajte brtve na vratima redovito da biste bili sigurni da su čisti i da na njima nema komadića hrane.
- ⓘ Da biste skinuli police s vrata, izvadite sav sadržaj i tada jednostavno gurnite policu vrata gore iz osnove.
- ⓘ Nikad ne upotrebljavajte sredstva za čišćenje ili vodu koja sadrži klor za čišćenje vanjskih površina ili kromiranih dijelova proizvoda. Klor uzrokuje koroziju na takvim metalnim površinama.

### Zaštita plastičnih površina

- ⓘ Ne stavljajte tekuće ulje ili jela kuhana na ulju u vaš hladnjak u nezatvorenim posudama jer oni mogu oštetiti plastične površine hladnjaka. U slučaju proljevanja ili razmazivanja ulja na plastičnim površinama, odmah očistite i isperite odgovarajuće dijelove površine toplom vodom.



## 7 Preporučena rješenja za probleme

Molimo provjerite popis prije zvanja servisa. To vam može uštedjeti vrijeme i novac. Popis sadrži česte reklamacije koje nisu posljedica oštećenja u proizvodnji ili uporabi. Neke od opisanih mogućnosti možda ne postoje na vašem proizvodu.

### Hladnjak ne radi.

- je li hladnjak pravilno uključen na napajanje? Uključite utikač u utičnicu u zidu.
- Je li pregorio osigurač utičnice na koju je priključen vaš hladnjak? Provjerite osigurač.

### Kondenzacija na stjenkama hladnjaka (MULTIZONA, KONTROLA HLAĐENJA I FLEKSI ZONA).

- Jako hladna okolina. Često otvaranje i zatvaranje vrata. Jako vlažna okolina. Čuvanje hrane koja sadrži tekućinu u otvorenim posudama. Ostavljanje vrata odškrinutim. Prebacivanje termostata na hladniji stupanj.
- Smanjivanje vremena kad su vrata otvorena ili rjeđa uporaba.
- Prekrivanje hrane spremljene u otvorenim posudama odgovarajućim materijalom.
- Obrišite kondenzat pomoću suhe krpe i provjerite ukoliko se i dalje javlja.

### Kompresor ne radi.

- Zaštitni termički dio kompresora će pregoriti tijekom naglih nestanaka el. energije ili isključivanja priključaka jer tlak rashladnog sredstva u sustavu za hlađenje hladnjaka nije još izbalansiran. Vaš hladnjak će početi s radom otprilike nakon 6 minuta. Molimo nazovite servis ako se vaš hladnjak ne uključi na kraju ovog razdoblja.
- Hladnjak je u ciklusu odmrzavanja. To je normalno za hladnjak s potpuno automatskim odmrzavanjem. Ciklus za odmrzavanje se događa periodički.
- Vaš hladnjak nije uključen u utičnicu. Provjerite je li utikač pravilno postavljen u utičnicu.
- Je li temperatura pravilno postavljena?
- Napajanje može biti prekinuto.

#### Hladnjak radi često ili dugotrajno.

- Vaš novi hladnjak je možda širi od prethodnog. To je u potpunosti normalno. Veći hladnjaci rade dulje.
- Sobna temperatura je možda visoka. To je u potpunosti normalno.
- Hladnjak je možda nedavno priključen na el.energiju ili je možda napunjen hranom. Potpuno hlađenje hladnjaka može trajati nekoliko sati dulje.
- Možda su nedavno u hladnjak stavljene velike količine tople hrane. Topla hrana uzrokuje dulji rad hladnjaka dok ne dostigne sigurnu temperaturu za čuvanje.
- Vrata su možda često otvarana ili ostavljena odškrinuta dulje vrijeme. Topli zrak koji je ušao u hladnjak uzrokuje da hladnjak radi dulje vrijeme. Rjeđe otvarajte vrata.
- Vrata škrinje ili hladnjaka su možda bila odškrinuta. Provjerite jesu li vrata čvrsto zatvorena.
- Hladnjak je postavljen na vrlo nisku temperaturu. Prilagodite temperaturu hladnjaka na topliju razinu dok se ne postigne temperatura.
- Brtva vrata hladnjaka ili škrinje može biti prljava, pohabana, oštećena ili nije dobro sjela. Očistite ili zamijenite brtvu. Oštećena/pokidana brtva uzrokuje dulji rad hladnjaka da bi se održala trenutna temperatura.

#### Temperatura hladnjaka je vrlo niska dok je temperatura frižidera dovoljna.

- Temperatura hladnjaka je postavljena na vrlo nisku temperaturu. Prilagodite temperaturu hladnjaka na topliji stupanj i provjerite.

#### Temperatura frižidera je vrlo niska dok je temperatura hladnjaka dovoljna.

- Temperatura hladnjaka je postavljena na vrlo nisku temperaturu. Prilagodite temperaturu hladnjaka na topliji stupanj i provjerite.

#### Hrana koja se čuva i ladicama hladnjaka se smrzava.

- Temperatura hladnjaka je postavljena na vrlo nisku temperaturu. Prilagodite temperaturu hladnjaka na topliji stupanj i provjerite.

#### Temperatura u hladnjaku ili škrinji je previsoka.

- Temperatura hladnjaka je postavljena na vrlo visoku temperaturu. Prilagođavanje hladnjaka ima utjecaja na temperaturu škrinje. Mijenjajte temperaturu hladnjaka ili škrinje dok temperatura hladnjaka ili škrinje ne dosegne dovoljnu razinu.
- Vrata su možda često otvarana ili ostavljena odškrinuta dulje vrijeme.
- Vrata su možda odškrinuta, zatvorite vrata do kraja.
- Možda su nedavno u hladnjak stavljene velike količine tople hrane. Čekajte dok hladnjak ili škrinja ne dosegnu željenu temperaturu.
- Hladnjak je možda uključen nedavno. Hlađenje hladnjaka do kraja može potrajati.

#### Buka tijekom rada se povećava kad hladnjak radi.

- Radne performanse hladnjaka se mogu promijeniti ovisno o promjenama sobne temperature. To je normalno i ne predstavlja kvar.

Vibracije ili buka.
<ul style="list-style-type: none"> <li>• Pod nije ravan ili je slab. Hladnjak se njiše kad se polako pomiče. Pazite da je pod ravan i da je dovoljno jak da može nositi hladnjak.</li> <li>• Buka može biti uzrokovana predmetima koji se nalaze na hladnjaku. Predmeti koji stoje na hladnjaku se trebaju ukloniti.</li> </ul>
Čuje se buka poput prolijevanja tekućine ili špricanja.
<ul style="list-style-type: none"> <li>• Protok tekućine i plinova se događa u skladu s radnim principima vašeg hladnjaka. To je normalno i ne predstavlja kvar.</li> </ul>
Čuje se buka poput puhanja vjetra.
<ul style="list-style-type: none"> <li>• Ventilatori se koriste za hlađenje hladnjaka. To je normalno i ne predstavlja kvar.</li> </ul>
Kondenzacija na unutarnjim stjenkama hladnjaka.
<ul style="list-style-type: none"> <li>• Toplo i vlažno vrijeme povećava nastanak leda i kondenziranje. To je normalno i ne predstavlja kvar.</li> <li>• Vrata su možda ostala odškrinuta; pazite da su vrata zatvorena do kraja.</li> <li>• Vrata su možda često otvarana ili ostavljena odškrinuta dulje vrijeme.</li> </ul>
Vlaga se pojavljuje na vanjskom dijelu hladnjaka ili između vrata.
<ul style="list-style-type: none"> <li>• Možda ima vlage u zraku; to je potpuno normalno kad je vrijeme vlažno. Kad je vlažnost manja, kondenzat će nestati.</li> </ul>
Neugodan miris unutar hladnjaka.
<ul style="list-style-type: none"> <li>• Mora se očistiti unutrašnjost hladnjaka. Očistite unutrašnjost hladnjaka spužvom, toplom ili gaziranom vodom.</li> <li>• Neugodan miris možda uzrokuju neke posude ili materijali pakiranja. Koristite neku drugu posudu ili drugačiju marku materijala za pakiranje.</li> </ul>
Vrata se ne zatvaraju.
<ul style="list-style-type: none"> <li>• Paketi hrane možda sprječavaju zatvaranje vrata. Uklonite pakete hrane koji smetaju vratima.</li> <li>• Vaš hladnjak nije potpuno uspravan na podu i njiše se kad se lagano pomakne. Prilagodite vijke za podizanje.</li> <li>• Pod nije ravan ili jak. Pazite da je pod ravan i da može nositi hladnjak.</li> </ul>
Odjeljci za voće i povrće su zaglavljani.
<ul style="list-style-type: none"> <li>• Hrana možda dodiruje vrh ladice. Presložite hranu u ladici.</li> </ul>

