



Built-in Oven

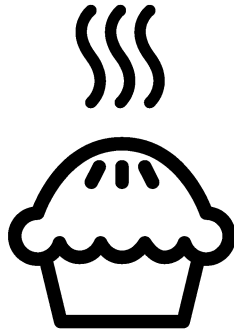
User Manual

Forno incassato

Manuale utente

Εντοιχιζόμενος φούρνος

Εγχειρίδιο χρήσης



BIE110X

EN / IT / EL

285.4486.78/R.AD/19.02.2021

7768188307

Please read this user manual first!

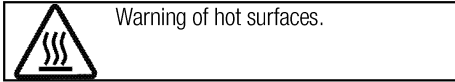
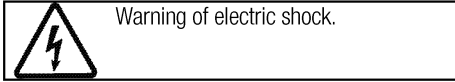
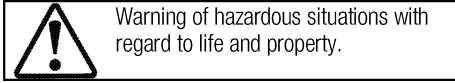
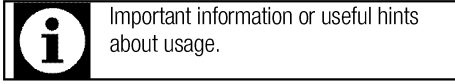
Dear Customer,

Thank you for purchasing this Beko product. We hope that you get the best results from your product which has been manufactured with high quality and state-of-the-art technology. Therefore, please read this entire user manual and all other accompanying documents carefully before using the product and keep it as a reference for future use. If you handover the product to someone else, give the user manual as well. Follow all warnings and information in the user manual.

Remember that this user manual is also applicable for several other models. Differences between models will be identified in the manual.

Explanation of symbols

Throughout this user manual the following symbols are used:



Arçelik A.Ş.
Karaağaç caddesi No:2-6
34445 Söğütözü/İstanbul/TURKEY
Made in TURKEY

This product was manufactured using the latest technology in environmentally friendly conditions.

**1 Important instructions and warnings
for safety and environment 4**

General safety 4
 Electrical safety 4
 Product safety 5
 Intended use 7
 Safety for children 7
 Disposing of the old product 8
 Package information 8

2 General information 9

Overview 9
 Package contents 10
 Technical specifications 11

3 Installation 12

Before installation 12
 Installation and connection 14
 Future Transportation 15

4 Preparation 17

Tips for saving energy 17
 Initial use 17
 First cleaning of the appliance 17
 Initial heating 17

5 How to operate the oven 18

General information on baking, roasting and grilling 18
 How to operate the electric oven 18
 Operating modes 19
 Using the oven clock 20
 Cooking times table 20
 How to operate the grill 21
 Cooking times table for grilling 22

6 Maintenance and care 23

General information 23
 Cleaning the control panel 23
 Cleaning the oven 23
 Removing the oven door 24
 Removing the door inner glass 24
 Replacing the oven lamp 25

7 Troubleshooting 26

1 Important instructions and warnings for safety and environment

This section contains safety instructions that will help protect from risk of personal injury or property damage. Failure to follow these instructions shall void any warranty.

General safety

- This appliance can be used by children aged from 8 years and above and persons with reduced physical, sensory or mental capabilities or lack of experience and knowledge if they have been given supervision or instruction concerning use of the appliance in a safe way and understand the hazards involved.

Children shall not play with the appliance. Cleaning and user maintenance shall not be made by children without supervision.

- The appliance is not to be used by persons (including children) with reduced physical, sensory or mental capabilities, or lack of experience and knowledge, unless they have been given supervision or instruction. Children should be supervised and ensure they do not play with the appliance
- If the product is handed over to someone else for personal use or second-hand use purposes, the

user manual, product labels and other relevant documents and parts should be also given.

- Installation and repair procedures must always be performed by Authorised Service Agents. The manufacturer shall not be held responsible for damages arising from procedures carried out by unauthorised persons which may also void the warranty. Before installation, read the instructions carefully.
- Do not operate the product if it is defective or has any visible damage.
- Ensure that the product function knobs are switched off after every use.

Electrical safety

- If the product has a failure, it should not be operated unless it is repaired by an Authorised Service Agent. There is the risk of electric shock!
- Only connect the product to a grounded outlet/line with the voltage and protection as specified in the “Technical specifications”. Have the grounding installation made by a qualified electrician while using the product with or without a

transformer. Our company shall not be liable for any problems arising due to the product not being earthed in accordance with the local regulations.

- Never wash the product by spreading or pouring water onto it! There is the risk of electric shock!
- Never touch the plug with wet hands! Never unplug by pulling on the cable, always pull out by holding the plug.
- The product must be disconnected during installation, maintenance, cleaning and repairing procedures.
- If the power connection cable for the product is damaged, it must be replaced by the manufacturer, its service agent or similarly qualified persons in order to avoid a hazard.
- The appliance must be installed so that it can be completely disconnected from the mains supply. The separation must be provided by a switch built into the fixed electrical installation, according to construction regulations.
- Rear surface of the oven gets hot when it is in use. Make sure that the electrical connection does not contact the rear surface; otherwise, connections can get damaged.

- Do not trap the mains cable between the oven door and frame and do not route it over hot surfaces. Otherwise, cable insulation may melt and cause fire as a result of short circuit.
- Any work on electrical equipment and systems should only be carried out by authorised and qualified persons.
- In case of any damage, switch off the product and disconnect it from the mains. To do this, turn off the fuse at home.
- Make sure that fuse rating is compatible with the product.

Product safety

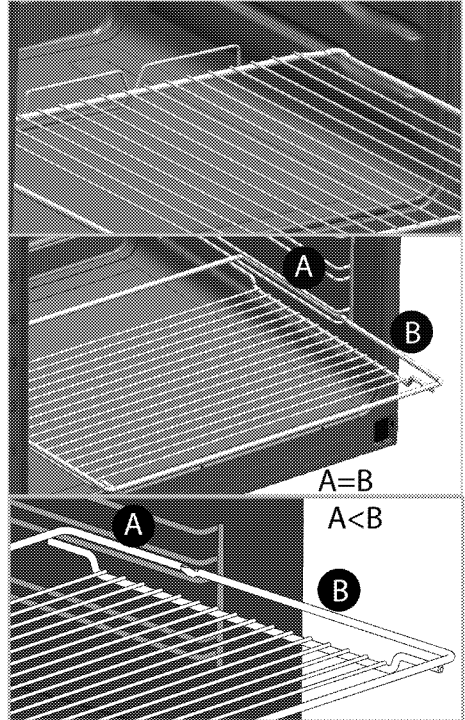
- **WARNING:** The appliance and its accessible parts become hot during use. Care should be taken to avoid touching heating elements. Children less than 8 years of age shall be kept away unless continuously supervised.
- Never use the product when your judgment or coordination is impaired by the use of alcohol and/or drugs.
- Be careful when using alcoholic drinks in your dishes. Alcohol evaporates at high temperatures and may cause fire since it can ignite when it comes into contact with hot surfaces.
- **Food Poisoning Hazard:** Do not let food sit in oven for more than 1

hour before or after cooking. Doing so can result in food poisoning or sickness.

- Do not place any flammable materials close to the product as the sides may become hot during use.
- During use the appliances becomes hot. Care should be taken to avoid touching heating elements inside the oven.
- Keep all ventilation slots clear of obstructions.
- Do not heat closed tins and glass jars in the oven. The pressure that would build-up in the tin/jar may cause it to burst.
- Do not place baking trays, dishes or aluminium foil directly onto the bottom of the oven. The heat accumulation might damage the bottom of the oven.
- Do not use harsh abrasive cleaners or sharp metal scrapers to clean the oven door glass since they can scratch the surface, which may result in shattering of the glass.
- Do not use steam cleaners to clean the appliance as this may cause an electric shock.
- (Varies depending on the product model.)

Placing the wire shelf and tray onto the wire racks properly

It is important to place the wire shelf and/or tray onto the rack properly. Slide the wire shelf or tray between 2 rails and make sure that it is balanced before placing food on it (Please see the following figure).



- Do not use the product if the front door glass removed or cracked.
- Always use heat resistant oven gloves when putting in or removing dishes into/from the hot oven.
- Place the baking paper into the cooking pot or on to the oven accessory (tray, wire grill etc) together with the food and then insert all into the preheated oven.

Remove the excess parts of the baking paper overflowing from the accessory or the pot in order to prevent the risk of touching the oven's heating elements. Never use the baking paper in an operating temperature higher than the indicated value for the baking paper. Do not place the baking paper directly on the base of the oven.

- **WARNING:** Ensure that power cord of the appliance is unplugged or circuit breaker is switched off before replacing the lamp to avoid the possibility of electric shock.
- The appliance must not be installed behind a decorative door in order to avoid overheating.

Prevention against possible fire risk!

- Ensure all electrical connections are secure and tight to prevent risk of arcing.
- Do not use damaged cables or extension cables.
- Ensure liquid or moisture is not accessible to the electrical connection point.

Intended use

- This product is designed for domestic use. Commercial use will void the guarantee.
- **CAUTION:** This appliance is for cooking purposes only. It must not be used for other purposes, for example room heating.

- This product should not be used for warming the plates under the grill, drying towels, dish cloths etc. by hanging them on the oven door handles. This product should also not be used for room heating purposes.
- The manufacturer shall not be liable for any damage caused by improper use or handling errors.
- The oven can be used for defrosting, baking, roasting and grilling food.

Safety for children

- **WARNING:** Accessible parts may become hot during use. Young children should be kept away.
- The packaging materials will be dangerous for children. Keep the packaging materials away from children. Please dispose of all parts of the packaging according to environmental standards.
- Electrical products are dangerous to children. Keep children away from the product when it is operating and do not allow them to play with the product.
- Do not place any items above the appliance that children may reach for.
- When the door is open, do not load any heavy object on it and do not allow children to sit on it. It may overturn or door hinges may get damaged.

Disposing of the old product

Compliance with the WEEE Directive and Disposing of the Waste Product:



This product complies with EU WEEE Directive (2012/19/EU). This product bears a classification symbol for waste electrical and electronic equipment (WEEE).

This product has been manufactured with high quality parts and materials which can be reused and are suitable for recycling. Do not dispose of the waste product with normal domestic and other wastes at the end of its service life. Take it to the collection center for the recycling of electrical and electronic equipment. Please consult your local authorities to learn about these collection centers.

Compliance with RoHS Directive:

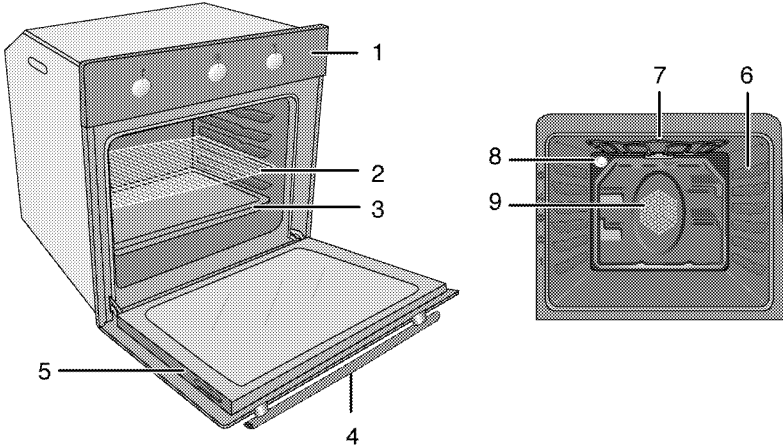
The product you have purchased complies with EU RoHS Directive (2011/65/EU). It does not contain harmful and prohibited materials specified in the Directive.

Package information

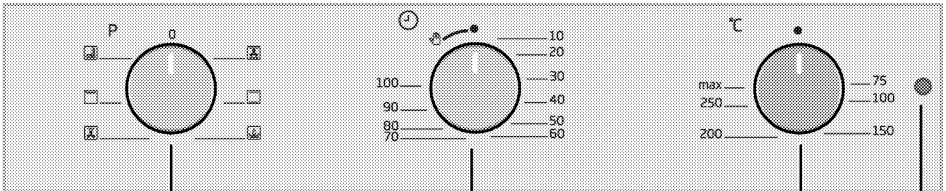
- Packaging materials of the product are manufactured from recyclable materials in accordance with our National Environment Regulations. Do not dispose of the packaging materials together with the domestic or other wastes. Take them to the packaging material collection points designated by the local authorities.

2 General information

Overview



- | | | | |
|---|---------------|---|--------------------------------|
| 1 | Control panel | 6 | Shelf positions |
| 2 | Wire shelf | 7 | Top heating element |
| 3 | Tray | 8 | Lamp |
| 4 | Handle | 9 | Fan motor (behind steel plate) |
| 5 | Door | | |

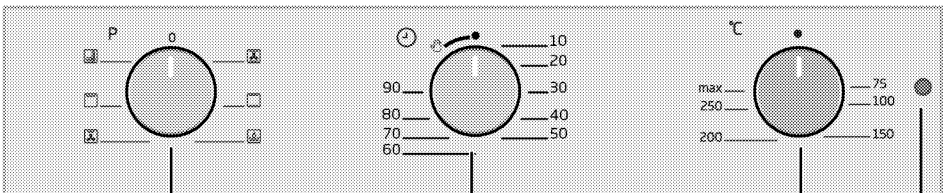


1

2

3

4



1

2

3

4

- | | |
|---|------------------|
| 1 | Function knob |
| 2 | Mechanical timer |
| 3 | Thermostat knob |
| 4 | Thermostat lamp |

Package contents

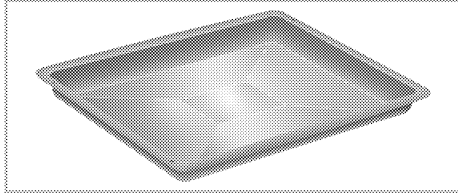


Accessories supplied can vary depending on the product model. Not every accessory described in the user manual may exist on your product.

1. **User manual**

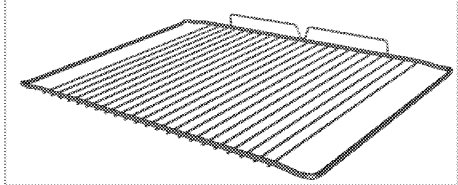
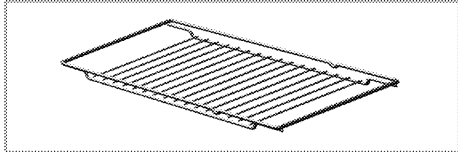
2. **Standard tray**

Used for pastries, frozen foods and big roasts.



3. **Wire grill**

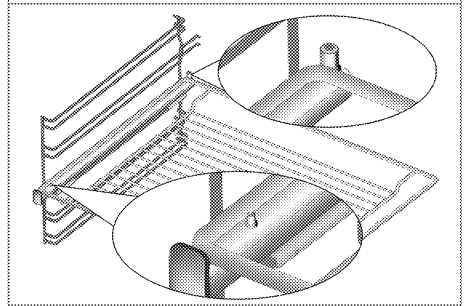
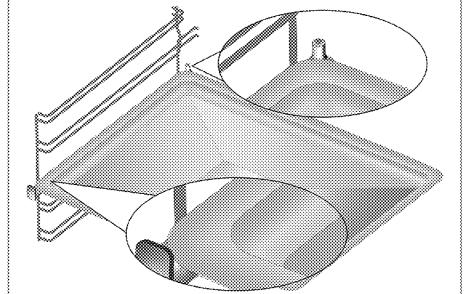
Used for roasting and for placing the food to be baked, roasted or cooked in casserole dishes to the desired rack.



4. **Placing the wire shelf and tray onto the telescopic racks properly**
(This feature is optional. It may not exist on your product.)

Telescopic racks allow you to install and remove the trays and wire shelf easily.

When using the tray and wire shelf with telescopic racks, make sure that the pins at the rear section of the telescopic rack stands against the edges of the wire shelf and tray.



Technical specifications

Voltage / frequency	220-240 V ~ 50/60 Hz
Total power consumption	2.4 kW
Cable type / section	min.H05W-FG 3 x 1,5 mm ²
External dimensions (height / width / depth)	595 mm/594 mm/567 mm
Installation dimensions (height / width / depth)	**590 or 600 mm/560 mm/min. 550 mm
Main oven	Multifunction oven
Inner lamp	15/25 W
Grill power consumption	2.2 kW

Basics: Information on the energy label of electrical ovens is given in accordance with the EN 60350-1 / IEC 60350-1 standard. Those values are determined under standard load with bottom-top heater or fan assisted heating (if any) functions.

Energy efficiency class is determined in accordance with the following prioritization depending on whether the relevant functions exist on the product or not. 1-Cooking with eco-fan, 2- Turbo slow cooking, 3- Turbo cooking, 4- Fan assisted bottom/top heating, 5-Top and bottom heating.

** See. *Installation, page 12.*



Technical specifications may be changed without prior notice to improve the quality of the product.



Figures in this manual are schematic and may not exactly match your product.



Values stated on the product labels or in the documentation accompanying it are obtained in laboratory conditions in accordance with relevant standards. Depending on operational and environmental conditions of the product, these values may vary.

3 Installation

Product must be installed by a qualified person in accordance with the regulations in force. The manufacturer shall not be held responsible for damages arising from procedures carried out by unauthorized persons which may also void the warranty.



Preparation of location and electrical installation for the product is under customer's responsibility.



DANGER:

The product must be installed in accordance with all local electrical regulations.



DANGER:

Prior to installation, visually check if the product has any defects on it. If so, do not have it installed.

Damaged products cause risks for your safety.

Before installation

The appliances must not be installed behind a decorative door in order to avoid overheating. The appliance is intended for installation in commercially available kitchen cabinets. A safety distance must be left between the appliance and the kitchen walls and furniture. See figure (values in mm).

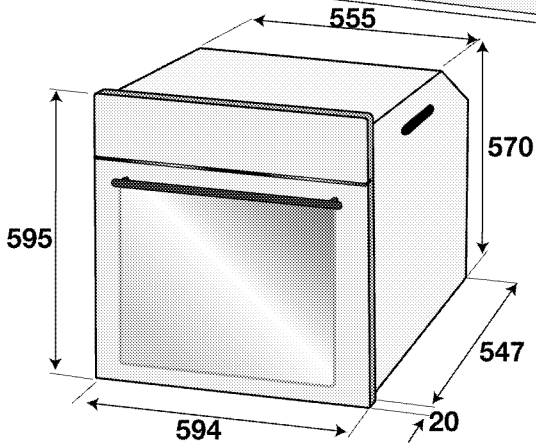
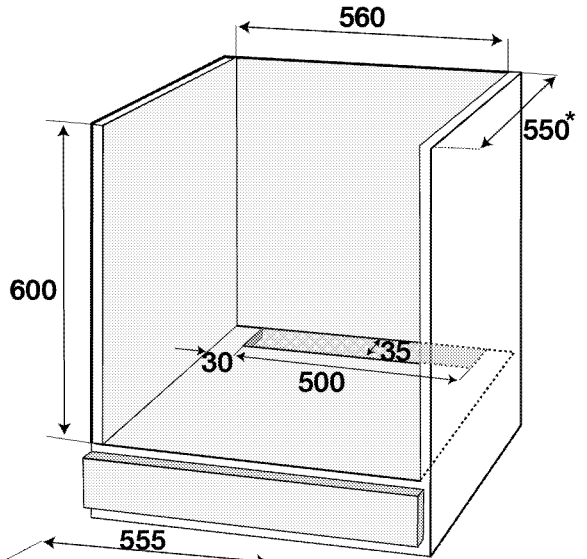
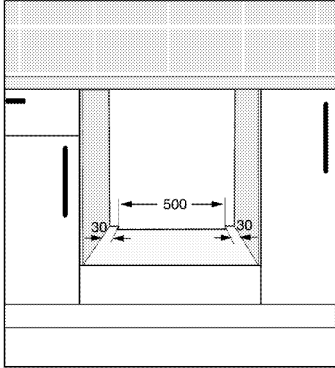
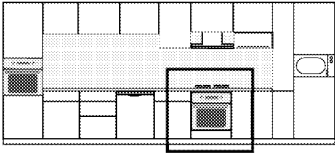
- Surfaces, synthetic laminates and adhesives used must be heat resistant (100 °C minimum).
- Kitchen cabinets must be set level and fixed.
- If there is a drawer beneath the oven, a shelf must be installed in order to separate from the oven and drawer.
- Carry the appliance with at least two persons.
- Hold the oven from the slots for handling on both sides to move it.
- Before installing the product, remove all materials and documents inside.
- Kitchen furniture must be in compliance with the dimensions given in the figure below. At the rear section of the kitchen furniture, an opening must be cut out with the dimensions given in the figure below to ensure sufficient ventilation.



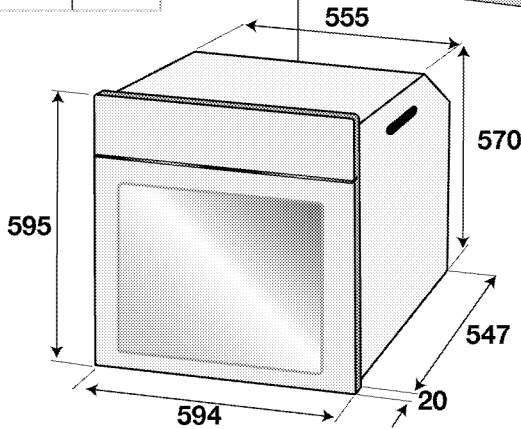
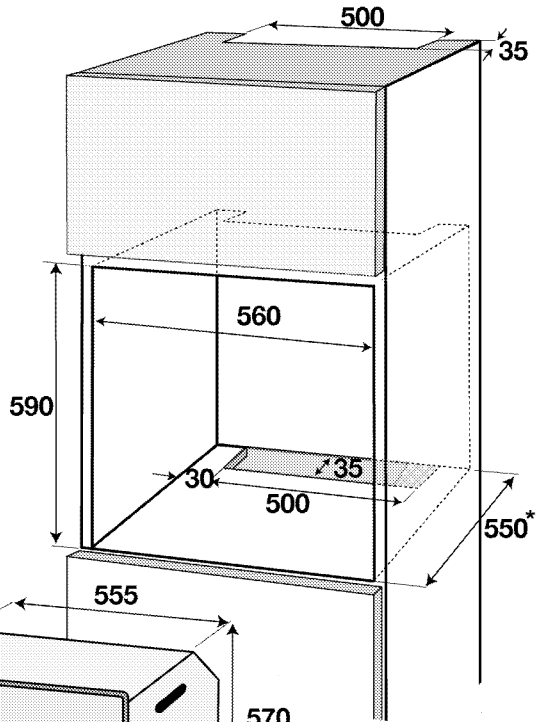
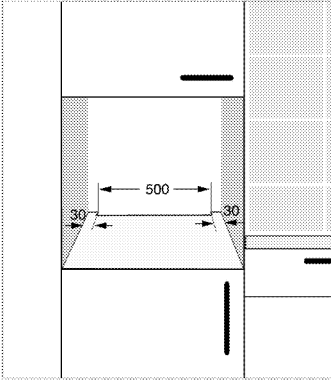
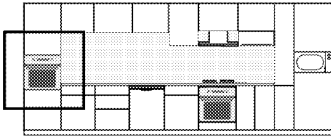
Do not install the appliance next to refrigerators or freezers. The heat emitted by the appliance will lead to an increased energy consumption of cooling appliances.



The door and/or handle must not be used for lifting or moving the appliance.



* min.



* min.

Installation and connection

- The product must be installed in accordance with all local gas and electrical regulations.

Electrical connection

Connect the product to a grounded outlet/line protected by a miniature circuit breaker of suitable capacity as stated in the "Technical specifications" table. Have the grounding installation made by a qualified electrician while using the product with or without a transformer. Our company shall not be liable for any damages that will arise due to using the

product without a grounding installation in accordance with the local regulations.



DANGER:

The product must be connected to the mains supply only by an authorised and qualified person. The product's warranty period starts only after correct installation. Manufacturer shall not be held responsible for damages arising from procedures carried out by unauthorised persons.

**DANGER:**

The power cable must not be clamped, bent or trapped or come into contact with hot parts of the product.

A damaged power cable must be replaced by a qualified electrician. Otherwise, there is risk of electric shock, short circuit or fire!

- Connection must comply with national regulations.
- The mains supply data must correspond to the data specified on the type label of the product. Open the front door to see the type label.
- Power cable of your product must comply with the values in "Technical specifications" table.

**DANGER:**

Before starting any work on the electrical installation, disconnect the product from the mains supply.

There is the risk of electric shock!



Power cable plug must be within easy reach after installation (do not route it above the hob).

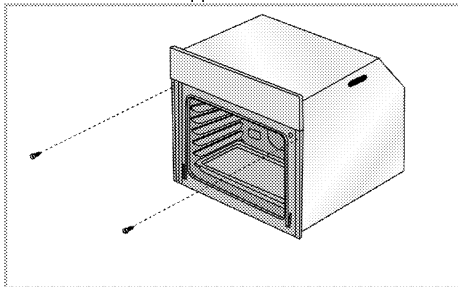


While performing the wiring, you must apply with the national/local electrical regulations and must use the appropriate socket outlet/line and plug for oven. In case of the product's power limits are out of current carrying capability of plug and socket outlet/line, the product must be connected through fixed electrical installation directly without using plug and socket outlet/line.

Plug the power cable into the socket.

Installing the product

1. Slide the oven into the cabinet, align and secure it while making sure that the power cable is not broken and/or trapped.

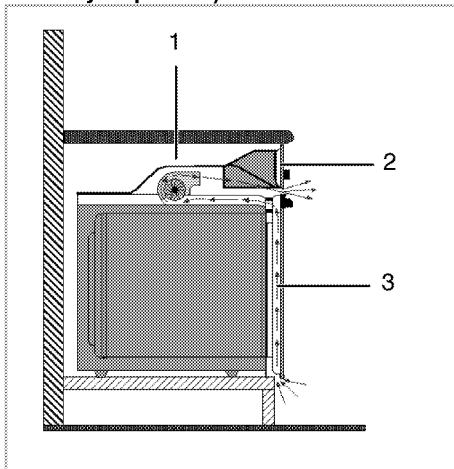


Secure the oven with 2 screws as illustrated.

After the installation, make sure that the screws are sufficiently tightened and the oven does not move.

Oven may tip over during use if it is not installed as per

the instructions and if the screws are not sufficiently tightened.

For products with cooling fan (This may not exist on your product.)

- 1 Cooling fan
- 2 Control panel
- 3 Door

The built-in cooling fan cools both the built-in cabinet and the front of the product.



Cooling fan continues to operate for about 20-30 minutes after the oven is switched off.

If you have cooked by programming the timer of the oven, cooling fan will also be switched off at the end of the cooking time together with all functions.

Final check

1. Operate the product.
2. Check the functions.

Future Transportation

- Keep the product's original carton and transport the product in it. Follow the instructions on the carton. If you do not have the original carton, pack the product in bubble wrap or thick cardboard and tape it securely.
- To prevent the wire grill and tray inside the oven from damaging the oven door, place a strip of cardboard onto the inside of the oven door that lines up with the position of the trays. Tape the oven door to the side walls.
- Do not use the door or handle to lift or move the product.



Do not place any objects onto the product and move it in upright position.



Check the general appearance of your product for any damages that might have occurred during transportation.

4 Preparation

Tips for saving energy

The following information will help you to use your appliance in an ecological way, and to save energy:

- Use dark coloured or enamel coated cookware in the oven since the heat transmission will be better.
- While cooking your dishes, perform a preheating operation if it is advised in the user manual or cooking instructions.
- Do not open the door of the oven frequently during cooking.
- Try to cook more than one dish in the oven at the same time whenever possible. You can cook by placing two cooking vessels onto the wire shelf.
- Cook more than one dish one after another. The oven will already be hot.
- You can save energy by switching off your oven a few minutes before the end of the cooking time. Do not open the oven door.
- Defrost frozen dishes before cooking them.

Initial use

First cleaning of the appliance



The surface might get damaged by some detergents or cleaning materials.

Do not use aggressive detergents, cleaning powders/creams or any sharp objects during cleaning.

Do not use harsh abrasive cleaners or sharp metal scrapers to clean the oven door glass since they can scratch the surface, which may result in shattering of the glass.

1. Remove all packaging materials.
2. Wipe the surfaces of the appliance with a damp cloth or sponge and dry with a cloth.

Initial heating

Heat up the product for about 30 minutes and then switch it off. Thus, any production residues or layers will be burnt off and removed.



WARNING

Hot surfaces cause burns!

Product may be hot when it is in use. Never touch the hot burners, inner sections of the oven, heaters and etc. Keep children away. Always use heat resistant oven gloves when putting in or removing dishes into/from the hot oven.

Electric oven

1. Take all baking trays and the wire grill out of the oven.
2. Close the oven door.
3. Select Static position.
4. Select the highest grill power; See *How to operate the electric oven, page 18*.
5. Operate the oven for about 30 minutes.
6. Turn off your oven; See *How to operate the electric oven, page 18*

Grill oven

1. Take all baking trays and the wire grill out of the oven.
2. Close the oven door.
3. Select the highest grill power; see *How to operate the grill, page 21*.
4. Operate the grill about 15 minutes.
5. Turn off your grill; see *How to operate the grill, page 21*



Smoke and smell may emit for a couple of hours during the initial operation. This is quite normal. Ensure that the room is well ventilated to remove the smoke and smell. Avoid directly inhaling the smoke and the smell that emits.

5 How to operate the oven

General information on baking, roasting and grilling



WARNING

Hot surfaces cause burns!
Product may be hot when it is in use. Never touch the hot burners, inner sections of the oven, heaters and etc. Keep children away. Always use heat resistant oven gloves when putting in or removing dishes into/from the hot oven.



DANGER:

Be careful when opening the oven door as steam may escape.
Exiting steam can scald your hands, face and/or eyes.

Tips for baking

- Use non-sticky coated appropriate metal plates or aluminum vessels or heat-resistant silicone moulds.
- Make best use of the space on the rack.
- Place the baking mould in the middle of the shelf.
- Select the correct rack position before turning the oven or grill on. Do not change the rack position when the oven is hot.
- Keep the oven door closed.

Tips for roasting

- Treating whole chicken, turkey and large piece of meat with dressings such as lemon juice and black pepper before cooking will increase the cooking performance.
- It takes about 15 to 30 minutes longer to roast meat with bones when compared to roasting the same size of meat without bones.
- Each centimeter of meat thickness requires approximately 4 to 5 minutes of cooking time.
- Let meat rest in the oven for about 10 minutes after the cooking time is over. The juice is better distributed all over the roast and does not run out when the meat is cut.
- Fish should be placed on the middle or lower rack in a heat-resistant plate.

Tips for grilling

When meat, fish and poultry are grilled, they quickly get brown, have a nice crust and do not get dry. Flat pieces, meat skewers and sausages are particularly suited for grilling as are vegetables with high water content such as tomatoes and onions.

- Distribute the pieces to be grilled on the wire shelf or in the baking tray with wire shelf in such a way that the space covered does not exceed the size of the heater.
- Slide the wire shelf or baking tray with grill into the desired level in the oven. If you are grilling on the wire shelf, slide the baking tray to the lower rack to collect fats. The baking tray to be slid must be of a size that covers the whole grilling area. This tray might not be provided with the product. Add some water in the baking tray for easy cleaning.

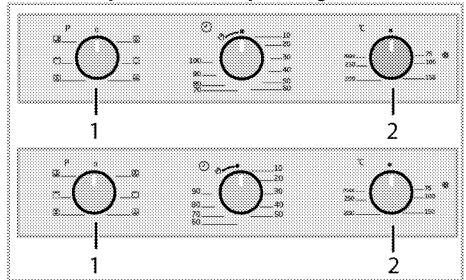


Foods that are not suitable for grilling carry the risk of fire. Only grill food which is suitable for intensive grilling heat.

Do not place the food too far in the back of the grill. This is the hottest area and fatty food may catch fire.

How to operate the electric oven

Select temperature and operating mode



- 1 Function knob
 - 2 Thermostat knob
1. Set the oven timer to the desired cooking time; see .
 2. Set the Function knob to the desired operating mode.
 3. Set the Temperature knob to the desired temperature.

» Oven heats up to the adjusted temperature and maintains it. During heating, temperature lamp stays on.

Switching off the electric oven

Switch the oven timer to off position.



When the timer is set to a certain time, it will turn off automatically; see

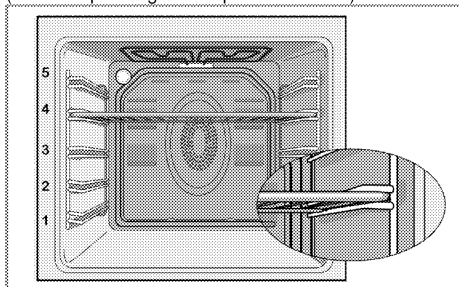
Turn the function knob and temperature knob to off (upper) position.

Rack positions (For models with wire shelf)

It is important to place the wire shelf onto the side rack correctly. Wire shelf must be inserted between the side racks as illustrated in the figure.

Do not let the wire shelf stand against the rear wall of the oven. Slide your wire shelf to the front section of the rack and settle it with the help of the door in order to obtain a good grill performance.

(Varies depending on the product model.)



Operating modes

The order of operating modes shown here may be different from the arrangement on your product.

Top and bottom heating



Top and bottom heating are in operation. Food is heated simultaneously from the top and bottom. For example, it is suitable for cakes, pastries, or cakes and casseroles in baking moulds. Cook with one tray only.

Bottom heating



Only bottom heating is in operation. It is suitable for pizza and for subsequent browning of food from the bottom.



This function must be used for easy steam cleaning as well.

Fan supported bottom/top heating



Top heating, bottom heating plus fan (in the rear wall) are in operation. Hot air is evenly distributed throughout the oven rapidly by means of the fan. Cook with one tray only.

Full grill



Large grill at the ceiling of the oven is in operation. It is suitable for grilling large amount of meat.

- Put big or medium-sized portions in correct rack position under the grill heater for grilling.
- Turn the food after half of the grilling time.

Grill+Fan



Grilling effect is not as strong as in Full Grill

- Put small or medium-sized portions in correct shelf position under the grill heater for grilling.
- Turn the food after half of the grilling time.

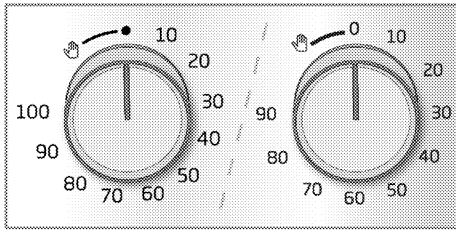
Booster



This function is used to heat the oven rapidly; it is not suitable for cooking food.

- Select the desired temperature after selecting this function. Temperature light turns on and oven is heated.
- Light turns off after the heating process is completed. Now select the desired function to cook your food.

Using the oven clock



Starting the cooking

i In order to operate the oven, you must select cooking mode and the desired temperature and set the time. Otherwise, the oven will not operate.

1. Turn the Time Adjustment knob clockwise to set the cooking time.
2. Put your dish into the oven.
3. Select operation mode and temperature; see. *How to operate the electric oven, page 18.*

» The oven will be heated up to the preset temperature and will maintain this temperature until the end of the cooking time you selected.

4. Once the cooking time is over, Time Setting knob will automatically rotate counterclockwise. A

warning sound indicating that the set time is over is heard and the power is cut.

i If you do not want to use the timer function, turn the knob counterclockwise towards the hand symbol.

5. Turn off the oven with the Time Setting knob, function knob and temperature knob.

Turning off the oven before the set time

1. Turn the Time Adjustment knob counterclockwise until it stops.
2. Turn off the oven with the Function knob and Temperature knob.

Cooking times table

i The timings in this chart are meant as a guide. Timings may vary due to temperature of food, thickness, type and your own preference of cooking.

Baking and roasting

i 1st rack of the oven is the **bottom** rack.

Dish	Cooking level number	Accessory to use	Operating mode	Rack position	Temperature (°C)	Cooking time (approx. in min.)
Cakes in tray	One level	Standard tray*		3	180	25 ... 30
Cakes in mould	One level	Cake mold on wire grill**		2	180	40 ... 50
Small cakes	One level	Standard tray*		3	160	25 ... 35
Sponge cake	One level	Round springform pan with a diameter of 26 cm on wire grill**		3	160	25 ... 35
Cookies	One level	Pastry tray*		3	180	25 ... 30
Dough pastry	One level	Standard tray*		2	200	30 ... 40
Rich pastry	One level	Standard tray*		2	200	25 ... 35
Leaven	One level	Standard tray*		2	200	35 ... 45
Lasagna	One level	Glass/metal rectangular pan on wire grill**		2 - 3	200	30 ... 40
Pizza	One level	Standard tray*		2	200 ... 220	15 ... 20
Beef steak (whole) / Roast	One level	Standard tray*		3	25 min. 250/max, then 180 ... 190	100 ... 120
Leg of Lamb (casserole)	One level	Standard tray*		3	25 min. 220 then 180 ... 190	70 ... 90
Roasted chicken (1,8-2 kg)	One level	Standard tray*		2	15 min. 250/max, then 180 ... 190	60 ... 80
Turkey (5.5 kg)	One level	Standard tray*		1	25 min. 250/max, then 180 ... 190	150 ... 210
Fish	One level	Standard tray*		3	200	20 ... 30

It is suggested to perform preheating for all foods.

* These accessories may not be supplied with the product.

** These accessories are not supplied with the product. They are commercially available accessories.

Cooking table for test meals

Meals in this cooking table are prepared according to EN 60350-1 to make it easier for control institutes to test the product

Dish	Cooking level number	Accessory to use	Operating mode	Rack position	Temperature (°C)	Cooking time (approx. in min.)
Shortbread	One level	Standard tray*		3	140	20 ... 30
Small cakes	One level	Standard tray*		3	160	25 ... 35
Sponge cake	One level	Round springform pan with a diameter of 26 cm on wire grill**		3	160	25 ... 35
Apple pie	One level	Round black metal dish with a diameter of 20 cm on wire grill**		2	180	50 ... 60

It is suggested to perform preheating for all foods.

* These accessories may not be supplied with the product.

** These accessories are not supplied with the product. They are commercially available accessories.

Tips for baking cake

- If the cake is too dry, increase the temperature by 10°C and decrease the cooking time.
- If the cake is wet, use less liquid or lower the temperature by 10°C.
- If the cake is too dark on top, place it on a lower rack, lower the temperature and increase the cooking time.
- If cooked well on the inside but sticky on the outside use less liquid, lower the temperature and increase the cooking time.

Tips for baking pastry

- If the pastry is too dry, increase the temperature by 10°C and decrease the cooking time. Dampen the layers of dough with a sauce composed of milk, oil, egg and yoghurt.
- If the pastry takes too long to bake, pay care that the thickness of the pastry you have prepared does not exceed the depth of the tray.
- If the upper side of the pastry gets browned, but the lower part is not cooked, make sure that the amount of sauce you have used for the pastry is not too much at the bottom of the pastry. Try to scatter the sauce equally between the dough layers and on the top of the pastry for an even browning.



Cook the pastry in accordance with the mode and temperature given in the cooking table. If the bottom part is still not browned enough, place it on one lower rack next time.

Tips for cooking vegetables

- If the vegetable dish runs out of juice and gets too dry, cook it in a pan with a lid instead of a tray. Closed vessels will preserve the juice of the dish.
- If a vegetable dish does not get cooked, boil the vegetables beforehand or prepare them like canned food and put in the oven.

How to operate the grill



WARNING

Close oven door during grilling.
Hot surfaces may cause burns!

- Turn the Time Adjustment knob counter clockwise to Hand symbol when grilling.

Switching on the grill

1. Turn the Function knob to the desired grill symbol.
2. Then, select the desired grilling temperature.
3. If required, perform a preheating of about 5 minutes.

» Temperature light turns on.

Switching off the grill

1. Turn the Function knob to Off (top) position.



Foods that are not suitable for grilling carry the risk of fire. Only grill food which is suitable for intensive grilling heat.

Do not place the food too far in the back of the grill. This is the hottest area and fatty food may catch fire.

Cooking times table for grilling

Grilling with electric grill

Food	Accessory to use	Rack position	Recommended temperature (°C)**	Cooking time (approx. in min.)
Fish	Wire grill	4..5	250	20...25 min. #
Sliced chicken	Wire grill	4..5	250	25...35 min.
Lamb chops	Wire grill	4..5	250	20...25 min.
Roast beef	Wire grill	4..5	250	25...30 min. #
Veal chops	Wire grill	4..5	250	25...30 min. #
Toast bread*	Wire grill	4	250	1...3 min.

#depending on thickness

*Preheat for 5 minutes

**If the grill temperature of your product cannot be adjusted, the grill will work at the recommended temperature.

Meals in this cooking table are prepared according to EN 60350-1 to make it easier for control institutes to test the product

Food	Accessory to use	Rack position	Temperature (°C)	Cooking time (approx. in min.)
Toast bread	Wire grill	4	250	1...3 min.
Meatballs (beef) - 12 pieces	Wire grill	4	250	25...35 min.



Turn the food after 2/3 of the total grilling time.

It is suggested to perform 5 minutes preheating for all foods broiling.


6 Maintenance and care


General information

Service life of the product will extend and the possibility of problems will decrease if the product is cleaned at regular intervals.

	DANGER: Disconnect the product from mains supply before starting maintenance and cleaning works. There is the risk of electric shock!
	DANGER: Allow the product to cool down before you clean it. Hot surfaces may cause burns!


- Clean the product thoroughly after each use. In this way it will be possible to remove cooking residues more easily, thus avoiding these from burning the next time the appliance is used.
- No special cleaning agents are required for cleaning the product. Use warm water with washing liquid, a soft cloth or sponge to clean the product and wipe it with a dry cloth.
- Always ensure any excess liquid is thoroughly wiped off after cleaning and any spillage is immediately wiped dry.
- Do not use cleaning agents that contain acid or chloride to clean the stainless or inox surfaces and the handle. Use a soft cloth with a liquid detergent (not abrasive) to wipe those parts clean, paying attention to sweep in one direction.

	The surface might get damaged by some detergents or cleaning materials. Do not use aggressive detergents, cleaning powders/creams or any sharp objects during cleaning. Do not use harsh abrasive cleaners or sharp metal scrapers to clean the oven door glass since they can scratch the surface, which may result in shattering of the glass.
---	--

	Do not use steam cleaners to clean the appliance as this may cause an electric shock.
--	---

Cleaning the control panel

Clean the control panel and knobs with a damp cloth and wipe them dry.

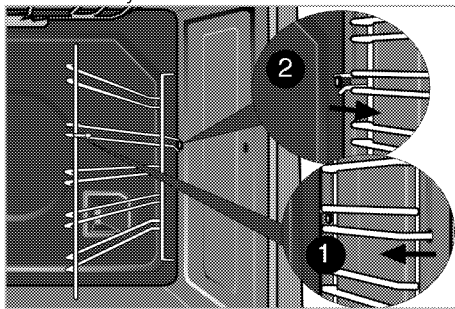
	If your product is equipped with buttons/knobs do not remove the control buttons/knobs to clean the control panel. Control panel may get damaged!
--	--

Cleaning the oven

To clean the side wall (Varies depending on the product model.)

(This feature is optional. It may not exist on your product.)

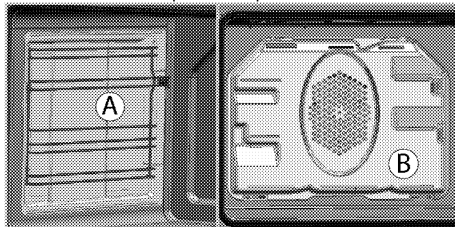
1. Remove the front section of the side rack by pulling it in the opposite direction of the side wall.
2. Remove the side rack completely by pulling it towards you.



Catalytic walls

(This feature is optional. It may not exist on your product.)

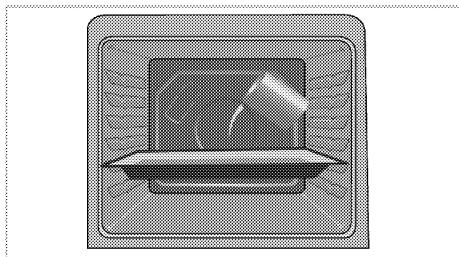
The inner side walls (A) and/or the rear wall (B) of your product may be coated with catalytic enamel. Catalytic walls have a light matte colour and a porous surface. Catalytic walls of the oven should not be cleaned. Thanks to their perforated structure, catalytic surfaces absorb grease and once the surface is filled with grease, they start to shine. In this case, it is recommended to replace the parts.



Easy Steam Cleaning

It ensures easy cleaning because the dirt (having waited not for too long) is softened with the steam that forms inside the oven and the water drops condensing on the inner surfaces of the oven.

1. Remove all accessories inside the oven.
2. Pour 500 ml of water into the oven tray and place the tray at the 2nd rack of the oven.



3. Set the oven to easy steam cleaning mode and run at 100°C for 25 minutes.
4. Open the door and wipe the inner surfaces of the oven with a damp sponge or cloth.
5. Use warm water with washing liquid, a soft cloth or sponge to clean the persistent dirt and wipe it with a dry cloth.



During the easy steam cleaning mode, water that is placed in the tray to soften lightly formed residues/dirt within the oven cavity will evaporate and condense in the oven cavity and inner glass of the oven door, therefore water may drip when the oven door is opened. Wipe away the condensation as soon as the oven door is opened.

Clean oven door

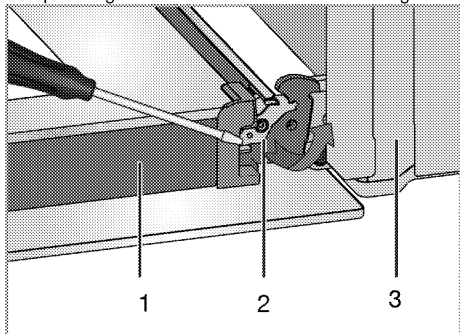
To clean the oven door, use warm water with washing liquid, a soft cloth or sponge to clean the product and wipe it with a dry cloth.



Don't use any harsh abrasive cleaners or sharp metal scrapers for cleaning the oven door. They could scratch the surface and destroy the glass.

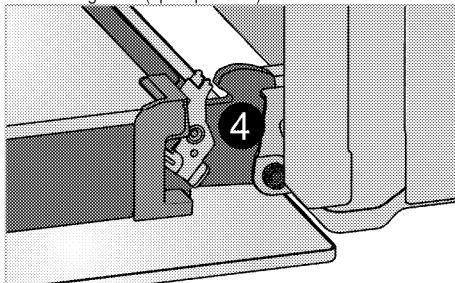
Removing the oven door

1. Open the front door (1).
2. Open the clips at the hinge housing (2) on the right and left hand sides of the front door by pressing them down as illustrated in the figure.

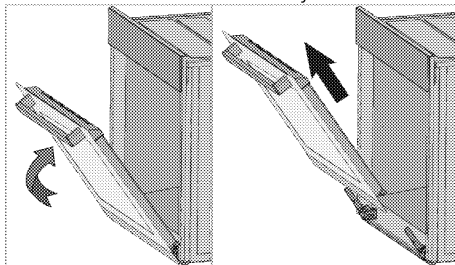


1 Door

- 2 Hinge lock(closed position)
- 3 Oven
- 4 Hinge lock(open position)



3. Move the front door to half-way.



4. Remove the front door by pulling it upwards to release it from the right and left hinges.



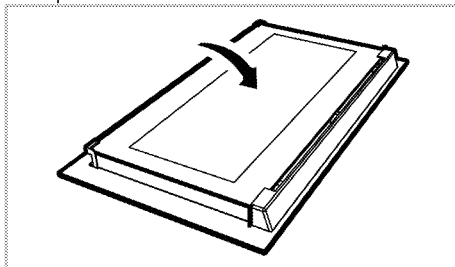
Steps carried out during removing process should be performed in reverse order to install the door. Do not forget to close the clips at the hinge housing when reinstalling the door.

Removing the door inner glass

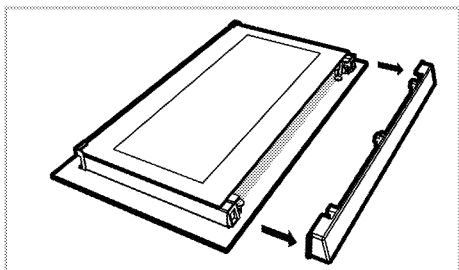
(This feature is optional. It may not exist on your product.)

The inner glass panel of the oven door can be removed for cleaning.

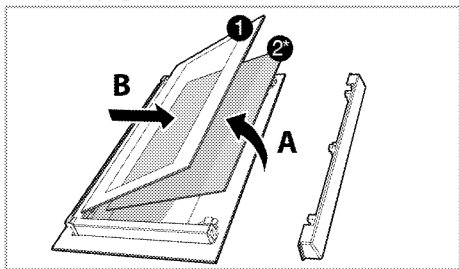
1. Open the oven door.



2. Pull towards yourself and remove the plastic part installed to upper section of the front door.



3. As illustrated in figure, raise the innermost glass panel (1) slightly in direction A and pull it out in direction B.



- 1 Innermost glass panel
 2* Inner glass panel (This may not exist on your product.)
4. If your product is equipped with an inner glass panel; repeat the same procedure to remove the inner glass panel (2).
5. The first step to regroup the door is reinstalling inner glass panel (2). Place the chamfered corner of the glass panel so that it will rest in the chamfered corner of the plastic slot. (If your product is equipped with an inner glass panel). Inner glass panel (2) must be installed into the plastic slot close the innermost glass panel (1).
6. When installing the innermost glass panel (1), make sure that the printed side of the panel faces towards the inner glass panel. It is important to seat lower corner of innermost glass panel (1) into the lower plastic slot.
7. Push the plastic part towards the frame until you hear a "click".

Replacing the oven lamp



DANGER:

Before replacing the oven lamp, make sure that the product is disconnected from mains and cooled down in order to avoid the risk of an electrical shock.

Hot surfaces may cause burns!



In this oven, an incandescent lamp with a power of less than 40 W, a height of less than 60 mm, a diameter of less than 30 mm or a halogen lamp with socket type G9, a power of less than 60 W is used. The lamps are suitable for operation at temperatures above 300 °C. Oven lamps can be obtained from Authorised Service Agents or technician with licence.



Position of lamp might vary from the figure.



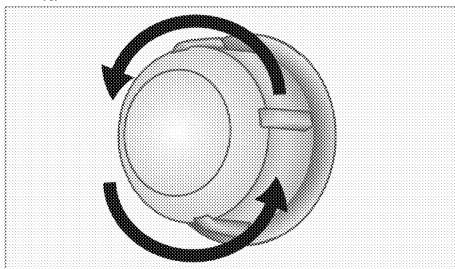
The lamp used in this appliance is not suitable for household room illumination. The intended purpose of this lamp is to assist the user to see foodstuffs.



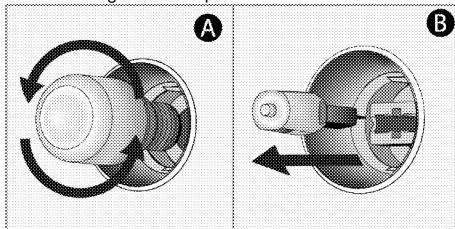
The lamps used in this appliance have to withstand extreme physical conditions such as temperatures above 50 °C.

If your oven is equipped with a round lamp:

1. Disconnect the product from mains.
2. Turn the glass cover counter clockwise to remove it.



3. If your oven lamp is of type (A) shown in the figure below, remove it by rotating as shown and replace it. If it is of type (B), pull and remove it as shown in the figure and replace it.



4. Install the glass cover.

7 Troubleshooting

Oven emits steam when it is in use.

- It is normal that steam escapes during operation. >>> *This is not a fault.*

Product emits metal noises while heating and cooling.

- When the metal parts are heated, they may expand and cause noise. >>> *This is not a fault.*

Product does not operate.

- The mains fuse is defective or has tripped. >>> *Check fuses in the fuse box. If necessary, replace or reset them.*
- Product is not plugged into the (grounded) socket. >>> *Check the plug connection.*

Oven light does not work.

- Oven lamp is defective. >>> *Replace oven lamp.*
- Power is cut. >>> *Check if there is power. Check the fuses in the fuse box. If necessary, replace or reset the fuses.*

Oven does not heat.

- Might not be set to a certain cooking function and/or temperature. >>> *Set the oven to a certain cooking function and/or temperature.*
- In models equipped with a timer, the timer is not adjusted. >>> *Adjust the time.*
(In products with microwave oven, timer controls only microwave oven.)
- Power is cut. >>> *Check if there is power. Check the fuses in the fuse box. If necessary, replace or reset the fuses.*

(In models with timer) Clock display is blinking or clock symbol is on.

- A previous power outage has occurred. >>> *Adjust the time / Switch of the product and switch it on again.*

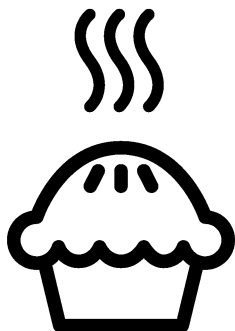


Consult the Authorised Service Agent or technician with licence or the dealer where you have purchased the product if you can not remedy the trouble although you have implemented the instructions in this section. Never attempt to repair a defective product yourself.



Forno incassato

Manuale utente



IT

Leggere questo manuale utente come prima cosa!

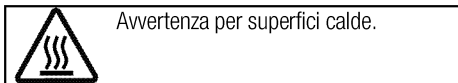
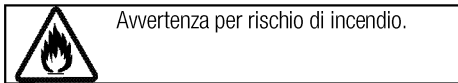
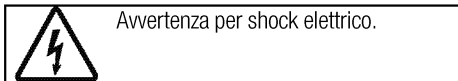
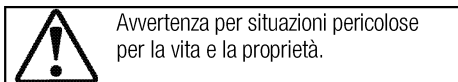
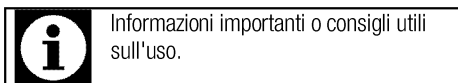
Gentile cliente,

Grazie per aver scelto un apparecchio Beko. Vi auguriamo di ottenere i migliori risultati da questo apparecchio, realizzato con tecnologia di alta qualità e di avanguardia. Pertanto, di leggere questo manuale utente e tutta la documentazione allegata con attenzione prima di usare l'apparecchio e di conservarli per riferimento futuro. Se l'apparecchio viene trasferito ad un'altra persona, bisogna consegnare anche il manuale. Seguire tutte le avvertenze e le informazioni del manuale utente.

Ricordare che questo manuale utente può essere applicabile anche a vari altri modelli. Le differenze tra i modelli sono identificate nel manuale.

Spiegazione dei simboli

In questo manuale utente si usano i simboli che seguono:



Arçelik A.Ş.
Karaağaç caddesi No:2-6
34445 Sütlüce/İstanbul/TURKEY
Made in TURKEY

1 Istruzioni importanti e avvertenze per sicurezza e ambiente 4

Sicurezza generale..... 4
 Sicurezza elettrica..... 4
 Sicurezza del prodotto..... 5
 Uso previsto 7
 Sicurezza dei bambini 8
 Smaltimento di vecchi prodotti..... 8
 Smaltimento del materiale di imballaggio..... 8

2 Informazioni generali 9

Panoramica..... 9
 Contenuto della confezione..... 10
 Specifiche tecniche..... 11

3 Installazione 12

Prima della installazione..... 12
 Installazione e collegamento..... 14
 Smaltimento di vecchi prodotti..... 16

4 Preparazioni 17

Consigli per il risparmio energetico 17
 Uso iniziale..... 17
 Prima pulizia del prodotto 17
 Riscaldamento iniziale..... 17

5 Come utilizzare il forno 18

Informazioni generali su cottura al forno, cottura arrosto e con grill..... 18
 Come utilizzare il forno elettrico..... 18
 Modalità di funzionamento 19
 Uso dell'orologio del forno..... 20
 Tabella tempi di cottura 20
 Come utilizzare il grill..... 22
 Tabella tempi di cottura per la cottura con grill..... 22

6 Manutenzione e cura 23

Informazioni generali 23
 Pulizia del pannello di controllo 23
 Pulizia del forno 23
 Rimozione dello sportello del forno. 24
 Rimozione del vetro interno dello sportello 24
 Sostituzione della lampadina del forno..... 25

7 Ricerca e risoluzione dei problemi 27

1 Istruzioni importanti e avvertenze per sicurezza e ambiente

Questa sezione contiene istruzioni per la sicurezza che aiutano a proteggere dal rischio di lesioni personali o danni alla proprietà. La mancata osservanza di queste istruzioni priva la garanzia di validità.

Sicurezza generale

- Questo apparecchio può essere utilizzato da bambini con età superiore agli 8 anni e da persone con capacità fisiche, sensoriali o mentali ridotte, o che manchino di esperienza e conoscenza, purché ricevano la supervisione e le istruzioni sull'uso dell'apparecchio in modo sicuro e comprendano i rischi coinvolti. I bambini non devono giocare con l'apparecchio. Pulizia e manutenzione da parte dell'utente non devono essere eseguite da bambini senza supervisione.
- Questo apparecchio non deve essere utilizzato da persone (compresi i bambini) con capacità fisiche, sensoriali o mentali ridotte, oppure prive di esperienza e conoscenza, a meno che non ricevano supervisione o istruzioni al riguardo. I bambini devono essere vigilati affinché non giochino con il dispositivo.

- Se il prodotto viene ceduto a qualcun altro per l'uso personale o per scopi d'uso di seconda mano, fornire anche il manuale utente, le etichette del prodotto e gli altri documenti e parti.
- Le procedure di installazione e riparazione devono essere sempre eseguite da agenti autorizzati per l'assistenza. Il produttore non sarà considerato responsabile dei danni derivanti da procedure eseguite da persone non autorizzate e potrebbe considerare non valida la garanzia. Prima dell'installazione, leggere le istruzioni con attenzione.
- Non utilizzare il prodotto se è difettoso o se presenta danni visibili.
- Controllare che le manopole delle funzioni dell'apparecchio siano disattivate dopo ogni uso.

Sicurezza elettrica

- In caso di guasti all'apparecchio, non utilizzarlo a meno che non venga riparato da un agente autorizzato per l'assistenza. C'è il rischio di shock elettrico!
- Collegare l'apparecchio solo ad una presa messa a terra/linea con tensione e protezione secondo quanto specificato in

"Specifiche tecniche". Far eseguire la messa a terra da un elettricista qualificato quando si usa il prodotto con o senza un trasformatore. La nostra azienda non sarà responsabile di problemi derivanti dall'uso dell'apparecchio senza messa a terra conforme ai regolamenti locali.

- Non lavare mai l'apparecchio spargendo o versando acqua su di esso! C'è il rischio di shock elettrico!
- Non toccare mai la spina con le mani bagnate! Non scollegare mai tirando dal cavo, tirare sempre dalla presa.
- L'apparecchio deve essere scollegato durante le procedure di installazione, manutenzione, pulizia e riparazione.
- Se il cavo di alimentazione dell'apparecchio è danneggiato, deve essere sostituito dal produttore, da un agente per l'assistenza o da persona similmente qualificata, per evitare rischi.
- L'apparecchio deve essere installato in modo che possa essere completamente scollegato dalla rete. La separazione deve essere garantita da una presa di rete o da un interruttore integrato nell'installazione elettrica fissa,

secondo i regolamenti di costruzione.

- La superficie posteriore del forno diventa calda durante l'uso. Assicurarsi che il collegamento elettrico non sia in contatto con la superficie posteriore; altrimenti, i collegamenti possono danneggiarsi.
- Non intrappolare il cavo di rete tra lo sportello del forno e la struttura e non farlo passare su superfici calde. Altrimenti, l'isolamento del cavo si può fondere e provocare un incendio come risultato del corto circuito.
- Tutti gli interventi su apparecchi e sistemi elettrici possono essere eseguiti solo da personale qualificato e autorizzato.
- In caso di danni, spegnere il prodotto e scollegarlo dalla rete. Per farlo, disattivare il fusibile domestico.
- Assicurarsi che la corrente del fusibile sia compatibile con il prodotto.

Sicurezza del prodotto

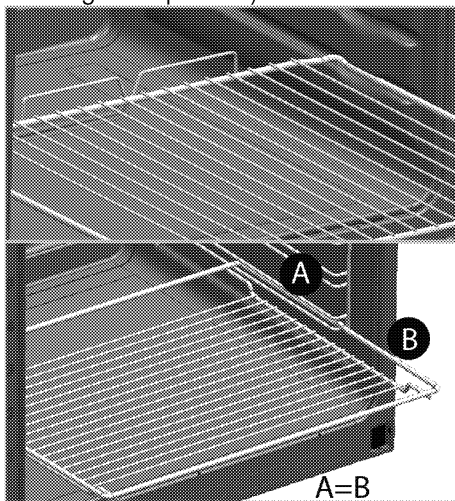
- **AVVERTENZA:** Questo apparecchio e le parti accessibili diventano caldi durante l'uso. Bisogna prestare attenzione a evitare di toccare gli elementi che si riscaldano. I bambini di età inferiore agli 8 anni devono essere tenuti lontani a meno che

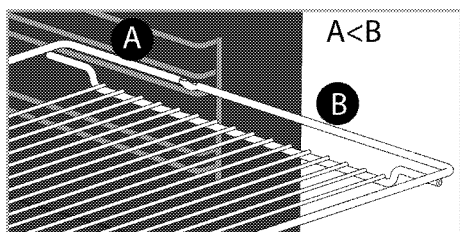
non ricevano continua supervisione.

- Non usare mai il prodotto quando giudizio e coordinazione sono danneggiati dall'uso di alcool e/o droghe.
- Prestare attenzione quando si usano bevande alcoliche nei piatti. L'alcool evapora ad alte temperature e può provocare incendi poiché prende fuoco a contatto con superfici calde.
- Non mettere materiali infiammabili vicini al prodotto poiché i lati possono diventare caldi durante l'uso.
- Durante l'uso l'apparecchio diventa caldo. Bisogna prestare attenzione a evitare di toccare gli elementi che si riscaldano all'interno del forno.
- Tenere tutte le aperture di ventilazione libere da ostruzioni.
- Non riscaldare lattine chiuse e barattoli di vetro nel forno. La pressione che si può crea in contenitore/barattolo può farli esplodere.
- Non mettere vassoi per la cottura al forno o fogli di alluminio direttamente sul fondo del forno. L'accumulo di calore può danneggiare il fondo del forno.
- Non usare agenti pulenti abrasivi o raschietti duri in metallo per pulire il vetro dello sportello del

forno poiché potrebbero graffiare la superficie rovinando il vetro.

- Non usare pulitori a vapore per pulire l'apparecchio poiché ciò potrebbe provocare uno shock elettrico.
- (Varia a seconda del modello dell'apparecchio.)
Inserimento corretto della griglia e delle teglie
E' importante inserire la griglia e/o la teglia nelle rastrelliere laterali in maniera corretta. Far scivolare la griglia e/o la teglia sulle rastrelliere laterali verificandone la stabilità prima di posizionare le pietanze al di sopra (vedi immagine esplicativa di seguito riportata)





- Non usare il prodotto con il vetro dello sportello anteriore rimosso o lesionato.
- Usare sempre guanti resistenti al calore quando si mettono o si rimuovono i piatti nel/dal forno caldo.
- Mettere la carta da forno nella pentola o nell'accessorio da forno (vassoio, grill, ecc.) assieme agli alimenti e poi inserire tutto nel forno pre-riscaldato. Togliere le parti in eccesso della carta da forno che fuoriescono dall'accessorio o dalla pentola per evitare il rischio che tocchino gli elementi di riscaldamento del forno. Non utilizzare mai la carta da forno a una temperatura operativa superiore al valore indicato per la carta da forno. Non mettere la carta da forno direttamente sulla base del forno.
- **AVVERTENZA:** Controllare che il cavo di alimentazione dell'apparecchio sia scollegato o che l'interruttore sia spento prima di sostituire la lampadina, per evitare la possibilità di scarica elettrica.

- Il dispositivo non deve essere installato dietro a porte decorative, così da evitarne il surriscaldamento.

Per l'affidabilità antincendio dell'apparecchio:

- Assicurarsi che la spina si adatti bene alla presa e che non provochi scintille.
- Non utilizzare cavi danneggiati, tagliati o prolunghe: utilizzare solo il cavo originale.
- Assicurarsi che non vi sia liquido o umidità sulla presa quando viene collegata all'apparecchio.

Uso previsto

- Questo prodotto è progettato per uso domestico. L'uso commerciale non è ammesso.
- **ATTENZIONE:** Questo apparecchio serve solo per cucinare. Non deve essere usato per altri scopi, per esempio riscaldare l'ambiente
- Questo prodotto non deve essere usato per riscaldare piatti sotto al grill, asciugare asciugamani, panni per piatti, ecc. appesi sulle maniglie, né per riscaldare.
- Il produttore non sarà responsabile per danni provocati da uso o gestione non corretti.
- Il forno può essere usato per scongelare, cuocere al forno, arrostitire e cuocere con il grill gli alimenti.

Sicurezza dei bambini

- **AVVERTENZA:** Le parti accessibili possono diventare calde durante l'uso. I bambini devono essere tenuti lontani.
- I materiali di imballaggio sono pericolosi per i bambini. Tenere i bambini lontani dai materiali di imballaggio. Smaltire tutte le parti dell'imballaggio secondo gli standard ambientali.
- Gli apparecchi elettrici sono pericolosi per i bambini. Tenere i bambini lontano dall'apparecchio mentre è in uso e non lasciarli giocare con lo stesso.
- Non mettere sopra all'apparecchio alcun oggetto che possa essere raggiunto dai bambini.
- Quando lo sportello è aperto, non caricare sopra oggetti pesanti e non lasciare che i bambini vi si siedano sopra. Lo sportello potrebbe capovolgersi o i cardini dello stesso potrebbero danneggiarsi.

Smaltimento di vecchi prodotti

Conformità alla direttiva WEEE e allo smaltimento dei rifiuti:



Questo apparecchio è conforme alla Direttiva UE WEEE (2012/19/EU). Questo apparecchio riporta il simbolo di classificazione per i rifiuti delle apparecchiature elettriche ed elettroniche (WEEE).

Questo apparecchio è stato realizzato con parti e materiali di alta qualità che possono essere riutilizzati e sono adatti ad essere riciclati. Non smaltire i rifiuti dell'apparecchio con i normali rifiuti domestici e gli altri rifiuti alla fine della vita di servizio. Portarlo al centro di raccolta per il riciclaggio di apparecchiature elettriche ed elettroniche. Consultare le autorità locali per conoscere la collocazione di questi centri di raccolta.

Conformità alla Direttiva RoHS:

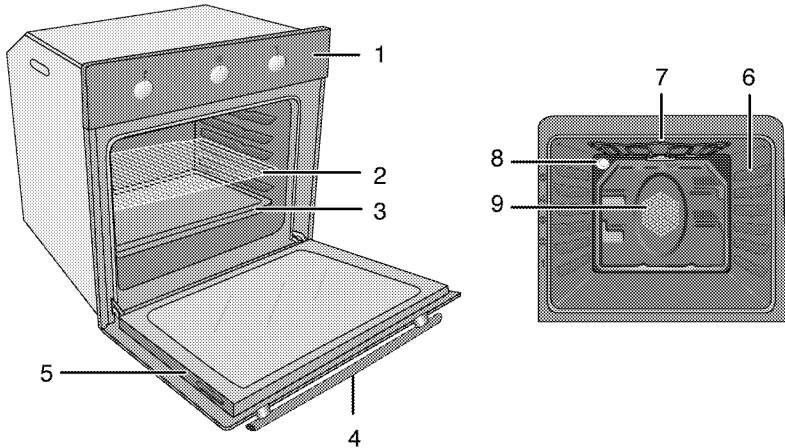
L'apparecchio acquistato è conforme alla Direttiva UE RoHS (2011/65/EU). Non contiene materiali pericolosi o proibiti specificati nella Direttiva.

Smaltimento del materiale di imballaggio

- I materiali di imballaggio sono pericolosi per i bambini. Tenere i materiali di imballaggio in un luogo sicuro, fuori dalla portata dei bambini. I materiali di imballaggio del prodotto sono realizzati con materiali riciclabili. Smaltirli in modo corretto e dividerli secondo le istruzioni per i rifiuti riciclabili. Non smaltirli con i normali rifiuti domestici.

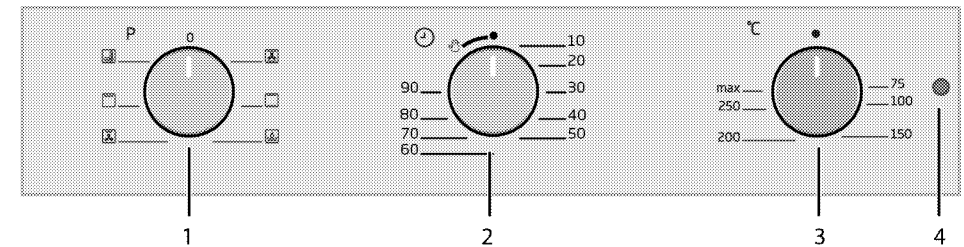
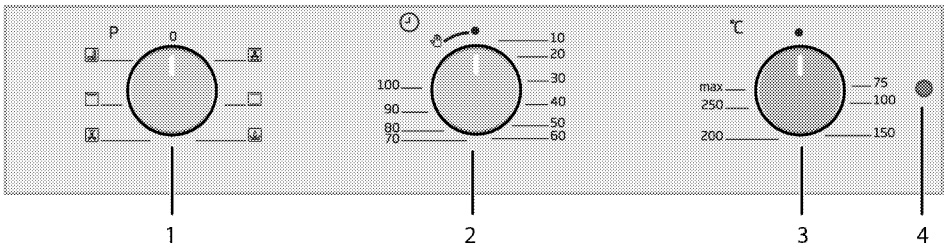
2 Informazioni generali

Panoramica



- 1 Pannello di controllo
- 2 Ripiano metallico
- 3 Vassoio
- 4 Maniglia
- 5 Sportello

- 6 Posizioni ripiani
- 7 Elemento di riscaldamento superiore
- 8 Lampadina
- 9 Motore ventola (dietro alla piastra di acciaio)



- 1 Manopola funzione
- 2 Timer meccanico
- 3 Manopola termostato
- 4 Lampadina termostato

Contenuto della confezione

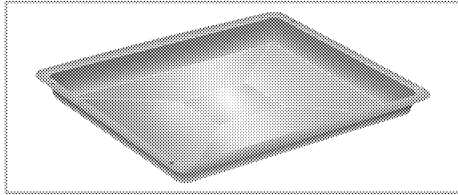


Gli accessori in dotazione possono variare a seconda del modello del prodotto. Non tutti gli accessori descritti nel manuale utente potrebbero esistere con il prodotto acquistato.

1. **Manuale utente**

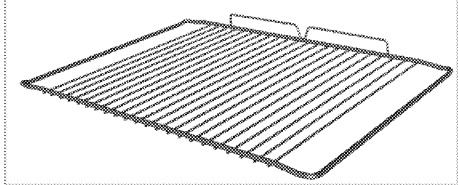
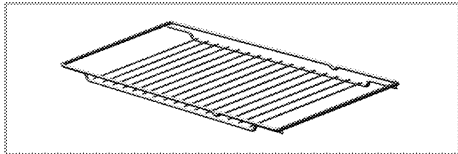
2. **Vassoio standard**

Usato per dolci, alimenti congelati e grandi arrosti.



3. **Grill metallico**

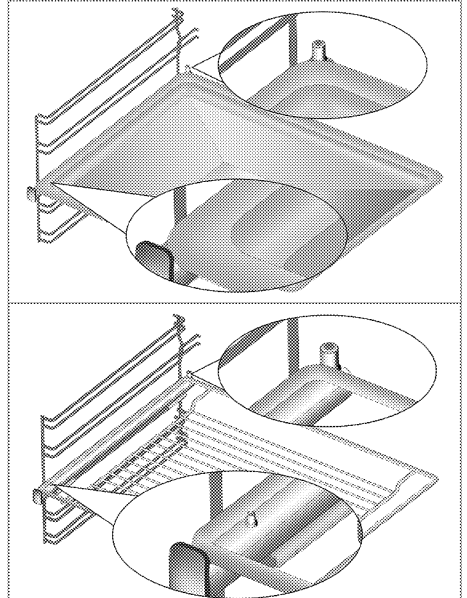
forno, da arrostire o piatti da cuocere in casseruola sulla rastrelliera desiderata.



4. **Posizionare in modo corretto ripiano metallico e vassoio sulle rastrelliere telescopiche (Questa funzione è opzionale. Potrebbe non essere sul prodotto acquistato).**

Le rastrelliere telescopiche consentono di installare e rimuovere facilmente i vassoi e il ripiano metallico.

Quando si usa il vassoio e il ripiano metallico con le rastrelliere telescopiche, assicurarsi che i perni della sezione posteriore della rastrelliera telescopica siano contro i bordi di grill metallico e vassoio.



Si consiglia di non utilizzare vassoi e griglie a contatto diretto con gli alimenti.

Specifiche tecniche

Tensione/frequenza	220-240 V ~ 50/60 Hz
Consumo energetico totale	2,4 kW
Tipo/sezione cavo	min.H05W-FG 3 x 1,5 mm ²
Dimensioni esterne (altezza/larghezza/profondità)	595 mm/594 mm/567 mm
Dimensioni installazione (altezza/larghezza/profondità)	**590 o 600 mm/560 mm/min. 550 mm
Forno principale	Forno multifunzione
Lampadina interna	15/25 W
Consumo energetico grill	2,2 kW

Informazioni fondamentali: Le informazioni sull'etichetta energetica dei forni elettriche sono fornite ai sensi dello standard EN 60350-1 / IEC 60350-1. Questi valori sono determinati in condizioni di carico standard con funzioni di riscaldatore inferiore-superiore o di riscaldamento con ventola (se presente).

La classe di efficienza energetica è stabilita secondo i criteri di priorità che seguono a seconda della presenza o meno nel prodotto delle relative funzioni. 1-Cottura con eco-ventola, 2- Cottura turbo lenta, 3- Cottura turbo, 4- Riscaldamento inferiore/superiore con ventola, 5-Riscaldamento superiore e inferiore.

** Vedere *Installazione*, pagina 12.



Le specifiche tecniche potrebbero essere modificate senza preavviso per migliorare la qualità del prodotto.



Le figure in questo manuale sono schematiche e potrebbero non corrispondere esattamente al prodotto.



I valori dichiarati sulle etichette del prodotto o nella documentazione che lo accompagna si ottengono in condizioni di laboratorio secondo gli standard relativi. A seconda delle condizioni di funzionamento e ambientali del prodotto, questi valori potrebbero variare.

3 Installazione

Il prodotto deve essere installato da una persona qualificata secondo i regolamenti in vigore. Altrimenti la garanzia non sarà valida. Il produttore non sarà considerato responsabile dei danni derivanti da procedure eseguite da persone non autorizzate e potrebbe considerare non valida la garanzia.



La preparazione della posizione e l'installazione elettrica del per il prodotto è responsabilità del cliente.



PERICOLO:

Il prodotto deve essere installato secondo i regolamenti locali per il gas e/o elettrici.



PERICOLO:

Prima dell'installazione, controllare visivamente se il prodotto presenta difetti. Se è così, non installarlo.
Prodotti danneggiati provocano rischi per la sicurezza.

Prima della installazione

L'apparecchio è destinato ad essere installato in alloggiamenti da cucina disponibili in commercio. Bisogna porre un dispositivo di sicurezza tra l'apparecchio e le pareti e i mobili della cucina. Vedere la figura (valori in mm).

- Superfici, laminati sintetici e adesivi usati devono essere resistenti al calore (100 °C minimo).

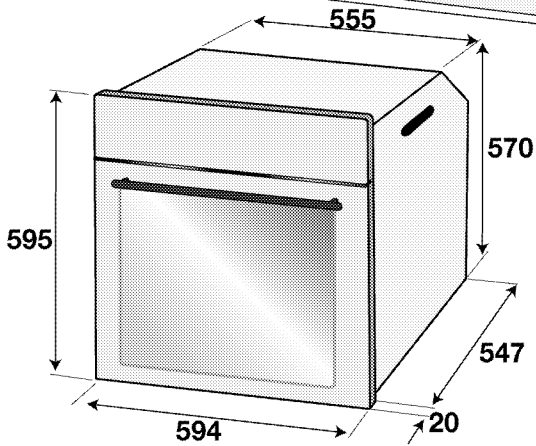
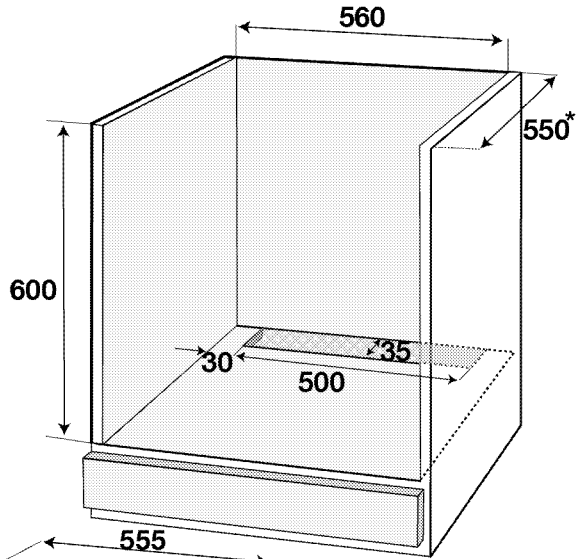
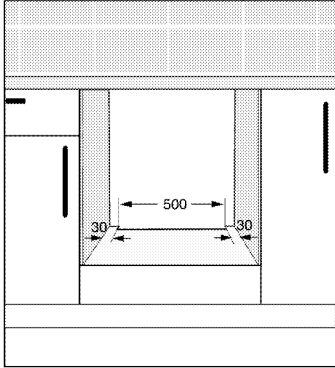
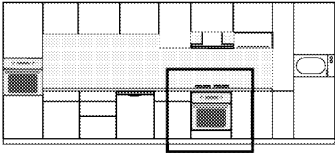
- Gli alloggiamenti da cucina devono essere a livello uniforme e fissi.
- Se c'è un cassetto sotto al forno, bisogna installare un ripiano tra il forno e il cassetto.
- Trasportare l'apparecchio con almeno due persone.
- Tenere il forno dalle aperture per maneggiarlo su entrambi i lati al fine di spostarlo.
- Prima di installare il prodotto, rimuovere tutti i materiali e i documenti all'interno.
- I mobili della cucina devono essere conformi alle dimensioni indicate nella figura seguente. Nella parte posteriore del mobile della cucina, deve essere ritagliata un'apertura delle dimensioni indicate nella figura seguente per garantire una ventilazione sufficiente.



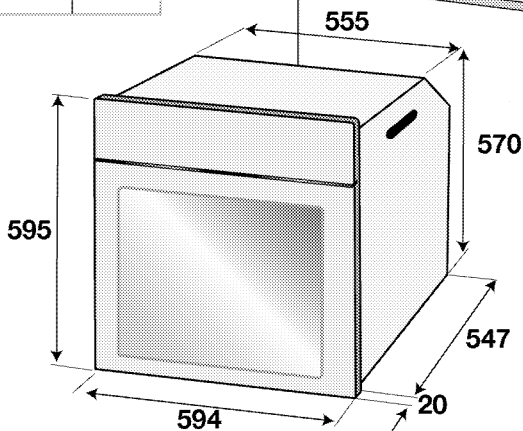
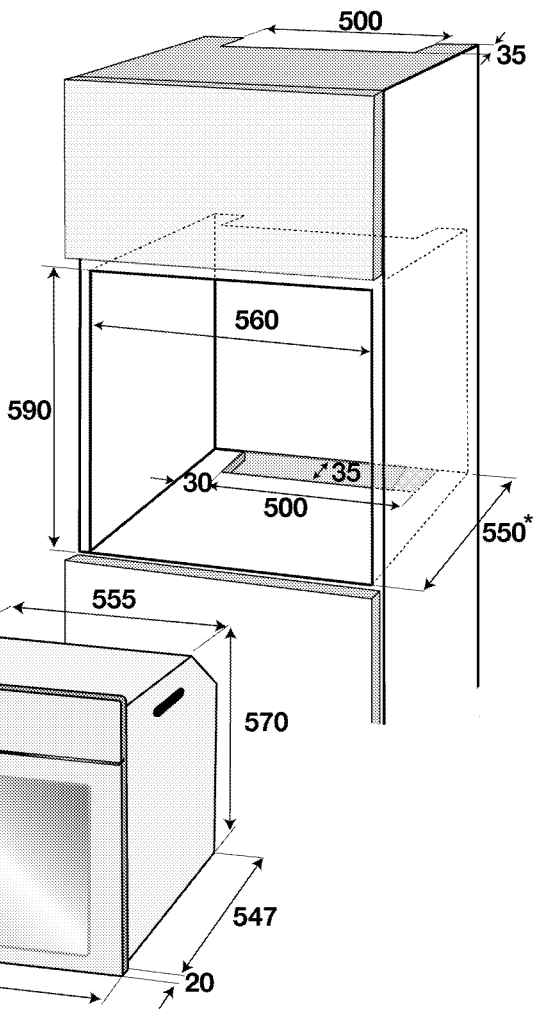
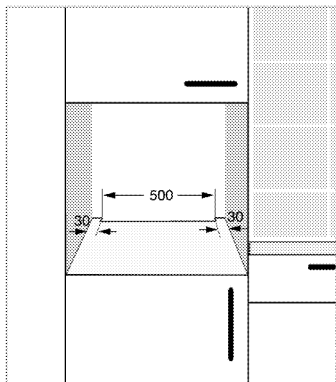
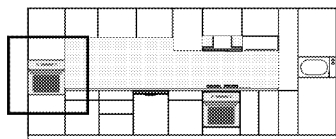
Non installare l'apparecchio vicino ad un frigorifero o congelatore. Il calore emesso dall'apparecchio porta ad un accresciuto consumo energetico da parte delle unità di raffreddamento.



Non usare sportello e/o maniglia per portare o spostare il prodotto.



* min.



* min.

Installazione e collegamento

- L'unità può essere installata e collegata solo secondo le norme legali sulla installazione.

Collegamento elettrico

Collegare il prodotto ad una presa messa a terra/linea protetta da un mini interruttore di circuito della capacità adatta, dichiarata nella tabella "Specifiche tecniche". Far eseguire la messa a terra da un elettricista qualificato quando si usa il prodotto con o senza un trasformatore. La nostra azienda non sarà responsabile di danni derivanti dall'uso del prodotto senza una installazione di messa a terra conforme ai regolamenti locali.



PERICOLO:

L'apparecchio deve essere collegato alla rete elettrica solo da una persona autorizzata e qualificata. Il periodo di garanzia dell'apparecchio comincia solo dopo la corretta installazione.

Il produttore non sarà considerato responsabile dei danni derivanti da procedure eseguite da persone non autorizzate.

**PERICOLO:**

Il cavo di alimentazione non deve essere schiacciato, piegato o bloccato né deve venire in contatto con le parti calde dell'apparecchio. Un cavo di alimentazione danneggiato deve essere sostituito da un elettricista qualificato. Altrimenti c'è rischio di shock elettrico, cortocircuito o incendio!

- Il collegamento deve essere conforme ai regolamenti nazionali.
- I dati sull'alimentazione di rete devono corrispondere ai dati specificati sull'etichetta con il tipo dell'unità. Aprire lo sportello anteriore per vedere l'etichetta con il tipo.
- Il cavo di alimentazione dell'unità deve essere conforme ai valori della tabella "Specifiche tecniche".

**PERICOLO:**

Prima di cominciare un lavoro sull'installazione elettrica, scollegare il prodotto dall'alimentazione di rete. C'è il rischio di shock elettrico!



Il cavo di alimentazione deve essere facilmente raggiungibile dopo l'installazione (non farlo correre sopra al piano cottura).

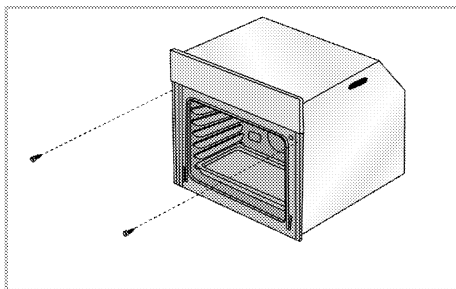


Mentre si esegue il cablaggio, bisogna applicare le normative nazionali/locali ed utilizzare la linea/uscita per la presa e la spina appropriate per il forno. Se i limiti di alimentazione dell'apparecchio sono al di fuori della capacità di spina e uscita/linea della presa, l'apparecchio deve essere collegato direttamente attraverso una installazione elettrica fissa senza utilizzare spina e uscita/linea della presa.

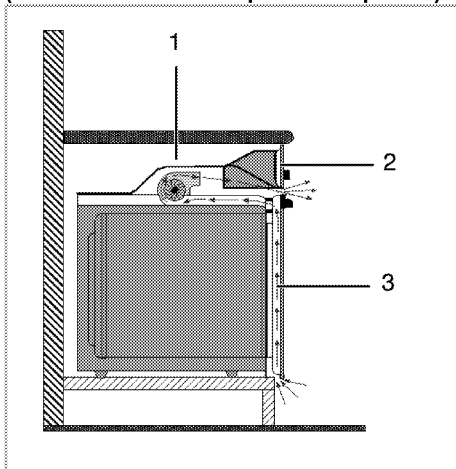
Inserire il cavo di alimentazione nella presa.

Installazione dell'unità

1. Far scorrere il forno nell'alloggiamento, allineare ed assicurare mentre allo stesso tempo ci si accerta che il cavo di alimentazione non è rotto e/o intrappolato.



Assicurare il forno con 2 viti come illustrato. Dopo l'installazione, assicurarsi che le viti siano sufficientemente strette e che il forno non si muova. Il forno potrebbe ribaltarsi durante l'utilizzo se non installato secondo le istruzioni e se le viti non sono sufficientemente strette.

Per prodotti dotati di ventola di raffreddamento (Potrebbe non essere sul prodotto acquistato).

1 Ventola di raffreddamento

2 Pannello di controllo

3 Sportello

La ventola di raffreddamento integrata raffredda sia l'alloggiamento incassato che la parte anteriore dell'unità.



La ventola di raffreddamento continua a funzionare per 20-30 minuti ancora dopo che il forno è stato spento.

Se si è cucinato programmando il timer del forno, anche la ventola per il raffreddamento si disattiva alla fine del tempo di cottura, con tutte le altre funzioni.

Controllo finale

1. Funzionamento dell'apparecchio
2. Controllare le funzioni.

Smaltimento di vecchi prodotti

- Conservare il cartone originale del prodotto e trasportare il prodotto in esso. Seguire le istruzioni sul cartone. Se non si ha il cartone originale, imballare il prodotto nella carta con le bolle o in un cartone spesso e assicurarlo con nastro adesivo.
- Per evitare che il grill metallico e il vassoio all'interno del forno danneggino lo sportello del forno, mettere una striscia di cartone sull'interno dello sportello in modo che si allinei con la posizione dei vassoi. Attaccare con del nastro adesivo lo sportello del forno alle pareti laterali.

- Non usare sportello o maniglia per sollevare o spostare il prodotto.



Non mettere oggetti sull'apparecchio e spostarlo in posizione verticale.



Controllare l'aspetto generale del prodotto per eventuali danni che potrebbero essersi verificati durante il trasporto.

4 Preparazioni

Consigli per il risparmio energetico

Le informazioni che seguono aiutano ad usare l'apparecchio in modo ecologico e a risparmiare energia:

- Usare coperchi di colori scuri e smaltati, poiché la trasmissione del calore è migliore.
- Quando si cucinano gli alimenti, eseguire un'operazione di preriscaldamento se è consigliato nel manuale utente o nelle istruzioni della cottura.
- Non aprire lo sportello del forno di frequente durante la cottura.
- Cercare di cucinare più di un piatto alla volta nel forno laddove possibile. Si può cucinare mettendo due contenitori per la cottura sul grill metallico.
- Cucinare più di un piatto uno dopo l'altro. Il forno è già caldo.
- Si può risparmiare energia spegnendo il forno alcuni minuti prima della fine del tempo di cottura. Non aprire lo sportello del forno.
- Scongelare gli alimenti congelati prima di cuocerli.

Uso iniziale

Prima pulizia del prodotto



La superficie può danneggiarsi a causa di alcuni detersivi o materiali di pulizia.

Non usare detersivi aggressivi, polvere/creme pulenti o oggetti taglienti durante la pulizia.

1. Rimuovere tutti i materiali di imballaggio.
2. Pulire le superfici del prodotto con un panno o una spugna umidi e asciugare con un panno.

Riscaldamento iniziale

Riscaldare il prodotto per circa 30 minuti e poi spegnerlo. Così i residui del prodotto o gli strati si bruciano e si rimuovono.



ATTENZIONE

Le superfici calde provocano ustioni! Il prodotto può diventare caldo durante l'uso. Non toccare mai i bruciatori caldi, le sezioni interne del forno, riscaldatori, ecc. Tenere lontani i bambini. Usare sempre guanti resistenti al calore quando si mettono o si rimuovono i piatti nel/dal forno caldo.

Forno elettrico

1. Estrarre tutti i vassoi per la cottura a forno e il grill metallico dal forno.
2. Chiudere lo sportello del forno.
3. Selezionare la posizione Static.
4. Selezionare la potenza più alta del grill; vedere *Come utilizzare il forno elettrico, pagina 18*.
5. Utilizzare il forno per circa 30 minuti.
6. Spegnerne il forno; vedere *Come utilizzare il forno elettrico, pagina 18*

Forno con grill

1. Estrarre tutti i vassoi per la cottura a forno e il grill metallico dal forno.
2. Chiudere lo sportello del forno.
3. Selezionare la potenza più alta del grill; vedere *Come utilizzare il grill, pagina 22*.
4. Utilizzare il forno per circa 15 minuti.
5. Spegnerne il grill; vedere *Come utilizzare il grill, pagina 22*



Durante il primo funzionamento, per un paio d'ore, è possibile che siano emessi odori e fumo. È abbastanza normale. Assicurarsi che l'ambiente sia ben ventilato per rimuovere fumo e odori. Evitare di inalare direttamente fumo e odori emessi.

5 Come utilizzare il forno

Informazioni generali su cottura al forno, cottura arrosto e con grill



ATTENZIONE

Le superfici calde provocano ustioni! Il prodotto può diventare caldo durante l'uso. Non toccare mai i bruciatori caldi, le sezioni interne del forno, riscaldatori, ecc. Tenere lontani i bambini. Usare sempre guanti resistenti al calore quando si mettono o si rimuovono i piatti nel/dal forno caldo.



PERICOLO:

Prestare attenzione quando si apre lo sportello del forno perché potrebbe fuoriuscire vapore. Il vapore in uscita può ustionare mani, volto e/o occhi.

Suggerimenti per la cottura al forno

- Usare piatti in metallo con adeguato rivestimento antiaderente o contenitori in alluminio o stampi in silicone resistenti al calore.
- Usare al meglio lo spazio della rastrelliera.
- Mettere lo stampo da forno al centro della rastrelliera.
- Selezionare la posizione corretta per la rastrelliera prima di accendere forno o grill. Non cambiare la posizione della rastrelliera quando il forno è caldo.
- Tenere lo sportello del forno chiuso.

Suggerimenti per l'arrosto

- Trattare pollo e tacchino interi, pezzi grandi di carne con condimenti come succo di limone e pepe nero prima della cottura migliora la prestazione di cottura.
- Ci vogliono circa 15-30 minuti in più per arrostiti la carne con osso rispetto alla cottura arrosto di carne della stessa dimensione ma senza osso.
- Ogni centimetro di spessore della carne richiede circa 4-5 minuti di cottura.
- Lasciare la carne nel forno per circa 10 minuti dopo il periodo di cottura. Il succo si distribuisce meglio per tutto l'arrosto e non fuoriesce quando si taglia la carne.
- Il pesce deve essere posto sulla rastrelliera centrale o inferiore in un piatto resistente al calore.

Suggerimenti per la cottura con grill

Quando carne, pesce e pollame sono cotti con grill, subito si rosolano, hanno una piacevole crosta e non

restano secchi. Parti sottili, spiedini di carne e salsicce sono particolarmente adatti per la cottura con grill, così come verdure con alto contenuto di acqua, come pomodori e cipolle.

- Distribuire i pezzi da cuocere con grill sul grill metallico o nel vassoio per cottura al forno con il grill metallico posto in modo tale che lo spazio coperto non superi la dimensione del riscaldatore.
- Far scorrere il ripiano metallico o la teglia per la cottura al forno con grill al livello desiderato nel forno. Se si cuoce al grill sul ripiano metallico, far scorrere la teglia per la cottura al forno sulla rastrelliera inferiore per raccogliere i grassi. La teglia per la cottura al forno da far scorrere deve avere una dimensione tale da coprire l'intera area di grigliatura. È possibile che la teglia non venga fornita con il prodotto. Aggiungere dell'acqua nel vassoio per la cottura al forno per una pulizia facile.

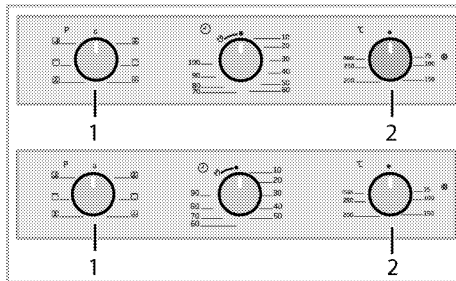


Gli alimenti che non sono adatti alla cottura al grill rappresentano un rischio di incendio. Usare solo alimenti per cottura con grill adatti al calore intenso del grill.

Non mettere il cibo troppo lontano sul retro del grill. Questa è l'area più calda e gli alimenti grassi potrebbero prendere fuoco.

Come utilizzare il forno elettrico

Selezionare temperatura e modalità di funzionamento



- 1 Manopola funzione
- 2 Manopola termostato

1. Impostare il timer del forno al tempo di cottura desiderato; vedere *Uso dell'orologio del forno*, pagina 20
 2. Impostare la manopola funzione sulla modalità operativa desiderata.
 3. Impostare la manopola Temperature (temperatura) sulla temperatura desiderata.
- » Il forno si riscalda fino alla temperatura regolata e la conserva. Durante il riscaldamento, la spia della temperatura resta accesa.

Spegnimento del forno elettrico

Portare il timer del forno in posizione off.



Quando il timer è impostato su un certo orario, si disattiva automaticamente; vedere *Uso dell'orologio del forno*, pagina 20

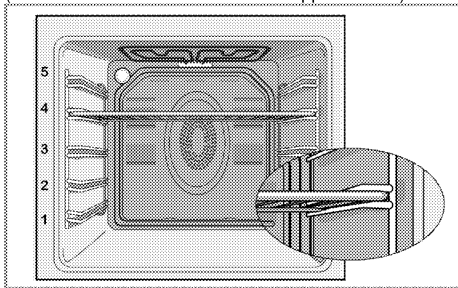
Portare manopola funzione e manopola temperature (temperatura) in posizione off (superiore).

Posizioni della rastrelliera (solo modelli con grill metallico)

È importante posizionare il grill metallico in modo corretto sulla rastrelliera metallica. Il grill metallico deve essere inserito tra le rastrelliere metalliche, come illustrato in figura.

Non lasciare che il grill metallico poggi sulla parete posteriore del forno. Far scorrere il grill metallico verso la sezione anteriore della rastrelliera e posizionarlo con l'aiuto dello sportello per ottenere una buona prestazione del grill.

(Varia a seconda del modello dell'apparecchio.)



Modalità di funzionamento

L'ordine delle modalità di funzionamento qui mostrato può essere diverso da quello della propria unità.

Riscaldamento superiore e inferiore



Il riscaldamento superiore e inferiore è in uso. Gli alimenti sono riscaldati contemporaneamente da sopra e da sotto. Per esempio, questo è adatto per torte, dolci o torte e alimenti in casseruola negli stampi da forno. Cucinare con un solo vassoio.

Bottom heating (riscaldamento inferiore)



Solo il riscaldamento inferiore è in funzione. Si adatta a pizza e al successivo rosolare di alimenti dalla parte inferiore.



Questa funzione deve essere utilizzata anche per una facile pulizia con vapore.

Riscaldamento inferiore/superiore con ventola



Il riscaldamento superiore, il riscaldamento inferiore con ventola (nella parete posteriore) sono attivi. L'aria calda è rapidamente distribuita in modo uniforme in tutto il forno mediante una ventola. Cucinare con un solo vassoio.

Full grill (grill completo)



Il grill grande sul soffitto del forno è attivo. Si possono cuocere con grill grosse quantità di carne.

- Mettere porzioni grandi o medie nella posizione corretta sulla rastrelliera sotto il riscaldatore del grill.
- Ruotare il cibo dopo metà tempo di cottura.

Grill+Fan (grill+ventola)



L'effetto del grill non è forte come in Full Grill (grill completo)

- Mettere porzioni piccole o medie nella posizione corretta sul ripiano sotto il riscaldatore del grill.
- Ruotare il cibo dopo metà tempo di cottura.

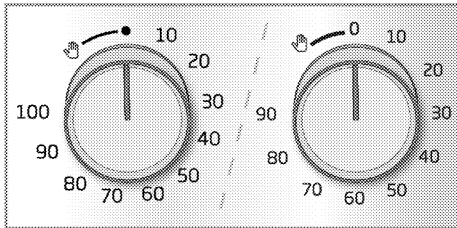
Booster



Questa funzione si usa per riscaldare il forno rapidamente; non è adatta a cuocere gli alimenti.

- Selezionare la temperatura desiderata dopo aver scelto questa funzione. La luce della temperatura si accende e il forno viene riscaldato.
- La luce si spegne dopo che il processo di riscaldamento è completo. Ora selezionare la funzione desiderata per cuocere gli alimenti.

Uso dell'orologio del forno



Avvio della cottura



Per azionare il forno, bisogna selezionare la modalità di cottura e la temperatura desiderata e impostare l'ora. Altrimenti, il forno non funziona.

1. Ruotare la manopola Time Adjustment (regolazione orario) in senso orario per impostare l'ora di cottura.

2. Mettere il piatto nel forno.
3. Selezionare modalità di funzionamento e temperatura; vedere. *Come utilizzare il forno elettrico, pagina 18.*

» Il forno si riscalda fino alla temperatura preimpostata e conserva questa temperatura fino alla fine del tempo di cottura selezionato.

4. Una volta che il tempo di cottura è finito, la manopola Time Setting (impostazione orario) ruota automaticamente in senso antiorario. Si sente un suono di avvertenza che indica che l'orario impostato è finito e l'alimentazione viene tagliata.



Se non si vuole usare la funzione timer, ruotare la manopola in senso antiorario fino al simbolo con la mano.

5. Spegner il forno con la manopola Time Setting (impostazione orario) e la manopola funzione.

Spegnimento del forno prima dell'ora impostata

1. Ruotare la manopola Time Adjustment (regolazione orario) in senso antiorario finché si ferma.
2. Spegner il forno con la manopola funzione e la manopola Temperature (temperatura).

Tabella tempi di cottura



I tempi in questo diagramma devono essere considerati una guida. I tempi possono variare a causa di temperatura degli alimenti, spessore, tipo e preferenze personali di cottura.

Cottura al forno e arrosto



La prima rastrelliera del forno è quella di fondo.

Platto	Numero di vassoi	Accessorio da usare	Modalità di funzionamento	Posizione rastrelliera	Temperatura (°C)	Tempo di cottura (appross. in min.)
Dolci su vassoio	Un vassoio	Vassoio standard*		3	180	25 ... 30
Dolci nello stampo	Un vassoio	Tortiera su grill metallico**		2	180	40 ... 50
Dolcetti	Un vassoio	Vassoio standard*		3	160	25 ... 35
Pan di Spagna	Un vassoio	Teglia rotonda a cerniera con un diametro di 26 cm su grill metallico**		3	160	25 ... 35
Dolcetti	Un vassoio	Vassoio per dolci*		3	180	25 ... 30
Pasta lievitata	Un vassoio	Vassoio standard*		2	200	30 ... 40
Pasta frolla	Un vassoio	Vassoio standard*		2	200	25 ... 35
Lievitati	Un vassoio	Vassoio standard*		2	200	35 ... 45
Lasagna	Un vassoio	Teglia in vetro/metallica rettangolare su grill metallico**		2 - 3	200	30 ... 40
Pizza	Un vassoio	Vassoio standard*		2	200 ... 220	15 ... 20
Bistecca (intera) / Arrosto	Un vassoio	Vassoio standard*		3	25 min. 250/max, poi	100 ... 120

					180 ... 190	
Cosciotto di agnello (in casseruola)	Un vassoio	Vassoio standard*		3	25 min. 220 poi 180 ... 190	70 ... 90
Pollo arrosto (1,8-2 kg)	Un vassoio	Vassoio standard*		2	15 min. 250/max. poi 180 ... 190	60 ... 80
Tacchino (5,5 kg)	Un vassoio	Vassoio standard*		1	25 min. 250/max. poi 180 ... 190	150 ... 210
Pesce	Un vassoio	Vassoio standard*		3	200	20 ... 30
Si consiglia il preriscaldamento per tutti gli alimenti. * Questi accessori possono non essere forniti assieme al prodotto. ** Questi accessori non sono forniti assieme al prodotto. Si tratta di accessori disponibili in commercio.						

Tabella di cottura per pasti di prova

I pasti presenti in questa tabella di cottura sono preparati secondo lo standard EN 60350-1 per facilitare gli enti di controllo nella verifica del prodotto

Platto	Numero di vassoi	Accessorio da usare	Modalità di funzionamento	Posizione rastrelliera	Temperatura (°C)	Tempo di cottura (appross. in min.)
Biscotto al burro-scozzese	Un vassoio	Vassoio standard*		3	140	20 ... 30
Doicetti	Un vassoio	Vassoio standard*		3	160	25 ... 35
Pan di Spagna	Un vassoio	Teglia rotonda a cerniera con un diametro di 26 cm su grill metallico**		3	160	25 ... 35
Torta di mele	Un vassoio	Piatto metallico rotondo nero con un diametro di 20 cm su grill metallico**		2	180	50 ... 60
Si consiglia il preriscaldamento per tutti gli alimenti. * Questi accessori possono non essere forniti assieme al prodotto. ** Questi accessori non sono forniti assieme al prodotto. Si tratta di accessori disponibili in commercio.						

Suggerimenti per la cottura al forno dei dolci

- Se il dolce è troppo asciutto, aumentare la temperatura di circa 10 e diminuire il tempo di cottura.
- Se il dolce è umido, usare meno liquido o abbassare la temperatura di 10°C.
- Se il dolce è troppo scuro sopra, metterlo su una rastrelliera inferiore, abbassare la temperatura e aumentare il tempo di cottura.
- Se è cotto bene all'interno ma appiccicoso all'esterno, usare meno liquido, abbassare la temperatura e aumentare il tempo di cottura.

Consigli per la cottura al forno della pasta

- Se la pasta è troppo asciutta, aumentare la temperatura di circa 10 e diminuire il tempo di cottura. Ammorbidire gli strati di pasta con una crema fatta di latte, olio, uova e yogurt.
- Se la pasta impiega troppo tempo a cuocersi al forno, prestare attenzione al fatto che lo

spessore della pasta preparata non superi la profondità del vassoio.

- Se il lato superiore della pasta diventa marrone ma la parte inferiore non è cotta, assicurarsi che la quantità di crema usata per la pasta non sia troppa sul fondo della stessa. Cercare di distribuire la crema in modo uniforme tra gli strati e sugli stessi per una cottura uniforme.

Cuocere la pasta secondo la modalità e la temperatura date nella tabella di cottura. Se la parte inferiore non è ancora abbastanza cotta, usare un ripiano più basso la volta seguente.

Consigli per la cottura delle verdure

- Se il piatto di verdure si asciuga e diventa troppo secco, cuocerle in una padella con un coperchio invece che nel vassoio. I recipienti chiusi conservano i succhi del piatto.
- Se un piatto di verdure non si cuoce, bollire le verdure prima o prepararle prima come gli alimenti in scatola e metterle nel forno.

Come utilizzare il grill



ATTENZIONE

Chiudere lo sportello del forno durante la cottura con grill.
Le superfici calde possono provocare ustioni!

- Ruotare la manopola Time Adjustment (regolazione orario) in senso antiorario verso il simbolo a forma di mano durante la cottura con grill.

Accensione del grill

1. Ruotare la manopola funzione sul simbolo del grill desiderato.
2. Poi selezionare la temperatura del grill come desiderato.

3. Se necessario, eseguire un pre-riscaldamento per circa 5 minuti.

» La spia della temperatura si accende.

Spegnimento del grill

1. Ruotare la manopola funzione in posizione Off (superiore).



Gli alimenti che non sono adatti alla cottura al grill rappresentano un rischio di incendio. Usare solo alimenti per cottura con grill adatti al calore intenso del grill.

Non mettere il cibo troppo lontano sul retro del grill. Questa è l'area più calda e gli alimenti grassi potrebbero prendere fuoco.

Tabella tempi di cottura per la cottura con grill

Cottura con grill elettrico

Alimenti	Accessorio da usare	Posizione rastrelliera	Temperatura consigliata (°C)**	Tempo cottura grill (circa)
Pesce	Grill metallico	4..5	250	20...25 min. #
Fettine di pollo	Grill metallico	4..5	250	25...35 min.
Costolette di agnello	Grill metallico	4..5	250	20...25 min.
Arrosti di manzo	Grill metallico	4..5	250	25...30 min. #
Costolette di vitello	Grill metallico	4..5	250	25...30 min. #
Tostare il pane *	Grill metallico	4	250	1...3 min.

a seconda dello spessore
*Pre-riscaldare per 5 minuti.
**Se non è possibile regolare la temperatura della griglia del prodotto, la griglia funzionerà alla temperatura consigliata.

I pasti presenti in questa tabella di cottura sono preparati secondo lo standard EN 60350-1 per facilitare gli enti di controllo nella verifica del prodotto

Alimenti	Accessorio da usare	Posizione rastrelliera	Temperatura (°C)	Tempo di cottura (appross. in min.)
Pane per toast	Grill metallico	4	250	1...3 min.
Polpette (manzo) - 12 pezzi	Grill metallico	4	250	25...35 min.

Girare il cibo dopo 2/3 del tempo di grigliatura totale.
Si suggerisce di eseguire 5 minuti di pre-riscaldamento per tutti gli alimenti da grigliare.

6 Manutenzione e cura

Informazioni generali

La vita di servizio dell'apparecchio si allunga e problemi frequenti diminuiscono se l'apparecchio è pulito ad intervalli regolari.



PERICOLO:

Scollegare l'apparecchio dalla rete elettrica prima di avviare i lavori di manutenzione e pulizia.
C'è il rischio di shock elettrico!



PERICOLO:

Consentire all'apparecchio di raffreddarsi prima di pulirlo.
Le superfici calde possono provocare ustioni!

- Pulire completamente l'apparecchio dopo ogni uso. In questo modo sarà possibile rimuovere i residui di cottura con maggiore facilità, evitando così che questi residui brucino all'uso successivo dell'apparecchio.
- Non sono necessari agenti di pulizia speciali per la pulizia dell'apparecchio. Usare acqua calda con detersivo liquido, un panno morbido o una spugna per pulire l'apparecchio e asciugare con un panno asciutto.
- Assicurare sempre che il liquido in eccesso sia completamente asciugato dopo la pulizia e che tutti gli schizzi siano immediatamente asciugati.
- Non usare agenti di pulizia che contengono acido o cloro per pulire le superfici e la maniglia in acciaio inox. Usare un panno morbido con un detergente liquido (non abrasivo) per pulire queste parti, prestando attenzione a pulire in un'unica direzione.



La superficie può danneggiarsi a causa di alcuni detersivi o materiali di pulizia.
Non usare detersivi aggressivi, polvere/creme pulenti o oggetti taglienti durante la pulizia.



Non usare pulitori a vapore per pulire l'apparecchio poiché ciò potrebbe provocare uno shock elettrico.

Pulizia del pannello di controllo

Pulire pannello di controllo e le manopole con un panno umido e asciugare.



Se il prodotto è dotato di tasti/manopole, non rimuovere le manopole di controllo per pulire il pannello di controllo.

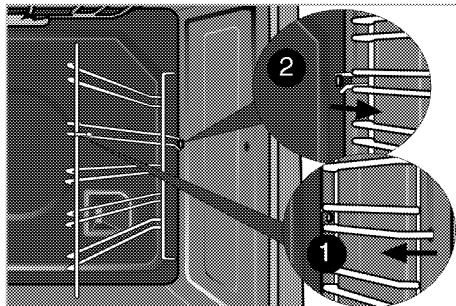
Il pannello di controllo può danneggiarsi!

Pulizia del forno

Per pulire la parete laterale (Varia a seconda del modello dell'apparecchio.)

(Questa funzione è opzionale. Potrebbe non essere sul prodotto acquistato.)

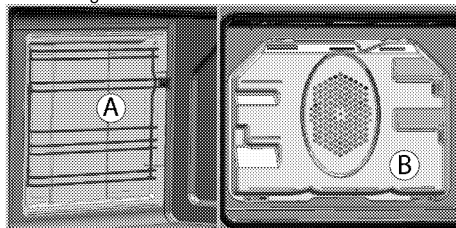
1. Rimuovere la sezione anteriore della rastrelliera laterale tirando nella direzione opposta alla parete laterale.
2. Rimuovere completamente la rastrelliera laterale tirando verso di sé.



Pareti catalitiche

(Questa funzione è opzionale. Potrebbe non essere sul prodotto acquistato.)

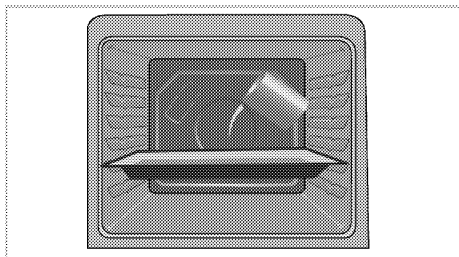
Le pareti laterali interne (A) e/o la parete posteriore (B) dell'apparecchio potrebbero essere rivestite di smalto catalitico. Le pareti catalitiche hanno un colore opaco chiaro e una superficie porosa. Le pareti catalitiche del forno non devono essere pulite. Grazie alla superficie perforata, le superfici catalitiche assorbono il grasso e, una volta che quest'ultimo ne riempie la superficie, iniziano a brillare. In questo caso si raccomanda di sostituire gli elementi.



Facile pulizia con vapore

Assicura una pulizia facile poiché lo sporco (se non è troppo vecchio) viene ammorbidito dal vapore che si forma all'interno del forno e dalle gocce di acqua condensata sulle superfici interne del forno.

1. Rimuovere tutti gli accessori dal forno.
2. Versare 500 ml di acqua nel vassoio del forno e mettere il vassoio sul secondo ripiano del forno.



3. Impostare il forno in modalità facile pulizia con vapore e azionare a 100°C per 25 minuti.
4. Aprire lo sportello e pulire le superfici interne del forno con una spugna o un panno bagnati.
5. Usare acqua calda con detersivo liquido, un panno morbido o una spugna per pulire lo sporco resistente e asciugare con un panno asciutto.



Durante la modalità di pulizia a vapore rapida, l'acqua inserita nel vassoio per ammorbidire delicatamente i residui/lo sporco formati all'interno della cavità del forno evapora e forma condensa nella cavità e sul vetro interno dello sportello, in maniera tale da consentire all'acqua stessa di gocciolare una volta aperto lo sportello. Pulire la condensa non appena viene aperto lo sportello.

Pulire lo sportello del forno

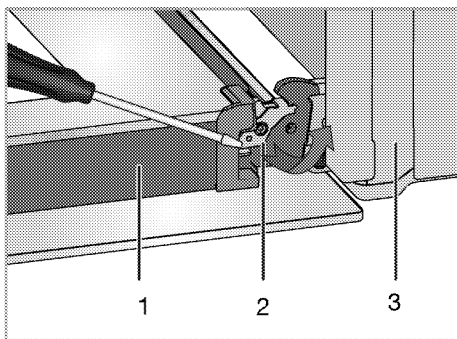
Per pulire lo sportello del forno, usare acqua calda con detersivo liquido, un panno morbido o una spugna per pulire l'apparecchio e asciugare con un panno asciutto.



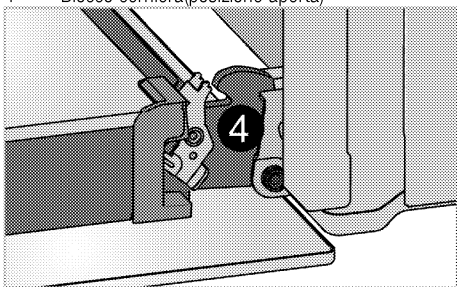
Non usare detersivi molto abrasivi o raschietti in metallo tagliente per la pulizia dello sportello del forno. Essi potrebbero graffiare la superficie e distruggere il vetro.

Rimozione dello sportello del forno.

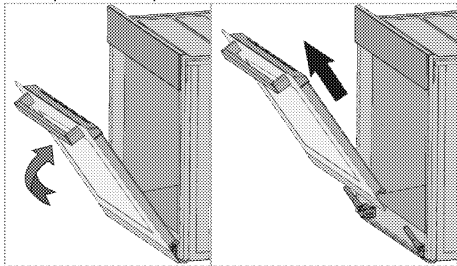
1. Aprire lo sportello anteriore (1).
2. Aprire i morsetti dell'alloggiamento della cerniera (2) sul lato destro e su quello sinistro dello sportello anteriore premendoli verso il basso come illustrato nella figura.



- 1 Sportello
- 2 Blocco cerniera(posizione chiusa)
- 3 Forno
- 4 Blocco cerniera(posizione aperta)



3. Spostare lo sportello anteriore a metà.



4. Rimuovere lo sportello anteriore tirandolo verso l'alto per farlo uscire dai cardini destro e sinistro.



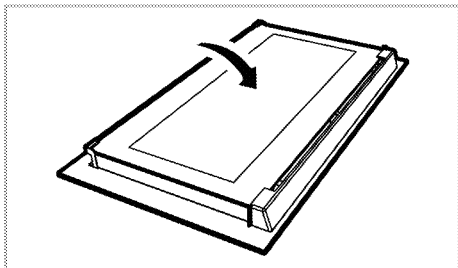
I punti eseguiti durante il processo di rimozione devono essere eseguiti al contrario per installare lo sportello. Non dimenticare di chiudere i morsetti dell'alloggiamento del cardine quando si reinstalla lo sportello.

Rimozione del vetro interno dello sportello

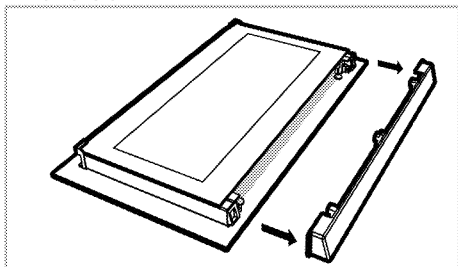
(Questa funzione è opzionale. Potrebbe non essere sul prodotto acquistato).

Il pannello interno in vetro dello sportello del forno può essere rimosso per la pulizia.

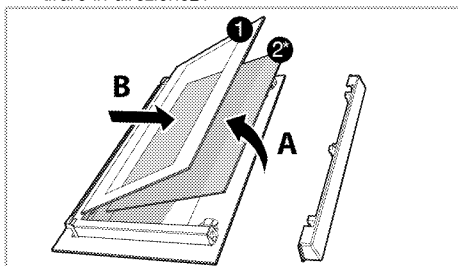
1. Aprire lo sportello del forno.



2. Tirare verso di sé e rimuovere la parte in plastica installata sulla sezione superiore dello sportello anteriore.



3. Come illustrato in figura, sollevare leggermente il pannello più interno in vetro (1) in direzione A e tirare in direzione B.



- 1 Pannello più interno in vetro
- 2* Pannello interno in vetro (Potrebbe non essere sul prodotto acquistato).
4. Se il dispositivo è dotato di un pannello in vetro interno (2); Ripetere questa stessa procedura per rimuovere il pannello interno in vetro (2).
5. Il primo punto per rimontare lo sportello è reinstallare il pannello interno in vetro (2). Mettere l'angolo smussato del pannello in vetro in modo che poggi sull'angolo smussato dell'apertura in plastica. (Se il dispositivo è dotato di un pannello in vetro interno). Il pannello interno in vetro (2) deve essere installato nell'apertura in plastica vicino al pannello più interno in vetro (1).
6. Quando si installa il pannello più interno in vetro (1), assicurarsi che il lato stampato del pannello sia rivolto verso il pannello interno in vetro. La

cosa importante è posizionare l'angolo inferiore del pannello più interno in vetro (1) nell'apertura in plastica inferiore.

7. Spingere la parte in plastica verso la struttura fino a sentire un "clic".

Sostituzione della lampadina del forno



PERICOLO:

Prima di sostituire la lampadina del forno, assicurarsi che l'apparecchio sia scollegato dalla rete e sia freddo per evitare il rischio di shock elettrico.

Le superfici calde possono provocare ustioni!



In questo forno viene utilizzata una lampada ad incandescenza con potenza inferiore a 40 W, altezza inferiore a 60 mm, diametro inferiore a 30 mm o lampada alogena con attacco tipo G9, potenza inferiore a 60 W. Le lampade sono adatte al funzionamento a temperature superiori a 300 °C. Le lampade del forno possono essere richieste agli Agenti di servizio autorizzati o ai tecnici muniti di licenza.



La posizione della lampadine può variare dalla figura.



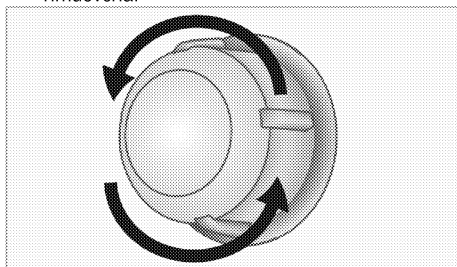
Le lampadine utilizzate in questo apparecchio non sono adatte per l'illuminazione di ambienti domestici. Lo scopo previsto di questa lampadina è aiutare l'utente a controllare gli alimenti.



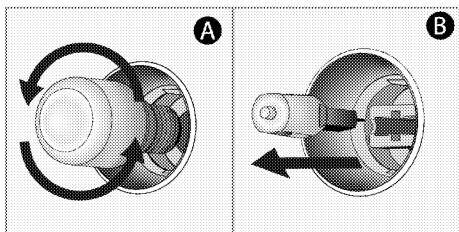
Le lampadine utilizzate in questo apparecchio devono sopportare condizioni fisiche estreme come temperature superiori a 50 °C.

Se il forno è dotato di una lampadina rotonda:

1. Scollegare il prodotto dalla rete.
2. Ruotare la copertura in vetro in senso orario per rimuoverla.



3. Se la lampadina del forno corrisponde al tipo (A) mostrato nella figura seguente, rimuoverla ruotando secondo le indicazioni e sostituirla. Se è di tipo (B), tirare e rimuoverla come indicato in figura, quindi sostituirla.



4. Installare il coperchio in vetro.

7 Ricerca e risoluzione dei problemi

Il forno emette vapore durante l'uso.

- Si tratta del normale vapore che si produce durante il funzionamento. >>> *Non è guasto.*

L'apparecchio emette rumori metallici durante riscaldamento e raffreddamento.

- Quando le parti di metallo si riscaldano, possono espandersi e provocare rumori. >>> *Non è guasto.*

L'apparecchio non funziona.

- Il fusibile di rete è difettoso o si è bloccato. >>> *Controllare i fusibili nella scatola dei fusibili. Se necessario, sostituirli o reimpostarli.*
- L'apparecchio non è collegato alla presa (di messa a terra). >>> *Controllare il collegamento della spina.*

La luce del forno non funziona.

- La lampadina del forno è difettosa. >>> *Sostituire la lampadina del forno.*
- L'alimentazione è tagliata. >>> *Controllare se c'è alimentazione. Controllare i fusibili nella scatola dei fusibili. Se necessario, sostituirli o reimpostarli.*

Il forno non riscalda.

- Potrebbe non essere impostato su una certa funzione e/o temperatura di cottura. >>> *Impostare il forno su una certa funzione e/o temperatura di cottura.*
- In modelli dotati di timer, il timer non è regolato. >>> *Regolare l'orario.*
(In prodotti con forno a microonde, il timer controlla solo il forno a microonde).
- L'alimentazione è tagliata. >>> *Controllare se c'è alimentazione. Controllare i fusibili nella scatola dei fusibili. Se necessario, sostituirli o reimpostarli.*

(In modelli dotati di timer) Il display dell'orologio lampeggia o il simbolo dell'orologio è acceso.

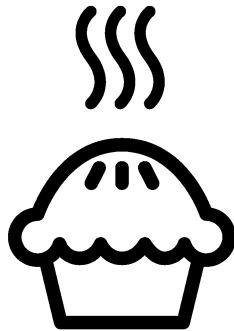
- Si è verificata una precedente assenza di gas. >>> *Regolare l'ora / Spegnerne l'apparecchio e riaccenderlo.*



Consultare l'agente autorizzato per l'assistenza o il rivenditore dove è stato acquistato l'apparecchio se non si riesce a risolvere il problema nonostante siano state implementate le soluzioni di questa sezione. Non cercare mai di riparare da soli un apparecchio difettoso.



Εντοιχιζόμενος φούρνος
Εγχειρίδιο χρήσης



EL

Διαβάστε πρώτα το παρόν εγχειρίδιο χρήσης!

Αγαπητέ Πελάτη,

Ευχαριστούμε που προτιμήσατε ένα προϊόν Beko. Ελπίζουμε να έχετε τα καλύτερα αποτελέσματα από το προϊόν σας, το οποίο έχει κατασκευαστεί με υψηλή ποιότητα και τεχνολογία αιχμής. Για την ασφάλεια σας και την σωστή χρήση-λειτουργία του προϊόντος, διαβάστε προσεκτικά ολόκληρο το παρόν εγχειρίδιο χρήσης και τα άλλα συνοδευτικά έγγραφα, πριν χρησιμοποιήσετε το προϊόν, και φυλάξτε το ως αναφορά για μελλοντική χρήση. Αν παραδώσετε το προϊόν σε άλλον, παραδώστε μαζί και το εγχειρίδιο χρήσης. Τηρείτε όλες τις προειδοποιήσεις και πληροφορίες που περιέχονται στο εγχειρίδιο χρήσης.

Να θυμάστε ότι αυτό το εγχειρίδιο χρήσης έχει επίσης εφαρμογή και σε αρκετά άλλα μοντέλα. Οι διαφορές ανάμεσα σε μοντέλα θα αναφέρονται στο εγχειρίδιο.

Σημασία των συμβόλων

Σε όλη την έκταση του παρόντος εγχειριδίου χρήσης χρησιμοποιούνται τα εξής σύμβολα:



Σημαντικές πληροφορίες ή χρήσιμες συμβουλές σχετικά με τη χρήση.



Προειδοποίηση για καταστάσεις που αποτελούν κίνδυνο για τη ζωή και την περιουσία.



Προειδοποίηση για ηλεκτροπληξία.



Προειδοποίηση για κίνδυνο πυρκαγιάς.



Προειδοποίηση για θερμές επιφάνειες.



Arçelik A.Ş.
Karaağaç caddesi No:2-6
34445 Sütlüce/Istanbul/TURKEY
Made in TURKEY

1 Σημαντικές οδηγίες και προειδοποιήσεις για την ασφάλεια και το περιβάλλον 4

Γενικά για την ασφάλεια	4
Ηλεκτρική ασφάλεια.....	5
Ασφάλεια προϊόντος.....	6
Προβλεπόμενη χρήση.....	8
Ασφάλεια παιδιών	8
Τελική διάθεση του παλιού προϊόντος.....	9
Τελική διάθεση των υλικών συσκευασίας.....	9

2 Γενικές πληροφορίες 10

Γενική επισκόπηση.....	10
Περιεχόμενα συσκευασίας.....	11
Τεχνικές προδιαγραφές.....	12

3 Εγκατάσταση 13

Πριν την εγκατάσταση	13
Εγκατάσταση και σύνδεση	15
Τελική διάθεση του παλιού προϊόντος.....	17

4 Προετοιμασίες 18

Πρακτικές συμβουλές για εξοικονόμηση ενέργειας	18
Αρχική χρήση	18
Πρώτος καθαρισμός της συσκευής.....	18
Αρχική θέρμανση.....	18

5 Τρόπος χρήσης του φούρνου 19

Γενικές πληροφορίες σχετικά με το ψήσιμο γλυκών, το ψήσιμο φαγητών και το ψήσιμο σε γκριλ .	19
Τρόπος χειρισμού του ηλεκτρικού φούρνου	20
Τρόποι λειτουργίας	20
Χρήση του ρολογιού του φούρνου	21
Πίνακας χρόνων μαγειρέματος	22
Τρόπος χρήσης του γκριλ.....	23
Πίνακας χρόνων μαγειρέματος για γκριλ.....	24

6 Συντήρηση και φροντίδα 25

Γενικές πληροφορίες	25
Καθαρισμός του πίνακα ελέγχου	25
Καθαρισμός του φούρνου	25
Αφαίρεση της πόρτας του φούρνου	26
Αφαίρεση του εσωτερικού τζαμιού πόρτας.....	27
Αντικατάσταση του λαμπτήρα του φούρνου.....	28

7 Αντιμετώπιση προβλημάτων 29

1 Σημαντικές οδηγίες και προειδοποιήσεις για την ασφάλεια και το περιβάλλον

Το τμήμα αυτό περιέχει οδηγίες ασφαλείας που θα σας βοηθήσουν να προστατευτείτε από τον κίνδυνο τραυματισμού και υλικών ζημιών. Η μη τήρηση αυτών των οδηγιών θα έχει ως αποτέλεσμα την ακύρωση κάθε εγγύησης.

Γενικά για την ασφάλεια

- Η συσκευή αυτή μπορεί να χρησιμοποιηθεί από παιδιά από 8 ετών και άνω και από άτομα με μειωμένες σωματικές, αισθητηριακές ή πνευματικές ικανότητες ή με έλλειψη εμπειρίας και γνώσης, αν τους έχει δοθεί επιτήρηση ή εκπαίδευση σχετικά με τη χρήση της συσκευής με ασφαλή τρόπο και κατανοούν τους ενεχόμενους κινδύνους.
Τα παιδιά δεν θα πρέπει να παίζουν με τη συσκευή. Ο καθαρισμός και η συντήρηση από το χρήστη δεν θα πρέπει να γίνεται από παιδιά χωρίς επίβλεψη.
- Η συσκευή δεν προορίζεται για χρήση από άτομα (περιλαμβανομένων παιδιών) με μειωμένες σωματικές, αισθητηριακές ή διανοητικές ικανότητες ή με έλλειψη εμπειρίας και γνώσης, εκτός αν

τα άτομα αυτά έχουν λάβει επιτήρηση ή καθοδήγηση. Τα παιδιά που επιτηρούνται δεν θα πρέπει να παίζουν με τη συσκευή.

- Αν το προϊόν παραδοθεί σε τρίτον για προσωπική χρήση ή για χρήση του ως μεταχειρισμένου προϊόντος, πρέπει να παραδοθούν μαζί του και το εγχειρίδιο χρήσης, οι ετικέτες του προϊόντος και τα άλλα σχετικά με το προϊόν έγγραφα και εξαρτήματα.
- Οι διαδικασίες εγκατάστασης και επισκευών πρέπει πάντα να εκτελούνται από αδειούχους τεχνίτες. Ο κατασκευαστής δεν θα φέρει καμία ευθύνη για ζημιές που θα προκύψουν από διαδικασίες που εκτελούνται από μη αδειοδοτημένα άτομα, πράγμα που μπορεί επίσης να ακυρώσει την εγγύηση. Πριν την εγκατάσταση, διαβάστε προσεκτικά τις οδηγίες.
- Μη χρησιμοποιήσετε το προϊόν αν είναι ελαττωματικό ή έχει οποιαδήποτε ορατή ζημιά.
- Ελέγχετε ότι τα κουμπιά των λειτουργιών του προϊόντος απενεργοποιούνται μετά από κάθε χρήση.

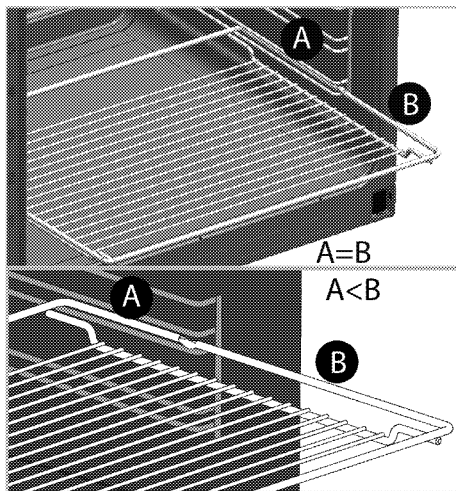
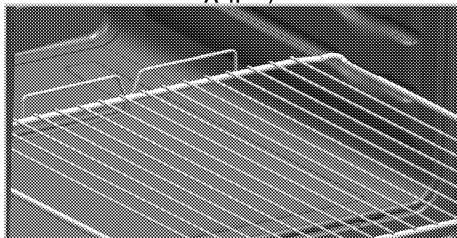
Ηλεκτρική ασφάλεια

- Αν το προϊόν παρουσιάσει βλάβη, δεν θα πρέπει να χρησιμοποιείται, έως ότου επισκευαστεί από τον αδειοδοτημένο αντιπρόσωπο σέρβις. Υπάρχει κίνδυνος ηλεκτροπληξίας!
- Συνδέετε το προϊόν μόνο σε γειωμένη πρίζα/γραμμή με την τάση και προστασία που προβλέπεται στις "Τεχνικές προδιαγραφές". Αναθέστε την εγκατάσταση της γείωσης σε πιστοποιημένο ηλεκτρολόγο αν χρησιμοποιείτε το προϊόν με ή χωρίς μετασχηματιστή. Η εταιρεία μας δεν θα φέρει την ευθύνη για οποιαδήποτε προβλήματα προκύψουν λόγω μη γείωσης του προϊόντος σύμφωνα με τους τοπικούς κανονισμούς.
- Ποτέ μην πλένετε το προϊόν απλώνοντας ή χύνοντας νερό πάνω του! Υπάρχει κίνδυνος ηλεκτροπληξίας!
- Ποτέ μην αγγίζετε το φως με υγρά χέρια! Ποτέ μην αφαιρείτε το φως από την πρίζα τραβώντας το καλώδιο, πάντα να τραβάτε το ίδιο το φως.
- Το προϊόν πρέπει να είναι αποσυνδεδεμένο από την πρίζα κατά τις διαδικασίες εγκατάστασης, συντήρησης, καθαρισμού και επισκευών.
- Αν υποστεί ζημιά το καλώδιο σύνδεσης στο ρεύμα, αυτό πρέπει να αντικατασταθεί από τον κατασκευαστή, τον αντιπρόσωπό του σέρβις ή από άτομο με παρόμοια εξειδίκευση, για την αποφυγή κινδύνου.
- Η συσκευή πρέπει να εγκατασταθεί έτσι ώστε να είναι εφικτή η πλήρης αποσύνδεσή της από το δίκτυο. Η αποσύνδεση πρέπει να γίνεται είτε μέσω ενός φως ρεύματος δικτύου, είτε μέσω διακόπτη ενσωματωμένου στη σταθερή ηλεκτρική εγκατάσταση, σύμφωνα με τους κατασκευαστικούς κανονισμούς.
- Η πίσω επιφάνεια του φούρνου αποκτά υψηλή θερμοκρασία όταν χρησιμοποιείται ο φούρνος. Βεβαιωθείτε ότι η σύνδεση ρεύματος δεν έρχεται σε επαφή με την πίσω επιφάνεια, αλλιώς οι συνδέσεις μπορούν να υποστούν ζημιά.
- Μην παγιδεύετε το καλώδιο ρεύματος ανάμεσα στην πόρτα του φούρνου και το πλαίσιο της συσκευής και μην το περάσετε πάνω από θερμές επιφάνειες. Αλλιώς, μπορεί να λιώσει η μόνωση και να προκληθεί φωτιά λόγω βραχυκυκλώματος.

- Οποιοσδήποτε εργασίες σε εξοπλισμό και συστήματα που λειτουργούν με ηλεκτρισμό θα πρέπει να εκτελούνται μόνο από εξουσιοδοτημένο και πιστοποιημένο προσωπικό.
 - Σε περίπτωση οποιασδήποτε ζημιάς, απενεργοποιήστε τη συσκευή και αποσυνδέστε την από την παροχή ρεύματος δικτύου. Για να το κάνετε αυτό απενεργοποιήστε τον ασφαλειοδιακόπτη της οικιακής εγκατάστασης.
 - Βεβαιωθείτε ότι η ονομαστική τιμή ρεύματος της ασφάλειας είναι σύμφωνη με τα χαρακτηριστικά του προϊόντος.
- Ασφάλεια προϊόντος**
- **ΠΡΟΕΙΔΟΠΟΙΗΣΗ:** Η συσκευή και τα προσπελάσιμα μέρη της αποκτούν υψηλή θερμοκρασία κατά τη χρήση. Θα πρέπει να προσέχετε να μην αγγίζετε τα στοιχεία θέρμανσης (αντιστάσεις). Θα πρέπει να κρατάτε μακριά τα παιδιά ηλικίας μικρότερης των 8 ετών εκτός αν αυτά βρίσκονται υπό διαρκή επίβλεψη.
 - Ποτέ μη χρησιμοποιήσετε το προϊόν αν η κρίση σας ή ο συντονισμός των κινήσεών σας έχει επηρεαστεί από τη χρήση οινοπνεύματος και/ή τοξικών ουσιών.
 - Προσέχετε όταν χρησιμοποιείτε αλκοολούχα ποτά στα φαγητά σας. Το οινόπνευμα εξατμίζεται σε υψηλές θερμοκρασίες και μπορεί να προκαλέσει φωτιά, αφού μπορεί να αναφλεγεί αν έρθει σε επαφή με καυτές επιφάνειες.
 - Μην τοποθετείτε οποιαδήποτε εύφλεκτα υλικά κοντά στο προϊόν γιατί οι πλευρές του μπορεί να θερμανθούν πολύ κατά τη χρήση.
 - Κατά τη χρήση η συσκευή αποκτά υψηλή θερμοκρασία. Θα πρέπει να προσέχετε να μην αγγίζετε τα στοιχεία θέρμανσης (αντιστάσεις) μέσα στο φούρνο.
 - Διατηρείτε καθαρά από εμπόδια όλα τα ανοίγματα αερισμού.
 - Μη θερμαίνετε στο φούρνο σφραγισμένα μεταλλικά δοχεία και γυάλινα βάζα. Η πίεση που αναπτύσσεται στο μεταλλικό δοχείο/βάζο μπορεί να προκαλέσει έκρηξή του.
 - Μην τοποθετείτε δίσκους και ταψιά ψησίματος, πιάτα ή αλουμινόχαρτο απευθείας πάνω στη βάση του χώρου του φούρνου. Η συσσώρευση της θερμότητας μπορεί να προκαλέσει ζημιά στη βάση του χώρου του φούρνου.
 - Μη χρησιμοποιείτε σκληρά καθαριστικά προϊόντα ή

αιχμηρές μεταλλικές ξύστρες για τον καθαρισμό του τζαμιού της πόρτας του φούρνου, γιατί αυτά τα είδη μπορούν να χαράξουν την επιφάνεια, με ενδεχόμενο αποτέλεσμα το σπάσιμο του τζαμιού.

- Μη χρησιμοποιείτε ατμοκαθαριστές για τον καθαρισμό του προϊόντος γιατί μπορεί έτσι να προκληθεί ηλεκτροπληξία.
- (Διαφέρει ανάλογα με το μοντέλο του προϊόντος.) Σωστή τοποθέτηση της συρμάτινης σχάρας και του δίσκου πάνω στις συρμάτινες υποδοχές
Είναι σημαντικό να τοποθετείτε σωστά πάνω στην υποδοχή τη συρμάτινη σχάρα και/ή το δίσκο. Τοποθετήστε τη συρμάτινη σχάρα ή το δίσκο ανάμεσα στις 2 ράγες και βεβαιωθείτε ότι ισορροπεί πριν τοποθετήσετε φαγητό πάνω του (δείτε το ακόλουθο σχήμα).



- Μη χρησιμοποιείτε το προϊόν αν έχει αφαιρεθεί ή ραγίσει το τζάμι της μπροστινής πόρτας.
- Να χρησιμοποιείτε πάντοτε ανθεκτικά σε θερμότητα γάντια φούρνου όταν τοποθετείτε ή αφαιρείτε φαγητά από το φούρνο.
- Τοποθετήστε το χαρτί ψησίματος στο σκεύος ή στο εξάρτημα φούρνου (δίσκος, σχάρα, κ.λπ.) μαζί με το φαγητό και στη συνέχεια τοποθετήστε τα όλα σε προθερμασμένο φούρνο. Αφαιρέστε τα πλεονάζοντα τμήματα του χαρτιού ψησίματος που ξεχειλίζουν από το εξάρτημα ή το σκεύος, ώστε να αποτραπεί ο κίνδυνος να αγγίξετε τα θερμαντικά στοιχεία του φούρνου. Να μη χρησιμοποιείτε ποτέ το χαρτί ψησίματος σε θερμοκρασία λειτουργίας

μεγαλύτερη από την ενδεικνυόμενη τιμή για το χαρτί. Μην τοποθετείτε το χαρτί ψησίματος απευθείας στη βάση του φούρνου.

- ΠΡΟΕΙΔΟΠΟΙΗΣΗ: Βεβαιωθείτε ότι το καλώδιο ρεύματος της συσκευής έχει αποσυνδεθεί από την πρίζα ή ο διακόπτης κυκλώματος έχει απενεργοποιηθεί πριν αντικαταστήσετε τη λάμπα, για να αποφύγετε την πιθανότητα ηλεκτροπληξίας.
- Η συσκευή δεν πρέπει να εγκατασταθεί πίσω από διακοσμητική πόρτα προκειμένου να αποφευχθεί υπερθέρμανση.

Για την ασφάλεια του προϊόντος από φωτιά:

- Βεβαιωθείτε ότι το φως ταιριάζει καλά στην πρίζα, ώστε να μην παράγονται σπινθήρες.
- Μη χρησιμοποιείτε καλώδια που έχουν υποστεί ζημιά ή είναι κομμένα, ούτε καλώδια επέκτασης, παρά μόνο το αρχικό καλώδιο της συσκευής.
- Βεβαιωθείτε ότι δεν υπάρχει υγρό ή υγρασία στην πρίζα στην οποία έχει συνδεθεί το προϊόν.

Προβλεπόμενη χρήση

- Το προϊόν αυτό έχει σχεδιαστεί για οικιακή χρήση. Δεν

επιτρέπεται η επαγγελματική χρήση.

- ΠΡΟΣΟΧΗ: Η συσκευή αυτή έχει σχεδιαστεί μόνο για χρήση μαγειρέματος. Δεν πρέπει να χρησιμοποιηθεί για άλλους σκοπούς, όπως για θέρμανση του χώρου.
- Το προϊόν αυτό δεν θα πρέπει να χρησιμοποιείται για θέρμανση των πιάτων κάτω από το γκριλ, για κρέμασμα στις λαβές πετσετών και πανιών πιάτων κλπ. για στέγνωμα και επίσης δεν πρέπει να χρησιμοποιείται για θέρμανση.
- Ο κατασκευαστής δεν θα είναι υπεύθυνος για οποιαδήποτε βλάβη προκληθεί από λανθασμένη χρήση ή χειρισμό.
- Ο φούρνος μπορεί να χρησιμοποιηθεί για την απόψυξη, το μαγείρεμα και το ψήσιμο φαγητού στο φούρνο και τη σχάρα.

Ασφάλεια παιδιών

- ΠΡΟΕΙΔΟΠΟΙΗΣΗ: Τα προσπελάσιμα μέρη μπορεί να αποκτήσουν υψηλή θερμοκρασία κατά τη χρήση. Πρέπει να κρατάτε τα μικρά παιδιά μακριά.
- Τα υλικά συσκευασίας θα είναι επικίνδυνα για τα παιδιά. Κρατάτε τα υλικά συσκευασίας μακριά από παιδιά. Απορρίψτε

όλα τα μέρη της συσκευασίας σύμφωνα με τους περιβαλλοντολογικούς κανονισμούς.

- Τα προϊόντα που λειτουργούν με ηλεκτρισμό είναι επικίνδυνα για τα παιδιά. Κρατάτε τα παιδιά μακριά από το προϊόν όταν λειτουργεί και μην τους επιτρέψετε να παίζουν με το προϊόν.
- Μη τοποθετείτε πάνω από τη συσκευή πράγματα που μπορούν να προσπαθήσουν να φτάσουν τα παιδιά.
- Όταν η πόρτα της συσκευής είναι ανοικτή, μην τοποθετείτε πάνω της οποιοδήποτε βαρύ αντικείμενο και μην αφήσετε τα παιδιά να καθίσουν πάνω της. Μπορεί να προκληθεί ανατροπή της συσκευής ή να πάθουν ζημιά οι μεντεσέδες της πόρτας.

Τελική διάθεση του παλιού προϊόντος

Συμμόρφωση με την Οδηγία περί αποβλήτων ηλεκτρικού και ηλεκτρονικού εξοπλισμού (ΑΗΗΕ) και τελική διάθεση του προϊόντος:



Το προϊόν αυτό συμμορφώνεται με την Οδηγία της Ευρωπαϊκής Ένωσης περί αποβλήτων ηλεκτρικού και ηλεκτρονικού εξοπλισμού (ΑΗΗΕ) (Οδηγία 2002/96/ΕΕ σε συνδυασμό με 2003/108 ΕΕ και την 2012/19/ΕΕ). Το προϊόν φέρει σύμβολο ταξινόμησης για απόβλητα ηλεκτρικού και ηλεκτρονικού εξοπλισμού (ΑΗΗΕ).

Το προϊόν αυτό έχει κατασκευαστεί με εξαρτήματα και υλικά υψηλής ποιότητας τα οποία μπορούν να επαναχρησιμοποιηθούν και είναι κατάλληλα για ανακύκλωση. Μην απορρίψετε το απόβλητο προϊόν μαζί με τα κανονικά οικιακά και άλλα απορρίμματα στο τέλος της ωφέλιμης ζωής του. Παραδώστε το σε κέντρο συλλογής για την ανακύκλωση ηλεκτρικού και ηλεκτρονικού εξοπλισμού. Ζητήστε πληροφορίες από τις τοπικές σας αρχές σχετικά με αυτά τα κέντρα συλλογής.

Συμμόρφωση με την Οδηγία περί περιορισμού χρήσης ορισμένων επικίνδυνων ουσιών (RoHS):

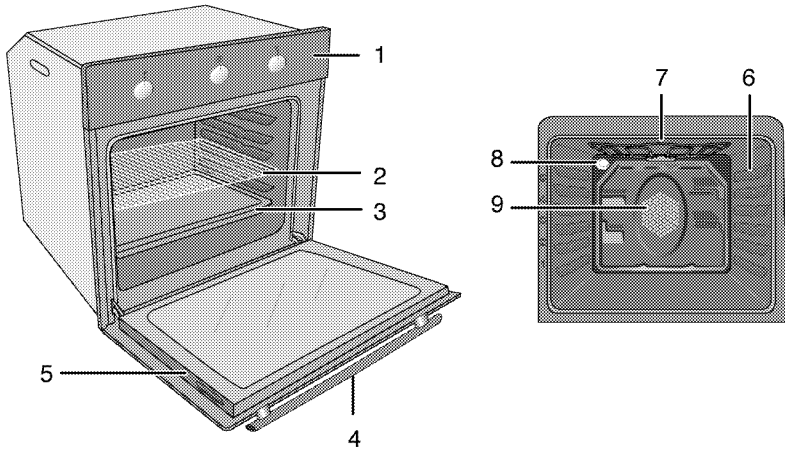
Το προϊόν που έχετε προμηθευτεί συμμορφώνεται με την Οδηγία της Ευρωπαϊκής Ένωσης περί περιορισμού χρήσης ορισμένων επικίνδυνων ουσιών (RoHS) (2011/65/ΕΕ). Δεν περιέχει επικίνδυνα και απαγορευμένα υλικά που ορίζονται στην Οδηγία.

Τελική διάθεση των υλικών συσκευασίας

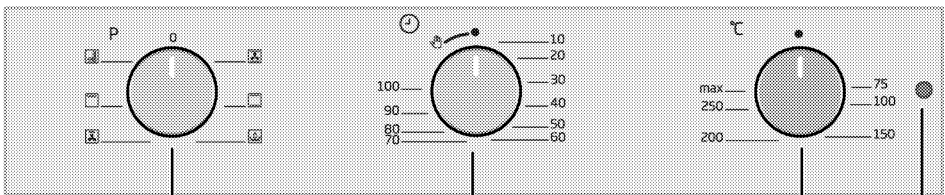
- Τα υλικά συσκευασίας είναι επικίνδυνα για τα παιδιά. Διατηρείτε τα υλικά συσκευασίας σε ασφαλές μέρος μακριά από τα παιδιά. Τα υλικά συσκευασίας του προϊόντος είναι κατασκευασμένα από ανακυκλώσιμα υλικά. Η τελική διάθεσή τους πρέπει να γίνεται σωστά και με διαλογή σύμφωνη με τις οδηγίες για τα ανακυκλούμενα απόβλητα. Δεν πρέπει να απορρίπτονται μαζί με τα κανονικά οικιακά απορρίμματα.

2 Γενικές πληροφορίες

Γενική επισκόπηση



- | | | | |
|---|-----------------|---|---|
| 1 | Πίνακας ελέγχου | 6 | Θέσεις στο φούρνο |
| 2 | Συρμάτινη σχάρα | 7 | Πάνω αντίσταση |
| 3 | Δίσκος | 8 | Φως |
| 4 | Λαβή | 9 | Μοτέρ ανεμιστήρα (πίσω από το χαλύβδινο έλασμα) |
| 5 | Πόρτα | | |

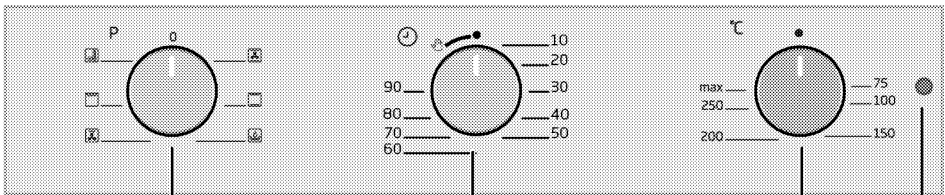


1

2

3

4



1

2

3

4

- | | |
|---|---------------------------------|
| 1 | Περιστροφικό κουμπί λειτουργιών |
| 2 | Μηχανικός χρονοδιακόπτης |
| 3 | Περιστροφικό κουμπί θερμοστάτη |
| 4 | Λυχνία θερμοστάτη |

Περιεχόμενα συσκευασίας

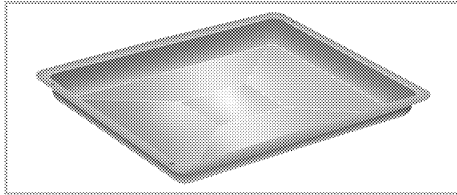


Τα παρεχόμενα αξεσουάρ μπορεί να διαφέρουν ανάλογα με το μοντέλο του προϊόντος. Ενδέχεται στο προϊόν σας να μην υπάρχουν όλα τα αξεσουάρ που περιγράφονται στο εγχειρίδιο χρήστη.

1. **Εγχειρίδιο χρήσης**

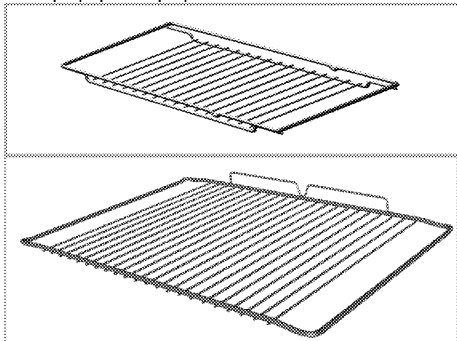
2. **Κανονικός δίσκος**

Χρησιμοποιείται για παρασκευάσματα ζύμης, κατεψυγμένα τρόφιμα και μεγάλα ψητά.



3. **Συρμάτινη σχάρα**

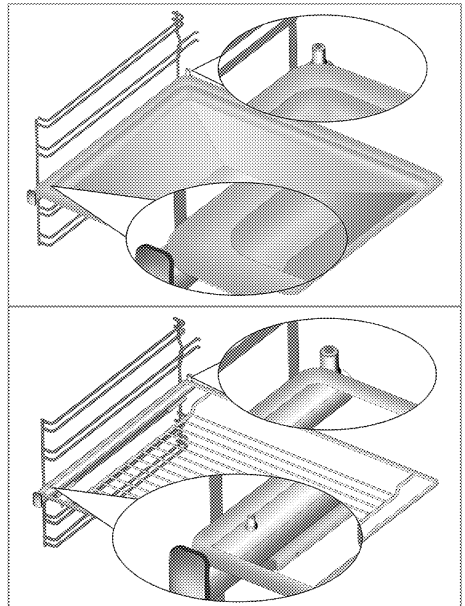
Χρησιμοποιείται για ψήσιμο και για τοποθέτηση στην επιθυμητή υποδοχή του φαγητού που πρόκειται να ψηθεί ή να μαγειρευτεί ραγού.



4. **Σωστή τοποθέτηση της συρμάτινης σχάρας και του δίσκου στις τηλεσκοπικές υποδοχές (Αυτό το χαρακτηριστικό είναι προαιρετικό. Ενδέχεται να μην υπάρχει στο δικό σας προϊόν.)**

Οι τηλεσκοπικές υποδοχές επιτρέπουν να τοποθετείτε και να αφαιρείτε εύκολα τους δίσκους και τη συρμάτινη σχάρα.

Όταν χρησιμοποιείτε το δίσκο και τη συρμάτινη σχάρα με τηλεσκοπικές υποδοχές, να βεβαιώνεστε ότι οι πείροι στο πίσω τμήμα της τηλεσκοπικής υποδοχής βρίσκονται σε επαφή με τα άκρα της συρμάτινης σχάρας και του δίσκου.





Τεχνικές προδιαγραφές


Τάση / συχνότητα	220-240 V ~ 50/60 Hz
Συνολική κατανάλωση ισχύος	2.4 kW
Τύπος καλωδίου / διατομή	ελάχ. H05VV-FG 3 x 1,5 χιλ. ²
Εξωτερικές διαστάσεις (ύψος / πλάτος / βάθος)	595 χιλ./594 χιλ./567 χιλ.
Διαστάσεις εγκατάστασης (ύψος/πλάτος/βάθος)	**590 ή 600 χιλ./560 χιλ./ελάχ. 550 χιλ.
Κύριος φούρνος	Φούρνος πολλαπλών λειτουργιών
Εσωτερικό φως	15/25 W
Κατανάλωση ισχύος γκριλ	2.2 kW

Βασικά: Οι πληροφορίες σχετικά με την ενεργειακή σήμανση ηλεκτρικών φούρνων παρέχονται σύμφωνα με το πρότυπο EN 60350-1 / IEC 60350-1. Οι τιμές αυτές προσδιορίζονται υπό τυποποιημένο φορτίο με λειτουργίες θέρμανσης με κάτω-πάνω αντίσταση ή θέρμανσης με υποβοήθηση ανεμιστήρα (αν υπάρχει). Η κατηγορία ενεργειακής απόδοσης προσδιορίζεται σύμφωνα με την πιο κάτω προτεραιότητα ανάλογα αν οι αντίστοιχες λειτουργίες υπάρχουν στο προϊόν ή όχι. 1- Μαγείρεμα με οικ. ανεμιστήρα, 2- Αργό μαγείρεμα τούρμπο, 3- Μαγείρεμα τούρμπο, 4-Πάνω και κάτω θέρμανση με υποβοήθηση ανεμιστήρα, 5- Πάνω και κάτω θέρμανση.

* Βλ. *Εγκατάσταση*, σελίδα 13.

*

	Οι τεχνικές προδιαγραφές μπορεί να τροποποιηθούν χωρίς προηγούμενη ειδοποίηση για τη βελτίωση της ποιότητας του προϊόντος.
	Οι εικόνες στο παρόν εγχειρίδιο περιλαμβάνονται για λόγους σχηματικής απεικόνισης και μόνο και μπορεί να μην ταυρίζουν ακριβώς με το προϊόν σας.

	Οι τιμές που αναφέρονται στις πινακίδες του προϊόντος ή σε άλλα έντυπα τεκμηρίωσης που το συνοδεύουν έχουν μετρηθεί σε εργαστηριακές συνθήκες σύμφωνα με τα σχετικά πρότυπα. Ανάλογα με τις συνθήκες λειτουργίας και περιβάλλοντος του προϊόντος, οι τιμές αυτές μπορεί να διαφέρουν.
---	---

3 Εγκατάσταση

Το προϊόν θα πρέπει να εγκατασταθεί από πιστοποιημένο άτομο σύμφωνα με τους ισχύοντες κανονισμούς. Διαφορετικά θα ακυρωθεί η εγγύηση. Ο κατασκευαστής δεν θα φέρει καμία ευθύνη για ζημιές που θα προκύψουν από διαδικασίες που εκτελούνται από μη αδειοδοτημένα άτομα και μπορεί να ακυρώσει την εγγύηση.



Η προετοιμασία της θέσης του προϊόντος και των εγκαταστάσεων ρεύματος για το προϊόν αποτελούν ευθύνη του πελάτη.



ΚΙΝΔΥΝΟΣ:

Το προϊόν πρέπει να εγκατασταθεί σύμφωνα με όλους τους τοπικούς κανονισμούς εγκαταστάσεων αερίου και/ή ηλεκτρικών εγκαταστάσεων.



ΚΙΝΔΥΝΟΣ:

Πριν την εγκατάσταση, ελέγξτε οπτικά αν το προϊόν παρουσιάζει οποιοδήποτε ελάττωμα. Αν ναι, τότε μην το εγκαταστήσετε. Τα προϊόντα που έχουν υποστεί ζημιά είναι επικίνδυνα για την ασφάλειά σας.

Πριν την εγκατάσταση

Η συσκευή προορίζεται για εγκατάσταση σε εμπορικά διαθέσιμα συστήματα ντουλαπιών κουζίνας. Θα πρέπει να παραμείνει μια απόσταση ασφαλείας ανάμεσα στη συσκευή και τους τοίχους και τα έπιπλα της κουζίνας. Βλ. εικόνα (τιμές σε χιλ.).

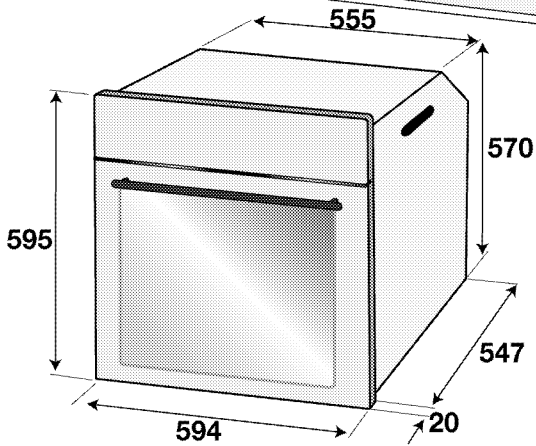
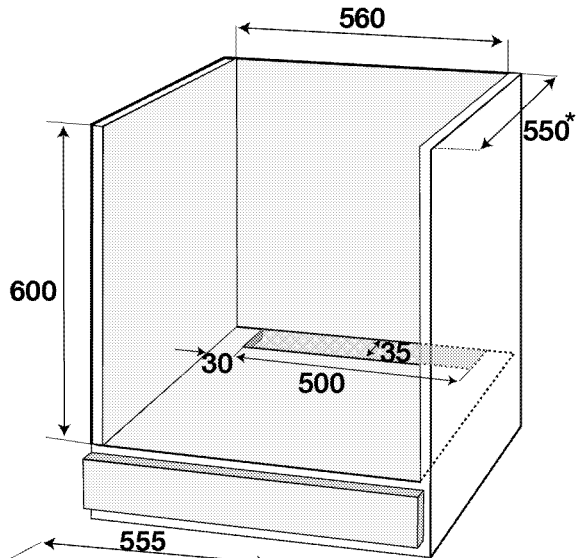
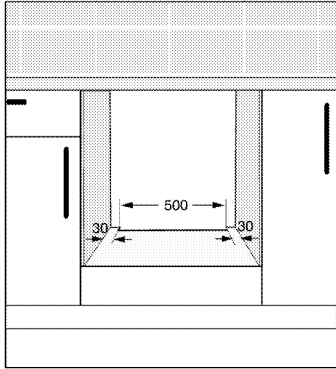
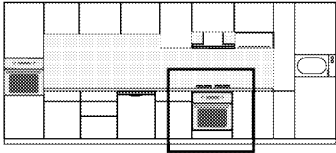
- Οι επιφάνειες, οι συνθετικές επικαλύψεις και τα συγκολλητικά υλικά που χρησιμοποιούνται θα πρέπει να έχουν αντοχή σε υψηλές θερμοκρασίες (τουλάχιστον έως 100 °C).
- Τα ντουλάπια της κουζίνας πρέπει να είναι οριζόντια και καλά στερεωμένα.
- Αν υπάρχει συρτάρι κάτω από το φούρνο, πρέπει να εγκατασταθεί ένα ράφι ανάμεσα στο φούρνο και το συρτάρι.
- Η συσκευή πρέπει να μεταφέρεται από τουλάχιστον δύο άτομα.
- Για να μετακινήσετε το φούρνο, κρατήστε τον από τις εσοχές χειρισμού του στις δύο πλευρές του.
- Πριν εγκαταστήσετε το προϊόν, αφαιρέστε όλα τα υλικά και τα έντυπα από το εσωτερικό του.
- Το ντουλάπι κουζίνας θα πρέπει να συμμορφώνεται με τις διαστάσεις που αναφέρονται στην παρακάτω εικόνα. Στο πίσω τμήμα του ντουλαπιού κουζίνας, πρέπει να κοπεί ένα άνοιγμα με τις διαστάσεις που αναφέρονται στην παρακάτω εικόνα για να διασφαλιστεί επαρκής αερισμός.



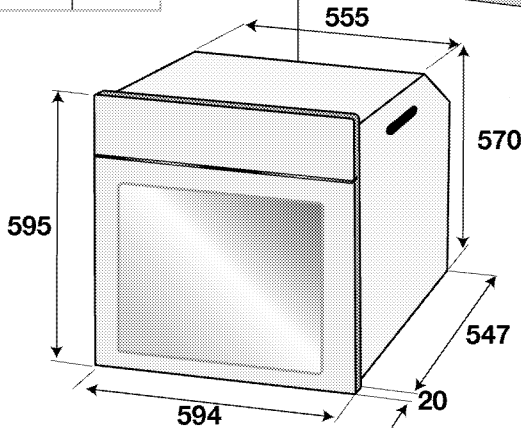
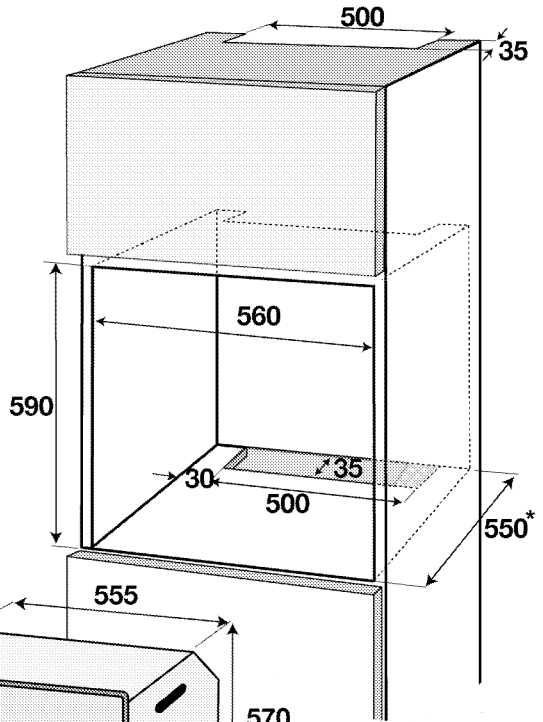
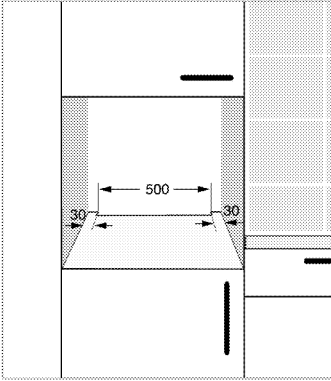
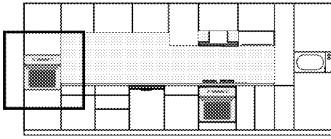
Μην εγκαταστήσετε τη συσκευή δίπλα σε ψυγεία ή καταψύκτες. Η θερμότητα που εκπέμπεται από τη συσκευή θα προκαλέσει αυξημένη κατανάλωση ενέργειας για τις συσκευές ψύξης.



Μη χρησιμοποιείτε την πόρτα και/ή τη λαβή της για την ανάψωση ή τη μετακίνηση του προϊόντος.



* ελάχ.



* ελάχ.

Εγκατάσταση και σύνδεση

- Το προϊόν αυτό επιτρέπεται να εγκατασταθεί και να συνδεθεί μόνο σύμφωνα με τους ισχύοντες εθνικούς κανονισμούς εγκαταστάσεων.

Ηλεκτρική σύνδεση

Συνδέστε το προϊόν σε γειωμένη πρίζα/γραμμή που προστατεύεται από ασφαλειοδιακόπτη μίνι τύπου με κατάλληλη ονομαστική τιμή ρεύματος όπως αναφέρεται στον πίνακα "Τεχνικές προδιαγραφές". Αναθέστε την εγκατάσταση της γείωσης σε πιστοποιημένο ηλεκτρολόγο αν χρησιμοποιείτε το προϊόν με ή χωρίς μετασχηματιστή. Η εταιρεία μας

δεν θα φέρει την ευθύνη για οποιοσδήποτε ζημιές προκύψουν λόγω χρήσης του προϊόντος χωρίς εγκατάσταση γείωσης που συμμορφώνεται με τους τοπικούς κανονισμούς.



ΚΙΝΔΥΝΟΣ:

Η μονάδα επιτρέπεται να συνδεθεί στο σύστημα διανομής αερίου μόνο αδειούχους τεχνίτες. Η περίοδος εγγύησης της συσκευής ξεκινά μόνο μετά από σωστή εγκατάσταση. Ο κατασκευαστής δεν θα φέρει την ευθύνη για ζημιές που προκύψουν από διαδικασίες που εκτελούνται από μη αδειοδοτημένα άτομα.

**ΚΙΝΔΥΝΟΣ:**

Το καλώδιο ρεύματος δεν πρέπει να συσφίγγεται, να λυγίζεται, να συμπιέζεται ή να έρχεται σε επαφή με ζεστά σημεία της μονάδας.

Αν το καλώδιο τροφοδοσίας υποστεί ζημιά, πρέπει να αντικατασταθεί από αδειούχους τεχνίτες. Διαφορετικά, υπάρχει κίνδυνος ηλεκτροπληξίας, βραχυκυκλώματος ή φωτιάς!

- Η σύνδεση πρέπει να συμμορφώνεται με τους εθνικούς κανονισμούς.
- Τα δεδομένα της παροχής ρεύματος δικτύου πρέπει να αντιστοιχούν στα δεδομένα που ορίζονται στην ετικέτα τύπου του προϊόντος. Για να δείτε την ετικέτα τύπου ανοίξτε τη μπροστινή πόρτα.
- Το καλώδιο ρεύματος του προϊόντος πρέπει να συμμορφώνεται με τις τιμές στον πίνακα "Τεχνικές προδιαγραφές".

**ΚΙΝΔΥΝΟΣ:**

Πριν ξεκινήσετε οποιαδήποτε εργασία στην ηλεκτρική εγκατάσταση, αποσυνδέστε τη συσκευή από την παροχή ρεύματος δικτύου. Υπάρχει κίνδυνος ηλεκτροπληξίας!



Το φινι του καλωδίου ρεύματος πρέπει να είναι εύκολα προσπελάσιμο μετά την εγκατάσταση (αλλά όχι πάνω από την πλάκα εστιών).

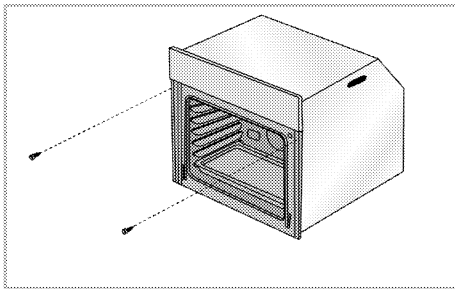


Κατά την καλωδίωση, πρέπει να συμμορφώνεστε με τους εθνικούς/τοπικούς ηλεκτρολογικούς κανονισμούς και πρέπει να χρησιμοποιείτε πρίζα/καλώδιο και φινι που είναι κατάλληλα για το φούρνο. Σε περίπτωση που τα όρια ισχύος του προϊόντος υπερβαίνουν τις τιμές ρεύματος του φινι και της πρίζας/του καλωδίου ρεύματος, το προϊόν πρέπει να συνδεθεί απευθείας μέσω σταθερής ηλεκτρικής εγκατάστασης χωρίς χρήση φινι και πρίζας/καλωδίου ρεύματος.

Συνδέστε το καλώδιο ρεύματος στην πρίζα.

Εγκατάσταση του προϊόντος

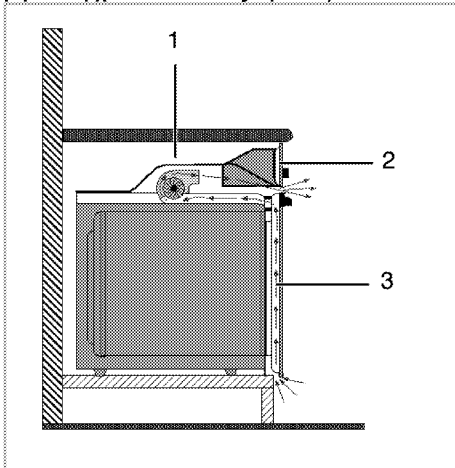
1. Τοποθετήστε το φούρνο μέσα στο ντουλάπι, ευθυγραμμίστε τον και στερεώστε τον και συγχρόνως βεβαιωθείτε ότι το καλώδιο ρεύματος δεν έχει υποστεί ζημιά και/ή δεν έχει παγιδευτεί.



Στερεώστε το φούρνο με 2 βίδες όπως δείχνει η εικόνα.

Μετά την εγκατάσταση, βεβαιωθείτε ότι οι βίδες έχουν σφιχτεί αρκετά και ο φούρνος δεν μετακινείται. Ο φούρνος μπορεί να ανατραπεί κατά τη χρήση αν δεν εγκατασταθεί σύμφωνα με τις οδηγίες και αν οι βίδες δεν έχουν σφιχτεί αρκετά.

Για προϊόντα ανεμιστήρα ψύξης (Ενδέχεται να μην υπάρχει στο δικό σας προϊόν.)



1 Ανεμιστήρας ψύξης

2 Πίνακας ελέγχου

3 Πόρτα

Ο ενσωματωμένος ανεμιστήρας ψύξης ψύχει και το ντουλάπι εντοιχισμού και το μπροστινό μέρος του προϊόντος.



Ο ανεμιστήρας ψύξης συνεχίζει να λειτουργεί 20-30 λεπτά μετά την απενεργοποίηση του φούρνου.

Αν μαγειρέψατε με προγραμματισμό του χρονοδιακόπτη του φούρνου, θα απενεργοποιηθεί και ο ανεμιστήρας ψύξης στο τέλος του χρόνου μαγειρέματος μαζί με όλες τις λειτουργίες.

Τελικός έλεγχος

1. Λειτουργία του προϊόντος.
2. Ελέγξτε τις λειτουργίες.

Τελική διάθεση του παλιού προϊόντος

- Φυλάξτε το αρχικό κουτί του προϊόντος και μεταφέρετε το προϊόν μέσα σε αυτό. Ακολουθήστε τις οδηγίες πάνω στο χαρτοκιβώτιο. Αν δεν έχετε το αρχικό χαρτοκιβώτιο, συσκευάστε το προϊόν σε προστατευτικό με φυσαλίδες ή χοντρό χαρτόνι και στερεώστε καλά τη συσκευασία με κολλητική ταινία.
- Για να αποφύγετε ζημιά στη πόρτα του φούρνου από τη σχάρα και το δίσκο που βρίσκονται μέσα στον φούρνο, τοποθετήστε ένα κομμάτι χαρτονιού στην εσωτερική πλευρά της πόρτας του φούρνου στην θέση που βρίσκονται οι δίσκοι. Δέστε με ταινία την πόρτα στα πλαϊνά της τοιχώματα.
- Μη χρησιμοποιείτε την πόρτα ή τη λαβή της για την ανύψωση ή τη μετακίνηση του προϊόντος.



Μην τοποθετείτε οποιαδήποτε αντικείμενα πάνω στη συσκευή και μετακινείτε τη μόνο σε όρθια θέση.



Ελέγξτε τη γενική εμφάνιση του προϊόντος σας για τυχόν ζημιές που μπορεί να έχουν προκληθεί κατά τη μεταφορά.

4 Προετοιμασίες

Πρακτικές συμβουλές για εξοικονόμηση ενέργειας

Οι πληροφορίες που ακολουθούν θα σας βοηθήσουν να χρησιμοποιείτε τη συσκευή σας με οικολογικό τρόπο και να εξοικονομείτε ενέργεια:

- Χρησιμοποιείτε στο φούρνο σκεύη σκούρου χρώματος ή με επικάλυψη σμάλτου (εμαγιέ), επειδή έτσι η μεταφορά θερμότητας θα είναι καλύτερη.
- Όταν μαγειρεύετε τα φαγητά σας, προθερμάνετε αν συνιστάται στο εγχειρίδιο χρήστη ή στις οδηγίες μαγειρέματος.
- Κατά το μαγείρεμα μην ανοίγετε συχνά την πόρτα του φούρνου.
- Προσπαθήστε να μαγειρεύετε συγχρόνως περισσότερα από ένα φαγητά στο φούρνο όταν είναι δυνατόν. Μπορείτε να μαγειρέψετε τοποθετώντας δύο μαγειρικά σκεύη στη συμμάτινη σχάρα.
- Μαγειρεύετε ένα φαγητό μετά από το άλλο. Ο φούρνος θα είναι ήδη ζεστός.
- Μπορείτε να εξοικονομήσετε ενέργεια σβήνοντας το φούρνο σας λίγα λεπτά πριν το τέλος του χρόνου μαγειρέματος. Μην ανοίγετε την πόρτα του φούρνου.
- Αποψύχετε τα κατεψυγμένα τρόφιμα πριν τα μαγειρέψετε.

Αρχική χρήση

Πρώτος καθαρισμός της συσκευής



Η επιφάνεια μπορεί να υποστεί ζημιά από ορισμένα απορρυπαντικά ή καθαριστικά υλικά.

Μη χρησιμοποιείτε για τον καθαρισμό σκληρά απορρυπαντικά, σκόνες/κρέμες καθαρισμού ή οποιαδήποτε αιχμηρά αντικείμενα.

1. Αφαιρέστε όλα τα υλικά συσκευασίας.
2. Σκουπίστε τις επιφάνειες της συσκευής με ένα ελαφρά υγρό πανί ή σφουγγάρι και στεγνώστε με ένα άλλο πανί.

Αρχική θέρμανση

Θερμάνετε το προϊόν για περίπου 30 λεπτά και μετά απενεργοποιήστε το. Έτσι τυχόν κατάλοιπα ή επιστρώσεις θα καούν και θα απομακρυνθούν.



ΠΡΟΕΙΔΟΠΟΙΗΣΗ!

Οι καυτές επιφάνειες προκαλούν εγκαύματα! Η συσκευή μπορεί να βρίσκεται σε υψηλή θερμοκρασία όταν χρησιμοποιείται. Ποτέ να μην αγγίζετε τις ζεστές εστίες, τα εσωτερικά τμήματα του φούρνου, τα στοιχεία θέρμανσης κλπ. Κρατάτε τα παιδιά μακριά! Να χρησιμοποιείτε πάντοτε ανθεκτικά σε θερμότητα γάντια φούρνου όταν τοποθετείτε ή αφαιρείτε φαγητά από το φούρνο.

Ηλεκτρικός φούρνος

1. Βγάλτε από το φούρνο όλους τους δίσκους ψησίματος και τη συμμάτινη σχάρα.
2. Κλείστε την πόρτα του φούρνου.
3. Επιλέξτε Στατική θέση.
4. Επιλέξτε την υψηλότερη ισχύ του γκριλ, βλ. *Τρόπος χειρισμού του ηλεκτρικού φούρνου, σελίδα 20.*
5. Αφήστε το φούρνο να λειτουργήσει για 30 λεπτά.
6. Απενεργοποιήστε το φούρνο σας, βλ. *Τρόπος χειρισμού του ηλεκτρικού φούρνου, σελίδα 20*

Φούρνος γκριλ

1. Βγάλτε από το φούρνο όλους τους δίσκους ψησίματος και τη συμμάτινη σχάρα.
2. Κλείστε την πόρτα του φούρνου.
3. Επιλέξτε την υψηλότερη ισχύ του γκριλ, βλ. *Τρόπος χρήσης του γκριλ, σελίδα 23.*
4. Αφήστε το φούρνο να λειτουργήσει για 15 λεπτά.
5. Απενεργοποιήστε το γκριλ σας, βλ. *Τρόπος χρήσης του γκριλ, σελίδα 23*



Για δύο περίπου ώρες κατά την πρώτη λειτουργία μπορεί να παραχθεί οσμή και καπνός. Αυτό είναι πολύ φυσιολογικό. Βεβαιωθείτε ότι ο χώρος αερίζεται καλά για να απομακρύνεται ο καπνός και η οσμή. Αποφεύγετε την απ' ευθείας εισπνοή του καπνού και της οσμής που παράγονται.

5 Τρόπος χρήσης του φούρνου

Γενικές πληροφορίες σχετικά με το ψήσιμο γλυκών, το ψήσιμο φαγητών και το ψήσιμο σε γκριλ



ΠΡΟΕΙΔΟΠΟΙΗΣΗ!

Οι καυτές επιφάνειες προκαλούν εγκαύματα! Η συσκευή μπορεί να βρίσκεται σε υψηλή θερμοκρασία όταν χρησιμοποιείται. Ποτέ να μην αγγίζετε τις ζεστές εστίες, τα εσωτερικά τμήματα του φούρνου, τα στοιχεία θέρμανσης κλπ. Κρατάτε τα παιδιά μακριά! Να χρησιμοποιείτε πάντοτε ανθεκτικά σε θερμότητα γάντια φούρνου όταν τοποθετείτε ή αφαιρείτε φαγητά από το φούρνο.



ΚΙΝΔΥΝΟΣ:

Προσέχετε όταν ανοίγετε την πόρτα του φούρνου καθώς μπορεί να διαφύγει ατμός. Ο ατμός που βγαίνει μπορεί να ζεματίσει τα χέρια, το πρόσωπο και/ή τα μάτια σας.

Πρακτικές συμβουλές για ψήσιμο γλυκών

- Χρησιμοποιείτε κατάλληλους αντικολλητικούς μεταλλικούς δίσκους ή αντίστοιχα αλουμινένια σκεύη ή φόρμες σιλικόνης ανθεκτικές στη θερμότητα.
- Χρησιμοποιείτε αποτελεσματικά το χώρο στις υποδοχές.
- Τοποθετείτε τη φόρμα ψησίματος στη μεσαία θέση στις υποδοχές.
- Επιλέξτε τη σωστή θέση στο φούρνο πριν ανάψετε το φούρνο ή το γκριλ. Μην αλλάζετε τη θέση στην υποδοχή όταν ο φούρνος είναι ζεστός.
- Διατηρείτε την πόρτα του φούρνου κλειστή.

Πρακτικές συμβουλές για ψήσιμο σε ταψί

- Τα αποτελέσματα του μαγειρέματος θα είναι καλύτερα αν χρησιμοποιήσετε σε ολόκληρο κοτόπουλο, γαλοπούλα και μεγάλα κομμάτια κρέατος καρυκεύματα όπως χυμό λεμονιού και μαύρο πιπέρι.
- Χρειάζονται 15 έως 30 λεπτά περισσότερο για να ψήσετε κρέας με κόκαλα σε σύγκριση με ίδιου μεγέθους κρέας χωρίς κόκαλα.
- Θα πρέπει να υπολογίζετε περίπου 4 έως 5 λεπτά χρόνο μαγειρέματος ανά εκατοστό πάχους του κρέατος.
- Μετά το μαγείρεμα, αφήστε το κρέας σε ηρεμία στο φούρνο για περίπου 10 λεπτά. Έτσι η εσωτερικοί ζωμοί μοιράζονται ομοιόμορφα σε

όλο το ψητό και δεν στάζουν όταν κοπεί το κρέας.

- Το ψάρι θα πρέπει να τοποθετείται στη μεσαία ή στην κάτω θέση στις υποδοχές σε σκεύος ανθεκτικό σε θερμότητα.

Πρακτικές συμβουλές για ψήσιμο στη σχάρα (γκριλ)

Όταν ψήνετε σε γκριλ κρέας, ψάρι και πουλερικά, τα φαγητά αποκτούν γρήγορα καφέ χρώμα, έχουν ωραία κρούστα και δεν στεγνώνουν. Τα επίπεδα κομμάτια, τα σουβλάκια και τα λουκάνικα, αλλά και τα λαχανικά με μεγάλη περιεκτικότητα σε νερό, όπως τομάτες και κρεμμύδια, είναι ιδιαίτερα κατάλληλα για ψήσιμο σε γκριλ.

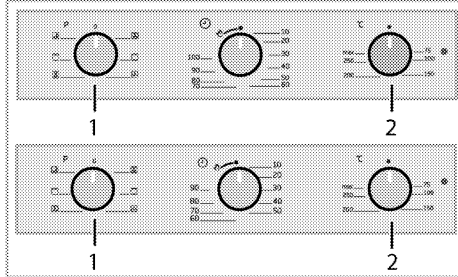
- Κατανείμειτε τα κομμάτια που πρόκειται να ψηθούν στη συρμάτινη σχάρα ή στο ταψί με συρμάτινη σχάρα με τέτοιο τρόπο ώστε η επιφάνεια που καλύπτεται να μην υπερβαίνει το περίγραμμα της αντίστασης.
- Τοποθετήστε τη συρμάτινη σχάρα ή το δίσκο ψησίματος με σχάρα στο επιθυμητό επίπεδο στο φούρνο. Αν ψήνετε στη συρμάτινη σχάρα, τοποθετήστε το δίσκο ψησίματος στην κατώτερη θέση για τη συλλογή των λιπών. Ο δίσκος ψησίματος που θα τοποθετηθεί πρέπει να έχει μέγεθος που καλύπτει όλη την επιφάνεια ψησίματος με το γκριλ. Αυτός ο δίσκος ενδέχεται να μην παρέχεται με το προϊόν. Προσθέστε στο δίσκο ψησίματος λίγο νερό για να διευκολύνετε τον καθαρισμό του.



Τα τρόφιμα που δεν είναι κατάλληλα για ψήσιμο στο γκριλ προκαλούν κίνδυνο πυρκαγιάς. Για ψήσιμο στο γκριλ χρησιμοποιείτε μόνο τρόφιμα που είναι κατάλληλα για την έντονη θέρμανση κατά το ψήσιμο σε γκριλ. Μην τοποθετείτε το φαγητό πολύ πίσω στο ράφι του γκριλ. Αυτό είναι το πιο ζεστό σημείο και ένα φαγητό με πολύ λίπος μπορεί να πιάσει φωτιά.

Τρόπος χειρισμού του ηλεκτρικού φούρνου

Επιλογή θερμοκρασίας και τρόπου λειτουργίας



- 1 Περισταφικό κουμπί λειτουργιών
- 2 Περισταφικό κουμπί θερμοστάτη
1. Ρυθμίστε το χρονοδιακόπτη του φούρνου στον επιθυμητό χρόνο μαγειρέματος, βλ. *Χρήση του ρολογιού του φούρνου, σελίδα 21*
2. Ρυθμίστε το κουμπί λειτουργιών στον επιθυμητό τρόπο λειτουργίας.
3. Ρυθμίστε το κουμπί Θερμ. °C στην επιθυμητή θερμοκρασία.

» Ο φούρνος θερμαίνεται ως τη ρυθμισμένη θερμοκρασία και κατόπιν διατηρεί αυτή τη θερμοκρασία. Κατά τη θέρμανση, η λυχνία θερμοκρασίας παραμένει αναμμένη.

Απενεργοποίηση του ηλεκτρικού φούρνου

Γυρίστε το χρονοδιακόπτη του φούρνου στη θέση απενεργοποίησης.

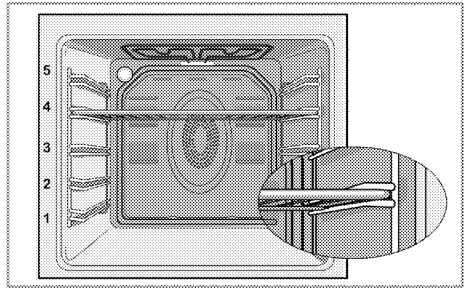


Όταν ο χρονοδιακόπτης ρυθμιστεί σε μια συγκεκριμένη ώρα, θα απενεργοποιηθεί αυτόματα, βλ. *Χρήση του ρολογιού του φούρνου, σελίδα 21*

Γυρίστε το κουμπί λειτουργιών και το κουμπί θερμοκρασίας στη θέση απενεργοποίησης (πάνω). Είναι σημαντικό να τοποθετηθεί σωστά η συρμάτινη σχάρα στη συρμάτινη υποδοχή. Η συρμάτινη σχάρα πρέπει να εισαχθεί ανάμεσα στις συρμάτινες υποδοχές όπως φαίνεται στην εικόνα.

Μην αφήσετε τη συρμάτινη σχάρα να είναι σε επαφή με το πίσω τοίχωμα του φούρνου. Περάστε τη συρμάτινη σχάρα στο μπροστινό μέρος της υποδοχής και σταθεροποιήστε τη θέση του με τη βοήθεια της πόρτας για να αποκτήσετε καλή απόδοση γκριλ.

(Διαφέρει ανάλογα με το μοντέλο του προϊόντος.)



Τρόποι λειτουργίας

Η σειρά των τρόπων λειτουργίας που αναφέρονται εδώ μπορεί να διαφέρει από τη διαρρύθμιση στο προϊόν που κατέχετε.

Top and bottom heating (Πάνω και κάτω αντίσταση)



Λειτουργούν η πάνω και η κάτω αντίσταση. Το φαγητό θερμαίνεται ομοιόμορφα από πάνω και κάτω. Για παράδειγμα, η επιλογή είναι κατάλληλη για κέικ, γλυκά ζύμης ή κέικ και συνταγές ραγού σε φόρμες ψησίματος. Μαγειρέμα με ένα δίσκο μόνο.

Bottom heating (Κάτω αντίσταση)



Λειτουργεί μόνο η κάτω αντίσταση. Λειτουργία κατάλληλη για πίτσα και ακόλουθο ξεροψήσιμο του φαγητού από το κάτω μέρος.



Αυτή η λειτουργία πρέπει να χρησιμοποιείται και για τον εύκολο καθαρισμό με ατμό.

Fan supported bottom/top heating (Κάτω/πάνω αντίσταση με υποβοήθηση ανεμιστήρα)



Λειτουργούν η πάνω και κάτω αντίσταση συν ο ανεμιστήρας (στο πίσω τοίχωμα). Ο θερμός αέρας κατανέμεται ομοιόμορφα σε όλο το φούρνο πολύ γρήγορα χάρη στον ανεμιστήρα. Μαγειρέμα με ένα δίσκο μόνο.

Full grill (Γκριλ δυνατό)



Λειτουργεί το μεγάλο γκριλ στην οροφή του φούρνου. Είναι τρόπος κατάλληλος για το ψήσιμο στο γκριλ μεγάλων ποσοτήτων κρέατος.

- Τοποθετήστε κάτω από την αντίσταση γκριλ μερίδες μεγάλο ή μεσαίου μεγέθους στη σωστή θέση στην υποδοχή για ψήσιμο γκριλ.
- Γυρίστε το φαγητό μετά το μισό χρόνο ψησίματος.

Grill+Fan (Γκριλ+Αέρας)



Η ισχύς ψησίματος στο γκριλ δεν είναι τόσο έντονη όσο με το Γκριλ δυνατό.

- Τοποθετήστε μικρού ή μεσαίου μεγέθους μερίδες στη σωστή θέση ραφιού για ψήσιμο γκριλ.
- Γυρίστε το φαγητό μετά το μισό χρόνο ψησίματος.

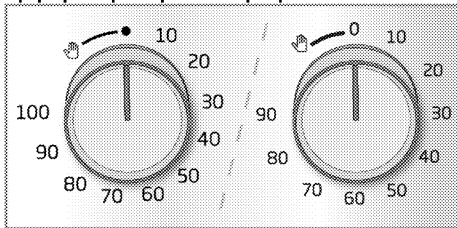
Ενίσχυση θέρμανσης



Η λειτουργία αυτή χρησιμοποιείται για ταχεία θέρμανση του φούρνου. Δεν είναι κατάλληλη για μαγείρεμα φαγητού.

- Αφού επιλέξετε αυτή τη λειτουργία, επιλέξτε την επιθυμητή θερμοκρασία. Η λυχνία Θερμ. °C ανάβει και ο φούρνος θερμαίνεται.
- Η λυχνία σβήνει αφού ολοκληρωθεί η διαδικασία θέρμανσης. Τότε επιλέξτε την επιθυμητή λειτουργία για το μαγείρεμα του φαγητού σας.

Χρήση του ρολογιού του φούρνου



Έναρξη του μαγειρέματος



Για να χρησιμοποιήσετε το φούρνο πρέπει να επιλέξετε πρόγραμμα μαγειρέματος και την επιθυμητή θερμοκρασία και να ορίσετε την ώρα. Αλλιώς ο φούρνος δεν θα λειτουργεί.

1. Γυρίστε το κουμπί Time Adjustment (Ρύθμιση χρόνου) δεξιόστροφα για να ορίσετε το χρόνο μαγειρέματος.
2. Τοποθετήστε το φαγητό στο φούρνο.
3. Επιλέξτε πρόγραμμα λειτουργίας και θερμοκρασία, βλ. *Τρόπος χειρισμού του ηλεκτρικού φούρνου, σελίδα 20.*
» Ο φούρνος θα θερμανθεί στην επιλεγμένη θερμοκρασία και θα διατηρήσει αυτή τη θερμοκρασία έως το τέλος του χρόνου μαγειρέματος που επιλέξατε.
4. Όταν τελειώσει ο χρόνος μαγειρέματος, το κουμπί Ρύθμιση ώρας θα περιστραφεί αυτόματα αριστερόστροφα. Ακούγεται ένας ήχος προειδοποίησης που δείχνει ότι ο χρόνος έχει τελειώσει και διακόπεται η τροφοδοσία ρεύματος.



Αν δεν θέλετε να χρησιμοποιήσετε τη λειτουργία χρονοδιακόπτη, γυρίστε το κουμπί αριστερόστροφα στη θέση με το σύμβολο του χεριού.

5. Απενεργοποιήστε το φούρνο με το κουμπί Ρύθμιση ώρας, το κουμπί λειτουργιών και το κουμπί θερμοκρασίας.

Απενεργοποίηση του φούρνου πριν την καθορισμένη ώρα

1. Γυρίστε το κουμπί Time Adjustment (Ρύθμιση χρόνου) αριστερόστροφα έως ότου σταματήσει.
2. Απενεργοποιήστε το φούρνο με το κουμπί λειτουργιών και το κουμπί Θερμ. °C.

Πίνακας χρόνων μαγειρέματος



Οι χρόνοι στον πίνακα αυτόν έχουν μόνο ενδεικτικό σκοπό. Οι χρόνοι μπορεί να διαφέρουν λόγω της θερμοκρασίας, του πάχους και του τύπου των τροφίμων, καθώς και ανάλογα με τις μαγειρικές σας προτιμήσεις.

Ψήσιμο γλυκών και φαγητών



Η 1η υποδοχή του φούρνου είναι η κάτω υποδοχή.

Φαγητό	Αριθμοί δίσκων	Αξεσουάρ προς χρήση	Τρόπος λειτουργίας	Θέση στην υποδοχή	Θερμοκρασία (°C)	Χρόνος μαγειρέματος (σε λεπτά περ.)
Κέικ ταψιού	Ένας δίσκος	Κανονικός δίσκος*	<input type="checkbox"/>	3	180	25 ... 30
Κέικ φόρμας	Ένας δίσκος	Φόρμα κέικ πάνω σε συρμάτινη σχάρα**	<input type="checkbox"/>	2	180	40 ... 50
Μικρά κέικ	Ένας δίσκος	Κανονικός δίσκος*	<input type="checkbox"/>	3	160	25 ... 35
Παντεσπάνι	Ένας δίσκος	Στρογγυλή λυόμενη φόρμα διαμέτρου 26 cm πάνω σε συρμάτινη σχάρα**	<input type="checkbox"/>	3	160	25 ... 35
Κουλουράκια	Ένας δίσκος	Δίσκος για γλυκά ζύμης*	<input type="checkbox"/>	3	180	25 ... 30
Είδη ζύμης	Ένας δίσκος	Κανονικός δίσκος*	<input type="checkbox"/>	2	200	30 ... 40
Γλυκά ταψιού	Ένας δίσκος	Κανονικός δίσκος*	<input type="checkbox"/>	2	200	25 ... 35
Είδη με προζύμι	Ένας δίσκος	Κανονικός δίσκος*	<input type="checkbox"/>	2	200	35 ... 45
Λαζάνια	Ένας δίσκος	Γυάλινο/μεταλλικό ορθογώνιο ταψάκι πάνω σε συρμάτινη σχάρα**	<input type="checkbox"/>	2 - 3	200	30 ... 40
Πίσα	Ένας δίσκος	Κανονικός δίσκος*	<input type="checkbox"/>	2	200 ... 220	15 ... 20
Μπιριζόλα μοσχαρίσια (ολόκληρη) / Ψητό	Ένας δίσκος	Κανονικός δίσκος*	<input checked="" type="checkbox"/>	3	25 ελάχ. 250/max. κατόπι 180 ... 190	100 ... 120
Αρνάκι μπουτί (γάστρας)	Ένας δίσκος	Κανονικός δίσκος*	<input checked="" type="checkbox"/>	3	25 ελάχ. 220 κατόπι 180 ... 190	70 ... 90
Ψητό κοτόπουλο (1,8-2 κιλά)	Ένας δίσκος	Κανονικός δίσκος*	<input checked="" type="checkbox"/>	2	15 ελάχ. 250/max. κατόπι 180 ... 190	60 ... 80
Γαλοπούλα (5.5 κιλά)	Ένας δίσκος	Κανονικός δίσκος*	<input checked="" type="checkbox"/>	1	25 ελάχ. 250/max. κατόπι 180 ... 190	150 ... 210
Ψάρια	Ένας δίσκος	Κανονικός δίσκος*	<input checked="" type="checkbox"/>	3	200	20 ... 30

Συνιστάται να χρησιμοποιείτε προθέρμανση για όλα τα φαγητά.

* Αυτά τα αξεσουάρ ενδέχεται να μην παρέχονται μαζί με το προϊόν.

** Αυτά τα αξεσουάρ δεν παρέχονται μαζί με το προϊόν. Είναι εμπορικά διαθέσιμα αξεσουάρ.

Πίνακας μαγειρέματος για γεύματα δοκιμών

Τα γεύματα σε αυτόν τον πίνακα μαγειρέματος παρασκευάζονται σύμφωνα με το EN 60350-1 για να διευκολύνονται τα ινστιτούτα ελέγχου στις δοκιμές του προϊόντος

Φαγητό	Αριθμοί δίσκων	Αξεσουάρ προς χρήση	Τρόπος λειτουργίας	Θέση στην υποδοχή	Θερμοκρασία (°C)	Χρόνος μαγειρέματος (σε λεπτά περ.)
Κουλουράκι	Ένας δίσκος	Κανονικός δίσκος*	<input type="checkbox"/>	3	140	20 ... 30
Μικρά κέικ	Ένας δίσκος	Κανονικός δίσκος*	<input type="checkbox"/>	3	160	25 ... 35
Παντεσπάνι	Ένας δίσκος	Στρογγυλή λυόμενη φόρμα διαμέτρου 26 cm πάνω σε συρμάτινη σχάρα**	<input type="checkbox"/>	3	160	25 ... 35
Μηλόπιτα	Ένας δίσκος	Στρογγυλός μαύρος μεταλλικός δίσκος διαμέτρου 20 cm πάνω σε συρμάτινη σχάρα**	<input type="checkbox"/>	2	180	50 ... 60

Συνιστάται να χρησιμοποιείτε προθέρμανση για όλα τα φαγητά.

* Αυτά τα αξεσουάρ ενδέχεται να μην παρέχονται μαζί με το προϊόν.

** Αυτά τα αξεσουάρ δεν παρέχονται μαζί με το προϊόν. Είναι εμπορικά διαθέσιμα αξεσουάρ.

Πρακτικές συμβουλές για ψήσιμο κέικ

- Αν το κέικ είναι πολύ στεγνό, αυξήστε τη θερμοκρασία περίπου 10 και μειώστε το χρόνο μαγειρέματος.
- Αν το κέικ είναι υγρό, χρησιμοποιήστε λιγότερο υγρό ή χαμηλώστε τη θερμοκρασία κατά 10°C.
- Αν το κέικ είναι πολύ σκούρο στο πάνω μέρος, τοποθετήστε το σε χαμηλότερο επίπεδο, χαμηλώστε τη θερμοκρασία και αυξήστε το χρόνο μαγειρέματος.
- Αν μαγειρεύτηκε καλά εσωτερικά αλλά κολλάει εξωτερικά, χρησιμοποιήστε λιγότερο υγρό, χαμηλώστε τη θερμοκρασία και αυξήστε το χρόνο μαγειρέματος.

Πρακτικές συμβουλές για ψήσιμο γλυκών ζύμης

- Αν το γλυκό ζύμης είναι πολύ στεγνό, αυξήστε τη θερμοκρασία περίπου 10 και μειώστε το χρόνο μαγειρέματος. Υγράνετε τα φύλλα ζύμης με μίγμα από γάλα, λάδι, αυγό και γιαούρτι.
- Αν το γλυκό ζύμης χρειάζεται πολύ χρόνο για να ψηθεί, προσέξτε το πάχος του γλυκού ζύμης που έχετε παρασκευάσει δεν υπερβαίνει το βάθος του ταψιού.
- Αν η πάνω πλευρά του γλυκού ζύμης ξεροψηθεί αλλά το κάτω μέρος δεν έχει μαγειρευτεί, βεβαιωθείτε ότι η ποσότητα σάλτσας που έχετε χρησιμοποιήσει για το γλυκό ζύμης δεν είναι πολύ μεγάλη στο κάτω μέρος του γλυκού. Προσπαθήστε να μοιράσετε τη σάλτσα ομοιόμορφα ανάμεσα στις στρώσεις της ζύμης για ομοιόμορφο ξεροψήσιμο.



Μαγειρεύετε το γλυκό ζύμης σύμφωνα με τον τρόπο και τη θερμοκρασία που αναφέρονται στον πίνακα μαγειρέματος. Αν το κάτω μέρος εξακολουθεί να μην ψήνεται αρκετά, την επόμενη φορά τοποθετήστε το σε μια θέση χαμηλότερα στο φούρνο.

Πρακτικές συμβουλές για μαγείρεμα λαχανικών

- Αν τελειώσουν τα υγρά στο πιάτο λαχανικών και στεγνώσει πολύ, τότε μαγειρέψτε το σε

σκεύος με κατάκι αντί για ταψί. Τα κλειστά σκεύη διατηρούν τα υγρά του πιάτου.

- Αν ένα πιάτο λαχανικών δεν μαγειρεύεται, βράστε τα λαχανικά από πριν ή παρασκευάστε τα σαν φαγητό για συντήρηση σε βάζα και μετά τοποθετήστε τα στο φούρνο.

Τρόπος χρήσης του γκριλ



ΠΡΟΕΙΔΟΠΟΙΗΣΗ!

Κλείνετε την πόρτα του φούρνου όταν ψήνετε με γκριλ.

Οι καυτές επιφάνειες μπορούν να προκαλέσουν εγκαύματα!

- Για μαγείρεμα με γκριλ γυρίστε το κουμπί Time Adjustment (Ρύθμιση χρόνου) αριστερόστροφα στο σύμβολο Χεριού.

Ενεργοποίηση του γκριλ

1. Γυρίστε το κουμπί λειτουργιών δεξιόστροφα στο επιθυμητό σύμβολο Γκριλ.
2. Κατόπιν επιλέξτε την επιθυμητή θερμοκρασία γκριλ.
3. Αν απαιτείται, προθερμάνετε για περίπου 5 λεπτά.

» Ανάβει η λυχνία θερμοκρασίας.

Απενεργοποίηση του γκριλ

1. Γυρίστε το κουμπί λειτουργιών στη θέση Off (Απενεργοποίηση) (πάνω).



Τα τρόφιμα που δεν είναι κατάλληλα για ψήσιμο στο γκριλ προκαλούν κίνδυνο πυρκαγιάς. Για ψήσιμο στο γκριλ χρησιμοποιείτε μόνο τρόφιμα που είναι κατάλληλα για την έντονη θέρμανση κατά το ψήσιμο σε γκριλ. Μην τοποθετείτε το φαγητό πολύ πίσω στο ράφι του γκριλ. Αυτό είναι το πιο ζεστό σημείο και ένα φαγητό με πολύ λίπος μπορεί να πιάσει φωτιά.

**Πίνακας χρόνων μαγειρέματος για γκριλ
Ψήσιμο με ηλεκτρικό γκριλ**

Τύπος τροφίμου	Αξεσουάρ προς χρήση	Θέση στην υποδοχή	Συνιστώμενη θερμοκρασία (°C)**	Χρόνος ψησίματος με γκριλ (περ.)
Ψάρι	Συρμάτινη σχάρα	4..5	250	20...25 ελάχ. #
Κοτόπουλο σε φέτες	Συρμάτινη σχάρα	4..5	250	25...35 ελάχ.
Αρνίσια παιδάκια γάλακτος	Συρμάτινη σχάρα	4..5	250	20...25 ελάχ.
Ροστ μπιφ	Συρμάτινη σχάρα	4..5	250	25...30 ελάχ. #
Μοσχαρίσια παιδάκια	Συρμάτινη σχάρα	4..5	250	25...30 ελάχ. #
Φρυγανισμένο ψωμί *	Συρμάτινη σχάρα	4	250	1...3 ελάχ.

* ανάλογα με πάχος

*Προθερμάνετε για 5 λεπτά

**Εάν η θερμοκρασία ψησίματος του προϊόντος σας δεν μπορεί να ρυθμιστεί, η σχάρα θα λειτουργήσει στη συνιστώμενη θερμοκρασία.

Τα γεύματα σε αυτόν τον πίνακα μαγειρέματος παρασκευάζονται σύμφωνα με το EN 60350-1 για να διευκολύνονται τα ινστιτούτα ελέγχου στις δοκιμές του προϊόντος

Τύπος τροφίμου	Αξεσουάρ προς χρήση	Θέση στην υποδοχή	Θερμοκρασία (°C)	Χρόνος μαγειρέματος (σε λεπτά περ.)
Φρυγανισμένο ψωμί	Συρμάτινη σχάρα	4	250	1...3 ελάχ.
Κεφτεδάκια (μοσχάρι) - 12 τεμάχια	Συρμάτινη σχάρα	4	250	25...35 ελάχ.

Γυρίστε το φαγητό μετά τα 2/3 του συνολικού χρόνου ψησίματος στο γκριλ.

Συνιστάται να χρησιμοποιείτε προθέρμανση 5 λεπτών για όλα τα είδη ψησίματος κρέατος.

6 Συντήρηση και φροντίδα

Γενικές πληροφορίες

Η διάρκεια ωφέλιμης ζωής του προϊόντος θα αυξηθεί και η συχνότητα των προβλημάτων θα μειωθεί αν το προϊόν καθαρίζεται σε κανονικά διαστήματα.



ΚΙΝΔΥΝΟΣ:

Αποσυνδέστε τη συσκευή από την τροφοδοσία ρεύματος δικτύου πριν ξεκινήσετε εργασίες συντήρησης και καθαρισμού.

Υπάρχει κίνδυνος ηλεκτροπληξίας!



ΚΙΝΔΥΝΟΣ:

Αφήνετε τη μονάδα να κρυώσει πριν την καθαρίσετε.

Οι καυτές επιφάνειες μπορούν να προκαλέσουν εγκαύματα!

- Καθαρίζετε το προϊόν σχολαστικά μετά από κάθε χρήση. Με τον τρόπο αυτό θα είναι πιο εύκολη η απομάκρυνση καταλοίπων μαγειρέματος, αποφεύγοντας να καούν την επόμενη φορά που θα χρησιμοποιηθεί η συσκευή.
- Δεν απαιτούνται ειδικά καθαριστικά προϊόντα για τον καθαρισμό του προϊόντος. Για να καθαρίσετε το προϊόν χρησιμοποιήστε χλιαρό νερό με υγρό πλυσίματος, ένα μαλακό πανί ή σφουγγάρι και σκουπίστε το με ένα στεγνό πανί.
- Πάντα εξασφαλίζετε ότι σκουπίζετε σχολαστικά όλα τα πλεονάζοντα υγρά μετά τον καθορισμό και ότι σκουπίζετε άμεσα κάθε υγρό που τυχόν χυθεί.
- Μη χρησιμοποιείτε καθαριστικά προϊόντα που περιέχουν οξύ ή χλωρίνη για να καθαρίσετε τις ανοξείδωτες επιφάνειες και τη λαβή. Χρησιμοποιήστε ένα μαλακό πανί με υγρό απορρυπαντικό (που δεν χαράζει) για να καθαρίσετε αυτά τα μέρη σκουπίζοντάς τα, αλλά προσέξτε να σκουπίζετε προς μία κατεύθυνση.



Η επιφάνεια μπορεί να υποστεί ζημιά από ορισμένα απορρυπαντικά ή καθαριστικά υλικά.

Μη χρησιμοποιείτε για τον καθαρισμό σκληρά απορρυπαντικά, σκόνης/κρέμες καθαρισμού ή οποιαδήποτε αιχμηρά αντικείμενα.



Μη χρησιμοποιείτε αποκαθαριστές για τον καθαρισμό του προϊόντος γιατί μπορεί έτσι να προκληθεί ηλεκτροπληξία.

Καθαρισμός του πίνακα ελέγχου

Καθαρίζετε τον πίνακα ελέγχου και τα περιστροφικά κουμπιά με ένα υγρό πανί και στεγνώνετε με σκούπισμα.



Αν το προϊόν σας διαθέτει κουμπιά/περιστροφικά κουμπιά ελέγχου, μην τα αφαιρείτε για να καθαρίσετε τον πίνακα ελέγχου.

Ο πίνακας ελέγχου μπορεί να υποστεί ζημιά!

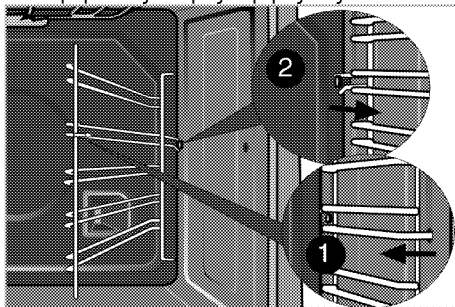
Καθαρισμός του φούρνου

Για να καθαρίσετε το πλευρικό τοίχωμα (Διαφέρει ανάλογα με το μοντέλο του προϊόντος.)

(Αυτό το χαρακτηριστικό είναι προαιρετικό.)

Ενδέχεται να μην υπάρχει στο δικό σας προϊόν.)

1. Αφαιρέστε το μπροστινό τμήμα του πλευρικού πλαισίου τραβώντας το σε διεύθυνση αντίθετη από του τοιχώματος.
2. Αφαιρέστε το πλευρικό πλαίσιο πλήρως τραβώντας το προς το μέρος σας.

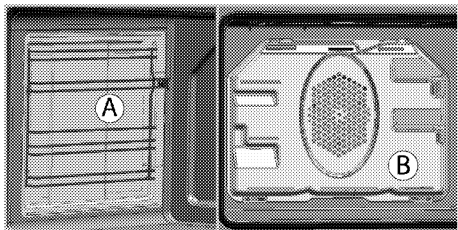


Καταλυτικά τοιχώματα

(Αυτό το χαρακτηριστικό είναι προαιρετικό.)

Ενδέχεται να μην υπάρχει στο δικό σας προϊόν.)

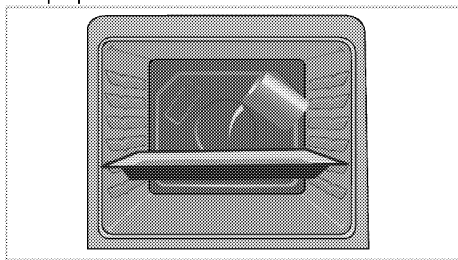
Τα εσωτερικά πλευρικά τοιχώματα (Α) και/ή το πίσω τοίχωμα (Β) του προϊόντος μπορεί να είναι καλυμμένο με καταλυτικό σμάλτο. Τα καταλυτικά τοιχώματα έχουν ελαφρώς ματ χρώμα και πορώδη επιφάνεια. Τα καταλυτικά τοιχώματα του φούρνου δεν πρέπει να καθαρίζονται. Χάρη στη διάτρητη δομή τους, οι καταλυτικές επιφάνειες απορροφούν λίπη και όταν έχουν κορεστεί με λίπος, τότε αρχίζουν να γυαλίζουν. Σε αυτή την περίπτωση συνιστάται να αντικαθιστάτε τα εξαρτήματα.



Εύκολος καθαρισμός με ατμό

Εξασφαλίζει εύκολο καθαρισμό επειδή οι ρύποι (που δεν έχουν παραμείνει για πολύ καιρό) μαλακώνουν με τον ατμό που σχηματίζεται στο εσωτερικό του φούρνου και με τις σταγόνες νερού που συμπυκνώνονται πάνω στις εσωτερικές επιφάνειες του φούρνου.

1. Αφαιρέστε όλα τα αξεσουάρ μέσα από το φούρνο.
2. Ρίξτε 500 ml νερό στον δίσκο του φούρνου και τοποθετήστε τον δίσκο στη δεύτερη σχάρα του φούρνου.



3. Ρυθμίστε το φούρνο στους εύκολη λειτουργία καθαρισμού με ατμό και να τρέξει στους 100 ° C για 25 λεπτά.
4. Ανοίξτε την πόρτα και σκουπίστε τις εσωτερικές επιφάνειες του φούρνου με ένα ελαφρά υγρό σφουγγάρι ή πανί.
5. Για να καθαρίσετε τους επίμονους ρύπους, χρησιμοποιήστε χλιαρό νερό με υγρό πλυσίματος, ένα μαλακό πανί ή σφουγγάρι και σκουπίστε με ένα στεγνό πανί.



Κατά τη διάρκεια της λειτουργίας εύκολου καθαρισμού με ατμό, το νερό το οποίο έχει τοποθετηθεί στον δίσκο για να μαλακώσει τις συσσωρευμένες ελαφρές αποθέσεις/ακαθαρσίες μέσα στον θάλαμο του φούρνου θα εξατμιστεί και θα συμπυκνωθεί μέσα στον θάλαμο του φούρνου και στο εσωτερικό τζάμι του φούρνου και επομένως μπορεί να στάξει νερό όταν ανοίγετε την πόρτα του φούρνου. Σκουπίστε και απομακρύνετε το συμπύκνωμα νερού αμέσως μόλις ανοίξετε την πόρτα του φούρνου.

Καθαρίστε την πόρτα του φούρνου.

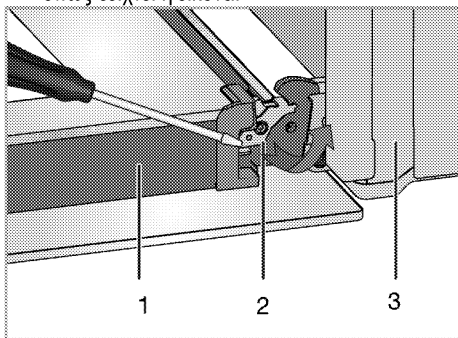
Για να καθαρίσετε την πόρτα του φούρνου, χρησιμοποιήστε χλιαρό νερό με υγρό πλυσίματος, ένα μαλακό πανί ή σφουγγάρι για να καθαρίσετε το προϊόν και σκουπίστε το με ένα στεγνό πανί.



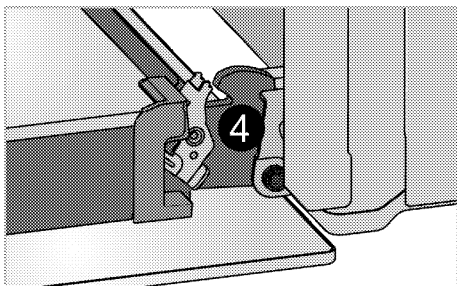
Μη χρησιμοποιείτε σκληρά καθαριστικά προϊόντα που χαράζουν ή αιχμηρές μεταλλικές ξύστρες για τον καθαρισμό της πόρτας του φούρνου. Αυτά τα είδη μπορούν να χαράξουν την επιφάνεια και να καταστρέψουν το γυαλί.

Αφαίρεση της πόρτας του φούρνου

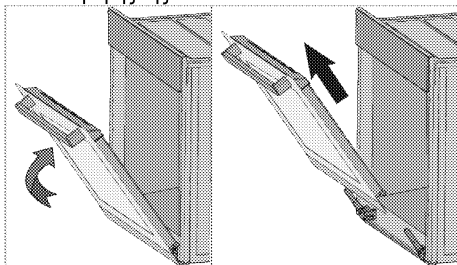
1. Ανοίξτε τη μπροστινή πόρτα (1).
2. Ανοίξτε τα κλιπ στο περίβλημα των μεντεσέδων (2) στη δεξιά και στην αριστερή πλευρά της μπροστινής πόρτας πιέζοντάς τα προς τα κάτω όπως δείχνει η εικόνα.



- 1 Πόρτα
- 2 Μπλοκάρισμα μεντεσέ(κλειστή θέση)
- 3 Φούρνος
- 4 Μπλοκάρισμα μεντεσέ(ανοιχτή θέση)



3. Μετακινήστε τη μπροστινή πόρτα ως το μέσο της διαδρομής της.



4. Αφαιρέστε τη μπροστινή πόρτα τραβώντας την προς τα πάνω για να την ελευθερώσετε από το δεξιό και τον αριστερό μεντεσέ.



Τα βήματα που εκτελέστηκαν στη διαδικασία αφαίρεσης θα πρέπει να εκτελεστούν σε αντίστροφη σειρά για να επανατοποθετηθεί η πόρτα. Μην ξεχάσετε να κλείσετε τα κλιπ στο περίβλημα του μεντεσέ όταν εγκαταστήσετε πάλι την πόρτα.

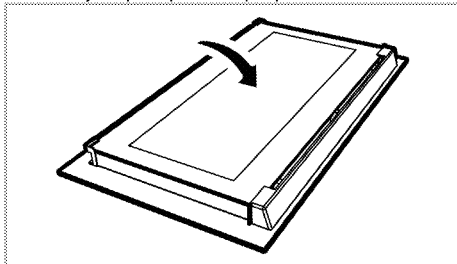
Αφαίρεση του εσωτερικού τζαμιού πόρτας

(Αυτό το χαρακτηριστικό είναι προαιρετικό.

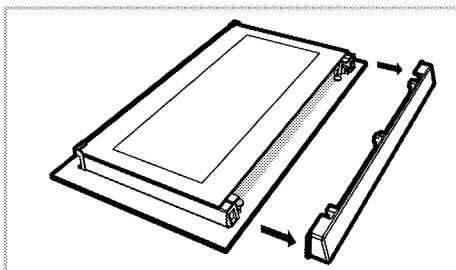
Ενδέχεται να μην υπάρχει στο δικό σας προϊόν.)

Το εσωτερικό τζάμι της πόρτας του φούρνου μπορεί να αφαιρεθεί για να καθαριστεί.

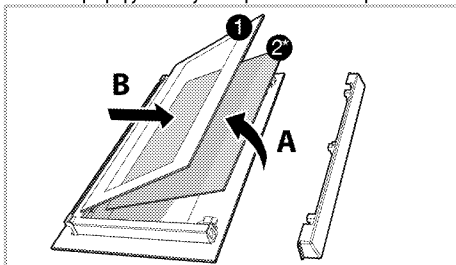
1. Ανοίξτε την πόρτα του φούρνου.



2. Τραβήξτε προς το μέρος σας και αφαιρέστε το πλαστικό εξάρτημα που είναι στερεωμένο στο πάνω τμήμα της μπροστινής πόρτας.



3. Όπως δείχνει η εικόνα, ανυψώστε το πιο εσωτερικό τζάμι (1) ελαφρά στην κατεύθυνση Α και τραβήξτε το έξω στην κατεύθυνση Β.



- 1 Το πιο εσωτερικό τζάμι
2* Εσωτερικό τζάμι (Ενδέχεται να μην υπάρχει στο δικό σας προϊόν.)

4. Αν το προϊόν σας διαθέτει εσωτερικό τζάμι; Επαναλάβετε την ίδια διαδικασία για να αφαιρέσετε το εσωτερικό τζάμι (2).
5. Το πρώτο βήμα για την επανασυναρμολόγηση της πόρτας είναι να τοποθετηθεί το δεύτερο εσωτερικό τζάμι (2). Τοποθετήστε τη λοξομημένη γωνία του τζαμιού ώστε να στηρίζεται στη λοξομημένη γωνία της πλαστικής υποδοχής. (Αν το προϊόν σας διαθέτει εσωτερικό τζάμι:). Το εσωτερικό τζάμι (2) πρέπει να τοποθετηθεί μέσα στην πλαστική υποδοχή κοντά στο πιο εσωτερικό τζάμι (1).
6. Όταν τοποθετείτε το πιο εσωτερικό τζάμι (1), βεβαιωθείτε ότι η τυπωμένη πλευρά του τζαμιού αντικρίζει το εσωτερικό τζάμι. Είναι σημαντικό η κάτω γωνία του το πιο εσωτερικού τζαμιού (1) να εδράζει μέσα στην κάτω πλαστική υποδοχή.
7. Σπρώξτε το πλαστικό εξάρτημα προς το πλαίσιο έως ότου ακουστεί ο ήχος "κλικ".

Αντικατάσταση του λαμπτήρα του φούρνου



ΚΙΝΔΥΝΟΣ:

Πριν αντικαταστήσετε τη λάμπα του φούρνου, βεβαιωθείτε ότι η συσκευή έχει αποσυνδεθεί από το ρεύμα δικτύου και έχει κρυώσει, για να αποφύγετε τον κίνδυνο ηλεκτροπληξίας. Οι καυτές επιφάνειες μπορούν να προκαλέσουν εγκαύματα!



Η θέση του φωτιστικού μπορεί να διαφέρει από του σχήματος.



Η λάμπα που χρησιμοποιείται σε αυτή τη συσκευή δεν είναι κατάλληλη για φωτισμό οικιακών χώρων. Η προβλεπόμενη χρήση αυτής της λάμπας είναι να βοηθά το χρήστη να βλέπει τα τρόφιμα.



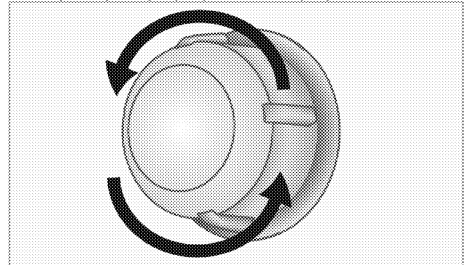
Οι λάμπες που χρησιμοποιούνται σε αυτή τη συσκευή πρέπει να είναι ανθεκτικές σε ακραίες φυσικές συνθήκες όπως θερμοκρασίες πάνω από 50 °C.



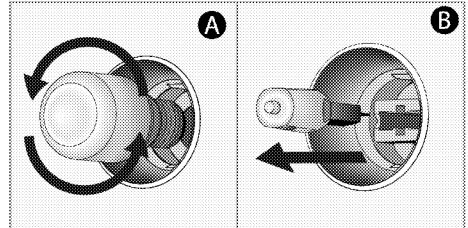
Σε αυτόν τον φούρνο, χρησιμοποιείται λαμπτήρας πυρακτώσεως με ισχύ μικρότερη από 40 W, ύψος μικρότερο από 60 mm, διάμετρο μικρότερη από 30 mm ή λάμπα αλογόνου με πρίζα τύπου G9, ισχύ μικρότερη από 60 W. Οι λαμπτήρες είναι κατάλληλοι για λειτουργία σε θερμοκρασίες άνω των 300 °C. Οι λαμπτήρες φούρνου μπορούν να ληφθούν από Εξουσιοδοτημένους Αντιπρόσωπους Σέρβις ή τεχνικό με άδεια.

Αν ο φούρνος σας είναι εξοπλισμένος με στρογγυλό φωτιστικό:

1. Αποσυνδέστε τη συσκευή από το δίκτυο ρεύματος.
2. Περιστρέψτε το γυάλινο κάλυμμα αριστερότροφα για να το αφαιρέσετε.



3. Αν η λυχνία του φούρνου σας είναι τύπου (Α) όπως στην εικόνα παρακάτω, αφαιρέστε τη περιστρέφοντάς τη όπως φαίνεται στην εικόνα και αντικαταστήστε τη. Αν είναι τύπου (Β), τραβήξτε τη και αφαιρέστε τη όπως φαίνεται στην εικόνα και αντικαταστήστε τη.



4. Τοποθετήστε το γυάλινο κάλυμμα.

7 Αντιμετώπιση προβλημάτων

Ο φούρνος αναδίδει ατμό όταν χρησιμοποιείται.

- Είναι φυσιολογικό να διαφεύγει ατμός κατά την διάρκεια της λειτουργίας. >>> Αυτό δεν είναι βλάβη.

Το προϊόν εκπέμπει μεταλλικούς θορύβους κατά τη θέρμανση και ψύξη.

- Όταν τα μεταλλικά μέρη θερμανθούν, μπορεί να διασταλούν και να προκαλέσουν θόρυβο. >>> Αυτό δεν είναι βλάβη.

Το προϊόν δεν λειτουργεί.

- Η ασφάλεια ρεύματος δικτύου είναι καμένη ή απενεργοποιημένη. >>> Ελέγξτε τις ασφάλειες στο κουτί ασφαλειών. Εάν είναι απαραίτητο, αντικαταστήστε ή επανενεργοποιήστε τις.
- Το προϊόν δεν έχει συνδεθεί στη (γειωμένη) πρίζα. >>> Ελέγξτε την σύνδεση του φως.

Το φως του φούρνου δεν λειτουργεί.

- Ελαττωματικός λαμπτήρας. >>> Αντικαταστήστε το λαμπτήρα.
- Έχει διακοπεί το ρεύμα. >>> Ελέγξτε αν υπάρχει ρεύμα. Ελέγξτε τις ασφάλειες στο κουτί ασφαλειών. Αν χρειάζεται, αντικαταστήστε ή επανενεργοποιήστε τις ασφάλειες.

Ο φούρνος δεν θερμαίνεται.

- Δεν έχει ρυθμιστεί η λειτουργία και/ή η θερμοκρασία. >>> Ρυθμίστε τη λειτουργία και τη θερμοκρασία με το πλήκτρο/κουμπί λειτουργιών και/ή Θερμ. °C.
- Σε μοντέλα εξοπλισμένα με χρονοδιακόπτη, δεν έχει ρυθμιστεί ο χρονοδιακόπτης. >>> Ρυθμίστε την ώρα. (Σε προϊόντα με φούρνο μικροκυμάτων, ο χρονοδιακόπτης ελέγχει μόνο το φούρνο μικροκυμάτων.)
- Έχει διακοπεί το ρεύμα. >>> Ελέγξτε αν υπάρχει ρεύμα. Ελέγξτε τις ασφάλειες στο κουτί ασφαλειών. Αν χρειάζεται, αντικαταστήστε ή επανενεργοποιήστε τις ασφάλειες.

(Σε μοντέλα με χρονοδιακόπτη) Η ενδειξη ρολογιού αναβοσβήνει ή είναι αναμμένο το σύμβολο του ρολογιού.

- Υπήρξε διακοπή ρεύματος. >>> Ρυθμίστε την ώρα / Απενεργοποιήστε τη συσκευή και ενεργοποιήστε την πάλι.



Αν παρά την εφαρμογή των οδηγιών της ενότητας αυτής, δεν μπορείτε να αποκαταστήσετε το πρόβλημα, τότε συμβουλευτείτε τον αδειοδοτημένο αντιπρόσωπο σέρβις ή το κατάστημα όπου αγοράσατε το προϊόν. Σε καμία περίπτωση μην επιχειρήσετε να επισκευάσετε μόνοι σας ένα προϊόν που παρουσιάζει βλάβη.

ΠΑΡ. ΣΕΪΤΑΝΙΔΗΣ Α.Ε.

ΠΟΛΥΣΤΥΛΟ ΚΑΒΑΛΑΣ ΤΗΛ 2510 392 180-3
ΥΠΟΚΑΤΑΣΤΗΜΑ ΑΘΗΝΩΝ
ΑΛΙΜΟΥ 8 ΚΑΙ ΖΑΛΟΓΓΟΥ, ΑΛΙΜΟΣ
ΤΗΛ 211 012 2829-30-31-32
E-mail: seitanidis@otenet.gr



ΕΓΓΥΗΣΗ

Η εταιρεία ΠΑΡ.ΣΕΪΤΑΝΙΔΗΣ Α.Ε. σας ευχαριστεί για την προτίμηση που δείξατε αγοράζοντας τις συσκευές beko και σας παρέχει τον παρακάτω χρόνο εγγύησης από την ημερομηνία αγοράς τους. Αν μέσα στην διάρκεια της εγγύησης η συσκευή σας χρειαστεί επισκευή, μπορείτε να ενημερωθείτε για τα εξουσιοδοτημένα service από το τηλεφωνικό κέντρο της εταιρεία μας στο τηλέφωνο **2510 392511 / 2510 392512**

ΨΥΓΕΙΑ	3 ΧΡΟΝΙΑ	ΚΑΤΑΨΥΚΤΕΣ	3 ΧΡΟΝΙΑ
ΚΟΥΖΙΝΕΣ	3 ΧΡΟΝΙΑ	ΦΟΥΡΝΟΙ ΜΙΚΡΟΚΥΜΑΤΩΝ	2 ΧΡΟΝΙΑ
ΠΛΥΝΤΗΡΙΑ	3 ΧΡΟΝΙΑ	ΜΙΚΡΟΣΥΣΚΕΥΕΣ - ΣΚΟΥΠΕΣ	2 ΧΡΟΝΙΑ

ΟΝΟΜΑΤΕΠΩΝΥΜΟ ΑΓΟΡΑΣΤΗ..... ΑΡ. ΕΓΓΥΗΣΗΣ.....
..... ΑΡ. ΠΑΡΑΣΤΑΤ. ΑΓΟΡΑΣ.....
ΔΙΕΥΘΥΝΣΗ..... ΜΟΝΤΕΛΟ ΣΥΣΚΕΥΗΣ.....
..... ΣΕΙΡΙΑΚΟΣ ΑΡΙΘΜΟΣ ΣΥΣΚΕΥΗΣ.....
ΤΗΛ : ΗΜΕΡ/ΝΙΑ ΑΓΟΡΑΣ.....
ΣΦΡΑΓΙΔΑ & ΥΠΟΓΡΑΦΗ ΠΩΛΗΤΗ.....



ΟΝΟΜΑΤΕΠΩΝΥΜΟ ΑΓΟΡΑΣΤΗ..... ΑΡ. ΕΓΓΥΗΣΗΣ.....
..... ΑΡ. ΠΑΡΑΣΤΑΤ. ΑΓΟΡΑΣ.....
ΔΙΕΥΘΥΝΣΗ..... ΜΟΝΤΕΛΟ ΣΥΣΚΕΥΗΣ.....
..... ΣΕΙΡΙΑΚΟΣ ΑΡΙΘΜΟΣ ΣΥΣΚΕΥΗΣ.....
..... ΗΜΕΡ/ΝΙΑ ΑΓΟΡΑΣ.....
ΤΗΛ : ΣΦΡΑΓΙΔΑ & ΥΠΟΓΡΑΦΗ ΠΩΛΗΤΗ.....
.....

ΟΡΟΙ ΚΑΙ ΠΡΟΫΠΟΘΕΣΕΙΣ ΙΣΧΥΟΣ ΤΗΣ ΠΑΡΟΥΣΗΣ ΕΓΓΥΗΣΗΣ

1. Για να ισχύει η παρούσα εγγύηση θα πρέπει να συμπληρωθούν πλήρως και να υπογραφούν δεόντως με φροντίδα του πελάτη και τα δύο μέρη της εγγύησης. Το απόκομμα για την εταιρεία θα πρέπει να ταχυδρομηθεί με συστημένη επιστολή ή να προσκομηθεί στα γραφεία της εταιρείας μας (Πολύστολο Καβάλας Τ.Θ 1402 , Τ.Κ.64003) εντός 10 ημερών από την ημερομηνία αγοράς.
2. Η εργοστασιακή εγγύηση καλύπτει τον χρόνο που αναγράφεται στον σχετικό πίνακα για κάθε συσκευή, κάθε ανωμαλία ή βλάβη που οφείλεται αποκλειστικά σε κατασκευαστικό ελάττωμα ή ελαττωματικό εξάρτημα της συσκευής. Η αποκατάσταση της βλάβης γίνεται εντελώς δωρεάν δια της αντικατάστασης ή επισκευής του ελαττωματικού εξαρτήματος. Σε καμία περίπτωση δεν προβλέπεται η **αντικατάσταση** της συσκευής. Ο καταναλωτής οφείλει με δικές του δαπάνες να πάει την συσκευή στο κοντινότερο εξουσιοδοτημένο service της εταιρίας.
3. Η εταιρεία μας διατηρεί το δικαίωμα να καθορίζει τον τρόπο και τόπο επισκευής των βλαβών κατά την απόλυτη κρίση της .
4. Η εγγύηση δεν καλύπτει βλάβες που οφείλονται άμεσα ή έμμεσα σε αμέλεια , παράλειψη , κακή εγκατάσταση και πάσης φύσεως επέμβαση στη συσκευή από μη εξουσιοδοτημένο συνεργείο , κακή χρήση και ελλιπή συντήρηση της συσκευής. Επίσης η εταιρεία μας δεν ευθύνεται για βλάβες που οφείλονται σε κακή ηλεκτρική σύνδεση σε τάση διαφορετική από την αναγραφόμενη στη πινακίδα της συσκευής , σε μη γειωμένο ρευματοδότη ή σε μεταβολές της τάσης. Στις καλύψεις της εγγύησης δεν συμπεριλαμβάνονται τα εύθραυστα εξαρτήματα όπως ενδεικτικά αναφέρουμε :γυάλινες και πλαστικές επιφάνειες , λυχνίες κ.α.
5. Η εγγύηση παρέχεται προς τον αρχικό αγοραστή και ισχύει από την ημερομηνία αγοράς της συσκευής.
6. Η παρούσα εγγύηση πρέπει να συνοδεύεται από τιμολόγιο ή δελτίο λιανικής πώλησης ή φωτοαντίγραφο **αυτού**.

Αποφύγετε την αλλοίωση της εγγύησης και της πινακίδας μητρώου που βρίσκεται στο πίσω μέρος της συσκευής.

Φυλάξτε την εγγύηση και μετά την λήξη της.

Προσκομίστε την σε κάθε αίτημα για επισκευή.

ΠΡΟΣΟΧΗ

ΣΕ ΠΕΡΙΠΤΩΣΗ ΠΟΥ ΔΕΝ ΣΤΑΛΕΙ Η ΚΑΡΤΑ ΕΓΓΥΗΣΕΩΣ ΕΝΤΟΣ 10 ΗΜΕΡΩΝ ΣΤΗΝ ΕΤΑΙΡΕΙΑ ΔΕΝ ΙΣΧΥΕΙ Η ΕΓΓΥΗΣΗ ΤΗΣ ΣΥΣΚΕΥΗΣ ΠΟΥ ΕΠΙΛΕΞΑΤΕ

SERVICE ΛΕΥΚΩΝ ΣΥΣΚΕΥΩΝ

ΑΘΗΝΑ ΜΑΚΡΗΣ ΦΩΤΙΟΣ	210 2116649 6932366733	ΘΕΣΣΑΛΟΝΙΚΗ ΓΙΑΓΟΥΡΗΣ Π. Κ ΣΙΑ Ο.Ε.	6947424284 6936065106
ΠΑΤΡΑ ΧΟΡΜΠΑΣ ΝΙΚΟΛΑΟΣ	2610 640810 6932 437700	ΒΟΛΟΣ ΝΑΟΥΜΙΔΗΣ ΓΕΩΡΓΙΟΣ	22410 94130 6981972363
ΙΩΑΝΝΙΝΑ ΤΣΟΥΓΙΑΣ ΧΡΗΣΤΟΣ	26510 31947 6945 306990	ΚΟΜΟΤΗΝΗ ΠΑΠΑΖΟΥΔΗΣ ΚΩΝΣΤΑΝΤΙΝΟΣ	25310 33711 6932 587473

SERVICE ΘΙΑΕΟΡΑΣΕΩΝ – HIFI

ΑΘΗΝΑ ΜΑΝΩΛΟΠΟΥΛΟΣ ΓΕΩΡΓΟΣ	210 8836512	ΘΕΣΣΑΛΟΝΙΚΗ ΣΑΜΙΟΣ ΠΑΡΑΣΧΟΣ	2310 429229
ΠΑΤΡΑ ΗΛΙΟΠΟΥΛΟΣ ΔΗΜΗΤΡΙΟΣ	2610 622388	ΒΟΛΟΣ ΜΑΡΓΑΡΙΤΟΥΛΗΣ ΘΕΟΔΩΡΟΣ	24210 30113

ΠΡΟΣ : 

ΧΩΡΟΣ
ΓΡΑΜ / ΜΟΥ

ΠΑΡ. ΣΕΪΤΑΝΙΔΗΣ Α.Ε.

ΠΟΛΥΣΤΥΛΟ ΚΑΒΑΛΑΣ
Τ.Θ 1402 , Τ.Κ.64003
ΤΗΛ 2510 392180-3

