



Built-in Oven

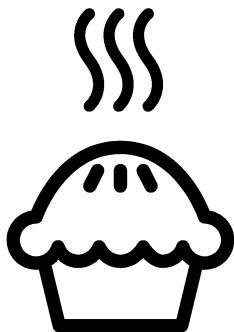
User Manual

Forno incassato

Manuale utente

Встраиваемая духовка

Руководство пользователя



OIM 27200 AV

EN / IT / RU

285.4429.19/R.AF/25.11.2019/2-1

7791683806

Please read this user manual first!

Dear Customer,

Thank you for purchasing this Beko product. We hope that you get the best results from your product which has been manufactured with high quality and state-of-the-art technology. Therefore, please read this entire user manual and all other accompanying documents carefully before using the product and keep it as a reference for future use. If you handover the product to someone else, give the user manual as well. Follow all warnings and information in the user manual.

Remember that this user manual is also applicable for several other models. Differences between models will be identified in the manual.

Explanation of symbols

Throughout this user manual the following symbols are used:



Important information or useful hints about usage.



Warning of hazardous situations with regard to life and property.



Warning of electric shock.



Warning of risk of fire.



Warning of hot surfaces.

Arçelik A.Ş.

Karaağaç caddesi No:2-6
34445 Sütlüce/İstanbul/TURKEY

Made in TURKEY

CE

This product was manufactured using the latest technology in environmentally friendly conditions.

1 Important instructions and warnings for safety and environment 4

General safety 4
 Electrical safety 4
 Product safety 5
 Intended use 7
 Safety for children..... 7
 Disposing of the old product 8
 Package information 8

2 General information 9

Overview 9
 Package contents 10
 Technical specifications 11

3 Installation 12

Before installation 12
 Installation and connection 14
 Future Transportation 16

4 Preparation 17

Tips for saving energy 17
 Initial use..... 17
 Time setting 17
 First cleaning of the appliance 17
 Initial heating..... 17

5 How to operate the oven 19

General information on baking, roasting and grilling 19
 How to operate the electric oven 19
 Operating modes..... 20
 Using the oven clock 21
 Using the clock as an alarm 21
 Cooking times table..... 22
 How to operate the grill..... 24
 Cooking times table for grilling 25

6 Maintenance and care 26

General information 26
 Cleaning the control panel 26
 Cleaning the oven 26
 Removing the oven door 27
 Removing the door inner glass 27
 Replacing the oven lamp..... 28

7 Troubleshooting 30

1 Important instructions and warnings for safety and environment

This section contains safety instructions that will help protect from risk of personal injury or property damage. Failure to follow these instructions shall void any warranty.

General safety

- This appliance can be used by children aged from 8 years and above and persons with reduced physical, sensory or mental capabilities or lack of experience and knowledge if they have been given supervision or instruction concerning use of the appliance in a safe way and understand the hazards involved.

Children shall not play with the appliance. Cleaning and user maintenance shall not be made by children without supervision.

- The appliance is not to be used by persons (including children) with reduced physical, sensory or mental capabilities, or lack of experience and knowledge, unless they have been given supervision or instruction. Children should be supervised and ensure they do not play with the appliance
- If the product is handed over to someone else for personal use or second-hand use purposes, the user manual, product labels and

other relevant documents and parts should be also given.

- Installation and repair procedures must always be performed by Authorised Service Agents. The manufacturer shall not be held responsible for damages arising from procedures carried out by unauthorised persons which may also void the warranty. Before installation, read the instructions carefully.
- Do not operate the product if it is defective or has any visible damage.
- Ensure that the product function knobs are switched off after every use.

Electrical safety

- If the product has a failure, it should not be operated unless it is repaired by an Authorised Service Agent. There is the risk of electric shock!
- Only connect the product to a grounded outlet/line with the voltage and protection as specified in the “Technical specifications”. Have the grounding installation made by a qualified electrician while using the product with or without a transformer. Our company shall not be liable for any problems

arising due to the product not being earthed in accordance with the local regulations.

- Never wash the product by spreading or pouring water onto it! There is the risk of electric shock!
- The product must be disconnected during installation, maintenance, cleaning and repairing procedures.
- If the power connection cable for the product is damaged, it must be replaced by the manufacturer, its service agent or similarly qualified persons in order to avoid a hazard.
- The appliance must be installed so that it can be completely disconnected from the mains supply. The separation must be provided by a switch built into the fixed electrical installation, according to construction regulations.
- Rear surface of the oven gets hot when it is in use. Make sure that the electrical connection does not contact the rear surface; otherwise, connections can get damaged.
- Do not trap the mains cable between the oven door and frame and do not route it over hot surfaces. Otherwise, cable insulation may melt and cause fire as a result of short circuit.

- Any work on electrical equipment and systems should only be carried out by authorised and qualified persons.
- In case of any damage, switch off the product and disconnect it from the mains. To do this, turn off the fuse at home.
- Make sure that fuse rating is compatible with the product.

Product safety

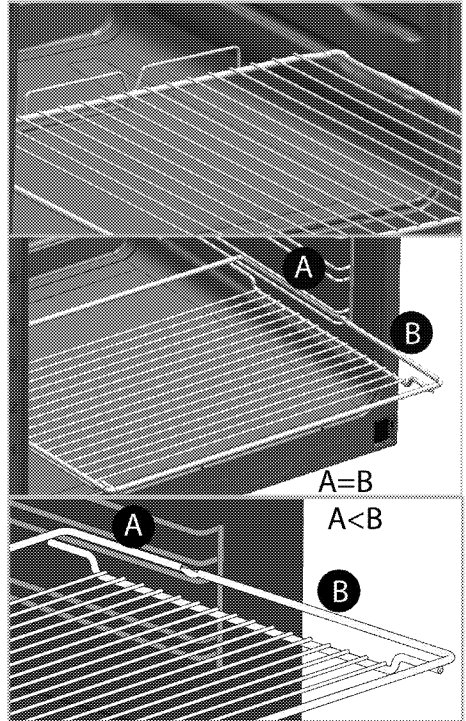
- **WARNING:** The appliance and its accessible parts become hot during use. Care should be taken to avoid touching heating elements. Children less than 8 years of age shall be kept away unless continuously supervised.
- Never use the product when your judgment or coordination is impaired by the use of alcohol and/or drugs.
- Be careful when using alcoholic drinks in your dishes. Alcohol evaporates at high temperatures and may cause fire since it can ignite when it comes into contact with hot surfaces.
- **Food Poisoning Hazard:** Do not let food sit in oven for more than 1 hour before or after cooking. Doing so can result in food poisoning or sickness.
- Do not place any flammable materials close to the product as

the sides may become hot during use.

- During use the appliances becomes hot. Care should be taken to avoid touching heating elements inside the oven.
- Keep all ventilation slots clear of obstructions.
- Do not heat closed tins and glass jars in the oven. The pressure that would build-up in the tin/jar may cause it to burst.
- Do not place baking trays, dishes or aluminium foil directly onto the bottom of the oven. The heat accumulation might damage the bottom of the oven.
- Do not use harsh abrasive cleaners or sharp metal scrapers to clean the oven door glass since they can scratch the surface, which may result in shattering of the glass.
- Do not use steam cleaners to clean the appliance as this may cause an electric shock.
- (Varies depending on the product model.)

Placing the wire shelf and tray onto the wire racks properly
It is important to place the wire shelf and/or tray onto the rack properly. Slide the wire shelf or tray between 2 rails and make sure that it is balanced before

placing food on it (Please see the following figure).



- Do not use the product if the front door glass removed or cracked.
- Do not use the oven handle to hang towels for drying. Do not hang up towel, gloves, or similar textile products when the grill function is at open door.
- Always use heat resistant oven gloves when putting in or removing dishes into/from the hot oven.
- Place the baking paper into the cooking pot or on to the oven accessory (tray, wire grill etc) together with the food and then insert all into the preheated oven.

Remove the excess parts of the baking paper overflowing from the accessory or the pot in order to prevent the risk of touching the oven's heating elements. Never use the baking paper in an operating temperature higher than the indicated value for the baking paper. Do not place the baking paper directly on the base of the oven.

- **WARNING:** Ensure that power cord of the appliance is unplugged or circuit breaker is switched off before replacing the lamp to avoid the possibility of electric shock.
- The appliance must not be installed behind a decorative door in order to avoid overheating.

Prevention against possible fire risk!

- Ensure all electrical connections are secure and tight to prevent risk of arcing.
- Do not use damaged cables or extension cables.
- Ensure liquid or moisture is not accessible to the electrical connection point.

Intended use

- This product is designed for domestic use. Commercial use will void the guarantee.
- **CAUTION:** This appliance is for cooking purposes only. It must

not be used for other purposes, for example room heating.

- This product should not be used for warming the plates under the grill, drying towels, dish cloths etc. by hanging them on the oven door handles. This product should also not be used for room heating purposes.
- The manufacturer shall not be liable for any damage caused by improper use or handling errors.
- The oven can be used for defrosting, baking, roasting and grilling food.

Safety for children

- **WARNING:** Accessible parts may become hot during use. Young children should be kept away.
- The packaging materials will be dangerous for children. Keep the packaging materials away from children. Please dispose of all parts of the packaging according to environmental standards.
- Electrical products are dangerous to children. Keep children away from the product when it is operating and do not allow them to play with the product.
- Do not place any items above the appliance that children may reach for.
- When the door is open, do not load any heavy object on it and do not allow children to sit on it. It

may overturn or door hinges may get damaged.

Disposing of the old product

Compliance with the WEEE Directive and Disposing of the Waste Product:



This product complies with EU WEEE Directive (2012/19/EU). This product bears a classification symbol for waste electrical and electronic equipment (WEEE).

This product has been manufactured with high quality parts and materials which can be reused and are suitable for recycling. Do not dispose of the waste product with normal domestic and other wastes at the end of its service life. Take it to the collection center for the recycling of electrical and electronic equipment. Please consult your local authorities to learn about these collection centers.

Compliance with RoHS Directive:

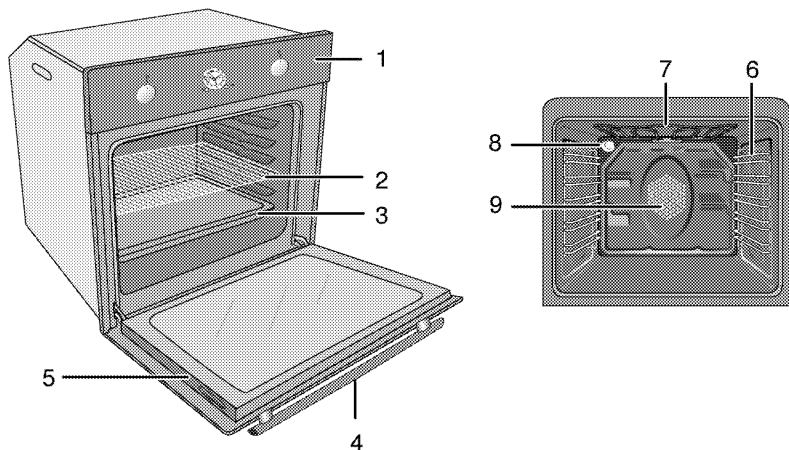
The product you have purchased complies with EU RoHS Directive (2011/65/EU). It does not contain harmful and prohibited materials specified in the Directive.

Package information

- Packaging materials of the product are manufactured from recyclable materials in accordance with our National Environment Regulations. Do not dispose of the packaging materials together with the domestic or other wastes. Take them to the packaging material collection points designated by the local authorities.

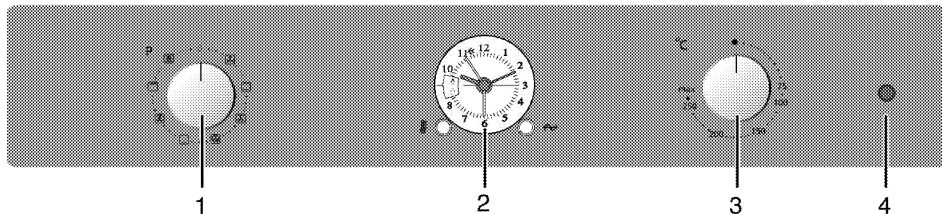
2 General information

Overview



- 1 Control panel
- 2 Wire shelf
- 3 Tray
- 4 Handle
- 5 Door

- 6 Shelf positions
- 7 Top heating element
- 8 Lamp
- 9 Fan motor (behind steel plate)



- 1 Function knob
- 2 Mechanical timer

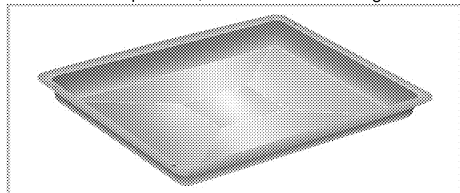
- 3 Thermostat knob
- 4 Thermostat lamp

Package contents

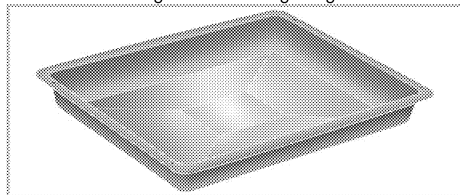


Accessories supplied can vary depending on the product model. Not every accessory described in the user manual may exist on your product.

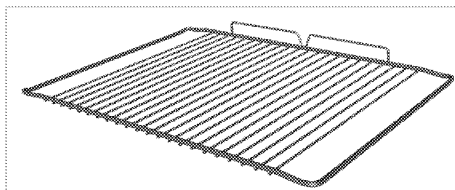
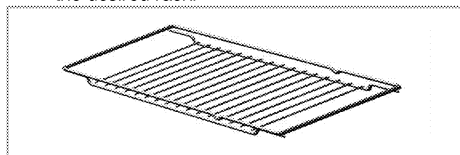
1. **User manual**
2. **Standard tray**
Used for pastries, frozen foods and big roasts.



3. **Deep tray**
Used for pastries, large roasts, juicy dishes, and for collecting the fat while grilling.



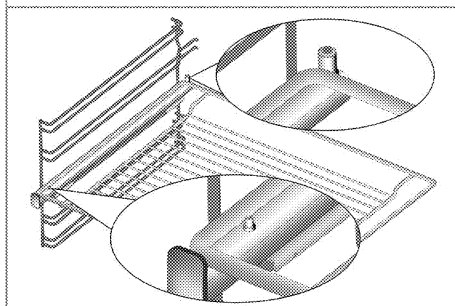
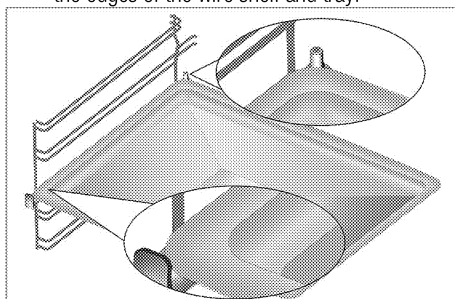
4. **Wire grill**
Used for roasting and for placing the food to be baked, roasted or cooked in casserole dishes to the desired rack.



5. **Placing the wire shelf and tray onto the telescopic racks properly**
(This feature is optional. It may not exist on your product.)

Telescopic racks allow you to install and remove the trays and wire shelf easily.

When using the tray and wire shelf with telescopic racks, make sure that the pins at the rear section of the telescopic rack stands against the edges of the wire shelf and tray.



Technical specifications

Voltage / frequency	220-240 V ~ 50 Hz
Total power consumption	2.5 kW
Cable type / section	min.H05W-FG 3 x 1,5 mm ²
External dimensions (height / width / depth)	595 mm/594 mm/567 mm
Installation dimensions (height / width / depth)	**590 or 600 mm/560 mm/min. 550 mm
Main oven	Multifunction oven
Inner lamp	15/25 W
Grill power consumption	2.2 kW

Basics: Information on the energy label of electrical ovens is given in accordance with the EN 60350-1 / IEC 60350-1 standard. Those values are determined under standard load with bottom-top heater or fan assisted heating (if any) functions.

Energy efficiency class is determined in accordance with the following prioritization depending on whether the relevant functions exist on the product or not. 1-Cooking with eco-fan, 2- Turbo slow cooking, 3- Turbo cooking, 4- Fan assisted bottom/top heating, 5-Top and bottom heating.

** See. *Installation, page 12.*



Technical specifications may be changed without prior notice to improve the quality of the product.



Figures in this manual are schematic and may not exactly match your product.



Values stated on the product labels or in the documentation accompanying it are obtained in laboratory conditions in accordance with relevant standards. Depending on operational and environmental conditions of the product, these values may vary.

3 Installation

Product must be installed by a qualified person in accordance with the regulations in force. The manufacturer shall not be held responsible for damages arising from procedures carried out by unauthorized persons which may also void the warranty.



Preparation of location and electrical installation for the product is under customer's responsibility.



DANGER:

The product must be installed in accordance with all local electrical regulations.



DANGER:

Prior to installation, visually check if the product has any defects on it. If so, do not have it installed.

Damaged products cause risks for your safety.

Before installation

The appliances must not be installed behind a decorative door in order to avoid overheating. The appliance is intended for installation in commercially available kitchen cabinets. A safety distance must be left between the appliance and the kitchen walls and furniture. See figure (values in mm).

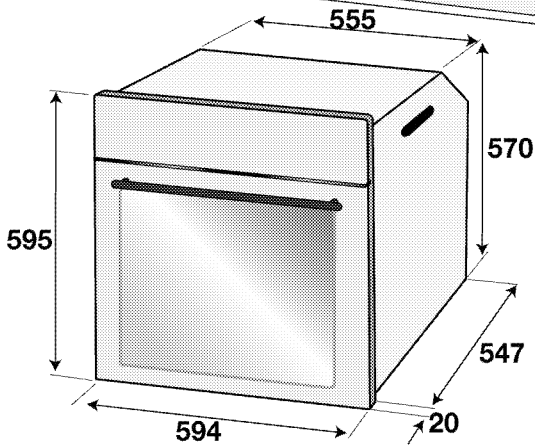
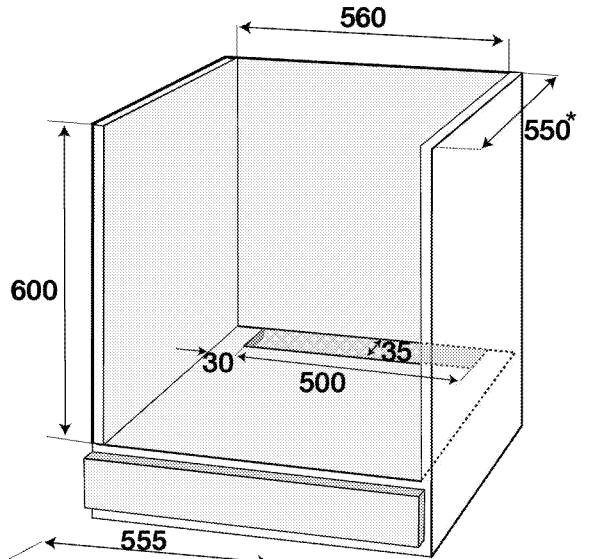
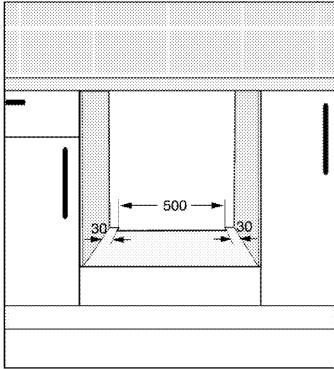
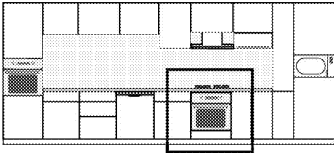
- Surfaces, synthetic laminates and adhesives used must be heat resistant (100 °C minimum).
- Kitchen cabinets must be set level and fixed.
- If there is a drawer beneath the oven, a shelf must be installed in order to separate from the oven and drawer.
- Carry the appliance with at least two persons.
- Hold the oven from the slots for handling on both sides to move it.
- Before installing the product, remove all materials and documents inside.
- Kitchen furniture must be in compliance with the dimensions given in the figure below. At the rear section of the kitchen furniture, an opening must be cut out with the dimensions given in the figure below to ensure sufficient ventilation.



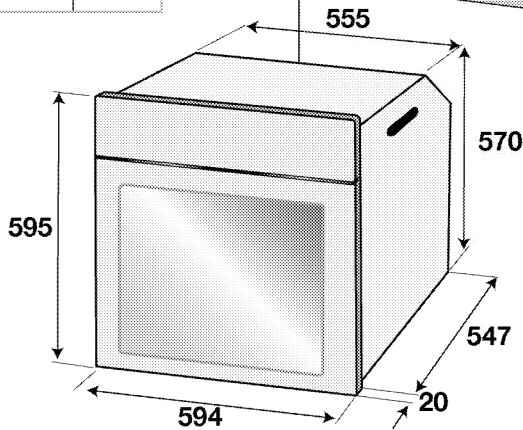
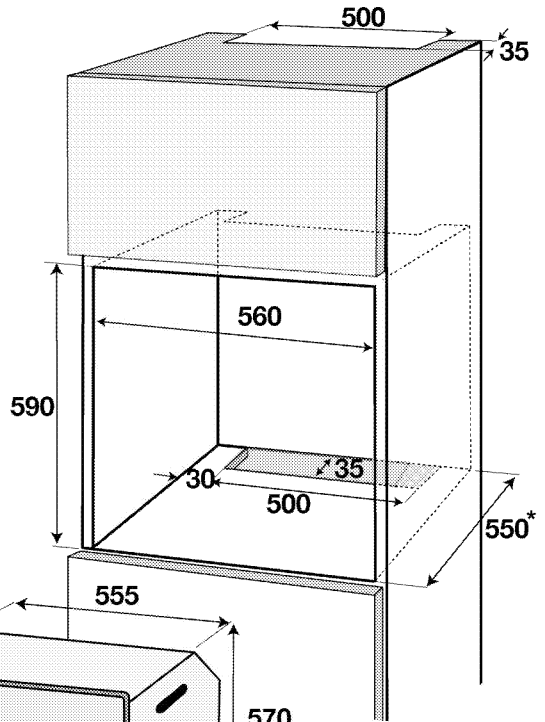
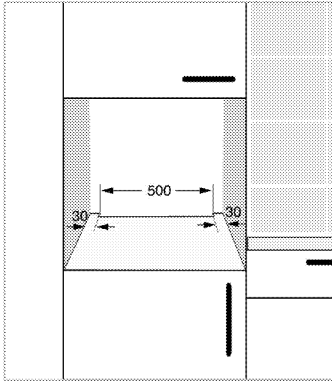
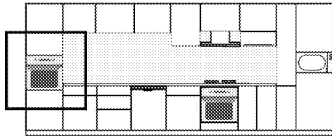
Do not install the appliance next to refrigerators or freezers. The heat emitted by the appliance will lead to an increased energy consumption of cooling appliances.



The door and/or handle must not be used for lifting or moving the appliance.



* min.



* min.

Installation and connection

- The product must be installed in accordance with all local gas and electrical regulations.

Electrical connection


Connect the product to a grounded outlet/line protected by a miniature circuit breaker of suitable capacity as stated in the "Technical specifications" table. Have the grounding installation made by a qualified electrician while using the product with or without a transformer. Our company shall not be liable for any damages that will arise due to using the

product without a grounding installation in accordance with the local regulations.




DANGER:

The product must be connected to the mains supply only by an authorised and qualified person. The product's warranty period starts only after correct installation. Manufacturer shall not be held responsible for damages arising from procedures carried out by unauthorised persons.

DANGER:

 The power cable must not be clamped, bent or trapped or come into contact with hot parts of the product.
 A damaged power cable must be replaced by a qualified electrician. Otherwise, there is risk of electric shock, short circuit or fire!

- Connection must comply with national regulations.
- The mains supply data must correspond to the data specified on the type label of the product. Open the front door to see the type label.
- Power cable of your product must comply with the values in "Technical specifications" table.

DANGER:

 Before starting any work on the electrical installation, disconnect the product from the mains supply.
 There is the risk of electric shock!

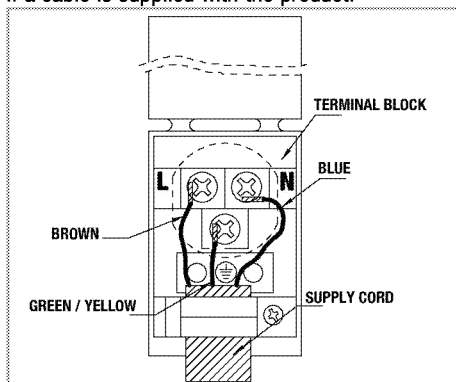
Connecting the power cable

i While performing the wiring, you must apply with the national/local electrical regulations and must use the appropriate socket outlet/line and plug for oven. In case of the product's power limits are out of current carrying capability of plug and socket outlet/line, the product must be connected through fixed electrical installation directly without using plug and socket outlet/line.



1. If it is not possible to disconnect all poles in the supply power, a disconnection unit with at least 3 mm contact clearance (fuses, line safety switches, contactors) must be connected and all the poles of this disconnection unit must be adjacent to (not above) the product in accordance with IEE directives. Failure to obey this instruction may cause operational problems and invalidate the product warranty.

Additional protection by a residual current circuit breaker is recommended.

If a cable is supplied with the product:

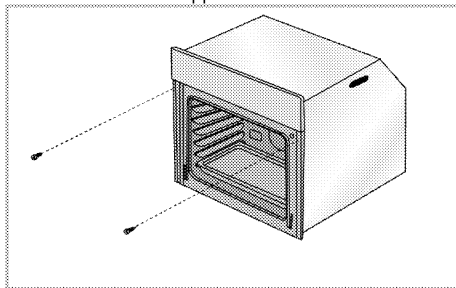


2. For single-phase connection, connect the wires as identified below:

- Brown/Black cable = L (Phase)
 - Blue/Grey cable = N (Neutral)
 - Green/yellow cable = (E)  (Ground)
- » or
- Grey/Black cable = L (Phase)
 - Blue/Brown cable = N (Neutral)
 - Green/yellow cable = (E)  (Ground)

Installing the product

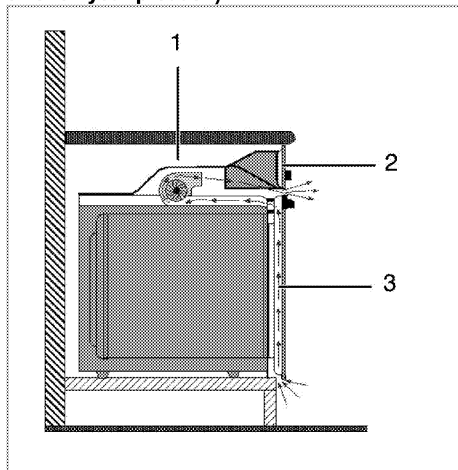
1. Slide the oven into the cabinet, align and secure it while making sure that the power cable is not broken and/or trapped.



Secure the oven with 2 screws as illustrated.

After the installation, make sure that the screws are sufficiently tightened and the oven does not move. Oven may tip over during use if it is not installed as per the instructions and if the screws are not sufficiently tightened.

For products with cooling fan (This may not exist on your product.)



- 1 Cooling fan
- 2 Control panel
- 3 Door

The built-in cooling fan cools both the built-in cabinet and the front of the product.



Cooling fan continues to operate for about 20-30 minutes after the oven is switched off. If you have cooked by programming the timer of the oven, cooling fan will also be switched off at the end of the cooking time together with all functions.

Final check

1. Operate the product.
2. Check the functions.

Future Transportation

- Keep the product's original carton and transport the product in it. Follow the instructions on the carton. If you do not have the original carton, pack the product in bubble wrap or thick cardboard and tape it securely.
- To prevent the wire grill and tray inside the oven from damaging the oven door, place a strip of cardboard onto the inside of the oven door that lines up with the position of the trays. Tape the oven door to the side walls.
- Do not use the door or handle to lift or move the product.



Do not place any objects onto the product and move it in upright position.



Check the general appearance of your product for any damages that might have occurred during transportation.

4 Preparation

Tips for saving energy

The following information will help you to use your appliance in an ecological way, and to save energy:

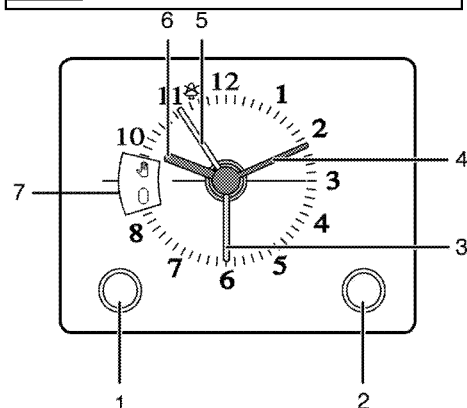
- Use dark coloured or enamel coated cookware in the oven since the heat transmission will be better.
- While cooking your dishes, perform a preheating operation if it is advised in the user manual or cooking instructions.
- Do not open the door of the oven frequently during cooking.
- Try to cook more than one dish in the oven at the same time whenever possible. You can cook by placing two cooking vessels onto the wire shelf.
- Cook more than one dish one after another. The oven will already be hot.
- You can save energy by switching off your oven a few minutes before the end of the cooking time. Do not open the oven door.
- Defrost frozen dishes before cooking them.

Initial use

Time setting



Before you can use the oven, the time must be set. If the time is not set, oven will not operate.



- 1 Time adjustment button
- 2 Start time adjustment button
- 3 Start of cooking (orange)
- 4 Minute hand (golden)
- 5 Alarm hand (yellow)
- 6 Hour hand (golden)
- 7 Cooking time display

Adjust the current time

1. Pull the knob (1) slightly towards yourself, twist it clockwise until the time of the day is adjusted and then release it.

» Time will be set.



Never twist the knob counterclockwise while it is pulled.

First cleaning of the appliance



The surface might get damaged by some detergents or cleaning materials.

Do not use aggressive detergents, cleaning powders/creams or any sharp objects during cleaning.

Do not use harsh abrasive cleaners or sharp metal scrapers to clean the oven door glass since they can scratch the surface, which may result in shattering of the glass.

1. Remove all packaging materials.
2. Wipe the surfaces of the appliance with a damp cloth or sponge and dry with a cloth.

Initial heating

Heat up the product for about 30 minutes and then switch it off. Thus, any production residues or layers will be burnt off and removed.



WARNING

Hot surfaces cause burns!

Product may be hot when it is in use. Never touch the hot burners, inner sections of the oven, heaters and etc. Keep children away. Always use heat resistant oven gloves when putting in or removing dishes into/from the hot oven.

Electric oven

1. Take all baking trays and the wire grill out of the oven.
2. Close the oven door.
3. Select Static position.
4. Select the highest oven power; See *How to operate the electric oven, page 19*.
5. Operate the oven for about 30 minutes.
6. Turn off your oven; See *How to operate the electric oven, page 19*

Grill oven

1. Take all baking trays and the wire grill out of the oven.
2. Close the oven door.
3. Select the highest grill power; see *How to operate the grill, page 24*.

4. Operate the grill about 30 minutes.
5. Turn off your grill; see *How to operate the grill*, page 24



Smoke and smell may emit for a couple of hours during the initial operation. This is quite normal. Ensure that the room is well ventilated to remove the smoke and smell. Avoid directly inhaling the smoke and the smell that emits.

5 How to operate the oven

General information on baking, roasting and grilling



WARNING

Hot surfaces cause burns!
Product may be hot when it is in use. Never touch the hot burners, inner sections of the oven, heaters and etc. Keep children away. Always use heat resistant oven gloves when putting in or removing dishes into/from the hot oven.



DANGER:

Be careful when opening the oven door as steam may escape.
Exiting steam can scald your hands, face and/or eyes.

Tips for baking

- Use non-sticky coated appropriate metal plates or aluminum vessels or heat-resistant silicone moulds.
- Make best use of the space on the rack.
- Place the baking mould in the middle of the shelf.
- Select the correct rack position before turning the oven or grill on. Do not change the rack position when the oven is hot.
- Keep the oven door closed.

Tips for roasting

- Treating whole chicken, turkey and large piece of meat with dressings such as lemon juice and black pepper before cooking will increase the cooking performance.
- It takes about 15 to 30 minutes longer to roast meat with bones when compared to roasting the same size of meat without bones.
- Each centimeter of meat thickness requires approximately 4 to 5 minutes of cooking time.
- Let meat rest in the oven for about 10 minutes after the cooking time is over. The juice is better distributed all over the roast and does not run out when the meat is cut.
- Fish should be placed on the middle or lower rack in a heat-resistant plate.

Tips for grilling

When meat, fish and poultry are grilled, they quickly get brown, have a nice crust and do not get dry. Flat pieces, meat skewers and sausages are particularly suited for grilling as are vegetables with high water content such as tomatoes and onions.

- Distribute the pieces to be grilled on the wire shelf or in the baking tray with wire shelf in such

a way that the space covered does not exceed the size of the heater.

- Slide the wire shelf or baking tray with grill into the desired level in the oven. If you are grilling on the wire shelf, slide the baking tray to the lower rack to collect fats. Add some water in the tray for easy cleaning.



Foods that are not suitable for grilling carry the risk of fire. Only grill food which is suitable for intensive grilling heat.

Do not place the food too far in the back of the grill. This is the hottest area and fatty food may catch fire.

How to operate the electric oven



Before you can use the oven, the time must be set. If the time is not set, oven will not operate.

Select temperature and operating mode



- 1 Function knob
- 2 Thermostat knob

1. Set the oven timer to the desired cooking time or manual (continuous) cooking mode; see .
2. Set the Function knob to the desired operating mode.
3. Set the Temperature knob to the desired temperature.

» Oven heats up to the adjusted temperature and maintains it. During heating, temperature lamp stays on.

Switching off the electric oven

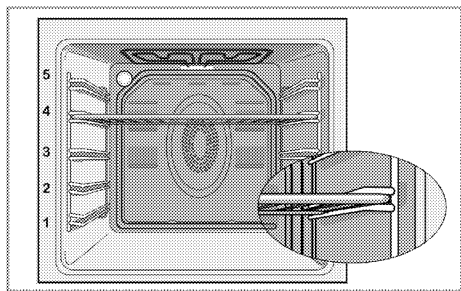
Turn the function knob and temperature knob to off (upper) position.

Rack positions (For models with wire shelf)

It is important to place the wire shelf onto the side rack correctly. Wire shelf must be inserted between the side racks as illustrated in the figure.

Do not let the wire shelf stand against the rear wall of the oven. Slide your wire shelf to the front section of the rack and settle it with the help of the door in order to obtain a good grill performance.

(Varies depending on the product model.)



Operating modes

The order of operating modes shown here may be different from the arrangement on your product.

Top and bottom heating



Top and bottom heating are in operation. Food is heated simultaneously from the top and bottom. For example, it is suitable for cakes, pastries, or cakes and casseroles in baking moulds. Cook with one tray only.

Bottom heating



Only bottom heating is in operation. It is suitable for pizza and for subsequent browning of food from the bottom.



This function must be used for easy steam cleaning as well.

Fan supported bottom/top heating



Top heating, bottom heating plus fan (in the rear wall) are in operation. Hot air is evenly distributed throughout the oven rapidly by means of the fan. Cook with one tray only.

Operating with fan



The oven is not heated. Only the fan (in the rear wall) is in operation. Suitable for thawing frozen granular food slowly at room temperature and cooling down the cooked food.

Fan Heating



Warm air heated by the rear heater is evenly distributed throughout the oven rapidly by means of the fan. It is suitable for cooking your meals in different rack levels and preheating is not required in most cases. Suitable for cooking with multi trays. This function must be used for easy steam cleaning as well.

"3D" function



Top heating, bottom heating and fan assisted heating (in the rear wall) are in operation. Food is cooked evenly and quickly all around. Cook with one tray only.

Full grill



Large grill at the ceiling of the oven is in operation. It is suitable for grilling large amount of meat.

- Put big or medium-sized portions in correct rack position under the grill heater for grilling.
- Set the temperature to maximum level.
- Turn the food after half of the grilling time.

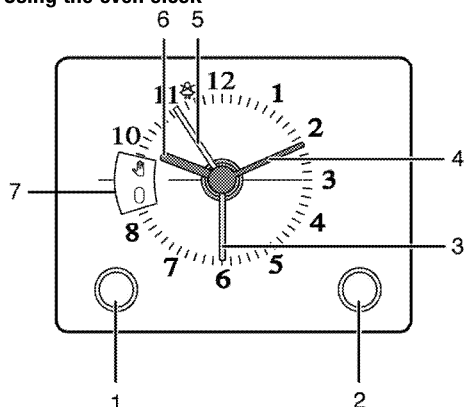
Grill+Fan



Grilling effect is not as strong as in Full Grill

- Put small or medium-sized portions in correct shelf position under the grill heater for grilling.
- Set the desired temperature.
- Turn the food after half of the grilling time.

Using the oven clock



- 1 Time adjustment button
- 2 Start time adjustment button
- 3 Start of cooking (orange)
- 4 Minute hand (golden)
- 5 Alarm hand (yellow)
- 6 Hour hand (golden)
- 7 Cooking time display



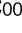
Maximum time that can be set for end of cooking is 180 minutes.
Program will be cancelled in case of power failure. You must reprogram the oven.

Turning on the manual (continuous) operating mode

Use this mode when you want to control the cooking time yourself. In this mode, oven will operate continuously unless you switch it off.



Timer does not cut the power in manual (continuous) mode.

1. Turn the knob (2) clockwise until "0" appears on the Cooking Time display.
2. Pull the knob (2) towards yourself slightly and align start of cooking pointer (orange) (3) with hour hand (6).
3. Release the knob (2) and turn it clockwise (7) to bring onto Manual mode symbol  in Cooking Time display.
4. Put your dish into the oven.
5. Select operation mode and temperature.

Stopping the cooking

When the cooking is over,

1. Turn the Function knob and/or Temperature knob to Off (upper) position.
2. Turn the knob (2) clockwise until "0" appears on the Cooking Time display.

Switch on fully automatic operation

In this operation mode, you can specify the time that the oven will be turned on/off.

1. Turn the knob (2) clockwise until "0" appears on the Cooking Time display.
2. Pull the knob (2) towards yourself slightly and adjust the cooking start time with the start of cooking pointer (orange) (3).
3. Release the knob (2).
4. Turn the knob (2) clockwise to adjust the cooking time in Cooking Time display (7).
5. Put your dish into the oven.
6. Select operation mode and temperature.
» Power cuts off automatically and audio warning is heard at the end of cooking.
7. Turn the knob (2) clockwise until "0" appears on the Cooking Time display as soon as the cooking is completed and alarm signal is heard.
8. Turn off the oven with the Temperature knob and/or Function knob.

Switch on semi-automatic operation

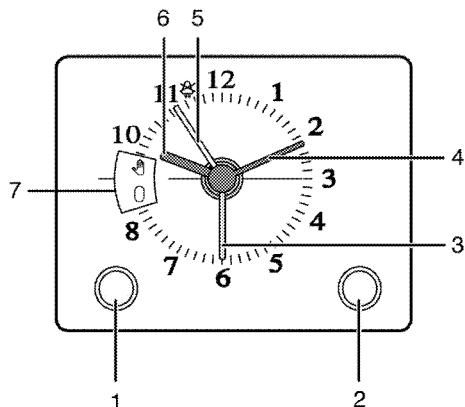
In this operation mode, you can specify the time that the oven will be turned off automatically.

1. Turn the knob (2) clockwise until "0" appears on the Cooking Time display.
2. Turn the knob (2) clockwise to adjust the cooking time in Cooking Time display (7).
3. Put your dish into the oven.
4. Select operation mode and temperature.
» Power cuts off automatically and audio warning is heard at the end of cooking.
5. Turn the knob (2) clockwise until "0" appears on the Cooking Time display as soon as the cooking is completed and alarm signal is heard.
6. Turn off the oven with the Temperature knob and/or Function knob.

Using the clock as an alarm

You can use the clock of the product for any warning or reminder apart from the cooking programme.

The alarm clock has no influence on the functions of the oven. It is only used as a warning. For example, this is useful when you want to turn food in the oven at a certain point of time. Alarm clock will give a signal once the time you set is over.



- 1 Time adjustment button
- 2 Start time adjustment button
- 3 Start of cooking (orange)
- 4 Minute hand (golden)
- 5 Alarm hand (yellow)
- 6 Hour hand (golden)
- 7 Cooking time display



Maximum alarm time can be 55 minutes.

Setting the alarm clock

1. Turn knob (1) to right or left and adjust the alarm pointer (yellow) (5) on the dial.
- » Alarm will be heard at the end of the set time

Turning off the alarm

1. As soon as the alarm is heard, turn knob (1) to right or left to move the alarm pointer (yellow) (5) onto the alarm symbol in order to turn off the alarm.

Cooking times table



The timings in this chart are meant as a guide. Timings may vary due to temperature of food, thickness, type and your own preference of cooking.

Baking and roasting



1st rack of the oven is the **bottom** rack.

Dish	Cooking level number	Accessory to use	Operating mode	Rack position	Temperature (°C)	Cooking time (approx. in min.)
Cakes in tray	One level	Standard tray*		3	180	25 ... 30
Cakes in mould	One level	Cake mold on wire grill**		2	180	40 ... 50
Small cakes	One level	Standard tray*		3	160	25 ... 35
	One level	Standard tray*		3	150	30 ... 40
	2 levels	1-Pastry tray* 3-Standard tray*		1 - 3	150	35 ... 50
	3 levels	1-Standard tray* 3-Pastry tray* 5-Deep tray*		1 - 3 - 5	150	35 ... 50
	Sponge cake	One level	Round springform pan with a diameter of 26 cm on wire grill**		3	160
	One level	Round springform pan with a diameter of 26 cm on wire grill**		2	150	30 ... 40
	2 levels	1-Round springform pan with a diameter of 26 cm on wire grill** 4-Round springform pan with a diameter of 26 cm on pastry tray**		1 - 4	150	35 ... 45
Cookies	One level	Pastry tray*		3	180	25 ... 30
	2 levels	1-Pastry tray* 3-Standard tray*		1 - 3	180	30 ... 40
	3 levels	1-Pastry tray* 3-Standard tray* 5-Deep tray*		1 - 3 - 5	180	35 ... 45
Dough pastry	One level	Standard tray*		2	200	30 ... 40
	2 levels	1-Pastry tray* 5-Standard tray*		1 - 5	200	45 ... 55
	3 levels	1-Pastry tray* 3-Standard tray* 5-Deep tray*		1 - 3 - 5	200	55 ... 65





Rich pastry	One level	Standard tray*		2	200	25 ... 35
	2 levels	1-Pastry tray* 3-Standard tray*		1 - 3	200	35 ... 45
	3 levels	1-Pastry tray* 3-Standard tray* 5-Deep tray*		1 - 3 - 5	190	45 ... 55
Leaven	One level	Standard tray*		2	200	35 ... 45
Lasagna	One level	Glass/metal rectangular pan on wire grill**		2 - 3	200	30 ... 40
Pizza	One level	Standard tray*		2	200 ... 220	15 ... 20
Beef steak (whole) / Roast	One level	Standard tray*		3	25 min. 250/max, then 180 ... 190	100 ... 120
Leg of Lamb (casserole)	One level	Standard tray*		3	25 min. 250/max, then 190	70 ... 90
	One level	Standard tray*		3	25 min. 250/max, then 190	60 ... 80
Roasted chicken (1,8-2 kg)	One level	Standard tray*		2	15 min. 250/max, then 180 ... 190	60 ... 80
	One level	Standard tray*		2	15 min. 250/max, then 180 ... 190	60 ... 80
Turkey (5.5 kg)	One level	Standard tray*		1	25 min. 250/max, then 180 ... 190	150 ... 210
	One level	Standard tray*		1	25 min. 250/max, then 180 ... 190	150 ... 210
Fish	One level	Standard tray*		3	200	20 ... 30
	One level	Standard tray*		3	200	20 ... 30

It is suggested to perform preheating for all foods.
* These accessories may not be supplied with the product.
** These accessories are not supplied with the product. They are commercially available accessories.

Cooking table for test meals

Meals in this cooking table are prepared according to EN 60350-1 to make it easier for control institutes to test the product

Dish	Cooking level number	Accessory to use	Operating mode	Rack position	Temperature (°C)	Cooking time (approx. in min.)
Shortbread	One level	Standard tray*		3	140	20 ... 30
	One level	Standard tray*		3	140	20 ... 30
	2 levels	1-Standard tray* 3-Pastry tray*		1 - 3	140	20 ... 30
Small cakes	3 levels	1-Standard tray* 3-Pastry tray* 5-Deep tray*		1 - 3 - 5	140	25 ... 35
	One level	Standard tray*		3	160	25 ... 35
	One level	Standard tray*		3	150	30 ... 40
Sponge cake	2 levels	1-Pastry tray* 3-Standard tray*		1 - 3	150	35 ... 50
	3 levels	1-Standard tray* 3-Pastry tray* 5-Deep tray*		1 - 3 - 5	150	35 ... 50
	One level	Round springform pan with a diameter of 26 cm on wire grill**		3	160	25 ... 35
	One level	Round springform pan with a diameter of 26 cm on wire grill**		2	150	30 ... 40

	2 levels	1-Round springform pan with a diameter of 26 cm on wire grill** 4-Round springform pan with a diameter of 26 cm on pastry tray**		1 - 4	150	35 ... 45
Apple pie	One level	Round black metal dish with a diameter of 20 cm on wire grill**		2	180	50 ... 60
	One level	Round black metal dish with a diameter of 20 cm on wire grill**		2	170	50 ... 60
	2 levels	1-Round black metal dish with a diameter of 20 cm on wire grill** 4-Round black metal dish with a diameter of 20 cm on pastry tray**		1 - 4	170	50 ... 60

It is suggested to perform preheating for all foods.
* These accessories may not be supplied with the product.
** These accessories are not supplied with the product. They are commercially available accessories.

Tips for baking cake

- If the cake is too dry, increase the temperature by 10°C and decrease the cooking time.
- If the cake is wet, use less liquid or lower the temperature by 10°C.
- If the cake is too dark on top, place it on a lower rack, lower the temperature and increase the cooking time.
- If cooked well on the inside but sticky on the outside use less liquid, lower the temperature and increase the cooking time.

Tips for baking pastry

- If the pastry is too dry, increase the temperature by 10°C and decrease the cooking time. Dampen the layers of dough with a sauce composed of milk, oil, egg and yoghurt.
- If the pastry takes too long to bake, pay care that the thickness of the pastry you have prepared does not exceed the depth of the tray.
- If the upper side of the pastry gets browned, but the lower part is not cooked, make sure that the amount of sauce you have used for the pastry is not too much at the bottom of the pastry. Try to scatter the sauce equally between the dough layers and on the top of pastry for an even browning.



Cook the pastry in accordance with the mode and temperature given in the cooking table. If the bottom part is still not browned enough, place it on one lower rack next time.

Tips for cooking vegetables

- If the vegetable dish runs out of juice and gets too dry, cook it in a pan with a lid instead of a tray. Closed vessels will preserve the juice of the dish.
- If a vegetable dish does not get cooked, boil the vegetables beforehand or prepare them like canned food and put in the oven.

How to operate the grill



Before you can use the oven, the time must be set. If the time is not set, oven will not operate.



WARNING

Close oven door during grilling.
Hot surfaces may cause burns!

Switching on the grill

1. Turn the Function knob to the desired grill symbol.
2. Then, select the desired grilling temperature.
3. If required, perform a preheating of about 5 minutes.

» Temperature light turns on.

Switching off the grill

1. Turn the Function knob to Off (top) position.



Foods that are not suitable for grilling carry the risk of fire. Only grill food which is suitable for intensive grilling heat.

Do not place the food too far in the back of the grill. This is the hottest area and fatty food may catch fire.

Cooking times table for grilling

Grilling with electric grill

Food	Accessory to use	Rack position	Recommended temperature (°C)**	Cooking time (approx. in min.)
Fish	Wire grill	4...5	250/max	20...25 min. #
Sliced chicken	Wire grill	4...5	250/max	25...35 min.
Lamb chops	Wire grill	4...5	250/max	20...25 min.
Roast beef	Wire grill	4...5	250/max	25...30 min. #
Veal chops	Wire grill	4...5	250/max	25...30 min. #
Toast bread*	Wire grill	4	250/max	1...3 min.

depending on thickness

*Preheat for 5 minutes

**If the grill temperature of your product cannot be adjusted, the grill will work at the maximum temperature.

Meals in this cooking table are prepared according to EN 60350-1 to make it easier for control institutes to test the product

Food	Accessory to use	Rack position	Temperature (°C)	Cooking time (approx. in min.)
Toast bread	Wire grill	4	250/max	1...3 min.
Meatballs (beef) - 12 pieces	Wire grill	4	250/max	25...35 min.

Turn the food after 2/3 of the total grilling time.

It is suggested to perform 5-6 minutes preheating for all foods broiling.

6 Maintenance and care

General information

Service life of the product will extend and the possibility of problems will decrease if the product is cleaned at regular intervals.



DANGER:

Disconnect the product from mains supply before starting maintenance and cleaning works.

There is the risk of electric shock!



DANGER:

Allow the product to cool down before you clean it.

Hot surfaces may cause burns!

- Clean the product thoroughly after each use. In this way it will be possible to remove cooking residues more easily, thus avoiding these from burning the next time the appliance is used.
- No special cleaning agents are required for cleaning the product. Use warm water with washing liquid, a soft cloth or sponge to clean the product and wipe it with a dry cloth.
- Always ensure any excess liquid is thoroughly wiped off after cleaning and any spillage is immediately wiped dry.
- Do not use cleaning agents that contain acid or chloride to clean the stainless or inox surfaces and the handle. Use a soft cloth with a liquid detergent (not abrasive) to wipe those parts clean, paying attention to sweep in one direction.



The surface might get damaged by some detergents or cleaning materials.

Do not use aggressive detergents, cleaning powders/creams or any sharp objects during cleaning.

Do not use harsh abrasive cleaners or sharp metal scrapers to clean the oven door glass since they can scratch the surface, which may result in shattering of the glass.



Do not use steam cleaners to clean the appliance as this may cause an electric shock.

Cleaning the control panel

Clean the control panel and knobs with a damp cloth and wipe them dry.



If your product is equipped with buttons/knobs do not remove the control buttons/knobs to clean the control panel.

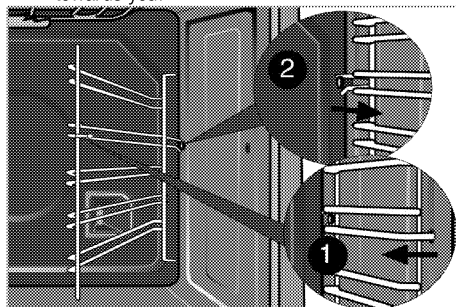
Control panel may get damaged!

Cleaning the oven

To clean the side wall (Varies depending on the product model.)

(This feature is optional. It may not exist on your product.)

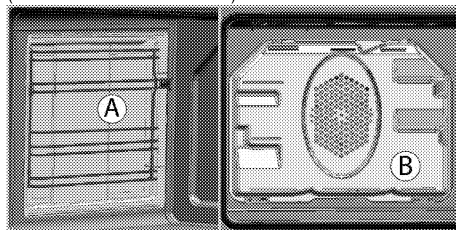
1. Remove the front section of the side rack by pulling it in the opposite direction of the side wall.
2. Remove the side rack completely by pulling it towards you.



Catalytic walls

(This feature is optional. It may not exist on your product.)

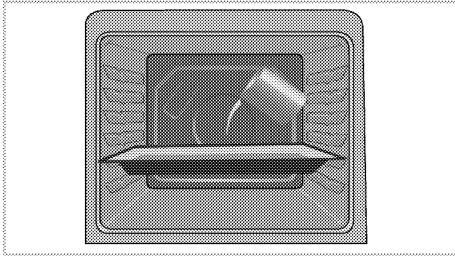
The inner side walls (A) and/or the rear wall (B) of your product may be coated with catalytic enamel. Catalytic walls have a light matte colour and a porous surface. Catalytic walls of the oven should not be cleaned. Porous surfaces of the catalytic walls are automatically cleaned by absorbing and converting the spilled oil (steam and carbon dioxide).



Easy Steam Cleaning

It ensures easy cleaning because the dirt (having waited not for too long) is softened with the steam that forms inside the oven and the water drops condensing on the inner surfaces of the oven.

1. Remove all accessories inside the oven.
2. Pour 500 ml of water into the oven tray and place the tray at the 2nd rack of the oven.



3. Set the oven to easy steam cleaning mode and run at 100°C for 25 minutes.
4. Open the door and wipe the inner surfaces of the oven with a damp sponge or cloth.
5. Use warm water with washing liquid, a soft cloth or sponge to clean the persistent dirt and wipe it with a dry cloth.



During the easy steam cleaning mode, water that is placed in the tray to soften lightly formed residues/dirt within the oven cavity will evaporate and condense in the oven cavity and inner glass of the oven door, therefore water may drip when the oven door is opened. Wipe away the condensation as soon as the oven door is opened.

Clean oven door

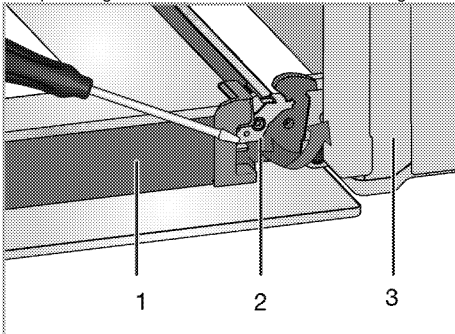
To clean the oven door, use warm water with washing liquid, a soft cloth or sponge to clean the product and wipe it with a dry cloth.



Don't use any harsh abrasive cleaners or sharp metal scrapers for cleaning the oven door. They could scratch the surface and destroy the glass.

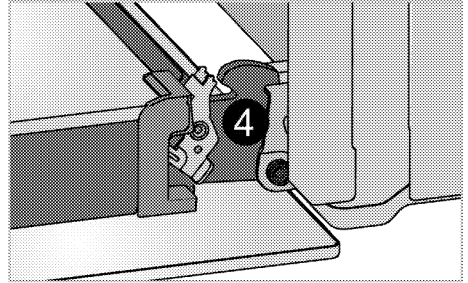
Removing the oven door

1. Open the front door (1).
2. Open the clips at the hinge housing (2) on the right and left hand sides of the front door by pressing them down as illustrated in the figure.

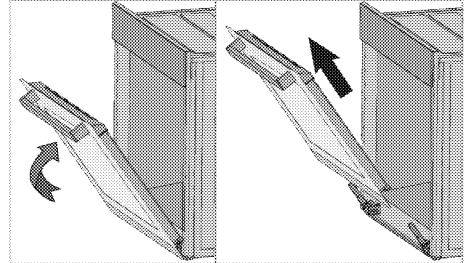


1 Door

- 2 Hinge lock(closed position)
- 3 Oven
- 4 Hinge lock(open position)



3. Move the front door to half-way.



4. Remove the front door by pulling it upwards to release it from the right and left hinges.



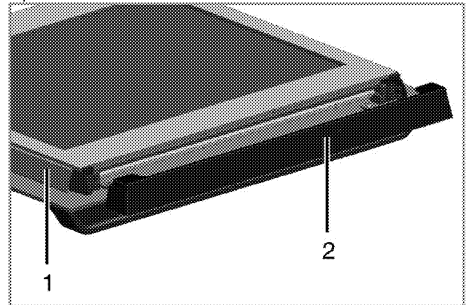
Steps carried out during removing process should be performed in reverse order to install the door. Do not forget to close the clips at the hinge housing when reinstalling the door.

Removing the door inner glass

(This feature is optional. It may not exist on your product.)

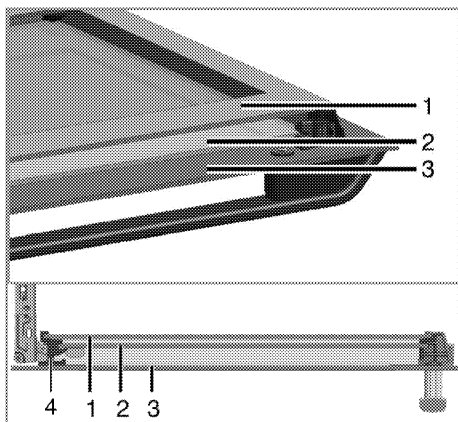
The inner glass panel of the oven door can be removed for cleaning.

Open the oven door.



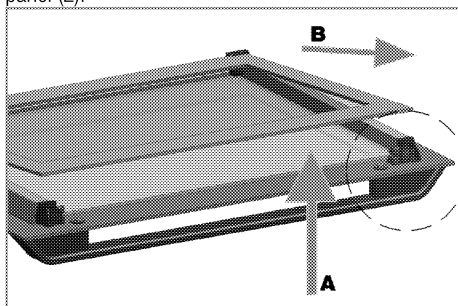
- 1 Frame
- 2 Plastic part

Pull towards yourself and remove the plastic part installed to upper section of the front door.



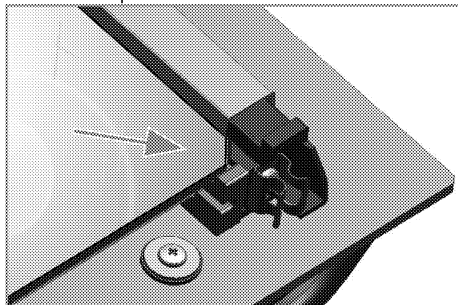
- 1 Innermost glass panel
- 2 Inner glass panel
- 3 Outer glass panel
- 4 Plastic glass panel slot-Lower

As illustrated in figure, raise the innermost glass panel (1) slightly in direction **A** and pull it out in direction **B**. Repeat the same procedure to remove the inner glass panel (2).



The first step to regroup the door is reinstalling inner glass panel (2).

As illustrated in figure, place the chamfered corner of the glass panel so that it will rest in the chamfered corner of the plastic slot.



Inner glass panel (2) must be installed into the plastic slot close the innermost glass panel (1).

When installing the innermost glass panel (1), make sure that the printed side of the panel faces towards the inner glass panel.

It is important to seat lower corner of inner glass panel into the lower plastic slot.

Push the plastic part towards the frame until you hear a "click".

Replacing the oven lamp



DANGER:

Before replacing the oven lamp, make sure that the product is disconnected from mains and cooled down in order to avoid the risk of an electrical shock.
Hot surfaces may cause burns!



Position of lamp might vary from the figure.



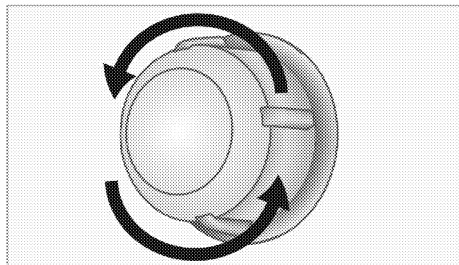
The lamp used in this appliance is not suitable for household room illumination. The intended purpose of this lamp is to assist the user to see foodstuffs.



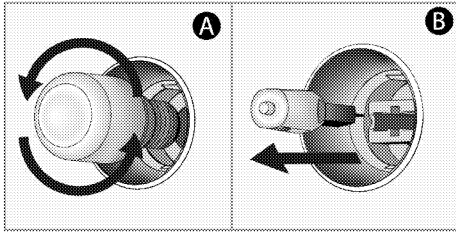
The lamps used in this appliance have to withstand extreme physical conditions such as temperatures above 50 °C.

If your oven is equipped with a round lamp:

1. Disconnect the product from mains.
2. Turn the glass cover counter clockwise to remove it.



3. If your oven lamp is of type (A) shown in the figure below, remove it by rotating as shown and replace it. If it is of type (B), pull and remove it as shown in the figure and replace it.



4. Install the glass cover.



In this oven, an incandescent lamp with a power of less than 40 W, a height of less than 60 mm, a diameter of less than 30 mm or a halogen lamp with socket type G9, a power of less than 60 W is used. The lamps are suitable for operation at temperatures above 300 °C. Oven lamps can be obtained from Authorised Service Agents or technician with licence.

7 Troubleshooting

Oven emits steam when it is in use.

- It is normal that steam escapes during operation. >>> *This is not a fault.*

Product emits metal noises while heating and cooling.

- When the metal parts are heated, they may expand and cause noise. >>> *This is not a fault.*

Product does not operate.

- The mains fuse is defective or has tripped. >>> *Check fuses in the fuse box. If necessary, replace or reset them.*
- Product is not plugged into the (grounded) socket. >>> *Check the plug connection.*

Oven light does not work.

- Oven lamp is defective. >>> *Replace oven lamp.*
- Power is cut. >>> *Check if there is power. Check the fuses in the fuse box. If necessary, replace or reset the fuses.*

Oven does not heat.

- Might not be set to a certain cooking function and/or temperature. >>> *Set the oven to a certain cooking function and/or temperature.*
- In models equipped with a timer, the timer is not adjusted. >>> *Adjust the time.*
(In products with microwave oven, timer controls only microwave oven.)
- Power is cut. >>> *Check if there is power. Check the fuses in the fuse box. If necessary, replace or reset the fuses.*

(In models with timer) Clock display is blinking or clock symbol is on.

- A previous power outage has occurred. >>> *Adjust the time / Switch of the product and switch it on again.*

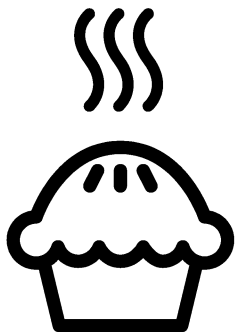


Consult the Authorised Service Agent or technician with licence or the dealer where you have purchased the product if you can not remedy the trouble although you have implemented the instructions in this section. Never attempt to repair a defective product yourself.



Forno incassato

Manuale utente



IT

Leggere questo manuale utente come prima cosa!

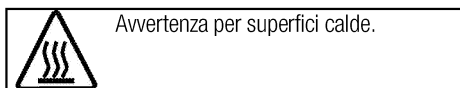
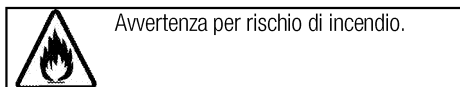
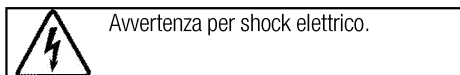
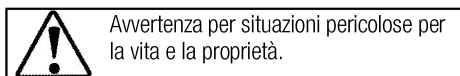
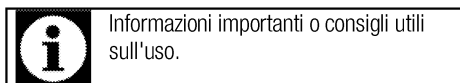
Gentile cliente,

Grazie per aver scelto un apparecchio Beko. Vi auguriamo di ottenere i migliori risultati da questo apparecchio, realizzato con tecnologia di alta qualità e di avanguardia. Pertanto, di leggere questo manuale utente e tutta la documentazione allegata con attenzione prima di usare l'apparecchio e di conservarli per riferimento futuro. Se l'apparecchio viene trasferito ad un'altra persona, bisogna consegnare anche il manuale. Seguire tutte le avvertenze e le informazioni del manuale utente.

Ricordare che questo manuale utente può essere applicabile anche a vari altri modelli. Le differenze tra i modelli sono identificate nel manuale.

Spiegazione dei simboli

In questo manuale utente si usano i simboli che seguono:



Arçelik A.Ş.
Karaağaç caddesi No:2-6
34445 Sütlüce/Istanbul/TURKEY
Made in TURKEY

1 Istruzioni importanti e avvertenze per sicurezza e ambiente 4

Sicurezza generale.....4
 Sicurezza elettrica.....4
 Sicurezza del prodotto.....5
 Uso previsto7
 Sicurezza dei bambini7
 Smaltimento di vecchi prodotti.....8
 Smaltimento del materiale di imballaggio.....8

2 Informazioni generali 9

Panoramica.....9
 Contenuto della confezione.....10
 Specifiche tecniche.....11

3 Installazione 12

Prima della installazione.....12
 Installazione e collegamento.....14
 Smaltimento di vecchi prodotti.....16

4 Preparazioni 17

Consigli per il risparmio energetico17
 Uso iniziale.....17
 Impostazione orario.....17
 Prima pulizia del prodotto17
 Riscaldamento iniziale.....17

5 Come utilizzare il forno 19

Informazioni generali su cottura al forno, cottura arrosto e con grill.....19
 Come utilizzare il forno elettrico.....19
 Modalità di funzionamento.....20
 Uso dell'orologio del forno.....21
 Uso dell'orologio come sveglia22
 Tabella tempi di cottura22
 Come utilizzare il grill.....25
 Tabella tempi di cottura per la cottura con grill.....25

6 Manutenzione e cura 26

Informazioni generali26
 Pulizia del pannello di controllo26
 Pulizia del forno26
 Rimozione dello sportello del forno.....27
 Rimozione del vetro interno dello sportello28
 Sostituzione della lampadina del forno.....28

7 Ricerca e risoluzione dei problemi 30

1 Istruzioni importanti e avvertenze per sicurezza e ambiente

Questa sezione contiene istruzioni per la sicurezza che aiutano a proteggere dal rischio di lesioni personali o danni alla proprietà. La mancata osservanza di queste istruzioni priva la garanzia di validità.

Sicurezza generale

- Questo apparecchio può essere utilizzato da bambini con età superiore agli 8 anni e da persone con capacità fisiche, sensoriali o mentali ridotte, o che manchino di esperienza e conoscenza, purché ricevano la supervisione e le istruzioni sull'uso dell'apparecchio in modo sicuro e comprendano i rischi coinvolti. I bambini non devono giocare con l'apparecchio. Pulizia e manutenzione da parte dell'utente non devono essere eseguite da bambini senza supervisione.
- Questo apparecchio non deve essere utilizzato da persone (compresi i bambini) con capacità fisiche, sensoriali o mentali ridotte, oppure prive di esperienza e conoscenza, a meno che non ricevano supervisione o istruzioni al riguardo. I bambini devono essere vigilati affinché non giochino con il dispositivo.

- Se il prodotto viene ceduto a qualcun altro per l'uso personale o per scopi d'uso di seconda mano, fornire anche il manuale utente, le etichette del prodotto e gli altri documenti e parti.
- Le procedure di installazione e riparazione devono essere sempre eseguite da agenti autorizzati per l'assistenza. Il produttore non sarà considerato responsabile dei danni derivanti da procedure eseguite da persone non autorizzate e potrebbe considerare non valida la garanzia. Prima dell'installazione, leggere le istruzioni con attenzione.
- Non utilizzare il prodotto se è difettoso o se presenta danni visibili.
- Controllare che le manopole delle funzioni dell'apparecchio siano disattivate dopo ogni uso.

Sicurezza elettrica

- In caso di guasti all'apparecchio, non utilizzarlo a meno che non venga riparato da un agente autorizzato per l'assistenza. C'è il rischio di shock elettrico!
- Collegare l'apparecchio solo ad una presa messa a terra/linea con tensione e protezione secondo quanto specificato in

"Specifiche tecniche". Far eseguire la messa a terra da un elettricista qualificato quando si usa il prodotto con o senza un trasformatore. La nostra azienda non sarà responsabile di problemi derivanti dall'uso dell'apparecchio senza messa a terra conforme ai regolamenti locali.

- Non lavare mai l'apparecchio spargendo o versando acqua su di esso! C'è il rischio di shock elettrico!
- L'apparecchio deve essere scollegato durante le procedure di installazione, manutenzione, pulizia e riparazione.
- Se il cavo di alimentazione dell'apparecchio è danneggiato, deve essere sostituito dal produttore, da un agente per l'assistenza o da persona similmente qualificata, per evitare rischi.
- L'apparecchio deve essere installato in modo che possa essere completamente scollegato dalla rete. La separazione deve essere garantita da una presa di rete o da un interruttore integrato nell'installazione elettrica fissa, secondo i regolamenti di costruzione.
- La superficie posteriore del forno diventa calda durante l'uso. Assicurarsi che il collegamento

elettrico non sia in contatto con la superficie posteriore; altrimenti, i collegamenti possono danneggiarsi.

- Non intrappolare il cavo di rete tra lo sportello del forno e la struttura e non farlo passare su superfici calde. Altrimenti, l'isolamento del cavo si può fondere e provocare un incendio come risultato del corto circuito.
- Tutti gli interventi su apparecchi e sistemi elettrici possono essere eseguiti solo da personale qualificato e autorizzato.
- In caso di danni, spegnere il prodotto e scollegarlo dalla rete. Per farlo, disattivare il fusibile domestico.
- Assicurarsi che la corrente del fusibile sia compatibile con il prodotto.

Sicurezza del prodotto

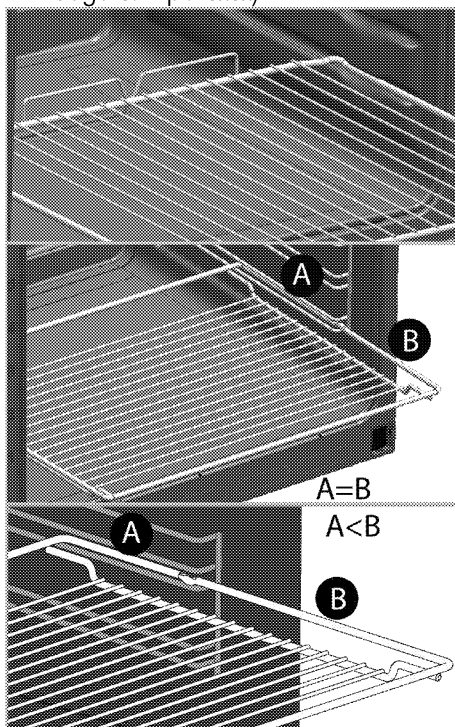
- **AVVERTENZA:** Questo apparecchio e le parti accessibili diventano caldi durante l'uso. Bisogna prestare attenzione a evitare di toccare gli elementi che si riscaldano. I bambini di età inferiore agli 8 anni devono essere tenuti lontani a meno che non ricevano continua supervisione.
- Non usare mai il prodotto quando giudizio e coordinazione sono

danneggiati dall'uso di alcool e/o droghe.

- Prestare attenzione quando si usano bevande alcoliche nei piatti. L'alcool evapora ad alte temperature e può provocare incendi poiché prende fuoco a contatto con superfici calde.
- Non mettere materiali infiammabili vicini al prodotto poiché i lati possono diventare caldi durante l'uso.
- Durante l'uso l'apparecchio diventa caldo. Bisogna prestare attenzione a evitare di toccare gli elementi che si riscaldano all'interno del forno.
- Tenere tutte le aperture di ventilazione libere da ostruzioni.
- Non riscaldare lattine chiuse e barattoli di vetro nel forno. La pressione che si può crea in contenitore/barattolo può farli esplodere.
- Non mettere vassoi per la cottura al forno o fogli di alluminio direttamente sul fondo del forno. L'accumulo di calore può danneggiare il fondo del forno.
- Non usare agenti pulenti abrasivi o raschietti duri in metallo per pulire il vetro dello sportello del forno poiché potrebbero graffiare la superficie rovinando il vetro.
- Non usare pulitori a vapore per pulire l'apparecchio poiché ciò

potrebbe provocare uno shock elettrico.

- (Varia a seconda del modello dell'apparecchio.)
Inserimento corretto della griglia e delle teglie
E' importante inserire la griglia e/o la teglia nelle rastrelliere laterali in maniera corretta. Far scivolare la griglia e/o la teglia sulle rastrelliere laterali verificandone la stabilità prima di posizionare le pietanze al di sopra (vedi immagine esplicativa di seguito riportata)



- Non usare il prodotto con il vetro dello sportello anteriore rimosso o lesionato.

- La maniglia del forno non serve per asciugare gli strofinacci. Non appendervi strofinacci, guanti o altri oggetti in tessuto quando la funzione grill è in corso con lo sportello aperto.
- Usare sempre guanti resistenti al calore quando si mettono o si rimuovono i piatti nel/dal forno caldo.
- Mettere la carta da forno nella pentola o nell'accessorio da forno (vassoio, grill, ecc.) assieme agli alimenti e poi inserire tutto nel forno pre-riscaldato. Togliere le parti in eccesso della carta da forno che fuoriescono dall'accessorio o dalla pentola per evitare il rischio che tocchino gli elementi di riscaldamento del forno. Non utilizzare mai la carta da forno a una temperatura operativa superiore al valore indicato per la carta da forno. Non mettere la carta da forno direttamente sulla base del forno.
- **AVVERTENZA:** Controllare che il cavo di alimentazione dell'apparecchio sia scollegato o che l'interruttore sia spento prima di sostituire la lampadina, per evitare la possibilità di scarica elettrica.
- Il dispositivo non deve essere installato dietro a porte decorative,

così da evitarne il surriscaldamento.

Per l'affidabilità antincendio dell'apparecchio:

- Assicurarsi che la spina si adatti bene alla presa e che non provochi scintille.
- Non utilizzare cavi danneggiati, tagliati o prolunghe: utilizzare solo il cavo originale.
- Assicurarsi che non vi sia liquido o umidità sulla presa quando viene collegata all'apparecchio.

Uso previsto

- Questo prodotto è progettato per uso domestico. L'uso commerciale non è ammesso.
- **ATTENZIONE:** Questo apparecchio serve solo per cucinare. Non deve essere usato per altri scopi, per esempio riscaldare l'ambiente
- Questo prodotto non deve essere usato per riscaldare piatti sotto al grill, asciugare asciugamani, panni per piatti, ecc. appesi sulle maniglie, né per riscaldare.
- Il produttore non sarà responsabile per danni provocati da uso o gestione non corretti.
- Il forno può essere usato per scongelare, cuocere al forno, arrostitire e cuocere con il grill gli alimenti.

Sicurezza dei bambini

- **AVVERTENZA:** Le parti accessibili possono diventare calde durante

l'uso. I bambini devono essere tenuti lontani.

- I materiali di imballaggio sono pericolosi per i bambini. Tenere i bambini lontani dai materiali di imballaggio. Smaltire tutte le parti dell'imballaggio secondo gli standard ambientali.
- Gli apparecchi elettrici sono pericolosi per i bambini. Tenere i bambini lontano dall'apparecchio mentre è in uso e non lasciarli giocare con lo stesso.
- Non mettere sopra all'apparecchio alcun oggetto che possa essere raggiunto dai bambini.
- Quando lo sportello è aperto, non caricare sopra oggetti pesanti e non lasciare che i bambini vi si siedano sopra. Lo sportello potrebbe capovolgersi o i cardini dello stesso potrebbero danneggiarsi.

Smaltimento di vecchi prodotti

Conformità alla direttiva WEEE e allo smaltimento dei rifiuti:



Questo apparecchio è conforme alla Direttiva UE WEEE (2012/19/EU). Questo apparecchio riporta il simbolo di classificazione per i rifiuti delle apparecchiature elettriche ed elettroniche (WEEE).

Questo apparecchio è stato realizzato con parti e materiali di alta qualità che possono essere riutilizzati e sono adatti ad essere riciclati. Non smaltire i rifiuti dell'apparecchio con i normali rifiuti domestici e gli altri rifiuti alla fine della vita di servizio. Portarlo al centro di raccolta per il riciclaggio di apparecchiature elettriche ed elettroniche. Consultare le autorità locali per conoscere la collocazione di questi centri di raccolta.

Conformità alla Direttiva RoHS:

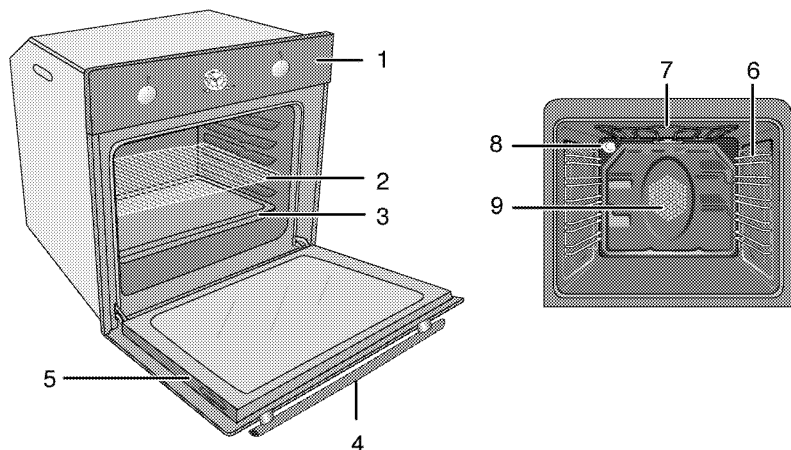
L'apparecchio acquistato è conforme alla Direttiva UE RoHS (2011/65/EU). Non contiene materiali pericolosi o proibiti specificati nella Direttiva.

Smaltimento del materiale di imballaggio

- I materiali di imballaggio sono pericolosi per i bambini. Tenere i materiali di imballaggio in un luogo sicuro, fuori dalla portata dei bambini. I materiali di imballaggio del prodotto sono realizzati con materiali riciclabili. Smaltirli in modo corretto e dividerli secondo le istruzioni per i rifiuti riciclabili. Non smaltirli con i normali rifiuti domestici.

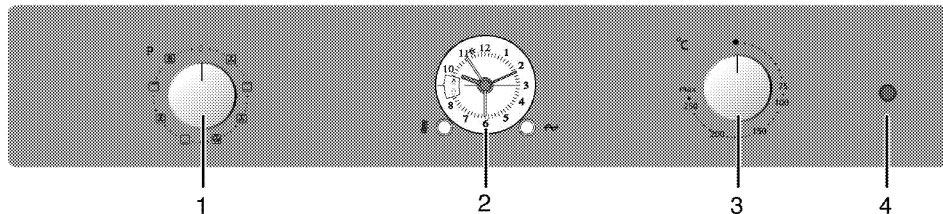
2 Informazioni generali

Panoramica



- 1 Pannello di controllo
- 2 Ripiano metallico
- 3 Vassoio
- 4 Maniglia
- 5 Sportello

- 6 Posizioni ripiani
- 7 Elemento di riscaldamento superiore
- 8 Lampadina
- 9 Motore ventola (dietro alla piastra di acciaio)



- 1 Manopola funzione
- 2 Timer meccanico
- 3 Manopola termostato
- 4 Lampadina termostato

Contenuto della confezione

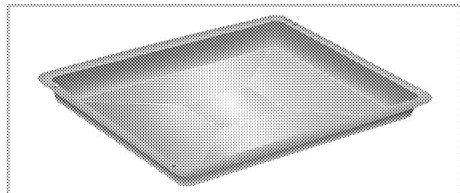


Gli accessori in dotazione possono variare a seconda del modello del prodotto. Non tutti gli accessori descritti nel manuale utente potrebbero esistere con il prodotto acquistato.

1. **Manuale utente**

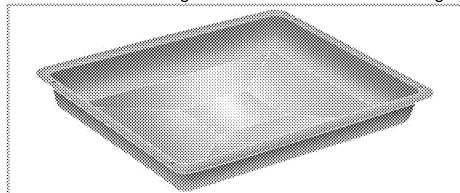
2. **Vassoio standard**

Usato per dolci, alimenti congelati e grandi arrosti.



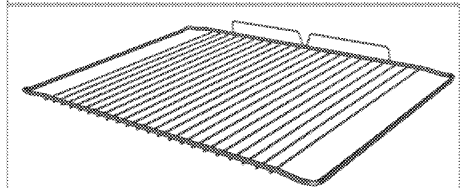
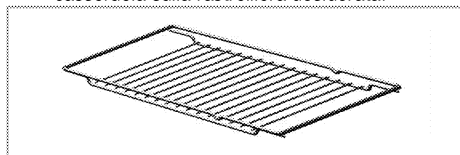
3. **Vassoio profondo**

Usato per dolci, arrosti grandi, piatti sugosi e per la raccolta del grasso durante la cottura con grill.



4. **Grill metallico**

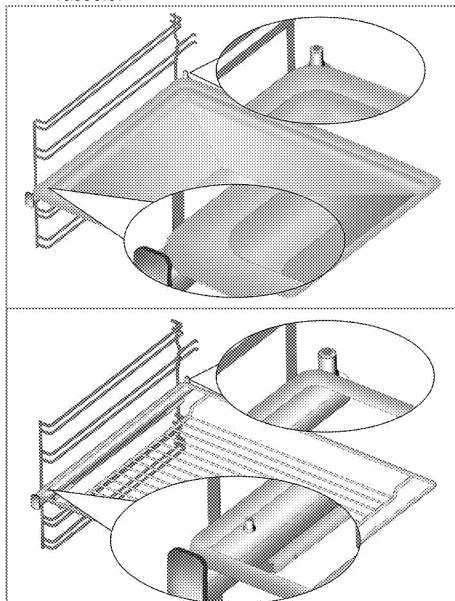
forno, da arrostitire o piatti da cuocere in casseruola sulla rastrelliera desiderata.



5. **Posizionare in modo corretto ripiano metallico e vassoio sulle rastrelliere telescopiche (Questa funzione è opzionale. Potrebbe non essere sul prodotto acquistato).**

Le rastrelliere telescopiche consentono di installare e rimuovere facilmente i vassoi e il ripiano metallico.

Quando si usa il vassoio e il ripiano metallico con le rastrelliere telescopiche, assicurarsi che i perni della sezione posteriore della rastrelliera telescopica siano contro i bordi di grill metallico e vassoio.



Si consiglia di non utilizzare vassoi e griglie a contatto diretto con gli alimenti.

Specifiche tecniche

Tensione/frequenza	220-240 V ~ 50 Hz
Consumo energetico totale	2.5 kW
Tipo/sezione cavo	min.H05W-FG 3 x 1,5 mm ²
Dimensioni esterne (altezza/larghezza/profondità)	595 mm/594 mm/567 mm
Dimensioni installazione (altezza/larghezza/profondità)	**590 o 600 mm/560 mm/min. 550 mm
Forno principale	Forno multifunzione
Lampadina interna	15/25 W
Consumo energetico grill	2.2 kW

Informazioni fondamentali: Le informazioni sull'etichetta energetica dei forni elettriche sono fornite ai sensi dello standard EN 60350-1 / IEC 60350-1. Questi valori sono determinati in condizioni di carico standard con funzioni di riscaldatore inferiore-superiore o di riscaldamento con ventola (se presente).

La classe di efficienza energetica è stabilita secondo i criteri di priorità che seguono a seconda della presenza o meno nel prodotto delle relative funzioni. 1-Cottura con eco-ventola, 2- Cottura turbo lenta, 3- Cottura turbo, 4- Riscaldamento inferiore/superiore con ventola, 5-Riscaldamento superiore e inferiore.

** Vedere *Installazione*, pagina 12.



Le specifiche tecniche potrebbero essere modificate senza preavviso per migliorare la qualità del prodotto.



Le figure in questo manuale sono schematiche e potrebbero non corrispondere esattamente al prodotto.



I valori dichiarati sulle etichette del prodotto o nella documentazione che lo accompagna si ottengono in condizioni di laboratorio secondo gli standard relativi. A seconda delle condizioni di funzionamento e ambientali del prodotto, questi valori potrebbero variare.

3 Installazione

Il prodotto deve essere installato da una persona qualificata secondo i regolamenti in vigore. Altrimenti la garanzia non sarà valida. Il produttore non sarà considerato responsabile dei danni derivanti da procedure eseguite da persone non autorizzate e potrebbe considerare non valida la garanzia.



La preparazione della posizione e l'installazione elettrica del per il prodotto è responsabilità del cliente.



PERICOLO:

Il prodotto deve essere installato secondo i regolamenti locali per il gas e/o elettrici.



PERICOLO:

Prima dell'installazione, controllare visivamente se il prodotto presenta difetti. Se è così, non installarlo.
Prodotti danneggiati provocano rischi per la sicurezza.

Prima della installazione

L'apparecchio è destinato ad essere installato in alloggiamenti da cucina disponibili in commercio. Bisogna porre un dispositivo di sicurezza tra l'apparecchio e le pareti e i mobili della cucina. Vedere la figura (valori in mm).

- Superfici, laminati sintetici e adesivi usati devono essere resistenti al calore (100 °C minimo).

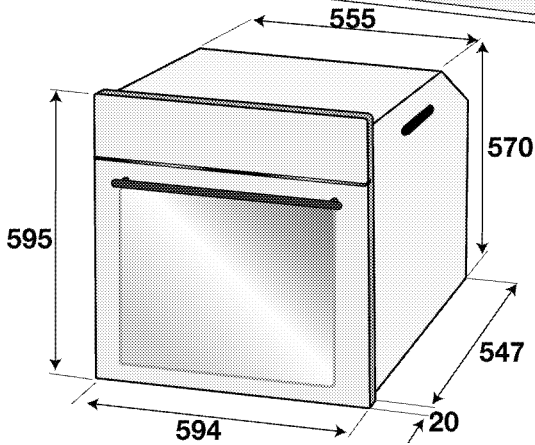
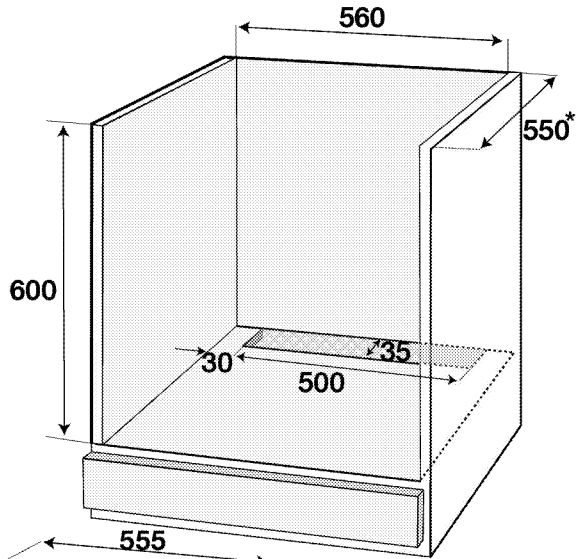
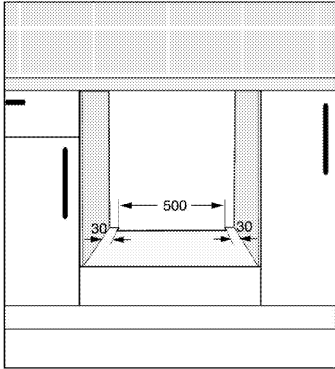
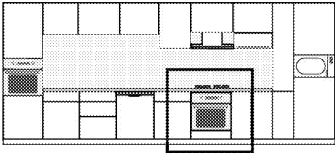
- Gli alloggiamenti da cucina devono essere a livello uniforme e fissi.
- Se c'è un cassetto sotto al forno, bisogna installare un ripiano tra il forno e il cassetto.
- Trasportare l'apparecchio con almeno due persone.
- Tenere il forno dalle aperture per maneggiarlo su entrambi i lati al fine di spostarlo.
- Prima di installare il prodotto, rimuovere tutti i materiali e i documenti all'interno.
- I mobili della cucina devono essere conformi alle dimensioni indicate nella figura seguente. Nella parte posteriore del mobile della cucina, deve essere ritagliata un'apertura delle dimensioni indicate nella figura seguente per garantire una ventilazione sufficiente.



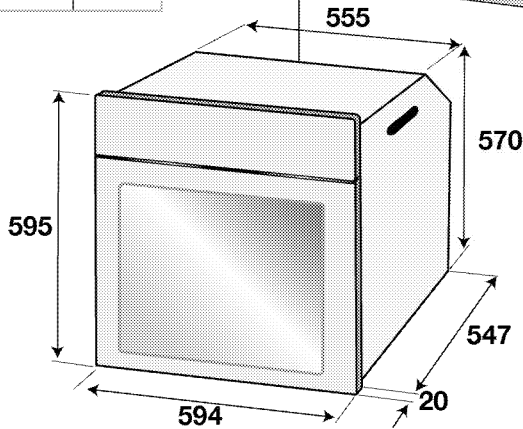
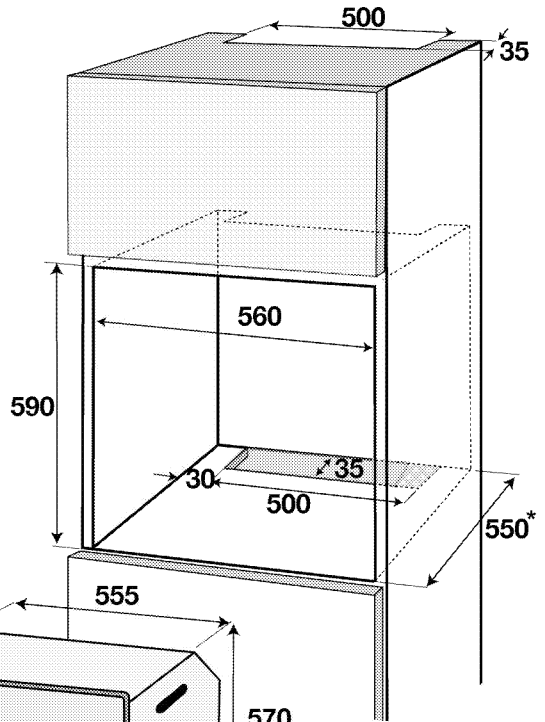
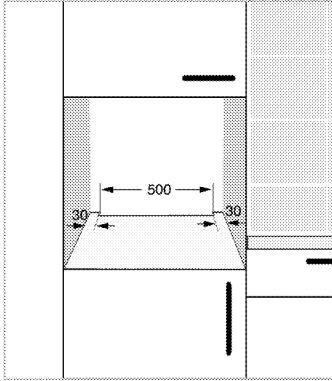
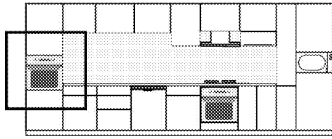
Non installare l'apparecchio vicino ad un frigorifero o congelatore. Il calore emesso dall'apparecchio porta ad un accresciuto consumo energetico da parte delle unità di raffreddamento.



Non usare sportello e/o maniglia per portare o spostare il prodotto.



* min.



* min.

Installazione e collegamento

- L'unità può essere installata e collegata solo secondo le norme legali sulla installazione.

Collegamento elettrico

Collegare il prodotto ad una presa messa a terra/linea protetta da un mini interruttore di circuito della capacità adatta, dichiarata nella tabella "Specifiche tecniche". Far eseguire la messa a terra da un elettricista qualificato quando si usa il prodotto con o senza un trasformatore. La nostra azienda non sarà responsabile di danni derivanti dall'uso del prodotto

senza una installazione di messa a terra conforme ai regolamenti locali.



PERICOLO:

L'apparecchio deve essere collegato alla rete elettrica solo da una persona autorizzata e qualificata. Il periodo di garanzia dell'apparecchio comincia solo dopo la corretta installazione.

Il produttore non sarà considerato responsabile dei danni derivanti da procedure eseguite da persone non autorizzate.

PERICOLO:
 Il cavo di alimentazione non deve essere schiacciato, piegato o bloccato né deve venire in contatto con le parti calde dell'apparecchio. Un cavo di alimentazione danneggiato deve essere sostituito da un elettricista qualificato. Altrimenti c'è rischio di shock elettrico, cortocircuito o incendio!

- Il collegamento deve essere conforme ai regolamenti nazionali.
- I dati sull'alimentazione di rete devono corrispondere ai dati specificati sull'etichetta con il tipo dell'unità. Aprire lo sportello anteriore per vedere l'etichetta con il tipo.
- Il cavo di alimentazione dell'unità deve essere conforme ai valori della tabella "Specifiche tecniche".

PERICOLO:
 Prima di cominciare un lavoro sull'installazione elettrica, scollegare il prodotto dall'alimentazione di rete. C'è il rischio di shock elettrico!

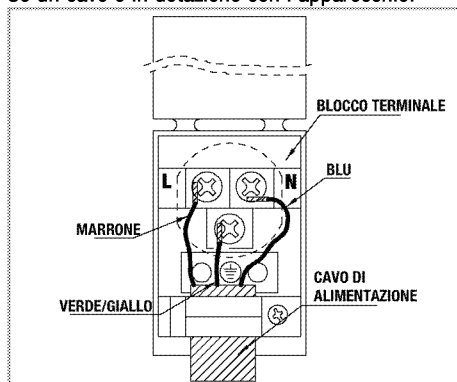
Collegamento del cavo di alimentazione

i Mentre si esegue il cablaggio, bisogna applicare le normative nazionali/locali ed utilizzare la linea/uscita per la presa e la spina appropriate per il forno. Se i limiti di alimentazione dell'apparecchio sono al di fuori della capacità di spina e uscita/linea della presa, l'apparecchio deve essere collegato direttamente attraverso una installazione elettrica fissa senza utilizzare spina e uscita/linea della presa.

1. Se non è possibile scollegare tutti i poli dell'alimentazione, deve essere collegata un'unità di disconnessione con almeno 3 mm di distanza di contatto (fusibili, interruttori interruttori di sicurezza della linea, contattori) e tutti i poli di questa disconnessione devono essere vicini (ma non sopra) all'apparecchio secondo le direttive IEE. La mancata osservanza di queste istruzioni può provocare problemi operativi e rendere non valida la garanzia dell'apparecchio.

Si consiglia una protezione aggiuntiva da parte di un interruttore di circuito per la corrente residua.

Se un cavo è in dotazione con l'apparecchio:

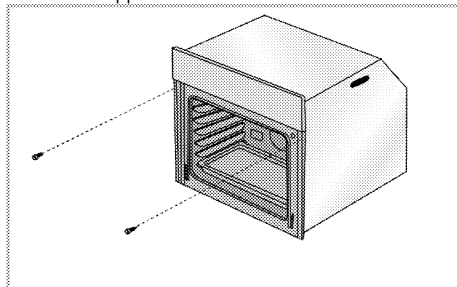


2. Per il collegamento a fase singola, collegare i cavi come indicato di seguito:

- Cavo marrone/nero = L (Fase)
 - Cavo blu/grigio = N (Neutro)
 - Cavo verde/giallo = (E) (messa a terra)
- » 0
- Cavo grigio/nero = L (Fase)
 - Cavo blu/marrone = N (Neutro)
 - Cavo verde/giallo = (E) (messa a terra)

Installazione dell'unità

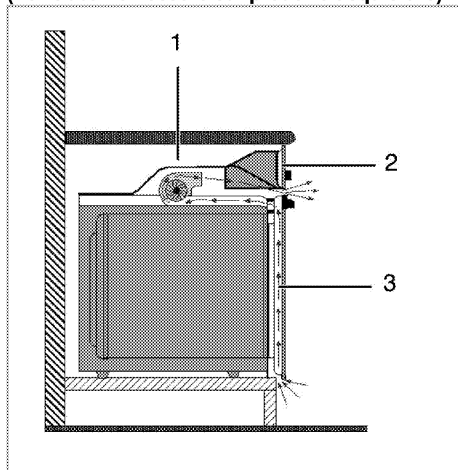
1. Far scorrere il forno nell'alloggiamento, allineare ed assicurare mentre allo stesso tempo ci si accerta che il cavo di alimentazione non è rotto e/o intrappolato.



Assicurare il forno con 2 viti come illustrato.

Dopo l'installazione, assicurarsi che le viti siano sufficientemente strette e che il forno non si muova. Il forno potrebbe ribaltarsi durante l'utilizzo se non installato secondo le istruzioni e se le viti non sono sufficientemente strette.

**Per prodotti dotati di ventola di raffreddamento
(Potrebbe non essere sul prodotto acquistato).**



- 1 Ventola di raffreddamento
2 Pannello di controllo
3 Sportello

La ventola di raffreddamento integrata raffredda sia l'alloggiamento incassato che la parte anteriore dell'unità.



La ventola di raffreddamento continua a funzionare per 20-30 minuti ancora dopo che il forno è stato spento.

Se si è cucinato programmando il timer del forno, anche la ventola per il raffreddamento si disattiva alla fine del tempo di cottura, con tutte le altre funzioni.

Controllo finale

1. Funzionamento dell'apparecchio
2. Controllare le funzioni.

Smaltimento di vecchi prodotti

- Conservare il cartone originale del prodotto e trasportare il prodotto in esso. Seguire le istruzioni sul cartone. Se non si ha il cartone originale, imballare il prodotto nella carta con le bolle o in un cartone spesso e assicurarlo con nastro adesivo.
- Per evitare che il grill metallico e il vassoio all'interno del forno danneggino lo sportello del forno, mettere una striscia di cartone sull'interno dello sportello in modo che si allinei con la posizione dei vassoi. Attaccare con del nastro adesivo lo sportello del forno alle pareti laterali.
- Non usare sportello o maniglia per sollevare o spostare il prodotto.



Non mettere oggetti sull'apparecchio e spostarlo in posizione verticale.



Controllare l'aspetto generale del prodotto per eventuali danni che potrebbero essersi verificati durante il trasporto.

4 Preparazioni

Consigli per il risparmio energetico

Le informazioni che seguono aiutano ad usare l'apparecchio in modo ecologico e a risparmiare energia:

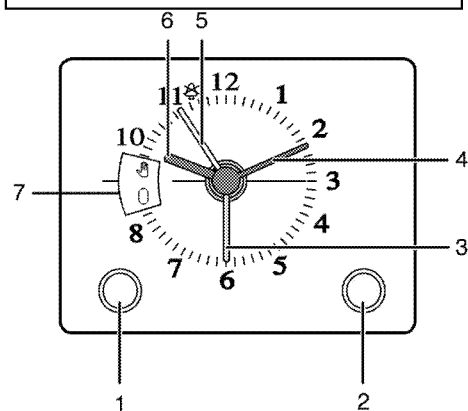
- Usare coperchi di colori scuri e smaltati, poiché la trasmissione del calore è migliore.
- Quando si cucinano gli alimenti, eseguire un'operazione di preriscaldamento se è consigliato nel manuale utente o nelle istruzioni della cottura.
- Non aprire lo sportello del forno di frequente durante la cottura.
- Cercare di cucinare più di un piatto alla volta nel forno laddove possibile. Si può cucinare mettendo due contenitori per la cottura sul grill metallico.
- Cucinare più di un piatto uno dopo l'altro. Il forno è già caldo.
- Si può risparmiare energia spegnendo il forno alcuni minuti prima della fine del tempo di cottura. Non aprire lo sportello del forno.
- Scongelare gli alimenti congelati prima di cuocerli.

Uso iniziale

Impostazione orario



Prima dell'uso del forno, è necessario impostare l'ora. Se l'orario non è impostato, il forno non funziona.



- 1 Tasto Time adjustment (regolazione orario)
- 2 Tasto Start time adjustment (regolazione ora di inizio)
- 3 Inizio cottura (arancione)
- 4 Manopola minuti (dorato)
- 5 Manopola allarme (giallo)
- 6 Manopola ore (dorato)

7 Display tempo di cottura

Regolare l'ora corrente

1. Tirare la manopola (1) leggermente verso di sé, ruotarla in senso orario finché l'ora del giorno è regolata, poi rilasciarla.

» L'orario sarà impostato.



Non ruotare mai la manopola in senso antiorario mentre è tirata.

Prima pulizia del prodotto



La superficie può danneggiarsi a causa di alcuni detergenti o materiali di pulizia. Non usare detergenti aggressivi, polvere/creme pulenti o oggetti taglienti durante la pulizia.

1. Rimuovere tutti i materiali di imballaggio.
2. Pulire le superfici del prodotto con un panno o una spugna umidi e asciugare con un panno.

Riscaldamento iniziale

Riscaldare il prodotto per circa 30 minuti e poi spegnerlo. Così i residui del prodotto o gli strati si bruciano e si rimuovono.



ATTENZIONE

Le superfici calde provocano ustioni! Il prodotto può diventare caldo durante l'uso. Non toccare mai i bruciatori caldi, le sezioni interne del forno, riscaldatori, ecc. Tenere lontani i bambini. Usare sempre guanti resistenti al calore quando si mettono o si rimuovono i piatti nel/dal forno caldo.

Forno elettrico

1. Estrarre tutti i vassoi per la cottura a forno e il grill metallico dal forno.
2. Chiudere lo sportello del forno.
3. Selezionare la posizione Static.
4. Selezionare la potenza più alta del grill; vedere *Come utilizzare il forno elettrico, pagina 19*.
5. Utilizzare il forno per circa 30 minuti.
6. Spegnerlo; vedere *Come utilizzare il forno elettrico, pagina 19*

Forno con grill

1. Estrarre tutti i vassoi per la cottura a forno e il grill metallico dal forno.
2. Chiudere lo sportello del forno.
3. Selezionare la potenza più alta del grill; vedere *Come utilizzare il grill, pagina 25*.
4. Utilizzare il forno per circa 30 minuti.

5. Spegner il grill; vedere *Come utilizzare il grill* ,
pagina 25



Durante il primo funzionamento, per un paio d'ore, è possibile che siano emessi odori e fumo. È abbastanza normale. Assicurarsi che l'ambiente sia ben ventilato per rimuovere fumo e odori. Evitare di inalare direttamente fumo e odori emessi.

5 Come utilizzare il forno

Informazioni generali su cottura al forno, cottura arrosto e con grill



ATTENZIONE

Le superfici calde provocano ustioni!
Il prodotto può diventare caldo durante l'uso.
Non toccare mai i bruciatori caldi, le sezioni interne del forno, riscaldatori, ecc. Tenere lontani i bambini.
Usare sempre guanti resistenti al calore quando si mettono o si rimuovono i piatti nel/dal forno caldo.



PERICOLO:

Prestare attenzione quando si apre lo sportello del forno perché potrebbe fuoriuscire vapore. Il vapore in uscita può ustionare mani, volto e/o occhi.

Suggerimenti per la cottura al forno

- Usare piatti in metallo con adeguato rivestimento antiaderente o contenitori in alluminio o stampi in silicone resistenti al calore.
- Usare al meglio lo spazio della rastrelliera.
- Mettere lo stampo da forno al centro della rastrelliera.
- Selezionare la posizione corretta per la rastrelliera prima di accendere forno o grill. Non cambiare la posizione della rastrelliera quando il forno è caldo.
- Tenere lo sportello del forno chiuso.

Suggerimenti per l'arrosto

- Trattare pollo e tacchino interi, pezzi grandi di carne con condimenti come succo di limone e pepe nero prima della cottura migliora la prestazione di cottura.
- Ci vogliono circa 15-30 minuti in più per arrostitre la carne con osso rispetto alla cottura arrosto di carne della stessa dimensione ma senza osso.
- Ogni centimetro di spessore della carne richiede circa 4-5 minuti di cottura.
- Lasciare la carne nel forno per circa 10 minuti dopo il periodo di cottura. Il succo si distribuisce meglio per tutto l'arrosto e non fuoriesce quando si taglia la carne.
- Il pesce deve essere posto sulla rastrelliera centrale o inferiore in un piatto resistente al calore.

Suggerimenti per la cottura con grill

Quando carne, pesce e pollame sono cotti con grill, subito si rosolano, hanno una piacevole crosta e non restano secchi. Parti sottili, spiedini di carne e salsicce

sono particolarmente adatti per la cottura con grill, così come verdure con alto contenuto di acqua, come pomodori e cipolle.

- Distribuire i pezzi da cuocere con grill sul grill metallico o nel vassoio per cottura al forno con il grill metallico posto in modo tale che lo spazio coperto non superi la dimensione del riscaldatore.
- Far scorrere il grill metallico o il vassoio per la cottura al forno al livello desiderato nel forno. Se si cuoce al grill sul grill metallico, far scorrere il vassoio per la cottura al forno sulla rastrelliera inferiore per raccogliere i grassi. Aggiungere dell'acqua nel vassoio per la cottura al forno per una pulizia facile.



Gli alimenti che non sono adatti alla cottura al grill rappresentano un rischio di incendio. Usare solo alimenti per cottura con grill adatti al calore intenso del grill.

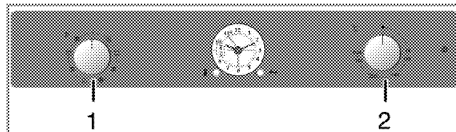
Non mettere il cibo troppo lontano sul retro del grill. Questa è l'area più calda e gli alimenti grassi potrebbero prendere fuoco.

Come utilizzare il forno elettrico



Prima dell'uso del forno, è necessario impostare l'ora. Se l'orario non è impostato, il forno non funziona.

Selezionare temperatura e modalità di funzionamento



1 Manopola funzione

2 Manopola termostato

1. Impostare il timer del forno secondo il tempo di cottura desiderato o la modalità di cottura manuale (continua); vedere *Uso dell'orologio del forno, pagina 21*.
2. Impostare la manopola funzione sulla modalità operativa desiderata.
3. Impostare la manopola Temperature (temperatura) sulla temperatura desiderata.

» Il forno si riscalda fino alla temperatura regolata e la conserva. Durante il riscaldamento, la spia della temperatura resta accesa.

Spegnimento del forno elettrico

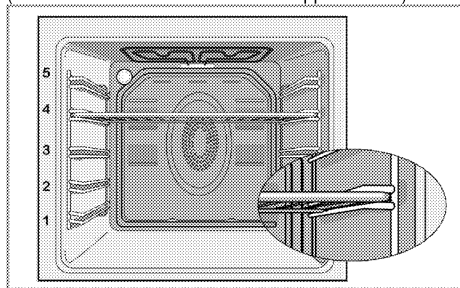
Portare manopola funzione e manopola temperatura (temperatura) in posizione off (superiore).

Posizioni della rastrelliera (solo modelli con grill metallico)

È importante posizionare il grill metallico in modo corretto sulla rastrelliera metallica. Il grill metallico deve essere inserito tra le rastrelliere metalliche, come illustrato in figura.

Non lasciare che il grill metallico poggi sulla parete posteriore del forno. Far scorrere il grill metallico verso la sezione anteriore della rastrelliera e posizionarlo con l'aiuto dello sportello per ottenere una buona prestazione del grill.

(Varia a seconda del modello dell'apparecchio.)



Modalità di funzionamento

L'ordine delle modalità di funzionamento qui mostrato può essere diverso da quello della propria unità.

Riscaldamento superiore e inferiore



Il riscaldamento superiore e inferiore è in uso. Gli alimenti sono riscaldati contemporaneamente da sopra e da sotto. Per esempio, questo è adatto per torte, dolci o torte e alimenti in casseruola negli stampi da forno. Cucinare con un solo vassoio.

Bottom heating (riscaldamento inferiore)



Solo il riscaldamento inferiore è in funzione. Si adatta a pizza e al successivo rosolare di alimenti dalla parte inferiore.



Questa funzione deve essere utilizzata anche per una facile pulizia con vapore.

Riscaldamento inferiore/superiore con ventola



Il riscaldamento superiore, il riscaldamento inferiore con ventola (nella parete posteriore) sono attivi. L'aria calda è rapidamente distribuita in modo uniforme in tutto il forno mediante una ventola. Cucinare con un solo vassoio.

Funzionamento con ventola



Il forno non è riscaldato. Solo la ventola (nella parete posteriore) è in funzione. Gli alimenti granulosi congelati sono scongelati lentamente a temperatura ambiente e gli alimenti cotti si raffreddano.

Fan Heating (riscaldamento ventola)



Il riscaldamento assistito da ventola (nella parete posteriore) è in funzione. L'aria calda è rapidamente distribuita in modo uniforme in tutto il forno mediante una ventola. Nella maggior parte dei casi, non è necessario il preriscaldamento. Adatto alla cottura di alimenti su diversi livelli della rastrelliera. Adatto per cucinare con vassoi multipli.

Questa funzione deve essere utilizzata anche per una facile pulizia con vapore.

Funzione "3D"



Il riscaldamento superiore, il riscaldamento inferiore e il riscaldamento assistito da ventola (nella parete posteriore) sono attivi. Gli alimenti sono cotti in modo uniforme e rapidamente. Cucinare con un solo vassoio.

Full grill (grill completo)



Il grill grande sul soffitto del forno è attivo. Si possono cuocere con grill grosse quantità di carne.

- Mettere porzioni grandi o medie nella posizione corretta sulla rastrelliera sotto il riscaldatore del grill.
- Impostare la temperatura al livello massimo.
- Ruotare il cibo dopo metà tempo di cottura.

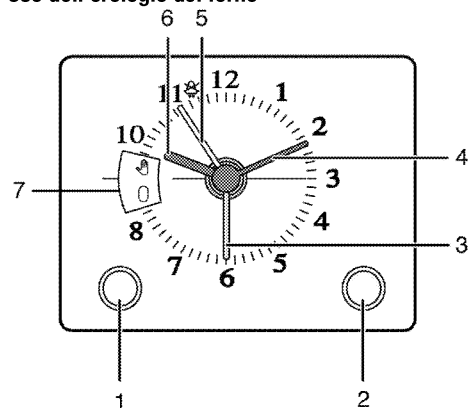
Grill+Fan (grill+ventola)



L'effetto del grill non è forte come in Full Grill (grill completo)

- Mettere porzioni piccole o medie nella posizione corretta sul ripiano sotto il riscaldatore del grill.
- Impostare la temperatura desiderata.
- Ruotare il cibo dopo metà tempo di cottura.

Uso dell'orologio del forno



- 1 Tasto Time adjustment (regolazione orario)
- 2 Tasto Start time adjustment (regolazione ora di inizio)
- 3 Inizio cottura (arancione)
- 4 Manopola minuti (dorato)
- 5 Manopola allarme (giallo)
- 6 Manopola ore (dorato)
- 7 Display tempo di cottura



Il tempo massimo che può essere impostato come fine cottura è 180 minuti.
Il programma sarà annullato se manca la corrente. Bisogna riprogrammare il forno.

Attivazione della modalità di funzionamento manuale (continua)

Usare questa modalità quando si desidera controllare personalmente il tempo di cottura. In questa modalità, il forno funziona in modo continuo a meno che non lo si spenga.



Il timer non taglia l'alimentazione in modalità manuale (continua).

1. Ruotare la manopola (2) in senso orario finché "0" compare sul display del tempo di cottura.
2. Tirare la manopola (2) leggermente verso di sé e allineare il puntatore di inizio cottura (arancione) (3) con la manopola ore (6).
3. Rilasciare la manopola (2) e ruotarla in senso orario (7) fino al simbolo della modalità manuale nel display del tempo di cottura.
4. Mettere il piatto nel forno.
5. Selezionare modalità di funzionamento e temperatura.

Arresto della cottura

Quando la cottura è completa,

1. Portare manopola funzione e la manopola Temperature (temperatura) in posizione off (superiore).
2. Ruotare la manopola (2) in senso orario finché "0" compare sul display del tempo di cottura.

Passare al funzionamento completamente automatico

In questa modalità di funzionamento, è possibile specificare l'orario in cui il forno si accende/si spegne.

1. Ruotare la manopola (2) in senso orario finché "0" compare sul display del tempo di cottura.
2. Tirare la manopola (2) leggermente verso di sé e regolare l'orario di inizio cottura con il puntatore di inizio cottura (arancione) (3).
3. Rilasciare la manopola (2).
4. Ruotare la manopola (2) in senso orario per regolare il tempo di cottura nel display con il tempo di cottura (7).
5. Mettere il piatto nel forno.
6. Selezionare modalità di funzionamento e temperatura.

» L'alimentazione si interrompe automaticamente e si sente un avviso sonoro alla fine della cottura.

7. Ruotare la manopola (2) in senso orario finché "0" compare sul display con il tempo di cottura

appena la cottura è completa e si sente il segnale sonoro.

8. Spegner il forno con la manopola Temperature (temperatura) e/o la manopola funzione.

Passare al funzionamento semi-automatico

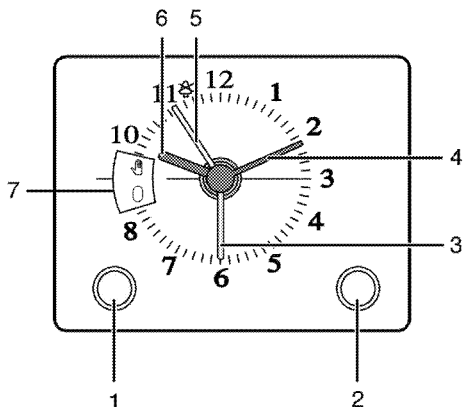
In questa modalità di funzionamento, è possibile specificare l'orario in cui il forno si spegne automaticamente.

1. Ruotare la manopola (2) in senso orario finché "0" compare sul display del tempo di cottura.
 2. Ruotare la manopola (2) in senso orario per regolare il tempo di cottura nel display con il tempo di cottura (7).
 3. Mettere il piatto nel forno.
 4. Selezionare modalità di funzionamento e temperatura.
- » L'alimentazione si interrompe automaticamente e si sente un avviso sonoro alla fine della cottura.
5. Ruotare la manopola (2) in senso orario finché "0" compare sul display con il tempo di cottura appena la cottura è completa e si sente il segnale sonoro.
 6. Spegner il forno con la manopola Temperature (temperatura) e/o la manopola funzione.

Uso dell'orologio come sveglia

Si può usare l'orologio dell'apparecchio per qualsiasi avvertenza o promemoria, tranne che per il programma di cottura.

La sveglia non ha influenza sulle funzioni del forno. Si usa solo come avvertenza. Per esempio, è utile quando si desidera girare gli alimenti nel forno ad un certo punto. La sveglia emette un segnale una volta che il tempo impostato è finito.



- 1 Tasto Time adjustment (regolazione orario)
- 2 Tasto Start time adjustment (regolazione ora di inizio)
- 3 Inizio cottura (arancione)
- 4 Manopola minuti (dorato)
- 5 Manopola allarme (giallo)
- 6 Manopola ore (dorato)
- 7 Display tempo di cottura

i Il tempo massimo per l'allarme può essere 55 minuti.

Impostazione della sveglia

1. Ruotare la manopola (1) verso destra o sinistra e regolare il puntatore dell'allarme (giallo) (5) sul quadrante.

» Si sente l'allarme alla fine del tempo impostato

Spegnimento dell'allarme

1. Appena si sente l'allarme, ruotare la manopola (1) verso destra o verso sinistra per spostare il puntatore dell'allarme (giallo) (5) sul simbolo dell'allarme per spegnere l'allarme stesso.

Tabella tempi di cottura

i I tempi in questo diagramma devono essere considerati una guida. I tempi possono variare a causa di temperatura degli alimenti, spessore, tipo e preferenze personali di cottura.

Cottura al forno e arrosto

i La prima rastrelliera del forno è quella di fondo.

Piatto	Numero di vassoi	Accessorio da usare	Modalità di funzionamento	Posizione rastrelliera	Temperatura (°C)	Tempo di cottura (appross. in min.)
Dolci su	Un vassoio	Vassoio standard*		3	180	25 ... 30

vassoio						
Dolci nello stampo	Un vassoio	Tortiera su grill metallico**		2	180	40 ... 50
Dolcetti	Un vassoio	Vassoio standard*		3	160	25 ... 35
	Un vassoio	Vassoio standard*		3	150	30 ... 40
	2 vassoi	1-Vassoio per dolci* 3-Vassoio standard*		1 - 3	150	35 ... 50
	3 vassoi	1-Vassoio standard* 3-Vassoio per dolci* 5-Vassoio profondo*		1 - 3 - 5	150	35 ... 50
Pan di Spagna	Un vassoio	Teglia rotonda a cerniera con un diametro di 26 cm su grill metallico**		3	160	25 ... 35
	Un vassoio	Teglia rotonda a cerniera con un diametro di 26 cm su grill metallico**		2	150	30 ... 40
	2 vassoi	1-Teglia rotonda a cerniera con un diametro di 26 cm su grill metallico** 4-Teglia rotonda a cerniera con un diametro di 26 cm su vassoio di pasta**		1 - 4	150	35 ... 45
Dolcetti	Un vassoio	Vassoio per dolci*		3	180	25 ... 30
	2 vassoi	1-Vassoio per dolci* 3-Vassoio standard*		1 - 3	180	30 ... 40
	3 vassoi	1-Vassoio per dolci* 3-Vassoio standard* 5-Vassoio profondo*		1 - 3 - 5	180	35 ... 45
Pasta lievitata	Un vassoio	Vassoio standard*		2	200	30 ... 40
	2 vassoi	1-Vassoio per dolci* 5-Vassoio standard*		1 - 5	200	45 ... 55
	3 vassoi	1-Vassoio per dolci* 3-Vassoio standard* 5-Vassoio profondo*		1 - 3 - 5	200	55 ... 65
Pasta frolla	Un vassoio	Vassoio standard*		2	200	25 ... 35
	2 vassoi	1-Vassoio per dolci* 3-Vassoio standard*		1 - 3	200	35 ... 45
	3 vassoi	1-Vassoio per dolci* 3-Vassoio standard* 5-Vassoio profondo*		1 - 3 - 5	190	45 ... 55
Lievitati	Un vassoio	Vassoio standard*		2	200	35 ... 45
Lasagna	Un vassoio	Teglia in vetro/metallica rettangolare su grill metallico**		2 - 3	200	30 ... 40
Pizza	Un vassoio	Vassoio standard*		2	200 ... 220	15 ... 20
Bistecca (intera) / Arrosto	Un vassoio	Vassoio standard*		3	25 min. 250/max, poi 180 ... 190	100 ... 120
Cosciotto di agnello (in casseruola)	Un vassoio	Vassoio standard*		3	25 min. 250/max, poi 190	70 ... 90
	Un vassoio	Vassoio standard*		3	25 min. 250/max, poi 190	60 ... 80
Pollo arrosto (1,8-2 kg)	Un vassoio	Vassoio standard*		2	15 min. 250/max, poi 180 ... 190	60 ... 80
	Un vassoio	Vassoio standard*		2	15 min. 250/max, poi 180 ... 190	60 ... 80
Tacchino (5.5 kg)	Un vassoio	Vassoio standard*		1	25 min. 250/max, poi 180 ... 190	150 ... 210

	Un vassoio	Vassoio standard*		1	25 min. 250/max. poi 180 ... 190	150 ... 210
Pesce	Un vassoio	Vassoio standard*		3	200	20 ... 30
	Un vassoio	Vassoio standard*		3	200	20 ... 30

Si consiglia il preriscaldamento per tutti gli alimenti.
* Questi accessori possono non essere forniti assieme al prodotto.
** Questi accessori non sono forniti assieme al prodotto. Si tratta di accessori disponibili in commercio.

Tabella di cottura per pasti di prova

I pasti presenti in questa tabella di cottura sono preparati secondo lo standard EN 60350-1 per facilitare gli enti di controllo nella verifica del prodotto

Piatto	Numero di vassoi	Accessorio da usare	Modalità di funzionamento	Posizione rastrelliera	Temperatura (°C)	Tempo di cottura (appross. in min.)
Biscotto al burro-scozzese	Un vassoio	Vassoio standard*		3	140	20 ... 30
	Un vassoio	Vassoio standard*		3	140	20 ... 30
	2 vassoi	1-Vassoio standard* 3-Vassoio per dolci*		1 - 3	140	20 ... 30
	3 vassoi	1-Vassoio standard* 3-Vassoio per dolci* 5-Vassoio profondo*		1 - 3 - 5	140	25 ... 35
Dolcetti	Un vassoio	Vassoio standard*		3	160	25 ... 35
	Un vassoio	Vassoio standard*		3	150	30 ... 40
	2 vassoi	1-Vassoio per dolci* 3-Vassoio standard*		1 - 3	150	35 ... 50
	3 vassoi	1-Vassoio standard* 3-Vassoio per dolci* 5-Vassoio profondo*		1 - 3 - 5	150	35 ... 50
Pan di Spagna	Un vassoio	Teglia rotonda a cerniera con un diametro di 26 cm su grill metallico**		3	160	25 ... 35
	Un vassoio	Teglia rotonda a cerniera con un diametro di 26 cm su grill metallico**		2	150	30 ... 40
	2 vassoi	1-Teglia rotonda a cerniera con un diametro di 26 cm su grill metallico** 4-Teglia rotonda a cerniera con un diametro di 26 cm su vassoio di pasta**		1 - 4	150	35 ... 45
Torta di mele	Un vassoio	Piatto metallico rotondo nero con un diametro di 20 cm su grill metallico**		2	180	50 ... 60
	Un vassoio	Piatto metallico rotondo nero con un diametro di 20 cm su grill metallico**		2	170	50 ... 60
	2 vassoi	1-Piatto metallico rotondo nero con un diametro di 20 cm su grill metallico** 4-Piatto metallico rotondo nero con un diametro di 20 cm su vassoio da dolci**		1 - 4	170	50 ... 60

Si consiglia il preriscaldamento per tutti gli alimenti.
* Questi accessori possono non essere forniti assieme al prodotto.
** Questi accessori non sono forniti assieme al prodotto. Si tratta di accessori disponibili in commercio.

Suggerimenti per la cottura al forno dei dolci

- Se il dolce è troppo asciutto, aumentare la temperatura di circa 10 e diminuire il tempo di cottura.

- Se il dolce è umido, usare meno liquido o abbassare la temperatura di 10°C.

- Se il dolce è troppo scuro sopra, metterlo su una rastrelliera inferiore, abbassare la temperatura e aumentare il tempo di cottura.
- Se è cotto bene all'interno ma appiccicoso all'esterno, usare meno liquido, abbassare la temperatura e aumentare il tempo di cottura.

Consigli per la cottura al forno della pasta

- Se la pasta è troppo asciutta, aumentare la temperatura di circa 10 e diminuire il tempo di cottura. Ammorbidire gli strati di pasta con una crema fatta di latte, olio, uova e yogurt.
- Se la pasta impiega troppo tempo a cuocersi al forno, prestare attenzione al fatto che lo spessore della pasta preparata non superi la profondità del vassoio.
- Se il lato superiore della pasta diventa marrone ma la parte inferiore non è cotta, assicurarsi che la quantità di crema usata per la pasta non sia troppa sul fondo della stessa. Cercare di distribuire la crema in modo uniforme tra gli strati e sugli stessi per una cottura uniforme.



Cuocere la pasta secondo la modalità e la temperatura date nella tabella di cottura. Se la parte inferiore non è ancora abbastanza cotta, usare un ripiano più basso la volta seguente.

Consigli per la cottura delle verdure

- Se il piatto di verdure si asciuga e diventa troppo secco, cuocerle in una padella con un coperchio invece che nel vassoio. I recipienti chiusi conservano i succhi del piatto.

- Se un piatto di verdure non si cuoce, bollire le verdure prima o prepararle prima come gli alimenti in scatola e metterle nel forno.

Come utilizzare il grill



Prima dell'uso del forno, è necessario impostare l'ora. Se l'orario non è impostato, il forno non funziona.



ATTENZIONE

Chiudere lo sportello del forno durante la cottura con grill.
Le superfici calde possono provocare ustioni!

Accensione del grill

1. Ruotare la manopola funzione sul simbolo del grill desiderato.
2. Poi selezionare la temperatura del grill come desiderato.
3. Se necessario, eseguire un pre-riscaldamento per circa 5 minuti.

» La spia della temperatura si accende.

Spegnimento del grill

1. Ruotare la manopola funzione in posizione Off (superiore).



Gli alimenti che non sono adatti alla cottura al grill rappresentano un rischio di incendio. Usare solo alimenti per cottura con grill adatti al calore intenso del grill.

Non mettere il cibo troppo lontano sul retro del grill. Questa è l'area più calda e gli alimenti grassi potrebbero prendere fuoco.

Tabella tempi di cottura per la cottura con grill

Cottura con grill elettrico

Alimenti	Accessorio da usare	Posizione rastrelliera	Temperatura consigliata (°C)**	Tempo cottura grill (circa)
Pesce	Grill metallico	4..5	250/max	20..25 min. #
Fettine di pollo	Grill metallico	4..5	250/max	25..35 min.
Costolette di agnello	Grill metallico	4..5	250/max	20..25 min.
Arrosti di manzo	Grill metallico	4..5	250/max	25..30 min. #
Costolette di vitello	Grill metallico	4..5	250/max	25..30 min. #
Tostare il pane *	Grill metallico	4	250/max	1..3 min.

a seconda dello spessore

*Pre-riscaldare per 5 minuti.

**Se non è possibile regolare la temperatura del grill del prodotto, il grill funzionerà alla temperatura massima.

I pasti presenti in questa tabella di cottura sono preparati secondo lo standard EN 60350-1 per facilitare gli enti di controllo nella verifica del prodotto

Alimenti	Accessorio da usare	Posizione rastrelliera	Temperatura (°C)	Tempo di cottura (appross. in min.)
Pane per toast	Grill metallico	4	250/max	1..3 min.
Polpette (manzo) - 12 pezzi	Grill metallico	4	250/max	25..35 min.

Girare il cibo dopo 2/3 del tempo di grigliatura totale.

Si suggerisce di eseguire 5-6 minuti di pre-riscaldamento per tutti gli alimenti da grigliare.

6 Manutenzione e cura

Informazioni generali

La vita di servizio dell'apparecchio si allunga e problemi frequenti diminuiscono se l'apparecchio è pulito ad intervalli regolari.

**PERICOLO:**

Scollegare l'apparecchio dalla rete elettrica prima di avviare i lavori di manutenzione e pulizia.

C'è il rischio di shock elettrico!

**PERICOLO:**

Consentire all'apparecchio di raffreddarsi prima di pulirlo.

Le superfici calde possono provocare ustioni!

- Pulire completamente l'apparecchio dopo ogni uso. In questo modo sarà possibile rimuovere i residui di cottura con maggiore facilità, evitando così che questi residui brucino all'uso successivo dell'apparecchio.
- Non sono necessari agenti di pulizia speciali per la pulizia dell'apparecchio. Usare acqua calda con detersivo liquido, un panno morbido o una spugna per pulire l'apparecchio e asciugare con un panno asciutto.
- Assicurare sempre che il liquido in eccesso sia completamente asciugato dopo la pulizia e che tutti gli schizzi siano immediatamente asciugati.
- Non usare agenti di pulizia che contengono acido o cloro per pulire le superfici e la maniglia in acciaio inox. Usare un panno morbido con un detergente liquido (non abrasivo) per pulire queste parti, prestando attenzione a pulire in un'unica direzione.



La superficie può danneggiarsi a causa di alcuni detersivi o materiali di pulizia.

Non usare detersivi aggressivi, polvere/creme pulenti o oggetti taglienti durante la pulizia.



Non usare pulitori a vapore per pulire l'apparecchio poiché ciò potrebbe provocare uno shock elettrico.

Pulizia del pannello di controllo

Pulire pannello di controllo e le manopole con un panno umido e asciugare.



Se il prodotto è dotato di tasti/manopole, non rimuovere le manopole di controllo per pulire il pannello di controllo.

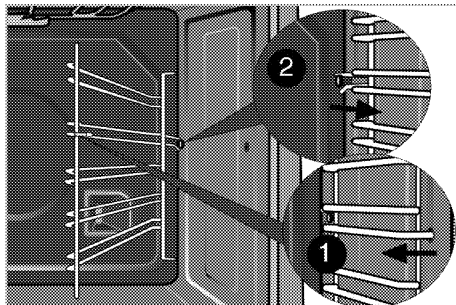
Il pannello di controllo può danneggiarsi!

Pulizia del forno

Per pulire la parete laterale (Varia a seconda del modello dell'apparecchio.)

(Questa funzione è opzionale. Potrebbe non essere sul prodotto acquistato.)

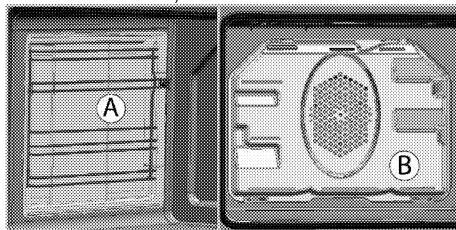
1. Rimuovere la sezione anteriore della rastrelliera laterale tirando nella direzione opposta alla parete laterale.
2. Rimuovere completamente la rastrelliera laterale tirando verso di sé.



Pareti catalitiche

(Questa funzione è opzionale. Potrebbe non essere sul prodotto acquistato.)

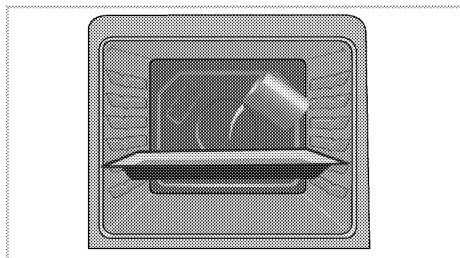
Le pareti laterali interne (A) e/o la parete posteriore (B) dell'apparecchio potrebbero essere rivestite di smalto catalitico. Le pareti catalitiche hanno un colore opaco chiaro e una superficie porosa. Le pareti catalitiche del forno non devono essere pulite. Le superfici porose delle pareti catalitiche sono pulite automaticamente assorbendo e convertendo l'olio versato (vapore e biossido di carbonio).



Facile pulizia con vapore

Assicura una pulizia facile poiché lo sporco (se non è troppo vecchio) viene ammorbidito dal vapore che si forma all'interno del forno e dalle gocce di acqua condensata sulle superfici interne del forno.

1. Rimuovere tutti gli accessori dal forno.
2. Versare 500 ml di acqua nel vassoio del forno e mettere il vassoio sul secondo ripiano del forno.



3. Impostare il forno in modalità facile pulizia con vapore e azionare a 100°C per 25 minuti.
4. Aprire lo sportello e pulire le superfici interne del forno con una spugna o un panno bagnati.
5. Usare acqua calda con detersivo liquido, un panno morbido o una spugna per pulire lo sporco resistente e asciugare con un panno asciutto.



Durante la modalità di pulizia a vapore rapida, l'acqua inserita nel vassoio per ammorbidire delicatamente i residui/lo sporco formati all'interno della cavità del forno evapora e forma condensa nella cavità e sul vetro interno dello sportello, in maniera tale da consentire all'acqua stessa di gocciolare una volta aperto lo sportello. Pulire la condensa non appena viene aperto lo sportello.

Pulire lo sportello del forno

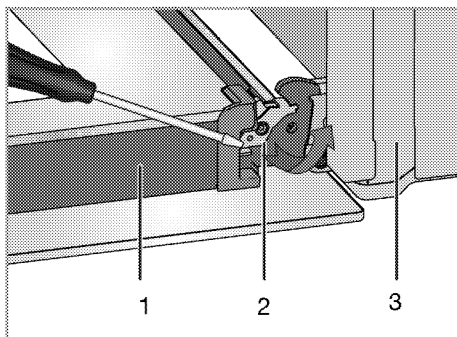
Per pulire lo sportello del forno, usare acqua calda con detersivo liquido, un panno morbido o una spugna per pulire l'apparecchio e asciugare con un panno asciutto.



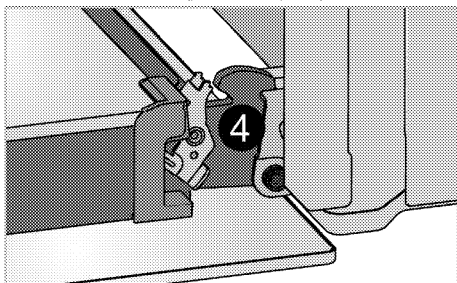
Non usare detersivi molto abrasivi o raschietti in metallo tagliente per la pulizia dello sportello del forno. Essi potrebbero graffiare la superficie e distruggere il vetro.

Rimozione dello sportello del forno.

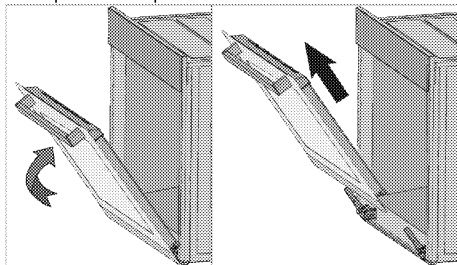
1. Aprire lo sportello anteriore (1).
2. Aprire i morsetti dell'alloggiamento della cerniera (2) sul lato destro e su quello sinistro dello sportello anteriore premendoli verso il basso come illustrato nella figura.



- 1 Sportello
- 2 Blocco cerniera(posizione chiusa)
- 3 Forno
- 4 Blocco cerniera(posizione aperta)



3. Spostare lo sportello anteriore a metà.



4. Rimuovere lo sportello anteriore tirandolo verso l'alto per farlo uscire dai cardini destro e sinistro.



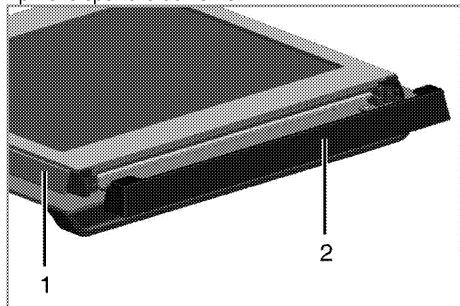
I punti eseguiti durante il processo di rimozione devono essere eseguiti al contrario per installare lo sportello. Non dimenticare di chiudere i morsetti dell'alloggiamento del cardine quando si reinstalla lo sportello.

Rimozione del vetro interno dello sportello

(Questa funzione è opzionale. Potrebbe non essere sul prodotto acquistato).

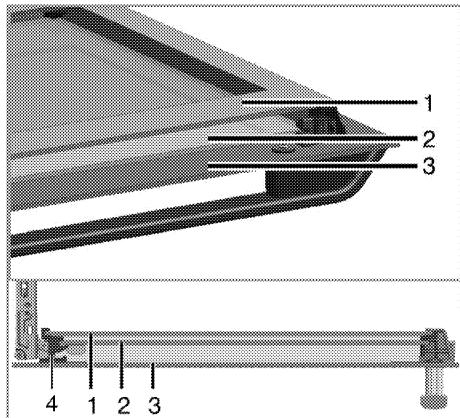
Il pannello interno in vetro dello sportello del forno può essere rimosso per la pulizia.

Aprire lo sportello del forno.



- 1 Struttura
- 2 Parte in plastica

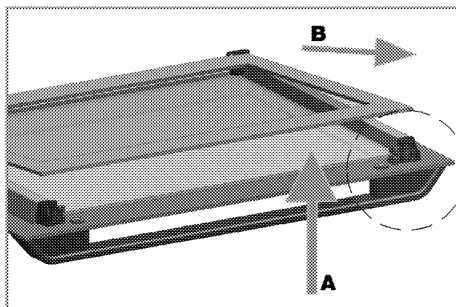
Tirare verso di sé e rimuovere la parte in plastica installata sulla sezione superiore dello sportello anteriore.



- 1 Pannello più interno in vetro
- 2 Pannello interno in vetro
- 3 Pannello esterno in vetro
- 4 Apertura in plastica pannello in vetro - Inferiore

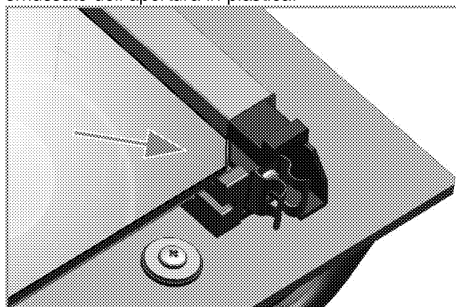
Come illustrato in figura, sollevare leggermente il pannello più interno in vetro (1) in direzione **A** e tirare in direzione **B**.

Ripetere questa stessa procedura per rimuovere il pannello interno in vetro (2).



Il primo punto per rimontare lo sportello è reinstallare il pannello interno in vetro (2).

Come illustrato in figura, mettere l'angolo smussato del pannello in vetro in modo che poggi sull'angolo smussato dell'apertura in plastica.



Il pannello interno in vetro (2) deve essere installato nell'apertura in plastica vicino al pannello più interno in vetro (1).

Quando si installa il pannello più interno in vetro (1), assicurarsi che il lato stampato del pannello sia rivolto verso il pannello interno in vetro.

La cosa importante è posizionare l'angolo inferiore del pannello interno in vetro nell'apertura in plastica inferiore.

Spingere la parte in plastica verso la struttura fino a sentire un "clic".

Sostituzione della lampadina del forno



PERICOLO:

Prima di sostituire la lampadina del forno, assicurarsi che l'apparecchio sia scollegato dalla rete e sia freddo per evitare il rischio di shock elettrico.

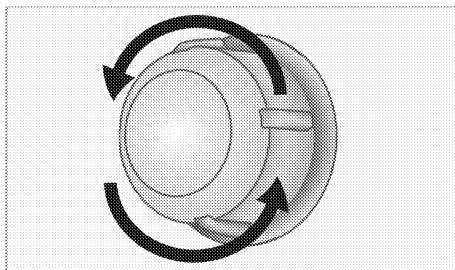
Le superfici calde possono provocare ustioni!

- i** La posizione della lampadine può variare dalla figura.
- i** Le lampadine utilizzate in questo apparecchio non sono adatte per l'illuminazione di ambienti domestici. Lo scopo previsto di questa lampadina è aiutare l'utente a controllare gli alimenti.
- i** Le lampadine utilizzate in questo apparecchio devono sopportare condizioni fisiche estreme come temperature superiori a 50 °C.

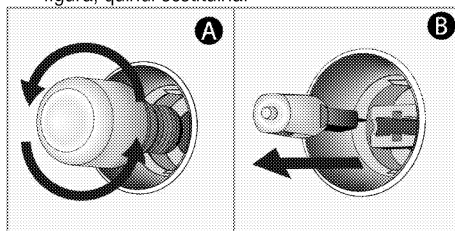
- i** In questo forno viene utilizzata una lampada ad incandescenza con potenza inferiore a 40 W, altezza inferiore a 60 mm, diametro inferiore a 30 mm o lampada alogena con attacco tipo G9, potenza inferiore a 60 W. Le lampade sono adatte al funzionamento a temperature superiori a 300 °C. Le lampade del forno possono essere richieste agli Agenti di servizio autorizzati o ai tecnici muniti di licenza.

Se il forno è dotato di una lampadina rotonda:

1. Scollegare il prodotto dalla rete.
2. Ruotare la copertura in vetro in senso orario per rimuoverla.



3. Se la lampadina del forno corrisponde al tipo (A) mostrato nella figura seguente, rimuoverla ruotando secondo le indicazioni e sostituirla. Se è di tipo (B), tirare e rimuoverla come indicato in figura, quindi sostituirla.



4. Installare il coperchio in vetro.

7 Ricerca e risoluzione dei problemi

Il forno emette vapore durante l'uso.

- Si tratta del normale vapore che si produce durante il funzionamento. >>> *Non è guasto.*

L'apparecchio emette rumori metallici durante riscaldamento e raffreddamento.

- Quando le parti di metallo si riscaldano, possono espandersi e provocare rumori. >>> *Non è guasto.*

L'apparecchio non funziona.

- Il fusibile di rete è difettoso o si è bloccato. >>> *Controllare i fusibili nella scatola dei fusibili. Se necessario, sostituirli o reimpostarli.*
- L'apparecchio non è collegato alla presa (di messa a terra). >>> *Controllare il collegamento della spina.*

La luce del forno non funziona.

- La lampadina del forno è difettosa. >>> *Sostituire la lampadina del forno.*
- L'alimentazione è tagliata. >>> *Controllare se c'è alimentazione. Controllare i fusibili nella scatola dei fusibili. Se necessario, sostituirli o reimpostarli.*

Il forno non riscalda.

- Potrebbe non essere impostato su una certa funzione e/o temperatura di cottura. >>> *Impostare il forno su una certa funzione e/o temperatura di cottura.*
- In modelli dotati di timer, il timer non è regolato. >>> *Regolare l'orario.*
(In prodotti con forno a microonde, il timer controlla solo il forno a microonde).
- L'alimentazione è tagliata. >>> *Controllare se c'è alimentazione. Controllare i fusibili nella scatola dei fusibili. Se necessario, sostituirli o reimpostarli.*

(In modelli dotati di timer) Il display dell'orologio lampeggia o il simbolo dell'orologio è acceso.

- Si è verificata una precedente assenza di gas. >>> *Regolare l'ora / Spegnerne l'apparecchio e riaccenderlo.*

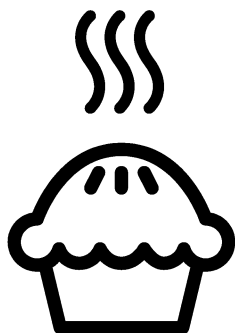


Consultare l'agente autorizzato per l'assistenza o il rivenditore dove è stato acquistato l'apparecchio se non si riesce a risolvere il problema nonostante siano state implementate le soluzioni di questa sezione. Non cercare mai di riparare da soli un apparecchio difettoso.



Встраиваемая духовка

Руководство пользователя



RU

Перед началом эксплуатации прочитайте это руководство пользователя!

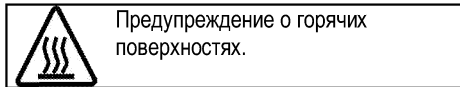
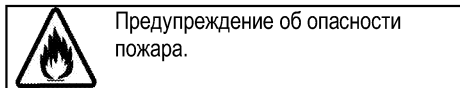
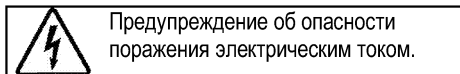
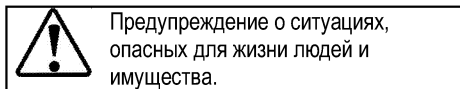
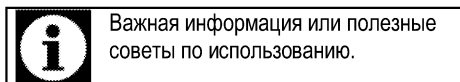
Уважаемый покупатель!

Спасибо за то, что отдали предпочтение продукции компании «Веко». Надеемся, что это высококачественное изделие, изготовленное с применением самых современных технологий, будет демонстрировать наилучшие результаты эксплуатации. Для этого перед началом эксплуатации внимательно прочитайте это руководство и всю сопутствующую документацию и используйте его в дальнейшем в качестве справочника. Если вы передаете изделие новому владельцу, передайте ему и руководство пользователя. Придерживайтесь всех предупреждений и информации, содержащихся в руководстве.

Помните, что данное руководство пользователя также может быть применимо к некоторым другим моделям. Различия между моделями будут указаны в руководстве.

Пояснения к символам

В данном руководстве пользователя используются следующие символы:



Производитель: компания Арчелик (Arcelik A.S.)
Юридический адрес: Караач Джаддеси № 2-6 34445
Сютлюдже/Стамбул/Турция



Произведено в Турции

<u>1</u>	<u>Важные инструкции и предупреждения по технике безопасности и охране окружающей среды</u>	<u>4</u>
	Общие правила техники безопасности.....	4
	Электробезопасность.....	5
	Безопасность изделия.....	6
	Использование по назначению.....	8
	Безопасность детей.....	9
	Утилизация старого изделия.....	9
	Утилизация упаковочных материалов.....	10
<u>2</u>	<u>Общие сведения</u>	<u>11</u>
	Обзор.....	11
	Содержание упаковки.....	12
	Технические характеристики.....	13
<u>3</u>	<u>Установка</u>	<u>14</u>
	До начала установки.....	14
	Установка и подключение.....	16
	Для будущей транспортировки.....	18
<u>4</u>	<u>Подготовка к эксплуатации</u>	<u>19</u>
	Рекомендации по экономии электроэнергии.....	19
	Подготовка к эксплуатации.....	19
	Настройка времени.....	19
	Очистка прибора перед началом эксплуатации.....	19
	Первоначальный прогрев.....	19
<u>5</u>	<u>Правила эксплуатации духовки</u>	<u>21</u>
	Общие сведения о выпекании, жарении и приготовлении с грилем.....	21
	Правила эксплуатации электрической духовки.....	21
	Режимы работы.....	22
	Использование часов духовки.....	23
	Использование часов в качестве сигнального таймера.....	24
	Время приготовления блюд.....	25
	Как пользоваться грилем.....	28
	Время приготовления блюд на гриле.....	29
<u>6</u>	<u>Уход и техническое обслуживание</u>	<u>30</u>
	Общие сведения.....	30
	Чистка панели управления.....	30
	Чистка духовки.....	30
	Снятие дверцы духового шкафа.....	31
	Снятие внутреннего стекла дверцы.....	31
	Замена лампочки освещения духового шкафа.....	32
<u>7</u>	<u>Поиск и устранение неисправностей</u>	<u>34</u>

1 Важные инструкции и предупреждения по технике безопасности и охране окружающей среды

В данном разделе содержатся инструкции по технике безопасности, которые помогут вам избежать травм и повреждений. При несоблюдении этих правил все гарантийные обязательства аннулируются.

Общие правила техники безопасности

- Это изделие может эксплуатироваться детьми старше 8 лет и людьми с ограниченными физическими, сенсорными или умственными способностями, а также лицами, не имеющими достаточного опыта и знаний, только в том случае, если они находятся под наблюдением лиц, ответственных за их безопасность, или проинструктированы на предмет безопасного использования изделия и осознают связанные с этим риски.

Следите за тем, чтобы дети не играли с устройством. Дети могут чистить и обслуживать устройство только под наблюдением.

- Прибор не должен использоваться лицами

(включая детей) с ограниченными физическими, сенсорными или умственными способностями или недостатком опыта и знаний, за исключением случаев, когда использование происходит под непосредственным контролем или в соответствии с указаниями.

Следите за детьми, чтобы они не играли с прибором.

- В случае передачи изделия третьему лицу в личное пользование или в целях вторичного использования необходимо также передать руководство пользователя, наклейки изделия, а также другие связанные с ним документы и компоненты.
- Работы по установке и ремонту должны выполняться только представителями авторизованной сервисной службы. Производитель не несет ответственности за повреждения в результате выполнения работ лицами, не имеющими соответствующей квалификации. Это также может привести к аннулированию гарантии.

Перед установкой внимательно прочтите инструкции.

- Не пользуйтесь неисправным изделием, а также при наличии на нем заметных повреждений.
- Проверяйте, чтобы после каждого использования переключатели функций изделия были выключены.

Электробезопасность

- В случае неисправности следует прекратить эксплуатацию изделия, пока оно не будет отремонтировано в авторизованном сервисном центре. Существует риск поражения электрическим током!
- Изделие можно подключать только к заземленной розетке/линии, напряжение и уровень защиты которой соответствуют параметрам, указанным в разделе «Технические характеристики». Установку заземления должен выполнять квалифицированный специалист (при использовании прибора с трансформатором или без него). Наша компания не несет ответственности за какие-либо проблемы, возникшие

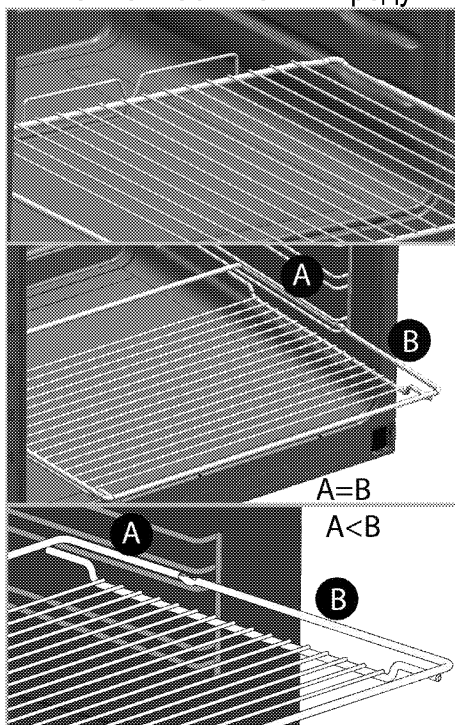
вследствие использования изделия без заземления, выполненного в соответствии с местными нормами и правилами.

- Никогда не лейте воду на изделие во время мытья! Существует риск поражения электрическим током!
- Прежде чем приступать к установке, техническому обслуживанию, чистке и ремонту, изделие необходимо отключить от электросети.
- Во избежание несчастных случаев при повреждении кабеля питания его замену должен выполнять производитель, его специалист по сервису или лицо, имеющее аналогичную квалификацию.
- Электроприбор следует устанавливать таким образом, чтобы его можно было полностью отсоединить от сети электропитания. Отсоединение должно осуществляться с помощью штепсельной вилки или выключателя, встроенного в фиксированную сеть электропитания, в соответствии со строительными нормативами и правилами.

- Задняя стенка духового шкафа во время работы сильно нагревается. Следите за тем, электрические провода не соприкасались с задней стенкой, так как это может привести к их повреждению.
 - Следите за тем, чтобы шнур питания не был зажат между рамой и дверцей духового шкафа, и не прокладывайте его по горячим поверхностям. В противном случае изоляция кабеля может расплавиться, что приведет к короткому замыканию и пожару.
 - Все работы с электрическим оборудованием и системами должны выполняться только квалифицированными специалистами, допущенными к выполнению таких работ.
 - В случае какого-либо повреждения выключите прибор и отсоедините его от электросети. Для этого выключите общий предохранитель в доме.
 - Проверьте, соответствуют ли изделию номинальные характеристики предохранителя.
- Безопасность изделия
- **ВНИМАНИЕ:** Данное изделие и его внешние части нагреваются в процессе использования. Будьте осторожны, не касайтесь нагревательных элементов. Детей младше 8 лет следует допускать к духовому шкафу только под постоянным присмотром взрослых.
 - Не пользуйтесь прибором, находясь под воздействием алкоголя или лекарственных препаратов, снижающих скорость реакции или нарушающих координацию движений.
 - Будьте осторожны при использовании спиртных напитков в приготавливаемых блюдах. При высокой температуре спирт испаряется и при соприкосновении с горячими поверхностями может загореться и вызвать пожар.
 - Не располагайте рядом с прибором легковоспламеняющиеся материалы, так как во время работы его боковые поверхности могут сильно нагреваться.
 - Во время работы устройство может нагреваться. Будьте осторожны, не касайтесь нагревательных элементов внутри духового шкафа.

- Следите за тем, чтобы вентиляционные отверстия были полностью открыты.
- Не разогревайте в духовом шкафу продукты в закрытых жестяных или стеклянных банках. Внутри банок может повыситься давление, что приведет к взрыву.
- Не ставьте противни или посуду непосредственно на дно духового шкафа, а также не кладите на него алюминиевую фольгу. Избыточное тепло может привести к повреждению дна духового шкафа.
- Не используйте для чистки стеклянной дверцы духового шкафа грубые абразивные чистящие средства или острые металлические скребки, чтобы не поцарапать поверхность, поскольку это может привести к разрушению стекла.
- Не используйте для чистки устройства пароочистители, поскольку это может привести к поражению электрическим током.
- (Может отличаться в зависимости от модели изделия.)
Правильное расположение проволочной решетки и противня на направляющих

Проволочную решетку и/или противень следует правильно устанавливать на направляющие. Вставьте проволочную решетку или противень между 2 направляющими и проверьте, устойчиво ли держится решетка или противень (см. рисунок). Только после этого можно класть на них продукты.



- Не пользуйтесь духовым шкафом, если стекло в передней дверце потрескалось или вынуто.
- Ручка духовки не предназначена для сушки

полотенец. Если функция гриля включена, а дверца открыта, не вешайте полотенца, перчатки и другие тряпичные изделия.

- Помещая продукты в горячий духовой шкаф или вынимая их оттуда, обязательно пользуйтесь термостойкими рукавицами.
- Положите бумагу для выстилания пекарных форм в горшок для варки или на противень, решетку и т.д. вместе с приготавливаемыми пищевыми продуктами, и поместите все в предварительно нагретую печь. Удалите излишки бумаги, выступающие за пределы противня или горшка, чтобы они не смогли соприкоснуться с нагревательными элементами. Не используйте бумагу для выстилания пекарных форм, рабочая температура которой ниже температуры в печи. Не кладите бумагу непосредственно на основание печи.
- **ВНИМАНИЕ:** Перед заменой лампы убедитесь, что шнур питания прибора отключен от сети или что прерыватель цепи выключен, чтобы

избежать поражения электрическим током.

- Прибор не следует устанавливать за декоративной дверцей, поскольку это может привести к перегреву.

Для обеспечения пожарной безопасности изделия соблюдайте нижеуказанные правила.

- Убедитесь, что вилка плотно вставлена в розетку и не искрит.
- Запрещается использовать поврежденный либо обрезанный кабель, а также удлинитель; можно пользоваться только оригинальным кабелем.
- Убедитесь, что в розетке, к которой подключается изделие, отсутствуют жидкость или влага.

Использование по назначению

- Данное изделие предназначено исключительно для бытового использования. Запрещается использовать прибор в коммерческих целях.
- **ОСТОРОЖНО:** Данное изделие предназначено исключительно для приготовления пищи. Его запрещено использовать для

других целей, например, для обогрева помещения."

- Изделие не следует использовать с целью нагревания тарелок под грилем, сушки полотенец и посудных полотенец, путем развешивания их на ручках, а также для обогрева помещения.
- Производитель не несет ответственности за повреждения в результате использования изделия не по назначению или неправильного обращения с ним.
- Духовой шкаф можно использовать для размораживания, выпекания, жарения и приготовления продуктов на гриле.

Безопасность детей

- **ВНИМАНИЕ:** Доступные части прибора могут сильно нагреваться при использовании. Не допускайте к ним детей.
- Упаковочные материалы опасны для детей. Храните упаковочные материалы в недоступном для детей месте. Утилизируйте все упаковочные материалы в соответствии с

нормами по охране окружающей среды.

- Электрическое оборудование представляют опасность для детей. Во время работы духового шкафа не допускайте к нему детей, а также не разрешайте им играть с ним.
- Не размещайте над прибором предметы, которые дети могут попытаться достать.
- Не ставьте на открытую дверцу тяжелые предметы и не позволяйте детям садиться на нее, Духовой шкаф может перевернуться, а также могут быть повреждены петли дверцы.

Утилизация старого изделия

Соответствие Директиве ЕС об утилизации электрического и электронного оборудования (WEEE) и утилизация вышедшего из употребления оборудования:



Данное изделие соответствует Директиве ЕС об утилизации электрического и электронного оборудования (2012/19/EU). Данное изделие имеет маркировку, указывающую на утилизацию его как электрического и электронного оборудования (WEEE).

Это изделие произведено из высококачественных деталей и материалов, которые подлежат повторному использованию и переработке. Поэтому не выбрасывайте изделие с обычными бытовыми отходами после завершения его эксплуатации. Его следует сдать в соответствующий центр по утилизации электрического и электронного оборудования. О местонахождении таких центров вы можете узнать в местных органах власти.

Соответствие Директиве ЕС об ограничении содержания вредных веществ (RoHS):

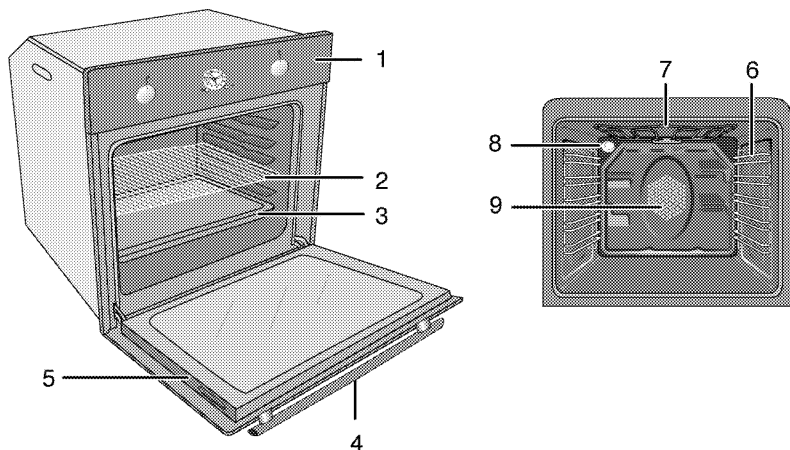
Приобретенное вами изделие соответствует Директиве ЕС о правилах ограничения содержания вредных веществ (2011/65/EU). Оно не содержит вредных и запрещенных материалов, указанных в Директиве.

Утилизация упаковочных материалов

- Упаковочные материалы опасны для детей. Храните упаковочные материалы в безопасном и недоступном для детей месте. Упаковочные материалы изделия изготовлены из материалов, подлежащих вторичной переработке. Утилизируйте их соответствующим образом и сортируйте согласно инструкций по обращению с отходами, подлежащими вторичной переработке. Не утилизируйте их вместе с обычными бытовыми отходами.

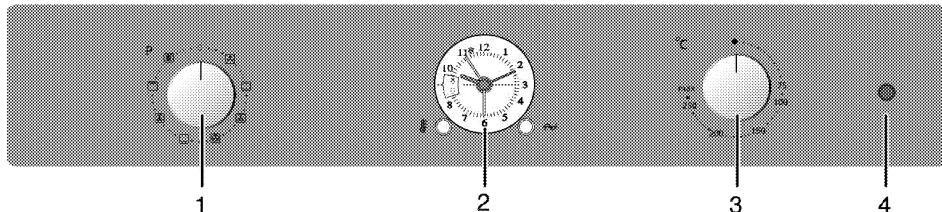
2 Общие сведения

Обзор



- 1 Панель управления
- 2 Проволочная решетка
- 3 Противень
- 4 Ручка дверцы
- 5 Дверца

- 6 Положения полок
- 7 Верхний нагревательный элемент
- 8 Лампочка
- 9 Двигатель вентилятора (за стальной пластиной)



- 1 Ручка выбора функции
- 2 Механический таймер
- 3 Ручка термостата
- 4 Лампочка термостата

Содержание упаковки

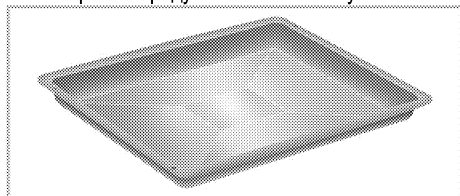


Изделие комплектуется различным набором дополнительных принадлежностей в зависимости от модели. Некоторые дополнительные принадлежности, описанные в руководстве пользователя, в комплекте этого изделия могут отсутствовать.

1. Руководство пользователя

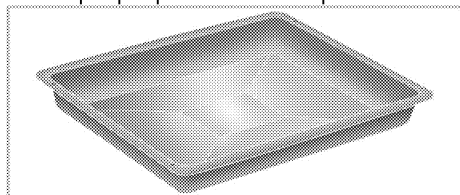
2. Стандартный противень

Предназначен для выпечки изделий из теста, размораживания замороженных продуктов и жарения продуктов большими кусками.



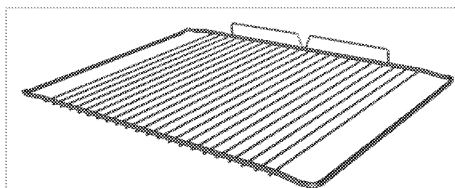
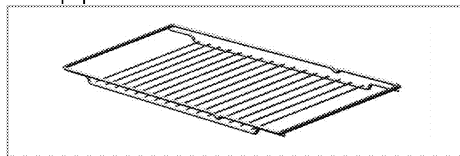
3. Глубокий противень

Предназначен для выпечки изделий из теста, жарения продуктов большими кусками, сочных блюд, а также для сбора стекающего жира при приготовлении на гриле.



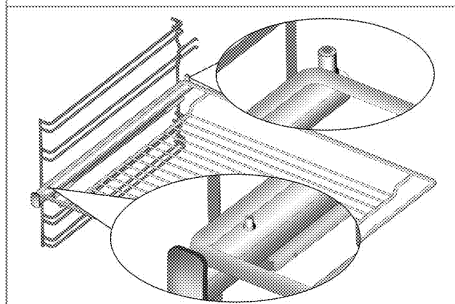
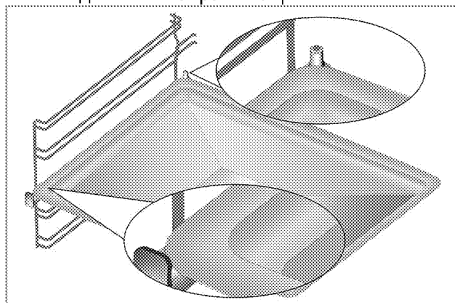
4. Решетка

Предназначена для жарения, а также для размещения продуктов на нужной полке при выпечке, жарении или приготовлении в формах.



5. Правильное расположение проволочной решетки на выдвигаемых направляющих (Данная функция — дополнительная. Она может отсутствовать в вашем изделии.)

Благодаря наличию выдвигаемых направляющих можно легко устанавливать и выдвигать противни и проволочную решетку. При установке противней или проволочной решетки следите за тем, чтобы края противня или решетки опирались на штырьки, расположенные на задней части выдвигаемых направляющих.





Технические характеристики


Напряжение/частота	220-240 В ~ 50 Гц
Общая потребляемая мощность	2.5 кВт
Тип кабеля/сечение	мин. H05VV-FG 3 x 1,5 мм ²
Габариты (высота / ширина / глубина)	595 мм/594 мм/567 мм
Установочные размеры (высота/ширина/глубина)	**590 или 600 мм/560 мм/мин. 550 мм
Главный духовой шкаф	Многофункциональный духовой шкаф
Лампочка внутреннего освещения	15/25 Вт
Риль: потребляемая мощность	2.2 кВт

Основные сведения Данные на паспортной табличке энергопотребления электрических духовых шкафов приведены в соответствии со стандартом EN 60350-1 / IEC 60350-1. Эти данные определены при стандартной нагрузке с функциями нижнего-верхнего нагревательного элемента или нагрева с помощью вентилятора (при наличии).

Класс энергетической эффективности определен в соответствии с приведенными ниже приоритетами в зависимости от наличия или отсутствия соответствующих функций в изделии. 1 - Приготовление с вентилятором - экономичный режим, 2 - Медленное приготовление в турборежиме, 3 - Приготовление в турборежиме, 4 - Нагрев сверху и снизу с вентилятором, 5 - Нагрев сверху и снизу.

** См. раздел *Установка*, стр. 14.

	При усовершенствовании качества продукции технические характеристики могут быть изменены без предварительного уведомления.
	Иллюстрации в данном руководстве являются схематичными и могут несколько отличаться от конкретного изделия.

	Значения, указанные на этикетках изделия или в сопроводительной документации, получены в лабораторных условиях согласно соответствующим стандартам. Эти данные могут быть иными в зависимости от условий эксплуатации изделия.
---	--

3 Установка

Прибор должен устанавливаться квалифицированным специалистом в соответствии с действующими нормами и правилами. В противном случае гарантия аннулируется. Производитель не несет ответственности за повреждения в результате выполнения работ лицами, не имеющими соответствующей квалификации. Это может привести к аннулированию гарантии.



Подготовка места установки, электрического оборудования обеспечивается покупателем.



ОПАСНО:

Бытовой прибор следует устанавливать в соответствии со всеми местными нормами по подключению газового и/или электрического оборудования.



ОПАСНО:

Прежде чем приступить к установке, визуально проверьте отсутствие внешних дефектов духового шкафа. При наличии дефектов не устанавливайте его. Поврежденные электроприборы представляют собой угрозу вашей безопасности.

До начала установки

Прибор предназначен для установки в стандартную кухонную мебель, имеющуюся в продаже. Между бытовой техникой, стенами кухни и мебелью следует оставить определенное

безопасное расстояние. См. рисунок (размеры приведены в миллиметрах).

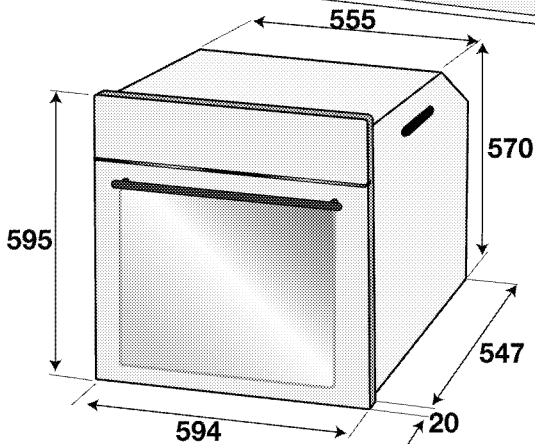
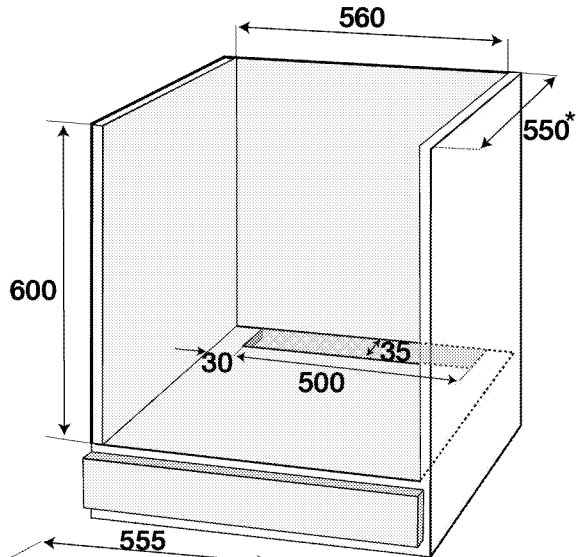
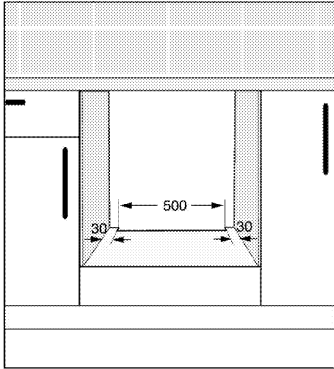
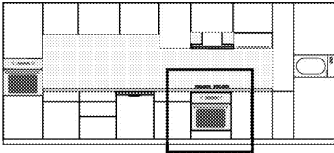
- Используемые поверхности, синтетические покрытия и клеи должны быть термостойкими (не менее 100 °С).
- Кухонные шкафчики должны быть выровнены по уровню и закреплены.
- Если под духовкой есть выдвижной ящик, между ним и духовкой необходимо установить перегородку.
- Переноску устройства должны выполнять не менее двух человек.
- Для перемещения печи возьмитесь за пазы для переноски на обеих сторонах.
- Перед установкой печи извлеките все материалы и документы, находящиеся внутри ее.
- Размеры кухонной мебели должны соответствовать указанным на рисунке ниже. Для обеспечения достаточной вентиляции в задней части кухонной мебели необходимо выполнить отверстие, размер которого соответствует указанному на рисунке ниже.



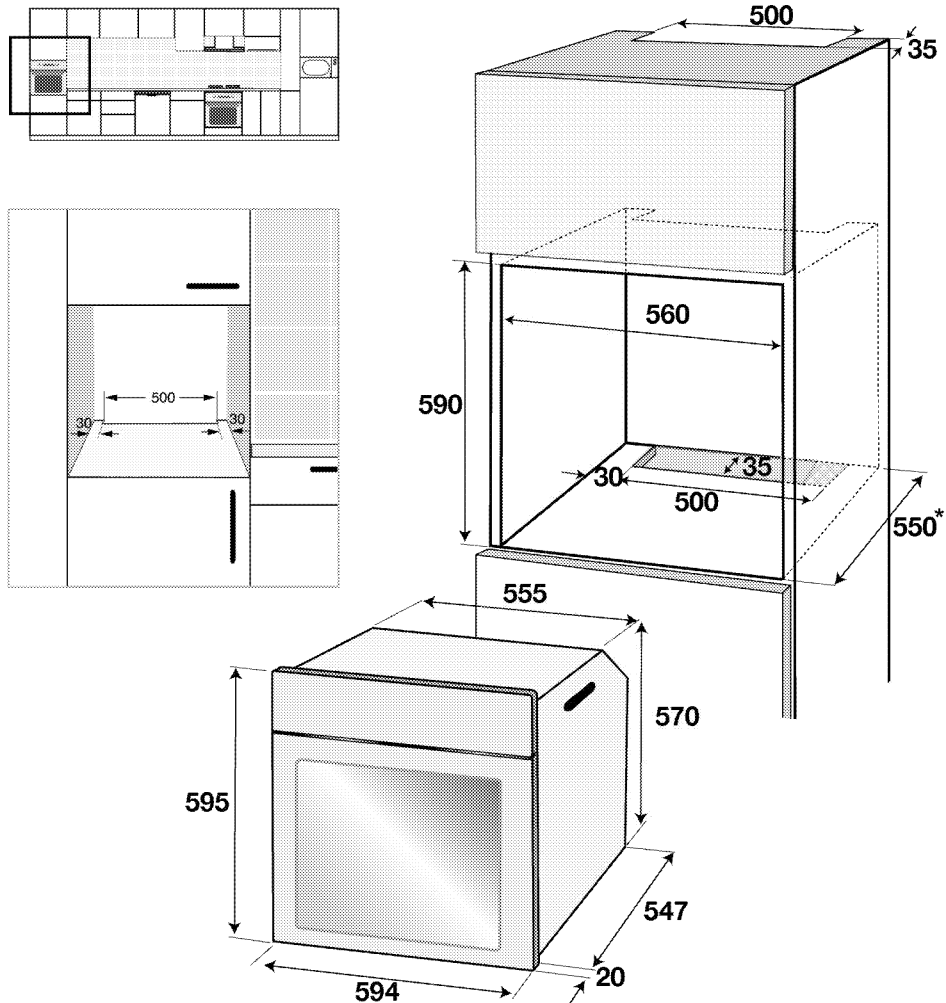
Не устанавливайте изделие рядом с холодильником или морозильной камерой. Поскольку духовой шкаф излучает тепло, холодильники будут потреблять больше электроэнергии.



Не перемещайте устройство, держась за дверцу и/или за ручку дверцы.



* МИН.



* мин.

Установка и подключение

- Бытовой прибор следует устанавливать в соответствии со всеми местными нормами по подключению газового и электрического оборудования.

Подключение к электросети

Подключайте изделие к розетке или линии с заземлением, защищенной миниатюрным автоматическим выключателем с соответствующим номиналом, который указан в таблице «Технические характеристики». Установку заземления должен выполнять

квалифицированный электрик (при использовании изделия с трансформатором или без него). Наша компания не несет ответственности за ущерб, понесенный вследствие использования изделия без заземления, выполненного в соответствии с местными нормами и правилами.

ОПАСНО:
 Подключение прибора к электросети должен выполнять квалифицированный специалист, имеющий право на выполнение таких работ. Гарантийный период начинается только после правильной установки.
 Производитель не несет ответственности за повреждения в результате выполнения работ лицами, не имеющими соответствующей квалификации.

ОПАСНО:
 Шнур питания не должен быть сдавлен, изогнут или зажат, а также не должен соприкасаться с нагревающимися компонентами изделия.
 Замену поврежденного шнура питания должен выполнять квалифицированный электрик. В противном случае это может привести к поражению электрическим током, короткому замыканию или возгоранию!

- Подключение должно выполняться в соответствии с национальными нормами.
- Параметры электрической сети должны соответствовать данным, указанным на паспортной табличке прибора. Табличку с данными можно увидеть, открыв переднюю дверцу.
- Шнур питания прибора должен соответствовать параметрам, указанным в таблице "Технические характеристики".

ОПАСНО:
 Перед выполнением каких-либо электромонтажных работ отключите прибор от электрической сети.
 Существует риск поражения электрическим током!

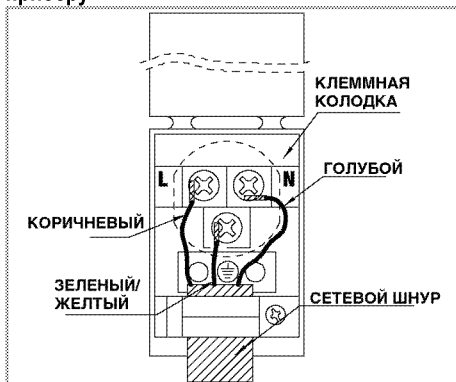
Подключение кабеля питания


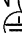
i При монтаже проводки необходимо соблюдать национальные/местные электротехнические правила и нормы, а также использовать соответствующие розетки/штепсельные вилки и вилку для духовки. В случае если предельные значения мощности продукции превышают допустимую нагрузку на вилку и розетку, изделие должно быть подключено через стационарное электрическое оборудование напрямую без использования вилки и розетки.

1. Если нет возможности установить автоматический выключатель на все контакты, то в соответствии с директивами МЭК следует использовать для подключения размыкатели с контактным зазором не менее 3 мм (плавкие предохранители, защитные сетевые выключатели, замыкатели). Место подключения должно находиться рядом с прибором, но не над плитой. Несоблюдение этих указаний может вызвать проблемы в процессе эксплуатации, а также привести к аннулированию гарантии на прибор.

В качестве дополнительной меры безопасности рекомендуется использовать устройство защитного отключения.

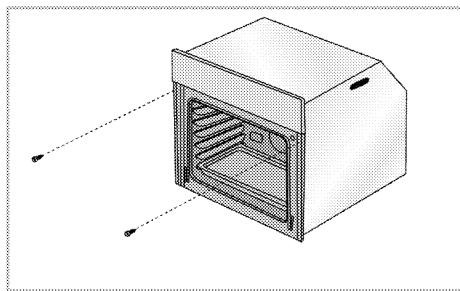
Подключение кабелем, прилагаемым к прибору



2. **Инструкция по подключению к однофазной электрической сети**
 - коричневый/черный провод = L (фаза)
 - синий/серый провод = N (нейтраль)
 - желто-зеленый провод = (E)  (земля)
- » или
- серый/черный провод = L (фаза)
 - синий/коричневый провод = N (нейтраль)
 - желто-зеленый провод = (E)  (земля)

Инструкция по монтажу

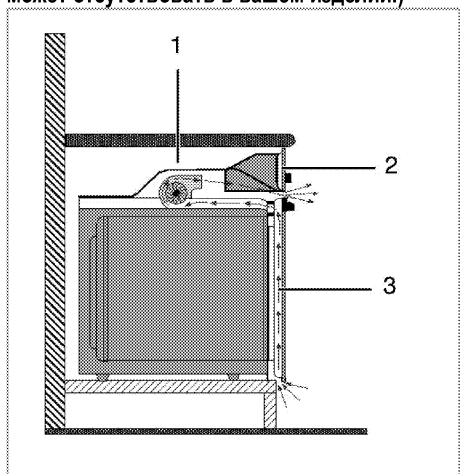
1. Вставьте духовой шкаф в кухонную мебель, выровняйте и закрепите. Одновременно убедитесь в том, что шнур питания не поврежден и/или не зажат.



Закрепите духовой шкаф 2 винтами, как показано на рисунке.

После установки проверьте, что винты затянуты достаточно и печь зафиксирована на месте. Печь может сместиться в течение периода использования, если установка была выполнена в нарушение инструкций и если винты затянуты недостаточно.

Для изделий с вентилятором охлаждения (Она может отсутствовать в вашем изделии.)



- 1 Вентилятор охлаждения
- 2 Панель управления
- 3 Дверца

Встроенный вентилятор охлаждения охлаждает встроенную часть прибора и переднюю панель.



Вентилятор охлаждения продолжает работать в течение 20-30 минут после выключения духового шкафа.

Если вы готовили, запрограммировав таймер духовки, вентилятор охлаждения выключится по завершении времени приготовления вместе со всеми функциями.

Окончательная проверка

1. Эксплуатация изделия.
2. Проверьте, произошло ли включение.

Для будущей транспортировки

- Сохраните оригинальную упаковочную коробку и перевозите прибор в ней. Следуйте указаниям, нанесенным на упаковке. Если оригинальная упаковочная коробка не сохранилась, заверните изделие в пузырчатую упаковку или поместите в плотный картон. Надежно заклейте клейкой лентой.
- Чтобы проволочная решетка и противень, которые хранятся внутри духовки, не повредили дверцу, поместите с внутренней стороны дверцы картонную полоску вровень с противнями. Прикрепите дверцу духового шкафа к боковым стенкам клейкой лентой.
- Не поднимайте и не передвигайте духовой шкаф, держась за дверцу или за ручку дверцы.



Не размещайте на приборе никаких предметов и не ставьте его вертикально.



Осмотрите прибор снаружи на предмет возможных повреждений при транспортировке.

4 Подготовка к эксплуатации

Рекомендации по экономии электроэнергии

Эти рекомендации помогут вам использовать изделие экологически чистым способом и сэкономить электроэнергию.

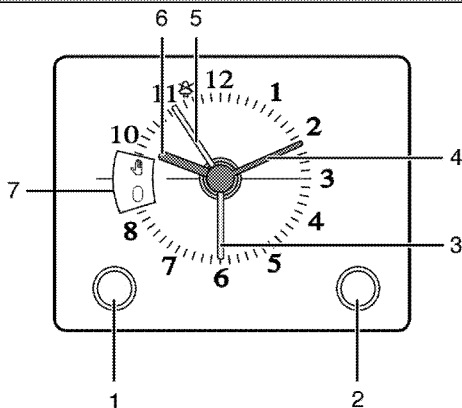
- Используйте в духовом шкафу темную или эмалированную посуду: это позволит улучшить теплопередачу.
- Прогревайте духовой шкаф перед приготовлением пищи, если это рекомендуется в руководстве пользователя или в инструкциях по приготовлению продуктов.
- Во время приготовления пищи не открывайте дверцу духового шкафа слишком часто.
- По возможности старайтесь готовить в духовом шкафу несколько блюд одновременно. При приготовлении пищи на решетку можно устанавливать по две емкости с продуктами.
- Готовьте блюда одно за другим. Духовой шкаф уже будет прогрет.
- Для экономии электроэнергии можно выключать духовой шкаф за несколько минут до окончания приготовления блюда. Не открывайте дверцу духового шкафа.
- Размораживайте замороженные продукты перед приготовлением.

Подготовка к эксплуатации

Настройка времени



Перед использованием духового шкафа необходимо установить время. Если таймер не установлен, духовка работать не будет.



- 1 Кнопка настройки времени
- 2 Кнопка установки времени запуска
- 3 Начало приготовления (оранжевый)
- 4 Минутная стрелка (золотой)
- 5 Стрелка звукового таймера (желтый)
- 6 Часовая стрелка (золотой)
- 7 Индикатор продолжительности приготовления

Установите текущее время

1. Слегка потяните к себе ручку (1) и поворачивайте ее по часовой стрелке до тех пор, пока не установится текущее время, а затем отпустите ее.

» Время будет установлено.



Ни в коем случае не поворачивайте вытянутую ручку против часовой стрелки.

Очистка прибора перед началом эксплуатации




Некоторые моющие средства и чистящие материалы могут повредить поверхность. Не используйте для чистки агрессивные моющие средства, чистящие порошки/кремы, а также острые предметы.

1. Снимите все упаковочные материалы.
2. Протрите поверхность прибора влажной тканью или губкой и вытрите насухо.

Первоначальный прогрев

Прогрейте прибор в течение 30 минут, а затем выключите. Это обеспечит выгорание и удаление производственных загрязнений и покрытий.


 **ПРЕДУПРЕЖДЕНИЕ!**
Горячие поверхности могут причинить ожоги!
Во время работы прибор может сильно нагреваться. Не прикасайтесь к горячим конфоркам, внутренним частям духового шкафа, нагревательным элементам и т.п. Не разрешайте детям приближаться к нему.
Помещая продукты в горячий духовой шкаф или вынимая их оттуда, обязательно пользуйтесь термостойкими рукавицами.

Электрический духовой шкаф

1. Выньте из духового шкафа все противни и решетку.
2. Закройте дверцу духового шкафа.
3. Выберите положение Static (Статический)
4. Включите гриль на максимальную мощность (см. раздел *Правила эксплуатации электрической духовки, стр. 21.*)
5. Дайте духовому шкафу поработать около 30 минут.
6. Затем выключите духовой шкаф (см. раздел *Правила эксплуатации электрической духовки, стр. 21*)

Духовой шкаф с грилем

1. Выньте из духового шкафа все противни и решетку.
2. Закройте дверцу духового шкафа.
3. Включите гриль на максимальную мощность (см. раздел *Как пользоваться грилем, стр. 28.*)
4. Дайте духовому шкафу поработать около 30 минут.
5. Затем выключите духовой шкаф (см. раздел *Как пользоваться грилем, стр. 28*)

 При первом включении в течение нескольких часов возможно выделение дыма и запаха. Это вполне нормально. Убедитесь, что кухня хорошо проветривается, чтобы удалить дым и запах. Не вдыхайте выделяющиеся дым и запахи.

5 Правила эксплуатации духовки

Общие сведения о выпекании, жарении и приготовлении с грилем



ПРЕДУПРЕЖДЕНИЕ!

Горячие поверхности могут причинить ожоги!

Во время работы прибор может сильно нагреваться. Не прикасайтесь к горячим конфоркам, внутренним частям духового шкафа, нагревательным элементам и т.п. Не разрешайте детям приближаться к нему.

Помещая продукты в горячий духовой шкаф или вынимая их оттуда, обязательно пользуйтесь термостойкими рукавицами.



ОПАСНО:

Будьте осторожны, открывая дверцу духового шкафа, так как наружу может выходить пар.

Выпускаемый пар может обжечь вам руки, лицо и/или глаза.

Советы по выпеканию

- Используйте антипригарные металлические тарелки или алюминиевые контейнеры с соответствующим покрытием, либо термостойкие силиконовые формы.
- Рационально используйте площадь решетки.
- Устанавливайте форму для выпекания в середине решетки.
- Выбирайте правильное положение решетки перед включением духового шкафа или гриля. Не изменяйте положение решетки, когда духовой шкаф горячий.
- Держите закрытой дверцу шкафа.

Советы по приготовлению жареных блюд

- Тушку курицы или индейки и большие куски мяса перед приготовлением рекомендуется сбрызнуть лимонным соком и посыпать черным перцем. Тогда готовое блюдо будет вкуснее.
- Мясо с костями следует жарить на 15-30 минут дальше, чем такое же количества мяса без костей.
- На каждый сантиметр толщины мяса требуется приблизительно 4-5 минут времени приготовления.
- По истечении времени приготовления мяса оставьте его в духовом шкафу примерно на 10 минут. Сок лучше распределится внутри

куска жареного мяса и не будет вытекать, когда вы будете разрезать мясо.

- Рыбу в термостойкой посуде следует готовить на решетке, установленной на средний или нижний уровень.

Советы по приготовлению продуктов на гриле

При приготовлении на гриле мясо, рыба или птица быстро поджаривается, сверху образуется хрустящая корочка, и продукт не пересыхает. На гриле можно отлично приготовить не только тонкие куски мяса, шашлыки и сосиски, но и овощи с большим содержанием жидкости (например, помидоры и лук).

- Для приготовления на гриле разложите куски продуктов на решетке или на противне с решеткой так, чтобы площадь, занимаемая продуктами, соответствовала размерам нагревательного элемента.
- Вставьте решетку или противень с решеткой в духовку на нужный уровень. Если продукты готовятся на решетке, установите на нижний уровень поддон для сбора жира. Для облегчения чистки поддона налейте в него немного воды.



Продукты, которые не подходят для приготовления на гриле, могут привести к возгоранию. На гриле можно готовить только такие продукты, которые выдерживают интенсивный нагрев.

Не размещайте продукты слишком близко к задней части гриля. Эта зона нагревается сильнее всего, и жирные продукты могут загореться.

Правила эксплуатации электрической духовки



Перед использованием духового шкафа необходимо установить время. Если таймер не установлен, духовка работать не будет.

Выберите температуру и режим работы



- 1 Ручка выбора функции
- 2 Ручка термостата
1. Установите таймер духового шкафа на нужное время приготовления или в ручной (непрерывный) режим приготовления, см. .
2. Установите нужный режим работы с помощью ручки выбора функций.
3. Установите нужную температуру с помощью регулятора температуры.

» После нагрева духовки в ней будет поддерживаться заданная температура. Во время нагрева будет светиться индикатор температуры.

Выключение электрической духовки

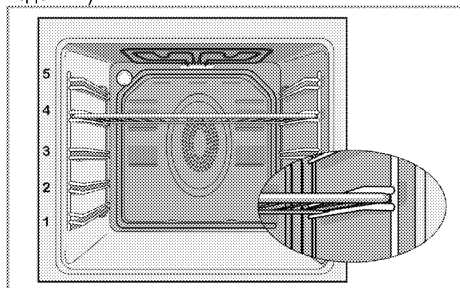
Поверните ручку выбора функций и регулятор температуры в положение отключения (вверх).

Уровни духовки (для моделей с грилем)

Правильно устанавливайте решетку в направляющие. Решетку следует вставить между направляющими, как показано на рисунке.

Следите за тем, чтобы решетка не упиралась в заднюю стенку духовки. Чтобы гриль нормально работал, выдвиньте решетку к передней части направляющих и отрегулируйте ее положение с помощью дверцы.

(Может отличаться в зависимости от модели изделия.)



Режимы работы

Приведенная здесь последовательность режимов работы может отличаться от вашей модели.

Нагрев сверху и снизу



Работают оба нагревательных элемента — и верхний, и нижний. Продукты подгреваются одновременно сверху и снизу. Этот режим подходит, например, для тортов, разной выпечки, а также кексов и запеканок в формах.. Готовьте только с одним противнем.

Нагрев снизу



Работает только нижний нагревательный элемент.

Подходит для выпечки пиццы и дополнительного обжаривания продуктов с нижней стороны. Эта функция также упрощает очистку паром.



Нагрев сверху и снизу с использованием вентилятора



Работают верхний и нижний нагревательные элементы, а также вентилятор, расположенный на задней стенке. Горячий воздух равномерно распределяется внутри духовки с помощью вентилятора. Готовьте только с одним противнем.

Работа с вентилятором



Духовой шкаф не нагревается. Работает только вентилятор, расположенный на задней стенке. Замороженные гранулированные продукты медленно размораживаются при комнатной температуре, а приготовленные продукты охлаждаются.

Fan Heating (Нагрев + вентилятор)



Работает нагревательный элемент с вентилятором (на задней стенке).



Горячий воздух равномерно распределяется внутри духовки с помощью вентилятора. Как правило, предварительный прогрев не нужен. Подходит для приготовления блюд на разных уровнях духовки. Подходит для приготовления с несколькими противнями.

Эта функция также упрощает очистку паром.

Функция "3D" (объемный нагрев)



Работают верхний и нижний нагревательные элементы, а также нагревательный элемент с вентилятором, расположенный на задней стенке. Продукты готовятся быстро и равномерно со всех сторон. Готовьте только с одним противнем.

Full grill (Усил. гриль)



Работает большой гриль на потолке духовки. Подходит для приготовления на гриле больших порций мяса.

- Для приготовления на гриле положите большие или средние порции под нагревательный элемент гриля на соответствующий уровень полки духового шкафа.
- Установите температуру на максимальный уровень.
- Когда пройдет половина времени, отведенного на приготовление, переверните продукт.

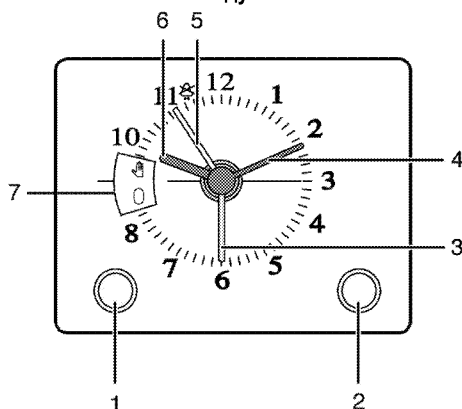
Grill+Fan (Гриль+вентилятор)



Действие гриля не такое сильное, как в режиме усиленного гриля

- Для приготовления блюд в этом режиме расположите под нагревателем гриля на соответствующем уровне духовки небольшое или среднее количество продукта.
- Установите нужную температуру.
- Когда пройдет половина времени, отведенного на приготовление, переверните продукт.

Использование часов духовки



- 1 Кнопка настройки времени
- 2 Кнопка установки времени запуска
- 3 Начало приготовления (оранжевый)
- 4 Минутная стрелка (золотой)
- 5 Стрелка звукового таймера (желтый)
- 6 Часовая стрелка (золотой)
- 7 Индикатор продолжительности приготовления



Максимальное время приготовления, которое можно установить, – 180 минут. В случае отключения электроэнергии программа будет отменена. Следует снова запрограммировать духовой шкаф.

Включение ручного (непрерывного) режима работы

Этот режим используется в тех случаях, когда необходимо самостоятельно следить за продолжительностью приготовления. В этом режиме духовка будет непрерывно работать, пока ее не выключат.



В ручном (непрерывном) режиме работы таймер не отключает электропитание.

1. Поворачивайте регулятор (2) по часовой стрелке, пока на цифровом индикаторе Cooking Time (Продолжительность приготовления) не появится цифра "0".
2. Слегка потяните регулятор (2) к себе и совместите стрелку начала приготовления (оранжевый) (3) с часовой стрелкой (6).
3. Отпустите регулятор (2) и поворачивайте его по часовой стрелке (7) до тех пор, пока на цифровом индикаторе Cooking Time (Продолжительность приготовления) не появится символ ручного режима «A».
4. Поставьте блюдо в духовой шкаф.
5. Выберите режим работы и температуру.

Прекращение приготовления

Когда приготовление закончено

1. Поверните ручку выбора функций и (или) регулятор температуры в положение отключения (вверх).
2. Поворачивайте регулятор (2) по часовой стрелке, пока на цифровом индикаторе Cooking Time (Продолжительность приготовления) не появится цифра "0".

Включение полностью автоматического режима работы

В этом режиме можно задать время включения и выключения духовки.

1. Поворачивайте регулятор (2) по часовой стрелке, пока на цифровом индикаторе Cooking Time (Продолжительность приготовления) не появится цифра "0".
2. Слегка потяните регулятор (2) к себе и совместите стрелку начала приготовления (оранжевый) (3) со временем начала приготовления.
3. Отпустите регулятор (2).
4. Чтобы установить продолжительность приготовления на цифровом индикаторе Cooking Time (Продолжительность приготовления) (7), поверните регулятор (2) по часовой стрелке.

5. Поставьте блюдо в духовой шкаф.
6. Выберите режим работы и температуру.
» По окончании приготовления питание автоматически отключается, и подается звуковой сигнал.
7. Как только приготовление завершится, и вы услышите звуковой сигнал, поверните ручку (2) по часовой стрелке, пока на дисплее времени приготовления не появится "0".
8. Выключите духовку с помощью регулятора температуры и (или) ручки выбора функций.

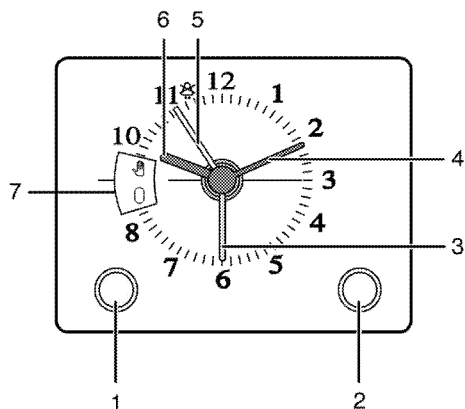
Полуавтоматический режим работы

В этом режиме работы можно задать время автоматического выключения духовки.

1. Поворачивайте регулятор (2) по часовой стрелке, пока на цифровом индикаторе Cooking Time (Продолжительность приготовления) не появится цифра "0".
2. Чтобы установить продолжительность приготовления на цифровом индикаторе Cooking Time (Продолжительность приготовления) (7), поверните регулятор (2) по часовой стрелке.
3. Поставьте блюдо в духовой шкаф.
4. Выберите режим работы и температуру.
» По окончании приготовления питание автоматически отключается, и подается звуковой сигнал.
5. Как только приготовление завершится, и вы услышите звуковой сигнал, поверните ручку (2) по часовой стрелке, пока на дисплее времени приготовления не появится "0".
6. Выключите духовку с помощью регулятора температуры и (или) ручки выбора функций.

Использование часов в качестве сигнального таймера

Часы прибора можно использовать не только для настройки программы приготовления, но и для предупреждения или напоминания. Сигнальный таймер не влияет на работу духового шкафа. Он используется только для предупреждения. Например, его можно использовать для напоминания о том, что в определенное время нужно перевернуть продукты в духовом шкафу. Сигнальный таймер выдает сигнал по истечении заданного времени.



- 1 Кнопка настройки времени
- 2 Кнопка установки времени запуска
- 3 Начало приготовления (оранжевый)
- 4 Минутная стрелка (золотой)
- 5 Стрелка звукового таймера (желтый)
- 6 Часовая стрелка (золотой)
- 7 Индикатор продолжительности приготовления



Максимальное время установки звукового сигнала может составлять 55 минут.

Настройка сигнального таймера

1. Поверните ручку (1) вправо или влево и установите стрелку сигнального таймера (желтая) (5) на циферблате в нужное положение.

» По истечении заданного времени будет подан звуковой сигнал.

Выключение звукового сигнала

1. Чтобы выключить сигнал, во время звучания сигнала передвиньте стрелку сигнального таймера (желтая) (5) на значок звукового сигнала, повернув ручку (1) вправо или влево.

Время приготовления блюд



















Значения времени в этой таблице следует считать справочными. Они могут изменяться в зависимости от температуры продуктов, толщины, вида и ваших кулинарных предпочтений.

Выпечка и жарение



1-й полкой духового шкафа является нижняя полка.

Блюдо	Количество противней	Аксессуары для пользования	Режим работы	Уровень размещения	Температура (°C)	Примерное время приготовления (мин.)
Выпечка на противне	Один противень	Стандартный противень*		3	180	25 ... 30
Выпечка в форме	Один противень	Формы для кексов на решетке**		2	180	40 ... 50
Пирожные	Один противень	Стандартный противень*		3	160	25 ... 35
	Один противень	Стандартный противень*		3	150	30 ... 40
	2 противня	1-Противень для выпечки* 3-Стандартный противень*		1 - 3	150	35 ... 50
	3 противня	1-Стандартный противень* 3-Противень для выпечки* 5-Глубокий противень*		1 - 3 - 5	150	35 ... 50
Бисквит	Один противень	Круглая пружинная сковорода диаметром 26 см на решетке**		3	160	25 ... 35
	Один противень	Круглая пружинная сковорода диаметром 26 см на решетке**		2	150	30 ... 40
	2 противня	1-Круглая пружинная		1 - 4	150	35 ... 45






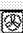




		сковорода диаметром 26 см на решетке** 4-Круглая пружинная сковорода диаметром 26 см на противне для выпечки**				
Печенье	Один противень	Противень для выпечки*		3	180	25 ... 30
	2 противня	1-Противень для выпечки* 3-Стандартный противень*		1 - 3	180	30 ... 40
	3 противня	1-Противень для выпечки* 3-Стандартный противень* 5-Глубокий противень*		1 - 3 - 5	180	35 ... 45
Изделия из теста	Один противень	Стандартный противень*		2	200	30 ... 40
	2 противня	1-Противень для выпечки* 5-Стандартный противень*		1 - 5	200	45 ... 55
	3 противня	1-Противень для выпечки* 3-Стандартный противень* 5-Глубокий противень*		1 - 3 - 5	200	55 ... 65
Сдобная выпечка	Один противень	Стандартный противень*		2	200	25 ... 35
	2 противня	1-Противень для выпечки* 3-Стандартный противень*		1 - 3	200	35 ... 45
	3 противня	1-Противень для выпечки* 3-Стандартный противень* 5-Глубокий противень*		1 - 3 - 5	190	45 ... 55
Закваска	Один противень	Стандартный противень*		2	200	35 ... 45
Лазанья	Один противень	Стеклоянная / металлическая прямоугольная сковорода на решетке**		2 - 3	200	30 ... 40
Пицца	Один противень	Стандартный противень*		2	200 ... 220	15 ... 20
Бифштекс (куском)/жаркое	Один противень	Стандартный противень*		3	25 мин. 250/max, затем 180 ... 190	100 ... 120
Баранья нога (запеканка)	Один противень	Стандартный противень*		3	25 мин. 250/max, затем 190	70 ... 90
	Один противень	Стандартный противень*		3	25 мин. 250/max, затем 190	60 ... 80
Жареная курица (1,8-2	Один противень	Стандартный противень*		2	15 мин. 250/max,	60 ... 80





кг)					затем 180 ... 190	
	Один противень	Стандартный противень*		2	15 мин. 250/max, затем 180 ... 190	60 ... 80
Индейка (5.5 кг)	Один противень	Стандартный противень*		1	25 мин. 250/max, затем 180 ... 190	150 ... 210
	Один противень	Стандартный противень*		1	25 мин. 250/max, затем 180 ... 190	150 ... 210
Рыба	Один противень	Стандартный противень*		3	200	20 ... 30
	Один противень	Стандартный противень*		3	200	20 ... 30
<p>Для всех типов продуктов рекомендуется произвести предварительный разогрев. * Эти аксессуары могут не поставляться с продуктом. ** Эти аксессуары не поставляются с продуктом. Эти аксессуары доступны в продаже.</p>						

Таблица для пробного приготовления

Блюда, внесенные в настоящую таблицу готовятся в соответствии с EN 60350-1, чтобы

облегчить контролирующим организациям процесс проверки продукта.

Блюдо	Количество противней	Аксессуары для пользования	Режим работы	Уровень размещения	Температура (°C)	Примерное время приготовления (мин.)
песочное печенье	Один противень	Стандартный противень*		3	140	20 ... 30
	Один противень	Стандартный противень*		3	140	20 ... 30
	2 противня	1-Стандартный противень* 3-Противень для выпечки*		1 - 3	140	20 ... 30
	3 противня	1-Стандартный противень* 3-Противень для выпечки* 5-Глубокий противень*		1 - 3 - 5	140	25 ... 35
Пирожные	Один противень	Стандартный противень*		3	160	25 ... 35
	Один противень	Стандартный противень*		3	150	30 ... 40
	2 противня	1-Противень для выпечки* 3-Стандартный противень*		1 - 3	150	35 ... 50
	3 противня	1-Стандартный противень* 3-Противень для выпечки* 5-Глубокий противень*		1 - 3 - 5	150	35 ... 50
Бисквит	Один противень	Круглая пружинная сковорода диаметром 26 см на решетке**		3	160	25 ... 35
	Один противень	Круглая пружинная сковорода диаметром 26 см на решетке**		2	150	30 ... 40

	2 противня	1-Круглая пружинная сковорода диаметром 26 см на решетке** 4-Круглая пружинная сковорода диаметром 26 см на противне для выпечки**		1 - 4	150	35 ... 45
Яблочный пирог	Один противень	Круглая металлическое блюдо диаметром 20 см на решетке**		2	180	50 ... 60
	Один противень	Круглая металлическое блюдо диаметром 20 см на решетке**		2	170	50 ... 60
	2 противня	1-Круглая металлическое блюдо диаметром 20 см на решетке** 4-Круглая металлическое блюдо диаметром 20 см на противне для выпечки**		1 - 4	170	50 ... 60

Для всех типов продуктов рекомендуется произвести предварительный разогрев.
* Эти аксессуары могут не поставляться с продуктом.
** Эти аксессуары не поставляются с продуктом. Эти аксессуары доступны в продаже.


Советы по выпечке

- Если изделие получается слишком сухим, следует повысить температуру примерно на 10°C и сократить время приготовления.
- Если изделие получается сырым, следует уменьшить количество жидкости или понизить температуру на 10°C.
- Если верхняя корочка слишком зарумянивается, следует поставить изделие ниже, понизить температуру и увеличить время приготовления.
- Если изделие хорошо пропекается, но снаружи пригорает, следует уменьшить количество жидкости, понизить температуру и увеличить время приготовления.

Советы по выпечке

- Если изделие получается слишком сухим, следует повысить температуру примерно на 10°C и сократить время приготовления. Смажьте слои теста смесью из молока, растительного масла, яиц и йогурта.
- Следите за тем, чтобы толщина изделия не превышала глубины противня, иначе оно будет долго выпекаться.
- Если верхний слой изделия подгорает, а нижний остается сырым, возможно, в нижнем слое изделия слишком много начинки. Чтобы изделие ровно

подрумивалась, старайтесь равномерно распределять начинку между слоями теста и по поверхности изделия.




При выпечке изделий из теста соблюдайте режим и температуру, указанные в таблице рецептов. Если нижний слой изделия плохо пропекается, в следующий раз поставьте противень на один уровень ниже.

Советы по приготовлению овощных блюд

- Если овощи выпускают сок и становятся слишком сухими, готовьте их не на противне, а в сковороде под крышкой. В закрытой посуде сок сохранится.
- Если овощное блюдо остается сыроватым, прежде чем готовить овощи в духовом шкафу, можно их проварить или пропаривать.

Как пользоваться грилем



Перед использованием духового шкафа необходимо установить время. Если таймер не установлен, духовка работать не будет.

**ПРЕДУПРЕЖДЕНИЕ!**

Закрывайте дверцу во время приготовления пищи на гриле. Горячие поверхности могут причинить ожоги!

Включение гриля

1. Поверните ручку выбора функций и установите на нужный значок режима «Гриль».
 2. Затем установите нужную температуру жаренья.
 3. При необходимости прогрейте гриль около 5 минут.
- » При этом включится индикаторная лампочка температуры.

Выключение гриля

1. Поверните ручку выбора функций в положение отключения (вверх).



Продукты, которые не подходят для приготовления на гриле, могут привести к возгоранию. На гриле можно готовить только такие продукты, которые выдерживают интенсивный нагрев. Не размещайте продукты слишком близко к задней части гриля. Эта зона нагревается сильнее всего, и жирные продукты могут загореться.

Время приготовления блюд на гриле**Приготовление блюд на электрическом гриле**

Продукты	Аксессуары для пользования	Уровень размещения	Рекомендуемая температура (°C)**	Время приготовления на гриле (прибл.)
Рыба	Решетка	4...5	250/max	20...25 мин. #
Курица (куски)	Решетка	4...5	250/max	25...35 мин.
Отбивные из молодой баранины	Решетка	4...5	250/max	20...25 мин.
Ростбиф	Решетка	4...5	250/max	25...30 мин. #
Отбивные из телятины	Решетка	4...5	250/max	25...30 мин. #
Гренки *	Решетка	4	250/max	1...3 мин.

в зависимости от толщины

*Разогрейте в течение 5 минут.

**Если настройка температуры гриля в вашем изделии не предусмотрена, то гриль будет работать при максимальной температуре.

Блюда, внесенные в настоящую таблицу готовятся в соответствии с EN 60350-1, чтобы

облегчить контролирующим организациям процесс проверки продукта.

Продукты	Аксессуары для пользования	Уровень размещения	Температура (°C)	Примерное время приготовления (мин.)
Гренки	Решетка	4	250/max	1...3 мин.
Тефтели (говядина) - 12 кусками	Решетка	4	250/max	25...35 мин.

Переверните еду после 2/3 от общего времени приготовления на гриле.

Перед приготовлением любых блюд рекомендуется разогреть духовой шкаф в течение 5–6 минут.

6 Уход и техническое обслуживание

Общие сведения

Регулярно выполняйте чистку прибора. Это позволит продлить срок его службы, а также избежать многих проблем.



ОПАСНО:

Перед выполнением работ по обслуживанию и чистке отключите прибор от электрической сети. Существует риск поражения электрическим током!



ОПАСНО:

Дайте изделию остыть, прежде чем приступать к чистке. Горячие поверхности могут причинить ожоги!

- Прибор следует тщательно чистить после каждого использования. Так легче удалять остатки пищи, которые могут пригореть при следующем использовании прибора.
- Для чистки прибора не требуются специальные чистящие средства. Прибор можно вымыть теплой водой с добавлением жидкого моющего средства, используя мягкую ткань или губку. А затем протереть сухой тканью.
- Обязательно протирайте прибор насухо после чистки и сразу же удаляйте попавшую на него жидкость.
- Не используйте для чистки ручки и поверхностей из нержавеющей стали чистящие средства, содержащими кислоту или хлор. Эти детали можно протирать мягкой тканью, смоченной в жидком моющем средстве (без абразивных добавок), стараясь тереть в одном направлении.



Некоторые моющие средства и чистящие материалы могут повредить поверхность. Не используйте для чистки агрессивные моющие средства, чистящие порошки/кремы, а также острые предметы.



Не используйте для чистки устройства пароочистители, поскольку это может привести к поражению электрическим током.

Чистка панели управления

Очистьте панель управления и ручки-регуляторы влажной тканью и вытрите насухо.



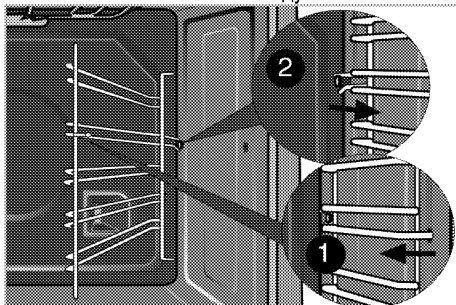
Если ваш прибор оснащен кнопками/ручками, не снимайте ручки-регуляторы для чистки панели управления. Так можно повредить панель управления!

Чистка духовки

Чистка боковых стенок (Может отличаться в зависимости от модели изделия.)

(Данная функция — дополнительная. Она может отсутствовать в вашем изделии.)

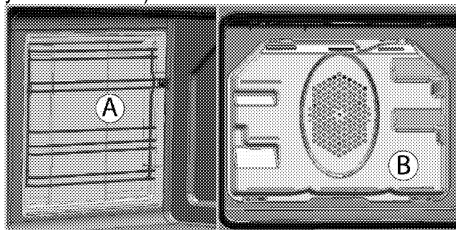
1. Снимите переднюю часть боковой решетки, оттянув ее от боковой стенки.
2. Потяните боковую решетку к себе и полностью выньте ее из духовки.



Стенки с каталитическим покрытием

(Данная функция — дополнительная. Она может отсутствовать в вашем изделии.)

Внутренние боковые стенки (A) и (или) задняя стенка (B) вашего изделия могут быть покрыты каталитической эмалью. Стенки с каталитическим покрытием имеют светлую матовую пористую поверхность. Стенки духовки, имеющие каталитическое покрытие, не следует чистить. Пористые поверхности стенок с каталитическим покрытием самоочищаются путем впитывания и разложения пролитого жира (на воду и углекислый газ).

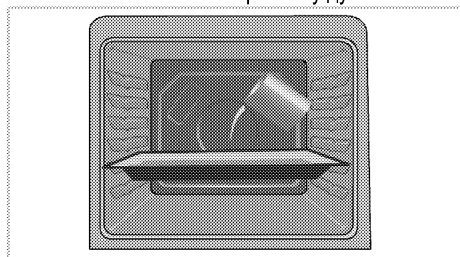


Простая очистка паром

Это упрощает чистку, поскольку грязь (после кратковременного ожидания) смягчается паром,

образовывающимся в духовом шкафу, и каплями воды, конденсирующимися на внутренних поверхностях духового шкафа.

1. Выньте из духового шкафа все принадлежности.
2. Налейте в противень 500 мл воды и поместите его на 2-ю решетку духовки.



3. Установите духовку до легкого режима очистки паром и работать на 100 ° C в течение 25 минут.
4. Откройте дверцу и протрите внутренние поверхности духового шкафа влажной губкой или тканью.
5. Стойкую грязь следует удалять теплой водой с жидким моющим средством, используя мягкую ткань или губку, а после чистки следует вытирать прибор сухой тканью.

i При работе в режиме упрощенной очистки паром, вода, налитая в лоток для размягчения образовавшихся осадков/грязи внутри духовки, испарится и конденсируется внутри духовки и на внутренней поверхности двери духовки, поэтому при открытии двери духовки может капать вода. Вытрите конденсат сразу после открытия дверей духовки.

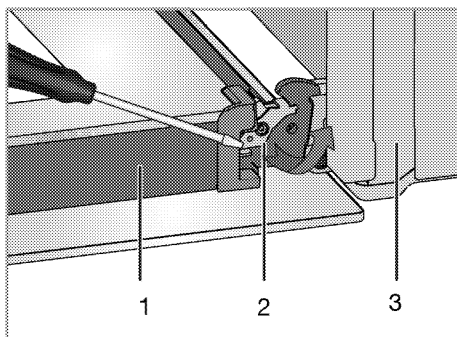
Чистка дверцы духовки

Мойте дверцу духовки мягкой тканью или губкой, смоченной в теплой воде с добавлением жидкого моющего средства, и вытирайте сухой тканью.

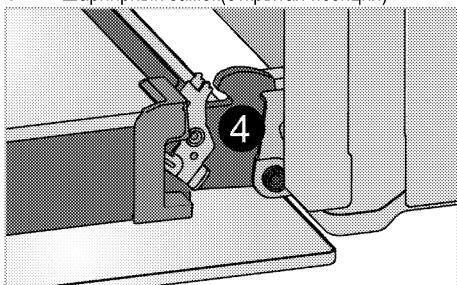
i Не используйте для чистки дверцы моющие средства с абразивными веществами или металлические скребки. Они могут поцарапать поверхность и повредить стекло.

Снятие дверцы духового шкафа

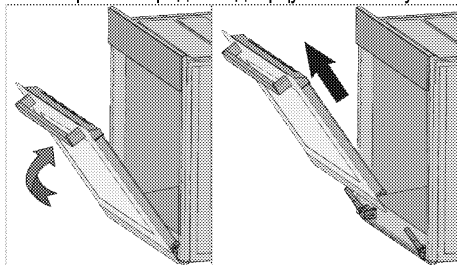
1. Откройте переднюю дверцу (1).
2. Откройте зажимы на корпусе петли (2) с правой и левой стороны передней дверцы, нажав на них, как показано на рисунке.



- 1 Дверца
- 2 Шарнирный замок(закрытое положение)
- 3 Духовой шкаф
- 4 Шарнирный замок(открытая позиция)



3. Откройте переднюю дверцу наполовину.

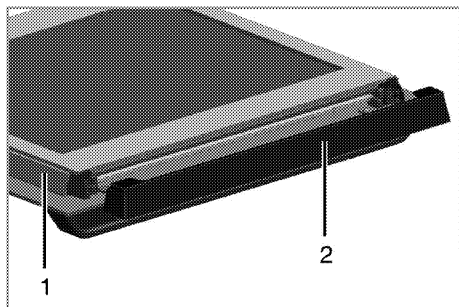


4. Снимите переднюю дверцу, потянув ее вверх и освободив от правой и левой петли.

i Для установки дверцы на место следует выполнить в обратном порядке действия по снятию. Не забудьте закрыть зажимы на корпусе петли при установке дверцы на место.

Снятие внутреннего стекла дверцы (Данная функция — дополнительная. Она может отсутствовать в вашем изделии.)

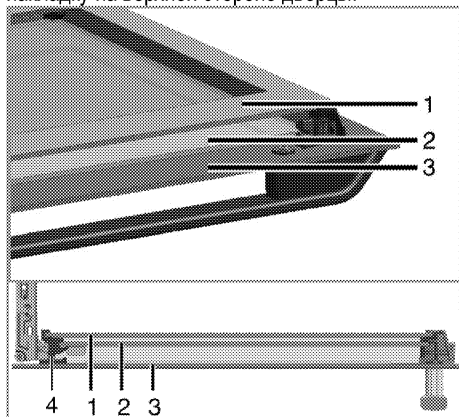
Внутреннее стекло панели дверцы духового шкафа можно снять для чистки. Откройте дверцу духовки.



1 Рамка

2 Пластмассовая накладка

Потяните к себе и снимите пластмассовую накладку на верхней стороне дверцы.



1 Первое внутреннее стекло

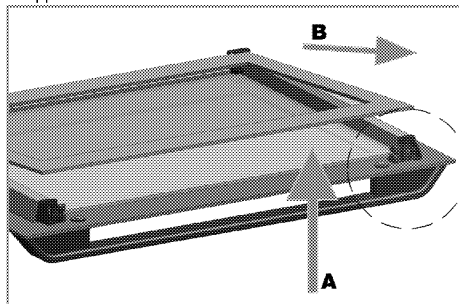
2 Внутреннее стекло

3 Внешнее стекло

4 Пластмассовый держатель стекла – нижний

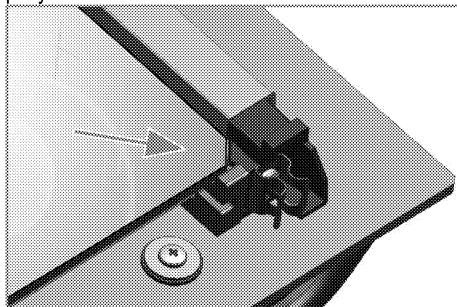
Приподнимите первое внутреннее стекло (1) в направлении **A** и вытяните его в направлении **B**, как показано на рисунке.

Чтобы вынуть среднее стекло (2), повторите эти же действия.



При сборке дверцы сначала следует вставить среднее стекло (2).

Вставляйте стекла таким образом, чтобы скошенный угол стекла попал на фаску пластмассового держателя, как показано на рисунке.



Среднее стекло (2) следует установить в пластмассовый держатель рядом с первым внутренним стеклом (1).

Внутреннее стекло (1) следует устанавливать таким образом, чтобы надпись на стекле была обращена к среднему стеклу.

Следите за тем, чтобы нижний угол среднего стекла был правильно вставлен в нижний пластмассовый держатель.

Прижмите пластмассовую накладку к раме до щелчка.

Замена лампочки освещения духового шкафа



ОПАСНО:

Во избежание поражения электрическим током, прежде чем заменять лампочку, убедитесь в том, что электроприбор отсоединен от сети и остыл.

Горячие поверхности могут причинить ожоги!



Расположение лампочки может отличаться от изображения на рисунке.

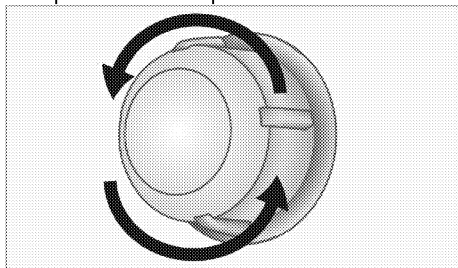


В этой духовке используется лампа накаливания мощностью менее 40 Вт, высотой менее 60 мм, диаметром менее 30 мм или галогенная лампа с цоколем типа G9, мощностью менее 60 Вт. Лампы подходят для работы при температуре выше 300 °С. Лампы для духовки можно получить у авторизованных сервисных агентов или у технического специалиста с лицензией.

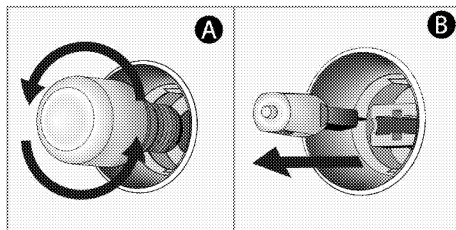
- i** Лампа, используемая в этом приборе, не подходит для освещения бытовых помещений. Эта лампа предназначена для вспомогательной цели, позволяющей пользователю увидеть пищевые продукты.
- i** Лампы, используемые в этом приборе, должны выдерживать экстремальные физические условия, например температуру выше 50 °С.

Замена круглой лампочки освещения духового шкафа

1. Отсоедините духовой шкаф от электросети.
2. Снимите стеклянный плафон, повернув его против часовой стрелки.



3. Если в вашей духовке используется лампа типа (А), показанная на рисунке ниже, поверните ее в соответствии с рисунком, чтобы извлечь ее и заменить. Если используется лампа типа (В), потяните и извлеките ее, как показано на рисунке, и замените.



4. Установите на место стеклянный плафон.

7 Поиск и устранение неисправностей

Во время работы из духового шкафа выделяется пар.

- Вполне нормально, если пар выделяется во время работы. >>> *Это не является неисправностью.*

При нагревании и охлаждении прибор издает металлические шумы.

- При нагревании металлические детали могут расширяться и издавать звуки. >>> *Это не является неисправностью.*

Прибор не работает

- Плавкий предохранитель неисправен или сработал. >>> *Проверьте плавкие предохранители в блоке предохранителей. При необходимости замените их или включите.*
- Духовой шкаф не включен в (заземленную) розетку электросети. >>> *Проверьте соединение штепсельной вилки.*

Освещение духовки не работает.

- Лампочка освещения духового шкафа неисправна. >>> *Замените лампочку освещения шкафа.*
- Нет электропитания. >>> *Проверьте наличие электропитания. Проверьте предохранители в блоке предохранителей. При необходимости замените или включите предохранители.*

Духовка не нагревается.

- Не задана функция или температура. >>> *Выберите функцию и установите температуру с помощью переключателя функций и (или) регулятора температуры.*
- В моделях, оснащенных таймером, таймер не установлен. >>> *Установите время.* (В моделях с микроволновой печью управление по таймеру действует только для микроволновой печи).
- Нет электропитания. >>> *Проверьте наличие электропитания. Проверьте предохранители в блоке предохранителей. При необходимости замените или включите предохранители.*

В моделях с таймером) Цифровой индикатор времени мигает, или светится символ часов.

- Ранее произошло отключение электроэнергии. >>> *Установите время / Выключите духовой шкаф и включите снова.*



Если вы не можете устранить неполадки, несмотря на выполнение инструкций, приведенных в данном разделе, обратитесь к представителю авторизованной сервисной службы. Не пытайтесь самостоятельно отремонтировать неисправный электроприбор.

