



Built-in Hob

User Manual

Plită incorporabilă

Manual de utilizare

Встраиваемая варочная панель

Руководство пользователя

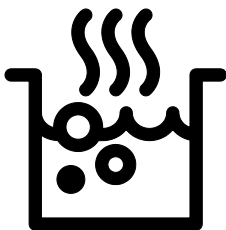
Piano cottura da incasso

Manuale d'us

Ichki

oʻrnatilgan plita Foydalanuvchi

qoʻllanmasi



HIYG 64225 SXO

HIYG 64225 SBO

EN-RO-RU-IT-UZ

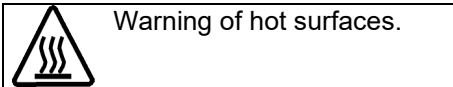
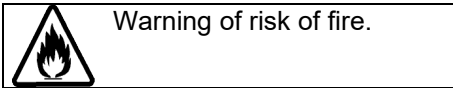
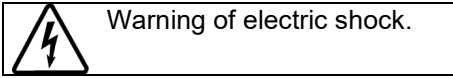
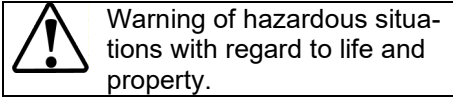
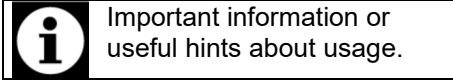
Please read this user manual first!

Dear Customer,

Thank you for purchasing this Beko product. We hope that you get the best results from your product which has been manufactured with high quality and state-of-the-art technology. Therefore, please read this entire user manual and all other accompanying documents carefully before using the product and keep it as a reference for future use. If you handover the product to someone else, give the user manual as well. Follow all warnings and information in the user manual. Remember that this user manual is also applicable for several other models. Differences between models will be identified in the manual.

Explanation of symbols

Throughout this user manual the following symbols are used:



Arçelik A.Ş

Karaağaç caddesi No: 2-6
34445 Söğütözü / İstanbul / TÜRKİYE
Made in TÜRKİYE

1 Important instructions for safety and environment 4

General safety4
 Safety when working with gas4
 Electrical safety6
 Product safety7
 Intended use.....8
 Safety for children8
 Disposing of the old product9
 Package information.....9
 Future Transportation9

2 Your product 10

Overview10
 Control panel10
 Package contents11
 Technical specifications.....12
 Injector table12

3 Installation 13

Before installation.....13

4 Preparation 19

Tips for saving energy 19
 Initial use 19
First cleaning of the appliance 19

5 Using the hob 20

General information about cooking.....20
 Using the hobs20

6 Maintenance and care 22

General cleaning information.....22
 Cleaning the hob22
 Cleaning the control panel.....22

7 Troubleshooting 26

1 Important instructions for safety and environment

This section contains safety instructions that will help protect from risk of personal injury or property damage. Failure to follow these instructions shall void any warranty.

General safety

- This appliance can be used by children aged from 8 years and above and persons with reduced physical, sensory or mental capabilities or lack of experience and knowledge if they have been given supervision or instruction concerning use of the appliance in a safe way and understand the hazards involved.

Children shall not play with the appliance. Cleaning and user maintenance shall not be made by children without supervision.

- The appliance is not to be used by persons (including children) with reduced physical, sensory or mental capabilities, or lack of experience and knowledge, unless they have been given supervision or instruction.

Children should be supervised and ensure they do not play with the appliance

- If the product is handed over to someone else for personal use or second-hand use purposes, the user manual, product labels and other relevant documents and parts should be also given.
- Installation and repair procedures must always be performed by Authorised Service Agents. The manufacturer shall not be held responsible for damages arising from procedures carried out by unauthorised persons which may also void the warranty. Before installation, read the instructions carefully.
- Do not operate the product if it is defective or has any visible damage.
- Ensure that the product function knobs are switched off after every use.

Safety when working with gas

- Any works on gas equipment and systems may only be carried out by authorised qualified persons who are Gas Safe registered.

- Prior to the installation, ensure that the local distribution conditions (nature of the gas and gas pressure) and the adjustment of the appliance are compatible.
- This appliance is not connected to a combustion products or evacuation device. It shall be installed and connected in accordance with current installation regulations. Particular attention shall be given to the relevant requirements regarding ventilation; See *Before installation, page 13*
- **CAUTION:** The use of gas cooking appliance results in the production of heat and moisture in the room in which it is installed. Ensure that the kitchen is well ventilated: keep natural ventilation holes open or install a mechanical ventilation device (mechanical extractor hood). Prolonged intensive use of the appliance may call for additional ventilation, for example increasing the level of the mechanical ventilation where present.
- Gas appliances and systems must be regularly checked for proper functioning. Regulator, hose and its clamp must be checked regularly and replaced within the periods recommended by its manufacturer or when necessary.
- Clean the gas burners regularly. The flames should be blue and burn evenly.
- This product should be used in a room which incorporates a properly adjusted and functioning Carbon Monoxide sensor. Make sure the Carbon Monoxide sensor works properly and is maintained frequently. Carbon Monoxide sensor should be installed maximum 2 meters away from the product.
- Good combustion is required in gas appliances. In case of incomplete combustion, carbon monoxide (CO) might develop. Carbon monoxide is a colourless, odourless and very toxic gas, which has a lethal effect even in very small doses.
- Request information about gas emergency telephone numbers and safety measures in case of gas smell from your local gas provider.

What to do when you smell gas

- Do not use open flame or do not smoke. Do not operate any electrical buttons (e.g. lamp button, door bell and etc.) Do not use fixed or mobile phones. Risk of explosion and toxication!
- Open doors and windows.
- Turn off all valves on gas appliances and gas meter at the main control valve, unless it's in a confined space or cellar.
- Check all tubes and connections for tightness. If you still smell gas leave the property.
- Warn the neighbours.
- Call the fire-brigade. Use a telephone outside the house.
- Do not re-enter the property until you are told it is safe to do so.

Electrical safety

- If the product has a failure, it should not be operated unless it is repaired by an Authorised Service Agent. There is the risk of electric shock!
- Only connect the product to a grounded outlet/line with the voltage and protection as specified in the “Techni-

cal specifications”. Have the grounding installation made by a qualified electrician while using the product with or without a transformer. Our company shall not be liable for any problems arising due to the product not being earthed in accordance with the local regulations.

- Never wash the product by spreading or pouring water onto it! There is the risk of electric shock!
- Never touch the plug with wet hands! Never unplug by pulling on the cable, always pull out by holding the plug.
- The product must be disconnected during installation, maintenance, cleaning and repairing procedures.
- If the power connection cable for the product is damaged, it must be replaced by the manufacturer, its service agent or similarly qualified persons in order to avoid a hazard.
- The appliance must be installed so that it can be completely disconnected from the mains supply. The separation must be provided by a switch built into the fixed electrical installation, accor-

ding to construction regulations.

- Any work on electrical equipment and systems should only be carried out by authorised and qualified persons.
- In case of any damage, switch off the product and disconnect it from the mains. To do this, turn off the fuse at home.
- Make sure that fuse rating is compatible with the product.

Product safety

- **WARNING:** The appliance and its accessible parts become hot during use. Care should be taken to avoid touching heating elements. Children less than 8 years of age shall be kept away unless continuously supervised.
- Never use the product when your judgment or coordination is impaired by the use of alcohol and/or drugs.
- Be careful when using alcoholic drinks in your dishes. Alcohol evaporates at high temperatures and may cause fire since it can ignite when it comes into contact with hot surfaces.

- Do not place any flammable materials close to the product as the sides may become hot during use.
- Keep all ventilation slots clear of obstructions.
- Do not use steam cleaners to clean the appliance as this may cause an electric shock.
- **WARNING:** Unattended cooking on a hob with fat or oil can be dangerous and may result in fire. NEVER try to extinguish a fire with water, but switch off the appliance and then cover flame e.g. with a lid or a fire blanket.
- **CAUTION:** The cooking process has to be supervised. A short term cooking process has to be supervised continuously.
- **WARNING:** Danger of fire: Do not store items on the cooking surfaces.

Prevention against possible fire risk!

- Ensure all electrical connections are secure and tight to prevent risk of arcing.
- Do not use damaged cables or extension cables.
- Ensure liquid or moisture is not accessible to the electrical connection point.

- To prevent gas leakage ensure that the gas connection is sound.
- Do not place any items above the appliance that children may reach for.

Intended use

- This product is designed for domestic use. Commercial use will void the guarantee.
- **CAUTION:** This appliance is for cooking purposes only. It must not be used for other purposes, for example room heating.
- The manufacturer shall not be liable for any damage caused by improper use or handling errors.

Safety for children

- **WARNING:** Accessible parts may become hot during use. Young children should be kept away.
- The packaging materials will be dangerous for children. Keep the packaging materials away from children. Please dispose of all parts of the packaging according to environmental standards.
- Electrical and/or gas products are dangerous to children. Keep children away from the product when it is operating and do not allow them to play with the product.

Disposing of the old product
Compliance with the WEEE
Directive and Disposing of the
Waste Product:



This product complies with EU
WEEE Directive (2012/19/EU).

This product bears a classifi-
cation symbol for waste electri-
cal and electronic equipment
(WEEE).

This product has been manu-
factured with high quality
parts and materials which can
be reused and are suitable for
recycling. Do not dispose of
the waste product with normal
domestic and other wastes at
the end of its service life. Ta-
ke it to the collection center
for the recycling of electrical
and electronic equipment.
Please consult your local au-
thorities to learn about these
collection centers.

Compliance with RoHS Direc-
tive:


The product you have pur-
chased complies with EU
RoHS Directive (2011/65/EU).
It does not contain harmful and
prohibited materials specified in the
Directive.

Package information

- Packaging materials of the product
are manufactured from recyclable
materials in accordance with our Na-
tional Environment Regulations. Do
not dispose of the packaging materi-
als together with the domestic or oth-
er wastes. Take them to the packag-
ing material collection points desig-
nated by the local authorities.

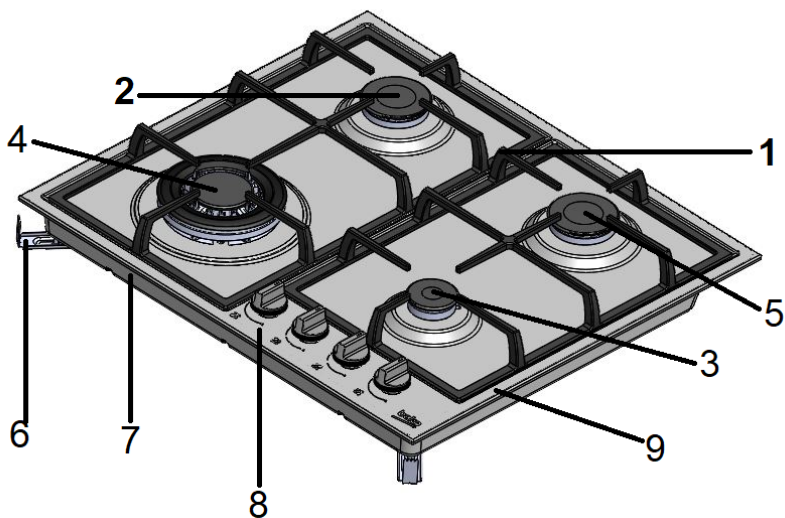
Future Transportation

- Keep the product's original carton
and transport the product in it. Follow
the instructions on the carton. If you
do not have the original carton, pack
the product in bubble wrap or thick
cardboard and tape it securely.
- Secure the caps and pan supports
with adhesive tape.

 Check the general appearance
of your product for any dama-
ges that might have occurred
during transportation.

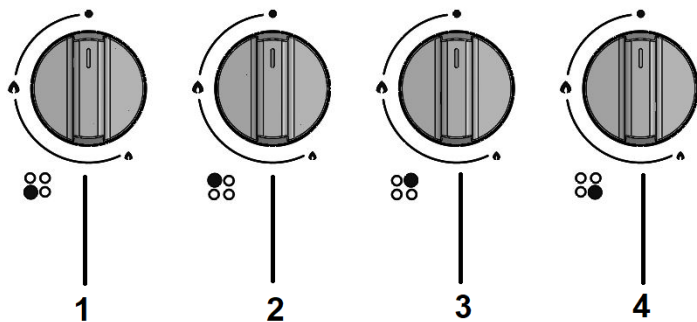
2 Your product

Overview



1	Pan support	6	Assembly clamp
2	Normal burner	7	Base cover
3	Auxiliary burner	8	Control panel
4	Wok burner	9	Burner plate
5	Normal burner		

Control panel



beko

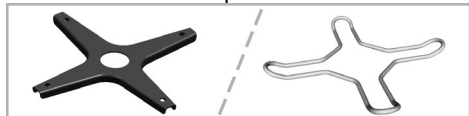
1	Wok burner Middle
2	Normal burner Rear left
3	Normal burner Front left
4	Auxiliary burner Front right

Package contents



Accessories supplied can vary depending on the product model. Not every accessory described in the user manual may exist on your product.

1. **User Manual**
2. **Coffee pot adaptor**
Used for coffee pots.



3. **Wok pan adaptor**
Used for hosting a wok pan with a round bottom.



Technical specifications

	Inox	Glass
	HIYG 64225 SXO	HIYG 64225 SBO
Burners	4 Gas Burner	4 Gas Burner
Voltage / frequency	220-240 V ~ 50-60Hz	220-240 V ~ 50-60Hz
Cable type / section	H05V2V2-F 3 x 0,75 mm ²	H05V2V2-F 3 x 0,75 mm ²
Cable length	maks. 1.5 m	maks. 1.5 m
Category of gas product	2H3B/P 2H3+	2H3B/P 2H3+
Gas type / pressure	NG G20/20 mbar	NG G20/20 mbar
Converting the gas type / pressure^s– optional	LPG G30/28-30 mbar Propane G31/37 mbar NG G20/10 mbar NG G20/13 mbar	LPG G30/28-30 mbar Propane G31/37 mbar NG G20/10 mbar NG G20/13 mbar
Rear left / Normal burner	1,75 kW	1,75 kW
Front left / Normal burner	1,75 kW	1,75 kW
Middle / Wok burner	3,3 kW	3,3 kW
Front right / Auxiliary burner	1 kW	1 kW
Total gas consumption	7.8 kW	7.8 kW
Gas consumption NG G20/20 mbar	744 l/h	744 l/h
Gas consumption LPG G30/28-30mbar Propane G31/37mbar	567 g/h 557 g/h	567 g/h 557 g/h
External dimensions (height / width / depth)	99x580x510 mm	99x590x520 mm
Installation dimensions (width / depth)	560 mm/490 mm	560 mm/490 mm



Technical specifications may be changed without prior notice to improve the quality of the product.



Figures in this manual are schematic and may not exactly match your product.



Values stated on the product labels or in the documentation accompanying it are obtained in laboratory conditions in accordance with relevant standards. Depending on operational and environmental conditions of the product, these values may vary.

Injector table

Hob zone	Auxiliary burner 1 kW	Normal burner 1.75 kW	Wok burner (3.3 kW)
Gas type / Gas pressure G20/20 mbar	0,72 mm	0,97 mm	1,40 mm
G30/28-30 mbar G31/37 mbar	0,50 mm	0,66 mm	0,96 mm
G20/10 mbar	0,90 mm	1,18 mm	1,65 mm
G20/13 mbar	0,84 mm	1,10 mm	1,55 mm

3 Installation

Product must be installed by a qualified person in accordance with the regulations in force. The manufacturer shall not be held responsible for damages arising from procedures carried out by unauthorized persons which may also void the warranty.



Preparation of location and electrical and gas installation for the product is under customer's responsibility.



DANGER:
The product must be installed in accordance with all local gas and/or electrical regulations.

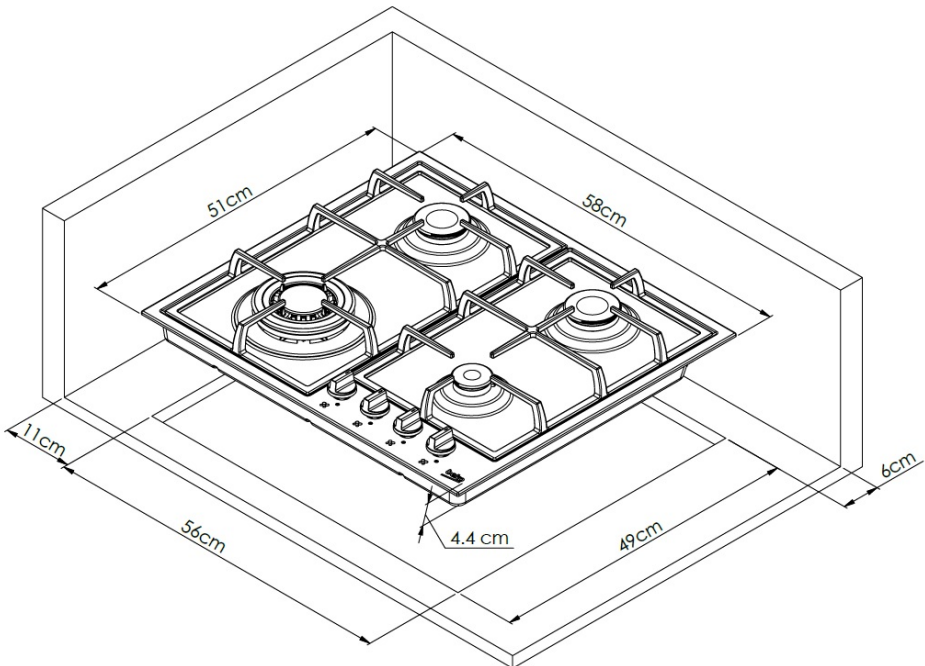


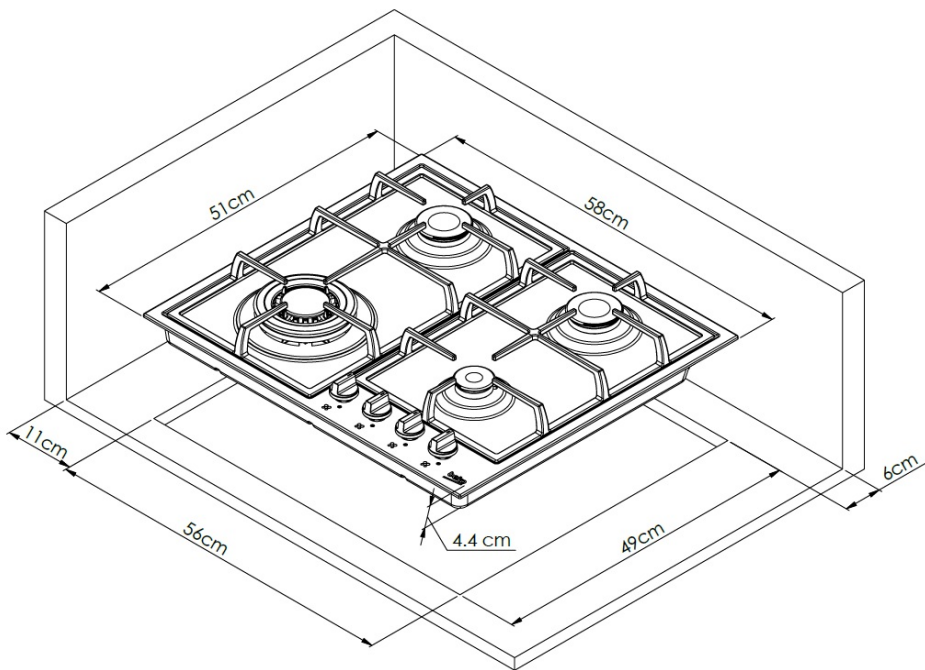
DANGER:
Prior to installation, visually check if the product has any defects on it. If so, do not have it installed. Damaged products cause risks for your safety.

Before installation

The hob is designed for installation into commercially available work tops. A safety distance must be left between the appliance and the kitchen walls and furniture. See figure (values in mm).

- It can also be used in a free standing position. Allow a minimum distance of 750 mm above the hob surface.
- (*) If a cooker hood is to be installed above the cooker, refer to cooker hood manufacturer' instructions regarding installation height (min 650 mm)
- Remove packaging materials and transport locks.
- Surfaces, synthetic laminates and adhesives used must be heat resistant (100 °C minimum).
- The worktop must be aligned and fixed horizontally.
- Cut aperture for the hob in worktop as per installation dimensions.





GLASS

Room ventilation

All rooms require an openable window, or equivalent, and some rooms will require a permanent vent as well. The air for combustion is taken from the room air and the exhaust gases are emitted directly into the room. Good ventilation is essential for safe operation of your appliance.

Rooms with doors and/or windows which open directly to the outer environment

The doors and/or windows that open directly to the outer environment must have a total ventilation opening of the dimensions specified in the table below which is based on the total gas power of the appliance (total gas power consumption of the appliance is shown in the technical specification table of this user manual). If the doors and/or windows do not have a total ventilation opening corresponding to the total gas consumption of the appliance as specified in the table below, then there must definitely be an additional fixed ventilation opening

in the room to ensure that the total minimum ventilation requirements for the total gas consumption of the appliance is achieved. The fixed ventilation opening can include openings for existing airbricks, extraction hood ducting opening dimension etc.

Total gas consumption (kW)	min. Ventilation opening (cm ²)
0-2	100
2-3	120
3-4	175
4-6	300
6-8	400
8-10	500
10-11.5	600
11.5-13	700
13-15.5	800
15.5-17	900
17-19	1000
19-24	1250

Rooms that do not have openable doors and/or windows that open directly to the outer environment

If the room where the appliance is installed does not have a door and/or a window that opens directly to the outer environment, other products shall be sought that definitely provide a fixed nonadjustable and non-closable ventilation opening which meets the total minimum ventilation opening requirements for the total gas consumption of the appliance as indicated in the above table. Also the appropriate building regulations advise should be followed.

Where a room or internal space contains more than one gas appliance, additional ventilation area shall be provided on top of the requirement given in the table above. Size of additional ventilation area shall be appropriate to regulations of other gas appliances.

There should also be a minimum clearance of 10mm on the bottom edge of the door that opens to the inner environment in the room where the appliance is installed. You must ensure that items such as carpets and other floorcoverings etc., do not affect the clearance when the door is closed.

The cooker may be located in a kitchen, kitchen/diner or a bed-sitting room, but not in a room containing a bath or a shower. The cooker must not be installed in a bed-sitting room of less than 20m³.

Do not install this appliance in a room below ground level unless it is open to ground level on at least one side.

Electrical connection

Connect the product to a grounded outlet/line protected by a fuse of suitable capacity as stated in the "Technical specifications" table. Have the grounding installation made by a qualified electrician while using the product with or without a transformer. Our company shall not be liable for any damages that will arise due to using the product without a grounding installation in accordance with the local regulations.



DANGER:

The product must be connected to the mains supply only by an authorised and qualified person. The product's warranty period starts only after correct installation. Manufacturer shall not be held responsible for damages arising from procedures carried out by unauthorised persons.



DANGER:

The power cable must not be clamped, bent or trapped or come into contact with hot parts of the product. A damaged power cable must be replaced by a qualified electrician. Otherwise, there is risk of electric shock, short circuit or fire!

- Connection must comply with national regulations.
- The mains supply data must correspond to the data specified on the type label of the product. Type label is at the rear housing of the product.
- Power cable of your product must comply with the values in "Technical specifications" table.



DANGER:

Before starting any work on the electrical installation, disconnect the product from the mains supply. There is the risk of electric shock!



Power cable plug must be within easy reach after installation (do not route it above the hob).

Plug the power cable into the socket.

Gas connection



DANGER:

Product can be connected to gas supply system only by an authorised and qualified person or technician with licence. Risk of explosion or toxication due to unprofessional repairs! Manufacturer shall not be held responsible for damages arising from procedures carried out by unauthorised or unlicensed persons.

**DANGER:**

Before starting any work on the gas installation, disconnect the gas supply.
There is the risk of explosion!

- Gas adjustment conditions and values are stated on labels (or ion type label).



The gas type of your product is stated on type label placed bottom of hob.

Connecting the gas hose For NG

- Natural gas installation must be prepared before installing the product.
- There must be a pipe (Piping advised to be bought from a licensed installer), must comply with local gas standard, at the outlet of the installation for the natural gas connection of your product and the tip of this pipe must be closed with a blind plug. Service Representative will remove the blind plug during connection and connect your product by means of a straight connection device (coupling).
- Make sure that the natural gas valve is readily accessible.
- If you need to use your product later with a different type of gas, you must consult the Authorised Service Agent for the related conversion procedure.

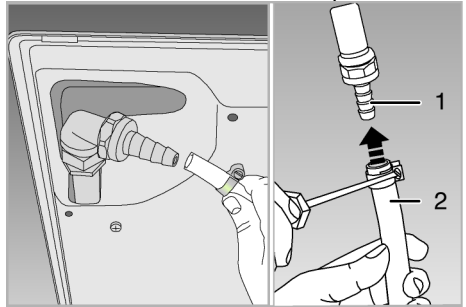
Connecting the gas hose For LPG

- Have your product connected in a way that it will be close to the gas connection and not gas leakage will exist.
- Plastic hose to be used must not be longer than 125 cm.
- Install the clamp to the hose. Soak one end of the hose (15 mm inner diameter) into boiling water for one minute to soften it.
- Then, slip the softened end of the hose completely onto the sharp hose tip of your product. Finally, tighten the clamp completely with a screwdriver.
- Repeat the same procedure for the other end of the hose and complete the gas cylinder connection.
- Never forget to make the gas leakage control.

**DANGER:**

Risk of explosion and suffocation!
Do not keep LPG cylinders in home.

- If you need to use your product later with a different type of gas, you must consult the Authorised Service Agent for the related conversion procedure.



- 1 LPG hose tip
- 2 Plastic hose

Leakage control at the connection point

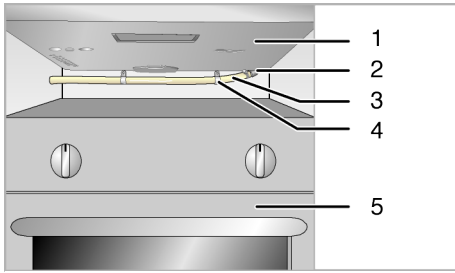
- Make sure that all knobs on the product are turned off. Make sure that the gas supply is open. Prepare soapy foam and apply it onto the connection point of the hose for gas leakage control.
- Soapy part will froth if there is a gas leakage. In this case, inspect the gas connection once again.



Never use a match or lighter to make the gas leakage control.

If there is a built-in oven installed under the hob;

- Gas hose must be routed in a way that it will not touch the oven, sharp edges or corners beneath the hob, or will not be kinked or twisted.
If you will make the gas connection from left hand side when viewed from your position, fix the hose with clamps.



- 1 Bottom view
- 2 Hose tip
- 3 Hose
- 4 Clamp
- 5 Oven

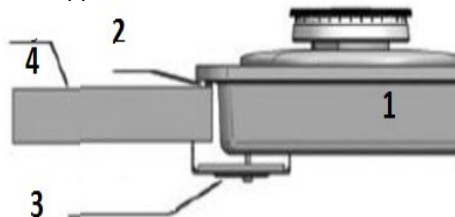
Installing the product

1. Remove burners, burner caps and grills on the hob from the product.
2. Turning the hob upside down, place it on a flat surface.
3. In order to avoid the foreign substances and liquids penetrate between the hob and the counter, please apply the putty supplied in the package on the contours of the lower housing of the hob but make sure that the putty does not overlap.
4. Fill the corners by forming bends at the corners as illustrated in the figure. Form as much bend as required to fill the gap in the corners.



i Make sure that the skirting sections on the lower housing of the hob are filled with putty.

5. Turning the hob again, align and place it on the counter.
6. You can secure your hob to the counter by using the clamp and the screws supplied.

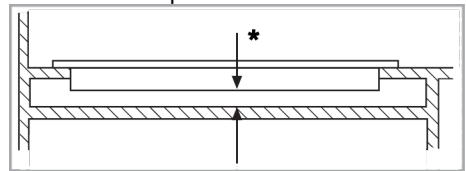


- 1 Hob
- 2 Putty
- 3 Installation clamp
- 4 Counter

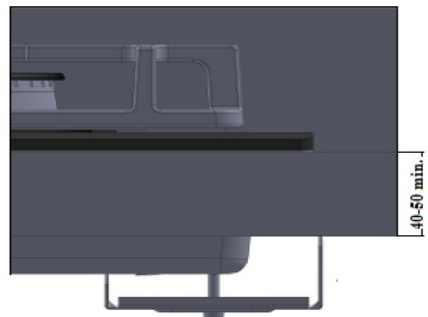
Thickness of the counter must be at least 40 mm.

i When installing the hob onto a cabinet, a shelf must be installed in order to separate the cabinet from the hob as illustrated in the above figure. This is not required when installing onto a built-under oven..

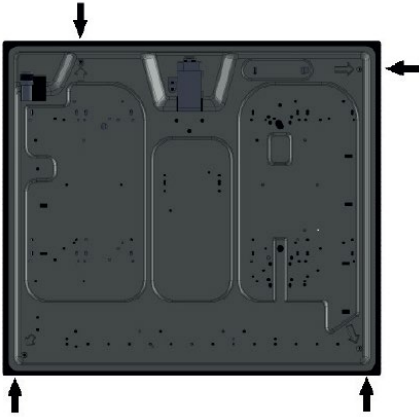
For example, if it is possible to touch the bottom of the product since it is installed onto a drawer, this section must be covered with a wooden plate.



For counters with a thickness of 40-50 mm, install the clamps as shown below. You must leave a ventilation opening on the remaining part in order to provide ventilation at the lower part of the hob. In addition to being necessary for component temperatures, this process is also compulsory for the TC burner to take in air from the bottom. It can be "100 cm² at least".



Rear view (connection holes)



Place the burner plates, burner plate caps and grills back to their seating after installation.



DANGER:

Making connections to different holes is not a good practice in terms of safety since it can damage the gas and electrical system.



DANGER:

There are gas and electric components on hobs. Therefore stove, only the connection hole shown in this manual should only be fixed to the unit as shown in the manual using the supplied fasteners and screws supplied. Otherwise, it is dangerous to the life and property safety.

Final check

1. Open gas supply.
2. Check gas installations for secure fitting and tightness.
3. Ignite burners and check appearance of the flame.



Flame must be blue and have a regular shape. If the flame is yellowish, check if the burner cap is seated securely or clean the burner.

4 Preparation

Tips for saving energy

The following information will help you to use your appliance in an ecological way, and to save energy:

- Defrost frozen dishes before cooking them.
- Use pots/pans with cover for cooking. If there is no cover, energy consumption may increase 4 times.
- Select the burner which is suitable for the bottom size of the pot to be used. Always select the correct pot size for your dishes. Larger pots require more energy.

Initial use

First cleaning of the appliance



The surface might get damaged by some detergents or cleaning materials.

Do not use aggressive detergents, cleaning powders/creams or any sharp objects during cleaning.

Do not use harsh abrasive cleaners or sharp metal scrapers to clean the oven door glass since they can scratch the surface, which may result in shattering of the glass.

1. Remove all packaging materials.
2. Wipe the surfaces of the appliance with a damp cloth or sponge and dry with a cloth.

5 Using the hob

General information about cooking



Never fill the pan with oil more than one third of it. Do not leave the hob unattended when heating oil. Overheated oils bring risk of fire. **Never attempt to extinguish a possible fire with water!** When oil catches fire, cover it with a fire blanket or damp cloth. Turn off the hob if it is safe to do so and call the fire department.

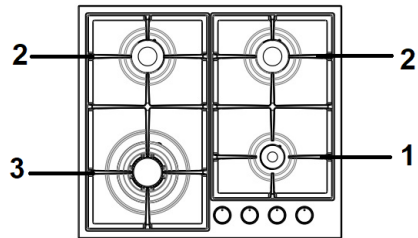
- Before frying foods, always dry them well and gently place into the hot oil. Ensure complete thawing of frozen foods before frying.
- Do not cover the vessel you use when heating oil.
- Place the pans and saucepans in a manner so that their handles are not over the hob to prevent heating of the handles. Do not place unbalanced and easily tilting vessels on the hob.
- Do not place empty vessels and saucepans on cooking zones that are switched on. They might get damaged.
- Operating a cooking zone without a vessel or saucepan on it will cause damage to the product. Turn off the cooking zones after the cooking is complete.
- As the surface of the product can be hot, do not put plastic and aluminum vessels on it. Such vessels should not be used to keep foods either.
- Use flat bottomed saucepans or vessels only.
- Put appropriate amount of food in saucepans and pans. Thus, you will not have to make any unnecessary cleaning by preventing the dishes from overflowing.
Do not put covers of saucepans or pans on cooking zones.

Place the saucepans in a manner so that they are centered on the cooking zone. When you want to move the saucepan onto another cooking zone, lift and place it onto the cooking zone you want instead of sliding it.

Gas cooking

- Size of the vessel and the flame must match each other. Adjust the gas flames so that they will not extend the bottom of the vessel and center the vessel on saucepan carrier.

Using the hobs



- 1 Auxiliary burner 12-16 cm
- 2 Normal burner 16-18 cm
- 3 Normal burner 16-18 cm
- 4 Wok burner 22-26 cm is list of advised diameter of pots to be used on related burners.

Large flame symbol indicates the highest cooking power and small flame symbol indicates the lowest cooking symbol. In turned off position (top), gas is not supplied to the burners.

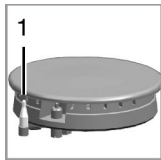
Igniting the gas burners

1. Keep burner knob pressed.
2. Turn it counter clockwise to large flame symbol.
» Gas is ignited with the spark created.
3. Adjust it to the desired cooking power.

Turning off the gas burners

Turn the keep warm zone knob to off (upper) position.

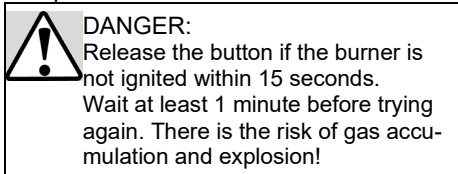
Gas shut off safety system (in models with thermic component)



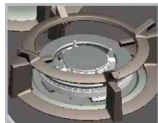
1. Gas shut off safety

As a counter measure against blow out due to fluid overflows at burners, safety mechanism trips and shuts off the gas.

- Push the knob inwards and turn it counter clockwise to ignite.
- After the gas ignites, keep the knob pressed for 3-5 seconds more to engage the safety system.
- If the gas does not ignite after you press and release the knob, repeat the same procedure by keeping the knob pressed for 15 seconds.



Wok burner



Wok burners help you to cook faster. Wok, which is particularly used in Asian kitchen is a kind of deep and flat fry-pan made of sheet metal, which is used to cook minced vegetable and meat at strong flame in a short time.

Since meals are cooked at strong flame and in a very short time in such fry-pans that conduct the heat rapidly and evenly, the nutrition value of the food is preserved and vegetables remain crispy.

You can use wok burner for regular saucepans as well.

If you want to use regular saucepan on wok burner, you must take out the wok fry-pan carrier from the hob.

6 Maintenance and care

General cleaning information

▲ General warnings

- Wait for the product to cool before cleaning the product. Hot surfaces may cause burns!
- Do not apply the detergents directly on the hot surfaces. This may cause a permanent stains.
- The appliance shall be thoroughly cleaned and dried after each operation. Thus, food residues shall be easily cleaned and these residues shall be prevented from burning when the appliance is used again later. Thus, the service life of the appliance extends and frequently faced problems are decreased.
- Do not use steam cleaning products for cleaning.
- Some detergents or cleaning agents may damage the surface. Do not use abrasive detergents, cleaning powders, cleaning creams, descalers or sharp objects during cleaning.
- There is no need for a special cleaning agent for cleaning after each use. Clean the appliance using dish soap, warm water and a soft cloth or sponge and dry with a dry microfiber cloth.
- Be sure to completely wipe off any remaining liquid after cleaning and immediately clean any food splashing around during cooking.
- Do not wash any component of your appliance in a dishwasher.

For the hob:

- Acidic dirt such as milk, tomato paste and oil may cause permanent stains on the cookers and components of the burners, clean any overflowed fluids immediately after cooling down the cooker by turning it off.
- Wok type vessels used at high temperatures may change colour. This is normal.
- Moving some cookware may cause metal marks on the pot holders. Do not slide the pans and pots on the surface.
- As burner caps contact the fire directly and exposed to high temperatures, chan-

ge and loss of colour in time is normal. This does not cause a problem while using the cooker.

Inox and stainless surfaces

- Do not use acid or chlorine-containing cleaning agents to clean stainless or inox surfaces and handles.
- Stainless or inox surface may change colour in time. This is normal. After each operation, clean with a detergent suitable for the stainless or inox surface.
- Clean with a soft soapy cloth and liquid (non-scratching) detergent suitable for inox surfaces, taking care to wipe in one direction.
- Remove lime, oil, starch, milk and protein stains on the inox-stainless and glass surfaces immediately without waiting. Stains may rust under long periods of time.

Glass surfaces

- When cleaning glass surfaces, do not use hard metal scrapers and abrasive cleaning materials. They can damage the glass surface.
- Clean the appliance using dishwashing detergent, warm water and a microfiber cloth specific for glass surfaces and dry it with a dry microfiber cloth.
- If there is residual detergent after cleaning, wipe it with cold water and dry with a clean and dry microfiber cloth. Residual detergent residue may damage the glass surface next time.
- Under no circumstances should the dried-up residue on the glass surface be cleaned off with serrated knives, wire wool or similar scratching tools.
- You can remove the calcium stains (yellow stains) on the glass surface with the commercially available descaling agent, with a descaling agent such as vinegar or lemon juice.
- If the surface is heavily soiled, apply the cleaning agent on the stain with a sponge and wait a long time for it to work properly. Then clean the glass surface with a wet cloth.

- Discolorations and stains on the glass surface are normal and not defects.

Plastic parts and painted surfaces

- Clean plastic parts and painted surfaces using dishwashing detergent, warm water and a soft cloth or sponge and dry them with a dry cloth.
- Do not use hard metal scrapers and abrasive cleaners. It may damage the surfaces.
- Ensure that the joints of the components of the appliance are not left as damp and with detergent. Otherwise, corrosion may occur on these joints.

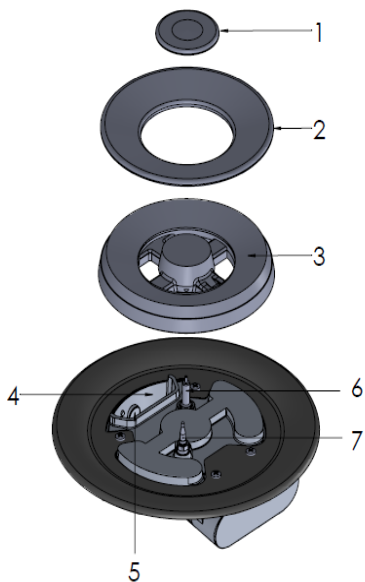
Cleaning the hob

Cleaning the gas burners

1. Before cleaning the hob, remove pot holders, burner caps and heads from the hob.
2. Clean the surface of the hob as per the recommendations included in the general cleaning information according to the surface type (enamelled, glass, inox, etc.).
3. Clean the burner chamber with a cloth soaked in detergent or with non-scratching, soft brush. Ensure that no food remains are left.
4. Clean the spark plugs and thermal elements (in models with ignition and thermal element) with a well squeezed cloth. Then dry with a clean cloth. Pay attention that the spark plug and the thermal element are completely dry.
5. Clean the burner caps and heads with detergent water after each operation and then dry them.
6. For persistent stains, keep burner caps and heads in detergent water or warm soapy water at least for 15 minutes. Clean with a non-metallic and non-scratching brush.
7. You may use the Quick&Shine cleaning agents for the oven interiors and grills, used on enamelled surfaces and recommended by the authorized service, especially for persistent stains on enamelled burner caps.
8. Do not contact burner caps with aggressive detergents such as oven interior cleaning agents, descalers while cleaning them, this may cause discoloration.
9. Clean the pot holders with detergent water and non-scratching, soft brush after each operation and then dry them.
10. When the burner caps and pot holders are used as wet, persistent lime stains may occur as a result of the heat. Ensure that it is dried before operation.
11. Place burner heads, caps and pot holders respectively.
12. When placing the pot holders, ensure that they centre the burners.

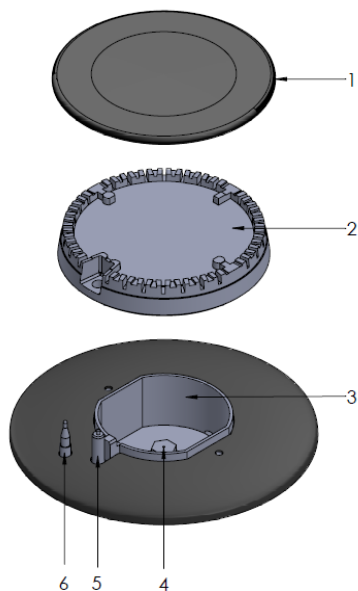
Assembling the burner parts

Place the parts as in the figure after cleaning the burners.



1	Inner burner cap
2	Outer burner cap
3	Burner head
4	Burner chamber
5	Injector
6	Spark Plug (in products with igniter)
7	Thermic element (in products with thermic element)

Assembling the burner parts



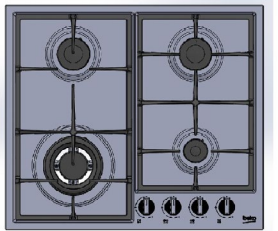
1	Burner cap
2	Burner head
3	Burner chamber
4	Injector
5	Spark Plug (in products with igniter)
6	Thermic element (in products with thermic element)

1. Place the burner head ensuring that it passes through the burner spark plug (4). Turn the burner head right and left to make sure that it is seated in the burner chamber.
2. Place the burner cap on the burner head.

Cleaning the control panel

- When cleaning the panels with knob control, wipe the panel and knobs with a damp soft cloth and dry with a dry cloth. Do not remove the knobs and gaskets underneath to clean the control panel. The control panel and knobs may be damaged.
- While cleaning the inox panels with knob control, do not use inox cleaning agents around the knobs. The indicators around the knobs may be deleted.

- Clean the touch control panels with a damp soft cloth and dry with a dry cloth. If your product has a key lock feature, set the key lock before performing control panel cleaning. Otherwise, incorrect detection may occur on the keys.



In case of any overflow, turn off the burner immediately. Remove the pots and pan supports on it. Clean the overflowed material with a dry and absorbent cloth. Pay attention not to let liquids enter into burners. Clean inside of the burners as well if any liquid has entered. Do not re-operate the hob before cleaning it.

7 Troubleshooting

Clanging is heard while the product is heating and cooling.

- When the metal parts are heated, they may expand and make noise. >>> *This is not a failure.*

There is no ignition spark.

- Power is cut. >>> *Check the fuses in the fuse box.*

The product is continuously sparking.

- The effluent fluids may have penetrated into the ignition mechanism under the control knobs. >>> *Unplug the product and wait for it to cool.*

There is no gas.

- Main gas valve is shut off. >>> *Turn on the gas valve.*
- The pipe has leaked. >>> *Install the gas pipe properly.*

Burners are not burning properly or at all.

- Burners are dirty. >>> *Clean the burner components.*
- Burners are wet. >>> *Dry the burner parts.*
- Burner cap is not securely positioned. >>> *Position the burner cap correctly.*
- Main gas valve is shut off. >>> *Turn on the gas valve.*
- Gas cylinder is empty (when using LPG). >>> *Replace the gas cylinder.*
- The burner knob/button has not been hold pressed enough during ignition. >>> *Ignite the burner by pressing and holding for at least 3-5 seconds.*



Consult the call centre if you can not remedy the trouble although you have implemented the instructions in this section. Never attempt to repair a defective product by yourself.

Brand	BEKO			
Hob Type	Built-in Gas Hob			
Model		Inox	Glass	
		HIYG 64225 SXO	HIYG 64225 SBO	
	Symbol	Value	Value	Unit
Number of the gas burners		4	4	
Energy efficiency of the rear right burner	EE gas-powered burner	63.4	61.7	%
Energy efficiency of the front right burner	EE gas-powered burner	-	-	%
Energy efficiency of the front left burner	EE gas-powered burner	58.4	54.8	%
Energy efficiency of the rear left burner	EE gas-powered burner	63.4	61.7	%
Energy efficiency of the centre burner	EE gas-powered burner	-	-	%
Energy efficiency of the front-centre burner	EE gas-powered burner	-	-	%
Energy efficiency of the rear-centre burner	EE gas-powered burner	-	-	%
Energy efficiency of the left burner	EE gas-powered burner	-	-	%
Energy efficiency for the gas-powered hob	EE gas-powered hob	61.7	59.4	%

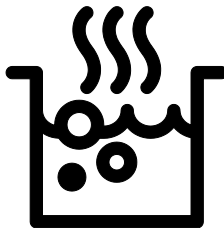
Based on the Eco-design Requirements for Energy-related Products Directive No. 2009/125/EC, the product information below is given in parallel with the European Union's Commission Regulation No. (EU) 66/2014 in respect of the Eco-design Requirements for Domestic hobs.

With the aim of specifying the features of the product, measurements and calculations are specified with the standard given below in accordance with the eco-design requirements.

En 30-2



Plită incorporabilă
Manual de utilizare



HIYG 64225 SXO
HIYG 64225 SBO

RO

Vă rugăm să citiți mai întâi acest manual de utilizare!

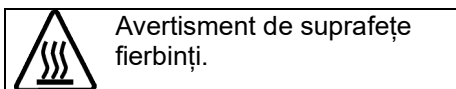
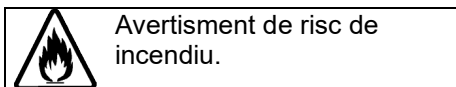
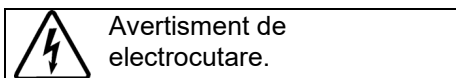
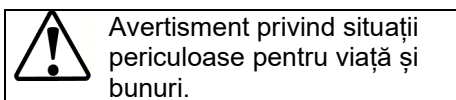
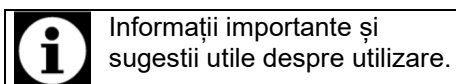
Stimate client,

Vă mulțumim că ați achiziționat acest produs Beko. Sperăm că veți obține cele mai bune rezultate de la produsul dumneavoastră, care a fost fabricat cu tehnologie de înaltă calitate și de ultimă generație. Din acest motiv, vă rugăm să citiți cu atenție întregul manual de utilizare și toate celelalte documente însoțitoare înainte de a utiliza aparatul și să îl păstrați ca referință pentru utilizări ulterioare. Dacă predați aparatul altcuiva, dați și manualul de utilizare. Respectați toate informațiile și avertismentele din manualul de utilizare.

Rețineți că acest manual de utilizare este de asemenea aplicabil și altor modele. Diferențele dintre modele sunt descrise în manual.

Explicația simbolurilor

Pe parcursul acestui manual de utilizare sunt utilizate următoarele simboluri:



Arçelik A.Ş
Karaağaç caddesi No: 2-6
34445 Sütüluçe/ İstanbul / TÜRKİYE
Made in TÜRKİYE

**1 Instrucțiuni importante pentru
siguranță și mediu 4**

Siguranță generală	4
Siguranța în timpul lucrului cu gazul	5
Siguranța electrică	6
Siguranța produsului	7
Utilizare destinată	8
Siguranța copiilor	8
Eliminarea produsului vechi	10
Informațiile de pe ambalaj	10
Transport ulterior	10

2 Produsul dumneavoastră 11

Prezentare generală	11
Panoul de control	11
Conținutul pachetului	12
Specificații tehnice	13
Placa cu injectoare	13

3 Instalarea 14

Înainte de instalare	14
----------------------------	----

4 Pregătirea 22

Sfaturi pentru economisirea energiei	22
Prima utilizare	22
Prima curățare a aparatului	22

5 Utilizarea plitei 23

Informații generale privind gătitul	23
Utilizarea plitei	23

6 Întreținerea și îngrijirea 25

Informații generale privind curățarea	25
Curățarea plitei	26
Curățarea panoului de control	27

7 Depanarea 29

1 Instrucțiuni importante pentru siguranță și mediu

Această secțiune conține instrucțiuni de siguranță care vor ajuta la prevenirea oricăror riscuri de vătămare corporală sau pagube materiale. Nerespectarea acestor instrucțiuni duce la anularea garanției.

Siguranță generală

- Acest aparat poate fi utilizat de către copii cu vârsta minimă de 8 ani și de persoanele cu capacități fizice, senzoriale sau mentale reduse sau fără experiență și cunoștințe dacă aceștia sunt supravegheați sau au fost instruiți cu privire la utilizarea aparatului într-un mod sigur și dacă înțeleg pericolele implicate. Copiii nu trebuie să se joace cu aparatul. Curățarea și operațiunile de întreținere realizate de utilizator nu vor fi realizate de copii fără să fie supravegheați.
- Aparatul nu trebuie utilizat de către persoane (inclusiv copii) cu capacități fizice, senzoriale sau mentale reduse, sau fără experiență și cunoștințe, cu excepția

cazului în care li s-au oferit instrucțiuni și sunt supravegheate.

Copiii trebuie să fie supravegheați pentru siguranța că aceștia nu se joacă cu aparatul

- În cazul în care produsul este predat unei alte persoane în scopuri personale sau de utilizare la mâna a doua, trebuie furnizate, de asemenea, manualul de utilizare, etichetele produsului și alte documente și piese relevante.
- Operațiunile de instalare și reparare trebuie să fie realizate întotdeauna de către agenți de service autorizat. Producătorul nu este responsabil pentru pagubele cauzate de proceduri realizate de persoane neautorizate ceea ce de asemenea poate anula garanția. Înaintea instalării, citiți instrucțiunile cu atenție.
- Nu utilizați produsul dacă este defect sau prezintă deteriorări vizibile.

- Asigurați-vă că butoanele funcționale ale produsului sunt oprite după fiecare utilizare.

Siguranța în timpul lucrului cu gazul

- Orice lucrări la echipamente și sisteme pe gaz trebuie realizate numai de către persoane calificate și autorizate înregistrate pentru siguranță la gaze.
- Înainte de instalare, asigurați-vă că condițiile locale de distribuție a gazului (tipul și presiunea gazului) și reglajele aparatului sunt compatibile.
- Acest aparat nu este conectat la produse de combustie au dispozitive de evacuare. Trebuie instalat și conectat în conformitate cu reglementările actuale de instalare. O atenție sporită trebuie acordată cerințelor relevante privind ventilația; Consultați *pagina Înainte de instalare 14*
- **ATENȚIE:** Utilizarea aparatului de gătit pe gaz va genera căldură și umezeală în încăperea unde este instalat. Asigurați-vă că bucătăria este bine ventilată:

- mențineți orificiile de ventilație naturală deschise sau instalați un dispozitiv de ventilație mecanică (hotă mecanică de extracție). Utilizarea îndelungată și intensivă a aparatului poate solicita ventilație suplimentară, ca de exemplu prin creșterea nivelului de ventilație mecanică unde este disponibilă.
- Sistemele și aparatele cu funcționare pe gaz trebuie inspectate regulat pentru funcționare corespunzătoare. Regulatorul, furtunul și clemele sale trebuie inspectate regulat și înlocuite în intervalele de perioade recomandate de producătorul acestora sau atunci când este nevoie.
- Curățați regulat arzătoarele de gaz. Flăcările ar trebui să fie albastre să sa ardă uniform.
- Acest produs trebuie utilizat într-o încăpere prevăzută cu senzor pentru monoxid de carbon funcțional și reglat corespunzător. Asigurați-vă că senzorul pentru monoxid de carbon funcționează corespunzător și este

Întreținut frecvent. Senzorul pentru monoxid de carbon trebuie instalat la o distanță de maxim 2 metri față de produs.

- În cazul a aparatelor cu gaz este necesară o bună ardere. În cazul unei arderi incomplete, pot apărea acumulări de monoxid de carbon (CO). Monoxidul de carbon este un gaz incolor, inodor și foarte toxic, cu efect letal chiar și în doze foarte mici.
- Solicitați furnizorului dumneavoastră de gaz apelând numerele de telefon pentru urgențele cauzate de gaz, măsuri de siguranță în cazul în care simțiți miros de gaz.

Ce să faceți când simțiți miros de gaz

- Nu utilizați flacăra deschisă sau nu fumați. Nu apăsați niciun buton electric (de exemplu întrerupătorul unei lămpi, sonerii de ușă etc.) Nu utilizați telefoane fixe sau mobile. Risc de explozie și intoxicare!
- Deschideți ușile și ferestrele.
- Opriti toate supapele aparatului pe gaz, și contorul

de gaz de la supapa principală de comandă, cu excepția cazului în care este într-un spațiu închis ori pivniță.

- Verificați dacă toate conductele și legăturile sunt strânse. Dacă în continuare simțiți miros de gaz părăsiți proprietatea.
- Avertizați vecinii.
- Apelați departamentul de pompieri. Folosiți telefonul în afara locuinței.
- Nu reveniți pe proprietate decât atunci când vi se spune că este sigur să faceți asta.

Siguranța electrică

- Dacă produsul prezintă o defecțiune, nu trebuie utilizat decât după ce a fost reparat de un agent de service autorizat. Există risc de electrocutare!
- Conectați produsul doar la o priză/linie împământată, cu specificațiile de tensiune și protecție specificate în „Specificații tehnice”. Instalația de împământare trebuie realizată de un electrician calificat, în timpul utilizării produsului cu sau fără transformator.

Compania noastră nu este responsabilă pentru problemele apărute din cauza neracordării corespunzătoare la pământ a aparatului, în conformitate cu reglementările locale.

- Nu spălați niciodată aparatul prin pulverizare sau turnarea apei pe el! Există risc de electrocutare!
- Nu atingeți priza cu mâinile ude! Nu deconectați niciodată prin tragerea cablului, trageți întotdeauna afară ținând priza.
- Alimentarea produsului trebuie deconectată în timpul operațiunilor de instalare, întreținere, curățare și reparare.
- În cazul în care cablul de alimentare electrică a produsului este deteriorat, acesta trebuie înlocuit de producător, reprezentantul său de service sau persoane cu calificări similare pentru a evita orice pericol.
- Aparatul trebuie instalat astfel încât să poată fi deconectat complet de la rețeaua de alimentare. Separarea trebuie asigurată de un întrerupător încorporat în instalația electrică fixă,

conform reglementărilor de construcție.

- Orice lucrare la echipamente și sisteme electrice trebuie efectuată de persoane autorizate și calificate.
- În caz de deteriorare, opriți produsul și deconectați-l de la priză. Pentru a face asta, opriți siguranța din casă.
- Asigurați-vă că valoarea nominală a siguranței este compatibilă cu produsul.

Siguranța produsului

- **AVERTISMENT:** Aparatul și piesele sale accesibile devin fierbinți în timpul utilizării. Procedați cu grijă pentru a evita atingerea elementelor de încălzire. Țineți departe copiii cu vârsta sub 8 ani dacă nu sunt în permanență supravegheați.
- Nu utilizați niciodată produsul atunci când judecata sau coordonarea dvs. este afectată de consumul de alcool și/sau droguri.
- Aveți grijă la utilizarea alcoolului în prepararea alimentelor. Alcoolul se evaporă la temperatură ridicată și poate provoca incendii prin aprindere atunci

când intră în contact cu suprafețe fierbinți.

- Nu așezați materiale inflamabile aproape de produs deoarece părțile laterale pot deveni fierbinți în timpul utilizării.
- Păstrați libere orificiile de ventilație.
- Nu utilizați agenți de curățare cu abur pentru a curăța aparatul, deoarece acest lucru poate provoca șocuri electrice.
- **AVERTISMENT:** Gătirea nesupravegheată pe plită cu grăsimi sau ulei poate fi periculoasă și se poate declanșa un incendiu. **NICIODATĂ** nu încercați să stingeți focul cu apă, ci opriți aparatul și acoperiți flacăra de exemplu cu un capac de oală sau o pătură de incendiu.
- **ATENȚIE:** Procesul de gătire trebuie supravegheat. Procesele de gătire în timp scurt trebuie supravegheate în continuu.
- **AVERTISMENT:** Pericol de foc: Nu depozitați obiecte pe suprafețele de gătit.

Prevenirea posibilului risc de incendiu!

- Asigurați-vă că toate conexiunile electrice sunt fixate și strânse, pentru a preveni riscul formării arcului electric.
- Nu folosiți cabluri deteriorate sau prelungitoare.
- Asigurați-vă că nu pătrund lichide sau umiditate în punctul de conectare la alimentarea electrică.
- Pentru prevenția scurgerilor de gaz, asigurați-vă că conexiunea la gaz este solidă.

Utilizare destinată

- Acest produs este conceput pentru uz casnic. Utilizarea comercială va avea ca rezultat anularea garanției.
- **ATENȚIE:** Acest aparat este numai pentru gătire. Nu trebuie folosit în alte scopuri, cum ar fi încălzirea unei încăperi.
- Producătorul nu va fi răspunzător pentru niciun fel de daune cauzate utilizarea necorespunzătoare sau de manipularea greșită.

Siguranța copiilor

- **AVERTISMENT:** Părțile accesibile pot fi fierbinți în

timpul utilizării. Copiii mici nu trebuie lăsați să se apropie.

- Materialele de ambalare pot fi periculoase pentru copii. Țineți ambalajele departe de copii. **Vă rugăm să eliminați toate deșeurile de ambalaj în conformitate cu standardele de mediu.**
- Produsele electrice și/sau pe gaz sunt periculoase pentru copii. Țineți copiii departe de produs atunci când acesta este în funcțiune și nu le permiteți să se joace cu produsul.
- Nu așezați deasupra aparatului articole la care ar putea ajunge copiii.

Eliminarea produsului vechi
Conformitatea cu Directiva
DEEE și eliminarea
deșeurilor:



Acest produs este în
conformitate cu Directiva UE
privind DEEE (2012/19/UE).
Produsul este prevăzut cu un
simbol de clasificare pentru
deșeurile de echipamente
electrice și electronice
(DEEE).

Acest produs a fost fabricat cu
componente și materiale de
înalță calitate și care pot fi
refolosite și sunt potrivite
pentru reciclare. Nu eliminați
deșeurile produs împreună cu
deșeurile menajere normale și
alte deșeurile la sfârșitul duratei
de viață a produsului. Predați-
l la centrul de colectare pentru
reciclarea echipamentelor
electrice și electronice.
Consultați autoritățile locale

pentru a afla despre aceste
centre de colectare.

Respectarea Directivei RoHS:

Produsul pe care l-ați achiziționat este în
conformitate cu Directiva UE RoHS
(2011/65/UE). Acesta nu conține materiale
nocive și interzise specificate în Directivă.

Informațiile de pe ambalaj

- Materialele de ambalare a produsului
sunt fabricate din materiale
reciclabile în conformitate cu
Reglementările naționale privind
mediul. Materialele de ambalare nu
trebuie eliminate împreună cu
deșeurile menajere sau cu alt tip de
deșeurile. Transportați-le la punctele
de colectare pentru ambalaje,
amenajate de autoritățile locale.

Transport ulterior

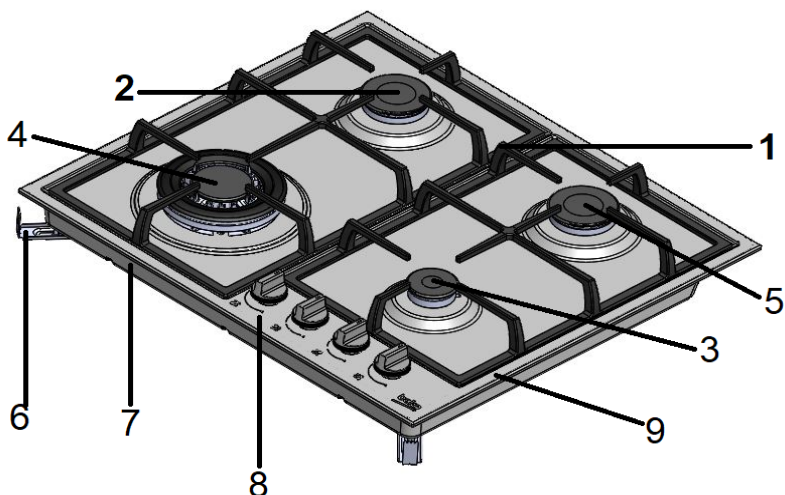
- Păstrați ambalajul original al
produsului și transportați-l în acesta.
Urmați instrucțiunile de pe cutie.
Dacă nu aveți cutia originală,
împachetați produsul în folie cu bule
de aer sau în carton gros și asigurați-
l cu bandă adezivă.
- Asigurați cu bandă adezivă capacele
și suporturile pentru țigăi.



Verificați aspectul general al
produsului, pentru eventuale
daune care s-ar fi putut produce
în timpul transportului.

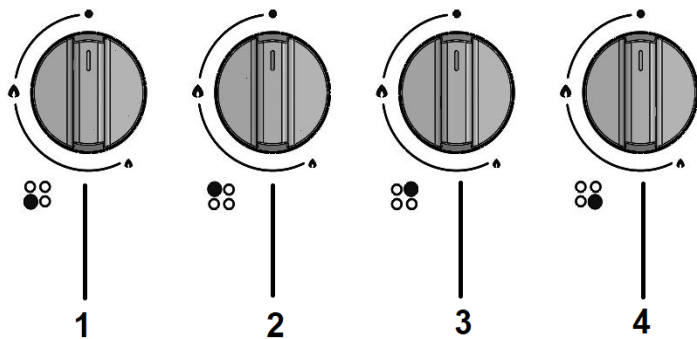
2 Produsul dumneavoastră

Prezentare generală



1	Suport tigaie	6	Clemă de asamblare
2	Arzător normal	7	Capac bază
3	Arzător auxiliar	8	Panoul de control
4	Arzător wok	9	Arzător plită
5	Arzător normal		

Panoul de control



beko

1	Arzător wok pe mijloc
2	Arzător normal stânga spate
3	Arzător normal stânga față
4	Arzător auxiliar dreapta față

Conținutul pachetului



Accesoriile furnizate pot varia în funcție de modelul produsului. Împreună cu produsul dumneavoastră este posibil să nu fie livrate chiar toate accesoriile descrise în manualul de utilizare.

1. **Manual de utilizare**
2. **Adaptor cafetieră**
Se folosește pentru cafetieră.



3. **Adaptor tigaie wok**
Utilizat pentru susținerea unei tigăi wok cu bază rotundă.



Specificații tehnice

	Inox	Sticlă
	HIYG 64225 SXO	HIYG 64225 SBO
Arzătoare	4 arzătoare pe gaz	4 arzătoare pe gaz
Tensiune/frecvență	220-240 V ~ 50-60Hz	220-240 V ~ 50-60Hz
Tipul/secțiunea cablului	H05V2V2-F 3 x 0,75 mm ²	H05V2V2-F 3 x 0,75 mm ²
Lungime cablu	maxim 1,5 m	maxim 1,5 m
Categorie produs cu gaz	2H3B/P 2H3+	2H3B/P 2H3+
Tip de gaz / presiune	NG G20/20 mbari	NG G20/20 mbari
Conversia tipului de gaz / presiunii^s— opțional	GPL G30/28-30 mbari Propan G31/37 mbari GN G20/10 mbari GN G20/13 mbari	GPL G30/28-30 mbari Propan G31/37 mbari GN G20/10 mbari GN G20/13 mbari
Stânga spate / Arzător normal	1,75 kW	1,75 kW
Stânga față / Arzător normal	1,75 kW	1,75 kW
Mijloc / Arzător wok	3,3 kW	3,3 kW
Dreapta față / Arzător auxiliar	1 kW	1 kW
Consum total de gaz	7,8 kW	7,8 kW
Consum de gaz GN G20/20 mbari	744 l/h	744 l/h
Consum de gaz GPL G30/28-30mbari Propan G31/37mbari	567 g/h 557 g/h	567 g/h 557 g/h
Dimensiuni exterioare (înălțime / lățime / adâncime)	99x580x510 mm	99x590x520 mm
Dimensiuni pentru instalare (lățime / adâncime)	560 mm/490 mm	560 mm/490 mm



Specificațiile tehnice pot fi modificate fără notificare prealabilă pentru îmbunătățirea calității produsului.



Imaginile din acest manual sunt schematice și este posibil să nu fie identice cu produsul dumneavoastră.



Valorile indicate pe etichetele produsului sau în documentația aferentă sunt obținute în condiții de laborator în conformitate cu standardele relevante. În funcție de condițiile operaționale și de mediu ale produsului, aceste valori pot varia.

Placa cu injectoare

Zona plitei	Arzător auxiliar 1 kW	Arzător normal 1,75 kW	Arzător wok (3,3 kW)
Tip de gaz / Presiune gaz			
G20/20 mbari	0,72 mm	0,97 mm	1,40 mm
G30/28-30 mbari G31/37 mbari	0,50 mm	0,66 mm	0,96 mm
G20/10 mbari	0,90 mm	1,18 mm	1,65 mm
G20/13 mbari	0,84 mm	110 mm	1,55 mm

3 Instalarea

Produsul trebuie instalat de o persoană calificată, în conformitate cu reglementările impuse. Producătorul nu este responsabil pentru pagubele cauzate de proceduri realizate de persoane neautorizate care, de asemenea, pot anula garanția.



Pregătirea locului, instalației electrice și instalației de gaz pentru produs este în responsabilitatea clientului.



PERICOL:
Produsul trebuie instalat în conformitate cu toate reglementările locale pentru gaze și/sau electricitate.



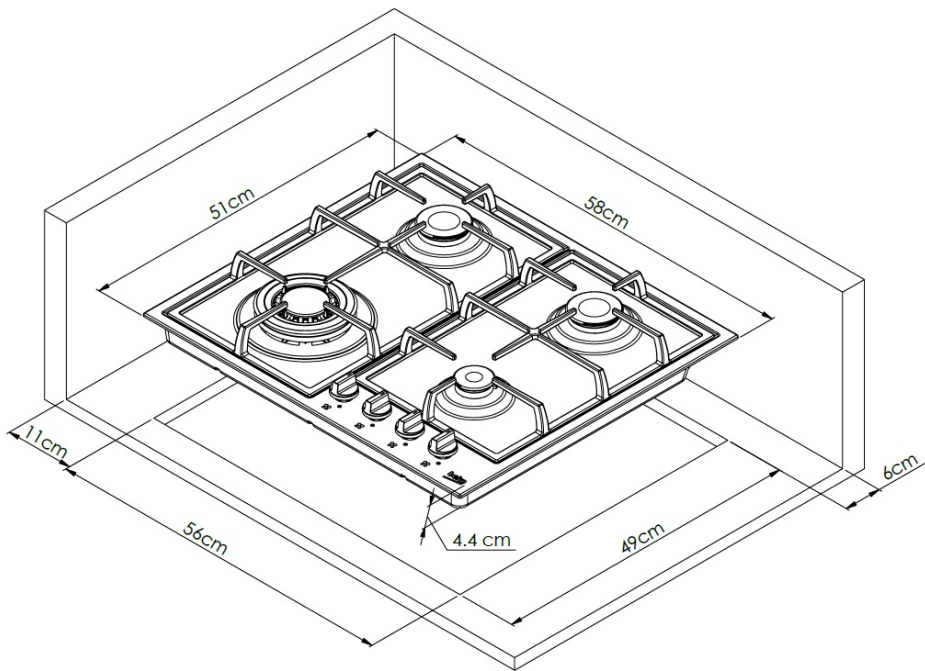
PERICOL:
Înainte de instalare, verificați vizual dacă produsul prezintă defecte. În acest caz nu instalați produsul. Produsele avariate cauzează riscuri pentru siguranța dumneavoastră.

Înainte de instalare

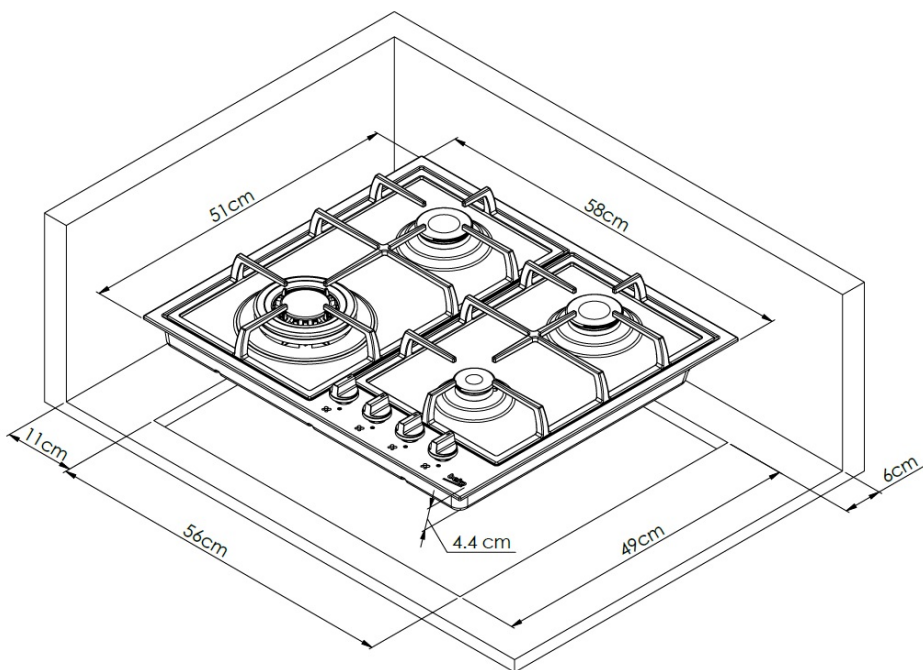
Plita este concepută pentru instalare în blaturi de lucru disponibile în comerț. Între aparat și pereți sau mobilierul bucătăriei

trebuie lăsată o distanță de siguranță. Consultați imaginea (valori exprimate în milimetri).

- Poate fi de asemenea utilizată în poziție de sine stătătoare. Deasupra suprafeței plitei asigurați un spațiu liber de minim 750 mm.
- (*) Dacă urmează a fi instalată o hotă deasupra aragazului, consultați instrucțiunile producătorului hotei privind înălțimea de instalare (minim 650 mm)
- Înlăturați materialele de ambalare și siguranțele de transport.
- Suprafețele, materialele laminate sintetice și adezivii care se utilizează trebuie să fie rezistente la căldură (minim 100 °C).
- Blatul de lucru trebuie să fie aliniat și fixat pe orizontală.
- Decupajul din blatul de lucru pentru plită trebuie să fie conform dimensiunilor de instalare.



INOX



STICLĂ

Ventilarea încăperii

Toate încăperile trebuie să fie prevăzute cu ferestre ce pot fi deschise, sau similar, totodată unele încăperi necesită ventilare permanentă. Aerul pentru ardere este captat din încăperea iar gazele evacuate sunt emise direct în încăperea. Pentru utilizarea aparatului dumneavoastră în siguranță, este esențială o bună ventilație.

Încăperi cu uși și/sau ferestre care se deschid direct spre mediul exterior

Ușile și/sau ferestrele care se deschid direct spre mediul exterior trebuie să aibă deschideri totale de ventilație conform dimensiunilor specificate în tabelul de mai jos în baza puterii de gaz totale a aparatului (consumul total de gaz a aparatului este indicat în tabelul cu specificații tehnice din acest manual de utilizare). Dacă ușile și/sau ferestrele nu au deschideri totale de ventilație corespunzătoare consumului total de gaz al aparatului așa cum este specificat în tabelul de mai jos, prin urmare în încăperea trebuie să existe o deschidere fixă

suplimentară pentru a se asigura că se întrunesc cerințele minime totale pentru ventilație raportat la consumul total de gaz al aparatului. Deschiderea fixă de ventilație poate include deschideri în orificiile existente în cărămizi, dimensiunea deschiderii pentru hota de evacuare etc.

Consum total de gaz (kW)	Deschidere minimă de ventilație (cm ²)
0-2	100
2-3	120
3-4	175
4-6	300
6-8	400
8-10	500
10-11,5	600
11,5-13	700
13-15,5	800
15,5-17	900
17-19	1000
19-24	1250

Încăperi care nu sunt prevăzute cu uși și/sau ferestre ce se deschid direct spre mediul exterior

Dacă încăperea în care este instalat aparatul nu este prevăzută cu ușă și/sau geam care să se deschidă direct spre mediul exterior, trebuie puse alte produse care să asigure o deschidere fixă de ventilație ce nu poate fi reglată sau închisă și care să întrunească cerințele totale pentru un minim al deschiderii de ventilație raportat la consumul total de gaz al aparatului așa cum este indicat în tabelul de mai sus. De asemenea trebuie urmate reglementările corespunzătoare în construcții.

În cazul încăperilor sau spațiilor interioare în care se află mai multe aparate cu funcționare pe gaz, trebuie asigurată o zonă de ventilație prioritar față de cerințele specificate în tabelul de mai sus.

Dimensiunea zonei suplimentare de ventilație trebuie să fie corespunzătoare reglementărilor altor aparate pe gaz.

De asemenea trebuie să existe un spațiu liber de minim 10 mm la marginea de jos a ușii care se deschide spre spațiul interior al încăperii unde este instalat aparatul.

Trebuie să vă asigurați că obiecte precum covoare și alte carpete etc. nu obstrucționează spațiul liber de sub ușă atunci când aceasta este închisă.

Aragazul poate fi amplasat în bucătărie, bucătărie tip open-space sau dormitor, dar nu poate fi amplasat într-o încăpere care include o cadă de baie sau cabină de duș. Aragazul nu trebuie instalat într-un dormitor mai mic de 20m³.

Nu instalați acest aparat într-o încăpere subterană decât dacă aceasta are o latură deschisă spre nivelul solului.

Conectarea la electricitate

Conectați produsul la o priză/linie cu pământare protejată cu o siguranță de capacitate potrivită așa cum este stabilit în

Tabelul cu „Specificații tehnice”. Instalația de împământare trebuie realizată de un electrician calificat, în timpul utilizării produsului cu sau fără transformator. Compania noastră nu va fi trasă la răspundere pentru eventuale daune care

vor apărea ca urmare a utilizării produsului fără o instalație de împământare în conformitate cu reglementările locale.



PERICOL:

Acest produs trebuie conectat la rețeaua de alimentare electrică doar de către o persoană calificată și autorizată. Perioada de garanție a produsului începe abia după instalarea corectă. Producătorul nu este responsabil pentru avarii care pot apărea în urma procedurilor efectuate de persoane neautorizate.



PERICOL:

Cablul de alimentare nu trebuie să fie prins, îndoit sau blocat, sau să intre în contact cu părțile fierbinți ale produsului. Cablu de alimentare deteriorat trebuie înlocuit de un electrician calificat. În caz contrar, există riscul de electrocutare, scurtcircuit sau incendiu!

- Conexiunea electrică trebuie să respecte reglementările naționale.
- Datele rețelei de alimentare electrică trebuie să corespundă datelor specificate pe eticheta tipului produsului. Eticheta de tip se regăsește în spatele carcasei produsului.
- Cablul de alimentare al produsului trebuie să respecte valorile din tabelul „Specificații tehnice”.



PERICOL:

Înainte de a începe orice lucrare la instalația electrică, deconectați produsul de la rețeaua de alimentare electrică. Există risc de electrocutare!



Priza cablului de alimentare trebuie să fie ușor accesibilă după instalare (nu o direcționați deasupra plitei).

Cuplați cablul de alimentare la priză.

Conectarea la gaz



PERICOL:

Produsul poate fi conectat la sistemul de alimentare cu gaz numai de către o persoană calificată și autorizată sau de un tehnician cu licență în operațiuni la rețeaua de gaz. Risc de explozie sau intoxicare din pricina reparațiilor neautorizate! Producătorul nu este responsabil pentru pagube care pot apărea în urma procedurilor efectuate de persoane neautorizate sau nelicențiate.



PERICOL:

Înainte de a începe orice lucrare la instalația de gaz, deconectați alimentarea cu gaz. Există risc de explozie!

- Condițiile și valorile pentru reglarea gazului sunt stabilite pe etichete (sau pe eticheta de tip).



Tipul de gaz pentru produsul dumneavoastră este stabilit pe eticheta de tip aflată în partea inferioară a plitei.

Conectarea furtunului de gaz pentru gaze naturale (GN)

- Instalația de gaze naturale trebuie pregătită înaintea instalării produsului.
- Trebuie să existe o conductă (este indicat să achiziționați conducte de la un instalator licențiat), care să corespundă standardelor locale pentru gaze, ieșirea instalației pentru conectarea la gaz a produsului dumneavoastră cât și vârful conductei trebuie să fie închise cu dopuri de blindare. Reprezentantul de service va înlătura dopurile de blindare în timpul conectării și va conecta produsul dumneavoastră prin intermediul unui dispozitiv drept de conectare (cuplaj).
- Asigurați-vă că supapa de gaze naturale este ușor accesibilă.
- Dacă ulterior veți avea nevoie să utilizați produsul dumneavoastră cu un tip diferit de gaz, trebuie să vă consultați cu agentul autorizat de service pentru procedurile corespundente de conversie.

Conectarea furtunului de gaz pentru gaz petrolifer lichiefiat (GPL)

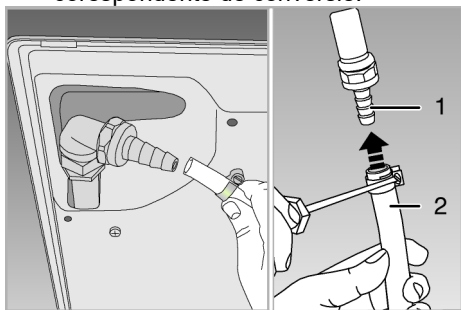
- Conectați produsul dumneavoastră așa încât să fie aproape de conexiunea la gaze și să nu existe scurgeri de gaz.
- Furtunul din plastic utilizat nu trebuie să fie mai lung de 125 cm.
- Instalați o clemă pe furtun. Înmuiați un capăt al furtunului (diametru interior de 15 mm) în apă fiartă timp de un minut pentru a fi moale.
- Apoi, treceți capătul moale al furtunului complet peste vârful ascuțit al furtunului produsului dumneavoastră. În final, strângeți complet cleva cu o șurubelniță.
- Repetați aceeași procedură pentru celălalt capăt al furtunului și finalizați conectarea la butelie.
- Nu uitați niciodată să faceți verificarea pentru scurgeri de gaz.



PERICOL:

Risc de explozie și sufocare!
Nu păstrați butelii de GPL în casă.

- Dacă ulterior veți avea nevoie să utilizați produsul dumneavoastră cu un tip diferit de gaz, trebuie să vă consultați cu agentul autorizat de service pentru procedurile corespunzătoare de conversie.



- 1 Vârful furtunului GPL
- 2 Furtun din plastic

Verificările pentru scurgeri la racordurile de conectare

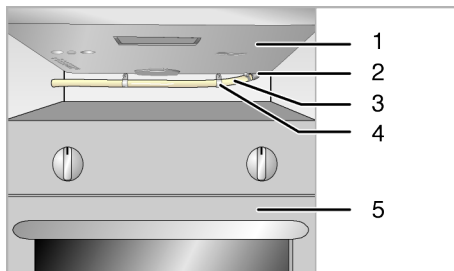
- Asigurați-vă că toate butoanele produsului sunt oprite. Asigurați-vă că alimentarea cu gaz este deschisă. Preparați o spumă de săpun și aplicați peste racordurile de conectare ale furtunului pentru verificarea eventualelor scurgeri de gaz.
- Acolo unde există scurgeri de gaz se vor forma bule de săpun. În acest caz verificați încă odată conexiunea la gaz.



Nu utilizați niciodată chibrituri sau brichete pentru a face verificarea pentru scurgeri de gaz.

Dacă este instalat un cuptor incorporat sub plită;

- Furtunul de gaz trebuie tras astfel încât să nu atingă cuptorul, marginile ascuțite, sau colțurile de sub plită, și nu trebuie încurcat sau răsucit. Dacă veți face conectarea la gaz din partea stângă, după cum priviți din poziția dumneavoastră, fixați furtunul cu cleme.



- 1 Vedere de jos
- 2 Vârful furtunului
- 3 Furtun
- 4 Clemă
- 5 Cuptor

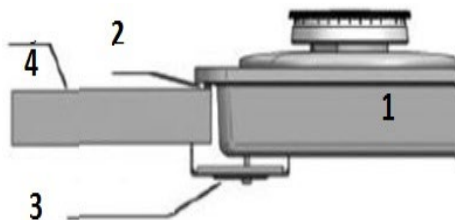
Instalarea produsului

1. Înlăturați arzătoarele, capacele arzătoarelor și grătarele de plită de pe produs.
2. Întorcând plita cu susul în jos, așezați-o pe o suprafață netedă.
3. Pentru a evita pătrunderea substanțelor străine și lichidelor între hotă și blat, vă rugăm să aplicați chitul furnizat în pachet, pe contururile carcasei inferioare a plitei dar asigurați-vă că chitul nu se suprapune.
4. Umpleți colțurile formând coturi la colțuri așa cum este prezentat în imagine. Formați câte coturi sunt necesare pentru a umple golurile din colțuri.



Asigurați-vă că secțiunile de plinte din partea inferioară a carcasei plitei sunt umplute cu chit.

5. Întoarceți din nou plita, aliniați-o și așezați-o pe blat.
6. Puteți securiza plita pe blat utilizând clemele și șuruburile furnizate.

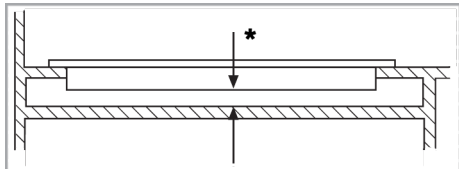


- 1 Plită
- 2 Chit
- 3 Clemă de instalare
- 4 Blat

Grosimea blatului trebuie să fie de cel puțin 40 mm.

i Când instalați plita pe un dulap, trebuie instalată o poliță pentru a separa dulapul de plită așa cum este prezentat în imaginea de mai sus. Acest fapt nu este necesar când instalați peste un cuptor încorporat.

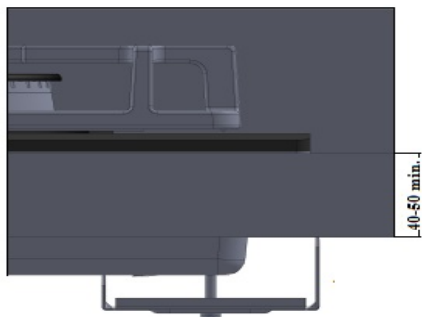
Spre exemplu, dacă este posibil să atingeți partea inferioară a produsului din moment ce este instalată pe un sertar, această secțiune trebuie acoperită cu o placă din lemn.



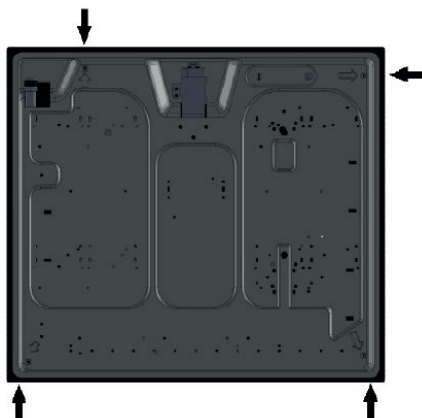
* minim 25 mm

Pentru blaturile cu grosimi de 40-50 mm, instalați clemele așa cum este prezentat mai jos.

Trebuie să lăsați o deschidere de ventilare în partea rămasă pentru a oferi ventilare în partea inferioară a plitei. Suplimentar față de faptul că este necesar pentru temperatura componentelor, acest proces este și obligatoriu pentru ca arzătorul TC să preia aer din partea inferioară. Poate fi de „ cel puțin 100 cm²”.



Vedere din spate (orificiile de conectare)



Reașezați plăcile arzătorului, capacele plăcilor arzătorului și grătarele, înapoi în poziția lor după instalare.

PERICOL:
Făcând conectări la diferite orificii nu este o bună practică din punct de vedere al siguranței din moment ce sistemul electric și cel de gaz pot fi deteriorate.

**PERICOL:**

Pe plită sunt prezente componente electrice și pentru gaz. Prin urmare aragazul, numai orificiul de conectare prezentat în acest manual ar trebui să fie fixat numai la unitate, așa cum se arată în manual, utilizând elementele de fixare și șuruburile furnizate. În caz contrar, siguranța vieții și bunurilor poate fi pusă în pericol.

2. Verificați instalațiile de gaz pentru potrivire sigură și strângere.
3. Aprindeți arzătoarele și verificați aspectul flăcării.



Flacăra trebuie să fie albastră și să aibă formă regulată. Dacă flacăra este gălbuie, verificați dacă capacul arzătorului este așezat în siguranță sau curățați arzătorul.

Verificarea finală

1. Deschideți alimentarea cu gaz.

4 Pregătirea

Sfaturi pentru economisirea energiei

Următoarele informații vă vor ajuta să folosiți produsul în mod ecologic și eficient din punct de vedere energetic:

- Decongețați alimentele congelate înainte de gătire.
- Utilizați oale/tigăi acoperite pentru gătire. Dacă nu sunt acoperite, consumul de energie poate crește de 4 ori.
- Selectați arzătorul care se potrivește cel mai bine pe dimensiunea inferioară a oalei care o utilizați. Întotdeauna alegeți oala cu dimensiunea corectă pentru preparatele dumneavoastră. Oalele mai largi necesită mai multă energie.

Prima utilizare

Prima curățare a aparatului



Anumite tipuri de detergenți sau soluții de curățare pot deteriora suprafața.

Nu folosiți pe parcursul curățării detergenți agresivi, pulberi de curățat / creme de curățare sau obiecte ascuțite.

Nu folosiți agenți de curățare abrazivi sau raclete ascuțite din metal pentru a curăța ușile de sticlă, deoarece pot zgâria suprafața, ceea ce poate duce la spargerea sticlei.

1. Îndepărtați toate materialele de ambalare.
2. Ștergeți suprafețele aparatului cu o cârpă umedă sau cu un burete și uscați cu o cârpă.

5 Utilizarea plitei

Informații generale privind gătitul



Niciodată nu umpleți tigaia cu ulei mai mult de o treime din capacitatea sa. Nu lăsați plita nesupravegheată, atunci când încălziți ulei. Uleiul supraîncălzit sporește riscul de foc. **Niciodată nu încercați să stingeți un posibil foc cu apă!** Când uleiul ia foc, acoperiți cu o pătură de incendiu sau cu o cârpă umedă. Oprțiți plita dacă este sigur să faceți asta, și sunați la pompieri.

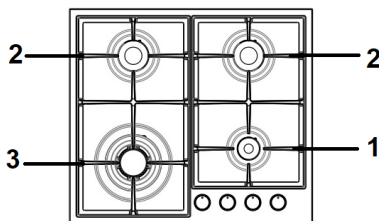
- Înainte de a prăji alimente, mai întâi uscați-le bine apoi așezați-le ușor în uleiul încins. Asigurați dezghețarea integrală a alimentelor congelate înainte de a fi prăjite.
- Nu acoperiți vasul pe care îl utilizați când încălziți ulei.
- Așezați tigăile și cratițele așa încât mânerele acestora să nu fie peste arzătoare pentru a preveni încălzirea mânerelor. Nu așezați pe plită vase dezechilibrate sau care se pot înclina ușor.
- Nu puneți vase și cratițe goale pe zonele de gătit care sunt pornite. Se pot distruge.
- Operarea unei zone de gătit fără a avea un vas sau o cratiță pe aceasta, va deteriora produsul. La finalizarea gătirii, oprțiți zonele de gătit.
- Din moment ce produsul poate fi fierbinte, nu puneți vase din plastic sau aluminiu pe acesta. Aceste tipuri de vase nu ar trebui folosite nici pentru păstrarea alimentelor.
- Utilizați numai vase sau cratițe cu bază netedă.
- Puneți în cratițe sau tigăi numai cantități potrivite de alimente. Prin

urmare, prevenind revărsarea preparatelor nu va trebui curățați inutil. Nu așezați capacele tigăilor sau cratițelor pe zonele de gătit. Așezați cratițele așa încât să fie în centrul zonelor de gătit. Când doriți să mutați o cratiță pe o altă zonă de gătit, ridicați cratița și așezați-o pe zona dorită, în loc să o glisați.

Gătirea cu gaz

- Dimensiunea vasului și cea a flăcării trebuie să se potrivească între ele. Reglați flacăra gazului astfel încât să nu depășească dimensiunea bazei vasului și centrați vasul pe suportul de cratițe.

Utilizarea plitei



- 1 Arzător auxiliar 12-16 cm
- 2 Arzător normal 16-18 cm
- 3 Arzător normal 16-18 cm
- 4 Arzător wok 22-26 cm este o listă a diametrelor oalelor recomandate pentru a fi utilizate pe arzătoarele corespondente.

Simbolul flacăra mare indică cea mai înaltă putere de gătire iar simbolul flacăra mică indică cea mai mică putere de gătire. În poziția oprit (în sus), arzătoarele nu sunt alimentate cu gaz.

Aprinderea arzătoarelor cu gaz

1. Țineți apăsat butonul arzătorului.
2. Rotiți-l în sens contrar acelor de ceasornic către simbolul flacăra mare.
» Gazul este aprins datorită scânteilor produse.
3. Reglați-l la puterea dorită de gătire.

Oprirea arzătoarelor cu gaz

Rotiți butonul zonei calde în poziția oprit (în sus).

Sistemul de oprire în siguranță a gazului (în cazul modelelor cu componentă termică)



1. Oprirea în siguranță a gazului

Ca o contramăsură de protecție în cazul revărsărilor de fluide pe arzătoare, un mecanism de siguranță se declanșează și oprește alimentarea cu gaz.

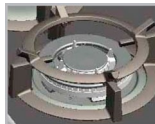
- Pentru a aprinde împingeți butonul în interior și rotiți-l în sens invers acelor de ceasornic.
- După aprinderea gazului, mai țineți apăsat butonul pentru 3-5 secunde pentru angrenarea sistemului de siguranță.
- Dacă gazul nu se aprinde după ce ați apăsat și eliberat butonul, repetați aceeași procedură ținând butonul apăsat pentru 15 secunde.



PERICOL:

Eliberați butonul dacă gazul nu este aprins în decurs de 15 secunde. Așteptați cel puțin 1 minut înainte de a încerca din nou. Există riscul acumulării de gaz și de explozie!

Arzător wok



Arzătoarele wok vă ajută să gătiți mai repede. Wok, care este utilizată cu precădere în bucătăria asiatică, este un tip de tigaie de prăjit adâncă și netedă fabricată din foaie de metal, utilizată pentru a găti legume tocate și carne la foc puternic și în timp scurt.

Din moment ce alimentele sunt găsite la flacără puternică într-un timp foarte scurt în astfel de tigăi de prăjit care conduc căldura rapid și uniform, se păstrează valorile nutritive ale alimentelor iar legumele rămân crocante.

De asemenea puteți utiliza arzătorul wok și pentru crăcițele obișnuite.

Dacă doriți să utilizați o crăciță obișnuită pe un arzător wok, trebuie mai întâi să luați de pe plită suportul pentru tigăi wok.

6 Întreținerea și îngrijirea

Informații generale privind curățarea

Avertizări generale

- Așteptați ca produsul să se răcească, înainte de a-l curăța. Suprafețele fierbinți pot provoca arsuri!
- Nu puneți detergent direct pe suprafețele fierbinți. Pot cauza pete permanente.
- Aparatul trebuie curățat și uscat temeinic după fiecare utilizare. În acest mod, resturile alimentare sunt curățate cu ușurință și este prevenită arderea acestora, atunci când produsul este utilizat din nou, mai târziu. În acest mod este prelungită durata de utilizare a aparatului iar frecvența problemelor este redusă.
- Nu folosiți aparate de curățare cu aburi, pentru curățare.
- Unii detergenți sau agenți de curățare pot deteriora suprafața. Nu folosiți detergenți abrazivi, pulberi de curățat, creme de curățare detartranți sau obiecte ascuțite în timpul curățării.
- Pentru curățarea după fiecare utilizare nu este necesar vreun agent special de curățare. Curățați aparatul cu detergent de vase, apă caldă și o cârpă moale sau un burete și uscați-l cu o cârpă uscată.
- Asigurați-vă că ștergeți complet lichidul rămas după curățare și curățați imediat orice stropi rămași în urma preparării alimentelor.
- Nu spălați nicio componentă a produsului în mașina de spălat vase.

Pentru plită:

- Murdăria acidă precum lapte, pastă de tomate și ulei, pot cauza pete permanente pe aragaze și componentele arzătoarelor, curățați imediat orice fluide revărsate pe aragaz când acesta s-a răcit în urma opririi.
- Vasele de tip wok utilizate la temperaturi ridicate își pot schimba culoarea. Acest fenomen este normal.
- Mișcând vasele de gătit pot rămâne urme de metal pe suporturile pentru oale. Nu glisați tigăile și oalele pe suprafață.

- Din moment ce capacele arzătoarelor sunt în contact direct cu flacăra și sunt expuse la temperaturi foarte ridicate, schimbarea sau pierderea culorii este un fenomen normal. Aceasta nu va cauza probleme în timpul utilizării aragazului.

Suprafețe de inox și oțel inoxidabil

- Nu folosiți agenți de curățare care conțin acid sau clor, pentru curățarea suprafețelor și mânerelor de inox sau oțel inoxidabil.
- Suprafețele din oțel inoxidabil sau inox își pot schimba culoarea în timp. Acest fenomen este normal. După fiecare utilizare, curățați cu un detergent potrivit pentru suprafețe din oțel inoxidabil sau inox.
- Curățați cu o cârpă moale cu soluție de detergent lichid (care nu zgârie), având grijă să ștergeți într-o singură direcție.
- Îndepărtați urmele de calcar, ulei, amidon și proteine de pe suprafețe de inox-oțel inoxidabil și sticlă imediat, fără întârziere. Petele se pot oxida în timp.

Suprafețe de sticlă

- Atunci când curățați suprafețe de sticlă, nu utilizați instrumente metalice dure și materiale de curățare abrazive. Acestea pot deteriora suprafața sticlei.
- Curățați aparatul cu detergent de vase, apă caldă și o cârpă din micro fibră specifică pentru suprafețe din sticlă și uscați-l cu o cârpă din micro fibră.
- Dacă rămân urme de detergent după curățare, ștergeți cu apă rece și uscați cu o cârpă curată și uscată din micro fibră. Resturile de detergent rămase pot deteriora suprafața sticlei, ulterior.
- În nicio situație, resturile uscate de pe suprafața sticlei nu trebuie curățate cu cuțite cu lama zimțată, burete de sârmă sau instrumente ascuțite similare.
- Puteți îndepărta petele de calcar (pete galbene) de pe suprafața sticlei cu agentul de detartrare disponibil în comerț, cu un agent de detartrare cum ar fi oțetul sau sucul de lămâie.
- Dacă suprafața este foarte murdară, aplicați agentul de curățare pe suprafață

cu un burete și așteptați până când acesta va acționa corespunzător. Apoi, curățați suprafața de sticlă cu o cârpă umedă.

- Decolorările și petele de pe suprafața sticlei sunt normale și nu reprezintă defecte.

Piese de plastic și suprafețe vopsite

- Curățați părțile de plastic și suprafețele pictate cu detergent de vase, apă caldă și o cârpă moale sau un burete și uscați cu o cârpă uscată.
- Nu utilizați instrumente metalice ascuțite și agenți de curățare abrazivi. Suprafețele pot suferi deteriorări.
- Asigurați-vă că îmbinările componentelor aparatului nu sunt lăsate umede sau cu detergent. În caz contrar, pe aceste îmbinări vor apărea urme de coroziune.

Curățarea plitei

Curățarea arzătoarelor de gaz

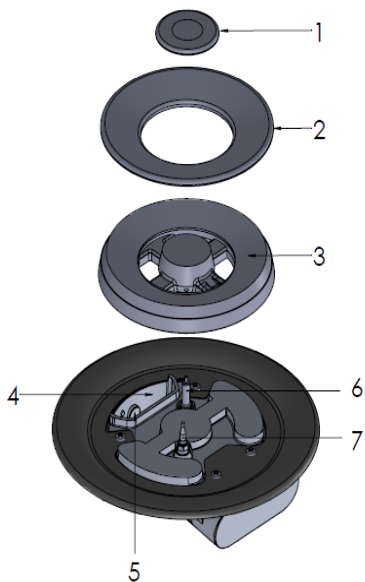
1. Înainte de a curăța plita, înlăturați de pe plită suporturile pentru oale, capacele arzătoarelor și capetele.
2. Curățați suprafața plitei conform recomandărilor incluse în informațiile pentru curățarea generală conform tipului suprafeței (emailată, sticlă, inox, etc.).
3. Curățați camera de arderi cu o cârpă înmuiată în detergent sau cu o perie moale care nu zgârie. Asigurați-vă că nu rămân resturi de alimente.
4. Curățați bujiile și elementele termice (în cazul modelelor cu aprinzătoare și element termic) cu o cârpă stoarsă. Apoi uscați cu o cârpă curată. Acordați o atenție sporită ca bujiile și elementul termic să fie complet uscate.
5. Curățați capacele arzătoarelor și capetele cu apă cu detergent după fiecare utilizare și uscați-le.
6. Pentru petele persistente, puneți capacele arzătoarelor și capetele în apă cu detergent sau în apă caldă cu săpun pentru cel puțin 15 minute. Curățați cu o perie care nu zgârie și nu conține metal.
7. Puteți utiliza soluții de curățare Quick&Shine pentru interiorul cuptoarelor și grătare, utilizate pe suprafețe emailate și recomandate de unitatea autorizată de service, în special pentru petele

persistente de pe capacele emailate ale arzătoarelor.

8. Nu atingeți capacele arzătoarelor cu detergenți agresivi precum agenții de curățare a interiorului cuptoarelor, soluții de îndepărtare a calcarului, în timp ce le curățați, poate cauza decolorarea.
9. Curățați suporturile pentru oale cu apă cu detergent și o perie moale care nu zgârie, după fiecare utilizare și uscați-le.
10. Când capacele arzătoarelor și suporturile oalelor sunt utilizate ude, se pot forma pete persistente de calcar ca urmare a încălzirii. Asigurați-vă că sunt uscate înainte de utilizare.
11. Puneți capacele arzătoarelor, capacele și respectiv suporturile pentru oale.
12. Când puneți suporturile pentru oale, asigurați-vă că sunt centrate pe arzătoare.

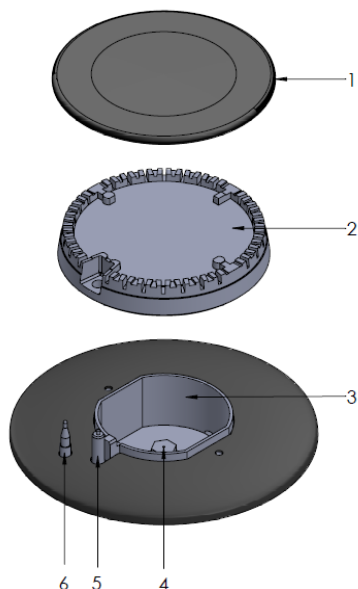
Asamblarea părților arzătorului

După curățarea arzătoarelor așezați părțile ca în imagine.



1	Capacul interior al arzătorului
2	Capacul exterior al arzătorului
3	Capul arzătorului
4	Camera de ardere
5	Injector
6	Bujie (în cazul produselor cu aprinzător)
7	Element termic (în cazul produselor cu element termic)

Asamblarea părților arzătorului



1	Capacul arzătorului
2	Capul arzătorului
3	Camera de ardere
4	Injector
5	Bujie (în cazul produselor cu aprinzător)
6	Element termic (în cazul produselor cu element termic)

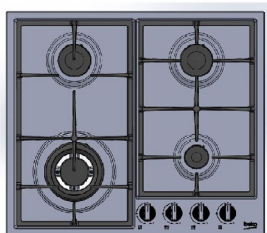
1. Așezați capul arzătorului asigurându-vă că trece prin bujia de ardere (4). Rotiți capul arzătorului dreapta și stânga pentru a vă asigura că este așezat în camera de ardere.
2. Așezați capacul arzătorului pe capul arzătorului.

Curățarea panoului de control

- Atunci când curățați panourile cu butoane de control, ștergeți panoul și butoanele cu o cârpă moale, umedă și uscați cu o cârpă uscată. Nu îndepărtați butoanele și garniturile de dedesubt pentru a curăța panoul. Panoul de control și butoanele pot fi deteriorate.
- În timp ce curățați panourile din inox cu butoane de control, nu utilizați agent de

curățare a inoxului în jurul butoanelor. Astfel pot fi șterși indicatorii din jurul butoanelor.

- Curățați panourile de control tactile cu o cârpă moale umedă și uscați cu o cârpă uscată. Dacă produsul dumneavoastră este prevăzut cu o caracteristică de blocare a tastelor, setați blocarea tastelor înainte de curățarea panoului de control. În caz contrar, se pot produce detectări incorecte la nivelul tastelor.



i În cazul oricărei revărsări, opriți imediat arzătorul. Îndepărtați oalele și tigăile. Curățați materialul revărsat cu o cârpă uscată și absorbantă. Aveți grijă să nu pătrundă lichide în arzătoare. În cazul pătrunderii lichidelor curățați interiorul arzătoarelor. Nu reutilizați plita înainte de curățarea acestora.

7 Depanarea

Se aud zgomote în timp ce produsul se încălzește și răcește.

- Atunci când părțile metalice sunt fierbinți, acestea se pot dilata, provocând zgomot.
>>> *Aceasta nu este o defecțiune.*

Nu sunt generate scânteii de aprindere.

- Alimentarea este întreruptă. >>> *Verificați siguranțele de la tabloul de siguranțe.*

Produsul generează scânteii continuu.

- Posibil să fi pătruns fluidele refulate în mecanismul de aprindere de sub butoanele de control. >>> *Decuplați produsul și așteptați să se răcească.*

Nu se realizează alimentarea cu gaz.

- Supapa principală de gaz este închisă. >>> *Deschideți supapa de gaz.*
- Conducta s-a înclinat. >>> *Instalați corespunzător conducta de gaz.*

Arzătoarele nu funcționează corect, sau nu funcționează deloc.

- Arzătoarele sunt murdare. >>> *Curățați componentele arzătoarelor.*
- Arzătoarele sunt ude. >>> *Uscați părțile arzătoarelor.*
- Capacul arzătorului nu este poziționat în condiții de siguranță. >>> *Poziționați corect capacul arzătorului.*
- Supapa principală de gaz este închisă. >>> *Deschideți supapa de gaz.*
- Butelia de gaz este goală (atunci când utilizați GPL). >>> *Înlocuiți butelia de gaz.*
- Butonul arzătorului nu a fost ținut apăsat suficient în timpul aprinderii. >>> *Aprindeți arzătorul ținând apăsat butonul pentru cel puțin 3-5 secunde.*



Dacă tot nu puteți remedia problema deși ați implementat instrucțiunile din această secțiune, solicitați asistența la centrul de relații cu clienții. Nu încercați niciodată să reparați singur un produs defect.

Marcă		BEKO		
Tip plită		Plită incorporabilă pe gaz		
Model		Inox	Sticlă	
		HIYG 64225 SXO	HIYG 64225 SBO	
	Simbol	Valoare	Valoare	Unitate
Număr arzătoare pe gaz		4	4	
Eficiența energetică a arzătorului din dreapta spate	EE arzător alimentat cu gaz	63,4	61,7	%
Eficiența energetică a arzătorului din dreapta față	EE arzător alimentat cu gaz	-	-	%
Eficiența energetică a arzătorului din stânga față	EE arzător alimentat cu gaz	58,4	54,8	%
Eficiența energetică a arzătorului din stânga spate	EE arzător alimentat cu gaz	63,4	61,7	%
Eficiența energetică a arzătorului din centru	EE arzător alimentat cu gaz	-	-	%
Eficiența energetică a arzătorului din centru față	EE arzător alimentat cu gaz	-	-	%
Eficiența energetică a arzătorului din centru spate	EE arzător alimentat cu gaz	-	-	%
Eficiența energetică a arzătorului din stânga	EE arzător alimentat cu gaz	-	-	%
Eficiența energetică pentru plita alimentată cu gaz	EE plită alimentată cu gaz	61,7	59,4	%

În baza cerințelor de proiectare ecologică pentru produsele energetice din Directiva nr. 2009/125 / CE, informațiile de mai jos despre produs sunt furnizate în paralel cu Regulamentul nr. 66/2014 (UE) al Comisiei Europene respectând cerințele pentru proiectare ecologică în cazul plitelor de uz casnic.

Cu scopul specificării caracteristicilor produsului, măsurătorile și calculele sunt specificate cu standardul de mai jos, în conformitate cu cerințele de proiectare ecologică.

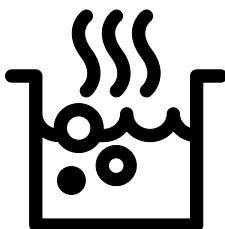
En 30-2

30/RO



**Встраиваемая варочная
панель**

Руководство пользователя



HIYG 64225 SXO
HIYG 64225 SBO

RU

Перед первым использованием изделия внимательно прочитайте данное руководство!

Уважаемый покупатель,
Благодарим Вас за то, что приобрели изделие Веко. Мы надеемся, что вы получите наилучшие результаты от его использования: прибор был изготовлен с обеспечением высокого качества на базе новейших технологий. Поэтому внимательно прочитайте данное руководство пользователя и все другие сопроводительные документы перед использованием устройства. Рекомендуется сохранить данный документ в качестве справочного пособия для дальнейшего использования. При передаче устройства какому-либо другому лицу приложите к нему руководство пользователя. Соблюдайте все предупреждения и информацию в руководстве пользователя. Помните, что это руководство пользователя также применимо для нескольких других моделей. Различия между моделями будут указаны в руководстве.

Объяснение условных обозначений

В данном руководстве пользователя используются следующие символы:

	Важная информация или полезные подсказки по использованию машины.
	Предупреждение о возникновении опасных ситуаций, представляющих угрозу жизни и имуществу.
	Предупреждение об опасности поражения электрическим током.
	Предупреждение об опасности возгорания!
	Предупреждение о горячих поверхностях.

1 Важные инструкции по технике безопасности и защите окружающей среды

Общая безопасность	4
Безопасность при работе с газом.....	5
Электробезопасность	7
Безопасность изделия.....	8
Целевое использование.....	9
Безопасность детей.....	9
Утилизация старого изделия	10
Информация об упаковке.....	10
Дальнейшая транспортировка	10

2 Ваше изделие 12

Краткое описание	12
Панель управления	12
Содержимое комплекта.....	13
Технические характеристики	14
Таблица форсунок.....	15

3 Установка 16

Перед установкой.....	16
-----------------------	----

4 Подготовка 24

Советы по экономии энергии.....	24
Первоначальное использование	24
Первая чистка прибора	24

5 Использование конфорок 25

Общая информация по приготовлению.....	25
Использование конфорок.....	25

6 Обслуживание и уход 27

Информация по общей чистке.....	27
Очистка варочной панели	28
Очистка панели управления	29

7 Выявление проблем 31

1 Важные инструкции по технике безопасности и защите окружающей

Данный раздел содержит инструкции по технике безопасности, которые помогут Вам защититься от риска получения травм или повреждения имущества. В случае неисполнения данных инструкций гарантия аннулируется.

Общая безопасность

- Данное устройство может использоваться детьми в возрасте от 8 лет, а также лицами с ограниченными физическими, сенсорными или умственными возможностями; или, при отсутствии опыта и знаний, под контролем/с прохождением инструктажа по безопасному использованию при условии понимания существующей опасности. Дети не должны играть с данным устройством. Очистка и обслуживание не должны производиться детьми без присмотра.
- Данное устройство не предназначено для использования лицами

- (включая детей) с ограниченными физическими, сенсорными или умственными способностями, или с отсутствием опыта и знаний, при отсутствии надзора и инструкций. Необходимо следить за детьми с целью предотвращения игры с устройством
- Если изделие передается кому-то еще для целей личного или последующего использования, необходимо также предоставить руководство пользователя, этикетки и другие соответствующие документы и детали.
 - Процедуры установки и ремонта всегда должны выполняться авторизованными сервисными агентами. Производитель не ответственен за ущерб, возникший в результате процедур, выполненных не уполномоченными лицами, что также может привести

к отмене гарантии. Перед установкой внимательно прочтите инструкцию.

- Не используйте изделие, если оно неисправно или имеет какие-либо видимые повреждения.
- Убедитесь, что функциональные переключатели продукта выключены после каждого использования.

Безопасность при работе с газом

- Любые работы с газовым оборудованием и системами могут выполняться только уполномоченными квалифицированными лицами, имеющими регистрацию Gas Safe.
- Перед установкой убедитесь, что местные условия распределения (характер газа и давление газа) и настройки устройства совместимы.
- Этот прибор не связан с продуктами сгорания или откачивающим устройством. Устройство должно быть установлено и подключено в соответствии с

применимыми правилами установки. Особое внимание следует уделять соответствующим требованиям, касающимся вентиляции; См. *раздел «Перед установкой», стр. 16*

- **ВНИМАНИЕ:** Использование газовой плиты приводит к выделению тепла и влаги в помещении, в котором она установлена. Обеспечивайте надлежащее вентилирование кухни: храните отверстия для естественной вентиляции открытыми либо установите устройство искусственной вентиляции (механическая обычная вытяжка). Продолжительное интенсивное использование устройства может потребовать дополнительной вентиляции, например, увеличения уровня механической вентиляции, если таковая имеется.
- Газовые приборы и системы необходимо регулярно проверять на

исправность. Регулятор, шланг и его зажим необходимо регулярно проверять и заменять в сроки, рекомендованные его производителем, или при необходимости.

- Регулярно очищайте газовые конфорки. Пламя должно быть синим и гореть равномерно.
- Данное устройство следует использовать в помещении с правильно отрегулированным и работающим датчиком угарного газа. Убедитесь, что датчик угарного газа работает правильно и часто обслуживается. Датчик угарного газа следует устанавливать на расстоянии не более 2 метров от изделия.
- В газовых приборах должно быть хорошее сгорание. В случае неполного сгорания может образоваться окись углерода (CO). Окись углерода – это бесцветный, без запаха и очень токсичный газ, который имеет смертельный эффект даже в очень малых дозах.

- Запросите у местного поставщика газа информацию о номерах телефонов службы экстренной помощи и мерах безопасности в случае запаха газа.

Что делать, когда ощущается запах газа?

- Не пользуйтесь открытым огнем и не курите. Не нажимайте никакие электрические кнопки (например, кнопку лампы, дверной звонок и т. д.). Не используйте стационарные или мобильные телефоны. Опасность взрыва и отравления!
- Откройте двери и окна.
- Закройте все вентили на газовых приборах и счетчик газа на главном регулирующем вентиле, если только он не находится в замкнутом пространстве или подвале.
- Проверьте все трубки и соединения на герметичность. Если вы все еще чувствуете запах газа, выходите из дома.
- Предупредите соседей.

- Вызовите пожарную команду. Используйте телефон вне дома.
- Не возвращайтесь в дом, пока вам не скажут, что это безопасно.

Электробезопасность

- Если изделие вышло из строя, его нельзя эксплуатировать, если оно не будет отремонтировано сотрудником авторизованного сервисного центра. Существует риск поражения электрическим током!
- Подключайте продукт только к заземленной розетке/линии с напряжением и защитой, указанными в «Технических характеристиках». Установка заземления должна выполняться квалифицированным электриком при использовании продукта с трансформатором или без него. Наша компания не несет ответственности за любые неисправности, возникающие из-за того, что изделие не заземлено

в соответствии с местными правилами.

- Никогда не мойте изделие путем разбрызгивания или обливая его водой! Существует риск поражения электрическим током!
- Никогда не прикасайтесь к вилке мокрыми руками! Никогда не отключайте вилку, потянув за кабель, всегда вынимайте вилку, потянув за ее корпус.
- Изделие должно быть отключено во время процедур установки, технического обслуживания, очистки и ремонта.
- Если шнур питания изделия поврежден, он должен быть заменен производителем, специалистом по техническому обслуживанию авторизованного сервисного центра или квалифицированными специалистами во избежание опасности.
- Прибор должен быть установлен так, чтобы его можно было полностью отключить от электросети.

Разделение должно обеспечиваться выключателем, встроенным в стационарную электрическую установку, в соответствии с правилами монтажа.

- Любые работы с электрическим оборудованием и системами должны выполняться только уполномоченными и квалифицированными специалистами.
- В случае повреждения выключите изделие и отключите его от электросети. В случае повреждения выключите изделие и отключите его от электросети.
- Убедитесь, что номинал предохранителя совместим с продуктом.

Безопасность изделия

- **ПРЕДУПРЕЖДЕНИЕ:** Во время эксплуатации данное устройство и его детали могут становиться горячими. Необходимо соблюдать осторожность при касании горячих элементов. Детей младше

8 лет не следует оставлять без постоянного присмотра.

- Никогда не используйте продукт, если ваша рассудительность или координация ухудшаются из-за употребления алкоголя и / или наркотиков.
- Будьте осторожны при добавлении в блюда алкогольных напитков. Спирт испаряется при высоких температурах и может вызвать пожар, поскольку он может воспламениться при контакте с горячими поверхностями.
- Не размещайте рядом с изделием легковоспламеняющиеся материалы, так как его боковые стороны могут нагреваться во время использования.
- Не загромождайте все вентиляционные отверстия.
- Не используйте пароочистители для очистки прибора, так как это может вызвать поражение электрическим током.

- **ПРЕДУПРЕЖДЕНИЕ:**
Приготовление пищи на плите с использованием жира или масла без присмотра может быть опасным и может привести к возгоранию. НИКОГДА не пытайтесь тушить огонь водой, выключите прибор, а затем накройте пламя, например, крышкой или противопожарным одеялом.

- **ВНИМАНИЕ:** Следует контролировать процесс приготовления. Кратковременный процесс приготовления необходимо контролировать постоянно.

- **ПРЕДУПРЕЖДЕНИЕ:**
Опасность возникновения пожара: Не храните предметы на варочных поверхностях.

Предотвращение возможного пожара!

- Убедитесь, что все электрические соединения надежны, чтобы предотвратить риск возгорания.
- Не используйте поврежденные кабели или кабельные удлинители.

- Убедитесь, что жидкость или влага не поступает к точки электрического подключения.
- Чтобы предотвратить утечку газа, убедитесь, что газовое соединение находится в исправном состоянии.

Целевое использование

- Данное устройство предназначен для домашнего использования. Коммерческое использование приведет к аннулированию гарантии.
- **ВНИМАНИЕ:** Этот прибор предназначен только для приготовления пищи. Его нельзя использовать для других целей, например, для отопления помещений.
- Производитель не несет ответственности за любой ущерб, вызванный неправильным использованием или ошибками при обращении.

Безопасность детей

- **ПРЕДУПРЕЖДЕНИЕ:** Во время работы прибора нагреваются детали, доступные для соприкосновения. Нельзя

подпускать к прибору детей.

- Упаковочные материалы опасны для детей. Храните упаковочные материалы в недоступном для детей месте. Утилизируйте все части упаковки в соответствии с экологическими стандартами.
- Электрические и/или газовые приборы опасны для детей. Не подпускайте детей к работающему изделию и не позволяйте им играть с ним.
- Не размещайте над устройством предметы, до которых могут дотянуться дети.

Утилизация старого изделия

Соответствие требованиям Директивы WEEE (директива ЕС об отходах электрического и электронного оборудования) и утилизация отработавшего прибора:



Данный продукт соответствует Директиве ЕС WEEE (2012/19/EU). Данный прибор имеет классификационный знак для отработанного электрического и электронного оборудования (WEEE). Данное изделие изготовлено с использованием деталей и

материалов высокого качества, которые после переработки могут использоваться повторно. Запрещается выбрасывать отходы устройства вместе с бытовыми и другими отходами после окончания срока эксплуатации. Необходимо отправить их в центр сбора для переработки отходов электрического и электронного оборудования. Получить информацию о подобных центрах можно в местных органах власти.

Соответствие требованиям Директивы RoHS (директива об ограничении использования некоторых вредных веществ в электрическом и электронном оборудовании):

Приобретенный Вами прибор соответствует требованиям Директивы RoHS EC (2011/65/EU). В нем не содержится вредных и запрещенных материалов, указанных в данной Директиве.

Информация об упаковке

- Материалы упаковки устройства произведены из перерабатываемого сырья в соответствии с нашими Национальными нормами по защите окружающей среды. Запрещается выбрасывать упаковочные материалы вместе с бытовыми и другими отходами. Отправьте их в точки сбора упаковочных материалов, указанные местными органами власти.

Дальнейшая транспортировка

- Сохраните оригинальную картонную коробку изделия и перевозите панель в ней. Следуйте инструкциям на упаковке. Если у вас нет оригинальной коробки, упакуйте изделие в

пузырчатую пленку или плотный картон и надежно заклейте лентой.

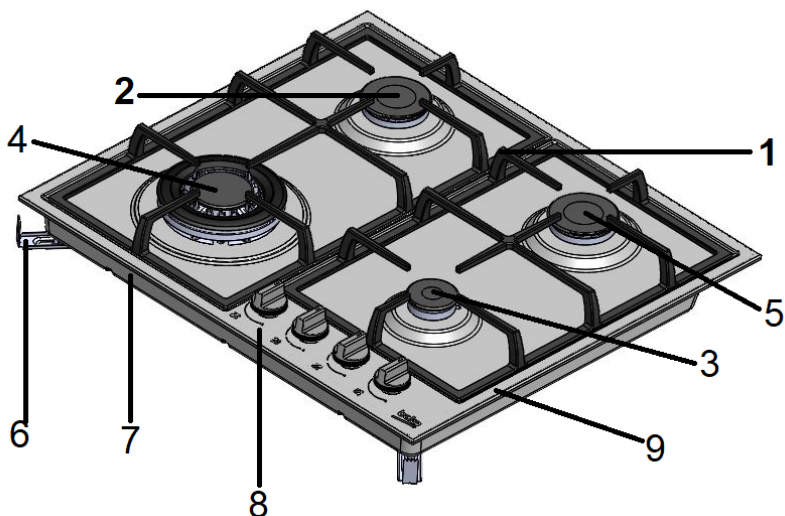
- Закрепите крышки и подставки для посуды липкой лентой.



Визуально убедитесь, что отсутствуют повреждения, которые могли возникнуть во время транспортировки.

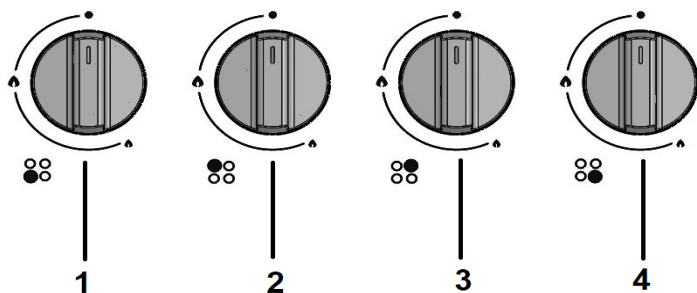
2 Ваше изделие

Краткое описание



1	Опора для посуды	6	Монтажный зажим
2	Обычная конфорка	7	Крышка основания
3	Вспомогательная конфорка	8	Панель управления
4	Конфорка Wok	9	Плита конфорок
5	Обычная конфорка		

Панель управления



beko

1	Конфорка Wok средняя
2	Обычная конфорка задняя левая
3	Обычная конфорка передняя левая

4	Дополнительная горелка правая передняя
---	--

Содержимое комплекта



Поставляемые аксессуары могут отличаться в зависимости от модели устройства. Не все аксессуары, описанные в руководстве пользователя, могут быть в вашем устройстве.

1. **Руководство пользователя**
2. **Адаптер для кофейника**
Используется для кофейника.



3. **Адаптер для сковороды**
Используется для размещения сковороды wok с круглым дном.



Технические характеристики

	Нержавеющая сталь	Стекло
	HIYG 64225 SXO	HIYG 64225 SBO
Конфорки	Газовая конфорка 4	Газовая конфорка 4
Напряжение / частота	220-240 В ~ 50-60Гц	220-240 В ~ 50-60Гц
Тип/сечение кабеля	H05V2V2-F 3 x 0,75 мм2	H05V2V2-F 3 x 0,75 мм2
Длина кабеля	макс. 1,5 м	макс. 1,5 м
Категория газового устройства	2Н3В/Р 2Н3+	2Н3В/Р 2Н3+
Тип газа/Давление	ПГ G20/20 мбар	ПГ G20/20 мбар
Преобразование типа/давления газа[§]– необязательно	СПГ G30/ 28- 30 мбар Пропан G31/37 мбар ПГ G20/10 мбар ПГ G20/13 мбар	СПГ G30/ 28- 30 мбар Пропан G31/37 мбар ПГ G20/10 мбар ПГ G20/13 мбар
Задняя левая/обычная конфорка	1,75 kW	1,75 kW
Передняя левая/обычная конфорка	1,75 kW	1,75 kW
Средняя конфорка/Wok	3,3 kW	3,3 kW
Передняя правая/Дополнительная конфорка	1 kW	1 kW
Общая потребляемость газа	7,8 kW	7,8 kW
Потребление газа ПГ G20/20 мбар	744 л/ч	744 л/ч
Потребление газа СУГ G30/28-30 мбар Пропан G31/37 мбар	567 г/ч 557 г/ч	567 г/ч 557 г/ч
Внешние размеры (высота/ширина/глубина)	99x580x510 мм	99x590x520 мм
Монтажные размеры (ширина/глубина)	560 мм/490 мм	560 мм/490 мм

Класс защиты -1

Степень защиты IP 42



Технические характеристики могут быть изменены без предварительного уведомления для улучшения качества устройства.



Рисунки в этом руководстве являются схематичными и могут не полностью соответствовать вашему устройству.



Значения, указанные на этикетках устройства или в сопроводительной документации, получены в лабораторных условиях в соответствии с действующими стандартами. В зависимости от условий эксплуатации и окружающей среды, эти значения могут варьировать.

Таблица форсунок

Варочная зона	Вспомогательная конфорка 1 кВт	Обычная конфорка 1,75 кВт	Конфорка Wok (3,3 кВт)
Тип газа/давление			
G20/20 мбар	0,72 мм	0,97 мм	1,40 мм
G30/28-30 мбар G31/37 мбар	0,50 мм	0,66 мм	0,96 мм
G20/10 мбар	0,90 мм	1,18 мм	1,65 мм
G20/13 мбар	0,84 мм	1,10 мм	1,55 мм

3 Установка

Продукт должен быть установлен квалифицированным лицом в соответствии с действующими правилами. Производитель не ответственен за ущерб, возникший в результате процедур, выполненных неуполномоченными лицами, что также может привести к отмене гарантии.



Клиент ответственен за подготовку места, электромонтаж и газовый монтаж изделия.



ОПАСНО:

Устройство должно быть установлено в соответствии со всеми местными правилами по газу и / или электричеству.



ОПАСНО:

Перед установкой необходимо осмотреть изделие на наличие на нем дефектов. Если дефект присутствует, не приступайте к установке.

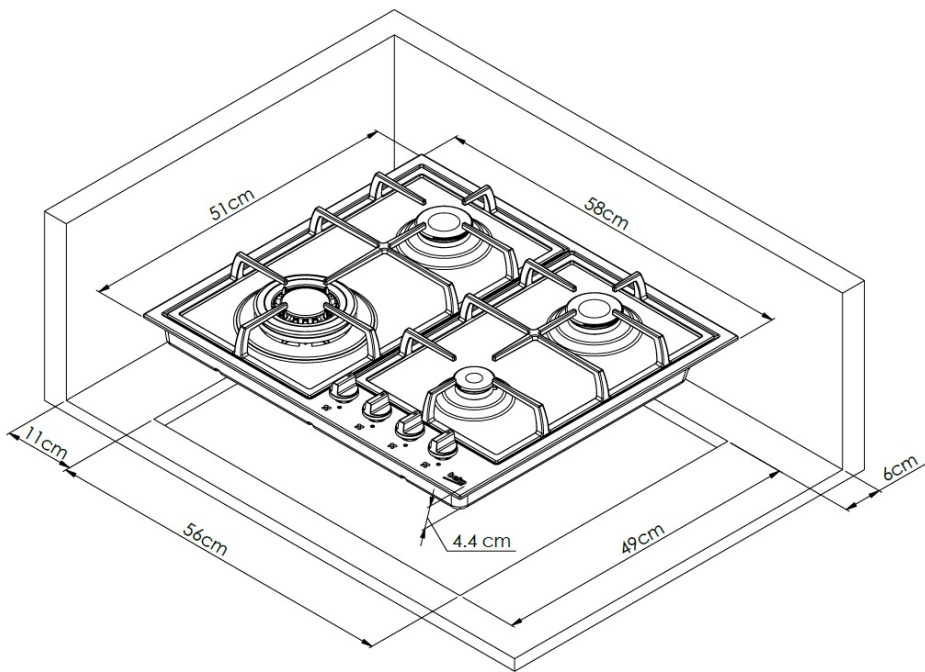
Поврежденные изделия подвергают риску Вашу безопасность.

кухонными стенами и мебелью должно быть безопасное расстояние. См. рисунок (значения в мм).

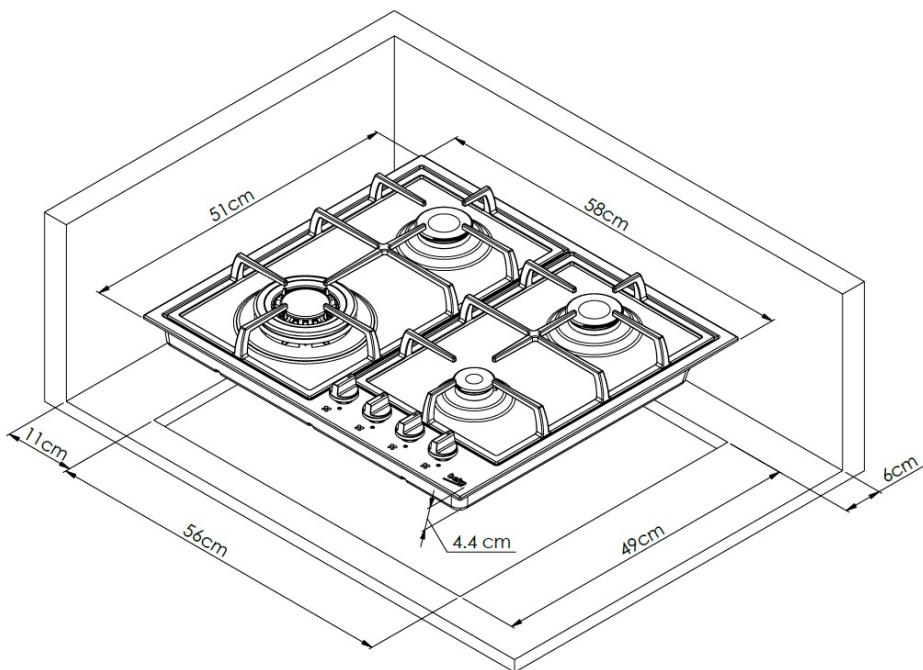
- Его также можно использовать в отдельно стоящем положении. Оставьте минимальное расстояние 750 мм над поверхностью варочной панели.
- (*) Если вытяжка должна быть установлена над плитой, обратитесь к инструкциям производителя вытяжки относительно высоты установки (мин. 650 мм)
- Снимите упаковочные материалы и транспортные фиксаторы.
- Используемые поверхности, синтетические ламинаты и клеи должны быть термостойкими (минимум 100 °C).
- Рабочую поверхность необходимо выровнять и закрепить горизонтально.
- Вырежьте отверстие для варочной панели в столешнице в соответствии с установочными размерами.

Перед установкой

Устройство предназначено для установки на имеющиеся в продаже рабочие поверхности. Между прибором и



НЕРЖАВЕЮЩАЯ СТАЛЬ



СТЕКЛО

Вентиляция помещения

Во всех комнатах требуется открывающееся окно или что-нибудь эквивалентное, а в некоторых комнатах также требуется постоянная вентиляция. Воздух для горения забирается из воздуха в помещении, а отработанные газы выбрасываются непосредственно в помещение. Хорошая вентиляция необходима для безопасной работы вашего прибора.

Комнаты с дверями и/или окнами, которые открываются прямо во внешнюю среду

Двери и/или окна, которые открываются непосредственно во внешнюю среду, должны иметь полное вентиляционное отверстие с размерами, указанными в таблице ниже, которая основана на общей газовой мощности прибора (общая потребляемая мощность газового прибора указана в таблице технических характеристик данного

руководства пользователя). Если двери и / или окна не имеют общего вентиляционного отверстия, соответствующего общему потреблению газа устройством, как указано в таблице ниже, тогда обязательно должно быть дополнительное фиксированное вентиляционное отверстие в комнате, чтобы гарантировать, что соблюдены требования общей минимальной вентиляции к общему потреблению газа устройством. Фиксированное вентиляционное отверстие может включать в себя отверстия для существующих блоков воздухозаборника, размеры отверстия вытяжного кожуха и т.д.

Общая потребляемость газа (кВт)	Мин. вентиляционное отверстие (см ²)
0-2	100
2-3	120
3-4	175
4-6	300

Общая потребляемость газа (кВт)	Мин. вентиляционное отверстие (см ²)
6-8	400
8-10	500
10-11,5	600
11,5-13	700
13-15,5	800
15,5-17	900
17-19	1000
19-24	1250

Комнаты без открывающихся дверей и/или окон, которые открываются прямо во внешнюю среду

Если в помещении, где установлен прибор, нет двери и / или окна, которое открывается непосредственно во внешнюю среду, следует искать другие изделия, которые определенно обеспечивают фиксированное нерегулируемое и не закрываемое вентиляционное отверстие, которое соответствует общему минимуму требований к вентиляционным отверстиям для общего потребления газа устройством, как указано в таблице выше. Также необходимо соблюдать соответствующие строительные нормы и правила.

Если комната или внутреннее пространство содержат более одного газового прибора, должна быть предусмотрена дополнительная зона вентиляции сверх требований, указанных в таблице выше. Размер дополнительной вентиляции должен соответствовать правилам других газовых приборов.

Также должен быть минимальный зазор 10 мм по нижнему краю двери, которая открывается во внутреннюю сторону в комнате, где установлен прибор. Вы должны убедиться, что такие предметы, как ковры, другие напольные покрытия и т. д., не влияют на зазор, когда дверь закрыта.

Плита может располагаться на кухне, кухне/столовой или в спальне, но не в комнате с ванной или душем. Плиты

нельзя устанавливать в спальне объемом менее 20 м³.

Не устанавливайте этот прибор в помещении ниже уровня пола, если он не открыт на уровень пола хотя бы с одной стороны.

Электрическая схема

Подключите изделие к заземленной розетке/линии, защищенной миниатюрным автоматическим выключателем подходящей мощности, как указано в таблице «Технические характеристики». Установка заземления должна выполняться квалифицированным электриком при использовании продукта с трансформатором или без него. Наша компания не несет ответственности за любой ущерб, который может возникнуть в результате использования продукта без заземления в соответствии с местными правилами.



ОПАСНО:

Гарантийный срок продукта начинается только после правильной установки. Гарантийный срок продукта начинается только после правильной установки. Производитель не ответственен за ущерб, возникший в результате процедур, осуществленных неуполномоченными лицами.



ОПАСНО:

Кабель питания не должен быть зажат, согнут или заземлен и он не должен касаться горячих частей изделия. Если электрический кабель поврежден, его должен заменить квалифицированный электрик. В противном случае существует риск поражения электрическим током, короткого замыкания и возгорания!

- Подключение должно соответствовать национальным нормам.
- Данные о питании от сети должны соответствовать данным, указанным на типовой этикетке продукта. Табличка с указанием типа

находится на задней панели изделия.

- Шнур питания вашего изделия должен соответствовать значениям в таблице «Технические характеристики».



ОПАСНО:

Перед началом любых работ по электромонтажу отключите изделие от электросети. Существует риск поражения электрическим током!



Вилка кабеля питания должна находиться в пределах досягаемости после установки (не прокладывайте ее над варочной панелью).

Включите шнур питания в розетку.

Подключение к газовой магистрали



ОПАСНО:

Изделие может быть подключено к системе газоснабжения только уполномоченным и квалифицированным лицом или техническим специалистом с лицензией.

Опасность взрыва или отравления из-за неквалифицированного ремонта!

Производитель не ответственен за ущерб, возникший в результате процедур, осуществленных неуполномоченными лицами или лицами без лицензии.



ОПАСНО:

Перед началом любых работ по установке газовых приборов отключите подачу газа. Существует опасность взрыва!

- Условия и значения настройки газа указаны на этикетках (или на типовой табличке).



Тип газа вашего изделия указан на заводской табличке на дне варочной панели.

Подключение газового шланга для ПГ

- Перед установкой изделия необходимо соответствующим

образом подготовить газовую установку.

- На выходе из установки для подключения природного газа к вашему изделию должна быть труба (трубопровод рекомендуется покупать у лицензированного установщика), которая должна соответствовать местным газовым стандартам, а конец этой трубы должен быть закрыт заглушкой. Представитель сервисной службы снимет заглушку во время подключения и подключит ваш прибор с помощью устройства прямого подключения (муфты).
- Убедитесь, что клапан природного газа легко доступен.
- Если вам понадобится позже использовать ваше изделие с другим типом газа, вы должны проконсультироваться с сотрудником авторизованного сервисного центра по поводу соответствующей процедуры преобразования.

Подключение газового шланга для СУГ

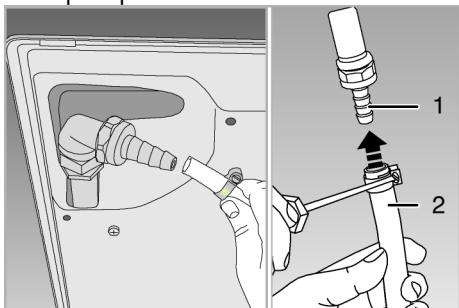
- Подключайте продукт так, чтобы он находился близко к газовой магистрали, и не было утечки газа.
- Длина используемого пластикового шланга не должна превышать 125 см.
- Установите хомут на шланг. Погрузите один конец шланга (внутренний диаметр 15 мм) в кипящую воду на одну минуту, чтобы смягчить его.
- Полностью наденьте размягченный конец шланга на острый конец шланга изделия. Наконец, полностью затяните зажим с помощью отвертки.
- Повторите ту же процедуру для другого конца шланга и подсоедините регулятор газа.
- Никогда не забывайте производить контроль утечки газа.



ОПАСНО:

Опасность взрыва и удушья!
Не храните баллоны со сжиженным нефтяным газом дома.

- Если вам понадобится позже использовать ваше изделие с другим типом газа, вы должны проконсультироваться с сотрудником авторизованного сервисного центра по поводу соответствующей процедуры преобразования.



- 1 Наконечник шланга СУГ
- 2 Пластиковый шланг

Контроль утечки в точке подключения

- Убедитесь, что все ручки на изделии выключены. Убедитесь, что подача газа открыта. Приготовьте мыльную пену и нанесите ее на место подключения шланга для контроля утечки газа.
- Мыльная часть вспенивается при утечке газа. В этом случае еще раз проверьте подключение газа.

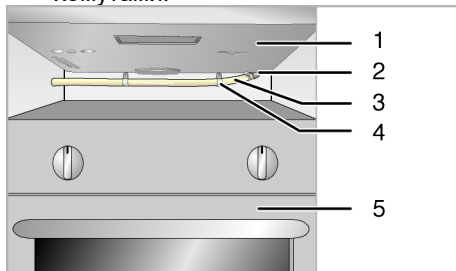


Никогда не используйте спичку или зажигалку для контроля утечки газа.

Если под варочной панелью установлена встроенная духовка;

- Газовый шланг должен быть проложен таким образом, чтобы он не касался духовки, острых краев или углов под варочной панелью, а также не перегибался или не перекручивался. Если вы будете подсоединять газ с левой стороны (если смотреть со

своего места), закрепите шланг хомутами.



- 1 Вид снизу
- 2 Наконечник шланга
- 3 Шланг
- 4 Зажим
- 5 Печь

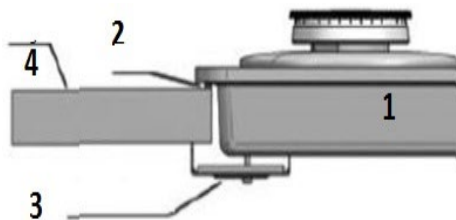
Установка продукта

1. Снимите с изделия конфорки, крышки конфорок и решетки на варочной поверхности.
2. Перевернув варочную панель, поставьте ее на ровную поверхность.
3. Во избежание попадания посторонних веществ и жидкостей между варочной панелью и столешницей, пожалуйста нанесите подмазку, поставляемую в упаковке, по контурам нижнего корпуса варочной панели, но позаботьтесь о том, чтобы она не выступала за края.
4. Заполните углы, образовав изгибы по углам, как показано на рисунке. Сформируйте столько изгиба, сколько требуется, чтобы заполнить зазоры в углах.



Убедитесь, что плintусы на нижнем корпусе варочной панели заполнены подмазкой.

5. Снова повернув варочную панель, выровняйте и поставьте ее на столешницу.
6. Вы можете прикрепить варочную панель к столешнице с помощью зажима и винтов из комплекта поставки.

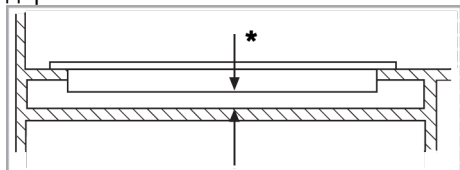


- 1 Панель
- 2 Подмазка
- 3 Монтажный зажим
- 4 Рабочая поверхность

Толщина рабочей поверхности должна быть не менее 40 мм.

i При установке варочной панели на шкаф необходимо установить полку, чтобы отделить шкаф от панели, как показано на рисунке выше. Это не требуется при установке на встраиваемую вниз духовку.

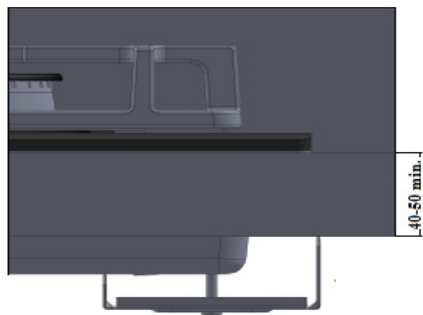
Например, если есть возможность касания к нижней части изделия, так как оно установлено на выдвижном ящике, эта часть должна быть закрыта деревянной пластиной.



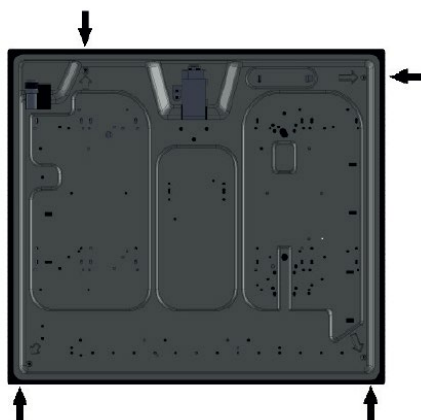
* мин. 25 мм

Для рабочих поверхностей толщиной 40-50 мм установите зажимы, как показано ниже.


В оставшейся части необходимо оставить вентиляционное отверстие, чтобы обеспечить вентиляцию нижней части варочной панели. Этот процесс не только необходим для измерения температуры компонентов, но и для того, чтобы горелка ТС забирала воздух снизу. Это может быть «не менее 100 см²».



Вид сзади (соединительные отверстия)



После установки разместите пластины конфорок, крышки пластин конфорок и решетки на их место.

ОПАСНО:
 Подключение к разным отверстиям не является хорошей практикой с точки зрения безопасности, так как это может привести к повреждению газовой и электрической системы.



ОПАСНО:

На варочных панелях есть газовые и электрические компоненты.

Таким образом, только соединительное отверстие, показанное в данном руководстве, должно быть прикреплено к устройству, как показано в руководстве, с помощью прилагаемых крепежных деталей и винтов. В противном случае это опасно для жизни и имущества.

2. Проверьте газовые установки на надежность крепления и герметичность.
3. Зажгите горелки и проверьте внешний вид пламени.



Пламя должно быть синего цвета и иметь правильную форму. Если пламя желтоватое, проверьте, надежно ли закреплена крышка горелки, или очистите горелку.

Финальная проверка

1. Откройте подачу газа.

4 Подготовка

Советы по экономии энергии

Следующая информация поможет вам экологично использовать прибор и сэкономить электроэнергию:

- Перед приготовлением замороженные блюда разморозьте.
- Для приготовления используйте кастрюли/сковороды с крышкой. Если нет крышки, потребление энергии может увеличиться в 4 раза.
- Выберите горелку, соответствующую размеру дна используемой кастрюли. Всегда выбирайте кастрюли с правильными размерами для ваших блюд. Кастрюли большего размера требуют больше энергии.

Первоначальное

использование

Первая чистка прибора



Поверхность может быть повреждена некоторыми моющими или чистящими средствами.

Не используйте агрессивные моющие средства, чистящие порошки/кремы или какие-либо острые предметы во время чистки.

Не используйте агрессивные абразивные чистящие средства или острые металлические скребки для чистки стекла дверцы печи, так как они могут поцарапать поверхность, в результате чего стекло может разбиться.

1. Уберите все упаковочные материалы.
2. Протрите поверхности изделия влажной тканью или губкой, затем вытрите насухо.

5 Использование конфорок

Общая информация по приготовлению



Никогда не заполняйте сковороду маслом более чем на треть. Не оставляйте варочную панель без присмотра при нагревании масла. Перегретое масло может вызвать возгорание.

Ни в коем случае не пытайтесь тушить возгорание водой! Когда масло загорится, накройте его противопожарным одеялом или влажной тканью. Выключите плиту, если это безопасно, и позвоните в пожарную службу.

- Перед жаркой продуктов всегда хорошо сушите их и аккуратно кладите в горячее масло. Перед жаркой убедитесь, что замороженные продукты полностью разморозили.
- Не накрывайте емкость, которую вы используете при нагревании масла.
- Ставьте сковороды и кастрюли так, чтобы их ручки не заходили за пределы варочной панели, чтобы предотвратить нагревание ручек. Не ставьте на варочную панель несбалансированные и легко наклоняющиеся кастрюли.
- Не ставьте пустые емкости и кастрюли на включенные конфорки. Они могут быть повреждены.
- Использование конфорки без посуды или кастрюли приведет к повреждению изделия. По окончании приготовления выключите конфорки.
- Так как поверхность изделия может быть горячей, не ставьте на нее пластиковую или алюминиевую посуду.

В такой посуде также не следует хранить продукты.

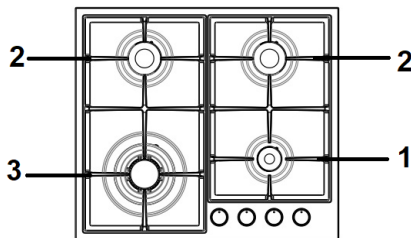
- Используйте только кастрюли или емкости с плоским дном.
- Выкладывайте необходимое количество пищи в кастрюли и сковороды. Таким образом, вам не придется производить ненужную уборку, не допуская переполнения посуды.

Не ставьте крышки кастрюль или сковородок на конфорки. Ставьте кастрюли так, чтобы они находились по центру конфорки. Если вы хотите переместить кастрюлю на другую конфорку, поднимите ее и поставьте на нужную конфорку, а не сдвигайте.

Приготовление на газовой конфорке

- Размеры сосуда и пламени должны соответствовать друг другу. Отрегулируйте газовое пламя так, чтобы оно не выходило за дно емкости и находилось по центру.

Использование конфорок



- 1 Вспомогательная горелка 12-16 см
- 2 Обычная конфорка 16-18 см
- 3 Обычная конфорка 16-18 см
- 4 Конфорка Wok 22-26 см – это конфорка для самых малых рекомендуемых диаметров кастрюль, которые можно использовать с соответствующими горелками.

Большой символ пламени указывает на максимальную мощность приготовления, а маленький символ пламени указывает

на самую низкую мощность готовки. В выключенном положении (вверху) газ на горелки не подается.

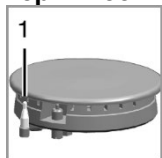
Зажигание газовых горелок

1. Держите ручку горелки нажатой.
2. Поверните против часовой стрелки до большого символа пламени.
Газ воспламеняется от созданной искры.
3. Отрегулируйте его до желаемой мощности приготовления.

Выключение газовых горелок

Поверните ручку зоны поддержания тепла в выключенное (верхнее) положение.

Система безопасности отключения газа (в моделях с термическим компонентом)



1. Безопасность отключения газа

В качестве меры противодействия выбросу из-за перелива жидкости на горелках срабатывает предохранительный механизм и перекрывает подачу газа.

- Нажмите ручку внутрь и поверните ее против часовой стрелки, чтобы зажечь.
- После того как газ загорится, удерживайте ручку нажатой еще 3-5 секунд, чтобы сработала система безопасности.
- Если газ не загорается после того, как вы нажмете и отпустите ручку, повторите ту же процедуру, удерживая ручку нажатой в течение 15 секунд.



ОПАСНО:

Отпустите кнопку, если горелка не загорится в течение 15 секунд. Подождите не менее 1 минуты перед повторной попыткой. Существует опасность скопления газа и взрыва!

Конфорка Wok



Конфорки Wok помогают готовить быстрее. Wok, которые особенно используются в азиатской кухне, представляют собой глубокую плоскую сковороду из листового металла, которая используется для быстрого приготовления овощей и мясного фарша на сильном огне.

Поскольку блюда готовятся на сильном огне и за очень короткое время в таких сковородах, которые проводят тепло быстро и равномерно, пищевая ценность продуктов сохраняется, а овощи остаются хрустящими.

Вы также можете использовать горелку для Wok для обычных кастрюль. Если вы хотите использовать обычную кастрюлю на конфорке Wok, вы должны вынуть держатель сковороды Wok из плиты.

6 Обслуживание и уход

Информация по общей чистке

⚠ Предупреждения общего характера

- Подождите, пока устройство остынет до начала очистки. Горячие поверхности могут вызвать ожоги!
- Не наносите моющие средства прямо на горячие поверхности. Это может привести к появлению стойких пятен.
- Прибор необходимо тщательно очищать и сушить после каждого использования. Таким образом, остатки пищи должны легко очищаться, и эти остатки не должны гореть, когда прибор снова будет использоваться позже. Таким образом продлевается срок службы прибора и уменьшаются часто возникающие проблемы.
- Не используйте паровые моющие средства для чистки.
- Некоторые моющие и чистящие средства могут повреждать поверхность. Не используйте абразивные моющие средства, чистящие порошки и кремы или острые предметы во время чистки.
- Нет необходимости в специальном чистящем средстве для очистки после каждого использования. Вымойте прибор с помощью средства для мытья посуды, теплой воды и мягкой ткани или губки и вытрите насухо сухой тканью из микрофибры.
- Обязательно полностью вытрите всю оставшуюся жидкость после очистки и немедленно удалите все частицы еды, разбрызгиваемые во время приготовления.
- Не мойте какие-либо компоненты вашего прибора в посудомоечной машине.

Для варочной панели:

- Кислая грязь, такая как молоко, томатная паста и масло, может вызвать стойкие пятна на плитах и компонентах горелок. Удалите вытекшие жидкости сразу после охлаждения плиты, выключив ее.

- Посуда типа Wok, используемая при высоких температурах, может менять цвет. Это нормальное явление.
- Перемещение посуды может привести к появлению металлических следов на держателях для посуды. Не допускайте скольжения сковород и кастрюль по поверхности.
- Поскольку крышки горелок напрямую контактируют с огнем и подвергаются воздействию высоких температур, изменение и потеря цвета со временем является нормальным явлением. Это не создает проблем при использовании плиты.

Нержавеющие поверхности

- Не используйте кислотные или хлорсодержащие чистящие средства при чистке поверхностей и ручек из нержавеющей стали.
- Поверхность из нержавеющей стали со временем может изменить цвет. Это нормальное явление. После каждой операции очищайте поверхность с помощью моющего средства, подходящего для поверхностей из нержавеющей стали.
- Выполняйте очистку с помощью мягкой мыльной ткани и жидкого (не вызывающего появления царапин) моющего средства, стараясь протирать в одном направлении.
- Немедленно удаляйте пятна известкового налета, масла, крахмала, молока и белка с поверхностей из нержавеющей стали и стекла. Пятна могут ржаветь в течение длительных периодов времени.

Стекланные поверхности

- При очистке стеклянных поверхностей не используйте чистки из твердого металла и абразивные чистящие материалы. Они могут повредить стеклянную поверхность.
- Очищайте прибор с помощью средства для мытья посуды, теплой воды и салфетки из микрофибры, предназначенной для стеклянных

поверхностей, и вытирайте насухо сухой тканью из микрофибры.

- Если после очистки останется моющее средство, намочите его холодной водой и вытрите мягкой тканью. Остаток моющего средства может повредить поверхность стекла в следующий раз.
- Ни при каких обстоятельствах нельзя счищать засохшие остатки на стеклянной поверхности зубчатыми ножами, проволочной мочалкой или подобными царапающими инструментами.
- Пятна кальция (желтые пятна) на поверхности стекла можно удалить с помощью имеющегося в продаже средства для удаления накипи, а также с помощью средства для удаления накипи, такого как уксус или лимонный сок.
- Если поверхность сильно загрязнена, нанесите чистящее средство на пятно с помощью губки и подождите, пока оно подействует должным образом. Затем протрите стеклянную поверхность влажной тканью.
- Изменения цвета и появление пятен на поверхности стекла являются нормальными и не считаются дефектами.

Пластиковые детали и окрашенные поверхности

- Используя моющее средство для мытья посуды, теплую воду очистите пластиковые детали и окрашенные поверхности и мягкую ткань или губку, а затем вытрите их сухой тканью.
- Не используйте чистящие средства из твердого металла и абразивные чистящие средства. Они могут повредить поверхности.
- Следите за тем, чтобы стыки компонентов прибора не оставались влажными и с моющим средством. В противном случае на этих стыках может возникнуть коррозия.

Очистка варочной панели

Очистка газовых горелок

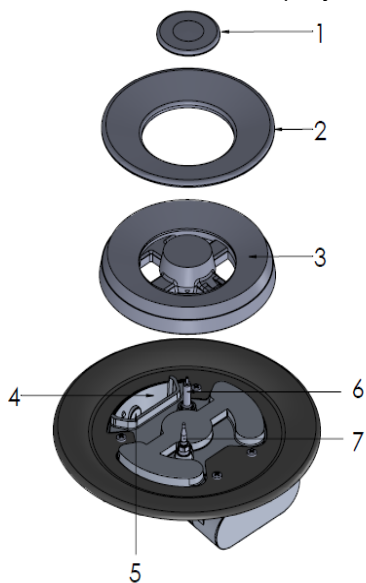
1. Перед очисткой варочной панели снимите с нее держатели для посуды, крышки конфорок и головки.
2. Очистите поверхность варочной панели в соответствии с рекомендациями, содержащимися в общей информации по очистке, в зависимости от типа поверхности (эмалированная, стеклянная, нержавеющей и т. д.).
3. Очищайте камеру горелки тканью, смоченной моющим средством, или мягкой щеткой, не оставляющей царапин. Следите за тем, чтобы не оставалось остатков пищи.
4. Свечи зажигания и термоэлементы (в моделях с розжигом и термоэлементом) очищайте хорошо отжатой тканью. Вытирайте ее насухо чистой тканью. Обратите внимание, чтобы свеча зажигания и термоэлемент были полностью сухими.
5. Очищайте крышки и головки горелок водой с моющим средством после каждого использования, а затем вытирайте.
6. Для удаления стойких пятен подержите крышки конфорок и головки в воде с моющим средством или теплой мыльной воде не менее 15 минут. Очистите неметаллической не царапающей щеткой.
7. Вы можете использовать чистящие средства Quick&Shine для внутренней части духовки и решеток, используемые на эмалированных поверхностях и рекомендованные авторизованным сервисным центром, особенно для удаления стойких пятен на эмалированных крышках конфорок.
8. Не допускайте попадания на крышки горелок агрессивных моющих средств, таких как средства для чистки внутренней части духовки, средства для удаления накипи, во время очистки, это может вызвать обесцвечивание.
9. Очищайте держатели для посуды водой с моющим средством и мягкой

щеткой, не оставляющей царапин, после каждого использования, а затем протирайте.

10. Когда крышки конфорок и держатели для посуды используются влажными, из-за высокой температуры могут появиться стойкие пятна извести. Перед использованием убедитесь, что они сухие.
11. Установите головки, крышки горелок и подставки для посуды соответственно.
12. При размещении подставок для посуды убедитесь, что они установлены в центре конфорок.

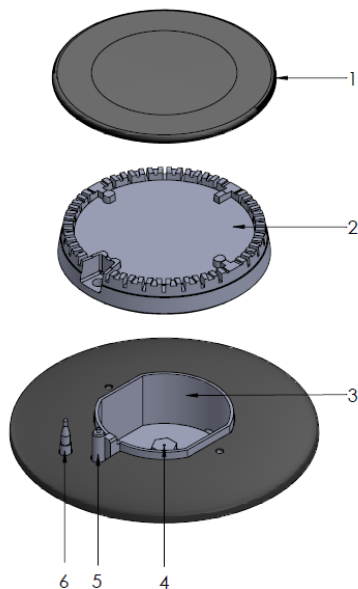
Установка деталей горелки

После очистки горелок расположите детали, как показано на рисунке.



1	Крышка внутренней горелки
2	Наружная крышка горелки
3	Головка горелки
4	Горелочная камера
5	Форсунка
6	Запальные свечи (в изделиях с воспламенителем)
7	Термический элемент (в изделиях с термическим элементом)

Установка деталей горелки



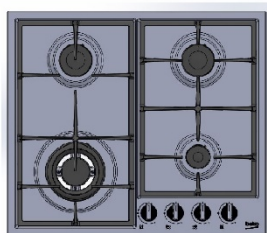
1	Крышка конфорки
2	Головка горелки
3	Горелочная камера
4	Форсунка
5	Запальные свечи (в изделиях с воспламенителем)
6	Термический элемент (в изделиях с термическим элементом)

1. Установите головку горелки так, чтобы она проходила через запальную свечу горелки (4). Поверните головку горелки вправо и влево, чтобы убедиться, что она вошла в камеру горелки.
2. Наденьте крышку горелки на головку горелки.

Очистка панели управления

- При очистке панелей с ручками управления протрите панель и ручки влажной мягкой тканью и вытрите насухо сухой тканью. Не снимайте ручки и прокладки под ними для очистки панели управления. Панель управления и ручки могут быть повреждены.

- При очистке панелей из нержавеющей стали с ручкой управления не используйте чистящие средства для поверхностей из нержавеющей стали вокруг ручек. Индикаторы вокруг регуляторов могут быть стерты.
- Очистите сенсорные панели управления влажной мягкой тканью и вытрите сухой тканью. Если ваше устройство имеет функцию блокировки клавиш, то включите блокировку клавиш перед выполнением очистки панели управления. В противном случае может произойти сбой на кнопках.



i В случае перелива немедленно выключите горелку. Снимите с нее кастрюлю и подставки для посуды. Очистите вытекший материал сухой впитывающей тканью. Следите за тем, чтобы жидкости не попадали в горелки. Также очистите горелки изнутри, если в них попала жидкость. Не включайте варочную панель повторно до ее очистки.

7 Выявление проблем

Во время нагрева и охлаждения продукта слышен лязг.

- Когда металлические детали нагреваются, они могут расширяться и вызывать шум. >>> *Это не является неисправностью.*

При необходимости замените или сбросьте предохранители.

- Питание отключено. >>> *Проверьте предохранители в блоке предохранителей.*

Изделие непрерывно искрит.

- Сточные жидкости могли проникнуть в механизм зажигания под ручками управления. >>> *Отключите изделие от сети и подождите, пока оно остынет.*

Нет газа.

- Главный газовый клапан перекрыт. >>> *Откройте газовый вентиль.*
- Труба наклонилась. >>> *Установите надлежащим образом газовую трубу.*

Горелки не горят должным образом или вообще не горят.

- Горелки загрязнены. >>> *Очистите компоненты горелки.*
- Горелки мокрые. >>> *Высушите компоненты горелки.*
- Крышка горелки не установлена безопасным образом. >>> *Правильно установите крышку горелки.*
- Главный газовый клапан перекрыт. >>> *Откройте газовый вентиль.*
- Газовый баллон пуст (при использовании СНГ). >>> *Замените газовый баллон.*
- Ручка/кнопка горелки удерживалась недостаточно нажатой во время розжига. >>> *Зажгите горелку, нажав и удерживая не менее 3-5 секунд.*



Обратитесь в колл-центр, если вы не можете решить проблему, хотя вы выполнили инструкции в этом разделе. Не пытайтесь никогда ремонтировать неисправное устройство самостоятельно.

Марка	БЕКО			
Тип варочной панели	Встраиваемая газовая варочная панель			
Модель		Нержавеющая сталь	Стекло	
		HIYG 64225 SXO	HIYG 64225 SBO	
	Символ	Значение	Значение	Единица
Количество газовых горелок		4	4	
Энергоэффективность задней правой горелки	Энергоэффективная газовая горелка	63,4	61,7	%
Энергоэффективность передней правой горелки	Энергоэффективная газовая горелка	-	-	%
Энергоэффективность передней левой горелки	Энергоэффективная газовая горелка	58,4	54,8	%
Энергоэффективность задней левой горелки	Энергоэффективная газовая горелка	63,4	61,7	%
Энергоэффективность центральной горелки	Энергоэффективная газовая горелка	-	-	%
Энергоэффективность передней центральной горелки	Энергоэффективная газовая горелка	-	-	%
Энергоэффективность задней центральной горелки	Энергоэффективная газовая горелка	-	-	%
Энергоэффективность левой горелки	Энергоэффективная газовая горелка	-	-	%
Энергоэффективность газовой варочной панели	Энергоэффективная газовая варочная панель	61,7	59,4	%

В соответствии с требованиями к экологическому проектированию для изделий, связанных с энергетикой, Директивы № 2009/125/ЕС, приведенная ниже информация об изделии дается наряду с Регламентом Комиссии Европейского Союза № (ЕС) 66/2014 в отношении Требований экологического проектирования к бытовым варочным панелям.

С целью определения характеристик изделия измерения и расчеты приведены в соответствии со стандартом, приведенным ниже, в соответствии с требованиями экологического проектирования.

En 30-2

Изготовитель: «Arcelik A.S.»

Юридический адрес: Караач Джаддеси № 2-6 34445 Сютлюдже Стамбул, Турция
(Karaağaç Caddesi No:2-6 Sütlüce, 34445, Turkey)

Произведено в Турции

Импортер на территории РФ: ООО «БЕКО»

Юридический адрес: 601021 Россия, Владимирская обл., Киржачский р-н, МОСП
Першинское, дер. Федоровское, ул. Сельская, д. 49.

Информацию о сертификации продукта Вы можете уточнить, позвонив на горячую
линию

8-800-200-23-56.

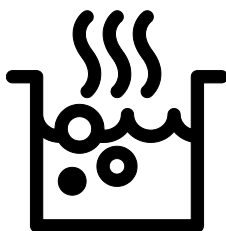
Дата производства включена в серийный номер продукта, указанный на этикетке, расположенной на продукте, а именно: первые две цифры серийного номера обозначают год производства, а последние две – месяц. Например, "10-100001-05" обозначает, что продукт произведен в мае 2010 года.

Изготовитель оставляет за собой право на внесение изменений в конструкцию, дизайн и комплектацию электроприбора.

beko

Ichki o' rnatilgan plita

Foydalanuvchi
qo' llanmasi



HIYG 64225 SX0
HIYG 64225 SBO

UZ

Birinchi navbatda ushbu foydalanuvchi qo'llanmasini o'qib chiqing!

Hurmatti mijoz,

Ushbu Beko mahsulotini xarid qilganingiz uchun rahmat. Biz yuqori sifat va san'at darajasidagi texnologiya asosida ishlab chiqarilgan mahsulotingizdan eng yaxshi natijalarga erishishingizga umid qilamiz. Shu sababli mahsulotni ishlatishdan oldin ushbu foydalanuvchi qo'llanmasini va boshqa barcha hujjatlarni to'liqligicha diqqat bilan o'qib chiqing va uni ma'lumotnoma sifatida kelgusida foydalanish uchun saqlab qo'ying. Agar mahsulotni boshqa biror kishiga bersangiz, foydalanuvchi qo'llanmasini ham bering. Foydalanuvchi qo'llanmasidagi barcha ogohlantirishlar va ma'lumotlarga amal qiling.

Ushbu foydalanuvchi qo'llanmasi bir qancha boshqa modellar uchun ham amal qilishini yodda tuting. Modellar orasidagi farqlar qo'llanmada aniqlanadi.

Belgilar ma'nosi

Ushbu foydalanuvchi qo'llanmasida quyidagi belgilar qo'llaniladi:



Foydalanish bo'yicha muhim ma'lumotlar yoki foydali maslahatlar.



Hayot va mulk bilan bog'liq xavfli vaziyatlar haqida ogohlantirish.



Elektr toki urishi haqida ogohlantirish.



Yong'in chiqishi xavfi haqida ogohlantirish.



Issiq yuzalar haqida ogohlantirish.



Arçelik A.Ş
Karaağaç caddesi N2-6
34445 Sütluçe / İstanbul Türkiye
Made in TÜRKİYE

**1 Xavfsizlik va atrof-muhit bo'yicha
muhim ko'rsatmalar 4**

Umumiy xavfsizlik	4
Gaz bilan ishlashda xavfsizlik	4
Elektr xavfsizligi	6
Mahsulot xavfsizligi	6
Foydalanish maqsadi	7
Bolalar xavfsizligi	8
Eski mahsulotni utilizatsiya qilish	9
Qadoqlash materiallari haqida ma'lumot	9
Kelgusida tashish	9

2 Sizning mahsulotingiz 10

Umumiy ko'rinish	10
Boshqaruv paneli	10
Qadoq tarkibi	11
Texnik xususiyatlari	12
Injektor jadvali	12

3 O'rnatish 13

O'rnatishdan oldin	13
--------------------------	----

4 Tayyorlash 19

Energija tejash bo'yicha maslahatlar	19
Dastlabki foydalanish	19
Jihozni birinchi marta tozalash	19

5 Plitalardan foydalanish 20

Pishirish haqida umumiy ma'lumot	20
Plitalardan foydalanish	20
Tozalash bo'yicha umumiy ma'lumot	22
Plitani tozalash	23
Boshqaruv panelini tozalash	24

7 Muammolarni bartaraf etish 25

1 Xavfsizlik va atrof-muhit bo'yicha muhim ko'rsatmalar

Ushbu bo'limda tan jarohatlari yoki mulkka ziyon yetishi xavfidan himoya qilishga yordam beradigan xavfsizlik ko'rsatmalari berilgan. Ushbu ko'rsatmalarga rioya qilmaslik har qanday kafolatni bekor qiladi.

Umumiy xavfsizlik

- Bu jihoz 8 yosh va undan katta yoshdagi bolalar hamda jismoniy, hissiy yoki aqliy qobiliyatlari zaif yoki tajribasi va bilimi kam bo'lgan shaxslar tomonidan agar ular jihozdan xavfsiz foydalanish bo'yicha nazorat qilinsa yoki ko'rsatma berilgan bo'lsa va u bilan bog'liq xavflar tushuntirilsa, foydalanilishi mumkin. Bolalar jihoz bilan o'ynamasliklari kerak. Tozalash va texnik xizmat ko'rsatish ishlari bolalar tomonidan nazoratsiz amalga oshirilmasligi kerak.
- Jihoz jismoniy, hissiy yoki aqliy qobiliyatlari cheklangan yoki tajribasi va bilimi kam bo'lgan shaxslar (shu jumladan bolalar) tomonidan, agar ular nazorat qilinmasa yoki ko'rsatma berilmagan bo'lsa, foydalanilmasligi kerak. Bolalar mahsulotni o'ynamasligi ta'minlanishi va nazorat qilinishi kerak.
- Agar mahsulot shaxsiy foydalanish yoki ikkinchi qo'l tomonidan turli

maqsadlarda foydalanish uchun boshqa kishiga topshirilsa, foydalanuvchi qo'llanmasi, mahsulot yoriqlari va boshqa tegishli hujjatlar va qismlar ham berilishi kerak.

- O'rnatish va ta'mirlash jarayoni har doim vakolatli xizmat ko'rsatuvchi agentlar tomonidan amalga oshirilishi kerak. Ishlab chiqaruvchi vakolatsiz shaxslar tomonidan amalga oshirilgan jarayonlar tufayli yetkaziladigan zararlar uchun javobgar bo'lmaydi, bu shuningdek kafolatning bekor qilinishiga olib kelishi mumkin. O'rnatishdan oldin ko'rsatmalarni diqqat bilan o'qib chiqing.
- Agar mahsulot nuqsonli bo'lsa yoki ko'zga ko'rinadigan shikastlanishga ega bo'lsa, uni ishlatmang.
- Har foydalanishdan keyin mahsulotning funktsiya tugmalari o'chirilganligiga ishonch hosil qiling.

Gaz bilan ishlashda xavfsizlik

- Gaz uskunalari va tizimlari bo'yicha har qanday ishlar faqat gaz xavfsizligi bo'yicha ro'yxatdan o'tgan vakolatli malakali shaxslar tomonidan amalga oshirilishi mumkin.
- O'rnatishdan oldin mahalliy taqsimot shartlari (gazning tabiati va gaz bosimi) va jihoz sozlamalari mos kelishiga ishonch hosil qiling.

- Ushbu jihoz yonish mahsulotlari yoki evakuatsiya qurilmasiga ulanmaydi. U joriy oʻrnatish qoidalariga muvofiq oʻrnatilishi va ulanishi kerak. Ventilyatsiyaga oid tegishli talablarga alohida eʼtibor berilishi kerak; *Oʻrnatishdan oldin sahifasiga*qarang 13
- **DIQQAT:** Gaz bilan ishlovchi pishirish moslamasidan foydalanish u oʻrnatilgan xonada issiqlik va namlik ishlab chiqarilishiga sabab boʻladi. Oshxona yaxshi shamollatilishiga ishonch hosil qiling; tabiiy shamollatish teshiklarini ochib qoʻying yoki mexanik shamollatish qurilmasini (mexanik soʻruvchi dudboʻron) oʻrnatish. Jihozdan uzoq vaqt intensiv foydalanishda qoʻshimcha shamollatish, masalan, mavjud mexanik shamollatish darajasini oshirish kerak boʻlishi mumkin.
- Gaz qurilmalari va tizimlarining toʻgʻri ishlashi muntazam ravishda tekshirilishi kerak. Regulyator, shlang va uning qisqichi muntazam tekshirilishi va ishlab chiqaruvchi tomonidan tavsiya etilgan muddatlarda yoki kerak boʻlganda almashtirilishi kerak.
- Gaz oʻchoqlarini muntazam tozalang. Alangalar koʻk rangda boʻlishi va bir tekis yonishi kerak.
- Ushbu mahsulot toʻgʻri sozlangan va ishlaydigan uglerod monoksidi

sensori oʻrnatilgan xonada ishlatilishi kerak. Uglerod monoksidi sensori toʻgʻri ishlashiga va tez-tez texnik xizmat koʻrsatilishiga ishonch hosil qiling. Uglerod monoksidi sensori mahsulotdan maksimal 2 metr masofada oʻrnatilishi kerak.

- Gaz jihozlarida yaxshi yonish talab qilinadi. Toʻliq yonish amalga oshmasa, uglerod monoksidi (CO) paydo boʻlishi mumkin. Uglerod monoksidi rangsiz, hidsiz va juda zaharli gaz boʻlib, juda kichik dozalarda ham halokatli taʼsirga ega.
- Mahalliy gaz taʼminotchisidan gaz bilan bogʻliq favqulodda holatlar uchun telefon raqamlari va gaz hidi paydo boʻlganda xavfsizlik choralari haqida maʼlumot soʻrang.

Gaz hidini sezganda nima qilish kerak

- Ochiq alangadan foydalanmang yoki chekmang. Hech qanday elektr tugmalarni (masalan, chiroq tugmasi, eshik qoʻngʻirogʻi va boshqalar) ishlatmang. Statsionar yoki mobil telefonlardan foydalanmang. Portlash va zaharlanish xavfi mavjud!
- Deraza va eshiklarni oching.
- Gaz jihozlaridagi barcha klapanlarni va asosiy boshqaruv klapanidagi gaz hisoblagich kirish qiyin boʻlgan joyda yoki yertoʻlada boʻlmasa, uni oʻchiring.

- Barcha quvurlar va ulanishlar mahkam ekanligini tekshiring. Agar siz hali ham gaz hidini sezsangiz, binoni tark eting.
- Qo'shnilarni ogohlantiring.
- O't o'chiruvchilarga qo'ng'iroq qiling. Telefondan uyda tashqarida foydalaning.
- Sizga uyga kirish xavfsiz ekanligi aytmagunga qadar unga qaytib kirmang.

Elektr xavfsizligi

- Agar mahsulotda nosozlik bo'lsa, u vakolatli xizmat ko'rsatish agenti tomonidan ta'mirlanmagunga qadar ishlatmasligi kerak. Elektr toki urishi xavfi mavjud!
- Mahsulotni faqat "Texnik xususiyatlar" da ko'rsatilgan kuchlanish va himoya bilan yerga ulangan rozetkaga/liniyaga ulang. Mahsulotdan transformator bilan yoki transformatorsiz foydalanilganda, yerga ulash malakali elektrik tomonidan amalga oshirilishini ta'minlang. Bizning kompaniyamiz mahalliy qonun-qoidalarga muvofiq yerga ulanmagan holda mahsulot sababli kelib chiqadigan har qanday muammo uchun javobgar hisoblanmaydi.
- Hech qachon mahsulotning ustiga suv sepib yoki quyib yuvmang! Elektr toki urishi xavfi mavjud!

- Hech qachon elektr vilkasini nam qo'llaringiz bilan ushlamang. Hech qachon kabeldan tortish orqali vilkani chiqarmang, har doim vilkadan ushlab torting.
- O'rnatish, texnik xizmat ko'rsatish, tozalash va ta'mirlash jarayonlarida mahsulot uzib qo'yilishi kerak.
- Agar mahsulotning elektr tarmog'iga ulash kabeli shikastlangan bo'lsa, xavfning oldini olish uchun u ishlab chiqaruvchi, uning xizmat ko'rsatish agenti yoki shunga o'xshash malakali shaxslar tomonidan almashtirilishi kerak.
- Jihoz elektr tarmog'idan butunlay uzilishi uchun o'rnatilishi kerak. Tarmoqdan ajratish qurilish qoidalariga muvofiq statsionar elektr qurilmaga o'rnatilgan kalit bilan ta'minlanishi kerak.
- Elektr uskunalari va tizimlaridagi har qanday ish faqat vakolatli va malakali shaxslar tomonidan amalga oshirilishi kerak.
- Har qanday shikastlanish holatida mahsulotni o'chiring va uni elektr tarmog'idan uzing. Buni amalga oshirish uchun uydagi saqlagichni o'chiring.
- Saqlagichning nominal qiymati mahsulotga mos kelishiga ishonch hosil qiling.

Mahsulot xavfsizligi

- **OGOHLANTIRISH:** Jihoz va uning kirish mumkin bo'lgan qismlari

foydalanish davomida qizishi mumkin. Qizigan elementlarga tegmaslik uchun ehtiyot bo'lish kerak. 8 yoshdan kichik bolalar, agar ular doimiy nazorat ostida bo'lmasa, mahsulotdan uzoqroq tutilishi kerak.

- Spirtli ichimliklar va/yoki giyohvand moddalarni iste'mol qilish natijasida fikrlash yoki muvofiqlashtirish xususiyatingiz buzilganda mahsulotni hech qachon ishlatmang.
- Taomlaringizda spirtli ichimliklardan foydalanganda ehtiyot bo'ling. Spirtli ichimliklar yuqori haroratlarda bug'lanadi va yong'in chiqishiga sabab bo'lishi mumkin, chunki u issiq yuzalar bilan aloqa qilganda alanganishi mumkin.
- Hech qanday yonuvchan materiallarni mahsulotga yaqin qo'ymang, chunki foydalanish paytida uning yon tomonlari qizishi mumkin.
- Barcha shamollatish teshiklaridan to'siqlarni olib tashlang.
- Jihozni tozalash uchun bug' tozalovchi vositalaridan foydalanmang, chunki bu elektr toki urishiga olib kelishi mumkin.
- **OGOHLANTIRISH:** Yog' yoki moy solingan plitada pishirish jarayonini e'tiborsiz qoldirish xavfli va yong'inga olib kelishi mumkin. **HECH QACHON** yong'inni suv bilan

o'chirishga urinmang, buning o'rniga jihozni o'chiring va keyin esa alangani qopqoq yoki olovga qarshi qoplama bilan yoping.

- **DIQQAT:** Pishirish jarayoni nazorat qilinishi kerak. Qisqa vaqtli pishirish jarayoni uzluksiz nazorat qilinishi kerak.
- **OGOHLANTIRISH:** Yong'in chiqish xavfi: Buyumlarni pishirish yuzalariga qo'ymang. Ehtimoliy yong'in xavfining oldini olish!
- Elektr yoylari paydo bo'lishining oldini olish uchun barcha elektr ulanishlari xavfsiz va mahkam o'rnatilganligiga ishonch hosil qiling.
- Shikastlangan yoki uzatma kabellardan foydalanmang.
- Suyuqlik yoki namlik elektr ulanish nuqtasiga kirmasligiga ishonch hosil qiling.
- Gaz sizib chiqishini oldini olish uchun gaz ulanishi mahkam ekanligiga ishonch hosil qiling.

Foydalanish maqsadi

- Jbu mahsulot maishiy foydalanish uchun mo'ljallangan. Tijorat maqsadida foydalanish kafolatni bekor qiladi.
- **DIQQAT:** Ushbu jihaz faqat pishirish uchun mo'ljallangan. U boshqa maqsadlarda, masalan, xonani isitish uchun ishlatilmasligi kerak.

- Ishlab chiqaruvchi noto'g'ri foydalanish yoki ko'tarishdagi xatolardan kelib chiqqan har qanday zarar uchun javobgar bo'lmaydi.

Bolalar xavfsizligi

- **OGOHLANTIRISH:** Foydalanish paytiga ochiq yuzalar issiq bo'lishi mumkin. Yosh bolalar uzoqda tutilishi kerak.
- Qadoqlash materiallari bolalar uchun xavfli. Qadoqlash materiallarini bolalardan uzoqda saqlang. Iltimos, barcha qadoqlash qismlarini atrof-muhit standartlariga muvofiq utilizatsiya qiling.
- Elektr va/yoki gazda ishlovchi mahsulotlar bolalar uchun xavfli. Mahsulot ishlatilayotganda bolalarni mahsulotdan uzoqda tuting va ularning mahsulot bilan o'ynashiga ruxsat bermang.
- Bolalar qo'li yetadigan jihoz ustiga hech qanday narsa qo'ymang.

Eski mahsulotni utilizatsiya qilish
Elektr va elektron mahsulotlarni
chiqitga chiqarish (WEEE)
yo'riqnomasi va Chiqindi
mahsulotlarni chiqitga chiqarish
talabnomasiga mos kelishi:



Ushbu mahsulot Yning WEEE
yo'riqnomasiga mos keladi
(2012/19/EU). Ushbu mahsulotning
Elektr va elektron jihozlarni chiqitga
chiqarish (WEEE) uchun tasnif belgisi
bor.

Ushbu mahsulot yuqori sifatli qismlar
va materiallardan ishlab chiqarilgan
bo'lib, qayta ishlatilishi mumkin va
qayta ishlash uchun qulay. Ishlatib
bo'lingan mahsulotni oddiy uy va
boshqa chiqindilar bilan birga chiqitga
chiqarmang. Uni elektr va elektronik
jihozlarni qayta ishlash uchun yig'ish
markaziga olib boring. Bunday yig'ish
markazlari haqida ma'lumot olish
uchun mahalliy hokimiyat idoralari
bilan maslahatlashing.

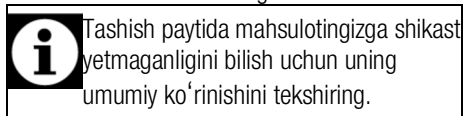
Xavfli moddalardan foydalanishni
cheklash yo'riqnomasiga mosligi:
Siz xarid qilgan bu mahsulot Yelning
RoHS yo'riqnomasiga mos keladi
(2011/65/EU). Unda yo'riqnomada
ko'rsatilgan hech qanday zararli va
taqiqlangan materiallar yo'q.

Qadoqlash materiallari haqida ma'lumot

- Jihozni qadoqlash materiallari Atrof muhit mahofazasiga oid milliy qonun-qoidalarga mos ravishda qayta ishlanadigan materiallardan ishlab chiqarilgan. Qadoqlash materiallarini maishiy yoki boshqa chiqindilar bilan birga utilizatsiya qilmang. Ularni mahalliy hokimiyat tomonidan belgilangan qadoqlash materiallarini yig'ish punktlariga olib boring.

Kelgusida tashish

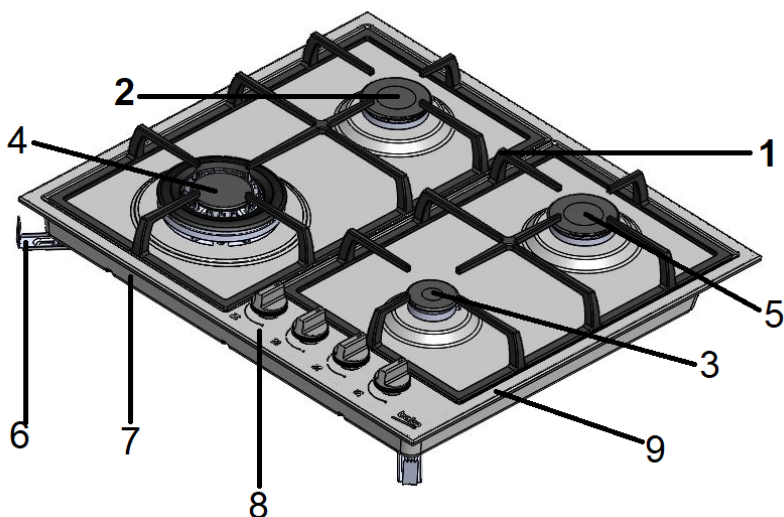
- Mahsulotning asl qutisini saqlab qo'ying va mahsulotni unda tashing. Qutidagi ko'rsatmalarga amal qiling. Agar sizda asl quti bo'lmasa, mahsulotni pufakchali o'ramga yoki qalin kartonga soling va yopishqoq tasma bilan mahkamlang.
- Qopqoqlarni va tova tagliklarini yopishqoq tasma bilan mahkamlang.



Tashish paytida mahsulotingizga shikast
yetmaganligini bilish uchun uning
umumiy ko'rinishini tekshiring.

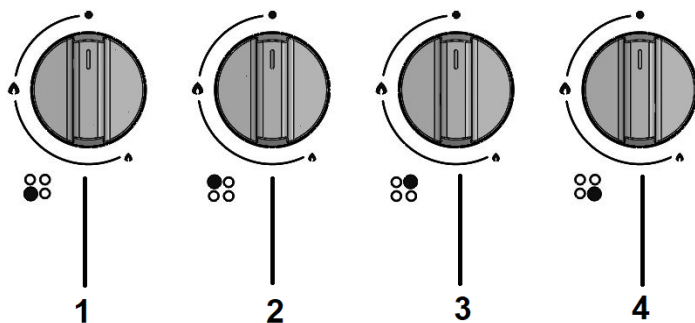
2 Sizing mahsulotingiz

Umumiy ko'rinish



1	Tova tagligi	6	Montaj qisqichi
2	Normal o'choq	7	Taglik qopqog'i
3	Yordamchi o'choq	8	Boshqaruv paneli
4	Vok o'chog'i	9	O'choq plitasi
5	Normal o'choq		

Boshqaruv paneli



beko

1	Vok o'chog'i - o'rtada
2	Normal o'choq - orqa tomon chapda
3	Normal o'choq - old tomon chapda
4	Yordamchi o'choq - old tomon o'ngda

Qadoq tarkibi



Taqdim etilgan aksessuarlar mahsulot modeliga ko'ra farq qilishi mumkin.

Mahsulotingizda foydalanuvchi qo'llanmasida tasvirlangan barcha aksessuarlar mavjud bo'lmاسligi mumkin.

1. **Foydalanuvchi qo'llanmasi**
2. **Kofe idishi adapteri**
Kofe idishlari uchun ishlatiladi.



3. **Vok tovasi adapteri**
Dumaloq taglikli vok tovasini joylashtirish uchun ishlatiladi.



Texnik xususiyatlari

	Inoks	Shisha
	HIYG 64225 SXO	HIYG 64225 SBO
O'choqlar	4 ta gaz o'chog'i	4 ta gaz o'chog'i
Kuchlanish / chastota	220-240 V ~ 50-60 Gs	220-240 V ~ 50-60 Gs
Kabel turi / qismi	H05V2V2-F 3 x 0,75 mm ²	H05V2V2-F 3 x 0,75 mm ²
Kabel uzunligi	maks 1,5 m	maks 1,5 m
Gazda ishlovchi mahsulot toifasi	2H3B/P 2H3+	2H3B/P 2H3+
Gaz turi / bosimi	TG G20/20 mbar	TG G20/20 mbar
Gaz turi / bosimini almashtirish[§]– ixtiyoriy	SPG G30/28-30 mbar Propan G31/37 mbar TG G20/10 mbar TG G20/13 mbar	SPG G30/28-30 mbar Propan G31/37 mbar TG G20/10 mbar TG G20/13 mbar
Orqa chap / Normal o'choq	1,75 kVt	1,75 kVt
Old chap / Normal o'choq	1,75 kVt	1,75 kVt
O'rta / Vok o'chog'i	3,3 kVt	3,3 kVt
Old o'ng / Yordamchi o'choq	1 kVt	1 kVt
Umumiy gaz iste'moli	7,8 kVt	7,8 kVt
Gaz iste'moli TG G20/20 mbar	744 litr/soat	744 litr/soat
Gaz iste'moli SPG G30/28-30mbar Propan G31/37mbar	567 g/soat 557 g/soat	567 g/soat 557 g/soat
Tashqi o'lchami (balandlik / kenglik / chuqurlik)	99x580x510 mm	99x590x520 mm
O'rnatish o'lchami (kenglik / chuqurlik)	560 mm/490 mm	560 mm/490 mm



Mahsulot sifatini yaxshilash maqsadida texnik xususiyatlar oldindan ogohlantirmasdan o'zgartirilishi mumkin.



Ushbu qo'llanmadagi rasmlar sxematik va sizning mahsulotingiz bilan to'liq mos kelmasligi mumkin.




Mahsulot yorlig'ida yoki unga tegishli hujjatlarda ko'rsatilgan qiymatlar tegishli standartlarga muvofiq laboratoriya sharoitida olinadi. Mahsulotdan foydalanish va atrof-muhit sharoitlariga qarab, bu qiymatlar farq qilishi mumkin.


Injektor jadvali


Plita maydoni	Yordamchi o'choq 1 kVt	Normal o'choq 1,75 kVt	Vok o'chog'i (3,3 kVt)
Gaz turi / gaz bosimi			
G20/20 mbar	0,72 mm	0,97 mm	1,40 mm
G30/28-30 mbar G31/37 mbar	0,50 mm	0,66 mm	0,96 mm
G20/10 mbar	0,90 mm	1,18 mm	1,65 mm
G20/13 mbar	0,84 mm	1,10 mm	1,55 mm

3 O'rnatish

Mahsulot amaldagi qoidalarga muvofiq malakali shaxs tomonidan o'rnatilishi kerak. Ishlab chiqaruvchi vakolatsiz shaxslar tomonidan amalga oshirilgan jarayonlar tufayli yetkaziladigan zararlardan javobgar bo'lmaydi, bu shuningdek kafolatning bekor qilinishiga olib kelishi mumkin.

 O'rnatish joyi, elektr va gaz qurilmalarini tayyorlash xaridorning zimmasiga yuklanadi.

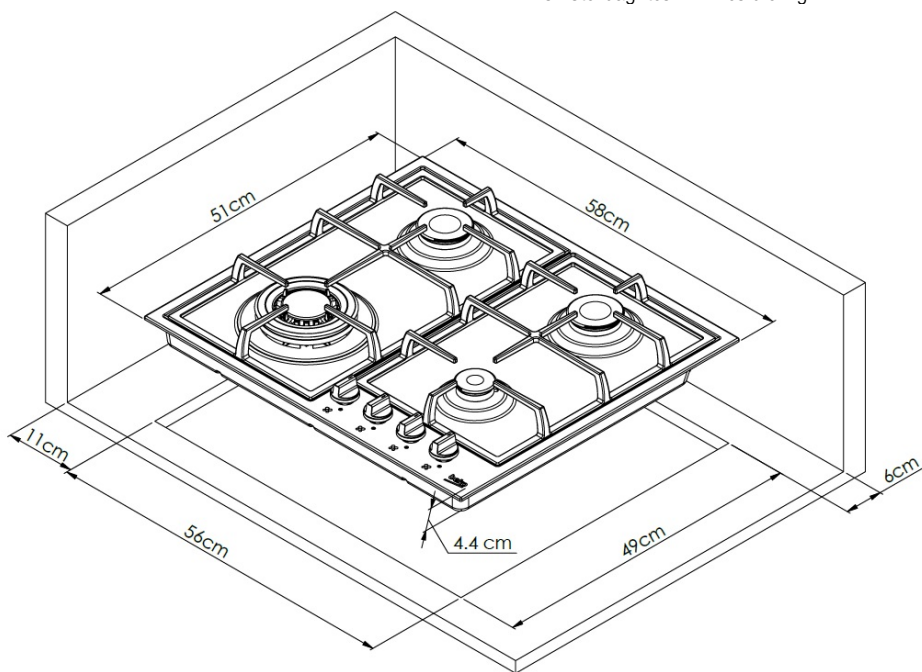
 XAFV:
Mahsulot barcha mahalliy gaz va/yoki elektr qoidalarga muvofiq o'rnatilishi kerak.

 XAFV:
O'rnatishdan oldin mahsulotda biron bir nuqson bor-yo'qligini vizual ravishda tekshiring. Agar nuqson mavjud bo'lsa, uni o'rnatmang.
Nuqsonli mahsulotlar sizning xavfsizligingizga ta'sir ko'rsatishi mumkin.

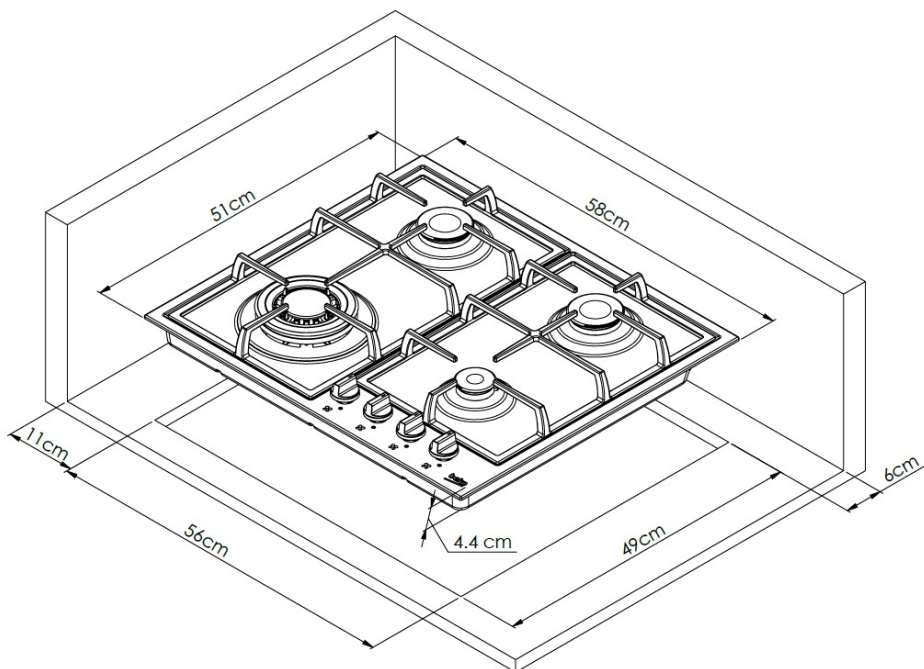
O'rnatishdan oldin

Oshxona plitasi sotuvda mavjud bo'lgan oshxona stoliga o'rnatish uchun mo'ljallangan. Qurilma va oshxona devorlari va mebellar orasida xavfsizlik masofasi qoldirilishi kerak. Rasimga qarang (qiymatlar mm da)

- Bundan tashqari, undan erkin turgan holatda ham foydalanish mumkin. Oshxona plitasi yuzasidan kamida 750 mm masofa qoldiring.
- (*) Agar dudbo'ron oshxona plitasining ustiga o'rnatilishi kerak bo'lsa, o'rnatish balandligi borasida (minimal 650 mm) ishlab chiqaruvchi ko'rsatmalariga murojaat qiling.
- Qadoqlash materiallarini va tashish qulflarini olib tashlang.
- Yuzalar, sintetik laminatlar va yopishtiruvchi moddalar issiqlikka chidamli bo'lishi kerak (minimal 100 °C).
- Ish stoli bir xil balandlikda va gorizontal ravishda o'rnatilishi kerak.
- O'rnatish o'lchamiga ko'ra, oshxona stoli uchun ish stolidagi teshikni kesib oling.



INOKS



SHISHA

Xonani shamollatish

Barcha xonalarda ochiladigan deraza yoki shunga oʻxshash oyna boʻlish talab qilinadi, ayrim xonalarda doimiy shamollatish tuynuklari boʻlishi kerak. Yonish uchun havo xona havosidan olinadi va chiqindi gazlar toʻgʻridan-toʻgʻri xonaga chiqariladi. Jihozning xavfsiz ishlashida yaxshi shamollatish muhim ahamiyatga ega.

Toʻgʻridan-toʻgʻri tashqi muhitga ochiladigan eshiklari va/yoki derazalari boʻlgan xonalar

Toʻgʻridan-toʻgʻri tashqi muhitga ochiladigan eshiklar va/yoki derazalar jihozning umumiy gaz quvvatiga (jihozning umumiy gaz quvvati isteʼmoli ushbu foydalanuvchi qoʻllanmasining texnik xususiyatlar jadvalida koʻrsatilgan) asoslangan quyidagi jadvalda koʻrsatilgan oʻlchamdagi umumiy shamollatish teshiklariga ega boʻlishi kerak. Agar eshiklar va/yoki derazalarda quyidagi jadvalda koʻrsatilganidek jihozning umumiy gaz isteʼmoliga mos keladigan umumiy shamollatish teshiklari boʻlmasa, unda jihozning umumiy gaz isteʼmoli uchun umumiy minimal shamollatish talablariga erishish uchun xonada, albatta, qoʻshimcha stasionar shamollatish teshigi boʻlishi kerak. Stasionar shamollatish teshigi mavjud

havo teshiklarini, soʻruvchi dudboʻron kanalining ochilish oʻlchami va boshqalarni oʻz ichiga olishi mumkin.

Umumiy gaz isteʼmoli (kVt)	min. shamollatish teshigi (sm ²)
0-2	100
2-3	120
3-4	175
4-6	300
6-8	400
8-10	500
10-11,5	600
11,5-13	700
13-15,5	800
15,5-17	900
17-19	1000
19-24	1250

Toʻgʻridan-toʻgʻri tashqi muhitga ochiladigan eshiklari va/yoki derazalari boʻlmagan xonalar

Agar jihaz oʻrnatilgan xonada toʻgʻridan-toʻgʻri tashqi muhitga ochiladigan eshik va/yoki deraza boʻlmasa, yuqoridagi jadvalda koʻrsatilganidek, jihozning

umumiy gaz iste'moli uchun shamollatish teshigining umumiy minimal talablariga javob beradigan sozlanmaydigan va yopilmaydigan shamollatish teshigini aniq ta'minlaydigan boshqa mahsulotlar izlanishi kerak. Shuningdek, tegishli qurilish qoidalariga rioya qilish kerak.

Agar xonada yoki ichki maydonda bir nechta gaz jihozlari bo'lsa, yuqoridagi jadvalda ko'rsatilgan talabga qo'shimcha tarzda shamollatish hududi ta'minlanishi kerak. Qo'shimcha shamollatish hududining o'lchami boshqa gaz jihozlari qoidalariga mos kelishi kerak. Bundan tashqari, jihoz o'rnatilgan xonada ichki muhitga ochiladigan eshikning pastki chetida kamida 10 mm bo'sh joy bo'lishi kerak. Eshik yopilganda gilam va boshqa pol qoplamalari va hokazolalar bo'shliqqa ta'sir qilmasligiga ishonch hosil qilishingiz kerak. Pishirish paneli oshxonada, oshxonada/ovqatlanish xonasida yoki yotoq-o'tirish xonasida joylashtirilishi mumkin, lekin uni hammom yoki dush bo'lgan xonaga joylashtirish mumkin emas. Pishirish paneli 20m³dan kam maydonga ega yotoq-o'tirish xonasiga o'rnatilmasligi kerak.

Agar xonaning hech bo'lmaganda bir tomoni yer darajasiga ochiq bo'lmasa, jihozni yer sathidan past bo'lgan xonaga o'rnatmang.

Elektr ulanishi

Mahsulotni "Texnik xususiyatlari" jadvalida ko'rsatilganidek, mos keladigan kuchlanishga ega saqlagich bilan himoyalangan, yerga ulangan elektr toki rozetkasiga/ tarmog'iga ulang . Mahsulotdan transformator bilan yoki transformatorsiz foydalanilganda, yerga o'rnatish malakali elektrik tomonidan amalga oshirilishini ta'minlang. Bizning kompaniyamiz mahalliy qonun-qoidalariga muvofiq, yerga ulanmagan holda mahsulotdan foydalanish natijasida kelib chiqadigan har qanday zararlarni uchun javobgar hisoblanmaydi.



XAFV:

Mahsulot elektr tarmog'iga faqat vakolatli va malakali shaxs tomonidan ulanishi kerak. Mahsulotning kafolat muddati mahsulot to'g'ri o'rnatilgandan so'ng boshlanadi. Ishlab chiqaruvchi vakolatsiz shaxslar tomonidan amalga oshirilgan jarayonlar tufayli yetkaziladigan zararlarni uchun javobgar hisoblanmaydi.



XAFV:

Elektr kabeli qisilmasligi, bukilib qolmasligi, siqilmasligi yoki mahsulotning issiq qismlari bilan aloqa qilmasligi kerak. Zararlangan elektr kabeli malakali elektrik tomonidan almashtirilishi kerak. Aks holda, elektr toki urishi, qisqa tutashuv yoki yong'in xavfi yuzaga kelishi mumkin!

- Ulanish milliy qonun-qoidalariga muvofiq bo'lishi kerak.
- Tarmoq ta'minoti ma'lumotlari mahsulot yorlig'ida ko'rsatilgan ma'lumotlarga mos kelishi kerak. Namuna yorlig'i mahsulotning orqa korpusida joylashgan.
- Mahsulotingizning elektr kabeli "Texnik xususiyatlari" jadvalidagi qiymatlarga mos kelishi kerak.



XAFV:

Elektr ulash bo'yicha biron bir ishni boshlashdan oldin, mahsulotni elektr tarmog'idan uzing. Elektr toki urishi xavfi mavjud!



O'rnatilgandan so'ng elektr kabeli vilkasi osonlik bilan foydalanilishi (uni plitadan yuqoriga yo'naltirmang) kerak.

Elektr kabelini rozetkaga ulang.

Gaz ulanishi



XAFV:

Mahsulot gaz ta'minoti tizimiga faqat vakolatli va litsenziyaga ega bo'lgan texnik xodim tomonidan ulanishi mumkin. Professional darajada ta'mirlanmaganlik sababli portlash yoki zaharlanish xavfi yuzaga kelishi mumkin! Ishlab chiqaruvchi vakolatsiz yoki litsenziyasiz shaxslar tomonidan amalga oshirilgan jarayonlar tufayli yetkaziladigan zararlarni uchun javobgar hisoblanmaydi.



XAFV:

Gazni o'rnatish bo'yicha biron bir ishni boshlashdan oldin, gaz ta'minotini uzing. Portlash xavfi mavjud!

- Gazni sozlash shart-sharoitlari va qiymatlari yorliqlarda ko'rsatilgan (yoki ionli namuna yorlig'ida).




Mahsulotingizning gaz turi plitaning tagida joylashgan namuna yorlig'ida ko'rsatilgan.

Gaz shlangini ulash Tabiiy gaz uchun

- Tabiiy gaz qurilmalarini o'rnatish mahsulotni o'rnatishdan oldin bajarilishi kerak.
- Buning uchun quvur kerak bo'ladi (quvurni litsenziyalangan o'rnatuvchidan sotib olish tavsiya etiladi), u mahalliy gaz standartlariga muvofiq bo'lishi kerak, mahsulotingizni tabiiy gazga ulanish joyi va bu quvurning uchi bir tomoni yopiq tiqin bilan yopilishi kerak. Xizmat ko'rsatish vakili ulash paytida bir tomoni yopiq tiqinni olib tashlaydi va to'g'ri ulash moslamasi (birlashtirgich) orqali mahsulotingizni ulaydi.
- Tabiiy gaz klapanidan osonlik bilan foydalanish mumkinligiga ishonch hosil qiling.
- Agar keyinchalik mahsulotingizni boshqa turdagi gaz bilan ishlatishingiz kerak bo'lsa, tegishli konversiya jarayoni uchun vakolatli xizmat agentiga murojaat qilishingiz kerak.

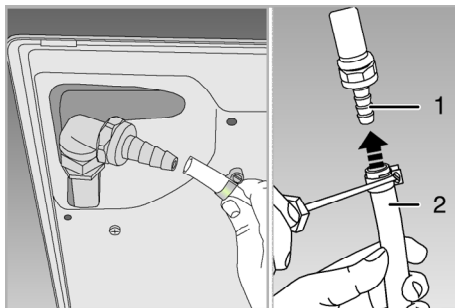
Gaz shlangini ulash Suyultirilgan propan gaz uchun

- Mahsulotingiz gaz ulanadigan joyga yaqin va gaz sizib chiqmasligi ta'minlangan holda ulanishini ta'minlang.
- Foydalaniladigan plastik shlang 125 smdan oshmasligi kerak.
- Shlangga qisqichni o'rnatish. Shlangni yumshatish uchun uing bir uchini (ichki diametri 15 mm) bir daqiqa qaynoq suvga botiring.
- Shundan keyin shlangning yumshatilgan uchini mahsulotingizning o'tkir shlang uchi ustiga tiqing. Oxirida qisqichni otvertka bilan butunlay mahkamlang.
- Shlangning boshqa uchi bilan ushbu amaliyotni takrorlang va gaz silindrini ulang.
- Hech qachon gaz sizib chiqishini teshkirishni unutmang.



XAFV:
Portlash va bo'g'ilib qolish xavfi mavjud!
Suyultirilgan sanoat gazi silindrlari uyda saqlamang.


- Agar keyinchalik mahsulotingizni boshqa turdagi gaz bilan ishlatishingiz kerak bo'lsa, tegishli konversiya jarayoni uchun vakolatli xizmat agentiga murojaat qilishingiz kerak.



- 1 SSG shlangi uchi
- 2 Plastik shlang

Ulanish nuqtalarida gaz sizib chiqishini nazorat qilish

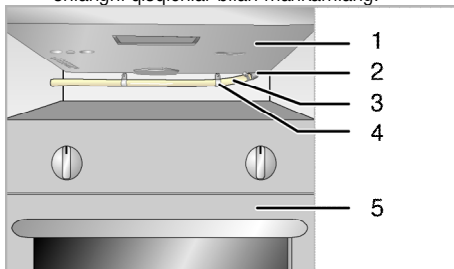
- Mahsulotdagi barcha buragichlar o'chirilganligiga ishonch hosil qiling. Gaz ta'minoti ochiqligiga ishonch hosil qiling. Sovun ko'pikini tayyorlang va gaz sizib chiqishini tekshirish qilish uchun shlangning ulangan joylariga qo'llang.
- Agar gaz sizib chiqayotgan bo'lsa, sovun ko'pigi qo'llanilgan joy ko'piradi. Bunday hollarda gaz ulanishini yana bir bor tekshiring.



Hech qachon gaz oqishini tekshirish uchun gugurt yoki o't oldirgichdan foydalanmang.

Plitaning tagida ichki o'rnatilgan plita bo'lsa;

- Gaz shlangi shunday yo'naltirilishi kerakki, u pech, plitaning ostidagi o'tkir qirralar yoki burchaklariga tegmasligi, egilmasligi yoki bukilmassligi kerak. Agar gaz ulanishini o'z tomongizdan qaraganda chap tomondan o'rnatmoqchi bo'lsangiz, shlangni qisqichlar bilan mahkamlang.



- 1 Pastki ko'rinish
- 2 Shlang uchi
- 3 Shlang
- 4 Qisqich
- 5 Pech

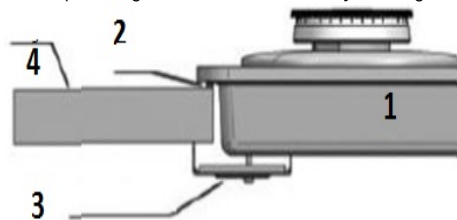
Mahsulotni o'rnatish

1. Mahsulotdagi o'choqlar, o'choq qopqoqlari va panjaralarini olib tashlang.
2. Plitani ag'darib, uni tekis yuzaga joylashtiring.
3. Plita va peshtaxta orasiga begona moddalar va suyuqliklar kirib qolmasligi uchun, iltimos, qadoqdagi yopishqoq qorishmani plitaning pastki korpusi konturlariga qo'llang, lekin yopishqoq qorishma uning ustiga chiqib ketmasligiga ishonch hosil qiling.
4. Rasmda ko'rsatilganidek, burchaklarda burmalar hosil qilib, burchaklarni to'ldiring. Burchaklardagi bo'shliqni to'ldirish uchun qancha kerak bo'lsa, shuncha burmalar hosil qiling.



i Plitaning pastki korpusidagi partki qismlari yopishqoq qorishma bilan to'ldirilganligiga ishonch hosil qiling.

5. Plitani yana aylantirib, tenglashtiring va peshtaxtaga joylashtiring.
6. Plitani peshtaxtaga mahkamlash uchun qisqich va taqdim etilgan burama mixlardan foydalaning.

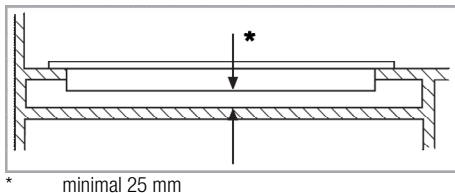


- 1 Plita
- 2 Maxsus qorishma
- 3 O'rnatish qisqichi
- 4 Peshtaxta

Peshtaxtaning qalinligi kamida 40 mm bo'lishi kerak.

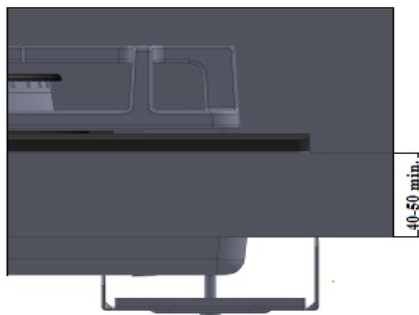
i Plitani shkafga o'rnatayotganda, yuqoridagi rasmda ko'rsatilgandek shkafni plitadan ajratish uchun tokchani o'rnatish kerak. Bu ostki o'rnatilgan pechga o'rnatishda talab qilinmaydi.

Masalan, agar u tortma ustiga o'rnatilgani uchun mahsulotning pastki qismiga tegish mumkin bo'lsa, bu qism yog'och plita bilan qoplangan bo'lishi kerak.

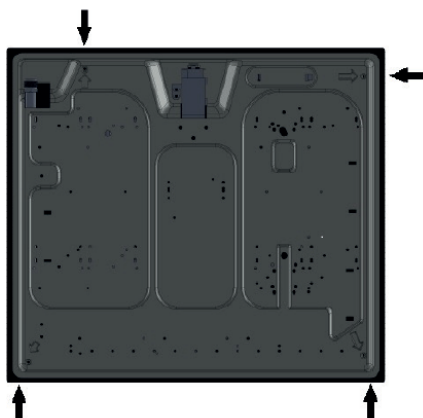


40-50 mm qalinlikdagi peshtaxtalar uchun qisqichlarni quyida ko'rsatilgandek o'rnatning.

Plitaning pastki qismida shamollatishni ta'minlash uchun qolgan qismda shamollatish teshigi qoldirilishi kerak. Qismlar harorati uchun zarur bo'lganidan tashqari, bu jarayon TS burnerining pastdan havo olishi uchun ham majburiydir. Bu "kamida 100 sm²" bo'lishi mumkin.



Orqa ko'rinish (ulash teshiklari)



O'rnatishni yakunlagandan keyin o'choq plitalarini, o'choq plitasi qopqoqlarini va panjaralarni joyiga qaytarib qo'ying.



XAFV:

Turli teshiklarga ulash xavfsizlik nuqtai nazaridan yaxshi amaliyot emas, chunki u gaz va elektr tizimiga zarar yetkazishi mumkin.



XAFV:

Plitalarda gaz va elektr komponentlari mavjud. Shuning uchun pech, ushbu qo'llanmada ko'rsatilgan yagona ulanish teshigi faqat jihozga qo'llanmada ko'rsatilganidek taqdim etilgan mahkamlagichlar va burama mixlar yordamida o'rnatilishi kerak. Aks holda, u hayot va mulk uchun xavf tug'diradi.

Oxirgi tekshirish

1. Gaz ta'minotini oching
2. Gaz moslamalarining xavfsiz o'rnatilganligi va mahkamlanganligini tekshiring.
3. O'choqlarni yoqing va alanganing ko'rinishini tekshiring.



Alanga ko'k rangda va doimiy shaklga ega bo'lishi kerak. Agar alanga sarg'ish rangda bo'lsa, o'choq qopqog'ining mahkam o'rnatilganligini tekshiring yoki o'choqni tozalang.

4 Tayyorlash

Energiya tejash bo'yicha maslahatlar

Quyidagi ma'lumotlar jihazingizdan ekologik usulda foydalanishga va energiyani tejashga yordam beradi:

- Muzlatilgan taomlarni pishirishdan oldin muzdan eriting.
- Ovqat pishirishda qopqoqli qozon va tovalardan foydalaning. Agar qopqoq bo'lmasa, energiya iste'moli 4 barobar oshishi mumkin.
- Ishlatiladigan qozonning pastki o'lchamiga mos keladigan o'choqni tanlang. Har doim toamlaringiz uchun qozon hajmini to'g'ri tanlang. Kattaroq qozonlar ko'proq energiya talab qiladi.

Dastlabki foydalanish

Jihozni birinchi marta tozalash



Ba'zi yuvish vositalari yoki tozalovchi materiallar yuzalarni zararlashi mumkin. Tozalash davomida kuchli yuvish vositalari tozalash kukunlari/kremlari va o'tkir obyektlardan foydalanmang. Pechning eshik shishasini tozalashda qattiq pardozlovchi tozalovchi vositalar yoki o'tkir metall vositalardan foydalanmang, chunki ular eshik yuzasini qirib tashlashi mumkin, bu esa shishaning sinishiga olib kelishi mumkin.

1. Barcha qadoqlash materiallarini olib tashlang.
2. Jihaz yuzalarini nam mato yoki shimgich bilan artib oling, mato bilan quriting.

5 Plitalardan foydalanish

Pishirish haqida umumiy ma'lumot



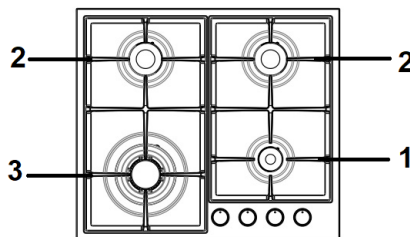
Hech qachon tovani uchdan bir qismidan ortiq yog' bilan to'ldirmang. Yog' qizdirish paytida plitani qarovsiz qoldirmang. Ortiqcha qizib ketgan yog' yong'in chiqishiga sabab bo'lishi mumkin. **Hech qachon ehtimoliy olovni suv bilan o'chirishga urinmang!** Yog' olov olganda uni olovga qarshi qoplama yoki nam mato bilan yoping. Agar xavfsiz bo'lsa, pechni o'chiring va o't o'chirish xizmatiga qo'ng'iroq qiling.

- Mahsulotlarni qovurishdan oldin ularni har doim yaxshilab quritib va qizdirilgan yog'ga sekinlik bilan soling. Qovurishdan oldin muzlatilgan mahsulotlarning to'liq erishini ta'minlang.
- Yog' qizdirayotganda foydalaniladigan idishni yopmang.
- Tova va idishlarning tutqichlari qizib ketishining oldini olish uchun ularning tutqichlari plitaning ustida turmaydigan qilib joylashtiring. Muvozanatsiz va oson siljiydigan idishlarni plita ustiga qo'ymang.
- Bo'sh idish va tovalarni yoqilgan pishirish joylariga qo'ymang. Ularga zarar yetishi mumkin.
- Pishirish joyini ustiga idish yoki tovasiz ishlatish mahsulotga zarar yetkazadi. Pishirish yakunlanganidan keyin pishirish joylarini o'chiring.
- Mahsulot yuzasi issiq bo'lishi mumkinligi sababli, unga plastik va aliuminiy idishlar qo'ymang. Bunday idishlar oziq-ovqat mahsulotlarini saqlash uchun ishlatilmasligi kerak.
- Faqat tagi tekis tovalar yoki idishlardan foydalaning.
- Idishlar va tovalarga mos miqdorda mahsulot soling. Shunday qilib ovqatlarining toshib ketishiga yo'l qo'yilmaydi va siz ortiqcha tozalashni amalga oshirishingiz shart bo'lmaydi. Pishirish maydonlariga idishlar yoki tovalarning qopqog'ini qo'ymang. Idishlarni pishirish maydonining markaziga joylashtiring. Idishni boshqa pishirish maydoniga o'tkazmoqchi bo'lsangiz, uni siljitish o'rniga ko'taring va kerakli pishirish maydoniga olib o'ting.

Gazda pishirish

- Idish va alanganing o'lchovi bir-biriga mos kelishi kerak. Gaz alangasini idishning pastki qismidan kengayib ketmasligi va idishning markazida to'g'ri kelishi uchun sozlang.

Plitalardan foydalanish



- 1 Yordamchi o'choq 12-16 sm
- 2 Normal o'choq 16-18 sm
- 3 Normal o'choq 16-18 sm
- 4 Vok o'choq'i 22-26 sm bu tegishli o'choqlar tavsiya etilgan idishlar diametri ro'yxati.

Katta alanga belgisi eng yuqori pishirish quvvatini va kichik olov belgisi eng past pishirish belgisini bildiradi. O'chirilgan holatda (yuqorida) o'choqlarga gaz yetkazib berilmaydi.

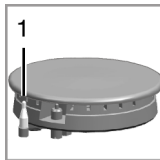
Gaz o'choqlarini yoqish

1. O'choq buragichini bosib turing.
2. Uni katta alanga belgisi tomonga soat yo'nalishi bo'yicha aylantiring.
» Gaz hosil qilinadigan uchqun yordamida yoqiladi.
3. Uni kerakli pishirish quvvatiga o'zgartiring.

Gaz o'choqlarini o'chirish

lIiq zonani ushlab turish buragichini o'chirilgan (yuqori) holatga burang.


Gazni o'chirish xavfsizlik tizimi (termik komponentli modellarda)



1. Gazni o'chirish xavfsizlik tizimi

O'choqlarda suyuqlik haddan tashqari oqib kirishi natijasida o'chishiga qarshi chora sifatida xavfsizlik mexanizmi ishga tushadi va gazni o'chiradi.

- Yoqish uchun buragichni ichkariga itaring va uni soat yo'nalishiga teskari aylantiring.
- Gaz yoqgandan so'ng xavfsizlik tizimini ishga tushirish uchun buragichni yana 3-5 soniya bosib turing.
- Agar buragichni bosganingiz va qo'yib yuborganingizdan keyin gaz yonmasa, buragichni 15 soniya bosib ushlab turish orqali bir xil amaliyotni takrorlang.



XAFV:
Agar o'choq 15 soniya ichida yonmasa, buragichni qo'yib yuboring.
Qayta urinib ko'rishdan oldin kamida 1 daqiqa kuting. Gaz to'planishi va portlash xavfi yuzaga kelishi mumkin!

Vok o'chog'i



Vok o'chog'i sizga tezroq pishirishga yordam beradi. Asosan Osiyo oshxonasida ishlatiladigan vok - bu tunuka metaldan yasalgan chuqur va yassi qovurish tovasi bo'lib, u qiymalangan sabzavot va go'shtni qisqa vaqt ichida kuchli olovda tayyorlash uchun ishlatiladi. Taomlar kuchli olovda va juda qisqa vaqt ichida issiqlikni tez va bir tekis o'tkazadigan idishda pishirilganligi sababli oziq-ovqatning ozuqaviy qiymati saqlanib qoladi va sabzavotlar qarsildoq bo'ladi. Siz vok o'chog'ida odatiy tovalardan ham foydalanishingiz mumkin. Agar siz vok o'chog'ida oddiq tova ishlatmoqchi bo'lsangiz, plitadan qovurish-tovasini olib tashlashingiz kerak.

6 Ta'mirlash va tozalash

Tozalash bo'yicha umumiy ma'lumot

▲ Umumiy ogohlantirishlar

- Mahsulotni tozalashdan oldin uning so'vishini kuting. Issiq yuzalar natijasida kuyib qolishingiz mumkin.
- Yuvish vositalarini to'g'ridan-to'g'ri issiq yuzalarga qo'llamang. Bu doimiy dog'lar hosil bo'lishiga sabab bo'ladi.
- Har bir foydalanishdan keyin jihoz yaxshilab tozalanishi va quritilishi kerak. Bu orqali ovqat qoldiqlari osongina tozalanadi va keyinchalik jihoz qayta ishlatilganda bunday qoldiqlar yonib ketishining oldi olinadi. Bu orqali jihozning xizmat muddati uzayadi va tez-tez duch kelinadigan muammolar kamayadi.
- Mahsulotni tozalashda bug' bilan tozalash usulidan foydalanmang.
- Ba'zi yuvish vositalari yoki tozalovchi vositalar mahsulot yuzasiga zarar yetkazishi mumkin. Tozalash davomida pardozlovchi yuvish vositalari, tozalash kukunlari/kremarlari, cho'kmalarni tozalash vositalari va o'tkir obyektlardan foydalanmang.
- Har foydalanishdan keyin tozalash uchun maxsus tozalash vositasidan foydalanish shart emas. Mahsulotni idish yuvish sovuvi, iliq suv va yumshoq mato yoki shimgich yordamida tozalang va mikro tolali mato bilan quriting.
- Tozalashdan keyin qolgan suyuqlikni to'liq artib olishni unutmang va pishirish paytida atrofga sachragan ovqatlarni darhol tozalang.
- Jihozning biron bir komponentini idish yuvish mashinasida yuvmang.

Plita uchun:

- Sut, tomat pastasi va yog' kabi kislotali iflosliklar pechkalar va o'choq qismlarida doimiy dog'lar paydo bo'lishiga sabab bo'lishi mumkin, to'shib ketgan har qanday suyuqlikni pishirgich sovganidan so'ng darhol tozalang.
- Yuqori haroratlarda ishlatiladigan Vok tipidagi idishlar rangini o'zgartirishi mumkin. Bu odatiy holat hisoblanadi.
- Ayrim idishlarni ko'chirish qozon tagligida metall izlar paydo bo'lishiga olib kelishi mumkin. Tovalarni va qozonlarni yuzasi ustida siljitmang.
- O'choq qopqoqlari to'g'ridan-to'g'ri olovga tegib, yuqori harorat ta'siri ostida bo'lganligi sababli, vaqt o'tishi bilan rangining o'zgarishi va yo'qolishi odatiy holat hisoblanadi. Bu pishirgichdan foydalanishda muammo tug'dirmaydi.

Inoks va zanglamaydigan yuzalar

- Zanglamaydigan yoki inoks yuzalarni va tutqichlarni tozalash uchun kislotaga yoki xlorli tarkibga ega tozalovchi vositalardan foydalanmang.
- Zanglamaydigan yoki inoks yuzaning rangi vaqt o'tishi bilan o'zgarishi mumkin. Bu odatiy holat hisoblanadi. Har bir foydalanishdan keyin zanglamaydigan yoki inoks yuzaga mos keladigan yuvish vositasi bilan tozalang.
- Inoks yuzalarga mos keluvchi yumshoq sovuvi mato va suyuq (tirnamaydigan) yuvish vositasi bilan tozalang, bir yo'nalishda artib oling.
- Inoks-zanglamaydigan va shisha yuzalardagi ohak, yog', kraxmal, sut va oqsil dog'larini kutmasdan darhol tozalang. Dog'lar uzoq vaqt davomida zanglashi mumkin.

Shisha yuzalar

- Shisha yuzalarni tozalashda qattiq metall qirg'ichlar va pardozlovchi tozalash materiallardan foydalanmang. Ular shisha yuzalarga zarar yetkazishi mumkin.
- Jihozni idish yuvish vositasi, iliq suv va shisha shisha yuzalarga mos keluvchi miktotolali mato yordamida tozalang va miktotolali mato bilan quriting.
- Tozalashdan keyin yuvish vositasi qoldig'i qolgan bo'lsa, uni sovuq suv bilan artib oling va quruq miktotolali mato bilan quriting. Yuvish vositasining qoldig'i keyingi safar shisha yuzasiga zarar yetkazishi mumkin.
- Hech qanday holatda shisha yuzasida qotib qolgan qoldiqlarni tishli pichoqlar, simli junlar yoki shu kabi qiruvchi vositalar bilan tozalash mumkin emas.
- Siz shisha yuzasidagi kalsiy dog'larini (sariq dog'larni) sotuvda mavjud bo'lgan tozalash vositasi bilan, sirka yoki limon kislotasi kabi tozalash vositasi bilan ketkazishingiz mumkin.
- Agar yuzasi juda ifloslangan bo'lsa, tozalash vositasini shimgich yordamida dog'ga surting va u samarali ta'sir ko'rsatishi uchun uzoqroq muddat kuting. Keyin esa oyna yuzasini nam mato bilan tozalang.
- Shisha yuzasining rangsizlanishi va dog'lar odatiy holat bo'lib, nuqson hisoblanmaydi.

Plastik qismlar va bo'yalgan yuzalar.

- Plastik qismlarni va bo'yalgan yuzalarni idish yuvish vositasi, iliq suv va yumshoq mato yoki shimgich yordamida tozalang va ularni quruq mato bilan quriting.
- Qattiq metall qirg'ichlar va pardozlovchi tozalagichlardan foydalanmang. U yuzalarga zarar yetkazishi mumkin.
- Jihoz komponentlaridagi ulanmalar nam bo'lishi va yuvish vositasi bilan qolmasligiga ishonch hosil qiling. Aks holda, bu ulanmalarda korroziya yuzaga keladi.

Plitani tozalash

Gaz o'choqlarini tozalash

1. Plitani tozalashdan oldin qozon tagliklarini, o'choq qopqoqlari va boshlarini plitadan olib tashlang.
2. Plitaning yuzasini yuza turiga (emallangan, shisha, inoks va boshqalar) qarab umumiy tozalash ma'lumotlariga kiritilgan tavsiyalarga muvofiq tozalang.
3. O'choq kamerasini yuvish vositasi bilan namlangan mato yoki tirnamaydigan, yumshoq cho'tka yordamida tozalang. Ovqat qoldiqlari qolmasligini ta'minlang.
4. Uchqun moslamasi va termal elementlarni (o't oldirish va termal elementi modellarda) yaxshilab siqilgan mato bilan tozalang. Keyin toza mato bilan quriting. Uchqun moslamasi va termal elementlar to'qli quriganligiga e'tibor bering.
5. Har bir foydalanishdan keyin o'choq qopqoqlari va boshlarini tozalash vositasi qo'shilgan suv bilan tozalang va keyin ularni quriting.
6. Doimiy dog'larni tozalash uchun o'choq qopqog'i va boshlarini kamida 15 daqiqa davomida yuvish vositasi yoki iliq sovunli suvga solib qo'ying. Metall bo'lmagan va tirnamaydigan cho'tka bilan tozalang.
7. Siz pechning ichki qismlari va panjaralari uchun, ayniqsa, emallangan o'choq qopqog'idagi doimiy dog'lar uchun emallangan yuzalarda qo'llaniladigan va vakolatli xizmat tomonidan tavsiya etilgan "Quick&Shine" tozalash vositalaridan foydalanishingiz mumkin.
8. Tozalash vaqtida o'choq qopqoqlariga pechning ichki qismini tozalash vositalari, cho'kmalarni tozalash vositalari kabi o'tkir yuvish vositalarini tegdirmang, bu rang o'zgarishiga olib kelishi mumkin.
9. Qozon tagligini har bir foydalanishdan keyin yuvish vositasi qo'shilgan suv va tirnamaydigan, yumshoq cho'tka bilan tozalang va keyin ularni quriting.

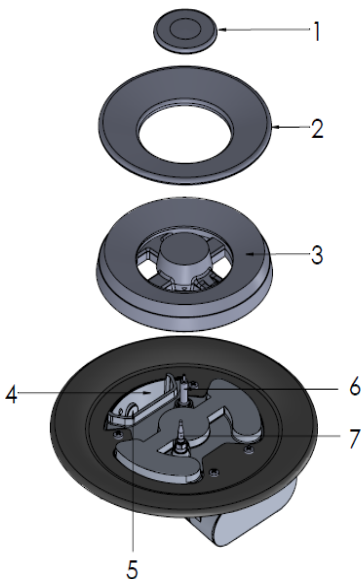
10. O'choq qopqoqlari va qozon tagliklari nam holatida ishlatilsa, issiqlik natijasida doimiy ohak dog'lari paydo bo'lishi mumkin. Ularni ishlatishdan oldin quriganligiga ishonch hosil qiling.

11. O'choq boshlarini, qopqoqlarni va qozon tagliklarini mos ravishda joylashtiring.

12. Qozon tagliklarini o'rnatayotganda, ular o'choqning markazida joylashganligiga ishonch hosil qiling.

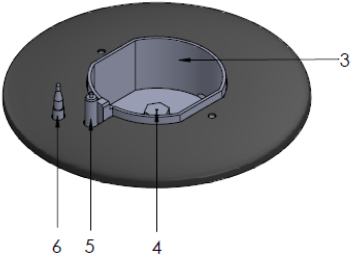
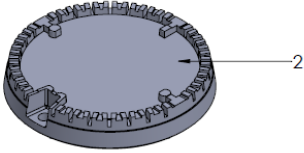
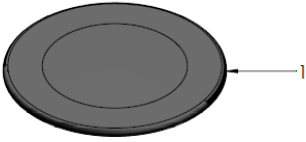
O'choq qismlarini yig'ish

O'choqlarni tozalagandan keyin qismlarni rasmdagi kabi joylashtiring.



1	Ichki o'choq qopqog'i
2	Tashqi o'choq qopqog'i
3	O'choq boshi
4	O'choq kamerasi
5	Injektor
6	Uchqun moslamasi (o't oldirgichli mahsulotlarda)
7	Termik element (termik elementi mahsulotlarda)

O'choq qismlarini yig'ish



1	O'choq qopqog'i
2	O'choq boshi
3	O'choq kamerasi
4	Injektor
5	Uchqun moslamasi (o't o'ldirgichli mahsulotlarda)
6	Termik element (termik elementli mahsulotlarda)

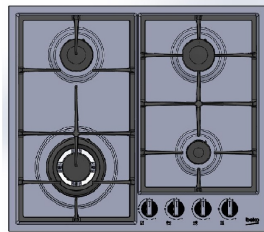
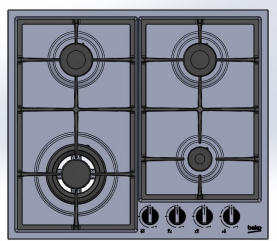
1. O'choq boshini o'choq uchqun moslamasi orqali o'tadigan qilib joylashtiring (4). O'choq boshi o'choq kamerasiga joylashganiga ishonch hosil qilish uchun uni o'ng va chap tomonga aylantiring.
2. O'choq qopqog'ini o'choq boshiga joylashtiring.

Boshqaruv panelini tozalash

- Buragichli boshqaruv panellarini tozalashda panel va buragichlarni nam yumshoq mato bilan arting va quruq mato bilan quriting. Boshqaruv panelini tozalash uchun uning ostidagi buragichlar va

qistirmalarni olib tashlamang. Boshqaruv paneli va buragichlarga zarar yetishi mumkin.

- Buragichli boshqaruvga ega inoks panellarini tozalashda buragichlar atrofida inoks uchun mo'ljallangan tozalash vositalaridan foydalanmang. Buragichlar atrofidagi ko'rsatkichlar o'chib ketishi mumkin.
- Sensorli boshqaruv panellarini nam yumshoq mato bilan tozalang va quruq mato bilan quriting. Agar mahsulotingizda tugmalarni qulflash xususiyati mavjud bo'lsa, boshqaruv panelini tozalashdan oldin tugmalar qulfini o'rnatning. Aks holda, tugmalar noto'g'ri ishlashi yuz berishi mumkin.



i Biror narsa toshib ketsa, darhol o'choqni o'chiring. Qozonlar v tova tagligini ajratib oling. Toshib chiqqan mahsulotni quruq va so'ruvchan mato bilan tozalang. O'choqlarga suyuqlik kirmasligiga e'tibor bering. Agar suyuqlik kirs, o'choqlarning ichini ham tozalang. Plitani tozalamasdan turib qayta ishlatmang.

7 Muammolarni bartaraf etish

7 Muammolarni bartaraf etish

Mahsulot qizdirilganda va sovutilganda jaranglagan tovush eshitiladi.

- Metall qismlar qizdirilganda ular kengayib, shovqin chiqarishi mumkin. >>> *Bu nuqson emas.*

O't oldirish uchquni yo'q.

- Elektr quvvati uzilgan. >>> *Saqlagich qutisidagi saqlagichlarni tekshiring.*

Mahsulot doimiy ravishda uchqun chiqaradi.

- Chiqindi suyuqliklar boshqaruv buragichlari ostidagi o't oldirish mexanizmiga kirib ketgan bo'lishi mumkin. >>> *Mahsulotni tarmoqdan uzing va uning sovlashini kuting.*

Gaz yo'q.

- Asosiy gaz klapani o'chirilgan. >>> *Gaz klapanini yoqing.*
- Quvur qayrilib qoldi. >>> *Gaz quvurini to'g'ri o'rnatting.*

O'choqlar to'g'ri yonmayapti yoki umuman yonmayapti.

- O'choqlar ifloslangan. >>> *O'choq komponentlarini tozalang.*
- O'choqlar nam. >>> *O'choq qismlarini quriting.*
- O'choq qopqog'i mahkam joylashtirilmagan. >>> *O'choq qopqog'ini to'g'ri joylashtiring.*
- Asosiy gaz klapani o'chirilgan. >>> *Gaz klapanini yoqing.*
- Gaz silindiri bo'sh (SPG ishlatilganda) >>> *Gaz silindrini almashtiring.*
- O't oldirish vaqtida o'choq buragichi/tugmasi yetarlicha bosib turilmagan. >>> *O'choqni kamida 3-5 soniya bosib ushlab turish orqali yoqing.*



Agar bu bo'limdagi ko'rsatmalarni bajargan bo'lsangiz ham, muammoni bartaraf eta olmasangiz, qo'ng'iroq markaziga murojaat qiling. Hech qachon nuqsonli mahsulotni o'zingiz ta'mirlashga urinmang.

Brend	BEKO			
Plita turi	Ichki o'rnatilgan gaz plita			
Model		Inoks	Shisha	
		HIYG 64225 SXO	HIYG 64225 SBO	
	Belgi	Qiymat	Qiymat	Birlik
Gaz o'choqlarining soni		4	4	
Orqa o'ng o'choqning energiya samaradorligi	EE gaz bilan ishlaydigan o'choq	63,4	61,7	%
Old o'ng o'choqning energiya samaradorligi	EE gaz bilan ishlaydigan o'choq	-	-	%
Old chap o'choqning energiya samaradorligi	EE gaz bilan ishlaydigan o'choq	58,4	54,8	%
Orqa chap o'choqning energiya samaradorligi	EE gaz bilan ishlaydigan o'choq	63,4	61,7	%
Markaziy o'choqning energiya samaradorligi	EE gaz bilan ishlaydigan o'choq	-	-	%
Old markaziy o'choqning energiya samaradorligi	EE gaz bilan ishlaydigan o'choq	-	-	%
Orqa markaziy o'choqning energiya samaradorligi	EE gaz bilan ishlaydigan o'choq	-	-	%
Chap o'choqning energiya samaradorligi	EE gaz bilan ishlaydigan o'choq	-	-	%
Gaz bilan ishlaydigan plitaning energiya samaradorligi	EE gaz bilan ishlaydigan plita	61,7	59,4	%

2009/125/EC-sonli "Energiya bilan ishlovchi mahsulotlar uchun ekologik dizayn talablari" ga asosan mahsulot haqidagi quyidagi ma'lumotlar Yevropa Ittifoqi Komissiyasining (YI) 66/2014-sonli "Maishiy plitalar uchun ekologik dizayn talablari" bo'yicha qoidalarga parallel ravishda berilgan.

Mahsulotning xususiyatlarini aniqlash maqsadida o'lchovlar va hisob-kitoblar eko-dizayn talablariga muvofiq quyida keltirilgan standart bilan belgilanadi.

Eng 30-2



Kafolat quyidagilar oqibatida vujudga kelgan nosozliklari bo`lgan mahsulotga tegishli emas.

1. Kafolat xujjatida ko`rsatilgan Ishlab chiqaruvchi talablariga rioya etilmaganda;
2. Foydalanish bo`yicha yo`riqnomada ko`rsatilgan mahsulotni o`rnatish, ulash, ishlatish, saqlash yoki transportirovka qilish qoidalariga rioya etilmaganda;
3. Vakolatli bo`lmagan shaxslar tomonidan ta`mirlashda, agar bunday ta`mir mahsulotni ishdan chiqargan bo`lsa;
4. Foydalanish bo`yicha yo`riqnomada nazarda tutilmagan mahsulotni ochishda, konstruksiyasini o`zgartirishda va boshqa aralashuvlarda;
5. Ekstremal sharoitlar va yengilmas kuchlar (yong`in, tabiiy ofatlar va hokazo) ta`sirida yuzaga kelgan nosozliklar va shikastlanishlarda;
6. Hayvonlar yoki hasharotlar tufayli yuzaga kelgan texnikaning shikastlanishi yoki uning normal ishlashini buzilishida;
7. Elektr, gaz yoki suv ta`minoti parametrlarini nominal qiymatidan o`ta yuqori chetlanishi tufayli yuzaga kelgan texnikaning shikastlanishi yoki uning normal ishlashini buzilishida;
8. Mahsulotni tadbirkorlik faoliyati uchun va/yoki nazarda tutilmagan maqsadlarda ishlatishda;
9. Isitadigan elementlarda ortiqcha qurumni hosil bo`lishida (suvning yuqori berchligida muvofiq tarkiblar bilan ishlov berish kerak);
10. Mahsulotning ichki ishchi hajmlariga begona jismlar, kiyimning mayda detallari yoki ovqat qoldiqlarini tushishida.
11. Mahsulot iste`molchiga berilgandan so`ng paydo bo`lgan mexanik shikastlanishlarda (chiziqlar, yoriqlar, teshiklar va hokazo);
12. Mahsulot kimyoviy moddalar ta`siri natijasida tovar ko`rinishini yo`qotishida;
13. Ishlatish jarayonida paydo bo`lgan termik va boshqa shunga o`xshash shikastlanishlarda.



Ishlab chiqaruvchi quyidagi hollarda shikoyatlarni qabul qilmaydi:

1. O`rnatish qoidalariga amal qilmaslikda, shuningdek namlik, harorat va hokazolar yuqori bo`lgan xonalarda ishlatishda;
2. Asl kafolat taloni mavjud bo`lmaganda;
3. Kafolat talonida quyidagi ma`lumotlar mavjud bo`lmaganda: sotish sanasi, savdo qiladigan tashkilotning shtampi, sotuvchining imzosi, mahsulotning modeli va seriya raqami. Sotilgan sanani tasdiqlovchi xujjatlarni yo`qligida kafolat muddati mahsulot ishlab chiqarilgan sanadan boshlab hisoblanadi.
4. Kafolat xujjatiga har qanday to`g`rilashlar (o`zgartirishlar) kiritilganda.

Hurmatli Xaridor!

beko savdo belgisi mahsulotini tanlaganingiz uchun Sizga tashakkur bildiramiz!
Kafolatning mazkur shartlari O'zbekiston hududida amal qiladi, agar boshqa shartlar amaldagi qonunchilikda belgilanmagan bo'lsa.

1. Ishlab chiqaruvchi mahsulotni iste'molchiga bergan kunidan boshlab 2 (ikki) yillik kafolat muddatini belgilaydi. "Beko" maishiy texnikasining ishlatish qoidalariga amal qilinganda va maishiy maqsadda qo'llanilganda uning xizmat muddati 10 (o'n) yilni tashkil etadi.
2. Kafolat faqat shaxsiy, oilaviy, uy yumush extiyojlaridagi, shuningdek tadbirkorlik faoliyati bilan bog'liq bo'lmagan mahsulotlarga tarqaladi.
3. Kafolat taloni to'g'ri to'ldirilganligiga, unga to'g'rilashlar kiritilmaganligiga va quyidagi ma'lumotlar ko'rsatilganligiga e'tibor bering: sotish sanasi, savdo tashkilotining shtampi va sotuvchining imzosi, mahsulotning modeli va seriya raqami, o'rnatish sanasi, o'rnatuvchi firmaning nomi va shtampi.
4. Kafolat xujjatini, sotilgan mahsulotning chekini va uni o'rnatish (yetkazib berish), xonadon ichidagi suv va elektr kommunikatsiyalarini moslash bo'yicha xizmat kvitansiyalarini, shuningdek mahsulotga kafolatli va texnik xizmat ko'rsatish bo'yicha har qanday boshqa xujjatlarni saqlab qo'ying.
5. Kafolatli muddat mobaynida almashtirilgan ehtiyot qismlarining kafolat muddati 6 (olti) oyni tashkil etadi.
6. "Beko" servis markazi mutaxassisini chaqirishdan oldin diqqat bilan mahsulotdan foydalanish bo'yicha yo'riqnomani o'qib chiqing. Agar mahsulot soz bo'lsa, "Beko" servis markazida Iste'molchida yolg'on chaqiruv uchun to'lovni talab qilib olish huquqi qoladi.
7. Mahsulotning sifati bo'yicha har qanday shikoyatlar faqat avtorlashtirilgan "Beko" servis markazi vakilining tekshiruvidan so'ng ko'rib chiqiladi.
8. Mazkur kafolat xujjatida va foydalanish bo'yicha yo'riqnomada Ishlab chiqaruvchi ko'rsatgan talablarga rioya qilmaganligi sababli iste'molchiga yetkazilgan har qanday mumkin bo'lgan zarar uchun Ishlab chiqaruvchi hech qanday javobgar emas.



O' rnatish va ulash:

1. "Beko" mahsulotlarini o'rnatishda va ulashda Ishlab chiqaruvchi "Beko" servis markazlari mutaxassislariga murojaat qilishingizni tavsiya etadi. Siz, shuningdek, shunga o'xshash xizmatlarni amalga oshirishga sertifikatiga bo'lgan boshqa tashkilotlarga ham murojaat etishingiz mumkin.
2. Mahsulotni o'rnatish va ulash bo'yicha ishlarning to'lovi servis markazi preyskuranti bo'yicha amalga oshiriladi. O'rnatish va ulash bo'yicha ishlarning sharoiti amaldagi qonunchilik tomonidan boshqariladi. Foydalanish bo'yicha yo'riqnomada ko'rsatilgan talablarga to'g'ri kelmaydigan va/yoki bunga vakolatli bo'lmagan shaxslar tomonidan amalga oshirilgan o'rnatish va ulashlar natijasida fuqarolarga yetkazilgan har qanday zarar uchun Ishlab chiqaruvchi javobgar emas.
3. Ishlab chiqaruvchining o'rnatish va ulash bo'yicha talablariga rioya qilinmaganligida yetkazilgan zarar uchun ushbu ishni amalga oshirgan shaxs javobgar sanaladi.



DIQQAT!

Uch kontaktili tarmoqli vilkasiga ega bo'lgan mahsulot shartli ravishda yerga ulanishi kerak!

beko

O`zR hududida amal qiladi
Valid in Uzbekistan territory

Murojaat uchun telefonlar
8-800-120-23-56

2 YIL KAFOLAT

<http://www.beko.com/uz-ru>

Kafolat taloni seriyasi №:

Model.....

Seriya raqami.....

Sotish sanasi

O`rnatish sanasi

Kompaniya

Kompaniya

Sotuvchining imzosi

Ustaning imzosi

Muhr

Muhr

Xaridor.....
(FiSh)

Telefon.....

Mahsulot xaridorning ishtirokida tekshirildi

Xaridor kafolat shartlari bilan tanishtirildi

Xaridorning imzosi



Kafolat talonining yirtma kuponlari servis markazi tomonidan kafolat ishlarini amalga oshirilganligi to`g`risidagi hisobot vositasi sanaladi. Sizning shikoyatlaringiz qoniqdirilganidan so`ng kupon kafolat talonidan yirtib olinadi.

beko

Kafolat taloni
Sotish sanasi

Do`kon muhri

3

2 YIL KAFOLAT

beko

Kafolat taloni
Sotish sanasi

Do`kon muhri

2

2 YIL KAFOLAT

beko

Kafolat taloni
Sotish sanasi

Do`kon muhri

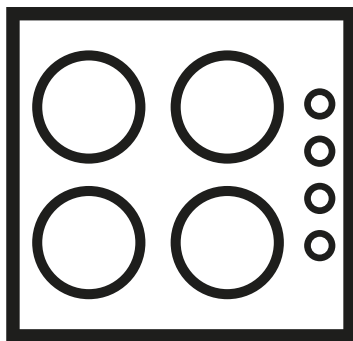
1

2 YIL KAFOLAT

2824180480_B



Piano cottura da incasso
Manuale d'uso



HIYG 64225 SXO / HIYG 64225 SBO
IT



01M-8770253200-3221-01
01M-8770223200-3221-01

CONTENTS

ITALIANO

26-48

Importanti istruzioni di sicurezza e ambientali

1.1 Norme di sicurezza generali

Questa sezione contiene istruzioni di sicurezza che aiuteranno a proteggere dal rischio di lesioni personali o danni alle cose. Il mancato rispetto di queste istruzioni invaliderà qualsiasi garanzia.

- Questo apparecchio può essere utilizzato da bambini dagli 8 anni in su e da persone con ridotte capacità fisiche, sensoriali o mentali o con mancanza di esperienza e conoscenze, se sotto supervisione o se hanno ricevuto istruzioni sull'uso dell'apparecchio in modo sicuro e ne comprendono i pericoli.
- I bambini non devono giocare con l'apparecchio. La pulizia e gli interventi di manutenzione non devono essere eseguiti dai bambini senza supervisione.
- L'apparecchio non deve essere usato da persone (compresi i bambini) con ridotte capacità fisiche, sensoriali o mentali, o con mancanza di esperienza e conoscenza, a meno che siano vigilati o abbiano ricevuto istruzioni.
- I bambini devono essere sorvegliati per assicurarsi che non giochino con l'apparecchio.
- Se il prodotto viene consegnato a qualcun altro per uso personale o di seconda mano, si dovrebbe consegnare anche il manuale d'uso, le etichette del prodotto e altri documenti e parti rilevanti.
- Le operazioni di installazione e riparazione devono sempre essere eseguite da un servizio di assistenza autorizzato. Il produttore non è responsabile per i danni derivanti da procedure eseguite da persone non autorizzate, che potrebbero anche invalidare la garanzia. Prima dell'installazione, leggere attentamente le istruzioni.
- Non utilizzare il prodotto se difettoso o presenti danni visibili.
- Assicurarsi che le manopole delle funzioni del prodotto siano spente dopo ogni utilizzo.
- Sicurezza quando si lavora con gas
- Qualsiasi lavoro su apparecchiature e sistemi a gas potrà essere eseguito solo da persone qualificate autorizzate e registrate alla Gas Safe.
- Prima dell'installazione, assicurarsi che le condizioni locali di distribuzione (natura del gas e pressione del gas) e la regolazione dell'apparecchio siano compatibili.
- Quest'apparecchio non è collegato a un dispositivo per l'evacuazione dei prodotti della combustione. Dovrà essere installato e collegato conformemente alle attuali disposizioni di installazione. Si dovrà prestare particolare attenzione ai requisiti relativi alla ventilazione; Vedere il capitolo Prima dell'installazione a pagina 12

Importanti istruzioni di sicurezza e ambientali

CAUTELA: L'uso dell'apparecchio per cottura a gas comporta la produzione di calore e umidità all'interno della stanza in cui è installato. Assicurarsi che la cucina sia ben ventilata: tenere aperti i fori di ventilazione naturali o installare un dispositivo di ventilazione meccanica (cappa aspirante meccanica). L'uso intensivo prolungato dell'apparecchio potrebbe richiedere una ventilazione supplementare, per esempio aumentando il livello della ventilazione meccanica, se presente.

- Per il loro corretto funzionamento, gli apparecchi e i sistemi a gas devono essere controllati regolarmente. Il regolatore, il tubo e il suo morsetto devono essere controllati regolarmente e sostituiti entro i periodi raccomandati dal suo produttore o quando è necessario.
- Pulire regolarmente i bruciatori a gas. Le fiamme dovrebbero essere blu e bruciare in modo uniforme.
- Questo prodotto dovrebbe essere usato in una stanza che incorpori un sensore di monossido di carbonio correttamente regolato e funzionante. Assicurarsi che il sensore di monossido di carbonio funzioni correttamente e che sia frequentemente sottoposto a manutenzione. Il sensore di monossido di carbonio dovrebbe essere installato al massimo a 2 metri di distanza dal prodotto.
- Negli apparecchi a gas è necessaria una buona combustione. In caso di combustione incompleta, potrebbe svilupparsi monossido di carbonio (CO). Il monossido di carbonio è un gas incolore, inodore e molto tossico, che ha un effetto letale anche in dosi molto piccole.
- In caso di odore di gas, chiedere informazioni sui numeri di telefono di emergenza per il gas e sulle misure di sicurezza al proprio fornitore di gas locale.
- Cosa fare quando si sente odore di gas
- Non usare fiamme libere e non fumare. Non azionare alcun pulsante elettrico (ad esempio, il pulsante della luce, il campanello della porta e così via) Non usare telefoni fissi o cellulari. Rischio di esplosione e intossicazione!
- Aprire porte e finestre.
- Chiudere tutte le valvole degli apparecchi a gas e il contatore del gas alla valvola di controllo principale, a meno che non si trovi in uno spazio confinato o in una cantina.
- Controllare la tenuta di tutti i tubi e delle connessioni. Se si sente ancora odore di gas, uscire dall'abitazione.
- Avvertire i vicini.
- Chiamare i vigili del fuoco. Usare un telefono esterno all'abitazione.
- Non rientrare finché non si è ricevuta comunicazione che è sicuro farlo. Sicurezza elettrica

Importanti istruzioni di sicurezza e ambientali

- Qualora il prodotto abbia un difetto, non dovrebbe essere usato a meno che non venga riparato da un Agente di Servizio Autorizzato. C'è rischio di scossa elettrica!
 - Collegare il prodotto solo a una presa/linea con messa a terra con valori di tensione e protezione come specificati nelle "Specifiche tecniche". Far eseguire l'installazione di messa a terra da un elettricista qualificato utilizzando il prodotto con o senza trasformatore. La nostra azienda non è responsabile di eventuali problemi derivanti dal fatto che il prodotto non è stato collegato a terra in conformità con le norme locali.
 - Non lavare mai il prodotto spruzzando o versando acqua! C'è rischio di scossa elettrica!
 - Non toccare mai la spina con le mani umide! Non scollegare mai tirando il cavo, estrarre sempre tenendo la spina.
 - Durante le procedure di installazione, manutenzione, pulizia e riparazione, il prodotto deve essere sempre scollegato.
 - Se il cavo di alimentazione è danneggiato, per evitare situazioni di pericolo, deve essere sostituito dal produttore, da un tecnico autorizzato o da una persona qualificata.
 - L'apparecchio deve essere installato in modo da poter essere completamente scollegato dalla rete elettrica. Deve essere garantita una separazione da un interruttore incorporato nell'installazione elettrica fissa, secondo le norme di costruzione.
 - Qualsiasi lavoro su apparecchiature e sistemi elettrici dovrebbe essere eseguito solo da personale autorizzato e qualificato.
 - In caso di danni, spegnere il prodotto e scollegarlo dalla rete elettrica. Per far questo, spegnere l'interruttore differenziale dell'abitazione.
 - Assicurarsi che il valore dell'interruttore differenziale sia compatibile con il prodotto. Sicurezza del prodotto
- AVVERTENZA:** L'apparecchio e le sue parti accessibili si surriscaldano durante l'uso. Abbiate cura di non toccare gli elementi riscaldanti. I bambini di età inferiore agli 8 anni vanno tenuti a distanza, a meno che non siano sotto continua supervisione.
- Non usare mai il prodotto quando il proprio giudizio o la propria coordinazione sono compromessi dall'uso di alcol e/o droghe.
 - Fare attenzione quando si usa alcool nei propri piatti. L'alcool evapora ad temperature elevate e potrebbe prendere fuoco e provocare incendi in caso di contatto con superfici calde.
 - Non mettere nessun materiale infiammabile vicino al prodotto, poiché i lati potrebbero diventare caldi durante l'uso.

Importanti istruzioni di sicurezza e ambientali

- Mantenere tutte le fessure di ventilazione libere da ostruzioni.
- Non usare pulitori a vapore per pulire l'apparecchio, poiché ciò potrebbe causare scosse elettriche.

AVVERTENZA: La cottura incustodita su un piano di cottura con grasso o olio può essere pericolosa e può provocare un incendio. Non tentare MAI di spegnere un incendio con dell'acqua; spegnere l'apparecchiatura e coprire le fiamme ad es. con un coperchio o una coperta di protezione dal fuoco.

CAUTELA: Il processo di cottura deve essere supervisionato. Un breve processo di cottura deve essere sempre e comunque supervisionato.

AVVERTENZA: Pericolo di esplosione: Non tenere degli oggetti sui piani di cottura. Prevenzione contro il possibile rischio di incendio!

- Per prevenire il rischio di archi elettrici, assicurarsi che tutte le connessioni elettriche siano sicure e ben strette.
- Non usare cavi o prolunghe danneggiati.
- Assicurarsi che il liquido o l'umidità non accedano al punto di connessione elettrica.
- Per evitare perdite di gas, assicurarsi che la connessione del gas sia efficiente ed adeguata. Uso previsto
- Questo prodotto è stato progettato per l'uso domestico. L'uso commerciale annullerà la garanzia.

CAUTELA: Questo apparecchio è utilizzabile solo per cucinare. Non deve essere usato per altri scopi come riscaldare una stanza.

- Il produttore non è responsabile di eventuali danni causati da un uso improprio o da errori nell'utilizzo stesso. Sicurezza dei bambini

AVVERTENZA: Durante l'uso alcune parti potrebbero riscaldarsi. Tenere lontani i bambini.

- I materiali di imballaggio saranno pericolosi per i bambini. Tenere i materiali di imballaggio lontano dalla portata dei bambini. Si prega di smaltire tutte le parti dell'imballaggio secondo le norme ambientali.
- I prodotti elettrici e/o a gas sono pericolosi per i bambini. Tenere i bambini lontani dal prodotto quando è in funzione e non permettere loro di giocare con il prodotto.
- Non mettere sopra l'apparecchio nessun oggetto che i bambini possano raggiungere.

Importanti istruzioni di sicurezza e ambientali

1.2 Conformità alla direttiva WEEE e smaltimento dei rifiuti

Questo prodotto è conforme alla direttiva WEEE dell'EU (2012/19/EU). Questo prodotto porta un simbolo di classificazione per le Apparecchiature elettriche ed elettroniche di scarto (WEEE).



Il simbolo indica che, al termine della sua vita utile, questo prodotto non dovrà essere smaltito insieme ad altri rifiuti domestici. Il dispositivo da smaltire deve essere restituito al punto di raccolta ufficiale per il riciclaggio dei dispositivi elettrici ed elettronici. Per trovare questi punti di raccolta, contattare le autorità locali o il rivenditore presso il quale il prodotto è stato acquistato. Ogni nucleo familiare svolge un ruolo importante

nel recupero e nel riciclaggio delle apparecchiature vecchie. Uno smaltimento appropriato degli apparecchi usati aiuta a prevenire potenziali conseguenze negative per l'ambiente e la salute umana.

1.3 Conformità con la direttiva RoHS

Il prodotto acquistato è conforme alla Direttiva EU RoHS (2011/65/EU). Non contiene materiali dannosi e proibiti e indicati nella Direttiva.

1.4 Informazioni sull'imballaggio



I materiali che compongono l'imballaggio del prodotto sono realizzati a partire da materiali riciclabili in conformità con le nostre Normative Ambientali Nazionali. Non smaltire i materiali dell'imballaggio congiuntamente ai rifiuti domestici o ad altri rifiuti. Portarli presso i punti di raccolta imballaggi indicati dalle autorità locali.

1.5 Trasporto futuro

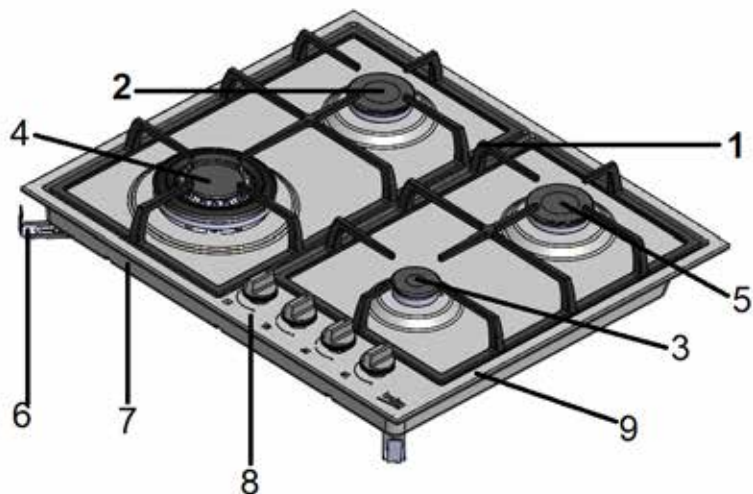
- Mantenere il contenitore originale del prodotto e trasportare il prodotto con il contenitore. Seguire le istruzioni presenti sul contenitore. Se non si dispone del contenitore originale, imballare il prodotto in pluriball o cartone spesso e fissarlo con del nastro adesivo.
- Fissare i coperchi e i supporti dei piatti con del nastro adesivo.



Controllare l'aspetto generale del prodotto per eventuali danni che potrebbero essersi verificati durante il trasporto.

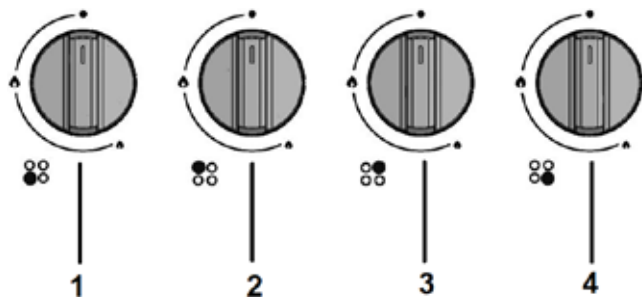
Il prodotto

2.1 Panoramica



1	Supporto piatto	6	Morsetto di montaggio
2	Brucciatore normale	7	Coperchio della base
3	Brucciatore ausiliario	8	Pannello di controllo
4	Brucciatore wok	9	Piastra del bruciatore
5	Brucciatore normale		

2.2 Pannello di controllo



beko

Il prodotto

1	Bruciatore wok centrale
2	Bruciatore normale Posteriore sinistro
3	Bruciatore normale Anteriore sinistro
4	Bruciatore ausiliario Anteriore destro



Gli accessori forniti possono variare a seconda del modello del prodotto. Non tutti gli accessori descritti nel manuale d'uso potrebbero coincidere con quelli presenti sul prodotto acquistato.

1- Manuale dell'utente

2- Adattatore per caffettiera

Usato per le caffettiere.



3- Adattatore per padella wok

Utilizzato per ospitare un padella wok con un fondo rotondo.



Specifiche tecniche

	Inox	Vetro
	HIYG 64225 SXO	HIYG 64225 SBO
Fuochi	4 bruciatori a gas	4 bruciatori a gas
Tensione/Frequenza	220-240 V ~ 50-60Hz	220-240 V ~ 50-60Hz
Tipo di cavo/sezione	H05V2V2-F 3 x 0,75 mm ²	H05V2V2-F 3 x 0,75 mm ²
Lunghezza del cavo	massima 1,5 m	massima 1,5 m
Categoria del prodotto a gas	2H3B/P 2H3+	2H3B/P 2H3+
Tipo/pressione del gas	GN G20/20 mbar	GN G20/20 mbar
Conversione del tipo di gas/pressione^s - opzionale	GPL G30/28-30 mbar Propano G31/37 mbar GN G20/10 mbar GN G20/13 mbar	GPL G30/28-30 mbar Propano G31/37 mbar GN G20/10 mbar GN G20/13 mbar
Posteriore sinistro/Bruciatore normale	1,75 kW	1,75 kW
Anteriore sinistro/Bruciatore normale	1,75 kW	1,75 kW
Centrale/Bruciatore wok	3,3 kW	3,3 kW
Anteriore destro/Bruciatore ausiliario	1 kW	1 kW
Consumo di gas totale	7,8 kW	7,8 kW
Consumo di gas GN G20/20 mbar	744 l/h	744 l/h
Consumo di gas	567 g/h	567 g/h
GPL G30/28-30 mbar	557 g/h	557 g/h
Propano G31/37 mbar		
Dimensioni esterne (altezza/larghezza/profondità)	99 x 580 x 510 mm	99 x 590 x 520 mm
Dimensioni di installazione (larghezza/profondità)	560 mm / 490 mm	560 mm / 490 mm



Le specifiche tecniche potrebbero essere modificate senza preavviso per migliorare la qualità del prodotto.



Le figure in questo manuale utente sono schematiche e potrebbero non corrispondere esattamente al prodotto.



I valori indicati sulle etichette del prodotto o nella documentazione che lo accompagna sono ottenuti in condizioni di laboratorio secondo le norme pertinenti. Questi valori potrebbero variare a seconda delle condizioni di funzionamento e ambientali del prodotto.

4.1 Tabella iniettore

Area del piano di cottura	Bruciatore ausiliario 1 kW	Bruciatore normale 1,75 kW	Bruciatore wok (3,3 kW)
Tipo di gas/pressione del gas			
G20/20 mbar GN	0,72 mm	0,97 mm	1,40 mm
G30/28-30 mbar G31/37 mbar	0,50 mm	0,66 mm	0,96 mm
G20/10 mbar	0,90 mm	1,18 mm	1,65 mm
G20/13 mbar	0,84 mm	1,10 mm	1,55 mm

Installazione

Il prodotto deve essere installato da una persona qualificata secondo le norme in vigore. Il produttore non è responsabile per i danni derivanti da procedure eseguite da persone non autorizzate, che potrebbero anche invalidare la garanzia.



La preparazione del luogo e l'installazione elettrica e del gas per il prodotto è sotto la responsabilità del cliente.



PERICOLO:

Il prodotto deve essere installato in conformità con tutte le normative locali in materia di gas e/o elettricità.



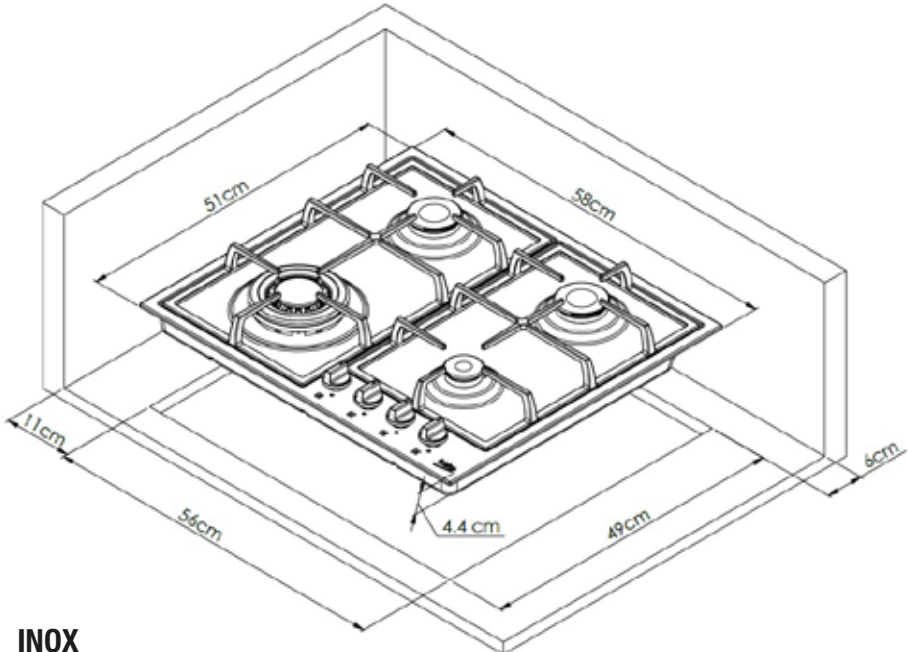
PERICOLO:

Prima dell'installazione, controllare visivamente la presenza di eventuali difetti del prodotto. In caso di danni, non procedere alla sua installazione. I prodotti danneggiati creano rischi per la sicurezza dell'utente.

5.1 Prima dell'installazione

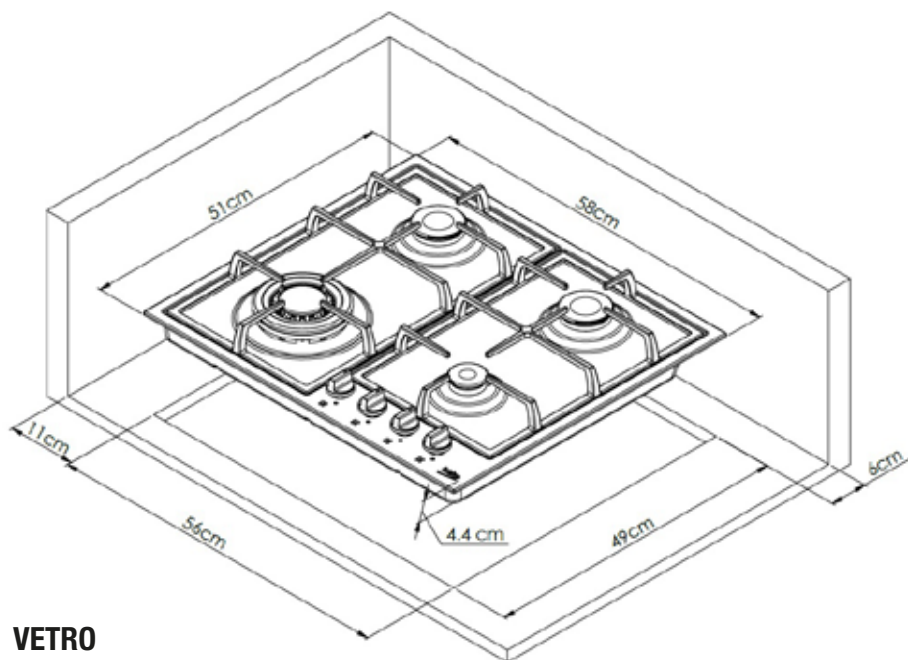
Il piano cottura è progettato per l'installazione in piani di lavoro disponibili in commercio. Lasciare una distanza di sicurezza tra il piano cottura e le pareti e i mobili. Vedere figura (valori in mm).

- Può anche essere usato in una posizione libera. Lasciare una distanza minima di 750 mm sopra la superficie del piano cottura.
- (*) Se sopra il piano cottura deve essere installata una cappa, fare riferimento alle istruzioni del produttore della cappa per quanto riguarda l'altezza di installazione (min 650 mm)
- Rimuovere i materiali di imballaggio e i lucchetti per il trasporto.
- Le superfici, i laminati sintetici e gli adesivi utilizzati devono essere resistenti al calore (100 °C minimo).
- Il piano di lavoro deve essere allineato e fissato orizzontalmente.
- Tagliare l'apertura per il piano cottura nel piano di lavoro secondo le dimensioni di installazione.



INOX

Installazione



VETRO

5.2 Ventilazione della stanza

Tutte le stanze richiedono una finestra apribile, o equivalente, e alcune stanze richiederanno anche uno sfiato permanente. L'aria necessaria per la combustione viene acquisita dall'aria della stanza e i gas risultanti vengono immessi direttamente nella stanza. Una buona ventilazione della stanza è essenziale per un funzionamento sicuro dell'apparecchio.

5.3 Stanze con porte e/o finestre che si aprono direttamente sull'ambiente esterno

Le porte e/o le finestre che si aprono direttamente sull'ambiente esterno devono avere una ventilazione totale delle dimensioni specificate nella tabella sottostante che si basa sulla potenza totale del gas dell'apparecchio (il consumo totale di gas dell'apparecchio è indicato nella tabella delle specifiche tecniche di questo manuale d'uso). Se le porte e/o le finestre non hanno un'apertura di ventilazione totale corrispondente al consumo totale di gas dell'apparecchio come specificato nella tabella qui sotto, allora ci deve essere assolutamente un'apertura di ventilazione fissa aggiuntiva nel locale per garantire il raggiungimento dei requisiti minimi di ventilazione

totale per il consumo totale di gas dell'apparecchio. L'apertura di ventilazione fissa può includere le aperture per i mattoni forati esistenti, la dimensione dell'apertura della cappa d'aspirazione, ecc.

Consumo di gas totale (kW)	Apertura di ventilazione min. (cm ²)
0-2	100
2-3	120
3-4	175
4-6	300
6-8	400
8-10	500
10-11,5	600
11,5-13	700
13-15,5	800
15,5-17	900
17-19	1000
19-24	1250

Installazione

5.4 Stanze che non hanno porte e/o finestre apribili che danno direttamente sull'ambiente esterno

Se la stanza in cui è installato l'apparecchio non ha una porta e/o una finestra che si apre direttamente sull'ambiente esterno, si devono cercare altri sistemi che forniscano sicuramente un'apertura di ventilazione fissa, non regolabile e non richiudibile che soddisfi i requisiti di apertura di ventilazione minima totale per il consumo totale di gas dell'apparecchio come indicato nella tabella precedente.

Se una stanza o uno spazio interno contiene più di un apparecchio a gas, oltre al requisito indicato nella tabella precedente, deve essere fornita un'area di ventilazione supplementare. La dimensione dell'area di ventilazione addizionale dovrà essere appropriata ai regolamenti di altri apparecchi a gas.

Sul bordo inferiore della porta che si apre verso l'ambiente interno della stanza in cui l'apparecchio è installato vi deve essere inoltre uno spazio minimo di 10 mm. È necessario assicurarsi che oggetti come tappeti e altri rivestimenti del pavimento, ecc, non influenzino lo spazio libero quando la porta è chiusa.

Il piano cottura potrà essere collocato in una cucina, in una cucina/sala da pranzo o in un salotto, ma non in una stanza che contiene una vasca da bagno o una doccia. Il piano cottura non deve essere installato in una camera da letto di meno di 20 m³.

5.5 Non installare questo apparecchio in una stanza sotto il livello del suolo, a meno che non sia aperto al livello del suolo su almeno un lato

Collegamento elettrico

Collegare il prodotto a una presa/linea con messa a terra protetta da un fusibile di capacità adeguata, come indicato nella Tabella delle "Specifiche tecniche". Far eseguire l'installazione di messa a terra da un elettricista qualificato utilizzando il prodotto con o senza trasformatore. La nostra azienda non sarà responsabile di eventuali danni che deriveranno dall'uso del prodotto senza installazione con messa a terra in conformità con le normative locali.

PERICOLO:



Il prodotto deve essere collegato alla rete elettrica solo da una persona autorizzata e qualificata. Il periodo di garanzia del prodotto inizia solo dopo una corretta installazione.

Il produttore non verrà ritenuto responsabile degli eventuali danni che potrebbero derivare da procedure eseguite da persone non autorizzate.

PERICOLO:



Il cavo di alimentazione non deve essere bloccato, piegato o intrappolato o entrare in contatto con le parti calde del prodotto.

Un cavo di alimentazione danneggiato deve essere sostituito da un tecnico elettricista qualificato. In caso contrario, vi sarà il rischio di scosse elettriche, cortocircuiti o incendi!

- La connessione deve essere conforme ai regolamenti nazionali.
- I dati dell'alimentazione di rete devono corrispondere a quelli specificati sulla targhetta del prodotto. La targhetta si trova nell'alloggiamento posteriore del prodotto.
- Il cavo di alimentazione del prodotto deve essere conforme ai valori della tabella delle "Specifiche tecniche".

PERICOLO:



Prima di iniziare qualsiasi lavoro sull'impianto elettrico, scollegare il prodotto dalla rete di alimentazione.

C'è rischio di scossa elettrica!



La spina del cavo di alimentazione deve essere a portata di mano dopo l'installazione (non farla passare sopra il piano cottura).

Inserire il cavo di alimentazione nella presa di corrente.

Installazione

Collegamento gas

PERICOLO:

Il prodotto può essere collegato alla rete del gas solo da una persona autorizzata e qualificata o da un tecnico con licenza.



Riparazioni non professionali possono provocare esplosione o intossicazione!

Il produttore non verrà ritenuto responsabile degli eventuali danni che potrebbero derivare da procedure eseguite da persone non autorizzate o prive di licenza.

PERICOLO:



Prima di iniziare qualsiasi lavoro sull'impianto a gas, scollegare l'alimentazione del gas.

Si rischiano esplosioni!

- Le condizioni e i valori di regolazione del gas sono indicati sulle etichette (o sull'etichetta del tipo di idone).



Il tipo di gas del prodotto è indicato sulla targhetta posta sul fondo del piano cottura.

Collegamento del tubo del gas per GN

- L'impianto del gas naturale deve essere preparato prima di installare il prodotto.
- All'uscita dell'installazione per il collegamento del gas naturale del prodotto vi deve essere un tubo (si consiglia di acquistare i tubi da un installatore autorizzato), questo deve essere conforme allo standard locale per il gas e la punta di questo tubo deve essere chiusa con un tappo cieco. Il rappresentante dell'assistenza rimuoverà il tappo cieco durante il collegamento e collegherà il prodotto per mezzo di un dispositivo di collegamento diretto (accoppiamento).
- Assicurarsi che la valvola del gas naturale sia facilmente accessibile.
- Se si ha bisogno di usare il prodotto successivamente con un tipo di gas diverso, per la relativa procedura di conversione, sarà necessario consultare l'agente di assistenza autorizzato.

Collegamento del tubo del gas per GPL

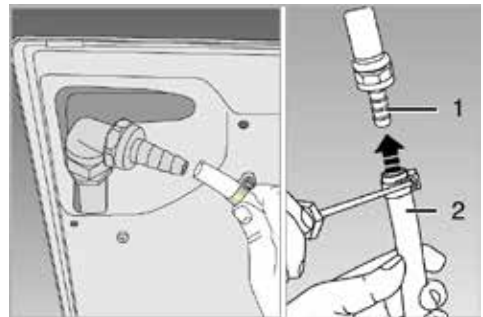
- Fare in modo che il prodotto sia collegato in modo che sia vicino alla connessione del gas e che non ci siano perdite di gas.
- Il tubo di plastica da utilizzare non deve essere più lungo di 125 cm.
- Installare il morsetto sul tubo. Immergere un'estremità del tubo (15 mm di diametro interno) in acqua bollente per un minuto per ammorbidirlo.
- Poi, far scivolare l'estremità ammorbidita del tubo completamente sulla punta affilata del prodotto. Infine, stringere completamente il morsetto con un cacciavite.
- Ripetere la stessa procedura per l'altra estremità del tubo e completare il collegamento della bombola del gas.
- Non dimenticare mai di effettuare il controllo delle perdite di gas.



PERICOLO:

Rischio di esplosione e soffocamento! Non tenere le bombole di GPL in casa.

- Se si ha bisogno di usare il prodotto successivamente con un tipo di gas diverso, per la relativa procedura di conversione, sarà necessario consultare l'agente di assistenza autorizzato.



1	Punta del tubo GPL
2	Tubo di plastica

Installazione

Controllo delle perdite nel punto di connessione

• Assicurarsi che tutte le manopole del prodotto siano spente. Assicurarsi che l'alimentazione del gas sia aperta. Preparare la schiuma saponata e applicarla sul punto di connessione del tubo per il controllo delle perdite di gas.

- La parte saponata schiumerà se c'è una perdita di gas. In questo caso, ispezionare ancora una volta la connessione del gas.



Non usare mai un fiammifero o un accendino per eseguire il controllo delle perdite di gas.

Se sotto il piano cottura è installato un forno da incasso;

• Il tubo del gas deve essere posato in modo che non tocchi il forno, i bordi taglienti o gli angoli sotto il piano cottura, o che non si attorcigli o si pieghi.

Se si esegue il collegamento del gas dal lato sinistro visto dalla propria posizione, fissare il tubo con delle fascette.



1 Vista dal basso

2 Punta del tubo

3 Tubo

4 Morsetto

5 Forno

Installazione del prodotto

1. Rimuovere i bruciatori, i coperchi dei bruciatori e le griglie del piano di cottura dal prodotto.

2. Capovolgendo il piano cottura, metterlo su una superficie piana.

3. Per evitare che sostanze estranee e liquidi penetrino tra il piano cottura e il bancone, applicare lo stucco fornito nella confezione sui contorni dell'alloggiamento inferiore del piano cottura, ma assicurarsi che lo stucco non si sovrapponga.

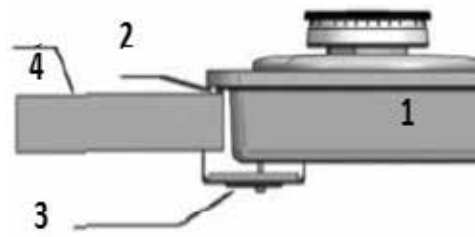
4. Riempire gli angoli formando delle curve agli angoli come illustrato nella figura. Formare una curva sufficiente, quanta ne serve per riempire lo spazio negli angoli.



Assicurarsi che i battiscopa dell'alloggiamento inferiore del piano cottura siano riempiti di stucco.

5. Girando di nuovo il piano di cottura, allinearlo e metterlo sul bancone.

6. È possibile fissare il piano cottura al bancone utilizzando il morsetto e le viti in dotazione.



1	Piano cottura
2	Stucco
3	Morsetto di installazione
4	Bancone

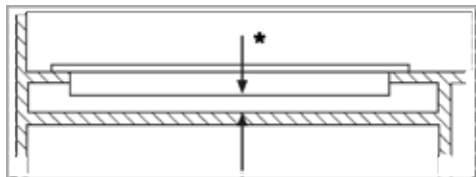
Lo spessore del bancone deve essere di almeno 40 mm.



Quando si installa il piano cottura su un mobile, è necessario installare un ripiano per separare il mobile dal piano cottura, come illustrato nella figura precedente. Questo non è necessario quando si installa su un forno da incasso.

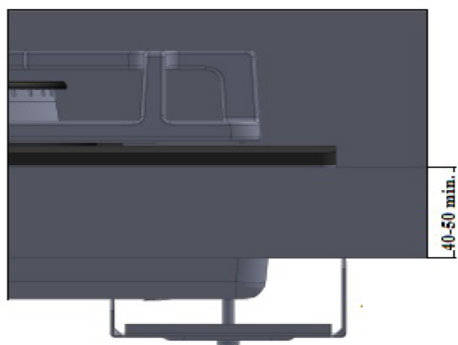
Ad esempio, se può toccare il lato inferiore del prodotto a causa dell'installazione su un cassetto, questa sezione deve essere chiusa con un piatto di legno.

Installazione

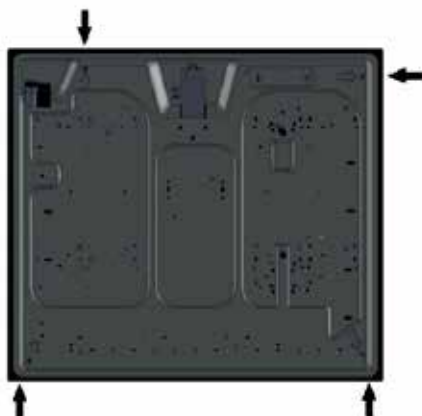


min. 25 mm.

Per i banchi con uno spessore di 40-50 mm, installare i morsetti come mostrato di seguito. Per garantire la ventilazione nella parte inferiore del piano di cottura, sarà necessario lasciare un'apertura di ventilazione sulla parte rimanente. Oltre ad essere necessario per le temperature dei componenti, questo processo è anche obbligatorio perché il bruciatore TC prenda aria dal basso. Può essere almeno "100 cm²".



Vista posteriore (fori di collegamento)



Dopo l'installazione, riposizionare le piastre dei bruciatori, i coperchi delle piastre dei bruciatori e le griglie nella loro sede.

PERICOLO:



Effettuare connessioni a diversi fori non è una buona pratica in termini di sicurezza poiché può danneggiare il sistema elettrico e del gas.

PERICOLO:



Sui piani di cottura vi sono componenti a gas ed elettrici. In questo caso, all'unità deve essere fissato solo il foro di collegamento mostrato in questo manuale e utilizzando i dispositivi di fissaggio e le viti in dotazione. La non osservanza di questa buona pratica è pericolosa per la sicurezza delle persone e delle cose.

Controllo finale

1. Aprire l'alimentazione del gas.
2. Controllare che le installazioni del gas siano sicure e a tenuta stagna.
3. Accendere i bruciatori e controllare l'aspetto della fiamma.



La fiamma deve essere blu e avere una forma regolare. Se la fiamma è giallognola, controllare se il coperchio del bruciatore è fissato bene o pulire il bruciatore.

Preparazione

Consigli per risparmiare energia

Le seguenti informazioni aiuteranno a utilizzare l'apparecchio in modo ecologico e a risparmiare energia:

- Scongelare i piatti congelati prima di cucinarli.
- Per cucinare, usare pentole con coperchio. Senza coperchio, il consumo di energia può aumentare di 4 volte.
- Selezionare il bruciatore adatto alle dimensioni del fondo della pentola da utilizzare. Scegliere sempre la dimensione corretta della pentola per i propri piatti. Pentole più grandi richiedono più energia.

Uso iniziale **Prima pulizia dell'apparecchio**



La superficie potrebbe essere danneggiata da alcuni detersivi o materiali pulenti.

Non usare detersivi aggressivi, polveri/ creme detersivi o oggetti appuntiti durante la pulizia.

Non utilizzare detersivi abrasivi o raschietti di metallo per pulire il vetro dello sportello per non rigare la superficie e causare la rottura del vetro.

1. Togliere tutti i materiali dell'imballaggio.
2. Pulire le superfici dell'apparecchio con un panno o una spugna umida e asciugare sempre con un panno.

Utilizzo del piano cottura

Informazioni generali sulla cucina



Non riempire mai la pentola con olio per più di un terzo. Non lasciare il piano cottura incustodito durante il riscaldamento di olio. Gli oli troppo caldi potrebbero causare un incendio. **Non tentare mai di spegnere eventuali fiamme con acqua!** Se l'olio dovesse prendere fuoco, coprirlo con una coperta antincendio o un panno umido. Spegnere il piano cottura se è sicuro farlo e chiamare i vigili del fuoco.

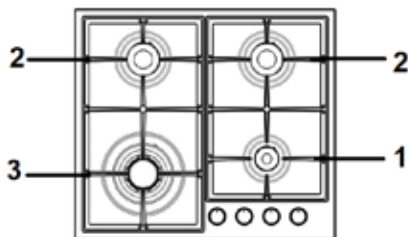
- Prima di friggere i cibi, asciugarli sempre bene e metterli delicatamente nell'olio caldo. Prima di friggere, assicurarsi del completo scongelamento dei cibi congelati.
- Non coprire il recipiente usato per riscaldare l'olio.
- Per evitare il riscaldamento dei manici, posizionare le pentole e le padelle in modo che i loro manici non siano sopra il piano di cottura. Non mettere sul piano cottura recipienti sbilanciati e facilmente inclinabili.
- Non mettere recipienti e pentole vuote sulle aree di cottura accese. Potrebbero danneggiarsi.
- Il funzionamento di un'area di cottura senza un recipiente o una pentola su di essa causerà danni al piano cottura. A fine cottura, spegnere le aree di cottura.
- Poiché la superficie del piano cottura può essere calda, non mettere sul piano cottura recipienti di plastica e alluminio. Tali recipienti non dovrebbero nemmeno essere usati per conservare gli alimenti.
- Usare solo padelle o recipienti a fondo piatto.
- Nelle pentole e nelle padelle mettere degli alimenti nella giusta quantità. Così, non si dovrà fare nessuna pulizia inutile e si eviterà che i piatti trabocchino. Sulle aree di cottura non posizionare i coperchi di padelle o pentole.

Posizionare le padelle in modo che siano centrate sull'area di cottura. Quando si spostare la padelle su un'altra area di cottura, sollevarla e metterla sull'area di cottura desiderata invece di trascinarla.

Cottura a gas

- Le dimensioni del recipiente e la fiamma devono corrispondere l'una all'altra. Regolare le fiamme del gas in modo che non vadano oltre il fondo del recipiente e centrare il recipiente sul supporto della pentola. Utilizzo del piano cottura

Utilizzo del piano cottura



1	Bruciatore ausiliario 12-16 cm
2	Bruciatore normale 16-18 cm
3	Bruciatore normale 16-18 cm
4	Bruciatore Wok 22-26 cm comprende l'elenco dei diametri consigliati delle pentole da utilizzare sui relativi bruciatori.

Il simbolo della fiamma grande indica la cottura più alta e il simbolo della fiamma piccola indica la cottura più bassa. In posizione spenta (in alto), i bruciatori non ricevono gas.

Accensione dei bruciatori a gas

1. Tenere premuta la manopola del bruciatore.
2. Girare in senso antiorario fino al simbolo della fiamma grande. Il gas si accende contemporaneamente alla produzione di una scintilla.
3. Regolarlo alla potenza di cottura desiderata.

Spegnimento dei bruciatori a gas

Girare la manopola dell'area "keep warm" su spento (in alto).

Sistema di sicurezza di chiusura del gas (nei modelli con componente termica)



Sicurezza della chiusura del gas

Utilizzo del piano cottura

Come contromisura rispetto allo scoppio dovuto al traboccamento del fluido nei bruciatori, si attiva un meccanismo di sicurezza che chiude il flusso di gas.

- Premere la manopola verso l'interno e ruotarla in senso antiorario.
- Dopo l'accensione del gas, tenere premuta la manopola per altri 3-5 secondi per attivare il sistema di sicurezza.
- Se dopo aver premuto e rilasciato la manopola il gas non si accende, ripetere la stessa procedura tenendo la manopola premuta per 15 secondi.

PERICOLO:



Rilasciare il pulsante se il bruciatore non si accende entro 15 secondi.

Aspettare almeno 1 minuto prima di riprovare. Si rischiano accumulo di gas e esplosioni!

Bruciatore wok

I bruciatori wok aiutano a cucinare più velocemente. Il wok, che è particolarmente usato nella cucina asiatica, è una specie di padella profonda e piatta fatta di lamiera, che è usata per cuocere verdure e carne tritate a fiamma forte in poco tempo.

Poiché in queste padelle che conducono il calore rapidamente e uniformemente i pasti sono cucinati a fiamma forte e in un tempo molto breve, viene conservato il valore nutrizionale del cibo e le verdure rimangono croccanti.

Si può usare il bruciatore wok anche per padelle normali. Se si vuole usare una padella normale sul bruciatore wok, è necessario togliere il supporto della padella wok dal piano di cottura.



Manutenzione e cura

7.1 Avvertenze generali

- Aspettare che il piano cottura si raffreddi prima di pulirlo. Le superfici calde potrebbero causare ustioni!
- Non applicare i detergenti direttamente sulle superfici calde. Potrebbero causare macchie permanenti.
- L'apparecchio deve essere accuratamente pulito e asciugato dopo ogni utilizzo. In questo modo si pulirà il piano cottura da residui di cibo e si eviterà che gli stessi bruciano al nuovo utilizzo del piano cottura. Così, si garantirà una durata maggiore del piano cottura e si ridurrà la frequenza di eventuali problemi.
- Per la pulizia non usare un pulitore a vapore
- Alcuni detergenti o pulitori potrebbero danneggiare la superficie. Durante la pulizia, non usare detergenti abrasivi, polveri detergenti, creme detergenti, decalcificanti o oggetti appuntiti.
- Per la pulizia dopo ogni utilizzo, non c'è bisogno di un detergente speciale. Pulire il piano cottura con sapone per piatti, acqua calda e un panno morbido o una spugna e asciugare con un panno in microfibra asciutto.
- Assicurarsi di asciugare completamente qualsiasi liquido residuo dopo la pulizia e pulire immediatamente qualsiasi schizzo di cibo durante la cottura.
- Non pulire alcun componente del piano cottura in lavastoviglie.

Per il piano cottura

- Lo sporco acido come il latte, il concentrato di pomodoro e l'olio potrebbero causare macchie permanenti sui fornelli e sui componenti dei bruciatori; per questo pulire i liquidi fuoriusciti immediatamente dopo aver spento e fatto raffreddare il fornello.
- I recipienti di tipo wok usati ad alte temperature potrebbero cambiare colore. Non si tratta di un'anomalia di funzionamento.
- Lo spostamento di alcune pentole potrebbe causare segni di metallo sulle presine. Non far scivolare le pentole e le padelle sulla superficie.
- Poiché i coperchi dei bruciatori sono a contatto diretto con il fuoco ed esposti ad alte temperature, il cambiamento e la perdita di colore nel tempo sono normali. Questo non crea problemi nell'uso del fornello.

Superfici inox e inossidabili

- Non utilizzare detergenti contenenti acidi o cloro per pulire le superfici e le maniglie in acciaio inossidabile.
- La superficie inossidabile o inox potrebbe cambiare colore nel tempo. Non si tratta di un'anomalia di funzionamento. Dopo ogni operazione, pulire con un detergente adatto alla superficie

inossidabile o inox.

- Pulire con un panno morbido e sapone e un detergente liquido (non graffiante) adatto alle superfici inox, avendo cura di strofinare in una sola direzione.
- Rimuove immediatamente e senza aspettare le macchie di calcare, olio, amido, latte e proteine sulle superfici in inox e vetro. Le macchie potrebbero arrugginire se lasciate per lunghi periodi di tempo.

Superfici di vetro

- Quando si puliscono le superfici di vetro, non usare raschietti di metallo duro e materiali di pulizia abrasivi. Possono danneggiare la superficie in vetro.

Pulire il piano cottura con detersivo per piatti, acqua calda e un panno in microfibra specifico per superfici in vetro e asciugarlo con un panno in microfibra asciutto.

- Se dopo la pulizia c'è un residuo di detergente, pulire con acqua fredda e asciugare con un panno in microfibra pulito e asciutto. I residui di detergente potrebbero danneggiare la superficie del vetro.
- In nessun caso i residui secchi sulla superficie del vetro devono essere puliti con coltelli a serramanico, lana metallica o strumenti simili per graffiare.
- È possibile rimuovere le macchie di calcio (macchie gialle) sulla superficie del vetro con il decalcificante disponibile in commercio, con un decalcificante come l'aceto o il succo di limone.
- Se la superficie è molto sporca, applicare il detergente sulla macchia con una spugna e aspettare molto tempo perché il detergente possa agire. Pulire quindi la superficie in vetro con un panno bagnato.
- Discromie e macchie sulla superficie del vetro sono normali e non sono difetti.

Parti in plastica e superfici verniciate

- Pulire le parti in plastica e le superfici verniciate con detergente per piatti, acqua calda e un panno morbido o una spugna e asciugarle con un panno asciutto.
- Non usare raschietti di metallo duro e detergenti abrasivi. Si potrebbero danneggiare le superfici.
- Assicurarsi che le giunture dei componenti del piano cottura non siano lasciate umide e con detergente. In caso contrario, su queste giunture potrebbe formarsi della ruggine.

Manutenzione e cura

7.2 Pulizia del piano cottura

Pulizia dei bruciatori a gas

1. Prima di pulire il piano cottura, rimuovere le presine, i coperchi dei bruciatori e le testine dal piano cottura.

2. Pulire la superficie del piano cottura secondo le raccomandazioni incluse nelle informazioni generali di pulizia in base al tipo di superficie (smaltata, vetro, inox, ecc.).

3. Pulire la camera del bruciatore con un panno imbevuto di detergente o con una spazzola morbida e che non graffi. Assicurarsi che non rimangano residui di cibo.

4. Pulire le candele e gli elementi termici (nei modelli con accensione ed elemento termico) con un panno ben strizzato. Quindi asciugare con un panno pulito. Fare attenzione che la candela e l'elemento termico siano completamente asciutti.

5. Pulire i coperchi e le testine dei bruciatori con acqua detergente dopo ogni utilizzo e poi asciugarli.

6. Per le macchie persistenti, tenere i coperchi e le testine dei bruciatori in acqua detergente o in acqua calda e saponata per almeno 15 minuti. Pulire con una spazzola non metallica e che non graffi.

7. Per le parti interne del del forno e le griglie si possono usare i detersivi Quick&Shine, usati sulle superfici smaltate e raccomandati dal servizio autorizzato, specialmente per le macchie persistenti sui coperchi dei bruciatori smaltati.

8. Durante la pulizia, non toccare i coperchi dei bruciatori con detersivi aggressivi come i detersivi per le parti interne del forno e i disincrostanti in quanto questo potrebbe causare il loro scolorimento.

9. Pulire le presine con acqua detergente e una spazzola morbida e non graffiante dopo ogni utilizzo e poi asciugarle.

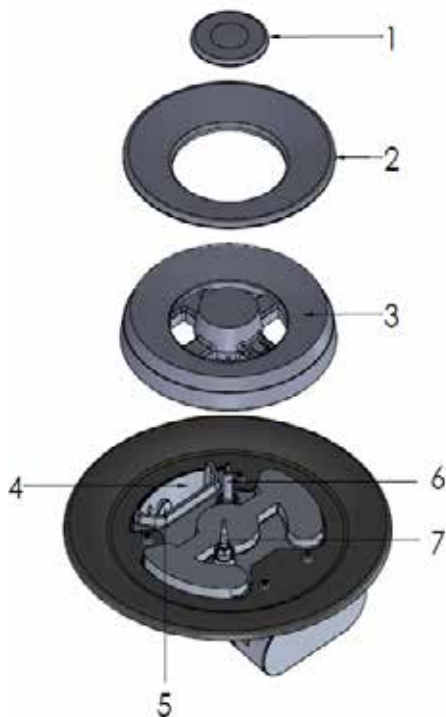
10. Quando i coperchi del bruciatore e le presine sono usati quando sono ancora bagnati, potrebbero verificarsi macchie persistenti di calcare a causa del calore. Assicurarsi che si siano asciugati prima dell'utilizzo.

11. Posizionare nell'ordine le testine dei bruciatori, i coperchi e le presine.

12. Quando si posizionano le presine, assicurarsi che stiano al centro dei bruciatori.

Montaggio delle parti del bruciatore

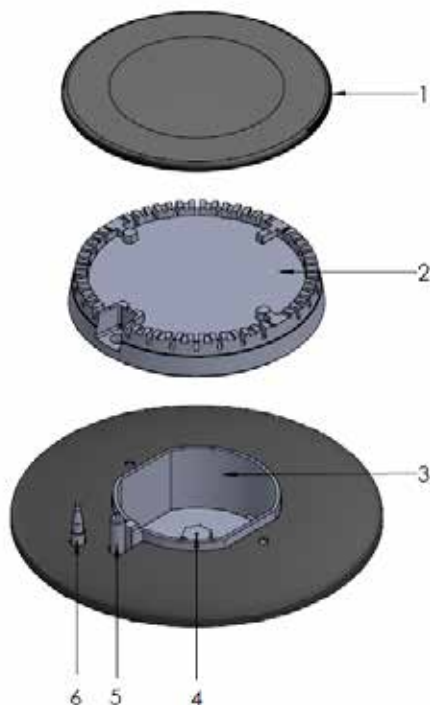
Posizionare le parti come nella figura dopo aver pulito i bruciatori.



1	Coperchio interno del bruciatore
2	Coperchio esterno del bruciatore
3	Testina del bruciatore
4	Camera del bruciatore
5	Iniettore
6	Candela (nei prodotti con accenditore)
7	Elemento termico (nei prodotti con elemento termico)

Manutenzione e cura

Montaggio delle parti del bruciatore



1	Coperchio del bruciatore
2	Testina del bruciatore
3	Camera del bruciatore
4	Iniettore
5	Candela (nei prodotti con accenditore)
6	Elemento termico (nei prodotti con elemento termico)

1. Posizionare la testina del bruciatore assicurandosi che passi attraverso la candela del bruciatore (4). Ruotare la testina del bruciatore a destra e a sinistra per assicurarsi che sia posizionata nella camera del bruciatore.

2. Posizionare il coperchio del bruciatore sulla testina del bruciatore.

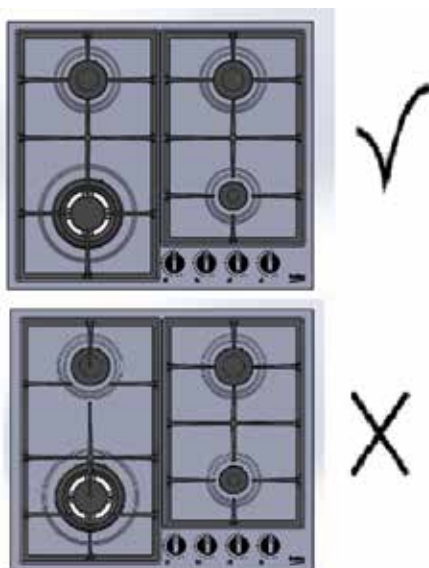
Pulizia del pannello di controllo

• Quando si puliscono i pannelli con comando a manopola, pulire il pannello e le manopole con un panno morbido umido e asciugare con un panno asciutto. Non rimuovere le manopole e

le guarnizioni sottostanti per pulire il pannello di controllo. Il pannello di controllo e le manopole potrebbero danneggiarsi.

• Durante la pulizia dei pannelli inox con comando a manopola, non usare detergenti inox intorno alle manopole. Gli indicatori intorno alle manopole potrebbero cancellarsi.

• Pulire i pannelli di controllo tattili con un panno morbido umido e asciugare con un panno asciutto. Se l'apparecchio ha una funzione di blocco dei tasti, impostare tale funzione prima di eseguire la pulizia del pannello di controllo. In caso contrario, potrebbe essere inviati comandi non voluti.



In caso di traboccamento, spegnere immediatamente il bruciatore. Rimuovere le pentole e i supporti delle padelle su di esso. Pulire il materiale traboccato con un panno asciutto e assorbente. Fare attenzione a non far entrare liquidi nei bruciatori. Pulire anche l'interno dei bruciatori se è entrato del liquido. Non rimettere in funzione il piano cottura prima di averlo pulito.

Risoluzione dei problemi

Mentre il prodotto si riscalda e si raffredda si avverte un suono metallico.

- Quando le parti metalliche sono riscaldate, possono espandersi e fare rumore. >>> Non si tratta di un'anomalia di funzionamento.

Non c'è scintilla di accensione.

- La corrente è stata interrotta. >>> Controllare i fusibili nella scatola dei fusibili.

Il prodotto produce continuamente scintille.

- I fluidi versati potrebbero essere penetrati nel meccanismo di accensione sotto le manopole di controllo. >>> Scollegare il prodotto e attendere che si raffreddi.

Non c'è gas.

- La valvola principale del gas è chiusa. >>> Aprire la valvola del gas.
- Il tubo si è inclinato. >>> Installare correttamente il tubo del gas.

I bruciatori non bruciano o non bruciano correttamente.

- I bruciatori sono sporchi. >>> Pulire i componenti del bruciatore.
- I bruciatori sono bagnati. >>> Asciugare i componenti dei bruciatori
- Il coperchio del bruciatore non è posizionato in modo sicuro. >>> Posizionare correttamente il coperchio del bruciatore.
- La valvola principale del gas è chiusa. >>> Aprire la valvola del gas.
- La bombola del gas è vuota (quando si usa il GPL). >>> Sostituire la bombola del gas.
- La manopola/pulsante del bruciatore non è stata tenuta sufficientemente premuta durante l'accensione. >>> Accendere il bruciatore tenendo premuto per almeno 3-5 secondi.



Consultate il call center se non si riesce a risolvere il problema anche se si sono seguite le istruzioni di questa sezione. Non cercare mai di riparare da soli il prodotto difettoso.

Manutenzione e cura

Marca	BEKO			
Tipo di piano cottura	Piano cottura a incasso			
		Inox	Vetro	
Modello		HIYG 64225 SXO	HIYG 64225 SBO	
	Simbolo	Valore	Valore	Unità
Numero dei bruciatori a gas		4	4	
Efficienza energetica del bruciatore destro posteriore	Bruciatore alimentato a gas EE	63,4	61,7	%
Efficienza energetica del bruciatore destro anteriore	Bruciatore alimentato a gas EE	-	-	%
Efficienza energetica del bruciatore sinistro anteriore	Bruciatore alimentato a gas EE	58,4	54,8	%
Efficienza energetica del bruciatore sinistro posteriore	Bruciatore alimentato a gas EE	63,4	61,7	%
Efficienza energetica del bruciatore centrale	Bruciatore alimentato a gas EE	-	-	%
Efficienza energetica del bruciatore centrale anteriore	Bruciatore alimentato a gas EE	-	-	%
Efficienza energetica del bruciatore centrale posteriore	Bruciatore alimentato a gas EE	-	-	%
Efficienza energetica del bruciatore sinistro	Bruciatore alimentato a gas EE	-	-	%
Efficienza energetica del piano cottura a gas	Piano cottura alimentato a gas EE	61,7	59,4	%

Sulla base della Direttiva n. 2009/125/CE sui requisiti per la progettazione eco-compatibile dei prodotti connessi all'energia, le informazioni sul prodotto che seguono sono fornite in conformità al Regolamento della Commissione dell'Unione Europea n. (UE) 66/2014 per quanto riguarda i requisiti per la progettazione eco-compatibile dei piani cottura domestici.

Le misure e i calcoli sono specificati in linea con lo standard indicato di seguito e in conformità con i requisiti di progettazione eco-compatibile e sempre con l'obiettivo di specificare le caratteristiche del prodotto.

EN 30-2

Citiți mai întâi acest manual de utilizare!

Stimate client,

Vă mulțumim că ați ales acest aparat Beko. Sperăm că veți obține cele mai bune rezultate de la aparatul dumneavoastră, care a fost fabricat cu tehnologie de înaltă calitate și de ultimă generație. Din acest motiv, vă rugăm să studiați cu atenție întregul manual de utilizare și toate celelalte documente însoțitoare înainte de a utiliza aparatul și să îl păstrați ca referință pentru o ulterioară utilizare. Dacă predați aparatul altcuiva, oferiți și manualul de utilizare. Urmați instrucțiunile acordând atenție tuturor informațiilor și avertismentelor din manualul de utilizare.

Rețineți că acest manual de utilizare poate fi valabil și pentru alte modele. Diferențele dintre modele sunt descrise în mod explicit în manual.

Semnificațiile simbolurilor

Următoarele simboluri sunt folosite în diferite secțiuni ale prezentului manual de utilizare:



Informații importante și sugestii utile despre utilizare.



AVERTIZARE: Avertizări pentru situații periculoase privind siguranța vieții și bunurilor.



Avertizare pentru pericol de incendiu.



Avertisment privind pericolul de electrocutare.



Clasă de protecție împotriva electrocutării.



Acest aparat a fost fabricat în unități de producție moderne, ecologice, fără a provoca daune naturii.