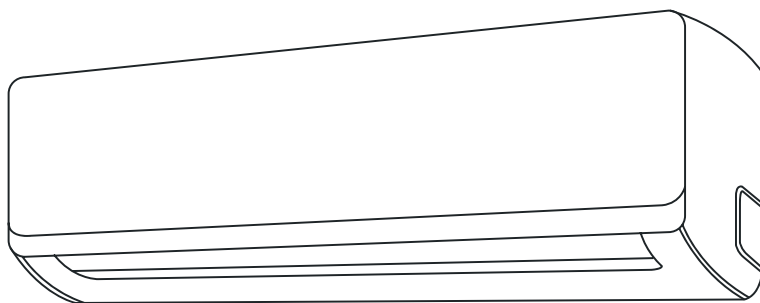


Split-type room air conditioner

User Manual



BEWPI 090 | BEWPI 091 | BEWPI 120 | BEWPI 121
BEWPI 180 | BEWPI 181 | BEWPI 240 | BEWPI 241

EN | FR | IT | ES | PT



Please read this user manual first!

Dear Customer,

Thank you for preferring a Beko product. We hope that you get the best results from your product which has been manufactured with high quality and state-of-the-art technology. Therefore, please read this entire user manual and all other accompanying documents carefully before using the product and keep it as a reference for future use. If you handover the product to someone else, give the user manual as well. Follow all warnings and information in the user manual.

Meanings of the symbols


Following symbols are used in the various section of this manual:


	Important information or useful hints about usage.
--	--


	Warning for hazardous situations with regard to life and property.
--	--

	This symbol shows that the operation manual should be read carefully.
--	---

	This symbol shows that a service personnel should be handling this equipment with reference to the installation manual.
---	---

	
--	--

	This symbol shows that information is available such as the operating manual or installation manual.
---	--

	Risk of fire/flammable materials This symbol shows that this appliance used a flammable refrigerant. If the refrigerant is leaked and exposed to an external ignition source, there is a risk of fire. (For the unit adopts R32/R290 Refrigerant only)
--	---



This product has been produced in environmentally friendly, modern facilities

Complies with the WEEE Regulation.



Does not contain PCB.

CONTENTS

1	Safety instructions	4
2	Unit specifications and features	7
2.1	Unit parts	7
2.2	Achieving optimal performance	8
2.3	Inverter split type	8
2.4	Fixed-speed type	9
2.5	Other features	9
3	Manual operation (without remote)	14
3.1	How to operate your unit without the remote control	14
4	Care and maintenance	15
4.1	Cleaning your indoor unit	15
4.2	Cleaning your air filter	15
4.3	Air filter reminders (optional)	17
4.3.1	Air filter cleaning reminder	17
4.3.2	Air filter replacement reminder	17
4.4	Maintenance - long periods of non-use	18
4.5	Maintenance - pre-season inspection	19
5	Troubleshooting	20
5.1	Common issues	20
5.2	Troubleshooting	22
6	European disposal guidelines	24
7	Installation instructions	25
7.1	F-Gas instruction	25
8	Specification	26

1 Safety instructions

WARNING:

Servicing shall only be performed as recommended by the equipment manufacturer. Maintenance and repair requiring the assistance of other skilled personnel shall be carried out under the supervision of the person competent in the use of flammable refrigerants. For more details, please refer to the "Information on servicing" on "INSTALLATION MANUAL" (This is only required for the unit adopts R32/R290 Refrigerant)

Read safety precautions before installation

Incorrect installation due to ignoring instructions can cause serious damage or injury.

The seriousness of potential damage or injuries is classified as **Warning**.

Warning

- This appliance can be used by children aged from 8 years and above and persons with reduced physical, sensory or mental capabilities or lack of experience and knowledge if they have been given supervision or instruction concerning use of the appliance in a safe way and understand the hazards involved. Children shall not play with the appliance. Cleaning and user maintenance shall not be made by children without supervision.

Installation warnings

- Ask an authorized dealer to install this air conditioner. Inappropriate installation may cause water leakage, electric shock, or fire.
- All repairs, maintenance and relocation of this unit must be performed by an authorized service technician. Inappropriate repairs can lead to serious injury or product failure.

1 Safety instructions

Warnings for product use

- If an abnormal situation arises (like a burning smell), immediately turn off the unit and pull the power plug. Call your dealer for instructions to avoid electric shock, fire or injury.
- **Do not** insert fingers, rods or other objects into the air inlet or outlet. This may cause injury, since the fan may be rotating at high speeds.
- **Do not** use flammable sprays such as hair spray, lacquer or paint near the unit. This may cause fire or combustion.
- **Do not** operate the air conditioner in places near or around combustible gases. Emitted gas may collect around the unit and cause explosion.
- **Do not** operate the air conditioner in a wet room (e.g., bathroom or laundry room). This can cause electrical shock and cause the product to deteriorate.
- **Do not** expose your body directly to cool air for a prolonged period of time.

Electrical warnings

- Only use the specified power cord. If the power cord is damaged, it must be replaced by the manufacturer or certified service agent.
- Keep power plug clean. Remove any dust or grime that accumulates on or around the plug. Dirty plugs can cause fire or electric shock.
- **Do not** pull power cord to unplug unit. Hold the plug firmly and pull it from the outlet. Pulling directly on the cord can damage it, which can lead to fire or electric shock.

1 Safety instructions

- **Do not** use an extension cord, manually extend the power cord, or connect other appliances to the same outlet as the air conditioner. Poor electrical connections, poor insulation, and insufficient voltage can cause fire.

Cleaning and maintenance warnings

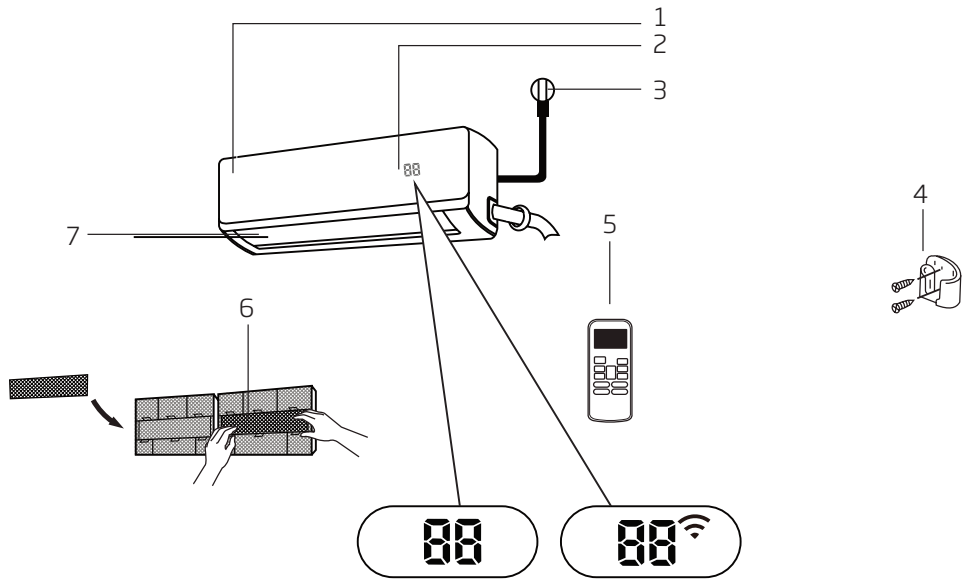
- Turn off the device and pull the plug before cleaning. Failure to do so can cause electrical shock.
- **Do not** clean the air conditioner with excessive amounts of water.
- **Do not** clean the air conditioner with combustible cleaning agents. Combustible cleaning agents can cause fire or deformation.

Warning

- If the air conditioner is used together with burners or other heating devices, thoroughly ventilate the room to avoid oxygen deficiency.
- Turn off the air conditioner and unplug the unit if you are not going to use it for a long time.
- Turn off and unplug the unit during storms.
- Make sure that water condensation can drain unhindered from the unit.
- **Do not** operate the air conditioner with wet hands. This may cause electric shock.
- **Do not** use device for any other purpose than its intended use.
- **Do not** climb onto or place objects on top of the outdoor unit.
- **Do not** allow the air conditioner to operate for long periods of time with doors or windows open, or if the humidity is very high.

2 Unit specifications and features

2.1 Unit parts



1. Front Panel
2. Display window
3. Power Cable (Some Units)
4. Remote control Holder (Some Units)
5. Remote Control
6. Functional Filter (On Front of Main Filter - Some Units)
7. Louver

Display code meanings

"01" for 3 seconds when:

- TIMER ON is set
- FRESH, SWING, TURBO, SILENCE or SOLAR PV ECO features are turned on

"0F" for 3 seconds when:

- TIMER OFF is set
- FRESH, SWING, TURBO, SILENCE or SOLAR PV ECO features are turned off

"cF" when anti-cold air feature is turned on

"dF" when defrosting

"Sc" when unit is self-cleaning

"FP" when freeze protection is turned on

2 Unit specifications and features

"" when wireless Control feature is activated (some units)

"" When ECO function(optional) is activated, the  illuminates gradually one by one as E--C--O --set temperature--E..... in one second interval.

In Fan mode, the unit will display the room temperature.

In other modes, the unit will display your temperature setting.



Note: A guide on using the infrared remote is not included in this literature package.

2.2 Achieving optimal performance

Optimal performance for the COOL, HEAT, and DRY modes can be achieved in the following temperature ranges. When your air conditioner is used outside of these ranges, certain safety protection features will activate and cause the unit to perform less than optimally.

2.3 Inverter split type

	COOL mode	HEAT mode	DRY mode
Room temperature	17°C - 32°C (63°F - 90°F)	0°C - 30°C (32°F - 86°F)	10°C - 32°C (50°F - 90°F)
Outdoor temperature	0°C - 50°C (32°F - 122°F)	-15°C - 30°C (5°F - 86°F)	0°C - 50°C (32°F - 122°F)
	-15°C - 50°C (5°F - 122°F) (For models with low temp. cooling systems.)		
	0°C - 60°C (32°F - 140°F) (For special tropical models)		0°C - 60°C (32°F - 140°F) (For special tropical models)

For outdoor units with auxiliary electric heater

When outside temperature is below 0°C (32°F), we strongly recommend keeping the unit plugged in at all time to ensure smooth ongoing performance.

2 Unit specifications and features

2.4 Fixed-speed type

	COOL mode	HEAT mode	DRY mode
Room temperature	17° - 32°C (63° - 90°F)	0° - 30°C (32° - 86°F)	10° - 32°C (50° - 90°F)
Outdoor temperature	18° - 43°C (64° - 109°F)	-7° - 24°C (19° - 75°F)	11° - 43°C (52° - 109°F)
	-7° - 43°C (19° - 109°F) (For models with low-temp cooling systems)		18° - 43°C (64° - 109°F)
	18° - 54°C (64° - 129°F) (For special tropical models)		18° - 54°C (64° - 129°F) (For special tropical models)

To further optimize the performance of your unit, do the following:

- Keep doors and windows closed.
- Limit energy usage by using TIMER ON and TIMER OFF functions.
- Do not block air inlets or outlets.
- Regularly inspect and clean air filters.

For a detailed explanation of each function, refer to the **Remote Control Manual**.

2.5 Other features

• Auto-restart

If the unit loses power, it will automatically restart with the prior settings once power has been restored.

• Anti-mildew (some units)

When turning off the unit from COOL, AUTO (COOL), or DRY modes, the air conditioner will continue operate at very low power to dry up condensed water and prevent mildew growth.

• Wireless control (some units)

Wireless control allows you to control your air conditioner using your mobile phone and a Wireless connection.

• Louver angle memory (some units)

When turning on your unit, the louver will automatically resume its former angle.

• Refrigerant leakage detection (some units)

The indoor unit will automatically display "EC" when it detects refrigerant leakage.

For a detailed explanation of your unit's advanced functionality (such as TURBO mode and its self-cleaning functions), refer to the **Remote Control Manual**.

**Note:**

Illustrations in this manual are for explanatory purposes. The actual shape of your indoor unit may be slightly different. The actual shape shall prevail.

• Setting angle of air flow**Setting vertical angle of air flow**

While the unit is on, use the **SWING/DIRECT** button to set the direction (vertical angle) of airflow.

1. Press the **SWING/DIRECT** button once to activate the louver. Each time you press the button, it will adjust the louver by 6°. Press the button until the direction you prefer is reached.
2. To make the louver swing up and down continuously, press and hold the **SWING/DIRECT** button for 3 seconds. Press it again to stop the automatic function.

Setting horizontal angle of air flow

The horizontal angle of the airflow must be set manually. Grip the deflector rod (**See Fig.B**) and manually adjust it to your preferred direction.

For some units, the horizontal angle of the airflow can be set by remote control, please refer to the Remote Control Manual.

**Note on louver angles:**

When using COOL or DRY mode, do not set louver at too vertical an angle for long periods of time. This can cause water to condense on the louver blade, which will drop on your floor or furnishings. (**See Fig.A**)

When using COOL or HEAT mode, setting the louver at too vertical an angle can reduce the performance of the unit due to restricted air flow.

Do not move louver by hand. This will cause the louver to become out of sync. If this occurs, turn off the unit and unplug it for a few seconds, then restart the unit. This will reset the louver.

2 Unit specifications and features

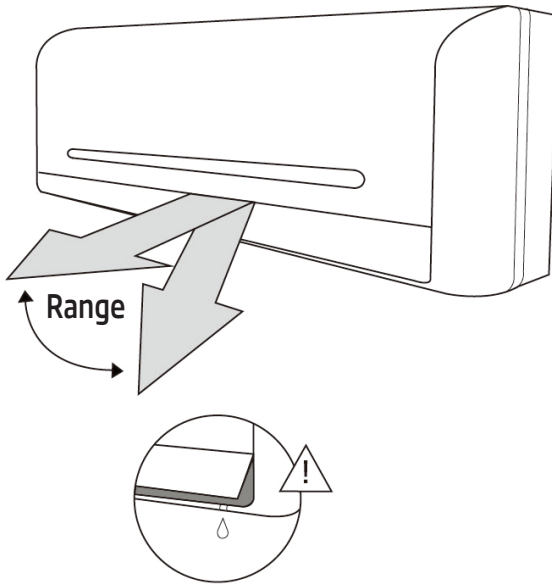


Fig. A



Warning

Do not keep louver at too vertical an angle for long periods of time. This can cause water condensation to drip on your furnishings.



Warning

Do not put your fingers in or near the blower and suction side of the unit. The high-speed fan inside the unit may cause injury.

2 Unit specifications and features

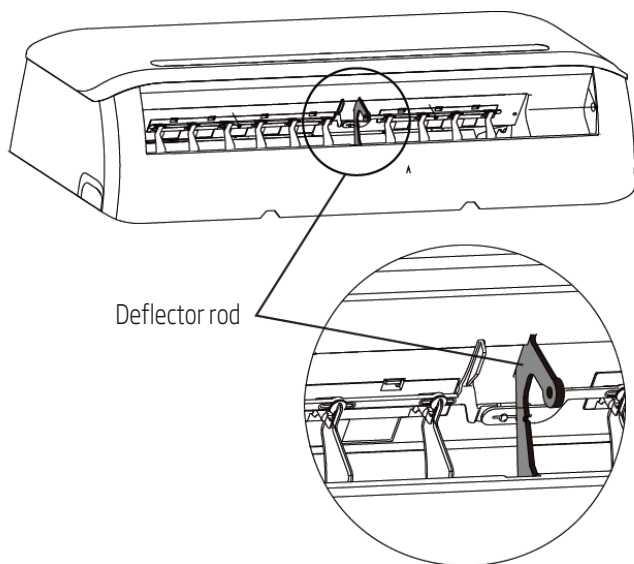


Fig. B

2 Unit specifications and features

• Sleep operation

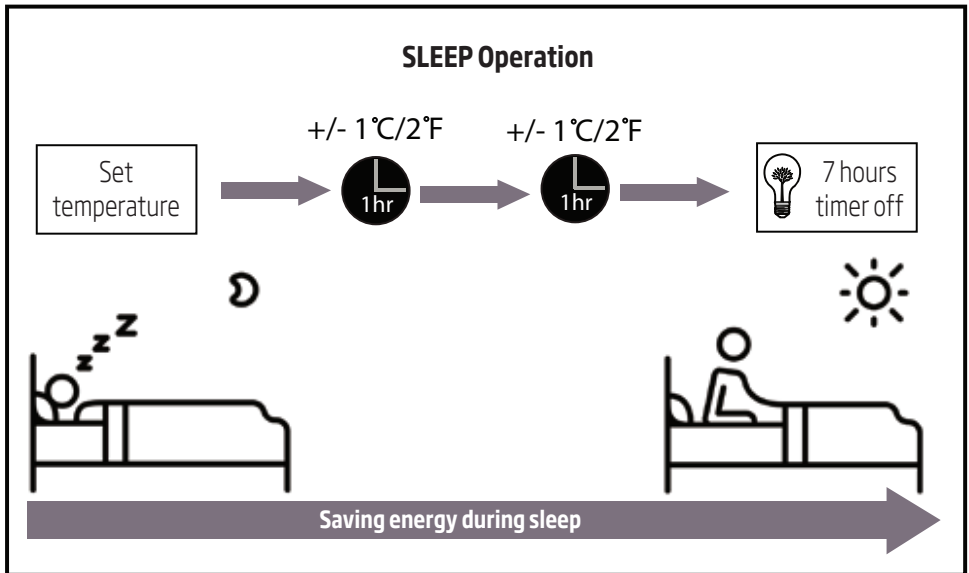
The SLEEP function is used to decrease energy use while you sleep (and don't need the same temperature settings to stay comfortable). This function can only be activated via remote control.

Press the **SLEEP** button when you are ready to go to sleep. When in COOL mode, the unit will increase the temperature by 1°C (2°F) after 1 hour, and will increase an additional 1°C (2°F) after another hour. When in HEAT mode, the unit will decrease the temperature by 1°C (2°F) after 1 hour, and will decrease an additional 1°C (2°F) after another hour.

It will hold the new temperature for 5 hours, then the unit will turn off automatically.



Note: The SLEEP function is not available in FAN or DRY mode.



3 Manual operation (without remote)

3.1 How to operate your unit without the remote control

In the event that your remote control fails to work, your unit can be operated manually with the **MANUAL CONTROL** button located on the indoor unit. Note that manual operation is not a long-term solution, and that operating the unit with your remote control is strongly recommended.

Before manual operation

Unit must be turned off before manual operation.

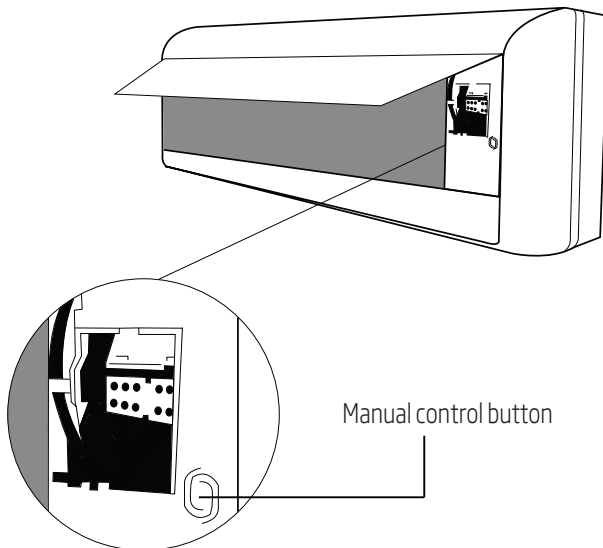
To operate your unit manually:

1. Open the front panel of the indoor unit.
2. Locate the **MANUAL CONTROL button** on the right-hand side of the unit.
3. Press the **MANUAL CONTROL button** one time to activate FORCED AUTO mode.
4. Press the **MANUAL CONTROL button** again to activate FORCED COOLING mode.
5. Press the **MANUAL CONTROL button** a third time to turn the unit off.
6. Close the front panel.



Warning

The manual button is intended for testing purposes and emergency operation only. Please do not use this function unless the remote is lost and it is absolutely necessary. To restore regular operation, use the remote control to activate the unit.



4 Care and maintenance

4.1 Cleaning your indoor unit



Before cleaning or maintenance

Always turn off your air conditioner system and disconnect its power supply before cleaning or maintenance.



Warning

Only use a soft, dry cloth to wipe the unit clean. If the unit is especially dirty, you can use a cloth soaked in warm water to wipe it clean.

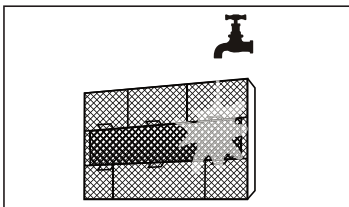
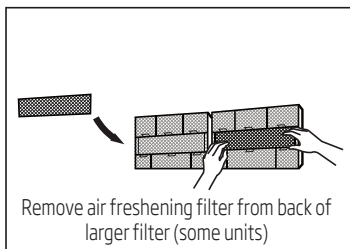
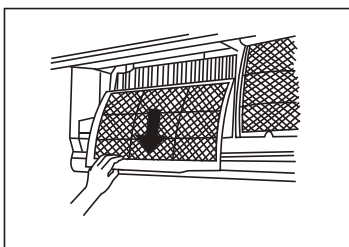
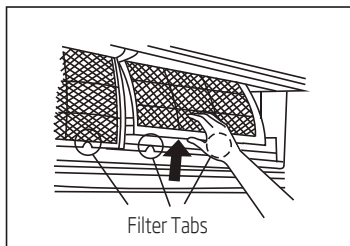
- **Do not** use chemicals or chemically treated cloths to clean the unit.
- **Do not** use benzene, paint thinner, polishing powder or other solvents to clean the unit. They can cause the plastic surface to crack or deform.
- **Do not** use water hotter than 40°C (104°F) to clean the front panel. This can cause the panel to deform or become discolored.

4.2 Cleaning your air filter

A clogged air conditioner can reduce the cooling efficiency of your unit, and can also be bad for your health. Make sure to clean the filter once every two weeks.

1. Lift the front panel of the indoor unit.
2. Grip the tab on the end of the filter, lift it up, then pull it towards yourself.
3. Now pull the filter out.
4. If your filter has a small air freshening filter, unclip it from the larger filter. Clean this air freshening filter with a hand-held vacuum.
5. Clean the large air filter with warm, soapy water. Be sure to use a mild detergent.
6. Rinse the filter with fresh water, then shake off excess water.
7. Dry it in a cool, dry place, and refrain from exposing it to direct sunlight.
8. When dry, re-clip the air freshening filter to the larger filter, then slide it back into the indoor unit.
9. Close the front panel of the indoor unit.

4 Care and maintenance



Warning

Do not touch air freshening (Plasma) filter for at least 10 minutes after turning off the unit.

**Warning**

- Before changing the filter or cleaning, turn off the unit and disconnect its power supply.
- When removing filter, do not touch metal parts in the unit. The sharp metal edges can cut you.
- Do not use water to clean the inside of the indoor unit. This can destroy insulation and cause electrical shock.
- Do not expose filter to direct sunlight when drying. This can shrink the filter.

4.3 Air filter reminders (optional)

4.3.1 Air filter cleaning reminder

After 240 hours of use, the display window on the indoor unit will flash "CL." This is a reminder to clean your filter. After 15 seconds, the unit will revert to its previous display.

To reset the reminder, press the **LED** button on your remote control 4 times, or press the **MANUAL CONTROL** button 3 times. If you don't reset the reminder, the "CL" indicator will flash again when you restart the unit.

4.3.2 Air filter replacement reminder

After 2,880 hours of use, the display window on the indoor unit will flash "nF." This is a reminder to replace your filter. After 15 seconds, the unit will revert to its previous display.

To reset the reminder, press the **LED** button on your remote control 4 times, or press the **MANUAL CONTROL** button 3 times. If you don't reset the reminder, the "nF" indicator will flash again when you restart the unit.

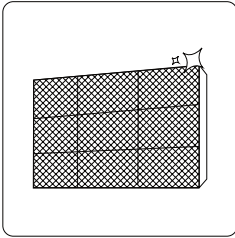
**Warning**

- Any maintenance and cleaning of outdoor unit should be performed by an authorized dealer or licensed service provider.
- Any unit repairs should be performed by authorized dealer or licensed service provider.

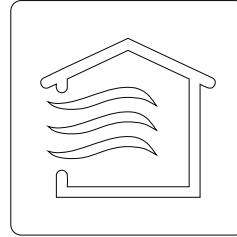
4 Care and maintenance

4.4 Maintenance - long periods of non-use

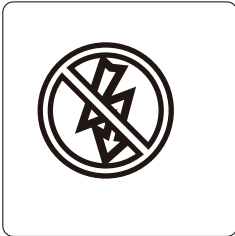
If you plan not to use your air conditioner for an extended period of time, do the following:



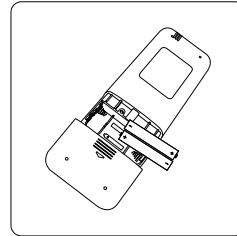
Clean all filters



Turn on FAN function until unit dries out completely



Turn off the unit and disconnect the power

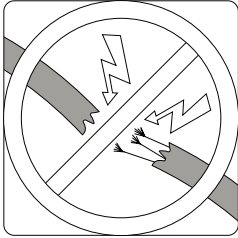


Remove batteries from remote control

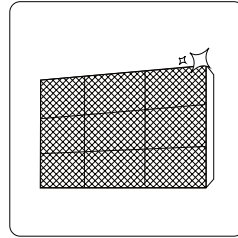
4 Care and maintenance

4.5 Maintenance - pre-season inspection

After long periods of non-use, or before periods of frequent use, do the following:



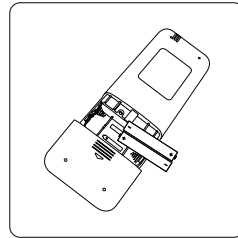
Check for damaged wires



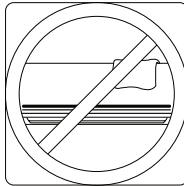
Clean all filters



Check for leaks



Replace batteries



Make sure nothing is blocking all air inlets and outlets

5 Troubleshooting



Safety precautions

If ANY of the following conditions occurs, turn off your unit immediately!

- The power cord is damaged or abnormally warm
- You smell a burning odor
- The unit emits loud or abnormal sounds
- A power fuse blows or the circuit breaker frequently trips
- Water or other objects fall into or out of the unit

Do not attempt to fix these yourself! Contact authorized service provider immediately!

5.1 Common issues

The following problems are not a malfunction and in most situations will not require repairs.

Issue	Possible causes
Unit does not turn on when pressing ON/OFF button	The Unit has a 3-minute protection feature that prevents the unit from overloading. The unit cannot be restarted within three minutes of being turned off.
The unit changes from COOL/HEAT mode to FAN mode	The unit may change its setting to prevent frost from forming on the unit. Once the temperature increases, the unit will start operating in the previously selected mode again.
	The set temperature has been reached, at which point the unit turns off the compressor. The unit will continue operating when the temperature fluctuates again.
The indoor unit emits white mist	In humid regions, a large temperature difference between the room's air and the conditioned air can cause white mist.
Both the indoor and outdoor units emit white mist	When the unit restarts in HEAT mode after defrosting, white mist may be emitted due to moisture generated from the defrosting process.
The indoor unit makes noises	A rushing air sound may occur when the louver resets its position.
	A squeaking sound may occur after running the unit in HEAT mode due to expansion and contraction of the unit's plastic parts.

5 Troubleshooting

Issue	Possible causes
Both the indoor unit and outdoor unit make noises	Low hissing sound during operation: This is normal and is caused by refrigerant gas flowing through both indoor and outdoor units.
	Low hissing sound when the system starts, has just stopped running, or is defrosting: This noise is normal and is caused by the refrigerant gas stopping or changing direction.
	Squeaking sound: Normal expansion and contraction of plastic and metal parts caused by temperature changes during operation can cause squeaking noises.
The outdoor unit makes noises	The unit will make different sounds based on its current operating mode.
Dust is emitted from either the indoor or outdoor unit	The unit may accumulate dust during extended periods of non-use, which will be emitted when the unit is turned on. This can be mitigated by covering the unit during long periods of inactivity.
The unit emits a bad odor	The unit may absorb odors from the environment (such as furniture, cooking, cigarettes, etc.) which will be emitted during operations.
	The unit's filters have become moldy and should be cleaned.
The fan of the outdoor unit does not operate	During operation, the fan speed is controlled to optimize product operation.
Operation is erratic, unpredictable, or unit is unresponsive	Interference from cell phone towers and remote boosters may cause the unit to malfunction. In this case, try the following: <ul style="list-style-type: none"> • Disconnect the power, then reconnect. • Press ON/OFF button on remote control to restart operation.



Note: If problem persists, contact a local dealer or your nearest customer service center. Provide them with a detailed description of the unit malfunction as well as your model number.

5 Troubleshooting

5.2 Troubleshooting

When troubles occur, please check the following points before contacting a repair company.

Problem	Possible causes	solution
Poor cooling performance	Temperature setting may be higher than ambient room temperature	Lower the temperature setting
	The heat exchanger on the indoor or outdoor unit is dirty	Clean the affected heat exchanger
	The air filter is dirty	Remove the filter and clean it according to instructions
	The air inlet or outlet of either unit is blocked	Turn the unit off, remove the obstruction and turn it back on
	Doors and windows are open	Make sure that all doors and windows are closed while operating the unit
	Excessive heat is generated by sunlight	Close windows and curtains during periods of high heat or bright sunshine
	Too many sources of heat in the room (people, computers, electronics, etc.)	Reduce amount of heat sources
	Low refrigerant due to leak or long-term use	Check for leaks, re-seal if necessary and top off refrigerant
	SILENCE function is activated (optional function)	SILENCE function can lower product performance by reducing operating frequency. Turn off SILENCE function.
The unit is not working	Power failure	Wait for the power to be restored
	The power is turned off	Turn on the power
	The fuse is burned out	Replace the fuse
	Remote control batteries are dead	Replace batteries
	The Unit's 3-minute protection has been activated	Wait three minutes after restarting the unit
	Timer is activated	Turn timer off

5 Troubleshooting

Problem	Possible causes	solution
The unit starts and stops frequently	There's too much or too little refrigerant in the system	Check for leaks and recharge the system with refrigerant.
	Incompressible gas or moisture has entered the system.	Evacuate and recharge the system with refrigerant
	The compressor is broken	Replace the compressor
	The voltage is too high or too low	Install a manostat to regulate the voltage
Poor heating performance	The outdoor temperature is extremely low	Use auxiliary heating device
	Cold air is entering through doors and windows	Make sure that all doors and windows are closed during use
	Low refrigerant due to leak or long-term use	Check for leaks, re-seal if necessary and top off refrigerant
Indicator lamps continue flashing	<p>The unit may stop operation or continue to run safely. If the indicator lamps continue to flash or error codes appear, wait for about 10 minutes. The problem may resolve itself.</p> <p>If not, disconnect the power, then connect it again. Turn the unit on.</p> <p>If the problem persists, disconnect the power and contact your nearest customer service center.</p>	
Error code appears in the window display of indoor unit: <ul style="list-style-type: none"> • E0, E1, E2... • P1, P2, P3... • F1, F2, F3... 		



Note: If your problem persists after performing the checks and diagnostics above, turn off your unit immediately and contact an authorized service center.

6 European disposal guidelines

This appliance contains refrigerant and other potentially hazardous materials. When disposing of this appliance, the law requires special collection and treatment. **Do not** dispose of this product as household waste or unsorted municipal waste.

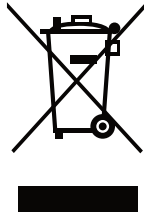
When disposing of this appliance, you have the following options:

- Dispose of the appliance at designated municipal electronic waste collection facility.
- When buying a new appliance, the retailer will take back the old appliance free of charge.
- The manufacturer will take back the old appliance free of charge.
- Sell the appliance to certified scrap metal dealers.



Special notice

Disposing of this appliance in the forest or other natural surroundings endangers your health and is bad for the environment. Hazardous substances may leak into the ground water and enter the food chain.



This symbol indicates that this product shall not be disposed with other household wastes at the end of its service life. Used device must be returned to official collection point for recycling of electrical and electronic devices. To find these collection systems please contact to your local authorities or retailer where the product was purchased. Each household performs important role in recovering and recycling of old appliance. Appropriate disposal of used appliance helps prevent potential negative consequences for the environment and human health.

7 Installation instructions

7.1 F-Gas instruction

This product contains fluorinated greenhouse gases covered by the Kyoto protocol.

The fluorinated greenhouse gases are contained in hermetically sealed equipment.

Installs, services, maintains, repairs, checks for leaks or decommissions equipment and product recycling should be carried out by natural persons that hold relevant certificates.

If the system has a leakage detection system installed, leakage checks should be performed at least every 12 months, make sure system operate properly.

If product must be performed leakage checks, it should specify Inspection cycle, establish and save records of leakage checks.



Note: For hermetically sealed equipment, portable air conditioner, window air conditioner and dehumidifier, if CO₂ equivalent of fluorinated greenhouse gases is less than 10 tonnes, it should not perform leakage checks.

8 Specification

Model No.	BEWPI 090/ BEWPI 091	BEWPI 120/ BEWPI 121	BEWPI 180/ BEWPI 181	BEWPI 240/ BEWPI 241
Total refrigerant amount (g)	700	800	1250	1600
Climate class	T1	T1	T1	T1
Heating type	Heat Pump	Heat Pump	Heat Pump	Heat Pump
Main performance				
Cooling capacity (Btu/h)	9212 (Pdesign C)	11940 (Pdesign C)	17401(Pdesign C)	23884(Pdesign C)
Cooling capacity (W)	2700 (Pdesign C)	3500 (Pdesign C)	5100 (Pdesign C)	7000(Pdesign C)
Heating capacity (Btu/h)	8188 (Pdesign H)	8871 (Pdesign H)	13648 (Pdesign H)	17060 (Pdesign H)
Heating capacity (W)	2400 (Pdesign H)	2600 (Pdesign H)	4000 (Pdesign H)	5000 (Pdesign H)
SEER/AEER/Weight EER (W/W)	7.1 (SEER, EU)	7.1 (SEER, EU)	6.4 (SEER, EU)	6.4 (SEER, EU)
SCOP/ACOP/Weight EER (W/W)	4.0 (SCOP, EU)	4.1 (SCOP, EU)	4.0 (SCOP, EU)	4.0 (SCOP, EU)
Voltage/Frequency (V/Hz)	220-240V~ 50Hz, 1Ph	220-240V~ 50Hz, 1Ph	220-240V~ 50Hz, 1Ph	220-240V~ 50Hz, 1Ph
Rated power input (W)	2075	2200	2550	3600
Rated current input (A)	9.5	10	11.5	16
High pressure pipe diameter (mm)	Ø6.35 (1/4")	Ø6.35 (1/4")	Ø6.35 (1/4")	Ø9.52 (3/8")
Low pressuer pipe diameter (mm)	Ø9.52 (3/8")	Ø9.52 (3/8")	Ø12.7 (1/2")	Ø15.9 (5/8")
Logistics data				
Indoor unit (WxHxD) mm	752x291x218	832x297x223	994x319x251	1119x336x259
Outdoor unit (WxHxD) mm	770x300x555	770x300x555	800x300x554	845x363x702
Indoor unit net weight (kg)	8.5	9.5	12	15
Outdoor unit net weight (kg)	27	27	38	52

Importer in Poland Importer W Polsce Beko S.A. ul. Puławska 366 02-819 Warszawa www.beko.pl	Importer in Czech Republic Dovožce do České republiky BEKO S.A., organizační složka Bucharova 1423/6, Praha 13 - Nové Butovice, 158 00 www.bekocr.cz	Importer in Slovakia Dovožca na Slovensko BEKO Slovakia s.r.o, Suché mýto 1 811 03 Bratislava www.bekosk.sk	Importer in Estonia Importija Eesti Beko S.A. Tänav Puławska 366 02-819 Varssavi (Poola)	
Importer in Germany Beko Deutschland GmbH Thomas-Edison-Platz 3 63263 Neu-Isenburg	Importer in UK BEKO Plc, Beko House, 1 Greenhill Crescent, Watford, Herts, WD18 8QU	KSA Importer AL BABTAIN TRADING CO. P.O. Box# 181, Riyadh 11411-KSA +966-11-4744788	Importer in France BEKO France / Immeuble Stadium 266, Avenue du Président Wilson 93218 La Plaine Saint-Denis Cedex	
Importer in Spain BEKO ELECTRONICS ESPANA S.L.C/ Provenza 388 1º Piso/08025 Barcelona	Importer for Malta ETV LTD 119/120 Archbishop Street VALLETTA MALTA	Importer in Latvia Importētāja Latvijā Beko S.A. Ielas Puławska 366 02-819 Varšava (Polija)	Importer in Lithuania Importuotojas Lietuvoje Beko S.A. Gatvė Puławska 366 02-819 Varšuva (Lenkija)	
Importer in Austria ELEKTRA BREGENZ AG PFARRGASSE 77 VIENNA post code 1230	Importer in Switzerland Grundig Nordic AB Isafjordsgatan 39B 16440 Kista SWEDEN	Importer in Hungary Hauser Magyarorszag imited Baross utca 89 PC: 2040 Budaörs/Hungary	Importer in Slovenia BIG BANG, D.O.O. Šmartinska cesta 152 PC:1000 Ljubljana/Slovenia	Importer in Italy BEKO ITALY SRL Viale Del Ghisallo, 20/1-20151 Milano (MI)
Importer in Romania ARCTIC S.A. Str. 13 Decembrie, nr.210 Găești, 135200, România www.arctic.ro	Importer in Benelux Schaliënhoedredreef B-2800 Mechelen - Belgium	Importer in Greece PAR. SEITANIDIS S.A. Polistilo, P.O, Box:1402 Kavala, 64003	Importer in Bulgaria Videolux LTD/PO Box 2109/2109 Sofia	Importer in Croatia E PLUS doo ZA Unutarnju/ GOSPODARSKA 16c/ 10225 GORNJI STUPNIK/ ZAGREP
Importer in Russia Импортёр на территории РФ: ООО «БЕКО», 601021, Россия, Владимирская область, Киржачский район, деревня Федоровское, улица Сельская, 49 Бесплатная линия сервисного обслуживания и информационной поддержки по установке и эксплуатации (только для звонков по России) 8-800-200-23-56 Изготовитель: Arçelik A.Ş. Турция, Karaağaç caddesi No: 2-6 İstanbul 34445 Sultuce, İstanbul				
Виробник: «Arçelik A.Ş» Karaağaç Caddesi No: 2-6, Sultuce, 34445 İstanbul, Turkey, «Arçelik A.Ş», м. Стамбул, Сютлюдже, вул. Караагач № 2-6, 34445, Туреччина Імпортёр на території України: ТОВ «Бекo Україна», адреса: 03150, м. Київ, вул. Антоновича, буд. 72, тел/факс.: 0-800-500-4-3-2 Термін служби 3 роки				
Manufactured by Arçelik A.S. Karaağaç Cd. No: 2-6 34445 Sultuce, Beyoglu, İstanbul, Turkey				

Manufactured by Arcelik A.S. Karaagac Cd. No:2-6 34445 Sutluce, Beyoglu, Istanbul, Turkey

Veillez lire attentivement ce manuel d'utilisation !

Chère cliente, cher client,

Nous vous remercions d'avoir choisi un produit BEKO. Nous espérons que ce produit vous apportera entière satisfaction. Tous nos produits sont fabriqués dans une usine moderne et ont fait l'objet d'un contrôle de qualité minutieux. A cet effet, veuillez lire en intégralité le présent manuel avant d'utiliser cet appareil, et conservez-le soigneusement pour une utilisation ultérieure. Si vous cédez ce produit à une tierce personne, n'oubliez pas de lui fournir le manuel d'utilisation également. Veillez à bien respecter les consignes et les instructions figurants dans le manuel d'utilisation.

Signification des pictogrammes


Vous trouverez les symboles suivants dans ce manuel d'utilisation :

	Informations importantes et conseils utiles sur l'utilisation de l'appareil.
--	--

	DANGER : Avertissement à propos des situations dangereuses qui pourraient entraîner des blessures ou des dégâts matériels.
--	---

	Ce symbole indique qu'il faut lire attentivement le manuel d'utilisation.
--	---

	Ce symbole indique qu'un technicien doit manipuler cet équipement en suivant les instructions du manuel d'installation.
--	---

	Ce symbole indique qu'un technicien doit manipuler cet équipement en suivant les instructions du manuel d'installation.
--	---

	Ce symbole indique qu'il existe des informations dans le manuel d'utilisation ou le manuel d'installation.
---	--

	Risque d'incendie/ matériaux inflammables Ce symbole indique que cet appareil utilise un réfrigérant inflammable. Si le réfrigérant a fui et est exposé à une source d'allumage externe, il y a un risque d'incendie. (Uniquement pour les unités adoptant un réfrigérant R32/R290)
--	--



Ce produit a été fabriqué dans le respect de l'environnement et dans des installations modernes.

Ce produit est conforme à la réglementation DEEE (Déchets équipements électriques et électroniques) en vigueur.



Ce produit ne contient pas de polychlorobiphényles.

Tables des matières

1	Consignes de sécurité	30
2	Caractéristiques et fonctionnalités de l'appareil	34
2.1	Pièces de l'appareil	34
2.2	Obtenir une performance optimale	35
2.3	Type bibloc à variateur	35
2.4	Type à vitesse fixe	36
2.5	Autres fonctions	36
3	Commande manuelle (sans télécommande)	41
3.1	Comment commander votre appareil sans la télécommande	41
4	Entretien	42
4.1	Nettoyage de votre module intérieur	42
4.2	Nettoyage de votre filtre d'air	42
4.3	Rappels de filtre d'air (en option)	44
4.3.1	Rappel de nettoyage de filtre d'air	44
4.3.2	Rappel de remplacement de filtre d'air	44
4.4	Entretien : longues périodes de non utilisation	45
4.5	Entretien : inspection avant la saison	46
5	Dépannage	47
5.1	Problèmes courants	47
5.2	Dépannage	49
6	Directives européennes concernant la mise au rebut	51
7	Instructions d'installation	52
7.1	Consignes de la F-Gaz	52
8	Spécifications	53

1 Consignes de sécurité

AVERTISSEMENT :

L'entretien doit être effectué selon les recommandations du fabricant de l'équipement. La maintenance et la réparation nécessitant l'assistance d'autres techniciens qualifiés doivent être réalisées sous la supervision de la personne compétente en utilisation de réfrigérants inflammables. Pour en savoir plus, veuillez consulter les « informations sur l'entretien » dans le « MANUEL D'INSTALLATION ». (Cela n'est nécessaire que pour les unités adoptant un réfrigérant R32/R290.)

Lisez les consignes de sécurité avant l'installation.

Une installation incorrecte due au non-respect des instructions peut causer de graves dommages ou blessures.

La gravité des dommages ou blessures potentiels est classée dans la catégorie **Avertissement**.

Avertissement

- Cet appareil peut être utilisé par des enfants âgés de 8 ans au moins ainsi que par des personnes ayant des capacités corporelles, sensorielles ou mentales restreintes ou manquant de connaissances ou d'expériences si celles-ci sont surveillées ou ont été informées quant à l'utilisation sûre de l'appareil et des risques existants. Les enfants ne doivent pas jouer avec l'appareil. Le nettoyage et la maintenance ne doivent pas être réalisés par des enfants laissés sans surveillance.

Avertissement concernant l'installation

- Confiez l'installation de ce climatiseur à un distributeur agréé. Une installation inappropriée peut causer une fuite d'eau, une électrocution ou un incendie.

1 Consignes de sécurité

- Confiez toute tâche de réparation, de maintenance et de déplacement de cet appareil à un technicien agréé. Des réparations inappropriées peuvent mener à des blessures graves ou à un dysfonctionnement du produit.

Avertissement concernant l'utilisation du produit

- En cas de situation anormale (telle qu'une odeur de brûlé), éteignez immédiatement l'appareil et débranchez la fiche du secteur. Appelez votre revendeur pour obtenir des instructions afin d'éviter une électrocution, un incendie ou des blessures.
- **N'insérez pas** de doigts, tiges ou autres objets dans l'entrée ou la sortie d'air. Cela peut causer des blessures, car le ventilateur est peut-être en train de tourner à grande vitesse.
- **N'utilisez pas** de pulvérisateurs inflammables tels que de la laque ou de la peinture, à proximité de l'appareil. Cela peut causer un incendie ou une combustion.
- **Ne faites pas** fonctionner le climatiseur à proximité de gaz combustibles. Les gaz émis peuvent s'accumuler autour de l'appareil et causer une explosion.
- **Ne faites pas** fonctionner le climatiseur dans une pièce humide (par ex. : une salle de bain ou une buanderie). Cela peut causer une électrocution et détériorer le produit.
- **N'exposez pas** votre corps directement à l'air froid pendant une période prolongée.

Avertissements d'ordre électrique

- Utilisez uniquement le cordon d'alimentation spécifié. Si le cordon d'alimentation est endommagé, il doit être remplacé par le fabricant ou un réparateur agréé.

1 Consignes de sécurité

- Gardez la fiche d'alimentation propre. Enlevez toutes poussières ou impuretés accumulées sur et autour de la fiche. Une fiche sale peut causer un incendie ou une électrocution.
- **Ne tirez pas** sur le cordon d'alimentation pour débrancher l'appareil. Tenez fermement la fiche et retirez-la de la prise secteur. Vous risquez d'endommager le cordon en tirant directement dessus, ce qui peut provoquer un incendie ou une électrocution.
- **N'utilisez pas** de rallonge, n'étirez pas manuellement le cordon d'alimentation et ne branchez pas d'autres appareils sur la même prise secteur que le climatiseur. De mauvais branchements électriques, une mauvaise isolation et une tension insuffisante peuvent causer un incendie.

Avertissements concernant le nettoyage et l'entretien

- Éteignez l'appareil et débranchez la fiche avant un nettoyage. Si vous ne le faites pas, cela peut causer une électrocution.
- **Ne nettoyez pas** le climatiseur avec une quantité d'eau excessive.
- **Ne nettoyez pas** le climatiseur avec des nettoyeurs combustibles. Les nettoyeurs combustibles peuvent causer un incendie ou une déformation.

Avertissement

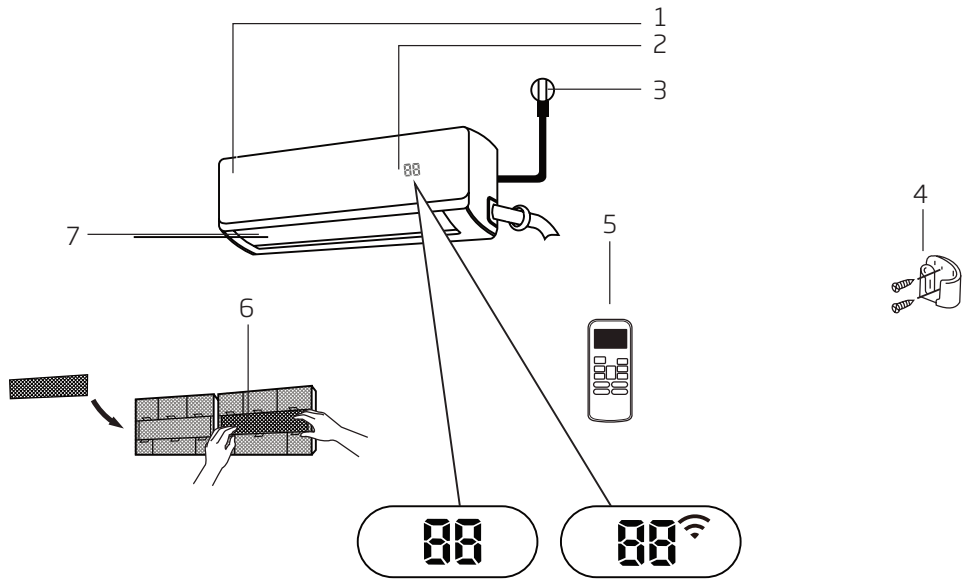
- Si le climatiseur est utilisé avec des brûleurs ou d'autres dispositifs de chauffage, aérez complètement la pièce afin d'éviter un manque d'oxygène.
- Éteignez le climatiseur et débranchez l'appareil si vous ne comptez pas le réutiliser avant longtemps.
- Éteignez et débranchez l'appareil pendant les orages.

1 Consignes de sécurité

- Vérifiez que la condensation d'eau peut s'écouler sans entrave hors de l'appareil.
- **N'utilisez pas** le climatiseur avec les mains mouillées. Ceci pourrait provoquer une électrocution.
- **N'utilisez pas** l'appareil à des fins autres que son usage prévu.
- **Ne montez pas** sur le module extérieur et n'y posez pas d'objets.
- **Ne laissez pas** le climatiseur fonctionner pendant une longue durée avec les portes et fenêtres ouvertes ou si l'humidité est très élevée.

2 Caractéristiques et fonctionnalités de l'appareil

2.1 Pièces de l'appareil



1. Façade
2. Ecran d'affichage
3. Câble d'alimentation (certains appareils)
4. Support de télécommande (certains appareils)
5. Télécommande
6. Filtre fonctionnel (à l'avant du filtre principal, sur certains appareils)
7. Sortie d'air

Signification des codes affichés

« **00** » pendant 3 secondes quand :

- TIMER ON (MINUTERIE ACTIVÉE) est réglé
- Les fonctionnalités FRESH (FRAIS), SWING (OSCILLATION), TURBO, SILENCE ou SOLAR PV ECO (ÉCO PV SOLAIRE) sont activées.

« **0F** » pendant 3 secondes quand :

- TIMER OFF (MINUTERIE DÉSACTIVÉE) est réglé
- Les fonctionnalités FRESH (FRAIS), SWING (OSCILLATION), TURBO, SILENCE ou SOLAR PV ECO (ÉCO PV SOLAIRE) sont désactivées.

« **cF** » quand la fonctionnalité anti-air froid est activée.

« **dF** » pendant un dégivrage

« **5C** » quand l'appareil s'auto-nettoie

« **FP** » quand la protection antigel est activée

«  » quand la fonctionnalité de commande sans fil est activée (certains appareils)

« **88** » quand la fonction ECO (ÉCO) (en option) est activée, le « **88** » s'allume progressivement un par un ainsi **E-C-O**-température de consigne-**E**....., par intervalles d'une seconde.

En mode Ventilateur, l'appareil affiche la température de la pièce.

Dans les autres modes, l'appareil affiche votre réglage de température.



Remarque : Un guide sur l'utilisation de la télécommande est inclus inclus dans cette documentation.

2.2 Obtenir une performance optimale

Une performance optimale pour les modes COOL (REFROIDISSEMENT), HEAT (CHAUFFAGE) et DRY (DÉSHUMIDIFICATION) peut être obtenue dans les plages de température suivantes. Quand votre climatiseur est utilisé hors de ces plages, certaines fonctionnalités de protection de sécurité s'activeront et feront fonctionner l'appareil de façon non optimale.

2.3 Type bibloc à variateur

	Mode COOL (REFROIDISSEMENT)	Mode HEAT (CHAUFFAGE)	Mode DRY (DÉSHUMIDIFICATION)
Température de la pièce	17 °C à 32 °C (63 °F à 90 °F)	0 °C à 30 °C (32 °F à 86 °F)	10 °C à 32 °C (50 °F à 90 °F)
Température extérieure	0 °C à 50 °C (32 °F à 122 °F)		
	-15 °C à 50 °C (5 °F à 122 °F) (Pour modèles avec systèmes de refroidissement à basse temp.)	-15 °C à 30 °C (5 °F à 86 °F)	0 °C à 50 °C (32 °F à 122 °F)
	0 °C à 60 °C (32 °F à 140 °F) (Pour modèles tropicaux spéciaux)		0 °C à 60 °C (32 °F à 140 °F) (Pour modèles tropicaux spéciaux)

Pour des appareils d'extérieur avec chauffage électrique auxiliaire

Quand la température extérieure est inférieure à 0 °C (32 °F), nous recommandons fortement de toujours laisser l'appareil branché afin d'assurer une performance constante.

2 Caractéristiques et fonctionnalités de l'appareil

2.4 Type à vitesse fixe

	Mode COOL (REFROIDISSEMENT)	Mode HEAT (CHAUFFAGE)	Mode DRY (DÉSHUMIDIFICATION)
Température de la pièce	17 à 32 °C (63 à 90 °F)	0 à 30 °C (32 à 86 °F)	10 à 32 °C (50 à 90 °F)
Température extérieure	18 à 43 °C (64 à 109 °F)	-7 à 24 °C (19 à 75 °F)	11 à 43 °C (52 à 109 °F)
	-7 à 43 °C (19 à 109 °F) (Pour modèles avec systèmes de refroidissement à basse temp.)		18 à 43 °C (64 à 109 °F)
	18 à 54 °C (64 à 129 °F) (Pour modèles tropicaux spéciaux)		18 à 54 °C (64 à 129 °F) (Pour modèles tropicaux spéciaux)

Pour optimiser davantage la performance de votre appareil, faites ce qui suit :

- Laissez les portes et les fenêtres fermées.
- Limitez la consommation d'énergie en utilisant les fonctions TIMER ON (MINUTERIE ACTIVÉE) et TIMER OFF (MINUTERIE DÉSACTIVÉE).
- Ne bloquez pas les entrées ou les sorties d'air.
- Inspectez et nettoyez régulièrement les filtres d'air.

Pour une explication détaillée de chaque fonction, consultez le **manuel de la télécommande**.

2.5 Autres fonctions

• Redémarrage automatique

Si l'appareil perd l'alimentation électrique, il redémarrera automatiquement avec les réglages précédents une fois que l'alimentation est rétablie.

• Anti-moisissures (certains appareils)

Quand vous éteignez l'appareil à partir des modes COOL (REFROIDISSEMENT), AUTO (COOL (REFROIDISSEMENT)) ou DRY (DÉSHUMIDIFICATION), le climatiseur continuera de fonctionner à très faible puissance afin de sécher l'eau condensée et empêcher les moisissures de se former.

• Commande sans fil (certains appareils)

La commande sans fil vous permet de commander votre climatiseur grâce à votre téléphone mobile et une connexion sans fil.

• Mémoire d'angle de déflecteur (certains appareils)

Au démarrage de votre appareil, le déflecteur reprend automatiquement son ancienne inclinaison.

• Détection de fuite de réfrigérant (certains appareils)

Le module intérieur affiche automatiquement « EC » quand il détecte une fuite de réfrigérant.

2 Caractéristiques et fonctionnalités de l'appareil

Pour une explication détaillée des fonctionnalités avancées de votre appareil (comme le mode TURBO et ses fonctions d'auto-nettoyage), consultez le **manuel de la télécommande**.



Remarque :

Les illustrations figurant dans ce manuel sont fournies uniquement à titre explicatif. La forme réelle de votre module intérieur peut légèrement différer. La forme réelle prévaut.

• Réglage de l'angle du flux d'air

Réglage de l'angle vertical du flux d'air

Quand l'appareil est en marche, utilisez le bouton **SWING/DIRECT (OSCILLER/DIRIGER)** pour régler la direction (angle vertical) du flux d'air.

1. Appuyez une fois sur le bouton **SWING/DIRECT (OSCILLER/DIRIGER)** pour activer le déflecteur. Chaque appui sur le bouton règle le déflecteur de 6°. Appuyez sur le bouton jusqu'à atteindre la direction voulue.
2. Pour que le déflecteur oscille constamment vers le haut et le bas, maintenez enfoncé le bouton **SWING/DIRECT (OSCILLER/DIRIGER)** pendant 3 secondes. Rappuyez dessus pour arrêter la fonction automatique.

Réglage de l'angle horizontal du flux d'air

L'angle horizontal du flux d'air doit être réglé manuellement. Saisissez la tige du déflecteur (**voir Fig. B**) et réglez-la manuellement sur la direction voulue.

Pour certains appareils, l'angle horizontal du flux d'air peut être réglé par la télécommande, consultez le manuel de la télécommande.



Remarque sur les angles de la lame de sortie d'air :

En utilisant les modes COOL (REFROIDISSEMENT) ou DRY (DÉSHUMIDIFICATION), ne réglez pas le déflecteur à un angle trop vertical pendant longtemps. Cela peut faire condenser l'eau sur la lame de sortie d'air, qui gouttera par terre ou sur les meubles. (**Voir Fig. A**)

En utilisant les modes COOL (REFROIDISSEMENT) ou HEAT (CHAUFFAGE), si vous réglez le déflecteur à un angle trop vertical, cela peut réduire la performance de l'appareil en raison d'un flux d'air restreint.

Ne bougez pas le déflecteur avec la main. Cela désynchroniserait le déflecteur. Si cela se produit, éteignez l'appareil et débranchez-le pendant quelques secondes, puis redémarrez l'appareil. Cela réinitialisera le déflecteur.

2 Caractéristiques et fonctionnalités de l'appareil

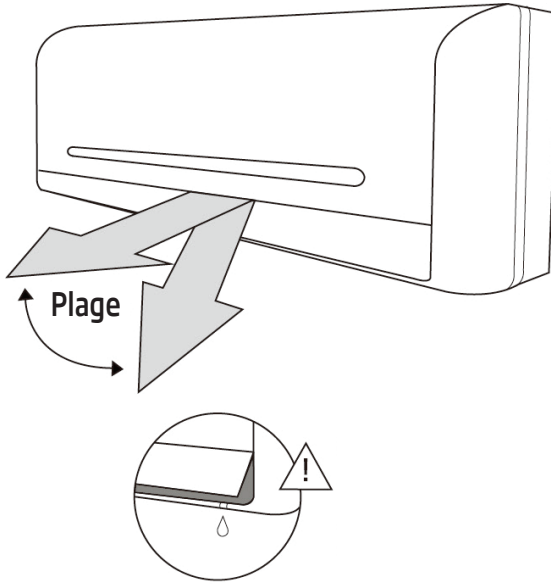


Fig. A



Avertissement

Ne gardez pas le déflecteur à un angle trop vertical pendant longtemps. Cela peut faire condenser l'eau qui gouttera par terre ou sur les meubles.



Avertissement

Ne mettez pas vos doigts à l'intérieur ou à proximité de la soufflante et du côté aspiration de l'appareil. Le ventilateur à grande vitesse à l'intérieur de l'appareil peut provoquer des blessures.

2 Caractéristiques et fonctionnalités de l'appareil

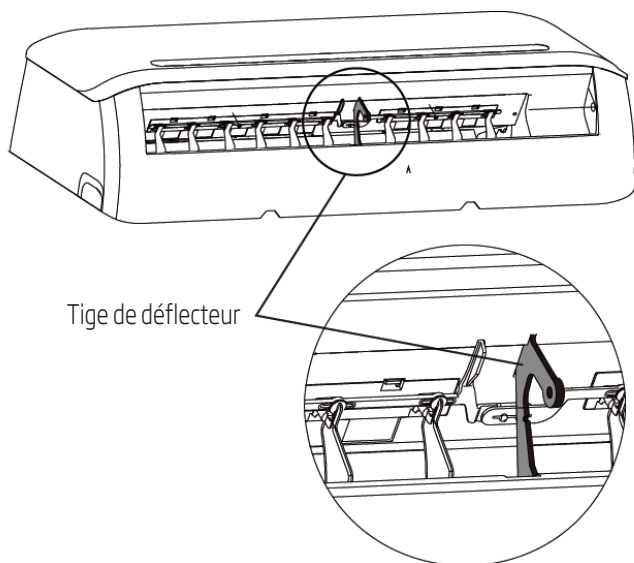


Fig. B

2 Caractéristiques et fonctionnalités de l'appareil

• Fonction Sleep (sommeil)

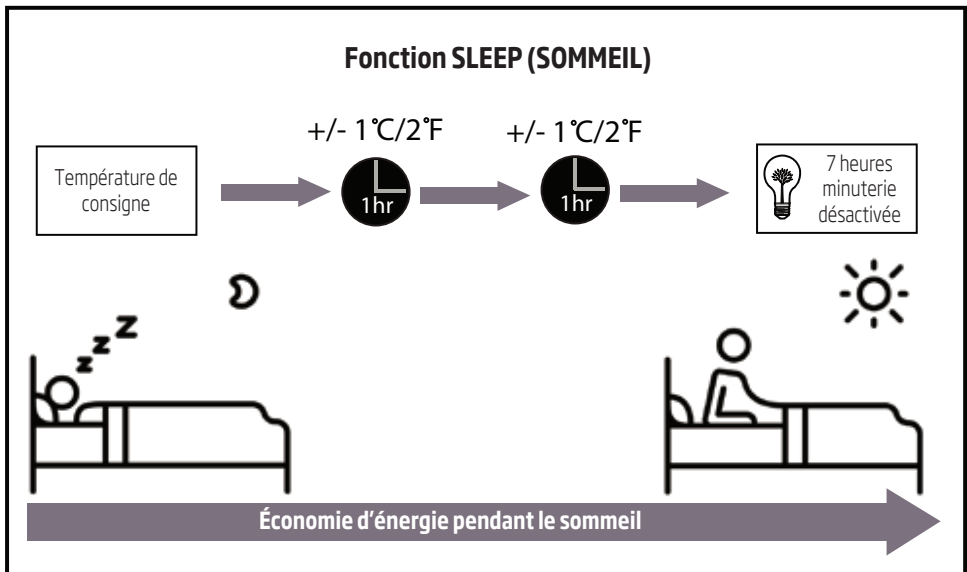
La fonction SLEEP (SOMMEIL) sert à réduire la consommation d'énergie pendant que vous dormez (et n'avez pas besoin des mêmes réglages de température pour être à l'aise). Cette fonction peut uniquement être activée à l'aide d'une télécommande.

Appuyez sur le bouton **SLEEP (SOMMEIL)** quand vous allez vous coucher. En mode COOL (REFROIDISSEMENT), l'appareil augmentera la température de 1 °C (2 °F) au bout de 1 heure et augmentera de 1 °C (2 °F) supplémentaire au bout d'une heure de plus. En mode HEAT (CHAUFFAGE), l'appareil réduira la température de 1 °C (2 °F) au bout de 1 heure et réduira de 1 °C (2 °F) supplémentaire au bout d'une heure de plus.

Il maintiendra la nouvelle température pendant 5 heures, puis l'appareil s'éteindra automatiquement.



Remarque : La fonction SLEEP (SOMMEIL) n'est pas disponible dans les modes FAN (VENTILATION) ou DRY (DÉSHUMIDIFICATION).



3 Commande manuelle (sans télécommande)

3.1 Comment commander votre appareil sans la télécommande

Si votre télécommande ne fonctionne pas, vous pouvez commander votre appareil manuellement grâce au bouton **MANUAL CONTROL (COMMANDE MANUELLE)** situé sur le module intérieur. Sachez que la commande manuelle n'est pas une solution à long terme et qu'il est fortement recommandé de commander l'appareil avec la télécommande.

Avant une commande manuelle

L'appareil doit être éteint avant une commande manuelle.

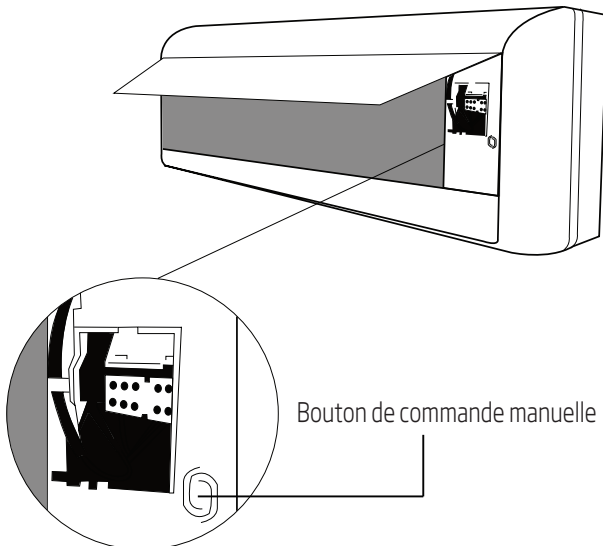
Pour commander votre appareil manuellement :

1. Ouvrez la façade du module intérieur.
2. Repérez le **bouton MANUAL CONTROL (COMMANDE MANUELLE)** à droite de l'appareil.
3. Appuyez une fois sur le **bouton MANUAL CONTROL (COMMANDE MANUELLE)** pour activer le mode FORCED AUTO (AUTO FORCÉ).
4. Rappuyez sur le **bouton MANUAL CONTROL (COMMANDE MANUELLE)** pour activer le mode FORCED COOLING (REFROIDISSEMENT FORCÉ).
5. Appuyez une troisième fois sur le **bouton MANUAL CONTROL (COMMANDE MANUELLE)** pour éteindre l'appareil.
6. Fermez la façade.



Avertissement

Le bouton manuel est prévu à des fins d'essai et de fonctionnement d'urgence uniquement. N'utilisez pas cette fonction à moins d'avoir perdu la télécommande et que cela ne soit absolument nécessaire. Pour rétablir le fonctionnement normal, utilisez la télécommande pour activer l'appareil.



4 Entretien

4.1 Nettoyage de votre module intérieur



Avant un nettoyage ou un entretien

Éteignez toujours votre climatiseur et débranchez-le du secteur avant de procéder à un nettoyage ou un entretien.



Avertissement

Utilisez uniquement un chiffon doux et sec pour essuyer l'appareil. Si l'appareil est particulièrement sale, vous pouvez utiliser un chiffon imbibé d'eau tiède pour l'essuyer.

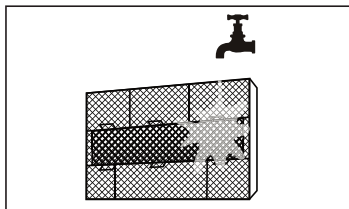
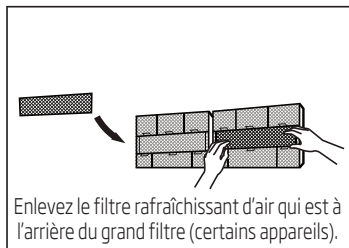
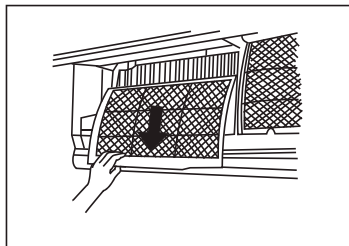
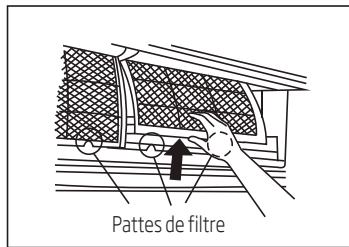
- **N'utilisez pas** de produits chimiques ni de textiles traités chimiquement pour nettoyer l'appareil.
- **N'utilisez pas** de benzène, de diluant de peinture, de poudre abrasive ou d'autres solvants pour nettoyer l'appareil. Ils peuvent fissurer ou déformer la surface en plastique.
- **N'utilisez pas** d'eau plus chaude que 40 °C (104 °F) pour nettoyer la façade. Cela peut déformer ou décolorer la façade.

4.2 Nettoyage de votre filtre d'air

Une obstruction du climatiseur peut réduire l'efficacité de refroidissement de votre appareil et nuire à votre santé. Nettoyez le filtre une fois toutes les deux semaines.

1. Levez la façade du module intérieur.
2. Saisissez la patte à l'extrémité du filtre, soulevez-la, puis tirez-la vers vous.
3. Ensuite, sortez le filtre.
4. Si votre filtre a un petit filtre rafraîchissant d'air, détachez-le du grand filtre. Nettoyez ce filtre rafraîchissant d'air avec un aspirateur portatif.
5. Nettoyez le grand filtre d'air à l'eau tiède savonneuse. Veillez à utiliser un détergent doux.
6. Rincez le filtre avec de l'eau douce, puis secouez-le pour enlever l'excès d'eau.
7. Laissez-le sécher dans un endroit frais et sec, à l'abri du soleil.
8. Une fois qu'il est sec, rattachez le filtre rafraîchissant d'air sur le grand filtre, puis glissez-le à nouveau dans le module intérieur.
9. Fermez la façade du module intérieur.

4 Entretien



Avertissement

Ne touchez pas le filtre rafraîchissant d'air (plasma) pendant au moins 10 minutes après avoir éteint l'appareil.

4 Entretien



Avertissement

- Avant de changer le filtre, éteignez l'appareil et débranchez-le du secteur.
- En enlevant le filtre, ne touchez pas les pièces métalliques dans l'appareil. Les bords métalliques tranchants peuvent vous couper.
- N'utilisez pas d'eau pour nettoyer l'intérieur du module intérieur. Cela peut détruire l'isolement et causer une électrocution.
- N'exposez pas le filtre à la lumière directe du soleil. Cela pourrait faire rétrécir le filtre.

4.3 Rappels de filtre d'air (en option)

4.3.1 Rappel de nettoyage de filtre d'air

Au bout de 240 heures d'utilisation, « CL » clignotera sur la fenêtre d'affichage sur le module intérieur. Il s'agit d'un rappel pour nettoyer votre filtre. Au bout de 15 secondes, l'appareil repassera à son affichage précédent.

Pour réinitialiser le rappel, appuyez sur le bouton **LED** de la télécommande 4 fois ou bien appuyez sur le bouton **MANUAL CONTROL (COMMANDE MANUELLE)** 3 fois. Si vous ne réinitialisez pas le rappel, l'indicateur « CL » clignotera à nouveau quand vous redémarrerez l'appareil.

4.3.2 Rappel de remplacement de filtre d'air

Au bout de 2 880 heures d'utilisation, « nF » clignotera sur la fenêtre d'affichage sur le module intérieur. Il s'agit d'un rappel pour remplacer votre filtre. Au bout de 15 secondes, l'appareil repassera à son affichage précédent.

Pour réinitialiser le rappel, appuyez sur le bouton **LED** de la télécommande 4 fois ou bien appuyez sur le bouton **MANUAL CONTROL (COMMANDE MANUELLE)** 3 fois. Si vous ne réinitialisez pas le rappel, l'indicateur « nF » clignotera à nouveau quand vous redémarrerez l'appareil.



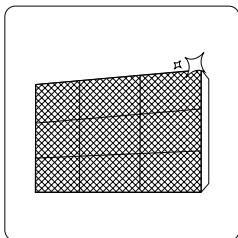
Avertissement

- Confiez toute tâche d'entretien et de nettoyage du module extérieur à un distributeur agréé ou à un réparateur autorisé.
- Confiez toute réparation de l'appareil à un distributeur agréé ou à un réparateur autorisé.

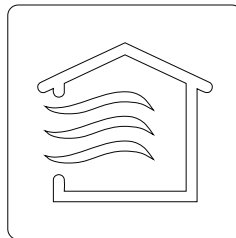
4 Entretien

4.4 Entretien : longues périodes de non utilisation

Si vous ne comptez pas utiliser votre climatiseur pendant une longue période, faites ce qui suit :



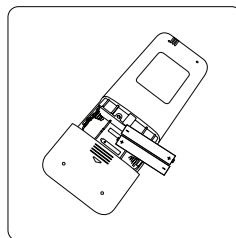
Nettoyez tous les filtres.



Activez la fonction FAN (VENTILATION)
jusqu'à ce que l'appareil ait complètement séché.



Éteignez l'appareil et débranchez-le du secteur.

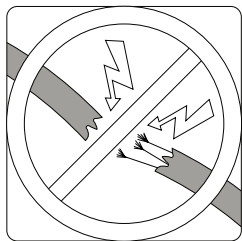


Sortez les piles de la télécommande.

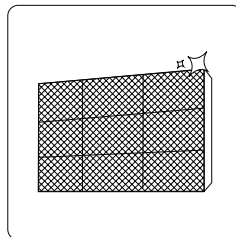
4 Entretien

4.5 Entretien : inspection avant la saison

Après de longues périodes sans utilisation ou avant des périodes d'usage fréquent, faites ce qui suit :



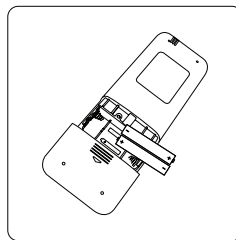
Vérifiez s'il y a des fils endommagés.



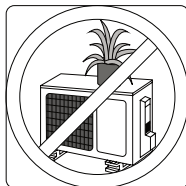
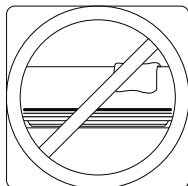
Nettoyez tous les filtres.



Vérifiez s'il y a des fuites.



Remplacez les piles.



Vérifiez que rien n'obstrue les entrées et sorties d'air.

5 Dépannage

Consignes de sécurité

Si l'UNE des conditions suivantes se présente, éteignez immédiatement votre appareil !

- Le cordon d'alimentation est endommagé ou anormalement chaud
- Il y a une odeur de brûlé.
- L'appareil émet des sons forts ou anormaux.
- Un fusible de ligne a sauté ou le coupe-circuit se déclenche souvent.
- De l'eau ou d'autres objets ont pénétré dans l'appareil.

N'essayez pas de résoudre cela vous-même ! Contactez un réparateur agréé immédiatement !



5.1 Problèmes courants

Les problèmes suivants ne sont pas un dysfonctionnement et la plupart du temps ne nécessitent pas de réparation.

Problème	Causes possibles
L'appareil ne s'allume pas quand j'appuie sur le bouton ON/OFF (MARCHE/ARRÊT)	L'appareil est muni d'une fonctionnalité de protection contre les surcharges qui le désactive pendant 3 minutes. L'appareil ne peut pas redémarrer dans les trois minutes qui suivent son arrêt.
L'appareil passe du mode COOL (REFROIDISSEMENT)/ HEAT (CHAUFFAGE) au mode FAN (VENTILATION).	L'appareil peut changer de réglage pour empêcher du givre de se former sur l'appareil. Une fois que la température monte, l'appareil revient au mode précédemment sélectionné.
	La température de consigne est atteinte et à ce moment l'appareil désactive le compresseur. L'appareil reprend le fonctionnement quand la température fluctue à nouveau.
Le module intérieur émet une brume blanche.	Dans les régions humides, un grand écart de température entre l'air de la pièce et l'air conditionné peut causer une brume blanche.
Le module intérieur et le module extérieur émettent tous les deux une brume blanche.	Quand l'appareil redémarre en mode HEAT (CHAUFFAGE) après un dégivrage, il peut émettre une brume blanche en raison de l'humidité générée par le procédé de dégivrage.
Le module intérieur fait des bruits.	Il peut y avoir un bruit d'air furtif quand le déflecteur réinitialise sa position.
	Vous pouvez entendre un grincement après avoir mis l'appareil en mode HEAT (CHAUFFAGE) en raison de dilatation et de la rétraction des pièces en plastique de l'appareil.

5 Dépannage

Problème	Causes possibles
Le module intérieur et le module extérieur font tous les deux des bruits.	Sifflement léger pendant le fonctionnement : Cela est normal et dû au gaz réfrigérant traversant le module intérieur et le module extérieur.
	Sifflement léger quand le système démarre, vient de s'arrêter ou dégivre : Ce bruit est normal et dû au gaz réfrigérant qui s'arrête ou change de direction.
	Grincement : Une dilatation et une rétraction normales des pièces en plastique et en métal dues à des variations de température pendant le fonctionnement peuvent causer des grincements.
Le module extérieur fait des bruits.	L'appareil fera différents son selon son mode de fonctionnement actuel.
Le module intérieur ou le module extérieur émet de la poussière.	Durant de longues périodes de non utilisation, l'appareil peut accumuler de la poussière, qui sera émise au démarrage de l'appareil.
	Cela peut être atténué en couvrant l'appareil lors des longues périodes d'inactivité.
L'appareil émet une odeur désagréable.	L'appareil peut absorber des odeurs venant de l'environnement (par ex. de meubles, de cuisson, de cigarettes, etc.) qui seront émises pendant le fonctionnement.
	Les filtres de l'appareil ont moisie et doivent être nettoyés.
Le ventilateur du module extérieur ne fonctionne pas.	Pendant le fonctionnement, la vitesse du ventilateur est réglée afin d'optimiser le fonctionnement du produit.
Le fonctionnement est erratique, imprévisible ou l'appareil ne répond pas.	Des interférences venant d'antennes des réseaux de téléphonie mobile et d'amplificateurs de puissance distants peuvent causer un dysfonctionnement de l'appareil. Dans ce cas, essayez ce qui suit : <ul style="list-style-type: none">• Déconnectez l'alimentation, puis reconnectez-la.• Appuyez sur le bouton ON/OFF (MARCHE/ARRÊT) sur la télécommande pour reprendre le fonctionnement.



Remarque : Si le problème persiste, contactez un distributeur local ou votre réparateur local. Fournissez-lui une description détaillée du dysfonctionnement de l'appareil ainsi que votre numéro de modèle.

5 Dépannage

5.2 Dépannage

Lorsque des problèmes surviennent, vérifiez les points suivants avant de contacter un réparateur.

Problème	Causes possibles	Solution
Mauvaise performance de refroidissement	Le réglage de température peut être supérieur à la température ambiante de la pièce.	Baissez le réglage de température.
	L'échangeur de chaleur sur le module intérieur ou extérieur est sale.	Nettoyez l'échangeur de chaleur concerné.
	Le filtre d'air est sale.	Enlevez le filtre et nettoyez-le en suivant les instructions.
	L'arrivée ou la sortie d'air de l'un des appareils est obstruée.	Éteignez l'appareil, enlevez l'obstruction et rallumez-le.
	Les portes et les fenêtres sont ouvertes.	Vérifiez que toutes les portes sont fermées quand l'appareil est en marche.
	Une chaleur excessive est générée par la lumière du soleil.	Fermez les fenêtres et les rideaux pendant les périodes de grande chaleur ou quand le soleil brille fort.
	Trop de sources de chaleur dans la pièce (personnes, ordinateurs, électronique, etc.)	Réduisez la quantité de sources de chaleur.
	Réfrigérant faible en raison d'une fuite ou d'une utilisation à long terme.	Vérifiez s'il y a des fuites et ré-étanchéifiez si nécessaire et faites l'appoint de réfrigérant.
La fonction SILENCE est activée (fonction en option).	La fonction SILENCE peut diminuer la performance du produit en réduisant la fréquence de fonctionnement. Désactivez la fonction SILENCE.	
L'appareil ne fonctionne pas.	Coupure d'alimentation	Attendez que l'alimentation soit rétablie.
	L'alimentation électrique est désactivée.	Mettez l'appareil sous tension.
	Le fusible est grillé.	Remplacez le fusible.
	Les piles de la télécommande sont vides.	Remplacez les piles.
	La protection de 3 minutes de l'appareil est activée.	Attendez trois minutes après le redémarrage de l'appareil.
	La minuterie est activée.	Désactivez la minuterie.

5 Dépannage

Problème	Causes possibles	Solution
L'appareil démarre et s'arrête fréquemment.	Il y a trop ou trop peu de réfrigérant dans le système.	Vérifiez s'il y a des fuites et rechargez le système avec du réfrigérant.
	Un gaz incompressible ou de l'humidité ont pénétré dans le système.	Évacuez et rechargez le système avec du réfrigérant.
	Le compresseur est en panne.	Remplacez le compresseur.
	La tension est trop élevée ou trop basse.	Installez un manostat pour réguler la tension.
Mauvaise performance de chauffage	La température extérieure est extrêmement basse.	Utilisez un appareil de chauffage auxiliaire.
	De l'air froid entre par les portes et les fenêtres.	Vérifiez que toutes les portes et fenêtres sont fermées pendant l'utilisation.
	Réfrigérant faible en raison d'une fuite ou d'une utilisation à long terme.	Vérifiez s'il y a des fuites et ré-étanchéifiez si nécessaire et faites l'appoint de réfrigérant.
Les voyants lumineux continuent de clignoter.	<p>L'appareil peut cesser ou continuer de fonctionner en toute sécurité. Si les voyants lumineux continuent de clignoter ou des codes d'erreur apparaissent, attendez environ 10 minutes. Le problème se résoudra peut-être tout seul.</p> <p>Si le problème persiste, déconnectez l'alimentation, puis reconnectez-la. Rallumez l'appareil.</p> <p>Si le problème persiste, déconnectez l'alimentation et contactez votre réparateur local.</p>	
<p>Un code d'erreur apparaît sur la fenêtre d'affichage du module intérieur :</p> <ul style="list-style-type: none"> • E0, E1, E2... • P1, P2, P3... • F1, F2, F3... 		



Remarque : Si votre problème persiste après avoir effectué les vérifications et diagnostics ci-dessus, éteignez immédiatement votre appareil et contactez un réparateur agréé.

6 Directives européennes concernant la mise au rebut

Cet appareil contient du réfrigérant et d'autres substances potentiellement dangereuses. Lors de la mise au rebut cet appareil, la loi exige un tri spécial et un traitement. **Ne jetez pas** ce produit parmi les déchets ménagers.

Pour la mise au rebut cet appareil, vous avez les options suivantes :

- Apportez cet appareil à un centre de collecte de déchets électroniques municipal agréé.
- En achetant un nouvel appareil, le détaillant reprendra l'ancien appareil sans frais.
- Le fabricant reprendra l'ancien appareil sans frais.
- Vendez l'appareil à un ferrailleur agréé.

Remarque spéciale



L'abandon de cet appareil en forêt ou dans un autre milieu naturel nuit à la santé humaine et à l'environnement. Des substances dangereuses peuvent se propager dans la nappe phréatique et entrer dans la chaîne alimentaire.



Ce symbole indique que ce produit ne doit pas être jeté avec les déchets ménagers à la fin de sa vie utile. Les appareils usagés doivent être retournés au point de collecte officiel destiné au recyclage des appareils électriques et électroniques. Pour trouver ces systèmes de collecte, veuillez contacter les autorités locales ou le détaillant auprès duquel vous avez acheté le produit. Chaque ménage joue un rôle important dans la récupération et le recyclage des appareils ménagers usagés. L'élimination appropriée des appareils usagés aide à prévenir les conséquences négatives potentielles pour l'environnement et la santé humaine.

7 Instructions d'installation

7.1 Consignes de la F-Gaz

Ce produit contient des gaz à effet de serre fluorés visés par le protocole de Kyoto.

Les gaz à effet de serre fluorés sont contenus dans un dispositif hermétiquement scellé.

Les opérations d'installation, d'entretien, de maintenance, de réparation, de vérifications de fuites éventuelles, de mise hors service des équipements obsolètes ainsi que de recyclage des produits doivent être effectuées par une personne physique certifiée.

Si le système est doté d'un dispositif de détection des fuites, des vérifications de fuites éventuelles doivent être effectuées au moins une fois par an, afin de s'assurer que le système fonctionne correctement.

Si le produit doit faire l'objet de vérifications de fuites éventuelles, il est recommandé de mentionner le cycle d'inspection, et d'établir et sauvegarder les comptes rendus des vérifications effectuées.



Remarque : Si l'équivalent en CO₂ des gaz à effet de serre fluorés contenus dans les équipements hermétiquement scellés, les climatiseurs mobiles, les climatiseurs de fenêtre ainsi que les déshumidificateurs, est inférieur à 10 tonnes, nul besoin d'effectuer des vérifications de fuites éventuelles.

8 Spécifications

Numéro de modèle	BEWPI 090/ BEWPI 091	BEWPI 120/ BEWPI 121	BEWPI 180/ BEWPI 181	BEWPI 240/ BEWPI 241
Quantité totale de gaz réfrigérant (g)	700	800	1250	1600
Classe climatique	T1	T1	T1	T1
Type de chauffage	Pompe à chaleur	Pompe à chaleur	Pompe à chaleur	Pompe à chaleur
Performance principale				
Capacité de refroidissement (BTU/h)	9212 (Pdesign C)	11940 (Pdesign C)	17401 (Pdesign C)	23884 (Pdesign C)
Capacité de refroidissement (W)	2700 (Pdesign C)	3500 (Pdesign C)	5100 (Pdesign C)	7000 (Pdesign C)
Capacité de chauffage (BTU/h)	8188 (Pdesign H)	8871 (Pdesign H)	13648 (Pdesign H)	17060 (Pdesign H)
Capacité de chauffage (W)	2400 (Pdesign H)	2600 (Pdesign H)	4000 (Pdesign H)	5000 (Pdesign H)
SEER/AEER/Poids EER (W/W)	7,1 (SEER, EU)	7,1 (SEER, EU)	6,4 (SEER, EU)	6,4 (SEER, EU)
SCOP/ACOP/Weight EER (W/W)	4,0 (SCOP, EU)	4,1 (SCOP, EU)	4,0 (SCOP, EU)	4,0 (SCOP, EU)
Tension/Fréquence (V/Hz)	220-240 V~ 50 Hz, 1 Ph	220-240 V~ 50 Hz, 1 Ph	220-240 V~ 50 Hz, 1 Ph	220-240 V~ 50 Hz, 1 Ph
Entrée d'alimentation nominale (W)	2075	2200	2550	3600
Entrée de courant nominal (A)	9,5	10	11,5	16
Diamètre de tuyaux à haute pression (mm)	Ø6.35 (1/4")	Ø6.35 (1/4")	Ø6.35 (1/4")	Ø9.52 (3/8")
Diamètre de tuyaux à basse pression (mm)	Ø9.52 (3/8")	Ø9.52 (3/8")	Ø12.7 (1/2")	Ø15.9 (5/8")
Données logistiques				
Module intérieur (L x P x H) mm	752 x 291 x 218	832 x 297 x 223	994 x 319 x 251	1119 x 336 x 259
Module extérieur (L x P x H) mm	770 x 300 x 555	770x300x555	800 x 333 x 554	845 x 363 x 702
Poids net du module intérieur (kg)	8.5	9.5	12	15
Poids net du module extérieur (kg)	27	27	38	52

Importer in Poland Importer W Polsce Beko S.A. ul. Puławska 366 02-819 Warszawa www.beko.pl	Importer in Czech Republic Dovožce do České republiky BEKO S.A., organizační složka Bucharova 1423/6, Praha 13 - Nové Butovice, 158 00 www.bekocr.cz	Importer in Slovakia Dovožca na Slovensko BEKO Slovakia s,r,o, Suché mýto 1 811 03 Bratislava www.bekosk.sk	Importer in Estonia Importija Eesti Beko S.A. Tänav Puławska 366 02-819 Varssavi (Poola)	
Importer in Germany Beko Deutschland GmbH Thomas-Edison-Platz 3 63263 Neu-Isenburg	Importer in UK BEKO Plc, Beko House, 1 Greenhill Crescent, Watford, Herts, WD18 8QU	KSA Importer AL BABTAIN TRADING CO. P.O. Box# 181, Riyadh 11411-KSA +966-11-4744788	Importer in France BEKO France / Immeuble Stadium 266, Avenue du Président Wilson 93218 La Plaine Saint-Denis Cedex	
Importer in Spain BEKO ELECTRONICS ESPANA S.L.C/ Provenza 388 1º Piso/08025 Barcelona	Importer for Malta ETV LTD 119/120 Archbishop Street VALLETTA MALTA	Importer in Latvia Importētāja Latvijā Beko S.A. Ielas Puławska 366 02-819 Varšava (Polija)	Importer in Lithuania Importuotojas Lietuvoje Beko S.A. Gatvė Puławska 366 02-819 Varšuva (Lenkija)	
Importer in Austria ELEKTRA BREGENZ AG PFARRGASSE 77 VIENNA post code 1230	Importer in Switzerland Grundig Nordic AB Isafjordsgatan 39B 16440 Kista SWEDEN	Importer in Hungary Hauser Magyarorszag imited Baross utca 89 PC: 2040 Budaörs/Hungary	Importer in Slovenia BIG BANG, D.O.O. Šmartinska cesta 152 PC:1000 Ljubljana/Slovenia	Importer in Italy BEKO ITALY SRL Viale Del Ghisallo, 20/1-20151 Milano (MI)
Importer in Romania ARCTIC S.A. Str. 13 Decembrie, nr.210 Găești, 135200, România www.arctic.ro	Importer in Benelux Schaliënhoedredreef B-2800 Mechelen - Belgium	Importer in Greece PAR. SEITANIDIS S.A. Polistilo, P.O, Box:1402 Kavala, 64003	Importer in Bulgaria Videolux LTD/PO Box 2109/2109 Sofia	Importer in Croatia E PLUS doo ZA Unutarnju/ GOSPODARSKA 16c/ 10225 GORNJI STUPNIK/ ZAGREP
Importer in Russia Импортёр на территории РФ: ООО «БЕКО», 601021, Россия, Владимирская область, Киржачский район, деревня Федоровское, улица Сельская, 49 Бесплатная линия сервисного обслуживания и информационной поддержки по установке и эксплуатации (только для звонков по России) 8-800-200-23-56 Изготовитель: Arçelik A.Ş. Турция, Karaağaç caddesi No: 2-6 İstanbul 34445 Sıtlıce, İstanbul				
Виробник: «Arçelik A.Ş» Karaağaç Caddesi No: 2-6, Sıtlıce, 34445 İstanbul, Turkey, «Arçelik A.Ş», м. Стамбул, Сютлүдже, вул. Караагач № 2-6, 34445, Туреччина Імпортер на території України: ТОВ «Бекo Україна», адреса: 03150, м. Київ, вул. Антоновича, буд. 72, тел/факс.: 0-800-500-4-3-2 Термін служби 3 роки				
Manufactured by Arçelik A.S. Karaağaç Cd. No: 2-6 34445 Sıtlıce, Beyoglu, İstanbul, Turkey				

Fabriqué par Arcelik A.S. Karaağaç Cd. N° 2-6 Sütlüce, 34445 Beyoğlu, Istanbul, Turquie.


Leggere prima il presente manuale!

Gentile Cliente,

grazie per aver scelto un prodotto Beko. Ci auguriamo che lei ottenga i migliori risultati dal suo prodotto, realizzato secondo elevati standard di qualità e con una tecnologia all'avanguardia. Pertanto, legga attentamente tutto il manuale e tutti i documenti di accompagnamento, prima di utilizzare il prodotto, e li conservi per riferimento futuro. Se cede il prodotto a qualcun altro, gli fornisca anche il manuale dell'utente. Segua tutte le avvertenze e le informazioni riportate nel manuale dell'utente.

Significato dei simboli


I seguenti simboli sono utilizzati in diverse sezioni di questo manuale:

	Informazioni importanti o suggerimenti pratici sull'utilizzo.
--	---

	Avvertenza per situazioni di pericolo relative a vita e proprietà.
--	--

	Questo simbolo indica che il manuale operativo deve essere letto con attenzione.
--	--

	Questo simbolo indica che il personale addetto all'assistenza deve maneggiare questo
--	--

	dispositivo con riferimento al manuale di installazione.
--	--

	Questo simbolo indica che sono disponibili informazioni quali il manuale operativo o il manuale di installazione.
---	---

	<p>Rischio di incendio/ materiali infiammabili</p> <p>Questo simbolo indica che questo dispositivo usa un refrigerante infiammabile. Se il refrigerante perde ed è esposto a una fonte di ignizione esterna, c'è un rischio di incendio. (Per l'unità si adotta solo refrigerante R32/R290)</p>
--	---



Il presente prodotto è stato realizzato in strutture ecosostenibili e moderne

Conforme alla Direttiva RAEE.



Non contiene PCB.

SOMMARIO

1 Istruzioni per la sicurezza	57
2 Specifiche e caratteristiche dell'unità	61
2.1 Componenti dell'unità	61
2.2 Raggiungimento delle prestazioni ottimali	62
2.3 Tipo split inverter	62
2.4 Tipo a velocità fissa	63
2.5 Altre funzioni	63
3 Funzionamento manuale (senza telecomando)	68
3.1 Come utilizzare l'unità senza il telecomando	68
4 Cura e manutenzione	69
4.1 Pulizia dell'unità interna	69
4.2 Pulizia del filtro dell'aria	69
4.3 Promemoria per il filtro dell'aria (opzionale)	71
4.3.1 Promemoria per la pulizia del filtro dell'aria	71
4.3.2 Promemoria per la sostituzione del filtro dell'aria	71
4.4 Manutenzione - Mancato utilizzo per lunghi periodi di tempo	72
4.5 Manutenzione - Controllo prima dell'inizio della stagione	73
5 Risoluzione dei problemi	74
5.1 Problemi comuni	74
5.2 Risoluzione dei problemi	76
6 Normative europee per lo smaltimento	78
7 Istruzioni per l'installazione	79
7.1 F-Gas - Istruzioni	79
8 Specifiche tecniche	80

AVVERTENZA:

La manutenzione deve essere effettuata come raccomandato dal produttore del dispositivo. Manutenzione e riparazioni che richiedono l'assistenza di altro personale qualificato saranno eseguite sotto la supervisione di una persona competente nell'uso di refrigeranti infiammabili. Per maggiori dettagli, fare riferimento a "Informazioni sull'assistenza" sul "MANUALE DI INSTALLAZIONE" (È richiesto solo per l'unità che adotta refrigerante R32/R290)

Leggere le precauzioni per la sicurezza prima dell'installazione Un'installazione eseguita in modo non corretto a causa della non osservanza delle istruzioni può provocare danni o lesioni gravi.

La gravità dei danni o delle lesioni potenziali è classificata come **Avvertenza**.

Attenzione

- Questo elettrodomestico può essere utilizzato dai bambini dagli 8 anni in su e dalle persone con capacità fisiche, sensoriali o mentali ridotte, anche in caso di mancata esperienza o conoscenza, solo se controllati e istruiti all'uso sicuro dell'elettrodomestico e informati sui possibili rischi. Non consentire ai bambini di giocare con l'apparecchio. La pulizia e la manutenzione non devono essere effettuate dai bambini senza sorveglianza.

Avvertenze sull'installazione

- Richiedere a un rivenditore autorizzato di installare questo condizionatore d'aria. Un'installazione inadeguata può provocare perdite di liquidi, scosse elettriche o incendi.

1 Istruzioni per la sicurezza

- La riparazione, la manutenzione e lo spostamento dell'unità devono essere eseguiti da personale tecnico autorizzato. Riparazioni non adeguate possono provocare lesioni gravi o guasti al prodotto.

Avvertenze sull'uso del prodotto

- Se si verifica una situazione anomala (quale un odore di bruciato), spegnere immediatamente l'unità e scollegare l'alimentazione. Rivolgersi al proprio rivenditore per istruzioni in modo da scongiurare scosse elettriche, incendi o infortuni.
- **Non** inserire dita, oggetti oblunghi o altri oggetti nelle prese o nelle uscite d'aria. Dato che le ventole potrebbero ruotare ad alta velocità, potrebbero verificarsi infortuni,
- **Non** utilizzare spray infiammabili, come spray e lacca per capelli o vernici, in prossimità dell'unità. Così facendo, potrebbero verificarsi incendi o esplosioni.
- **Non** utilizzare il condizionatore d'aria nei pressi di gas combustibili. I gas emessi potrebbero raccogliersi attorno all'unità e provocare esplosioni.
- **Non** utilizzare il condizionatore d'aria in un'ambiente umido (ad es. bagni o lavanderie). In questo modo potrebbero verificarsi scosse elettriche e il prodotto potrebbe deteriorarsi.
- **Non** esporre direttamente il proprio corpo al flusso d'aria fredda per lunghi periodi di tempo.

Avvertenze sulla sicurezza elettrica

- Utilizzare solo il cavo di alimentazione specificato. Se il cavo di alimentazione è danneggiato, occorre farlo sostituire dal produttore o da personale tecnico qualificato.

1 Istruzioni per la sicurezza

- Tenere pulita la spina di alimentazione. Rimuovere la polvere o la sporcizia che si accumulano su o intorno alla spina. Spine sporche possono provocare incendi o scosse elettriche.
- **Non** tirare il cavo di alimentazione per scollegare l'unità. Estrarre la spina dalla presa di corrente tenendola saldamente. Tirando direttamente il cavo è possibile danneggiarlo, provocando incendi o scosse elettriche.
- **Non** utilizzare prolunghe, allungare manualmente il cavo di alimentazione o collegare altre apparecchiature alla stessa presa di corrente del condizionatore d'aria. Collegamenti elettrici instabili, scarso isolamento e tensione insufficiente possono provocare incendi.

Avvertenze sulla pulizia e la manutenzione

- Spegnerne il dispositivo ed scollegare la spina prima della pulizia. In caso contrario potrebbero verificarsi scosse elettriche.
- **Non** pulire il condizionatore d'aria con quantità eccessive d'acqua.
- **Non** pulire il condizionatore d'aria con detergenti combustibili. I detergenti combustibili possono provocare incendi o deformazioni.

Attenzione

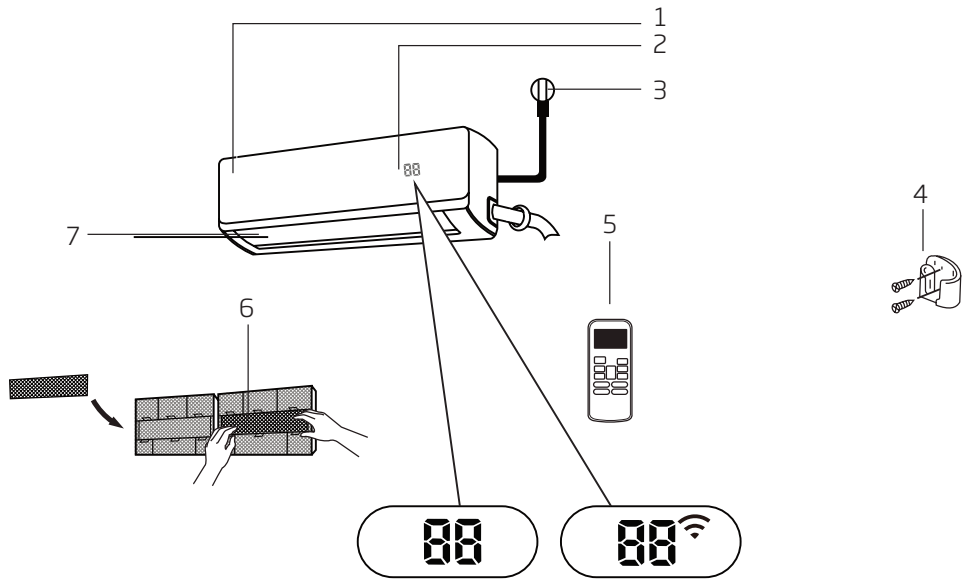
- Se il condizionatore d'aria viene utilizzato in concomitanza con fornelli o altri dispositivi che producono calore, aerare bene il locale per evitare carenza d'ossigeno.
- Spegnerne il condizionatore d'aria e scollegare l'unità dall'alimentazione se non la si utilizza per lunghi periodi di tempo.
- Spegnerne e scollegare l'unità durante i temporali.

1 Istruzioni per la sicurezza

- Accertarsi che la condensa dell'acqua sia scaricata senza ostacoli dall'unità.
- **Non** utilizzare il condizionatore d'aria con le mani bagnate. In questo modo potrebbero verificarsi scosse elettriche.
- **Non** utilizzare il dispositivo per scopi diversi da quelli a cui è destinato.
- **Non** salire sull'unità esterna o collocarvi oggetti.
- **Non** lasciare acceso il condizionatore d'aria per lunghi periodi di tempo con porte o finestre aperte oppure se il tasso di umidità è molto elevato.

2 Specifiche e caratteristiche dell'unità

2.1 Componenti dell'unità



1. Pannello anteriore
2. Display
3. Cavo di alimentazione (solo alcune unità)
4. Portatelecomando (solo alcune unità)
5. Telecomando
6. Filtro funzionale (Davanti al filtro principale - Solo alcune unità)
7. Deflettore

Significato dei codici del display

01 per 3 secondi quando:

- viene impostato TIMER ON (TIMER DI ACCENSIONE)
- Le funzionalità FRESH (FRESCO), SWING (OSCILLAZIONE), TURBO, SILENCE (SILENZIOSO) o SOLAR PV ECO sono accese

0F per 3 secondi quando:

- viene impostato TIMER OFF (TIMER DI SPEGNIMENTO)
- Le funzionalità FRESH (FRESCO), SWING (OSCILLAZIONE), TURBO, SILENCE (SILENZIOSO) o SOLAR PV ECO sono spente

cf quando la funzione anti-cold air è attiva

df durante lo sbrinamento

sc quando l'unità esegue l'autopulitura

"FP" quando la protezione dal gelo è attiva

"Wi" quando la funzione Controllo wireless è attiva (solo alcune unità)

"88" Quando la funzione ECO (opzionale) è attiva, "88" si illumina gradualmente mostrando uno per uno E-C-O-la temperatura impostata -E.....in intervalli di un secondo.

In modalità Ventilatore, l'unità visualizzerà la temperatura dell'ambiente.

Nelle altre modalità, l'unità visualizzerà la temperatura impostata.



Nota: La guida all'uso del telecomando a infrarossi non è inclusa in questo manuale.

2.2 Raggiungimento delle prestazioni ottimali

Le prestazioni ottimali per le modalità COOL (RAFFREDDAMENTO), HEAT (RISCALDAMENTO) e FAN (VENTILAZIONE) possono essere ottenute negli intervalli di temperatura seguenti. Quando il condizionatore d'aria è utilizzato al di fuori di questi intervalli, si attiveranno alcune funzionalità relative alla sicurezza e l'unità funzionerà con prestazioni al di sotto del livello ottimale.

2.3 Tipo split inverter

	Modalità COOL (RAFFREDDAMENTO)	Modalità HEAT (RISCALDAMENTO)	Modalità DRY (DEUMIDIFICAZIONE)
Temperatura dell'ambiente	17 °C - 32 °C (63 °F - 90 °F)	0 °C - 30 °C (32 °F - 86 °F)	10 °C - 32 °C (50 °F - 90 °F)
Temperatura esterna	0 °C - 50 °C (32 °F - 122 °F)	-15 °C - 30 °C (5 °F - 86 °F)	0 °C - 50 °C (32 °F - 122 °F)
	-15 °C - 50 °C (5 °F - 122 °F) (Per modelli dotati di sistemi di raffreddamento a bassa temperatura.)		
	0 °C - 60 °C (32 °F - 140 °F) (Per modelli speciali in uso nei paesi tropicali)		0 °C - 60 °C (32 °F - 140 °F) (Per modelli speciali in uso nei paesi tropicali)

Per le unità esterne con riscaldamento elettrico ausiliario

Quando la temperatura esterna scende sotto 0 °C (32 °F), si consiglia caldamente di tenere l'unità sempre inserita per garantire prestazioni continue.

2 Specifiche e caratteristiche dell'unità

2.4 Tipo a velocità fissa

	Modalità COOL (RAFFREDDAMENTO)	Modalità HEAT (RISCALDAMENTO)	Modalità DRY (DEUMIDIFICAZIONE)
Temperatura dell'ambiente	17° - 32 °C (63° - 90 °F)	0° - 30 °C (32° - 86 °F)	10° - 32 °C (50° - 90 °F)
Temperatura esterna	18° - 43 °C (64° - 109 °F)	-7° - 24 °C (19° - 75 °F)	11° - 43 °C (52° - 109 °F)
	-7° - 43 °C (19° - 109 °F) (Per modelli dotati di sistemi di raffreddamento a bassa temperatura)		18° - 43 °C (64° - 109 °F)
	18° - 54 °C (64° - 129 °F) (Per modelli speciali in uso nei paesi tropicali)		18° - 54 °C (64° - 129 °F) (Per modelli speciali in uso nei paesi tropicali)

Per ottimizzare ulteriormente le prestazioni dell'unità, attenersi a quanto indicato di seguito:

- Mantenere porte e finestre chiuse.
- Limitare l'uso energetico tramite le funzioni TIMER ON (TIMER DI ACCENSIONE) e TIMER OFF (TIMER DI SPEGNIMENTO).
- Non ostruire le prese e le uscite d'aria.
- Controllare e pulire con regolarità i filtri dell'aria.

Fare riferimento al **Manuale del telecomando**, per le spiegazioni dettagliate di ciascuna funzione.

2.5 Altre funzioni

• Riavvio automatico

Se viene a mancare la corrente elettrica, una volta che viene ripristinata, l'unità si riavvierà in automatico con le impostazioni precedenti.

• Antimuffa (solo alcune unità)

Quando si spegne l'unità durante le modalità COOL (RAFFREDDAMENTO), AUTO COOL (RAFFREDDAMENTO AUTOMATICO) o DRY (DEUMIDIFICAZIONE), il condizionatore d'aria continuerà a funzionare a bassa energia per asciugare la condensa ed evitare la formazione di muffe.

• Controllo wireless (solo alcune unità)

Il controllo wireless consente di controllare il condizionatore d'aria tramite il telefono cellulare e la connessione wireless.

• Memoria dell'angolazione del deflettore (solo alcune unità)

Quando si accende l'unità, il deflettore riprenderà in automatico l'angolazione precedente.

• Rilevamento di perdite del refrigerante (solo alcune unità)

L'unità interna visualizzerà in automatico la dicitura "EC" quando viene rilevata una perdita di refrigerante.

2 Specifiche e caratteristiche dell'unità

Per una spiegazione dettagliate delle funzionalità avanzate dell'unità (ad esempio della modalità TURBO e delle sue funzioni autopulenti), fare riferimento al **Manuale del telecomando**.



Nota:

Le illustrazioni di questo manuale sono solo a scopo informativo. La forma attuale dell'unità interna potrebbe variare leggermente. Prevale la forma effettiva.

• Impostazione dell'angolazione del flusso d'aria

Impostazione dell'angolazione verticale del flusso d'aria

Mentre l'unità è accesa, utilizzare il pulsante **SWING/DIRECT (OSCILLAZIONE/DIREZIONE)** per impostare la direzione (l'angolo verticale) del flusso d'aria.

1. Premere una volta il pulsante **SWING/DIRECT (OSCILLAZIONE/DIREZIONE)** per attivare i deflettori. Ogni volta che si preme il pulsante, i deflettori verranno regolati di 6°. Premere il pulsante finché non si raggiunge la direzione desiderata.
2. Per far oscillare i deflettori verso l'alto e il basso in modo continuo, tenere premuto per 3 secondi il pulsante **SWING/DIRECT (OSCILLAZIONE/DIREZIONE)**. Premere di nuovo il pulsante per interrompere la funzione automatica.

Impostazione dell'angolazione orizzontale del flusso d'aria

L'angolazione orizzontale del flusso d'aria deve essere impostata a mano. Impugnando la barretta del deflettore (**vedere Fig. B**), regolarlo a mano secondo la direzione desiderata.

Per alcune unità, l'angolo orizzontale del flusso d'aria è impostabile tramite telecomando. Fare riferimento al Manuale del telecomando.

Nota sull'angolazione del deflettore:

Quando si utilizzano le modalità COOL (RAFFREDDAMENTO) o DRY (DEUMIDIFICAZIONE), non impostare il deflettore con un'angolazione troppo verticale per lunghi periodi di tempo. Ciò può provocare la formazione di condensa sulle lame del deflettore che potrebbe sgocciolare sul pavimento o i mobili. (**Vedere Fig. A**)



Quando si utilizzano le modalità COOL (RAFFREDDAMENTO) o HEAT (Riscaldamento), impostando il deflettore con un'angolazione troppo verticale è possibile che le prestazioni dell'unità si riducano a causa dello scarso passaggio dell'aria.

Non spostare il deflettore a mano. In questo modo il deflettore andrà fuori sincronia. Se si verifica questo problema, spegnere l'unità e scollegarla per alcuni secondi, quindi riavviarla. Così facendo, si ripristinerà la posizione del deflettore.

2 Specifiche e caratteristiche dell'unità

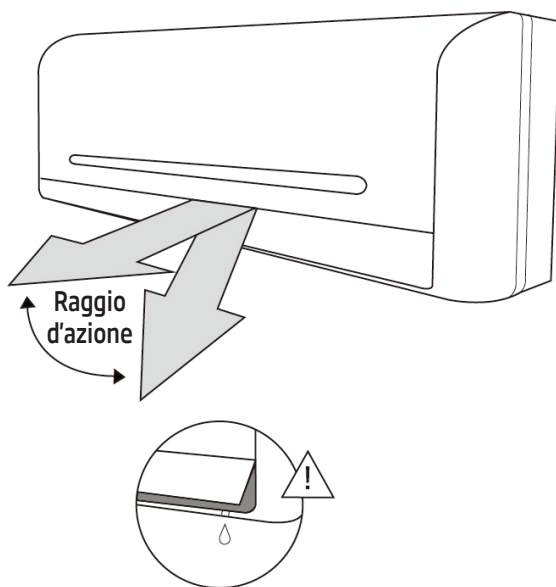


Fig. A



Attenzione

Non mantenere il deflettore ad un'angolazione troppo verticale per lunghi periodi di tempo. Così facendo potrebbe accumularsi della condensa e sgocciolare sui mobili.



Attenzione

Non inserire le dita all'interno o in prossimità della ventola o sul lato dell'aspirazione dell'unità. Le ventole ad alta velocità all'interno dell'unità possono provocare lesioni.

2 Specifiche e caratteristiche dell'unità

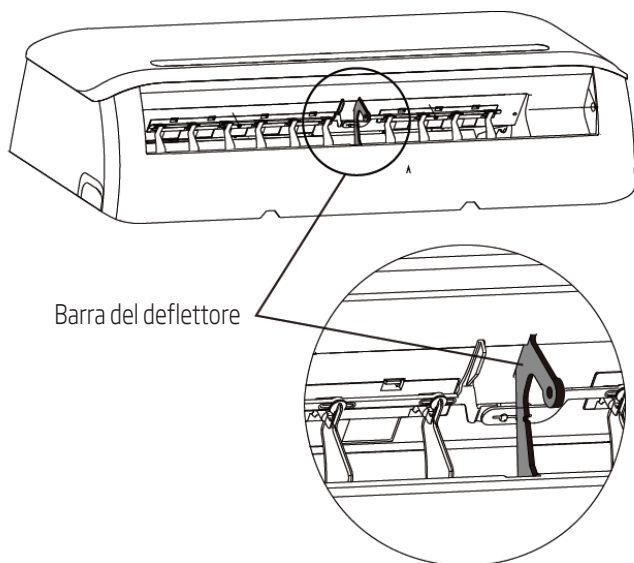


Fig. B

2 Specifiche e caratteristiche dell'unità

• Funzione Sleep (Notte)

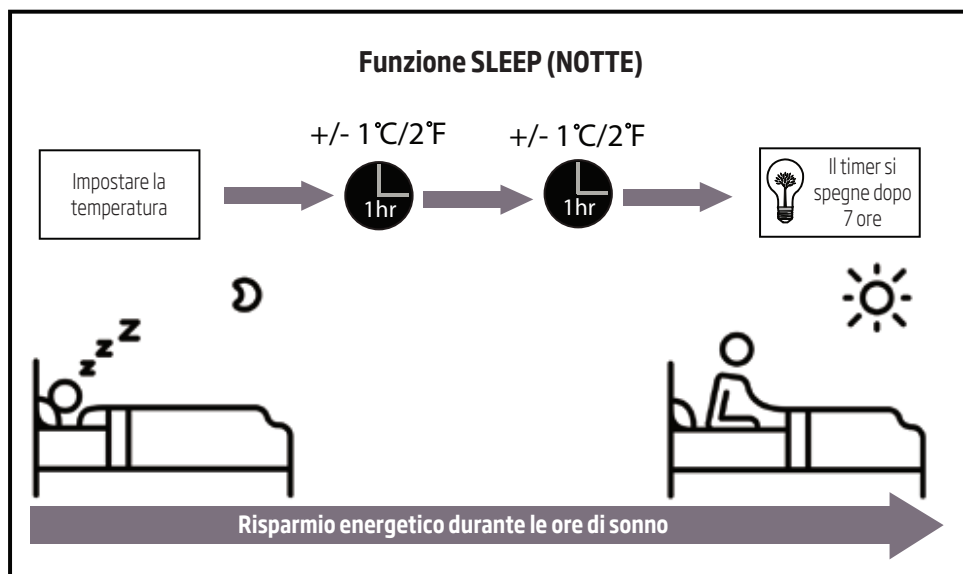
La funzione SLEEP (NOTTE) si utilizza per diminuire l'energia consumata durante le ore di sonno (quando non occorre la stessa temperatura per dormire in modo confortevole). È possibile attivare questa funzione solo tramite telecomando.

Premere il pulsante SLEEP (NOTTE) prima di andare a letto. Durante la modalità COOL (RAFFREDDAMENTO), l'unità aumenterà la temperatura di 1 °C (2 °F) dopo la prima ora e di un ulteriore 1 °C (2 °F) ad ogni ora successiva. Durante la modalità HEAT (RISCALDAMENTO), l'unità diminuirà la temperatura di 1 °C (2 °F) dopo la prima ora e di un ulteriore 1 °C (2 °F) ad ogni ora successiva.

La nuova temperatura sarà mantenuta per 5 ore, dopodiché l'unità si spegnerà automaticamente.



Nota: La funzione SLEEP (NOTTE) non è disponibile durante la modalità FAN (VENTILAZIONE) o DRY (DEUMIDIFICAZIONE).



3 Funzionamento manuale (senza telecomando)

3.1 Come utilizzare l'unità senza il telecomando

Nel caso in cui il telecomando non funzioni, è possibile utilizzare manualmente l'unità con il pulsante **MANUAL CONTROL (CONTROLLO MANUALE)** situato sull'unità interna. Tenere presente che il funzionamento manuale non è una soluzione da utilizzare a lungo termine e si consiglia caldamente di utilizzare l'unità tramite il telecomando.

Prima del funzionamento manuale

L'unità deve essere spenta prima dell'uso manuale.

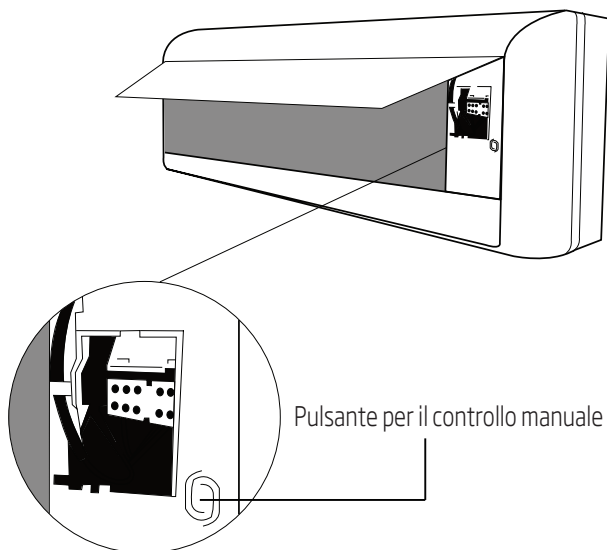
Per utilizzare l'unità manualmente:

1. Aprire il pannello anteriore dell'unità interna.
2. Individuare il pulsante **MANUAL CONTROL (CONTROLLO MANUALE)** a destra dell'unità.
3. Premere il pulsante **MANUAL CONTROL (CONTROLLO MANUALE)** una volta per attivare la modalità FORCED AUTO (AUTOMATICA FORZATA).
4. Premere il pulsante **MANUAL CONTROL (CONTROLLO MANUALE)** di nuovo per attivare la modalità FORCED COOLING (RAFFREDDAMENTO FORZATO).
5. Premere il pulsante **MANUAL CONTROL (CONTROLLO MANUALE)** una terza volta per spegnere l'unità.
6. Chiudere il pannello anteriore.



Attenzione

Il pulsante manuale è destinato solo a scopi di collaudo ed emergenza. Non utilizzare questa funzione a meno che il telecomando non sia andato perso e sia assolutamente necessaria. Per ripristinare il normale funzionamento, utilizzare il telecomando per attivare l'unità.



4 Cura e manutenzione

4.1 Pulizia dell'unità interna



Prima della pulizia o della manutenzione

Spegnere sempre il sistema del condizionatore d'aria e scollegarne l'alimentazione prima della pulizia o della manutenzione.



Attenzione

Utilizzare solo un panno morbido e asciutto per pulire l'unità. Se l'unità è particolarmente sporca, è possibile utilizzare un panno imbevuto in acqua tiepida per pulire.

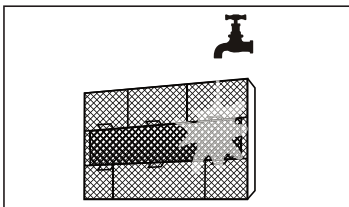
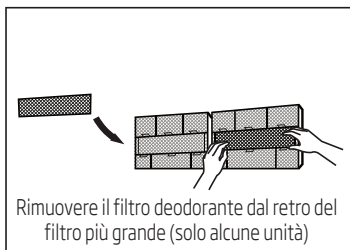
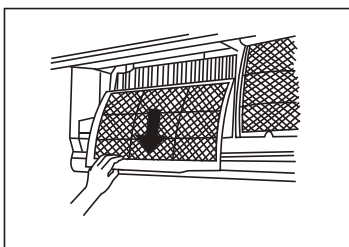
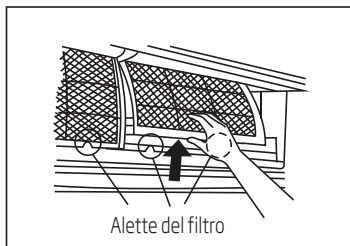
- **Non** utilizzare agenti chimici o panni trattati chimicamente per pulire l'unità.
- **Non** utilizzare benzene, diluente per vernici, polveri per lucidatura o altri solventi per pulire l'unità. Così facendo la superficie in plastica potrebbe creparsi o deformarsi.
- **Non** utilizzare acqua a temperature superiori i 40 °C (104 °F) per pulire il pannello anteriore. Così facendo il pannello potrebbe deformarsi o scolorirsi.

4.2 Pulizia del filtro dell'aria

Un condizionatore d'aria ostruito può vedere ridotta l'efficacia del raffreddamento dell'unità ed essere inoltre nocivo per la salute. Accertarsi di pulire il filtro una volta ogni due settimane.

1. Sollevare il pannello anteriore dell'unità interna.
2. Afferrare l'aletta all'estremità del filtro, sollevarla e quindi tirarla verso di sé.
3. Successivamente estrarre il filtro.
4. Se il filtro è dotato di un piccolo filtro deodorante per l'ambiente, rimuoverlo dal filtro più grande. Pulire il filtro deodorante con un aspiratore portatile.
5. Pulire il filtro più grande con acqua tiepida insaponata. Accertarsi di utilizzare un detergente delicato.
6. Sciacquare il filtro con acqua fresca, quindi scuotere il liquido in eccesso.
7. Lasciare asciugare in un luogo fresco e asciutto ed evitare di esporre alla luce solare diretta.
8. Una volta asciutto, riagganciare il filtro deodorante al filtro più grande, quindi farlo scivolare nell'unità interna.
9. Chiudere il pannello anteriore dell'unità interna.

4 Cura e manutenzione



Attenzione

Non toccare il filtro deodorante (Plasma) per almeno 10 minuti dopo aver spento l'unità.

Attenzione



- Prima di sostituire il filtro o eseguire la pulizia, spegnere l'unità e scollegarne l'alimentazione.
- Durante la rimozione del filtro, non toccare le parti metalliche dell'unità. Le lame metalliche sono affilate e possono provocare lesioni.
- Non utilizzare acqua per pulire l'interno dell'unità interna. In questo modo potrebbe danneggiarsi l'isolamento e si potrebbero verificare scosse elettriche.
- Durante l'asciugatura, non esporre il filtro alla luce solare diretta. In questo modo il filtro potrebbe raggrinzirsi.

4.3 Promemoria per il filtro dell'aria (opzionale)

4.3.1 Promemoria per la pulizia del filtro dell'aria

Dopo 240 ore d'uso, il display dell'unità interna lampeggerà visualizzando la dicitura "CL". Si tratta di un promemoria che indica che il filtro deve essere pulito. Dopo 15 secondi, l'unità tornerà alla visualizzazione precedente.

Per ripristinare il promemoria, premere il pulsante **LED** sul telecomando 4 volte o premere il pulsante **MANUAL CONTROL (CONTROLLO MANUALE)** 3 volte. Se non si ripristina il promemoria, l'indicatore "CL" lampeggerà di nuovo quando si riavvia l'unità.

4.3.2 Promemoria per la sostituzione del filtro dell'aria

Dopo 2.880 ore d'uso, il display dell'unità interna lampeggerà visualizzando la dicitura "nF". Si tratta di un promemoria che indica che il filtro deve essere sostituito. Dopo 15 secondi, l'unità tornerà alla visualizzazione precedente.

Per ripristinare il promemoria, premere il pulsante **LED** sul telecomando 4 volte o premere il pulsante **MANUAL CONTROL (CONTROLLO MANUALE)** 3 volte. Se non si ripristina il promemoria, l'indicatore "nF" lampeggerà di nuovo quando si riavvia l'unità.

Attenzione

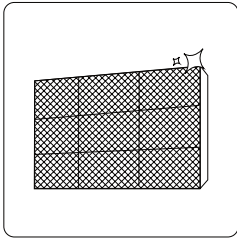


- La manutenzione e la pulizia dell'unità esterna deve essere eseguita da un rivenditore autorizzato o da personale tecnico qualificato.
- La riparazione delle unità deve essere eseguita da un rivenditore autorizzato o da personale tecnico qualificato.

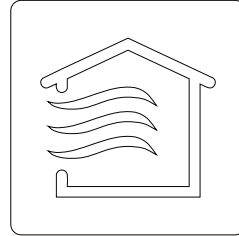
4 Cura e manutenzione

4.4 Manutenzione - Mancato utilizzo per lunghi periodi di tempo

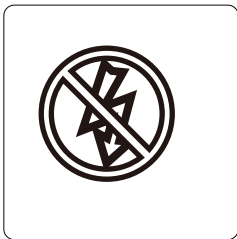
Se si programma di non utilizzare il condizionatore d'aria per lunghi periodi di tempo, attenersi a quanto segue:



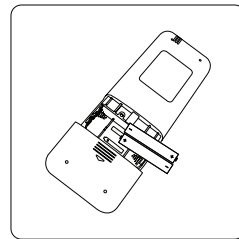
Pulire tutti i filtri



Accendere la funzione FAN (VENTILAZIONE)
finché l'unità non si asciuga completamente



Spegnere l'unità e scollegare l'alimentazione

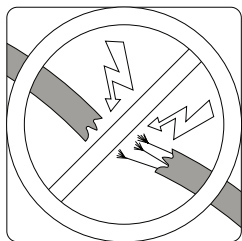


Rimuovere le batterie dal telecomando

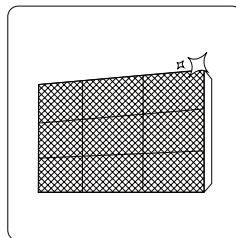
4 Cura e manutenzione

4.5 Manutenzione - Controllo prima dell'inizio della stagione

Dopo lunghi periodi di non uso o prima di periodi di uso frequente, attenersi a quanto segue:



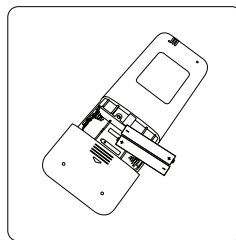
Verificare che non vi siano fili danneggiati



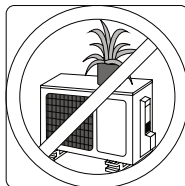
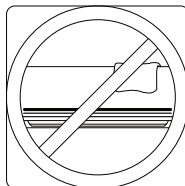
Pulire tutti i filtri



Controllare che non siano presenti perdite



Sostituire le batterie



Accertarsi che le prese e le uscite d'aria non siano ostruite

5 Risoluzione dei problemi

Misure di sicurezza

Se si verifica una QUALUNQUE delle seguenti condizioni, spegnere immediatamente l'unità!

- Il cavo di alimentazione è danneggiato o caldo in maniera anomala
- Si percepisce un odore di bruciato
- L'unità emette rumori o suoni anomali
- Un fusibile si brucia o il salvavita si attiva con frequenza
- Acqua o altri oggetti penetrano nell'unità o ne fuoriescono

Non tentare di risolvere questi problemi da soli! Rivolgersi immediatamente a personale tecnico qualificato!



5.1 Problemi comuni

I seguenti problemi non devono essere considerati come malfunzionamenti e nella maggior parte delle situazioni non richiedono riparazioni.

Problema	Possibili cause
L'unità non si accende premendo il pulsante ON/OFF (ACCENSIONE/SPEGNIMENTO)	L'unità è dotata di una funzione di protezione della durata di 3 minuti che evita che l'unità si sovraccarichi. L'unità non può essere riavviata prima che siano trascorsi tre minuti dallo spegnimento.
L'unità passa dalla modalità COOL/HEAT (RAFFREDDAMENTO/RISCALDAMENTO) alla modalità FAN (VENTILAZIONE)	L'unità è in grado di modificare le impostazioni per evitare che si formi del ghiaccio nel suo interno. Una volta che la temperatura aumenta, l'unità riprenderà a funzionare di nuovo nella modalità selezionata in precedenza. La temperatura impostata è stata raggiunta e l'unità spegne il compressore. L'unità continuerà a funzionare se la temperatura varia di nuovo.
L'unità interna emette del vapore bianco	Nelle regioni umide, una grande differenza di temperatura tra l'aria della stanza e l'aria emessa dal condizionatore può provocare la formazione di vapore bianco.
Sia l'unità interna che quella esterna emettono vapore bianco	Quando, dopo lo sbrinamento, l'unità si riavvia in modalità HEAT (RISCALDAMENTO), potrebbe emettere del vapore bianco dovuto alla condensa generatasi durante il processo di sbrinamento.
L'unità interna produce rumori	Potrebbe sentirsi un rumore di flusso d'aria quando i deflettori ripristinano la posizione. Potrebbe sentirsi un cigolio dopo aver utilizzato l'unità in modalità HEAT (RISCALDAMENTO) a causa dell'espansione e della contrazione delle parti in plastica dell'unità.

5 Risoluzione dei problemi

Problema	Possibili cause
Sia l'unità interna che quella esterna emettono rumori	Un sibilo profondo durante il funzionamento: è normale ed è provocato dal gas refrigerante che scorre attraverso l'unità interna ed esterna.
	Un sibilo profondo quando il sistema si avvia, si è appena arrestato o è in fase di sbrinamento: il rumore è normale ed è provocato dal gas refrigerante che si interrompe o cambia direzione.
	Cigolio: la normale espansione e contrazione delle parti in plastica e metallo è provocata dai cambi di temperatura durante il funzionamento e può provocare cigolii.
L'unità esterna produce rumori	L'unità produrrà suoni diversi a seconda della modalità operativa in funzione.
Viene emessa polvere sia dall'unità interna che da quella esterna	L'unità può accumulare polvere durante i lunghi periodi di inattività che può essere emessa quando viene riaccesa. È possibile limitare il problema coprendo l'unità durante i lunghi periodi di inattività.
L'unità emette cattivi odori	L'unità può assorbire odori dall'ambiente (da mobili, cibi, sigarette, ecc.) e successivamente emetterli durante il funzionamento.
	I filtri dell'unità si sono ammuffiti e devono essere puliti.
La ventola dell'unità esterna non funziona	Durante il funzionamento, la velocità della ventola viene controllata per ottimizzare il funzionamento del prodotto.
Il funzionamento è irregolare, imprevedibile o l'unità non risponde	Le interferenze dai ripetitori dei telefoni cellulari possono provocare malfunzionamenti nell'unità. In questo caso, tentare quanto segue: <ul style="list-style-type: none">• Scollegare l'alimentazione e quindi ricollegarla.• Premere il pulsante ON/OFF (ACCENSIONE/SPEGNIMENTO) sul telecomando per riavviare il funzionamento.



Nota: Se il problema persiste, contattare un rivenditore locale o il centro assistenza più vicino. Fornire una descrizione dettagliata del malfunzionamento dell'unità e il numero di modello.

5 Risoluzione dei problemi

5.2 Risoluzione dei problemi

Quando si verifica un problema, verificare i seguenti punti prima di contattare una ditta di riparazioni.

Problema	Possibili cause	Soluzione
Prestazioni di raffreddamento scarse	L'impostazione della temperatura può essere superiore rispetto alla temperatura ambiente della stanza	Impostare una temperatura più bassa
	Lo scambiatore di calore dell'unità interna o esterna è sporco	Pulire lo scambiatore di calore interessato
	Il filtro dell'aria è sporco	Rimuovere il filtro e pulirlo secondo le istruzioni
	La presa e l'uscita dell'aria sono bloccate	Spegnere l'unità, rimuovere l'ostruzione e riaccendere
	Porte e finestre sono aperte	Accertarsi che tutte le porte e le finestre siano chiuse durante il funzionamento dell'unità
	La luce solare genera calore eccessivo	Chiudere finestre e tende durante i periodi di calore intenso o forte esposizione alla luce solare
	Troppe sorgenti di calore nella stanza (persone, computer, dispositivi elettronici, ecc.)	Ridurre il numero di sorgenti di calore
	Scarso refrigerante a causa di perdite o usi prolungati	Verificare che non vi siano perdite, risigillare se necessario e riempire l'unità con il refrigerante
La funzione SILENCE (SILENZIOSO) è attivata (funzione opzionale)	La funzione SILENCE (SILENZIOSO) può ridurre le prestazioni del prodotto riducendo la frequenza operativa. Spegnere la funzione SILENCE (SILENZIOSO).	
L'unità non funziona	Interruzione di corrente	Attendere che l'elettricità sia ripristinata
	L'alimentazione è spenta	Accendere l'alimentazione
	Il fusibile è bruciato	Sostituire il fusibile
	Le batterie del telecomando sono esaurite	Sostituire le batterie
	La protezione della durata di 3 minuti dell'unità è stata attivata	Attendere 3 minuti prima di riavviare dell'unità
	Il timer è attivato	Spegnere il timer

5 Risoluzione dei problemi

Problema	Possibili cause	Soluzione
L'unità si avvia e si arresta con frequenza	È presente troppo o troppo poco refrigerante nel sistema	Verificare che non siano presenti perdite e ricaricare il sistema con il refrigerante.
	Del gas incompressibile o dell'umidità sono entrati nel sistema.	Svuotare e ricaricare il sistema con il refrigerante
	Il compressore è guasto	Sostituire il compressore
	La tensione è troppo elevata o troppo bassa	Installare un pressostato per regolare la tensione
Prestazioni di riscaldamento scarse	La temperatura esterna è estremamente bassa	Utilizzare un dispositivo di riscaldamento ausiliario
	Dell'aria fredda penetra attraverso porte e finestre	Accertarsi che tutte le porte e le finestre siano chiuse durante l'uso
	Scarso refrigerante a causa di perdite o usi prolungati	Verificare che non vi siano perdite, risigillare se necessario e riempire l'unità con il refrigerante
Gli indicatori luminosi continuano a lampeggiare	<p>L'unità può arrestarsi o continuare a funzionare in modo sicuro. Se gli indicatori luminosi continuano a lampeggiare o sono visualizzati codici di errore, attendere circa 10 minuti. Il problema potrebbe risolversi da solo.</p> <p>In caso contrario, scollegare l'alimentazione e quindi ricollegarla. Accendere l'unità.</p> <p>Se il problema persiste, scollegare l'alimentazione e rivolgersi al centro assistenza più vicino.</p>	
Vengono visualizzati dei codici di errore sul display dell'unità interna: <ul style="list-style-type: none"> • E0, E1, E2... • P1, P2, P3... • F1, F2, F3... 		



Nota: Se il problema persiste dopo l'esecuzione delle verifiche e degli strumenti diagnostici di cui sopra, spegnere immediatamente l'unità e rivolgersi a un centro assistenza autorizzato.

6 Normative europee per lo smaltimento

Questo apparecchio contiene refrigerante e altri materiali potenzialmente pericolosi. Quando si smaltisce questo apparecchio, la legge stabilisce una raccolta e un trattamento speciali. **Non** smaltire questo prodotto nei rifiuti domestici o nei rifiuti indifferenziati.

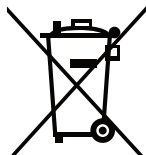
Quando si smaltisce questo apparecchio, sono possibili le seguenti opzioni:

- Smaltire l'apparecchio presso gli impianti di raccolta dei rifiuti elettronici municipali designati.
- Quando si acquista un nuovo apparecchio, il rivenditore ritira il vecchio apparecchio gratuitamente.
- Il produttore ritira il vecchio apparecchio gratuitamente.
- Vendere l'apparecchio a rivenditori autorizzati di rottami metallici.

Avviso speciale



Lo smaltimento di questo apparecchio nei boschi o in altri ambienti naturali danneggia la propria salute ed è nocivo per l'ambiente. Le sostanze nocive possono penetrare nelle falde acquifere e quindi nella catena alimentare.



Questo simbolo indica che questo prodotto non deve essere smaltito con altri rifiuti domestici al termine della sua vita utile. Il dispositivo usato deve essere portato a un punto di raccolta ufficiale per il riciclaggio di dispositivi elettrici ed elettronici. Per individuare questi punti di raccolta, contattare le proprie autorità locali oppure il rivenditore presso cui è stato acquistato il prodotto. Ciascuna famiglia ha un ruolo importante nel recupero e riciclaggio di vecchi apparecchi. Lo smaltimento appropriato degli apparecchi usati aiuta a prevenire potenziali conseguenze negative per l'ambiente e la salute umana.

7 Istruzioni per l'installazione

7.1 F-Gas - Istruzioni

Questo prodotto contiene gas fluorurati ad effetto serra contemplati dal protocollo di Kyoto.

I gas fluorurati ad effetto serra sono contenuti in attrezzatura sigillata ermeticamente.

Installazioni, riparazioni, manutenzione, controlli della presenza di perdite, smantellamento e riciclo del prodotto devono essere effettuati da personale qualificato.

Se il sistema è dotato di dispositivo per il rilevamento delle perdite, i controlli delle perdite devono essere eseguiti almeno ogni 12 mesi, accertando che il sistema funzioni correttamente.

Ogni qual volta vengono eseguiti controlli delle perdite, occorre specificare il ciclo di controllo, creare e conservare dei registri concernenti le verifiche.



Nota: Non occorre eseguire le verifiche delle perdite per attrezzatura sigillata ermeticamente, condizionatori d'aria portatili, condizionatori d'aria a finestra e deumidificatori, se l'equivalente di CO₂ o gas fluorurati ad effetto serra è minore di 10 tonnellate.

8 Specifiche tecniche

Numero di modello	BEWPI 090/ BEWPI 091	BEWPI 120/ BEWPI 121	BEWPI 180/ BEWPI 181	BEWPI 240/ BEWPI 241
Quantità refrigerante totale (g)	700	800	1250	1600
Classe climatica	T1	T1	T1	T1
Tipo di riscaldamento	Pompa di calore	Pompa di calore	Pompa di calore	Pompa di calore
Prestazioni principali				
Capacità di raffreddamento (Btu/h)	9212 (Pdesign C)	11940 (Pdesign C)	17401 (Pdesign C)	23884 (Pdesign C)
Capacità di raffreddamento (W)	2700 (Pdesign C)	3500 (Pdesign C)	5100 (Pdesign C)	7000 (Pdesign C)
Capacità di riscaldamento (Btu/h)	8188 (Pdesign H)	8871 (Pdesign H)	13648 (Pdesign H)	17060 (Pdesign H)
Capacità di riscaldamento (W)	2400 (Pdesign H)	2600 (Pdesign H)	4000 (Pdesign H)	5000 (Pdesign H)
SEER/AEER/Peso EER (W/W)	7,1 (SEER, EU)	7,1 (SEER, EU)	6,4 (SEER, EU)	6,4 (SEER, EU)
SCOP/ACOP/Peso EER (W/W)	4,0 (SCOP, EU)	4,1 (SCOP, EU)	4,0 (SCOP, EU)	4,0 (SCOP, EU)
Tensione/Frequenza (V/Hz)	220-240V~ 50Hz, 1Ph	220-240V~ 50Hz, 1Ph	220-240V~ 50Hz, 1Ph	220-240V~ 50Hz, 1Ph
Potenza nominale di ingresso (W)	2075	2200	2550	3600
Corrente nominale di ingresso (A)	9,5	10	11,5	16
Diametro tubo alta pressione (mm)	Ø6.35 (1/4")	Ø6.35 (1/4")	Ø6.35 (1/4")	Ø9.52 (3/8")
Diametro tubo bassa pressione (mm)	Ø9.52 (3/8")	Ø9.52 (3/8")	Ø12.7 (1/2")	Ø15.9 (5/8")
Dati logistici				
Unità interna (LxAxP) mm	752x291x218	832x297x223	994x319x251	1119x336x259
Unità esterna (LxAxP) mm	770x300x555	770x300x555	800x333x554	845x363x702
Peso netto unità interna (kg)	8,5	9,5	12	15
Peso netto unità esterna (kg)	27	27	38	52

Importer in Poland Importer W Polsce Beko S.A. ul. Puławska 366 02-819 Warszawa www.beko.pl	Importer in Czech Republic Dovožce do České republiky BEKO S.A., organizační složka Bucharova 1423/6, Praha 13 - Nové Butovice, 158 00 www.bekocr.cz	Importer in Slovakia Dovožca na Slovensko BEKO Slovakia s.r.o, Suché mýto 1 811 03 Bratislava www.bekosk.sk	Importer in Estonia Importija Eesti Beko S.A. Tänav Puławska 366 02-819 Varssavi (Poola)	
Importer in Germany Beko Deutschland GmbH Thomas-Edison-Platz 3 63263 Neu-Isenburg	Importer in UK BEKO Plc, Beko House, 1 Greenhill Crescent, Watford, Herts, WD18 8QU	KSA Importer AL BABTAIN TRADING CO. P.O. Box# 181, Riyadh 11411-KSA +966-11-4744788	Importer in France BEKO France / Immeuble Stadium 266, Avenue du Président Wilson 93218 La Plaine Saint-Denis Cedex	
Importer in Spain BEKO ELECTRONICS ESPANA S.L.C/ Provenza 388 1º Piso/08025 Barcelona	Importer for Malta ETV LTD 119/120 Archbishop Street VALLETTA MALTA	Importer in Latvia Importētāja Latvijā Beko S.A. Ielas Puławska 366 02-819 Varšava (Polija)	Importer in Lithuania Importuotojas Lietuvoje Beko S.A. Gatvė Puławska 366 02-819 Varšuva (Lenkija)	
Importer in Austria ELEKTRA BREGENZ AG PFARRGASSE 77 VIENNA post code 1230	Importer in Switzerland Grundig Nordic AB Isafjordsgatan 39B 16440 Kista SWEDEN	Importer in Hungary Hauser Magyarorszag imited Baross utca 89 PC: 2040 Budaörs/Hungary	Importer in Slovenia BIG BANG, D.O.O. Šmartinska cesta 152 PC:1000 Ljubljana/Slovenia	Importer in Italy BEKO ITALY SRL Viale Del Ghisallo, 20/1-20151 Milano (MI)
Importer in Romania ARCTIC S.A. Str. 13 Decembrie, nr.210 Găești, 135200, România www.arctic.ro	Importer in Benelux Schaliënhoedredreef B-2800 Mechelen - Belgium	Importer in Greece PAR. SEITANIDIS S.A. Polistilo, P.O, Box:1402 Kavala, 64003	Importer in Bulgaria Videolux LTD/PO Box 2109/2109 Sofia	Importer in Croatia E PLUS doo ZA Unutarnju/ GOSPODARSKA 16c/ 10225 GORNJI STUPNIK/ ZAGREP
Importer in Russia Импортёр на территории РФ: ООО «БЕКО», 601021, Россия, Владимирская область, Киржачский район, деревня Федоровское, улица Сельская, 49 Бесплатная линия сервисного обслуживания и информационной поддержки по установке и эксплуатации (только для звонков по России) 8-800-200-23-56 Изготовитель: Arçelik A.Ş. Турция, Karaağaç caddesi No: 2-6 İstanbul 34445 Sultuce, İstanbul				
Виробник: «Arçelik A.Ş» Karaağaç Caddesi No: 2-6, Sultuce, 34445 İstanbul, Turkey, «Arçelik A.Ş», м. Стамбул, Сютлүдже, вул. Караагач № 2-6, 34445, Туреччина Імпортер на території України: ТОВ «Бекo Україна», адреса: 03150, м. Київ, вул. Антоновича, буд. 72, тел/факс.: 0-800-500-4-3-2 Термін служби 3 роки				
Manufactured by Arçelik A.S. Karaağaç Cd. No: 2-6 34445 Sultuce, Beyoglu, İstanbul, Turkey				

Prodotto da Arcelik A.S. Karaagac Cd. No:2-6 34445 Sutluce, Beyoglu, Istanbul, Turchia

Lea este manual de usuario en primer lugar.

Apreciado cliente,

Le agradecemos que haya adquirido un producto Beko. Esperamos que obtenga los mejores resultados de este producto fabricado con materiales de alta calidad y la más avanzada tecnología. Para ello, le rogamos que lea detenidamente todo el manual de usuario y la documentación que lo acompaña antes de utilizar el producto y los guarde para futuras consultas. Si cede el producto a un tercero, entréguele también el manual de usuario. Siga todas las advertencias e información del manual de usuario.

Significado de los símbolos


A lo largo del manual se utilizan los siguientes símbolos:


	Información importante o consejos de utilidad acerca de su uso.
--	---


	Advertencias sobre situaciones de riesgo para la salud o la propiedad.
--	--

	Este símbolo significa que debe leer atentamente el manual de usuario.
--	--

	Este símbolo significa que solo un técnico debe manipular este equipo.
---	--

	Este símbolo significa que solo un técnico debe manipular este equipo consultando el manual de instalación.
--	---

	Este símbolo significa que hay información disponible, tanto el manual de usuario como el manual de instalación.
---	--

	Riesgo de incendio/ materiales inflamables Este símbolo significa que este electrodoméstico utiliza refrigerante inflamable. Si se pierde refrigerante y este entra en contacto con una fuente externa de inflamación, existe riesgo de incendio. (Solo para unidades que utilizan refrigerante R32/R290)
--	---



Este producto ha sido fabricado en instalaciones modernas y respetuosas con el medio ambiente

Cumple la normativa RAEE.



No contiene PCB.

TABLA DE CONTENIDOS

1	Instrucciones de seguridad	84
2	Características y especificaciones de la unidad	87
2.1	Partes de la unidad.....	87
2.2	Obtener un funcionamiento óptimo.....	88
2.3	Tipo split invertido.....	88
2.4	Tipo velocidad-fija.....	89
2.5	Otras características.....	89
3	Operación manual (sin mando a distancia)	94
3.1	Cómo operar la unidad sin el mando a distancia.....	94
4	Cuidado y mantenimiento	95
4.1	Limpieza de la unidad interior.....	95
4.2	Limpieza del filtro de aire.....	95
4.3	Avisos del filtro de aire (opcional).....	97
4.3.1	Aviso de limpieza del filtro de aire.....	97
4.3.2	Aviso de cambio del filtro de aire.....	97
4.4	Mantenimiento - largos periodos de inutilización.....	98
4.5	Mantenimiento - inspección de pretemporada.....	99
5	Solución de problemas	100
5.1	Problemas comunes.....	100
5.2	Solución de problemas.....	102
6	Directrices europeas de eliminación de residuos	104
7	Instrucciones para la instalación	105
7.1	Norma F-Gas.....	105
8	Especificaciones	106

1 Instrucciones de seguridad

ADVERTENCIA:

El mantenimiento debe hacerse únicamente siguiendo las recomendaciones del fabricante. El mantenimiento y reparación que requieran de la asistencia de algún profesional deberán hacerse bajo la supervisión de la persona especializada en refrigerantes inflamables. Para más información, consulte la "Información de mantenimiento" en el "MANUAL DE INSTALACIÓN" (esto es solo necesario para las unidades que utilicen refrigerante R32/R290).

Lea las medidas de seguridad antes de la instalación

Una incorrecta instalación por no seguir las instrucciones puede provocar daños o lesiones.

La gravedad de los daños potenciales o lesiones está clasificada como **Advertencia**.

Advertencia

- Este aparato puede ser utilizado por niños mayores de 8 años y personas con discapacidad física, sensorial o mental o sin experiencia ni conocimientos, siempre que hayan sido instruidos para utilizar el aparato de forma segura y comprendan los peligros que supone. No está permitido que los niños jueguen con este aparato. La limpieza y mantenimiento no pueden ser realizados por niños sin supervisión.

Advertencias para la instalación

- Solicite a un distribuidor la instalación del aire acondicionado. Una incorrecta instalación puede provocar fugas de agua, descargas eléctricas o fuego.
- La reparación, mantenimiento o traslado de esta unidad deben ser llevados a cabo por un técnico autorizado. Una reparación inadecuada puede provocar daños o fallos en el producto.

1 Instrucciones de seguridad

Advertencias de utilización

- De darse una situación poco habitual (como un olor a quemado), apague inmediatamente la unidad y desconéctela. Llame a su distribuidor para evitar descargas eléctricas, fuego u otros daños.
- **No** introduzca los dedos, varillas ni otros objetos en la entrada o salida de aire. Esto puede provocar daños, ya que el ventilador podría estar en funcionamiento.
- **No** utilice espráis inflamables, como aerosoles para el pelo, laca o pintura cerca de la unidad. Esto puede provocar fuego o combustión.
- **No** ponga en marcha el aire acondicionado en lugares con gases combustibles cercanos. El gas emitido puede acumularse en torno a la unidad y provocar una explosión.
- **No** ponga en marcha el aire acondicionado en habitaciones con humedad (p. ej., un baño o una lavandería). Esto puede provocar descargas eléctricas y causarle daños al producto.
- **No** se exponga directamente al aire frío por un periodo de tiempo prolongado.

Advertencias eléctricas

- Utilice únicamente el cable especificado. Si el cable está dañado, deberá ser reemplazado por el fabricante o un agente autorizado.
- Mantenga el enchufe limpio. Elimine el polvo o suciedad acumulados en torno al enchufe. Los enchufes con suciedad pueden provocar fuego o descargas eléctricas.
- **No** tire del cable para desconectar la unidad. Sujete el enchufe firmemente y tire de él. Tirar del cable directamente puede dañarlo y provocar fuego o descargas eléctricas.

1 Instrucciones de seguridad

- **No** use un alargador, ni extienda el cable de forma manual, ni conecte otros aparatos en el mismo enchufe que el aire acondicionado. Una conexión eléctrica o aislamiento deficientes pueden provocar fuego.

Advertencias de limpieza y mantenimiento

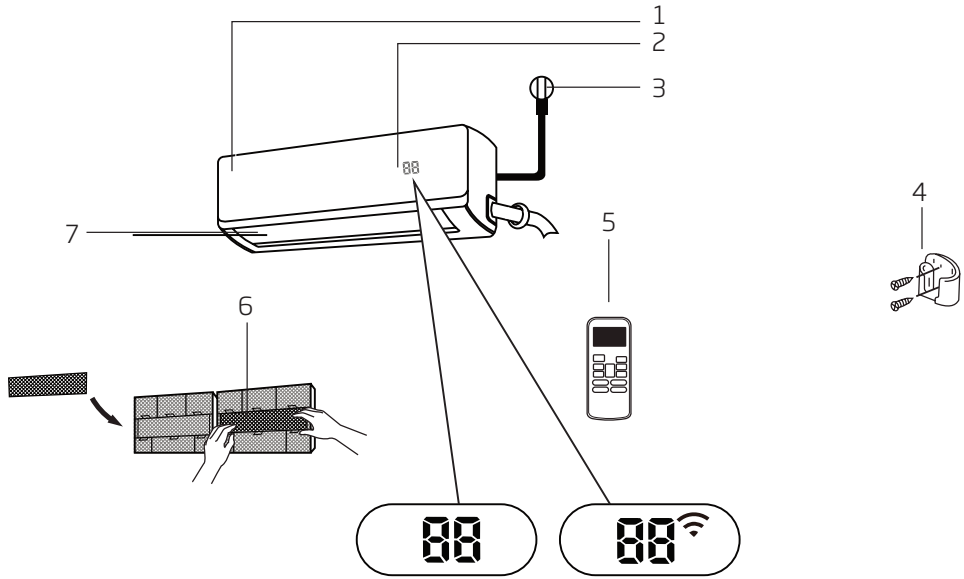
- Apague y desenchufe el aparato antes de limpiarlo. No hacerlo podría provocar descargas eléctricas.
- **No** limpie el aire acondicionado con cantidades de agua excesivas.
- **No** limpie el aire acondicionado con productos de limpieza combustibles. Los productos de limpieza combustibles pueden provocar fuego o deformación.

Advertencia

- Si se usa el aire acondicionado con cocinas u otros aparatos de calefacción, ventile bien la habitación para evitar la falta de oxígeno.
- Apague el aire acondicionado y desenchufe la unidad si no va a utilizarla en mucho tiempo.
- Apague y desenchufe la unidad cuando haya tormenta.
- Asegúrese de que la condensación de agua pueda salir libremente de la unidad.
- **No** ponga en marcha el aire acondicionado con las manos húmedas. Esto puede provocar descargas eléctricas.
- **No** utilice el aparato para ningún otro propósito que el suyo específico.
- **No** se suba, ni coloque objetos sobre la unidad exterior.
- **No** deje funcionando el aire acondicionado durante largos periodos de tiempo con puertas o ventanas abiertas, o si la humedad es muy alta.

2 Características y especificaciones de la unidad

2.1 Partes de la unidad



1. Panel frontal
2. Pantalla de visualización
3. Cable de alimentación (Algunas unidades)
4. Soporte para el control remoto (Algunas unidades)
5. Control remoto
6. Filtro funcional (Delante del filtro principal - Algunas unidades)
7. Rejilla de ventilación

Significado de los códigos de visualización

"01" durante 3 segundos cuando:

- TIMER ON (TEMPORIZADOR ENCENDIDO) está establecido
- FRESH (FRESCO), SWING (OSCILAR), TURBO, SILENCE (SILENCIO) o SOLAR PV ECO (PV ECO SOLAR) están activados

"0F" durante 3 segundos cuando:

- TIMER OFF (TEMPORIZADOR APAGADO) está establecido
- FRESH (FRESCO), SWING (OSCILAR), TURBO, SILENCE (SILENCIO) o SOLAR PV ECO (PV ECO SOLAR) están desactivados

"eF" cuando anti-aire frío está en funcionamiento

"dF" al descongelar

"5C" cuando la unidad se está auto-limpiando

“FP” cuando la protección de congelación está en funcionamiento

“Wi-Fi” cuando la función de control inalámbrico está activada (algunas unidades)

“88” Cuando la función ECO (opcional) está activada, el “88” se ilumina gradualmente uno a uno E-E
-0-establecer temperatura-E..... en intervalos de un segundo.

En modo Ventilador la unidad mostrará la temperatura de la estancia.

En otros modos la unidad mostrará su ajuste de temperatura.



Nota: No se incluye aquí ninguna guía sobre la utilización del control infrarrojo.

2.2 Obtener un funcionamiento óptimo

El rendimiento óptimo para los modos COOL (REFRIGERACIÓN), HEAT (CALEFACCIÓN) y DRY (SECO) se obtiene en los siguientes rangos de temperatura. Cuando utilice su aire acondicionado fuera de estos rangos, algunas características de seguridad se activarán y harán que la unidad no funcione de modo óptimo.

2.3 Tipo split invertido

	Modo COOL (REFRIGERACIÓN)	Modo HEAT (CALEFACCIÓN)	Modo DRY (SECO)
Temperatura de la estancia	17 °C - 32 °C (63 °F - 90 °F)	0 °C - 30 °C (32 °F - 86 °F)	10 °C - 32 °C (50 °F - 90 °F)
Temperatura exterior	0 °C - 50 °C (32 °F - 122 °F)	-15 °C - 30 °C (5 °F - 86 °F)	0 °C - 50 °C (32 °F - 122 °F)
	-15 °C - 50 °C (5 °F - 122 °F) (Para modelos con sistema de refrigeración de baja temp.)		
	0 °C - 60 °C (32 °F - 140 °F) (Para modelos tropicales especiales)		0 °C - 60 °C (32 °F - 140 °F) (Para modelos tropicales especiales)

Para unidades exteriores con calentador eléctrico auxiliar

Cuando la temperatura exterior es inferior a los 0 °C (32 °F), recomendamos mantener la unidad conectada en todo momento para garantizar un funcionamiento fluido y continuo.

2 Características y especificaciones de la unidad

2.4 Tipo velocidad-fija

	Modo COOL (REFRIGERACIÓN)	Modo HEAT (CALEFACCIÓN)	Modo DRY (SECO)
Temperatura de la estancia	17° - 32 °C (63° - 90 °F)	0° - 30 °C (32° - 86 °F)	10° - 32 °C (50° - 90 °F)
Temperatura exterior	18° - 43 °C (64° - 109 °F)	-7° - 24 °C (19° - 75 °F)	11° - 43 °C (52° - 109 °F)
	-7° - 43 °C (19° - 109 °F) (Para modelos con sistema de refrigeración de baja temp.)		18° - 43 °C (64° - 109 °F)
	18° - 54 °C (64° - 129 °F) (Para modelos tropicales especiales)		18° - 54 °C (64° - 129 °F) (Para modelos tropicales especiales)

Para optimizar el rendimiento de su unidad haga lo siguiente:

- Mantenga puertas y ventanas cerradas.
- Limite el uso de energía utilizando las funciones TIMER ON (TEMPORIZADOR ENCENDIDO) y TIMER OFF (TEMPORIZADOR APAGADO).
- No bloquee las salidas ni entradas de aire.
- Inspeccione y limpie regularmente los filtros de aire.

Para más información sobre cada función consulte el **Manual del Control Remoto**.

2.5 Otras características

• Reinicio automático

Si la unidad se queda sin energía, se reiniciará automáticamente con los ajustes previos cuando se restaure la alimentación.

• Anti-moho (algunas unidades)

Al apagar la unidad en los modos COOL (REFRIGERACIÓN), AUTO (COOL (REFRIGERACIÓN)) o DRY (SECO), el aire acondicionado seguirá funcionando a muy baja potencia para secar el agua condensada y evitar la aparición de moho.

• Control inalámbrico (algunas unidades)

El control inalámbrico le permite controlar el aire acondicionado utilizando su teléfono móvil y una conexión wifi.

• Memoria de ángulo de rejilla (algunas unidades)

Al encender su unidad la rejilla recobrará automáticamente su ángulo previo.

• Detección de fuga de refrigerante (algunas unidades)

La unidad interior automáticamente mostrará "EC" cuando detecte una fuga de refrigerante.

Para más información sobre funcionalidades avanzadas de la unidad (tales como el modo TURBO y funciones de autolimpieza), consulte el **Manual del Control Remoto**.

**Nota:**

Las ilustraciones de este manual tienen fines explicativos. La forma real de la unidad interior podría variar ligeramente. La forma real prevalecerá.

- **Ajuste del ángulo del flujo de aire**

Ajuste vertical del flujo de aire

Con la unidad encendida, utilice el botón **SWING/DIRECT (OSCILAR/DIRIGIR)** para establecer la dirección (ángulo vertical) del aire.

1. Pulse el botón **SWING/DIRECT (OSCILAR/DIRIGIR)** una vez para activar la rejilla. Cada vez que pulse el botón la rejilla se ajustará 6°. Pulse el botón hasta alcanzar la dirección deseada.
2. Para que la rejilla oscile hacia arriba y hacia abajo mantenga pulsado el botón **SWING/DIRECT (OSCILAR/DIRIGIR)** durante 3 segundos. Vuelva a pulsarlo para detener la función automática.

Ajuste horizontal del flujo de aire

El ángulo horizontal del flujo de aire debe ajustarse manualmente. Use la varilla de dirección (**Vea fig. B**) y ajústelo manualmente en la dirección deseada.

En algunas unidades el ángulo horizontal puede ajustarse usando el mando a distancia. Consulte el Manual del mando a distancia.

Nota sobre ángulos de la rejilla:

Al utilizar los modos COOL (REFRIGERACIÓN) o DRY (SECO) no sitúe la rejilla en un ángulo demasiado vertical durante largos periodos de tiempo. Esto puede hacer que el agua se condense en la hoja de la rejilla y caiga al suelo o sobre algún mueble. (**Vea fig. A**)



Al utilizar los modos COOL (REFRIGERACIÓN) o HEAT (CALEFACCIÓN), ajustar la rejilla en un ángulo demasiado vertical puede reducir el rendimiento de la unidad por falta de flujo de aire.

No manipule la rejilla con las manos. Esto hará que la rejilla se desajuste. Si esto sucediera, apague y desenchufe la unidad durante unos segundos, luego reinicie la unidad. Esto recolocará la rejilla.

2 Características y especificaciones de la unidad

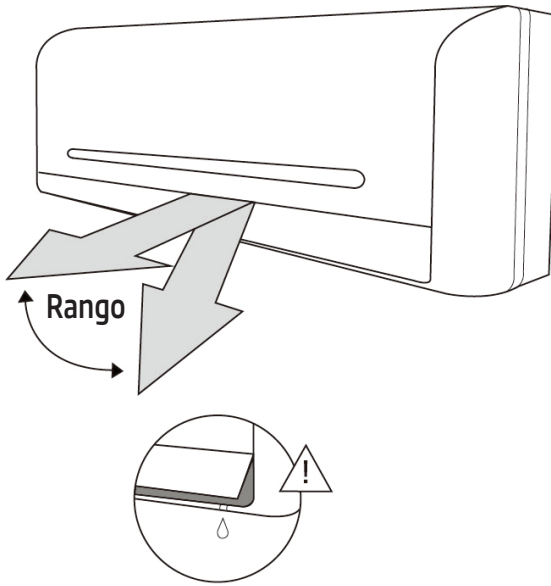


Fig. A



Advertencia

No mantenga la rejilla en un ángulo demasiado vertical durante largos periodos de tiempo. Esto puede hacer que el agua condensada caiga sobre algún mueble.



Advertencia

No introduzca los dedos ni los acerque a la zona de ventilación y succión de la unidad. El ventilador de alta velocidad puede causar lesiones.

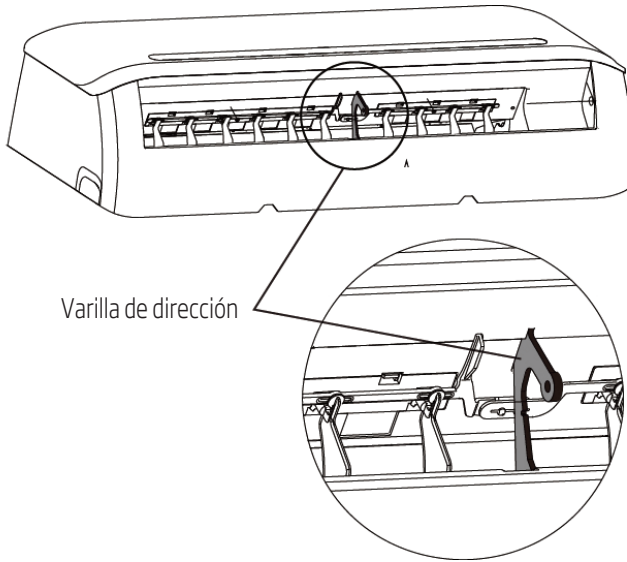


Fig. B

2 Características y especificaciones de la unidad

• Función SLEEP (DORMIR)

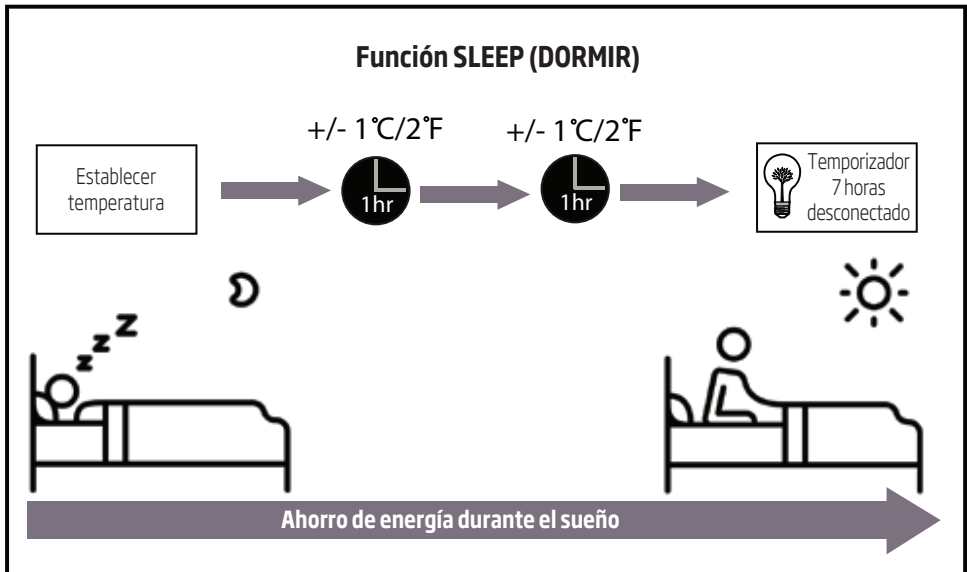
La función SLEEP (DORMIR) sirve para reducir la energía mientras duerme (y no necesita los mismos ajustes de temperatura para encontrarse a gusto). Esta función solo se puede activar con el mando a distancia.

Pulse el botón **SLEEP (DORMIR)** cuando esté preparado para irse a dormir. Estando en modo COOL (REFRIGERACIÓN) la unidad aumentará la temperatura en 1 °C (2 °F) después de 1 hora, y aumentará 1 °C (2 °F) más después de otra hora. Estando en modo HEAT (CALEFACCIÓN) la unidad disminuirá la temperatura en 1 °C (2 °F) después de 1 hora, y disminuirá 1 °C (2 °F) más después de otra hora.

La nueva temperatura se mantendrá durante 5 horas, luego la unidad se apagará automáticamente.



Nota: La función SLEEP (DORMIR) no está disponible en los modos FAN (VENTILADOR) o DRY (SECO).



3 Operación manual (sin mando a distancia)

3.1 Cómo operar la unidad sin el mando a distancia

En caso de que falle el mando a distancia la unidad puede ser operada manualmente con el botón **MANUAL CONTROL (CONTROL MANUAL)** situado en la unidad interior. Sepa que la operación manual no es una solución a largo plazo y que se recomienda encarecidamente controlar la unidad con el mando a distancia.

Antes de la operación manual

La unidad debe estar apagada antes de la operación manual.

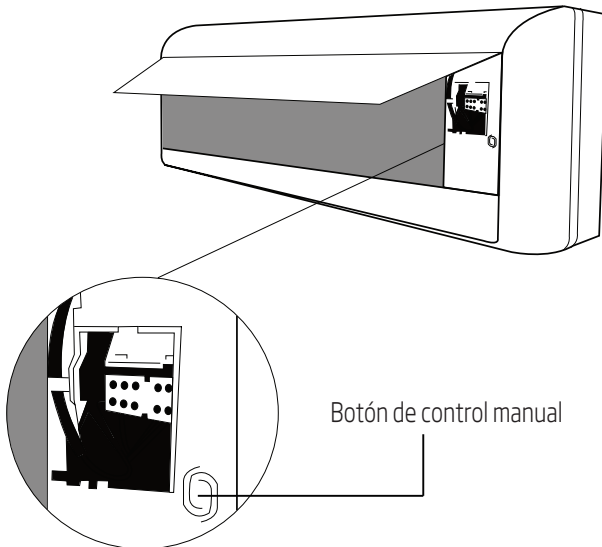
Para operar manualmente su unidad:

1. Abra el panel frontal de la unidad interior.
2. Localice el **botón MANUAL CONTROL (CONTROL MANUAL)** en la parte derecha de la unidad.
3. Pulse el **botón MANUAL CONTROL (CONTROL MANUAL)** una vez para activar el modo AUTO FORZADO.
4. Pulse el **botón MANUAL CONTROL (CONTROL MANUAL)** de nuevo para activar el modo REFRIGERACIÓN FORZADA.
5. Pulse el **botón MANUAL CONTROL (CONTROL MANUAL)** una tercera vez para apagar la unidad.
6. Cierre el panel frontal.



Advertencia

El botón manual está únicamente diseñado para pruebas y casos de emergencia. No utilice esta función a menos que haya perdido el mando a distancia y sea absolutamente necesario. Para restaurar el uso normal use el mando a distancia para activar la unidad.



4 Cuidado y mantenimiento

4.1 Limpieza de la unidad interior



Antes de la limpieza y el mantenimiento

Apague siempre el sistema de aire acondicionado y desconéctelo antes de su limpieza y mantenimiento.



Advertencia

Utilice únicamente un paño suave y seco para limpiar la unidad. Si la unidad se encuentra particularmente sucia puede usar un paño empapado en agua caliente para limpiarla.

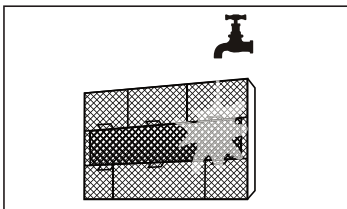
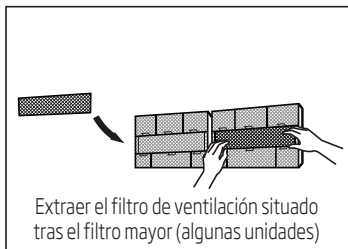
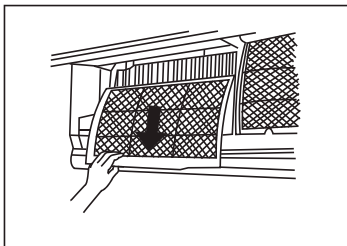
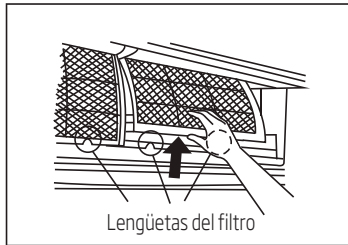
- **No** use productos químicos o paños tratados con ellos para limpiar la unidad.
- **No** use benceno, disolvente, abrillantador ni otros solventes para limpiar la unidad. Pueden provocar que la superficie plástica se rompa o deforme.
- **No** use agua a más de 40 °C (104 °F) para limpiar el panel frontal. Esto puede hacer que el panel se deforme o pierda su color.

4.2 Limpieza del filtro de aire

Un aire acondicionado taponado puede reducir la eficiencia de su unidad y puede ser también malo para su salud. Asegúrese de limpiar el filtro cada dos semanas.

1. Levante el panel frontal de la unidad interior.
2. Tome la lengüeta al final del filtro, levántela, luego tire hacia usted.
3. Ahora extraiga el filtro.
4. Si su filtro contiene otro pequeño filtro de ventilación, extráigalo del filtro mayor. Limpie el filtro de ventilación con una aspiradora de mano.
5. Limpie el filtro mayor con agua caliente y jabonosa. Asegúrese de utilizar un detergente suave.
6. Enjuague el filtro con agua fresca, luego elimine el exceso de agua.
7. Séquelo en un lugar fresco y seco, y no lo esponga a la luz del sol.
8. Una vez seco coloque de nuevo el filtro de ventilación en el filtro mayor, luego insértelo de nuevo en la unidad interior.
9. Cierre el panel frontal de la unidad interior.

4 Cuidado y mantenimiento



Advertencia

No toque el filtro (Plasma) de ventilación durante al menos 10 minutos después de apagar la unidad.

4 Cuidado y mantenimiento



Advertencia

- Antes de cambiar o limpiar el filtro apague y desconecte la unidad.
- Al extraer el filtro no toque las partes de metal de la unidad. Los bordes de metal afilados pueden producirle cortes.
- No utilice agua para limpiar por dentro la unidad interior. Esto podría deteriorar el aislamiento y provocar descargas eléctricas.
- No exponga el filtro a la luz del sol mientras se seca. Esto puede hacer que el filtro se contraiga.

4.3 Avisos del filtro de aire (opcional)

4.3.1 Aviso de limpieza del filtro de aire

Después de 240 horas de uso en la pantalla de la unidad interior parpadearán las letras "CL". Se trata de un aviso para que limpie el filtro. Después de 15 segundos la unidad volverá a mostrar la pantalla anterior.

Para restablecer el aviso pulse 4 veces el botón **LED** de su mando a distancia, o pulse 3 veces el botón **MANUAL CONTROL (CONTROL MANUAL)**. Si no restablece el aviso, el indicador "CL" volverá a parpadear cuando reinicie la unidad.

4.3.2 Aviso de cambio del filtro de aire

Después de 2880 horas de uso en la pantalla de la unidad interior parpadearán las letras "nF". Se trata de un aviso para que cambie el filtro. Después de 15 segundos la unidad volverá a mostrar la pantalla anterior.

Para restablecer el aviso pulse 4 veces el botón **LED** de su mando a distancia, o pulse 3 veces el botón **MANUAL CONTROL (CONTROL MANUAL)**. Si no restablece el aviso, el indicador "nF" volverá a parpadear cuando reinicie la unidad.



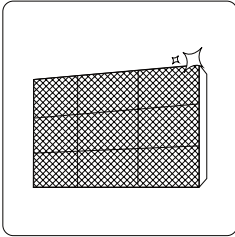
Advertencia

- El mantenimiento y la limpieza de la unidad exterior deben ser realizados por un técnico o distribuidor autorizados.
- Cualquier reparación debe ser realizada por un técnico o distribuidor autorizados.

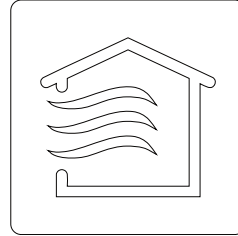
4 Cuidado y mantenimiento

4.4 Mantenimiento - largos periodos de inutilización

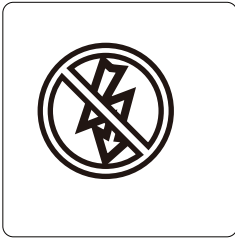
Si planea no utilizar su aire acondicionado durante un largo periodo de tiempo, haga lo siguiente:



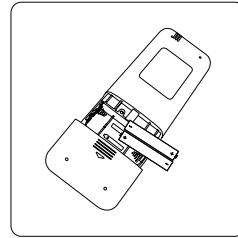
Limpie todos los filtros



Encienda la función FAN (VENTILACIÓN) hasta que la unidad se seque completamente



Apague y desconecte la unidad

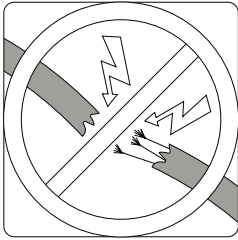


Saque las pilas del mando a distancia

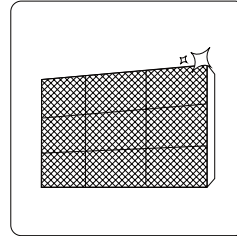
4 Cuidado y mantenimiento

4.5 Mantenimiento - inspección de pretemporada

Tras largos periodos de inutilización, o antes de periodos de uso frecuente, haga lo siguiente:



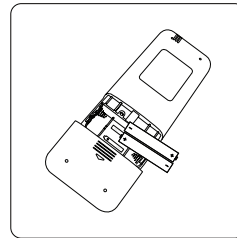
Compruebe si hay cables dañados



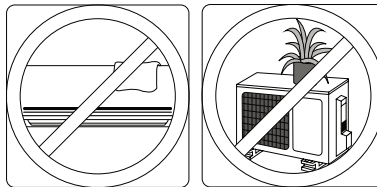
Limpe todos los filtros



Compruebe si hay fugas



Cambie las pilas



Asegúrese de que nada tapona las entradas y salidas de aire

5 Solución de problemas

Medidas de seguridad

En el caso de que ocurra alguna de las siguientes circunstancias ¡apague inmediatamente su unidad!

- El cable está dañado o excesivamente caliente
- Huele a quemado
- La unidad emite ruidos altos o poco corrientes
- Un fusible salta o el disyuntor se traba frecuentemente
- Agua u otros objetos caen sobre la unidad o salen de ella

¡No trate de arreglarlo usted mismo! ¡Póngase inmediatamente en contacto con un distribuidor autorizado!



5.1 Problemas comunes

Los siguientes problemas no se deben a un mal funcionamiento y en la mayoría de los casos no hará falta ninguna reparación.

Problema	Posibles causas
La unidad no se enciende al pulsar el botón ON/OFF (ENCENDIDO/ APAGADO)	La unidad cuenta con una función de protección de 3 minutos para evitar sobrecargas. La unidad no puede reiniciarse hasta que pasen 3 minutos después de ser apagada.
La unidad cambia de los modos COOL/HEAT (REFRIGERACIÓN/ CALEFACCIÓN) al modo FAN (VENTILADOR)	La unidad puede cambiar sus ajustes para evitar la formación de escarcha. En cuanto la temperatura aumente la unidad volverá a funcionar en el modo previamente seleccionado. Cuando se alcance la temperatura establecida la unidad detiene el compresor. La unidad volverá a funcionar cuando la temperatura vuelva a fluctuar.
La unidad interior emite una neblina blanca	En regiones húmedas, una amplia diferencia de temperatura entre el aire de la estancia y el aire acondicionado puede producir una neblina blanca.
Tanto la unidad interior como la exterior emiten neblina blanca	Cuando la unidad es reiniciada en modo HEAT (CALEFACCIÓN) tras descongelarse puede emitir una neblina blanca debido a la humedad generada en el proceso de descongelación.

5 Solución de problemas

Problema	Posibles causas
La unidad interior emite ruidos	Puede producirse un sonido de movimiento cuando la rejilla retoma su posición.
	Puede producirse un chirrido después de hacer funcionar la unidad en modo HEAT (CALEFACCIÓN) debido a la expansión y contracción de las partes plásticas de la unidad.
Tanto la unidad interior como la exterior emiten ruidos	Leve silbido durante el funcionamiento: Esto es normal y se debe al gas refrigerante que circula tanto por la unidad interior como por la exterior.
	Leve silbido cuando se inicia el sistema, acaba de detenerse o está descongelando: Es un ruido normal y se produce por la parada o cambio de dirección del gas refrigerante.
	Chirrido: La normal expansión y contracción de las partes plásticas y metálicas debido a cambios de temperatura durante el funcionamiento puede producir chirridos.
La unidad exterior emite ruidos	La unidad emitirá diferentes ruidos según el modo de funcionamiento en que se encuentre.
La unidad interior o exterior emite polvo	La unidad puede acumular polvo durante largos periodos sin utilizarse, que será expulsado al encender la unidad.
	Esto puede mitigarse cubriendo la unidad en periodos de inactividad extensos.
La unidad emite un mal olor	La unidad puede absorber olores del ambiente (tales como de muebles, cocina, cigarrillos, etc.) que serán emitidos durante el funcionamiento.
	Los filtros de la unidad se han enmohecido y deberían ser limpiados.
El ventilador de la unidad exterior no funciona	Durante el funcionamiento, la velocidad del ventilador está controlada para optimizar el funcionamiento.
El funcionamiento es errático, impredecible o la unidad no responde	La interferencia de antenas de telefonía y repetidores puede hacer que la unidad falle.
	En ese caso pruebe lo siguiente: <ul style="list-style-type: none"> • Desconecte la unidad y vuelva a conectarla. • Pulse el botón ON/OFF (ENCENDIDO/APAGADO) del mando a distancia para reiniciar.



Nota: Si el problema persiste póngase en contacto con su distribuidor local o con el centro de atención al cliente más cercano. Explíqueles cuál es el problema que presenta la unidad y facilítele el número del modelo.

5 Solución de problemas

5.2 Solución de problemas

De surgir algún problema, compruebe los puntos siguientes antes de ponerse en contacto con una empresa de reparación.

Problema	Posibles causas	Solución
Refrigeración deficiente	El ajuste de la temperatura puede ser mayor que la temperatura ambiente de la estancia	Disminuya la temperatura
	El intercambiador de calor de la unidad interior o exterior está sucio	Limpie el intercambiador de calor afectado
	El filtro de aire está sucio	Extraiga el filtro y límpielo según las instrucciones
	El conducto de entrada o salida del aire está bloqueado	Apague la unidad, despeje el conducto y vuelva a encenderla
	Puertas y ventanas están abiertas	Asegúrese de que todas las puertas y ventanas estén cerradas durante el funcionamiento de la unidad
	La luz solar genera demasiado calor	Cierre las ventanas y baje las persianas en periodos de mucho calor o excesiva luz solar
	Hay demasiadas fuentes de calor en la estancia (personas, ordenadores, aparatos eléctricos, etc.)	Reduzca la cantidad de fuentes de calor
	Falta de refrigerante debido a fuga o uso prolongado	Busque fugas, séllelas si fuese necesario y añada refrigerante
La unidad no funciona	La función SILENCE (SILENCIO) está activada (función opcional)	La función SILENCE (SILENCIO) puede reducir el rendimiento al disminuir la frecuencia de funcionalidad. Detenga la función SILENCE (SILENCIO).
	Corte de alimentación eléctrica	Espere a que la electricidad vuelva a ser restablecida
	La alimentación está desconectada	Conecte la alimentación eléctrica
	Se han fundido los plomos	Sustituya el fusible
	Las pilas del mando a distancia están gastadas	Cambie las pilas
	La protección de 3 minutos de la unidad ha sido activada	Espere tres minutos después de reiniciar la unidad
El temporizador está activado	Desactive el temporizador	

5 Solución de problemas

Problema	Posibles causas	Solución
La unidad se inicia y se apaga frecuentemente	Hay demasiado o muy poco refrigerante en el sistema	Busque posibles fugas y añada refrigerante al sistema.
	Ha entrado gas incomprensible o humedad en el sistema de refrigeración.	Vacíe y rellene el sistema con refrigerante
	El compresor está roto	Ccambie el compresor
	La tensión es demasiado alta o demasiado baja	Instale un regulador de tensión para mantenerla constante
Bajo rendimiento calefactor	La temperatura exterior es excesivamente baja	Utilice un aparato calefactor auxiliar
	Entra aire frío por puertas y ventanas	Asegúrese de que todas las puertas y ventanas estén cerradas durante el uso
	Falta de refrigerante debido a fuga o uso prolongado	Busque fugas, séllelas si fuese necesario y añada refrigerante
Las luces indicadoras siguen parpadeando	<p>La unidad puede dejar de funcionar o seguir haciéndolo de modo seguro. Si las luces indicadoras siguen parpadeando o aparecen códigos de error, espere unos 10 minutos. El problema puede solucionarse por sí solo.</p> <p>Si no, desconecte la unidad y vuelva a conectarla. Encienda la unidad.</p> <p>Si el problema persiste desconecte la unidad y póngase en contacto con el centro de atención al cliente más cercano.</p>	
Aparece un código de error en la pantalla de la unidad interior: <ul style="list-style-type: none"> • E0, E1, E2... • P1, P2, P3... • F1, F2, F3... 		



Nota: Si el problema persiste tras las comprobaciones y diagnósticos arriba señalados, apague inmediatamente la unidad y póngase en contacto con un centro de servicio técnico autorizado.

6 Directrices europeas de eliminación de residuos

Este aparato contiene refrigerante y otros materiales potencialmente peligrosos. Al deshacerse de este aparato la ley exige una recogida y trato especiales. **No** se deshaga de este producto como si fuese un residuo doméstico o urbano sin clasificar.

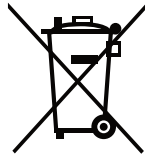
Cuando vaya a deshacerse de este aparato dispone de las siguientes opciones:

- Deshágase del aparato en una instalación municipal de recogida de residuos electrónicos.
- Al comprar un nuevo electrodoméstico el vendedor se llevará el viejo sin cargo alguno.
- El fabricante retirará el viejo electrodoméstico sin cargo alguno.
- Venda el aparato a algún chatarrero certificado.



Nota especial

Tirar este electrodoméstico en el campo u otro ambiente natural pone en peligro su salud y es perjudicial para el medio ambiente. Pueden filtrarse sustancias nocivas a las aguas subterráneas y pasar a la cadena alimenticia.



Este símbolo indica que este producto no debe eliminarse con otros desechos domésticos al final de su vida útil. El dispositivo usado debe ser devuelto al punto de recogida oficial para el reciclaje de los dispositivos eléctricos y electrónicos. Para encontrar estos sistemas de recogida, por favor, póngase en contacto con las autoridades locales o con el distribuidor donde se compró el producto. Cada hogar desempeña un papel importante en la recuperación y el reciclaje de los aparatos antiguos. La eliminación adecuada de los aparatos usados ayuda a prevenir las posibles consecuencias negativas para el medio ambiente y la salud humana.

7 Instrucciones para la instalación

7.1 Norma F-Gas

Este producto contiene gases fluorados de efecto invernadero cubiertos por el Protocolo de Kioto.

Los gases fluorados de efecto invernadero están contenidos en un equipo herméticamente sellado.

La instalación, puesta en servicio, mantenimiento, reparación, comprobación de existencia de fugas o desmantelamiento del equipo y reciclaje del producto deben ser llevados a cabo por personas físicas que posean los certificados pertinentes.

Si el sistema tiene instalado un sistema de detección de fugas, es necesario comprobar la existencia de fugas como mínimo cada 12 meses. Asegúrese de que el sistema funcione correctamente.

Si debe comprobarse la existencia de fugas en el producto, es necesario determinar el ciclo de inspección y establecer y conservar un registro de todas las comprobaciones.



Nota: Para los equipos herméticamente sellados, aires acondicionados portátiles, aires acondicionados de ventana y deshumidificadores, si el equivalente en CO₂ de los gases fluorados de efecto invernadero es menor a 10 toneladas, no debe comprobarse la existencia de fugas.

8 Especificaciones

Número del modelo	BEWPI 090/ BEWPI 091	BEWPI 120/ BEWPI 121	BEWPI 180/ BEWPI 181	BEWPI 240/ BEWPI 241
Cantidad total de refrigerante (g)	700	800	1250	1600
Clase climática	T1	T1	T1	T1
Tipo de calefacción	Bomba de calor	Bomba de calor	Bomba de calor	Bomba de calor
Rendimiento principal				
Capacidad de refrigeración (Btu/h)	9212 (Pdesign C)	11940 (Pdesign C)	17401 (Pdesign C)	23884 (Pdesign C)
Capacidad de refrigeración (W)	2700 (Pdesign C)	3500 (Pdesign C)	5100 (Pdesign C)	7000 (Pdesign C)
Capacidad de calefacción (Btu/h)	8188 (Pdesign H)	8871 (Pdesign H)	13648 (Pdesign H)	17060 (Pdesign H)
Capacidad de calefacción (W)	2400 (Pdesign H)	2600 (Pdesign H)	4000 (Pdesign H)	5000 (Pdesign H)
SEER/AEER/carga EER (W/W)	7,1 (SEER, EU)	7,1 (SEER, EU)	6,4 (SEER, EU)	6,4 (SEER, EU)
SCOP/ACOP/carga EER (W/W)	4,0 (SCOP, EU)	4,1 (SCOP, EU)	4,0 (SCOP, EU)	4,0 (SCOP, EU)
Tensión/frecuencia (V/Hz)	220-240 V ~ 50 Hz, 1 Ph	220-240 V ~ 50 Hz, 1 Ph	220-240 V ~ 50 Hz, 1 Ph	220-240 V ~ 50 Hz, 1 Ph
Potencia nominal de entrada (W)	2075	2200	2550	3600
Corriente nominal de entrada (A)	9,5	10	11,5	16
Diámetro tubería alta presión (mm)	Ø6.35 (1/4")	Ø6.35 (1/4")	Ø6.35 (1/4")	Ø9.52 (3/8")
Diámetro tubería baja presión (mm)	Ø9.52 (3/8")	Ø9.52 (3/8")	Ø12.7 (1/2")	Ø15.9 (5/8")
Datos logísticos				
Unidad interior (An x Al x F) mm	752 x 291 x 218	832 x 297 x 223	994 x 319 x 251	1119 x 336 x 259
Unidad exterior (An x Al x F) mm	770 x 300 x 555	770 x 300 x 555	800 x 333 x 554	845 x 363 x 702
Peso neto unidad interior (kg)	8.5	9.5	12	15
Peso neto unidad exterior (kg)	27	27	38	52

Importer in Poland Importer W Polsce Beko S.A. ul. Puławska 366 02-819 Warszawa www.beko.pl	Importer in Czech Republic Dovožce do České republiky BEKO S.A., organizační složka Bucharova 1423/6, Praha 13 - Nové Butovice, 158 00 www.bekocr.cz	Importer in Slovakia Dovožca na Slovensko BEKO Slovakia s.r.o, Suché mýto 1 811 03 Bratislava www.bekosk.sk	Importer in Estonia Importija Eesti Beko S.A. Tänav Puławska 366 02-819 Varssavi (Poola)	
Importer in Germany Beko Deutschland GmbH Thomas-Edison-Platz 3 63263 Neu-Isenburg	Importer in UK BEKO Plc, Beko House, 1 Greenhill Crescent, Watford, Herts, WD18 8QU	KSA Importer AL BABTAIN TRADING CO. P.O. Box# 181, Riyadh 11411-KSA +966-11-4744788	Importer in France BEKO France / Immeuble Stadium 266, Avenue du Président Wilson 93218 La Plaine Saint-Denis Cedex	
Importer in Spain BEKO ELECTRONICS ESPANA S.L.C/ Provenza 388 1º Piso/08025 Barcelona	Importer for Malta ETV LTD 119/120 Archbishop Street VALLETTA MALTA	Importer in Latvia Importētāja Latvijā Beko S.A. Ielas Puławska 366 02-819 Varšava (Polija)	Importer in Lithuania Importuotojas Lietuvoje Beko S.A. Gatvė Puławska 366 02-819 Varšuva (Lenkija)	
Importer in Austria ELEKTRA BREGENZ AG PFARRGASSE 77 VIENNA post code 1230	Importer in Switzerland Grundig Nordic AB Isafjordsgatan 39B 16440 Kista SWEDEN	Importer in Hungary Hauser Magyarorszag imited Baross utca 89 PC: 2040 Budaörs/Hungary	Importer in Slovenia BIG BANG, D.O.O. Šmartinska cesta 152 PC:1000 Ljubljana/Slovenia	Importer in Italy BEKO ITALY SRL Viale Del Ghisallo, 20/1-20151 Milano (MI)
Importer in Romania ARCTIC S.A. Str. 13 Decembrie, nr.210 Găești, 135200, România www.arctic.ro	Importer in Benelux Schaliënhoedredreef B-2800 Mechelen - Belgium	Importer in Greece PAR. SEITANIDIS S.A. Polistilo, P.O, Box:1402 Kavala, 64003	Importer in Bulgaria Videolux LTD/PO Box 2109/2109 Sofia	Importer in Croatia E PLUS doo ZA Unutarnju/ GOSPODARSKA 16c/ 10225 GORNJI STUPNIK/ ZAGREP
Importer in Russia Импортёр на территории РФ: ООО «БЕКО», 601021, Россия, Владимирская область, Киржачский район, деревня Федоровское, улица Сельская, 49 Бесплатная линия сервисного обслуживания и информационной поддержки по установке и эксплуатации (только для звонков по России) 8-800-200-23-56 Изготовитель: Arçelik A.Ş. Турция, Karaağaç caddesi No: 2-6 İstanbul 34445 Sıtlıce, İstanbul				
Виробник: «Arçelik A.Ş» Karaağaç Caddesi No: 2-6, Sıtlıce, 34445 İstanbul, Turkey, «Arçelik A.Ş», м. Стамбул, Сютлүдже, вул. Караагач № 2-6, 34445, Туреччина Імпортёр на території України: ТОВ «Бекo Україна», адреса: 03150, м. Київ, вул. Антоновича, буд. 72, тел/факс.: 0-800-500-4-3-2 Термін служби 3 роки				
Manufactured by Arçelik A.S. Karaağaç Cd. No: 2-6 34445 Sıtlıce, Beyoglu, İstanbul, Turkey				

Fabricado por Arcelik A.S. Karaagac Cd. No:2-6 34445 Sutluce, Beyoglu, Estambul, Turquía


Leia este manual de utilizador atentamente!


Estimado Cliente,


Obrigado por optar pela compra de um produto Beko. Esperamos que obtenha bons resultados com este produto, que foi fabricado com a mais alta qualidade e a tecnologia mais avançada. Assim, pedimos-lhe que leia atentamente este manual de utilizador na sua totalidade e todos os outros documentos que o acompanham, antes de utilizar o produto, guardando-os para consulta futura. Se entregar o produto a outra pessoa, entregue também o manual de utilizador. Respeite todos os avisos e informações indicados no manual de utilizador.



Significado dos símbolos


Os símbolos que se seguem são utilizados nas várias secções deste manual:

	Informações importantes ou sugestões úteis relacionadas com a utilização.
--	---

	Advertências relativas a situações perigosas que colocam em risco a vida e bens materiais.
--	--

	Este símbolo significa que o manual de instruções deve ser lido atentamente.
--	--

	Este símbolo significa que este equipamento deve ser manuseado por pessoal de manutenção, com consulta do manual de instalação.
	

	Este símbolo significa que se encontra informação disponível no manual de instruções ou no manual de instalação.
---	--

	Risco de incêndio/materiais inflamáveis
	Este símbolo significa que este aparelho utilizou um refrigerante inflamável. Caso o refrigerante vaze ou seja exposto a uma fonte de ignição externa, ocorre risco de incêndio. (Apenas para unidades que utilizem refrigerante R32/R290)



Este produto foi fabricado em instalações modernas e amigas do ambiente

ÍNDICE

1	Instruções de segurança	110
2	Especificações e funcionalidades da unidade	114
2.1	Peças da unidade	114
2.2	Conseguir um desempenho otimizado	115
2.3	Tipo Split Inversor	115
2.4	Tipo velocidade fixa	116
2.5	Outras funcionalidades	116
3	Funcionamento manual (sem controlo remoto)	121
3.1	Como utilizar a sua unidade sem o controlo remoto	121
4	Cuidados e manutenção	122
4.1	Limpeza da sua unidade interior	122
4.2	Limpeza do seu filtro de ar	122
4.3	Lembretes de filtro de ar (opcional)	124
4.3.1	Lembrete de limpeza de filtro de ar	124
4.3.2	Lembrete de substituição do filtro de ar	124
4.4	Manutenção - longos períodos de não utilização	125
4.5	Manutenção - inspeção pré-estação	126
5	Resolução de problemas	127
5.1	Problemas comuns	127
5.2	Resolução de problemas	129
6	Diretrizes europeias relativas à eliminação de resíduos	131
7	Instruções de instalação	132
7.1	Instrução para o Gás F	132
8	Especificações	133

1 Instruções de segurança

AVISO:

A manutenção devem apenas ser executada conforme recomendado pelo fabricante do equipamento. Os serviços de manutenção e de reparação, que necessitem de assistência de outro pessoal competente para o efeito, devem ser executados sob supervisão da pessoa competente na utilização de refrigerantes inflamáveis. Para obter mais detalhes, consulte "Informação sobre manutenção", no "MANUAL DE INSTALAÇÃO" (isto é apenas necessário para a unidade que utilize refrigerante R32/R290)

Leia as instruções de segurança antes da instalação

Uma instalação incorreta resultante de ignorar as instruções poderá causar danos ou lesões graves.

A gravidade dos potenciais danos ou lesões é classificada como

Advertência.

Advertência

- Este aparelho pode ser utilizado por crianças de 8 anos ou mais e por pessoas com capacidades físicas, sensoriais ou mentais reduzidas, ou por pessoas com falta de experiência ou conhecimento, se tiverem tido formação ou instrução em relação à utilização do aparelho de forma segura e compreenderem os perigos envolvidos. As crianças não deverão brincar com o aparelho. A limpeza e manutenção não devem ser feitas por crianças a menos que sejam supervisionadas.

Advertências para a instalação

- Peça a um revendedor autorizado para instalar este aparelho de ar condicionado. Uma instalação inadequada poderá causar fugas de água, choque elétrico ou incêndio.

1 Instruções de segurança

- Todas as reparações, manutenção e reposicionamento desta unidade deverão ser realizadas por um técnico de manutenção autorizado. Reparações inadequadas poderão originar ferimentos graves ou avaria do produto.

Advertências para a utilização do produto

- Caso surja uma situação anómala (como um cheiro a queimado), desligue imediatamente a unidade e remova a ficha da tomada. Contacte o seu revendedor para obter instruções sobre como evitar choque elétrico, incêndio ou ferimentos.
- **Não** insira os dedos, barras ou outros objetos nas saídas ou entradas de ar. Tal poderá originar ferimentos, uma vez que a ventoinha poderá estar a girar a alta velocidade.
- **Não** utilize sprays inflamáveis tais como spray para cabelo, verniz ou tinta perto da unidade. Tal poderá originar incêndio ou combustão.
- **Não** utilize o aparelho de ar condicionado em locais próximos ou nas imediações de gases combustíveis. O gás emitido poderá concentrar-se à volta da unidade e causar uma explosão.
- **Não** utilize o aparelho de ar condicionado em divisões molhadas (por ex., casa de banho ou lavandaria). Tal poderá provocar um choque elétrico e fazer com que o produto se deteriore.
- **Não** exponha o seu corpo diretamente ao ar frio durante um período longo de tempo.

Precauções elétricas

- Utilize apenas o cabo de alimentação especificado. No caso de o cabo de alimentação estar danificado, este deverá ser substituído pelo fabricante ou por um fornecedor de serviços certificado.

1 Instruções de segurança

- Mantenha o cabo de alimentação limpo. Remova todo o pó ou sujeira que se acumula na tomada ou à volta desta. Tomadas sujas poderão provocar um incêndio ou um choque elétrico.
- **Não** puxe pelo cabo de alimentação para desligar a unidade. Segure firmemente na ficha e remova-a da tomada. Puxar diretamente pelo cabo poderá danificá-lo, o que poderá provocar um incêndio ou um choque elétrico.
- **Não** utilize uma extensão, não aumente manualmente o cabo e não ligue outros aparelhos à mesma fonte de alimentação do aparelho de ar condicionado. Ligações elétricas mal efetuadas, um mau isolamento e uma voltagem insuficiente poderão provocar um incêndio.

Precauções de limpeza e manutenção

- Desligue o aparelho e remova a ficha da tomada antes de limpar. O não cumprimento desta medida poderá provocar um choque elétrico.
- **Não** limpe o aparelho de ar condicionado com uma quantidade excessiva de água.
- **Não** limpe o aparelho de ar condicionado com agentes de limpeza combustíveis. Os agentes de limpeza combustíveis poderão provocar um incêndio ou deformação.

Advertência

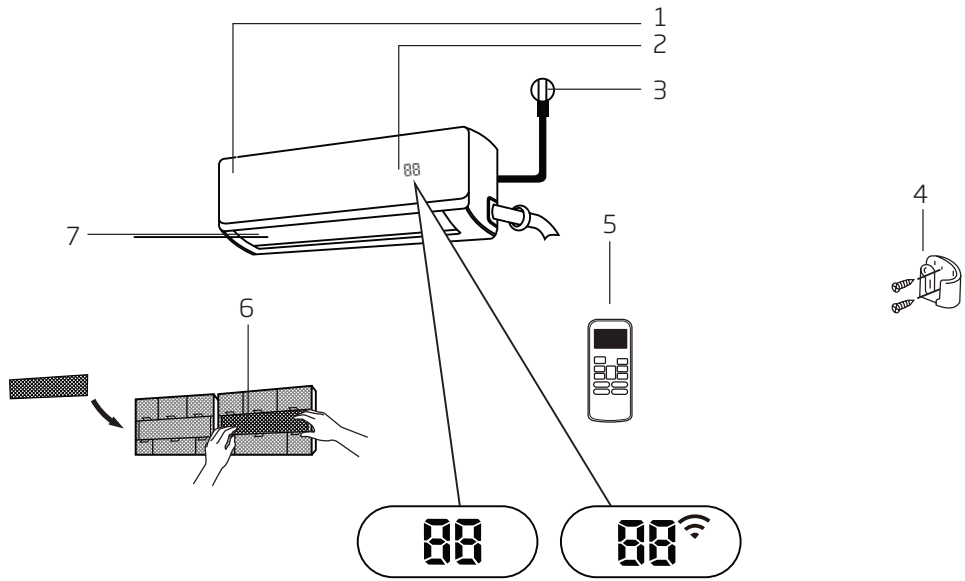
- Se o aparelho de ar condicionado for utilizado em simultâneo com queimadores ou outros dispositivos de aquecimento, ventile a divisão de forma rigorosa para evitar falta de oxigénio.
- Desligue o aparelho de ar condicionado e remova a ficha da unidade da tomada se não pretender utilizá-lo durante um período de tempo prolongado.

1 Instruções de segurança

- Desligue e remova a ficha da unidade durante as tempestades.
- Assegure-se de que a condensação de água drena de forma desimpedida da unidade.
- **Não** utilize o aparelho de ar condicionado com as mãos molhadas. Tal poderá originar um choque elétrico.
- **Não** utilize o aparelho para outros fins que não o seu uso previsto.
- **Não** suba para a unidade exterior nem coloque objetos em cima da mesma.
- **Não** permita que o aparelho de ar condicionado funcione durante períodos de tempo prolongados com as portas ou janelas abertas, ou se a humidade for muito elevada.

2 Especificações e funcionalidades da unidade

2.1 Peças da unidade



1. Painel frontal
2. Janela de visualização
3. Cabo de alimentação (algumas unidades)
4. Suporte do controlo remoto (algumas unidades)
5. Controlo remoto
6. Filtro funcional (na frente do Filtro principal - algumas unidades)
7. Grelha

Significado dos códigos do ecrã

01 durante 3 segundos quando:

- O TIMER ON (TEMPORIZADOR LIGADO) é configurado
- As funcionalidades FRESH (FRESCO), SWING (ROTAÇÃO), TURBO, SILENCE (SILÊNCIO) e SOLAR PV ECO estão ligadas

0F durante 3 segundos quando:

- O TIMER OFF (TEMPORIZADOR DESLIGADO) é configurado
- As funcionalidades FRESH (FRESCO), SWING (ROTAÇÃO), TURBO, SILENCE (SILÊNCIO) e SOLAR PV ECO estão desligadas

eF quando é ligada a funcionalidade anti-ar frio

dF quando se encontra em modo de descongelamento

5C quando a unidade se encontra em auto-limpeza

2 Especificações e funcionalidades da unidade

“FP” quando a proteção contra congelamento está ligada

“Wi-Fi” quando a funcionalidade de Controlo sem fios é ativada (algumas unidades)

“ECO” Quando a função ECO (opcional) é ativada “ECO” ilumina-se gradualmente um por um enquanto

“E-C-O”-configurar temperatura-“E”..... em intervalos de um segundo.

No modo Fan (Ventoinha), a unidade irá apresentar a temperatura ambiente.

Nos outros modos, a unidade irá apresentar a temperatura por si definida.



Nota: Neste conjunto de informação escrita não consta um guia acerca do funcionamento do controlo por infravermelhos.

2.2 Conseguir um desempenho otimizado

É possível obter um desempenho otimizado para os modos COOL (REFRIGERAÇÃO), HEAT (AQUECIMENTO), e DRY (DESUMIDIFICAÇÃO) nos seguintes intervalos de temperaturas. Quando o seu aparelho de ar condicionado é utilizado fora destes intervalos, serão ativadas algumas funcionalidades de segurança e a unidade apresentará um desempenho menos otimizado.

2.3 Tipo Split Inversor

	Modo COOL (REFRIGERAÇÃO)	Modo HEAT (AQUECIMENTO)	Modo DRY (DESUMIDIFICAÇÃO)
Temperatura ambiente	17 °C - 32 °C (63 °F - 90 °F)	0 °C - 30 °C (32 °F - 86 °F)	10 °C - 32 °C (50 °F - 90 °F)
Temperatura exterior	0 °C - 50 °C (32 °F - 122 °F)	-15 °C - 30 °C (5 °F - 86 °F)	0 °C - 50 °C (32 °F - 122 °F)
	-15 °C - 50 °C (5 °F - 122 °F) (Para modelos com sistemas de refrigeração de baixa temp.)		
	0 °C - 60 °C (32 °F - 140 °F) (Para modelos tropicais especiais)		0 °C - 60 °C (32 °F - 140 °F) (Para modelos tropicais especiais)

Para unidades exteriores com aquecedor elétrico auxiliar

Quando a temperatura exterior é inferior a 0 °C (32 °F), recomendamos vivamente que mantenha sempre a unidade ligada de forma a garantir um desempenho contínuo sem percalços.

2 Especificações e funcionalidades da unidade

2.4 Tipo velocidade fixa

	Modo COOL (REFRIGERAÇÃO)	Modo HEAT (AQUECIMENTO)	Modo DRY (DESUMIDIFICAÇÃO)
Temperatura ambiente	17° - 32 °C (63° - 90 °F)	0° - 30 °C (32° - 86 °F)	10° - 32 °C (50° - 90 °F)
Temperatura exterior	18° - 43 °C (64° - 109 °F)	-7° - 24 °C (19° - 75 °F)	11° - 43 °C (52° - 109 °F)
	-7° - 43 °C (19° - 109 °F) (Para modelos com sistemas de refrigeração de baixa temp.)		18° - 43 °C (64° - 109 °F)
	18° - 54 °C (64° - 129 °F) (Para modelos tropicais especiais)		18° - 54 °C (64° - 129 °F) (Para modelos tropicais especiais)

Para otimizar o desempenho da sua unidade, faça o seguinte:

- Mantenha as portas e janelas fechadas.
- Limite a utilização de energia ao utilizar as funções de TIMER ON (TEMPORIZADOR LIGADO) e TIMER OFF (TEMPORIZADOR DESLIGADO).
- Não bloqueie as entradas ou saídas de ar.
- Inspeccione regularmente os filtros de ar e limpe-os.

Para uma descrição detalhada de cada função, consulte o **Manual do Controlo Remoto**.

2.5 Outras funcionalidades

• Auto-reiniciar

Se a unidade se desligar, esta irá reiniciar automaticamente com as configurações anteriores uma vez restabelecida a energia.

• Anti-mofo (algumas unidades)

Ao desligar a unidade dos modos COOL (REFRIGERAÇÃO), AUTO (COOL) (REFRIGERAÇÃO AUTOMÁTICA), ou DRY (DESUMIDIFICAÇÃO), o aparelho de ar condicionado continuará a funcionar a baixa energia de modo a secar a água condensada e a prevenir o desenvolvimento de mofo.

• Controlo sem fios (algumas unidades)

O controlo sem fios permite-lhe controlar o seu aparelho de ar condicionado através do seu telemóvel e de uma ligação sem fios.

• Memória do ângulo da grelha (algumas unidades)

Ao ligar a unidade, a grelha retomará automaticamente o seu ângulo anterior.

• Detecção de fuga de refrigerante (algumas unidades)

A unidade interior exibirá automaticamente a indicação "EC" sempre que detetar uma fuga de refrigerante.

2 Especificações e funcionalidades da unidade

Para uma explicação detalhada sobre as funcionalidades avançadas da sua unidade (tais como o modo TURBO e as suas funções de auto-limpeza), consulte o **Manual do Controle Remoto**.



Nota:

As ilustrações presentes neste manual têm uma finalidade meramente explicativa. A forma real da sua unidade interior poderá ser ligeiramente diferente. A forma real é aquela que prevalece.

• Configurar o ângulo do fluxo de ar

Configurar o ângulo vertical do fluxo de ar

Com a unidade ligada, utilize o botão **SWING/DIRECT (OSCILAR/DIRECIONAR)** para configurar a direção (ângulo vertical) do fluxo de ar.

1. Prima o botão **SWING/DIRECT (OSCILAR/DIRECIONAR)** uma vez para ativar a grelha. Cada vez que premir o botão, ajustará a grelha em 6°. Prima o botão até alcançar a direção pretendida.
2. Para fazer a grelha oscilar para cima e para baixo de forma contínua, prima e mantenha premido o botão **SWING/DIRECT (OSCILAR/DIRECIONAR)** durante 3 segundos. Prima uma vez mais para parar a função automática.

Configurar o ângulo horizontal do fluxo de ar

O ângulo horizontal do fluxo de ar deverá ser configurado manualmente. Segure o perno defletor (**Consulte a Fig.B**) e ajuste-o manualmente para a sua direção preferida.

Em algumas unidades, o ângulo horizontal do fluxo de ar poderá ser configurado através do controle remoto. Por favor, consulte o Manual do Controle Remoto.



Nota acerca dos ângulos da grelha:

Ao utilizar o modo COOL (REFRIGERAÇÃO) ou DRY (DESUMIDIFICAÇÃO), não configure a grelha para um ângulo excessivamente vertical durante períodos de tempo prolongados. Tal poderá causar condensação da água na lâmina da grelha, o que irá pingar no chão ou no mobiliário. (**Consulte a Fig.A**)

Ao utilizar o modo COOL (REFRIGERAÇÃO) ou HEAT (AQUECIMENTO), configurar a aba para um ângulo excessivamente vertical poderá reduzir o desempenho da unidade devido ao acesso limitado do fluxo de ar.

Não mova a grelha de forma manual. Isto fará com que a grelha saia da sua posição inicial. Se tal ocorrer, desligue a unidade e remova a ficha da tomada durante alguns segundos, e de seguida reinicie a unidade. Tal irá recolocar a grelha na sua posição inicial.

2 Especificações e funcionalidades da unidade

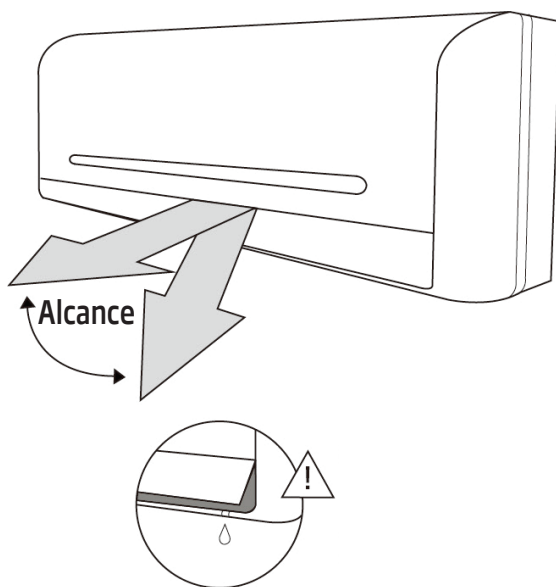


Fig. A



Advertência

Não mantenha a grelha num ângulo excessivamente vertical por períodos de tempo prolongados. Tal poderá fazer com que a condensação da água pingue no chão ou no mobiliário.



Advertência

Não coloque os seus dedos na lateral do aparelho destinada à ventilação ou aspiração, nem perto dela. A ventoinha de alta velocidade que se encontra no seu interior poderá causar ferimentos.

2 Especificações e funcionalidades da unidade

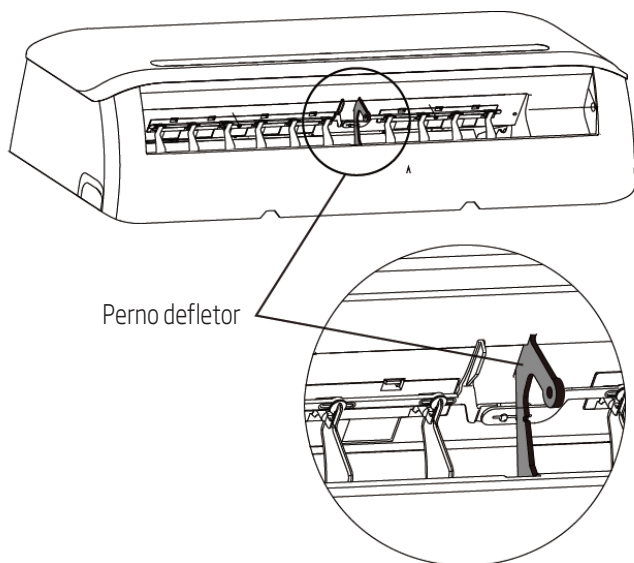


Fig. B

2 Especificações e funcionalidades da unidade

• Funcionamento em modo Sleep (Suspensão)

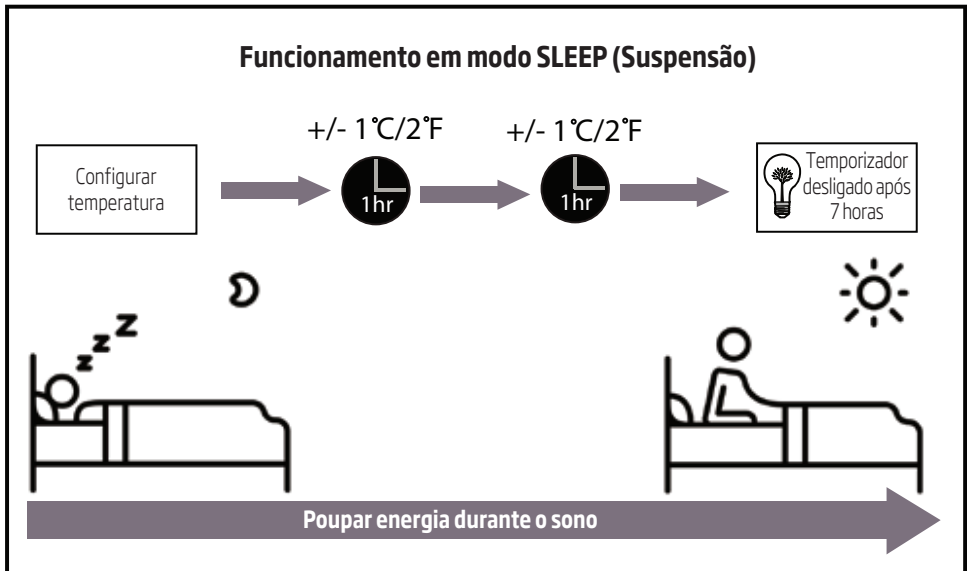
A função SLEEP (SUSPENSÃO) é utilizada para reduzir o consumo de energia enquanto dorme (e não necessita das mesmas configurações de temperatura para se manter confortável). Esta função só pode ser ativada através do controlo remoto.

Prima o botão **SLEEP (SUSPENSÃO)** quando estiver prestes a ir dormir. Quando em modo COOL (REFRIGERAÇÃO), a unidade irá aumentar a temperatura em 1 °C (2 °F) após 1 hora, e irá aumentar 1 °C (2 °F) adicional após outra hora. Quando em modo HEAT (AQUECIMENTO), a unidade reduzirá a temperatura em 1 °C (2 °F) após 1 hora, e reduzirá 1 °C (2 °F) adicional após outra hora.

Manterá a nova temperatura durante 5 horas, desligando-se, de seguida, de forma automática.



Nota: A função SLEEP (SUSPENSÃO) não está disponível nos modos FAN (VENTOINHA) ou DRY (DESUMIDIFICAÇÃO).



3 Funcionamento manual (sem controlo remoto)

3.1 Como utilizar a sua unidade sem o controlo remoto

Na eventualidade de o seu controlo remoto não funcionar, a sua unidade poderá ser utilizada manualmente através do botão **MANUAL CONTROL (CONTROLO MANUAL)** localizado na unidade interior. Tenha em conta que a utilização manual não é uma solução a longo prazo, e que a utilização da sua unidade através do controlo remoto é altamente recomendada.

Antes da utilização manual

A unidade deverá ser desligada antes da utilização manual.

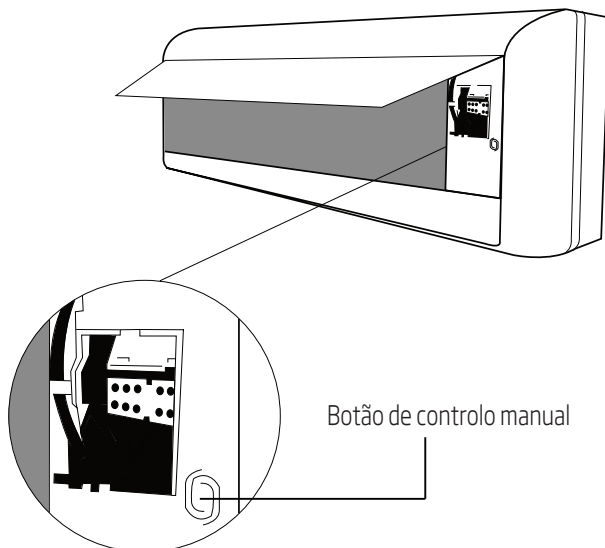
Para utilizar a sua unidade manualmente:

1. Abra o painel frontal da unidade interior.
2. Localize o **botão MANUAL CONTROL (CONTROLO MANUAL)** no lado direito da unidade.
3. Prima o **botão MANUAL CONTROL (CONTROLO MANUAL)** uma vez para ativar o modo FORCED AUTO (MODO AUTOMÁTICO FORÇADO).
4. Prima o **botão MANUAL CONTROL (CONTROLO MANUAL)** mais uma vez para ativar o modo FORCED COOLING (REFRIGERAÇÃO FORÇADA).
5. Prima o **botão MANUAL CONTROL (CONTROLO MANUAL)** uma terceira vez para desligar a unidade.
6. Feche o painel frontal.



Advertência

O botão manual destina-se apenas a situações de teste ou funcionamento de emergência. Por favor não utilize esta função a não ser que o controlo remoto se tenha perdido e seja estritamente necessário. Para repor o funcionamento normal, utilize o controlo remoto para ativar a unidade.



4 Cuidados e manutenção

4.1 Limpeza da sua unidade interior



Antes da limpeza ou manutenção

Desligue sempre o seu sistema de ar condicionado e desligue a sua ficha da tomada antes da limpeza ou manutenção.



Advertência

Utilize apenas um pano suave e seco para a limpeza da unidade. Caso a unidade esteja particularmente suja, poderá utilizar um pano molhado em água quente para a limpar.

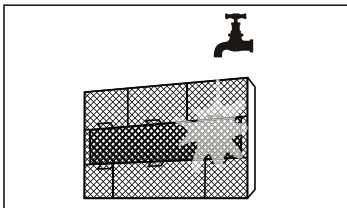
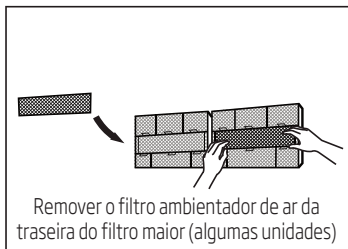
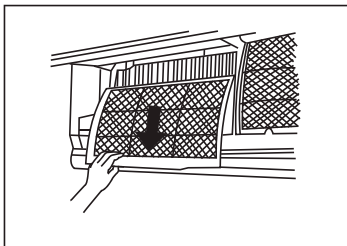
- **Não** utilize químicos ou panos quimicamente tratados para limpar a unidade.
- **Não** utilize benzina, diluente, pó de polimento ou outros solventes para limpar a unidade. Poderão causar rachas ou deformações nas superfícies de plástico.
- **Não** utilize água quente a uma temperatura superior a 40 °C (104 °F) para limpar o painel frontal. Tal poderá causar deformação ou descoloração no painel.

4.2 Limpeza do seu filtro de ar

Um sistema de ar condicionado obstruído poderá reduzir a eficiência de refrigeração da sua unidade, e poderá igualmente ser mau para a sua saúde. Certifique-se de que limpa o filtro a cada duas semanas.

1. Levante o painel frontal da unidade interior.
2. Segure a saliência na extremidade do filtro, levante-a, e de seguida puxe-a para si.
3. Agora puxe o filtro para fora.
4. Caso o seu filtro tenha um pequeno filtro ambientador de ar, solte-o do filtro maior. Limpe este filtro ambientador de ar com um aspirador manual.
5. Limpe o filtro de ar maior com água quente e sabão. Certifique-se de que usa um detergente suave.
6. Enxágue o filtro com água fria, sacudindo posteriormente o excesso de água.
7. Seque-o num local seco e fresco, resguardando-o da luz direta do sol.
8. Uma vez seco, recoloque o filtro ambientador de ar ao filtro maior, deslizando-o, de seguida, para dentro da unidade interior.
9. Feche o painel frontal da unidade interior.

4 Cuidados e manutenção



Advertência

Não toque no filtro ambientador (Plasma) durante pelo menos 10 minutos após desligar a unidade.

4 Cuidados e manutenção

Advertência



- Antes de substituir ou limpar o filtro, desligue a unidade e desligue-a da fonte de alimentação.
- Ao remover o filtro, não toque nas peças metálicas na unidade. As extremidades afiadas poderão cortá-lo.
- Não utilize água para limpar o interior da unidade interior. Tal poderá destruir o isolamento e provocar um choque elétrico.
- Não exponha o filtro diretamente à luz solar enquanto seca. Tal poderá provocar a compressão do filtro.

4.3 Lembretes de filtro de ar (opcional)

4.3.1 Lembrete de limpeza de filtro de ar

Após 240 horas de utilização, a janela de visualização da unidade interior irá piscar a indicação "CL." Trata-se de um lembrete para limpar o seu filtro. Após 15 segundos, o ecrã da unidade reverterá para o seu ecrã anterior.

Para redefinir o lembrete, prima o botão **LED** no seu controlo remoto 4 vezes, ou prima o botão **MANUAL CONTROL (CONTROLO MANUAL)** 3 vezes. Se não redefinir o lembrete, o indicador "CL" irá piscar outra vez quando reiniciar a unidade.

4.3.2 Lembrete de substituição do filtro de ar

Após 2880 horas de utilização, a janela de visualização da unidade interior irá piscar a indicação "nF." Trata-se de um lembrete para substituir o seu filtro. Após 15 segundos, o ecrã da unidade reverterá para o seu ecrã anterior.

Para redefinir o lembrete, prima o botão **LED** no seu controlo remoto 4 vezes, ou prima o botão **MANUAL CONTROL (CONTROLO MANUAL)** 3 vezes. Se não redefinir o lembrete, o indicador "nF" irá piscar outra vez quando reiniciar a unidade.

Advertência

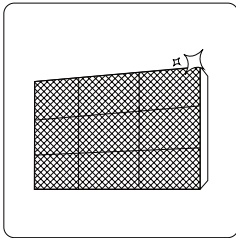


- Qualquer manutenção ou limpeza da unidade exterior deverá ser realizada por um revendedor autorizado ou por um fornecedor de serviços licenciado.
- Quaisquer reparações à unidade deverão ser realizadas por um revendedor autorizado ou por um fornecedor de serviços licenciado.

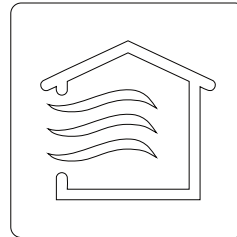
4 Cuidados e manutenção

4.4 Manutenção - longos períodos de não utilização

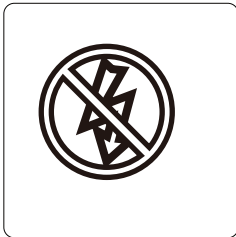
Caso planeie não utilizar o seu ar condicionado por um período de tempo prolongado, faça o seguinte:



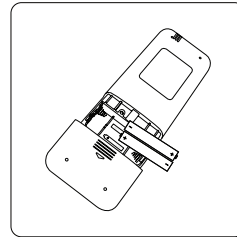
Limpe todos os filtros



Ligue a função FAN (VENTOINHA) até que a unidade seque por completo



Desligue a unidade e remova a ficha da tomada

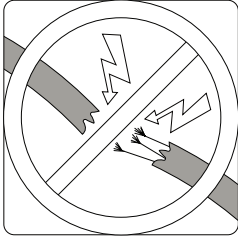


Remova as pilhas do controlo remoto

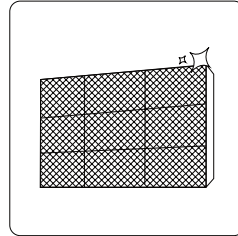
4 Cuidados e manutenção

4.5 Manutenção - inspeção pré-estação

Após longos períodos de não utilização, ou antes de períodos de utilização frequente, faça o seguinte:



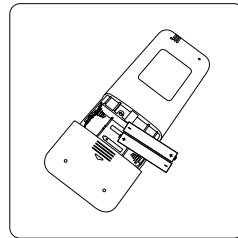
Verifique se há cabos danificados



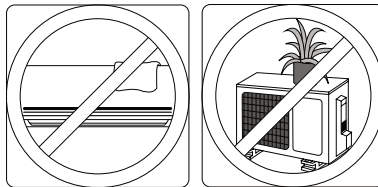
Limpe todos os filtros



Verifique se há fugas



Substitua as pilhas



Certifique-se de que nada está a bloquear as entradas e saídas de ar

5 Resolução de problemas

Precauções de segurança

Se ALGUMA das seguintes condições ocorrer, desligue imediatamente a sua unidade!

- O cabo de alimentação está danificado ou involgarmente quente
- Sente um odor a queimado
- A unidade emite sons altos ou invulgares
- Um fusível rebenta ou o disjuntor dispara com frequência
- Água ou outros objetos caem para dentro ou de dentro da unidade

Não tente solucionar estes problemas por si! Contacte um fornecedor de serviços autorizado de imediato!



5.1 Problemas comuns

Os problemas que se seguem não constituem uma avaria e na maior parte dos casos não exigem reparações.

Problema	Causas possíveis
A unidade não liga ao premir o botão ON/OFF (LIGAR/DESLIGAR)	A unidade tem uma funcionalidade de proteção de 3 minutos que previne a sobrecarga da unidade. A unidade não pode ser reiniciada nos três minutos após ser desligada.
A unidade alterna dos modos COOL (REFRIGERAÇÃO)/HEAT (AQUECIMENTO) para o modo FAN (VENTOINHA)	A unidade poderá alterar a sua definição para prevenir a formação de gelo na unidade. Uma vez que a temperatura suba, a unidade voltará a funcionar no modo anteriormente selecionado.
	A temperatura configurada foi alcançada, e nesse momento a unidade desliga o compressor. A unidade continuará a funcionar quando a temperatura flutuar novamente.
A unidade interior emite uma névoa branca	Em regiões húmidas, uma grande diferença de temperatura entre a temperatura ambiente e o ar condicionado poderá resultar na emissão de uma névoa branca.
Tanto a unidade interior como a exterior emitem névoa branca	Quando a unidade reinicia em modo HEAT (AQUECIMENTO) após o descongelamento, poderá ser emitida uma névoa branca devido à humidade gerada pelo processo de descongelamento.
A unidade interior emite ruídos	Poderá ocorrer um som de ar rápido quando a grelha retoma a sua posição.
	Poderá ocorrer um rangido após utilizar a unidade em modo HEAT (AQUECIMENTO) devido à expansão e contração das peças de plástico da unidade.

5 Resolução de problemas

Problema	Causas possíveis
Tanto a unidade interior como a exterior emitem ruídos	Emissão de som sibilante baixo durante o funcionamento: Trata-se de uma situação normal causada pela circulação do gás refrigerante pelas unidades interior e exterior.
	Um som sibilante baixo quando o sistema arranca, quando parou de funcionar, ou quando está a descongelar: Trata-se de um ruído normal, causado pela paragem ou mudança de direção do gás refrigerante.
	Rangido: A normal expansão e contração das peças de plástico e metal causadas pelas alterações de temperatura durante o funcionamento poderão causar rangidos.
A unidade exterior emite ruídos	A unidade irá emitir sons diferentes com base no seu modo de funcionamento.
Tanto a unidade interior como a exterior emitem pó	A unidade poderá acumular pó durante períodos longos de não utilização, que poderá ser projetado quando a mesma é ligada. Tal pode ser mitigado cobrindo a unidade durante longos períodos de inatividade.
A unidade emite um mau odor	A unidade poderá absorver odores do ambiente (tais como do mobiliário, confeção de alimentos, cigarros, etc.) que serão emitidos durante o funcionamento.
	Os filtros da unidade estão com mofo e deverão ser limpos.
A ventoinha da unidade exterior não funciona	Durante o funcionamento, a velocidade da ventoinha é controlada para otimizar o funcionamento do produto.
O funcionamento é errático, imprevisível, ou a unidade não está a responder	As interferências causadas por torres de telemóvel e retransmissores poderão fazer com a que a unidade não funcione corretamente. Nestes casos, tente o seguinte: <ul style="list-style-type: none">• Desligue da corrente e volte a ligar.• Prima o botão ON/OFF (LIGAR/DESLIGAR) no controlo remoto para reiniciar o funcionamento.



Nota: Caso o problema persista, contacte o seu revendedor local ou o serviço de atendimento ao cliente mais próximo. Forneça-lhe uma descrição detalhada da avaria da unidade, bem como o seu número de modelo.

5 Resolução de problemas

5.2 Resolução de problemas

Quando ocorrem problemas, por favor verifique os seguintes pontos antes de contactar uma empresa reparadora.

Problema	Causas possíveis	Solução
Mau desempenho de refrigeração	A definição da temperatura poderá estar mais alta do que a temperatura ambiente	Baixar a temperatura definida
	O permutador de calor ou a unidade interior ou exterior estão sujos	Limpe o permutador de calor afetado
	O filtro do ar está sujo	Remova o filtro e limpe-o de acordo com as instruções
	A entrada ou saída de ar de uma das unidades está bloqueada	Desligue a unidade, remova a obstrução e volte a ligá-la
	As portas e janelas estão abertas	Certifique-se de que todas as portas e janelas estão fechadas enquanto a unidade estiver a funcionar
	O sobreaquecimento é originado pela luz do sol	Feche as janelas e cortinas durante os períodos de maior calor ou sol forte
	Quantidade excessiva de fontes de calor na divisão (pessoas, computadores, equipamentos eletrónicos, etc.)	Reduza a quantidade de fontes de calor
	Baixo nível de refrigerante devido a fuga ou utilização prolongada	Verifique se há fugas, volte a isolar, se necessário, e abasteça o refrigerante
	A função SILENCE (SILÊNCIO) está ativada (função opcional)	A função SILENCE (SILÊNCIO) poderá reduzir o desempenho do produto ao reduzir a frequência de funcionamento. Desligue a função SILENCE (SILÊNCIO).

5 Resolução de problemas

Problema	Causas possíveis	Solução
A unidade não está a funcionar	Falha de energia	Aguarde que a energia seja reposta
	A alimentação está desligada	Ligue a alimentação
	O fusível está queimado	Substitua o fusível
	As pilhas do controlo remoto estão esgotadas	Substitua as pilhas
	A proteção de 3 minutos da unidade foi ativada	Aguarde três minutos antes de reiniciar a unidade
	O temporizador está ativado	Desligue o temporizador
A unidade arranca e pára com frequência	Há refrigerante em excesso ou em falta no sistema	Verifique se há fugas e abasteça o sistema com refrigerante.
	Entrou no sistema gás incompressível ou humidade.	Purgue e recarregue o sistema com refrigerante
	O compressor está avariado	Substitua o compressor
	A voltagem é muito alta ou muito baixa	Instale um manostato para regular a voltagem
Mau desempenho de aquecimento	A temperatura exterior é extremamente baixa	Utilize um dispositivo de aquecimento auxiliar
	O ar frio está a entrar através das portas e janelas	Certifique-se de que todas as portas e janelas estão fechadas durante o funcionamento
	Baixo nível de refrigerante devido a fuga ou utilização prolongada	Verifique se há fugas, volte a isolar, se necessário, e abasteça o refrigerante
As lâmpadas indicadoras continuam a piscar	<p>A unidade poderá parar o funcionamento ou continuar a funcionar em segurança. Se as lâmpadas indicadoras continuarem a piscar ou surgirem códigos de erro, aguarde cerca de 10 minutos. O problema poderá resolver-se por si mesmo.</p> <p>Caso tal não aconteça, desligue a corrente e volte a ligar. Ligue a unidade.</p> <p>Caso o problema persista, desligue a corrente e contacte o seu centro de atendimento ao cliente mais próximo.</p>	
Surge um código de erro na janela de visualização da unidade interior: <ul style="list-style-type: none"> • E0, E1, E2... • P1, P2, P3... • F1, F2, F3... 		



Nota: Caso o seu problema persista após realizar as verificações e diagnósticos acima indicados, desligue a unidade de imediato e contacte um centro de serviços autorizado.

Este aparelho contém refrigerante e outros materiais potencialmente perigosos. Ao eliminar este aparelho, a legislação exige uma recolha e tratamento especiais. **Não** elimine este aparelho como resíduos domésticos ou resíduos urbanos não triados.

Ao eliminar este aparelho, dispõe das seguintes opções:

- Eliminação do aparelho em unidades municipais apropriadas de recolha de lixo eletrónico.
- Ao comprar um novo aparelho, o revendedor receberá o aparelho antigo sem custos.
- O fabricante receberá o aparelho antigo sem custos.
- Venda o aparelho a sucateiros certificados.

Aviso especial



A eliminação deste aparelho na floresta ou outro ambiente natural envolvente constitui um perigo para a sua saúde e para o ambiente. Poderá haver uma fuga de substâncias perigosas para os lençóis freáticos e consequente entrada das mesmas na cadeia alimentar.



Este símbolo indica que, no final da sua vida útil, este equipamento não deverá ser colocado no lixo com outros resíduos domésticos. O equipamento usado deverá ser colocado num ponto oficial de recolha de resíduos de equipamentos elétricos e eletrónicos. Para localizar um ponto de recolha, por favor entre em contato com as autoridades locais ou com o revendedor onde o equipamento foi adquirido. Cada agregado familiar desempenha um papel importante na recuperação e reciclagem dos equipamentos usados. A eliminação adequada do equipamento usado ajuda a prevenir possíveis consequências negativas para o meio ambiente e para a saúde humana.

7 Instruções de instalação

7.1 Instrução para o Gás F

Este produto contém gases fluorados com efeitos de estufa abrangidos pelo protocolo de Quioto.

Os gases fluorados com efeitos de estufa estão encerrados em equipamento hermeticamente selado.

Instalações, serviços, manutenções, reparações, verificações de fugas ou desmantelamento de equipamento e reciclagem do produto devem ser acarretadas por pessoas certificadas para tal.

Se o sistema possuir um sistema de verificação de fugas instalado, as verificações de fugas devem ser feitas, pelo menos, anualmente, para se certificar que o equipamento está a funcionar corretamente.

Se forem necessárias verificações de fugas ao produto, o ciclo de inspeção deve ser especificado para se estabelecer e manter um registo destas verificações.



Nota: Se os gases fluorados com efeitos de estufa equivalentes a CO₂ forem inferiores a 10 toneladas em equipamentos hermeticamente selados, ares condicionados portáteis, de janela e em desumidificadores, as verificações de fugas não devem ser feitas.

8 Especificações

Número de modelo	BEWPI 090/ BEWPI 091	BEWPI 120/ BEWPI 121	BEWPI 180/ BEWPI 181	BEWPI 240/ BEWPI 241
Quantidade total de refrigerante (g)	700	800	1250	1600
Classe climática	T1	T1	T1	T1
Tipo de aquecimento	Bomba de calor	Bomba de calor	Bomba de calor	Bomba de calor
Desempenho				
Capacidade de refrigeração (Btu/h)	9212 (Pdesign C)	11940 (Pdesign C)	17401 (Pdesign C)	23884 (Pdesign C)
Capacidade de refrigeração (W)	2700 (Pdesign C)	3500 (Pdesign C)	5100 (Pdesign C)	7000 (Pdesign C)
Capacidade de aquecimento (Btu/h)	8188 (Pdesign H)	8871 (Pdesign H)	13648 (Pdesign H)	17060 (Pdesign H)
Capacidade de aquecimento (W)	2400 (Pdesign H)	2600 (Pdesign H)	4000 (Pdesign H)	5000 (Pdesign H)
SEER/AEER/EER Peso (P/P)	7,1 (SEER, EU)	7,1 (SEER, EU)	6,4 (SEER, EU)	6,4 (SEER, EU)
SCOP/ACOP/EER Peso (P/P)	4,0 (SCOP, EU)	4,1 (SCOP, EU)	4,0 (SCOP, EU)	4,0 (SCOP, EU)
Tensão/Frequência (V/Hz)	220-240 V~ 50 Hz, 1 Ph	220-240 V~ 50 Hz, 1 Ph	220-240 V~ 50 Hz, 1 Ph	220-240 V~ 50 Hz, 1 Ph
Potência de entrada nominal (W)	2075	2200	2550	3600
Corrente de entrada nominal (A)	9,5	10	11,5	16
Diâmetro do tubo de alta pressão (mm)	Ø6,35 (1/4")	Ø6,35 (1/4")	Ø6,35 (1/4")	Ø9,52 (3/8")
Diâmetro do tubo de baixa pressão (mm)	Ø9,52 (3/8")	Ø9,52 (3/8")	Ø12,7 (1/2")	Ø15,9 (5/8")
Dados logísticos				
Unidade interior (LxAxP) mm	752x291x218	832x297x223	994x319x251	1119x336x259
Unidade exterior (LxAxP) mm	770x300x555	770x300x555	800x333x554	845x363x702
Peso líquido da unidade interior (kg)	8.5	9.5	12	15
Peso líquido da unidade exterior (kg)	27	27	38	52

Importer in Poland Importer W Polsce Beko S.A. ul. Puławska 366 02-819 Warszawa www.beko.pl	Importer in Czech Republic Dovožce do České republiky BEKO S.A., organizační složka Bucharova 1423/6, Praha 13 - Nové Butovice, 158 00 www.bekocr.cz	Importer in Slovakia Dovožca na Slovensko BEKO Slovakia s.r.o, Suché mýto 1 811 03 Bratislava www.bekosk.sk	Importer in Estonia Importija Eesti Beko S.A. Tänav Puławska 366 02-819 Varssavi (Poola)	
Importer in Germany Beko Deutschland GmbH Thomas-Edison-Platz 3 63263 Neu-Isenburg	Importer in UK BEKO Plc, Beko House, 1 Greenhill Crescent, Watford, Herts, WD18 8QU	KSA Importer AL BABTAIN TRADING CO. P.O. Box# 181, Riyadh 11411-KSA +966-11-4744788	Importer in France BEKO France / Immeuble Stadium 266, Avenue du Président Wilson 93218 La Plaine Saint-Denis Cedex	
Importer in Spain BEKO ELECTRONICS ESPANA S.L.C/ Provenza 388 1º Piso/08025 Barcelona	Importer for Malta ETV LTD 119/120 Archbishop Street VALLETTA MALTA	Importer in Latvia Importētāja Latvijā Beko S.A. Ielas Puławska 366 02-819 Varšava (Polija)	Importer in Lithuania Importuotojas Lietuvoje Beko S.A. Gatvė Puławska 366 02-819 Varšuva (Lenkija)	
Importer in Austria ELEKTRA BREGENZ AG PFARRGASSE 77 VIENNA post code 1230	Importer in Switzerland Grundig Nordic AB Isafjordsgatan 39B 16440 Kista SWEDEN	Importer in Hungary Hauser Magyarorszag imited Baross utca 89 PC: 2040 Budaörs/Hungary	Importer in Slovenia BIG BANG, D.O.O. Šmartinska cesta 152 PC:1000 Ljubljana/Slovenia	Importer in Italy BEKO ITALY SRL Viale Del Ghisallo, 20/1-20151 Milano (MI)
Importer in Romania ARCTIC S.A. Str. 13 Decembrie, nr.210 Găești, 135200, România www.arctic.ro	Importer in Benelux Schaliënhoedredreef B-2800 Mechelen - Belgium	Importer in Greece PAR. SEITANIDIS S.A. Polistilo, P.O, Box:1402 Kavala, 64003	Importer in Bulgaria Videolux LTD/PO Box 2109/2109 Sofia	Importer in Croatia E PLUS doo ZA Unutarnju/ GOSPODARSKA 16c/ 10225 GORNJI STUPNIK/ ZAGREP
Importer in Russia Импортёр на территории РФ: ООО «БЕКО», 601021, Россия, Владимирская область, Киржачский район, деревня Федоровское, улица Сельская, 49 Бесплатная линия сервисного обслуживания и информационной поддержки по установке и эксплуатации (только для звонков по России) 8-800-200-23-56 Изготовитель: Arçelik A.Ş. Турция, Karaağaç caddesi No: 2-6 İstanbul 34445 Sıtlıce, İstanbul				
Виробник: «Arçelik A.Ş» Karaağaç Caddesi No: 2-6, Sıtlıce, 34445 İstanbul, Turkey, «Arçelik A.Ş», м. Стамбул, Сютлүдже, вул. Караагач № 2-6, 34445, Туреччина Імпортёр на території України: ТОВ «Бекo Україна», адреса: 03150, м. Київ, вул. Антоновича, буд. 72, тел/факс.: 0-800-500-4-3-2 Термін служби 3 роки				
Manufactured by Arçelik A.S. Karaağaç Cd. No: 2-6 34445 Sıtlıce, Beyoglu, İstanbul, Turkey				

Fabricado por Arcelik A.S. Karaagac Cd. No:2-6 34445 Sutluce, Beyoglu, Istanbul, Turquia

