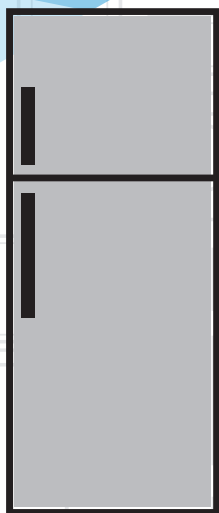


Refrigerator

User manual



DN 156720 D
DN 156720 DS
DN 156720 DX
DN 156720 X

DN 156721 X
DN 156720 H
DN 156720 DH
DN 156721 DH

DN 160103
DN 160103 X
DN 161620 C
DN 161620

DN 161620 X
DN 161600 C
DN163720DH

EN | FR | HU

beko

Please read this manual first!

Dear Customer,

We hope that your product, which has been produced in modern plants and checked under the most meticulous quality control procedures, will provide you an effective service.

For this, we recommend you to carefully read the entire manual of your product before using it and keep it at hand for future references.




This manual

- Will help you use your appliance in a fast and safe way.
- Read the manual before installing and operating your product.
- Follow the instructions, especially those for safety.
- Keep the manual in an easily accessible place as you may need it later.
- Besides, read also the other documents provided with your product.

Please note that this manual may be valid for other models as well.

Symbols and their descriptions

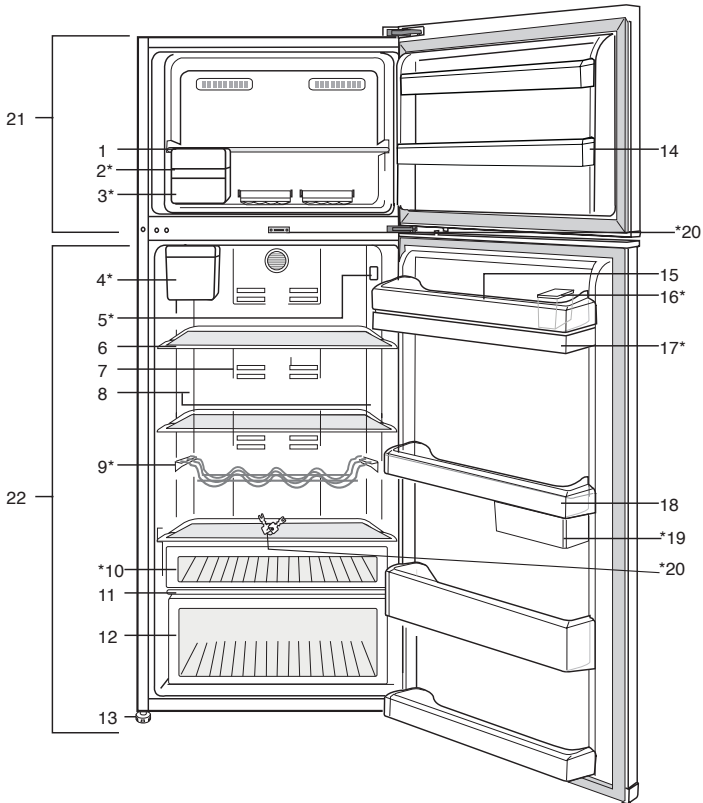
This instruction manual contains the following symbols:

-  Important information or useful usage tips.
-  Warning against dangerous conditions for life and property.
-  Warning against electric voltage.

CONTENTS

1 The refrigerator	3	5 Using your refrigerator Indicator Panel	15
2 Important Safety Warnings	4	Door Open Warning.....	18
Intended use	4	Freezing fresh food.....	19
General safety	4	Recommendations for preservation of frozen food.....	20
For products with a	8	Placing the food	20
water dispenser;.....	8	Deep-freeze information	21
Child safety.....	9	Description and cleaning of odor filter:	22
Compliance with WEEE Directive and Disposing of the Waste Product:	9	Egg holder.....	22
Package information.....	9	Water Dispenser.....	23
HC warning	9	Rotary storage container	25
Things to be done for energy saving..	9	Blue light	26
Recommendations for the fresh food compartment.....	10	Auto Icematic	26
		Icematic and ice storage container ..	27
3 Installation	11	6 Maintenance and cleaning	28
Points to be paid attention to when the relocation of the refrigerator	11	Protection of plastic surfaces	28
Electrical connection.....	11		
Disposing of the packaging	12	7 Troubleshooting	29
Disposing of your old refrigerator	12		
Placing and Installation	12		
Adjusting the legs	13		
Changing the illumination lamp	13		
4 Preparation	14		

1 The refrigerator



- | | |
|----------------------------------|---|
| 1. Freezer compartment shelf | 13. Adjustable legs |
| 2. Auto Icematic | 14. Freezer compartment door racks |
| 3. Ice storage container | 15. Egg holder |
| 4. Auto Icematic water tank | 16. Water dispenser filling container |
| 5. Temperature setting indicator | 17. Water dispenser tank |
| 6. Adjustable glass shelves | 18. Fridge compartment door shelves |
| 7. Odor filter | 19. Sliding and rotary storage containers |
| 8. Illumination lens | 20. Key |
| 9. Bottle shelf | 21. Freezer compartment |
| 10. Snack compartment | 22. Fridge compartment |
| 11. Crisper cover | |
| 12. Crisper | |
- *OPTIONAL**

☐ Figures that take place in this instruction manual are schematic and may not correspond exactly with your product. If the subject parts are not included in the product you have purchased, then it is valid for other models.

2 Important Safety Warnings

Please review the following information. Failure to observe this information may cause injuries or material damage. Otherwise, all warranty and reliability commitments will become invalid.

Original spare parts will be provided for 10 years, following the product purchasing date.

Intended use

This product is intended to be used

- indoors and in closed areas such as homes;
- in closed working environments such as stores and offices;
- in closed accommodation areas such as farm houses, hotels, pensions.
- It should not be used outdoors.

General safety

- When you want to dispose/scrap the product, we recommend you to consult the authorized service in order to learn the

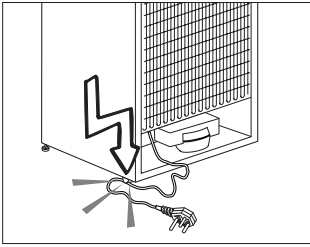
required information and authorized bodies.

- Consult your authorized service for all your questions and problems related to the refrigerator. Do not intervene or let someone intervene to the refrigerator without notifying the authorised services.
- For products with a freezer compartment; Do not eat cone ice cream and ice cubes immediately after you take them out of the freezer compartment! (This may cause frostbite in your mouth.)
- For products with a freezer compartment; Do not put bottled and canned liquid beverages in the freezer compartment. Otherwise, these may burst.
- Do not touch frozen food by hand; they may stick to your hand.
- Unplug your refrigerator before cleaning or defrosting.

- Vapor and vaporized cleaning materials should never be used in cleaning and defrosting processes of your refrigerator. In such cases, the vapor may get in contact with the electrical parts and cause short circuit or electric shock.
- Never use the parts on your refrigerator such as the door as a means of support or step.
- Do not use electrical devices inside the refrigerator.
- Do not damage the parts, where the refrigerant is circulating, with drilling or cutting tools. The refrigerant that might blow out when the gas channels of the evaporator, pipe extensions or surface coatings are punctured causes skin irritations and eye injuries.
- Do not cover or block the ventilation holes on your refrigerator with any material.
- Electrical devices must be repaired by only authorised persons. Repairs performed by incompetent persons create a risk for the user.
- In case of any failure or during a maintenance or repair work, disconnect your refrigerator's mains supply by either turning off the relevant fuse or unplugging your appliance.
- Do not pull by the cable when pulling off the plug.
- Ensure highly alcoholic beverages are stored securely with the lid fastened and placed upright.
- Never store spray cans containing flammable and explosive substances in the refrigerator.
- Do not use mechanical devices or other means to accelerate the defrosting process, other than those recommended by the manufacturer.

- This product is not intended to be used by persons with physical, sensory or mental disorders or unlearned or inexperienced people (including children) unless they are attended by a person who will be responsible for their safety or who will instruct them accordingly for use of the product
- Do not operate a damaged refrigerator. Consult with the service agent if you have any concerns.
- Electrical safety of your refrigerator shall be guaranteed only if the earth system in your house complies with standards.
- Exposing the product to rain, snow, sun and wind is dangerous with respect to electrical safety.
- Contact authorized service when there is a power cable damage to avoid danger.
- Never plug the refrigerator into the wall outlet during installation. Otherwise, risk of death or serious injury may arise.
- This refrigerator is intended for only storing food items. It must not be used for any other purpose.
- Label of technical specifications is located on the left wall inside the refrigerator.
- Never connect your refrigerator to electricity-saving systems; they may damage the refrigerator.
- If there is a blue light on the refrigerator, do not look at the blue light with optical tools.
- For manually controlled refrigerators, wait for at least 5 minutes to start the refrigerator after power failure.
- This operation manual should be handed in to the new owner of the product when it is given to others.

- Avoid causing damage on power cable when transporting the refrigerator. Bending cable may cause fire. Never place heavy objects on power cable. Do not touch the plug with wet hands when plugging the product

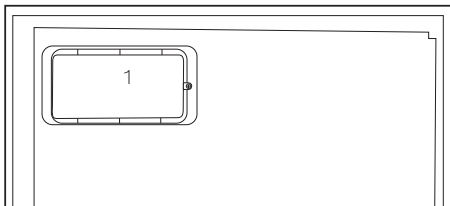
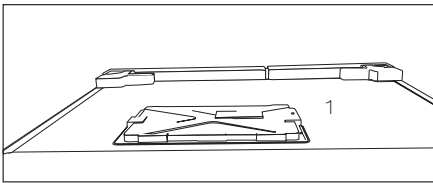


- Do not plug the refrigerator if the wall outlet is loose.
- Water should not be sprayed on inner or outer parts of the product for safety purposes.
- Do not spray substances containing inflammable gases such as propane gas near the refrigerator to avoid fire and explosion risk.
- Never place containers filled with water on top of the refrigerator; in the

event of spillages, this may cause electric shock or fire.

- Do not overload the refrigerator with food. If overloaded, the food items may fall down and hurt you and damage refrigerator when you open the door.
- Never place objects on top of the refrigerator; otherwise, these objects may fall down when you open or close the refrigerator's door.
- As they require a precise temperature, vaccines, heat-sensitive medicine and scientific materials and etc. should not be kept in the refrigerator.
- If not to be used for a long time, refrigerator should be unplugged. A possible problem in power cable may cause fire.
- Refrigerator may move if adjustable legs are not properly secured on the floor. Properly securing adjustable legs on the floor can prevent the refrigerator to move.

- When carrying the refrigerator, do not hold it from door handle. Otherwise, it may be snapped.
- When you have to place your product next to another refrigerator or freezer, the distance between devices should be at least 8cm. Otherwise, adjacent side walls may be humidified.
- The product shall never be used while the compartment which is located at the top or back of your product and in which electronic boards are available (electronic board box cover) (1) is open.



For products with a water dispenser;

- Pressure for cold water inlet shall be maximum 90 psi (6.2 bar). If your water pressure exceeds 80 psi (5.5 bar), use a pressure limiting valve in your mains system. If you do not know how to check your water pressure, ask for the help of a professional plumber.
- If there is risk of water hammer effect in your installation, always use a water hammer prevention equipment in your installation. Consult Professional plumbers if you are not sure that there is no water hammer effect in your installation.
- Do not install on the hot water inlet. Take precautions against the risk of freezing of the hoses. Water temperature operating interval shall be 33°F (0.6°C) minimum

and 100°F (38°C)
maximum.

- Use only potable water.

Child safety

- If the door has a lock, the key should be kept away from reach of children.
- Children must be supervised to prevent them from tampering with the product.

Compliance with WEEE Directive and Disposing of the Waste Product:



This product complies with EU WEEE Directive (2012/19/EU). This product bears a classification symbol for waste electrical and electronic equipment (WEEE).

This product has been manufactured with high quality parts and materials which can be reused and are suitable for recycling. Therefore, do not dispose the product with normal domestic waste at the end of its service life. Take it to a collection point for the recycling of electrical and electronic equipment. Please consult your local authorities to learn the nearest collection point. Help protect the environment and natural resources by recycling used products. For children's safety, cut the power cable and break the locking mechanism of the door, if any, so that it will be non-functional before disposing of the product.

Package information

Packaging materials of the product are manufactured from recyclable materials in accordance with our National Environment Regulations. Do not dispose of the packaging materials together with the domestic or other wastes. Take them to the packaging material collection points designated by the local authorities.

Do not forget...

Any recycled substance is an indispensable matter for nature and our national asset wealth.

If you want to contribute to the re-evaluation of the packaging materials, you can consult to your environmentalist organizations or the municipalities where you are located.

HC warning

If your product's cooling system contains R600a:

This gas is flammable. Therefore, pay attention to not damaging the cooling system and piping during usage and transportation. In the event of damage, keep your product away from potential fire sources that can cause the product catch a fire and ventilate the room in which the unit is placed.

Ignore this warning if your product's cooling system contains R134a.

Type of gas used in the product is stated in the type label which is on the left wall inside the refrigerator.

Never throw the product in fire for disposal.

Things to be done for energy saving

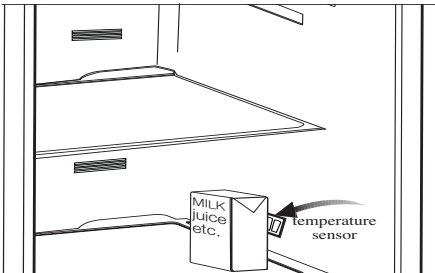
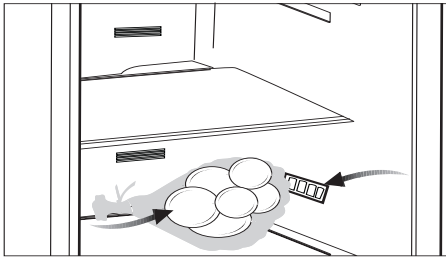
- Do not leave the doors of your refrigerator open for a long time.
- Do not put hot food or drinks in your refrigerator.

Recommendations for the fresh food compartment

*optional

Do not allow the food to touch the temperature sensor in fresh food compartment. To allow the fresh food compartment keep its ideal storage temperature, sensor must not be hindered by food.

Do not place hot foods in the product.



- Do not overload your refrigerator so that the air circulation inside of it is not prevented.
- Do not install your refrigerator under direct sunlight or near heat emitting appliances such as ovens, dishwashers or radiators. Keep your refrigerator at least 30cm away from heat emitting sources and at least 5cm from electrical ovens.
- Pay attention to keep your food in closed containers.
- For products with a freezer compartment; You can store maximum amount of food items in the freezer when you remove the shelf or drawer of the freezer. Energy consumption value stated for your refrigerator has been determined by removing freezer shelf or drawer and under maximum load. There is no harm to use a shelf or drawer according to the shapes and size of food to be frozen.
- Thawing frozen food in fridge compartment will both provide energy saving and preserve the food quality.

3 Installation

⚠ In case the information which are given in the user manual are not taken into account, manufacturer will not assume any liability for this.

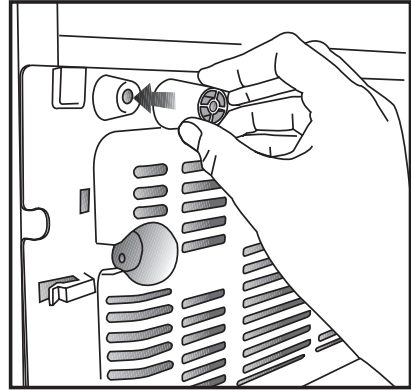
Points to be paid attention to when the relocation of the refrigerator

1. Your refrigerator should be unplugged. Before transportation of your refrigerator, it should be emptied and cleaned.
2. Before it is re-packaged, shelves, accessories, crisper, etc. inside your refrigerator should be fixed with adhesive tape and secured against impacts. Package should be bound with a thick tape or sound ropes and the transportation rules on the package should be strictly observed.
3. Original packaging and foam materials should be kept for future transportations or moving.

Before you start the refrigerator,

Check the following before you start to use your refrigerator:

1. Attach 2 plastic wedges as illustrated below. Plastic wedges are intended to keep the distance which will ensure the air circulation between your refrigerator and the wall. (The picture is drawn up as a representation and it is not identical with your product.)



2. Clean the interior of the refrigerator as recommended in the "Maintenance and cleaning" section.
3. Connect the plug of the refrigerator to the wall socket. When the fridge door is opened, fridge internal lamp will turn on.
4. When the compressor starts to operate, a sound will be heard. The liquid and gases sealed within the refrigeration system may also give rise to noise, even if the compressor is not running and this is quite normal.
5. Front edges of the refrigerator may feel warm. This is normal. These areas are designed to be warm to avoid condensation.


Electrical connection


Connect your product to a grounded socket which is being protected by a fuse with the appropriate capacity.

Important:

The connection must be in compliance with national regulations.

- The power plug must be easily accessible after installation.
- Electrical safety of your refrigerator shall be guaranteed only if the earth system in your house complies with standards.
- The voltage stated on the label located at left inner side of your product should be equal to your network voltage.
- Extension cables and multi plugs must not be used for connection.

 A damaged power cable must be replaced by a qualified electrician.

 Product must not be operated before it is repaired! There is the risk of electric shock!

Disposing of the packaging

The packing materials may be dangerous for children. Keep the packing materials out of the reach of children or dispose of them by classifying them in accordance with the waste instructions stated by your local authorities. Do not throw away with regular house waste, throw away on packaging pick up spots designated by the local authorities.

The packing of your refrigerator is produced from recyclable materials.


Disposing of your old refrigerator

Dispose of your old refrigerator without giving any harm to the environment.

- You may consult your authorized dealer or waste collection center of your municipality about the disposal of your refrigerator.

Before disposing of your refrigerator, cut out the electric plug and, if there are any locks on the door, make them inoperable in order to protect children against any danger.

Placing and Installation

 If the entrance door of the room where the refrigerator will be installed is not wide enough for the refrigerator to pass through, then call the authorized service to have them remove the doors of your refrigerator and pass it sideways through the door.

1. Install your refrigerator to a place that allows ease of use.

2. Keep your refrigerator away from heat sources, humid places and direct sunlight.

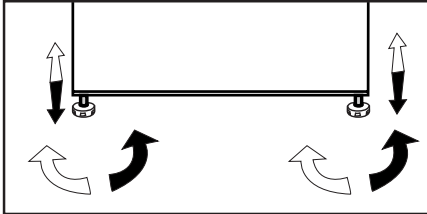
3. There must be appropriate air ventilation around your refrigerator in order to achieve an efficient operation. If the refrigerator is to be placed in a recess in the wall, there must be at least 5 cm distance with the ceiling and at least 5 cm with the wall. Do not place your product on the materials such as rug or carpet.

4. Place your refrigerator on an even floor surface to prevent jolts.

Adjusting the legs

If your refrigerator is unbalanced;

You can balance your refrigerator by turning the front legs of it as illustrated in the figure. The corner where the leg exists is lowered when you turn in the direction of black arrow and raised when you turn in the opposite direction. Taking help from someone to slightly lift the refrigerator will facilitate this process.



Changing the illumination lamp

To change the Bulb/LED used for illumination of your refrigerator, call your AuthorisedService.

The lamp(s) used in this appliance is not suitable for household room illumination. The intended purpose of this lamp is to assist the user to place foodstuffs in the refrigerator/freezer in a safe and comfortable way. The lamps used in this appliance have to withstand extreme physical conditions such as temperatures below $-20\text{ }^{\circ}\text{C}$.

(only chest and upright freezer)

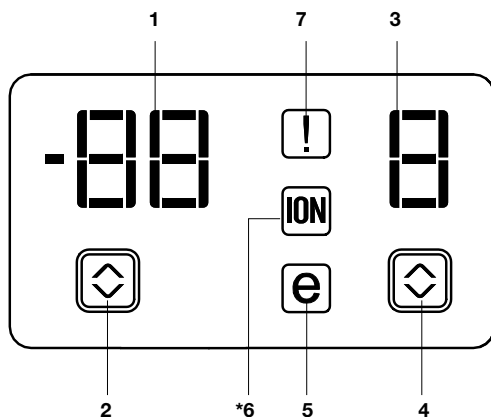
4 Preparation

- Your refrigerator should be installed at least 30 cm away from heat sources such as hobs, ovens, central heater and stoves and at least 5 cm away from electrical ovens and should not be located under direct sunlight.
- The ambient temperature of the room where you install your refrigerator should at least be 10°C. Operating your refrigerator under cooler conditions is not recommended with regard to its efficiency.
- Please make sure that the interior of your refrigerator is cleaned thoroughly.
- If two refrigerators are to be installed side by side, there should be at least 2 cm distance between them.
- When you operate your refrigerator for the first time, please observe the following instructions during the initial six hours.
- The door should not be opened frequently.
- It must be operated empty without any food in it.
- Do not unplug your refrigerator. If a power failure occurs out of your control, please see the warnings in the “Recommended solutions for the problems” section.
- Original packaging and foam materials should be kept for future transportations or moving.
- The baskets/drawers that are provided with the chill compartment must always be in use for low energy consumption and for better storage conditions.
- Food contact with the temperature sensor in the freezer compartment may increase energy consumption of the appliance. Thus any contact with the sensor(s) must be avoided.
- In some models, the instrument panel automatically turns off 5 minutes after the door has closed. It will be reactivated when the door has opened or pressed on any key.
- Due to temperature change as a result of opening/closing the product door during operation, condensation on the door/body shelves and the glass containers is normal

5 Using your refrigerator

Indicator Panel

Indicator panels may vary depending on your product's model.



Indicator panel aids in using your refrigerator with its audio and visual functions.

1. Freezer Compartment Temperature Indicator
2. Error Status Indicator
3. Fridge Compartment Temperature Indicator
4. Fridge Compartment Temperature Setting Button
5. Economy Mode Indicator
6. Ioniser Indicator
7. Freezer Compartment Temperature Setting Button

1. Freezer Compartment Temperature Indicator

It indicates the temperature set for Freezer compartment.

2. Error Status Indicator

If your refrigerator does not cool adequately or if there is a sensor failure, this indicator will be activated. When this indicator is active, Freezer Compartment Temperature indicator will display "e" and Fridge Compartment Temperature Indicator will display numbers such as "1,2,3...". These numbers on the

indicator provides information about the error to the service personnel.

3. Fridge Compartment Temperature Indicator

Indicates the temperature set for Fridge compartment.

4. Fridge Compartment Temperature Setting Button

Press this button to set the temperature of the fridge compartment to 8, 6, 4, 2, 8... respectively. Press this button to set the desired temperature for the fridge compartment.

5. Economy Mode Indicator

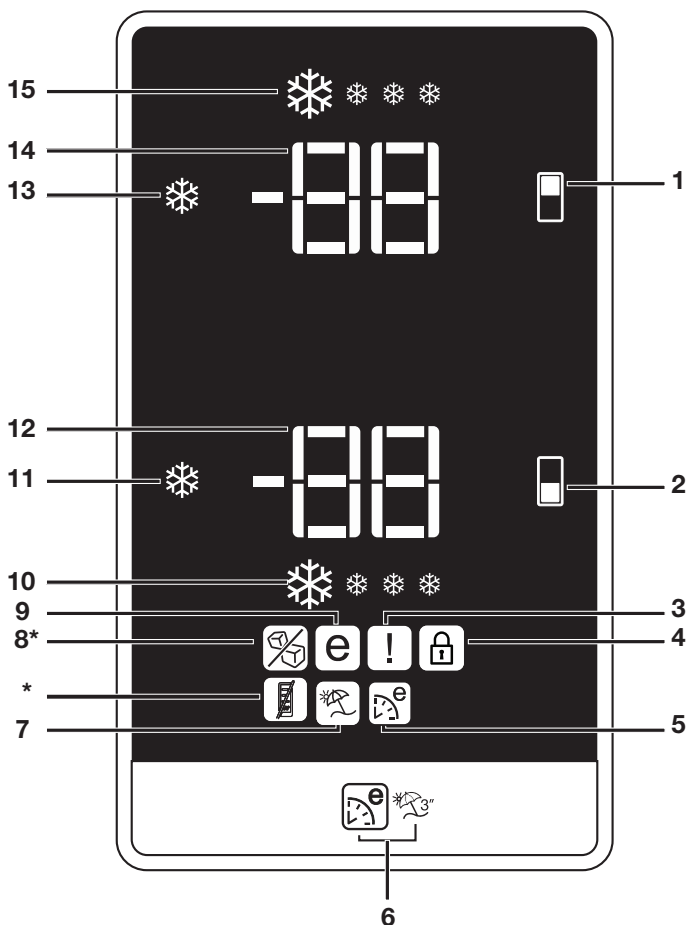
Indicates that the refrigerator is running in energy-efficient mode.

6. Ioniser Indicator

Indicator light lights up continuously. This light indicates that your refrigerator is protected against the bacteria.

7. Freezer Compartment Temperature Setting Button

Press this button to set the temperature of the freezer compartment to -18, -20, -22, -24, -18... respectively. Press this button to set the desired temperature for the freezer compartment.



- | | |
|--|--|
| <p>1. Freezer compartment setting / Icematic on-off button</p> <p>2. Fridge compartment setting button</p> <p>3. Error status indicator</p> <p>4. Key lock indicator</p> <p>5. Eco Extra Function indicator</p> <p>6. Eco Extra/Vacation Button</p> <p>7. Vacation function indicator</p> <p>8. Icematic off indicator (*in some models)</p> | <p>9. Economic usage indicator</p> <p>10. Quick fridge function indicator</p> <p>11. Quick fridge function button</p> <p>12. Fridge compartment temperature setting indicator</p> <p>13. Quick freeze function button</p> <p>14. Freezer compartment temperature setting indicator</p> <p>15. Quick freeze function indicator</p> |
|--|--|

ⓘ Figures that take place in this instruction manual are schematic and may not correspond exactly with your product. If the subject parts are not included in the product you have purchased, then it is valid for other models.

1. Freezer Compartment Setting / Icematic On-Off Button

This function allows you to make the freezer compartment temperature setting. Press this button to set the temperature of the freezer compartment to -18, -20, -22 and -24 respectively.

To stop ice formation, press Icematic on-off button for 3 seconds. Water flow from water tank will stop when this function is selected. However, ice made previously can be taken from the Icematic. To restart ice formation, press Icematic on-off button for 3 seconds.

2. Fridge Compartment Setting Button

This function allows you to make the fridge compartment temperature setting. Press this button to set the temperature of the fridge compartment to 8, 6, 4, 2 respectively.

3. Error Status Indicator

If your refrigerator does not cool adequately or if there is a sensor failure, this indicator will be activated. When this indicator is active, Freezer Compartment Temperature indicator will display "E" and Fridge Compartment Temperature Indicator will display numbers such as "1,2,3...". These numbers on the indicator provides information about the error to the service personnel.

When you place hot food into the freezer compartment or if you leave the door open for a long time, exclamation mark can illuminate for some time. This is not a failure; this warning will disappear when the food cools down.

4. Key Lock Indicator

Use this function if you do not want your refrigerator temperature setting changed. Press Fridge compartment setting button and Freezer compartment setting button simultaneously for a long time (3 sec) to activate this function.

5. Eco Extra Function Indicator

It indicates that the Eco-Extra function is active.

If this function is active, your refrigerator will automatically detect the least usage periods and energy-efficient cooling will be performed during those times. Economy indicator will be active while energy-efficient cooling is performed.

Press the relevant button again to deactivate this function.

6. Eco Extra/Vacation Button

Press this button briefly to activate the Eco Extra function. Press and hold this button for 3 sec. to activate the Vacation function. Press this button again to deactivate the selected function.

7. Vacation Function Indicator

Indicates that the vacation function is active. If this function is active, "- -" appears on the indicator of the fridge compartment and no cooling is performed in the fridge compartment. Other compartments will be cooled in accordance with the temperature set for them.

Press the relevant button again to deactivate this function.

8. Ice Off indicator

Icematic will not run when the indicator of this function is active. See Item 1 to enable the Icematic.

9. Economy Mode Indicator

Indicates that the refrigerator is running in energy-efficient mode. Freezer Compartment temperature

This indicator will be active if the function is set to -18 or the energy efficient cooling is being performed due to Eco-Extra function.

10. Quick Fridge Indicator

This icon flashes in an animated style when the Quick Fridge function is active.

11. Quick Fridge Function

When you press the Quick Fridge button, the temperature of the compartment will be colder than the adjusted values.

This function can be used for food placed in the fridge compartment and required to be cooled down rapidly.

If you want to cool large amounts of fresh food, it is recommended to active this feature before putting the food into the fridge.

Quick Fridge indicator turns on when the Quick Fridge function is on. To cancel this function press Quick Fridge button again.

If you do not cancel it, Quick Fridge will cancel itself automatically after 4 hours or when the fridge compartment reaches to the required temperature.

This function is not recalled when power restores after a power failure.

12. Fridge Compartment Temperature Setting Indicator

Indicates the temperature set for the Fridge Compartment.

13. Freezer Compartment Temperature Setting Indicator

Indicates the temperature set for the Freezer Compartment.

14. Quick Freeze Function

Quick Freeze indicator turns on when the Quick Freeze function is active. To cancel this function press Quick Freeze button again. Quick Freeze indicator will turn off and return to its normal settings. If you do not cancel it, Quick Freeze will cancel itself automatically after 8 hours or when the freezer compartment reaches to the required temperature.

If you want to freeze large amounts of fresh food, press the Quick Freeze button before putting the food into the freezer compartment.

If you press the Quick Freeze button repeatedly with short intervals, the electronic circuit protection will be activated and the compressor will not start up immediately.

This function is not recalled when power restores after a power failure.

15. Quick Freeze Indicator

This icon flashes in an animated style when the Quick Freeze function is active.

Door Open Warning

(This feature may vary depending on the door of the product and may not exist in some models.)

A audio warning signal will be given when the door of your product is left open for at least 1 minute. This warning will be muted when the door is closed or any of the display buttons (if any) are pressed.

Freezing fresh food

- Wrap or cover the food before placing them in the refrigerator.
 - Hot food must cool down to the room temperature before putting them in the refrigerator.
 - The foodstuff that you want to freeze must be fresh and in good quality.
 - Foodstuff must be divided into portions according to the family's daily or meal based consumption needs.
 - The foodstuff must be packaged in an airtight manner to prevent them from drying even if they are going to be kept for a short time.
 - Materials to be used for packaging must be tear-proof and resistant to cold, humidity, odor, oils and acids and they must also be airtight. Moreover, they must be well closed and they must be made from easy-to-use materials that are suitable for deep freeze usage.
- Frozen food must be used immediately after they are thawed and they should never be re-frozen.
 - Please observe the following instructions to obtain the best results.
 1. Do not freeze too large quantities of food at one time. The quality of the food is best preserved when it is frozen right through to the core as quickly as possible.
 2. Placing warm food into the freezer compartment causes the cooling system to operate continuously until the food is frozen solid.
 3. Take special care not to mix already frozen food and fresh food.

Freezer Compartment Setting	Fridge Compartment Setting	Explanations
-18°C	4°C	This is the normal recommended setting.
-20,-22 or -24°C	4°C	These settings are recommended when the ambient temperature exceeds 30°C.
Quick Freeze	4°C	Use when you wish to freeze your food in a short time. Your refrigerator will return to its previous mode when the process is over.
-18°C or colder	2°C	If you think that your fridge compartment is not cold enough because of the hot conditions or frequent opening and closing of the door.
-18°C or colder	Quick Fridge	You can use it when your fridge compartment is overloaded or if you wish to cool down your food rapidly. It is recommended that you activate quick fridge function 4-8 hours before placing the food.

Recommendations for preservation of frozen food

- Prepacked commercially frozen food should be stored in accordance with the frozen food manufacturer's instructions for a ******** (4 star) frozen food storage compartment.
- To ensure that the high quality achieved by the frozen food manufacturer and the food retailer is maintained, the following should be remembered:
 1. Put packages in the freezer as quickly as possible after purchase.
 2. Ensure that contents are labeled and dated.
 3. Do not exceed "Use By", "Best Before" dates on the packaging.

Defrosting

The freezer compartment defrosts automatically.

Placing the food

Freezer compartment shelves	Various frozen food such as meat, fish, ice cream, vegetables and etc.
Egg holder	Egg
Fridge compartment shelves	Food in pans, covered plates and closed containers
Fridge compartment door shelves	Small and packaged food or drinks (such as milk, fruit juice and beer)
Crisper	Vegetables and fruits
Freshzone compartment	Delicatessen products (cheese, butter, salami and etc.)

Deep-freeze information

Food must be frozen as rapidly as possible when they are put in a refrigerator in order to keep them in good quality.

It is possible to keep the food for a long time only at -18°C or lower temperatures.

You can keep the freshness of food for many months (at -18°C or lower temperatures in the deep freeze).

WARNING!

- Foodstuff must be divided into portions according to the family's daily or meal based consumption needs.

- Foodstuff must be packaged in an airtight manner to prevent them from drying even if they are going to be kept for a short time.

Materials necessary for packaging:

- Cold resistant adhesive tape
- Self adhesive label
- Rubber rings
- Pen

Materials to be used for packaging the foodstuff must be tear-proof and resistant to cold, humidity, odor, oils and acids.

Foodstuff to be frozen should not be allowed to come in contact with the previously frozen items to prevent their partial thawing.

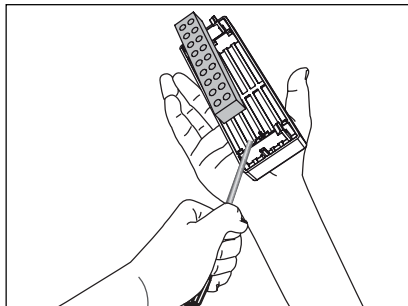
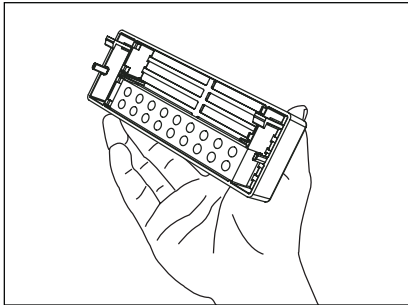
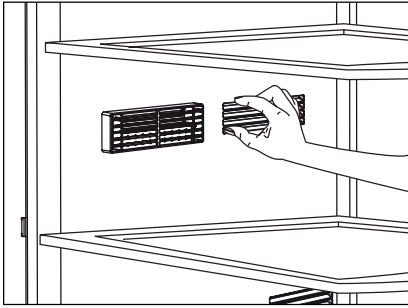
Frozen food must be used immediately after they are thawed and they should never be re-frozen.

Description and cleaning of odor filter:

Odor filter prevents unpleasant odor build-up in your refrigerator.

Pull the cover, into which the odor filter is installed, downwards and remove as illustrated. Leave the filter under sunlight for one day. Filter will be cleaned during this time. Install the filter back to its place.

Odor filter must be cleaned once in a year.



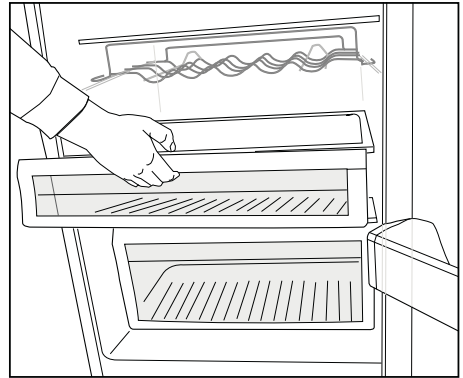
Snack compartments

Use these compartments for your food which you want store at a temperature a few degrees below the fridge compartment.

You can increase the inner volume of your refrigerator by removing any of the snack compartments.

1. Pull the compartment towards yourself until it rests and stops against the stopper.
2. Lift the front section and pull towards yourself to remove the compartment from its seating.

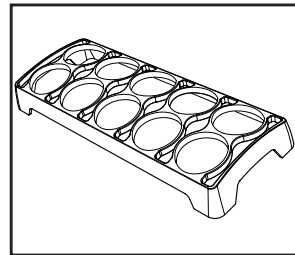
i You can place the food, that you want to freeze, in these compartments in order to prepare them for freezing.



Egg holder

You can install the egg holder to the desired door or body shelf.

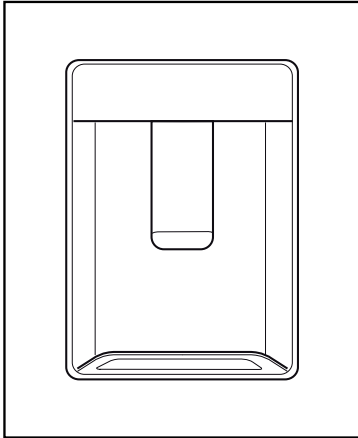
Never store the egg holder in the freezer compartment



Water Dispenser

(in some models)

Water dispenser is a very useful feature based on reaching cold water without opening the door of your refrigerator. As you will not have to open your refrigerator door frequently, you will have saved energy.



Using the water spring

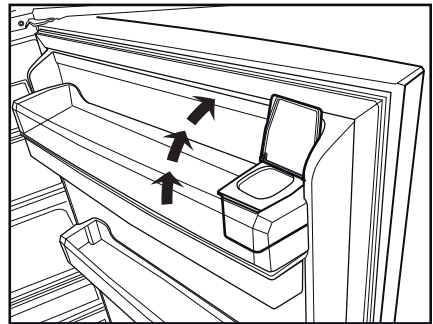
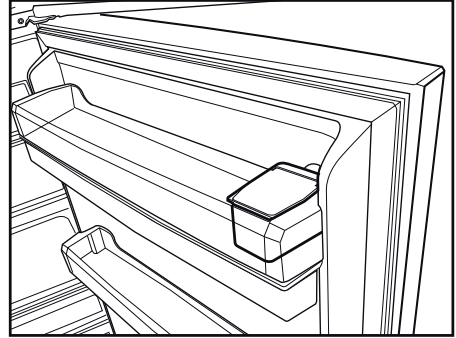
Push the arm of the water dispenser with your glass. The dispenser will cease operating once you release the arm.

When operating the water dispenser, maximum flow can be obtained by pressing the arm fully. Please remember that the amount of flow from the dispenser is subject to the degree you press the arm.

As the level of the water in your glass/ container rises, slightly lessen the pressure on the arm to prevent the overspill. If you slightly press the arm, the water will drop; this is quite normal and not a failure.

Filling the water dispenser water tank

Water tank filling reservoir is located inside the door rack. Open the reservoir cover and fill in clean potable water. And then, close the lid.



Warning!

- Do not fill the water tank with any other liquid except for water such as fruit juices, carbonated beverages or alcoholic drinks which are not suitable to use in the water dispenser. Water dispenser will be irreparably damaged if these kinds of liquids are used. Warranty does not cover such usages. Some chemical substances and additives contained in these kinds of drinks/liquids may damage the water tank material.

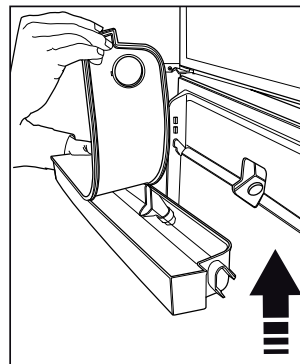
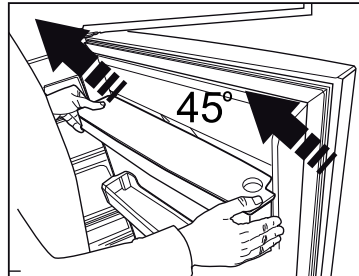
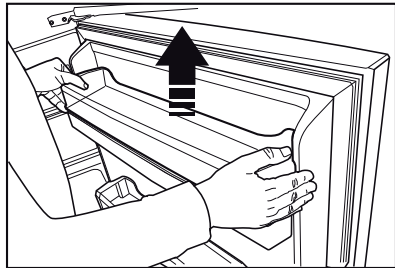
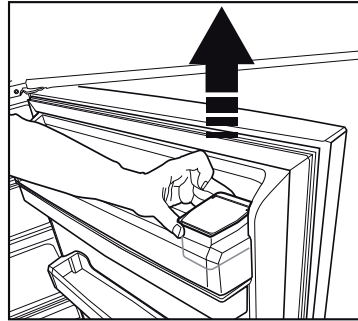
- Use clean and pure potable water only.
- Capacity of the water tank is 3 liters; do not overfill.
- Push the arm of the water dispenser with a rigid glass. If you are using disposable plastic glasses, push the arm with your fingers from behind the glass.

Cleaning the water tank

- Remove the water filling reservoir inside the door rack.
- Remove the door rack by holding from both sides.
- Grab the water tank from both sides and remove it with an angle of 45°.
- Clean the water tank by removing its lid.

Important:

Components of the water tank and water dispenser should not be washed in dishwasher.



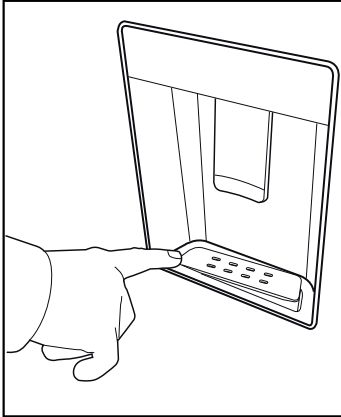
Water tray

Water that dripped while using the water dispenser accumulates in the spillage tray.

Take out the plastic strainer as shown in the figure.

With a clean and dry cloth, remove the water that has accumulated

CAUTION: Connect only to a potable water line.



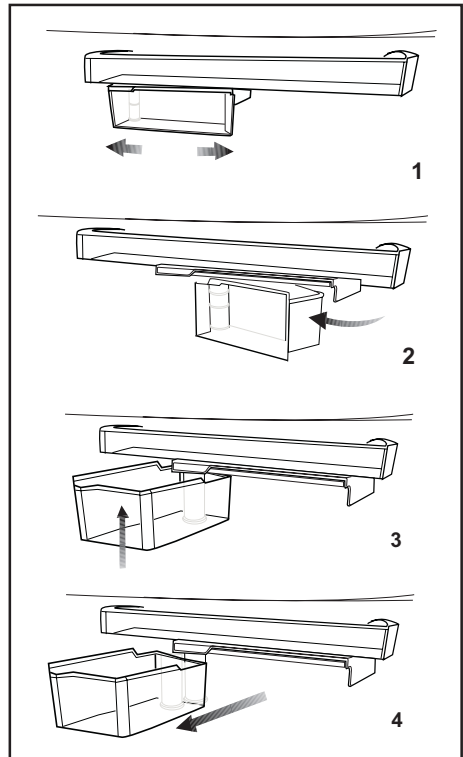
Rotary storage container

(in some models)

Sliding body shelf can be moved to left or right in order to allow you place long bottles, jars or boxes to a lower shelf (Fig. 1)

You can reach the food that you have placed into the shelf by grabbing and turning it from its right edge (Fig.2).

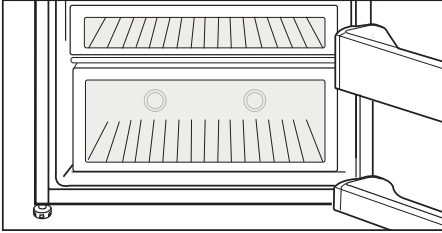
When you want to load or remove it to clean, turn it by 90 degrees, raise it up and pull towards yourself (Fig. 3-4).



Blue light

(in some models)

Foodstuff stored in the crispers that are enlightened with a blue light continue their photosynthesis by means of the wavelength effect of blue light and thus, preserve their freshness and increase their vitamin content.



Auto Icematic

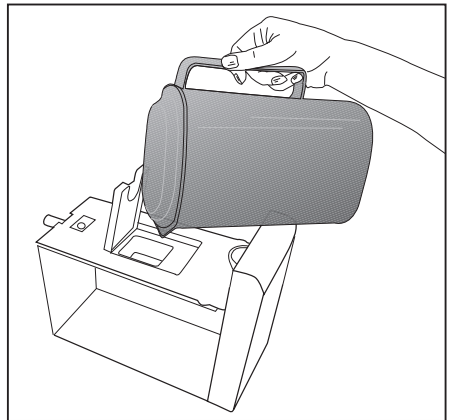
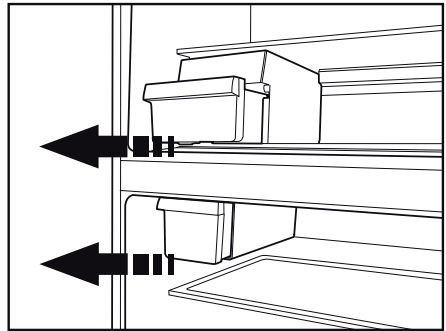
(in some models)

Auto Icematic system allows you to obtain ice from the refrigerator easily. Remove the water tank in the fridge compartment, fill it with water and install it back to obtain ice from the Icematic.

First ice cubes will be ready in approximately 2 hours in the Icematic drawer located in the freezer compartment..

If you fill the water tank completely, you will be able to obtain approximately 60-70 ice cubes.

Change the water in water tank if it has waited around 2-3 weeks.



Icematic and ice storage container

***optional**

Using the Icematic

Fill the Icematic with water and place it into its seat. Your ice will be ready approximately in two hours. Do not remove the Icematic from its seating to take ice.

Turn the knobs on the ice reservoirs clockwise by 90 degrees.

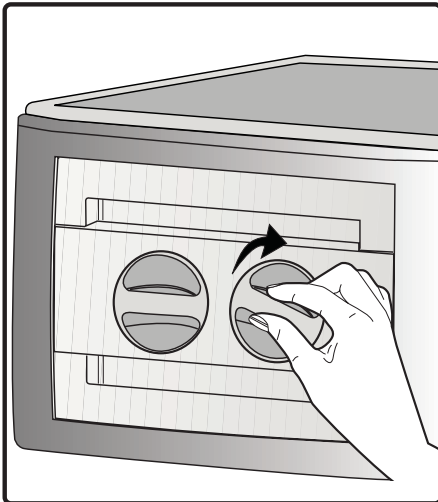
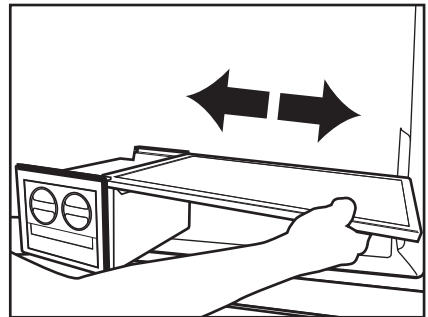
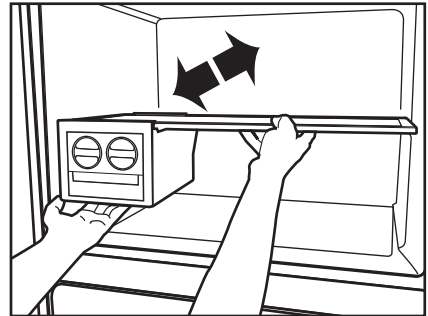
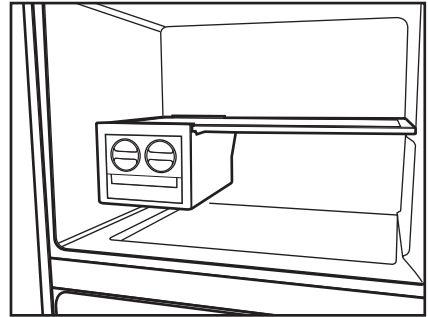
Ice cubes in the reservoirs will fall down into the ice storage container below.

You may take out the ice storage container and serve the ice cubes.

If you wish, you may keep the ice cubes in the ice storage container.

Ice storage container

Ice storage container is only intended for accumulating the ice cubes. Do not put water in it. Otherwise, it will break.



6 Maintenance and cleaning

- ⚠ Never use gasoline, benzene or similar substances for cleaning purposes.
- ⚠ We recommend that you unplug the appliance before cleaning.
- ⚠ Never use any sharp abrasive instrument, soap, household cleaner, detergent and wax polish for cleaning.
- ℹ Use lukewarm water to clean the cabinet of your refrigerator and wipe it dry.
- ℹ Use a damp cloth wrung out in a solution of one teaspoon of bicarbonate of soda to one pint of water to clean the interior and wipe it dry.
- ⚠ Make sure that no water enters the lamp housing and other electrical items.
- ⚠ If your refrigerator is not going to be used for a long period of time, unplug the power cable, remove all food, clean it and leave the door ajar.
- ℹ Check door seals regularly to ensure they are clean and free from food particles.
- ⚠ To remove door racks, remove all the contents and then simply push the door rack upwards from the base.
- ⚠ Never use cleaning agents or water that contain chlorine to clean the outer surfaces and chromium coated parts of the product. Chlorine causes corrosion on such metal surfaces.
- ⚠ Do not use sharp, abrasive tools, soap, household cleaning agents, detergents, kerosene, fuel oil, varnish etc. to prevent removal and deformation of the prints on the plastic part. Use lukewarm water and a soft cloth for cleaning and then wipe it dry.

Protection of plastic surfaces

- ℹ Do not put the liquid oils or oil-cooked meals in your refrigerator in unsealed containers as they damage the plastic surfaces of your refrigerator. In case of spilling or smearing oil on the plastic surfaces, clean and rinse the relevant part of the surface at once with warm water.

7 Troubleshooting

Please review this list before calling the service. It will save your time and money. This list includes frequent complaints that are not arising from defective workmanship or material usage. Some of the features described here may not exist in your product.

The refrigerator does not operate.
<ul style="list-style-type: none">• The plug is not inserted into the socket correctly. >>> <i>Insert the plug into the socket securely.</i>• The fuse of the socket which your refrigerator is connected to or the main fuse have blown out. >>> <i>Check the fuse.</i>
Condensation on the side wall of the fridge compartment (MULTIZONE, COOL CONTROL and FLEXI ZONE).
<ul style="list-style-type: none">• Ambient is very cold. >>> <i>Do not install the refrigerator in places where the temperature falls below 10 °C.</i>• Door has been opened frequently. >>> <i>Do not open and close the door of refrigerator frequently.</i>• Ambient is very humid. >>> <i>Do not install your refrigerator into highly humid places.</i>• Food containing liquid is stored in open containers. >>> <i>Do not store food with liquid content in open containers.</i>• Door of the refrigerator is left ajar. >>> <i>Close the door of the refrigerator.</i>• Thermostat is set to a very cold level. >>> <i>Set the thermostat to a suitable level.</i>
Compressor is not running
<p>i Protective thermic of the compressor will blow out during sudden power failures or plug-out plug-ins as the refrigerant pressure in the cooling system of the refrigerator has not been balanced yet. The refrigerator will start running approximately after 6 minutes. Please call the service if the refrigerator does not startup at the end of this period.</p> <ul style="list-style-type: none">• The refrigerator is in defrost cycle. >>> <i>This is normal for a full-automatically defrosting refrigerator. Defrosting cycle occurs periodically.</i>• The refrigerator is not plugged into the socket. >>> <i>Make sure that the plug is fit into the socket.</i>• Temperature settings are not made correctly. >>> <i>Select the suitable temperature value.</i>• There is a power failure. >>> <i>Refrigerator returns to normal operation when the power restores.</i>
The operation noise increases when the refrigerator is running.
<p>i The operating performance of the refrigerator may change due to the changes in the ambient temperature. It is normal and not a fault.</p>

The refrigerator is running frequently or for a long time.

- i** New product may be wider than the previous one. Larger refrigerators operate for a longer period of time.
- The ambient temperature may be high. >>> *It is normal that the product operates for longer periods in hot ambient.*
 - The refrigerator is plugged in or loaded with food recently. >>> *When the refrigerator is plugged in or loaded with food recently, it will take longer for it to attain the set temperature. This is normal.*
 - Large amounts of hot food may have been put in the refrigerator recently. >>> *Do not put hot food into the refrigerator.*
 - Doors are opened frequently or left ajar for a long time. >>> *The warm air that has entered into the refrigerator causes the refrigerator to run for longer periods. Do not open the doors frequently.*
 - Freezer or fridge compartment door is left ajar. >>> *Check if the doors are closed completely.*
 - The refrigerator is adjusted to a very low temperature. >>> *Adjust the refrigerator temperature to a warmer degree and wait until the temperature is achieved.*
 - Door seal of the fridge or freezer may be soiled, worn out, broken or not properly seated. >>> *Clean or replace the seal. Damaged/broken seal causes the refrigerator to run for a longer period of time in order to maintain the current temperature.*

Freezer temperature is very low while the fridge temperature is sufficient.

- The freezer temperature is adjusted to a very low value. >>> *Adjust the freezer temperature to a warmer degree and check.*

Fridge temperature is very low while the freezer temperature is sufficient.

- The fridge temperature is adjusted to a very low value. >>> *Adjust the fridge temperature to a warmer degree and check.*

Food kept in the fridge compartment drawers are frozen.

- The fridge temperature is adjusted to a very high value. >>> *Adjust the fridge temperature to a lower value and check.*

Temperature in the fridge or freezer is very high.
<ul style="list-style-type: none"> • The fridge temperature is adjusted to a very high value. >>> <i>Fridge compartment temperature setting has an effect on the temperature of the freezer. Change the temperatures of the fridge or freezer and wait until the relevant compartments attain a sufficient temperature.</i> • Doors are opened frequently or left ajar for a long time. >>> <i>Do not open the doors frequently.</i> • Door is ajar. >>> <i>Close the door completely.</i> • The refrigerator is plugged in or loaded with food recently. >>> <i>This is normal. When the refrigerator is plugged in or loaded with food recently, it will take longer for it to attain the set temperature.</i> • Large amounts of hot food may have been put in the refrigerator recently. >>> <i>Do not put hot food into the refrigerator.</i>
Vibrations or noise.
<ul style="list-style-type: none"> • The floor is not level or stable. >>><i>If the refrigerator rocks when moved slowly, balance it by adjusting its legs. Also make sure that the floor is strong enough to carry the refrigerator, and level.</i> • The items put onto the refrigerator may cause noise. >>> <i>Remove the items on top of the refrigerator.</i>
There are noises coming from the refrigerator like liquid flowing or spraying.
i Liquid and gas flows happen in accordance with the operating principles of your refrigerator. It is normal and not a fault.
Whistle comes from the refrigerator.
i Fans are used in order to cool the refrigerator. It is normal and not a fault.
Condensation on the inner walls of refrigerator.
<ul style="list-style-type: none"> i Hot and humid weather increases icing and condensation. It is normal and not a fault. • Doors are opened frequently or left ajar for a long time. >>> <i>Do not open the doors frequently. Close them if they are open.</i> • Door is ajar. >>> <i>Close the door completely.</i>
Humidity occurs on the outside of the refrigerator or between the doors.
i There may be humidity in the air; this is quite normal in humid weather. When the humidity is less, condensation will disappear.

Bad odor inside the refrigerator.

- No regular cleaning is performed. >>> *Clean the inside of the refrigerator regularly with a sponge, lukewarm water or sodium bicarbonate diluted in water.*
 - Some containers or package materials may cause the smell. >>> *Use a different container or different brand packaging material.*
 - Food is put into the refrigerator in uncovered containers. >>> *Keep the food in closed containers. Microorganisms spreading out from uncovered containers can cause unpleasant odors.*
- i** Remove the foods that have expired best before dates and spoiled from the refrigerator.

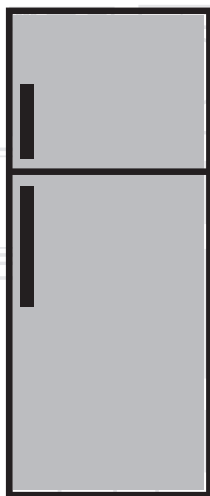
The door is not closing.

- Food packages are preventing the door from closing. >>> *Replace the packages that are obstructing the door.*
- The refrigerator is not completely even on the floor. >>> *Adjust the legs to balance the refrigerator.*
- The floor is not level or strong. >>> *Make sure that the floor is level and capable to carry the refrigerator.*

Crispers are stuck.

- The food is touching the ceiling of the drawer. >>> *Rearrange food in the drawer.*

Réfrigérateur Manuel d'utilisation



FR |

beko

Veillez d'abord lire la notice d'utilisation !

Chère cliente, cher client,

Nous espérons que votre produit, qui a été fabriqué dans des usines modernes et vérifié au terme des procédures de contrôle de qualité les plus méticuleuses, vous aidera efficacement.

Pour cette raison, nous vous conseillons de lire attentivement tout le manuel d'utilisation de votre produit avant de vous en servir, et de le conserver ensuite pour une utilisation ultérieure.

Le présent manuel

- Vous aidera à utiliser votre produit avec rapidité et sécurité.
- Lisez le manuel avant d'installer et de faire fonctionner votre produit.
- Respectez les instructions, notamment celles relatives à la sécurité.
- Conservez ce manuel dans un endroit facilement accessible car vous pouvez en avoir besoin ultérieurement.

• En plus, lisez également les autres documents fournis avec votre produit.

Veillez noter que ce manuel peut également être valide pour d'autres modèles.

Symboles et descriptions

Vous retrouverez les symboles suivants dans le présent manuel :



Informations importantes ou astuces.



Avertissement relatif aux conditions dangereuses pour la vie et la propriété.

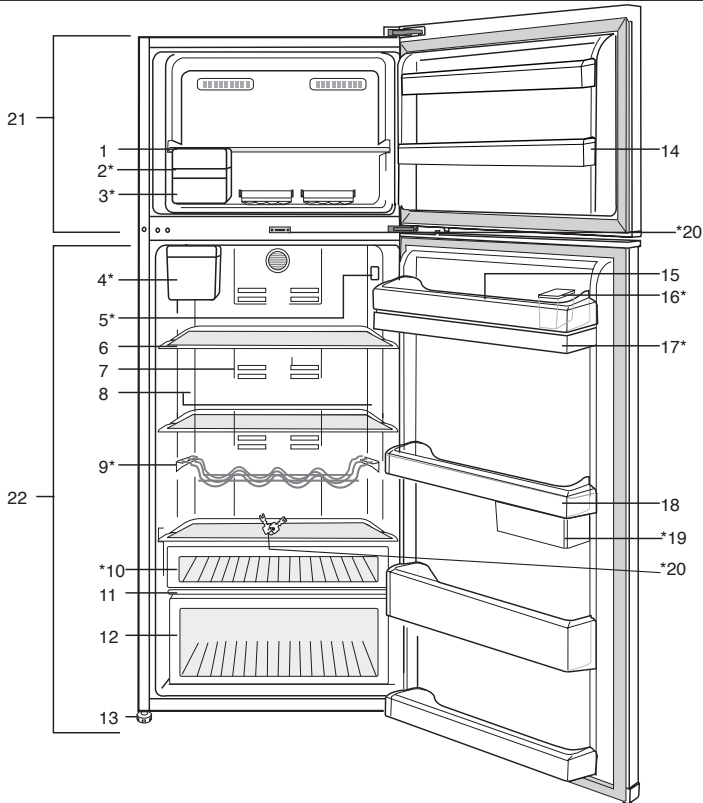


Avertissement relatif à la tension électrique.

TABLE DES MATIÈRES

1 Réfrigérateur	3	4 Préparation	15
2 Précautions de sécurité importantes	4	5 Utilisation du Congélateur / réfrigérateur	16
Utilisation préconisée.....	4	Bandeau indicateur.....	16
Sécurité générale.....	4	Avertissement - Porte ouverte.....	19
Pour les appareils dotés d'une fontaine à eau.....	9	Congélation des produits frais	20
Sécurité enfants.....	10	Recommandations concernant la conservation des aliments congelés	21
Conformité avec la réglementation DEEE et mise au rebut des déchets	10	Disposition des denrées.....	21
Informations relatives à l'emballage.....	10	Informations concernant la congélation..	22
Avertissement HC.....	11	Description et nettoyage du filtre à odeurs:.....	23
Mesures d'économie d'énergie.....	11	Support à œufs	23
Recommandations relatives au compartiment des produits frais	12	Fontaine frigorigère	24
3 Installation	13	Récipient de conservation rotatif.....	26
Points à prendre en compte lorsque vous transportez à nouveau votre produit.	13	Éclairage bleu.....	27
Avant de faire fonctionner votre Congélateur / réfrigérateur.....	13	Distributeur de glaçons	27
Branchement électrique.....	13	Distributeur et récipient de conservation de glaçons	28
Réglage des pieds.....	14	(dans certains modèles).....	28
Remplacement de l'ampoule	14	6 Entretien et nettoyage	29
Mise au rebut de l'emballage.....	14	Protection des surfaces en plastique. ...	29
Mise au rebut de votre ancien Congélateur / réfrigérateur.....	14	7 Dépannage	30
Disposition et Installation	14		

1 Réfrigérateur



1. Étagère du compartiment congélation
2. Distributeur de glaçons
3. Récipient de conservation de glaçons
4. Réservoir d'eau du distributeur de glaçons
5. Indicateur de réglage de température
6. Clayettes en verre réglables
7. Filtre d'odeurs
8. Lentilles d'illumination
9. Clayette range-bouteilles
10. Compartiment amuse-gueule
11. Couvercle du bac à légumes
12. Bac à légumes
13. Pieds réglables

14. Balconnets de la porte du compartiment congélateur
 15. Support à œufs
 16. Récipient de remplissage de la fontaine
 17. Réservoir de la fontaine frigorigère
 18. Balconnets de la porte du compartiment de réfrigération
 19. Récipients de conservation coulissants et rotatifs
 20. Clé & verrouillent (facultatif)
 21. Compartiment congélateur
 22. Compartiment Congélateur / réfrigérateur
- * EN OPTION**

I Les illustrations présentées dans cette notice d'utilisation sont schématiques et peuvent ne pas correspondre exactement à votre produit. Si des pièces présentées ne sont pas comprises dans le produit que vous avez acheté, elles sont valables pour d'autres modèles.

2 Précautions de sécurité importantes

Veillez examiner les informations suivantes :

Cet appareil peut être utilisé par des enfants âgés d'au moins 8 ans et par des personnes ayant des capacités physiques, sensorielles ou mentales réduites ou dénuées d'expérience ou de connaissance, s'ils (si elles) sont correctement surveillé(e)s ou si des instructions relatives à l'utilisation de l'appareil en toute sécurité leur ont été données et si les risques encourus ont été appréhendés. Les enfants ne doivent pas jouer avec l'appareil. Le nettoyage et l'e

ntretien par l'utilisateur ne doivent pas être effectués par des enfants sans surveillance.

Le non respect de ces consignes peut entraîner des blessures ou dommages matériels. Sinon, tout engagement lié à la garantie et à la fiabilité du produit devient invalide.

Les pièces détachées d'origine sont disponibles pendant 10 ans, à compter de la date d'achat du produit.

Utilisation préconisée

Ce produit est prévu pour une utilisation

- en intérieur et dans des zones fermées telles que les maisons ;
- dans les environnements de travail fermés, tels que les magasins et les bureaux ;
- dans les lieux d'hébergement fermés, tels que les fermes, hôtels, pensions.
- Il ne doit pas être utilisé en extérieur.

Sécurité générale

- Si le cordon d'alimentation est endommagé, celui-ci doit être remplacé par le fabricant, ses agents agréés ou tout autre agent qualifié afin d'être à l'abri de tout danger.

- Avant de vous débarrasser de votre appareil, veuillez consulter les autorités locales ou votre revendeur pour connaître le mode opératoire et les organismes de collecte agréés.
- Consultez le service après-vente agréé concernant toutes questions ou problèmes relatifs au réfrigérateur. N'intervenez pas ou ne laissez personne intervenir sur le réfrigérateur sans le communiquer au service après-vente agréé.
- Pour les produits équipés d'un compartiment congélateur : ne mangez pas de cônes de crème glacée ou des glaçons immédiatement après les avoir sortis du compartiment de congélation ! (Cela pourrait provoquer des engelures).
- Pour les produits équipés d'un compartiment congélateur : ne placez pas de boissons en bouteille ou en cannette dans le compartiment de congélation. Cela peut entraîner leur éclatement.
- Ne touchez pas des produits congelés avec les mains, ils pourraient se coller à celles-ci.
- Débranchez votre réfrigérateur avant de le nettoyer ou de le dégivrer.
- La vapeur et des matériaux de nettoyage pulvérisés ne doivent jamais être utilisés pour les processus de nettoyage ou de dégivrage de votre réfrigérateur. La vapeur pourrait pénétrer dans les pièces électriques et provoquer des courts-circuits ou des électrocutions.
- Ne jamais utiliser les pièces de votre réfrigérateur telles que la porte, comme un support ou une marche.
- N'utilisez pas d'appareils électriques à l'intérieur du réfrigérateur.

- N'endommagez pas les pièces où circule le liquide réfrigérant avec des outils de forage ou coupants. Le liquide réfrigérant qui pourrait s'échapper si les canalisations de gaz de l'évaporateur, les rallonges de tuyau ou les revêtements de surface étaient percés, cela pourrait irriter la peau et provoquer des blessures aux yeux.
- Ne pas couvrir ou obstruer les orifices de ventilation du réfrigérateur.
- Les appareils électriques peuvent être réparés seulement par des personnes autorisées. Les réparations réalisées par des personnes ne présentant pas les compétences requises peuvent présenter un risque pour l'utilisateur.
- En cas de dysfonctionnement ou lors d'opérations d'entretien ou de réparation, débranchez l'alimentation électrique du réfrigérateur soit en désactivant le fusible correspondant, soit en débranchant l'appareil.
- Assurez-vous que les boissons comportant un taux d'alcool très élevé sont conservées en sécurité avec leur couvercle fixé et placées en position verticale.
- Placez les boissons alcoolisées verticalement, dans des récipients convenablement fermés.
- Ne conservez jamais des aérosols contenant des substances inflammables et explosives dans le réfrigérateur.
- N'utilisez pas d'outils mécaniques ou autres dispositifs pour accélérer le processus de décongélation autres que ceux qui sont recommandés par le fabricant.
- Ce produit n'est pas conçu pour être utilisé par des personnes (enfants compris) souffrant de

déficiences physiques, sensorielles, mentales, ou inexpérimentées, à moins d'avoir obtenu une autorisation auprès des personnes responsables de leur sécurité.

- Ne faites pas fonctionner un réfrigérateur endommagé. Consultez le service agréé en cas de problème.
- La sécurité électrique du réfrigérateur n'est assurée que si le système de mise à la terre de votre domicile est conforme aux normes en vigueur.
- L'exposition du produit à la pluie, la neige, au soleil ou au vent présente des risques concernant la sécurité électrique.
- Contactez le service agréé quand un câble d'alimentation est endommagé pour éviter tout danger.
- Ne branchez jamais le réfrigérateur à la prise murale au cours de l'installation. Vous vous exposeriez à un

risque de mort ou à de blessures graves.

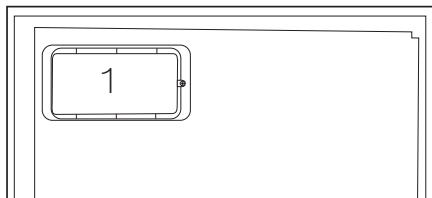
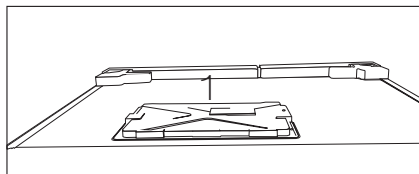
- Ce réfrigérateur est conçu seulement pour conserver des aliments. Par conséquent, il ne doit pas être utilisé à d'autres fins.
- L'étiquette avec les caractéristiques techniques est située sur la paroi gauche à l'intérieur du réfrigérateur.
- Ne branchez jamais votre réfrigérateur à des systèmes d'économie d'énergie, cela peut l'endommager.
- S'il y a une lumière bleue sur le réfrigérateur, ne la regardez ni avec vos yeux nus, ni avec des outils optiques pendant longtemps.
- Pour les réfrigérateurs contrôlés manuellement, attendez au moins 5 minutes pour allumer le réfrigérateur après une coupure de courant.
- Si cet appareil venait à changer de propriétaire, n'oubliez pas de remettre

la présente notice d'utilisation au nouveau bénéficiaire.

- Évitez d'endommager le câble d'alimentation quand vous transportez le réfrigérateur. Tordre le câble peut entraîner un incendie. Ne placez jamais d'objets lourds sur le câble d'alimentation.
- Évitez de toucher à la prise avec des mains mouillées au moment de brancher l'appareil.
- Évitez de brancher le réfrigérateur lorsque la prise de courant électrique a lâché.
- Pour des raisons de sécurité, évitez de pulvériser directement de l'eau sur les parties externes et internes du réfrigérateur.
- Ne pulvérisez pas de substances contenant des gaz inflammables comme du propane près du réfrigérateur pour éviter tout risque d'incendie et d'explosion.
- Ne placez jamais de récipients contenant de l'eau sur votre réfrigérateur, ils pourraient causer des chocs électriques ou un incendie.
- Évitez de surcharger le réfrigérateur avec une quantité excessive d'aliments. S'il est surchargé, les aliments peuvent tomber, vous blesser et endommager le réfrigérateur quand vous ouvrez la porte.
- Ne placez jamais d'objets au-dessus du réfrigérateur, ils pourraient tomber quand vous ouvrez ou fermez la porte du réfrigérateur.
- Les produits qui nécessitent un contrôle de température précis (vaccin, médicament sensible à la chaleur, matériels scientifiques, etc.) ne doivent pas être conservés dans le réfrigérateur.
- Si le réfrigérateur n'est pas utilisé pendant longtemps, il doit être débranché. Un problème avec le câble

d'alimentation pourrait causer un incendie.

- Le réfrigérateur peut bouger si ses pieds réglables ne sont pas bien fixés sur le sol. Bien fixer les pieds réglables sur le sol peut empêcher le réfrigérateur de bouger.
- Quand vous transportez le réfrigérateur, ne le tenez pas par la poignée de la porte. Cela peut le casser.
- Quand vous devez placer votre produit près d'un autre réfrigérateur ou congélateur, la distance entre les appareils doit être d'au moins 8 cm. Sinon, les murs adjacents peuvent être humidifiés.
- Ne jamais utiliser le produit si la section située dans sa partie supérieure ou inférieure avec cartes de circuits imprimés électroniques à l'intérieur est ouverte (couvercle de cartes de circuits imprimés électroniques) (1).



Pour les appareils dotés d'une fontaine à eau

- La pression de l'eau froide à l'entrée ne doit pas excéder 90 psi (6.2 bar). Si votre pression d'eau dépasse 80 psi (5,5 bar), utilisez une soupape de limitation de pression sur votre réseau de conduite. Si vous ne savez pas comment vérifier la pression de l'eau, demandez l'assistance d'un plombier professionnel.
- S'il existe un risque d'effet coup de bélier sur votre installation, utilisez systématiquement un équipement de

protection contre l'effet coup de bélier sur celle-ci. Consultez des plombiers professionnels si vous n'êtes pas sûr de la présence de cet effet sur votre installation.

- Ne l'installez pas sur l'entrée d'eau chaude. Prenez des précautions contre le risque de congélation des tuyaux. L'intervalle de fonctionnement de la température des eaux doit être de 33 F (0,6°C) au moins et de 100 F (38 C) au plus.
- Utilisez uniquement de l'eau potable.

Sécurité enfants

- Si la porte a un verrouillage, la clé doit rester hors de portée des enfants.
- Les enfants doivent être surveillés et empêchés de s'amuser avec le produit.

Conformité avec la réglementation DEEE et mise au rebut des déchets

Ce produit ne contient pas de matériaux dangereux et interdits décrits dans la « Réglementation sur le contrôle des déchets

d'équipements électriques et électroniques » publié par le Ministère de l'Environnement et de l'Urbanisme. Conforme avec la réglementation DEEE.



Le présent produit a été fabriqué avec des pièces et du matériel de qualité supérieure susceptibles d'être réutilisés et adaptés au recyclage. Par conséquent, nous vous conseillons de ne pas le mettre au rebut aux côtés des ordures ménagères à la fin de sa durée de vie. Au contraire, rendez-vous dans un point de collecte pour le recyclage de tout matériel électrique et électronique. Veuillez vous rapprocher des autorités de votre localité pour plus d'informations concernant le point de collecte le plus proche. Aidez-nous à protéger l'environnement et les ressources naturelles en recyclant les produits usagés. Pour la sécurité des enfants, coupez le câble d'alimentation et le mécanisme de verrouillage de la porte, le cas échéant. Ce faisant, vous rendez l'appareil inopérant avant sa mise au rebut.

Informations relatives à l'emballage

Les matériaux d'emballage de cet appareil sont fabriqués à partir de matériaux recyclables, conformément à nos Réglementations Nationales en Environnement. Ne mélangez pas les matériaux d'emballage avec les déchets domestiques ou d'autres déchets. Amenez-les aux points de collecte des matériaux d'emballage, désignés par les autorités locales.

N'oubliez pas...

Pour la préservation de la nature et de notre santé, il est indispensable de recycler les matières.

Si vous voulez contribuer au recyclage des matériaux d'emballage, vous pouvez vous renseigner auprès d'organisations environnementales ou de l'autorité locale proche de votre domicile.

Avertissement HC

Si le système de refroidissement de votre appareil contient R600a :

Ce gaz est inflammable. Par conséquent, veuillez prendre garde à ne pas endommager le système de refroidissement et les tuyauteries lors de son utilisation ou de son transport. En cas de dommages, éloignez votre produit de toute source potentielle de flammes susceptible de provoquer l'incendie de l'appareil. De même, placez le produit dans une pièce aérée.

Ne tenez pas compte de cet avertissement si le système de refroidissement de votre appareil contient R134a.

Le type de gaz utilisé dans l'appareil est mentionné sur la plaque signalétique située sur la paroi gauche de l'intérieur du réfrigérateur.

Ne jetez jamais l'appareil au feu pour vous en débarrasser.

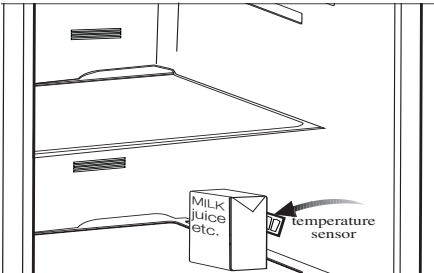
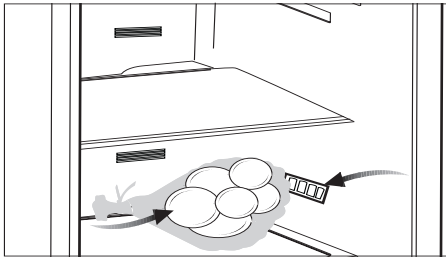
Mesures d'économie d'énergie

- Ne laissez pas les portes du réfrigérateur ouvertes pendant une durée prolongée.
- N'introduisez pas de denrées ou de boissons chaudes dans le réfrigérateur.
- Ne surchargez pas le réfrigérateur pour ne pas obstruer pas la circulation d'air à l'intérieur.
- N'installez pas le réfrigérateur à la lumière directe du soleil ou près d'appareil émettant de la chaleur tels qu'un four, un lave-vaisselle ou un radiateur. Maintenez une distance d'au moins 30 cm entre votre réfrigérateur et toute source de chaleur, et à une distance de 5cm d'un four électrique.
- Veillez à conserver vos denrées dans des récipients fermés.
- Pour les produits équipés d'un compartiment congélateur : vous pouvez conserver une quantité maximale d'aliments dans le congélateur quand vous enlevez l'étagère ou le tiroir du congélateur. La consommation d'énergie précisée pour votre réfrigérateur a été déterminée en enlevant l'étagère ou le tiroir du congélateur et avec la charge maximale. Il n'y aucun risque à utiliser une étagère ou un tiroir en fonction des formes et tailles des denrées à congeler.
- La décongélation des aliments dans le compartiment réfrigérateur permet de faire des économies d'énergie et de préserver la qualité des aliments.

Recommandations relatives au compartiment des produits frais

*en option

- Ne laissez pas les aliments toucher le capteur de température situé dans le compartiment des produits frais. Pour que le compartiment des produits frais conserve sa température idéale, le capteur ne doit pas être encombré par des aliments.
- Ne placez pas de denrées chaudes dans votre appareil.



3 Installation

⚠ Veuillez noter que le fabricant ne pourra être tenu responsable si les informations fournies dans cette notice d'utilisation ne sont pas respectées.

Points à prendre en compte lorsque vous transportez à nouveau votre produit.

1. Le Congélateur / réfrigérateur doit être vidé et nettoyé avant tout transport.
2. Les clayettes, accessoires, bac à légumes, etc. de votre Congélateur / réfrigérateur doivent être fixés solidement avec de la bande adhésive avant de remballer l'appareil, pour le protéger en cas de chocs.
3. L'emballage doit être fixé avec une bande adhésive forte et des cordes solides, et les normes de transport indiquées sur l'emballage doivent être appliquées.

Gardez à l'esprit les points suivants...

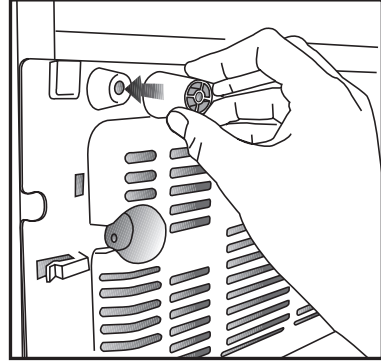
Chaque matériau recyclé est une participation indispensable à la préservation de la nature et conservation de nos ressources nationales.

Si vous souhaitez contribuer à recycler les matériaux d'emballage, vous pouvez obtenir des informations supplémentaires auprès des organismes environnementaux ou des autorités locales.

Avant de faire fonctionner votre Congélateur / réfrigérateur

Avant de commencer à faire fonctionner votre Congélateur / réfrigérateur, vérifiez les points suivants :

1. L'intérieur du Congélateur / réfrigérateur est sec et l'air peut circuler librement à l'arrière?
2. Vous pouvez installer les 2 cales en plastique comme illustré dans le schéma. Les cales en plastique maintiendront la distance nécessaire entre votre Congélateur / réfrigérateur et le mur pour permettre une bonne circulation de l'air. (Le schéma présenté est fourni à titre indicatif et peut ne pas correspondre exactement avec votre produit.)



3. Nettoyez l'intérieur du Congélateur / réfrigérateur tel qu'indiqué dans la section « Entretien et nettoyage ».
4. Branchez le Congélateur / réfrigérateur à la prise murale. Lorsque la porte du Congélateur / réfrigérateur est ouverte, l'éclairage intérieur s'allume.
5. Vous remarquerez un bruit lorsque le compresseur se met en marche. Le liquide et les gaz intégrés au système du Congélateur / réfrigérateur peuvent également faire du bruit, que le compresseur soit en marche ou non. Ceci est tout à fait normal.
6. Les parties antérieures du Congélateur / réfrigérateur peuvent chauffer. Ce phénomène est normal. Ces zones doivent en principe être chaudes pour éviter tout risque de condensation.

Branchement électrique

Branchez votre Congélateur / réfrigérateur à une prise de mise à la terre protégée par un fusible ayant une capacité appropriée. Important :

- Le branchement doit être conforme aux normes en vigueur sur le territoire national.
- La fiche de câble d'alimentation doit être facilement accessible après installation.
- La tension spécifiée doit être égale à votre tension de secteur.

- Les rallonges et prises multivoies ne doivent pas être utilisés pour brancher l'appareil.

⚠ Un câble d'alimentation endommagé doit être remplacé par un électricien qualifié.

⚠ L'appareil ne doit pas être mis en service avant d'être réparé ! Un risque de choc électrique existe !

Mise au rebut de l'emballage

Les matériaux d'emballage peuvent être dangereux pour les enfants. Tenez les matériaux d'emballage hors de portée des enfants ou débarrassez-vous-en conformément aux consignes sur les déchets. Ne les jetez pas aux côtés des ordures ménagères ordinaires.

L'emballage de votre appareil est produit à partir des matériaux recyclables.

Mise au rebut de votre ancien Congélateur / réfrigérateur

Débarrassez-vous de votre ancien Congélateur / réfrigérateur sans nuire à l'environnement.

- Vous pouvez consulter le service après-vente agréé ou le centre chargé de la mise au rebut dans votre municipalité pour en savoir plus sur la mise au rebut de votre produit.

Avant de procéder à la mise au rebut de votre machine, coupez la prise électrique et, le cas échéant, tout verrouillage susceptible de se trouver sur la porte. Rendez-les inopérants afin de ne pas exposer les enfants à d'éventuels dangers.

Disposition et Installation

⚠ Si la porte d'entrée de la pièce où sera installé le Congélateur / réfrigérateur n'est pas assez large pour laisser passer le Congélateur / réfrigérateur, appelez alors le service après-vente pour faire retirer les portes du Congélateur / réfrigérateur et le faire passer latéralement.

1. Installez le Congélateur / réfrigérateur dans un emplacement qui permette une utilisation pratique.

2. Maintenez le Congélateur / réfrigérateur éloigné de toutes sources de chaleur, des endroits humides et de la lumière directe du soleil.

3. Une ventilation d'air autour du Congélateur / réfrigérateur doit être aménagée pour obtenir un fonctionnement efficace. Si le Congélateur / réfrigérateur est placé dans un enfoncement du mur, il doit y avoir un espace d'au moins 5 cm avec le plafond et d'au moins 5 cm avec le mur. Si le sol est couvert de moquette, votre produit doit être surélevé à 2,5 cm du sol.

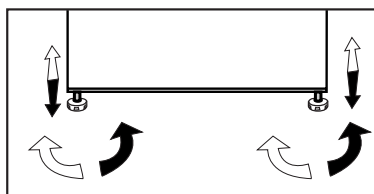
4. Placez le Congélateur / réfrigérateur sur un a de surface plane afin d'éviter les à-coups.

5. N'exposez pas le Congélateur / réfrigérateur à des températures ambiantes inférieures à 10°C.

Réglage des pieds

Si le Congélateur / réfrigérateur n'est pas stable.

Vous pouvez équilibrer le Congélateur / réfrigérateur en tournant les pieds avant, tel qu'illustré dans le schéma. Le côté où se trouve le pied s'abaisse lorsque vous tournez dans le sens de la flèche noire, et s'élève lorsque vous tournez dans le sens opposé. Si vous vous faites aider par quelqu'un pour légèrement soulever le Congélateur / réfrigérateur, l'opération s'en trouvera simplifiée.



Remplacement de l'ampoule

Pour remplacer la lampe LED du réfrigérateur, veuillez contacter le service après-vente agréé.

Les ampoules de cet appareil d'électroménager ne sont pas adaptées à une utilisation d'éclairage. L'utilisation recherchée de cette lampe et de permettre à l'utilisateur de placer confortablement et en sécurité les aliments dans le réfrigérateur / coffre.

Les voyants utilisés dans cet appareil doivent résister aux conditions physiques extrêmes telles que des températures inférieures à -20 °C.

4 Préparation

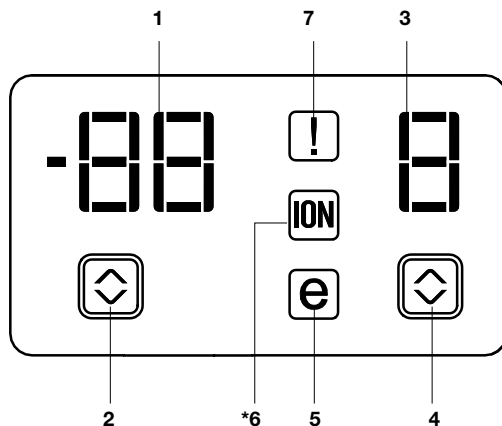
- Votre congélateur / réfrigérateur doit être installé à au moins 30 cm des sources de chaleur telles que les plaques de cuisson, les fours, appareils de chauffage ou cuisinières, et à au moins 5 cm des fours électriques. De même, il ne doit pas être exposé à la lumière directe du soleil.
- Veuillez vous assurer que l'intérieur de votre appareil est soigneusement nettoyé.
- La température ambiante de la pièce où vous installez le congélateur / réfrigérateur doit être d'au moins 10°C. Faire fonctionner l'appareil sous des températures inférieures n'est pas recommandé et pourrait nuire à son efficacité.
- Si deux congélateur / réfrigérateurs sont installés côte à côte, ils doivent être séparés par au moins 2 cm.
- Lorsque vous faites fonctionner le congélateur / réfrigérateur pour la première fois, assurez-vous de suivre les instructions suivantes pendant les six premières heures.
- La porte ne doit pas être ouverte fréquemment.
- Le congélateur / réfrigérateur doit fonctionner à vide, sans denrées à l'intérieur.
- Ne débranchez pas le congélateur / réfrigérateur. Si une panne de courant se produit, veuillez vous reporter aux avertissements dans la section « Solutions recommandées aux problèmes ».
- L'emballage et les matériaux de protection d'emballage doivent être conservés pour les éventuels transports ou déplacements à venir.
- Les paniers/tiroirs fournis avec le compartiment rafraîchissement doivent être utilisés de manière continue pour une consommation énergétique minimale et de meilleures conditions de conservation.
- Le contact entre le capteur de température et les denrées alimentaires à l'intérieur du compartiment de congélation peut augmenter la consommation énergétique de l'appareil. Pour cette raison, les contacts avec les capteurs doivent être évités.
- Dans certains modèles, le tableau de bord s'éteint automatiquement 5 minutes après la fermeture de la portière. Il est réactivé à l'ouverture de la portière ou lorsqu'on appuie sur n'importe quelle touche.
- En raison des variations de température dues à l'ouverture ou à la fermeture de la porte de l'appareil en fonctionnement, il est normal que la condensation se forme sur la porte, les étagères ou les récipients en verre.

5 Utilisation du Congélateur / réfrigérateur

Bandeau indicateur

Les panneaux indicateurs peuvent varier en fonction du modèle de produit.

Le bandeau indicateur vous aide à utiliser votre Congélateur / réfrigérateur avec ses fonctions sonores et visuelles.



1. Indicateur de température du compartiment de congélation
2. Indicateur d'état de dysfonctionnement
3. Indicateur de la température du compartiment Congélateur / réfrigérateur
4. Bouton de réglage de température du compartiment de réfrigération
5. Indicateur de mode Economie
6. Témoin ioniseur
7. Bouton de réglage de température du compartiment de congélation

1. Indicateur de température du compartiment de congélation

Indique le réglage de température pour le compartiment Congélateur / réfrigérateur.

2. Indicateur d'état de dysfonctionnement

Si votre Congélateur / réfrigérateur ne refroidit pas correctement ou s'il y a un dysfonctionnement dans un capteur, cet indicateur sera activé. Lorsque cet indicateur est activé, l'indicateur de la température du compartiment de congélation affichera "E" et l'indicateur de température du compartiment du Congélateur / réfrigérateur affichera des chiffres, par ex. : « 1,2,3... ». Ces nombres

fournissent des informations concernant le dysfonctionnement au personnel de maintenance.

3. Indicateur de la température du compartiment Congélateur / réfrigérateur

Indique le réglage de température pour le compartiment Congélateur / réfrigérateur.

4. Bouton de réglage de température du compartiment de réfrigération

Appuyez sur ce bouton pour régler la température du compartiment Congélateur / réfrigérateur à 8, 6, 4, 2, 8... respectivement. Appuyez sur ce bouton pour définir la température souhaitée pour le compartiment Congélateur / réfrigérateur.

5. Indicateur de mode Economie

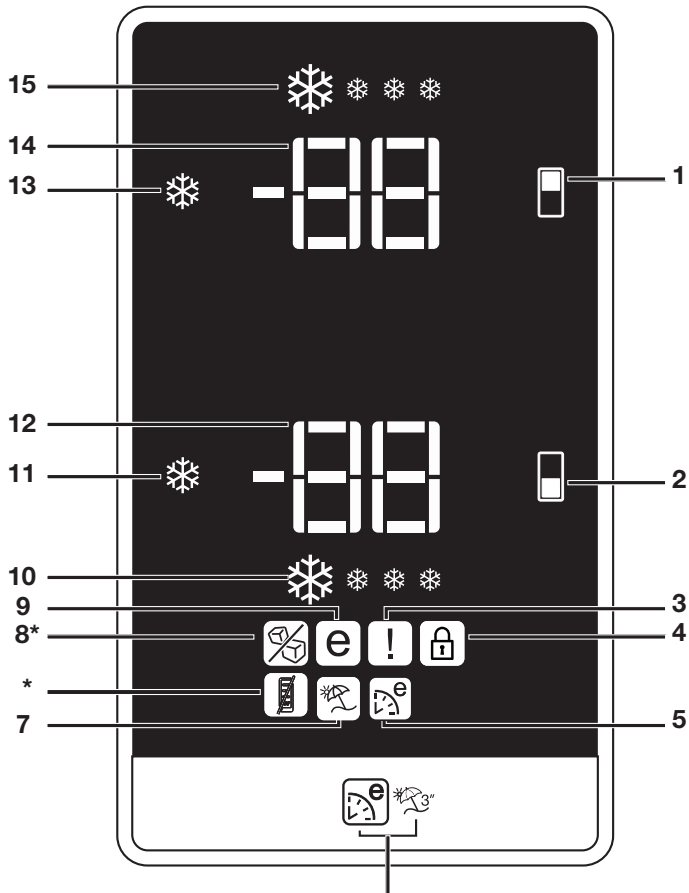
Il indique que le Congélateur / réfrigérateur fonctionne en mode d'économie d'énergie.

6. Témoin ioniseur

L'indicateur s'allume en continu. Cet éclairage indique que votre Congélateur / réfrigérateur est protégé contre les bactéries.

7. Bouton de réglage de température du compartiment de congélation

Appuyez sur ce bouton pour régler la température du compartiment de congélation respectivement sur -18, -20, -22, -24, -18.... Appuyez sur ce bouton pour définir la température souhaitée pour le compartiment congélateur.



1. Réglage du compartiment congélateur / Bouton marche/arrêt du distributeur de glaçons
2. Bouton de réglage du compartiment de réfrigération
3. Indicateur d'état de dysfonctionnement
4. Voyant verrouillage des commandes
5. Indicateur de fonction Eco Extra
6. Bouton Eco Extra / Vacances
7. Indicateur de Fonction Vacances
8. Indicateur distributeur de glaçons arrêté (*sur certains modèles)
9. Voyant d'économie d'énergie
10. Indicateur de réfrigération rapide
11. Fonction de réfrigération rapide
12. Indicateur de la température du Congélateur / réfrigérateur
13. Bouton de la fonction de congélation rapide
14. Indicateur de la température du compartiment Congélateur / réfrigérateur
15. Indicateur de la fonction de congélation rapide

ⓘ Les illustrations présentées dans cette notice d'utilisation sont schématiques et peuvent ne pas correspondre exactement à votre produit. Si des pièces présentées ne sont pas comprises dans le produit que vous avez acheté, elles sont valables pour d'autres modèles.

1. Réglage du compartiment congélateur / Bouton marche/arrêt du distributeur de glaçons

Cette fonction vous donne la possibilité de régler la température du compartiment congélateur. Appuyez sur ce bouton pour régler la température du compartiment de congélation respectivement sur -18, -20, -22, et -24.

Pour arrêter la formation de glaçons, appuyez sur le bouton marche-arrêt du distributeur de glaçons pendant 3 secondes. L'arrivée d'eau du réservoir à eau sera arrêtée en sélectionnant cette fonction. Toutefois, les glaçons déjà formés peuvent être retirés du distributeur. Pour redémarrer la formation de glaçons, appuyez sur le bouton marche-arrêt du distributeur de glaçons pendant 3 secondes.

2. Bouton de réglage du compartiment Congélateur / réfrigérateur

Cette fonction vous donne la possibilité de régler la température du compartiment Congélateur / réfrigérateur. Appuyez sur ce bouton pour régler la température du compartiment Congélateur / réfrigérateur à 8, 6, 4, et 2 respectivement.

3. Indicateur d'état de dysfonctionnement

Si votre Congélateur / réfrigérateur ne refroidit pas correctement ou s'il y a un dysfonctionnement dans un capteur, cet indicateur sera activé. Lorsque cet indicateur est activé, l'indicateur de la température du compartiment de congélation affichera "E" et l'indicateur de température du compartiment du Congélateur / réfrigérateur affichera des chiffres, par ex.: "1,2,3...". Ces nombres fournissent des informations concernant le dysfonctionnement au personnel de maintenance.

Lorsque vous placez des aliments chauds dans le compartiment congélateur ou si laissez la porte ouverte trop longtemps, un point d'exclamation peut s'illuminer. Il ne s'agit pas d'une erreur, cet avertissement disparaît lorsque les aliments refroidissent.

4. Voyant verrouillage des commandes

Utilisez cette fonction si vous souhaitez conserver les réglages de température du votre Congélateur / réfrigérateur. Appuyez sur les boutons de réglage du compartiment Congélateur / réfrigérateur et de réglage du compartiment congélateur simultanément pendant longtemps (3 secondes environ) pour activer cette fonction.

5. Indicateur de fonction Eco Extra

Indique que la fonction Eco Extra est en marche.

Si cette fonction est active, "votre Congélateur / réfrigérateur détectera automatiquement les dernières périodes d'utilisation et un refroidissement économe en énergie sera réalisé pendant ces périodes. L'indicateur d'économie est activé lorsque le refroidissement à économie d'énergie est réalisé.

Appuyez sur le bouton correspondant pour désactiver cette fonction.

6. Bouton Eco Extra / Vacances

Appuyez brièvement sur ce bouton pour activer la fonction Eco Extra. Appuyez sur ce bouton pendant 3 secondes pour activer la fonction Vacances. Appuyez de nouveau sur ce bouton pour désactiver la fonction sélectionnée.

7. Indicateur de Fonction Vacances

Il indique que la fonction vacances est en marche. Si cette fonction est active, "- -" s'affiche sur l'indicateur du compartiment du Congélateur / réfrigérateur, et aucun refroidissement n'est réalisé dans le compartiment du Congélateur / réfrigérateur. Les autres compartiments seront refroidis en fonction de la température définie pour leur fonctionnement.

Appuyez sur le bouton correspondant pour désactiver cette fonction.

8. Indicateur Ice Off

Le distributeur de glaçons ne fonctionne pas lorsque l'indicateur de cette fonction est allumé. Reportez-vous à l'Élément 1 pour activer le distributeur de glaçons.

9. Indicateur de mode Economie

Il indique que le Congélateur / réfrigérateur fonctionne en mode d'économie d'énergie. Température du compartiment de congélation

Cet indicateur sera activé si la fonction est réglée sur -18 ou si le refroidissement à économie d'énergie est réalisé suite à l'activation de la fonction Eco Extra.

10. Indicateur de réfrigération rapide

L'icône clignote de manière animée lorsque la fonction de réfrigération rapide est active.

11. Fonction de réfrigération rapide

Lorsque vous appuyez sur le bouton Réfrigération rapide, la température du compartiment sera plus froide que les valeurs de réglage.

Cette fonction peut être utilisée pour les denrées placées dans le compartiment de réfrigération que l'on souhaite refroidir rapidement.

Si vous souhaitez introduire de grandes quantités de produits frais dans le Congélateur / réfrigérateur, nous vous recommandons d'activer au préalable cette option.

L'indicateur de réfrigération rapide s'allume lorsque sa fonction est activée. Pour annuler cette fonction, appuyez à nouveau sur le bouton Réfrigération rapide.

Après 4 heures de temps, ou lorsque le compartiment Congélateur / réfrigérateur atteint la température souhaitée, cet indicateur s'annulera automatiquement si vous ne le faites pas.

Cette fonction n'est pas reprise lorsque le courant est rétabli après une panne de courant.

12. Indicateur de réglage de température du compartiment Congélateur / réfrigérateur

Indique le réglage de température pour le compartiment Congélateur / réfrigérateur.

13. Indicateur de réglage de température du compartiment de congélation

Indique le réglage de température pour le compartiment Congélateur / réfrigérateur.

14. Fonction de congélation rapide

L'indicateur de congélation rapide s'allume lorsque sa fonction est activée. Pour annuler cette fonction, appuyez à nouveau sur le bouton Congélation rapide. L'indicateur de congélation rapide s'éteindra et retournera à son réglage normal. Après 8 heures de temps, ou lorsque le compartiment Congélateur atteint la température souhaitée, cet indicateur s'annulera automatiquement si vous ne le faites pas.

Si vous souhaitez congeler de grandes quantités de produits frais, appuyez sur le bouton Congélation rapide avant d'introduire ces produits dans le compartiment de congélation.

Si vous appuyez sur le bouton de Congélation rapide de façon répétée à intervalles courts, la protection du circuit électronique s'activera et le compresseur ne démarrera pas automatiquement.

Cette fonction n'est pas reprise lorsque le courant est rétabli après une panne de courant.

15. Indicateur de congélation rapide

L'icône clignote de manière animée lorsque la fonction de congélation rapide est active.

Avertissement - Porte ouverte

(Cette fonction peut varier suivant le type de porte installé sur le produit et peut ne pas exister sur certains modèles.)

Un signal d'avertissement sonore sera donné lorsque la porte du Congélateur / réfrigérateur de votre produit restera ouverte pendant au moins 1 minute. Cet avertissement s'arrête en refermant la porte est fermée ou en appuyant sur n'importe quel bouton de l'affichage.

Congélation des produits frais

- Enveloppez ou couvrez vos aliments avant de les placer au Congélateur / réfrigérateur.
 - Laissez refroidir les aliments à la température ambiante avant de les placer au Congélateur / réfrigérateur.
 - Les denrées que vous souhaitez surgeler doivent être fraîches et en bon état.
 - Il est conseillé de séparer les denrées en portions en fonction des besoins quotidiens de votre famille ou par repas.
 - Les denrées doivent être emballées hermétiquement afin d'éviter qu'elles ne s'assèchent, même si elles ne doivent être conservées qu'une courte période.
 - Les matériaux utilisés pour l'emballage doivent résister aux déchirures, au froid, à l'humidité, et doivent être imperméables aux odeurs, aux graisses et aux acides et être hermétiques. Par ailleurs, ils doivent fermer correctement et être composés de matériaux simples d'utilisation et adaptés à un usage dans un congélateur.
- Les denrées congelées doivent être consommées immédiatement après leur décongélation et elles ne doivent jamais être recongelées.
 - Veuillez respecter les instructions suivantes afin d'obtenir les meilleurs résultats.
 1. Ne congelez pas une quantité trop importante à la fois. La qualité des aliments est préservée de façon optimale lorsqu'ils sont entièrement congelés aussi rapidement que possible.
 2. Le fait d'introduire des aliments chauds dans le congélateur entraîne le fonctionnement du système de refroidissement en continu jusqu'à ce que les aliments soient entièrement congelés.
 3. Faites particulièrement attention à ne pas mélanger les produits déjà congelés et les produits frais.

Réglage du compartiment congélateur	Réglage du compartiment Congélateur / réfrigérateur	Explications
-18	4°C	Voici le réglage normal recommandé.
-20,-22 ou -24°C	4°C	Ces réglages sont recommandés lorsque la température ambiante dépasse 30 °C
Congélation rapide	4°C	Cet indicateur est utilisé lorsque vous voulez congeler vos denrées pendant une courte période. Le Congélateur / réfrigérateur retournera à son mode de fonctionnement précédent lorsque le processus sera terminé.
-18°C ou plus froid	2°C	Si vous pensez que le compartiment de réfrigération n'est pas assez froid à cause de la chaleur ou des ouvertures / fermetures fréquentes de la porte.
-18°C ou plus froid	c) Réfrigération rapide	Vous pouvez utiliser ce réglage lorsque le compartiment de réfrigération est surchargé ou lorsque vous souhaitez refroidir rapidement vos denrées. Il est conseillé d'activer la fonction de réfrigération rapide pendant 4 à 8 heures de temps avant d'introduire les denrées.

Recommandations concernant la conservation des aliments congelés

- Pour un compartiment des denrées congelées *** ** *** (4 étoiles), les aliments préemballés et surgelés, destinés à un usage commercial, doivent être conservés conformément aux instructions du fabricant de produits congelés.
- Afin de veiller à ce que la qualité supérieure recherchée par le fabricant et le détaillant des produits congelés soit atteinte, il convient de se rappeler les points suivants :
 1. Mettre les emballages dans le congélateur aussi rapidement que possible après achat.
 2. S'assurer que le contenu est étiqueté et daté.
 3. Ne pas dépasser les dates « à consommer avant le » et « à consommer de préférence avant le » figurant sur l'emballage.

Dégivrage

Le compartiment congélateur se dégivre automatiquement.

Disposition des denrées

Clayettes du compartiment congélation	Différentes denrées congelées comme de la viande, du poisson, des crèmes glacées, des légumes, etc.
Support à œufs	Œufs
Clayettes du compartiment de réfrigération	Nourriture dans des casseroles, assiettes couvertes et récipients fermés
Balconnets de la porte du compartiment de réfrigération	Produits ou boissons de petite taille et sous emballage (comme du lait, des jus de fruits ou de la bière)
Bac à légumes	Fruits et légumes
Compartiment Fraîcheur	Produits délicats (fromage, beurre, salami, etc.)

Informations concernant la congélation

Les denrées doivent être congelées le plus rapidement possible lorsqu'elles sont placées dans un Congélateur / réfrigérateur, afin de préserver leur qualité.

Il n'est possible de conserver des denrées sur de longues périodes qu'avec des températures inférieures ou égales à -18°C.

Vous pouvez conserver la fraîcheur de vos denrées pendant plusieurs mois (à des températures inférieures ou égales à -18°C dans le surgélateur).

AVERTISSEMENT !

- Il est conseillé de séparer les denrées en portions en fonction des besoins quotidiens de votre famille ou par repas.

- Les denrées doivent être emballées hermétiquement afin d'éviter qu'elles ne s'assèchent, même si elles ne doivent être conservées qu'une courte période.

Matériaux nécessaires à l'emballage :

- Bande adhésive résistant au froid
- Etiquette autocollante
- Élastiques en caoutchouc
- Stylo

Les matériaux utilisés pour l'emballage des denrées doivent résister aux déchirures, au froid, à l'humidité, et doivent être imperméables aux odeurs, aux graisses et aux acides.

Il faut éviter que les denrées à congeler n'entrent en contact avec des aliments déjà congelés afin d'empêcher le dégel partiel de ces aliments.

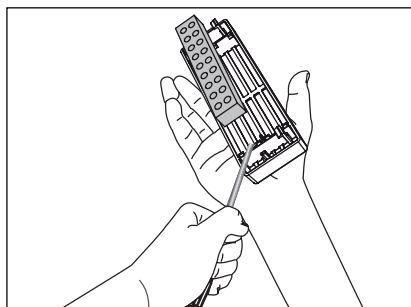
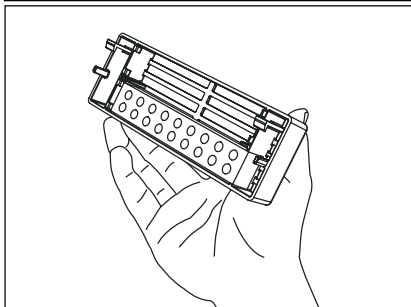
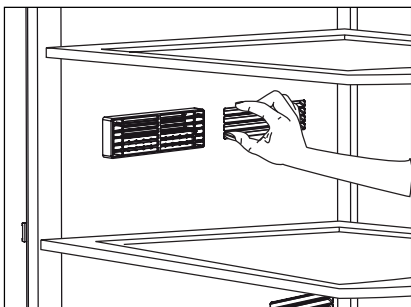
Les denrées congelées doivent être consommées immédiatement après leur décongélation et elles ne doivent jamais être recongelées.

Description et nettoyage du filtre à odeurs:

Le filtre à odeurs empêche la formation d'odeurs désagréables dans votre Congélateur / réfrigérateur.

Tirez le couvercle, dans lequel le filtre à odeurs est installé, vers le bas et enlevez comme illustré sur le schéma. Exposez le filtre sous la lumière directe du soleil pendant un jour. Le filtre sera nettoyé pendant ce temps. Remettez le filtre à sa place.

Le filtre à odeurs doit être nettoyé une fois l'an.



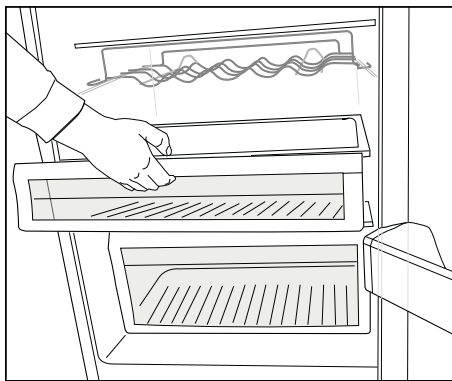
Compartiments amuse-gueule

Utilisez ces compartiments pour les aliments à conserver à une température quelques degrés en-dessous de celle du compartiment Congélateur / réfrigérateur.

Vous pouvez augmenter le volume interne de votre Congélateur / réfrigérateur en enlevant le compartiment amuse-gueule souhaité.

1. Tirez le compartiment vers vous jusqu'à ce qu'il soit interrompu par la butée.
2. Levez la partie avant et tirez vers vous pour retirer le compartiment de son support.

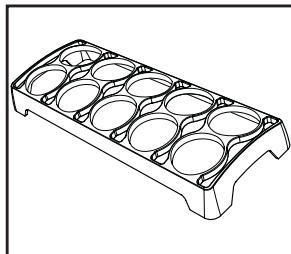
i Vous pouvez introduire les denrées à congeler dans ces compartiments afin de les préparer à l'opération de congélation.



Support à oeufs

Vous pouvez installer le support à oeufs sur un balconnet de la porte ou de l'intérieur que vous souhaitez.

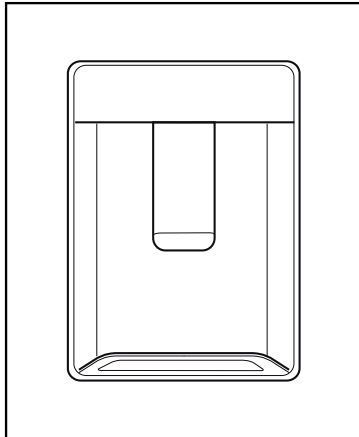
Ne placez jamais le support à oeufs dans le compartiment de congélation.



Fontaine frigorigique

(sur certains modèles)

Cette fontaine est très important pour obtenir de l'eau fraîche sans avoir à ouvrir la porte de votre Congélateur / réfrigérateur. Comme vous n'aurez pas à ouvrir fréquemment la porte de votre Congélateur / réfrigérateur, cela vous permettra d'économiser de l'énergie.



Utilisation de la fontaine

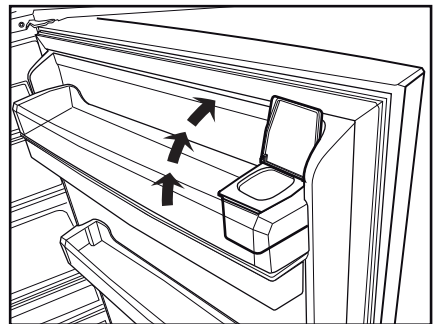
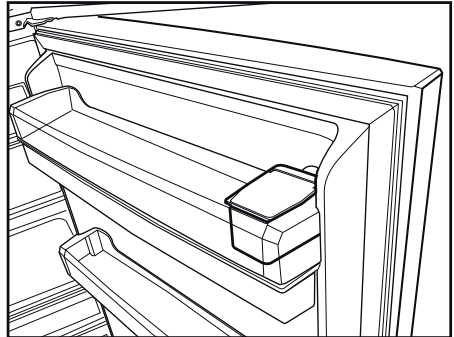
Appuyez sur le bouton de la fontaine avec votre verre. La fontaine cessera de fonctionner lorsque vous aurez relâché le bouton.

Pendant le fonctionnement de la fontaine, vous pouvez obtenir une quantité maximale en appuyant à fond sur le bouton. N'oubliez pas que la quantité de liquide obtenue est fonction du degré d'appui que vous exercez sur le bouton.

A mesure que le niveau d'eau de votre tasse / verre augmente, réduisez doucement la quantité de pression du bouton pour éviter tout risque de débordement. Si vous appuyez légèrement sur le bouton, l'eau tombera; ce phénomène est tout à fait normal et n'est pas un dysfonctionnement.

Remplir le réservoir d'eau de la fontaine frigorigique

Le réservoir d'approvisionnement en eau se trouve dans le balconnet de la porte. Ouvrez le couvercle du réservoir et remplissez-le avec de l'eau potable pure. Refermez ensuite le couvercle.



Avertissement !

- Ne remplissez pas le réservoir d'eau avec un liquide autre que de l'eau ; des boissons comme le jus de fruit, les boissons gazeuses, et les boissons alcooliques ne sont pas adaptées pour être utilisées avec le distributeur d'eau. Si de tels liquides sont utilisés, le distributeur connaîtra un dysfonctionnement et peut être profondément endommagé. La garantie ne couvre pas de telles utilisations. Certaines substances chimiques et additifs contenus dans de telles boissons / breuvages peuvent également endommager le réservoir d'eau.

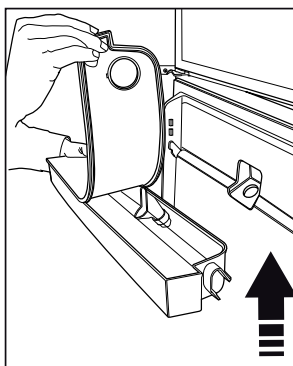
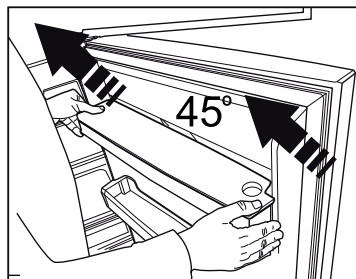
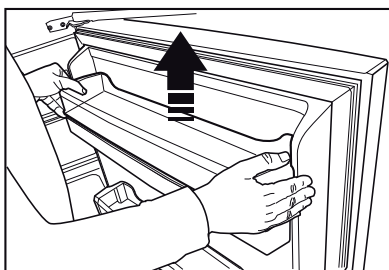
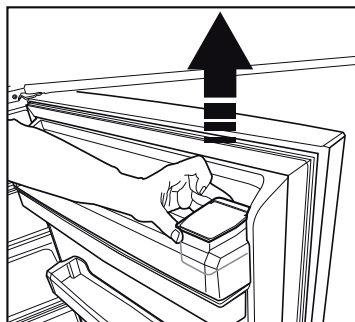
- Utilisez uniquement de l'eau potable pure.
- La capacité du réservoir est de 3 litres; ne dépassez pas la limite.
- Appuyez sur le bouton de la fontaine avec votre verre. Si vous utilisez une tasse jetable, poussez le bouton avec vos doigts à partir de l'arrière de la tasse.

Nettoyer le réservoir d'eau

- Retirez le réservoir d'approvisionnement en eau du balconnet de la porte.
- Retirez le balconnet de la porte en le tenant par les deux côtés.
- Tenez le réservoir par les deux côtés et retirez-le selon un angle de 45SDgr.
- Retirez le couvercle afin de nettoyer le réservoir.

Important :

Le réservoir d'eau et les composantes du distributeur d'eau ne peuvent pas être passés au lave-vaisselle.



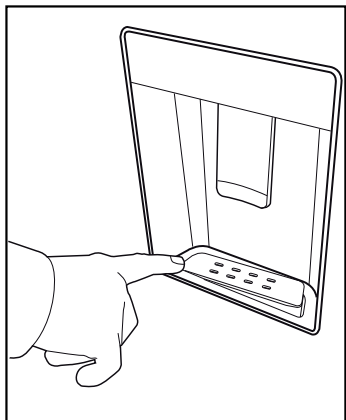
Bac à eau

L'eau qui s'écoule lors de l'utilisation du distributeur d'eau s'accumule dans le bac de dégivrage.

Retirez la crépine en plastique comme sur le schéma.

Retirez l'excédent d'eau à l'aide d'un chiffon propre et sec.

ATTENTION : Raccorder uniquement à un tuyau d'alimentation en eau potable.



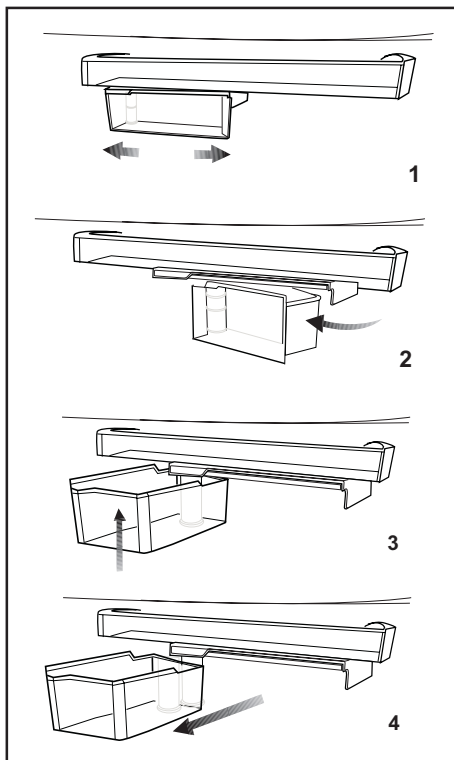
Réceptacle de conservation rotatif

(sur certains modèles)

Vous pouvez faire glisser l'étagère coulissante vers la gauche ou vers la droite afin d'introduire les bouteilles de grande taille, les bocaux, ou les boîtes dans un compartiment inférieur (Fig. 1).

Vous pouvez obtenir les denrées alimentaires placées sur l'étagère en saisissant celle-ci et en la retournant à partir de son côté droit (Fig.2).

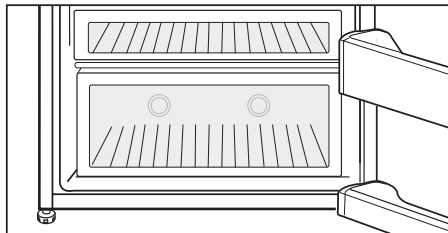
Lorsque vous voulez y mettre des aliments ou l'enlever pour la nettoyer, retournez-la dans un angle de 90 degrés, soulevez-la et tirez-la vers-vous (Fig.3-4).



Éclairage bleu

(sur certains modèles)

Les denrées conservées dans les bacs à légumes sont éclairées par une lumière bleue qui, grâce aux effets de sa longueur d'onde, permet aux fruits et légumes de continuer la photosynthèse et ainsi de conserver leur fraîcheur et leur teneur en vitamines.



Distributeur de glaçons

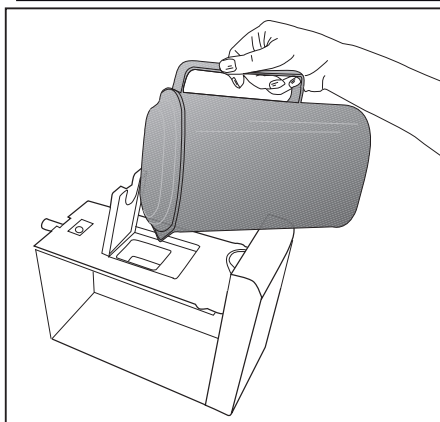
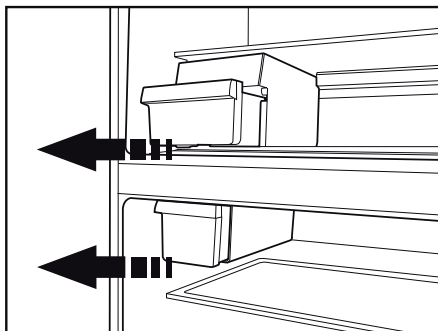
(sur certains modèles)

Le système de distributeur de glaçons automatique permet d'obtenir facilement des glaçons. Retirez le réservoir du compartiment Congélateur / réfrigérateur, remplissez-le d'eau et remettez-le en place pour que le distributeur de glaçons vous donne des glaçons.

Les premiers glaçons seront prêts en 2 heures dans le tiroir à glace du distributeur à glaçons situé dans le compartiment congélateur.

Si vous remplissez le réservoir complètement, vous devriez obtenir environ 60 à 70 glaçons.

Changez l'eau du réservoir si elle stagne depuis 2 ou 3 semaines.



Distributeur et récipient de conservation de glaçons

(dans certains modèles)

Utilisation du distributeur

Remplissez le distributeur de glaçons avec de l'eau et remettez-le à sa place. Vos glaçons seront prêts dans environ deux heures. Ne pas retirer le distributeur de glaçons de son logement pour prendre de la glace.

Tournez les molettes des réservoirs à glaçons dans le sens des aiguilles d'une montre, de manière à former un angle de 90 degrés.

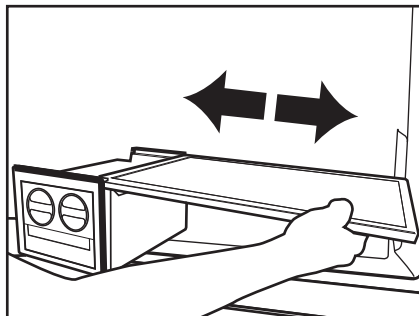
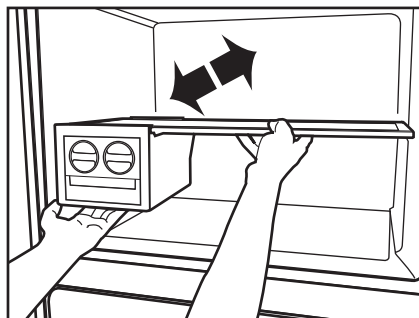
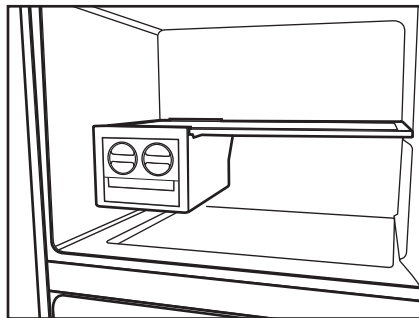
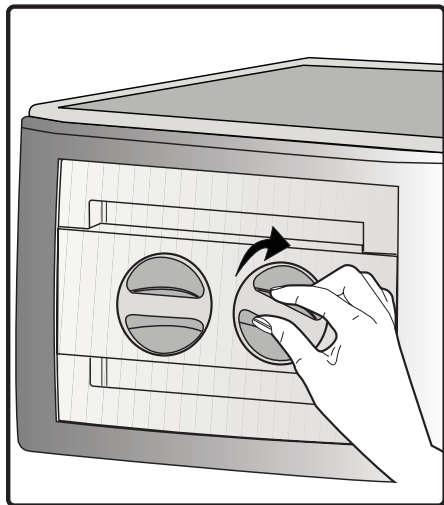
Les glaçons contenus dans les réservoirs tomberont dans le récipient de conservation de glaçons situé en dessous.

Vous pouvez alors sortir le récipient de conservation de glaçons et servir les glaçons.

Si vous le désirez, vous pouvez laisser les glaçons dans leur récipient de conservation.

Récipient de conservation de glaçons

Le récipient de conservation de glaçons sert simplement à accumuler les glaçons. Ne versez pas d'eau à l'intérieur. Cela peut le casser.



6 Entretien et nettoyage

⚠ N'utilisez jamais d'essence, de benzène ou de matériaux similaires pour le nettoyage.

⚠ Nous vous recommandons de débrancher l'appareil avant de procéder au nettoyage.

i N'utilisez jamais d'ustensiles tranchants, savon, produit de nettoyage domestique, détergent et cirage pour le nettoyage.

i Utilisez de l'eau tiède pour nettoyer la carrosserie du congélateur / réfrigérateur et séchez-la soigneusement à l'aide d'un chiffon.

i Utilisez un chiffon humide imbibé d'une solution composée d'une cuillère à café de bicarbonate de soude pour un demi litre d'eau pour nettoyer l'intérieur et séchez soigneusement.

⚠ Prenez soin de ne pas faire couler d'eau dans le logement de la lampe et dans d'autres éléments électriques.

⚠ En cas de non utilisation de votre congélateur / réfrigérateur pendant une période prolongée, débranchez le câble d'alimentation, sortez toutes les denrées, nettoyez-le et laissez la porte entrouverte.

i Inspectez les joints de porte régulièrement pour vérifier qu'ils sont propres et qu'il n'y a pas de résidus de nourriture.

i Pour retirer les balconnets de portes, sortez tout son contenu puis poussez simplement le balconnet vers le haut à partir de la base.

i Ne jamais utiliser des produits nettoyants ou de l'eau contenant du chlore pour le nettoyage des surfaces externes et des pièces chromées du produit. Le chlore entraîne la corrosion de ces surfaces métalliques.

i Évitez d'utiliser des objets tranchants ou abrasifs, du savon, des produits ménagers de nettoyage, des détergents, de l'essence, du benzène, de la cire, ect. ; autrement, les marques sur les pièces en plastique pourraient s'effacer et les pièces elles-mêmes pourraient présenter des déformations. Utilisez de l'eau tiède et un torchon doux pour nettoyer et sécher.

Protection des surfaces en plastique.

- Ne placez pas d'huiles ou de plats huileux dans le congélateur / réfrigérateur dans des récipients non fermés, car les graisses peuvent endommager les surfaces en plastique du congélateur / réfrigérateur. Si vous versez ou éclaboussez de l'huile sur les surfaces en plastique, nettoyez et lavez les parties souillées avec de l'eau chaude immédiatement.

7 Dépannage

Veuillez vérifier la liste suivante avant d'appeler le service après-vente. Cela peut vous faire économiser du temps et de l'argent. Cette liste regroupe les problèmes les plus fréquents ne provenant pas d'un défaut de fabrication ou d'utilisation du matériel. Il se peut que certaines des fonctions décrites ne soient pas présentes sur votre produit.

Le Congélateur / réfrigérateur ne fonctionne pas.

- La fiche n'est pas insérée correctement dans la prise. >>> *Insérez correctement la fiche dans la prise.*
- Est-ce que le fusible ou la douille de raccord du Congélateur / réfrigérateur sont connectés ou est-ce que le fusible principal a sauté ? >>> *Vérifiez le fusible.*

Condensation sur la paroi intérieure du compartiment Congélateur / réfrigérateur. (MULTIZONE, COOL CONTROL et FLEXI ZONE).

- La température ambiante est très froide. >>> *N'installez pas le Congélateur / réfrigérateur dans des endroits où la température peut être inférieure à 10 °C.*
- La porte a été ouverte souvent. >>> *Évitez d'ouvrir et de fermer la porte du Congélateur / réfrigérateur souvent.*
- La température ambiante est très humide. >>> *N'installez pas votre Congélateur / réfrigérateur dans des endroits très humides.*
- La nourriture contenant du liquide est conservée dans des récipients ouverts. >>> *Ne conservez pas de la nourriture avec du contenu liquide dans des récipients ouverts.*
- La porte du Congélateur / réfrigérateur est laissée entrouverte. >>> *Fermez la porte du Congélateur / réfrigérateur.*
- Le thermostat est réglé à un niveau très froid. >>> *Réglez le thermostat à un niveau adapté.*

Le compresseur ne fonctionne pas.

- i** Le dispositif de protection thermique du compresseur sautera en cas de coupures soudaines du courant ou de débranchement intempestif, en effet la pression du liquide réfrigérant du système de refroidissement ne sera pas équilibrée. Le Congélateur / réfrigérateur recommencera à fonctionner normalement après 6 minutes environ. Veuillez contacter le service après-vente si le Congélateur / réfrigérateur ne redémarre pas après cette période.
- Le Congélateur / réfrigérateur est en mode de dégivrage. >>> *Cela est normal pour un Congélateur / réfrigérateur à dégivrage semi-automatique. Le cycle de dégivrage se déclenche régulièrement.*
- Le Congélateur / réfrigérateur n'est pas branché à la prise. >>> *Assurez-vous que la prise est branchée à la prise murale.*
- Les réglages de température ne sont pas effectués correctement. >>> *Sélectionnez la température appropriée.*
- Il y a une panne de courant. >>> *Le Congélateur / réfrigérateur recommence à fonctionner normalement après le retour du courant.*

Le niveau sonore augmente lorsque le Congélateur / réfrigérateur est en marche.

i Les caractéristiques de performance du Congélateur / réfrigérateur peuvent changer en raison des variations de la température ambiante. Cela est normal et n'est pas un défaut.

Le Congélateur / réfrigérateur fonctionne fréquemment ou pendant de longues périodes.

- i** Votre nouveau Congélateur / réfrigérateur est peut être plus large que l'ancien. Les grands Congélateur / réfrigérateurs durent plus longtemps.
- La température ambiante peut être élevée. >>> *Il est normal que l'appareil fonctionne pendant plus longtemps quand la température ambiante est élevée.*
 - Le Congélateur / réfrigérateur a été branché ou rempli avec de la nourriture récemment. >>> *Quand le Congélateur / réfrigérateur a été branché ou rempli avec de la nourriture récemment, il prendra plus de temps pour atteindre la température réglée. Ce phénomène est normal.*
 - D'importantes quantités de denrées chaudes ont peut être été introduites dans le Congélateur / réfrigérateur récemment. >>> *Ne mettez pas de nourriture chaude dans le Congélateur / réfrigérateur.*
 - Les portes ont peut être été ouvertes fréquemment ou laissées entrouvertes pendant une durée prolongée. >>> *L'air chaud qui entre dans le Congélateur / réfrigérateur le fait fonctionner pendant de plus longues périodes. N'ouvrez pas les portes fréquemment.*
 - La porte du congélateur ou du Congélateur / réfrigérateur est laissée entrouverte. >>> *Vérifiez que les portes sont bien fermées.*
 - Le Congélateur / réfrigérateur est réglé à une température très basse. >>> *Réglez la température du Congélateur / réfrigérateur à un degré supérieur et attendez jusqu'à ce que la température soit bonne.*
 - Le joint de la porte du Congélateur / réfrigérateur ou du congélateur peut être sale, déchiré, rompu ou mal en place. >>> *Nettoyez ou remplacez le joint. Tout joint endommagé/déchiré fait fonctionner le Congélateur / réfrigérateur pendant une période de temps plus longue afin de conserver la température actuelle.*

La température du congélateur est très basse alors que celle du Congélateur / réfrigérateur est correcte.

- La température du congélateur est réglée à une température très basse. >>> *Réglez la température du congélateur à un niveau supérieur et vérifiez.*

La température du Congélateur / réfrigérateur est très basse alors que celle du congélateur est correcte.

- La température du Congélateur / réfrigérateur est réglée à une température très basse. >>> *Réglez la température du Congélateur / réfrigérateur à un degré supérieur et vérifiez.*

Les denrées conservées dans les tiroirs du compartiment de réfrigération congèlent.

- La température du Congélateur / réfrigérateur est réglée à une température très basse. >>> *Réglez la température du Congélateur / réfrigérateur à un niveau inférieur et vérifiez.*

La température dans le Congélateur / réfrigérateur ou le congélateur est très élevée.

- La température du Congélateur / réfrigérateur est réglée à une température très basse. >>> *Le réglage du Congélateur / réfrigérateur a un effet sur la température du congélateur. Changez les températures du Congélateur / réfrigérateur ou congélateur et attendez jusqu'à ce que les compartiments atteignent une température suffisante.*
- Les portes ont peut être été ouvertes fréquemment ou laissées entrouvertes pendant une durée prolongée. >>> *N'ouvrez pas les portes fréquemment.*
- La porte est entrouverte. >>> *Refermez complètement la porte.*
- Le Congélateur / réfrigérateur a été branché ou rempli avec de la nourriture récemment. >>> *Ce phénomène est normal. Quand le Congélateur / réfrigérateur a été branché ou rempli avec de la nourriture récemment, il prend plus de temps pour atteindre la température réglée.*
- D'importantes quantités de denrées chaudes ont peut être été introduites dans le Congélateur / réfrigérateur récemment. >>> *Ne mettez pas de nourriture chaude dans le Congélateur / réfrigérateur.*

Vibrations ou bruits

- Le sol n'est pas plat ou stable. >>> *Si le Congélateur / réfrigérateur se balance quand il est déplacé lentement, équilibrez-le en ajustant ses pieds. Assurez-vous que le sol est plat et suffisamment solide pour supporter le Congélateur / réfrigérateur.*
- Les éléments placés sur le Congélateur / réfrigérateur peuvent faire du bruit. >>> *Enlevez les éléments du haut du Congélateur / réfrigérateur.*

Le Congélateur / réfrigérateur produit des bruits semblables à de l'eau qui coule ou à la pulvérisation d'un liquide.

- i** Des écoulements de gaz et de liquides se produisent dans le Congélateur / réfrigérateur, de par ses principes de fonctionnement. Cela est normal et n'est pas un défaut.

Un sifflement sort du Congélateur / réfrigérateur.

- i** Les ventilateurs sont utilisés pour refroidir le Congélateur / réfrigérateur. Cela est normal et n'est pas un défaut.

Condensation sur les parois intérieures du Congélateur / réfrigérateur.

- i** Un temps chaud et humide augmente la formation de givre et de condensation. Cela est normal et n'est pas un défaut.
- Les portes ont peut être été ouvertes fréquemment ou laissées entrouvertes pendant une durée prolongée. >>> *N'ouvrez pas les portes fréquemment. Fermez-les si elles sont ouvertes.*
 - La porte est entrouverte. >>> *Refermez complètement la porte.*

De l'humidité est présente à l'extérieur ou entre les portes du Congélateur / réfrigérateur.

- i** Il y a peut être de l'humidité dans l'air ; ceci est tout à fait normal par un temps humide. Lorsque l'humidité diminuera, la condensation disparaîtra.

Présence d'une mauvaise odeur dans le Congélateur / réfrigérateur.

- Il n'y a pas de nettoyage régulier effectué. >>> *Nettoyez l'intérieur du Congélateur / réfrigérateur avec une éponge, de l'eau tiède ou du bicarbonate de soude dilué dans de l'eau.*
- Certains récipients ou matériaux d'emballage peuvent provoquer ces odeurs. >>> *Utilisez un autre récipient ou changez de marque de matériau d'emballage.*
- Les denrées sont mises au Congélateur / réfrigérateurs dans des récipients sans couvercle. >>> *Conservez les denrées liquides dans des récipients fermés. Les micro-organismes issus de récipients non fermés peuvent dégager des odeurs désagréables.*

- i** Enlevez les aliments périmés et pourris du Congélateur / réfrigérateurs.

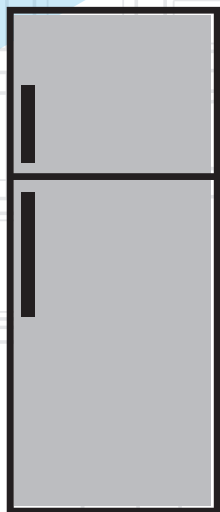
La porte ne se ferme pas.

- Des récipients empêchent la fermeture de la porte. >>> *Remplacez les emballages qui obstruent la porte.*
- Le Congélateur / réfrigérateur n'est pas complètement vertical sur le sol. >>> *Ajustez les pieds pour équilibrer le Congélateur / réfrigérateur.*
- Le sol n'est pas plat ou solide. >>> *Assurez-vous que le sol est plat et qu'il peut supporter le Congélateur / réfrigérateur.*

Les bacs à légumes sont coincés.

- Il se peut que les denrées touchent le plafond du tiroir. >>> *Disposez à nouveau les denrées dans le tiroir.*

Hűtőszekrény Használati útmutató



HU

beko

Kérjük, előbb olvassa el a használati útmutatót!

Tisztelt Vásárló!

Bízunk benne, hogy termékünk, mely egy modern gyárban készült, és a legaprólékosabb minőségirányítási eljárások alapján lett tesztelve, hatékony szolgáltatást fog biztosítani az Ön számára.

Ehhez azt javasoljuk, hogy használat előtt alaposan olvassa el a teljes használati útmutatót, és azt ne dobja ki, mert a jövőben még szüksége lehet rá.

Ez a használati útmutató

- Segít a készüléket gyors és biztonságos módon használni.
- A termék beszerelése és használata előtt olvassa el a használati útmutatót.
- Tartsa be az utasításokat, főleg azokat, melyek a biztonságra vonatkozó információkat.
- A használati útmutatót tartsa olyan helyen, ahol a jövőben könnyen hozzá tud férni.
- Olvassa el a többi dokumentumot is, melyet a termékhez kapott.

Ne feledje, ez a használati útmutató más modellekre is érvényes lehet.

Szimbólumok és leírásuk

Ez a használati útmutató a következő szimbólumokat tartalmazza:



Fontos információ vagy hasznos tippek.



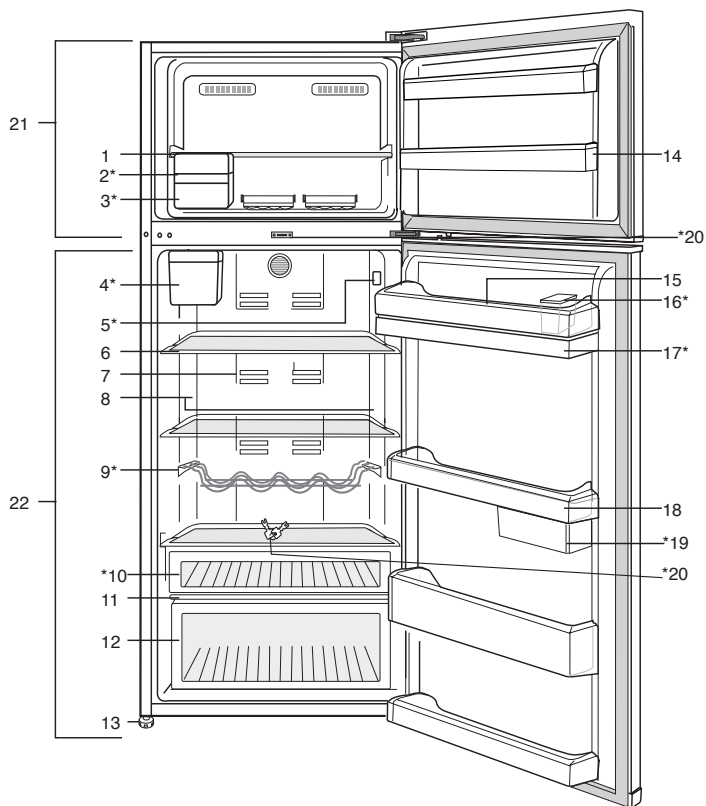
Figyelmeztetés veszélyes körülményekre.



Figyelmeztetés elektromos feszültség miatt.

1 A hűtő	3	4 Előkészületek	13
2 Fontos biztonsági figyelmeztetések	4	5 A hűtőszekrény használata	14
Rendeltetésszerű használat	4	Kijelző panel	14
Vízadagolóval ellátott termékek esetén;	8	Nyitott ajtó figyelmeztetés	17
Gyermekbiztonság.....	9	Friss étel lefagyasztása	18
A WEEE-irányelvnek való megfelelés és a hulladék termék megsemmisítése: .9		Tippek a fagyasztott ételek tárolásához.....	19
Az RoHS-irányelvnek való megfelelés:9		Az élelmiszer elhelyezése.....	19
Csomagolásra vonatkozó információ .9		Tudnivalók a mélyfagyasztásról	20
HC Figyelmeztetés.....	9	A szagszűrő leírása és tisztítása:	21
Az energiatakarékosság jegyében teendő lépések.....	10	Tojástartó.....	21
Javaslatok a friss étel rekeszhez	10	Vízadagoló.....	22
		Forgatható tárolórekesz	24
3 Beüzemelés	11	Kék világítás	25
A hűtő szállításakor figyelembe veendő dolgok	11	Auto jégkészítő	25
A hűtő üzembe helyezése előtt	11	Az Icematic és a jégtároló	26
A lámpa cseréje	11	6 Karbantartás és tisztítás	27
Tartólábak.....	12	A műanyag felületek védelme	27
Elektromos összeköttetés.....	12	7 Hibaelhárítás	28
A csomagolás leselejtezése	12		
A régi hűtő leselejtezése	12		
Elhelyezés és üzembe helyezés	12		

1 A hűtő



1. Fagyasztó rekesz polca

2. Auto jégkészítő

3. Jégtároló

4. Auto jégkészítő víztartály

5. Hőmérséklet beállítás visszajelző

6. Állítható üvegpolcok

7. Illatszűrő

8. Lámpák

9. Üvegtartó polc

10. Elemőzsia tartórekesz

11. Zöldségtartó fedője

12. Fiók

13. Állítható lábak

14. Fagyasztórekesz ajtópolcok

15. Tojástartó

16. Vízadagoló töltőtartálya

17. Vízadagoló tartály

18. Hűtőrekesz ajtópolcai

19. Csúszo és forgó tárolók

20. Kulcs

21. Fagyasztórekesz

22. Hűtőszekrény rekesz

* **OPCIONÁLIS**

I A használati útmutatóban található képek szemléltető jellegűek, nem a valódi terméket ábrázolják. Amennyiben olyan részeket talál, melyek nem találhatók meg, az Ön által megvásárolt termékben, akkor azok más modellekre vonatkoznak.

2 Fontos biztonsági figyelmeztetések

Kérjük, olvassa el az alábbi információkat. A következő információk figyelmen kívül hagyása sérüléseket vagy anyagi károkat okozhat. Az eredeti alkatrészeket a termék vásárlásától számított 10 évig szállítjuk.

Rendeltetésszerű használat

A terméket kizárólag

- beltérben és zárt területeken használja, pl. otthonok;
 - zárt munkakörnyezetben használja, pl. boltok és irodák;
 - zárt szállásokon használja, pl. parasztházak, hotelek, panziók.
- A terméket ne használja szabadban.

Általános tudnivalók

- A termék leselejtezésével/kidobásával kapcsolatban kérjük, érdeklődjön a hivatalos szolgáltatónál.

- A hűtővel kapcsolatos kérdésekkel és problémákkal kérjük, forduljon a hivatalos szervizhez. Saját maga, ill. nem hivatásos személyek nem javíthatják a hűtőt a hivatalos szerviz tájékoztatása nélkül.
- Fagyasztóval ellátott termék esetén; A fagyasztóból kivéve ne egye meg azonnal a jégkrémet vagy a jégkockákat! (Ez fagyási sérülést okozhat a szájban.)
- Fagyasztóval ellátott termékek esetén; Soha ne helyezzen a fagyasztóba helyezzen üveges vagy kannás italokat. A fagyasztóban ezek megrepedhetnek.
- A fagyott ételeket ne fogja meg kézzel, mert hozzáragadhatnak a kezéhez.
- A tisztítás vagy leolvasztás előtt húzza ki a hűtőszekrényt.
- Permetes tisztítószerrel sose használjon a hűtő

tisztításánál. Ez ugyanis rövidzárlatot vagy áramütést okozhat a hűtő elektromos alkatrészeivel való érintkezéskor.

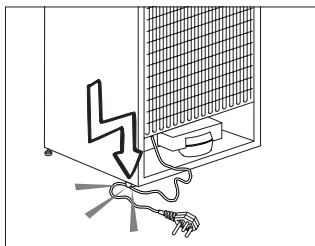
- Soha ne használja a hűtő egyes elemeit, például az ajtót támasztékként vagy lépcsőként.
- Ne helyezzen el elektromos készüléket a hűtőben.
- Ne rongálja meg azon alkatrészeket, ahol a hűtőfolyadék áramlik, fúró vagy vágó eszközökkel. A párologtató gázvezetékeinek, a csőtoldalékok vagy a csőburkolatok megsérülésekor kifröccsenő hűtőfolyadék bőrirritációt és szemsérülést okoz.
- A hűtő szellőzőnyílásait ne takarja le vagy tömjé be semmivel.
- Az elektromos berendezéseket kizárólag engedéllyel rendelkező személyek javíthatják. Az inkompetens

személyek által elvégzett javítások veszélyforrást jelenthetnek.

- Meghibásodás, ill. karbantartási vagy javítási munkálatok során válassza le a hűtőt az elektromos hálózatról a megfelelő biztosíték kikapcsolásával vagy a készülék kihúzásával.
- A hűtőt a dugónál fogva húzza ki a konnektorból.
- Gondoskodjon róla, hogy a magas alkoholtartalmú italok biztonságosan legyenek tárolva lezárt kupakkal, függőlegesen elhelyezve.
- Soha ne tároljon a hűtőben gyúlékony vagy robbanó anyagokat tartalmazó spray dobozokat.
- A leolvasztás felgyorsításához csak a gyártó által ajánlott mechanikus eszközöket vagy egyéb módszereket használjon.
- A készüléket nem használhatják fizikai, érzékszervi vagy mentális rendellenességben

- szenvedő, vagy képzetlen/tapasztalatlan emberek (ideértve a gyermekeket is), kivéve, ha az ilyen személy felügyeletét valamely, annak biztonságáért felelős személy látja el, illetve ez a személy a készülék használatára vonatkozóan útmutatást biztosít.
- Ha a hűtő sérült, ne használja azt. Amennyiben kérdése van, konzultáljon valamelyik szervizzel.
 - A hűtő elektromos biztonsága csak akkor biztosított, ha lakása földelőrendszere megfelel az előírásoknak.
 - Ne tegye ki a terméket esőnek, hónak, napsütésnek vagy szélnek, mert ez kárt tehet a termék elektromos rendszerében.
 - A sérülések elkerülése érdekében, sérült tápkábel esetén vegye fel a kapcsolatot a hivatalos szervizzel.
 - Beszerelés közben ne dugja be a hűtőt a konnektorba. Ellenkező esetben súlyos vagy halálos sérülést szenvedhet.
 - A hűtőszekrény csak élelmiszerek tárolására használható. Egyéb célra nem használható.
 - A címke és a műszaki adatok leírása a hűtőszekrény belsejében, a bal oldali falon található.
 - Soha ne csatlakoztassa a hűtőszekrényt energiamegtakarító rendszerhez; ezek kárt tehetnek a hűtőszekrényben.
 - Amennyiben kék fény világít a hűtőszekrényen, pusztán szemmel vagy optikai eszközökkel ne nézzen sokáig a kék fénybe.
 - A manuálisan szabályozott hűtőszekrényeknél az áramszünet után legalább 5 percet várjon a hűtőszekrény bekapcsolása előtt.

- A termék új tulajdonosnak történő átadásakor a ne feledje átadni a kézikönyvet is.
- A hűtőszekrény szállításakor vigyázzon, nehogy kárt tegyen a tápkábelben. A kábel meghajlítása tüzet okozhat. Soha ne helyezzen nehéz tárgyakat a tápkábelre. A készülék bedugásakor soha ne fogja meg nedves kézzel a dugót.

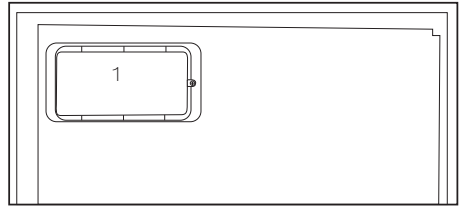
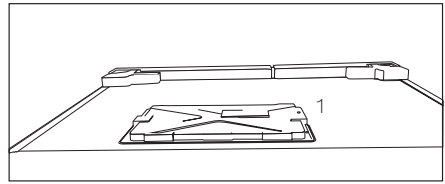


A hűtőszekrényt ne csatlakoztassa laza konnektorba.

- Biztonsági okokból soha ne fújjon folyadékot a készülék belső vagy külső részeire.
- Ne fújjon ki gyúlékony anyagokat, pl. propán gáz, stb. a hűtőszekrény közelében, mert tűz keletkezhet, vagy felrobbanhat.

- Soha ne helyezzen vízzel töltött tárgyakat a hűtőszekrény tetejére, mert azok áramütést vagy tüzet okozhatnak.
- Soha ne terhelje túl a hűtőszekrényt túlzottan sok étellel. Túlterhelés esetén az élelmiszerek leeshetnek és kárt tehetnek a hűtőszekrényben az ajtó kinyitásakor. Soha ne helyezzen tárgyakat a hűtőszekrény tetejére; ellenkező esetben ezek a tárgyak az ajtó kinyitásakor vagy becsukásakor leeshetnek.
- Mivel ezek precíz teljesítményszabályozást igényelnek, a gyógyszerek, a hőérzékeny orvosságok és kutatási anyagok stb. nem tárolhatók a hűtőszekrényben.
- Amennyiben hosszú ideig nem használja, húzza ki a hűtőszekrényt. A tápkábel hibája tüzet okozhat.

- Amennyiben a beállítható lábak nincsenek megfelelően beállítva, a hűtő billeghet. Az állítható lábak megfelelő rögzítése megakadályozhatja a billegést.
- A hűtőszekrény szállításakor soha ne emelje fel a fogantyúnál fogva. A fogantyú letörhet.
- Amennyiben a terméket egy másik hűtőszekrény vagy fagyasztó mellé helyezi, a két készülék közt legalább 8 cm helyet kell hagynia. Ellenkező esetben a szomszédos falak bepárásodhatnak.
- Soha ne használja a terméket, ha a termék tetején vagy a hátoldalán található, belsejében nyomtatott áramkört tartalmazó elektronikus szakasz nyitva van (elektronikus nyomtatott áramkör fedél) (1).



Vízadagolóval ellátott termékek esetén;

- A hideg víz max. bemeneti nyomása 90 psi (6.2 bar). Ha a víz nyomása meghaladja a 80 psi (5.5 bar) értéket, használjon egy nyomáscsökkentő szelepet a vízhálózaton. Ja nem tudja ellenőrizni a víz nyomását, kérje egy vízvezeték-szerelő segítségét.
- Ha fennáll a vízkalapács effektus kockázata a hálózatában, akkor mindig használjon egy vízkalapács effektust gátló berendezést. Ha nem biztos abban, hogy nincs vízkalapács

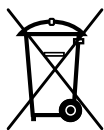
effektus a hálózatában,
akkor forduljon
vívvezetékszerelőhöz.

- Ne telepítse meleg víz bemenetre. Tegyen óvintézkedéseket a vezetékek elfagyásának megelőzése érdekében. A víz üzemi hőmérséklete min. 33°F (0.6°C) és max. 100°F (38°C) legyen.
- Kizárólag ivóvizet használjon.

Gyermekbiztonság

- Amennyiben az ajtó zárral is rendelkezik, a kulcsot tartsa távol a gyermekektől.
- A gyermekeket folyamatosan felügyelni kell, hogy ne babráljanak a termékkel.

A WEEE-irányelvnek való megfelelés és a hulladék megsemmisítése:



A termék megfelel az uniós WEEE-irányelv (2012/19/EU) követelményeinek. A terméken megtalálható az elektromos és elektronikus hulladékok besorolására vonatkozó szimbólum (WEEE).

A terméket magas minőségű alkatrészekből és anyagokból állították elő, amelyek

ismételten felhasználhatók és alkalmasak az újrahasznosításra. A hulladék termékét annak élettartamának végén ne a szokásos háztartási vagy egyéb hulladékkal együtt selejtezze le. Vigye el azt egy az elektromos és elektronikus berendezések újrahasznosítására szakosodott begyűjtőhelyre. A begyűjtőhelyek kapcsán kérjük, tájékozódjon a helyi hatóságoknál.

Az RoHS-irányelvnek való megfelelés:

Az Ön által megvásárolt termék megfelel az uniós RoHS-irányelv (2011/65/EU) követelményeinek. A termék nem tartalmaz az irányelvben meghatározott káros vagy tiltott anyagokat.

Csomagolásra vonatkozó információ

A termék csomagolóanyagai, a nemzeti környezetvédelmi előírásokkal összhangban, újrahasznosítható anyagokból készültek. A csomagolóanyagokat ne a háztartási vagy egyéb hulladékokkal együtt dobja ki! Vigye el azokat a helyi hatóságok által e célból kijelölt csomagolóanyag-begyűjtő pontokra.

HC Figyelmeztetés

Amennyiben a termék R600a hűtőrendszerrel rendelkezik:

Ez a gáz gyúlékony. Ennek következtében figyeljen oda, hogy szállítás és használat közben ne tegyen kárt a hűtőrendszerben. Sérülés esetén tartsa távol a terméket a lehetséges tűzforrásoktól, melynek hatására a készülék begyulladhat, továbbá folyamatosan szellőztesse a szobát, ahol a készüléket elhelyezte.

Hagyja figyelmen kívül ezt a figyelmeztetést, amennyiben a hűtőrendszer R134a hűtőközeget használ.

A termékben használt gáz típusát a hűtőszekrény belsejében, a bal oldali falon találja.

Soha ne égesse el a terméket.

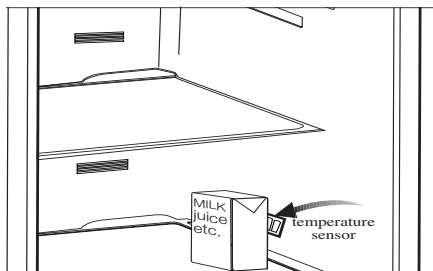
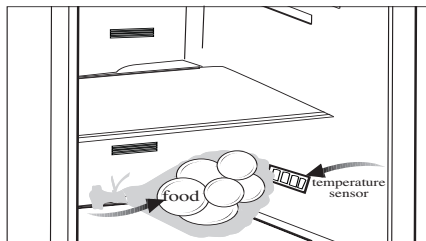
Az energiatakarékosság jegyében teendő lépések

- Ne hagyja sokáig nyitva a hűtő ajtaját.
- Ne tegyen meleg ételt vagy italt a hűtőbe.
- Csak annyi ételt/italt tegyen a hűtőbe, hogy az ne akadályozza a levegő cirkulációt.
- Ne helyezze a hűtőt olyan helyre, ahol azt közvetlen napsütés éri, vagy ahol a közelben hőforrás van (pl. sütő, mosogatógép vagy radiátor).
- Ügyeljen rá, hogy az ételeket zárt edényben tárolja a hűtőben.
- Fagyasztórekesszel ellátott termékek esetén; Akkor tárolhat maximális mennyiségű élelmiszert a hűtőszekrényben, ha eltávolítja a polcokat vagy a fagyasztó fiókját. Az energiafogyasztást úgy határozták meg, hogy eltávolították a fagyasztó polcait és fiókjait, és a fagyasztót telepakolták. A polc vagy a fiók használata esetén, az élelmiszerek kisebb mérete miatt nem áll fenn az élelmiszerek megfagyásának veszélye.
- A fagyasztott élelmiszer hűtőszekrényben történő felolvasztása energiát takarít meg, és megőrzi az étel minőségét.

Javaslatok a friss étel rekeszhez

* OPCIONÁLIS

- Kérjük, ne hagyja, hogy az étel hozzáérjen a friss étel rekeszben lévő hőmérsékletérzékelőhöz. A friss étel rekesz ideális hőmérsékletének fenntartásához az érzékelő nem érhet hozzá az ételhez.
- Ne tegyen meleg ételt a készülékbe.



3 Beüzemelés

⚠ Felhívjuk rá figyelmét, hogy a gyártó nem vállal felelősséget a jelen útmutatóban foglalt információk figyelmen kívül hagyása miatt bekövetkező károkért.

A hűtő szállításakor figyelembe veendő dolgok

1. Szállítás előtt ürtse ki és tisztítsa ki a hűtőt.
2. A hűtő becsomagolása előtt a polcokat, kiegészítőket, fiókokat stb. rögzíteni kell szigszalaggal.
3. A csomagolást szigszalaggal és erős madzaggal össze kell fogni, és a csomagoláson feltüntetett szabályokat be kell tartani.

Ne feledje...

Minden újrahasznosított anyag nélkülözhetetlen a természet és nemzeti erőforrásaink számára.

Amennyiben szeretne részt venni a csomagolóanyagok újrahasznosításában, további információkat a környezetvédelmi szervektől vagy a helyi hatóságoktól szerezhet.

A hűtő üzembe helyezése előtt

A hűtő használatbavétele előtt ellenőrizze az alábbiakat:

1. A hűtő belseje száraz és a levegő szabadon tud áramolni a hátsó részén.

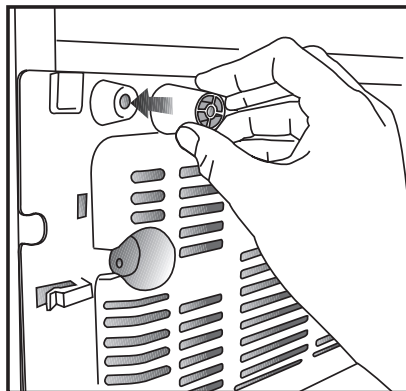
A lámpa cseréje

A hűtőszekrény lámpájának cseréjéhez, kérjük, hívja fel a szakszervizt.

A készülékben lévő lámpa/lámpák háztartásban lévő helyiségek megvilágítására nem alkalmas/alkalmasak. A lámpa rendeltetése, hogy segítse a felhasználót az élelmiszerek hűtőszekrénybe/fagyasztószekrénybe való gyors és biztonságos behelyezésében.

A készülékben használt lámpáknak extrém környezeti hatásokat kell kibírniuk, mint pl. a -20 °C hőmérséklet.

2. A képen látható módon szerelje fel a 2 műanyag éke. A műanyag ékek segítenek megtartani a szükséges távolságot a hűtő és a fal között, és így a levegő szabadon tud áramolni. (A kép csak illusztráció, és nem feltétlenül tükrözi az Ön hűtőjét.)



3. A hűtőszekrény belsejét a "Karbantartás és tisztítás" c. fejezetben foglaltak szerint tisztítsa.
4. Dugja be a hűtőt a konnektorba. Ha az ajtó nyitva van, a hűtő belső világítása bekapcsol.
5. Hangot fog hallani, amint a kompresszor beindul. A hűtőrendszerben lévő folyadékok és gázok hangja akkor is hallható, ha a kompresszor nem üzemel.
6. Lehetséges, hogy a hűtő elülső éleit melegnek érzi. Ez normális jelenség. Ezek a részek azért melegednek fel, hogy így elejét vegyék a páralecsapódásnak.

Elektromos összeköttetés

A terméket egy olyan földelt aljzathoz csatlakoztassa, mely el van látva megfelelő teljesítményű biztosítékkal.

Fontos:

- A csatlakozásnak meg kell felelnie az országos normáknak.
- Ügyeljen rá, hogy a tápkábel könnyen hozzáférhető legyen a hűtő elhelyezése után.
- A meghatározott feszültség értéknek meg kell egyeznie a hálózati feszültség értékével.
- Hosszabbítót és elosztót ne használjon.

⚠ A sérült tápkábel cseréjét bízza szakemberre.

⚠ A terméket hibásan ne üzemeltesse! Ilyenkor ugyanis áramütés veszélye áll fenn!

A csomagolás leselejtezése

A csomagolóanyagok veszélyt jelenthetnek a gyermekekre nézve. Ezért tartsa a csomagolóanyagokat gyermekektől távol, vagy selejtezze le azokat a hulladékokra vonatkozó utasítások szerint. A csomagolóanyagokat ne háztartási hulladékként kezelje.

A hűtő csomagolóanyaga újrahasznosítható anyagokból készült.

A régi hűtő leselejtezése

A hűtőt úgy selejtezze le, hogy ezzel ne okozzon kárt a környezetnek.

- A hűtő leselejtésével kapcsolatban bővebb információt a hivatalos márkakereskedésekben ill. a hulladékgyűjtő központokban kaphat.

A hűtő leselejtezése előtt vágja el a tápkábelt, tegye használhatatlanná az ajtón lévő zárat (ha van), hogy a gyermekeket ne érhesse baj.

Elhelyezés és üzembe helyezés

⚠ Amennyiben a hűtőszekrény tárolására kijelölt szoba ajtaja nem elég széles, a hűtők ajtajainak eltávolításához hívja ki a hivatalos szervizt.

1. A hűtőszekrényt könnyen hozzáférhető helyre helyezze.

2. Tartsa távol a hűtőszekrényt a hőforrásoktól, a nedves helyektől és a közvetlen napsütéstől.

3. A hatékony működés érdekében a hűtőszekrényt egy jól szellőző helyen kell elhelyezni. Amennyiben a hűtőszekrényt egy fali bemélyedésbe helyezi be, a készülék körül minden irányból legalább 5 cm helyet kell hagyni. Amennyiben a padló szőnyeggel van letakarva, a terméket 2,5 cm-rel meg kell emelni.

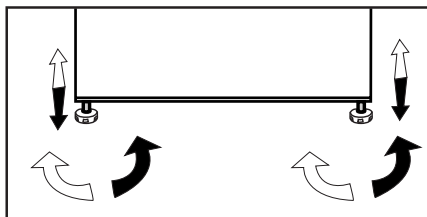
4. A rázkódások elkerülése érdekében a hűtőszekrényt egy egyenes padlón helyezze el.

5. Ne tartsa a hűtőszekrényt 10 °C-nál alacsonyabb hőmérsékleten.

Tartólábak

Ha a hűtő dülöngél:

A hűtő stabilizálásához csavarja el az elülső lábakat az ábrán látható módon. A láb a fekete nyíl irányába csavarva lejjebb ereszkedik, míg az ellenkező irányba tekerve megemelkedik. A műveletet kényelmes elvégzéséhez két emberre van szükség.



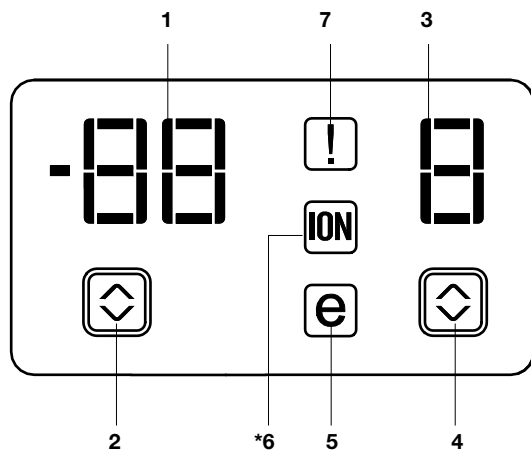
- A hűtőt legalább 30 cm-re kell elhelyezni minden hőforrástól (pl. kandalló, sütő, főzőlap), és legalább 5 cm-re az elektromos sütőtől. Ezenkívül óvni kell a közvetlen napsütéstől is.
- A helyiségben, ahol a hűtőt el kívánja helyezni, legalább 10 °C-os hőmérsékletnek kell lennie. Ennél hűvösebb helyen a hűtő optimális működését nem tudjuk garantálni.
- Kérjük, ügyeljen rá, hogy a hűtő belseje alaposan meg legyen tisztítva.
- Ha két hűtőt kíván egymás mellett elhelyezni, kérjük, hagyjon legalább 2 cm helyet közöttük.
- A hűtő első beüzemelésekor kérjük, tartsa be az alábbiakat az első hat óra alatt.
 - Ne nyitogassa gyakran az ajtót.
 - Ne tegyen ételt a hűtőbe.
 - Ne húzza ki a hűtőt. Áramkimaradás esetén kérjük, tekintse meg az "Problémák javasolt megoldása" c. részt.
- A hűtőrekeszhez tartozó kosarakat/ fiókokat mindig használni kell az alacsony energiafogyasztás és a jobb tárolási feltételek biztosítása érdekében.
- A fagyasztórekeszben lévő hőmérsékletérzékelővel érintkező ételek növelhetik a berendezés energiafogyasztását. Ezért kerülni kell az érzékelővel/érzékelőkkel való érintkezést.
- Őrizze meg az eredeti csomagolást, hogy a későbbiekben tudja miiben szállítani a hűtőt.
- Néhány modell esetében a műszerfal automatikusan kikapcsol az ajtó bezárása után 5 perccel. Újra bekapcsol, ha kinyílik az ajtó vagy lenyom egy gombot.
- A készülék ajtajának működés közbeni kinyitásokor/bezsukásokor a hőmérséklet-ingadozás miatt lecsapódás keletkezhet az ajtón/polcokon és üvegtárolókon. Ez normális.

5 A hűtőszekrény használata

Kijelző panel

A jelzőpanelek a gyártmánytól függően eltérők lehetnek.

A kijelző panel kijelzésekkel és hangokkal könnyíti meg a hűtő használatát.



1. Fagyasztórekesz hőmérsékletbeállítás jelzője

2. Hibaállapot jelző

3. Hűtőrekesz hőmérsékletbeállítás jelzője

4. Hűtőrekesz hőmérsékletbeállító gombja

5. Gazdaságos üzemmód jelző

6. Ionizáló jelző

7. Fagyasztórekesz hőmérsékletbeállító gombja

1. Fagyasztórekesz hőmérsékletbeállítás jelzője

A fagyasztórekesz hőmérsékletbeállítását mutatja.

2. Hibaállapot jelző

Ha a hűtő nem hűt megfelelően, vagy ha valamelyik érzékelő meghibásodott, akkor megjelenik ez a jelzés. Amikor a jelzés aktív, a fagyasztórekesz hőmérsékletjelzője "e" értéket mutat, a hűtőrekesz hőmérsékletjelzője pedig "1"-est, "2"-est stb. Ezek a számok a hiba okát jelzik.

3. Hűtőrekesz hőmérsékletbeállítás jelzője

A hűtőrekesz hőmérsékletbeállítását mutatja.

4. Hűtőrekesz hőmérsékletbeállító gombja

A gomb megnyomásával a következő hűtő-hőmérsékletfokokozatok között válthat: 8, 6, 4, 2, 8... A gomb segítségével állítsa be a hűtőrekesz kívánt hőmérsékletét.

5. Gazdaságos üzemmód jelző

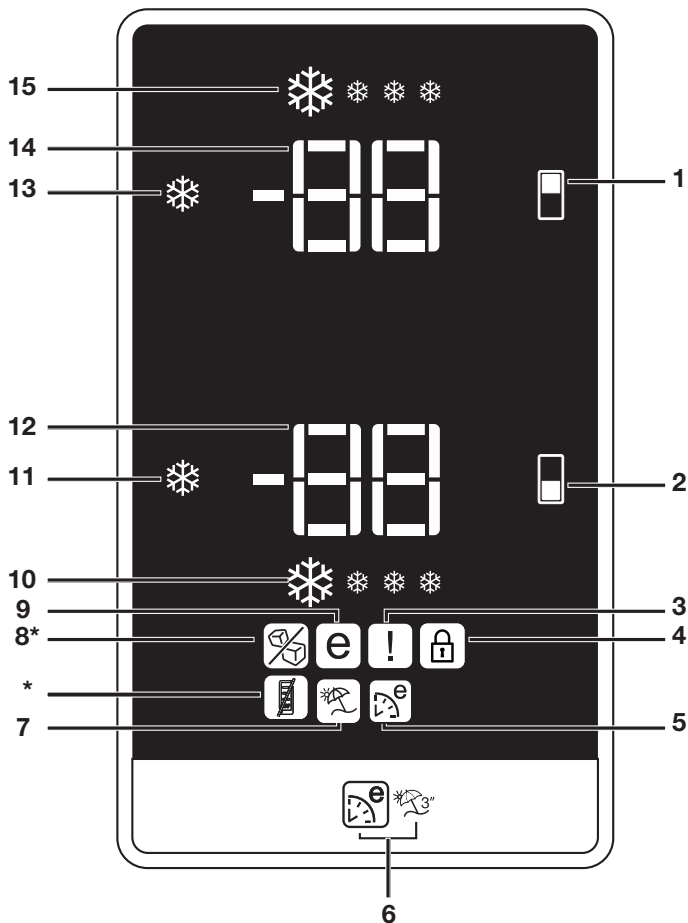
Azt jelzi, hogy a hűtő energiatakarékos üzemmódban van.

6. Ionizáló jelző

Ez a lámpa folyamatosan világít. Ez a lámpa azt jelzi, hogy a hűtő a baktériumok ellen védett.

7. Fagyasztórekesz hőmérsékletbeállító gombja

A gomb megnyomásával a következő fagyasztó-hőmérsékletfokokozatok között válthat: -18, -20, -22, -24, -18... A gomb segítségével állítsa be a fagyasztórekesz kívánt hőmérsékletét.



- | | |
|--|--|
| <p>1. Fagyasztórekesz beállítás / Jégkészítő be-/kikapcsoló gomb</p> <p>2. Hűtörekesz beállító gomb</p> <p>3. Hibaállapot jelző</p> <p>4. Billentyűzár jelző</p> <p>5. Eco extra funkció jelző</p> <p>6. Eco extra/Nyarlás gomb</p> <p>7. Nyarlás funkció jelző</p> <p>8. Jégkészítő kikapcsolásjelző (*egyes modellek esetén)</p> | <p>9. Takarékos üzemmód jelző</p> <p>10. Gyorsfagyasztó funkció jelző</p> <p>11. Gyorshűtés funkció gomb</p> <p>12. Hűtörekesz hőmérsékletbeállítás jelzője</p> <p>13. Gyorsfagyasztás funkció gomb</p> <p>14. Fagyasztórekesz hőmérsékletbeállítás jelzője</p> <p>15. Gyorshűtő funkció jelző</p> |
|--|--|

i A használati útmutatóban található képek szemléltető jellegűek, nem a valódi terméket ábrázolják. Amennyiben olyan részeket talál, melyek nem találhatók meg, az Ön által megvásárolt termékben, akkor azok más modellekre vonatkoznak.

1. Fagyasztórekesz beállítás / Jégkészítő be-/kikapcsoló gomb

Ennek a funkciónak a segítségével beállíthatja a fagyasztó rekesz hőmérsékletét. A gomb megnyomásával a következő hőmérsékletfokokozatok között válthat: -18, -20, -22 és -24.

A jégképződés leállításához nyomja le a jégkészítő be-/kikapcsoló gombját 3 másodpercig. Vízáramlás a víztartályból leáll e funkció kiválasztásakor. A már kész jég ugyanakkor kivethető a jégkészítőből. A jégképződés újraindításához nyomja le a jégkészítő be-/kikapcsoló gombját 3 másodpercig.

2. Hűtőrekesz beállító gombja

Ennek a funkciónak a segítségével beállíthatja a hűtőszekrény rekesz hőmérsékletét. A gomb megnyomásával a következő hőmérsékletfokokozatok között válthat: 8, 6, 4, 2.

3. Hibaállapot jelző

Ha a hűtő nem hűt megfelelően, vagy ha valamelyik érzékelő meghibásodott, akkor megjelenik ez a jelzés. Amikor a jelzés aktív, a fagyasztórekesz hőmérsékletjelzője "E" értéket mutat, a hűtőrekesz hőmérsékletjelzője pedig "1"-est, "2"-est stb. Ezek a számok a hiba okát jelzik.

Ha forró ételt helyez a fagyasztórekeszbe, vagy hosszabb ideig nyitva hagyja az ajtaját, akkor figyelmeztető jelzés egy ideig világitani fog. Ez nem hiba; a figyelmeztetés megszűnik, amikor az étel lehűlt.

4. Billentyűzár jelző

Ezzel a funkcióval megakadályozható, hogy a hűtő hőmérséklete el legyen állítva. Nyomja le egyszerre a hűtőrekesz beállító gombját és a fagyasztórekesz beállító gombját hosszabb ideig (3 másodpercig) a funkció aktiválásához.

5. Eco extra funkció jelző

Azt jelzi, hogy az Eco-Extra funkció aktív. Ha ez a funkció aktív, akkor a hűtő automatikusan felismeri, hogy mikor van a hűtő a legkevésbé használva, és ennek megfelelően ezekben az időszakokban gondoskodik az energiatakarékos hűtésről. Amikor a hűtő energiatakarékos üzemmódban van, akkor megjelenik a Gazdaságos üzemmód jelző.

A funkció kikapcsolásához nyomja meg ismét a megfelelő gombot.

6. Eco extra/Nyarlás gomb

Ennek a gombnak a megnyomásával lehet aktiválni az Eco extra funkciót. A gomb 3 másodpercig tartó nyomva tartásával lehet aktiválni a Nyarlás funkciót. A kiválasztott funkció kikapcsolásához nyomja meg ismét a gombot.

7. Nyarlás funkció jelző

Azt jelzi, hogy a Nyarlás funkció aktív. Ha ez a funkció aktív, akkor "- -" jelzés jelenik meg a hűtőrekesz jelzőjén, és a hűtő nem hűti a hűtőrekeszt. A többi rekesz ettől függetlenül a korábban beállított hőmérsékleten üzemel.

A funkció kikapcsolásához nyomja meg ismét a megfelelő gombot.

8. Jég kikapcsolása jelző

A jégkészítő nem üzemel, amikor a funkciójelző aktív. Lásd az 1. egységet a jégkészítő bekapcsolásához.

9. Gazdaságos üzemmód jelző

Azt jelzi, hogy a hűtő energiatakarékos üzemmódban van. Fagyasztórekesz hőmérséklete

Ez a jelző akkor látható, ha a funkció -18 fokra van állítva, vagy ha az Eco extra funkció épp üzemel.

10. Gyorsfagyasztás funkció

Ez az ikon animálva villog, ha a gyorshűtés funkció be van kapcsolva.

11. Gyorsfagyasztás funkció

Ha megnyomja a Quick Fridge gombot, a hűtőszekrény rekesz hőmérséklete a beállított hőmérséklet alá esik.

Ez a funkció akkor hasznos, ha a hűtőbe tett ételt gyorsan le kell hűteni.

Ha sok friss ételt szeretne így lehűteni, akkor célszerű a funkciót még az étel behelyezése előtt aktiválni.

A gyorshűtés jelzőlámpája akkor kapcsol be, ha a gyorshűtés funkciót bekapcsolják. A funkció kikapcsolásához nyomja meg ismét a Quick Fridge gombot.

Ha nem kapcsolja ki a gyorshűtés funkciót, akkor a hűtő 4 óra elteltével, ill. ha a hűtőszekrény rekesz elérte a kívánt hőmérsékletet, automatikusan megteszi ezt.

Ez a funkció nem kerül visszaállításra áramkimaradás esetén.

12. Hűtőrekesz hőmérsékletbeállítás jelzője

A hűtőszekrény rekesz hőmérsékletbeállítását mutatja.

13. Fagyasztó rekesz hőmérsékletbeállítás jelzője

A fagyasztó rekesz hőmérsékletbeállítását mutatja.

14. Gyorsfagyasztás funkció

A gyorsfagyasztás jelzőlámpája akkor kapcsol be, ha a Gyorsfagyasztás funkciót bekapcsolják. A funkció kikapcsolásához nyomja meg ismét a Quick Freeze gombot. A gyorsfagyasztás-jelző ekkor kikapcsol, és a hűtő visszatér a normál beállításokra. Ha nem kapcsolja ki a gyorsfagyasztás funkciót, akkor a hűtő 8 óra elteltével, ill. ha a fagyasztó rekesz elérte a kívánt hőmérsékletet, automatikusan megteszi ezt.

Ha sok friss ételt szeretne lefagyasztani, nyomja meg a Quick Freeze gombot még mielőtt az ételt behelyezné a fagyasztó rekeszbe.

Ha a Quick Freeze gombot egy más után többször és gyorsan megnyomna, bekapcsol az elektronikus áramköri védelem, és a kompresszor nem fog automatikusan elindulni.

Ez a funkció nem kerül visszaállításra áramkimaradás esetén.

15. Gyorsfagyasztás visszajelző

Ez az ikon animálva villog, ha a gyorsfagyasztás funkció be van kapcsolva.

Nyitott ajtó figyelmeztetés

(Ez a funkció a termék ajtajától függően eltérő lehet, és nem elérhető egyes modellek esetén.)

Hangjelzés hallható, amikor a termék ajtaja legalább 1 percre nyitva marad. Ez a figyelmeztető jelzés elnémul, amikor az ajtót becsukják vagy valamelyik kijelző gombot (ha van) lenyomják.

Friss étel lefagyasztása

- Csomagolja be vagy fedje le az élelmiszert, mielőtt a hűtőszekrénybe helyezné.
 - A forró élelmiszert hagyja lehűlni szobahőmérsékletre, mielőtt behelyezné a hűtőszekrénybe.
 - A hűteni kívánt élelmiszer legyen friss és jó minőségű.
 - Az élelmiszert adagokra kell osztani a család napi fogyasztása alapján.
 - Az élelmiszert légmentesen záró csomagolásba kell helyezni, hogy ne száradhasson ki, ha rövid ideig tárolja el.
 - A csomagoláshoz használt anyagok legyenek ellenállóak a szakadással, hideggel, párával, szagokkal, olajokkal és savakkal szemben, és legyenek légmentesen zárók. Legyenek jó lezárva, és könnyen használható anyagokból készültek legyenek, melyek alkalmasak mélyfagyasztásban való használatra.
- A lefagyasztott élelmiszert felengedésük után azonnal használja fel, és soha ne fagyassza újra.+
 - Kérem vegye figyelembe a következő utasításokat, hogy a legjobb eredményeket érje el.
 1. Ne fagyasszon le egyszerre túl nagy mennyiségű élelmiszert. Az étel minősége akkor a legjobban konzervált, ha olyan gyorsan van lefagyasztva, amennyire lehetséges.
 2. A mélyhűtőbe helyezett meleg étel a hűtőrendszer lehülését okozza, amíg az étel folyamatosan fagyottá nem szilárdul.
 3. Különösen figyeljen arra, hogy ne keverje a már lefagyasztott és friss ételeket.

Fagyasztórekesz beállítása	Hűtőrekesz beállítása	Magyarázatok
-18°C	4°C	Ez az ajánlott beállítás.
-20, -22 vagy -24 °C	4°C	Ezeket a beállításokat akkor ajánljuk, ha a környezeti hőmérséklet meghaladja a 30 °C-ot.
Gyorsfagyasztás	4°C	Akkor használja, amikor rövid időre kívánja lefagyasztani az élelmiszert. A művelet végétével a hűtőszekrény visszaáll a korábbi üzemmódra.
-18 °C vagy hidegebb	2°C	Ha úgy gondolja, hogy a hűtőrekesz nem elég hideg (mert a lakásban meleg van, vagy mert sűrűn nyitogatja a hűtő ajtaját).
-18 °C vagy hidegebb	Gyorshűtés	Ez a funkció akkor hasznos, ha a hűtőrekesz tele van, vagy ha szeretné gyorsan lehűteni az ételeket. Javasolt a gyorsműtési funkció aktiválása 4-8 órával az élelmiszer behelyezése előtt.

Tippek a fagyasztott ételek tárolásához

- Az előrecsomagolt, mélyhűtött ételeket az ételek csomagolásán feltüntetett utasítások szerint kell tárolni *** ** *** (4-csillagos) fagyasztórekeszben.
- A mélyhűtött ételek minőségének megőrzése érdekében tartsa be az alábbiakat:
 1. A vásárlás után minél gyorsabban tegye be az ételeket a fagyasztóba.
 2. Ügyeljen rá, hogy az ételeken fel legyen tüntetve a lejáratí idő.
 3. Ügyeljen a lejáratí időre (lásd az ételek csomagolását).

Kiolvasztás

A fagyasztórekesz automatikusan leolvasztja magát.

Az élelmiszer elhelyezése

Fagyasztó rekesz polcai	Különböző fagyott élelmiszer, például hús, hal, jégkrém, zöldségek, stb.
Tojástartó	Tojás
Hűtő polc	Serpenyőben, lefedett tányéron és zárt tartókban lévő élelmiszer
Hűtőrekesz ajtópolcai	Kis és csomagolt élelmiszer és itlaok (például tej, gyümölcslé és sör)
Fiók	Zöldségek és gyümölcsök
Friss étel tartórekesz	Delikát termékek (sajt, vaj, szalámi, stb.)

Tudnivalók a mélyfagyasztásról

A élelmiszert a lehető leggyorsabban kell lefagyasztani miután a hűtőbe helyezte, hogy megtartsa jó minőségét.

Élelmiszert csak -18°C -on vagy alacsonyabb hőmérsékleten lehet hosszú ideig eltárolni.

Az élelmiszer frissességét több hónapig megtarthatja (-18°C -on vagy alacsonyabb hőmérsékleten mélyfagyasztásban).

FIGYELMEZTETÉS!

- Az élelmiszert adagokra kell osztani a család napi fogyasztása alapján.
- Az élelmiszert légmentesen záró csomagolásba kell helyezni, hogy ne száradhasson ki, ha rövid ideig tárolja el.

Csomagoláshoz szükséges anyagok:

- Hidegálló ragasztószalag
- Öntapadó ragasztós címke
- Gumigyűrűk
- Toll

A csomagoláshoz használt anyagok legyenek ellenállóak a szakadással, hideggel, párával, szagokkal, olajokkal és savakkal szemben.

A fagyasztandó élelmiszer ne kerüljön kapcsolatba korábban lefagyasztott dolgokkal, hogy megakadályozza azok részleges kiolvadását.

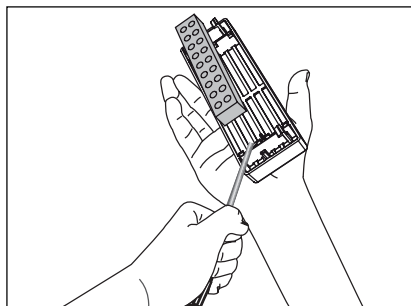
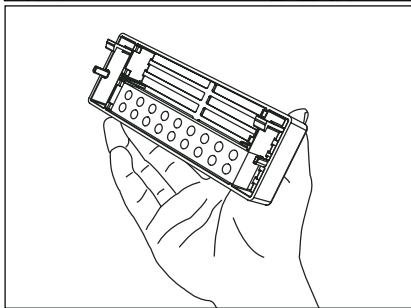
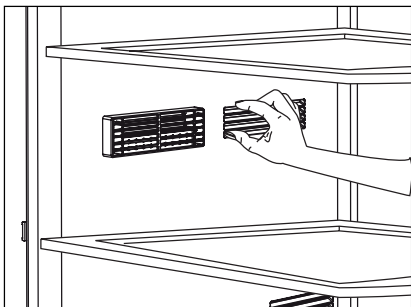
A lefagyasztott élelmiszert felengedésük után azonnal használja fel, és soha ne fagyassza újra.

A szagszűrő leírása és tisztítása:

A szagszűrő megakadályozza, hogy a kellemetlen szagok felgyűljenek a hűtőszekrényben.

Húzza lefele azt a fedelet, melybe a szagtalanítót helyezte, majd a képen látható módon távolítsa el. Hagyja egy napra a szűrőt a napon. Ez alatt az idő alatt a szűrő megtisztul. Szerelje vissza a szűrőt a helyére.

A szagszűrőt évente egyszer kell tisztítani.



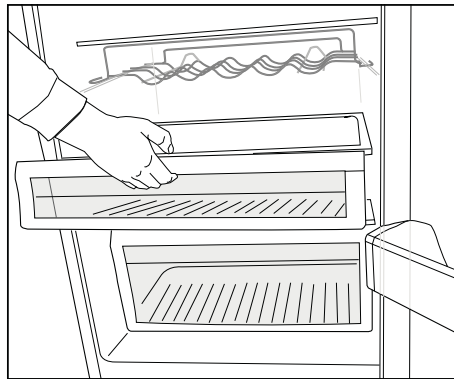
Tartórekeszek

Ezeket a rekeszeket olyan élelmiszerek tárolására használja, amelyeket a hűtőrekesz hőmérséklete alatt pár fokkal kíván tárolni.

Az elemózsia tartórekeszek eltávolításával megnövelheti a hűtőszekrény belső űrtartalmát.

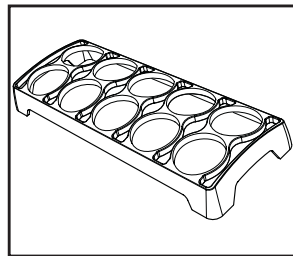
1. Húzza maga felé a tartót, amíg meg nem áll.
2. Emelje fel az első részét és húzza maga felé a tartót a rekesz eltávolításához.

i Az ételeket, melyeket le szeretne fagyasztani, előbb beteheti ezekbe a tartókba előfagyasztás céljából.



Tojástartó

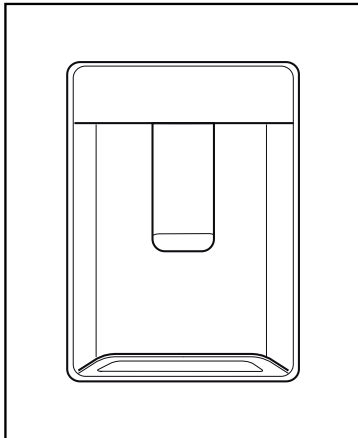
A tojástartó bármelyik polcon elhelyezhető. A tojástartót ne tegye a fagyasztórekeszbe.



Vízadagoló

(egyes modelleknél)

A vízadagoló nagyon jó módszer arra, hogy hűtött vizet kapjunk a hűtőszekrény ajtajának kinyitása nélkül. Mivel az ajtót nem kell sűrűn nyitogatnia, ezért ezzel energiát takaríthat meg.



A vízadagoló használata

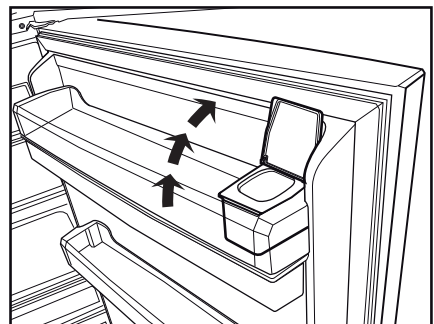
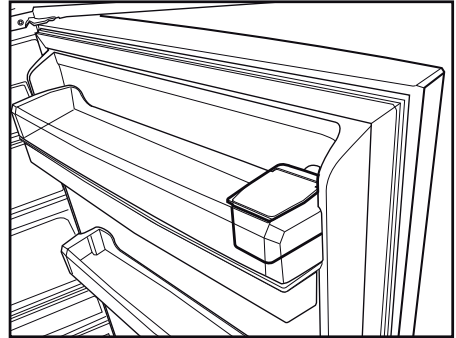
Nyomja meg a vízadagoló karját a pohárral. A vízadagoló akkor hagyja abba a víz adagolását, ha elengedi a kart.

A vízadagoló úgy adagolja leggyorsabban a vizet, ha a kart teljesen benyomja. Ne feledje: minél jobban benyomja a kart, a rendszer annál gyorsabban adagolja a vizet.

Ahogy a pohár kezd megtelni, lassan engedje fel a kart, nehogy túlsorduljon a pohár. Ha csak kicsit nyomja meg a kart, akkor a víz csöpög; ez nem hiba.

A vízadagoló víztartályának feltöltése

A víztartály töltőtartálya az ajtórekeszben található. Nyissa fel a tartály fedelét, és töltsse fel tiszta ivóvízzel. Ezt követően zárja le a fedelet.



Figyelmeztetés!

- A vízadagolóba kizárólag vizet öntsön! Gyümölcslé, szénsavas üdítő vagy alkoholos ital tárolására a vízadagoló nem alkalmas! Ha ilyen italokat önt a vízadagolóba, akkor az a rendszer meghibásodásához fog vezetni. A garancia nem terjed ki az ilyen károokra. Az ezekben az italokban található kémiai anyagok és adalékanyagok kárt tehetnek a víztartály anyagában.

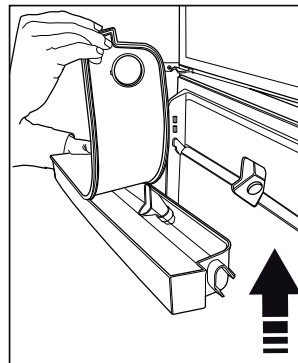
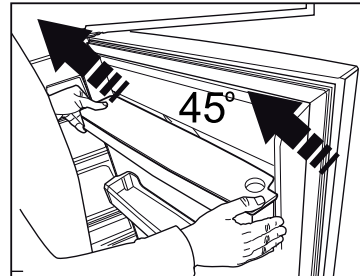
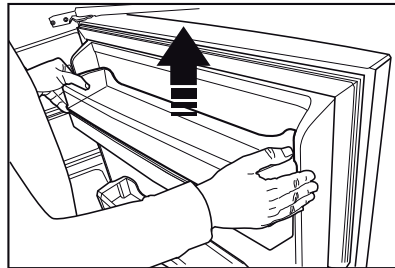
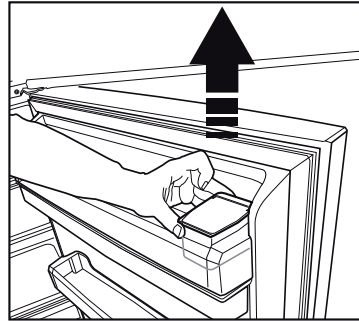
- Kizárólag tiszta ivóvizet használjon.
- A víztartály úrtartalma 3 liter; ne töltse túl.
- A vízadagoló karját üvegpohárral nyomja meg. Ha műanyagpoharat használ, akkor kézzel nyomja meg a kart.

A víztartály tisztítása

- Távolítsa el a vízadagoló tartályt az ajtórekeszből.
- Távolítsa el az ajtórekeszt mindkét oldalról tartva.
- Fogja meg a víztartályt mindkét oldalról, majd távolítsa el 45 fokos szögben.
- Tisztítsa meg a víztartályt a fedél eltávolítása után.

Fontos:

A vízadagoló és a víztartály részei mosogatógépben nem moshatók.



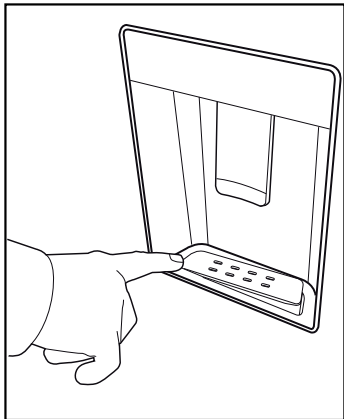
Víztálca

A vízadagoló használata közben lecsepegő víz a víztálcán gyűlik össze.

Vegye ki a műanyagszűrőt az ábrán mutatottak szerint.

Egy tiszta és száraz ruhával távolítsa el a felhalmozódott vizet

VIGYÁZAT: Kizárólag ivóvíz-vezetékhez csatlakoztassa.



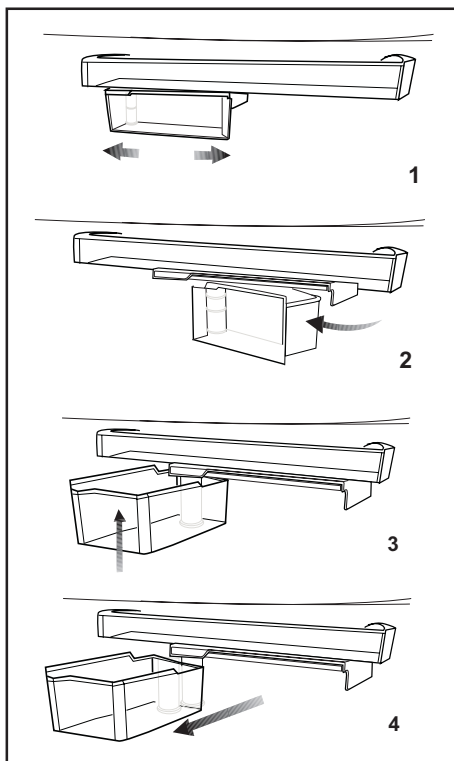
Forgatható tárolórekesz

(egyres modelleknél)

A polcot balra és jobbra csúsztathatja el, így hosszabb palackokat, befőttesüvegeket vagy dobozokat is be tud helyezni az alsó polcra (1. ábra).

A polcra behelyezett élelmiszer eléréséhez a jobb sarkánál fogva kell elforgatnia a polcot. (2. ábra).

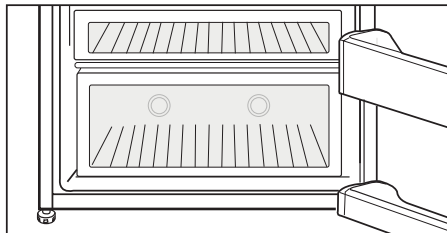
Amennyiben a tisztítás érdekében el szeretné távolítani a tárolórekeszt, forgassa el 90 fokkal, emelje fel, majd húzza maga felé (3-4. ábra).



Kék világítás

(egyes modelleknél)

A kék fényvel megvilágított fiókban tárolt élelmiszerek fotoszintézise beindul a kék fény hatására, így megőrzik frissességüket és nő a vitamintartalmuk.



Auto jégkészítő

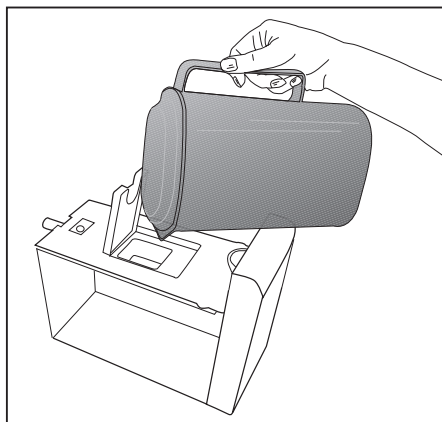
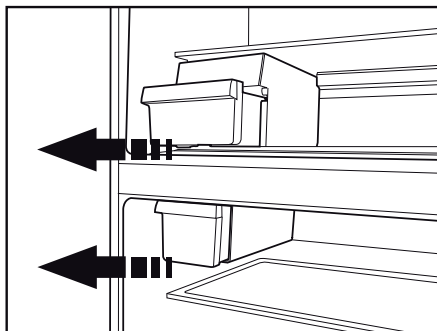
(egyes modelleknél)

Az auto jégkészítő rendszerrel könnyedén jeget készíthet hűtőszekrényében. Távolítsa el a víztartályt a hűtőrekeszből, töltsse fel vízzel, majd szerelje vissza, hogy jeget készíthessen vele.

Az első jégkockák körülbelül 2 óra alatt készülnek el a jégkészítő fiókban a fagyasztórekeszben..

Ha teljesen feltölti víztartályt, akkor hozzávetőleg 60-70 jégkockát kap.

Cserélje ki a vizet a víztartályban, ha már 2-3 hetet állt benne.



Az Icematic és a jégtároló

Az Icematic használata

Töltse fel vízzel az Icematic-ot, majd tegye a helyére. A jég kb. 2 óra alatt készül el. A jég kivételéhez ne vegye ki az Icematic-ot a helyéről.

Fordítsa el a gombokat 90 fokkal.

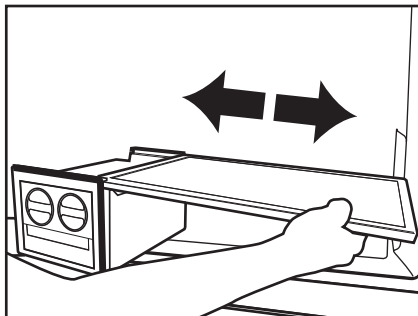
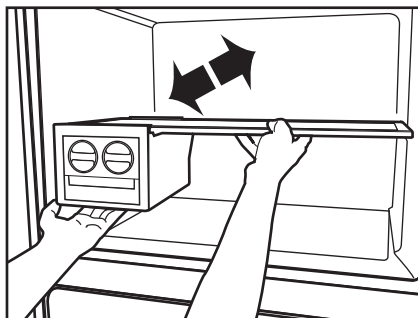
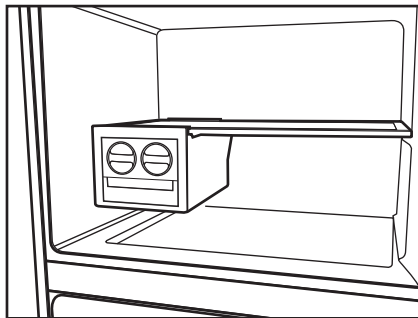
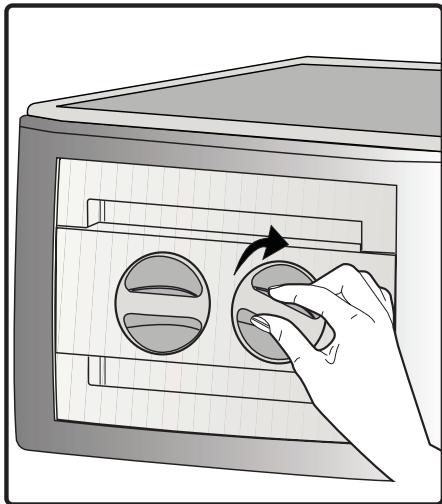
A cellákban lévő jégkockák lehullanak az alattuk lévő jégtárolóba.

Kiveheti a jégtárolót és felszolgálhatja a jégkockákat.

Ha úgy kívánja, a tárolóban is hagyhatja a jégkockákat.

Jégtároló

A jégtároló csak a jégkockák összegyűjtésére szolgál. Ebbe ne helyezzen vizet. Máskülönben elromlik.



6 Karbantartás és tisztítás

- ⚠ Tisztításhoz sose használjon benzint vagy hasonló szert.
- ⚠ Tisztítás előtt célszerű kihúzni a berendezést.
- ⚠ Soha ne használjon éles, csiszoló anyagot, szappant, háztartási tisztítót, tisztítószert vagy viaszpolítúrt a tisztításhoz.
- ℹ Használjon langyos vizet a hűtő belsejének tisztításához, és törölje szárazra azt.
- ℹ A belső rész tisztításához mártson egy ruhát fél liter vízbe, amelyben feloldott egy teáskanál szódabikarbónát, csavarja ki, és törölje át vele a belsőt, majd törölje szárazra.
- ⚠ Ügyeljen rá, hogy ne kerüljön víz a lámpabúra alá ill. ne kerüljön kapcsolatba más elektromos résszel.
- ⚠ Ha a hűtőt hosszú ideig nem használják, húzza ki a konnektorból, távolítson el minden élelmiszert, tisztítsa meg, és hagyja félig nyitva az ajtót.
- ℹ Rendszeresen ellenőrizze az ajtó tömítéseket, hogy meggyőződjön róla, hogy tiszták és ételmaradékoktól mentesek.
- ⚠ Az ajtópolcok eltávolításához vegyen ki onnan mindent, majd egyszerűen tolja fel az alapzatról.
- ⚠ A termék külső felületeinek és a krómbevonatos részek tisztításához soha ne használjon tisztítószereket vagy klórt tartalmazó vizet. A klór korróziót okoz az ilyen fémfelületeken.
- ⚠ Ne használjon éles vagy csiszoló hatású eszközöket, szappant, háztartási tisztítószereket, mosószereket, benzint, viaszt stb., mert a műanyag részekről lekopnak a nyomtatott minták és deformációt okoznak. Tisztítsa meg meleg vízzel és egy puha ruhával, majd törölje szárazra.

A műanyag felületek védelme

- ℹ Fedetlenül ne tegyen be olajat vagy olajban sült ételeket a hűtőbe, mert az olaj kárt tesz a hűtő műanyag részeiben. Amennyiben olaj kerül a műanyag felületekre, öblítse le és tisztítsa meg az adott részt langyos vízzel.

7 Hibaelhárítás

Kérjük, mielőtt kihívná a szervizt, oldassa át a következő listát. Ezzel időt és pénzt takaríthat meg. Ez a lista azon gyakran előforduló panaszokat tartalmazza, melyek nem a hibás gyártásból vagy anyagokból erednek. Az itt ismertetett tulajdonságok közül nem mindegyik található meg az Ön készülékén.

A hűtőszekrény nem működik.

- A csatlakozót nem megfelelően helyezte az aljzatba. >>> Helyezze a csatlakozót jól az aljzatba.
- Leolvadt a főbiztosíték vagy annak a konnektornak a biztosítóka, melyhez a hűtőszekrényt csatlakoztatta. >>> Ellenőrizze a biztosítékot.

Lecsapódás található a fagyasztó oldalfalán (MULTIZONE, COOL CONTROL vagy FLEXI ZONE).

- A környezet nagyon hideg. >>> Ne helyezze a hűtőszekrényt olyan helyre, ahol a hőmérséklet 10°C alá eshet.
- Az ajtót gyakran nyitották ki. >>> Ne nyissa ki vagy csukja be a hűtőszekrény ajtaját túl gyakran.
- A környezet nagyon párás. >>> Ne helyezze hűtőszekrényét magas páratartalmú helyre.
- A folyadéktartalmú élelmiszereket nyitott rekeszekben tárolja. >>> Ne tároljon folyadéktartalmú élelmiszereket zárt rekeszekben.
- A hűtőszekrény ajtaja enyhén nyitva maradt. >>> Csukja be a hűtőszekrény ajtaját.
- A termosztát nagyon hideg szintre van állítva. >>> Állítsa a termosztátot megfelelő szintre.

A kompresszor nem működik

- i** A kompresszor biztosítóka hirtelen áramkimaradások esetén kiolvadt, illetve a folyamatos árammegszakítások után a hűtőszekrény hűtő rendszere még nem került egyensúlyba. A hűtőszekrény kb. 6 perc után fog bekapcsolni. Kérjük, hívja ki a szervizt, ha a hűtőszekrény ezután sem indulna el.
- A hűtőszekrény olvasztási ciklusban van. >>> Ez egy teljesen automatikusan olvasztó hűtőszekrény esetében természetes. Az olvasztási ciklus megadott időközönként megy végbe.
- A hűtőszekrény nincs bedugva. >>> Győződjön meg róla, hogy a dugó megfelelően csatlakozik-e a konnektorhoz.
- A hőmérsékletbeállítás nem sikeres. >>> Válassza ki a megfelelő hőmérsékleti értéket.
- Áramszünet van. >>> A hűtőszekrény visszatér normál üzembe, amikor az áramellátás visszaáll.

A működés zaj a hűtő működése közben egyre hangosabb.

- i** A hűtőszekrény működési teljesítménye a környezeti hőmérséklet változásának függvényében változik. Ez teljesen normális, nem utal hibára.

A hűtőszekrény gyakran vagy hosszú ideig működik.

- i** Lehet, hogy az új hűtőszekrényre szélesebb, mint az előző. A nagyobb hűtőszekrények hosszabb ideig működnek.
- Lehet, hogy túl magas a szobahőmérséklet. >>> Normális, hogy a termék hosszabb ideig üzemel forró környezeti hőmérséklet esetén.
 - A hűtőszekrényt nemrég csatlakoztatták vagy megtöltötték élelmiszerrel. >>> Amikor a hűtőszekrényt nemrég csatlakoztatták vagy töltötték meg élelmiszerrel, akkor tovább fog tartani elérni a beállított hőmérsékletet. Ez normális jelenség.
 - Nemrégiben nagy mennyiségű forró ételt helyezett a hűtőszekrénybe. >>> Ne helyezzen forró élelmiszert a hűtőszekrénybe.
 - Lehet, hogy az ajtók gyakran vagy hosszú ideig voltak kinyitva. >>>Meleg levegő jutott a hűtőszekrénybe, melynek hatására a hűtőszekrény hosszabb ideig üzemel. Ne nyissa ki az ajtókat túl gyakran.
 - A fagyasztó- vagy hűtőrekesz ajtaja félig nyitva maradt. >>> Ellenőrizze, hogy az ajtók megfelelően be vannak-e csukva.
 - A hűtőszekrény nagyon alacsony hőmérsékletre lett állítva. >>> Állítsa a hűtőszekrény hőmérsékletét magasabbra, és várja meg, míg eléri ezt a hőmérsékletet.
 - A hűtő ajtajának szigetelése elképzelhető, hogy koszos, kopott, törött vagy nem megfelelően van behelyezve. >>> Tisztítsa meg, vagy cserélje ki a szigetelést. A sérült/törött szigetelés hatására a tovább ideig működik annak érdekében, hogy fenn tudja tartani az aktuális hőmérsékletet.

A fagyasztó hőmérséklete túl alacsony, miközben a hűtő hőmérséklete megfelelő.

- A fagyasztó nagyon alacsony értékre lett állítva. >>> Állítsa a fagyasztó hőmérsékletét magasabbra, és ellenőrizze.

A hűtő hőmérséklete túl alacsony, miközben a fagyasztó hőmérséklete megfelelő.

- A hűtő nagyon alacsony értékre lett állítva. >>> Állítsa a hűtő hőmérsékletét magasabbra, és ellenőrizze.

A hűtő fiókjában tartott élelmiszerek magfagynak.

- A hűtő hőmérsékletre nagyon magas értékre lett állítva. >>> Állítsa a hűtő hőmérsékletét alacsonyabb értékre, és ellenőrizze.

A hűtő vagy a fagyasztó hőmérséklete nagyon magas.

- A hűtő hőmérsékletre nagyon magas értékre lett állítva. >>> A hűtőrekesz hőmérsékletbeállításával hatással van a fagyasztó hőmérsékletére is. Változtassa meg a hűtő vagy a fagyasztó hőmérsékletét, és várjon amíg a megfelelő rekeszek eléri a megfelelő hőmérsékletet.
- Lehet, hogy az ajtók gyakran vagy hosszú ideig voltak kinyitva. >>> Ne nyissa ki az ajtókat túl gyakran.
- Az ajtó félig nyitva van. >>> Csukja be rendesen az ajtót.
- A hűtőszekrényt nemrég csatlakoztatták vagy megtöltötték élelmiszerrel. >>> Ez normális jelenség. Amikor a hűtőszekrényt nemrég csatlakoztatták vagy töltötték meg élelmiszerrel, akkor tovább fog tartani elérni a beállított hőmérsékletet.
- Nemrégiben nagy mennyiségű forró ételt helyezett a hűtőszekrénybe. >>> Ne helyezzen forró élelmiszert a hűtőszekrénybe.

Rezgés vagy zaj.

<ul style="list-style-type: none"> • A padló nem egyenes vagy nem elég erős. >>>Ha a hűtőszekrény hangot ad ki, amikor lassan megmozdítja, akkor egyenlítse ki a lábak beállításával. Győződjön meg arról is, hogy a padló elég erős-e ahhoz, hogy elbírja a hűtőszekrényt. • A fagyasztóba helyezett dolgok zajt okozhatnak. >>> Távolítsa el a fagyasztó tetejére helyezett dolgokat.
A hűtőszekrényből csöpögéshez vagy fűváshoz hasonló hangot hallani.
i A hűtőszekrény működésének megfelelő folyadék vagy gázáramlás történik. Ez teljesen normális, nem utal hibára.
Sípolás jön a hűtőszekrényből.
i A ventilátorok működnek. Ez teljesen normális, nem utal hibára.
Kondenzáció a hűtőszekrény belső falain.
i A meleg vagy párás levegő növeli a jégképződést és a kondenzációt. Ez teljesen normális, nem utal hibára.
<ul style="list-style-type: none"> • Lehet, hogy az ajtók gyakran vagy hosszú ideig voltak kinyitva. >>> Ne nyissa ki az ajtókat túl gyakran. Zárja be őket, ha nyitva vannak. • Az ajtó félig nyitva van. >>> Csukja be rendesen az ajtót.
Pára jelenik meg a hűtőszekrény külső részén vagy az ajtók közt.
i Elképzelhető, hogy pára van a levegőben; párás időben ez teljesen normális. Ha a páratartalom kevesebb lesz, a kondenzáció eltűnik.
Kellemetlen szag érezhető a hűtőben.
<ul style="list-style-type: none"> • Nincs szükség rendszeres tisztításra. >>> Egy szivacs, langyos víz vagy szóda segítségével rendszeresen tisztítsa meg a hűtőszekrény belső részét. • A szagot lehet, hogy az edények vagy csomagolóanyag okozza. >>> Használjon másik edényt, vagy más gyártótól származó csomagolóanyagot. • A hűtőbe helyezett élelmiszer fedetlen tárolókban legyen. >>> Tartsa az élelmiszert zárt tárolókban. A lefedetlen edényekből kiszabaduló mikroorganizmusok kellemetlen szagokat eredményezhetnek.
i Távolítsa el azokat az élelmiszereket, amelyek szavatossága lejárt és tönkrement a hűtőszekrényben.
Az ajtó nem zárul be.
<ul style="list-style-type: none"> • Az élelmiszerek csomagolásai megakadályozhatják az ajtó becsukását. >>> Távolítsa el azokat a csomagokat, melyek akadályozzák az ajtót. • A hűtőszekrény nem áll egyenletesen a padlón. >>> Állítsa be a lábakat a hűtőszekrény kiegyenlítéséhez. • A padló nem egyenes vagy nem elég erős. >>> Győződjön meg róla, hogy a padló egyenes-e, illetve elég erős-e ahhoz, hogy elbírja a hűtőszekrényt.
A rács beragadt.
<ul style="list-style-type: none"> • Az élelmiszer lehet, hogy hozzáér a fiók tetejéhez. >>> Rendezze át az élelmiszereket a fiókban.



48 8848 0000/BP

1/5

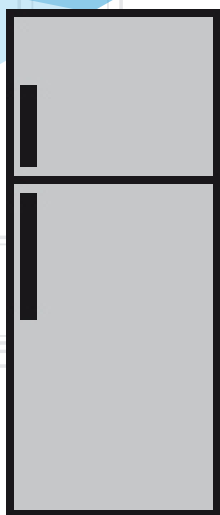
EN-FR-HU



www.beko.com

Refrigerator

User manual



DN 156720 D
DN 156720 DS
DN 156720 DX
DN 156720 X

DN 156721 X
DN 156720 H
DN 156720 DH
DN 156721 DH

DN 160103
DN 160103 X
DN 161620 C
DN 161620

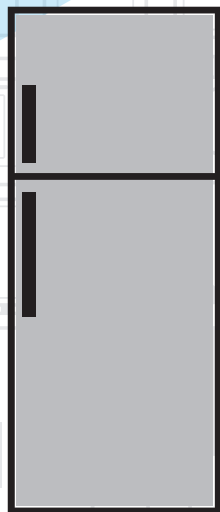
DN 161620 X
DN 161600 C
DN163720DH

IT | FA | AR |

beko

Frigorifero

Manuale utente



it |

beko

Leggere innanzitutto il manuale di istruzioni!

Gentile Cliente,

ci auguriamo che l'articolo da Lei scelto, prodotto in moderni stabilimenti e sottoposto ai più severi controlli di qualità, risponda interamente alle Sue esigenze.

A tal fine, La invitiamo a leggere attentamente il manuale di istruzioni dell'apparecchio prima di procedere al suo utilizzo e di conservarlo per eventuali consultazioni future.

Il presente manuale

- Aiuterà l'utente ad utilizzare l'apparecchio in modo rapido e sicuro.
 - Leggere le istruzioni per l'uso prima di installare e utilizzare il prodotto.
 - Seguire attentamente le istruzioni, in particolare quelle inerenti alla sicurezza.
 - Conservare il presente manuale in un luogo facilmente accessibile per eventuali future consultazioni.
 - Leggere inoltre gli altri documenti forniti assieme al prodotto.
- Il presente manuale può essere valido anche per altri modelli.

Simboli e loro descrizione

Il manuale di istruzioni contiene i seguenti simboli:



Informazioni importanti o consigli utili di utilizzo.



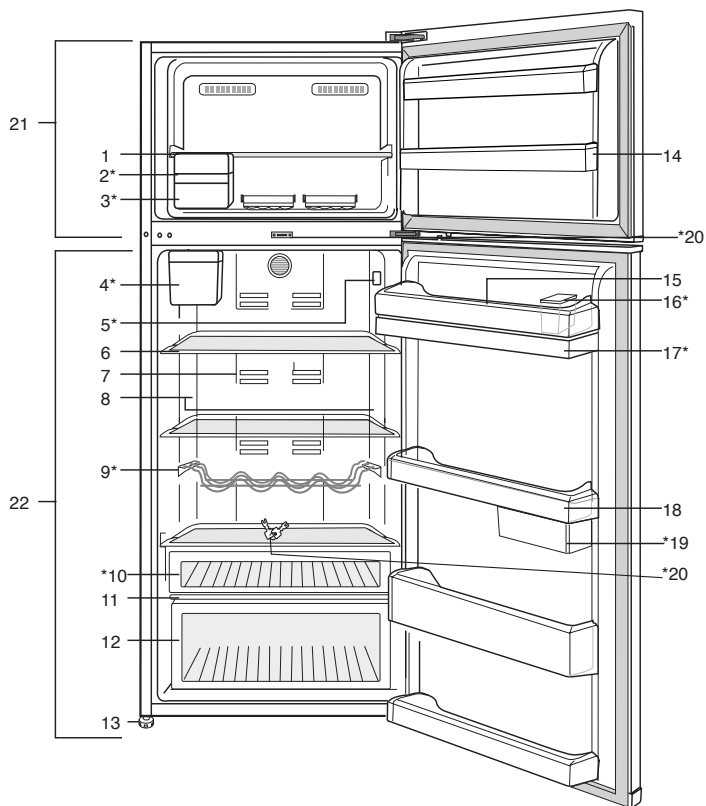
Segnale di avvertimento in caso di situazioni pericolose per la persona o i beni.



Segnale di avvertimento in caso di problemi con il voltaggio.

1 Il frigorifero	3	5 Utilizzo del frigorifero	15
2 Importanti avvertenze per la sicurezza	4	Pannello dei comandi	15
Usò previsto	4	Avvertenza sportello aperto	18
Sicurezza generale	4	Congelamento di alimenti freschi	19
Sicurezza bambini	8	Consigli per la conservazione di alimenti congelati	20
Conformità alla direttiva WEEE e allo smaltimento dei rifiuti:	9	Posizionamento alimenti	20
Conformità alla Direttiva RoHS:	9	Informazioni di congelamento profondo	21
Informazioni sulla confezione	10	Descrizione e pulizia del filtro odori: ..	22
Avvertenza HC.....	10	Porta uova.....	22
Cose da fare per risparmiare energia	10	Erogatore d'acqua.....	23
Consigli per lo scomparto alimenti freschi	11	Contenitore girevole per la conservazione	25
3 Installazione	12	Spia blu	26
Punti da tenere in considerazione quando si trasporta nuovamente il frigorifero	12	Auto Icematic	26
Prima di utilizzare il frigorifero	12	Icematic e contenitore per conservare il ghiaccio.....	27
Cambiare la lampadina di illuminazione	12	6 Manutenzione e pulizia	28
Collegamento elettrico	13	Protezione delle superfici di plastica	28
Smaltimento del materiale di imballaggio	13	7 Ricerca e risoluzione dei problemi	29
Smaltimento del vecchio frigorifero ..	13		
Posizionamento e installazione	13		
Regolazione dei piedini	13		
4 Preparazione	14		

1 Il frigorifero



- | | |
|---|---|
| 1. Ripiano dello scomparto freezer | 12. Scomparto frutta e verdura |
| 2. Auto Icematic | 13. Piedini regolabili |
| 3. Contenitore per la conservazione del ghiaccio | 14. Rastrelliere dello sportello dello scomparto freezer |
| 4. Serbatoio acqua Auto Icematic | 15. Porta uova |
| 5. Indicatore impostazione temperatura | 16. Contenitore riempimento erogatore acqua |
| 6. Ripiani in vetro regolabili | 17. Serbatoio erogatore acqua |
| 7. Filtro odori | 18. Ripiani dello sportello dello scomparto frigo |
| 8. Lente con illuminazione | 19. Contenitori scorrevoli e girevoli |
| 9. Ripiano bottiglie | 20. Tasto |
| 10. Scomparto snack | 21. Scomparto freezer |
| 11. Coperchio scomparto frutta e verdura | 22. Scomparto frigo |
- *OPZIONALE**

ⓘ Le illustrazioni contenute in questa guida sono schematiche e potrebbero non corrispondere esattamente al prodotto in uso. Se le parti in oggetto non sono incluse nell'apparecchio acquistato, significa che sono da intendersi per altri modelli.

2 Importanti avvertenze per la sicurezza

Prendere in esame le seguenti informazioni. La mancata osservanza di queste informazioni può provocare lesioni o danni materiali. Quindi tutte le garanzie e gli impegni sull'affidabilità diventerebbero privi di validità.

I pezzi di ricambio originali verranno forniti per 10 anni, successivamente alla data di acquisto del prodotto.

Uso previsto

Questo apparecchio è destinato ad essere usato

- all'interno e in aree chiuse, ad esempio in casa;
- in ambienti di lavoro chiusi, come negozi e uffici;
- in strutture chiuse di soggiorno, come agriturismi, alberghi, pensioni.
- Non deve essere usato all'esterno.

Sicurezza generale

- Quando si vuole smaltire/eliminare l'apparecchio, è consigliabile consultare il servizio autorizzato per apprendere le informazioni necessarie e conoscere gli enti autorizzati.
- Consultare il servizio di manutenzione autorizzato per tutti i problemi relativi al frigorifero. Non intervenire o far intervenire sul frigorifero senza informare il servizio manutenzione autorizzato.
- Per apparecchi dotati di scomparto freezer; non mangiare coni gelato o cubetti di ghiaccio o gelati appena estratti dal freezer! (Ciò potrebbe causare sintomi di congelamento in bocca).
- Per apparecchi dotati di scomparto freezer; non mettere bottiglie e lattine di bibite liquide nello scomparto del freezer

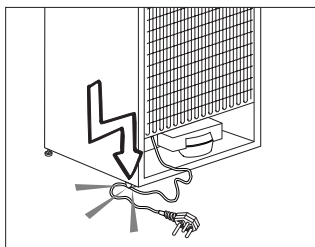
altrimenti potrebbero esplodere.

- Non toccare con le mani gli alimenti gelati; possono incollarsi ad esse.
- Scollegare il frigorifero prima della pulizia o dello sbrinamento.
- Il vapore e i materiali per la pulizia vaporizzati non devono mai essere usati per pulire e scongelare il frigorifero. In queste situazioni, il vapore può entrare in contatto con le parti elettriche e provocare corto circuito o scossa elettrica.
- Non usare mai parti del frigorifero come lo sportello come mezzo di supporto o movimento.
- Non utilizzare dispositivi elettrici all'interno del frigorifero.
- Non danneggiare le parti, in cui circola il refrigerante, con utensili perforanti o taglienti. Il refrigerante può scoppiare quando i canali del gas dell'evaporatore, le estensioni dei tubi o le pellicole superficiali vengono punti e provocano irritazioni alla pelle e lesioni agli occhi.
- Non bloccare o coprire la ventilazione dell'elettrodomestico.
- I dispositivi elettrici devono essere riparati solo da persone autorizzate. Le riparazioni eseguite da personale non competente provocano danni all'utilizzatore.
- In caso di guasto o durante lavori di riparazione e manutenzione, scollegare la fornitura d'energia principale spegnendo il fusibile principale o scollegando la presa dell'apparecchio.
- Non tirare dal cavo quando si estrae la spina.
- Assicurarsi che le bevande alcoliche siano conservate in modo sicuro con il coperchio chiuso e posizionate in verticale.

- Non conservare mai nel frigorifero contenitori spray che contengano sostanze infiammabili ed esplosive.
- Non utilizzare apparecchiature meccaniche o altri mezzi diversi da quelli consigliati dal produttore per accelerare il processo di sbrinamento.
- Questo apparecchio non deve essere usato da persone con disturbi fisici, sensoriali o mentali o persone non preparate o senza esperienza (compresi bambini) a meno che non ricevano la supervisione da parte di una persona responsabile della loro sicurezza che li instruirà sull'uso corretto dell'apparecchio.
- Non utilizzare frigoriferi danneggiati. Consultare l'agente per l'assistenza in caso di dubbi.
- La sicurezza elettrica del frigorifero è garantita unicamente se il sistema di messa a terra dell'apparecchiatura è conforme agli standard.
- L'esposizione dell'apparecchio a pioggia, neve, sole e vento è pericolosa per la sicurezza elettrica.
- Contattare l'assistenza autorizzata quando ci sono danni ai cavi in modo da evitare pericoli.
- Non collegare mai il frigorifero alla presa a muro durante l'installazione, per evitare il rischio di morte o lesioni gravi.
- Questo frigorifero è destinato solo alla conservazione di alimenti. Non deve essere usato per altri scopi.
- L'etichetta con le specifiche tecniche si trova sulla parete sinistra nella parte interna del frigorifero.
- Non collegare mai il frigorifero a sistemi di risparmio energetico; potrebbero danneggiare il frigorifero.
- Se c'è una luce blu sul frigorifero, non guardarla

a lungo a occhio nudo o con strumenti ottici.

- Per i frigoriferi con controllo manuale, attendere almeno 5 minuti per avviare il frigorifero dopo un'assenza di elettricità.
- Questo manuale operativo deve essere dato al nuovo proprietario dell'apparecchio quando il prodotto stesso viene dato ad altri.
- Evitare di provocare danni al cavo di alimentazione quando si trasporta il frigorifero. Piegare il cavo può provocare un incendio. Non mettere mai oggetti pesanti sul cavo di alimentazione.
- Non toccare la spina con le mani bagnate quando si collega l'apparecchio alla rete elettrica.
- Non collegare il frigorifero alla rete se la presa elettrica è allentata.
- Non deve essere spruzzata acqua sulle parti interne o esterne dell'apparecchio per motivi di sicurezza.
- Non spruzzare sostanze contenenti gas infiammabili come gas propano vicino al frigorifero per evitare rischio di incendio ed esplosione.
- Non mettere mai contenitori pieni di acqua sopra al frigorifero; in caso di schizzi, questo potrebbe provocare shock elettrico o incendio.
- Non sovraccaricare il frigorifero di alimenti. In caso di sovraccarico, gli alimenti potrebbero cadere provocando lesioni alla persona e danni al frigorifero quando si apre lo sportello.
- Non mettere mai oggetti sopra al frigorifero; altrimenti questi oggetti potrebbero cadere

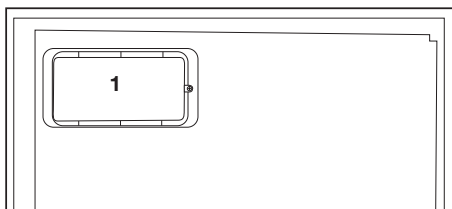
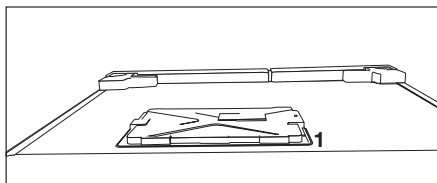


quando si apre o si chiude lo sportello del frigorifero.

- Poiché necessitano di un controllo preciso della temperatura, vaccini, medicine sensibili al calore e materiali scientifici non devono essere conservati nel frigorifero.
- Se non sarà usato per un lungo periodo, il frigorifero deve essere scollegato. Un problema possibile nel cavo di alimentazione può provocare un incendio.
- Il frigorifero potrebbe spostarsi se i piedini regolabili non sono assicurati correttamente al pavimento. Assicurare correttamente i piedini al pavimento può evitare che il frigorifero si sposti.
- Quando si trasporta il frigorifero, non tenerlo dalla maniglia dello sportello. Altrimenti si stacca.
- Quando è necessari posizionare l'apparecchio vicino ad un altro

frigorifero o freezer, la distanza tra i dispositivi deve essere di almeno 8 cm. Altrimenti le pareti laterali vicine potrebbero produrre condensa.

- Non usare mai il prodotto se la sezione che si trova sulla parte superiore o posteriore del prodotto, con le schede dei circuiti elettronici stampati all'interno, è aperta (copri schede dei circuiti elettronici stampati) (1).



Sicurezza bambini

- La pressione per l'ingresso dell'acqua fredda dovrebbe essere al massimo 90 psi (6.2 bar). Qualora la

pressione dell'acqua superi il valore 80 psi (5.5 bar), usare una valvola di limitazione della pressione nel sistema principale. Qualora non si sappia come verificare la pressione dell'acqua, chiedere aiuto a un idraulico professionista.

- In caso di rischio dell'effetto "martello acqua" nel proprio impianto, usare sempre una strumentazione per evitare l'effetto "martello d'acqua" nel proprio impianto. Rivolgersi a idraulici professionisti in caso di dubbio relativamente alla presenza o meno dell'effetto "martello d'acqua" nel proprio impianto.
- Non installare l'ingresso dell'acqua calda. Prendere precauzioni contro il rischio di congelamento dei tubi. La gamma di funzionamento della temperatura dell'acqua dovrebbe essere 33°F

(0.6°C) come minimo e 100°F (38°C) al massimo.

- I bambini devono ricevere supervisione per evitare che interferiscano con l'apparecchio.

Conformità alla direttiva WEEE e allo smaltimento dei rifiuti:



Questo apparecchio è conforme alla Direttiva UE WEEE (2012/19/EU). Questo apparecchio riporta il simbolo di classificazione per i rifiuti delle apparecchiature elettriche ed elettroniche (WEEE).

Questo apparecchio è stato realizzato con parti e materiali di alta qualità che possono essere riutilizzati e sono adatti ad essere riciclati. Non smaltire i rifiuti dell'apparecchio con i normali rifiuti domestici e gli altri rifiuti alla fine della vita di servizio. Portarlo al centro di raccolta per il riciclaggio di apparecchiature elettriche ed elettroniche. Consultare le autorità locali per conoscere la collocazione di questi centri di raccolta.

Conformità alla Direttiva RoHS:

L'apparecchio acquistato è conforme alla Direttiva UE RoHS (2011/65/EU). Non contiene materiali pericolosi o proibiti specificati nella Direttiva.

Informazioni sulla confezione

I materiali di imballaggio del prodotto sono realizzati con materiali riciclabili secondo i nostri regolamenti nazionali sull'ambiente. Non smaltire i materiali di imballaggio con i rifiuti domestici o altri rifiuti. Portarli ai punti di raccolta dedicati ai materiali di imballaggio, previsti dalle autorità locali.

Cose da non dimenticare...

Tutte le sostanze riciclate sono elementi indispensabili per la natura e la nostra ricchezza nazionale.

Se si desidera contribuire alla rivalutazione dei materiali di imballaggio, è possibile consultare le organizzazioni ambientaliste o le autorità del comune in cui si vive.

Avvertenza HC

Se il sistema di raffreddamento dell'apparecchio contiene R600a:

Questo gas è infiammabile. Pertanto, fare attenzione a non danneggiare il sistema di raffreddamento e le tubazioni durante l'uso e il trasporto. In caso di danni, tenere l'apparecchio lontano da potenziali fonti di incendio che possono provocarne l'incendio e ventilare la stanza in cui si trova l'unità.

Ignorare questa avvertenza se il sistema di raffreddamento dell'apparecchio contiene R134a.

Il tipo di gas usato nell'apparecchio è descritto nell'etichetta con il tipo sulla parete sinistra nella parte interna del frigorifero.

Non gettare mai l'apparecchio nel fuoco per lo smaltimento.

Cose da fare per risparmiare energia

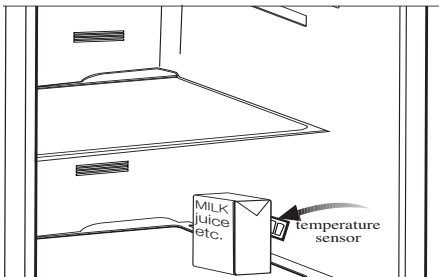
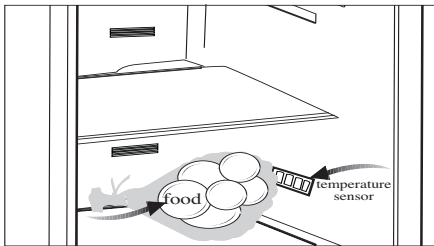
- Non lasciare lo sportello del frigorifero aperto per lungo tempo.
- Non inserire alimenti caldi o bevande calde nell'elettrodomestico.
- Non sovraccaricare il frigorifero impedendo la circolazione dell'aria al suo interno.
- Non installare il frigorifero sotto la luce diretta del sole o nelle vicinanze di forni, lavastoviglie o radiatori. Tenere il frigorifero ad almeno 30 cm dalle fonti che emettono calore e ad almeno 5 cm dai forni elettrici.
- Porre attenzione nel conservare gli alimenti in contenitori chiusi.
- Per apparecchi dotati di scomparto freezer; è possibile conservare la quantità massima di alimenti nel freezer quando si rimuove il ripiano o il cassetto del freezer. Il valore di consumo energetico dichiarato per il frigorifero è stato determinato rimuovendo il ripiano del freezer o il cassetto e in condizione di carico massimo. Non c'è pericolo nell'usare un ripiano o un cassetto secondo le forme e le dimensioni degli alimenti da congelare.
- Scongelare alimenti congelati nello scomparto frigo garantisce risparmio energetico e conserva la qualità degli alimenti.

Consigli per lo scomparto alimenti freschi


*FACOLTATIVO

- Non lasciare che gli alimenti entrino in contatto con il sensore della temperatura nello scomparto alimenti freschi. Per mantenere lo scomparto degli alimenti freschi alla temperatura ideale di conservazione, il sensore non deve essere bloccato dagli alimenti.

- Non mettere cibo caldo nell'elettrodomestico.



3 Installazione

 Ricordarsi che il produttore non è responsabile della mancata osservanza delle informazioni fornite nel manuale di istruzioni.

Punti da tenere in considerazione quando si trasporta nuovamente il frigorifero

1. Deve essere svuotato prima di ogni trasporto.
2. Scaffali, accessori, cestelli ecc. devono essere fissati nel frigorifero in modo sicuro per mezzo di nastro adesivo prima di essere di nuovo imballati.
3. L'imballaggio deve essere eseguito con nastro spesso e forte e le norme di trasporto devono essere scrupolosamente seguite.

Cose da non dimenticare...

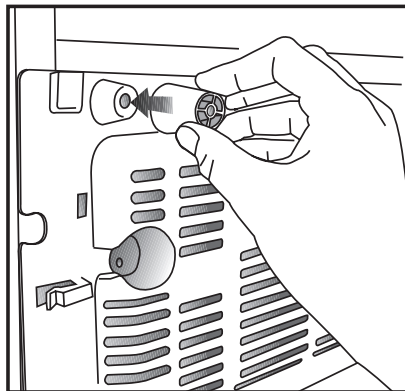
Tutti i materiali riciclati sono una fonte indispensabile per la natura e per le nostre risorse naturali.

Se si vuole contribuire al riciclaggio di materiali da imballo, è necessario rivolgersi per ulteriori informazioni alle autorità locali per l'ambiente.

Prima di utilizzare il frigorifero

Prima di avviare l'uso del frigorifero, controllare quanto segue:

1. L'interno del frigorifero è asciutto e l'aria può circolare liberamente sul retro?
2. Installare i 2 distanziali in plastica come illustrato in figura. I distanziali di plastica garantiranno la distanza necessaria alla circolazione dell'aria tra il frigorifero e la parete. (La figura è soltanto un esempio e non rappresenta l'esatto modello dell'apparecchio).



3. Pulire la parte interna del frigorifero come consigliato nella sezione "Manutenzione e pulizia".
4. Collegare il frigorifero alla presa elettrica. Quando lo sportello del frigorifero viene aperto, si accenderà la luce interna allo scomparto frigo.
5. Si udrà un rumore quando il compressore si avvia. I liquidi e i gas sigillati nel sistema refrigerante possono produrre dei rumori, anche se il compressore non è in funzione; questo è abbastanza normale.
6. I bordi anteriori del frigorifero possono essere tiepidi. Questo è normale. Queste zone sono progettate per essere tiepide per evitare la condensazione.

Cambiare la lampadina di illuminazione

Per cambiare lampadina/LED utilizzati per illuminare il frigorifero, rivolgersi al Servizio Assistenza Autorizzato.

La lampada (le lampade) usata (usate) nell'apparecchiatura non è (sono) adatta (adatte) per l'illuminazione domestica. L'obiettivo previsto per questa lampada è quello di assistere l'utente in fase di posizionamento degli alimenti all'interno del frigorifero / congelatore in modo sicuro e comodo.

Le lampadine utilizzate in questo apparecchio devono sopportare condizioni fisiche estreme come temperature inferiori a -20 °C.

Collegamento elettrico

Collegare il frigorifero ad una presa di messa a terra protetta da un fusibile della capacità appropriata.

Importante:

- Il collegamento deve essere conforme ai regolamenti nazionali.
- Il cavo di alimentazione deve essere facilmente accessibile dopo l'installazione.
- La tensione specificata deve essere pari a quella di rete.
- Le prolunghe e le prese multiple non devono essere usate per il collegamento.

⚠ Un cavo di alimentazione danneggiato deve essere sostituito da un elettricista qualificato.

⚠ L'apparecchio non deve essere usato finché non viene riparato! C'è pericolo di shock elettrico!

Smaltimento del materiale di imballaggio

I materiali di imballaggio potrebbero essere dannosi per i bambini. Tenere i materiali di imballaggio fuori dalla portata dei bambini o smaltirli classificandoli secondo le istruzioni sui rifiuti. Non smaltirli insieme ai normali rifiuti domestici.

L'imballaggio del frigorifero è prodotto con materiali riciclabili.

Smaltimento del vecchio frigorifero

Smaltire il vecchio frigorifero senza danni per l'ambiente.

- Bisogna consultare il rivenditore autorizzato o il centro di raccolta rifiuti della propria città per quanto riguarda lo smaltimento del frigorifero.

Prima di smaltire il frigorifero, tagliare la spina elettrica e, se ci sono blocchi allo sportello, renderli inutilizzabili per proteggere i bambini da eventuali pericoli.

Posizionamento e installazione

⚠ Nel caso in cui la porta di ingresso della stanza in cui il frigorifero deve essere posizionato non è abbastanza grande per il passaggio del frigorifero, chiamare il servizio autorizzato per rimuovere le porte del frigorifero e per farlo passare attraverso la porta.

1. Installare il frigorifero in un luogo che ne permetta il facile utilizzo.

2. Tener e il frigorifero lontano da fonti di calore, luoghi umidi e luce diretta del sole.

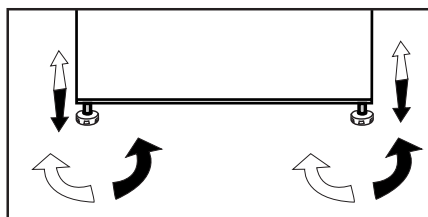
3. Intorno al frigorifero deve esserci ventilazione appropriata per poter avere operatività efficiente. Se il frigorifero deve essere posizionato in un recesso della parete, è necessario porlo ad almeno 5 cm di distanza dal soffitto e a 5 cm dalla parete. Se il pavimento è coperto con un tappeto, l'apparecchio deve essere sollevato di 2,5 cm dal pavimento.

4. Posizionare l'elettrodomestico solo su superfici uniformi e piane per evitare dondoli.

5. Non tenere il frigorifero in ambienti con temperature inferiori ai 10°C.

Regolazione dei piedini

Se il frigorifero non è in equilibrio: è possibile bilanciare il frigorifero ruotando i piedini anteriori come illustrato in figura. L'angolo in cui i piedini sono più bassi quando girati in direzione della freccia nera e rialzati quando girati in direzione opposta. Un aiuto per sollevare leggermente il frigorifero faciliterà tale processo.



4 Preparazione

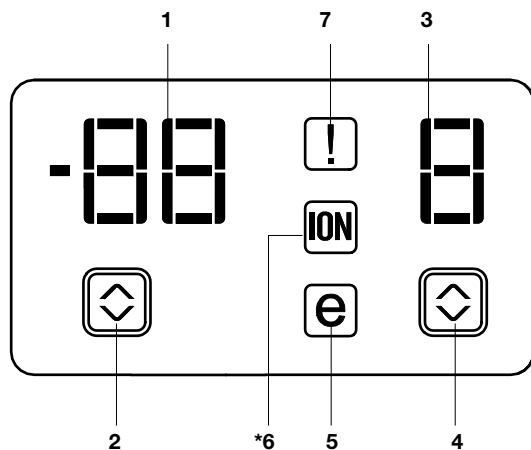
- Il frigorifero dovrà essere installato ad almeno 30 cm lontano da fonti di calore, come forni, riscaldamento centrale e stufe e ad almeno 5 cm da forni elettrici e non deve essere esposto alla luce diretta del sole.
- La temperatura ambiente della stanza in cui viene installato il frigorifero deve essere almeno 10°C . Usare il frigorifero in ambienti con temperatura inferiore non è consigliabile per motivi di efficienza.
- Assicurarsi che l'interno del frigorifero sia ben pulito.
- In caso di installazione di due frigoriferi l'uno accanto all'altro, devono esservi almeno 2 cm di distanza tra di loro.
- Quando il frigorifero viene messo in funzione per la prima volta, osservare le seguenti istruzioni per le prime sei ore.
- La porta non si deve aprire frequentemente.
- Deve funzionare vuoto senza alimenti all'interno.
- Non staccare il frigo dalla presa di corrente. Se si verifica un calo di potenza al di là del controllo dell'utente, vedere le avvertenze nella sezione "Soluzioni consigliate per i problemi".
- Conservare i materiali originali di imballaggio per futuri trasporti o spostamenti.
- In alcuni modelli, il pannello si spegne automaticamente 5 minuti dopo che la porta è stata chiusa. si riattiva automaticamente quando la porta viene aperta o premendo qualsiasi pulsante.
- A causa del cambiamento di temperatura dovuto all'apertura/alla chiusura dello sportello dell'apparecchio durante il funzionamento, la formazione di condensa su sportello/ripiani e sui contenitori di vetro è normale.

5 Utilizzo del frigorifero

Pannello dei comandi

I pannelli degli indicatori possono variare secondo il modello del prodotto.

Il pannello degli indicatori aiuta ad usare il frigorifero con le relative funzioni audio e visive.



1. Indicatore temperatura scomparto freezer

2. Indicatore stato errore

3. Indicatore temperatura scomparto frigo

4. Pulsante di impostazione temperatura scomparto frigo

5. Indicatore modalit  risparmio

6. Indicatore Ionizzatore

7. Pulsante di impostazione temperatura scomparto freezer

1. Indicatore temperatura scomparto freezer

Indica la temperatura impostata per lo scomparto freezer.

2. Indicatore stato errore

Se il frigo non raffredda in modo adeguato o se c'  un guasto ai sensori, questo indicatore sar  attivato. Quando questo indicatore   attivo, l'indicatore della temperatura dello scomparto freezer visualizza "e" e l'indicatore della temperatura dello scomparto frigo visualizza numeri come "1,2,3...". Questi numeri sull'indicatore forniscono informazioni sull'errore al personale dell'assistenza.

3. Indicatore temperatura scomparto frigo

Indica la temperatura impostata per lo scomparto frigo.

4. Pulsante di impostazione temperatura scomparto frigo

Premere questo pulsante per impostare la temperatura dello scomparto frigo rispettivamente su 8, 6, 4, 2, 8.... Premere questo pulsante per impostare la temperatura desiderata per lo scomparto frigo.

5. Indicatore modalit  risparmio

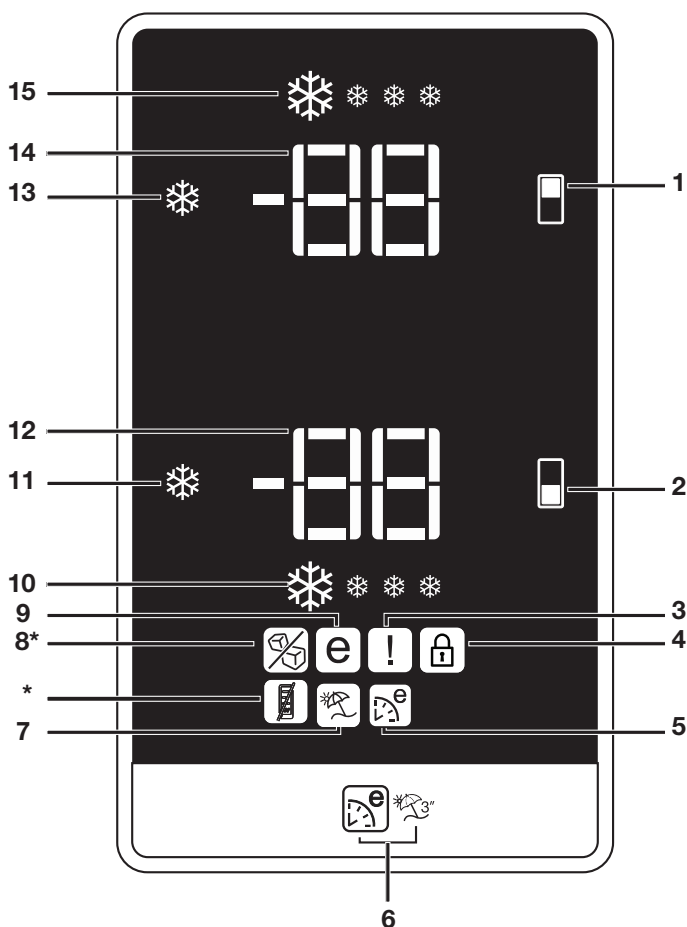
Indica che il frigorifero   in funzione in modalit  a risparmio energetico.

6. Indicatore Ionizzatore

La spia indicatore resta accesa in modo continuo. Questa luce indica che il frigorifero   protetto contro i batteri.

7. Pulsante di impostazione temperatura scomparto freezer

Premere questo pulsante per impostare la temperatura dello scomparto freezer rispettivamente su -18, -20, -22, -24, -18... Premere questo pulsante per impostare la temperatura desiderata per lo scomparto freezer.



1. Impostazione scomparto freezer / Pulsante attivazione-disattivazione Icematic
2. Pulsante di impostazione scomparto frigo
3. Indicatore stato errore
4. Indicatore di blocco tasti
5. Indicatore funzione Eco-Extra
6. Pulsante Eco-Extra/Vacation
7. Indicatore funzione assenza
8. Indicatore Icematic disattivato (*in alcuni modelli)
9. Indicatore uso economico
10. Indicatore funzione raffreddamento rapido
11. Pulsante funzione raffreddamento rapido
12. Indicatore impostazione temperatura scomparto frigo
13. Pulsante funzione congelamento rapido
14. Indicatore impostazione temperatura scomparto freezer
15. Indicatore funzione congelamento rapido

ⓘ Le illustrazioni contenute in questa guida sono schematiche e potrebbero non corrispondere esattamente al prodotto in uso. Se le parti in oggetto non sono incluse nell'apparecchio acquistato, significa che sono da intendersi per altri modelli.

1. Impostazione scomparto freezer / Pulsante attivazione-disattivazione Icematic

Questa funzione consente di regolare le impostazioni relative alla temperatura dello scomparto freezer. Premere questo pulsante per impostare la temperatura dello scomparto freezer a -18, -20, -22 e -24 rispettivamente.

Per arrestare la formazione del ghiaccio, premere per 3 secondi il pulsante di attivazione-disattivazione Icematic. Il flusso dell'acqua dal serbatoio dell'acqua si arresta quando viene selezionata questa funzione. Il ghiaccio preparato in precedenza, però, può essere prelevato da Icematic. Per riavviare la formazione del ghiaccio, premere per 3 secondi il pulsante di attivazione-disattivazione Icematic.

2. Pulsante di impostazione scomparto frigo

Questa funzione consente di regolare le impostazioni relative alla temperatura dello scomparto frigo. Premere questo pulsante per impostare la temperatura dello scomparto frigo rispettivamente su 8, 6, 4, 2.

3. Indicatore stato errore

Se il frigo non raffredda in modo adeguato o se c'è un guasto ai sensori, questo indicatore sarà attivato. Quando questo indicatore è attivo, l'indicatore della temperatura dello scomparto freezer visualizza "E" e l'indicatore della temperatura dello scomparto frigo visualizza numeri come "1,2,3...". Questi numeri sull'indicatore forniscono informazioni sull'errore al personale dell'assistenza.

Quando si mettono alimenti caldi nello scomparto freezer o si lascia lo sportello aperto a lungo, un punto esclamativo può illuminarsi per un certo periodo. Non è un guasto; questa avvertenza scompare quando gli alimenti si raffreddano.

4. Indicatore blocco tasti

Usare questa funzione se non si desidera cambiare l'impostazione della temperatura del frigo. Premere il pulsante di impostazione della temperatura del frigo e il tasto di impostazione della temperatura del freezer contemporaneamente a lungo (3 sec) per attivare questa funzione.

5. Indicatore funzione Eco-Extra

Indica che la funzione Eco-Extra è attiva.

Se questa funzione è attiva, il frigorifero automaticamente rileva i periodi di minore uso e sarà impostato il raffreddamento a risparmio energetico in tali periodi. L'indicatore risparmio sarà attivo con il raffreddamento a risparmio energetico.

Premere il pulsante apposito di nuovo per disattivare questa funzione.

6. Pulsante Eco-Extra/Vacation

Premere brevemente questo pulsante per attivare la funzione Eco-Extra. Tenere premuto questo pulsante per 3 secondi per attivare la funzione assenza. Premere di nuovo questo pulsante per disattivare la funzione selezionata.

7. Indicatore funzione assenza

Indica che la funzione assenza è attiva. Se questa funzione è attiva, "- -" compare sull'indicatore dello scomparto frigo e non viene eseguito alcun raffreddamento nello scomparto stesso. Gli altri scomparti saranno raffreddati secondo la temperatura impostata.

Premere il pulsante apposito di nuovo per disattivare questa funzione.

8. Indicatore Ice Off

Icematic non funziona quando l'indicatore di questa funzione è attiva. Vedere la voce 1 per attivare Icematic.

9. Indicatore modalità risparmio

Indica che il frigorifero è in funzione in modalità a risparmio energetico.

Temperatura scomparto freezer

Questo indicatore sarà attivo se la funzione è impostata su -18 o se il raffreddamento a risparmio energetico è attivo grazie alla funzione Eco-Extra.

10. Indicatore raffreddamento rapido

Questa icona lampeggia quando la funzione di raffreddamento rapido è attiva.

11. Funzione raffreddamento rapido

Quando si preme il pulsante Quick Fridge, la temperatura dello scomparto diverrà più fredda dei valori regolati.

Questa funzione può essere usata per alimenti posti nello scomparto del frigo e che necessitano di raffreddare velocemente.

Se è necessario congelare grandi quantità di alimenti freschi, si consiglia di attivare questa funzione prima di inserire gli alimenti nel frigo.

L'indicatore raffreddamento rapido si accende quando è attivata la funzione raffreddamento rapido. Per annullare questa funzione premere nuovamente il pulsante Quick Fridge.

Se non viene annullata dall'utente, la funzione raffreddamento rapido si annullerà automaticamente dopo 4 ore o quando lo scomparto frigo ha raggiunto la temperatura richiesta.

Questa funzione non viene ripristinata quando viene ripristinata l'alimentazione in seguito a un'interruzione della stessa.

12. Indicatore impostazione temperatura scomparto frigo

Indica la temperatura impostata per lo scomparto frigo.

13. Indicatore impostazione temperatura scomparto Freezer

Indica la temperatura impostata per lo scomparto freezer.

14. Funzione congelamento rapido

L'indicatore congelamento rapido si accende quando è attivata la funzione congelamento rapido. Per annullare questa funzione premere nuovamente il pulsante Quick Freeze. L'indicatore di congelamento rapido si spegnerà e tornerà alle sue impostazioni normali. Se non si annulla manualmente, la funzione congelamento rapido si annullerà automaticamente dopo 8 ore o quando lo scomparto freezer ha raggiunto la temperatura richiesta.

Se si vogliono congelare grandi quantità di alimenti freschi, premere il pulsante Quick Freeze prima di inserire gli alimenti nello scomparto freezer.

Premendo il pulsante Quick Freeze ripetutamente a brevi intervalli, il compressore non comincerà a funzionare immediatamente, in quanto il sistema di protezione del circuito elettronico sarà attivato.

Questa funzione non viene ripristinata quando viene ripristinata l'alimentazione in seguito a un'interruzione della stessa.

15. Indicatore congelamento rapido

Questa icona lampeggia quando la funzione congelamento rapido è attiva.

Avvertenza sportello aperto

(Questa funzione può variare a seconda dello sportello dell'apparecchio e potrebbe non esserci in alcuni modelli).

Un segnale di avvertenza audio viene emesso quando lo sportello dell'apparecchio viene lasciato aperto per almeno 1 minuto. Questa avvertenza scompare quando lo sportello viene chiuso o se viene premuto uno dei pulsanti del display (se presenti).

Congelamento di alimenti freschi

- Avvolgere o coprire gli alimenti prima di metterli nel frigorifero.
 - Gli alimenti caldi devono essere raffreddati fino alla temperatura ambiente prima di essere riposti nel frigorifero.
 - Gli alimenti da congelare devono essere di buona qualità e freschi.
 - Gli alimenti devono essere suddivisi in porzioni in base alle necessità quotidiane della famiglia o di un pasto.
 - Gli alimenti devono essere imballati in modo da evitarne l'asciugatura, quando devono essere conservati per breve tempo.
 - I materiali da utilizzare per l'imballaggio devono essere a prova di strappo e resistenti al caldo, all'umidità, agli odori oli e acidi e devono anche essere liberati dall'aria. Inoltre devono essere ben chiusi, maneggevoli e composti di materiale adatto per l'utilizzo in freezer profondi.
- Gli alimenti congelati devono essere prontamente utilizzati dopo scongelati e assolutamente non ricongelati.
 - Attenersi alle seguenti istruzioni per ottenere i risultati migliori.
 1. Non congelare quantità troppo grandi in una volta sola. La qualità degli alimenti viene preservata in modo ottimale quando gli alimenti vengono congelati il più velocemente possibile.
 2. Il posizionamento di alimenti caldi nello scomparto freezer provoca il funzionamento continuo del sistema di raffreddamento finché gli alimenti non si solidificano.
 3. Fare attenzione a non mescolare alimenti già congelati e alimenti freschi.

Impostazione scomparto freezer	Impostazione scomparto frigo	Spiegazioni
-18°C	4°C	Queste sono i consigli di impostazione normale.
-20,-22 o -24°C	4°C	Queste impostazioni sono consigliate quando la temperatura ambiente supera i 30°C.
Congelamento rapido	4°C	Usare quando si desidera congelare gli alimenti in poco tempo. Il frigorifero tornerà alla sua modalità precedente quando il processo termina.
-18°C o inferiore	2°C	Se si pensa che il frigorifero non è abbastanza freddo a causa di condizioni troppo calde o di frequenti aperture dello sportello.
-18°C o inferiore	Raffreddamento rapido	Si può usare quando lo scomparto del frigorifero è sovraccarico o se si desidera che gli alimenti si raffreddino velocemente. Si consiglia di attivare la funzione di raffreddamento rapido 4-8 prima di mettere gli alimenti.

Consigli per la conservazione di alimenti congelati

- Gli alimenti congelati a livello commerciale devono essere riposti secondo le istruzioni del produttore per un congelamento ******** (4 stelle) degli alimenti nello scomparto apposito.
- Per assicurare che l'alta qualità degli alimenti congelati dal produttore e dal dettagliante sia conservata, ricordare quanto segue:
 1. Gli alimenti da congelare devono essere posti nello scomparto del freezer il più presto possibile dopo l'acquisto.
 2. Verificare che il contenuto sia etichettato e datato.
 3. Che non superi "usare entro" "preferibilmente entro" le date sul pacco.

Sbrinamento

Lo scomparto freezer si sbrina automaticamente.

Posizionamento alimenti

Ripiani dello scomparto freezer	Diversi alimenti congelati come carne, pesce, gelato, verdura ecc.
Porta uova	Uova
Ripiani scomparto frigo	Alimenti in padelle, piatti coperti e contenitori chiusi
Ripiani dello sportello dello scomparto frigo	Alimenti piccoli e imballati o bevande (come latte, succhi di frutta e birra)
Scomparto frutta e verdura	Verdura e frutta
Scomparto zona fresca	Prodotti di gastronomia (formaggio, burro, salumi, ecc.)

Informazioni di congelamento profondo

Per conservare la qualità degli alimenti, il congelamento deve avvenire quanto più rapidamente possibile.

È possibile conservare gli alimenti per un lungo periodo di tempo a -18°C o a temperature inferiori.

È possibile conservare la freschezza degli alimenti per molti mesi (a -18°C o temperatura inferiore nel freezer)

AVVERTENZA!

- Gli alimenti devono essere suddivisi in porzioni in base alle necessità quotidiane della famiglia o di un pasto.

- Gli alimenti devono essere imballati in modo da evitarne l'asciugatura, quando devono essere conservati per breve tempo.

Materiali necessari per l'imballo:

- Nastro adesivo resistente al freddo
- Etichette auto adesive
- Anelli in gomma
- Penna

I materiali da utilizzare per l'imballaggio devono essere a prova di strappo e resistenti al caldo, all'umidità, agli odori oli e acidi e devono anche essere liberati dall'aria.

Evitare che vengano in contatto con articoli precedentemente congelati per evitarne il parziale scongelamento.

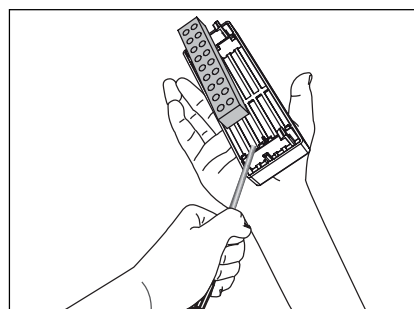
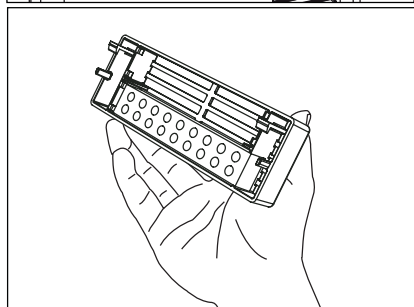
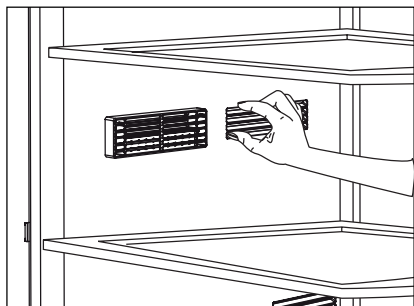
Gli alimenti congelati devono essere prontamente utilizzati dopo scongelati e assolutamente non ricongelati.

Descrizione e pulizia del filtro odori:

Il filtro odori evita la formazione di odori sgradevoli nel frigorifero.

Tirare verso il basso il coperchio in cui è installato il filtro odori e rimuovere secondo l'illustrazione. Lasciare il filtro per un giorno alla luce del sole. Il filtro si pulirà in questo lasso di tempo. Installare di nuovo il filtro in posizione.

Il filtro odori deve essere pulito una volta all'anno.



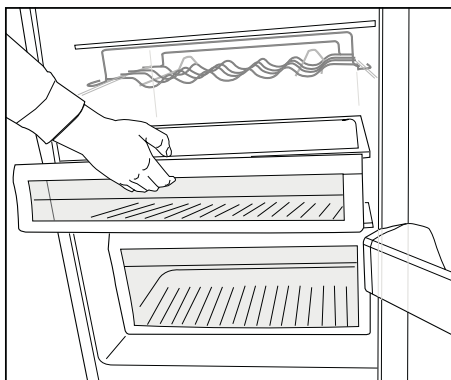
Scomparti snack

Usare questi scomparti per gli alimenti che si desidera conservare ad una temperatura di pochi gradi inferiore a quello dello scomparto frigo.

È possibile aumentare il volume interno del frigo estraendo uno degli scomparti snack.

1. Tirare lo scomparto verso di sé fino a che non viene fermato dal blocco.
2. Sollevare la sezione anteriore e tirare verso di sé per rimuovere lo scomparto dalla sede.

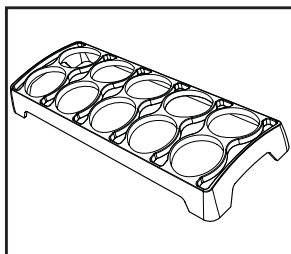
i È possibile posizionare gli alimenti che si desidera surgelare in questi scomparti per prepararli al congelamento.



Porta uova

È possibile installare il porta uova sul ripiano desiderato dello sportello o del corpo.

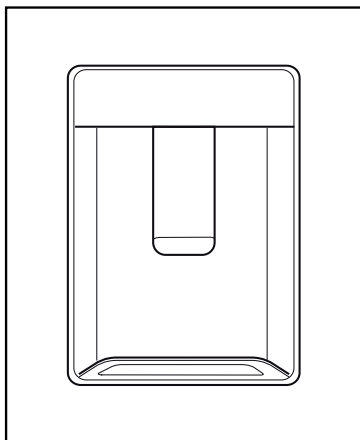
Non porre mai il porta uova nello scomparto del freezer



Erogatore d'acqua

(in alcuni modelli)

L'erogatore dell'acqua è una funzione molto utile per ottenere acqua fredda senza aprire lo sportello del frigorifero. Dal momento che non bisogna aprire con frequenza lo sportello del frigorifero, si risparmia energia.



Uso dell'erogatore d'acqua

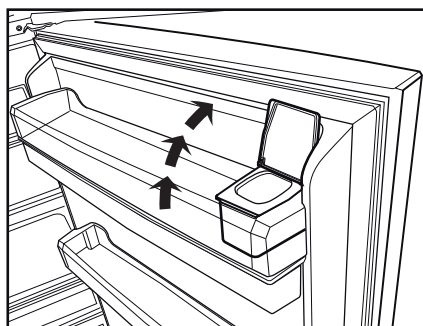
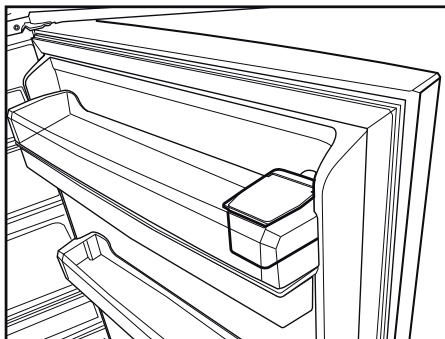
Premere il braccio dell'erogatore d'acqua col bicchiere. L'erogatore smette di erogare quando viene rilasciato il braccio.

Quando si usa l'erogatore dell'acqua, il flusso massimo può essere ottenuto premendo completamente il braccio. Ricordare che la quantità del flusso dall'erogatore è soggetta al livello di pressione sul braccio.

Quando il livello dell'acqua nel bicchiere/nel contenitore aumenta, diminuire leggermente la pressione sul braccio per evitare traboccamento. Se si preme delicatamente il braccio, l'acqua gocciola; questo è normale e non è un guasto.

Riempimento del serbatoio dell'erogatore d'acqua

Il serbatoio per il riempimento dell'acqua si trova all'interno della rastrelliera dello sportello. Aprire il coperchio del serbatoio e riempire di acqua potabile pulita. E poi chiudere il coperchio.



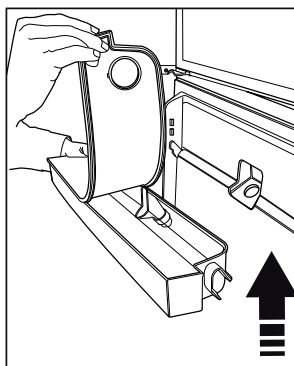
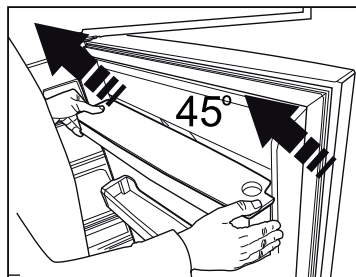
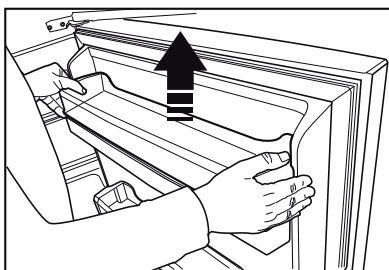
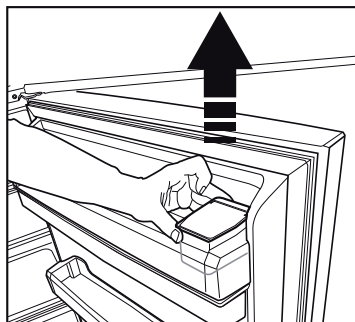
Avvertenza!

- Non riempire il serbatoio d'acqua con liquidi diversi dall'acqua, come succhi di frutta, bevande gassate o bevande alcoliche che non sono adatte per essere usate nell'erogatore d'acqua. L'erogatore d'acqua si danneggerebbe in modo irreparabile a causa dell'uso di questi liquidi. La garanzia non copre tali usi. Alcune sostanze chimiche e alcuni additivi contenuti in questo tipo di bevande/liquidi possono danneggiare il materiale del serbatoio d'acqua.

- Usare solo acqua potabile pulita e pura.
- La capacità del serbatoio dell'acqua è 3 litri; non riempire oltre.
- Premere il braccio dell'erogatore d'acqua con un bicchiere rigido. Se si usano bicchieri di plastica usa e getta, spingere il braccio con le dita da dietro il bicchiere.

Pulizia del serbatoio dell'acqua

- Rimuovere il serbatoio di riempimento dell'acqua dalla rastrelliera interna dello sportello.
- Rimuovere la rastrelliera tenendo da entrambi i lati.
- Afferrare il serbatoio dell'acqua da entrambi i lati e rimuoverlo con un angolo di 45°C.
- Pulire il serbatoio dell'acqua rimuovendone il coperchio.



Importante:

I componenti del serbatoio dell'acqua e dell'erogatore dell'acqua non devono essere lavati in lavastoviglie.

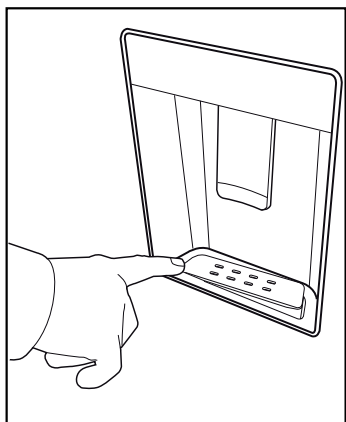
Vaschetta per l'acqua

L'acqua che sgocciola durante l'uso dell'erogatore si accumula nell'apposita vaschetta.

Estrarre la vaschetta in plastica come mostrato nella figura.

Con un panno asciutto e pulito, rimuovere l'acqua accumulata.

ATTENZIONE: Collegare solo ad una linea di acqua potabile.



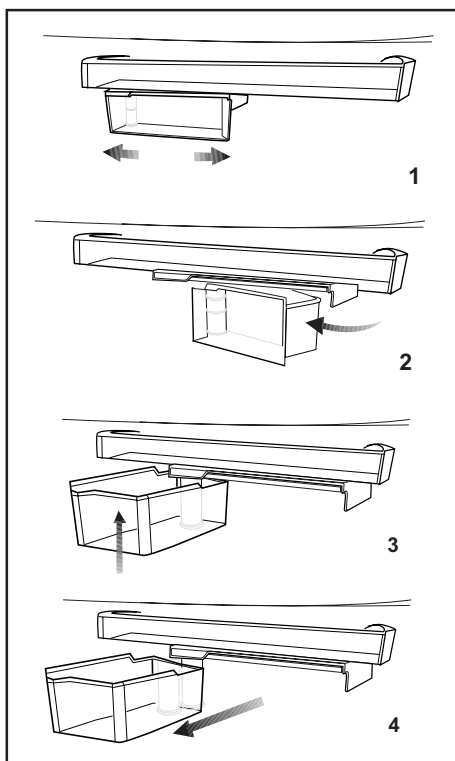
Contenitore girevole per la conservazione

(in alcuni modelli)

Il ripiano scorrevole può essere spostato verso sinistra o verso destra per consentire di riporre bottiglie lunghe, barattoli o scatoli su un ripiano inferiore (Fig. 1).

È possibile raggiungere gli alimenti posti sul ripiano afferrandolo e ruotandolo dal bordo destro (Fig.2).

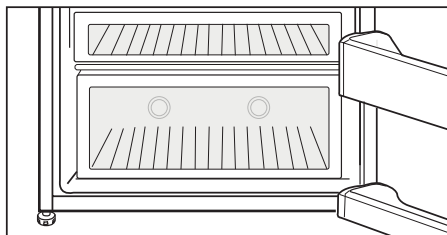
Quando si desidera caricarlo o rimuoverlo per pulirlo, ruotarlo a 90 gradi, sollevarlo e tirarlo verso di sé (Fig. 3-4).



Spia blu

(in alcuni modelli)

Gli alimenti immagazzinati nei cestelli che sono segnati da una spia blu continuano la loro fotosintesi grazie all'effetto delle onde della luce blu e quindi conservano la freschezza e aumentano il contenuto di vitamine.



Auto Icematic

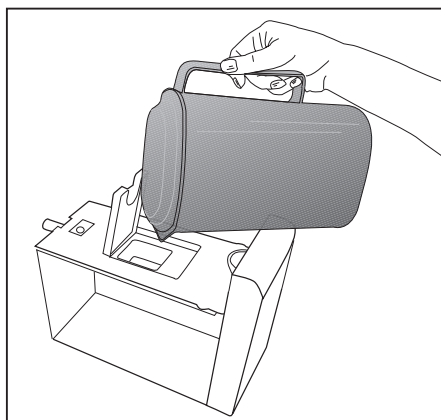
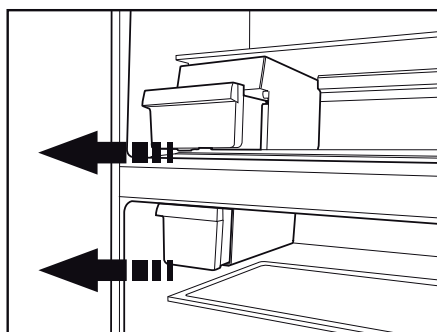
(in alcuni modelli)

Il sistema Auto Icematic consente di ottenere facilmente il ghiaccio dal frigorifero. Rimuovere il serbatoio dell'acqua dallo scomparto frigo, riempirlo di acqua e reinstallarlo per ottenere il ghiaccio dall'Icematic.

I primi cubetti di ghiaccio saranno pronti in circa 2 ore nel cassetto Icematic che si trova nello scomparto freezer.

Se si riempie completamente il serbatoio dell'acqua, sarà possibile ottenere circa 60-70 cubetti di ghiaccio.

Cambiare l'acqua nel serbatoio dell'acqua dopo circa 2-3 settimane.



Icematic e contenitore per conservare il ghiaccio

Uso di Icematic

Riempire Icematic con acqua e metterlo in sede. Il ghiaccio sarà pronto in due ore circa. Non rimuovere l'Icematic dalla sua sede per prendere il ghiaccio.

Ruotare le manopole in senso orario per 90 gradi.

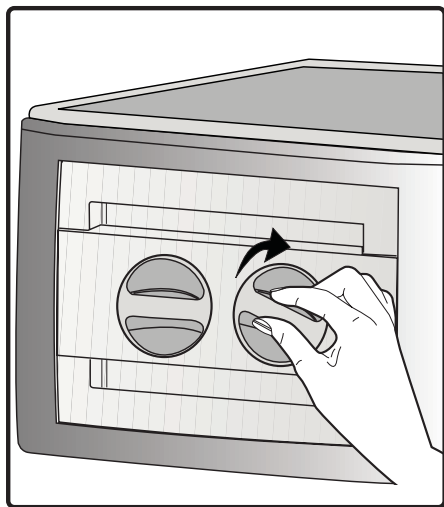
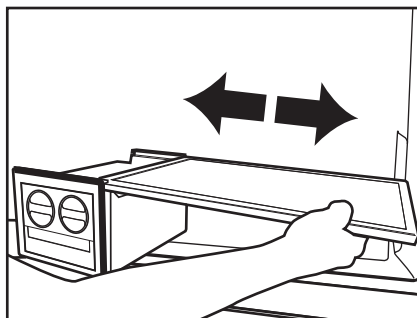
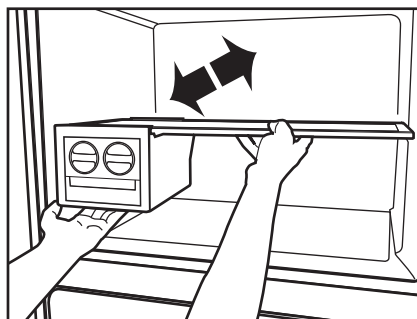
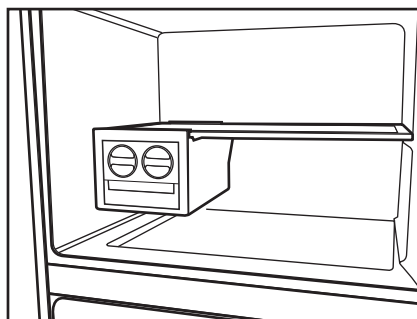
I cubetti di ghiaccio cadono nel contenitore per la conservazione del ghiaccio sotto.

È possibile estrarre il contenitore per la conservazione del ghiaccio e servire i cubetti.

Se lo si desidera, è possibile lasciare i cubetti nel contenitore per la conservazione del ghiaccio.

Contenitore per la conservazione del ghiaccio

Il contenitore per la conservazione del ghiaccio ha solo lo scopo di conservare i cubetti di ghiaccio. Non inserirvi dell'acqua, altrimenti si romperà.



6 Manutenzione e pulizia

- ⚠ Non usare mai gasolio, benzene o sostanze simili per scopi di pulizia.
- ⚠ È consigliato scollegare l'apparecchio prima della pulizia.
- ⚠ Non utilizzare mai attrezzi appuntiti o sostanze abrasive, saponi, detersivi per la casa o cere per la pulizia.
- ℹ Utilizzare acqua tiepida per pulire l'alloggiamento del frigorifero e asciugarlo.
- ℹ Utilizzare un panno umido intriso di una soluzione composta da un cucchiaino di bicarbonato di sodio e da circa mezzo litro di acqua e pulire l'interno, quindi asciugare.
- ⚠ Assicurarsi che l'acqua non penetri nel quadro di comando della temperatura.
- ⚠ Se il frigorifero non viene usato per un lungo periodo di tempo, scollegare il cavo di alimentazione, rimuovere tutti gli alimenti dal suo interno, pulirlo e lasciare lo sportello aperto.
- ℹ Controllare le guarnizioni dello sportello periodicamente per garantire che siano pulite e che non siano presenti particelle di alimenti.
- ⚠ Per rimuovere le rastrelliere dello sportello, rimuovere tutto il contenuto e spingere semplicemente le rastrelliere verso l'alto.

- ⚠ Non utilizzare mai agenti di pulizia o acqua contenente cloro per pulire le superfici esterne e le parti rivestite in cromo dell'apparecchio. Il cloro provoca corrosione su tali superfici di metallo.
- ⚠ Non usare strumenti affilati e abrasivi o sapone, agenti detersivi domestici, detersivi, gasolio, benzene, cera, ecc., altrimenti le indicazioni sulle parti in plastica si toglieranno e si verificherà deformazione. Usare acqua tiepida e un panno morbido unicamente per le operazioni di pulizia e asciugatura.

Protezione delle superfici di plastica

- ℹ Non inserire oli liquidi o piatti cotti in olio nel frigorifero se in contenitori non sigillati poiché questi possono danneggiare le superfici in plastica del frigorifero. In caso di fuoriuscita di olio sulle superfici in plastica, pulire e asciugare le parti della superficie con acqua tiepida.

7 Ricerca e risoluzione dei problemi

Prima di chiamare il servizio assistenza, rivedere la lista precedente. Si risparmierà tempo e denaro. Questa lista comprende frequenti reclami che non derivano da difetti di lavorazione o dai materiali utilizzati. Alcune delle funzioni descritte qui potrebbero non esistere nel proprio apparecchio.

Il frigorifero non funziona.

- La spina non è inserita correttamente nella presa. >>> Inserire in modo sicuro la spina nella presa.
- Il fusibile della presa a cui è collegato il frigorifero o il fusibile principale sono saltati. >>> Controllare il fusibile.

Condensa sulla parete laterale dello scomparto frigo (MULTIZONE, COOL CONTROL e FLEXI ZONE).

- L'ambiente è molto freddo. >>> Non installare il frigorifero in luoghi in cui la temperatura scende al di sotto di 10 °C.
- Lo sportello è stato aperto con eccessiva frequenza. >>> Non aprire e chiudere lo sportello del frigorifero con eccessiva frequenza.
- L'ambiente è molto umido. >>> Non installare il frigorifero in luoghi molto umidi.
- Gli alimenti che contengono liquidi sono conservati in contenitori aperti. >>> Non conservare alimenti che contengono liquido in contenitori aperti.
- Lo sportello del frigorifero è lasciato aperto. >>> Chiudere lo sportello del frigorifero.
- Il termostato è impostato ad un livello molto freddo. >>> Impostare il termostato ad un livello adatto.

Il compressore non funziona

- i** La protezione termica del compressore è inattiva in caso di improvvisa mancanza di corrente o di mancato collegamento alla presa, se il sistema refrigerante non è ancora stato regolato. Il frigorifero comincerà a funzionare dopo circa 6 minuti. Chiamare il servizio assistenza se il frigorifero non inizia a funzionare al termine di questo periodo.
- Il frigorifero è nel ciclo di sbrinamento. >>> Si tratta di una cosa per un frigorifero con sbrinamento completamente automatico. Il ciclo di sbrinamento si verifica periodicamente.
- L'elettrodomestico non è collegato alla presa. >>> Accertarsi che la spina sia inserita nella presa.
- Le regolazioni di temperatura non sono eseguite in modo corretto. >>> Selezionare il valore di temperatura adatto.
- Vi è una mancanza di alimentazione. >>> Il frigorifero torna ad un funzionamento normale quando viene ripristinata l'alimentazione.

Il rumore aumenta quando il frigorifero sta lavorando.

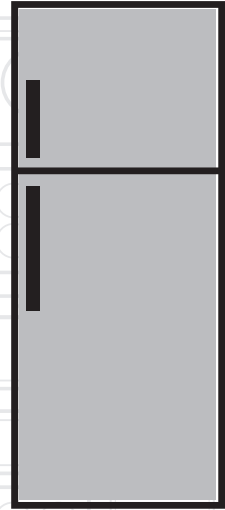
- i** La performance operativa del frigorifero può cambiare secondo i cambiamenti della temperatura ambiente. Si tratta di una cosa normale e non di un guasto.

Il frigorifero funziona frequentemente o per lunghi periodi.

<p>i Il nuovo apparecchio è più grande del precedente. I frigoriferi più grandi lavorano per un più lungo periodo di tempo.</p> <ul style="list-style-type: none"> • La temperatura ambiente può essere alta. >>> È normale che l'apparecchio funzioni per periodi più lunghi in ambienti caldi. • Il frigorifero è stato recentemente collegato all'alimentazione o caricato con alimenti. >>> Quando il frigorifero è stato appena collegato all'alimentazione o caricato con alimenti, ci vuole più tempo per raggiungere la temperatura impostata. Questo è normale. • Grandi quantità di alimenti caldi sono state recentemente inserite. >>> Non mettere alimenti caldi nel frigorifero. • Gli sportelli sono aperti con eccessiva frequenza o sono stati lasciati aperti a lungo. >>>L'aria tiepida entrata nel frigorifero ne provoca il funzionamento per un periodo più lungo. Non aprire gli sportelli di frequente. • Lo sportello del freezer o dello scomparto frigo sono rimasti aperti. >>> Controllare se gli sportelli sono perfettamente chiusi. • Il frigo è regolato a temperatura molto bassa. >>> Regolare la temperatura del frigorifero ad un livello più alto e attendere fino a che la stessa sia acquisita. • La chiusura dello sportello del frigorifero o del freezer può essere usurata, rotta o non inserita in modo appropriato. >>> Pulire o sostituire la guarnizione. Guarnizioni danneggiate/rotte provocano il funzionamento del frigo per periodi più lunghi per mantenere la temperatura corrente.
<p>La temperatura ambiente è molto bassa mentre la temperatura del frigorifero è sufficiente.</p>
<ul style="list-style-type: none"> • La temperatura del freezer è regolata a temperatura molto bassa. >>> Regolare la temperatura del freezer ad un livello più alto e controllare.
<p>La temperatura ambiente è molto bassa mentre la temperatura del freezer è sufficiente.</p>
<ul style="list-style-type: none"> • La temperatura del frigo è regolata a temperatura molto bassa. >>> Regolare la temperatura ad un livello più alto e controllare.
<p>Gli alimenti che sono nei cassetti dello scomparto frigo sono congelati.</p>
<ul style="list-style-type: none"> • La temperatura del frigo è regolata su un valore molto alto. >>> Regolare la temperatura del frigo ad un livello più basso e controllare.
<p>La temperatura del frigo o freezer è molto alta.</p>
<ul style="list-style-type: none"> • La temperatura del frigo è regolata su un valore molto alto. >>> L'impostazione della temperatura dello scomparto frigo provoca effetti sulla temperatura del freezer. Cambiare le temperature di frigo o freezer e aspettare finché i relativi scomparti non raggiungono una temperatura sufficiente. • Gli sportelli sono aperti con eccessiva frequenza o sono stati lasciati aperti a lungo. >>> Non aprire gli sportelli di frequente. • Lo sportello è aperto. >>> Chiudere completamente lo sportello. • Il frigorifero è stato recentemente collegato all'alimentazione o caricato con alimenti. >>> Questo è normale. Quando il frigorifero è stato appena collegato all'alimentazione o caricato con alimenti, ci vuole più tempo per raggiungere la temperatura impostata. • Grandi quantità di alimenti caldi sono state recentemente inserite. >>> Non mettere alimenti caldi nel frigorifero.
<p>Vibrazioni o rumore.</p>

<ul style="list-style-type: none"> • Il pavimento non è orizzontale o stabile. >>>Se il frigorifero ondeggia quando è mosso lentamente, equilibrarlo regolando i piedini. Accertarsi anche che il pavimento sia in piano e forte abbastanza da sopportare il frigorifero. • Gli articoli messi sul frigorifero possono provocare rumore. >>> Rimuovere gli articoli da sopra al frigorifero.
Ci sono rumori che provengono dal frigorifero come gocciolamenti o spruzzo di liquidi.
i Il flusso di liquido e gas si verifica secondo i principi operativi del frigorifero. Si tratta di una cosa normale e non di un guasto.
Dal frigorifero si sente un fischio.
i Le ventole sono usate per raffreddare il frigorifero. Si tratta di una cosa normale e non di un guasto.
Condensa sulla parete interna del frigorifero.
i Il clima caldo e umido aumenta il ghiaccio e la condensa. Si tratta di una cosa normale e non di un guasto.
<ul style="list-style-type: none"> • Gli sportelli sono aperti con eccessiva frequenza o sono stati lasciati aperti a lungo. >>> Non aprire gli sportelli di frequente. Chiuderli se sono aperti. • Lo sportello è aperto. >>> Chiudere completamente lo sportello.
Umidità al di fuori del frigorifero o tra le porte.
i Potrebbe esserci umidità nell'aria; questo è normale nei climi umidi. Al diminuire dell'umidità, la condensa scompare.
Odore cattivo dentro al frigorifero.
<ul style="list-style-type: none"> • Non viene eseguita una pulizia regolare. >>> Pulire regolarmente l'interno del frigorifero con una spugna, acqua tiepida o bicarbonato di sodio diluito in acqua. • Alcuni contenitori o alcuni materiali per la confezione possono provocare odori. >>> Usare contenitori diversi o marche diverse. • Gli alimenti sono posti nel frigorifero in contenitori non coperti. >>> Tenere gli alimenti in contenitori chiusi. I microrganismi che fuoriescono da contenitori non coperti possono provocare odori sgradevoli.
i Rimuovere gli alimenti scaduti e che si sono rovinati nel frigorifero.
Lo sportello non è chiuso.
<ul style="list-style-type: none"> • Gli imballaggi degli alimenti impediscono la chiusura dello sportello. >>> Sostituire le confezioni che ostruiscono lo sportello. • Il frigorifero non è completamente poggiato sul pavimento. >>> Regolare i piedini per bilanciare il frigorifero. • Il pavimento non è orizzontale o forte. >>> Accertarsi che il pavimento sia in piano, forte e in grado di sopportare il frigorifero.
Gli scomparti frutta e verdura sono bloccati.
<ul style="list-style-type: none"> • Gli alimenti potrebbero toccare il tetto del cassetto. >>> Risistemare gli alimenti nel cassetto.

یخچال دفترچه راهنمای کاربر



FA |

beko

لطفا این دفترچه راهنما را اول مطالعه کنید!

مشتری عزیز،




امیدواریم که دستگاه شما که در کارخانه های مدرن ساخته شده است و تحت دقیق ترین شرایط کنترل کیفیت آزمایش شده است به شما سرویس مؤثری را ارائه نماید.
بدین منظور، توصیه می کنیم که کل این دفترچه را قبل از استفاده از دستگاه با دقت بخوانید و آن را برای مراجعات بعدی در محلی نگهداری کنید.

این دفترچه راهنما

- به شما کمک خواهد کرد تا از دستگاه به سرعت و به صورت ایمن استفاده کنید.
 - این دفترچه راهنما را قبل از نصب و راه اندازی دستگاه مطالعه کنید.
 - دستورالعملها را دنبال کنید، خصوصا در مورد ایمنی.
 - این دفترچه راهنما را در محلی نگهداری کنید که دسترسی به آن آسان باشد چون ممکن است به آن نیاز داشته باشید.
 - بعلاوه، سایر اسناد ارائه شده با این دستگاه را هم مطالعه نمایید.
- لطفا دقت کنید که این دفترچه ممکن است برای مدل‌های دیگر هم قابل استفاده باشد.

علائم و شرح آنان

این دفترچه راهنما حاوی علائم زیر است:

-  اطلاعات مهم یا نکات مفید برای استفاده از دستگاه.
-  هشدار در مورد شرایط خطرناک برای جان افراد و خانه.
-  هشدار مربوط به ولتاژ برق

1 یخچال**3****2 هشدارهای ایمنی مهم****4**

استفاده مجاز 4
 در محصولاتی که دارای شیر آب می باشند؛ 7
 ایمنی کودکان 8
 پیروی از مقررات WEEE و دور انداختن

محصول 8
 تطابق با بخشنامه RoHS: 8
 اطلاعات بسته بندی 8
 هشدار HC 8
 کارهایی که برای صرفه جویی انرژی باید انجام

داد 8
 توصیه های مربوط به محفظه مواد غذایی تازه 9

3 نصب**10**

نکاتی که هنگام انتقال دوباره یخچال باید در نظر
 گرفته شود 10
 قبل از کار کردن با یخچال 10
 اتصالات برقی 11
 دور انداختن بسته بندی 11
 از رده خارج کردن ماشین قدیمی 11
 قرار دادن در محل و نصب 11
 تغییر دادن میزان روشنایی لامپ 11
 تنظیم پایه ها 11

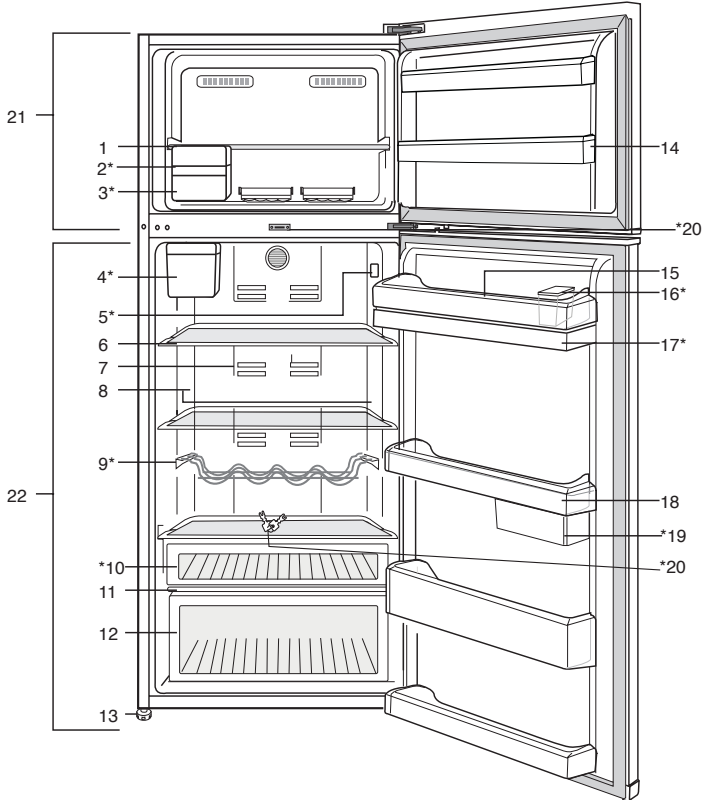
4 آماده سازی**12****5 استفاده از یخچال****13**

پانل نشانگر 13
 اخطار باز بودن درب 16
 فریز کردن غذای تازه 17
 توصیه هایی برای نگهداری غذای فریز شده 18
 استقرار مواد غذایی 18
 اطلاعات فریز عمیق 19
 شرح و تمیز کردن فیلتر بو: 20
 نگهدارنده تخم مرغ 20
 توزیع کننده آب 21
 ظرف نگهداری چرخان 23
 روشنایی آبی 24
 آپستیک خودکار 24
 یخ ساز و محفظه نگهداری یخ 25

6 نگهداری و تمیز کردن**26**

حفاظت سطوح پلاستیکی 62

7 عیب یابی**27**



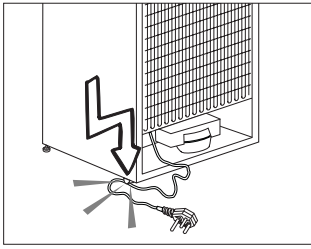
- | | |
|--------------------------------|-----------------------------------|
| 1. محفظه فریزر | 12. تاجیز بیسی راده گنل حم |
| 2. راکو خک یتمیسیا | 13. میظننل باقی اها میاپ |
| 3. خچی راده گنل فرظ | 14. رزیر فمظفحم برد مقیط |
| 4. کیتموتا زاسخوب آ ن زخم | 15. غرمخته مدن راده گنل |
| 5. ترار ده جرد تبعضو رگنانشد | 16. با عزیز و تریشن در کر پین زخم |
| 6. میظننل باقی ا شیشیت تا قیبط | 17. با مدنک عزیز و تن زخم |
| 7. ویر تلیف | 18. ل اچخه مظفحم برد تا قیبط |
| 8. ی پانشوری اهن نل | 19. ی یوشکوی شدرگه ریخذ فورظ |
| 9. یر طبه قیبط | 20. رزیر فمظفحم |
| 10. کنساشخید | 21. دیلک |
| 11. تاجیز بیسی راده گنل حمرواک | 22. اچخه مظفحم |

* اختیاری

❗ اشکالی که در این راهنمای دستور العمل ترسیم شده اند ممکن است مطابق با دستگاه شما نباشند. اگر قطعات مورد مشاهده مشمول دستگاهی که شما خریده اید نمی باشد میتواند برای مدل های دیگر باشد.

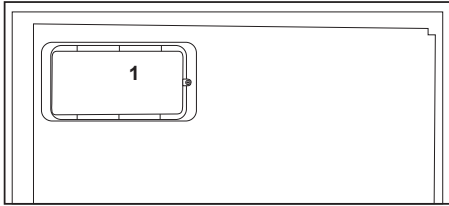
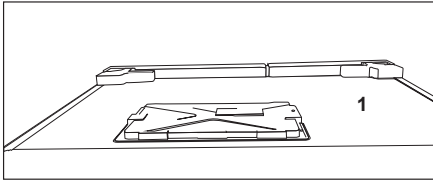
- یخچال مداخله نکنید و اجازه ندهید کسی در این موارد مداخله کند.
 - در محصولاتی که دارای محفظه فریزر می باشند، بستنی قیفی و یا قالب های یخ را بمحض خارج کردن از محفظه فریزر نخورید! (این امر ممکن است روی لب های شما ایجاد سرمازدگی نماید.)
 - در محصولاتی که دارای محفظه فریزر می باشند بطری و قوطیهای نوشیدنیهای مایع را در محفظه فریزر قرار ندهید. در غیر این صورت ، ممکن است منفجر شوند.
 - غذاهای فریز شده را با دست لمس نکنید ، ممکن است به دست های شما بچسبند.
 - قبل از تمیز کردن یا آب کردن یخ دستگاه دوشاخه را از پریز بیرون بکشید.
 - مواد تبخیری یا تمیز کننده تبخیری هرگز نباید برای تمیز کردن و یخ زدایی فریزر استفاده گردند. در چنین مواردی ، بخار گاز ممکن است با قطعات برقی تماس پیدا کند و موجب اتصال کوتاه و شوک الکتریکی گردد.
 - هرگز از قسمت های یخچال مثل درب بعنوان پشتیبان یا پله استفاده نکنید.
 - از وسایل برقی داخل یخچال استفاده نکنید.
 - لطفاً به اطلاعات زیر را مطالعه کنید. عدم رعایت این اطلاعات ممکن است باعث ایجاد جراحت یا آسیبهای جدی شود. در نتیجه کلیه ضمانت و تعهدات باطل خواهند شد. بعد از تاریخ خرید محصول، قطعات یدکی اصلی به مدت 10 سال ارائه می شوند.
- ### استفاده مجاز
- از دستگاه باید در این موارد استفاده شود:
 - در فضاهای سرپوشیده و بسته مانند منازل؛
 - در محیطهای کاری بسته مانند فروشگاهها و دفاتر؛
 - در مناطق سرپوشیده مانند خانه های روستایی، هتلها و پانسیونها.
 - از این محصول در بیرون از خانه نباید استفاده کرد.
- ### ایمنی عمومی
- اگر می خواهید این محصول را از رده خارج کنید، ما توصیه میکنیم بلحاظ کسب اطلاعات لازم با مقامات و سرویس مجاز مشورت نمایید.
 - کلیه سوالات و مشکلات مربوط به یخچال خود را با سرویس مجاز در میان بگذارید. بدون اطلاع سرویس مجاز در مسائل

- قسمت هایی که در آن مواد سرد کننده در گردش است با دریل کردن یا ابزار برشی صدمه نزنید. ماده سرد کننده ای که ممکن است بهنگام صدمه خوردن به کانالهای گاز، امتداد لوله یا سطوح پوششدار خارج شوند موجب صدمه زدن پوست و لطمه به چشم هاگردند.
- منافذ تهویه یخچال را با هیچ مانعی مسدود نکنید و نبوشانید.
- دستگاههای برقی فقط باید توسط افراد مجاز تعمیر شوند. تعمیرات توسط افراد فاقد صلاحیت ممکن است موجب ریسک شوک الکتریکی برای کاربر گردند.
- در صورت هر گونه خرابی یا بهنگام کارهای تعمیراتی برق یخچال را با کشیدن فیوز یا خارج کردن دوشاخه یخچال از برق شهر قطع نمایید.
- هنگام کشیدن دوشاخه از پریز، کابل برق را نکشید.
- اطمینان حاصل کنید که نوشیدنیهای دارای درصد بالای الکل به صورت ایمن قرار داده شدهاند و سر آنها محکم و شیشهها رو به قرار دارند.
- هرگز قوطیهای اسپری قابل اشتعال و مواد منفجره را در یخچال نگهداری نکنید.
- از وسایل مکانیکی یا ابزارهای دیگر برای تسریع یخ زدایی غیر از مواردیکه که کارخانه توصیه کرده است استفاده ننمایید.
- این دستگاه برای استفاده اشخاصی که دارای وضعیت ضعیف جسمانی (شامل کودکان)، حساسیت و یا عقب ماندگی ذهنی و یا عدم داشتن تجربه و درک صحیح از آن هستند نمی باشد، مگر اینکه اینگونه اشخاص تحت آموزش و یا سرپرستی توسط افرادی که مسئولیت حفاظت از آنها را دارند در رابطه با این دستگاه قرار داشته باشند.
- یک یخچال صدمه دیده را راه اندازی نکنید. در صورتی که با مشکلی روبرو شدید با نماینده سرویس تماس بگیرید.
- ایمنی الکتریکی یخچال شما وقتی تضمین می گردد که سیم اتصال زمین منزل شما با استانداردهای معین تطابق داشته باشد.
- بخاطر ایمنی الکتریکی، قرار دادن دستگاه در معرض باران، برف، آفتاب و باد خطر ناک است.
- در صورتی که سیم برق صدمه دیده باشد با سرویس مجاز تماس بگیرید تا از بروز خطر جلوگیری کنید.
- هرگز دوشاخه یخچال را بهنگام نصب به پریز برق نزنید. در غیر این صورت، ریسک جانی یا صدمات جدی بدنبال خواهد داشت.
- این یخچال برای ذخیره مواد



غذایی در نظر گرفته شده است.
از دستگاه برای موارد دیگر نباید استفاده شود.

- برچسب مشخصات فنی دستگاه در داخلی یخچال روی دیواره سمت چپ قرار گرفته است.
- هرگز یخچال خود را به سیستمهای صرفه جویی برق وصل نکنید. این دستگاهها به یخچال صدمه می زنند.
- اگر چراغ آبی در یخچال باشد، با چشم غیر مسلح یا ادوات بصری برای آن به مدت طولانی نگاه نکنید.
- برای دستگاههایی که به صورت دستی کنترل می شوند، حداقل ۵ دقیقه بعد از قطع شدن برق صبر کنید و پس از آن دستگاه را روشن کنید.
- این دفترچه راهنما در صورتی که دستگاه به فرد دیگری داده شود باید به او تحویل داده شود.
- از آسیب رساندن به سیم برق هنگام انتقال دستگاه جلوگیری بعمل آورید. خم کردن کابل ممکن است باعث آتش سوزی شود. هرگز اشیاء سنگین را روی کابل برق قرار ندهید. با دستان خیس دوشاخه دستگاه را به پریز وصل نکنید.
- دوشاخه یخچال را در صورتی که پریز برق شل باشد یا خراب باشد به پریز وصل نکنید.
- به خاطر مسائل ایمنی آب نباید به طور مستقیم روی قطعات داخلی یا خارجی دستگاه پاشیده شود.
- مواد حاوی گازهای قابل اشتعال مانند گاز پروپان را در مجاورت دستگاه اسپری نکنید تا از خطر آتش سوزی و انفجار جلوگیری بعمل آورید.
- هرگز ظروف پر شده از آب را در بالای یخچال قرار ندهید در غیر این صورت برق گرفتگی یا آتش سوزی به وجود خواهد آمد.
- یخچال خود را بیش از حد پر نکنید. در صورتی که در یخچال بیش از حد مواد قرار دهید، مواد غذایی ممکن است سقوط کرده و به شما و یخچال به هنگام باز کردن در صدمه بزنند. هرگز اشیاء را در بالای یخچال قرار ندهید. این اشیاء ممکن است هنگام باز و بسته کردن در یخچال سقوط کنند.
- محصولاتی که نیاز به کنترل دقیق درجه حرارت دارند مانند واکسن،



داروهای حساس به حرارت، مواد علمی و غیره را نباید در یخچال نگهداری کرد.

- اگر برای مدت طولانی از یخچال استفاده نمی کنید، دوشاخه آن را از پریز بیرون بکشید. اگر سیم برق آسیب دیده باشد، ممکن است باعث آتش سوزی شود.

- یخچال را می توانید در صورتی که پایه های قابل تنظیم روی کف زمین قرار نگرفته باشند، جابجا کنید. تنظیم کردن صحیح پایه های قابل تنظیم روی کف زمین می تواند از حرکت دستگاه جلوگیری بعمل آورد.

- هنگام حمل دستگاه، آن را از دسته در نگه ندارید. در غیر این صورت می شکند.

- هنگامی که می خواهید دستگاه را در کنار یخچال یا فریزر دیگر قرار دهید، فاصله بین دستگاهها باید حداقل ۸ سانتی متر باشد. در غیر این صورت، ممکن است روی دیواره های کناری دستگاه قطرات آب جمع شود.

- اگر قسمت بالا یا پشت محصول دارای برچسب مربوط به مدار الکترونیکی باز داخل دستگاه است (روکش صفحه مدار الکترونیکی چاپ شده) (1)، هرگز از دستگاه استفاده نکنید.

در محصولاتی که دارای شیر آب می باشند؛

فشار آب سرد ورودی باید حداکثر 90 (6.2 psi) بار باشد. اگر فشار آب بیشتر از 80 (5.5 psi) بار است، از یک سوپاپ محدودکننده فشار در سیستم برق استفاده کنید. اگر نمی دانید چطور فشار آب را بررسی کنید، از یک لوله کش متخصص راهنمایی دریافت کنید.

اگر این احتمال وجود دارد که مشکل آبچکش ایجاد شود، همیشه از تجهیزاتی برای جلوگیری از بروز آبچکش استفاده کنید. اگر مطمئن نیستید مشکل آبچکش پیدا می کنید یا خیر، با یک لوله کش متخصص صحبت کنید.

ورودی آب گرم نصب نکنید. رای

نیاندازید. آنها را به نقاط جمع آوری مواد بسته بندی که توسط مقامات محلی تعیین شده است ببرید.

هشدار HC

اگر دستگاه شما حاوی ماده خنک کننده R600a می باشد موارد زیر را در نظر بگیرید:

این گاز قابل اشتعال است. بنابراین، توجه داشته باشید که سیستم سرمایش و لوله ها در خلال استفاده و حمل و نقل صدمه نبینند. در صورت صدمه دیدن، دستگاه را در معرض آتش قرار ندهید، دستگاه باید از منابع بالقوه آتشزا که موجب آتش گرفتن می شود دور باشد و هوای اتاقی که دستگاه در آن قرار دارد باید تهویه گردد.

در صورتی که دستگاه شما حاوی R134a است این هشدار را نادیده بگیرید.

نوع گاز استفاده شده در این دستگاه در پلاک مدل دستگاه که در داخل یخچال در دیوار سمت چپ قرار گرفته است، قید شده است.

برای دفع دستگاه هرگز آن را در آتش نیاندازید.

کارهایی که برای صرفه جویی انرژی باید انجام داد.

- در های یخچال را برای مدت طولانی باز نگذارید.
- مواد غذایی یا نوشیدنی داغ در یخچال نگذارید.
- یخچال را بیش از اندازه بارگیری نکنید بطوریکه از گردش هوای داخل آن جلوگیری شود.
- یخچال را در معرض اشعه مستقیم آفتاب یا در مجاورت وسایل گرمزا مثل اجاق یا ماشین ظرفشویی یا رادیاتور قرار ندهید.
- توجه کنید که مواد غذایی را در ظروف دربست نگهداری کنید.
- در محصولاتی که دارای بخش فریزر می باشند؛ هنگامی که طبقه یا کشوی فریزر را بردارید می توانید حداکثر مقدار مواد غذایی را در آن ذخیره کنید. مقدار انرژی مصرفی قید شده در یخچال شما بر اساس برداشتن طبقه یا کشوی فریزر و تحت حداکثر میزان بار تعیین شده است. استفاده از کشو یا طبقه بر اساس اندازه و شکل مواد غذایی که باید منجمد شود، خطری ندارد.
- آب کردن یخ مواد غذایی منجمد در بخش یخچال هم باعث صرفه جویی در مصرف انرژی شده و هم کیفیت مواد غذایی را حفظ می کند.

جلوگیری از یخ زدن شیرهای آب، مراقب باشید. دمای آب مورد استفاده باید حداقل 33 درجه فارنهایت (0.6 درجه سانتی گراد) و حداکثر 100 درجه فارنهایت (38 درجه سانتی گراد) باشد.

- فقط از آب آشامیدنی استفاده کنید.

ایمنی کودکان

- اگر در دارای قفل باشد، کلید را باید از دسترس کودکان دور نگاه داشت.
- باید بر کار کودکان نظارت کرد تا یخچال را دستکاری نکنند.

پیروی از مقررات WEEE و دور انداختن محصول

این محصول مطابق با بخشنامه EU (WEEE) (2012/19/2012) می باشد. این دستگاه در بردارنده نماد طبقه بندی برای ضایعات تجهیزات الکترونیکی و الکترونیکی می باشد (WEEE).



این دستگاه توسط قطعات و مواد دارای کیفیت بالا ساخته شده است که می توان آنان را مجدداً استفاده کرد و برای بازیافت مناسب می باشند. بنابراین دستگاه را در پایان عمر دستگاه مانند زباله های خانگی دور نیاندازید. آن را به محل تحویل بازیافت محصولات برقی و الکترونیکی ببرید. لطفاً با مقامات محلی برای پیدا کردن نزدیکترین مراکز جمع آوری تماس بگیرید.

تطابق با بخشنامه RoHS:

دستگاهی که خریداری کرده اید مطابق با بخشنامه EU (RoHS) (2011/65/2011) می باشد. این دستگاه حاوی مواد مضر و ممنوع مشخص شده در بخشنامه نمی باشد.

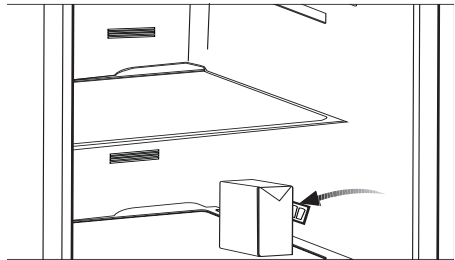
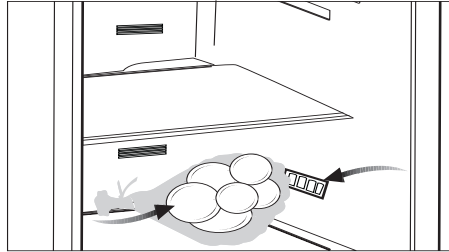
اطلاعات بسته بندی

مواد بسته بندی این محصول از مواد قابل بازیافت مطابق بر مقررات ملی محیط زیست ما ساخته شده اند. مواد بسته بندی را همراه با زباله خانگی یا سایر زباله ها دور

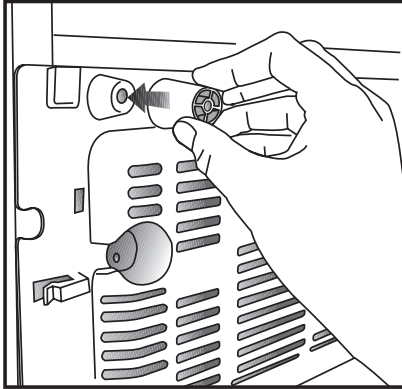
توصیه های مربوط به محفظه مواد غذایی تازه

ی‌رایتخا*

- لطفا اجازه ندهید مواد غذایی تازه با حسگر درجه حرارت در بخش مواد غذایی تازه تماس داشته باشد. برای حفظ درجه حرارت مناسب در بخش مواد غذایی تازه حسگر نباید با مواد غذایی تماس داشته باشد.
- غذای داغ را در یخچال قرار ندهید.



2. می‌توانید 2 گوه پلاستیکی را به صورتی که در تصویر نمایش داده شده است نصب کنید. گوه های پلاستیکی فاصله لازم بین یخچال و دیوار را بوجود می‌آورند تا هوا بتواند گردش کند. (شکل نمایش داده شده فقط جهت مثال می‌باشد و با محصول شما دقیقاً مطابقت ندارد.)



3. داخل یخچال را به صورت توصیه شده در بخش "نگهداری و تمیز کردن" تمیز کنید.
4. دوشاخه یخچال را در پریز برق بزنید. وقتی که در یخچال باز میشود لامپ داخلی روشن خواهد گردید.
5. شما صداهایی را بهنگام کار کمپرسور خواهید شنید. گازها و مایعات درونی سیستم یخچال حتی اگر کمپرسور کار نکند ممکن است موجب نویز گردند که این امر کاملاً طبیعی است.
6. لبه های جلویی یخچال ممکن است گرم شوند. این امر نرمال است. این نواحی به منظور گرم شدن برای پرهیز از تراکم طراحی شده اند.

⚠ لطفاً بخاطر داشته باشید که اگر موارد مندرج در کتابچه راهنما رعایت نگردد کارخانه مسئول نخواهد بود.

نکاتی که هنگام انتقال دوباره یخچال باید در نظر گرفته شود

1. یخچال شما باید قبل از حمل و نقل، خالی و تمیز شده باشد.
 2. طبقات، متعلقات، محل نگهداری سبزیجات و غیره داخل یخچال شما برای جلوگیری از تکان خوردن باید با نوار چسب قبل از بسته بندی محکم بسته شوند.
 3. بسته بندی باید با نوار چسب کاغذی ضخیم و طناب محکم انجام پذیرد و مقررات مندرج در کتابچه راهنما رعایت شود.
- لطفاً موارد زیر را فراموش نکنید ...**
- هر مواد باز یافتی یک منبع ضروری برای طبیعت و منابع ملی ما است.
- اگر می‌خواهید در باز یافت مواد بسته بندی مشارکت کنید، می‌توانید اطلاعات بیشتری از مقامات محلی یا محیط زیست خود کسب کنید.

قبل از کار کردن با یخچال

- قبل از راه اندازی دستگاه برای استفاده موارد زیر را بررسی کنید:
1. آیا داخل یخچال خشک است و هوا می‌تواند آزادانه در پشت آن به گردش درآید؟

اتصالات برقی

دستگاه را با یک پریز ارت دار که توسط یک فیوز حفاظت شده است و دارای ظرفیت مناسب است به برق وصل کنید.

- اتصال باید مطابق مقررات کشوری باشد.
- دوشاخه برق باید بعد از نصب به آسانی در دسترس باشد.
- ولتاژ تعیین شده باید برابر با ولتاژ برق منزل باشد.
- از کابل‌های اتصال و دوشاخه‌های چند راهه نباید برای اتصال استفاده کرد.

⚠ یک کابل برق صدمه دیده را باید یک بار کار مجاز تعویض نماید.

⚠ این محصول را نباید قبل از تعمیر کردن بکار انداخت! خطر برق گرفتگی وجود دارد!

دور انداختن بسته بندی

مواد بسته بندی ممکن است برای بچه ها خطرناک باشد. مواد بسته بندی را دور از دسترس کودکان نگه داری کنید یا آنها را با طبقه بندی کردن بر اساس دستورالعمل دفع زباله دور بیندازید. این مواد را مانند زباله خانگی دور نیندازید. بسته بندی یخچال شما از مواد قابل بازیافت تولید شده است.

از رده خارج کردن ماشین قدیمی

یخچال خود را بدون صدمه رساندن به محیط زیست دور بیندازید.

- می توانید با فروشنده مجاز دستگاه یا مرکز جمع آوری زباله شهرداری خود در مورد دور انداختن یخچال تماس بگیرید.

قبل از دور انداختن یخچال، دوشاخه برق را بچینید و اگر روی در قفل وجود دارد آن را از کار بیندازید تا از کودکان در برابر هر گونه خطری حفاظت کنید.

تغییر دادن میزان روشنایی لامپ

برای تعویض لامپ روشنایی یخچال، لطفاً سرویسکار مجاز را فرا خوانید.

نشور یاربه ماگتسد نیا رد مدافتسا دروم یاه غارچ نیا بصذ زا فده .دنتسید بسانه مناخ نورد یاضف ندرک رد ییاذغ داوم نداد رارق یارب ربراک به کسک اه غارچ .تسنا تشار و نمیا ی شور به رزیر/ل اچخید

طیارش تسیابیم ملیسو نیا رد مدافتسا دروم یاهیملا ریز دارگیتناسه مجرد ۲۰ یامد نوچمه ی تخسد ی کیزیف دندک لمحت ار رفص

قرار دادن در محل و نصب

⚠ اگر درب ورودی اتاقی که میخواهید یخچال را در آن قرار دهید به اندازه کافی عریض نیست تا یخچال از آن عبور کند، از سرویس مجاز بخواهید که درب ها را از یخچال شما باز کند و یکطرفه از میان درب آن را عبور دهد.

1. یخچال را در محلی قرار دهید که براحتی بتوانید از آن استفاده کنید.

2. یخچال را دور از منابع گرما، محل های مرطوب و اشعه مستقیم آفتاب قرار دهید.

3. برای عملکرد موثر یخچال، تهویه کافی و مناسب باید در اطراف یخچال در نظر گرفته شود. اگر یخچال در فرورفتگی دیوار قرار میگیرد، حداقل 5 سانتیمتر فاصله از سقف و 5 سانتیمتر از دیوار باید در نظر گرفته شود. اگر کف محل با فرش یا موکت پوشیده شده است، دستگاه باید با فاصله 2.5 سانتیمتر از کف بالانس گردد.

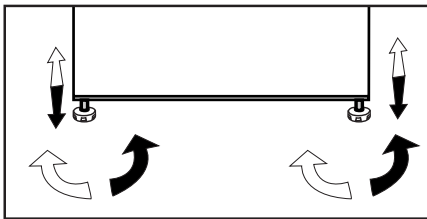
4. یخچال را برای پرهیز از تکان خوردن در سطح هموار قرار دهید.

5. یخچال را در دمای محیط زیر 10 درجه سانتیگراد قرار ندهید.

تنظیم پایه ها

اگر یخچال شما بالانس نیست:

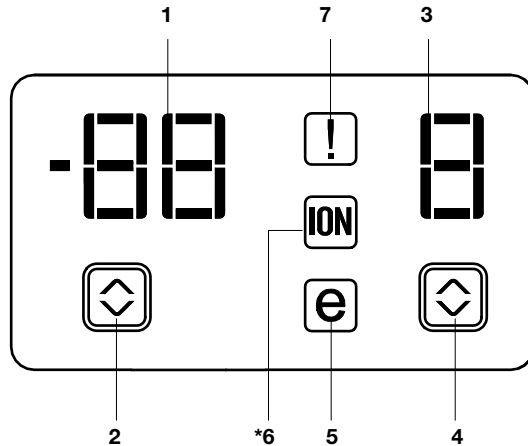
شما میتواند یخچال را با چرخاندن پایه های جلویی به گونه ای که در شکل نشان داده شده است بالانس کنید. هنگامی پایه پایین میاید که آن را در جهت پیکان سیاه بچرخانید و هنگامی بلند میشود که در جهت عکس آن را بچرخانید. گرفتن کمک از شخصی که کمی یخچال را بلند کند این کار را تسهیل میکند.



- یخچال شما باید در محلی با حداقل 30 سانتیمتر فاصله از منابع گرمازا مثل بخاری دیواری، اجاق، شوفاژ و فر و با 5 سانتیمتر فاصله از اجاق های برقی نصب گردد و نباید در معرض مستقیم اشعه آفتاب قرار گیرد.
- دمای محیط اتاق که یخچال در آن قرار گرفته است باید حداقل 10 درجه سانتیگراد باشد. راه اندازی یخچال در شرایط محیطی سردتر از این با توجه به راندمان یخچال توصیه نمی گردد.
- لطفا مطمئن شوید که داخل یخچال شما کاملاً تمیز می باشد.
- اگر دو یخچال کنار یکدیگر قرار می گیرند باید حداقل 2 سانتیمتر از هم دیگر فاصله داشته باشند.
- وقتیکه یخچال برای بار اول راه اندازی می شود، لطفا موارد زیر را در خلال کارکرد شش ساعت اول رعایت نمایید.
 - درب نباید متناوباً باز گردد.
 - باید بدون قرار دادن مواد غذایی و خالی کار کند.
 - یخچال را بیش از حد بارگیری نکنید. اگر برق قطع گردید، لطفاً به قسمت اخطارها " کارهایی که باید قبل از فراخواندن سرویس مجاز انجام دهید" مراجعه کنید.
- بسته بندی اصلی و مواد فومی باید برای حمل و نقل با جابجایی آتی نگهداری گردد.
- سبدها/کشوهای که در قسمت خنک کننده هستند از انرژی کمی استفاده می کنند و برای شرایط نگهداری بهتر در نظر گرفته شده اند.
- تماس مواد غذایی با حسگر دما در قسمت فریزر می تواند سبب افزایش میزان مصرف انرژی دستگاه شود. بنابراین نباید با حسگر تماس برقرار شود.
- در بعضی از مدل ها صفحه وسیله به صورت خودکار 5 دقیقه بعد از بسته شدن درب خاموش می شود. وقتی دوباره درب باز شد یا هر کلیدی فشرده شد، مجدداً فعال می شود.
- به علت تغییر درجه حرارت ناشی از باز کردن/بستن در دستگاه در حین کار، انقباض قفسه های در/داخل دستگاه و محفظه های شیشه ای معمولی است."

پانلهای نشانگر ممکن است بر حسب مدل متفاوت باشند.

پانل علائم با استفاده از عملکردهای صوتی و دیداری به شما در استفاده از یخچال کمک می کند.



1. نشاندهنده دمای محفظه فریزر

2. نشاندهنده وضعیت خطا

3. نشاندهنده دمای محفظه یخچال

4. دکمه تنظیم درجه حرارت محفظه یخچال

5. نشاندهنده حالت اقتصادی

6. نشانگر یون ساز

7. دکمه تنظیم درجه حرارت محفظه فریزر

1. نشاندهنده دمای محفظه فریزر

این نشان میدهد که دما برای محفظه فریزر تنظیم می باشد.

2. نشاندهنده وضعیت خطا

اگر یخچال به اندازه کافی خنک نشود یا اگر حسگر خراب شود این نشانگر فعال خواهد شد. هنگامی که این نشانگر فعال باشد، نشانگر درجه حرارت بخش فریزر "e" را نمایش خواهد داد و نشانگر درجه حرارت بخش یخچال اعدادی مانند "1,2,3..." را نمایش خواهد داد. این اعداد در نشانگر اطلاعاتی در مورد خطایی که رخ داده است را به پرسنل سرویس ارائه خواهد نمود.

3. نشاندهنده دمای محفظه یخچال

این نشان میدهد که دما برای محفظه یخچال تنظیم شده است.

4. دکمه تنظیم درجه حرارت محفظه یخچال

این دکمه را به ترتیب برای تنظیم درجه حرارت محفظه یخچال به ترتیب در درجه حرارتهای 8، 6، 4، 2، 8، ... فشار دهید. این دکمه را فشار دهید تا درجه حرارت دلخواه بخش یخچال را انتخاب کنید.

5. نشاندهنده حالت اقتصادی

نشاندهنده این است که یخچال در حالت صرفه جویی انرژی در حال کار است.

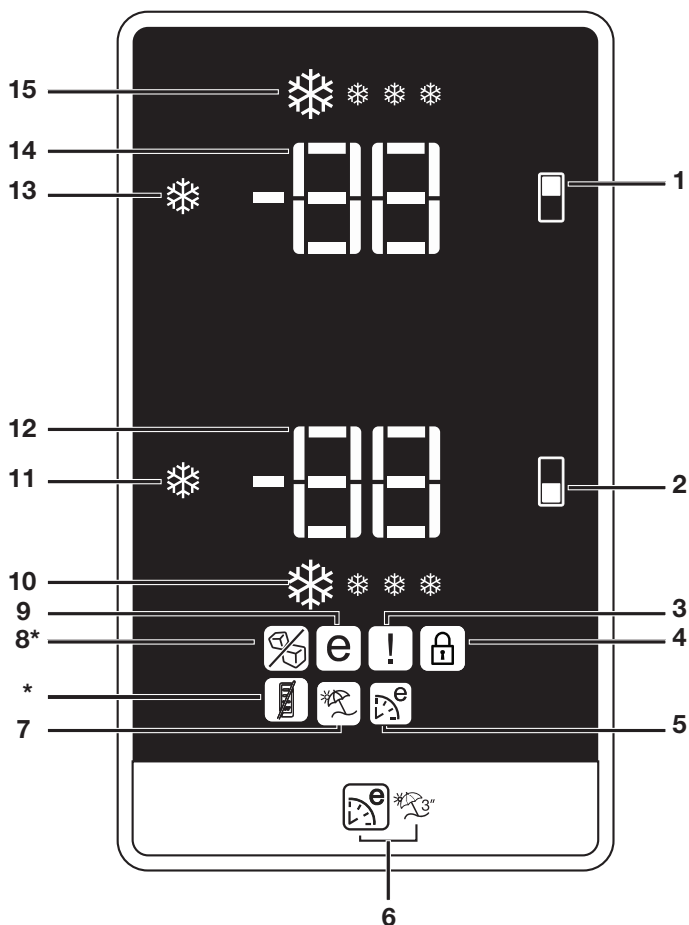
6. نشانگر یون ساز

چراغ نشانگر بطور دائم روشن می ماند. این چراغ نشان میدهد که یخچال شما در مقابل باکتری محافظت میگردد.

7. دکمه تنظیم درجه حرارت محفظه فریزر

این دکمه را به ترتیب برای تنظیم درجه حرارت محفظه فریزر در درجه حرارتهای 18، -20، -22 و -24، ... فشار دهید. این دکمه را فشار دهید تا درجه حرارت دلخواه بخش فریزر را انتخاب کنید.

❶ اشکالی که در این راهنمای دستورالعمل ترسیم شده اند ممکن است مطابق با دستگاه شما نباشند. اگر قطعات مورد مشاهده مشمول دستگاهی که شما خریده اید نمی باشد میتواند برای مدل های دیگر باشد.



- | | |
|---|------------------------------------|
| 1. تنظیم بخش فریزر/دکمه روشن خاموش کردن یخ ساز | 9. نشانگر استفاده اقتصادی |
| 2. دکمه تنظیم محافظه یخچال | 10. نشاندهنده عملکرد یخچال سریع |
| 3. نشاندهنده وضعیت خطا | 11. عملکرد سرد کردن سریع یخچال |
| 4. نشاندهنده قفل کلید | 12. نشانگر تنظیم دمای محافظه یخچال |
| 5. نشاندهنده عملکرد اکستر اکو | 13. دکمه عملکرد فریز سریع |
| 6. دکمه اکو اکسترا/تعطیلات | 14. نشانگر تنظیم دمای محافظه فریزر |
| 7. نشانگر عملکرد تعطیلات | 15. نشانگر عملکرد فریز کردن سریع |
| 8. نشانگر خاموش بودن یخ ساز (*در برخی از مدلها) | |

❗ اشکالی که در این راهنمای دستور العمل ترسیم شده اند ممکن است مطابق با دستگاه شما نباشند. اگر قطعات مورد مشاهده مشمول دستگاهی که شما خریده اید نمی باشند میتواند برای مدل های دیگر باشد.

1. تنظیم بخش فریزر/دکمه روشن خاموش کردن یخ ساز

این عملکرد به شما اجازه می دهد تا درجه حرارت محفظه فریزر را تنظیم کنید. این دکمه را به ترتیب برای تنظیم درجه حرارت محفظه فریزر در درجه حرارت‌های 18-، 20-، 22- و 24- فشار دهید.

جهت توقف از ساخته شده یخ، دکمه یخ ساز برای 3 ثانیه فشار داده شود. جریان آب از مخزن آب هنگامی که این عملکرد انتخاب شود متوقف می گردد. با این وجود، یخی که قبلاً ساخته شده است را می توان از توزیع کننده دریافت کرد. جهت شروع مجدد ساخته شدن یخ، دکمه یخ ساز برای 3 ثانیه فشار داده شود.

2. دکمه تنظیم درجه حرارت محفظه یخچال

این عملکرد به شما اجازه می دهد تا درجه حرارت محفظه یخچال را تنظیم کنید. این دکمه را به ترتیب برای تنظیم درجه حرارت محفظه یخچال در درجه حرارت‌های 8، 6، 4 و 2 فشار دهید.

3. نشاندهنده وضعیت خطا

اگر یخچال به اندازه کافی خنک نشود یا اگر حسگر خراب شود این نشانگر فعال خواهد شد. هنگامی که این نشانگر فعال باشد، نشانگر درجه حرارت بخش فریزر "E" را نمایش خواهد داد و نشانگر درجه حرارت بخش یخچال اعدادی مانند "1,2,3..." را نمایش خواهد داد. این اعداد در نشانگر اطلاعاتی در مورد خطایی که رخ داده است را به پرسنل سرویس ارائه خواهد نمود.

هنگامی که غذای داغ را در بخش فریزر قرار می دهید یا در را برای مدت طولانی باز بگذارید، علامت تعجب برای مدتی روشن خواهد شد. این نشانه خرابی نیست؛ این هشدار هنگامی که مواد غذایی خنک شوند محو می گردد.

4. نشاندهنده قفل کلید

از این عملکرد هنگامی استفاده کنید که نمی خواهید تنظیم درجه حرارت یخچال تغییر داده شود. دکمه تنظیم درجه حرارت بخش یخچال و دکمه تنظیم درجه حرارت بخش فریزر را همزمان به مدت طولانی (3 ثانیه) فشار دهید تا این ویژگی فعال شود.

5. نشاندهنده عملکرد اکسترا اکو

این نشانگر فعال بودن عملکرد اکسترا اکو را نشان می دهد.

اگر این عملکرد فعال باشد، یخچال شما به صورت اتوماتیک آخرین دوره استفاده را شناسایی خواهد کرد و خنک کنندگی با صرفه جویی در انرژی در این زمانها انجام داده خواهد شد. نشانگر اقتصادی هنگام اجرای خنک کنندگی با صرفه جویی در انرژی فعال خواهد شد. دکمه مربوطه را مجدداً فشار دهید تا عملکرد انتخاب شده غیر فعال شود.

6. دکمه اکو اکسترا/تعطیلات

دکمه Eco Extra را برای مدت کوتاه جهت فعال کردن عملکرد فشار دهید. این دکمه را برای 3 ثانیه فشار دهید و ننگه دارید تا عملکرد تعطیلات فعال شود. این دکمه را مجدداً فشار دهید تا عملکرد انتخاب شده غیر فعال شود.

7. نشانگر عملکرد تعطیلات

این نشانگر فعال بودن عملکرد تعطیلات را نشان می دهد. اگر این عملکرد فعال باشد، "- -" در بخش نشانگر یخچال نمایش داده می شود و هیچ نوع خنک کنندگی در بخش یخچال انجام داده نخواهد شد. سایر بخشها مطابق درجه حرارتی که برای آنان تنظیم شده است کار خواهند کرد.

دکمه مربوطه را مجدداً فشار دهید تا عملکرد انتخاب شده غیر فعال شود.

8. نشاندهنده خاموش بودن یخ

ایسمتیک تا زمانی که این نشانگر فعال باشد کار نخواهد کرد. به مورد 1 برای فعال کردن ایسمتیک مراجعه کنید.

9. نشاندهنده حالت اقتصادی

نشاندهنده این است که یخچال در حالت صرفه جویی انرژی در حال کار است. درجه حرارت محفظه فریزر این نشانگر در صورتی فعال خواهد بود که این عملکرد روی 18- یا روی خنک‌کنندگی با صرفه جویی در انرژی به خاطر فعال بودن عملکرد اکو اکسترا تنظیم شده باشد.

10. نشاندهنده سرد کردن سریع

این آیکون به صورت متحرک هنگامی که عملکرد سرد کردن سریع فعال است چشمک خواهد زد.

11. عملکرد سرد کردن سریع

وقتی که دکمه Quick Fridge (یخچال سریع) را فشار دهید، دمای محفظه سردتر از مقادیر تنظیم شده خواهد شد.

این عملکرد میتواند برای گذاشتن مواد غذایی در محفظه یخچال و نیاز به سرد شدن سریع آنها مورد استفاده قرار گیرد.

اگر بخواهید مقدار زیادی از مواد تازه را خنک کنید، توصیه می‌شود که این ویژگی را قبل از قرار دادن مواد در درون یخچال فعال کنید.

نشانگر خنک سریع هنگامی که عملکرد خنک کردن سریع روشن باشد، روشن می‌شود. برای لغو کردن این عملکرد دکمه خنک کردن سریع را دوباره فشار دهید.

اگر آن را لغو نکنید، سرد کردن سریع بعد از 4 ساعت یا هنگامی که محفظه یخچال به درجه حرارت دلخواه رسید به طور اتوماتیک خود را خاموش می‌کند.

این عملکرد هنگامی که برق دستگاه بعد از قطع برق مجدداً وصل شود مجدداً شروع به کار خواهد کرد.

12. نشاندهنده دمای محفظه یخچال

این نشان می‌دهد که دما برای محفظه یخچال تنظیم می‌باشد.

13. نشاندهنده دمای محفظه فریزر

این نشان می‌دهد که دما برای محفظه فریزر تنظیم می‌باشد.

14. عملکرد فریز کردن سریع

نشانگر فریز کردن سریع هنگامی که عملکرد فریز سریع روشن باشد، روشن می‌شود. برای لغو کردن این عملکرد دکمه فریز کردن سریع را دوباره فشار دهید. نشاندهنده فریز سریع خاموش خواهد شد و به تنظیمات نرمال برمی‌گردد. اگر آن را لغو نکنید، فریز کردن سریع بعد از 8 ساعت یا هنگامی که محفظه فریزر به درجه حرارت دلخواه رسید به طور اتوماتیک خود را خاموش می‌کند.

اگر میخواهید حجم زیادی از مواد غذایی تازه را فریز کنید، دکمه انجماد سریع را قبل از گذاشتن مواد غذایی در محفظه فریزر فشار دهید.

اگر دکمه فریز سریع را مکرراً در فواصل کوتاه فشار دهید، حفاظت مدار الکترونیکی فعال می‌شود و کمپرسور فوراً بکار نخواهد افتاد.

این عملکرد هنگامی که برق دستگاه بعد از قطع برق مجدداً وصل شود مجدداً شروع به کار خواهد کرد.

15. نشاندهنده فریز کردن سریع

این آیکون به صورت متحرک هنگامی که عملکرد فریز سریع فعال است چشمک خواهد زد.

اخطار باز بودن درب

(این ویژگی ممکن است بر حسب در محصول متفاوت باشد و ممکن است در برخی از مدلها وجود نداشته باشد.)

یک صدای هشدار هنگامی که در دستگاه باز مانده باشد برای حداقل ۱ دقیقه پخش خواهد شد. این هشدار هنگامی که در بسته شود یا یکی از دکمه های صفحه نمایش (در صورت وجود) فشار داده شود، قطع خواهد شد.

فریز کردن غذای تازه

- مواد غذایی فریز شده باید فوری بعد از آب شدن آنها مصرف شوند و هرگز نباید دوباره فریز شوند.
- لطفا دستور العمل های زیر را برای کسب بهترین نتیجه رعایت کنید.
- 1. مقادیر زیاد غذا را در یک زمان فریز نکنید. نگهداشتن بهترین کیفیت غذا وقتی میسر است که بسرت تا عمق آن فریز شود.
- 2. * قرار دادن غذای گرم در محفظه فریزر باعث میشود تا سیستم خنک کننده بطور مستمر کار کند تا غذا منجمد شود.
- 3. بخصوص مراقب باشید که غذای فریز شده با غذای تازه مخلوط نگردد.
- مواد غذایی که بر روی بسته بندی استفاده میشود باید از جنس محکم و در مقابل سرما، رطوبت، بو، روغن و اسیدها مقاوم باشند و هوا بند را امکان سازند.. بعلاوه آنها باید خوب بسته شوند و از موادی که راحت استفاده میشوند تهیه گردند بطوریکه برای استفاده فریز کردن عمقی مناسب باشند.

توضیحات	تنظیم بخش یخچال	تنظیم بخش فریزر
این تنظیمات نرمال توصیه شده است.	۴ درجه سانتی گراد	۱۸- درجه سانتی گراد
این تنظیمات وقتی توصیه می گردد که درجه دمای محیط بیش از ۳۰ درجه سانتیگراد باشد.	۴ درجه سانتی گراد	۲۰- ، ۲۲- یا ۲۴- درجه سانتیگراد
وقتی میخواهید مواد غذایی خود را در یک زمان کوتاه استفاده کنید از این تنظیم استفاده کنید. یخچال شما بعد از اینکه اینکار را انجام دادید به حالت قبلی بازمیگردد.	۴ درجه سانتی گراد	اریز سریع
اگر فکر میکنید که محفظه یخچال شما به اندازه کافی بعلت شرایط گرما سرد نیست یا درب متناوباً باز و بسته شده است.	۲ درجه سانتی گراد	۱۸- درجه سانتیگراد یا سردتر
میتوانید از این استفاده کنید و حتیکه محفظه یخچال بیش از حد بارگیری شده یا میخواهید به سرعت مواد غذایی را سرد کنید. توصیه می شود که عملکرد خنک کنندگی سریع را ۱-۸ ساعت قبل از قرار دادن ماده غذایی فعال کنید.	سرد شدن سریع	۱۸- درجه سانتیگراد یا سردتر

توصیه هایی برای نگهداری غذای فریز شده.

استقرار مواد غذایی

- غذاهای از قبل بسته بندی شده تجارتي باید بر اساس دستورالعمل های کارخانه برای یک ******* (4 ستاره) در محفظه نگهداری مواد غذایی نگهداری گردند.
 - به منظور حصول اطمینان از کیفیت بالای مواد فریز شده کارخانه ای و حفظ کیفیت خرده فروشان مواد غذایی، موارد زیر باید رعایت گردد:
 1. بعد از خرید هر چه سریعتر بسته های غذا را در فریزر قرار دهید.
 2. مطمئن شوید که محتویات بسته دارای برچسب و تاریخ باشد.
 3. از تاریخ " استفاده تا" یا " بهترین مصرف قبل از" روی بسته بیشتر استفاده نکنید.
- دیفراست کردن**
محفظه فریزر بصورت اتوماتیک دیفراست می شود.

طبقات محفظه فریزر	غذاهای مختلف فریز شده مثل گوشت، ماهی، بستنی، سبزیجات و غیره.
نگهدارنده تخم مرغ	تخم مرغ
طبقات محفظه یخچال	مواد غذایی در قابلمه ها، سینی ها و ظروف دربسته
طبقات درب محفظه یخچال	مواد غذایی کوچک و بسته بندی شده شده یا نوشیدنی ها(مثل شیر، آب میوه و غیره)
محل نگهداری سبزیجات	سبزیجات و میوه ها
محفظه نگهداری مواد تازه	محصولات غذایی حاضری (پنیر، کره، سالامی و غیره)

اطلاعات فریز عمیق

و قتیکه مواد غذایی در یخچال برای حفظ کیفیت نگهداری میشوند باید سرعت فریز شوند .

امکان اینکه مواد غذایی را برای یک مدت طولانی تر نگه داشت فقط در -18 درجه سانتیگراد یا دمای پایین تر وجود دارد.

شما میتوانید تازگی مواد غذایی را برای ماه ها حفظ کنید) در دمای -18 یا دمای پایین تر در وضعیت فریز عمیق)

⚠️! خطر!

• مواد غذایی باید بر اساس استفاده روزانه خانواده و یا بر مصرف پایه وعده غذایی تقسیم گردد.

• مواد غذایی باید بسته بندی و هوا بندی گردد بگونه ای که از خشک شدن آن جلوگیری شود حتی اگر برای یک مدت کوتاه نگهداری میشوند.

• مواد ضروری برای بسته بندی:

• نوار چسب مقاوم در مقابل سرما

• برچسب خود چسب

• کشهای حلقه ای لاستیکی

• خودکار

موادی که برای بسته بندی مواد غذایی استفاده میشود باید از جنس محکم و در مقابل سرما، رطوبت، بو، روغن و اسیدها مقاوم باشند.

مواد غذایی را که قرار است فریز شوند نباید در تماس با اقلام فریز شده قبلی قرار داد تا از آب شدن بخشی از یخ آنها جلوگیری گردد.

مواد غذایی فریز شده باید فوری بعد از آب شدن آنها مصرف شوند و هرگز نباید دوباره فریز شوند.

شرح و تمیز کردن فیلتر بو:

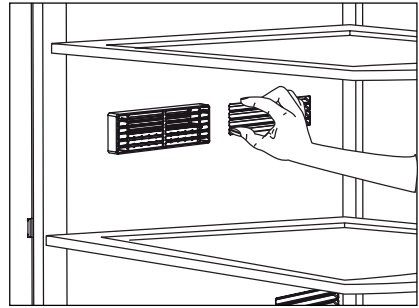
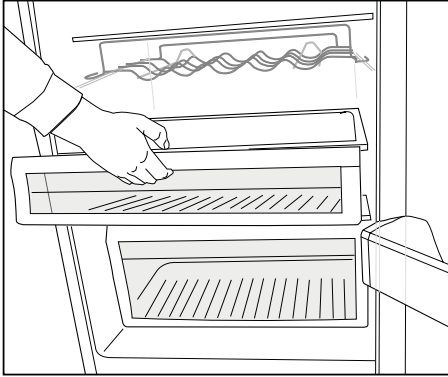
بخش اسنک



فیلتر بو از جمع شدن بو در یخچال شما جلوگیری به عمل می آورد.

قابلی که فیلتر درون آن قرار گرفته است را به صورتی که در تصویر نمایش داده شده است به پایین بکشید. فیلتر را برای یک روز زیر نور خورشید قرار دهید. فیلتر در این مدت تمیز خواهد شد. فیلتر را دوباره در محل خود نصب کنید.

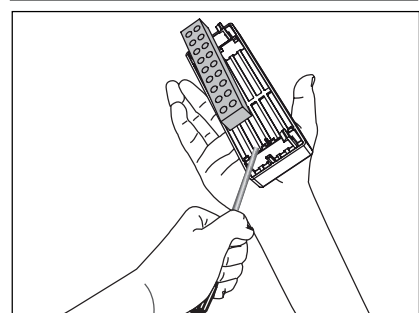
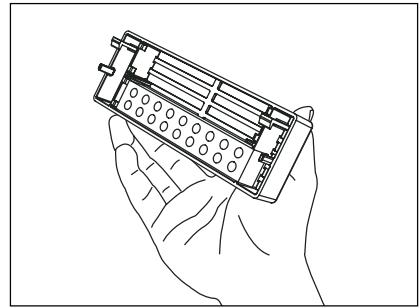
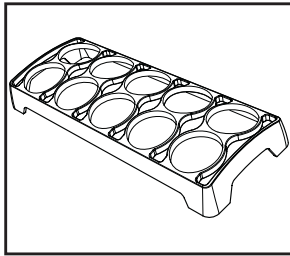
فیلتر بو باید سالی یکبار تمیز شود.



نگهدارنده تخم مرغ

شما می‌توانید نگهدارنده تخم مرغ را به درب مورد نظر یا بدنه طبقه نصب کنید.

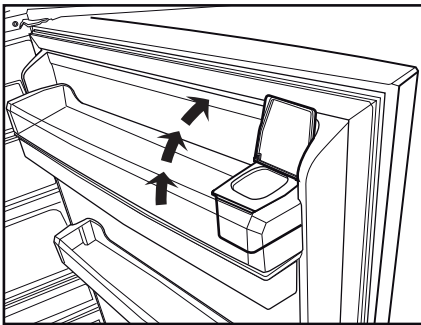
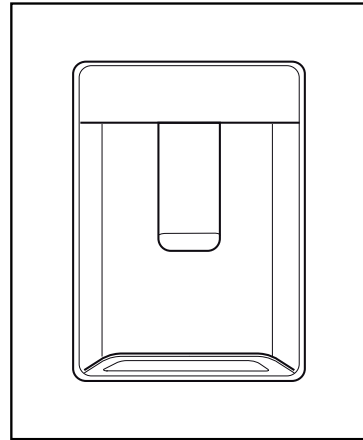
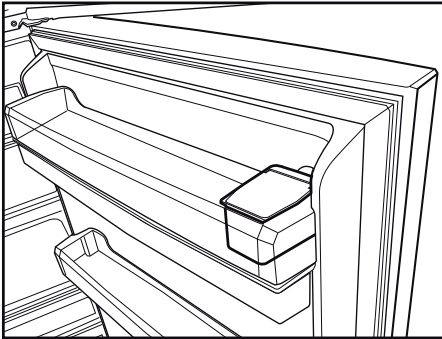
هرگز نگهدارنده تخم مرغ را در محفظه فریزر نگاه ندارید.



توزیع کننده آب

(در برخی از مدلها)

توزیع کننده آب یک ویژگی بسیار قابل استفاده برای برداشتن آب خنک بدون باز کردن در یخچال می باشد. چون لزومی ندارد که در یخچال مکررا باز شود، در مصرف انرژی صرفه جویی خواهد شد.



استفاده از توزیع کننده آب

اهرم توزیع کننده آب را با لیوان فشار دهید. توزیع کننده آب هنگامی که اهرم رها شود، دیگر کار نخواهد کرد. هنگامی که توزیع کننده آب کار می کند، حداکثر جریان آب را می توانید با فشار دادن کامل اهرم بدست آورید. لطفا بیاد داشته باشید که مقدار جریان آب از توزیع کننده به مقداری که اهرم را فشار می دهید، بستگی دارد.

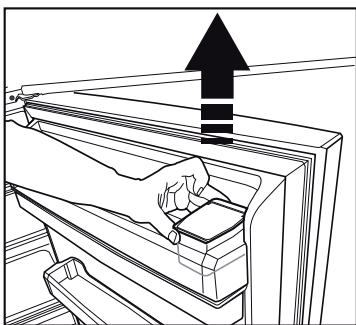
هنگام بالا آمدن آب در لیوان/ظرف، فشار روی اهرم را کاهش دهید تا از ریخته شدن آب جلوگیری بعمل آورید. اگر اندکی اهرم را فشار دهید، آب ریخته خواهد شد؛ این کار عادی است و عیب دستگاه محسوب نمی شود.

پر کردن منبع توزیع کننده آب

محل پر کردن مخزن آب در داخل قفسه در قرار دارد. روکش منبع را باز کنید و در آن آب آشامیدنی بریزید. پس از آن در را ببندید.

اخطار!

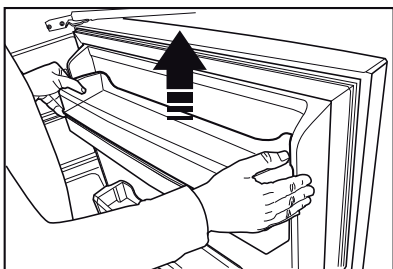
- مخزن آب را با مایعاتی دیگر مانند آب میوه، نوشابه های گاز دار یا نوشیدنیهای الکلی پر نکنید چون برای استفاده در توزیع کننده آب مناسب نمی باشند. توزیع کننده آب در صورتی که از این مایعات استفاده شود به طور کامل صدمه خواهد دید. ضمانت چنین مواردی را پوشش نخواهد داد. برخی از مواد شیمیایی و مواد افزودنی در این نوع نوشیدنیها/مایعات به مخزن آب آسیب خواهد رساند.



- فقط از آب نوشیدنی خالص استفاده کنید.
- ظرفیت مخزن آب 3 لیتر می باشد. بیش از حد در آن آب نریزید.
- اهرم توزیع کننده آب را با یک لیوان محکم فشار دهید. اگر از لیوانهای یکبار مصرف پلاستیکی استفاده می کنید، اهرم را با انگشتان خود از پشت لیوان فشار دهید.

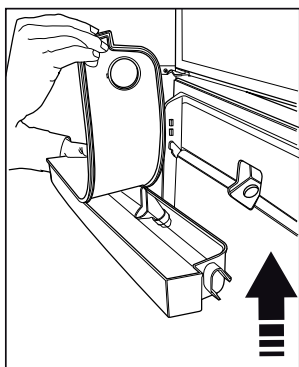
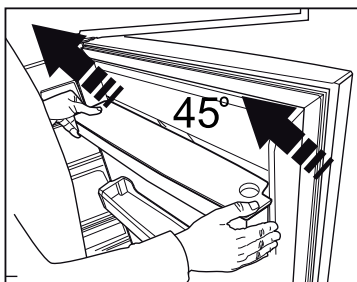
تمیز کردن مخزن

- مخزن آب داخل قفسه در را بردارید.
- قفسه در را با نگاه داشتن هر دو طرف جدا کنید.
- مخزن آب را از هر دو طرف بگیرید و آن را با زاویه 45 درجه جدا کنید.
- مخزن آب را با برداشتن در تمیز کنید.



مهم:

قطعات منبع آب و توزیع کننده آب را نباید در ماشین ظرف شویی قرار دهید.



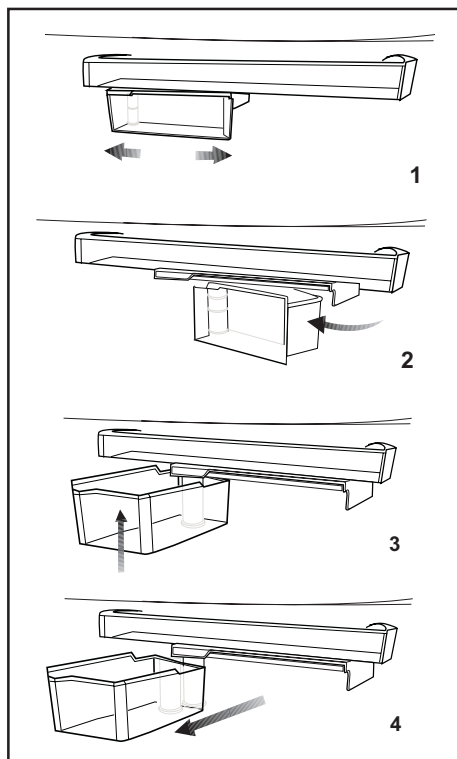
ظرف نگهداری چرخان

(در برخی از مدلها)

طبقه کشویی درون بدنه را می توان به چپ یا راست حرکت داد تا بتوانید بطریهای بلند، پارچ یا جعبه را در طبقه پایین بگذارید (شکل 1)

می توانید با گرفتن و چرخاندن از طرف لبه سمت راست به مواد غذایی که در طبقه قرار داده اید دسترسی پیدا کنید (شکل 2).

هنگامی که بخواهید در قفسه چیزی قرار دهید یا آن را برای تمیز کردن باز کنید، آن را 90 درجه بچرخانید، بلند کنید و به طرف خود بکشید (شکل 3-4).



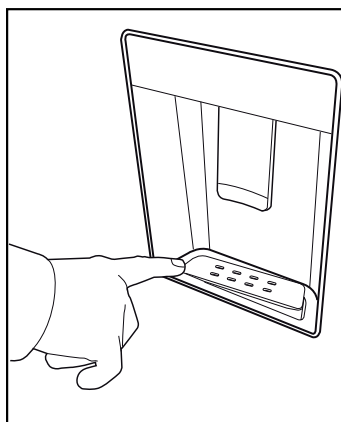
سینی آب

وقتی که آب بهنگام استفاده از توزیع کننده آب چکه میکند در سینی چکان جمع میشود.

توری پلاستیکی را به صورتی که در تصویر نشان داده شده است، بیرون بکشید.

با یک پارچه تمیز و خشک آبی که جمع آوری شده است را بردارید.

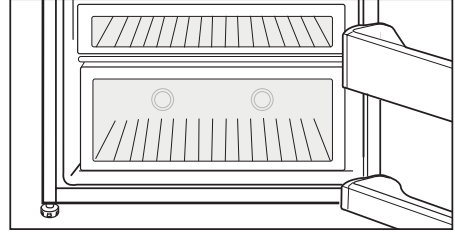
احتیاط: فقط به لوله آب آشامیدنی وصل کنید.



روشنایی آبی

(در برخی از مدلها)

مواد غذایی نگهداری شده در محل نگهداری سبزیجات با روشنایی نور آبی به عمل فتوسنتز با طول موج موثر نور آبی ادامه می یابد و بنابراین محتویات درونی این محل تازه و ویتامین های مربوطه افزایش می یابند.



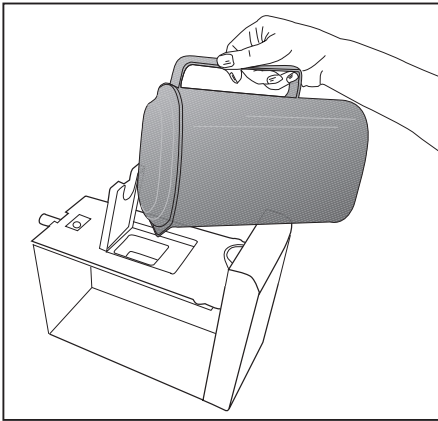
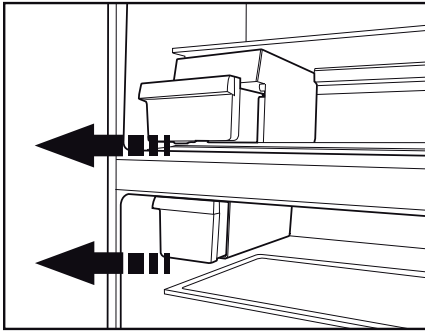
آیسمتیک خودکار

(در برخی از مدلها)

سیستم آیسمتیک به شما اجازه می دهد از یخچال به راحتی یخ تهیه کنید. مخزن آب در بخش یخچال را بیرون بیاورید، آن را با آب پر کردن و در جای خود قرار دهید تا بتوانید از آیسمتیک یخ به دست آورید.

اولین تکه های یخ پس از 2 ساعت در کشوی آیسمتیک که زیر محفظه فریزر قرار دارد آماده خواهد شد. اگر مخزن آب را کامل پر کنید، خواهید توانست 60 تا 70 تکه یخ به دست آورید.

آب درون مخزن را در صورتی که بین 2 تا 3 هفته مانده باشد، عوض کنید.



یخ ساز و محفظه نگهداری یخ

استفاده از یخ ساز

* یخ ساز را از آب پر کرده و در محل مربوطه قرار دهید. یخ شما حدود دو ساعت بعد آماده خواهد شد. یخ ساز را برای برداشتن یخ از جایش خارج نکنید.

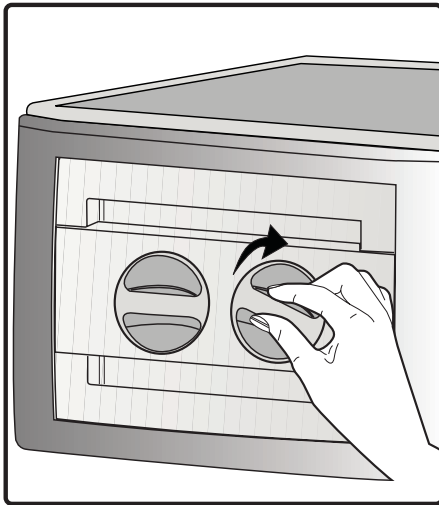
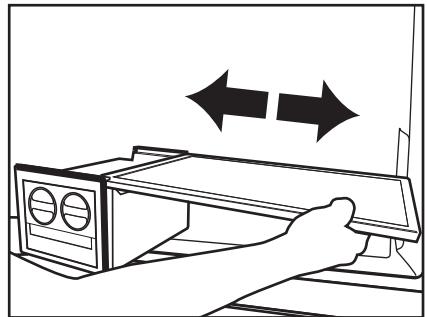
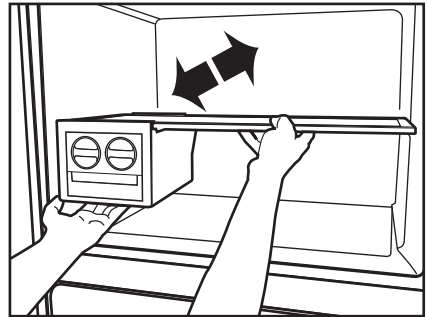
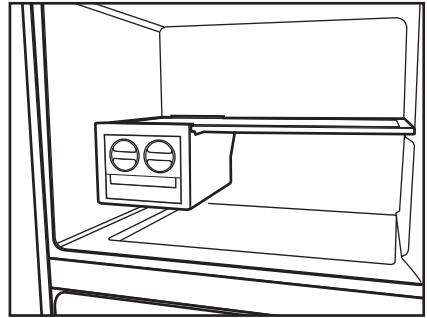
* دکمه را در جهت حرکت عقربه های ساعت 90 درجه بچرخانید. قالب های یخ داخل ظرف یخ زیر خواهند افتاد.

* شما میتوانید ظرف یخ را خارج و یخ تولید شده را مصرف نمایید.

* اگر بخواهید میتوانید قالب های یخ را در ظرف یخ نگه دارید.

ظرف نگهداری یخ

محفظه نگهداری یخ فقط برای جمع کردن قالبهای یخ طراحی شده است. آب داخل آن نریزد. در غیر این صورت می شکند.



حفاظت سطوح پلاستیکی

i روغن های مایع یا غذاهای روغن دار پخته شده را در یخچال در ظروف غیر آب بندی شده نگذارید چرا که آنها به سطوح پلاستیکی یخچال صدمه میزنند. در صورت ترشح یا آلودگی روغن روی سطوح پلاستیکی، آن قسمت را فوری با یک تکه پارچه آغشته به آب گرم پاک کنید.

⚠ هرگز از بنزین یا مواد مشابه آن برای تمیز کردن استفاده نکنید.

⚠ توصیه می کنیم که دوشاخه دستگاه را قبل از تمیز کردن از پریز بیرون بکشید.

i هرگز برای تمیز کردن یخچال از ابزار تیز یا مواد خشن. تمیز کننده خانگی و واکس پولیش استفاده نکنید.

i از آب گرم برای تمیز کردن کابینت دستگاه استفاده کرده و بعد خشک کنید.

i با استفاده از یک پارچه که آغشته به محلولی که با مقدار یک قاشق چایخوری در یک پاینت آب تهیه شده است برای پاک کردن داخل یخچال استفاده کنید و بعد آن را خشک کنید.

⚠ مطمئن شوید که آب داخل محفظه لامپ و سایر اقلام الکتریکی نگرند.

⚠ اگر از یخچال برای مدت طولانی استفاده نمیکنید، دوشاخه آن را از برق بکشید و کلیه مواد غذایی را از آن خارج کرده و درب آن را نیمه باز رها کنید.

i واشرب بندی دور درب را مرتباً برای تمیز بودن و عاری بودن از بقایای غذا چک کنید.

i برای برداشتن سینی های درب، تمام محتویات را بردارید و سپس به آرامی سینی درب را از پایه به سمت بالا ببرید.

i هرگز از مواد تمیز کننده یا آبی که حاوی کلرین باشد برای تمیز کردن سطوح خارجی و بخشهای روکش شده با کروم دستگاه استفاده نکنید. کلرین باعث خوردگی روی سطوح فلزی می شود.

i از ابزارهای تیز و ساینده یا صابون، مواد تمیز کننده خانگی، مواد شوینده، بنزین، واکس و دیگر مواد استفاده نکنید، در غیر اینصورت ممکن است برچسب های روی قسمت های پلاستیکی کنده شود و تغییر شکل ایجاد شود. از آب گرم و پارچه ای نرم برای تمیز کردن و خشک کردن استفاده کنید.

لطفاً این لیست را قبل از فراخواندن سرویسکار بررسی کنید. ممکن است در زمان و هزینه صرفه جویی کند. این لیست شامل شکایات متداول است که ناشی از عملکرد یا استفاده ناقص از دستگاه می باشد. برخی از ویژگیهای شرح داده شده ممکن است در دستگاه شما وجود نداشته باشد.

<p>یخچال کار نمی کند.</p> <ul style="list-style-type: none"> • دوشاخه برق یخچال به طرز صحیح در پریز قرار داده نشده است. << دوشاخه را به طرز صحیح در پریز قرار دهید. • فیوز پریزی که یخچال به آن وصل شده یا فیوز اصلی سوخته است. << فیوز را بازبینی کنید.
<p>جمع شدن قطرات آب در دیوار کناری بخش یخچال (مالتی زون، کول کنترل و فلکسی زون).</p> <ul style="list-style-type: none"> • محیط بسیار سرد است. << یخچال را در مناطقی که درجه حرارت آن زیر ۱۰ درجه سانتی گراد است نصب نکنید. • در دستگاه بیش از حد باز بوده است. << در دستگاه را بیش از حد باز و بسته نکنید. • محیط بسیار مرطوب است. << یخچال را در مناطقی که رطوبت آن بالا است، نصب نکنید. • مواد غذایی دارای مایعات در ظروف سرباز ذخیره شده اند. << مواد غذایی حاوی مایعات را در ظروف سرباز ذخیره نکنید. • در یخچال نیمه باز است. << در یخچال را ببندید. • ترموستات روی درجه بسیار سرد تنظیم شده است. << ترموستات را روی درجه حرارت مناسب تنظیم کنید.
<p>کمپرسور کار نمی کند</p>
<p>i حفاظت حرارتی کمپرسور در خلال قطع شدن ناگهانی برق یا کشیدن و زدن دوشاخه به برق فروکش خواهد کرد چراکه فشار یخچال در سیستم سرمایشی یخچال هنوز بالانس نشده است. یخچال شما تقریباً ۶ دقیقه بعد شروع بکار خواهد کرد. لطفاً اگر یخچال در انتهای این زمان کار نکرد سرویسکار را فراخوانید.</p> <ul style="list-style-type: none"> • یخچال در سیکل دیفراس است. << این برای یک یخچال با دیفراس است کردن اتوماتیک کامل نرمال است. جریان دیفراس بصورت دوره ای رخ میدهد. • دوشاخه برق یخچال در پریز نمی باشد. << مطمئن شوید که دوشاخه درست در پریز وارد شده باشد. • تنظیمات درجه حرارت به طرز صحیح انجام نشده اند. << مقدار درجه حرارت مناسب را انتخاب کنید. • برق وجود ندارد. << یخچال هنگام قطع شدن برق به حالت عادی باز خواهد گشت.
<p>مقدار نویز وقتیکه که یخچال کار میکند افزایش می یابد.</p>
<p>i عملکرد یخچال ممکن است بر اساس تغییرات دمای محیط تغییر کند. این نرمال است و نقص محسوب نمی شود. یخچال متناوباً یا برای یک مدت طولانی کار میکند.</p>



یخچال جدید شما ممکن است عریض تر از یخچال قبلی باشد. یخچال های بزرگ برای یک مدت طولانی تر کار میکنند.

• دمای محیط اتاق شما ممکن است بالا باشد. <<< کار کردن دستگاه در مدت طولانی تر در محیطهای گرم امری عادی است.

• اخیرا دوشاخه یخچال به برق وصل است یا در آن مواد غذایی قرار داده شده است. <<< هنگامی که اخیرا دوشاخه یخچال به برق وصل شده باشد یا مواد غذایی در آن قرار داده شده باشد، رسیدن به درجه حرارت تنظیم شده زمان بیشتری بطول خواهند انجامید. این امر عادی است.

• ممکن است حجم زیادی از مواد غذایی داغ در یخچال گذاشته شده باشد. <<< مواد غذایی داغ را در یخچال قرار ندهید.

• درب ها ممکن است متناوبا باز شده باشند و یا برای مدت طولانی نیمه باز مانده باشند. <<< هوای گرم که وارد یخچال شده است باعث میشود که یخچال برای مدت طولانی تری کار کند. درب را متناوبا باز نکنید.

• در فریزر یا یخچال نیمه باز رها شده است. <<< بررسی کنید که درها درست بسته شده باشند.

• یخچال در یک دمای بسیار پایین تنظیم شده است. <<< دمای یخچال را در یک درجه گرمتر تنظیم کنید و منتظر بمانید تا به آن درجه برسد.

• آب بندی درب یخچال یا فریزر ممکن است کثیف ، فرسوده و یا شکسته شده و یا در جایش نشسته باشد. <<< لاستیک آب بندی را تمیز یا تعویض نمایید. لاستیک صدمه دیده یا شکسته موجب میشود تا یخچال برای مدت طولانی تری کار کند تا بتواند درجه دما را حفظ کند.

دمای فریزر بهنگامیکه دمای یخچال کافی است بسیار پایین است.

• دمای فریزر در یک دمای بسیار پایین تنظیم شده است. <<< دمای فریزر را در یک درجه گرمتر تنظیم کنید و چک نمایید.

دمای یخچال بهنگامیکه دمای فریزر کافی است بسیار پایین است.

• دمای یخچال در یک دمای بسیار پایین تنظیم شده است. <<< دمای یخچال را در یک درجه گرمتر تنظیم کنید و چک نمایید.

مواد غذایی نگه داشته شده در محفظه کشوهای یخچال فریز می شوند.

• دمای یخچال در یک دمای بسیار بالا تنظیم شده است. <<< دمای یخچال را در یک درجه گرمتر تنظیم کنید و چک نمایید.

دما در یخچال یا فریزر بسیار بالا است.

• دمای یخچال در یک دمای بسیار بالا تنظیم شده است. <<< درجه حرارت بخش یخچال روی درجه حرارت بخش فریزر تاثیر می گذارد. درجه حرارت یخچال یا فریزر را تغییر داده و صبر کنید تا بخشهای مربوطه به درجه حرارت لازم برسند.

• درب ها ممکن است متناوبا باز شده باشند و یا برای مدت طولانی نیمه باز مانده باشند. <<< درب را متناوبا باز نکنید.

• در نیمه باز است. <<< درب را کامل ببندید.

• اخیرا دوشاخه یخچال به برق وصل است یا در آن مواد غذایی قرار داده شده است. <<< این امر عادی است. هنگامی که اخیرا دوشاخه یخچال به برق وصل شده باشد یا مواد غذایی در آن قرار داده شده باشد، رسیدن به درجه حرارت تنظیم شده زمان بیشتری بطول خواهند انجامید.

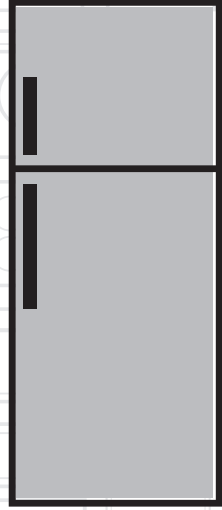
• ممکن است حجم زیادی از مواد غذایی داغ در یخچال گذاشته شده باشد. <<< مواد غذایی داغ را در یخچال قرار ندهید.

لرزش یا نویز.

<ul style="list-style-type: none"> • کف هموار و محکم نمی باشد. <<اگر هنگامی که آرام آن را حرکت دهید، لرزید، آن را با پایه هایش تنظیم کنید. مطمئن شوید که کف هموار و قادر به تحمل وزن یخچال باشد. • اقلامی که باید در یخچال قرار داده شوند تولید سر و صدا می کنند. << اشیاء بالای یخچال را بردارید.
صدای نویز مانند ریختن مایع یا اسپری از یخچال به گوش می رسد.
i جریان مایع و گاز بر اساس اصول کارکرد یخچال رخ می دهد. این نرمال است و نقص محسوب نمی شود.
صدای سوت از دستگاه شنیده می شود.
i از پنکه برای خنک کردن یخچال استفاده می شود. این نرمال است و نقص محسوب نمی شود.
تراکم در داخل دیواره های یخچال.
i هوای مرطوب و داغ بخ زدن و تراکم را افزایش میدهد. این نرمال است و نقص محسوب نمیگردد.
<ul style="list-style-type: none"> • درب ها ممکن است متناوبا باز شده باشند و یا برای مدت طولانی نیمه باز مانده باشند. << درب را متناوبا باز نکنید. در صورتی که باز می باشند، آنها را ببندید. • در نیمه باز است. << درب را کامل ببندید.
رطوبت در خارج یخچال یا بین درب ها رخ میدهد.
i ممکن است هوا رطوبت داشته باشد؛ این مسئله در آب و هوای مرطوب کاملا عادی است. وقتیکه رطوبت کم باشد، قطرات آب محو می شود.
بوی بد در داخل یخچال
<ul style="list-style-type: none"> • تمیز کردن به صورت منظم انجام نشده است. << داخل یخچال را با یک اسفنج و آب ولرم یا آب دارای بی کربنات سدیم تمیز کنید. • برخی از ظروف یا مواد بسته بندی ممکن است ایجاد بو نمایند. << از ظروف مختلف با مارکهای مختلف بسته بندی استفاده کنید. • مواد غذایی درون یخچال در ظروف سر باز قرار داده شده اند. << ماده غذایی مایع را در ظروف دربسته نگهداری کنید. میکروارگانیسمهایی که از ظروفی که سر باز پخش می شوند می تواند بوی نامطبوع تولید کنند.
i مواد غذایی که تاریخ مصرف آنها گذشته است و موادی که خراب شده اند را از یخچال خارج کنید.
در بسته نیست.
<ul style="list-style-type: none"> • بسته های مواد غذایی از بسته شدن درب جلوگیری می کنند. << بسته هایی را که مانع بستن درب میشوند جابجا کنید. • یخچال به روی کف کاملا تراز نمی باشد. << پایه های یخچال را برای تراز شدن آن تنظیم کنید. • کف هموار و محکم نمی باشد. << مطمئن شوید که کف هموار و قادر به تحمل وزن یخچال باشد.
محل نگهداری سبزیجات گیر کرده است.
• مواد غذایی با سقف کتوها تماس دارد. << مواد غذایی را در کتو مجددا منظم کنید.

الثلاجة

دليل المستخدم



AR |

beko

يرجى قراءة هذا الدليل أولاً!

عملنا العزيز،




نأمل أن هذا المنتج والذي تم إنتاجه في مصانع حديثة وفحصه بإجراءات صارمة لرقابة الجودة سيقدّم لكم خدمة فعّالة. ولذلك فنحن نوصي بقراءة هذا الدليل بالكامل بعناية قبل استخدامه وحفظه للرجوع إليه في المستقبل.

هذا الدليل

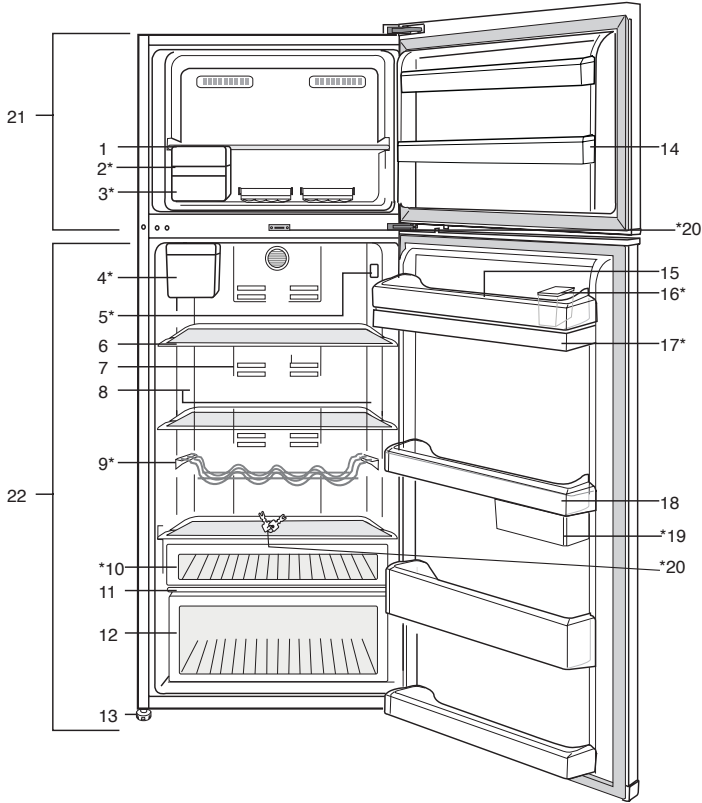
- سيساعدك على استخدام الجهاز بسرعة وبطريقة مأمونة.
- يرجى قراءة هذا الدليل قبل تركيب المنتج وتشغيله.
- يرجى اتباع الإرشادات، خاصةً تلك المتعلقة بالسلامة.
- احتفظ بهذا الدليل في مكان يسهل الوصول إليه عند الحاجة إليه في المستقبل.
- وبالإضافة إلى ذلك، يرجى قراءة المستندات الأخرى المرفقة مع المنتج.
- يرجى ملاحظة أن هذا الدليل قد يكون صالحاً لأنواع أخرى أيضاً.

الرموز ومعانيها.

يحتوي دليل التعليمات هذا على الرموز التالية.

- معلومات مهمة أو تلميحات استخدام مفيدة. 
- التحذير ضد الظروف الخطرة على الحياة والممتلكات. 
- تحذير ضد الفولتية الكهربائية. 

11	4	3	1
	الإعداد		الثلاجة
12	5	4	2
	استخدام الثلاجة		تحذيرات السلامة المهمة
12.....	لوحة المؤشر.....	4.....	الغرض المخصص.....
15.....	تحذير فتح الباب.....	4.....	السلامة العامة.....
17.....	توصيات المحافظة على الأطعمة المجمدة.....	6.....	تأمين سلامة الأطفال.....
17.....	وضع الطعام.....	6.....	متوافق مع تشريعات WEEE في التخلص من
18.....	معلومات التجميد العميق.....	6.....	المنتجات التالفة.....
19.....	حامل البيض.....	6.....	التوافق مع توجيهات RoHS:
19.....	وصف فلتر الروائح وتنظيفه.....	6.....	بيانات التغليف.....
20.....	وحدة توزيع المياه.....	6.....	تحذير الحرارة والتبريد والتهوية (HC).....
22.....	صندوق التخزين الدوار.....	8.....	أشياء يجب عملها لتوفير الطاقة.....
23.....	التجميد التلقائي.....	8.....	توصيات لمقصورة الطعام الطازج.....
23.....	مصباح أزرق.....	9	3
24.....	وحدة صنع الثلج وصندوق تخزين الثلج.....		التركيب
25	6	9	9
	الصيانة والتنظيف		نقاط يجب مراعاتها عند نقل الثلاجة.....
25.....	حماية الأسطح البلاستيكية.....	9.....	قبل تشغيل الثلاجة.....
26	7	10	10
	استكشاف الأعطال وإصلاحها		ضبط أقدام الثلاجة.....
		10.....	تغيير مصباح الإضاءة.....
		10.....	التوصيل الكهربائي.....
		10.....	التخلص من عبوة المنتج.....
		10.....	التخلص من الثلاجة القديمة.....
		10.....	الوضع والتركيب.....



- | | | | |
|-----|---------------------------------|-----|----------------------------|
| 1. | رف صندوق الفريزر | 12. | درج |
| 2. | التجميد التلقائي | 13. | أقدام قابلة للضبط |
| 3. | رف تخزين الثلج | 14. | أرفف باب صندوق الفريزر |
| 4. | خزان المياه ذو التجميد التلقائي | 15. | حامل البيض |
| 5. | مؤشر إعدادات درجة الحرارة | 16. | حاوية تعبئة موزع المياه |
| 6. | أرفف زجاجية قابلة للضبط | 17. | خزان توزيع المياه |
| 7. | فلتر الروائح | 18. | أرفف باب صندوق الثلاجة |
| 8. | عدسات الإضاءة | 19. | حاويات تخزين دوارة ومنزلقة |
| 9. | رف الزجاجات | 20. | حائقم |
| 10. | أدراج الوجبات الخفيفة | 21. | مقصورة الفريزر |
| 11. | غطاء الدرج | 22. | مقصورة الثلاجة |

* اختياري

① الأشكال الواردة في دليل التعليمات هذا هي رسومات بيانية وقد لا تتطابق تمامًا مع المنتج. إذا لم تكن هذه القطع واردة في هذا الجهاز الذي اشتريته، فإتينا مناسبة لأنواع أخرى.

- يرجى فحص المعلومات التالية. ربما يؤدي الإخفاق في اتباع هذه المعلومات إلى إصابات أو تلف للممتلكات. ومن ثم، قد تصبح كل التزامات الفعالية والضمان غير سارية.
 - سيتم توفير قطع غيار أصلية لمدة 10 أعوامًا، بعد تاريخ الشراء المنتج.
- ### الغرض المخصص

- هذا المنتج مخصص لاستخدام داخل المنزل وفي الأماكن المغلقة كالمنازل.
- وفي بيئات العمل المغلقة مثل المخازن والمكاتب
- في مناطق السكن المغلقة مثل منازل المزرعة والفنادق والشقق الفندقية.
- لذا، يجب عدم استخدامه في الأماكن الخارجية.

السلامة العامة

- إذا أردت التخلص من الجهاز، فيوصى باستشارة مركز الصيانة المعتمد لمعرفة المعلومات المطلوبة والهيئات المعتمدة.
 - استشر مركز الصيانة المعتمد حول كل الاستفسارات والمشكلات المتعلقة بالثلاجة. لا تتدخل ولا تدع أحدًا يتدخل في صيانة الجهاز دون إخبار مراكز الصيانة المعتمدة.
- بالنسبة للمنتجات المزودة بمقصورة فريزر، لا تأكل بسكويت الأيس كريم ومكعبات الثلج مباشرة بعد إخراجها من صندوق الفريزر. (فقد يسبب هذا لسعة صقيع داخل فمك.)
 - بالنسبة للمنتجات المزودة بمقصورة فريزر، لا تضع المشروبات السائلة المعلبة أو الموضوع في زجاجات في صندوق الفريزر. وإلا، فقد تنفجر.
 - لا تلمس الطعام المجمد باليد، فقد يلتصق بيديك.
 - افصل قلبس التيار الكهربائي قبل تنظيف الثلاجة أو إزالة الثلج.
 - لا يجب استخدام البخار أو مواد التنظيف بالبخار أبدًا في تنظيف أو عمليات إزالة الثلج من الثلاجة. ففي مثل هذه الحالة، قد يتفاعل البخار مع القطع الكهربائية ويؤدي إلى قطع التيار الكهربائي أو وقوع صدمة كهربية.
 - لا تستخدم مطلقًا قطع الثلاجة، مثل الباب كوسيلة دعم أو للوقوف عليه.
 - لا تستخدم أي أجهزة كهربائية داخل الثلاجة.
 - لا تتلف الأجزاء حيث يتم تدوير الهواء البارد بأبواب حفر أو قطع. فقد ينفجر المبرد عند ثقب قنوات الغاز أو المبخر أو وصلات الأنابيب أو طلاءات السطح، وقد يتسبب ذلك في حدوث اعتلال للجلد وإصابات للعين.

- لا تغط فتحات تهوية الثلاجة أو تسدها بأي مواد.
- يجب إجراء الإصلاحات بواسطة شخص مؤهل فقط. فعمليات الإصلاح التي يقوم بها أشخاص غير مؤهلين قد تمثل خطورة على المستخدم.
- في حالة وقوع أي عطل أو أثناء أي عملية صيانة أو أعمال إصلاح، افصل الثلاجة عن مصدر التيار الكهربائي الرئيسي إما بإغلاق المنصهر المعني أو بنزع قابس التيار الكهربائي الخاص بالجهاز.
- لا تجذب الكابل - بل اجذب من المقبس.
- تحقق من أن المشروبات الكحولية مخزنة بشكل آمن، محكمة الإغلاق و في وضع رأسي.
- يجب عدم الاحتفاظ في الثلاجة بالمواد القابلة للاشتعال أو المنتجات التي تحتوي على غازات قابلة للاشتعال (مثل الإسبراي) وكذلك المواد القابلة للانفجار.
- يجب عدم استخدام أدوات ميكانيكية أو أية وسائل أخرى للتسريع من عملية إزالة التجميد، بخلاف الأدوات التي توصي بها الجهة المصنعة.
- هذا الجهاز غير مُعد للاستخدام بواسطة الأفراد (بما في ذلك الأطفال) ذوي القدرات الجسدية والحسية والذهنية المحدودة، أو الأفراد الذين يفتقدون للخبرة والمعرفة ما لم يتم الإشراف عليهم أو إعطائهم تعليمات استخدام الجهاز بواسطة شخص مسئول عن سلامتهم أو الشخص الذي سيقوم بإعطائهم التعليمات الخاصة باستخدام المنتج.
- لا تقم بتشغيل الثلاجة وهي تالفة. استشر مركز الصيانة إذا لديك أي شك.
- يمكن ضمان السلامة الكهربائية للثلاجة فقط إذا كان نظام التوصيل الأرضي في منزلك يتوافق مع المعيير.
- إن تعريض الجهاز للأمطار و الثلج و الشمس والرياح يمثل خطورة فيما يتعلق بالسلامة الكهربائية.
- اتصل بفني خدمة مؤهل في حالة وجود تلف بكابل الطاقة لتجنب المخاطر.
- لا تقم بتوصيل الثلاجة بمرنفذ الحائط أبدًا أثناء عملية التركيب. وإلا، فهناك خطر أن تلقى مصرعك أو تلحق بك إصابة خطيرة.
- تم تصميم هذه الثلاجة فقط لحفظ الطعام. يجب ألا تستخدم لأية أغراض أخرى.
- يوجد ملصق التصنيف الذي يحتوي على المواصفات الفنية للمنتج في الجزء الأيسر الداخلي للثلاجة.
- لا تصل الثلاجة بأي نظم إلكترونية لتوفير الطاقة فقد يتلف المنتج.
- إذا كانت الثلاجة بها لون أزرق، فلا تنظر إلى اللون الأزرق من

عن تناول الأطفال.

- يجب رقابة الأطفال حتى لا يعثبوا بالمنتج.

متوافق مع تشريعات WEEE في التخلص من المنتجات التالفة.

هذا الجهاز لا يحتوي على مواد مؤذية أو محرمة من تلك المشار إليها في "تشريعات الرقابة على نفايات الأجهزة الكهربائية والإلكترونية" المصدرة من وزارة البيئة وتخطيط المدن التركية. متوافق مع تشريعات WEEE.

تم تصنيع هذا الجهاز بأجزاء ومواد عالية الجودة يمكن إعادة استخدامها وهي مناسبة لإعادة التدوير. وعلى ذلك، لا تتخلص من الجهاز مع النفايات المنزلية العادية في نهاية فترة حياته. عليك أخذه إلى نقطة التجميع لإعادة تدوير المعدات الكهربائية والإلكترونية. يرجى



التشاور مع السلطات المحلية لمعرفة أقرب نقطة تجميع. ساعد في حماية البيئة والموارد الطبيعية عبر إعادة تدوير المنتجات المستخدمة. لسلامة الأطفال، اقطع كابل الطاقة واكسر آلية القفل للباب، إن وجدت، حتى لا يمكن استخدامها قبل التخلص من الجهاز.

التوافق مع توجيهات RoHS:

يتوافق المنتج الذي قمت بشرائه مع توجيهات RoHS للاتحاد الأوروبي (EU/2011/65). لا يحتوي على مواد ضارة أو محظورة مشار إليها في التوجيهات.

بيانات التغليف

تم تصنيع مواد التغليف الخاصة بهذا المنتج من مواد قابلة لإعادة التصنيع وفقاً للوائح البيئية المحلية الخاصة بنا. لا تتخلص من مواد التغليف مع النفايات المنزلية أو النفايات الأخرى. بل تخلص منها في نقاط تجميع مواد التغليف المعنية من قبل السلطات المحلية.

لا تنسى...

يجب عدم التخلص من أية مواد قابلة لإعادة التدوير حفاظاً على الطبيعة وثروة الموارد القومية.

إذا كانت تريد أن تشارك في إعادة تقييم مواد التعبئة، يمكنك استشارة منظمات البيئة أو المجالس البلدية التي بجوارك.

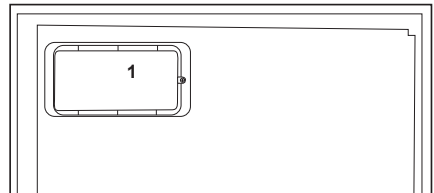
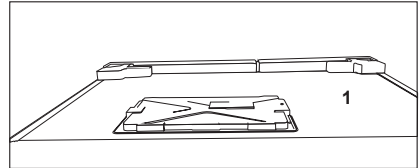
تحذير الحرارة والتبريد والتهوية (HC)

إذا كان المنتج مزوداً بنظام تبريد يحتوي على R600a: هذا الغاز قابل للاشتعال، ولذا، يجب توخي الحذر حتى لا يتم إتلاف نظام التبريد والأنابيب أثناء الاستخدام والنقل.

- إذا ظهر خطر تأثير الطرق المائي أثناء التركيب، استخدم معدات منع الطرق المائي في التركيب دائماً. استشر سمكري متخصص إن لم تكن متأكداً من عدم وجود تأثير للطرق المائي في التركيب.

- لا تركبه على مدخل الماء الساخن. يجب أخذ الحيطة من خطر تجمد الخراطيم. يجب أن تكون درجة حرارة الماء 33 ف (0.6 م) كحد أدنى و100 ف (38 م) كحد أقصى.

- لا تستخدم الجهاز إذا كان القسم الموجود على سطح الجهاز أو على ظهره الذي يحوي ألواحاً إلكترونية مطبوعة في الداخل مفتوحاً (غطاء وح الدائرة الإلكترونية المطبوعة) (1).



تأمين سلامة الأطفال

- إذا كان الباب مزوداً بقل، فينبغي الاحتفاظ بالمفتاح بعيداً

تؤدي إلى صدمة كهربائية أو نشوب حريق.

- لا تزيد من حمولة الثلاجة بالأطعمة. إذا كانت الثلاجة بها حمل زائد، فقد يسقط الطعام ويصيبك ويتلف الثلاجة عند فتح الباب.
- لا تضع أشياء ثقيلة أعلى الثلاجة حيث قد تقع عند فتح باب الثلاجة أو غلقه.

ينبغي عدم حفظ المنتجات التي تحتاج إلى تحكم دقيق في درجات الحرارة (الأصمالة أو الأدوية ذات الحساسية للحرارة أو المواد العلمية أو ما شابه) في الثلاجة.

- إذا لم يتم استخدام الثلاجة لفترة طويلة، فيجب فصلها عن التيار الكهربائي. قد تتسبب أي مشكلة في عزل الكابل في نشوب حريق.

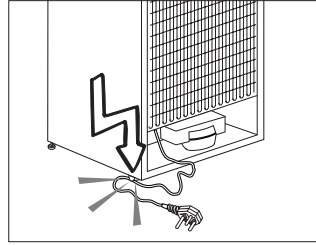
- من الممكن أن تتحرك الثلاجة إذا لم يتم تثبيتها بإحكام على الأرض. يمكن للأقدام القابلة للضبط المثبتة بإحكام على الأرض أن تثبت الثلاجة في مكانها ولا تتحرك.

- عند حمل الثلاجة، لا تمسكها من مقبض الباب. وإلا فيكسر.

- يجب أن يكون ضغط مدخل الماء البارد 90psi كحد أقصى (6.2 بار). إذا تجاوز ضغط الماء 80 psi (5.5 بار)، استخدم صمام حد الضغط في نظامك الرئيسي. إذا كنت لا تعلم كيف تفحص ضغط الماء الخاص بك، اطلب المساعدة من سمكري متخصص.

خلال أجهزة بصرية.

- إذا كان هناك ضوء أزرق على الثلاجة، لا تنظر إليه بالعين المجردة أو بالأدوات البصرية لفترة طويلة.
- ينبغي تسليم دليل التشغيل هذا إلى المالك الجديد للثلاجة عند بيعها للآخرين.
- تجنب تلف كابل الطاقة أثناء نقل الثلاجة. قد يتسبب الكابل المثني في نشوب حريق. لا تضع أي أشياء ثقيلة على كابل الطاقة.
- لا تقم بلمس القابس بأيدي مبتلة عند توصيل قابس الثلاجة.

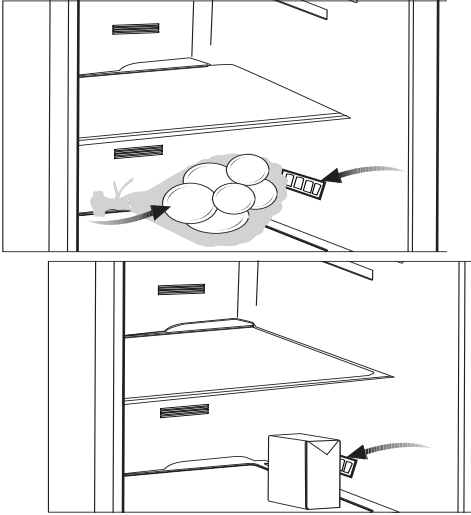


- تصل الثلاجة إذا كان منفذ التيار الكهربائي غير محكم.
- ينبغي عدم نثر الماء على الأجزاء الداخلية أو الخارجية للثلاجة لدواعي السلامة.
- لا ترش مواد قابلة للاشتعال مثل غاز البروبين بالقرب من الثلاجة بسبب مخاطر نشوب النيران والانفجار.
- لا تضع أشياء مملوئة بالماء أعلى الثلاجة، ففي حالة إنسكابها، فقد

توصيات لمقصورة الطعام الطازج

يرايئخا *

- يرجى عدم ترك أي أغذية تصل إلى مستشعر درجة الحرارة في مقصورة الطعام الطازج. وللحفاظ على مقصورة الطعام الطازج في درجة حرارة التخزين المثالية، لا يجب تغطية المستشعر بأيّة أغذية.
- لا تقم بوضع طعام ساخن في الجهاز الخاص بك.



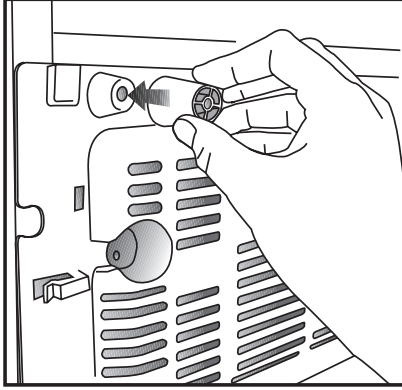
في حالة التلف، لا تتخلص من المنتج بإلقائه في النيران، واحتفظ به بعيدًا عن مصادر النيران المحتملة والتي يمكن أن تتسبب في نشوب النيران بالمنتج واحرص على تهوية الحجره التي تحتفظ بالمنتج فيها.

إذا كان المنتج مزودًا بنظام تبريد يحتوي على R134a: نوع الغاز المستخدم في هذا المنتج مذكور على ملصق النوع الموجودة على الجانب الأيسر الداخلي للثلاجة. لا تتخلص من المنتج مطلقًا بإلقائه في النيران.

أشياء يجب عملها لتوفير الطاقة

- لا تترك أبواب الثلاجة مفتوحة لفترة طويلة.
- لا تضع الأطعمة أو الخضروات الساخنة في الثلاجة.
- لا تزيد حمل الثلاجة بحيث لا تمنع دورة الهواء داخلها.
- لا تترك الثلاجة تحت أشعة الشمس المباشرة أو بالقرب من أجهزة تنبعث من حرارة مثل الفرن أو غسل الأطباق أو المشع. يجب وضع الثلاجة على بعد 30 سم على الأقل من مصادر الحرارة المنبعثة وعلى الأقل 5 سم من المواقد الكهربائية.
- يجب وضع الطعام في علب مغلقة.
- بالنسبة للمنتجات المزودة بمقصورة فريزر، يمكنك تخزين الحد الأقصى من كمية الطعام في الفريزر عندما تقوم بإخراج الرفوف أو الأدراج منه. استهلاك الطاقة المنكورة والخاص بالثلاجة تم تحديده أثناء إخراج الرف والدرج من الفريزر وتحميله بالحد الأقصى للحمولة. ولا توجد خطورة من استخدام الرف أو الدرج وفقًا للأشكال وأحجام الأطعمة المطلوب تجميدها.
- إذابة الطعام المجمد في مقصورة الثلاجة ستوفر الطاقة وتحفظ جودة الطعام.

2. يرجى تركيب إسفينين بلاستيكيين كما هو موضح في الشكل التوضيحي. سيوفر هذان الإسفينان المسافة المطلوبة بين الثلاجة والحائط، مما سيسمح بتدوير الهواء. (الشكل الموضح ما هو إلا مثال ولا يطابق المنتج بشكل تام.)



3. نظف الجزء الداخلي للثلاجة كما هو موصى به في قسم "الصيانة والتنظيف".

4. قم بتوصيل القابس بمنفذ الكهرباء بالحائط. عند فتح باب الثلاجة، سيضيء مصباح مقصورة الثلاجة الداخلي.

5. سوف تسمع ضوضاء عند بدء عمل جهاز ضغط الهواء. قد تؤدي السوائل والغازات المتسربة من جهاز الثلاجة إلى إحداث ضوضاء، حتى إن كان جهاز ضغط الهواء لا يعمل وهذا أمر طبيعي.

6. قد يكون ملمس الحواف الأمامية للثلاجة دافئاً. هذا شيء طبيعي. حيث تم تصميم هذه المناطق حتى تكون دافئة تجنباً للتكثف.

⚠ يرجى تذكر أن المصنّع لن يتحمل أي مسؤولية في حالة عدم اتباع المعلومات الواردة في دليل التعليمات.

نقاط يجب مراعاتها عند نقل الثلاجة

1. يجب إفراغ الثلاجة وتنظيفها قبل أي عملية نقل.
2. يجب تثبيت الأرفف والملحقات والأدراج وخلافه في الثلاجة بإحكام بشرط لاصق ضد الارتجاج قبل إعادة تعبئتها بالعبوة.
3. يجب إحكام العبوة بأشرطة لاصقة سميكة وحبال قوية، كما يجب إتباع تعليمات النقل المطبوعة على العبوة.

يرجى ألا تتسبب...

يجب عدم التخلص من أية مواد قابلة لإعادة التدوير حفاظاً على الطبيعة والموارد القومية. إذا رغبت في المساهمة في إعادة تدوير مواد التعبئة، يمكنك الحصول على معلومات إضافية من الهيئات البيئية أو السلطات المحلية.

قبل تشغيل الثلاجة

1. قبل البدء في استخدام الثلاجة، تحقق مما يلي:
هل الجزء الداخلي للثلاجة جاف، وهل الهواء يدور بحرية في الجزء الخلفي؟

التوصيل الكهربائي

صل المنتج بمنفذ توصيل أرضي محمي بمنصهر ذي سعة مناسبة.
هام:

- يجب أن يتوافق التوصيل مع اللوائح الوطنية.
- يجب أن يكون قابس كابل التيار في مكان يسهل الوصول إليه بعد التركيب.
- يجب أن تكون الفولتية المقررة مساوية لفولتية منفذ التيار الرئيسي.
- يجب عدم استخدام الوصلات الكهربائية والمقابس متعددة المسالك للتوصيل.
- ⚠ يجب يتم استبدال كابل التيار التالف بواسطة فني الكهرباء المعتمد.
- ⚠ يجب ألا يتم تشغيل المنتج قبل إصلاحه! حيث يوجد خطر يكمن في التعرض لصدمة كهربائية!

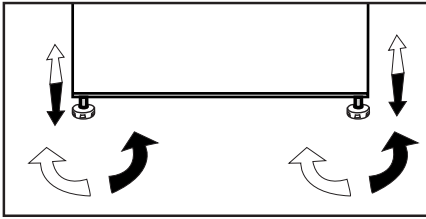
الوضع والتركيب

⚠ إذا كان باب الحجرة التي ستوضع بها الثلاجة ضيق بدرجة لا تسمح بمرور الثلاجة من خلاله، فاتصل بمركز الصيانة المعتمد لإزالة أبواب الثلاجة وتمريرها وهي مائلة من الباب.

1. ركب الثلاجة في مكان يسمح بسهولة الاستخدام.
2. ضع الثلاجة بعيداً عن مصادر الحرارة والمناطق الرطبة وأشعة الشمس المباشرة.
3. يجب أن تتوفر التهوية المناسبة حول الثلاجة للحصول على تشغيل يتسم بالكفاءة. إذا كانت الثلاجة ستوضع في تجويف داخل الحائط، فيجب أن يكون يترك 5 سم على الأقل بينها وبين السقف و 5 سم على الأقل بينها وبين الحائط. إذا كانت الأرضية مغطاة بسجادة، فيجب رفع الجهاز 2.5 سم على الأقل عن الأرض.
4. ضع الثلاجة على سطح مستو لمنع الحركة المفاجئة.
5. لا تضع الثلاجة في درجات حرارة محيطة نقل عن 10 درجة مئوية.

ضبط أقدام الثلاجة

إذا كانت الثلاجة غير متزنة؛ يمكن ضبط ائزان الثلاجة بتدوير الأقدام الأمامية كما هو موضح بالشكل. يتم خفض الركن الموجود به القدم عند التدوير باتجاه السهم الأسود ويرتفع عند التدوير في الاتجاه المعاكس. ستساعد الاستعانة بشخص آخر في رفع الثلاجة قليلاً في إنجاز هذه العملية.



التخلص من عبوة المنتج

قد تكون مواد التغليف خطرة على الأطفال. احتفظ بمواد التغليف بعيداً عن متناول الأطفال أو تخلص منها بتصنيفها وفقاً لتعليمات التخلص من المخلفات. لا تتخلص منها مع مخلفات المنزل العادية.
يتم تصنيع حزمة تعبئة الثلاجة من مواد قابلة لإعادة التدوير.

التخلص من الثلاجة القديمة

تخلص من الجهاز القديم دون إحداث أي ضرر بالبيئة.
• يمكنك استشارة الوكيل المعتمد لديك أو مركز تجميع النفايات بمدينتك حول التخلص من الثلاجة القديمة.
قبل التخلص من الثلاجة، اقطع القابس الكهربائي، وفي حالة وجود أي أقفال على باب الثلاجة، اجعلها غير قابلة للتشغيل لحماية الأطفال من أي خطر.

تغيير مصباح الإضاءة

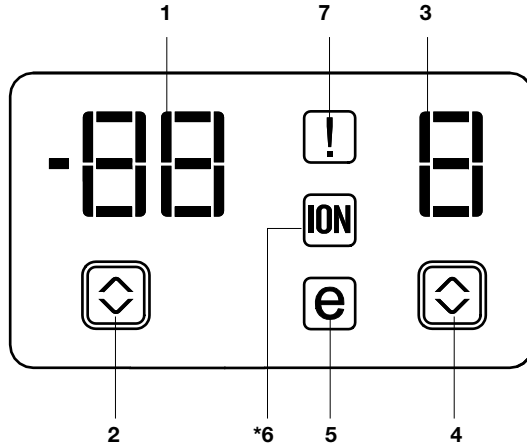
لتغيير المصباح/مصباح الإضاءة الخلفية (LED) المستخدم في إضاءة الثلاجة، يرجى الاتصال بمركز الصيانة المعتمد.

المصباح (المصابيح) المستخدمة في هذا الجهاز غير مناسبة للإضاءة في الغرف المنزلية.
الغرض الأساسي لهذا المصباح هو مساعدة المستخدم لوضع أدوات الطعام في الثلاجة/المجمّد بطريقة سهلة وأمنة
المصابيح المستخدمة في هذا الجهاز لها قدرة تحمل تتمثل في درجات الحرارة أقل من 20- درجة مئوية.

- i** يجب تركيب الثلاجة على بعد 30 سم على الأقل من مصادر الحرارة مثل المواقد والأفران والسخان المركزي والمواقد وعلى بعد 5 سم على الأقل من الأفران الكهربائية ويجب عدم وضعها في ضوء الشمس المباشر.
- i** يجب أن تكون درجة الحرارة المحيطة للغرفة التي تضع فيها الثلاجة 10 درجة مئوية على الأقل. ولا يُوصى بتشغيل الثلاجة في ظروف درجة حرارة أقل من ذلك تحقياً لكفائها.
- i** يُرجى التأكد من تنظيف الثلاجة من الداخل بعناية.
- i** إذا كنت بصدد تركيب ثلاجتين جنباً إلى جنب، فيجب المبعادة بينهما بمسافة 2 سم على الأقل.
- i** عند تشغيل الثلاجة للمرة الأولى، يُرجى مراعاة التعليمات التالية أثناء الساعات الستة الأولى.
- يجب عدم فتح الباب بصورة متكررة.
 - يجب تشغيلها وهي خاوية بدون أي أطعمة داخلها.
 - لا تنزع قابس التيار الكهربائي للثلاجة. إذا توقف التيار الكهربائي رغماً عنك، فيرجى قراءة التحذيرات الواردة في قسم "حلول مقترحة للمشكلات".
- i** يجب استخدام السلال/الجوارير التي تزود مع حجرة التبريد دائماً لتقليل استهلاك الطاقة ومن أجل ظروف تخزين أفضل.
- i** إن احتكاك الطعام مع مجس درجة الحرارة في حجرة المجمد قد يزيد من استهلاك الطاقة في الجهاز. لذا يجب تجنب الاحتكاك مع المجس.
- i** يجب الحفاظ على العبوة الأصلية ومواد التغليف المصاحبة لأغراض النقل المستقبلي أو الانتقال.
- i** في بعض الموديلات، تتوقف لوحة الأذونات 5 دقائق بعد إغلاق الباب. سيتم إعادة تفعيلها عند فتح الباب أو الضغط على أي مفتاح.
- i** نظراً لتغير درجات الحرارة نتيجة لفتح /إغلاق باب الجهاز أثناء العملية، فالتكثيف على الباب /والرفوف والعبوات الزجاجية أمر طبيعي

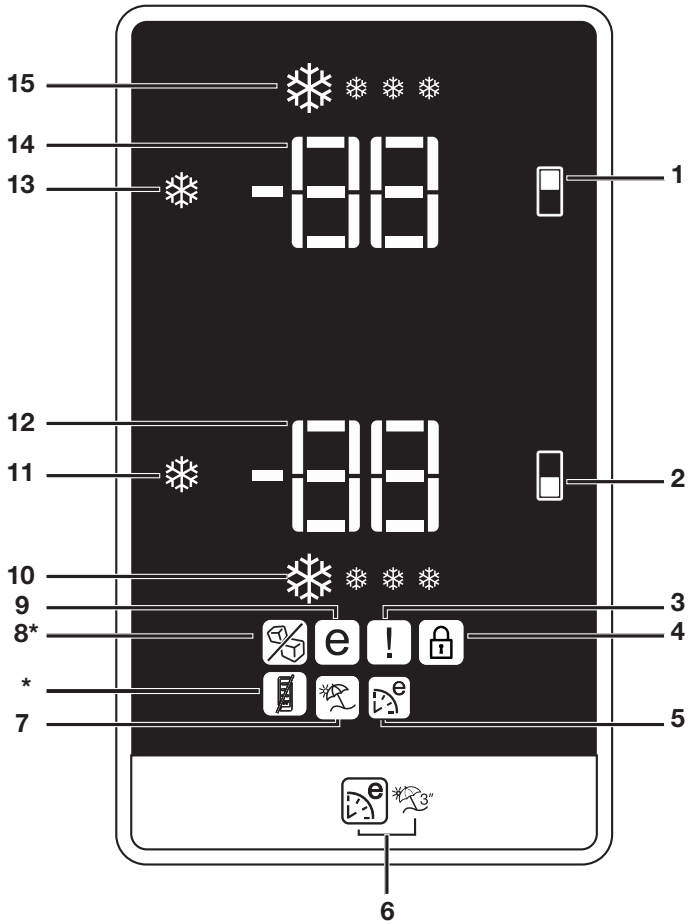
قد تختلف لوحات المؤشر وفقاً لموديل المنتج الخاص بك.

تساعد لوحة المؤشر في استخدام الثلاجة بواسطة وظائفها المسموعة والمرئية.



1. مؤشر درجة حرارة صندوق الفريزر
 2. مؤشر حالة الخطأ
 3. مؤشر درجة حرارة صندوق الثلاجة
 4. زر ضبط درجة حرارة صندوق الثلاجة
 5. مؤشر الوضع الاقتصادي
 6. مؤشر التأيين
 7. زر ضبط درجة حرارة صندوق الفريزر
1. مؤشر درجة حرارة صندوق الفريزر
يوضح درجة الحرارة المضبوطة لصندوق الفريزر.
 2. مؤشر حالة الخطأ
إذا لم تقم الثلاجة بالتبريد بالشكل الكافي أو إذا أخفق المستشعر، يتم تنشيط هذا المؤشر. عندما يتم تنشيط هذا المؤشر، يعرض مؤشر درجة حرارة صندوق الفريزر "E" ويعرض مؤشر درجة حرارة صندوق الثلاجة أرقامًا مثل "1 و 2 و 3...". توفر تلك الأرقام الموجودة على المؤشر معلومات حول الخطأ بالنسبة لموظفين الخدمة.
3. مؤشر درجة حرارة صندوق الثلاجة
يوضح درجة الحرارة المضبوطة لصندوق الثلاجة.
 4. زر ضبط درجة حرارة صندوق الثلاجة
اضغط على هذا الزر لضبط درجة حرارة صندوق الثلاجة على 8 و 6 و 2 و 8... بالترتيب. اضغط على هذا الزر لضبط درجة الحرارة المرغوبة لصندوق الثلاجة.
 5. مؤشر الوضع الاقتصادي
يوضح أن الثلاجة تعمل باستخدام وضع موفر للطاقة.
 6. مؤشر التأيين
يضيء المصباح باستمرار. يشير هذا المصباح إلى أن الثلاجة محمية من البكتيريا.
 7. زر ضبط درجة حرارة صندوق الفريزر
اضغط على هذا الزر لضبط درجة حرارة صندوق الفريزر على -18 و -20 و -22 و -24 و -18... بالترتيب. اضغط على هذا الزر لضبط درجة الحرارة المرغوبة لصندوق الفريزر.

❶ الأشكال الواردة في دليل التعليمات هذا هي رسومات بيانية وقد لا تتطابق تمامًا مع المنتج. إذا لم تكن هذه القطع واردة في هذا الجهاز الذي اشتريته، فإنها مناسبة لأنواع أخرى.



- | | | | |
|----|--|-----|------------------------------------|
| 1. | إعداد صندوق الفريزر / مفتاح تشغيل إيقاف لتجميد | 9. | مؤشر الاستخدام الاقتصادي |
| 2. | زر ضبط درجة حرارة مقصورة الثلجة | 10. | مؤشر وظيفة التبريد السريعة |
| 3. | مؤشر حالة الخطأ | 11. | زر التبريد السريع "Quick fridge" |
| 4. | مؤشر تأمين المفاتيح | 12. | مؤشر ضبط درجة حرارة الثلجة |
| 5. | مؤشر وظيفة Eco Extra | 13. | زر التجميد السريع "Quick freeze" |
| 6. | زر التوفير الإضافي/الإجازة | 14. | مؤشر ضبط درجة حرارة مقصورة الفريزر |
| 7. | مؤشر وظيفة الإجازة | 15. | مؤشر وظيفة التجميد السريع |
| 8. | مؤشر إيقاف التجميد (*في بعض الموديلات) | | |

❶ الأشكال الواردة في دليل التعليمات هذا هي رسومات بيانية وقد لا تتطابق تمامًا مع المنتج. إذا لم تكن هذه القطع واردة في هذا الجهاز الذي اشتريته، فإنها مناسبة لأنواع أخرى.

1. إعداد صندوق الفريزر / مفتاح تشغيل إيقاف التجميد

تسمح لك هذه الوظيفة بضبط درجة حرارة صندوق الفريزر. اضغط على هذا الزر لضبط درجة حرارة صندوق الفريزر على 18- و20- و22- و24- بالترتيب. لإيقاف تكوين الثلج؛ اضغط على نفس الزر لمدة 3 ثوانٍ. سيتوقف تدفق المياه من خزان المياه عندما يتم اختيار هذه الوظيفة. ومع ذلك؛ يمكن إخراج الثلج الموجود من وحدة التوزيع. لإيقاف تكوين الثلج؛ اضغط على نفس الزر لمدة 3 ثوانٍ.

2. زر ضبط درجة حرارة مقصورة الثلجة

تسمح لك هذه الوظيفة بضبط درجة حرارة مقصورة الثلجة. اضغط على هذا الزر لضبط درجة حرارة صندوق الثلجة على 18- و20- و22- و24- ... بالترتيب.

3. مؤشر حالة الخطأ

إذا لم تقم الثلجة بالتبريد بالشكل الكافي أو إذا أخفق المستشعر، يتم تنشيط هذا المؤشر. عندما يتم تنشيط هذا المؤشر، يعرض مؤشر درجة حرارة مقصورة الفريزر "E" ويعرض مؤشر درجة حرارة صندوق الثلجة أرقاماً مثل "1" و"2" و"3". توفر تلك الأرقام الموجودة على المؤشر معلومات حول الخطأ بالنسبة لموظفين الخدمة. عندما تضع طعام ساخن في مقصورة الفريزر، أو إذا تركت الباب مفتوحاً لفترة طويلة، فستومض علامة تعجب لبعض الوقت. هذا ليس خطأ، فهذا التنبيه سيختفي عندما يبرد الطعام.

4. مؤشر قفل المفاتيح

استخدم تلك الوظيفة إذا كنت لا تريد تغيير ضبط درجة حرارة الثلجة. اضغط على زر التبريد السريع و زر ضبط درجة حرارة صندوق التخزين متعدد المناطق معاً لمدة 3 ثواني لتنشيط تلك الخاصية.

5. مؤشر وظيفة Eco Extra

يوضح أن وظيفة Eco Extra في وضع نشط. في حالة تنشيط هذه الوظيفة، ستنكشف ثلاجتك تلقائياً أقل فترات الاستخدام وستعمل وظيفة التبريد الموفرة للطاقة خلال تلك الفترات. سيتم تنشيط مؤشر الاقتصاد أثناء عمل وظيفة التبريد الموفرة للطاقة. اضغط على الزر المخصص مرة أخرى لإلغاء تنشيط هذه الوظيفة.

6. زر التوفير الإضافي/الإجازة

اضغط على هذا الزر لفترة قصيرة لتنشيط وظيفة التوفير الإضافي. اضغط باستمرار على هذا الزر لمدة 3 ثوانٍ لتنشيط وظيفة الإجازة. اضغط على هذا الزر لإلغاء تنشيط الوظيفة المحدده.

7. مؤشر وظيفة الإجازة

يوضح أن وظيفة الإجازة في وضع نشط. إذا كانت تلك الوظيفة نشطة، فسيظهر " - " على مؤشر صندوق الثلجة ولن تظهر أي علامات تبريد في صندوق الثلجة. يتم تبريد المقصورات الأخرى بالتوافق مع درجة الحرارة التي تم ضبطها لهم. اضغط على الزر المخصص مرة أخرى لإلغاء تنشيط هذه الوظيفة.

8. مؤشر إيقاف تكوين الثلج

لن يعمل التجميد عندما يكون مؤشر هذه الوظيفة قيد التشغيل. أنظر العنصر 1 لتفعيل التجميد.

9. مؤشر الوضع الاقتصادي

يوضح أن التلاجة تعمل باستخدام وضع موفر للطاقة. درجة حرارة مقصورة الفريزر يكون هذا المؤشر نشط إذا تم ضبط الوظيفة على درجة حرارة 18 أو كانت وظيفة التبريد الموفرة للطاقة تعمل نتيجة لوظيفة Eco-Extra.

10. مؤشر التبريد السريع

يوضح هذا الرمز بشكل مجسم عند تنشيط وظيفة التبريد السريع.

11. وظيفة التبريد السريع

عند الضغط على زر التبريد السريع "Quick

Fridge"، تصبح درجة حرارة الصندوق أبرد من القيم المضبوطة.

يمكن استخدام هذه الوظيفة للطعام الموضوع في مقصورة التلاجة والمطلوب تجميده بسرعة.

إذا أردت تبريد كمية كبيرة من الطعام الطازج، يوصى بتنشيط هذه الميزة قبل وضع الطعام في التلاجة.

يتم تشغيل مؤشر التجميد السريع عند تشغيل وظيفة التجميد السريع. لإلغاء هذا الوظيفة، اضغط على زر

Quick Fridge مرة أخرى.

إذا لم يتم إلغاؤها، ستلغي وظيفة التثليج السريع نفسها تلقائياً بعد مرور 4 ساعات أو عندما تصل درجة حرارة مقصورة التلاجة إلى الدرجة المطلوبة.

لن يتم استدعاء هذه الوظيفة عندما يتم استعادة التيار الكهربائي بعد انقطاعه.

12. مؤشر ضبط درجة حرارة مقصورة التلاجة

يبين درجة الحرارة المضبوطة لمقصورة التلاجة.

13. مؤشر ضبط درجة حرارة مقصورة الفريزر

يبين درجة الحرارة المضبوطة مقصورة الفريزر.

14. وظيفة التجميد السريع

يتم تشغيل مؤشر التجميد السريع عند تشغيل وظيفة

التجميد السريع. لإلغاء هذا الوظيفة، اضغط على زر

Quick Freeze مرة أخرى. ينطفئ مؤشر التجميد

السريع وتعود الإعدادات إلى الوضع الطبيعي. إذا لم يتم

إلغاؤها، ستلغي وظيفة التجميد السريع نفسها تلقائياً بعد

مرور 8 ساعات أو عندما تصل درجة حرارة صندوق

الفريزر إلى الدرجة المطلوبة.

إذا أردت تجميد كمية كبيرة من الطعام الطازج، يرجى

الضغط على زر Quick Freeze 24 ساعة قبل وضع

الطعام في صندوق الفريزر.

إذا ضغطت على زر QuickFreeze (التجميد السريع)

بشكل متكرر لفترات قصيرة، سيتم تنشيط حماية الدائرة

الإلكترونية ولن يبدأ تشغيل الضاغط فوراً.

لن يتم استدعاء هذه الوظيفة عندما يتم استعادة التيار

الكهربي بعد انقطاعه.

15. مؤشر التجميد السريع

يوضح هذا الرمز بشكل مجسم عند تنشيط وظيفة التجميد

السريع.

تحذير فتح الباب

(قد تختلف هذه الخاصية وفقاً لباب المنتج وقد لا

تكون موجودة في بعض الموديلات.)

يتم سماع صوت تحذير عندما يكون باب مقصورة التلاجة

مفتوحاً لمدة 1 دقيقة على الأقل. سيتوقف هذا التحذير عندما

يتم إغلاق الباب أو تم الضغط على أياً من مفاتيح العرض

(إن وجدت).

- يجب تبريد الطعام الساخن إلى درجة حرارة الغرفة قبل وضعه في الثلاجة.
 - يجب أن يكون الطعام المراد تجميده جيداً وطازجاً.
 - يجب تقسيم الأطعمة إلى أجزاء طبقاً للاستهلاك اليومي للعائلة أو الوجبة اليومية.
 - * يجب تعبئة الأطعمة بطريقة محكمة لمنع جفاف أي منها إذا كانت ستُحفظ لوقت قصير.
 - يجب أن تكون المواد المستخدمة في التعبئة ضد القطع ومقاومة للبرد والرطوبة والرائحة والزيوت والأمضاض كما يجب أن تكون محكمة الهواء. وبالإضافة إلى ذلك، يجب أن تكون هذه المواد مغلقة ومصنوعة من مواد سهلة الاستخدام ومناسبة للاستخدام في الديب فريزر.
 - يجب استخدام الطعام المجمد مباشرة بعد إذابته، كما يجب عدم إعادة تجميده مطلقاً.
 - يرجى اتباع التعليمات الآتية للحصول على أفضل النتائج.
1. * لا تقم بتجميد كميات كبيرة من الطعام مرة واحدة في نفس الوقت. يتم الاحتفاظ بجودة الطعام بشكل أفضل عند تجميده بطريقة صحيحة بالكامل في أسرع وقت ممكن.
 2. يتسبب وضع الطعام دافئ في تجويف الفريزر إلى عمل نظام التبريد باستمرار حتى يتم تجميد الطعام وجعله صلباً.
 3. توخ الحذر جيداً لعدم خلط الأطعمة المجمدة فعلياً بالأطعمة الطازجة.

إعداد مقصورة الفريزر	إعداد مقصورة الثلاجة	توضيحات
18- درجة مئوية	4 درجة مئوية	هذا هو الضبط الموصى به بشكل طبيعي.
20 أو 22- أو 24- درجة مئوية	4 درجة مئوية	هذه هي إعدادات الضبط الموصى بها عندما تتجاوز درجة الحرارة المحيطة 30 درجة مئوية.
التجميد السريع	4 درجة مئوية	استخدم هذا عندما ترغب في تجميد الطعام في وقت قصير. سترجع الثلاجة إلى وضعها السابق عندما تنتهي هذه العملية.
18- درجة مئوية أو أقل	2 درجة مئوية	إذا اعتقدت أن مقصورة الثلاجة غير بارد بدرجة كافية بسبب الظروف الساخنة أو الفتح المتكرر للأبواب أو إغلاقها، فيمكن الضبط على هذه القيم.
18- درجة مئوية أو أقل	التبريد السريع	يمكن استخدامها عندما يكون صندوق الثلاجة ذا حمل زائد أو عندما ترغب في تبريد الطعام بسرعة. يوصى بتنشيط وظيفة التبريد السريع من 4 إلى 8 ساعات قبل وضع الطعام فيها.

وضع الطعام

توصيات المحافظة على الأطعمة المجمدة

- * يجب حفظ الأطعمة المجمدة التجارية مسبقاً بالتعبئة وفقاً لإرشادات مصنع الطعام المجمد بالنسبة لصندوق حفظ الطعام المجمد [***] * (4 نجوم).
 - لضمان المحافظة على أفضل جودة لدى جهة تصنيع الطعام المجمد والبنائع؛ يجب تذكر ما يلي:
 1. توضع العبوات في الفريزر بأسرع ما يمكن بعد الشراء.
 2. تأكد من أن المحتويات مملصة على العبوة ومدون عليها التاريخ.
 3. يجب عدم تجاوز تاريخ 'استخدام حتى' أو 'يفضل قبل' على العبوة.
- إزالة الثلج**
يقوم تجويف الفريزر بإزالة الثلج بشكل تلقائي.

أرفف صندوق الفريزر	طعام مجمد متنوع مثل اللحم والسمك والأيس كريم والخضروات إلخ.
حامل البيض	البيض
أرفف صندوق التلاجة	الطعام في معلبات وأطباق مغطاة وعلب مغلقة.
أرفف باب صندوق التلاجة	طعام قليل أو مغلف أو مشروبات (مثل اللبن وعصائر الفواكه)
درج	الخضروات والفاكهة
مقصورة منطقة الطعام الطازج	منتجات الأطعمة المعلبة (الجبن والزبد والسلامي... إلخ.)

معلومات التجميد العميق

يجب تجميد الطعام بأسرع ما يمكن عند وضعه في الثلاجة للحفاظ على جودته.

يمكن الحفاظ على الطعام لفترة أطول فقط عند درجة حرارة 18- درجة مئوية أو درجات حرارة أقل.

يمكن الحفاظ على طازجة الطعام لشهور عديدة (عند درجة حرارة 18- أو أقل في الديب فريزر).

⚠ تحذير!

• يجب تقسيم الأطعمة إلى أجزاء طبقاً للاستهلاك اليومي للعائلة أو الوجبة اليومية.

• يجب تغليف الأطعمة بطريقة محكمة لمنع جفاف أي منها إذا كانت ستُحفظ لوقت قصير.

المواد الضرورية للتعبئة.

• شريط لاصق مقاوم للبرد

• شريط لاصق ذاتي

• حلقات مطاطية

• قلم

يجب أن تكون المواد المزمع استخدامها لتعبئة الطعام مقاومة للقطع وللبرد والرطوبة والزيوت والأحماض.

يجب عدم ملامسة الأطعمة المزمع تجميدها للمواد المذابة سابقاً لمنع الإذابة الجزئية.

يجب استخدام الطعام المجمد مباشرة بعد إذابته، كما يجب عدم إعادة تجميده مطلقاً.

وصف فلتر الروائح وتنظيفه:

يمنع فلتر الروائح تراكم الروائح الكريهة داخل الثلاجة. اجذب الغطاء المركب فيه فلتر الروائح لأسفل وأخرجه كما هو موضح في الشكل. اترك الفلتر معرضاً لأشعة الشمس لمدة يوم واحد. سيتم تنظيف الفلتر خلال هذه المدة الزمنية. قم بتركيب الفلتر مرة أخرى في مكانه. يجب تنظيف فلتر الروائح مرة كل عام.

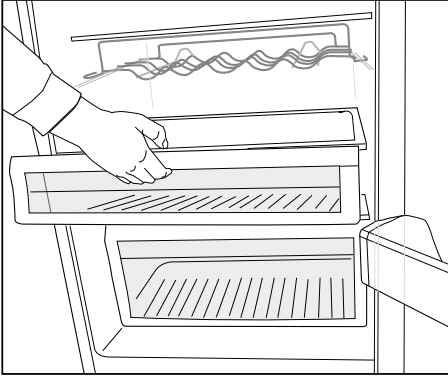
أدراج الوجبات الخفيفة:

استخدم هذه المقصورات لأطعمتك التي ترغب في تخزينها في درجة حرارة لدرجات أقل قليلاً من مقصورة الثلجة.

يمكن زيادة الحجم الداخلي للثلاجة بإخراج أي من صناديق الوجبات الخفيفة.

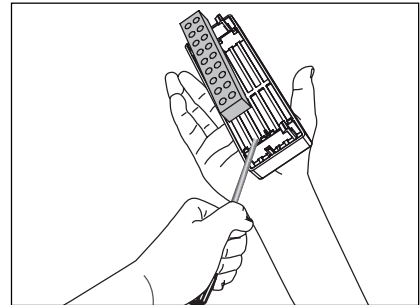
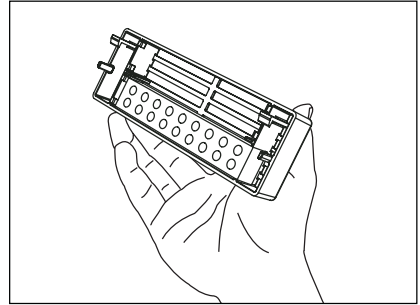
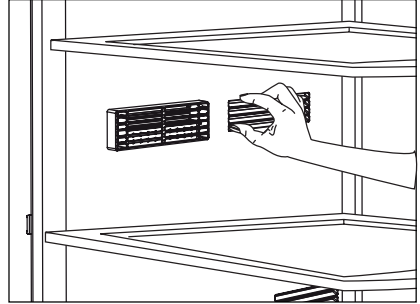
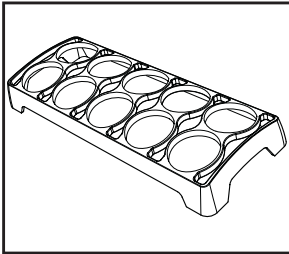
1. اجذب الصندوق تجاهك حتى يوقفه الحاجز.
2. ارفع القسم الأمامي واسحبه نحوك لإزالة المقصورة من مكانها.

يمكنك وضع الطعام الذي تريد تجميده لإعداده ليتجمد في هذه الصناديق لإعدادها للتجميد.



حامل البيض

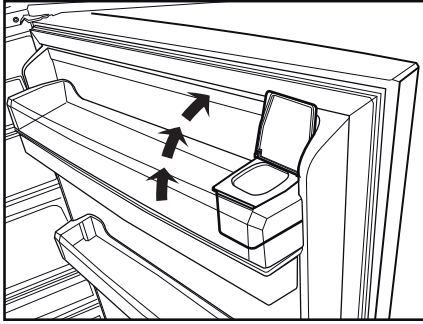
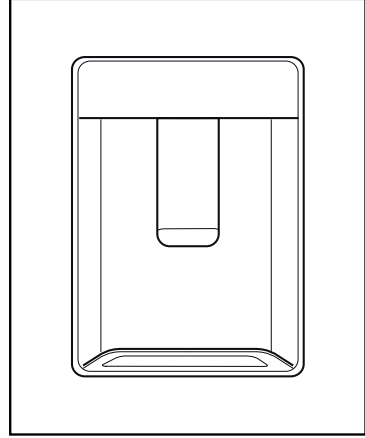
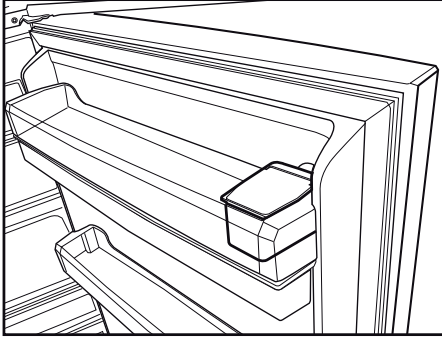
يمكن تركيب حامل البيض بالباب المطلوب أو رف الجسم. لا تخزن حامل البيض في مقصورة الفريزر أبداً.



وحدة توزيع المياه

(في بعض الموديلات)

يعتبر موزع المياه ميزة مفيدة للحصول على ماء بارد بدون فتح باب الثلاجة. ولأنه لن تضطر إلى فتح باب الثلاجة بصورة متكررة، فسوف تقلل من استهلاك الثلاجة للطاقة.



استخدام صنبور الماء

اضغط على مزلاج صنبور الماء بالكوب. سيتوقف موزع المياه عن العمل بمجرد أن تحرر الذراع. عند تشغيل موزع المياه، يتم الحصول على أقصى تدفق للمياه بالضغط الكامل على المزلاج. تذكر أن كمية تدفق المياه من موزع المياه يخضع لدرجة الضغط على الذراع. وكلما ارتفع مستوى المياه في الكوب / الكاس، خففت كمية الضغط على المزلاج لتجنب زيادة التدفق. إذا ضغطت برفق على الذراع، سيقطر الماء، وهذا أمر طبيعي وليس عيباً.

تحذير!

- لا تملأ خزان المياه بأى سائل آخر غير مياه الشرب والمشروبات مثل عصائر الفاكهة والمشروبات الغازية، أما المشروبات الكحولية فغير مناسبة للاستخدام في موزع المياه. سيتلف موزع المياه بشكل لا يمكن إصلاحه إذا تم استخدام هذا النوع من السوائل. ولا يشمل الضمان هذا النوع من الاستخدامات فبعض المواد الكيميائية والإضافات الموجودة في هذه السوائل/المشروبات قد تتلف مواد خزان المياه.

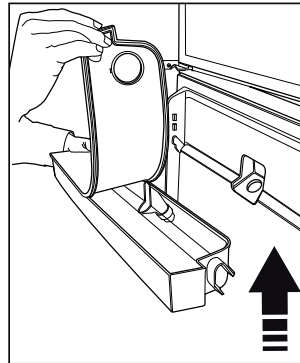
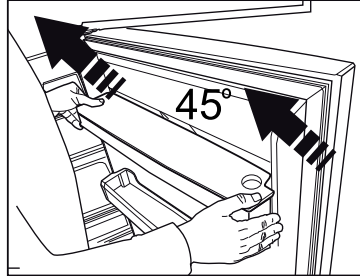
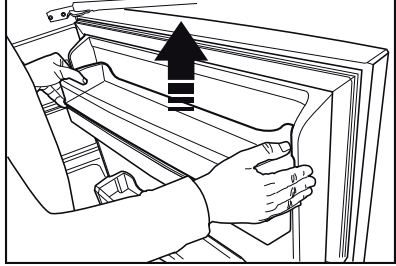
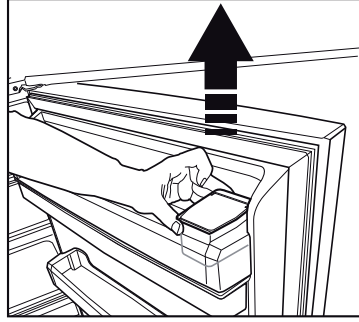
- استخدم فقط مياه شرب نقية ونظيفة.
- سعة خزان المياه 3 لتر ، لا تملأه على نحو مفرط.
- اضغط على مزلاج صنبور الماء بالكوب. إذا كنت تستخدم أكواب بلاستيكية، فاضغط على المزلاج بأصابعك من خلف الكوب.

تنظيف خزان المياه

- قم بفك صهريج تعبئة المياه داخل رف الباب.
- قم بفك رف الباب بإمساكه من كلا الجانبين.
- امسك خزان المياه من كلا الجانبين وقم بفكه بزاوية 45 درجة
- قم بتنظيف خزان المياه بفك غطاؤه.

هام:

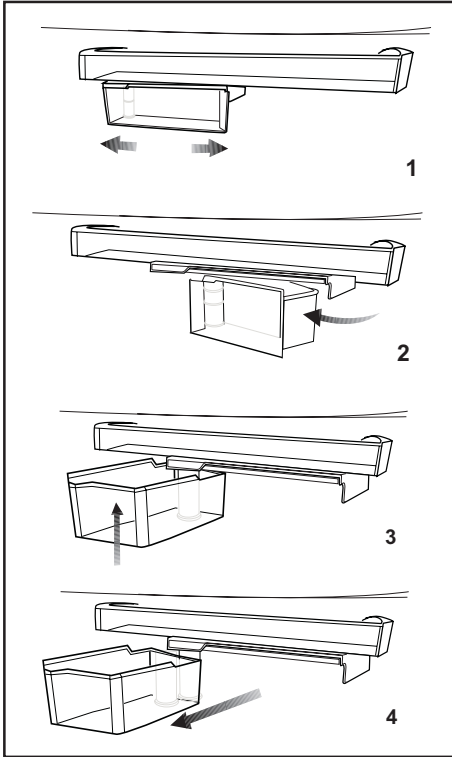
يجب ألا يتم غسل أجزاء خزان المياه وموزع المياه في غسله الأطباق.



صندوق التخزين الدوار

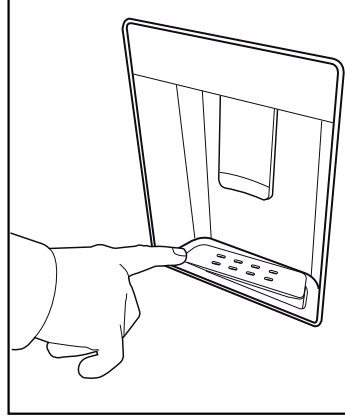
(في بعض الموديلات)

يمكن تحريك الرف المائل لليسار أو الليمين للسماح بوضع زجاجات طويلة أو العلب أو الصناديق في رف سفلي (الشكل 1).
يمكن الوصول إلى الطعام الذي وضعته في الرف من خلال جذبته وتدويره من حافظته اليمنى (الشكل 2).
عندما تريد تحميله أو إخراجها لتنظيفه، أدره بمقدار 90 درجة وارفعه واجذبه تجاهك (الشكل 3-4).



درج المياه
المياه التي تتساقط أثناء استخدام موزع المياه تتجمع في درج المياه.

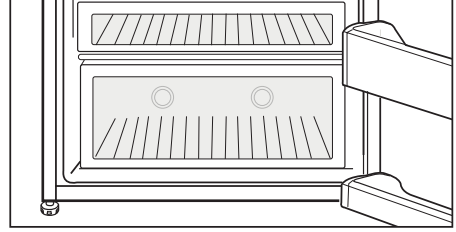
اسحب المصفاة البلاستيكية كما يظهر في الشكل.
بقطعة قماش نظيفة وجافة، قم بإزالة المياه التي تراكمت
تثبيته: قم بتوصيل خط مياه شرب نقيه فقط.



مصباح أزرق

(في بعض الموديلات)

يحتفظ الطعام المخزن في الأدراج المضاءة باللون الأزرق بطازجته عن طريق تأثير طول الموجة للضوء الأزرق وبالتالي يحتفظ بطازجته ويزيد من محتويات البروتين.



التجميد التلقائي

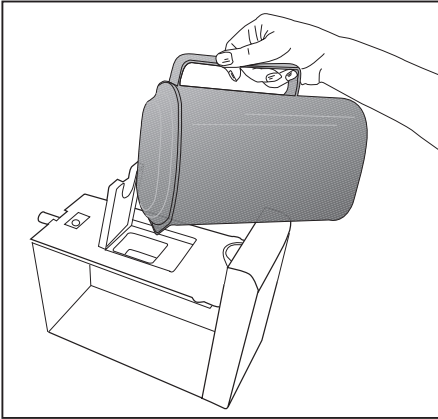
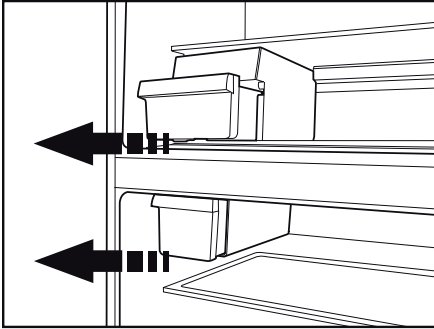
(في بعض الموديلات)

يسمح نظام التجميد التلقائي لك بالحصول على الثلج من التلاجة بسهولة. قم بإزالة خزان المياه في مقصورة التلاجة، واملأه بالمياه وقم بتركيبه مرة أخرى للحصول على التلاجة من درج الثلج.

ستكون أول مكعبات ثلجية جاهزة في خلال ساعتين تقريباً في درج الثلج الموجود في مقصورة الفريزر.

إذا ملئت خزان المياه بالكامل، ستستطيع الحصول على حوالي 60-70 مكعب ثلجي.

قم بتغيير المياه في خزان المياه إذا ظلت هناك لمدة 2-3 أسابيع.



وحدة صنع الثلج وصندوق تخزين الثلج

استخدام وحدة صنع الثلج

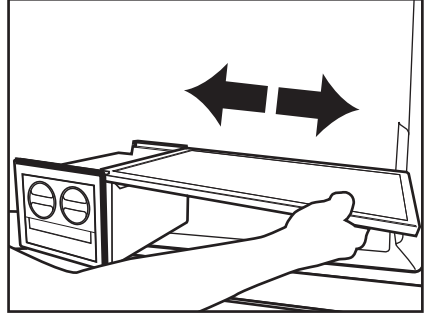
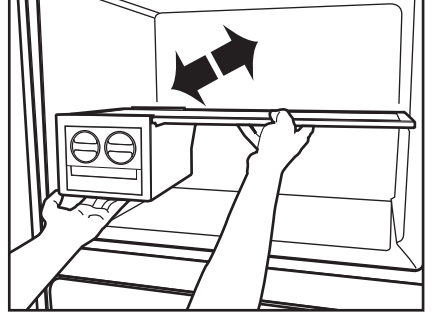
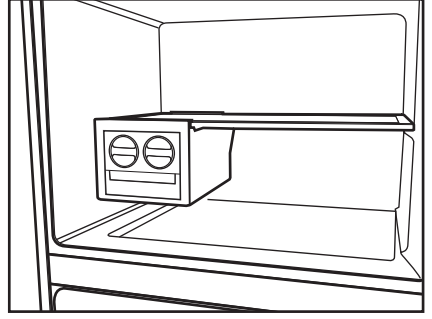
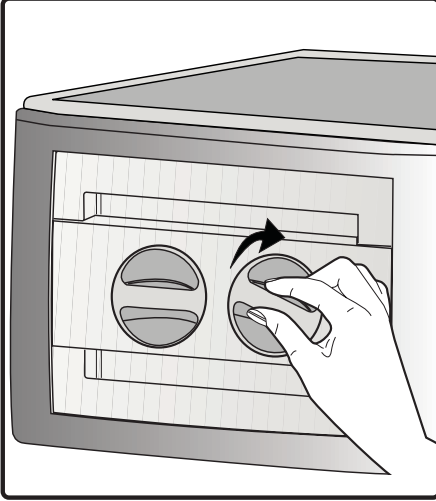
(في بعض الطرازات)

أملء جهاز عمل الثلج بالمياه وضعه في مكانه. سيتم إعداد الثلج في حوالي ساعتين تقريبًا. لا تخرج صندوق الثلج من مكانه لإخراج الثلج.
أدر المقابض باتجاه عقارب الساعة كما هو موضح في الشكل.

ستسقط مكعبات الثلج في خزان الثلج أدناه.
يمكن إخراج خزان الثلج وتقديم مكعبات الثلج.
يمكن الاحتفاظ بمكعبات الثلج في خزان الثلج إذا أردت.

صندوق تخزين الثلج

فخزان الثلج مخصص فقط لتجميع مكعبات الثلج. لا تضع ماء فيه. وإلا فيكسر.



❗ لا تستخدم الأدوات الحادة والكاشطة أو الصابون، أو مواد التنظيف المنزلية، المنظفات، البنزين، الشمع، الخ، وإلا ستزول الأختام على الأجزاء البلاستيكية ويحدث تشوه. استخدم ماء فاترًا وقماشًا ناعمةً للتنظيف والتجفيف.

حماية الأسطح البلاستيكية

❗ لا تضع زيوتًا سائلة أو وجبات مطبوخة بالزيت في الثلاجة في علب غير معزولة، إذ قد تتسبب في تلف الأسطح البلاستيكية للثلاجة. في حالة انسكاب زيت أو تسربه على الأسطح البلاستيكية، نظف هذا الجزء واشطفه فورًا بماء دافئ.

⚠ لا تستخدم الجازولين أو البنزين أو أي مواد مشابهة لأغراض التنظيف.

⚠ نوصي بفصل الجهاز عن التيار الكهربائي قبل تنظيفه.

⚠ لا تستخدم أبدًا أي مواد كاشطة أو صابون أو منظفات منزلية أو منظفات غسيل أو شمع التلميع عند التنظيف.

❗ استخدم المياه الفاترة لتنظيف صندوق الثلاجة ثم امسحه ليجف.

❗ استخدم قطعة من القماش الملتوية والرطبة مع ماء ملعقة شاي من بيكربونات الصودا مضافة لجالون من الماء لتنظيف الداخل ثم يجفف.

❗ تأكد من عدم دخول المياه إلى مبيت المصباح وغيره من العناصر الكهربائية.

❗ إذا كانت الثلاجة لن تستعمل لفترة زمنية طويلة، فافصل كابل التيار الكهربائي ثم أفرغ جميع الأطعمة ثم نظفها واترك الباب مفتوح جزئيًا.

❗ قم بفحص عوازل التسريب في الباب بانتظام للتأكد من سلامتها وخلوها من جزيئات الطعام.

❗ لإزالة أرفف الباب، أخرج جميع المحتويات ثم ادفع رف الباب لأعلى بعيدًا عن القاعدة.

❗ لا تستخدم أبدًا مواد التنظيف أو المياه التي تحتوي على الكلورين لتنظيف الأسطح الخارجية والأجزاء المطلوبة بالكروم من المنتج. فالكلورين يتسبب في تآكل هذه الأسطح المعدنية.

7 استكشاف الأعطال وإصلاحها

يرجى مراجعة هذه القائمة قبل الاتصال بمركز الخدمة. فقد يوفر عليك وقتاً ومالاً. تشمل هذه القائمة الشكاوى التي لم تنتج عن عيوب صناعة أو المواد المستخدمة. قد لا تتوفر بعض الميزات الواردة في هذا الدليل في المنتج الخاص بك.

الثلاجة لا تعمل.

- الثلاجة غير متصلة بالقابس بشكل صحيح. <<< قم بتوصيل القابس بمنفذ الكهرباء بالحائط بإحكام.
- احترق منصهر القابس المتصلة به الثلاجة أو المنصهر الرئيسي. <<< افحص المنصهر.

وجود تكاثف في جانب صندوق الثلاجة (المنطقة المتعددة، التحكم في التبريد، والمنطقة المرنة).

- البيئة المحيطة باردة جداً. <<< لا تقم بتركيب الثلاجة في أماكن تقل فيها درجة الحرارة عن 10 درجة مئوية.
- باب الثلاجة ترك مفتوحاً بشكل متكرر. <<< تجنب تكرار فتح الباب وإغلاقه.
- البيئة المحيطة رطبة جداً. <<< لا تقم بتركيب الثلاجة في أماكن ذات نسبة رطوبة عالية.
- تم تخزين طعاماً يحتوي على سائل في أوعية مفتوحة. <<< لا تخزن طعاماً يحتوي على سائل في أوعية مفتوحة.
- باب الثلاجة مفتوح جزئياً. <<< أغلق باب الثلاجة.
- تم ضبط الترموستات على درجة باردة جداً. <<< اضبط وضع الترموستات إلى الدرجة المناسبة.

جهاز ضغط الهواء لا يعمل

- i** جسينصهر العازل الحراري لجهاز ضغط الهواء أثناء الانقطاع المفاجئ للتيار الكهربائي أو توصيل قابس الثلاجة بالتيار الكهربائي أو فصله، لأن ضغط الثلاجة في نظام تبريد الثلاجة لم يتوازن بعد. ستبدأ الثلاجة في العمل بعد 6 دقائق تقريباً. يُرجى الاتصال بمركز الصيانة إذا لم تبدأ الثلاجة في العمل بعد انتهاء هذه المدة.
- الثلاجة في دورة إزالة الثلج. <<< هذا أمر عادي لكل الثلاجات الأوتوماتيكية التي تزيل الثلج. تحدث عملية إزالة الثلج دورياً.
 - الثلاجة غير متصلة بالقابس. <<< تأكد أن القابس موضوع بإحكام في المقبس.
 - لم يتم ضبط درجة الحرارة بشكل سليم. <<< اختر درجة الحرارة المناسبة.
 - انقطاع التيار الكهربائي. <<< تعود الثلاجة للتشغيل الطبيعي بعد رجوع التيار الكهربائي.

تزداد حدة ضوضاء التشغيل عند تشغيل الثلاجة.

i قد يتغير أداء الثلاجة تبعاً للتغيرات في درجة الحرارة المحيطة بالثلاجة. وهذا طبيعي ولا يعد ذلك عيباً.

تعمل الثلاجة بصورة متكررة أو لوقت طويل.

<p>i قد يكون عرض الثلاجة الجديدة أكبر من عرض الثلاجة القديمة. الثلاجات الكبيرة تعمل لفترات أطول.</p> <ul style="list-style-type: none"> • قد تكون درجة حرارة المكان مرتفعة. <<< من الطبيعي أن يتم تشغيل المنتج لفترات أطول في الأماكن ذات درجة الحرارة المرتفعة. • الثلاجة متصلة بالتيار الكهربائي أو تم تحميلها بالطعام مؤخرًا. <<< عندما تكون الثلاجة متصلة بالتيار الكهربائي أو تم تحميلها بالطعام مؤخرًا، فستأخذ وقتًا أطول للوصول إلى درجة الحرارة المضبوطة. هذا شيء طبيعي. • قد تكون هناك كميات كبيرة من الطعام الساخن تم وضعها في الثلاجة مؤخرًا. <<< لا تضع الأطعمة الساخنة بالثلاجة. • قد تكون الأبواب مفتوحة بصورة متكررة أو مفتوحة جزئيًا لفترة طويلة. <<< يتسبب الهواء الساخن الذي دخل الثلاجة في تشغيل الثلاجة لفترة أطول. تجنب تكرار فتح الباب. • قد يكون باب صندوق الفريزر أو الثلاجة مفتوح جزئيًا. <<< تأكد أن الأبواب مغلقة تمامًا. • تم ضبط الثلاجة على درجة باردة جدًا. <<< اضبط درجة حرارة الفريزر على أعلى وانظر حتى تصل إلى درجة الحرارة المطلوبة. • قد يكون عازل باب الثلاجة أو الفريزر متسخًا أو باليًا أو متهتكًا أو مثبت بطريقة غير صحيحة. <<< نظف العازل أو استبدله، لأن العازل التالف أو المتهتك يتسبب في أن تعمل الثلاجة لفترات أطول للحفاظ على درجة الحرارة الحالية.
<p>درجة حرارة الفريزر منخفضة جدًا بينما درجة حرارة الثلاجة غير كافية.</p>
<ul style="list-style-type: none"> • تم ضبط الفريزر على درجة باردة جدًا. <<< اضبط درجة حرارة الفريزر على أعلى ثم تأكد ثانية.
<p>درجة حرارة الثلاجة منخفضة جدًا بينما درجة حرارة الفريزر غير كافية.</p>
<ul style="list-style-type: none"> • تم ضبط الثلاجة على درجة حرارة باردة جدًا. <<< اضبط درجة حرارة الثلاجة على أعلى ثم تحقق ثانية.
<p>تجمد الطعام المحفوظ في أراج صندوق الثلاجة.</p>
<ul style="list-style-type: none"> • تم ضبط الثلاجة على درجة حرارة عالية جدًا. <<< اضبط درجة حرارة الثلاجة على أعلى ثم تحقق ثانية.
<p>درجة حرارة الثلاجة أو الفريزر عالية جدًا.</p>
<ul style="list-style-type: none"> • تم ضبط الثلاجة على درجة حرارة عالية جدًا. <<< يؤثر ضبط درجة حرارة الثلاجة على درجة حرارة الفريزر. قم بتغيير درجة حرارة الثلاجة أو الفريزر حتى تصل إلى درجة الحرارة المطلوبة لكلا الصندوقين. • قد تكون الأبواب مفتوحة بصورة متكررة أو مفتوحة جزئيًا لفترة طويلة. <<< تجنب تكرار فتح الباب. • الباب مفتوح جزئيًا. <<< أغلق الباب تمامًا. • الثلاجة متصلة بالتيار الكهربائي أو تم تحميلها بالطعام مؤخرًا. <<< هذا شيء طبيعي. عندما تكون الثلاجة متصلة بالتيار الكهربائي أو تم تحميلها بالطعام مؤخرًا، فستأخذ وقتًا أطول للوصول إلى درجة الحرارة المضبوطة. • قد تكون هناك كميات كبيرة من الطعام الساخن تم وضعها في الثلاجة مؤخرًا. <<< لا تضع الأطعمة الساخنة بالثلاجة.
<p>اهتزازات أو ضوضاء.</p>
<ul style="list-style-type: none"> • الأرض ليست مستوية أو قوية. <<< إذا كانت الثلاجة تهتز أثناء تحريكها قليلًا، فقم بضبط توازنها من خلال ضبط أرجلها. تأكد من أن الأرض قوية بما يكفي لتحمل الثلاجة ومستوية. • قد يصدر صوت من الأشياء الموضوعة على الثلاجة <<< قم بإبعاد الأشياء الموجودة عليها.
<p>توجد ضوضاء صادرة من الثلاجة مثل صوت انسكاب سائل أو تنثره.</p>
<p>i تتساقب السوائل والغازات وفقا لقواعد تشغيل الثلاجة. وهذا طبيعي ولا يعد ذلك عيباً.</p>
<p>سماع صوت صفارة صادر من الثلاجة.</p>

<p>i تستخدم المراوح لتبريد الثلجة. وهذا طبيعي ولا يعد ذلك عيباً. وجود تكاثف في الحوائط الداخلية للثلجة.</p>
<p>i يزيد الطقس الحار والرطب من التلويح والتكاثف. وهذا طبيعي ولا يعد ذلك عيباً.</p> <ul style="list-style-type: none"> • قد تكون الأبواب مفتوحة بصورة متكررة أو مفتوحة جزئياً لفترة طويلة. << تجنب تكرار فتح الباب. أغلق الأبواب إذا كانت مفتوحة. • الباب مفتوح جزئياً. << أغلق الباب تمامًا. <p>تحدث الرطوبة في الإطار الخارجي للثلجة أو بين الأبواب.</p>
<p>i قد تكون هناك رطوبة في الهواء وهذا طبيعيًا في الجو الرطب. وعندما تكون الرطوبة أقل؛ يختفي التكثف.</p> <p>توجد رائحة كريهة داخل الثلجة.</p>
<ul style="list-style-type: none"> • لم يتم التنظيف بشكل دوري. << نظف داخل الثلجة بانتظام مستخدماً قطعة أسفنجية وماء دافئ أو ماء مكرين. • قد تتسبب بعض الأوعية أو مواد التعبئة في هذه الرائحة. << استخدم وعاء مختلف أو مواد تعبئة مختلفة. • تم وضع الأطعمة بالثلجة في أوعية بدون غطاء. << يجب حفظ الأطعمة في أوعية مغطاة. حيث قد تتسبب الكائنات الدقيقة الصادرة عن الأطعمة غير المغطاة في انبعاث روائح كريهة. <p>i ينبغي عدم الاحتفاظ بالأطعمة منتهية الصلاحية والأطعمة الفاسدة في الثلجة.</p> <p>الباب لا يغلق.</p>
<ul style="list-style-type: none"> • معلبات الطعام تمنع إغلاق الباب. << غير وضع عبوات الطعام التي تعيق الباب. • الثلجة ليست موضوعة بشكل رأسي كامل على الأرض. << قم بتعديل الأرجل لضبط اتزان الثلجة. • الأرض ليست مستوية أو قوية. << تأكد من أن الأرض مستوية وتحمل الثلجة.
<p>الأدراج عالقة.</p> <ul style="list-style-type: none"> • قد يكون الطعام ملامسا لسقف الدرج. << أعد ترتيب وضع الطعام في الدرج بحيث لا يعوق حركته.



48 8848 0000/BP

2/5

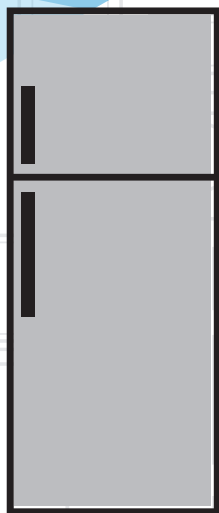
IT-FA-AR



www.beko.com

Refrigerator

User manual



DN 156720 D
DN 156720 DS
DN 156720 DX
DN 156720 X

DN 156721 X
DN 156720 H
DN 156720 DH
DN 156721 DH

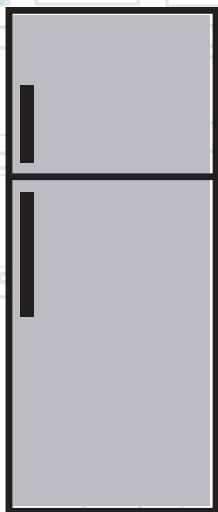
DN 160103
DN 160103 X
DN 161620 C
DN 161620

DN 161620 X
DN 161600 C
DN163720DH

SB | HR | ES |

beko

Фрижидер Упутство за употребу



SB |

beko

Molimo da prvo pročitate ovo uputstva za upotrebu!

Poštovani kupci,

Nadamo se da će vam ovaj proizvod, koji je proizveden u savremenim fabrikama i koji je prošao najstrože kontrole kvaliteta, dugo i efikasno služiti.

Zato vam preporučujemo da pažljivo pročitate kompletno uputstvo za upotrebu vašeg proizvoda pre nego što počnete da ga koristite, a uputstvo sačuvajte tako da vam uvek bude pri ruci ako vam zatreba.

Ovo uputstvo za upotrebu

- će vam pomoći da svoj uređaj koristite efikasno i na siguran način.
 - Pročitajte uputstvo za upotrebu pre instaliranja i rada sa vašim proizvodom.
 - Pratite uputstva, naročita ona vezana za bezbednost.
 - Uputstvo za upotrebu čuvajte na pristupačnom mestu jer vam kasnije može zatrebati.
 - Osim toga, pročitajte i drugu dokumentaciju koju ste dobili uz vaš proizvod.
- Imajte na umu da ovo uputstvo za upotrebu može važiti i za druge modele.

Simboli i njihovi opisi

Ovo uputstvo za upotrebu sadrži sledeće simbole:



Važne informacije ili korisni saveti o upotrebi.



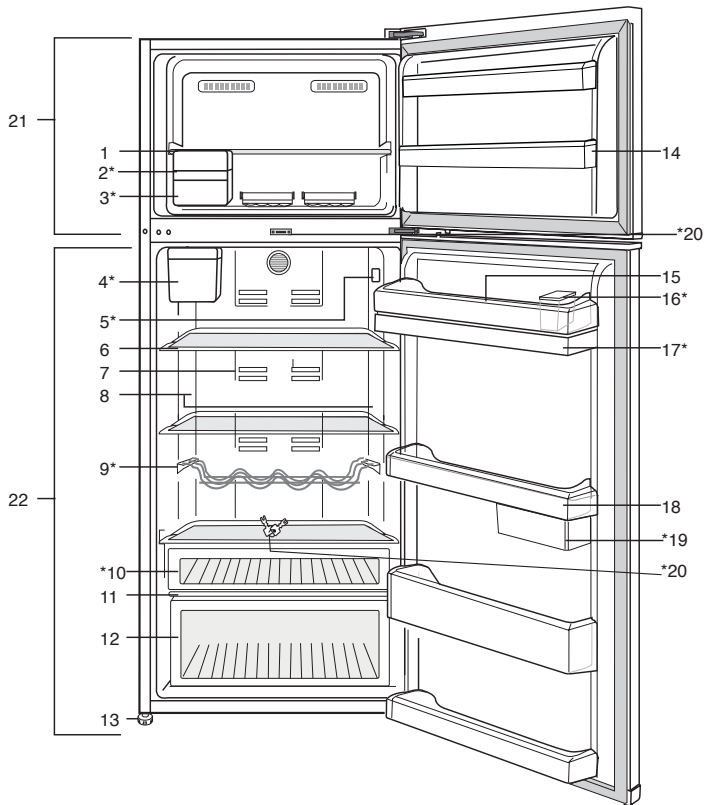
Upozorenje na uslove opasne po život i imovinu.



Upozorenje za električni napon.

1 Frižider	3	5 Upotreba Vašeg frižidera	14
2 Važna bezbednosna upozorenja	4	Tabla sa indikatorima	14
Namena	4	Upozorenje za otvorena vrata	17
Za proizvode sa raspršivačem (dozatorom) vode;	8	Zamrzavanje sveže hrane	18
Bezbednost dece	9	Preporuke za čuvanje zamrznute hrane	19
Usaglašenost sa WEEE direktivom i odlaganje otpada:	9	Stavljanje hrane	19
Usaglašenost sa RoHS direktivom:	9	Informacije o dubokom smrzavanju	20
Informacije o pakovanju	9	Opis i čišćenje filtera za mirise:	21
HCA upozorenje	9	Odeljak za jaja	21
Za uštedu energije	9	Dozator za vodu	22
Preporuke za odeljak za svežu hranu	10	Obrtna posuda	24
3 Instalacija	11	Plavo svetlo	25
Šta treba da se ima na umu prilikom ponovnog transporta frižidera	11	Automatski ledomat	25
Pre uključivanja frižidera	11	Ledomat i rezervoar za led	26
Promena lampe za osvetljenje	11	6 Čišćenje i održavanje	27
Podešavanje nožica	12	Zaštita plastičnih površina	27
Električno priključivanje	12	7 Rešavanje problema	28
Odlaganje pakovanja	12		
Odlaganje dotrajalog frižidera u otpad	12		
Postavljanje i instalacija	12		
4 Priprema	13		

1 Frižider



1. Polica zamrzivača
 2. Automatski ledomat
 3. Posuda za led
 4. Rezervoar za vodu automatskog ledomata
 5. Indikator podešavanja temperature
 6. Podeseive staklene police
 7. Filter za mirise
 8. Staklo za svetlo
 9. Polica za flaše
 10. Odeljak za slatkiše
 11. Poklopac odeljka za povrće
 12. Odeljak za povrće
 13. Podeseive nožice
 14. Police vrata odeljka zamrzivača
 15. Odeljak za jaja
 16. Posuda za punjenje dozatora za vodu
 17. Rezervoar dozatora za vodu
 18. Police na vratima odeljka frižidera
 19. Klizne i obrtne posude za čuvanje hrane
 20. Ključ
 21. Odeljak zamrzivača
 22. Odeljak frižidera
- *OPCIJA**

i Brojke iz ovog priručnika su šematske i možda ne odgovaraju tačno vašem proizvodu. Ako delovi teme nisu uključeni u proizvod koji ste kupili, onda to važi za druge modele.

2 Važna bezbednosna upozorenja

Pročitajte sledeće informacije. Nepoštovanje ovih informacija može dovesti do povreda ili materijalnih šteta. U suprotnom se gubi pravo na garanciju i odgovornost proizvođača.

Originalni rezervni delovi će biti obezbeđeni za 10 godina od dana nabavke proizvoda.

Namena

Ovaj proizvod je namenjen za upotrebu

- unutra i u zatvorenim prostorima, kao što su zgrade;
 - u zatvorenim radnim okruženjima, kao što su prodavnice i kancelarije;
 - u zatvorenim smeštajnim kapacitetima, kao što su odmarališta, hoteli i pansioni.
- Ovaj proizvod se ne sme koristiti napolju.

Opšte sigurnosne mere

- Kad hoćete da odložite/bacite proizvod,

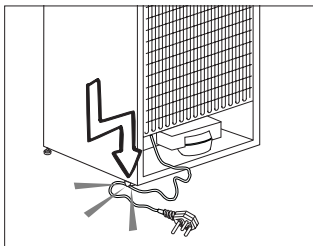
preporučujemo da se konsultujete sa ovlašćenim servisom da biste saznali potrebne informacije i ovlašćena tela.

- Konsultujte se sa ovlašćenim servisom za sva pitanja i probleme vezane za frižider. Nemojte da dirate i ne dajte da neko drugi dira frižider bez obaveštavanja ovlašćenog servisa.
- Za proizvode sa odeljkom zamrzivača: nemojte da jedete sladoled i kockice leda odmah čim ih izvadite iz zamrzivača! (To može da izazova promrzline u vašim ustima).
- Za proizvode sa odeljkom zamrzivača: ne stavljajte pića u flašama i limenkama u odeljak zamrzivača. Inače mogu da puknu.
- Ne dirajte smrznutu hranu rukom; ona može da se zalepi za ruku.

- Isključite frižider iz struje pre čišćenja ili odmrzavanja.
- Para i isparena sredstva za čišćenje nikad ne smeju da se koriste u čišćenju i procesu odmrzavanja Vašeg frižidera. U takvim slučajevima para može da dođe u kontakt sa električnim delovima i izazove kratki spoj ili električni udar.
- Nikad nemojte da koristite delove na Vašem frižideru, kao što su vrata, za naslanjanje ili stajanje.
- Ne koristite električne aparate u frižideru.
- Nemojte da oštećujete delove tamo gde cirkuliše rashladno sredstvo, s alatom za bušenje ili sečenje. Rashladno sredstvo koje može da eksplodira iz gasnih kanala isparivača, probušene produžene cevi ili premazi površina mogu da izazovu iritaciju kože i oštećenje očiju.
- Ne pokrivajte i ne blokirajte otvore za ventilaciju na Vašem frižideru bilo kakvim materijalima.
- Samo ovlašćene osobe mogu da popravljaju električne uređaje. Popravke koje vrše nekompetentna lica su rizične za korisnika.
- U slučaju bilo kakvog kvara ili za vreme održavanja ili popravke, isključite svoj frižider iz struje isključivanjem odgovarajućeg osigurača ili isključivanjem uređaja iz struje.
- Ne vucite kabl da biste izvukli utikač iz utičnice.
- Obezbedite da su pića sa velikim procentom alkohola bezbedno uskladištena sa pričvršćenim poklopcem i postavljena uspravno.
- Nikad ne čuvajte sprejove koji sadrže zapaljive i eksplozivne supstance u frižideru.
- Nemojte da koristite mehanička ili druga sredstva u cilju ubrzanja procesa odleđivanja aparata, osim sredstava preporučenih od strane proizvođača.

- Ovaj proizvod nije namenjen za upotrebu od strane lica sa smanjenim fizičkim, čulnim ili mentalnim sposobnostima ili nedostatkom iskustva i znanja osim ako nisu pod nadzorom ili obučeni za rukovanje od strane lica koje je odgovorno za njihovu bezbednost.
 - Ne uključujte oštećeni frižider. Konsultujte servisera ako imate bilo kakve sumnje.
 - Električna sigurnost frižidera je garantovana samo ako je sistem uzemljenja u Vašoj kući usklađen sa standardima.
 - Izlaganje proizvoda kiši, snegu, suncu i vetru je opasno s obzirom na električnu sigurnost.
 - Kontaktirajte ovlašćeni servis ako je oštećen kabl za napajanje da biste izbegli opasnost.
 - Nikad ne uključujte frižider u zidnu utičnicu za vreme instalacije.
- Inače može da dođe do rizika od smrti ili ozbiljne povrede.
- Ovaj frižider je predviđen samo za čuvanje hrane. Ne sme se koristiti za druge svrhe.
 - Nalepnica sa tehničkim specifikacijama nalazi se na levoj unutrašnjoj stranici frižidera.
 - Nikad ne povezujte svoj frižider sa sistemima za štednju električne energije; oni mogu da oštete frižider.
 - Ako frižider ima plavo svetlo, nemojte da gledate u plavo svetlo golim okom ili kroz optičke uređaje tokom dužeg vremenskog perioda.
 - Za ručno kontrolisane frižidere: sačekajte najmanje 5 minuta, pa onda uključite frižider nakon nestanka struje.
 - Ovo uputstvo za upotrebu treba predati novom vlasniku proizvoda, kao i sledećem vlasniku kada se menja vlasnik.

- Treba izbegavati oštećenje kabla za napajanje prilikom transporta frižidera. Kidanje kabla može prouzrokovati požar. Nikad ne stavljajte teške predmete na kabl za napajanje. Ne dodirujte utikač vlažnim rukama kada priključujete proizvod.

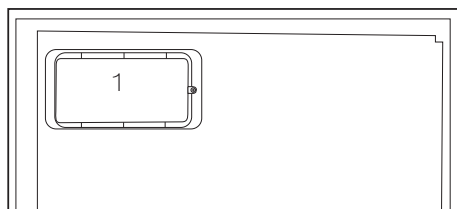
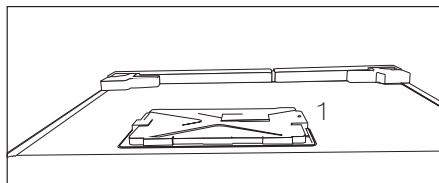


- Ne priključujte frižider na zidnu utičnicu ako je labava.
- Voda se ne sme prskati direktno na unutrašnje ili spoljašnje delove proizvoda radi bezbednosti.
- Ne prskajte supstance koje sadrže zapaljive gasove, kao što je propan, blizu frižidera da bi se izbegla opasnost od požara i eksplozije.

- Ne stavljajte posude napunjene vodom na vrh frižidera je to može prouzrokovati električni udar ili požar.
- Ne prepunjavajte frižider preteranim količinama hrane. Ako se prepuni, hrana može pasti i povrediti vas i oštetiti frižider kada otvorite vrata. Ne stavljajte predmete na vrh frižidera jer mogu pasti prilikom otvaranja ili zatvaranja vrata frižidera.
- Materijali koji zahtevaju preciznu temperaturu, kao što su vakcine, lekovi osetljivi na temperaturu, materijali za naučne svrhe itd. ne smeju se čuvati u frižideru.
- Ako frižider nećete da koristite duže vreme, isključite ga iz struje. Mogući problem u kablu za napajanje može prouzrokovati požar.
- Frižider se može pomerati ako se podesive nožice ne stoje stabilno na podu. Pravilno učvršćivanje

podesivih nožica na podu može sprečiti pomeranje frižidera.

- Kada prenosite frižider, ne držite ga za ručicu na vratima. Inače mogu da se odvali.
- Ako proizvod morate da postavite pored drugog frižidera ili zamrzivača, rastojanje između uređaja treba da bude najmanje 8 cm. U suprotnom se susedni zidovi mogu ovlažiti.
- Nikada nemojte koristiti proizvod ako je otvoren odeljak koji se nalazi na vrhu ili poledini vašeg proizvoda i koji sadrži elektronske štampane ploče (poklopac elektronskih štampanih ploča) (1).



Za proizvode sa raspršivačem (dozatorom) vode;

- Pritisak za dovod hladne vode je maksimalno 90psi (6,2 bari). Ukoliko pritisak vode premašuje 80psi (5,5 bari), u glavnom vodu upotrebite ventil za ograničavanje pritiska. Ako ne znate kako se proverava pritisak vode, zatražite pomoć vodoinstalatera.
- Ukoliko u vašim instalacijama postoji rizik od efekta vodenog udara, u instalacijama uvek koristite opremu za sprečavanje vodenog udara. Posavetujte se sa vodoinstalaterom ukoliko

niste sigurni da li u vašim instalacijama postoji efekat vodenog udara.

- Ne montirati na dovod za toplu vodu. Preduzmite mere opreza protiv rizika od smrzavanja cevi. Raspon temperature vode je od minimalno 33°F (0,6°C) do maksimalno 100°F (38°C).
- Koristiti samo vodu za piće.

Bezbednost dece

- Ako ste zaključali vrata, ključ treba čuvati van domašaja dece.
- Deca se moraju nadzirati da ne bi dirala proizvod.

Usaglašenost sa WEEE direktivom i odlaganje otpada:



Ovaj proizvod je usaglašen sa WEEE direktivom Evropske Unije (2012/19/EU). Ovaj proizvod nosi znak klasifikacije za električni i elektronski otpad (WEEE).

Ovaj proizvod je proizveden od visoko kvalitetnih delova i materijala koji se mogu ponovo koristiti i pogodni su za reciklažu. Nemojte odlagati proizvod u otpad sa običnim kućnim otpadom i drugim otpadima na kraju veka trajanja. Odložite ga u centar za sakupljanje i reciklažu električnog i elektronskog otpada. Konsultujte se sa

svojim lokalnim vlastima da biste saznali o ovim centrima za sakupljanje otpada.

Usaglašenost sa RoHS direktivom:

Proizvod koji ste kupili u saglasnosti je sa RoHS direktivom Evropske Unije (2011/65/EU). On ne sadrži štetne i zabranjene materijale navedene u direktivi.

Informacije o pakovanju

Materijali za pakovanje ovog proizvoda proizvedeni su od materijala koji se mogu reciklirati u skladu sa nacionalnim propisima o zaštiti životne sredine. Materijale za pakovanje ne odlagati zajedno sa kućnim ili drugim otpadom. Odnosite ih na mesta za prikupljanje ambalažnog materijala određena od strane lokalne vlasti.

HCA upozorenje

Ako rashladni sistem proizvoda sadrži R600a:

Ovaj gas je zapaljiv. Zato vodite računa da prilikom upotrebe i transporta ne oštetite sistem hlađenja i cevi. U slučaju oštećenja, ovaj proizvod čuvajte dalje od potencijalnih izvora vatre, jer se može desiti da se proizvod zapali, i proveravajte prostoriju u kojoj se nalazi.

Ignorišite ovo upozorenje ako rashladni sistem proizvoda sadrži R134a.

Vrsta gasa koji je korišćen u proizvodu naveden je na tipskoj pločici koja se nalazi na levoj strani unutar frižidera.

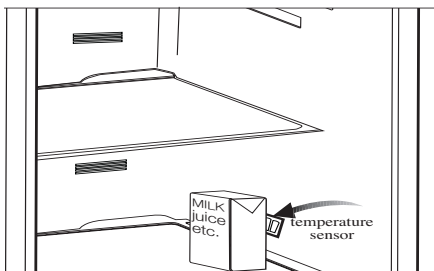
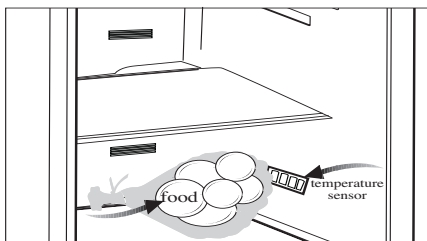
Nemojte nikada bacati proizvod u vatru radi odlaganja.

Za uštedu energije

- Ne ostavljajte vrata svog frižidera dugo otvorena.
- Ne stavljajte vruću hranu u frižider.
- Ne pretovarujte frižider tako da se unutra ne sprečava cirkulacija vazduha.

Preporuke za odeljak za svežu hranu

- Pazite da hrana ne dođe u dodir sa senzorom temperature u odeljku za svežu hranu. Da bi se u odeljku za svežu hranu održača idealna temperatura skladištenja, hrana ne sme da blokira senzor.
- Ne stavljajte vruću hranu u aparat.



- Ne postavljajte svoj frižider pod direktnu svetlost sunca ili blizu aparata koji emituju toplotu, kao što su rena, mašina za suđe ili radijator.
- Pazite da držite svoju hranu u zatvorenim posudama.
- Za proizvode sa odeljkom zamrzivača: maksimalnu količinu hrane možete da čuvate u zamrzivaču kada izvadite policu ili fioku zamrzivača. Vrednost potrošnje energije koja je navedena na vašem frižideru određena je nakon uklanjanja police ili fioke zamrzivača i pod maksimalnim opterećenjem. Ne postoji nikakva opasnost od oštećenja pri korišćenju policia ili fioka u pogledu oblika i veličine hrane koju treba zamrznuti.
- Odmrzavanje zamrznute hrane u odeljku frižidera obezbediće uštedu energije i očuvati kvalitet hrane.

3 Instalacija

⚠ Molimo da imate na umu da proizvođač neće biti odgovoran ako se ne pridržavate informacija iz priručnika.

Šta treba da se ima na umu prilikom ponovnog transporta frižidera

1. Vaš frižider mora da se isprazni i očisti pre bilo kakvog transporta.
2. Pre ponovnog pakovanja, police, dodaci, odeljak za voće i povrće, itd. u vašem frižideru moraju dobro da se pričvrste lepljivim trakama da se ne bi tresli.
3. Pakovanje mora da se poveže trakama i jakim užetom i morate da se pridržavate pravila transporta ispisanih na pakovanju.

Nemojte zaboraviti...

Svaki reciklirani materijal je nezamenjivi izvor za prirodu i za naše nacionalne resurse.

Ako hoćete da doprinesete reciklaži materijala za pakovanje, možete da dobijete još informacija od instituta za zaštitu sredine ili lokalne samouprave.

Pre uključivanja frižidera

Pre nego što počnete da koristite svoj frižider, proverite:

1. Da li je unutrašnjost frižidera suva i da li je na njegovoj zadnjoj strani obezbeđena slobodna cirkulacija vazduha?

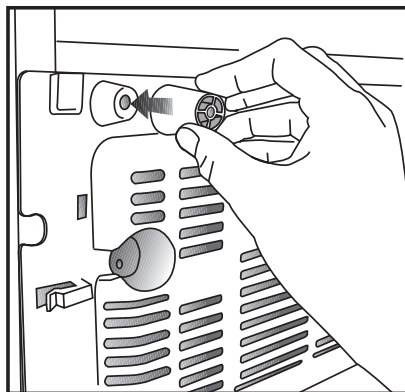
Promena lampe za osvetljenje

Za promenu sijalice koja služi za osvetljenje u frižideru, pozovite ovlašćeni servis.

Lampa (e) koja se koristi u ovom uređaju nije pogodna za domaćinsko osvetljenje. Namena ove lampe je da pomogne korisniku da stavi namirnice u frižider/zamrzivač na sigurno i udoban način.

Lampe korišćene u ovom uređaju moraju da izdrže ekstremne fizičke uslove, kao što su temperature ispod -20°C .

2. Instalirajte 2 plastična čepa, kao što je pokazano na slici. Plastični klinovi će obezbediti potreban razmak između vašeg frižidera i zida radi omogućavanja cirkulacije vazduha. (Ilustracija na slici je samo primer i nije potpuno ista sa vašim proizvodom.)



3. Očistite unutrašnjost frižidera kao što je preporučeno u odeljku "Održavanje i čišćenje".
4. Uključite frižider u zidnu utičnicu. Kada su vrata otvorena, upaliće se unutrašnje svetlo u odeljku frižidera.
5. Čućete buku kada se kompresor upali. Tečnost i gasovi koji se nalaze u sistemu za hlađenje mogu takođe da stvaraju buku, čak i ako kompresor ne radi i to je potpuno normalno.
6. Prednje ivice frižidera mogu da budu tople na dodir. To je normalno. Ta područja su napravljena da budu topla da bi se izbegla kondenzacija.

Električno priključivanje

Priključite vaš proizvod na uzemljenu utičnicu koja je zaštićena osiguračem odgovarajuće jačine.

Važno:

- Priključak mora da bude u skladu sa nacionalnim propisima.
- Utikač kabla za napajanje mora da bude lako dostupan nakon ugradnje.
- Specificirani napon mora da bude jednak naponu vaše elektro mreže.
- Produžni kablovi i višestruke utičnice ne smeju se koristiti za priključivanje.

⚠ Oštećeni kabl za napajanje mora da zameni kvalifikovani električar.

⚠ Proizvod se ne sme uključivati dok se ne popravi! Postoji opasnost od električnog udara!

Odlaganje pakovanja

Materijali za pakovanje mogu biti opasni za decu. Materijale za pakovanje držite van domašaja dece ili ih odložite tako što ćete ih klasifikovati u skladu sa uputstvima za odlaganje otpada. Nemojte ih odlagati sa običnim kućnim otpadom.

Pakovanje vašeg frižidera je proizvedeno od materijala koji se može reciklirati.

Odlaganje dotrajalog frižidera u otpad

Vaš dotrajali frižider odložite tako da ne štetite životnoj sredini.

- U vezi sa odlaganjem dotrajalog frižidera se možete konsultovati sa ovlašćenim prodavcem ili centrom za sakupljanje otpada u vašoj opštini.

Pre nego što svoj frižider odložite na otpad, odrežite električni utikač i onesposobite eventualne bravice na vratima da bi se deca zaštitila od bilo kakve opasnosti.

Postavljanje i instalacija

⚠ Ako ulazna vrata prostorije u koju će da se postavi frižider nisu dovoljno široka da frižider prođe kroz njih, zovite ovlašćeni servis da skine vrata frižidera i provuče ga bočno kroz vrata.

1. Ugradite svoj frižider na mesto koje omogućava laku upotrebu.

2. Držite frižider dalje od izvora toplote, vlažnih mesta i direktne svetlosti sunca.

3. Mora postojati odgovarajuća ventilacija vazduha oko frižidera da bi se postigao efikasan rad. Ako frižider stavljate u rupu u zidu, mora postojati udaljenost od najmanje 5 cm na vrhu i 5 cm od zida. Ako je pod pokriven tepihom, Vaš proizvod mora da bude podignut 2.5 cm od poda.

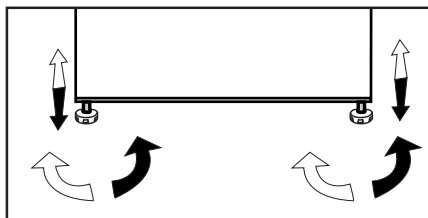
4. Stavite frižider na ravnu površinu da biste sprečili trešenje.

5. Ne držite frižider u temperaturi okoline ispod 10°C.

Podešavanje nožica

Ako je vaš frižider neuravnotežen;

Frižider možete uravnotežiti okretanjem prednjih nožica kao što je ilustrovano na slici. Ugao gde se nalazi nožica se spušta ako nožicu okrećete u smeru crne strelice i podiže kada je okrećete u suprotnom smeru. Ovaj postupak će biti lakši ako vam neka osoba pomogne tako što će malo podići frižider.



4 Priprema

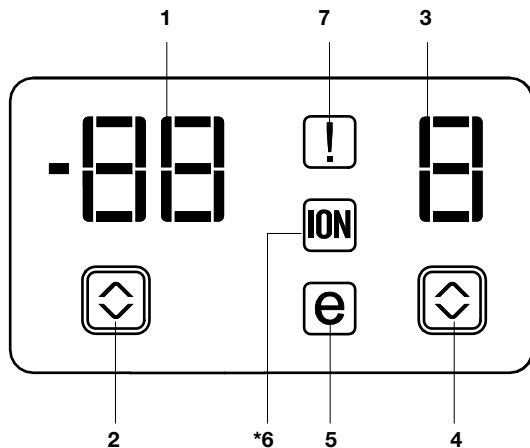
- i** Vaš frižider treba da se ugradi najmanje 30 cm dalje od izvora toplote kao što su ringle, rerne, centralno grejanje i šporeti i bar 5 cm dalje od električnih rerna i ne treba da se stavi tamo gde je izložen direktnoj sunčevoj svetlosti.
- i** Temperatura okoline sobe gde ste ugradili svoj frižider treba da bude najmanje 10°C. Rad s Vašim frižiderom pod uslovima hlađenja drugačijim od ovih se ne preporučuje s obzirom na efikasnost.
- i** Pobrinite se da se unutrašnjost frižidera temeljno čisti.
- i** Ako su dva frižidera postavljena jedan pored drugog, udaljenost između njih treba da bude bar 2 cm.
- i** Kada prvi put uključite frižider, molimo da se držite sledećih uputstava za vreme prvih šest sati.
 - Vrata ne trebaju da se otvaraju često.
 - Mora da radi prazan, bez ikakve hrane u njemu.
 - Nemojte da isključujete frižider iz struje. Ako dođe do nestanka struje van vaše kontrole, pogledajte upozorenja u delu "Preporučena rešenja problema".
- i** Originalno pakovanje i penasti materijali treba da se čuvaju za budući transport ili preseljenje.
- i** kod nekih modela, instrumentna tabla se sama gasi nakon 5 minuta od zatvaranja vrata. Tabla se ponovo upaljuje kada se vrata tvore ili kada se pritisne neko dugme.
- i** Usled promene temperature kao rezultat otvaranja/zatvaranja vrata proizvoda u toku rada, pojava kondenzacije na vratima/policama i staklenim posudama je normalna.

5 Upotreba Vašeg frižidera

Tabla sa indikatorima

Table sa indikatorima se mogu razlikovati u zavisnosti od modela vašeg aparata.

Tabla sa indikatorima pomaže pri korišćenju frižidera svojim zvučnim i vizuelnim funkcijama.



1. Indikator temperature odeljka zamrzivača
2. Indikator statusa greške
3. Indikator temperature odeljka frižidera
4. Dugme za podešavanje temperature u odeljku frižidera
5. Indikator ekonomičnog režima rada
6. Indikator jonizatora
7. Dugme za podešavanje temperature odeljka zamrzivača

1. Indikator temperature odeljka zamrzivača

On pokazuje podešenu temperaturu za odeljak zamrzivača.

2. Indikator statusa greške

Ako vaš frižider ne hladi na odgovarajući način ili ako je senzor u kvaru, ovaj indikator će se aktivirati. Kada je indikator aktivan, indikator temperature odeljka zamrzivača će prikazati "e" i indikator temperature odeljka frižidera će prikazati brojeve kao na primer "1,2,3...". Ovi brojevi na indikatoru daju ovlašćenim serviserima informacije o grešci.

3. Indikator temperature odeljka frižidera

Pokazuje temperaturu koja je podešena za odeljak frižidera.

4. Dugme za podešavanje temperature u odeljku frižidera

Pritiskajte ovo dugme da biste podesili temperaturu u odeljku frižidera na 8, 6, 4, 2, 8... Pritiskajte ovo dugme da biste podesili željenu temperaturu u odeljku frižidera.

5. Indikator ekonomičnog režima rada

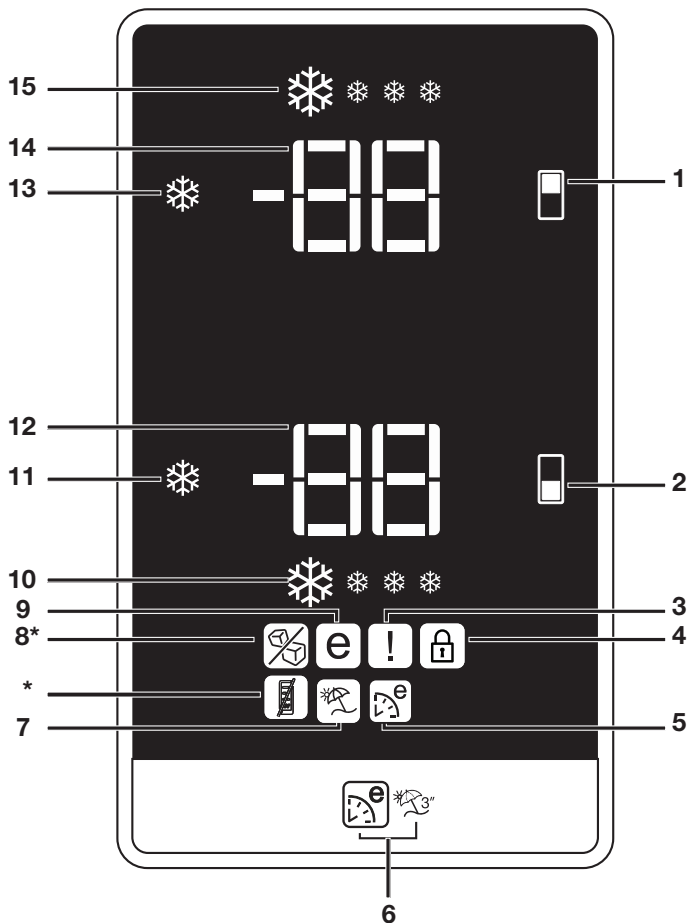
Pokazuje da frižider radi u ekonomičnom režimu rada.

6. Indikator jonizatora

Indikatorska lampica neprekidno svetli. Ova lampica ukazuje na to da je frižider zaštićen od bakterija.

7. Dugme za podešavanje temperature odeljka zamrzivača

Pritiskajte ovo dugme da biste podesili temperaturu u odeljku za zamrzavanje na -18, -20, -22, -24, -18... Pritiskajte ovo dugme da biste podesili željenu temperaturu u odeljku za zamrzavanje.



1. Podešavanje odeljka za zamrzavanje / taster za uključivanje-isključivanje ledomata
2. Dugme za podešavanje odeljka frižidera
3. Indikator statusa greške
4. Indikator zaključavanja tastera
5. Indikator funkcije Eco Extra
6. Taster Eco Extra/godišnji odmor
7. Indikator funkcije godišnjeg odmora
8. Indikator isključenog ledomata (*kod nekih modela)
9. Indikator ekonomične upotrebe
10. Indikator funkcije brzog hlađenja
11. Taster za funkciju brzog hlađenja
12. Indikator podešenja temperature frižidera
13. Taster za funkciju brzog zamrzavanja
14. Indikator podešenja temperature zamrzavanja
15. Indikator za funkciju brzog zamrzavanja

[i] Brojke iz ovog priručnika su šematske i možda ne odgovaraju tačno vašem proizvodu. Ako delovi teme nisu uključeni u proizvod koji ste kupili, onda to važi za druge modele.

1. Podešavanje odeljka za zamrzavanje / taster za uključivanje-isključivanje ledomata

Ova funkcija vam omogućava da podesite temperaturu odeljka za zamrzavanje. Pritiskajte ovo dugme da biste podesili temperaturu u odeljku za zamrzavanje na -18, -20, -22 i -24.

Da biste zaustavili stvaranje leda, taster za uključivanje-isključivanje ledomata držite pritisnutim 3 sekunde. Protok vode iz rezervoara za vodu će se zaustaviti kada izaberete ovu funkciju. Međutim, već postojeći led može da se uzme iz ledomata. Da biste zaustavili stvaranje leda, taster za uključivanje-isključivanje ledomata držite pritisnutim 3 sekunde.

2. Dugme za podešavanje temperature u odeljku frižidera

Ova funkcija vam omogućava da podesite temperaturu odeljka frižidera. Pritiskajte ovo dugme da biste podesili temperaturu u odeljku frižidera na 8, 6, 4 ili 2.

3. Indikator statusa greške

Ako vaš frižider ne hladi na odgovarajući način ili ako je senzor u kvaru, ovaj indikator će se aktivirati. Kada je indikator aktivan, indikator temperature odeljka zamrzivača će prikazati "E" i indikator temperature odeljka frižidera će prikazati brojeve kao na primer "1,2,3...". Ovi brojevi na indikatoru daju ovlašćenim serviserima informacije o grešci.

Kada stavljate vruću hranu u odeljak zamrzavanja ili dugo ostavite vrata otvorena, znak uzvika može svetleti neko vreme. Nije u pitanju kvar; ovo upozorenje će nestati kada se hrana ohladi.

4. Indikator zaključavanja tastera

Koristite ovu funkciju ako ne želite da se podešavanje temperature frižidera menja. Taster za podešavanje odeljka frižidera i taster za podešavanje odeljka zamrzivača držite pritisnutim istovremeno duže vremena (3 sek.) da biste aktivirali ovu funkciju.

5. Indikator funkcije Eco Extra

On pokazuje da je funkcija Eco Extra aktivna.

Ako je ova funkcija aktivna, frižider će automatski detektovati periode najmanjeg korišćenja i tokom tih perioda biće aktivno ekonomično hlađenje. Indikator ekonomičnosti će biti aktivan za vreme ekonomičnog hlađenja.

Pritisnite ponovo odgovarajući taster da biste deaktivirali ovu funkciju.

6. Taster Eco Extra/godišnji odmor

Kratko pritisnite taster da biste aktivirali funkciju Eco Extra. Pritisnite taster i držite ga pritisnutim 3 sek. da biste aktivirali funkciju godišnjeg odmora. Pritisnite ponovo ovaj taster da biste deaktivirali izabranu funkciju.

7. Indikator funkcije godišnjeg odmora

Pokazuje da je funkcija godišnjeg odmora aktivna. Ako je ova funkcija aktivna, "- -" se pojavljuje na indikatoru odeljka frižidera i nema hlađenja odeljku frižidera. Drugi odeljci će biti hlađeni u skladu sa temperaturom koja je za njih podešena.

Pritisnite ponovo odgovarajući taster da biste deaktivirali ovu funkciju.

8. Indikator isključenja leda

Ledomat neće raditi kada je indikator ove funkcije aktivan. Vidite Sliku 1 da biste omogućili ledomat.

9. Indikator ekonomičnog režima rada

Pokazuje da frižider radi u ekonomičnom režimu rada. Temperatura odeljka zamrzavanja

Ovaj indikator će biti aktivan ako je funkcija podešena na -18 ili je u toku ekonomično hlađenje po funkciji Eco-Extra.

10. Indikator brzog hlađenja

Ova ikona trepće u animiranom stilu kada je aktivna funkcija brzog hlađenja.

11. Funkcija brzog hlađenja

Kad pritisnete taster "Brzo hlađenje", temperatura odeljka će biti hladnija od podešenih vrednosti.

Ova funkcija može da se koristi za hranu stavljenu u odeljak frižidera koja treba brzo da se ohladi.

Ako hoćete da zamrznete veće količine sveže hrane, preporučuje se da aktivirate ovu funkciju pre nego što stavite hranu u frižider.

Indikator brzog zamrzavanja se pali kada se funkcija "Brzo zamrzavanje" uključi. Da biste opozvali ovu funkciju, pritisnite ponovo taster brzog hlađenja.

Ako je ne otkazete, funkcija "Brzo hlađenje" će se sama isključiti posle 4 sata ili kada odeljak frižidera dostigne zahtevanu temperaturu.

Ova funkcija se ne opoziva kada struja ponovo dođe posle nestanka.

12. Indikator podešene temperature odeljka frižidera

Pokazuje temperaturu koja je podešena za odeljak frižidera.

13. Indikator podešene temperature odeljka zamrzivača

Pokazuje temperaturu koja je podešena za odeljak za zamrzavanje.

14. Funkcija brzog zamrzavanja

Indikator brzog zamrzavanja se pali kada je funkcija "Brzo zamrzavanje" aktivna. Da biste opozvali ovu funkciju, pritisnite ponovo taster brzog zamrzavanja. Indikator brzog zamrzavanja će da se isključi i vrati na normalna podešenja. Ako je ne otkazete, funkcija "Brzo zamrzavanje" će se sama isključiti posle 8 sata ili kada odeljak zamrzivača dostigne zahtevanu temperaturu.

Ako hoćete da zamrznete veće količine sveže hrane, pritisnite taster za brzo zamrzavanje pre nego što stavite hranu u odeljak za zamrzavanje.

Ako pritisnete dugme za Brzo zamrzavanje više puta uzastopno, aktiviraće se sistem elektronske zaštite i kompresor se neće odmah uključiti.

Ova funkcija se ne opoziva kada struja ponovo dođe posle nestanka.

15. Indikator brzog zamrzavanja

Ova ikona trepće u animiranom stilu kada je aktivna funkcija Brzog zamrzavanja.

Upozorenje za otvorena vrata

(Ova funkcija se može razlikovati u zavisnosti od vrata aparata i možda ne postoji u nekim modelima.)

Biće dat zvučni upozoravajući signal kada su vrata vašeg aparata ostavljena otvorena najmanje 1 minut. Ovo upozorenje će se isključiti kada se vrata zatvore ili se pritisne bilo koji taster displeja (ako ih ima).

Zamrzavanje sveže hrane

- Hranu zamotajte ili je prekrijte pre stavljanja u frižider.
 - Vruća hrana mora da se ohladi di sobne temperature pre nego što je stavite u frižider.
 - Hrana koju hoćete da smrznete mora da bude sveža i dobrog kvaliteta.
 - Hrana mora da se podeli u porcije prema dnevnim potrebama porodice ili obroku u zavisnosti od prehrambenih potreba.
 - Hrana mora da se pakuje u posude koje ne propuštaju vazduh da bi se sprečilo sušenje čak i ako će se čuvati kratko vreme.
 - Materijali koji će se koristiti za pakovanje moraju da budu otporni na trošenje i hladnoću, vlagu, mirise, ulja i kiseline i ne smeju da propuštaju vazduh. Nadalje, moraju da budu dobro zatvoreni i moraju da budu napravljeni od materijala koji se lako koristi i podesan je za duboko zamrzavanje.
- Zamrznuta hrana mora da se koristi odmah posle topljenja i nikad ne sme opet da se zamrzava.
 - Za najbolje rezultate, molimo držite se sledećih uputstava:
 1. Nemojte odjednom da zamrzavate velike količine hrane. Kvalitet hrane se najbolje održava kad se zamrzne odjednom i što brže.
 2. Stavljanje tople hrane u odeljak zamrzivača dovodi do neprestanog rada rashladnog sistema dok se hrana u potpunosti ne zamrzne.
 3. Posebno pazite da ne mešate već smrznutu i svežu hranu.

Podešavanje odeljka zamrzivača	Podešavanje odeljka frižidera	Objašnjenja
-18°C	4°C	Ovo je normalno preporučeno podešenje.
-20,-22 ili -24°C	4°C	Ova podešenja su preporučena kad temperatura okoline pređe 30°C.
Brzo zamrzavanje	4°C	Koristite kada želite da zamrznete hranu za kratko vreme. Vaš frižider će da se vrati na prethodni režim kad proces bude gotov.
-18 ili hladnije	2°C	Ako mislite da odeljak frižidera nije dovoljno hladan zbog toplih uslova ili čestog otvaranja i zatvaranja vrata.
-18 ili hladnije	Brzo hlađenje	Možete da ga koristite kad je odeljak frižidera prepunjen ili ako hoćete brzo da ohladite svoju hranu. Preporučuje se da aktivirate funkciju brzog hlađenja 4-8 sati pre stavljanja hrane.

Preporuke za čuvanje zamrznute hrane

- Unapred pakovana komercijalna zamrznuta hrana treba da se čuva prema uputstvima proizvođača sveže hrane za ******** odeljak za čuvanje smrznute hrane (4 zvezdice).
- Da biste osigurali veliki kvalitet postignut od strane proizvođača zamrznute hrane i prodavača hrane, morate da imate na umu sledeće:
 1. Stavite pakete u zamrzivač što je pre moguće nakon kupovine.
 2. Pazite da je sadržaj označen i da ima datum.
 3. Ne prelazite datume "Koristiti do" i "Rok upotrebe" na pakovanju.

Odmrzavanje

Odeljak frižidera se odmrzava automatski.

Stavljanje hrane

Police odeljka zamrzivača	Razna smrznuta hrana kao što su meso, riba, sladoled, povrće itd.
Odeljak za jaja	Jaje
Police odeljka frižidera	Hrana u loncima, pokrivenim tanjirima ili zatvorenim posudama
Police na vratima odeljka frižidera	Mala i pakovana hrana ili pića (kao što je mleko, voćni sok i pivo)
Odeljak za povrće	Povrće i voće
Odeljak "Freshzone"	Delikatesni proizvodi (sir, puter, salama itd.)

Informacije o dubokom smrzavanju

Hrana mora da se zamrzne što je brže moguće kad se stavi u frižider da bi se sačuvao dobar kvalitet.

Moguće je da držite hranu duže vreme samo na temperaturama od -18°C ili nižim.

Možete da sačuvate svežinu hrane puno meseci (na -18°C ili nižim temperaturama u dubokom zamrzavanju).

UPOZORENJE!

- Hrana mora da se podeli u porcije prema dnevnim potrebama porodice ili obroku u zavisnosti od prehrambenih potreba.

- Hrana mora da se pakuje u posude koje ne propuštaju vazduh da bi se sprečilo sušenje čak i ako će se čuvati kratko vreme.

Materijali potrebni za pakovanje:

- Selotejp otporan na hladnoću
- Samolepljiva nalepnica
- Gumice
- Olovka

Materijali koji će se koristiti za pakovanje moraju da budu otporni na trošenje i hladnoću, vlagu, mirise, ulja i kiseline.

Hrana za zamrzavanje ne sme da dođe u kontakt s prethodno zamrznutim predmetima da bi se sprečilo delimično topljenje.

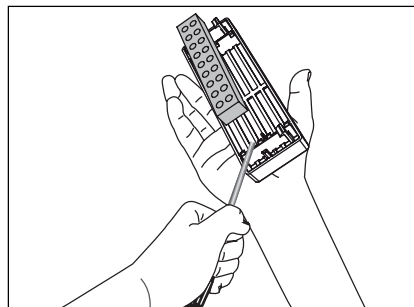
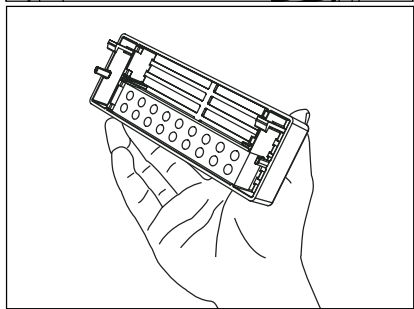
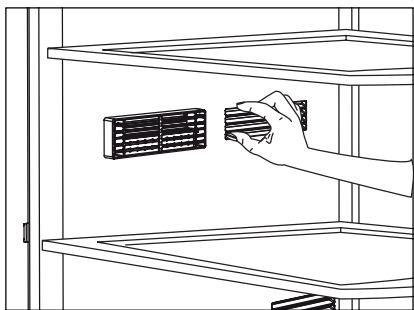
Zamrznuta hrana mora da se koristi odmah posle topljenja i nikad ne sme opet da se zamrzava.

Opis i čišćenje filtera za mirise:

Filter za mirise sprečava stvaranje neprijatnih mirisa u vašem frižideru.

Poklopac u koji je ugrađen filter za mirise povucite nadole i uklonite kao što je ilustrovano. Ostavite filter jedan dan na suncu. Filter će se očistiti za to vreme. Vratite filter na mesto.

Filter za mirise mora da se čisti jednom godišnje.



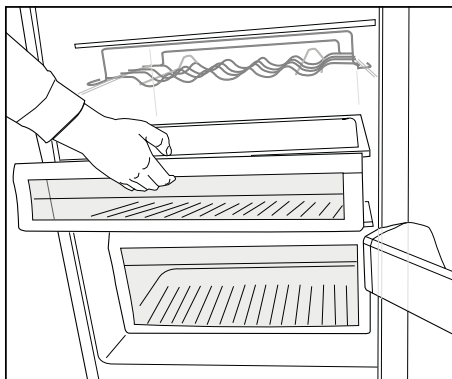
Odeljci za slatkiše

Koristite ove odeljke za hranu koju želite čuvati na temperaturi nekoliko stepeni nižoj od temperature odeljka frižidera.

Možete da povećate unutrašnju zapreminu vašeg frižidera tako što ćete ukloniti neki od odeljaka za slatkiše.

1. Vucite odeljak prema sebi odeljak će se ne zaustaviti na graničniku.
2. Podignite prednji deo i povucite ga prema sebi da biste uklonili odeljak iz njegovog ležišta.

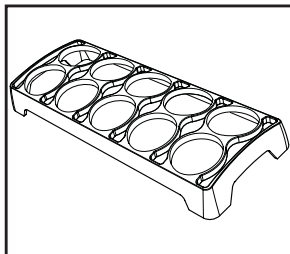
i Možete staviti hranu koju želite da zamrznete u ove odeljke da biste ih pripremili za zamrzavanje.



Odeljak za jaja

Možete da stavite držač na jaja u željenu policu vrata ili tela.

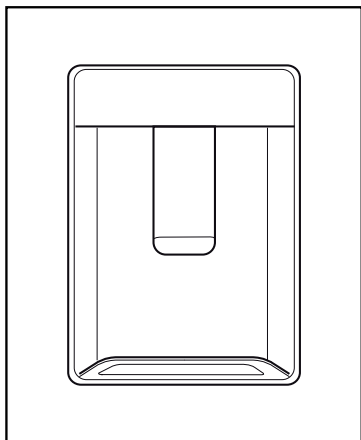
Nikad ne stavljajte držač jaja u odeljak zamrzivača



Dozator za vodu

(kod nekih modela)

Dozator za vodu je korisna funkcija zasnovana na ideji da se do hladne vode dođe bez otvaranja vrata frižidera. Pošto nećete morati često da otvarate vrata frižidera, štedećete energiju.



Upotreba izvora vode

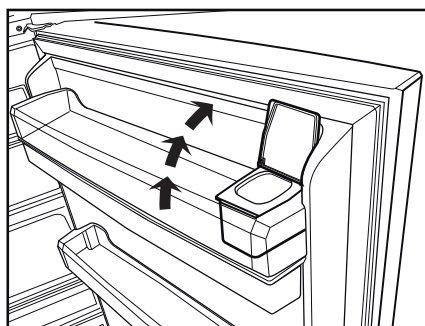
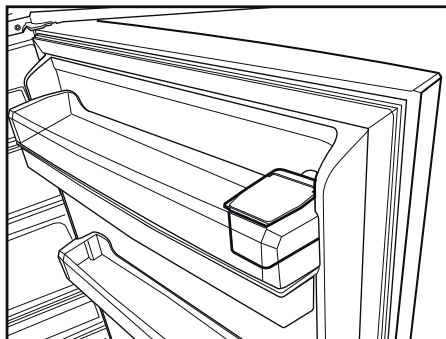
Gurnite ručicu dozatora za vodu svojom čašom. Dozator će prestati sa radom čim pustite ručicu.

prilikom upotrebe dozatora za vodu, maksimalan protok se može postići potpunim pritiskom na ručicu. Nemojte zaboraviti da količina protoka iz dozatora zavisi od jačine pritiska na ručicu.

Kako nivo vode u čaši/posudi raste, lagano oslobodite pritisak sa ručice da biste sprečili prelivanje. Ako lagano pritisnete ručicu, voda će kapati; to je sasvim uobičajeno i nije kvar.

Punjenje rezervoara dozatora za vodu

Rezervoar za punjenje vodom se nalazi u polici vrata. Otvorite poklopac rezervoara i napunite ga čistom vodom za piće. A zatim zatvorite poklopac.



Upozorenje!

- Ne punite rezervoar bilo kojim drugim tečnostima osim vode, npr. voćnim sokovima, gaziranim pićima ili alkoholnim pićima koja nisu prikladna za upotrebu u dozatoru za vodu. Dozator za vodu će se nepovratno oštetiti ukoliko se koriste ove vrste tečnosti. Garancija ne važi u slučaju takvih upotreba. Neke hemijske supstance i aditivi koji se nalaze u ovim vrstama pića/tečnosti mogu oštetiti materijal rezervoara za vodu.

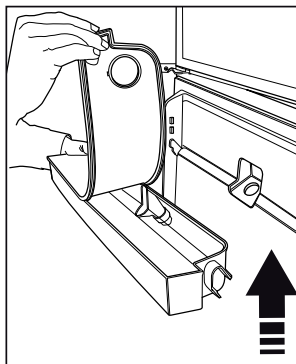
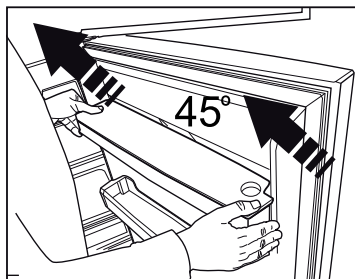
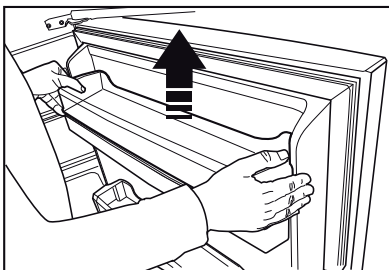
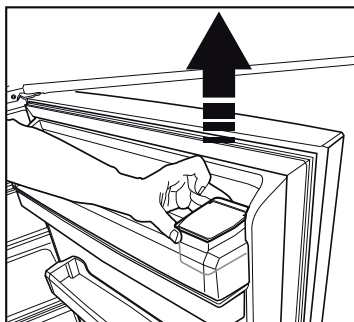
- Koristite samo čistu vodu za piće.
- Kapacitet rezervoara za vodu je 3 litra; nemojte ga prepuniti.
- Gurnite ručicu dozatora za vodu čvrstom čašom. Ako koristite plastične čaše za jednokratnu upotrebu, gurnite ručicu prstima sa zadnje strane čaše.

Čišćenje rezervoara za vodu

- Izvadite rezervoar za punjenje vodom iz police vrata.
- Skinite policu vrata držeći je sa obe strane.
- Uхватите rezervoar za vodu sa obe strane i skinite ga pod uglom od 45SDgr.
- Očistite rezervoar za vodu tako što ćete skinuti poklopac.

Važno:

Komponente rezervoara za vodu i dozatora za vodu ne treba prati u mašini za pranje posuđa.



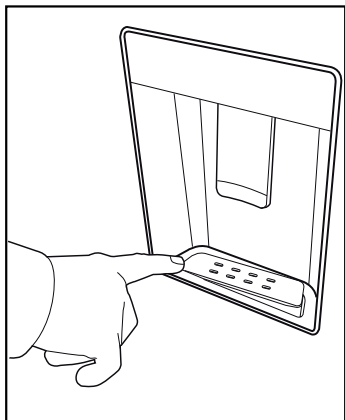
Posuda za vodu

Voda koja je kapala tokom korišćenja dozatora za vodu se sakuplja u posudi za prikupljanje vode.

Izvadite plastičnu cediljku kao što je pokazano na slici.

Čistom, suvom krpom uklonite nakupljenu vodu

PAŽNJA: Povežite samo na liniju za vodu za piće.



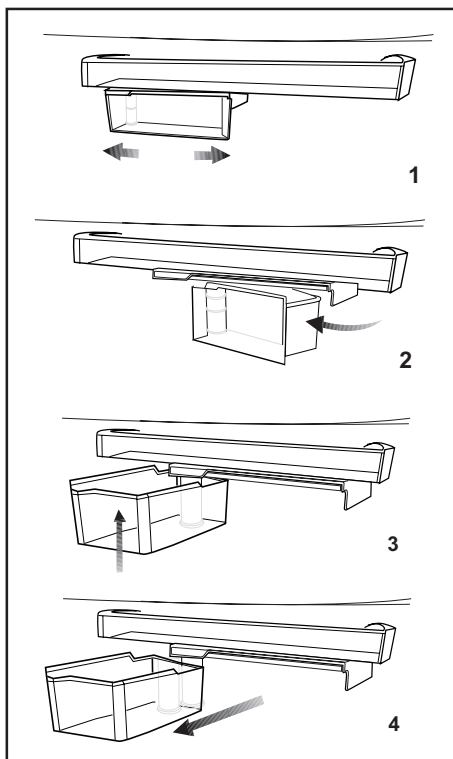
Obrtna posuda

(kod nekih modela)

Obrtna polica se može pomeriti levo ili desno da bi se obezbedio prostor za dugačke boce, tegle ili kutije na donjoj polici (sl. 1)

Hranu koju ste stavili u ovu policu možete uzeti tako što ćete je uhvatiti i okrenuti sa desne strane (sl.2).

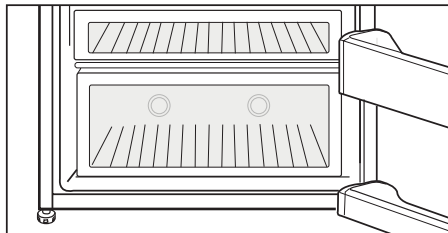
Kada želite da je napunite ili izvadite radi čišćenja, okrenite je za 90 stepeni, podignite je i povucite prema sebi (sl. 3-4).



Plavo svetlo

(kod nekih modela)

Hrana koja se čuva u odeljcima za povrće i koja se osvetljava plavim svetlom nastavlja svoju fotosintezu pomoću efekta dužine talasa plave svetlosti i tako zadržava svežinu i povećava sadržaj vitamina.



Automatski ledomat

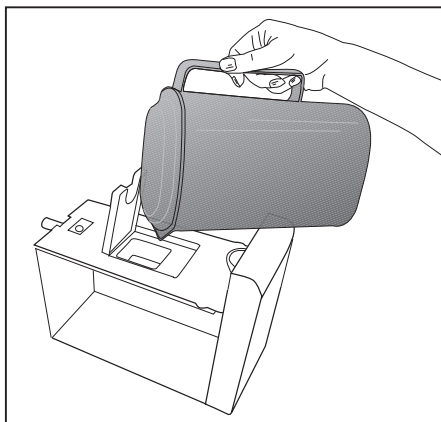
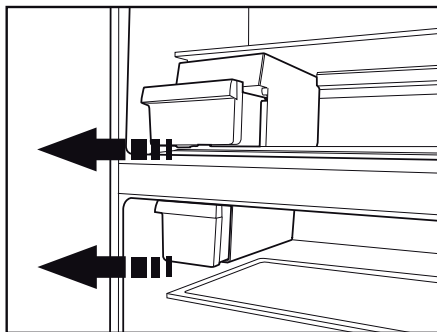
(kod nekih modela)

Sistem automatskog ledomata vam omogućava da lako dođete do leda iz frižidera. Uklonite rezervoar za vodu iz odeljka frižidera, napunite ga vodom i ponovo instalirajte da biste dobili led iz ledomata.

Prve kockice leda će biti spremne za oko 2 sata u fioci ledomata koja se nalazi u odeljku zamrzivača..

Ako potpuno napunite rezervoar za vodu, bićete u mogućnosti da dobijete oko 60-70 kockica leda.

Promenite vodu u rezervoaru za vodu ako je stajala oko 2-3 nedelje.



Ledomat i rezervoar za led

Korišćenje ledomata

Napunite ledomat vodom i postavite ga u njegovo ležište. Vaš led će biti spreman za otprilike dva sata. Ne vadite ledomat iz njegovog ležišta da biste uzeli led.

Dugme, koje se nalazi na njemu, okrenite za 90 stepeni.

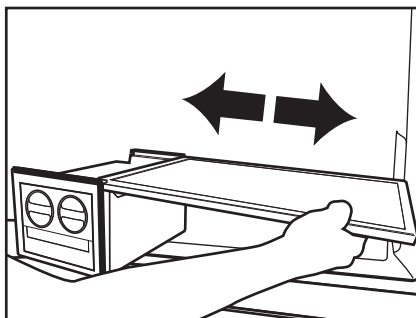
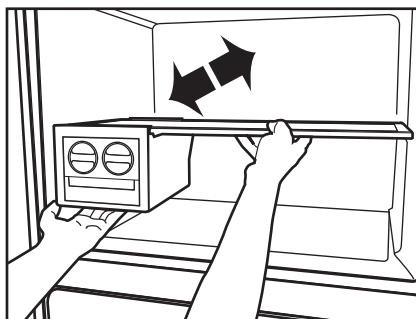
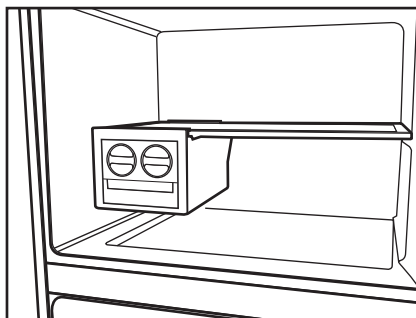
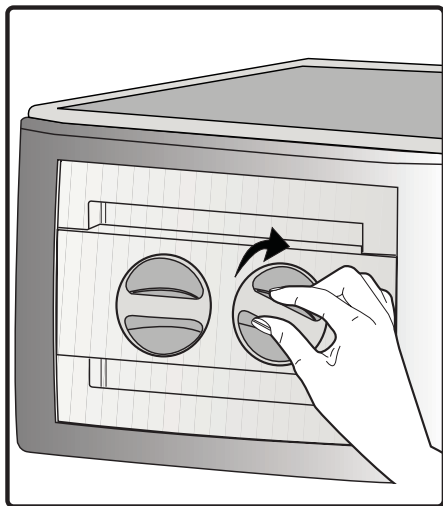
Kockice leda će pasti u posudu za led koja se nalazi ispod.

Možete da izvadite posudu za led da biste poslužili kocke leda.

Ako želite, kocke leda možete čuvati u posudi za led.

Posuda za led

Posuda za led je namenjena samo za sakupljanje kocki leda. Nemojte da sipate vodu u nju. Ako to uradite, polomiće se.



6 Čišćenje i održavanje

- ⚠ Nikada ne koristite naftu, benzen ili slične materijale u svrhu čišćenja.
- ⚠ Preporučujemo da pre čišćenja isključite uređaj iz struje.
- ⚠ Za čišćenje nikad nemojte da koristite oštre alate ili abrazivne materije, sapun, sredstva za čišćenje domaćinstava, deterdžente ili vosak za poliranje.
- ⚠ Za čišćenje frižidera, koristite mlaku vodu i obrišite ga.
- ⚠ Za čišćenje unutrašnjosti i sušenje, koristite iscedenu krpku koju ste bili umočili u rastvor od jedne kafene kašičice soda bikarbone u otprilike pola litre vode.
- ⚠ Pazite da voda ne uđe u kućište lampe i druge električne instalacije.
- ⚠ Ako frižider nećete da koristite duže vreme, isključite ga, izvadite svu hranu, očistite ga i ostavite vrata odškrinuta.
- ⚠ Redovno proveravajte izolaciju vrata da biste bili sigurni da je čista i da na njoj nema hrane.
- ⚠ Da biste skinuli policu vrata, izvadite sav sadržaj i jednostavno gurnite policu vrata prema gore iz baze.
- ⚠ Nikad ne koristite sredstva za čišćenje ili vodu koji sadrže hlor da biste očistili spoljašnje površine i hromirane delove proizvoda. Hlor izaziva koroziju na takvim metalnim površinama.

Zaštita plastičnih površina

- Ne stavljajte tekuća ulja ili hranu kuvanu s uljem u frižider nepoklopljenu jer može da ošteti plastične površine vašeg frižidera. U slučaju prolivanja ili razmazivanja na plastičnim površinama, odmah ih očistite i isperite toplom vodom.

7 Rešavanje problema

Pregledajte ovu listu pre zvanja servisa. To može da vam uštedi vreme i novac. Ova lista uključuje česte probleme do kojih ne dolazi zbog neadekvatne izrade ili upotrebe materijala. Neke funkcije, koje su ovde opisane, možda ne postoje kod vašeg proizvoda.

Frižider ne radi.	
<ul style="list-style-type: none">• Utikač nije pravilno uključen u utičnicu. >>> <i>Bezbedno uključite utikač u utičnicu.</i>• Osigurač utičnice na koju je priključen frižider je pregoreo ili je pregoreo glavni osigurač. >>> <i>Proverite osigurač.</i>	
Kondenzacija na bočnom zidu odeljka frižidera ("MULTIZONE" (VIŠENAMENSKA ZONA), "COOL CONTROL" (KONTROLA HLAĐENJA) i "FLEXI ZONE" (FLEKSIBILNA ZONA))	
<ul style="list-style-type: none">• Prostor je hladan. >>> <i>Ne instalirajte frižider na mestima gde temperatura pada ispod 10 °C.</i>• Vrata se često otvaraju. >>> <i>Ne otvarajte i ne zatvarajte često vrata frižidera.</i>• Prostor je veoma vlažan. >>> <i>Ne instalirajte frižider na visoko vlažnim mestima.</i>• Hrana koja sadrži vodu se čuva u otvorenim posudama. >>> <i>Ne čuvajte tečnu hranu u otvorenim posudama.</i>• Vrata frižidera su odškrinuta. >>> <i>Zatvorite vrata frižidera.</i>• Termostat je podešen na veoma hladan nivo. >>> <i>Podesite termostat na odgovarajući nivo.</i>	
Kompresor ne radi	
<ul style="list-style-type: none">i Zaštitni termo-osigurač kompresora će pregoreti za vreme naglog nestanka struje ili uključivanja i isključivanja, jer se pritisak rashladnog sredstva sistema frižidera još uvek nije stabilizovao. Frižider će početi da radi otprilike posle 6 minuta. Pozovite servis ako se frižider ne uključi na kraju ovog perioda.• Frižider je u ciklusu odmrzavanja. >>> <i>To je normalno za frižider koji se potpuno automatski odmrzava. Ciklus odmrzavanja se uključuje periodično.</i>• Frižider nije uključen u utičnicu. >>> <i>Pazite da je utikač pravilno stavljen u utičnicu.</i>• Podešavanja temperature nisu pravilno izvršena. >>> <i>Izaberite odgovarajuću vrednost temperature.</i>• Struja je nestala. >>> <i>Frižider nastavlja normalno da radi kada dođe struja.</i>	
Buka u toku rada se povećava kad frižider radi.	
<ul style="list-style-type: none">i Radne karakteristike frižidera se mogu menjati u skladu sa promenama temperature okoline. To je normalno i nije greška.	

Frizider radi stalno ili dugo.

- i** Vaš novi aparat je možda širi od prethodnog. Veći frizideri rade duže vreme.
- Ambijentalna temperatura je možda visoka. >>> *Normalno je da aparat radi duže vremena u vrelim prostorima*
 - Frizider je uključen ili je nedavno napunjen hranom. >>> *Kada je frizider uključen ili nedavno napunjen hranom, biće mu potrebno više vremena da postigne podešenu temperaturu. To je normalno.*
 - U frizider su možda nedavno stavljene veće količine vruće hrane. >>> *Ne stavljajte vruću hranu u frizider.*
 - Vrata se možda često otvaraju ili su odškrinuta duže vreme. >>> *Topli vazduh koji je ušao u frizider je uzrok dužeg rada frizidera. Ne otvarajte vrata često.*
 - Vrata odeljka zamrzivača ili frizidera su odškrinuta. >>> *Proverite da li su vrata dobro zatvorena.*
 - Frizider je podešen na veoma nisku temperaturu. >>> *Podesite temperaturu frizidera na topliji stepen i sačekajte dok se ne postigne temperatura.*
 - Zaptivač vrata frizidera može da bude zaprljan, istrošen, polomljen ili da ne leže kako treba. >>> *Očistite ili zamenite zaptivač. Oštećen/pokvaren zaptivač dovodi do toga da frizider radi duže vreme da bi održao trenutnu temperaturu.*

Temperatura zamrzivača je jako niska dok je temperatura frizidera dovoljna.

- Temperatura zamrzivača je podešena na jako nisku temperaturu. >>> *Podesite temperaturu zamrzivača na topliji nivo i proverite.*

Temperatura frizidera je jako niska dok je temperatura zamrzivača dovoljna.

- Temperatura frizidera je podešena na jako nisku temperaturu. >>> *Podesite temperaturu frizidera na topliji stepen i proverite.*

Hrana koja se čuva na policama u odeljku frizidera se zamrzava.

- Temperatura frizidera je podešena na veoma visoku temperaturu. >>> *Podesite temperaturu frizidera na hladniji stepen i proverite.*

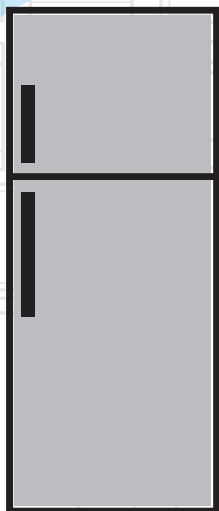
Temperatura u frizideru ili zamrzivaču je veoma visoka.

- Temperatura frizidera je podešena na veoma visoku temperaturu. >>> *Podešavanje temperature odeljka frizidera utiče na temperaturu zamrzivača. Promenite temperature frizidera ili zamrzivača i čekajte dok odgovarajući odeljci ne postignu dovoljnu temperaturu.*
- Vrata se možda često otvaraju ili su odškrinuta duže vreme. >>> *Ne otvarajte vrata često.*
- Vrata su odškrinuta. >>> *Zatvorite vrata do kraja.*
- Frizider je uključen ili je nedavno napunjen hranom. >>> *To je normalno. Kada je frizider uključen ili nedavno napunjen hranom, biće mu potrebno više vremena da postigne podešenu temperaturu.*
- U frizider su možda nedavno stavljene veće količine vruće hrane. >>> *Ne stavljajte vruću hranu u frizider.*

Vibracije ili buka.
<ul style="list-style-type: none"> • Pod nije ravan ili stabilan. >>> <i>Ako se frižider ljulja kad se polako pomera, uravnotežite ga podešavanjem nožica. Pobrinite se da je pod dovoljno jak da može da nosi frižider i da je ravan.</i> • Predmeti stavljeni na frižider mogu izazivati buku. >>> <i>Sklonite predmete sa frižidera.</i>
Postoje šumovi koji dolaze iz frižidera kao što je prolivanje tečnosti ili prskanje.
i Cirkulacija tečnosti i gasa se vrši u skladu sa principima rada vašeg televizora. To je normalno i nije greška.
Čuje se zviždanje iz frižidera.
i Ventilatori se koriste za rashlađivanje frižidera. To je normalno i nije greška.
Kondenzat na unutrašnjim površinama frižidera.
i Vruće i vlažno vreme pojačava stvaranje leda i kondenzaciju. To je normalno i nije greška. <ul style="list-style-type: none"> • Vrata se možda često otvaraju ili su odškrinuta duže vreme. >>> <i>Ne otvarajte vrata često. Zatvorite ih ako su otvorena.</i> • Vrata su odškrinuta. >>> <i>Zatvorite vrata do kraja.</i>
Vlaga nastaje na spoljašnjoj strani frižidera ili između vrata.
i Možda je vlažan vazduh; to je potpuno normalno na vlažnom vremenu. Kad bude manje vlage, kondenzacija će nestati.
Neprijatan miris unutar frižidera.
<ul style="list-style-type: none"> • Ne obavlja se redovno čišćenje. >>> <i>Redovno čistite unutrašnjost frižidera sunderom, toplom vodom ili natrijum bikarbonatom razblaženim u vodi.</i> • Neke posude ili pakovanja možda uzrokuju neprijatan miris. >>> <i>Upotrebite drugu posudu ili drugu marku materijala za pakovanje.</i> • Hrana je stavljena u frižider u nepokrivenim posudama. >>> <i>Držite hranu u zatvorenim posudama. Mikroorganizmi koji se šire iz nepokrivenih posuda mogu proizvesti neprijatne mirise.</i> i Uklonite iz frižidera namirnice sa isteklim rokom i koje su pokvarene.
Vrata se ne zatvaraju.
<ul style="list-style-type: none"> • Paketi hrane možda sprečavaju zatvaranje vrata. >>> <i>Pomerite pakete koji smetaju vratima.</i> • Frižider ne stoji potpuno ravno na podu. >>> <i>Podesite nožice da biste uravnotežili frižider.</i> • Pod nije ravan ili jak. >>> <i>Pobrinite se da je pod ravan, jak i da može da nosi frižider.</i>
Odeljak za povrće je zaglavljnjen.
<ul style="list-style-type: none"> • Hrana dodiruje plafon fioke. >>> <i>Prerasporedite hranu u fioci.</i>

Hladnjak

Korisnički priručnik



HR

beko

Molimo prvo pročitajte ovaj priručnik!

Poštovani kupci,

Nadamo se da će vam naš proizvod, proizveden u suvremenim postrojenjima i provjeren po strogim procedurama kontrole kvalitete, pružiti učinkovit rad.

Zbog toga vam preporučujemo da pažljivo pročitate cijeli priručnik proizvoda prije uporabe te da ga čuvate na pristupačnom mjestu zbog buduće uporabe.




Ovaj priručnik

- Pomoći će vam da koristite svoj uređaj brzo i sigurno.
- Pročitajte priručnik prije instaliranja i rada s vašim proizvodom.
- Slijedite upute, posebno one vezane za sigurnost.
- Čuvajte priručnik na lako dostupnom mjestu jer vam može zatrebati kasnije.
- Osim toga, također pročitajte druge dokumente dostavljene s vašim proizvodom.

Molimo imajte na umu da ovaj priručnik može vrijediti i za druge modele.

Simboli i njihovi opisi

Ovaj korisnički priručnik sadrži sljedeće simbole:

-  Važne informacije ili korisni savjeti za uporabu.
-  Upozorenja protiv opasnosti po život i imovinu.
-  Upozorenje protiv električnog napona.

SADRŽAJ

1 Hladnjak 3

2 Važna sigurnosna upozorenja 4

Predviđena namjena	4
Za proizvode s raspršivačem za vodu;8	
Sigurnost djece	9
Usklađenost s Direktivom o električnom i elektroničkom opremom (WEEE) i zbrinjavanju otpada:	9
Usklađenost s Direktivom o zabrani uporabe određenih opasnih tvari u električnoj i elektroničkoj opremi (RoHS):.....	9
Upozorenje za HC	9
Stvari koje se trebaju uraditi za uštedu energije.....	9
Preporuke za odjeljak za svježu hranu.....	10

3 Instalacija 11

Stvari kojih se treba pridržavati kod ponovnog transporta vašeg hladnjaka.....	11
Prije uključivanja vašeg hladnjaka.....	11
Promjena lampice za osvjetljenje	11
Prilagođavanje nogu	12
Električno spajanje.....	12
Odlaganje pakiranja	12
Odlaganje stalnog hladnjaka	12
Postavljanje i instalacija.....	12

4 Priprema 13

5 Uporaba vašeg hladnjaka 14

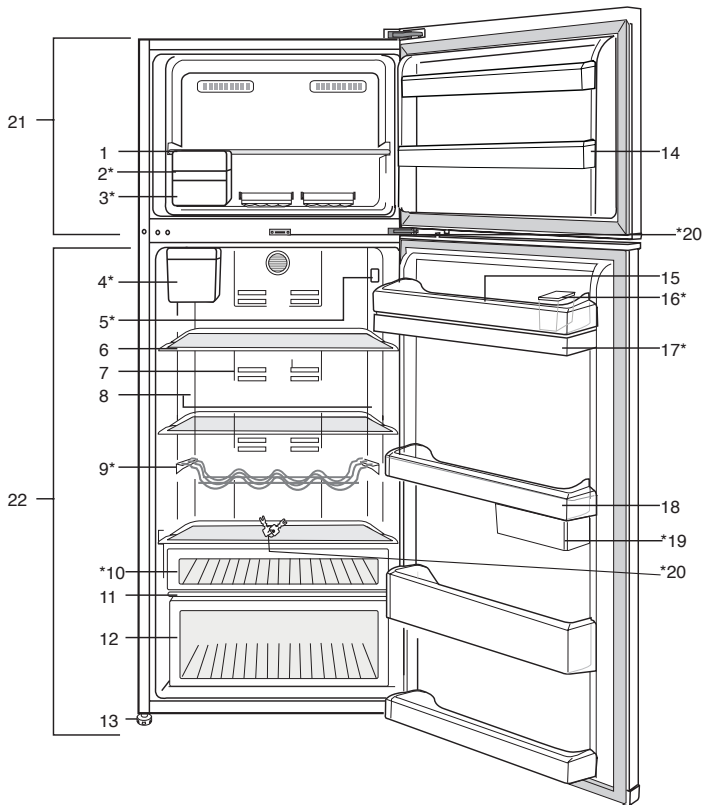
Ploča indikatora.....	14
Upozorenje o otvorenim vratima	17
Pohrana svježe hrane	18
Preporuke za čuvanje smrznute hrane.....	19
Stavljanje hrane	19
Odjeljak za duboko zamrzavanje.....	20
Opis i čišćenje filtra za neugodne mirise:	21
Držać jaja	21
Pipa za vodu	22
Rotirajući spremnik	24
Plavo svjetlo	25
Auto ledomat	25
Ledomat i posuda za led	26

6 Održavanje i čišćenje 27

Zaštita plastičnih površina	27
-----------------------------------	----

7 Otklanjanje kvara 28

1 Hladnjak



- | | |
|-----------------------------------|---|
| 1. Polica odjeljka za zamrzavanje | 12. Odjeljak za povrće |
| 2. Auto ledomat | 13. Podesive noge |
| 3. Posuda za led | 14. Police vrata odjeljka za zamrzavanje |
| 4. Spremnik za vodu auto ledomata | 15. Držać jaja |
| 5. Oznaka postavke temperature | 16. Spremnik ispunjene posude za vodu |
| 6. Podesive staklene police | 17. Spremnik posude za vodu |
| 7. Filtar za mirise | 18. Police vrata odjeljka hladnjaka |
| 8. Leća za osvjtljenje | 19. Klizni i okretni spremnici za pohranu |
| 9. Police za boce | 20. Tipka |
| 10. Odjeljci za male obroke | 21. Odjeljak škrinje |
| 11. Poklopac odjeljka za povrće | 22. Odjeljak hladnjaka |

* OPCIONALNO

i Slike koje se nalaze u ovom priručniku su shematske i možda se ne ogovaraju u potpunosti vašem proizvodu. Ako dijelovi naslova nisu sadržani u proizvodu koji ste kupili, onda to vrijedi za ostale modele.

2 Važna sigurnosna upozorenja

Molimo pregledajte sljedeće informacije. Nepridržavanje ovih informacija može uzrokovati ozljede ili materijalnu štetu. U suprotnom će sva upozorenja i obveze za pouzdanost postati nevaljane.

Originalni rezervni dijelovi bit će dostupni 10 godina od datuma kupovine proizvoda.

Predviđena namjena

Ovaj je proizvod predviđen za uporabu

- u zatvorenom prostoru, npr. unutar kuće;
- u zatvorenim radnim okruženjima, kao što su trgovine i uredi;
- u zatvorenim prostorima za smještaj, kao što su kuće na farmama, hoteli, penzioni.
- Ovaj se proizvod ne smije se koristiti vani.

Opća sigurnost

- Kad budete željeli odložiti uređaj, preporučujemo

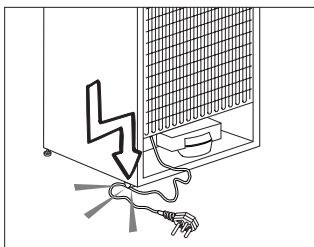
da konzultirate ovlašteni servis da biste saznali potrebne informacije i ovlaštena tijela.

- Konzultirajte se s ovlaštenim servisom za sva pitanja i probleme vezane za hladnjak. Nemojte intervenirati ili dopustiti da netko intervenira na hladnjaku bez prethodnog obavještanja ovlaštenih servisa.
- Za proizvode u odjeljku škrinje; Ne jedite kornete sladoleda i kockice leda odmah nakon vađenja kad ih izvadite iz odjeljka hladnjaka! (To može uzrokovati ozljede od hladnoće u vašim ustima.)
- Za proizvode s odjeljkom sa škrinjom; ne stavljajte tekućinu u bocama i konzervama u odjeljak škrinje. U suprotnom bi mogli puknuti.
- Ne dodirujte smrznutu hranu rukom; može vam se zalijepiti za ruku.

- Isključite svoj hladnjak prije čišćenja ili odmrzavanja.
- Para i raspršujuća sredstva za čišćenje se nikada ne smiju koristiti tijekom postupka čišćenja i odmrzavanja u vašem hladnjaku. U takvim slučajevima, para može doći u kontakt s električnim dijelovima i uzrokovati kratki spoj ili strujni udar.
- Nikada ne koristite dijelove vašeg hladnjaka, kao što su vrata, za pridržavanje ili za stajanje na njima.
- Ne koristite električne uređaje unutar hladnjaka.
- Ne oštećujte dijelove gdje cirkulira rashladno sredstvo pomoću alata za bušenje ili rezanje. Rashladno sredstvo koje može eksplodirati kad se plinski kanali isparivača, produžetka cijevi ili površinskih premaza probuše, može uzrokovati iritaciju kože i ozljede oka.
- Ne pokrivajte i ne blokirajte otvore za ventilaciju na vašem hladnjaku bilo kakvim materijalom.
- električne aparate smiju popravljati samo ovlaštene osobe. Popravke koje izvrše nestručne osobe mogu predstavljati rizik za korisnika.
- U slučaju bilo kakvog kvara tijekom održavanja ili popravke, otpojite hladnjak s napajanja ili isključivanjem odgovarajućeg osigurača ili isključivanjem vašeg uređaja iz struje.
- Kod isključivanja utikača, nemojte povlačiti za kabel.
- Pića s visokim udjelom alkohola potrebno je pravilno spremirati, u uspravnom položaju i s čvrsto zatvorenim poklopcem.
- Nikada ne držite konzerve sa sprejevima koji sadrže zapaljive i eksplozivne tvari u hladnjaku.

- Ne koristite mehaničke uređaje ili druge načine za ubrzavanje procesa topljenja, osim onih koje preporuča proizvođač.
- Ovaj uređaj nije namijenjen uporabi od strane osoba s fizičkim osjetilnim ili mentalnim nedostacima ili osoba bez znanja ili iskustva (uključujući djecu), osim ako su pod nadzorom osobe koja će biti odgovorna za njihovu sigurnost ili koja će ih valjano uputiti o uporabi proizvoda.
- Ne uključujte oštećeni hladnjak. Konzultirajte se sa serviserom ako imate bilo kakvih nedoumica.
- Za električnu sigurnost vašeg hladnjaka se jamči samo ako je uzemljenje u vašoj kući u skladu sa standardima.
- Izlaganje proizvoda kiši, snijegu, suncu i vjetru je opasno u pogledu električne sigurnosti.
- Kad je oštećen kabel, javite se ovlaštenom servisu da izbjegnute opasnost.
- Nikada ne uključujte hladnjak u zidnu utičnicu tijekom instalacije. Inače može doći do opasnosti po život ili ozbiljne ozljede.
- Hladnjak je namijenjen samo držanju hrane. Ne smije se koristiti u bilo koje druge svrhe.
- Najlepnica s tehničkim specifikacijama se nalazi na lijevoj stijenci unutar hladnjaka.
- Nikada ne spajajte hladnjak na sustave za uštedu energije; oni mogu oštetiti hladnjak.
- Ako na hladnjaku postoji plavo svjetlo, nemojte gledati u plavo svjetlo optičkim alatima.
- Za hladnjake kojima se upravlja manualno, sačekajte bar 5 minuta da biste uključili hladnjak nakon nestanka el. energije.
- Ukoliko se uređaj da nekom drugom, korisnički priručnik se mora predati novom vlasniku.

- Pazite da ne oštetite kabel kod prijevoza hladnjaka. Presavijanje kabela može uzrokovati požar. Nikada ne stavljajte teške predmete na kabel napajanja. Ne dodirujte utikač mokrim rukama kad uključujete uređaj.

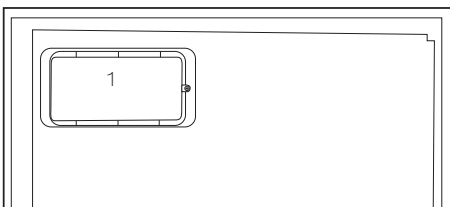
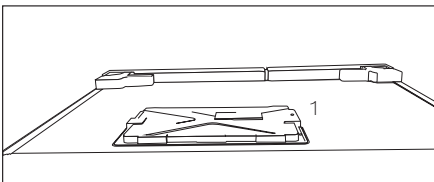


- Ne uključujte hladnjak ako je električna utičnica labava.
- Voda se ne smije špricati izravno na unutarnje ili vanjske dijelove proizvoda zbog sigurnosnih razloga.
- Nemojte špricati tvari koje sadrže zapaljive plinove kao što je propan blizu hladnjaka da biste izbjegli opasnost od požara i eksplozije.
- Nikada na hladnjak ne stavljajte posude s vodom, jer inače mogu

uzrokovati električni udar ili požar.

- Nemojte prepuniti hladnjak s previše hrane. Ako se prepuni, hrana može pasti i ozlijediti vas kad otvorite vrata. Nikad ne stavljajte predmete na hladnjak, inače ti predmeti mogu pasti kad otvarate ili zatvarate vrata hladnjaka.
- Proizvodi za koje je potrebna precizna kontrola temperature, cjepiva, lijekovi osjetljivi na toplinu, znanstveni materijali, itd. se ne smiju držati u hladnjaku.
- Ako se neće koristiti dulje vrijeme, hladnjak se treba isključiti. Mogući problem na kabelu napajanja može uzrokovati požar.
- Hladnjak se može pomaknuti ako podesive noge nisu pravilno pričvršćena na podu. Pravilno pričvršćivanje podesivih nogu na podu može spriječiti pomicanje hladnjaka.

- Kad nosite hladnjak, nemojte ga držati za ručku vrata. U suprotnom, može puknuti.
- Kad morate staviti svoj proizvod pored drugog hladnjaka ili škrinje, udaljenost između uređaja treba biti najmanje 8 cm. U suprotnom, susjedne bočne stjenke se mogu navlažiti.
- Nikad ne koristite proizvod ako dio koji se nalazi na vrhu ili poledini proizvoda ima elektroničke tiskane pločice unutar otvora (poklopac elektroničke tiskane pločice)(1).



Za proizvode s raspršivačem za vodu;

- Tlak na ulaznom otvoru hladne vode treba biti maksimalno 90 psi (6.2 bar). Ako tlak vode premaši (5,5 bar) tada na cijevima za opskrbu vodom koristite tlačno-granični ventil. Ako ne znate kako provjeriti tlak vode tada potražite pomoć kod profesionalnog vodoinstalatera.
- Ako u instalacijama postoji opasnost od efekta vodenog udara tada u instalacijama uvijek koristite opremu za sprječavanje vodenog udara. Posavjetujte se s profesionalnim vodoinstalaterom ako niste sigurni postroji li efekt vodenog udara u instalacijama.
- Ne instalirajte na ulaznom otvoru za vruću vodu. Poduzmite mjere opreza zbog opasnosti od zamrzavanja cijevi. Radni

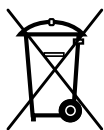
interval temperature vode treba biti minimalno 33°F (0.6°C) i maksimalno 100°F (38°C).

- Koristite samo pitku vodu.

Sigurnost djece

- Ako vrata imaju bravu, ključ se treba držati podalje od dosega djece.
- Djeca moraju biti pod nadzorom da bi se spriječilo neovlašteno korištenje proizvoda.

Usklađenost s Direktivom o električnom i elektroničkom opremom (WEEE) i zbrinjavanju otpada:



Ovaj proizvod usklađen je s EU Direktivom WEEE (2012/19/EU). Ovaj proizvod nosi klasifikacijsku oznaku za električni i elektronski otpad (WEEE).

Ovaj je proizvod proizveden s visokokvalitetnim dijelovima i materijalima koji se mogu ponovno upotrijebiti i prikladni su za reciklažu. Ne odlažite otpadne uređaje s normalnim otpadom iz kućanstva i drugim otpadom na kraju servisnog vijeka. Odnosite ga u sabirni centar za recikliranje električne i elektroničke opreme. Obratite se lokalnim vlastima da biste saznali više informacija o sabirnim centrima.

Usklađenost s Direktivom o zabrani uporabe određenih opasnih tvari u električnoj i elektroničkoj opremi (RoHS):

Proizvod koji ste kupili usklađen je s EU Direktivom RoHS (2011/65/EU). Ne sadrži štetne i zabranjene materijale navedene u Direktivi.

Podaci o pakiranju: Ambalažni materijali proizvoda proizvedeni su od reciklirajućih materijala sukladno našim nacionalnim propisima o zaštiti okoliša. Ambalažne materijale ne odlažite skupa s kućnim ili drugim otpadom. Odnosite ih u sabirne centre ambalažnog otpada koje su odredile lokalne vlasti.

Upozorenje za HC

Ako rashladni sustav vašeg uređaja sadrži R600a:

Ovaj plin je zapaljiv. Zato pazite da tijekom uporabe i transporta ne oštetite sustav za hlađenje i cijevi. U slučaju oštećenja, držite uređaj podalje od potencijalnog izvora plamena koji može dovesti do toga da uređaj zapali, te prozračujete sobu u kojoj se nalazi uređaj.

Ignorirajte ovo upozorenje ako rashladni sustav vašeg uređaja sadrži R134a.

Vrsta plina koja se koristi u proizvodu je navedena na tipskoj pločici koja je na lijevoj stijeni unutar hladnjaka.

Nikada kod odlaganja ne bacajte uređaj u vatru.

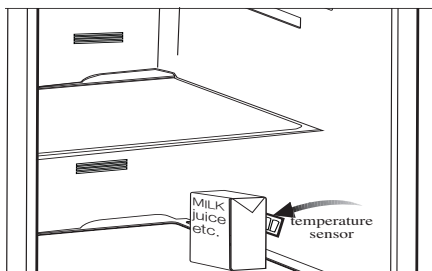
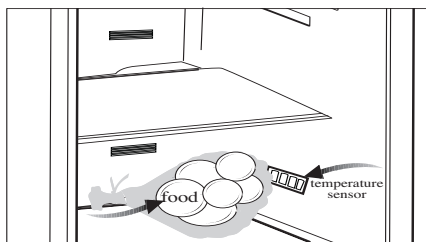
Stvari koje se trebaju uraditi za uštedu energije

- Ne ostavljajte vrata vašeg hladnjaka otvorena dulje vrijeme.
- Ne stavljajte toplu hranu ili pića u hladnjak.
- Nemojte prepuniti hladnjak tako da se ne sprječava cirkulacija zraka u unutrašnjosti.

Preporuke za odjeljak za svježu hranu

* Izborni

- Molimo, nemojte dopustiti da bilo kakva hrana dođe u kontakt sa senzorom temperature u odjeljku za svježu hranu. Da bi se održavala idealna temperatura za pohranu odjeljka za svježu hranu, hrana ne smije blokirati senzor.
- Ne stavljajte toplu hranu u uređaj.



- Ne postavljajte vaš hladnjak izravno na sunčevu svjetlost ili blizu uređaja koji emitiraju toplinu kao što su pećnice, perilice suđa ili radijatori.
- Pazite da držite svoju hranu u zatvorenim posudama.
- Za uređaje s odjeljkom škrinje; možete spremiti maksimalnu količinu hrane u škrinju kad uklonite policu ili ladicu škrinje. Vrijednost potrošnje energije koja je navedena za vaš hladnjak je određena tako da je uklonjena polica ili ladicu škrinje i pod maksimalnim opterećenjem. Ne postoji opasnost od uporabe police ili ladice prema oblicima i veličinama hrane koja će biti zamrznuta.
- Topljenje smrznute hrane u odjeljku hladnjaka će osigurati uštedu energije u sačuvati kvalitetu hrane.

3 Instalacija

⚠ Molimo imajte na umu da se proizvođač neće smatrati odgovornim ukoliko se ne budete pridržavali informacija navedenih u korisničkom priručniku.

Stvari kojih se treba pridržavati kod ponovnog transporta vašeg hladnjaka

1. Vaš hladnjak mora biti ispražnjen i očišćen prije bilo kakvog transporta.
2. Police, dodaci, odjeljak za povrće itd. u vašem hladnjaku moraju biti čvrsto pričvršćeni ljepljivom trakom zbog treskanja prije ponovnog pakiranja.
3. Pakiranje se mora pričvrstiti ljepljivom trakom i mora se pridržavati pravila o transportu ispisanih na pakiranju.

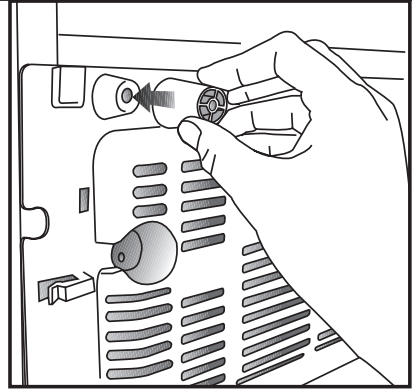
Molimo ne zaboravite...

Svaki reciklirani materijal je nezamjenjiv izvor za prirodu i za naše nacionalne izvore. Ako želite pridonijeti reciklaži materijala pakiranja, možete dobiti dodatne informacije od ureda za okoliš ili lokalnih vlasti.

Prije uključivanja vašeg hladnjaka

Prije početka uporabe vašeg hladnjaka provjerite sljedeće:

1. Je li unutrašnjost hladnjaka suha i može li zrak slobodno cirkulirati sa stražnje strane?
2. Molimo, postavite 2 plastična klina kako je prikazano na slici. Plastični klinovi će dati osigurati potrebnu udaljenost između vašeg hladnjaka i zida da bi se omogućilo cirkuliranje zraka. (Slika s ilustracijom je samo primjer i ne odgovara u potpunosti vašem proizvodu.)



3. Očistite unutrašnjost hladnjaka kako je preporučeno u dijelu "Čišćenje i održavanje".
4. Uključite hladnjak u zidnu utičnicu. Kad su vrata hladnjaka otvorena, uključit će se unutrašnje svjetlo.
5. Čut ćete buku kad kompresor počne raditi. Tekućine i plinovi zabrtvljeni u rashladnom sustavu također mogu stvarati buku, čak i kad kompresor ne radi i to je potpuno normalno.
6. Prednji krajevi hladnjaka mogu biti topli na opip. To je normalno. Ova područja su napravljena da budu topla da bi se se izbjegla kondenzacija.

Promjena lampice za osvjtljenje

Da biste zamijenili lampicu koja se koristi za osvjtljavanje, molimo nazovite svoj ovlaštenu servis.

Lampa koja se koristi u ovom uređaju nije podesna za uporabu za osvjtljenje doma. Predviđena namjena ove lampe je da pomogne korisniku da stavi hranu u hladnjak/škrinju na siguran i ugodan način.

Svjetiljke ovog uređaja moraju podnijeti ekstremne uvjete poput temperatura nižih od -20 °C.

Električno spajanje

Spojite svoj proizvod u uzemljenu utičnicu koja je zaštićena osiguračem odgovarajućeg kapaciteta.

Važno:

- Spoj mora biti u skladu s nacionalnim zakonskim odredbama.
- Kabel napajanja mora biti lako dostupan nakon postavljanja.
- Navedeni napon mora biti jednak naponu el. energije.
- Produžni kabeli i razvodnici se ne smiju koristiti za spajanje.

⚠ Oštećeni kabel napajanja mora zamijeniti kvalificirani električar.

⚠ Proizvod ne smije raditi prije popravke! Postoji opasnost od električnog udara!

Odlaganje pakiranja

Materijali pakiranja mogu biti opasni za djecu. Čuvajte materijale pakiranja dalje od dohvata djece ili ih odložite svrstavanjem u skladu s uputama o odlaganju. Nemojte ih odlagati s normalnim otpadom iz kućanstva.

Pakiranje vašeg hladnjaka je proizvedeno od recikliranih materijala.

Odlaganje stalnog hladnjaka

Odlaganje vašeg starog stroja bez štete za okoliš.

- O odlaganju vašeg hladnjaka se možete konzultirati s vašim ovlaštenim dobavljačem ili centrom za sakupljanje otpada u vašoj općini.

Prije odlaganja vašeg hladnjaka, odrežite električni utikač i, ukoliko postoje bilo kakve brave na vratima, onesposobite ih da biste zaštitili djecu od bilo kakve opasnosti.

Postavljanje i instalacija

⚠ Ako ulaz u prostoriju gdje će biti postavljen hladnjak nije dovoljno širok da hladnjak kroz njega prođe, pozovite ovlaštenu servis da skine vrata vašeg hladnjaka tako da kroz vrata prođe bočno.

1. Instalirajte vaš hladnjak na mjesto koje dopušta laku uporabu.

2. Držite vaš hladnjak podalje od izvora topline, vlažnih mjesta i direktne sunčeve svjetlosti.

3. Da bi se postigao učinkoviti rad, oko vašeg hladnjaka mora postojati odgovarajuća ventilacija. Ako se hladnjak treba postaviti u otvor u zidu, mora postojati udaljenost najmanje 5 cm od plafona i 5 cm od zida. Ako je pod prekriven tepihom, vaš uređaj mora biti podignut od poda 2.5 cm.

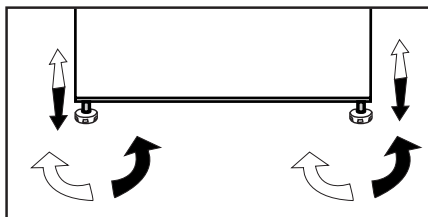
4. Stavite svoj hladnjak na ravnu površinu poda da biste spriječili udarce.

5. Ne držite svoj hladnjak na temperaturama nižim od 10°C.

Prilagođavanje nogu

Ako vaš hladnjak nije u ravnoteži;

Možete postaviti hladnjak u ravnotežu okretanjem prednjih nožica kako je prikazano na slici. kut gdje se nalaze noge je spušten kad okrenete u smjeru crne strelice a diže se kad okrenete u suprotnom smjeru. Ovaj postupak će biti lakši ako nekoga zamolite da malo podigne hladnjak.



4 Priprema

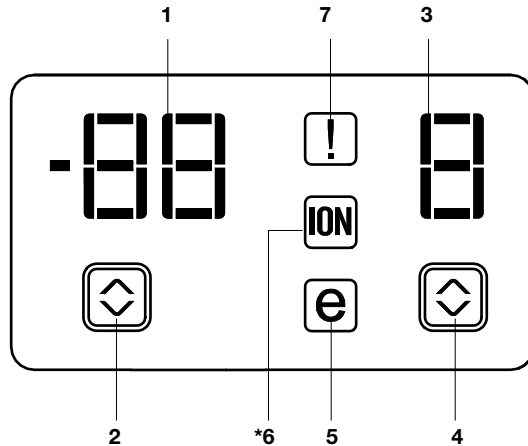
- Vaš hladnjak se treba postaviti najmanje 30 cm od izvora topline kao što su plamenici, pećnice, grijalice i štednjaci i najmanje 5 cm dalje od električnih pećnica te se ne smiju stavljati na direktnu sunčevu svjetlost.
- sobna temperatura u prostoriji u koju postavite hladnjak treba biti najmanje 10°C. Rad vašeg hladnjaka u hladnijim uvjetima od navedenih se ne preporuča vezano za učinkovitost.
- Pazite da se unutrašnjost vašeg hladnjaka temeljito čisti.
- Ako se dva hladnjaka trebaju instalirati jedan do drugog, između njih treba postojati razmak od najmanje 2 cm.
- Kada prvi put uključite hladnjak, molimo pridržavajte se sljedećih uputa tijekom prvih šest sati.
- Vrata se ne smiju često otvarati.
- Mora raditi prazan, bez ikakve hrane u njemu.
- Ne isključujte vaš hladnjak. Ako dođe do nestanka el. energije na koji ne možete utjecati, molimo pogledajte upozorenja u dijelu "Preporučena rješenja problema".
- Originalno pakiranje i materijali od pjene se trebaju čuvati zbog budućeg transporta ili selidbe.
- Kod nekih modela instrument ploča isključuje se 5 minuta nakon što se vrata zatvore. Ona će se ponovo aktivirati kada se vrata otvore ili kada se pritisne bilo koji gumb.
- S obzirom na promjenu temperature uslijed otvaranja/zatvaranja vrata proizvoda tijekom rada, kondenzacija na vratima/policama i staklenom spremniku normalna je pojava.

5 Uporaba vašeg hladnjaka

Ploča indikatora

Paneli indikatora mogu varirati, ovisno o modelu vašeg proizvoda.

Ploča oznaka pomaže kod uporabe vašeg hladnjaka pomoću njenih zvučnih i vizualnih funkcija.



1. Oznaka postavke temperature odjeljka škrinje
2. Oznaka statusa pogreške
3. Oznaka postavke temperature odjeljka hladnjaka

4. Tipka postavke temperature odjeljka hladnjaka
5. Oznaka ekonomičnog načina rada
6. Oznaka ionizatora
7. Tipka postavke temperature odjeljka škrinje

1. Oznaka postavke temperature odjeljka škrinje

Označava temperaturu postavljenu za odjeljak škrinje.

2. Oznaka statusa pogreške

Ako vaš hladnjak ne hladi pravilno ili ako je senzor u kvaru, ova oznaka neće biti uključena. Kad je ova oznaka uključena, oznaka temperature odjeljka škrinje će prikazivati "e" i oznaka temperature odjeljka škrinje će prikazivati brojeve kao što su "1, 2, 3...". Ti brojevi na oznaci daju serviserima informacije o grešci.

3. Oznaka postavke temperature odjeljka hladnjaka

Označava temperaturu postavljenu za odjeljak hladnjaka.

4. Tipka postavke temperature odjeljka hladnjaka

Pritisnite ovu tipku da biste postavili temperaturu odjeljka hladnjaka na 8, 6, 4, 2, 8... Pritisnite ovu tipku da biste postavili željenu temperaturu za odjeljak hladnjaka.

5. Oznaka ekonomičnog načina rada

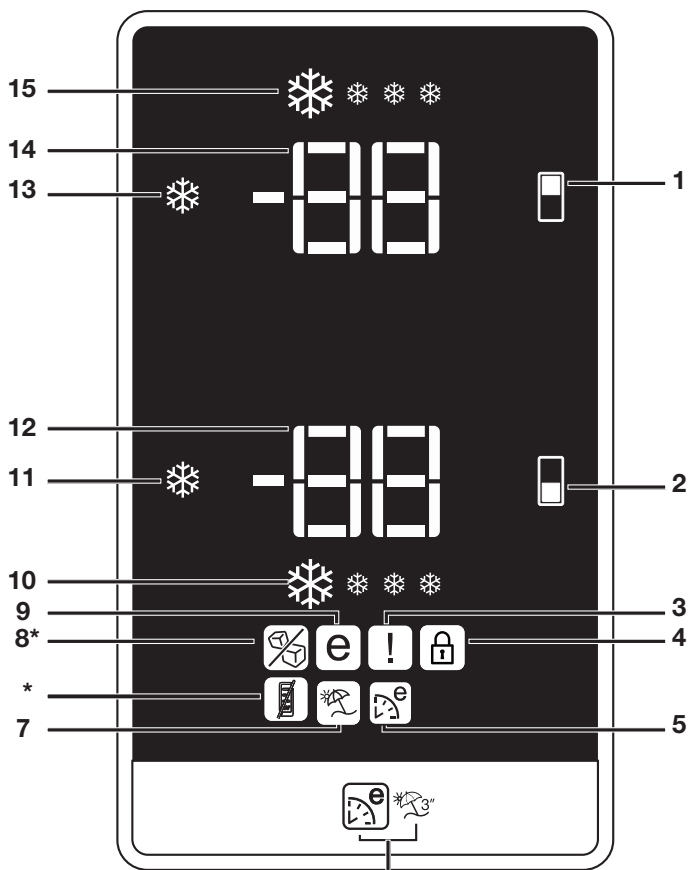
Označava da hladnjak radi u energetski učinkovitom načinu rada.

6. Oznaka ionizatora

Svjetlo oznake svijetli stalno. Ovo svjetlo označava da je vaš hladnjak zaštićen od bakterija.

7. Tipka postavke temperature odjeljka škrinje

Pritisnite ovu tipku da biste postavili temperaturu odjeljka škrinje na -18, -20, -22, -24, -18. Pritisnite ovu tipku da biste postavili željenu temperaturu za odjeljak škrinje.



1. Postavka odjeljka škrinje / tipka za uključivanje/isključivanje ledomata
2. Tipka za postavljanje temperature odjeljka hladnjaka
3. Oznaka statusa pogreške
4. Oznaka zaključane tipkovnice
5. Oznaka funkcije Eco Extra
6. Tipka Eco-Extra / odmor
7. Oznaka funkcije Odmor
8. Oznaka isključenog ledomata (*kod nekih modela)
9. Oznaka ekonomične uporabe
10. Oznaka funkcije brzog hlađenja u hladnjaku
11. Tipka brzog hlađenja u hladnjaku
12. Oznaka postavke temperature odjeljka hladnjaka
13. Tipka funkcije za brzo zamrzavanje
14. Oznaka postavke temperature odjeljka škrinje
15. Oznaka funkcije brzog zamrzavanja

i Slike koje se nalaze u ovom priručniku su shematske i možda se ne ogovaraju u potpunosti vašem proizvodu. Ako dijelovi naslova nisu sadržani u proizvodu koji ste kupili, onda to vrijedi za ostale modele.

1. Postavka odjeljka škrinje / tipka za uključivanje/isključivanje ledomata

Ova funkcija Vam omogućava postavljanje temperature odjeljka škrinje. Pritisnite ovu tipku da biste postavili temperaturu odjeljka škrinje na -18, -20, -22, -24.

Da zaustavite stvaranje leda, pritisnite tipku za uključivanje i isključivanje ledomata na 3 sekunde. KAd se odabere ova funkcija, protok vode iz spremnika vode će se zaustaviti. Međutim, led koji je već stvoren se može uzeti iz ledomata. Da ponovno pokrenete stvaranje leda, pritisnite tipku za uključivanje i isključivanje ledomata na 3 sekunde.

2. Tipka postavke temperature odjeljka hladnjaka

Ova funkcija Vam omogućava postavljanje temperature odjeljka hladnjaka. Pritisnite ovu tipku da biste postavili temperaturu odjeljka hladnjaka na 8, 6, 4, 2.

3. Oznaka statusa pogreške

Ako vaš hladnjak ne hladi pravilno ili ako je senzor u kvaru, ova oznaka neće biti uključena. Kad je ova oznaka uključena, oznaka temperature odjeljka škrinje će prikazivati "E" i oznaka temperature odjeljka škrinje će prikazivati brojeve kao što su "1, 2, 3...". Ti brojevi na oznaci daju serviserima informacije o grešci.

KAd stavite toplu hranu u odjeljak škrinje ili ako dulje vrijeme ostavite vrata otvorena, neko će vrijeme svijetliti znak uskličnika. To nije kvar; ovo upozorenje će nestati kad se hrana ohladi.

4. Oznaka zaključane tipkovnice

Koristite ovu funkciju ako ne želite promjenu postavke temperature vašeg hladnjaka. Da biste uključili ovu značajku, pritisnite tipku Eco Extra i tipku za postavljanje temperature odjeljka škrinje istodobno dulje vrijeme (3 sekunde).

5. Oznaka funkcije Eco Extra

Označava da je funkcija Eco Extra uključena.

Ako je ova funkcija uključena, vaš hladnjak će automatski otkriti zadnja razdoblja korištenja i tijekom tih razdoblja će se obavljati energetske učinkovito hlađenje. Oznaka ekonomičnog načina rada će biti uključena dok se obavlja energetske učinkovito hlađenje.

Ponovno odgovarajuću tipku da biste isključili odabranu funkciju.

6. Tipka Eco-Extra / odmor

Kratko pritisnite ovu tipku da biste uključili funkciju Eco Extra. Pritisnite i držite ovu tipku 3 sekunde da biste uključili funkciju Odmor. Ponovno pritisnite ovu tipku da biste isključili odabranu funkciju.

7. Oznaka funkcije Odmor

Označava da je funkcija odmora uključena. Ako je ova funkcija uključena, "- -" se pojavljuje na odjeljku hladnjaka i u odjeljku hladnjaka se ne vrši hlađenje. Drugi odjeljci će biti hlađeni u skladu s temperaturom koja je za njih postavljena.

Ponovno odgovarajuću tipku da biste isključili odabranu funkciju.

8. Oznaka za isključivanje leda

Ledomat neće raditi kad je oznaka ove funkcije uključena. Za uključivanje ledomata, pogledajte Stavku 1.

9. Oznaka ekonomičnog načina rada

Označava da hladnjak radi u energetski učinkovitim načinu rada. Temperatura odjeljka škrinje

Ova oznaka će biti uključena ako je funkcija postavljena na -18 ili se zbog funkcije Eco-Extra obavlja energetski učinkovito hlađenje.

10. Oznaka brzog hlađenja

Ova ikona bljeska kao animacija kad je uključena funkcija Brzo hlađenje.

11. Funkcija brzog hlađenja hladnjaka

Kad pritisnete tipku za brzo hlađenje, temperatura odjeljka će biti hladnija od postavljenih vrijednosti.

Ova funkcija se može koristiti za hranu stavljenu u odjeljak hladnjaka onda kad se treba brzo ohladiti.

Ako želite ohladiti velike količine svježe hrane, preporučuje se da uključite ovu funkciju prije stavljanja hrane u hladnjak.

Indikator brzog hlađenja se uključuje kad je funkcija brzog hlađenja uključena. Da biste opozvali ovu funkciju, pritisnite ponovno tipku za brzo hlađenje.

Ako ga ne opozovete, brzo hlađenje će se automatski isključiti nakon 4 sata ili kad odjeljak hladnjaka dosegne potrebnu temperaturu.

Ova funkcija se ne poziva ponovno kad se vrati napajanje nakon kvara napajanja.

12. Oznaka postavke temperature odjeljka hladnjaka

Označava temperaturu postavljenu za odjeljak hladnjaka.

13. Oznaka postavke temperature odjeljka škrinje

Označava temperaturu postavljenu za odjeljak škrinje.

14. Funkcija brzog zamrzavanja škrinje

Indikator brzog zamrzavanja se uključuje kad je funkcija brzog zamrzavanja uključena. Da biste opozvali ovu funkciju, pritisnite ponovno tipku za brzo zamrzavanje. Oznaka brzog zamrzavanja će se isključiti i vratiti na normalne postavke. Ako ga ne opozovete, brzo zamrzavanje će se automatski isključiti nakon 8 sata ili kad odjeljak hladnjaka dosegne potrebnu temperaturu.

Ako želite zamrznuti velike količine svježe hrane, pritisnite tipku Brzo zamrzavanje prije stavljanja hrane u odjeljak hladnjaka.

Ako više puta pritisnete tipku za Brzo zamrzavanje u kratkim intervalima, uključit će se zaštita elektronskog sklopa i kompresor se neće odmah uključiti.

Ova funkcija se ne poziva ponovno kad se vrati napajanje nakon kvara napajanja.

15. Oznaka brzog zamrzavanja

Ova ikona bljeska kao animacija kad je uključena funkcija Brzo zamrzavanje.

Upozorenje o otvorenim vratima

(Ova značajka može varirati ovisno o vratima proizvođača i možda ne postoji na nekim modelima).

Zvučni signal upozorenja će se začuti kad vrata odjeljka hladnjaka vašeg uređaja budu otvorena najmanje 1 minutu. Ovo upozorenje će se isključiti kad vrata budu zatvorena ili se pritisne bilo koja tipka na zaslonu (ako postoji).

Pohrana svježe hrane

- Zamotajte ili pokrijte hranu prije stavljanja u hladnjak.
 - Vruća hrana se mora ohladiti na sobnu temperaturu prije stavljanja u hladnjak.
 - Hrana koju želite zamrznuti mora biti svježija i kvalitetna.
 - Hrana mora biti podijeljena u porcije prema dnevnim ili obročnim potrebama obitelji.
 - Hrana mora biti pakirana vakumirano da bi se spriječilo sušenje čak i ako će se čuvati kratko vrijeme.
 - Materijali koji se koriste za pakiranje moraju biti nepoderivi i otporni na hladnoću, vlagu, mirise, ulja i kiseline i također moraju biti nepropusni za zrak. Nadalje, moraju biti dobro zatvoreni i moraju biti od materijala koji se lako koriste te su podesni za uporabu kod dubokog zamrzavanja.
- Zamrznuta hrana se mora koristiti odmah nakon topljenja i ne smije se nikad ponovno zamrzavati.
 - Molimo Pazite na sljedeće upute da biste dobili najbolje rezultate.
 1. Nemojte zamrzavati prevelike količine istodobno. Kvaliteta hrane se najbolje čuva ako se zamrzava što je brže moguće.
 2. Stavljanje tople hrane u odjeljak za zamrzavanje uzrokuje stalni rad sustava za hlađenje dok se hrana u potpunosti ne zamrzne.
 3. Posebno pazite da ne miješate već zamrznutu i svježiju hranu.

Postavka odjeljka škrinje	Postavka odjeljka hladnjaka	Objašnjenja
- 18°C	4°C	To je normalna preporučena postavka.
- 20,- 22 ili -24°C	4°C	Ove postavke su preporučene kad sobna temperatura prelazi 30°C.
Brzo zamrzavanje	4°C	Koristite kad želite zamrznuti svoju hranu u kratkom vremenu. Vaš hladnjak će se vratiti u prethodni način rada kad postupak bude gotov.
- 18°C ili hladnije	2°C	Ako mislite da odjeljak nije dovoljno hladan zbog tople okoline ili čestog otvaranja i zatvaranja vrata.
- 18°C ili hladnije	Brzo zamrzavanje	Možete ga koristiti ako je odjeljak vašeg hladnjaka prepunjen ili želite brzo ohladiti hranu. Preporučuje se da uključite funkciju brzog zamrzavanja 4-8 sati prije stavljanja hrane.

Preporuke za čuvanje smrznute hrane

- Zapakirana komercijalno zamrznuta hrana se mora čuvati u skladu s uputama proizvođača smrznute hrane za odjeljak za pohranu smrznute hrane s ******** (4 zvjezdice).
- Da bi se osigurala visoka kvaliteta proizvođača smrznute hrane i prodavača hrane, treba zapamtiti sljedeće:
 1. Stavite pakete u škrinju što prije nakon kupnje.
 2. Pazite da je sadržaj označen i da je naveden datum.
 3. Ne prelazite datume "Koristiti do", "Rok uporabe" na pakovanju.

Odmrzavanje

Pretinac za zamrzavanje automatski odmrzava.

Stavljanje hrane

Police odjeljka za zamrzavanje	Različita zamrznuta hrana kao što je meso, riba, sladoled, povrće itd.
Držać jaja	Jaje
Police odjeljka hladnjaka	Hrana u loncima, pokrivenim tanjurima i zatvorenim posudama
Police vrata odjeljka hladnjaka	Mala i pakirana hrana ili pića (kao što su mlijeko, voćni sok i pivo)
Odjeljak za povrće	Povrće i voće
Odjeljak svježih zone	Delikatese (sir, maslac, salama itd.)

Odjeljak za duboko zamrzavanje

Hrana se mora zamrznuti što brže kad se stavi u hladnjak da bi zadržala kvalitetu.

Moguće je držati hranu dugo vrijeme samo na temperaturama od -18°C i nižim.

Možete održati svježinu hrane mjesecima (na -18°C ili nižim temperaturama u dubokom zamrzavanju).

Upozorenje!

- Hrana mora biti podijeljena u porcije prema dnevnim ili obročnim potrebama obitelji.

- Hrana mora biti pakirana vakumirano da bi se spriječilo sušenje čak i ako će se čuvati kratko vrijeme.

Materijal potreban za pakiranje:

- Ljepljiva traka otporna na hladnoću
- Samoljepljiva traka
- Gumice
- Olovka

Materijali koji se koriste za pakiranje hrane moraju biti nepoderivi i otporni na hladnoću, vlagu, mirise, ulja i kiseline.

Hrana za zamrzavanje ne smije doći u kontakt s prethodno smrznutom hranom da bi se izbjeglo djelomično topljenje.

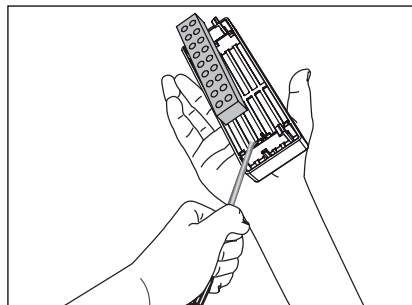
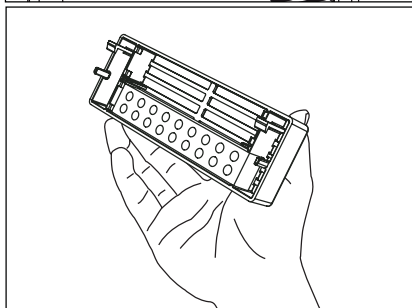
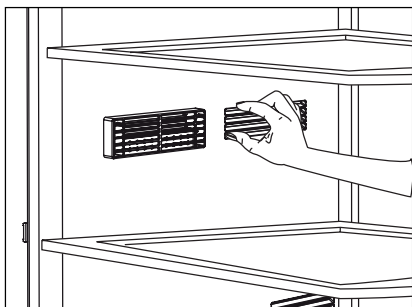
Zamrznuta hrana se mora koristiti odmah nakon topljenja i ne smije se nikad ponovno zamrzavati.

Opis i čišćenje filtra za neugodne mirise:

filtrar za neugodne mirise sprječava nakupljanje neugodnih mirisa u vašem hladnjaku.

Povucite poklopac u koji je montiran filtrar za neugodne mirise prema dolje i uklonite ga kako je prikazano. Ostavite filtrar pod sunčevom svjetlošću jedan dan. Filtrar će se za to vrijeme očistiti. Instalirajte filtrar nazad na mjesto.

Filtrar za neugodne mirise se mora čistiti jednom godišnje.



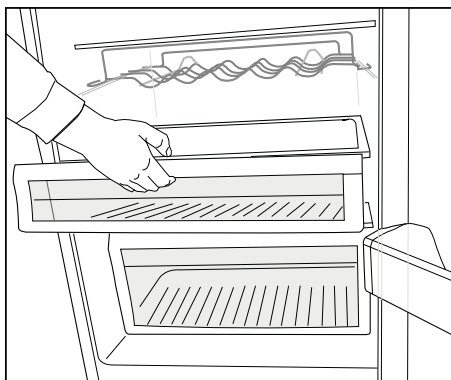
Odjeljci za male obroke

Koristite ove odjeljke za hranu koju želite spremirati na temperaturi s nekoliko stupnjeva ispod odjeljka hladnjaka.

Možete povećati unutarnji volumen vašeg hladnjaka uklanjanjem željenog odjeljka za male obroke.

1. Povucite odjeljak prema sebi dok ne sjedne na mjesto i dok ga ne zaustavi stoper.
2. Podignite prednji dio i povucite prema sebi da skinete odjeljak s postolja.

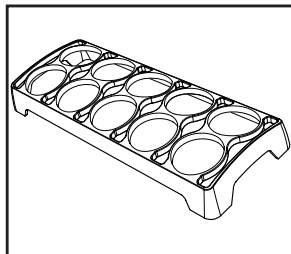
i Možete staviti hranu koju želite zamrznuti da biste je pripremili za zamrzavanje u odjeljcima.



Držač jaja

Možete instalirati držač za jaja na željenu policu vrata ili kućišta.

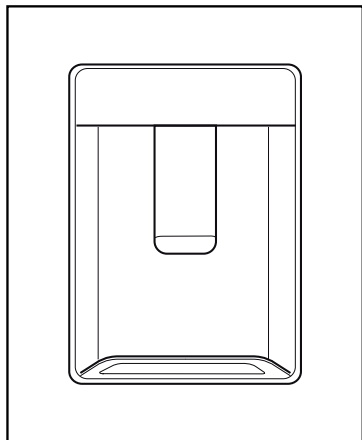
Nikada ne držite držač za jaja u odjeljku hladnjaka



Pipa za vodu

(Kod nekih modela)

Pipa za vodu je vrlo korisna značajka kojom se može dobiti hladna voda bez otvaranja vrata vašeg hladnjaka. Kako nećete morati često otvarati vrata hladnjaka, uštedjet ćete energiju.



Uporaba pipe za vodu

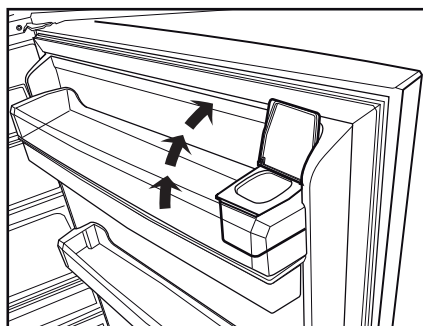
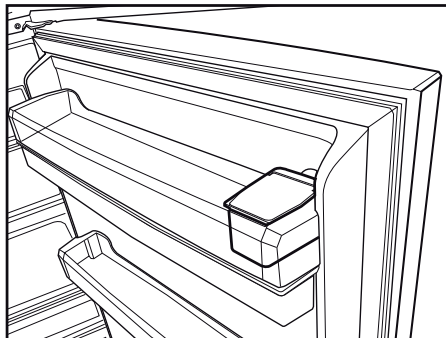
Gurnite prema unutra polugu pipe za vodu pomoću vaše čaše. Pipa će prestati raditi kad otpustite ručicu.

Kad radite s pipom za vodu, maksimalni protok se može postići tako da krak gurnete do kraja. Imajte na umu da količina protoka s pipe ovisi o stupnju kojim pritisnete krak.

Kako se razina vode u čaši/spremniku podiže, malo smanjite pritisak na kraku da spriječite prelijevanje. Ako lagano pritisnete kraj, voda će pasti; to je normalno i nije kvar.

Punjenje spremnika za vodu pipe za vodu

Spremnik za vodu se nalazi unutar police vrata. Otvorite poklopac spremnika u ulijte čistu pitku vodu. Zatim zatvorite poklopac.



Upozorenje!

- Nemojte puniti spremnik bilo kojom tekućinom osim vode, kao što su voćni sokovi, gazirana pića ili alkoholna pića koja nisu podesna za uporabu s pipom za vodu. Pipa za vodu će se pokvariti do nepopravljivosti ako se koriste te vrste tekućina. Jamstvo ne pokriva takvu uporabu. Neke kemijske tvari i aditivi koji su sadržani u toj vrsti pića/tekućina mogu oštetiti materijal spremnika za vodu.

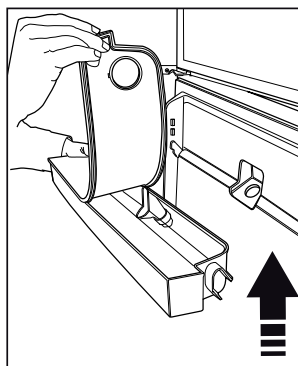
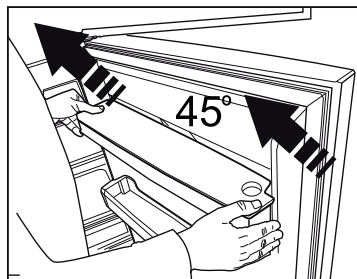
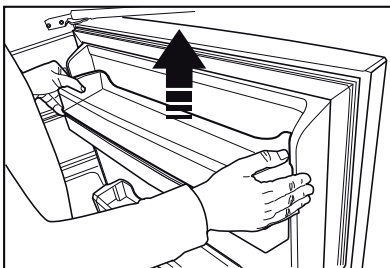
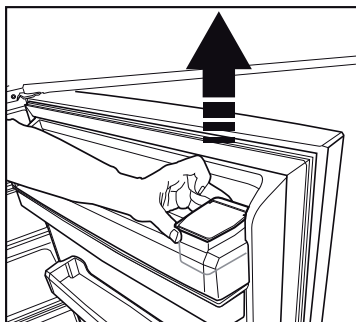
- Koristite samo čistu pitku vodu.
- Kapacitet spremnika za vodu je 3 litre; nemojte prepuniti.
- Gurnite polugu pipe za vodu čvrstom čašom. Ako koristite jednokratne plastične čaše, gurnite krak prstima iza čaše.

Čišćenje spremnika s vodom

- Izvadite spremnik za vodu unutar police vrata.
- Uklonite полицu na vratima tako da je držite s obje strane.
- Uhvatite spremnik za vodu s obje strane i uklonite ga s kutom od 45SDgr.
- Očistite spremnik za vodu tako da uklonite njegov poklopac.

Važno:

Dijelovi spremnika za vodu i pipe za vodu se ne smiju prati u perilici.



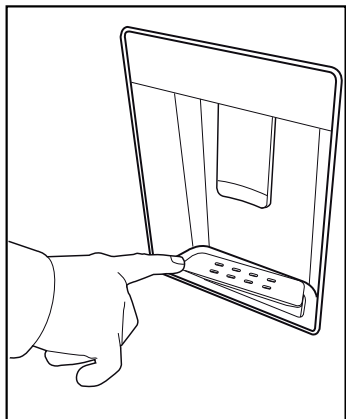
Podloška za vodu

Voda koja kapa tijekom uporabe pipe za vodu se sakuplja u podloški.

Izvadite plastični filtar kako je prikazano na slici.

Očistite čistom i suhom krpom, uklonite nakupljenu vodu

PAŽNJA: Spojite samo s vodovodom s pitkom vodom.



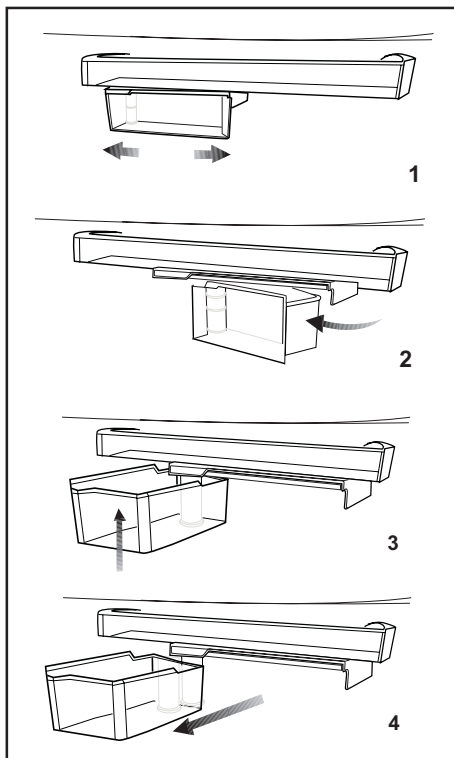
Rotirajući spremnik

(Kod nekih modela)

Klizna polica kućišta se može pomicati lijevo ili desno da bi se na donju policu lijevo ili desno da bi se na donju policu mogle staviti duge boce, staklenke ili kutije (Slika 1).

Možete doći do hrane koju ste stavili na policu tako da je okrećete s desnog ruba (Slika 2).

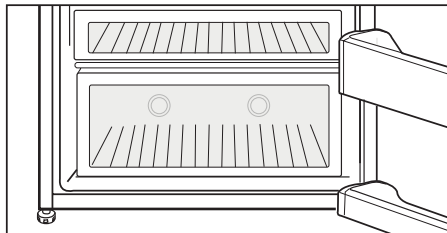
Kad je želite napuniti ili izvaditi zbog čišćenja, okrenite je za 90 stupnjeva, podignite i povucite prema sebi (Slike 3-4).



Plavo svjetlo

(Kod nekih modela)

Hrana koja se drži u odjeljcima za voće ili povrće koji se osvjetljavaju plavim svjetlom, nastavlja svoju fotosintezu pomoću učinka valne duljine plavog svjetla i stoga sačuva svježinu i povećava sadržaj vitamina.



Auto ledomat

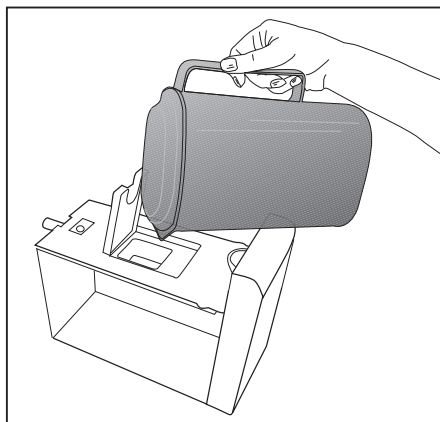
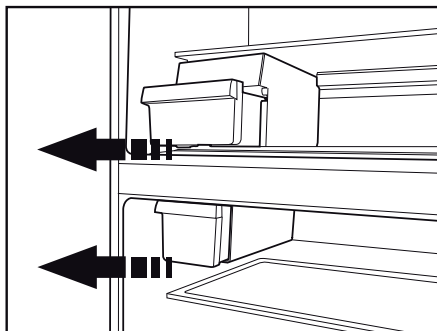
(Kod nekih modela)

Sustav automatskog ledomata vam omogućava da jednostavno dobijete led iz hladnjaka. Izvadite spremnik za vodu u odjeljku hladnjaka, napunite ga vodom i vratite nazad da biste iz ledomata dobili led.

Prve kockice leda će biti spremne za otprilike 2 sata u ladici ledomata koja se nalazi u odjeljku hladnjaka.

Ako koristite cijeli spremnik za vodu, moći ćete dobiti otprilike 60-70 kockica leda.

Promijenite vodu u spremniku ako je stajala oko 2-3 tjedna.



Ledomat i posuda za led

Uporaba ledomata

Ispunite ledomat vodom i stavite ga na mjesto. Vaš led će biti gotov za otprilike dva sata. Ne uklanjajte ledomat sa mjesta da bi izvadili led.

Okrenite tipke na njemu nadesno za 90 stupnjeva.

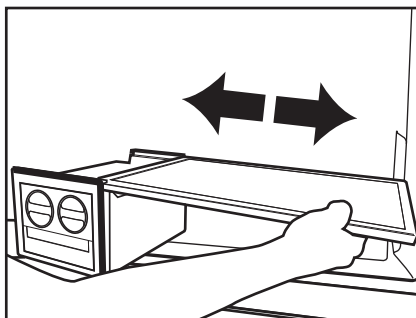
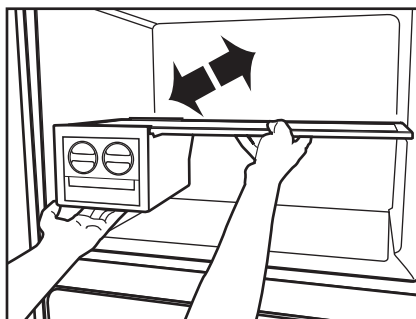
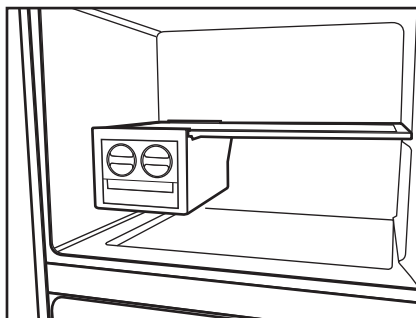
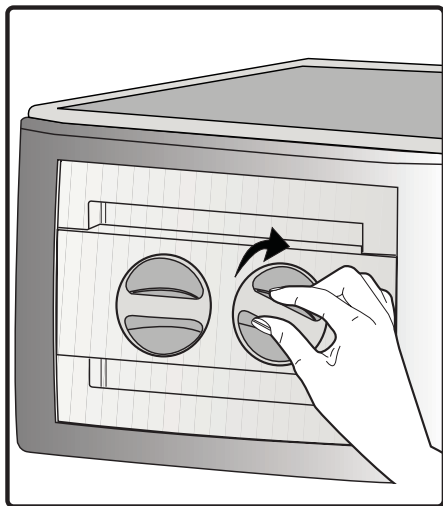
Kockice leda u kućicama će pasti dolje u posudu za led.

Možete izvaditi posudu za led i poslužiti kockice leda.

Ako želite, možete držati kockice leda u posudi za led.

Posuda za led

Posuda za led je namijenjena samo sakupljanju kockica za led. Ne stavljajte vodu u nju. U suprotnom će puknuti.



6 Održavanje i čišćenje

- ⚠ Nikada za čišćenje nemojte koristiti benzin ili slične materijale.
- ⚠ Savjetujemo da isključite uređaj iz struje prije čišćenja.
- ℹ Nikada za čišćenje nemojte koristiti oštre predmete ili abrazivne tvari, sapun, tekućinu za čišćenje kućanstva, deterdžent ili vosak za poliranje.
- ℹ Koristite mlaku vodu za čišćenje kutije hladnjaka i osušite ga krpom.
- ℹ Koristite ocijeđenu vlažnu krpu potopljenu u otopini jedne žličice sode bikarbone na pola litre vode da biste očistili unutrašnjost i osušite je krpom.
- ⚠ Pazite da voda ne uđe u kućište lampe i druge električne dijelove.
- ⚠ Ako se aparat neće koristiti dulje vrijeme, isključite ga, izvadite svu hranu, očistite ga i ostavite vrata otvorena.
- ℹ Provjeravajte brtve na vratima redovito da biste bili sigurni da su čisti i da na njima nema komadića hrane.
- ℹ Da biste skinuli police s vrata, izvadite sav sadržaj i tada jednostavno gurnite policu vrata gore iz osnove.

- ℹ Nikad ne upotrebljavajte sredstva za čišćenje ili vodu koja sadrži klor za čišćenje vanjskih površina ili kromiranih dijelova proizvoda. Klor uzrokuje koroziju na takvim metalnim površinama.
- ℹ Ne koristite oštre i abrazivne alate ili sapun, sredstva za čišćenje u kućanstvu, deterdžente, benzin, benzen, vosak i sl. jer u protivnom naljepnice na plastičnom dijelu se mogu odlijepiti te može doći do deformacija. Za čišćenje koristite toplu vodu te osušite mekanom krpom.

Zaštita plastičnih površina

- ℹ Ne stavljajte tekuće ulje ili jela kuhana na ulju u vaš hladnjak u nezatvorenim posudama jer oni mogu oštetiti plastične površine hladnjaka. U slučaju prolijevanja ili razmazivanja ulja na plastičnim površinama, odmah očistite i isperite odgovarajuće dijelove površine toplom vodom.

7 Otklanjanje kvara

Molimo provjerite popis prije zvanja servisa. To vam može uštedjeti vrijeme i novac. Popis sadrži česte reklamacije koje nisu posljedica oštećenja u proizvodnji ili uporabi. Neke od opisanih mogućnosti možda ne postoje na vašem proizvodu.

Hladnjak ne radi.

- Utikač nije pravilno stavljen u utičnicu. >>> *Čvrsto umetnite utikač u utičnicu.*
- Pregorio je osigurač utičnice na koju je priključen vaš hladnjak ili je pregorio glavni osigurač. >>> *Provjerite osigurač.*

Kondenzacija na stjenkama hladnjaka (MULTIZONA, KONTROLA HLADENJA I FLEKSI ZONA).

- Okolina je vrlo hladna. >>> *Ne postavljajte hladnjak na mjesta gdje temperatura pada ispod 10°C.*
- Vrata su često otvarana. >>> *Nemojte često otvarati i zatvarati vrata.*
- Okolina je vrlo vlažna. >>> *Nemojte postavljati hladnjak na jako vlažna mjesta.*
- Hrana koja sadrži tekućinu se sprema u otvorenim posudama. >>> *Nemojte spremati hranu s tekućim sadržajem u otvorenim posudama.*
- Vrata hladnjaka su ostala odškrinuta. >>> *Zatvorite vrata hladnjaka.*
- Termostat je postavljen na vrlo hladnu razinu. >>> *Postavite termostat na odgovarajuću razinu.*

Kompresor ne radi

- ❗ Zaštitni termički dio kompresora će pregorjeti tijekom naglih nestanaka el. energije ili isključivanja priključaka jer tlak rashladnog sredstva u sustavu za hlađenje hladnjaka nije još izbalansiran. Vaš hladnjak će početi s radom nakon otprilike 6 minuta. Molimo nazovite servis ako se vaš hladnjak ne uključi na kraju ovog razdoblja.
- Hladnjak je u ciklusu odmrzavanja. >>> *To je normalno za hladnjak s potpuno automatskim odmrzavanjem. Ciklus za odmrzavanje se događa periodički.*
- Vaš hladnjak nije uključen u utičnicu. >>> *Provjerite je li utikač pravilno postavljen u utičnicu.*
- Postavke temperature nisu pravilno postavljene. >>> *Odaberite odgovarajuću vrijednost temperature.*
- Došlo je do nestanka struje. >>> *Hladnjak se vraća na normalni rad kad se vrati napajanje.*

Buka tijekom rada se povećava kad hladnjak radi.

- ❗ Radne performanse hladnjaka se mogu promijeniti ovisno o promjenama sobne temperature. To je normalno i ne predstavlja kvar.

Hladnjak radi često ili dugo trajno.

- i** Vaš novi hladnjak je možda širi od prethodnog. Veći hladnjaci rade dulje.
- Sobna temperatura je možda visoka. >>> *Normalno je da uređaj radi dulje vrijeme u toploj okolini.*
 - Hladnjak je nedavno uključen ili je u njega stavljena hrana. >>> *Kada je hladnjak nedavno uključen ili je u njega stavljena hrana, trebat će dulje vremena da postigne postavljenu temperaturu. To je normalno.*
 - Možda su nedavno u hladnjak stavljene velike količine tople hrane. >>> *Ne stavljajte toplu hranu u hladnjak.*
 - Vrata su možda često otvarana ili ostavljena odškrinuta dulje vrijeme. >>> *Topli zrak koji je ušao u hladnjak uzrokuje da hladnjak radi dulje vrijeme. Nemojte često otvarati vrata hladnjaka.*
 - Vrata škrinje ili hladnjaka su ostavljena odškrinuta. >>> *Provjerite jesu li vrata zatvorena do kraja.*
 - Hladnjak je postavljen na vrlo nisku temperaturu. >>> *Prilagodite temperaturu hladnjaka na topliju razinu dok se ne postigne temperatura.*
 - Brtva vrata hladnjaka ili škrinje može biti prljava, pohabana, oštećena ili nije dobro sjela. >>> *Očistite ili zamijenite brtvu. Oštećena/pokidana brtva uzrokuje dulji rad hladnjaka da bi se održala trenutna temperatura.*

Temperatura hladnjaka je vrlo niska dok je temperatura frižidera dovoljna.

- Temperatura škrinje je postavljena na vrlo nisku temperaturu. >>> *Prilagodite temperaturu hladnjaka na topliji stupanj i provjerite.*

Temperatura frižidera je vrlo niska dok je temperatura hladnjaka dovoljna.

- Temperatura hladnjaka je postavljena na vrlo nisku temperaturu. >>> *Prilagodite temperaturu hladnjaka na topliji stupanj i provjerite.*

Hrana koja se čuva u ladicama hladnjaka se smrzava.

- Temperatura hladnjaka je postavljena na vrlo visoku temperaturu. >>> *Prilagodite temperaturu hladnjaka na niži stupanj i provjerite.*

Temperatura u hladnjaku ili škrinji je previsoka.

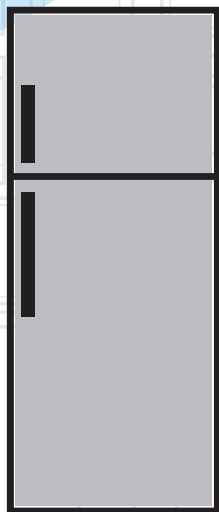
- Temperatura hladnjaka je postavljena na vrlo visoku temperaturu. >>> *Postavka temperature odjeljka hladnjaka ima utjecaj na temperaturu škrinje. Mijenjajte temperature hladnjaka ili škrinje i čekajte dok odgovarajući odjeljci ne postignu dovoljnu temperaturu.*
- Vrata su možda često otvarana ili ostavljena odškrinuta dulje vrijeme. >>> *Nemojte često otvarati vrata.*
- Vrata su odškrinuta. >>> *Zatvorite vrata do kraja.*
- Hladnjak je nedavno uključen ili je u njega stavljena hrana. >>> *To je normalno. Kada je hladnjak nedavno uključen ili je u njega stavljena hrana, trebat će dulje vremena da postigne postavljenu temperaturu.*
- Možda su nedavno u hladnjak stavljene velike količine tople hrane. >>> *Ne stavljajte toplu hranu u hladnjak.*

Vibracije ili buka.

<ul style="list-style-type: none"> • Pod nije ravan ili stabilan. >>> <i>Ako se hladnjak ljulja kad se lagano pomiče, izbalansirajte ga podešavanjem nožica. Pazite također da je pod ravan i da je dovoljno jak da može nositi hladnjak.</i> • Predmeti stavljeni u hladnjak mogu uzrokovati buku. >>> <i>Uklonite predmete s hladnjaka.</i>
Čuje se buka poput toka tekućine ili špricanja.
<p>i Protok tekućine i plinova se događa u skladu s radnim principima vašeg hladnjaka. To je normalno i ne predstavlja kvar.</p>
Iz hladnjaka dopire zviždanje.
<p>i Ventilatori se koriste za hlađenje hladnjaka. To je normalno i ne predstavlja kvar.</p>
Kondenzacija na unutarnjim stjenkama hladnjaka.
<p>i Toplo i vlažno vrijeme povećava nastanak leda i kondenziranje. To je normalno i ne predstavlja kvar.</p> <ul style="list-style-type: none"> • Vrata su možda često otvarana ili ostavljena odškrinuta dulje vrijeme. >>> <i>Nemojte često otvarati vrata. Ako su otvorena, zatvorite ih.</i> • Vrata su odškrinuta. >>> <i>Zatvorite vrata do kraja.</i>
Vlaga se pojavljuje na vanjskom dijelu hladnjaka ili između vrata.
<p>i Možda ima vlage u zraku; to je potpuno normalno kad je vrijeme vlažno. Kad je vlažnost manja, kondenzat će nestati.</p>
Neugodan miris unutar hladnjaka.
<ul style="list-style-type: none"> • Ne obavlja se redovito čišćenje. >>> <i>Redovito čistite unutrašnjost hladnjaka spužvom, toplom ili sodom bikarbonom otopljenom u vodi.</i> • Neugodan miris možda uzrokuju neke posude ili materijali pakiranja. >>> <i>Koristite neku drugu posudu ili drugačiju marku materijala za pakiranje.</i> • Hrana je stavljena u hladnjak u nepokrivenim posudama. >>> <i>Držite hranu u zatvorenim posudama. Mikroorganizmi koji se šire iz nepokrivenih posuda mogu uzrokovati neugodne mirise.</i> <p>i Uklonite hranu kojoj je istekao rok i pokvarenu hranu iz hladnjaka.</p>
Vrata se ne zatvaraju.
<ul style="list-style-type: none"> • Paketi hrane možda sprječavaju zatvaranje vrata. >>> <i>Uklonite pakete hrane koji smetaju vratima.</i> • Hladnjak ne stoji ravno na podu. >>> <i>Podesite nožice da izbalansirate hladnjak.</i> • Pod nije ravan ili jak. >>> <i>Pazite da je pod ravan i da može nositi hladnjak.</i>
Odjelci za voće i povrće su zaglavljani.
<ul style="list-style-type: none"> • Hrana možda dodiruje vrh ladice. >>> <i>Presložite hranu u ladici.</i>

Refrigerador

Manual del usuario



ES |

beko

Lea este manual antes de utilizar el frigorífico.

Estimado cliente:

Esperamos que este aparato, que ha sido fabricado en plantas dotadas de la más avanzada tecnología y sometido a los más estrictos procedimientos de control de calidad, le preste un servicio eficaz.

Para ello, le recomendamos que lea atentamente el presente manual antes de utilizar el aparato, y que lo tenga a mano para futuras consultas.

Este manual

- Le ayudará a usar el aparato de manera rápida y segura.
- Lea el manual antes de instalar y poner en funcionamiento el aparato.
- Siga las instrucciones, en particular las relacionadas con la seguridad.
- Conserve el manual en un sitio de fácil acceso, ya que podría necesitarlo en el futuro.
- Lea también los demás documentos suministrados junto con el aparato.

Tenga en cuenta que este manual también podría ser válido para otros modelos.

Símbolos y sus descripciones

El presente manual de instrucciones emplea los siguientes símbolos:



Información importante o consejos útiles sobre el funcionamiento.



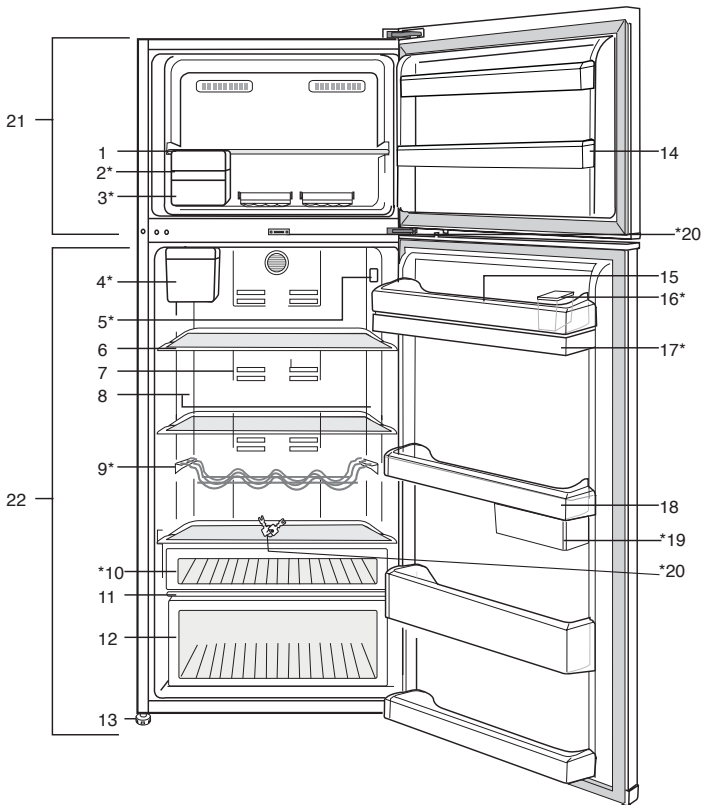
Advertencia contra condiciones peligrosas para la vida y la propiedad.



Advertencia de tensión eléctrica.

1 El frigorífico	3	4 Preparación	14
2 Avisos importantes sobre la seguridad	4	5 Uso del frigorífico	15
Finalidad prevista.....	4	Panel indicador.....	15
Productos equipados con dispensador de agua:.....	9	Aviso de puerta abierta.....	18
Seguridad infantil.....	9	Congelación de alimentos frescos ...	19
Conformidad con la normativa WEEE y eliminación del aparato al final de su vida útil:	10	Recomendaciones para la conservación de alimentos congelados.....	20
Cumplimiento de la directiva RoHS:.	10	Colocación de los alimentos	20
Información sobre el embalaje	10	Información sobre la congelación	21
Advertencia sobre la seguridad de la salud	10	Descripción y limpieza del filtro antiolores:.....	22
Consejos para el ahorro de energía .	10	Huevera.....	22
Recomendaciones para el compartimento de alimentos frescos	11	Dispensador de agua	23
3 Instalación	12	Contenedor de almacenamiento giratorio	25
Cuestiones a considerar a la hora de transportar el frigorífico	12	Luz azul.....	26
Antes de usar el frigorífico.....	12	Auto Icematic	26
Cambio de la bombilla de iluminación	12	Icematic y contenedor de almacenamiento de hielo	27
Conexiones eléctricas.....	13	6 Mantenimiento y limpieza	28
Eliminación del embalaje.....	13	Protección de las superficies de plástico.....	28
Eliminación de su viejo frigorífico.....	13	7 Solución de problemas	29
Colocación e instalación	13		
Ajuste de los pies	13		

1 El frigorífico



1. Estante del compartimento congelador
2. Auto Icematic
3. Contenedor de almacenamiento de hielo
4. Depósito de agua Auto Icematic
5. Indicador de ajuste de temperatura
6. Estantes de vidrio ajustables
7. Filtro antiolores
8. Lente de iluminación
9. Estante para botellas
10. Compartimento para refrigerios
11. Tapa del cajón de frutas y verduras
12. Cajón de frutas y verduras
13. Pies ajustables
14. Bandejas de la puerta del compartimento congelador
15. Huevera
16. Contenedor de llenado del dispensador de agua
17. Depósito del dispensador de agua
18. Estantes de la puerta del compartimento refrigerador
19. Recipientes deslizantes y giratorios
20. Tecla
21. Compartimento congelador
22. Compartimento frigorífico

* **OPCIONAL**

i Las ilustraciones incluidas en el presente manual de instrucciones son esquemáticas y puede que no se adecúen a su aparato con exactitud. Si alguno de los elementos reflejados no se corresponde con el aparato que usted ha adquirido, entonces será válido para otros modelos.

2 Avisos importantes sobre la seguridad

Lea con atención la siguiente información. No tener en cuenta dicha información podría acarrear lesiones o daños materiales. En tal caso, las garantías y los compromisos de fiabilidad quedarían anulados.

Se proporcionarán piezas de recambio originales durante 10 años, después de la fecha de compra del producto.

Finalidad prevista

Este aparato está diseñado para usarse en los siguientes entornos:

- interiores y entornos cerrados tales como domicilios particulares;
- entornos cerrados de trabajo tales como almacenes u oficinas;
- zonas de servicio cerradas tales como casas rurales, hoteles o pensiones.
- Este aparato no se debe usar al aire libre.

Seguridad general

- Cuando desee deshacerse del aparato, le recomendamos que solicite a su servicio técnico autorizado la información necesaria a este respecto, así como la relación de entidades locales a las que puede dirigirse.

- En caso de dudas o problemas, diríjase a su servicio técnico autorizado. No intente reparar el frigorífico sin consultar con el servicio técnico, ni deje que nadie lo haga.

- Para aparatos equipados con un compartimento congelador: no consuma los helados o cubitos de hielo inmediatamente después de sacarlos del compartimento congelador, ya que podría sufrir daños en su boca a causa del frío.

- Para aparatos equipados con un compartimento

congelador: no deposite bebidas embotelladas o enlatadas en el compartimento congelador, ya que podrían estallar.

- No toque con la mano los alimentos congelados, ya que podrían adherirse a ella.
- Desenchufe su frigorífico antes de proceder a su limpieza o deshielo.
- No utilice nunca materiales de limpieza que usen vapor para limpiar o descongelar el frigorífico. El vapor podría entrar en contacto con los elementos eléctricos y causar cortocircuitos o descargas eléctricas.
- No utilice nunca elementos del frigorífico tales como la puerta como medio de sujeción o como escalón.
- No utilice aparatos eléctricos en el interior del frigorífico.
- Evite dañar el circuito del refrigerante con

herramientas cortantes o de perforación.

El refrigerante que puede liberarse si se perforan los canales de gas del evaporador, los conductos o los recubrimientos de las superficies causa irritaciones en la piel y lesiones en los ojos.

- No cubra ni bloquee los orificios de ventilación de su frigorífico con ningún material.
- Deje la reparación de los aparatos eléctricos únicamente en manos de personal autorizado. Las reparaciones realizadas por personas incompetentes generan riesgos para el usuario.
- En caso de fallo o cuando vaya a realizar cualquier operación de reparación o mantenimiento, desconecte el frigorífico de la corriente apagando el fusible correspondiente o bien desenchufando el aparato.

- No desenchufe el aparato de la toma de corriente tirando del cable.
- Asegúrese de guardar las bebidas alcohólicas correctamente con la tapa puesta y colocadas hacia arriba.
- No almacene en el frigorífico aerosoles que contengan sustancias inflamables o explosivos.
- No utilice dispositivos mecánicos u otros medios para acelerar el proceso de deshielo distintos de los recomendados por el fabricante.
- Este aparato no debe ser utilizado por niños o por personas con sus facultades físicas, sensoriales o mentales reducidas o bien que carezcan de la experiencia y los conocimientos necesarios, a menos que lo hagan bajo la supervisión de personas responsables de su

seguridad o bien tras haber recibido instrucciones de uso por parte de dichas personas.

- No utilice un frigorífico que haya sufrido daños. Consulte con el servicio de atención al cliente en caso de duda.
- La seguridad eléctrica de su frigorífico sólo estará garantizada si el sistema de toma de tierra de su domicilio se ajusta a los estándares.
- Desde el punto de vista de la seguridad eléctrica, es peligroso exponer el aparato a la lluvia, la nieve o el viento.
- Póngase en contacto con el servicio técnico autorizado en caso de que el cable de alimentación principal se dañe, para evitar cualquier peligro.
- Nunca enchufe el frigorífico en la toma de corriente durante su instalación. Existe peligro de lesiones graves e

incluso de muerte.

- Este frigorífico está únicamente diseñado para almacenar alimentos. No debe utilizarse para ningún otro propósito.

- La etiqueta que contiene los datos técnicos del frigorífico se encuentra en la parte interior izquierda del mismo.

- Jamás conecte el frigorífico a sistemas de ahorro de electricidad, ya que podría dañarlo.

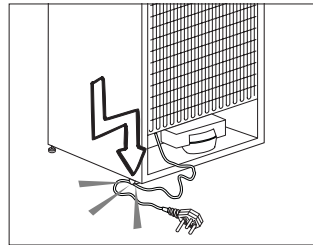
- Si el frigorífico está equipado con una luz azul, no la mire a simple vista o a través de dispositivos ópticos durante un tiempo prolongado.

- En los frigoríficos de control manual, si se produce un corte del fluido eléctrico espere al menos 5 minutos antes de volver a ponerlo en marcha.

- Cuando entregue este aparato a un nuevo propietario, asegúrese

de entregar también este manual de instrucciones.

- Tenga cuidado de no dañar el cable de alimentación al transportar el frigorífico. Doblar el cable podría causar un incendio. Nunca deposite objetos pesados encima del cable de alimentación. No toque el enchufe con las manos mojadas para conectar el aparato.



- No enchufe el frigorífico si el enchufe no encaja con firmeza en la toma de corriente de la pared.

- Por razones de seguridad, no pulverice agua directamente en la partes interiores o exteriores de este aparato.

- No rocíe cerca del frigorífico sustancias

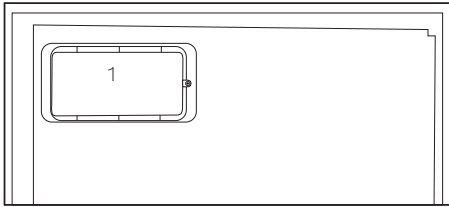
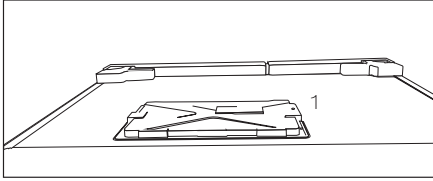
que contengan gases inflamables tales como gas propano para evitar riesgos de incendio y explosiones.

- Nunca coloque recipientes con agua sobre el frigorífico, ya que podría provocar una descarga eléctrica o un incendio.
- No deposite cantidades excesivas de alimentos en el frigorífico. Si lo hace, al abrir la puerta del frigorífico los alimentos podrían caerse y provocar lesiones personales o dañar el frigorífico. Nunca coloque objetos sobre el frigorífico, ya que podrían caer al abrir o cerrar la puerta.
- No guarde en el frigorífico productos que necesiten un control preciso de la temperatura tales como vacunas, medicamentos sensibles al calor, materiales científicos, etc.
- Desenchufe el frigorífico si no lo va

a utilizar durante un periodo prolongado de tiempo. Un problema en el cable de alimentación podría causar un incendio.

- El frigorífico podría moverse si los pies no están adecuadamente asentados en el suelo. Fijar adecuadamente los pies del frigorífico en el suelo puede ayudar a evitar que se mueva.
- Cuando transporte el frigorífico, no lo aferre del asa de la puerta. De lo contrario, podría romperla.
- Cuando tenga que colocar el frigorífico cerca de otro frigorífico o congelador, deberá dejar un espacio entre ambos aparatos de 8 cm como mínimo. De lo contrario, podría formarse humedad en las paredes adyacentes.
- Nunca utilice el producto si la sección situada en la parte superior o posterior del producto que tiene

las placas de circuitos impresos electrónicos en el interior está abierta (cubierta de la placa del circuito electrónico impreso) (1).



Productos equipados con dispensador de agua:

- La presión en la entrada de agua fría será a un máximo de 90 psi (6.2 bar). Si la presión del agua es superior a 80 psi (5,5 bar), utilice una válvula limitadora de presión en el sistema de red. Si usted no sabe cómo controlar la presión del agua, pida la ayuda de un plomero profesional.

- Si hay riesgo de golpe de ariete en la instalación, siempre utilice un equipo de prevención contra golpes de ariete en la instalación. Consulte a un fontanero profesional si no está seguro de que no hay un efecto del golpe de ariete en la instalación.

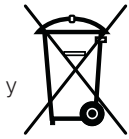
- No instale en la entrada de agua caliente. Tome precauciones contra el riesgo de congelación en las mangueras. El intervalo de funcionamiento de la temperatura del agua debe ser un mínimo de 33°F (0.6°C) y un máximo de 100°F (38°C).

- Use agua potable únicamente.

Seguridad infantil

- Si la puerta tiene cerradura, mantenga la llave fuera del alcance de los niños.
- Vigile a los niños para evitar que manipulen el aparato.

Conformidad con la normativa WEEE y eliminación del aparato al final de su vida útil:



Este producto es conforme con la directiva de la UE sobre residuos de aparatos eléctricos electrónicos (WEEE) (2012/19/UE). Este producto incorpora el símbolo de la clasificación selectiva para los residuos de aparatos eléctricos y electrónicos (WEEE).

Este aparato se ha fabricado con piezas y materiales de primera calidad, que pueden ser reutilizados y son aptos para el reciclado. No se deshaga del producto junto con sus residuos domésticos normales y de otros tipos al final de su vida útil. Llévelo a un centro de reciclaje de dispositivos eléctricos y electrónicos. Solicite a las autoridades locales información acerca de dichos centros de recogida.

Cumplimiento de la directiva RoHS:

El producto que ha adquirido es conforme con la directiva de la UE sobre la restricción de sustancias peligrosas (RoHS) (2011/65/UE). No contiene ninguno de los materiales nocivos o prohibidos especificados en la directiva.

Información sobre el embalaje

El embalaje del aparato se fabrica con materiales reciclables, de acuerdo con nuestro Reglamento Nacional sobre Medio Ambiente. No elimine los materiales de embalaje junto con los residuos domésticos o de otro tipo. Llévelos a un punto de recogida de materiales de embalaje designado por las autoridades locales.

Advertencia sobre la seguridad de la salud

Si el sistema de refrigeración de su aparato contiene R600a:

Este gas es inflamable. Por lo tanto, procure no dañar el sistema de enfriamiento ni sus conductos durante el uso o el transporte del aparato. En caso de daños, mantenga el aparato alejado de fuentes potenciales de ignición que puedan provocar que éste sufra un incendio, y ventile la estancia en la que se encuentre el aparato.

Ignore esta advertencia si el sistema de refrigeración de su aparato contiene R134a.

El tipo de gas utilizado en el aparato se indica en la placa de datos ubicada en la pared interior izquierda del frigorífico.

Jamás arroje el aparato al fuego.

Consejos para el ahorro de energía

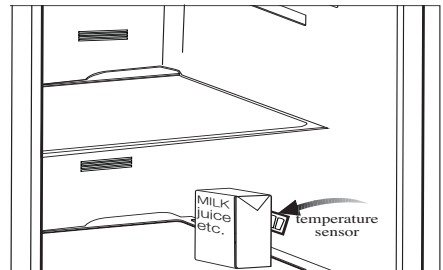
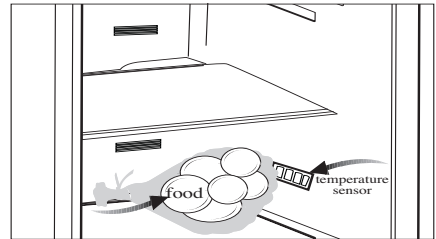
- No deje las puertas del frigorífico abiertas durante periodos largos de tiempo.
- No introduzca alimentos o bebidas calientes en el frigorífico.
- No sobrecargue el frigorífico, ya que entorpecería la circulación del aire en su interior.
- No instale el frigorífico de forma que quede expuesto a la luz solar directa o cerca de aparatos que irradian calor tales como hornos, lavavajillas o radiadores.

- Procure depositar los alimentos en recipientes cerrados.
- Productos equipados con compartimento congelador: puede disponer del máximo volumen para el depósito de alimentos retirando el estante o el cajón del congelador. El consumo energético que se indica para su frigorífico se ha calculado retirando el estante o el cajón del congelador y en condiciones de máxima carga. No existe ningún riesgo en la utilización de un estante o cajón según las formas o tamaños de los alimentos que se van a congelar.
- Descongele los alimentos congelados en el compartimento frigorífico; ahorrará energía y preservará la calidad de los alimentos.

Recomendaciones para el compartimento de alimentos frescos

* OPCIONAL

- No deje que los alimentos entren en contacto con el sensor de temperatura del compartimento de alimentos frescos. Para mantener el compartimento de alimentos frescos a una temperatura ideal para el almacenamiento, es necesario que el sensor no quede obstruido por los alimentos.
- No deposite comida caliente en el frigorífico.



3 Instalación

⚠ Recuerde que el fabricante declina toda responsabilidad en caso de incumplimiento de las instrucciones de este manual.

Cuestiones a considerar a la hora de transportar el frigorífico

1. El frigorífico debe estar vacío y limpio antes de proceder a su transporte.
2. Los estantes, accesorios, el cajón de frutas y verduras, etc., deben sujetarse con cinta adhesiva antes de embalar el frigorífico para evitar que se muevan.
3. Encinte el frigorífico una vez embalado con cinta gruesa y fíjelo con cuerdas resistentes. Siga las reglas de transporte que encontrará impresas en el propio embalaje.

No olvide que:

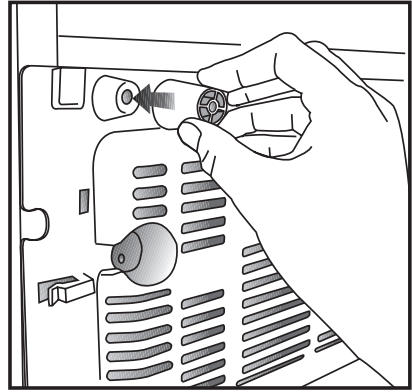
El reciclaje de materiales es un asunto de vital importancia para la naturaleza y para los recursos del país.

Si desea contribuir al reciclaje de los materiales de embalaje, solicite más información a los responsables medioambientales de su zona o a las autoridades locales.

Antes de usar el frigorífico

Antes de empezar a usar el frigorífico, verifique lo siguiente:

1. El interior del frigorífico está seco y el aire puede circular con libertad por su parte posterior.
2. Instale las dos cuñas de plástico tal y como se muestra en la ilustración. Las cuñas de plástico proporcionarán la distancia requerida entre su frigorífico y la pared para una correcta circulación del aire. (La figura es sólo un ejemplo y puede que no se corresponda con exactitud con su aparato.)



3. Limpie el interior del frigorífico de la forma recomendada en la sección "Mantenimiento y Limpieza".
4. Enchufe el frigorífico a la toma de corriente. Al abrir la puerta del frigorífico, la luz interior del compartimento frigorífico se enciende.
5. Se oye un ruido cada vez que el compresor se pone en funcionamiento. El líquido y los gases contenidos en el sistema de refrigeración pueden también generar ruidos, incluso aunque el compresor no esté funcionando, lo cual es normal.
6. Es posible que las aristas delanteras del aparato se noten calientes al tacto, cosa que es perfectamente normal. Estas zonas deben permanecer calientes para evitar la condensación.

Cambio de la bombilla de iluminación

Para cambiar la bombilla utilizada para iluminar el frigorífico, póngase en contacto con el servicio técnico autorizado.

Las bombillas de este electrodoméstico no sirven para la iluminación en el hogar. Su propósito es el de ayudar al usuario a colocar los alimentos en el frigorífico o congelador de forma cómoda y segura.

Las lámparas utilizadas en este electrodoméstico deben soportar unas condiciones físicas extremas como temperaturas inferiores a -20 ° C.

Conexiones eléctricas

Conecte el frigorífico a una toma de corriente provista de toma de tierra y protegida por un fusible de la capacidad adecuada.

Importante:

- La conexión debe cumplir con las normativas nacionales.
- El enchufe de alimentación debe ser fácilmente accesible tras la instalación.
- La tensión especificada debe corresponder a la tensión de la red eléctrica.
- No use cables de extensión ni enchufes múltiples para conectar la unidad.

⚠ Todo cable de alimentación dañado debe ser reemplazado por un electricista cualificado.

⚠ No ponga en funcionamiento el aparato hasta que esté reparado, ya que existe peligro de cortocircuito.

Eliminación del embalaje

Los materiales de empaque pueden ser peligrosos para los niños. Manténgalos fuera de su alcance o deshágase de ellos clasificándolos según las instrucciones para la eliminación de residuos. No los tire junto con los residuos domésticos normales.

El embalaje del frigorífico se ha fabricado con materiales reciclables.

Eliminación de su viejo frigorífico

Deshágase de su viejo frigorífico de manera respetuosa con el medio ambiente.

- Consulte las posibles alternativas a un distribuidor autorizado o al centro de recogida de residuos de su municipio.

Antes de proceder a la eliminación del frigorífico, corte el enchufe y, si las puertas tuvieran cierres, destrúyalos para evitar que los niños corran riesgos.

Colocación e instalación

⚠ Si la puerta de entrada a la estancia donde va a instalar el frigorífico no es lo suficientemente ancha como para permitir su paso, solicite al servicio técnico que retire las puertas del frigorífico y lo pase de lado a través de la puerta.

1. Instale el frigorífico en un lugar en el que pueda utilizarse con comodidad.

2. Mantenga el frigorífico alejado de fuentes de calor y lugares húmedos y evite su exposición directa a la luz solar.

3. Para que el frigorífico funcione con la máxima eficacia, debe instalarse en una zona que disponga de una ventilación adecuada. Si el frigorífico va a instalarse en un hueco de la pared, debe dejarse un mínimo de 5 cm de separación con el techo y de 5 cm con las paredes. Si el suelo está cubierto con una alfombra, deberá elevar el frigorífico 2,5 cm del suelo.

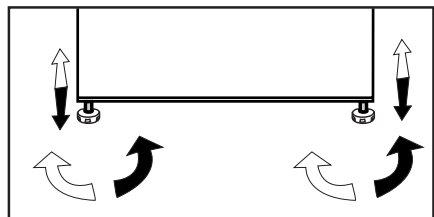
4. Coloque el frigorífico sobre una superficie lisa para evitar sacudidas.

5. No instale el frigorífico en estancias cuya temperatura ambiente sea inferior a 10 °C.

Ajuste de los pies

Si su frigorífico no está equilibrado:

Puede equilibrar el frigorífico girando los pies delanteros tal como se muestra en la ilustración. La esquina correspondiente al pie que está manipulando descenderá al girar el pie en la dirección de la flecha negra y se elevará al girarlo en la dirección opuesta. Le será más fácil realizar esta operación si le pide a alguien que levante ligeramente el frigorífico.



4 Preparación

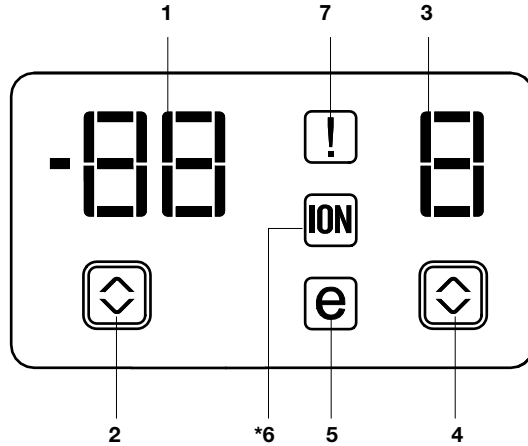
- El frigorífico debe instalarse dejando una separación no inferior a 30 cm respecto a fuentes de calor tales como quemadores, hornos, calefacciones o estufas y no inferior a 5 cm con respecto a hornos eléctricos, evitando asimismo su exposición directa a la luz solar.
- La temperatura ambiente de la estancia donde instale el frigorífico no debe ser inferior a 10 °C. A temperaturas inferiores, el frigorífico puede ver reducida su eficacia.
- Asegúrese de limpiar meticulosamente el interior del frigorífico.
- En caso de que vaya a instalar dos frigoríficos uno al lado del otro, debe dejar una separación no inferior a 2 cm entre ellos.
- Al utilizar el frigorífico por primera vez, siga las siguientes instrucciones referentes a las primeras seis horas.
- No abra la puerta con frecuencia.
- No deposite alimentos en el interior.
- No desenchufe el frigorífico. En caso de corte del suministro eléctrico ajeno a su voluntad, consulte las advertencias de la sección "Sugerencias para la solución de problemas".
- Guarde el embalaje original para futuros traslados.
- Para un consumo eléctrico reducido y mejores condiciones de almacenamiento, las cestas y cajones incluidos con el congelador deberán estar siempre en uso.
- Si los alimentos entran en contacto con el sensor de temperatura del congelador, el consumo eléctrico puede incrementarse. Por tanto, es aconsejable evitar cualquier tipo de contacto con el sensor.
- En algunos modelos, el panel de instrumentos se apaga automáticamente 5 minutos después de cerrar la puerta. Se reactivará cuando se abra la puerta o se pulse cualquier botón.
- Debido al cambio de temperatura como resultado de la apertura/clausura de la puerta del producto durante el funcionamiento, la condensación en los estantes de la puerta/cuerpo y los contenedores de cristal es normal.

5 Uso del frigorífico

Panel indicador

Los paneles indicadores pueden variar dependiendo del modelo de aparato.

El panel indicador le ayuda en la utilización del frigorífico gracias a sus funciones de sonido y visuales.



1. Indicador de temperatura del compartimento congelador
2. Indicador de error
3. Indicador de temperatura del compartimento frigorífico
4. Botón de ajuste de la temperatura del compartimento frigorífico
5. Indicador del modo ahorro
6. Indicador del ionizador
7. Botón de ajuste de la temperatura del compartimento congelador

1. Indicador de temperatura del compartimento congelador

Indica la temperatura ajustada para el compartimento congelador.

2. Indicador de error

Este indicador se activará si su frigorífico no enfría adecuadamente o si hay un fallo en el sensor. Cuando este indicador esté encendido, el indicador de la temperatura del compartimento congelador mostrará "e" y el indicador de temperatura del compartimento frigorífico mostrará números, por ejemplo "1,2,3...". Estos números proporcionan al

personal de mantenimiento información acerca del error.

3. Indicador de temperatura del compartimento frigorífico

Indica la temperatura ajustada para el compartimento frigorífico.

4. Botón de ajuste de la temperatura del compartimento frigorífico

Pulse este botón para ajustar la temperatura del compartimento frigorífico a 8, 6, 4, 2, nuevamente 8 °C, etc. Pulse este botón para ajustar la temperatura que desee para el compartimento frigorífico.

5. Indicador del modo ahorro

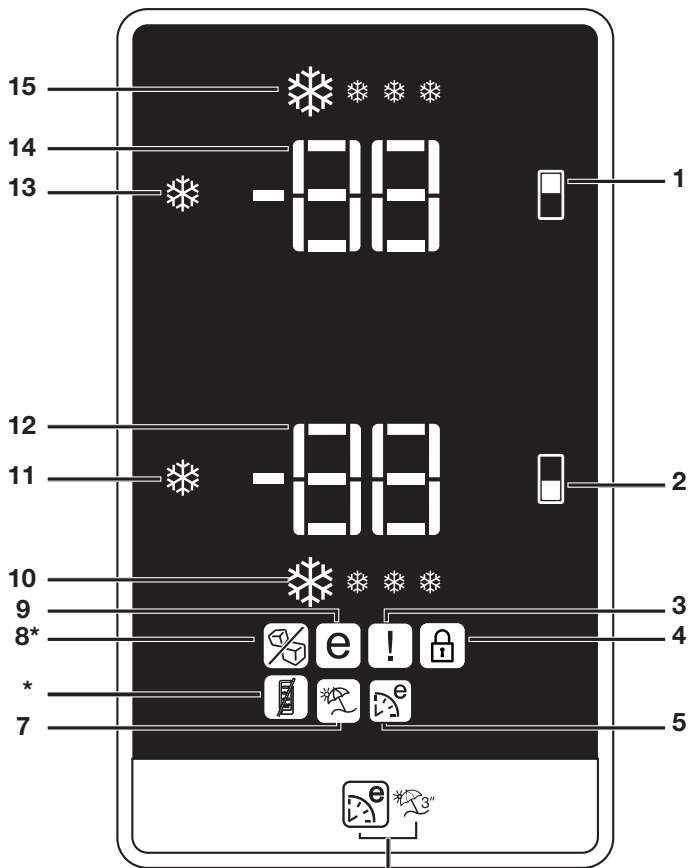
Indica que el frigorífico está funcionando en modo de eficiencia energética.

6. Indicador del ionizador

La luz indicadora se mantiene iluminada de forma permanente. Esta luz indica que su frigorífico está protegido frente a las bacterias.

7. Botón de ajuste de la temperatura del compartimento congelador

Pulse este botón para ajustar la temperatura del compartimento congelador a -18, -20, -22, -24, nuevamente -18 °C, etc. Pulse este botón para ajustar la temperatura que desee para el compartimento congelador.



- | | |
|--|---|
| <p>1. Botón de ajuste del compartimento congelador / encendido-apagado de Icematic</p> <p>2. Botón de ajuste del compartimento frigorífico</p> <p>3. Indicador de error</p> <p>4. Indicador de bloqueo de teclas</p> <p>5. Indicador de la función Eco Extra</p> <p>6. Botón Eco Extra/Vacaciones</p> <p>7. Indicador de la función de vacaciones</p> <p>8. Indicador de apagado de Icematic (*en algunos modelos)</p> | <p>9. Indicador del modo ahorro</p> <p>10. Indicador de la función de refrigeración rápida</p> <p>11. Botón de la función de refrigeración rápida</p> <p>12. Indicador de ajuste de temperatura del compartimento refrigerador</p> <p>13. Botón de función de congelación rápida</p> <p>14. Indicador de ajuste de temperatura del compartimento congelador</p> <p>15. Indicador de la función de congelación rápida</p> |
|--|---|

i Las ilustraciones incluidas en el presente manual de instrucciones son esquemáticas y puede que no se adecúen a su aparato con exactitud. Si alguno de los elementos reflejados no se corresponde con el aparato que usted ha adquirido, entonces será válido para otros modelos.

1. Botón de ajuste del compartimento congelador / encendido-apagado de Icematic

Esta función le permite ajustar la temperatura del compartimento congelador. Pulse este botón para ajustar la temperatura del compartimento congelador a -18, -20, -22 y -24 respectivamente.

Para detener la formación de hielo, mantenga pulsado el botón de encendido-apagado de Icematic durante 3 segundos. El flujo de agua desde el depósito se detendrá al seleccionar esta función. No obstante, podrá seguir extrayendo del Icematic el hielo ya fabricado. Para reanudar la formación de hielo, mantenga pulsado el botón de encendido-apagado de Icematic durante 3 segundos.

2. Botón de ajuste del compartimento frigorífico

Esta función le permite ajustar la temperatura del compartimento frigorífico. Pulse este botón para ajustar la temperatura del compartimento congelador a 8, 6, 4 y 2 respectivamente.

3. Indicador de error

Este indicador se activará si su frigorífico no enfría adecuadamente o si hay un fallo en el sensor. Cuando este indicador esté encendido, el indicador de la temperatura del compartimento congelador mostrará "E" y el indicador de temperatura del compartimento frigorífico mostrará números, por ejemplo "1,2,3...". Estos números proporcionan al personal de mantenimiento información acerca del error.

Si coloca alimentos calientes en el compartimento congelador o si deja la puerta abierta durante un largo periodo de tiempo, puede que se ilumine el signo de exclamación temporalmente. No se trata de un fallo, es una advertencia que desaparecerá cuando la comida se enfríe.

4. Indicador de bloqueo de teclas

Use esta función si no quiere que la temperatura del frigorífico varíe. Pulse simultáneamente y durante 3 segundos los botones de ajuste del compartimento frigorífico y de ajuste del compartimento congelador para activar la función.

5. Indicador de la función Eco Extra

Indica que la función Eco-Extra está activa.

Cuando esta función está activa, su frigorífico detectará automáticamente los periodos de menor uso y realizará en ellos un enfriamiento energéticamente eficiente. El indicador del modo ahorro estará activo mientras la función de enfriamiento energéticamente eficiente esté activa.

Pulse de nuevo este botón para desactivar la función.

6. Botón Eco Extra/Vacaciones

Pulse brevemente este botón para activar la función Eco Extra. Mantenga pulsado el botón durante 3 segundos para activar la función de vacaciones. Pulse de nuevo este botón para desactivar la función seleccionada.

7. Indicador de la función de vacaciones

Indica que la función de vacaciones está activa. Cuando esta función está activa, el indicador del compartimento frigorífico muestra "-" y el compartimento frigorífico no enfriará. El resto de compartimentos se atenderán a la temperatura ajustada para ellos.

Pulse de nuevo este botón para desactivar la función.

8. Indicador de cancelación de la formación de hielo

La función Icematic no funcionará mientras el indicador de esta función esté activo. Vea el punto 1 para obtener información sobre cómo activar la función Icematic.

9. Indicador del modo ahorro

Indica que el frigorífico está funcionando en modo de eficiencia energética. Temperatura del compartimento congelador

Este indicador estará activo si la función se fija en -18 °C o bien se está realizando un proceso de enfriamiento energéticamente eficiente mediante la función Eco-Extra.

10. Indicador de refrigeración rápida

Este icono parpadea de forma llamativa cuando la función de refrigeración rápida esté activa.

11. Función de refrigeración rápida

Al pulsar el botón de refrigeración rápida, la temperatura del compartimento descenderá por debajo del valor fijado.

Esta función puede utilizarse para enfriar con rapidez alimentos depositados en el compartimento frigorífico.

Si desea enfriar grandes cantidades de alimentos frescos, se recomienda activar esta función antes de depositar los alimentos en el frigorífico.

El indicador de refrigeración rápida se ilumina cuando la función de refrigeración rápida está activa. Para cancelar esta función pulse nuevamente el botón de refrigeración rápida.

Si no cancela manualmente la función de refrigeración rápida, ésta se cancelará automáticamente transcurridas cuatro horas o bien una vez el compartimento frigorífico alcance la temperatura deseada.

En caso de corte del fluido eléctrico, esta función no se activará automáticamente al restablecerse el suministro eléctrico.

12. Indicador de ajuste de temperatura del compartimento frigorífico

Indica la temperatura ajustada para el compartimento frigorífico.

13. Indicador de ajuste de temperatura del compartimento congelador

Indica la temperatura ajustada para el compartimento congelador.

14. Función de congelación rápida

El indicador de congelación rápida se ilumina cuando la función de congelación rápida está activa. Para cancelar esta función pulse de nuevo el botón de congelación rápida. El indicador de congelación rápida se apagará y el frigorífico volverá a sus valores normales. Si no cancela manualmente la función de congelación rápida, ésta se cancelará automáticamente transcurridas ocho horas o bien una vez el compartimento congelador alcance la temperatura deseada.

Si desea congelar grandes cantidades de alimentos frescos, pulse el botón de congelación rápida antes de introducir los alimentos en el compartimento congelador.

Si pulsa el botón de congelación rápida repetidamente a intervalos breves, se activará la protección del circuito electrónico y el compresor no se pondrá en marcha inmediatamente.

En caso de corte del fluido eléctrico, esta función no se activará automáticamente al restablecerse el suministro eléctrico.

15. Indicador de congelación rápida

Este icono parpadea de forma llamativa cuando la función de congelación rápida está activa.

Aviso de puerta abierta

(Esta función puede variar dependiendo de la puerta del electrodoméstico y es posible que no exista en algunos modelos).

El frigorífico emitirá una señal acústica de aviso cuando la puerta del aparato permanezca abierta más de un 1 minuto. Está advertencia quedará silenciada cuando se cierre la puerta o se pulse cualquiera de los botones de la pantalla (si los hay).

Congelación de alimentos frescos

- Envuelva o cubra los alimentos antes de colocarlos en el frigorífico.
 - Los alimentos calientes deben dejarse enfriar hasta alcanzar la temperatura ambiente antes de introducirlos en el frigorífico.
 - Los alimentos que vaya a congelar deben ser frescos y estar en buen estado.
 - Los alimentos deben dividirse en porciones basadas en las necesidades de consumo de la familia.
 - Los alimentos deben empaquetarse herméticamente para evitar que se sequen, incluso aunque vayan a guardarse durante poco tiempo.
 - Los materiales utilizados para empaquetar alimentos deben ser a prueba de desgarrones y resistentes al frío, a la humedad, los olores, los aceites y los ácidos, y además deben ser herméticos. También deben estar bien cerrados y estar hechos de materiales fáciles de utilizar y aptos para su uso en congeladores.
- Consuma inmediatamente los alimentos recién descongelados, y en ningún caso los vuelva a congelar.
 - Para obtener los mejores resultados, se deben tener en cuenta las siguientes instrucciones.
 1. No congele cantidades demasiado grandes de una sola vez. La calidad de los alimentos se conserva mejor si la congelación alcanza su interior lo antes posible.
 2. Si se introducen alimentos calientes en el compartimento congelador, se obliga al sistema de enfriamiento a funcionar de forma continua hasta congelarlos totalmente.
 3. Ponga especial cuidado en no mezclar alimentos ya congelados con alimentos frescos.

Ajuste del compartimento congelador	Ajuste del compartimento frigorífico	Explicaciones
-18°C	4°C	Estos son los valores de uso recomendados.
-20, -22 o -24 °C	4°C	Se recomiendan estos valores cuando la temperatura ambiente rebasa los 30 °C.
Congelación rápida	4°C	Se utiliza para congelar los alimentos rápidamente. El frigorífico volverá a su modo de funcionamiento previo una vez finalizado el proceso.
-18 o menos	2°C	Si cree que el compartimento frigorífico no está suficientemente frío debido a las altas temperaturas ambientales o por la frecuente apertura y cierre de la puerta.
-18 o menos	Refrigeración rápida	Puede utilizarlo cuando haya un exceso de carga en el compartimento o bien si desea enfriar sus alimentos rápidamente. Se recomienda activar la función de refrigeración rápida 4-8 horas antes de colocar los alimentos.

Recomendaciones para la conservación de alimentos congelados

- Los alimentos congelados ya envasados disponibles en los comercios deben almacenarse de acuerdo con las instrucciones de su fabricante respecto de la conservación en un compartimento congelador de *** ** *** (4 estrellas).
- Si desea garantizar el mantenimiento de la calidad de los alimentos congelados proporcionada por el fabricante y por el comercio, tenga en cuenta lo siguiente:
 1. Coloque los paquetes de alimentos congelados en el congelador lo antes posible tras su compra.
 2. Asegúrese de que todos los contenidos tengan etiqueta y fecha.
 3. Respete las fechas de caducidad indicadas en los envases.

Deshielo

El compartimento del congelador se deshiela de manera automática.

Colocación de los alimentos

Estantes del compartimento congelador	Alimentos congelados diversos tales como carnes, pescados, helados, verduras, etc.
Huevera	Huevos
Estantes del compartimento refrigerador	Alimentos en cazuelas, platos cubiertos y recipientes cerrados
Estantes de la puerta del compartimento refrigerador	Alimentos o bebida en envases pequeños (leche, zumos de frutas, cerveza, etc.)
Cajón de frutas y verduras	Verduras y frutas
Compartimento de alimentos frescos	Productos delicados (queso, mantequilla, embutidos, etc.)

Información sobre la congelación

Los alimentos deben congelarse lo más rápido posible con el fin de mantenerlos en las mejores condiciones de calidad.

Los alimentos sólo pueden conservarse durante periodos prolongados de tiempo a temperaturas de -18 °C o menos.

Los alimentos frescos pueden conservarse durante muchos meses en el congelador a temperaturas de -18 °C o menos.

ADVERTENCIA

- Los alimentos deben dividirse en porciones basadas en las necesidades de consumo de la familia.

- Los alimentos deben empaquetarse herméticamente para evitar que se sequen, incluso si van a guardarse durante poco tiempo.

Materiales necesarios para el empaquetado:

- Cinta adhesiva resistente al frío
- Etiquetas autoadhesivas
- Gomas elásticas
- Bolígrafo

Los materiales utilizados para empaquetar alimentos deben ser a prueba de desgarrones y resistentes al frío, la humedad, los olores, los aceites y los ácidos.

No deje que los alimentos entren en contacto con alimentos previamente congelados, con el fin de evitar que éstos puedan descongelarse parcialmente.

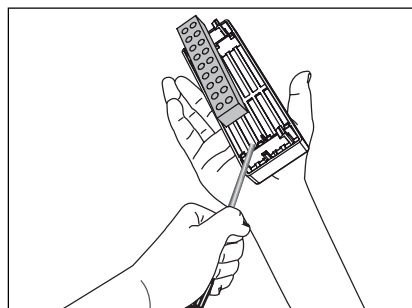
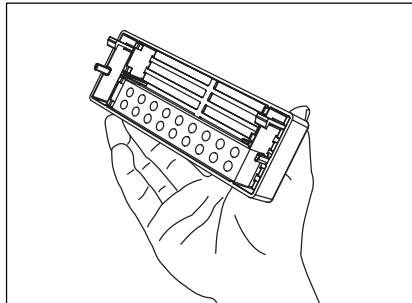
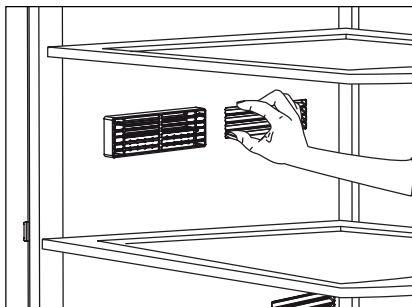
Consuma inmediatamente los alimentos recién descongelados, y en ningún caso los vuelva a congelar.

Descripción y limpieza del filtro antiolores:

El filtro antiolores evita la proliferación de olores desagradables en el interior del frigorífico.

Tire hacia abajo de la cubierta del filtro y retírela, tal como se muestra en la ilustración. Deje el filtro expuesto a la luz solar durante un día. El filtro se limpiará en este período de tiempo. Vuelva a colocar el filtro en su lugar.

El filtro antiolores debe limpiarse una vez al año.



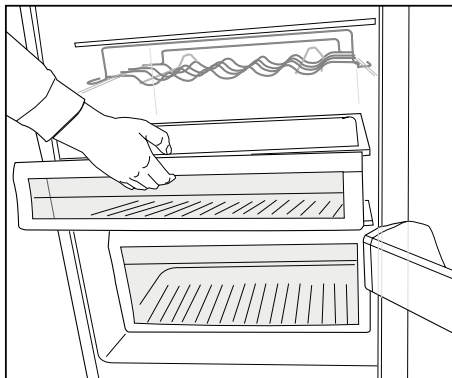
Compartimentos para refrigerios

También puede usar estos compartimentos para almacenar alimentos a una temperatura unos grados por debajo de la temperatura del compartimento frigorífico.

Puede incrementar el volumen interior del frigorífico retirando cualquiera de los compartimentos para refrigerios.

1. Tire del compartimento hacia usted hasta que se encuentre con el tope.
2. Levante la sección delantera y tire hacia usted para sacar el compartimento de su asiento.

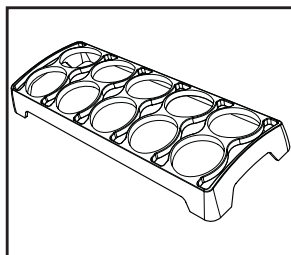
i Puede depositar en estos compartimentos los alimentos que desee congelar con el fin de prepararlos para la congelación.



Huevera

Puede instalar la huevera en la puerta o el estante que desee.

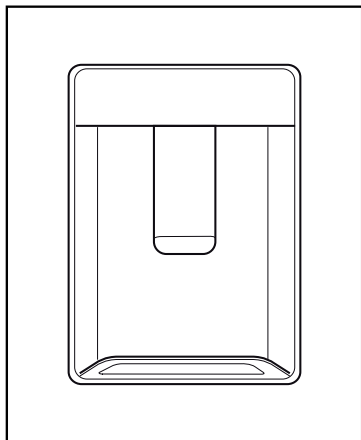
Nunca deposite la huevera en el compartimento congelador



Dispensador de agua

(en algunos modelos)

El dispensador de agua es dispositivo muy útil cuyo fin es proporcionar agua fría sin necesidad de abrir la puerta del frigorífico. Como no tendrá que abrir dicha puerta frecuentemente, ahorrará energía.



Uso de la fuente de agua

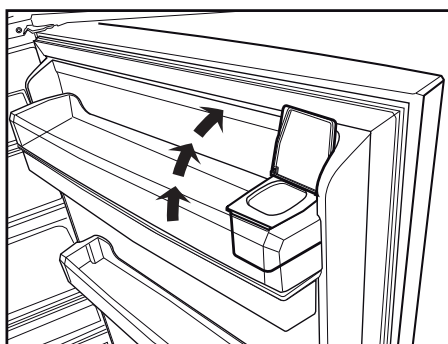
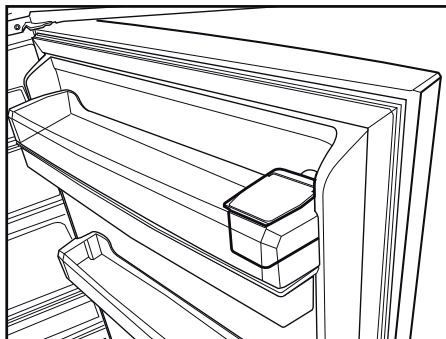
Presione la palanca del dispensador de agua con el vaso. El dispensador dejará de funcionar una vez suelte la palanca.

Si presiona la palanca completamente podrá obtener el flujo máximo del dispensador de agua. Recuerde que el flujo del dispensador está sujeto a la fuerza con la que presione la palanca.

Disminuya la presión ejercida sobre la palanca mientras el nivel de agua del vaso/recipiente va subiendo para evitar derramamientos. Si presiona la palanca levemente el agua goteará, es bastante normal, no se trata de un fallo.

Llenar el depósito del dispensador de agua

El depósito de agua se encuentra dentro de la bandeja de la puerta. Abra la tapa de dicho depósito y rellénelo con agua potable. A continuación, cierre la tapa.



Advertencia

- No vierta en el depósito de agua ningún otro líquido que no sea agua; la bebidas tales como los zumos de frutas, bebidas carbonatadas o bebidas alcohólicas no son adecuadas para el dispensador de agua. El dispensador de agua quedará dañado de forma irreparable si se utilizan dichos líquidos. La garantía no cubre estos usos. Algunas sustancias químicas y aditivos que contienen esos tipos de bebidas/líquidos pueden dañar el depósito de agua.

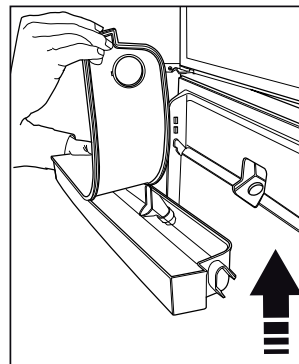
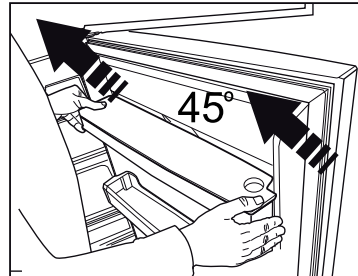
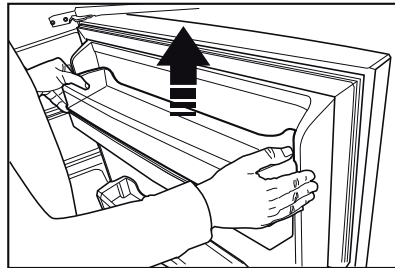
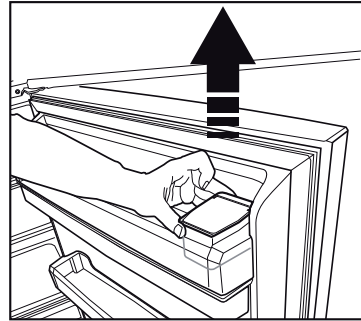
- Utilice únicamente agua potable limpia y pura.
- La capacidad del depósito de agua es de 3 litros, no lo llene excesivamente.
- Presione la palanca del dispensador de agua con un vaso rígido. Si va a utilizar vasos desechables de plástico, presione la palanca con los dedos por detrás del vaso.

Limpieza del depósito de agua

- Retire el depósito de agua de dentro de la rejilla de la puerta.
- Retire la rejilla de la puerta sujetando de ambos lados.
- Sujete el depósito de agua por ambos lados y retírelo en un ángulo de 45SDgr.
- Limpie el depósito de agua retirando la tapa.

Importante:

los componentes del depósito de agua y del dispensador de agua no deben lavarse en el lavavajillas.



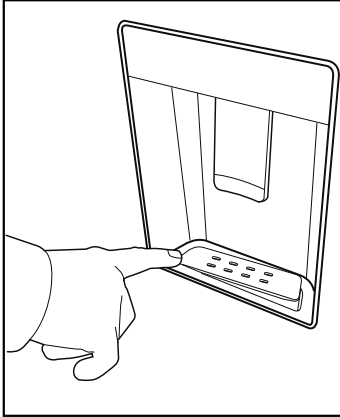
Bandeja de agua

El agua que gotea durante el uso del dispensador de agua se acumula en la bandeja de derramamiento.

Retire el colador de plástico tal y como se muestra en la figura.

Retire el agua acumulada con un trapo limpio y seco.

ADVERTENCIA: Conéctelo únicamente a una línea de agua potable.



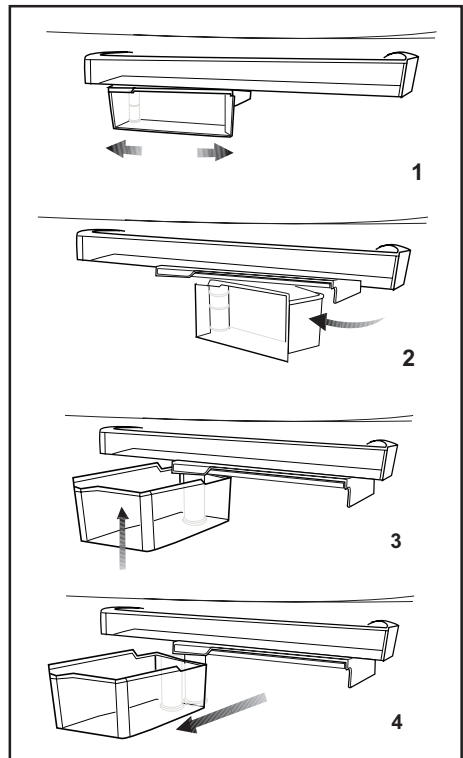
Contenedor de almacenamiento giratorio

(en algunos modelos)

El estante de cuerpo deslizante puede desplazarse a izquierda o derecha para facilitar la colocación de botellas largas, tarros o cajas en un estante inferior (Fig. 1).

Puede tomar los alimentos depositados en el estante haciendo éste por su borde derecho y haciéndolo girar (Fig. 2).

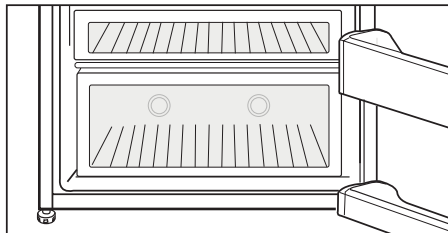
Cuando desee cargarlo o bien extraerlo para limpiarlo, gírelo 90°, levántelo y tire de él hacia usted (Fig. 3-4).



Luz azul

(en algunos modelos)

El efecto de la longitud de onda de la luz azul hace que los alimentos almacenados en el cajón de frutas y verduras prolonguen su proceso de fotosíntesis, conservando de esta manera su frescura e incrementando su contenido vitamínico.



Auto Icematic

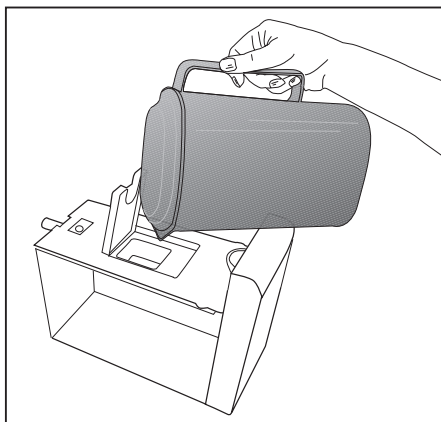
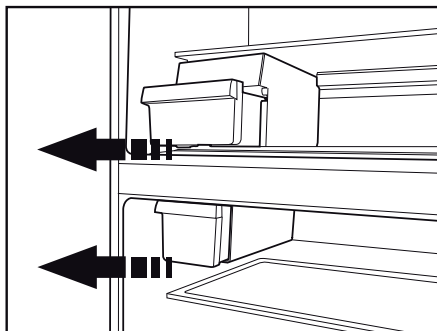
(en algunos modelos)

El sistema Auto Icematic le permite obtener hielo de su refrigerador con facilidad. Retire el depósito del agua del compartimento refrigerador, llénelo de agua y vuélvalo a colocar para obtener hielo del sistema Icematic.

Los primeros cubitos estarán disponibles al cabo de unas dos horas en el cajón del sistema Icematic ubicado en el compartimento congelador.

Si llena por completo el depósito de agua, podrá obtener aproximadamente entre 60 y 70 cubitos de hielo.

Cambie el agua del depósito de agua cada 2-3 semanas.



Icematic y contenedor de almacenamiento de hielo

Uso del Icematic

Llene el Icematic con agua y colóquelo en su sitio. El hielo estará listo en unas dos horas. No extraiga el Icematic de su sitio para sacar hielo.

Gire los mandos situados sobre él 90 grados en la dirección de las agujas del reloj.

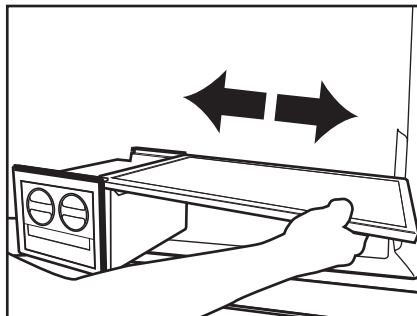
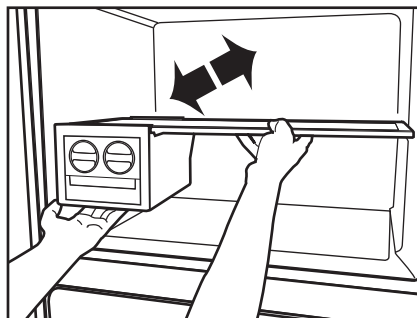
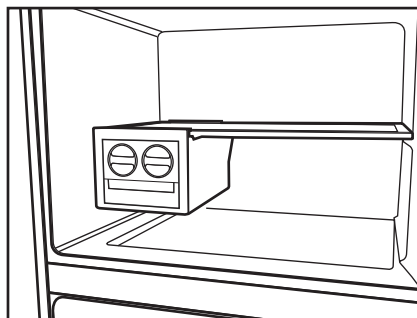
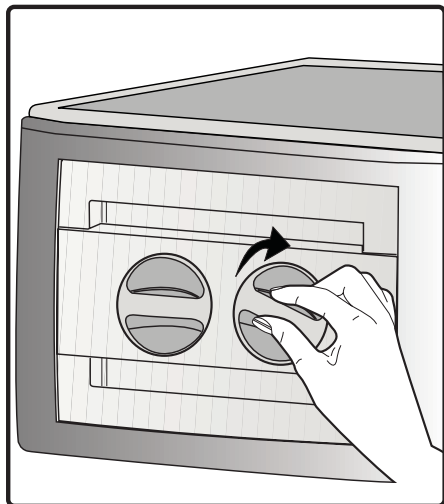
Los cubitos de hielo de las celdas caerán al contenedor de almacenamiento de hielo situado debajo.

Ahora puede retirar el contenedor de almacenamiento de hielo y servir los cubitos.











Si lo desea, puede dejar los cubitos en el contenedor de almacenamiento de hielo.


Contenedor de almacenamiento de hielo

El contenedor de almacenamiento de hielo debe utilizarse únicamente para almacenar cubitos de hielo. No eche agua en el depósito, ya que podría romperse.




6 Mantenimiento y limpieza

-  No utilice nunca gasolina, benceno o sustancias similares para la limpieza.
-  Le recomendamos desenchufar el aparato antes de proceder a su limpieza.
-  No utilice nunca para la limpieza instrumentos afilados o sustancias abrasivas, jabones, limpiadores domésticos, detergentes ni ceras abrillantadoras.
-  Limpie el armario del frigorífico con agua tibia y séquelo con un paño.
-  Para limpiar el interior, utilice un paño humedecido en un vaso grande de agua con una cucharadita de bicarbonato sódico disuelta y séquelo con un trapo.
-  Asegúrese de que no penetre agua en el alojamiento de la lámpara ni en otros elementos eléctricos.
-  Si no va a utilizar el frigorífico durante un periodo prolongado, desenchúfelo, retire todos los alimentos, límpielo y deje la puerta entreabierta.
-  Compruebe regularmente los cierres herméticos de la puerta para asegurarse de que estén limpios y sin restos de alimentos.
-  Para extraer las bandejas de la puerta, retire todo su contenido y, a continuación, simplemente empuje la bandeja hacia arriba desde su base.
-  Nunca use agentes de limpieza o agua que contengan cloro para limpiar las superficies exteriores y los cromados del producto, ya que el cloro corroe dichas superficies metálicas.

-  No utilice herramientas afiladas y abrasivas ni jabón, productos de limpieza domésticos, detergentes, gasolina, benceno, cera, etc., de lo contrario los sellos en las piezas de plástico se caerán y deformarán. Use agua tibia y un paño suave para limpiar y secar.

Protección de las superficies de plástico

-  No deposite aceites líquidos o alimentos aceitosos en recipientes no cerrados ya que dañarán las superficies de plástico de su frigorífico. En caso de derrame de aceite sobre las superficies de plástico, limpie y enjuague con agua caliente la parte afectada de inmediato.

7 Solución de problemas

Le rogamos compruebe la siguiente lista antes de llamar al servicio técnico. Puede ahorrarle tiempo y dinero. Esta lista incluye problemas frecuentes no achacables a defectos en materiales o manufactura. Es posible que algunas de las características mencionadas no estén presentes

en su aparato.

El frigorífico no funciona
<ul style="list-style-type: none">• El enchufe no está insertado en la toma de corriente. >>> <i>Inserte el enchufe con firmeza en la toma de corriente.</i>• El fusible principal o el fusible del enchufe al cual ha conectado el frigorífico están fundidos. >>> <i>Revise los fusibles.</i>
Condensación en la pared lateral del compartimento frigorífico (MULTIZONA, CONTROL DE FRÍO y FLEXI ZONA).
<ul style="list-style-type: none">• La temperatura ambiente es muy baja. >>> <i>No instale el frigorífico en lugares en donde la temperatura pueda ser inferior a los 10 °C.</i>• Las puertas se han abierto con frecuencia. >>> <i>No abra o cierre las puertas del frigorífico con frecuencia.</i>• El ambiente es muy húmedo. >>> <i>No instale el frigorífico en lugares con una humedad muy alta.</i>• Se almacenan alimentos que contienen líquidos en recipientes abiertos. >>> <i>No deposite en recipientes abiertos alimentos con contenido líquido.</i>• La puerta del frigorífico se ha dejado entreabierta. >>> <i>Cierre la puerta del frigorífico.</i>• El termostato está ajustado a un nivel muy bajo. >>> <i>Ajuste el termostato a un nivel adecuado.</i>
El compresor no funciona
<p>i El dispositivo térmico protector del compresor saltará en caso de un corte súbito de energía o de idas y venidas de la corriente, ya que la presión del refrigerante en el sistema de enfriamiento aún no se ha estabilizado. Su frigorífico se pondrá en marcha transcurridos unos 6 minutos. Llame al servicio técnico si su frigorífico no se pone en marcha transcurrido ese periodo.</p> <ul style="list-style-type: none">• El frigorífico se encuentra en el ciclo de descongelación. >>> <i>Esto es normal en un frigorífico con descongelación automática. El ciclo de descongelación se produce de forma periódica.</i>• El frigorífico no está enchufado. >>> <i>Asegúrese de que el enchufe esté colocado en la toma.</i>• La temperatura no se ha ajustado correctamente. >>> <i>Selecciona un valor de temperatura adecuado.</i>• Hay un corte del fluido eléctrico. >>> <i>El frigorífico vuelve a operar con normalidad una vez restablecida la alimentación eléctrica.</i>

El nivel de ruidos propios del funcionamiento se incrementa cuando el frigorífico está en marcha.

- i** El rendimiento del frigorífico puede cambiar en función de las variaciones en la temperatura ambiente. Esto es perfectamente normal, no es ninguna avería.

El frigorífico entra en funcionamiento con frecuencia o durante periodos prolongados.

- i** Puede que su nuevo frigorífico sea más grande que el que tenía anteriormente. Los frigoríficos de mayor tamaño funcionan durante periodos de tiempo más largos.
- Puede que la temperatura ambiente sea alta. >>> *Es normal que el frigorífico funcione durante periodos de tiempo más largos si hace calor.*
 - El frigorífico se ha enchufado o se ha cargado de alimentos recientemente. >>> *Cuando el frigorífico se ha enchufado o cargado con alimentos recientemente, le costará más alcanzar la temperatura fijada, cosa que es perfectamente normal.*
 - Es posible que recientemente haya depositado grandes cantidades de alimentos en el frigorífico. >>> *No deposite alimentos calientes en el interior del frigorífico.*
 - Las puertas se abren con frecuencia o se han dejado entreabiertas por un tiempo prolongado. >>> *El aire caliente que ha penetrado en el frigorífico hace que éste funcione durante más tiempo. No abra las puertas con frecuencia.*
 - La puerta del compartimento frigorífico o congelador se ha dejado entreabierta. >>> *Compruebe que las puertas estén completamente cerradas.*
 - El frigorífico está ajustado a una temperatura muy baja. >>> *Ajuste la temperatura del frigorífico a un valor más alto y espere a que se alcance dicha temperatura.*
 - La junta de la puerta del compartimento frigorífico o congelador puede estar sucia, desgastada, rota o no asentada correctamente. >>> *Limpie o sustituya la junta. Una junta rota o dañada hace que el frigorífico funcione durante más tiempo con el fin de mantener la temperatura actual.*

La temperatura del congelador es muy baja, mientras que la del frigorífico es correcta.

- La temperatura del congelador está ajustada a un valor muy bajo. >>> *Ajuste la temperatura del congelador a un valor más elevado y compruebe.*

La temperatura del frigorífico es muy baja, mientras que la del congelador es correcta.

- La temperatura del frigorífico está ajustada a un valor muy bajo. >>> *Ajuste la temperatura del frigorífico a un valor más elevado y compruebe.*

Los alimentos depositados en los cajones del compartimento frigorífico se han congelado.

- La temperatura del frigorífico está ajustada a un valor muy alto. >>> *Ajuste la temperatura del frigorífico a un valor más bajo y compruebe.*

La temperatura del congelador o el frigorífico es muy alta.

- La temperatura del frigorífico está ajustada a un valor muy alto. >>> *El ajuste de la temperatura del compartimento frigorífico afecta a la temperatura del congelador. Cambie las temperaturas del frigorífico o el congelador y espere hasta que los compartimentos pertinentes alcancen una temperatura suficiente.*
- Las puertas se abren con frecuencia o se han dejado entreabiertas por un tiempo prolongado. >>> *No abra las puertas con frecuencia.*
- La puerta está entreabierta. >>> *Cierre la puerta del todo.*
- El frigorífico se ha enchufado o se ha cargado de alimentos recientemente. >>> *Esto es normal. Cuando el frigorífico se ha enchufado o se ha cargado con alimentos recientemente, le costará más alcanzar la temperatura fijada.*
- Es posible que recientemente haya depositado grandes cantidades de alimentos en el frigorífico. >>> *No deposite alimentos calientes en el interior del frigorífico.*

Vibraciones o ruidos.

- El suelo no está nivelado o no es estable. >>> *Si el frigorífico oscila al moverlo lentamente, equilibrelo ajustando los pies. Compruebe además que el suelo esté nivelado y que sea capaz de soportar el peso del frigorífico.*
- Los objetos colocados sobre el frigorífico pueden hacer ruido. >>> *Retire cualquier objeto de encima del frigorífico.*

Pueden oírse ruidos como si un líquido fluyera o se pulverizara.

- i** Los líquidos y gases fluyen de acuerdo con los principios de funcionamiento del frigorífico. Esto es perfectamente normal, no es ninguna avería.

El frigorífico emite silbidos.

- i** Se utilizan ventiladores para enfriar el frigorífico. Esto es perfectamente normal, no es ninguna avería.

Condensación en las paredes interiores del frigorífico.

- i** El clima cálido y húmedo favorece la formación de hielo y la condensación. Esto es perfectamente normal, no es ninguna avería.
- Las puertas se abren con frecuencia o se han dejado entreabiertas por un tiempo prolongado. >>> *No abra las puertas con frecuencia. Cíérrelas si están abiertas.*
- La puerta está entreabierta. >>> *Cierre la puerta del todo.*

Hay humedad en el exterior del frigorífico o entre las puertas.

- i** Puede que haya humedad en el aire; eso es algo bastante normal en lugares húmedos. Cuando el grado de humedad descienda, la condensación desaparecerá.

Mal olor en el interior del frigorífico.	
<ul style="list-style-type: none"> • No se realiza una limpieza regular. >>> <i>Limpie el interior del frigorífico de forma regular con una esponja empapada en agua caliente o bicarbonato de sodio disuelto en agua.</i> • Es posible que el olor provenga de algún recipiente o envoltorio. >>> <i>Utilice otro recipiente o materiales para envolver de una marca diferente.</i> • Se almacenan en el frigorífico alimentos en recipientes no cubiertos. >>> <i>Conserve los alimentos en recipientes cerrados. Los microorganismos que proliferan en los envases no cubiertos pueden causar malos olores.</i> 	<p>i Retire del frigorífico los alimentos cuya fecha de caducidad haya vencido.</p>
La puerta no cierra.	
<ul style="list-style-type: none"> • Los paquetes de alimentos impiden que las puertas se cierren. >>> <i>Recoloque los paquetes que estén obstruyendo la puerta.</i> • El frigorífico no se asienta completamente igualado sobre el suelo. >>> <i>Ajuste los pies para equilibrar el frigorífico.</i> • El suelo no está nivelado o no es firme. >>> <i>Compruebe que el suelo esté nivelado y que sea capaz de soportar el peso del frigorífico.</i> 	
Los cajones están atascados.	
<ul style="list-style-type: none"> • Es posible que algún alimento toque el techo del cajón. >>> <i>Cambie la distribución de los alimentos en el cajón.</i> 	



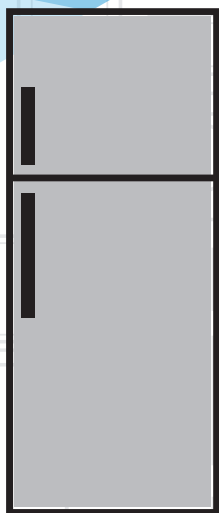
48 8848 0000/BP
3/5
SB-HR-ES



www.beko.com

Refrigerator

User manual



DN 156720 D
DN 156720 DS
DN 156720 DX
DN 156720 X

DN 156721 X
DN 156720 H
DN 156720 DH
DN 156721 DH

DN 160103
DN 160103 X
DN 161620 C
DN 161620

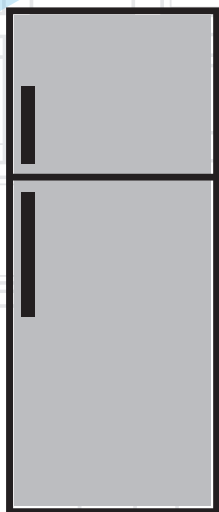
DN 161620 X
DN 161600 C
DN163720DH

PT | EL | UK |

beko

Frigorífico

Manual do Utilizador



PT |

beko

Por favor, leia primeiro este manual!

Caro cliente,

Esperamos que o seu produto, que foi produzido em modernas instalações e testado através de rigorosos controlos de qualidade, ofereça-lhe um serviço efectivo.

Para isso, recomendamos que leia cuidadosa e inteiramente o manual do seu produto antes de utilizá-lo e guarde-o para futuras consultas.




Este manual

- Ajudá-lo-á a utilizar o seu equipamento de forma rápida e segura.
- Leia o manual antes de instalar e operar o seu equipamento.
- Siga as instruções, especialmente as relativas à segurança.
- Guarde o manual num local acessível, já que poderá precisar dele mais tarde.
- Além disso, leia também os outros documentos fornecidos com o seu produto.

Observe que este manual também pode ser válido para outros modelos.

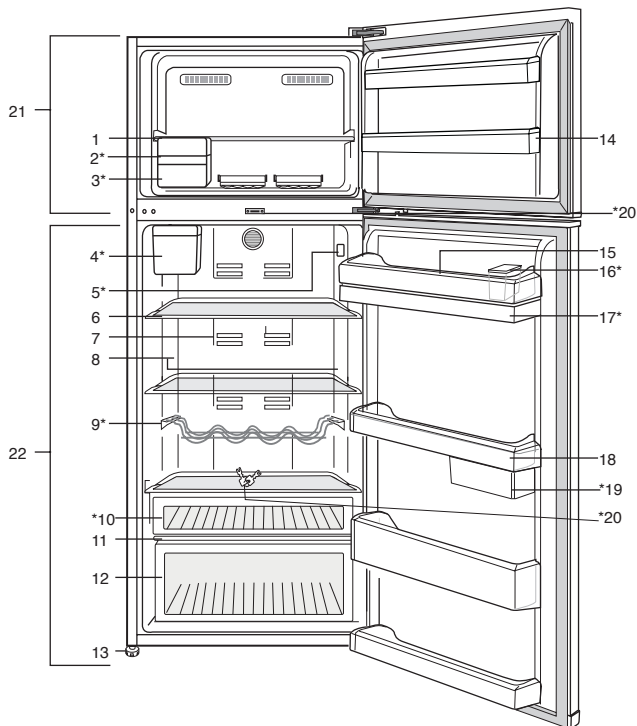
Os símbolos e as suas descrições

Este manual de instruções contém os seguintes símbolos:

-  Informações importantes ou dicas úteis.
-  Aviso sobre as condições de risco para a vida e a propriedade.
-  Aviso sobre a voltagem eléctrica.

1 O frigorífico	3	5 Utilizar o seu frigorífico	15
2 Avisos importantes de segurança	4	Painel indicador	15
Usado pretendido.....	4	Congelar alimentos frescos.....	20
Para produtos com um dispensador de água;.....	9	Aviso de porta aberta	20
Segurança com crianças	9	Recomendação para a preservação de alimentos congelados.....	21
Conformidade com a Directiva WEEE e Eliminação de Resíduos:	9	Colocação dos alimentos	21
Cumprimento com a Directiva RoHS:10		Informação sobre 'Deep-Freeze' (Congelação profunda)	22
Informação sobre a embalagem	10	Descrição e limpeza do filtro para odores:	23
Aviso HC	10	Suporte para ovos.....	23
O que se pode fazer para economizar energia	10	Dispensador de água	24
Recomendações para o compartimento de alimentos frescos11		Reservatório de armazenamento giratório	26
		Luz azul.....	26
		Icematic automático	27
		Icematic e reservatório de armazenamento de gelo	28
3 Instalação	12	6 Manutenção e limpeza	29
Pontos a serem considerados ao transportar novamente o seu frigorífico.....	12	Protecção das superfícies plásticas	29
Antes de funcionar o seu frigorífico ..	12		
Substituir a lâmpada de iluminação	12	7 Soluções recomendadas para os problemas	30
Ligação eléctrica	13		
Eliminação da embalagem.....	13		
Eliminação do seu frigorífico velho ...	13		
Colocação e instalação	13		
Ajuste dos pés.....	13		
4 Preparação	14		

1 O frigorífico



1. Prateleira do compartimento do congelador
2. Icematic automático
3. Reservatório para armazenamento de gelo
4. Reservatório de água Icematic automático
5. Indicador de ajuste da temperatura
6. Prateleiras de vidro ajustáveis
7. Filtro de odores
8. Lente de iluminação
9. Prateleira para garrafas
10. Compartimentos para salgadinhos (snacks)
11. Tampa da gaveta para frutos e legumes
12. Gaveta para frutos e legumes
13. Pés ajustáveis
14. Prateleiras da porta do compartimento do congelador
15. Suporte para ovos
16. Recipiente de enchimento do dispensador de água
17. Reservatório do dispensador de água
18. Prateleiras da porta do compartimento do frigorífico
19. Recipientes para armazenamento deslizantes e giratórios
20. Chave
21. Compartimento do congelador
22. Compartimento do frigorífico

* OPCIONAL

ⓘ As figuras que aparecem neste manual de instruções são esquemáticas e podem não corresponder exactamente ao seu produto. Se as partes referidas não estiverem incluídas no produto que adquiriu, é porque são válidas para outros modelos.

2 Avisos importantes de segurança

Por favor, reveja as informações seguintes. A não-observância destas informações pode causar ferimentos ou danos ao material. Caso contrário, todas as garantias e compromissos de fiabilidade tornar-se-ão inválidos.

As peças sobressalentes originais serão fornecidas durante 10 anos a partir da data da compra.

Uso pretendido

Este produto está concebido para ser usado

- áreas internas e fechadas como casas;
- em ambientes de trabalho fechados, como lojas e escritórios;
- em áreas de hospedagem fechadas, como casas rurais, hotéis, pensões.
- Este produto não deve ser usado em exteriores.

Segurança geral

- Quando quiser eliminar/ desfazer-se do produto, recomendamos que consulte o serviço de assistência e os órgãos autorizados para obter mais informações.
- Consulte o seu serviço de assistência autorizado para todas as questões e problemas relativos ao frigorífico. Não tente reparar e nem permita que ninguém o faça sem notificar os serviços de assistência autorizados.
- Para produtos com um compartimento de congelador; Não coma cones de gelados e cubos de gelo imediatamente após retirá-los do compartimento do congelador! (Isto pode provocar queimaduras de frio na sua boca).
- Para produtos com compartimento de congelador; Não coloque bebidas líquidas enlatadas ou engarrafadas no

compartimento do congelador. Caso contrário, podem rebentar.

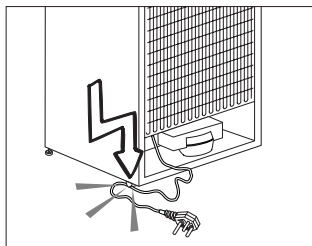
- Não toque nos alimentos congelados; podem ficar presos à sua mão.
- Desligue o seu frigorífico da tomada antes da limpeza ou descongelação.
- O vapor e materiais de limpeza vaporizados nunca deverão ser utilizados nos processos de limpeza e descongelação do seu frigorífico. Em tais casos, o vapor poderá entrar em contacto com as partes eléctricas e provocar curto-circuito ou choque eléctrico.
- Nunca use as partes do seu frigorífico, tal como a porta, como meios de apoio ou degrau.
- Não utilize dispositivos eléctricos dentro do frigorífico.
- Não danifique as partes por onde circula a refrigeração, com ferramentas perfurantes

ou cortantes. O refrigerante que pode explodir quando os canais de gás do evaporador, as extensões do tubo ou os revestimentos da superfície são perfurados, causa irritações na pele ou ferimentos nos olhos.

- Não cubra ou bloqueie os orifícios de ventilação do seu frigorífico com nenhum tipo de material.
- Os dispositivos eléctricos só devem ser reparados por pessoas autorizadas. As reparações realizadas por pessoas incompetentes causam riscos ao utilizador.
- Em caso de qualquer falha quer durante uma manutenção ou num trabalho de reparação, desligue a alimentação eléctrica do seu frigorífico, desligando o fusível correspondente ou retirando a ficha da tomada.
- Não puxe pelo cabo quando for retirar a ficha da tomada.

- Assegure-se de que bebidas fortemente alcoólicas são guardadas de forma segura com a tampa apertada e colocadas na vertical .
- Nunca guarde latas de aerossol inflamáveis e substâncias explosivas no frigorífico.
- Não utilize dispositivos mecânicos ou outros para acelerar o processo de descongelação. Siga apenas as instruções recomendadas pelo fabricante.
- Este produto não se destina a ser usado por pessoas com incapacidades físicas, sensoriais ou mentais ou sem conhecimento ou experiência (incluindo crianças), a menos que sejam supervisionadas por alguém responsável pela sua segurança ou que as instrua sobre o uso do produto.
- Não utilize um frigorífico avariado. Consulte o agente autorizado se tiver qualquer questão.
- A segurança eléctrica do seu frigorífico apenas poderá ser garantida se o sistema de ligação à terra da sua casa estiver em conformidade com as normas.
- A exposição do produto à chuva, neve, sol e vento é perigosa no que toca à segurança eléctrica.
- Para evitar qualquer perigo, contacte o serviço autorizado se o cabo eléctrico estiver danificado.
- Nunca ligue o frigorífico à tomada de parede durante a instalação. Caso contrário, poderá ocorrer perigo de morte ou ferimentos graves.
- Este frigorífico foi concebido unicamente para guardar alimentos. Não deverá ser utilizado para quaisquer outros fins.
- A etiqueta das especificações técnicas está localizada na parede esquerda no interior do frigorífico.

- Nunca ligue o seu frigorífico a sistemas de poupança de electricidade, pois podem danificá-lo.
- Se houver uma luz azul no frigorífico, não olhe para ela a olho nu ou com ferramentas ópticas durante muito tempo.
- Para frigoríficos controlados manualmente, aguarde pelo menos 5 minutos para voltar a ligá-lo após uma falha eléctrica.
- Este manual de instruções deverá ser entregue ao novo proprietário do produto quando for dado/vendido a outros.
- Evite causar danos ao cabo eléctrico quando transportar o frigorífico. Dobrar o cabo pode causar incêndio. Nunca pouse objectos pesados no cabo eléctrico. Não toque na ficha com as mãos molhadas quando a introduz na tomada para ligar o produto.



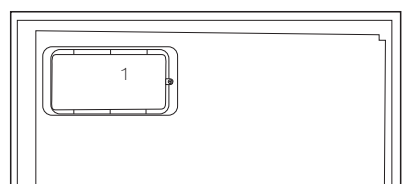
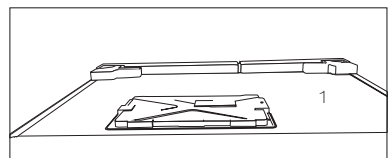
- Não ligue o frigorífico à tomada, se a tomada de parede estiver solta.
- Não deverá ser vaporizado directamente nas partes interiores ou interiores do produto devido a razões de segurança.
- Para evitar risco de incêndio e explosão, não vaporize substâncias que contenham gases inflamáveis, tais como gás propano, etc., próximo ao frigorífico.
- Não coloque recipientes que contenham água sobre o topo do frigorífico, visto que tal poderá resultar em choque eléctrico ou incêndio.
- Não sobrecarregue o frigorífico com excesso de alimentos. Se sobrecarregado, os

alimentos podem cair e feri-lo a si e danificar o frigorífico ao abrir a porta. Nunca coloque objectos no topo do frigorífico, visto que estes podem cair quando se abre ou fecha a porta do frigorífico.

- Como precisam de um controlo de temperatura exacta, as vacinas, medicamentos sensíveis ao aquecimento, materiais científicos, etc., não deverão ser guardados no frigorífico.
- Se não for utilizado por um longo tempo, o frigorífico deve ser desligado da tomada. Qualquer problema possível no cabo eléctrico poderá resultar em incêndio.
- O frigorífico pode mover-se se os pés não estiverem devidamente fixados ao piso. O ajuste seguro e apropriado dos pés ao piso pode impedir o frigorífico se mova.
- Ao transportar o

frigorífico, não segure pelo puxador da porta. Caso contrário, pode quebrar.

- Se posicionar o seu frigorífico próximo de outro frigorífico ou arca frigorífica, a distância entre os dispositivos deve ser de pelo menos 8 cm. Caso contrário, as paredes laterais adjacentes podem humedecer.
- Nunca usar o produto se a secção localizada na parte superior ou traseira do seu produto com placas de circuitos impressos electrónicos no interior estiver aberta (tampa da placa de circuito electrónico impresso) (1).



Para produtos com um dispensador de água;

- A pressão para a entrada de água fria deve ser no máximo de 90 psi (6,2 bar). Se a sua pressão de água exceder 80 psi (5,5 bar), utilize uma válvula limitadora de pressão no seu sistema de alimentação. Se não sabe como verificar a sua pressão de água, deve solicitar a ajuda de um canalizador profissional.
- Se existir o risco de o golpe de ariete afetar a sua instalação, deve utilizar sempre um equipamento de prevenção do golpe de ariete na sua instalação. Deve consultar os canalizadores profissionais se não tiver a certeza se existe o efeito de golpe de ariete na sua instalação.
- Não instalar na entrada de água quente. Deve

tomar precauções relativamente ao risco de congelamento nas tubagens. O intervalo de funcionamento de temperatura da água deve ser 33°F (0,6°C) de mínimo e 100°F (38°C) de máximo.

- Use apenas água potável.

Segurança com crianças

- Se a porta possuir uma fechadura, a chave deverá ser mantida afastada do alcance das crianças.
- As crianças devem ser vigiadas para impedir que brinquem com o produto.

Conformidade com a Directiva WEEE e Eliminação de Resíduos:



Este produto está em conformidade com a Directiva WEEE da UE (2012/19/EU). Este produto porta um símbolo de classificação para resíduos de equipamentos eléctricos e electrónicos (WEEE).

Este produto foi fabricado com materiais e peças de alta qualidade, que podem ser reutilizados e reciclados. No fim da sua vida útil, não elimine o resíduo com o lixo doméstico normal ou outro lixo. Leve-o a um centro de recolha para reciclagem de equipamentos eléctricos e electrónicos. Consulte as autoridades locais para se informar sobre estes centros de recolha.

Cumprimento com a Directiva RoHS:

O produto que adquiriu está em conformidade com a Directiva RoHS da UE (2011/65/EU). Ele não contém materiais perigosos e proibidos especificados na Directiva.

Informação sobre a embalagem

Os materiais de embalagem do produto são fabricados a partir de materiais recicláveis, de acordo com as nossas Normas Ambientais Nacionais. Não elimine os materiais de embalagem junto com o lixo doméstico ou outro tipo de lixo. Encaminhe-os a um ponto de recolha de materiais de embalagem indicado pelas autoridades locais.

Aviso HC

O sistema de arrefecimento do seu produto contém R600a:

Este gás é inflamável. Por isso, tenha cuidado em não danificar o sistema de arrefecimento e a tubagem durante o uso e transporte. No caso de algum dano, mantenha o seu produto longe de potenciais fontes de fogo que possam fazer com que o produto de incendeie e ventile o compartimento no qual a unidade está colocada.

Ignore este aviso se o sistema de arrefecimento do seu produto contiver R134a:

O tipo de gás usado no produto está indicado na placa de características localizada na parede esquerda no interior do frigorífico.

Nunca elimine o seu produto no fogo.

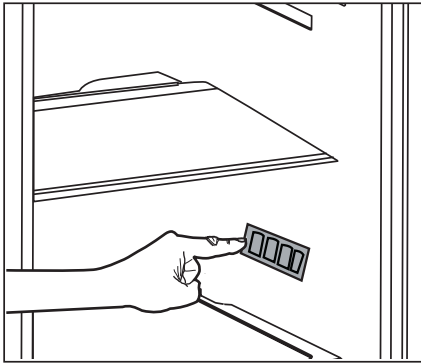
O que se pode fazer para economizar energia

- Não deixe as portas do seu frigorífico abertas durante muito tempo.
- Não coloque alimentos ou bebidas quentes no seu frigorífico.
- Não sobrecarregue o seu frigorífico para que a circulação do ar no interior não seja dificultada.
- Não instale o seu frigorífico sob a luz solar directa ou próximo de aparelhos que emitem calor tais como fornos, máquinas de lavar louça ou radiadores.
- Tenha cuidado em manter os seus alimentos em recipientes fechados.
- Para produtos com um compartimento de congelador; Pode armazenar uma quantidade máxima de alimentos no congelador se remover a prateleira ou gaveta do congelador. O valor do consumo de energia indicado no seu frigorífico foi determinado removendo a prateleira do congelador ou a gaveta e com carga máxima. Não existe qualquer risco em utilizar uma prateleira ou gaveta de acordo com as formas e tamanhos dos alimentos a serem congelados.
- Descongelar os alimentos congelados no compartimento do frigorífico poupará energia e preservará a qualidade dos alimentos.

Recomendações para o compartimento de alimentos frescos

* OPCIONAL

- Não deixe que nenhum alimento entre em contacto com o sensor de temperatura no compartimento de alimentos frescos. Para manter o compartimento de alimentos frescos na temperatura ideal de armazenamento, o sensor não pode estar obstruído por alimentos.
- Não coloque alimentos quentes no seu equipamento.



3 Instalação

⚠ Por favor, lembre-se de que o fabricante não pode ser responsabilizado se não forem observadas as informações fornecidas no manual de instruções.

Pontos a serem considerados ao transportar novamente o seu frigorífico

1. O seu frigorífico deve ser esvaziado e limpo antes de ser transportado.
2. As prateleiras, acessórios, gaveta para frutas e legumes, etc. do seu frigorífico devem ser firmemente presos com fita adesiva, devido aos solavancos antes de voltar a empacotá-lo.
3. A embalagem deve ser amarrada com fitas grossas e cordas fortes e devem ser seguidas as normas de transporte indicadas na mesma.

Não se esqueça...

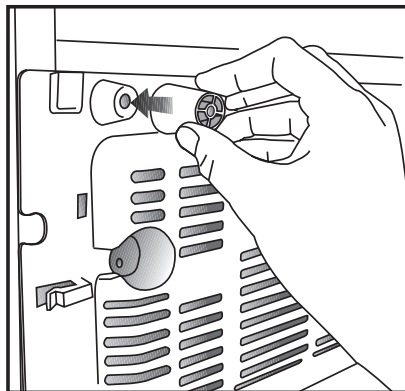
Todo material reciclado é uma fonte indispensável para a natureza e para os nossos recursos nacionais.

Se quiser contribuir para a reciclagem dos materiais da embalagem, pode obter mais informações nos organismos relativos ao ambiente ou junto das autoridades locais.

Antes de funcionar o seu frigorífico

Antes de iniciar a utilização do seu frigorífico, verifique o seguinte:

1. O interior do frigorífico está seco e o ar pode circular livremente na sua parte traseira?
2. Instale os 2 calços plásticos como ilustrado na figura. Os calços plásticos proporcionarão a distância necessária entre o seu frigorífico e a parede, permitindo assim a livre circulação do ar. (A figura ilustrada é apenas um exemplo e pode não corresponder exactamente ao seu produto.)



3. Limpe o interior do frigorífico conforme recomendado na secção “Manutenção e limpeza”.
4. Ligue o frigorífico à tomada eléctrica. A luz interior acender-se-á quando a porta do frigorífico for aberta.
5. Ouvirá um ruído quando o compressor começa a trabalhar. O líquido e os gases no interior do sistema de refrigeração também podem fazer algum ruído, mesmo que o compressor não esteja a funcionar, o que é perfeitamente normal.
6. As arestas da frente do frigorífico podem ficar quentes. Isto é normal. Estas arestas são projectadas para ficarem quentes, a fim de evitar a condensação.

Substituir a lâmpada de iluminação

Para substituir a lâmpada utilizada para a iluminação do seu frigorífico, por favor chame o seu Serviço de Assistência Autorizado.

A(s) lâmpada(s) usada(s) neste aparelho não é ou não são adequada(s) para a iluminação do espaço. A finalidade desta lâmpada é auxiliar o utilizador a colocar produtos alimentares no frigorífico/congelador, de uma forma confortável e segura.

As lâmpadas usadas neste aparelho têm de suportar condições físicas extremas, tais como temperaturas abaixo de -20°C .

Ligação eléctrica

Ligue o seu produto a uma tomada de terra, que esteja protegida por um fusível com a capacidade apropriada.

Importante:

- A ligação deve estar em concordância com os regulamentos nacionais.
- A ficha do cabo de alimentação deve estar facilmente acessível após a instalação.
- A voltagem especificada deve ser igual à sua voltagem eléctrica.
- Não devem ser usados cabos de extensão e fichas multiusos para a ligação.

⚠ Um cabo de alimentação danificado deve ser substituído por um electricista qualificado.

⚠ O produto não deve ser utilizado antes de ser reparado! Há risco de choque eléctrico!

Eliminação da embalagem

Os materiais de embalagem podem ser perigosos para as crianças. Guarde os materiais da embalagem fora do alcance das crianças ou elimine-os, classificando-os de acordo com as instruções sobre o lixo. Não os elimine juntamente com o lixo doméstico normal.

A embalagem do seu frigorífico é produzida com materiais recicláveis.

Eliminação do seu frigorífico velho

Elimine o seu frigorífico velho sem causar qualquer perigo ao meio ambiente.

- Pode consultar o seu revendedor autorizado ou o centro de recolha do lixo do seu município a respeito da eliminação do seu frigorífico.

Antes de se desfazer do seu frigorífico, corte a ficha eléctrica e, se houver trincos nas portas, deixe-os inutilizados, a fim de proteger as crianças contra qualquer perigo.

Colocação e instalação

⚠ Se a porta de entrada do compartimento onde o frigorífico será instalado não for o suficientemente larga para que ele passe, chame o serviço de assistência autorizado para que possam remover as portas do seu frigorífico e passá-lo de forma inclinada através da porta.

1. Instale o seu frigorífico num local que permita fácil acesso.

2. Mantenha o seu frigorífico longe das fontes de calor, lugares húmidos e luz solar directa.

3. Deve existir uma circulação de ar adequada à volta do seu frigorífico, para que obtenha um funcionamento eficiente. Se o frigorífico for colocado numa reentrância da parede, deve haver uma distância mínima de 5cm do tecto e, pelo menos, 5 cm da parede. Se o piso for coberto por alcatifa, o seu produto deve ter uma elevação de 2,5 cm do chão.

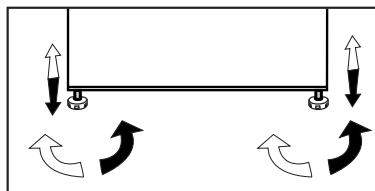
4. Coloque o seu frigorífico num pavimento uniforme para evitar solavancos.

5. Não mantenha o seu frigorífico em temperaturas ambientes inferiores a 10°C.

Ajuste dos pés

Se o seu frigorífico estiver desnivelado;

Pode nivelar o seu frigorífico, rodando os seus pés frontais conforme ilustrado na figura. O canto onde está o pé é baixado quando roda na direcção da seta preta e levantado quando roda na direcção oposta. Peça ajuda a alguém para erguer ligeiramente o frigorífico, facilitará este processo.



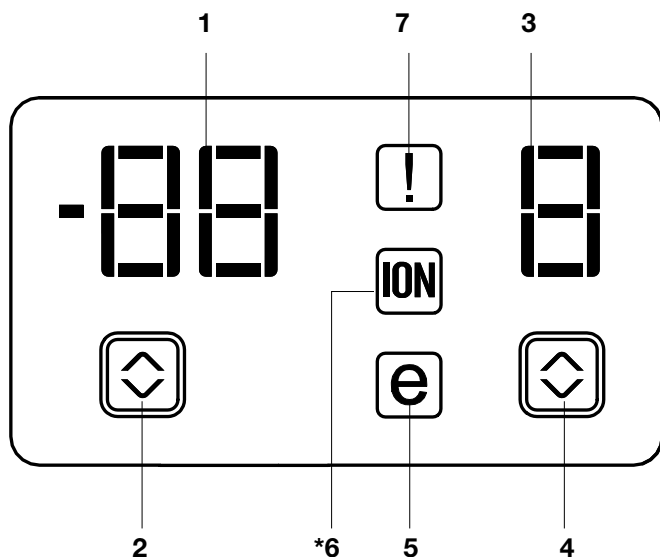
4 Preparação

- O seu frigorífico deverá ser instalado a uma distância mínima de 30 cm de quaisquer fontes de calor, tais como placas, fornos, aquecimento central e fogões e de 5 cm de fornos eléctricos e não deverá ficar exposto directamente à luz solar.
- A temperatura ambiente do compartimento onde está instalado o seu frigorífico não deve ser inferior a 10 °C. Utilizar o seu frigorífico em condições de temperatura mais baixas não é recomendado em atenção à sua eficiência.
- Certifique-se de que o interior do seu frigorífico esteja completamente limpo.
- Se forem instalados dois frigoríficos lado a lado, deverá existir uma distância mínima de 2 cm entre eles.
- Quando utilizar o seu frigorífico pela primeira vez, por favor, observe as seguintes instruções durante as seis horas iniciais.
- A porta não deverá ser aberta frequentemente.
- Deve começar a funcionar vazio, sem alimentos no interior.
- Não retire a ficha da tomada do seu frigorífico. Se houver uma falha de energia inesperada, por favor, consulte os avisos na secção “Soluções recomendadas para os problemas”.
- A embalagem original e os materiais de esponja deverão ser guardados para transportes ou deslocações futuras.
- Os cestos/gavetas que são fornecidos com o compartimento para os frescos têm de ser sempre utilizados para um menor consumo de energia e para melhores condições de armazenamento.
- O contacto dos alimentos com o sensor de temperatura no compartimento do congelador pode aumentar o consumo de energia do aparelho. Assim deve ser evitado qualquer contacto com o(s) sensor(es).
- Nalguns modelos, o painel de instrumentos desliga-se automaticamente 5 minutos depois da porta ter sido fechada. Será reactivado quando a porta for aberta ou quando for premida qualquer tecla.
- Devido a mudanças de temperatura, em consequência da abertura/fecho da porta do produto durante o funcionamento, é normal que se produza condensação na porta/prateleiras e recipientes de vidro da estrutura.

5 Utilizar o seu frigorífico Painel indicador

Os painéis indicadores podem variar conforme o modelo do seu produto.

O painel indicador ajuda a utilizar o seu frigorífico, através das suas funções áudio e visual.



1. Indicador da temperatura do compartimento do congelador
2. Indicador do estado de erro
3. Indicador da temperatura do compartimento do refrigerador
4. Botão de ajuste da temperatura do compartimento do refrigerador
5. Indicador do 'Economy Mode' (Modo economia)
6. Indicador do 'Ioniser' (Ionizador)
7. Botão de ajuste da temperatura do compartimento do congelador

i As figuras que aparecem neste manual de instruções são esquemáticas e podem não corresponder exactamente ao seu produto. Se as partes referidas não estiverem incluídas no produto que adquiriu, é porque são válidas para outros modelos.

1. Indicador da temperatura do compartimento do congelador

Indica a temperatura definida para o compartimento do congelador.

2. Indicador do estado de erro

Se o seu frigorífico não arrefecer adequadamente ou se houver falha no sensor, este indicador será activado. Quando este indicador estiver activo, o indicador da temperatura do compartimento do congelador exibirá "e" e o indicador da temperatura do compartimento do frigorífico exibirá números, tais como "1,2,3...". Estes números no indicador informam sobre o erro ao pessoal da assistência técnica.

3. Indicador da temperatura do compartimento do refrigerador

Indica a temperatura definida para o compartimento do refrigerador.

4. Botão de ajuste da temperatura do compartimento do refrigerador

Prima este botão para definir a temperatura do compartimento do refrigerador para 8, 6, 4, 2, 8... respectivamente. Prima este botão para definir a temperatura pretendida para o compartimento do refrigerador.

5. Indicador do 'Economy Mode' (Modo economia)

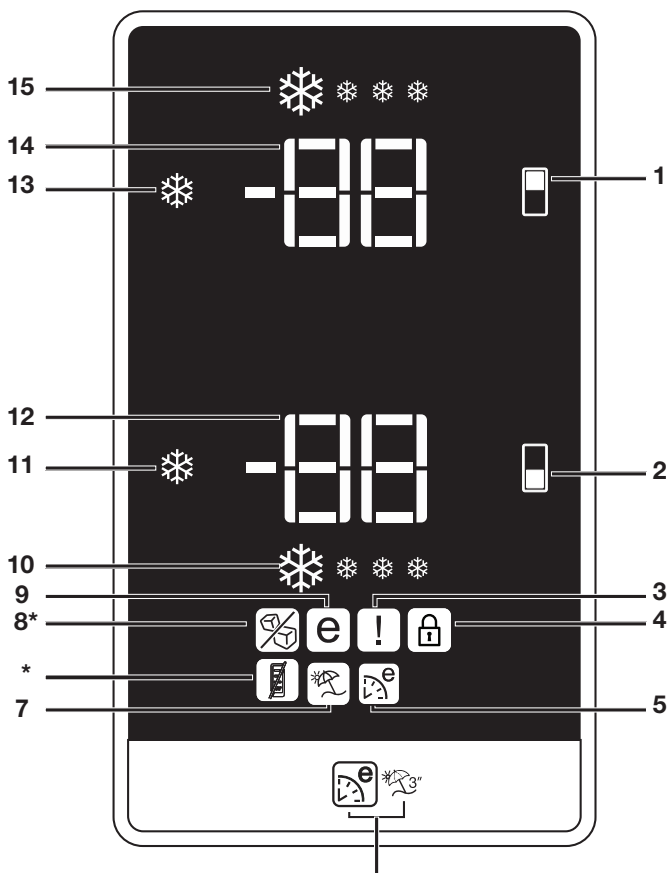
Indica que o frigorífico está a funcionar no modo com eficiência de energia.

6. Indicador do 'Ioniser' (Ionizador)

A luz indicadora acende-se continuamente. Esta luz indica que o seu frigorífico está protegido contra bactérias.

7. Botão de ajuste da temperatura do compartimento do congelador

Prima este botão para definir a temperatura do compartimento do congelador para -18, -20, -22, -24, -18... respectivamente. Prima este botão para ajustar a temperatura pretendida para o compartimento do congelador.



1. Botão de definição do compartimento do congelador/On-Off (ligar/desligar) Icematic
2. Botão de definição do compartimento do frigorífico
3. Indicador do estado de erro
4. Indicador de bloqueio de tecla
5. Indicador de função Eco Extra
6. Botão Eco Extra/Vacation
7. Indicador da função 'Vacation' (Férias)
8. Indicador off (desligar) Icematic (*em alguns modelos)
9. Indicador de Utilização económica
10. Indicador da função 'Quick Fridge' (Refrigeração rápida)
11. Botão da função 'Quick Fridge' (Refrigeração rápida)
12. Indicador de ajuste da temperatura do compartimento do frigorífico
13. Botão da função 'Quick Freeze' (Congelação rápida)
14. Indicador de definição da temperatura do compartimento do congelador
15. Indicador da função 'Quick Freeze' (Congelação rápida)

i As figuras que aparecem neste manual de instruções são esquemáticas e podem não corresponder exactamente ao seu produto. Se as partes referidas não estiverem incluídas no produto que adquiriu, é porque são válidas para outros modelos.

1. Botão de definição do compartimento do congelador/On-Off (ligar/desligar) Icematic

Esta função permite-lhe fazer os ajustes de temperatura do compartimento do congelador. Prima este botão para ajustar a temperatura do compartimento do congelador para -18, -20, -22 e -24 respectivamente.

Para interromper a formação de gelo, prima o botão on-off Icematic por 3 segundos. O fluxo de água do reservatório de água será interrompido quando esta função for seleccionada. No entanto, o gelo já existente pode ser tirado do Icematic. Para recomençar a formação de gelo, prima o botão on-off Icematic por 3 segundos.

2. Botão de definição do compartimento do frigorífico

Esta função permite-lhe fazer os ajustes de temperatura do compartimento do frigorífico. Prima este botão para ajustar a temperatura do compartimento do frigorífico para 8, 6, 4, 2 respectivamente.

3. Indicador do estado de erro

Se o seu frigorífico não arrefecer adequadamente ou se houver falha no sensor, este indicador será activado. Quando este indicador estiver activo, o indicador da temperatura do compartimento do congelador exibirá "E" e o indicador da temperatura do compartimento do refrigerador exibirá números, tais como "1,2,3...". Estes números no indicador informam sobre o erro ao pessoal da assistência técnica.

Ao colocar alimentos quentes no compartimento do congelador ou se deixar a porta aberta por um longo tempo, o sinal de exclamação pode acender por algum tempo. Isso não é uma falha; este aviso desaparecerá quando o alimento arrefecer.

4. Indicador de bloqueio de tecla

Use esta função se não quiser que a definição da temperatura do seu frigorífico seja alterada. Prima simultaneamente o botão de definição do compartimento do frigorífico e do congelador durante algum tempo (3 seg.) para activar esta função.

5. Indicador de função Eco Extra

Indica que a função Eco Extra está activa. Se esta função estiver activa, o seu frigorífico detectará automaticamente os períodos de menor utilização e o arrefecimento com eficiência de energia será realizado durante estas alturas. O indicador de Economia estará activo enquanto o arrefecimento com eficiência de energia estiver a ser realizado.

Prima novamente este botão para desactivar esta função.

6. Botão Eco Extra/Vacation

Prima este botão rapidamente para activar a função Eco Extra. Mantenha este botão premido por 3 seg. para activar a função Vacation (Férias). Prima novamente este botão para desactivar a função seleccionada.

7. Indicador da função 'Vacation' (Férias)

Indica que a função Vacation está activa. Se a função estiver activa, "- -" aparece no indicador do compartimento do frigorífico e não é realizado qualquer arrefecimento no compartimento do frigorífico. Outros componentes serão arrefecidos de acordo com a temperatura definida para eles.

Prima novamente este botão para desactivar esta função.

8. Indicador de "Ice Off"

O Icematic não funcionará quando o indicador desta função estiver activo. Consulte o item 1 para activar o Icematic.

9. Indicador do 'Economy Mode' (Modo economia)

Indica que o frigorífico está a funcionar no modo com eficiência de energia. Temperatura do compartimento do congelador

Este indicador estará activo se a função estiver definida para -18 ou se o arrefecimento com eficiência de energia estiver a ser realizado devido a função Eco-Extra.

10. Indicador de Refrigeração rápida

Este ícone pisca num estilo animado quando a função de 'Quick Fridge' (Refrigeração rápida) está activa.

11. Função Refrigeração rápida

Quando premir o botão “Quick Fridge”, a temperatura do compartimento ficará mais fria do que os valores ajustados.

Esta função pode ser usada para alimentos colocados no compartimento do frigorífico e que precisem de arrefecer rapidamente.

Se quiser refrigerar grandes quantidades de alimentos frescos, é recomendado que active esta função antes de colocar os alimentos no refrigerador.

O indicador Quick Fridge (Refrigeração rápida) acende quando a função Quick Fridge está activa. Para cancelar esta função, prima novamente o botão ‘Quick Fridge’.

Se não o cancelar, a Refrigeração rápida cancelar-se-á automaticamente após 4 horas ou quando o compartimento do frigorífico atingir a temperatura pretendida.

Esta função não é reactivada quando a energia é restabelecida após alguma falha eléctrica.

12. Indicador de ajuste da temperatura do compartimento do frigorífico

Indica a temperatura definida para o compartimento do frigorífico.

13. Indicador de ajuste da temperatura do compartimento do congelador

Indica a temperatura definida para o compartimento do congelador.

14. Função Congelação rápida

O indicador ‘Quick Freeze’ acende quando a função Congelação rápida está activa. Para cancelar esta função prima novamente o botão ‘Quick Freeze’. O indicador ‘Quick Freeze’ desligará e voltará às suas definições normais. Se não o cancelar, a Congelação rápida cancelar-se-á automaticamente após 8 horas ou quando o compartimento do congelador atingir a temperatura pretendida.

Se desejar congelar quantidades maiores de alimentos frescos, prima o botão ‘Quick Freeze’ antes de colocar os alimentos no compartimento do congelador.

Se premir o botão ‘Quick Freeze’ repetidamente em curtos intervalos, a protecção do circuito electrónico será activada e o compressor não arrancará imediatamente.

Esta função não é reactivada quando a energia é restabelecida após alguma falha eléctrica.

15. Indicador Congelação rápida ('Quick Freeze')

Este ícone pisca num estilo animado quando a função Quick Freeze (Congelação rápida) está activa.

Aviso de porta aberta

(Esta característica pode variar dependendo da porta do produto e pode não existir em alguns modelos).


Será dado um sinal sonoro quando a porta do compartimento do seu produto for deixada aberta durante, no mínimo, 1 minuto. Este aviso deixará de soar quando a porta é fechada ou se qualquer dos botões do visor (se houver) for premido.

Congelar alimentos frescos

- Envolve ou cubra os alimentos antes de colocá-los no frigorífico.
 - Os alimentos quentes devem ser arrefecidos à temperatura ambiente antes de serem colocados no frigorífico.
 - Os alimentos que pretende congelar devem ser frescos e de boa qualidade.
 - Os alimentos devem estar repartidos em porções de acordo com o quotidiano familiar ou as necessidades de consumo de refeições.
 - Os alimentos deverão ser embalados de uma forma hermética para evitar que sequem, mesmo que venham a ser guardados durante pouco tempo.
- Os materiais a serem utilizados para embalar os alimentos deverão ser à prova de rompimento e resistentes ao frio, humidade, cheiros, óleos e ácidos e também devem ser herméticos. Além disso, devem estar bem fechados e devem ser feitos de materiais fáceis de manusear, que sejam apropriados para fins de congelação.
 - Os alimentos congelados deverão ser usados imediatamente depois de serem descongelados e nunca deverão ser recongelados.
 - Para obter os melhores resultados, as instruções a seguir apresentadas devem ser tomadas em linha de conta.
 1. Não congele grandes quantidades de alimento de uma só vez. A qualidade dos alimentos é melhor preservada quando a congelação atinge o interior no menor tempo possível.
 2. A colocação de alimentos quentes no compartimento do congelador obriga o sistema de refrigeração a um funcionamento contínuo até à completa congelação dos alimentos.
 3. Tenha um cuidado especial para não misturar alimentos já congelados com alimentos frescos.

Definição do compartimento do congelador	Definição do compartimento do frigorífico	Explicações
-18°C	4°C	Este é o ajuste normal recomendado.
-20,-22 ou -24°C	4°C	Estes ajustes são recomendados quando a temperatura ambiente excede 30°C.
Quick Freeze (Congelação Rápida)	4°C	Utilize quando quiser congelar os seus alimentos rapidamente. O seu frigorífico voltará ao seu modo anterior quando o processo terminar.
-18°C ou mais frio	2°C	Se achar que o compartimento do frigorífico não está suficientemente frio devido às condições quentes ou à frequente abertura e fecho da porta.
-18°C ou mais frio	Quick Fridge (Refrigeração rápida)	Pode-o utilizar quando o compartimento do seu frigorífico estiver sobrecarregado ou se desejar arrefecer rapidamente os seus alimentos. Recomenda-se que active a função de refrigeração rápida 4-8 horas antes de colocar os alimentos.

Recomendação para a preservação de alimentos congelados

- Os alimentos embalados pré-congelados devem ser armazenados de acordo com as instruções do fabricante do alimento, para um compartimento de armazenamento de alimentos congelados de (4 estrelas) .
- Para garantir que é atingida e mantida a alta qualidade dos alimentos congelados, deverá ter em conta o seguinte:
 1. Coloque as embalagens no congelador o mais rapidamente possível após a aquisição.
 2. Verifique se os recipientes estão etiquetados e datados.
 3. Não ultrapasse as datas de validade mencionadas nas embalagens.

Descongelação

O compartimento do congelador descongela-se automaticamente.

Colocação dos alimentos

Prateleiras do compartimento do congelador	Diversos alimentos congelados, tais como carne, peixe, gelado, legumes, etc.
Suporte para ovos	Ovo
Prateleiras do compartimento do frigorífico	Alimentos em panelas, pratos cobertos e recipientes fechados
Prateleiras da porta do compartimento do frigorífico	Pequenos alimentos embalados ou bebidas (tais como leite, sumo de frutas e cerveja)
Gaveta para frutos e legumes	Legumes e frutas
Compartimento da zona fria	Iguarias (queijo, manteiga, chouriços, etc.).

Informação sobre ‘Deep-Freeze’ (Congelação profunda)

Os alimentos devem ser congelados tão rapidamente quanto possível quando são colocados num frigorífico para que os conservar em boa qualidade.

É possível manter os alimentos durante muito tempo apenas a - 18°C ou temperaturas mais baixas.

Poderá manter a frescura dos alimentos durante muitos meses (a - 18° C ou a temperaturas mais baixas no congelador).

AVISO!

- Os alimentos devem estar repartidos em porções de acordo com o quotidiano familiar ou as necessidades de consumo das refeições.

- Os alimentos deverão ser embalados de uma forma hermética para evitar que sequem, mesmo que venham a ser guardados durante pouco tempo.

Materiais necessários para embalagem:

- Fita adesiva resistente ao frio
- Etiqueta autocolante
- Anéis de borracha
- Esferográfica

Os materiais a ser utilizados para embalar os alimentos deverão ser à prova de rompimento e resistentes ao frio, humidade, cheiros, óleos e ácidos.

Não deverá permitir que os alimentos a serem congelados entrem em contacto com os itens congelados anteriormente para evitar a sua descongelação parcial.

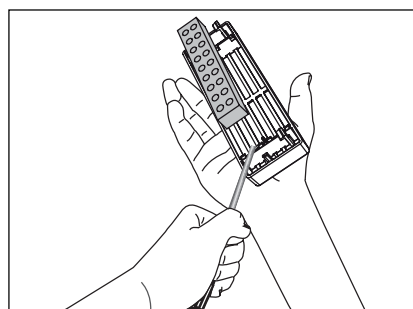
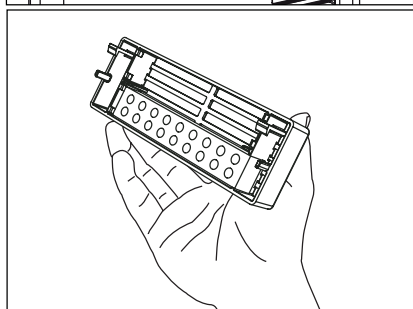
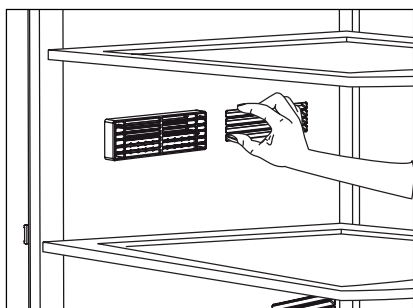
Os alimentos congelados deverão ser usados imediatamente depois de serem descongelados e nunca deverão ser recongelados.

Descrição e limpeza do filtro para odores:

O filtro para odores evita odores desagradáveis acumulados no seu frigorífico.

Puxe a tampa dentro da qual o filtro para odores está instalado, baixe e remova conforme ilustrado. Deixe o filtro exposto à luz solar durante um dia. O filtro será limpo durante este período. Coloque o filtro de volta no seu lugar.

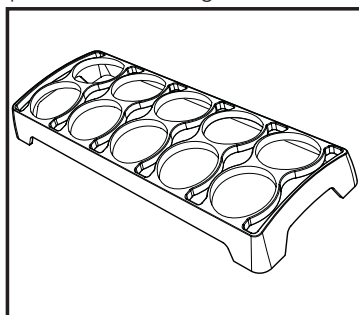
O filtro para odores deverá ser limpo uma vez por ano.



Suporte para ovos

Poderá instalar o suporte para ovos na porta que desejar ou prateleira da estrutura.

Nunca guarde o suporte para ovos no compartimento do congelador



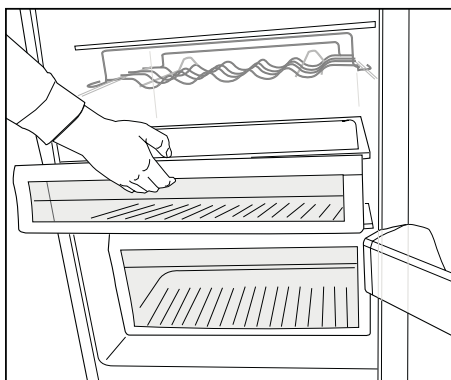
Compartimentos para salgadinhos (snacks)

Utilize estes compartimentos para armazenar os seus alimentos numa temperatura de alguns graus abaixo que no compartimento do frigorífico.

Pode aumentar o volume interno do seu frigorífico, removendo algum dos compartimentos para salgadinhos (snack).

1. Puxe o compartimento para si até que seja detido pelo retentor.
2. Levante a parte frontal e puxe para si para remover o compartimento do seu lugar.

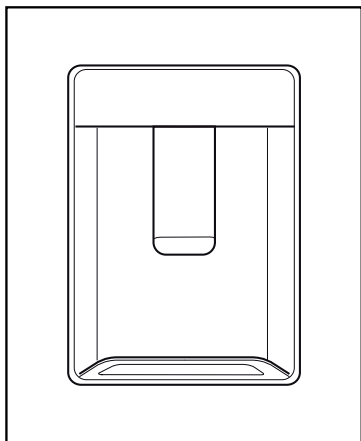
i Nestes compartimentos, pode colocar alimentos que pretenda congelar a fim de os preparar para a congelação.



Dispensador de água

(em alguns modelos)

O dispensador de água é uma função muito útil para obter água fresca sem ter que abrir a porta do seu frigorífico. Já que não terá que abrir a porta do seu frigorífico com tanta frequência, poupará energia.



Usar a fonte de água

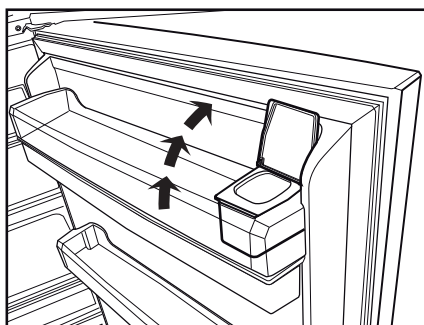
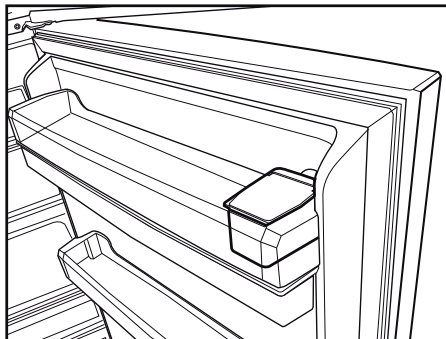
Empurre a alavanca do dispensador de água com o seu copo. O dispensador deixará de funcionar, assim que soltar a alavanca.

Quando utilizar o dispensador de água, conseguirá o fluxo máximo se pressionar completamente a alavanca. Lembre-se que a quantidade do fluxo pelo dispensador dependerá do grau de pressão exercido sobre a alavanca.

Conforme o nível de água no seu copo/recipiente aumenta, vá reduzindo lentamente a pressão sobre a alavanca para prevenir derrames. Se pressionar levemente a alavanca, cairá água; isto é normal e não indica mau funcionamento.

Encher o reservatório do dispensador de água

O reservatório de enchimento do dispensador de água localiza-se na prateleira da porta. Abra a tampa do reservatório e encha com água potável. Feche a tampa.



Aviso!

- Não encha o reservatório de água com outro líquido a não ser água potável; bebidas tais como sumo de frutas, bebidas gasosas gaseificadas, bebidas alcoólicas não são adequadas para utilizar no dispensador de água. O dispensador de água ficará irreparavelmente danificado se forem utilizados estes tipos de bebida. A garantia não cobre tais utilizações. Algumas substâncias químicas e aditivos contidos em tais bebidas/líquidos, pode danificar o reservatório de água.
- Utilize apenas água potável pura e limpa.

- A capacidade do reservatório de água é de 3 litros, não encha demasiado.
- Empurre a alavanca do dispensador de água com um copo resistente. Se utilizar copos descartáveis de plástico, então empurre a alavanca com os dedos a partir da parte de trás do copo.

Limpar o reservatório de água

- Remova o reservatório de enchimento de água dentro da prateleira da porta.
- Remova a prateleira da porta segurando de ambos os lados.
- Agarre no reservatório de água em ambos os lados e remova-o num ângulo de 45°C.
- Limpe o reservatório de água removendo a sua tampa.

Importante:

Os componentes do reservatório de água e do dispensador de água não devem ser lavados na máquina de lavar louças.

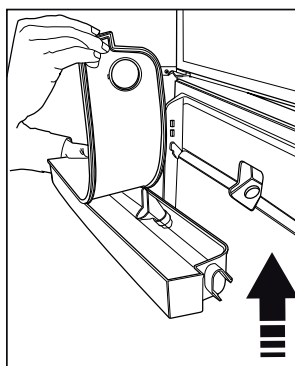
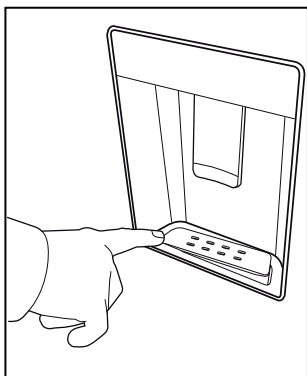
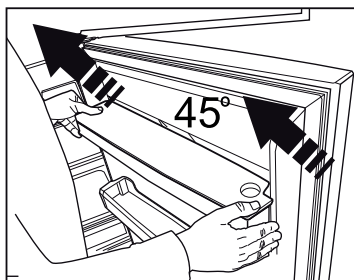
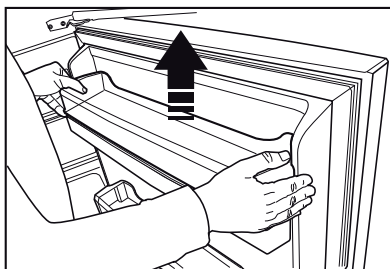
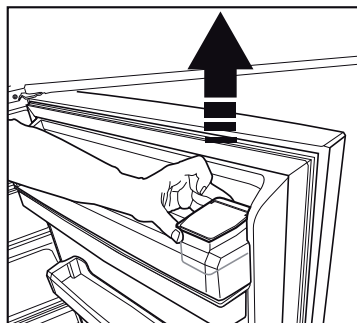
Tabuleiro da água

A água que pinga enquanto utilize o dispensador de água acumula no tabuleiro para pingos.

Retire o filtro plástico conforme mostrado na figura.

Com um pano limpo e seco, remova a água acumulada

ATENÇÃO: Ligue apenas ao fornecimento de água potável.

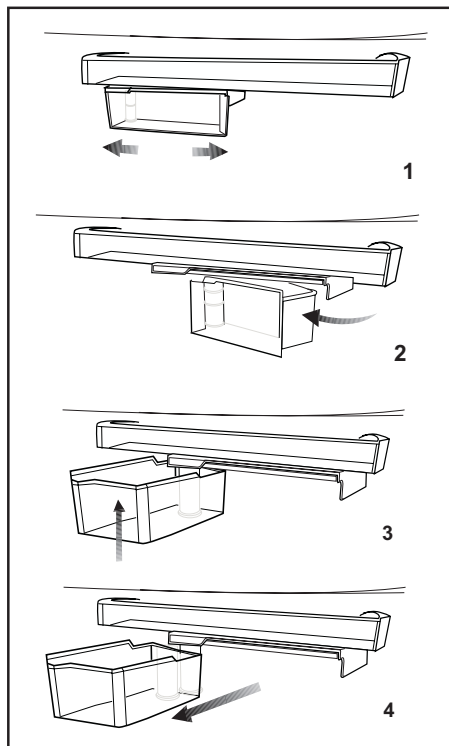


Reservatório de armazenamento giratório

A prateleira de estrutura deslizante pode ser movida para a esquerda e para a direita para lhe permitir colocar garrafas compridas, jarras ou caixas numa prateleira mais baixa (Fig. 1)

Pode chegar aos alimentos que colocou dentro da prateleira agarrando e rodando-a a partir do seu rebordo direito (Fig. 2).

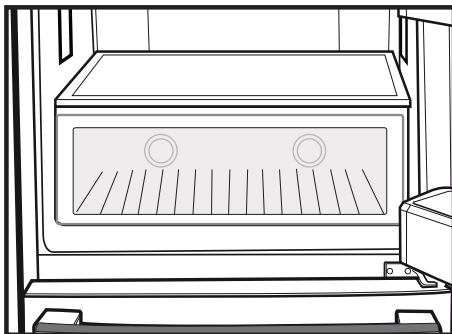
Quando quiser carregar ou retirá-la para limpar, rode-a em 90 graus, levante-a e puxe-a para si (Fig. 3-4).

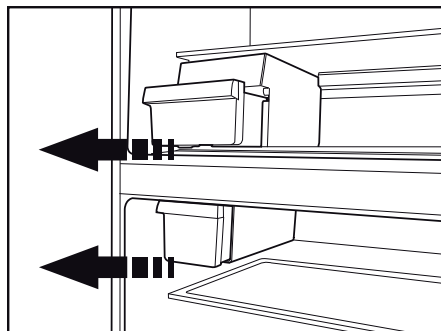


Luz azul

(em alguns modelos)

Os alimentos guardados nas gavetas para frutas e legumes que são iluminados com uma luz azul, continuam a sua fotossíntese através do efeito de extensão de onda da luz azul e por isso, conservam a sua frescura e o seu conteúdo vitamínico é aumentado.





Icematic automático

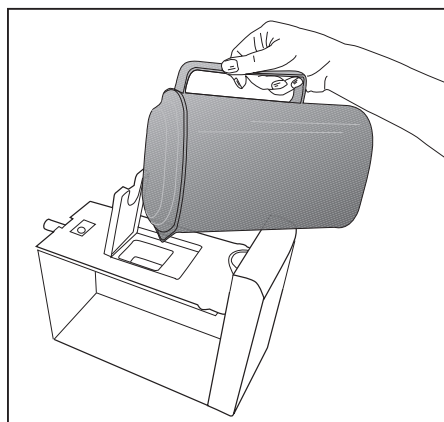
(em alguns modelos)

O sistema Icematic automático permite obter gelo do frigorífico com muita facilidade. Remova o reservatório de água no compartimento do refrigerador, encha-o com água e instale-o de volta para obter gelo do Icematic.

Os primeiros cubos de gelo estarão prontos dentro de 2 horas na gaveta do Icematic localizada no compartimento do congelador.

Se encher completamente o reservatório de água, poderá obter aproximadamente 60-70 cubos de gelo.

Troque a água do reservatório se estiver sem uso, a cada 2-3 semanas.



Icematic e reservatório de armazenamento de gelo

Usar o Icematic

* Encha o Icematic com água e coloque-o no seu lugar devido. O seu gelo ficará pronto em cerca de duas horas. Não remova o Icematic depois que estiver acomodado para fazer gelo.

* Rode o botão no sentido horário em 90 graus.

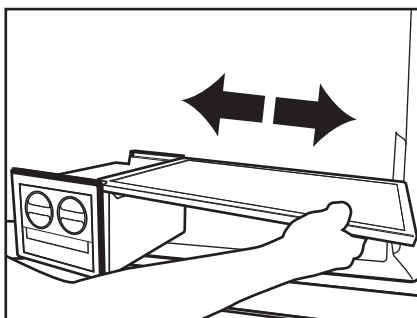
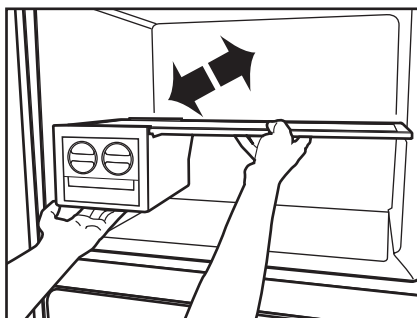
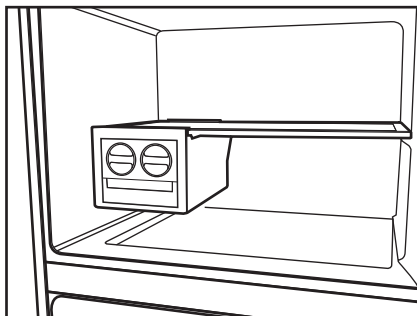
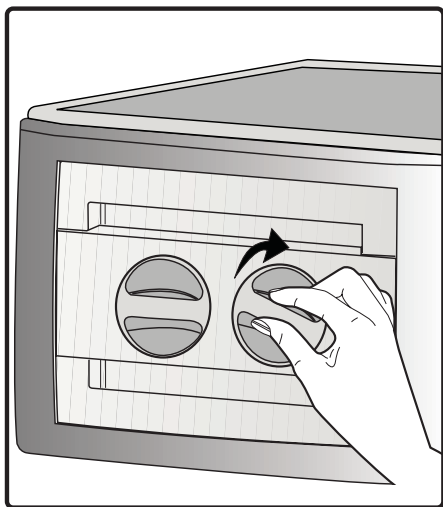
Os cubos de gelo nos compartimentos cairão dentro do reservatório para armazenamento do gelo situado abaixo.

* Pode tirar o reservatório para armazenamento do gelo e se servir dos cubos de gelo.

* Se desejar, pode manter os cubos de gelo no reservatório para gelo.

Reservatório para armazenamento de gelo

O reservatório para armazenamento do gelo está concebido apenas para acumular cubos de gelo. Não coloque água dentro dele. Caso contrário, quebrará.



6 Manutenção e limpeza

- ⚠ Nunca use gasolina, benzeno ou substâncias semelhantes para a limpeza.
- ⚠ Recomendamos que desligue a ficha do equipamento da tomada antes da limpeza.
- ⚠ Nunca utilize na limpeza objectos abrasivos ou pontiagudos, sabões, produtos de limpeza doméstica, detergentes ou ceras abrillantadoras.
- ℹ Utilize água morna para limpar o exterior do seu frigorífico e seque-o com um pano.
- ℹ Utilize um pano humedecido numa solução composta por uma colher de chá de bicarbonato de soda dissolvido em cerca de meio litro de água para limpar o interior e depois seque-o.
- ⚠ Certifique-se de que não entra água no compartimento da lâmpada e nos outros itens eléctricos.
- ⚠ Se o seu frigorífico não for utilizado durante um longo período de tempo, remova o cabo de alimentação, retire todos os alimentos, limpe-o e deixe a porta entreaberta.
- ℹ Verifique regularmente as borrachas vedantes da porta, para se assegurar que elas estão limpas e sem restos de alimentos.
- ⚠ Para remover os suportes da porta, retire todo o seu conteúdo e, em seguida, basta empurrar cuidadosamente o seu suporte para cima a partir da base.
- ⚠ Nunca utilize agentes de limpeza ou água que contenha cloro para limpar as superfícies externas e as partes cromadas do produto. O cloro provoca a corrosão de tais superfícies metálicas.
- ⚠ Não usar ferramentas aguçadas e abrasivas ou sabão, agentes de limpeza doméstica, detergentes, gasolina, benzina, cera, etc., podem danificar os carimbos nas partes plásticas, que podem desaparecer ou ficarem deformadas. Usar água quente e um pano macio para limpar e secar com um pano seco.

Protecção das superfícies plásticas

- ℹ Não coloque óleos líquidos ou comidas cozinhadas no óleo no seu frigorífico em recipientes abertos, uma vez que podem danificar as superfícies plásticas do seu frigorífico. No caso de derrame ou salpico de óleo nas superfícies plásticas, limpe e enxágue a parte correspondente da superfície com água morna.

7 Soluções recomendadas para os problemas

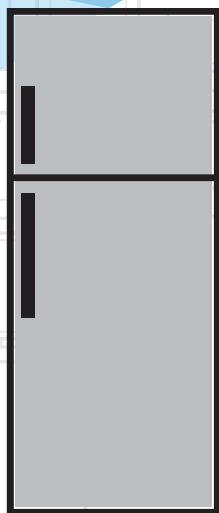
Por favor, reveja esta lista antes de telefonar para a assistência. Com isso, pode poupar tempo e dinheiro. Esta lista abrange as reclamações frequentes resultantes de defeitos de fabricação ou utilização do material. Algumas das funções descritas aqui podem não existir no seu produto.

O frigorífico não funciona
<ul style="list-style-type: none">• O frigorífico tem a ficha eléctrica ligada correctamente à tomada? Introduza a ficha na tomada de parede.• O fusível da tomada na qual o frigorífico está ligado ou o fusível principal não está queimado? Verifique o fusível.
Condensação na parede lateral do compartimento do frigorífico (MULTIZONE, COOL CONTROL e FLEXI ZONE).
<ul style="list-style-type: none">• Condições ambientais muito frias. Abertura e fecho frequentes da porta. Condições ambientais de alta humidade. Armazenamento de alimentos que contém líquidos em recipientes abertos. A porta foi deixada entreaberta. Comute o termóstato para um grau mais frio.• Diminua o número de vezes de abertura da porta ou utilize menos frequentemente.• Cubra os alimentos guardados em recipientes abertos com um material apropriado.• Limpe a condensação usando um pano seco e verifique, se persistir.
O compressor não está a funcionar.
<ul style="list-style-type: none">• A protecção térmica do compressor deixará de funcionar durante falhas eléctricas repentinas ou na extracção/colocação da ficha eléctrica, já que a pressão refrigerante no sistema de arrefecimento do frigorífico ainda não se encontra estabilizada. O seu frigorífico voltará a funcionar aproximadamente 6 minutos depois. Por favor, chame a assistência se o frigorífico não começar a operar no fim deste período.• O frigorífico está no ciclo de descongelação. Isto é normal num frigorífico de descongelação totalmente automático. O ciclo de descongelação ocorre periodicamente.• O seu frigorífico não está ligado à tomada. Certifique-se de que a ficha está correctamente ligada à tomada.• A regulação da temperatura está feita correctamente?• A corrente deve ser desligada.
O frigorífico está a funcionar frequentemente ou por um longo tempo.

<ul style="list-style-type: none"> • O seu novo produto pode ser mais largo do que o anterior. Esta situação é perfeitamente normal. Os frigoríficos grandes operam por um período maior de tempo. • A temperatura ambiente pode estar muito elevada. Esta situação é perfeitamente normal. • O frigorífico foi ligado à tomada há pouco tempo ou carregado com alimentos. O arrefecimento total do frigorífico pode demorar mais do que duas horas. • Podem ter sido colocadas recentemente grandes quantidades de alimentos quentes no frigorífico. Os alimentos quentes obrigam a um funcionamento mais vigoroso do frigorífico até que alcance a temperatura segura de armazenamento. • As portas podem estar a ser abertas frequentemente ou foram deixadas entreabertas por longo tempo. O ar quente que entrou no frigorífico faz com que o mesmo tenha que funcionar por períodos mais longos. Abra as portas com menos frequência. • A porta do compartimento do frigorífico ou do congelador pode ter sido deixada entreaberta. Verifique se as portas estão completamente fechadas. • O frigorífico está ajustado para uma temperatura muito baixa. Ajuste a temperatura do frigorífico para um grau mais quente e aguarde até que a temperatura seja atingida. • O vedante da porta do frigorífico ou do congelador pode estar sujo, gasto, roto ou não ajustado correctamente. Limpe ou substitua o vedante. O vedante danificado/roto faz com que o frigorífico funcione por um período de tempo maior para que mantenha a temperatura actual.
A temperatura do congelador está muito baixa, enquanto que a temperatura do frigorífico é suficiente.
<ul style="list-style-type: none"> • A temperatura do congelador está ajustada para uma temperatura muito baixa. Ajuste a temperatura do congelador para um grau mais quente e verifique.
A temperatura do frigorífico está muito baixa, enquanto que a temperatura do congelador é suficiente.
<ul style="list-style-type: none"> • A temperatura do frigorífico pode ter sido ajustada para uma temperatura muito baixa. Ajuste a temperatura do frigorífico para um grau mais quente e verifique.
Os alimentos guardados nas gavetas do compartimento do frigorífico estão congelados.
<ul style="list-style-type: none"> • A temperatura do frigorífico pode ter sido ajustada para uma temperatura muito baixa. Ajuste a temperatura do frigorífico para um grau mais quente e verifique.
A temperatura no frigorífico ou no congelador é muito alta.
<ul style="list-style-type: none"> • A temperatura do frigorífico pode ter sido ajustada para um grau muito alto. O ajuste do frigorífico tem efeito na temperatura do congelador. Altere a temperatura do frigorífico ou do congelador até que a temperatura do frigorífico ou do congelador atinja um nível suficiente. • As portas podem estar a ser abertas frequentemente ou foram deixadas entreabertas por longo tempo; abra-as menos frequentemente. • A porta poderá ter sido deixada entreaberta; feche-a completamente. • Podem ter sido colocadas recentemente grandes quantidades de alimentos quentes no frigorífico. Aguarde até que o frigorífico ou o congelador atinja a temperatura desejada. • O frigorífico pode ter sido ligado à tomada há pouco tempo. O total arrefecimento do frigorífico leva tempo.
O ruído de funcionamento aumenta quando o frigorífico está a funcionar.

<ul style="list-style-type: none"> • O desempenho de funcionamento do frigorífico pode variar devido às alterações na temperatura ambiente. Esta situação é normal e não é um problema.
Vibrações ou ruído.
<ul style="list-style-type: none"> • O piso não está nivelado ou não é resistente. O frigorífico balança quando deslocado lentamente. Certifique-se de que o piso é suficientemente forte para suportar o frigorífico, e nivelado. • O ruído pode ser causado pelos itens colocados sobre o frigorífico. Os itens sobre o topo do frigorífico devem ser removidos.
Há ruídos que surgem do frigorífico como líquidos a verter ou gotejar.
<ul style="list-style-type: none"> • Os fluxos de gás e líquidos acontecem conforme os princípios de funcionamento do seu frigorífico. Esta situação é normal e não é um problema.
Há um ruído parecido com o vento a soprar.
<ul style="list-style-type: none"> • As ventoinhas são utilizadas para arrefecer o frigorífico. Esta situação é normal e não é um problema.
Condensação nas paredes internas do frigorífico.
<ul style="list-style-type: none"> • O tempo quente e húmido aumenta a formação de gelo e de condensação. Esta situação é normal e não é um problema. • As portas poderão ter sido deixadas entreabertas; certifique-se que as mesmas estão completamente fechadas. • As portas podem estar a ser abertas frequentemente ou foram deixadas entreabertas por longo tempo; abra-as menos frequentemente.
Há ocorrência de humidade no exterior do frigorífico ou entre as portas.
<ul style="list-style-type: none"> • Poderá existir humidade no ar; isto é bastante normal no tempo húmido. Quando a humidade for menor, a condensação irá desaparecer.
Maus odores dentro do frigorífico.
<ul style="list-style-type: none"> • O interior do frigorífico deve ser limpo. Limpe o interior do frigorífico com uma esponja, água morna ou água com gás. • Alguns recipientes ou materiais de embalagem podem provocar cheiros. Utilize um recipiente diferente ou um material de embalagem de marca diferente.
A porta não está fechada.
<ul style="list-style-type: none"> • Os pacotes de alimentos podem impedir o fecho da porta. Coloque de outra forma as embalagens que estão a obstruir a porta. • O frigorífico não está completamente na vertical no pavimento e balanceia quando ligeiramente movido. Ajuste os parafusos de elevação. • O piso não é sólido ou não está nivelado. Certifique-se de que o piso está nivelado e capaz de suportar o frigorífico.
As gavetas para frutos e legumes estão bloqueadas.
<ul style="list-style-type: none"> • Os alimentos podem estar a tocar o tecto da gaveta. Arrume novamente os alimentos na gaveta.

Ψυγείο Εγχειρίδιο Χρήστη



EL |

beko

Παρακαλούμε διαβάστε πρώτα το παρόν εγχειρίδιο!

Αγαπητέ Πελάτη,

Ελπίζουμε ότι η συσκευή σας, που κατασκευάστηκε σε μοντέρνες εγκαταστάσεις και ελέγχθηκε με τις πιο αυστηρές διαδικασίες ελέγχου ποιότητας, θα σας προσφέρει αποδοτικά τις υπηρεσίες της.

Για το λόγο αυτό, συνιστούμε να διαβάσετε προσεκτικά όλο το εγχειρίδιο οδηγιών του προϊόντος σας πριν χρησιμοποιήσετε το προϊόν και κατόπιν να το φυλάξετε σε εύκολα προσπελάσιμο σημείο για μελλοντική αναφορά.

Το παρόν εγχειρίδιο

- Θα σας βοηθήσει να χρησιμοποιήσετε τη συσκευή σας με γρήγορο και ασφαλή τρόπο.
- Διαβάστε το εγχειρίδιο πριν την εγκατάσταση και τη χρήση του προϊόντος σας.
- Ακολουθείτε τις οδηγίες και ιδιαίτερα αυτές που αφορούν την ασφάλεια.
- Φυλάξτε το εγχειρίδιο σε εύκολα προσπελάσιμο μέρος γιατί μπορεί να το χρειαστείτε αργότερα.
- Επιπλέον, διαβάστε και την υπόλοιπη τεκμηρίωση που συνοδεύει το προϊόν σας. Έχετε υπόψη σας ότι το παρόν εγχειρίδιο μπορεί να ισχύει και για άλλα μοντέλα.

Σύμβολα και οι περιγραφές τους

Το παρόν εγχειρίδιο οδηγιών περιέχει τα εξής σύμβολα:



Σημαντικές πληροφορίες ή πρακτικές συμβουλές για τη χρήση.



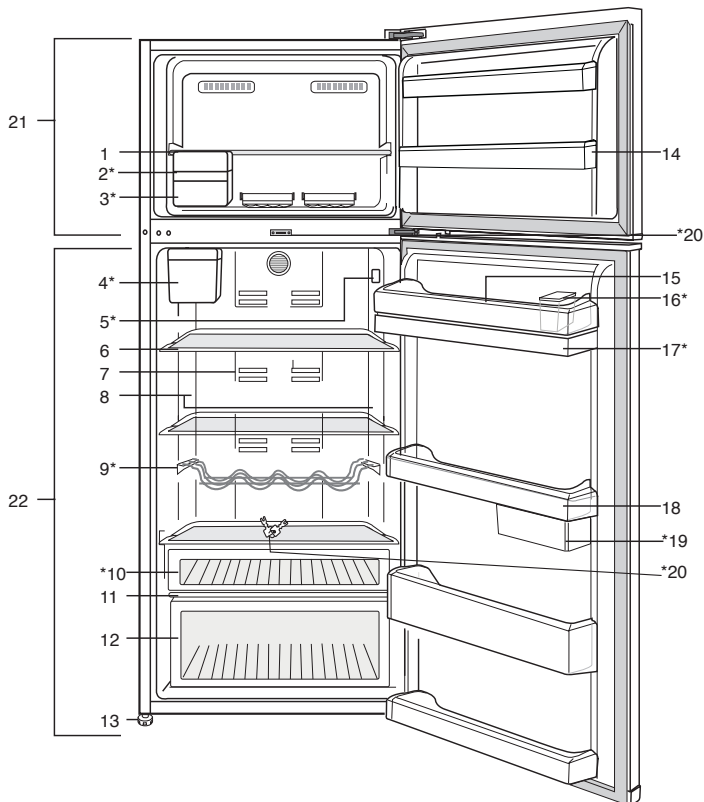
Προειδοποίηση για συνθήκες επικίνδυνες για τη ζωή και την περιουσία.



Προειδοποίηση για ηλεκτρική τάση.

1 Το ψυγείο	3	5 Χρήση του ψυγείου σας	16
2 Σημαντικές προειδοποιήσεις ασφαλείας	4	Πίνακας ενδείξεων	16
Προβλεπόμενος σκοπός χρήσης.....	4	Προειδοποίηση ανοικτής πόρτας.....	19
Για προϊόντα με διανομέα νερού:.....	9	Διπλό σύστημα ψύξης:	20
Ασφάλεια των παιδιών.....	10	Κατάψυξη νωπών τροφίμων.....	20
Προειδοποίηση HC (Για συσκευές Ψύξης - Θέρμανσης).....	10	Συμβουλές για τη διατήρηση κατεψυγμένων τροφίμων	21
Τι πρέπει να κάνετε για εξοικονόμηση ενέργειας	11	Τοποθέτηση των τροφίμων	21
Υποδείξεις για το χώρο νωπών τροφίμων	12	Πληροφορίες για τη Βαθιά Κατάψυξη ...	22
3 Εγκατάσταση	13	Περιγραφή και καθαρισμός του φίλτρου οσμών:.....	23
Σημεία που πρέπει να προσέξετε κατά την εκ νέου μεταφορά του ψυγείου	13	Αυγοθήκη.....	23
Πριν θέσετε σε λειτουργία το ψυγείο σας.....	13	Διανομέας νερού.....	24
Αντικατάσταση της λάμπας φωτισμού .	13	Περιστροφικό δοχείο φύλαξης	26
Ρύθμιση των ποδιών	14	Μπλε φως.....	27
Ηλεκτρική σύνδεση.....	14	Αυτόματο σύστημα Icematic	27
Διάθεση των υλικών συσκευασίας.....	14	Σύστημα Icematic και δοχείο φύλαξης πάγου	28
Διάθεση του παλιού σας ψυγείου	14	6 Συντήρηση και καθαρισμός	29
Τοποθέτηση και εγκατάσταση.....	14	Προστασία των πλαστικών επιφανειών	29
4 Προετοιμασία	15	7 Αντιμετώπιση προβλημάτων	30

1 Το ψυγείο



- | | |
|--|--|
| 1. Ράφι χώρου κατάψυξης | 12. Συρτάρι λαχανικών |
| 2. Αυτόματο σύστημα Icematic | 13. Ρυθμιζόμενα πόδια |
| 3. Δοχείο φύλαξης πάγου | 14. Ράφια πόρτας χώρου κατάψυξης |
| 4. Δοχείο νερού αυτόματου συστήματος Icematic | 15. Αυγοθήκη |
| 5. Ένδειξη ρύθμισης θερμοκρασίας | 16. Δοχείο συμπλήρωσης νερού του διανομέα νερού |
| 6. Ρυθμιζόμενα γυάλινα ράφια | 17. Δοχείο διανομέα νερού |
| 7. Φίλτρο οσμών | 18. Ράφια πόρτας χώρου συντήρησης |
| 8. Κρύσταλλο φωτισμού | 19. Συρόμενα και περιστροφικά κουτιά φύλαξης |
| 9. Ράφι μπουκαλιών | 20. Χώρος κατάψυξης |
| 10. Θάλαμος σνακ | 21. Χώρος συντήρησης |
| 11. Κάλυμμα συρταριών λαχανικών | * ΠΡΟΑΙΡ. |

I Οι εικόνες σ' αυτό το εγχειρίδιο οδηγιών είναι σχηματικές και ενδέχεται να μην ανταποκρίνονται ακριβώς στο προϊόν σας. Αν ορισμένα εξαρτήματα δεν περιλαμβάνονται στο προϊόν που έχετε προμηθευτεί, τότε ισχύουν για άλλα μοντέλα.

2 Σημαντικές προειδοποιήσεις ασφαλείας

Π α ρ α κ α λ ο ύ μ ε • Το προϊόν αυτό δεν να μελετήσετε τις πρέπει να χρησιμοποιείται πληροφορίες που σε εξωτερικό χώρο. ακολουθούν. Η μη τήρηση

αυτών των πληροφοριών μπορεί να γίνει αιτία τραυματισμών ή υλικών ζημιών. Αν δεν το κάνετε αυτό, θα καταστεί άκυρη κάθε εγγύηση και κάθε δέσμευση περί αξιοπιστίας.

Γνήσια ανταλλακτικά θα είναι διαθέσιμα για 10 έτη από την ημερομηνία αγοράς του προϊόντος.

Προβλεπόμενος σκοπός χρήσης

Το προϊόν αυτό προορίζεται να χρησιμοποιείται

- σε εσωτερικούς χώρους και κλειστές περιοχές όπως είναι τα σπίτια
- σε κλειστούς χώρους εργασίας όπως καταστήματα και γραφεία
- σε κλειστούς χώρους ενδιαίτησης όπως αγροτόσπιτα, ξενοδοχεία, πανσιόν.

Γενικές οδηγίες ασφαλείας

- Όταν θέλετε να πετάξετε ως άχρηστο ή να ανακυκλώσετε το προϊόν, συνιστούμε για τις απαιτούμενες πληροφορίες να συμβουλευτείτε το εξουσιοδοτημένο σέρβις ή τους αρμόδιους φορείς.
- Να συμβουλευέστε το εξουσιοδοτημένο σέρβις για όλες τις ερωτήσεις και προβλήματα σχετικά με το ψυγείο. Μην επεμβαίνετε και μην αφήνετε οποιονδήποτε άλλον να επέμβει στο ψυγείο χωρίς να ειδοποιήσετε το εξουσιοδοτημένο σέρβις.
- Για προϊόντα με χώρο κατάψυξης: Μην καταναλώνετε παγωτό και παγοκύβους

αμέσως μόλις τα βγάλετε από το χώρο της κατάψυξης! (Αυτό μπορεί να προκαλέσει κρουσπαγήματα στο στόμα σας).

- Για προϊόντα με χώρο κατάψυξης: Μην τοποθετείτε στην κατάψυξη ποτά ή αναψυκτικά σε μπουκάλια ή μεταλλικά κουτιά. Αλλιώς, υπάρχει κίνδυνος να σκάσουν.
- Μην αγγίζετε τα παγωμένα τρόφιμα με τα χέρια, γιατί μπορεί να κολλήσουν στο χέρι σας.
- Αποσυνδέετε το ψυγείο από την πρίζα πριν τον καθαρισμό ή την απόψυξη.
- Δεν πρέπει να χρησιμοποιείτε ποτέ ατμό και ατμοποιημένα καθαριστικά υλικά στις διαδικασίες καθαρισμού και απόψυξης του ψυγείου σας. Σε τέτοιες περιπτώσεις, ο ατμός μπορεί να έλθει σε επαφή με τα ηλεκτρικά εξαρτήματα και να γίνει η αιτία βραχυκυκλώματος ή ηλεκτροπληξίας.
- Ποτέ μη χρησιμοποιείτε εξαρτήματα του ψυγείου σας, όπως η πόρτα, ως μέσο στήριξης ή ως σκαλοπάτι.
- Μη χρησιμοποιείτε ηλεκτρικές συσκευές στο εσωτερικό του ψυγείου.
- Μην προξενήσετε ζημιά με εργαλεία διάτρησης ή κοπής στα μέρη της συσκευής όπου κυκλοφορεί το ψυκτικό μέσο. Το ψυκτικό μέσο που μπορεί να εκτιναχθεί αν τρυπήσουν οι δίοδοι αερίου του εξαμιστήρα, των επεκτάσεων σωλήνων ή των επιφανειακών επικαλύψεων, προκαλεί ερεθισμό στο δέρμα και τραυματισμό στα μάτια.
- Μην καλύπτετε και μην φράσσετε με οποιοδήποτε υλικό τα ανοίγματα αερισμού του ψυγείου σας.
- Οι επισκευές σε ηλεκτρικές συσκευές πρέπει να διεξάγονται μόνο από

εξουσιοδοτημένο προσωπικό. Οι επισκευές που γίνονται από αναρμόδια άτομα δημιουργούν κινδύνους για το χρήστη.

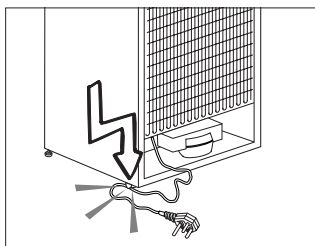
- Σε περίπτωση οποιασδήποτε βλάβης ή κατά τη διάρκεια των εργασιών συντήρησης ή επισκευών, να αποσυνδέετε το ψυγείο από την παροχή ηλεκτρικού ρεύματος είτε απενεργοποιώντας τον αντίστοιχο ασφαλειοδιακόπτη είτε βγάζοντας το φως από την πρίζα.
- Για την αποσύνδεση του φως μην τραβάτε το καλώδιο.
- Βεβαιωθείτε ότι τα υψηλού βαθμού αλκοολούχα ποτά αποθηκεύονται με ασφάλεια με το καπάκι στερεωμένο και τοποθετημένο σε όρθια θέση.
- Ποτέ μην αποθηκεύετε στο ψυγείο μπουκάλια σπρέι που περιέχουν εύφλεκτες και εκρηκτικές

ουσίες.

- Μη χρησιμοποιείτε μηχανικές διατάξεις ή άλλα μέσα για να επιταχύνετε τη διαδικασία της απόψυξης, εκτός από τα μέσα που συνιστά ο κατασκευαστής.
- Το προϊόν αυτό δεν προορίζεται για χρήση από άτομα με σωματικά, αισθητηριακά ή διανοητικά προβλήματα ή από άτομα με έλλειψη εμπειρίας (περιλαμβανομένων παιδιών), εκτός αν τα άτομα βρίσκονται υπό την επίβλεψη ατόμου που θα είναι υπεύθυνο για την ασφάλειά τους ή που θα τα καθοδηγήσει όπως απαιτείται για τη χρήση του προϊόντος.
- Μη χρησιμοποιήσετε το ψυγείο αν έχει υποστεί βλάβη ή ζημιά. Αν έχετε οποιαδήποτε αμφιβολία συμβουλευτείτε τον αντιπρόσωπο σέρβις.

- Η ηλεκτρική ασφάλεια του ψυγείου σας θα είναι εγγυημένη μόνον αν το σύστημα γείωσης του σπιτιού σας συμμορφώνεται με τα ισχύοντα πρότυπα.
- Η έκθεση του προϊόντος σε βροχή, χιόνι, ήλιο και άνεμο δημιουργεί κινδύνους σε σχέση με την ασφάλεια με το ηλεκτρικό ρεύμα.
- Αν υπάρχει ζημιά στο καλώδιο ρεύματος, για την αποφυγή κινδύνου επικοινωνήστε με το εξουσιοδοτημένο σέρβις.
- Σε καμία περίπτωση μη συνδέσετε το ψυγείο στην πρίζα κατά τη διάρκεια της εγκατάστασης. Αλλιώς, μπορεί να δημιουργηθεί κίνδυνος θανάτου ή σοβαρού τραυματισμού.
- Το ψυγείο αυτό προορίζεται αποκλειστικά για τη φύλαξη τροφίμων. Δεν πρέπει να χρησιμοποιηθεί για οποιονδήποτε άλλο σκοπό.
- Η ετικέτα τεχνικών προδιαγραφών βρίσκεται πάνω στο αριστερό τοίχωμα στο εσωτερικό του ψυγείου.
- Ποτέ μη συνδέσετε το ψυγείο σας σε συστήματα εξοικονόμησης ενέργειας, γιατί αυτά μπορεί να προκαλέσουν ζημιά στο ψυγείο.
- Αν το ψυγείο σας διαθέτει μπλε φως, μην κοιτάζετε το μπλε φως μέσω οπτικών διατάξεων.
- Για ψυγεία με μη αυτόματο σύστημα ελέγχου, μετά από διακοπή ρεύματος περιμένετε τουλάχιστον 5 λεπτά πριν θέσετε πάλι το ψυγείο σε λειτουργία.
- Σε περίπτωση μεταβίβασης, το παρόν εγχειρίδιο χρήσης θα πρέπει να παραδοθεί στον καινούριο ιδιοκτήτη του προϊόντος.
- Αποφύγετε την πρόκληση ζημιάς στο

καλώδιο ρεύματος όταν μεταφέρετε το ψυγείο. Αν το καλώδιο τσακίσει μπορεί να προκληθεί πυρκαγιά. Ποτέ μην τοποθετείτε βαριά αντικείμενα πάνω στο καλώδιο ρεύματος. Μην αγγίζετε το φιν με υγρά χέρια όταν συνδέετε το προϊόν στην πρίζα.



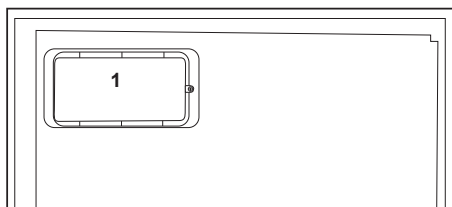
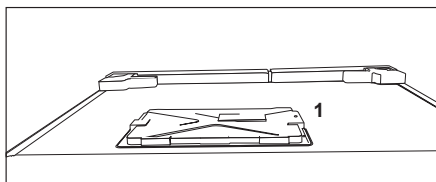
- Μη συνδέσετε το ψυγείο σε πρίζα που δεν είναι καλά στερεωμένη στη θέση της.
- Για λόγους ασφαλείας, δεν πρέπει ποτέ να πιπιλίζετε νερό απ' ευθείας σε εσωτερικά ή εξωτερικά μέρη του προϊόντος.
- Για να αποφύγετε τον κίνδυνο πυρκαγιάς και έκρηξης, μην ψεκάζετε κοντά στο ψυγείο υλικά που περιέχουν εύφλεκτα αέρια όπως προπάνιο κ.λ.π.
- Ποτέ μην τοποθετείτε πάνω στο ψυγείο δοχεία που περιέχουν νερό, γιατί μπορεί να προκληθεί ηλεκτροπληξία ή πυρκαγιά.
- Μην υπερφορτώνετε το ψυγείο με υπερβολική ποσότητα τροφίμων. Αν υπερφορτωθεί το ψυγείο, όταν ανοίγετε την πόρτα τα τρόφιμα μπορεί να πέσουν και να σας κτυπήσουν ή να προξενήσουν ζημιά στο ψυγείο. Ποτέ μην τοποθετείτε αντικείμενα πάνω στο ψυγείο. Διαφορετικά μπορεί να πέσουν όταν ανοίγετε ή κλείνετε την πόρτα του ψυγείου.
- Επειδή για τη φύλαξή τους απαιτούνται ακριβείς συνθήκες θερμοκρασίας, δεν πρέπει να φυλάσσονται στο ψυγείο εμβόλια, φάρμακα ευαίσθητα στη θερμοκρασία, επιστημονικά υλικά κλπ.
- Το ψυγείο θα πρέπει να αποσυνδέεται από το

ρεύμα αν δεν πρόκειται να χρησιμοποιηθεί για μεγάλο χρονικό διάστημα. Ένα ενδεχόμενο πρόβλημα στο καλώδιο ρεύματος μπορεί να προκαλέσει πυρκαγιά.

- Το ψυγείο μπορεί να μετακινηθεί αν τα ρυθμιζόμενα πόδια δεν έχουν ρυθμιστεί ώστε να έχουν σταθερή επαφή με το δάπεδο. Η σωστή στερέωση των ρυθμιζόμενων ποδιών στο δάπεδο μπορεί να αποτρέψει τη μετακίνηση του ψυγείου.
- Όταν μεταφέρετε το ψυγείο μην το κρατάτε από τη λαβή της πόρτας. Διαφορετικά, αυτή μπορεί να σπάσει.
- Όταν χρειαστεί να εγκαταστήσετε το ψυγείο σας δίπλα σε άλλο ψυγείο ή καταψύκτη, η απόσταση ανάμεσα στις συσκευές θα πρέπει να είναι τουλάχιστον 8 εκ. Διαφορετικά, μπορεί να σχηματιστεί υγρασία

στα γειτονικά πλευρικά τοιχώματα.

- Σε καμία περίπτωση μη χρησιμοποιήσετε το προϊόν αν είναι ανοικτό το τμήμα στο πάνω ή πίσω μέρος του προϊόντος που περιέχει τις πλακέτες τυπωμένων κυκλωμάτων (κάλυμμα τυπωμένων κυκλωμάτων) (1).



Για προϊόντα με διανομέα νερού:

- Η μέγιστη πίεση για την είσοδο κρύου νερού θα είναι 90 psi (6,2 bar). Αν η πίεση νερού υπερβαίνει

τα 80 psi (5,5 bar), χρησιμοποιήστε μια βαλβίδα περιορισμού πίεσης στο σύστημα παροχής νερού σας. Αν δεν γνωρίζετε πώς να ελέγξετε την πίεση νερού, ζητήστε τη βοήθεια επαγγελματία υδραυλικού.

- Αν υπάρχει κίνδυνος φαινομένου υδραυλικού πλήγματος (απτότομης μεταβολής πίεσης του νερού) στην εγκατάστασή σας, πάντα να χρησιμοποιείτε στην εγκατάσταση εξοπλισμό αποτροπής του υδραυλικού πλήγματος. Συμβουλευτείτε επαγγελματίες υδραυλικούς αν δεν είστε σίγουροι ότι δεν υπάρχει φαινόμενο υδραυλικού πλήγματος στην εγκατάστασή σας.
- Μην εγκαταστήσετε στην είσοδο ζεστού νερού. Λάβετε μέτρα προφύλαξης έναντι του κινδύνου να παγώσουν οι εύκαμπτοι

σωλήνες. Η περιοχή θερμοκρασιών νερού λειτουργίας είναι από ελάχιστη 0,6 °C (33 °F) έως μέγιστη 38 °C (100 °F).

- Χρησιμοποιείτε μόνο πόσιμο νερό.

Ασφάλεια των παιδιών

- Αν το ψυγείο σας διαθέτει κλειδαριά, πρέπει να φυλάτε το κλειδί μακριά από παιδιά.
- Τα παιδιά πρέπει να βρίσκονται υπό επίβλεψη ώστε να μην επεμβαίνουν στο προϊόν.

Προειδοποίηση HC (Για συσκευές Ψύξης - Θέρμανσης)

Αν το ψυκτικό σύστημα της συσκευής σας περιέχει R600a:

Το αέριο αυτό είναι εύφλεκτο. Για το λόγο αυτό, προσέχετε να μην προκληθεί ζημιά στο ψυκτικό σύστημα και τις σωληνώσεις του κατά τη χρήση και τη μεταφορά της συσκευής. Σε περίπτωση ζημιάς, κρατήστε τη συσκευή σας μακριά από ενδεχόμενες πηγές φωτιάς οι οποίες μπορούν να κάνουν το προϊόν να πιάσει φωτιά και αερίστε το χώρο στον οποίο είναι τοποθετημένη η μονάδα.

Αγνοήστε αυτή την προειδοποίηση αν το ψυκτικό σύστημα της συσκευής σας περιέχει R134a.

Ο τύπος αερίου που χρησιμοποιείται στο προϊόν αναφέρεται στην πινακίδα στοιχείων η οποία βρίσκεται πάνω στο αριστερό τοίχωμα στο εσωτερικό του ψυγείου.

Σε καμία περίπτωση μην πετάξετε το προϊόν σε φωτιά.

Τι πρέπει να κάνετε για εξοικονόμηση ενέργειας

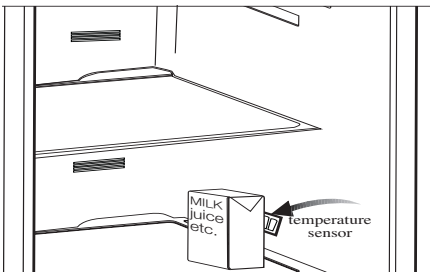
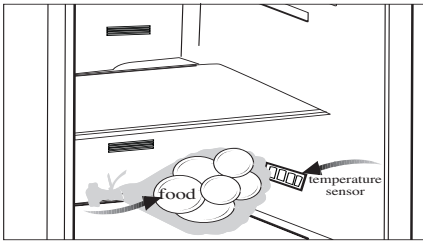
- Μην αφήνετε τις πόρτες του ψυγείου σας ανοικτές για μεγάλο χρονικό διάστημα.
- Μην τοποθετείτε ζεστά φαγητά ή ποτά στο ψυγείο σας.
- Μην υπερφορτώνετε το ψυγείο σας, ώστε να μην εμποδίζεται η κυκλοφορία αέρα στο εσωτερικό του.
- Μην τοποθετείτε το ψυγείο σας σε απ' ευθείας ηλιακό φως ή κοντά σε συσκευές που εκπέμπουν θερμότητα όπως φούρνους, πλυντήρια πιάτων ή σώματα θέρμανσης.
- Φροντίστε να διατηρείτε τα τρόφιμα σε κλειστά δοχεία.
- Για προϊόντα με χώρο κατάψυξης: Μπορείτε να φυλάξετε τη μέγιστη ποσότητα τροφίμων στην κατάψυξη όταν αφαιρέστε το ράφι ή το συρτάρι της κατάψυξης. Η αναφερόμενη τιμή κατανάλωσης ενέργειας για το ψυγείο σας προσδιορίστηκε ενώ είχε αφαιρεθεί το ράφι ή το συρτάρι της κατάψυξης και με το μέγιστο φορτίο τροφίμων. Δεν υπάρχει πρόβλημα από τη χρήση ραφίου ή συρταριού ανάλογα με τα σχήματα και τα μεγέθη των τροφίμων που πρόκειται να καταψυχθούν.
- Η απόψυξη των κατεψυγμένων τροφίμων στο χώρο συντήρησης θα παρέχει και εξοικονόμηση ενέργειας και καλύτερη διατήρηση της ποιότητας των τροφίμων.

Υποδείξεις για το χώρο νωπών τροφίμων

* ΠΡΟΑΙΡ.

• Μην αφήνετε τρόφιμα να έρθουν σε επαφή με τον αισθητήρα θερμοκρασίας στο χώρο νωπών τροφίμων. Για να διατηρήσετε το χώρο νωπών τροφίμων σε ιδανική θερμοκρασία αποθήκευσης, ο αισθητήρας δεν πρέπει να εμποδίζεται από τρόφιμα.

• Μην τοποθετείτε ζεστά τρόφιμα μέσα στη συσκευή.



3 Εγκατάσταση

⚠ Παρακαλούμε να θυμάστε ότι δεν θα θεωρείται υπεύθυνος ο κατασκευαστής αν δεν τηρηθούν οι πληροφορίες που δίνονται στο εγχειρίδιο οδηγιών.

Σημεία που πρέπει να προσέξετε κατά την εκ νέου μεταφορά του ψυγείου

1. Θα πρέπει να αδειάσετε και να καθαρίσετε το ψυγείο σας πριν από οποιαδήποτε μεταφορά.
2. Πριν τοποθετήσετε πάλι το ψυγείο στη συσκευασία του, τα ράφια, τα αξεσουάρ, το συρτάρι λαχανικών κλπ. θα πρέπει να στερεωθούν με χρήση κολλητικής ταινίας, για προστασία από τα τραντάγματα.
3. Η συσκευασία θα πρέπει να ασφαλιστεί με ταινίες κατάλληλου πάχους και γερά σχοινιά και θα πρέπει να ακολουθούνται οι κανόνες μεταφοράς που είναι τυπωμένοι στο κιβώτιο.

Μην ξεχνάτε...

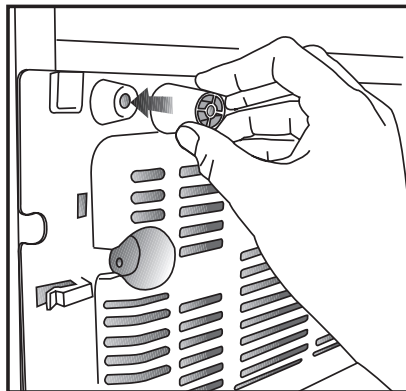
Κάθε υλικό που ανακυκλώνεται είναι μια απαραίτητη πηγή υλικών προς όφελος της φύσης και των εθνικών μας πόρων.

Αν επιθυμείτε να συμβάλετε στην ανακύκλωση των υλικών συσκευασίας, μπορείτε να πάρετε περισσότερες πληροφορίες από τους περιβαλλοντικούς φορείς ή τις τοπικές αρχές.

Πριν θέσετε σε λειτουργία το ψυγείο σας

Πριν αρχίσετε να χρησιμοποιείτε το ψυγείο σας ελέγξτε τα εξής:

1. Είναι το εσωτερικό του ψυγείου στεγνό και μπορεί ο αέρας να κυκλοφορεί ανεμπόδιστα στο πίσω του μέρος;
2. Τοποθετήστε τις 2 πλαστικές σφήνες όπως δείχνει η εικόνα. Οι πλαστικές σφήνες θα παρέχουν την απαιτούμενη απόσταση ανάμεσα στο ψυγείο σας και τον τοίχο ώστε να επιτρέπεται η κυκλοφορία του αέρα. (Το παρουσιαζόμενο σχήμα είναι μόνο ενδεικτικό και δεν αντιστοιχεί απόλυτα στο προϊόν σας.)



3. Καθαρίστε το εσωτερικό του ψυγείου όπως συνιστάται στην ενότητα "Συντήρηση και καθαρισμός".
4. Συνδέστε το ψυγείο στην πρίζα στον τοίχο. Όταν ανοίχτει η πόρτα, το εσωτερικό φως στο χώρο συντήρησης θα ανάψει.
5. Θα ακούσετε ένα θόρυβο καθώς ξεκινά η λειτουργία του συμπιεστή. Το υγρό και τα αέρια που βρίσκονται στο κλειστό κύκλωμα ψύξης μπορεί επίσης να προκαλέσουν θόρυβο, ακόμα και όταν ο συμπιεστής δεν λειτουργεί, πράγμα που είναι φυσιολογικό.
6. Οι μπροστινές ακμές του ψυγείου μπορεί να είναι θερμές στο άγγιγμα. Αυτό είναι φυσιολογικό. Οι περιοχές αυτές έχουν σχεδιαστεί να είναι θερμές ώστε να αποφεύγεται η συμπύκνωση.

Αντικατάσταση της λάμπας φωτισμού

Για αλλαγή της λάμπας φωτισμού του ψυγείου σας, καλέστε το τοπικό σας εξουσιοδοτημένο σέρβις.

Ο λαμπτήρας (οι λαμπτήρες) που χρησιμοποιεί αυτή η συσκευή δεν είναι κατάλληλος(-οι) για φωτισμό των οικιακών χώρων. Ο σκοπός αυτού του λαμπτήρα είναι να βοηθά τη χρήστη να βρίσκει με ασφάλεια και άνεση τα τρόφιμα στη συντήρηση/κατάψυξη.

Οι λάμπες που χρησιμοποιούνται σε αυτή τη συσκευή πρέπει να είναι ανθεκτικές σε ακραίες φυσικές συνθήκες, όπως θερμοκρασίες κάτω από -20 °C.

Ηλεκτρική σύνδεση

Συνδέστε τη συσκευή σας σε γειωμένη πρίζα η οποία προστατεύεται από ασφάλεια κατάλληλης ονομαστικής τιμής ρεύματος. Σημαντική παρατήρηση:

- Η σύνδεση πρέπει να συμμορφώνεται με τους εθνικούς κανονισμούς.
- Το φως του καλωδίου ρεύματος πρέπει να είναι εύκολα προσπελάσιμο μετά την εγκατάσταση.
- Η ηλεκτρική τάση των προδιαγραφών πρέπει να είναι ίδια με την τάση ρεύματος του δικτύου σας.
- Δεν πρέπει να χρησιμοποιούνται καλώδια προέκτασης και πολύπριζα για τη σύνδεση στο ρεύμα.

⚠ Αν ένα καλώδιο ρεύματος έχει υποστεί ζημιά, αυτό πρέπει να αντικατασταθεί από αδειούχο ειδικό τεχνικό.

⚠ Δεν επιτρέπεται η λειτουργία της συσκευής πριν την επισκευή! Υπάρχει κίνδυνος ηλεκτροπληξίας!

Διάθεση των υλικών συσκευασίας

Τα υλικά συσκευασίας μπορεί να είναι επικίνδυνα για τα παιδιά. Κρατάτε τα υλικά συσκευασίας μακριά από παιδιά ή πετάξτε τα αφού τα διαχωρίσετε ανάλογα με τις οδηγίες για απόβλητα. Μην τα πετάξετε μαζί με τα κοινά οικιακά απορρίμματα.

Η συσκευασία του ψυγείου σας έχει παραχθεί από ανακυκλώσιμα υλικά.

Διάθεση του παλιού σας ψυγείου

Απορρίψτε το παλιό σας ψυγείο με τρόπο φιλικό προς το περιβάλλον.

- Σχετικά με τον τρόπο απόρριψης του ψυγείου σας μπορείτε να συμβουλευτείτε τον εξουσιοδοτημένο έμπορο που συνεργάζεστε ή τις δημοτικές σας αρχές.

Πριν πετάξετε το ψυγείο σας, κόψτε το καλώδιο ρεύματος, και, αν υπάρχουν κλειδαριές σε πόρτες, καταστήστε τις μη λειτουργικές, για την προστασία των παιδιών από οποιονδήποτε κίνδυνο.

Τοποθέτηση και εγκατάσταση

⚠ Αν η πόρτα εισόδου του χώρου όπου θα τοποθετηθεί το ψυγείο δεν είναι αρκετά πλατιά για να περάσει το ψυγείο, τότε καλέστε το εξουσιοδοτημένο σέρβις για να αφαιρέσει την πόρτα του ψυγείου σας και να το περάσει μέσα από την πόρτα με το πλάι.

1. Εγκαταστήστε το ψυγείο σε θέση που προσφέρει ευκολία στη χρήση.

2. Κρατήστε το ψυγείο σας μακριά από πηγές θερμότητας, μέρη με υγρασία και από απ' ευθείας ηλιακό φως.

3. Πρέπει να υπάρχει επαρκής κυκλοφορία αέρα γύρω από το ψυγείο σας για να επιτυγχάνεται αποδοτική λειτουργία. Αν το ψυγείο πρέπει να τοποθετηθεί σε εσοχή στον τοίχο, θα πρέπει να υπάρχει ελάχιστη απόσταση 5 εκ. από το ταβάνι και 5 εκ. από τον τοίχο. Αν το πάτωμα είναι καλυμμένο με χαλί, το προϊόν σας θα πρέπει να ανυψωθεί κατά 2,5 εκ. από το δάπεδο.

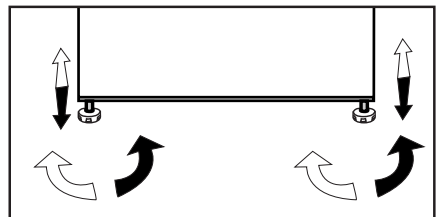
4. Τοποθετήστε το ψυγείο σας σε δάπεδο με επίπεδη επιφάνεια για να αποφευχθούν τα τραντάγματα.

5. Μην αφήνετε το ψυγείο σας σε θερμοκρασίες περιβάλλοντος χώρου μικρότερες από 10°C.

Ρύθμιση των ποδιών

Αν το ψυγείο σας δεν είναι καλά ισοροπημένο:

Μπορείτε να ισοροπήσετε το ψυγείο σας περιστρέφοντας τα μπροστινά πόδια του, όπως δείχνει η εικόνα. Η γωνία όπου βρίσκεται το πόδι χαμηλώνει όταν περιστρέψετε το πόδι στην κατεύθυνση του μαύρου βέλους και ανυψώνεται όταν το γυρίζετε στην αντίθετη κατεύθυνση. Η διαδικασία αυτή θα γίνει πιο εύκολη αν κάποιος σας βοηθήσει ανυψώνοντας ελαφρά το ψυγείο.



4 Προετοιμασία

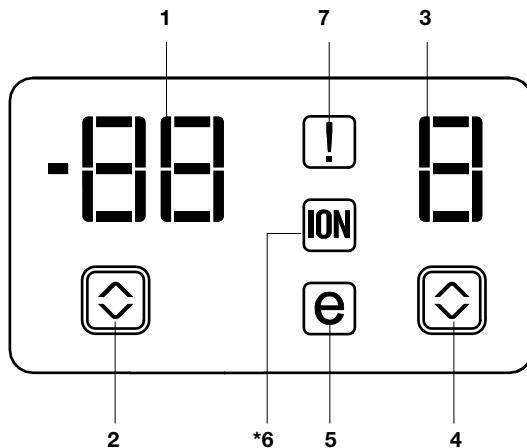
- i** Το ψυγείο σας θα πρέπει να εγκατασταθεί σε απόσταση τουλάχιστον 30 εκ. από πηγές θερμότητας όπως εστίες μαγειρέματος, φούρνους, σώματα κεντρικής θέρμανσης και σόμπες και τουλάχιστον 5 εκ. μακριά από ηλεκτρικούς φούρνους και δεν θα πρέπει να τοποθετείται σε μέρη όπου δέχεται απ' ευθείας ηλιακή ακτινοβολία.
- i** Η θερμοκρασία περιβάλλοντος του δωματίου που τοποθετείτε το ψυγείο σας θα πρέπει να είναι τουλάχιστον 10°C. Η λειτουργία του ψυγείου σας σε πιο κρύες συνθήκες από αυτές δεν συνιστάται από την άποψη της απόδοσής του.
- i** Παρακαλούμε να φροντίζετε να διατηρείτε το εσωτερικό του ψυγείου σας σχολαστικά καθαρό.
- i** Αν πρέπει να εγκατασταθούν δύο ψυγεία το ένα δίπλα στο άλλο, θα πρέπει να υπάρχουν μεταξύ τους απόσταση τουλάχιστον 2 εκ.
- i** Όταν θέσετε το ψυγείο σε λειτουργία για πρώτη φορά, παρακαλούμε τηρείτε τις ακόλουθες οδηγίες κατά τις αρχικές έξι ώρες.
 - Η πόρτα δεν θα πρέπει να ανοίγει συχνά.
 - Το ψυγείο θα πρέπει να λειτουργήσει κενό, χωρίς τρόφιμα στο εσωτερικό του.
 - Μην αποσυνδέσετε το ψυγείο σας από το ρεύμα. Αν συμβεί μια ανεξέλεγκτη διακοπή ρεύματος, δείτε τις προειδοποιήσεις στην ενότητα "Συνιστώμενες λύσεις για προβλήματα".
- i** Πρέπει να χρησιμοποιείτε πάντα τα καλάθια/συρτάρια που παρέχονται με το διαμέρισμα έντονης ψύξης, για χαμηλή κατανάλωση ενέργειας και καλύτερες συνθήκες φύλαξης των τροφίμων.
- i** Η επαφή τροφίμων με τον αισθητήρα θερμοκρασίας στο θάλαμο κατάψυξης μπορεί να αυξήσει την κατανάλωση ενέργειας της συσκευής. Επομένως πρέπει να αποφεύγετε κάθε επαφή τροφίμων με τον αισθητήρα (τους αισθητήρες).
- i** Η αρχική συσκευασία και τα αφρώδη υλικά θα πρέπει να φυλαχτούν για μελλοντικές μεταφορές ή μετακόμιση.
- i** Σε ορισμένα μοντέλα, ο πίνακας οργάνων απενεργοποιείται αυτόματα 5 λεπτά μετά το κλείσιμο της πόρτας. Θα ενεργοποιηθεί πάλι όταν ανοίξει η πόρτα ή όταν πατηθεί οποιοδήποτε πλήκτρο.
- i** Λόγω της μεταβολής της θερμοκρασίας, ως αποτέλεσμα του ανοίγματος/κλεισίματος της πόρτας του προϊόντος κατά τη διάρκεια της λειτουργίας, η συμπύκνωση στην πόρτα/ράφια και στα γυάλινα δοχεία είναι φυσιολογική.

5 Χρήση του ψυγείου σας

Πίνακας ενδείξεων

Οι πίνακες ενδείξεων μπορεί να διαφέρουν, ανάλογα με το μοντέλο του προϊόντος σας.

Ο πίνακας ενδείξεων σας βοηθά να χρησιμοποιείτε το ψυγείο σας χάρη στις ακουστικές και οπτικές του λειτουργίες.



1. Ένδειξη θερμοκρασίας χώρου Κατάψυξης
2. Ένδειξη Κατάστασης σφάλματος
3. Ένδειξη θερμοκρασίας χώρου Συντήρησης
4. Κουμπί ρύθμισης θερμοκρασίας χώρου Συντήρησης
5. Ένδειξη Οικονομικής λειτουργίας
6. Ένδειξη Ιονιστή
7. Κουμπί ρύθμισης θερμοκρασίας χώρου Κατάψυξης

1. Ένδειξη θερμοκρασίας χώρου Κατάψυξης

Δείχνει τη θερμοκρασία που ρυθμίστηκε για το χώρο Κατάψυξης.

2. Ένδειξη Κατάστασης σφάλματος

Αυτή η ένδειξη θα ενεργοποιηθεί αν η ψύξη του ψυγείου σας δεν είναι επαρκής ή αν υπάρχει βλάβη του αισθητήρα. Όταν είναι ενεργή αυτή η ένδειξη, η ένδειξη θερμοκρασίας χώρου Κατάψυξης θα δείχνει "e" και η ένδειξη θερμοκρασίας χώρου Συντήρησης θα δείχνει αριθμούς όπως "1, 2, 3...". Αυτοί οι αριθμοί στην ένδειξη παρέχουν πληροφορίες στο προσωπικό σέρβις σχετικά με το σφάλμα.

3. Ένδειξη θερμοκρασίας χώρου Συντήρησης

Δείχνει τη θερμοκρασία που ρυθμίστηκε για το χώρο Συντήρησης.

4. Κουμπί ρύθμισης θερμοκρασίας χώρου Συντήρησης

Πατήστε το κουμπί αυτό για να ρυθμίσετε τη θερμοκρασία του χώρου Συντήρησης σε 8, 6, 4, 2, 8... αντίστοιχα. Πατήστε αυτό το κουμπί για να ρυθμίσετε την επιθυμητή θερμοκρασία για το χώρο συντήρησης.

5. Ένδειξη Οικονομικής λειτουργίας

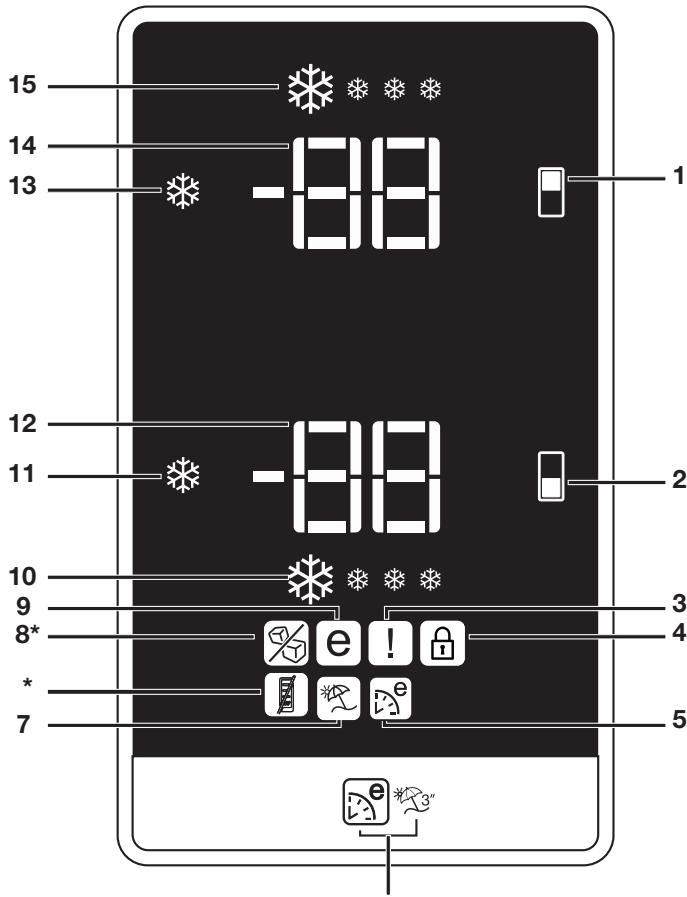
Δείχνει ότι το ψυγείο λειτουργεί σε ενεργειακά αποδοτική λειτουργία.

6. Ένδειξη Ιονιστή

Η ενδεικτική λυχνία είναι αναμμένη συνεχώς. Η λυχνία αυτή δείχνει ότι το ψυγείο σας είναι προστατευμένο από βακτηρίδια.

7. Κουμπί ρύθμισης θερμοκρασίας χώρου Κατάψυξης

Πατήστε το κουμπί αυτό για να ρυθμίσετε τη θερμοκρασία του χώρου κατάψυξης σε -18, -20, -22, -24, -18... αντίστοιχα. Πατήστε αυτό το κουμπί για να ρυθμίσετε την επιθυμητή θερμοκρασία για το χώρο κατάψυξης.



1. Κουμπί ρύθμισης χώρου Κατάψυξης / Ενεργοποίησης - απενεργοποίησης Icematic
2. Κουμπί ρύθμισης χώρου Συντήρησης
3. Ένδειξη Κατάστασης σφάλματος
4. Ένδειξη κλειδώματος πλήκτρων
5. Ένδειξη Πολύ οικονομικής λειτουργίας
6. Κουμπί Πολύ οικονομικής λειτουργίας/ Διακοπών
7. Ένδειξη λειτουργίας Διακοπών
8. Ένδειξη απενεργοποιημένου Icematic (*σε ορισμένα μοντέλα)
9. Ένδειξη Οικονομικής χρήσης
10. Ένδειξη λειτουργίας Ταχεία Ψύξη
11. Κουμπί λειτουργίας Ταχεία Ψύξη
12. Ένδειξη ρύθμισης θερμοκρασίας χώρου Συντήρησης
13. Κουμπί λειτουργίας Ταχεία Κατάψυξη
14. Ένδειξη ρύθμισης θερμοκρασίας χώρου Κατάψυξης
15. Ένδειξη λειτουργίας Ταχείας Κατάψυξης

❗ Οι εικόνες σ' αυτό το εγχειρίδιο οδηγιών είναι σχηματικές και ενδέχεται να μην ανταποκρίνονται ακριβώς στο προϊόν σας. Αν ορισμένα εξαρτήματα δεν περιλαμβάνονται στο προϊόν που έχετε προμηθευτεί, τότε ισχύουν για άλλα μοντέλα.

1. Κουμπί ρύθμισης χώρου Κατάψυξης / Ενεργοποίησης - απενεργοποίησης Icematic

Η λειτουργία αυτή σας επιτρέπει να πραγματοποιήσετε τη ρύθμιση θερμοκρασίας του χώρου κατάψυξης. Πατήστε το κουμπί αυτό για να ρυθμίσετε τη θερμοκρασία του χώρου κατάψυξης σε -18, -20, -22 και -24 αντίστοιχα.

Για να σταματήσετε την παραγωγή πάγου, πατήστε το κουμπί Ενεργοποίησης/ απενεργοποίησης του Icematic για 3 δευτερόλεπτα. Με αυτή την επιλογή θα σταματήσει η ροή νερού από το δοχείο νερού. Ωστόσο, ο πάγος που ήδη έχει παραχθεί μπορεί να παραληφθεί από το Icematic. Για να ξαναρχίσει η παραγωγή πάγου, πατήστε το κουμπί Ενεργοποίησης/ απενεργοποίησης του Icematic για 3 δευτερόλεπτα.

2. Κουμπί ρύθμισης χώρου Συντήρησης

Η λειτουργία αυτή σας επιτρέπει να πραγματοποιήσετε τη ρύθμιση θερμοκρασίας του χώρου συντήρησης. Πατήστε το κουμπί αυτό για να ρυθμίσετε τη θερμοκρασία του χώρου συντήρησης σε 8, 6, 4, 2 αντίστοιχα.

3. Ένδειξη Κατάστασης σφάλματος

Αυτή η ένδειξη θα ενεργοποιηθεί αν η ψύξη του ψυγείου σας δεν είναι επαρκής ή αν υπάρχει βλάβη του αισθητήρα. Όταν είναι ενεργή αυτή η ένδειξη, η ένδειξη θερμοκρασίας χώρου Κατάψυξης θα δείχνει "E" και η ένδειξη θερμοκρασίας χώρου Συντήρησης θα δείχνει αριθμούς όπως "1, 2, 3...". Αυτοί οι αριθμοί στην ένδειξη παρέχουν πληροφορίες στο προσωπικό σέρβις σχετικά με το σφάλμα.

Αν τοποθετήσετε ζεστά τρόφιμα μέσα στο χώρο κατάψυξης ή αν αφήσετε την πόρτα ανοιχτή για πολλή ώρα, μπορεί να ανάψει η ένδειξη θαυμαστικού για ορισμένη ώρα. Αυτό δεν οφείλεται σε βλάβη. Η προειδοποίηση αυτή θα πάψει να εμφανίζεται όταν κρυώσουν τα τρόφιμα.

4. Ένδειξη Κλειδώματος πλήκτρων

Χρησιμοποιήστε αυτή τη λειτουργία όταν δεν θέλετε να αλλάξει κανείς τη ρύθμιση θερμοκρασίας του ψυγείου σας. Για να ενεργοποιήσετε αυτή τη δυνατότητα, πατήστε ταυτόχρονα παρατεταμένα (για 3 δευτερόλεπτα) το κουμπί ρύθμισης χώρου Συντήρησης και το κουμπί ρύθμισης χώρου Κατάψυξης.

5. Ένδειξη Πολύ οικονομικής λειτουργίας

Δείχνει ότι η Πολύ οικονομική λειτουργία είναι ενεργή.

Αν αυτή η λειτουργία είναι ενεργή, το ψυγείο σας θα ανιχνεύσει αυτόματα τις περιόδους ελαχιστοποιημένης χρήσης και στη διάρκεια αυτών των περιόδων θα εκτελείται ενεργειακά αποδοτική ψύξη. Όσο εκτελείται ενεργειακά αποδοτική ψύξη θα είναι αναμμένη η ένδειξη οικονομικής λειτουργίας.

Για να απενεργοποιήσετε αυτή τη λειτουργία, πατήστε πάλι το σχετικό κουμπί.

6. Κουμπί Πολύ οικονομικής λειτουργίας/ Διακοπών

Πατήστε σύντομα αυτό το κουμπί για να ενεργοποιήσετε την Πολύ οικονομική λειτουργία. Για να ενεργοποιήσετε τη λειτουργία Διακοπών πατήστε και κρατήστε πατημένο αυτό το πλήκτρο για 3 δευτερόλεπτα. Για να απενεργοποιήσετε την επιλεγμένη λειτουργία, πατήστε αυτό το κουμπί πάλι.

7. Ένδειξη λειτουργίας Διακοπών

Δείχνει ότι η λειτουργία Διακοπών είναι ενεργή. Αν αυτή η λειτουργία είναι ενεργή, η ένδειξη για το χώρο συντήρησης είναι "- -" και δεν υπάρχει ψύξη στο χώρο συντήρησης. Οι άλλοι χώροι θα ψύχονται σύμφωνα με τη θερμοκρασία που έχει ρυθμιστεί γι' αυτούς.

Για να απενεργοποιήσετε αυτή τη λειτουργία, πατήστε πάλι το σχετικό κουμπί.

8. Ένδειξη διακοπής παραγωγής πάγου

Όταν είναι ενεργή η ενδεικτική λυχνία αυτής της λειτουργίας, δεν θα λειτουργεί το Iceomatic. Για να ενεργοποιήσετε το Iceomatic, δείτε το σημείο 1.

9. Ένδειξη Οικονομικής λειτουργίας

Δείχνει ότι το ψυγείο λειτουργεί σε ενεργειακά αποδοτική λειτουργία. Θερμοκρασία χώρου Συντήρησης

Αυτή η ένδειξη θα είναι ενεργή αν η λειτουργία τεθεί σε -18 ή αν εκτελείται ενεργειακά αποδοτική ψύξη λόγω της Πολύ οικονομικής λειτουργίας.

10. Ένδειξη Ταχεία Ψύξη

Το εικονίδιο αυτό αναβοσβήνει ως κινούμενη εικόνα όταν είναι ενεργή η λειτουργία Ταχεία Ψύξη.

11. Λειτουργία Ταχεία Ψύξη

Όταν πιέσετε το κουμπί Ταχείας Ψύξης, η θερμοκρασία του χώρου θα είναι πιο ψυχρή από τις ρυθμισμένες τιμές.

Η λειτουργία αυτή μπορεί να χρησιμοποιηθεί για τρόφιμα που τοποθετούνται στο χώρο συντήρησης και απαιτείται να ψυχθούν πολύ γρήγορα.

Αν θέλετε να κρυώσετε μεγάλες ποσότητες νωπών τροφίμων, συνιστάται να ενεργοποιήσετε αυτή τη δυνατότητα πριν τοποθετήσετε τα τρόφιμα στο ψυγείο.

Η ένδειξη Ταχεία Ψύξη ανάβει όταν είναι ενεργοποιημένη η λειτουργία Ταχεία Ψύξη. Για να ακυρώσετε τη λειτουργία αυτή πιέστε πάλι το κουμπί Ταχείας Ψύξης.

Αν δεν την ακυρώσετε εσείς, η λειτουργία Ταχεία Ψύξη θα ακυρωθεί αυτόματα μετά από 4 ώρες ή όταν ο χώρος συντήρησης επιτύχει την επιθυμητή θερμοκρασία.

Η λειτουργία αυτή δεν συνεχίζεται μετά την αποκατάσταση διακοπής ρεύματος.

12. Ένδειξη ρύθμισης θερμοκρασίας χώρου Συντήρησης

Δείχνει τη θερμοκρασία που ρυθμίστηκε για το χώρο Συντήρησης.

13. Ένδειξη ρύθμισης θερμοκρασίας χώρου Κατάψυξης

Δείχνει τη θερμοκρασία που ρυθμίστηκε για το Χώρο Κατάψυξης.

14. Λειτουργία Ταχεία Κατάψυξη

Η ένδειξη Ταχείας Κατάψυξης θα παραμένει αναμμένη όταν είναι ενεργή η λειτουργία Ταχεία Κατάψυξη. Για να ακυρώσετε τη λειτουργία αυτή πιέστε πάλι το κουμπί Ταχείας Κατάψυξης. Η ένδειξη Ταχείας Κατάψυξης θα σβήσει και η λειτουργία της κατάψυξης θα επιστρέψει στις κανονικές ρυθμίσεις. Αν δεν την ακυρώσετε εσείς, η λειτουργία Ταχείας Κατάψυξης θα ακυρωθεί αυτόματα μετά από 8 ώρες ή όταν ο χώρος κατάψυξης επιτύχει την επιθυμητή θερμοκρασία.

Αν θέλετε να καταψύξετε μεγάλες ποσότητες νωπών τροφίμων, πιέστε το κουμπί Ταχείας Κατάψυξης πριν τοποθετήσετε τα τρόφιμα στο χώρο κατάψυξης.

Αν πατήσετε επανειλημμένα σε σύντομο διάστημα το κουμπί Ταχείας Κατάψυξης, ο συμπίεστής δεν θα αρχίσει να λειτουργεί αμέσως γιατί θα ενεργοποιηθεί το ηλεκτρονικό σύστημα προστασίας.

Η λειτουργία αυτή δεν συνεχίζεται μετά την αποκατάσταση διακοπής ρεύματος.

15. Ένδειξη Ταχείας Κατάψυξης

Το εικονίδιο αυτό αναβοσβήνει ως κινούμενη εικόνα όταν είναι ενεργή η λειτουργία Ταχεία Κατάψυξη.

Προειδοποίηση ανοικτής πόρτας

(Η δυνατότητα αυτή μπορεί να διαφέρει ανάλογα με την πόρτα του προϊόντος και ίσως να μη διατίθεται σε ορισμένα μοντέλα.)

Θα παράγεται ένα ηχητικό σήμα προειδοποίησης όταν η πόρτα της συσκευής σας έχει παραμείνει ανοικτή για τουλάχιστον 1 λεπτό. Αυτή η προειδοποίηση θα σταματήσει όταν κλείσετε την πόρτα ή αν πατήσετε οποιοδήποτε από τα κουμπιά της οθόνης (αν διατίθεται).

Διπλό σύστημα ψύξης:

Το ψυγείο σας διαθέτει δύο χωριστά συστήματα ψύξης για την ψύξη του χώρου συντήρησης και του χώρου κατάψυξης. Έτσι δεν αναμιγνύεται ο αέρας στο χώρο συντήρησης με τον αέρα του χώρου κατάψυξης. Χάρη στα δύο αυτά χωριστά συστήματα ψύξης, η ταχύτητα ψύξης είναι πολύ υψηλότερη από ότι σε άλλα ψυγεία. Οι οσμές στους δύο χώρους δεν αναμιγνύονται. Επίσης παρέχεται πρόσθετη εξοικονόμηση ενέργειας επειδή η απόψυξη εκτελείται ανεξάρτητα.

Κατάψυξη νωπών τροφίμων

- Τυλίγετε ή καλύπτετε τα τρόφιμα πριν τα τοποθετήσετε στο ψυγείο.
- Αφήνετε τα ζεστά φαγητά να κρυώνουν σε θερμοκρασία δωματίου πριν τα τοποθετήσετε στο ψυγείο.
- Τα τρόφιμα που θέλετε να καταψύξετε θα πρέπει να είναι φρέσκα και καλής ποιότητας.
- Τα τρόφιμα πρέπει να χωρίζονται σε μερίδες ανάλογα με τις καθημερινές ή ανά γεύμα ανάγκες της οικογένειας.
- Τα τρόφιμα θα πρέπει να συσκευάζονται με αεροστεγή τρόπο για να εμποδίζεται να ξηραίνονται ακόμα και αν πρόκειται να διατηρηθούν στο ψυγείο για σύντομο χρονικό διάστημα.
- Τα υλικά για τη συσκευασία θα πρέπει να είναι ανθεκτικά σε σχίσιμο και σε χαμηλές θερμοκρασίες, υγρασία, οσμές, λάδια και οξέα και επίσης θα πρέπει να είναι αεροστεγή. Επιπλέον θα πρέπει να είναι καλά κλεισμένα και να είναι κατασκευασμένα από εύχρηστα υλικά που είναι κατάλληλα για χρήση σε συνθήκες βαθιάς κατάψυξης.

- Τα κατεψυγμένα τρόφιμα θα πρέπει να χρησιμοποιούνται άμεσα μετά την απόψυξή τους και ποτέ δεν θα πρέπει να καταψύχονται πάλι.
 - Παρακαλούμε τηρείτε τις ακόλουθες οδηγίες για να επιτύχετε τα καλύτερα αποτελέσματα.
1. Μην καταψύχετε ταυτόχρονα πολύ μεγάλη ποσότητα τροφίμων. Η ποιότητα των τροφίμων διατηρείται καλύτερα αν αυτά καταψυχθούν ως τον πυρήνα τους όσο το δυνατόν συντομότερα.
 2. Η τοποθέτηση ζεστού φαγητού στο χώρο κατάψυξης προκαλεί συνεχή λειτουργία του συστήματος ψύξης έως ότου το φαγητό έχει παγώσει τελείως.
 3. Φροντίζετε ιδιαίτερα να μην αναμιγνύετε ήδη κατεψυγμένα και νωπά τρόφιμα.

Ρύθμιση χώρου Κατάψυξης	Ρύθμιση χώρου Συντήρησης	Επεξηγήσεις
-18°C	4°C	Αυτή είναι η κανονικά συνιστώμενη ρύθμιση.
-20,-22 ή -24°C	4°C	Οι ρυθμίσεις αυτές συνιστώνται όταν η θερμοκρασία περιβάλλοντος υπερβαίνει τους 30°C.
Ταχεία Κατάψυξη	4°C	Χρήση όταν θέλετε να καταψύξετε τα τρόφιμά σας σε σύντομο χρόνο. Το ψυγείο σας θα επιστρέψει στην κανονική λειτουργία όταν τελειώσει αυτή η διαδικασία.
-18°C ή μικρότερη	2°C	Αν θεωρείτε ότι ο χώρος συντήρησης του ψυγείου σας δεν είναι αρκετά κρύος λόγω θερμών συνθηκών περιβάλλοντος ή λόγω συχνού ανοίγματος και κλεισίματος της πόρτας.
-18°C ή μικρότερη	Ταχεία Ψύξη	Μπορείτε να την χρησιμοποιήσετε όταν ο χώρος συντήρησης είναι υπερφορτωμένος ή αν επιθυμείτε να ψύξετε πολύ γρήγορα τα τρόφιμά σας. Συνιστάται να ενεργοποιήσετε τη λειτουργία ταχείας ψύξης 4-8 ώρες πριν τοποθετήσετε τα τρόφιμα.

Συμβουλές για τη διατήρηση κατεψυγμένων τροφίμων

- Τα προσσκευασμένα κατεψυγμένα τρόφιμα του εμπορίου θα πρέπει να διατηρούνται σύμφωνα με τις οδηγίες του κατασκευαστή των κατεψυγμένων τροφίμων για χώρο συντήρησης κατεψυγμένων τροφίμων τύπου *** ** *** (4 αστέρων).
- Για να εξασφαλίσετε ότι θα διατηρηθεί η υψηλή ποιότητα η οποία επιτυγχάνεται από τον κατασκευαστή των κατεψυγμένων τροφίμων και το κατάστημα πώλησης τροφίμων, θα πρέπει να θυμάστε τα ακόλουθα:
 - Τοποθετείτε τις συσκευασίες στο χώρο κατάψυξης όσο το δυνατόν συντομότερα μετά την αγορά.
 - Βεβαιωθείτε ότι τα περιεχόμενα φέρουν σήμανση με το είδος και την ημερομηνία.
 - Μην υπερβαίνετε τις ημερομηνίες λήξης "Κατανάλωση έως", "Καλύτερο πριν" που βρίσκονται στη συσκευασία.

Απόψυξη

Ο χώρος κατάψυξης διαθέτει αυτόματη απόψυξη.

Τοποθέτηση των τροφίμων

Ράφια χώρου κατάψυξης	Διάφορα κατεψυγμένα τρόφιμα όπως κρέας, ψάρι, παγωτό, λαχανικά κλπ.
Αυγοθήκη	Αυγά
Ράφια χώρου συντήρησης	Τρόφιμα σε μαγειρικά σκεύη, καλυμμένα πιάτα και κλειστά δοχεία
Ράφια πόρτας χώρου συντήρησης	Μικρής ποσότητας και συσκευασμένα τρόφιμα ή ποτά (όπως γάλα, χυμός φρούτων και μπίρα)
Συρτάρι λαχανικών	Λαχανικά και φρούτα
Χώρος ζώνης φρεσκάδας	Προϊόντα Delicatessen (τυρί, βούτυρο, αλλαντικά κλπ.)

Πληροφορίες για τη Βαθιά Κατάψυξη

Τα τρόφιμα πρέπει να καταψύχονται όσο το δυνατόν ταχύτερα όταν τοποθετούνται στο ψυγείο για να διατηρείται η καλή τους ποιότητα.

Η διατήρηση των τροφίμων για μεγάλο χρονικό διάστημα είναι δυνατή σε θερμοκρασίες -18°C ή χαμηλότερες.

Μπορείτε να διατηρήσετε τη φρεσκάδα των τροφίμων για πολλούς μήνες (στους -18°C ή χαμηλότερες θερμοκρασίες στη βαθιά κατάψυξη).

ΠΡΟΕΙΔΟΠΟΙΗΣΗ! ⚠

- Τα τρόφιμα πρέπει να χωρίζονται σε μερίδες ανάλογα με τις καθημερινές ή ανά γεύμα ανάγκες της οικογένειας.

- Τα τρόφιμα θα πρέπει να συσκευάζονται με αεροστεγή τρόπο για να εμποδίζεται να ξηραίνονται ακόμα και αν πρόκειται να διατηρηθούν στο ψυγείο για σύντομο χρονικό διάστημα.

Υλικά απαραίτητα για τη συσκευασία:

- Κολητική ταινία ανθεκτική σε χαμηλές θερμοκρασίες
- Αυτοκόλλητη ετικέτα
- Λαστιχάκια
- Στυλό

Τα υλικά για τη συσκευασία θα πρέπει να είναι ανθεκτικά στο σχίσιμο καθώς και σε χαμηλές θερμοκρασίες, υγρασία, οσμές, λάδια και οξέα.

Τα τρόφιμα προς κατάψυξη δεν θα πρέπει να επιτρέπεται να έρχονται σε επαφή με τα ήδη κατεψυγμένα είδη για να αποτραπεί η μερική απόψυξή τους.

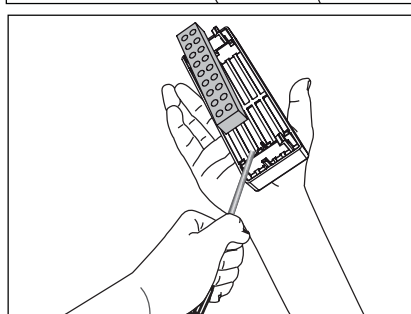
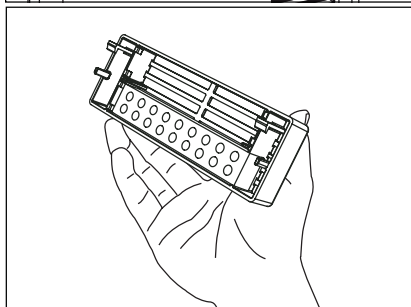
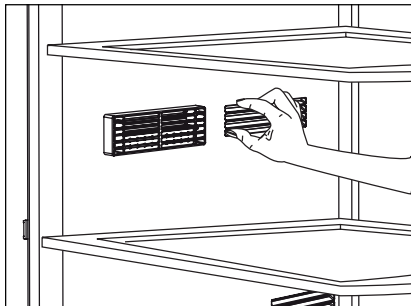
Τα κατεψυγμένα τρόφιμα θα πρέπει να χρησιμοποιούνται άμεσα μετά την απόψυξή τους και ποτέ δεν θα πρέπει να καταψύχονται πάλι.

Περιγραφή και καθαρισμός του φίλτρου οσμών:

Το φίλτρο οσμών αποτρέπει τη δημιουργία δυσάρεστων οσμών στο ψυγείο σας.

Τραβήξτε το κάλυμμα της υποδοχής του φίλτρου οσμών προς τα κάτω και αφαιρέστε το όπως δείχνει η εικόνα. Αφήστε το φίλτρο στον ήλιο για μία ημέρα. Σε αυτό το χρονικό διάστημα το φίλτρο θα καθαριστεί. Τοποθετήστε το φίλτρο πάλι στη θέση του.

Το φίλτρο οσμών πρέπει να καθαρίζεται μια φορά το χρόνο.



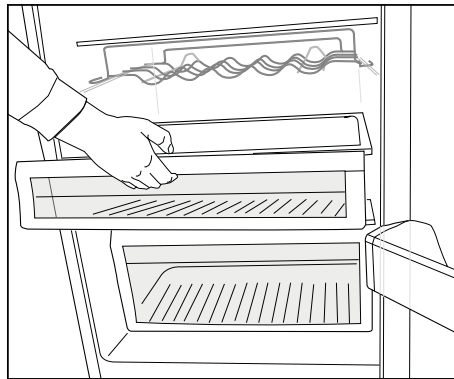
Θάλαμοι σνακ

Χρησιμοποιήστε αυτούς τους θαλάμους για τα τρόφιμα που θέλετε να αποθηκεύσετε σε θερμοκρασία λίγων βαθμών κάτω από του χώρου συντήρησης.

Μπορείτε να αυξήσετε τον εσωτερικό όγκο του ψυγείου σας αφαιρώντας οποιονδήποτε από τους χώρους σνακ.

1. Τραβήξτε το θάλαμο προς το μέρος σας έως ότου σταματήσει από τον αναστολέα.
2. Ανυψώστε το μπροστινό μέρος και τραβήξτε το θάλαμο προς το μέρος σας για να τον αφαιρέσετε τελείως.

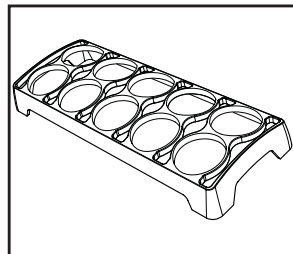
i Στους θαλάμους αυτούς μπορείτε να τοποθετήσετε τρόφιμα που θέλετε να καταψύξετε, για να τα προετοιμάσετε για κατάψυξη.



Αυγοθήκη

Μπορείτε να τοποθετήσετε τη θήκη αυγών στο επιθυμητό ράφι πόρτας ή κυρίως ράφι.

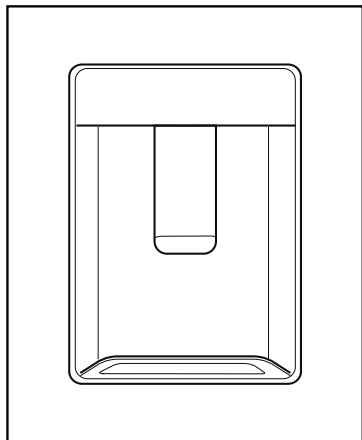
Μην τοποθετείτε ποτέ τη θήκη αυγών στο χώρο κατάψυξης.



Διανομέας νερού

(σε ορισμένα μοντέλα)

Ο διανομέας νερού είναι μια πολύ χρήσιμη δυνατότητα που σας επιτρέπει να έχετε κρύο νερό χωρίς να ανοίγετε την πόρτα του ψυγείου σας. Αφού δεν χρειάζεται να ανοίγετε συχνά την πόρτα του ψυγείου, θα έχετε εξοικονόμηση ενέργειας.



Χρήση του διανομέα νερού

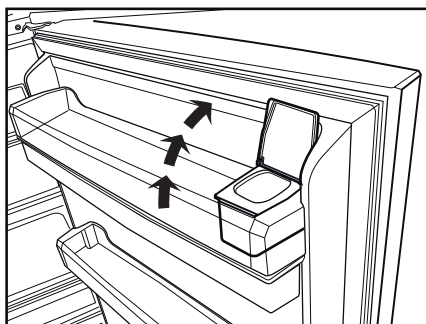
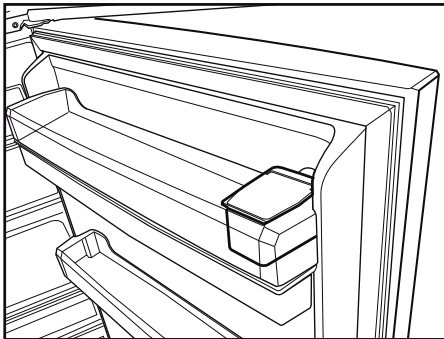
Σπρώξτε με το ποτήρι σας το βραχίονα του διανομέα νερού. Ο διανομέας θα σταματήσει να λειτουργεί όταν ελευθερώσετε το βραχίονα.

Όταν χρησιμοποιείτε το διανομέα νερού, η μέγιστη ροή επιτυγχάνεται πιέζοντας πλήρως το βραχίονα. Θυμηθείτε ότι η παροχή από το διανομέα εξαρτάται από το πόσο πιέζετε το βραχίονα.

Καθώς ανεβαίνει η στάθμη του νερού στο ποτήρι/ δοχείο σας, μειώστε ελαφρά την πίεση στο βραχίονα για να αποφύγετε υπερχειλίση. Αν πιέσετε ελαφρά το βραχίονα, θα στάξει νερό. Αυτό είναι κανονικό και όχι βλάβη.

Γέμισμα του δοχείου του διανομέα νερού

Το δοχείο συμπλήρωσης νερού στο διανομέα νερού βρίσκεται μέσα στο ράφι της πόρτας. Ανοίξτε το κάλυμμα του δοχείου συμπλήρωσης νερού και προσθέστε καθαρό πόσιμο νερό. Κατόπιν, κλείστε το κάλυμμα.



Προειδοποίηση!

- Μη γεμίζετε το δοχείο νερού με οποιοδήποτε υγρό εκτός από πόσιμο νερό. Ποτά όπως χυμός φρούτων, αναψυκτικά με ανθρακικό ή αλκοολούχα ποτά δεν είναι κατάλληλα για χρήση με το διανομέα νερού. Ο διανομέας νερού θα πάθει ανεπανόρθωτη ζημιά αν χρησιμοποιηθούν αυτά τα είδη υγρών. Η εγγύηση δεν καλύπτει χρήσεις τέτοιου είδους. Ορισμένα χημικά συστατικά και πρόσθετα σε τέτοια ποτά / υγρά μπορούν να προξενήσουν ζημιά στο υλικό του δοχείου νερού.

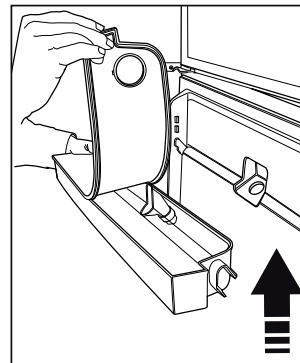
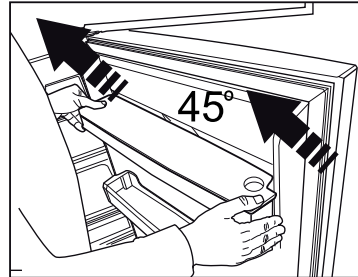
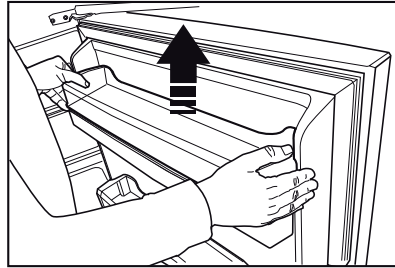
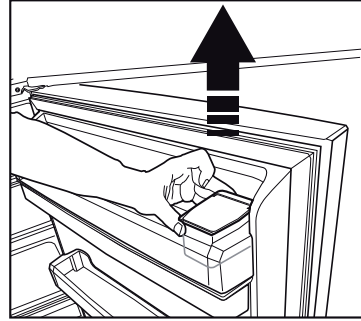
- Χρησιμοποιείτε μόνο καθαρό πόσιμο νερό.
- Η χωρητικότητα του δοχείου νερού είναι 3 λίτρα. Μη γεμίζετε το δοχείο υπερβολικά.
- Σπρώξτε το βραχίονα του διανομέα νερού με ένα άκαμπτο ποτήρι. Αν χρησιμοποιείτε πλαστικά ποτήρια μιας χρήσης, τότε πιέστε το βραχίονα με τα δάκτυλά σας από πίσω από το ποτήρι.

Καθαρισμός του δοχείου νερού

- Αφαιρέστε το δοχείο συμπλήρωσης νερού από το ράφι της πόρτας.
- Αφαιρέστε το ράφι της πόρτας πιάνοντάς το και από τις δύο πλευρές.
- Πιάστε το δοχείο νερού και από τις δύο πλευρές και αφαιρέστε το υπό γωνία 45SDgr.
- Καθαρίζετε το δοχείο νερού αφού αφαιρέσετε το καπάκι του.

Σημαντική παρατήρηση:

Τα εξαρτήματα του δοχείου νερού και του διανομέα νερού δεν πρέπει να πλένονται σε πλυντήριο πιάτων.



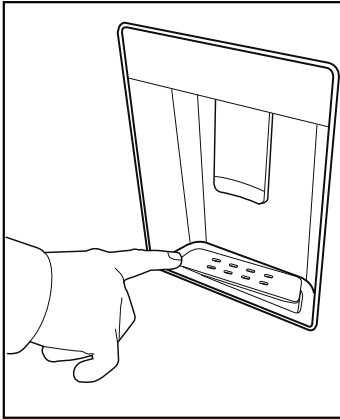
Δίσκος νερού

Σταγόνες νερού που τυχόν στάζουν ενώ χρησιμοποιείτε το διανομέα νερού συγκεντρώνονται στο δίσκο συλλογής σταγόνων.

Αφαιρέστε την πλαστική σήτα όπως δείχνει το σχήμα.

Με ένα καθαρό και στεγνό πανί, αφαιρέστε το νερό που έχει συσσωρευτεί

ΠΡΟΣΟΧΗ: Η σύνδεση πρέπει να γίνει μόνο σε γραμμή πόσιμου νερού.



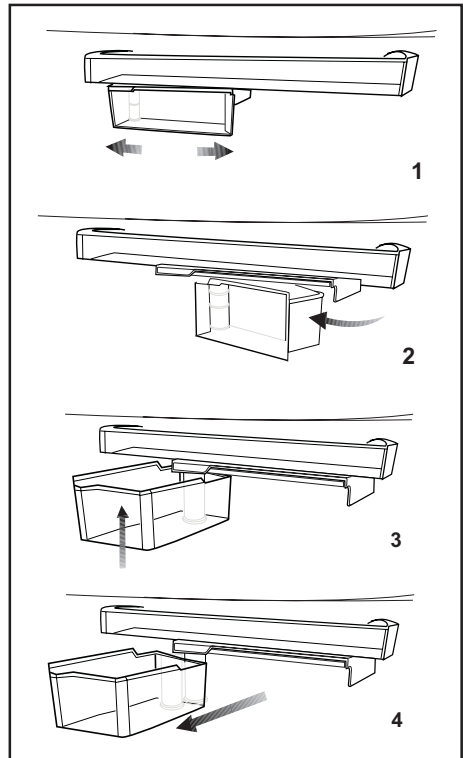
Περιστροφικό δοχείο φύλαξης

(σε ορισμένα μοντέλα)

Το συρόμενο ράφι θαλάμου μπορεί να μετακινηθεί προς τα αριστερά ή τα δεξιά για να σας επιτρέψει να τοποθετήσετε ψηλά μπουκάλια, βάζα ή κουτιά στο χαμηλότερο ράφι (Σχ. 1)

Μπορείτε να φθάσετε το φαγητό που έχετε τοποθετήσει στο ράφι πιάνοντάς το και περιστρέφοντάς το από τη δεξιά του άκρη (Σχ. 2).

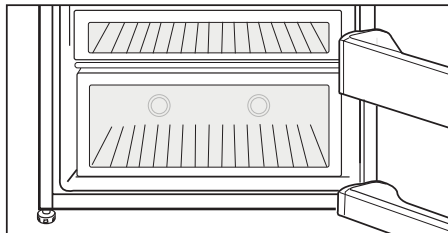
Όταν θέλετε να τοποθετήσετε τρόφιμα ή να το καθαρίσετε, περιστρέψτε το κατά 90 μοίρες, ανασηκώστε το και τραβήξτε το προς το μέρος σας (Σχ. 3-4).



Μπλε φως

(σε ορισμένα μοντέλα)

Τα τρόφιμα που έχουν αποθηκευτεί στα συρτάρια λαχανικών που φωτίζονται με μπλε φως συνεχίζουν τη φωτοσύνθεσή τους λόγω της επίδρασης του μήκους κύματος του μπλε φωτός και έτσι, διατηρούν τη φρεσκάδα τους και αυξάνεται το περιεχόμενο σε βιταμίνες.



Αυτόματο σύστημα Icematic

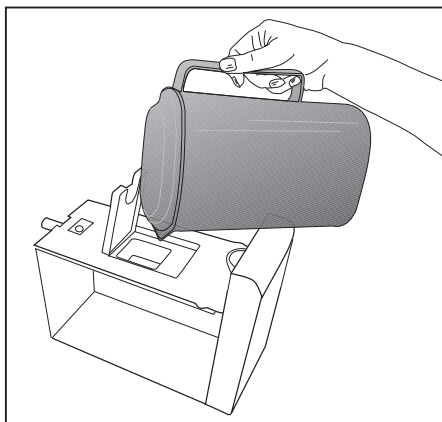
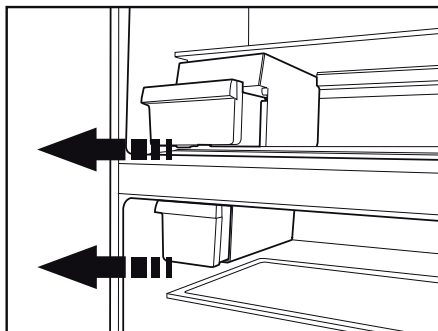
(σε ορισμένα μοντέλα)

Το Αυτόματο Icematic σας επιτρέπει να αποκτήσετε εύκολα πάγο από το ψυγείο. Αφαιρέστε το δοχείο νερού από το χώρο συντήρησης, γεμίστε το με νερό και τοποθετήστε το πάλι στη θέση του για να έχετε πάγο από το σύστημα Icematic.

Τα πρώτα παγάκια θα είναι έτοιμα σε περ. 2 ώρες στο συρτάρι Icematic που βρίσκεται στο χώρο κατάψυξης.

Αν γεμίσετε τελείως το δοχείο νερού, θα έχετε περίπου 60-70 παγάκια.

Αλλάξτε το νερό στο δοχείο νερού αν παρέμεινε εκεί για περ. 2-3 εβδομάδες.



Σύστημα Icematic και δοχείο φύλαξης πάγου

Χρήση του Icematic

Γεμίστε το Icematic με νερό και τοποθετήστε το στη θέση του. Ο πάγος σας θα είναι έτοιμος σε περίπου δύο ώρες. Μην αφαιρέσετε το Icematic από τη θέση του για να πάρετε πάγο.

Περιστρέψτε τα κουμπιά του δεξιόστροφα κατά 90 μοίρες.

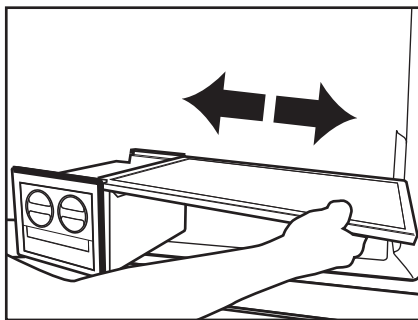
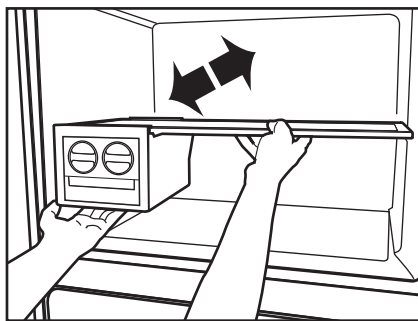
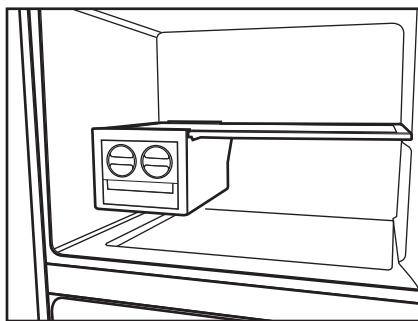
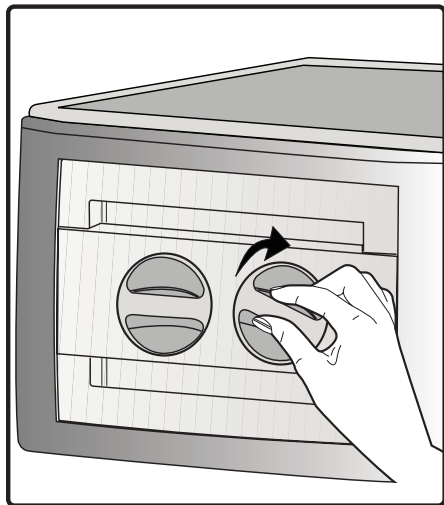
Οι παγοκύβοι από τις υποδοχές θα πέσουν στο δοχείο φύλαξης πάγου που βρίσκεται από κάτω.

Μπορείτε να αφαιρέσετε το δοχείο φύλαξης πάγου και να σερβίρετε τους παγοκύβους.












Αν επιθυμείτε, μπορείτε να διατηρήσετε τους παγοκύβους στο δοχείο φύλαξης πάγου.

Δοχείο φύλαξης πάγου


Το δοχείο φύλαξης πάγου έχει σκοπό μόνο να συγκεντρώνει τους παγοκύβους. Μην προσθέσετε νερό σ' αυτό. Αλλιώς, θα σπάσει.



6 Συντήρηση και καθαρισμός

-  Ποτέ μη χρησιμοποιήσετε βενζίνη, βενζόλιο ή παρόμοια υλικά για τον καθαρισμό.
-  Συνιστούμε να αποσυνδέετε τη συσκευή από την πρίζα πριν τον καθαρισμό.
-  Ποτέ μη χρησιμοποιείτε για τον καθαρισμό οποιοδήποτε αιχμηρό όργανο που χαράζει, σαπουνί, οικιακά καθαριστικά, απορρυπαντικά και γυαλιστικά κεριού.
-  Για να καθαρίσετε το περίβλημα του ψυγείου σας, χρησιμοποιήστε χλιαρό νερό και κατόπιν σκουπίστε το για να στεγνώσει.
-  Για να καθαρίσετε το εσωτερικό, χρησιμοποιήστε πανί που έχει υγρανθεί ελαφρά σε διάλυμα από μια κουταλιά του γλυκού μαγειρικής σόδας σε περίπου μισό λίτρο νερού. Κατόπιν σκουπίστε τις επιφάνειες για να στεγνώσουν.
-  Φροντίστε απαραίτητα να μην εισέλθει νερό στο περίβλημα της λάμπας και σε άλλα ηλεκτρικά εξαρτήματα.
-  Εάν το ψυγείο σας δεν πρόκειται να χρησιμοποιηθεί για μεγάλη χρονική περίοδο, αποσυνδέστε το καλώδιο ρεύματος από την πρίζα, αφαιρέστε όλα τα τρόφιμα, καθαρίστε το και αφήστε την πόρτα μισάνοιχτη.
-  Ελέγχετε τακτικά τις στεγανοποιήσεις στις πόρτες για να βεβαιωθείτε ότι είναι καθαρές και απαλλαγμένες από σωματίδια τροφίμων.
-  Για να αφαιρέσετε ένα ράφι πόρτας, αφαιρέστε όλα τα περιεχόμενα και κατόπιν απλά στρώστε το ράφι προς τα πάνω ώστε να βγει από τη βάση του.
-  Ποτέ μη χρησιμοποιείτε ποτέ καθαριστικούς παράγοντες ή νερό που περιέχει χλώριο για να καθαρίσετε τις εξωτερικές επιφάνειες και τα επιχρωμιωμένα εξαρτήματα του προϊόντος. Το χλώριο προκαλεί διάβρωση σε μεταλλικές επιφάνειες αυτού του είδους.
-  Μη χρησιμοποιείτε εργαλεία που κόβουν και χαράζουν ή σαπουνί, οικιακά καθαριστικά, απορρυπαντικά βενζίνη, βενζόλιο, κεριό κλπ. διαφορετικά οι στάμπες στα πλαστικά εξαρτήματα θα σβήσουν και θα προκύψει παραμόρφωση. Για τον καθαρισμό χρησιμοποιήστε χλιαρό νερό και ένα μαλακό πανί και σκουπίστε για να στεγνώσει.

Προστασία των πλαστικών επιφανειών

-  Μην τοποθετείτε υγρά λάδια ή φαγητά μαγειρεμένα σε λάδι στο ψυγείο σας σε μη σφραγισμένα δοχεία, επειδή προξενούν βλάβες στις πλαστικές επιφάνειες του ψυγείου σας. Σε περίπτωση που χυθεί ή αλειφτεί λάδι στις πλαστικές επιφάνειες, αμέσως καθαρίστε και ξεπλύνετε το επηρεαζόμενο μέρος της επιφάνειας με χλιαρό νερό.

7 Αντιμετώπιση προβλημάτων

Παρακαλούμε συμβουλευτείτε τη λίστα πριν καλέσετε το σέρβις. Μπορείτε να εξοικονομήσετε χρόνο και χρήματα. Η λίστα αυτή περιλαμβάνει συχνά παράπονα που δεν είναι αποτέλεσμα ελαττωμάτων της κατασκευής ή των χρησιμοποιούμενων υλικών. Ορισμένες από τις δυνατότητες που περιγράφονται εδώ ίσως να μην υπάρχουν στη συσκευή σας.

Το ψυγείο δεν λειτουργεί.
<ul style="list-style-type: none">• Το φιν δεν έχει τοποθετηθεί σωστά στην πρίζα. >>> <i>Τοποθετήστε το φιν σωστά στην πρίζα.</i>• Έχει καεί η ασφάλεια της πρίζας στην οποία έχει συνδεθεί το ψυγείο σας ή η γενική ασφάλεια. >>> <i>Ελέγξτε την ασφάλεια.</i>
Συμπύκνωση στα πλευρικά τοιχώματα του χώρου συντήρησης (Πολλαπλή Ζώνη, Έλεγχος Ψύξης και Ευέλικτη Ζώνη).
<ul style="list-style-type: none">• Η θερμοκρασία περιβάλλοντος είναι πολύ κρύα. >>> <i>Μην τοποθετείτε το ψυγείο σας σε μέρη όπου η θερμοκρασία πέφτει κάτω από τους 10 °C.</i>• Η πόρτα ανοιγόταν συχνά. >>> <i>Μην ανοίγετε και κλείνετε συχνά τις πόρτες του ψυγείου.</i>• Πολύ υγρό περιβάλλον. >>> <i>Μην τοποθετείτε το ψυγείο σας σε μέρη με πολλή υγρασία.</i>• Τρόφιμα που περιέχουν υγρά έχουν αποθηκευτεί σε ανοικτά δοχεία. >>> <i>Μην αποθηκεύετε τρόφιμα με υγρά σε ανοικτά δοχεία.</i>• Η πόρτα του ψυγείου σας είναι μισάνοιχτη. >>> <i>Κλείστε την πόρτα του ψυγείου.</i>• Ο θερμοστάτης είναι ρυθμισμένος σε πολύ κρύο επίπεδο. >>> <i>Ρυθμίστε το θερμοστάτη σε κατάλληλο επίπεδο.</i>
Ο συμπιεστής δεν λειτουργεί
<p>☐ Το προστατευτικό θερμικό του συμπιεστή θα ενεργοποιηθεί σε περίπτωση ξαφνικών διακοπών ρεύματος ή αν η συσκευή αποσυνδεθεί και συνδεθεί γρήγορα στο ρεύμα, γιατί η πίεση του ψυκτικού μέσου στο σύστημα ψύξης του ψυγείου δεν έχει εξισορροπηθεί ακόμα. Το ψυγείο θα αρχίσει πάλι να λειτουργεί μετά από 6 λεπτά. Παρακαλούμε καλέστε το σέρβις αν το ψυγείο σας δεν ξεκινήσει στο τέλος αυτού του χρονικού διαστήματος.</p> <ul style="list-style-type: none">• Το ψυγείο βρίσκεται σε κύκλο απόψυξης. >>> <i>Αυτό είναι κανονικό για ψυγείο που διαθέτει πλήρως αυτόματη απόψυξη. Ο κύκλος απόψυξης λαμβάνει χώρα περιοδικά.</i>• Το ψυγείο δεν έχει συνδεθεί στην πρίζα. >>> <i>Βεβαιωθείτε ότι το φιν έχει τοποθετηθεί σωστά στην πρίζα.</i>• Οι ρυθμίσεις της θερμοκρασίας δεν έχουν γίνει σωστά. >>> <i>Επιλέξτε την κατάλληλη τιμή θερμοκρασίας.</i>• Υπάρχει διακοπή ρεύματος. >>> <i>Το ψυγείο επιστρέφει στην κανονική λειτουργία όταν αποκατασταθεί η διακοπή ρεύματος.</i>
Ο θόρυβος λειτουργίας αυξάνεται όταν λειτουργεί το ψυγείο.
<p>☐ Η απόδοση λειτουργίας του ψυγείου μπορεί να διαφέρει λόγω μεταβολών στη θερμοκρασία περιβάλλοντος. Το φαινόμενο είναι φυσιολογικό και δεν αποτελεί ένδειξη δυσλειτουργίας.</p>

Το ψυγείο ενεργοποιείται συχνά ή για πολλή ώρα.	
☐	<p>Η νέα σας συσκευή μπορεί να είναι πλατύτερη από την προηγούμενη. Τα μεγαλύτερα ψυγεία λειτουργούν για μεγαλύτερο χρονικό διάστημα.</p> <ul style="list-style-type: none"> • Η θερμοκρασία του περιβάλλοντος χώρου μπορεί να είναι πολύ υψηλή. >>> <i>Είναι φυσικό το προϊόν να λειτουργεί για μεγαλύτερα χρονικά διαστήματα σε ζεστό περιβάλλον.</i> • Το ψυγείο συνδέθηκε στο ρεύμα ή φορτώθηκε με τρόφιμα μόλις πρόσφατα. >>> <i>Αν το ψυγείο συνδέθηκε στο ρεύμα ή φορτώθηκε με τρόφιμα μόλις πρόσφατα, θα χρειαστεί περισσότερος χρόνος για την επίτευξη της ρυθμισμένης θερμοκρασίας. Αυτό είναι φυσιολογικό.</i> • Μπορεί πρόσφατα να τοποθετήθηκαν στο ψυγείο μεγάλες ποσότητες ζεστού φαγητού. >>> <i>Μην τοποθετείτε ζεστό φαγητό στο ψυγείο.</i> • Οι πόρτες ανοίγονταν συχνά ή παρέμειναν μισάνοιχτες για μεγάλο χρονικό διάστημα. >>> <i>Ο θερμός αέρας που έχει εισέλθει στο ψυγείο προκαλεί τη λειτουργία του ψυγείου για μεγαλύτερες χρονικές περιόδους. Μην ανοίγετε συχνά τις πόρτες.</i> • Η πόρτα του χώρου κατάψυξης ή συντήρησης έχει μείνει μισάνοιχτη. >>> <i>Ελέγξτε αν οι πόρτες έχουν κλείσει τελείως.</i> • Το ψυγείο έχει ρυθμιστεί σε πολύ χαμηλή θερμοκρασία. >>> <i>Ρυθμίστε τη θερμοκρασία του ψυγείου σε υψηλότερο επίπεδο και περιμένετε έως ότου επιτευχθεί αυτή η θερμοκρασία.</i> • Η στεγανοποίηση πόρτας της συντήρησης ή κατάψυξης μπορεί να είναι λερωμένη, φθαρμένη, σπασμένη ή δεν εφαρμόζει καλά. >>> <i>Καθαρίστε ή αντικαταστήστε τη στεγανοποίηση. Αν υπάρχει ζημιά/ σπάσιμο στη στεγανοποίηση της πόρτας, μπορεί να προκληθεί λειτουργία του ψυγείου για μεγαλύτερες περιόδους για να διατηρείται η τρέχουσα θερμοκρασία.</i>
Η θερμοκρασία της κατάψυξης είναι πολύ χαμηλή ενώ η θερμοκρασία της συντήρησης είναι επαρκής.	
•	Η θερμοκρασία του χώρου κατάψυξης έχει ρυθμιστεί σε πολύ χαμηλό επίπεδο. >>> <i>Ρυθμίστε τη θερμοκρασία του χώρου κατάψυξης σε υψηλότερο επίπεδο και ελέγξτε.</i>
Η θερμοκρασία της συντήρησης είναι πολύ χαμηλή ενώ η θερμοκρασία της κατάψυξης είναι επαρκής.	
•	Η θερμοκρασία του χώρου συντήρησης έχει ρυθμιστεί σε πολύ χαμηλό επίπεδο. >>> <i>Ρυθμίστε τη θερμοκρασία του χώρου συντήρησης σε υψηλότερο επίπεδο και ελέγξτε.</i>
Τα τρόφιμα στα συρτάρια της συντήρησης είναι παγωμένο.	
•	Η θερμοκρασία του χώρου συντήρησης έχει ρυθμιστεί σε πολύ υψηλό επίπεδο. >>> <i>Ρυθμίστε τη θερμοκρασία του χώρου συντήρησης σε χαμηλότερο επίπεδο και ελέγξτε.</i>

Η θερμοκρασία στη συντήρηση ή την κατάψυξη είναι πολύ υψηλή.

- Η θερμοκρασία του χώρου συντήρησης έχει ρυθμιστεί σε πολύ υψηλό επίπεδο.
>>> Η ρύθμιση της θερμοκρασίας του χώρου συντήρησης έχει επίδραση στη θερμοκρασία της κατάψυξης. Αλλάξτε τις θερμοκρασίες του χώρου συντήρησης ή κατάψυξης και περιμένετε έως ότου οι αντίστοιχοι χώροι επιτύχουν το επαρκές επίπεδο θερμοκρασίας.
- Οι πόρτες ανοίγονταν συχνά ή παρέμειναν μισάνοιχτες για μεγάλο χρονικό διάστημα.
>>> Μην ανοίγετε συχνά τις πόρτες.
- Πόρτα είναι μισάνοιχτη. >>> Κλείστε καλά την πόρτα.
- Το ψυγείο συνδέθηκε στο ρεύμα ή φορτώθηκε με τρόφιμα μόλις πρόσφατα. >>> Αυτό είναι φυσιολογικό. Αν το ψυγείο συνδέθηκε στο ρεύμα ή φορτώθηκε με τρόφιμα μόλις πρόσφατα, θα χρειαστεί περισσότερος χρόνος για την επίτευξη της ρυθμισμένη θερμοκρασίας.
- Μπορεί πρόσφατα να τοποθετήθηκαν στο ψυγείο μεγάλες ποσότητες ζεστού φαγητού.
>>> Μην τοποθετείτε ζεστό φαγητό στο ψυγείο.

Κραδασμοί ή θόρυβος.

- Το δάπεδο δεν είναι οριζόντιο ή δεν είναι ανθεκτικό. >>> Αν το ψυγείο ταλαντεύεται όταν μετακινηθεί ελαφρά, ισορροπήστε το ρυθμίζοντας τα πόδια του. Επίσης βεβαιωθείτε ότι το δάπεδο είναι αρκετά ανθεκτικό να φέρει το βάρος του ψυγείου, και οριζόντιο.
- Τα αντικείμενα που τοποθετείτε πάνω στο ψυγείο μπορεί να προκαλούν θόρυβο. >>> Αφαιρέστε τα αντικείμενα που έχουν τοποθετηθεί πάνω στο ψυγείο.

Υπάρχουν θόρυβοι από το ψυγείο σαν ροής ή ψεκασμού υγρού.

- ☐ Η ροή υγρών και αερίων είναι σύμφωνη με την αρχή λειτουργίας του ψυγείου σας. Το φαινόμενο είναι φυσιολογικό και δεν αποτελεί ένδειξη δυσλειτουργίας.

Από το ψυγείο έρχεται ήχος σφυρίγματος.

- ☐ Για την ψύξη του ψυγείου χρησιμοποιούνται ανεμιστήρες. Το φαινόμενο είναι φυσιολογικό και δεν αποτελεί ένδειξη δυσλειτουργίας.

Συμπύκνωση στα εσωτερικά τοιχώματα του ψυγείου.

- ☐ Ο ζεστός και υγρός καιρός αυξάνει το σχηματισμό πάγου και συμπύκνωσης. Το φαινόμενο είναι φυσιολογικό και δεν αποτελεί ένδειξη δυσλειτουργίας.
- Οι πόρτες ανοίγονταν συχνά ή παρέμειναν μισάνοιχτες για μεγάλο χρονικό διάστημα.
>>> Μην ανοίγετε συχνά τις πόρτες. Κλείστε τις αν είναι ανοικτές.
- Πόρτα είναι μισάνοιχτη. >>> Κλείστε καλά την πόρτα.

Εμφανίζεται υγρασία στο εξωτερικό του ψυγείου ή ανάμεσα στις πόρτες.

- ☒ Ίσως να υπάρχει υγρασία στον αέρα. Αυτό είναι πολύ φυσιολογικό όταν ο καιρός είναι υγρός. Όταν η υγρασία είναι μικρότερη, η συμπύκνωση θα πάψει να εμφανίζεται.

Κακοσμία στο εσωτερικό του ψυγείου.

- Δεν γίνεται τακτικός καθαρισμός. >>> *Καθαρίζετε το εσωτερικό του ψυγείου τακτικά με ένα σφουγγάρι, χλιαρό νερό ή διάλυμα μαγειρικής σόδας σε νερό.*
 - Ίσως η οσμή να προκαλείται από ορισμένα δοχεία ή υλικά συσκευασίας. >>> *Χρησιμοποιήστε διαφορετικό δοχείο ή διαφορετική μάρκα υλικού συσκευασίας.*
 - Τοποθετήθηκαν στο ψυγείο τρόφιμα σε ακάλυπτα δοχεία. >>> *Διατηρείτε τα τρόφιμα σε κλειστά δοχεία. Η μικροοργανισμοί που εξέρχονται από μη καλυπτόμενα δοχεία μπορούν να προκαλέσουν δυσάρεστες οσμές.*
- ☒ Αφαιρείτε από το ψυγείο τα τρόφιμα που έχουν λήξει και είναι χαλασμένα.

Η πόρτα δεν κλείνει.

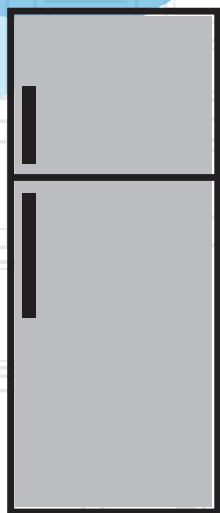
- Συσκευασίες τροφίμων εμποδίζουν το κλείσιμο της πόρτας. >>> *Μετατοπίστε τις συσκευασίες που εμποδίζουν την πόρτα.*
- Το ψυγείο δεν στέκεται εντελώς κατακόρυφα στο δάπεδο. >>> *Ρυθμίστε τα πόδια για να ισορροπήσετε το ψυγείο.*
- Το δάπεδο δεν είναι επίπεδο ή δεν είναι ανθεκτικό. >>> *Βεβαιωθείτε ότι το δάπεδο είναι οριζόντιο και ικανό να φέρει το βάρος του ψυγείου.*

Τα συρτάρια λαχανικών έχουν κολλήσει.

- Τα τρόφιμα μπορεί να αγγίζουν την οροφή του συρταριού. >>> *Ανακατανείμτε τα τρόφιμα στο συρτάρι.*

Холодильники

Посібник користувача



UKI

beko

Будь ласка, спочатку прочитайте цю інструкцію!

Шановний покупець!

Сподіваємося, що цей товар, виготовлений на сучасних підприємствах і перевірений за допомогою найприскіпливіших процедур контролю, ефективно слугуватиме вам у побуті.




Для цього рекомендуємо вам прочитати всю інструкцію до кінця, перш ніж користуватися холодильником, і зберегти її для майбутнього використання у довідкових цілях.

Ця інструкція

- допоможе вам користуватися приладом у швидкий і безпечний спосіб;
- прочитайте інструкцію, перш ніж встановлювати холодильник і користуватися ним;
- дотримуйтеся інструкцій, особливо з питань техніки безпеки;
- зберігайте інструкцію в легкодоступному місці, оскільки вона може знадобитися вам пізніше;
- крім того, прочитайте також інші документи, що надаються разом із холодильником. Зверніть увагу, що ця інструкція може бути дійсною для інших моделей.

Символи та їхній опис

Ця інструкція містить наступні символи:

-  Важлива інформація або корисні поради з користування.
-  Попередження про небезпечні ситуації для життя та майна.
-  Попередження про електричну напругу.

1 Холодильник 3

2 Важливі вказівки з техніки безпеки 4

Призначення..... 4
 10
 Для пристроїв із 10
 розподільником води: 10
 Безпека дітей 11
 Відповідність Директиві щодо
 відпрацьованого електричного
 й електронного обладнання
 (Директива WEEE) й утилізація
 відходів 11
 Відповідність Директиві щодо
 обмеження використанням
 шкідливих речовин (RoHS)..... 11
 Інформація про упаковку..... 11
 Як заощадити електроенергію..... 11
 Рекомендації щодо використання
 відділення для свіжих продуктів .. 13

3 Встановлення 14

Що слід враховувати при
 транспортуванні приладу 14
 Перед увімкненням холодильника 14
 Підключення до електромережі... 14
 Утилізація упаковки 14
 Утилізація вашого старого
 холодильника 15
 Розміщення та встановлення..... 15
 Регулювання ніжок..... 15
 Заміна лампочки освітлення 15
 Попередження про відкриті
 дверцята 15

4 Підготовка 16

**5 Користування
холодильником Панель
індикаторів 17**

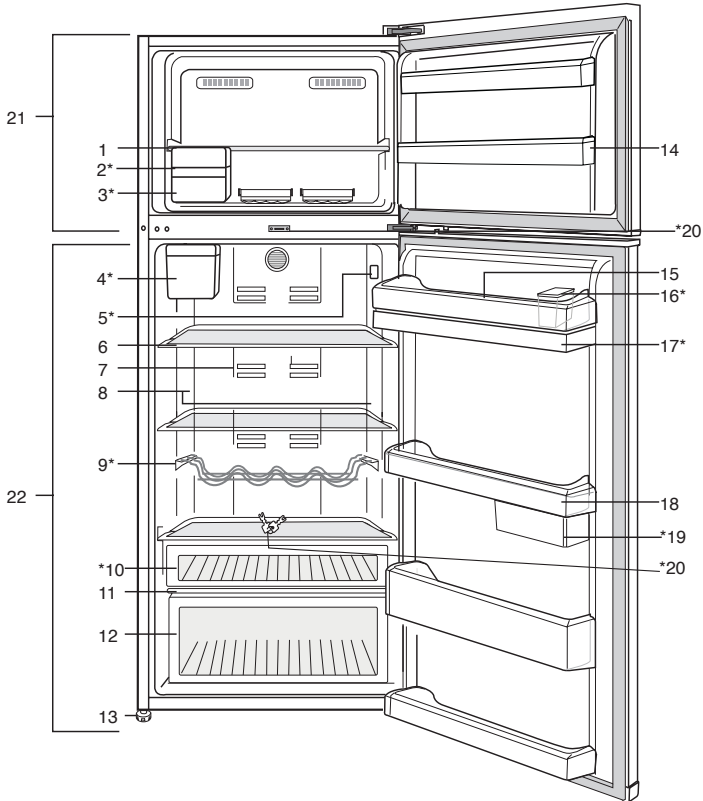
Попередження про відкриті
 дверцята 21
 Подвійна система охолодження .. 21
 Замороження свіжих продуктів 22
 Рекомендації щодо зберігання
 заморожених продуктів 23
 Інформація про глибоке
 замороження 23
 Розміщення продуктів 24
 Рекомендації щодо відділення для
 свіжих продуктів 24
 Опис і чистка фільтра запахів 25
 Лоток для яєць 25
 Дозатор для води..... 26
 Контейнер для зберігання, що
 обертається..... 28
 Синє світло 29
 Автоматичний льодогенератор
 Icematic 29
 Льодогенератор і контейнер для
 зберігання льоду 30

6 Догляд та очищення 31

Захист пластикових поверхонь ... 31

**7 Рекомендації з усунення
несправностей 32**

1 Холодильник



1. Полиця морозильного відділення
2. Автоматичний льодогенератор Icematic
3. Контейнер для зберігання льоду
4. Бак для води автоматичного льодогенератора Icematic
5. Індикатор температурного режиму
6. Регульовані скляні полиці
7. Фільтр запахів
8. Розсіювач лампи освітлення
9. Полиця для пляшок
10. Відділення для закусок
11. Кришка контейнера для фруктів та овочів
12. Контейнер для овочів і фруктів

13. Регульовані ніжки
 14. Дверні полиці морозильного відділення
 15. Відділення для яєць
 16. Контейнер наповнення розподільника води
 17. Бак розподільника води
 18. Дверні полиці холодильного відділення
 19. Висувні контейнери для зберігання, які обертаються
 20. Ключ
 21. Морозильне відділення
 22. Холодильне відділення
- * ЗА ОКРЕМИМ ЗАМОВЛЕННЯМ**

i Ілюстрації в даній інструкції є схематичними і можуть відрізнятися від вашої моделі. Якщо до комплектації моделі, яку ви придбали, не входять згадані деталі, вони призначені для інших моделей.

2 Важливі вказівки з техніки безпеки

Ознайомтеся з наведеною нижче інформацією. Ігнорування цієї інформації може призвести до травмування чи пошкодження пристрою. В такому разі гарантія і будь-які зобов'язання виробника стосовно надійної роботи пристрою будуть анульовані.

Оригінальні запасні частини будуть постачатися протягом 10 років з моменту придбання виробу.

Призначення

Цей пристрій призначено для використання:

- у закритих приміщеннях, таких як житлові будинки;
- у закритих робочих приміщеннях, наприклад, у магазинах чи офісах;
- у закритих жилих

приміщеннях, наприклад, у заміських будинках, готелях, пансіонатах.

- Його не можна використовувати поза приміщенням.

Загальні правила техніки безпеки

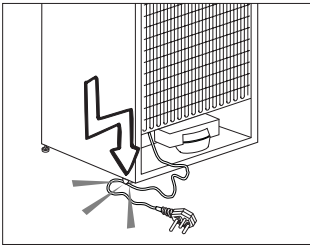
- Якщо ви бажаєте утилізувати/ ліквідувати пристрій, рекомендуємо звернутися до авторизованої сервісної служби та компетентних органів для отримання необхідної інформації.
- З усіма питаннями та проблемами стосовно холодильника звертайтеся до уповноваженої сервісної служби. Без повідомлення уповноваженої сервісної служби не втручайтеся в роботу холодильника й не дозволяйте робити це іншим.

- Для пристроїв з морозильним відділенням: не їжте морозиво та кубики льоду одразу після виймання їх з морозильного відділення! (Це може викликати обмороження ротової порожнини.)
 - Для приладів з морозильним відділенням: не ставте рідкі напої у пляшках чи банках до морозильного відділення. Вони можуть лопнути.
 - Не торкайтеся руками заморожених продуктів; вони можуть примерзнути до шкіри.
 - Перед чисткою чи розморожуванням від'єднуйте холодильник від електромережі.
 - Не використовуйте пару та засоби для чищення, які можуть випаруватися, для чищення та розморожування вашого холодильника.
- У такому випадку пара може сконтактувати з електричними частинами та викликати коротке замикання чи удар електричним струмом " to " Не використовуйте пару та засоби для чищення, які можуть випаруватися, для чищення та розморожування вашого холодильника. У такому випадку пара може сконтактувати з електричними частинами та викликати коротке замикання чи удар електричним струмом.
- Не використовуйте такі частини холодильника, як дверцята, як підставку чи опору.
 - Не використовуйте електричні прилади всередині холодильника.
 - Не допускайте пошкодження частин, у яких циркулює

- хладагент, ріжучими чи свердловальними інструментами. Хладагент може з'явитися із випаровувача, на трубопроводі чи на покриттях і викликати подразнення шкіри чи ураження очей.
- Не закривайте вентиляційні отвори вашого холодильника
 - Ремонт електроприладів мають виконувати тільки кваліфіковані фахівці. Ремонт, виконаний недосвідченими особами, може спричинити ризик для користувача.
 - У випадку несправностей під час експлуатації чи ремонту вимкніть холодильник, вимкнувши запобіжник чи вийнявши з розетки шнур живлення.
 - При від'єднанні від мережі не тягніть за кабель – тільки за штепсель.
- Пляшки з алкогольними напоями мають зберігатися у надійному місці, із закритою кришкою та у вертикальному положенні.
 - Суворо заборонено зберігати в холодильнику пляшки з горючими чи вибухонебезпечними речовинами.
 - Не застосовуйте механічні пристрої або інші засоби для прискорення розмороження, крім рекомендованих виробником.
 - Цей електроприлад не призначений для використання особами (включаючи дітей) зі зниженими фізичними, чутливими або розумовими можливостями або з браком досвіду і знань, якщо вони не перебувають під наглядом або не пройшли інструктаж щодо користування пристроєм від

- відповідальної за їхню безпеку особи.
- Не використовуйте несправний холодильник. При виникненні запитань звертайтеся до кваліфікованого фахівця.
 - Електрична безпека може гарантуватися лише в тому випадку, якщо система заземлення у вашому будинку відповідає стандартам.
 - Вплив на пристрій дощу, снігу, сонця чи вітру небезпечний з точки зору електробезпеки.
 - Зверніться до сервісної служби, якщо пошкоджено шнур живлення, щоб це не створило небезпеку для вас.
 - Не вмикайте холодильник в розетку під час його встановлення. Ризик смертельного випадку чи серйозних ушкоджень дуже високий.
 - Цей холодильник призначений лише для зберігання харчових продуктів. Його не слід використовувати з будь-якою іншою метою.
 - таблиця з описом технічних специфікацій виробу розташована зліва на внутрішній стінці холодильника.
 - Не підключайте холодильник до електронних систем енергозбереження, оскільки це може призвести до несправності виробу.
 - Якщо в холодильнику є підсвічування синім світлом, не слід довго дивитися на нього голим оком або через оптичні пристрої.
 - У разі відключення холодильників із ручним управлінням від мережі електроживлення зачекайте щонайменше 5 хвилин, перш ніж підключати живлення.

- У випадку продажу виробу цю інструкцію з експлуатації слід передати новому господарю.
- Під'єднуючи холодильник до електромережі, не торкайтеся до штепсельної вилки мокрими руками" to "Під'єднавши холодильник до електромережі, не торкайтеся до штепсельної вилки вологими руками



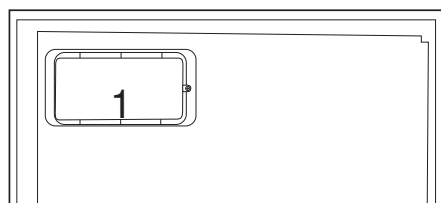
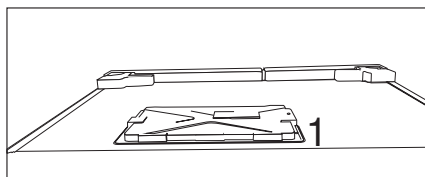
- Не підключайте холодильник до погано закріпленої стінної розетки мережі електропостачання.
- Із міркувань безпеки не допускайте потрапляння води безпосередньо на зовнішні або внутрішні

- частини холодильника.
- Не розбризкуйте поряд із холодильником займисті матеріали, такі як газ пропан, через ризик пожежі та вибуху.
- Не ставте посудини з водою на холодильник, оскільки це може призвести до ураження електричним струмом або пожежі.
- Не перевантажуйте холодильник надмірною кількістю продуктів. Якщо холодильник перевантажено, продукти можуть випасти при відчиненні дверцят і травмувати вас чи пошкодити холодильник. Не кладіть предмети на холодильник, оскільки вони можуть впасти під час відчинення чи зачинення дверцят.
- У холодильнику не можна зберігати речовини, що вимагають певних температурних умов

- (вакцини, термочутливі медикаменти, наукові матеріали тощо).
- Холодильник слід від'єднати від електромережі, якщо він не буде використовуватися протягом тривалого часу. Можливі несправності шнура живлення можуть призвести до пожежі.
 - Холодильник може переміщатися, якщо регульовані ніжки не зафіксовано на підлозі. Фіксація регульованих ніжок на підлозі може запобігти його переміщенню.
 - При переміщенні холодильника не тримайте його за ручку, бо вона може зламатися.
 - При встановленні холодильника відстань між ним й іншим холодильником чи морозильником має становити щонайменше 8 см. В іншому разі бічні стінки, що прилягають,

зволожуватимуться.

- Ніколи не використовуйте цей виріб, якщо верхня або задня кришка відкриті та відкривають доступ до електронних плат (кришки електронних плат) (1).



Для пристроїв із розподільником води:

- Тиск в місці підведення холодної води не повинен перевищувати 90 фунтів на квадратний дюйм (6,2 бар). Якщо тиск води перевищує 80 фунтів на квадратний дюйм (5,5 бар), встановіть у своїй магістральній

мережі клапан обмеження тиску. Якщо ви не знаєте, як перевірити тиск води, зверніться за допомогою професійного сантехніка.

- Якщо у вашій установці існує ризик виникнення гідравлічного удару, обов'язково встановіть захисне обладнання для запобігання ризику виникнення гідравлічного удару. У разі виникнення сумнівів стосовно можливості виникнення гідравлічного удару у вашій установці, зверніться за допомогою до професійних сантехніків.
- Забороняється виконувати встановлення у місці підведення гарячої води. Необхідно вжити запобіжних заходів для запобігання ризику замерзання

шлангів. Температура робочої води повинна знаходитися в інтервалі від 33 °F (0,6 °C) до 100 °F (38 °C).

- Використовуйте лише питну воду.

Безпека дітей

- Якщо на дверцятах є замок, тримайте ключ у місці, недоступному для дітей.
- Слід наглядати за дітьми та не дозволяти їм псувати пристрій.

Відповідність Директиві щодо відпрацьованого електричного й електронного обладнання (Директива WEEE) й утилізація відходів



Цей прилад відповідає вимогам Директиви WEEE (2012/19/EU). Цей виріб позначений символом приналежності до категорії відходів електричного й електронного обладнання (WEEE).

Цей прилад виготовлений з високоякісних деталей та матеріалів, які підлягають повторному використанню й переробці. Після закінчення терміну експлуатації цей прилад не можна викидати разом зі звичайними побутовими відходами. Його слід здати у відповідний пункт збору відходів електричного й електронного обладнання як вторинної сировини. Інформацію про місцезнаходження найближчого пункту збору відходів можна отримати в місцевих органах влади.

Відповідність Директиві щодо обмеження використанням шкідливих речовин (RoHS)

Цей прилад відповідає вимогам Директиви RoHS (2011/65/EU). Він не містить шкідливих та інших речовин, використання яких заборонено цією Директивою.

Інформація про упаковку

Упаковка цього виробу виготовлена з матеріалів, які підлягають повторній переробці згідно з національними нормами й правилами щодо охорони довкілля. Ці пакувальні матеріали не можна викидати разом з побутовими чи іншими відходами. Їх слід здати в один з пунктів збору пакувальних матеріалів, визначених місцевими органами влади

Попередження HC

Якщо система охолодження вашого пристрою містить R600a:

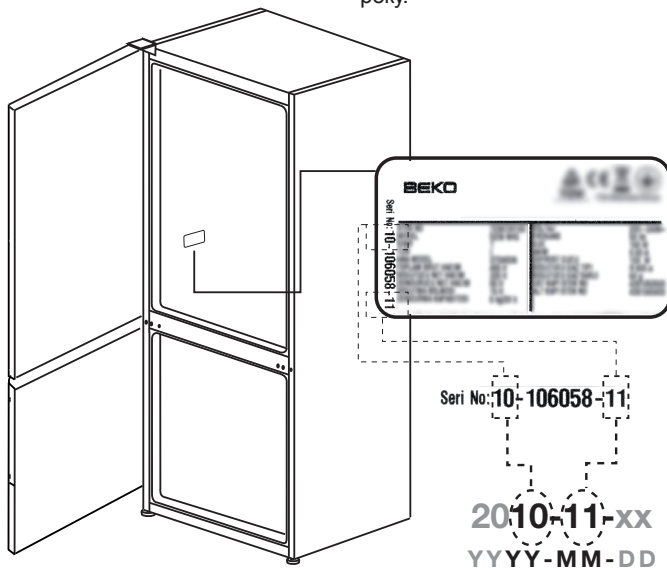
Цей газ горючий. Тому будьте уважні, не допускайте пошкодження системи охолодження та труб під час використання і транспортування. У випадку пошкодження пристрою зберігайте його подалі від потенційного джерела займання та провітрюйте приміщення, в якому знаходиться прилад.

Не звертайте уваги на попередження, якщо система охолодження вашого пристрою містить R134a.

Тип газу, що використовується у приладі, наведений у паспортній таблиці, розташованій зліва на внутрішній стінці холодильника

Як заощадити електроенергію

- Не тримайте двері холодильника відчиненими тривалий час.
 - Не закладайте до холодильника гарячі продукти чи напої.
 - Не зберігайте у холодильнику гарячі напої чи продукти.
 - Не встановлюйте холодильник під прямим сонячним промінням чи поблизу джерела тепла, наприклад, плити, посудомийної машини чи радіатора опалення.
 - Слідкуйте за тим, щоб продукти зберігалися у закритих контейнерах.
 - Для холодильників із морозильним відділенням: у морозильному відділенні холодильника можна зберігати максимальну кількість продуктів, якщо дістати з нього полиці чи скрині.
- Наведене в технічних характеристиках енергоспоживання холодильника визначено за умови, що полиці чи скрині морозильного відділення вийняті, й у нього завантажена максимально можлива кількість продуктів. Полицю чи скриню можна використовувати відповідно до форми й розміру продуктів для заморожування.
- Розморожування заморожених продуктів у холодильному відділенні забезпечить економію електроенергії та збереження якості продуктів.
 - Дата виробництва міститься в серійному номері продукту, що вказаний на етикетці, розташованій на продукті, а саме, перші дві цифри серійного номера позначають рік виробництва, а останні дві - місяць. Наприклад, «10-100001-05» означає, що продукт виготовлений в травні 2010 року.

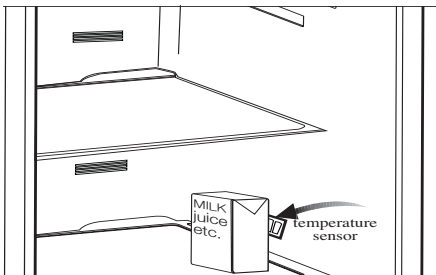
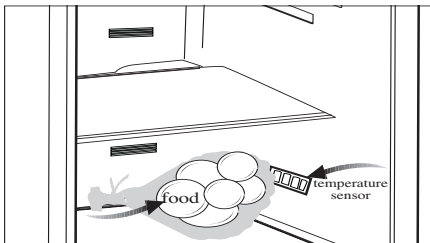


Дата виготовлення товарів зазначена в серійному номері товару, який вказаний на етикетці, розташованій на товарі, а саме: перші дві цифри серійного номеру означають рік виробництва, а останні дві – місяць.

Рекомендації щодо використання відділення для свіжих продуктів

* Опція

- Не допускайте контакту будь-яких продуктів із датчиком температури у відділенні для свіжих продуктів. Для підтримання ідеальної температури зберігання у відділенні для свіжих продуктів датчик не повинен закриватись продуктами, що там зберігаються.
- Не кладіть у холодильник гарячі продукти.



3 Встановлення

- ⚠ Будь ласка, пам'ятайте, що виробник не нестиме відповідальність, якщо не дотримано порад, наведених в інструкції з користування.

Що слід враховувати при транспортуванні приладу

1. Перед будь-яким транспортуванням холодильник має бути спорожнений і вимитий.
2. Перед упакуванням холодильника всі полиці, приналежності, контейнери для фруктів та овочів тощо у вашому холодильнику слід міцно закріпити скотчем для запобігання струсам.
3. Упаковувати холодильник слід за допомогою товстих стрічок і міцних мотузок, а також дотримуватися правил транспортування, надрукованих на упаковці.

Упевніться в тому, що всередині холодильника старанно вимитий.

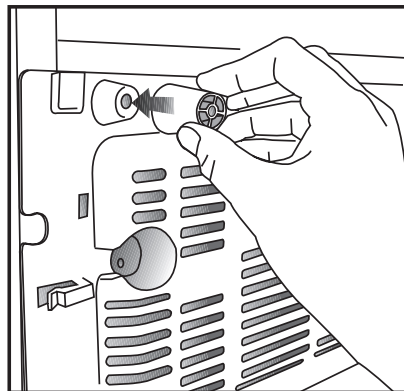
Повторне використання матеріалів надзвичайно важливе для природи та наших національних ресурсів.

Якщо ви бажаєте посприяти повторному використанню матеріалів упаковки, ви можете отримати більше інформації від органів охорони довкілля або від органів місцевої влади.

Перед увімкненням холодильника

Перш ніж розпочати експлуатацію холодильника, перевірте дотримання таких умов:

1. Усередині холодильника сухо, ніщо не заважає вільній циркуляції повітря позаду приладу.



Підключення до електромережі

Підключіть холодильник до заземленої розетки, захищеної плавким запобіжником відповідної потужності.

Важливо!

- Підключення має відповідати національним нормам і правилам.
- Після встановлення холодильника має бути забезпечений легкий доступ до штепселя шнура живлення.
- Указана напруга має відповідати напрузі вашої електромережі.
- Для підключення не слід використовувати подовжувачі та штепсельні колодки на декілька гнізд.

- ⚠ У разі пошкодження шнура живлення його заміну має здійснювати кваліфікований електрик.

- ⚠ Забороняється користуватися холодильником, доки його не буде відремонтовано! Існує небезпека ураження електричним струмом!

Утилізація упаковки

Пакувальні матеріали можуть становити небезпеку для дітей. Зберігайте пакувальні матеріали у недосяжному для дітей місці, або утилізуйте їх, розсортувавши відповідно до інструкцій з утилізації відходів. Не утилізуйте їх разом із звичайними побутовими відходами.

Упаковка вашого холодильника вироблена з матеріалів, що можуть бути використані повторно.


Утилізація вашого старого холодильника

Утилізуйте старий холодильник, не завдаючи шкоди довкіллю.

- З питань щодо утилізації холодильника ви можете звернутися до пункту збору відходів вашого населеного пункту.

Перед утилізацією холодильника відріжте штепсель електрошнура, а також виведіть з ладу замки (якщо такі існують) дверцят, щоб захистити дітей від небезпеки зачинення всередині.

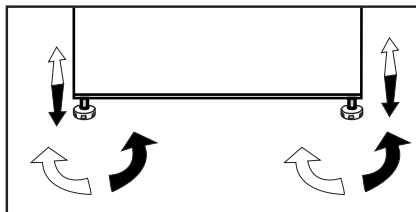
Розміщення та встановлення

 Якщо двері приміщення, в якому буде встановлено холодильник, недостатньо широкі, зверніться до сервісної служби; її співробітники допоможуть зняти двері з холодильника та пронести його боком.

1. Встановлюйте холодильник у місці, зручному для його використання.
2. Холодильник має знаходитися в місці, віддаленому від джерела тепла, підвищеної вологості та прямих сонячних променів.
3. Для ефективнішої роботи необхідно забезпечити гарну вентиляцію навколо холодильника. Якщо холодильник встановлюється в ніші стіни, мінімальна відстань має бути 5 см до стелі та 5 см до стіни. Якщо на підлозі лежить килим, треба підняти холодильник на 2,5 см над рівнем підлоги.
4. Холодильник має стояти на рівній поверхні, щоб не виникало трясіння.

Регулювання ніжок

Якщо холодильник не збалансовано; Ви можете збалансувати холодильник, обертаючи його передні ніжки, як показано на малюнку. Кут холодильника, в якому знаходиться ніжка, опускається, якщо повертати в напрямку чорної стрілки, і підіймається, якщо повертати у зворотному напрямку. Якщо хтось допоможе підняти холодильник, це полегшить процес.



Заміна лампочки освітлення

Для заміни лампи освітлення холодильника зверніться до авторизованого сервісного центру. Ламп(и) з цього пристрою не призначена(і) для освітлення кімнати. Призначення цієї лампи - полегшити розташування продуктів у холодильнику / морозильнику безпечним та зручним чином.

Лампи, що використовуються у цьому пристрої, повинні витримувати важкі умови експлуатації, такі як температура нижче -20 °C.

Попередження про відкриті дверцята

Якщо дверцята холодильного чи морозильного відділення залишити відкритими на певний час, прозвучить застережний сигнал. Застережний звуковий сигнал припиниться після натискання будь-якої кнопки на дисплеї, або після зачинення дверцят.

4 Підготовка

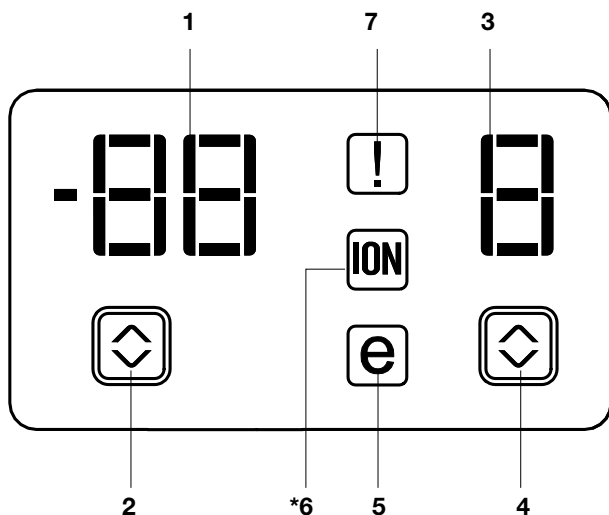
- Холодильник слід встановити на відстані щонайменше 30 см від джерел тепла, таких як жарівниці, плити, батареї центрального опалення й печі, а також не ближче 5 см від електричних духових шаф, у місцях, куди не духових шаф пічопкрямє сонячне світло.
- Температура повітря в приміщенні, де встановлюється холодильник, має бути не менше 10°C. Використовувати холодильник в умовах нижчої температури не рекомендується з міркувань його низької ефективності.
- Упевніться в тому, що всередині холодильник старанно вимитий.
- Якщо два холодильники встановлюються поряд, між ними має бути відстань не менше 2 см.
- При першому увімкненні холодильника, протягом перших шести годин роботи дотримуйтеся наступних інструкцій.
- Не відчиняйте часто дверцята.
- Холодильник мусить працювати порожнім, без продуктів усередині.
- Не відключайте холодильник від електромережі. Якщо сталося порушення електропостачання, див. застереження у розділі "Рекомендації з вирішення проблем".
- Для забезпечення низького споживання енергії та поліпшення умов зберігання необхідно використовувати контейнери/ящики, що постачаються разом з морозильною камерою.
- Контакт їжі з датчиком температури в морозильній камері може спричинити збільшення споживання енергії пристроєм. Таким чином, слід уникати будь-якого контакту з датчиком(ами).
- Оригінальну упаковку та плівку слід зберегти для транспортування або переміщення холодильника в майбутньому.
- В деяких моделях приладова панель автоматично вимикається через 5 хвилин після закривання дверей. Вона повторно активізується після відчинення дверей або натискання будь-якої клавіші.
- Конденсація вологи на полицях дверцят/корпусу та скляних контейнерах є нормальним явищем і виникає завдяки зміні температури внаслідок відкриття/закриття дверцят під час функціонування виробу.

5 Користування холодильником Панель

індикаторів

Панелі індикаторів можуть відрізнятися залежно від моделі виробу.

Панель індикаторів спрощує експлуатацію холодильника завдяки візуальним і звуковим індикаторам використання пристрою.



1. Індикатор температури морозильного відділення
2. Індикатор несправного стану
3. Індикатор температури холодильного відділення
4. Кнопка регулювання температури холодильного відділення
5. Індикатор економічного режиму
6. Індикатор іонізатора
7. Кнопка регулювання температури морозильного відділення

i Ілюстрації в даній інструкції є схематичними і можуть відрізнятися від вашої моделі. Якщо до комплектації моделі, яку ви придбали, не входять згадані деталі, вони призначені для інших моделей.

1. Індикатор температури морозильного відділення

Вказує температуру, встановлену для морозильного відділення.

2. Індикатор несправного стану

Цей індикатор вмикається за умови збою роботи холодильника чи несправності сенсора. У такому випадку на індикаторі температури морозильного відділення з'явиться символ «e», а на індикаторі холодильного відділення – числа «1,2,3...». Вони повідомляють про певну помилку персоналу сервісної служби.

3. Індикатор температури холодильного відділення

Вказує температуру, встановлену для холодильного відділення.

4. Кнопка регулювання температури холодильного відділення

Натисніть цю кнопку, щоб налаштувати такі значення температури холодильного відділення: 8, 6, 4, 2, 8... відповідно. Натисніть цю кнопку, щоб встановити потрібну температуру холодильного відділення.

5. Індикатор економічного режиму

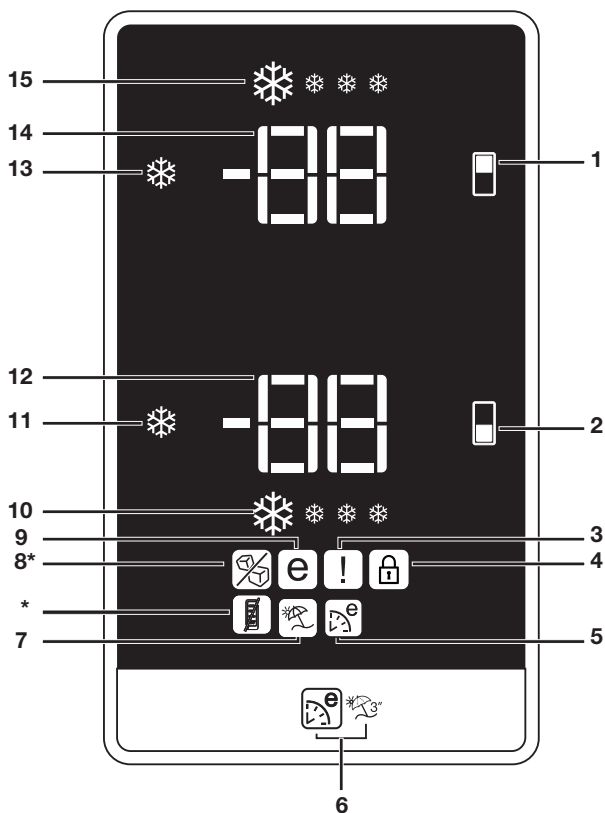
Вказує, що холодильник працює в режимі енергозбереження.

6. Індикатор іонізатора

Лампочка індикатора світиться постійно. Він вказує на те, що холодильник захищено від бактерій.

7. Кнопка регулювання температури морозильного відділення

Натисніть цю кнопку, щоб налаштувати такі значення температури морозильного відділення: -18, -20, -22, -24, -18 відповідно. Натисніть цю кнопку, щоб встановити потрібну температуру морозильного відділення.



1. Кнопка регулювання температури морозильного відділення/увімкнення-вимкнення льодогенератора Icematic
2. Кнопка регулювання температури холодильного відділення
3. Індикатор несправного стану
4. Індикатор блокування
5. Індикатор режиму Eco Extra
6. Кнопка «Eco Extra»/тимчасового вимкнення
7. Індикатор режиму тимчасового вимкнення
8. Індикатор вимкнення льодогенератора Icematic (*в окремих моделях)
9. Індикатор економічного режиму
10. Індикатор функції швидкого охолодження
11. Кнопка функції швидкого охолодження
12. Індикатор регулювання температури холодильного відділення
13. Кнопка функції швидкого заморожування
14. Індикатор регулювання температури морозильного відділення
15. Індикатор функції швидкого заморожування

i Ілюстрації в даній інструкції є схематичними і можуть відрізнятися від вашої моделі. Якщо до комплектації моделі, яку ви придбали, не входять згадані деталі, вони призначені для інших моделей.

1. Кнопка регулювання температури морозильного відділення/увімкнення-вимкнення льодогенератора Icematic

За допомогою цієї функції можна налаштувати температуру морозильного відділення. Натисніть цю кнопку, щоб встановити в морозильному відділенні відповідну температуру: -18, -20, -22 і -24. Щоб зупинити формування льоду, натисніть кнопку увімкнення-вимкнення льодогенератора Icematic на 3 секунди. При виборі цієї функції потік води з баку для води припиняється. Однак з льодогенератора можна взяти вже утворений лід. Щоб відновити формування льоду, натисніть кнопку увімкнення-вимкнення льодогенератора Icematic на 3 секунди.

2. Кнопка регулювання температури холодильного відділення

За допомогою цієї функції можна налаштувати температуру холодильного відділення. Натисніть цю кнопку, щоб встановити у холодильному відділенні відповідну температуру: 8, 6, 4 або 2.

3. Індикатор несправного стану

Цей індикатор вмикається за умов збою роботи холодильника чи несправності сенсора. У такому випадку на індикаторі температури морозильного відділення з'явиться символ «E», а на індикаторі холодильного відділення – числа «1,2,3...». Вони повідомляють про певну помилку персоналу сервісної служби. Якщо ви поставите в морозильне відділення гарячу їжу чи залишите дверцята відчиненими протягом тривалого часу, певний час світлитиметься знак оклику. Це не несправність; попередження зникне, коли їжа охолоне.

4. Індикатор блокування

За допомогою цього режиму можна запобігти зміні температурних налаштувань холодильника. Для його увімкнення одночасно натисніть кнопки регулювання температури холодильного та морозильного відділень й утримуйте їх протягом щонайменше 3 секунд.

5. Індикатор режиму Eco Extra

Вказує, що режим Eco Extra увімкнено. У такому випадку холодильник автоматично визначить мінімальні періоди використання, протягом яких охолодження відбуватиметься в режимі енергозбереження. Увесь цей час індикатор економічного режиму буде увімкнено.

Щоб вимкнути вибраний режим, іще раз натисніть на відповідну кнопку.

6. Кнопка «Eco Extra»/тимчасового вимкнення

Після короткого натискання на цю кнопку вмикається режим Eco Extra. Після натискання й утримання кнопки протягом 3 секунд вмикається режим тимчасового вимкнення. Щоб вимкнути вибраний режим, іще раз натисніть на цю кнопку.

7. Індикатор режиму тимчасового вимкнення

Вказує, що режим тимчасового вимкнення увімкнено. У такому разі на індикаторі холодильного відділення з'явиться символ «- -», й охолодження в ньому не відбуватиметься. В інших відділеннях охолодження відбуватиметься відповідно до встановленої температури.

Щоб вимкнути вибраний режим, іще раз натисніть на відповідну кнопку.

8. Кнопка режиму вимкнення льоду

Якщо індикатор цього режиму світиться, автоматичний льодогенератор Icematic не запускатиметься. Щоб увімкнути Icematic, див. пункт 1.

9. Індикатор економічного режиму

Вказує, що холодильник працює в режимі енергозбереження. Температура морозильного відділення

Індикатор буде увімкнено, якщо встановлено температуру -18 або в режимі Eco Extra відбувається охолодження з енергозбереженням.

10. Індикатор швидкого охолодження

Цей значок блимає в анімованому стилі при активації функції швидкого охолодження.

11. Режим швидкого охолодження

При натисканні кнопки «Quick Fridge»

(«Швидке охолодження») температура відділення стане холоднішою за задані значення.

Цю функцію можна використовувати, коли продукти, покладені до холодильного відділення, треба швидко охолодити.

Якщо потрібно охолодити велику кількість свіжих продуктів, увімкніть цей режим, перш ніж покласти продукти в холодильник.

Індикатор режиму швидкого охолодження світиться, коли увімкнено цю функцію.

Для скасування цієї функції знову натисніть кнопку швидкого охолодження.

Якщо не скасувати функцію швидкого охолодження вручну, вона вимкнеться автоматично через 4 години, або коли в холодильному відділенні буде досягнуто потрібної температури.

При відновленні електроживлення після перерви ця функція не поновлюється.

12. Індикатор регулювання температури холодильного відділення
Вказує температуру, встановлену для холодильного відділення.

13. Індикатор регулювання температури морозильного відділення
Вказує температуру, встановлену для морозильного відділення.

14. Режим швидкого заморожування
Індикатор режиму швидкого заморожування світиться, коли увімкнено цю функцію. Щоб скасувати цю функцію, натисніть кнопку швидкого заморожування. Індикатор швидкого заморожування згасне, а температура повернеться до звичайного значення. Якщо ви не скасуєте функцію швидкого заморожування вручну, вона вимкнеться автоматично через 8 години, або коли в морозильному відділенні буде досягнуто потрібної температури.

Якщо потрібно заморозити велику кількість свіжих продуктів, натисніть кнопку швидкого заморожування, перш ніж покласти продукти до морозильного відділення.

Якщо натиснути кнопку швидкого заморожування кілька разів з короткими інтервалами, увімкнеться електронна

система захисту, і компресор почне працювати не одразу.

При відновленні електроживлення після перерви ця функція не поновлюється.

15. Індикатор швидкого заморожування
Цей значок починає блимати в анімованому стилі при увімкненні функції швидкого заморожування.

Попередження про відкриті дверцята

Якщо дверцята холодильної камери залишити відкритими понад одну хвилину, буде подано звуковий попереджувальний сигнал. Звуковий сигнал припиниться після натискання будь-якої кнопки на дисплеї, або після зачинення дверцят.

Подвійна система охолодження

Холодильник оснащено двома окремими системами охолодження: відділення для свіжих продуктів і морозильного відділення. Через це повітря відділення для свіжих продуктів не змішується з повітрям у морозильному відділенні. Завдяки використанню двох окремих систем охолодження, швидкість охолодження набагато вища, ніж у звичайних холодильниках. Запахи у відділеннях не змішуються. Крім того, це забезпечує економію електроенергії, оскільки розмороження відбувається окремо.

Налаштування морозильного відділення	Налаштування холодильного відділення	Пояснення
-18°C	+4°C	Це нормальний рекомендований режим.
-20, -22 або -24°C	+4°C	Ці режими рекомендується використовувати, коли температура навколишнього середовища перевищує 30°C.
Швидке замороження	+4°C	Використовуйте цю функцію, якщо хочете швидко заморозити продукти. По завершенні процесу холодильник повернеться до попереднього режиму.
-18°C або нижче	+2°C	Рекомендується для випадків, коли можливою причиною недостатньо низької температури в холодильному відділенні є спекотна погода або часте відчинення й зачинення дверцят.
-18°C або нижче	Швидке охолодження	Використовується, коли холодильне відділення перевантажене, або коли ви хочете швидко охолодити продукти. Функцію швидкого охолодження рекомендується вмикати за 4-8 годин до завантаження продуктів у холодильник.

Замороження свіжих продуктів

- Краще загорнути або накрити продукти, перш ніж завантажувати їх у холодильник.
 - Перш ніж класти гарячі продукти до морозильного відділення, слід охолодити їх до кімнатної температури.
 - Заморожувані продукти мають бути свіжими та якісними.
 - Продукти слід розділити на порції відповідно до щоденних потреб родини, або до використання для приготування страв.
 - Продукти мають бути герметично упаковані для запобігання висиханню, навіть якщо вони призначені для нетривалого зберігання.
 - Матеріали для упаковки мають бути міцними та стійкими до холоду, вологості, запаху, олій та кислот, а також герметичними. Крім того, вони мають добре закриватися і бути виготовлені з легких у використанні матеріалів, які можуть бути використані для глибокого замороження.
- Для початкового замороження рекомендується класти продукти на верхню полицю морозильного відділення.
 - Наведені дані про морозильну здатність холодильника можуть бути досягнені, якщо покласти продукти на верхню полицю, а функцію швидкого замороження активувати за 4 години до завантаження продуктів.
 - Продукти, які необхідно заморозити, слід покласти до морозильного відділення. (Вони не мають торкатися вже заморожених продуктів, щоб запобігти їх частковому таненню. Морозильну здатність приладу наведено в технічних характеристиках холодильника).
 - Періоди, вказані в інформації про глибоке замороження, мають відповідати часу зберігання.
 - Заморожені продукти слід використати одразу після відтанення і ніколи не заморожувати їх знову.
 - Для досягнення найкращих результатів дотримуйтеся наступних інструкцій.
1. Не заморожуйте одночасно занадто велику кількість продуктів. Якість продуктів підтримується найкращим чином, якщо вони якнайшвидше промерзають.

2. Розміщення теплих продуктів у морозильному відділенні примушує компресор холодильника працювати безперервно, до повного замороження продуктів.
3. Зверніть особливу увагу на те, що не можна змішувати вже заморожені та свіжі продукти.

Рекомендації щодо зберігання заморожених продуктів

- Упаковані продукти, заморожені в промислових умовах, слід зберігати відповідно до інструкцій їхнього виробника для відділення *** ** *** (4 зірки) зберігання заморожених продуктів.
- Не розміщуйте продукти перед вентилятором морозильного відділення, щоб не перешкоджати циркуляції повітря. Завантаження продуктів таким чином призведе до підвищеного споживання електроенергії та погіршення ефективності зберігання продуктів у морозильному відділенні холодильника.
- Для забезпечення якісного та корисного для здоров'я зберігання продуктів, слід пам'ятати наступне:
 1. Розміщуйте упаковки з продуктами в морозильному відділенні якомога швидше після придбання.
 2. Перевірте, щоб вміст було марковано й датовано.
 3. Не перевищуйте терміни зберігання та вживання продуктів. У випадку порушення електропостачання не відчиняйте дверцята морозильного відділення. Навіть якщо тривалість відсутності електроенергії перевищує «Час підвищення температури», вказаний у розділі «Технічні характеристики вашого холодильника», це не вплине на заморожені продукти. Якщо електроенергія відсутня довше, продукти слід перевірити і, в разі необхідності, негайно вжити або заморозити після приготування.

- Під час придбання продуктів зважайте на кінцеву дату придатності до вживання, максимальний дозволений період зберігання, а також на рекомендовану температуру зберігання продуктів. Якщо дату придатності до вживання перевищено, не споживайте продукти.
- Якщо заморожені продукти відтанули, не заморозуйте їх знову. Продукти, що відтали, слід вжити в їжу або негайно приготувати. Рекомендується приготувати страви з таких продуктів, перш ніж заморозити їх знову, в разі необхідності.
- Час підвищення температури в морозильному відділенні покращиться, якщо акумулятори холоду розмістити в місцях, вказаних на малюнку нижче. Наведений час підвищення температури досягається, якщо розміщувати акумулятори холоду у відповідних місцях, як показано нижче.

Розмороження

Морозильне відділення розморожується автоматично.

Інформація про глибоке замороження

Продукти, покладені в холодильник, мають бути заморожені якомога швидше, щоб зберегти їх у гарній якості.

Ви можете зберігати продукти свіжими протягом багатьох місяців (при температурі -18°C або нижче в умовах глибокого замороження), відповідно до інструкцій, наведених на упаковці виробника продуктів.

ПОПЕРЕДЖЕННЯ! ⚠

- Продукти слід розділити на порції відповідно до щоденних потреб родини, або до використання для приготування страв.
- Продукти мають бути герметично упаковані для запобігання висиханню, навіть якщо вони призначені для нетривалого зберігання.

Матеріали, необхідні для пакування:

- Холодостійка клейка стрічка
- Наклейки
- Гумові кільця
- Авторучка

Матеріали для упаковки мають бути міцними та стійкими до холоду, вологості, запаху, олій та кислот.

Продукти, призначені для замороження, не повинні торкатися вже заморожених продуктів, щоб запобігти їх частковому таненню.

Дотримуйтеся значень, вказаних у таблицях періодів зберігання.

Заморожені продукти слід використати одразу після відтанення, і ніколи не заморожувати їх знову.

- Не кладіть у холодильник гарячі продукти.

Розміщення продуктів

Полиці морозильного відділення	Різні заморожені продукти, наприклад, м'ясо, риба, морозиво, овочі тощо
Відділення для яєць	Яйця
Полиці холодильного відділення	Продукти в каструлях, на накритих тарілках і в закритих контейнерах
Дверні полиці холодильного відділення	Невеликі й упаковані продукти та напої (молоко, фруктовий сік, пиво)

Контейнер для овочів і фруктів	Овочі та фрукти
Відділення зони свіжості	Делікатесні продукти (сир, масло, салями тощо)

Рекомендації щодо відділення для свіжих продуктів

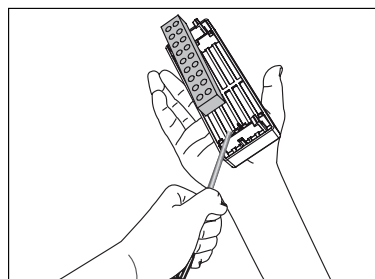
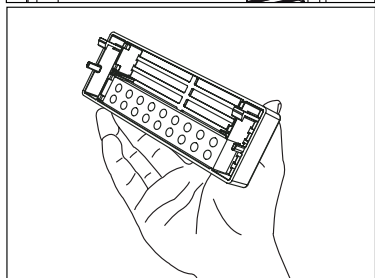
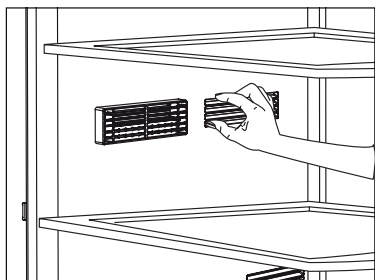
- Не допускайте контакту будь-яких продуктів із датчиком температури у відділенні для свіжих продуктів. Для підтримання ідеальної температури зберігання у відділенні для свіжих продуктів датчик не повинен закриватись продуктами, що там зберігаються.
- Не кладіть у холодильник гарячі продукти.

Опис і чистка фільтра запахів

* Опція

Фільтр запахів запобігає накопиченню неприємних запахів усередині холодильника.

Потягніть кришку, в якій встановлено фільтр запахів, униз і вийміть, як показано на малюнку. На один день залиште фільтр на сонці. За цей час фільтр очиститься. Встановіть фільтр на місце. Фільтр запахів слід очищати раз на рік.



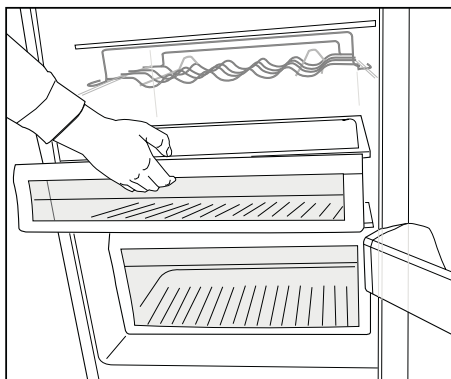
Відділення для закусок

Використовуйте ці відділення для зберігання продуктів при температурі, на кілька градусів нижчій за температуру холодильного відділення.

Ви можете збільшити внутрішній простір холодильника, вийнявши будь-яке відділення для закусок.

1. Для цього потягніть відділення на себе; коли буде досягнуто обмежувача, відділення зупиниться.
2. Підніміть передню сторону та потягніть відділення на себе, щоб повністю його вийняти.

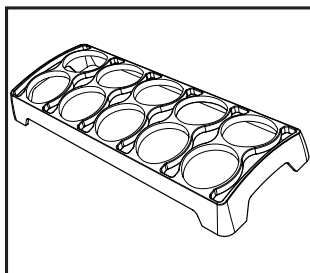
i У цих відділеннях можна розміщувати продукти, які ви хочете згодом заморозити, для попереднього охолодження.



Лоток для яєць

Відділення для яєць можна, за бажанням, встановити на двері чи полицю відділення.

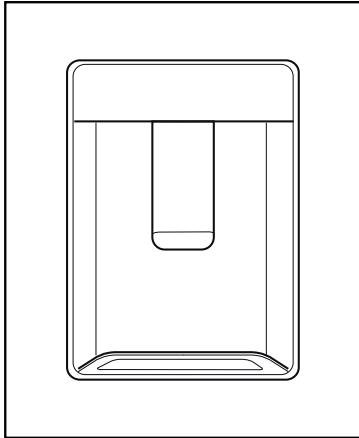
Не розміщуйте відділення для яєць у морозильному відділенні.



Дозатор для води

(у деяких моделях)

Розподільник води є дуже зручним засобом отримання охолодженої води, не відчиняючи дверцята холодильника. Оскільки дверцята холодильника відчинятимуться рідше, це допоможе зберегти енергію.



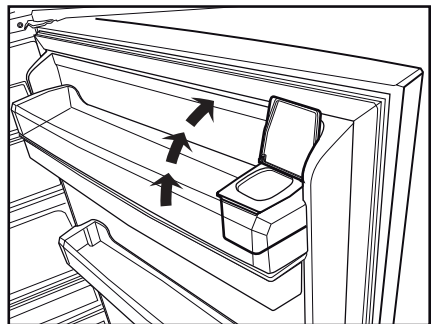
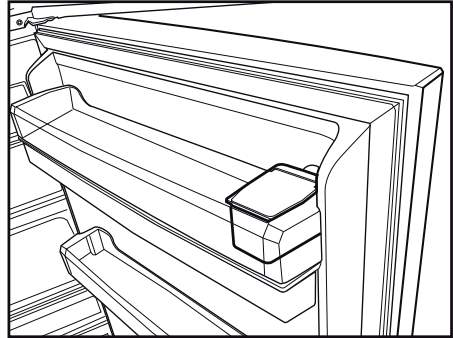
Використання крана подачі води

Натисніть на важілець розподільника води склянкою. Розподільник припинить працювати, щойно звільните важілець. Максимальний потік досягається натисканням на важілець до впирання. Пам'ятайте, що сила потоку з розподільника води залежить від тиску на важілець.

Коли рівень води в чашці/склянці підвищиться, зменшіть силу натискання на важілець для запобігання проливанню. Якщо натиснути на важілець злегка, вода тектиме краплями; це цілком нормально і не свідчить про несправність.

Наповнення бака розподільника води

Резервуар наповнення бака для води розташований у дверній полиці. Відкрийте кришку резервуара та залийте чисту питну воду. Потім закрийте кришку.



Попередження

- Не заливайте в бак для води жодну іншу рідину, крім питної води; такі напої, як фруктовий сік, газовані й алкогольні, непридатні для використання в розподільнику води. Якщо такі напої буде використано, розподільник води працюватиме несправно й може бути пошкоджений без можливості ремонту. Гарантія на такі випадки не поширюється. Деякі хімічні складники й добавки в таких напоях можуть пошкодити бак для води.

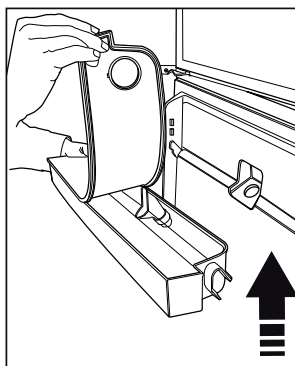
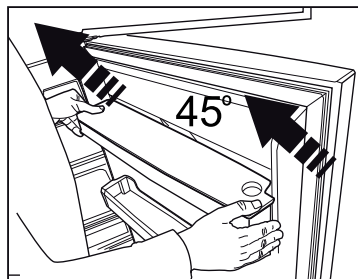
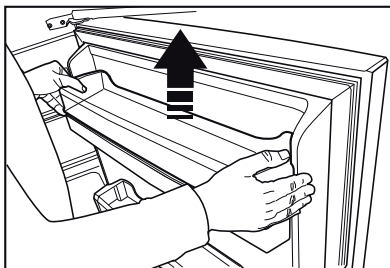
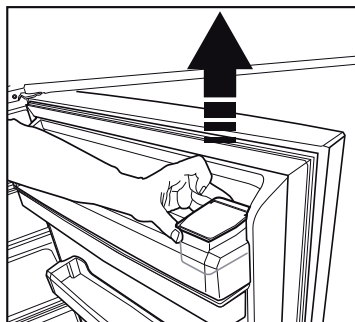
- Використовуйте тільки чисту питну воду.
- Ємність бака для води становить 3 літри, запобігайте переповненню.
- Натисніть на важілець розподільника води твердою склянкою. У разі використання пластикової склянки натискайте на важілець пальцями ззаду склянки.

Очищення бака для води

- Зніміть резервуар наповнення, що знаходиться у дверній полиці.
- Зніміть дверну полицю, тримаючи її з обох боків.
- Візьміться за бак для води з обох боків та витягніть його під кутом 45°.
- Зніміть кришку бака для води та промийте його.

Важливо!

Бак для води й компоненти розподільника не призначені для миття в посудомийній машині.



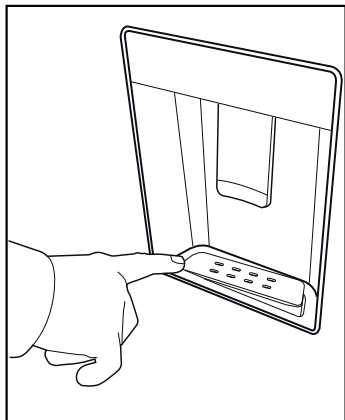
Лоток для води

Вода, що крапає під час використання розподільника, накопичується в лотку внизу.

Вийміть пластиковий фільтр, як показано на малюнку.

Чистою і сухою тканиною видаліть воду, що зібралася.

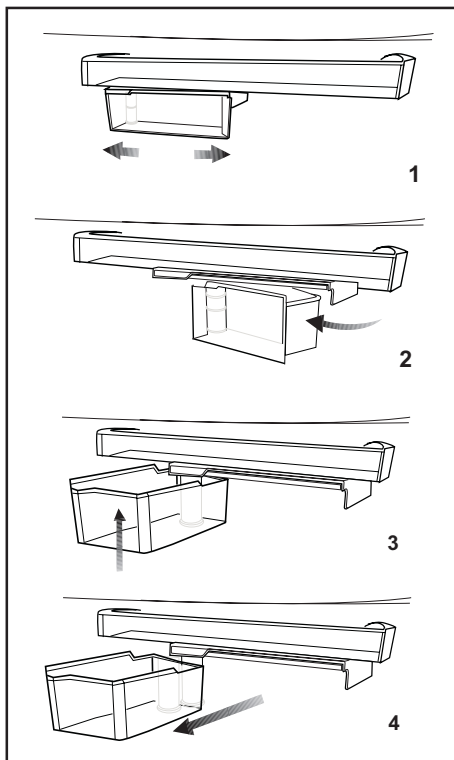
УВАГА: Під'єднувати лише до лінії подачі питної води.



Контейнер для зберігання, що обертається

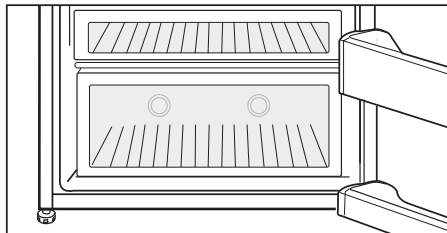
Висувну полицю можна рухати праворуч і ліворуч, аби розміщувати високі пляшки, банки чи коробки на нижній полиці (мал. 1).

Ви можете дістати їжу, що знаходиться на полиці, взявшись за її правий край і повернувши (мал. 2). За бажання завантажити чи вийняти полицю поверніть її на 90 градусів, підніміть і потягніть на себе (мал. 3-4).



Синє світло

У продуктах, які зберігаються в контейнерах із синім підсвічуванням, триває процес фотосинтезу завдяки довжині хвиль синього світла; таким чином вони зберігають свіжість, а вміст вітамінів у них збільшується.

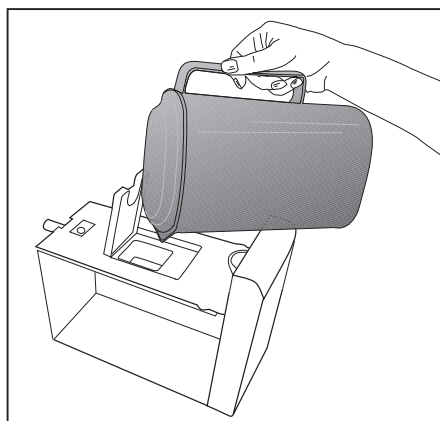
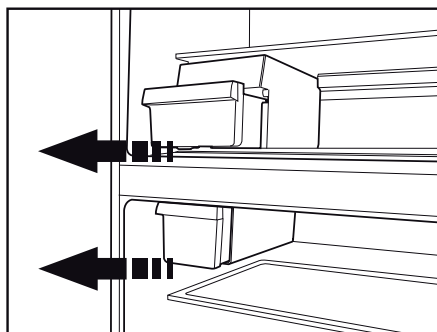


Автоматичний льодогенератор Icematic (у деяких моделях)

Завдяки автоматичній системі Icematic холодильник обертає воду на лід. Дістаньте бак для води з холодильного відділення, наповніть його водою та встановіть на місце для утворення льоду за допомогою льодогенератора Icematic.

Перша партія льоду буде готова приблизно за 2 години в контейнері Icematic морозильного відділення.

При повному заповненні бака для води ви отримаєте приблизно 60-70 кубиків льоду. Якщо вода стояла в баку близько 2-3 тижнів, замініть її.



Льодогенератор і контейнер для зберігання льоду

Використання льодогенератора

* Наповніть льодогенератор водою та встановіть у гніздо. Лід буде готовий приблизно за дві години. Не виймайте льодогенератор із його гнізда, щоб узяти лід.

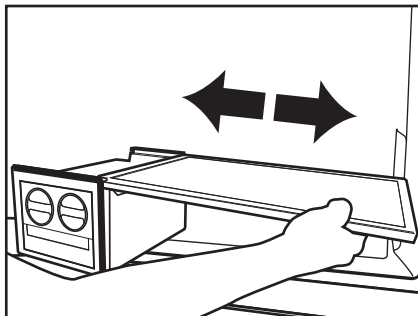
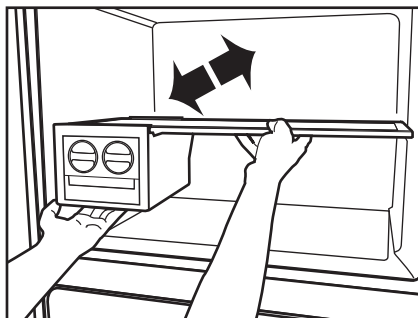
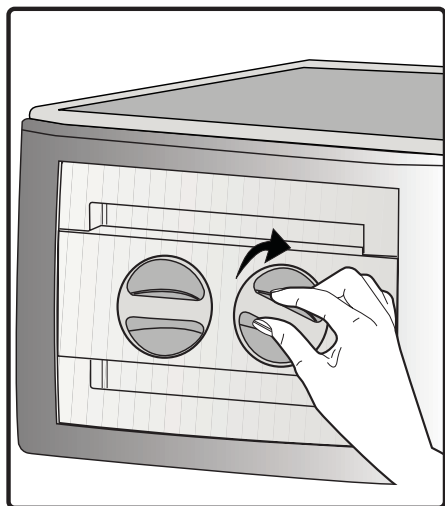
* Поверніть ручки за годинниковою стрілкою на 90 градусів.

Кубики льоду з чарунок впадуть у контейнер для зберігання льоду під ними.











* Ви можете вийняти контейнер для зберігання льоду й використати кубики льоду.


* За бажанням можна залишити кубики льоду в контейнері для зберігання льоду.

Контейнер для зберігання льоду
Контейнер для зберігання льоду призначений лише збирання кубиків льоду. Не заливайте в нього воду. У такому разі він зламається.




6 Догляд та очищення

-  Не використовуйте бензин чи подібні матеріали для чищення.
-  Перед виконанням чищення рекомендуємо від'єднати холодильник від електромережі.
-  Заборонено використовувати для чистки гострі абразивні засоби, мило, засоби для видалення плям, миючі засоби та поліролі на основі воску.
-  Промийте шафу холодильника ледь теплою водою та витріть насухо.
-  Для мийки відділень усередині холодильника користуйтеся ганчіркою, змоченою у розчині, який складається з чайної ложки питної соди на півлітра води, потім витріть їх насухо.
-  Слідкуйте, щоб вода не потрапила до корпусу лампочки та в інші електричні прилади.
-  Якщо прилад не буде використовуватися протягом тривалого часу, вимкніть його з електромережі, звільніть від усіх продуктів, протріть і залишіть дверцята відчиненими.
-  Регулярно перевіряйте, чи не забруднений шматочками їжі ущільнювач на дверях.
-  Для знімання лотка у дверях розвантажте його, а потім просто підштовхніть угору.
-  У жодному разі не використовуйте засоби для чищення чи воду, що містять хлор, для чищення зовнішніх поверхонь або хромованих деталей виробу. Хлор викликає корозію таких металевих поверхонь.

-  Не використовуйте гострі та абразивні засоби або мило, засоби для догляду за оселею, синтетичні миючі засоби, бензин, бензол, віск і т.д., в іншому випадку на пластикових частинах з'являться сліди і відбудеться їх деформація. Використовуйте для чищення теплу воду і м'яку тканину, а потім витріть насухо.

Захист пластикових поверхонь

-  Не зберігайте рідкі олії чи продукти з додаванням олії в холодильник у відкритому вигляді чи негерметичній упаковці, вони можуть зіпсувати пластикові поверхні холодильника. У разі потрапляння олії на пластикову поверхню очистіть цю частину поверхні теплою водою.

7 Рекомендації з усунення несправностей

Перед тим як звертатися до авторизованої сервісної служби, ознайомтеся з наведеною інформацією. Це допоможе вам заощадити гроші й час. Наведений нижче перелік містить найчастіші несправності, не викликані зіпсованим обладнанням чи матеріалом. Деякі з функцій, що наведені тут, можуть бути відсутні у вашому виробі.

Холодильник не працює.

- Чи під'єднаний холодильник до мережі правильним чином? Вставте штепсель до настінної розетки.
- Чи справна запобіжна пробка, до якої підключено холодильник, чи не перегорів запобіжник? Перевірте запобіжник.

Конденсація на бічній стінці холодильного відділення (MULTI ZONE, COOL CONTROL і FLEXI ZONE).

- Дуже низька температура навколишнього середовища. Дверцята холодильника часто відчиняють і зачиняють. Висока вологість навколишнього середовища. Зберігання продуктів, які містять рідину, у відкритих контейнерах. Нещільно зачинені дверцята. Перемкніть термостат на нижчу температуру
- Не тримайте дверцята відчиненими або відчиняйте їх рідше.
- Накривайте продукти, які зберігаються у відкритих контейнерах, відповідним матеріалом.
- Витріть конденсат сухою тканиною та перевірте, чи з'являється він знову.

Компресор не працює.

- Термозахист компресора може бути пошкоджений в результаті несподіваного збою енергопостачання чи увімкнення-вимкнення, оскільки тиск хладагенту в системі охолодження не встиг збалансуватися. Холодильник почне працювати орієнтовно через 6 хвилин. Якщо після закінчення цього періоду холодильник не запрацює, зверніться до сервісної служби.
- Холодильник перебуває у стані розморожування. Для холодильника, що розморожується автоматично, це цілком нормально. Розморожування відбувається періодично.
- Холодильник не під'єднано до мережі. Переконайтеся, що вилка належним чином вставлена в розетку.
- Чи правильно відрегульовано температуру?
- Можливо, відключена подача електроенергії.

Холодильник вмикається занадто часто або працює занадто довго.

- Ваш новий холодильник може бути ширшим за попередній. Це цілком нормально. Великі холодильники працюють протягом тривалішого часу.
- Температура навколишнього середовища може бути зависокою. Це цілком нормально.
- Холодильник міг бути нещодавно увімкнений чи завантажений продуктами. Повне охолодження холодильника може тривати на кілька годин довше.
- Можливо, у холодильник нещодавно завантажили велику кількість гарячих продуктів. Гарячі продукти сприяють довшій роботі холодильника з метою досягнення потрібної температури зберігання.
- Можливо, двері часто відчиняють, або вони тривалий час були нещільно зачинені. Тепле повітря, що потрапляє до холодильника, спричиняє його довшу роботу. Відчиняйте дверцята рідше.
- Нещільно зачинені двері холодильного чи морозильного відділень. Перевірте, чи щільно зачинені дверцята.
- Холодильник відрегульовано на дуже низьку температуру. Відрегулюйте температуру холодильного відділення до вищого значення, поки не буде досягнута потрібна температура.
- Ущільнювач дверцята холодильного чи морозильного відділень, можливо, забруднений, зношений, зіпсутий або неправильно встановлений. Ущільнювач дверей треба почистити чи замінити. Пошкоджений ущільнювач примушує холодильник працювати довше для того, щоб підтримувати температуру.

Температура морозильного відділення занижена, тоді як температура холодильника достатня.

- Морозильне відділення відрегульовано на дуже низьку температуру. Відрегулюйте температуру морозильного відділення до вищого значення та перевірте.

Температура холодильника занижена, тоді як температура морозильного відділення достатня.

- Холодильник налаштовано на дуже низьку температуру. Відрегулюйте температуру холодильника до вищого значення та перевірте.

Продукти, що зберігаються у холодильному відділенні, заморожуються.

- Холодильник налаштовано на дуже низьку температуру. Відрегулюйте температуру холодильника до вищого значення та перевірте.

Температура у холодильному чи морозильному відділеннях зависока.

- Холодильник налаштовано на дуже високу температуру. Температура холодильного відділення впливає на температуру морозильного. Змініть температуру холодильника чи морозильника, поки не буде досягнуто потрібне значення.
- Можливо, дверцята часто відчиняють, або вони тривалий час були нещільно зачинені; відчиняйте дверцята рідше.
- Можливо, дверцята холодильника прочинені; зачиніть їх повністю.
- Можливо, у холодильник нещодавно завантажили велику кількість гарячих продуктів. Заждіть, поки холодильник чи морозильник досягне потрібної температури.
- Можливо, холодильник нещодавно увімкнули. На повне охолодження холодильника буде потрібен час.

Рівень робочого шуму підвищується під час роботи холодильника.

- Робочі характеристики холодильника можуть змінюватися у залежності від температури навколишнього середовища. Це цілком нормально і не свідчить про несправність.

Вібрації або шум

<ul style="list-style-type: none"> • Нерівна чи нестійка підлога. При повільному переміщенні холодильник дрижить. Переконайтеся, що підлога рівна і може витримати вагу холодильника. • Шум може бути спричинений предметами, що покладені зверху на холодильник. Сторонні предмети слід прибрати з холодильника.
З холодильника лунає шум, наче плетється чи розбризкується рідина.
<ul style="list-style-type: none"> • Рідини і гази протікають у системі охолодження холодильника відповідно до принципу його роботи. Це цілком нормально і не свідчить про несправність.
Чується шум, наче дме вітер.
<ul style="list-style-type: none"> • Для охолодження холодильника використовуються вентилятори. Це цілком нормально і не свідчить про несправність.
Конденсат на внутрішніх стінках холодильника.
<ul style="list-style-type: none"> • Спекотна й волога погода сприяє утворенню льоду та появі конденсату. Це цілком нормально і не свідчить про несправність. • Можливо, дверцята холодильника прочинені; зачиніть їх повністю. • Можливо, дверцята часто відчиняють, або вони тривалий час були нещільно зачинені; відчиняйте дверцята рідше.
Поява вологи зовні холодильника чи між стулками дверей.
<ul style="list-style-type: none"> • Повітря вологе; при вологій погоді це цілком нормально. Коли волога зменшиться, конденсація зникне.
Поганий запах всередині холодильника.
<ul style="list-style-type: none"> • Слідкуйте за тим, щоб холодильник усередині був чистим. Протріть внутрішню частину холодильника губкою, змоченою в теплій чи газованій воді. • Деякі види упаковки чи контейнерів для зберігання також можуть бути джерелом запаху. Використовуйте інший контейнер чи матеріал для упакування.
Дверцята не зачиняються.
<ul style="list-style-type: none"> • Продукти можуть заважати зачиненню дверцят. Перекладіть продукти, які заважають зачиненню дверцят. • Можливо, холодильник стоїть не зовсім вертикально. Це може викликати дрижання при найменшому русі. Відрегулюйте гвинт регулювання висоти. • Нерівна чи неміцна підлога. Переконайтеся, що підлога рівна і може витримати вагу холодильника.
Контейнери злиплися.
<ul style="list-style-type: none"> • Можливо, продукти торкаються верхньої частини контейнера. Перекладіть продукти в контейнері.

Офіційний представник на території України: ТОВ «Беко Україна», адреса: 01021, м. Київ, вул. Кловський узвіз, буд. 5 тел/факс.: 0-800-500-4-3-2”

Інформацію про сертифікацію продукту Ви можете уточнити зателефонувавши на гарячу лінію 0-800-500-4-3-2.

Термін служби десять років

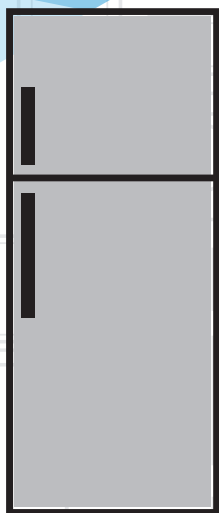


www.beko.com

48 8848 0000/BP
4/5
PT-EL-UK

Refrigerator

User manual



DN 156720 D
DN 156720 DS
DN 156720 DX
DN 156720 X

DN 156721 X
DN 156720 H
DN 156720 DH
DN 156721 DH

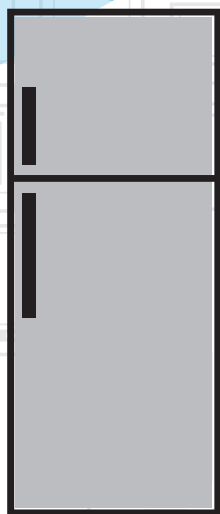
DN 160103
DN 160103 X
DN 161620 C
DN 161620

DN 161620 X
DN 161600 C
DN163720DH

SQ | RU | TR

beko

Frigorifer Manual Udhëzim



SQI

beko

Ju lutem lexoni këtë manual më parë.

I nderuar klient,

Shpresojmë që produkti juaj, i cili është prodhuar në fabrika moderne dhe është kontrolluar nën procedurat më të rrepta të kontrollit të cilësisë, do t'ju ofrojë një shërbim të efektshëm.

Prandaj, lexoni të gjithë këtë manual me kujdes para se ta përdorni këtë produkt dhe ruajeni si referencë. Nëse ia dorëzoni produktin dikujt tjetër, jepini gjithashtu edhe këtë manual.

Manuali i përdoruesit do t'ju ndihmojë ta përdorni produktin shpejt dhe në mënyrë të sigurt.

- Lexoni manualin para se të instaloni dhe përdorni produktin.
- Sigurohuni që t'i lexoni udhëzimet e sigurisë.
- Mbajeni manualin në një vend që ta arrini merrni me lehtësi pasi mund t'ju duhet më vonë.
- Lexoni dokumentet e tjera të dhëna me produktin.

Mos harroni që ky manual përdoruesi vlen gjithashtu edhe për disa modele të tjera. Ndryshimet midis modeleve do të tregohen në manual.

Shpjegim i simboleve

Gjatë këtij manuali përdoruesi janë përdorur simbolet e mëposhtme:

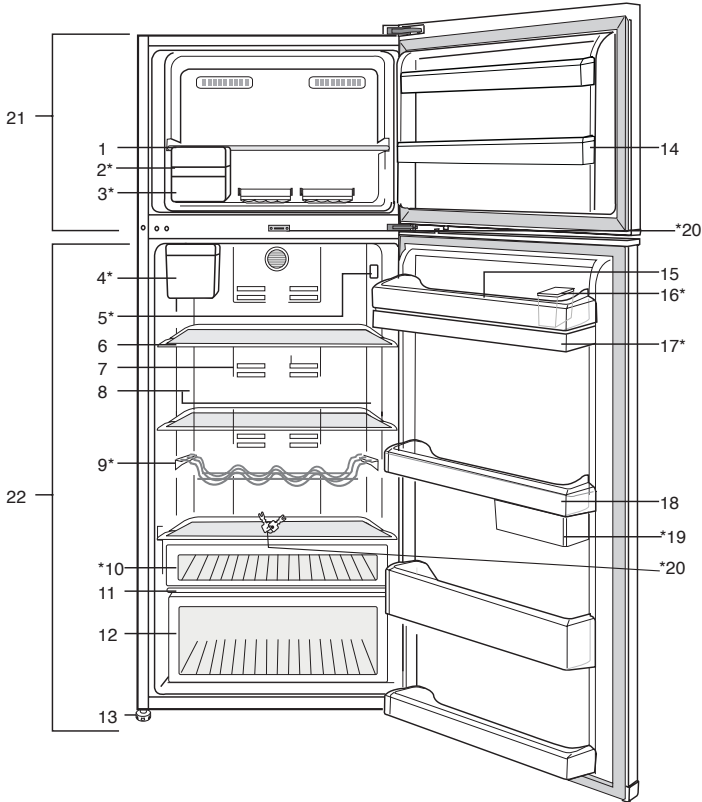
 Informacione të rëndësishme ose këshilla të dobishme.

 Paralajmërim kundrejt situatave të rrezikshme për jetën dhe pronën.

 Paralajmërim kundrejt tensionit elektrik.

1	Frigoriferi juaj	4	5	Përdorimi i panelit të treguesve të frigoriferit	17
2	Paralajmërimet të Rëndësishme Sigurie	5		Paralajmërimi i hapjes së derës.....	20
	Përdorimi i synuar	5		Ngrirja e ushqimeve të freskëta.....	21
	Siguria e përgjithshme	5		Rekomandimet për ruajtjen e ushqimeve të ngrira	22
	Për produktet me dispenser uji;	10		Vendosja e ushqimeve	22
	Siguria për fëmijët	10		Informacionet për ngrirjen e thellë	23
	Pajtueshmëria me Direktivën WEEE dhe Hedhjen e Produkteve			Përshkrimi dhe pastrimi i filtrit të aromave:	24
	Mbeturina:	10		Mbajtësja e vezëve	24
	Informacione të paketimit.....	11		Aparati i ujit.....	25
	Paralajmërim HC	11		Kontejneri i ruajtjes me rrotullim	27
	Gjërat që mund të bëhen për kursimin e energjisë	11		Drita blu.....	28
	Rekomandimet për ndarjen e ushqimeve të freskëta.....	12		Auto Icematic	28
				Icematic dhe kontejneri i ruajtjes së akullit	29
3	Instalimi	13	6	Mirëmbajtja dhe pastrimi	30
	Pikat të cilave u duhen kushtuar vëmendje kur zhvendosni frigoriferin	13		Mbrojtja e sipërfaqeve plastike	30
	Para se ta vini frigoriferin në punë, ...	13	7	Zgjidhja e problemeve	31
	Lidhja elektrike.....	13			
	Hedhja e paketimit.....	14			
	Hedhja e frigoriferit të vjetër	14			
	Vendosja dhe Instalimi	14			
	Rregullimi i këmbëve.....	15			
	Ndërrimi i llambës së ndriçimit	15			
4	Përgatitja	16			

1 Frigoriferi juaj



1. Rafti i ndarjes së ngrirësit
 2. Auto Icematic
 3. Kontejneri i ruajtjes së akullit
 4. Depozita e ujit e Auto Icematic
 5. Treguesi i përcaktimit të temperaturës
 6. Raftet e lëvizshme të xhamit
 7. Filtri i aromave
 8. Drita e ndriçimit
 9. Rafti i shisheve
 10. Ndarja e ushqimeve të shpejta
 11. Kapaku i ndarjes së perimeve
 12. Ndarja e perimeve
 13. Këmbët e rregullueshme
 14. Mbajtëset e derës së ndarjes së ngrirësit
 15. Mbajtësja e vezëve
 16. Kontejneri i mbushjes së aparatit të ujit
 17. Depozita e aparatit të ujit
 18. Raftet e derës së ndarjes së frigoriferit
 19. Kontejnerët me rëshqitje dhe rotullim
 20. Butoni
 21. Ndarja e ngrirësit
 22. Ndarja e frigoriferit
- *OPSIONALE**

Figurat që ndodhen në këtë manual janë skematike dhe mund të mos korrespondojnë saktësisht me produktin tuaj. Nëse pjesët e subjektit nuk janë përfshirë në produktin që keni blerë, atëherë është vlejshme për modele të tjera.

2 Paralajmërimet e Rëndësishme Sigurie

Ju lutem shikoni informacionet e mëposhtme. Nëse nuk i përmbaheni këtyre informacioneve mund të shkaktohen lëndime ose dëmtime materiale. Përndryshe, të gjitha angazhimet e garancisë dhe besueshmërisë do të bëhen të pavlefshme.

Pjesët origjinale të ndërrimit do të ofrohen për 10 vite, pas datës së blerjes së produktit.

Përdorimi i synuar

Ky produkt është synuar që të përdoret

- brenda dhe në ambiente të mbyllura si për shembull në shtëpi;
- në ambiente pune të mbyllura si për shembull dyqane dhe zyra;
- në vende akomodimi të mbyllura si për shembull në shtëpi fermash, hotele, shtëpi me qera.
- Nuk duhet të përdoret jashtë.

Siguria e përgjithshme

- Kur doni ta hidhni/flakni produktin, rekomandojmë që të konsultoheni me shërbimin e autorizuar me qëllim që të mësoni informacionet që duhen dhe organet e autorizuar.
- Konsultohuni me shërbimin e autorizuar për të gjitha pyetjet dhe problemet që lidhen me frigoriferin tuaj. Mos ndërhyjni ose mos lejoni asnjë që të ndërhyjë në frigorifer pa njoftuar shërbimet e autorizuar.
- Për produktet me një ndarje ngrirësi; Mos hani kone akulloresh dhe kuba akulli menjëherë pasi i keni nxjerrë nga ndarja e ngrirësit! (Kjo mund të shkaktojë kafshim ngrice në gojë.)
- Për produktet me ndarje ngrirësi; Mos vendosni pije në shishe dhe kanaçe në ndarjen e

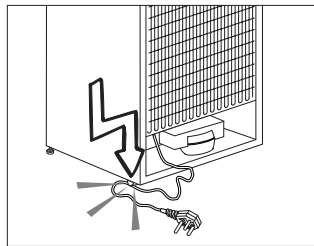
ngjirësit. Përndryshe ato mund të çahen.

- Mos i prekni ushqimet e ngrira me dorë; ato mund t'ju ngjiten në dorë.
- Higjeni frigoriferin nga priza para se ta pastroni ose shkrini.
- Avulli dhe materialet e pastrimit që avullojnë nuk duhet të përdoren asnjëherë në pastrim dhe proceset e shkrirjes të frigoriferit. Në këto raste, avulli mund të bjerë në kontakt me pjesët elektrike dhe të shkaktojë qark të shkurtër ose goditje elektrike.
- Mos e përdorni asnjëherë si mjet për t'u mbështetur ose si shkallë derën ose pjesët e frigoriferit.
- Mos përdorni pajisje elektrike brenda frigoriferit.
- Mos i dëmtoni pjesët, ku qarkullon lëngu ftohës, me mjete shpimi ose prerjeje. Lëngu ftohës që mund të dalë kur shpohen kanalet e evaporatorit, zgjatimeve të tubit ose shtresave të sipërfaqes shkakton irritime në lëkurë dhe dëmtime në sy.
- Mos i mbuloni ose bllokoni vrimat e ventilimit në frigorifer me asnjë lloj materiali.
- Pajisjet elektrike duhet të riparohen vetëm nga persona të autorizuar. Riparimet e bëra nga persona jo kompetentë krijojnë rreziqe për përdoruesin.
- Në rast të ndonjë defekti ose gjatë një pune mirëmbajtjeje ose riparimi, shkëputeni frigoriferin nga korrenti qoftë duke fikur siguresën përkatëse ose duke e hequr pajisjen nga priza.
- Mos e tërhiqni kabllin kur tërhiqni spinën.
- Vendosini pijet e larta të mbyllura fort dhe në pozicion vertikal.

- Sigurohuni që pijet alkoolike të forta të mbahen të siguruara me tapë të mbyllur dhe të vendosen në pozicion vertikal.
- Mos përdorni pajisje mekanike ose mjete të tjera për të përshpejtuar procesin e shkrirjes, përveç atyre të rekomanduara nga prodhuesi.
- Ky produkt nuk është synuar të përdoret nga persona me çrregullime fizike, ndjesore ose mendore apo nga njerëz që nuk janë mësuar ose pa përvojë (përfshirë fëmijët) përveç nëse mbikëqyren nga një person i cili do të jetë përgjegjës për sigurinë e tyre ose që do t'i udhëzojë mirë për përdorimin e produktit.
- Mos e vini në punë një frigorifer të dëmtuar. Konsultohuni me agjentin e shërbimit nëse keni ndonjë merak.
- Siguria elektrike e frigoriferit tuaj do të garantohet vetëm nëse sistemi i tokëzimit në shtëpinë tuaj përputhet me standardet.
- Ekspozimi ndaj shiut, borës, diellit dhe erës është i rrezikshëm në lidhje me sigurinë elektrike.
- Kontaktoni shërbimin e autorizuar kur ka një dëmtim të kabllit të energjisë për të shmangur rrezikun.
- Asnjëherë mos e vini frigoriferin në prizë gjatë instalimit. Përndryshe, mund të shkaktohet vdekje ose lëndime serioze.
- Ky frigorifer është synuar vetëm për të mbajtur ushqime. Nuk duhet të përdoret për asnjë qëllim tjetër.
- Etiketa e të dhënave teknike ndodhet në murin e majtë brenda frigoriferit.
- Asnjëherë mos e lidhni frigoriferin me sistemet

e kursimit të energjisë; ato mund ta dëmtojnë frigoriferin.

- Nëse ka një dritë blu mbi frigorifer, mos e shikoni dritën blu me mjete optike.
- Për frigoriferët me kontroll manual, prisni të paktën 5 minuta para se ta vini frigoriferin në punë pas një ndërperje energjie.
- Ky manual përdorimi duhet t'i jepet pronarit të ri të produktit kur i jepet të tjerëve.
- Bëni kujdes të mos e dëmtoni kabllin e energjisë kur transportoni frigoriferin. Përkulja e kabllit mund të shkaktojë zjarr. Mos vendosni objekte të rënda mbi kabllin e energjisë.
- Mos e preni spinën me duar të lagura kur e hiqni produktin nga priza.



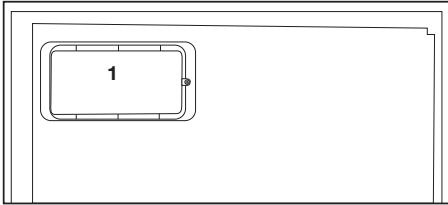
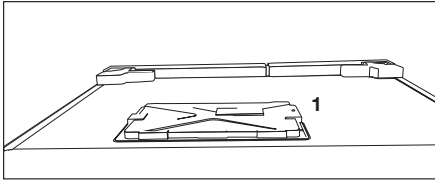
- Mos e vendosni frigoriferin nëse priza në mur është e lirë.
- Nuk duhet të spërkatet ujë në pjesët e brendshme ose të jashtme të produktit për arsye sigurie.
- Mos spërkatni substanca që përmbajnë gazra të djegshme si për shembull gaz propan pranë frigoriferit për të shmangur rrezikun e zjarrit dhe shpërthimit.
- Mos vendosni asnjëherë enë të mbushura me ujë mbi frigorifer; në rast spërkatjesh kjo mund të shkaktojë goditje elektrike ose zjarr.
- Mos e mbingarkoni frigoriferin me ushqime. Nëse ngarkohet tepër,

ushqimet mund të bien dhe t'ju lëndojnë dhe të dëmtojnë frigoriferin kur hapni derën.

- Mos vendosni asnjëherë objekte mbi frigorifer; përndryshe, këto objekte mund të bien kur hapni ose mbyllni derën e frigoriferit.
- Meqenëse kërkojnë një temperaturë shumë të saktë, vaksinat, ilaçet të ndjeshme ndaj nxehtësisë dhe materialet shkencore, etj. nuk duhet të mbahen në frigorifer.
- Nëse nuk do të përdoret për një kohë të gjatë, frigoriferi duhet të hiqet nga priza. Një problem i mundshëm në kabllin e energjisë mund të shkaktojë zjarr.
- Frigoriferi mund të lëvizë nëse këmbët e rregullueshme nuk janë siguruar mirë mbi dysheme. Sigurimi mirë i këmbëve të rregullueshme mbi dysheme mund të mos

lejojë që frigoriferi të lëvizë.

- Kur lëvizni frigoriferin, mos e kapni nga doreza e derës. Përndryshe, mund të thyhet.
- Kur duhet ta lëvizni produktin pas një frigoriferi ose ngrirësi tjetër, distanca midis pajisjeve duhet të jetë të paktën 8 cm. Përndryshe, muret anësore pranë mund të krijojnë lagështi.
- Produkti nuk duhet të përdoret asnjëherë ndërkohë që ndarja që ndodhet sipër ose prapa produktit dhe në të cilin ndodhen qarqet elektronike (kapaku i kutisë të qarkut elektrik) (1) është i hapur.



Për produktet me dispenser uji;

- Presioni nga vendi i hyrjes së ujit të ftohtë duhet të jetë maksimumi 90 psi (6,2 bar). Nëse presioni i ujit e kalon 80 psi (5,5 bar), përdorni një valvulë kufizuese të presionit në sistemin tuaj kryesor. Nëse nuk dini se si ta kontrolloni presionin e ujit, kërkoni ndihmën e një hidrauliku profesionist.
- Nëse ekziston rreziku i efektit të goditjes çekiç nga uji në instalimin tuaj, përdorni gjithmonë një pajisje për parandalimin

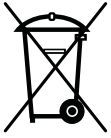
e këtij efekti në instalimin tuaj. Këshillohuni me një hidraulik profesionist nëse nuk jeni të sigurt se nuk ka një efekt të goditjes çekiç nga uji në instalimin tuaj.

- Mos e instaloni te vendi i hyrjes së ujit të nxehtë. Tregoni kujdes ndaj rrezikut të ngrirjes së tubave. Intervali operativ i temperaturave të ujit duhet të jetë minimumi 0,6°C (33°F) dhe maksimumi 38°C (100°F).
- Përdorni vetëm ujë të pijshëm.

Siguria për fëmijët

- Nëse dera ka një kyç, çelësi duhet të mbahet larg fëmijëve.
- Fëmijët duhet të mbikëqyren për të mos lejuar që të ngacmojnë produktin.

Pajtueshmëria me Direktivën WEEE dhe Hedhjen e Produkteve Mbeturina:



Ky produkt i përmbahet Direktivës EU WEEE (2012/19/EU). Ky produkt mbart simbolin e klasifikimit për pajisjet mbeturina elektrike dhe elektronike (WEEE).

Ky produkt është prodhuar me pjesë dhe materiale të cilësisë të lartë të cilat mund të ripërdoren dhe janë të përshtatshme për riciklim. Prandaj, mos e hidhni produktin së bashku me mbeturinat e zakonshme të shtëpisë në fund të jetëgjatësisë së tij. Çojeni në një pikë grumbullimi për riciklimin e pajisjeve elektrike dhe elektronike. Ju lutem konsultohuni me autoritetet lokale për të mësuar pikën më të afërt të grumbullimit. Ndhimoni në mbrojtjen e mjedisit dhe burimeve natyrore duke i ricikluar produktet e përdorura. Për sigurinë e fëmijëve, priteni kabllin e energjisë dhe thyejeni mekanizmin e kyçjes të derës, nëse ka, kështu do të jetë jo-funksional para se ta hidhni produktin.

Informacione të paketimit

Materialet e paketimit të produktit janë prodhuar nga materiale të riciklueshme në përputhje me Rregullat Kombëtare për Mjedisin. Mos i hidhni materialet e paketimit së bashku me mbeturinat e tjera ose ato shtëpiake. Çojini në pikat e grumbullimit të materialeve të paketimit të caktuara nga autoritetet lokale.

Mos harroni...

Çdo substancë e ricikluar është një çështje e domosdoshme për natyrën dhe pasuritë tona kombëtare.

Nëse doni të kontribuoni në ri-vlerësimin e materialeve të paketimit, mund të konsultoheni me organizatat ambientaliste ose komunat ku ndodhni.

Paralajmërim HC

Nëse sistemi i ftohjes të produktit tuaj përmban R600a:

Ky gaz është i djegshëm. Prandaj, bëni kujdes të mos dëmtoni sistemin e ftohjes dhe tubacionet gjatë përdorimit dhe transportit.

Në rast dëmtimi, mbajeni produktin larg nga substancat e dëmshme të zjarrit të cilat mund të bëjnë që këto produkte të marrin zjarr dhe ajroseni dhomën në të cilën është vendosur njësia.

Injoroni këtë paralajmërim nëse sistemi i ftohjes të produktit tuaj përmban R134a.

Lloji i gazit i përdorur në produkt është treguar në etiketën e tipit e cila ndodhet në murin e majtë brenda frigoriferit.

Asnjëherë mos e hidhni produktin në zjarr për ta hedhur.

Gjërat që mund të bëhen për kursimin e energjisë

- Mos i lini dyert e frigoriferit të hapura për një kohë të gjatë.
- Mos vendosni ushqime ose pije të nxehta brenda frigoriferit.
- Mos e mbingarkoni frigoriferin në mënyrë që të mos pengohet qarkullimi i ajrit brenda frigoriferit.
- Mos e instaloni frigoriferin nën dritën direkte të diellit ose pranë pajisjeve që çlirojnë nxehtësi si për shembull furrat, lavastoviljet ose radiatorët. Mbajeni frigoriferin të paktën 30cm larg burimeve që lëshojnë nxehtësi dhe të paktën 5cm nga furrat elektrike.
- Bëni kujdes që ta mbani ushqimin në enë të mbyllura.
- Për produktet me një ndarje ngrirësi; Mund të mbani më shumë ushqime në ngrirës kur e hiqni raftin ose sirtarin e ngrirësit. Vlera e konsumit të energjisë e treguar për frigoriferin tuaj është përcaktuar duke hequr raftin ose sirtarin e ngrirësit dhe nën ngarkesë maksimale. Nuk ka asnjë problem të përdorni një raft ose sirtar sipas formave dhe madhësisë që ushqimeve që do të ngrihen.
- Shkrimja e ushqimeve në ndarjen e frigoriferit do të sigurojë kursim energjie dhe do të ruajë cilësinë e ushqimit.

Rekomandimet për ndarjen e ushqimeve të freskëta

***opsionale**

Mos lejoni që ushqimet të prekin sensorin e temperaturës në ndarjen e ushqimeve të freskëta. Për të lejuar ndarjen e ushqimeve të freskëta që të ruajë temperaturën e tij ideale të ruajtjes, sensori nuk duhet të pengohet nga ushqimet.

Mos vendosni ushqime të nxehta te produkti.

3 Instalimi

⚠ Në rastin se nuk merren parasysh informacionet që janë dhënë në këtë manual përdoruesi, prodhuesi nuk do të mbajë asnjë përgjegjësi për këtë.

Pikat të cilave u duhen kushtuar vëmendje kur zhvendosni frigoriferin

1. Frigoriferi duhet të hiqet nga priza. Para transportit të frigoriferit, ai duhet të zbrazet dhe të pastrohet.

2. Para se të ripakëtohet, raftet, aksesoret, krisperi, etj. brenda frigoriferit duhet të fiksohen me ngjitës dhe të sigurohen nga goditjet. Paketimi duhet të lidhet me një ngjitës të trashë ose litarë të shtrënguar dhe duhet të zbatohen me përpikëri rregullat e transportit mbi paketim.

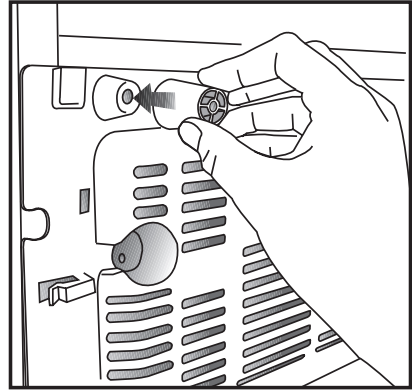
3. Paketimi dhe materialet e shumës origjinale duhet të ruhen për transport ose lëvizje në të ardhmen.

Para se ta vini frigoriferin në punë,

Kontrolloni të mëposhtmet para se ta vini në punë se përdorni frigoriferin tuaj:

1. Ngjitni 2 pyka plastike siç tregohet në figurë më poshtë. Pykat plastike janë synuar për të mbajtur distancën që do të garantojë qarkullimin e ajrit midis frigoriferit dhe murit. (Figura është vizatuar vetëm si prezantim dhe nuk është identike me produktin tuaj.)

2. Pastrojeni pjesën e brendshme të frigoriferit siç rekomandohet në pjesën "Mirëmbajtja dhe pastrimi".



3. Futni spinën e frigoriferit në prizën në mur. Kur hapet dera e frigoriferit, llamba e brendshme do të ndizet.

4. Kur fillon të punojë kompresori, do të dëgjohet një tingull. Lëngu dhe gazrat e izoluar brenda sistemit të ftohjes mund të krijojnë zhurma, edhe nëse kompresori nuk është në punë dhe kjo është normale.

5. Anët e para të frigoriferit mund të ndihen të ngrohta. Kjo është normale. Këto zona janë bërë posaçërisht që të jenë të ngrohta për të shmangur kondensimin.

Lidhja elektrike

Lidhjeni produktin tuaj me një prizë të tokëzuar e cila mbrohet nga një siguresë me kapacitetin e duhur.

E rëndësishme:

Lidhja duhet të jetë në përputhje me rregullat kombëtare.

- Spina e korrentit duhet të jetë e arritshme me lehtësi pas instalimit.

- Siguria elektrike e frigoriferit tuaj do të garantohet vetëm nëse sistemi i tokëzimit në shtëpinë tuaj përputhet me standardet.
- Tensioni që tregohet në etiketën që ndodhet në anën e brendshme të produktit tuaj duhet të jetë e njëjtë me tensionin e rrejtë.
- **Nuk duhet të përdoren kabllot zgjatimi dhe multi spina për lidhjen.**

⚠ Një dëmtim në kabllin e energjisë duhet të ndërrohet nga një elektrikist i kualifikuar.

⚠ Produktet nuk duhet të vihen në punë para se të riparohen! Ekziston rreziku i goditjes elektrike!

Hedhja e paketimit

Materialet e paketimit mund të jenë të rrezikshme për fëmijët. Mbajini materialet e paketimit larg fëmijëve ose hidhini duke i klasifikuar sipas udhëzimeve për mbeturinat të treguara nga autoritetet vendase. Mos i hidhni së bashku me mbeturinat e zakonshme shtëpiake, hidhini në pikat e caktuara nga autoritetet vendase.

Paketimi i frigoriferit tuaj është prodhuar prej materialesh të riciklueshme.

Hedhja e frigoriferit të vjetër

Hidhni frigoriferin tuaj të vjetër pa dëmtuar mjedisin.

- Mund të konsultoheni me shitësin e autorizuar ose qendrën e grumbullimit të mbeturinave të bashkisë tuaj për hedhjen e frigoriferit.

Para se ta hidhni frigoriferin, priteni spinën elektrike dhe, nëse ka ndonjë kyç në derë, bëjini të papërdorshme me qëllim që të mbronin fëmijët nga ndonjë rrezik.

Vendosja dhe Instalimi

⚠ Nëse dera e hyrjes të dhomës ku do të instalohet frigoriferi nuk është e gjerë mjaftueshëm që të kalojë frigoriferi, atëherë thërrisni shërbimin e autorizuar që ata të heqin dyert e frigoriferit dhe kalojeni anash përmes derës.

1. Montojeni frigoriferin në një vend që përdoret me lehtësi.

2. Mbajeni frigoriferin larg burimeve të nxehtësisë, vendeve të lagështa dhe dritës direkte të diellit.

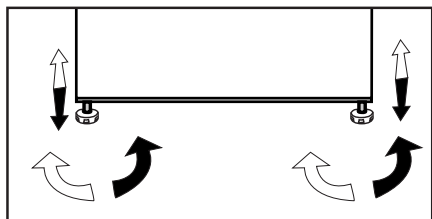
3. Duhet të ketë ventilim të mjaftueshëm me qëllim që frigoriferi të punojë me efektshmëri. Nëse frigoriferi do të vendoset në një pjesë të futur në mur, duhet të ketë një distancë të paktën 5 cm nga tavani dhe të paktën 5 cm nga muri. Mos e vendosni produktin tuaj mbi materiale si për shembull tapet ose qilim.

4. Vendoseni frigoriferin mbi një sipërfaqe të sheshtë për të parandaluar lëkundjet.

Rregullimi i këmbëve

Nëse frigoriferi juaj nuk është në nivel;

Mund ta vendosni frigoriferin në nivel duke rrotulluar këmbët e para siç tregohet në figurë. Cepi ku ndodhet këmba ulet kur e rrotulloni në drejtim të shigjetës të zezë dhe ngrihet kur e rrotulloni në drejtim të kundërt. Marrja e ndihmës nga dikush për ta ngritur pak frigoriferin do ta bëjë më të lehtë këtë proces.



Ndërrimi i llambës së ndriçimit

Për të ndërruar llambën/dritën LED që përdoret për ndriçimin e frigoriferit, telefononi Shërbimin e autorizuar.

Llamba(t) e përdorur në këtë pajisje nuk është e përshtatshme për ndriçimin e dhomave të shtëpisë. Qëllimi i kësaj llambe është të ndihmojë përdoruesin të vendosë ushqime në frigorifer/ngrirës në një mënyrë të sigurt dhe të lehtë.

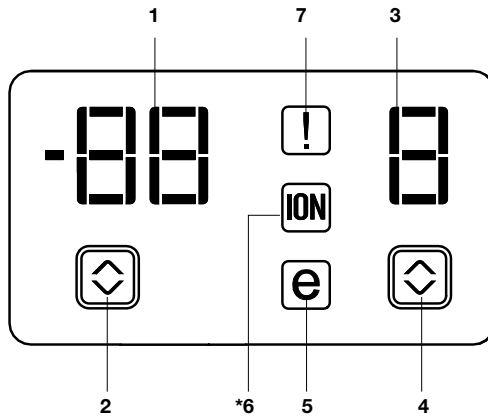
4 Përgatitja

- Frigoriferi duhet të montohet të paktën 30 cm larg nga burimet e nxehtësisë si pllakat e gatimit, furrat, ngrohësit qendrorë dhe sobat dhe të paktën 5 cm larg nga furrat elektrike dhe nuk duhet të ndodhet nën dritën e drejtpërdrejtë të diellit.
- Temperatura e ambientit e dhomës ku montoni frigoriferin duhet të jetë të paktën 10°C. Nuk rekomandohet përdorimi i frigoriferit në kushte më të ftohta, për sa i përket efikasitetit të tij.
- Sigurohuni që pjesa e brendshme e frigoriferit të jetë plotësisht e pastruar.
- Nëse montohen dy frigoriferë krahas njëri-tjetri, duhet të ketë të paktën 2 cm distancë mes tyre.
- Kur e përdorni frigoriferin për herë të parë, kini parasysh udhëzimet e mëposhtme gjatë gjashtë orëve të para.
- Dera nuk duhet të hapet shpesh.
- Ai duhet të përdoret bosh pa ushqime në të.
- Mos e hiqni frigoriferin nga priza. Në rast se ndodh një defekt elektrik jashtë kontrollit tuaj, shikoni paralajmërimet në paragrafin "Zgjidhjet e rekomanduara për problemet".
- Paketimi origjinal dhe materialet e shkumës duhet të mbahen për transporte ose lëvizje në të ardhmen.
- Shportat/raftet e përfshira me ndarjen e freskisë duhet të përdoren gjithmonë për një konsum të ulët të energjisë dhe për kushte më të mira të ruajtjes.
- Kontakti i ushqimeve me sensorin e temperaturës në ndarjen e ngrirësit mund të rritë konsumin e energjisë të pajisjes. Për këtë arsye duhet të shmangni çdo kontakt me sensorin(ët).
- Në disa modele, paneli i instrumenteve fiket automatikisht 5 minuta pas mbylljes së derës. Ai do të riaktivizohet kur të hapet dera ose kur të shtypet një buton.
- Për shkak të ndryshimit të temperaturës si rezultat i hapjes/mbylljes së derës së produktit gjatë përdorimit, kondensimi në raftet e derës/trupit dhe në kontejnerët e xhamit është normal

5 Përdorimi i panelit të

treguesve të frigoriferit

Panelet e treguesve mund të ndryshojnë në varësi të modelit të produktit.



Paneli tregues ju ndihmon në përdorimin e frigoriferit me funksionet e tij zanore dhe vizuale.

1. Treguesi i temperaturës së ndarjes së ngrirësit
2. Treguesi i statusit të gabimit
3. Treguesi i temperaturës së ndarjes së frigoriferit
4. Butoni i përcaktimit të temperaturës së ndarjes së frigoriferit
5. Treguesi i modalitetit ekonomik
6. Treguesi i jonizuesit
7. Butoni i përcaktimit të temperaturës së ndarjes së ngrirësit

1. Treguesi i temperaturës së ndarjes së ngrirësit

Tregon temperaturën e caktuar për Ndarjen e ngrirësit.

2. Treguesi i statusit të gabimit

Nëse frigoriferi nuk ftoh sa duhet ose nëse ka një defekt të sensorit, ky tregues do të aktivizohet. Kur ky tregues është aktiv, Treguesi i temperaturës së ndarjes së ngrirësit do të shfaqë "e" dhe Treguesi i temperaturës së ndarjes së frigoriferit do të shfaqë numrat si "1,2,3...". Këta numra të

treguesi japin informacione mbi gabimin për personelin e servisit.

3. Treguesi i temperaturës së ndarjes së frigoriferit

Tregon temperaturën e caktuar për Ndarjen e frigoriferit.

4. Butoni i përcaktimit të temperaturës së ndarjes së frigoriferit

Shtypni këtë buton për të caktuar temperaturën e ndarjes së frigoriferit përkatësisht në 8, 6, 4, 2, 8... Shtypni këtë buton për të caktuar temperaturën e dëshiruar për ndarjen e frigoriferit.

5. Treguesi i modalitetit ekonomik

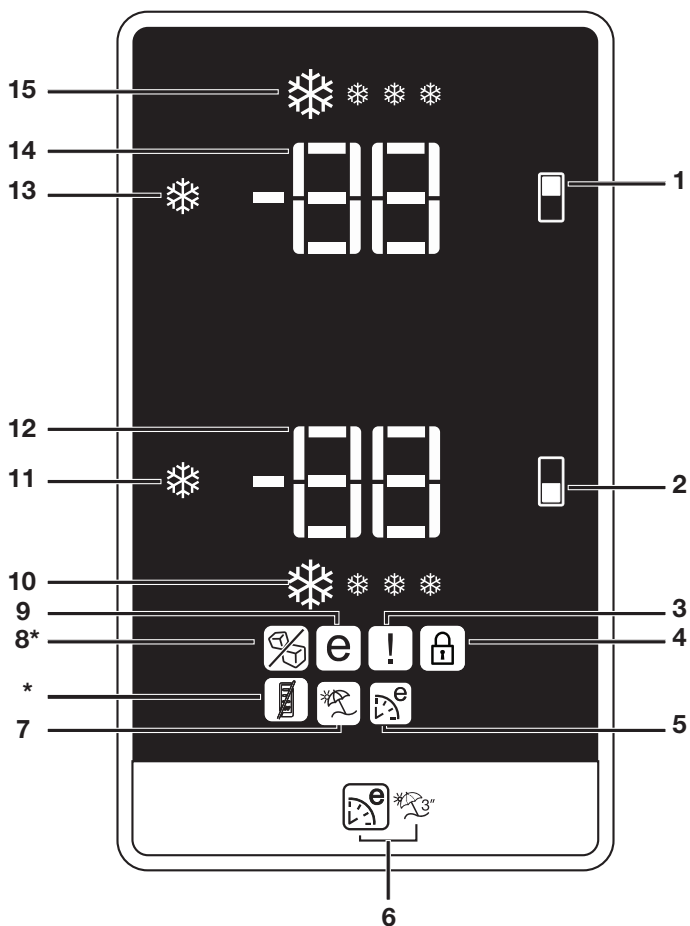
Tregon se frigoriferi po punon në modalitetin e efikasitetit të energjisë.

6. Treguesi i jonizuesit

Drita e treguesit ndizet vazhdimisht. Kjo dritë tregon se frigoriferi juaj po mbrohet nga bakteret.

7. Butoni i përcaktimit të temperaturës së ndarjes së ngrirësit

Shtypni këtë buton për të caktuar temperaturën e ndarjes së ngrirësit përkatësisht në -18, -20, -22, -24, -18... Shtypni këtë buton për të caktuar temperaturën e dëshiruar për ndarjen e ngrirësit.



1. Butoni i përcaktimit të ndarjes së ngrirësit / Icematic aktiv-joaktiv
2. Butoni i përcaktimit të ndarjes së frigoriferit
3. Treguesi i statusit të gabimit
4. Treguesi i kyçit të butonave
5. Treguesi i funksionit Eko-ekstra
6. Butoni Eko-ekstra/i pushimeve
7. Treguesi i funksionit të pushimeve
8. Treguesi i çaktivizimit të Icematic (*në disa modele)
9. Treguesi i përdorimit ekonomik
10. Treguesi i funksionit të shpejtë të frigoriferit
11. Butoni i funksionit të shpejtë të frigoriferit
12. Treguesi i përcaktimit të temperaturës së ndarjes së frigoriferit
13. Butoni i funksionit të shpejtë të ngrirësit
14. Treguesi i përcaktimit të temperaturës së ndarjes së ngrirësit
15. Treguesi i funksionit së ngrirjes së shpejtë

! Figurat që paraqiten në këtë manual udhëzimesh janë skematike dhe mund të mos korrespondojnë saktësisht me produktin tuaj. Nëse pjesët në fjalë nuk janë të përfshira në produktin që keni blerë, atëherë janë të vlefshme për modelet e tjera.

1. Butoni i përcaktimit të ndarjes së ngrirësit / Icematic aktiv-joaktiv

Ky funksion ju lejon që të caktoni parametrin e temperaturës së ndarjes së ngrirësit. Shtypni këtë buton për të caktuar temperaturën e ndarjes së ngrirësit përkatësisht në -18, -20, -22, dhe -24.

Për të ndaluar krijimin e akullit, shtypni butonin e aktivizimit-çaktivizimit të Icematic për 3 sekonda. Rrjedhja e ujit nga depozita e ujit do të ndalojë kur zgjidhet ky funksion. Sidoqoftë, akulli i prodhuar më parë mund të merret nga Icematic. Për të rifilluar krijimin e akullit, shtypni butonin e aktivizimit-çaktivizimit të Icematic për 3 sekonda.

2. Butoni i përcaktimit të ndarjes së frigoriferit

Ky funksion ju lejon që të caktoni parametrin e temperaturës së ndarjes së frigoriferit. Shtypni këtë buton për të caktuar temperaturën e ndarjes së frigoriferit përkatësisht në 8, 6, 4, 2.

3. Treguesi i statusit të gabimit

Nëse frigoriferi nuk ftoh sa duhet ose nëse ka një defekt të sensorit, ky tregues do të aktivizohet. Kur ky tregues është aktiv, Treguesi i temperaturës së ndarjes së ngrirësit do të shfaqë "E" dhe Treguesi i temperaturës së ndarjes së frigoriferit do të shfaqë numrat si "1,2,3...". Këta numra të treguesit japin informacione mbi gabimin për personelin e servisit.

Kur vendosni ushqime të nxehta në ndarjen e ngrirësit ose nëse e lini derën të hapur për një kohë të gjatë, shenja e pikëçuditjes mund të ndriçojë për pak kohë. Ky nuk është një defekt; ky paralajmërim do të zhduket kur ushqimet të ftohen.

4. Treguesi i kyçit të butonave

Përdorni këtë funksion nëse nuk dëshironi që të ndryshohet përcaktimi i temperaturës së frigoriferit. Shtypni njëkohësisht për një kohë të gjatë (3 sekonda) butonin e përcaktimit të ndarjes së frigoriferit dhe Butonin e përcaktimit të ndarjes së ngrirësit për ta aktivizuar këtë funksion.

5. Treguesi i funksionit Eko-ekstra

Tregon se funksioni Eko-ekstra është aktiv.

Nëse ky funksion është aktiv, frigoriferi do të zbulojë automatikisht periudhat me më pak përdorim dhe gjatë këtyre periudhave do të kryhet ftohja me efikasitet për energjinë. Treguesi ekonomik do të jetë aktiv gjatë kryerjes së ftohjes efikase për energjinë.

Shtypni përsëri butonin përkatës për ta çaktivizuar funksionin.

6. Butoni Eko-ekstra/i pushimeve

Shtypni pak këtë buton për të aktivizuar funksionin Eko-ekstra. Mbajeni të shtypur këtë buton për 3 sek. për të aktivizuar funksionin e pushimeve. Shtypni përsëri këtë buton për ta çaktivizuar funksionin.

7. Treguesi i funksionit të pushimeve

Tregon se funksioni i pushimeve është aktiv. Nëse ky funksion është aktiv, në treguesin e ndarjes së frigoriferit do të shfaqet " - -" dhe në ndarjen e frigoriferit nuk do të kryhet ftohja. Ndarjet e tjera do të ftohen në përputhje me temperaturën e caktuar për to.

Shtypni përsëri butonin përkatës për ta çaktivizuar funksionin.

8. Treguesi i çaktivizimit të akullit

Icematic nuk do të punojë kur treguesi i këtij funksioni është aktiv. Shikoni elementin 1 për të aktivizuar Icematic.

9. Treguesi i modalitetit ekonomik

Tregon se frigoriferi po punon në modalitetin e efikasitetit të energjisë. Temperatura e ndarjes së ngrirësit

Ky tregues do të jetë aktiv nëse funksioni caktohet në -18 ose nëse kryhet ftohja efikase për energjinë nga funksioni Eko-ekstra.

10. Treguesi i ftohjes së shpejtë

Kjo ikonë pulson me animacion kur funksioni i ftohjes së shpejtë është aktiv.

11. Funksioni i ftohjes së shpejtë

Kur shtypni butonin e ftohjes së shpejtë, temperatura e ndarjes do të jetë më e ftohtë se vlerat e rregulluara.

Ky funksion mund të përdoret për ushqimet që vendosen në ndarjen e frigoriferit dhe që duhet të ftohen me shpejtësi.

Nëse dëshironi të ftohni sasi të mëdha ushqimesh të freskëta, rekomandohet që ta aktivizoni këtë veçori para se t'i vendosni ushqimet në frigorifer.

Treguesi i ftohjes së shpejtë aktivizohet kur është aktiv funksioni i ftohjes së shpejtë. Për ta anuluar këtë funksion, shtypni përsëri butonin e ftohjes së shpejtë.

Nëse nuk e anuloni, ftohja e shpejtë do të anulohet automatikisht pas 4 orësh ose kur ndarja e frigoriferit të arrijë temperaturën e duhur.

Ky funksion nuk riaktivizohet kur ka një ndërprerje të energjisë dhe rikthehet korrenti.

12. Treguesi i përcaktimit të temperaturës së ndarjes së frigoriferit

Tregon temperaturën e caktuar për Ndarjen e frigoriferit.

13. Treguesi i përcaktimit të temperaturës së ndarjes së ngrirësit

Tregon temperaturën e caktuar për Ndarjen e ngrirësit.

14. Funksioni i ngrirjes së shpejtë

Treguesi i ngrirjes së shpejtë aktivizohet kur është aktiv funksioni i ngrirjes së shpejtë. Për ta anuluar këtë funksion, shtypni përsëri butonin e ngrirjes së shpejtë. Treguesi i ngrirjes së shpejtë do të çaktivizohet dhe do të kthehet në parametrat normale. Nëse nuk e anuloni, ngrirja e shpejtë do të anulohet automatikisht pas 8 orësh ose kur ndarja e ngrirësit të arrijë temperaturën e duhur.

Nëse dëshironi të ngrini sasi të mëdha ushqimesh të freskëta, shtypni butonin e ngrirjes së shpejtë para se t'i vendosni ushqimet në ndarjen e ngrirësit.

Nëse e shtypni butonin e ngrirjes së shpejtë vazhdimisht me intervale të shkurtra, do të aktivizohet mbrojtja e qarkut elektronik dhe kompresori nuk do të ndizet menjëherë.

Ky funksion nuk riaktivizohet kur ka një ndërprerje të energjisë dhe rikthehet korrenti.

15. Treguesi i ngrirjes së shpejtë

Kjo ikonë pulson me animacion kur funksioni i ngrirjes së shpejtë është aktiv.

Paralajmërimi i hapjes së derës

(Kjo veçori mund të ndryshojë në varësi të derës së produktit dhe mund të mos ekzistojë në disa modele.)

Do të dëgjoni një paralajmërim zanor kur dera e produktit tuaj lihet e hapur për të paktën 1 minutë. Ky paralajmërim do të çaktivizohet kur mbyllet dera ose kur shtypet një nga butonat e ekranit (nëse ka).

Ngrirja e ushqimeve të freskëta

- Mbështillini ose mbulojini ushqimet para se t'i vendosni në frigorifer.
- Ushqimet e nxehta duhet të ftohen në temperaturën e dhomës para se t'i vendosni në frigorifer.
- Ushqimet që dëshironi të ngrini duhet të jenë të freskëta dhe me cilësi.
- Ushqimet duhet të ndahen në porcione sipas nevojave të konsumit në familje sipas vakteve ose ditëve.
- Ushqimet duhet të paketrohen në një mënyrë të izoluar nga ajri për të parandaluar tharjen e tyre nëse do të ruhen për një kohë të shkurtër.
- Materialet që përdoren për paketimin duhet të jenë të forta dhe rezistente ndaj të ftohtit, lagështisë, aromave, vajrave dhe acideve dhe duhet të sigurojnë izolimin nga ajri. Për më tepër, ato duhet të mbyllen mirë dhe të prodhuara me materiale të lehta në përdorim që janë të përshtatshme për përdorim në ngrirje të thellë.
- Ushqimet e ngrira duhet të përdoren menjëherë pasi të shkrihen dhe nuk duhet të ngrihen përsëri.

- Kini parasysh udhëzimet e mëposhtme për të siguruar rezultatet më të mira.
1. Mos ngrini sasi shumë të mëdha ushqimesh në të njëjtën kohë. Cilësia e ushqimeve ruhet më mirë kur ato ngrijnë tërësisht deri në qendër sa më shpejt të jetë e mundur.
 2. Vendosja e ushqimeve të ngrohta në ndarjen e ngrirësit bën që sistemi i ftohjes të punojë vazhdimisht deri sa ushqimet të ngrijnë mirë.
 3. Tregoni kujdes që të mos i përzieni ushqimet e ngrira me ushqimet e freskëta.

Përcaktimi i ndarjes së ngrirësit	Përcaktimi i ndarjes së frigoriferit	Shpjegimet
-18°C	4°C	Ky është parametri normal i rekomanduar.
-20,-22 ose -24°C	4°C	Këta parametra rekomandohen kur temperatura e ambientit kalon 30°C.
Ngrirja e shpejtë	4°C	Përdoreni kur dëshironi të ngrini ushqimet për një kohë të shkurtër. Frigoriferi do të kthehet te modaliteti i mëparshëm kur procesi të përfundojë.
-18°C ose më i ftohtë	2°C	Nëse mendoni se ndarja e frigoriferit nuk është mjaft e ftohtë për shkak të kushteve të nxehtësisë ose nga hapja dhe mbyllja e shpeshtë e derës.
-18°C ose më i ftohtë	Frigoiferi i shpejtë	Mund ta përdorni kur ndarja e frigoriferit është e mbingarkuar ose nëse dëshironi t'i ftohni ushqimet me shpejtësi. Rekomandohet që ta aktivizoni funksionin e frigoriferit të shpejtë 4-8 ora para se të vendosni ushqimet.

Rekomandimet për ruajtjen e ushqimeve të ngrira

- Ushqimet e ngrira dhe të paketuara në treg duhet të ruhen në përputhje me udhëzimet e prodhuesit të ushqimeve të ngrira për një ndarje ruajtëse të ushqimeve të ngrira **☞****: (me 4 yje).
- Për të garantuar ruajtjen e cilësisë së lartë të realizuar nga prodhuesi i ushqimeve të ngrira dhe shitësi i ushqimeve, duhet të keni parasysh si më poshtë:
 1. Vendosini pakot në ngrirës sa më shpejt pas blerjes.
 2. Sigurohuni që përmbajtja të ketë të shënuar etiketën dhe datën.
 3. Mos i kaloni datat e përdorimit të rekomanduar dhe të skadimit në paketim.

Shkrirja e akullit

Akulli në ndarjen e ngrirësit shkrihet automatikisht.

Vendosja e ushqimeve

Raftet e ndarjes së ngrirësit	Ushqimet e ndryshme të ngrira si mishi, peshku, akullore, perime, etj.
Mbajtësja e vezëve	Vezët
Raftet e ndarjes së frigoriferit	Ushqimet në tava, në pjata të mbuluara dhe në enë të mbyllura
Raftet e derës së ndarjes së frigoriferit	Ushqime të vogla të paketuara dhe pije (si qumësht, lëng frutash dhe birra)
Ndarja e perimeve	Perimet dhe frutat
Ndarja e zonës së freskët	Produkte delikate (djathë, gjalpë, sallam, etj.)

Informacionet për ngrirjen e thellë

Ushqimet duhet të ngrihen sa më shpejt kur vendosen në një frigorifer për të ruajtur cilësinë e tyre.

Ushqimet mund të mbahen për një kohë të gjatë vetëm në temperaturat -18°C ose temperatura më të ulëta.

Mund ta ruani freskinë e ushqimeve për shumë muaj (në -18°C ose në temperatura më të ulëta në ngrirje të thellë).

KUJDES! ⚠

- Ushqimet duhet të ndahen në porcione sipas nevojave të konsumit në familje sipas vakteve ose ditëve.

- Ushqimet duhet të paktohen në një mënyrë të izoluar nga ajri për të parandaluar tharjen e tyre nëse do të ruhen për një kohë të shkurtër.

Materialet e nevojshme për paketimin:

- Ngjitës rezistent ndaj të ftohtit
- Etiketë ngjitëse
- Unaza gome
- Stilolaps për shënime

Materialet që përdoren për paketimin e ushqimeve duhet të jenë të forta dhe rezistente ndaj të ftohtit, lagështisë, aromave, vajrave dhe acideve.

Ushqimet për ngrirje nuk duhet të lejohen të bien në kontakt me artikujt e ngrirë paraprakisht për të parandaluar shkrirjen e tyre të pjesshme.

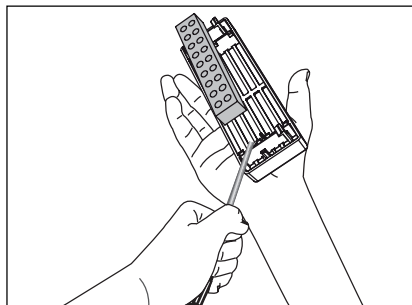
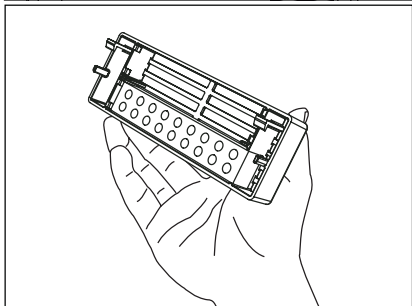
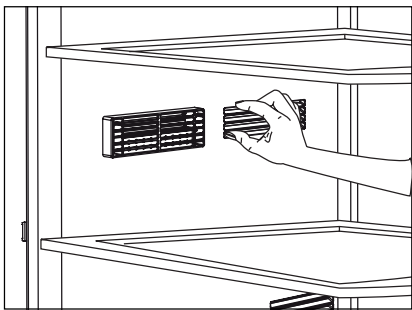
Ushqimet e ngrira duhet të përdoren menjëherë pasi të shkrihen dhe nuk duhet të ngrihen përsëri.

Përshkrimi dhe pastrimi i filtrit të aromave:

Filtri i aromave parandalon grumbullimin e aromave të pakëndshme në frigorifer.

Tërhiqeni poshtë kapakun, në të cilin është montuar filtri i aromave, dhe hiqeni si në ilustrim. Lëreni filtrin nën dritën e diellit për një ditë. Gjatë kësaj kohe filtri do të pastrohet. Montojeni filtrin përsëri në vendin e tij.

Filtri i aromave duhet të pastrohet një herë në vit.

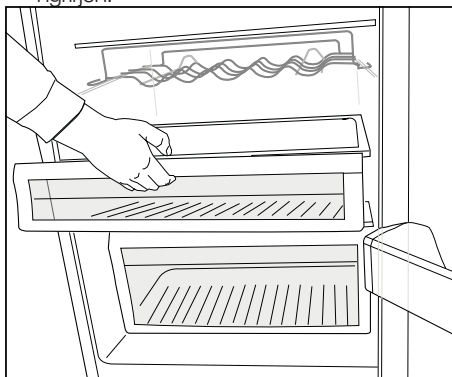


Ndarjet e ushqimeve të shpejta

Përdorni këto ndarje për ushqimet që dëshironi të ruani në një temperaturë disa gradë nën temperaturën e ndarjes së frigoriferit.

Mund ta rritni vëllimin e brendshëm të frigoriferit duke hequr secilën nga ndarjet e ushqimeve të shpejta.

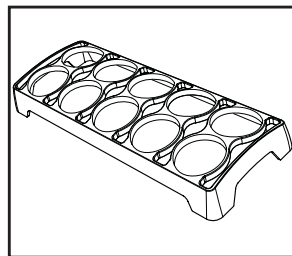
1. Tërhiqeni ndarjen drejt vetes deri sa të ndalojë te bllokuesi.
 2. Ngrijeni pjesën përpara dhe tërhiqeni drejt vetes për ta hequr ndarjen nga vendi i saj.
- !** Mund t'i vendosni ushqimet që dëshironi t'i ngrini te këto ndarje për t'i përgatitur për ngrirjen.



Mbajtësja e vezëve

Mund ta montoni mbajtësen e vezëve te dera ose te rafti që dëshironi.

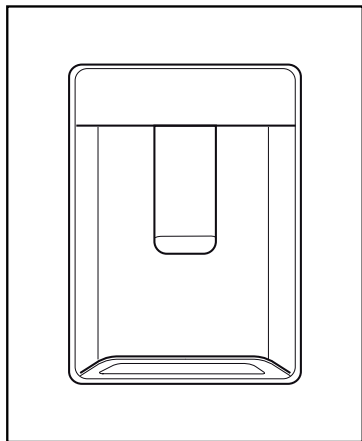
Mos e mbani mbajtësen e vezëve në ndarjen e ngrirësit.



Aparati i ujit

(në disa modele)

Aparati i ujit është një veçori shumë e dobishme për marrjen e ujit të ftohtë pa e hapur derën e frigoriferit. Meqenëse nuk do të duhet ta hapni shpesh derën e frigoriferit, do të kurseni energji.



Përdorimi i ujit

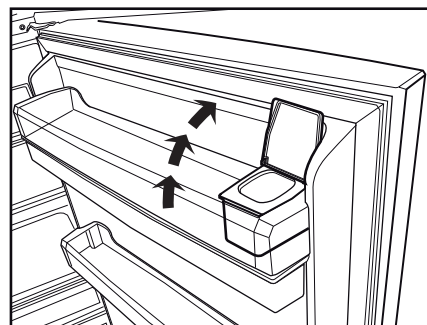
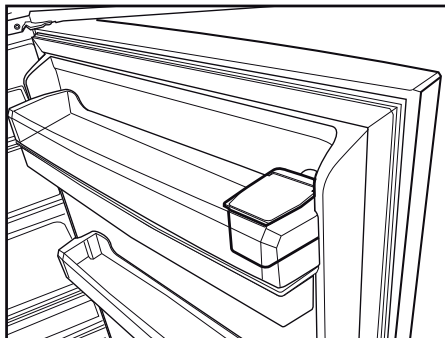
Shtyjeni krahun e aparatit të ujit me gotë. Aparati do të ndalojë funksionimin kur të lëshoni krahun e tij.

Kur të përdorni aparatin e ujit, rrjedhja maksimale mund të realizohet kur e shtypni krahun deri në fund. Mos harroni se sasia e rrjedhjes nga aparati është në varësi të nivelit të shtypjes së krahut.

Me rritjen e nivelit të ujit në gotë/enë, lirojeni pak presionin mbi krahun e aparatit për të parandaluar derdhjen e ujit. Nëse e shtypni pak krahun, do të derdhet ujë; kjo është normale dhe nuk është një defekt.

Mbushja e depozitës së ujit për aparatin e ujit

Rezervuari i mbushjes së depozitës së ujit ndodhet brenda raftit të derës. Hapni kapakun e rezervuarit dhe mbusheni me ujë të pijshëm të pastër. Më pas mbylleni kapakun.



Paralajmërim!

- Mos e mbushni depozitën e ujit me lëngje të tjera, përveç ujit, si lëngje frutash, pije me gaz ose pije alkoolike që nuk janë të përshtatshme për t'u përdorur në aparatin e ujit. Aparati i ujit do të dëmtohet në mënyrë të pariparueshme nëse përdoren këto lëngje. Garancia nuk i mbulon përdorime të tilla. Disa substanca kimike dhe substanca të shtuara në këto lloj pijesh/lëngjesh mund të dëmtojnë materialin e depozitës së ujit.

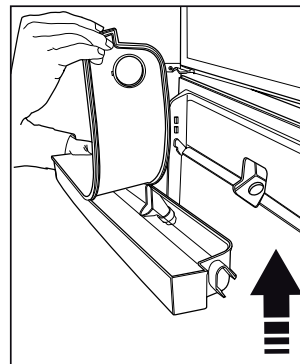
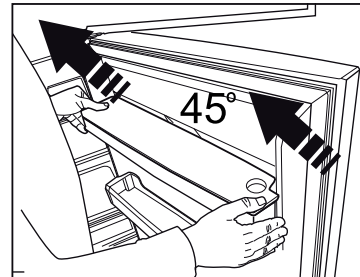
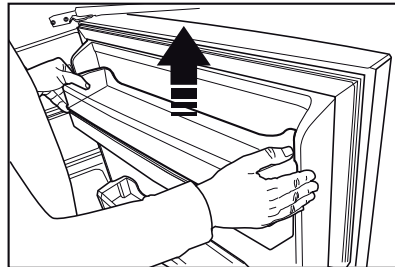
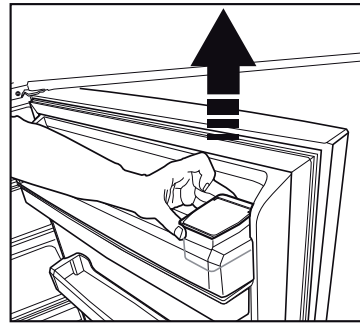
- Përdorni vetëm ujë të pastër dhe të pijshëm.
- Kapaciteti i depozitës së ujit është 3 litra; mos e mbushni më shumë.
- Shtyjeni krahun e aparatit të ujit me një gotë të fortë. Nëse përdorni gota plastike me një përdorim, shtyjeni krahun me gishta prapa gotës.

Pastrimi i depozitës së ujit

- Hiqni rezervuarin e mbushjes së ujit brenda rastit të derës.
- Hiqeni raftin e derës duke e mbajtur nga të dyja anët.
- Kapni depozitën e ujit nga të dyja anët dhe hiqeni me një kënd 45°.
- Pastroni depozitën e ujit duke hequr kapakun.

E rëndësishme

Pjesët e depozitës së ujit dhe të aparatit të ujit nuk duhet të lahen në lavastovilje.



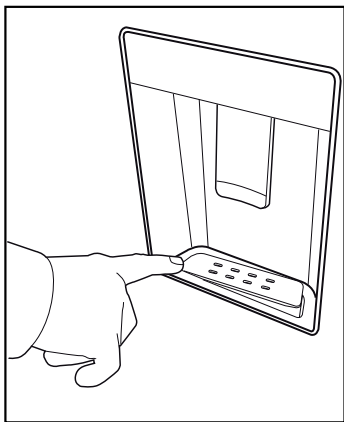
Tava e ujit

Uji që derdhet gjatë përdorimit të aparatit të ujit grumbullohet në tavën e derdhjes.

Nxirreni kulesën plastike si në figurë.

Hiqni ujin e grumbulluar me një rrobë të pastër e të thatë

KUJDES: Lidheni vetëm me një linjë uji të pijshëm.



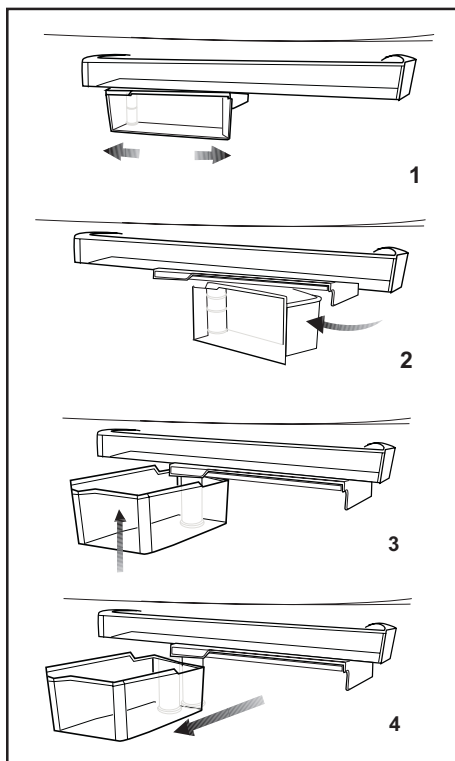
Kontejneri i ruajtjes me rrotullim

(në disa modele)

Rafti me rëshqitje mund të lëvizet në të majtë ose në të djathtë për të lejuar vendosjen e shisheve të gjata, vazove ose kutive në një raft më të ulët (Fig. 1).

Ushqimet që keni vendosur në raft mund t'i merrni duke e kapur dhe rrotulluar atë nga ana e djathtë (Fig.2).

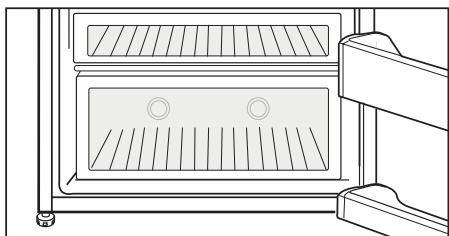
Kur të dëshironi ta vendosni ose ta hiqni për ta pastruar, rrotullojeni 90 gradë, ngrijeni dhe tërhiqeni drejt vetes (Fig. 3-4).



Drita blu

(në disa modele)

Ushqimet e ruajtura në ndarjet e perimeve ndriçohen nga një dritë blu për të vazhduar fotosintezën e tyre nëpërmjet efektit të gjatësisë së valëve të dritës blu dhe në këtë mënyrë ruan freskinë e tyre, si dhe rrit përmbajtjen e vitaminave.



Auto Icematic

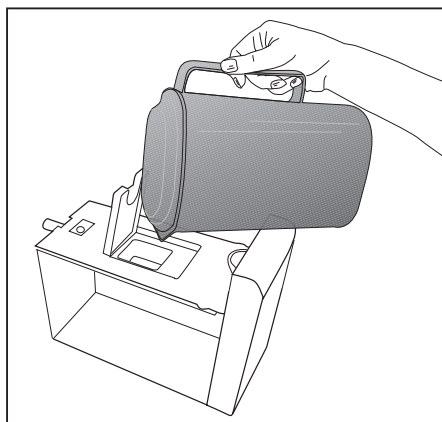
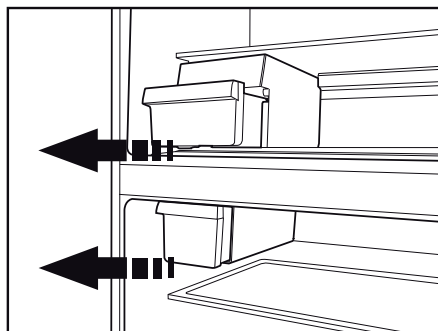
(në disa modele)

Sistemi Auto Icematic ju lejon që të merrni me lehtësi akull nga frigoriferi. Hiqni depozitën e ujit në ndarjen e frigoriferit, mbusheni me ujë dhe montojeni përsëri për të marrë akull nga Icematic.

Kubat e parë të akullit do të jenë gati për afro 2 orë në sirtarin e Icematic që ndodhet në ndarjen e ngrirësit.

Nëse e mbushni plotësisht depozitën e ujit, do mund të merrni afërsisht 60-70 kuba akulli.

Ndërrojeni ujin në depozitën e ujit nëse ka qëndruar për rreth 2-3 javë.



Icematic dhe kontejneri i ruajtjes së akullit

***opsionale**

Përdorimi i Icematic

Mbusheni Icematic me ujë dhe vendoseni në vendin përkatës. Akulli do të jetë gati për afro dy orë. Mos e hiqni Icematic nga vendi i tij për të marrë akullin.

Rrotulloni dorezat në rezervuarët e akullit në drejtim orar me 90 gradë.

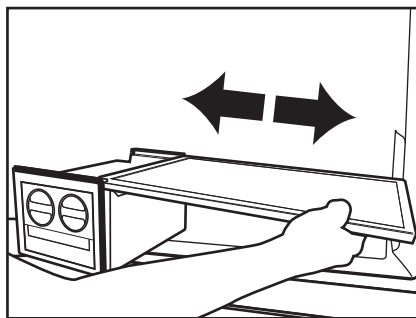
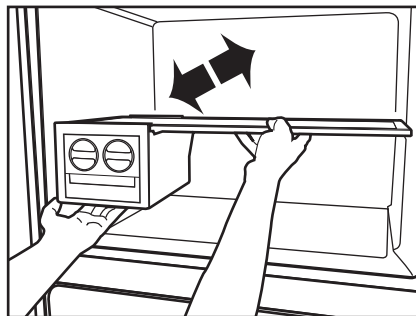
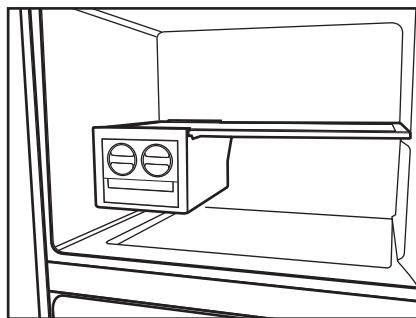
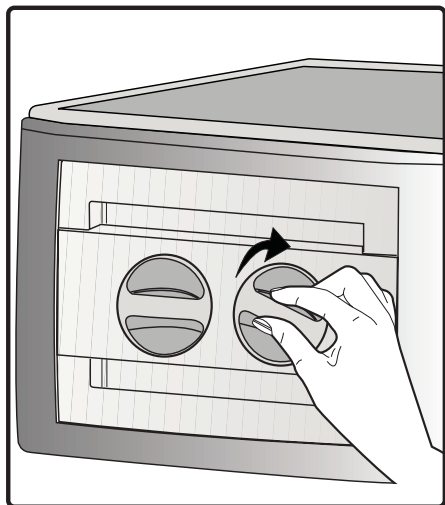
Kubat e akullit në rezervuarë do të bien në kontejnerin e ruajtjes së akullit poshtë.

Mund ta nxirri kontejnerin e ruajtjes së akullit dhe t'i përdorni kubat e akullit.

Nëse dëshironi, mund t'i mbani kubat e akullit në kontejnerin e ruajtjes së akullit.

Kontejneri i ruajtjes së akullit

Kontejneri i ruajtjes së akullit është vetëm për grumbullimin e kubave të akullit. Mos hidhni ujë në të. Në rast të kundërt, ai do të thyhet.



6 Mirëmbajtja dhe pastrimi

- ⚠ Mos përdorni asnjëherë benzinë, benzen ose substanca të ngjashme për të pastruar.
- ⚠ Rekomandojmë që ta hiqni pajisjen nga priza para se ta pastroni.
- ⚠ Mos përdorni asnjëherë mjete të mprehta, sapun, pastrues shtëpiak, detergjent dhe dyll lustrues për pastrim.
- ℹ Përdorni ujë të ngrohtë për të pastruar kabinën e frigoriferit dhe thajeni me leckë.
- ℹ Përdorni një leckë të njomë të shtrydhur në një solucion me një lugë çaji bikarbonat sode në një pintë uji për të pastruar pjesën e brendshme dhe thajeni me leckë.
- ⚠ Sigurohuni që të mos hyjë ujë në kasën e llambës dhe në pjesët e tjera elektrike.
- ⚠ Nëse frigoriferi juaj nuk do të përdoret për një kohë të gjatë, hiqeni kabllin e korrentit, hiqni të gjitha ushqimet, pastrojueni dhe lëreni derën pak të hapur.
- ℹ Kontrolloni gominat e dyerve për t'u siguruar që të jenë të pastra dhe pa grimva ushqimesh.
- ⚠ Për të hequr raftet e derës, hiqni të gjitha gjërat në to dhe thjesht shtyjeni raftin e derës lart nga baza.
- ⚠ Mos përdorni asnjëherë agjentë pastrimi ose ujë që përmban klor për të pastruar sipërfaqet e jashtme dhe pjesët e ljer me krom të produktit. Klori shkakton gërryerje mbi sipërfaqet metalike.

Mbrojtja e sipërfaqeve plastike

- ℹ Mos vendosni vajra të lëngshme ose ushqime të gatuar me vaj në frigorifer në enë të pambyllura pasi ato mund të dëmtojnë sipërfaqet plastike të frigoriferit tuaj. Në rast të spërkatjes ose derdhjes të vaji mbi sipërfaqet plastike, pastrojeni dhe shpëlajeni pjesën përkatëse të sipërfaqes menjëherë me ujë të ngrohtë.

7 Zgjidhja e problemeve

Ju lutem shikoni këtë listë para se të thërrisni shërbimin. Do t'ju kursejë kohë dhe para. Kjo listë përmban ankesat e shpeshta që nuk lindin nga defektet e prodhimit ose përdorimi i materialeve. Disa nga karakteristikat të përshkruar këtu mundësisht nuk ekzistojnë në prodhimin juaj.

Frigoriferi nuk punon.

- Spina nuk është futur mirë në prizë. >>>Vendoseni spinën mirë në prizë.
- Siguresa e prizës në të cilën është lidhur frigoriferi juaj ose siguresa kryesore mund të kenë rënë. >>>Kontrolloni siguresën.

Kondensim në muret anësore të ndarjes të frigoriferit (MULTIZONE, COOL CONTROL dhe FLEXI ZONE).

- Ambienti është shumë i ftohtë. >>>Mos e montoni frigoriferin në vende ku temperatura bie nën 10 °C.
- Dera është hapur shpesh. >>>Mos e hapni dhe mbyllni derën e frigoriferit shpesh.
- Ambienti është shumë i lagësht. >>>Mos e instaloni frigoriferin në vende me shumë lagështi.
- Ushqime që kanë lëngje janë vendosur në enë të hapura. >>>Mos e vendosni ushqimin me përmbajtje të lëngshme në enë të hapura.
- Dera e frigoriferit është lënë pak hapur. >>>Mbylleni derën e frigoriferit.
- Termostati është vendosur në një nivel shumë të ftohtë. >>>Vendoseni termostatin në një nivel të përshtatshëm.

Kompresori nuk punon.

- Mbrojtja termike e kompresorit do të fryhet gjatë ndërprerjeve të papritura të energjisë ose heqjes dhe vënies në prizë pasi presioni i lëngut ftohës në sistemin e ftohjes të frigoriferit nuk është balancuar akoma. Frigoriferi do të fillojë të punojë për rreth 6 minuta. Ju lutem thërrisni shërbimin nëse frigoriferi nuk ndizet në fund të kësaj periudhe.
- Frigoriferi është në ciklin e shkrires. >>>Kjo është normale për një shkrire të plotë automatike të frigoriferit. Cikli i shkrires ndodh rregullisht.
- Frigoriferi nuk është futur në prizë. >>>Sigurohuni që spina është futur në prizë.
- Parametrat e temperaturës nuk janë bërë mirë. >>>Zgjidhni vlerën e duhur të temperaturës.
- Ka një ndërprerje energjie. >>>Frigoriferi kthehet në punimin normal kur kthehet energjia.

Zhurma e punimit rritet kur frigoriferi është në punë.

- Performanca e punimit të frigoriferit mund të ndryshojë për shkak të ndryshimeve në temperaturën e ambientit. Kjo është normale dhe nuk është defekt.

Frigoriferi punon shpesh për një kohë të gjatë.

- Produkti i ri mund të jetë më i gjerë se ai i mëparshmi. Frigoriferët më të mëdhenj punojnë për një kohë më të gjatë.
- Temperatura e dhomës mund të jetë e lartë. >>>Është normale që produkti të punojë për periudha më të gjata në ambient të ngrohtë.
- Frigoriferi mund të jetë vënë në prizë së fundi ose mund të jetë i mbushur me ushqime. >>>Kur frigoriferi vihet në prizë ose është mbushur së fundi me ushqime, do të kërkojë më shumë kohë që të arrijë temperaturën e caktuar. Kjo është normale.
- Sasi të mëdha ushqimesh të nxehta mund të jenë vendosur në frigorifer së fundi. >>>Mos vendosni ushqime të nxehta në frigorifer.
- Dyert mund të hapen shpesh ose të lihen pak hapur për një kohë të gjatë. >>>Ajri i ngrohtë që ka hyrë në frigorifer bën që frigoriferi të punojë për periudha më të gjata. Mos i hapni dyert shpesh.
- Dera e ndarjes të frigoriferit ose ngrirësit mund të jetë lënë pak hapur. >>>Kontrolloni nëse dyert janë mbyllur plotësisht.
- Frigoriferi është rregulluar në një temperaturë shumë të ulët. >>>Rregulloni temperaturën e frigoriferit në një gradë më të ngrohtë dhe prisni derisa të arrihet temperatura.
- Gomina e derës të frigoriferit ose ngrirësit mund të jetë ndotur, konsumuar, çarë ose të mos jetë izoluar mirë. >>>Pastroni ose ndërroni gominën. Gominat e dëmtuara/çara bëjnë që frigoriferi të punojë më gjatë për të ruajtur temperaturën aktuale.

Temperatura e ngrirësit është shumë e ulët ndërsa temperatura e frigoriferit është e mjaftueshme.

- Temperatura e ngrirësit është rregulluar në një vlerë shumë të ulët. >>>Rregulloni temperaturën e ngrirësit në një gradë më të ngrohtë dhe kontrolloni.

Temperatura e frigoriferit është shumë e ulët ndërsa temperatura e ngrirësit është e mjaftueshme.

- Temperatura e frigoriferit është rregulluar në një vlerë shumë të ulët. >>>Rregulloni temperaturën e frigoriferit në një gradë më të ngrohtë dhe kontrolloni.

Ushqimet që mbahen në sirtarët e ndarjes të frigoriferit kanë ngrirë.

- Temperatura e frigoriferit është rregulluar në një vlerë shumë të ulët. >>>Rregulloni temperaturën e frigoriferit në një vlerë më të ulët dhe kontrolloni.

Temperatura në frigorifer ose ngrirës është shumë e lartë.

- Temperatura e frigoriferit është rregulluar në një vlerë shumë të lartë. >>>Konfigurimi i temperaturës të ndarjes të frigoriferit ka një efekt në temperaturën e ngrirësit. Ndryshoni temperaturat e frigoriferit ose ngrirësit dhe prisni derisa ndarjet përkatëse të arrijnë temperaturën e mjaftueshme.
- Dyert hapen shpesh ose janë lënë hapur për një kohë të gjatë. >>>Mos i hapni dyert shpesh.
- Dera është pak hapur. >>>Mbylleni derën plotësisht.
- Frigoriferi është vënë në prizë ose është mbushur me ushqime së fundi. >>>Kjo është normale. Kur frigoriferi vihet në prizë ose është mbushur së fundi me ushqime, do të kërkojë më shumë kohë që të arrijë temperaturën e caktuar.
- Sasi të mëdha ushqimesh të nxehta mund të jenë vendosur në frigorifer së fundi. >>>Mos vendosni ushqime të nxehta në frigorifer.
- Dridhje ose zhurmë.

- DysHEMEJA nuk është në nivel ose është e paqëndrueshme. >>> Nëse frigoriferi tundet kur lëvizet ngadalë, balancojeni duke i rregulluar këmbët. Gjithashtu sigurohuni që dysHEMEJA të jetë e fortë mjaft për të mbajtur frigoriferin, dhe të jetë në nivel.
- Sendet që vendosni në frigorifer mund të shkaktojnë zhurmë. >>>Hiqni sendet që janë sipër frigoriferit.

Ka zhurma që vijnë nga frigoriferi si për shembull rrjedhje lëngjesh, spërkatje, etj.

- Rrjedha e lëngut dhe gazit është sipas parimeve të punimit të frigoriferit tuaj. Kjo është normale dhe nuk është defekt.

Vjen një fishkëllimë nga frigoriferi.

- Përdoren ventilatorë për të ftohur frigoriferin. Kjo është normale dhe nuk është defekt.

Kondensim në muret e brendshme të frigoriferit.

- Moti i ngrohtë dhe i lagësht rrit akullin dhe kondensimin. Kjo është normale dhe nuk është defekt.
- Dyert hapen shpesh ose janë lënë hapur për një kohë të gjatë. >>>Mos i hapni dyert shpesh. Mbyllini nëse janë hapur.
- Dera është pak hapur. >>>Mbylleni derën plotësisht.

Ndodh lagështi nga jashtë frigoriferit ose midis dyerve.

- Mund të ketë lagështi në ajër; kjo është normale në mot me lagështi. Kur lagështia është më e ulët, do të shfaqet kondensimi.

Erë e keqe brenda frigoriferit.

- Nuk është bërë pastrimi rregullisht. >>>Pastroni pjesën e brendshme të frigoriferit rregullisht me një sfungjer, ujë të ngrohtë ose karbonat të tretur në ujë.
- Disa enë ose materiale paketimi mund të shkaktojnë erë. >>>Përdorni enë të tjera ose materiale paketimi origjinale.
- Ushqimi vendoset në frigorifer në enë të pambuluara. >>>Mbajeni ushqimin në enë të mbyllura. Mikroorganizmat që përhapen nga enët e pambuluara mund të shkaktojnë erëra të pakëndshme.
- Hiqni ushqimet që u ka kaluar data e skadencës dhe që janë prishur nga frigoriferi.

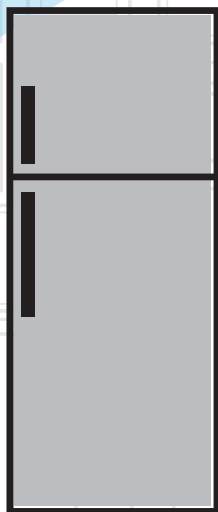
Dera nuk mbyllet.

- Paketimet e ushqimeve nuk lejojnë derën të mbyllet. >>>Lëvizni paketimet që pengojnë derën.
- Frigoriferi nuk është plotësisht shesh mbi dysHEME. >>>Rregulloni këmbët për të balancuar frigoriferin.
- DysHEMEJA nuk është në nivel ose nuk është e fortë. >>>Sigurohuni që dysHEMEJA është në nivel dhe është në gjendje të mbajë frigoriferin.

Krisperët kanë ngecur.

- Ushqimi prek tavanin e sirtarit. >>>Rivendosni ushqimet në sirtar.

Холодильник- морозильник



RU |

beko

Обязательно прочтите данное руководство!

Уважаемый покупатель!

Надеемся, что наше изделие, изготовленное на современном оборудовании и прошедшее тщательный контроль качества, будет надежно служить вам.

Поэтому, прежде чем пользоваться прибором, рекомендуем внимательно изучить данное руководство и всегда держать его под рукой в качестве справочника.

Данное руководство

- Поможет вам быстро и безопасно пользоваться изделием.
 - Прежде чем устанавливать изделие и пользоваться им, прочтите руководство.
 - Соблюдайте инструкции, особенно в отношении техники безопасности.
 - Храните руководство в легко доступном месте, так как оно может понадобиться вам в будущем.
 - Кроме того, прочитайте другие документы, поставляющиеся в комплекте с изделием.
- Учтите, что данное руководство по эксплуатации может применяться и для других моделей.

Условные обозначения

В данном руководстве по эксплуатации используются следующие условные обозначения:



Важная информация или полезные советы по эксплуатации.



Предупреждение об опасности для жизни и имущества.

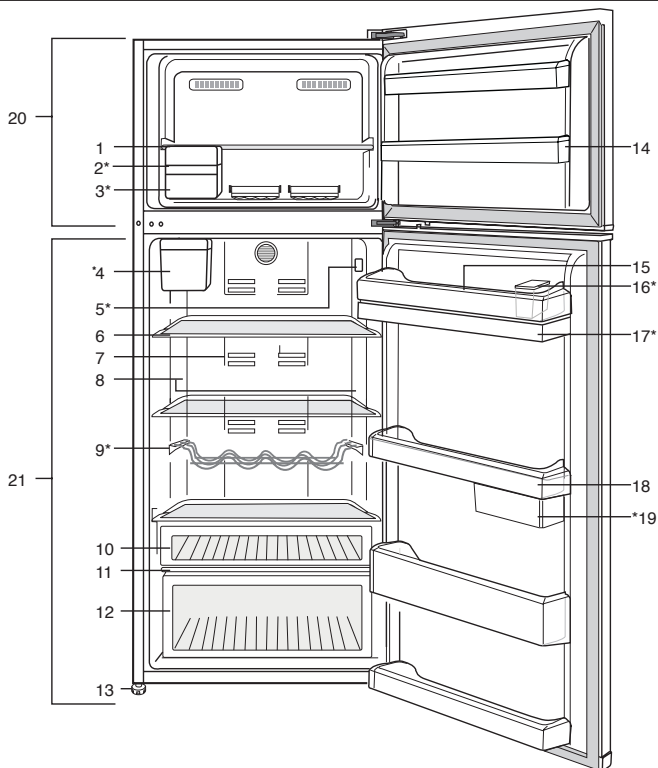


Предупреждение об опасном электрическом напряжении.

СОДЕРЖАНИЕ

1 Холодильник	3	3 Установка	13
2 Важные указания по технике безопасности	4	Правила транспортировки холодильника	13
Использование по назначению	4	Подготовка к эксплуатации	13
Для изделий с раздатчиком охлажденной воды:	10	Замена лампочки	13
Безопасность детей	10	Регулирование ножек	14
Соответствие Директиве ЕС об утилизации электрического и электронного оборудования (WEEE) и утилизация вышедшего из употребления оборудования:	11	Подключение к электросети	14
Соответствие Директиве ЕС об ограничении содержания вредных веществ (RoHS):	11	Утилизация упаковки	14
Информация об упаковке	11	Утилизация старого холодильника	14
Рекомендации по экономии электроэнергии	11	Размещение и установка	14
Технические характеристики	12	4 Подготовка	15
		5 Эксплуатация холодильника	16
		Панель индикаторов	16
		Предупреждение об открытии дверцы	19
		Замораживание свежих продуктов	20
		Рекомендации по хранению замороженных продуктов	21
		Размещение продуктов	21
		Информация о глубоком замораживании (Deep-Freeze)	22
		Описание и чистка фильтра запахов	23
		Лоток для яиц	23
		Дозатор для воды	24
		Вращающийся контейнер для хранения	26
		Автоматический ледогенератор Iceomatic	27
		Синий свет	27
		6 Обслуживание и чистка	28
		Защита пластмассовых поверхностей	28
		7 Рекомендации по устранению неисправностей	29

1 Холодильник



- | | |
|---|--|
| 1. Полка морозильного отделения | 13. Регулируемые ножки |
| 2. Автоматический ледогенератор Icematic | 14. Полки на дверце морозильного отделения |
| 3. Контейнер для хранения льда | 15. Лоток для яиц |
| 4. Бак для воды автоматического ледогенератора Icematic | 16. Контейнер для заполнения раздатчика охлажденной воды |
| 5. Индикатор настройки температуры | 17. Бак раздатчика охлажденной воды |
| 6. Регулируемые по высоте стеклянные полки | 18. Полки на дверце холодильного отделения |
| 7. Фильтр запахов | 19. Выдвижные и вращающиеся контейнеры для хранения |
| 8. Рассеиватель лампочки освещения | 20. Морозильное отделение |
| 9. Полка для бутылок | 21. Холодильное отделение |
| 10. Лоток для закусок | |
| 11. Крышка контейнера для фруктов и овощей | |
| 12. Контейнер для фруктов и овощей | |

*ДОПОЛНИТЕЛЬНО

Цифры, приведенные в данном руководстве по эксплуатации, являются схематическими и могут не полностью соответствовать вашему изделию. Если некоторые компоненты не входят в состав приобретенного вами изделия, они действительны для других моделей.

2 Важные указания по технике безопасности

Обязательно ознакомьтесь со следующей информацией. Игнорирование данной информации может привести к причинению травм или повреждению имущества. Кроме того, гарантийные обязательства и обязательства по эксплуатационной надёжности утратят силу.

Оригинальные запасные части будут предоставляться в течение 10 лет с момента покупки изделия.

Использование по назначению

- использования
- в помещении и на закрытых пространствах, например, в доме;
- в закрытых рабочих помещениях, например, в магазинах и офисах;

- в закрытых жилых помещениях, например, в загородных домах, гостиницах, пансионатах.
- Это изделие предназначено для использования только в помещении.

Общие правила техники безопасности

- В случае необходимости утилизировать или уничтожить изделие для получения необходимой информации рекомендуется обратиться в фирменный сервисный центр, а также в местные органы власти.
- По всем вопросам, касающимся холодильника, обращайтесь в фирменный сервисный центр. Не вмешивайтесь в работу изделия

и не разрешайте этого другим без уведомления фирменного сервисного центра.

- Для изделий с морозильным отделением: не ешьте мороженое в рожках и кубики льда сразу после их извлечения из морозильного отделения! (Это может вызвать обморожение полости рта.)
- Для изделий с морозильным отделением: не помещайте напитки в бутылках и банках в морозильное отделение. Они могут лопнуть.
- Не дотрагивайтесь до замороженных продуктов – они могут примерзнуть к рукам.
- Отключайте холодильник от сети перед чисткой или размораживанием.
- Ни в коем случае не используйте для чистки и размораживания холодильника пар или аэрозольные чистящие средства. В этом случае пар может попасть на электрические компоненты, что приведет к короткому замыканию или поражению электрическим током.
- Ни в коем случае не используйте холодильник или его части (например, дверцу) в качестве подставки или опоры.
- Не используйте электрические приборы внутри холодильника.
- Не допускайте повреждения частей, в которых циркулирует хладагент, используя режущие или сверлильные инструменты. Хладагент может вырваться из пробитого испарителя, трубопроводов или покрытий поверхности и вызвать раздражение кожи и поражение глаз.

- Ни в коем случае не закрывайте и не закупоривайте вентиляционные отверстия холодильника.
- Ремонт электрического оборудования должны производить только квалифицированные специалисты. Ремонт, выполненный некомпетентными лицами, может создать опасность для потребителя.
- В случае неполадок во время эксплуатации, а также при проведении техобслуживания или ремонта отключите холодильник, выключив соответствующий предохранитель или вынув шнур питания из розетки.
- Не тяните за сетевой шнур, вынимая вилку из розетки.
- Крепкие алкогольные напитки должны плотно закрываться крышкой и храниться в вертикальном положении .
- Нельзя хранить в холодильнике банки с горючими и взрывоопасными веществами.
- Для ускорения процесса размораживания не используйте механические устройства или другие средства, кроме тех, которые рекомендованы производителем.
- Данный электроприбор не предназначен для использования лицами (включая детей) с ограниченными физическими, сенсорными и интеллектуальными возможностями либо не имеющими опыта и знаний. Они могут пользоваться электроприбором только под наблюдением лица, ответственного за их безопасность, или под

его руководством.

- Ни в коем случае нельзя пользоваться неисправным холодильником. При возникновении вопросов обращайтесь к квалифицированному специалисту.
- Электрическая безопасность гарантируется только в том случае, если система заземления в вашем доме соответствует стандартам.
- Воздействие на устройство дождя, снега, солнца или ветра опасно с точки зрения электробезопасности.
- В случае повреждения шнура питания и т.п. обратитесь в фирменный сервисный центр, чтобы не подвергать себя опасности.
- Ни в коем случае нельзя включать холодильник в розетку

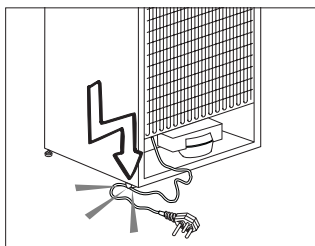
во время установки.

Это может привести к серьезным травмам или смерти.

- Этот холодильник предназначен только для хранения пищевых продуктов. Его нельзя использовать для каких-либо иных целей.
- Табличка с техническими характеристиками находится слева на внутренней стенке холодильника.
- Ни в коем случае нельзя подключать холодильник к электронным системам экономии электроэнергии, поскольку это может привести к его поломке.
- Если в холодильнике есть источник синего света, не смотрите на него долгое время ни незащищенными глазами, ни через какие-либо оптические приборы или

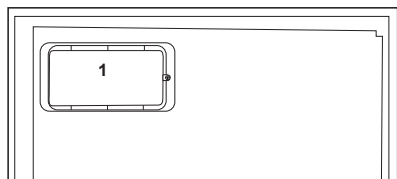
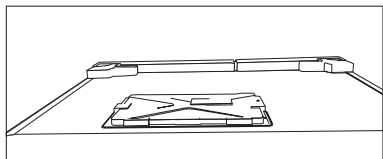
инструменты.

- При отключении от сети электропитания холодильника с ручным управлением подождите не менее 5 минут, прежде чем подключать его снова.
- В случае продажи изделия эту инструкцию по эксплуатации следует передать новому владельцу.
- При транспортировке холодильника избегайте повреждения шнура питания. Изгибание шнура питания может привести к возгоранию. Не ставьте на него тяжелые предметы. При подключении холодильника к сети электропитания не прикасайтесь к вилке влажными руками.



- Ни в коем случае нельзя подключать холодильник к плохо закрепленной стенной розетке сети электропитания.
- Из соображений безопасности не допускайте попадания воды на внешние или внутренние части холодильника.
- Не распыляйте рядом с холодильником воспламеняющиеся газы, такие как газ пропан, ввиду риска пожара или взрыва.
- Не ставьте сосуды с водой на холодильник, поскольку это может привести к поражению электрическим током или пожару.
- Не загружайте холодильник продуктами сверх меры. Если холодильник перегружен, продукты могут выпасть при открытии дверцы и травмировать вас или повредить

- холодильник. Не кладите предметы на холодильник, поскольку они могут упасть при открытии или закрытии дверцы.
- В холодильнике нельзя хранить вещества, требующие определенных температурных условий, такие как вакцины, термочувствительные медикаменты, материалы для научных исследований и т.п.
 - Холодильник следует отключить от электросети, если он не будет использоваться в течение длительного времени. Неисправность шнура питания может привести к возгоранию.
 - Холодильник может смещаться, если регулируемые ножки не зафиксированы на полу. Фиксирование регулируемых ножек на полу предотвратит смещение холодильника.
 - При перемещении холодильника не держите его за ручку. В противном случае он может сломаться.
 - При установке холодильника расстояние между ним и другим холодильником или морозильником должно составлять минимум 8 см. В противном случае боковые прилегающие стенки будут увлажняться.
 - Никогда не используйте данное изделие, если его часть, расположенная сверху или сзади и имеющая электронные печатные платы внутри, открыта (крышка электронной печатной платы) (1).



Для изделий с раздатчиком охлажденной воды:

- Давление холодной воды на входе должно составлять максимум 90 фунтов на квадратный дюйм (6.2 бар). Если давление воды будет превышать 80 фунтов на квадратный дюйм (5,5 бар), следует использовать для в водопроводной системы клапан ограничения давления. Если Вы не знаете, как проверить давление воды, обратитесь за помощью к профессиональному

сантехнику.

- Если во время установки существует риск гидравлического удара, всегда используйте оборудование для предотвращения гидроудара. Если Вы не уверены в отсутствии риска гидроудара, обратитесь к профессиональным сантехникам.
- Не устанавливайте на входе горячей воды. Следует предпринять необходимые меры предосторожности для предотвращения риска замерзания шлангов. Рабочий интервал температур воды будет составлять не менее 33°F (0,6°C) и не более 100°F (38°C).
- Используйте только питьевую воду.

Безопасность детей

- Если на дверце есть замок, ключ следует хранить в недоступном для детей месте.
- Следует присматривать за детьми и не

разрешать им портить холодильник.

Соответствие Директиве ЕС об утилизации электрического и электронного оборудования (WEEE) и утилизация вышедшего из употребления оборудования:



Данное изделие соответствует Директиве ЕС об утилизации электрического и электронного оборудования (2012/19/EU). Данное изделие имеет маркировку, указывающую на утилизацию его как электрического и электронного оборудования (WEEE). Это изделие произведено из высококачественных деталей и материалов, которые подлежат повторному использованию и переработке. Поэтому не выбрасывайте изделие с обычными бытовыми отходами после завершения его эксплуатации. Его следует сдать в соответствующий центр по утилизации электрического и электронного оборудования. О местонахождении таких центров вы можете узнать в местных органах власти.

Соответствие Директиве ЕС об ограничении содержания вредных веществ (RoHS):

Приобретенное вами изделие соответствует Директиве ЕС о правилах ограничения содержания вредных веществ (2011/65/EU). Оно не содержит вредных и запрещенных материалов, указанных в Директиве.

Информация об упаковке

Упаковочные материалы изделия изготовлены из материалов, подлежащих вторичной переработке, в соответствии с местными нормативами и правилами касательно защиты окружающей среды. Не утилизируйте упаковочные материалы вместе с бытовыми или другими отходами. Отнесите их в один из пунктов приема упаковочных материалов, назначенных местными органами власти.

Если система охлаждения вашего изделия содержит R600a:

Этот газ огнеопасен, поэтому будьте осторожны, чтобы не повредить систему охлаждения и трубопроводы при эксплуатации и во время транспортировки. В случае повреждения уберите устройство подальше от потенциальных источников огня, которые могут привести к возгоранию, а также проветривайте помещение, в котором находится устройство.

Не обращайте внимания на предупреждение, если система охлаждения вашего изделия содержит R134a.

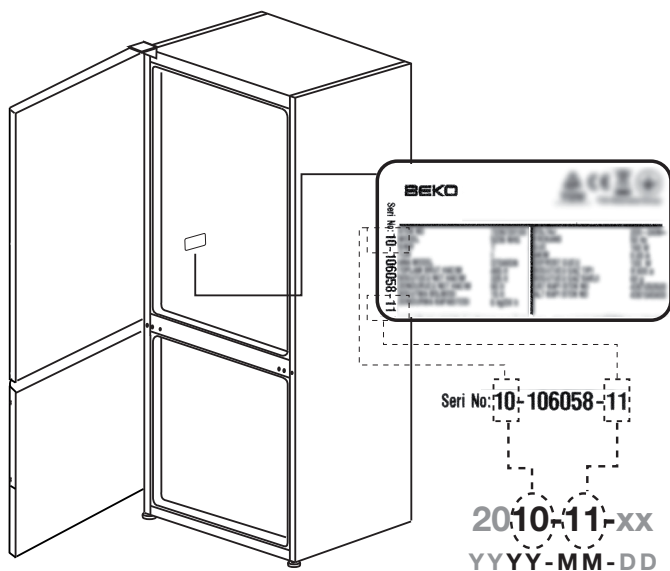
Тип газа, используемого изделием, указан на паспортной табличке, расположенной слева на внутренней стенке холодильника.

Не сжигайте изделие в целях утилизации.

Рекомендации по экономии электроэнергии

- Не оставляйте дверцу холодильника открытой на длительное время.
- Не кладите в холодильник горячие продукты или напитки.
- Не перегружайте холодильник, чтобы не нарушать циркуляцию воздуха.
- Не устанавливайте холодильник в местах, где на него попадают прямые солнечные лучи, или поблизости от источников тепла, таких как плита, посудомоечная машина или радиатор отопления.
- Следите за тем, чтобы контейнеры с продуктами были закрыты.

- Для изделий с морозильным отделением: в морозильное отделение холодильника можно заложить максимальное количество продуктов, если достать из него полку или ящик. Указанное в технических характеристиках энергопотребление холодильника определено при условии, что полка или ящик морозильного отделения извлечены, и в него загружено максимально возможное количество продуктов. Полку и ящик можно использовать для замораживания продуктов в соответствии с их формой и размером.
- Таяние замороженных продуктов в холодильном отделении обеспечит экономию электроэнергии и сохранение качества продуктов.



Технические характеристики	
Класс энергетической эффективности	A ₊ A
Класс защиты	1

- Степень защиты IP 42

3 Установка

- И** Учтите, что производитель не несет ответственности в случае несоблюдения указаний, приведенных в данном руководстве.

Правила транспортировки холодильника

1. Перед транспортировкой следует вынуть из холодильника все продукты и вымыть его.
2. Перед упаковкой следует надежно закрепить все полки, оборудование, контейнеры для овощей и фруктов и т.п. при помощи клейкой ленты, чтобы предохранить их от тряски.
3. Холодильник следует обвязать лентами из плотного материала и прочными веревками. При транспортировке следует придерживаться правил, напечатанных на упаковке.

Не забывайте о том, что...

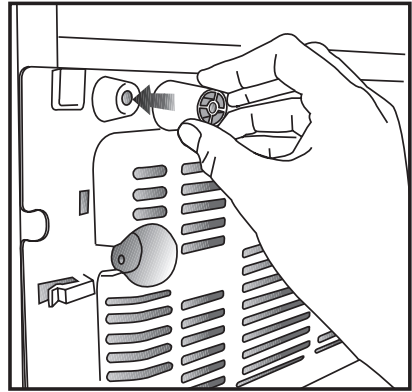
Вторичное использование материалов очень важно для сохранения природы и наших национальных богатств.

Если вы решите сдать упаковочные материалы на переработку, обратитесь за подробной информацией в организации по охране окружающей среды или в местные органы власти.

Подготовка к эксплуатации

Перед началом эксплуатации холодильника выполните следующие действия.

1. Убедитесь, что внутри холодильника сухо, и воздух может свободно циркулировать сзади холодильника.
2. Установите два пластиковых упора, как показано на рисунке. Пластиковые упоры обеспечат необходимое расстояние между холодильником и стеной для надлежащей циркуляции воздуха. (Изображение на рисунке предназначено только для иллюстрации и не совпадает полностью с вашим изделием.)



3. Выполните чистку холодильника в соответствии с рекомендациями, приведенными в разделе «Обслуживание и чистка».
4. Включите холодильник в розетку электросети. При открытии двери холодильника включается лампочка внутреннего освещения.
5. Когда компрессор начнет работать, вы услышите шум. Жидкость и газы, находящиеся внутри герметичной системы охлаждения, также могут создавать шум, независимо от того, работает компрессор или нет, что является вполне нормальным явлением.
6. Передние края холодильника могут казаться теплыми. Это нормально. Эти области должны нагреваться, чтобы избежать конденсации.

Замена лампочки

Для замены лампочки освещения холодильника обратитесь в авторизованный сервисный центр.

Лампа (-ы), используемая (-ые) в данном изделии, не подходит (-ят) для бытового освещения помещений. Данная лампа предназначена для освещения при размещении пользователем продуктов питания в холодильной/морозильной камере, обеспечивая безопасность и удобство.

Лампы, используемые в этом приборе, должны выдерживать экстремальные физические условия, например, температуру ниже 20 °С.

Подключение к электросети

Подсоедините холодильник к заземленной розетке с предохранителем соответствующего номинала.

Важное замечание

- Подключение следует выполнять в соответствии с местными нормами и правилами.
- Место подключения шнура питания к розетке должно быть легкодоступным.
- Напряжение в сети должно соответствовать данным, указанным в характеристиках холодильника.
- Запрещается использовать при установке удлинители и многоместные розетки.

⚠ Замену поврежденного шнура питания должен выполнять квалифицированный электрик.

⚠ Запрещается пользоваться неисправным электроприбором! Это может привести к поражению электрическим током.

Утилизация упаковки

Упаковочные материалы могут быть опасны для детей. Храните упаковочные материалы в недоступном для детей месте или выбросьте их, рассортировав в соответствии с правилами утилизации отходов. Не выбрасывайте их вместе с обычными бытовыми отходами.

Упаковка холодильника изготовлена из материалов, подлежащих вторичной переработке.

Утилизация старого холодильника

Утилизация старого холодильника должна выполняться экологически безопасным способом.

- Сведения об утилизации прибора можно получить у официального дилера или в пункте сбора отходов по месту жительства.

Перед утилизацией холодильника следует отрезать шнур питания и сломать замки на дверцах (при наличии), чтобы предотвратить опасные ситуации для детей.

Размещение и установка

⚠ Если дверь помещения, в котором будет установлен холодильник, недостаточно широка, можно снять дверцы холодильника и внести его в дверь боком. Для того чтобы снять дверцы, обратитесь в фирменный сервисный центр.

1. Устанавливайте холодильник в удобном для использования месте.

2. Холодильник следует устанавливать в местах, защищенных от прямых солнечных лучей, вдали от источников тепла и повышенной влажности.

3. Для более эффективной работы необходимо обеспечить хорошую вентиляцию вокруг холодильника. Если холодильник устанавливается в нише, минимальное расстояние до потолка и стен должно быть не менее 5 см. При установке на ковровое покрытие следует приподнять холодильник на 2,5 см от пола.

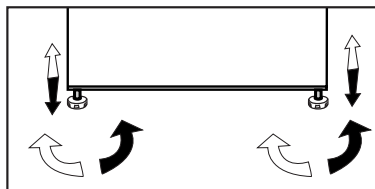
4. Холодильник следует устанавливать на ровную поверхность, иначе может возникать вибрация.

5. Температура помещения, в котором находится холодильник, должна быть не ниже 10°C.

Регулирование ножек

Если холодильник стоит неустойчиво:

Чтобы холодильник стоял устойчиво, можно отрегулировать его положение, поворачивая передние ножки, как показано на рисунке. Если повернуть ножку в направлении черной стрелки, то угол холодильника, под которым она находится, опустится, а если повернуть ее в противоположном направлении — поднимется. Чтобы облегчить процедуру регулирования, можно слегка приподнять холодильник (это следует делать вдвоем).



4 Подготовка

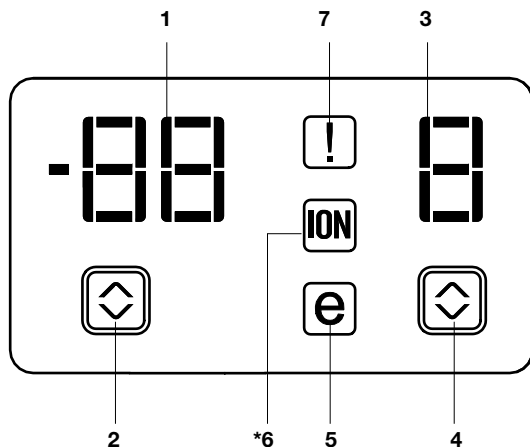
- i** Холодильник следует устанавливать в местах, куда не попадает прямой солнечный свет, на расстоянии не менее 30 см от источников тепла, таких как варочные панели, плиты, батареи центрального отопления и печи, и на расстоянии не менее 5 см от электрических плит.
- i** Температура воздуха в помещении, где устанавливается холодильник, должна быть не менее 10°C. Использовать холодильник при более низкой температуре не рекомендуется в связи с его низкой эффективностью в таких условиях.
- i** Содержите внутреннее пространство холодильника в чистоте.
- i** Если два холодильника устанавливаются рядом, то между ними должно быть расстояние не менее 2 см.
- i** При первом включении холодильника в течение первых шести часов работы обязательно соблюдайте следующие правила.
 - Не открывайте дверцу слишком часто.
 - Не загружайте в холодильник продукты.
 - Не отключайте холодильник от сети. Если произошло отключение электроэнергии не по вашей вине, см. указания в разделе «Рекомендации по устранению неполадок».
- i** Фирменную упаковку и пленку следует сохранить на случай последующей транспортировки прибора.

5 Эксплуатация холодильника

Панель индикаторов

Индикаторные панели могут отличаться в зависимости от модели изделия.

Панель индикаторов упрощает эксплуатацию холодильника благодаря визуальным и звуковым индикаторам использования устройства.



1. Индикатор температуры морозильного отделения
2. Индикатор неисправного состояния
3. Индикатор температуры холодильного отделения
4. Кнопка настройки температуры холодильного отделения
5. Индикатор экономичного режима
6. Индикатор ионизатора
7. Кнопка настройки температуры морозильного отделения

1. Индикатор температуры морозильного отделения

Указывает температуру, установленную для морозильного отделения.

2. Индикатор неисправного состояния

Этот индикатор включается при сбое в работе холодильника или поломке сенсора. В этом случае на индикаторе температуры морозильного отделения появится символ «e», а на индикаторе холодильного отделения – числа «1,2,3...». Они сообщают об определенной ошибке персоналу сервисной службы.

3. Индикатор температуры холодильного отделения

Указывает температуру, установленную для холодильного отделения.

4. Кнопка настройки температуры холодильного отделения

Нажимайте эту кнопку, чтобы установить в холодильном отделении температуру 8, 6, 4, 2, 8... соответственно. Нажимайте эту кнопку, чтобы установить нужную температуру холодильного отделения.

5. Индикатор экономичного режима

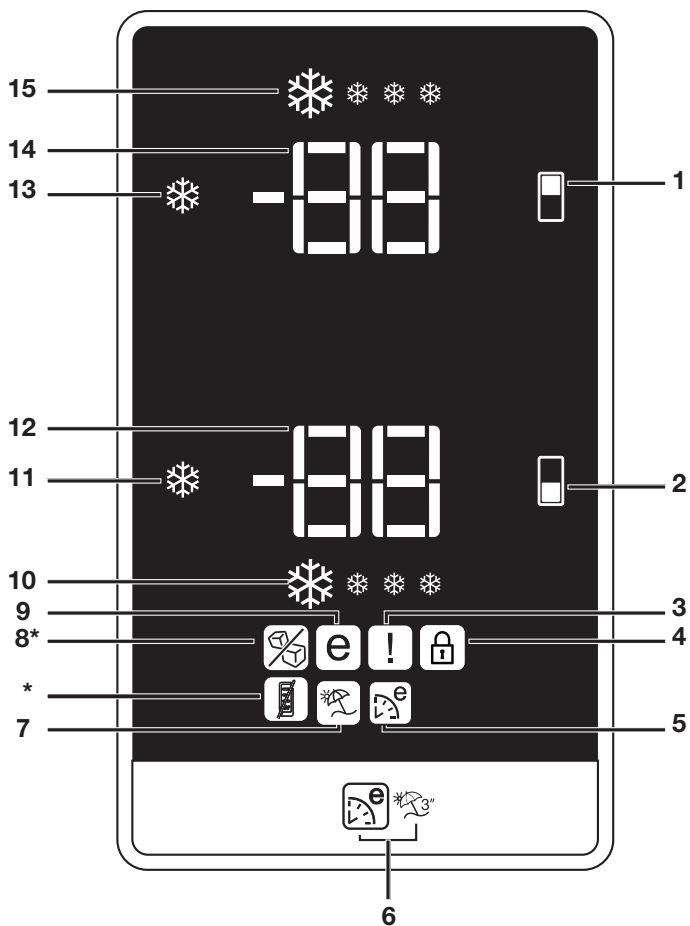
Показывает, что холодильник работает в энергосберегающем режиме.

6. Индикатор ионизатора

Лампочка индикатора горит постоянно. Этот индикатор указывает, что холодильник защищен от бактерий.

7. Кнопка настройки температуры морозильного отделения

Нажимайте эту кнопку, чтобы установить в морозильном отделении температуру -18, -20, -22, -24, -18... соответственно. Нажимайте эту кнопку, чтобы установить нужную температуру морозильного отделения.



1. Кнопка регулировки температуры в морозильном отделении/вкл.-выкл. автоматического ледогенератора Icematic
2. Кнопка регулировки температуры холодильного отделения
3. Индикатор неисправного состояния
4. Индикатор блокировки
5. Индикатор режима Eco Extra
6. Кнопка «Eco Extra»/временного отключения
7. Индикатор режима временного отключения
8. Индикатор выключения автоматического ледогенератора Icematic (*в некоторых моделях)
9. Индикатор экономичного режима
10. Индикатор функции быстрого охлаждения
11. Кнопка функции быстрого охлаждения
12. Индикатор настройки температуры холодильного отделения
13. Кнопка функции быстрого замораживания
14. Индикатор настройки температуры морозильного отделения
15. Индикатор функции быстрого замораживания

1. Кнопка регулировки температуры в морозильном отделении/вкл.-выкл. автоматического ледогенератора Icematic

С помощью этой функции можно устанавливать температуру в морозильном отделении. Нажимайте эту кнопку, чтобы установить в морозильном отделении температуру -18, -20, -22, -24 соответственно.

Чтобы остановить образование льда, нажмите и не отпускайте кнопку вкл.-выкл. автоматического ледогенератора Icematic в течение 3 секунд. При выборе этой функции поток воды из бака для воды прекращается. Однако уже образовавшийся лед можно получить из автоматического ледогенератора Icematic. Чтобы возобновить образование льда, нажмите и не отпускайте кнопку вкл.-выкл. автоматического ледогенератора Icematic в течение 3 секунд.

2. Кнопка регулировки температуры холодильного отделения

С помощью этой функции можно устанавливать температуру в холодильном отделении. Нажимайте эту кнопку, чтобы установить в холодильном отделении температуру 8, 6, 4, 2 соответственно.

3. Индикатор неисправного состояния

Этот индикатор включается при сбое в работе холодильника или поломке сенсора. В этом случае на индикаторе температуры морозильного отделения появится символ «E», а на индикаторе холодильного отделения – числа «1,2,3...». Они сообщают об определенной ошибке персоналу сервисной службы.

Если вы поставите в морозильное отделение горячую еду или оставите дверцу открытой на длительное время, на некоторое время загорится восклицательный знак. Это не является неисправностью; предупреждение исчезнет, когда еда остынет.

4. Индикатор блокировки клавиш

С помощью этого режима можно предотвратить изменение температурных настроек холодильника. Для его включения одновременно нажмите кнопки регулировки температуры холодильного и морозильного отделений и удерживайте их в течение 3 секунд.

5. Индикатор режима Eco Extra

Показывает, что включен режим Eco-Extra. В таком случае холодильник автоматически определит минимальные периоды использования, в течение которых охлаждение будет происходить в энергосберегающем режиме. Все это время индикатор экономичного режима будет включен.

Чтобы отключить выбранный режим, еще раз нажмите соответствующую кнопку.

6. Кнопка «Eco Extra»/временного отключения

После короткого нажатия этой кнопки включается режим Eco Extra. После нажатия и удерживания кнопки в течение 3 секунд включается режим временного отключения. Чтобы отключить выбранный режим, еще раз нажмите на кнопку.

7. Индикатор режима временного отключения

Показывает, что включен режим временного отключения. В таком случае на индикаторе холодильного отделения появляется символ «-» и охлаждение в ней не производится. В других отделениях охлаждение происходит в соответствии с установленной температурой.

Чтобы отключить выбранный режим, еще раз нажмите соответствующую кнопку.

8. Индикатор режима отключения льда

Если индикатор этой функции горит, автоматический ледогенератор Icematic не запустится. Чтобы выключить Icematic, см. пункт 1.

9. Индикатор экономичного режима

Показывает, что холодильник работает в энергосберегающем режиме. Температура морозильного отделения

Индикатор будет включен, если установлена температура -18 или в режиме Eco Extra происходит энергосберегающее охлаждение.

10. Индикатор быстрого охлаждения

Эта пиктограмма мигает как анимированное изображение, когда включена функция быстрого охлаждения.

11. Функция быстрого охлаждения

При нажатии на кнопку быстрого охлаждения температура в отделении станет ниже заданных значений.

Эту функцию можно использовать в случае, когда продукты, помещенные в морозильное отделение, требуется быстро охладить.

Чтобы охладить большое количество свежих продуктов, активируйте эту функцию до того, как положите продукты в холодильное отделение.

Индикатор функции быстрого охлаждения загорается, когда эта функция активна. Для отмены данной функции снова нажмите кнопку быстрого охлаждения.

Если пользователь не отменит эту настройку, функция быстрого охлаждения автоматически отключится через 4 часа или по достижении необходимой температуры в холодильном отделении.

Эта функция не включается повторно при восстановлении подачи электропитания после отключения электричества.

12. Индикатор настройки температуры холодильного отделения

Указывает температуру, установленную для холодильного отделения.

13. Индикатор настройки температуры морозильного отделения

Указывает температуру, установленную для морозильного отделения.

14. Функция быстрого замораживания

Индикатор функции быстрого замораживания загорается, когда эта функция активна. Для отмены данной функции снова нажмите на кнопку быстрого замораживания. Индикатор быстрого замораживания выключится, а температура вернется к нормальному значению. Если пользователь не отменит эту настройку, функция быстрого замораживания автоматически отключится через 8 часов или по достижении необходимой температуры в морозильном отделении.

Чтобы заморозить большое количество свежих продуктов, нажмите кнопку быстрого замораживания до того, как положите продукты в морозильное отделение.

Если нажать кнопку быстрого замораживания несколько раз с короткими промежутками, то компрессор сразу не включится, поскольку активируется электронная система защиты.

Эта функция не включается повторно при восстановлении подачи электропитания после отключения электричества.

15. Индикатор быстрого замораживания

Эта пиктограмма мигает как анимированное изображение, когда включена функция быстрого замораживания.

Предупреждение об открытии дверцы

(Наличие этой функции может варьироваться в зависимости от дверцы изделия; она может не присутствовать в некоторых моделях.)

Если дверца холодильника будет оставаться открытой, по меньшей мере, 1 минуту, прозвучит предупреждающий сигнал. Подача сигнала прекратится после нажатия любой кнопки дисплея (при наличии) или закрытия дверцы.

Замораживание свежих продуктов

- Рекомендуется завернуть или накрыть продукты перед тем, как помещать их в холодильник.
- Горячие продукты должны остыть до комнатной температуры, прежде чем помещать их в холодильник.
- Замораживаемые продукты должны быть качественными и свежими.
- Продукты должны быть разделены на порции, соответствующие ежедневному потреблению семьи либо используемые при приготовлении блюд для одного приема пищи.
- Продукты должны быть герметично упакованы для предотвращения их высыхания, даже если хранить их предполагается короткое время.

- Материалы, используемые для упаковки, должны быть прочными и стойкими к холоду, влажности, запаху, маслам и кислотам, а также должны быть воздухонепроницаемыми. Кроме того, они должны хорошо закрываться и быть изготовлены из легких в использовании материалов, которые подходят для применения в условиях глубокой заморозки.

- Замороженные продукты необходимо использовать сразу после размораживания, и их нельзя замораживать снова.
- Для достижения наилучших результатов придерживайтесь приведенных ниже указаний.

1. Не замораживайте большое количество продуктов одновременно. Качество продуктов сохраняется лучше всего, если они полностью промерзают за минимальное время.
2. Помещение теплых продуктов в морозильное отделение заставляет систему охлаждения работать непрерывно, до полного замораживания продуктов.
3. Будьте внимательны! Не смешивайте замороженные и свежие продукты.

Настройка морозильного отделения	Настройка холодильного отделения	Пояснения
-18°C	4°C	Это нормальный рекомендуемый параметр.
-20,-22 или -24°C	4°C	Эти параметры рекомендуется устанавливать, когда температура окружающей среды превышает 30°C.
Быстрое замораживание	4°C	Используйте эту функцию, когда необходимо заморозить продукты за короткое время. По завершении процесса холодильник переключится в предыдущий режим.
-18°C или холоднее	2°C	Если вы считаете, что температура холодильного отделения недостаточно низкая из-за высокой температуры снаружи или частого открывания и закрывания дверцы.
-18°C или холоднее	Быстрое охлаждение	Вы можете использовать этот режим, если холодильное отделение перегружено, или если вы хотите быстро охладить продукты. Рекомендуется активировать функцию быстрого охлаждения за 4-8 часов до того, как поместить продукты в холодильник.

Рекомендации по хранению замороженных продуктов

- Упакованные продукты, предварительно замороженные в промышленных условиях, следует хранить в соответствии с инструкциями их производителей для **★☆☆☆** (4-звездочного) отделения хранения замороженных продуктов.
- Чтобы обеспечить сохранение наилучшего качества замороженных производителем и продавцом продуктов, следует помнить следующее:
 - Помещайте упаковки с продуктами в морозильник как можно быстрее после их приобретения.
 - Проверьте, чтобы содержимое было маркировано и датировано.
 - Не используйте продукты после завершения срока их реализации.

Размораживание

Морозильное отделение размораживается автоматически.

Размещение продуктов

Полки морозильного отделения	Различные замороженные продукты, такие как мясо, рыба, мороженое, овощи и т.п.
Лоток для яиц	Яйца
Полки холодильного отделения	Продукты в кастрюлях, на накрытых тарелках, в закрытых контейнерах
Полки на дверце холодильного отделения	Небольшие и упакованные продукты и напитки (напр., молоко, фруктовый сок и пиво)
Контейнер для фруктов и овощей	Овощи и фрукты
Отделение для свежих продуктов	Деликатесы (сыры, сливочное масло, салатами и т.д.)

Информация о глубоком замораживании (Deep-Freeze)

Когда продукты помещены в холодильник, они должны быть заморожены как можно быстрее, чтобы сохранить их в хорошем состоянии.

Продукты можно хранить длительное время только при температуре -18°C и ниже.

Вы можете сохранить продукты свежими в течение многих месяцев (при температуре -18°C и ниже в условиях глубокой заморозки).

ВНИМАНИЕ!

- Продукты должны быть разделены на порции, соответствующие ежедневному потреблению семьи, либо используемые при приготовлении блюд для одного приема пищи.

- Продукты должны быть герметично упакованы для предотвращения их высыхания, даже если хранить их предполагается короткое время.

Необходимые для упаковки материалы:

- Морозостойкая клейкая лента
- Самоклеящаяся этикетка
- Резинки
- Ручка

Материалы, используемые для упаковки, должны быть прочными и стойкими к холоду, влажности, запаху, маслам и кислотам.

Продукты, предназначенные для заморозки, не должны соприкасаться с уже замороженными продуктами, чтобы предотвратить их частичное оттаивание.

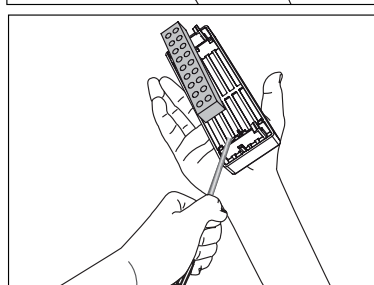
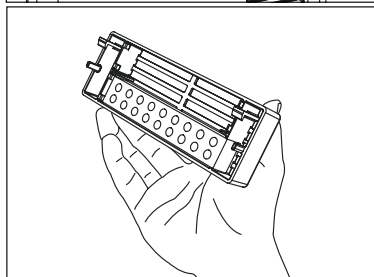
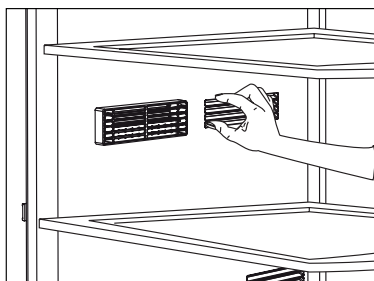
Замороженные продукты необходимо использовать сразу после размораживания, и их нельзя замораживать снова.

Описание и чистка фильтра запахов

Фильтр запахов предотвращает накопление неприятных запахов внутри холодильника.

Потяните крышку, в которой установлен фильтр запахов, вниз и извлеките, как показано на рисунке. На один день положите фильтр на солнце. За это время фильтр очистится. Установите фильтр на место.

Фильтр запахов следует очищать раз в год.



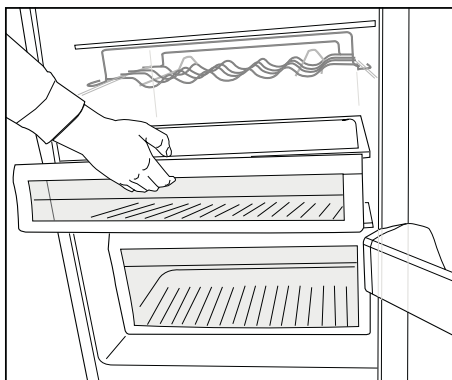
Лотки для закусок

Используйте эти лотки для хранения продуктов при температуре, на несколько градусов ниже температуры холодильного отделения.

Вы можете освободить место внутри холодильника, вынув любой из лотков для закусок.

1. Потяните лоток на себя, пока он не остановится и не упрется в стопор.
2. Поднимите переднюю сторону и потяните лоток на себя, чтобы полностью его вынуть.

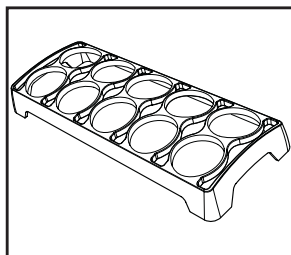
i В эти лотки можно помещать продукты для предварительного охлаждения, которые вы хотите потом заморозить.



Лоток для яиц

Вы можете установить лоток для яиц на полочку двери или обычную полку, как вам удобнее.

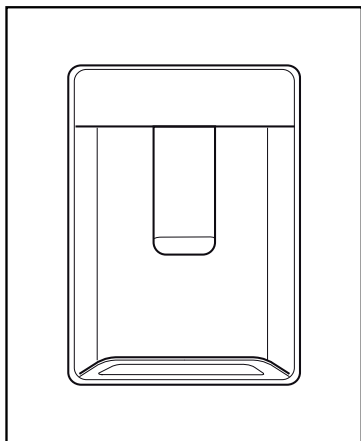
Никогда не помещайте лоток для яиц в морозильное отделение.



Дозатор для воды

(в некоторых моделях)

Раздатчик охлажденной воды – очень полезное устройство, позволяющее получать охлажденную воду без открывания дверцы холодильника. Поскольку дверцы холодильника будут открываться реже, это поможет сэкономить энергию.



Пользование краном подачи воды

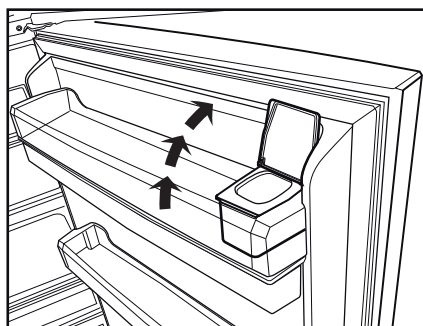
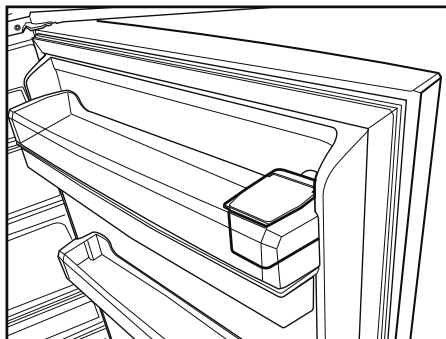
Нажмите на рычаг раздатчика охлажденной воды стаканом. Раздатчик прекратит работать, как только вы освободите рычаг.

Максимальный поток достигается нажатием на рычаг до упора. Помните, что сила потока из раздатчика охлажденной воды зависит от силы давления на рычаг.

По мере заполнения чашки/стакана постепенно уменьшайте степень нажатия рычага, чтобы избежать переливания воды. Если нажать на рычаг несильно, вода будет течь каплями; это вполне нормально и не является признаком неисправности.

Заполнение бака раздатчика охлажденной воды

Емкость заполнения бака для воды находится в дверной полке. Откройте крышку емкости для воды и наполните емкость чистой питьевой водой. Затем закройте крышку.



Внимание!

- Не заливайте в бак для воды никаких иных жидкостей, кроме питьевой воды. Такие жидкости, как фруктовые соки, газированные и спиртные напитки, не годятся для использования в раздатчике охлажденной воды. Использование подобных жидкостей приведет к неисправности раздатчика охлажденной воды и может вывести его из строя без возможности ремонта. Гарантия на повреждение, вызванные подобным использованием, не распространяется. Некоторые химические компоненты или добавки в таких напитках могут вступать в реакцию и разрушать материал бака для воды.

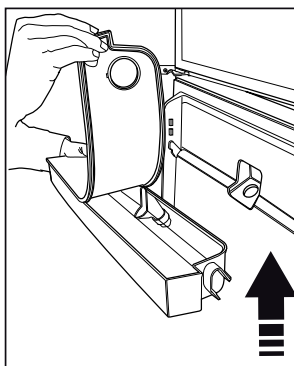
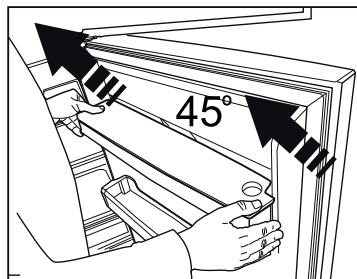
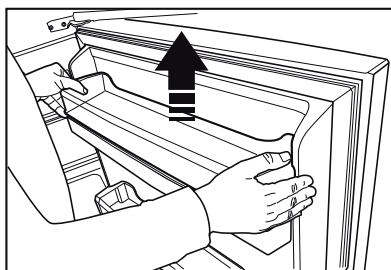
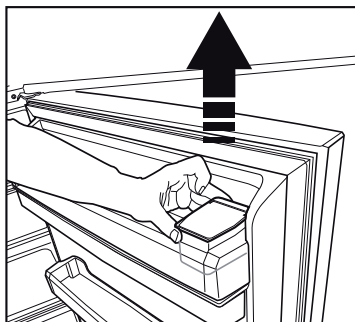
- Используйте только свежую чистую питьевую воду.
- Емкость бака для воды 3 литра. Не переполняйте его.
- Нажмите на рычаг раздатчика охлажденной воды стаканом. При использовании мягкого одноразового стаканчика нажмите на рычаг пальцами за стаканчиком.

Очистка бака для воды

- Выньте емкость заполнения бака для воды, находящуюся в дверной полке.
- Снимите дверную полку, держа ее с двух сторон.
- Возьмитесь за бак для воды с двух сторон и выньте его под углом 45°.
- Снимите крышку с бака и очистите его.

Важное замечание

Компоненты бака для воды и раздатчика охлажденной воды не предназначены для мытья в посудомоечной машине.



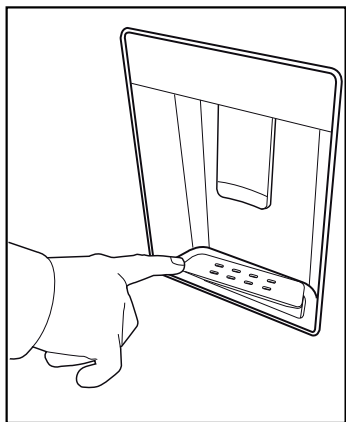
Поддон для воды

Вода, проливающаяся во время использования раздатчика охлажденной воды, собирается в поддоне для сбора воды.

Достаньте пластиковый фильтр, как показано на рисунке.

Удалите собравшуюся воду чистой сухой тканью.

ВНИМАНИЕ! Подключать только к линии подачи питьевой воды.



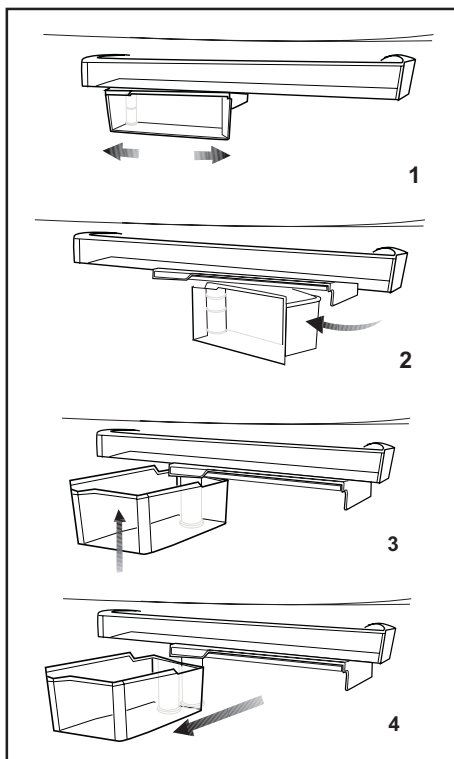
Вращающийся контейнер для хранения

(в некоторых моделях)

Выдвижную полку можно двигать влево или вправо, чтобы размещать высокие бутылки, банки или коробки на нижней полке (рис. 1).

Вы можете достать еду, находящуюся на полке, взявшись за ее правый край и повернув (рис. 2).

При желании загрузить или вынуть полку для чистки поверните ее на 90 градусов, поднимите и потяните на себя (рис. 3-4).



Автоматический ледогенератор Icematic

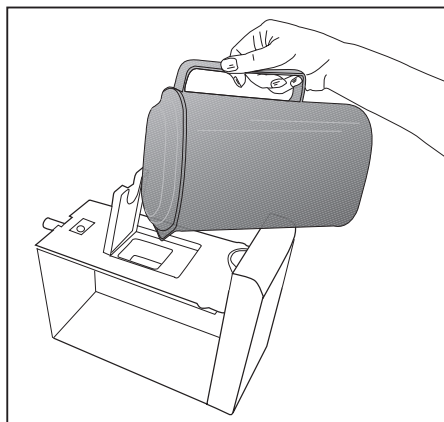
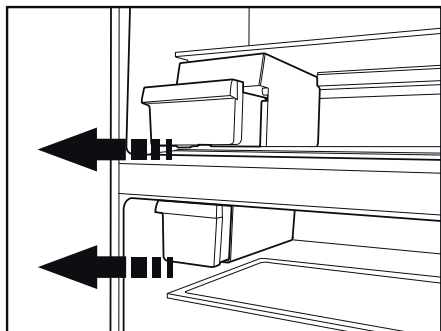
(в некоторых моделях)

Благодаря автоматической системе Icematic холодильник превращает воду в лед. Достаньте бак для воды из холодильного отделения, наполните его водой и установите на место для образования льда с помощью ледогенератора Icematic.

Первая партия льда будет готова примерно через 2 часа в контейнере Icematic морозильного отделения.

При полном заполнении бака для воды вы получите около 60-70 кубиков льда.

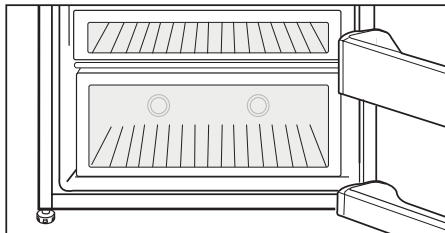
Если вода стояла в баке около 2-3 недель, замените ее.



Синий свет

(в некоторых моделях)

В продуктах, хранящихся в контейнерах для фруктов и овощей с синей подсветкой, продолжается процесс фотосинтеза благодаря длине волн синего света, и, таким образом, они сохраняют свою свежесть, а содержание витаминов в них увеличивается.



6 Обслуживание и чистка

- ⚠ Ни в коем случае не используйте бензин, бензол или подобные вещества для чистки.
- ⚠ Перед чисткой рекомендуем отсоединить изделие от электросети.
- ⓘ Не используйте для чистки острые абразивные инструменты, мыло, бытовые чистящие средства, моющие средства и восковую политуру.
- ⓘ Корпус изделия промойте теплой водой и затем вытрите насухо.
- ⓘ Протрите внутреннюю поверхность изделия хорошо отжатой тканью, смоченной в растворе питьевой соды (1 чайная ложка на пол-литра воды), и вытрите насухо.
- ⚠ Не допускайте попадания воды в корпус лампочки и в другие электрические компоненты.
- ⚠ Если холодильник не будет использоваться в течение длительного времени, отключите сетевой шнур, извлеките все продукты, выполните чистку и оставьте дверцу приоткрытой.
- ⓘ Регулярно проверяйте, не испачкан ли уплотнитель дверцы частицами пищи.
- ⓘ Для снятия полок в дверце полностью разгрузите их, а затем просто приподнимите вверх.
- ⓘ Для чистки наружных поверхностей и хромированных деталей изделия ни в коем случае не используйте чистящие средства или воду, содержащие хлор. Хлор вызывает коррозию таких металлических поверхностей.

- ⓘ Не используйте острые и абразивные инструменты или мыло, бытовые чистящие средства, синтетические моющие средства, бензин, бензол, воск и т.д., иначе маркировка на пластиковых деталях исчезнет, и будет иметь место деформация. Используйте для очистки и вытирания насухо теплую воду и мягкую ткань.

Защита пластмассовых поверхностей

- Не храните жидкое масло или продукты, приготовленные с добавлением масла, в морозильной камере в открытых контейнерах, так как они могут повредить пластмассовые поверхности. Если же масло протекло или попало на пластмассовую поверхность, сразу же очистите и промойте это место теплой водой.

7 Рекомендации по устранению неисправностей

Прежде чем обращаться в сервисный центр, просмотрите этот перечень. Это может помочь сэкономить время и деньги. Ниже перечислены часто возникающие проблемы, причиной которых не являются дефекты производства или материалов. Некоторые из описанных здесь фу

нкций могут отсутствовать в вашей модели.

Холодильник не работает.
<ul style="list-style-type: none">• Правильно ли включен холодильник в сеть? Вставьте вилку в розетку электросети.• Не перегорел ли предохранитель розетки, в которую включен холодильник, или главный предохранитель? Проверьте предохранитель.
Конденсация на боковой стенке отделения холодильника (MULTI ZONE, COOL CONTROL и FLEXI ZONE).
<ul style="list-style-type: none">• Очень низкая температура окружающей среды. Частое открывание и закрывание дверцы. Изделие работает в условиях повышенной влажности. Хранение продуктов, содержащих жидкость, в открытых контейнерах. Неплотно закрыта дверца.• Переключите термостат на более низкую температуру.• Сократите периоды, когда дверца остается открытой, или открывайте ее реже.• Накройте продукты, хранящиеся в открытых контейнерах, подходящим материалом.• Вытрите конденсат сухой тканью и проверьте, не образуется ли он снова.
Не работает компрессор
<ul style="list-style-type: none">• Термозащита компрессора может сработать при неожиданных отключениях энергоснабжения либо при выключении-включении прибора, поскольку давление хладагента в системе охлаждения не успевает стабилизироваться.• Холодильник начнет работать примерно через 6 минут. Если по истечении этого времени холодильник не заработал, обратитесь в сервисный центр.• Холодильник находится в режиме размораживания. Это нормально для холодильника с автоматическим размораживанием. Размораживание выполняется регулярно.• Холодильник не включен в розетку электросети. Убедитесь, что вилка плотно вставлена в розетку электросети.• Правильно ли отрегулирована температура? Нарушение подачи электроэнергии. Обратитесь к поставщику электроэнергии.
Холодильник включается слишком часто или работает слишком долго.

<ul style="list-style-type: none"> • Новый холодильник может быть больше того, которым вы пользовались раньше. Это вполне нормально – большие холодильники работают в течение более длительных периодов времени. • Возможно, температура в помещении повышена. Это вполне нормально. • Возможно, холодильник был недавно включен или только что загружен продуктами. Полное охлаждение холодильника может продолжаться на несколько часов дольше. • Возможно, в холодильник недавно поместили большое количество горячих продуктов. Из-за наличия горячих продуктов холодильник будет работать дольше, чтобы достичь нужной температуры хранения. • Возможно, дверцы часто открываются либо оставались приоткрытыми в течение длительного времени. При попадании в холодильник теплого воздуха, он будет работать дольше. Открывайте дверцы реже. • Неплотно закрыта дверца морозильного или холодильного отделения. Проверьте, плотно ли закрыты дверцы. • Холодильник отрегулирован на очень низкую температуру. Установите в холодильнике более высокую температуру и подождите, пока установленная температура не будет достигнута. • Возможно, уплотнитель дверцы холодильного или морозильного отделения загрязнен, изношен, разорван или неправильно установлен. Почистите или замените уплотнитель. Из-за поврежденного или разорванного уплотнителя холодильник будет работать дольше, чтобы поддерживать текущую температуру.
Температура в морозильном отделении слишком низкая, в то время как температура в холодильном отделении достаточная.
<ul style="list-style-type: none"> • Температура морозильного отделения установлена на очень низкое значение. Установите в морозильном отделении более высокую температуру и проверьте работу.
Температура холодильного отделения очень низкая, в то время как температура в морозильном отделении достаточная.
<ul style="list-style-type: none"> • Температура в холодильном отделении установлена на очень низкое значение. Установите в холодильном отделении более высокую температуру и проверьте работу.
Замерзают продукты в выдвижных контейнерах холодильного отделения.
<ul style="list-style-type: none"> • Температура в холодильном отделении установлена на очень низкое значение. Установите в холодильном отделении более высокую температуру и проверьте работу.
Температура в холодильном и морозильном отделениях слишком высокая.
<ul style="list-style-type: none"> • Температура в холодильном отделении установлена на очень высокое значение. Температура в морозильном отделении влияет на температуру в морозильном отделении. Изменяйте температуру в холодильном или морозильном отделении, пока не будет достигнут нужный уровень температуры. • Возможно, неплотно закрыта дверца. Полностью закройте дверцу. • Возможно, в холодильник недавно поместили большое количество горячих продуктов. Подождите, пока холодильное или морозильное отделение достигнет нужной температуры. • Возможно, холодильник был недавно включен в сеть. Для полного охлаждения потребуется некоторое время из-за большого размера холодильника.
Из холодильника доносится шум, похожий на тиканье механических часов.
<ul style="list-style-type: none"> • Этот шум вызван работой электромагнитного клапана холодильника. Он обеспечивает прохождение хладагента, который выполняет охлаждение, через отделения холодильника, в которых установлена температура охлаждения или замораживания. Это вполне нормально и не является неисправностью.

Уровень рабочего шума повышается во время работы холодильника.
<ul style="list-style-type: none"> Рабочие характеристики изделия могут изменяться в зависимости от изменений температуры окружающей среды. Это нормально и не является неисправностью.
Вибрация или шум.
<ul style="list-style-type: none"> Пол неровный или нежесткий. Холодильник медленно перемещается и при этом дрожит. Убедитесь в том, что пол ровный и достаточно прочный, чтобы выдержать вес изделия. Шум могут вызывать предметы, которые находятся на холодильнике. Такие предметы следует убрать с холодильника.
Слышен шум льющейся или разбрызгивающейся жидкости.
<ul style="list-style-type: none"> Расход жидкости и газа изменяется в соответствии с принципами работы изделия. Это нормально и не является неисправностью.
Слышен шум, похожий на шум ветра.
<ul style="list-style-type: none"> Для обеспечения эффективного охлаждения в холодильнике используются устройства подачи воздуха (вентиляторы). Это нормально и не является неисправностью.
Конденсация влаги на внутренних стенках холодильника.
<ul style="list-style-type: none"> Жаркая и влажная погода способствует образованию льда и конденсации влаги. Это нормально и не является неисправностью. Дверцы приоткрыты. Убедитесь, что дверцы полностью закрыты. Возможно, дверцы открывались очень часто, или дверца оставалась открытой длительное время. Открывайте дверцу реже.
Появление влаги снаружи холодильника или между дверцами.
<ul style="list-style-type: none"> Возможно, причина во влажной погоде. Это вполне нормально при влажной погоде. Когда влажность уменьшится, конденсация исчезнет.
Неприятный запах внутри холодильника.
<ul style="list-style-type: none"> Следует выполнить чистку внутри холодильника. Протрите холодильник внутри губкой, смоченной в теплой воде или в газированной воде. Некоторые контейнеры или упаковочные материалы также могут быть источником запаха. Используйте другой контейнер или упаковочный материал другой марки.
Дверца (дверцы) не закрывается (не закрываются).
<ul style="list-style-type: none"> Упаковки продуктов могут препятствовать закрыванию дверцы. Переместите упакованные продукты, препятствующие закрытию дверцы. Возможно, холодильник стоит не совсем вертикально, это может вызвать дрожание при любом перемещении. Отрегулируйте регулировочные винты. Пол неровный или нежесткий. Убедитесь в том, что пол ровный и может выдержать вес холодильника.
Контейнеры для фруктов и овощей прилипли.
<ul style="list-style-type: none"> Возможно, продукты касаются верхней части контейнера. Переместите продукты в контейнере.

Изготовитель: «Arcelik A.S.» Юридический адрес: Караач Джаддеси № 2-6 34445 Сютлюдже Стамбул, Турция (Karaağaç Caddesi No:2-6 Sütlüce, 34445,Turkey)

Произведено в Турции

Импортер на территории РФ: ООО «БЕКО» Юридический адрес: 601021 Россия, Владимирская обл., Киржачский р-н, МОСП Першинское, дер. Федоровское, ул. Сельская, д. 49.

Информацию о сертификации продукта Вы можете уточнить, позвонив на горячую линию 8-800-200-23-56.

Официальный представитель на территории Украины: ООО "Беко Украина", адрес: 01021, г. Киев, ул. Кловский спуск, д. 5.

Информацию о сертификации можно получить в информационно-справочной службе по телефону 0-800-500-4-3-2

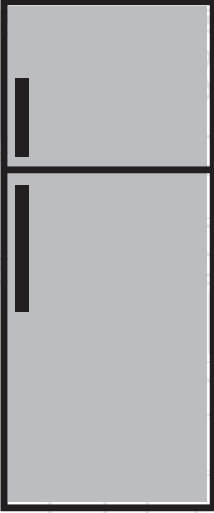
Дата производства включена в серийный номер продукта, указанный на этикетке, расположенной на продукте, а именно: первые две цифры серийного номера обозначают год производства, а последние две – месяц. Например, "10-100001-05" обозначает, что продукт произведен в мае 2010 года.

Изготовитель оставляет за собой право на внесение изменений в конструкцию, дизайн и комплектацию электроприбора.

изготовитель оставляет за собой право вносить изменения в конструкцию, дизайн и комплектацию электроприбора.

Buzdolabı

Kullanma kılavuzu



TR

beko

Lütfen önce bu kılavuzu okuyun!

Değerli Müşterimiz,

Modern tesislerde üretilen ve titiz kalite kontrol işlemlerinden geçirilen üründen en iyi verimi almanızı istiyoruz.

Kullanma kılavuzu ürünü hızlı ve güvenli bir şekilde kullanmanıza yardımcı olur.

- Güvenlikle ilgili talimatlara mutlaka uyun.
- Daha sonra ihtiyacınız olabileceği için kullanma kılavuzunu kolay ulaşabileceğiniz bir yerde saklayın.
- Ürünle birlikte verilen diğer belgeleri de okuyun.
- Üretici ürün üzerinde değişiklik yapma hakkını saklı tutar.

Bu kullanma kılavuzunun başka modeller için de geçerli olabileceğini unutmayın.

Semboller ve açıklamaları

Kullanma kılavuzunda şu semboller yer almaktadır:

	Önemli bilgiler veya faydalı ipuçları.
	Can ve mal tehlikesi.
	Elektrik çarpması riski.
	Ürünün ambalajı, Ulusal Çevre Mevzuatımız gereği geri dönüştürülebilir malzemelerden üretilmiştir.



Bu ürün çevreye saygılı modern tesislerde doğaya zarar vermeden üretilmiştir.

İçindekiler

1 Güvenlik ve çevre talimatları 3

- 1.1. Genel güvenlik 3
- 1.1.1 HC uyarısı 5
- 1.1.2 Su pınarlı modeller için 5
- 1.2. Kullanım amacı 5
- 1.3. Çocuk güvenliği 6
- 1.4. AEEE yönetmeliğine uyum ve atık ürünün elden çıkarılması 6
- 1.5. Ambalaj bilgisi 6

2 Buzdolabınız 7

3 Kurulum 8

- 3.1. Kurulum için doğru yer 8
- 3.2. Plastik takozların takılması 8
- 3.3. Ayakların ayarlanması 9
- 3.4. Elektrik bağlantısı 9

4 Ön hazırlık 10

- 4.1. Enerji tasarrufu için yapılması gerekenler . . 10
- 4.2. İlk kullanım 10

5 Ürünün kullanımı 11

- 5.1. Gösterge paneli 11
- 5.2. Taze yiyeceklerin dondurulması 16
- 5.3. Donmuş gıdaların saklanmasıyla ilgili tavsiyeler 16
- 5.4. Derin dondurucu bilgileri 16
- 5.5. Gıdaların yerleştirilmesi 17
- 5.6. Kapı açık uyarısı 17
- 5.7. Aydınlatma lambası 17
- 5.8. Koku filtresi ve temizliği 18
- 5.9. Yumurtalık 18
- 5.10. Kahvaltılık bölmesi 19
- 5.11. Kayar saklama kabı 19
- 5.12. Mavi ışık 19
- 5.13. Otomatik buz makinası 20
- 5.14. Buz yapma 20
- 5.15. Buzmatik ve buz saklama kabı 21
- 5.16. Su pınarı 22

6 Bakım ve temizlik 25

- 6.1. Kötü kokuların önlenmesi 25
- 6.2. Plastik yüzeylerin korunması 25

7 Sorun giderme 26

1 Güvenlik ve çevre talimatları

Bu bölümde, yaralanma ya da maddi hasar riskini ortadan kaldıracak gerekli güvenlik talimatları yer almaktadır. Bu talimatlara uyulmaması halinde ürün her türlü garanti kapsamından çıkacaktır.

Kullanım amacı

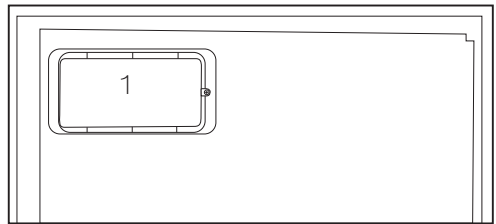
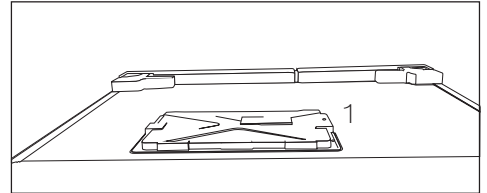
Bu cihaz;

- ev içi ve ev benzeri kapalı alanlarda;
- mağaza ve ofis benzeri kapalı çalışma alanlarında;
- çiftlik evleri, otel, pansiyon benzeri kapalı konaklama alanlarında kullanılmak üzere tasarlanmıştır.
- Ürün dış mekanlarda kullanılmamalıdır.

1.1. Genel güvenlik

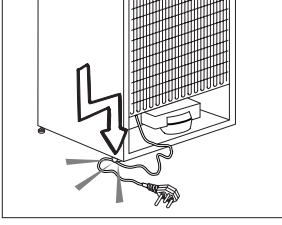
- Bu ürün, fiziksel, duyuşsal, zihinsel engelleri bulunan; tecrübe ve bilgi eksiğı olan kişilerin ve çocukların kullanımına uygun değildir. Cihazın bu kişilerce kullanımı ancak bu kişilerin güvenliğınden sorumlu birinin gözetimi altında gerekli talimatların verilmesi durumunda uygundur. Çocukların cihaz ile oynaması sakıncalıdır.
- Çalışırken arıza yapması durumunda ürünü fişten çekin.

- Ürünün fişini prizden çektikten sonra, fişi tekrar takmak için en az 5 dakika bekleyin.
- Ürün kullanımında değilse fişini çekin.
- Fişe ıslak ellerle kesinlikle dokunmayın! Fişi çekmek için kablosundan tutmayın, her zaman fişten tutarak çekin.
- Priz gevşekse buzdolabının fişini prize takmayın.
- Kurulum, bakım, temizlik ve tamir işlemleri sırasında ürünün fişini prizden çekin.
- Ürün uzun süre kullanılmayacaksa fişini elektrik prizinden çekin ve içindeki yiyecekleri çıkarın.
- Ürününüzün üst veya arka bölümünde bulunan ve içinde elektronik kartların bulunduğu bölme (elektronik kart kutusu kapağı) (1) açıkken ürün kesinlikle kullanılmamalıdır.



Güvenlik ve çevre talimatları

- Buzdolabındaki temizleme ve eritme işlemi için kesinlikle buhar veya buharlı temizlik malzemeleri kullanmayın. Buhar, buzdolabındaki elektrikli bölgelere temas ederek kısa devre veya elektrik çarpmasına neden olur!
- Ürünü üzerine su püskürterek veya su dökerek kesinlikle yıkamayın! Elektrik çarpma tehlikesi vardır!
- Elektrik çarpma riski olduğu için ürün arızalı iken kesinlikle çalıştırılmamalıdır. Yetkili servisle iletişime geçmeden herhangi bir işlem yapmayın.
- Ürünü, topraklı bir prize bağlayın. Topraklama tesisatı uzman bir elektrikçi tarafından yapılmalıdır.
- Ürününüzde led tipi aydınlatma var ise;değiştirileceği zaman veya herhangi bir sorunda yetkili servisi çağırınız.
- Dondurulmuş yiyeceklere ıslak elle dokunmayın! Elinize yapışabilirler!
- Şişe ve kutulardaki sıvı içecekleri dondurucu bölmesine koymayın. Patlayabilirler!
- İçecekleri, ağızları sıkı bir şekilde kapalı ve dik olarak yerleştirin.
- Yangın veya patlama riski olduğu için, ürünün yakınında yanıcı spreyleyler püskürtmeyin.
- Yanıcı ve yanıcı gaz içeren ürünleri (sprey vb.) ve patlayıcı maddeleri buzdolabında saklamayın.
- Ürünün üstüne içi sıvı dolu kaplar koymayın. Elektrikli bir parçanın üzerine su sıçrarsa elektrik çarpması ve yangın riski ortaya çıkar.
- Ürünü yağmur, kar, güneş ve rüzgâra maruz bırakmak elektrik güvenliği açısından tehlikelidir.Ürününüzün yerini değiştirirken kapı sapından tutarak çekmeyin. Sap yerinden çıkabilir.
- Ürünün içinde bulunan hareketli aksamalara elinizi veya vücudunuzun herhangi bir kısmını sıkıştırmamaya dikkat edin.
- Buzdolabındaki kapı ve çekmece gibi kısımları kesinlikle destek veya basamak olarak kullanmayın. Ürünün devrilmesine veya aksamlarının zarar görmesine neden olursunuz.
- Şebeke kablosunun ezilmemesine dikkat edin.



1.1.1 HC uyarısı

Ürün R600a gazı içeren soğutma sistemine sahipse kullanım ve taşıma sırasında soğutma sisteminin ve boruların zarar görmemesine dikkat edin. Bu gaz yanıcıdır. Soğutma sistemi zarar görmüşse, ürünü, sistemin alev almasına neden olabilecek potansiyel kaynaklardan uzak tutun ve ürünün bulunduğu odayı hemen havalandırın.



Ürünün hangi gazla üretildiği bilgisi ürünün sol iç kısmındaki etikette yer alır.

1.1.2 Su pınarlı modeller için

- Soğuk su girişi için basınç maksimum 90 PSi (6.2 bar) olmalıdır. Eğer su basıncınız 80PSi (5,5 bar) değerini aşıyor ise şebeke sisteminizde basınç limitleme valfi kullanınız. Eğer su basıncınızı nasıl kontrol edeceğinizi bilmiyorsanız profesyonel tesisatçılardan yardım alınız.

- Eğer tesisatınızda su darbesi etkisi görülme riski varsa tesisatınızda mutlaka su darbesi önleyici ekipman kullanınız. Eğer su darbesinin yokluğundan emin değilseniz profesyonel tesisatçılardan yardım alınız.
- Sıcak su girişine montaj yapmayınız. Hortumların donma riskine karşı önlem alınız. Su sıcaklığı çalışma aralığı minimum 33°F (0.6°C) , maksimum 100°F (38°C) olmalıdır.
- Yalnızca içme suyu kullanın.

1.2. Kullanım amacı

- Bu ürün evde kullanılmak üzere tasarlanmıştır. Ticari amaçlı kullanıma uygun değildir.
- Ürün, yalnızca yiyecek ve içecek saklanması için kullanılmalıdır.
- Hassas sıcaklık kontrolü gerektiren ürünleri (aşı, ısıya duyarlı ilaç, tıbbi malzemeler vb.) buzdolabında saklamayın.
- Üretici, hatalı kullanım veya taşıma nedeniyle oluşan herhangi bir zarardan dolayı sorumluluk kabul etmez.
- Ürünün satın alma tarihinden itibaren 10 yıl boyunca orijinal yedek parçalar sağlanacaktır.

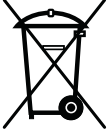
Güvenlik ve çevre talimatları

1.3. Çocuk güvenliği

- Ambalaj malzemeleri çocuklar için tehlikeli olduğundan ulaşamayacakları bir yerde bulunmalıdır.
- Çocukların ürünle oynamalarına izin vermeyin.
- Ürünün kapısında kilit varsa, anahtar çocukların ulaşamayacağı bir yerde muhafaza edilmelidir.

1.4. AEEE yönetmeliğine uyum ve atık ürünün elden çıkarılması

Bu ürün, T.C. Çevre ve Şehircilik Bakanlığı tarafından yayımlanan "Atık Elektrikli ve Elektronik Eşyaların Kontrolü Yönetmeliği"nde belirtilen zararlı ve yasaklı maddeleri içermez. AEEE Yönetmeliğine uygundur.



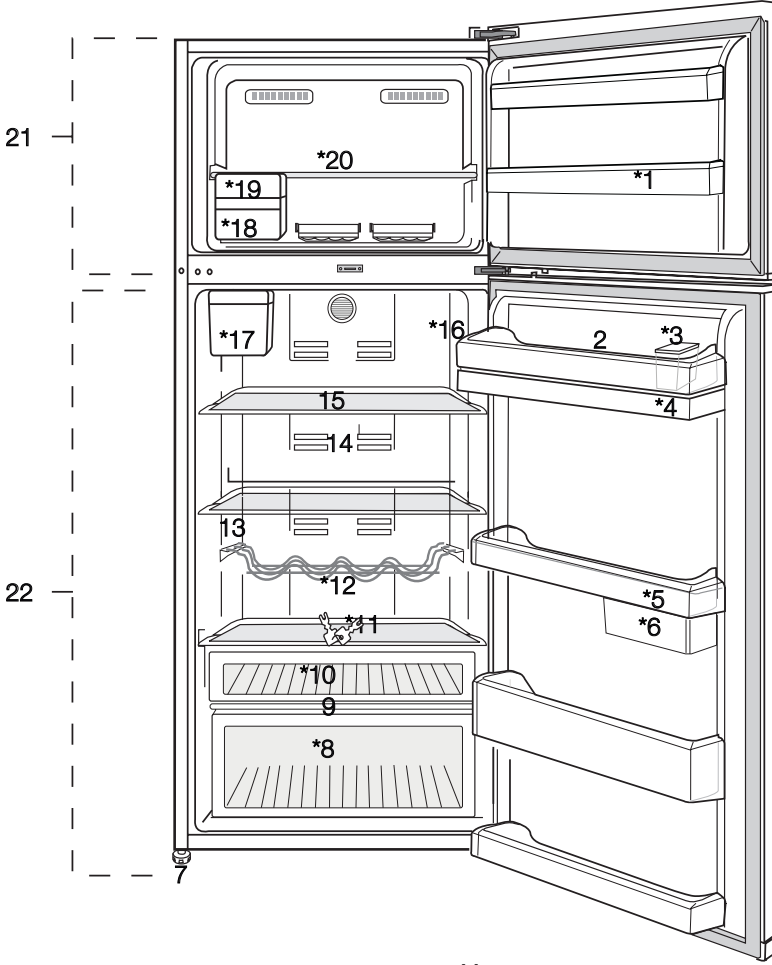
Bu ürün, geri dönüşümlü ve tekrar kullanılabilir nitelikteki yüksek kaliteli parça ve malzemelerden üretilmiştir. Bu nedenle ürünü, kullanım ömrünün sonunda evsel veya diğer atıklarla birlikte atmayın. Elektrikli ve elektronik cihazların geri dönüşümü için bir toplama noktasına götürün. Bu

toplama noktalarını bölgenizdeki yerel yönetimden öğrenebilirsiniz. Kullanılmış ürünleri geri dönüşüme vererek çevrenin ve doğal kaynakların korunmasına yardımcı olabilirsiniz. Ürünü atmadan önce çocukların güvenliği için elektrik fişini kesin ve kapıda kilit varsa çalışmaz duruma getirin.

1.5. Ambalaj bilgisi

- Ürünün ambalajı, Ulusal Mevzuatımız gereği geri dönüştürülebilir malzemelerden üretilmiştir. Ambalaj atığını evsel veya diğer atıklarla birlikte atmayın, yerel yönetiminin belirttiği ambalaj toplama noktalarına atın.

2 Buzdolabınız



1. Dondurucu bölme kapı rafları
2. Yumurtalık
3. Su pınarı doldurma haznesi
4. Su pınarı deposu
5. Soğutucu bölme kapı rafları
6. Kayar ve döner saklama kapları
7. Ayarlanabilir ayaklar
8. Sebzelik
9. Sebzelik örtüsü
10. Kahvaltılık bölmesi

11. Kilit
12. Şişe rafı
13. Aydınlatma camı
14. Koku filtresi
15. Ayarlanabilir cam raflar
16. Sıcaklık ayar göstergesi
17. Otomatik buz makinesi su haznesi
18. Buz saklama kabı
19. Otomatik buz makinesi
20. Dondurucu bölme rafı
21. Dondurucu bölme
22. Soğutucu bölme



***Opsiyonel:** Bu kullanım kılavuzundaki şekiller ürününüzle birebir uyum içinde olmayabilir. Satın almış olduğunuz üründe ilgili parçalar yoksa bu parçalar başka modeller için geçerlidir.

3 Kurulum

3.1. Kurulum için doğru yer

Ürünün kurulumu için Yetkili Servisi arayın. Ürünü kullanıma hazır duruma getirmek için, kullanma kılavuzundaki bilgilere bakarak elektrik tesisatı ve su tesisatının uygun olmasına dikkat edin. Değilse ehliyetli bir elektrikçi ve tesisatçı çağırarak gerekli düzenlemeleri yaptırın.



UYARI: Yetkili olmayan kişilerce yapılan işlemlerin neden olabileceği zararlardan üretici firma sorumlu değildir.



UYARI: Kurulum esnasında ürünün elektrik fişi prize takılı olmamalıdır. Aksi halde ölüm ya da ciddi yaralanma tehlikesi vardır!



UYARI: : Ürünün yerleştirileceği odanın kapı aralığı, ürünün geçemeyeceği kadar darsa, olmuyorsa yetkili servisi arayın.

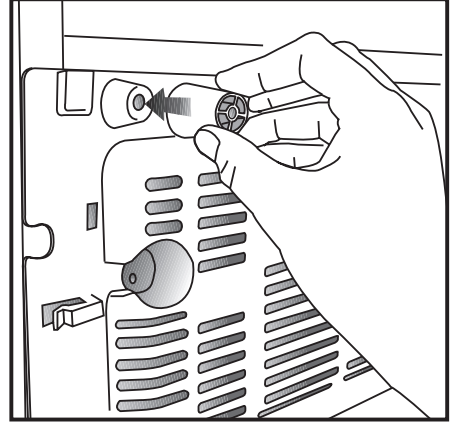
- Sarsıntıları önlemek için ürünü düz bir zemine yerleştirin.
- Ürünü ocak, kalorifer peteği ve soba gibi ısı kaynaklarından en az 30 cm, elektrikli fırınlardan en az 5 cm uzağa kurun.
- Ürünü doğrudan güneş ışığına maruz bırakmayın ve rutubetli yerde bulundurmayın.
- Ürününün verimli çalışabilmesi için çevresinde uygun bir hava dolaşımı olmalıdır. Ürünü duvara girintili bir yere yerleştirilecekseniz tavanla ve yan duvarlarla arasında en az 5 cm boşluk olmasına dikkat edin.
- Sıcaklığın -5°C 'nin altına düştüğü ortamlara ürünü kurmayın.

3.2. Plastik takozların takılması

Ürünle duvar arasındaki hava dolaşımını sağlayacak mesafe'yi korumak için ürün içerisinden çıkan plastik takozlar kullanılmaktadır.

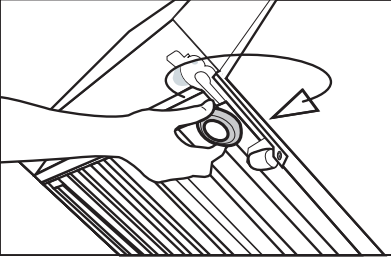
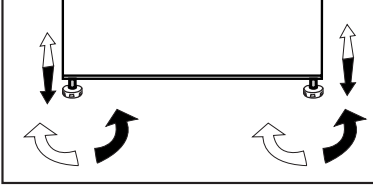
1. Takozları takmak için üründeki vidaları söküp plastik takozlarla birlikte verilen vidaları kullanın.

2. 2 adet plastik takozu şekilde görüldüğü gibi arka havalandırma kapağına takın.



3.3. Ayakların ayarlanması

Ürün, yerleştirdiğiniz yerde dengesiz duruyorsa öndeki ayar ayaklarını sağa veya sola döndürerek ayarlayın.



3.4. Elektrik bağlantısı



UYARI: Uzatma kabloları ya da çoklu prizlerle bağlantı yapmayın.



UYARI: Hasar görmüş elektrik kablosu Yetkili Servis tarafından değiştirilmelidir.



İki soğutucu yan yana yerleştiriliyorsa aralarında en az 4 cm boşluk bırakılmalıdır.

- Ürünün ulusal yönetmeliklere uygun topraklama ve elektrik bağlantısı yapılmadan kullanılması halinde ortaya çıkacak zararlardan firmamız sorumlu olmayacaktır.
- Elektrik kablosunun fişi, kurulumdan sonra kolay erişilebilir olmalıdır.
- Buzdolabınızı voltaj değeri 220-240V /50 Hz olan, toprak hattına sahip bir prize bağlayınız. Priz, 10-16A değerinde bir sigortaya sahip olmalıdır.
- Buzdolabınız ile duvar prizi arasında uzatma kablolu veya kablolu çoklu grup priz kullanmayınız.

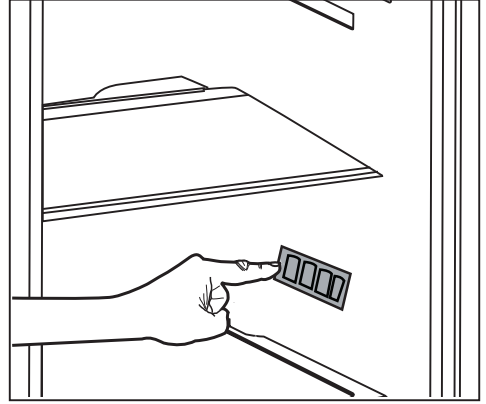
4 Ön hazırlık

4.1. Enerji tasarrufu için yapılması gerekenler



Ürünün elektronik enerji tasarruf sistemlerine bağlanması, ürüne zarar verebileceği için sakıncalıdır.

- Buzdolabınızın kapılarını uzun süre açık tutmayın.
- Buzdolabınıza sıcak yiyecek ya da içecek koymayın.
- Buzdolabını aşırı doldurmayın, içerideki hava akımı engellendiğinde soğutma kapasitesi düşer.
- Buzdolabınızın dondurucu bölmesine en fazla gıdayı yüklemek için üst çekmeceler çıkartılarak tel/cam raflar üzerine yüklenmelidir. Buzdolabınızın enerji etiketinde deklare edilen net hacim ve enerji tüketimi değerleri, dondurucu bölmesindeki üst çekmeceler, el ile rahatlıkla sökülebilir olan buz kabı çıkarılarak ölçülmüş ve test edilmiştir. Yükleme yaparken alt çekmecenin kullanılması önemle tavsiye edilir.
- Ürününüzün özelliğine bağlı olarak; dondurulmuş gıdaları soğutucu bölmede çözdürmeniz, hem enerji tasarrufu sağlayacak hem de gıdanın kalitesini koruyacaktır.
- Yiyecekleri aşağıdaki şekilde belirtilen soğutucu bölme sıcaklık sensörüne temas ettirmeyin.
- Enerji tasarrufu sağlamak ve gıdaları daha iyi ortamda korumak ve için soğutma bölmesindeki çekmeceler kullanılarak gıdalar saklanmalıdır.
- Dondurucu bölme yer alan sıcaklık sensörü ile gıda paketlerinin doğrudan teması engellenmelidir. Sensör ile temas olması halinde cihazın enerji tüketiminde artış görülebilir



4.2. İlk kullanım

Buzdolabınızı kullanmaya başlamadan önce, “Güvenlik ve çevre talimatları” ve “Kurulum” bölümündeki talimatlara uygun hazırlıkların yapıldığından emin olun.

- Ürünü 6 saat boyunca yiyecek koymadan boş olarak çalıştırın ve kapısını çok gerekmedikçe açmayın.
- Ürün kapısının kullanım süresinde açılması ve kapanmasından kaynaklı olarak ısı değişimi sonucu, kapı/gövde raflarında ve ürünün içine konulan cam eşyalarda buğulanma olması normaldir.



Kompresör çalışmaya başladığında bir ses duyacaksınız. Soğutma sistemi içerisindeki sıkışmış sıvı ve gazlar, kompresör çalışmıyor olsa da ses çıkarması normaldir.



Buzdolabının ön kenarlarının sıcak olması normaldir. Bu alanlar, yoğuşmayı önlemek için ısınacak şekilde tasarlanmıştır.

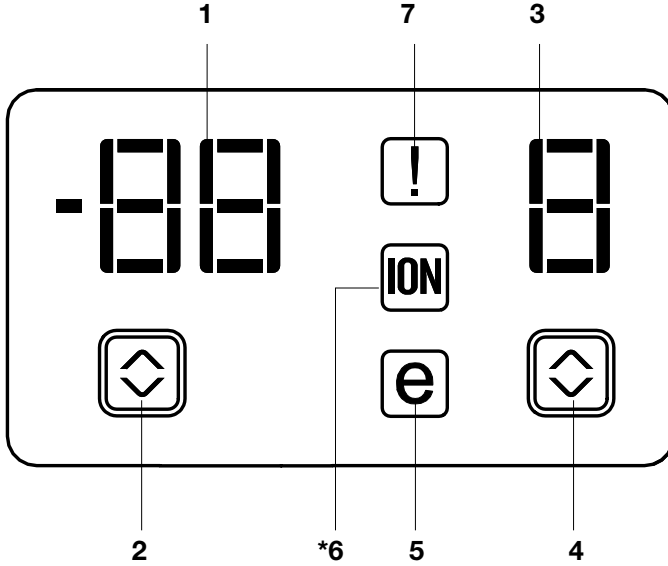


Bazı modellerde gösterge paneli kapı kapandıktan 5 dakika sonra otomatik olarak sönmektedir. Kapı açıldığında veya herhangi bir tuşa basıldığında, tekrar aktif hale gelecektir.

5 Ürünün kullanımı

5.1. Gösterge paneli

Gösterge panelleri, ürününüzün modeline göre değişiklik gösterebilir. Gösterge panelindeki işitsel ve görsel fonksiyonlar ürünü kullanmanıza yardımcı olur.



1. Dondurucu bölme sıcaklık göstergesi
2. Dondurucu bölme sıcaklık ayar butonu
3. Soğutucu bölme sıcaklık göstergesi
4. Soğutucu bölme sıcaklık ayar butonu
5. Ekonomi modu göstergesi
6. İyonizer göstergesi
7. Hata durumu göstergesi



***Opsiyonel:** Bu kullanma kılavuzunda yer alan şekiller örnek olarak verilmiş olup ürününüzle birebir aynı olmayabilir. Satın almış olduğunuz üründe ilgili parçalar yoksa, şekil başka modeller için geçerlidir.

Ürünün kullanımı

1.Dondurucu bölme sıcaklık göstergesi

Dondurucu bölmenin ayarlı olduğu sıcaklığı gösterir.

2.Dondurucu bölme sıcaklık ayar butonu

Bu butona her basıldığında dondurucu bölme sıcaklığı -18, -20, -22, -24, -18... Şeklinde değişir. Bu butona basarak dondurucu bölme için arzu edilen sıcaklık değerini ayarlayabilirsiniz.

3.Soğutucu bölme sıcaklık göstergesi

Soğutucu bölmenin ayarlı olduğu sıcaklığı gösterir.

4.Soğutucu bölme sıcaklık ayar butonu

Bu butona her basıldığında soğutucu bölme sıcaklığı 8, 6, 4, 2, 8... Şeklinde değişir. Bu butona basarak soğutucu bölme için arzu edilen sıcaklık değerini ayarlayabilirsiniz.

5.Ekonomi modu göstergesi

Buzdolabınızın enerji tasarruflu modda çalıştığını gösterir.

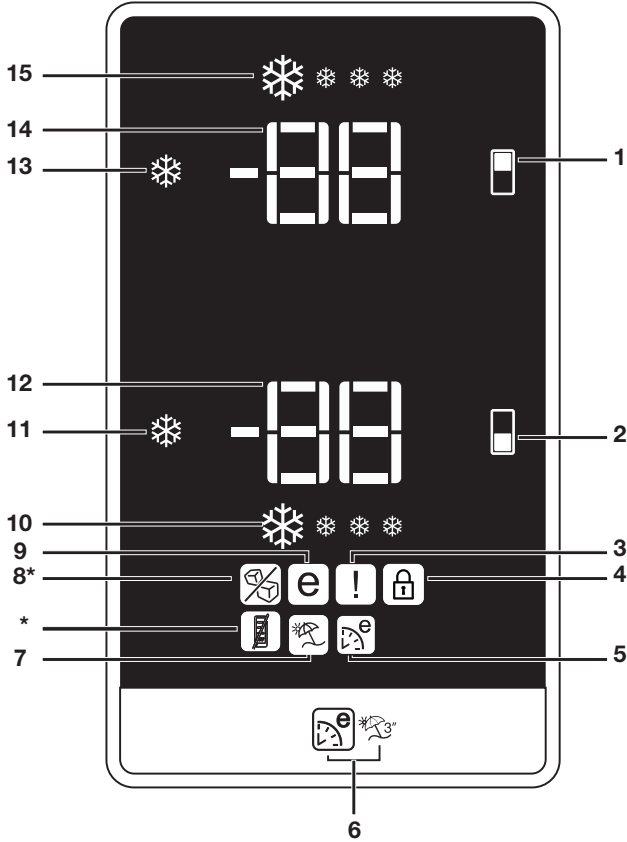
6- İyonizer göstergesi

Gösterge lambası sürekli yanacaktır. Buzdolabınızda kötü kokuları engeller.

7.Hata durumu göstergesi

Buzdolabınız yeterli soğutma gerçekleştirmediğinde veya herhangi bir sensör hatası oluştuğunda bu gösterge aktif olacaktır. Bu gösterge aktifken, dondurucu bölme sıcaklık göstergesinde "e" harfi, soğutucu bölme sıcaklık göstergesinde ise 1,2,3... gibi rakamlar belirecektir. Göstergedeki bu rakamlar oluşan hata ile ilgili servise bilgi vermektedir.

Ürünün kullanımı



1. Dondurucu bölme ayar butonu
2. Soğutucu bölme ayar butonu
3. Hata durumu göstergesi
4. Tuş kilidi göstergesi
5. Eko ekstra fonksiyonu göstergesi
6. Eko ekstra / tatil butonu
7. Tatil fonksiyonu göstergesi
8. Buz makinası kapalı göstergesi
9. Ekonomik kullanım göstergesi
10. Hızlı soğut fonksiyonu göstergesi
11. Hızlı soğut fonksiyonu butonu
12. Soğutucu bölme sıcaklık ayar göstergesi
13. Hızlı dondur fonksiyonu / buz makinası aç-kapa butonu
14. Dondurucu bölme sıcaklık ayar göstergesi
15. Hızlı dondurma fonksiyonu göstergesi



***Opsiyonel:** Bu kullanma kılavuzunda yer alan şekiller örnek olarak verilmiş olup ürününüzle birebir aynı olmayabilir. Satın almış olduğunuz üründe ilgili parçalar yoksa, şekil başka modeller için geçerlidir.

Ürünün kullanımı

1- Dondurucu bölme ayarlama

Dondurucu bölme sıcaklık ayarını yapmanızı sağlar. Basıldığında dondurucu bölme sıcaklığı sırasıyla -18, -20, -22 ve -24 değerlerine ayarlanabilir.

2- Soğutucu bölme ayarlama fonksiyonu

Soğutucu bölme sıcaklık ayarını yapmanızı sağlar. Basıldığında soğutucu bölme sıcaklığı, 8, 6, 4, 2, değerlerine sırası ile ayarlanabilir.

3.Hata durumu göstergesi

Buzdolabınız yeterli soğutma gerçekleştirmediğinde veya herhangi bir sensör hatası oluştuğunda bu gösterge aktif olacaktır. Bu gösterge aktifken, dondurucu bölme sıcaklık göstergesinde "E" harfi, Soğutucu bölme sıcaklık göstergesinde ise 1,2,3... gibi rakamlar belirecektir. Göstergedeki bu rakamlar oluşan hata ile ilgili servise bilgi vermektedir.

Dondurucu bölmeye sıcak gıdalar yüklediğinizde ya da kapıyı uzun süre açık bıraktığınızda, bir süre için ünlem işareti yanabilir. Bu bir arıza değildir, gıdalar soğuduğunda bu uyarı silinecektir.

4.Tuş kilidi göstergesi

Buzdolabınızın sıcaklık ayar değerlerinin hiçbir şekilde değişmesini istemiyorsanız, bu fonksiyonu kullanmanızı tavsiye ederiz. Soğutucu bölme ayar butonu ve dondurucu bölme ayar butonuna birlikte uzun süre (3sn) basarak bu fonksiyonu etkinleştirebilirsiniz.

5.Eko-ekstra fonksiyonu göstergesi

Eko-Ekstra fonksiyonunun aktif olduğunu gösterir.

Bu fonksiyon aktifken, buzdolabınızı en az kullandığınız zamanlar otomatik olarak algılanacak ve bu zamanlarda enerji tasarruflu soğutma gerçekleşecektir. Enerji tasarruflu soğutma gerçekleşirken Ekonomi göstergesi de aktif olacaktır.

Fonksiyonu iptal etmek için ilgili butona tekrar basılmalıdır.

6.Eko-ekstra / tatil butonu

Bu butona kısa bir süre basıldığında Eko-ekstra fonksiyonu aktiflenecektir. Aynı butona uzun süre (3sn) basıldığında ise Tatil fonksiyonu aktiflenecektir. Bu butona tekrar basıldığında ise seçili fonksiyon iptal edilecektir.

7.Tatil fonksiyonu göstergesi

Tatil fonksiyonunun aktif olduğunu gösterir.

Bu fonksiyon aktifken soğutucu bölme sıcaklık göstergesinde " - - " belirir ve sadece soğutucu bölmede soğutma gerçekleştirilmez. Diğer bölmeler ayarlanan sıcaklık değerine uygun olarak soğutulacaktır.

Fonksiyonu iptal etmek için ilgili butona tekrar basılmalıdır.

8. Buz iptal göstergesi

Bu fonksiyon göstergesi aktif durumda iken buz makinanız çalışmayacaktır.

9.Ekonomi modu göstergesi

Buzdolabınızın enerji tasarruflu modda çalıştığını gösterir. Dondurucu Bölme sıcaklığı -18 olarak ayarlandığında veya Eko-Ekstra fonksiyonu sebebiyle enerji tasarruflu soğutma gerçekleşirken bu gösterge aktiftir.

10- Hızlı soğut göstergesi

Hızlı Soğut fonksiyonu etkinken bu simge animasyonlu bir şekilde yanar ve söner.

Ürünün kullanımı

11- Hızlı soğut fonksiyonu

Hızlı Soğut düğmesine bastığınızda, bölmenin sıcaklığı ayarlanan değerden daha düşük olacaktır.

Bu fonksiyonu soğutucu bölme konulan ve hızlı soğuması istenen yiyecekler için kullanabilirsiniz.

Büyük miktarda taze yiyecek soğutmak istiyorsanız, yiyecekleri buzdolabına yerleştirmeden önce etkinleştirmeniz tavsiye edilir.

Hızlı soğut fonksiyonu devrede iken hızlı soğut göstergesi yanacaktır. Bu fonksiyonu iptal etmek için hızlı soğut düğmesine basınız.

Hızlı soğut fonksiyonu iptal edilmezse en fazla 4 saat sonra veya soğutucu bölme yeterli soğukluğa ulaşınca otomatik olarak iptal olacaktır.

Elektrik kesintisi sonrası bu fonksiyon hatırlanmaz.

12- Soğutucu bölme sıcaklık ayar göstergesi

Soğutucu bölme için ayarladığınız sıcaklığı gösterir.

13- Dondurucu bölme sıcaklık ayar göstergesi

Buz makinası aç-kapa butonu

Dondurucu bölme için ayarladığınız sıcaklığı gösterir.

Buz yapımının durdurulması için buz makinası aç-kapa butonuna 3 saniye basılır. Bu fonksiyon seçili iken su tankından su alımı duracaktır. Ancak buz makinasından daha önce yapılmış buzlar alınabilir.

Tekrar buz yapımının başlatılması için buz makinası aç-kapa butonuna 3 saniye boyunca basılmalıdır.

14- Hızlı dondur fonksiyonu

Hızlı dondur fonksiyonu açık olduğunda Hızlı Dondur göstergesi yanar. Bu fonksiyonu iptal etmek için tekrar hızlı dondur düğmesine basınız.

Hızlı dondur göstergesi sönecek ve normal ayarlarına geri dönecektir. Hızlı dondur fonksiyonu, iptal edilmezse en fazla 8 saat sonra ya da dondurucu bölmesi yeterli soğukluğa ulaşınca otomatik olarak iptal olacaktır.

Çok miktarda taze yiyecek dondurmak istiyorsanız, yiyecekleri dondurucu bölme koymadan önce Hızlı Dondur düğmesine basınız.

Hızlı dondur düğmesine kısa aralıklarla tekrar tekrar basarsanız, elektrik devre koruması etkinleşir ve kompresör hemen devreye girmez.

Elektrik kesintisi sonrası bu fonksiyon hatırlanmaz.

15- Hızlı dondur göstergesi

Hızlı dondur fonksiyonu aktifken bu simge animasyonlu bir şekilde yanar ve söner.

Ürünün kullanımı

5.2. Taze yiyeceklerin dondurulması

- Gıdaların kalitesinin korunabilmesi için dondurucu bölmeye konulduğunda mümkün olduğunca hızlı dondurulmalıdır, bunun için hızlı dondurma özelliğini kullanın.
- Gıdaları tazeyken dondurmanız halinde, dondurucu bölmede daha uzun saklayabilirsiniz.
- Dondurulacak gıdaları paketleyerek, hava almayacak şekilde ağızlarını iyice kapatın.
- Gıdalarınızı dondurucuya koymadan önce paketlemeye dikkat edin. Klasik ambalaj kağıtları yerine, dondurucu kaplarını, folyolarını ve nem geçirmeyen kağıdı, plastik torba veya diğer paketleme malzemelerini kullanın.
- Dondurmadan önce her besin paketini, tarih yazarak etiketleyin. Dondurucunuzu her açtığınızda, her besinin tazeliğini bu şekilde ayırt edebilirsiniz. Daha önce dondurulan besinleri ön tarafta saklayarak ilk olarak kullanılmasını sağlayın.
- Dondurulmuş gıdalar çözüldükten sonra derhal kullanılmalı ve tekrar dondurulmamalıdır.
- Çok fazla miktarda yiyeceği bir seferde dondurmayın.

5.3. Donmuş gıdaların saklanmasıyla ilgili tavsiyeler

Bölüm en az -18°C dereceye ayarlı olmalıdır.

1. Ürünleri satın aldıktan sonra çözülmesine fırsat vermeden, olabildiğince kısa süre içinde dondurucuya koyun.
2. Ürünü dondurmadan önce paketin üzerindeki "Son Kullanma" tarihinin geçmediğinden emin olmak için kontrol edin.
3. Gıda ambalajının hasarlı olmamasına dikkat edin.

5.4. Derin dondurucu bilgileri

IEC 62552 standartlarına göre, her 100 litre dondurucu bölme hacmi için ürünün 25°C oda sıcaklığında 4,5 kg'lık gıda maddesini -18°C veya daha düşük sıcaklıklarda 24 saatte dondurabilmesini gerektirir. Gıda maddelerinin uzun süre korunması ancak -18°C ve daha düşük sıcaklıkta mümkündür. Gıda maddelerinin tazeliğini (derin dondurucuda -18°C ve daha düşük sıcaklıklarda) aylarca koruyabilirsiniz.

Dondurucu Bölmesi Ayarı	Soğutucu Bölmesi Ayarı	Açıklamalar
-18°C	4°C	Bu, normal tavsiye edilen ayardır.
-20, -22 veya -24°C	4°C	Bu ayarlar, ortam sıcaklığı 30°C'yi geçtiğinde tavsiye edilir.
Hızlı Dondur	4°C	Yiyeceklerinizi kısa zamanda dondurmak istediğinizde kullanın. İşlem bittiği zaman ürününüz önceki konumuna geri dönecektir.
-18°C veya daha soğuk	2°C	Ortamin sıcak olması veya kapının sık açılıp kapanmasından dolayı soğutucu bölmenizin yeterince soğuk olmadığını düşünüyorsanız, bu ayarları kullanın.

Ürünün kullanımı

Dondurulacak gıda maddeleri daha önce dondurulan yiyeceklerin kısmen çözölmelerini önlemek için onlarla temas ettirilmemelidir. Sebzelerin dondurulmuş halde depolama sürelerini uzatmak için haşlayın ve suyunu süzün. Süzdükten sonra hava geçirmeyen ambalajlara koyun ve dondurucuya yerleştirin. Muz, domates, marul, kereviz, haşlanmış yumurta, patates vb. besinler dondurulmaya uygun değildir. Bu besinlerin dondurulması durumunda sadece besin değerleri ve yeme kaliteleri olumsuz etkilenecektir. İnsan sağlığını tehdit eden bir bozulma söz konusu değildir.

5.5. Gıdaların yerleştirilmesi

Dondurucu bölme rafları	Et, balık, dondurma, sebze vb. gibi farklı donmuş gıdalar.
Soğutucu bölme rafları	Tencere, kapalı tabak ve kapalı kaplardaki gıdalar, yumurta (kapalı kapta)
Soğutucu bölme kapı rafları	Küçük ve paketlenmiş gıda ya da içecekler
Sebzelik	Sebzeler ve meyveler
Taze gıda bölmesi	Şarküteri ürünleri (kahvaltılık ürünler ,kısa sürede tüketilecek et ürünleri)

5.6. Kapı açık uyarısı

(Bu özellik opsiyoneldir)

Ürününüzün kapısı 1 dakika süre açık kaldığında uyarı sesi duyulur. Kapı kapatıldığında veya varsa, ekran düğmelerinden herhangi birine basıldığında bu ses kesilir.

5.7. Aydınlatma lambası

Aydınlatma lambası olarak led tipi lamba kullanılmaktadır. Bu lamba ile ilgili herhangi bir sorunda yetkili servisi çağırın.

Bu cihazda kullanılan lamba(lar) evde aydınlatma amaçlı kullanılamaz. Bu lambanın kullanım amacı güvenli ve rahat bir şekilde buzdolabı / dondurucu besinleri yerleştirmek için kullanıcıya yardımcı olmaktır.

Ürünün kullanımı

5.8. Koku filtresi ve temizliği

(Bu özellik opsiyoneldir)

Koku filtresi buzdolabınızın içerisinde kötü kokular oluşmasını önler.

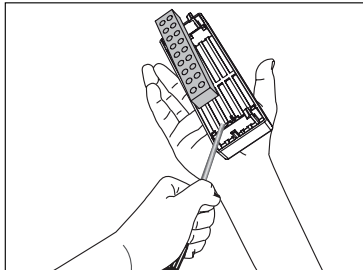
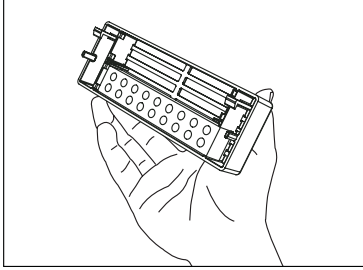
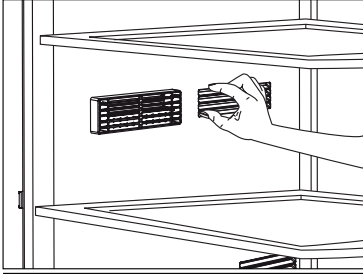
Koku filtresinin takıldığı kapağı şekilde gösterildiği gibi ön taraftan aşağı doğru çekerek çıkartın.

Filtreyi bir gün süreyle güneşte bırakın. Bu sürede filtre temizlenmiş olacaktır.

Filtreyi tekrar yerine takın.



Koku filtresini yılda bir kez temizleyin.



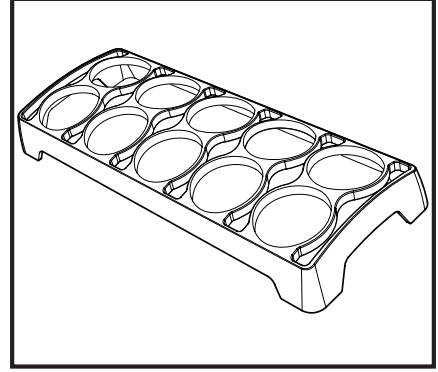
5.9. Yumurtalık

(Bu özellik opsiyoneldir)

Yumurtalığı istediğiniz kapı rafına koyabilirsiniz. Gövdeye konacak ise; daha soğuk olan alt raflar tavsiye edilir.

Yumurtaları kesinlikle dondurucu bölmede saklamayınız.

Yumurtaların diğer gıdalarla direk temasından kaçın.



5.10.Kahvaltılık bölmesi

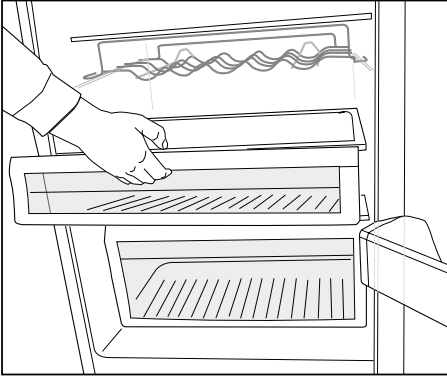
(Bu özellik opsiyoneldir)

Balık,kırmızıet,tavuk eti,peynir,yoğurt gibi süt ürünlerinin soğutucu bölmeden birkaç derece daha soğuk bir ortamda saklanması gerektiği için bu besinlerin kahvaltılık bölümünde depolanması tavsiye edilir. Kahvaltılık bölümüne sebze ve meyve konulması önerilmez. Özellikle domates,patlıcan,kabak,salatalık,limon soğuğa karşı hassastır. Kahvaltılık bölümünde depolanmamalıdır.

Ayrıca kahvaltılık bölümünü çıkartarak buzdolabınızın iç hacmini genişletebilirsiniz.

1.Bölmeyi stopere dayanıp durana dek kendinize doğru çekin.

2.Ön tarafını yukarı kaldırıp kendinize doğru çekerek bölmeyi yerinden çıkarın.

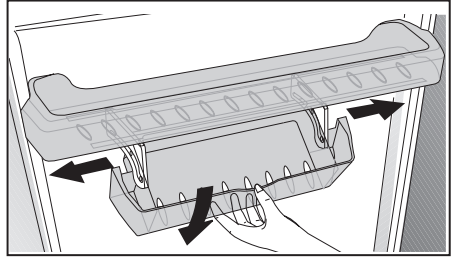


5.11.Kayar saklama kabı

(Bu özellik opsiyoneldir)

Bu aksesuar kapı raflarınızın kullanım hacmini arttırmak için tasarlanmıştır. Sağa ve sola hareket etme özelliğiyle bir alttaki şişe rafına koyduğunuz yüksek şişe, kavanoz veya kutuları rahatlıkla yerleştirebilmenizi sağlar.

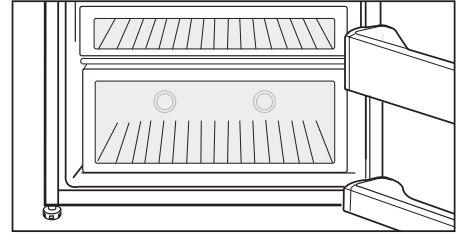
(Belirtilen figür temsili olarak çizilmiştir ürününüzle birebir benzerlik göstermemektedir.)



5.12.Mavi ışık

(Bu özellik opsiyoneldir)

Mavi ışık ile aydınlatılan sebzeliklerde saklanan gıdalar, mavi ışığın dalga boyu etkisi ile fotosentez yapmaya devam ederek, tazeliklerini korumakta ve vitamin değerlerini arttırmaktadırlar.



5.13.Otomatik buz makinası

(Bu özellik opsiyoneldir)

Otomatik Buz Makinası, buzdolabında kolayca buz yapmanızı sağlar. Buz Makinasından buz elde etmek için soğutucu bölmedeki su tankını çıkarın, suyla doldurun ve yerine takın. İlk buzlar yaklaşık 2 saat içinde dondurucu bölmedeki Buz Makinası çekmecesinde hazır olacaktır.

Su tankı tamamıyla dolu yerleştirildikten boşalana kadar yaklaşık 60-70 küp buz elde edilebilir.

Su tankındaki su 2-3 hafta beklediyse değiştirilmelidir.



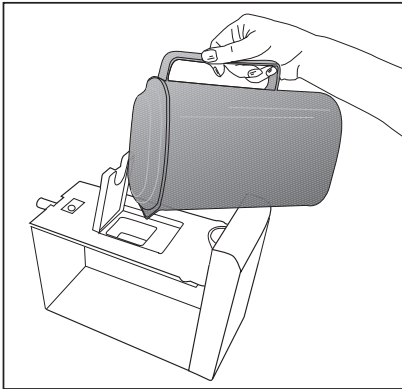
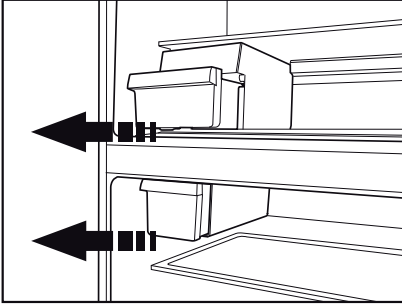
Otomatik buz makineli ürünlerde, buz dökme esnasında ses oluşabilir. Oluşan bu ses normal olup, hata belirtisi değildir.

5.14.Buz yapma

(Bu özellik opsiyoneldir)

Buzluđu su ile doldurup dondurucu bölmeye koyunuz. Yaklaşık iki saat sonunda buzlarınız hazırdır.

Buzluđu dondurucu kısımdan çıkartıp hafifçe büküp buzlarınızı kolayca çıkarabilirsiniz.



Ürünün kullanımı

5.15. Buzmatik ve buz saklama kabı

(Bu özellik opsiyoneldir)

Buzmatik'in kullanılması

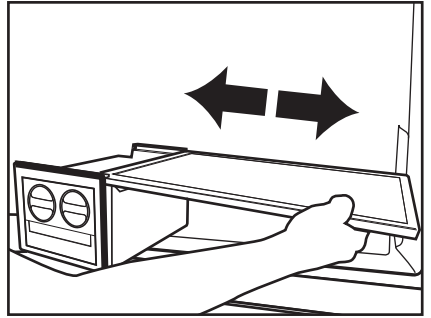
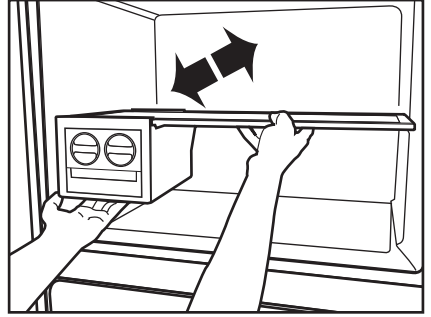
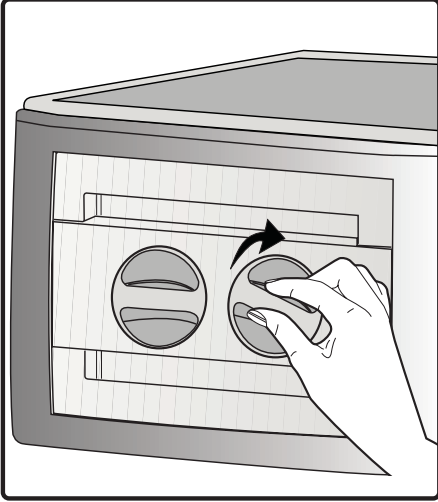
Buzmatığı su ile doldurup yerine koyunuz. Yaklaşık iki saat sonunda buzlarınız hazırdır. Buz almak için buzmatığı yerinden çıkarmayınız.

Buz haznelerinin üzerindeki düğmeleri 90° sağa çeviriniz.

Buz haznelerindeki buzlar alttaki buz saklama kabına dökülecektir.

Daha sonra buz saklama kabını çıkarıp buzları servis yapabilirsiniz.

Dilerseniz buzları, buz saklama kabında bekletebilirsiniz.

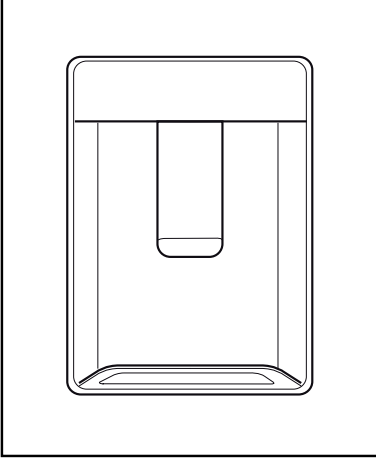


Ürünün kullanımı

5.16.Su pınarı

(Bu özellik opsiyoneldir)

Su pınarı, dolabınızın kapısını açmadan soğuk suya ulaşmaya dayalı son derece kullanışlı bir özelliktir. Buzdolabınızın kapısını sık açmanız gerektiği için elektrik tasarrufu sağlamsınız.



Su Pınarının Kullanılması

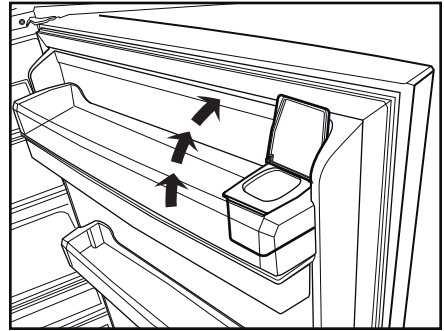
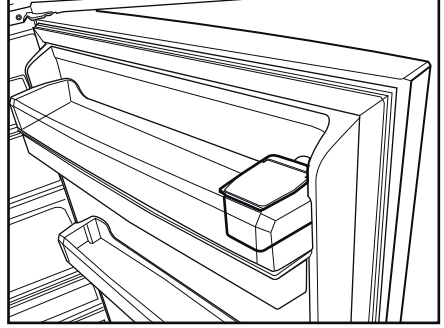
Su pınarınızın kolunu bardağınızla ittirin. Kolu bıraktığınızda pınarın çalışması durur.

Su pınarını çalıştırırken kola tam basıldığında maksimum akış sağlanır. Pınardan ne kadar su aktığının, kola hangi oranda bastırduğünüza bağlı olduğunu lütfen unutmayın.

Bardağınızdaki/kabınızdaki su seviyesi yükseldikçe taşmayı önlemek için kol üzerindeki baskı miktarını hafifçe azaltın. Kola az miktarda basarsanız su damlayacaktır; bu tamamen normaldir ve bir arıza değildir.

Su pınarının su deposunun doldurulması

Su deposu doldurma haznesi kapı rafının içindedir. Haznenin kapağını açarak saf ve temiz içme suyunu doldurabilirsiniz. Sonrasında kapağı tekrar kapatınız



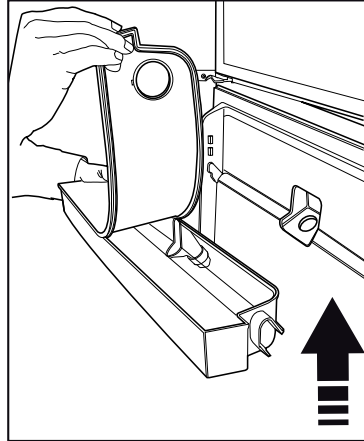
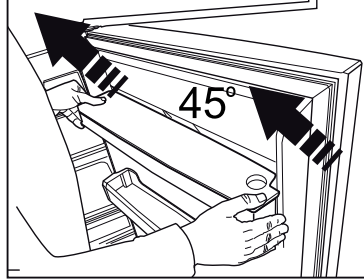
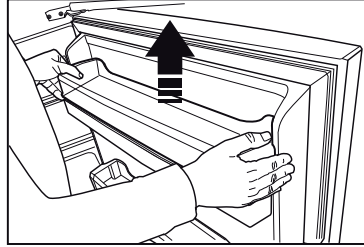
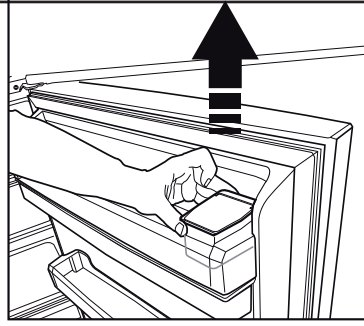
Ürünün kullanımı

Dikkat!

- Su deposuna su dışında, meyve suyu, karbonatlı gazlı içecekler, alkollü içecekler gibi su pınarıyla kullanıma uygun olmayan başka bir sıvı doldurmayın. Bu tür sıvılar kullanılırsa su pınarı arızalanacak ve onarılmaz hasar meydana gelecektir. Garanti, bu tür kullanımları kapsamaz. Bu tür içecek / sıvılardaki bazı kimyasal maddeler ve katkı maddeleri de su deposu malzemesine zarar verebilir.
- Sadece temiz ve saf içme suyu kullanın.
- Su deposunun kapasitesi 3 litredir, aşırı doldurmayın.
- Su pınarı kolunu sert bir bardakla ittirin. Plastik atılabilir bardak kullanıyorsanız kolu, bardağın arkasından parmaklarınızla ittirin.

Su deposunun temizlenmesi

- Kapı rafı içindeki su doldurma haznesini çıkarın.
- Kapı rafını her iki tarafından tutarak yerinden çıkarın.
- Su deposunu her iki tarafından tutarak 45° derece açı ile yerinden çıkarın.
- Su deposu kapağını çıkararak temizleyin.



Su deposu ve su pınarı bileşenleri bulaşık makinesinde yıkanmamalıdır.

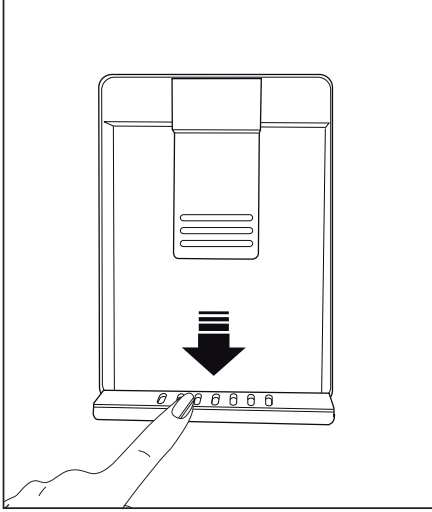
Ürünün kullanımı

Su tepsi

Su pınarı kullanılırken damlayan su, damlama tepsisinde birikir.

Plastik süzgeç parçasını şemada gösterildiği gibi çıkartın.

Kuru ve temiz bir bez ile biriken suyu temizleyin



Ürünün düzenli temizlenmesi halinde kullanım ömrü uzar.



UYARI: Buzdolabınızı temizlemeden önce elektrik bağlantısını kesin.

- Temizlik için keskin ve aşındırıcı aletler, sabun, ev temizlik maddeleri, deterjan, gaz, benzin, cila vb. maddeler kullanmayın.
- Bir çay kaşığı karbonatı yarım litre suda eritin. Bir bezi bu sıvıyla ıslatıp iyice sıkın. Bu bezle cihazınızın içini silin ve ardından iyice kurulayın.
- Lamba muhafazasına ve diğer elektrikli kısımlara su girmemesine dikkat edin.
- Kapıyı nemli bir bez ile temizleyin. Kapı ve gövde raflarını çıkarmak için içindekilerin tümünü alın. Kapı raflarını yukarı doğru kaldırarak çıkarın. Temizleyip kuruladıktan sonra yukarıdan aşağıya doğru kaydırarak yerine takın.
- Ürünün dış yüzey temizliğinde ve krom kaplı parçaların temizliğinde asla klor içeren su ya da temizlik maddesi kullanmayınız. Klor, bu tür metal yüzeylerde paslanmaya neden olur.
- Plastik parça üzerindeki baskıların kalkmaması ve deforme olmaması için keskin, aşındırıcı aletler, sabun, ev temizlik maddeleri, deterjan, gaz, benzin, cila vb. maddeler kullanmayın. Temizlik için ılık su ile yumuşak bez kullanın ve kurulayın.

6.1. Kötü kokuların önlenmesi

Ürününüzün üretiminde kokuya neden olacak hiçbir madde kullanılmamaktadır. Ancak uygun olmayan yiyecek saklamaya ve ürün iç yüzeyinin gerektiği şekilde temizlenmemesine bağlı olarak koku ortaya çıkabilir.

Bu sorunu önlemek için 15 günde bir karbonatlı suyla temizleyin.

- Yiyecekleri kapalı kaplarda saklayın. Ağız açık saklanan gıdalardan yayılan mikroorganizmalar kötü kokuya neden olur.
- Saklama süresi dolan ve bozulan gıdaları kesinlikle buzdolabınızda saklamayın.



Çay bilinen en iyi koku alıcılarından biridir. Demlemiş olduğunuz çay posasını ağız açık bir kap içinde ürünün içine yerleştirin ve en geç 12 saat sonra alın. Çay posasını ürünün içinde 12 saatten fazla tutarsanız, kokuya sebep olan organizmaları bünyesinde toplayacağı için kokunun kaynağı haline gelebilir.

6.2. Plastik yüzeylerin korunması

Plastik yüzeylere yağ dökülmesi durumunda yüzeye zarar verebileceği için ılık suyla hemen temizlenmelidir.

7 Sorun giderme

Servis çağırmadan önce, bu listeyi gözden geçirin. Bunu yapmak sizi zaman ve para kaybından kurtarır. Bu liste sık rastlanabilecek, hatalı işçiliğe ya da malzeme kullanımına bağlı olmayan şikayetleri içerir. Bahsedilen bazı özellikler ürününüzde olmayabilir.

Buzdolabı çalışmıyor.

Fiş prize tam oturmamıştır. >>> *Fişi prize tam oturacak şekilde takın.*

- Ürünün bağlandığı prizın sigortası ya da ana sigorta atmıştır. >>> *Sigortayı kontrol edin.*

Soğutucu bölmenin (MULTI ZONE, COOL CONTROL ve FLEXI ZONE) yan duvarında terleme.

- Kapı çok sık açılıp kapanmıştır. >>> *Ürünün kapısını çok sık açıp kapamamaya dikkat edin.*
- Ortam çok nemlidir. >>> *Ürünü çok nemli ortamlara kurmayın.*
- Sıvı içeren yiyecekler açık kaplarda saklanıyor olabilir. >>> *Sıvı içeren yiyecekleri kapalı kaplarda saklayın.*
- Ürünün kapısı açık kalmıştır. >>> *Ürünün kapısını uzun süre açık tutmayın.*
- Termostat çok soğuk bir değere
- ayarlanmıştır. >>> *Termostatı uygun değere ayarlayın.*

Kompresör çalışmıyor

- Ani elektrik kesilmesinde veya fişin çıkarılıp takılmasında, ürün soğutma sistemindeki gazın basıncı henüz dengelenmemiş olduğu için kompresör koruyucu termiği atar. Yaklaşık 6 dakika sonra ürün çalışmaya başlayacaktır. Bu süre sonunda ürün çalışmaya başlamazsa servis çağırın.
- Buz çözme devresindedir. >>> *Tam otomatik buz çözme yapan bir ürün için bu normaldir. Buz çözme döngüsü periyodik olarak gerçekleşir.*
- Ürünün fişi prize takılı değildir. >>> *Fişin prize takılı olduğundan emin olun.*
- Sıcaklık ayarları doğru yapılmamıştır. >>> *Uygun sıcaklık ayarını seçin.*
- Elektrik kesilmiştir. >>> *Elektrik geldiğinde ürün normal şekilde çalışmaya devam edecektir.*

Buzdolabı çalışırken çalışma sesi artıyor.

- Ortam sıcaklığının değişmesine bağlı olarak ürünün çalışma performansı değişebilir. Bu normaldir ve bir anıza değildir.

Buzdolabı çok sık ya da çok uzun süre çalışıyor.

Sorun giderme

- Yeni ürün, eskisinden daha geniş olabilir. Daha büyük ürünler daha uzun süre çalışır.
- Oda sıcaklığı yüksek olabilir. >>> *Sıcak ortamlarda daha uzun süre çalışması normaldir.*
- Ürünün fişi daha yeni takılmış ya da yeni yiyecek koyulmuş olabilir. >>> *Fiş yeni takıldığında ya da yeni yiyecek konulduğunda ürünün ayarlanan sıcaklığa ulaşması daha uzun zaman alır. Bu durum normaldir.*
- Ürüne yakın zamanda fazla miktarlarda sıcak yemek konmuş olabilir. >>> *Ürüne sıcak yemek koymayın.*
- Kapılar sık sık açılmış ya da uzun süre açık kalmıştır. >>> *İçeri giren sıcak hava ürünün daha uzun çalışmasına neden olur. Kapıları çok sık açmayın.*
- Dondurucu ya da soğutucu kapısı aralık kalmış olabilir. >>> *Kapıların tamamen kapalı olup olmadığını kontrol edin.*
- Ürün çok düşük bir sıcaklığa ayarlanmıştır. >>> *Ürünün sıcaklığını daha yüksek bir dereceye ayarlayın ve bu sıcaklığa ulaşmasını bekleyin.*
- Soğutucu ya da dondurucu kapı contası kirlenmiş, eskimemiş, kırılmış ya da tam oturmamış olabilir. >>> *Contayı temizleyin ya da değiştirin. Hasarlı / kopuk kapı contası ürünün mevcut sıcaklığı korumak için daha uzun süre çalışmasına neden olur.*

Dondurucu sıcaklığı çok düşük ama soğutucu sıcaklığı yeterli.

- Dondurucu bölme sıcaklığı çok düşük bir değere ayarlanmıştır. >>> *Dondurucu bölme sıcaklığını daha yüksek bir dereceye ayarlayıp kontrol edin.*

Soğutucu sıcaklığı çok düşük ama dondurucu sıcaklığı yeterli.

- Soğutucu bölme sıcaklığı çok düşük bir değere ayarlanmıştır. >>> *Soğutucu bölme sıcaklığını daha yüksek bir dereceye ayarlayıp kontrol edin.*

Soğutucu bölme çekmecelerinde saklanan yiyecekler donuyor.

- Soğutucu bölme sıcaklığı çok düşük bir değere ayarlanmıştır. >>> *Soğutucu bölme sıcaklığını daha yüksek bir değere ayarlayıp kontrol edin.*

Soğutucu ya da dondurucudaki sıcaklık çok yüksek.

- Soğutucu bölme sıcaklığı çok yüksek bir değere ayarlanmış olabilir. >>> *Soğutucu bölme sıcaklık ayarının dondurucu bölme sıcaklığı üzerinde etkisi vardır. Soğutucu ya da dondurucu bölme sıcaklığını değiştirerek ilgili bölmelerin sıcaklığı yeterli seviyeye gelene kadar bekleyin.*
- Kapılar sık açılmış ya da uzun süre açık kalmıştır. >>> *Kapıları çok sık açmayın.*
- Kapı aralık olabilir. >>> *Kapıyı tamamen kapatın.*
- Ürünün fişi daha yeni takılmış ya da yeni yiyecek konulmuş olabilir. >>> *Bu normaldir. Fiş yeni takıldığında ya da yeni yiyecek konulduğunda ürünün ayarlanan sıcaklığa ulaşması normalden daha uzun zaman alır.*
- Ürüne yakın zamanda fazla miktarlarda sıcak yemek konmuş olabilir. >>> *Ürüne sıcak yemek koymayın.*

Sarsılma ya da gürültü.

Sorun giderme

- Zemin düz veya dayanıklı değildir. >>> Ürün yavaşça hareket ettirildiğinde sallanıyorsa ayaklarını ayarlayarak ürünü dengeleyin. Ayrıca zeminin ürünü taşıyabilecek kadar dayanıklı olmasına dikkat edin.
- Ürünün üzerine konulmuş eşyalar gürültü yapıyor olabilir. >>> Ürünün üzerinde bulunan eşyaları kaldırın.

Üründen sıvı akması, püskürmesi vb. sesler geliyor.

- Ürünün çalışma prensipleri gereği sıvı ve gaz akışları gerçekleşmektedir. >>> Bu normaldir ve bir arıza değildir.

Üründen rüzgar sesi geliyor.

- Ürünün soğutma işlemini gerçekleştirebilmesi için fan kullanılmaktadır. Bu normaldir ve bir arıza değildir.

Ürünün iç duvarlarında terleme oluyor.

- Havanın sıcak ve nemli olması buzlanmayı ve yoğunlaşmayı artırır. Bu normaldir ve bir arıza değildir.
- Kapılar sık açılmış ya da uzun süre açık kalmıştır. >>> Kapıları çok sık açmayın, açıksa kapayın.
- Kapı aralık olabilir. >>> Kapıyı tamamen kapayın.

Ürünün dışında ya da kapıların arasında terleme oluşuyor.

- Hava nemli olabilir, nemli havalarda bu gayet normaldir. >>> Nem azaldığında yoğunlaşma kaybolur.

Ürünün içi kötü kokuyor.

- Düzenli temizlik yapılmamıştır. >>> Ürünün içini sünger, ılık su veya karbonatlı suyla düzenli olarak temizleyin.
- Bazı kaplar ya da paketleme malzemeleri koku yapabilir. >>> Koku yapmayan kap ya da paketleme malzemesi kullanın.
- Yiyecekler ürüne ağzı açık kaplarda konulmuştur. >>> Yiyecekleri kapalı kaplarda saklayın. Ağzı açık saklanan yiyeceklerden yayılan mikroorganizmalar kötü kokulara neden olabilir.
- Saklama süresi dolan ve bozulan yiyecekleri üründen çıkarın

Kapı kapanmıyor.

- Yiyecek paketleri kapının kapanmasını engelliyor olabilir. >>> Kapıları engelleyen paketlerin yerlerini değiştirin.
- Ürün zemin üstünde tamamen dik durmuyor olabilir. >>> Ayaklarını ayarlayarak ürünü dengeleyin.
- Zemin düz ya da sağlam değildir. >>> Zeminin düz ve ürünü taşıyabilecek kadar sağlam olmasına dikkat edin.

Sebzelikler sıkışmış.

- Yiyecekler çekmecenin üst bölümüne geliyor olabilir. >>> Çekmecedeki yiyecekleri düzenleyin.



UYARI: Bu bölümdeki talimatları uygulamanıza rağmen sorunu gideremezseniz ürünü satın aldığınız bayi ya da Yetkili Servise başvurun. Çalışmayan ürünü kendiniz onarmayı denemeyin.



48 8848 0000/BP
5/5
SQ-RU-TR



www.beko.com