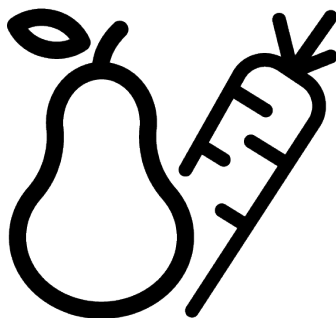


# beko

**Refrigerator / User Manual**

**Congélateur / Réfrigérateur / Manuel d'utilisation**

**Холодильник / Руководство по эксплуатации**



**B5RCNE565HXPMG  
K70561NE**

11 5075 5100/ EN/ FR/ RU/ AB/ 07.02.24 12:02  
7295849501



# Please read this manual first!

**Dear Customer**

**Please read this manual before using the product.**

Thank you for choosing this Beko product. We would like you to achieve the optimal efficiency from this high quality product which has been manufactured with state of the art technology. To do this, carefully read this manual and any other documentation provided before using the product and keep it as a reference.

Heed all information and warnings in the user manual. This way, you will protect yourself and your product against the dangers that may occur.

Keep the user manual. Include this manual with the unit if you hand it over to someone else.

**The following symbols are used in the user manual:**



Hazard that may result in death or injury.



Important information or useful tips on operation.






Read the user manual.



Combustible material, warning against fire hazard.

NOTICE A hazard that may cause material damage to the product or its surroundings

  <b>SUPPLIER'S NAME</b> <b>MODEL IDENTIFIER</b> → (*)  	<p>The model information as stored in the product data base can be reached by entering following website and searching for your model identifier (*) found on energy label.</p> <p><a href="https://eprel.ec.europa.eu/">https://eprel.ec.europa.eu/</a></p>
--	--

	<b>8 Maintenance and Cleaning.....</b>	<b>26</b>
	<b>9 Troubleshooting .....</b>	<b>27</b>
<b>1 Safety Instructions.....</b>		<b>4</b>
1.1 Intention of Use .....		4
1.2 Safety of Children, Vulnerable Persons and Pets .....		4
1.3 Electrical Safety.....		5
1.4 Handling Safety .....		5
1.5 Installation Safety.....		6
1.6 Operational Safety.....		8
1.7 Food Storage Safety.....		10
1.8 Maintenance and Cleaning Safety		11
1.9 Disposal of the Old Product.....		12
<b>2 Environmental Instructions.....</b>		<b>12</b>
2.1 Compliance with the WEEE Dir- ective and Disposing of the Waste Product .....		12
<b>3 Your Refrigerator .....</b>		<b>13</b>
<b>4 Installation .....</b>		<b>13</b>
4.1 Right Place For Installation.....		14
4.2 Electrical Connection .....		14
4.3 Adjusting the Legs.....		14
4.4 Hot Surface Warning.....		14
4.5 Removing the Styrofoam on the Compressor .....		15
<b>5 Preparation.....</b>		<b>15</b>
5.1 What To Do For Energy Saving .....		15
5.2 First Use .....		15
5.3 Climate Class and Definitions .....		16
<b>6 Operating the Product.....</b>		<b>16</b>
6.1 Control Panel of the Product .....		17
<b>7 Use of Your Appliance.....</b>		<b>19</b>
7.1 Storing Food in the Cooler Com- partment.....		19
7.2 Crisper .....		23
7.3 Humidity Controlled Crisper .....		24
7.4 Crisper Technologies .....		24
7.5 Dairy Products Cold Storage Area		24
7.6 The ice storage area.....		24
7.7 Reversing the Door Opening Side.		25
7.8 Door Open Alert .....		25
7.9 Replacing the Illumination Lamp..		25
7.10 AeroFlow .....		25
7.11 Fan.....		25
7.12 Egg holder .....		25

## 1 Safety Instructions

- This section includes the safety instructions necessary to prevent the risk of personal injury or material damage.
- Our company shall not be held responsible for damages that may occur if these instructions are not observed.



Always have installation and repair operations performed by manufacturer, authorized service or a person who will be described by importer company.



Use original spare parts and accessories only.



Do not repair or replace any component of the product unless it is clearly specified in the user manual.



Do not perform any modifications on the product.

### 1.1 Intention of Use

- This product is not suitable for commercial use and should not be used for a purpose other than its intended use.
- This product is intended for operating interiors, such as households or similar.

For example;

In the staff kitchens of the stores, offices and other working environments,

In farm houses,  
In the units of hotels, motels or other resting facilities that are used by the customers,  
In hostels, or similar environments,  
In catering services and similar non-retail applications.

- This product shall not be used in open or enclosed external environments such as vessels, camper vans, balconies or terraces. Exposing the product to rain, snow, sunlight and wind may cause risk of fire.



### 1.2 Safety of Children, Vulnerable Persons and Pets

- This product may be used by children aged 8 years and older and persons with underdeveloped physical, sensory or mental capabilities or lack of experience and knowledge if they are being supervised or have been given instruction concerning use of the appliance in a safe way and the hazards involved.
- Children between 3 and 8 years are allowed to put and take out food into/from the cooler product.

- Children and pets must not play with, climb on, or get inside the product.
- Children and pets must be kept away from the cabin area (compressor) where electrical parts are located.
- Cleaning and user maintenance must not be performed by children unless there is someone overseeing them.
- Keep the packaging materials away from children. Risk of injury and suffocation.

 **1.3 Electrical Safety**

- The product shall not be plugged into the outlet during installation, maintenance, cleaning, repair, and transportation operations.
- If the power cable is damaged, it shall only be replaced by authorized service to avoid any risks that may occur.
- Do not tuck the power cable under the product or to the rear of the product. Do not put heavy items on the power cable. The power cable should not be bent, crushed, and come into contact with any heat source.
- Do not use an extension cord, multi-plug or adaptor to operate your product.

- Portable multi-plugs or portable power supplies may overheat and cause fire. Thus, do not have a multi-plug, portable power sources behind or in the vicinity of the product.
- Do not plug the product's power cord in a loose or damaged power outlet. These types of connections may overheat and cause fire.
- The plug shall be easily accessible. If this is not possible, a mechanism that meets the electrical legislation and that disconnects all terminals from the mains (fuse, switch, main switch, etc.) shall be available on the electrical installation.
- The product must not be operated with an external switching device such as a timer, or a remote controlled system.
- Do not use the product when your feet are bare or your body is wet.
- Do not touch the plug with wet hands.
- When unplugging the appliance, don't hold the power cord, but the plug.

 **1.4 Handling Safety**

- Make sure to unplug the appliance before carrying the product.

- This product is heavy, do not handle it by yourself. Injuries may occur if the product falls on you. Do not bump into places or drop the product while transporting it.
- Always close the doors and do not hold the product by its doors while transporting it.
- Be careful not to damage the cooling system and the pipes while handling the product. Do not operate the product if the pipes are damaged, and contact an authorized service.
- Check for any damage on the product before installing it. Do not have the product installed if it is damaged.
- Always use personal protective equipment (gloves, etc.) during product installation, maintenance and repair. Risk of Injury!
- Place the product on a clean, level and hard surface and balance it with the adjustable legs (by rotating the front feet to the right or left). Otherwise, the refrigerator may tip over and cause injuries.

## 1.5 Installation Safety

- Contact the Authorized Service for the product's installation. To prepare the product for use, see the information in the user manual and make sure the electric and water utilities are as required. If not, call a qualified electrician and plumber to arrange the utilities as necessary. Failure to do so may result in electric shock, fire, problems with the product, or injury.
- This product is designed for use at a maximum altitude of 2000 metres above sea level.
- Keep children away from installation area.
- The product shall be installed in a dry and ventilated environment. Do not keep carpets, rugs or similar covers under the product. This may cause risk of fire as a result of inadequate ventilation!
- Do not block or cover ventilation holes. Otherwise, power consumption increases and your product may be damaged.
- When placing the product, make sure that the supply cable is not damaged or pinched.
- The product must not be connected to supply systems and power sources which may cause sudden voltage changes (i.e. a portable solar-energy power source). Otherwise,

damage to your product may occur as a result of the abrupt voltage fluctuations!

- The more refrigerant a refrigerator contains, the bigger its installation room shall be. In very small rooms, a flammable gas-air mixture may occur in case of a gas leak in the cooling system. At least 1 m<sup>3</sup> of volume is required for each 8 grams of refrigerant. The amount of the refrigerant available in your product is specified in the Type Label.
- The product must never be placed in such a way that power cables, the metal hose of the gas stove, metal gas or water pipes come into contact with the product's rear wall (or the condenser).
- The installation place of the product must not be exposed to direct sunlight and it shall not be in the vicinity of a heat source such as stoves, radiators, etc. If you cannot prevent installation of the product in the vicinity of a heat source, use a suitable insulation plate and make sure the minimum distance to the heat source is as specified below:
  - At least 30 cm away from heat sources such as stoves, ovens, heating units and heaters, etc.,
  - And at least 5 cm away from electrical ovens.
- Your product has the protection class of I.
- Plug the product in a grounded socket that conforms with the Voltage, Current and Frequency values specified in the type label. The socket must have a 10A – 16A fuse. Our firm will not assume responsibility for any damages due to usage without earthing and without power connection in compliance with local and national regulations.
- The product's power cable must be unplugged during installation. Otherwise, risk of electric shock and injury may occur!
- Do not plug the product's power cord in loose, dislocated, broken, dirty, oily power outlets which have a risk of water contact. These types of connections may cause overheating and fire.
- Place the power cable and hoses (if any) of the product so that they shall not cause a risk of tripping over.

- Penetration of humidity and liquid to live parts or to the power cord may cause short circuit. Thus, do not use the product in humid environments or in areas where water may splash (e.g. garage, laundry room, etc.) If the refrigerator is wet by water, unplug it and contact an authorized service.
- Do not ever connect your refrigerator to power saving devices. These systems are harmful for the product.
- There is a risk of contact with electrical parts when removing the electronic board cover and the compressor rear cover (if fitted). Do not remove the electronic board cover and the compressor rear cover (if fitted). There is a risk of electrocution!
- Do not place a source of flame (e.g. candles, cigarettes, etc.) on the product or in the vicinity of it.
- Do not get on the product. Risk of falling and injury!
- Do not cause damage to the pipes of the cooling system using sharp and piercing tools. The refrigerant that sprays out in case of puncturing the gas pipes, pipe extensions or upper surface coatings may cause irritation of skin and injury to the eyes.
- Do not place and operate electrical appliances inside the refrigerator/freezer unless it is advised by the manufacturer.
- Do not jam any parts of your hands or your body to the moving parts inside the product. Be careful to prevent jamming of your fingers between the refrigerator and its door. Be careful while opening or closing the door if there are children around.
- Do not put ice cream, ice cubes or frozen food to your mouth as soon as you take them out of the freezer. Risk of frostbite!

## 1.6 Operational Safety

- Do not ever use chemical solvents on the product. These materials contain an explosion risk.
- In case of a failure of the product, unplug it and do not operate until it is repaired by the authorized service. There is a risk of electric shock!



- Do not touch the inner walls, metal parts of the freezer or food kept inside the freezer with wet hands. Risk of frost-bite!
- Do not place soda cans or cans and bottles that contain fluids that may be frozen to the freezer compartment. Cans or bottles may explode. Risk of injury and material damage!
- Do not use or place materials sensitive against temperature such as flammable sprays, flammable objects, dry ice or other chemical agents in the vicinity of the refrigerator. Risk of fire and explosion!
- Do not store explosive materials such as aerosol cans with flammable materials inside the product.
- Do not place cans containing fluids over the product an open state. Splashing of water on an electrical part may cause an electric shock or a fire.
- Due to risk of breaking, do not store glass containers with liquid inside in the freezer compartment.
- This product is not intended for storage and cooling of medicines, blood plasma, laboratory preparations or similar materials and products that are subject to the Medical Products Directive.
- If the product is used against its intended purpose, it may cause damage to or deterioration of the products stored inside.
- If your refrigerator is equipped with blue light, do not look at this light with optical devices. Do not stare directly at UV LED light for a long time. Ultraviolet rays may cause eye strain.
- Do not fill the product with more contents than its capacity. Injuries or damages may occur if the contents of the refrigerator fall when the door is opened. Similar problems may also occur when an object is placed over the product.
- Ensure that you have removed any ice or water that may have fallen to the floor to prevent injuries.
- Change the locations of the racks/bottle racks on the door of your refrigerator only when the racks are empty. Danger of injury!
- Do not place objects that may fall/tip over on the product. These objects may fall while opening or closing the door and cause injuries and/or material damages.

- Do not hit or exert excessive pressure on glass surfaces. Broken glass may cause injuries and/or material damages.
- The cooling system in your product contains R600a refrigerant. The refrigerant type used in the product is specified in the type label. This gas is flammable. Therefore, be careful not to damage the cooling system and the pipes while operating the product. In case of damage to the pipes;
  1. Do not touch the product or the power cable.
  2. Keep the product away from potential sources of fire that may cause the product to catch fire.
  3. Ventilate the area where the product is placed. Do not use a fan.
  4. Contact Authorized Service.If the product is damaged and you observe gas leak, please stay away from the gas. Gas may cause frostbite if it contacts your skin.

Before disposing of old products that shall not be used any more:

  1. Unplug the power cord from the mains socket.
  2. Cut the power cable and remove it from the appliance together with the plug.
- 3. Do not remove the racks and drawers from the product to prevent children from getting inside the appliance.
- 4. Remove the doors.
- 5. Store the product so that it shall not be tipped over.
- 6. Do not allow children to play with the scrapped product.
- Do not dispose of the product by throwing it into fire. Risk of explosion.
- If there is a lock available on the product's door, keep the key out of children's reach.

### 1.7 Food Storage Safety

Please pay attention to the following warnings to avoid food spoilage:

- Leaving the doors open for a long time may cause the temperature inside the product to rise.
- Regularly clean the accessible drainage systems in contact with food.
- Clean the water tanks that have not been used for 48 hours and mains-fed water systems that have not been used for more than 5 days.
- Store raw meat and fish products in appropriate compartments within the product.

Thus, it does not drip on or come into contact with other foods.

- Two-star freezer compartments are used for storing pre-filled foods, making and storing ice and ice cream.
- One, two and three-star compartments are not appropriate for freezing fresh food.
- If the cooling product has been left empty for a long time, turn off the product, defrost, clean, and dry the product in order to protect the housing of the product.

## 1.8 Maintenance and Cleaning Safety

- Unplug the refrigerator before cleaning it or starting to perform maintenance.
- Do not pull by the door handle if you shall move the product for cleaning purposes. Handle may cause injuries if it is pulled too hard.
- Do not put your hands etc. under the refrigerator. Jamming may occur or any sharp edge may cause personal injuries.
- Do not clean the product by spraying or pouring water on the product and inside the product. Risk of electric shock and fire.
- When cleaning the product, do not use sharp and abrasive tools or household cleaning agents, detergent, gas, gasoline, thinner, alcohol, varnish, and similar substances. Use only cleaning and maintenance agents that are not harmful for food inside the product.
- Do not ever use steam or steamed cleaning materials for cleaning the product and thawing the ice inside it. Steam contacts the live areas in your refrigerator and causes short circuit or electric shock.
- Do not use any mechanical tools or any other tools than the recommendations of the manufacturer to speed up the defrost operation.
- Take care to keep water away from the ventilation holes, electronic circuits or lighting of the product.
- Use a clean, dry cloth to wipe the dust or foreign material on the tips of the plugs. Do not use a wet or damp piece of cloth to clean the plug. Otherwise, risk of fire or electric shock may occur.

## 1.9 Disposal of the Old Product

When disposing of your old product follow the instructions below:

- To prevent children from accidentally locking themselves into the product, if there is door lock, disable it.
- Splash of coolant is harmful to the eyes. Do not damage any part of the cooling system while disposing of the product.

- It may be fatal if the compressor oil is swallowed or if it penetrates the respiratory tract.
- Cooling system of your product includes R600a gas as specified in the type label. This gas is flammable. Do not dispose of the product by throwing it into fire. Risk of explosion!
- C-Pentane is used as a blowing agent in insulation foam and it is a flammable substance. Do not dispose of the product by throwing it into fire.

## 2 Environmental Instructions

### 2.1 Compliance with the WEEE Directive and Disposing of the Waste Product



This product complies with EU WEEE Directive (2012/19/EU). This product bears a classification symbol for waste electrical and electronic equipment (WEEE).

This symbol indicates that this product shall not be disposed with other household wastes at the end of its service life. Used device must be returned to official collection point for recycling of electrical and electronic devices. To find these collection systems please contact to your local authorities or retailer where the product was purchased. Each household performs important role in recovering and recycling of old appliance. Appropriate disposal of used

appliance helps prevent potential negative consequences for the environment and human health.

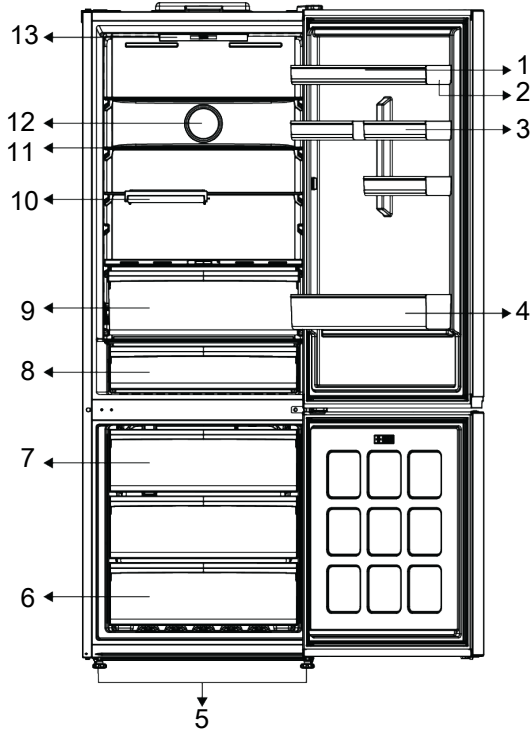
### Compliance with RoHS Directive

The product you have purchased complies with EU RoHS Directive (2011/65/EU). It does not contain harmful and prohibited materials specified in the Directive.



#### Package information

Packaging materials of the product are manufactured from recyclable materials in accordance with our National Environment Regulations. Do not dispose of the packaging materials together with the domestic or other wastes. Take them to the packaging material collection points designated by the local authorities.



- 1 Egg holder
- 2 Adjustable Door Shelf
- 3 \* Small Door Shelf
- 4 Bottle Shelf
- 5 Adjustable Stands
- 6 Freezer Compartment
- 7 Icebox container
- 8 Cold Storage Drawer
- 9 Crisper
- 10 \* Foldable shelf
- 11 Adjustable Shelf
- 12 Fan
- 13 Lighting

**\*Optional:** Figures in this user manual are schematic and may not exactly match your product. If your product does not comprise the relevant parts, the information pertains to other models.

### 4 Installation



Read the "Safety Instructions" section first!

## 4.1 Right Place For Installation

Contact the Authorized Service for the product's installation. To prepare the product for installation, see the information in the user manual and make sure the electric and water utilities are as required. If not, call an electrician and plumber to arrange the utilities as necessary.



### WARNING:

The manufacturer assumes no responsibility for any damages caused by the work carried out by unauthorized persons.



### WARNING:

The product's power cable must be unplugged during installation. Failure to do so may result in death or serious injuries!



### WARNING:

If the door span is too narrow for the product to pass, remove the door and turn the product sideways; if this does not work, contact the authorized service.

- Place the product on a flat surface to avoid vibration.
- Place the product at least 30 cm away from the heater, stove and similar sources of heat and at least 5 cm away from electric ovens.
- Do not expose the product to direct sunlight or keep it in damp environments.
- Your product requires adequate air circulation to function efficiently. If the product will be placed in an alcove, remember to leave at least 5 cm clearance between the product and the ceiling, rear wall and the side walls.
- Check if the rear wall clearance protection component is present at its location (if provided with the product).
- If the component is not available, or if it is lost or fallen, position the product so that at least 5 cm clearance shall be left between the rear surface of the product

and the wall of the room. The clearance at the rear is important for efficient operation of the product.

## 4.2 Electrical Connection



Do not use extension cables or multi sockets in power connection.



Damaged power cable must be replaced by Authorized Service.

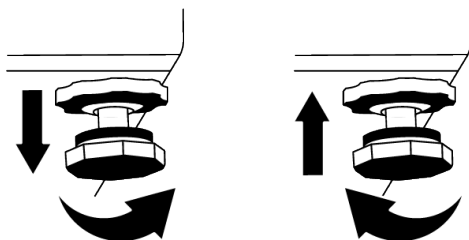


When placing two coolers in adjacent position, leave at least 4 cm distance between the two units.

- Our firm will not assume responsibility for any damages due to usage without earthing and without power connection in compliance with national regulations.
- The power cable plug must be easily accessible after installation.
- Do not use multi-group plug with or without extension cable between the wall socket and the refrigerator.

## 4.3 Adjusting the Legs

If the product is not in balanced position, adjust the front adjustable legs by rotating them to right or left.

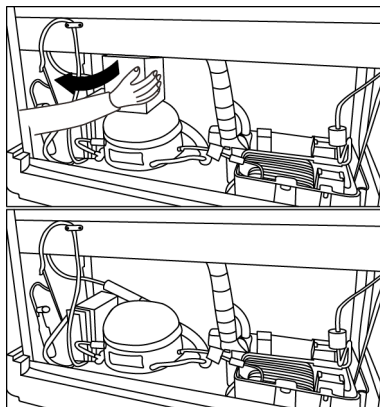


## 4.4 Hot Surface Warning

The side walls of your product are equipped with cooler pipes to enhance the cooling system. High pressure fluid may flow through these surfaces, and cause hot surfaces on the side walls. This is normal and it does not require servicing. Be careful when you contact these areas.

## 4.5 Removing the Styrofoam on the Compressor

Styrofoam is placed on the compressor in production in order to increase the transport strength of the product. This styrofoam must be removed during the installation of the product.



## 5 Preparation



Read the "Safety Instructions" section first!

### 5.1 What To Do For Energy Saving



Connecting the product to electronic energy-saving systems is harmful, as it may damage the product.

- This refrigerating appliance is not intended to be used as a built in appliance.
- Do not keep the refrigerator doors open for long periods.
- Do not place hot food or beverages into the refrigerator.
- Do not overfill the refrigerator; blocking the internal air flow will reduce cooling capacity.
- Since hot and humid air will not directly penetrate into your product when the doors are not opened, your product will optimize itself in conditions sufficient to protect your food. Under these circumstances, functions and components such as compressor, fan, heater, defrost, lighting, display and so on will operate according to the needs by consuming minimum energy.
- In case that multiple options are present, glass shelves must be placed so that the air outlets at the rear wall are not blocked and preferably, in a way that air outlets

remain below the glass shelf. This combination may help improving air distribution and energy efficiency.

- Using the below drawer when storing is strongly recommended.
- Depending on the product's features; defrosting frozen foods in the cooler compartment will ensure energy saving and preserve food quality.
- In order to load the maximum quantity of food into the freezer compartment of your refrigerator, the upper drawers may be taken out and the food should be placed onto the wire/glass shelves.
- Food shall be stored using the drawers in the cooler compartment in order to ensure energy saving and protect food in better conditions.
- Food packages shall not be in direct contact with the temperature sensor located in the freezer compartment.

### 5.2 First Use

Before using your refrigerator, make sure the necessary preparations are made in line with the instructions in "Safety and Environmental Instructions" and "Installation" sections.

- Keep the product running without placing any food inside for 6 hours and do not open the door, unless absolutely necessary.

- The temperature change caused by opening and closing of the door while using the product may normally lead to condensation on door/body shelves and glassware placed in the product.



A sound will be heard when the compressor is engaged. It is normal for the product to make noise even if the compressor is not running, as fluid and gas may be compressed in the cooling system.



It is normal for the front edges of the refrigerator to be warm. These areas are designed to warm up in order to prevent condensation.



For some models, indicator panel turns off automatically 1 minute after the door closes. It will be re-activated when the door is opened or any button is pressed.

## 6 Operating the Product



Read the "Safety Instructions" section first!

- Do not use any mechanical tools or any other tools than the recommendations of the manufacturer to speed up the defrost operation.
- Do not use parts of your refrigerator such as the door or drawers as a support or a step. This may cause the product to trip over or its components to be damaged.
- The product shall be used for storing food only.

### 5.3 Climate Class and Definitions

Please refer to the Climate Class on the rating plate of your device. One of the following information is applicable to your device according to the Climate Class.

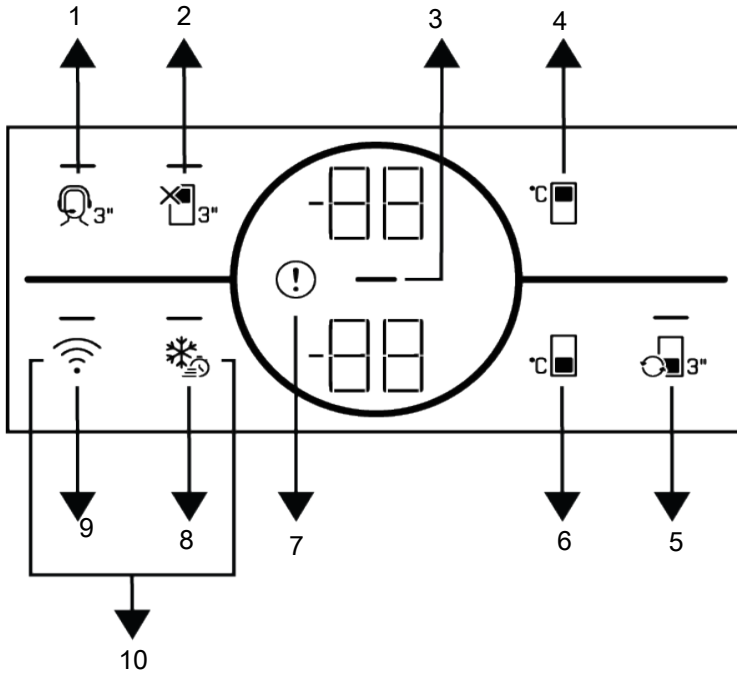
- **SN:** Long Term Temperate Climate: This cooling device is designed for use at ambient temperatures between 10 °C and 32 °C.
- **N:** Temperate Climate: This cooling device is designed for use at ambient temperatures between 16°C and 32 °C.
- **ST:** Subtropical Climate: This cooling device is designed for use at ambient temperatures between 16°C and 38°C.
- **T:** Tropical Climate: This cooling device is designed for use at ambient temperatures between 16°C and 43°C.

- Turn off the water valve if you will be away from home (e.g. at vacation) and you will not be using the Icematic or the water dispenser for a long period of time. Otherwise, water leaks may occur.

#### Unplugging the Product

- If you are not going to use the product for a long time, unplug the product from the socket.
- Remove the food to prevent odours,
- Wait for the ice to melt, clean the interior and let it dry, leave the doors open to avoid damaging the inner body plastics.






- |   |  |
|---|--|
| 1 *Support Service Key                  | 2 Cooler Compartment Off (Vacation) Function Key       |
| 3 Energy Saving (Display Off) Indicator | 4 *Cooler Compartment Temperature Setting Key          |
| 5 *Compartment Conversion Key           | 6 Freezer Compartment Temperature Setting Key          |
| 7 Error Status Indicator                | 8 Quick Freezing Key/Handle Light Function Setting Key |
| 9 *Wireless Key                         | 10 *Key for Resetting Wireless Connection Settings     |

 Read the "Safety Instructions" section.

\*Optional: Shown functions are optional, there may be differences of shape and location in functions found on your appliance's indicator panel.

Auditory and visual functions on the indicator panel will assist you in using the refrigerator.

**1. \*Support Service Key**   
 Press this button for 3 seconds to activate the support service. Detailed information on the support service is provided in the "Support Service Feature" section.

## 2. Cooler Compartment Off (Vacation)

### Function Key

Press the key for 3 seconds to activate the vacation function. Vacation mode is activated and the vacation symbol is illuminated. "--" shall be displayed on the Cooler Compartment temperature indicator and the cooler compartment does not actively perform cooling.

You should not keep your food in the cooler compartment if you activate this function. The other compartments continue to cool according to temperatures set before. Press the key for 3 seconds again to cancel this function.

## 3. Energy Saving (Display Off) Indicator

Energy saving function is enabled automatically and the energy saving symbol lights up when the door of the product is not opened or closed for some period of time. When the energy saving function is active, all symbols on the screen except the energy saving symbol will be turned off. When the energy saving function is active, if you press any key or open the door, the energy saving function will be deactivated and the symbols on the screen will return to normal. The energy saving function is a function activated ex-factory and cannot be cancelled.

## 4. \*Cooler Compartment Temperature

### Setting Key

Allows setting of temperature for cooler compartment. Pressing this key will enable the cooler compartment temperature to be set at 8, 7, 6, 5, 4, 3, 2 and 1 °C.

## 5. \*Compartment Conversion Key

Pressing compartment conversion key for 3 seconds, the freezer section switches between cooler, off and freezer modes.

If it is operated as the cooler compartment, the temperature of the compartment will be set as 4 °C. In the off mode, compartment temperature indicator shall display "--".

## 7. Error Condition Indicator

This indicator will be active when your refrigerator cannot perform adequate cooling or in case of any sensor error. "E" will be displayed on the freezer compartment temperature indicator and figures such as 1,2,3... will be displayed on the cooler compartment temperature indicator. These figures provide information to the authorized service on the error that has occurred.

Exclamation mark may be displayed for a while when you load warm food to the freezer compartment or keep the door open for a long period of time. This is not a fault, this warning will be removed when the food is cooled down or when any key is pressed.

## 8.Quick Freezing Key

When the quick freezing key is pressed the quick freezing symbol shall be illuminated and the quick freezing function shall be activated. The freezer compartment temperature is set to -27 °C. Press the key again to cancel the function. The quick freezing function will be cancelled automatically. To freeze a large amount of fresh food, press the quick freezing key before placing the food in the freezer compartment.

### \*Handle Light Function Setting Key

Handle light function might be switched between open and closed modes by pressing the quick freezing key for 3 seconds. In the closed mode, the handle light is only activated when the appliance door is opened and it goes out after a while after the door is closed. In the open mode, the handle light is activated when the appliance door is opened, the handle light stays on dimly after a while after the door is closed. The handle light function is set to the ex-factory closed mode.

## 9. \*Wireless Key

When the key is pressed for a long period (3 seconds), the wireless connection symbol on the display/screen flashes slowly (at 0.5 second intervals). The home network is initialized on the product this way.

After achieving wireless connection with the product, wireless connection symbol illuminates continuously.

When the initial connection is established, you may activate/deactivate the connection with a short press on this key. The wireless connection symbol will flash quickly (at 0.2 second intervals) until the connection is established. When the connection is active, the wireless network symbol will illuminate continuously.

If the connection cannot be established for a long period, check your connection settings and refer to the "Troubleshooting" section provided in the user manual.

HomeWhiz application will be used for wireless connection. The installation steps are described on the application during installation.

You may access the application by reading the QR code available on the HomeWhiz label on the product. Application is offered through App Store for IOS devices, and through Play Store for Android devices.

Visit <https://www.homewhiz.com/> address for detailed information.

#### 10. \*Key for Resetting Wireless Connection Settings

To reset the wireless connection settings, press on Quick freezing and Wireless connection keys simultaneously for 3 seconds. All user information recorded previously are removed on a product where wireless connection settings are reset/restored to factory defaults.

## 7 Use of Your Appliance

### 7.1 Storing Food in the Cooler Compartment

#### Storing Food in the Cooler Compartment

- Compartment temperatures rise prominently if compartment door is opened and closed frequently and kept open for a long time, this can reduce the life span of the food and cause the food to spoil.
- In order not to cause odour and taste changes, the food should be stored in the closed containers.
- Do not store too much food in your refrigerator. To achieve a better and homogeneous cooling, place the food separately in a way that cold air can wander through them.
- Provide air flow by leaving a space between the food and internal wall. If you lean the food against the rear wall, the food may freeze.
- Bring cooked hot meals to the room temperature before placing them in the refrigerator. Then, you can place the tepid meal in the lower shelves of your refrigerator. Do not place the tepid meals close to the foods which may easily spoil.
- Especially pay attention not to mix the foods sold as frozen with the fresh foods.
- Defrost your frozen food in the fresh food compartment. Thereby, you can cool fresh food compartment by using frozen food and save energy.
- Storing unripe tropical fruits (mango, melon varieties, papaya, banana, pineapple) in the refrigerator may speed up the ripening process. This is not recommended because it will cause shorter storage time.
- You should store onions, garlcs, gingers and other root vegetables in dark and cold room conditions, not in the refrigerator.
- If you notice that a food has spoiled in the refrigerator, throw away that food and clean the accessories which have come into contact with it.
- In order to cool the meals like soups and stews, which are cooked in the large pots, quickly, you can put them in the refrigerator by separating them into their own shallow containers.

- Do not place unpackaged food close to eggs.
- Keep the fruits and vegetables separately and store each variety together (for example; apples with apples, carrots with carrots).
- Take green vegetables out of the plastic bag and place them in the refrigerator after wrapping them in a paper towel or drying cloth. If you wash this type of food before placing them in the refrigerator, remember to dry them.
- You can both create a damp environment and provide an air flow by keeping fruits and vegetables, which are prone to drying, in the perforated or unsealed plastic bags.
- Except the cases where extreme circumstances are available in the environment, if your product (on the recommended set values table) is set to the specified set values, the food keep their freshness for a longer time both in the fresh product compartment and freezer compartment.

Store Foods In The Different Places According To Their Properties:	
Food	Location
Egg	Door Shelf
Dairy products (butter, cheese)	If available, zero degree (for breakfast food) compartment
Fruits, vegetables and greenery	Fruit-vegetable compartment, crisper or EverFresh+ compartment (if available)
Fresh meat, poultry, fish, sausage etc. Cooked foods	If available, zero degree (for breakfast food) compartment
Ready to serve foods, packaged products, canned foods and pickles	Top shelves or door shelf
Beverages, bottles, spices and snacks	Door Shelf

### Storing Food In The Freezer Compartment

- You can activate Quick Freezing function 4-6 hours before freezing function and perform a faster cooling.
- Bring hot meals to the room temperature before placing them in the freezer compartment.
- Foods to be frozen must be divided into portions according to a size to be consumed, and frozen in separate packages.
- It is recommended to pack the foods before placing them in the freezer.
- In order to prevent expiration of storage time, write the freezing date, time and name of the product on the package according to the storage times of different foods.
- Consume the foods you have defrosted quickly. Defrosted foods cannot be frozen again unless they are cooked. It is not safe to consume the refrozen fresh foods without cooking after they are defrosted.

- As you freeze fresh foods, do not bring them in contact with already frozen foods. Otherwise, frozen foods will be defrosted.

### Storing The Foods, Which Are Sold Frozen

- Always follow the instructions of the producer in relation to the time during which you are required to store your foods. Do not exceed the time specified in these instructions!
- In order to protect the quality of the food, keep the time interval between purchasing transaction and storing as short as possible.
- Buy frozen food which are stored at  $-18^{\circ}\text{C}$  or lower temperatures.
- Avoid buying foods whose packages are covered with ice etc. This means that the product could be partially defrosted and refrozen. Temperature impacts the quality of the food.

- Do not exceed the storing time recommended by the food producer. Remove only the food as much as you need from the freezer.
- Except the cases where extreme circumstances are available in the environment, if your product (on the recommended set values table) is set to the specified set values, the food keep their freshness for a longer time both in the fresh product compartment and freezer compartment.
- If fresh food compartment is set to a lower temperature, fresh fruits and vegetables may be partially frozen.
- The two-star compartments are suitable for pre-frozen food. Ice cream and ice cubes can be stored.
- Do not freeze food in compartments with one, two and three-stars.

Meat and Fish		Preparation		Longest storage time (month)	
Meat Products	Veal	Steak	By cutting them 2 cm thick and placing foil between them or wrapping tightly with stretch	6-8	
		Roast	By packing the pieces of meat in a refrigerator bag or wrapping them tightly with stretch	6-8	
		Cubes	In small pieces	6-8	
		Schnitzel, chops	By placing foil between cut slices or wrapping individually with stretch	6-8	
	Mutton	Chops	By placing foil between meat pieces or wrapping individually with stretch	4-8	
		Roast	By packing the pieces of meat in a refrigerator bag or wrapping them tightly with stretch	4-8	
		Cubes	By packing the shredded meats in a refrigerator bag or wrapping them tightly with stretch	4-8	
	Beef	Roast	By packing the pieces of meat in a refrigerator bag or wrapping them tightly with stretch	8-12	
		Steak	By cutting them 2 cm thick and placing foil between them or wrapping tightly with stretch	8-12	
		Cubes	In small pieces	8-12	
		Boiled meat	By packaging in small pieces in a refrigerator bag	8-12	
	Mince		Without seasoning, in flat bags		1-3
	Offal (piece)		In pieces		1-3
	Fermented sausage - Salami		It should be packaged even if it has casing.		1-3
Jambon		By placing foil between cut slices		2-3	
Poultry and hunting animals	Chicken and Turkey		By wrapping in foil	4-6	
	Goose		By wrapping in foil (portions should not exceed 2.5 kg)	4-6	
	Duck		By wrapping in foil (portions should not exceed 2.5 kg)	4-6	
	Deer, Rabbit, Roe Deer		By wrapping in foil (portions should not exceed 2.5 kg, and their bones should be separated)	6-8	

Meat and Fish		Preparation	Longest storage time (month)
Fish and sea-food	Freshwater fish (Trout, Carp, Crane, Catfish)	After thoroughly cleaning the inside and scales, it should be washed and dried, and the tail and head parts should be cut when necessary.	2
	Lean fish (Sea bass, Turbot, Sole)		4-6
	Fatty fish (Bonito, Mackereel, Bluefish, Red Mullet, Anchovy)		2-4
	Shellfish	Cleaned and in bags	4-6
	Caviar	In its packaging, in an aluminium or plastic container	2-3

"The storage times specified in the table are based on the storage temperature of -18°C. "

Fruits and Vegetables	Preparation	Longest storage time (month)
String bean and Pole bean	By shock boiling for 3 minutes after washing and cutting into small pieces	10-13
Green pea	By shock boiling for 2 minutes after shelling and washing	10-12
Cabbage	By shock boiling for 1-2 minute(s) after cleaning	6-8
Carrot	By shock boiling for 3-4 minutes after cleaning and cutting into slices	12
Pepper	By boiling for 2-3 minutes after cutting the stem, dividing into two and separating the seeds	8-10
Spinach	By shock boiling for 2 minutes after washing and cleaning	6-9
Leek	By shock boiling for 5 minutes after chopping	6-8
Cauliflower	By shock boiling in a little lemon water for 3-5 minutes after separating the leaves, cutting the core into pieces	10-12
Eggplant	By shock boiling for 4 minutes after washing and cutting into 2cm pieces	10-12
Squash	By shock boiling for 2-3 minutes after washing and cutting into 2cm pieces	8-10
Mushroom	By lightly sauteing in oil and squeezing lemon on it	2-3
Corn	By cleaning and packing in cob or granular	12
Apple and Pear	By shock boiling for 2-3 minutes after peeling and slicing	8-10
Apricot and Peach	Divide in half and extract the seeds	4-6
Strawberry and Raspberry	By washing and shelling	8-12
Baked fruit	By adding 10% sugar in the container	12
Plum, Cherry, Sour Cherry	By washing and shelling the stalks	8-12

"The storage times specified in the table are based on the storage temperature of -18°C. "

Dairy Products	Preparation	Longest Storage Time (Month)	Storage Conditions
Cheese (except feta cheese)	By placing foil therebetween, in slices	6-8	It can be left in its original packaging for short term storage. For long-term storage it should also be wrapped in aluminium or plastic foil.
Butter, margarine	In its own packaging	6	In its own packaging or in plastic containers

"The storage times specified in the table are based on the storage temperature of -18°C."

"The amount of fresh food that can be frozen for a certain period of time is specified on the type label."

Freezer Compartment Setting	Cooler Compartment Setting	Remarks
-20°C	4°C	This is the default, recommended setting. This setting is recommended if ambient temperature is below 30°C.
-22 or -24 °C	4°C	These settings are recommended for ambient temperatures exceeding 30°C.
Quick Freeze	4°C	Use when you want to freeze your food in a short time. When the process ends, the product's settings will return to previous position.
-18°C or colder	2°C	Use these settings if you believe the cooler compartment is not cold enough due to ambient temperature or frequently opening the door.

### Freezer Details

As per the IEC 62552 standards, the freezer must have the capacity to freeze 4,5 kg of food items at -18°C or lower temperatures at 25°C room temperature in 24 hours for each 100 litres of freezer compartment volume.

Food products can only be preserved for extended periods at or below temperature of -18 °C.

You can keep the foods fresh for months (in freezer at or below temperatures of -18 °C).

The food products to be frozen must not contact the already-frozen food inside to avoid partial defrosting.

Boil the vegetables and filter the water to extend the frozen storage time. Place the food in air-tight packages after filtering and place in the freezer. Bananas, tomatoes, lettuce, celery, boiled eggs, potatoes and similar food items should not be frozen. In case these foods are frozen, only nutri-

tional values and eating qualities will be negatively affected. A rotting that would threaten human health is not in question.

### Placing The Food

**Freezer compartment shelves:**Different frozen foods like meat, fish, ice cream, vegetables etc.

**Cooler compartment shelves:**Food items inside pots, capped plate and capped cases, eggs (in closed case)

**Cooler compartment door shelves:**Small and packaged food or beverages

**Crisper:**Vegetables and fruits

**Fresh food compartment:**Delicatessen (breakfast food, meat products to be consumed in short time)

## 7.2 Crisper

The refrigerator's crisper is designed to keep vegetables fresh by preserving their humidity. For this purpose, the overall cold air circulation is intensified in the crisper.

Keep fruits and vegetables in this compartment. Keep the green-leaved vegetables and fruits separately to prolong their life.

### 7.3 Humidity Controlled Crisper

#### Everfresh

With the humidity controlled crisper feature, the humidity of vegetables and fruits is kept under control and the food is kept fresh for a longer period of time.

We recommend that you place leafy vegetables such as lettuce, spinach and similar vegetables that are sensitive to moisture loss in the crisper, not upright on their roots, but as horizontally as possible.

When placing the vegetables, place heavy and hard vegetables at the bottom and light and soft ones on the top, taking into account the specific weights of vegetables. Never leave vegetables in plastic bags in the crisper. Leaving them in plastic bags causes vegetables to rot in a short time.

In situations where contact with other vegetables is not preferred, use packaging materials such as paper that has a certain level of porosity in terms of hygiene.

Do not put fruits that have a high ethylene gas production such as pear, apricot, peach and particularly apple in the same crisper with other vegetables and fruits. The ethylene gas coming out of these fruits might cause other vegetables and fruits to mature faster and rot in a shorter period of time.

### 7.4 Crisper Technologies

#### Blue Light

Fruits and vegetables stored in the crispers that are illuminated with a blue light continue their photosynthesis by means of the wavelength effect of blue light and thus preserve their vitamin content.

#### HarvestFresh

Fruits and vegetables stored in crispers illuminated with the HarvestFresh technology preserve their vitamins for a longer time thanks to the blue, green, red lights and dark cycles, which simulate a day cycle.

When the door of your refrigerator is opened during the dark period of the HarvestFresh technology, your refrigerator shall sense this automatically and illuminate the crisper with one of the blue, green or red lights respectively for your convenience. After you have closed the door of the refrigerator, the dark period will continue, representing the night time in a day cycle.

### 7.5 Dairy Products Cold Storage Area

#### Cold Storage Drawer

The Cold Storage Drawer can reach lower temperatures in the cooler compartment. Use this drawer for delicatessen products (salami, sausage, etc.) and dairy products that require colder storage conditions, or for meat, chicken or fish to be consumed quickly. It is not suitable to store fruits and vegetables in this drawer.

### 7.6 The ice storage area

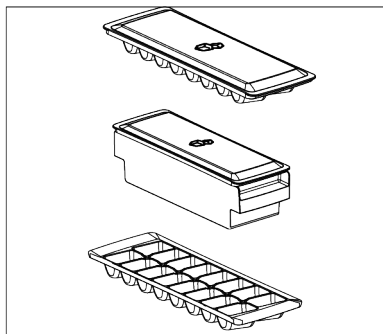
#### Ice Container

Ice bucket allows you take ice easily from the refrigerator.

#### Using the ice bucket

1. Take the ice bucket out of the freezer compartment.
2. Fill the ice bucket with water.
3. Place the ice bucket into the freezer compartment. The ice will be ready after approximately two hours.
4. Take the ice bucket from the freezer compartment and bend in slightly over the holder that you are going to serve. Ice will easily pour into the serving holder.





## 7.7 Reversing the Door Opening Side

The door opening side of your refrigerator can be reversed according to the place you put it. When you need this, you should definitely call the nearest Authorized Service.

## 7.8 Door Open Alert

The door open alert system of your refrigerator may differ depending on the model.

### Version 1;

If the door of the product remains open for a certain time (between 60 s and 120 s), an audio warning signal sounds; depending on the product model, a visual warning signal (light flash) can also be displayed. If you close the door of the device or press a button on the screen of the device, if any, the warning sound will stop.

### Version 2;

If the door of the device remains open for a certain period of time (between 60 s and 120 s), the door open alert is sounded. The door open alert is sounded gradually. First, an audible warning starts to sound. After 4 minutes, if the door is still not closed, a visual warning (lighting flash) is activated. The door open alert will be delayed for a certain period of time (between 60 s and 120 s) when any key on the product screen, if any, is pressed. Then the process will start again. When the device door is closed, the door open alert will be cancelled.

## 7.9 Replacing the Illumination Lamp

Call the Authorized Service when the Bulb/LED used for lighting in your refrigerator will be replaced.

Lamp(s) used in this appliance cannot be used for house lighting. Intended use of this lamp is to help the user place food into the refrigerator / freezer safely and comfortably.

## 7.10 AeroFlow

It is an air distribution system that provides homogeneous temperature distribution. With the air circulation, the homogeneous temperature distribution is ensured in the fresh food storage compartment, and the temperature fluctuations are kept at low levels. No direct air blowing over the food is realized and this helps to reduce moisture loss. It preserves the freshness of the food stored in the fresh food compartment of the refrigerator. In this way, your food is stored at more stable temperatures and the contact with air is reduced. The drying and shrinking of foods by losing moisture is prevented and freshness is provided for a longer time.

## 7.11 Fan

The fan is designed to ensure that the cold air is distributed and circulates homogeneously in it. The operating time of the fan may change according to the feature of the product.

Whereas, in some of the products, the fan only operates with the compressor, in the other products, the control system determines the time the fan will operate according to the cooling need.

## 7.12 Egg holder

You can place the egg holder on the door or body shelf you wish.

If the egg holder is to be placed on the body shelf, we recommend you to choose colder lower shelves.



**Never place the egg holder on the freezer compartment**

## 8 Maintenance and Cleaning



### **WARNING:**

Read the "Safety Instructions" section first.



### **WARNING:**

Unplug the refrigerator before cleaning it.

- Do not use sharp or abrasive tools to clean the product. Do not use materials such as household cleaning agents, soap, detergents, gas, gasoline, thinner, alcohol, wax, etc.
- The dust shall be removed from the ventilation grill on the rear of the product at least once a year (without opening the cover). Clean the product with a dry cloth.
- Take care to keep water away from the lamp's cover and other electrical parts.
- Clean the door with a damp cloth. Remove all contents to remove the door and body racks. Remove the door racks by lifting them upwards. Clean and dry the shelves, then attach back in place by sliding from above.
- Do not use chlorinated water or cleaning products on the exterior surface and chrome-coated parts of the product. Chlorine will cause rust on such metallic surfaces.
- Do not use sharp and abrasive tools, soap, house cleaning materials, detergents, gas, gasoline, varnish and similar substances to prevent deformation of the plastic part and removal of prints on the part. Use warm water and a soft cloth for cleaning, and then dry it.
- On the products without a No-Frost feature, water droplets and icing up to a thickness of a finger may occur on the rear wall of the freezer compartment. Do not clean, and never apply oils or similar materials.

- Use a mildly dampened micro-fibre cloth to clean the external surface of the product. Sponges and other types of cleaning clothes may cause scratches.
- To clean all removable components during the cleaning of the interior surface of the product, wash these components with a mild solution consisting of soap, water and carbonate. Wash and dry thoroughly. Prevent contact of water with illumination components and the control panel.



### **CAUTION:**

Do not use vinegar, rubbing alcohol or other alcohol based cleaning agents on any interior surface.

### **Stainless Steel External Surfaces**

Use a non-abrasive stainless steel cleaning agent and apply it with a soft lint-free cloth. To polish, gently wipe the surface with a micro-fibre cloth dampened with water and use dry polishing chamois. Always follow the veins of the stainless steel.

### **Preventing Odours**

The product is manufactured free of any odorous materials. However, keeping the food in inappropriate sections and improper cleaning of internal surfaces may lead to odours.

- To avoid this, clean the inside with carbonated water every 15 days.
- Keep the foods in sealed holders, as micro-organisms arising from foods kept in unsealed containers will cause bad odour.
- Do not keep expired and spoilt foods in the refrigerator.

### **Protecting Plastic Surfaces**

Oil spilled on plastic surfaces may damage the surface and must be cleaned immediately with warm water.

## 9 Troubleshooting

Check this list before contacting the service. Doing so will save you time and money. This list includes frequent complaints that are not related to faulty workmanship or materials. Certain features mentioned herein may not apply to your product.

### The refrigerator is not working.

- The power plug is not fully settled. >>> Plug it in to settle completely into the socket.
- The fuse connected to the socket powering the product or the main fuse is blown. >>> Check the fuse.

### Condensation on the side wall of the cooler compartment (MULTI ZONE, COOL CONTROL and FLEXI ZONE).

- The door is opened too frequently. >>> Take care not to open the product's door too frequently.
- The environment is too humid. >>> Do not install the product in humid environments.
- Foods containing liquids are kept in unsealed holders. >>> Keep the foods containing liquids in sealed holders.
- The product's door is left open. >>> Do not keep the product's door open for long periods.
- The thermostat is set to a very cool temperature. >>> Set the thermostat to an appropriate temperature.

### Compressor is not working.

- In case of sudden power failure or pulling the power plug off and putting back on, the gas pressure in the product's cooling system is not balanced, which triggers the compressor thermic safeguard. The product will restart after approximately 6 minutes. If the product does not restart after this period, contact the service.
- Defrosting is active. >>> This is normal for a fully-automatic defrosting product. The defrosting is carried out periodically.
- The product is not plugged in. >>> Make sure the power cord is plugged in.

- The temperature setting is incorrect. >>> Select the appropriate temperature setting.
- The power is out. >>> The product will continue to operate normally once the power is restored.

### The refrigerator's operating noise is increasing while in use.

- The product's operating performance may vary depending on the ambient temperature variations. This is normal and not a malfunction.

### The refrigerator runs too often or for too long.

- The new product may be larger than the previous one. Larger products will run for longer periods.
- The room temperature may be high. >>> The product will normally run for long periods in higher room temperature.
- The product may have been recently plugged in or a new food item is placed inside. >>> The product will take longer to reach the set temperature when recently plugged in or a new food item is placed inside. This is normal.
- Large quantities of hot food may have been recently placed into the product. >>> Do not place hot food into the product.
- The doors were opened frequently or kept open for long periods. >>> The warm air moving inside will cause the product to run longer. Do not open the doors too frequently.
- The freezer or cooler door may be ajar. >>> Check that the doors are fully closed.
- The product may be set to a temperature that is too low. >>> Set the temperature to a higher degree and wait for the product to reach the adjusted temperature.
- The cooler or freezer door washer may be dirty, worn out, broken or not properly settled. >>> Clean or replace the gasket.

Damaged / torn door washer will cause the product to run for longer periods to preserve the current temperature.

**The freezer temperature is very low, but the cooler temperature is adequate.**

- The freezer compartment temperature is set to a very low degree. >>> Set the freezer compartment temperature to a higher degree and check again.

**The cooler temperature is very low, but the freezer temperature is adequate.**

- The cooler compartment temperature is set to a very low degree. >>> Set the cooler compartment temperature to a higher degree and check again.

**The food items kept in cooler compartment drawers are frozen.**

- The cooler compartment temperature is set to a very low degree. >>> Set the cooler compartment temperature to a higher degree and check again.

**The temperature in the cooler or the freezer is too high.**

- The cooler compartment temperature is set to a very high degree. >>> Temperature setting of the cooler compartment has an effect on the temperature in the freezer compartment. Wait until the temperature of relevant parts reach the sufficient level by changing the temperature of cooler or freezer compartments.
- The doors were opened frequently or kept open for long periods. >>> Do not open the doors too frequently.
- The door may be ajar. >>> Fully close the door.
- The product may have been recently plugged in or a new food item is placed inside. >>> This is normal. The product will take longer to reach the set temperature when recently plugged in or a new food item is placed inside.
- Large quantities of hot food may have been recently placed into the product. >>> Do not place hot food into the product.

**Shaking or noise.**

- The surface is not flat or durable >>> If the product is shaking when moved slowly, adjust the stands to balance the product. Also make sure the ground is sufficiently durable to bear the product.
- Any items placed on the product may cause noise. >>> Remove any items placed on the product.
- The product is making noise of liquid flowing, spraying etc.
- The product's operating principles involve liquid and gas flows. >>> This is normal and not a malfunction.

**There is sound of wind blowing coming from the product.**

- The product uses a fan for the cooling process. This is normal and not a malfunction.

**There is condensation on the product's internal walls.**

- Hot or humid weather will increase icing and condensation. This is normal and not a malfunction.
- The doors were opened frequently or kept open for long periods. >>> Do not open the doors too frequently; if open, close the door.
- The door may be ajar. >>> Fully close the door.

**There is condensation on the product's exterior or between the doors.**

- The ambient weather may be humid, this is quite normal in humid weather. >>> The condensation will dissipate when the humidity is reduced.

**The interior smells bad.**

- The product is not cleaned regularly. >>> Clean the interior regularly using sponge, warm water and carbonated water.
- Certain holders and packaging materials may cause odour. >>> Use holders and packaging materials without free of odour.

- The foods were placed in unsealed holders. >>> Keep the foods in sealed holders. Microorganisms may spread out of unsealed food items and cause bad odour.
- Remove any expired or spoiled foods from the product.

#### **The door is not closing.**

- Food packages may be blocking the door. >>> Relocate any items blocking the doors.
- The product is not standing in full upright position on the ground. >>> Adjust the stands to balance the product.
- The surface is not flat or durable >>> Make sure the surface is flat and sufficiently durable to bear the product.

#### **The crisper is jammed.**

- The food items may be in contact with the upper section of the drawer. >>> Reorganize the food items in the drawer.

#### **Temperature on the product surface.**

- High temperature may be observed between two doors, on the side panels and on the rear grill area while your product is operated. This is normal and it does not require servicing.

#### **Fan continues to operate when the door is opened.**

- Fan may continue to operate when the freezer door is open.



**WARNING:** If the problem persists after following the instructions in this section, contact your vendor or an Authorized Service. Do not try to repair the product. This is normal.

## **DISCLAIMER / WARNING**

Some (simple) failures can be adequately handled by the end-user without any safety issue or unsafe use arising, provided that they are carried out within the limits and in accordance with the following instructions (see the “Self-Repair” section).

Therefore, unless otherwise authorized in the “Self-Repair” section below, repairs shall be addressed to registered professional repairers in order to avoid safety issues. A registered Professional repairer is a professional repairer that has been granted access to the instructions and spare parts list of this product by the manufacturer according to the methods described in legislative acts pursuant to Directive 2009/125/EC.

**However, only the service agent (i.e. authorized professional repairers) that you can reach through the phone number given in the user manual/warranty card or through your authorized dealer may provide service under the guarantee terms. Therefore, please be advised that**

**repairs by professional repairers (who are not authorized by) Beko shall void the guarantee.**

#### **Self-Repair**

Self-repair can be done by the end-user with regard to the following spare parts: door handles, door hinges, trays, baskets and door gaskets (an updated list is also available support.beko.com as of 1st March 2021).

Moreover, to ensure product safety and to prevent risk of serious injury, the mentioned self-repair shall be done following the instructions in the user manual for self-repair or which are available in support.beko.com. For your safety, unplug the product before attempting any self-repair. Repair and repair attempts by end-users for parts not included in such list and/or not following the instructions in the user manuals for self-repair or which are available in support.beko.com, might give rise to safety issues not attributable to Beko, and will void the warranty of the product.

Therefore, it is highly recommended that end-users refrain from the attempt to carry out repairs falling outside the mentioned list of spare parts, contacting in such cases authorized professional repairers or registered professional repairers. On the contrary, such attempts by end-users may cause safety issues and damage the product and subsequently cause fire, flood, electrocution and serious personal injury to occur.

By way of example, but not limited to, the following repairs must be addressed to authorized professional repairers or registered professional repairers: compressor, cooling circuit, main board, inverter board, display board, etc.

The manufacturer/seller cannot be held liable in any case where end-users do not comply with the above.

The spare part availability of the refrigerator that you purchased is 10 years. During this period, original spare parts will be available to operate the refrigerator properly. The minimum duration of guarantee of the refrigerator that you purchased is 24 months.

This product is equipped with a lighting source of the "G" energy class.

The lighting source in this product shall only be replaced by Professional repairer.



## Premièrement veuillez lire ce manuel !

**Cher client, chère cliente,**

**Veuillez lire ce manuel avant d'utiliser l'appareil.**

Nous vous remercions d'avoir choisi ce Bekoproduit. Nous aimerions que vous obteniez une efficacité optimale de ce produit de haute qualité qui a été fabriqué avec une technologie de pointe. À cette fin, lisez attentivement ce manuel et toute autre documentation fournie avant d'utiliser le produit et conservez-les comme référence.

Tenez compte de toutes les informations et de tous les avertissements figurant dans le manuel d'utilisation. De cette façon, vous vous protégez, vous et votre produit, contre les dangers qui peuvent survenir.

Conservez le manuel d'utilisation. Joignez ce guide à l'unité si vous le remettez à quelqu'un d'autre.

**Les symboles suivants sont utilisés dans le manuel d'utilisation :**



Il s'agit d'un danger qui peut entraîner la mort ou des blessures.



Informations importantes ou conseils utiles sur le fonctionnement.




Lisez le manuel d'utilisation.



Matériau combustible, mise en garde contre le risque d'incendie.

**AVERTISSEMENT** Un danger qui peut causer des dommages matériels au produit ou à son environnement

	Les informations sur le modèle, telles qu'elles sont enregistrées dans la base de données des produits, peuvent être obtenues en accédant au site web suivant et en recherchant l'identifiant du modèle (*) figurant sur l'étiquette énergétique. <a href="https://eprel.ec.europa.eu/">https://eprel.ec.europa.eu/</a>
<p><b>SUPPLIER'S NAME</b>                      <b>MODEL IDENTIFIER</b> → (*)</p> <p><b>A</b>    <b>A</b></p>	



<b>1</b>	<b>Consignes de sécurité.....</b>	<b>34</b>	7.8	Alerte de porte ouverte.....	59
1.1	Intention d'utilisation.....	34	7.9	Remplacement de la lampe d'éclairage .....	59
1.2	Sécurité des enfants, des per- sonnes vulnérables et des ani- maux domestiques.....	34	7.10	AeroFlow .....	60
1.3	Sécurité électrique.....	35	7.11	Ventilateur .....	60
1.4	Sécurité de manipulation .....	36	7.12	Porte-œuf .....	60
1.5	Sûreté des installations .....	36	<b>8</b>	<b>Entretien et nettoyage .....</b>	<b>60</b>
1.6	Sécurité de fonctionnement .....	39	<b>9</b>	<b>Dépannage .....</b>	<b>61</b>
1.7	Sécurité du stockage des ali- ments .....	42			
1.8	Sécurité relative à l'entretien et au nettoyage .....	42			
1.9	Mise au rebut de l'ancien produit .	43			
<b>2</b>	<b>Instructions environnementales..</b>	<b>44</b>			
2.1	Conformité avec la directive DEEE et élimination des déchets..	44			
<b>3</b>	<b>Votre réfrigérateur .....</b>	<b>45</b>			
<b>4</b>	<b>Installation .....</b>	<b>45</b>			
4.1	Lieu idéal d'installation .....	45			
4.2	Branchement électrique.....	46			
4.3	Réglages des pieds avant.....	46			
4.4	Attention aux surfaces chaudes...	47			
4.5	Retrait du polystyrène sur le com- presseur .....	47			
<b>5</b>	<b>Préparation.....</b>	<b>47</b>			
5.1	Moyens d'économiser l'énergie....	47			
5.2	Première utilisation .....	48			
5.3	Classe climatique et définitions ...	48			
<b>6</b>	<b>Fonctionnement de l'appareil.....</b>	<b>48</b>			
6.1	Panneau de contrôle du produit ...	50			
<b>7</b>	<b>Utilisation de votre appareil.....</b>	<b>52</b>			
7.1	Stockage des aliments dans le compartiment réfrigérant.....	52			
7.2	Bac à légumes .....	58			
7.3	bac à légumes avec contrôle d'humidité .....	58			
7.4	Technologies Crisper .....	58			
7.5	Zone d'entreposage frais des pro- duits laitiers .....	59			
7.6	La zone de stockage de la glace ..	59			
7.7	Inversion du côté d'ouverture de la porte .....	59			

## 1 Consignes de sécurité

Cette section contient les instructions de sécurité nécessaires à la prévention des risques de dommage corporel ou de dommage matériel.

Notre entreprise ne peut être tenue pour responsable des dommages qui peuvent se produire si ces instructions ne sont pas respectées.

Les opérations d'installation et de réparation doivent être effectuées par un service agréé.

Utilisez uniquement des pièces de rechange et des accessoires d'origine.

Les pièces de rechange originales sont fournies pendant les 10 années suivant la date d'achat de l'appareil.

Évitez de réparer ou de remplacer tout composant de l'appareil sauf si cela est clairement spécifié dans le manuel d'utilisation.

Il ne faut pas effectuer de modifications sur l'appareil.

### 1.1 Intention d'utilisation

Ce produit ne convient pas à un usage commercial et ne doit pas être utilisé autrement que pour l'usage auquel il est destiné. Ce

produit est conçu pour être utilisé à l'intérieur, dans les foyers et dans des endroits similaires.

Par exemple ;

- cuisines du personnel des magasins, bureaux et autres environnements professionnels,
- les maisons de campagne,
- unités des hôtels, motels ou autres installations de repos utilisées par les clients,
- hôtels ou environnements similaires,
- services de restauration et les espaces semblables de vente en gros.

Ces appareils ne doivent pas être utilisés dans des environnements extérieurs ouverts ou clôturés tels que les bateaux, balcons ou terrasses. L'exposition de l'appareil à la pluie, à la neige, au soleil et au vent présente un risque d'incendie.

### 1.2 Sécurité des enfants, des personnes vulnérables et des animaux domestiques



- Cet appareil peut être utilisé par des enfants âgés d'au moins 8 ans, ainsi que par des personnes avec des capacités physiques, sensorielles ou

- mentales réduites ou sans expérience et connaissances, si elles sont supervisées ou ont été formées à l'utilisation sécurisée de l'appareil et comprennent les risques relatifs.
- Les enfants de 3 à 8 ans sont autorisés à mettre les aliments dans la glacière et à les enlever.
  - Les enfants et les animaux domestiques ne doivent pas jouer avec le produit, ni grimper dessus, ni y entrer.
  - Les enfants et les animaux domestiques doivent être tenus à l'écart de la zone de la cabine (compresseur) où se trouvent les pièces électriques.
  - Le nettoyage et l'entretien des utilisateurs ne doivent pas être effectués par des enfants, sauf s'il y a une personne qui les surveille.
  - Tenez les emballages hors de la portée des enfants. Risque de blessure et d'asphyxie .

### 1.3 Sécurité électrique

- Il ne faut pas brancher le produit dans la prise de courant pendant les opérations d'installation, d'entretien, de nettoyage, de réparation et de transport.
- Si le câble d'alimentation est endommagé, il doit être remplacé par un service agréé uniquement pour éviter tout risque qui pourrait survenir.
- Ne placez pas le câble d'alimentation sous l'appareil ou à l'arrière de celui-ci. Ne placez aucun objet lourd sur le câble d'alimentation. Le câble d'alimentation ne doit pas être plié, écrasé et entrer en contact avec une source de chaleur.
- N'utilisez pas de rallonge, de prise multiple ou d'adaptateur pour faire fonctionner votre appareil.
- Les prises multiples mobiles ou les blocs d'alimentation portatifs peuvent surchauffer et causer un incendie. Par conséquent, ne placez pas de multiprises ou de sources d'alimentation portables derrière ou à proximité de l'appareil.
- Ne branchez pas le cordon d'alimentation du produit dans une prise de courant mal fixée ou endommagée. Ces types de connexions peuvent surchauffer et provoquer un incendie..
- La prise doit être facilement accessible. Si cela n'est pas possible, l'installation électrique doit être dotée d'un mécanisme conforme à la réglementation en matière d'électri-

cité et qui déconnecte toutes les bornes du réseau (fusible, interrupteur, commutateur principal, etc.).

- Le produit ne doit pas être utilisé avec un dispositif de commutation externe tel qu'une minuterie ou un système télécommandé.
- N'utilisez pas l'appareil lorsque vous avez les pieds nus ou le corps mouillé.
- Évitez de toucher le cordon d'alimentation avec des mains humides.
- Lorsque vous débranchez l'appareil, ne tenez pas le cordon d'alimentation, mais la prise.

#### 1.4 Sécurité de manipulation

- Assurez-vous de débrancher l'appareil avant de le transporter.
- Cet appareil est lourd, ne le manipulez pas seul. Vous risquez de vous blesser si le produit tombe sur vous. Ne heurtez pas l'appareil et ne le faites pas tomber pendant son transport.
- Fermez toujours les portes et ne tenez pas l'appareil par ses portes lorsque vous le transportez.

- Veillez à ne pas endommager le système de refroidissement et les tuyaux lorsque vous manipulez l'appareil. Évitez de faire fonctionner l'appareil si les tuyaux sont endommagés et contactez un service agréé.

#### 1.5 Sûreté des installations

- Contactez le service agréé pour l'installation de votre réfrigérateur. Pour préparer l'appareil à l'utilisation, lisez attentivement les instructions du manuel d'utilisation et assurez-vous que les équipements électriques et d'approvisionnement d'eau sont installés convenablement. Si ce n'est pas le cas, appelez un électricien et un plombier qualifiés pour faire le nécessaire. Le non-respect de cette consigne peut entraîner un choc électrique, un incendie, des problèmes avec le produit ou des blessures.
- Ce produit est conçu pour une utilisation à une altitude maximale de 2 000 mètres au-dessous du niveau de la mer.
- Tenez les enfants à l'écart de la zone d'installation.

- Vérifiez que l'appareil n'est pas endommagé avant de l'installer. N'installez pas l'appareil lorsqu'il est endommagé.
- Utilisez toujours un équipement de protection individuelle (gants, etc.) pendant l'installation, l'entretien et la réparation du produit. Risque de blessures !
- Placez le produit sur une surface propre, plane et dure et équilibrez-le à l'aide des pieds réglables (en tournant les pieds avant vers la droite ou la gauche). Sinon, le réfrigérateur risque de se renverser et provoquer des blessures.
- Installez l'appareil dans un endroit sec et ventilé. Ne laissez pas de tapis, de moquettes ou d'autres revêtements similaires sous l'appareil. Ils peuvent entraîner un risque d'incendie en raison d'une ventilation inadéquate !
- N'obstruez pas ou ne couvrez pas les orifices de ventilation. Sinon, la consommation d'énergie risque d'augmenter et votre produit pourrait être endommagé.
- Lorsque vous installez le produit, veillez à ce que le câble d'alimentation ne soit pas endommagé ou pincé.
- Le produit ne doit pas être connecté à des systèmes d'alimentation et à des sources d'énergie susceptibles de provoquer des variations soudaines de tension (par exemple, une source d'énergie solaire portable). Autrement, votre appareil pourrait être endommagé par les fluctuations brusques de la tension !
- Plus un réfrigérateur contient de réfrigérant, plus grande doit être la pièce d'installation. Dans les très petites pièces, un mélange gaz-air inflammable peut se produire en cas de fuite de gaz dans le système de refroidissement. Au moins 1 m<sup>3</sup> de volume est requis pour chaque 8 grammes de réfrigérant. La quantité de réfrigérant disponible dans votre appareil est indiquée sur la plaque signalétique.
- Le produit ne doit jamais être placé de manière à ce que les câbles électriques, le tuyau métallique de la cuisinière à gaz, les tuyaux métalliques de gaz ou d'eau entrent en contact avec la paroi arrière du produit (ou le condenseur).
- Le lieu d'installation du produit ne doit pas être exposé à la lumière directe du soleil et ne doit pas se trouver à proximité

d'une source de chaleur telle qu'un poêle, un radiateur, etc. Si vous ne pouvez pas empêcher l'installation du produit à proximité d'une source de chaleur, utilisez une plaque isolante appropriée et assurez-vous que la distance minimale par rapport à la source de chaleur est conforme aux spécifications ci-dessous.

- À au moins 30 cm des sources de chaleur telles que les cuisinières, les fours, les appareils de chauffage, etc.
- Et à au moins 5 cm des fours électriques.
- Votre produit a la classe de protection I.
- Branchez le produit dans une prise avec mise à la terre conforme aux valeurs de tension, de courant et de fréquence indiquées sur la plaque signalétique. La prise de courant doit être équipée d'un fusible de 10 à 16A. Notre entreprise ne sera pas tenue responsable de tout dommage résultant de l'utilisation de l'appareil sans prise de mise à la terre et sans branchement électrique conforme aux normes locales et nationales en vigueur.
- Débranchez le câble d'alimentation du réfrigérateur pendant l'installation. Dans le cas contraire, vous risquez de vous électrocuter et de vous blesser !
- Ne branchez pas le cordon d'alimentation du produit dans des prises de courant lâches, disloquées, cassées, sales, huileuses et présentant un risque de contact avec l'eau. Ces types de branchements peuvent provoquer une surchauffe et un incendie.
- Placez le câble d'alimentation et les flexibles (si disponibles) de l'appareil de sorte qu'ils ne puissent pas provoquer de risque de trébuchement.
- La pénétration de l'humidité et de liquide sur les pièces sous tension ou sur le cordon d'alimentation peut provoquer un court-circuit. Par conséquent, n'utilisez pas l'appareil dans des environnements humides ou dans des zones où l'eau peut éclabousser (p. ex., garage, buanderie, etc.). Si le réfrigérateur est mouillé par l'eau, débranchez-le et communiquez avec un service autorisé.

- Ne branchez jamais votre réfrigérateur sur des dispositifs d'économie d'énergie. Ces systèmes sont nocifs pour l'appareil.
- En retirant le couvercle de la carte électronique et le couvercle arrière du compresseur (si présent), vous risquez d'entrer en contact avec des pièces électriques. Ne retirez pas le couvercle de la carte électronique et le couvercle arrière du compresseur (si présent). Il existe un risque d'électrocution !
- N'endommagez pas les tuyaux du système de refroidissement avec des outils tranchants et perçants. Le réfrigérant qui s'échappe en cas de perforation des tuyaux à gaz, des tuyaux d'extension ou des revêtements de la surface supérieure peut provoquer une irritation de la peau et des lésions oculaires.
- Ne placez pas et n'utilisez pas d'appareils électriques à l'intérieur du réfrigérateur/congérateur, sauf avis contraire du fabricant.



## 1.6 Sécurité de fonctionnement

- N'utilisez jamais de solvants chimiques sur le réfrigérateur. Ces matériaux présentent un risque d'explosion.
- En cas de panne de l'appareil, débranchez-le et ne l'utilisez pas avant sa réparation par le service autorisé. Il existe un risque d'électrocution !
- Ne placez pas une source de flamme (p. ex. des bougies, cigarettes, etc.) sur l'appareil ou à proximité de celui-ci.
- Ne montez pas sur l'appareil. Risque de chute et de blessure !
- Ne coinciez pas les parties de vos mains ou de votre corps sur les parties mobiles à l'intérieur de l'appareil. Faites attention à ne pas coincer vos doigts entre le réfrigérateur et sa porte. Soyez prudent lorsque vous ouvrez ou fermez la porte en présence des enfants.
- Ne mettez pas de crème glacée, de glaçons ou d'aliments congelés dans votre bouche immédiatement après les avoir sortis du congélateur. Risque de gelure !
- Ne touchez pas les parois intérieures, les parties métalliques du congélateur ou les aliments

conservés dans le congélateur avec les mains mouillées.

Risque de gelure !

- Ne placez pas de canettes de soda ou de bouteilles contenant des liquides pouvant être congelés dans le compartiment congélateur. Les canettes ou les bouteilles peuvent exploser. Risque de blessures et de dommages matériels !
- N'utilisez pas ou ne placez pas de matériaux sensibles à la température tels que des aérosols inflammables, des objets inflammables, de la glace sèche ou d'autres agents chimiques à proximité du réfrigérateur. Risque d'incendie ou d'explosion !
- Ne stockez pas de matières explosives telles que des aérosols contenant des matériaux inflammables à l'intérieur de l'appareil.
- Ne placez pas de boîtes contenant des liquides sur l'appareil lorsqu'il est ouvert. Les éclaboussures d'eau sur une pièce électrique peuvent provoquer un choc électrique ou un incendie.
- En raison du risque de rupture, ne stockez pas de récipients en verre contenant du liquide dans le compartiment congélateur.
- Cet appareil n'est pas destiné au stockage et au refroidissement de médicaments, de plasma sanguin, de préparations de laboratoire ou de matériaux et produits similaires qui sont soumis à la directive sur les produits médicaux.
- Si l'appareil est utilisé à d'autres fins que celles pour lesquelles il a été conçu, il peut endommager ou détériorer les produits qu'il contient.
- Si votre réfrigérateur est équipé d'un voyant lumineux bleu, ne contemplez pas le voyant lumineux avec des instruments optiques. Ne fixez pas directement la lumière LED à UV pendant une longue période, car les rayons ultraviolets peuvent entraîner la fatigue oculaire.
- Ne remplissez pas l'appareil de contenu dépassant sa capacité. Des blessures ou des dégâts peuvent survenir au cas où le contenu du réfrigérateur tombe lorsque la porte est ouverte. Des problèmes similaires peuvent survenir lorsqu'un objet est placé sur l'appareil.



- Pour éviter tout risque de blessures, rassurez-vous que vous avez retiré toute la glace ou toute l'eau qui auraient pu se verser au sol.
- Changez l'emplacement des casiers/porte-bouteilles sur la porte de votre réfrigérateur uniquement lorsqu'ils sont vides. Risque de blessures !
- Ne placez aucun objet qui pourrait tomber ou basculer sur l'appareil. Ces objets peuvent tomber lors de l'ouverture ou de la fermeture de la porte, et causer des blessures et/ou des dégâts matériels.
- Ne frappez ni n'exercez aucune pression excessive sur les surfaces en verre. Le verre brisé peut causer des blessures et/ou des dégâts matériels.
- Le système de refroidissement de votre appareil contient du réfrigérant R600a. Le type de réfrigérant utilisé dans l'appareil est indiqué sur la plaque signalétique. Ce gaz est inflammable. Par conséquent, veillez à ne pas endommager le système de refroidissement et les tuyaux pendant l'utilisation de l'appareil. Si les tuyaux sont endommagés :
  1. Ne touchez pas l'appareil ni le câble d'alimentation,
  2. Maintenez l'appareil éloigné des sources potentielles d'incendie qui pourraient causer l'incendie de l'appareil,
  3. Aérez la zone où l'appareil est placé, - N'utilisez pas de ventilateur,
  4. Contactez un centre de service agréé.Si l'appareil est endommagé et que vous observez une fuite de gaz, éloignez-vous du gaz. Le gaz peut causer des gelures lorsqu'il entre en contact avec votre peau.  
Avant de vous débarrasser des appareils usagés qui ne doivent plus être utilisés :
  1. Débranchez le cordon d'alimentation de la prise de courant.
  2. Coupez le cordon d'alimentation et retirez-le de l'appareil avec la prise.
  3. Ne retirez pas les étagères et les tiroirs de l'appareil pour empêcher les enfants d'y pénétrer.
  4. Démontez les portes.
  5. Stockez l'appareil de façon à éviter qu'il se renverse.
  6. Ne laissez pas les enfants jouer avec un appareil usagé.
- Ne jetez pas l'appareil en le mettant au feu. Risque d'explosion.

- Si une serrure est disponible sur la porte de l'appareil, gardez la clé hors de la portée des enfants.

### 1.7 Sécurité du stockage des aliments

Veillez prêter attention aux avertissements suivants afin d'éviter la détérioration des aliments :

- Laisser les portes ouvertes pendant une longue période peut entraîner une augmentation de la température à l'intérieur du produit.
- Nettoyez régulièrement les systèmes de drainage accessibles en contact avec les aliments.
- Nettoyez les réservoirs d'eau qui n'ont pas été utilisés pendant 48 heures et les systèmes d'alimentation en eau qui n'ont pas été utilisés pendant plus de 5 jours.
- Conservez les produits de viande et de poisson crus dans des compartiments appropriés à l'intérieur de l'appareil. Ainsi, ils ne coulent pas sur les autres aliments et n'entre pas en contact avec eux.
- Les compartiments de congélation à deux étoiles permettent de conserver les ali-

ments pré-cuisinés, de préparer et de conserver la glace et la crème glacée.

- Les compartiments à une, deux et trois étoiles ne conviennent pas à la congélation des aliments frais.
- Si le produit réfrigérant est resté vide pendant une longue période, éteignez le produit, dégivrez, nettoyez et séchez le produit afin de protéger le boîtier de l'appareil.

### 1.8 Sécurité relative à l'entretien et au nettoyage

- Ne tirez pas sur la poignée de la porte si vous devez déplacer l'appareil pour le nettoyer. La poignée peut causer des blessures si vous la tirez trop fort.
- Ne nettoyez pas l'appareil en pulvérisant ou en versant de l'eau dessus et à l'intérieur. Risque de choc électrique et d'incendie.
- Lors du nettoyage de l'appareil, n'utilisez pas d'outils tranchants et abrasifs ni de produits de nettoyage ménagers, de détergents, d'essence, de diluant, d'alcool, de vernis et de substances similaires. Utilisez des produits de nettoyage et

- d'entretien qui ne sont pas nocifs pour les aliments uniquement à l'intérieur de l'appareil.
- N'utilisez jamais de vapeur ou de matériel de nettoyage à vapeur pour nettoyer l'appareil et faire fondre la glace qui s'y trouve. Lorsque la vapeur entre en contact avec les zones sensibles de votre réfrigérateur, elle peut provoquer un court-circuit ou un choc électrique.
  - Veillez à éloigner l'eau des circuits électroniques ou de l'éclairage de l'appareil.
  - Utilisez un torchon propre et sec pour essuyer la poussière ou les corps étrangers sur les extrémités des fiches. N'utilisez pas de torchon humide ou mouillé pour nettoyer la fiche. Ceci, pour éviter tout risque d'incendie ou de choc électrique.
  - Pour éviter que les enfants ne s'enferment accidentellement dans le produit, désactivez le verrou de porte s'il en existe un.
  - Les éclaboussures de liquide de refroidissement sont dangereuses pour les yeux. N'endommagez aucune partie du système de refroidissement lorsque vous mettez le produit au rebut.
  - L'ingestion de l'huile du compresseur ou sa pénétration dans les voies respiratoires peut être fatale.
  - Le système de refroidissement de votre produit comprend du gaz R600a comme spécifié sur la plaque signalétique. Ce gaz est inflammable. Ne jetez pas l'appareil en le mettant au feu. Risque d'explosion !
  - C- Le pentane est utilisé comme agent gonflant dans les mousses d'isolation et c'est une substance inflammable. Ne jetez pas l'appareil en le mettant au feu.

### 1.9 Mise au rebut de l'ancien produit

Lorsque vous mettez votre ancien produit au rebut, suivez les instructions ci-dessous :

## 2 Instructions environnementales

### 2.1 Conformité avec la directive DEEE et élimination des déchets



Cet appareil est conforme à la directive DEEE de l'Union européenne (2012/19/UE). Le produit possède un symbole de classification attribué aux déchets d'équipements élec-

triques et électroniques (DEEE).

Ce symbole indique que cet appareil ne doit pas être mis au rebut avec les ordures ménagères à la fin de sa durée de vie. Les appareils usagés doivent être retournés au point de collecte officiel pour le recyclage des dispositifs électriques et électroniques. Pour trouver ces systèmes de collecte, veuillez contacter les autorités locales ou le détaillant à l'endroit où l'appareil a été acheté. Chaque ménage joue un rôle important dans la récupération et le recyclage des vieux appareils ménagers. La mise au

rebut appropriée des appareils usagés permet de prévenir les conséquences négatives potentielles pour l'environnement et la santé humaine.

### Conformité à la directive RoHS

Votre appareil est conforme à la directive RoHS de l'Union européenne (2011/65/UE). Il ne comporte pas de matériaux dangereux et interdits mentionnés dans la directive.

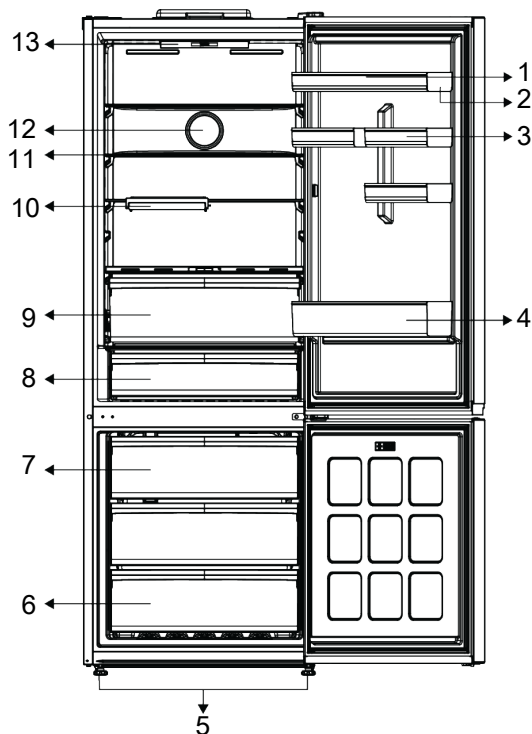


### Informations sur l'emballage

Les matériaux d'emballage de cet appareil sont fabriqués à partir de matériaux recyclables, conformément à nos réglementations nationales en matière d'environnement. Ne mettez pas les matériaux d'emballage au rebut avec les ordures ménagères et d'autres déchets. Apportez-les aux points de collecte des matériaux d'emballage désignés par les autorités locales.

### 3 Votre réfrigérateur

FR



- |                               |                               |
|-------------------------------|-------------------------------|
| 1 Porte-œufs                  | 2 étagères de porte réglables |
| 3 * Petite étagère avec porte | 4 Étagère pour les bouteilles |
| 5 Pieds réglables             | 6 Compartiment de congélation |
| 7 Réservoir glacière          | 8 Tiroir de stockage du froid |
| 9 Bac à légumes               | 10 * Tablette rabattable      |
| 11 Étagère réglable           | 12 Ventilateur                |
| 13 Éclairage                  |                               |

**\*En option :** Les illustrations présentées dans ce manuel d'utilisation sont schématiques et peuvent ne pas correspondre

exactement à votre produit. Si votre appareil ne présente pas les parties citées, alors l'information s'applique à d'autres modèles.

### 4 Installation



Lisez d'abord la section « Instructions de sécurité » !

#### 4.1 Lieu idéal d'installation

Contactez le service agréé pour l'installation de votre réfrigérateur. Pour préparer l'installation du réfrigérateur, lisez attentivement les instructions du manuel d'utilisa-

tion et assurez-vous que les équipements électriques et d'approvisionnement d'eau sont installés convenablement. Si ce n'est pas le cas, appelez un électricien et un plombier pour faire le nécessaire pour les services publics.



#### ATTENTION :

Le fabricant ne sera pas tenu responsable en cas de problèmes causés par des travaux effectués par des personnes non autorisées.



#### ATTENTION :

Débranchez le câble d'alimentation du réfrigérateur pendant l'installation. Le non-respect de cette consigne peut entraîner la mort ou des blessures graves !



#### ATTENTION :

Si le cadre de la porte est trop étroit pour laisser passer l'appareil, retirez la porte et faites passer l'appareil sur les côtés ; si cela ne fonctionne pas, contactez le service agréé.

- Placez l'appareil sur une surface plane pour éviter les vibrations.
- Placez le produit à 30 cm du chauffage, de la cuisinière et des autres sources de chaleur similaires et à au moins 5 cm des fours électriques.
- N'exposez pas le produit directement à lumière du soleil et ne le laissez pas dans des environnements humides.
- Votre appareil nécessite une circulation d'air adéquate pour pouvoir fonctionner efficacement. S'il est placé dans une alcôve, n'oubliez pas de laisser un espace d'au moins 5 cm entre l'appareil, le plafond, la paroi arrière et les parois latérales.
- Vérifiez que l'élément de protection d'espace de la façade arrière est présent à son emplacement (au cas où il est fourni avec l'appareil).

- Si l'élément n'est pas disponible, perdu ou tombé, positionnez l'appareil de manière à laisser un espace d'au moins 5 cm entre la surface arrière de l'appareil et les murs de la pièce. L'espace prévu à l'arrière est important pour le fonctionnement efficace de l'appareil.

## 4.2 Branchement électrique



N'utilisez pas de câbles de rallonge ou de prises multiples pour le branchement électrique.



Les câbles d'alimentation endommagés doivent être remplacés par le service agréé.

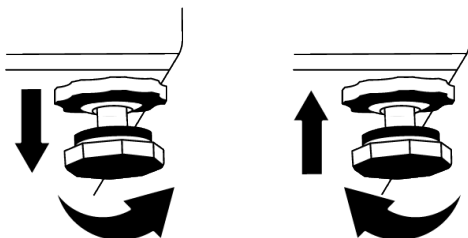


Lorsque deux réfrigérateurs sont installés côte à côte, laissez au moins 4 cm de distance entre les deux appareils

- Notre entreprise ne sera pas tenue responsable de tout dommage résultant de l'utilisation de l'appareil sans prise de mise à la terre ou branchement électrique conforme à la norme nationale en vigueur.
- Gardez la fiche du câble d'alimentation à portée de main après l'installation.
- N'utilisez pas de fiche multigroupe avec ou sans rallonge entre la prise murale et le réfrigérateur.

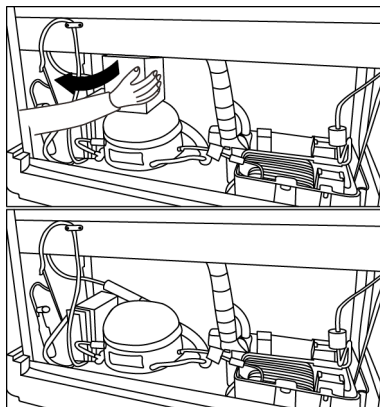
## 4.3 Réglages des pieds avant

Si l'appareil n'est pas équilibré, réglez les pieds avant en les tournant vers la gauche ou la droite.



#### 4.4 Attention aux surfaces chaudes

Les parois latérales de votre appareil sont équipées de tuyaux de refroidissement pour améliorer le système de refroidissement. Un fluide à haute pression peut s'écouler à travers ces surfaces, et provoquer des surfaces chaudes sur les parois latérales. C'est normal et cela ne nécessite pas d'entretien. Faites attention lorsque vous contactez ces zones.



#### 4.5 Retrait du polystyrène sur le compresseur

De la mousse de polystyrène est placée sur le compresseur lors de la production afin d'augmenter la résistance au transport du produit. Ce polystyrène doit être retiré lors de l'installation du produit.

### 5 Préparation



Lisez d'abord la section « Instructions de sécurité » !

#### 5.1 Moyens d'économiser l'énergie



Il est dangereux de connecter l'appareil aux systèmes électroniques d'économie d'énergie, ils pourraient l'endommager.

- Cet appareil de réfrigération n'est pas conçu pour être utilisé comme un appareil encastré.
- Ne laissez pas la porte du réfrigérateur ouverte longtemps.
- Ne placez pas d'aliments ou de boissons chauds dans le réfrigérateur.
- Ne surchargez pas le réfrigérateur, l'obstruction du flux d'air interne réduira la capacité de réfrigération.
- Comme l'air chaud et humide ne pénètre pas directement dans votre produit lorsque les portes ne sont pas ouvertes, votre produit s'optimisera dans des conditions suffisantes pour protéger vos aliments. Dans ces conditions, les fonctions et les composants tels que le compresseur, le ventilateur, le chauffage, le dégivrage, l'éclairage, l'affichage, etc. fonctionneront en fonction des besoins en consommant un minimum d'énergie.
- Dans le cas où plusieurs options sont présentes, les étagères en verre doivent être placées de manière à ce que les sorties d'air de la paroi arrière ne soient pas bloquées et, de préférence, de manière à ce que les sorties d'air restent sous l'étagère en verre. Cette combinaison peut contribuer à améliorer la distribution de l'air et l'efficacité énergétique.
- Il est fortement recommandé d'utiliser le tiroir du bas pour le rangement.
- Selon les caractéristiques de l'appareil, le dégivrage des aliments congelés dans le compartiment réfrigérateur assurera l'économie d'énergie et la préservation de la qualité des aliments.
- Afin de charger la quantité maximale d'aliments dans le compartiment congélateur, vous pouvez retirer les tiroirs supérieurs et placer les aliments sur les clayettes métalliques/en verre.

- Les aliments sont stockés à l'aide des tiroirs du compartiment réfrigéré afin de garantir une économie d'énergie et de protéger les aliments dans de meilleures conditions.
- Les emballages de denrées alimentaires ne doivent pas être en contact direct avec le capteur de température situé dans le compartiment de congélation.

## 5.2 Première utilisation

Avant d'utiliser votre réfrigérateur, assurez-vous que les installations nécessaires sont conformes aux instructions des sections « Instructions en matière de sécurité et d'environnement » et « Installation ».

- Laissez l'appareil fonctionner à vide pendant 6 heures, et ne l'ouvrez pas sauf en cas de nécessité absolue.
- Le changement de température causé par l'ouverture et la fermeture de la porte pendant l'utilisation du produit peut normalement entraîner la formation de condensation sur les tablettes de la porte/du corps et sur les verres placés dans l'appareil.



Un son retentit à l'activation du compresseur. Il est normal que l'appareil fasse du bruit même si le compresseur ne fonctionne pas, car du fluide et du gaz peuvent être comprimés dans le système de refroidissement.



Il est normal que les bords avant du réfrigérateur soient chauds. Ces parties doivent en principe être chaudes afin d'éviter la condensation.



Pour certains modèles, le panneau indicateur s'éteint automatiquement 1 minute après la fermeture des portes. Il s'active à nouveau à l'ouverture de la porte ou lorsque vous appuyez sur n'importe quelle touche.

## 5.3 Classe climatique et définitions

Veillez vous référer à la classe climatique figurant sur la plaque signalétique de votre appareil. L'une des informations suivantes s'applique à votre appareil selon la classe climatique.

- **SN** : Climat tempéré à long terme : Ce dispositif de refroidissement est conçu pour être utilisé à une température ambiante comprise entre 10 °C et 32 °C.
- **N** : Climat tempéré : Ce dispositif de refroidissement est conçu pour être utilisé à une température ambiante comprise entre 16°C et 32 °C.
- **ST** : Climat subtropical : Ce dispositif de refroidissement est conçu pour être utilisé à une température ambiante comprise entre 16°C et 38°C.
- **T** : Climat tropical : Ce dispositif de refroidissement est conçu pour être utilisé à une température ambiante comprise entre 16°C et 43°C.

## 6 Fonctionnement de l'appareil



Lisez d'abord la section « Instructions de sécurité » !

- Il ne faut pas utiliser d'outils mécaniques ou autres que les recommandations du fabricant pour accélérer l'opération de décongélation.
- Évitez d'utiliser des parties de votre réfrigérateur, telles que la porte ou les tiroirs, comme support ou comme marchepied. Cela peut faire trébucher le produit ou endommager ses composants.
- Le produit ne doit être utilisé que pour la conservation des aliments.

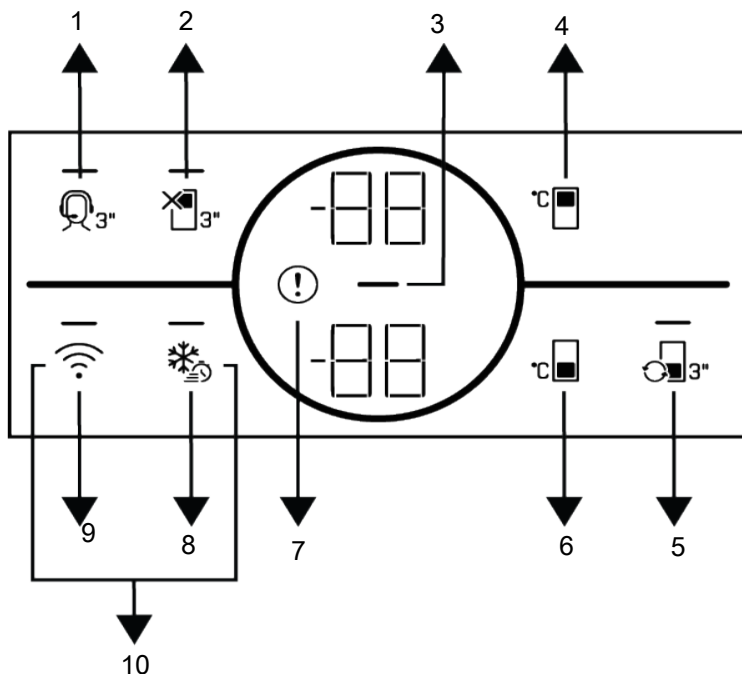


- Fermez le robinet d'eau si vous vous absentez de chez vous (par exemple, en vacances) et que vous n'utilisez pas le distributeur d'eau ou le distributeur de glace pendant une longue période. Dans le cas contraire, des fuites d'eau peuvent se produire.


### **Interruption du programme**

- Si vous n'avez pas l'intention d'utiliser le produit pendant une longue période, débranchez-le de la prise de courant.
- Enlevez la nourriture pour éviter les odeurs.
- Attendez que la glace fonde, nettoyez l'intérieur et laissez-le sécher, laissez les portes ouvertes pour éviter d'endommager les plastiques intérieurs de la carrosserie.

## 6.1 Panneau de contrôle du produit



- |  |  |
|--|--|
| 1 *Clé du service de soutien                         | 2 Touche de fonction Arrêt du compartiment réfrigéré (vacances)                          |
| 3 Indicateur d'économie d'énergie (affichage éteint) | 4 *Touche de réglage de la température du compartiment de refroidissement                |
| 5 * Clé de conversion des compartiments              | 6 Touche de réglage de la température du compartiment congélateur                        |
| 7 Indicateur de condition d'erreur                   | 8 Touche Congélation rapide / Touche de réglage de la fonction d'éclairage de la poignée |
| 9 *Clé sans fil                                      | 10 * Clé pour la réinitialisation des paramètres de connexion sans fil                   |

 Lisez la section « Instructions de sécurité ».

\*En option : Les fonctions indiquées sont facultatives, il peut y avoir des différences de forme et d'emplacement au niveau des fonctions indiquées sur le panneau de votre appareil.

Les fonctions sonores et visuelles dudit panneau vous aident à utiliser votre réfrigérateur.

### 1. \* Clé du service de soutien

Appuyez sur ce bouton pendant 3 secondes pour activer le service d'assistance. Des informations détaillées sur le service d'assistance sont fournies dans la section « Fonctionnalité du service d'assistance ».

### 2. Touche de fonction Arrêt du compartiment réfrigéré (vacances)

Appuyez sur la touche pendant 3 secondes pour activer la fonction vacances. Le mode vacances est activé et le symbole vacances est illuminé. « - - » doit être affiché sur l'indicateur de température du compartiment de refroidissement et le compartiment de refroidissement n'effectue pas de refroidissement actif.

Vous ne devez pas conserver vos aliments dans le compartiment réfrigérateur lorsque cette fonction est activée. Les autres compartiments continuent à se refroidir en fonction des températures précédemment réglées. Il suffit d'appuyer à nouveau sur la touche pendant 3 secondes pour annuler cette fonction.

### 3. Indicateur d'économie d'énergie (affichage éteint)

La fonction d'économie d'énergie est activée automatiquement et le symbole d'économie d'énergie s'affiche lorsque la porte du produit n'est pas ouverte ou fermée pendant un certain temps. Lorsque la fonction d'économie d'énergie est active, tous les symboles de l'écran, à l'exception du symbole d'économie d'énergie, sont éteints. Lorsque la fonction d'économie d'énergie est active, si vous appuyez sur une touche ou ouvrez la porte, la fonction d'économie d'énergie sera désactivée et les symboles à l'écran reviendront à la normale. La fonction d'économie d'énergie est une fonction activée départ usine et ne peut être annulée.

### 4. \* Touche de réglage de la température du compartiment de refroidissement

Permet de régler la température du compartiment du refroidisseur. En appuyant sur cette touche, la température du compartiment de réfrigération peut être réglée à 8, 7, 6, 5, 4, 3, 2 et 1 °C.

### 5. \* Clé de conversion des compartiments

En appuyant sur la touche de conversion du compartiment pendant 3 secondes, la section congélateur passe en mode réfrigération arrêt et congélation.

S'il est utilisé comme compartiment réfrigérant, la température du compartiment sera réglée à 4 °C. En cas de mode arrêt, l'indicateur de température du compartiment affichera "- -".

### 7. Indicateur de condition d'erreur

Cet indicateur doit être activé lorsque votre réfrigérateur ne peut pas assurer un refroidissement adéquat ou en cas d'erreur de capteur. « E » doit s'afficher sur l'indicateur de température du compartiment de congélation et des chiffres tels que 1, 2, 3... doivent s'afficher sur l'indicateur de température du compartiment de réfrigération. Ces chiffres fournissent des informations au service autorisé sur l'erreur qui s'est produite.

Un point d'exclamation peut être affiché pendant un moment lorsque vous chargez des aliments chauds dans le compartiment de congélation ou que vous gardez la porte ouverte pendant une longue période. Il ne s'agit pas d'un défaut, cet avertissement disparaît lorsque l'aliment est refroidi ou lorsqu'on appuie sur une touche quelconque.

### 8. Touche de gel rapide

Dès que vous appuyez sur la touche de congélation rapide, le symbole de congélation rapide s'allume et la fonction de congélation rapide est activée. La température du compartiment congélateur est réglée sur -27 °C. Appuyez à nouveau sur la touche

pour annuler la fonction. La fonction de congélation rapide sera automatiquement annulée. Pour congeler une grande partie d'aliments frais, appuyez sur la touche de congélation rapide avant de mettre les aliments dans le compartiment congélateur.

### \*Touche de réglage de la fonction de la lumière de la poignée

La fonction d'éclairage de la poignée peut passer du mode ouvert au mode fermé en appuyant sur la touche de congélation rapide pendant 3 secondes. En mode fermé, le voyant de la poignée n'est activé que lorsque la porte de l'appareil est ouverte et il s'éteint un moment après la fermeture de la porte. En mode ouvert, la lumière de la poignée est activée lorsque la porte de l'appareil est ouverte, la lumière de la poignée reste faiblement allumée un moment après la fermeture de la porte. La fonction d'éclairage de la poignée est réglée sur le mode fermé en usine.

### 9. \*Clé sans fil

Lorsque vous appuyez sur la touche pendant une longue période (3 secondes), le symbole de connexion sans fil sur l'affichage/l'écran clignote lentement (à intervalles de 0,5 seconde). Le réseau domestique est initialisé sur le produit de cette façon.

Après avoir établi une connexion sans fil avec le produit, le symbole de connexion sans fil s'allume en continu.

Lorsque la connexion initiale est établie, vous pouvez activer/désactiver la connexion en appuyant brièvement sur

## 7 Utilisation de votre appareil

### 7.1 Stockage des aliments dans le compartiment réfrigérant

#### Stockage des aliments dans le compartiment réfrigérant

- La température des compartiments augmente considérablement si la porte du compartiment est ouverte et fermée fréquemment et si elle reste ouverte pen-

cette touche. Le symbole de connexion sans fil clignotera rapidement (à intervalles de 0,2 seconde) jusqu'à ce que la connexion soit établie. Lorsque la connexion est active, le symbole du réseau sans fil s'allume en permanence.

En cas d'impossibilité d'établir la connexion pendant une longue période, vérifiez vos paramètres de connexion et reportez-vous à la section « Dépannage » fournie dans le manuel de l'utilisateur.

L'application HomeWhiz doit être utilisée pour la connexion sans fil. Les étapes d'installation sont décrites sur la demande lors de l'installation.

Vous pouvez accéder à la demande en lisant le code QR disponible sur l'étiquette HomeWhiz apposée sur le produit. L'application est proposée par l'App Store pour les appareils IOS, et par le Play Store pour les appareils Android.

Visitez l'adresse <https://www.homewhiz.com/> pour des informations détaillées.

### 10. \* Clé pour la réinitialisation des paramètres de connexion sans fil

Pour réinitialiser les paramètres de la connexion sans fil, appuyez simultanément sur les touches de gel rapide et de connexion sans fil pendant 3 secondes.

Toutes les informations utilisateur enregistrées précédemment sont supprimées sur un produit dont les paramètres de connexion sans fil sont réinitialisés/rétablis aux valeurs par défaut de l'usine.

dant longtemps, ce qui peut réduire la durée de vie des aliments et les faire se gâter.

- Afin de ne pas provoquer de changements d'odeur et de goût, les aliments doivent être conservés dans des récipients fermés.

- Ne conservez pas de quantités excessives d'aliments dans votre réfrigérateur. Pour obtenir un refroidissement plus efficace et homogène, placez les aliments séparément de manière à ce que l'air froid puisse circuler.
- Assurez la circulation de l'air en laissant un espace entre l'aliment et la paroi interne. Si vous appuyez les aliments contre la paroi arrière, ils risquent de geler.
- Amenez les plats chauds cuisinés à la température ambiante avant de les placer dans le réfrigérateur. Ensuite, vous pouvez placer le repas tiède dans les étagères inférieures de votre réfrigérateur. Ne placez pas les repas tièdes à proximité des aliments qui peuvent facilement se gâter.
- Faites surtout attention à ne pas mélanger les aliments vendus comme surgelés avec les aliments frais.
- Décongelez vos aliments congelés dans le compartiment des aliments frais. Ainsi, vous pouvez refroidir le compartiment des aliments frais en utilisant des aliments congelés et économiser de l'énergie.
- Conservez les fruits tropicaux non mûrs (mangue, variétés de melon, papaye, banane, ananas) au réfrigérateur peut accélérer le processus de maturation. Ceci n'est pas recommandé car cela entraînera une réduction de la durée de stockage.
- Vous devez conserver les oignons, les aulx, les gingembres et les autres légumes-racines dans une pièce sombre et froide, et non au réfrigérateur.
- Si vous remarquez qu'un aliment a tourné dans le réfrigérateur, jetez-le et nettoyez les accessoires qui ont été en contact avec cet aliment.
- Pour refroidir rapidement les plats tels que les soupes et les ragoûts, qui sont cuits dans de grandes marmites, vous pouvez les mettre au réfrigérateur en les séparant dans leurs propres récipients peu profonds.
- Ne placez pas d'aliments non emballés à proximité des œufs.
- Conservez les fruits et légumes séparément et stockez chaque variété ensemble (par exemple : les pommes avec les pommes, les carottes avec les carottes).
- Sortez les légumes verts du sac en plastique et placez-les au réfrigérateur après les avoir enveloppés dans une serviette en papier ou un linge sec. Si vous lavez ce type d'aliments avant de les placer dans le réfrigérateur, n'oubliez pas de les sécher.
- Vous pouvez à la fois créer un environnement humide et assurer une circulation d'air en conservant les fruits et légumes, qui ont tendance à sécher, dans des sacs en plastique perforés ou non fermés.
- Sauf en cas de circonstances extrêmes dans l'environnement, si votre produit (sur le tableau des valeurs de consigne recommandées) est réglé sur les valeurs de consigne spécifiées, les aliments conservent leur fraîcheur plus longtemps, aussi bien dans le compartiment des produits frais que dans celui du congélateur.

Rangez les aliments dans les différents endroits en fonction de leurs propriétés :	
Aliment	Emplacement
Œuf	Balconnet
Produits laitiers (beurre, fromage)	Si disponible, compartiment zéro degré (pour les aliments du petit-déjeuner)
Fruits, légumes et verdure	Compartiment fruits-légumes, bac à légumes ou Compartiment EverFresh+ (si disponible)

Rangez les aliments dans les différents endroits en fonction de leurs propriétés :	
Aliment	Emplacement
Viande fraîche, volaille, poisson, saucisses, etc. Aliments cuits	Si disponible, compartiment zéro degré (pour les aliments du petit-déjeuner)
Aliments prêts à consommer, produits emballés, conserves, produits marinés	Étagères supérieures ou balconnet
Boissons, bouteilles, épices et snacks	Balconnet

### Stockage des aliments dans le compartiment congélateur

- Vous pouvez activer la fonction de congélation rapide de 4 à 6 heures avant la fonction de congélation et profiter d'un refroidissement plus rapide.
- Amenez les repas chauds à la température ambiante avant de les placer dans le compartiment congélateur.
- Les aliments à congeler doivent être divisés en portions en fonction de la taille à consommer, et congelés dans des emballages séparés.
- Il est recommandé d'emballer les aliments avant de les placer dans le congélateur.
- Afin de prévenir l'expiration du temps de conservation, inscrivez la date et l'heure de congélation ainsi que le nom du produit sur l'emballage, en fonction des temps de conservation des différents aliments.
- Consommez rapidement les aliments que vous avez décongelés. Les aliments décongelés ne peuvent être recongelés que s'ils sont cuits. Il n'est pas sûr de consommer les aliments frais recongelés sans cuisson après leur décongélation.
- Lorsque vous congelez des aliments frais, ne les mettez pas en contact avec des aliments déjà congelés. Sinon, les aliments congelés seront décongelés.

### Stockage des aliments vendus surgelés

- Suivez toujours les instructions du producteur en ce qui concerne le temps pendant lequel vous devez conserver vos aliments. Ne dépassez pas le temps indiqué dans ces instructions !

- Afin de préserver la qualité des aliments, veillez à ce que l'intervalle de temps entre la transaction d'achat et le stockage soit aussi court que possible.
- Achetez les aliments congelés qui sont conservés à  $-18^{\circ}\text{C}$  ou à des températures inférieures.
- Évitez d'acheter des aliments dont l'emballage est recouvert de glace, etc. Cela signifie que le produit pourrait être partiellement décongelé et recongelé. La température a un impact sur la qualité des aliments.
- Ne dépassez pas la durée de conservation recommandée par le producteur de l'aliment. Ne sortez du congélateur que les aliments dont vous avez besoin.
- Sauf en cas de circonstances extrêmes dans l'environnement, si votre produit (sur le tableau des valeurs de consigne recommandées) est réglé sur les valeurs de consigne spécifiées, les aliments conservent leur fraîcheur plus longtemps, aussi bien dans le compartiment des produits frais que dans celui du congélateur.
- Si le compartiment des aliments frais est réglé sur une température inférieure, les fruits et légumes frais peuvent être partiellement congelés.
- Les compartiments à deux étoiles conviennent aux aliments surgelés. Les glaces et les glaçons peuvent y être conservés.
- Ne congelez pas d'aliments dans les compartiments comportant une, deux ou trois étoiles.

Viande et poisson		Préparation		Temps de stockage le plus long (mois)	
Produits à base de viande	Veau	Steak	En les coupant à 2 cm d'épaisseur et en les séparant par une feuille d'aluminium ou en les enveloppant hermétiquement avec du papier étirable.	6-8	
		Rôti	En emballant les morceaux de viande dans un sac réfrigérant ou en les enveloppant hermétiquement avec du papier étirable.	6-8	
		Cubes	En petites portions	6-8	
		escalopes, côtelettes	En séparant les tranches coupées par une feuille d'aluminium ou en les enveloppant individuellement avec papier étirable.	6-8	
	Mouton	Côtelettes	En séparant les morceaux de viande par une feuille d'aluminium ou en les enveloppant individuellement avec papier étirable.	4-8	
		Rôti	En emballant les morceaux de viande dans un sac réfrigérant ou en les enveloppant hermétiquement avec du papier étirable.	4-8	
		Cubes	En emballant la viande hachée dans un sac réfrigérant ou en les enveloppant hermétiquement avec du papier étirable.	4-8	
	Patte	Rôti	En emballant les morceaux de viande dans un sac réfrigérant ou en les enveloppant hermétiquement avec du papier étirable.	8-12	
		Steak	En les coupant à 2 cm d'épaisseur et en les séparant par une feuille d'aluminium ou en les enveloppant hermétiquement avec du papier étirable.	8-12	
		Cubes	En petites portions	8-12	
		Viande bouillie	En l'emballant en petites portions dans un sac réfrigérant	8-12	
	Hacher		Sans assaisonnement, dans des sachets plats		1-3
	Abats (pièce)		En pièces		1-3
	Saucisse fermentée - Salmi		Elle doit être emballée, même si elle est dans une boîte.		1-3
	Jambon		En plaçant une feuille d'aluminium entre les tranches coupées		2-3
Volaille et animaux de chasse	Poulet et dinde		En l'enveloppant dans une feuille d'aluminium	4-6	
	Oie		En les emballant dans une feuille d'aluminium (les portions ne doivent pas dépasser 2,5 kg)	4-6	
	Canard		En les emballant dans une feuille d'aluminium (les portions ne doivent pas dépasser 2,5 kg)	4-6	
	Cerf, Lapin, Chevreuil		En les emballant dans une feuille d'aluminium (les portions ne doivent pas dépasser 2,5 kg et les os doivent être séparés)	6-8	

Viande et poisson		Préparation	Temps de stockage le plus long (mois)
Poissons et fruits de mer	Poissons d'eau douce (truite, carpe, grue, poisson-chat)	Après avoir soigneusement nettoyé l'intérieur et les écailles, il faut le laver, le sécher et couper la queue et la tête si nécessaire.	2
	Poisson maigre (Bar, Turbot, Sole)		4-6
	Poissons gras (Bonito, Maquereau, Poisson bleu, Rouget, Anchois)		2-4
	Mollusques	Nettoyés et dans des sachets	4-6
	Caviar	Dans son emballage, dans un récipient en aluminium ou en plastique	2-3

« Les temps de stockage indiqués dans le tableau sont basés sur la température de stockage de - 18° C. »

Fruits et légumes	Préparation	Temps de stockage le plus long (mois)
Haricots verts et haricots grimpants	Par ébullition-choc pendant 3 minutes après avoir été lavés et coupés en petits morceaux.	10-13
Petit pois	Par ébullition-choc pendant 2 minutes après décortilage et lavage.	10-12
Choux	Par ébullition-choc pendant 1 à 2 minute(s) après le nettoyage	6-8
Carotte	Par ébullition-choc pendant 3 à 4 minutes après avoir été nettoyés et coupés en tranches.	12
Poivre	En faisant bouillir pendant 2 à 3 minutes après avoir coupé la tige, en la divisant en deux et en séparant les graines.	8-10
Épinards	Par ébullition-choc pendant 2 minutes après lavage et nettoyage	6-9
Poireaux	Par ébullition-choc pendant 5 minutes après hachage	6-8
Chou-fleur	En les faisant bouillir dans une petite quantité d'eau citronnée pendant 3 à 5 minutes après avoir séparé les feuilles et coupé le cœur en morceaux	10-12
Aubergines	Par ébullition-choc pendant 4 minutes après avoir été lavés et coupés en morceaux de 2 cm.	10-12
Courges	Par ébullition-choc pendant 2 - 3 minutes après avoir été lavés et coupés en morceaux de 2 cm.	8-10
Champignons	En les faisant légèrement sauter dans l'huile et pressant du citron dessus.	2-3
Mais	Par nettoyage et conditionnement en épi ou en granulés	12
Pomme et poire	Par ébullition-choc pendant 2 à 3 minutes après les avoir épluchées et coupées en tranches.	8-10
Abricot et pêche	Divisez de moitié et retirez les grains	4-6
Fraise et framboise	Par lavage et décortilage	8-12
Fruits cuits	En ajoutant 10 % de sucre dans le récipient	12
Prune, cerise, griotte	En lavant et en égrenant les tiges	8-12



« Les temps de stockage indiqués dans le tableau sont basés sur la température de stockage de - 18° C. »

Produits laitiers	Préparation	Temps de stockage le plus long (Mois)	Conditions de stockage
Fromage (sauf feta)	En plaçant une feuille d'aluminium entre les tranches coupées	6-8	Il est possible de le laisser dans son emballage d'origine pour un stockage à court terme. Pour un stockage à long terme, il doit également être enveloppé dans une feuille d'aluminium ou en plastique.
Beurre, margarine	Dans son propre emballage	6	Dans son propre emballage ou dans des récipients en plastique

« Les temps de stockage indiqués dans le tableau sont basés sur la température de stockage de - 18° C. »

« La quantité d'aliments frais qui peut être congelée pendant une certaine période est indiquée sur l'étiquette signalétique. »

Compartiment de congélateur Réglages	Compartiment réfrigérateur Réglages	Remarques
-20°C	4°C	Ce réglage est celui qui est recommandé par défaut. Ce réglage est recommandé si la température ambiante est inférieure à 30° C.
- 22 ou - 24° C	4°C	Ces réglages sont recommandés pour des températures ambiantes excédant 30° C.
Congélation rapide	4°C	Est utilisée lorsque vous voulez congeler vos denrées pendant une courte période. Lorsque le processus se termine, les paramètres du produit reviennent à la position précédente.
- 18° C ou plus froid	2° C	Utilisez ces paramètres si à votre avis le compartiment réfrigérateur n'est pas assez froid en raison de la température ambiante ou de l'ouverture fréquente de la porte.

### Détails du congélateur

Selon les normes IEC 62552, à une température ambiante de 25° C, le congélateur doit pouvoir congeler 4,5 kg de denrées alimentaires à - 18° C ou à des températures inférieures en 24 heures pour chaque 100 litres de volume du compartiment congélateur.

Les aliments peuvent être préservés pour des périodes prolongées uniquement à des températures inférieures ou égales à - 18° C.

Vous pouvez garder les aliments frais pendant des mois (dans le congélateur à des températures inférieures ou égales à - 18° C).

Les aliments à congeler ne doivent pas être en contact avec ceux déjà congelés pour éviter un dégivrage partiel.

Faites bouillir les légumes et filtrez l'eau pour prolonger la durée de conservation à l'état congelé. Placez les aliments dans des emballages sous vide après les avoir filtrés et placez-les dans le congélateur. Les bananes, les tomates, les feuilles de laitue, le céleri, les œufs durs, les pommes de terre et les aliments similaires ne doivent pas être congelés. Si ces aliments sont conge-

lés, seules les valeurs nutritionnelles et les qualités gustatives seront affectées. Une pourriture qui mettrait en danger la santé humaine n'est pas à l'ordre du jour.

### Placer les aliments

**Balconnets du compartiment congélateur** : Différents aliments congelés comme la viande, le poisson, la crème glacée, les légumes, etc.

**Étagères du compartiment réfrigérateur** : Les aliments contenus dans des casseroles, des plats couverts, des gamelles et les œufs (dans des gamelles fermées)

**Balconnets de la porte du compartiment réfrigérateur** : Aliments ou boissons de petite taille et emballés.

**Bac à légumes** : Légumes et fruits

**Compartiment des aliments frais** : Delicatessen (aliments pour le petit déjeuner, produits carnés à consommer dans un délai court).

## 7.2 Bac à légumes

Le bac à légumes du réfrigérateur est conçu pour conserver les légumes frais en préservant leur humidité. À cette fin, la circulation générale d'air froid est intensifiée dans le bac à légumes. Conservez les fruits et les légumes dans ce compartiment. Conservez séparément les légumes verts et les fruits pour prolonger leur durée de vie.

## 7.3 bac à légumes avec contrôle d'humidité

### Everfresh

Grâce à la fonction de bac à légumes à humidité contrôlée, l'humidité des légumes et des fruits est maîtrisée et les aliments restent frais plus longtemps.

Nous vous recommandons de placer les légumes à feuilles tels que la laitue, les épinards et les légumes similaires qui sont sensibles à la perte d'humidité dans le bac à légumes, non pas à la verticale sur leurs racines, mais le plus horizontalement possible.

Lorsque vous placez les légumes, placez les légumes lourds et durs en bas et les légumes légers et tendres en haut, en tenant compte du poids spécifique des légumes. Ne laissez jamais de légumes dans des sacs en plastique dans le bac à légumes. En les laissant dans des sacs en plastique, les légumes pourrissent en peu de temps. Dans les situations où le contact avec d'autres légumes n'est pas privilégié, utilisez des matériaux d'emballage tels que le papier qui présente un certain niveau de porosité en termes d'hygiène.

Il ne faut pas mettre les fruits qui ont une forte production de gaz d'éthylène comme la poire, l'abricot, la pêche et surtout la pomme dans le même bac à légumes avec d'autres fruits et légumes. Le gaz d'éthylène qui sort de ces fruits pourrait faire mûrir plus rapidement d'autres légumes et fruits et les faire pourrir dans un laps de temps plus court.

## 7.4 Technologies Crisper

### Voyant lumineux bleu

Les fruits et légumes stockés dans les bacs à légumes éclairés par une lumière bleue continuent leur photosynthèse grâce à l'effet de longueur d'onde de la lumière bleue et préservent ainsi leur teneur en vitamine.

### HarvestFresh

Les fruits et légumes conservés dans les bacs à légumes éclairés par la technologie HarvestFresh conservent leurs vitamines plus longtemps grâce aux lumières bleues, vertes, rouges et aux cycles d'obscurité, qui simulent un cycle de jour.

Lorsque la porte de votre réfrigérateur est ouverte pendant la période d'obscurité de la technologie HarvestFresh, votre réfrigérateur le détecte automatiquement et allume le bac à légumes avec l'une des lumières bleues, vertes ou rouges respectivement pour votre confort. Une fois que vous

avez fermé la porte du réfrigérateur, la période d'obscurité se poursuit, représentant ainsi la nuit dans un cycle de jour.

## 7.5 Zone d'entreposage frais des produits laitiers

### Tiroir de stockage du froid

Le tiroir de stockage du froid peut atteindre des températures plus basses dans le compartiment réfrigérant. Utilisez ce tiroir pour les produits de charcuterie (salami, saucisse, etc.) et les produits laitiers qui nécessitent des conditions de stockage plus froides, ou pour la viande, le poulet ou le poisson à consommer rapidement. Il n'est pas possible de stocker des fruits et des légumes dans ce tiroir.

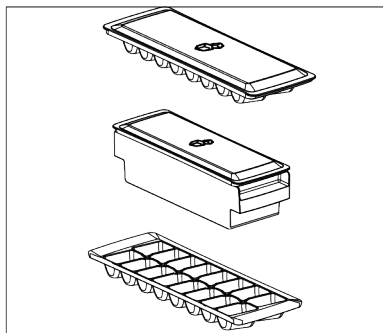
## 7.6 La zone de stockage de la glace

### Récipient à glace

Le seau à glace vous permet de prendre facilement de la glace dans le réfrigérateur.

### Utilisation du seau à glace

1. Sortez le seau à glace du compartiment congélateur.
2. Remplissez le seau à glace avec de l'eau.
3. Placez le seau à glace dans le compartiment du congélateur. Les glaçons seront prêts après environ deux heures.
4. Sortez le seau à glace du compartiment congélateur et penchez-vous légèrement sur le support que vous allez servir. La glace se verse facilement dans le récipient de service.



## 7.7 Inversion du côté d'ouverture de la porte

Le côté d'ouverture de la porte de votre réfrigérateur peut être inversé en fonction de l'endroit où vous le placez. En cas de besoin, vous devez absolument appeler le service agréé le plus proche.

## 7.8 Alerte de porte ouverte

Le système d'alerte d'ouverture de porte de votre réfrigérateur peut varier selon le modèle.

### Versión 1;

Si la porte du produit reste ouverte pendant un certain temps (entre 60 s et 120 s), un signal d'avertissement sonore retentit ; selon le modèle de produit, un signal d'avertissement visuel (flash lumineux) peut également être affiché. Si vous fermez la porte de l'appareil ou appuyez sur une touche de l'écran de l'appareil, le signal d'avertissement sonore s'arrête.

### Versión 2;

Si la porte de l'appareil reste ouverte pendant un certain temps (entre 60 s et 120 s), l'alarme d'ouverture de porte retentit. L'alarme d'ouverture de porte retentit progressivement. Un signal d'avertissement sonore retentit d'abord. Si la porte n'est toujours pas fermée après 4 minutes, un avertissement visuel (lumière clignotante) est activé. L'alarme d'ouverture de porte est retardée pendant un certain temps (entre 60 s et 120 s) si l'on appuie sur n'importe quelle touche de l'écran du produit (le cas échéant). Le processus recommence alors. Lorsque la porte de l'appareil est fermée, l'alarme d'ouverture de porte est annulée.

## 7.9 Remplacement de la lampe d'éclairage

Appelez le service autorisé lorsque l'ampoule/LED utilisée pour l'éclairage de votre réfrigérateur doit être remplacée.

La ou les lampes utilisées dans cet appareil ne peuvent pas être utilisées pour l'éclairage de la maison. L'objectif de cette lampe

est d'aider l'utilisateur à placer les aliments dans le réfrigérateur/congélateur de manière sûre et confortable.

## 7.10 AeroFlow

C'est un système de distribution d'air qui assure une répartition homogène de la température. Grâce à la circulation de l'air, la distribution homogène de la température est assurée dans le compartiment de stockage des aliments frais, et les fluctuations de température sont maintenues à de faibles niveaux. Il n'y a pas de soufflage direct d'air sur les aliments, ce qui permet de réduire la perte d'humidité. Cela préserve la fraîcheur des aliments stockés dans le compartiment des aliments frais du réfrigérateur. De cette façon, vos aliments sont conservés à des températures plus stables et le contact avec l'air est réduit. Le séchage et le rétrécissement des aliments par perte d'humidité sont évités et la fraîcheur est assurée plus longtemps.

## 7.11 Ventilateur

Le ventilateur est conçu pour que l'air froid soit distribué et circule de manière homogène dans celui-ci. La durée de fonctionnement du ventilateur peut varier en fonction des caractéristiques du produit.

Alors que, dans certains produits, le ventilateur ne fonctionne qu'avec le compresseur, dans d'autres produits, le système de contrôle détermine le temps de fonctionnement du ventilateur en fonction du besoin de refroidissement.

## 7.12 Porte-œuf

Vous pouvez placer le porte-œuf sur la porte ou l'étagère du corps que vous souhaitez.

Si le porte-œufs doit être placé sur l'étagère du corps, nous vous recommandons de choisir des étagères inférieures plus froides.

 **Ne placez jamais le porte-œuf sur le compartiment congélateur.**

## 8 Entretien et nettoyage



### AVERTISSEMENT :

Lisez d'abord la section « Instructions de sécurité ».



### AVERTISSEMENT :

Débranchez le réfrigérateur avant le nettoyage.

- N'utilisez pas des objets pointus ou des produits de nettoyage abrasifs pour nettoyer l'appareil. Il ne faut pas utiliser de matériaux tels que des produits d'entretien ménager, du savon, des détergents, du gaz, de l'essence, un diluant, de l'alcool, de la cire, etc.
- La poussière doit être enlevée de la grille de ventilation située à l'arrière du produit au moins une fois par an (sans ouvrir le couvercle). Nettoyez l'appareil avec un chiffon humide.
- Veillez à ne pas mouiller le logement de la lampe ainsi que d'autres composants électriques.
- Nettoyez la porte avec un chiffon humide. Retirez tout le contenu pour enlever la porte et les supports de carrosserie. Retirez les supports de porte en les soulevant vers le haut. Nettoyez et séchez les étagères, puis refixez-les en les faisant glisser à partir du haut.
- N'utilisez pas d'eau contenant du chlore, ou des produits de nettoyage pour les surfaces externes et les pièces chromées de l'appareil. Le chlore entraîne la corrosion de ce type de surfaces métalliques.
- Il ne faut pas utiliser d'outils tranchants et abrasifs, de savon, de produits d'entretien ménager, de détergents, de gaz, d'essence, de vernis et de substances similaires pour empêcher la déformation de la pièce en plastique et l'élimination des

empreintes sur la pièce. Utilisez de l'eau chaude et un chiffon doux pour le nettoyage, puis séchez-le.

- Sur les produits sans fonction « No-Frost », des gouttelettes d'eau et un givre peuvent se former sur la paroi arrière du compartiment congélateur. Ne nettoyez pas et n'appliquez jamais d'huiles ou de produits similaires.
- Utilisez un chiffon en microfibres légèrement humidifié pour nettoyer la surface extérieure du produit. Les éponges et autres types de vêtements de nettoyage peuvent provoquer des éraflures.
- Afin de nettoyer tous les composants amovibles pendant le nettoyage de la surface intérieure du produit, il faut laver ces composants avec une solution douce composée de savon, d'eau et de carbonate. Lavez et séchez soigneusement. Évitez le contact de l'eau avec les composants d'éclairage et le panneau de contrôle.



#### **ATTENTION :**

N'utilisez pas de vinaigre, d'alcool à friction ni de produits nettoyants à base d'alcool sur les surfaces intérieures.

## **9 Dépannage**

Vérifiez la liste suivante avant de contacter le service après-vente. Cela devrait vous éviter de perdre du temps et de l'argent. Cette liste répertorie les plaintes fréquentes ne provenant pas de vices de fabrication ou des défauts de pièces. Certaines fonctionnalités mentionnées dans ce manuel peuvent ne pas exister sur votre modèle.

### **Le réfrigérateur ne fonctionne pas.**

- La fiche électrique n'est pas correctement insérée. >>> Branchez-la en l'enfonçant complètement dans la prise.
- Le fusible branché à la prise qui alimente l'appareil ou le fusible principal est grillé. >>> Vérifiez les fusibles.

### **Surfaces extérieures en acier inoxydable**

Utilisez un produit de nettoyage non abrasif pour l'acier inoxydable et appliquez-le avec un chiffon doux non pelucheux. Pour polir, essuyez doucement la surface avec un chiffon en microfibres humidifié à l'eau et utilisez une peau de chamois sèche. Suivez toujours les veines de l'acier inoxydable.

### **Prévention des odeurs**

À sa sortie d'usine, cet appareil ne contient aucun matériau odorant. Cependant, la conservation des aliments dans des sections inappropriées et le mauvais nettoyage de l'intérieur peuvent donner lieu aux mauvaises odeurs.

- Pour éviter cela, nettoyez l'intérieur à l'aide de carbonate dissout dans l'eau tous les 15 jours.
- Conservez les aliments dans des récipients scellés, car les micro-organismes provenant des aliments conservés dans des récipients non scellés provoquent une mauvaise odeur.
- Ne conservez pas d'aliments périmés ou avariés dans le réfrigérateur.

### **Protection des surfaces en plastique**

Si de l'huile se répand sur les surfaces en plastique, il faut immédiatement les nettoyer avec de l'eau tiède, sinon elles seront endommagées.

### **Condensation sur la paroi latérale du congélateur (MULTI ZONE, COOL, CONTROL et FLEXI ZONE).**

- La porte a été ouverte trop fréquemment >>> Évitez d'ouvrir trop fréquemment la porte de l'appareil.
- L'environnement est trop humide. >>> N'installez pas l'appareil dans des endroits humides.
- Les aliments contenant des liquides sont conservés dans des récipients non fermés. >>> Conservez ces aliments dans des emballages scellés.
- La porte de l'appareil est restée ouverte. >>> Ne laissez pas la porte de l'appareil ouverte longtemps.

- Le thermostat est réglé sur une température très froide. >>> Réglez le thermostat à la température appropriée.

### **Le compresseur ne fonctionne pas.**

- En cas de coupure soudaine de courant ou de débranchement intempestif, la pression du gaz dans le système de réfrigération de l'appareil n'est pas équilibrée, ce qui déclenche la fonction de conservation thermique du compresseur. L'appareil se remet en marche au bout de 6 minutes environ. Dans le cas contraire, veuillez contacter le service de maintenance.
- Le dégivrage est actif. >>> Ce processus est normal pour un appareil à dégivrage complètement automatique. Le dégivrage se déclenche périodiquement.
- L'appareil n'est pas branché. >>> Vérifiez que le cordon d'alimentation est branché.
- Le réglage de la température est incorrect. >>> Sélectionnez le réglage de température approprié.
- Absence d'énergie électrique. >>> Le produit continuera à fonctionner normalement une fois le courant rétabli.

### **Le bruit du réfrigérateur en fonctionnement s'accroît pendant son utilisation.**

- Le rendement de l'appareil en fonctionnement peut varier en fonction des fluctuations de la température ambiante. Ceci est normal et ne constitue pas un dysfonctionnement.

### **Le réfrigérateur fonctionne fréquemment ou pendant de longues périodes.**

- Il se peut que le nouvel appareil soit plus grand que l'ancien. Les appareils plus grands fonctionnent plus longtemps.
- La température de la pièce est peut-être trop élevée. >>> Il est normal que l'appareil fonctionne plus longtemps quand la température de la pièce est élevée.
- L'appareil vient peut-être d'être branché ou chargé de nouvelles denrées alimentaires. >>> L'appareil met plus longtemps à atteindre la température réglée s'il vient d'être branché ou récemment rempli de denrées. C'est normal.

- Il est possible que des quantités importantes d'aliments chauds aient été récemment placées dans l'appareil. >>> Ne mettez pas d'aliments chauds à l'intérieur de l'appareil.
- Les portes étaient ouvertes fréquemment ou sont restées longtemps ouvertes. >>> L'air chaud qui se déplace à l'intérieur permet à l'appareil de fonctionner plus longtemps. N'ouvrez pas les portes trop fréquemment.
- Il est possible que la porte du congélateur soit entrouverte. >>> Vérifiez que les portes sont complètement fermées.
- L'appareil peut être réglé à une température trop basse. >>> Réglez la température à un degré supérieur et attendez que l'appareil atteigne la nouvelle température.
- Le joint de la porte du congélateur peut être sale, usé, cassé, ou mal positionné. >>> Nettoyez ou remplacez le joint d'étanchéité. Si le joint du congélateur est endommagé ou arraché, l'appareil prendra plus longtemps à conserver la température actuelle.

### **La température du congélateur est très basse, alors que celle du réfrigérateur est appropriée.**

- La température du compartiment congélateur est très basse. >>> Réglez la température du compartiment congélateur à un degré supérieur et vérifiez à nouveau.

### **La température du réfrigérateur est très basse, alors que celle du congélateur est appropriée.**

- La température du compartiment réfrigérateur est très basse. >>> Réglez la température du compartiment de refroidissement à un degré supérieur et vérifiez à nouveau.

### **Les aliments conservés dans le compartiment réfrigérateur sont congelés.**

- La température du compartiment réfrigérateur est très basse. >>> Réglez la température du compartiment de refroidissement à un degré supérieur et vérifiez à nouveau.

### **La température du compartiment réfrigérateur ou congélateur est très élevée.**

- La température du compartiment réfrigérateur est réglée à un degré très élevé. >>> Le réglage de la température du compartiment réfrigérateur a une incidence sur la température du compartiment congélateur. Attendez jusqu'à ce que la température des pièces correspondantes atteigne le niveau d'efficacité requis en changeant la température des compartiments réfrigérateur ou congélateur.
- Les portes étaient ouvertes fréquemment ou sont restées longtemps ouvertes. >>> N'ouvrez pas les portes trop fréquemment.
- La porte peut être entrouverte. >>> Fermez complètement la porte.
- L'appareil vient peut-être d'être branché ou chargé de nouvelles denrées alimentaires. >>> Cela est normal. L'appareil met plus longtemps à atteindre la température réglée s'il vient d'être branché ou récemment rempli de denrées.
- Il est possible que des quantités importantes d'aliments chauds aient été récemment placées dans l'appareil. >>> Ne mettez pas d'aliments chauds à l'intérieur de l'appareil.

### **En cas de vibrations ou de bruits.**

- La surface n'est pas plate ou durable >>> Si l'appareil balance lorsqu'il est déplacé doucement, ajustez les supports afin de le remettre en équilibre. Assurez-vous également que le sol est assez solide pour supporter l'appareil.
- Les éléments placés sur l'appareil peuvent être à l'origine du bruit. >>> Retirez tous les éléments placés sur l'appareil.
- L'appareil émet un bruit d'écoulement de liquide ou de pulvérisation, etc.
- Les principes de fonctionnement de l'appareil impliquent des écoulements de liquides et des émissions de gaz. >>> Ceci est normal et ne constitue pas un dysfonctionnement.

### **L'appareil émet un sifflement.**

- L'appareil effectue le refroidissement à l'aide d'un ventilateur. Ceci est normal et ne constitue pas un dysfonctionnement.

### **Il y a de la condensation sur les parois internes de l'appareil.**

- Un climat chaud ou humide accélère le processus de givrage et de condensation. Ceci est normal et ne constitue pas un dysfonctionnement.
- Les portes étaient ouvertes fréquemment ou sont restées longtemps ouvertes. >>> N'ouvrez pas les portes trop fréquemment ; fermez-les lorsqu'elles sont ouvertes.
- La porte peut être entrouverte. >>> Fermez complètement la porte.

### **Il y a de la condensation sur les parois externes ou entre les portes de l'appareil.**

- Il se peut que le climat ambiant soit humide, auquel cas cela est normal. >>> La condensation se dissipera lorsque l'humidité sera réduite.

### **Présence d'une odeur désagréable dans l'appareil.**

- L'appareil n'est pas nettoyé régulièrement. >>> Nettoyez régulièrement l'intérieur à l'aide d'une éponge, de l'eau tiède et du carbonate dissout dans l'eau.
- Certains récipients et matériaux d'emballage sont peut-être à l'origine des mauvaises odeurs. >>> Utilisez des récipients et des emballages exempts de toute odeur.
- Les aliments étaient placés dans des récipients ouverts. >>> Conservez les aliments dans des récipients fermés. Des micro-organismes peuvent se proliférer dans des récipients non fermés et émettre de mauvaises odeurs.
- Retirez tous les aliments périmés ou avariés de l'appareil.

### **La porte ne se ferme pas.**

- Les paquets d'aliments peuvent bloquer la porte. >>> Déplacez tout ce qui bloque les portes.

- L'appareil ne se tient pas parfaitement droit sur le sol. >>> Ajustez les supports afin de remettre l'appareil en équilibre.
- La surface n'est pas plane ou durable >>> Assurez-vous que la surface est plane et suffisamment durable pour supporter le produit.

#### **Le bac à légumes est bloqué.**

- Il est possible que les aliments soient en contact avec la section supérieure du bac. >>> Reclassez les aliments dans le bac.

#### **Température à la surface de l'appareil.**

- Une température élevée peut être observée entre deux portes, sur les panneaux latéraux et sur la zone du grill arrière

lorsque votre produit est utilisé. C'est normal et cela ne nécessite pas d'entretien.

#### **Le ventilateur continue de fonctionner lorsque la porte est ouverte.**

- Le ventilateur peut continuer à fonctionner lorsque la porte du congélateur est ouverte.



**AVERTISSEMENT :** Si le problème persiste même après observation des instructions contenues dans cette partie, contactez votre fournisseur ou un service de maintenance agréé. N'essayez pas de réparer vous-même l'appareil. C'est normal.

## **CLAUSE DE NON-RESPONSABILITÉ / AVERTISSEMENT**

Certaines défaillances (simples) peuvent être traitées de manière adéquate par l'utilisateur final sans qu'aucun problème de sécurité ou d'utilisation dangereuse ne survienne, à condition qu'elles soient effectuées dans les limites et conformément aux instructions suivantes (voir la section « Auto-réparation »).

Par conséquent, sauf autorisation contraire dans la section « Auto-réparation » ci-dessous, adressez-vous à des réparateurs professionnels agréés pour toutes réparations afin d'éviter des problèmes de sécurité. Un réparateur professionnel agréé est une personne à qui le fabricant a donné accès aux instructions et à la liste des pièces détachées de ce produit selon les méthodes décrites dans les actes législatifs en application de la directive 2009/125/CE

**Toutefois, seul l'agent de service (c'est-à-dire les réparateurs professionnels agréés) que vous pouvez joindre au numéro de téléphone indiqué dans le manuel d'utilisation/la carte de garantie ou par l'intermédiaire de votre fournisseur agréé peut fournir un service conformément aux conditions de garantie. Par conséquent, veuillez noter que les réparations effectuées par des réparateurs**

**professionnels (qui ne sont pas autorisés par) Beko Marka annulent la garantie.**

#### **Auto-réparation**

L'auto-réparation peut être effectuée par l'utilisateur final en ce qui concerne les pièces de rechange suivantes : poignées de porte, charnières de porte, plateaux, paniers et joints de porte (une liste mise à jour est également disponible sur support.beko.com à partir du 1er mars 2021).

En outre, pour garantir la sécurité du produit et éviter tout risque de blessure grave, ladite auto-réparation doit être effectuée en suivant les instructions du manuel d'utilisation pour l'auto-réparation ou celles disponibles sur support.beko.com. Pour votre sécurité, débranchez le produit avant de procéder à toute auto-réparation.

Les réparations et tentatives de réparation par les utilisateurs finaux pour des pièces ne figurant pas dans cette liste et/ou ne suivant pas les instructions des manuels d'utilisation pour l'auto-réparation ou celles disponibles sur support.beko.com, pourraient donner lieu à des problèmes de sécurité non imputables à Beko, et annuleront la garantie du produit.



Il est donc fortement recommandé aux utilisateurs finaux de s'abstenir de tenter d'effectuer des réparations ne figurant pas sur la liste des pièces de rechange mentionnée, mais de contacter dans de tels cas des réparateurs professionnels autorisés ou des réparateurs professionnels agréés. Au contraire, de telles tentatives de la part des utilisateurs finaux peuvent causer des problèmes de sécurité et endommager le produit et, par la suite, provoquer un incendie, une inondation, une électrocution et des blessures corporelles graves.

À titre d'exemple, mais sans s'y limiter, vous devez vous adresser à des réparateurs professionnels autorisés ou à des réparateurs professionnels agréés pour les réparations suivantes : compresseur, circuit de refroidissement, carte mère, carte d'inverseur, panneau d'affichage, etc.

Le fabricant/vendeur ne peut être tenu responsable dans tous les cas où les utilisateurs finaux ne se conforment pas à ce qui précède.

La disponibilité des pièces de rechange du réfrigérateur que vous avez acheté est de 10 ans. Pendant cette période, les pièces de rechange d'origine seront disponibles pour faire fonctionner le réfrigérateur correctement.

La durée minimale de garantie du réfrigérateur que vous avez acheté est de 24 mois.

Cet appareil est équipé d'une source d'éclairage de classe énergétique « G ».

La source d'éclairage de cet appareil ne doit être remplacée que par des réparateurs professionnels.

## Пожалуйста, сперва прочтите это руководство!

Уважаемый покупатель,


**Изучите данное руководство перед началом эксплуатации изделия.**


Благодарим за приобретение этой продукции Веко. Мы хотим, чтобы вы добились оптимальной эффективности от этого высококачественного продукта, который был произведен с использованием новейших технологий. Для этого внимательно прочтите это руководство и любую другую документацию, предоставленную перед использованием продукта, и сохраните ее в качестве справки.


Обратите внимание на всю информацию и предупреждения в руководстве пользователя. Таким образом вы защитите себя и свой продукт от возможных опасностей.


Сохраните руководство пользователя. Приложите это руководство к устройству, если вы передадите его кому-то другому.

**В руководстве пользователя используются следующие символы:**






	Опасность, которая может привести к смерти или травме.
--	--

	Важная информация или полезные советы по эксплуатации.
--	--

	Прочитайте руководство пользователя.
--	--------------------------------------

	Горючий материал, предупреждение об опасности возгорания.
--	---

**ПРИМЕЧАНИЕ** Опасность, которая может вызвать материальный ущерб продукту или его окружению

	<b>ENERG</b> 	
SUPPLIER'S NAME	MODEL IDENTIFIER → (*)	
		

Для доступа к информации о модели в базе данных воспользуйтесь следующим веб-сайтом и произведите поиск по идентификатору модели (\*), указанному на маркировке энергоэффективности.

<https://eprel.ec.europa.eu/>

<b>1</b>	<b>Инструкции по технике безопасности .....</b>	<b>68</b>		
1.1	Назначение использования .....	68	7.3	Контейнер с Контролируемой Влажностью .....
1.2	Безопасность для детей, уязвимых лиц и домашних животных .....	68	7.4	Технологии Crisper .....
1.3	Электробезопасность .....	69	7.5	Место для хранения молочных продуктов в охлажденном виде .....
1.4	Безопасность при обращении ..	70	7.6	Зона хранения льда .....
1.5	Безопасность установки.....	70	7.7	Изменение стороны открывания двери .....
1.6	Эксплуатационная безопасность .....	73	7.8	Предупреждение об открытой двери .....
1.7	Безопасность хранения продуктов .....	75	7.9	Замена лампы подсветки .....
1.8	Безопасность технического обслуживания и очистки.....	76	7.10	AeroFlow .....
1.9	Утилизация изделия .....	77	7.11	Вентилятор .....
<b>2</b>	<b>Инструкции по окружающей среде .....</b>	<b>78</b>	7.12	Держатель яиц.....
2.1	Соответствие требованиям Директивы WEEE (директива ЕС об отходах электрического и электронного оборудования) и утилизация отработавшего прибора .....	78	<b>8</b>	<b>Обслуживание и очистка .....</b>
<b>3</b>	<b>Ваш холодильник .....</b>	<b>79</b>	<b>9</b>	<b>Устранение неисправностей .....</b>
<b>4</b>	<b>Установка .....</b>	<b>79</b>		
4.1	Подходящее место для установки .....	80		
4.2	Электрическая схема .....	80		
4.3	Регулировка ножек .....	80		
4.4	Предупреждение о горячей поверхности .....	81		
4.5	Удаление пенопласта с компрессора .....	81		
<b>5</b>	<b>Подготовка .....</b>	<b>81</b>		
5.1	Как экономить электроэнергию .....	81		
5.2	Первое использование.....	82		
5.3	Климатический класс и определения .....	82		
<b>6</b>	<b>Эксплуатация устройства .....</b>	<b>82</b>		
6.1	Панель управления изделия ....	84		
<b>7</b>	<b>Использование вашего продукта .....</b>	<b>86</b>		
7.1	Хранение продуктов в холодильной камере .....	86		
7.2	Ящик для фруктов и овощей ....	91		



## 1 Инструкции по технике безопасности

- В этой секции содержатся инструкции по безопасности, необходимые для предотвращения риска получения травм и материального ущерба.
- Наша компания не будет нести ответственность за ущерб, который может возникнуть в случае несоблюдения этих инструкций.



Монтажные и ремонтные работы всегда должны выполняться производителем, уполномоченным сервисным центром или лицом, которое будет указано компанией-импортером.



Используйте только оригинальные запчасти и аксессуары.



Не проводите ремонт и замену каких-либо частей устройства, если это явно не сказано в руководстве пользователя.



Не вносите никаких изменений в устройство.



### 1.1 Назначение использования

- Данное изделие не предназначено для коммерческого использования и не должно использоваться в целях, отличных от предполагаемого использования.

- Это устройство предназначено для эксплуатации в помещениях, к примеру, в домашнем хозяйстве и т. д.

Например:

на кухнях для персонала магазинов, офисов и других рабочих помещениях, в фермерских домах, гостиницах, мотелях и иных местах отдыха, которые используются клиентами, в общежитиях или аналогичных помещениях, в сфере общественного питания и аналогичных некоммерческих сферах.

- Это устройство нельзя использовать в открытых и закрытых помещениях, таких как судна, дома на колесах, балконы или террасы. Воздействие на устройство дождя, снега, солнечного света и ветра может привести к возгоранию.



### 1.2 Безопасность для детей, уязвимых лиц и домашних животных

- Этим устройством могут пользоваться дети в возрасте 8 лет и старше, а также люди с неполноценными физическими, сенсорными или умственными способно-

- стями либо с недостатком опыта и знаний, если они находятся под наблюдением либо были проинструктированы относительно безопасного использования устройства и связанных с ним опасностей.
- Детям в возрасте от 3 до 8 лет разрешается класть и выносить продукты из холодильника.
- Детям и домашним животным запрещено играть с устройством, забираться на него или входить в него.
- Детей и домашних животных следует держать подальше от зоны кабины (компрессора), где расположены электрические части.
- Детям запрещено выполнять чистку и техническое обслуживание, если за ними не присматривают.
- Храните упаковочные материалы в недоступном для детей месте. Риск травмы и удушья.
- Если шнур питания поврежден, он должен быть заменен только авторизованным сервисом, во избежание любого риска, который может возникнуть.
- Не засовывайте шнур питания под устройство или за его заднюю часть. Не кладите на шнур питания тяжелые предметы. Шнур питания нельзя гнуть, давить и он не должен контактировать с источниками тепла.
- Не используйте удлинитель, мульти-вилку или адаптер для работы с вашим устройством.
- Портативные многополюсные вилки и портативные источники питания могут перегреться и привести к возгоранию. Таким образом, не устанавливайте портативные источники питания позади или вблизи устройства.
- Не подключайте шнур питания устройства к ослабленной или поврежденной розетке. Эти типы соединений могут перегреваться и вызывать пожар.
- Должен быть легкий доступ к вилке. Если это невозможно, в электроустановке должен быть предусмотрен механизм, соответствующий законодательству в области электротехники и отключаю-



### 1.3 Электробезопасность

- Устройство не должно быть подключено к розетке во время монтажа, технического обслуживания, очистки, ремонта и транспортировки.

щий все клеммы от сети (предохранитель, выключатель, главный выключатель и т.д.).

- Изделием нельзя управлять с помощью внешнего переключающего устройства, такого как таймер или система дистанционного управления.
- Не используйте изделие, если у вас босые ноги или мокрое тело.
- Не касайтесь вилки мокрыми руками.
- Вынимая вилку из розетки, держитесь не за шнур, а за вилку.

#### 1.4 Безопасность при обращении

- Перед перемещением изделия обязательно отключите его от сети.
- Устройство тяжелое, не обращайтесь с ним самостоятельно. Если изделие упадет на вас, возможно получение травмы. Не натывайтесь на попадающиеся по пути предметы и не роняйте изделие во время транспортировки.
- Во время транспортировки всегда закрывайте дверцы и не держите изделие за дверцы.
- Будьте осторожны, чтобы не повредить систему охлаждения и трубы при обращении

с устройством. Не используйте устройство, если трубы повреждены, и обратитесь в авторизованный центр.

#### 1.5 Безопасность установки

- Обратитесь в авторизованный центр для установки устройства. Для того, чтобы подготовить устройство к использованию, ознакомьтесь с информацией в руководстве пользователя и убедитесь, что электрические и водопроводные сети соответствуют требованиям. В противном случае вызовите квалифицированного электрика и сантехника для принятия необходимых мер. Иначе будет риск поражения электрическим током, пожара, проблем с изделием или травмирования.
- Это изделие предназначено для использования при максимальной высоте 2000 метров над уровнем моря.
- Не допускайте детей к месту установки.
- Перед установкой проверьте устройство на наличие повреждений. Не устанавливайте устройство, если оно повреждено.

- Во время установки, технического обслуживания и ремонта изделия всегда используйте средства индивидуальной защиты (перчатки и т. д.). Риск получения травм!
- Установите устройство на чистую, ровную и твердую поверхность и сбалансируйте его регулируемыми ножками (вращая передние ножки вправо или влево). В противном случае холодильник может опрокинуться и привести к травмам.
- Устройство следует устанавливать в сухом и вентилируемом помещении. Не кладите ковры, коврики и аналогичные напольные покрытия под устройством. Может привести к возгоранию из-за недостаточной вентиляции!
- Не блокируйте и не покрывайте вентиляционные отверстия. В противном случае потребление энергии увеличится, и ваше изделие повредится.
- При размещении изделия убедитесь, что кабель питания не поврежден и не заземлен.
- Изделие нельзя подключать к системам электропитания и источникам питания, которые могут вызвать резкие изменения напряжения (например, портативный источник питания на солнечной энергии). В противном случае может произойти повреждение вашего устройства в результате резких колебаний напряжения!
- Чем больше хладагента содержится в холодильнике, тем больше должно быть помещение для его установки. В очень маленьких помещениях в случае утечки газа в системе охлаждения может возникнуть воспламеняющаяся газозоодушная смесь. На каждые 8 граммов хладагента требуется не менее 1 м<sup>3</sup> объема. Количество хладагента, доступного в вашем устройстве, указано на этикетке типа.
- Изделие ни в коем случае нельзя размещать таким образом, чтобы силовые кабели, металлический шланг газовой плиты, металлические газовые или водопроводные трубы соприкасались с задней стенкой изделия (или конденсатором).
- Место установки устройства не должно подвергаться воздействию прямых солнечных лучей и не должно находиться вблизи источников тепла, таких как печи, радиаторы и т.д. В случае, если вы не способны предотвратить

установку устройства вблизи источника тепла, используя подходящую изоляционную пластину и убедитесь, что минимальное расстояние до источника тепла такое, как указано ниже:

- На расстоянии не менее 30 см от источников тепла, таких как плиты, духовки, отопительные приборы и обогреватели и т.д.,
- И не менее 5 см от электрических духовок.
- Ваше устройство имеет класс защиты I.
- Подключите устройство к заземленной розетке, которая соответствует значениям напряжения, тока и частоты, указанным на заводской табличке. В розетке должен быть предохранитель на 10–16 А. Наша компания не несет ответственности за какие-либо повреждения, возникшие в результате использования устройства без заземления и невыполнения местных и национальных норм при подключении холодильника к электросети.
- При установке кабель питания устройства должен быть отключен от электросети. В противном случае может возникнуть опасность поражения электрическим током и получения травм!
- Не подключайте шнур питания изделия к ослабленным, смещенным, сломанным, грязным, покрытым маслом розеткам, которые имеют риск контакта с водой. Эти типы соединений могут привести к перегреву и возгоранию.
- Расположите шнур питания и шланги (если таковые имеются) устройства таким образом, чтобы они приводили к опрокидыванию.
- Попадание влаги и жидкости на токоведущие части или на шнур питания может привести к короткому замыканию. Соответственно, не используйте устройство во влажной среде или в местах, где может брызгать вода (к примеру, гараж, прачечная и т.д.). Если холодильник намок от воды, отключите его от сети и обратитесь в сервисный центр.
- Никогда не подключайте холодильник к энергосберегающим устройствам. Такие системы вредны для устройства.
- При снятии крышки электронной платы и задней крышки компрессора (если она установлена) существую-



ет риск соприкосновения с электрическими частями. Не снимайте крышку электронной платы и заднюю крышку компрессора (если она установлена). Существует риск получения смертельного электропоражения!



## 1.6 Эксплуатационная безопасность

- Никогда не используйте на устройстве химические растворители. Эти материалы могут привести к взрыву.
- В случае неисправности устройства отключите его от сети и не включайте, пока оно не будет отремонтировано в авторизованном сервисном центре. Существует опасность поражения электрическим током!
- Не размещайте источник пламени (например, свечи, сигареты и т.д.) на устройстве или в непосредственной близости от него.
- Не вставляйте на устройство. Опасность падения и травм!
- Не наносите повреждения трубам системы охлаждения с помощью острых и колющих инструментов. Хладагент, который распространяется в случае прокола газовых труб, удлинителей труб или покрытий верхней поверхности, может вызвать раздражение кожи и повреждение глаз.
- Не размещайте и не используйте электроприборы внутри холодильников/морозильных камер, если таковое не рекомендовано производителем.
- Не прикладывайте какие-либо части рук или тела к движущимся частям внутри устройства. Будьте внимательны, чтобы не зажать пальцы между холодильником и его дверцей. Будьте внимательны, открывая или закрывая дверь, если рядом есть дети.
- Не употребляйте мороженое, кубики льда или замороженные продукты, как только достанете их из морозилки. Риск обморожения!
- Не прикасайтесь мокрыми руками к внутренним стенкам, металлическим частям морозильной камеры или продуктам, хранящимся внутри морозильника. Риск обморожения!
- Не помещайте банки с газировкой, банки и бутылки, содержащие жидкости, которые могут быть заморожены, в морозильную камеру. Банки и бутылки могут лопнуть. Риск получения травм и материального ущерба!

- Не используйте и не размещайте вблизи холодильника материалы, которые чувствительны к температуре, такие как легковоспламеняющиеся аэрозоли и предметы, сухой лед либо иные химические вещества. Опасность возникновения пожара и взрыва!
- Не храните взрывчатые вещества, такие как аэрозольные баллончики с легковоспламеняющимися материалами внутри холодильника.
- Не ставьте банки с жидкостями поверх холодильника в открытом состоянии. Попадание воды на электрическую деталь может привести к поражению электрическим током или возгоранию.
- Из-за риска разбивания не храните стеклянные контейнеры с жидкостью в морозильном отделении.
- Данное устройство не предназначено для хранения и охлаждения лекарственных средств, плазмы крови, лабораторных препаратов или аналогичных материалов и изделий, подпадающих под Директиву о медицинских изделиях.
- Если устройство не используется по назначению, это может привести к повреждению или порче продуктов.
- Если ваш холодильник оснащен синим светом, не смотрите на этот свет с помощью оптических приборов. Не смотрите прямо на УФ-светодиоды в течение долгого времени. Ультрафиолетовые лучи могут привести к напряжению глаз.
- Не заполняйте холодильник большим количеством продуктов, нежели его вместимость. Травмы и повреждения могут возникнуть, если содержимое холодильника упадет при открытии дверцы. Такие же проблемы также могут возникнуть при размещении предмета поверх холодильника.
- Убедитесь, что вы удалили лед и воду, которые могли упасть на пол для предотвращения травм.
- Поменяйте расположение полок/полок для бутылок на дверце вашего холодильника, пока полки пустые. Опасность получения травм!
- Не кладите на устройство предметы, которые могут упасть или опрокинуться. Предметы могут упасть при открывании или закрывании

двери и привести к травмам и/или материальному ущербу.

- Не ударяйте и не оказывайте чрезмерного давления на стеклянные поверхности. Разбитое стекло может привести к травмам и/или материальному ущербу.
- Система охлаждения вашего холодильника содержит хладагент R600a. Тип хладагента, используемого в холодильнике, указан на этикетке типа. Этот газ легко воспламеняем. По этой причине будьте осторожны, чтобы не повредить систему охлаждения и трубы во время эксплуатации устройства. В случае повреждения труб:
  1. Не прикасайтесь к устройству или кабелю питания.
  2. устройство вдали от потенциальных источников огня, которые могут привести к возгоранию холодильника.
  3. Проветрите помещение, в котором находится изделие. Не используйте вентилятор.
  4. Обратитесь в авторизованную службу.

Если холодильник поврежден и вы заметили утечку газа, пожалуйста, держитесь по-

дальше от газа. Газ может вызвать обморожение при попадании на кожу.

Перед утилизацией старых продуктов, которые больше не должны использоваться:

1. Отсоедините шнур питания от сетевой розетки.
  2. Перережьте шнур питания и выньте его из прибора вместе с вилкой.
  3. Не снимайте стойки и ящики с устройства, чтобы дети не могли попасть внутрь прибора.
  4. Снимите двери.
  5. Храните устройство так, чтобы его невозможно было опрокинуть.
  6. Не позволяйте детям играть с утилизированным устройством.
- Не утилизируйте устройство, помещая его в огонь. Опасность взрыва.
  - Если на дверце продукта есть замок, храните ключ в недоступном для детей месте.



## 1.7 Безопасность хранения продуктов

Пожалуйста, обратите внимание на следующие предупреждения, чтобы избежать порчи пищевых продуктов:

- Если оставить двери открытыми в течение длительного времени, температура внутри изделия может повыситься.
- Регулярно очищайте доступные дренажные системы, контактирующие с пищевыми продуктами.
- Очищайте резервуары для воды, которые не использовались в течение 48 часов, и системы подачи воды, которые не использовались в течение более 5 дней.
- Храните сырое мясо и рыбные продукты в соответствующих отсеках внутри изделия. Таким образом оно не будет капать на другие продукты и не будет соприкасаться с ними.
- Двухзвездочные морозильные камеры используются для хранения предварительно замороженных продуктов, изготовления и хранения льда и мороженого.
- Однозвездочные, двухзвездочные и трехзвездочные отсеки не подходят для замораживания свежих продуктов.
- Если охлаждающее изделие будет оставлено пустым в течение длительного времени, выключите его, размо-

розьте, очистите и высушите, чтобы защитить его корпус.



## 1.8 Безопасность технического обслуживания и очистки

- Отключайте холодильник перед очисткой или началом технического обслуживания.
- Не тяните за дверную ручку, если вам необходимо переместить холодильник в целях чистки. Ручка может привести к травмам, если ее слишком сильно потянуть.
- Не кладите руки и т. п. под холодильник. Может произойти зажатие, или любой острый край может привести к травмам.
- Не очищайте изделие распылением или заливкой воды на и внутри холодильника. Опасность поражения электрическим током и пожара.
- При очистке изделия не используйте острые и абразивные инструменты или бытовые чистящие средства, моющие средства, газ, бензин, разбавитель, спирт, лак и аналогичные вещества. Используйте чистящие и обслуживающие средства, которые не вредны для пищевых продуктов, внутри холодильника.

- Никогда не используйте пар и пропаренные чистящие средства для очистки холодильника и размораживания льда внутри него. Пар будет контактировать с областями, находящимися под напряжением в вашем холодильнике, и может вызвать короткое замыкание или поражение электрическим током.
- Не используйте какие-либо механические инструменты или любые другие инструменты, кроме рекомендаций производителя, для ускорения операции размораживания.
- Следите за тем, чтобы вода не попадала на вентиляционные отверстия, электронные схемы или освещение холодильника.
- Пользуйтесь чистой сухой тканью для удаления пыли или посторонних материалов с кончиков заглушек. Не используйте влажный кусок ткани для очистки вилок. В противном случае может возникнуть возгорание или поражение электрическим током.



## 1.9 Утилизация изделия

При утилизации старого изделия следуйте приведенным ниже инструкциям:

- Во избежание случайного запираания детей в изделии, при наличии дверного замка, приведите его в нерабочее состояние.
- Брызги охлаждающей жидкости вредны для глаз. Не повреждайте никакие части системы охлаждения при утилизации изделия.
- Если компрессорное масло будет проглочено или попадет в дыхательные пути, это может привести к летальному исходу.
- Система охлаждения вашего изделия включает газ R600a, как указано на маркировочной табличке. Этот газ легко воспламеняем. Не утилизируйте устройство, помещая его в огонь. Опасность взрыва!
- С-пентан используется в качестве вспенивателя в изоляционной пене и является легковоспламеняющимся веществом. Не утилизируйте устройство, помещая его в огонь.

## 2 Инструкции по окружающей среде

### 2.1 Соответствие требованиям Директивы WEEE (директива ЕС об отходах электрического и электронного оборудования) и утилизация отработавшего прибора



Данное устройство соответствует Директиве ЕС WEEE по ограничению использования вредных веществ (2012/19/EU). Данный прибор имеет классификационный знак для отработанного электрического и электронного оборудования (WEEE). Такой знак означает, что после завершения эксплуатации прибор запрещается выбрасывать вместе с прочими бытовыми отходами. Использованное устройство необходимо вернуть в официальный пункт приема утилизируемых электрических и электронных устройств. Чтобы найти такие системы приема утиля, обратитесь в местные уполномоченные органы или к розничным продавцам, у которых был приобретен продукт. Каждое домашнее хозяйство выполняет

важную роль в восстановлении и утилизации старого оборудования. Надлежащая утилизация отработавшего прибора позволяет предотвратить возможные негативные последствия для окружающей среды и здоровья человека.

RU

### Соответствие требованиям Директивы RoHS:

Приобретенный Вами прибор соответствует требованиям Директивы RoHS EC (2011/65/EU). В нем не содержится вредных и запрещенных материалов, указанных в данной Директиве.

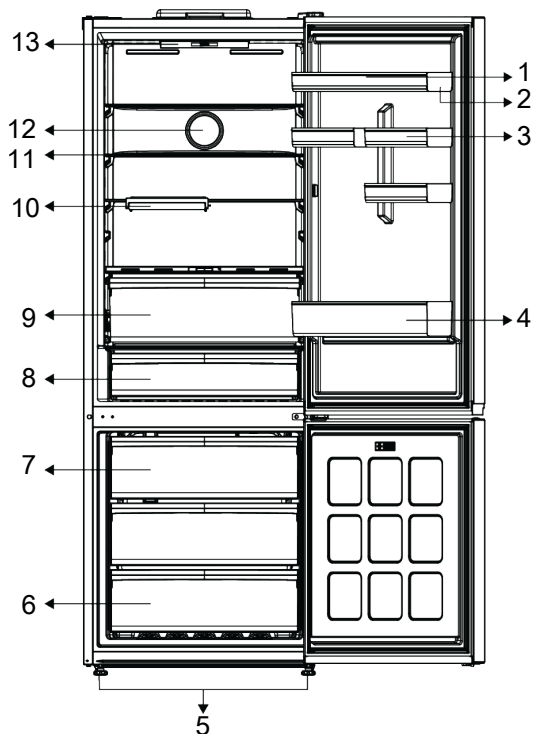


### Информация об упаковке

Материалы упаковки устройства произведены из перерабатываемого сырья в соответствии с нашими Национальными Нормами по защите окружающей среды. Запрещается выбрасывать упаковочные материалы вместе с бытовыми и другими отходами. Отправьте их в точки сбора упаковочных материалов, указанные местными органами власти.

### 3 Ваш холодильник

RU



- |                             |  |
|-----------------------------|--|
| 1 Держатель яиц             | 2 Регулируемая полка на дверце         |
| 3 * Маленькая дверная полка | 4 Полка для бутылок                    |
| 5 Регулируемые стойки       | 6 Морозильная камера                   |
| 7 Контейнер льдогенератора  | 8 Ящик для хранения в охлажденном виде |
| 9 Ящик для фруктов и овощей | 10 * Складываемая полка                |
| 11 Регулируемая полка       | 12 Вентилятор                          |
| 13 Освещение                |  |

**\*опционально:** Рисунки в данном руководстве по эксплуатации могут не полностью соответствовать характеристикам вашего устройства. Если в вашем

устройстве нет соответствующих деталей, информация относится к другим моделям.

### 4 Установка



Сначала прочтите раздел «Инструкции по технике безопасности»!

## 4.1 Подходящее место для установки

Обратитесь в авторизованный центр для установки устройства. Для того, чтобы подготовить устройство к установке, ознакомьтесь с информацией в руководстве пользователя и убедитесь, что электрические и водопроводные сети соответствуют требованиям. В противном случае вызовите электрика и сантехника для принятия необходимых мер.



### ВНИМАНИЕ:

Производитель не несет ответственности за любые повреждения, возникшие в результате выполнения работ лицами, которые не имеют на это разрешения.



### ВНИМАНИЕ:

При установке кабель питания устройства должен быть отключен от электросети. Невыполнение этого указания может привести к смерти или серьезному травматизму!



### ВНИМАНИЕ:

Если пролет двери слишком узкий для прохождения устройства, следует снять дверь и вносить холодильник боком; при невозможности выполнить это действие обратитесь в авторизованную сервисную службу.

- Расположите изделие на ровную поверхность, чтобы не вызывать вибрацию.
- Расположите изделие на расстоянии не менее 30 см от обогревателей, плит и аналогичных источников тепла и не менее 5 см от электрических духовок.
- Не подвергайте изделие воздействию прямых солнечных лучей и не храните его во влажной среде.
- Для эффективной работы вашего изделия необходима достаточная циркуляция воздуха. При установке изделия

в нише необходимо обеспечить зазор не менее 5 см между изделием, потолком, задней и боковыми стенами.

- Убедитесь, что защитный элемент зазора у задней стены установлен в предназначенное для него место (если он входит в комплектацию изделия).
- Если элемент отсутствует, утерян или отломан, изделие необходимо устанавливать таким образом, чтобы между его задней поверхностью и стеной помещения оставался зазор не менее 5 см. Зазор у задней стены необходим для эффективной работы изделия.

## 4.2 Электрическая схема



При подключении устройства к электросети запрещается использовать удлинители или многорозеточные переходники.



Поврежденный кабель питания заменяет авторизованная сервисная служба.



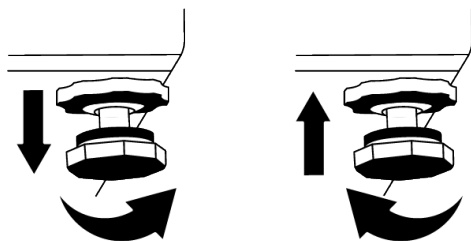
При установке рядом двух холодильников оставьте расстояние между двумя устройствами должно быть не менее 4 см.

- Наша компания не несет ответственности за какие-либо повреждения, возникшие в результате использования устройства без заземления и невыполнения национальных норм при подключении холодильника к электросети.
- После установки устройства к кабелю питания должен быть обеспечен легкий доступ.
- Не используйте многополюсную вилку, с удлинительным кабелем или без него, между холодильником и настенной розеткой.

## 4.3 Регулировка ножек

Если продукт находится в неуравновешенном состоянии, следует отрегулировать ножки путем вращения их вправо и влево.





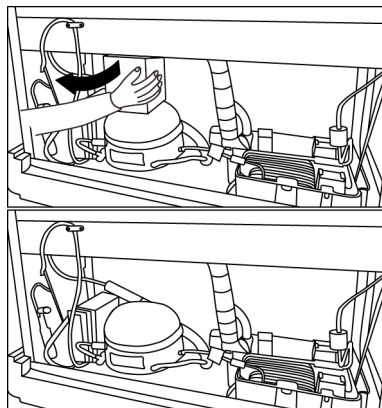
#### 4.4 Предупреждение о горячей поверхности

Боковые стенки вашего продукта оснащены охлаждающими трубками для улучшения системы охлаждения. Жидкость под высоким давлением может протекать через эти поверхности и вызывать нагревание поверхностей на боковых стенках. Это нормально и не требует обслуживания. Будьте осторожны при контакте с этими областями.

#### 4.5 Удаление пенопласта с компрессора

При производстве на компрессор закладывается пенопласт с целью повышения транспортировочной прочности изделия. Этот пенопласт должен быть удален до установки изделия.

RU



### 5 Подготовка



Сначала прочтите раздел «Инструкции по технике безопасности»!

#### 5.1 Как экономить электроэнергию



Не рекомендуется подключать устройство к энергосберегающим системам, поскольку это может привести к его поломке.

- Этот холодильный прибор не предназначен для использования в качестве встраиваемого прибора.
- Не держите дверцы холодильника открытыми на протяжении длительного времени.
- Не ставьте горячую еду или напитки в холодильник.
- Не перегружайте холодильник - затруднение внутреннего воздухооборота снизит его охлаждающую способность.
- Поскольку горячий и влажный воздух не будет напрямую проникать в ваш продукт, когда дверца не открыта, ваш продукт будет оптимизировать себя в условиях, достаточных для защиты ваших продуктов. В этих условиях такие функции и компоненты, как компрессор, вентилятор, нагреватель, размораживание, освещение, дисплей и т. п., будут работать в соответствии с потребностями при минимальном потреблении энергии.
- В случае наличия нескольких вариантов стеклянные полки должны быть размещены так, чтобы отверстия для выпуска воздуха на задней стенке не были заблокированы, предпочтительно, чтобы отверстия для выпуска воздуха оставались под стеклянной полкой. Эта комбинация может помочь улучшить распределение воздуха и энергоэффективность.
- При хранении настоятельно рекомендуется использовать нижеприведенный ящик.

- В зависимости от характеристик устройства, размораживание пищевых продуктов в холодильной камере обеспечит экономию электроэнергии и сохранит качество пищи.
- Для того, чтобы загрузить максимальное количество продуктов питания в холодильное отделение вашего морозильника, вам следует выдвинуть верхние ящики и поместить их на проволочные/стеклянные полки.
- Для обеспечения экономии энергии и лучших условий хранения продуктов используйте ящики холодильной камеры.
- Упаковки с продуктами питания не следует хранить в непосредственном контакте с датчиком температуры, расположенным в морозильном отделении.

## 5.2 Первое использование

Перед тем, как использовать холодильник, убедитесь, что все подготовительные работы выполнены в соответствии с рекомендациями в разделах «Инструкции по охране труда и окружающей среде» и «Установка».

- Дайте изделию проработать, не кладя внутрь продукты, в течение 6 часов и не открывайте дверцу без крайней необходимости.
- Изменение температуры, вызванное открытием и закрытием дверцы во время использования изделия, обычно может привести к конденсации на полках дверцы/корпуса и стеклянных емкостях, помещенных в изделие.



При включении компрессора вы услышите звук. Изделие издает шум, даже если компрессор не работает, поскольку жидкость и газ могут быть сжаты в системе охлаждения.



Передние края холодильника должны быть теплыми. Они специально подогреваются, чтобы предотвратить образование конденсата.



В некоторых моделях индикаторная панель автоматически выключается через 1 минуту после закрытия дверцы. Она включается снова при открытии дверцы или нажатии любой кнопки.

## 5.3 Климатический класс и определения

Пожалуйста, просмотрите климатический класс на паспортной табличке вашего устройства. Одни из следующих сведений применимы к вашему устройству в соответствии с климатическим классом.

- **SN:** Длительный умеренный климат: Данное охлаждающее устройство предназначено для использования при температуре окружающей среды от 10°C до 32°C.
- **N:** Умеренный климат: Данное охлаждающее устройство предназначено для использования при температуре окружающей среды от 16°C до 32°C.
- **ST:** Субтропический климат: Данное охлаждающее устройство предназначено для использования при температуре окружающей среды от 16°C до 38°C.
- **T:** Тропический климат: Данное охлаждающее устройство предназначено для использования при температуре окружающей среды от 16°C до 43°C.

## 6 Эксплуатация устройства



Сначала прочтите раздел «Инструкции по технике безопасности»!

- Не используйте какие-либо механические инструменты или любые другие инструменты, кроме рекомендаций производителя, для ускорения операции размораживания.
- Не используйте такие части холодильника, как дверца или ящики, в качестве опоры или ступеньки. Это может привести к опрокидыванию изделия или повреждению его компонентов.
- Изделие следует использовать только для хранения продуктов.
- Закройте водяной кран, если вы будете вдали от дома (например, в отпуске) и не будете использовать Icematic

или диспенсер для воды в течение длительного периода времени. В противном случае может произойти утечка воды.

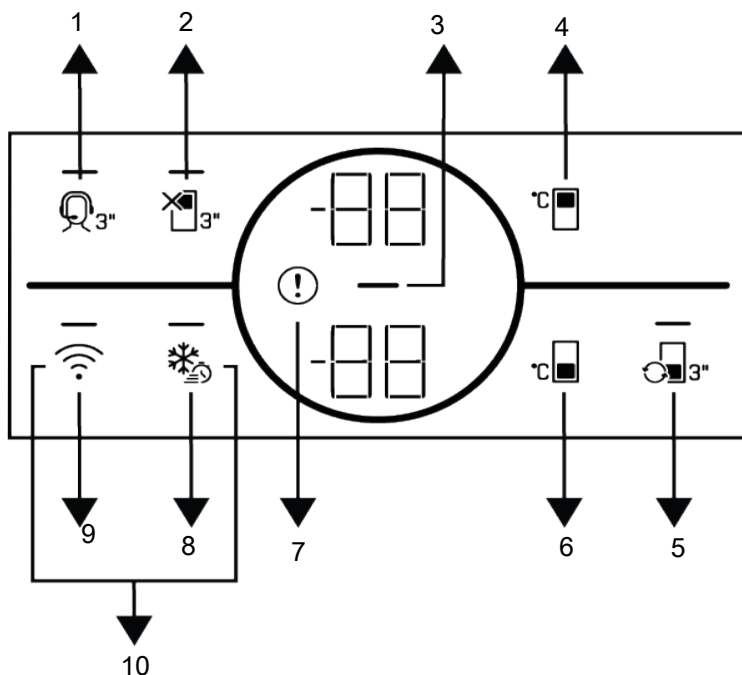
#### **Выключение изделия из розетки**

- Если вы не собираетесь использовать изделие в течение длительного времени, отключите его от розетки.
- Уберите продукты, чтобы не было запаха.
- Подождите, пока лед растает, очистите изделие внутри и дайте ему высохнуть, оставьте двери открытыми, чтобы не повредить пластиковую часть корпуса внутри.

**RU**

## 6.1 Панель управления изделием

RU



- 1 \* Кнопка технической поддержки
- 2 Функциональная клавиша Выкл. холодильной камеры (отпуск)
- 3 Индикатор энергосбережения (дисплей выключен)
- 4 \* Кнопка регулировки температуры холодильной камеры
- 5 \*Кнопка переключения отсека
- 6 Кнопка регулировки температуры морозильной камеры
- 7 Индикатор состояния ошибки
- 8 Клавиша быстрой заморозки/Клавиша настройки функции подсветки ручки
- 9 \*Кнопка Беспроводного подключения
- 10 \* Клавиша для сброса настроек беспроводного подключения



Прочтите раздел «Инструкции по технике безопасности».

\* Дополнительно: Приведенные функции являются необязательными, могут быть различия в форме и расположении функций, отображаемых на индикаторной панели вашего устройства.

Функции визуального и звукового предупреждения помогают при эксплуатации холодильника.

## 1. \* Кнопка технической поддержки



Зажмите эту кнопку на 3 секунды для того, чтобы активировать службу поддержки. Подробную информацию о службе поддержки можно найти в разделе «Функция службы поддержки».

## 2. Функциональная клавиша Выкл холодильной камеры (отпуск)

Нажмите кнопку в течение 3 секунд, чтобы активировать функцию отпуска. Режим отдыха активируется, а символ отпуска загорается. На индикаторе температуры холодильного отделения отображается сообщение «- -», и холодильное отделение не выполняет функцию активного охлаждения.

После активации этой функции не следует хранить продукты в холодильном отделении. Остальные отделения продолжают выполнять функцию охлаждения в соответствии с установленной температурой. Чтобы отменить эту функцию, снова нажмите и удерживайте кнопку в течение 3 секунд.

## 3. Индикатор энергосбережения (дисплей выключен)

Функция энергосбережения включается автоматически, и символ энергосбережения отображается, если дверца продукта не открывается или не закрывается в течение некоторого периода времени. После включения режима энергосбережения все значки, кроме значка энергосбережения, погаснут. При активации функции энергосбережения, если вы нажмете любую клавишу или откроете дверцу, функция энергосбережения будет деактивирована, а символы на экране вернуться к нормальному состоянию. Функция энергосбережения активирована на заводе и не может быть отменена.

## 4. \* Кнопка регулировки температуры холодильной камеры

Позволяет установить температуру в холодильном отделении. Нажатие этой клавиши позволит установить температуру в холодильном отделении на 8, 7, 6, 5, 4, 3, 2 и 1 °C.

## 5. \* Кнопка переключения отсека

Если удерживать кнопку переключения отделения в течение 3 секунд, морозильное отделение будет переключаться между режимами охлаждения, выключения и замораживания.

Если устройство работает как охлаждающая камера, температуру в камере можно установить на уровне 4 °C. В случае режима ВЫКЛ индикатор температуры в отсеке должен показывать «- -».

## 7. Индикатор ошибки

Этот индикатор ( ) будет активен, когда ваш холодильник не может обеспечить надлежащее охлаждение или в случае какой-либо ошибки датчика. На индикаторе температуры морозильной камеры отобразится «E», а на индикаторе температуры охлаждающей камеры должны отображаться такие цифры, как 1,2,3. Эти цифры предостерегают авторизованному сервису информацию о возникшей ошибке.

Восклицательный знак может отображаться, когда вы загружаете теплые продукты в морозильную камеру или оставляете дверцу открытой в течение длительного периода времени. Это не является неисправностью, и это предупреждение исчезает после остывания продуктов или нажатия любой кнопки.

## 8. Кнопка быстрого замораживания



При нажатии клавиши быстрой заморозки появится символ быстрой заморозки и будет подсвечиваться, и функция быстрой заморозки будет активирована. Температура в морозильной камере устанавливаются -27 °C. Нажмите клавишу еще раз, чтобы отменить функцию. Функция быстрого замораживания отме-

няется автоматически. Чтобы заморозить большое количество свежих продуктов, перед помещением продуктов в морозильную камеру нажмите кнопку быстрого замораживания.

#### \*Кнопка настройки функции подсветки ручки

Функцию подсветки ручки можно переключить между открытым и закрытым режимами, нажав и удерживая кнопку быстрого замораживания ( ) в течение 3 секунд. В закрытом режиме подсветка ручки включается только при открытой дверце прибора и гаснет через некоторое время после закрытия дверцы. В открытом режиме подсветка ручки включается при открытии двери и продолжает гореть тускло через некоторое время после того, как дверь закрывается. Функция подсветки ручки установлена в режим «франко-завод».

#### 9. \*Кнопка Беспроводного подключения



При длительном нажатии клавиши (3 секунды) символ беспроводного подключения на дисплее / экране медленно мигает (с интервалом 0,5 секунды). Таким образом на устройстве выполняется инициализация домашней сети.

После установления беспроводного соединения с изделием символ беспроводного соединения горит постоянно.

После установления предварительного подключения можно активировать/деактивировать соединение коротким нажатием на эту кнопку. Символ беспроводного

соединения будет быстро мигать (с интервалом 0,2 секунды), пока соединение не будет установлено. Когда соединение активировано, символ беспроводной сети будет гореть непрерывно.

Если соединение невозможно установить в течение длительного периода времени, проверьте настройки соединения и обратитесь к разделу «Поиск и устранение неполадок» в руководстве пользователя.

Для беспроводного подключения следует использовать приложение HomeWhiz. Шаги для установки приложения описываются в самом приложении во время его установки.

Вы можете получить доступ к приложению путем сканирования QR-кода, указанного на этикетке HomeWhiz, прикрепленной к изделию. Приложение можно скачать из App Store для устройств IOS и через Play Store для устройств Android.

Для получения подробной информации посетите веб-сайт <https://www.homewhiz.com/>.

#### 10. \* Клавиша для сброса настроек

**беспроводного подключения**

Чтобы сбросить настройки беспроводного подключения, одновременно нажмите и удерживайте кнопки быстрого замораживания и беспроводного подключения в течение 3 секунд. Вся информация о пользователе, записанная ранее, удаляется на продукте, где настройки беспроводного подключения сбрасываются / восстанавливаются до заводских значений по умолчанию.

## 7 Использование вашего продукта

### 7.1 Хранение продуктов в холодильной камере

#### Хранение продуктов в холодильной камере

- Температура в камере заметно повышается, если дверь камеры часто открывается и закрывается и остается открытой в течение длительного времени, это может сократить срок службы продуктов и привести к их порче.

- Чтобы не вызывать изменения запаха и вкуса, продукты следует хранить в закрытых контейнерах.
- Не храните слишком много продуктов в холодильнике. Для достижения лучшего и однородного охлаждения поме-

стите пищу отдельно таким образом, чтобы холодный воздух мог перемещаться по ней.

- Обеспечьте воздушный поток, оставив пространство между пищевыми продуктами и внутренней стенкой. Если прислонить продукты к задней стенке, они могут замерзнуть.
- Доведите приготовленные горячие блюда до комнатной температуры, прежде чем поместить их в холодильник. Затем вы можете поместить умеренно теплую еду на нижние полки вашего холодильника. Не размещайте умеренно теплую еду рядом с продуктами, которые могут легко испортиться.
- Следите за тем то бы, чтобы не смешивать замороженные и свежие продукты.
- Размораживайте замороженные продукты в отделении для свежих продуктов. Таким образом, можно охлаждать отсек для свежих продуктов, используя замороженные продукты, и экономить энергию.
- Хранение незрелых тропических фруктов (манго, разные сорта дыни, папайя, банан, ананас) в холодильнике может ускорить процесс созревания. Это не рекомендуется, потому что вызывает сокращение времени хранения.
- Лук, чеснок, имбирь и другие корнеплоды следует хранить в темном и холодном помещении, а не в холодильнике.
- Если вы заметили, что еда испортилась в холодильнике, выбросьте ее и очистите аксессуары, которые контактировали с ней.
- Для того чтобы охладить такие блюда, как супы и рагу, которые готовятся в больших кастрюлях, вы можете быстро поместить их в холодильник, поместив их по частям в свои собственные неглубокие контейнеры.
- Не кладите расфасованную пищу рядом с яйцами.
- Держите фрукты и овощи отдельно и храните каждый сорт вместе (например, яблоки с яблоками, морковь с морковью).
- Извлеките зеленые овощи из полиэтиленового пакета и поместите их в холодильник, обернув в бумажное полотенце или ткань для высушивания. Если вы моете этот тип продуктов перед помещением их в холодильник, не забудьте высушить их.
- Вы можете как создать влажную среду, так и обеспечить воздушный поток, сохраняя фрукты и овощи, склонные к высыханию, в перфорированных или негерметичных пластиковых пакетах.
- За исключением случаев, когда существуют экстремальные условия внешней среды, если в вашем изделии установлены указанные заданные значения (в таблице рекомендуемых значений), продукты сохраняют свою свежесть в течение более длительного времени как в отсеке для свежих продуктов, так и в морозильной камере.

Храните продукты питания в разных местах в соответствии с их свойствами:	
Еда	Расположение
Яйцо	Дверная полка
Молочные продукты (масло, сыр)	При наличии отсек с нулевой температурой (продукты для завтрака)
Фрукты, овощи и зелень	Отделение для фруктов и овощей, ящик для фруктов и овощей или отсек EverFresh+ (при наличии)
Свежее мясо, птица, рыба, колбаса и т.д. Приготовленные продукты	При наличии отсек с нулевой температурой (продукты для завтрака)
Готовые к подаче продукты, фасованные продукты, консервы и маринованные огурцы	Верхние полки или дверная полка
Напитки, бутылки, специи и закуски	Дверная полка

## **Хранение продуктов в морозильной камере**

- Вы можете активировать функцию быстрого замораживания за 4-6 часов до замораживания и выполнить более быстрое охлаждение.
- Доведите горячие блюда до комнатной температуры, прежде чем помещать их в морозильную камеру.
- Продукты, которые подвергнутся замораживанию, должны быть разделены на порции согласно потребляемому размеру и заморожены в отдельных пакетах.
- Рекомендуется упаковывать продукты перед размещением их в морозильную камеру.
- Во избежание истечения срока хранения запишите дату замораживания, время и название продукта на упаковке в соответствии со сроками хранения различных пищевых продуктов.
- Быстро употребляйте размороженные продукты. Размороженные продукты не могут быть заморожены снова, если они не будут приготовлены. Небезопасно употреблять повторно замороженные свежие продукты без приготовления после их разморозки.
- Когда вы замораживаете свежие продукты, не допускайте их соприкосновения с уже замороженными продуктами. В противном случае замороженные продукты будут разморожены.

## **Хранение продуктов питания, которые продаются замороженными**

- Всегда следуйте инструкциям производителя в отношении времени, в течение которого вы должны хранить свои продукты. Не превышайте время, указанное в настоящей инструкции!

- Чтобы сохранить качество продуктов, соблюдайте минимальный интервал между покупкой и хранением.
- Покупайте замороженные продукты, которые хранятся при температуре – 18 °C или ниже.
- Избегайте покупки продуктов, упаковки которых покрыты льдом и т.д. Это означает, что продукт мог быть частично разморожен и повторно заморожен. Температура влияет на качество пищи.
- Не превышайте время хранения, рекомендованное производителем пищевых продуктов. Извлеките из морозильной камеры только ту пищу, которая вам нужна.
- За исключением случаев, когда существуют экстремальные условия внешней среды, если в вашем изделии установлены указанные заданные значения (в таблице рекомендуемых значений), продукты сохраняют свою свежесть в течение более длительного времени как в отсеке для свежих продуктов, так и в морозильной камере.
- Если в отсеке для свежих продуктов установлена более низкая температура, свежие фрукты и овощи могут быть частично заморожены.
- Двухзвездочные отсеки подходят для предварительно замороженных продуктов. Можно хранить мороженое и кубики льда.
- Не замораживайте продукты в отделениях с одной, двумя и тремя звездочками.



Мясо и Рыба		Подготовка		Самое долгое время хранения (месяц)
Мясные продукты	Стейк	из Говядины	Разрезав их, толщиной в 2 см и положив фольгу между ними или плотно завернув в стретч-пленку	6-8
		Запекание	Упаковав кусочки мяса в пакет для холодильника или плотно завернув их в стретч-пленку	6-8
		Кубики	В маленьких кусочках	6-8
		Шницель, отбивные	Положив фольгу между нарезанными кусками или отдельно завернув в стретч-пленку	6-8
	Баранина	Отбивные	Положив фольгу между кусками мяса или отдельно завернув в стретч-пленку	4-8
		Запекание	Упаковав кусочки мяса в пакет для холодильника или плотно завернув их в стретч-пленку	4-8
		Кубики	Упаковав нарезанное мясо в пакет для холодильника или плотно завернув их в стретч-пленку	4-8
	Говядина	Запекание	Упаковав кусочки мяса в пакет для холодильника или плотно завернув их в стретч-пленку	8-12
		из Говядины	Разрезав их, толщиной в 2 см и положив фольгу между ними или плотно завернув в стретч-пленку	8-12
		Кубики	В маленьких кусочках	8-12
		Вареное мясо	Положив маленькими порциями в пакет для холодильника	8-12
	Фарш	Без приправ, в плоских пакетах		1-3
	Потроха (кусоч)	В кусочках		1-3
	Ферментированная колбаса - Саями	Должна находиться в упаковке даже при наличии пленки.		1-3
Ветчина	Положив фольгу между нарезанными кусками		2-3	
Домашняя птица и дикие животные	Курица или Индейка	Завернув в фольгу		4-6
	Гусь	Завернув в фольгу (порции не должны превышать 2.5 кг)		4-6
	Утка	Завернув в фольгу (порции не должны превышать 2.5 кг)		4-6
	Олень, Заяц, Косуля	Завернув в фольгу (порции не должны превышать 2.5 кг, а также кости должны быть отделены)		6-8
Рыба и морепродукты	Пресноводная рыба (Форель, Карп, Сом)			2
	Нежирная рыба (Морской окунь, Палтус, Камбала)			4-6
	Жирная рыба (Бонито, Скумбрия, Голубая рыба, Красная Кефаль, Анчоусы)	После тщательной очистки внутренности и чешуи, рыба следует вымыть и высушить, а также при необходимости отрезать хвост и голову.		2-4
	Моллюски	В очищенном виде и в пакетах		4-6
	Икра	В собственной упаковке, алюминиевых или пластиковых контейнерах		2-3

«Сроки хранения, указанные в таблице, предполагают температуру хранения -18°С».

Фрукты и Овощи	Подготовка	Самое долгое время хранения (месяц)
Стручковая фасоль и Обыкновенная фасоль	Шоковое приготовление в течение 3 минут после того, как овощи были помыты и нарезаны на маленькие кусочки	10-13
Зеленый горох	Шоковое приготовление в течение 2 минут после того, как он был очищен и помыт	10-12
Капуста	Шоковое приготовление в течение 1-2 минут после очистки	6-8
Морковь	Шоковое приготовление в течение 3-4 минут после очистки и нарезания на маленькие кусочки	12
Перец	Проварив в течение 2-3 минут после того, как стебель был отрезан, овощи были разделены на две части, а семена были очищены	8-10
Шпинат	Шоковое приготовление в течение 2 минут после того, как овощи были помыты и очищены	6-9
Лук-порей	Шоковое приготовление в течение 5 минут после того, как овощи были нарезаны на кусочки	6-8
Цветная капуста	Шоковое приготовление в воде с малым содержанием сока лимона в течение 3-5 минут после очистки от листьев и нарезания овоща на кусочки	10-12
Баклажан	Шоковое приготовление в течение 4 минут после того, как овощи были помыты и нарезаны на кусочки в 2 см	10-12
Тыква большая столовая	Шоковое приготовление в течение 2-3 минут после того, как овощи были помыты и нарезаны на кусочки в 2 см	8-10
Грибы	Слегка обжарив их в масле и выдавив на них лимон	2-3
Кукуруза	Очистив и упаковав в виде початков или крупы	12
Яблоки и Груши	Шоковое приготовление в течение 2-3 минут после очистки от кожуры и нарезания	8-10
Абрикос и персик	Разрежьте пополам и выньте косточки	4-6
Клубника и малина	Промыв и очистив от стеблей	8-12
Запеченные фрукты	Добавив %10 сахара в емкость	12
Слива, Вишня, Клюква	Промыв и очистив от стеблей	8-12

RU

«Сроки хранения, указанные в таблице, предполагают температуру хранения -18°C».

Молочные Продукты	Подготовка	Самое долгое время хранения (месяц)	Условия хранения
Сыр (кроме белого сыра)	Положив фольгу между кусками, в нарезанном виде	6-8	Его можно хранить в своей упаковке на короткое время. Для длительного хранения ее тоже следует завернуть в алюминиевую или пластиковую фольгу.
Масло, маргарин	В собственной упаковке	6	В собственной упаковке или в пластиковых емкостях

«Сроки хранения, указанные в таблице, предполагают температуру хранения -18°C».

"Количество свежих продуктов, которые можно замораживать в течение определенного периода времени, указано на типовой этикетке".

Морозильная камера Настройка	Холодильное отделение Настройка	Примечания
-20°C	4°C	Эта настройка является рекомендованной настройкой по умолчанию. Эта настройка рекомендуется, если температура окружающей среды ниже 30°C.
-22 или -24 °C	4°C	Данные настройки рекомендуется использовать в случае, когда внешняя температура превышает 30°C.
Быстрая заморозка	4°C	Используется в случае, если вы хотите заморозить продукты в течение короткого промежутка времени. После окончания этого процесса настройки изделия восстанавливаются до предыдущих значений.
-18°C или ниже	2°C	Используйте данные настройки, если полагаете, что температура в холодильной камере недостаточно низкая в связи с внешней температурой или частым открыванием дверцы.

### Подробная информация по морозильной камере

В соответствии со стандартами МЭК 62552, морозильная камера должна иметь способность замораживать 4,5 кг продуктов питания на каждые 100 литров объема при температуре -18 °C или при более низких температурах при комнатной температуре 25°C в течение 24 часов.

Продовольственные товары можно хранить в течение длительных периодов времени исключительно при температуре в -18°C и ниже.

Можно хранить продукты свежими в течение нескольких месяцев (в морозильной камере при температуре не выше -18 °C).

Чтобы избежать частичного размораживания, еще не замороженные пищевые продукты не должны прикасаться к уже замороженным продуктам внутри устройства.

Чтобы продлить срок хранения в замороженном состоянии, отварите овощи и отфильтруйте воду. После фильтрации заверните пищу в воздухонепроницаемую упаковку и поместите в морозильную камеру. Не следует замораживать бананы, помидоры, салат-латук, сельдерей, отварные яйца, картошку и подобные пищевые продукты. Если эти про-

дукты заморозить, то это отрицательно скажется только на их питательной ценности и вкусовых качествах. Не вызывает сомнения, что употребление гнилых продуктов угрожает здоровью человека.

### Размещение продуктов питания

**Полки морозильной камеры:** Различные замороженные продукты, такие как мясо, рыба, мороженое, овощи и т.п.

**Полки холодильной камеры:** Пищевые продукты в кастрюлях, накрытых крышками тарелках и упаковках с крышками, яйца (в закрытой упаковке)

**Полки дверцы холодильной камеры:** Продукты питания или напитки в небольшом количестве и в упаковке

**Ящик для фруктов и овощей:** Овощи и фрукты

**Отделение для свежих продуктов:** Холодные закуски (хлопья, мясные продукты скорого употребления)

### 7.2 Ящик для фруктов и овощей

Контейнер для фруктов и овощей холодильника предназначен для сохранения свежих овощей за счет сохранения их влажности. С этой целью в морозильнике усиливается общая циркуляция холодного воздуха. Храните в данном от-

секе фрукты и овощи. Храните фрукты и овощи с зелеными листьями отдельно, чтобы продлить их срок годности.

### 7.3 Контейнер с Контролируемой Влажностью

#### Everfresh

С функцией контроля влажности ящика для фруктов и овощей, влажность овощей и фруктов контролируется, а пища остается свежей в течение длительного периода времени.

Мы рекомендуем размещать листовые овощи, такие как салат, шпинат и т.п., которые чувствительны к потере влаги в ящике для фруктов и овощей, не на корнях, а как можно более горизонтально. При размещении овощей учитывайте конкретный вес каждого из видов: тяжелые и твердые овощи кладите на дно сосуда, а легкие и мягкие — сверху.

Никогда не оставляйте овощи в пластиковых пакетах в ящике для фруктов и овощей. В случае хранения овощей в полиэтиленовых пакетах они очень быстро загнивают.

В ситуациях, когда контакт с другими овощами нежелателен, используйте упаковочные материалы, такие как бумага, которая имеет определенный уровень пористости с точки зрения гигиены.

Не храните фрукты, которые выделяют газ с высоким содержанием этилена, например, груши, абрикосы, персики и особенно яблоки, в одном ящике для овощей вместе с другими видами овощей и фруктов. Газ этилен, выделяемый этими фруктами, может вызвать ускоренное созревание других овощей и фруктов и их загнивание в течение более короткого периода времени.

### 7.4 Технологии Crisper

#### Синий свет

Фрукты и овощи, хранящиеся в контейнерах холодильника в секции с синей подсветкой, продолжают фотосинтезировать благодаря эффекту световой волны, возникающему под воздействием синего света, и сохраняют витамины.

### HarvestFresh

Фрукты и овощи, хранящиеся в контейнерах холодильника в секции с освещением по технологии HarvestFresh сохраняют витамины дольше, поскольку чередование синего, зеленого и красного освещения и периодов темноты имитирует суточный цикл.

Когда дверь вашего холодильника открывается в темное время суток в период использования технологии HarvestFresh, ваш холодильник автоматически распознает это и для вашего удобства освещает холодильник одним из синих, зеленых или красных огней соответственно. После закрытия дверцы холодильника в нем вновь будет включен период темноты, имитирующий ночь в суточном цикле.

### 7.5 Место для хранения молочных продуктов в охлажденном виде

#### Ящик для хранения в охлажденном виде

Ящик для хранения в охлажденном виде может достигать более низких температур в холодильном отделении. Используйте этот ящик для деликатесов (салюми, колбасы и т. д.) и молочных продуктов, которые требуют более холодных условий хранения, а также мяса, курицы или рыбы для быстрого употребления. Он не подходит для хранения фруктов и овощей.

### 7.6 Зона хранения льда

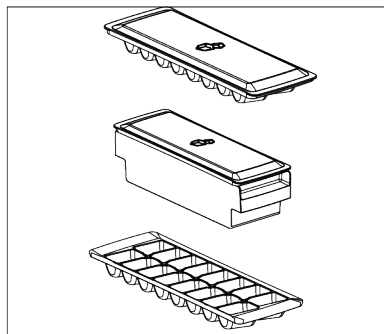
#### Контейнер для льда

Емкость для льда позволяет легко доставать лед из холодильника.

#### Использование емкости для льда

1. Выньте емкость для льда из морозильной камеры.
2. Заполните емкость для льда водой.
3. Поместите емкость для льда в морозильную камеру. Лед будет готов примерно через два часа.

4. Выньте емкость для льда из морозильной камеры и слегка наклоните его над держателем, который вам нужен. Лед легко переместится в сервировочную подставку.



## 7.7 Изменение стороны открывания двери

Направление открывания двери вашего холодильника может быть изменено в соответствии с местом его расположения. В случае такой необходимости вы должны обязательно позвонить в ближайший авторизованный сервисный центр.

## 7.8 Предупреждение об открытой двери

Система предупреждения об открытии двери холодильника может отличаться в зависимости от модели.

### Версия 1:

Если дверца изделия остается открытой в течение определенного времени (от 60 с до 120 с), звучит звуковой предупреждающий сигнал; в зависимости от модели изделия также может отображаться визуальный предупреждающий сигнал (световая вспышка). Если вы закроете дверцу устройства или нажмете кнопку на экране устройства, если таковая имеется, предупреждающий звук прекратится.

### Версия 2:

Если дверь устройства остается открытой в течение определенного периода времени (от 60 с до 120 с), подается сигнал тревоги об открытии двери. Предупреждение об открытии двери звучит по-

степенно. Сначала начинает звучать звуковое предупреждение. Через 4 минуты, если дверь все еще не закрыта, включается визуальное предупреждение (вспышка освещения). Предупреждение об открытии двери будет отложено на определенный период времени (от 60 с до 120 с) при нажатии любой клавиши на экране изделия, если таковая имеется. Затем предупреждение включится заново. Когда дверца устройства будет закрыта, предупреждение об открытии двери будет отменено.

## 7.9 Замена лампы подсветки

В случае необходимости замены лампы/СВЕТОДИОДНОГО ИНДИКАТОРА, используемых для освещения в вашем холодильнике, обратитесь в авторизованный сервисный центр.

Лампы, используемые в этом устройстве, не подходят для освещения помещений. Эти лампы предназначены для того, чтобы пользователь мог безопасно и комфортно размещать продукты в холодильнике/морозильнике.

## 7.10 AeroFlow

Это система распределения воздуха, которая обеспечивает однородное распределение температуры. При циркуляции воздуха обеспечивается однородное распределение температуры в отсеке для хранения свежих продуктов, а колебания температуры поддерживаются на низком уровне. Прямой обдув пищи воздухом не осуществляется, и это помогает уменьшить потерю влаги. Он сохраняет свежесть продуктов, хранящихся в отделении для свежих продуктов холодильника. Таким образом, ваша пища хранится при более стабильных температурах и контакт с воздухом уменьшается. Сушка и сморщивание продуктов за счет потери влаги предотвращается, и свежесть обеспечивается в течение более длительного времени.

## 7.11 Вентилятор

Вентилятор предназначен для того, чтобы холодный воздух распределялся и равномерно циркулировал. Время работы вентилятора может меняться в зависимости от характеристик изделия.

В то время как в некоторых изделиях вентилятор работает только с компрессором, в других продуктах система управления определяет время работы вентилятора в зависимости от потребности в охлаждении.

## 7.12 Держатель яиц

Вы можете поставить подставку для яиц на любую дверцу или полку корпуса, какую пожелаете.

Если подставка для яиц должна быть размещена на полке корпуса, мы рекомендуем вам выбрать более холодные нижние полки.



**Ни в коем случае не ставьте подставку для яиц в морозильную камеру**

## 8 Обслуживание и очистка



### **ПРЕДУПРЕЖДЕНИЕ:**

Сначала прочтите раздел «Инструкции по технике безопасности».



### **ПРЕДУПРЕЖДЕНИЕ:**

Перед чисткой отключите холодильник от сети.

- Не используйте острые или абразивные инструменты для очистки изделия. Не используйте такие материалы, как бытовые чистящие средства, мыло, моющие средства, газ, бензин, разбавитель, спирт, воск и т. д.
- Не реже одного раза в год (не открывая крышку) следует удалять пыль с вентиляционной решетки на задней стороне изделия. Протрите изделие сухой тканью.
- Будьте осторожны, не заденьте крышку лампы и другие электрические части.
- Протрите дверцу влажной тканью. Удалите все содержимое, чтобы снять дверные и корпусные стойки. Снимите дверные полки, подняв их вверх. Очистите и высушите полки, затем прикрепите их обратно, задвинув сверху.
- Не используйте хлорированную воду или чистящие средства на внешней поверхности и хромированных частях изделия. Хлор вызовет ржавчину на таких металлических поверхностях.
- Не используйте острые и абразивные инструменты, мыло, средства для уборки дома, моющие средства, газ, бензин, лак и подобные вещества, чтобы предотвратить деформацию пластмассовой детали и удаление отпечатков на ней. Для очистки используйте теплую воду и мягкую ткань, а затем вытрите насухо.
- На продуктах без функции No-Frost на задней стенке морозильного отделения могут образовываться капли воды и обледенение толщиной до пальца. Не очищайте и никогда не наносите масла или аналогичные материалы.
- Для очистки внешней поверхности изделия используйте слегка смоченную ткань из микроволокна. Губки и другие чистящие средства могут поцарапать поверхность.
- Чтобы очистить все съемные компоненты во время очистки внутренней поверхности изделия, промойте эти компоненты мягким раствором, состоящим из мыла, воды и карбоната. Тщательно вымойте и высушите. Избегайте контакта воды с элементами освещения и панелью управления.



### **ВНИМАНИЕ:**

Не используйте уксус, медицинский спирт или другие чистящие средства на спиртовой основе для очистки внутренних поверхностей.

### **Наружные поверхности из нержавеющей стали**

Используйте неабразивное чистящее средство для нержавеющей стали и нанесите его мягкой безворсовой тканью. Для полировки аккуратно протрите поверхность тканью из микрофибры, смоченной водой, и используйте замшу для сухой полировки. Всегда следите за прожилками нержавеющей стали.

### **Предотвращение запахов**

Устройство не содержит материалов с запахом. Тем не менее, хранение пищевых продуктов в не предназначенных

## **9 Устранение неисправностей**

Проверьте этот список, прежде чем обращаться в службу. Так вы сэкономите время и деньги. Данный список включает в себя частые жалобы, которые не связаны с неправильным качеством изготовления и материалов. Некоторые функции, упомянутые здесь, могут не относиться к вашему холодильнику.

### **Холодильник не работает.**

- Вилка питания не полностью вставлена. >>> Вставьте вилку, чтобы она целиком вошла в розетку.
- Предохранитель, подключенный к розетке, питающей устройство, или основной предохранитель, перегорел. >>> Проверьте предохранитель.

### **Конденсат на боковой стенке холодильного отделения (МУЛЬТИ ЗОНА, ХОЛОДИЛЬНАЯ, КОНТРОЛЬНАЯ и ФЛЕКСИ ЗОНА).**

- Дверца открывается слишком часто. >>> Не открывайте дверцу холодильника очень часто.
- Окружающая среда слишком влажная. >>> Не помещайте холодильник во влажную среду.

для них отделениях, а также ненадлежащая очистка поверхностей могут вызывать неприятные запахи.

- Чтобы этого не случилось, очищайте внутреннюю поверхность сатурированной водой каждые 15 дней.
- Храните продукты в герметичных контейнерах, так как микроорганизмы, возникающие из продуктов, хранящихся в негерметичных контейнерах, вызывают неприятный запах.
- Не храните в холодильнике испорченные или продукты с истекшим сроком хранения.

### **Защита пластиковых поверхностей**

Попадание масел на пластиковую поверхность может повредить ее, поэтому следует незамедлительно очистить поверхность теплой водой.

- Продукты, содержащие жидкости, хранятся в незапечатанных держателях. >>> Продукты, содержащие жидкости, следует хранить в герметичных держателях.
- Дверца холодильника осталась открытой. >>> Не держите дверцы холодильника открытыми на протяжении длительного времени.
- Термостат установлен на очень низкую температуру. >>> Установите термостат на соответствующую температуру.

### **Компрессор не работает.**

- В случае, если внезапно отключится питание или выйдет вилка из розетки и повторно включится, а давление газа в системе охлаждения устройства не балансируется, сработает тепловая защита компрессора. Холодильник перезапустится примерно через 6 минут. Если холодильник не перезапустится по истечении этого периода, обратитесь в службу.

- Размораживание активно. >>> Это нормально для полностью автоматического размораживания продукта. Размораживание проводится периодически.
- Устройство не подключено к сети. >>> Убедитесь, что шнур питания подключен.
- Неверная настройка температуры. >>> Выберите соответствующую настройку температуры.
- Электричество отключено. >>> Устройство продолжит нормально работать после восстановления питания.

#### **Шум работы холодильника увеличивается во время использования.**

- Эксплуатационные характеристики холодильника могут варьироваться в зависимости от изменений температуры окружающей среды. Это нормально и не является неисправностью.

#### **Холодильник работает слишком часто либо слишком долго.**

- Новое устройство может быть больше предыдущего. Более крупные устройства работают дольше.
- Температура в помещении возможно высокая. >>> Продукт обычно работает в течение длительного времени при более высокой комнатной температуре.
- Возможно, холодильник был недавно подключен к сети или в него помещены новые продукты питания. >>> Холодильнику нужно будет больше времени для достижения заданной температуры, если он недавно подключен к сети или в него помещены новые продукты питания. Это нормально.
- Возможно, в холодильник недавно было помещено большое количество горячей пищи. >>> Не помещайте горячую пищу в холодильник.
- Двери часто открывались или оставались открытыми в течение длительного времени. >>> Теплый воздух внутри приведет к тому, что холодильник будет работать дольше. Не открывайте двери слишком часто.

- Дверь морозильной камеры или холодильника возможно приоткрыта. >>> Убедитесь, что дверцы полностью закрыты.
- Возможно, температура холодильника слишком низкая. >>> Установите более высокую температуру и подождите, пока холодильный достигнет заданной температуры.
- Омыватель дверцы холодильника или морозильной камеры возможно загрязнен, изношен, сломан либо неверно установлен. >>> Очистите либо замените прокладку. Поврежденное/порванное устройство для мытья дверцы приведет к тому, что холодильник будет работать более длительное время для сохранения текущей температуры.

#### **Температура морозильной камеры очень низкая, но температура охладителя достаточна.**

- Температура морозильной камеры установлена на очень низком уровне. >>> Установите более высокую температуру в морозильной камере и проверьте очередной раз.

#### **Температура охладителя очень низкая, но температура морозильной камеры достаточна.**

- Температура в холодильной камере установлена на очень низком уровне. >>> Установите более высокую температуру в холодильной камере и проверьте очередной раз.

#### **Продукты питания в ящиках холодильного отделения заморожены.**

- Температура в холодильной камере установлена на очень низком уровне. >>> Установите более высокую температуру в холодильной камере и проверьте очередной раз.

#### **Температура в холодильнике или морозильной камере слишком высокая.**

- Температура в холодильной камере установлена на очень высоком уровне. >>> Настройка температуры в холодильном отсеке оказывает влияние на температуру в морозильном отсеке. Подождите, пока температура соответ-



ствующих деталей не достигнет достаточного уровня, изменив температуру холодильных или морозильных отсеков.

- Двери часто открывались или оставались открытыми в течение длительного времени. >>> Не открывайте дверцы слишком часто.
- Дверь, возможно, приоткрыта. >>> Полностью закройте дверь.
- Возможно, холодильник был недавно подключен к сети или в него помещены новые продукты питания. >>> Это нормально. Для достижения заданной температуры холодильнику потребуются больше времени, если он недавно был подключен к сети или в него помещен новый продукт питания.
- Возможно, в холодильник недавно было помещено большое количество горячей пищи. >>> Не помещайте горячую пищу в холодильник.

#### **Тряска или шум.**

- Поверхность не ровная и не прочная >>> Если холодильник трясется при медленном перемещении, отрегулируйте подставки, чтобы сбалансировать его. Также убедитесь, что поверхность достаточно прочная, чтобы выдержать холодильник.
- Любые предметы, помещенные на холодильник, могут вызывать шум. >>> Удалите все предметы, помещенные на холодильник.
- Холодильник издает шум текущей, брызгающей жидкости и т.д.
- Принципы работы устройства включают потоки жидкости и газа. >>> Это нормально и не является неисправностью.

#### **От холодильника доносится звук дующего ветра.**

- Устройство использует вентилятор для процесса охлаждения. Это нормально и не является неисправностью.

#### **На внутренних стенках устройства образуется конденсат.**

- Жаркая или влажная окружающая среда приводит к увеличению обледенения и конденсации. Это нормально и не является неисправностью.
- Двери часто открывались или оставались открытыми в течение длительного времени. >>> Не открывайте дверца слишком часто; если они открыты, закройте.
- Дверь, возможно, приоткрыта. >>> Полностью закройте дверь.

#### **На внешней поверхности устройства либо между дверями образуется конденсат.**

- Окружающая среда, возможно, влажная, это вполне нормально. >>> Конденсат пройдет при снижении влажности.

#### **Внутри неприятно пахнет.**

- Холодильник не подвергается регулярной чистке. >>> Регулярно чистите внутренние поверхности с помощью губки, теплой и газированной воды.
- Некоторые контейнеры и упаковочные материалы могут вызывать неприятный запах. >>> Используйте контейнеры и упаковочные материалы без запаха.
- Продукты помещены в незапечатанные контейнеры. >>> Храните продукты в запечатанных контейнерах. Из незакрытых пищевых продуктов могут выделяться микроорганизмы, вызывающие неприятные запахи.
- Извлеките из холодильника все просроченные и испорченные продукты.

#### **Дверь не закрывается.**

- Пакеты с продуктами возможно блокируют дверь. >>> Сдвиньте все предметы, блокирующие двери.
- Холодильник не стоит в полностью вертикальном положении на земле. >>> Отрегулируйте подставки, чтобы сбалансировать продукт.
- Поверхность не ровная и не прочная >>> Убедитесь, что поверхность ровная и достаточно прочная, чтобы выдержать изделие.

### **Контейнер для фруктов и овощей заклинило.**

- Продукты питания, возможно, соприкасаются с верхней частью выдвижного ящика. >>> Переставьте продукты питания в ящике.

### **Температура на поверхности продукта.**

- Высокая температура может наблюдаться между двумя дверями, на боковых панелях и на задней решетке во время работы вашего устройства. Это нормально и не требует обслуживания.

### **Вентилятор продолжает работать, когда дверца открыта.**

- Вентилятор может продолжать работать, когда дверца морозильной камеры открыта.



**ПРЕДУПРЕЖДЕНИЕ:** Если проблема не устранена после выполнения инструкций в этом разделе, обратитесь к поставщику или в авторизованную службу. Не пытайтесь отремонтировать холодильник. Это нормально.



