

beko

Rice Cooker

User Manual



RCM50823 W

EN / VN

01M-8818513200-1420-01
01M-8818653200-1420-01

Please read this manual first!

Dear Customer,

Thank you for preferring a Beko product. We hope that you get the best results from your product which has been manufactured with high quality and state-of-the-art technology. Therefore, please read this entire user manual and all other accompanying documents carefully before using the product and keep it as a reference for future use. If you handover the product to someone else, give the user manual as well. Follow all warnings and information in the user manual.

Remember that this user manual is also applicable for several other models. Differences between the models are explicitly described in the manual.

Meanings of the symbols

Following symbols are used in the various section of this user manual:



Important information and useful hints about usage.



Warnings for dangerous situations concerning the safety of life and property.



Warning for hot surfaces.



Suitable for contact with food.



Do not immerse the appliance, power cable, or power plug in water or any other liquids.



This product has been manufactured in environmental friendly modern plants without giving any harm to the nature.

CONTENTS

ENGLISH

04-22

1 Important safety and environmental instructions

In order to ensure the safety in use and avoid causing injury and property damage to you or others, please observe the following safety precautions.

Failure to follow the safety warnings and incorrect use may lead to accidents.

- Never use this appliance to cook any food that may jam the steam vent Foliaceous food (e.g. vegetable, cabbage) or strip food (e.g. kelp) to avoid jam or causing accidents or damage to the rice cooker.
- During operation, please do not have your face or hands close to the steam port In order to avoid scald.
- During operation, please do not open the steam port Warning: do not cover steam port with foreign objects, stay away from the lid during operation. To avoid burns or damage the rice cooker.
- No reconstruction Any person other than a repair technician is not allowed to dismantle or repair the appliance to avoid fire, electric shock or injury.
- Your mains power supply should comply with the information supplied on the rating plate of the appliance.
- This product is not recommended under the following circumstances:
 - Used by unattended children and disabled
 - Do not let children play with this product
- Do not touch the appliance or its plug with wet or damp hands when the appliance is plugged in.
- Do not place the rice cooker on a location which is % unstable, uneven or % approaches to fire or heat sources within the distance of 30cm. Otherwise, this may cause damage or problems.
- Never insert a battery, wire or other object into the intake hole and steam vent on the bottom of the appliance to avoid electric shock.
- Do not soak or dip the product into water.

1 Important safety and environmental instructions

- Please use an individual earthed socket with > 10A current. Joint use of the same socket with other appliance may cause abnormal danger, fire.
- Any dust or water in the power cord plug, plug and socket of the product must be cleaned in a timely manner to avoid fire, electric shock. If the power cord is too short, please use the socket to extend the cord, do not damage.
- If repairing the product or replacing parts is needed, please contact authorized agency assigned on warranty card of Beko. To avoid dangers caused by incorrect repair or incorrect part.
- Plug inserted into the socket. To avoid fire and electric shock, broken cord. If the supply cord is damaged, it must be replaced by a special cord or assembly available from the manufacture or its service agent.
- Users with cardiovascular disease, cardiac pacemaker or with hearing impair should consult doctor before using the product.
- Some important parts, such as fuse, if improper repair or unauthorized short circuit may make the product protection failure, resulting in overheating or fire.
- The rice cooker must match the supplied inner pot to avoid overheat or abnormal circumstances.
- Do not have the inner pot fall off to avoid deformation.
- Do not hit the inner pot with a hard object to avoid deformation.
- During use or immediately after use, do not touch the inner pot with hands. To avoid scald due to high-temperature.
- Before cooking rice, wipe away any water outside the inner pot.
- Before using, please wipe away the water and rice grains on the bottom of the inner pot and the heating plate, other foreign objects. To avoid overheat or short circuit.
- The product is subject to the physical if there's difference

1 Important safety and environmental instructions

between the picture and real product.

- Before the rice cooker works, check the inner pot and steam valve whether they are in place to avoid any malfunction.
- During use, the product may generate smell or steam sound, which is a normal sound of operation, and do not open.
- Immediately after cooking, do not operate the product again. Wait at least 15 minutes so as to have the heating plate cool down.
- Please do not cook rice with hot water. As this may affect the temperature judgment by the thermostat, thus degrading the cooking effect.
- To ensure the efficiency of measuring cup, when cooking more than 3 cups of rice, please do not use the food steamer.
- Please clean the steam port, lid and steam valve and the product surface on a regular basis.
- Do not squeeze or bend the power cord and do not rub it on sharp edges in order to prevent any damage. Keep the power cord away from hot surfaces and naked flame.
- The height above sea level for normal operation of the product is within 0-2000m.
- Please repair the product and replace parts in a professional maintenance agency authorized by Beko. To ensure efficient use of the product, please keep this user's manual, do not dispose it.
- Use the appliance with a grounded outlet only.
- Children should be supervised to ensure that they do not play with the appliance.
- Do not use the appliance with an extension cord.
- Unplug the appliance before each cleaning, and when the appliance is not in use.
- This appliance is intended to be used in household and similar applications such as:
 - Staff kitchen areas in shops, offices and other working environments;
 - Farm houses

1 Important safety and environmental instructions

- By clients in hotels, and other residential type environments;
- Bed and Breakfast type environments.
- It is not fit for industrial use.
- Keep the product and its power cable so that they are inaccessible by children under 8 years old.
- This appliance can be used by the children who are at the age of 8 or over and by the people who have limited physical, sensory or mental capacity or who do not have knowledge and experience, as long as they are supervised with regard to safe use of the product or they are instructed accordingly or understand the risks of using the product. Children should not play with the appliance. Cleaning and user maintenance procedures should not be performed by children unless they are controlled by their elders.
- Do not use the appliance if the power cable or the appliance itself is damaged. Contact an authorised service.
- Do not unplug the appliance by pulling the power cable.
- Operate and store the appliance on a stable surface.
- Do not attempt to dismantle the appliance.
- If you keep the packaging materials, store them out of the reach of children.
- Unplug the appliance before cleaning and let it completely dry after cleaning.
- Do not operate the appliance with an external timer or with another remote control system.

1 Important safety and environmental instructions

1.1 Compliance with the WEEE Directive and Disposing of the Waste Product:

This product complies with EU WEEE Directive (2012/19/EU). This product bears a classification symbol for waste electrical and electronic equipment (WEEE).



This symbol indicates that this product shall not be disposed with other household wastes at the end of its service life. Used device must be returned to official collection point for recycling of electrical and electronic devices. To find these collection systems please contact to your local authorities or retailer where the product was purchased. Each household performs important role in recovering and recycling of old appliance. Appropriate disposal of used appliance helps prevent potential negative consequences for the environment and human health.

1.2 Compliance with RoHS Directive

The product you have purchased complies with EU RoHS Directive (2011/65/EU). It does not contain harmful and prohibited materials specified in the Directive.

1.3 Package information

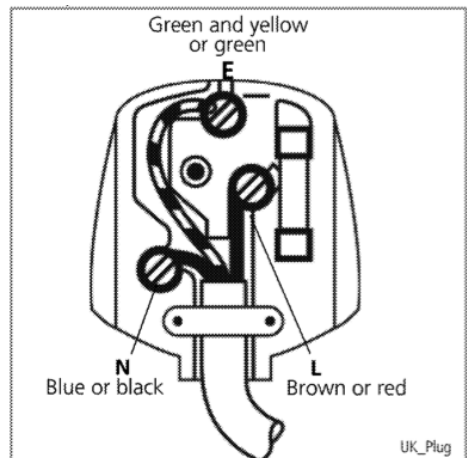


Packaging materials of the product are manufactured from recyclable materials in accordance with our National Environment Regulations. Do not dispose of the packaging materials together with the domestic or other wastes. Take them to the packaging material collection points designated by the local authorities.

1.4 Plug Wiring

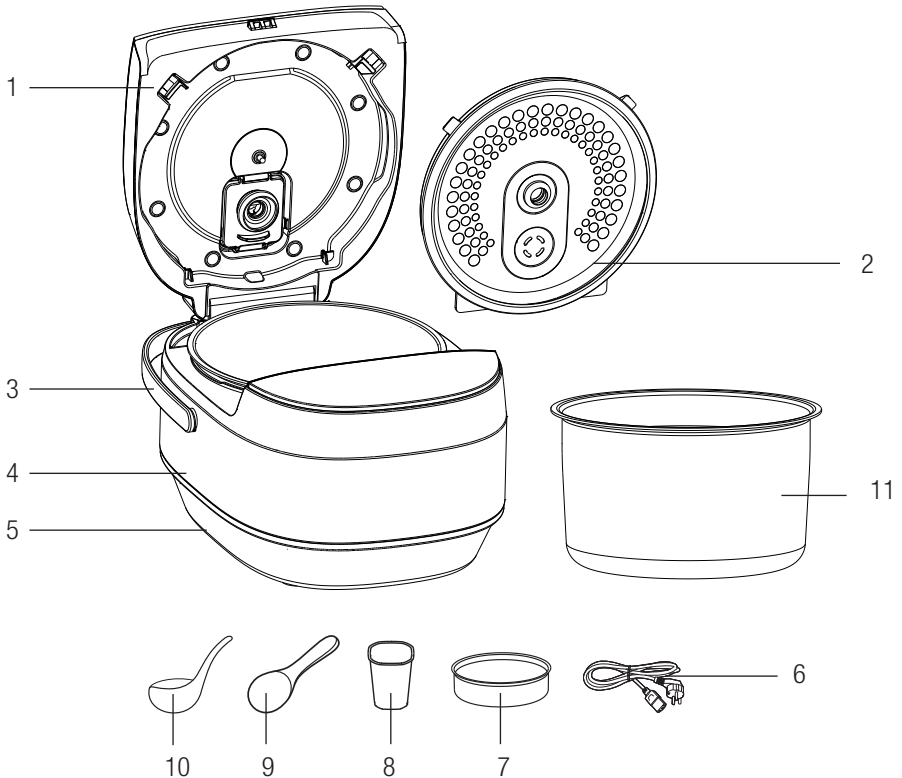
The moulded plug on this appliance incorporates a 13 A fuse. Should the fuse need to be replaced an ASTA approved BS1362 fuse of the same rating must be used. Do not forget to refit the fuse cover. In the event of losing the fuse cover, the plug must not be used until a replacement fuse cover has been fitted. Colour of the replacement fuse cover must be the same colour as that visible on the pin face of the plug. Fuse covers are available from any good electrical store.

- **Fitting a different plug**
- As the colours of the wires in the mains lead of this appliance may not correspond with the coloured markings identifying the terminals on your plug, proceed as follows:
- Brown cable = L (Live)
- Blue cable = N (Neutral)
- Green/yellow cable must be connected to ground (E) \equiv line
- With the alternative plugs a 13 A fuse must be fitted either in the plug or adaptor or in the main fuse box. If in doubt contact a qualified electrician.



2 Your Rice Cooker

2.1 Overview



1. Lid
2. Removable cover plate
3. Handle
4. Main unit
5. Base
6. Power cord
7. Food steamer
8. Measuring cup
9. Rice scoop
10. Soup ladle
11. Cooker pot

2.2 Technical data

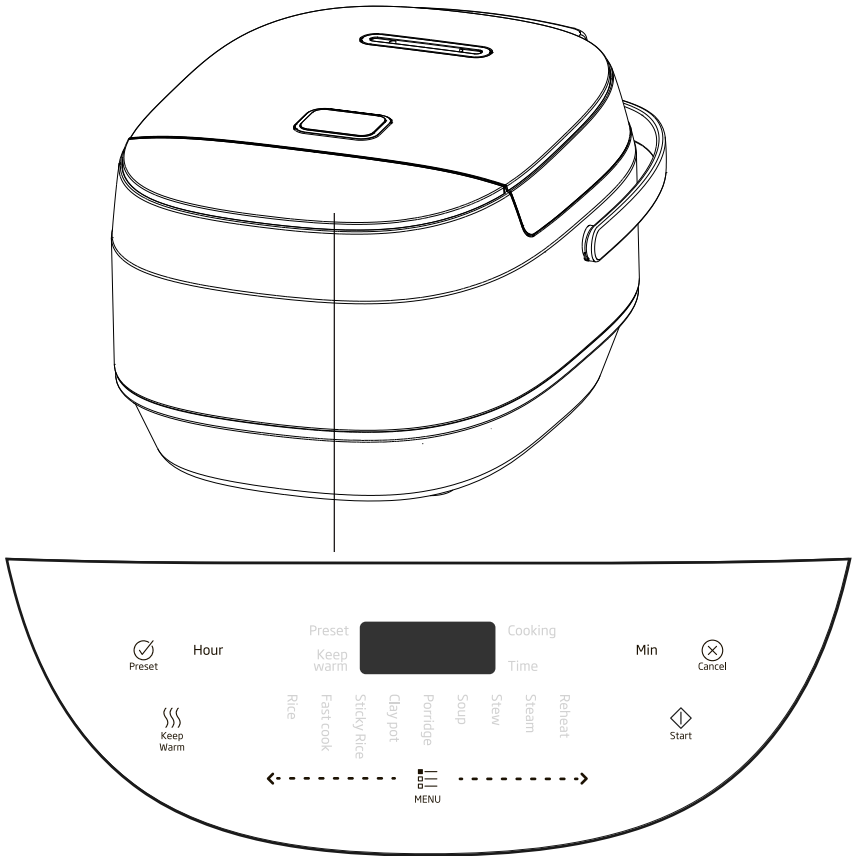
	RCM 50823 W
Power supply	220-240 V~50-60Hz
Rated power(w)	860 W
Gross pot capacity(L)	5L
Rice capacity(L)	1.8L

Technical and design modifications reserved.

The values which are declared in the markings affixed on your product or the other printed documents supplied with it represent the values which were obtained in the laboratories pursuant to the pertinent standards. These values may vary according to the usage of the appliance and ambient conditions.

2 Your Rice Cooker

2.3 Control Panel Display



Steam valve is removable
(Including steam port and valve)



Immediately remove any foreign objects in the steam port to avoid degrading cooking quality.

3 Operation

Operation steps of control panel: this rice cooker is for household use only, for specific uses, please refer to the user's manual.

3.1 Starting

Function keys

1. Press the "Menu" button to select functions
2. Select any function once the light is on.
3. Press "start" button to start cooking

Preset button

1. Press the "Menu" button to select the function
2. Press preset button, set the time as you need.
3. After set press "Start" button enter Preset status.



Preset the time, press preset button, then enter the preset adjust status.

- Press "hour" to set the hour time
- Press "min" to set the minutes time
- The longest preset time can long to 24 hour.
- To prevent food from immersing in water for a long time to produce odor, you'd better don't set the time longer than 24 hours.
- Preset time shorter than cooking time, the rice cooker will enter cooking status directly .
- After set, press "start" button then start cooking

Hour/min button

Under the function cooking time selection mode and reservation time selection mode, adjust the working time according to the need.



Parts functions can't adjust cooking time

Keep warm button

In the standby state, press the "keep warm" button to enter the keep warm status, the heat indicator lights up, the holding time is up to 24 hours, after keep warm , will enter standby directly.



If you want to cancel keep warm, please press the cancel button for 2 seconds.

Cancel button

Under cooking status press "cancel" button, cancel the preset cooking status then enter standby status.

Start button

After select the functions needed, press "start" button, the rice cooker start work.

After the selection function is completed, the buzzer "di", "di" and "di" will be prompted to finish cooking after the number is sounded. The rice cooker will automatically enter the heat preservation state, the heat preservation indicator lights up, and the screen displays the holding time.

3.2 Preparation instructions before use



- Please cooking once or twice lemonade or water (approx. 20 minutes) before using the Rice Cooker
- Make sure the steam valve is installed correctly. If the steam valve is not installed, start cooking and there may be soup overflow.

1. Use the measuring cup to add rice



It is not recommended to use the inner pot to rinse rice directly, to avoid scratching the inner pot.

3 Operation



If hard grain is to be cooked, please soak it in hot water for 2-3 hours.

2. Clean rice bran on the pot, select suitable water line based on the amount of rice, add water to the corresponding lines, increase or decrease the amount of water according to personal taste



Do not add water above the maximum mark, otherwise, it may cause overflow or short circuit.

The maximum cooking rice volume is 5L for 10 cups. According to your actual needs, the rice vo-

lume should be selected. It is recommended that the ratio of rice to water is 1.2 cups of water and 1.2 cups of water. You can also add water according to the tick mark. For example, when cooking 2 cups of rice, it will be scoured.



Before placing the inner pot into the carcass, please confirm whether there are rice grains or other vegetable dregs on the bottom of the inner pot and the coil plate. If it is necessary, remove it before putting it into the inner pot. Be sure to ensure the inner pot and coil plate after putting it in. Close fit.

Function	Appointment Time (Hour)	Remark
Rice	1:10 - 24:00	Minimum amount of cooking time 40minutes Maximum amount of cooking time 60minutes After boiling then count down 8minutes
Fast cook	1:10 - 24:00	Maximum amount of cooking time 55minutes After boiling then count down 8minutes
Sticky Rice	0:50 - 2:00	Maximum amount of cooking time 60minutes After boiling then count down 8minutes
Clay pot	1:10-24:00	--
Porridge	1:00-3:00	--
Soup	1:00-4:00	--
Stew	2:00-6:00	--
Steam	0:10-1:00	After boiling then count down
Reheat	--	Reheat time is 25 minutes

Tips for each function

- The cooking time described in the above table will vary slightly depending on the voltage, the amount of rice, the amount of water, the temperature of the water, and the quality of the rice. In order to prevent the rice from being badly baked, please turn the rice loose within

30 minutes after entering the heat preservation state.

- When cooking, the rice cooker is transferred to the heat for 15 minutes, and the effect is better.
- The maximum cooking rice for glutinous rice is 6 cups. The glutinous rice should be soaked for 2-4 hours before cooking.

3 Operation

- The maximum cooking rice volume of porridge is 1.5L, and the recommended ratio of rice to water is 1:8.
- The maximum water level of the soup function should not exceed 70% of the inner pot capacity.
- The hot rice function evenly sprinkles 1 cup of water on the surface of the cold rice, and the rice tastes softer.

3.3 Cooking use

1. Use soft cloth to clean the outside of the inner pot
2. Place the inner pot into the body
3. Press down the cooker lid until you hear a sound
4. Make sure the power plug is firmly connected
5. Make sure that the plug is firmly connected to the outlet
6. Press "function" button
7. Press the "start" button to start operation



Do not heat the inner pot in other stoves, otherwise, it may be deformed due to overheating.



Do not use other container to replace the inner pot specified.

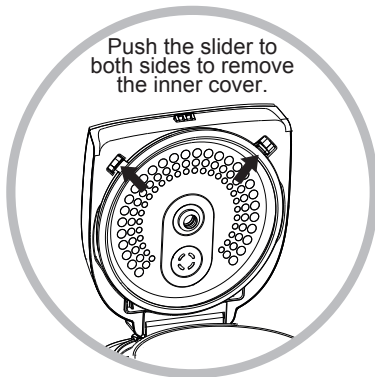
4 Care and maintenance

4.1 Cleaning the cooker body

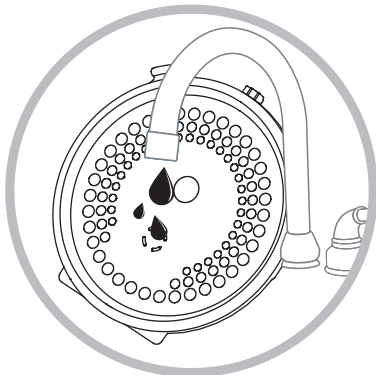
1. Use a cloth to clean the lid and heating plate, do not rinse them under the water
2. Water or rice grain on the heating plate should be wiped by clean cloth
3. Please use cloth to clean the water storage tank
4. Before putting in the inner pot, be sure to wipe away water around it and put it in the right position
5. Use soft cloth to clean the cooker

4.2 Clean the lid

1. Open the outer lid, remove the inner lid



2. Wash the steam valve and the lid



3. Install the lid



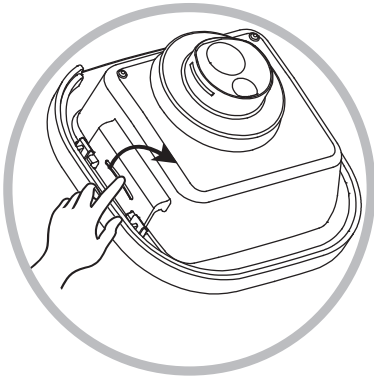
4.3 Remove and clean the steam valve

1. To open the cover, once you press the button, the cover will open automatically up to 90 degrees.

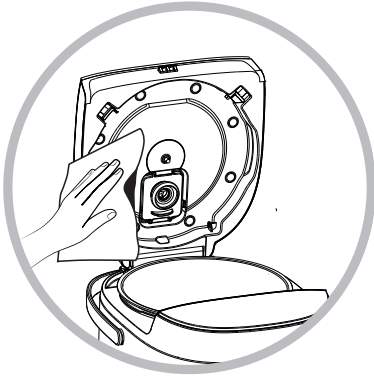


4 Care and maintenance

2. Hold the steam valve and press the buckle to open it



3. Use a cloth to clean the lid, do not rinse them under the water. if the seal ring falls off from the steam valve, push it in.



5 Repair and maintenance

5.1 Self checking of unusual problems

5.1.1 Problem checking

If you found the cooking is in unusual condition, please check the following list to confirm whether there is any failure.

Fault phenomenon	Reasons	Solution
Light does not shine	Power is not connected	Check if the product is plugged in
	Board failure	Contact the company's customer service staff
The whole machine is not heated	Board failure	Contact the company's customer service staff
	Coil disk failure	
	The fuse blew out	
The indicator light is on and the coil disk is not hot	Coil disk failure	Contact the company's customer service staff
	Board failure	
Uncooked	Too much or too little	Adjust the total capacity of rice and water, ranging between the maximum and minimum scale lines
	The ratio of rice to water is wrong.	Adjust the ratio of rice to water
	The inner pot is not placed, and it is suspended.	Put the inner pot and gently press it back to normal
	There is a foreign object between the inner pot and the coil disk	Clean up foreign objects
	Inner pot is broken	Contact our customer service staff to purchase a new inner pot
	Board failure	Contact the company's customer service staff
	Sensor failure	Contact the company's customer service staff
Rice Charred	Inner pot is broken	Contact our customer service staff to purchase a new inner pot
	The inner pot is not placed, and it is suspended.	Put the inner pot and gently press it back to normal
	Board failure	Contact the company's customer service staff
	Sensor failure	Contact the company's customer service staff
Overflow	Too much boiled	Adjust the amount to moderate
	The proportion of rice water is not suitable	Reduce water volume
	Functional error	Choose the right function
Plastic taste	normal phenomenon	After using the rice cooker a few times, the taste will be no
The digital screen displays the error code E0, E1, E2, E3, E4	Board or sensor failure	First unplug the power plug, the rice cooker still fails after cooling, contact the company's customer service staff.

beko

Nồi cơm điện

Hướng dẫn sử dụng



RCM50823 W

EN / VN

Vui lòng đọc kỹ hướng dẫn trước khi sử dụng!






Kính gửi Quý khách hàng,

Cảm ơn Bạn đã tin tưởng chọn dùng sản phẩm Beko. Chúng tôi hy vọng Bạn sẽ có những trải nghiệm tuyệt vời nhất với sản phẩm được sản xuất với chất lượng cao và công nghệ tiên tiến từ Beko. Vì thế, xin vui lòng đọc kỹ toàn bộ sách hướng dẫn sử dụng này cũng như các tài liệu đi kèm và giữ lại để tham khảo trong tương lai. Nếu Bạn trao lại sản phẩm này cho người khác, xin hãy đưa kèm hướng dẫn sử dụng này. Xin tuân thủ tất cả các lưu ý và thông tin trong sách hướng dẫn sử dụng.

Quyển hướng dẫn sử dụng này cũng có thể được dùng cho một vài mẫu sản phẩm khác. Điểm khác nhau giữa các mẫu sẽ được mô tả cụ thể trong hướng dẫn sử dụng.

Ý nghĩa các biểu tượng

Các biểu tượng dưới đây được sử dụng ở nhiều mục khác nhau trong quyển hướng dẫn sử dụng này:

	Thông tin quan trọng và chỉ dẫn hữu ích về cách sử dụng
	Cảnh báo về các trường hợp gây tổn hại đến người và tài sản.
	Cảnh báo bề mặt nóng
	Bề mặt tiếp xúc được với thực phẩm
	Không ngâm nồi cơm, dây nguồn hay phích cắm trong nước hoặc bất kỳ chất lỏng nào khác.



Sản phẩm được sản xuất tại các phân xưởng thân thiện với môi trường không gây hại cho thiên nhiên.

MỤC LỤC

Tiếng Việt **04-16**

1

Hướng dẫn về an toàn sử dụng và bảo vệ môi trường

Nhằm đảm bảo an toàn trong quá trình sử dụng và tránh gây tổn thương về người và của cho chính mình và người khác, xin thực hiện các bước phòng tránh sau. Việc không tuân thủ các lưu ý an toàn và sử dụng thiết bị không đúng cách có thể gây ra tai nạn.

- Không sử dụng nồi cơm điện để nấu các loại thực phẩm có thể làm nghẹt lỗ thoát hơi nước, các loại thực phẩm dạng lá (như rau, bắp cải) hay dạng sợi (như rong biển) để tránh gây tắc, gây tai nạn hay gây hư hại cho nồi.
- Không đưa mặt hoặc đặt tay gần cửa thoát hơi nước trong lúc nồi đang hoạt động để tránh bị bỏng.
- Không mở cửa thoát hơi nước trong lúc nồi đang hoạt động. Lưu ý: không dùng vật lạ che chắn cửa thoát hơi nước, tránh xa nắp nồi trong lúc nồi đang hoạt động để tránh bị bỏng và tránh gây hư hỏng cho nồi.
- Không tự tháo lắp. Ngoài thợ điện chuyên nghiệp, bất cứ ai cũng không được phép tháo rời và sửa chữa thiết bị, để tránh cháy nổ, điện giật hoặc bị thương.
- Nguồn cung cấp điện chính phải tuân thủ thông tin ghi trên nhãn máy.
- Không khuyến khích sử dụng sản phẩm này trong các trường hợp sau:
 - Trẻ em/Người khuyết tật sử dụng không có sự giám sát
 - Không để trẻ em chơi với sản phẩm này
- Không dùng tay ẩm hoặc ướt chạm vào thiết bị hoặc phích cắm khi thiết bị đang kết nối với nguồn điện.
- Không đặt nồi cơm điện lên bề mặt không chắc chắn, không bằng phẳng, hay gần các nguồn nhiệt trong khoảng cách 30cm. Nếu không, tai nạn hoặc sự cố có thể xảy ra.
- Không cho pin, dây điện hoặc vật lạ vào lỗ cắm dây nguồn và lỗ thoát hơi nước dưới đáy thiết bị để tránh bị điện giật.
- Không ngâm hoặc nhúng sản phẩm trong nước.
- Sử dụng riêng một ổ cắm điện có dây tiếp đất với sức tải trên 10A. Việc dùng chung ổ điện với các thiết bị khác có thể gây nguy hiểm bất thường, cháy nổ.
- Bụi hoặc nước trên dây nguồn, phích cắm và ổ cắm điện của sản phẩm phải được lau chùi thường xuyên để tránh gây cháy nổ, điện

1

Hướng dẫn về an toàn sử dụng và bảo vệ môi trường

giật. Nếu dây nguồn quá ngắn, hãy sử dụng ổ cắm để nối dây, không gây hư hỏng.

- Nếu cần phải sửa chữa sản phẩm hoặc thay thế linh kiện, hãy liên hệ các đại lý được uỷ quyền có tên trên thẻ bảo hành của Beko để tránh các rủi ro có thể xảy ra bởi việc sửa chữa hoặc thay linh kiện không phù hợp.
- Cắm dây vào hần bên trong ổ điện để tránh cháy nổ, điện giật, và chạm dây. Nếu dây nguồn bị hỏng, phải thay thế bằng dây điện đặt biệt hoặc dây lắp đặt sẵn được cung cấp với nhà sản xuất hoặc đại lý dịch vụ.
- Người dùng có bệnh về tim mạch, phải đeo máy trợ tim hoặc bị suy giảm thính lực, nên tham khảo ý kiến bác sĩ trước khi sử dụng.
- Một số linh kiện quan trọng, như cầu chì, nếu sửa chữa không đúng hoặc bị ngắn mạch ngoài mức cho phép, có thể phá hỏng chức năng bảo vệ của sản phẩm, khiến sản phẩm bị quá nhiệt hoặc cháy nổ.
- Nồi cơm và lòng nồi phải khớp nhau để tránh hiện tượng quá nhiệt hoặc hoạt động bất thường.
- Không làm rơi lòng nồi cơm để tránh bị biến dạng.
- Không dùng vật cứng đập vào lòng nồi cơm để tránh bị biến dạng.
- Không dùng tay chạm vào lòng nồi cơm trong và ngay sau khi sử dụng để tránh bị bỏng do nhiệt độ cao.
- Lau sạch nước bên ngoài lòng nồi cơm trước khi nấu.
- Lau sạch nước, hạt gạo và các vật lạ khác khỏi đáy lòng nồi cơm và mâm nhiệt để tránh hiện tượng quá nhiệt và ngắn mạch.
- Sản phẩm tùy thuộc vào điều kiện thực tế nếu có khác biệt giữa hình ảnh và sản phẩm thật.
- Kiểm tra lòng nồi cơm và van hơi nước xem chúng đã nằm đúng vị trí hay chưa, trước khi cho nồi cơm hoạt động, để tránh lỗi vận hành.
- Trong quá trình sử dụng, sản phẩm có thể toả mùi hoặc phát âm thanh xả hơi nước. Đây là tín hiệu hoạt động bình thường, vui lòng không mở nồi.

1

Hướng dẫn về an toàn sử dụng và bảo vệ môi trường

- Không cho sản phẩm hoạt động tiếp ngay sau khi sử dụng. Đợi ít nhất 15 phút để mâm nhiệt hạ nhiệt.
- Không nấu cơm với nước nóng vì hành động này có thể ảnh hưởng chức năng đo nhiệt độ của rơ-le nhiệt dẫn tới việc giảm hiệu suất nấu.
- Không dùng xứng hấp khi nấu nhiều hơn 3 lon gạo, để đảm bảo hiệu quả của việc đo lường theo cốc.
- Thường xuyên vệ sinh cửa thoát hơi nước, nắp nồi, van thoát hơi nước và bề mặt sản phẩm.
- Không ép chặt hoặc bẻ cong dây nguồn và không chà xát dây nguồn lên cạnh sắc để tránh hư hỏng. Đặt dây nguồn xa các bề mặt nóng và ngọn lửa trần.
- Độ cao trên mực nước biển phù hợp để sản phẩm hoạt động bình thường là trong mức 0-2000m.
- Sửa chữa sản phẩm và thay thế linh kiện tại đại lý bảo hành chuyên nghiệp được Beko uỷ quyền. Giữ sách hướng dẫn sử dụng này để đảm bảo hiệu quả sử dụng, đừng vứt đi.
- Chỉ sử dụng thiết bị với ổ điện có dây tiếp đất.
- Trẻ em nên được giám sát để đảm bảo chúng không chơi với thiết bị.
- Không sử dụng thiết bị với dây điện nối thêm.
- Rút phích cắm trước mỗi lần vệ sinh, và khi không sử dụng thiết bị.
- Thiết bị này được thiết kế để sử dụng trong nhà và các địa điểm tương tự như:
 - Khu nhà bếp nhân viên trong cửa hàng, văn phòng, và các môi trường làm việc khác;
 - Trang trại
 - Khách sạn và các cơ sở lưu trú khác tương tự;
 - Cơ sở lưu trú nhỏ, giá rẻ;
 - Thiết bị không phù hợp cho mục đích công nghiệp.
- Giữ sản phẩm và dây nguồn xa tầm tay trẻ em dưới 8 tuổi.
- Thiết bị này chỉ có thể được sử dụng bởi trẻ em đủ 8 tuổi hoặc lớn hơn, người khuyết tật về thể lý, giác quan, hay trí tuệ, hoặc người không có kiến thức và kinh nghiệm sử dụng, nếu họ được giám sát để đảm bảo an toàn sử dụng, được hướng dẫn an toàn sử dụng, hoặc hiểu rõ các rủi ro trong quá trình sử dụng thiết bị.

Trẻ em không nên chơi với thiết bị này. Các quy trình vệ sinh và bảo dưỡng sản phẩm không nên được thực hiện bởi trẻ em nếu không có sự kiểm soát của người lớn.

- Không sử dụng thiết bị nếu dây nguồn hoặc thiết bị bị hư hỏng. Liên hệ ngay dịch vụ sửa chữa được uỷ quyền.
- Không rút phích cắm bằng cách nắm giật dây nguồn.
- Vận hành và đặt thiết bị trên bề mặt chắc chắn.
- Không tự tháo rời thiết bị.
- Nếu bạn giữ lại các vật liệu đóng gói, cất chúng khỏi tầm tay trẻ em.
- Rút phích cắm trước khi vệ sinh và để thiết bị khô hoàn toàn sau khi vệ sinh.
- Không vận hành thiết bị với bộ hện giờ bên ngoài hay một hệ thống điều khiển từ xa khác.

1.1 Tuân thủ Chỉ thị của Liên minh Châu Âu về Chất thải Điện và Điện tử (WEEE) và việc xử lý sản phẩm thải

Sản phẩm này tuân thủ Chỉ thị của Liên minh Châu Âu về Chất thải Điện và Điện tử WEEE (2012/19/EU). Trên sản phẩm có biểu tượng phân loại chất thải điện và điện tử (WEEE).



Biểu tượng này cho biết sản phẩm sẽ không được xử lý cùng với các loại chất thải sinh hoạt khác vào cuối vòng đời sử dụng của nó. Thiết bị đã qua sử dụng phải được chuyển về các điểm thu gom chính thức phục vụ cho việc tái chế thiết bị điện và điện tử. Để tìm các hệ thống thu gom này, xin liên hệ chính quyền địa phương hoặc cửa hàng bán lẻ nơi bạn mua sản phẩm. Mỗi gia đình đóng một phần quan trọng trong việc phục hồi và tái chế thiết bị cũ. Xử lý thiết bị cũ đúng quy cách giúp ngăn chặn các hệ lụy tiêu cực liên quan đến môi trường và sức khoẻ con người.

1.2 Tuân thủ Chỉ thị của Liên minh Châu Âu về Hạn chế Chất nguy hiểm (RoHS)

Sản phẩm bạn vừa mua tuân thủ Chỉ thị của Liên minh Châu Âu về Hạn chế Chất nguy hiểm RoHS (2011/65/EU). Sản phẩm không sử dụng vật liệu gây hại và vật liệu cấm được liệt kê trong Chỉ thị.

1.3 Thông tin đóng gói



Nguyên vật liệu đóng gói sản phẩm được sản xuất từ các vật liệu tái chế phù hợp với Quy định Quốc gia về Môi trường của chúng tôi. Vui lòng không vứt các nguyên vật liệu đóng gói chung với rác sinh hoạt hoặc các chất thải khác. Đem chúng đến các điểm thu gom vật liệu đóng gói đã được chính quyền địa phương chỉ định

1

Hướng dẫn về an toàn sử dụng và bảo vệ môi trường

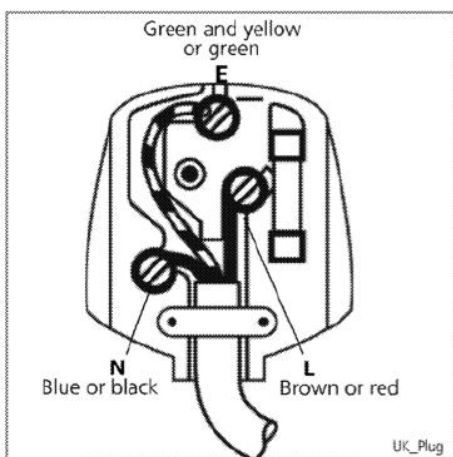
1.4 Đầu dây phích cắm

Phích cắm của thiết bị này có chứa một cầu chì chịu tải 13A. Khi cần thay cầu chì, phải dùng cầu chì BS1362 đạt chuẩn ASTA có cùng sức tải. Đừng quên lắp lại nắp cầu chì. Trường hợp mất nắp cầu chì, không sử dụng phích cắm cho đến khi nắp mới được lắp vào. Màu của nắp thay thế phải giống màu mặt phích có chấu cắm. Nắp cầu chì có bán tại các cửa hàng linh kiện thiết bị điện.

Nếu không rõ, xin liên hệ thợ điện chuyên nghiệp

• Cách đấu dây phích cắm thay thế

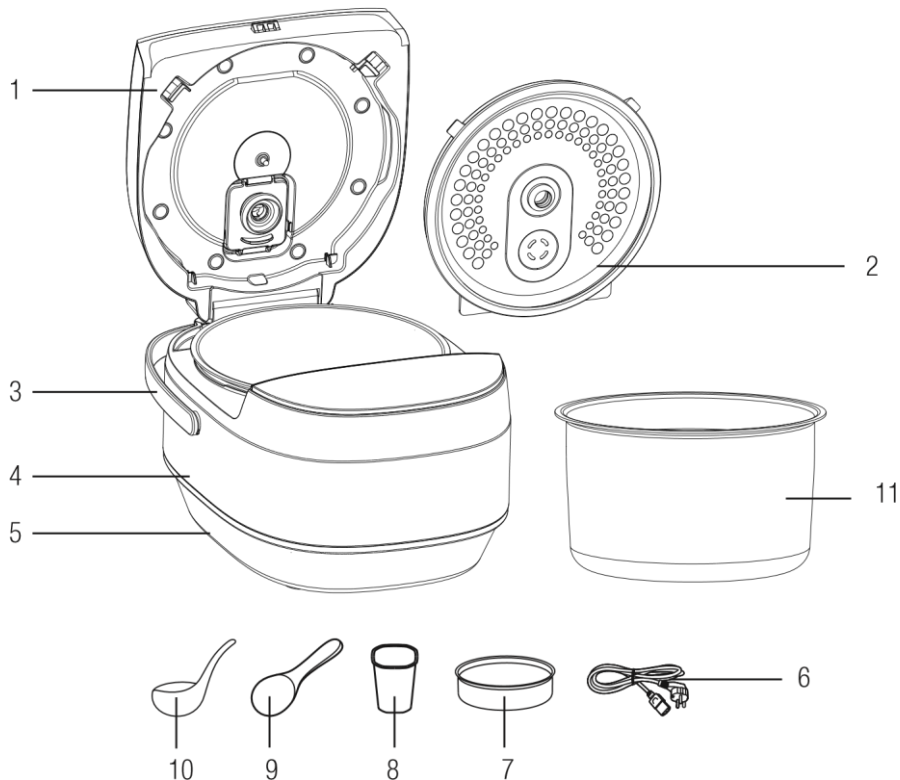
- Vì màu dây điện trong sợi dây nguồn của thiết bị này có thể không tương ứng với đánh dấu màu xác định các chấu điện trong phích cắm của bạn, nên xin tiến hành theo hướng dẫn sau:
- Dây nâu (Brown) = L (Nóng)
- Dây xanh dương (Blue) = N (Lạnh)
- Dây xanh lá (Green)/Vàng (Yellow) phải nối đất.
- Phích cắm thay thế phải được lắp một cầu chì 13A vào trong phích, hoặc cục chuyển đổi, hoặc trong hộp cầu chì tổng.



2

Nồi cơm điện của bạn

2.1 Tổng quan



1	Nắp
2	Nắp trong có thể tháo rời
3	Tay cầm
4	Thân nồi
5	Đế nồi
6	Dây nguồn
7	Xứng hấp
8	Cốc đong
9	Muỗng múc cơm
10	Giá múc canh
11	Lòng nồi

2.2 Thông số kỹ thuật

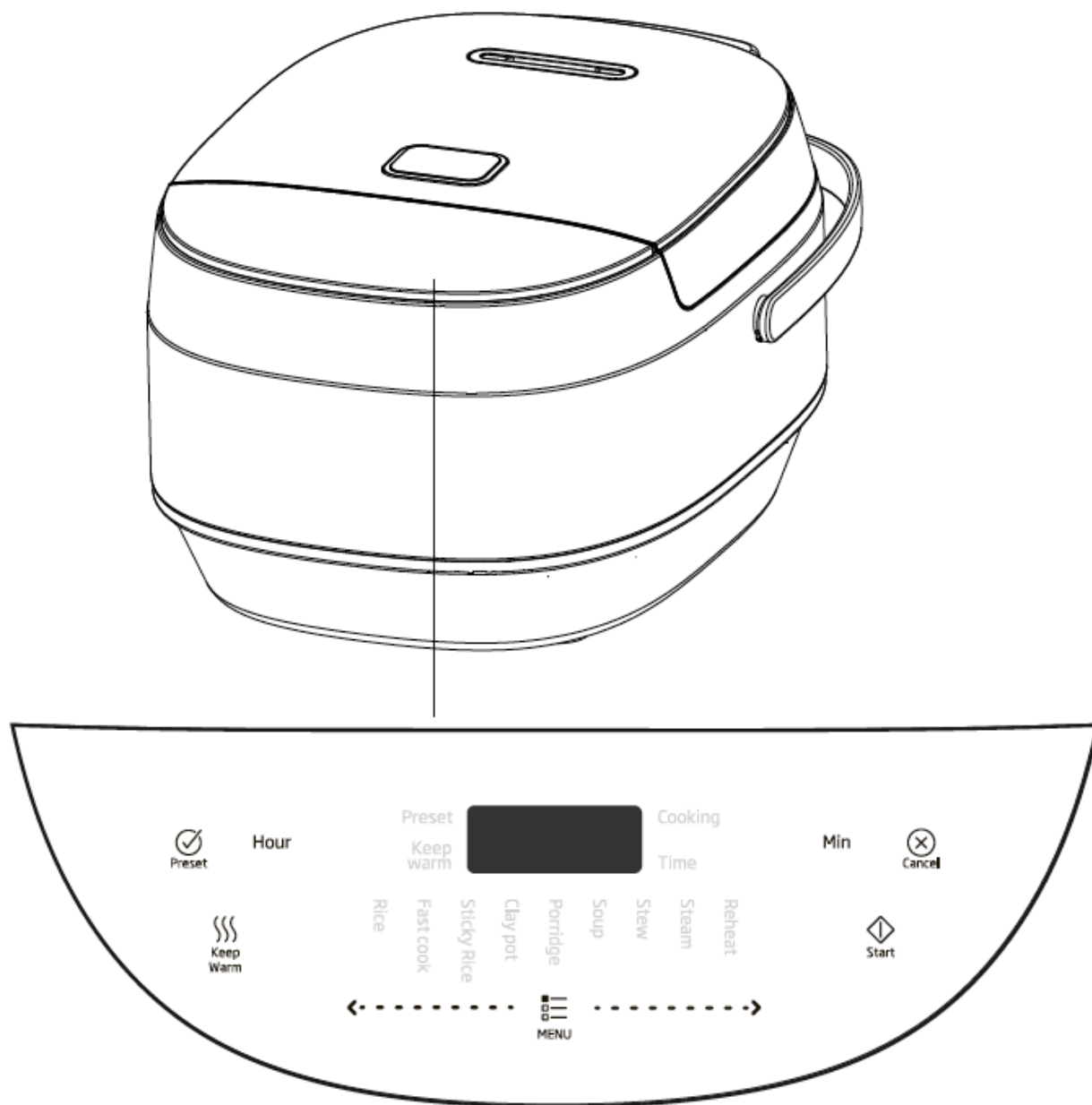
	RCM 50823W
Nguồn điện	220-240V 50-60Hz
Công suất (W)	860 W
Tổng dung tích nồi (L)	5 L
Dung tích gạo (L)	1.8 L

Nhà sản xuất có quyền điều chỉnh chi tiết thông tin kỹ thuật và thiết kế.

Các giá trị in trên sản phẩm hoặc trong các tài liệu đính kèm là thông số ghi nhận được trong phòng thí nghiệm căn cứ theo các tiêu chuẩn có liên quan. Các giá trị này có thể thay đổi trong quá trình sử dụng và điều kiện môi trường xung quanh.

2 Nồi cơm điện của bạn

2.3 Bảng điều khiển



Van thoát hơi nước có thể ráo rời
(Bao gồm cửa thoát hơi nước và van)



Loại bỏ ngay lập tức vật thể lạ trong cửa thoát hơi nước để tránh làm ảnh hưởng chất lượng đồ ăn.

3 Vận hành thiết bị

Các bước sử dụng bảng điều khiển: chiếc nồi cơm điện này chỉ phù hợp sử dụng trong gia đình. Để dùng cho các mục đích khác, xin tham khảo sách hướng dẫn sử dụng.

3.1 Khởi động

Các phím chức năng

1. Ấn phím **Menu-Chế độ** để chọn chức năng
2. Chọn chức năng mong muốn khi đèn tín hiệu sáng
3. Ấn phím **Start-Bắt đầu** để bắt đầu nấu

Phím Preset - Thiết lập trước

1. Ấn phím **Menu-Chế độ** để chọn chức năng
2. Ấn phím **Preset-Thiết lập trước**, chọn thời gian bạn cần
3. Ấn phím **Bắt đầu** để vào chế độ **Preset-Thiết lập trước**.



Để thiết lập thời gian nấu, ấn phím **Preset-Thiết lập trước**, sau đó tùy chỉnh các thiết lập.

- Ấn **Giờ** để đặt giờ
- Ấn **Phút** để đặt phút
- Thời gian thiết lập trước dài nhất lên đến 24 tiếng.
- Nhằm tránh thức ăn ngâm trong nước quá lâu gây mùi khó chịu, bạn tốt hơn hết là không cài đặt giờ dài hơn 24 tiếng.
- Khi cài đặt giờ ngắn hơn thời gian nấu, nồi sẽ bắt đầu trực tiếp nấu.
- Sau khi thiết lập xong, ấn phím **Start-Bắt đầu** để bắt đầu nấu.

Phím Giờ/Phút

Trong chế độ lựa chọn thời gian nấu theo chức năng và chế độ hẹn giờ trước, có thể điều chỉnh thời gian nấu theo nhu cầu.



Các chức năng nấu từng phần không thể tùy chỉnh thời gian nấu

Phím Keep warm-Giữ ấm

Trong trạng thái chờ, ấn phím **Keep warm-Giữ ấm** để vào chế độ giữ ấm, đèn tín hiệu sáng lên, thời gian giữ ấm lên đến 24 tiếng, sau đó trực tiếp trở về trạng thái chờ.



Nếu bạn muốn hủy chế độ giữ ấm, ấn giữ phím **Cancel-Hủy** trong 2 giây.

Phím Cancel - Hủy

Trong trạng thái nấu, ấn phím **Cancel-Hủy** để hủy chế độ nấu thiết lập trước và trở lại trạng thái chờ.

Phím Start - Bắt đầu

Sau khi chọn chức năng bạn cần, ấn **Start-Bắt đầu**, nồi sẽ bắt đầu hoạt động.

Sau khi chức năng đã chọn hoàn tất hoàn tất quá trình nấu, âm thanh "di", "di", "di" sẽ được phát lên để thông báo việc nấu đã hoàn thành. Nồi cơm sẽ tự động chuyển sang trạng thái giữ ấm, đèn tín hiệu giữ ấm bật sáng, và màn hình hiển thị giờ giữ ấm.

3.2 Các bước chuẩn bị trước khi nấu



- Vui lòng nấu một hoặc hai lần nước chanh hoặc nước thường (khoảng 20 phút) trước khi sử dụng Nồi cơm điện.
- Đảm bảo van thoát hơi nước được lắp đặt chính xác. Nếu van không được lắp vào thì nước canh có thể bị trào ra trong lúc nấu

1. Dùng cốc đong gạo vào nồi



Không khuyến khích vo gạo trực tiếp trong lòng nồi, để tránh làm trầy.



Khi nấu hạt cứng, hãy ngâm hạt trước trong nước nóng trong 2-3 tiếng

2. Lau sạch cám gạo bám trên nồi, chọn mức nước phù hợp với lượng gạo, cho nước vào theo thang đo vạch sẵn, thêm hoặc bớt nước tùy theo khẩu vị.



Không cho nước vượt vạch đo tối đa vì có thể khiến nước trào ra ngoài hoặc gây chập mạch.

Dung tích tối đa là 5 lít, tương đương với 10 cốc. Lượng gạo nên đong theo nhu cầu thực sự của bạn. Tỷ lệ gạo-nước nên là nửa phần nước nửa phần gạo. Bạn cũng có thể đong nước theo dấu đánh sẵn. Ví dụ, khi nấu 2 cốc gạo, bạn sẽ đổ nước đến vạch đánh dấu 2 cốc.



Trước khi đặt lòng nồi vào trong nồi, đảm bảo không còn gạo hay rau củ bám ở mặt ngoài đáy lòng nồi và mâm nhiệt. Nếu cần, tháo mâm nhiệt ra vệ sinh trước khi đặt lòng nồi vào. Đảm bảo chắc chắn lòng nồi và mâm nhiệt khớp nhau. Đậy kín.

Chức năng	Biên độ thời gian tùy chỉnh	Ghi chú
Cơm	1:10 - 24:00	Thời gian nấu tối thiểu 40 phút Thời gian nấu tối đa 60 phút Sau khi đun sôi, đếm ngược 8 phút
Nấu nhanh	1:10 - 24:00	Thời gian nấu tối đa 55 phút Sau khi đun sôi, đếm ngược 8 phút
Xôi	0:50 - 2:00	Thời gian nấu tối đa 60 phút Sau khi đun sôi, đếm ngược 8 phút
Thở đất	1:10 - 24:00	--
Cháo	1:00 - 3:00	--
Súp	1:00 - 4:00	--
Hâm	2:00 - 6:00	--
Hấp	0:10 - 1:00	Đếm ngược sau khi nước sôi
Hâm nóng	--	Thời gian hâm nóng 25 phút

Mẹo sử dụng các chức năng nấu

- Thời gian nấu ghi trong bảng trên sẽ thay đổi chút ít tùy thuộc vào hiệu điện thế, lượng gạo, lượng nước, nhiệt độ nước, và loại gạo. Để tránh cho cơm bị khét, xối cơm trong vòng 30 phút sau khi nồi chuyển sang chế độ giữ ấm.
- Khi nấu, nồi cơm điện được gia nhiệt trong 15 phút, và sau đó hiệu quả sẽ tốt hơn.
- Lượng nếp tối đa có thể nấu là 6 cốc. Nên ngâm nếp 2-4 tiếng trước khi nấu.
- Lượng gạo tối đa để nấu cháo là 1.5 lít, tỷ lệ gạo-nước là 1:8.
- Mức nước tối đa cho một nồi súp không nên vượt quá 70% dung tích lòng nồi.
- Chế độ làm nóng cơm phun đều một cốc nước lên bề mặt cơm nguội, giúp cơm mềm hơn.

3 Vận hành thiết bị

3.3 Cách nấu

1. Dùng khăn mềm lau khô mặt ngoài lòng nồi.
2. Đặt lòng nồi vào bên trong nồi.
3. Ấn nắp nồi xuống đến khi nghe tiếng kêu
4. Đảm bảo phích cắm chặt trong ổ cắm dây nguồn của nồi
5. Đảm bảo phích cắm chặt trong ổ điện
6. Ấn chọn các phím Chức năng theo nhu cầu
7. Ấn phím **Start-Bắt đầu** để bắt đầu nấu



Không dùng lòng nồi nấu trên bếp khác vì lòng nồi sẽ bị biến dạng do quá nóng.



Không dùng loại nồi khác để thay thế lòng nồi.

4

Vệ sinh và bảo dưỡng

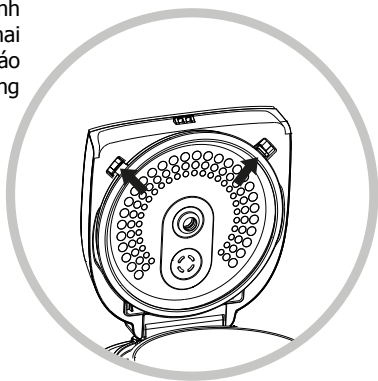
4.1 Vệ sinh thân nồi

1. Dùng khăn lau nắp nồi và mâm nhiệt, không rửa dưới vòi nước.
2. Nước hoặc hạt cơm dính trên mâm nhiệt nên được lau đi bằng khăn sạch.
3. Dùng khăn lau khay trữ nước.
4. Trước khi đặt lòng nồi vào trong nồi, đảm bảo bạn đã lau khô nước xung quanh lòng và đặt lòng vào đúng vị trí.
5. Dùng khăn mềm lau toàn bộ nồi.

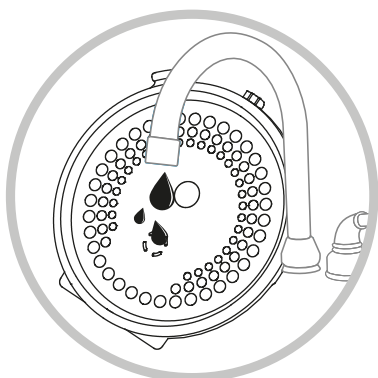
4.2 Vệ sinh nắp nồi

1. Mở nắp nồi cơm, tháo nắp trong.

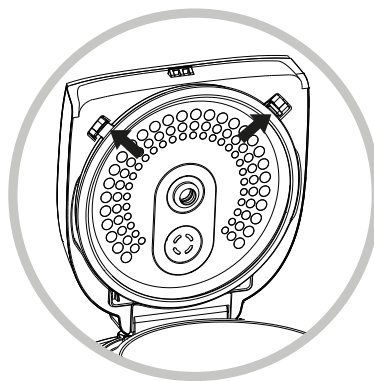
đẩy các thanh trượt sang hai bên để tháo vỏ bên trong



2. Rửa van thoát hơi nước và nắp trong.

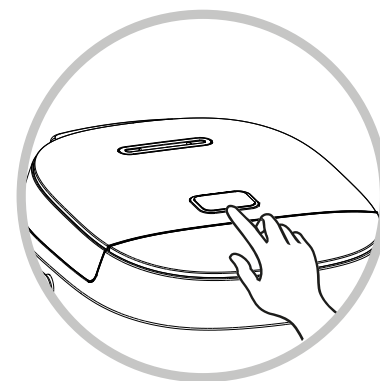


3. Lắp nắp trong lại vào nắp nồi.



4.3 Tháo và vệ sinh van thoát hơi nước

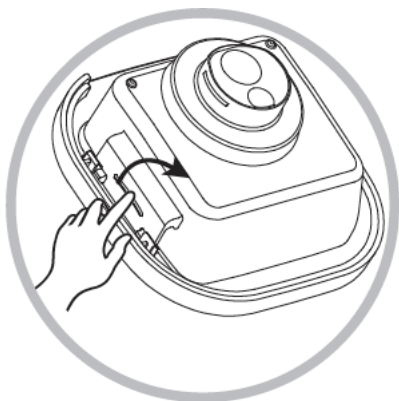
1. Để mở phần nắp đậy, khi bạn ấn nút, nắp sẽ tự động mở ra 90 độ.



4

Vệ sinh và bảo dưỡng

2. Cầm phần van thoát hơi nước và ấn chốt khoá để mở.



3. Dùng khăn lau nắp, không rửa dưới vòi nước. Nếu vòng cao su rơi khỏi van, gắn nó vào lại.



5 Sửa chữa và bảo dưỡng

5.1 Tự kiểm tra sự cố bất thường

5.1.1 Kiểm tra sự cố

Nếu bạn phát hiện nồi cơm điện có biểu hiện bất thường, xin tham khảo danh sách bên dưới để biết nồi có bị lỗi hay không.

Lỗi	Nguyên nhân	Cách khắc phục
Đèn không sáng	Nồi không vào điện	Kiểm tra xem dây nguồn đã cắm vào ổ điện hay chưa
	Hư bảng mạch	Liên hệ nhân viên chăm sóc khách hàng
Nồi không nóng	Hư bảng mạch	Liên hệ nhân viên chăm sóc khách hàng
	Hư mâm nhiệt	
	Nổ cầu chì	
Đèn báo hiệu sáng nhưng mâm nhiệt không nóng	Hư mâm nhiệt	Liên hệ nhân viên chăm sóc khách hàng
	Hư bảng mạch	
Cơm bị sống	Nấu quá ít hay quá nhiều	Điều chỉnh lượng gạo và nước theo mức tối thiểu và tối đa đã vạch sẵn
	Tỷ lệ gạo-nước không phù hợp.	Điều chỉnh tỷ lệ gạo-nước
	Lòng nồi đặt sai vị trí và không tiếp xúc với mâm	Đặt lại lòng nồi và ấn nhẹ để lòng vào vị trí bình thường
	Có vật lạ giữa lòng nồi và mâm nhiệt	Loại bỏ vật lạ
	Lòng nồi bị nứt bể	Liên hệ nhân viên chăm sóc khách hàng của công ty để mua lòng nồi mới
	Hư bảng mạch	Liên hệ nhân viên chăm sóc khách hàng
	Hư cảm biến	Liên hệ nhân viên chăm sóc khách hàng
Cơm bị khét	Lòng nồi bị nứt bể	Liên hệ trung tâm dịch vụ khách hàng để mua lòng nồi mới
	Lòng nồi đặt sai vị trí và không tiếp xúc với mâm	Đặt lại lòng nồi và ấn nhẹ để lòng vào vị trí bình thường
	Hư bảng mạch	Liên hệ nhân viên chăm sóc khách hàng
	Hư cảm biến	Liên hệ nhân viên chăm sóc khách hàng
Trào nước	Cơm sôi quá mức	Điều chỉnh lượng vừa phải
	Lượng nước không phù hợp	Giảm nước
	Lỗi chức năng	Chọn chức năng phù hợp
Cơm có mùi nhựa	Hiện tượng bình thường	Sau vài lần nấu, mùi nhựa sẽ không còn nữa
Màn hình điện tử hiển thị lỗi E0, E1, E2, E3, E4	Hư bảng mạch hoặc cảm biến	Trước tiên rút dây điện. Nếu nồi vẫn không hoạt động sau khi hạ nhiệt, liên hệ nhân viên chăm sóc khách hàng của công ty.

