

Chopper

User Manual



CHG70546B

EN

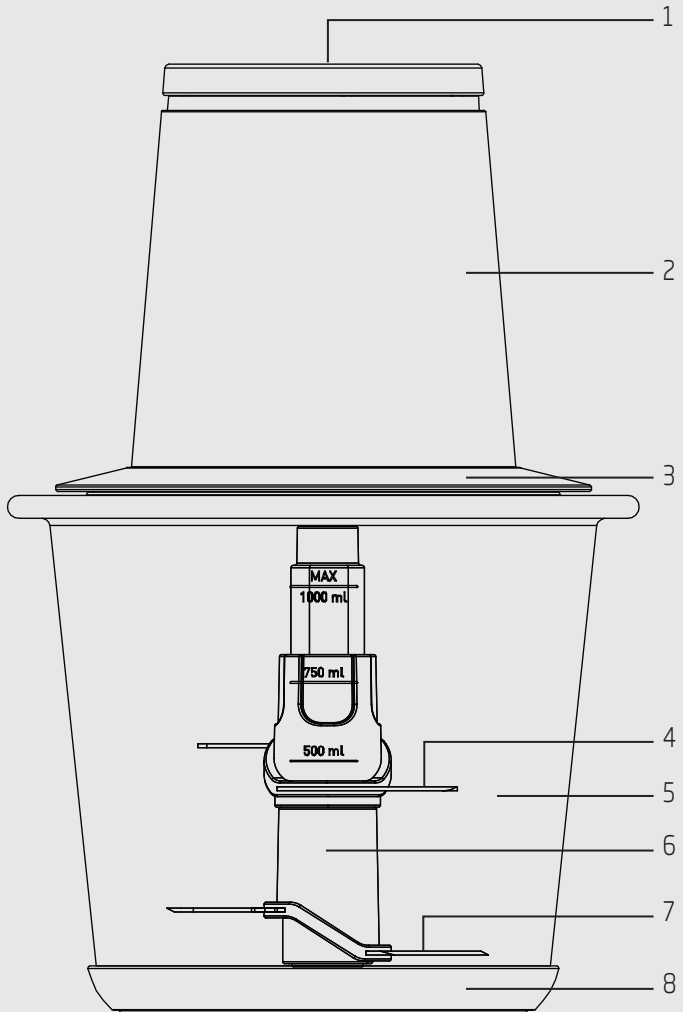
01M-8819433200-1720-01

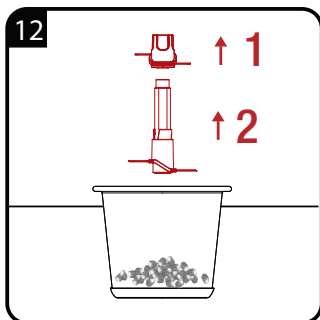
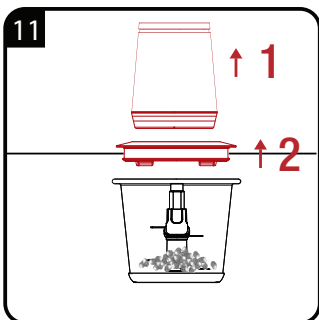
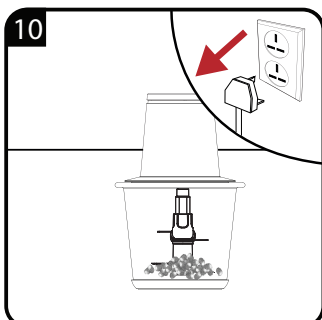
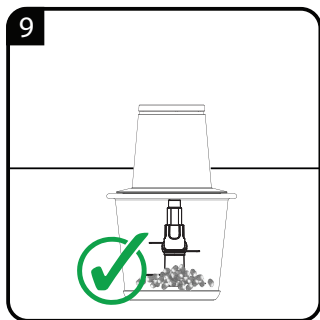
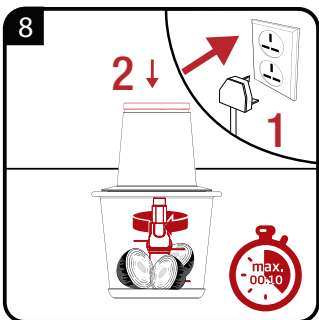
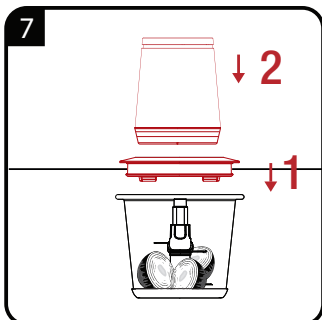
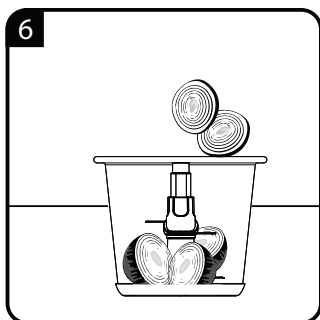
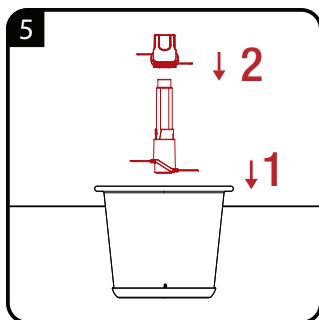
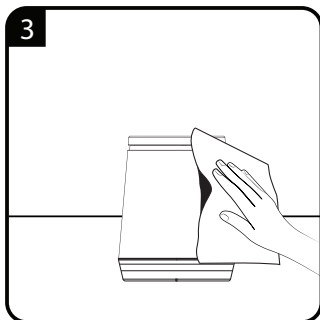
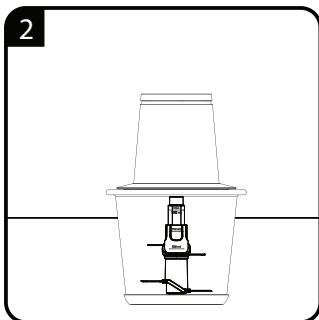
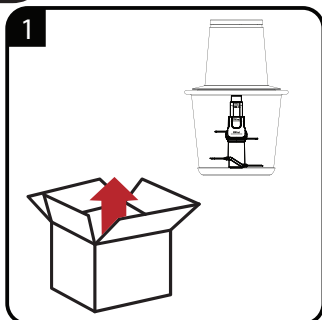
beko

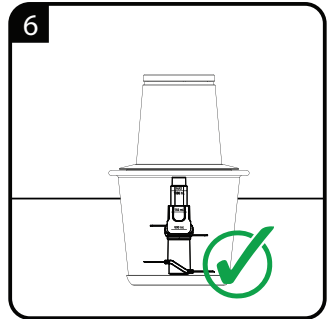
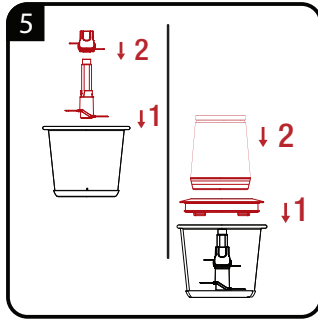
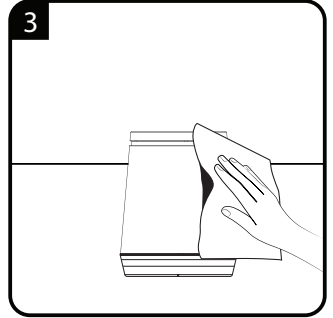
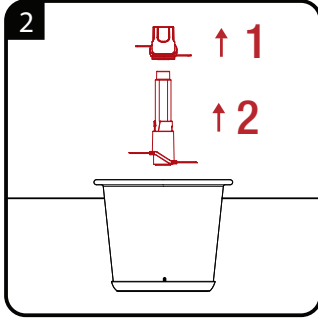
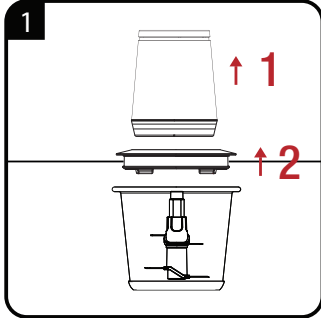
CONTENTS

ENGLISH

07-11







EN OPERATION	CLEANING AND CARE

Please read this user manual first!

Dear Customers,

Thank you for selecting an Beko product. We hope that you get the best results from your product which has been manufactured with high quality and state-of-the-art technology. Therefore, please read this entire user manual and all other accompanying documents carefully before using the product and keep it as a reference for future use. If you handover the product to someone else, give the user manual as well. Follow all warnings and information in the user manual.

1. Operation switch
2. Base unit
3. Inner lid
4. Upper blade
5. Glass bowl
6. Fixed shaft
7. Lower blade
8. Anti-slip rubber pad

Meanings of the symbols

Following symbols are used in the various section of this manual:



Important information and useful hints about usage.



WARNING: Warnings for dangerous situations concerning the safety of life and property.



Materials are intended to be in contact with food.



Do not immerse the appliance, power cord or power plug in water or in other liquids.



Protection class against electric shock.

Technical data

Power supply: 220-240 V~, 50-60 Hz

Power: 500 W

Technical and design modifications reserved.

The values which are declared in the markings affixed on your appliance or the other printed documents supplied with it represent the values which were obtained in the laboratories pursuant to the pertinent standards. These values may vary according to the usage of the appliance and ambient conditions.



This product has been produced in environmentally-friendly, state-of-the-art facilities.

Complies with the WEEE Directive.



It does not contain PCB.

1 Important instructions for safety and environment

This section contains safety instructions that will help protect from risk of personal injury or property damage.

Failure to follow these instructions invalidates the granted warranty.

1.1 General safety

- This appliance complies with the international safety standards.
- This appliance can be used by people who have limited physical, sensory or mental capacity or who do not have knowledge and experience, provided that they are supervised or they understand the instructions with regard to safe use of the product and potential dangers.
- This appliance cannot be used by children.
- Do not use it if the power cable, blades or the appliance itself is damaged. Contact an authorised service.
- Unplug the appliance when left unattended, while installing/removing accessories or before cleaning.
- Only use the original parts or parts recommended by the manufacturer.
- Do not attempt to dismantle the appliance.
- Your mains power supply should comply with the information supplied on the rating plate of the appliance.
- Do not use the appliance with an extension cord.
- Do not pull the power cable when unplugging the appliance.
- Unplug the appliance before cleaning, disassembly, accessory replacement and wait for it to stop completely.
- Do not touch the plug of the appliance with damp or wet hands.
- Do not use the device for hot food.
- Use the appliance only with the supplied rubber base and glass container.
- Do not operate the appliance without the ingredients in the bowl.
- Remove bones and stones from food to prevent the blades and the appliance from getting damaged.

1 Important instructions for safety and environment

- This appliance is not suitable for dry or hard foods as this will quickly cause the blades to become dull.
- To prevent overheating, do not use the appliance continuously for more than 10 seconds. Leave to cool for 1 minute in between each 10 seconds of operation.
- Follow all warnings to prevent injuries due to incorrect use.
- When emptying the container, during cleaning and grabbing chopping blades with bare hands serious injuries could result due to incorrect use. Use caution and hold the chopping blade only from its plastic section.
- After cleaning, dry the appliance and all parts before connecting it to mains supply and before attaching the parts.
- Do not immerse the appliance, power cable, or power plug in water or any other liquids.
- Do not operate or place any part of this appliance or its parts on or near hot surfaces.
- If you keep the packaging materials, store them out of the reach of children.
- Keep the appliance out of the reach of children.

1.2 Compliance with the WEEE Directive and Disposing of the Waste Product:

This product complies with EU WEEE Directive (2012/19/EU). This product bears a classification symbol for waste electrical and electronic equipment (WEEE).



This symbol indicates that this product shall not be disposed with other household wastes at the end of its service life. Used device must be returned to official collection point for recycling of electrical and electronic devices. To find these collection systems please contact to your local authorities or retailer where the product was purchased. Each household performs important role in recovering and recycling of old appliance. Appropriate disposal of used appliance helps prevent potential negative consequences for the environment and human health.

1.3 Compliance with RoHS Directive

The product you have purchased complies with EU RoHS Directive (2011/65/EU). It does not contain harmful and prohibited materials specified in the Directive.

1.4 Package information



Packaging materials of the product are manufactured from recyclable materials in accordance with our National Environment Regulations. Do not dispose of the packaging materials together with the domestic or other wastes. Take them to the packaging material collection points designated by the local authorities.

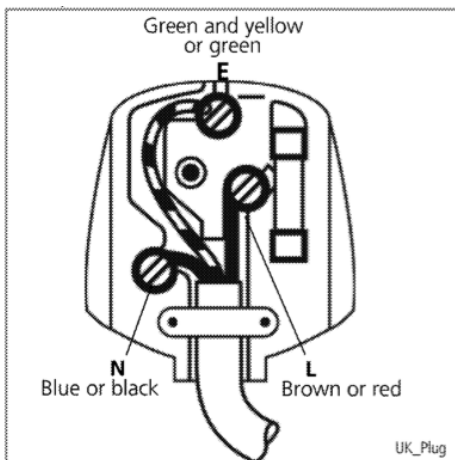
1 Important instructions for safety and environment

1.5 Plug Wiring

The moulded plug on this appliance incorporates a 13 A fuse. Should the fuse need to be replaced an ASTA approved BS1362 fuse of the same rating must be used. Do not forget to refit the fuse cover. In the event of losing the fuse cover, the plug must not be used until a replacement fuse cover has been fitted. Colour of the replacement fuse cover must be the same colour as that visible on the pin face of the plug. Fuse covers are available from any good electrical store.

• Fiting a different plug

- As the colours of the wires in the mains lead of this appliance may not correspond with the coloured markings identifying the terminals on your plug, proceed as follows:
- Brown cable = L (Live)
- Blue cable = N (Neutral)
- Green/yellow cable must be connected to ground (E) \equiv line
- With the alternative plugs a 13 A fuse must be fitted either in the plug or adaptore or in the main fuse box. If in doubt contact a qualified electrician.



2 Operation



Your chopper has been designed for processing small quantities of food and should not be used for any other purpose.



Do not chop extremely hard ingredients such as coffee beans, nutmeg, grains, ice or bones. Remove stalks from herbs, shells from nuts and bones, tendons and gristle from meat.



The appliance should be unplugged when not in use.



You can press the operation switch (1) intermittently to activate the "PULSE" function of the appliance. You can obtain a better quality of chopping with the "PULSE" function.



Do not operate the appliance continuously for more than 10 seconds.



CAUTION: Do not touch the blade with your bare hands. The blade is very sharp.

2.1 Maximum quantities and processing time

Refer to the table for processing time and maximum quantities.

Ingredients	Maximum quantity
Meat (diced)	100 - 150 g
Cheese (cut into small cubes)	100 - 150 g
Onions/Garlic (peeled & cut into 8 pieces)	150 - 200 g
Tomato (cut into 6 pieces)	250 - 300 g
Fruits/Vegetables (cut into 8 pieces)	250 - 300 g

2.2 Recipe idea Salsa

Ingredients:

- 3 tomatoes, seeded
- 1 red onion
- 1 garlic clove
- 1 red bell pepper
- 1 jalapeño chilli pepper, seeded
- 2 tablespoons fresh cilantro
- ½ teaspoon salt

Preparation:

Peel the onion and place with the garlic, bell pepper and chilli pepper into the bowl of the appliance and pulse until the ingredients are coarsely chopped. Gradually add the tomatoes, cilantro and salt and pulse a few times until the ingredients are thoroughly mixed.

3 Information

3.1 Cleaning and care



CAUTION: Never use petrol solvents, abrasive cleaners, metal objects or hard brushes to clean the appliance.



CAUTION: Do not touch the chopping blade with your bare hands. The blades are very sharp. Use a brush!



CAUTION: Never put the base unit (2) or power cord in water or any other liquids and never hold them under running water.



Before using the appliance after cleaning, dry all parts carefully using a soft towel.



CAUTION: Since the chopping blades are so sharp please be careful, while you are cleaning. They are not recommended to be cleaned into dishwasher.

3.2 Storage

- If you do not plan to use the appliance for a long period of time, please store it carefully.
- Make sure the appliance is unplugged, cooled down and completely dry.
- Do not wrap the power cord around the appliance.
- Store it in a cool, dry place.
- Make sure the appliance is always kept out of the reach of children.

3.3 Handling and transportation

- During handling and transportation, carry the appliance in its original packaging. The packaging of the appliance protects it against physical damages.
- Do not place heavy loads on the appliance or the packaging. The appliance may be damaged.
- Dropping the appliance will render it non-operational or cause permanent damage.

