



**Refrigerator**

User Manual

**Refrigerador**

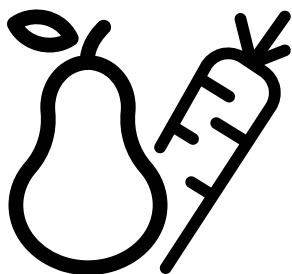
Manual del usuari

**Réfrigérateur**

Manuel d'utilisation

**Frigorifero**

Manuale utente



RDNE350K20X-RDNE350K20XB-RDNE350K30XBN

**EN/ES/FR/IT**

57 9941 0000/AL 1/4 EN-ES-FR-IT

## Please read this user manual first!

Dear Customer,

We hope that your product, which has been produced in modern plants and checked under the most meticulous quality control procedures, will provide you an effective service.

Therefore, read this entire user manual carefully before using the product and keep it as a reference. If you handover the product to someone else, give the user manual as well.

### The user manual will help you use the product in a fast and safe way.


- Read the manual before installing and operating the product.
- Make sure you read the safety instructions.
- Keep the manual in an easily accessible place as you may need it later.
- Read the other documents given with the product.

Remember that this user manual is also applicable for several other models. Differences between models will be identified in the manual.






### Explanation of symbols

#### Throughout this user manual the following symbols are used:

 Important information or useful tips.

 Warning against dangerous conditions for life and property.

 Warning against electric voltage.

 <b>INFORMATION</b>	
 <b>ENERGY</b> 	.The model information as stored in the product data base can be reached by entering following website and searching for your model identifier (*) found on energy label.  <a href="https://eprel.ec.europa.eu/">https://eprel.ec.europa.eu/</a>
<b>SUPPLIER'S NAME</b>  <b>MODEL IDENTIFIER</b>  (*)	

## CONTENTS

### **1 Your Refrigerator** **3**

### **2 Safety and Environment Instructions** **4**

General Safety.....	4
Intended Use.....	7
Child Safety.....	7
Compliance with WEEE Directive and Disposing of the Waste Product.....	7
Compliance with RoHS Directive.....	7
Package Information.....	7
Recommendations for the fresh food compartment.....	8

### **3 Installation** **9**

Points to be paid attention to when the relocation of the refrigerator.....	9
Electrical connection.....	10
Disposing of the packaging.....	10
Disposing of your old refrigerator.....	10
Placing and Installation.....	10
Changing the illumination lamp.....	11
Adjusting the legs.....	11

### **4 Preparation** **12**

### **5 Using your refrigerator** **14**

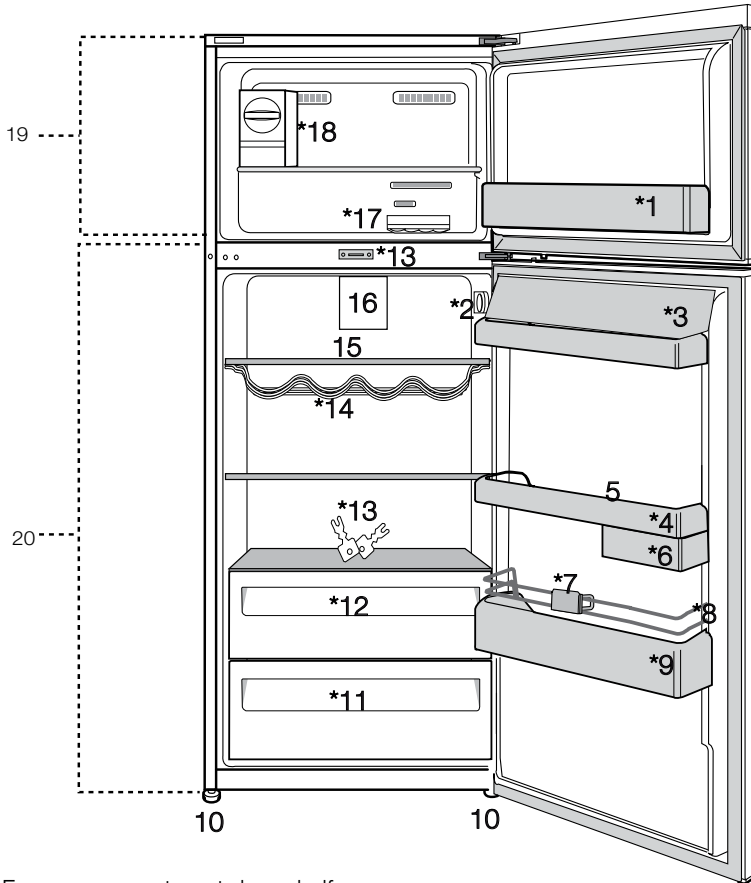
Temperature setting button.....	14
Setting the temperature of your refrigerator.....	14
Dual cooling system.....	14
Vacation Function.....	14
Freezing fresh food.....	15
Recommendations for preservation of frozen food.....	15
Placing the food.....	15
Stopping your product.....	16
Deep-freeze information.....	16
Chill compartment.....	17
Making ice.....	17
Rotary storage container.....	18
Icematic and ice storage container ..	18
Description and cleaning of odor filter.....	19
Reversing the doors.....	20
Reversing the doors.....	21

### **6 Maintenance and cleaning** **22**

Protection of plastic surfaces.....	22
-------------------------------------	----

### **7 Troubleshooting** **23**

# 1 Your Refrigerator



- |                                   |                                      |
|-----------------------------------|--------------------------------------|
| 1. Freezer compartment door shelf | 12. Chiller compartment              |
| 2. Temperature setting button     | 13. Key                              |
| 3. Butter & Cheese sections       | 14. Wine cellar                      |
| 4. Fridge compartment door shelf  | 15. Fridge compartment glass shelves |
| 5. Egg holders                    | 16. Blower                           |
| 6. Rotary storage container       | 17. Ice container                    |
| 7. Bottle holder                  | 18. Icematic                         |
| 8. Shelter wire                   | 19. Freezer compartment              |
| 9. Bottle shelf                   | 20. Fridge compartment               |
| 10. Adjustable legs               | <b>*optional</b>                     |
| 11. Crisper                       |                                      |

Figures that take place in this instruction manual are schematic and may not correspond exactly with your product. If the subject parts are not included in the product you have purchased, then it is valid for other models.

This section provides the safety instructions necessary to prevent the risk of injury and material damage. Failure to observe these instructions will invalidate all types of product warranty.

### Intended use

⚠	<p><b>WARNING:</b> Keep ventilation openings, in the appliance enclosure or in the built-in structure, clear of obstruction.</p>
⚠	<p><b>WARNING:</b> Do not use mechanical devices or other means to accelerate the defrosting process, other than those recommended by the manufacturer.</p>
⚠	<p><b>WARNING:</b> Do not damage the refrigerant circuit.</p>
⚠	<p><b>WARNING:</b> Do not use electrical appliances inside the food storage compartments of the appliance, unless they are of the type recommended by the manufacturer.</p>

### WARNING:

Do not store explosive substances such as aerosol cans with a flammable propellant in this appliance.

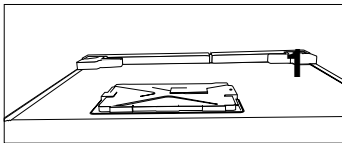
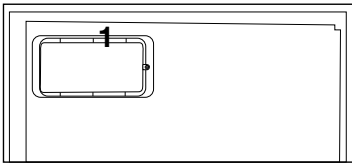
This appliance is intended to be used in household and similar applications such as

- staff kitchen areas in shops, offices and other working environments;
- farm houses and by clients in hotels, motels and other residential type environments;
- bed and breakfast type environments;
- catering and similar non-retail applications.

### General Safety

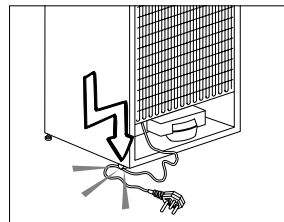
- This product should not be used by persons with physical, sensory and mental disabilities, without sufficient knowledge and experience or by children. The device can only be used by such persons under supervision and instruction of a person responsible for their safety. Children should not be allowed to play with this device.
- In case of malfunction, unplug the device.
- After unplugging, wait at least 5 minutes before plugging in again.
- Unplug the product when not in use.
- Do not touch the plug with wet hands! Do not pull the cable to plug off, always hold the plug.

- Do not plug in the refrigerator if the socket is loose.
- Unplug the product during installation, maintenance, cleaning and repair.
- If the product will not be used for a while, unplug the product and remove any food inside.
- Do not use the product when the compartment with circuit cards located on the upper back part of the product (electrical card box cover) (1) is open.



- Do not use steam or steamed cleaning materials for cleaning the refrigerator and melting the ice inside. Steam may contact the electrified areas and cause short circuit or electric shock!
- Do not wash the product by spraying or pouring water on it! Danger of electric shock!
- In case of malfunction, do not use the product, as it may cause electric shock. Contact the authorized service before doing anything.
- Plug the product into an earthed socket. Earthing must be done by a qualified electrician.
- If the product has LED type lighting, contact the authorized service for replacing or in case of any problem.

- Do not touch frozen food with wet hands! It may adhere to your hands!
- Do not place liquids in bottles and cans into the freezer compartment. They may burst out!
- Place liquids in upright position after tightly closing the lid.
- Do not spray flammable substances near the product, as it may burn or explode.
- Do not keep flammable materials and products with flammable gas (sprays, etc.) in the refrigerator.
- Do not place containers holding liquids on top of the product. Splashing water on an electrified part may cause electric shock and risk of fire.
- Exposing the product to rain, snow, sunlight and wind will cause electrical danger. When relocating the product, do not pull by holding the door handle. The handle may come off.
- Take care to avoid trapping any part of your hands or body in any of the moving parts inside the product.
- Do not step or lean on the door, drawers and similar parts of the refrigerator. This will cause the product to fall down and cause damage to the parts.
- Take care not to trap the power cable.



- When positioning the appliance, ensure the supply cord is not trapped or damaged.
- Do not locate multiple portable socket-outlets or portable power supplies at the rear of the appliance.
- Children aged from 3 to 8 years are allowed to load and unload refrigerating appliances.
- To avoid contamination of food, please respect the following instructions:
  - Opening the door for long periods can cause a significant increase of the temperature in the compartments of the appliance.
  - Clean regularly surfaces that can come in contact with food and accessible drainage systems.
  - Clean water tanks if they have not been used for 48 h; flush the water system connected to a water supply if water has not been drawn for 5 days.
  - Store raw meat and fish in suitable containers in the refrigerator, so that it is not in contact with or drip onto other food.
  - Two-star frozen-food compartments are suitable for storing pre-frozen food, storing or making icecream and making ice cubes.
  - One-, two- and three-star compartments are not suitable for the freezing of fresh food.
  - If the refrigerating appliance is left empty for long periods, switch off, defrost, clean, dry, and leave the door open to prevent mould developing within the appliance.

### 1.1.1 HC Warning

If the product comprises a cooling system using R600a gas, take care to avoid damaging the cooling system and its pipe while using and moving the product. This gas is flammable. If the cooling system is damaged, keep the product away from sources of fire and ventilate the room immediately.



The label on the inner left side indicates the type of gas used in the product.

### 1.1.2 For Models with Water Dispenser

- Pressure for cold water inlet shall be maximum 90 psi (6.2 bar). If your water pressure exceeds 80 psi (5.5 bar), use a pressure limiting valve in your mains system. If you do not know how to check your water pressure, ask for the help of a professional plumber.
- If there is risk of water hammer effect in your installation, always use a water hammer prevention equipment in your installation. Consult Professional plumbers if you are not sure that there is no water hammer effect in your installation.
- Do not install on the hot water inlet. Take precautions against of the risk of freezing of the hoses. Water temperature operating interval shall be 33°F (0.6°C) minimum and 100°F (38°C) maximum.
- Use drinking water only.

## Intended Use

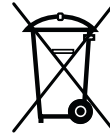
- This product is designed for home use. It is not intended for commercial use.
- The product should be used to store food and beverages only.
- Do not keep sensitive products requiring controlled temperatures (vaccines, heat sensitive medication, medical supplies, etc.) in the refrigerator.
- The manufacturer assumes no responsibility for any damage due to misuse or mishandling.
- Original spare parts will be provided for 10 years, following the product purchasing date.

## Child Safety

- Keep packaging materials out of children's reach.
- Do not allow the children to play with the product.
- If the product's door comprises a lock, keep the key out of children's reach.

## Compliance with WEEE Directive and Disposing of the Waste Product

This product complies with EU WEEE Directive (2012/19/EU). This product bears a classification symbol for waste electrical and electronic equipment (WEEE).



This product has been manufactured with high quality parts and materials which can be reused and are suitable for recycling. Do not dispose of the waste product with normal domestic and other wastes at the end of its service life. Take it to the

collection center for the recycling of electrical and electronic equipment. Please consult your local authorities to learn about these collection centers.

## Compliance with RoHS Directive

- This product complies with EU WEEE Directive (2011/65/EU). It does not contain harmful and prohibited materials specified in the Directive.

## Package Information

Packaging materials of the product are manufactured from recyclable materials in accordance with our National Environment Regulations. Do not dispose of the packaging materials together with the domestic or other wastes. Take them to the packaging material collection points designated by the local authorities.

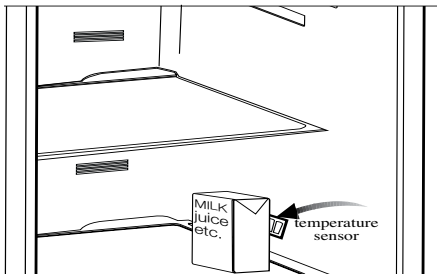
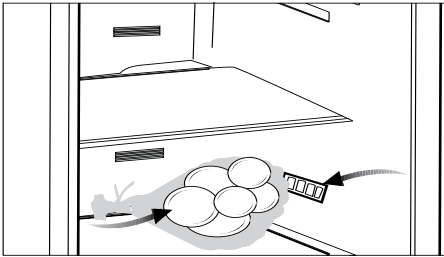


## Recommendations for the fresh food compartment

**\*May not be available in all models**

Do not allow the food to touch the temperature sensor in fresh food compartment. To allow the fresh food compartment keep its ideal storage temperature, sensor must not be hindered by food.

Do not place hot foods in the product.



### 3 Installation

⚠ In case the information which are given in the user manual are not taken into account, manufacturer will not assume any liability for this.

#### Points to be paid attention to when the relocation of the refrigerator

1. Your refrigerator should be unplugged. Before transportation of your refrigerator, it should be emptied and cleaned.

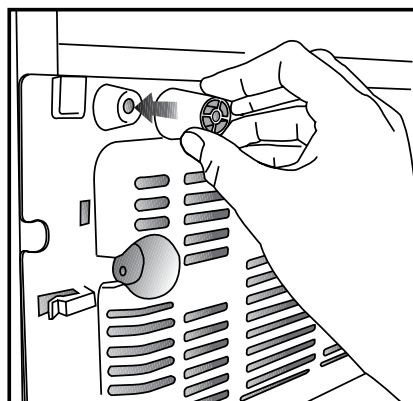
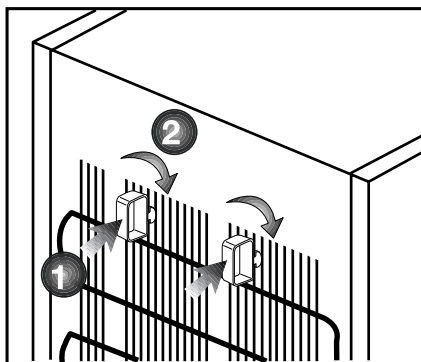
2. Before it is re-packaged, shelves, accessories, crisper, etc. inside your refrigerator should be fixed with adhesive tape and secured against impacts. Package should be bound with a thick tape or sound ropes and the transportation rules on the package should be strictly observed.

3. Original packaging and foam materials should be kept for future transportations or moving.

Before you start the refrigerator,

#### Check the following before you start to use your refrigerator:

1. Attach 2 plastic wedges as illustrated below. Plastic wedges are intended to keep the distance which will ensure the air circulation between your refrigerator and the wall. (The picture is drawn up as a representation and it is not identical with your product.)



2. Clean the interior of the refrigerator as recommended in the “Maintenance and cleaning” section.

3. Connect the plug of the refrigerator to the wall socket. When the fridge door is opened, fridge internal lamp will turn on.

4. When the compressor starts to operate, a sound will be heard. The liquid and gases sealed within the refrigeration system may also give rise to noise, even if the compressor is not running and this is quite normal.

5. Front edges of the refrigerator may feel warm. This is normal. These areas are designed to be warm to avoid condensation.

## Electrical connection

Connect your product to a grounded socket which is being protected by a fuse with the appropriate capacity.

### Important:

The connection must be in compliance with national regulations.

- The power plug must be easily accessible after installation.
- Electrical safety of your refrigerator shall be guaranteed only if the earth system in your house complies with standards.
- The voltage stated on the label located at left inner side of your product should be equal to your network voltage.
- Extension cables and multi plugs must not be used for connection.

⚠ A damaged power cable must be replaced by a qualified electrician.

⚠ Product must not be operated before it is repaired! There is the risk of electric shock!

## Disposing of the packaging

The packing materials may be dangerous for children. Keep the packing materials out of the reach of children or dispose of them by classifying them in accordance with the waste instructions stated by your local authorities. Do not throw away with regular house waste, throw away on packaging pick up spots designated by the local authorities.

The packing of your refrigerator is produced from recyclable materials.

## Disposing of your old refrigerator

Dispose of your old refrigerator without giving any harm to the environment.

- You may consult your authorized dealer or waste collection center of your municipality about the disposal of your refrigerator.

Before disposing of your refrigerator, cut out the electric plug and, if there are any locks on the door, make them inoperable in order to protect children against any danger.

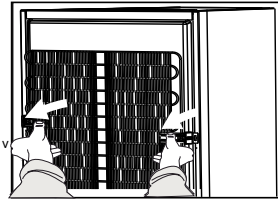
## Placing and Installation

⚠ If the entrance door of the room where the refrigerator will be installed is not wide enough for the refrigerator to pass through, then call the authorized service to have them remove the doors of your refrigerator and pass it sideways through the door.

1. Install your refrigerator to a place that allows ease of use.
2. Keep your refrigerator away from heat sources, humid places and direct sunlight.
3. Do not place your product on the materials such as rug or carpet.
4. Place your refrigerator on an even floor surface to prevent jolts.
5. Your product requires adequate air circulation to function efficiently. If the product will be placed in an alcove, remember to leave at least 5 cm clearance between the product and the ceiling, rear wall and the side walls.
6. If the product will be placed in an alcove, remember to leave at least 5 cm clearance between the product and the ceiling, rear wall and the side walls. Check if the rear wall clearance protection component is present at its location (if provided with the product). If the component is not available, or if it is lost or fallen, position the product so that at least 5 cm clearance shall be left between the rear surface of the product and the wall of the room. The clearance at the rear is important for efficient operation of the product.

- The condenser of your appliance is located on the back as shown below. In order to achieve better energy efficiency with lower energy consumption, please pull the condenser towards yourself as illustrated in picture below. The condenser position will be fixed firmly by means of locking mechanism of the top holders on each side.

\* OPTIONAL



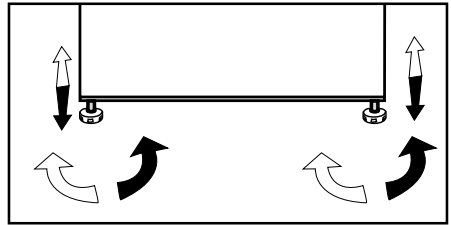
## Changing the illumination lamp

To change the Bulb/LED used for illumination of your refrigerator, call your AuthorisedService.

The lamp(s) used in this appliance is not suitable for household room illumination. The intended purpose of this lamp is to assist the user to place foodstuffs in the refrigerator/freezer in a safe and comfortable way. The lamps used in this appliance have to withstand extreme physical conditions such as temperatures below  $-20\text{ }^{\circ}\text{C}$ . (only chest and upright freezer)

## Adjusting the legs

If your refrigerator is unbalanced; You can balance your refrigerator by turning its front legs as illustrated in the figure. The corner where the leg exists is lowered when you turn in the direction of black arrow and raised when you turn in the opposite direction. Taking help from someone to slightly lift the refrigerator will facilitate this process.



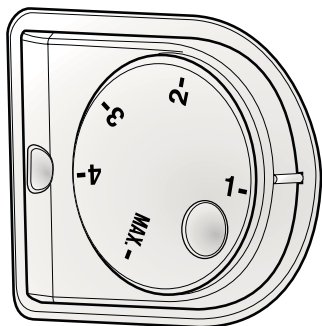
## 4 Preparation

---

- For a freestanding appliance; 'this refrigerating appliance is not intended to be used as a built-in appliance'.
- Your cooler/freezer should be installed at least 30 cm away from heat sources such as hobs, ovens, central heater and stoves and at least 5 cm away from electrical ovens and should not be located under direct sunlight.
- Please make sure that the interior of your cooler/freezer is cleaned thoroughly.
- If two coolers are to be installed side by side, there should be at least 2 cm distance between them.
- When you operate your cooler/freezer for the first time, please observe the following instructions during the initial six hours.
- Its door should not be opened frequently.
- It must be operated empty without placing any food in it.
- Do not unplug your cooler/freezer. If a power failure occurs out of your control, please see the warnings in the "Recommended solutions for the problems" section.
- The baskets/drawers that are provided with the chill compartment must always be in use for low energy consumption and for better storage conditions.
- Food contact with the temperature sensor in the freezer compartment may increase energy consumption of the appliance. Thus any contact with the sensor(s) must be avoided.
- This product has been designed to function at ambient temperatures up to 43 °C (90 SDgrF). Even if the ambient temperature falls to -15 °C, frozen food in the freezer does not thaw thanks to its Advanced Electronic Temperature Control System. For the first installation, the product should NOT be placed under low ambient temperatures. This is because the freezer cannot go down to standard operation temperature. When reaching continuous operation, the product can be moved to another place. Thus, later you can place your product in the garage or an unheated room without the concern of causing frozen food to get rotten. However, it is likely that above mentioned low temperatures may cause the freezing of the food in the fridge compartment; thus, please consume the food items in the fridge in a controlled way as needed. When ambient temperature goes back to normal, you may change button setting according to your need.
- If the ambient temperature is below 0°C, the food in fridge compartment will freeze. Therefore, we recommend not using the fridge compartment in such low ambient temperatures. You may continue to use the freezer compartment as usual.
- In some models, the instrument panel automatically turns off 5 minutes after the door has closed. It will be reactivated when the door has opened or pressed on any key.

- Due to temperature change as a result of opening/closing the product door during operation, condensation on the door/body shelves and the glass containers is normal.
- Since hot and humid air will not directly penetrate into your product when the doors are not opened, your product will optimize itself in conditions sufficient to protect your food. Functions and components such as compressor, fan, heater, defrost, lighting, display and so on will operate according to the needs to consume minimum energy under these circumstances.
- In case of multiple options are present glass shelves must be placed so that the air outlets at the backwall are not blocked, preferably air outlets are remaining below the glass shelf. This combination may help improving air distribution and energy efficiency.

## 5 Using your refrigerator



### Temperature setting button

Temperature setting button allows you to make the temperature setting of your refrigerator.

### Setting the temperature of your refrigerator

The overall temperature setting of your refrigerator is made by means of the temperature setting button on the right wall of the fridge compartment. This button has 5 different temperature setting position. Select the position suitable to your needs.

### Dual cooling system

Your refrigerator is equipped with two separate cooling systems to cool the fresh food compartment and freezer compartment. Thus, air in the fresh food compartment and freezer compartment do not get mixed. Thanks to these two separate cooling systems, cooling speed is much higher than other refrigerators. Odours in the compartments do not get mixed. Also additional power saving is provided since the automatic defrosting is performed individually.

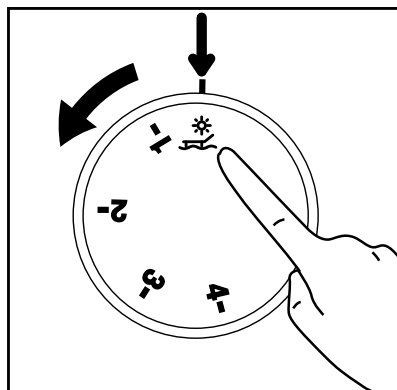
### Vacation Function

If the doors of the product are not opened for 12 hours after the thermostat is switched to the hottest position, then the vacation function will be activated automatically.

Open the door of the product or change the thermostat setting to cancel the function.

Vacation function is optional. It may vary depending on the product type and may not be contained in every product.


It is not recommended to store food in cooler compartment when the vacation function is active.



## Freezing fresh food

- It must be preferred to wrap or cover the food before placing them in the refrigerator.
- Hot food must cool down to the room temperature before putting them in the refrigerator.
- The foodstuff that you want to freeze must be fresh and in good quality.
- Foodstuff must be divided into portions according to the family's daily or meal based consumption needs.
- The foodstuff must be packaged in an airtight manner to prevent them from drying even if they are going to be kept for a short time.
- Materials to be used for packaging must be tear-proof and resistant to cold, humidity, odor, oils and acids and they must also be airtight. Moreover, they must be well closed and they must be made from easy-to-use materials that are suitable for deep freeze usage.
- Frozen food must be used immediately after they are thawed and they should never be re-frozen.
- Please observe the following instructions to obtain the best results.
  1. Do not freeze too large quantities of food at one time. The quality of the food is best preserved when it is frozen right through to the core as quickly as possible.
  2. Placing warm food into the freezer compartment causes the cooling system to operate continuously until the food is frozen solid.
  3. Take special care not to mix already frozen food and fresh food.

## Recommendations for preservation of frozen food

- Prepacked commercially frozen food should be stored in accordance with the frozen food manufacturer's instructions for a  (4 star) frozen food storage compartment.
- To ensure that the high quality achieved by the frozen food manufacturer and the food retailer is maintained, the following should be remembered:
  1. Put packages in the freezer as quickly as possible after purchase.
  2. Ensure that contents are labeled and dated.
  3. Do not exceed "Use By", "Best Before" dates on the packaging.

## Defrosting

The freezer compartment defrosts automatically.

## Placing the food

Freezer compartment shelves	Various frozen food such as meat, fish, ice cream, vegetables and etc.
Egg tray	Egg
Fridge compartment shelves	Food in pans, covered plates and closed containers
Fridge compartment door shelves	Small and packaged food or drinks (such as milk, fruit juice and beer)
Crisper	Vegetables and fruits



Freshzone compartment	Delicatessen products (cheese, butter, salami and etc.)
-----------------------	---

## Deep-freeze information

Food must be frozen as rapidly as possible when they are put in a refrigerator in order to keep them in good quality.

It is possible to keep the food for a long time only at -18°C or lower temperatures.

You can keep the freshness of food for many months (at -18°C or lower temperatures in the deep freeze).

### WARNING! ⚠

- Foodstuff must be divided into portions according to the family's daily or meal based consumption needs.
- Foodstuff must be packaged in an airtight manner to prevent them from drying even if they are going to be kept for a short time.
- Materials necessary for packaging:
- Cold resistant adhesive tape
- Self adhesive label
- Rubber rings
- Pen

Materials to be used for packaging the foodstuff must be tear-proof and resistant to cold, humidity, odor, oils and acids.

Foodstuff to be frozen should not be allowed to come in contact with the previously frozen items to prevent their partial thawing.

Frozen food must be used immediately after they are thawed and they should never be re-frozen.

## Stopping your product

If your thermostat is equipped with "0" position:

- Your product will stop operating when you turn the thermostat button to "0" (zero) position. Your product will not start unless to you turn the thermostat button to position "1" or one of the other positions again.

If your thermostat is equipped with "min" position:

- Unplug your product to stop it.

## Chill compartment

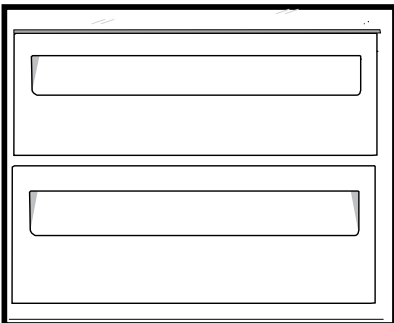
Chill compartment is ideal for storing solid dairy products meat, fish and poultry. Chill compartment temperature remains between  $-2^{\circ}\text{C}$  and  $+3^{\circ}\text{C}$ , slightly colder than freshfood compartment.

Prior to placing in the freezing compartment for storage, it is advised that you place such foodstuffs in chill compartment first for energy saving and better storage performance. If chill compartment is full, you may use freshfood compartment for this purpose.

It is not recommended to store vegetables and fruits in chill compartment.

The chill compartment drawer is optional to use. The appliance fulfills the chill compartment temperature storage requirements with and without the drawer provided.

You can increase the inner volume of your refrigerator by removing the drawer of chill compartment. Pull the drawer towards yourself until it is stopped by the stopper. Raise the front part for approximately 1 cm and pull the compartment towards yourself again to remove it completely.

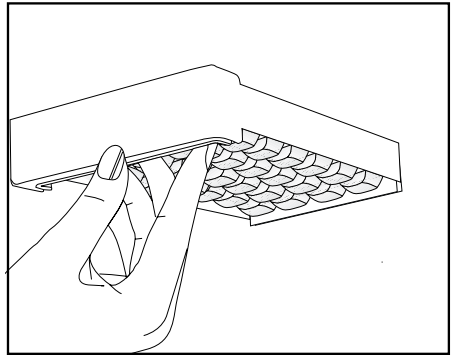


## Making ice

### \*optional

Fill the ice container with water and place it into the freezer compartment. Your ice will be ready approximately in two hours.

You can remove the ice in the ice container by removing it from the freezer and twisting it.

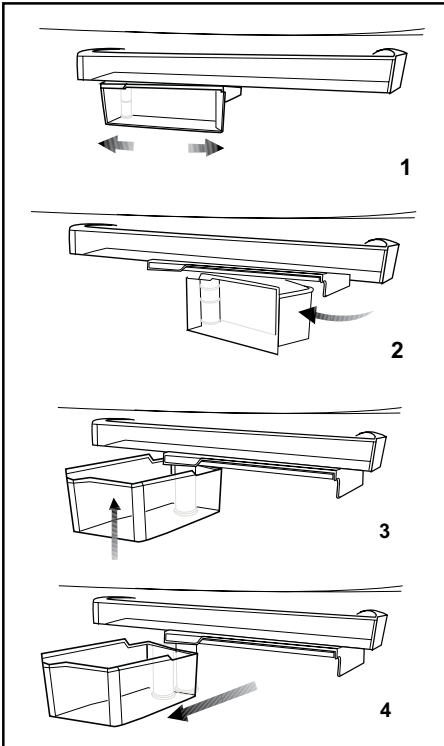


## Rotary storage container (in some models)

Sliding body shelf can be moved to left or right in order to allow you place the tall bottles, jars or boxes to the lower shelf (Fig. 1)

You can reach the food that you have placed into the shelf by grabbing and turning it from its right edge (Fig.2).

When you want to load or remove it to clean, turn it by 90 degrees, raise it up and pull towards yourself (Fig. 3-4).



## Icematic and ice storage container

**\*May not be available in all models**  
**Using the Icematic**

Fill the Icematic with water and place it into its seat. Your ice will be ready approximately in two hours. Do not remove the Icematic from its seating to take ice.

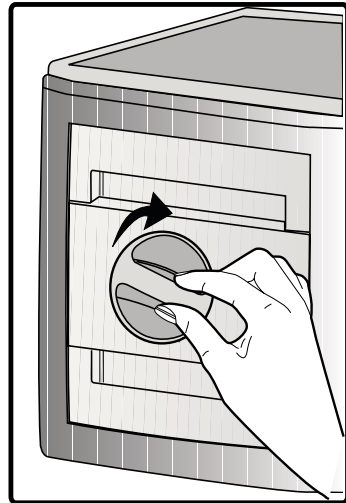
Turn the knobs on the ice reservoirs clockwise by 90 degrees.

Ice cubes in the reservoirs will fall down into the ice storage container below.

You may take out the ice storage container and serve the ice cubes. If you wish, you may keep the ice cubes in the ice storage container.

### Ice storage container

Ice storage container is only intended for accumulating the ice cubes. Do not put water in it. Otherwise, it will break.



## Description and cleaning of odor filter

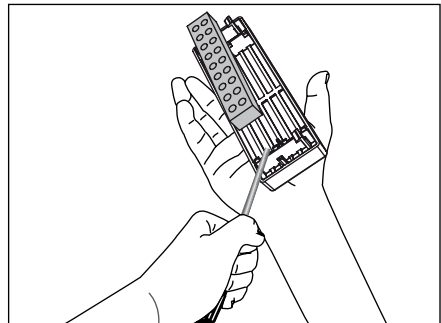
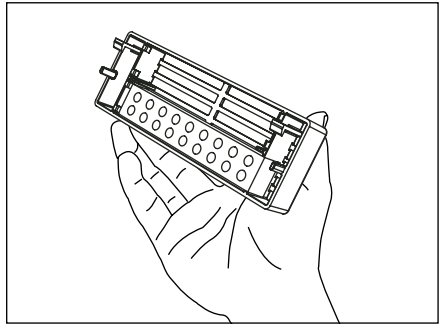
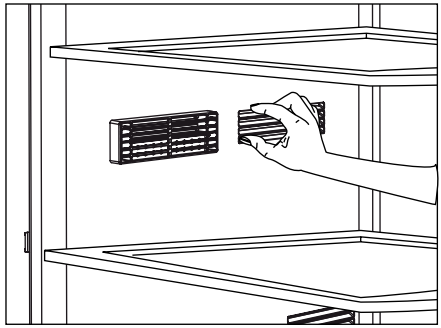
**\*May not be available in all models**

Odor filter prevents unpleasant odor build-up in your refrigerator.

Pull the cover into which the odor filter is installed downwards from the front section and remove as illustrated.

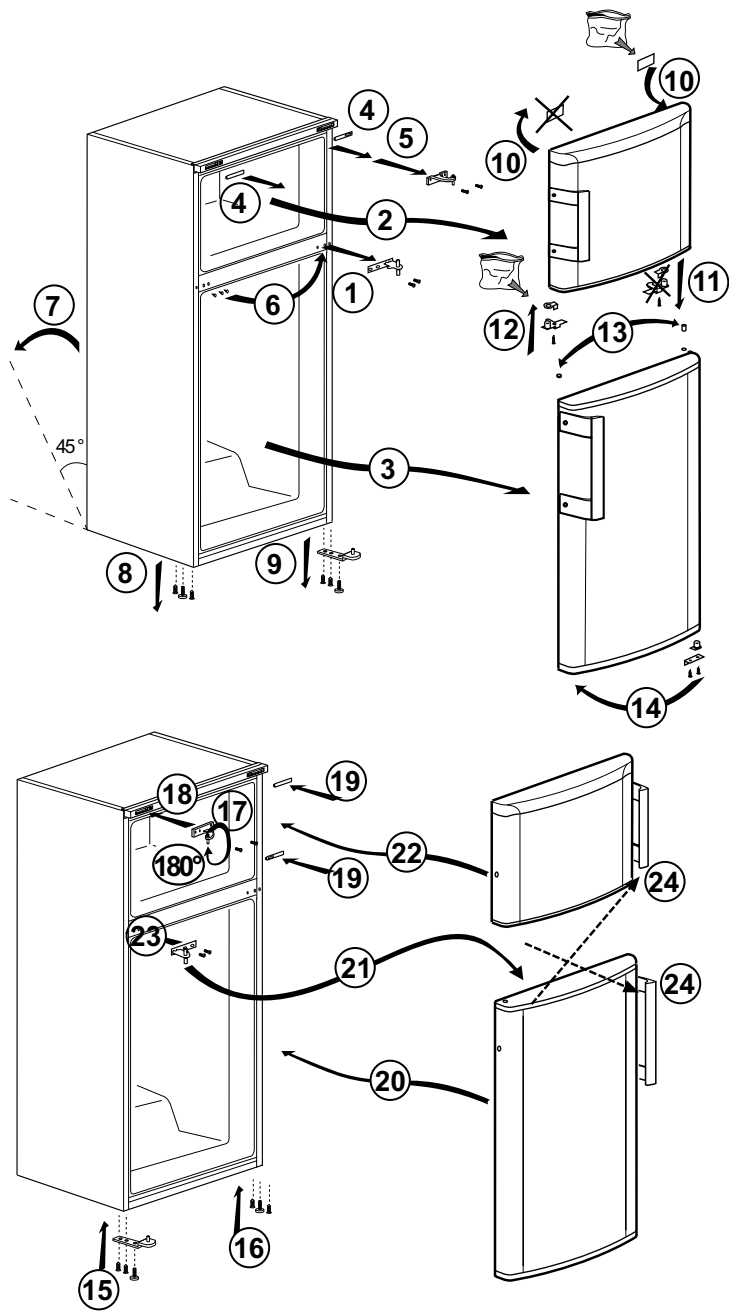
Leave the filter under sunlight for one day. Filter will be cleaned during this time. Install the filter back to its place.

Odor filter must be cleaned once in a year.



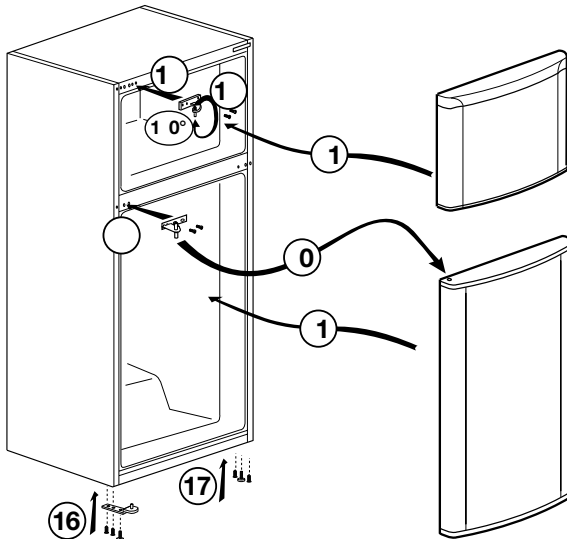
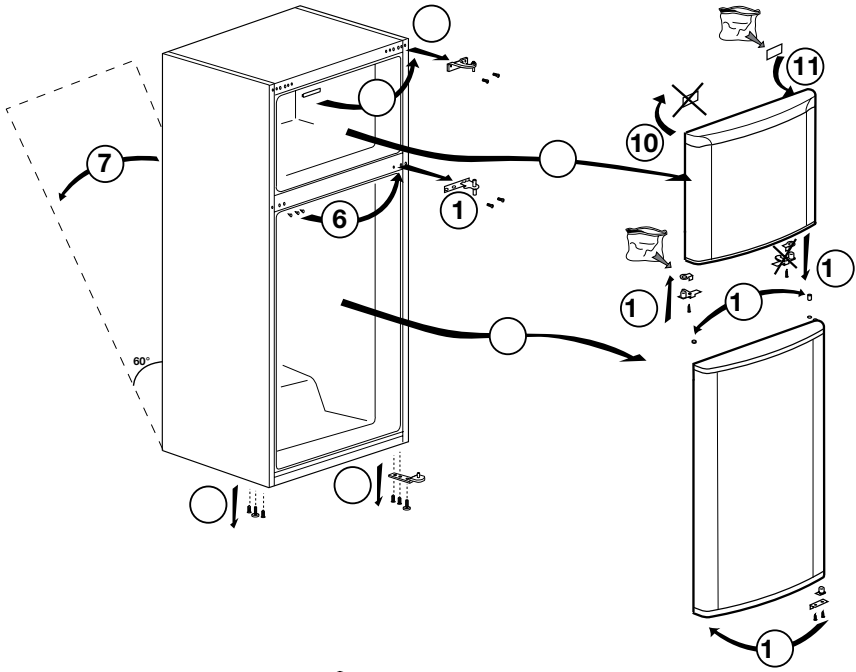
# Reversing the doors

Proceed in numerical order .



# Reversing the doors

Proceed in numerical order .



## 6 Maintenance and cleaning

---

- ⚠ Never use gasoline, benzene or similar substances for cleaning purposes.
- ⚠ We recommend that you unplug the appliance before cleaning.
- ⚠ Never use any sharp abrasive instrument, soap, household cleaner, detergent and wax polish for cleaning.
- ⚠ For non-No Frost products, water drops and frosting up to a fingerbreadth occur on the rear wall of the Fridge compartment. Do not clean it; never apply oil or similar agents on it.
- ⚠ Only use slightly damp microfiber cloths to clean the outer surface of the product. Sponges and other types of cleaning cloths may scratch the surface.
- ℹ Use lukewarm water to clean the cabinet of your refrigerator and wipe it dry.
- ℹ Use a damp cloth wrung out in a solution of one teaspoon of bicarbonate of soda to one pint of water to clean the interior and wipe it dry.
- ⚠ Make sure that no water enters the lamp housing and other electrical items.
- ⚠ If your refrigerator is not going to be used for a long period of time, unplug the power cable, remove all food, clean it and leave the door ajar.
- ℹ Check door seals regularly to ensure they are clean and free from food particles.
- ⚠ To remove door racks, remove all the contents and then simply push the door rack upwards from the base.
- ⚠ Never use cleaning agents or water that contain chlorine to clean the outer surfaces and chromium coated parts of the product. Chlorine causes corrosion on such metal surfaces.
- ⚠ Do not use sharp, abrasive tools, soap, household cleaning agents, detergents, kerosene, fuel oil, varnish etc. to prevent removal and deformation of the prints on the plastic part. Use lukewarm water and a soft cloth for cleaning and then wipe it dry.

### Protection of plastic surfaces

- ℹ Do not put the liquid oils or oil-cooked meals in your refrigerator in unsealed containers as they damage the plastic surfaces of your refrigerator. In case of spilling or smearing oil on the plastic surfaces, clean and rinse the relevant part of the surface at once with warm water.

## 7 Troubleshooting

Please review this list before calling the service. It will save your time and money. This list includes frequent complaints that are not arising from defective workmanship or material usage. Some of the features described here may not exist in your product.

The refrigerator does not operate.

- The plug is not inserted into the socket correctly. >>>Insert the plug into the socket securely.
- The fuse of the socket which your refrigerator is connected to or the main fuse have blown out. >>>Check the fuse.

Condensation on the side wall of the fridge compartment (MULTIZONE, COOL CONTROL and FLEXI ZONE).

- Door has been opened frequently. >>>Do not open and close the door of refrigerator frequently.
- Ambient is very humid. >>>Do not install your refrigerator into highly humid places.
- Food containing liquid is stored in open containers. >>>Do not store food with liquid content in open containers.
- Door of the refrigerator is left ajar. >>>Close the door of the refrigerator.
- Thermostat is set to a very cold level. >>>Set the thermostat to a suitable level.

- Compressor is not running

- Protective thermic of the compressor will blow out during sudden power failures or plug-out plug-ins as the refrigerant pressure in the cooling system of the refrigerator has not been balanced yet. The refrigerator will start running approximately after 6 minutes. Please call the service if the refrigerator does not startup at the end of this period.
- The fridge is in defrost cycle. >>>This is normal for a full-automatically defrosting refrigerator. Defrosting cycle occurs periodically.
- The refrigerator is not plugged into the socket. >>>Make sure that the plug is fit into the socket.
- Temperature settings are not made correctly. >>>Select the suitable temperature value.
- There is a power outage. >>>Refrigerator returns to normal operation when the power restores.

The operation noise increases when the refrigerator is running.

- The operating performance of the refrigerator may change due to the changes in the ambient temperature. It is normal and not a fault.

The refrigerator is running frequently or for a long time.



- New product may be wider than the previous one. Larger refrigerators operate for a longer period of time.
- The room temperature may be high. >>>It is normal that the product operates for longer periods in hot ambient.
- The refrigerator might be plugged in recently or might be loaded with food. >>>When the refrigerator is plugged in or loaded with food recently, it will take longer for it to attain the set temperature. This is normal.
- Large amounts of hot food might be put in the refrigerator recently. >>>Do not put hot food into the refrigerator.
- Doors might be opened frequently or left ajar for a long time. >>>The warm air that has entered into the refrigerator causes the refrigerator to run for longer periods. Do not open the doors frequently.
- Freezer or fridge compartment door might be left ajar. >>>Check if the doors are closed completely.
- The refrigerator is adjusted to a very low temperature. >>>Adjust the refrigerator temperature to a warmer degree and wait until the temperature is achieved.
- Door seal of the fridge or freezer may be soiled, worn out, broken or not properly seated. >>>Clean or replace the seal. Damaged/broken seal causes the refrigerator to run for a longer period of time in order to maintain the current temperature.

Freezer temperature is very low while the fridge temperature is sufficient.

- The freezer temperature is adjusted to a very low value. >>>Adjust the freezer temperature to a warmer degree and check.

Fridge temperature is very low while the freezer temperature is sufficient.

- The fridge temperature is adjusted to a very low value. >>>Adjust the fridge temperature to a warmer degree and check.

Food kept in the fridge compartment drawers is frozen.

- The fridge temperature is adjusted to a very high value. >>>Adjust the fridge temperature to a lower value and check.

Temperature in the fridge or freezer is very high.

- The fridge temperature is adjusted to a very high value. >>>Fridge compartment temperature setting has an effect on the temperature of the freezer. Change the temperatures of the fridge or freezer and wait until the relevant compartments attain a sufficient temperature.
- Doors are opened frequently or left ajar for a long time. >>>Do not open the doors frequently.
- Door is ajar. >>>Close the door completely.
- The refrigerator is plugged in or loaded with food recently. >>>This is normal. When the refrigerator is plugged in or loaded with food recently, it will take longer for it to attain the set temperature.
- Large amounts of hot food might be put in the refrigerator recently. >>>Do not put hot food into the refrigerator.

<ul style="list-style-type: none"> <li>• Vibrations or noise.</li> </ul>
<ul style="list-style-type: none"> <li>• The floor is not level or stable. &gt;&gt;&gt; If the refrigerator rocks when moved slowly, balance it by adjusting its feet. Also make sure that the floor is strong enough to carry the refrigerator, and level.</li> <li>• The items put onto the refrigerator may cause noise. &gt;&gt;&gt;Remove the items on top of the refrigerator.</li> </ul>
There are noises coming from the refrigerator like liquid flowing, spraying, etc.
<ul style="list-style-type: none"> <li>• Liquid and gas flows occur in accordance with the operating principles of your refrigerator. It is normal and not a fault.</li> </ul>
Whistle comes from the refrigerator.
<ul style="list-style-type: none"> <li>• Fans are used in order to cool the refrigerator. It is normal and not a fault.</li> </ul>
Condensation on the inner walls of refrigerator.
<ul style="list-style-type: none"> <li>• Hot and humid weather increases icing and condensation. It is normal and not a fault.</li> <li>• Doors are opened frequently or left ajar for a long time. &gt;&gt;&gt;Do not open the doors frequently. Close them if they are open.</li> <li>• Door is ajar. &gt;&gt;&gt;Close the door completely.</li> </ul>
Humidity occurs on the outside of the refrigerator or between the doors.
<ul style="list-style-type: none"> <li>• There might be humidity in the air; this is quite normal in humid weather. When the humidity is less, condensation will disappear.</li> </ul>
Bad odour inside the refrigerator.

<ul style="list-style-type: none"> <li>• No regular cleaning is performed. &gt;&gt;&gt;Clean the inside of the refrigerator regularly with a sponge, lukewarm water or carbonate dissolved in water.</li> <li>• Some containers or package materials may cause the smell. &gt;&gt;&gt;Use a different container or different brand packaging material.</li> <li>• Food is put into the refrigerator in uncovered containers. &gt;&gt;&gt;Keep the food in closed containers. Microorganisms spreading out from uncovered containers can cause unpleasant odours.</li> <li>• Remove the foods that have expired best before dates and spoiled from the refrigerator.</li> </ul>
The door is not closing.
<ul style="list-style-type: none"> <li>• Food packages are preventing the door from closing. &gt;&gt;&gt;Replace the packages that are obstructing the door.</li> <li>• The refrigerator is not completely even on the floor. &gt;&gt;&gt;Adjust the feet to balance the refrigerator.</li> <li>• The floor is not level or strong. &gt;&gt;&gt;Make sure that the floor is level and capable to carry the refrigerator.</li> </ul>
Crispers are stuck.
<ul style="list-style-type: none"> <li>• The food is touching the ceiling of the drawer. &gt;&gt;&gt;Rearrange food in the drawer.</li> </ul>
If The Surface Of The Product Is Hot.
<ul style="list-style-type: none"> <li>• High temperatures may be observed between the two doors, on the side panels and at the rear grill while the product is operating. This is normal and does not require service maintenance!</li> </ul>

## DISCLAIMER / WARNING

Some (simple) failures can be adequately handled by the end-user without any safety issue or unsafe use arising, provided that they are carried out within the limits and in accordance with the following instructions (see the "Self-Repair" section).

Therefore, unless otherwise authorized in the "Self-Repair" section below, repairs shall be addressed to registered professional repairers in order to avoid safety issues. A registered professional repairer is a professional repairer that has been granted access to the instructions and spare parts list of this product by the manufacturer according to the methods described in legislative acts pursuant to Directive 2009/125/EC.

**However, only the service agent (i.e. authorized professional repairers) that you can reach through the phone number given in the user manual/warranty card or through your authorized dealer may provide service under the guarantee terms. Therefore, please be advised that repairs by professional repairers (who are not authorized by Beko) shall void the guarantee.**

### Self-Repair

Self-repair can be done by the end-user with regard to the following spare parts: door handles, door hinges, trays, baskets and door gaskets (an updated list is also available in support.beko.com as of 1st March 2021).

Moreover, to ensure product safety and to prevent risk of serious injury, the mentioned self-repair shall be done following the instructions in the user manual for self-repair or which are available in support.beko.com. For your safety, unplug the product before attempting any self-repair.

Repair and repair attempts by end-users for parts not included in such list and/or not following the instructions in the user manuals for self-repair or which are available in support.beko.com, might give rise to safety issues not attributable to Beko, and will void the warranty of the product.

Therefore, it is highly recommended that end-users refrain from the attempt to carry out repairs falling outside the mentioned list of spare parts, contacting in such cases authorized professional repairers or registered professional repairers. On the contrary, such attempts by end-users may cause safety issues and damage the product and subsequently cause fire, flood, electrocution and serious personal injury to occur.

By way of example, but not limited to, the following repairs must be addressed to authorized professional repairers or registered professional repairers: compressor, cooling circuit, main board, inverter board, display board, etc.

The manufacturer/seller cannot be held liable in any case where end-users do not comply with the above.

The spare part availability of the refrigerator that you purchased is 10 years.

During this period, original spare parts will be available to operate the refrigerator properly

The minimum duration of guarantee of the refrigerator that you purchased is 24 months.

This product is equipped with a lighting source of the "G" energy class.

The lighting source in this product shall only be replaced by professional repairers.

## Lea este manual antes de utilizar el frigorífico.

Estimado cliente:

Esperamos que este producto, que ha sido fabricado en plantas dotadas de la más avanzada tecnología y sometido a los más estrictos procedimientos de control de calidad, le preste un servicio eficaz.

Para ello, le recomendamos que lea atentamente el presente manual antes de utilizar el producto, y que lo tenga a mano para futuras consultas.

### Este manual

- Le ayudará a usar el electrodoméstico de manera rápida y segura.
- Lea el manual antes de instalar y poner en funcionamiento el producto.
- Siga las instrucciones, en particular las relacionadas con la seguridad.
- Conserve el manual en un sitio de fácil acceso, ya que podría necesitarlo en el futuro.
- Además, lea también otros documentos suministrados junto con el producto.
- Tenga en cuenta que este manual también podría ser válido para otros modelos.




### Símbolos y sus descripciones

El presente manual de instrucciones emplea los siguientes símbolos:

 Información importante o consejos útiles sobre el funcionamiento.

 Advertencia sobre situaciones peligrosas para la vida y la propiedad.

 Advertencia acerca de la tensión eléctrica.

 <b>INFORMATION</b>	
 <b>ENERGY</b>	
<small>SUPPLIER'S NAME</small> <b>A</b>	<small>MODEL IDENTIFIER (*)</small> <b>A</b>

.La información del modelo, tal como está almacenada en la base de datos de productos, puede ser consultada en la página web siguiente introduciendo el identificador del modelo (\*) que se encuentra en la etiqueta de clasificación energética.

<https://eprel.ec.europa.eu/>

## ÍNDICE

### **1 Su frigorífico** **3**

### **2 Avisos importantes sobre la seguridad** **4**

Finalidad prevista.....	4
Productos equipados con dispensador de agua:.....	8
Seguridad infantil.....	9
Conformidad con la normativa WEEE y eliminación del aparato al final de su vida útil: .....	9
Cumplimiento de la directiva RoHS:...	9
Información sobre el embalaje .....	9
Advertencia sobre la seguridad de la salud .....	9
Consejos para el ahorro de energía .	10
Recomendaciones para el compartimento de alimentos frescos	11

### **3 Instalación** **12**

Cuestiones a considerar a la hora de transportar el frigorífico .....	12
Antes de usar el frigorífico.....	12
Conexiones eléctricas.....	13
Eliminación del embalaje.....	13
Eliminación de su viejo frigorífico.....	13
Colocación e instalación .....	13
Cambio de la bombilla de iluminación .....	14
Ajuste de los pies .....	14

### **4 Preparación** **15**

### **5 Uso del frigorífico** **17**

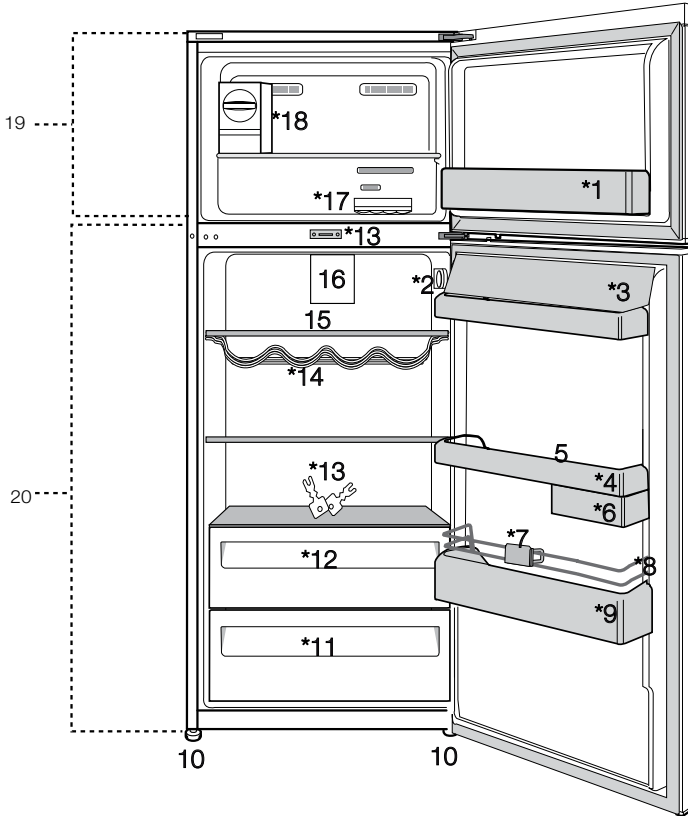
Botón de ajuste de la temperatura... 17	
Ajuste de la temperatura del frigorífico..... 17	
Doble sistema de enfriamiento..... 17	
Función de vacaciones .....	17
Doble sistema de enfriamiento:.....	18
Congelación de alimentos frescos ...	18
Recomendaciones para la conservación de alimentos congelados.....	19
Colocación de los alimentos .....	19
Información sobre la congelación ....	19
Parada del aparato .....	20
Compartimento de temperatura cero	20
Producción de hielo .....	20
Descripción y limpieza del filtro antiolores:.....	21
Contenedor de almacenamiento giratorio .....	22
Icematic y fabricante de hielo con contenedor .....	22
Inversión de la puerta .....	23
Inversión de la puerta .....	24

### **6 Mantenimiento y limpieza****25**

Protección de las superficies de plástico.....	25
--	----

### **7 Sugerencias para la solución de problemas** **26**

# 1 Su frigorífico



1. Estante de la puerta del compartimento congelador

2. Botón de ajuste de la temperatura

3. Secciones de mantequillas y quesos

4. Estante de la puerta del compartimento frigorífico

5. Hueveras

6. Contenedor de almacenamiento giratorio

7. Botellero

8. Alambre protector

9. Estante para botellas

10. Patas ajustables

11. Cajón de frutas y verduras

12. Compartimento de enfriamiento

13. Clave

14. Bodega para vinos

15. Estantes de vidrio del compartimento frigorífico

16. Ventilador

17. Contenedor de hielo

18. Icematic

19. Compartimento congelador

20. Compartimento frigorífico

\*opcional

ⓘ Las ilustraciones incluidas en el presente manual de instrucciones son esquemáticas y puede que no se adecuen a su producto con exactitud. Si alguno de los elementos reflejados no se corresponde con el producto que usted ha adquirido, entonces será válido para otros modelos.

## 2 Avisos importantes sobre la seguridad

Lea con atención la siguiente información. No tener en cuenta dicha información podría acarrear lesiones o daños materiales. En tal caso, las garantías y los compromisos de fiabilidad quedarían anulados. Se proporcionarán piezas de recambio originales durante 10 años, después de la fecha de compra del producto.

### **ADVERTENCIA:**

Asegúrese de que cuando el dispositivo está en su custodia o durante su montaje en el alojamiento, los orificios de ventilación no están cerrados.

### **ADVERTENCIA:**

Con el fin de acelerar la operación de derretimiento del hielo, no utilice cualquier dispositivo o aparato mecánico que no es recomendado por el fabricante.



### **ADVERTENCIA:**

No dañe el circuito de fluido refrigerante.

### **ADVERTENCIA:**

No utilice dispositivos eléctricos que no estén recomendados por el fabricante en los compartimentos del dispositivo para la conservación de alimentos.

Este dispositivo está diseñado para ser utilizado en el hogar o en las siguientes aplicaciones similares:

- Con el fin de ser utilizado en las cocinas para el personal de las tiendas, oficinas y otros lugares de trabajo;
- Con el fin de ser utilizado por los clientes en casas de campo y hoteles, moteles y otros lugares de alojamiento:
  - en entornos tales pensiones
  - en lugares similares que no ofrecen servicios de restauración y no es al por menor

### **Finalidad prevista**

Este aparato está diseñado para usarse en los siguientes entornos:

- interiores y entornos cerrados tales como domicilios particulares;
- entornos cerrados de trabajo tales como almacenes u oficinas;
- zonas de servicio cerradas tales como casas rurales, hoteles o pensiones.
- Este aparato no se debe usar al aire libre.

### **Seguridad general**

- Cuando desee deshacerse del aparato, le recomendamos que solicite a su servicio técnico autorizado la información

necesaria a este respecto, así como la relación de entidades locales a las que puede dirigirse.

- En caso de dudas o problemas, diríjase a su servicio técnico autorizado. No intente reparar el frigorífico sin consultar con el servicio técnico, ni deje que nadie lo haga.
- Para aparatos equipados con un compartimento congelador: no consuma los helados o cubitos de hielo inmediatamente después de sacarlos del compartimento congelador, ya que podría sufrir daños en su boca a causa del frío.
- Para aparatos equipados con un compartimento congelador: no deposite bebidas embotelladas o enlatadas en el compartimento congelador, ya que podrían estallar.
- No toque con la mano los alimentos congelados, ya que podrían adherirse a ella.
- Desenchufe su frigorífico antes de proceder a su limpieza o deshielo.
- No utilice nunca materiales de limpieza que usen vapor para limpiar o descongelar el frigorífico. El vapor podría entrar en contacto con los elementos eléctricos y causar cortocircuitos o descargas eléctricas.
- No utilice nunca elementos del frigorífico tales como la puerta como medio de

sujeción o como escalón.

- No utilice aparatos eléctricos en el interior del frigorífico.
- Evite dañar el circuito del refrigerante con herramientas cortantes o de perforación. El refrigerante que puede liberarse si se perforan los canales de gas del evaporador, los conductos o los recubrimientos de las superficies causa irritaciones en la piel y lesiones en los ojos.
- No cubra ni bloquee los orificios de ventilación de su frigorífico con ningún material.
- Deje la reparación de los aparatos eléctricos únicamente en manos de personal autorizado. Las reparaciones realizadas por personas incompetentes generan riesgos para el usuario.
- En caso de fallo o cuando vaya a realizar cualquier operación de reparación o mantenimiento, desconecte el frigorífico de la corriente apagando el fusible correspondiente o bien desenchufando el aparato.
- No desenchufe el aparato de la toma de corriente tirando del cable.
- Asegúrese de guardar las bebidas alcohólicas correctamente con la tapa puesta y colocadas hacia arriba.
- No almacene en el frigorífico aerosoles que contengan



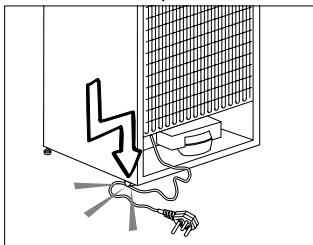
sustancias inflamables o explosivas.

- No utilice dispositivos mecánicos u otros medios para acelerar el proceso de deshielo distintos de los recomendados por el fabricante.
- Este aparato no debe ser utilizado por niños o por personas con sus facultades físicas, sensoriales o mentales reducidas o bien que carezcan de la experiencia y los conocimientos necesarios, a menos que lo hagan bajo la supervisión de personas responsables de su seguridad o bien tras haber recibido instrucciones de uso por parte de dichas personas.
- No utilice un frigorífico que haya sufrido daños. Consulte con el servicio de atención al cliente en caso de duda.
- La seguridad eléctrica de su frigorífico sólo estará garantizada si el sistema de toma de tierra de su domicilio se ajusta a los estándares.
- Desde el punto de vista de la seguridad eléctrica, es peligroso exponer el aparato a la lluvia, la nieve o el viento.
- Póngase en contacto con el servicio técnico autorizado en caso de que el cable de alimentación principal se

dañe, para evitar cualquier peligro.

- Nunca enchufe el frigorífico en la toma de corriente durante su instalación. Existe peligro de lesiones graves e incluso de muerte.
- Este frigorífico está únicamente diseñado para almacenar alimentos. No debe utilizarse para ningún otro propósito.
- La etiqueta que contiene los datos técnicos del frigorífico se encuentra en la parte interior izquierda del mismo.
- Jamás conecte el frigorífico a sistemas de ahorro de electricidad, ya que podría dañarlo.
- Si el frigorífico está equipado con una luz azul, no la mire a simple vista o a través de dispositivos ópticos durante un tiempo prolongado.
- En los frigoríficos de control manual, si se produce un corte del fluido eléctrico espere al menos 5 minutos antes de volver a ponerlo en marcha.
- Cuando entregue este aparato a un nuevo propietario, asegúrese de entregar también este manual de instrucciones.
- Tenga cuidado de no dañar el cable de alimentación al transportar el frigorífico. Doblar el cable podría causar un incendio. Nunca deposite objetos pesados encima del cable de alimentación.

No toque el enchufe con las manos mojadas para conectar el aparato.

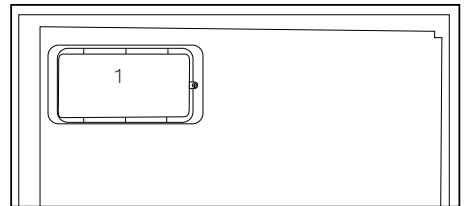
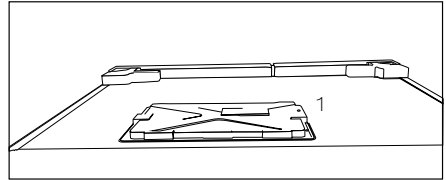


- Al colocar el aparato, asegúrese de que el cable de alimentación no esté atrapado o dañado.
- No coloque múltiples tomacorrientes portátiles o fuentes de alimentación portátiles en la parte posterior del aparato.
- Los niños de 3 a 8 años pueden cargar y descargar aparatos frigoríficos.
- Para evitar la contaminación de los alimentos, por favor respete las siguientes instrucciones:
- Dejar la puerta abierta durante mucho tiempo puede provocar un aumento significativo de la temperatura en los compartimentos del frigorífico.
- Limpie regularmente las superficies que puedan entrar en contacto con los alimentos y los sistemas de drenaje accesibles.
- Limpie los depósitos de agua si no se han utilizado durante 48 horas; enjuague el sistema de agua conectado a un suministro de agua si no se ha extraído agua durante 5 días.
- Almacene la carne y el pescado crudos en recipientes adecuados en el frigorífico, de modo que no estén en contacto con otros alimentos ni goteen sobre ellos.
- Los compartimentos de dos estrellas para alimentos congelados son adecuados para almacenar alimentos pre-congelados, almacenar o hacer helados y cubitos de hielo.
- Los compartimentos de una, dos y tres estrellas no son adecuados para la congelación de alimentos frescos.
- Si el aparato de refrigeración se deja vacío durante mucho tiempo, apáguelo, descongélelo, límpielo, límpielo, séquelo y deje la puerta abierta para evitar que se forme moho dentro del aparato.
- No enchufe el frigorífico si el enchufe no encaja con firmeza en la toma de corriente de la pared.
- Por razones de seguridad, no pulverice agua directamente en las partes interiores o exteriores de este aparato.
- No rocíe cerca del frigorífico sustancias que contengan gases inflamables tales como gas propano para evitar riesgos de incendio y explosiones.
- Nunca coloque recipientes con agua sobre el frigorífico, ya que podría provocar una descarga eléctrica o un incendio.

- No deposite cantidades excesivas de alimentos en el refrigerífico. Si lo hace, al abrir la puerta del refrigerífico los alimentos podrían caerse y provocar lesiones personales o dañar el refrigerífico. Nunca coloque objetos sobre el refrigerífico, ya que podrían caer al abrir o cerrar la puerta.
- No guarde en el refrigerífico productos que necesiten un control preciso de la temperatura tales como vacunas, medicamentos sensibles al calor, materiales científicos, etc.
- Desenchufe el refrigerífico si no lo va a utilizar durante un periodo prolongado de tiempo. Un problema en el cable de alimentación podría causar un incendio.
- El refrigerífico podría moverse si los pies no están adecuadamente asentados en el suelo. Fijar adecuadamente los pies del refrigerífico en el suelo puede ayudar a evitar que se mueva.
- Cuando transporte el refrigerífico, no lo aferre del asa de la puerta. De lo contrario, podría romperla.
- Cuando tenga que colocar el refrigerífico cerca de otro refrigerífico o congelador, deberá dejar un espacio entre ambos aparatos de 8 cm como mínimo. De lo contrario, podría formarse

humedad en las paredes adyacentes.

- Nunca utilice el producto si la sección situada en la parte superior o posterior del producto que tiene las placas de circuitos impresos electrónicos en el interior está abierta (cubierta de la placa del circuito electrónico impreso) (1).



### Productos equipados con dispensador de agua:

- La presión en la entrada de agua fría sera a un máximo de 90 psi (620 kPa). Si la presión del agua es superior a 80 psi (550 kPa), utilice una válvula limitadora de presión en el sistema de red. Si usted no sabe cómo controlar la presión del agua, pida la ayuda de un plomero profesional.
- Si hay riesgo de golpe de ariete en la instalación, siempre utilice un equipo de prevención contra golpes

de ariete en la instalación. Consulte a un fontanero profesional si no está seguro de que no hay un efecto del golpe de ariete en la instalación.

- No instale en la entrada de agua caliente. Tome precauciones contra el riesgo de congelación en las mangueras. El intervalo de funcionamiento de la temperatura del agua debe ser un mínimo de 33°F (0,6°C) y un máximo de 100°F (38°C).
- Use agua potable únicamente.

## Seguridad infantil

- Si la puerta tiene cerradura, mantenga la llave fuera del alcance de los niños.
- Vigile a los niños para evitar que manipulen el aparato.

## Conformidad con la normativa WEEE y eliminación del aparato al final de su vida útil:



Este producto es conforme con la directiva de la UE sobre residuos de aparatos eléctricos y electrónicos (WEEE) (2012/19/UE). Este producto incorpora el símbolo de la clasificación

selectiva para los residuos de aparatos eléctricos y electrónicos (WEEE).

Este aparato se ha fabricado con piezas y materiales de primera calidad, que pueden ser reutilizados y son aptos para el reciclado. No se deshaga del producto junto con sus

residuos domésticos normales y de otros tipos al final de su vida útil. Llévelo a un centro de reciclaje de dispositivos eléctricos y electrónicos. Solicite a las autoridades locales información acerca de dichos centros de recogida.

## Cumplimiento de la directiva RoHS:

El producto que ha adquirido es conforme con la directiva de la UE sobre la restricción de sustancias peligrosas (RoHS) (2011/65/UE). No contiene ninguno de los materiales nocivos o prohibidos especificados en la directiva.

## Información sobre el embalaje

El embalaje del aparato se fabrica con materiales reciclables, de acuerdo con nuestro Reglamento Nacional sobre Medio Ambiente. No elimine los materiales de embalaje junto con los residuos domésticos o de otro tipo. Llévelos a un punto de recogida de materiales de embalaje designado por las autoridades locales.

## Advertencia sobre la seguridad de la salud

### Si el sistema de refrigeración de su aparato contiene R600a:

Este gas es inflamable. Por lo tanto, procure no dañar el sistema de enfriamiento ni sus conductos durante el uso o el transporte del aparato. En caso de daños, mantenga el aparato alejado de fuentes potenciales de ignición que puedan provocar que éste sufra un incendio, y ventile la estancia en la que se encuentre el aparato.

### Ignore esta advertencia si el sistema de refrigeración de su aparato contiene R134a.

El tipo de gas utilizado en el aparato se indica en la placa de datos ubicada en la pared interior izquierda del frigorífico.

Jamás arroje el aparato al fuego.

## **Consejos para el ahorro de energía**

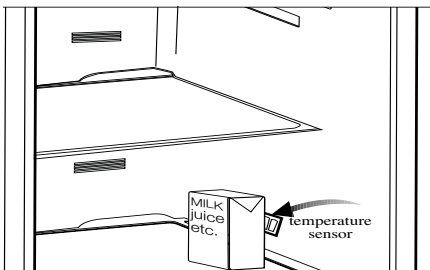
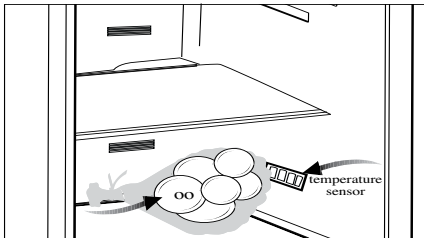
- No deje las puertas del frigorífico abiertas durante periodos largos de tiempo.
- No introduzca alimentos o bebidas calientes en el frigorífico.
- No sobrecargue el frigorífico, ya que entorpecería la circulación del aire en su interior.
- No instale el frigorífico de forma que quede expuesto a la luz solar directa o cerca de aparatos que irradian calor tales como hornos, lavavajillas o radiadores.
- Procure depositar los alimentos en recipientes cerrados.
- Productos equipados con compartimento congelador: puede disponer del máximo volumen para el depósito de alimentos retirando el estante o el cajón del congelador. El consumo energético que se indica para su frigorífico se ha calculado retirando el estante o el cajón del congelador y en condiciones de máxima carga. No existe ningún riesgo en la utilización de un estante o cajón según las formas o tamaños de los alimentos que se van a congelar.

- Descongele los alimentos congelados en el compartimento frigorífico; ahorrará energía y preservará la calidad de los alimentos.

## Recomendaciones para el compartimento de alimentos frescos

### \* OPCIONAL

- No deje que los alimentos entren en contacto con el sensor de temperatura del compartimento de alimentos frescos. Para mantener el compartimento de alimentos frescos a una temperatura ideal para el almacenamiento, es necesario que el sensor no quede obstruido por los alimentos.
- No deposite comida caliente en el frigorífico.



### 3 Instalación

⚠ Recuerde que el fabricante declina toda responsabilidad en caso de incumplimiento de las instrucciones de este manual.

#### Cuestiones a considerar a la hora de transportar el frigorífico

1. El frigorífico debe estar vacío y limpio antes de proceder a su transporte.
2. Los estantes, accesorios, el cajón de frutas y verduras, etc., deben sujetarse con cinta adhesiva antes de embalar el frigorífico para evitar que se muevan.
3. Enciente el frigorífico una vez embalado con cinta gruesa y fíjelo con cuerdas resistentes. Siga las reglas de transporte que encontrará impresas en el propio embalaje.

#### No olvide que:

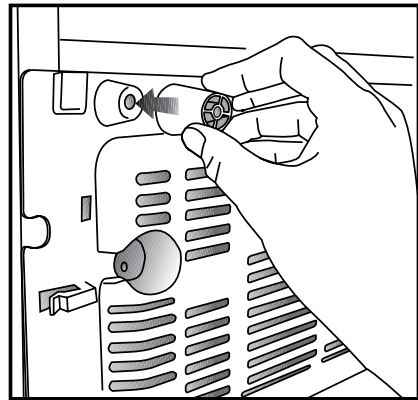
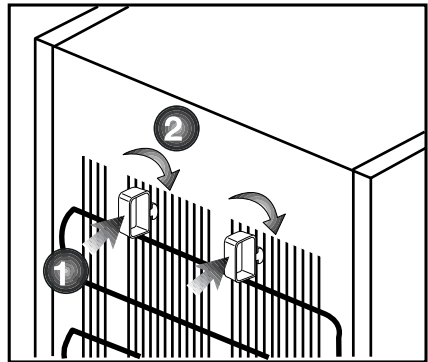
El reciclaje de materiales es un asunto de vital importancia para la naturaleza y para los recursos del país.

Si desea contribuir al reciclaje de los materiales de embalaje, solicite más información a los responsables medioambientales de su zona o a las autoridades locales.

#### Antes de usar el frigorífico

Antes de empezar a usar el frigorífico, verifique lo siguiente:

1. El interior del frigorífico está seco y el aire puede circular con libertad por su parte posterior.
2. Es posible que las aristas delanteras del aparato se noten calientes al tacto, cosa que es perfectamente normal. Estas zonas deben permanecer calientes para evitar la condensación.



1. El interior del frigorífico está seco y el aire puede circular con libertad por su parte posterior.
2. Introduzca 2 cuñas plásticas en la ventilación trasera, como se muestra en la figura siguiente. Las cuñas de plástico proporcionarán la distancia requerida entre su frigorífico y la pared para una correcta circulación del aire.
3. Limpie el interior del frigorífico de la forma recomendada en la sección "Mantenimiento y Limpieza".
4. Enchufe el frigorífico a la toma de corriente. Al abrir la puerta del frigorífico, la luz interior del compartimento frigorífico se enciende.

5. Se oye un sonido cuando arranca el compresor. El líquido y los gases contenidos en el sistema de refrigeración pueden también generar ruidos, incluso aunque el compresor no esté funcionando, lo cual es normal.
6. Es posible que las aristas delanteras del aparato se noten calientes al tacto. cosa que es perfectamente normal. Estas zonas deben permanecer calientes para evitar la condensación.

## Conexiones eléctricas

Conecte el frigorífico a una toma de corriente provista de toma de tierra y protegida por un fusible de la capacidad adecuada.

Importante:

- La conexión debe cumplir con las normativas nacionales.
- El enchufe de alimentación debe ser fácilmente accesible tras la instalación.
- La tensión especificada debe corresponder a la tensión de la red eléctrica.
- No use cables de extensión ni enchufes múltiples para conectar la unidad.

⚠ Todo cable de alimentación dañado debe ser reemplazado por un electricista cualificado.

⚠ No ponga en funcionamiento el aparato hasta que esté reparado, ya que existe peligro de cortocircuito.

## Eliminación del embalaje

Los materiales de empaque pueden ser peligrosos para los niños.

Manténgalos fuera de su alcance o deshágase de ellos clasificándolos según las instrucciones para la

eliminación de residuos. No los tire junto con los residuos domésticos normales.

El embalaje del frigorífico se ha fabricado con materiales reciclables.

## Eliminación de su viejo frigorífico

Deshágase de su viejo frigorífico de manera respetuosa con el medio ambiente.

- Consulte las posibles alternativas a un distribuidor autorizado o al centro de recogida de residuos de su municipio.

Antes de proceder a la eliminación del frigorífico, corte el enchufe y, si las puertas tuvieran cierres, destrúyalos para evitar que los niños corran riesgos.

## Colocación e instalación

⚠ Si la puerta de entrada a la estancia donde va a instalar el frigorífico no es lo suficientemente ancha como para permitir su paso, solicite al servicio técnico que retire las puertas del frigorífico y lo pase de lado a través de la puerta.

1. Instale el frigorífico en un lugar en el que pueda utilizarse con comodidad.
2. Mantenga el frigorífico alejado de fuentes de calor y lugares húmedos y evite su exposición directa a la luz solar.
3. Si el suelo está cubierto con una alfombra, deberá elevar el frigorífico 2,5 cm del suelo.
4. Coloque el frigorífico sobre una superficie lisa para evitar sacudidas.
5. Su producto requiere una circulación de aire adecuada para funcionar eficientemente. Si el producto va a ser colocado en un hueco, recuerde dejar



al menos 5 cm de espacio entre el producto y el techo, la pared trasera y las paredes laterales.

Si el producto va a ser colocado en un hueco, recuerde dejar al menos 5 cm de espacio entre el producto y el techo, la pared trasera y las paredes laterales. Compruebe si el componente de protección de la parte trasera se encuentra colocado en su lugar (en caso de ser suministrado con el producto). Si el componente no está disponible, o si se pierde o se cae, coloque el producto de manera que quede un espacio libre, de al menos 5 cm, entre la superficie trasera del producto y la pared de la habitación. El espacio libre en la parte trasera es importante para el funcionamiento eficiente del producto.

## Cambio de la bombilla de iluminación

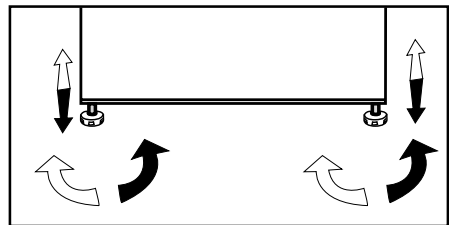
Para cambiar la bombilla utilizada para iluminar el frigorífico, póngase en contacto con el servicio técnico autorizado.

Las bombillas de este electrodoméstico no sirven para la iluminación en el hogar. Su propósito es el de ayudar al usuario a colocar los alimentos en el frigorífico o congelador de forma cómoda y segura.

Las lámparas utilizadas en este electrodoméstico soportan unas condiciones físicas extremas como temperaturas inferiores a  $-20^{\circ}\text{C}$ .

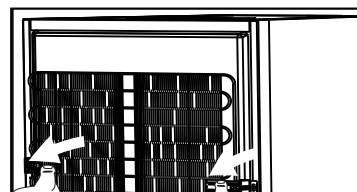
## Ajuste de los pies

Si su frigorífico no está equilibrado: Puede equilibrar el frigorífico girando los pies delanteros tal como se muestra en la ilustración. La esquina correspondiente al pie que está manipulando descenderá al girar el pie en la dirección de la flecha negra y se elevará al girarlo en la dirección opuesta. Le será más fácil realizar esta operación si le pide a alguien que levante ligeramente el frigorífico.



- El condensador de su aparato se encuentra en la parte trasera tal y como se muestra más abajo. Para mejorar la eficiencia energética con un menor consumo, tire del condensador hacia usted tal y como se muestra en la ilustración. La posición del condensador se fija firmemente mediante un mecanismo de cierre en los recipientes superiores de cada lado

### \* OPCIONAL



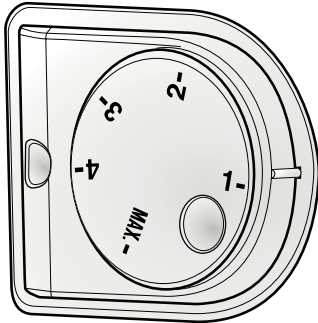
## 4 Preparación

- Para uso no empotrado: "este aparato de refrigeración no está destinado a ser utilizado como electrodoméstico empotrado.
- El frigorífico debe instalarse dejando una separación no inferior a 30 cm respecto a fuentes de calor tales como quemadores, hornos, calefacciones o estufas y no inferior a 5 cm con respecto a hornos eléctricos, evitando asimismo su exposición directa a la luz solar.
- Asegúrese de limpiar meticulosamente el interior del frigorífico.
- En caso de que vaya a instalar dos frigoríficos uno al lado del otro, debe dejar una separación no inferior a 2 cm entre ellos.
- Al utilizar el frigorífico por primera vez, siga las siguientes instrucciones referentes a las primeras seis horas.
- No abra la puerta con frecuencia.
- No deposite alimentos en el interior.
- No desenchufe el frigorífico. En caso de corte del suministro eléctrico ajeno a su voluntad, consulte las advertencias de la sección "Sugerencias para la solución de problemas".
- Guarde el embalaje original para futuros traslados.
- Este aparato ha sido diseñado para operar a las temperaturas indicadas en la siguiente tabla e incorpora el sistema AETCS (sistema avanzado de control electrónico de la temperatura), que garantiza que en la posición recomendada (la posición "4" del mando) los alimentos congelados contenidos en el congelador no se descongelarán incluso aunque la temperatura ambiente llegue a los -15 °C. Cuando instale el aparato por primera vez, EVITE hacerlo en estancias cuya temperatura ambiente sea baja, ya que el congelador no podrá alcanzar su temperatura normal de funcionamiento. Una vez el congelador haya alcanzado su temperatura de funcionamiento estable, podrá reubicar el aparato, instalándolo en un garaje o en cualquier otra estancia sin calefacción sin tener que preocuparse de la posibilidad de que los alimentos depositados en el congelador se estropeen. Sin embargo, a las temperaturas ambiente bajas antes citadas los alimentos depositados en el frigorífico podrían congelarse, de modo que le recomendamos que los compruebe y consuma en consecuencia. Cuando la temperatura ambiente retorne a los valores normales, podrá cambiar la posición del mando según sus necesidades.
- Si la temperatura ambiente es inferior a 0 °C, los alimentos depositados en el compartimento frigorífico se congelarán. Así pues, recomendamos que no utilice el compartimento frigorífico en tales condiciones ambientales. Sin embargo, podrá seguir utilizando el compartimento congelador con normalidad.
- En algunos modelos, el panel de instrumentos se apaga automáticamente 5 minutos después de cerrar la puerta. Se reactivará cuando se abra la puerta o se pulse cualquier botón.
- Debido al cambio de temperatura como resultado de la apertura/clausura de la puerta del producto durante el

funcionamiento, la condensación en los estantes de la puerta/cuerpo y los contenedores de cristal es normal.

- Puesto que el aire caliente y húmedo no penetra directamente en su producto cuando las puertas no están abiertas, su producto se optimiza en condiciones suficientes para proteger sus alimentos. Las funciones y componentes como el compresor, ventilador, calentador, descongelador, iluminación, pantalla, etc. funcionarán de acuerdo con las necesidades de consumo mínimo de energía en estas circunstancias.

## 5 Uso del frigorífico



### Botón de ajuste de la temperatura

El botón de ajuste de la temperatura le permite fijar la temperatura de su frigorífico.

### Ajuste de la temperatura del frigorífico

La temperatura global del frigorífico se regula mediante el botón de ajuste de la temperatura situado en la pared lateral derecha del compartimento frigorífico. Este botón dispone de 5 posiciones de temperatura diferentes. Seleccione la posición que mejor se adapte a sus necesidades.

### Doble sistema de enfriamiento

Este frigorífico dispone de dos sistemas de enfriamiento independientes, uno para el compartimento de alimentos frescos y el otro para el compartimento congelador. De este modo, no se mezclan el aire del compartimento de alimentos frescos y el aire del compartimento congelador. Gracias a estos dos sistemas de enfriamiento

independientes, la velocidad de enfriamiento es muy superior a la de otros frigoríficos. No se mezclan los olores de los compartimentos, y se obtiene un ahorro de energía adicional porque el deshielo automático se realiza individualmente.

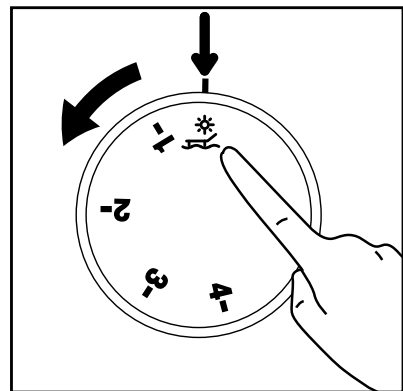
### Función de vacaciones

Si las puertas del aparato no se abren durante 12 horas tras colocar el termostato en la posición de máximo calor, la función de vacaciones se activará automáticamente.

Abra la puerta del aparato o cambie la posición del termostato para cancelar la función.

La función de vacaciones es opcional. Puede variar en función del tipo de producto y es posible que no esté disponible en todos los aparatos.

No se recomienda almacenar alimentos en el compartimento de más frío cuando la función de vacaciones esté activa.



## **Doble sistema de enfriamiento:**

Este frigorífico está equipado con dos sistemas de enfriamiento separados para enfriar el compartimento de alimentos frescos y el compartimento del congelador. De este modo, no se mezclan el aire del compartimento de alimentos frescos y el aire del compartimento del congelador. Gracias a estos dos sistemas de enfriamiento independientes, la velocidad de enfriamiento es muy superior a la de otros frigoríficos. No se mezclan los olores de los compartimentos. Además, se obtiene un ahorro de energía adicional porque el desescarche se realiza individualmente.

## **Congelación de alimentos frescos**

- Es preferible envolver o cubrir los alimentos antes de introducirlos en el frigorífico.
- Los alimentos calientes deben dejarse enfriar hasta alcanzar la temperatura ambiente antes de introducirlos en el frigorífico.
- Los alimentos que vaya a congelar deben ser frescos y estar en buen estado.
- Los alimentos deben dividirse en porciones basadas en las necesidades de consumo de la familia.
- \* Los alimentos deben empaquetarse herméticamente para evitar que se sequen, incluso aunque vayan a guardarse durante poco tiempo.

- Los materiales utilizados para empaquetar alimentos deben ser a prueba de desgarrones y resistentes al frío, a la humedad, los olores, los aceites y los ácidos, y además deben ser herméticos. También deben estar bien cerrados y estar hechos de materiales fáciles de utilizar y aptos para su uso en congeladores.
- Los alimentos que vayan a ser congelados deben depositarse en el compartimento congelador. (No deje que entren en contacto con los alimentos previamente congelados para evitar que éstos puedan descongelarse parcialmente. La capacidad de congelación del aparato se menciona en las especificaciones técnicas del mismo).
- Respete estrictamente los tiempos de conservación de alimentos congelados que encontrará en el apartado de información sobre la congelación.
- Consuma inmediatamente los alimentos recién descongelados, y en ningún caso los vuelva a congelar.
- Para obtener los mejores resultados, se deben tener en cuenta las siguientes instrucciones.
  1. No congele cantidades demasiado grandes de una sola vez. La calidad de los alimentos se conserva mejor si la congelación alcanza su interior lo antes posible.
  2. Si se introducen alimentos calientes en el compartimento congelador, se obliga al sistema de enfriamiento a funcionar de forma continua hasta congelarlos totalmente.
  3. Ponga especial cuidado en no mezclar alimentos ya congelados con alimentos frescos.

## Recomendaciones para la conservación de alimentos congelados

- Los alimentos congelados ya envasados disponibles en los comercios deben almacenarse de acuerdo con las instrucciones de su fabricante respecto de la conservación en un compartimento congelador de **★☆☆☆** (4 estrellas).
- Si desea garantizar el mantenimiento de la calidad de los alimentos congelados proporcionada por el fabricante y por el comercio, tenga en cuenta lo siguiente:
  1. Coloque los paquetes de alimentos congelados en el congelador lo antes posible tras su compra.
  2. Asegúrese de que todos los contenidos tengan etiqueta y fecha.
  3. Respete las fechas de “Usar antes de” o “Consumir antes de” indicadas en los envases.

Si se produce un corte de corriente, no abra la puerta del congelador. Incluso si el corte de corriente tiene una duración superior al “Tiempo de aumento de temperatura” indicado en la sección de las “Especificaciones técnicas de su frigorífico”, los alimentos congelados se verán afectados. En caso de que la avería dure más, deberá comprobar el estado de los alimentos y en los casos necesarios consumirlos inmediatamente o bien cocinarlos y posteriormente volverlos a congelar.

### Deshielo

El compartimento del congelador se deshiela de manera automática.

## Colocación de los alimentos

Estantes del compartimento congelador	Alimentos congelados diversos tales como carnes, pescados, helados, verduras, etc.
Huevera	Huevos
Estantes del compartimento refrigerador	Alimentos en cazuelas, platos cubiertos y recipientes cerrados
Estantes de la puerta del compartimento refrigerador	Alimentos o bebida en envases pequeños (leche, zumos de frutas, cerveza, etc.)
Cajón de frutas y verduras	Verduras y frutas
Compartimento de alimentos frescos	Productos delicados (queso, mantequilla, embutidos, etc.)

## Información sobre la congelación

Los alimentos deben congelarse lo más rápido posible con el fin de mantenerlos en las mejores condiciones de calidad.

Los alimentos sólo pueden conservarse durante periodos prolongados de tiempo a temperaturas de  $-18^{\circ}\text{C}$  o menos.

A  $-18^{\circ}\text{C}$  o menos es posible mantener los alimentos frescos durante muchos meses en el congelador.

### ADVERTENCIA ⚠

- Los alimentos deben dividirse en porciones basadas en las necesidades de consumo de la familia.
- Los alimentos deben empaquetarse herméticamente para evitar que se sequen, incluso si van a guardarse durante poco tiempo.

Materiales necesarios para el empaquetado:

- Cinta adhesiva resistente al frío
- Etiquetas autoadhesivas
- Gomas elásticas
- Bolígrafo
- Los materiales utilizados para empaquetar alimentos deben ser a prueba de desgarrones y resistentes al frío, la humedad, los olores, los aceites y los ácidos.

No deje que los alimentos entren en contacto con alimentos previamente congelados, con el fin de evitar que éstos puedan descongelarse parcialmente.

Respete siempre los valores especificados en las tablas para los periodos de conservación.

Consuma inmediatamente los alimentos recién descongelados, y en ningún caso los vuelva a congelar.

## Parada del aparato

Si su termostato dispone de posición "0":

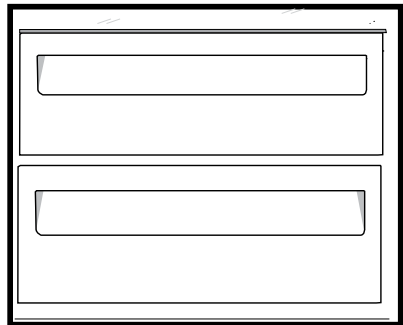
- Su aparato dejará de funcionar al poner el botón del termostato en la posición "0" (cero). El aparato no se pondrá en marcha hasta que no sitúe de nuevo el botón del termostato en la posición "1" o en cualquiera de las demás posiciones.

Si su termostato dispone de posición "min":

- Desenchufe el aparato para detener su funcionamiento.

## Compartimento de temperatura cero

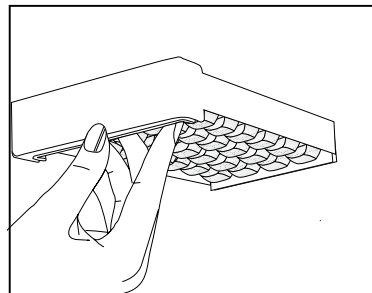
Este compartimento se ha diseñado para depositar en él alimentos congelados que requieran una descongelación lenta (carnes, pescados, pollo, etc.). El compartimento de temperatura cero es el lugar más frío del frigorífico, en el cual es posible conservar los productos lácteos (queso, mantequilla), las carnes, los pescados o el pollo en condiciones ideales de almacenamiento. No deposite verduras o frutas en este compartimento.



## Producción de hielo

Llene el contenedor de hielo con agua y colóquelo en su sitio. El hielo estará listo en unas dos horas.

Puede extraer fácilmente el hielo retorciendo ligeramente el contenedor de hielo.



## Descripción y limpieza del filtro antiolores:

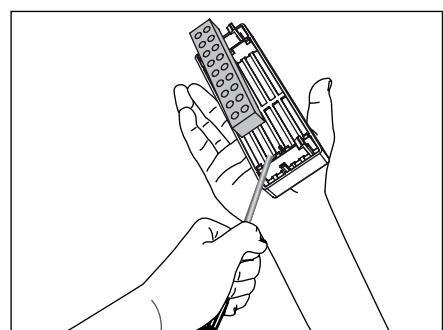
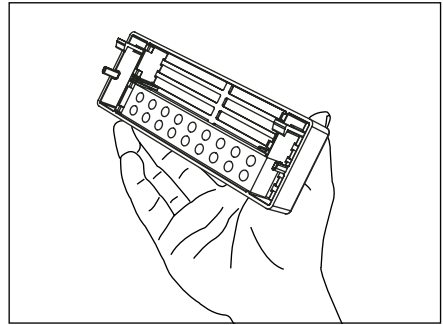
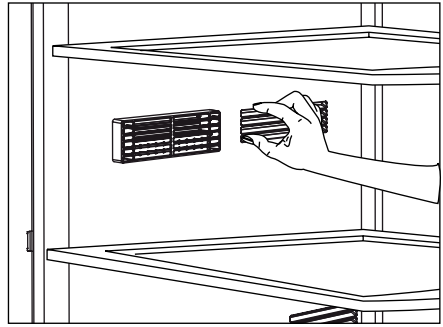
\* OPCIONAL

El filtro antiolores evita la proliferación de olores desagradables en el interior del frigorífico.

Tire hacia abajo de la cubierta del filtro y retírela, tal como se muestra en la ilustración. Deje el filtro expuesto a la luz solar durante un día. El filtro se limpiará en este período de tiempo.

Vuelva a colocar el filtro en su lugar.

El filtro antiolores debe limpiarse una vez al año.

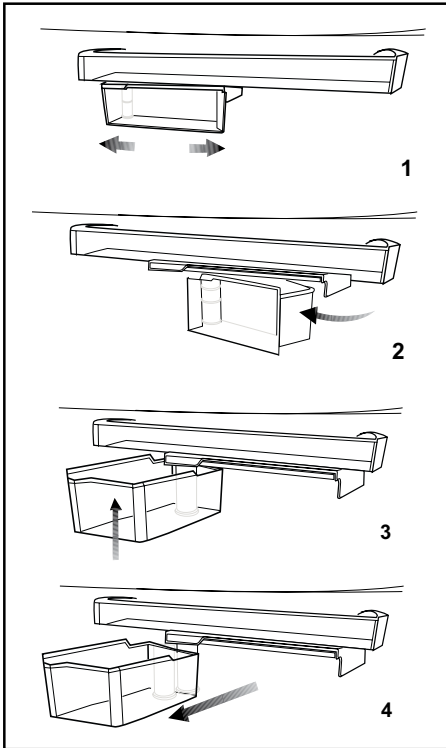




## Contenedor de almacenamiento giratorio

El estante de cuerpo deslizante puede desplazarse a izquierda o derecha para facilitar la colocación de botellas largas, tarros o cajas en un estante inferior (Fig. 1).

Puede tomar los alimentos depositados en el estante haciendo éste por su borde derecho y haciéndolo girar (Fig. 2). Cuando desee cargarlo o bien extraerlo para limpiarlo, gírelo 90°, levántelo y tire de él hacia usted (Fig. 3-4).



## Icematic y fabricante de hielo con contenedor

### Uso del Icematic

\* Llene el Icematic con agua y colóquelo en su sitio. El hielo estará listo en unas dos horas. No extraiga el Icematic de su sitio para sacar hielo.

\* Gire los mandos situados sobre él 90 grados en la dirección de las agujas del reloj.

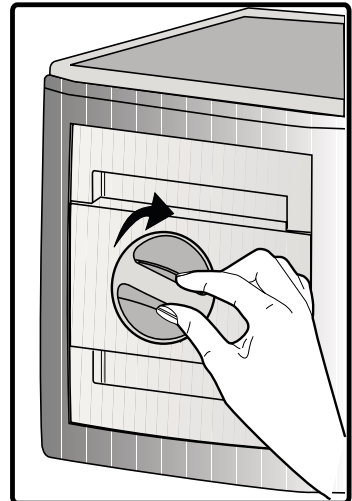
Los cubitos de hielo de las celdas caerán al contenedor de almacenamiento de hielo situado debajo.

\* Ahora puede retirar el contenedor de almacenamiento de hielo y servir los cubitos.

\* Si lo desea, puede dejar los cubitos en el contenedor de almacenamiento de hielo.

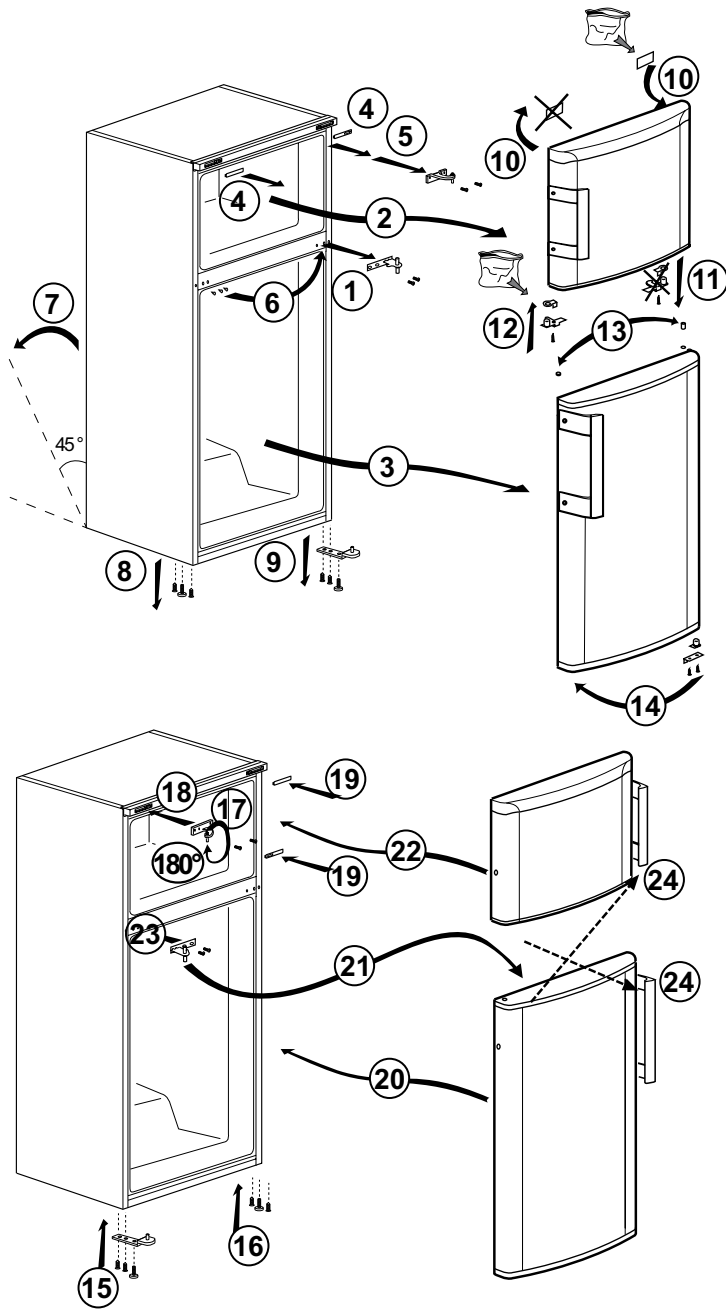
### Contenedor de almacenamiento de hielo

El contenedor de almacenamiento de hielo debe utilizarse únicamente para almacenar cubitos de hielo. No eche agua en el depósito, ya que podría romperse.



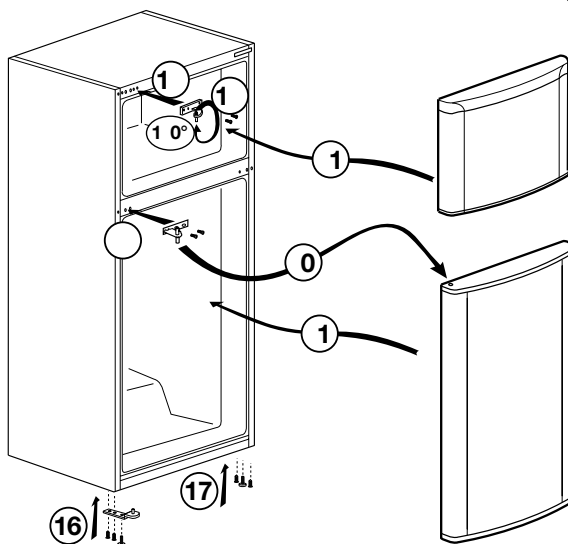
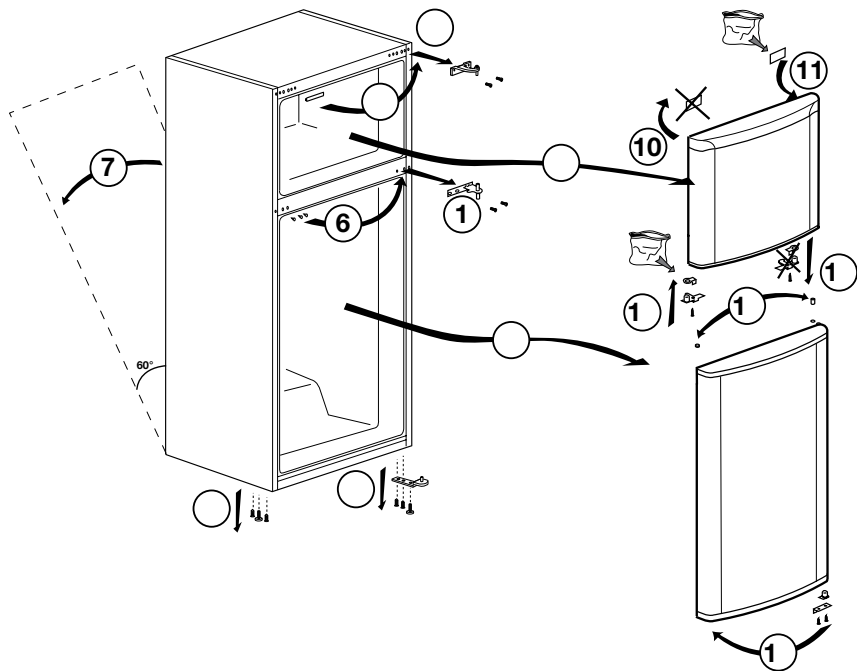
# Inversión de la puerta

Continúe en orden de número



# Inversión de la puerta

Continúe en orden de número



## 6 Mantenimiento y limpieza

---

- ⚠ No utilice nunca gasolina, benceno o sustancias similares para la limpieza.
- ⚠ Le recomendamos desenchufar el aparato antes de proceder a su limpieza.
- ❗ No utilice nunca para la limpieza instrumentos afilados o sustancias abrasivas, jabones, limpiadores domésticos, detergentes ni ceras abrillantadoras.
- ❗ En el caso de productos con sistema de enfriamiento cíclico o estático, se pueden producir gotas de agua y una capa de hielo en la pared trasera del compartimento del frigorífico. No lo limpie, nunca aplique aceite o agentes similares en el mismo.
- ❗ Utilice solo paños de microfibra ligeramente humedecidos para limpiar la superficie exterior del producto. Las esponjas u otro tipo de paños de limpieza pueden rayar la superficie.
- ❗ Limpie el armario del frigorífico con agua tibia y séquelo con un paño.
- ❗ Para limpiar el interior, utilice un paño humedecido en un vaso grande de agua con una cucharadita de bicarbonato sódico disuelta y séquelo con un trapo.
- ⚠ Asegúrese de que no penetre agua en el alojamiento de la lámpara ni en otros elementos eléctricos.
- ⚠ Si no va a utilizar el frigorífico durante un periodo prolongado, desenchúfelo, retire todos los alimentos, límpielo y deje la puerta entreabierta.
- ❗ Compruebe regularmente los cierres herméticos de la puerta para asegurarse de que estén limpios y sin restos de alimentos.
- ❗ Para extraer las bandejas de la puerta, retire todo su contenido y, a continuación, simplemente empuje la bandeja hacia arriba desde su base.
- ❗ Nunca use agentes de limpieza o agua que contengan cloro para limpiar las superficies exteriores y los cromados del producto, ya que el cloro corroe dichas superficies metálicas.
- ❗ No utilice herramientas afiladas y abrasivas ni jabón, productos de limpieza domésticos, detergentes, gasolina, benceno, cera, etc., de lo contrario los sellos en las piezas de plástico se caerán y deformarán. Use agua tibia y un paño suave para limpiar y secar.

### Protección de las superficies de plástico

- ❗ No deposite aceites líquidos o alimentos aceitosos en recipientes no cerrados ya que dañarán las superficies de plástico de su frigorífico. En caso de derrame de aceite sobre las superficies de plástico, limpie y enjuague con agua caliente la parte afectada de inmediato.

## 7 Sugerencias para la solución de problemas

Le rogamos compruebe la siguiente lista antes de llamar al servicio técnico. Ello puede ayudarle a ahorrar tiempo y dinero. Esta lista incluye problemas frecuentes no achacables a defectos en materiales o manufactura. Es posible que algunas de las características mencionadas no estén presentes en su

<b>El refrigerador no funciona</b>	<ul style="list-style-type: none"><li>• El dispositivo térmico protector del compresor saltará en caso de un corte súbito de energía o de idas y venidas de la corriente, ya que la presión del refrigerante en el sistema de enfriamiento aún no se ha estabilizado.</li><li>• Su frigorífico se pondrá en marcha transcurridos unos 6 minutos. Llame al servicio técnico si su frigorífico no se pone en marcha transcurrido ese periodo.</li><li>• El frigorífico se encuentra en el ciclo de descongelación. Esto es normal en un frigorífico con descongelación automática. El ciclo de descongelación se produce de forma periódica.</li><li>• El frigorífico no está enchufado. Compruebe que el enchufe esté firmemente insertado en la toma de corriente.</li><li>• ¿Está la temperatura correctamente fijada? Hay un corte del fluido eléctrico. Llame a su electricista.</li></ul>
<ul style="list-style-type: none"><li>• ¿Está el frigorífico correctamente enchufado? Inserte el enchufe en la toma de corriente.</li><li>• ¿Están fundidos el fusible principal o el fusible del enchufe al cual ha conectado el frigorífico? Revise los fusibles.</li></ul>	
<b>Condensación en la pared lateral del compartimento refrigerador. (MULTI ZONE, COOL CONTROL y FLEXI ZONE)</b>	<b>El frigorífico está en funcionamiento con frecuencia o durante periodos prolongados.</b>
<ul style="list-style-type: none"><li>• Condiciones ambientales muy frías. Frecuente apertura y cierre de la puerta. Nivel alto de humedad ambiental. Almacenamiento de alimentos que contienen líquidos en recipientes abiertos. Dejar la puerta entreabierta.</li><li>• Ponga el termostato a una temperatura más baja.</li><li>• Deje la puerta abierta durante menos tiempo o ábrala con menor frecuencia.</li><li>• Cubra los alimentos almacenados en recipientes abiertos con un material adecuado.</li><li>• Enjague el agua condensada con un paño seco y compruebe si la condensación persiste.</li></ul>	
<b>El compresor no funciona</b>	

<ul style="list-style-type: none"> <li>• Puede que su nuevo frigorífico sea más grande que el que tenía anteriormente. Esto es perfectamente normal. Los frigoríficos de mayor tamaño funcionan durante más tiempo.</li> <li>• Es posible que la temperatura ambiente de la estancia sea más alta. Esto es perfectamente normal.</li> <li>• Es posible que haya enchufado el frigorífico o bien lo haya cargado de alimentos recientemente. Puede que el frigorífico tarde unas dos horas en enfriarse por completo.</li> <li>• Es posible que recientemente haya depositado grandes cantidades de alimentos en el frigorífico. Los alimentos calientes pueden ocasionar que el frigorífico trabaje durante más tiempo hasta alcanzar la temperatura de almacenamiento seguro.</li> <li>• Es posible que las puertas se hayan abierto con frecuencia o que se hayan dejado entreabiertas por un tiempo prolongado. El aire caliente que ha penetrado en el frigorífico hace que éste funcione durante más tiempo. Abra las puertas con menos frecuencia.</li> <li>• Es posible que la puerta del compartimento frigorífico o congelador se haya dejado entreabierta. Compruebe que las puertas estén bien cerradas.</li> <li>• El frigorífico está ajustado a una temperatura muy baja. Ajuste la temperatura del frigorífico a un valor más alto y espere a que se alcance dicha temperatura.</li> <li>• La junta de la puerta del compartimento frigorífico o congelador puede estar sucia, desgastada, rota o no asentada correctamente. Limpie o sustituya la junta. Una junta rota o dañada hace que el frigorífico funcione durante más tiempo con el fin de mantener la temperatura actual.</li> </ul>
La temperatura del congelador es muy baja, mientras que la del frigorífico es correcta.
<ul style="list-style-type: none"> <li>• La temperatura del congelador está ajustada a un valor muy bajo. Ajuste la temperatura del congelador a un valor más elevado y compruebe.</li> </ul>
La temperatura del frigorífico es muy baja, mientras que la del congelador es correcta.

<ul style="list-style-type: none"> <li>• La temperatura del compartimento frigorífico está ajustada a un valor muy bajo. Ajuste la temperatura del frigorífico a un valor más elevado y compruebe.</li> </ul>
Los alimentos depositados en los cajones del compartimento frigorífico se están congelando.
<ul style="list-style-type: none"> <li>• La temperatura del compartimento frigorífico está ajustada a un valor muy bajo. Ajuste la temperatura del frigorífico a un valor más elevado y compruebe.</li> </ul>
La temperatura del congelador o el frigorífico es muy alta.
<ul style="list-style-type: none"> <li>• La temperatura del frigorífico está ajustada a un valor muy alto. El ajuste de la temperatura del frigorífico afecta a la temperatura del congelador. Cambie la temperatura del frigorífico o del congelador hasta que alcance un nivel suficiente.</li> <li>• Es posible que la puerta se haya quedado entreabierta. Cierre la puerta del todo.</li> <li>• Es posible que recientemente haya depositado grandes cantidades de alimentos en el frigorífico. Espere hasta que el frigorífico o el congelador alcance la temperatura deseada.</li> <li>• Es posible que el frigorífico haya sido enchufado recientemente. El enfriamiento completo del frigorífico lleva un tiempo debido a su tamaño.</li> </ul>
Puede escucharse un sonido parecido al tic tac de un reloj saliendo del frigorífico.
<ul style="list-style-type: none"> <li>• Este ruido procede de la electroválvula del frigorífico. La electroválvula garantiza el flujo de líquido refrigerante a través del compartimento, que puede ajustarse a temperaturas de enfriamiento o congelación así como llevar a cabo funciones de refrigeración. Esto es perfectamente normal y no es ninguna anomalía.</li> </ul>

El nivel de ruidos propios del funcionamiento se incrementa cuando el frigorífico está en marcha.

- Las características de rendimiento del frigorífico pueden cambiar en función de las variaciones en la temperatura ambiente. Esto es perfectamente normal, no es ninguna avería.

Vibraciones o ruidos.

- El suelo no está nivelado ni es firme. El frigorífico oscila al moverlo lentamente. Compruebe que el suelo esté nivelado y sea firme y capaz de soportar el peso del frigorífico.
- El ruido puede deberse a los elementos guardados en el frigorífico. Tales objetos deben retirarse de la parte superior del frigorífico.

Pueden oírse ruidos como si un líquido se derramara o se pulverizara.

- Los líquidos y gases fluyen de acuerdo con los principios de funcionamiento del frigorífico. Esto es perfectamente normal, no es ninguna avería.

Puede oírse un ruido parecido al viento.

- Se utilizan ventiladores con el fin de hacer que el frigorífico se enfríe con eficiencia. Esto es perfectamente normal, no es ninguna avería.

Condensación en las paredes interiores del frigorífico.

- El tiempo cálido y húmedo favorece la formación de hielo y la condensación. Esto es perfectamente normal, no es ninguna avería.
- Las puertas están entreabiertas. Asegúrese de que las puertas estén completamente cerradas.
- Es posible que las puertas se hayan estado abriendo con frecuencia o que se hayan dejado abiertas durante un periodo prolongado. Abra las puertas con menor frecuencia.

Hay humedad en el exterior del frigorífico o entre las puertas.

- Puede que haya humedad ambiental. Esto es perfectamente normal en climas húmedos. Cuando el grado de humedad descienda, la condensación desaparecerá.

Mal olor en el interior del frigorífico.

- El interior del frigorífico debe limpiarse. Limpie el interior del frigorífico con una esponja empapada en agua caliente o agua con gas.
- Es posible que el olor provenga de algún recipiente o envoltorio. Utilice otro recipiente o materiales para envolver de una marca diferente.

La puerta (o puertas) no se cierra.

- Puede que los paquetes de alimentos depositados no dejen que las puertas se cierren. Recoloque los paquetes que estén obstruyendo la puerta.
- Es probable que el frigorífico no esté en posición completamente vertical sobre el suelo y que oscile si se lo mueve ligeramente. Ajuste los tornillos de elevación.
- El suelo no está nivelado o no es firme. Compruebe que el suelo esté nivelado y que sea capaz de soportar el peso del frigorífico.

Los cajones están atascados.

- Es posible que algún alimento toque el techo del cajón. Cambie la distribución de los alimentos en el cajón.

Si la superficie del producto está caliente

- Pueden observarse altas temperaturas entre las dos puertas, en los paneles laterales y en la parrilla trasera mientras el producto esté en funcionamiento. Se trata de algo normal y no requiere mantenimiento del servicio.

## EXENCIÓN DE RESPONSABILIDADES / ADVERTENCIA

Es posible que algunas fallas (simples) sean tratadas de manera adecuada por el usuario final sin que se plantee ningún problema de seguridad o uso no seguro, siempre y cuando se lleven a cabo dentro de los límites y de conformidad con las siguientes instrucciones (véase la sección "Autorreparación").

En consecuencia, siempre y cuando no se autorice lo contrario en la sección "Autorreparación" que se encuentra a continuación, las reparaciones deben ser dirigidas a los reparadores profesionales registrados para evitar problemas de seguridad. Se considera un reparador profesional registrado el que ha tenido acceso a las instrucciones y a la lista de piezas de repuesto de este producto por parte del fabricante de acuerdo con los métodos descritos en los actos legislativos en virtud de la Directiva 2009/125/CE.

**No obstante, según las condiciones de la garantía, sólo el agente de servicio ( por ejemplo, los reparadores profesionales autorizados) al que puede llamar utilizando el número de teléfono que figura en el manual de usuario/tarjeta de garantía o bien a través de su distribuidor autorizado puede prestar servicio. Por consiguiente, por favor, tenga en cuenta que las reparaciones realizadas por reparadores profesionales ( no autorizados por Beko) anularán la garantía.**

### Autorreparación

El usuario final puede realizar la reparación por su cuenta con respecto a las siguientes piezas de repuesto: manijas de puertas, bisagras de puertas, bandejas, cestas y juntas de puertas (una lista actualizada también estará disponible en [support.beko.com](http://support.beko.com) a partir del 1 de Marzo de 2021).

Por otra parte, con el fin de garantizar la seguridad del producto y prevenir el riesgo de lesiones graves, la autorreparación citada se llevará a cabo siguiendo las instrucciones del manual de usuario para la autorreparación o las que están disponibles en [support.beko.com](http://support.beko.com) Para su seguridad, desenchufe el producto antes de intentar cualquier autorreparación.

La reparación y los intentos de reparación por parte de los usuarios finales de piezas no incluidas en dicha lista y/o no seguir las instrucciones contenidas en los manuales de usuario para la autorreparación o que están disponibles en [support.beko.com](http://support.beko.com), podrían causar problemas de seguridad no atribuibles a Beko, y anularían la garantía del producto.



Por ello, es muy recomendable que los usuarios finales se abstengan de intentar realizar las reparaciones que estén fuera de la lista de piezas de repuesto mencionada, comunicándose en tales casos con los reparadores profesionales autorizados o con los reparadores profesionales registrados. Al contrario, dichos intentos por parte de los usuarios finales pueden provocar problemas de seguridad y dañar el producto y, en consecuencia, provocar incendios, inundaciones, electrocución y lesiones personales graves.

Con carácter ejemplar, pero no limitado a ello, las siguientes reparaciones deben dirigirse a los autorizados reparadores profesionales o reparadores profesionales registrados: compresor, circuito de refrigeración, placa principal, tablero del inversor, tablero de la pantalla, etc.

En caso de que los usuarios finales no cumplan con lo anterior, el fabricante/ vendedor no podrá ser considerado responsable.

La disponibilidad de piezas de repuesto del refrigerador que ha adquirido es de 10 años.

Durante este período, las piezas de repuesto originales estarán disponibles para el funcionamiento apropiado del refrigerador.

La duración mínima de la garantía del refrigerador que ha comprado es de 24 meses.

Este producto está equipado con una fuente de iluminación de la clase energética "G".

La fuente de iluminación de este producto sólo debe ser sustituida por reparadores profesionales.

## **Veillez commencer par lire ce manuel d'utilisation!**

Cher client,

Nous espérons que votre produit, qui a été fabriqué dans des usines modernes et vérifié au terme des procédures de contrôle de qualité les plus méticuleuses, vous donnera entière satisfaction.

Veillez donc lire attentivement l'intégralité de ce manuel avant de commencer à utiliser le produit et conservez-le manuel comme référence. Si vous remettez cet appareil à quelqu'un d'autre, remettez-lui également le manuel d'utilisation.

### **Ce manuel vous aidera à utiliser votre produit en toute sécurité et efficacement.**

- Lisez le manuel avant d'installer et de faire fonctionner votre produit.
- Veillez à lire les instructions de sécurité.
- Laissez ce manuel dans un endroit facile d'accès car vous pourriez en avoir besoin ultérieurement.
- Lisez également la documentation fournie avec le produit.

N'oubliez pas que le manuel d'utilisation est également valable pour plusieurs autres modèles. Les différences entre les différents modèles seront identifiées dans le manuel.






### **Explication des symboles**

#### **Les symboles ci-dessous sont utilisés dans le manuel d'utilisation:**

 Informations importantes ou astuces.

 Avertissement relatif aux situations dangereuses pour la vie et la propriété.

 Avertissement relatif à la tension électrique.

 <b>INFORMATION</b>	
	
<b>SUPPLIER'S NAME</b>	<b>MODEL IDENTIFIER</b> (*)
	

.Vous pouvez accéder aux informations relatives au modèle telles que sauvegardées dans la base de données des produits en entrant le site internet suivant et en recherchant l'identifiant de votre modèle (\*) qui se trouve sur la vignette énergie

<https://eprel.ec.europa.eu/>

## TABLE DES MATIÈRES

### **1 Votre/réfrigérateur 3**

### **2 Précautions de sécurité importantes 4**

Sécurité générale.....	5
Pour les appareils dotés d'une fontaine à eau.....	9
Sécurité enfants.....	9
Conformité avec la réglementation DEEE et mise au rebut des déchets...	9
Informations relatives à l'emballage..	10
Avertissement HC.....	10
Mesures d'économie d'énergie.....	10
Recommandations relatives au compartiment des produits frais .....	11

### **3 Installation 12**

Éléments à prendre en considération lors du déplacement de votre réfrigérateur.....	12
Avant de mettre votre réfrigérateur en marche.....	12
Branchement électrique.....	13
Mise au rebut de l'emballage .....	13
Mise au rebut de votre ancien réfrigérateur.....	13
Disposition et Installation .....	13
Réglage des pieds.....	15
Remplacement de l'ampoule .....	15

### **4 Préparation 16**

### **5 Utilisation de votre réfrigérateur 18**

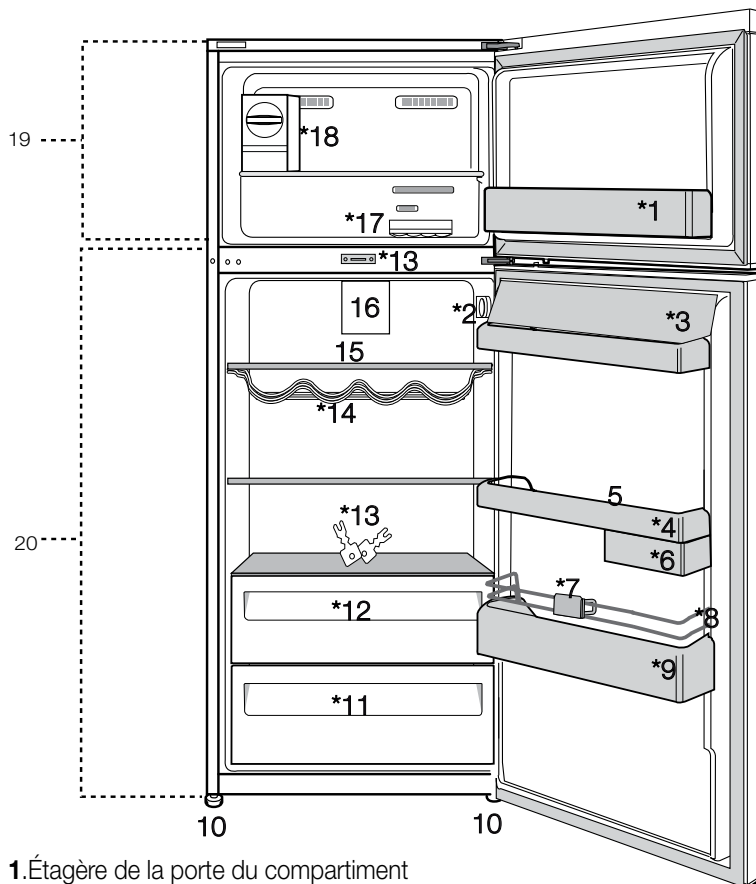
Bouton de réglage de la température	18
Réglage de la température de votre congélateur/réfrigérateur.....	18
Système de réfrigération Dual .....	18
Interruption du produit .....	18
Fonction Vacances .....	19
Système de réfrigération NeoFrost :.	19
Congélation des produits frais .....	19
Recommandations concernant la conservation des aliments congelés	20
Disposition des aliments .....	20
Informations concernant la congélation.....	20
Fabrication de glaçons .....	21
Récipient de conservation rotatif.....	21
Distributeur et récipient de conservation de glaçons.....	22
(dans certains modèles).....	22
Compartiment 0/3° .....	22
Description et nettoyage du filtre à odeurs .....	23
Réversibilité des portes.....	24
Réversibilité des portes.....	25

### **6 Entretien et nettoyage 26**

Protection des surfaces en plastique. ....	26
--	----

### **7 Solutions recommandées aux problèmes 27**

# 1 Votre/réfrigérateur



1.Étagère de la porte du compartiment congélateur

2.Bouton de réglage de température

3.Sections pour Beurre et Fromages

4.Balconnet de la porte du compartiment de réfrigération

5.Supports à œufs

6.Récipient de conservation rotatif

7.Range-bouteilles

8.Support métallique

9.Clayette range-bouteilles

10.Pieds ajustables

11.Couvercle du bac à légumes

12.Compartiment Zone fraîche

13. Clé

14.Clayette support bouteille

15. Clayettes en verre du compartiment de réfrigération

16.Turbine de ventilation

17.Récipient à glaçons

18.Distributeur de glaçons

19.Compartiment congélateur

20.Compartiment réfrigérateur


**\*en option**





Les illustrations présentées dans cette notice d'utilisation sont schématiques et peuvent ne pas correspondre exactement à votre produit. Si des pièces présentées ne sont pas comprises dans le produit que vous avez acheté, elles sont valables pour d'autres modèles.

## 2 Précautions de sécurité importantes

Veillez examiner les informations suivantes : Cet appareil peut être utilisé par des enfants âgés d'au moins 8 ans et par des personnes ayant des capacités physiques, sensorielles ou mentales réduites ou dénuées d'expérience ou de connaissance, s'ils (si elles) sont correctement surveillé(e)s ou si des instructions relatives à l'utilisation de l'appareil en toute sécurité leur ont été données et si les risques encourus ont été appréhendés. Les enfants ne doivent pas jouer avec l'appareil. Le nettoyage et l'entretien par l'utilisateur ne doivent pas être effectués par des enfants sans surveillance. Le non respect de ces consignes peut entraîner des blessures ou dommages matériels. Sinon, tout engagement lié à la garantie et à la fiabilité du produit devient invalide.

Les pièces détachées d'origine sont disponibles pendant 10 ans, à compter de la date d'achat du produit.

	<p><b>REMARQUE :</b> Assurez-vous que les trous d'aération ne sont pas fermés quand le dispositif est dans son boîtier ou est installé à sa place.</p>
---	--

	<p><b>REMARQUE:</b> Ne pas utiliser tout dispositif mécanique ou un autre dispositif hors des recommandations du fabricant pour accélérer le processus de décongeler.</p>
	<p><b>REMARQUE:</b> Ne pas endommager le circuit de fluide du réfrigérateur.</p>
	<p><b>REMARQUE:</b> Ne pas utiliser des appareils électriques non prévus par le fabricant dans les compartiments de conservation des aliments.</p>
	<p><b>AVERTISSEMENT:</b> Ne conservez pas de substances explosives comme des aérosols avec un liquide inflammable dans cet appareil.</p>

Ce dispositif est conçu pour l'usage domestique ou les applications similaires suivantes :

- Pour être utilisé dans la cuisine de personnel dans les magasins, bureaux et autres environnements de travail ;
- Pour être utilisé par les clients dans les maisons de campagne et hôtels et les autres environnements d'hébergement ;

- Dans des environnements de type de pension de famille
- Dans des applications similaires n'ayant pas de service alimentaire et non détaillants

### **Sécurité générale**

- Si le cordon d'alimentation est endommagé, celui-ci doit être remplacé par le fabricant, ses agents agréés ou tout autre agent qualifié afin d'être à l'abri de tout danger.
- Avant de vous débarrasser de votre appareil, veuillez consulter les autorités locales ou votre revendeur pour connaître le mode opératoire et les organismes de collecte agréés.
- Consultez le service après-vente agréé concernant toutes questions ou problèmes relatifs au réfrigérateur. N'intervenez pas ou ne laissez personne intervenir sur le réfrigérateur sans le communiquer au service après-vente agréé.
- Pour les produits équipés d'un compartiment congélateur : ne mangez pas de cônes de crème glacée ou des glaçons immédiatement après les avoir sortis du compartiment de congélation ! (Cela pourrait provoquer des engelures).
- Pour les produits équipés d'un compartiment congélateur : ne placez

pas de boissons en bouteille ou en cannette dans le compartiment de congélation. Cela peut entraîner leur éclatement.

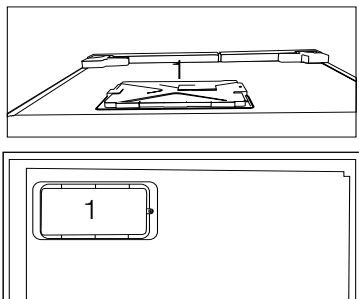
- Ne touchez pas des produits congelés avec les mains, ils pourraient se coller à celles-ci.
- Débranchez votre réfrigérateur avant de le nettoyer ou de le dégivrer.
- La vapeur et des matériaux de nettoyage pulvérisés ne doivent jamais être utilisés pour les processus de nettoyage ou de dégivrage de votre réfrigérateur. La vapeur pourrait pénétrer dans les pièces électriques et provoquer des courts-circuits ou des électrocutions.
- Ne jamais utiliser les pièces de votre réfrigérateur telles que la porte, comme un support ou une marche.
- N'utilisez pas d'appareils électriques à l'intérieur du réfrigérateur.
- N'endommagez pas les pièces où circule le liquide réfrigérant avec des outils de forage ou coupants. Le liquide réfrigérant qui pourrait s'échapper si les canalisations de gaz de l'évaporateur, les rallonges de tuyau ou les revêtements de surface étaient percés, cela pourrait irriter la peau et provoquer des blessures aux yeux.

- Ne pas couvrir ou obstruer les orifices de ventilation du réfrigérateur.
- Les appareils électriques peuvent être réparés seulement par des personnes autorisées. Les réparations réalisées par des personnes ne présentant pas les compétences requises peuvent présenter un risque pour l'utilisateur.
- En cas de dysfonctionnement ou lors d'opérations d'entretien ou de réparation, débranchez l'alimentation électrique du réfrigérateur soit en désactivant le fusible correspondant, soit en débranchant l'appareil.
- Assurez-vous que les boissons comportant un taux d'alcool très élevé sont conservées en sécurité avec leur couvercle fixé et placées en position verticale.
- Placez les boissons alcoolisées verticalement, dans des récipients convenablement fermés.
- Ne conservez jamais des aérosols contenant des substances inflammables et explosives dans le réfrigérateur.
- N'utilisez pas d'outils mécaniques ou autres dispositifs pour accélérer le processus de décongélation autres que ceux qui sont recommandés par le fabricant.
- Ce produit n'est pas conçu pour être utilisé par des personnes (enfants compris) souffrant de déficience physique, sensorielle, mentale, ou inexpérimentées, à moins d'avoir obtenu une autorisation auprès des personnes responsables de leur sécurité.
- Ne faites pas fonctionner un réfrigérateur endommagé. Consultez le service agréé en cas de problème.
- La sécurité électrique du réfrigérateur n'est assurée que si le système de mise à la terre de votre domicile est conforme aux normes en vigueur.
- L'exposition du produit à la pluie, la neige, au soleil ou au vent présente des risques concernant la sécurité électrique.
- Contactez le service agréé quand un câble d'alimentation est endommagé pour éviter tout danger.
- Ne branchez jamais le réfrigérateur à la prise murale au cours de l'installation. Vous vous exposeriez à un risque de mort ou à de blessures graves.
- Ce réfrigérateur est conçu seulement pour conserver des aliments. Par conséquent, il ne doit pas être utilisé à d'autres fins.

- L'étiquette avec les caractéristiques techniques est située sur la paroi gauche à l'intérieur du réfrigérateur.
- Ne branchez jamais votre réfrigérateur à des systèmes d'économie d'énergie, cela peut l'endommager.
- S'il y a une lumière bleue sur le réfrigérateur, ne la regardez ni avec vos yeux nus, ni avec des outils optiques pendant longtemps.
- Pour les réfrigérateurs contrôlés manuellement, attendez au moins 5 minutes pour allumer le réfrigérateur après une coupure de courant.
- Si cet appareil venait à changer de propriétaire, n'oubliez pas de remettre la présente notice d'utilisation au nouveau bénéficiaire.
- Évitez d'endommager le câble d'alimentation quand vous transportez le réfrigérateur. Tordre le câble peut entraîner un incendie. Ne placez jamais d'objets lourds sur le câble d'alimentation.
- Évitez de toucher à la prise avec des mains mouillées au moment de brancher l'appareil.
- Évitez de brancher le réfrigérateur lorsque la prise de courant électrique a lâché.
- Pour des raisons de sécurité, évitez de pulvériser directement de l'eau sur les parties externes et internes du réfrigérateur.
- Ne pulvérisez pas de substances contenant des gaz inflammables comme du propane près du réfrigérateur pour éviter tout risque d'incendie et d'explosion.
- Ne placez jamais de récipients contenant de l'eau sur votre réfrigérateur, ils pourraient causer des chocs électriques ou un incendie.
- Évitez de surcharger le réfrigérateur avec une quantité excessive d'aliments. S'il est surchargé, les aliments peuvent tomber, vous blesser et endommager le réfrigérateur quand vous ouvrez la porte.
- Ne placez jamais d'objets au-dessus du réfrigérateur, ils pourraient tomber quand vous ouvrez ou fermez la porte du réfrigérateur.
- Les produits qui nécessitent un contrôle de température précis (vaccin, médicament sensible à la chaleur, matériels scientifiques, etc.) ne doivent pas être conservés dans le réfrigérateur.
- Si le réfrigérateur n'est pas utilisé pendant longtemps, il doit être débranché. Un problème avec le câble d'alimentation pourrait causer un incendie.



- Le réfrigérateur peut bouger si ses pieds réglables ne sont pas bien fixés sur le sol. Bien fixer les pieds réglables sur le sol peut empêcher le réfrigérateur de bouger.
- Quand vous transportez le réfrigérateur, ne le tenez pas par la poignée de la porte. Cela peut le casser.
- Quand vous devez placer votre produit près d'un autre réfrigérateur ou congélateur, la distance entre les appareils doit être d'au moins 8 cm. Sinon, les murs adjacents peuvent être humidifiés.
- Lors du positionnement de l'appareil, s'assurer que le câble d'alimentation n'est ni coincé, ni endommagé.
- Ne pas placer des prises multiples ou des blocs d'alimentation portables à l'arrière de l'appareil.
- Les enfants âgés de 3 à 8 ans sont autorisés à charger et décharger les réfrigérateurs.
- Pour éviter la contamination des aliments, veuillez respecter les instructions suivantes :
- L'ouverture prolongée de la porte peut provoquer une augmentation significative de la température dans l'appareil.
- Nettoyez régulièrement les surfaces qui peuvent entrer en contact avec les aliments et les systèmes de drainage accessibles.
- Nettoyez les réservoirs d'eau s'ils n'ont pas été utilisés depuis 48 h ; rincez le système d'eau raccordé à une alimentation en eau si l'eau n'a pas été pompée depuis 5 jours.
- Conservez la viande et le poisson crus dans des récipients appropriés au réfrigérateur, de façon à ce qu'ils ne soient pas en contact avec d'autres aliments ou ne gouttent dessus.
- Les compartiments à aliments surgelés deux étoiles conviennent à la conservation d'aliments pré-congelés, à la conservation ou à la fabrication de glace et glaçons.
- Les compartiments une, deux et trois étoiles ne conviennent pas à la congélation des aliments frais.
- Si le réfrigérateur est laissé vide pendant une période prolongée, éteignez-le, dégivrez-le, nettoyez-le, séchez-le et laissez la porte ouverte pour éviter la formation de moisissure à l'intérieur de l'appareil.
- Ne jamais utiliser le produit si la section située dans sa partie supérieure ou inférieure avec cartes de circuits imprimés électroniques à l'intérieur est ouverte (couvercle de cartes de circuits imprimés électroniques) (1).



- Lors du positionnement de l'appareil, s'assurer que le câble d'alimentation n'est ni coincé, ni endommagé.
- Ne pas placer des prises multiples ou des blocs d'alimentation portables à l'arrière de l'appareil.

### **Pour les appareils dotés d'une fontaine à eau**

- La pression de l'eau froide à l'entrée ne doit pas excéder 90 psi (620 kPa). Si votre pression d'eau dépasse 80 psi (550 kPa), utilisez une soupape de limitation de pression sur votre réseau de conduite. Si vous ne savez pas comment vérifiez la pression de l'eau, demandez l'assistance d'un plombier professionnel.
- S'il existe un risque d'effet coup de bélier sur votre installation, utilisez systématiquement un équipement de protection contre l'effet coup de bélier sur celle-ci. Consultez des plombiers professionnels si vous n'êtes pas sûr de la présence de cet effet sur votre installation.
- Ne l'installez pas sur l'entrée d'eau chaude. Prenez des précautions contre le risque

de congélation des tuyaux. L'intervalle de fonctionnement de la température des eaux doit être de 33 F (0,6°C) au moins et de 100 F (38 C) au plus.

- Utilisez uniquement de l'eau potable.

### **Sécurité enfants**

- Si la porte a un verrouillage, la clé doit rester hors de portée des enfants.
- Les enfants doivent être surveillés et empêchés de s'amuser avec le produit.

### **Conformité avec la réglementation DEEE et mise au rebut des déchets**

Ce produit ne contient pas de matériaux dangereux et interdits décrits dans la « Règlementation sur le contrôle des déchets d'équipements électriques et électroniques » publié par le Ministère de l'Environnement et de l'Urbanisme. Conforme avec la réglementation DEEE.



Le présent produit a été fabriqué avec des pièces et du matériel de qualité supérieure susceptibles d'être réutilisés et adaptés au recyclage. Par conséquent, nous vous conseillons de ne pas le mettre au rebut aux côtés des ordures ménagères à la fin de sa durée de vie. Au contraire, rendez-vous dans un point de collecte pour le recyclage de tout matériel électrique et électronique. Veuillez vous rapprocher des autorités de votre localité pour plus d'informations concernant le point de collecte le plus proche. Aidez-nous à protéger l'environnement et les ressources naturelles en recyclant les produits usagés. Pour la sécurité des enfants,

coupez le câble d'alimentation et le mécanisme de verrouillage de la porte, le cas échéant. Ce faisant, vous rendez l'appareil inopérant avant sa mise au rebut.

## **Informations relatives à l'emballage**

Les matériaux d'emballage de cet appareil sont fabriqués à partir de matériaux recyclables, conformément à nos Réglementations Nationales en Environnement. Ne mélangez pas les matériaux d'emballage avec les déchets domestiques ou d'autres déchets. Amenez-les aux points de collecte des matériaux d'emballage, désignés par les autorités locales.

### **N'oubliez pas...**

Pour la préservation de la nature et de notre santé, il est indispensable de recycler les matières.

Si vous voulez contribuer au recyclage des matériaux d'emballage, vous pouvez vous renseigner auprès d'organisations environnementales ou de l'autorité locale proche de votre domicile.

## **Avertissement HC**

### **Si le système de refroidissement de votre appareil contient R600a :**

Ce gaz est inflammable. Par conséquent, veuillez prendre garde à ne pas endommager le système de refroidissement et les tuyauteries lors de son utilisation ou de son transport. En cas de dommages, éloignez votre produit de toute source potentielle de flammes susceptible de provoquer l'incendie de l'appareil. De même, placez le produit dans une pièce aérée.

### **Ne tenez pas compte de cet avertissement si le système de refroidissement de votre appareil contient R134a.**

Le type de gaz utilisé dans l'appareil est mentionné sur la plaque signalétique située sur la paroi gauche de l'intérieur du réfrigérateur.

Ne jetez jamais l'appareil au feu pour vous en débarrasser.

### **Mesures d'économie d'énergie**

- Ne laissez pas les portes du réfrigérateur ouvertes pendant une durée prolongée.
- N'introduisez pas de denrées ou de boissons chaudes dans le réfrigérateur.
- Ne surchargez pas le réfrigérateur pour ne pas obstruer pas la circulation d'air à l'intérieur.
- N'installez pas le réfrigérateur à la lumière directe du soleil ou près d'appareil émettant de la chaleur tels qu'un four, un lave-vaisselle ou un radiateur. Maintenez une distance d'au moins 30 cm entre votre réfrigérateur et toute source de chaleur, et à une distance de 5cm d'un four électrique.
- Veillez à conserver vos denrées dans des récipients fermés.
- Pour les produits équipés d'un compartiment congélateur : vous pouvez conserver une quantité maximale d'aliments dans le congélateur quand vous enlevez l'étagère ou le tiroir du congélateur.

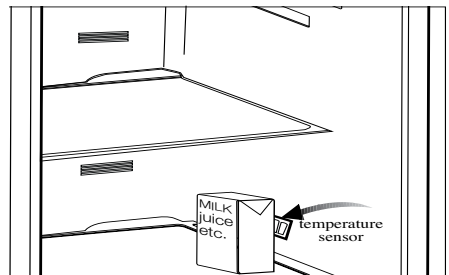
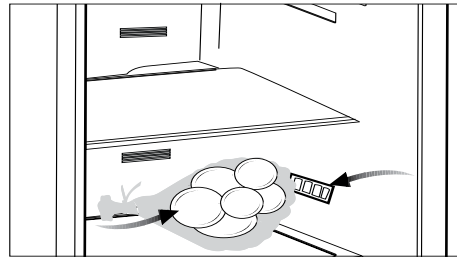
La consommation d'énergie précisée pour votre réfrigérateur a été déterminée en enlevant l'étagère ou le tiroir du congélateur et avec la charge maximale. Il n'y a aucun risque à utiliser une étagère ou un tiroir en fonction des formes et tailles des denrées à congeler.

- La décongélation des aliments dans le compartiment réfrigérateur permet de faire des économies d'énergie et de préserver la qualité des aliments.

## Recommandations relatives au compartiment des produits frais

**\*en option**

- Ne laissez pas les aliments toucher le capteur de température situé dans le compartiment des produits frais. Pour que le compartiment des produits frais conserve sa température idéale, le capteur ne doit pas être encombré par des aliments.
- Ne placez pas de denrées chaudes dans votre appareil.



### 3 Installation

#### **⚠ AVERTISSEMENT:**

Dans l'hypothèse ou l'information contenue dans ce manuel n'a pas été prise en compte par l'utilisateur, le fabricant ne sera aucunement responsable en cas de problèmes.

#### **Éléments à prendre en considération lors du déplacement de votre réfrigérateur**

1. Votre réfrigérateur doit être débranché. Avant le transport de votre réfrigérateur, vous devez le vider et le nettoyer. Avant d'emballer votre réfrigérateur, vous devez fixer ses étagères, bac, accessoires, etc, avec du ruban adhésif afin de les protéger contre les chocs.

1. L'emballage doit être solidement attaché avec du ruban adhésif épais ou avec un cordage solide. La réglementation en matière de transport et de marquage de l'emballage doit être strictement respectée.

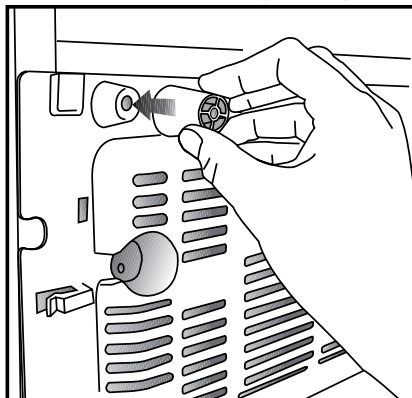
2. L'emballage et les matériaux de protection d'emballage doivent être conservés pour les éventuels transports ou déplacements à venir.

#### **Avant de mettre votre réfrigérateur en marche**

Vérifiez les points suivants avant de commencer à utiliser votre réfrigérateur

1. Fixez les câles en plastique tel qu'indiqué sur le schéma ci-dessous. Les câles en plastique servent à maintenir une distance permettant la circulation de l'air entre le réfrigérateur et le mur. (Cette image n'est donnée qu'à titre indicatif ; elle n'est pas identique à votre produit.)

2. Vous pouvez installer les 2 cales en plastique comme illustré dans le schéma. Les cales en plastique maintiendront la distance nécessaire entre votre Congélateur / réfrigérateur et le mur pour permettre une bonne circulation de l'air. (Le schéma présenté est fourni à titre indicatif et peut ne pas correspondre exactement avec votre produit.)



3. Nettoyez l'intérieur du réfrigérateur tel qu'indiqué dans la section « Entretien et nettoyage ».

4. Insérez la prise du réfrigérateur dans la prise murale. Lorsque la porte du réfrigérateur est ouverte, la lampe interne du réfrigérateur s'éclaire.

5. Lorsque le compresseur commence à fonctionner, il émettra un son. Le liquide et les gaz intégrés au système du réfrigérateur peuvent également faire du bruit, que le compresseur soit en marche ou non. Ceci est tout à fait normal.

6. Les parties antérieures du réfrigérateur peuvent chauffer. Ce phénomène est normal. Ces zones doivent en principe être chaudes pour éviter tout risque de condensation.

## Branchement électrique

Branchez votre réfrigérateur à une prise électrique protégée par un fusible ayant une capacité appropriée.

Important :

- Le branchement doit être conforme aux normes en vigueur sur le territoire national.
- La fiche du câble d'alimentation doit être facilement accessible après installation.
- La sécurité électrique du réfrigérateur n'est assurée que si le système de mise à la terre de votre domicile est conforme aux normes en vigueur.
- La tension indiquée sur l'étiquette située sur la paroi gauche interne de votre produit doit correspondre à celle fournie par votre réseau électrique.
- **Les rallonges et prises multivoies ne doivent pas être utilisés pour brancher l'appareil.**

### AVERTISSEMENT:

Un câble d'alimentation endommagé doit être remplacé par un électricien qualifié.

### AVERTISSEMENT:

L'appareil ne doit pas être mis en service avant d'être réparé ! Cette précaution permet d'éviter tout risque de choc électrique!

## Mise au rebut de l'emballage

Les matériaux d'emballage peuvent être dangereux pour les enfants. Tenez les matériaux d'emballage hors de portée des enfants ou jetez-les conformément aux consignes établies par les autorités locales en matière de déchets. Ne les jetez pas avec les déchets domestiques, déposez-les dans les centres de collecte désignés par les autorités locales.

L'emballage de votre appareil est produit à partir de matériaux recyclables.

## Mise au rebut de votre ancien réfrigérateur

Débarressez-vous de votre ancien réfrigérateur sans nuire à l'environnement.

- Vous pouvez consulter le service après-vente agréé ou le centre chargé de la mise au rebut dans votre municipalité pour en savoir plus sur la mise au rebut de votre produit.

Avant de procéder à la mise au rebut de votre machine, coupez la prise électrique et, le cas échéant, tout verrouillage susceptible de se trouver sur la porte. Rendez-les inopérants afin de ne pas exposer les enfants à d'éventuels dangers.

## Disposition et Installation

### ⚠ AVERTISSEMENT:

Si la porte d'entrée de la pièce où sera installé le réfrigérateur n'est pas assez large pour laisser passer le réfrigérateur, appelez le service après-vente qui retirera les portes du réfrigérateur et le fera entrer latéralement dans la pièce.

1. Installez le réfrigérateur dans un emplacement qui permette une utilisation pratique.
  2. Maintenez le réfrigérateur éloigné de toutes sources de chaleur, des endroits humides et de la lumière directe du soleil.
  3. Ne placez pas l'appareil sur des revêtements tels qu'un tapis ou de la moquette.
- Votre produit nécessite une circulation d'air adéquate pour pouvoir fonctionner efficacement. S'il est placé dans

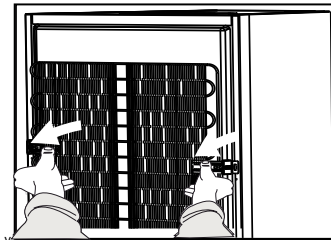
une alcôve, n'oubliez pas de laisser un espace d'au moins 5 cm entre l'appareil, le plafond, la paroi arrière et les parois latérales.

- S'il est placé dans une alcôve, n'oubliez pas de laisser un espace d'au moins 5 cm entre l'appareil, le plafond, la paroi arrière et les parois latérales. Vérifiez que l'élément de protection d'espace de la façade arrière est présent à son emplacement (au cas où il est fourni avec l'appareil). Si l'élément n'est pas disponible, perdu ou tombé, positionnez l'appareil de manière à laisser un espace d'au moins 5 cm entre la surface arrière de l'appareil et les murs de la pièce. L'espace prévu à l'arrière est important pour le fonctionnement efficace de l'appareil.

4. Placez le réfrigérateur sur une surface plane afin d'éviter les à-coups.

- Le condenseur de votre appareil est situé à l'arrière, tel que l'indique le schéma ci-dessous. Pour garantir un meilleur rendement énergétique associé à une faible consommation de l'énergie, tirez le condenseur vers vous tel qu'indique le schéma ci-dessous. La position du condenseur sera fermement fixée aux moyens du mécanisme de verrouillage des supports supérieurs situés de part et d'autres de l'appareil.

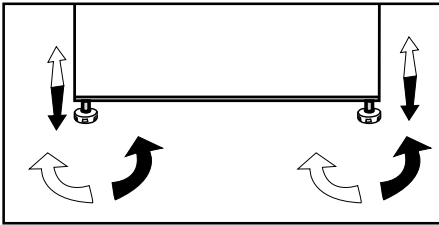
**\* EN OPTION**



## Réglage des pieds

Si le réfrigérateur n'est pas stable.

Vous pouvez équilibrer le réfrigérateur en tournant les pieds avant, tel qu'illustré sur le schéma. Le côté où se trouve le pied s'abaisse lorsque vous tournez dans le sens de la flèche noire, et s'élève lorsque vous tournez dans le sens opposé. Si vous vous faites aider par quelqu'un pour légèrement soulever le réfrigérateur, l'opération s'en trouvera simplifiée.



## Remplacement de l'ampoule

Pour remplacer la lampe LED du réfrigérateur, veuillez contacter le service après-vente agréé.

Les ampoules de cet appareil d'électroménager ne sont pas adaptées à une utilisation d'éclairage. L'utilisation recherchée de cette lampe est de permettre à l'utilisateur de placer confortablement et en sécurité les aliments dans le réfrigérateur / coffre.

Les voyants utilisés dans cet appareil doivent résister aux conditions physiques extrêmes telles que des températures inférieures à  $-20^{\circ}\text{C}$ .



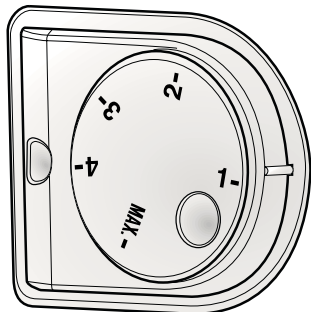
## 4 Préparation

- Pour un appareil amovible, cet appareil de réfrigération n'est pas conçu pour être utilisé comme un appareil à encastrer.
- Votre réfrigérateur doit être installé à au moins 30 cm des sources de chaleur telles que les plaques de cuisson, les fours, appareils de chauffage ou cuisinières, et à au moins 5 cm des fours électriques. De même, il ne doit pas être exposé à la lumière directe du soleil.
- Veuillez vous assurer que l'intérieur de votre appareil est soigneusement nettoyé.
- Si deux réfrigérateurs sont installés côte à côte, ils doivent être séparés par au moins 2 cm de distance.
- Lorsque vous faites fonctionner le réfrigérateur pour la première fois, assurez-vous de suivre les instructions suivantes pendant les six premières heures.
- La porte ne doit pas être ouverte fréquemment.
- Le réfrigérateur doit fonctionner à vide, sans denrées à l'intérieur.
- Ne débranchez pas le réfrigérateur. Si une panne de courant se produit, veuillez vous reporter aux avertissements de la section « Solutions recommandées aux problèmes ».
- Comme l'air chaud et humide ne pénètre pas directement dans votre produit lorsque les portes ne sont pas ouvertes, votre produit optimisera son fonctionnement en fonction des conditions pour protéger vos aliments. Les fonctions et les composants tels que le compresseur, le ventilateur, le chauffage, le dégivrage, l'éclairage, l'affichage, etc. fonctionneront en fonction des besoins pour consommer un minimum d'énergie dans de telles circonstances.
- Ce produit a été conçu pour fonctionner à une température ambiante pouvant atteindre 43 °C (90 SDgrF). Même si la température ambiante descend à - 15° C, les denrées congelées du congélateur ne se décongèlent pas, grâce à son.
- Les paniers/tiroirs fournis avec le compartiment rafraîchissement doivent être utilisés de manière continue pour une consommation énergétique minimale et de meilleures conditions de conservation.
- Le contact entre le capteur de température et les denrées alimentaires à l'intérieur du compartiment de congélation peut augmenter la consommation énergétique de l'appareil. Pour cette raison, les contacts avec les capteurs doivent être évités.
- Système électronique très élaboré de contrôle de la température. Lors de sa première installation, le produit NE DOIT PAS être exposé à des températures ambiantes trop basses. La raison est que le congélateur ne peut pas fonctionner à une température inférieure à la température de fonctionnement standard. Une fois l'appareil en fonctionnement continu, il peut être déplacé. Par conséquent, vous pouvez placer l'appareil dans votre garage ou toute autre pièce non chauffée sans crainte que les aliments surgelés ne se détériorent. Cependant, il est possible

que les basses températures susmentionnées puissent geler les aliments dans le compartiment réfrigérateur. Veuillez donc consommer les denrées alimentaires placées au réfrigérateur en prenant soin de contrôler leur état. Lorsque la température ambiante revient à la normale, vous pouvez modifier le réglage du bouton selon vos préférences.

- Si la température ambiante est inférieure à 0°C, les aliments du compartiment réfrigérant gèleront. Nous vous conseillons donc de ne pas utiliser le compartiment réfrigérant si la température ambiante est trop basse. Vous pouvez continuer à utiliser le compartiment congélateur comme d'habitude.
- Dans certains modèles, le tableau de bord s'éteint automatiquement 5 minutes après la fermeture de la portière. Il est réactivé à l'ouverture de la portière ou lorsqu'on appuie sur n'importe quelle touche.
- En raison des variations de température dues à l'ouverture ou à la fermeture de la porte de l'appareil en fonctionnement, il est normal que la condensation se forme sur la porte, les étagères ou les récipients en verre.

## 5 Utilisation de votre réfrigérateur



### Bouton de réglage de la température

Le bouton de réglage de température vous permet de procéder aux réglages de la température de votre congélateur/réfrigérateur.

### Réglage de la température de votre congélateur/réfrigérateur

Le réglage de la température totale de votre congélateur/réfrigérateur se fait au moyen du bouton de réglage de température qui se trouve sur le mur droit du compartiment congélateur/réfrigérateur. Ce bouton a 5 positions différentes de réglage de température. Sélectionnez la position qui vous convient.

### Système de réfrigération Dual

Votre congélateur/réfrigérateur est équipé de deux systèmes de réfrigération séparés destinés à refroidir le compartiment des aliments frais et le compartiment de congélation du congélateur/réfrigérateur. Ainsi, l'air du compartiment des produits frais et l'air du compartiment de congélation ne sont pas mélangés.

Grâce à ce système de réfrigération séparée, les vitesses de réfrigération sont beaucoup plus élevées que pour des congélateur/réfrigérateurs normaux. Par ailleurs, les odeurs des compartiments ne sont pas mélangées. Par ailleurs, une économie d'énergie supplémentaire est fournie car la décongélation automatique se fait individuellement.

### Interruption du produit

Si la position « 0 » se trouve sur votre thermostat :

- Votre appareil cessera de fonctionner lorsque vous mettrez le bouton du thermostat à la position « 0 » (zéro). Votre appareil ne démarrera pas à moins que vous mettiez le bouton du thermostat sur la position « 1 » ou sur l'une des autres positions.

Si la position « min » se trouve sur votre thermostat :

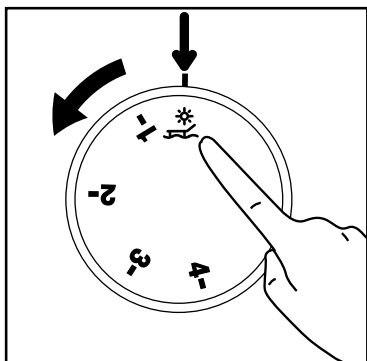
- Débranchez votre appareil pour l'arrêter.

## Fonction Vacances

Si les portes du produit ne sont pas ouvertes pendant 12 heures alors que le thermostat est sur la position la plus haute, la fonction vacances sera activée automatiquement.

Quand cette fonction est active, la température du compartiment du réfrigérateur peut ne pas être suffisante pour conserver la nourriture.

Ouvrez la porte du produit ou changez le réglage du thermostat pour annuler la fonction.



## Système de réfrigération NeoFrost :


Votre réfrigérateur est équipé de deux systèmes de réfrigération séparés destinés à refroidir le compartiment des aliments frais et le compartiment de congélation du réfrigérateur. Ainsi, l'air du compartiment des produits frais et l'air du compartiment de congélation ne sont pas mélangés. Grâce à ce système de réfrigération séparée, les vitesses de réfrigération sont beaucoup plus élevées que pour des réfrigérateurs normaux. Par ailleurs, les odeurs des compartiments ne sont pas mélangées. Par ailleurs, une économie d'énergie supplémentaire est fournie car la décongélation se fait individuellement.

## Congélation des produits frais

- Enveloppez ou couvrez vos aliments avant de les placer au réfrigérateur.
  - Laissez refroidir les aliments à la température ambiante avant de les placer au congélateur.
  - Les denrées que vous souhaitez surgeler doivent être fraîches et en bon état.
  - Il est conseillé de séparer les denrées en portions en fonction des besoins quotidiens de votre famille ou par repas.
  - Les denrées doivent être emballées hermétiquement afin d'éviter qu'elles ne s'assèchent, même si elles ne doivent être conservées qu'une courte période.
  - Les matériaux utilisés pour l'emballage doivent résister aux déchirures, au froid, à l'humidité, et doivent être imperméables aux odeurs, aux graisses et aux acides et être hermétiques. Par ailleurs, ils doivent fermer correctement et être composés de matériaux simples d'utilisation et adaptés à un usage dans un congélateur.
  - Les denrées congelées doivent être consommées immédiatement après leur décongélation et elles ne doivent jamais être recongelées.
  - Veuillez respecter les instructions suivantes afin d'obtenir les meilleurs résultats.
1. Ne congélez pas une quantité trop importante à la fois. La qualité des aliments est préservée de façon optimale lorsqu'ils sont entièrement congelés aussi rapidement que possible.

2. Le fait d'introduire des aliments chauds dans le congélateur entraîne le fonctionnement du système de refroidissement en continu jusqu'à ce que les aliments soient entièrement congelés.
3. Faites particulièrement attention à ne pas mélanger les produits déjà congelés et les produits frais.

## Recommandations concernant la conservation des aliments congelés

- Pour un compartiment des denrées congelées  (4 étoiles), les aliments préemballés et surgelés, destinés à un usage commercial, doivent être conservés conformément aux instructions du fabricant de produits congelés.
- Afin de veiller à ce que la qualité supérieure recherchée par le fabricant et le détaillant des produits congelés soit atteinte, il convient de se rappeler les points suivants :
  1. Mettre les emballages dans le congélateur aussi rapidement que possible après achat.
  2. S'assurer que le contenu est étiqueté et daté.
  3. Ne pas dépasser les dates « à consommer avant le » et « à consommer de préférence avant le » figurant sur l'emballage.

### Dégivrage

Le compartiment congélateur se dégivre automatiquement.

### Disposition des aliments

Clayettes du compartiment congélation	la viande, du poisson, des crèmes glacées, des légumes, etc.
Casier à œufs	Œufs

Clayettes du compartiment de réfrigération	Nourriture dans des casseroles, assiettes couvertes et récipients fermés
Balconnets de la porte du compartiment de réfrigération	Produits ou boissons de petite taille et sous emballage (comme du lait, des jus de fruits ou de la bière)
Bac à légumes	Fruits et légumes
Compartiment Fraîcheur	Produits délicats (fromage, beurre, salami, etc.)

## Informations concernant la congélation

Les denrées doivent être congelées le plus rapidement possible lorsqu'elles sont placées dans un réfrigérateur, afin de préserver leur qualité.

Il n'est possible de conserver des denrées sur de longues périodes qu'avec des températures inférieures ou égales à  $-18^{\circ}\text{C}$ .

Vous pouvez conserver vos aliments surgelés pendant plusieurs mois (à des températures inférieures ou égales à  $-18^{\circ}\text{C}$  dans le surgélateur).

### AVERTISSEMENT !

- Il est conseillé de séparer les denrées en portions en fonction des besoins quotidiens de votre famille ou par repas.
- Les denrées doivent être emballées hermétiquement afin d'éviter qu'elles ne s'assèchent, même si elles ne doivent être conservées qu'une courte période.
- Matériaux nécessaires à l'emballage :
- Bande adhésive résistant au froid
- Etiquette autocollante
- Élastiques en caoutchouc
- Stylo

Les matériaux utilisés pour l'emballage des denrées doivent résister aux déchirures, au froid, à l'humidité, et doivent être imperméables aux odeurs, aux graisses et aux acides.

Il faut éviter que les denrées à congeler n'entrent en contact avec des aliments déjà congelés afin d'empêcher le dégel partiel de ces aliments.

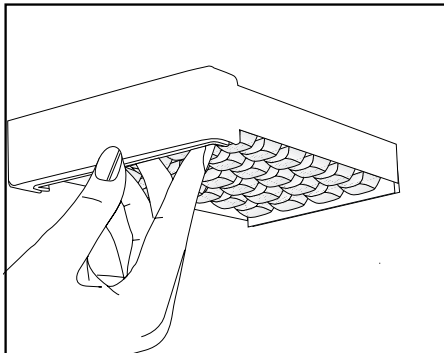
Les denrées congelées doivent être consommées immédiatement après leur décongélation et elles ne doivent jamais être recongelées.

### Fabrication de glaçons

(dans certains modèles)

Remplissez le bac à glaçons avec de l'eau et placez-le dans le compartiment du congélateur. Vos glaçons seront prêts dans environ deux heures.

Pour enlever les glaçons du bac à glaçons, sortez ce dernier du congélateur et tordez-le.



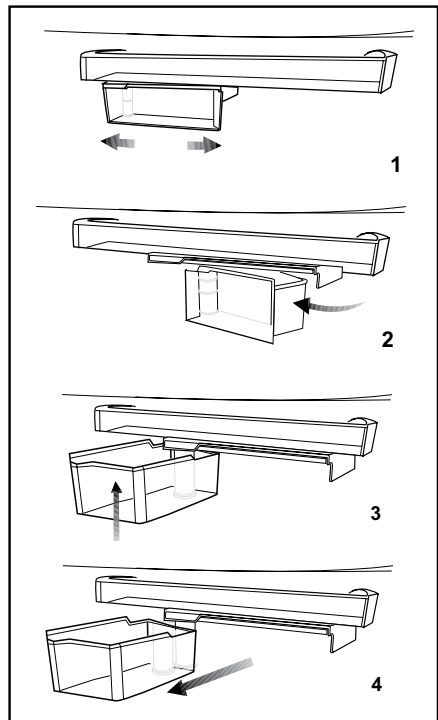
### Récipient de conservation rotatif

(pour certains modèles)

Vous pouvez faire glisser l'étagère coulissante vers la gauche ou vers la droite afin d'introduire les bouteilles de grande taille, les bocaux, ou les boîtes dans un compartiment inférieur (Fig. 1).

Vous pouvez obtenir les denrées alimentaires placées sur l'étagère en saisissant celle-ci et en la retournant à partir de son côté droit (Fig.2).

Lorsque vous voulez y mettre des aliments ou l'enlever pour le nettoyer, retournez-le dans un angle de 90 degrés, soulevez-le et tirez-le vers-vous (Fig.3-4).



## **Distributeur et récipient de conservation de glaçons (dans certains modèles)**

### **Utilisation du distributeur**

Remplissez le distributeur de glaçons avec de l'eau et remettez-le à sa place. Vos glaçons seront prêts dans environ deux heures. Ne pas retirer le distributeur de glaçons de son logement pour prendre de la glace.

Tournez les molettes des réservoirs à glaçons dans le sens des aiguilles d'une montre, de manière à former un angle de 90 degrés.

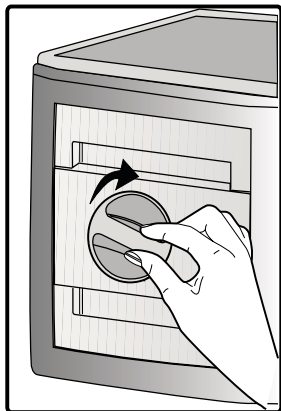
Les glaçons contenus dans les réservoirs tomberont dans le récipient de conservation de glaçons situé en dessous.

Vous pouvez alors sortir le récipient de conservation de glaçons et servir les glaçons.

Si vous le désirez, vous pouvez laisser les glaçons dans leur récipient de conservation.

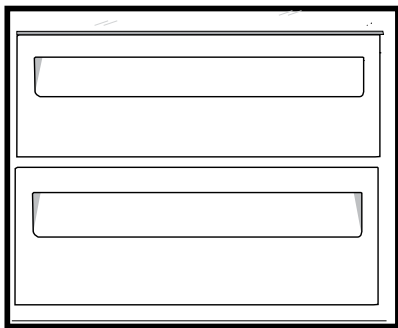
### **Récipient de conservation de glaçons**

Le récipient de conservation de glaçons sert simplement à accumuler les glaçons. Ne versez pas d'eau à l'intérieur. Cela peut le casser.



## **Compartiment 0/3°**

Le compartiment basse température est l'endroit le plus froid de votre réfrigérateur /congelateur dans lequel les produits laitiers (fromage, beurre), la viande, le poisson, ou le poulet peuvent être conservés dans des conditions idéales. Les légumes et/ou fruits ne doivent pas être introduits dans ce compartiment.



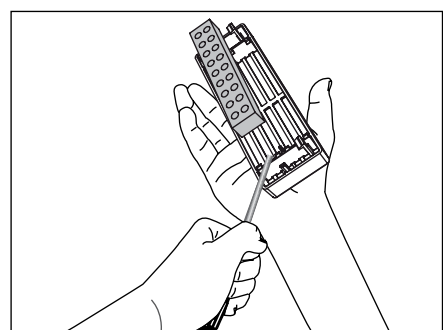
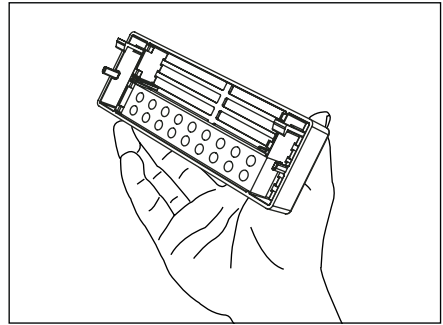
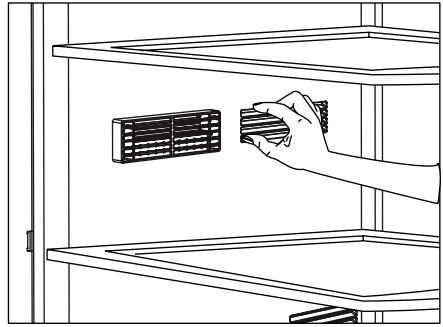
## Description et nettoyage du filtre à odeurs

### \*en option

Le filtre à odeurs empêche la formation d'odeurs désagréables dans votre réfrigérateur.

Tirez le couvercle, dans lequel le filtre à odeurs est installé, vers le bas et enlevez comme illustré sur le schéma. Exposez le filtre sous la lumière directe du soleil pendant un jour. Le filtre sera nettoyé pendant ce temps. Remettez le filtre à sa place.

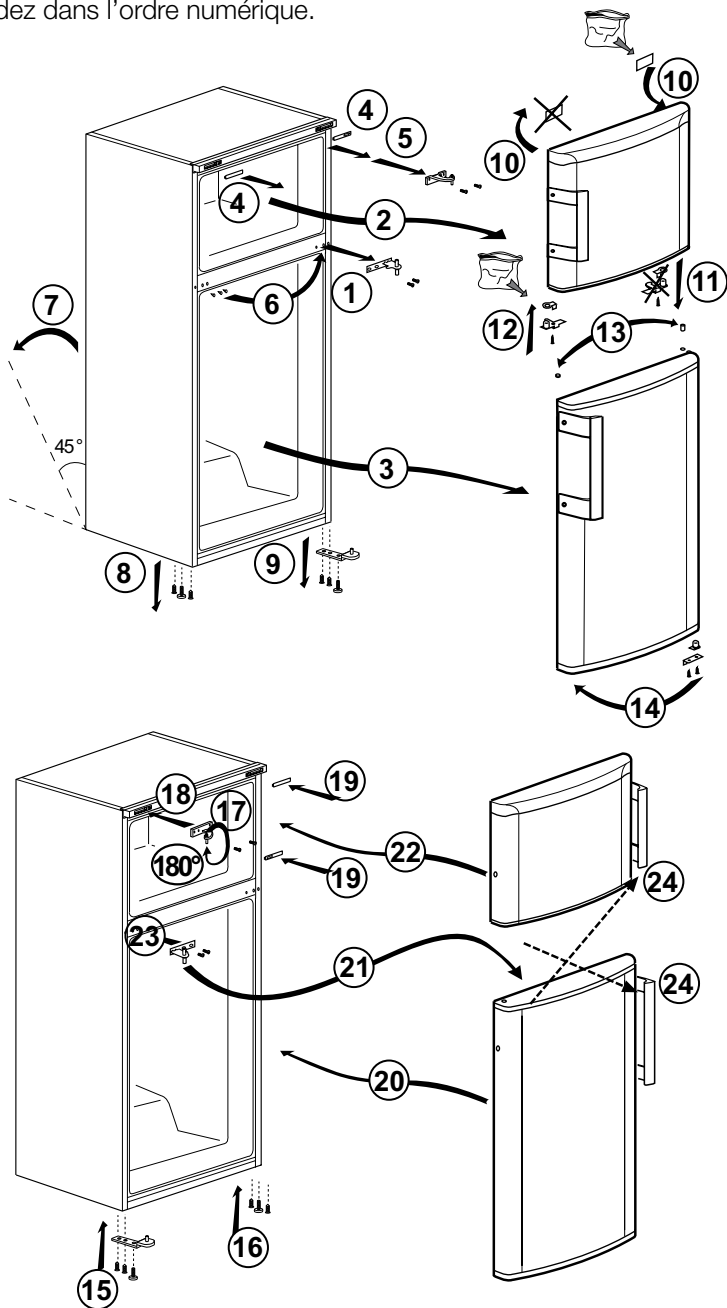
Le filtre à odeurs doit être nettoyé une fois l'an.





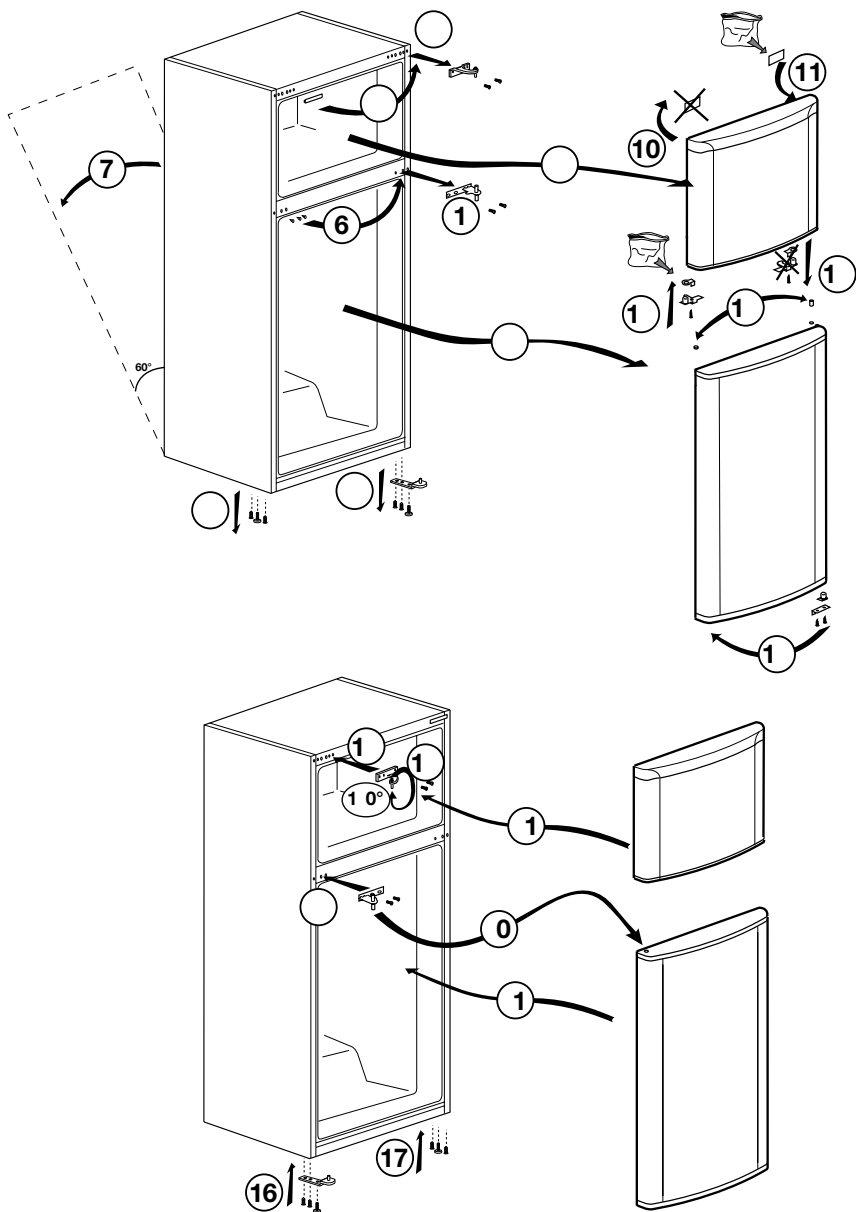
## Réversibilité des portes

Procédez dans l'ordre numérique.



## Réversibilité des portes

Procédez dans l'ordre numérique.



## 6 Entretien et nettoyage

- ⚠ N'utilisez jamais d'essence, de benzène ou de matériaux similaires pour le nettoyage.
- ⚠ Nous vous recommandons de débrancher l'appareil avant de procéder au nettoyage.
- ❗ N'utilisez jamais d'ustensiles tranchants, savon, produit de nettoyage domestique, détergent et cirage pour le nettoyage.
- ❗ Pour des appareils qui ne sont pas de la marque No Frost, des gouttes d'eau et une couche de givre pouvant atteindre la largeur d'un doigt se forment sur la paroi arrière du compartiment réfrigérateur. Ne les nettoyez pas et évitez d'y utiliser de l'huile ou des produits similaires.
- ❗ Utilisez uniquement des tissus en microfibres légèrement mouillés pour nettoyer la surface externe de l'appareil. Les éponges et autres tissus de nettoyage sont susceptibles de rayer la surface.
- ❗ Utilisez de l'eau tiède pour nettoyer la carrosserie du congélateur / réfrigérateur et séchez-la soigneusement à l'aide d'un chiffon.
- ❗ Utilisez un chiffon humide imbibé d'une solution composée d'une cuillère à café de bicarbonate de soude pour un demi litre d'eau pour nettoyer l'intérieur et séchez soigneusement.
- ⚠ Prenez soin de ne pas faire couler d'eau dans le logement de la lampe et dans d'autres éléments électriques.
- ⚠ En cas de non utilisation de votre congélateur / réfrigérateur pendant une période prolongée, débranchez le câble d'alimentation, sortez toutes les denrées, nettoyez-le et laissez la porte entrouverte.
- ❗ Inspectez les joints de porte régulièrement pour vérifier qu'ils sont propres et qu'il n'y a pas de résidus de nourriture.
- ❗ Pour retirer les balconnets de portes, sortez tout son contenu puis poussez simplement le balconnet vers le haut à partir de la base.
- ❗ Ne jamais utiliser des produits nettoyants ou de l'eau contenant du chlore pour le nettoyage des surfaces externes et des pièces chromées du produit. Le chlore entraîne la corrosion de ces surfaces métalliques.
- ❗ Évitez d'utiliser des objets tranchants ou abrasifs, du savon, des produits ménagers de nettoyage, des détergents, de l'essence, du benzène, de la cire, ect. ; autrement, les marques sur les pièces en plastique pourraient s'effacer et les pièces elles-mêmes pourraient présenter des déformations. Utilisez de l'eau tiède et un torchon doux pour nettoyer et sécher.

### Protection des surfaces en plastique.

- Ne placez pas d'huiles ou de plats huileux dans le congélateur / réfrigérateur dans des récipients non fermés, car les graisses peuvent endommager les surfaces en plastique du congélateur / réfrigérateur. Si vous versez ou éclaboussez de l'huile sur les surfaces en plastique, nettoyez et lavez les parties souillées avec de l'eau chaude immédiatement.

## 7 Solutions recommandées aux problèmes

Veillez vérifier la liste suivante avant d'appeler le service après-vente. Cela peut vous faire économiser du temps et de l'argent. Cette liste regroupe les problèmes les plus fréquents ne provenant pas d'un défaut de fabrication ou d'utilisation du matériel. Il se peut que certaines des fonctions décrites ne soient pas présentes sur votre produit.

### Le réfrigérateur ne fonctionne pas

- Le réfrigérateur est-il correctement branché ? Insérez la prise dans la prise murale.
- Est-ce que le fusible ou la douille de raccord du réfrigérateur sont connectés ou est-ce que le fusible principal a sauté ? Vérifiez le fusible.

### Condensation sur la paroi intérieure du compartiment réfrigérateur. (MULTI ZONE, COOL CONTROL et FLEXI ZONE)

- Température ambiante très basse. Ouvertures et fermetures fréquentes de la porte. Humidité ambiante très élevée. Conservation de denrées liquides dans des récipients ouverts. Porte laissée entrouverte.
- Réglez le thermostat à un niveau de froid supérieur.
- Réduisez les temps d'ouverture de la porte ou utilisez-la moins fréquemment.
- Couvrez les denrées dans des récipients ouverts à l'aide d'un matériau adapté.
- Essuyez la condensation à l'aide d'un tissu sec et vérifiez si elle persiste.

### Le compresseur ne fonctionne pas.

- Le dispositif de protection thermique du compresseur sautera en cas de coupures soudaines du courant ou de débranchement intempestif, en effet la pression du liquide réfrigérant du système de refroidissement ne sera pas équilibrée.
- Le réfrigérateur recommencera à fonctionner normalement après 6 minutes environ. Veuillez contacter le service après-vente si le réfrigérateur ne redémarre pas après cette période.
- Le réfrigérateur est en mode de dégivrage. Cela est normal pour un réfrigérateur à dégivrage semi-automatique. Le cycle de dégivrage se déclenche régulièrement.
- Le réfrigérateur n'est pas branché à la prise. Assurez-vous que la prise est branchée correctement à la prise murale.
- Les réglages de température sont-ils corrects ? Il y a une panne de courant. Veuillez contacter votre fournisseur d'électricité.

Le réfrigérateur fonctionne fréquemment ou pendant de longue périodes.

- Votre nouveau réfrigérateur est peut être plus large que l'ancien. Ceci est tout à fait normal. Les grands réfrigérateurs fonctionnent pendant une période de temps plus longue.
- La température ambiante de la salle peut être élevée. Ce phénomène est tout à fait normal.
- Le réfrigérateur pourrait y avoir été branché tout récemment ou pourrait avoir été chargé de denrées alimentaires. Le refroidissement complet du réfrigérateur peut durer quelques heures de plus.
- D'importantes quantités de denrées chaudes ont peut être été introduites dans le réfrigérateur récemment. Les denrées chaudes provoquent un fonctionnement prolongé du réfrigérateur avant d'atteindre le niveau de température de conservation raisonnable.
- Les portes ont peut être été ouvertes fréquemment ou laissées entrouvertes pendant une durée prolongée. L'air chaud qui entre dans le réfrigérateur le fait fonctionner pendant de plus longues périodes. Ouvrez les portes moins souvent.
- La porte du réfrigérateur ou du congélateur ont peut être été laissées entrouvertes. Vérifiez que les portes sont bien fermées.
- Le réfrigérateur est réglé à une température très basse. Réglez la température du réfrigérateur à un degré supérieur et attendez jusqu'à ce que la température soit bonne.
- Le joint de la porte du réfrigérateur ou du congélateur peut être sale, déchiré, rompu ou mal en place. Nettoyez ou remplacez le joint. Tout joint endommagé/déchiré fait fonctionner le réfrigérateur pendant une période de temps plus longue afin de conserver la température actuelle.

La température du congélateur est très basse alors que celle du réfrigérateur est correcte.

- La température du congélateur est réglée à une température très basse. Réglez la température du congélateur à un degré supérieur et vérifiez.

La température du réfrigérateur est très basse alors que celle du congélateur est correcte.

- La température du réfrigérateur est réglée à une température très basse. Réglez la température du réfrigérateur à un degré supérieur et vérifiez.

Les denrées conservées dans les tiroirs du compartiment de réfrigération congèlent.

- La température du réfrigérateur est réglée à une température très basse. Réglez la température du réfrigérateur à un degré supérieur et vérifiez.

La température dans le réfrigérateur ou le congélateur est très élevée.

- La température du réfrigérateur est réglée à un niveau de froid très élevé. Le réglage du réfrigérateur a un effet sur la température du congélateur. Modifiez la température du réfrigérateur ou du congélateur jusqu'à ce qu'elles atteignent un niveau correct.
- La porte est peut être restée ouverte. Refermez complètement la porte.
- D'importantes quantités de denrées chaudes ont peut être été introduites dans le réfrigérateur récemment. Attendez que le réfrigérateur ou le congélateur atteigne la bonne température.
- Le réfrigérateur y a peut être été branché récemment. Le refroidissement complet du réfrigérateur nécessite du temps à cause de sa taille.

<p>Un bruit similaire au son émis par l'aiguille des secondes d'une horloge analogique provient du réfrigérateur.</p>	<ul style="list-style-type: none"> <li>Des activateurs d'air (ventilateurs) sont utilisés pour permettre au réfrigérateur de fonctionner efficacement. Cela est normal et n'est pas un défaut.</li> </ul>
<ul style="list-style-type: none"> <li>Ce bruit provient de la valve solénoïde du réfrigérateur. La valve solénoïde fonctionne afin d'assurer le passage du réfrigérant à travers le compartiment qui peut être ajusté aux températures de refroidissement et de congélation, et dans le but d'effectuer les fonctions de refroidissement. Ce phénomène est tout à fait normal et ne constitue nullement un dysfonctionnement.</li> </ul>	<p>Condensation sur les parois intérieures du réfrigérateur.</p>
<p>Le niveau sonore augmente lorsque le réfrigérateur est en marche.</p>	<ul style="list-style-type: none"> <li>Un temps chaud et humide augmente la formation de givre et de condensation. Cela est normal et n'est pas un défaut.</li> <li>Les portes sont entrouvertes. Assurez-vous que les portes sont complètement fermées.</li> <li>Les portes ont peut être été ouvertes très fréquemment ou ont peut être été laissées ouvertes pendant une durée prolongée. Ouvrez la porte moins souvent.</li> </ul>
<ul style="list-style-type: none"> <li>Les caractéristiques de performance du réfrigérateur peuvent changer en fonction des variations de la température ambiante. Cela est normal et n'est pas un défaut.</li> </ul>	<p>De l'humidité est présente à l'extérieur ou entre les portes du réfrigérateur.</p>
<p>Vibrations ou bruits</p>	<ul style="list-style-type: none"> <li>Le temps est peut être humide. Ceci est tout à fait normal avec un temps humide. Lorsque l'humidité est faible, la condensation disparaîtra.</li> </ul>
<ul style="list-style-type: none"> <li>Le sol n'est pas plat ou n'est pas solide. Le réfrigérateur oscille lorsqu'on le bouge lentement. Assurez-vous que le sol est plat, solide et qu'il peut supporter le réfrigérateur.</li> <li>Les bruits peuvent être produits par les objets placés sur le réfrigérateur. De tels objets doivent être enlevés du dessus du réfrigérateur.</li> </ul>	<p>Présence d'une mauvaise odeur dans le réfrigérateur.</p>
<p>Le réfrigérateur produit des bruits semblables à de l'eau qui coule ou à la pulvérisation d'un liquide.</p>	<ul style="list-style-type: none"> <li>L'intérieur du réfrigérateur doit être nettoyé. Nettoyez l'intérieur du réfrigérateur avec une éponge, de l'eau ou de l'eau gazeuse chaude.</li> <li>Certains récipients ou matériaux d'emballage peuvent provoquer ces odeurs. Utilisez un autre récipient ou changez de marque de matériau d'emballage.</li> </ul>
<ul style="list-style-type: none"> <li>Des écoulements de gaz et de liquides se produisent dans le réfrigérateur, de par ses principes de fonctionnement. Cela est normal et n'est pas un défaut.</li> </ul>	<p>La (les) porte(s) ne se ferme(nt) pas.</p>
<p>Le réfrigérateur produit des bruits semblables à du vent.</p>	

- Des récipients peuvent empêcher la fermeture de la porte. Remplacez les emballages qui obstruent la porte.
- Le réfrigérateur n'est probablement pas complètement vertical et il peut balancer lorsqu'on le bouge légèrement. Réglez les vis de levage.
- Le sol n'est pas plat ou solide. Assurez-vous que le sol est plat et qu'il peut supporter le réfrigérateur.

Les bacs à légumes sont coincés.

- Il se peut que les denrées touchent le plafond du tiroir. Disposez à nouveau les denrées dans le tiroir.

## **CLAUDE DE NON-RESPONSABILITÉ / AVERTISSEMENT**

Il est possible de remédier à certaines défaillances (simples) de manière adéquate par l'utilisateur final sans qu'il y ait de problème de sécurité ou d'utilisation dangereuse, à condition qu'elles soient effectuées dans les limites et conformément aux instructions suivantes (voir la section « Auto-réparation »).

Dès lors, sauf autorisation contraire dans la section « Auto-réparation » ci-dessous, les réparations doivent être adressées à des réparateurs professionnels agréés afin d'éviter les problèmes de sécurité. Un réparateur professionnel agréé est un réparateur professionnel à qui le fabricant a donné accès aux instructions et à la liste des pièces détachées de ce produit selon les méthodes décrites dans les actes législatifs en application de la directive 2009/125/CE.

**Par contre, tel que mentionné dans le manuel d'utilisation/carte de garantie, seul l'agent de service (c'est-à-dire les réparateurs professionnels agréés) que vous pouvez joindre au numéro de téléphone indiqué dans le manuel d'utilisation/carte de garantie ou par l'intermédiaire de votre revendeur agréé peut fournir un service dans le cadre des conditions de garantie. Par conséquent, veuillez noter que les réparations effectuées Beko)par des réparateurs professionnels (qui ne sont pas autorisés par ) annuleront la garantie.**

### **Auto-réparation**

L'utilisateur final peut lui-même réparer les pièces de rechange ci-après : poignées de porte, charnières de porte, plateaux, paniers et joints de porte (une liste mise à jour est également disponible à l'adresse [support.beko.com](http://support.beko.com) au 1er mars 2021).

En outre, pour garantir la sécurité du produit et éviter tout risque de blessure grave, l'autoréparation mentionnée doit être effectuée en suivant les instructions du manuel d'utilisation pour l'autoréparation ou qui sont disponibles dans [support.beko.com](http://support.beko.com) Pour votre sécurité, débranchez le produit avant de tenter toute autoréparation.

Les réparations et tentatives de réparation par les utilisateurs finaux pour les pièces ne figurant pas dans cette liste et/ou ne suivant pas les instructions des manuels d'utilisation pour l'autoréparation ou qui sont disponibles dans [support.beko.com](http://support.beko.com), pourrait donner lieu à des problèmes de sécurité non imputables à Beko, et annulera la garantie du produit.



Il est donc fortement recommandé aux utilisateurs finaux de s'abstenir de tenter d'effectuer des réparations ne figurant pas sur la liste des pièces de rechange mentionnée, en s'adressant dans ce cas à des réparateurs professionnels autorisés ou à des réparateurs professionnels agréés. Au contraire, de telles tentatives de la part des utilisateurs finaux peuvent causer des problèmes de sécurité et endommager le produit et, par la suite, provoquer un incendie, une inondation, une électrocution et des blessures corporelles graves.

Sans être exhaustives, les réparations suivantes par exemple doivent être effectuées par des personnes qualifiées : les réparateurs professionnels ou les réparateurs professionnels agréés : compresseur, circuit de refroidissement, carte mère, carte de convertisseur, carte d'affichage, etc.

Le fabricant/vendeur ne peut être tenu responsable dans tous les cas où les utilisateurs finaux ne se conforment pas à ce qui précède.

La disponibilité des pièces de rechange du réfrigérateur que vous avez acheté est de 10 ans.

Pendant cette période, des pièces de rechange originales seront disponibles pour faire fonctionner correctement le réfrigérateur.

La durée minimale de garantie du réfrigérateur que vous avez acheté est de 24 mois.

Cet appareil est doté d'une source d'éclairage de classe énergétique "G".

Seuls des réparateurs qualifiés sont autorisés à procéder au remplacement de la source d'éclairage de cet appareil.



## Leggere innanzitutto il manuale di istruzioni.

Gentile Cliente,

ci auguriamo che l'articolo da Lei scelto, prodotto in moderni stabilimenti e sottoposto ai più severi controlli di qualità, risponda interamente alle Sue esigenze.

A tal fine, La invitiamo a leggere attentamente il manuale di istruzioni del prodotto prima di procedere al suo utilizzo e di conservarlo per eventuali consultazioni future.

## Il presente manuale

- Aiuterà l'utente ad utilizzare l'apparecchio in modo rapido e sicuro.
- Leggere le istruzioni per l'uso prima di installare e utilizzare il prodotto.
- Seguire attentamente le istruzioni, in particolare quelle inerenti alla sicurezza.
- Conservare il presente manuale in un luogo facilmente accessibile per eventuali future consultazioni.
- Leggere inoltre gli altri documenti forniti assieme al prodotto.
- Il presente manuale può essere valido anche per altri modelli.







## Simboli e loro descrizione

Il manuale di istruzioni contiene i seguenti simboli:

 Informazioni importanti o consigli utili di utilizzo.

 Segnale di avvertimento in caso di situazioni pericolose per la persona o i beni.

 Segnale di avvertimento in caso di problemi con il voltaggio.

 <b>INFORMATION</b>	
 <b>ENERG</b> 	
SUPPLIER'S NAME	MODEL IDENTIFIER (*)
 <b>A</b>	 <b>A</b>
<p>.Le informazioni sul modello memorizzate nella banca dati dei prodotti possono essere consultate sul seguente sito web, cercando l'identificativo del modello (*) presente sull'etichetta energetica.</p> <p><a href="https://eprel.ec.europa.eu/">https://eprel.ec.europa.eu/</a></p>	

## INDICE

### **1 Il frigorifero 3**

### **2 Importanti avvertenze per la sicurezza 4**

Uso previsto .....	4
Sicurezza generale .....	4
Sicurezza bambini .....	7
Conformità alla direttiva WEEE e allo smaltimento dei rifiuti: .....	8
Conformità alla Direttiva RoHS:.....	8
Informazioni sulla confezione .....	8
Avvertenza HC.....	8
Cose da fare per risparmiare energia .	8
Consigli per lo scomparto alimenti freschi .....	9

### **3 Installazione 10**

Punti a cui prestare attenzione quando si sposta il frigorifero .....	10
Prima di avviare il frigorifero, .....	10
Collegamenti elettrici.....	10
Smaltimento del materiale di imballaggio .....	11
Smaltimento del vecchio frigorifero ..	11
Posizionamento e installazione .....	11
Regolazione dei piedini .....	12
Cambiare la lampadina di illuminazione .....	12

### **4 Preparazione 13**

### **5 Utilizzo del frigorifero 14**

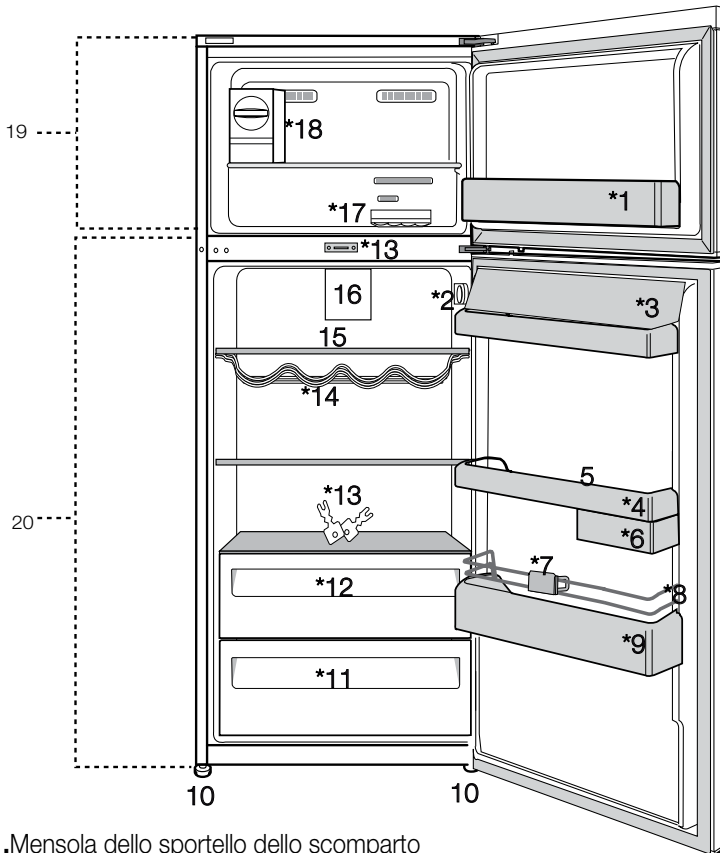
Tasti di impostazione della temperatura.....	14
Impostazione della temperatura del frigorifero .....	14
Sistema dual cooling .....	14
Funzione assenza.....	14
Congelamento di alimenti freschi .....	15
Consigli per la conservazione di alimenti congelati .....	15
Posizionamento alimenti .....	15
Arresto del prodotto .....	16
Informazioni di congelamento profondo .....	16
Preparazione ghiaccio .....	17
Scomparto temperatura zero.....	17
Contenitore girevole per la conservazione .....	18
Icematic e contenitore per conservare il ghiaccio.....	18
Descrizione e pulizia del filtro odori: .	19
Inversione dello sportello .....	20
Inversione dello sportello .....	21

### **6 Manutenzione e pulizia 22**

Protezione delle superfici di plastica	22
--	----

### **7 Ricerca e risoluzione dei problemi 23**

# 1 Il frigorifero



1. Mensola dello sportello dello scomparto freezer

2. Pulsante di impostazione della temperatura

3. Sezioni burro e formaggio

4. Ripiano dello sportello dello scomparto frigo

5. Porta uova

6. Contenitore girevole per la conservazione

7. Porta bottiglie

8. Griglia di protezione

9. Ripiano bottiglie

10. Piedini regolabili

11. Scomparto frutta e verdura

12. Scomparto Chiller

13. Chiave

14. Mensola vino

15. Mensole in vetro dello scomparto frigo

16. Ventilatore

17. Contenitore del ghiaccio

18. Icematic

19. Scomparto freezer

20. Scomparto frigo

**\*opzionale**

**i** Le illustrazioni contenute in questa guida sono schematiche e potrebbero non corrispondere esattamente al prodotto in uso. Se le parti in oggetto non sono incluse nel prodotto acquistato, significa che sono da intendersi per altri modelli.

## 2 Importanti avvertenze per la sicurezza

Prendere in esame le seguenti informazioni. La mancata osservanza di queste informazioni può provocare lesioni o danni materiali. Quindi tutte le garanzie e gli impegni sull'affidabilità diventerebbero privi di validità.

I pezzi di ricambio originali verranno forniti per 10 anni, successivamente alla data di acquisto del prodotto.

### Uso previsto

⚠	<b>AVVERTENZA:</b> Assicurarsi che i fori di ventilazione non sono chiusi quando il dispositivo è nella sua custodia o quando lo si inserisce nel suo alloggiamento.
⚠	<b>AVVERTENZA:</b> Non utilizzare alcun dispositivo meccanico o altri dispositivi per accelerare il processo di sbrinamento e seguire solo i consigli del fabbricante.
⚠	<b>AVVERTENZA:</b> Non danneggiare il circuito del liquido refrigerante.
⚠	<b>AVVERTENZA:</b> Non utilizzare apparecchi elettrici non consigliati dal fabbricante all'interno dei vani per la conservazione degli alimenti.

⚠	<b>AVVERTENZA:</b> Non conservare sostanze esplosive come aerosol con gas propellenti infiammabili nell'apparecchio.
---	---

Questo apparecchio è stato progettato per applicazioni domestiche e per la seguenti applicazioni similari:

- Per essere utilizzato nelle cucine del personale di negozi, uffici e altri luoghi di lavoro;
- Per essere utilizzato dai clienti negli alberghi e nelle case di campagna, motel e altri luoghi di alloggio;
- in ambienti tipo pensioni
- in luoghi simili che non offrano servizi di ristorazione e non siano di vendita al dettaglio.

### Sicurezza generale

- Quando si vuole smaltire/eliminare l'apparecchio, è consigliabile consultare il servizio autorizzato per apprendere le informazioni necessarie e conoscere gli enti autorizzati.
- Consultare il servizio di manutenzione autorizzato per tutti i problemi relativi al frigorifero. Non intervenire o far intervenire sul frigorifero senza informare il servizio manutenzione autorizzato.
- Per apparecchi dotati di scomparto freezer; non mangiare con gelato o cubetti di ghiaccio o gelati appena estratti dal freezer! (Ciò

potrebbe causare sintomi di congelamento in bocca).

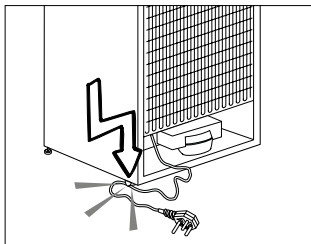
- Per apparecchi dotati di scomparto freezer; non mettere bottiglie e lattine di bibite liquide nello scomparto del freezer altrimenti potrebbero esplodere.
- Non toccare con le mani gli alimenti gelati; possono incollarsi ad esse.
- Scollegare il frigorifero prima della pulizia o dello sbrinamento.
- Il vapore e i materiali per la pulizia vaporizzati non devono mai essere usati per pulire e scongelare il frigorifero. In queste situazioni, il vapore può entrare in contatto con le parti elettriche e provocare corto circuito o scossa elettrica.
- Non usare mai parti del frigorifero come lo sportello come mezzo di supporto o movimento.
- Non utilizzare dispositivi elettrici all'interno del frigorifero.
- Non danneggiare le parti, in cui circola il refrigerante, con utensili perforanti o taglienti. Il refrigerante può scoppiare quando i canali del gas dell'evaporatore, le estensioni dei tubi o le pellicole superficiali vengono punti e provocano irritazioni alla pelle e lesioni agli occhi.
- Non bloccare o coprire la ventilazione dell'elettrodomestico.
- I dispositivi elettrici devono essere riparati solo da persone autorizzate. Le riparazioni eseguite da personale non competente provocano danni all'utilizzatore.
- In caso di guasto o durante lavori di riparazione e manutenzione, scollegare la fornitura d'energia principale spegnendo il fusibile principale o scollegando la presa dell'apparecchio.
- Non tirare dal cavo quando si estrae la spina.
- Assicurarsi che le bevande alcoliche siano conservate in modo sicuro con il coperchio chiuso e posizionate in verticale.
- Non conservare mai nel frigorifero contenitori spray che contengano sostanze infiammabili ed esplosive.
- Non utilizzare apparecchiature meccaniche o altri mezzi diversi da quelli consigliati dal produttore per accelerare il processo di sbrinamento.
- Questo apparecchio non deve essere usato da persone con disturbi fisici, sensoriali o mentali o persone non preparate o senza esperienza (compresi bambini) a meno che non ricevano la supervisione da parte di una persona responsabile della loro sicurezza che li instruirà sull'uso corretto dell'apparecchio.
- Non utilizzare frigoriferi danneggiati. Consultare l'agente per l'assistenza in caso di dubbi.
- La sicurezza elettrica del frigorifero è garantita unicamente se il

sistema di messa a terra dell'apparecchiatura è conforme agli standard.

- L'esposizione dell'apparecchio a pioggia, neve, sole e vento è pericolosa per la sicurezza elettrica.
- Contattare l'assistenza autorizzata quando ci sono danni ai cavi in modo da evitare pericoli.
- Non collegare mai il frigorifero alla presa a muro durante l'installazione, per evitare il rischio di morte o lesioni gravi.
- Questo frigorifero è destinato solo alla conservazione di alimenti. Non deve essere usato per altri scopi.
- L'etichetta con le specifiche tecniche si trova sulla parete sinistra nella parte interna del frigorifero.
- Non collegare mai il frigorifero a sistemi di risparmio energetico; potrebbero danneggiare il frigorifero.
- Se c'è una luce blu sul frigorifero, non guardarla a lungo a occhio nudo o con strumenti ottici.
- Per i frigoriferi con controllo manuale, attendere almeno 5 minuti per avviare il frigorifero dopo un'assenza di elettricità.
- Questo manuale operativo deve essere dato al nuovo proprietario dell'apparecchio quando il prodotto stesso viene dato ad altri.
- Evitare di provocare danni al cavo di alimentazione quando si trasporta il frigorifero. Piegare

il cavo può provocare un incendio. Non mettere mai oggetti pesanti sul cavo di alimentazione.

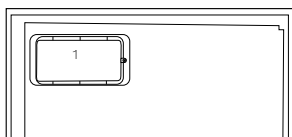
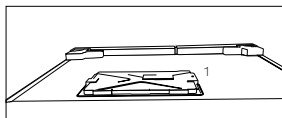
- Non toccare la spina con le mani bagnate quando si collega l'apparecchio alla rete elettrica.



- Non collegare il frigorifero alla rete se la presa elettrica è allentata.
- Non deve essere spruzzata acqua sulle parti interne o esterne dell'apparecchio per motivi di sicurezza.
- Non spruzzare sostanze contenenti gas infiammabili come gas propano vicino al frigorifero per evitare rischio di incendio ed esplosione.
- Non mettere mai contenitori pieni di acqua sopra al frigorifero; in caso di schizzi, questo potrebbe provocare shock elettrico o incendio.
- Non sovraccaricare il frigorifero di alimenti. In caso di sovraccarico, gli alimenti potrebbero cadere provocando lesioni alla persona e danni al frigorifero quando si apre lo sportello.
- Non mettere mai oggetti sopra al frigorifero; altrimenti questi

oggetti potrebbero cadere quando si apre o si chiude lo sportello del frigorifero.

- Poiché necessitano di un controllo preciso della temperatura, vaccini, medicine sensibili al calore e materiali scientifici non devono essere conservati nel frigorifero.
- Se non sarà usato per un lungo periodo, il frigorifero deve essere scollegato. Un problema possibile nel cavo di alimentazione può provocare un incendio.
- Il frigorifero potrebbe spostarsi se i piedini regolabili non sono assicurati correttamente al pavimento. Assicurare correttamente i piedini al pavimento può evitare che il frigorifero si sposti.
- Quando si trasporta il frigorifero, non tenerlo dalla maniglia dello sportello. Altrimenti si stacca.
- Quando è necessari posizionare l'apparecchio vicino ad un altro frigorifero o freezer, la distanza tra i dispositivi deve essere di almeno 8 cm. Altrimenti le pareti laterali vicine potrebbero produrre condensa.
- Non usare mai il prodotto se la sezione che si trova sulla parte superiore o posteriore del prodotto, con le schede dei circuiti elettronici stampati all'interno, è aperta (copri schede dei circuiti elettronici stampati) (1).



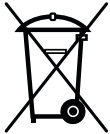
### **Sicurezza bambini**

- La pressione per l'ingresso dell'acqua fredda dovrebbe essere al massimo 90 psi (620 kPa). Qualora la pressione dell'acqua superi il valore 80 psi (550 kPa), usare una valvola di limitazione della pressione nel sistema principale. Qualora non si sappia come verificare la pressione dell'acqua, chiedere aiuto a un idraulico professionista.
- In caso di rischio dell'effetto "martello acqua" nel proprio impianto, usare sempre una strumentazione per evitare l'effetto "martello d'acqua" nel proprio impianto. Rivolgersi a idraulici professionisti in caso di dubbio relativamente alla presenza o meno dell'effetto "martello d'acqua" nel proprio impianto.
- Non installare l'ingresso dell'acqua calda. Prendere precauzioni contro il rischio di congelamento dei tubi. La gamma di funzionamento della temperatura dell'acqua dovrebbe essere 33°F (0.6°C) come minimo e 100°F (38°C) al massimo.



- I bambini devono ricevere supervisione per evitare che interferiscano con l'apparecchio.

### **Conformità alla direttiva WEEE e allo smaltimento dei rifiuti:**



Questo apparecchio è conforme alla Direttiva UE WEEE (2012/19/EU).

Questo apparecchio riporta il simbolo di classificazione per i rifiuti delle apparecchiature elettriche ed elettroniche (WEEE).

Questo apparecchio è stato realizzato con parti e materiali di alta qualità che possono essere riutilizzati e sono adatti ad essere riciclati. Non smaltire i rifiuti dell'apparecchio con i normali rifiuti domestici e gli altri rifiuti alla fine della vita di servizio. Portarlo al centro di raccolta per il riciclaggio di apparecchiature elettriche ed elettroniche. Consultare le autorità locali per conoscere la collocazione di questi centri di raccolta.

### **Conformità alla Direttiva RoHS:**

L'apparecchio acquistato è conforme alla Direttiva UE RoHS (2011/65/EU). Non contiene materiali pericolosi o proibiti specificati nella Direttiva.

### **Informazioni sulla confezione**

I materiali di imballaggio del prodotto sono realizzati con materiali riciclabili secondo i nostri regolamenti nazionali sull'ambiente. Non smaltire i materiali di imballaggio con i rifiuti domestici o altri rifiuti. Portarli ai punti di raccolta dedicati ai materiali di imballaggio, previsti dalle autorità locali.

### **Cose da non dimenticare...**

Tutte le sostanze riciclate sono elementi indispensabili per la natura e la nostra ricchezza nazionale.

Se si desidera contribuire alla rivalutazione dei materiali di imballaggio, è possibile consultare le organizzazioni ambientaliste o le autorità del comune in cui si vive.

### **Avvertenza HC**

#### **Se il sistema di raffreddamento dell'apparecchio contiene R600a:**

Questo gas è infiammabile. Pertanto, fare attenzione a non danneggiare il sistema di raffreddamento e le tubazioni durante l'uso e il trasporto. In caso di danni, tenere l'apparecchio lontano da potenziali fonti di incendio che possono provocarne l'incendio e ventilare la stanza in cui si trova l'unità.

#### **Ignorare questa avvertenza se il sistema di raffreddamento dell'apparecchio contiene R134a.**

Il tipo di gas usato nell'apparecchio è descritto nell'etichetta con il tipo sulla parete sinistra nella parte interna del frigorifero.

Non gettare mai l'apparecchio nel fuoco per lo smaltimento.

### **Cose da fare per risparmiare energia**

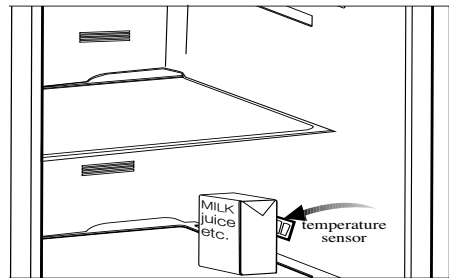
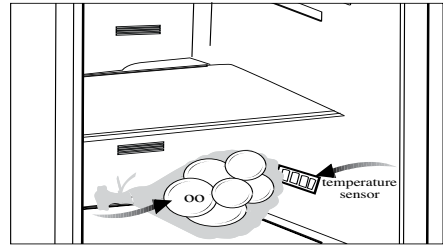
- Non lasciare lo sportello del frigorifero aperto per lungo tempo.
- Non inserire alimenti caldi o bevande calde nell'elettrodomestico.
- Non sovraccaricare il frigorifero impedendo la circolazione dell'aria al suo interno.

- Non installare il frigorifero sotto la luce diretta del sole o nelle vicinanze di forni, lavastoviglie o radiatori. Tenere il frigorifero ad almeno 30 cm dalle fonti che emettono calore e ad almeno 5 cm dai forni elettrici.
- Porre attenzione nel conservare gli alimenti in contenitori chiusi.
- Per apparecchi dotati di scomparto freezer; è possibile conservare la quantità massima di alimenti nel freezer quando si rimuove il ripiano o il cassetto del freezer. Il valore di consumo energetico dichiarato per il frigorifero è stato determinato rimuovendo il ripiano del freezer o il cassetto e in condizione di carico massimo. Non c'è pericolo nell'usare un ripiano o un cassetto secondo le forme e le dimensioni degli alimenti da congelare.
- Scongelare alimenti congelati nello scomparto frigo garantisce risparmio energetico e conserva la qualità degli alimenti.

## Consigli per lo scomparto alimenti freschi

### \*FACOLTATIVO

- Non lasciare che gli alimenti entrino in contatto con il sensore della temperatura nello scomparto alimenti freschi. Per mantenere lo scomparto degli alimenti freschi alla temperatura ideale di conservazione, il sensore non deve essere bloccato dagli alimenti.
- Non mettere cibo caldo nell'elettrodomestico.



### 3 Installazione

⚠ Se le informazioni date in questo manuale utente non sono prese in considerazione, il produttore non accetta alcuna responsabilità per questo.

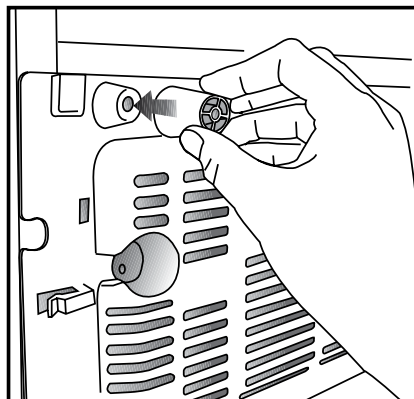
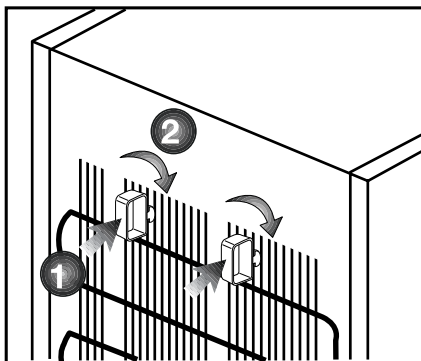
#### **Punti a cui prestare attenzione quando si sposta il frigorifero**

1. Il frigorifero deve essere scollegato. Prima del trasporto, il frigorifero deve essere svuotato e pulito.
2. Prima di imballarlo di nuovo, ripiani, accessori, scomparto frutta e verdura, ecc. all'interno del frigorifero devono essere fissati con nastro adesivo e assicurati contro i colpi. L'imballaggio deve essere eseguito con un nastro doppio o cavi sicuri e bisogna osservare rigorosamente le norme per il trasporto presenti sulla confezione.
3. Conservare i materiali originali di imballaggio per futuri trasporti o spostamenti.

#### **Prima di avviare il frigorifero,**

Controllare quanto segue prima di utilizzare il frigorifero:

1. Montare i 2 cunei in plastica come illustrato sotto. I cunei in plastica servono a mantenere la distanza che assicura la circolazione dell'aria tra frigorifero e parete. (L'immagine è creata per illustrare e non è identica all'apparecchio).
2. Pulire la parte interna del frigorifero come consigliato nella sezione "Manutenzione e pulizia".
3. Collegare la spina del frigorifero alla presa elettrica. Quando lo sportello del frigorifero è aperto, la lampadina interna si accende.



4. Quando il compressore comincia a funzionare, si sente un rumore. I liquidi e i gas sigillati nel sistema refrigerante possono produrre dei rumori, anche se il compressore non è in funzione; questo è abbastanza normale.
5. I bordi anteriori del frigorifero possono essere tiepidi. Questo è normale. Queste zone sono progettate per essere tiepide per evitare la condensazione.

#### **Collegamenti elettrici**

Collegare il frigorifero ad una presa di messa a terra protetta da un fusibile della capacità appropriata.

Importante:

- Il collegamento deve essere conforme ai regolamenti nazionali.
- La spina elettrica deve essere facilmente accessibile dopo l'installazione.
- La sicurezza elettrica del frigorifero è garantita unicamente se il sistema di messa a terra dell'apparecchiatura è conforme agli standard.
- La tensione dichiarata sull'etichetta che si trova nel lato interno a sinistra dell'apparecchio deve essere pari alla tensione di rete.
- Le prolunghe e le prese multiple non devono essere usate per il collegamento.

⚠ Un cavo di alimentazione danneggiato deve essere sostituito da un elettricista qualificato.

⚠ L'apparecchio non deve essere usato finché non viene riparato! C'è rischio di shock elettrico!

## Smaltimento del materiale di imballaggio

I materiali di imballaggio potrebbero essere dannosi per i bambini. Tenere i materiali di imballaggio fuori dalla portata dei bambini o smaltirli classificandoli secondo le istruzioni sui rifiuti comunicate dalle autorità locali. Non smaltire assieme ai normali rifiuti domestici, smaltire nei punti di raccolta appositi indicati dalle autorità locali. L'imballaggio del frigorifero è prodotto con materiali riciclabili.

## Smaltimento del vecchio frigorifero

Smaltire il vecchio frigorifero senza danni per l'ambiente.

- Bisogna consultare il rivenditore autorizzato o il centro di raccolta rifiuti della propria città per quanto riguarda lo smaltimento del frigorifero.

Prima di smaltire il frigorifero, tagliare la spina elettrica e, se ci sono blocchi allo sportello, renderli inutilizzabili per proteggere i bambini da eventuali pericoli.

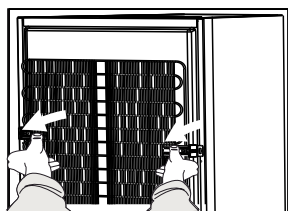
## Posizionamento e installazione

⚠ Nel caso in cui la porta di ingresso della stanza in cui il frigorifero deve essere posizionato non è abbastanza grande per il passaggio del frigorifero, chiamare il servizio autorizzato per rimuovere le porte del frigorifero e per farlo passare attraverso la porta.

1. Installare il frigorifero in un luogo che ne permetta il facile utilizzo.
2. Tenere il frigorifero lontano da fonti di calore, luoghi umidi e luce diretta del sole.
3. Non posizionare l'apparecchio su materiali come tappetini o tappeti.
4. Posizionare l'elettrodomestico solo su superfici uniformi e piane per evitare dondoli.

- Il condensatore dell'apparecchio si trova sul retro, come mostrato sotto. Per ottenere una migliore efficienza energetica con un minore consumo energetico, tirare il condensatore verso di sé, come mostrato nell'immagine sotto. La posizione del condensatore sarà fissata in modo fermo solo mediante il meccanismo di blocco dei supporti superiori su ciascun lato.

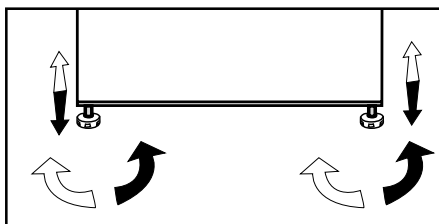
**\* OPZIONALE**



v

## Regolazione dei piedini

Se il frigorifero non è in equilibrio: è possibile bilanciare il frigorifero ruotando i piedini anteriori come illustrato in figura. L'angolo in cui i piedini sono più bassi quando girati in direzione della freccia nera e rialzati quando girati in direzione opposta. Un aiuto per sollevare leggermente il frigorifero faciliterà tale processo.



## Cambiare la lampadina di illuminazione

Per cambiare lampadina/LED utilizzati per illuminare il frigorifero, rivolgersi al Servizio Assistenza Autorizzato.

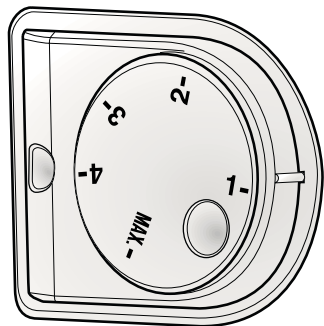
La lampada (le lampade) usata (usate) nell'apparecchiatura non è (sono) adatta (adatte) per l'illuminazione domestica. L'obiettivo previsto per questa lampada è quello di assistere l'utente in fase di posizionamento degli alimenti all'interno del frigorifero / congelatore in modo sicuro e comodo. Le lampadine utilizzate in questo apparecchio devono sopportare condizioni fisiche estreme come temperature inferiori a -20 °C.

## 4 Preparazione

---

- Per apparecchio indipendente; “questo apparecchio refrigerante non è destinato a essere utilizzato come apparecchio da incasso.
- Il frigorifero dovrà essere installato ad almeno 30 cm lontano da fonti di calore, come forni, riscaldamento centrale e stufe, e ad almeno 5 cm da forni elettrici e non deve essere esposto alla luce diretta del sole
- Assicurarsi che l'interno del frigorifero sia ben pulito.
- In caso di installazione di due frigoriferi l'uno accanto all'altro, devono esservi almeno 2 cm di distanza tra di loro.
- Quando il frigorifero viene messo in funzione per la prima volta, osservare le seguenti istruzioni per le prime sei ore.
- Lo sportello non deve essere aperto frequentemente.
- Deve funzionare vuoto senza riporvi alimenti all'interno.
- Non staccare il frigo dalla presa elettrica. Se si verifica un calo di potenza al di là del controllo dell'utente, vedere le avvertenze nella sezione “Soluzioni consigliate per i problemi”.
- Questo elettrodomestico è stato concepito per funzionare a temperature ambiente fino a 43 °C (90 F). Anche se la temperatura ambiente scende fino a -15 °C, gli alimenti congelati nel freezer non si scongelano grazie al sistema per il controllo della temperatura Advanced Electronic Temperature Control System [AETCS]. Per la prima installazione, l'apparecchio NON deve essere sottoposto a temperature ambiente basse. Questo perché il freezer non può funzionare al di sotto della temperatura di funzionamento standard. Quando si raggiunge il funzionamento continuo, l'apparecchio può essere spostato altrove. Quindi in seguito è possibile posizionare l'apparecchio nel garage o in un ambiente non riscaldato senza preoccuparsi che gli alimenti congelati si rovinino. Comunque è probabile che le suddette temperature basse possano provocare il congelamento degli alimenti nello scomparto frigo; pertanto, consumare gli alimenti nel frigo in modo controllato, come necessario. Quando la temperatura ambiente torna normale, si può modificare l'impostazione del pulsante secondo le esigenze personali.
- Se la temperatura ambiente è al di sotto di 0°C, gli alimenti nello scomparto frigo si congelano. Pertanto consigliamo di non usare lo scomparto frigo con temperature ambiente così basse. Si può continuare ad usare lo scomparto freezer come al solito.
- In alcuni modelli, il pannello si spegne automaticamente 5 minuti dopo che la porta è stata chiusa. si riattiva automaticamente quando la porta viene aperta o premendo qualsiasi pulsante.
- A causa del cambiamento di temperatura dovuto all'apertura/alla chiusura dello sportello dell'apparecchio durante il funzionamento, la formazione di condensa su sportello/ripianti e sui contenitori di vetro è normale.
- Poiché l'aria calda e umida non penetra direttamente nel prodotto quando le porte non sono aperte, il prodotto si ottimizza in condizioni sufficienti a proteggere il cibo. Funzioni e componenti quali compressore, ventola, caloriferi, sbrinamento, illuminazione, display e via dicendo funzionano secondo necessità per consumare il minimo di energia in tali circostanze.

## 5 Utilizzo del frigorifero



### Tasti di impostazione della temperatura

Il tasto di impostazione della temperatura consente di impostare la temperatura del frigorifero.

### Impostazione della temperatura del frigorifero

L'impostazione complessiva della temperatura del frigorifero si esegue usando il tasto di impostazione della temperatura sulla parete destra del comparto frigo. Il tasto ha 5 diverse posizioni di impostazione della temperatura. Selezionare quella più adatta alle proprie esigenze.

### Sistema dual cooling

Il frigorifero è dotato di due sistemi di raffreddamento separati per raffreddare il comparto cibi freschi e il comparto freezer. In questo modo, l'aria nello scomparto cibi freschi e quella dello scomparto freezer non si mescolano. Grazie a questi due sistemi di raffreddamento separati, la velocità di raffreddamento è molto più alta di quella degli altri frigoriferi. Gli odori negli scomparti non si mischiano.

Viene assicurato inoltre un risparmio energetico aggiuntivo dal momento che lo sbrinamento automatico è eseguito individualmente.

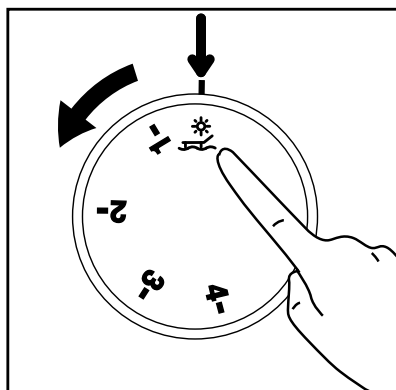
### Funzione assenza

Se gli sportelli dell'apparecchio non sono aperti per 12 ore dopo il posizionamento del termostato sulla posizione più alta, allora si attiva automaticamente la funzione assenza.

Aprire lo sportello dell'apparecchio o cambiare l'impostazione del termostato per annullare la funzione.

La funzione assenza è opzionale. Può variare a seconda del tipo di apparecchio e potrebbe non essere presente in tutti gli apparecchi.


Non si consiglia di conservare alimenti nello scomparto più freddo quando è attiva la funzione assenza.



## Congelamento di alimenti freschi

- Si deve preferire la copertura del cibo prima di posizionarli nel frigorifero.
- Gli alimenti caldi devono essere raffreddati fino alla temperatura ambiente prima di essere riposti nel frigorifero.
- Gli alimenti da congelare devono essere di buona qualità e freschi.
- Gli alimenti devono essere suddivisi in porzioni in base alle necessità quotidiane della famiglia o di un pasto.
- Gli alimenti devono essere imballati in modo da evitarne l'asciugatura, quando devono essere conservati per breve tempo.
- I materiali da utilizzare per l'imballaggio devono essere a prova di strappo e resistenti al caldo, all'umidità, agli odori oli e acidi e devono anche essere liberati dall'aria. Inoltre devono essere ben chiusi, maneggevoli e composti di materiale adatto per l'utilizzo in freezer profondi.
- Gli alimenti congelati devono essere prontamente utilizzati dopo scongelati e assolutamente non ricongelati.
- Attenersi alle seguenti istruzioni per ottenere i risultati migliori.
  1. Non congelare quantità troppo grandi in una volta sola. La qualità degli alimenti viene preservata in modo ottimale quando gli alimenti vengono congelati il più velocemente possibile.
  2. Il posizionamento di alimenti caldi nello scomparto freezer provoca il funzionamento continuo del sistema di raffreddamento finché gli alimenti non si solidificano.
  3. Fare attenzione a non mescolare alimenti già congelati e alimenti freschi.

## Consigli per la conservazione di alimenti congelati

- Gli alimenti congelati a livello commerciale devono essere riposti secondo le istruzioni del produttore per un congelamento  (4 stelle) degli alimenti nello scomparto apposito.
- Per assicurare che l'alta qualità degli alimenti congelati dal produttore e dal dettagliante sia conservata, ricordare quanto segue:
  1. Gli alimenti da congelare devono essere posti nello scomparto del freezer il più presto possibile dopo l'acquisto.
  2. Verificare che il contenuto sia etichettato e datato.
  3. Che non superi "usare entro" "preferibilmente entro" le date sul pacco.

### Sbrinamento

Lo scomparto freezer si sbrina automaticamente.

### Posizionamento alimenti

Ripiani dello scomparto freezer	Diversi alimenti congelati come carne, pesce, gelato, verdura ecc.
Scomparto per le uova	Uova
Ripiani scomparto frigo	Alimenti in padelle, piatti coperti e contenitori chiusi
Ripiani dello sportello dello scomparto frigo	Alimenti piccoli e imballati o bevande (come latte, succhi di frutta e birra)
Scomparto frutta e verdura	Verdura e frutta



Scomparto zona fresca	Prodotti di gastronomia (formaggio, burro, salumi, ecc.)
-----------------------	--

## Informazioni di congelamento profondo

Per conservare la qualità degli alimenti, il congelamento

deve avvenire quanto più rapidamente possibile.

È possibile conservare gli alimenti per un lungo periodo di tempo a  $-18^{\circ}\text{C}$  o a temperature inferiori.

È possibile conservare la freschezza degli alimenti per molti mesi (a  $-18^{\circ}\text{C}$  o temperatura inferiore nel freezer)

### AVVERTENZA! ⚠

- Gli alimenti devono essere suddivisi in porzioni in base alle necessità quotidiane della famiglia o di un pasto.
- Gli alimenti devono essere imballati in modo da evitarne l'asciugatura, quando devono essere conservati per breve tempo.
- Materiali necessari per l'imballo:
- Nastro adesivo resistente al freddo
- Etichette auto adesive
- Anelli in gomma
- Penna

I materiali da utilizzare per l'imballaggio devono essere a prova di strappo e resistenti al caldo, all'umidità, agli odori oli e acidi e devono anche essere liberati dall'aria.

Evitare che vengano in contatto con articoli precedentemente congelati per evitarne il parziale scongelamento.

Gli alimenti congelati devono essere prontamente utilizzati dopo scongelati e assolutamente non ricongelati.

## Arresto del prodotto

Se il termostato è dotato della posizione "0":

- Il prodotto interrompe il funzionamento quando si porta il termostato sulla posizione "0" (zero). Il prodotto non si avvia a meno che non si ruota di nuovo il termostato sulla posizione "1" o su una delle altre posizioni.

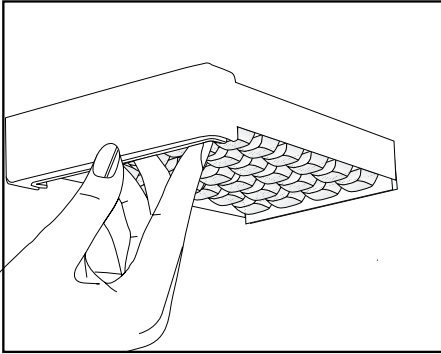
Se il termostato è dotato della posizione "min":

- Scollegare il prodotto per arrestarlo.

## Preparazione ghiaccio

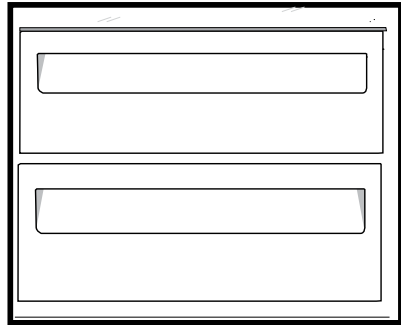
Riempire il contenitore del ghiaccio con acqua e metterlo in sede. Il ghiaccio sarà pronto in due ore circa.

È possibile rimuovere facilmente il ghiaccio torcendo leggermente il contenitore del ghiaccio.



## Scomparto temperatura zero

Questo scomparto è stato progettato per conservare alimenti congelati che devono essere scongelati lentamente (carne, pesce, pollo, ecc.) come necessario. Lo scomparto temperatura zero è la posizione più fredda del frigorifero in cui i prodotti caseari (formaggio, burro), carne, pesce o pollo possono essere conservati nelle condizioni ideali. Verdure e/o frutta non devono essere poste in questo scomparto.

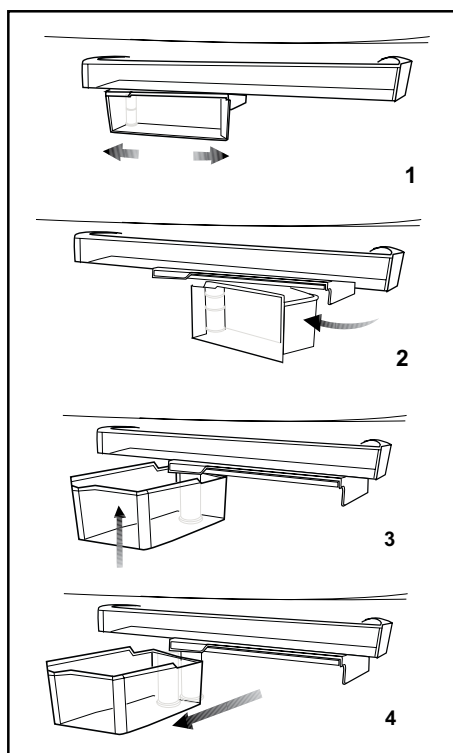


## Contenitore girevole per la conservazione

Il ripiano scorrevole può essere spostato verso sinistra o verso destra per consentire di riporre bottiglie lunghe, barattoli o scatoli su un ripiano inferiore (Fig. 1).

È possibile raggiungere gli alimenti posti sul ripiano afferrandolo e ruotandolo dal bordo destro (Fig.2).

Quando si desidera caricarlo o rimuoverlo per pulirlo, ruotarlo a 90 gradi, sollevarlo e tirarlo verso di sé (Fig. 3-4).



## Icematic e contenitore per conservare il ghiaccio

### Uso di Icematic

\* Riempire Icematic con acqua e metterlo in sede. Il ghiaccio sarà pronto in due ore circa. Non rimuovere l'Icematic dalla sua sede per prendere il ghiaccio.

\* Ruotare le manopole in senso orario per 90 gradi.

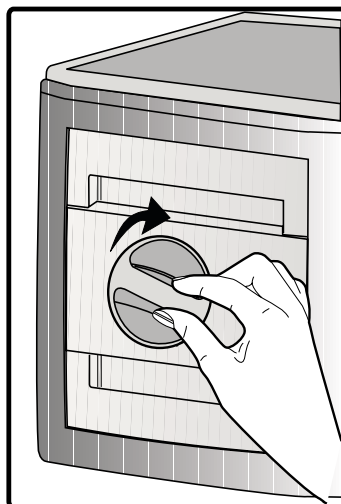
I cubetti di ghiaccio cadono nel contenitore per la conservazione del ghiaccio sotto.

\* È possibile estrarre il contenitore per la conservazione del ghiaccio e servire i cubetti.

\* Se lo si desidera, è possibile lasciare i cubetti nel contenitore per la conservazione del ghiaccio.

### Contenitore per la conservazione del ghiaccio

Il contenitore per la conservazione del ghiaccio ha solo lo scopo di conservare i cubetti di ghiaccio. Non inserirvi dell'acqua, Altrimenti si romperà.



## Descrizione e pulizia del filtro odori:

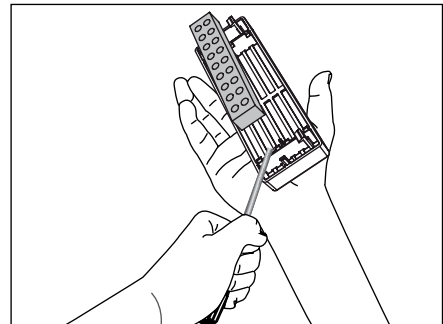
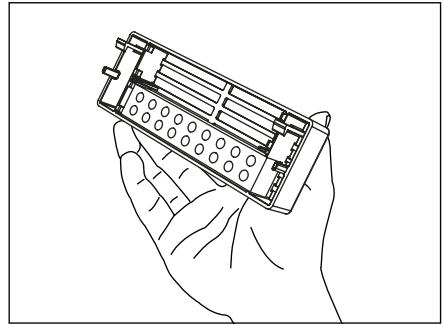
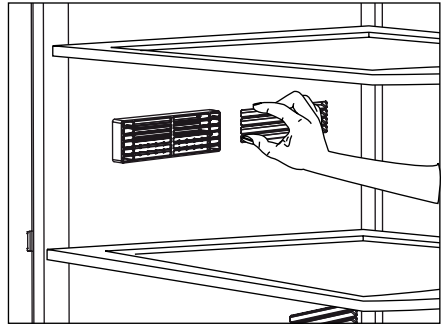
\* OPZIONALE

Il filtro odori evita la formazione di odori sgradevoli nel frigorifero.

Tirare verso il basso il coperchio in cui è installato il filtro odori e rimuovere secondo l'illustrazione. Lasciare il filtro per un giorno alla luce del sole. In filtro si pulirà in questo lasso di tempo.

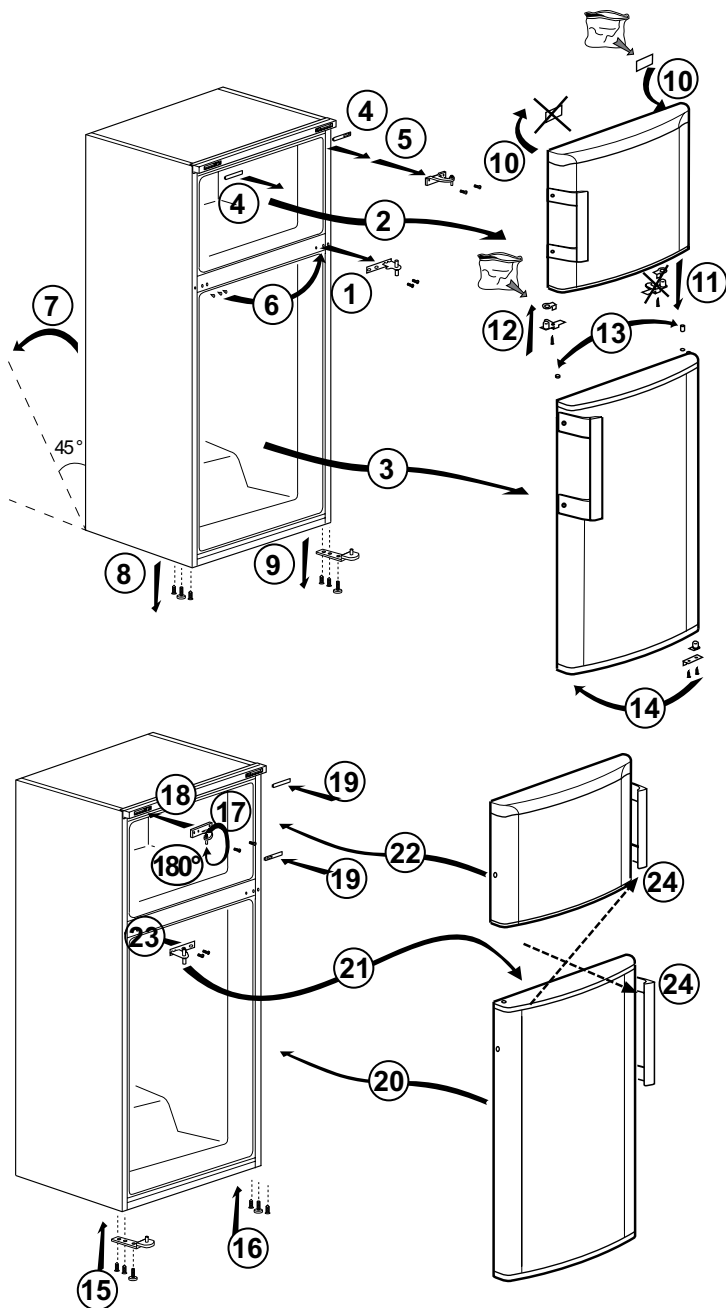
Installare di nuovo il filtro in posizione.

Il filtro odori deve essere pulito una volta all'anno.



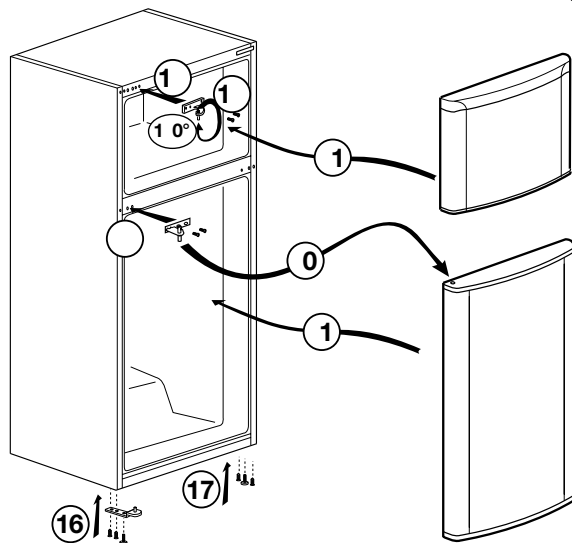
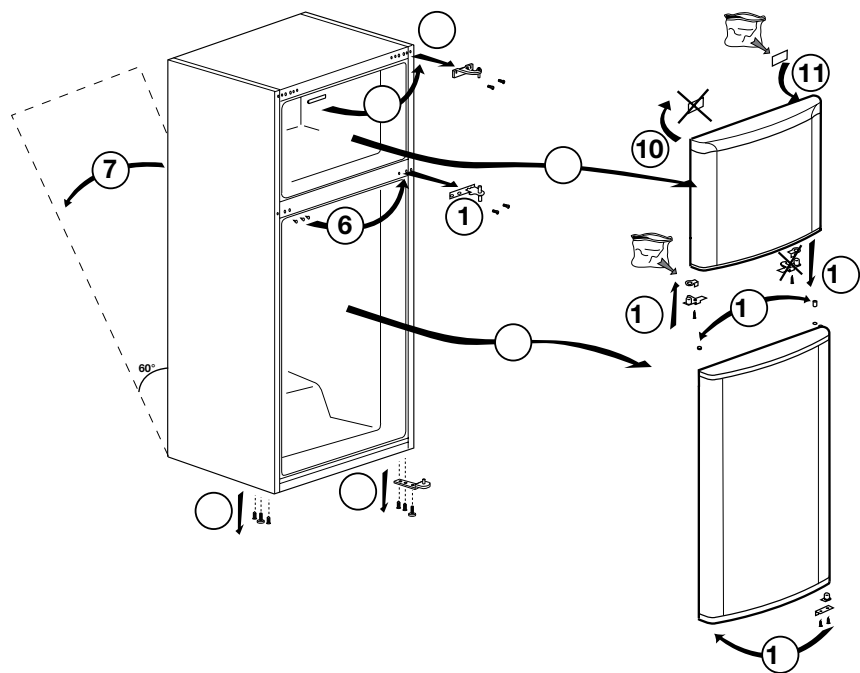
## Inversione dello sportello

Procedere seguendo l'ordine numerico



## Inversione dello sportello

Procedere seguendo l'ordine numerico



## 6 Manutenzione e pulizia

- ⚠ Non usare mai gasolio, benzene o sostanze simili per scopi di pulizia.
- ⚠ È consigliato scollegare l'apparecchio prima della pulizia.
- ⚠ Non utilizzare mai attrezzi appuntiti o sostanze abrasive, saponi, detergenti per la casa o cere per la pulizia.
- ⚠ Per i prodotti non-No Frost, si verifica la formazione di gocce di acqua e ghiaccio fino allo spessore di un dito sulla parete posteriore dello scomparto frigo. Non pulire; non applicare mai olio né agenti simili.
- ⚠ Utilizzare solo panni umidi in microfibra per pulire la superficie esterna del prodotto. Spugne e altri tipi di panni per la pulizia possono graffiare la superficie.
- 📌 Utilizzare acqua tiepida per pulire l'alloggiamento del frigorifero e asciugarlo.
- 📌 Utilizzare un panno umido intriso di una soluzione composta da un cucchiaino di bicarbonato di soda e da circa mezzo litro di acqua e pulire l'interno, quindi asciugare.
- ⚠ Assicursarsi che l'acqua non penetri nel quadro di comando della temperatura.
- ⚠ Se il frigorifero non viene usato per un lungo periodo di tempo, scollegare il cavo di alimentazione, rimuovere tutti gli alimenti dal suo interno, pulirlo e lasciare lo sportello aperto.
- 📌 Controllare le guarnizioni dello sportello periodicamente per garantire che siano pulite e che non siano presenti particelle di alimenti.
- ⚠ Per rimuovere le rastrelliere dello sportello, rimuovere tutto il contenuto e spingere semplicemente le rastrelliere verso l'alto.
- ⚠ Non utilizzare mai agenti di pulizia o acqua contenente cloro per pulire le superfici esterne e le parti rivestite in cromo dell'apparecchio. Il cloro provoca corrosione su tali superfici di metallo.
- ⚠ Non usare strumenti affilati e abrasivi o sapone, agenti detergenti domestici, detergenti, gasolio, benzene, cera, ecc., altrimenti le indicazioni sulle parti in plastica si toglieranno e si verificherà deformazione. Usare acqua tiepida e un panno morbido unicamente per le operazioni di pulizia e asciugatura.

### Protezione delle superfici di plastica

- 📌 Non inserire oli liquidi o piatti cotti in olio nel frigorifero se in contenitori non sigillati poiché questi possono danneggiare le superfici in plastica del frigorifero. In caso di fuoriuscita di olio sulle superfici in plastica, pulire e asciugare le parti della superfici con acqua tiepida.

## 7 Ricerca e risoluzione dei problemi

Prima di chiamare il servizio assistenza, rivedere la lista precedente. Si risparmierà tempo e denaro. Questa lista comprende frequenti reclami che non derivano da difetti di lavorazione o dai materiali utilizzati. Alcune delle funzioni descritte qui potrebbero non esistere nel proprio apparecchio.

### Il frigorifero non funziona.

- La spina non è inserita correttamente nella presa. >>>Inserire in modo sicuro la spina nella presa.
- Il fusibile della presa a cui è collegato il frigorifero o il fusibile principale sono saltati. >>>Controllare il fusibile.

### Condensa sulla parete laterale dello scomparto frigo (MULTIZONE, COOL CONTROL e FLEXI ZONE).

- Lo sportello è stato aperto con eccessiva frequenza. >>>Non aprire e chiudere lo sportello del frigorifero con eccessiva frequenza.
- L'ambiente è molto umido. >>>Non installare il frigorifero in luoghi molto umidi.
- Gli alimenti che contengono liquidi sono conservati in contenitori aperti. >>>Non conservare alimenti che contengono liquido in contenitori aperti.
- Lo sportello del frigorifero è lasciato aperto. >>>Chiudere lo sportello del frigorifero.
- Il termostato è impostato ad un livello molto freddo. >>>Impostare il termostato ad un livello adatto.

### Il compressore non funziona

- La protezione termica del compressore è inattiva in caso di mancanza di corrente o di mancato collegamento alla presa, se il sistema refrigerante non è ancora stato regolato. Il frigorifero comincerà a funzionare dopo circa 6 minuti. Chiamare il servizio assistenza se il frigorifero non inizia a funzionare al termine di questo periodo.
- Il frigorifero è nel ciclo di sbrinamento. >>>Si tratta di una cosa per un frigorifero con sbrinamento completamente automatico. Il ciclo di sbrinamento si verifica periodicamente.
- L'elettrodomestico non è collegato alla presa. >>>Accertarsi che la spina sia inserita nella presa.
- Le regolazioni di temperatura non sono eseguite in modo corretto. >>>Selezionare il valore di temperatura adatto.
- Vi è una mancanza di alimentazione. >>>Il frigorifero torna ad un funzionamento normale quando viene ripristinata l'alimentazione.

### Il rumore aumenta quando il frigorifero sta lavorando.

- La performance operativa del frigorifero può cambiare secondo i cambiamenti della temperatura ambiente. Si tratta di una cosa normale e non di un guasto.

Il frigorifero funziona frequentemente o per lunghi periodi.



• Il nuovo apparecchio è più grande del precedente. I frigoriferi più grandi lavorano per un più lungo periodo di tempo.

• La temperatura ambiente può essere alta. >>>È normale che l'apparecchio funzioni per periodi più lunghi in ambienti caldi.

• Il frigorifero è stato collegato alla presa di recente o è stato riempito di cibo. >>>Quando il frigorifero è stato appena collegato all'alimentazione o caricato con alimenti, ci vuole più tempo per raggiungere la temperatura impostata. Questo è normale.

• Grandi quantità di cibo caldo sono state recentemente inserite. >>>Non mettere alimenti caldi nel frigorifero.

• Gli sportelli sono aperti con eccessiva frequenza o sono stati lasciati aperti a lungo. >>>L'aria tiepida entrata nel frigorifero ne provoca il funzionamento per un periodo più lungo. Non aprire gli sportelli di frequente.

• Lo sportello del freezer o dello scomparto frigo sono rimasti aperti. >>>Controllare se gli sportelli sono perfettamente chiusi.

• Il frigo è regolato a temperatura molto bassa. >>>Regolare la temperatura del frigorifero ad un livello più alto e attendere fino a che la stessa sia acquisita.

• La chiusura dello sportello del frigorifero o del freezer può essere usurata, rotta o non inserita in modo appropriato. >>>Pulire o sostituire la guarnizione. Guarnizioni rotte o danneggiate provocano il funzionamento del frigo per periodi più lunghi per mantenere la temperatura corrente.

La temperatura ambiente è molto bassa mentre la temperatura del frigorifero è sufficiente.

• La temperatura del freezer è regolata a temperatura molto bassa. >>>Regolare la temperatura ad un livello più alto e controllare.

La temperatura ambiente è molto bassa mentre la temperatura del freezer è sufficiente.

• La temperatura del frigo è regolata a temperatura molto bassa. >>>Regolare la temperatura ad un livello più alto e controllare.

Gli alimenti che sono nei cassetti dello scomparto frigo sono congelati.

• La temperatura del frigo è regolata su un valore molto alto. >>>Regolare la temperatura del frigo ad un livello più basso e controllare.

La temperatura del frigo o freezer è molto alta.

• La temperatura del frigo è regolata su un valore molto alto. >>>L'impostazione della temperatura dello scomparto frigo provoca effetti sulla temperatura del freezer. Cambiare le temperature di frigo o freezer e aspettare finché i relativi scomparti non raggiungono una temperatura sufficiente.

• Gli sportelli sono aperti con eccessiva frequenza o sono stati lasciati aperti a lungo. >>>Non aprire gli sportelli di frequente.

• Lo sportello è aperto. >>>Chiudere completamente lo sportello.

• Il frigorifero è stato recentemente collegato all'alimentazione o caricato con alimenti. >>>Questo è normale. Quando il frigorifero è stato appena collegato all'alimentazione o caricato con alimenti, ci vuole più tempo per raggiungere la temperatura impostata.

• Grandi quantità di cibo caldo sono state recentemente inserite. >>>Non mettere alimenti caldi nel frigorifero.

• Vibrazioni o rumore.

• Il pavimento non è orizzontale o stabile. >>>Se il frigorifero ondeggia quando è mosso lentamente, equilibrarlo regolando i piedini. Accertarsi anche che il pavimento sia in piano e forte abbastanza da sopportare il frigorifero.

• Gli articoli messi sul frigorifero possono provocare rumore. >>>Rimuovere gli articoli da sopra al frigorifero.

Ci sono rumori che provengono dal frigorifero come gocciolamenti, spruzzo di liquidi, ecc.

• Il flusso di liquido e gas si verifica secondo i principi operativi del frigorifero. Si tratta di una cosa normale e non di un guasto.

Dal frigorifero si sente un fischio.

• Le ventole sono usate per raffreddare il frigorifero. Si tratta di una cosa normale e non di un guasto.

Condensa sulla parete interna del frigorifero.

• Il clima caldo/umido aumenta il ghiaccio e la condensa. Si tratta di una cosa normale e non di un guasto.

• Gli sportelli sono aperti con eccessiva frequenza o sono stati lasciati aperti a lungo. >>>Non aprire gli sportelli di frequente. Chiuderli se sono aperti.

• Lo sportello è aperto. >>>Chiudere completamente lo sportello.

Umidità al di fuori del frigorifero o tra le porte.

• Potrebbe esserci umidità nell'aria; questo è normale nei climi umidi. Al diminuire dell'umidità, la condensa scompare.

Odore cattivo dentro al frigorifero.

• Non viene eseguita una pulizia regolare. >>>Pulire regolarmente l'interno del frigorifero con una spugna, acqua tiepida o carbonato di sodio diluito in acqua.

• Alcuni contenitori o alcuni materiali per la confezione possono provocare odori. >>>Usare contenitori diversi o marche diverse.

• Gli alimenti sono posti nel frigorifero in contenitori non coperti. >>>Tenere gli alimenti in contenitori chiusi. I microrganismi che fuoriescono da contenitori non coperti possono provocare odori sgradevoli.

• Rimuovere gli alimenti scaduti e che si sono rovinati nel frigorifero.

Lo sportello non è chiuso.

- Gli imballaggi degli alimenti impediscono la chiusura dello sportello. >>>Sostituire le confezioni che ostruiscono lo sportello.
- Il frigorifero non è completamente poggiato sul pavimento. >>>Regolare i piedini per bilanciare il frigorifero.
- Il pavimento non è orizzontale o forte. >>>Accertarsi che il pavimento sia in piano, forte e in grado di sopportare il frigorifero.

Gli scomparti frutta e verdura sono bloccati.

- Gli alimenti potrebbero toccare il tetto del cassetto. >>>Risistemare gli alimenti nel cassetto.

Se La Superficie Del Prodotto È Bollente.

- Quando il prodotto è in funzione, possono essere osservate alte temperature tra i due sportelli, sui pannelli laterali e sul grill posteriore. Ciò è normale e non richiede manutenzione!

## **DISCLAIMER / AVVERTENZE**

Alcuni guasti (semplici) possono essere adeguatamente gestiti dall'utente finale senza che sorgano problemi di sicurezza o utilizzi non sicuri, a condizione che vengano eseguiti entro i limiti e in conformità con le seguenti istruzioni (vedere la sezione "Riparazione fai da te").

Pertanto, salvo diversa autorizzazione nella sezione di seguito "Riparazione fai da te", le riparazioni devono essere indirizzate a manutentori professionisti registrati al fine di evitare problemi di sicurezza. Un manutentore professionista registrato è un manutentore professionista a cui è stato concesso l'accesso alle istruzioni e all'elenco dei pezzi di ricambio di questo prodotto dal produttore secondo le modalità descritte negli atti legislativi ai sensi della Direttiva 2009/125/CE.

**Tuttavia, solo l'agente dell'assistenza (ovvero i manutentori professionisti autorizzati) che è possibile contattare tramite il numero di telefono indicato nel manuale dell'utente / scheda di garanzia o tramite il rivenditore autorizzato che può fornire assistenza in base ai termini di garanzia. Pertanto, si prega di notare che le riparazioni da parte di manutentori professionisti (non autorizzati da Beko) invaliderà la garanzia.**

### **Riparazione fai da te**

La riparazione fai da te può essere eseguita dall'utente finale per quanto riguarda i seguenti pezzi di ricambio: maniglie delle porte, cerniere delle porte, vassoi, cestelli e guarnizioni delle porte (un elenco aggiornato è disponibile anche su support.beko.com dal 1° marzo 2021)

Inoltre, per garantire la sicurezza del prodotto e per prevenire il rischio di lesioni gravi, la suddetta riparazione fai da te deve essere eseguita seguendo le istruzioni nel manuale utente per la riparazione fai da te o disponibili in support.beko.com Per la propria sicurezza, scollegare il prodotto prima di tentare qualsiasi riparazione fai da te.

Tentativi di riparazione e riparazione da parte degli utenti finali per parti non incluse in tale elenco e/o che non seguono le istruzioni nei manuali utente per la riparazione fai da te o che sono disponibili in support.beko.com, potrebbe dar luogo a problemi di sicurezza non imputabili a Beko e invaliderà la garanzia del prodotto.

Pertanto, si raccomanda vivamente agli utenti finali di astenersi dal tentativo di eseguire riparazioni che non rientrano nell'elenco dei pezzi di ricambio menzionato, contattando in tali casi manutentori professionisti autorizzati o manutentori professionisti registrati. Altrimenti, tali tentativi da parte degli utenti finali possono causare problemi di sicurezza e danneggiare il prodotto e conseguentemente causare incendi, inondazioni, elettrocuzione e gravi lesioni personali.

A titolo esemplificativo, ma non esaustivo, le seguenti riparazioni devono essere indirizzate ai manutentori professionisti autorizzati o manutentori professionisti registrati: compressore, circuito frigorifero, scheda principale, scheda inverter, scheda display ecc.

Il produttore/venditore non può essere ritenuto responsabile in ogni caso in cui gli utenti finali non rispettano quanto sopra.

La disponibilità dei pezzi di ricambio frigorifero che hai acquistato è di 10 anni. Durante questo periodo saranno disponibili ricambi originali per il corretto funzionamento frigorifero.

La durata minima della garanzia del frigorifero acquistato è di 24 mesi.

Questo prodotto è dotato di una sorgente di illuminazione con classe energetica "G". La sorgente di illuminazione nel prodotto dovrà essere sostituita solo da professionisti nel campo della riparazione.



## **Frigorífico**

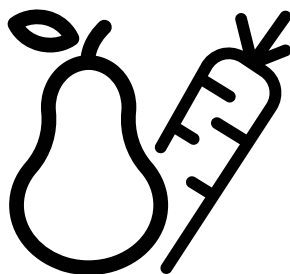
Manual do Utilizador

## **Ψυγείο**

Εγχειρίδιο Χρήστη

## **Gefrierschrank**

Bedienungsanleitung



RDNE350K20X-RDNE350K20XB-RDNE350K30XBN

**PT/EL/DE**

57 9941 0000/AL 2/4 PT-EL-DE



## Por favor, leia primeiro este manual!

Caro cliente,

Esperamos que o seu produto, que foi produzido em modernas instalações e testado através de rigorosos controlos de qualidade, ofereça-lhe um serviço efectivo.


Para isso, recomendamos que leia cuidadosa e inteiramente o manual do seu produto antes de utilizá-lo e guarde-o para futuras consultas.




### Este manual

- Ajudá-lo-á a utilizar o seu equipamento de forma rápida e segura.
  - Leia o manual antes de instalar e operar o seu equipamento.
  - Siga as instruções, especialmente as relativas à segurança.
  - Guarde o manual num local acessível, já que poderá precisar dele mais tarde.
  - Além disso, leia também os outros documentos fornecidos com o seu produto.
- Observe que este manual também pode ser válido para outros modelos.

### Os símbolos e as suas descrições

Este manual de instruções contém os seguintes símbolos:

-  Informações importantes ou dicas úteis de utilização.
-  Aviso sobre as condições de risco para a vida e a propriedade.
-  Aviso sobre a voltagem eléctrica.

 <b>INFORMATION</b>	
 <b>SUPPLIER'S NAME</b> A	 <b>MODEL IDENTIFIER</b> → (*) A
<p>.A informação do modelo conforme memorizada na base de dados do produto pode ser acedida entrando no seguinte sítio web e através da busca do identificador do seu modelo (*) que se encontra na etiqueta de classificação energética.</p> <p><a href="https://eprel.ec.europa.eu/">https://eprel.ec.europa.eu/</a></p>	

## CONTEÚDO

### **1 O seu frigorífico** **3**

#### **2 Avisos importantes de segurança** **4**

Uso pretendido.....	4
Para produtos com um dispensador de água;.....	8
Segurança com crianças.....	8
Conformidade com a Directiva WEEE e Eliminação de Resíduos:.....	8
Cumprimento com a Directiva RoHS:.....	9
Informação sobre a embalagem.....	9
Aviso HC.....	9
O que se pode fazer para economizar energia.....	9
Recomendações para o compartimento de alimentos frescos	10

#### **3 Instalação** **11**

Pontos a serem considerados ao transportar novamente o seu frigorífico.....	11
Antes de funcionar o seu frigorífico..	11
Ligação eléctrica.....	12
Eliminação da embalagem.....	12
Eliminação do seu frigorífico velho ...	12
Colocação e instalação.....	12
Ajuste dos pés.....	13

### **4 Preparação** **14**

#### **5 Utilizar o seu frigorífico** **16**

Botão de ajuste da temperatura.....	16
Ajustar a temperatura do seu frigorífico.....	16
Sistema de arrefecimento duplo.....	16
Função 'Vacation' (Férias).....	17
Para o seu produto.....	17
Congelar alimentos frescos.....	17
Recomendação para a preservação de alimentos congelados.....	18
Colocação dos alimentos.....	19
Substituição do módulo da luz interior.....	19
O que se pode fazer para economizar energia.....	19
Fazer gelo.....	19
Descrição e limpeza do filtro para odores:.....	20
Icematic e reservatório de armazenamento de gelo.....	20
Reservatório de armazenamento giratório.....	21
Compartimento de temperatura zero	21
Inverter a porta.....	22
Inverter a porta.....	23

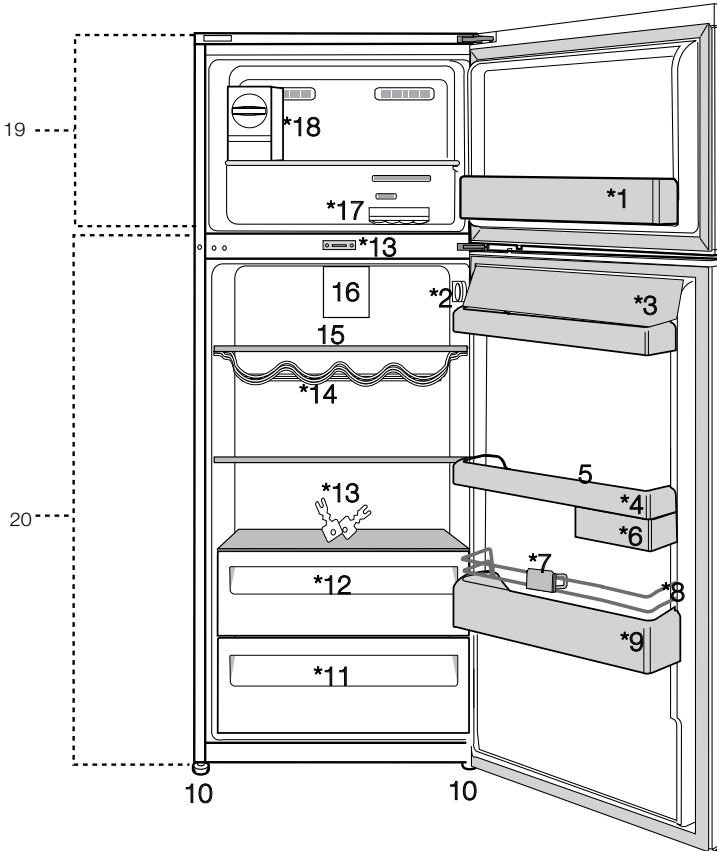
#### **6 Manutenção e limpeza** **24**

Protecção das superfícies plásticas	24
-------------------------------------	----

#### **7 Soluções recomendadas para os problemas** **25**



# 1 O seu frigorífico



1. Prateleira da porta do compartimento do congelador

2. Botão de ajuste da temperatura

3. Secções de manteiga e queijo

4. Prateleira da porta do compartimento do frigorífico

5. Suportes para ovos

6. Reservatório de armazenamento giratório

7. Suporte para garrafas

8. Protecção metálica

9. Prateleira para garrafas

10. Pés ajustáveis

11. Gaveta para frutos e legumes

12. Compartimento do resfriador

13. Chave

14. Garrafeira

15. Prateleiras de vidro do compartimento do refrigerador

16. Ventoinha

17. Compartimento do gelo

18. Icematic

19. Compartimento do congelador

20. Compartimento do frigorífico

**\*opcional**





**I** As figuras que aparecem neste manual de instruções são esquemáticas e podem não corresponder exactamente ao seu produto. Se as partes referidas não estiverem incluídas no produto que adquiriu, é porque são válidas para outros modelos.

## 2 Avisos importantes de segurança

Por favor, reveja as informações seguintes. A não-observância destas informações pode causar ferimentos ou danos ao material. Caso contrário, todas as garantias e compromissos de fiabilidade tornar-se-ão inválidos.

As peças sobressalentes originais serão fornecidas durante 10 anos a partir da data da compra.

### Uso pretendido

	<b>AVISO:</b> Manter as aberturas de ventilação, na caixa de proteção do aparelho ou na estrutura embutida, sem obstruções.
	<b>AVISO:</b> Não usar dispositivos mecânicos nem outros meios para acelerar o processo de descongelação, exceto os recomendados pelo fabricante.
	<b>AVISO:</b> Não danificar o circuito de refrigeração.
	<b>AVISO:</b> Não usar aparelhos eléctricos no interior dos compartimentos de armazenamento de alimentos do aparelho, a menos que sejam do tipo recomendado pelo fabricante.

Este aparelho é destinado a ser usado em uso doméstico e

aplicações similares como

- zonas de cozinha em estabelecimentos comerciais, escritórios ou outros ambientes laborais;
- casas rurais e pelos clientes em hotéis, motéis e outros ambientes de tipo residencial;
- ambientes de tipo alojamento e pequeno almoço;
- utilizações de refeições e outros não-retalhistas similares.

### Segurança geral

- Quando quiser eliminar/ desfazer-se do produto, recomendamos que consulte o serviço de assistência e os órgãos autorizados para obter mais informações.
- Consulte o seu serviço de assistência autorizado para todas as questões e problemas relativos ao frigorífico. Não tente reparar e nem permita que ninguém o faça sem notificar os serviços de assistência autorizados.
- Para produtos com um compartimento de congelador; Não coma cones de gelados e cubos de gelo imediatamente após retirá-los do compartimento do congelador! (Isto pode provocar queimaduras de frio na sua boca).
- Para produtos com compartimento de congelador; Não coloque bebidas líquidas enlatadas ou engarrafadas no

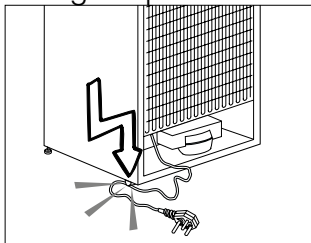
compartimento do congelador. Caso contrário, podem rebentar.

- Não toque nos alimentos congelados; podem ficar presos à sua mão.
- Desligue o seu frigorífico da tomada antes da limpeza ou descongelação.
- O vapor e materiais de limpeza vaporizados nunca deverão ser utilizados nos processos de limpeza e descongelação do seu frigorífico. Em tais casos, o vapor poderá entrar em contacto com as partes eléctricas e provocar curto-circuito ou choque eléctrico.
- Nunca use as partes do seu frigorífico, tal como a porta, como meios de apoio ou degrau.
- Não utilize dispositivos eléctricos dentro do frigorífico.
- Não danifique as partes por onde circula a refrigeração, com ferramentas perfurantes ou cortantes. O refrigerante que pode explodir quando os canais de gás do evaporador, as extensões do tubo ou os revestimentos da superfície são perfurados, causa irritações na pele ou ferimentos nos olhos.
- Não cubra ou bloqueie os orifícios de ventilação do seu frigorífico com nenhum tipo de material.
- Os dispositivos eléctricos só devem ser reparados por pessoas autorizadas. As reparações realizadas por pessoas incompetentes causam riscos ao utilizador.
- Em caso de qualquer falha quer durante uma manutenção ou num trabalho de reparação, desligue a alimentação eléctrica do seu frigorífico, desligando o fusível correspondente ou retirando a ficha da tomada.
- Não puxe pelo cabo quando for retirar a ficha da tomada.
- Assegure-se de que bebidas fortemente alcoólicas são guardadas de forma segura com a tampa apertada e colocadas na vertical .
- Nunca guarde latas de aerossol inflamáveis e substâncias explosivas no frigorífico.
- Não utilize dispositivos mecânicos ou outros para acelerar o processo de descongelação. Siga apenas as instruções recomendadas pelo fabricante.
- Este produto não se destina a ser usado por pessoas com incapacidades físicas, sensoriais ou mentais ou sem conhecimento ou experiência (incluindo crianças), a menos que sejam supervisionadas por alguém responsável pela sua segurança ou que as instrua sobre o uso do produto.
- Não utilize um frigorífico avariado. Consulte o agente autorizado se tiver qualquer questão.
- A segurança eléctrica do seu frigorífico apenas poderá ser garantida se o sistema de ligação à terra da sua casa

estiver em conformidade com as normas.

- A exposição do produto à chuva, neve, sol e vento é perigosa no que toca à segurança eléctrica.
- Para evitar qualquer perigo, contacte o serviço autorizado se o cabo eléctrico estiver danificado.
- Nunca ligue o frigorífico à tomada de parede durante a instalação. Caso contrário, poderá ocorrer perigo de morte ou ferimentos graves.
- Este frigorífico foi concebido unicamente para guardar alimentos. Não deverá ser utilizado para quaisquer outros fins.
- A etiqueta das especificações técnicas está localizada na parede esquerda no interior do frigorífico.
- Nunca ligue o seu frigorífico a sistemas de poupança de electricidade, pois podem danificá-lo.
- Se houver uma luz azul no frigorífico, não olhe para ela a olho nu ou com ferramentas ópticas durante muito tempo.
- Para frigoríficos controlados manualmente, aguarde pelo menos 5 minutos para voltar a ligá-lo após uma falha eléctrica.
- Este manual de instruções deverá ser entregue ao novo proprietário do produto quando for dado/vendido a outros.
- Evite causar danos ao cabo eléctrico quando transportar o frigorífico. Dobrar o cabo

pode causar incêndio. Nunca pouse objectos pesados no cabo eléctrico. Não toque na ficha com as mãos molhadas quando a introduz na tomada para ligar o produto.

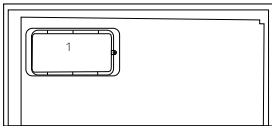
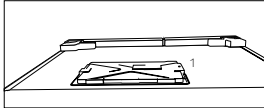


- Ao instalar o eletrodoméstico, certifique-se de que o cabo de alimentação não fica entalado nem danificado.
- Não coloque tomadas múltiplas nem fontes de alimentação portáteis junto à parte traseira do eletrodoméstico.
- As crianças com idade entre 3 e 8 anos podem colocar e retirar cargas de aparelhos de refrigeração.
- Para evitar a contaminação dos alimentos, respeite as instruções a seguir apresentadas:
  - – abrir a porta durante longos períodos de tempo pode causar um aumento de temperatura significativo nos compartimentos do aparelho;
  - – limpe regularmente as superfícies que podem entrar em contacto com alimentos, assim como os sistemas de drenagem acessíveis;
  - – limpe os reservatórios de água se não forem utilizados

durante 48 horas; lave o sistema de ligação ao fornecimento

- de água, se não tiver sido extraída água durante 5 dias;
- – armazene carne e peixe crus em recipientes adequados, no frigorífico, para que não entrem em contacto ou pinguem para os outros alimentos;
- – os compartimentos para congelação de alimentos de duas estrelas são adequados para armazenar alimentos pré-congelados, armazenar ou fazer gelados e fazer cubos de gelo;
- – os compartimentos de uma, duas e três estrelas não são adequados para congelar alimentos frescos;
- – se o aparelho de refrigeração ficar vazio durante longos períodos de tempo, desligue, descongele, limpe, seque e deixe a porta aberta para evitar a formação de bolor no interior do aparelho.
- Não ligue o frigorífico à tomada, se a tomada de parede estiver solta.
- Não deverá ser vaporizado directamente nas partes interiores ou interiores do produto devido a razões de segurança.
- Para evitar risco de incêndio e explosão, não vaporize substâncias que contenham gases inflamáveis, tais como gás propano, etc., próximo ao frigorífico.
- Não coloque recipientes que contenham água sobre o topo do frigorífico, visto que tal poderá resultar em choque eléctrico ou incêndio.
- Não sobrecarregue o frigorífico com excesso de alimentos. Se sobrecarregado, os alimentos podem cair e feri-lo a si e danificar o frigorífico ao abrir a porta. Nunca coloque objectos no topo do frigorífico, visto que estes podem cair quando se abre ou fecha a porta do frigorífico.
- Como precisam de um controlo de temperatura exacta, as vacinas, medicamentos sensíveis ao aquecimento, materiais científicos, etc., não deverão ser guardados no frigorífico.
- Se não for utilizado por um longo tempo, o frigorífico deve ser desligado da tomada. Qualquer problema possível no cabo eléctrico poderá resultar em incêndio.
- O frigorífico pode mover-se se os pés não estiverem devidamente fixados ao piso. O ajuste seguro e apropriado dos pés ao piso pode impedir o frigorífico se mova.
- Ao transportar o frigorífico, não segure pelo puxador da porta. Caso contrário, pode quebrar.
- Se posicionar o seu frigorífico próximo de outro frigorífico ou arca frigorífica, a distância entre os dispositivos deve ser de pelo menos 8 cm. Caso contrário, as paredes laterais adjacentes podem humedecer.

- Nunca usar o produto se a secção localizada na parte superior ou traseira do seu produto com placas de circuitos impressos electrónicos no interior estiver aberta (tampa da placa de circuito electrónico impresso) (1).



### Para produtos com um dispensador de água;

- A pressão para a entrada de água fria deve ser no máximo de 90 psi (620 kPa). Se a sua pressão de água exceder 80 psi 550 kPa), utilize uma válvula limitadora de pressão no seu sistema de alimentação. Se não sabe como verificar a sua pressão de água, deve solicitar a ajuda de um canalizador profissional.
- Se existir o risco de o golpe de ariete afetar a sua instalação, deve utilizar sempre um equipamento de prevenção do golpe de ariete na sua instalação. Deve consultar os canalizadores profissionais se não tiver a certeza se existe o efeito de golpe de ariete na sua instalação.

- Não instalar na entrada de água quente. Deve tomar precauções relativamente ao risco de congelamento nas tubagens. O intervalo de funcionamento de temperatura da água deve ser 33°F (0,6°C) de mínimo e 100°F (38°C) de máximo.

- Use apenas água potável.

### Segurança com crianças

- Se a porta possuir uma fechadura, a chave deverá ser mantida afastada do alcance das crianças.
- As crianças devem ser vigiadas para impedir que brinquem com o produto.

### Conformidade com a Directiva WEEE e Eliminação de Resíduos:



Este produto está em conformidade com a Directiva WEEE da UE (2012/19/EU). Este produto porta um símbolo de classificação para resíduos de equipamentos eléctricos e electrónicos (WEEE).

Este produto foi fabricado com materiais e peças de alta qualidade, que podem ser reutilizados e reciclados. No fim da sua vida útil, não elimine o resíduo com o lixo doméstico normal ou outro lixo. Leve-o a um centro de recolha para reciclagem de equipamentos eléctricos e electrónicos. Consulte as autoridades locais para se informar sobre estes centros de recolha.

## **Cumprimento com a Directiva RoHS:**

O produto que adquiriu está em conformidade com a Directiva RoHS da UE (2011/65/EU). Ele não contém materiais perigosos e proibidos especificados na Directiva.

## **Informação sobre a embalagem**

Os materiais de embalagem do produto são fabricados a partir de materiais recicláveis, de acordo com as nossas Normas Ambientais Nacionais. Não elimine os materiais de embalagem junto com o lixo doméstico ou outro tipo de lixo. Encaminhe-os a um ponto de recolha de materiais de embalagem indicado pelas autoridades locais.

## **Aviso HC**

### **O sistema de arrefecimento do seu produto contém R600a:**

Este gás é inflamável. Por isso, tenha cuidado em não danificar o sistema de arrefecimento e a tubagem durante o uso e transporte. No caso de algum dano, mantenha o seu produto longe de potenciais fontes de fogo que possam fazer com que o produto de incendeie e ventile o compartimento no qual a unidade está colocada.

### **Ignore este aviso se o sistema de arrefecimento do seu produto contiver R134a:**

O tipo de gás usado no produto está indicado na placa de características localizada na parede esquerda no interior do frigorífico.

Nunca elimine o seu produto no fogo.

## **O que se pode fazer para economizar energia**

- Não deixe as portas do seu frigorífico abertas durante muito tempo.

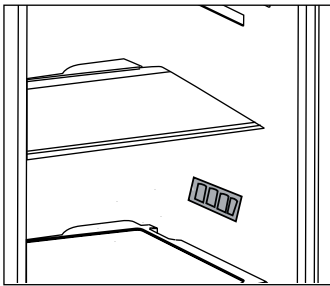
- Não coloque alimentos ou bebidas quentes no seu frigorífico.
- Não sobrecarregue o seu frigorífico para que a circulação do ar no interior não seja dificultada.
- Não instale o seu frigorífico sob a luz solar directa ou próximo de aparelhos que emitem calor tais como fornos, máquinas de lavar louça ou radiadores.
- Tenha cuidado em manter os seus alimentos em recipientes fechados.
- Para produtos com um compartimento de congelador; Pode armazenar uma quantidade máxima de alimentos no congelador se remover a prateleira ou gaveta do congelador. O valor do consumo de energia indicado no seu frigorífico foi determinado removendo a prateleira do congelador ou a gaveta e com carga máxima. Não existe qualquer risco em utilizar uma prateleira ou gaveta de acordo com as formas e tamanhos dos alimentos a serem congelados.
- Descongelar os alimentos congelados no compartimento do frigorífico poupará energia e preservará a qualidade dos alimentos.

## **Recomendações para o compartimento de alimentos frescos**

### **\* OPCIONAL**


Não deixe que nenhum alimento entre em contacto com o sensor de temperatura no compartimento de alimentos frescos. Para manter o compartimento de alimentos frescos na temperatura ideal de armazenamento, o sensor não pode estar obstruído por alimentos.

Não coloque alimentos quentes no seu equipamento.





### 3 Instalação

 Por favor, lembre-se de que o fabricante não pode ser responsabilizado se não forem observadas as informações fornecidas no manual de instruções.

#### Pontos a serem considerados ao transportar novamente o seu frigorífico

1. O seu frigorífico deve ser esvaziado e limpo antes de ser transportado.
2. As prateleiras, acessórios, gaveta para frutas e legumes, etc. do seu frigorífico devem ser firmemente presos com fita adesiva, devido aos solavancos antes de voltar a empacotá-lo.
3. A embalagem deve ser amarrada com fitas grossas e cordas fortes e devem ser seguidas as normas de transporte indicadas na mesma.

#### Não se esqueça...

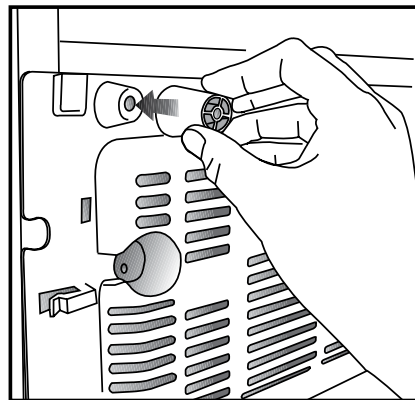
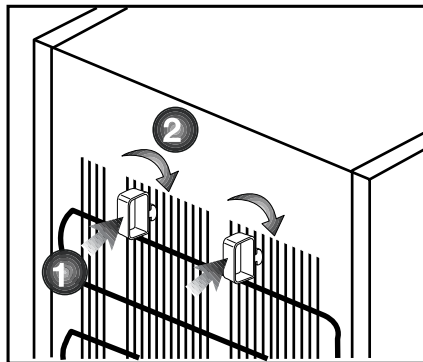
Todo material reciclado é uma fonte indispensável para a natureza e para os nossos recursos nacionais.

Se quiser contribuir para a reciclagem dos materiais da embalagem, pode obter mais informações nos organismos relativos ao ambiente ou junto das autoridades locais.

#### Antes de funcionar o seu frigorífico

Antes de iniciar a utilização do seu frigorífico, verifique o seguinte:

1. O interior do frigorífico está seco e o ar pode circular livremente na sua parte traseira?



2. Introduza os 2 calços plásticos na ventilação traseira, conforme mostrado na figura seguinte. Os calços plásticos proporcionarão a distância necessária entre o seu frigorífico e a parede, permitindo assim a livre circulação do ar.
3. Limpe o interior do frigorífico conforme recomendado na secção “Manutenção e limpeza”.
4. Ligue o frigorífico à tomada eléctrica. A luz interior acender-se-á quando a porta do frigorífico for aberta.

5. Ouvirá um ruído quando o compressor começar a trabalhar. O líquido e os gases no interior do sistema de refrigeração também podem fazer algum ruído, mesmo que o compressor não esteja a funcionar, o que é perfeitamente normal.
6. As arestas da frente do frigorífico podem ficar quentes. Isto é normal. Estas arestas são projectadas para ficarem quentes, a fim de evitar a condensação.

## Ligação eléctrica

Ligue o seu produto a uma tomada de terra, que esteja protegida por um fusível com a capacidade apropriada.

Importante:

- A ligação deve estar em concordância com os regulamentos nacionais.
- A ficha do cabo de alimentação deve estar facilmente acessível após a instalação.
- A voltagem especificada deve ser igual à sua voltagem eléctrica.
- Não devem ser usados cabos de extensão e fichas multiusos para a ligação.

⚠ Um cabo de alimentação danificado deve ser substituído por um electricista qualificado.

⚠ O produto não deve ser utilizado antes de ser reparado! Há risco de choque eléctrico!

## Eliminação da embalagem

Os materiais de embalagem podem ser perigosos para as crianças.

Guarde os materiais da embalagem fora do alcance das crianças ou elimine-os, classificando-os de acordo com as instruções sobre o lixo. Não os elimine juntamente com o lixo doméstico normal.

A embalagem do seu frigorífico é produzida com materiais recicláveis.

## Eliminação do seu frigorífico velho

Elimine o seu frigorífico velho sem causar qualquer perigo ao meio ambiente.

- Pode consultar o seu revendedor autorizado ou o centro de recolha do lixo do seu município a respeito da eliminação do seu frigorífico.

Antes de se desfazer do seu frigorífico, corte a ficha eléctrica e, se houver trincos nas portas, deixe-os inutilizados, a fim de proteger as crianças contra qualquer perigo.

## Colocação e instalação

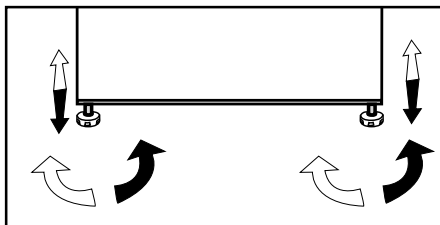
⚠ Se a porta de entrada do compartimento onde o frigorífico será instalado não for o suficientemente larga para que ele passe, chame o serviço de assistência autorizado para que possam remover as portas do seu frigorífico e passá-lo de forma inclinada através da porta.

1. Instale o seu frigorífico num local que permita fácil acesso.
2. Mantenha o seu frigorífico longe das fontes de calor, lugares húmidos e luz solar directa.
3. Se o piso for coberto por alcatifa, o seu produto deve ter uma elevação de 2,5 cm do chão.

4. Coloque o seu frigorífico num pavimento uniforme para evitar solavancos.
5. Este produto exige circulação de ar adequada para funcionar eficientemente. Se o produto for colocado num nicho, devem ser deixados pelo menos 5 cm de espaço entre o produto e o teto, as paredes traseiras e laterais.
6. Se o produto for colocado num nicho, devem ser deixados pelo menos 5 cm de espaço entre o produto e o teto, as paredes traseiras e laterais. Verificar se o componente de proteção de espaço da parede traseira está presente na sua localização (se fornecido com o produto). Se o componente não estiver disponível, ou se se perder ou cair, posicionar o produto de forma a deixar pelo menos 5 cm de espaço entre o produto e as paredes da divisão. O espaço na parte traseira é importante para o funcionamento eficiente do produto.

## Ajuste dos pés

Se o seu frigorífico estiver desnivelado; Pode equilibrar o seu frigorífico, rodando os seus pés frontais conforme ilustrado na figura. O canto onde está o pé é baixado quando roda na direcção da seta preta e levantado quando roda na direcção oposta. Peça ajuda a alguém para erguer ligeiramente o frigorífico, facilitará este processo.



- O condensador do seu equipamento está localizado na parte de trás, como mostrado a seguir. A fim de obter uma melhor eficiência energética com baixo consumo de energia, puxe o condensador na sua direcção, como ilustrado na figura abaixo. A posição do condensador será firmemente fixada através do mecanismo de bloqueio dos prendedores superior existentes em cada um dos lados.

### \* OPCIONAL

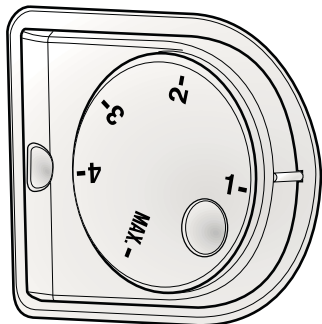


## 4 Preparação

- Para um aparelho de instalação independente: "este frigorífico não se destina a ser usado como um aparelho de encastrar.
- O seu frigorífico deverá ser instalado a uma distância mínima de 30 cm de quaisquer fontes de calor, tais como placas, fornos, aquecimento central e fogões e de 5 cm de fornos eléctricos e não deverá ficar exposto directamente à luz solar.
- Certifique-se de que o interior do seu frigorífico esteja completamente limpo.
- Se forem instalados dois frigoríficos lado a lado, deverá existir uma distância mínima de 2 cm entre eles.
- Quando utilizar o seu frigorífico pela primeira vez, por favor, observe as seguintes instruções durante as seis horas iniciais.
- A porta não deverá ser aberta frequentemente.
- Deve começar a funcionar vazio, sem alimentos no interior.
- Não retire a ficha da tomada do seu frigorífico. Se houver uma falha de energia inesperada, por favor consulte os avisos na secção "Soluções recomendadas para os problemas".
- A embalagem original e os materiais de esponja deverão ser guardados para transportes ou deslocações futuras.
- Este equipamento foi concebido para funcionar nas temperaturas especificadas na tabela abaixo e está equipado com o Advanced Electronic Temperature Control System [AETCS] (Sistema de controlo da temperatura electrónico avançado), que assegura que a definição recomendada [4 – quatro no botão] não descongelará os alimentos congelados no congelador, mesmo que a temperatura ambiente desça para menos de -15 °C. Ao ser instalado pela primeira vez, o produto NÃO DEVERÁ ser colocado em locais com baixa temperatura porque o congelador não baixará para a sua temperatura padrão de funcionamento. Quando tiver alcançado um estado de funcionamento estável, pode ser reposicionado. Assim, poderá depois instalar o seu equipamento numa garagem ou compartimento sem aquecimento, sem ter que se preocupar se os alimentos congelados que estão no congelador se estão a deteriorar. Contudo, nos ambientes de baixas temperaturas mencionados acima, os conteúdos do frigorífico podem congelar, por isso, verifique e consuma os alimentos do frigorífico atempadamente. Quando a temperatura ambiente voltar ao normal, poderá alterar a definição do botão conforme as suas necessidades.
- Se a temperatura ambiente estiver abaixo dos 0°C, os alimentos no compartimento do frigorífico congelarão. Por isso, recomendamos que não use o compartimento do frigorífico em condições de temperatura ambiente muito baixa. Pode continuar a usar o compartimento do congelador como de costume.

- Nalguns modelos, o painel de instrumentos desliga-se automaticamente 5 minutos depois da porta ter sido fechada. Será reactivado quando a porta for aberta ou quando for premida qualquer tecla.
- Devido a mudanças de temperatura, em consequência da abertura/fecho da porta do produto durante o funcionamento, é normal que se produza condensação na porta/prateleiras e recipientes de vidro da estrutura.
- Já que o ar quente e húmido não irá penetrar diretamente o seu produto enquanto as portas não estiverem abertas, o seu produto irá otimizar-se por si próprio para possuir condições suficientes para proteger os seus alimentos. As funções e os componentes como o compressor, a ventoinha, o aquecedor, o descongelador, a iluminação, o visor, entre outros, funcionarão de acordo com as necessidades para o consumo mínimo de energia nestas circunstâncias.

## 5 Utilizar o seu frigorífico



### Botão de ajuste da temperatura

O botão de ajuste da temperatura permite-lhe fazer as definições da temperatura do seu frigorífico.

### Ajustar a temperatura do seu frigorífico

O ajuste geral da temperatura do seu frigorífico é efectuado através do botão de ajuste da temperatura, na parede esquerda do compartimento do refrigerador. Este botão possui 5 diferentes posições de ajuste da temperatura. Selecione a posição adequada às suas necessidades.

### Sistema de arrefecimento duplo

O seu frigorífico está equipado com dois sistemas separados de arrefecimento, para arrefecer o compartimento para alimentos frescos e o compartimento do congelador. Assim, o ar no compartimento para alimentos frescos e no compartimento do congelador não se misturam. Graças a estes dois sistemas separados de arrefecimento, a velocidade de arrefecimento é muito mais alta do que em outros frigoríficos. Os odores dos compartimentos não se misturam. Também ocorre uma poupança adicional de energia, já que a descongelação automática é realizada individualmente.

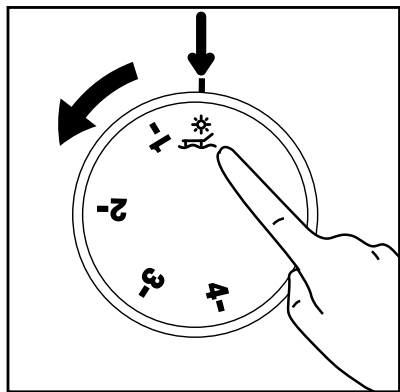
## Função 'Vacation' (Férias)

Se as portas do produto não forem abertas por 12 horas depois do termóstato ter sido comutado para posição mais quente, a função 'Vacation' (Férias) será automaticamente activada.

Abra a porta do produto ou altere a definição do termóstato para cancelar a função.

A função 'Vacation' é opcional. Ela poderá variar dependendo do tipo de produto e poderá não existir em todos os produtos.

Não é recomendado o armazenamento de alimentos no compartimento mais frio quando a função 'vacation' está activa.



## Para o seu produto

Se o seu termóstato estiver equipado com a posição "0":

- O seu produto parará o funcionamento ao rodar o botão do termóstato para a posição "0" (zero). O seu produto não iniciará a menos que rode novamente o botão do termóstato para a posição "1" ou uma das outras posições.

Se o seu termóstato estiver equipado com a posição "min":

- Desligue o seu produto para o parar.

## Congelar alimentos frescos

- É preferível envolver ou cobrir os alimentos antes de colocá-los no frigorífico.
- Os alimentos quentes devem ser arrefecidos à temperatura ambiente antes de serem colocados no frigorífico.
- Os alimentos que pretende congelar devem ser frescos e de boa qualidade.
- Os alimentos devem estar repartidos em porções de acordo com o quotidiano familiar ou as necessidades de consumo de refeições.
- Os alimentos deverão ser embalados de uma forma hermética para evitar que sequem mesmo que venham a ser guardados durante pouco tempo.
- Os materiais a serem utilizados para embalar os alimentos deverão ser à prova de rompimento e resistentes ao frio, humidade, cheiros, óleos e ácidos e também devem ser herméticos. Além disso, devem estar bem fechados e devem ser feitos de materiais fáceis de manusear, que sejam apropriados para fins de congelação.

- Os alimentos a congelar devem ser colocados no compartimento do congelador. (Não deverão entrar em contacto com os itens congelados anteriormente para evitar a sua descongelação parcial. A capacidade de congelação do seu produto é fornecida nas especificações técnicas do seu frigorífico).

- Os períodos dados na informação sobre congelação devem ser observados nos momentos de armazenamento.

- Os alimentos congelados deverão ser usados imediatamente depois de serem descongelados e nunca deverão ser recongelados.


- Para obter os melhores resultados, as instruções a seguir apresentadas devem ser tomadas em linha de conta.

1. Não congele grandes quantidades de alimento de uma só vez. A qualidade dos alimentos é melhor preservada quando a congelação atinge o interior no menor tempo possível.

2. A colocação de alimentos quentes no compartimento do congelador obriga o sistema de refrigeração a um funcionamento contínuo até à completa congelação dos alimentos.

3. Tenha um cuidado especial para não misturar alimentos já congelados com alimentos frescos.

## **Recomendação para a preservação de alimentos congelados**

- Os alimentos embalados pré-congelados devem ser armazenados de acordo com as instruções do fabricante do alimento, para um compartimento de armazenamento de alimentos congelados de  ( 4 estrelas).

- Para garantir que é atingida e mantida a alta qualidade dos alimentos congelados, deverá ter em conta o seguinte:

1. Coloque as embalagens no congelador o mais rapidamente possível após a aquisição.

2. Verifique se os recipientes estão etiquetados e datados.

3. Não ultrapasse as datas de validade mencionadas nas embalagens.

No caso de ocorrer uma falha de energia, não abra a porta do congelador. Mesmo que uma falha eléctrica se prolongue até ao indicado no “Tempo de aumento da temperatura” na secção “Especificações técnicas do seu frigorífico”, os alimentos congelados não serão afectados. No caso de faltar energia por mais tempo, os alimentos devem ser verificados e se for necessário, devem ser consumidos imediatamente ou então congelados depois de serem cozinhados.

## **Descongelação**

Os compartimentos do congelador e do frigorífico descongelam automaticamente.



## Colocação dos alimentos

Prateleiras do compartimento do congelador	Diversos alimentos congelados, tais como carne, peixe, gelado, legumes, etc.
Suporte para ovos	Ovo
Prateleiras do compartimento do refrigerador	Alimentos em panelas, pratos, recipientes fechados
Prateleiras da porta do compartimento do refrigerador	Pequenos alimentos embalados ou bebidas (tais como leite, sumo de frutas e cerveja)
Gaveta para frutos e legumes	Legumes e frutas
Compartimento de resfriamento	Carne e peixe a ser descongelado

## Substituição do módulo da luz interior

Para substituir o módulo de luz do seu frigorífico, contacte a Assistência técnica autorizada.

## O que se pode fazer para economizar energia

1. Não deixe as portas do seu frigorífico abertas por um longo tempo.
2. Não coloque alimentos ou bebidas quentes no seu frigorífico.

3. Não sobrecarregue o seu frigorífico para que a circulação do ar no interior não seja dificultada.

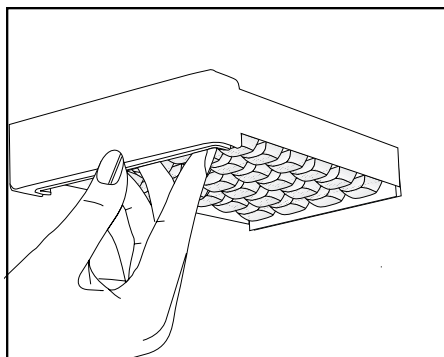
4. Não instale o seu frigorífico sob a luz solar directa ou próximo de aparelhos que emitem calor tais como fornos, máquinas de lavar louça ou radiadores.

5. Tenha o cuidado de manter os seus alimentos em recipientes fechados.

## Fazer gelo

Encha o reservatório para gelo com água e coloque-o no seu lugar devido. O seu gelo ficará pronto em cerca de duas horas.

Poderá retirar facilmente o seu gelo, descongelando levemente o reservatório para gelo.



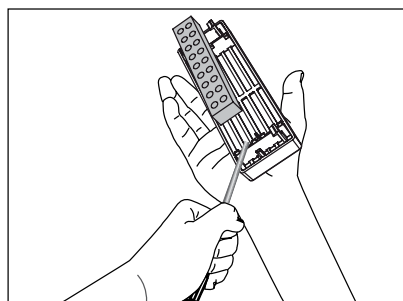
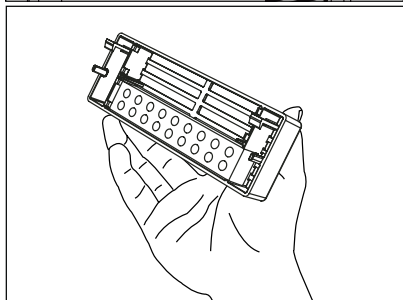
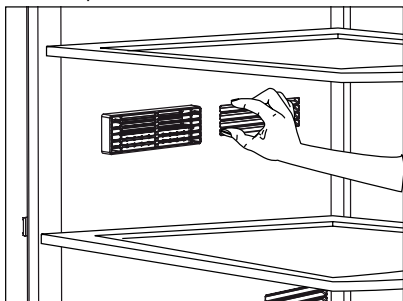
## Descrição e limpeza do filtro para odores:

\* OPCIONAL

O filtro para odores evita odores desagradáveis acumulados no seu frigorífico.

Puxe a tampa dentro da qual o filtro para odores está instalado, baixe e remova conforme ilustrado. Deixe o filtro exposto à luz solar durante um dia. O filtro será limpo durante este período. Coloque o filtro de volta no seu lugar.

O filtro para odores deverá ser limpo uma vez por ano.



## Icematic e reservatório de armazenamento de gelo

### Usar o Icematic

\* Encha o Icematic com água e coloque-o no seu lugar devido. O seu gelo ficará pronto em cerca de duas horas. Não remova o Icematic depois que estiver acomodado para fazer gelo.

\* Rode o botão no sentido horário em 90 graus.

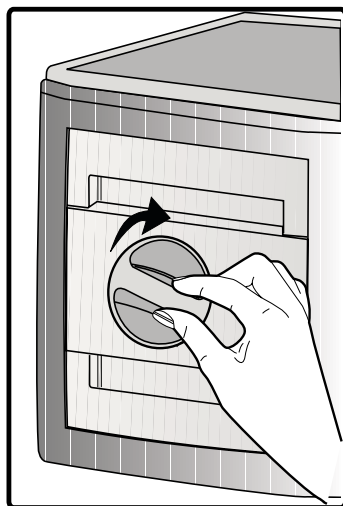
Os cubos de gelo nos compartimentos cairão dentro do reservatório para armazenamento do gelo situado abaixo.

\* Pode tirar o reservatório para armazenamento do gelo e se servir dos cubos de gelo.

\* Se desejar, pode manter os cubos de gelo no reservatório para gelo.

### Reservatório para armazenamento de gelo

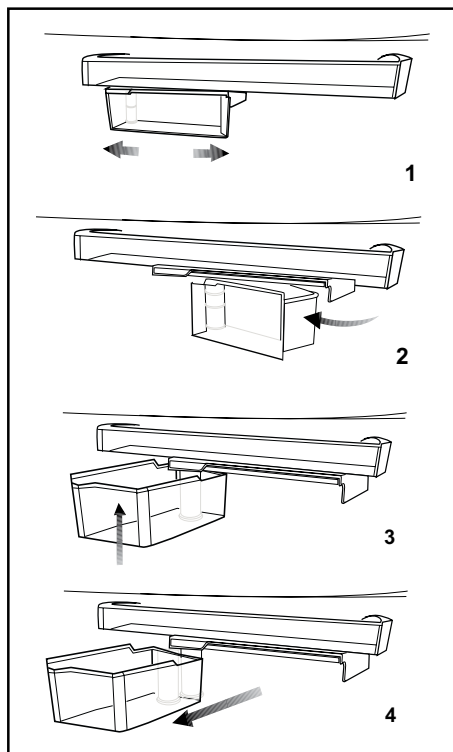
O reservatório para armazenamento do gelo está concebido apenas para acumular cubos de gelo. Não coloque água dentro dele. Caso contrário, quebrará.



## Reservatório de armazenamento giratório

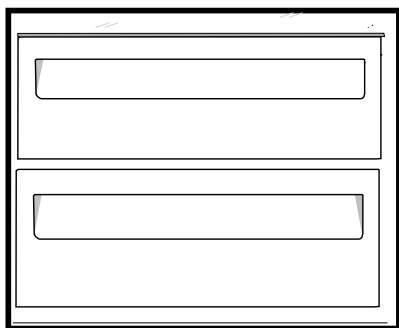
A prateleira de estrutura deslizante pode ser movida para a esquerda e para a direita para lhe permitir colocar garrafas compridas, jarras ou caixas numa prateleira mais baixa (Fig. 1)

Pode chegar aos alimentos que colocou dentro da prateleira agarrando e rodando-a a partir do seu rebordo direito (Fig. 2). Quando quiser carregar ou retirá-la para limpar, rode-a em 90 graus, levante-a e puxe-a para si (Fig. 3-4).



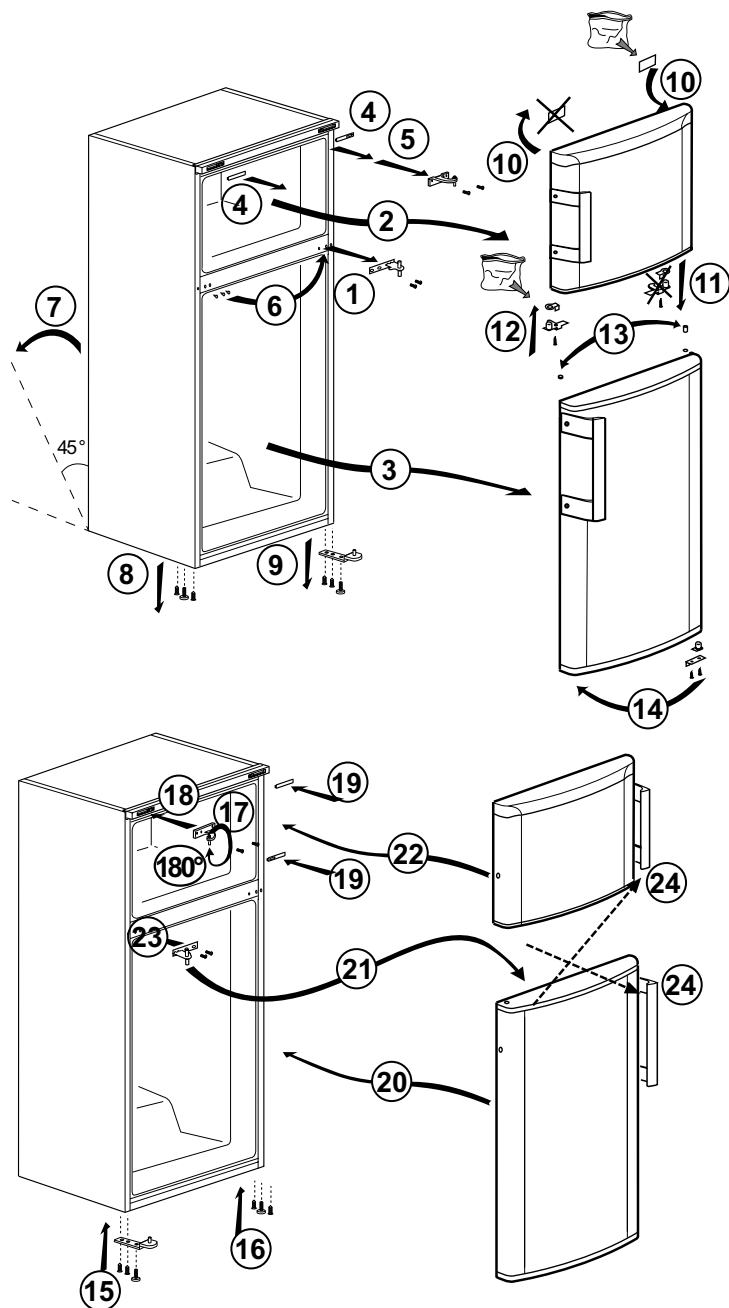
## Compartimento de temperatura zero

Este compartimento foi concebido para guardar alimentos congelados que devem ser descongelados lentamente (carne, peixe, frango, etc.) conforme necessário. O compartimento de temperatura zero é o lugar mais frio do seu frigorífico no qual produtos lácteos (queijo, manteiga), carne ou frango podem ser guardados em condições ideais de temperatura. Os legumes e/ou frutos não devem ser colocados neste compartimento.



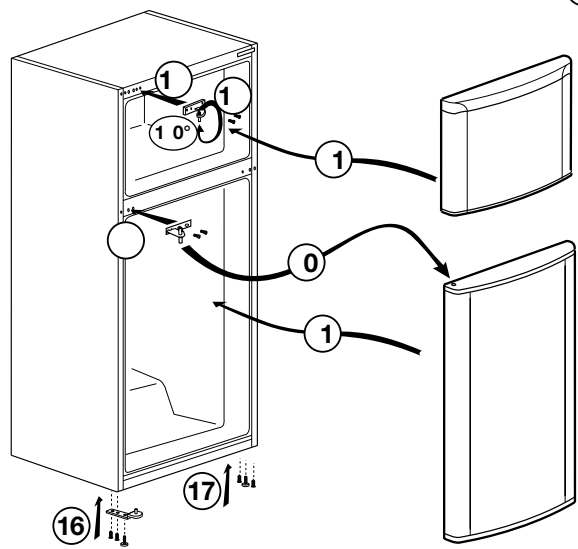
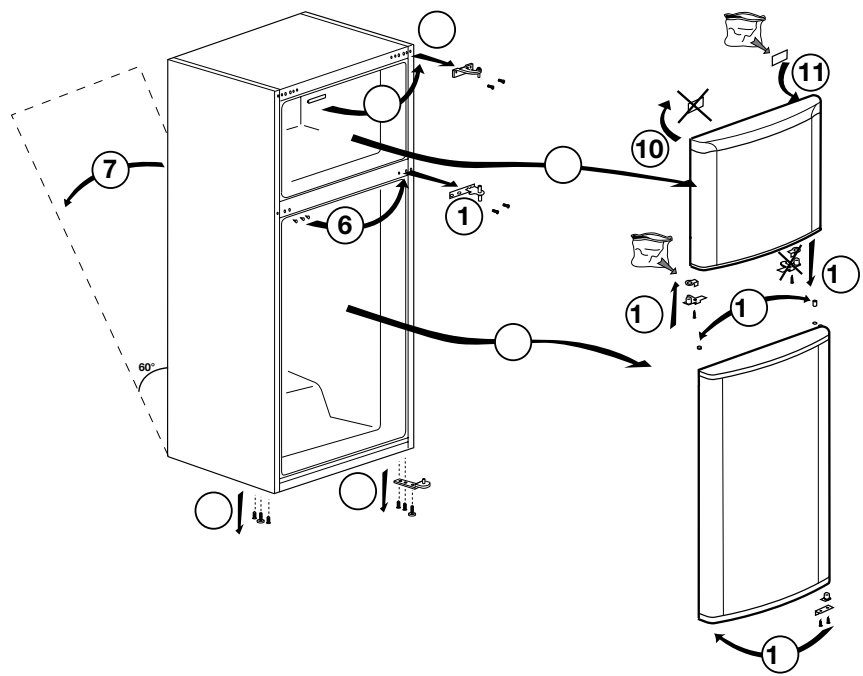
## Inverter a porta

Siga as instruções por ordem numérica



# Inverter a porta

Siga as instruções por ordem numérica



## 6 Manutenção e limpeza

- ⚠ Nunca use gasolina, benzeno ou substâncias semelhantes para a limpeza.
- ⚠ Recomendamos que desligue a ficha do equipamento da tomada antes da limpeza.
- ⚠ Nunca utilize na limpeza objectos abrasivos ou pontiagudos, sabões, produtos de limpeza doméstica, detergentes ou ceras abrillantadoras.
- ⚠ Para produtos não No Frost, gotas de água e uma congelação com a largura de um dedo podem ocorrer na parede posterior do compartimento do frigorífico. Não limpe; nunca aplique óleo ou agentes similares.
- ⚠ Utilize apenas panos macios de microfibra ligeiramente humedecidos para limpar a superfície do produto. Esponjas e outros tipos de panos de limpeza poderão riscar a superfície.
- ℹ Utilize água morna para limpar o exterior do seu frigorífico e seque-o com um pano.
- ℹ Utilize um pano humedecido numa solução composta por uma colher de chá de bicarbonato de soda dissolvido em cerca de meio litro de água para limpar o interior e depois seque-o.
- ⚠ Certifique-se de que não entra água no compartimento da lâmpada e nos outros itens eléctricos.
- ⚠ Se o seu frigorífico não for utilizado durante um longo período de tempo, remova o cabo de alimentação, retire todos os alimentos, limpe-o e deixe a porta entreaberta.
- ℹ Verifique regularmente as borrachas vedantes da porta, para se assegurar que elas estão limpas e sem restos de alimentos.
- ⚠ Para remover os suportes da porta, retire todo o seu conteúdo e, em seguida, basta empurrar cuidadosamente o seu suporte para cima a partir da base.
- ⚠ Nunca utilize agentes de limpeza ou água que contenha cloro para limpar as superfícies externas e as partes cromadas do produto. O cloro provoca a corrosão de tais superfícies metálicas.
- ⚠ Não usar ferramentas aguçadas e abrasivas ou sabão, agentes de limpeza doméstica, detergentes, gasolina, benzina, cera, etc., podem danificar os carimbos nas partes plásticas, que podem desaparecer ou ficarem deformadas. Usar água quente e um pano macio para limpar e secar com um pano seco.

### Protecção das superfícies plásticas

- ℹ Não coloque óleos líquidos ou comidas cozinhadas no óleo no seu frigorífico em recipientes abertos, uma vez que podem danificar as superfícies plásticas do seu frigorífico. No caso de derrame ou salpico de óleo nas superfícies plásticas, limpe e enxagúe a parte correspondente da superfície com água morna.

## 7 Soluções recomendadas para os problemas

Por favor, reveja esta lista antes de telefonar para a assistência. Com isso, pode poupar tempo e dinheiro. Esta lista abrange as reclamações frequentes resultantes de defeitos de fabricação ou utilização do material. Algumas das funções descritas aqui podem não existir no seu produto.

### O frigorífico não funciona

- O frigorífico tem a ficha eléctrica ligada correctamente à tomada? Introduza a ficha na tomada de parede.
- O fusível da tomada na qual o frigorífico está ligado ou o fusível principal não está queimado? Verifique o fusível.

### Condensação na parede lateral do compartimento do refrigerador (MULTIZONE, COOL CONTROL e FLEXI ZONE).

- Condições ambientais muito frias. Abertura e fecho frequentes da porta. Condições ambientais de alta humidade. Armazenamento de alimentos que contém líquidos em recipientes abertos. A porta foi deixada entreaberta. Comute o termóstato para um grau mais frio.
- Diminua o número de vezes de abertura da porta ou utilize menos frequentemente.
- Cubra os alimentos guardados em recipientes abertos com um material apropriado.
- Limpe a condensação usando um pano seco e verifique, se persistir.

### O compressor não está a funcionar.

- A protecção térmica do compressor deixará de funcionar durante falhas eléctricas repentinas ou na extracção/colocação da ficha eléctrica, já que a pressão refrigerante no sistema de arrefecimento do frigorífico ainda não se encontra estabilizada. O seu frigorífico voltará a funcionar aproximadamente 6 minutos depois. Por favor, chame a assistência se o frigorífico não começar a operar no fim deste período.

- O refrigerador está no ciclo de descongelação. Isto é normal num frigorífico de descongelação totalmente automático. O ciclo de descongelação ocorre periodicamente.

- O seu frigorífico não está ligado à tomada. Certifique-se de que a ficha está correctamente ligada à tomada.

- A regulação da temperatura está feita correctamente?

- A corrente deve ser desligada.

O refrigerador está a funcionar frequentemente ou por um longo tempo.

• O seu novo produto pode ser mais largo do que o anterior. Esta situação é perfeitamente normal. Os frigoríficos grandes operam por um período maior de tempo.

• A temperatura ambiente pode estar muito elevada. Esta situação é perfeitamente normal.

• O frigorífico foi ligado à tomada há pouco tempo ou carregado com alimentos. O arrefecimento total do frigorífico pode demorar mais do que duas horas.

• Podem ter sido colocadas recentemente grandes quantidades de alimentos quentes no frigorífico. Os alimentos quentes obrigam a um funcionamento mais vigoroso do frigorífico até que alcance a temperatura segura de armazenamento.

• As portas podem estar a ser abertas frequentemente ou foram deixadas entreabertas por longo tempo. O ar quente que entrou no frigorífico faz com que o mesmo tenha que funcionar por períodos mais longos. Abra as portas com menos frequência.

• A porta do compartimento do refrigerador ou do congelador pode ter sido deixada entreaberta. Verifique se as portas estão completamente fechadas.

• O frigorífico está ajustado para uma temperatura muito baixa. Ajuste a temperatura do frigorífico para um grau mais quente e aguarde até que a temperatura seja atingida.

• O vedante da porta do refrigerador ou do congelador pode estar sujo, gasto, roto ou não ajustado correctamente. Limpe ou substitua o vedante. O vedante danificado/roto faz com que o frigorífico funcione por um período de tempo maior para que mantenha a temperatura actual.

A temperatura do congelador está muito baixa, enquanto que a temperatura do refrigerador é suficiente.

• A temperatura do congelador está ajustada para uma temperatura muito baixa. Ajuste a temperatura do congelador para um grau mais quente e verifique.

A temperatura do refrigerador está muito baixa, enquanto que a temperatura do congelador é suficiente.

• A temperatura do refrigerador pode ter sido ajustada para uma temperatura muito baixa. Ajuste a temperatura do refrigerador para um grau mais quente e verifique.

Os alimentos guardados nas gavetas do compartimento do refrigerador estão congelados.

• A temperatura do refrigerador pode ter sido ajustada para uma temperatura muito baixa. Ajuste a temperatura do refrigerador para um grau mais quente e verifique.

A temperatura no refrigerador ou no congelador é muito alta.

• A temperatura do refrigerador pode ter sido ajustada para um grau muito alto. O ajuste do refrigerador tem efeito na temperatura do congelador. Altere a temperatura do refrigerador ou do congelador até que a temperatura do refrigerador ou do congelador atinja um nível suficiente.

• As portas podem estar a ser abertas frequentemente ou foram deixadas entreabertas por longo tempo; abra-as menos frequentemente.

• A porta poderá ter sido deixada entreaberta; feche-a completamente.

• Podem ter sido colocadas recentemente grandes quantidades de alimentos quentes no frigorífico. Aguarde até que o refrigerador ou o congelador atinja a temperatura desejada.

• O frigorífico pode ter sido ligado à tomada há pouco tempo. O total arrefecimento do frigorífico leva tempo.

O ruído de funcionamento aumenta quando o frigorífico está a funcionar.



• O desempenho de funcionamento do frigorífico pode variar devido às alterações na temperatura ambiente. Esta situação é normal e não é um problema.

#### Vibrações ou ruído.

• O piso não está nivelado ou não é resistente. O frigorífico balança quando deslocado lentamente. Certifique-se de que o piso é suficientemente forte para suportar o frigorífico, e nivelado.

• O ruído pode ser causado pelos itens colocados sobre o frigorífico. Os itens sobre o topo do frigorífico devem ser removidos.

#### Há ruídos que surgem do frigorífico como líquidos a verter ou gotejar.

• Os fluxos de gás e líquidos acontecem conforme os princípios de funcionamento do seu frigorífico. Esta situação é normal e não é um problema.

#### Há um ruído parecido com o vento a soprar.

• As ventoinhas são utilizadas para arrefecer o frigorífico. Esta situação é normal e não é um problema.

#### Condensação nas paredes internas do frigorífico.

• O tempo quente e húmido aumenta a formação de gelo e de condensação. Esta situação é normal e não é um problema.

• As portas poderão ter sido deixadas entreabertas; certifique-se que as mesmas estão completamente fechadas.

• As portas podem estar a ser abertas frequentemente ou foram deixadas entreabertas por longo tempo; abra-as menos frequentemente.

#### Há ocorrência de humidade no exterior do frigorífico ou entre as portas.

• Poderá existir humidade no ar; isto é bastante normal no tempo húmido. Quando a humidade for menor, a condensação irá desaparecer.

#### Maus odores dentro do frigorífico.

• O interior do frigorífico deve ser limpo. Limpe o interior do frigorífico com uma esponja, água morna ou água com gás.

• Alguns recipientes ou materiais de embalagem podem provocar cheiros. Utilize um recipiente diferente ou um material de embalagem de marca diferente.

#### A porta não está fechada.

• Os pacotes de alimentos podem impedir o fecho da porta. Coloque de outra forma as embalagens que estão a obstruir a porta.

• O frigorífico não está completamente na vertical no pavimento e balanceia quando ligeiramente movido. Ajuste os parafusos de elevação.

• O piso não é sólido ou não está nivelado. Certifique-se de que o piso está nivelado e capaz de suportar o frigorífico.

#### As gavetas para frutos e legumes estão bloqueadas.

• Os alimentos podem estar a tocar o tecto da gaveta. Arrume novamente os alimentos na gaveta.

#### Se A Superfície Do Produto Estiver Quente.

• Podem notar-se temperaturas elevadas entre as duas portas, nos painéis laterais e na grelha traseira quando o produto está a funcionar. Esta situação é normal e não exige serviço de manutenção!

## ISENÇÃO DE RESPONSABILIDADE /ADVERTÊNCIA

Algumas falhas (simples) podem ser tratadas de forma adequada pelo utilizador final sem que surja qualquer problema de segurança ou de utilização não segura, desde que as mesmas sejam solucionadas dentro dos limites e de acordo com as seguintes instruções (consultar a secção “Reparação Autónoma”.

Portanto, exceto se contrariamente autorizado na secção “Reparação Autónoma” abaixo, as reparações devem ser realizadas por profissionais reparadores registados de modo a evitar problemas de segurança. Um reparador profissional registado é um reparador profissional a quem o fabricante concedeu acesso às instruções e à lista de peças de substituição deste produto de acordo com os métodos descritos na lei nos termos da Diretiva 2009/125/CE.

**No entanto, apenas o agente de reparação (ou seja, os reparadores profissionais autorizados) com quem pode entrar em contacto através do número de telefone fornecido no manual do utilizador/cartão da garantia ou através do seu revendedor autorizado que pode fornecer serviços de acordo com os termos de garantia. Portanto, deve estar ciente de que as reparações feitas por reparadores profissionais (não autorizados por Beko) anulam a garantia.**

### Reparação Autónoma

A reparação autónoma pode ser feita pelo utilizador final em relação à seguintes peças de substituição: porta, manípulos, dobradiças das portas, tabuleiros, cestos e vedantes da porta (é disponibilizada uma lista atualizada em support.beko.com).a partir de 1 de março de 2021).

Além disso, para garantir a segurança do produto e evitar o risco de ferimentos graves, a reparação autónoma referida deve ser feita seguindo as instruções do manual do utilizador para reparação autónoma ou as que estão disponíveis em support.beko.com Para sua segurança, deve desligar o produto antes de tentar fazer qualquer reparação autónoma.

As tentativas de reparação feitas pelos utilizadores finais de peças não incluídas na referida lista e/ou não seguindo as instruções nos manuais do utilizador relativamente à mesma ou que se encontram disponíveis em support.beko.com, podem levantar questões de segurança não atribuíveis a Beko, e anularão a garantia do produto.

Portanto, é altamente recomendável que os utilizadores finais evitem tentar realizar reparações que não se enquadrem na lista mencionada de peças de substituição, e nesse caso deverão contactar com reparadores profissionais autorizados ou reparadores profissionais registados. Por outro lado, as referidas tentativas por parte dos utilizadores finais podem provocar problemas de segurança e danificar o produto e, subseqüentemente, provocar incêndio, inundação, eletrocussão e ferimentos graves.

Por exemplo, mas não limitado a, as seguintes reparações devem ser realizadas por

Reparadores profissionais autorizados ou registados: compressor, circuito de refrigeração, placa de circuitos, placa do inversor, placa do visor, etc.

O fabricante/vendedor não pode ser responsabilizado em circunstâncias em que os utilizadores finais não cumpram com o acima referido.

A disponibilidade de peças de substituição da frigorífico que comprou é de 10 anos.

Durante este período, as peças de substituição originais estarão disponíveis para operar corretamente a frigorífico.

A duração mínima da garantia do frigorífico que adquiriu é de 24 meses.

Este produto está equipado com uma fonte de iluminação da classe energética "G"

A fonte de iluminação neste produto deve somente ser substituída por reparadores profissionais.

## Παρακαλούμε διαβάστε πρώτα το παρόν εγχειρίδιο!

Αγαπητέ Πελάτη,

Ελπίζουμε ότι η συσκευή σας, που κατασκευάστηκε σε μοντέρνες εγκαταστάσεις και ελέγχθηκε με τις πιο αυστηρές διαδικασίες ελέγχου ποιότητας, θα σας προσφέρει αποδοτικά τις υπηρεσίες της.




Για το λόγο αυτό, συνιστούμε να διαβάσετε προσεκτικά όλο το εγχειρίδιο οδηγιών του προϊόντος σας πριν χρησιμοποιήσετε το προϊόν και κατόπιν να το φυλάξετε σε εύκολα προσπελάσιμο σημείο για μελλοντική αναφορά.






### Το παρόν εγχειρίδιο

- Θα σας βοηθήσει να χρησιμοποιήσετε τη συσκευή σας με γρήγορο και ασφαλή τρόπο.
- Διαβάστε το εγχειρίδιο πριν την εγκατάσταση και τη χρήση του προϊόντος σας.
- Ακολουθείτε τις οδηγίες και ιδιαίτερα αυτές που αφορούν την ασφάλεια.
- Φυλάξτε το εγχειρίδιο σε εύκολα προσπελάσιμο μέρος γιατί μπορεί να το χρειαστείτε αργότερα.
- Επιπλέον, διαβάστε και την υπόλοιπη τεκμηρίωση που συνοδεύει το προϊόν σας. Έχετε υπόψη σας ότι το παρόν εγχειρίδιο μπορεί να ισχύει και για άλλα μοντέλα.

### Σύμβολα και οι περιγραφές τους

Το παρόν εγχειρίδιο οδηγιών περιέχει τα εξής σύμβολα:

-  Σημαντικές πληροφορίες ή χρήσιμες συμβουλές για τη χρήση.
-  Προειδοποίηση για συνθήκες επικίνδυνες για τη ζωή και την περιουσία.
-  Προειδοποίηση για ηλεκτρική τάση.

 <b>INFORMATION</b>	
 <b>ENERG</b> 	<p>.Η πρόσβαση στις πληροφορίες για το μοντέλο όπως είναι αποθηκευμένες στη βάση δεδομένων για τα προϊόντα είναι εφικτή με την είσοδο στον παρακάτω ιστότοπο και την αναζήτηση για το αναγνωριστικό του μοντέλου (*) της συσκευής σας που αναφέρεται στην ετικέτα ενεργειακής σημασίας.</p>
<p>SUPPLIER'S NAME      MODEL IDENTIFIER (*)</p> <p> </p>	
<p><a href="https://eprel.ec.europa.eu/">https://eprel.ec.europa.eu/</a></p>	

**1 Το ψυγείο σας 3**

**2 Σημαντικές προειδοποιήσεις ασφαλείας 4**

Προβλεπόμενος σκοπός χρήσης..... 4  
 Για προϊόντα με διανομέα νερού:..... 8  
 Ασφάλεια των παιδιών..... 9  
 Προειδοποίηση HC (Για συσκευές Ψύξης - Θέρμανσης) ..... 9  
 Τι πρέπει να κάνετε για εξοικονόμηση ενέργειας ..... 9  
 Υποδείξεις για το χώρο νωπών τροφίμων ..... 10

**3 Εγκατάσταση 11**

Σημεία που πρέπει να προσέξετε κατά την εκ νέου μεταφορά του ψυγείου. 11  
 Πριν θέσετε σε λειτουργία το ψυγείο σας ..... 11  
 Διάθεση των υλικών συσκευασίας.. 12  
 Διάθεση του παλιού σας ψυγείου ... 12  
 Τοποθέτηση και εγκατάσταση ..... 12  
 Αντικατάσταση της λάμπας φωτισμού ..... 13  
 Ρύθμιση των ποδιών ..... 13

**4 Προετοιμασία 14**

**5 Χρήση του ψυγείου σας 15**

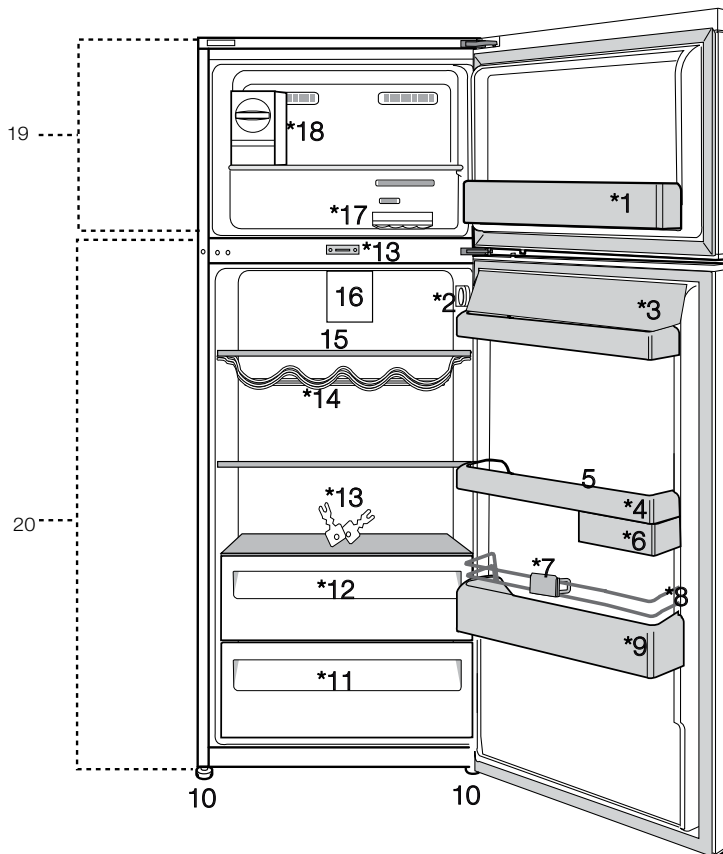
Κουμπί ρύθμισης θερμοκρασίας..... 15  
 Ρύθμιση της θερμοκρασίας του ψυγείου σας..... 15  
 Διπλό σύστημα ψύξης ..... 15  
 Λειτουργία Διακοπών ..... 15  
 Διπλό σύστημα ψύξης: ..... 16  
 Κατάψυξη νωπών τροφίμων..... 16  
 Συμβουλές για τη διατήρηση κατεψυγμένων τροφίμων ..... 16  
 Τοποθέτηση των τροφίμων ..... 17  
 Πληροφορίες για τη Βαθιά Κατάψυξη ..... 17  
 Πώς να φτιάχνετε παγάκια..... 18  
 Χώρος θερμοκρασίας μηδέν βαθμών..... 18  
 Περιγραφή και καθαρισμός του φίλτρου οσμών: ..... 18  
 Σύστημα Icematic και δοχείο φύλαξης πάγου ..... 19  
 Περιστροφικό δοχείο φύλαξης ..... 19  
 Αντιστροφή της φοράς ανοίγματος των πορτών ..... 20  
 Αντιστροφή της φοράς ανοίγματος των πορτών ..... 21

**6 Συντήρηση και καθαρισμός 22**

Προστασία των πλαστικών επιφανειών ..... 22

**7 Συνιστώμενες λύσεις για προβλήματα 23**

# 1 Το ψυγείο σας



- 1.Ράφι πόρτας χώρου κατάψυξης
- 2.Κουμπί ρύθμισης θερμοκρασίας
- 3.Τμήματα για βούτυρο & τυρί
- 4.Ράφι πόρτας χώρου συντήρησης
- 5.Αυγοθήκες
- 6.Περιστροφικό δοχείο φύλαξης
- 7.Στήριγμα μπουκαλιών
- 8.Προστατευτικό σύρμα
- 9.Ράφι μπουκαλιών
- 10.Ρυθμιζόμενα πόδια

- 11.Συρτάρι λαχανικών
  - 12.Χώρος Έντονης Ψύξης
  13. πλήκτρο
  - 14.Υποδοχές μπουκαλιών κρασιού
  15. Γυάλινα ράφια χώρου συντήρησης
  - 16.Ανεμιστήρας
  - 17.Δοχείο πάγου
  - 18.Icematic – Αυτόματο σύστημα πάγου
  - 19.Χώρος Κατάψυξης
  - 20.Χώρος συντήρησης
- \*προαιρ.**




Οι εικόνες σ' αυτό το εγχειρίδιο οδηγιών είναι σχηματικές και ενδέχεται να μην ανταποκρίνονται ακριβώς στο προϊόν σας. Αν ορισμένα τμήματα δεν περιλαμβάνονται στο προϊόν που έχετε προμηθευτεί, τότε ισχύουν για άλλα μοντέλα.

## 2 Ξημαντικές προειδοποιήσεις ασφαλείας

Παρακαλούμε να μελετήσετε τις πληροφορίες που ακολουθούν. Η μη τήρηση αυτών των πληροφοριών μπορεί να γίνει αιτία τραυματισμών ή υλικών ζημιών. Αν δεν το κάνετε αυτό, θα καταστεί άκυρη κάθε εγγύηση και κάθε δέσμευση περί αξιοπιστίας.

Γνήσια ανταλλακτικά θα είναι διαθέσιμα για 10 έτη από την ημερομηνία αγοράς του προϊόντος.

### Προβλεπόμενος σκοπός χρήσης

	<b>ΠΡΟΣΟΧΗ:</b> βεβαιωθείτε ότι οι οπές εξαερισμού δεν είναι κλεισμένοι όταν η συσκευή είναι στη δική συσκευασία της και όταν είναι εγκατεστημένη.
	<b>ΠΡΟΣΟΧΗ:</b> Για να επιταχυνθεί η λειτουργία απόψυξης, παρακαλούμε να μη χρησιμοποιείτε κανένα άλλο μηχανικό ή άλλο εξοπλισμό εκτός από τα οποία που συνιστώνται από τον κατασκευαστή.
	<b>ΠΡΟΣΟΧΗ:</b> Μην καταστρέψετε το ψυκτικό κύκλωμα.



### ΠΡΟΣΟΧΗ:

Μην χρησιμοποιείτε ηλεκτρικές συσκευές που δεν συνιστώνται από τον κατασκευαστή στους χώρους αποθήκευσης τροφίμων.

Αυτή η συσκευή έχει σχεδιαστεί για χρήση στο σπίτι ή στις παρακάτω περιοχές εφαρμογής

- Μπορεί να χρησιμοποιηθεί στις κουζίνες των γραφείων, μαγαζιών και των άλλων των εργασιακών περιβαλλόντων,
- Μπορεί να χρησιμοποιηθεί από τους πελάτες στα αγρόκτηματα, ξενοδοχεία, μοτέλ και στα άλλα περιβάλλοντα καταλύματος,

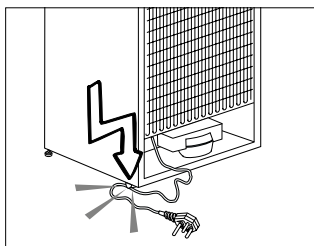
### Γενικές οδηγίες ασφαλείας

- Όταν θέλετε να πετάξετε ως άχρηστο ή να ανακυκλώσετε το προϊόν, συνιστούμε για τις απαιτούμενες πληροφορίες να συμβουλευτείτε το εξουσιοδοτημένο σέρβις ή τους αρμόδιους φορείς.
- Να συμβουλευέστε το εξουσιοδοτημένο σέρβις για όλες τις ερωτήσεις και προβλήματα σχετικά με το ψυγείο. Μην επεμβαίνετε και μην αφήνετε οποιονδήποτε άλλον να επέμβει στο ψυγείο χωρίς να ειδοποιήσετε το εξουσιοδοτημένο σέρβις.

- Για προϊόντα με χώρο κατάψυξης: Μην καταναλώνετε παγωτό και παγοκύβους αμέσως μόλις τα βγάλετε από το χώρο της κατάψυξης! (Αυτό μπορεί να προκαλέσει κρουσπαγήματα στο στόμα σας).
- Για προϊόντα με χώρο κατάψυξης: Μην τοποθετείτε στην κατάψυξη ποτά ή αναψυκτικά σε μπουκάλια ή μεταλλικά κουτιά. Αλλιώς, υπάρχει κίνδυνος να σκάσουν.
- Μην αγγίζετε τα παγωμένα τρόφιμα με τα χέρια, γιατί μπορεί να κολλήσουν στο χέρι σας.
- Αποσυνδέετε το ψυγείο από την πρίζα πριν τον καθαρισμό ή την απόψυξη.
- Δεν πρέπει να χρησιμοποιείτε ποτέ ατμό και ατμοποιημένα καθαριστικά υλικά στις διαδικασίες καθαρισμού και απόψυξης του ψυγείου σας. Σε τέτοιες περιπτώσεις, ο ατμός μπορεί να έλθει σε επαφή με τα ηλεκτρικά εξαρτήματα και να γίνει η αιτία βραχυκυκλώματος ή ηλεκτροπληξίας.
- Ποτέ μη χρησιμοποιείτε εξαρτήματα του ψυγείου σας, όπως η πόρτα, ως μέσο στήριξης ή ως σκαλοπάτι.
- Μη χρησιμοποιείτε ηλεκτρικές συσκευές στο εσωτερικό του ψυγείου.
- Μη προξενήσετε ζημιά με εργαλεία διάτρησης ή κοπής στα μέρη της συσκευής όπου κυκλοφορεί το ψυκτικό μέσο. Το ψυκτικό μέσο που μπορεί να εκτιναχθεί αν τρυπήσουν οι διόδοι αερίου του εξατμιστήρα, των επεκτάσεων σωλήνων ή των επιφανειακών επικαλύψεων, προκαλεί ερεθισμό στο δέρμα και τραυματισμό στα μάτια.
- Μην καλύπτετε και μην φράσσετε με οποιοδήποτε υλικό τα ανοίγματα αερισμού του ψυγείου σας.
- Οι επισκευές σε ηλεκτρικές συσκευές πρέπει να διεξάγονται μόνο από εξουσιοδοτημένο προσωπικό. Οι επισκευές που γίνονται από αναρμόδια άτομα δημιουργούν κινδύνους για το χρήστη.
- Σε περίπτωση οποιασδήποτε βλάβης ή κατά τη διάρκεια των εργασιών συντήρησης ή επισκευών, να αποσυνδέετε το ψυγείο από την παροχή ηλεκτρικού ρεύματος είτε απενεργοποιώντας τον αντίστοιχο ασφαλειοδιακόπτη είτε βγάζοντας το φισ από την πρίζα.
- Για την αποσύνδεση του φισ μην τραβάτε το καλώδιο.
- Βεβαιωθείτε ότι τα υψηλού βαθμού αλκοολούχα ποτά αποθηκεύονται με ασφάλεια με το καπάκι στερεωμένο και τοποθετημένο σε όρθια θέση.
- Ποτέ μην αποθηκεύετε στο ψυγείο μπουκάλια σπρέι που περιέχουν εύφλεκτες και εκρηκτικές ουσίες.
- Μη χρησιμοποιείτε μηχανικές διατάξεις ή άλλα μέσα για να



- επιταχύνετε τη διαδικασία της απόψυξης, εκτός από τα μέσα που συνιστά ο κατασκευαστής.
- Το προϊόν αυτό δεν προορίζεται για χρήση από άτομα με σωματικά, αισθητηριακά ή διανοητικά προβλήματα ή από άτομα με έλλειψη εμπειρίας (περιλαμβανομένων παιδιών), εκτός αν τα άτομα βρίσκονται υπό την επίβλεψη ατόμου που θα είναι υπεύθυνο για την ασφάλειά τους ή που θα τα καθοδηγήσει όπως απαιτείται για τη χρήση του προϊόντος
  - Μη χρησιμοποιήσετε το ψυγείο αν έχει υποστεί βλάβη ή ζημιά. Αν έχετε οποιαδήποτε αμφιβολία συμβουλευτείτε τον αντιπρόσωπο σέρβις.
  - Η ηλεκτρική ασφάλεια του ψυγείου σας θα είναι εγγυημένη μόνον αν το σύστημα γείωσης του σπιτιού σας συμμορφώνεται με τα ισχύοντα πρότυπα.
  - Η έκθεση του προϊόντος σε βροχή, χιόνι, ήλιο και άνεμο δημιουργεί κινδύνους σε σχέση με την ασφάλεια με το ηλεκτρικό ρεύμα.
  - Αν υπάρχει ζημιά στο καλώδιο ρεύματος, για την αποφυγή κινδύνου επικοινωνήστε με το εξουσιοδοτημένο σέρβις.
  - Σε καμία περίπτωση μη συνδέσετε το ψυγείο στην πρίζα κατά τη διάρκεια της εγκατάστασης. Αλλιώς, μπορεί να δημιουργηθεί κίνδυνος θανάτου ή σοβαρού τραυματισμού.
  - Το ψυγείο αυτό προορίζεται αποκλειστικά για τη φύλαξη τροφίμων. Δεν πρέπει να χρησιμοποιηθεί για οποιοδήποτε άλλο σκοπό.
  - Η ετικέτα τεχνικών προδιαγραφών βρίσκεται πάνω στο αριστερό τοίχωμα στο εσωτερικό του ψυγείου.
  - Ποτέ μη συνδέσετε το ψυγείο σας σε συστήματα εξοικονόμησης ενέργειας, γιατί αυτά μπορεί να προκαλέσουν ζημιά στο ψυγείο.
  - Αν το ψυγείο σας διαθέτει μπλε φως, μην κοιτάζετε το μπλε φως μέσω οπτικών διατάξεων.
  - Για ψυγεία με μη αυτόματο σύστημα ελέγχου, μετά από διακοπή ρεύματος περιμένετε τουλάχιστον 5 λεπτά πριν θέσετε πάλι το ψυγείο σε λειτουργία.
  - Σε περίπτωση μεταβίβασης, το παρόν εγχειρίδιο χρήσης θα πρέπει να παραδοθεί στον καινούριο ιδιοκτήτη του προϊόντος.
  - Αποφύγετε την πρόκληση ζημιάς στο καλώδιο ρεύματος όταν μεταφέρετε το ψυγείο. Αν το καλώδιο τσακίσει μπορεί να προκληθεί πυρκαγιά. Ποτέ μην τοποθετείτε βαριά αντικείμενα πάνω στο καλώδιο ρεύματος. Μην αγγίζετε το φως με υγρά χέρια όταν συνδέετε το προϊόν στην πρίζα.

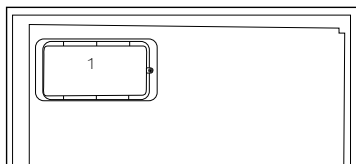
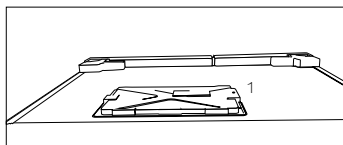


- Όταν τοποθετείτε τη συσκευή, βεβαιωθείτε ότι το καλώδιο ρεύματος δεν θα μαγκωθεί και δεν θα υποστεί ζημιά.
- Μην τοποθετείτε πολύπριζα ή φορητά τροφοδοτικά πίσω από τη συσκευή.
- Παιδιά ηλικίας από 3 έως 8 ετών επιτρέπεται να εναποθέτουν και να αποσύρουν φαγώσιμα από ψυκτικές οικιακές συσκευές.
- Για την αποφυγή μόλυνσης των τροφίμων, παρακαλούμε να τηρείτε τις εξής οδηγίες:
- Το άνοιγμα της πόρτας για μεγάλα χρονικά διαστήματα μπορεί να προκαλέσει σημαντική αύξηση της θερμοκρασίας στα διαμερίσματα της συσκευής.
- Να καθαρίζετε τακτικά τις επιφάνειες που μπορεί να έρθουν σε επαφή με τρόφιμα, καθώς και τα προσπελάσιμα συστήματα αποστράγγισης.
- Να καθαρίζετε τα δοχεία νερού αν δεν έχουν χρησιμοποιηθεί για 48 ώρες. Να ξεπλένετε το σύστημα νερού που συνδέεται σε παροχή νερού αν δεν έχει καταναλωθεί νερό για 5 ημέρες.
- Να φυλάσσετε το ωμό κρέας και ψάρια σε κατάλληλα δοχεία μέσα στο ψυγείο, ώστε να μην έρχονται σε επαφή με φαγητά και να μη στάζουν πάνω σε αυτά.
- Τα διαμερίσματα δύο αστέρων για κατεψυγμένα τρόφιμα είναι κατάλληλα για φύλαξη προ-κατεψυγμένων τροφίμων, για φύλαξη ή παρασκευή παγωτού και για παρασκευή παγοκύβων.
- Τα διαμερίσματα ενός, δύο και τριών αστέρων δεν είναι κατάλληλα για την κατάψυξη νωπών τροφίμων.
- Αν η ψυκτική οικιακή συσκευή μείνει κενή για μεγάλα χρονικά διαστήματα, απενεργοποιήστε τη, κάντε απόψυξη, καθαρίστε τη, στεγνώστε τη και αφήστε την πόρτα ανοικτή ώστε να αποφύγετε την ανάπτυξη μούχλας εντός της συσκευής.
- Μη συνδέσετε το ψυγείο σε πρίζα που δεν είναι καλά στερεωμένη στη θέση της.
- Για λόγους ασφαλείας, δεν πρέπει ποτέ να πιπσιλίζετε νερό απ' ευθείας σε εσωτερικά ή εξωτερικά μέρη του προϊόντος.
- Για να αποφύγετε τον κίνδυνο πυρκαγιάς και έκρηξης, μην ψεκάζετε κοντά στο ψυγείο υλικά που περιέχουν εύφλεκτα αέρια όπως προπάνιο κ.λ.π.
- Ποτέ μην τοποθετείτε πάνω στο ψυγείο δοχεία που περιέχουν νερό, γιατί μπορεί να προκληθεί ηλεκτροπληξία ή πυρκαγιά.

- Μην υπερφορτώνετε το ψυγείο με υπερβολική ποσότητα τροφίμων. Αν υπερφορτωθεί το ψυγείο, όταν ανοίγετε την πόρτα τα τρόφιμα μπορεί να πέσουν και να σας κτυπήσουν ή να προξενήσουν ζημιά στο ψυγείο. Ποτέ μην τοποθετείτε αντικείμενα πάνω στο ψυγείο. Διαφορετικά μπορεί να πέσουν όταν ανοίγετε ή κλείνετε την πόρτα του ψυγείου.
- Επειδή για τη φύλαξη τους απαιτούνται ακριβείς συνθήκες θερμοκρασίας, δεν πρέπει να φυλάσσονται στο ψυγείο εμβόλια, φάρμακα ευαίσθητα στη θερμοκρασία, επιστημονικά υλικά κλπ.
- Το ψυγείο θα πρέπει να αποσυνδέεται από το ρεύμα αν δεν πρόκειται να χρησιμοποιηθεί για μεγάλο χρονικό διάστημα. Ένα ενδεχόμενο πρόβλημα στο καλώδιο ρεύματος μπορεί να προκαλέσει πυρκαγιά.
- Το ψυγείο μπορεί να μετακινηθεί αν τα ρυθμιζόμενα πόδια δεν έχουν ρυθμιστεί ώστε να έχουν σταθερή επαφή με το δάπεδο. Η σωστή στερέωση των ρυθμιζόμενων ποδιών στο δάπεδο μπορεί να αποτρέψει τη μετακίνηση του ψυγείου.
- Όταν μεταφέρετε το ψυγείο μην το κρατάτε από τη λαβή της πόρτας. Διαφορετικά, αυτή μπορεί να σπάσει.
- Όταν χρειαστεί να εγκαταστήσετε το ψυγείο

σας δίπλα σε άλλο ψυγείο ή καταψύκτη, η απόσταση ανάμεσα στις συσκευές θα πρέπει να είναι τουλάχιστον 8 εκ. Διαφορετικά, μπορεί να σχηματιστεί υγρασία στα γειτονικά πλευρικά τοιχώματα.

- Σε καμία περίπτωση μη χρησιμοποιήσετε το προϊόν αν είναι ανοικτό το τμήμα στο πάνω ή πίσω μέρος του προϊόντος που περιέχει τις πλακέτες τυπωμένων κυκλωμάτων (κάλυμμα τυπωμένων κυκλωμάτων) (1).



#### Για προϊόντα με διανομέα νερού:

- Η μέγιστη πίεση για την είσοδο κρύου νερού θα είναι 90 psi (620 kPa). Αν η πίεση νερού υπερβαίνει τα 80 psi (550 kPa), χρησιμοποιήστε μια βαλβίδα περιορισμού πίεσης στο σύστημα παροχής νερού σας. Αν δεν γνωρίζετε πώς να ελέγξετε την πίεση νερού, ζητήστε τη βοήθεια επαγγελματία υδραυλικού.

- Αν υπάρχει κίνδυνος φαινομένου υδραυλικού πλήγματος (απότομης μεταβολής πίεσης του νερού) στην εγκατάστασή σας, πάντα να χρησιμοποιείτε στην εγκατάσταση εξοπλισμό αποτροπής του υδραυλικού πλήγματος. Συμβουλευτείτε επαγγελματίες υδραυλικούς αν δεν είστε σίγουροι ότι δεν υπάρχει φαινόμενο υδραυλικού πλήγματος στην εγκατάστασή σας.
- Μην εγκαταστήσετε στην είσοδο ζεστού νερού. Λάβετε μέτρα προφύλαξης έναντι του κινδύνου να παγώσουν οι εύκαμπτοι σωλήνες. Η περιοχή θερμοκρασιών νερού λειτουργίας είναι από ελάχιστη 0,6 °C (33 °F) έως μέγιστη 38 °C (100 °F).
- Χρησιμοποιείτε μόνο πόσιμο νερό.

#### **Ασφάλεια των παιδιών**

- Αν το ψυγείο σας διαθέτει κλειδαριά, πρέπει να φυλάτε το κλειδί μακριά από παιδιά.
- Τα παιδιά πρέπει να βρίσκονται υπό επίβλεψη ώστε να μην επεμβαίνουν στο προϊόν.

#### **Προειδοποίηση HC (Για συσκευές Ψύξης - Θέρμανσης) Αν το ψυκτικό σύστημα της συσκευής σας περιέχει R600a:**

Το αέριο αυτό είναι εύφλεκτο. Για το λόγο αυτό, προσέχετε να μην προκληθεί ζημιά στο ψυκτικό σύστημα και τις σωληνώσεις του κατά τη χρήση και τη μεταφορά της συσκευής.

Σε περίπτωση ζημιάς, κρατήστε τη συσκευή σας μακριά από ενδεχόμενες πηγές φωτιάς οι οποίες μπορούν να κάνουν το προϊόν να πιάσει φωτιά και αερίστε το χώρο στον οποίο είναι τοποθετημένη η μονάδα.

#### **Αγνοήστε αυτή την προειδοποίηση αν το ψυκτικό σύστημα της συσκευής σας περιέχει R134a.**

Ο τύπος αερίου που χρησιμοποιείται στο προϊόν αναφέρεται στην πινακίδα στοιχείων η οποία βρίσκεται πάνω στο αριστερό τοίχωμα στο εσωτερικό του ψυγείου. Σε καμία περίπτωση μην πετάξετε το προϊόν σε φωτιά.

#### **Τι πρέπει να κάνετε για εξοικονόμηση ενέργειας**

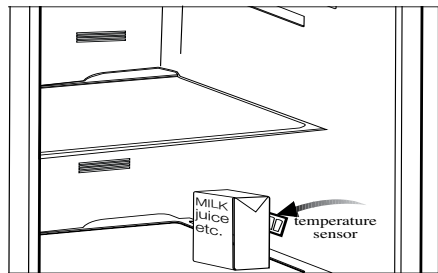
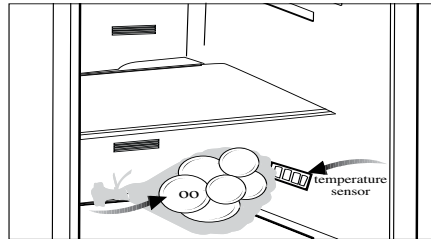
- Μην αφήνετε τις πόρτες του ψυγείου σας ανοικτές για μεγάλο χρονικό διάστημα.
- Μην τοποθετείτε ζεστά φαγητά ή ποτά στο ψυγείο σας.
- Μην υπερφορτώνετε το ψυγείο σας, ώστε να μην εμποδίζεται η κυκλοφορία αέρα στο εσωτερικό του.
- Μην τοποθετείτε το ψυγείο σας σε απ' ευθείας ηλιακό φως ή κοντά σε συσκευές που εκπέμπουν θερμότητα όπως φούρνους, πλυντήρια πιάτων ή σώματα θέρμανσης.
- Φροντίζετε να διατηρείτε τα τρόφιμα σε κλειστά δοχεία.
- Για προϊόντα με χώρο κατάψυξης: Μπορείτε να φυλάξετε τη μέγιστη ποσότητα τροφίμων στην κατάψυξη όταν αφαιρέσετε το ράφι ή

το συρτάρι της κατάψυξης. Η αναφερόμενη τιμή κατανάλωσης ενέργειας για το ψυγείο σας προσδιορίστηκε ενώ είχε αφαιρεθεί το ράφι ή το συρτάρι της κατάψυξης και με το μέγιστο φορτίο τροφίμων. Δεν υπάρχει πρόβλημα από τη χρήση ραφίου ή συρταριού ανάλογα με τα σχήματα και τα μεγέθη των τροφίμων που πρόκειται να καταψυχθούν.

- Η απόψυξη των κατεψυγμένων τροφίμων στο χώρο συντήρησης θα παρέχει και εξοικονόμηση ενέργειας και καλύτερη διατήρηση της ποιότητας των τροφίμων.

## Υποδείξεις για το χώρο νωπών τροφίμων \* ΠΡΟΑΙΡ.

- Μην αφήνετε τρόφιμα να έρθουν σε επαφή με τον αισθητήρα θερμοκρασίας στο χώρο νωπών τροφίμων. Για να διατηρήσετε το χώρο νωπών τροφίμων σε ιδανική θερμοκρασία αποθήκευσης, ο αισθητήρας δεν πρέπει να εμποδίζεται από τρόφιμα.
- Μην τοποθετείτε ζεστά τρόφιμα μέσα στη συσκευή.



### 3 Εγκατάσταση

⚠ Παρακαλούμε να θυμάστε ότι δεν θα θεωρείται υπεύθυνος ο κατασκευαστής αν δεν τηρηθούν οι πληροφορίες που δίνονται στο εγχειρίδιο οδηγιών.

#### Σημεία που πρέπει να προσέξετε κατά την εκ νέου μεταφορά του ψυγείου

1. Θα πρέπει να αδειάσετε και να καθαρίσετε το ψυγείο σας πριν από οποιαδήποτε μεταφορά.
2. Πριν τοποθετήσετε πάλι το ψυγείο στη συσκευασία του, τα ράφια, τα αξεσουάρ, το συρτάρι λαχανικών κλπ. θα πρέπει να στερεωθούν με χρήση κολλητικής ταινίας για προστασία από τα τραντάγματα.
3. Η συσκευασία θα πρέπει να ασφαλιστεί με ταινίες κατάλληλου πάχους και γερά σχοινιά και θα πρέπει να ακολουθούνται οι κανόνες μεταφοράς που είναι τυπωμένοι στο κιβώτιο.

#### Μην ξεχνάτε...

Κάθε υλικό που ανακυκλώνεται είναι μια απαραίτητη πηγή υλικών προς όφελος της φύσης και των εθνικών μας πόρων. Αν επιθυμείτε να συμβάλετε στην ανακύκλωση των υλικών συσκευασίας, μπορείτε να πάρετε περισσότερες πληροφορίες από τους περιβαλλοντικούς φορείς ή τις τοπικές αρχές.

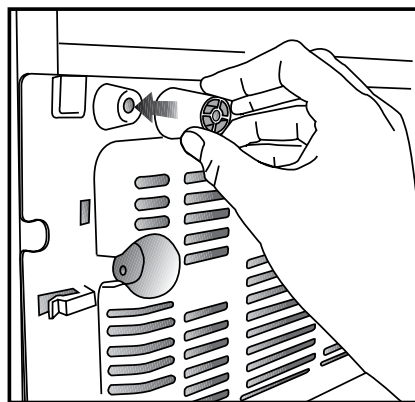
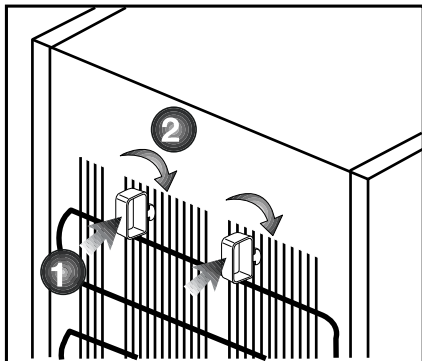
#### Πριν θέσετε σε λειτουργία το ψυγείο σας

Πριν αρχίσετε να χρησιμοποιείτε το ψυγείο σας ελέγξτε τα εξής:

Καθαρίστε το εσωτερικό του ψυγείου όπως συνιστάται στην ενότητα "Συντήρηση και καθαρισμός".

Συνδέστε το ψυγείο στην πρίζα στον τοίχο. Όταν ανοιχτεί η πόρτα, το εσωτερικό φως στο χώρο συντήρησης θα ανάψει.

Οι μπροστινές ακμές του ψυγείου μπορεί να είναι θερμές στο άγγιγμα. Αυτό είναι φυσιολογικό. Οι περιοχές αυτές έχουν σχεδιαστεί να είναι θερμές ώστε να αποφεύγεται η συμπύκνωση.



1. Είναι το εσωτερικό του ψυγείου στεγνό και μπορεί ο αέρας να κυκλοφορεί ανεμπόδιστα στο πίσω του μέρος;
2. Εισάγετε τις 2 πλαστικές σφήνες στο πίσω σύστημα αερισμού, όπως δείχνει η ακόλουθη εικόνα. Οι πλαστικές σφήνες θα παρέχουν την απαιτούμενη απόσταση ανάμεσα στο ψυγείο σας και τον τοίχο ώστε να επιτρέπεται η κυκλοφορία του αέρα.
3. Καθαρίστε το εσωτερικό του ψυγείου όπως συνιστάται στην ενότητα "Συντήρηση και καθαρισμός".

#### Ηλεκτρική σύνδεση

Συνδέστε τη συσκευή σας σε γειωμένη πρίζα η οποία προστατεύεται από ασφάλεια κατάλληλης ονομαστικής τιμής ρεύματος.

Σημαντική παρατήρηση:

- Η σύνδεση πρέπει να συμμορφώνεται με τους εθνικούς κανονισμούς.
- Το φως του καλωδίου ρεύματος πρέπει να είναι εύκολα προσπελάσιμο μετά την εγκατάσταση.
- Η καθοριζόμενη ηλεκτρική τάση πρέπει να είναι ίδια με την τάση ρεύματος του δικτύου σας.
- Δεν πρέπει να χρησιμοποιούνται καλώδια προέκτασης και πολύπριζα για τη σύνδεση στο ρεύμα.

⚠ Αν ένα καλώδιο ρεύματος έχει υποστεί ζημιά, αυτό πρέπει να αντικατασταθεί από αδειούχο ειδικό τεχνικό.

⚠ Δεν επιτρέπεται η λειτουργία της συσκευής πριν την επισκευή! Υπάρχει κίνδυνος ηλεκτροπληξίας!

## Διάθεση των υλικών συσκευασίας

Τα υλικά συσκευασίας μπορεί να είναι επικίνδυνα για τα παιδιά. Κρατάτε τα υλικά συσκευασίας μακριά από παιδιά ή πετάξτε τα αφού τα διαχωρίσετε ανάλογα με τις οδηγίες για απόβλητα. Μην τα πετάξετε μαζί με τα κοινά οικιακά απορρίμματα.

Η συσκευασία του ψυγείου σας έχει παραχθεί από ανακυκλώσιμα υλικά.

## Διάθεση του παλιού σας ψυγείου

Απορρίψτε το παλιό σας ψυγείο με τρόπο φιλικό προς το περιβάλλον.

- Σχετικά με τον τρόπο απόρριψης του ψυγείου σας μπορείτε να συμβουλευτείτε τον εξουσιοδοτημένο έμπορο που συνεργάζεστε ή τις δημοτικές σας αρχές.

Πριν πετάξετε το ψυγείο σας, κόψτε το καλώδιο ρεύματος, και, αν υπάρχουν κλειδαριές σε πόρτες, καταστήστε τις μη λειτουργικές, για την προστασία των παιδιών από οποιονδήποτε κίνδυνο.

## Τοποθέτηση και εγκατάσταση

⚠ Αν η πόρτα εισόδου του χώρου όπου θα τοποθετηθεί το ψυγείο δεν είναι αρκετά πλατιά για να περάσει το ψυγείο, τότε καλέστε το εξουσιοδοτημένο σέρβις για να αφαιρέσει την πόρτα του ψυγείου σας και να το περάσει μέσα από την πόρτα με το πλάι.

1. Εγκαταστήστε το ψυγείο σε θέση που προσφέρει ευκολία στη χρήση.
2. Κρατήστε το ψυγείο σας μακριά από πηγές θερμότητας, μέρη με υγρασία και από απ' ευθείας ηλιακό φως.
3. Αν το πάτωμα είναι καλυμμένο με χαλί, το προϊόν σας θα πρέπει να ανυψωθεί κατά 2,5 εκ. από το δάπεδο.
4. Τοποθετήστε το ψυγείο σας σε δάπεδο με επίπεδη επιφάνεια για να αποφευχθούν τα τραντάγματα.

Το προϊόν σας χρειάζεται επαρκή κυκλοφορία αέρα για να λειτουργεί αποδοτικά. Αν το προϊόν πρόκειται να τοποθετηθεί μέσα σε εσοχή τοίχου, μην παραλείψετε να αφήσετε ελεύθερη απόσταση τουλάχιστον 5 cm ανάμεσα στο προϊόν και την οροφή, τον πίσω τοίχο και τους πλευρικούς τοίχους.

Αν το προϊόν πρόκειται να τοποθετηθεί μέσα σε εσοχή τοίχου, μην παραλείψετε να αφήσετε ελεύθερη απόσταση τουλάχιστον 5 cm ανάμεσα στο προϊόν και την οροφή, τον πίσω τοίχο και τους πλευρικούς τοίχους. Ελέγξτε αν υπάρχει στη θέση του το εξάρτημα προστασίας της απόστασης από τον πίσω τοίχο (αν παρέχεται με το προϊόν). Αν το εξάρτημα δεν είναι διαθέσιμο, ή αν έχει χαθεί ή πέσει, ρυθμίστε τη θέση του προϊόντος έτσι ώστε να παραμένει διάκενο τουλάχιστον 5 cm ανάμεσα στην πίσω επιφάνεια του προϊόντος και τον τοίχο του δωματίου. Το διάκενο στην πίσω πλευρά είναι σημαντικό για την αποδοτική λειτουργία του προϊόντος.

- Ο συμπυκνωτής της συσκευής σας βρίσκεται στο πίσω μέρος όπως φαίνεται παρακάτω. Για να επιτύχετε καλύτερη ενεργειακή απόδοση με μικρότερη κατανάλωση ενέργειας, τραβήξτε το συμπυκνωτή προς το μέρος σας όπως φαίνεται στην παρακάτω εικόνα. Ο συμπυκνωτής θα στερεωθεί σταθερά στη θέση του με το μηχανισμό ασφάλισης στις πάνω υποδοχές σε κάθε πλευρά.

\* ΠΡΟΑΙΡΕΤΙΚΟΣ ΕΞΟΠΛΙΣΜΟΣ



## Αντικατάσταση της λάμπας φωτισμού

Για αλλαγή της λάμπας φωτισμού του ψυγείου σας, καλέστε το τοπικό σας εξουσιοδοτημένο σέρβις.

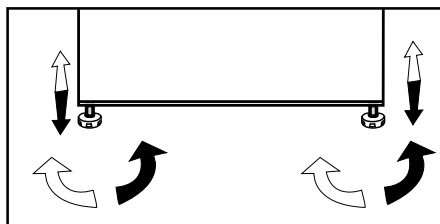
Ο λαμπτήρας (οι λαμπτήρες) που χρησιμοποιεί αυτή η συσκευή δεν είναι κατάλληλος(-οι) για φωτισμό των οικιακών χώρων. Ο σκοπός αυτού του λαμπτήρα είναι να βοηθά το χρήστη να βρίσκεται με ασφάλεια και άνεση τα τρόφιμα στη συντήρηση/ κατάψυξη.

Οι λάμπες που χρησιμοποιούνται σε αυτή τη συσκευή πρέπει να είναι ανθεκτικές σε ακραίες φυσικές συνθήκες, όπως θερμοκρασίες κάτω από -20 °C.

## Ρύθμιση των ποδιών

Αν το ψυγείο σας δεν είναι καλά ισορροπημένο:

Μπορείτε να ισορροπήσετε το ψυγείο σας περιστρέφοντας τα μπροστινά πόδια του, όπως δείχνει η εικόνα. Η γωνία όπου βρίσκεται το πόδι χαμηλώνει όταν περιστρέψετε το πόδι στην κατεύθυνση του μαύρου βέλους και ανυψώνεται όταν το γυρίζετε στην αντίθετη κατεύθυνση. Η διαδικασία αυτή θα γίνει πιο εύκολη αν κάποιος σας βοηθήσει ανυψώνοντας ελαφρά το ψυγείο.

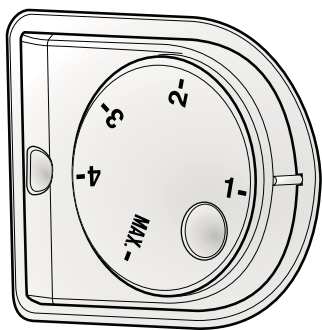




## 4 Προετοιμασία

- 1** για ελεύθερη συσκευή: "η παρούσα ψυκτική συσκευή δεν προορίζεται να χρησιμοποιηθεί ως εντοιχιζόμενη συσκευή"
- 2** Το ψυγείο σας θα πρέπει να εγκατασταθεί σε απόσταση τουλάχιστον 30 εκ. από πηγές θερμότητας όπως εστίες μαγειρέματος, φούρνους, σώματα κεντρικής θέρμανσης και σόμπες και τουλάχιστον 5 εκ. μακριά από ηλεκτρικούς φούρνους και δεν θα πρέπει να τοποθετείται σε μέρη όπου δέχεται απ' ευθείας ηλιακή ακτινοβολία.
- 3** Παρακαλούμε να φροντίζετε να διατηρείτε το εσωτερικό του ψυγείου σας σχολαστικά καθαρό.
- 4** Αν πρέπει να εγκατασταθούν δύο ψυγεία το ένα δίπλα στο άλλο, θα πρέπει να υπάρχει μεταξύ τους απόσταση τουλάχιστον 2 εκ.
- 5** Όταν θέσετε το ψυγείο σε λειτουργία για πρώτη φορά, παρακαλούμε τηρείτε τις ακόλουθες οδηγίες κατά τις αρχικές έξι ώρες.
- Η πόρτα δεν θα πρέπει να ανοίγει συχνά.
  - Το ψυγείο θα πρέπει να λειτουργήσει κενό, χωρίς τρόφιμα στο εσωτερικό του.
  - Μην αποσυνδέσετε το ψυγείο σας από το ρεύμα. Αν συμβεί μια ανεξέλεγκτη διακοπή ρεύματος, δείτε τις προειδοποιήσεις στην ενότητα "Συνιστώμενες λύσεις για προβλήματα".
- 6** Η αρχική συσκευασία και τα αφρώδη υλικά θα πρέπει να φυλαχτούν για μελλοντικές μεταφορές ή μετακόμιση.
- 7** Η συσκευή αυτή έχει σχεδιαστεί να λειτουργεί σε θερμοκρασίες που καθορίζονται στον πιο κάτω πίνακα και είναι εξοπλισμένη με Προηγμένο ηλεκτρονικό σύστημα ελέγχου θερμοκρασίας (Advanced Electronic Temperature Control System, AETCS) που εξασφαλίζει ότι στη συνιστώμενη ρύθμιση [4 - τέσσερα στο περιστροφικό κουμπί] τα κατεψυγμένα τρόφιμα στο χώρο κατάψυξης δεν θα αποψυχθούν ακόμη και αν η θερμοκρασία περιβάλλοντος πέσει ως τους -15 °C. Όταν γίνεται εγκατάσταση για πρώτη φορά, το προϊόν ΔΕΝ ΘΑ ΠΡΕΠΕΙ να τοποθετηθεί σε χαμηλές θερμοκρασίες περιβάλλοντος επειδή η θερμοκρασία κατάψυξης δεν θα μειωθεί στην κανονική τιμή λειτουργίας. Όταν το ψυγείο έχει φθάσει στη σταθερή του κατάσταση λειτουργίας, μπορείτε να αλλάξετε τη θέση του. Τότε λοιπόν μπορείτε να εγκαταστήσετε τη συσκευή σας σε γκαράζ ή σε μη θερμαινόμενο δωμάτιο χωρίς να χρειάζεται να ανησυχείτε μήπως χαλάσουν τα τρόφιμα στο χώρο κατάψυξης. Ωστόσο στις χαμηλές θερμοκρασίες που αναφέρθηκαν πιο πάνω, πιθανόν θα παγώσουν τα περιεχόμενα του χώρου συντήρησης, γι' αυτό ελέγχετε και καταναλώνετε όπως χρειάζεται τα τρόφιμα στο χώρο συντήρησης. Όταν η θερμοκρασία περιβάλλοντος επιστρέψει στο κανονικό, μπορείτε να αλλάξετε τη ρύθμιση του περιστροφικού κουμπιού ώστε να ταιριάζει με τις ανάγκες σας.
- 8** Αν η θερμοκρασία περιβάλλοντος είναι κάτω από 0°C, τα τρόφιμα στο χώρο συντήρησης θα παγώσουν. Γι' αυτό συνιστούμε να μη χρησιμοποιείτε το χώρο συντήρησης σε τόσο χαμηλές θερμοκρασίες περιβάλλοντος. Μπορείτε να συνεχίσετε τη χρήση του χώρου κατάψυξης ως συνήθως.
- 9** Σε ορισμένα μοντέλα, ο πίνακας οργάνων απενεργοποιείται αυτόματα 5 λεπτά μετά το κλείσιμο της πόρτας. Θα ενεργοποιηθεί πάλι όταν ανοίξει η πόρτα ή όταν πατηθεί οποιοδήποτε πλήκτρο.
- 10** Λόγω της μεταβολής της θερμοκρασίας, ως αποτέλεσμα του ανοίγματος/κλεισίματος της πόρτας του προϊόντος κατά τη διάρκεια της λειτουργίας, η συμπύκνωση στην πόρτα/ράφια και στα γυάλινα δοχεία είναι φυσιολογική.
- 11** Επειδή όταν δεν ανοίγονται οι πόρτες της συσκευής δεν θα εισέρχεται απευθείας ζεστός και υγρός αέρας, η συσκευή θα βελτιστοποιεί τη λειτουργία της σε συνθήκες επαρκείς για την προστασία των τροφίμων σας. Λειτουργίες και επί μέρους μονάδες όπως συμπιεστής, ανεμιστήρας, θερμαντήρας, απόψυξη, φωτισμός, οθόνη κλπ. θα λειτουργούν σύμφωνα με τις απαιτήσεις, ώστε να καταναλώνεται η ελάχιστη ενέργεια υπό τις δεδομένες συνθήκες.

## 5 Χρήση του ψυγείου σας



### Κουμπί ρύθμισης θερμοκρασίας

Το κουμπί ρύθμισης θερμοκρασίας σας επιτρέπει να ρυθμίσετε τη θερμοκρασία του ψυγείου σας.

### Ρύθμιση της θερμοκρασίας του ψυγείου σας

Η γενική ρύθμιση θερμοκρασίας του ψυγείου σας γίνεται με το κουμπί ρύθμισης θερμοκρασίας στο δεξιό τοίχωμα του θαλάμου του ψυγείου. Το κουμπί αυτό διαθέτει 5 διαφορετικές θέσεις ρύθμισης της θερμοκρασίας. Επιλέξτε τη θέση που αντιστοιχεί στις ανάγκες σας.

### Διπλό σύστημα ψύξης

Το ψυγείο σας διαθέτει δύο χωριστά συστήματα ψύξης για την ψύξη του χώρου συντήρησης και του χώρου κατάψυξης. Έτσι δεν αναμιγνύεται ο αέρας στο χώρο συντήρησης με τον αέρα του χώρου κατάψυξης. Χάρη στα δύο αυτά χωριστά συστήματα ψύξης, η ταχύτητα ψύξης είναι πολύ υψηλότερη από ότι σε άλλα ψυγεία. Οι οσμές στους δύο χώρους δεν αναμιγνύονται. Επίσης παρέχεται πρόσθετη εξοικονόμηση ενέργειας επειδή η απόψυξη εκτελείται ανεξάρτητα.

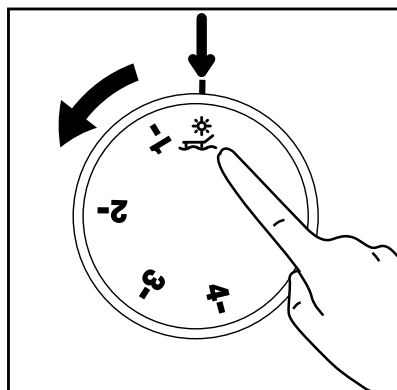
### Λειτουργία Διακοπών

Αν αφού ο θερμοστάτης ρυθμιστεί στην πιο ζεστή ρύθμιση δεν ανοίξουν οι πόρτες της συσκευής για 12 ώρες, τότε θα ενεργοποιηθεί αυτόματα η λειτουργία διακοπών.

Για να ακυρώσετε τη λειτουργία, ανοίξτε την πόρτα του προϊόντος ή αλλάξτε τη ρύθμιση του θερμοστάτη.

Η λειτουργία Διακοπών είναι προαιρετική. Μπορεί να διαφέρει ανάλογα με τον τύπο του προϊόντος και ίσως να μην περιλαμβάνεται σε κάθε προϊόν.

Δεν συνιστάται η φύλαξη τροφίμων στο χώρο συντήρησης όταν είναι ενεργή η λειτουργία διακοπών.



## Διπλό σύστημα ψύξης:


Το ψυγείο σας διαθέτει δύο χωριστά συστήματα ψύξης για την ψύξη του χώρου συντήρησης και του χώρου κατάψυξης. Έτσι δεν αναμιγνύεται ο αέρας στο χώρο συντήρησης με τον αέρα του χώρου κατάψυξης. Χάρη στα δύο αυτά χωριστά συστήματα ψύξης, η ταχύτητα ψύξης είναι πολύ υψηλότερη από ότι σε άλλα ψυγεία. Οι οσμές στους δύο χώρους δεν αναμιγνύονται. Επίσης παρέχεται πρόσθετη εξοικονόμηση ενέργειας επειδή η απόψυξη εκτελείται ανεξάρτητα.

## Κατάψυξη νωπών τροφίμων

- Τυλίγετε ή καλύπτετε τα τρόφιμα πριν τα τοποθετήσετε στο ψυγείο.
- Αφήνετε τα ζεστά φαγητά να κρουνούν σε θερμοκρασία δωματίου πριν τα τοποθετήσετε στο ψυγείο.
- Τα τρόφιμα που θέλετε να καταψύξετε θα πρέπει να είναι φρέσκα και καλής ποιότητας.
- Τα τρόφιμα πρέπει να χωρίζονται σε μερίδες ανάλογα με τις καθημερινές ή ανά γεύμα ανάγκες της οικογένειας.
- Τα τρόφιμα θα πρέπει να συσκευάζονται με αεροστεγή τρόπο για να εμποδίζεται να ξηραίνονται ακόμα και αν πρόκειται να διατηρηθούν στο ψυγείο για σύντομο χρονικό διάστημα.
- Τα υλικά για τη συσκευασία θα πρέπει να είναι ανθεκτικά σε σχίσιμο και σε χαμηλές θερμοκρασίες, υγρασία, οσμές, λάδια και οξέα και επίσης θα πρέπει να είναι αεροστεγή. Επιπλέον θα πρέπει να είναι καλά κλεισμένα και να είναι κατασκευασμένα από εύχρηστα υλικά που είναι κατάλληλα για χρήση σε συνθήκες βαθιάς κατάψυξης.

- Τα κατεψυγμένα τρόφιμα θα πρέπει να χρησιμοποιούνται άμεσα μετά την απόψυξή τους και ποτέ δεν θα πρέπει να καταψύχονται πάλι.
  - Παρακαλούμε τηρείτε τις ακόλουθες οδηγίες για να επιτύχετε τα καλύτερα αποτελέσματα.
1. Μην καταψύχετε ταυτόχρονα πολύ μεγάλη ποσότητα τροφίμων. Η ποιότητα των τροφίμων διατηρείται καλύτερα αν αυτά καταψυχθούν ως τον πυρήνα τους όσο το δυνατόν συντομότερα.
  2. Η τοποθέτηση ζεστού φαγητού στο χώρο κατάψυξης προκαλεί συνεχή λειτουργία του συστήματος ψύξης έως ότου το φαγητό έχει παγώσει τελείως.
  3. Φροντίστε ιδιαίτερα να μην αναμιγνύετε ήδη κατεψυγμένα και νωπά τρόφιμα.

## Συμβουλές για τη διατήρηση κατεψυγμένων τροφίμων

- Τα προσσκευασμένα κατεψυγμένα τρόφιμα του εμπορίου θα πρέπει να διατηρούνται σύμφωνα με τις οδηγίες του κατασκευαστή των κατεψυγμένων τροφίμων για χώρο συντήρησης κατεψυγμένων τροφίμων τύπου  (4 αστέρων).
  - Για να εξασφαλίσετε ότι θα διατηρηθεί η υψηλή ποιότητα η οποία επιτυγχάνεται από τον κατασκευαστή των κατεψυγμένων τροφίμων και το κατάστημα πώλησης τροφίμων, θα πρέπει να θυμάστε τα ακόλουθα:
1. Τοποθετείτε τις συσκευασίες στο χώρο κατάψυξης όσο το δυνατόν συντομότερα μετά την αγορά.
  2. Βεβαιωθείτε ότι τα περιεχόμενα φέρουν σήμανση με το είδος και την ημερομηνία.
  3. Μην υπερβαίνετε τις ημερομηνίες λήξης "Κατανάλωση έως", "Καλύτερο πριν" που βρίσκονται στη συσκευασία.

## Απόψυξη

Ο χώρος κατάψυξης διαθέτει αυτόματη απόψυξη.

## Τοποθέτηση των τροφίμων

Ράφια χώρου κατάψυξης	Διάφορα κατεψυγμένα τρόφιμα όπως κρέας, ψάρι, παγωτό, λαχανικά κλπ.
Αυγοθήκη	Αυγά
Ράφια χώρου συντήρησης	Τρόφιμα σε μαγειρικά σκεύη, καλυμμένα πιάτα και κλειστά δοχεία
Ράφια πόρτας χώρου συντήρησης	Μικρής ποσότητας και συσκευασμένα τρόφιμα ή ποτά (όπως γάλα, χυμός φρούτων και μπύρα)
Συρτάρι λαχανικών	Λαχανικά και φρούτα
Χώρος ζώνης φρεσκάδας	Προϊόντα Delicatessen (τυρί, βούτυρο, αλλαντικά κλπ.)

### Πληροφορίες για τη Βαθιά Κατάψυξη

Τα τρόφιμα πρέπει να καταψύχονται όσο το δυνατόν ταχύτερα όταν τοποθετούνται στο ψυγείο για να διατηρείται η καλή τους ποιότητα.

Η διατήρηση των τροφίμων για μεγάλο χρονικό διάστημα είναι δυνατή σε θερμοκρασίες  $-18^{\circ}\text{C}$  ή χαμηλότερες.

Μπορείτε να διατηρήσετε τη φρεσκάδα των τροφίμων για πολλούς μήνες (στους  $-18^{\circ}\text{C}$  ή χαμηλότερες θερμοκρασίες στη βαθιά κατάψυξη).

### ΠΡΟΕΙΔΟΠΟΙΗΣΗ! ⚠

- Τα τρόφιμα πρέπει να χωρίζονται σε μερίδες ανάλογα με τις καθημερινές ή ανά γεύμα ανάγκες της οικογένειας.

- Τα τρόφιμα θα πρέπει να συσκευάζονται με αεροστεγή τρόπο για να εμποδίζεται να ξηραίνονται ακόμα και αν πρόκειται να διατηρηθούν στο ψυγείο για σύντομο χρονικό διάστημα.

Υλικά απαραίτητα για τη συσκευασία:

- Κολλητική ταινία ανθεκτική σε χαμηλές θερμοκρασίες
- Αυτοκόλλητη ετικέτα
- Λαστιχάκια
- Στυλό

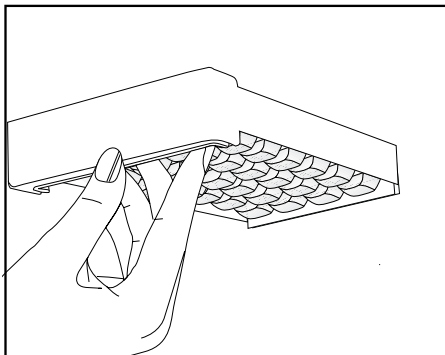
Τα υλικά για τη συσκευασία θα πρέπει να είναι ανθεκτικά στο σχίσιμο καθώς και σε χαμηλές θερμοκρασίες, υγρασία, οσμές, λάδια και οξέα.

Τα τρόφιμα προς κατάψυξη δεν θα πρέπει να επιτρέπεται να έρχονται σε επαφή με τα ήδη κατεψυγμένα είδη για να αποτραπεί η μερική απόψυξή τους.

Τα κατεψυγμένα τρόφιμα θα πρέπει να χρησιμοποιούνται άμεσα μετά την απόψυξή τους και ποτέ δεν θα πρέπει να καταψύχονται πάλι.

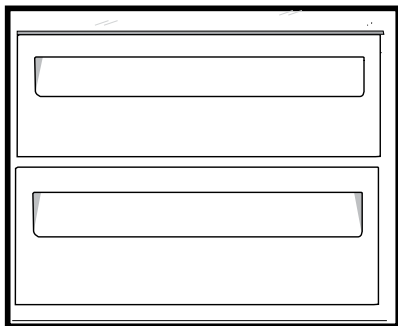
## Πώς να φτιάχνετε παγάκια

Γεμίστε τη θήκη για παγάκια με νερό και τοποθετήστε τη στη θέση της. Ο πάγος σας θα είναι έτοιμος σε περίπου δύο ώρες. Μπορείτε να αφαιρέσετε εύκολα τα παγάκια σας στρίβοντας ελαφρά τη θήκη τους.



## Χώρος θερμοκρασίας μηδέν βαθμών

Ο χώρος αυτός έχει σχεδιαστεί για τη σωστή φύλαξη κατεψυγμένων τροφίμων τα οποία θα πρέπει να αποψυχθούν αργά (κρέας, ψάρι, κοτόπουλο κλπ.). Ο χώρος θερμοκρασίας μηδέν βαθμών είναι το πιο κρύο μέρος του ψυγείου σας, στο οποίο μπορεί να φυλαχτούν σε ιδανικές συνθήκες διατήρησης γαλακτοκομικά προϊόντα (τυρί, βούτυρο), κρέας, ψάρι ή κοτόπουλο. Λαχανικά και/ή φρούτα δεν πρέπει να τοποθετούνται σε αυτόν το χώρο.



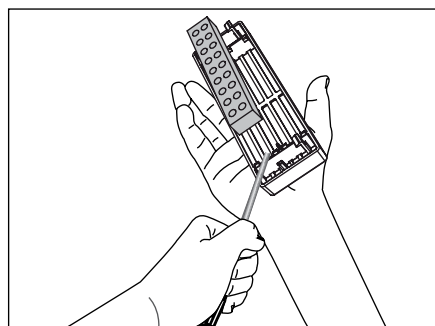
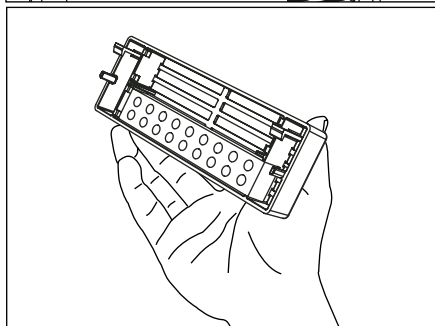
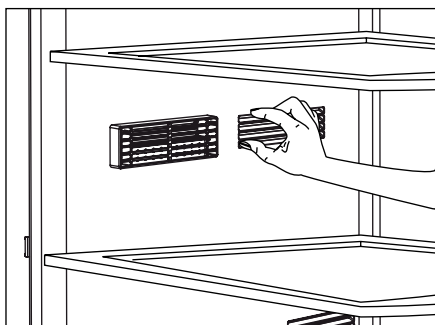
## Περιγραφή και καθαρισμός του φίλτρου οσμών:

\* ΠΡΟΑΙΡ.

Το φίλτρο οσμών αποτρέπει τη δημιουργία δυσάρεστων οσμών στο ψυγείο σας.

Τραβήξτε το κάλυμμα της υποδοχής του φίλτρου οσμών προς τα κάτω και αφαιρέστε το όπως δείχνει η εικόνα. Αφήστε το φίλτρο στον ήλιο για μία ημέρα. Σε αυτό το χρονικό διάστημα το φίλτρο θα καθαριστεί. Τοποθετήστε το φίλτρο πάλι στη θέση του.

Το φίλτρο οσμών πρέπει να καθαρίζεται μια φορά το χρόνο.



## Σύστημα Icematic και δοχείο φύλαξης πάγου

### Χρήση του Icematic

\* Γεμίστε το Icematic με νερό και τοποθετήστε το στη θέση του. Ο πάγος σας θα είναι έτοιμος σε περίπου δύο ώρες. Μην αφαιρέσετε το Icematic από τη θέση του για να πάρετε πάγο.

\* Περιστρέψτε τα κουμπιά του δεξιόστροφα κατά 90 μοίρες.

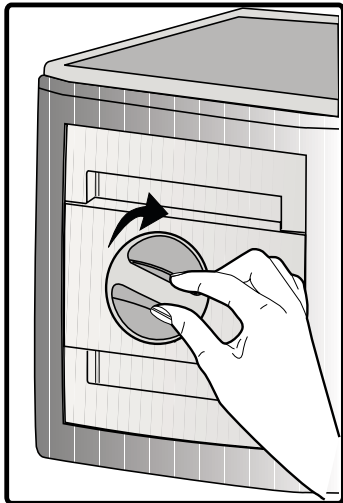
Οι παγοκύβοι από τις υποδοχές θα πέσουν στο δοχείο φύλαξης πάγου που βρίσκεται από κάτω.

\* Μπορείτε να αφαιρέσετε το δοχείο φύλαξης πάγου και να σερβίρετε τους παγοκύβους.

\* Αν επιθυμείτε, μπορείτε να διατηρήσετε τους παγοκύβους στο δοχείο φύλαξης πάγου.

### Δοχείο φύλαξης πάγου

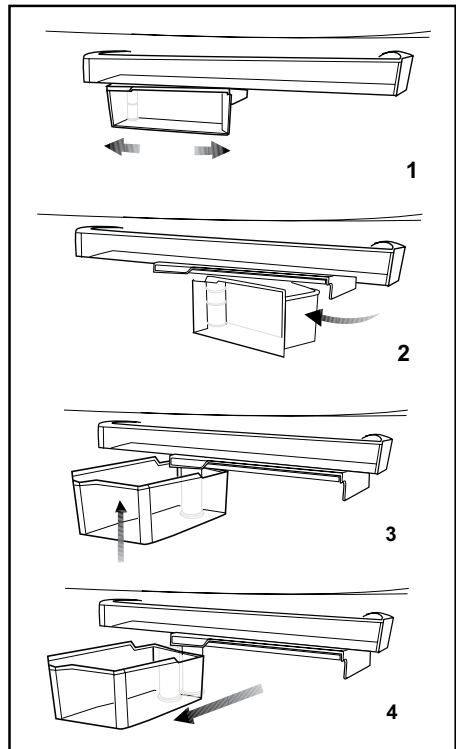
Το δοχείο φύλαξης πάγου έχει σκοπό μόνο να συγκεντρώνει τους παγοκύβους. Μην προσθέσετε νερό σ' αυτό. Αλλιώς, θα σπάσει.



## Περιστροφικό δοχείο φύλαξης

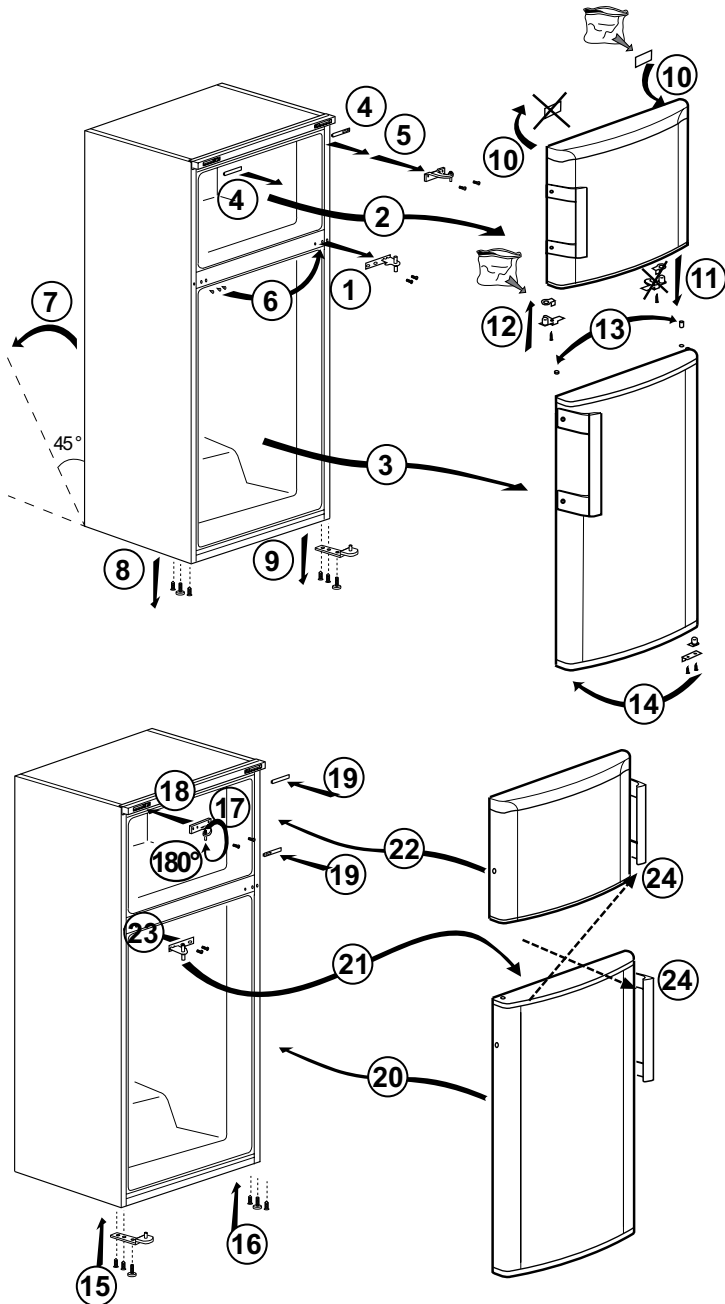
Το συρόμενο ράφι θαλάμου μπορεί να μετακινηθεί προς τα αριστερά ή τα δεξιά για να σας επιτρέψει να τοποθετήσετε ψηλά μπουκάλια, βάζα ή κουτιά στο χαμηλότερο ράφι (Σχ. 1)

Μπορείτε να φθάσετε το φαγητό που έχετε τοποθετήσει στο ράφι πιάνοντάς το και περιστρέφοντάς το από τη δεξιά του άκρη (Σχ. 2). Όταν θέλετε να τοποθετήσετε τρόφιμα ή να το καθαρίσετε, περιστρέψτε το κατά 90 μοίρες, ανασηκώστε το και τραβήξτε το προς το μέρος σας (Σχ. 3-4).



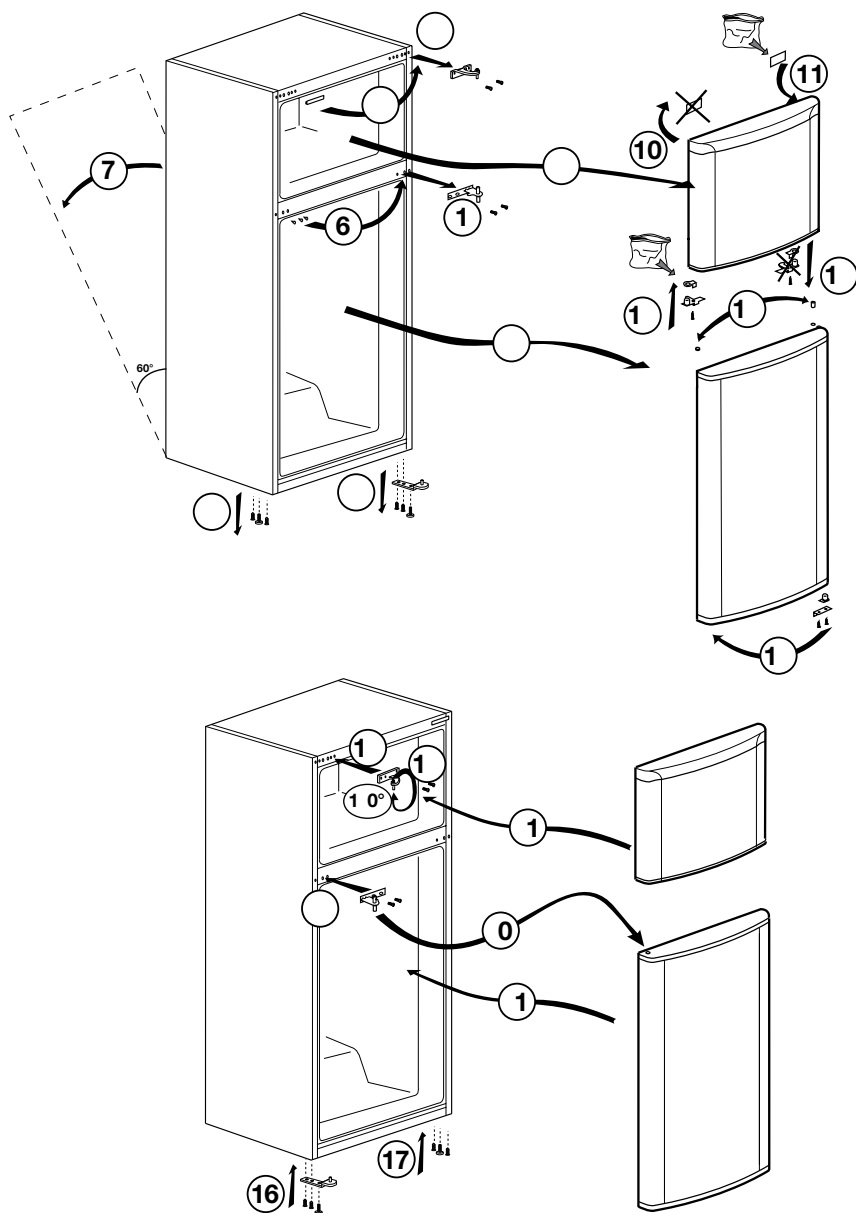
# Αντιστροφή της φοράς ανοίγματος των πορτών

Προχωρήστε σύμφωνα με την σειρά των αριθμών.



## Αντιστροφή της φοράς ανοίγματος των πορτών

Προχωρήστε σύμφωνα με την σειρά των αριθμών.





## 6 Συντήρηση και καθαρισμός

- ⚠ Ποτέ μη χρησιμοποιήσετε βενζίνη, βενζόλιο ή παρόμοια υλικά για τον καθαρισμό.
- ⚠ Συνιστούμε να αποσυνδέετε τη συσκευή από την πρίζα πριν τον καθαρισμό.
- ❗ Ποτέ μη χρησιμοποιείτε για τον καθαρισμό οποιοδήποτε αιχμηρό όργανο που χαράζει, σαπούνι, οικιακά καθαριστικά, απορρυπαντικά και γυαλιστικά κεριού.
- ❗ Σε προϊόντα που δεν είναι No Frost, στο πίσω τοίχωμα του θαλάμου συντήρησης σχηματίζονται σταγόνες και πάχνη πάχους έως ενός δακτύλου. Μην καθαρίζετε και μην απλώνετε λάδι ή παρόμοια υλικά.
- ❗ Χρησιμοποιείτε μόνο ελαφρώς υγρά πανιά μικροϊνών για τον καθαρισμό της εξωτερικής επιφάνειας του προϊόντος. Οι σπόγγοι και άλλοι τύποι πανιών καθαρισμού μπορεί να χαράξουν την επιφάνεια.
- ❗ Για να καθαρίσετε το περίβλημα του ψυγείου σας, χρησιμοποιήστε χλιαρό νερό και κατόπιν σκουπίστε το για να στεγνώσει.
- ❗ Για να καθαρίσετε το εσωτερικό, χρησιμοποιήστε πανί που έχει υγρανθεί ελαφρά σε διάλυμα από μια κουταλιά του γλυκού μαγειρικής σόδας σε περίπου μισό λίτρο νερού. Κατόπιν σκουπίστε τις επιφάνειες για να στεγνώσουν.
- ⚠ Φροντίστε απαραίτητα να μην εισέλθει νερό στο περίβλημα της λάμπας και σε άλλα ηλεκτρικά εξαρτήματα.
- ⚠ Εάν το ψυγείο σας δεν πρόκειται να χρησιμοποιηθεί για μεγάλη χρονική περίοδο, αποσυνδέστε το καλώδιο

ρεύματος από την πρίζα, αφαιρέστε όλα τα τρόφιμα, καθαρίστε το και αφήστε την πόρτα μισάνοιχτη.

- ❗ Ελέγχετε τακτικά τις στεγανοποιήσεις στις πόρτες για να βεβαιωθείτε ότι είναι καθαρές και απαλλαγμένες από σωματίδια τροφίμων.
- ❗ Για να αφαιρέσετε ένα ράφι πόρτας, αφαιρέστε όλα τα περιεχόμενα και κατόπιν απλά σπρώξτε το ράφι προς τα πάνω ώστε να βγει από τη βάση του.
- ❗ Ποτέ μη χρησιμοποιείτε ποτέ καθαριστικούς παράγοντες ή νερό που περιέχει χλώριο για να καθαρίσετε τις εξωτερικές επιφάνειες και τα επιχρωμιωμένα εξαρτήματα του προϊόντος. Το χλώριο προκαλεί διάβρωση σε μεταλλικές επιφάνειες αυτού του είδους.
- ❗ Μη χρησιμοποιείτε εργαλεία που κόβουν και χαράζουν ή σαπούνι, οικιακά καθαριστικά, απορρυπαντικά βενζίνη, βενζόλιο, κεριά κλπ, διαφορετικά οι στάμπες στα πλαστικά εξαρτήματα θα σβήσουν και θα προκύψει παραμόρφωση. Για τον καθαρισμό χρησιμοποιήστε χλιαρό νερό και ένα μαλακό πανί και σκουπίστε για να στεγνώσει.

### Προστασία των πλαστικών επιφανειών

- ❗ Μην τοποθετείτε υγρά λάδια ή φαγητά μαγειρεμένα σε λάδι στο ψυγείο σας σε μη σφραγισμένα δοχεία, επειδή προσξενούν βλάβες στις πλαστικές επιφάνειες του ψυγείου σας. Σε περίπτωση που χυθεί ή αλειφτεί λάδι στις πλαστικές επιφάνειες, αμέσως καθαρίστε και ξεπλύνετε το επηρεαζόμενο μέρος της επιφάνειας με χλιαρό νερό.

## 7 Συνιστώμενες λύσεις για προβλήματα

Παρακαλούμε συμβουλευτείτε τη λίστα πριν καλέσετε το σέρβις. Έτσι μπορείτε να εξοικονομήσετε χρόνο και χρήματα. Η λίστα αυτή περιλαμβάνει συχνά παράπονα που δεν είναι αποτέλεσμα ελαττωμάτων της κατασκευής ή των χρησιμοποιούμενων υλικών. Ορισμένες από τις δυνατότητες που περιγράφονται εδώ ίσως να μην υπάρχουν στη συσκευή σας.

<b>Το ψυγείο δεν λειτουργεί.</b>
<ul style="list-style-type: none"><li>• Έχει συνδεθεί το ψυγείο σωστά στο ρεύμα; Συνδέστε το φως στην πρίζα στον τοίχο.</li><li>• Μήπως έχει καεί η ασφάλεια της πρίζας στην οποία έχει συνδεθεί το ψυγείο ή η γενική ασφάλεια; Ελέγξτε την ασφάλεια.</li></ul>
<b>Συμπύκνωση στα πλευρικά τοιχώματα του χώρου συντήρησης. (MULTI ZONE, COOL CONTROL και FLEXI ZONE)</b>
<ul style="list-style-type: none"><li>• Πολύ χαμηλές θερμοκρασίες περιβάλλοντος. Συχνό άνοιγμα και κλείσιμο της πόρτας. Πολύ υψηλή υγρασία περιβάλλοντος. Αποθήκευση τροφίμων που περιέχουν υγρά σε ανοικτά δοχεία. Η πόρτα έχει ξεχαστεί μισάνοιχτη.</li><li>• Ρύθμιση του θερμοστάτη σε χαμηλότερη θερμοκρασία.</li><li>• Μείωση του χρόνου που μένει ανοικτή η πόρτα ή λιγότερη συχνή χρήση της.</li><li>• Κάλυψη με κατάλληλο υλικό του φαγητού που φυλάσσεται σε ανοικτά δοχεία.</li><li>• Σκουπίστε τη συμπυκνωμένη υγρασία με στεγνό πανί και ελέγξτε αν επιμένει.</li></ul>
<b>Ο συμπιεστής δεν λειτουργεί</b>

- Το προστατευτικό θερμικό του συμπιεστή θα ενεργοποιηθεί σε περίπτωση ξαφνικών διακοπών ρεύματος ή αν η συσκευή αποσυνδεθεί και συνδεθεί γρήγορα στο ρεύμα, όταν η πίεση του ψυκτικού μέσου στο σύστημα ψύξης του ψυγείου δεν έχει εξισορροπηθεί ακόμα.
- Η λειτουργία του ψυγείου σας θα αρχίσει πάλι μετά από 6 λεπτά. Παρακαλούμε καλέστε το σέρβις αν το ψυγείο σας δεν ξεκινήσει πάλι μετά το τέλος αυτού του χρονικού διαστήματος.
- Το ψυγείο βρίσκεται στον κύκλο απόψυξης. Αυτό είναι κανονικό για ψυγείο που δεν διαθέτει απόλυτα αυτόματα απόψυξη. Ο κύκλος απόψυξης λαμβάνει χώρα περιοδικά.
- Το ψυγείο δεν έχει συνδεθεί στην πρίζα. Βεβαιωθείτε ότι το φως έχει τοποθετηθεί σωστά στην πρίζα.
- Έχουν γίνει σωστά οι ρυθμίσεις θερμοκρασίας; Υπάρχει διακοπή ρεύματος. Καλέστε την εταιρία σας παροχής ηλεκτρισμού.

**Το ψυγείο ενεργοποιείται συχνά ή για πολλή ώρα.**

<ul style="list-style-type: none"> <li>• Το νέο σας ψυγείο μπορεί να είναι πλατύτερο από το παλαιό. Αυτό είναι πολύ φυσιολογικό. Τα μεγάλα ψυγεία λειτουργούν για μεγαλύτερο χρονικό διάστημα.</li> <li>• Η θερμοκρασία του περιβάλλοντος χώρου είναι πολύ υψηλή. Αυτό είναι πολύ φυσιολογικό.</li> <li>• Το ψυγείο ίσως συνδέθηκε στην πρίζα πρόσφατα ή μπορεί να έχει φορτωθεί με πολλά τρόφιμα. Η πλήρης ψύξη του ψυγείου σας στη θερμοκρασία λειτουργίας μπορεί να διαρκέσει δύο ώρες επιπλέον.</li> <li>• Μπορεί πρόσφατα να τοποθετήθηκαν στο ψυγείο μεγάλες ποσότητες ζεστού φαγητού. Το πολύ ζεστό φαγητό προκαλεί λειτουργία του ψυγείου για περισσότερη ώρα έως ότου φθάσει την επιθυμητή θερμοκρασία φύλαξης των τροφίμων.</li> <li>• Ίσως να ανοίγονταν συχνά οι πόρτες ή να παρέμειναν μισάνοιχτες για μεγάλο χρονικό διάστημα. Ο θερμός αέρας που έχει εισέλθει στο ψυγείο προκαλεί τη λειτουργία του ψυγείου για μεγαλύτερες χρονικές περιόδους. Ανοίγεται τις πόρτες λιγότερο συχνά.</li> <li>• Η πόρτα του χώρου κατάψυξης ή συντήρησης μπορεί να έχει ξεχαστεί μισάνοιχτη. Ελέγξτε αν οι πόρτες έχουν κλείσει καλά.</li> <li>• Το ψυγείο έχει ρυθμιστεί σε πολύ χαμηλή θερμοκρασία. Ρυθμίστε τη θερμοκρασία του ψυγείου σε υψηλότερο επίπεδο και περιμένετε έως ότου επιτευχθεί αυτή η θερμοκρασία.</li> <li>• Η στεγανοποίηση πόρτας της συντήρησης ή κατάψυξης μπορεί να είναι λερωμένη, φθαρμένη, σπασμένη ή δεν εφαρμόζει καλά. Καθαρίστε ή αντικαταστήστε τη στεγανοποίηση. Αν υπάρχει ζημιά/ σπάσιμο στη στεγανοποίηση της πόρτας, μπορεί να προκληθεί λειτουργία του ψυγείου για μεγαλύτερες περιόδους για να διατηρείται η τρέχουσα θερμοκρασία.</li> </ul>
<p>Η θερμοκρασία της κατάψυξης είναι πολύ χαμηλή ενώ η θερμοκρασία της συντήρησης είναι επαρκής.</p>

<ul style="list-style-type: none"> <li>• Η θερμοκρασία του χώρου κατάψυξης έχει ρυθμιστεί σε πολύ χαμηλό επίπεδο. Ρυθμίστε τη θερμοκρασία του χώρου κατάψυξης σε υψηλότερο επίπεδο και ελέγξτε.</li> </ul>
<p>Η θερμοκρασία της συντήρησης είναι πολύ χαμηλή ενώ η θερμοκρασία της κατάψυξης είναι επαρκής.</p>
<ul style="list-style-type: none"> <li>• Η θερμοκρασία του χώρου συντήρησης έχει ρυθμιστεί σε πολύ χαμηλό επίπεδο. Ρυθμίστε τη θερμοκρασία του χώρου συντήρησης σε υψηλότερο επίπεδο και ελέγξτε.</li> </ul>
<p>Τα τρόφιμα στα συρτάρια της συντήρησης παγώνουν.</p>
<ul style="list-style-type: none"> <li>• Η θερμοκρασία του χώρου συντήρησης έχει ρυθμιστεί σε πολύ χαμηλό επίπεδο. Ρυθμίστε τη θερμοκρασία του χώρου συντήρησης σε υψηλότερο επίπεδο και ελέγξτε.</li> </ul>
<p>Η θερμοκρασία στη συντήρηση ή την κατάψυξη είναι πολύ υψηλή.</p>
<ul style="list-style-type: none"> <li>• Η θερμοκρασία της συντήρησης έχει ρυθμιστεί σε πολύ υψηλό επίπεδο. Η ρύθμιση της συντήρησης έχει επίδραση στη θερμοκρασία της κατάψυξης. Αλλάξτε τη θερμοκρασία της συντήρησης ή κατάψυξης έως ότου η θερμοκρασία της συντήρησης ή κατάψυξης φθάσει σε επαρκές επίπεδο.</li> <li>• Η πόρτα μπορεί να έχει μείνει μισάνοιχτη. Κλείστε καλά την πόρτα.</li> <li>• Μπορεί πρόσφατα να τοποθετήθηκαν στο ψυγείο μεγάλες ποσότητες ζεστού φαγητού. Περιμένετε έως ότου η συντήρηση ή η κατάψυξη φθάσει στην επιθυμητή θερμοκρασία.</li> <li>• Το ψυγείο μπορεί να έχει συνδεθεί στην πρίζα πρόσφατα. Η πλήρης ψύξη του ψυγείου απαιτεί χρόνο λόγω του μεγέθους του.</li> </ul>
<p>Το ψυγείο παράγει θόρυβο παρόμοιο με το τικ τικ του ρολογιού.</p>

<ul style="list-style-type: none"> <li>• Ο θόρυβος προέρχεται από την ηλεκτρομαγνητική βαλβίδα του ψυγείου. Ο σκοπός της ηλεκτρομαγνητικής βαλβίδας είναι η εξασφάλιση της διέλευσης ψυκτικού μέσου μέσα από το χώρο που μπορεί να ρυθμιστεί σε θερμοκρασίες ψύξης ή κατάψυξης, και η εκτέλεση των λειτουργιών ψύξης. Αυτό είναι φυσιολογικό και δεν αποτελεί ένδειξη δυσλειτουργίας.</li> </ul>
<p>Ο θόρυβος λειτουργίας αυξάνεται όταν λειτουργεί το ψυγείο.</p>
<ul style="list-style-type: none"> <li>• Τα χαρακτηριστικά λειτουργίας του ψυγείου μπορεί να διαφέρουν ανάλογα με τις μεταβολές της θερμοκρασίας περιβάλλοντος. Το φαινόμενο είναι φυσιολογικό και δεν αποτελεί ένδειξη δυσλειτουργίας.</li> </ul>
<p><b>Κραδασμοί ή θόρυβος.</b></p>
<ul style="list-style-type: none"> <li>• Το δάπεδο δεν είναι ομαλό ή δεν είναι ανθεκτικό. Το ψυγείο ταλαντεύεται όταν μετακινηθεί ελαφρά. Βεβαιωθείτε ότι το δάπεδο είναι οριζόντιο, ανθεκτικό και ικανό να φέρει το βάρος του ψυγείου.</li> <li>• Ο θόρυβος μπορεί να προκαλείται από αντικείμενα που έχουν τοποθετηθεί πάνω στο ψυγείο. Αυτά τα είδη πρέπει να απομακρυνθούν από τη συσκευή.</li> </ul>
<p>Υπάρχουν θόρυβοι σαν ροής ή φεκασμού υγρού.</p>
<ul style="list-style-type: none"> <li>• Η ροή υγρών και αερίων είναι σύμφωνη με την αρχή λειτουργίας του ψυγείου σας. Το φαινόμενο είναι φυσιολογικό και δεν αποτελεί ένδειξη δυσλειτουργίας.</li> </ul>
<p>Υπάρχει θόρυβος σαν ανέμου που φυσά.</p>
<ul style="list-style-type: none"> <li>• Για την αποτελεσματική ψύξη του ψυγείου χρησιμοποιούνται συσκευές διακίνησης αέρα (ανεμιστήρες) . Το φαινόμενο είναι φυσιολογικό και δεν αποτελεί ένδειξη δυσλειτουργίας.</li> </ul>
<p>Συμπύκνωση στα εσωτερικά τοιχώματα του ψυγείου.</p>
<ul style="list-style-type: none"> <li>• Ο ζεστός και υγρός καιρός αυξάνει το σχηματισμό πάγου και συμπύκνωσης. Το φαινόμενο είναι φυσιολογικό και δεν αποτελεί ένδειξη δυσλειτουργίας.</li> <li>• Η πόρτες είναι μισάνοιχτες. Βεβαιωθείτε ότι οι πόρτες είναι τελείως κλειστές.</li> <li>• Ίσως να ανοίγονταν συχνά οι πόρτες ή να παρέμειναν ανοικτές για μεγάλο χρονικό διάστημα. Ανοίγετε την πόρτα λιγότερο συχνά.</li> </ul>

<p>Εμφανίζεται υγρασία στο εξωτερικό του ψυγείου ή ανάμεσα στις πόρτες.</p>
<ul style="list-style-type: none"> <li>• Ο καιρός μπορεί να είναι υγρός. Αυτό είναι πολύ φυσιολογικό σε περίπτωση υγρού καιρού. Όταν η υγρασία είναι μικρότερη, η συμπύκνωση θα πάψει να εμφανίζεται.</li> </ul>
<p><b>Κακοσμία στο εσωτερικό του ψυγείου.</b></p>
<ul style="list-style-type: none"> <li>• Το εσωτερικό του ψυγείου πρέπει να καθαριστεί. Καθαρίστε το εσωτερικό του ψυγείου, με ένα σφουγγάρι, χλιαρό νερό ή διάλυμα μαγειρικής σόδας σε νερό.</li> <li>• Ίσως η οσμή να προκαλείται από ορισμένα δοχεία ή υλικά συσκευασίας. Χρησιμοποιήστε διαφορετικό δοχείο ή διαφορετική μάρκα υλικού συσκευασίας.</li> </ul>
<p><b>Η (Οι) πόρτα(-ες) δεν κλείνει(-ουν).</b></p>
<ul style="list-style-type: none"> <li>• Συσκευασίες τροφίμων ίσως να εμποδίζουν το κλείσιμο της πόρτας. Μετατοπίστε τις συσκευασίες που εμποδίζουν την πόρτα.</li> <li>• Το ψυγείο πιθανόν να μην είναι εντελώς κατακόρυφο στο δάπεδο και μπορεί να ταλαντεύεται όταν σπρωχτεί ελαφρά. Ρυθμίστε τις βίδες ανύψωσης.</li> <li>• Το δάπεδο δεν είναι επίπεδο ή δεν είναι ανθεκτικό. Βεβαιωθείτε ότι το δάπεδο είναι οριζόντιο και ικανό να φέρει το βάρος του ψυγείου.</li> </ul>
<p><b>Τα συρτάρια λαχανικών έχουν κολλήσει.</b></p>
<ul style="list-style-type: none"> <li>• Τα τρόφιμα μπορεί να αγγίζουν την οροφή του συρταριού. Ανακατανέμειτε τα τρόφιμα στο συρτάρι.</li> </ul>
<p><b>Αν Η Επιφάνεια Του Προϊόντος Είναι Θερμή.</b></p>
<ul style="list-style-type: none"> <li>• Ενδέχεται να παρατηρηθούν υψηλές θερμοκρασίες ανάμεσα στις δύο πόρτες, στα πλευρικά πλαίσια και στην πίσω σχάρα κατά τη λειτουργία του προϊόντος. Αυτό είναι φυσιολογικό και το προϊόν δεν χρειάζεται συντήρηση! Προσοχή όταν αγγίζετε αυτές τις επιφάνειες.</li> </ul>

## ΠΑΡ. ΣΕΪΤΑΝΙΔΗΣ Α.Ε.

ΠΟΛΥΣΤΥΛΟ ΚΑΒΑΛΑΣ ΤΗΛ 2510 392 180-3  
ΥΠΟΚΑΤΑΣΤΗΜΑ ΑΘΗΝΩΝ  
ΑΛΙΜΟΥ 8 ΚΑΙ ΖΑΛΟΓΓΟΥ, ΑΛΙΜΟΣ  
ΤΗΛ 211 012 2829-30-31-32  
E-mail: seitanidis@otenet.gr



## ΕΓΓΥΗΣΗ

Η εταιρεία ΠΑΡ.ΣΕΪΤΑΝΙΔΗΣ Α.Ε. σας ευχαριστεί για την προτίμηση που δείξατε αγοράζοντας τις συσκευές beko και σας παρέχει τον παρακάτω χρόνο εγγύησης από την ημερομηνία αγοράς τους. Αν μέσα στην διάρκεια της εγγύησης η συσκευή σας χρειαστεί επισκευή, μπορείτε να ενημερωθείτε για τα εξουσιοδοτημένα service από το τηλεφωνικό κέντρο της εταιρεία μας στο τηλέφωνο **2510 392511 / 2510 392512**

<b>ΨΥΓΕΙΑ</b>	3 ΧΡΟΝΙΑ	<b>ΚΑΤΑΨΥΚΤΕΣ</b>	3 ΧΡΟΝΙΑ
<b>ΚΟΥΖΙΝΕΣ</b>	3 ΧΡΟΝΙΑ	<b>ΦΟΥΡΝΟΙ ΜΙΚΡΟΚΥΜΑΤΩΝ</b>	2 ΧΡΟΝΙΑ
<b>ΠΑΛΥΝΤΗΡΙΑ</b>	3 ΧΡΟΝΙΑ	<b>ΜΙΚΡΟΣΥΣΚΕΥΕΣ - ΣΚΟΥΠΕΣ</b>	2 ΧΡΟΝΙΑ

ΟΝΟΜΑΤΕΠΩΝΥΜΟ ΑΓΟΡΑΣΤΗ..... ΑΡ. ΕΓΓΥΗΣΗΣ.....

..... ΑΡ. ΠΑΡΑΣΤΑΤ. ΑΓΟΡΑΣ.....

ΔΙΕΥΘΥΝΣΗ..... ΜΟΝΤΕΛΟ ΣΥΣΚΕΥΗΣ.....

..... ΣΕΙΡΙΑΚΟΣ ΑΡΙΘΜΟΣ ΣΥΣΚΕΥΗΣ.....

ΤΗΛ : ..... ΗΜΕΡ/ΝΙΑ ΑΓΟΡΑΣ.....

**ΣΦΡΑΓΙΔΑ & ΥΠΟΓΡΑΦΗ ΠΩΛΗΤΗ.....**



ΑΡ. ΕΓΓΥΗΣΗΣ.....

ΑΡ. ΠΑΡΑΣΤΑΤ. ΑΓΟΡΑΣ.....

ΟΝΟΜΑΤΕΠΩΝΥΜΟ ΑΓΟΡΑΣΤΗ..... ΜΟΝΤΕΛΟ ΣΥΣΚΕΥΗΣ.....

..... ΣΕΙΡΙΑΚΟΣ ΑΡΙΘΜΟΣ ΣΥΣΚΕΥΗΣ.....

ΔΙΕΥΘΥΝΣΗ..... ΗΜΕΡ/ΝΙΑ ΑΓΟΡΑΣ.....

.....

ΤΗΛ : ..... **ΣΦΡΑΓΙΔΑ & ΥΠΟΓΡΑΦΗ ΠΩΛΗΤΗ.....**

.....

## ΟΡΟΙ ΚΑΙ ΠΡΟΫΠΟΘΕΣΕΙΣ ΙΣΧΥΟΣ ΤΗΣ ΠΑΡΟΥΣΗΣ ΕΓΓΥΗΣΗΣ

1. Για να ισχύει η παρούσα εγγύηση θα πρέπει να συμπληρωθούν πλήρως και να υπογραφούν δεόντως με φροντίδα του πελάτη και τα δύο μέρη της εγγύησης. Το απόκομμα για την εταιρεία θα πρέπει να ταχυδρομηθεί με συστημένη επιστολή ή να προσκομηθεί στα γραφεία της εταιρείας μας (Πολύτυλο Καβάλας Τ.Θ 1402 , Τ.Κ.64003) εντός 10 ημερών από την ημερομηνία αγοράς.
2. Η εργοστασιακή εγγύηση καλύπτει τον χρόνο που αναγράφεται στον σχετικό πίνακα για κάθε συσκευή, κάθε ανωμαλία ή βλάβη που οφείλεται αποκλειστικά σε κατασκευαστικό ελάττωμα ή ελαττωματικό εξάρτημα της συσκευής. Η αποκατάσταση της βλάβης γίνεται εντελώς δωρεάν δια της αντικατάστασης ή επισκευής του ελαττωματικού εξαρτήματος. Σε καμία περίπτωση δεν προβλέπεται η **αντικατάσταση** της συσκευής. Ο καταναλωτής οφείλει με δικές του δαπάνες να πάει την συσκευή στο κοντινότερο εξουσιοδοτημένο service της εταιρίας.
3. Η εταιρεία μας διατηρεί το δικαίωμα να καθορίζει τον τρόπο και τόπο επισκευής των βλαβών κατά την απόλυτη κρίση της .
4. Η εγγύηση δεν καλύπτει βλάβες που οφείλονται άμεσα ή έμμεσα σε αμέλεια , παράλειψη , κακή εγκατάσταση και πάσης φύσεως επέμβαση στη συσκευή από μη εξουσιοδοτημένο συνεργείο , κακή χρήση και ελλιπή συντήρηση της συσκευής. Επίσης η εταιρεία μας δεν ευθύνεται για βλάβες που οφείλονται σε κακή ηλεκτρική σύνδεση σε τάση διαφορετική από την αναγραφόμενη στη πινακίδα της συσκευής , σε μη γειωμένο ρευματοδότη ή σε μεταβολές της τάσης. Στις καλύψεις της εγγύησης δεν συμπεριλαμβάνονται τα εύθραυστα εξαρτήματα όπως ενδεικτικά αναφέρουμε :γυάλινες και πλαστικές επιφάνειες , λυχνίες κ.α.
5. Η εγγύηση παρέχεται προς τον αρχικό αγοραστή και ισχύει από την ημερομηνία αγοράς της συσκευής.
6. Η παρούσα εγγύηση πρέπει να συνοδεύεται από τιμολόγιο ή δελτίο λιανικής πώλησης ή φωτοαντίγραφο **αυτού**.

Αποφύγετε την αλλοίωση της εγγύησης και της πινακίδας μητρώου που βρίσκεται στο πίσω μέρος της συσκευής.

Φυλάξτε την εγγύηση και μετά την λήξη της.

Προσκομίστε την σε κάθε αίτημα για επισκευή.

### ΠΡΟΣΟΧΗ

ΣΕ ΠΕΡΙΠΤΩΣΗ ΠΟΥ ΔΕΝ ΣΤΑΛΕΙ Η ΚΑΡΤΑ ΕΓΓΥΗΣΕΩΣ ΕΝΤΟΣ 10 ΗΜΕΡΩΝ ΣΤΗΝ ΕΤΑΙΡΕΙΑ ΔΕΝ ΙΣΧΥΕΙ Η ΕΓΓΥΗΣΗ ΤΗΣ ΣΥΣΚΕΥΗΣ ΠΟΥ ΕΠΙΛΕΞΑΤΕ

#### SERVICE ΛΕΥΚΩΝ ΣΥΣΚΕΥΩΝ

<b>ΑΘΗΝΑ</b> ΜΑΚΡΗΣ ΦΩΤΙΟΣ	210 2116649 6932366733	<b>ΘΕΣΣΑΛΟΝΙΚΗ</b> ΓΙΑΓΟΥΡΗΣ Π. Κ ΣΙΑ Ο.Ε.	6947424284 6936065106
<b>ΠΑΤΡΑ</b> ΧΟΡΜΠΑΣ ΝΙΚΟΛΑΟΣ	2610 640810 6932 437700	<b>ΒΟΛΟΣ</b> ΝΑΟΥΜΙΔΗΣ ΓΕΩΡΓΙΟΣ	22410 94130 6981972363
<b>ΙΩΑΝΝΙΝΑ</b> ΤΣΟΥΓΓΙΑΣ ΧΡΗΣΤΟΣ	26510 31947 6945 306990	<b>ΚΟΜΟΤΗΝΗ</b> ΠΑΠΑΖΟΥΔΗΣ ΚΩΝΣΤΑΝΤΙΝΟΣ	25310 33711 6932 587473

#### SERVICE ΘΗΛΕΟΡΑΣΕΩΝ – HIFI

<b>ΑΘΗΝΑ</b> ΜΑΝΩΛΟΠΟΥΛΟΣ ΓΕΩΡΓΙΟΣ	210 8836512	<b>ΘΕΣΣΑΛΟΝΙΚΗ</b> ΣΑΜΙΟΣ ΠΑΡΑΣΧΟΣ	2310 429229
<b>ΠΑΤΡΑ</b> ΗΛΙΟΠΟΥΛΟΣ ΔΗΜΗΤΡΙΟΣ	2610 622388	<b>ΒΟΛΟΣ</b> ΜΑΡΓΑΡΙΤΟΥΛΗΣ ΘΕΟΔΩΡΟΣ	24210 30113

ΠΡΟΣ :

**beko**

**ΠΑΡ. ΣΕΪΤΑΝΙΔΗΣ Α.Ε.**

**ΠΟΛΥΣΤΥΛΟ ΚΑΒΑΛΑΣ**  
**Τ.Θ 1402 , Τ.Κ.64003**  
**ΤΗΛ 2510 392180-3**

**ΧΩΡΟΣ**  
**ΓΡΑΜ / ΜΟΥ**

## ΑΠΟΠΟΙΗΣΗ ΕΥΘΥΝΗΣ / ΠΡΟΕΙΔΟΠΟΙΗΣΗ

Ορισμένα (απλά) προβλήματα μπορούν να αντιμετωπιστούν ικανοποιητικά από τον τελικό χρήστη χωρίς να προκύπτει κάποιο πρόβλημα ασφάλειας ή μη ασφαλής χρήση, εφόσον οι διορθωτικές ενέργειες πραγματοποιούνται μέσα στα όρια και σύμφωνα με τις οδηγίες που ακολουθούν (δείτε την ενότητα "Εξ ιδίων επισκευή").

Επομένως, εκτός αν επιτρέπεται διαφορετικά στην παρακάτω ενότητα "Εξ ιδίων επισκευή", οι επισκευές θα πρέπει να ανατίθενται σε αναγνωρισμένους επαγγελματίες τεχνικούς επισκευών, ώστε να αποφεύγονται προβλήματα με την ασφάλεια. Ένας αναγνωρισμένος επαγγελματίας τεχνικός επισκευών είναι ένας επαγγελματίας τεχνικός επισκευών στον οποίο έχει δοθεί από τον κατασκευαστή πρόσβαση στις οδηγίες και στη λίστα ανταλλακτικών του προϊόντος σύμφωνα με τις μεθόδους που περιγράφονται σε νομοθετικές πράξεις με βάση την Οδηγία 2009/125/ΕΚ.

**Ωστόσο, μόνο ο εκπρόσωπος σέρβις (δηλ. εξουσιοδοτημένοι επαγγελματίες τεχνικοί επισκευών) με τον οποίο μπορείτε να επικοινωνήσετε μέσω του αριθμού τηλεφώνου που αναφέρεται στο εγχειρίδιο χρήσης/στην κάρτα εγγύησης ή μέσω του τοπικού σας εξουσιοδοτημένου καταστήματος μπορεί να παρέχει σέρβις σύμφωνα με τους όρους της εγγύησης. Επομένως, έχετε υπόψη σας ότι οι επισκευές από επαγγελματίες τεχνικούς επισκευών (οι οποίοι δεν είναι εξουσιοδοτημένοι από τη Beko) θα καταστήσουν άκυρη την εγγύηση.**

### **Εξ ιδίων επισκευή**

Εξ ιδίων επισκευή μπορεί να γίνει από τον τελικό χρήστη σε σχέση με τα εξής ανταλλακτικά: λαβές πόρτας, μεντεσέδες πόρτας, δίσκους, καλάθια, και στεγανοποιήσεις πόρτας (μια ενημερωμένη λίστα είναι διαθέσιμη και στο [support.beko.com](http://support.beko.com) από 1η Μαρτίου 2021).

Επιπλέον, για τη διασφάλιση της ασφάλειας των προϊόντων και για την αποτροπή κινδύνου σοβαρού τραυματισμού, η αναφερθείσα εξ ιδίων επισκευή θα γίνεται με τήρηση των οδηγιών στο εγχειρίδιο χρήστη σχετικά με την εξ ιδίων επισκευή ή των οδηγιών που είναι διαθέσιμες στο [support.beko.com](http://support.beko.com). Για την ασφάλειά σας, αποσυνδέστε από την πρίζα το προϊόν πριν επιχειρήσετε οποιαδήποτε εξ ιδίων επισκευή.

Επισκευή και προσπάθειες επισκευής από τελικούς χρήστες για εξαρτήματα που δεν περιλαμβάνονται σε μια τέτοια λίστα και/ή χωρίς τήρηση των οδηγιών στα εγχειρίδια χρήστη για εξ ιδίων επισκευή ή οι οποίες είναι διαθέσιμες στο [support.beko.com](http://support.beko.com), μπορεί να δημιουργήσουν προβλήματα ασφάλειας που δεν μπορούν να αποδοθούν στη Beko, και θα ακυρώσουν την εγγύηση του προϊόντος.

Επομένως, συνιστάται θερμά οι τελικοί χρήστες να απέχουν από προσπάθειες διενέργειας επισκευών που δεν εμπίπτουν στην αναφερθείσα λίστα ανταλλακτικών, απευθυνόμενοι σε αυτές τις περιπτώσεις σε εξουσιοδοτημένους επαγγελματίες τεχνικούς επισκευών ή σε αναγνωρισμένους επαγγελματίες τεχνικούς επισκευών. Αντιθέτως, τέτοιου είδους προσπάθειες από τελικούς χρήστες μπορεί να προκαλέσουν προβλήματα ασφάλειας και να προξενήσουν ζημιά στο προϊόν και συνεπώς να προκαλέσουν πυρκαγιά, πλημμύρα, ηλεκτροπληξία και σοβαρό τραυματισμό.

Για παράδειγμα, αλλά χωρίς περιορισμό σε αυτές, οι ακόλουθες επισκευές πρέπει να ανατίθενται σε εξουσιοδοτημένους επαγγελματίες τεχνικούς επισκευών ή σε αναγνωρισμένους επαγγελματίες τεχνικούς επισκευών: συμπίεστής, ψυκτικό κύκλωμα, κύρια πλακέτα, πλακέτα αντιστροφέα, πλακέτα οθόνης κλπ.

Ο κατασκευαστής/πωλητής δεν μπορεί να θεωρηθεί υπεύθυνος σε καμία περίπτωση μη συμμόρφωσης των τελικών χρηστών με τα οριζόμενα παραπάνω.

Ο χρόνος διαθεσιμότητας ανταλλακτικών για το ψυγείο ψυγείου σας ανέρχεται σε 10 έτη. Στη διάρκεια αυτής της περιόδου, θα υπάρχουν διαθέσιμα γνήσια ανταλλακτικά για τη σωστή λειτουργία του ψυγείου.

Η ελάχιστη διάρκεια της εγγύησης του ψυγείου που προμηθευτήκατε είναι 24 μήνες.

Αυτό το προϊόν είναι εξοπλισμένο με φωτεινή πηγή ενεργειακής κλάσης "G".

Η φωτεινή πηγή στο προϊόν αυτό θα πρέπει να αντικαθίσταται μόνο από επαγγελματίες επισκευαστές.



## Bitte lesen Sie zuerst diese Anleitung!

Lieber Kunde,

Wir sind sicher, dass Ihnen dieses Produkt, das in modernsten Fertigungsstätten hergestellt und den strengsten Qualitätsprüfungen unterzogen wurde, lange Zeit gute Dienste leisten wird.




Wir empfehlen Ihnen, vor Inbetriebnahme des Gerätes das gesamte Handbuch durchzulesen und es anschließend aufzubewahren.






### Diese Anleitung...

- hilft Ihnen, Ihr Gerät schnell und sicher zu bedienen.
- Lesen Sie die Anleitung, bevor Sie Ihr Gerät aufstellen und bedienen.
- Halten Sie sich an die Anweisungen, beachten Sie insbesondere die Sicherheitshinweise.
- Bewahren Sie die Anleitung an einem leicht zugänglichen Ort auf, damit Sie jederzeit darin nachschlagen können.
- Lesen Sie auch die weiteren Dokumente, die mit Ihrem Produkt geliefert wurden.
- Bitte beachten Sie, dass diese Anleitung eventuell auch für andere Geräte eingesetzt werden kann.

### Symbole und ihre Bedeutung

In dieser Anleitung finden Sie die folgenden Symbole:

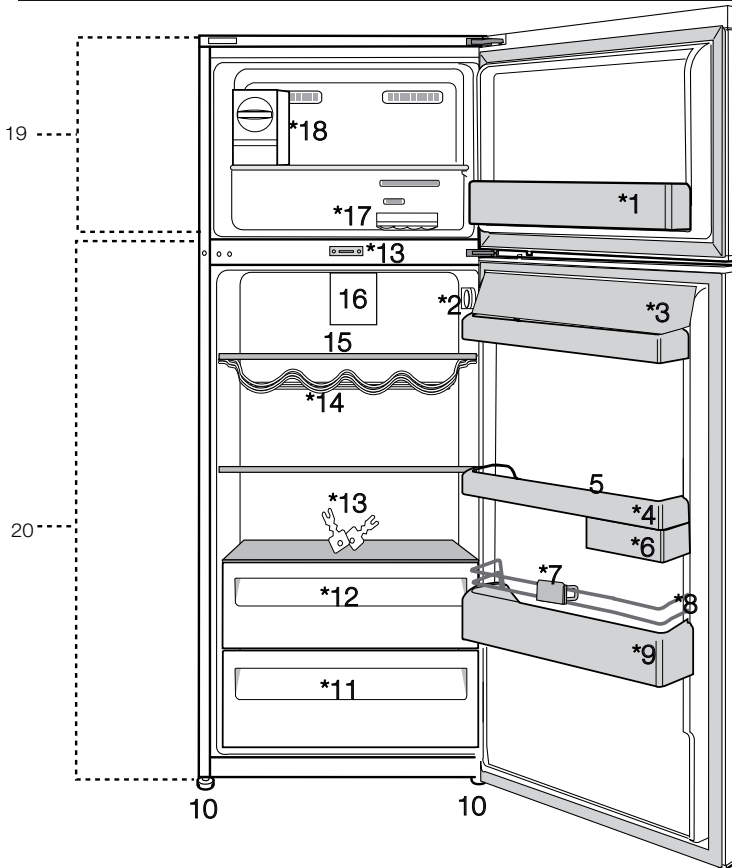
-  Wichtige Informationen oder nützliche Tipps.
-  Warnung vor Verletzungen oder Sachschäden.
-  Warnung vor elektrischem Strom.

 <b>INFORMATION</b>	
 <b>ENERGY</b> 	.Die Modellinformationen, wie sie in der Produktdatenbank gespeichert sind, können durch Eingabe der folgenden Webseite und Suche nach Ihrer Modellkennung (*) auf dem Energieetikett erreicht werden.  <a href="https://eprel.ec.europa.eu/">https://eprel.ec.europa.eu/</a>
SUPPLIER'S NAME  MODEL IDENTIFIER  (*)	

## **INHALT**

<b>1 Ihr Kühlschrank</b>	<b>3</b>	<b>4 Vorbereitung</b>	<b>15</b>
<b>2 Wichtige Sicherheitshinweise</b>	<b>4</b>	<b>5 So bedienen Sie Ihren Kühlschrank</b>	<b>17</b>
Bestimmungsgemäßer Einsatz.....	4	Temperatureinstellung.....	17
Allgemeine Hinweise zu Ihrer Sicherheit .....	5	Temperatur einstellen.....	17
Bei Geräten mit Wasserspender: .....	8	Doppeltes Kühlsystem.....	17
Kinder – Sicherheit .....	8	Urlaubsfunktion .....	17
Erfüllung von WEEE-Vorgaben zur Entsorgung von Altgeräten: .....	8	Doppeltes Kühlsystem:.....	18
Hinweise zur Verpackung .....	9	Frische Lebensmittel tiefkühlen .....	18
HC-Warnung .....	9	Empfehlungen zur Konservierung von gefrorenen Lebensmitteln .....	18
Tipps zum Energiesparen .....	9	Lebensmittel einlagern.....	19
Empfehlungen zum Kühlbereich.....	10	Hinweise zum Tiefkühlen .....	19
<b>3 Installation</b>	<b>11</b>	Gerät stoppen .....	20
Wenn Sie den Kühlschrank versetzen möchten:.....	11	Eis herstellen .....	20
Vor dem Einschalten.....	11	Eisbereiter und Eisbehälter .....	20
Elektrischer Anschluss.....	12	Drehbarer Behälter .....	21
Verpackungsmaterialien entsorgen ..	12	0 °C-Fach.....	21
Altgeräte entsorgen .....	12	Beschreibung und Hinweise zur Reinigung des Geruchsfilters: .....	22
Aufstellung und Installation .....	12	Türanschlag umkehren .....	23
Füße einstellen.....	14	Türanschlag umkehren .....	24
Beleuchtung auswechseln .....	14	<b>6 Wartung und Reinigung</b>	<b>25</b>
		Schutz der Kunststoffflächen .....	25
		<b>7 Empfehlungen zur Problemlösung</b>	<b>26</b>

# 1 Ihr Kühlschrank



- |                            |                             |
|----------------------------|-----------------------------|
| 1. Tiefkühlfach-Türablage  | 12. Kühlfach                |
| 2. Temperatureinstellknopf | 13. Schlüssel               |
| 3. Butter- & Käsefächer    | 14. Weinablage              |
| 4. Kühlfach-Türablage      | 15. Kühlbereich-Glasablagen |
| 5. Eierhalter              | 16. Gebläse                 |
| 6. Drehbarer Behälter      | 17. Eisbehälter             |
| 7. Flaschenhalter          | 18. Eiswürfelmaschine       |
| 8. Schutzdraht             | 19. Tiefkühlbereich         |
| 9. Flaschenablage          | 20. Kühlbereich             |
| 10. Einstellbare Füße      | <b>*optional</b>            |
| 11. Gemüsefach             |                             |




☐ Abbildungen und Angaben in dieser Anleitung sind schematisch und können etwas von Ihrem Produkt abweichen. Wenn die Teile nicht im gekauften Produkt enthalten sind, gelten sie für andere Modelle.



## 2 Wichtige Sicherheitshinweise

Bitte lesen Sie die folgenden Hinweise aufmerksam durch. Bei Nichtbeachtung dieser Angaben kann es zu Verletzungen und Sachschäden kommen. In diesem Fall erlöschen auch sämtliche Garantie- und sonstigen Ansprüche.

Originalersatzteile stehen für einen Zeitraum von 10 Jahre beginnend mit dem Kaufdatum zur Verfügung.

### Bestimmungsgemäßer Einsatz

	<p><b>ACHTUNG:</b> Stellen Sie sicher, dass wenn das Gerät in seinem Gehäuse oder platziert ist, die Entlüftungsöffnungen nicht blockiert werden.</p>
	<p><b>ACHTUNG:</b> Um den Auftauvorgang zu beschleunigen, keine anderen mechanischen Geräte oder Geräte verwenden, die nicht vom Hersteller empfohlen sind.</p>
	<p><b>ACHTUNG:</b> Dem Kühlmittelkreislauf keine Schäden zufügen.</p>

	<p><b>ACHTUNG:</b> In den ebensmittelaufbewahrungsfächern keine elektrischen Geräte verwenden, die nicht vom Hersteller empfohlen sind.</p>
	<p><b>WARNUNG:</b> Lagern Sie keinerlei explosiven Substanzen (dazu zählen auch Sprühdosen mit brennbarem Treibmittel) im Gerät.</p>

Dieses Gerät ist für die private Nutzung oder für den Gebrauch bei folgenden ähnlichen Anwendungen konzipiert wurden

- In Personalküchen in Geschäften, Büros und anderen Arbeitsumgebungen;
- In Bauernhöfen, Hotels, Motels und anderen Unterkünften, für den Gebrauch der Kunden;
- Umgebungen mit Übernachtung und Frühstück;
- Bei Catering und ähnlichen Non-Retail-Anwendungen.

## Allgemeine Hinweise zu Ihrer Sicherheit

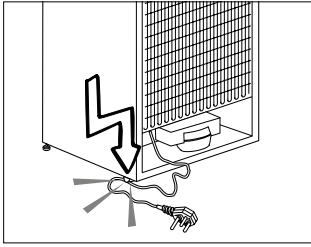
- Wenn Sie das Gerät entsorgen möchten, wenden Sie sich am besten an den autorisierten Kundendienst. Hier erhalten Sie notwendige Informationen und erfahren, welche Stellen für die Entsorgung zuständig sind.
- Bei Problemen und Fragen zum Gerät wenden Sie sich grundsätzlich an den autorisierten Kundendienst. Ziehen Sie keine Dritten zu Rate, versuchen Sie nichts in Eigenregie, ohne den autorisierten Kundendienst davon in Kenntnis zu setzen.
- Bei Geräten mit Tiefkühlbereich: Der Verzehr von Speiseeis und Eiswürfeln unmittelbar nach der Entnahme aus dem Tiefkühlbereich ist nicht ratsam. (Dies kann zu Erfrierungen führen.)
- Bei Geräten mit Tiefkühlbereich: Bewahren Sie Getränke in Flaschen sowie Dosen niemals im Tiefkühlbereich auf. Diese platzen.
- Berühren Sie gefrorene Lebensmittel nicht mit der Hand; sie können festfrieren.
- Trennen Sie Ihren Kühlschrank vor dem Reinigen oder Abtauen vom Stromnetz.
- Verwenden Sie niemals Dampf- oder Sprühreiniger zum Reinigen und Abtauen Ihres Kühlschranks. Die Dämpfe oder Nebel können in Kontakt mit stromführenden Teilen geraten und Kurzschlüsse oder Stromschläge auslösen.
- Missbrauchen Sie niemals Teile Ihres Kühlschranks (z. B. Tür) als Befestigungen oder Kletterhilfen.
- Nutzen Sie keine elektrischen Geräte innerhalb des Kühlschranks.
- Achten Sie darauf, den Kühlkreislauf keinesfalls mit Bohr- oder Schneidwerkzeugen zu beschädigen. Das Kühlmittel kann herausspritzen, wenn die Gaskanäle des Verdunsters, Rohr- und Schlauchleitungen oder Oberflächenversiegelungen beschädigt werden. Dies kann zu Hautreizungen und Augenverletzungen führen.
- Decken Sie keinerlei Belüftungsöffnungen des Kühlschranks ab.
- Elektrische Geräte dürfen nur von autorisierten Fachkräften repariert werden. Reparaturen durch weniger kompetente Personen können erhebliche Gefährdungen des Anwenders verursachen.
- Sollten Fehler oder Probleme während der Wartung oder Reparaturarbeiten auftreten, so trennen Sie den Kühlschrank von der Stromversorgung, indem Sie die entsprechende Sicherung abschalten oder den Netzstecker ziehen.
- Ziehen Sie niemals am Netzkabel – ziehen Sie direkt am Stecker.
- Achten Sie darauf, hochprozentige Getränke stehend und mit fest verschlossenem Deckel zu lagern.
- Bewahren Sie niemals Sprühdosen mit brennbaren

und explosiven Substanzen im Kühlschrank auf.

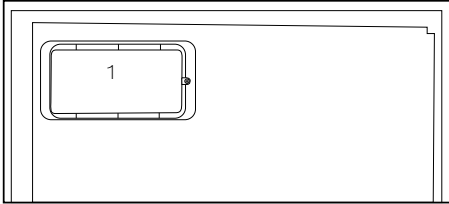
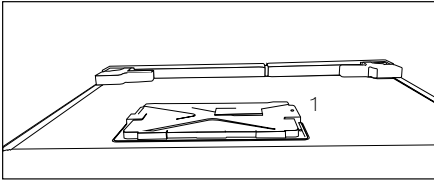
- Nutzen Sie keine mechanischen oder anderen Hilfsmittel, um das Gerät abzutauen – es sei denn, solche Hilfsmittel werden ausdrücklich vom Hersteller empfohlen.
- Dieses Produkt darf nicht von Personen (einschließlich Kindern) mit eingeschränkten physischen, sensorischen oder geistigen Fähigkeiten bedient werden, sofern sie nicht durch eine Person, die für ihre Sicherheit verantwortlich ist, in der Bedienung des Produktes angeleitet werden.
- Nehmen Sie einen beschädigten Kühlschrank nicht in Betrieb. Wenden Sie sich bei jeglichen Zweifeln an einen Kundendienstmitarbeiter.
- Die elektrische Sicherheit des Gerätes ist nur dann gewährleistet, wenn das hausinterne Erdungssystem den zutreffenden Normen entspricht.
- Setzen Sie das Gerät keinem Regen, Schnee, direktem Sonnenlicht oder Wind aus; dies kann die elektrische Sicherheit gefährden.
- Wenden Sie sich zur Vermeidung von Gefahren an den autorisierten Kundendienst, falls das Netzkabel beschädigt ist.
- Stecken Sie während der Installation niemals den Netzstecker ein. Andernfalls kann es zu schweren bis tödlichen Verletzungen kommen.
- Dieser Kühlschrank dient nur der Aufbewahrung von Lebensmitteln. Für andere Zwecke sollte er nicht

verwendet werden.

- Das Etikett mit den technischen Daten befindet sich an der linken Innenwand des Kühlschranks.
- Schließen Sie Ihren Kühlschrank niemals an energiesparende Systeme an; dies kann den Kühlschrank beschädigen.
- Falls sich ein blaues Licht am Kühlschrank befindet, blicken Sie nicht längere Zeit mit bloßem Auge oder optischen Werkzeugen hinein.
- Bei manuell gesteuerten Kühlschränken warten Sie mindestens 5 Minuten, bevor Sie den Kühlschrank nach einem Stromausfall wieder einschalten.
- Falls Sie das Gerät an einen anderen Besitzer weitergeben, vergessen Sie nicht, die Bedienungsanleitung ebenfalls auszuhändigen.
- Achten Sie darauf, dass das Netzkabel beim Transport des Kühlschranks nicht beschädigt wird. Übermäßiges Biegen des Kabels birgt Brandgefahr. Platzieren Sie keine schweren Gegenstände auf dem Netzkabel.
- Berühren Sie den Netzstecker niemals mit feuchten oder gar nassen Händen.



- Schließen Sie den Kühlschrank nicht an lose Steckdosen an.
- Sprühen Sie aus Sicherheitsgründen niemals Wasser auf die Innen- und Außenflächen des Gerätes.
- Sprühen Sie keine Substanzen mit brennbaren Gasen, wie z. B. Propangas, in die Nähe des Kühlschranks; andernfalls bestehen Brand- und Explosionsgefahr.
- Stellen Sie keine mit Wasser gefüllten Gegenstände auf den Kühlschrank; dies birgt Brand- und Stromschlaggefahr.
- Überladen Sie das Gerät nicht mit Lebensmitteln. Wenn das Gerät überladen ist, können beim Öffnen der Kühlschranktür Lebensmittel herausfallen und Verletzungen verursachen.
- Stellen Sie keinesfalls Gegenstände auf den Kühlschrank; sie könnten beim Öffnen oder Schließen der Kühlschranktür herunterfallen.
- Materialien wie beispielsweise Impfstoffe, wärmeempfindliche Arznei, wissenschaftliche Proben usw. sollten nicht im Kühlschrank aufbewahrt werden, da sie bei exakt festgelegten Temperaturen gelagert werden müssen.
- Trennen Sie den Kühlschrank vom Stromnetz, wenn er längere Zeit nicht benutzt wird. Ein mögliches Problem im Netzkabel kann einen Brand auslösen.
- Wenn die höhenverstellbaren Füße nicht sicher auf dem Boden stehen, kann sich der Kühlschrank bewegen. Die angemessene Sicherung der höhenverstellbaren Füße am Boden kann eine Bewegung des Kühlschranks verhindern.
- Halten Sie den Kühlschrank beim Tragen nicht am Türgriff. Andernfalls könnte er abbrechen.
- Wenn Sie Ihr Produkt neben einem anderen Kühl- oder Gefrierschrank aufstellen möchten, sollte der Abstand zwischen beiden Geräten mindestens 8 cm betragen. Andernfalls können die benachbarten Seitenwände feucht werden.
- Benutzen Sie das Gerät niemals, wenn die sich auf der Oberseite bzw. auf der Rückseite befindlichen Bereiche mit den elektronischen Leitern im Inneren geöffnet sind (Abdeckung der elektronischen Leiterplatten) (1).



### Bei Geräten mit Wasserspender:

- Der Druck für die Kaltwasserzufuhr sollte maximal 90 psi (6,2 bar) betragen. Wenn der Wasserdruck in Ihrem Haushalt 80 psi (5,5 bar) übersteigt, verwenden Sie bitte ein Druckbegrenzungsventil in Ihrem Leitungssystem. Sollten Sie nicht wissen, wie der Wasserdruck gemessen wird, ziehen Sie bitte einen Fachinstallateur hinzu.
- Sollte für Ihr Leitungssystem das Risiko eines Wasserschlags (Druckstoß) bestehen, verwenden Sie stets eine geeignete Druckstoßsicherung. Wenden Sie sich bitte an einen Fachinstallateur, falls Sie sich über die Wasserschlaggefährdung in Ihrem Leitungssystem nicht sicher sein sollten.
- Nutzen Sie niemals die

Warmwasserzufuhr für den Einbau. Treffen Sie geeignete Vorsichtsmaßnahmen zum Schutz der Leitungen gegen mögliches Einfrieren. Die für den Betrieb zulässige Wassertemperatur liegt im Bereich von mindestens 0,6°C (33°F) bis hin zu maximal 38°C (100°F).

- Nur Trinkwasser verwenden.

### Kinder – Sicherheit

- Bei abschließbaren Türen bewahren Sie den Schlüssel außerhalb der Reichweite von Kindern auf.
- Achten Sie darauf, dass Kinder nicht mit dem Produkt spielen.

### Erfüllung von WEEE-Vorgaben zur Entsorgung von Altgeräten:



Dieses Produkt erfüllt die Vorgaben der EU-WEEE-Direktive (2012/19/EU).

Das Produkt wurde mit einem Klassifizierungssymbol für elektrische und

elektronische Altgeräte (WEEE) gekennzeichnet.

Dieses Gerät wurde aus hochwertigen Materialien hergestellt, die wiederverwendet und recycelt werden können. Entsorgen Sie das Gerät am Ende seiner Einsatzzeit nicht mit dem regulären Hausmüll; geben Sie es stattdessen bei einer Sammelstelle zur Wiederverwertung von elektrischen und elektronischen Altgeräten ab. Ihre Stadtverwaltung informiert Sie gerne über geeignete Sammelstellen in Ihrer Nähe.



## Hinweise zur Verpackung

Die Verpackungsmaterialien des Gerätes wurden gemäß nationalen Umweltschutzbestimmungen aus recyclingfähigen Materialien hergestellt. Entsorgen Sie Verpackungsmaterialien nicht mit dem regulären Hausmüll oder anderen Abfällen. Bringen Sie Verpackungsmaterialien zu geeigneten Sammelstellen; Ihre Stadtverwaltung berät Sie gern.

### Nicht vergessen!

Recycelte Materialien leisten einen wichtigen Beitrag zu einer schönen und gesunden Umwelt.

Wenn Sie zur Wiederverwertung von Verpackungsmaterialien beitragen möchten, informieren Sie sich bei Ihren Umweltschutzbehörden oder der Stadtverwaltung, wo entsprechende Sammelstellen zu finden sind.

## HC-Warnung

### Falls das Kühlsystem Ihres Produktes R600a enthält:

Dieses Gas ist leicht entflammbar. Achten Sie also darauf, Kühlkreislauf und Leitungen während Betrieb und Transport nicht zu beschädigen. Bei Beschädigungen halten Sie das Produkt von potenziellen Zündquellen (z. B. offenen Flammen) fern und sorgen für eine gute Belüftung des Raumes, in dem das Gerät aufgestellt wurde.

### Ignorieren Sie diese Warnung, falls das Kühlsystem Ihres Produktes R134a enthält.

Die Art des im Gerät eingesetzten Gases wird auf dem Typenschild an der linken Innenwand des Kühlschranks angegeben.

Entsorgen Sie das Produkt keinesfalls durch Verbrennen.

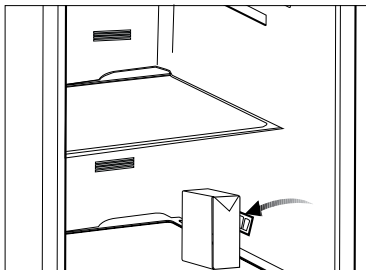
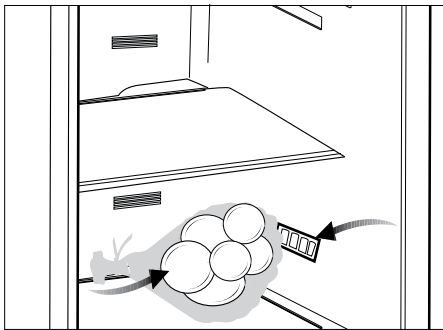
## Tipps zum Energiesparen

- Halten Sie die Kühlschranktüren nur möglichst kurz geöffnet.
- Geben Sie keine warmen Speisen oder Getränke in den Kühlschrank.
- Überladen Sie den Kühlschrank nicht; die Luft muss frei zirkulieren können.
- Stellen Sie den Kühlschrank nicht im direkten Sonnenlicht oder in der Nähe von Wärmequellen wie Öfen, Spülmaschinen oder Heizkörpern auf. Halten Sie den Kühlschrank mindestens 30 cm von Wärmequellen und mindestens 5 cm von elektrischen Öfen entfernt.
- Achten Sie darauf, Ihre Lebensmittel in verschlossenen Behältern aufzubewahren.
- Bei Geräten mit Tiefkühlbereich: Sie können noch mehr Lebensmittel einlagern, wenn Sie die Ablage oder Schublade aus dem Tiefkühlbereich herausnehmen. Der für Ihren Kühlschrank angegebene Energieverbrauch wurde nach dem Entfernen der Ablage oder Schublade und bei maximaler Beladung bestimmt. Ansonsten ist es Ihnen freigestellt, die Ablage oder Schublade zu verwenden.
- Das Auftauen von gefrorenen Lebensmitteln im Kühlbereich ist energiesparend und bewahrt die Qualität der Lebensmittel.

## Empfehlungen zum Kühlbereich

**\* Möglicherweise nicht für alle Modelle verfügbar.**

- Achten Sie darauf, dass der Temperatursensor im Kühlbereich nicht mit Lebensmitteln in Berührung kommt. Damit die optimale Lagerungstemperatur im variablen Fach beibehalten werden kann, darf der Sensor nicht von Lebensmitteln blockiert werden.
- Geben Sie keine heißen Speisen in das Gerät.



### 3 Installation

⚠ Der Hersteller haftet nicht, falls die Angaben in dieser Anleitung nicht berücksichtigt werden.

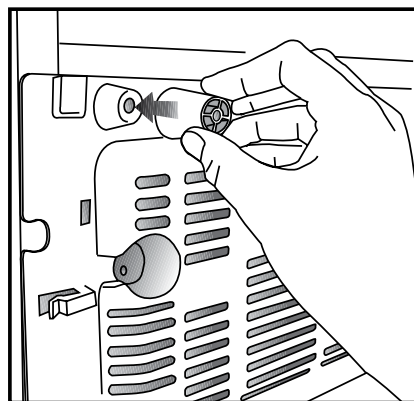
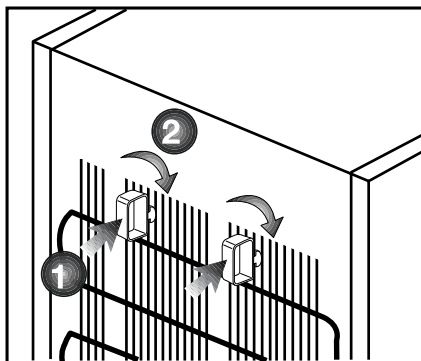
#### Wenn Sie den Kühlschrank versetzen möchten:

1. Ziehen Sie zuvor den Netzstecker. Der Kühlschrank sollte geleert und gesäubert werden, bevor Sie ihn transportieren oder versetzen.
2. Sichern Sie die beweglichen Teile im Inneren (z. B. Ablagen, Zubehör, Gemüsefach etc.) vor dem Verpacken mit Klebeband, schützen Sie solche Teile vor Stößen.
3. Umwickeln Sie die Verpackung mit kräftigem Klebeband oder stabilen Schnüren, beachten Sie die Transporthinweise auf der Verpackung.
4. Originalverpackung und Schaumstoffmaterialien sollten zum zukünftigen Transport des Gerätes aufbewahrt werden.

#### Vor dem Einschalten

Beachten Sie Folgendes, bevor Sie Ihren Kühlschrank benutzen:

1. Bringen Sie die beiden Kunststoffkeile wie nachstehend abgebildet an. Die Kunststoffkeile sorgen für den nötigen Abstand zwischen Kühlschrank und Wand, damit die Luft frei zirkulieren kann. (Die Abbildung dient lediglich zur Orientierung und kann daher etwas von Ihrem Gerät abweichen.)
2. Bitte bringen Sie die beiden Kunststoffkeile wie in der Abbildung gezeigt an. Die Kunststoffkeile sorgen für den richtigen Abstand zwischen Kühlschrank und Wand – und damit für die richtige Luftzirkulation. (Die Abbildung dient lediglich zur



Orientierung und muss nicht exakt mit Ihrem Gerät übereinstimmen.

3. Reinigen Sie das Innere des Kühlschranks wie im Abschnitt „Wartung und Reinigung“ beschrieben.
4. Schließen Sie den Netzstecker des Kühlschranks an eine Steckdose an. Beim Öffnen der Tür leuchtet die Innenbeleuchtung auf.
5. Beim Anspringen des Kompressors sind Geräusche zu hören. Die Flüssigkeiten und Gase im Kühlsystem können auch leichte Geräusche erzeugen, wenn der Kompressor nicht läuft. Dies ist völlig normal.

6. Die Vorderkanten des Kühlgerätes können sich warm anfühlen. Dies ist normal. Diese Bereiche wärmen sich etwas auf, damit sich kein Kondenswasser bildet.

## Elektrischer Anschluss

Schließen Sie das Gerät an eine geerdete (Schuko-) Steckdose an. Diese Steckdose muss mit einer passenden Sicherung abgesichert werden.

Wichtig:

- Der Anschluss muss gemäß lokaler Vorschriften erfolgen.
- Der Netzstecker muss nach der Installation frei zugänglich bleiben.
- Die elektrische Sicherheit des Gerätes ist nur dann gewährleistet, wenn das hausinterne Erdungssystem den zutreffenden Normen entspricht.
- Die auf dem Typenschild an der linken Innenwand des Gerätes angegebene Spannung muss mit Ihrer Netzspannung übereinstimmen.
- **Zum Anschluss dürfen keine Verlängerungskabel oder Mehrfachsteckdosen verwendet werden.**

⚠ Ein beschädigtes Netzkabel muss unverzüglich durch einen qualifizierten Elektriker ausgetauscht werden.

⚠ Das Gerät darf vor Abschluss der Reparaturen nicht mehr betrieben werden! Es besteht Stromschlaggefahr!

## Verpackungsmaterialien entsorgen

Das Verpackungsmaterial kann eine Gefahr für Kinder darstellen. Halten Sie Verpackungsmaterialien von Kindern fern oder entsorgen Sie das Verpackungsmaterial gemäß gültigen Entsorgungsbestimmungen. Entsorgen

Sie das Verpackungsmaterial über geeignete Sammelstellen (Ihre Stadtverwaltung informiert Sie gerne), nicht über den regulären Hausmüll.

Die Verpackung Ihres Gerätes wurde aus recyclingfähigen Materialien hergestellt.

## Altgeräte entsorgen

Entsorgen Sie Altgeräte auf umweltfreundliche Weise.

- Bei Fragen zur richtigen Entsorgung wenden Sie sich bitte an Ihren Händler, an eine Sammelstelle oder an Ihre Stadtverwaltung.

Bevor Sie das Gerät entsorgen, schneiden Sie den Netzstecker ab und machen die Türverschlüsse (sofern vorhanden) unbrauchbar, damit Kinder nicht in Gefahr gebracht werden.

## Aufstellung und Installation

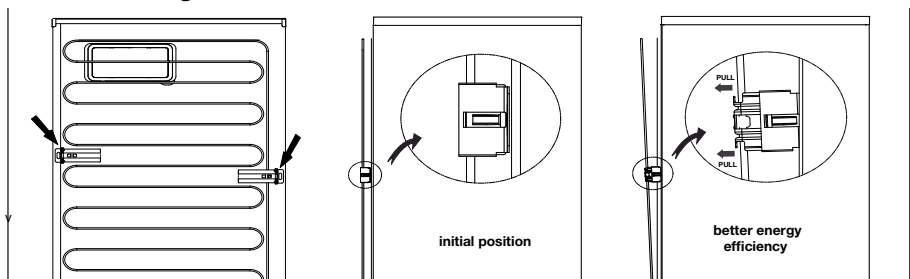
⚠ Falls die Tür des Raumes, in dem der Kühlschrank aufgestellt werden soll, nicht breit genug ist, wenden Sie sich an den autorisierten Kundendienst, lassen die Kühlschranktüren demontieren und befördern das Gerät seitlich durch die Tür.

1. Stellen Sie Ihren Kühlschrank an einer gut erreichbaren Stelle auf.
2. Platzieren Sie den Kühlschrank nicht in der Nähe von Wärmequellen oder dort, wo er Feuchtigkeit oder direktem Sonnenlicht ausgesetzt ist.
3. Ihr Produkt benötigt eine ausreichende Luftzirkulation, um effizient zu funktionieren. Wenn das Produkt in eine Nische gestellt wird, denken Sie daran, mindestens 5 cm Abstand zwischen dem Produkt und der Decke, der Rückwand und den Seitenwänden zu lassen.

4. Wenn das Produkt in eine Nische gestellt wird, denken Sie daran, mindestens 5 cm Abstand zwischen dem Produkt und der Decke, der Rückwand und den Seitenwänden zu lassen. Prüfen Sie, ob die Rückwand-Abstandsschutzkomponente an ihrem Standort vorhanden ist (falls mit dem Produkt geliefert). Wenn die Komponente nicht verfügbar ist oder verloren geht oder heruntergefallen ist, positionieren Sie das Produkt so, dass zwischen der Rückseite des Produkts und der Wand des Raums mindestens 5 cm Abstand verbleiben. Der Freiraum an der Rückseite ist wichtig für den effizienten Betrieb des Produkts.
5. Stellen Sie Ihren Kühlschrank auf einem ebenen Untergrund auf, damit er nicht wackelt.

Der Kondensator Ihres Geräts befindet sich an der Rückseite, siehe unten. Um eine höhere Energieeffizienz mit gesenktem Stromverbrauch zu erzielen, ziehen Sie den Kondensator bitte zu sich heran, wie im Bild unten dargestellt.

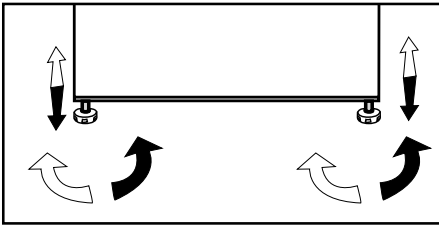
**\* Möglicherweise nicht für alle Modelle verfügbar.**



## FüÙe einstellen

Wenn Ihr Kùhlschrank nicht absolut gerade steht:

Sie können den Kùhlschrank – wie in der Abbildung gezeigt – durch Drehen der FrontfüÙe ausbalancieren. Wenn Sie in Richtung des schwarzen Pfeils drehen, senkt sich die Ecke, an der sich der Fuß befindet. Beim Drehen in Gegenrichtung wird die Ecke angehoben. Diese Arbeit fällt erheblich leichter, wenn ein Helfer das Gerät etwas anhebt.



## Beleuchtung auswechseln

Die Innenbeleuchtung Ihres Kùhlschranks sollte ausschließlich vom autorisierten Kundendienst ausgetauscht werden.

Die Glùhbirnen für dieses Haushaltsgerät sind für Beleuchtungszwecke nicht geeignet. Die beabsichtigte Aufgabe dieser Lampe ist es den Benutzer zu ermöglichen die Plazierung der Lebensmittel in den Kùhlschrank / Eiskùhltruhe sicher und bequem vorzunehmen.

Die in diesem Gerät verwendeten Lampen müssen extremen physikalischen Bedingungen, wie z. B. Temperaturen von  $-20\text{ }^{\circ}\text{C}$ , standhalten.

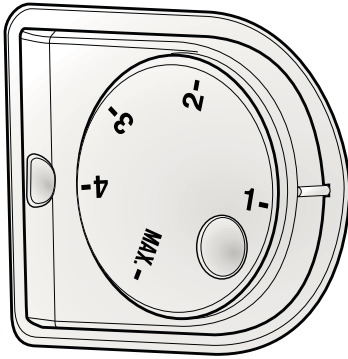
## 4 Vorbereitung

- Für ein freistehendes Gerät; „Dieses Kühlgerät darf nicht als Einbaugerät verwendet werden.
- Ihr Kühlschrank sollte mindestens 30 cm von Hitzequellen wie Kochstellen, Öfen, Heizungen, Herden und ähnlichen Einrichtungen aufgestellt werden. Halten Sie mindestens 5 cm Abstand zu Elektroöfen ein, vermeiden Sie die Aufstellung im direkten Sonnenlicht.
- Sorgen Sie dafür, dass das Innere Ihres Kühlschranks gründlich gereinigt wird.
- Falls zwei Kühlschränke nebeneinander aufgestellt werden sollen, achten Sie darauf, dass mindestens 2 cm Abstand zwischen den Geräten verbleibt.
- Wenn Sie den Kühlschrank zum ersten Mal in Betrieb nehmen, halten Sie sich bitte an die folgenden Anweisungen für die ersten sechs Betriebsstunden.
- Die Kühlschranktür sollte nicht zu häufig geöffnet werden.
- Der Kühlschrank muss zunächst vollständig leer arbeiten.
- Ziehen Sie nicht den Netzstecker. Falls der Strom ausfallen sollte, beachten Sie die Warnhinweise im Abschnitt „Empfehlungen zur Problemlösung“.
- Für einen energieeffizienten Betrieb und die qualitätsgerechte Lagerung des Gefriergut sind stets die mit dem Gefrierschrank gelieferten Körbe/ Schübe zu verwenden.
- Ein direkter Kontakt des Gefrierguts mit dem Temperatursensor im Gefrierschrank kann zu einem erhöhten Energieverbrauch des Geräts führen. Daher muss solch ein Kontakt mit einem oder mehreren Sensoren vermieden werden.
- Das Gerät wurde zum Betrieb bei Umgebungstemperaturen bis 43 °C ausgelegt. Auch falls die Umgebungstemperatur unter -15 °C abfallen sollte, tauen Lebensmittel im Gefrierfach dank des verbesserten elektronischen Temperaturregelungssystems nicht auf. Bei der ersten Installation sollte das Gerät NICHT bei geringen Umgebungstemperaturen aufgestellt werden. Dies liegt daran, dass der Tiefkühlbereich die Standardbetriebstemperatur nicht erreichen kann. Sobald das Gerät im Normalbetrieb arbeitet, können Sie es auch an einer anderen Stelle aufstellen. Somit können Sie Ihr Gerät später in der Garage oder einem unbeheizten Raum aufstellen, ohne sich Sorgen machen zu müssen, dass Ihre eingefrorenen Lebensmittel verderben könnten. Es ist jedoch durchaus wahrscheinlich, dass die oben erwähnten niedrigen Temperaturen dazu führen, dass die Lebensmittel im Kühlbereich gefrieren; daher verbrauchen Sie die Lebensmittel im Kühlbereich bitte auf eine bedarfsgerechte, kontrollierte Weise. Sobald sich die Umgebungstemperatur wieder normalisiert, können Sie die Einstellung wie erforderlich anpassen.

- Bei Umgebungstemperaturen unter 0 °C gefrieren die Lebensmittel im Kühlbereich. Daher empfehlen wir, den Kühlbereich an Orten mit derart niedrigen Temperaturen nicht zu nutzen. Den Tiefkühlbereich können Sie jedoch ganz normal weiter nutzen.
- Bei einigen Modellen schaltet sich das Armaturenbrett 5 Minuten nach dem Schließen der Tür automatisch ab. Es schaltet sich wieder an, wenn die Tür geöffnet wurde oder indem man auf einen beliebigen Schalter drückt.
- Temperaturschwankungen aufgrund des Öffnens/Schließens der Kühlschranktür können zur Kondensation an den Böden in der Tür und im Kühlschrankinnern sowie an den Glasbehältern führen.
- Da bei geöffneten Türen heiße und feuchte Luft nicht direkt in Ihr Produkt eindringt, optimiert sich Ihr Produkt unter ausreichenden Bedingungen zum Schutz Ihrer Lebensmittel. Funktionen und Komponenten wie Kompressor, Gebläse, Heizgerät, Abtaufunktion, Beleuchtung, Anzeige usw. arbeiten entsprechend den Anforderungen, um unter diesen Bedingungen minimale Energie zu verbrauchen.



## 5 So bedienen Sie Ihren Kühlschrank



### Temperatureinstellung

Mit dem Temperatureinsteller regeln Sie die Innentemperatur Ihres Kühlgerätes.

### Temperatur einstellen

Mit dem Temperatureinsteller an der rechten Innenwand regeln Sie die Temperatureinstellung Ihres Gerätes. Sie können den Temperatureinsteller auf fünf unterschiedliche Positionen einstellen. Wählen Sie die jeweils passende Position für Ihren Einsatzzweck.

### Doppeltes Kühlsystem

Ihr Kühlgerät ist mit zwei getrennten Kühlsystemen für Kühl- und Tiefkühlbereich ausgestattet. Dadurch vermischt sich die Luft im Kühlbereich nicht mit der Luft im Tiefkühlbereich. Durch die Trennung der Kühlsysteme kühlt Ihr Gerät erheblich schneller als viele andere Kühlgeräte. Auch die Gerüche der beiden Kühlbereiche bleiben getrennt. Darüber hinaus sparen Sie Energie, da auch das automatische Abtauen getrennt erfolgt.

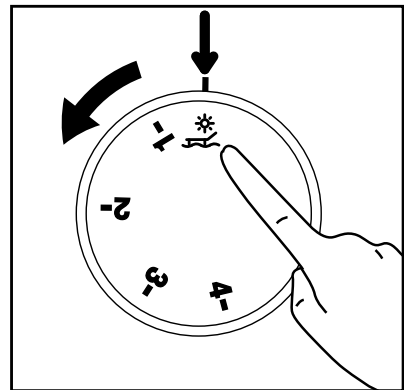
### Urlaubsfunktion

Falls die Türen des Gerätes nach Einstellung des Thermostats auf niedrigste Kühlungsleistung 12 Stunden lang nicht geöffnet werden, schaltet sich die Urlaubsfunktion automatisch ein.

Zum Aufheben der Funktion öffnen Sie die Tür des Gerätes oder ändern die Thermostateinstellung.

Die Urlaubsfunktion ist optional. Sie kann je nach Gerätetyp variieren; eventuell sind nicht sämtliche Geräte damit ausgestattet.

Wir raten davon ab, Lebensmittel bei aktiver Urlaubsfunktion im Kühlbereich aufzubewahren.



## Doppeltes Kühlsystem:

Ihr Kühlgerät ist mit zwei getrennten Kühlsystemen für Kühl- und Tiefkühlbereich ausgestattet. Dadurch vermischt sich die Luft im Kühlbereich nicht mit der Luft im Tiefkühlbereich. Durch die Trennung der Kühlsysteme kühlt Ihr Gerät erheblich schneller als viele andere Kühlgeräte. Auch die Gerüche der beiden Kühlbereiche bleiben getrennt. Darüber hinaus sparen Sie Energie, da auch das Abtauen getrennt erfolgt.

## Frische Lebensmittel tiefkühlen

Es ist ratsam, die Lebensmittel einzuwickeln oder abzudecken, bevor sie im Kühlschrank gelagert werden. Heiße Speisen müssen auf Raumtemperatur abgekühlt sein, ehe sie in den Kühlschrank gegeben werden.

Lebensmittel, die Sie einfrieren möchten, sollten frisch und von guter Qualität sein.

Verteilen Sie die Lebensmittel / Gerichte auf familienfreundliche oder sonstige sinnvolle Portionen.

Lebensmittel sollten luftdicht verpackt sein, damit sie nicht austrocknen. Dies gilt auch dann, wenn Sie Lebensmittel nur kurze Zeit lagern möchten.


Geeignete Verpackungsmaterialien müssen reißfest, luftdicht und unempfindlich gegenüber Kälte, Feuchtigkeit, Gerüchen, Ölen und Säuren sein. Darüber hinaus müssen sie sich leicht verschließen lassen, unkompliziert in der Handhabung und natürlich zum Tiefkühlen geeignet sein.

Verbrauchen Sie eingefrorene Lebensmittel nicht direkt nach dem Auftauen und frieren Sie sie nicht wieder ein.

Bitte beachten Sie die folgenden Hinweise, um beste Resultate zu erzielen.

1. Frieren Sie nicht zu große Mengen auf einmal ein. Die Qualität der Lebensmittel bleibt am besten erhalten, wenn sie so schnell wie möglich bis in den Kern tiefgekühlt werden.
2. Wenn Sie noch warme Speisen in das Tiefkühlfach stellen, bewirken Sie damit, dass das Kühlsystem ununterbrochen arbeitet, bis die Speisen komplett tiefgekühlt sind.
3. Achten Sie besonders darauf, bereits tiefgekühlte und frische Speisen nicht zu vermischen.

## Empfehlungen zur Konservierung von gefrorenen Lebensmitteln

Handelsübliche, verpackte Tiefkühlkost sollte gemäß den Hinweisen des Herstellers zur Lagerung in Viersterne-Fächern  gelagert werden.

Um besonders gute Ergebnisse zu erzielen und zu erhalten, sollten Sie Folgendes berücksichtigen:

1. Geben Sie Lebensmittel so schnell wie möglich nach dem Kauf in den Tiefkühlbereich.
2. Sorgen Sie dafür, dass sämtliche Lebensmittel beschriftet und mit einem Datum versehen werden.
3. Achten Sie darauf, dass das Mindesthaltbarkeitsdatum auf der Verpackung nicht überschritten wird.

Bei Stromausfall halten Sie die Tür des Tiefkühlbereiches geschlossen.

Gefrorene Lebensmittel nehmen keinen Schaden, solange der Stromausfall nicht länger als unter „Haltezeit nach Ausfall“ (siehe Technische Daten) angegeben andauert. Falls der Stromausfall länger andauern sollte, müssen Sie die Lebensmittel überprüfen und nötigenfalls entweder sofort konsumieren oder kochen und danach wieder einfrieren.

### Abtauen

Der Tiefkühlbereich taut automatisch ab.

### Lebensmittel einlagern

Tiefkühlbereich-Ablagen	Verschiedene gefrorene Lebensmittel wie Fleisch, Fisch, Speiseeis, Gemüse, etc.
Eierhalter	Eier
Kühlbereich-Ablagen	Lebensmittel in Pfannen, Töpfen, auf abgedeckten Tellern, in geschlossenen Behältern
Kühlbereich-Türablagen	Kleine, verpackte Lebensmittelprodukte oder Getränke (zum Beispiel Milch, Saft und Bier)
Gemüsefach	Gemüse und Früchte
Frischefach	Milchprodukte (Käse, Butter, ...), Salami, und so weiter

### Hinweise zum Tiefkühlen

Lebensmittel sollten schnellstmöglich eingefroren werden, damit sie nicht an Qualität verlieren.

Nur bei Temperaturen von -18 °C oder weniger ist es möglich, Lebensmittel lange Zeit zu lagern.

Sie können die Frische von Lebensmitteln viele Monate bewahren (bei einer Temperatur von -18 °C oder weniger im Tiefkühlbereich).

### WARNUNG! ⚠

- Verteilen Sie die Lebensmittel / Gerichte auf familienfreundliche oder sonstwie sinnvolle Portionen.
- Lebensmittel sollten luftdicht verpackt sein, damit sie nicht austrocknen. Dies gilt auch dann, wenn Sie Lebensmittel nur kurze Zeit lagern möchten.

Benötigtes Verpackungsmaterial:

- Kältebeständiges Klebeband
- Selbstklebende Etiketten
- Gummiringe
- Stift

Geeignete Verpackungsmaterialien müssen reißfest und unempfindlich gegenüber Kälte, Feuchtigkeit, Gerüchen, Ölen und Säuren sein.

Einzufrierende Lebensmittel sollten keinen direkten Kontakt zu bereits gefrorenen Lebensmitteln haben, damit diese nicht anzutauen.

Die Gefrierkapazität Ihres Kühlschranks können Sie im Abschnitt „Technische Daten“ im ersten Teil nachlesen.

Halten Sie sich hinsichtlich der Aufbewahrungsdauer immer an die Tabellenwerte.

Verbrauchen Sie eingefrorene Lebensmittel nicht direkt nach dem Auftauen und frieren Sie sie nicht wieder ein.

## Gerät stoppen

Bei Thermostaten mit 0-Position:

- Ihr Gerät stoppt, wenn Sie den Thermostatknopf in die 0-Position drehen. Das Gerät läuft erst dann wieder an, wenn Sie den Thermostatknopf wieder auf 1 oder eine höhere Position einstellen.

Bei Thermostaten mit „min“-Position:

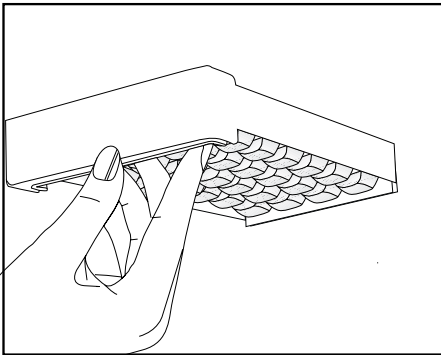
- Bitte ziehen Sie zum Abschalten den Netzstecker.

## Eis herstellen

**\* optional**

Füllen Sie die Eisschale mit Wasser, setzen Sie sie in ihre Halterung. Ihr Eis ist nach etwa zwei Stunden fertig.

Das Eis lässt sich leicht entnehmen, indem Sie die Eisschale aus dem Gerät nehmen und etwas verdrehen.



## Eisbereiter und Eisbehälter

**\* Möglicherweise nicht für alle Modelle verfügbar.**

Füllen Sie den Eisbereiter mit Wasser, setzen Sie ihn in seine Halterung. Ihr Eis ist nach etwa zwei Stunden fertig. Zum Entnehmen des Eises nehmen Sie den Eisbereiter nicht heraus.

Drehen Sie die Knöpfe daran um 90 ° im Uhrzeigersinn.

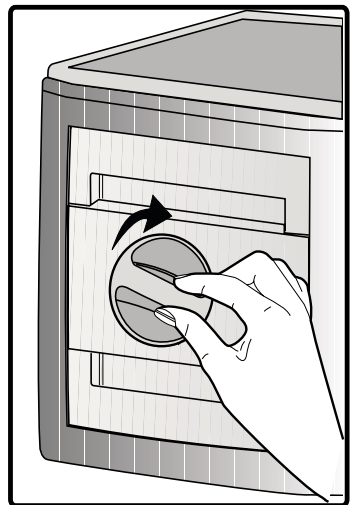
Die Eiswürfel fallen in den darunter liegenden Eiswürfelbehälter.

Sie können den Eisbehälter zum Servieren der Eiswürfel herausnehmen.

Wenn Sie möchten, können Sie das Eis auch im Eisbehälter aufbewahren.

### Eisbehälter

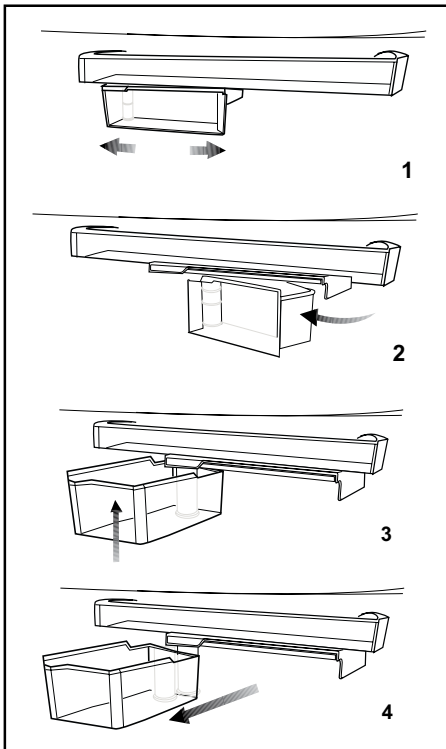
Der Eisbehälter dient ausschließlich zum Sammeln der Eiswürfel. Füllen Sie kein Wasser ein. Der Behälter wird sonst platzen.



## Drehbarer Behälter

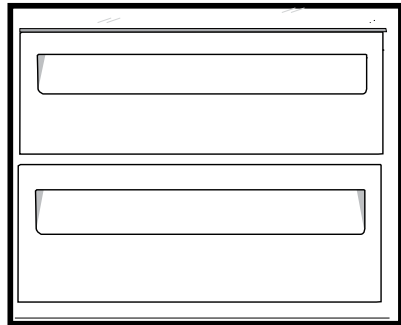
Der Behälter lässt sich nach links oder rechts verschieben, um Platz für hohe Flaschen, Gläser und andere hohe Gegenstände auf der Ablage darunter zu schaffen (Abbildung 1).

Darin gelagerte Lebensmittel erreichen Sie, indem Sie den Behälter an der rechten Seite fassen und nach vorne drehen (Abbildung 2). Wenn Sie den Behälter zum einfacheren Beladen oder zum Reinigen herausnehmen möchten, drehen Sie ihn um 90 ° nach vorne, heben ihn etwas an und ziehen ihn dann zu sich hin heraus (Abbildungen 3 – 4).



## 0 °C-Fach

Dieses Fach können Sie zur Aufbewahrung von gefrorenen Lebensmitteln verwenden, die langsam aufgetaut werden sollen (z. B. Fleisch, Fisch, Geflügel, usw.). Das 0 °C-Fach ist die kälteste Stelle Ihres Kühlschranks, an der ideale Lagerbedingungen für Milchprodukte (Käse, Butter), Fleisch, Fisch oder Geflügel herrschen. Gemüse und Früchte sollten jedoch nicht in diesem Fach gelagert werden.



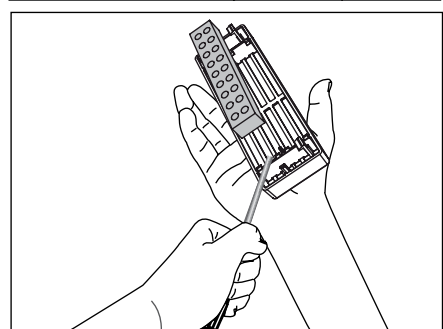
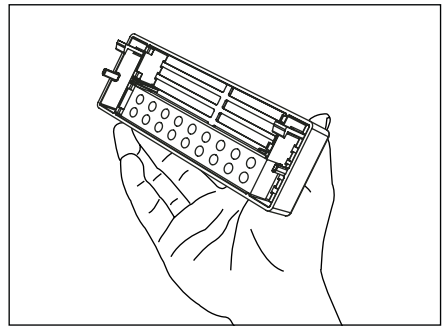
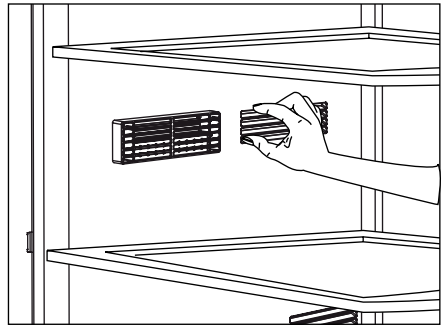
## Beschreibung und Hinweise zur Reinigung des Geruchsfilters:

### \* optional

Der Geruchsfilter verhindert die Bildung unangenehmer Gerüche in Ihrem Kühlschrank.

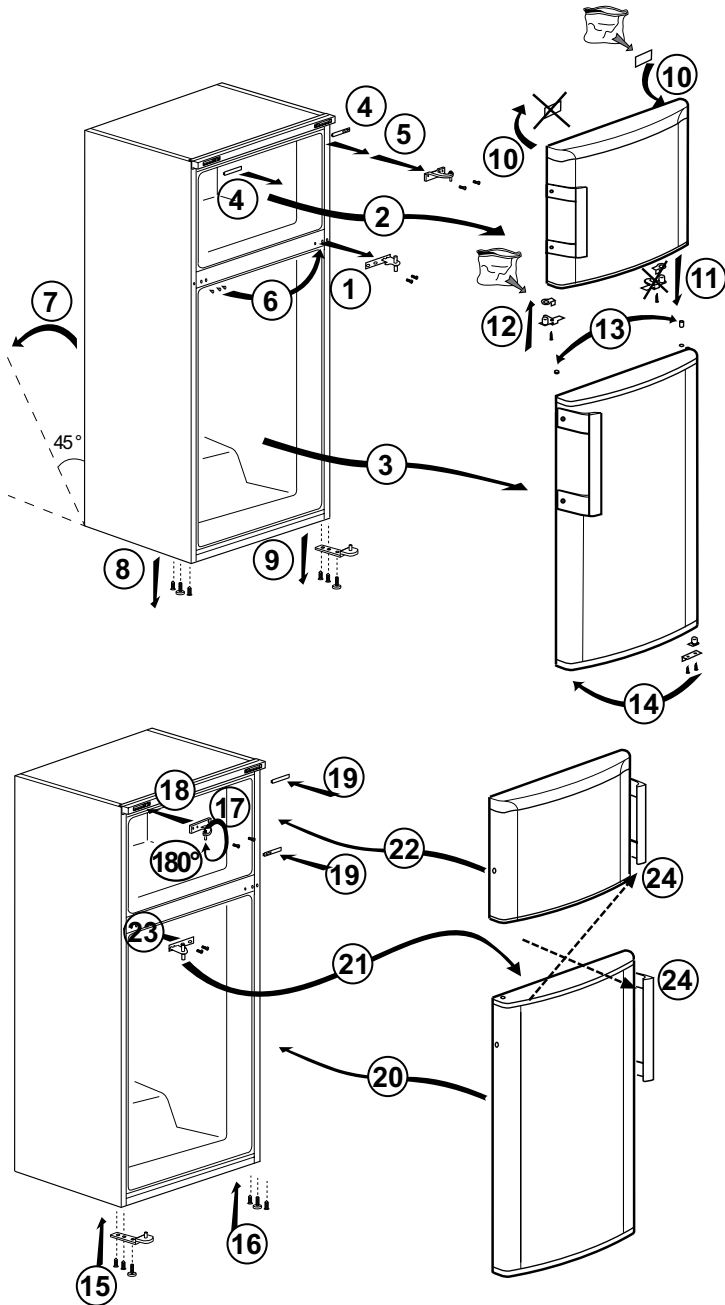
Ziehen Sie die Abdeckung, in der sich der Geruchsfilter befindet, nach unten, entnehmen Sie ihn wie in der Abbildung gezeigt. Legen Sie den Filter einen Tag lang ins Sonnenlicht. Der Filter reinigt sich in dieser Zeit. Bringen Sie den Filter wieder an Ort und Stelle an.

Der Geruchsfilter muss einmal jährlich gereinigt werden.



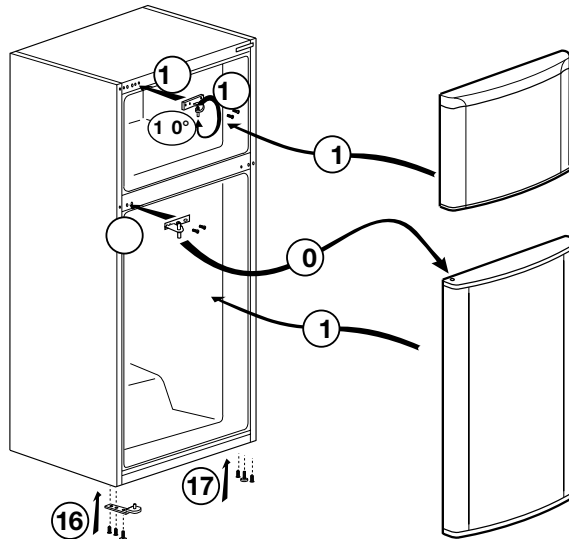
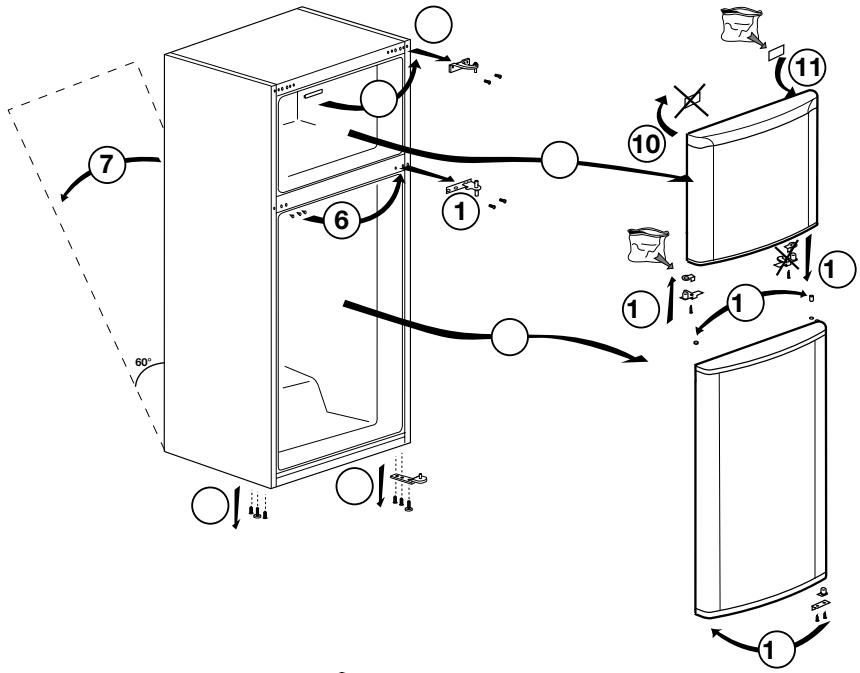
# Türanschlag umkehren

Gehen Sie der Reihe nach vor.



# Türanschlag umkehren

Gehen Sie der Reihe nach vor.





## 6 **Wartung und Reinigung**

---

- ⚠ Verwenden Sie zu Reinigungszwecken niemals Benzin oder ähnliche Substanzen.
- ⚠ Wir empfehlen, vor dem Reinigen den Netzstecker zu ziehen.
- ⓘ Verwenden Sie zur Reinigung niemals scharfe Gegenstände, Seife, Haushaltsreiniger, Waschmittel oder Wachspolituren.
- ⓘ Bei nicht eisfreien Geräten bilden sich Wassertropfen an der Rückwand des Kühlfaches, die zu einer fingerdicken Eisschicht gefrieren können. Nicht beseitigen, nicht reinigen, niemals Öl oder andere Mittel auftragen.
- ⓘ Reinigen Sie die Außenflächen des Gerätes nur mit einem leicht angefeuchteten Mikrofasertuch. Schwämme und andere Reinigungshilfen können die Oberfläche verkratzen.
- ⓘ Reinigen Sie das Gehäuse des Gerätes mit lauwarmem Wasser, wischen Sie die Flächen danach trocken.
- ⚠ Zur Reinigung des Innenraums verwenden Sie ein feuchtes Tuch, das Sie in eine Lösung aus 1 Teelöffel Natron und einem halben Liter Wasser getaucht und ausgewrungen haben. Nach dem Reinigen wischen Sie den Innenraum trocken.
- ⚠ Achten Sie darauf, dass kein Wasser in das Lampengehäuse oder andere elektrische Komponenten eindringt.
- ⚠ Wenn Ihr Kühlgerät längere Zeit nicht benutzt wird, ziehen Sie den Netzstecker, nehmen alle Lebensmittel heraus, reinigen das Gerät und lassen die Türe geöffnet.
- ⓘ Kontrollieren Sie die Türdichtungen regelmäßig, um sicherzustellen, dass diese sauber und frei von Speiseresten sind.
- ⓘ Zum Entfernen einer Türablage räumen Sie sämtliche Gegenständen aus der Ablage und schieben diese dann nach oben heraus.
- ⓘ Verwenden Sie zur Reinigung der Außenflächen und Chrombeschichteten Produktteile niemals Reinigungsmittel oder Wasser, die/das Chlor enthält. Chlor lässt Metalloberflächen korrodieren.
- ⓘ Verwenden Sie keine spitzen oder scheuernde Gegenstände, Seifen, Reinigungsmittel bzw. Chemikalien, sowie auch kein Benzin, keine Benzole bzw. Wachse usw. Andernfalls werden die Einprägungen auf den Plasteteilen möglicherweise beschädigt oder deformiert. Verwenden Sie warmes Wasser und einen weichen Lappen zum anschließenden Trockenreiben.

### **Schutz der Kunststoffflächen**

- ⓘ Geben Sie keine Öle oder stark fetthaltige Speisen offen in Ihren Kühlschrank / Gefrierschrank – dadurch können die Kunststoffflächen angegriffen werden. Sollten die Plastikoberflächen einmal mit Öl in Berührung kommen, so reinigen Sie die entsprechend Stellen umgehend mit warmem Wasser.

## 7 Empfehlungen zur Problemlösung

Bitte arbeiten Sie diese Liste durch, bevor Sie den Kundendienst anrufen. Das kann Ihnen Zeit und Geld sparen. In der Liste finden Sie häufiger auftretende Probleme, die nicht auf Verarbeitungs- oder Materialfehler zurückzuführen sind. Nicht alle hier beschriebenen Funktionen sind bei jedem Modell verfügbar.

Der Kühlschrank / Gefrierschrank arbeitet nicht.
<ul style="list-style-type: none"><li>• Ist der Kühlschrank / Gefrierschrank richtig angeschlossen? Stecken Sie den Netzstecker in die Steckdose.</li><li>• Ist die entsprechende Haussicherung herausgesprungen oder durchgebrannt? Überprüfen Sie die Sicherung.</li></ul>
Kondensation an den Seitenwänden des Kühlbereiches. (Multizone, Kühlkontrolle und FlexiZone)
<ul style="list-style-type: none"><li>• Sehr geringe Umgebungstemperaturen. Häufiges Öffnen und Schließen der Tür. Sehr feuchte Umgebung. Offene Lagerung von feuchten Lebensmitteln. Tür nicht richtig geschlossen. Kühlere Thermostateinstellung wählen.</li><li>• Türen kürzer geöffnet halten oder seltener öffnen.</li><li>• Offene Behälter abdecken oder mit einem geeigneten Material einwickeln.</li><li>• Kondensation mit einem trockenen Tuch entfernen und überprüfen, ob diese erneut auftritt.</li></ul>
Der Kompressor läuft nicht
<ul style="list-style-type: none"><li>• Eine Schutzschaltung stoppt den Kompressor bei kurzzeitigen Unterbrechungen der Stromversorgung und wenn das Gerät zu oft und schnell ein- und ausgeschaltet wird, da der Druck des Kühlmittels eine Weile lang ausgeglichen werden muss. Ihr Kühlschrank / Gefrierschrank beginnt nach etwa sechs Minuten wieder zu arbeiten. Bitte wenden Sie sich an den Kundendienst, falls Ihr Kühlschrank / Gefrierschrank nach Ablauf dieser Zeit nicht wieder zu arbeiten beginnt.</li><li>• Der Kühlschrank / Gefrierschrank taut ab. Dies ist bei einem vollautomatisch abtauenden Kühlschrank / Gefrierschrank völlig normal. Das Gerät taut von Zeit zu Zeit ab.</li><li>• Der Netzstecker ist nicht eingesteckt. Überprüfen Sie, ob das Gerät richtig angeschlossen ist.</li><li>• Stimmen die Temperatureinstellungen?</li><li>• Eventuell ist der Strom ausgefallen.</li></ul>
Der Kühlschrank / Gefrierschrank arbeitet sehr intensiv oder über eine sehr lange Zeit.

- Ihr neues Gerät ist vielleicht etwas breiter als sein Vorgänger. Dies ist völlig normal. Große Kühlgeräte arbeiten oft längere Zeit.
- Die Umgebungstemperatur ist eventuell sehr hoch. Dies ist völlig normal.
- Das Kühlgerät wurde möglicherweise erst vor kurzem in Betrieb genommen oder mit Lebensmitteln gefüllt. Es kann einige Stunden länger dauern, bis der Kühlschrank / Gefrierschrank seine Arbeitstemperatur erreicht hat.
- Kurz zuvor wurden größere Mengen warmer Speisen im Kühlschrank / Gefrierschrank eingelagert. Heiße Speisen führen dazu, dass der Kühlschrank / Gefrierschrank etwas länger arbeiten muss, bis die geeignete Temperatur zur sicheren Lagerung erreicht ist.
- Türen wurden häufig geöffnet oder längere Zeit nicht richtig geschlossen. Der Kühlschrank / Gefrierschrank muss länger arbeiten, weil warme Luft in den Innenraum eingedrungen ist. Öffnen Sie die Türen möglichst selten.
- Die Tür des Kühl- oder Tiefkühlbereichs war nur angelehnt. Vergewissern Sie sich, dass die Türen richtig geschlossen wurden.
- Die Kühlschrank / Gefrierschranktemperatur ist sehr niedrig eingestellt. Stellen Sie die Kühlschrank / Gefrierschranktemperatur höher ein und warten Sie, bis die gewünschte Temperatur erreicht ist.
- Die Türdichtungen von Kühl- oder Gefrierbereich sind verschmutzt, verschlissen, beschädigt oder sitzen nicht richtig. Reinigen oder ersetzen Sie die Dichtung. Beschädigte oder defekte Dichtungen führen dazu, dass der Kühlschrank / Gefrierschrank länger arbeiten muss, um die Temperatur halten zu können.

Die Temperatur im Tiefkühlbereich ist sehr niedrig, während die Temperatur im Kühlbereich normal ist.

- Die Tiefkühltemperatur ist sehr niedrig eingestellt. Stellen Sie die Gefrierfachtemperatur wärmer ein und prüfen Sie.

Die Temperatur im Kühlbereich ist sehr niedrig, während die Temperatur im Tiefkühlbereich normal ist.

- Die Kühltemperatur ist eventuell sehr niedrig eingestellt. Stellen Sie die Kühlbereichtemperatur wärmer ein und prüfen Sie.

Im Kühlbereich gelagerte Lebensmittel frieren ein.

- Die Kühltemperatur ist eventuell sehr niedrig eingestellt. Stellen Sie die Kühlbereichtemperatur wärmer ein und prüfen Sie.

Die Temperatur im Kühl- oder Tiefkühlbereich ist sehr hoch.

<ul style="list-style-type: none"> <li>• Die Temperatur des Kühlbereichs ist eventuell sehr hoch eingestellt. Die Einstellung des Kühlbereichs beeinflusst die Temperatur im Tiefkühlbereich. Stellen Sie den Kühl- oder Tiefkühlbereich auf die gewünschte Temperatur ein.</li> <li>• Türen wurden häufig geöffnet oder längere Zeit nicht richtig geschlossen; weniger häufig öffnen.</li> <li>• Die Tür wurde eventuell nicht richtig geschlossen; Tür richtig schließen.</li> <li>• Kurz zuvor wurden größere Mengen warmer Speisen im Kühlschrank / Gefrierschrank eingelagert. Warten Sie, bis der Kühl- oder Tiefkühlbereich die gewünschte Temperatur erreicht.</li> <li>• Der Kühlschrank / Gefrierschrank war kurz zuvor von der Stromversorgung getrennt. Ihr Kühlschrank / Gefrierschrank braucht einige Zeit, um sich auf die gewünschte Temperatur abzukühlen.</li> </ul>
Das Betriebsgeräusch nimmt zu, wenn der Kühlschrank / Gefrierschrank arbeitet.
<ul style="list-style-type: none"> <li>• Das Leistungsverhalten des Kühlgerätes kann sich je nach Umgebungstemperatur ändern. Dies ist völlig normal und keine Fehlfunktion.</li> </ul>
Vibrationen oder Betriebsgeräusche.
<ul style="list-style-type: none"> <li>• Der Boden ist nicht eben oder nicht fest. Der Kühlschrank / Gefrierschrank wackelt, wenn er etwas bewegt wird. Achten Sie darauf, dass der Boden eben ist und das Gewicht des Kühlschrank / Gefrierschranks problemlos tragen kann.</li> <li>• Das Geräusch kann durch auf dem Kühlschrank / Gefrierschrank abgestellte Gegenstände entstehen. Nehmen Sie abgestellte Gegenstände vom Kühlschrank / Gefrierschrank herunter.</li> </ul>
Fließ- oder Spritzgeräusche sind zu hören.
<ul style="list-style-type: none"> <li>• Aus technischen Gründen bewegen sich Flüssigkeiten und Gase innerhalb des Gerätes. Dies ist völlig normal und keine Fehlfunktion.</li> </ul>
Windähnliche Geräusche sind zu hören.
<ul style="list-style-type: none"> <li>• Zum gleichmäßigen Kühlen werden Ventilatoren eingesetzt. Dies ist völlig normal und keine Fehlfunktion.</li> </ul>
Kondensation an den Kühlschrank / Gefrierschranksinnenflächen.
<ul style="list-style-type: none"> <li>• Bei heißen und feuchten Wetterlagen tritt verstärkt Eisbildung und Kondensation auf. Dies ist völlig normal und keine Fehlfunktion.</li> <li>• Die Türen wurden eventuell nicht richtig geschlossen; Türen komplett schließen.</li> <li>• Türen wurden häufig geöffnet oder längere Zeit nicht richtig geschlossen; weniger häufig öffnen.</li> </ul>
Feuchtigkeit sammelt sich an der Außenseite des Kühlschrank / Gefrierschranks oder an den Türen.
<ul style="list-style-type: none"> <li>• Eventuell herrscht hohe Luftfeuchtigkeit; dies ist je nach Wetterlage völlig normal. Die Kondensation verschwindet, sobald die Feuchtigkeit abnimmt.</li> </ul>

#### Unangenehmer Geruch im Kühlschrank / Gefrierschranksinnenraum.

- Das Innere des Kühlschrank / Gefrierschranks muss gereinigt werden. Reinigen Sie das Innere des Kühlschrank / Gefrierschranks mit einem Schwamm, den Sie mit lauwarmem oder kohlendioxidhaltigem Wasser angefeuchtet haben.
- Bestimmte Behälter oder Verpackungsmaterialien verursachen den Geruch. Verwenden Sie andere Behälter oder Verpackungsmaterial einer anderen Marke.

#### Die Tür wurde nicht richtig geschlossen.

- Lebensmittelpackungen verhindern eventuell das Schließen der Tür. Entfernen Sie die Verpackungen, welche die Tür blockieren.
- Der Kühlschrank / Gefrierschrank steht nicht mit sämtlichen Füßen fest auf dem Boden und schaukelt bei kleinen Bewegungen. Stellen Sie die Höheneinstellschrauben ein.
- Der Boden ist nicht eben oder nicht stabil genug. Achten Sie darauf, dass der Boden eben ist und das Gewicht des Kühlschrank / Gefrierschranks problemlos tragen kann.

#### Das Gemüsefach klemmt.

- Die Lebensmittel berühren eventuell den oberen Teil der Schublade. Ordnen Sie die Lebensmittel in der Schublade anders an.

## HAFTUNGSAUSSCHLUSS / WARNUNG

Einige (einfache) Fehler können vom Endbenutzer angemessen behandelt werden, ohne dass Sicherheitsprobleme oder unsichere Verwendung auftreten, sofern sie innerhalb der Grenzen und gemäß den folgenden Anweisungen ausgeführt werden (siehe Abschnitt „Selbstreparatur“).

Sofern im Abschnitt „Selbstreparatur“ unten nichts anderes autorisiert ist, sind Reparaturen an registrierte professionelle Reparaturtechniker zu richten, um Sicherheitsprobleme zu vermeiden. Ein registrierter professioneller Reparaturbetrieb ist ein professioneller Reparaturtechniker, dem vom Hersteller Zugang zu den Anweisungen und der Ersatzteilliste dieses Produkts gemäß den in den Rechtsakten entsprechend der Richtlinie 2009/125/EG beschriebenen Methoden gewährt wurde.

**Allerdings kann nur der Dienstleister (d.h. autorisierte professionelle Reparaturtechniker), den Sie über die in der Bedienungsanleitung/ Garantiekarte angegebene Telefonnummer oder über Ihren autorisierten Händler erreichen können, einen Service gemäß den Garantiebedingungen anbieten. Bitte beachten Sie daher, dass Reparaturen durch professionelle Reparaturtechniker (die nicht von Beko autorisiert sind) zum Erlischen der Garantie führen.**

### Selbstreparatur

Die Selbstreparatur kann vom Endbenutzer in Bezug auf folgende Ersatzteile durchgeführt werden: Dichtungen, Filter, Türscharniere, Körbe, Propeller, Kunststoffzubehör usw. (eine aktualisierte Liste ist ab dem 1. März 2021 ebenfalls in [support.beko.com](http://support.beko.com) verfügbar).

Um die Produktsicherheit zu gewährleisten und das Risiko schwerer Verletzungen zu vermeiden, muss die erwähnte Selbstreparatur gemäß den Anweisungen im Benutzerhandbuch zur Selbstreparatur durchgeführt werden, die unter [support.beko.com](http://support.beko.com) verfügbar sind. Ziehen Sie zu Ihrer Sicherheit den Stecker aus der Steckdose, bevor Sie eine Selbstreparatur durchführen.

Reparatur- und Reparaturversuche von Endbenutzern für Teile, die nicht in dieser Liste enthalten sind und/oder die Anweisungen in den Benutzerhandbüchern zur Selbstreparatur nicht befolgen oder die auf [support.beko.com](http://support.beko.com) verfügbar sind, können zu Sicherheitsproblemen führen, die nicht auf Bekozurückzuführen sind, und führt zum Erlöschen der Garantie des Produkts.

Deshalb wird dringend empfohlen, dass Endbenutzer nicht versuchen, Reparaturen durchzuführen, die außerhalb der genannten Ersatzteilliste liegen, und sich in solchen Fällen an autorisierte professionelle Reparaturtechniker oder registrierte professionelle Reparaturtechniker wenden. Ansonsten können solche Versuche von Endbenutzern Sicherheitsprobleme verursachen und das Produkt beschädigen und anschließend Brand, Überschwemmungen, Stromschläge und schwere Personenschäden verursachen.

Beispielsweise müssen, ohne darauf beschränkt zu sein, die folgenden Reparaturen an autorisierte professionelle Reparaturtechniker oder registrierte professionelle Reparaturtechniker gerichtet werden: Kompressor, Kühlkreislauf, Hauptplatine, Wechselrichterplatine, Anzeigetafel usw.

Der Hersteller/Verkäufer kann in keinem Fall haftbar gemacht werden, in dem Endbenutzer die oben genannten Bestimmungen nicht einhalten.

Die Ersatzteilverfügbarkeit des von Ihnen gekauften Kühlschranks beträgt 10 Jahre. Während dieser Zeit stehen Originalersatzteile zur Verfügung, um den Kühlschrank ordnungsgemäß zu betreiben.

Die Mindestgarantiedauer für den von Ihnen gekauften Kühlschrank beträgt 24 Monate.

Dieses Produkt ist mit einer Lichtquelle der Energieklasse „G“ ausgestattet. Die Lichtquelle in diesem Produkt darf nur von professionellen Reparaturtechnikern ersetzt werden.

# **beko**

## **Frižider**

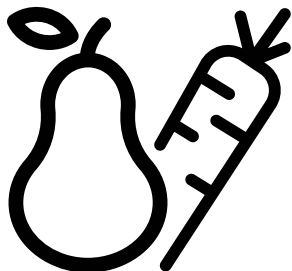
Upute za uporabu

## **Frižider**

Упутства за кориснике

## **Hladnjak**

Korisnički priručnik



RDNE350K20X-RDNE350K20XB-RDNE350K30XBN

**BO/SB/HR**

57 9941 0000/AL 3/4 BO-SB-HR





## Molimo vas da prvo pročitate ovo korisničko uputstvo!

Poštovani kupci,

Nadamo se da će vam dobro služiti vaš proizvod, koji je izrađen u savremenim fabrikama i provjeren kroz najzahtjevnije procedure provjere kvaliteta.

Zato vam preporučujemo da, prije nego što počnete koristiti ovaj proizvod, pažljivo pročitate kompletno korisničko uputstvo i zadržite ga za buduće potrebe.




### Ovo korisničko uputstvo






- Će vam pomoći da koristite vaš frižider na brz i siguran način.
- Pročitajte uputstvo prije instalacije i rada sa vašim proizvodom.
- Slijedite uputstva, naročito ona koja se odnose na sigurnost.
- Držite ovo uputstvo na lako dostupnom mjestu, jer vam može kasnije zatrebati.
- Pored toga, također pročitajte druge dokumente koji su isporučeni sa vašim proizvodom.

Molimo da obratite pažnju na činjenicu da ovo uputstvo može da se koristi i za neke druge modele.

### Simboli i njihov opis

Ovo uputstvo za upotrebu koristi slijedeće simbole:

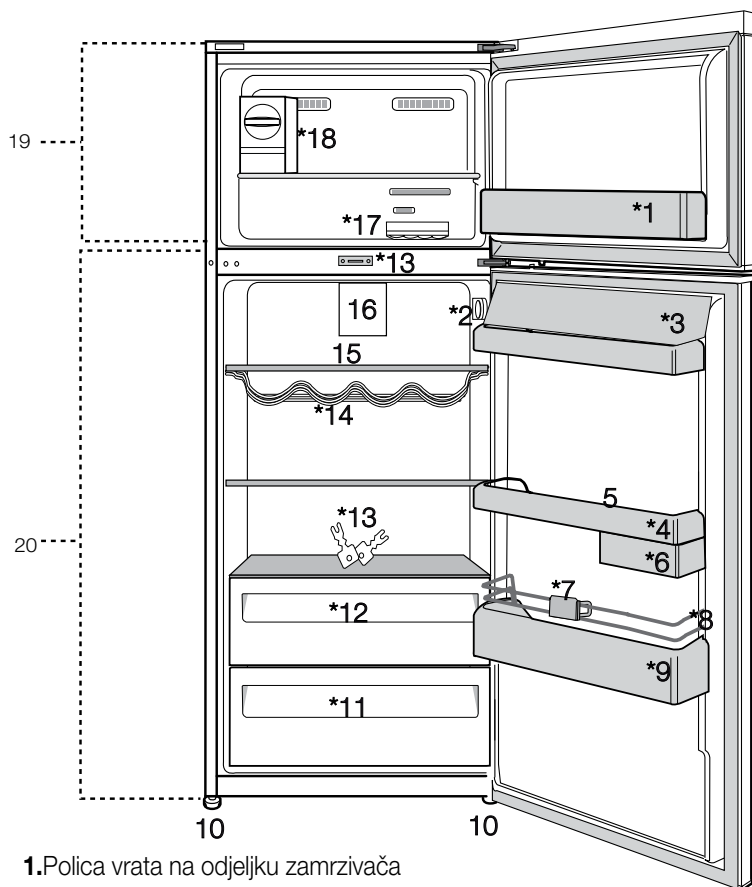
-  Važna informacija ili korisni savjeti za upotrebu.
-  Upozorenje na opasne situacije za život i imovinu.
-  Upozorenje na električni napon.

 <b>INFORMATION</b>	
 <small>SUPPLIER'S NAME</small> 	 <small>MODEL IDENTIFIER</small> → (*) 
<p>.Podaci o modelu pohranjeni u bazi podataka o proizvodu mogu se dobiti unosom sledeće mrežne stranice i pretragom po identifikacionom broju vašeg modela (*) koji se nalazi na oznaci potrošnje električne energije.</p> <p><a href="https://eprel.ec.europa.eu/">https://eprel.ec.europa.eu/</a></p>	

## SADRŽAJ

<b>1 Vaš frižider</b>	<b>3</b>	<b>4 Priprema</b>	<b>13</b>
<b>2 Važna sigurnosna upozorenja</b>	<b>4</b>	<b>5 Upotreba vašeg frižidera</b>	<b>14</b>
Namjena.....	4	Tipka za podešavanje temperature ..	14
Za proizvode sa dozerom vode;.....	7	Podešavanje temperature na vašem frižideru .....	14
Sigurnost djece .....	7	Dvostruki sistem hlađenja .....	14
Usklađenost sa WEEE Direktivom i odlaganje otpadnog proizvoda: .....	8	Funkcija u slučaju odsutnosti .....	14
Usklađenost sa RoHS Direktivom: .....	8	Isključivanje vašeg proizvoda .....	14
Informacije o pakovanju .....	8	Sistem dvostrukog hlađenja:.....	15
HC Upozorenje.....	8	Zamrzavanje svježih namirnica.....	15
Stvari koje je potrebno uraditi u cilju uštede energije .....	8	Preporuke za čuvanje zamrznute hrane.....	15
Preporuke za odjeljak za svježiju hranu	9	Odležavanje .....	16
<b>3 Ugradnja</b>	<b>10</b>	Stavljanje hrane .....	16
Osnovne stvari koje treba uzeti u obzir kada prenosite vaš frižider.....	10	Informacije o dubokom zamrzavanju	16
Prije nego što otvorite vaš frižider ....	10	Odjeljak sa temperaturom nula .....	17
Električne veze .....	11	Izrada leda.....	17
Odlaganje pakovanja .....	11	Opis i čišćenje filtera za mirise:.....	17
Odlaganje starog frižidera .....	11	Rotirajuća posuda za pohranjivanje hrane.....	18
Postavljanje i instalacija.....	11	Ledomat i spremnik za pohranjivanje leda .....	18
Podešavanje nožica.....	12	Promjena smjera otvaranja vrata .....	19
<b>6 Održavanje i čišćenje</b>	<b>20</b>	<b>7 Preporučena rješenja problema</b>	<b>21</b>
Zaštita plastičnih površina .....	20		

# 1 Vaš frižider



1. Polica vrata na odjeljku zamrzivača
2. Tipka za podešavanje temperature
3. Odjeljci za puter i sir
4. Polica vrata na odjeljku frižidera
5. Postolja za jaja
6. Rotirajuća posuda za skladištenje
7. Postolje za flaše
8. Žičani štitnik
9. Polica za flaše
10. Podesive nožice
11. Posuda za svježiju hranu
12. Rashladni odjeljak

13. Tipka
  14. Ostava za vino
  15. Staklene police na odjeljku frižidera
  16. Ventilator
  17. Posuda za led
  18. Ledomat
  19. Odjeljak zamrzivača
  20. Odjeljak frižidera
- \*opcionalno**




☒ Slike koje su prikazane u ovom priručniku su shematske i možda se neće tačno podudarati s vašim proizvodom. Ukoliko su opisani neki dijelovi koji nisu uključeni u proizvod koji ste vi kupili, onda se oni odnose na druge modele.

## 2 Važna sigurnosna upozorenja

Molimo pregledajte sljedeće informacije. Nepoštivanje ovih informacija može prouzrokovati povrede ili materijalne štete. U suprotnom, garancija i obaveze proizvođača u smislu pouzdanosti proizvoda će biti nevažeće.

Originalni rezervni dijelovi biće obezbijedjeni za narednih 10 godina počev od datuma kupovine vozila.

### Namjena

	<b>UPOZORENJE:</b> Ventilacione otvore na uređaju ili ugrađenoj strukturi održavajte bez prepreka.
	<b>UPOZORENJE:</b> Za ubrzavanje procesa odmrzavanja koristite samo mehaničke uređaje ili druga sredstva koja je preporučio proizvođač.
	<b>UPOZORENJE:</b> Vodite računa da ne oštetite rashladno kolo.



### UPOZORENJE:

Ne koristite električne uređaje u odjeljcima za skladištenje hrane, osim ako oni ne pripadaju tipu koji je preporučio proizvođač.



### UPOZORENJE:

Nemojte skladištiti eksplozivne tvari poput limenki s aerosolom sa zapaljivim potisnim plinom u ovaj uređaj.

Uređaj je namijenjen za korištenje u domaćinstvu i za slične namjene, kao što su

- mala kuhinja za zaposlene u trgovinama, uređima i drugim radnim okruženjima;
- seoske kuće i za goste u hotelima, motelima i drugim stambenim objektima;
- objekti koji nude prenoćište i doručak,
- za pripremu i dostavu hrane i slične primjene koje ne spadaju u maloprodaju.

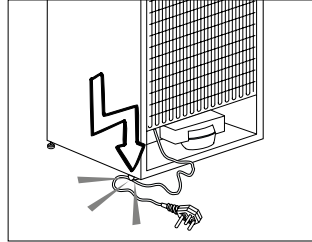
### Opšta sigurnost

- Preporučujemo da se konsultujete sa ovlaštenim servisom da bi ste saznali odgovarajuće informacije i ovlaštena tijela za odlaganje otpada, u slučaju kada želite da se riješite ovoga proizvoda ili ga odložite.
- Konsultujte se sa ovlaštenim servisom u vezi svih pitanja i problema koje imate sa ovim

- frižiderom. Nemojte poduzimati nikakve radnje nad frižiderom ili pustiti nekoga da to radi, bez da ste prethodno obavijestili ovlašteni servis.
- Za proizvode sa zamrzivačem; Nemojte jesti sladoled i kockice leda odmah nakon što ih izvadite van frižidera! (Ovo može uzrokovati promzline u vašim ustima.)
  - Za proizvode sa zamrzivačem; Ne stavljajte napitke u boci ili limenci u frižider. U suprotnom, mogu se razbiti.
  - Ne dirajte rukama zaleđenu hranu; Može se zalijepiti za vaše ruke.
  - Isključite frižider prije čišćenja i odmrzavanja.
  - Nikada ne koristite paru da bi ste odledili vaš frižider. Također, materijali za čišćenje koji isparavaju se ne bi nikad trebali koristiti za čišćenje frižidera. U ovim slučajevima, para može doći u dodir sa elektroničkim dijelovima te prouzrokovati kratke spojeve ili električne šokove.
  - Nikad ne koristite dijelove vašeg frižidera, poput vrata, kao sredstva za potporu ili stepenik.
  - Ne koristite elektroničke uređaje unutar frižidera.
  - Nemojte oštetiti dijelove u kojima kruži rashladni zrak sa alatima za bušenje ili rezanje. Frižider može eksplodirati u slučaju kada se probuše plinski kanali isparivača, produžetci cijevi ili površinske presvlake, što može prouzrokovati iritacije na koži ili povrede očiju.
  - Ne pokrivajte ili blokirajte bilo kakvim materijalima ventilacione rupe na vašem frižideru.
  - Elektronički uređaji moraju biti popravljani samo od strane ovlaštenih osoba. Popravke koje su provedene od strane nekompetentnih osoba uzrokuju rizik za korisnika.
  - U slučaju bilo kakvih kvarova ili tokom održavanja ili popravke, isključite dovod napajanja vašeg frižidera tako što ćete isključiti odgovarajući osigurač ili ga pak isključiti iz utičnice.
  - Ne povlačite kabal kada želite da ga isključite iz utičnice.
  - Osigurajte da su pića s visokim procentom alkohola smještena na siguran način s dobro zatvorenim poklopcem i u uspravnom položaju.
  - Nikad ne stavljajte u frižider limenke spreja koje sadrže zapaljive i eksplozivne supstance.
  - Nemojte koristiti mehanička ili druga pomagala da bi ste ubrzali proces odmrzavanja, osim sredstava preporučenih od strane proizvođača.
  - Ovaj proizvod nije namijenjen da se koristi od strane osoba sa fizičkim, čulnim ili mentalnim poremećajima ili od strane neukih ili neiskusnih osoba (uključujući djecu) ukoliko nisu pod prismotrom osoba koje su odgovorne za njihovu sigurnost ili koje će ih uputiti kako da ispravno koriste proizvod.
  - Ne raditi sa oštećenim frižiderom. Konsultujte se sa ovlaštenim serviserom ukoliko imate bilo kakvih pitanja.

- Sigurnost koja se tiče električnih instalacija će biti zagarantovana jedino ukoliko je sistem uzemljenja u vašem domu urađen prema odgovarajućim standardima.
- Obzirom na električnu sigurnost treba imati u vidu da je opisano izlaganje proizvoda kiši, snijegu, suncu i vjetru.
- Da biste izbjegli opasnost, pozovite ovlaštenog servisera kada je oštećen kabal za napajanje.
- Nikad ne uključujte frižider u zidnu utičnicu tokom instaliranja. U suprotnom, postoji rizik od smrti ili ozbiljnih povreda.
- Frižider je namjenjen za pohranu jedino prehrambenih proizvoda. Ne smije se koristiti u bilo koje druge svhre.
- Etiketa sa tehničkim specifikacijama se nalazi na lijevom zidu, unutar frižidera.
- Nikad ne spajajte vaš frižider na sisteme za uštedu energije; oni mogu oštetiti frižider.
- Ukoliko postoji plavo svijetlo na frižideru, ne gledajte na njega sa optičkim pomagalima.
- Za ručno upravljane frižidere, sačekajte najmanje 5 minuta da bi ste pokrenuli frižider nakon nestanka struje.
- U slučaju da proizvod mijenja vlasnika potrebno je i ovo uputstvo za upotrebu predati novom vlasniku proizvoda.
- Pazite da ne oštetite kabal za napajanje u slučaju transporta frižidera. Savijeni kabal može prouzrokovati požar. Nikada ne

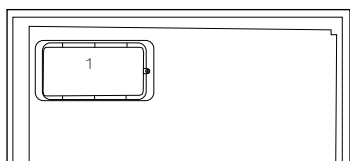
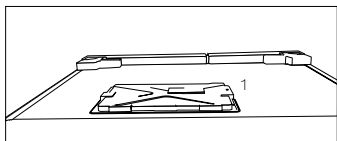
stavljajte teške objekte na kabal za napajanje. Ne dirajte utičnicu sa mokrim rukama kada uključujete proizvod u struju.



- Ne uključujte frižider u slučaju da je opuštена utičnica na zidu.
- Zbog sigurnosnih razloga, ne prskajte direktno vodom unutrašnje ili vanjske dijelove proizvoda.
- Da biste izbjegli rizik od vatre ili eksplozije, nikada blizu frižidera ne pršcite supstance koje sadrže zapaljive gasove poput propana.
- Nikada na frižider ne postavljajte posude napunjene vodom jer, u suprotnom, možete uzrokovati električni šok ili požar.
- Nikada ne preopterećujte vaš frižider sa pretjeranim količinama hrane. Ukoliko je frižider preopterećen, tada, prilikom otvaranja vrata mogu ispasti prehrambeni proizvodi te vas povrijediti i oštetiti frižider. Nikada ne stavljajte predmete na frižider; u suprotnom, ti predmeti mogu pasti kada otvarate ili zatvarate vrata frižidera.
- Cjepiva, temperaturno osjetljive lijekove te znanstvene materijale ne bi ste trebali čuvati u frižideru, obzirom da

oni zahtijevaju da se skladište na preciznoj temperaturi.

- Frižider bi se trebao isključiti ukoliko se duže vremena ne koristi. Mogući problemi sa napojnim kablom mogu prouzrokovati požar.
- Moguće je da se frižider pomjera ukoliko noge frižidera nisu propisno postavljene na pod. Propisno postavite podesive noge na pod da izbjegnute pomjerenje frižidera.
- Kada prenosite frižider ne držite ga za dršku vrata. U suprotnom, ona može pući.
- Ne postavljajte vaš proizvod previše blizu drugog frižidera ili zamrzivača. Udaljenost između ovih uređaja treba biti najmanje 8cm. U suprotnom, može doći do vlage na susjednim bočnim zidovima uređaja.
- Nikad ne koristite proizvod ako su otvoreni delovi gornjeg ili zadnjeg dela vašeg proizvoda koji unutra imaju elektronske ploče sa otštampanim strujnim kolima (zaštita elektronskih ploča sa otštampanim strujnim kolima) (1).



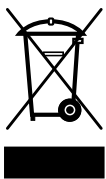
## Za proizvode sa dozerom vode;

- Pritisak za dovod hladne vode je maksimalno 90 PSI (6.2 bari). Ukoliko pritisak vode premašuje 80PSI (5.5 bari), u glavnom vodu upotrijebite ventil za ograničavanje pritiska. Ako ne znate kako se provjerava pritisak vode, zatražite pomoć vodoinstalatera.
- Ukoliko u vašim instalacijama postoji rizik od efekta vodenog udara, u instalacijama uvijek koristite opremu za sprečavanje vodenog udara. Savjetujte se sa vodoinstalaterom ukoliko niste sigurni da li u vašim instalacijama postoji efekat vodenog udara.
- Ne montirati na dovod za toplu vodu. Poduzmite mjere opreza protiv rizika od smrzavanja cijevi. Interval temperature vode je 33°F (0.6°C) minimalno i 100°F (38°C) maksimalno.
- Koristite samo pitku vodu.

## Sigurnost djece

- Ukoliko vrata proizvoda imaju bravu tada ključ treba držati van dosega djece.
- Djeca trebaju biti pod nadzorom u cilju da bi ih se spriječilo da se igraju sa proizvodom.

## Usklađenost sa WEEE Direktivom i odlaganje otpadnog proizvoda:



Ovaj proizvod je u skladu sa EU WEEE Direktivom (2012/19/EU). Ovaj proizvod posjeduje klasifikacijski simbol za otpadnu električnu i elektroničku

opremu (WEEE).

Ovaj proizvod je proizveden od visoko kvalitetnih dijelova koji se mogu ponovo upotrijebiti i koji su pogodni za recikliranje. Nemojte odlagati otpadni proizvod s običnim kućnim i drugim otpadima čiji je vijeka trajanja prošao. Odnosite taj otpad na odlagalište za reciklažu električne i elektroničke opreme. Molimo vas posavjetujte se sa lokalnim institucijama da saznate gdje se nalaze ova odlagališta.

## Usklađenost sa RoHS Direktivom:

Proizvod koji ste kupili je u skladu sa EU RoHS Direktivom (2011/65/EU). On ne sadrži nikakve štetne i zabranjene materijale specificirane u ovoj Direktivi.

## Informacije o pakovanju

Materijali za pakovanje na proizvodu su proizvedeni od reciklirajućih materijala u skladu sa našim državnim propisima za okoliš. Nemojte odlagati materijale za pakovanje zajedno sa kućnim otpadom ili s drugim

vrstom otpada. Odložite ih na odredišta za prikupljanje materijala za pakovanje koja su naznačena od strane lokalnih vlasti.

## HC Upozorenje Ukoliko sistem za hlađenje u vašem proizvodu sadrži R600a:

Gas je zapaljiv. Stoga, obratite pažnju da ne oštetite sistem hlađenja i cijevi tokom korištenja ili transporta proizvoda. U slučaju oštećenja, držite proizvod dalje od potencijalnih izvora vatre koji mogu izazvati da vatra zahvati proizvod, te također prozračujte prostoriju u kojoj je proizvod postavljen.

## Ignorišite ovo upozorenje ukoliko sistem za hlađenje u vašem proizvodu sadrži R134a.

Tip gasa koji se koristi u proizvodu je naznačen na natpisnoj pločici koja se nalazi na lijevom zidu unutar frižidera. Nikad ne stavljajte proizvod u vatru u cilju odlaganja.

## Stvari koje je potrebno uraditi u cilju uštede energije

- Nikada ne ostavljajte duže vremena otvorena vrata vašeg frižidera.
- Ne savljajte toplu hranu ili napitke u vaš frižider.
- Ne preopterećujte vaš frižider tako da je unutar njega sprječeno cirkulisanje zraka.

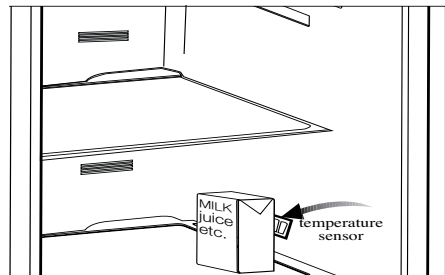
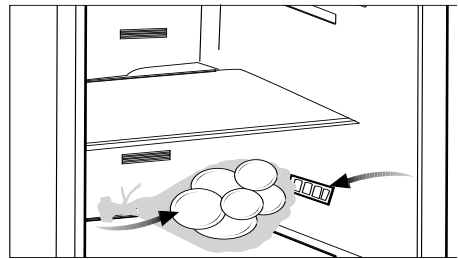


- Ne postavljate vaš frižider direktno na sunčevu svjetlost ili blizu aparata koji emituju toplotu, poput pećnica, mašina za pranje posuđa ili radijatora.
- Hranu čuvajte u zatvorenim posudama.
- Za proizvode sa zamrzivačem; Možete staviti maksimalnu količinu hrane u zamzivač kada uklonite njegovu policu ili ladicu. Navedena potrošnja energije za vaš frižider je određena pod maksimalnim opterećenjem, tako što su uklonjene police ili ladice frižidera. Ne postoji nikakav rizik po pitanju oblika i veličine prehrambenih namirnica koje se trebaju zamrznuti ukoliko se koristi polica ili ladica.
- Odmrzavanje zaleđene hrane u frižideru će osigurati kako uštedu energije tako i očuvanje kvaliteta hrane.

## Preporuke za odjeljak za svježu hranu

**\*opcionalno**

- Nemojte dopustiti da hrana dodiruje senzor za temperaturu u odjeljku za svježu hranu. Kako biste omogućili da odjeljak za svježu hranu održava svoju idealnu temepraturu za pohranjivanje, hrana ne smije ometati senzor.
- Nemojte stavljati toplu hranu u ovaj proizvod.



### 3 Ugradnja

⚠ Molimo da imate na umu da proizvođač ne snosi nikakvu odgovornost ukoliko se ignorišu informacije koje su date u ovome korisničkom uputstvu.

#### Osnovne stvari koje treba uzeti u obzir kada prenosite vaš frižider.

1. Vaš frižider se mora isprazniti i očistiti prije bilo kakvog transporta.
2. Police, pribor, povrće i slično u vašem frižideru se mora prije prepakiranja sigurno pričvrstiti koristeći ljepljivu traku da bi ostalo nepomjerno.
3. Pakovanje je potrebno povezati ljepljivom trakom i snažnim užetom te se moraju poštovati pravila transporta koja su ispisana na pakovanju.

#### Molim da ne zaboravite...

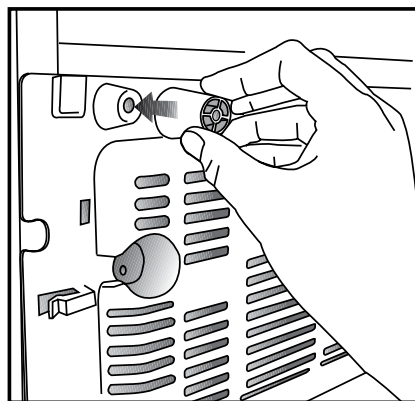
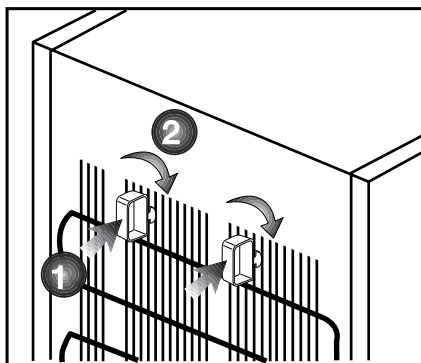
Svaki materijal koji se može reciklirati je nepoželjan za prirodu i naše nacionalne resurse.

Ukoliko želite da doprinesete reciklaži materijala za pakovanje, kontaktirajte nadležna tijela za očuvanje okoliša ili lokalne institucije za više informacija.

#### Prije nego što otvorite vaš frižider

Prije nego što počnete koristiti vaš frižider provjerite sljedeće:

1. Da li je unutrašnjost frižidera suha i da li zrak može slobodno da cirkulira u i oko njega?



2. Očistite unutrašnjost frižidera kao što je to preporučeno u dijelu "Održavanje i čišćenje"
3. Uključite frižider u zidnu utičnicu. Prilikom otvaranja vrata, uključuje se unutrašnje osvjetljenje frižidera.
4. Čut ćete buku određene razine prilikom pokretanja kompresora. Tekućine i gasovi zatvoreni unutar sistema hlađenja također mogu podići nivo buke, čak i u slučaju kada kompresor nije uključen što je sasvim normalna pojava.
5. Prednji rubovi frižidera mogu biti topli. To je normalna pojava. Oni su dizajnirani da budu topliji tako da se izbjegne stvaranje kondenza.

## Električne veze

Spojite vaš proizvod na uzemljenu utičnicu koja je zaštićena osiguračem odgovarajućeg kapaciteta.

Važno:

- Veze moraju biti u skladu sa nacionalnim propisima.
  - Utikač kabla za napajanje mora biti lako dostupan nakon instalacije.
  - Navedeni napon mora biti jednak vašem mrežnom naponu.
  - Produžni kablovi i više-utični produžetci ne smiju se koristiti.
- ⚠ Oštećeni kabal za napajanje mora biti zamjenjen od strane kvalifikovanog električara.
- ⚠ Proizvod ne smije da se koristi prije nego što se ne popravi! Postoji opasnost od električnog šoka!

## Odlaganje pakovanja

Materijali za pakovanje mogu biti opasni za djecu. Držite ove materijale izvan doseg djece ili ih odložite tako što će te ih razvrstati u skladu sa uputama za odlaganje otpada.

Ne odlažite ih sa ostalim normalnim otpadom domaćinstva.

Pakovanje vašeg frižidera je proizvedeno od materijala koji se mogu reciklirati.

## Odlaganje starog frižidera

Odložite vaš stari frižider tako da ne nanosite nikakvu štetu za okoliš.

- Možete se konsultovati sa ovlaštenim distributerom ili centrom za prikupljanje otpada u vašoj opštini o načinu odlaganja vašeg frižidera.

Prije nego što odložite vaš frižider, odsjecite električni utikač i ukoliko postoje bilo kakve brave na vratima, onemogućite njihovo otvaranje da biste zaštitili djecu od bilo kakve opasnosti.

## Postavljanje i instalacija

⚠ Pozovite ovlašteni servis u slučaju da ulazna vrata prostorije u koju želite da postavite vaš frižider nisu dovoljno široka da bi frižider mogao proći kroz njih. Ulazna vrata prostorije u tom slučaju je potrebno skinuti da bi se vaš frižider bočno mogao unjeti u prostoriju.

1. Instalirajte vaš frižider na mjesto koje vam omogućava lako korištenje.
2. Držite frižider podalje od izvora toplote, vlažnih mjesta i direktnog sunčanog svjetla.
3. Da bi frižider mogao efikasno raditi oko njega se mora obezbjediti odgovarajuća ventilacija vazduha.. Ukoliko frižider namjeravate postaviti u udubljenje u zidu, onda morate osigurati da između frižidera i plafona odnosno zidova postoji najmanje 5 cm udaljenosti. Ako je pod prekriven tepihom tada je potrebno da vaš proizvod bude podignut 2.5 cm od poda.
4. Postavite vaš frižider na ravni pod kako bi se spriječilo ljuljanje.

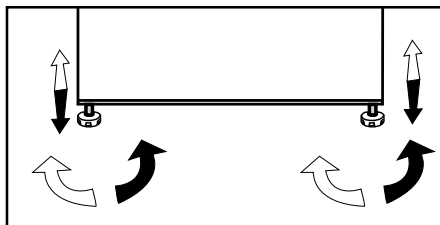
- Kondenzator vašeg uređaja je smješten na stražnjoj strani kao što je prikazano u nastavku. Da biste postigli bolju energetska efikasnost uz nižu potrošnju energije, molimo povucite kondenzator prema sebi kao što je to prikazano na slici u nastavku. Položaj kondenzatora će biti čvrsto fiksiran pomoću mehanizma zaključavanja gornjih držača na svakoj strani.

\* OPCIONALNO



## Podešavanje nožica

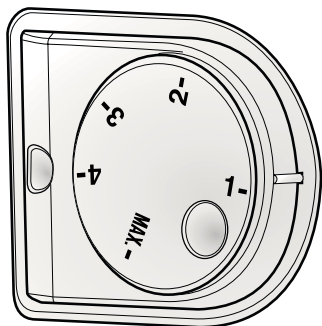
Ako vaš frižider nije balansiran; Možete balansirati vaš frižider tako što ćete okrenuti prednje noge kao što je prikazano na slici ispod. Ugao gdje se nalaze noge je spušten kada ih okrenete u smjeru crne strelice, a podignut kada okrenete u suprotnom smjeru. Ako vam neko može pomoći da malo podignete frižider, to će vam olakšati ovaj postupak.



## 4 Priprema

- za samostojeći uređaj; „Ovaj rashladni uređaj nije predviđen da se koristi kao ugradni uređaj“;
- Vaš frižider bi trebao biti postavljen na udaljenosti od najmanje 30 cm od izvora toplote poput kamina, pećnica, centralnog grijača i peći i najmanje 5 cm od električnih štednjaka, te ne bi trebao biti postavljen na direktnu sunčevu svjetlost.
- Molimo uvjerite se da je unutrašnjost vašeg frižidera temeljito očišćena.
- Ako je potrebno postaviti dva hladnjaka jedan do drugog, trebalo bi biti najmanje 2 cm razmaka između njih.
- Molimo obratite pažnju na sljedeća uputstva tokom prvih šest sati rada kada prvi put palite vaš frižider.
- Vrata frižidera se ne bi trebala često otvarati.
- Frižider mora raditi prazan bez stavljanja bilo kakve hrane u njega.
- Ne isključujte frižider. Ukoliko dođe do nestanka struje izvan vaše kontrole, molimo pogledajte upozorenja u dijelu "Preporučena rješenja za probleme"
- Ovaj proizvod je dizajniran za rad na temperaturi okruženja do 43 °C (90 SDgrF). Čak i ako temperatura okruženja padne na -15 °C, zamrznuta hrana u zamrzivaču se ne otapa zahvaljujući njegovom naprednom elektroničkom sistemu za kontrolu temperature. Za prvu ugradnju, proizvod NE bi trebao biti smješten u uslovima niske temperature okruženja. To je zbog toga što se zamrzivač ne može spuštati na standardnu radnu temperaturu. Kada postigne kontinuiran rad, proizvod može biti premješten na drugo mjesto. Stoga, kasnije možete staviti vaš proizvod u garažu ili neku drugu prostoriju koja se ne grije bez bojazni da će se zamrznuta hrana pokvariti. Međutim, vjerovatno je da gore navedene temperature mogu prouzrokovati zamrzavanje hrane u odjeljku frižidera; stoga, molimo vas konzumirajte hranu iz frižidera na kontroliran način po potrebi. Kada se temperatura okruženja vrati u normalu, možete promijeniti tipku za postavke u skladu sa vašim potrebama.
- Ako je temperatura okruženja ispod 0°C, hrana u odjeljku frižidera će se zamrznuti. Stoga, mi preporučujemo da se ne koristi odjeljak frižidera na tako niskoj temperaturi okruženja. Možete nastaviti koristiti odjeljak zamrzivača kao i obično.
- kod nekih modela, panel instrumenata se automatski isključuje 5 minuta nakon zatvaranja vrata. On će se ponovo aktivirati kada se vrata tvore ili kada se pritisne neka tipka.
- Zbog promjene u temperaturi do koje dolazi otvaranjem/zatvaranjem vrata uređaja tokom rada, normalna je pojava kondenzacije na policama vrata/kućišta i staklenim kontejnerima.
- Budući da vrući i vlažni zrak ne prodire u vaš proizvod kada vrata nisu otvorena, vaš će se proizvod optimizirati u uvjetima dovoljnim za zaštitu vaše hrane. Uz ovu funkciju za uštedu energije, funkcije i sastavni dijelovi kao kompresor, ventilator, grijač, odmrzivač, svijetlo, ekran i tako dalje će raditi u skladu sa potrebama za potrošnju minimalne energije pod ovim okolnostima, uz očuvanje svježine vaše hrane.

## 5 Upotreba vašeg frižidera



### Tipka za podešavanje temperature

Tipka za podešavanje temperature vam omogućava da podesite temperaturu vašeg frižidera.

### Podešavanje temperature na vašem frižideru

Ukupno podešavanje temperature na vašem frižideru čini se pomoću tipke za podešavanje temperature na desnom zidu odjeljka frižidera. Ova tipka ima 5 različitih položaja za podešavanje temperature. Odaberite položaj koji odgovara vašim potrebama.

### Dvostruki sistem hlađenja

Vaš frižider je opremljen s dva odvojena sistema hlađenja za hlađenje odjeljka za svježu hranu i odjeljka zamrzivača. Stoga, zrak u odjeljku svježe hrane i u odjeljku zamrzivača se ne miješaju. Zahvaljujući ovim odvojenim sistemima hlađenja, brzina hlađenja je mnogo veća nego kod drugih frižidera. Mirisi u odjeljcima se ne miješaju. Takođe je osigurana dodatna ušteda energije jer se automatsko odmrzavanje izvodi pojedinačno.

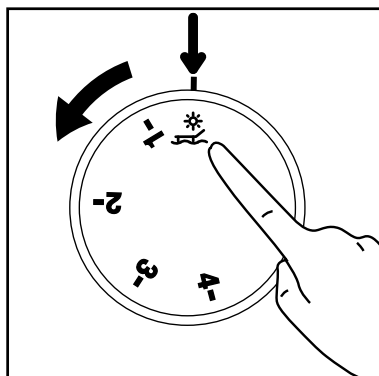
### Funkcija u slučaju odsutnosti

Ako vrata proizvoda nisu otvorena tokom 12 sati nakon što je termostat prebačen u najtopliji položaj, onda će funkcija u slučaju odsutnosti biti aktivirana automatski.

Otvorite vrata proizvoda ili promijenite postavke termostata da biste otkazali ovu funkciju.

Funkcija u slučaju odsutnosti je opcionalna. Ona može varirati u ovisnosti od vrste proizvoda i možda neće biti sastavni dio svakog proizvoda.

Ne preporučuje se skladištiti hranu u rashladnom odjeljku kada je funkcija u slučaju odsutnosti aktivna.



### Isključivanje vašeg proizvoda

Ukoliko postoji pozicija "0" na termostatu:

- Vaš proizvod će se isključiti kada okrenete termostat na "0" (nultu) poziciju. Vaš proizvod neće se uključiti ukoliko ponovo ne postavite termostat na poziciju "1" ili neku od drugih pozicija različitu od "0".

Ukoliko postoji pozicija "min" na termostatu:

- Da bi u ovome slučaju isključili vaš proizvod, isključite ga iz utičnice.

## Sistem dvostrukog hlađenja:

Vaš frižider je opremljen sa dva odvojena sistema za hlađenje odjeljka za svježu hranu i odjeljka zamrzivača. Na taj način zrak u odjeljku za svježu hranu se ne miješa sa zrakom u odjeljku zamrzivača. Zahvaljujući ova dva odvojena sistema za hlađenje, brzina hlađenja je mnogo veća nego kod drugih tipova frižidera. Mirisi u odjeljcima se ne miješaju. Takođe je obezbjeđena dodatna ušteda energije obzirom da se odmrzavanje odvija pojedinačno.

## Zamrzavanje svježih namirnica

- Zamotajte ili poklopite hranu prije ostavljanja
- Vruća hrana se mora ohladiti do sobne temperature prije nego je ostavite u frižider.
- Hrana koju želite zamrznuti mora biti sježa i dobrog kvaliteta.
- Hrana mora biti podijeljena na porcije zavisno od dnevnih potreba porodice ili bazirano na obrocima.
- Hrana mora biti zapakovana na hermetičan način da bi se spriječilo sušenje čak i ako će hrana biti čuvana kratko vrijeme.
- Materijali koji se koriste za pakovanje moraju biti otporni na hladnoću i vlažnost i moraju biti hermetični. Materijal za pakovanje mora biti dovoljne debljine i trajnosti. U suprotnom, kada hrana otvrdne zbog smrzavanja može probiti pakovanje. Važno je da je pakovanje dobro zatvoreno zbog sigurnog pohranjivanja hrane.
- Zamrznuta hrana mora biti odmah upotrijebljena nakon što je otopljena i nikada ne bi trebala biti ponovo zamrznuta.

- Molimo da se pridržavate sljedećih uputstava kako biste postigli najbolje rezultate.

1. Ako frižider ima funkciju brzog zamrzavanja, aktivirajte funkciju brzog zamrzavanja kada želite zamrznuti hranu.

2. Nemojte zamrzavati velike količine namirnica odjednom. Kvalitet će se najbolje očuvati ukoliko namirnice zamrznete u potpunosti, u što kraćem roku.

3. Izbjegavajte miješanje ranije zamrznutih namirnica sa svježim namirnicama.

4. Vodite računa da svježa hrana nije u dodiru sa kuhanom hranom u frižideru.

## Preporuke za čuvanje zamrznute hrane

- Prethodno upakovana komercijalno zamrznuta hrana bi trebala biti pohranjena u skladu sa uputstvima proizvođača za zamrznutu hranu u odjeljku za pohranjivanje zamrznute hrane.
- Kako bi se osiguralo da se isporuke visoke kvalitete, koje je isporučio proizvođač smrznute hrane i malotrgovac prehrambeinoh proizvoda, održavaju, sljedeće tačke treba naglasiti:
  1. Stavite pakete u zamrzivač što je brže moguće nakon kupovine.
  2. Osigurajte da je sadržaj paketa označen i datiran.
  3. Nemojte prekoračiti datume naznačene na pakovanju, "Koristiti do", "Najbolje upotrijebiti do".

## Odležavanje

Odjeljak frižidera odmrzava se automatski.

## Stavljanje hrane

Police odjeljka za zamrzavanje	Razna smrznuta hrana poput mesa, ribe, sladoleda, povrća itd.
Odjeljak za jaja	Jaje
Police odjeljka frižidera	Hrana u tepsijama, pokrivenom posuđu i zatvorenim posudama za hranu.
Police vrata odjeljka za frižider	Mala i pakovana hrana ili piće (poput mlijeka, voćnih sokova i piva)
Ladica za čuvanje svježih plodova	Voće i povrće
Odjeljak hladno i svježe	Delikatesni proizvodi (sir, puter, salama, itd.)

• Hrana mora biti zapakovana na hermetičan način da bi se spriječilo sušenje čak i ako će biti čuvana kratko vrijeme.

Materijali neophodni za pakovanje:

- Ljepljiva traka otporna na hladnoću
- Samoljepljive naljepnice
- Gumeni prstenovi
- Olovka

Materijali koji će se koristiti za pakovanje hrane moraju biti otporni na deranje, hladnoću, vlažnost, premaze, ulja i kiseline.

Hrana koja se treba zamrznuti ne smije doći u dodir sa prethodno smrznutom hranom da bi su spriječilo njihovo djelomično otapanje. Otopljena hrana se mora konzumirati i ne smije biti ponovo zamrznuta.

## Informacije o dubokom zamrzavanju

Hrana mora biti zamrznuta što je moguće brže kada se stavlja u zamrzivač da bi se očuvala dobra kvaliteta.

Moguće je sačuvati hranu na duže vrijeme samo na temperaturama od -18°C ili niže.

Možete sačuvati svježinu hrane mnogo mjeseci (na -18°C ili nižim temperaturama u dubokom zamrzavanju).

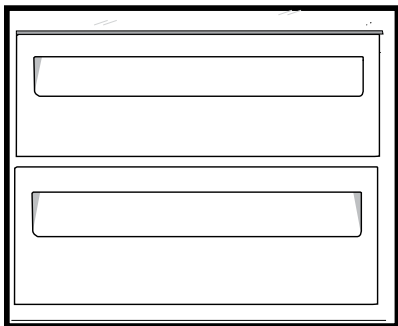
### UPOZORENJE! ⚠

• Hrana mora biti podijeljena na porcije zavisno od dnevnih potreba porodice ili bazirano na obrocima.



## Odjeljak sa temperaturom nula

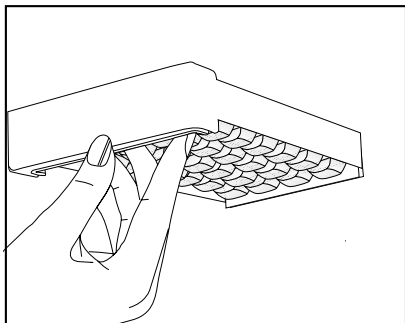
Ovaj odjeljak napravljen je za čuvanje zamrznute hrane kako bi se ona polako topila (meso, riba, piletina itd.) prema potrebi. Odjeljak sa temperaturom nula je najhladniji dio frižidera u kom se mliječni proizvodi (sir, maslac), meso, riba ili piletina mogu čuvati u idealnim uvjetima. Povrće i/ili voće ne smiju se stavljati u ovaj odjeljak.



## Izrada leda

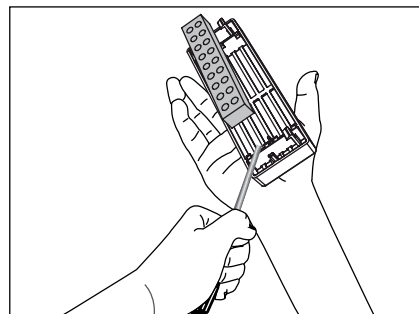
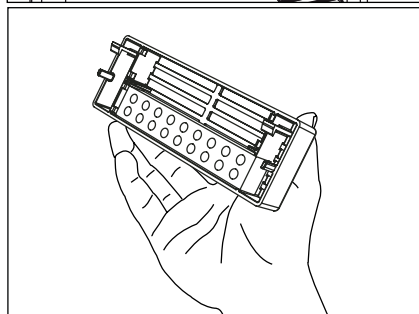
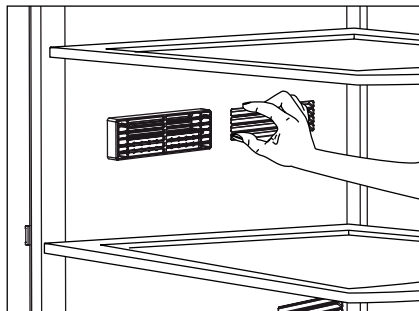
### \*opcionally

Napunite vodom spremnik za led i ostavite u odjeljak zamrzivača. Vaš led će biti spreman za otprilike dva sata. Možete ukloniti led u spremniku za led tako što ćete ga ukloniti iz zamrzivača i izvaditi ga.



## Opis i čišćenje filtera za mirise:

Filter za mirise sprječava stvaranje neprijatnog mirisa u vašem frižideru. Povucite poklopac u kojem je filter za mirise ugrađen prema dolje s prednjeg odjeljka i uklonite kao što je prikazano. Ostavite filter na sunčevoj svjetlosti jedan dan. Filter će biti čist nakon tog vremena. Ponovo postavite filter u njegovo ležište. Filter za mirise se mora čistiti jednom godišnje.

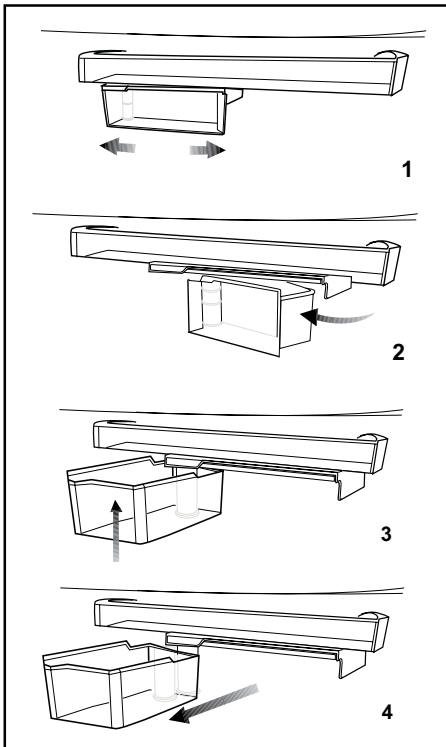


## Rotirajuća posuda za pohranjivanje hrane (kod nekih modela)

Polica s kliznim tijelom se može premjestiti lijevo ili desno kako bi vam to omogućilo stavljanje visokih flaša, tegli ili kutija na donju policu (Sl. 1)

Možete dosegnuti hranu koju ste ostavili na polici tako što ćete je uhvatiti i okrenuti s njenog desnog ruba (Sl. 2).

Kada je želite napuniti ili je izvaditi radi čišćenja, okrenite je za 90 stepeni,



## Ledomat i spremnik za pohranjivanje leda

\*opcionally

### Korištenje ledomata

Napunite vodom ledomat i stavite ga u njegovo ležište. Vaš led će biti spreman za otprilike dva sata. Nemojte uklanjati ledomat iz njegovog ležišta da biste uzeli led.

Okrenite tipke na rezervoarima za led u smjeru kretanja kazaljke na satu za 90 stepeni.

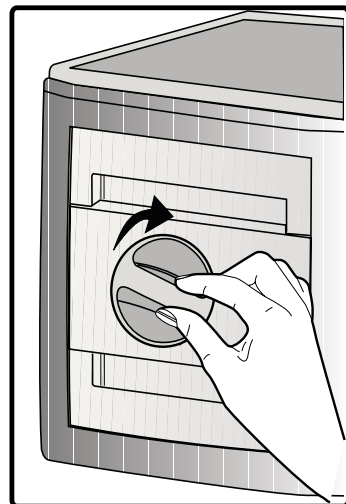
Kocke leda u rezervoarima će pasti dolje u spremnik za pohranjivanje leda.

Možete izvaditi led iz spremnika za pohranjivanje leda i poslužiti kocke leda.

Ako želite, možete držati kocke leda u spremniku za pohranjivanje leda.

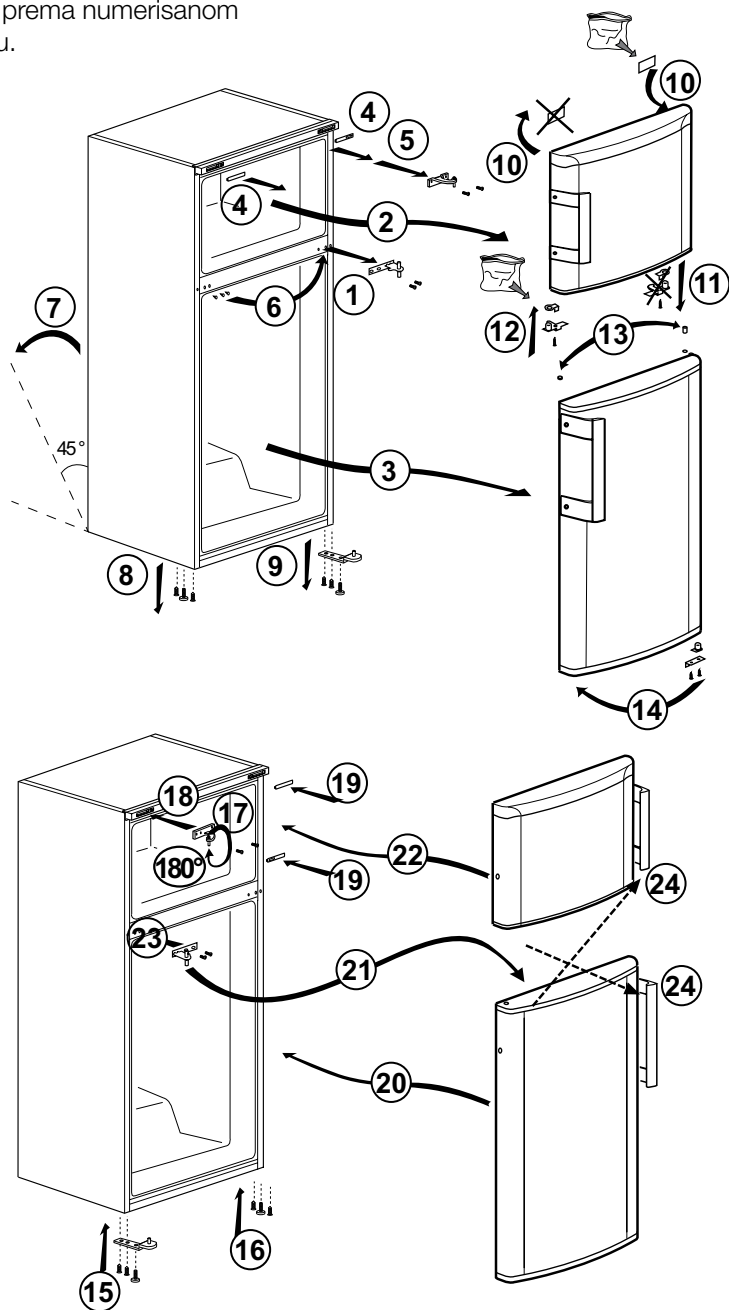
### Posuda za čuvanje leda

Spremnik za pohranjivanje leda je namijenjen samo za skupljanje kocki leda. Nemojte stavljati vodu u spremnik. U suprotnom će puknuti.





## Promjena smjera otvaranja vrata


Postupite prema numerisanom redoslijedu.





## 6 Održavanje i čišćenje


 Nikada nemojte koristiti benzin, benzen ili slične supstance za čišćenje.


 Preporučujemo da isključite frižider prije čišćenja.


 Za čišćenje frižidera nemojte nikada upotrebljavati oštre abrazivne predmete, sapune, deterdžente i materije za poliranje.


 Za proizvode koji nemaju funkciju bez mraza, kapljice vode i led širine prsta se pojavljuju na stražnjem zidu odjeljka frižidera. Nemojte to čistiti; nikada na tome ne primjenjujte ulje ili slična sredstva.


 Koristite samo blago navlaženu krpu od mikrofibera da očistite vanjsku površinu proizvoda. Spužve i druge vrste tkanina za čišćenje mogu ogrebat površinu.


 Koristite mlaku vodu za čišćenje spoljnih površina frižidera, a potom sve dobro isušite.


 Za čišćenje unutrašnjih površina frižidera koristite vlažnu krpu, natopljenu u otopini jedne čajne kašike sode bikarbone rastvorene u pola litra vode. Nakon čišćenja sve površine dobro isušite.


 Pazite da voda ne uđe u kućište za sijalicu i druge elektroničke dijelove.

 Ukoliko frižider neće biti korišten duži vremenski period, isključite iz utičnice kabal za napajanje, izvadite sve namirnice, očistite ga, a vrata ostavite odškrinuta.


 Redovno provjeravajte zaptivne površine vrata, kako biste osigurali da su čiste i da na njima nema ostataka hrane.

 Da biste skinuli policu sa vrata, uklonite sve namirnice i pogurajte policu prema gore u odnosu na oslonac.

 Nemojte upotrebljavati sredstva za čišćenje ili vodu koji sadrže hlor za čišćenje spoljašnjih površina i hromiranih dijelova proizvoda. Hlor izaziva koroziju na tim metalnim površinama.

 Ne koristite oštre i abrazivne predmete ili sapun, sredstva za čišćenje u kućanstvu, benzin, vosak itd., jer će plombe iz plastičnih dijelova ispasti i deformirati se. Za čišćenje koristite toplu vodu i meku tkaninu. Obrišite da bude suho.

### Zaštita plastičnih površina

 Ne stavljajte u posude bez poklopca tečna ulja ili jela pržena u ulju u frižider jer mogu oštetiti plastične površine u njemu. Očistite i isperite toplom vodom plastične površine ako ste na njih prosuli ili razmazali ulje.

## 7 Preporučena rješenja problema

Molimo da, prije nego pozovete servisera, pregledate ovaj popis. To vam može uštedjeti novac i vrijeme. Ovaj popis uključuje česte prigovore koji ne proizlaze iz neispravne izvedbe ili korištenja loših materijala. Neke od osobina koje su opisane ovdje mogu da se ne nalaze u vašem proizvodu.

<b>Frižider ne radi.</b>	<ul style="list-style-type: none"><li>• Termička zaštita kompresora će proraditi tokom iznenadnog nestanka struje ili uključivanja-isključivanja jer rashladni pritisak u sistemu hlađenja frižidera još nije izbalansiran. Vaš frižider će početi da radi otprilike nakon 6 minuta. Molimo pozovite servis ukoliko frižider ne počne raditi na kraju ovoga perioda.</li><li>• Frižider je u ciklusu odmrzavanja. Ovo je normalno za frižidere sa potpuno automatizovanim procesom odmrzavanja. Ciklus odmrzavanja se ponavlja periodično.</li><li>• Vaš frižider nije uključen u utičnicu. Provjerite da li je utikač pravilno postavljen u utičnicu.</li><li>• Da li su ispravno napravljena temperaturna podešenja?</li><li>• Moguće je da je isključeno napajanje.</li></ul>
<ul style="list-style-type: none"><li>• Da li je frižider propisno uključen? Uključite utikač u zidnu utičnicu.</li><li>• Da li je pregorio osigurač utičnice u koju je uključen vaš frižider ili glavni osigurač? Provjerite osigurač.</li></ul>	
<b>Kondenzat na strani zidova zamrzivača (MULTIZONE, COOL CONTROL i FLEXI ZONE).</b> <ul style="list-style-type: none"><li>• Veoma hladna temperatura okoline. Često otvaranje i zatvaranje vrata. Visoka vlažnost okoline. Držanje u otvorenim posudama hrane koja sadrži tekućinu. Ostavljanje održkrinutih vrata. Postavljanje termostata na hladnijem stepenu.</li><li>• Smanjenje vremena u kojem su vrata ostavljena otvorena ili rjeđe otvaranje vrata.</li><li>• Pokrivanje odgovarajućim materijalom hrane u otvorenim posudama.</li><li>• Brisanje kondenzata korištenjem suhe krpe i provjera da li će se ponovo nastaviti stvarati.</li></ul>	
<b>Kompresor ne radi</b>	Frižider radi često ili već duže vremena.

- Vaš novi proizvod može biti širi od prethodnog. Ovo je normalna pojava. Veliki frižideri rade duži vremenski period.
- Sobna temperatura je možda prevelika. Ovo je normalna pojava.
- Frižider je možda bio uključen nedavno ili je možda tek napunjen namirnicama. Potpuno halađenje frižidera može trajati nekoliko sati duže.
- Možda su u frižider nedavno stavljene velike količine tople hrane. Topla hrana uzrokuje duži period rada frižidera dok se ne dosegne odgovarajuća temperatura za čuvanje hrane.
- Vrata mogu biti otvarana često ili ostavljena odškrinuta na duži period. Topli zrak koji ulazi u frižider uzrokuje da će frižider raditi duži period. Rjeđe otvarajte vrata.
- Moguće je da su ostavljena odškrinuta vrata zamrzivača ili odjeljka frižidera. Provjerite da li su vrata čvrsto zatvorena.
- Frižider je podešen na veoma nisku temperaturu. Podesite temperaturu frižidera na veći stepen i sačekajte dok se ta temperatura ne postigne.
- Zaptivanje vrata frižidera ili zamrzivača može biti prljavo, istrošeno, slomljeno ili pak da se dobro ne uklapa. Očistite ili zamijenite zaptivače. Oštećeni/ slomljeni zaptivači mogu uzrokovati da frižider radi duži period u cilju održanja trenutne temperature.

Temperatura zamrzivača je veoma niska dok je temperatura cijelog frižidera dovoljno dobra.

- Zamrzivač je podešen na veoma nisku temperaturu. Podesite temperaturu zamrzivača na viši stepen i ponovo provjerite.

Temperatura frižidera je veoma niska dok je temperatura zamrzivača dovoljna.

- Frižider je podešen na veoma nisku temperaturu. Podesite temperaturu frižidera na viši stepen i ponovo provjerite.

Hrana koja se drži u policama odjeljka frižidera se zamrzava.

- Frižider je podešen na veoma nisku temperaturu. Podesite temperaturu frižidera na viši stepen i ponovo provjerite.

Temperatura frižidera ili zamrzivača je jako visoka.

- Frižider je možda podešen na veoma visoku temperaturu. Podešenje temperature frižidera ima efekta na temperaturu zamrzivača. Mijenjajte zadanu temperaturu frižidera ili zamrzivača sve dok ona ne dostigne zadovoljavajući nivo.
- Vrata mogu biti prečesto otvarana ili ostavljena odškrinuta na duži period; otvarajte ih rjeđe.
- Vrata mogu ostati odškrinuta; Zatvorite vrata u potpunosti.
- Možda su nedavno u frižider stavljene velike količine tople hrane. Sačekajte dok temperatura frižidera ne dosegne željeni nivo.
- Frižider je možda tek nedavno uključen u utičnicu. Potrebno je vremena da bi se frižider u potpunosti ohladio.

Buka pri radu se povećava kada frižider radi.

- Performanse rada frižidera se mogu mijenjati zbog promjena temperature okoline. To je normalna pojava i ne radi se o kvaru.

#### Vibracije ili buka

- Pod nije ravan ili je slab. Frižider se ljulja kada se polako gurne. Provjerite da li je pod dovoljno jak da nosi frižider, kao i podešenost nivoa nogu frižidera.
- Buka može biti uzrokovana stavljanjem predmeta na frižider. Predmeti na frižideru se trebaju ukloniti.

#### Buka koja dolazi od frižidera podsjeća na prosipanje tekućine ili prskanje.

- Zbog principa rada vašeg frižidera dolazi do kretanja tečnosti i gasova unutar njega. To je normalna pojava i ne radi se o kvaru.

#### Postoji buka koja podsjeća na puhanje vjetra.

- Ventilatori se koriste u cilju hlađenja frižidera. To je normalna pojava i ne radi se o kvaru.

#### Kondenz na unutarnjim zidovima frižidera.

- Vruće i vlažno vrijeme povećava zamrzavanje i kondenzaciju. To je normalna pojava i ne radi se o kvaru.
- Vrata su možda bila ostavljena odškrinuta; Provjerite da li su vrata u potpunosti zatvorena.
- Vrata mogu biti prečesto otvarana ili ostavljena odškrinuta na duži period; otvarajte ih rjeđe.

#### Na vanjskom dijelu frižidera ili između vrata se pojavljuje vlaga.

- Razlog može biti vlaga u zraku; ovo je prilično normalno pri vlažnom vremenu. Kada je smanji vlažnost također će nestati i kondenz.

#### Neprijatan miris unutar frižidera

- Unutrašnjost frižidera se mora čistiti. Očistite unutrašnjost frižidera sa spužvom, mlakom ili gaziranom vodom.
- Neke posude ili materijali za pakovanje mogu uzrokovati neprijatne mirise. Koristite druge posude ili drugi tip materijala za pakovanje.

#### Vrata nisu zatvorena

- Paketi namirnica mogu uzrokovati da se vrata ne zatvore. Premjestite pakete koji blokiraju vrata.
- Frižider se ne nalazi u potpunosti u ispravnom položaju na podu i ljulja se kada se lagano gura. Podesite vijke za podešavanje visine.
- Pod nije ravan ili dovoljno jak. Provjerite da li je pod dovoljno jak da nosi frižider.

#### Namirnice su se zaglavile.

- Namirnice mogu dodirivati plafon ladicica. Preuredite položaj namirnica u ladicama.

#### Ako Je Površina Proizvoda Vruća

- Visoke temperature se mogu opaziti između dvaju vrata, na bočnim pločama i na stražnjem roštilju dok proizvod radi. To je normalno i ne zahtijeva servisno održavanje! Budite pažljivi kada dodirujete ova područja.

**i** Ovaj je proizvod opremljen izvorom osvjetljenja energetskog razreda „G“. Izvor osvjetljenja u ovom proizvodu mogu zamijeniti samo stručni serviseri.

## Molimo da prvo pročitate ovo uputstvo za upotrebu!

Poštovani kupci,

Nadamo se da će vam ovaj proizvod, koji je proizveden u savremenim fabrikama i koji je prošao najstrože kontrole kvaliteta, dugo i efikasno služiti.

Zato pažljivo pročitate kompletno uputstvo za upotrebu pre nego što počnete da koristite proizvod i sačuvajte ga za buduće potrebe. Ako proizvod predajte nekome, dajte mu i uputstvo za upotrebu.




## Uputstvo za upotrebu će vam pomoći da proizvod koristite efikasno i na sigurna način.






- Pročitajte uputstvo za upotrebu pre instaliranja i rada sa proizvodom.
- Obavezno pročitajte bezbednosna uputstva.
- Uputstvo za upotrebu čuvajte na pristupačnom mestu jer vam kasnije može zatrebati.
- Pročitajte i drugu dokumentaciju koju ste dobili uz proizvod.

Imajte na umu da se ovo uputstvo za upotrebu odnosi i na nekoliko drugih modela. Razlike između modela će biti naznačene u uputstvu.

## Objašnjenje simbola

### U ovom uputstvu za upotrebu koriste se sledeći simboli:

-  Važne informacije ili korisni saveti o upotrebi.
-  Upozorenje na uslove opasne po život i imovinu.
-  Upozorenje za električni napon.

 <b>INFORMATION</b>	
 	.Podaci o modelu sačuvani u bazi podataka o proizvodu mogu se dobiti unosom sledeće internet stranice i pretragom po identifikacionom broju vašeg modela (*) koji se nalazi na oznaci potrošnje električne energije.  <a href="https://eprel.ec.europa.eu/">https://eprel.ec.europa.eu/</a>
SUPPLIER'S NAME → MODEL IDENTIFIER (*)  → 	



## SADRŽAJ

### **1 Vaš frižider** **3**

### **2 Važna bezbednosna upozorenja** **4**

Namena .....	4
Za proizvode sa raspršivačem (dozatorom) vode; .....	7
Bezbednost dece .....	7
Usaglašenost sa WEEE direktivom i odlaganje otpada: .....	7
Usaglašenost sa RoHS direktivom: ....	7
Informacije o pakovanju .....	7
HC upozorenje .....	8
Za uštedu energije .....	8
Preporuke za odeljak za svežu hranu.	8

### **3 Instalacija** **9**

Šta treba da se ima na umu prilikom ponovnog transporta frižidera .....	9
Podešavanje nožoca .....	9
Pre uključivanja frižidera .....	9
Električno povezivanje .....	10
Odlaganje pakovanja .....	10
Odlaganje dotrajalog frižidera u otpad .....	10
Podešavanje nožoca .....	11

### **4 Priprema** **12**

### **5 Korišćenje vašeg frižidera** **13**

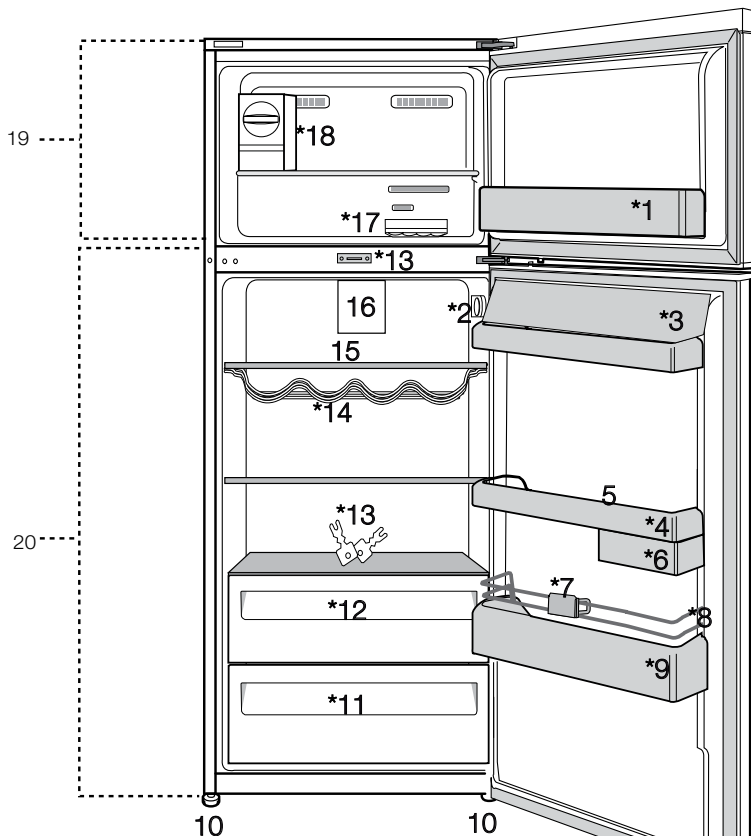
Taster za podešavanje temperature .	13
Podešavanje temperature vašeg frižidera.....	13
Dvostruki rashladni sistem .....	13
Funkcija godišnjeg odmora.....	13
Zamrzavanje sveže hrane .....	14
Preporuke za čuvanje zamrznute hrane.....	14
Stavljanje hrane .....	14
Informacije o dubokom smrzavanju..	15
Zaustavljanje proizvoda .....	15
Odeljak sa nultom temperaturom.....	16
Pravljenje leda .....	16
Opis i čišćenje filtera za mirise:.....	16
Obrtna posuda .....	17
Ledomat i rezervoar za led.....	17
Okretanje vrata .....	18

### **6 Čišćenje i održavanje** **19**

Zaštita plastičnih površina.....	19
----------------------------------	----

### **7 Preporučena rešenja problema** **20**

# 1 Vaš frižider



1. Polica na vratima odeljka zamrzivača
2. Taster za podešavanje temperature
3. Odeljci za puter i sir
4. Polica na vratima odeljka frižidera
5. Postolje za jaja
6. Okretna posuda za skladištenje
7. Postolje za boce
8. Žičana zaštita
9. Polica za boce
10. Podesive nožice
11. Sveža hrana





12. Rashladni odeljak
  13. Ključ
  14. Ostava za vino
  15. Staklene police odeljka frižidera
  16. Duralica
  17. Posuda za led
  18. Ledomat
  19. Odeljak zamrzivača
  20. Odeljak frižidera
- \*opcija**

❗ Brojke iz ovog priručnika su šematske i možda ne odgovaraju tačno vašem proizvodu. Ako delovi teme nisu uključeni u proizvod koji ste kupili, onda to važi za druge modele.

## 2 Važna bezbednosna upozorenja

Pročitajte sledeće informacije. Nepoštovanje ovih informacija može dovesti do povreda ili materijalnih šteta. U suprotnom se gubi pravo na garanciju i odgovornost proizvođača. Originalni rezervni delovi će biti obezbeđeni za 10 godina od dana nabavke proizvoda.

### Namena

	<b>UPOZORENJE:</b> Ventilacione otvore na uređaju ili ugrađenoj strukturi održavajte bez prepreka.
	<b>UPOZORENJE:</b> Za ubrzavanje procesa odmrzavanja koristite samo mehaničke uređaje ili druga sredstva koja je preporučio proizvođač.
	<b>UPOZORENJE:</b> Vodite računa da ne oštetite rashladno kolo.
	<b>UPOZORENJE:</b> Ne koristite električne uređaje u odeljcima za skladištenje hrane, osim ako oni ne pripadaju tipu koji je preporučio proizvođač.

Uređaj je namenjen za korišćenje u domaćinstvu i za slične namene, kao što su – u kuhinjama rezervisanim za osoblje prodavnice, kancelarije i druga područja poslovanja;

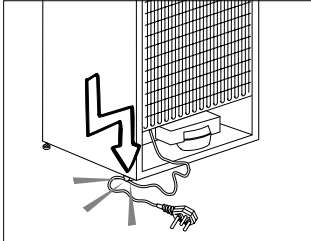
– na seoskim kućama i za goste u hotelima, motelima i drugim okruženjima stambenog tipa.

### Opšte sigurnosne mere

- Kad hoćete da odložite/bacite proizvod, preporučujemo da se konsultujete sa ovlašćenim servisom da biste saznali potrebne informacije i ovlašćena tela.
- Konsultujte se sa ovlašćenim servisom za sva pitanja i probleme vezane za frižider. Nemojte da dirate i ne dajte da neko drugi dira frižider bez obaveštavanja ovlašćenog servisa.
- Za proizvode sa odeljkom zamrzivača: nemojte da jedete sladoled i kockice leda odmah čim ih izvadite iz zamrzivača! (To može da izazova promrzline u vašim ustima).
- Za proizvode sa odeljkom zamrzivača: ne stavljajte pića u flašama i limenkama u odeljak zamrzivača. Inače mogu da puknu.
- Ne dirajte smrznutu hranu rukom; ona može da se zalepi za ruku.
- Isključite frižider iz struje pre čišćenja ili odmrzavanja.
- Para i isparena sredstva za čišćenje nikad ne smeju da se koriste u čišćenju i procesu odmrzavanja Vašeg frižidera. U takvim slučajevima para može da dođe u kontakt sa električnim delovima i izazove kratki spoj ili električni udar.

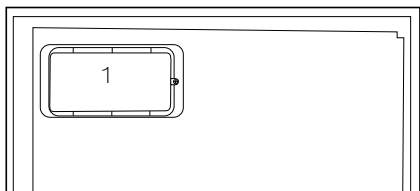
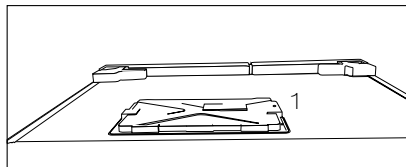
- Nikad nemojte da koristite delove na Vašem frižideru, kao što su vrata, za naslanjanje ili stajanje.
- Ne koristite električne aparate u frižideru.
- Nemojte da oštećujete delove tamo gde cirkuliše rashladno sredstvo, s alatom za bušenje ili sečenje. Rashladno sredstvo koje može da eksplodira iz gasnih kanala isparivača, probušene produžene cevi ili premazi površina mogu da izazovu iritaciju kože i oštećenje očiju.
- Ne pokrivajte i ne blokirajte otvore za ventilaciju na Vašem frižideru bilo kakvim materijalima.
- Samo ovlašćene osobe mogu da popravljaju električne uređaje. Popravke koje vrše nekompetentna lica su rizične za korisnika.
- U slučaju bilo kakvog kvara ili za vreme održavanja ili popravke, isključite svoj frižider iz struje isključivanjem odgovarajućeg osigurača ili isključivanjem uređaja iz struje.
- Ne vucite kabl da biste izvukli utikač iz utičnice.
- Obezbedite da su pića sa velikim procentom alkohola bezbedno uskladištena sa pričvršćenim poklopcem i postavljena uspravno.
- Nikad ne čuvajte sprejove koji sadrže zapaljive i eksplozivne supstance u frižideru.
- Nemojte da koristite mehanička ili druga sredstva u cilju ubrzanja procesa odleđivanja aparata, osim sredstava preporučenih od strane proizvođača.
- Ovaj proizvod nije namenjen za upotrebu od strane lica sa smanjenim fizičkim, čulnim ili mentalnim sposobnostima ili nedostatkom iskustva i znanja osim ako nisu pod nadzorom ili obučeni za rukovanje od strane lica koje je odgovorno za njihovu bezbednost.
- Ne uključujte oštećeni frižider. Konsultujte servisera ako imate bilo kakve sumnje.
- Električna sigurnost frižidera je garantovana samo ako je sistem uzemljenja u Vašoj kući usklađen sa standardima.
- Izlaganje proizvoda kiši, snegu, suncu i vetru je opasno s obzirom na električnu sigurnost.
- Kontaktirajte ovlašćeni servis ako je oštećen kabl za napajanje da biste izbegli opasnost.
- Nikad ne uključujte frižider u zidnu utičnicu za vreme instalacije. Inače može da dođe do rizika od smrti ili ozbiljne povrede.
- Ovaj frižider je predviđen samo za čuvanje hrane. Ne sme se koristiti za druge svrhe.
- Nalepnica sa tehničkim specifikacijama nalazi se na levoj unutrašnjoj stranici frižidera.
- Nikad ne povezujte svoj frižider sa sistemima za štednju električne energije; oni mogu da oštete frižider.

- Ako frižider ima plavo svetlo, nemojte da gledate u plavo svetlo golim okom ili kroz optičke uređaje tokom dužeg vremenskog perioda.
- Za ručno kontrolisane frižidere: sačekajte najmanje 5 minuta, pa onda uključite frižider nakon nestanka struje.
- Ovo uputstvo za upotrebu treba predati novom vlasniku proizvoda, kao i sledećem vlasniku kada se menja vlasnik.
- Treba izbegavati oštećenje kabla za napajanje prilikom transporta frižidera. Kidanje kabla može prouzrokovati požar. Nikad ne stavljajte teške predmete na kabl za napajanje. Ne dodirujte utikač vlažnim rukama kada priključujete proizvod.



Ne priključujte frižider na zidnu utičnicu ako je labava.

- Voda se ne sme prskati direktno na unutrašnje ili spoljašnje delove proizvoda radi bezbednosti.
- Ne prskajte supstance koje sadrže zapaljive gasove, kao što je propan, blizu frižidera da bi se izbegla opasnost od požara i eksplozije.
- Ne stavljajte posude napunjene vodom na vrh frižidera jer to može prouzrokovati električni udar ili požar.
- Ne prepunjavajte frižider preteranim količinama hrane. Ako se prepuni, hrana može pasti i povrediti vas i oštetiti frižider kada otvorite vrata. Ne stavljajte predmete na vrh frižidera jer mogu pasti prilikom otvaranja ili zatvaranja vrata frižidera.
- Materijali koji zahtevaju preciznu temperaturu, kao što su vakcine, lekovi osetljivi na temperaturu, materijali za naučne svrhe itd. ne smeju se čuvati u frižideru.
- Ako frižider nećete da koristite duže vreme, isključite ga iz struje. Mogući problem u kablju za napajanje može prouzrokovati požar.
- Frižider se može pomerati ako se podesive nožice ne stoje stabilno na podu. Pravilno učvršćivanje podesivih nožica na podu može sprečiti pomeranje frižidera.
- Kada prenosite frižider, ne držite ga za ručicu na vratima. Inače mogu da se odvali.
- Ako proizvod morate da postavite pored drugog frižidera ili zamrzivača, rastojanje između uređaja treba da bude najmanje 8 cm. U suprotnom se susedni zidovi mogu ovlažiti.
- Nikada nemojte koristiti proizvod ako je otvoren odeljak koji se nalazi na vrhu ili poleđini vašeg proizvoda i koji sadrži elektronske štampane ploče (poklopac elektronskih štampanih ploča) (1).



## Za proizvode sa raspršivačem (dozatorom) vode;

- Pritisak za dovod hladne vode je maksimalno 90psi (620 kPa). Ukoliko pritisak vode premašuje 80psi (550 kPa), u glavnom vodu upotrebite ventil za ograničavanje pritiska. Ako ne znate kako se proverava pritisak vode, zatražite pomoć vodoinstalatera.
- Ukoliko u vašim instalacijama postoji rizik od efekta vodenog udara, u instalacijama uvek koristite opremu za sprečavanje vodenog udara. Posavetujte se sa vodoinstalaterom ukoliko niste sigurni da li u vašim instalacijama postoji efekat vodenog udara.
- Ne montirati na dovod za toplu vodu. Preduzmite mere opreza protiv rizika od smrzavanja cevi. Raspon temperature vode je od minimalno 33°F (0,6°C) do maksimalno 100°F (38°C).
- Koristiti samo vodu za piće.

## Bezbednost dece

- Ako ste zaključali vrata, ključ treba čuvati van domašaja dece.
- Deca se moraju nadzirati da ne bi dirala proizvod.

## Usaglašenost sa WEEE direktivom i odlaganje otpada:



Ovaj proizvod je usaglašen sa WEEE direktivom Evropske Unije (2012/19/EU). Ovaj proizvod nosi znak klasifikacije za električni i elektronski otpad (WEEE).

Ovaj proizvod je proizveden od visoko kvalitetnih delova i materijala koji se mogu ponovo koristiti i pogodni su za reciklažu. Nemojte odlagati proizvod u otpad sa običnim kućnim otpadom i drugim otpadima na kraju veka trajanja. Odložite ga u centar za sakupljanje i reciklažu električnog i elektronskog otpada. Konsultujte se sa svojim lokalnim vlastima da biste saznali o ovim centrima za sakupljanje otpada.

## Usaglašenost sa RoHS direktivom:

Proizvod koji ste kupili u saglasnosti je sa RoHS direktivom Evropske Unije (2011/65/EU). On ne sadrži štetne i zabranjene materijale navedene u direktivi.

## Informacije o pakovanju

Materijali za pakovanje ovog proizvoda proizvedeni su od materijala koji se mogu reciklirati u skladu sa nacionalnim propisima o zaštiti životne sredine. Materijale za pakovanje ne odlagati zajedno sa kućnim ili drugim otpadom. Odnosite ih na mesta za prikupljanje ambalažnog materijala određena od strane lokalne vlasti.

## HC upozorenje Ako rashladni sistem proizvoda sadrži R600a:

Ovaj gas je zapaljiv. Zato vodite računa da prilikom upotrebe i transporta ne oštetite sistem hlađenja i cevi. U slučaju oštećenja, ovaj proizvod čuvajte dalje od potencijalnih izvora vatre, jer se može desiti da se proizvod zapali, i proveravajte prostoriju u kojoj se nalazi.

## Ignorišite ovo upozorenje ako rashladni sistem proizvoda sadrži R134a.

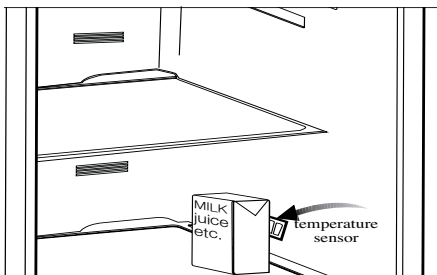
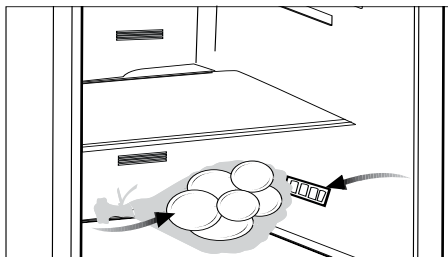
Vrsta gasa koji je korišćen u proizvodu naveden je na tipskoj pločici koja se nalazi na levoj strani unutar frižidera. Nemojte nikada bacati proizvod u vatru radi odlaganja.

## Za uštedu energije

- Ne ostavljajte vrata svog frižidera dugo otvorena.
- Ne stavljajte vruću hranu u frižider.
- Ne pretovarujte frižider tako da se unutra ne sprečava cirkulacija vazduha.
- Ne postavljajte svoj frižider pod direktnu svetlost sunca ili blizu aparata koji emituju toplotu, kao što su rerna, mašina za suđe ili radijator.
- Pazite da držite svoju hranu u zatvorenim posudama.
- Za proizvode sa odeljkom zamrzivača: maksimalnu količinu hrane možete da čuvate u zamrzivaču kada izvadite policu ili fioku zamrzivača. Vrednost potrošnje energije koja je navedena na vašem frižideru određena je nakon uklanjanja police ili fioke zamrzivača i pod maksimalnim opterećenjem. Ne postoji nikakva opasnost od oštećenja pri korišćenju police ili fioke u pogledu oblika i veličine hrane koju treba zamrznuti.
- Odmrzavanje zamrznute hrane u odeljku frižidera obezbediće uštedu energije i očuvati kvalitet hrane.

## Preporuke za odeljak za svežu hranu

- Pazite da hrana ne dođe u dodir sa senzorom temperature u odeljku za svežu hranu. Da bi se u odeljku za svežu hranu održala idealna temperatura skladištenja, hrana ne sme da blokira senzor.
- Ne stavljajte vruću hranu u aparat.



### 3 Instalacija

**i** Molimo da imate na umu da proizvođač neće biti odgovoran ako se ne pridržavate informacija iz priručnika.

#### Šta treba da se ima na umu prilikom ponovnog transporta frižidera

1. Vaš frižider mora da se isprazni i očisti pre bilo kakvog transporta.
2. Pre ponovnog pakovanja, police, dodaci, odeljak za voće i povrće, itd. u vašem frižideru moraju dobro da se pričvrste lepljivim trakama da se ne bi tresli.
3. Pakovanje mora da se poveže trakama i jakim užetom i morate da se pridržavate pravila transporta ispisanih na pakovanju.

#### Molimo da imate na umu...

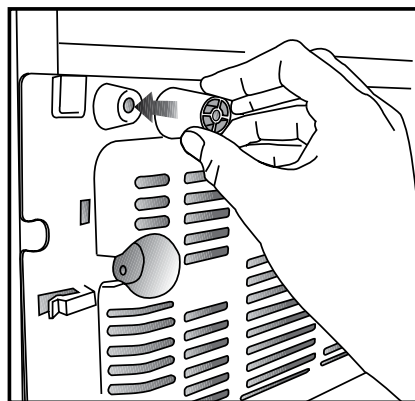
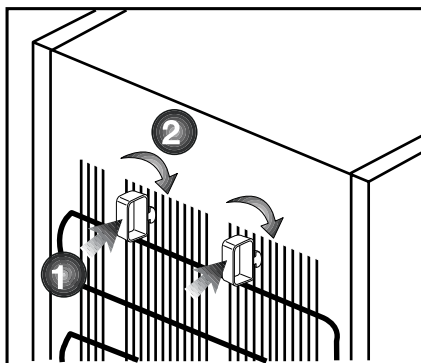
Svaki reciklirani materijal je nezamenjivi izvor za prirodu i za naše nacionalne resurse.

Ako hoćete da doprinesete reciklaži materijala za pakovanje, možete da dobijete još informacija od instituta za zaštitu sredine ili lokalne samouprave.

#### Podešavanje nožoca

Ako je vaš frižider neuravnotežen:

Frižider možete uravnotežiti okretanjem prednjih nožica kao što je ilustrovano na slici. Ugao gde se nalazi nožica se spušta ako nožicu okrećete u smeru crne strelice i podiže kada je okrećete u suprotnom smeru. Ovaj postupak će biti lakši ako vam neka osoba pomogne tako što će malo podići frižider.



#### Pre uključivanja frižidera

Pre nego što počnete da koristite svoj frižider, proverite:

1. Da li je unutrašnjost frižidera suva i da li je na njegovoj zadnjoj strani obezbeđena slobodna cirkulacija vazduha?
2. Možete da instalirate 2 plastična čepa, kao što je pokazano na slici. Plastični klinovi će obezbediti potreban razmak između vašeg frižidera i zida radi omogućavanja cirkulacije vazduha.
3. Očistite unutrašnjost frižidera kao što je preporučeno u delu "Održavanje i čišćenje".



4. Uključite frižider u struju. Ako su vrata otvorena, upaliće se unutrašnje svetlo u odeljku frižidera.
5. Čućete buku kada se kompresor pokrene. Tečnost i gasovi koji se nalaze u sistemu za hlađenje mogu takođe da stvaraju buku, čak i ako kompresor ne radi i to je potpuno normalno.
6. Prednje ivice frižidera mogu da budu tople na dodir. To je normalno. Ta područja su napravljena da budu topla da bi se izbegla kondenzacija.

## Električno povezivanje

Priključite vaš proizvod na uzemljenu utičnicu koja je zaštićena osiguračem odgovarajuće jačine.

Važno:

- Priključak mora da bude u skladu sa nacionalnim propisima.
- Utikač kabla za napajanje mora da bude lako dostupan nakog ugradnje.
- Napon i dozvoljeni osigurači su navedeni u delu "Specifikacije".
- Specificirani napon mora da bude jednak naponu vaše elektro mreže.
- Produžni kablovi i višestruke utičnice ne smeju se koristiti za priključivanje.

⚠ Oštećeni kabl za napajanje mora da zameni kvalifikovani električar.

⚠ Proizvod se ne sme uključivati dok se ne popravi! Postoji opasnost od električnog udara!

## Odlaganje pakovanja

Materijali za pakovanje mogu biti opasni za decu. Materijale za pakovanje držite van domašaja dece ili ih odložite tako što ćete ih klasifikovati u skladu sa uputstvima za odlaganje otpada. Nemojte ih odlagati sa običnim kućnim otpadom.

Pakovanje vašeg frižidera je proizvedeno od materijala koji se može reciklirati.

## Odlaganje dotrajalog frižidera u otpad

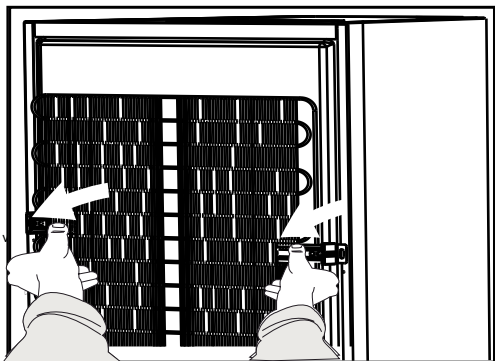
Vaš dotrajali uređaj odložite tako da ne štetite životnoj sredini.

- U vezi sa odlaganjem dotrajalog frižidera se možete konsultovati sa ovlašćenim prodavcem ili centrom za sakupljanje otpada u vašoj opštini.

Pre nego što svoj frižider odložite na otpad, odrežite električni utikač i onesposobite eventualne bravice na vratima da bi se deca zaštitila od bilo kakve opasnosti.

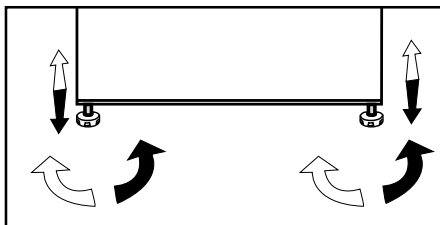
- Kondenzator vašeg uređaja se nalazi na zadnjoj strani kao što je prikazano ispod. Radi postizanja bolje energetske efikasnosti uz nižu potrošnju energije, privucite kondenzator k sebi kao što je prikazano na slici ispod. Položaj kondenzatora će biti fiksiran putem mehanizma za zaključavanje sa držačima na vrhu na svakoj strani.

\* OPCIONO



## Podešavanje nožoca

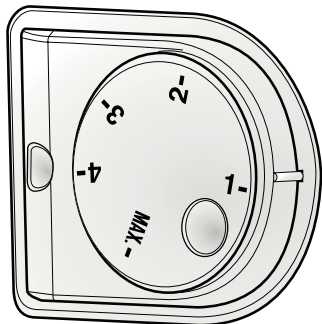
Ako je vaš frižider neuravnotežen: Frižider možete uravnotežiti okretanjem prednjih nožica kao što je ilustrirano na slici. Ugao gde se nalazi nožica se spušta ako nožicu okrećete u smeru crne strelice i podiže kada je okrećete u suprotnom smeru. Ovaj postupak će biti lakši ako vam neka osoba pomogne tako što će malo podići frižider.



## 4 Priprema

- i** Vaš frižider treba da se ugradi najmanje 30 cm dalje od izvora toplote kao što su ringle, rerne, centralno grejanje i šporeti i bar 5 cm dalje od električnih rerana i ne treba da se stavi tamo gde je izložen direktnoj sunčevoj svetlosti.
- i** Pobrinite se da se unutrašnjost frižidera temeljno čisti.
- i** Ako su dva frižidera postavljena jedan pored drugog, udaljenost između njih treba da bude bar 2 cm.
- i** Kada prvi put uključite frižider, molimo da se držite sledećih uputstava za vreme prvih šest sati.
- Vrata ne trebaju da se otvaraju često.
  - Mora da radi prazan, bez ikakve hrane u njemu.
  - Nemojte da isključujete frižider iz struje. Ako dođe do nestanka struje van vaše kontrole, pogledajte upozorenja u delu "Preporučena rešenja problema".
- i** Originalno pakovanje i penasti materijali treba da se čuvaju za budući transport ili preseljenje.
- i** Ovaj uređaj je projektovan za rad na temperaturama navedenim u donjoj tabeli i opremljen je naprednim elektronskim sistemom za kontrolu temperature [AETCS] koja obezbeđuje da na preporučenom podešenju [4 – četvorka na dugmetu] zamrznuta hrana u zamrzivaču ne bude odmrznuta čak i ako ambijentalna temperatura padne na -15 °C. Kada se ovaj proizvod prvi put instalira on se NE SME postaviti u prostoriji sa niskom ambijentalnom temperaturom zato što zamrzivač neće smanjiti tu temperaturu na njegovu standardnu radnu temperaturu. Kada postigne stabilno radno stanje, može se premestiti. Dakle, vaš uređaj možete da instalirate u garaži ili negrejanjoj prostoriji i da ne brinete o eventualnom kvarenju vaše zamrznute hrane. Međutim, pri gorepomenutim niskim ambijentalnim temperaturama, sadržaj frižidera će se verovatno zamrznuti, pa zato proverite i konzumirajte hranu iz frižidera u skladu sa tim. Kada se ambijentalna temperatura vrati na normalnu, možete da promenite podešenje dugmeta termostata tako da odgovara vašim potrebama.
- i** Ako je ambijentalna temperatura ispod 0°C, doći će do zamrzavanja hrane u odeljku frižidera. Zato vam preporučujemo da ne koristite odeljak frižidera u uslovima sa tako niskim ambijentalnim temperaturama. Odeljak frižidera možete i dalje da koristite na uobičajeni način.
- i** kod nekih modela, instrumentna tabla se sama gasi nakon 5 minuta od zatvaranja vrata. Tabla se ponovo upaljuje kada se vrata tvore ili kada se pritisne neko dugme.
- i** Usled promene temperature kao rezultat otvaranja/zatvaranja vrata proizvoda u toku rada, pojava kondenzacije na vratima/policama i staklenim posudama je normalna

## 5 Korišćenje vašeg frižidera



### Taster za podešavanje temperature

Dugme za podešavanje temperature vam omogućava da podesite temperaturu vašeg frižidera.

### Podešavanje temperature vašeg frižidera

Opšte podešavanje temperature vašeg frižidera vrši se pomoću dugmeta za podešavanje temperature koje se nalazi na desnom zidu odeljka frižidera. Ovo dugme ima 5 različitih položaja podešavanja. Izaberite položaj koji odgovara vašim potrebama.

### Dvostruki rashladni sistem

Vaš frižider ima dva posebna rashladna sistema za hlađenje odeljka za svežu hranu i odeljka zamrzivača. Na taj način se vazduh u odeljku za svežu hranu ne meša sa vazduhom u odeljku frižidera. Zahvaljujući ovim odvojenim rashladnim sistemima, brzina hlađenja je mnogo veća nego kod drugih frižidera. Ne mešaju se mirisi u odeljcima. Takođe, postiže se dodatna ušteda energije pošto se automatsko odmrzavanje vrši pojedinačno.

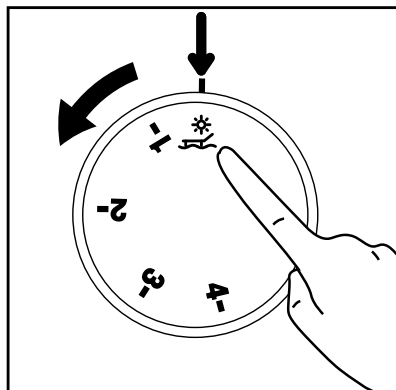
### Funkcija godišnjeg odmora

Ako se vrata proizvoda ne otvore 12 sati nakon što je termostat postavljen na najtopliji položaj, onda se automatski aktivira funkcija godišnjeg odmora.

Otvorite vrata proizvoda ili promenite podešenje termostata da biste otkazali ovu funkciju.

Funkcija godišnjeg odmora je opciona. U zavisnosti od tipa proizvoda može se razlikovati i možda neće postojati kod svakog proizvoda.

Ne preporučuje se držanje hrane u odeljku zamrzivača kada je aktivna funkcija godišnjeg odmora.



## Zamrzavanje sveže hrane

- Hrana mora da se zamota ili prekrije pre stavljanja u frižider.
- Vruća hrana mora da se ohladi di sobne temperature pre nego što je stavite u frižider.
- Hrana koju hoćete da smrznete mora da bude sveža i dobrog kvaliteta.
- Hrana mora da se podeli u porcije prema dnevnim potrebama porodice ili obroku u zavisnosti od prehrambenih potreba.
- Hrana mora da se pakuje u posude koje ne propuštaju vazduh da bi se sprećilo sušenje čak i ako će se ćuvati kratko vreme.
- Materijali koji će se koristiti za pakovanje moraju da budu otporni na trošenje i hladnoću, vlagu, mirise, ulja i kiseline i ne smeju da propuštaju vazduh. Nadalje, moraju da budu dobro zatvoreni i moraju da budu napravljeni od materijala koji se lako koristi i podesan je za duboko zamrzavanje.
- Zamrznuta hrana mora da se koristi odmah posle topljenja i nikad ne sme opet da se zamrzava.
- Za najbolje rezultate, molimo drćite se sledećih uputstava:
  1. Nemojte odjednom da zamrzavate velike kolićine hrane. Kvalitet hrane se najbolje održava kad se zamrzne odjednom i što brće.
  2. Stavljanje tople hrane u odeljak zamrzivaća dovodi do neprestanog rada rashladnog sistema dok se hrana u potpunosti ne zamrzne.
  3. Posebno pazite da ne mešate već smrznutu i sveću hranu.

## Preporuke za ćuvanje zamrznute hrane

- Unapred pakovana komercijalna zamrznuta hrana treba da se ćuva prema uputstvima proizvođaća sveće hrane za **\* \*\*** odeljak za ćuvanje smrznute hrane ( 4 zvezdice).
- Da biste osigurali veliki kvalitet postignut od strane proizvođaća zamrznute hrane i prodavaća hrane, morate da imate na umu sledeće:
  1. Stavite pakete u zamrzivać što je pre moguće nakon kupovine.
  2. Pazite da je sadržaj oznaćen i da ima datum.
  3. Ne prelazite datume “Koristiti do” i “Rok upotrebe” na pakovanju.

## Odmrzavanje

Odeljak frižidera se odmrzava automatski.

## Stavljanje hrane

Police odeljka zamrzivaća	Razna smrznuta hrana kao što su meso, riba, sladoled, povrće itd.
Stalაკ za jaja	Jaje
Police odeljka frižidera	Hrana u loncima, pokrivenim tanjirima ili zatvorenim posudama
Police na vratima odeljka frižidera	Mala i pakovana hrana ili pića (kao što je mleko, voćni sok i pivo)
Odeljak za povrće	Povrće i voće
Odeljak "Freshzone"	Delikatesni proizvodi (sir, puter, salama itd.)

## Informacije o dubokom smrzavanju

Hrana mora da se zamrzne što je brže moguće kad se stavi u frižider da bi se sačuvao dobar kvalitet.

Moguće je da držite hranu duže vreme samo na temperaturama od  $-18^{\circ}\text{C}$  ili nižim.

Možete da sačuvate svežinu hrane puno meseci (na  $-18^{\circ}\text{C}$  ili nižim temperaturama u dubokom zamrzavanju).

### UPOZORENJE! ⚠

- Hrana mora da se podeli u porcije prema dnevnim potrebama porodice ili obroku u zavisnosti od prehrambenih potreba.
- Hrana mora da se pakuje u posude koje ne propuštaju vazduh da bi se sprečilo sušenje čak i ako će se čuvati kratko vreme.

Materijali potrebni za pakovanje:

- Selotejp otporan na hladnoću
- Samolepljiva nalepnica
- Gumice
- Olovka

Materijali koji će se koristiti za pakovanje moraju da budu otporni na trošenje i hladnoću, vlagu, mirise, ulja i kiseline.

Hrana za zamrzavanje ne sme da dođe u kontakt s prethodno zamrznutim predmetima da bi se sprečilo delomično topljenje.

Zamrznuta hrana mora da se koristi odmah posle topljenja i nikad ne sme opet da se zamrzava.

## Zaustavljanje proizvoda

Ako termostat ima položaj „0“:

- Možete da zaustavite rad proizvoda stavljanjem dugmeta termostata u položaj „0“ (nula). Vaš proizvod se neće pokrenuti ako dugme termostata ne vratite u položaj „1“ ili u neki drugi položaj.

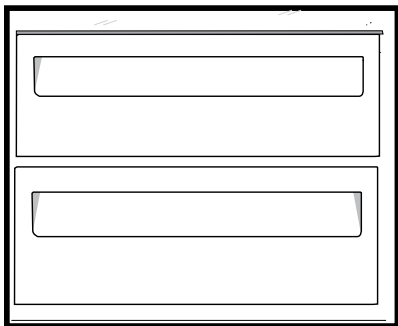
Ako termostat ima položaj „min“:

- Izvucite utikač iz utičnice da biste zaustavili proizvod.

**i** Ovaj proizvod je opremljen izvorom osvetljenja energetske klase „G“. Izvor osvetljenja u ovom proizvodu mogu zameniti samo stručni serviseri.

## Odeljak sa nultom temperaturom

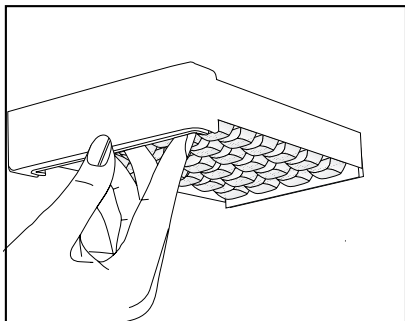
Ovaj odeljak je dizajniran za čuvanje zamrznute hrane koja bi se polako otapala (meso, riba, piletina itd.) prema potrebi. Odeljak sa nultom temperaturom je najhladnije mesto u vašem frižideru na kome se mlečni proizvodi (sir, maslac), meso, riba ili piletina mogli čuvati pod idealnim uslovima. Povrće i/ili voće ne smeju da se stavljaju u ovaj odeljak.



## Pravljenje leda

Napunite posudu za led vodom i postavite ga na njegovo mesto. Vaš led će biti spreman za otprilike dva sata.

Led možete lako da izvadite laganim uvijanjem posude za led.



## Opis i čišćenje filtera za mirise:

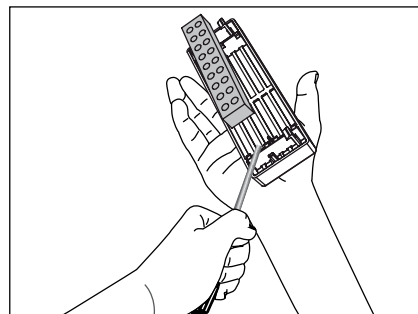
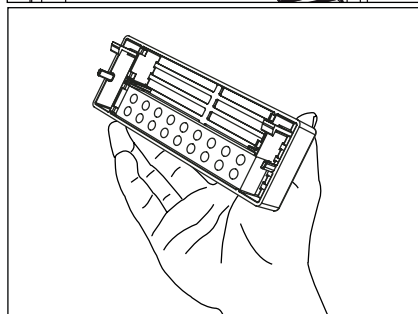
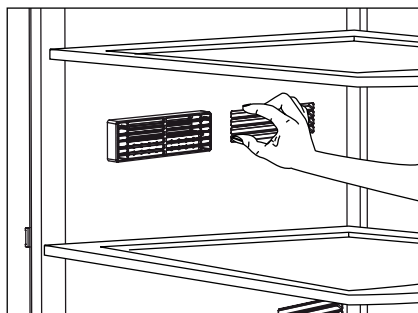
Filter za mirise sprečava stvaranje neprijatnih mirisa u vašem frižideru.

Poklopac u koji je ugrađen filter za mirise povucite nadole iz prednjeg dela i uklonite kao što je ilustrovano.

Ostavite filter jedan dan na suncu.

Filter će se očistiti za to vreme. Vratite filter na mesto.

Filter za mirise mora da se čisti jednom godišnje.

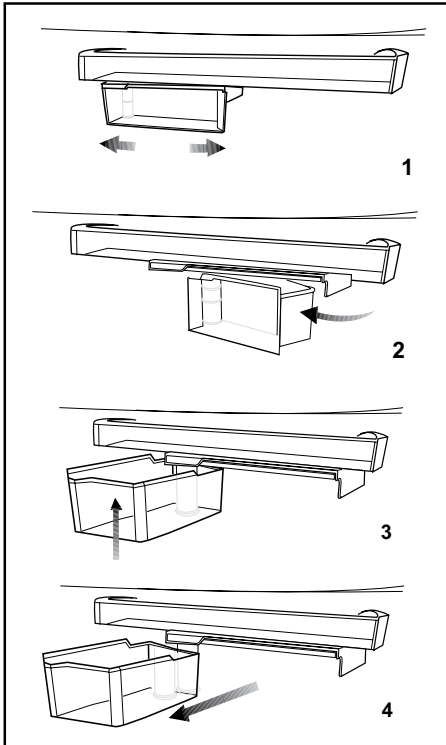


## Obrtna posuda (kod nekih modela)

Klizna polica se može pomeriti levo ili desno da bi se obezbedio prostor za dugačke boce, tegle ili kutije na donjoj polici (sl. 1)

Hranu koju ste stavili u ovu policu možete uzeti tako što ćete je uhvatiti i okrenuti sa desne strane (sl.2).

Kada želite da je napunite ili izvadite radi čišćenja, okrenite je za 90 stepeni, podignite je i povucite prema sebi (sl. 3-4).



## Ledomat i rezervoar za led Korišćenje ledomata

\* Napunite ledomat vodom i postavite ga na njegovo mesto. Vaš led će biti spreman za otprilike dva sata. Ne vadite ledomat iz njegovog ležišta da biste uzeli led.

\* Dugme, koje se nalazi na njemu, okrenite za 90 stepeni.

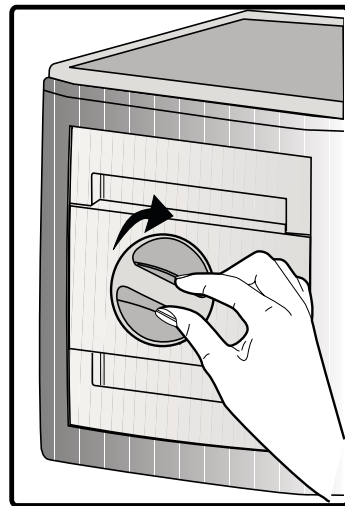
Kockice leda će pasti u posudu za led koja se nalazi ispod.

\* Možete da izvadite posudu za led da biste poslužili kocke leda.

\* Ako želite, kocke leda možete čuvati u posudi za led.

### Posuda za led

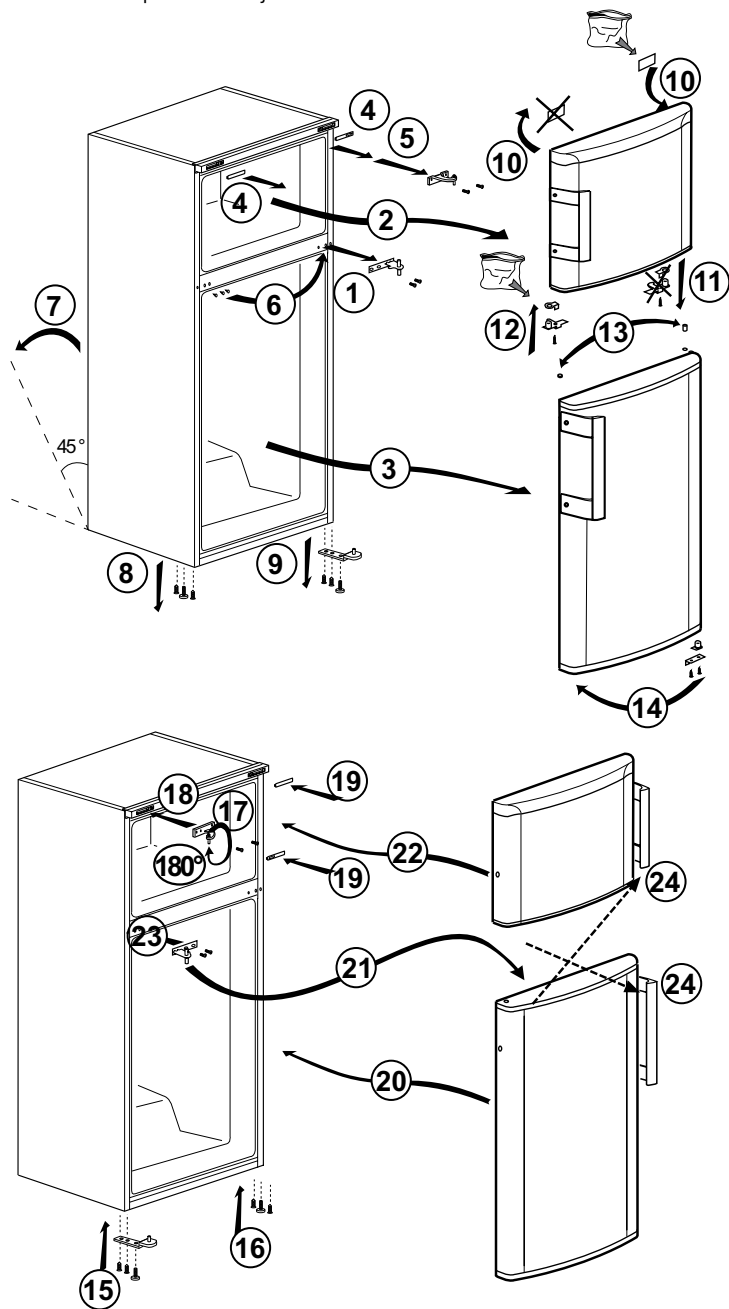
Posuda za led je namenjena samo za sakupljanje kocki leda. Nemojte da sipate vodu u nju. Ako to uradite, polomiće se.





## Okretanje vrata

Nastavite redosledom prema brojevima



## 6 Čišćenje i održavanje

- ⚠ Nikada ne koristite naftu, benzen ili slične materijale u svrhu čišćenja.
- ⚠ Preporučujemo da pre čišćenja isključite uređaj iz struje.
- ⚠ Za čišćenje nikad nemojte da koristite oštre alate ili abrazivne materije, sapun, sredstva za čišćenje domaćinstava, deterđente ili vosak za poliranje.
- ⚠ Kod proizvoda koji nemaju funkciju Bez zamrzavanja (No Frost), voda kaplje i zamrzava se do debljine prsta na zadnjem zidu u odeljku frižidera. Nemojte da ga čistite; nikada nemojte da nanosite ulje ili slična sredstva na njega.
- ⚠ Koristite isključivo blago navlaženu mikrofiber krpu da očistite spoljašnju površinu proizvoda. Sunđeri i druge vrste krpa za čišćenje mogu da ogrebu površinu.
- ⚠ Za čišćenje frižidera, koristite mlaku vodu i obrišite ga.
- ⚠ Za čišćenje unutrašnjosti i sušenje, koristite iscedenu krpu koju ste bili umočili u rastvor od jedne kafene kašičice soda bikarbone u otprilike pola litre vode.
- ⚠ Pazite da voda ne uđe u kućište lampe i druge električne instalacije.
- ⚠ Ako frižider nećete da koristite duže vreme, isključite ga, izvadite svu hranu, očistite ga i ostavite vrata odškrinuta.
- ⚠ Redovno proveravajte izolaciju vrata da biste bili sigurni da je čista i da na njoj nema hrane.
- ⚠ Da biste skinuli policu vrata, izvadite sav sadržaj i jednostavno gurnite policu vrata prema gore iz baze.
- ⚠ Nikad ne koristite sredstva za čišćenje ili vodu koji sadrže hlor da biste očistili spoljašnje površine i hromirane delove proizvoda. Hlor izaziva koroziju na takvim metalnim površinama.

### Zaštita plastičnih površina

- Ne stavljajte tekuća ulja ili hranu kuvanu s uljem u frižider nepoklopljenu jer može da ošteti plastične površine vašeg frižidera. U slučaju prolivanja ili razmazivanja na plastičnim površinama, odmah ih očistite i isperite toplom vodom.

## 7 Preporučena rešenja problema

Pregledajte ovu listu pre zvanja servisa. To može da Vam uštedi vreme i novac. Ova lista uključuje česte probleme do kojih ne dolazi zbog neadekvatne izrade ili upotrebe materijala. Neke funkcije, koje su ovde opisane, možda ne postoje kod vašeg proizvoda.

<b>Frižider ne radi.</b>	<ul style="list-style-type: none"><li>• Zaštitni termo-osigurač kompresora će pregoreti za vreme naglog nestanka struje ili uključivanja i isključivanja, jer se pritisak rashladnog sredstva sistema frižidera još uvek nije stabilizovao.</li><li>• Vaš frižider će početi da radi otprilike posle 6 minuta. Molimo zovite servis ako se Vaš frižider ne uključi na kraju ovog perioda.</li><li>• Frižider je u ciklusu odmrzavanja. To je normalno za frižider koji se potpuno automatski odmrzava. Ciklus odmrzavanja se uključuje periodično.</li><li>• Vaš frižider nije priključen na utičnicu. Pobrinite se da utikač bude pravilno utaknut u utičnicu.</li><li>• Da li je temperatura pravilno podešena? Struja je nestala. Zovite Vašu elektrodistribuciju.</li></ul>
<ul style="list-style-type: none"><li>• Da li je frižider uključen u struju? Utaknite utikač u zidnu utičnicu.</li><li>• Da li je pregoreo osigurač utičnice na koju je spojen frižider ili je pregoreo glavni osigurač? Proverite osigurač.</li></ul>	
<p>Kondenzacija na bočnim zidovima odeljka frižidera. (VIŠENAMENSKA ZONA, KONTROLA HLAĐENJA i FLEKSIBILNA ZONA)</p> <ul style="list-style-type: none"><li>• Veoma hladni uslovi sredine. Često otvaranje i zatvaranje vrata. Veoma vlažni uslovi sredine. Čuvanje hrane koja sadrži tečnost u otvorenim posudama. Ostavljanje vrata odškrinutim.</li><li>• Prebacivanje termostata na hladniji stepen.</li><li>• Smanjenje vremena koliko su vrata otvorena ili ređa upotreba.</li><li>• Zatvaranje hrane koja se čuva u otvorenim posudama odgovarajućim materijalom.</li><li>• Brisanje kondenzata pomoću suve krpe; proverite da li se ponavlja.</li></ul>	
<b>Kompresor ne radi</b>	<b>Frižider radi stalno ili dugo.</b>

- Vaš frižider je možda širi od Vašeg prethodnog frižidera. To je potpuno normalno. Veliki frižideri rade duže vreme.
- Temperatura okoline u sobi može da bude visoka. To je normalno.
- Frižider je možda nedavno uključen ili je napunjen hranom. Potpuno hlađenje frižidera može da traje nekoliko sati duže.
- U frižider su možda nedavno stavljene veće količine vruće hrane. Vruća hrana izaziva duži rad frižidera dok se ne postigne sigurna temperatura čuvanja.
- Vrata su možda često otvarana ili su odškrinuta duže vreme. Topli vazduh koji je ušao u frižider je uzrok dužeg rada frižidera. Ređe otvarajte vrata.
- Vrata odeljka zamrzivača ili frižidera su možda ostavljena odškrinuta. Proverite da li su vrata dobro zatvorena.
- Frižider je podešen na veoma nisku temperaturu. Podesite temperaturu frižidera na topliji stepen i sačekajte dok se ne postigne temperatura.
- Zaptivač vrata frižidera može da bude zaprljan, istrošen, polomljen ili da ne leže kako treba. Očistite ili zamenite zaptivač. Oštećen/ pokvaren zaptivač dovodi do toga da frižider radi duže vreme da bi održao trenutnu temperaturu.

Temperatura zamrzivača je jako niska dok je temperatura frižidera dovoljna.

- Temperatura zamrzivača je podešena na jako nisku temperaturu. Podesite temperaturu zamrzivača na topliji nivo i proverite.

Temperatura frižidera je jako niska dok je temperatura zamrzivača dovoljna.

- Temperatura frižidera je podešena na veoma nisku temperaturu. Podesite temperaturu frižidera na topliji stepen i proverite.

Hrana koja se čuva na policama u odeljku frižidera se zamrzava.

- Temperatura frižidera je podešena na veoma nisku temperaturu. Podesite temperaturu frižidera na topliji stepen i proverite.

Temperatura u frižideru ili zamrzivaču je veoma visoka.

- Temperatura frižidera je podešena na veoma visoku temperaturu. Podešavanje temperature ima uticaj na temperaturu zamrzivača. Menjajte temperaturu frižidera ili zamrzivača dok temperatura frižidera ili zamrzivača ne dosegne potreban nivo.
- Vrata su možda ostala odškrinuta. Zatvorite vrata do kraja.
- U frižider su možda nedavno stavljene veće količine vruće hrane. Sačekajte dok frižider ili zamrzivač ne postignu željenu temperaturu.
- Frižider je možda nedavno uključen. Hlađenje frižidera do kraja zahteva vreme zbog veličine.

Buka koja je slična zvuku sekundare na analognom satu dolazi iz frižidera.

- Ova buka dolazi iz solenoidnog ventila frižidera. Solenoidni ventila je potreban za osiguranje prolaska rashladnog sredstva kroz odeljak koji se može podešavati na temperature hlađenja ili zamrzavanja i vršiti rashladne funkcije. To je normalno i nije greška.

Buka u toku rada se povećava kad frižider radi.

<ul style="list-style-type: none"> <li>• Radne karakteristike frižidera se mogu menjati u skladu sa promenama temperature okoline. To je normalno i nije greška.</li> </ul>	<ul style="list-style-type: none"> <li>• Unutrašnjost frižidera mora da se očisti. Očistite unutrašnjost frižidera sunderom, toplom vodom ili gaziranom vodom.</li> <li>• Neke posude ili pakovanje možda uzrokuju neprijatan miris. Upotrebite drugu posudu ili drugu marku materijala za pakovanje.</li> </ul>
Vibracije ili buka.	Vrata se ne zatvaraju.
<ul style="list-style-type: none"> <li>• Pod nije ravan ili je slab. Frižider se ljulja kad se polako pomera. Pobrinite se da je pod ravan, jak i da može da nosi frižider.</li> <li>• Buku mogu izazivati i stvari koje su stavljene na frižider. Takve stvari treba skloniti sa vrha frižidera.</li> </ul>	<ul style="list-style-type: none"> <li>• Paketi hrane možda sprečavaju zatvaranje vrata. Pomerite pakete koji smetaju vratima.</li> <li>• Frižider verovatno ne stoji potpuno vertikalno na podu i možda se ljulja kad se lagano pomeri. Podesite šrafove za podizanje.</li> <li>• Pod nije ravan ili jak. Pobrinite se da je pod ravan, jak i da može da nosi frižider.</li> </ul>
Postoje šumovi kao što su prolivanje tečnosti ili prskanje.	Odeljak za povrće je zaglavljen.
<ul style="list-style-type: none"> <li>• Cirkulacija tečnosti i gasa se vrši u skladu sa principima rada vašeg televizora. To je normalno i nije greška.</li> </ul>	<ul style="list-style-type: none"> <li>• Hrana možda dodiruje plafon fioke. Prerasporedite hranu u fioci.</li> </ul>
Javlja se šum koji podseća na duvanje vetra.	Ako Je Površina Proizvoda Vruća.
<ul style="list-style-type: none"> <li>• Vazdušni aktivatori (ventilatori) se koriste radi efikasnijeg hlađenja frižidera. To je normalno i nije greška.</li> </ul>	<ul style="list-style-type: none"> <li>• Visoke temperature se mogu javiti između dvoja vrata, na bočnim tablama i na zadnjoj rešetki prilikom korišćenja proizvoda. To je normalno i servisno održavanje nije neophodno!</li> </ul>
Kondenzat na unutrašnjim površinama frižidera.	
<ul style="list-style-type: none"> <li>• Vruće i vlažno vreme pojačava stvaranje leda i kondenzaciju. To je normalno i nije greška.</li> <li>• Vrata su odškrinuta. Pobrinite se da vrata budu potpuno zatvorena.</li> <li>• Vrata su možda bila otvarana često ili su možda ostala otvorena duže vreme. Ređe otvarajte vrata.</li> </ul>	
Vlaga nastaje na spoljašnjoj strani frižidera ili između vrata.	
<ul style="list-style-type: none"> <li>• Vreme može da bude vlažno. To je potpuno normalno na vlažnom vremenu. Kad bude manje vlage, kondenzat će da nestane.</li> </ul>	
Neprijatan miris unutar frižidera.	

## Molimo prvo pročitajte ovaj priručnik!

Poštovani kupci,

Nadamo se da će vam naš proizvod, proizveden u suvremenim postrojenjima i provjeren po strogim procedurama kontrole kvalitete, pružiti učinkovit rad.

Zbog toga vam preporučujemo da pažljivo pročitate cijeli priručnik proizvoda prije uporabe te da ga čuvate na pristupačnom mjestu zbog buduće uporabe.

### Ovaj priručnik

- Pomoći će vam da koristite svoj uređaj brzo i sigurno.
- Pročitajte priručnik prije instaliranja i rada s vašim proizvodom.
- Slijedite upute, posebno one vezane za sigurnost.
- Čuvajte priručnik na lako dostupnom mjestu jer vam može zatrebati kasnije.
- Osim toga, također pročitajte druge dokumente dostavljene s vašim proizvodom.

Molimo imajte na umu da ovaj priručnik može vrijediti i za druge modele.

### Simboli i njihovi opisi

Ovaj korisnički priručnik sadrži sljedeće simbole:



Važne informacije ili korisni savjeti za uporabu.



Upozorenja protiv opasnosti po život i imovinu.



Upozorenje protiv električnog napona.

	<b>INFORMATION</b>
SUPPLIER'S NAME	MODEL IDENTIFIER (*)

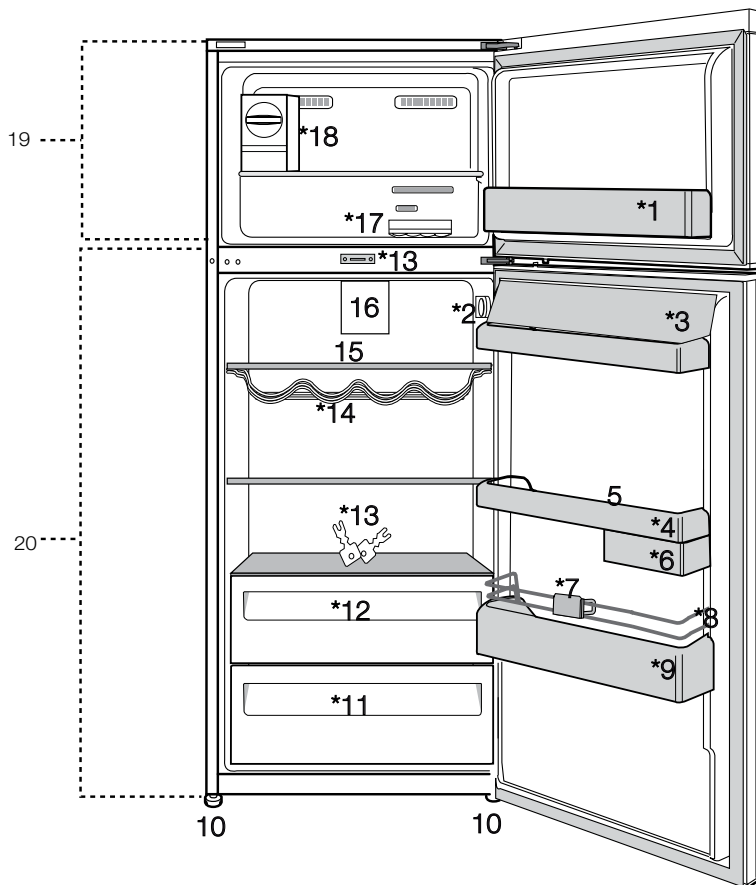
.Podaci o modelu pohranjeni u bazi podataka o proizvodu mogu se dobiti unosom sledeće mrežne stranice i pretragom po identifikacionom broju vašeg modela (\*) koji se nalazi na oznaci potrošnje električne energije.

<https://eprel.ec.europa.eu/>

## SADRŽAJ

<b>1 Vaš hladnjak</b>	<b>3</b>	<b>4 Priprema</b>	<b>14</b>
<b>2 Važna sigurnosna upozorenja</b>	<b>4</b>	<b>5 Uporaba vašeg hladnjaka</b>	<b>15</b>
Predviđena namjena .....	4	Tipka za podešavanje temperature ..	15
Za proizvode s raspršivačem za vodu;8		Podešavanje temperature vašeg	
Sigurnost djece .....	9	hladnjaka .....	15
Usklađenost s Direktivom o električnom i elektroničkom opremom (WEEE) i zbrinjavanju otpada: .....	9	Dvostruki sustav hlađenja .....	15
Usklađenost s Direktivom o zabrani uporabe određenih opasnih tvari u električnoj i elektroničkoj opremi (RoHS):.....	9	Funkcija odmora.....	15
Upozorenje za HC .....	10	Zaustavljanje uređaja .....	16
Stvari koje se trebaju uraditi za uštedu energije.....	10	Pravljenje leda .....	16
Preporuke za odjeljak za svježnu hranu.....	10	Plavo svjetlo .....	17
		Opis i čišćenje filtra za neugodne mirise: .....	17
		Ledomat i posuda za led .....	18
		Rotirajući spremnik .....	18
<b>3 Instalacija</b>	<b>11</b>	<b>6 Održavanje i čišćenje</b>	<b>19</b>
Stvari kojih se treba pridržavati kod ponovnog transporta vašeg hladnjaka.....	11	Zaštita plastičnih površina .....	19
Prije uključivanja vašeg hladnjaka.....	11		
Odlaganje pakiranja .....	12		
Odlaganje stalnog hladnjaka .....	12		
Postavljanje i instalacija.....	12		
Podešavanje nogu.....	13		
Promjena lampice za osvjetljenje .....	13		
		<b>7 Preporučena rješenja za probleme</b>	<b>20</b>

# 1 Vaš hladnjak



1. Polica vrata odjeljka za zamrzavanje
2. Tipka za podešavanje temperature
3. Odjeljci maslaca i sira
4. Police vrata pretinca hladnjaka
5. Držači jaja
6. Rotacijski spremnik
7. Držač za boce
8. Zaštitna žica
9. Polica za boce
10. Podesive noge
11. Crisper

12. Odjeljak za hladnjak
13. Ključ
14. Vinski podrum
15. Staklene police u odjeljku hladnjaka
16. Puhalo
17. Spremnik za led
18. Imečno
19. Odjeljak za zamrzavanje
20. pretinac za hladnjak

\* **OPCIONALNO**

Slike koje se nalaze u ovom priručniku su shematske i možda se ne ogovaraju u potpunosti vašem proizvodu. Ako dijelovi naslova nisu sadržani u proizvodu koji ste kupili, onda to vrijedi za ostale modele.



## 2 Važna sigurnosna upozorenja

Molimo pregledajte sljedeće informacije. Nepridržavanje ovih informacija može uzrokovati ozljede ili materijalnu štetu. U suprotnom će sva upozorenja i obveze za pouzdanost postati nevaljane. Originalni rezervni dijelovi bit će dostupni 10 godina od datuma kupovine proizvoda.

### Predviđena namjena

**POZOR:**

Ventilacijski otvori uređaja trebaju biti u kućištu ili unutar ugradbene strukture, te ne smije biti prepreka.

**POZOR:**

Ne koristite mehaničke uređaje ili druga sredstva za ubrzanje postupka odmrzavanja, osim onih koje je preporučio proizvođač.

**POZOR:**

Nemojte oštetiti sklop rashladnog sredstva.

**POZOR:**

Ne koristite električne uređaje unutar odjeljaka za čuvanje hrane u uređaju, osim ako nisu tip koji je preporučio proizvođač.

Ovaj uređaj namijenjen je uporabi u kućanstvu te za primjenu u prostorima poput:

- kuhinja za osoblje, u trgovinama, uredima i drugim radnim okruženjima;
- od strane gostiju u hotelima, motelima ili drugim vrstama sličnih uslužnih objekata;
- u uslužnim objektima poput pansiona.
- za cetering i slične primjene različite od maloprodaje.

## Opća sigurnost

- Kad budete željeli odložiti uređaj, preporučujemo da konzultirate ovlaštenu servisnu službu da biste saznali potrebne informacije i ovlaštena tijela.
- Konzultirajte se s ovlaštenim servisom za sva pitanja i probleme vezane za hladnjak. Nemojte intervenirati ili dopustiti da netko intervenira na hladnjaku bez prethodnog obavještanja ovlaštenih servisa.
- Za proizvode u odjeljku škrinje; Ne jedite kornete sladoleda i kockice leda odmah nakon vađenja kad ih izvadite iz odjeljka hladnjaka! (To može uzrokovati ozljede od hladnoće u vašim ustima.)
- Za proizvode s odjeljkom sa škrinjom; ne stavljajte tekućinu u bocama i konzervama u odjeljak škrinje. U suprotnom bi mogli puknuti.
- Ne dodirujte smrznutu hranu rukom; može vam se zalijepiti za ruku.
- Isključite svoj hladnjak prije čišćenja ili odmrzavanja.
- Para i raspršujuća sredstva za čišćenje se nikada ne smiju koristiti tijekom postupka čišćenja i odmrzavanja u vašem hladnjaku. U takvim slučajevima, para može doći u kontakt s električnim dijelovima i uzrokovati kratki spoj ili strujni udar.
- Nikada ne koristite dijelove vašeg hladnjaka, kao što su vrata, za pridržavanje ili za stajanje na njima.
- Ne koristite električne uređaje unutar hladnjaka.
- Ne oštećujte dijelove gdje cirkulira rashladno sredstvo pomoću alata za bušenje ili rezanje. Rashladno sredstvo koje može eksplodirati kad se plinski kanali isparivača, produžetka cijevi ili površinskih premaza probuše, može uzrokovati iritaciju kože i ozljede oka.
- Ne pokrivajte i ne blokirajte otvore za

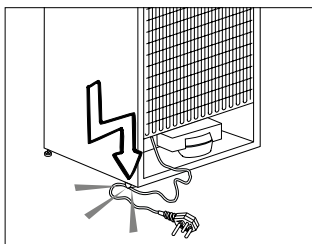
ventilaciju na vašem hladnjaku bilo kakvim materijalom.

- električne aparate smiju popravljati samo ovlaštene osobe. Popravke koje izvrše nestručne osobe mogu predstavljati rizik za korisnika.
  - U slučaju bilo kakvog kvara tijekom održavanja ili popravke, otpojite hladnjak s napajanja ili isključivanjem odgovarajućeg osigurača ili isključivanjem vašeg uređaja iz struje.
  - Kod isključivanja utikača, nemojte povlačiti za kabel.
  - Pića s visokim udjelom alkohola potrebno je pravilno spremati, u uspravnom položaju i s čvrsto zatvorenim poklopcem.
  - Nikada ne držite konzerve sa sprejevima koji sadrže zapaljive i eksplozivne tvari u hladnjaku.
  - Ne koristite mehaničke uređaje ili druge načine za ubrzavanje procesa topljenja, osim onih koje
- preporuča proizvođač.
- Ovaj uređaj nije namijenjen uporabi od strane osoba s fizičkim osjetilnim ili mentalnim nedostacima ili osoba bez znanja ili iskustva (uključujući djecu), osim ako su pod nadzorom osobe koja će biti odgovorna za njihovu sigurnost ili koja će ih valjano uputiti o uporabi proizvoda.
  - Ne uključujte oštećeni hladnjak. Konzultirajte se sa serviserom ako imate bilo kakvih nedoumica.
  - Za električnu sigurnost vašeg hladnjaka se jamči samo ako je uzemljenje u vašoj kući u skladu sa standardima.
  - Izlaganje proizvoda kiši, snijegu, suncu i vjetru je opasno u pogledu električne sigurnosti.
  - Kad je oštećen kabel, javite se ovlaštenom servisu da izbjegnute opasnost.
  - Nikada ne uključujte hladnjak u zidnu utičnicu tijekom instalacije. Inače može doći do opasnosti

po život ili ozbiljne ozljede.

- Hladnjak je namijenjen samo držanju hrane. Ne smije se koristiti u bilo koje druge svrhe.
- Najlepnica s tehničkim specifikacijama se nalazi na lijevoj stijenci unutar hladnjaka.
- Nikada ne spajajte hladnjak na sustave za uštedu energije; oni mogu oštetiti hladnjak.
- Ako na hladnjaku postoji plavo svjetlo, nemojte gledati u plavo svjetlo optičkim alatima.
- Za hladnjake kojima se upravlja manualno, sačekajte bar 5 minuta da biste uključili hladnjak nakon nestanka el. energije.
- Ukoliko se uređaj da nekom drugom, korisnički priručnik se mora predati novom vlasniku.
- Pazite da ne oštetite kabel kod prijevoza hladnjaka. Presavijanje kabela može uzrokovati požar. Nikada ne stavljajte teške predmete

na kabel napajanja. Ne dodirujte utikač mokrim rukama kad uključujete uređaj.



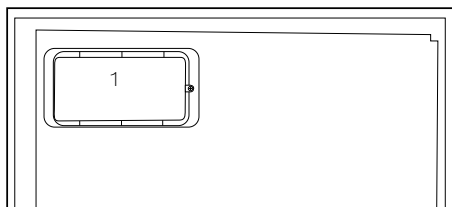
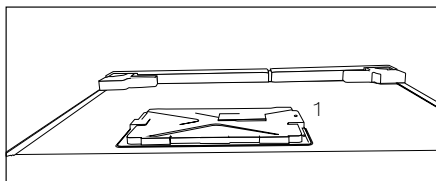
- Ne uključujte hladnjak ako je električna utičnica labava.
- Voda se ne smije špricati izravno na unutarnje ili vanjske dijelove proizvoda zbog sigurnosnih razloga.
- Nemojte špricati stvari koje sadrže zapaljive plinove kao što je propan blizu hladnjaka da biste izbjegli opasnost od požara i eksplozije.
- Nikada na hladnjak ne stavljajte posude s vodom, jer inače mogu uzrokovati električni udar ili požar.
- Nemojte prepuniti hladnjak s previše hrane. Ako se prepuni, hrana može pasti i ozlijediti vas kad otvorite vrata. Nikad

ne stavljajte predmete na hladnjak, inače ti predmeti mogu pasti kad otvarate ili zatvarate vrata hladnjaka.

- Proizvodi za koje je potrebna precizna kontrola temperature, cjepiva, lijekovi osjetljivi na toplinu, znanstveni materijali, itd. se ne smiju držati u hladnjaku.
- Ako se neće koristiti dulje vrijeme, hladnjak se treba isključiti. Mogući problem na kabelu napajanja može uzrokovati požar.
- Hladnjak se može pomaknuti ako podesive noge nisu pravilno pričvršćena na podu. Pravilno pričvršćivanje podesivih nogu na podu može spriječiti pomicanje hladnjaka.
- Kad nosite hladnjak, nemojte ga držati za ručku vrata. U suprotnom, može puknuti.
- Kad morate staviti svoj proizvod pored drugog hladnjaka ili škrinje, udaljenost

između uređaja treba biti najmanje 8 cm. U suprotnom, susjedne bočne stjenke se mogu navlažiti.

- Nikad ne koristite proizvod ako dio koji se nalazi na vrhu ili poledini proizvoda ima elektroničke tiskane pločice unutar otvora (poklopac elektroničke tiskane pločice)(1).



## **Za proizvode s raspršivačem za vodu;**

- Tlak na ulaznom otvoru hladne vode treba biti maksimalno 90 psi (6.2 bar). Ako tlak vode premaši (5,5 bar) tada na cijevima za opskrbu vodom

koristite tlačno-granični ventil. Ako ne znate kako provjeriti tlak vode tada potražite pomoć kod profesionalnog vodoinstalatera.

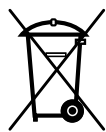
- Ako u instalacijama postoji opasnost od efekta vodenog udara tada u instalacijama uvijek koristite opremu za sprječavanje vodenog udara. Posavjetujte se s profesionalnim vodoinstalaterom ako niste sigurni postroji li efekt vodenog udara u instalacijama.
- Ne instalirajte na ulaznom otvoru za vruću vodu. Poduzmite mjere opreza zbog opasnosti od zamrzavanja cijevi. Radni interval temperature vode treba biti minimalno 33°F (0.6°C) i maksimalno 100°F (38°C).
- Koristite samo pitku vodu.

### **Sigurnost djece**

- Ako vrata imaju bravu, ključ se treba držati podalje od dosega djece.

- Djeca moraju biti pod nadzorom da bi se spriječilo neovlašteno korištenje proizvoda.

### **Usklađenost s Direktivom o električnom i elektroničkom opremom (WEEE) i zbrinjavanju otpada:**



Ovaj proizvod usklađen je s EU Direktivom WEEE (2012/19/EU). Ovaj proizvod nosi lasifikacijsku oznaku za električni i elektronski otpad (WEEE).

Ovaj je proizvod proizveden s visokokvalitetnim

dijelovima i materijalima koji se mogu ponovno upotrijebiti i prikladni su za reciklažu. Ne odlažite otpadne uređaje s normalnim otpadom iz kućanstva i drugim otpadom na kraju servisnog vijeka. Odnosite ga u sabirni centar za recikliranje električne i elektroničke opreme. Obratite se lokalnim vlastima da biste saznali više informacija o sabirnim centrima.

### **Usklađenost s Direktivom o zabrani uporabe određenih opasnih tvari u električnoj i elektroničkoj opremi (RoHS):**

Proizvod koji ste kupili usklađen je s EU Direktivom RoHS (2011/65/EU). Ne sadrži štetne i zabranjene materijale navedene u Direktivi.

Podaci o pakiranju Ambalažni materijali proizvoda proizvedeni su od reciklirajućih materijala sukladno našim nacionalnim propisima o zaštiti okoliša. Ambalažne materijale ne odlažite skupa s kućnim ili drugim otpadom. Odnosite ih u sabirne centre ambalažnog otpada koje su odredile lokalne vlasti.

## Upozorenje za HC

### Ako rashladni sustav vašeg uređaja sadrži R600a:

Ovaj plin je zapaljiv. Zato pazite da tijekom uporabe i transporta ne oštetite sustav za hlađenje i cijevi. U slučaju oštećenja, držite uređaj podalje od potencijalnog izvora plamena koji može dovesti do toga da uređaj zapali, te prozračujete sobu u kojoj se nalazi uređaj.

### Ignorirajte ovo upozorenje ako rashladni sustav vašeg uređaja sadrži R134a.

Vrsta plina koja se koristi u proizvodu je navedena na tipskoj pločici koja je na lijevoj stijenci unutar hladnjaka.

Nikada kod odlaganja ne bacajte uređaj u vatru.

## Stvari koje se trebaju uraditi za uštedu energije

- Ne ostavljajte vrata vašeg hladnjaka otvorena dulje vrijeme.
- Ne stavljajte toplu hranu ili pića u hladnjak.
- Nemojte prepuniti hladnjak tako da se ne sprječava cirkuliranja zraka u unutrašnjosti.
- Ne postavljajte vaš hladnjak izravno na sunčevu svjetlost ili blizu uređaja koji emitiraju toplinu kao što su pećnice, perlice suđa ili radijatori.
- Pazite da držite svoju hranu u zatvorenim posudama.
- Za uređaje s odjeljkom škrinje; možete spremiti maksimalnu količinu hrane u škrinju kad uklonite policu ili ladicu škrinje. Vrijednost potrošnje energije koja je navedena za vaš hladnjak je određena tako da je uklonjena polica ili ladicu škrinje i pod maksimalnim opterećenjem. Ne

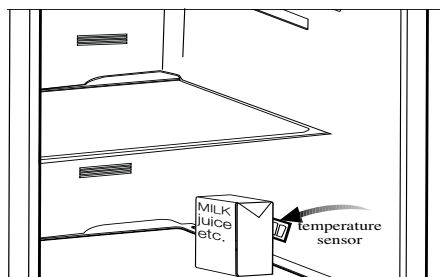
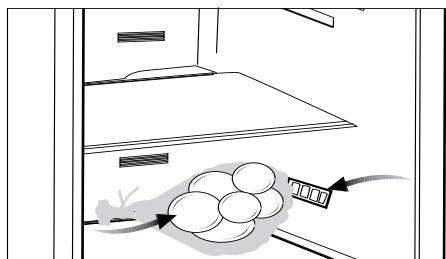
postoji opasnost od uporabe police ili ladice prema oblicima i veličinama hrane koja će biti zamrznuta.

- Topljenje smrznute hrane u odjeljku hladnjaka će osigurati uštedu energije u sačuvati kvalitetu hrane.

## Preporuke za odjeljak za svježu hranu

\* Izborni

- Molimo, nemojte dopustiti da bilo kakva hrana dođe u kontakt sa senzorom temperature u odjeljku za svježu hranu. Da bi se održavala idealna temperatura za pohranu odjeljka za svježu hranu, hrana ne smije blokirati senzor.
- Ne stavljajte toplu hranu u uređaj.



### 3 Instalacija



Molimo imajte na umu da se proizvođač neće smatrati odgovornim ukoliko se ne budete pridržavali informacija navedenih u korisničkom priručniku.

#### Stvari kojih se treba pridržavati kod ponovnog transporta vašeg hladnjaka

1. Vaš hladnjak mora biti ispražnjen i očišćen prije bilo kakvog transporta.
2. Police, dodaci, odjeljak za povrće itd. u vašem hladnjaku moraju biti čvrsto pričvršćeni ljepljivom trakom zbog treskanja prije ponovnog pakiranja.
3. Pakiranje se mora pričvrstiti ljepljivom trakom i mora se pridržavati pravila o transportu ispisanih na pakiranju.

#### Molimo ne zaboravite...

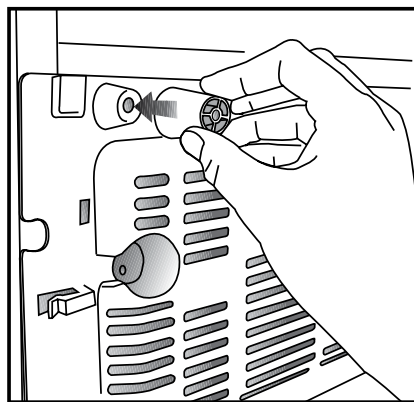
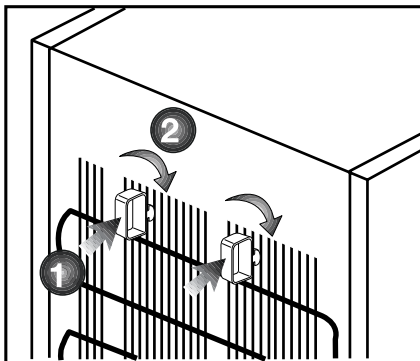
Svaki reciklirani materijal je nezamjenjiv izvor za prirodu i za naše nacionalne izvore.

Ako želite pridonijeti reciklaži materijala pakiranja, možete dobiti dodatne informacije od ureda za okoliš ili lokalnih vlasti.

#### Prije uključivanja vašeg hladnjaka

Prije početka uporabe vašeg hladnjaka provjerite sljedeće:

1. Je li unutrašnjost hladnjaka suha i može li zrak slobodno cirkulirati sa stražnje strane?
2. Možete postaviti 2 plastična klina kako je prikazano na slici. Plastični klinovi će dati osigurati potrebnu udaljenost između vašeg hladnjaka i zida da bi se omogućilo cirkuliranje zraka. (Slika s ilustracijom je samo primjer i ne odgovara u potpunosti vašem proizvodu.)



3. Očistite unutrašnjost hladnjaka kako je preporučeno u dijelu "Čišćenje i održavanje".
4. Uključite hladnjak u zidnu utičnicu. Kad su vrata hladnjaka otvorena, uključit će se unutrašnje svjetlo.
5. Čut ćete buku kad kompresor počne raditi. Tekućine i plinovi zabrtvljeni u rashladnom sustavu također mogu stvarati buku, čak i kad kompresor ne radi i to je potpuno normalno.
6. Prednji krajevi hladnjaka mogu biti topli na opip. To je normalno. Ova područja su napravljena da budu topla da bi se se izbjegla kondenzacija.



## Električno spajanje

Spojite svoj proizvod u uzemljenu utičnicu koja je zaštićena osiguračem odgovarajućeg kapaciteta.

Važno:

- Spoj mora biti u skladu s nacionalnim zakonskim odredbama.
- Kabel napajanja mora biti lako dostupan nakon postavljanja.
- Navedeni napon mora biti jednak naponu el. energije.
- Produžni kabeli i razvodnici se ne smiju koristiti za spajanje.



Oštećeni kabel napajanja mora zamijeniti kvalificirani električar.



Proizvod ne smije raditi prije popravke! Postoji opasnost od električnog udara!

## Odlaganje pakiranja

Materijali pakiranja mogu biti opasni za djecu. Čuvajte materijale pakiranja dalje od dohvata djece ili ih odložite svrstavanjem u skladu s uputama o odlaganju. Nemojte ih odlagati s normalnim otpadom iz kućanstva.

Pakiranje vašeg hladnjaka je proizvedeno od recikliranih materijala.

## Odlaganje stalnog hladnjaka

Odlaganje vašeg starog stroja bez štete za okoliš.

- O odlaganju vašeg hladnjaka se možete konzultirati s vašim ovlaštenim dobavljačem ili centrom za sakupljanje otpada u vašoj općini.

Prije odlaganja vašeg hladnjaka, odrežite električni utikač i, ukoliko postoje bilo kakve brave na vratima, onesposobite ih da biste zaštitili djecu od bilo kakve opasnosti.

## Postavljanje i instalacija

1. Instalirajte vaš hladnjak na mjesto koje dopušta laku uporabu.

2. Držite vaš hladnjak podalje od izvora topline, vlažnih mjesta i direktne sunčeve svjetlosti.

3. Da bi se postigao učinkoviti rad, oko vašeg hladnjaka mora postojati odgovarajuća ventilacija.

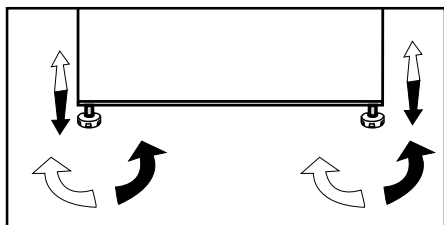
Ako se hladnjak treba postaviti u otvor u zidu, mora postojati udaljenost najmanje 5 cm od plafona i 5 cm od zida.

Ako je pod prekriven tepihom, vaš uređaj mora biti podignut od poda 2.5 cm.

4. Stavite svoj hladnjak na ravnu površinu poda da biste spriječili udarce.

## Podešavanje nogu

Ako vaš hladnjak nije u ravnoteži; Možete postaviti hladnjak u ravnotežu okretanjem prednjih nožica kako je prikazano na slici dolje. Kut gdje se nalaze noge je spušten kad okrenete u smjeru crne strelice a diže se kad okrenete u suprotnom smjeru. Ovaj postupak će biti lakši ako nekoga zamolite da malo podigne hladnjak.



## Promjena lampice za osvjetljenje

Da biste zamijenili lampicu koja se koristi za osvjetljavanje, molimo nazovite svoj ovlaštenu servis.

Lampa koja se koristi u ovom uređaju nije podesna za uporabu za osvjetljenje doma. Predviđena namjena ove lampe je da pomogne korisniku da stavi hranu u hladnjak/škrinju na siguran i ugodan način.

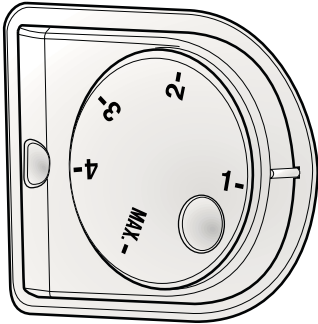
Svjetiljke ovog uređaja moraju podnijeti ekstremne uvjete poput temperatura nižih od -20 °C.

## 4 Priprema

---

- i** za samostojeći uređaj; „Ovaj rashladni uređaj nije predviđen da se koristi kao ugradni uređaj“;
- i** Vaš hladnjak se treba postaviti najmanje 30 cm od izvora topline kao što su plamenici, pećnice, grijalice i štednjaci i najmanje 5 cm dalje od električnih pećnica te se ne smiju stavljati na direktnu sunčevu svjetlost.
- i** Sobna temperatura u prostoriji u koju postavite hladnjak treba biti najmanje 10°C. Rad vašeg hladnjaka u hladnijim uvjetima od navedenih se ne preporuča vezano za učinkovitost.
- i** Pazite da se unutrašnjost vašeg hladnjaka temeljito čisti.
- i** Ako se dva hladnjaka trebaju instalirati jedan do drugog, između njih treba postojati razmak od najmanje 2 cm.
- i** Kada prvi put uključite hladnjak, molimo pridržavajte se sljedećih uputa tijekom prvih šest sati.
  - Vrata se ne smiju često otvarati.
  - Mora raditi prazan, bez ikakve hrane u njemu.
  - Ne isključujte vaš hladnjak. Ako dođe do nestanka el. energije na koji ne možete utjecati, molimo pogledajte upozorenja u dijelu "Preporučena rješenja problema".
- i** Originalno pakiranje i materijali od pjene se trebaju čuvati zbog budućeg transporta ili selidbe.
- i** Kako vrući i vlažni zrak neće izravno prodirati u proizvod ako vrata nisu otvorena, vaš će se proizvod optimizirati u uvjetima dostatnim za zaštitu hrane. S ovom funkcijom uštede energije, funkcije i sastavni dijelovi kao kompresor, ventilator, grijač, odmrzavanje, svjetlo, zaslon i tako dalje radit će sukladno potrebama i minimalno trošiti energiju održavajući pri tome svježinu vaših namirnica.

## 5 Uporaba vašeg hladnjaka



### Tipka za podešavanje temperature

Tipka za podešavanje temperature omogućuje vam podešavanje temperature vašeg hladnjaka.

### Podešavanje temperature vašeg hladnjaka

Ukupna postavka temperature vašeg hladnjaka vrši se pomoću gumba za podešavanje temperature na desnom zidu odjeljka hladnjaka. Ovaj gumb ima 5 različitih položaja za podešavanje temperature. Odaberite položaj koji odgovara vašim potrebama.

### Dvostruki sustav hlađenja

Vaš je hladnjak opremljen s dva odvojena rashladna sustava za hlađenje odjeljka za svježu hranu i zamrzivača. Stoga se zrak u odjeljku za svježu hranu i zamrzivač ne miješa. Zahvaljujući ova dva odvojena rashladna sustava, brzina hlađenja je puno veća od ostalih hladnjaka. Mirisi se u odjeljcima ne miješaju. Također je osigurana dodatna ušteda energije jer se automatsko odmrzavanje izvodi pojedinačno.

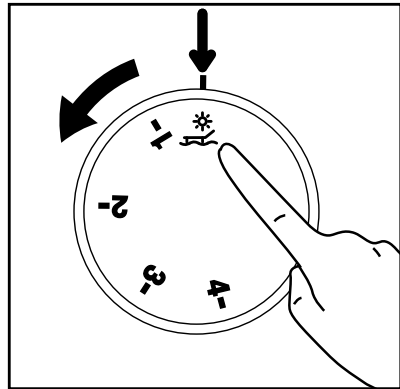
### Funkcija odmora

Ako se vrata proizvoda ne otvore 12 sati nakon prebacivanja termostata u najtopliji položaj, funkcija odmora automatski će se aktivirati.

Otvorite vrata proizvoda ili promijenite postavku termostata da biste poništili funkciju.

Funkcija odmora nije obavezna. Može se razlikovati ovisno o vrsti proizvoda i ne mora biti sadržan u svakom proizvodu.

Ne preporučuje se pohranu hrane u hladniji pretinac kad je aktivna funkcija odmora.



## Zaustavljanje uređaja

Ako je vaš termostat opremljen s položajem „0“:

- Vaš uređaj će prestati raditi kad okrenete tipku termostata na položaj “0” (nula). Vaš uređaj se neće pokrenuti ako ne okrenete tipku termostata ponovno na položaj „1“ ili neki drugi položaj.

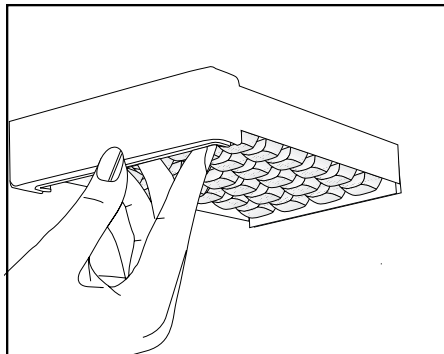
Ako je vaš termostat opremljen s položajem „min“:

- Isključite uređaj s napajanja da biste ga zaustavili.

## Pravljenje leda

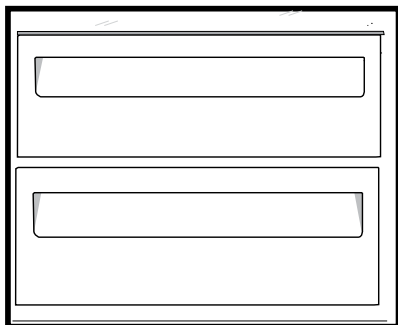
Ispunite spremnik za led vodom i stavite ga na mjesto. Vaš led će biti gotov za otprilike dva sata.

Možete lako izvaditi led tako da lagano okrenete posudu za led.



## Plavo svjetlo (OPCIONALNO)

Hrana koja se drži u odjeljcima za voće ili povrće koji se osvijetljavaju plavim svjetlom, nastavlja svoju fotosintezu pomoću učinka valne duljine plavog svjetla i stoga sačuva svježinu i povećava sadržaj vitamina.

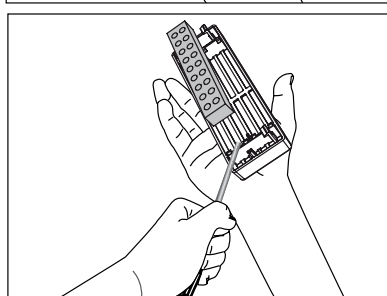
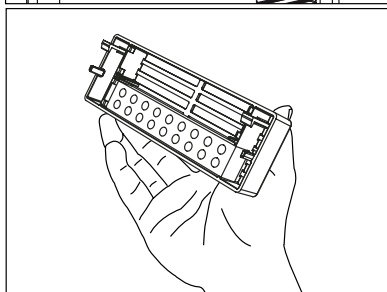
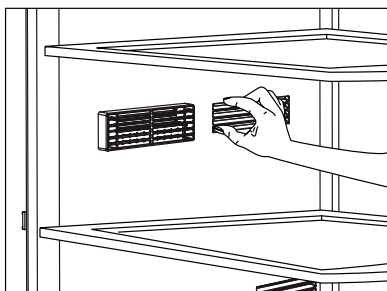


## Opis i čišćenje filtra za neugodne mirise:

filtrar za neugodne mirise sprječava nakupljanje neugodnih mirisa u vašem hladnjaku.

Povucite poklopac u koji je montiran filtrar za neugodne mirise prema dolje i uklonite ga kako je prikazano. Ostavite filtrar pod sunčevom svjetlošću jedan dan. Filtrar će se za to vrijeme očistiti.

Instalirajte filtrar nazad na mjesto. Filtrar za neugodne mirise se mora čistiti jednom godišnje.



## Ledomat i posuda za led (OPCIONALNO)

### Uporaba ledomata

Ispunite ledomat vodom i stavite ga na mjesto. Vaš led će biti gotov za otprilike dva sata. Ne uklanjajte ledomat sa mjesta da bi izvadili led.

Okrenite tipke na njemu nadesno za 90 stupnjeva.

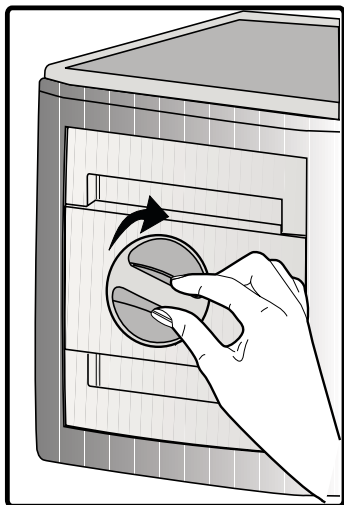
Kockice leda u kućicama će pasti dolje u posudu za led.

Možete izvaditi posudu za led i poslužiti kockice leda.

Ako želite, možete držati kockice leda u posudi za led.

### Posuda za led

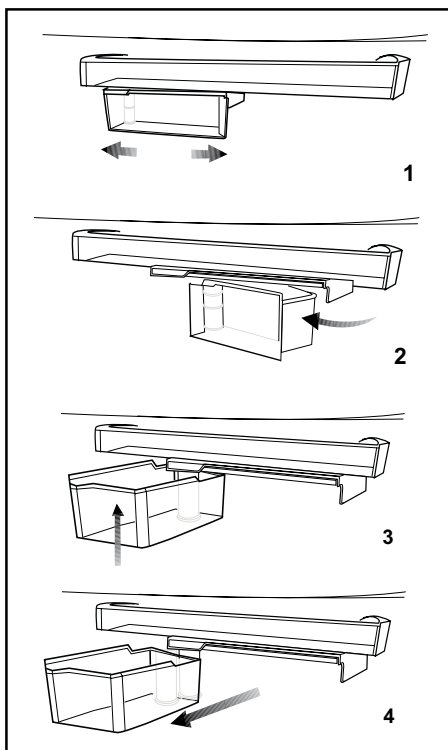
Posuda za led je namijenjena samo sakupljanju kockica za led. Ne stavljajte vodu u nju. U suprotnom će puknuti.



## Rotirajući spremnik

Klizna polica kućišta se može pomicati lijevo ili desno da bi se na donju policu mogle staviti duge boce, staklenke ili kutije (Slika 1).

Možete dosegnuti hranu koju ste stavili na policu tako da je okrećete s desnog ruba (Slika 2). Kad je želite napuniti ili izvaditi zbog čišćenja, okrenite je za 90 stupnjeva, podignite i povucite prema sebi (Slike 3-4).



## 6 Održavanje i čišćenje

---

- ⚠ Nikada za čišćenje nemojte koristiti benzin ili slične materijale.
- ⚠ Savjetujemo da isključite uređaj iz struje prije čišćenja.
- ⓘ Nikada za čišćenje nemojte koristiti oštre predmete ili abrazivne tvari, sapun, tekućinu za čišćenje kućanstva, deterdžent ili vosak za poliranje.
- ⓘ Koristite mlaku vodu za čišćenje kutije hladnjaka i osušite ga krpom.
- ⓘ Koristite ocijeđenu vlažnu krpu potopljenu u otopini jedne žličice sode bikarbone na pola litre vode da biste očistili unutrašnjost i osušite je krpom.
- ⚠ Pazite da voda ne uđe u kućište lampe i druge električne dijelove.
- ⚠ Ako se aparat neće koristiti dulje vrijeme, isključite ga, izvadite svu hranu, očistite ga i ostavite vrata otvorena.
- ⓘ Provjeravajte brtve na vratima redovito da biste bili sigurni da su čisti i da na njima nema komadića hrane.
- ⓘ Da biste skinuli police s vrata, izvadite sav sadržaj i tada jednostavno gurnite policu vrata gore iz osnove.

ⓘ Nikad ne upotrebljavajte sredstva za čišćenje ili vodu koja sadrži klor za čišćenje vanjskih površina ili kromiranih dijelova proizvoda. Klor uzrokuje koroziju na takvim metalnim površinama.

ⓘ Ne koristite oštre i abrazivne alate ili sapun, sredstva za čišćenje u kućanstvu, deterdžente, benzin, benzen, vosak i sl. jer u protivnom naljepnice na plastičnom dijelu se mogu odlijepiti te može doći do deformacija. Za čišćenje koristite toplu vodu te osušite mekanom krpom.

### Zaštita plastičnih površina

ⓘ Ne stavljajte tekuće ulje ili jela kuhana na ulju u vaš hladnjak u nezatvorenim posudama jer oni mogu oštetiti plastične površine hladnjaka. U slučaju proljevanja ili razmazivanja ulja na plastičnim površinama, odmah očistite i isperite odgovarajuće dijelove površine toplom vodom.



## 7 Preporučena rješenja za probleme

Molimo provjerite popis prije zvanja servisa. To vam može uštedjeti vrijeme i novac. Popis sadrži česte reklamacije koje nisu posljedica oštećenja u proizvodnji ili uporabi. Neke od opisanih mogućnosti možda ne postoje na vašem proizvodu.

### Hladnjak ne radi.

- je li hladnjak pravilno uključen na napajanje? Uključite utikač u utičnicu u zidu.
- Je li pregorio osigurač utičnice na koju je priključen vaš hladnjak? Provjerite osigurač.

### Kondenzacija na stjenkama hladnjaka (MULTIZONA, KONTROLA HLAĐENJA I FLEKSI ZONA).

- Jako hladna okolina. Često otvaranje i zatvaranje vrata. Jako vlažna okolina. Čuvanje hrane koja sadrži tekućinu u otvorenim posudama. Ostavljanje vrata odškrinutim. Prebacivanje termostata na hladniji stupanj.
- Smanjivanje vremena kad su vrata otvorena ili rjeđa uporaba.
- Prekrivanje hrane spremljene u otvorenim posudama odgovarajućim materijalom.
- Obrišite kondenzat pomoću suhe krpe i provjerite ukoliko se i dalje javlja.

### Kompresor ne radi

- Zaštitni termički dio kompresora će pregoreti tijekom naglih nestanaka el. energije ili isključivanja priključaka jer tlak rashladnog sredstva u sustavu za hlađenje hladnjaka nije još izbalansiran. Vaš hladnjak će početi s radom otprilike nakon 6 minuta. Molimo nazovite servis ako se vaš hladnjak ne uključi na kraju ovog razdoblja.
- Hladnjak je u ciklusu odmrzavanja. To je normalno za hladnjak s potpuno automatskim odmrzavanjem. Ciklus za odmrzavanje se događa periodički.
- Vaš hladnjak nije uključen u utičnicu. Provjerite je li utikač pravilno postavljen u utičnicu.
- Je li temperatura pravilno postavljena?
- Napajanje može biti prekinuto.

#### Hladnjak radi često ili dugo trajno.

- Vaš novi hladnjak je možda širi od prethodnog. To je u potpunosti normalno. Veći hladnjaci rade dulje.
- Sobna temperatura je možda visoka. To je u potpunosti normalno.
- Hladnjak je možda nedavno priključen na el.energiju ili je možda napunjen hranom. Potpuno hlađenje hladnjaka može trajati nekoliko sati dulje.
- Možda su nedavno u hladnjak stavljene velike količine tople hrane. Topla hrana uzrokuje dulji rad hladnjaka dok ne dostigne sigurnu temperaturu za čuvanje.
- Vrata su možda često otvarana ili ostavljena odškrinuta dulje vrijeme. Topli zrak koji je ušao u hladnjak uzrokuje da hladnjak radi dulje vrijeme. Rjeđe otvarajte vrata.
- Vrata škrinje ili hladnjaka su možda bila odškrinuta. Provjerite jesu li vrata čvrsto zatvorena.
- Hladnjak je postavljen na vrlo nisku temperaturu. Prilagodite temperaturu hladnjaka na topliju razinu dok se ne postigne temperatura.
- Brtva vrata hladnjaka ili škrinje može biti prijava, pohabana, oštećena ili nije dobro sjela. Očistite ili zamijenite brtvu. Oštećena/pokidana brtva uzrokuje dulji rad hladnjaka da bi se održala trenutna temperatura.

#### Temperatura hladnjaka je vrlo niska dok je temperatura frižidera dovoljna.

- Temperatura hladnjaka je postavljena na vrlo nisku temperaturu. Prilagodite temperaturu hladnjaka na topliji stupanj i provjerite.

#### Temperatura frižidera je vrlo niska dok je temperatura hladnjaka dovoljna.

- Temperatura hladnjaka je postavljena na vrlo nisku temperaturu. Prilagodite temperaturu hladnjaka na topliji stupanj i provjerite.

#### Hrana koja se čuva i ladicama hladnjaka se smrzava.

- Temperatura hladnjaka je postavljena na vrlo nisku temperaturu. Prilagodite temperaturu hladnjaka na topliji stupanj i provjerite.

#### Temperatura u hladnjaku ili škrinji je previsoka.

- Temperatura hladnjaka je postavljena na vrlo visoku temperaturu. Prilagođavanje hladnjaka ima utjecaja na temperaturu škrinje. Mijenjajte temperaturu hladnjaka ili škrinje dok temperatura hladnjaka ili škrinje ne dosegne dovoljnu razinu.
- Vrata su možda često otvarana ili ostavljena odškrinuta dulje vrijeme.
- Vrata su možda odškrinuta, zatvorite vrata do kraja.
- Možda su nedavno u hladnjak stavljene velike količine tople hrane. Čekajte dok hladnjak ili škrinja ne dosegnu željenu temperaturu.
- Hladnjak je možda uključen nedavno. Hlađenje hladnjaka do kraja može potrajati.

Buka tijekom rada se povećava kad hladnjak radi.
<ul style="list-style-type: none"> <li>• Radne performanse hladnjaka se mogu promijeniti ovisno o promjenama sobne temperature. To je normalno i ne predstavlja kvar.</li> </ul>
Vibracije ili buka.
<ul style="list-style-type: none"> <li>• Pod nije ravan ili je slab. Hladnjak se njiše kad se polako pomiče. Pazite da je pod ravan i da je dovoljno jak da može nositi hladnjak.</li> <li>• Buka može biti uzrokovana predmetima koji se nalaze na hladnjaku. Predmeti koji stoje na hladnjaku se trebaju ukloniti.</li> </ul>
Čuje se buka poput prolijevanja tekućine ili špricanja.
<ul style="list-style-type: none"> <li>• Protok tekućine i plinova se događa u skladu s radnim principima vašeg hladnjaka. To je normalno i ne predstavlja kvar.</li> </ul>
Čuje se buka poput puhanja vjetra.
<ul style="list-style-type: none"> <li>• Ventilatori se koriste za hlađenje hladnjaka. To je normalno i ne predstavlja kvar.</li> </ul>
Kondenzacija na unutarnjim stjenkama hladnjaka.
<ul style="list-style-type: none"> <li>• Toplo i vlažno vrijeme povećava nastanak leda i kondenziranje. To je normalno i ne predstavlja kvar.</li> <li>• Vrata su možda ostala odškrinuta; pazite da su vrata zatvorena do kraja.</li> <li>• Vrata su možda često otvarana ili ostavljena odškrinuta dulje vrijeme.</li> </ul>
Vlaga se pojavljuje na vanjskom dijelu hladnjaka ili između vrata.
<ul style="list-style-type: none"> <li>• Možda ima vlage u zraku; to je potpuno normalno kad je vrijeme vlažno. Kad je vlažnost manja, kondenzat će nestati.</li> </ul>
Neugodan miris unutar hladnjaka.
<ul style="list-style-type: none"> <li>• Mora se očistiti unutrašnjost hladnjaka. Očistite unutrašnjost hladnjaka spužvom, toplom ili gaziranom vodom.</li> <li>• Neugodan miris možda uzrokuju neke posude ili materijali pakiranja. Koristite neku drugu posudu ili drugačiju marku materijala za pakiranje.</li> </ul>
Vrata se ne zatvaraju.
<ul style="list-style-type: none"> <li>• Paketi hrane možda sprječavaju zatvaranje vrata. Uklonite pakete hrane koji smetaju vratima.</li> <li>• Vaš hladnjak nije potpuno uspravan na podu i njiše se kad se lagano pomakne. Prilagodite vijke za podizanje.</li> <li>• Pod nije ravan ili jak. Pazite da je pod ravan i da može nositi hladnjak.</li> </ul>
Odjeljci za voće i povrće su zaglavljani.
<ul style="list-style-type: none"> <li>• Hrana možda dodiruje vrh ladice. Presložite hranu u ladicu.</li> </ul>

## **ODRICANJE OD ODGOVORNOSTI / UPOZORENJE**

Neke (jednostavne) kvarove može riješiti sam krajnji korisnik bez ikakvih sigurnosnih problema ili opasnosti koje mogu iskrsnuti uz uvjet da je to obavljeno u granicama i u skladu sa sljedećim uputama (pogledajte dio „Samopomoć“).

Stoga, osim ako nije drukčije određeno u donjem dijelu „Samopomoći“ popravke trebaju obaviti registrirani stručni servisi kako bi se izbjegli problemi sa sigurnosti. Registrirani stručni servis je stručni servis kojem je proizvođač odobrio pristup uputama i popisu rezervnih dijelova za ovaj proizvod u skladu s metodama opisanim u zakonskim aktima u skladu s Direktivom 2009/125/EC.

**Međutim, samo servisni zastupnik (tj. ovlaštene stručni servisi) kojeg možete kontaktirati na telefonski broj naveden u korisničkom priručniku/jamstvenom listu ili ovlaštene zastupnik mogu obaviti servis u skladu s uvjetima jamstva. Stoga, upozoravamo vas kako će popravci koje su obavili stručni servisi (koje nije ovlastila tvrtka Beko) poništiti jamstvo**

### **Samopomoć**

Samopopravak može obaviti krajnji korisnik za sljedeće zamjenjive dijelove: ručke na vratima, šarke vrata, ladiće, košare i brtva na vratima (ažurirani popis dostupan je na [support.beko.com](http://support.beko.com) od 01. ožujka 2021.).

Pored toga, kako bi se osigurala sigurnost proizvoda i spriječila opasnost od teških ozljeda, spomenuta samopomoć treba se obaviti pridržavajući se uputa u korisničkom priručniku za samopomoć ili onih dostupnih na [support.beko.com](http://support.beko.com). Zbog vaše sigurnosti, isključite proizvod iz strujne mreže prije početka obavljanja bilo kakve samopomoći.

Popravak i pokušaj popravka koje obavljaju krajnji korisnici za dijelove koji nisu uključeni na popis i/ili ako se ne pridržavaju uputa u korisničkom priručniku ili onih dostupnih na [support.beko.com](http://support.beko.com), mogu izazvati sigurnosne probleme koji se ne mogu pripisati Beko te koji će poništiti jamstvo proizvoda.

Stoga, izričito se preporučuje da se krajnji korisnici suzdrže od pokušaja popravka koji ne uključuje spomenuti popis rezervnih dijelova te da u tom slučaju kontaktiraju ovlaštene stručne servise ili registrirane stručne servise. U suprotnom, takvi pokušaji koje poduzmu krajnji korisnici mogu izazvati sigurnosne probleme i oštetiti proizvod te posljedično izazvati požar, poplavu, smrt zbog strujnog udara i teške tjelesne ozljede. ¶

Na primjer, ali se ne ograničavajući na to, sljedeće popravke moraju obaviti ovlaštene profesionalni servisi ili registrirani profesionalni servisi: kompresor, rashladni sklop, matična ploča, inverter ploča, ploča zaslona, itd. ¶

Proizvođač/prodavač neće se smatrati odgovornim u slučaju da krajnji korisnici ne poštuju gore navedeno. ¶

Dostupnost rezervnih dijelova za hladnjaka koju ste kupili je 10 godina. ¶

Tijekom ovog razdoblja originalni rezervni dijelovi bit će dostupni za ispravan rad hladnjaka. ¶

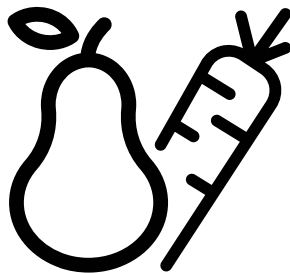
Minimalno trajanje jamstva hladnjaka kojeg ste kupili je 24 mjeseca. #

Ovaj proizvod opremljen je izvorom osvjetljenja energetske klase „G“.

Izvor osvjetljenja u ovom proizvodu smiju zamijeniti samo stručni serviseri.



**Hladilnik**  
Navodila za uporabo  
**Frigorifer**  
Manual Udhëzim  
**Ладилник**  
Упатство за корисникот



RDNE350K20X-RDNE350K20XB-RDNE350K30XBN

**SL/SQ/MK**



57 9941 0000/AL 4/4 SL-SQ-MK

## Prosimo, da najprej preberete navodila za uporabo!

Dragi kupec,

upamo, da bo naprava, ki je bila izdelana v modernih obratih in preizkušena z natančnimi postopki kakovosti, zagotovila učinkovito delovanje.

Zato priporočamo, da pred uporabo pazljivo preberete celotna navodila za uporabo naprave in jih hranite v bližini, saj jih boste morda potrebovali v prihodnje.




### Priročnik







- Priročnik vam bo pomagal pri hitri in varni uporabi naprave.
- Priročnik preberite preden napravo namestite in uporabite.
- Sledite navodilom, predvsem varnostnim.
- Priročnik hranite na lahko dosegljivem mestu, saj ga boste morda kasneje potrebovali.
- Poleg tega preberite tudi ostale dokumente, ki so priloženi napravi.

Prosimo upoštevajte, da je priročnik lahko veljaven tudi za druge modele.

### Simboli in njihov opis

Navodila za uporabo vsebujejo naslednje simbole:

-  Pomembne informacije in koristni nasveti za uporabo.
-  Opozorila pred nevarnostmi za življenje in lastnino.
-  Opozorila pred električno napetostjo.

	<b>INFORMATION</b>
	<b>ENERG</b> 
	
<small>SUPPLIER'S NAME</small>	<small>MODEL IDENTIFIER</small> → (*)
	

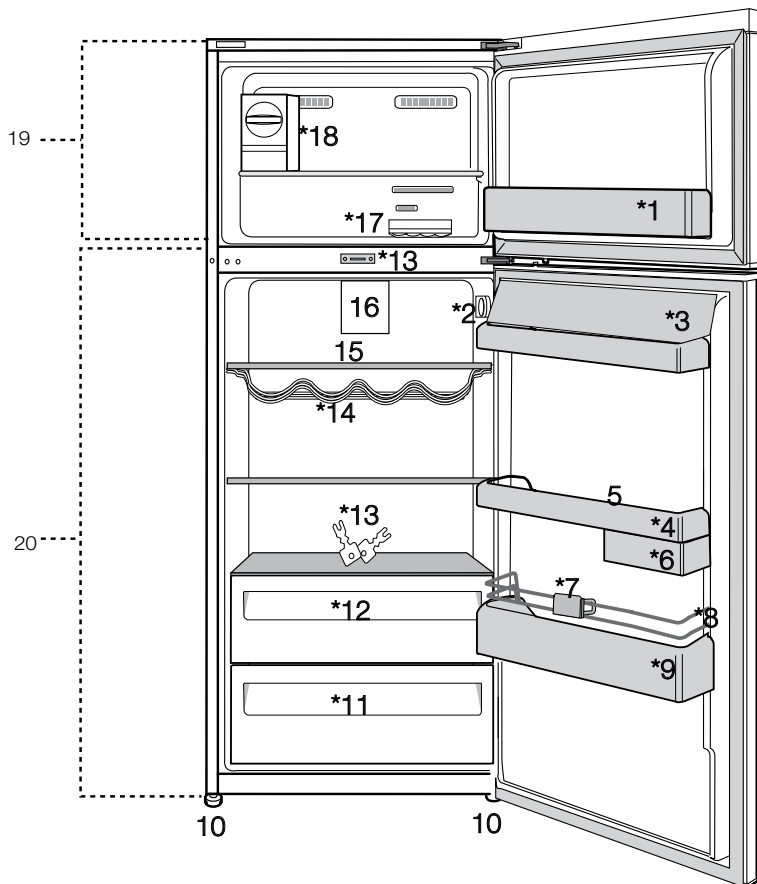
.Do informacij o modelu, ki so shranjene v zbirki podatkov o izdelkih, lahko pridete tako, da obiščete naslednje spletno mesto in poiščete identifikator modela (\*), ki je naveden na energijski nalepki.

<https://eprel.ec.europa.eu/>

<b>1 Vaš hladilnik</b>	<b>3</b>	<b>5 Uporaba hladilnika</b>	<b>15</b>
<b>2 Pomembna varnostna opozorila</b>	<b>4</b>	Gumb za nastavitev temperature .....	15
Namen uporabe .....	4	Nastavitev temperature v hladilniku ..	15
Za naprave z dispenzerjem za vodo; ..	7	Dvojni hladilni sistem.....	15
Varnost otrok.....	7	Funkcija za počitnice (Vacation) .....	15
Skladnost z direktivo OEEQ in odstranjevanjem odpadnih izdelkov: .	7	Zaustavitev naprave .....	16
Skladnost z direktivo RoHS: .....	7	Priprava ledu .....	16
Informacije o embalaži .....	7	Ledomat in posoda za shranjevanje ledu .....	16
Opozorilo HC.....	8	Opis in čiščenje filtra proti neprijetnim vonjavam: .....	17
Varčevanje z energijo .....	8	Zamrzovanje svežih živil .....	18
Priporočila za predel za sveža živila....	9	Priporočila za shranjevanje zamrznjenih živil .....	18
<b>3 Namestitev</b>	<b>10</b>	Postavitev živil .....	18
Napotki, ki jih je treba upoštevati ob ponovnem prevozu hladilnika.....	10	Informacije za globoko zamrzovanje	19
Pred uporabo hladilnika .....	10	Vrtljiva posoda za shranjevanje .....	20
Odstranjevanje embalaže.....	11	Zamrzovalni predel .....	20
Odstranjevanje starega hladilnika.....	11	<b>6 Vzdrževanje in čiščenje</b>	<b>21</b>
Namestitev in montaža .....	11	Zaščita plastičnih površin .....	21
Nastavitev nogic .....	12	<b>7 Priporočljive rešitve za težave</b>	<b>22</b>
<b>4 Priprava</b>	<b>13</b>		
Obrniti vrata.....	14		



# 1 Vaš hladilnik



- |  |                                     |
|--|-------------------------------------|
| 1. Polica na vratih zamrzovalnega dela | 12. Predel za hlajenje              |
| 2. Gumb za nastavitve temperature      | 13. Key                             |
| 3. Predeli za maslo & sir              | 14. Steklene police hladilnega dela |
| 4. Polica na vratih hladilnega dela    | 15. Predel za vino                  |
| 5. Nosilci za jajca                    | 16. Puhalo                          |
| 6. Vrtljiva posoda za shranjevanje     | 17. Posoda za led                   |
| 7. Nosilec steklenic                   | 18. Ledomat                         |
| 8. Zaščitna žica                       | 19. Zamrzovalni del                 |
| 9. Polica za steklenice                | 20. Hladilni del                    |
| 10. Nastavljive noge                   | <b>*po izbiri</b>                   |
| 11. Predel za sveža živila             |                                     |

Slike v navodilih za uporabo so shematske in morda ne ustrezajo vašemu proizvodu.

Če naprava, ki ste jo kupili, ne vsebuje določenih delov, so veljavni za druge modele.

## 2 Pomembna varnostna opozorila

Prosimo, preglejte naslednje informacije. Če ne boste upoštevali teh informacij, lahko pride do telesnih poškodb ali poškodb materiala. V nasprotnem primeru garancija in zanesljivost nista veljavni.

Originalne nadomestne dele zagotavljamo 10 let po datumu nakupa.

### Namen uporabe

⚠	<b>OPOZORILO :</b> Odprtine za zračenje, ohišje naprave ali vgrajeni hladilni elementi naj bodo vedno nezastri.
⚠	<b>OPOZORILO :</b> Za hitrejše odmrzovanje ne uporabljajte mehanskih naprav, razen takih, ki jih priporoča proizvajalec.
⚠	<b>OPOZORILO :</b> Ne poškodujte tokokroga hladilnega sredstva.
⚠	<b>OPOZORILO :</b> V notranjosti razdelka za shranjevanje živil aparata ne uporabljajte električnih naprav, razen takih, ki jih priporoča proizvajalec.

Ta naprava je namenjena za uporabo v gospodinjstvu in podobnih okoljih, kot so:  
– kuhinje za osebje v trgovinah, pisarnah in drugih delovnih

okoljih;

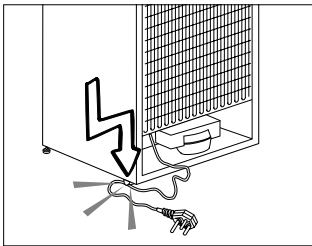
- hoteli, moteli in druga stanovanjska okolja, kjer jo lahko uporabljajo gostje;
- okolja, kjer ponujajo nočitve z zajtrkom.
- pri cateringu in v podobnih okoljih, kjer ne gre za neposredno prodajo.

### Splošna varnost

- Ko želite proizvod odstraniti/odvreči, Vam priporočamo, da se posvetujete s pooblaščen servisno službo in organi, da pridobite potrebne informacije.
- Pri morebitnih vprašanjih ali težavah s hladilnikom se posvetujte s pooblaščen servisno službo. Brez sporočila pooblaščen servisni službi ne posegajte v hladilnik sami ali s tujo pomočjo.
- Za naprave z zamrzovalnim delom; Sladoleda in ledenih kock ne jejte takoj, ko jih vzamete iz zamrzovalnega dela! (Povzročijo lahko ozeblino v ustih.)
- Za naprave z zamrzovalnim delom; V zamrzovalnem delu ne shranjujte tekočin v steklenicah ali pločevinkah. V nasprotnem primeru lahko počijo.
- Zamrznjenih živil se ne dotikajte z rokami, saj lahko primrznejo.
- Pred čiščenjem ali odtajanjem hladilnik izključite iz električnega omrežja.

- Hladilnika nikoli ne čistite in odtajajte s paro ali parnimi čistilnimi sredstvi. Para lahko pride v stik z električnimi deli in povzroči kratki stik ali električni udar.
- Delov hladilnika kot so vrata nikoli ne uporabljajte kot opornike ali stopnico.
- V hladilniku ne uporabljajte električnih naprav.
- Delov, kjer hladilno sredstvo kroži, ne poškodujte z napravami za vrтанje ali rezanje. Če se plinski kanali izparilnika, podaljški cevi ali površinske prevleke prebodejo, lahko hladilno sredstvo prodre in povzroči draženje kože ali poškodbe oči.
- Ne pokrivajte ali blokirajte zračnih odprtín na hladilniku z nobenim materialom.
- Električne naprave lahko popravljajo samo pooblašene osebe. Popravila, ki jih izvajajo nepooblašene osebe, povzročijo nevarnost za uporabnika.
- V primeru kakršnekoli napake ali pred vzdrževalnimi deli in popravili obvezno izključite električno napajanje hladilnika tako, da izključite zadevno varovalko ali iztaknete vtič naprave.
- Ko izklopíte vtič, ne vlecite za kabl.
- Zagotovite, da so pijače z visoko vsebnostjo alkohola varno shranjene, zaprte s pokrovom in v pokončnem položaju.
- V hladilniku nikoli ne shranjujte razpršilcev, ki vsebujejo vnetljive in eksplozivne substance.
- Za pospeševanje postopka odtajanja ne uporabljajte mehanskih naprav ali drugih pripomočkov, razen tistih, ki jih priporoča proizvajalec.
- Naprave naj ne uporabljajo osebe s fizičnimi, senzornimi ali duševnimi motnjami ali osebe, ki nimajo potrebnega znanja oziroma izkušenj (vključno z otroki), razen če jih nadzira oseba, ki je odgovorna za njihovo varnost ali oseba, ki jim bo ustrezno svetovala glede uporabe naprave.
- Ne uporabljajte poškodovanega hladilnika. Če imate kakršne koli pomisleke, se obrnite na servisno službo.
- Električna varnost hladilnika je zagotovljena, le če ozemljitveni sistem v hiši ustreza standardom.
- Izpostavljanje proizvoda dežju, snegu, soncu ali vetru predstavlja električno nevarnost.
- Če je napetostni kabl poškodovan, se obrnite na pooblašeno servisno službo, da se izognete nevarnostim.
- Hladilnika med montažo nikoli ne vključite v vtičnico. V nasprotnem primeru obstaja nevarnost smrti ali resne poškodbe.
- Hladilnik je namenjen samo shranjevanju živil. Ne uporabljajte ga v druge namene.

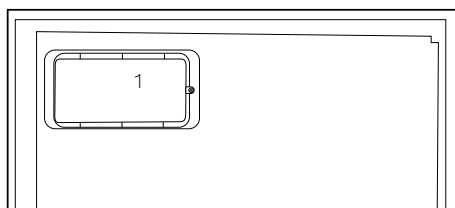
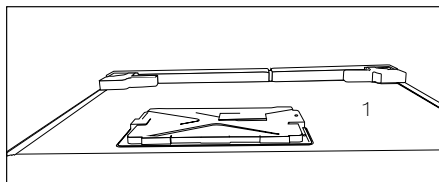
- Etiketeta s tehničnimi specifikacijami se nahaja na levi steni znotraj hladilnika.
- Hladilnika ne priključujte na sisteme varčevanja električne energije, saj ga lahko poškodujejo.
- Če je na hladilniku modra lučka, ne glejte vanjo z golim očesom ali skozi optične naprave dlje časa.
- Pri hladilnikih z ročnim upravljanjem, počakajte vsaj 5 minut, preden ga po električnem izpadu ponovno priključite.
- Če napravo dobi nov lastnik, mu izročite tudi navodila za uporabo.
- Med prenašanjem hladilnika ne poškodujte napetostnega kabla. Upogibanje kabla lahko povzroči požar. Na napetostni kabel nikoli ne postavljajte težkih predmetov. Ko napravo priklapljate, se ne dotikajte vtiča z mokrimi rokami.



- Hladilnika ne priključujte v razrahljano vtičnico.
- Iz varnostnih razlogov na notranjih ali zunanjih delih naprave ne škropite vode.
- V bližini hladilnika ne pršite vnetljivih plinov, kot je propan, saj obstaja nevarnost požara ali eksplozije.

- Na hladilnik nikoli ne postavljajte posod z vodo, saj to lahko povzroči električni udar ali požar.
- Hladilnika ne preobremenjujte s prekomernimi količinami živil. Če je naprava prenapolnjena, lahko živila med odpiranjem vrat hladilnika padejo dol in vas poškodujejo ali povzročijo škodo na hladilniku. Na hladilnik nikoli ne postavljajte predmetov, saj lahko med odpiranjem ali zapiranjem vrat hladilnika padejo dol.
- Cepiv, zdravil, občutljivih na toploto, znanstvenih materialov itd. ne shranjujte v hladilnik, saj zahtevajo določeno temperaturo.
- Če hladilnika ne boste uporabljali dlje časa, ga izklopite. Težave v napetostnem kablu namreč lahko povzročijo požar.
- Če nastavljive noge niso dobro nameščene na tleh, se hladilnik lahko premika. Če nastavljive noge dobro namestite na tla, lahko preprečite premikanje hladilnika.
- Med prenašanjem hladilnika ne držite za ročaje na vratih, saj jih lahko odtrgate.
- Če napravo namestite zraven drugega hladilnika ali zamrzovalnika, naj bo razdalja med napravami vsaj 8 cm. V nasprotnem primeru se lahko na sosednjih stenah naprav pojavi vlaga.
- Izdelka ne uporabljajte, če je področje na vrhu ali na zadnji

strani izdelka, ki vsebuje elektronska tiskana vezja, odprto (pokrov elektronskega tiskanega vezja) (1).



### Za naprave z dispencerjem za vodo;

- Tlak vstopne hladne vode ne sme presegati 6,2 bar (90 psi). Če tlak vstopne vode presega 5,5 bar (80 psi), uporabite ventil za omejevanje tlaka v vodovodnem tokokrogu. Če ne veste, kako izmeriti vodni tlak, poprosite inštalaterja za vodovod.
- Če je v vaši inštalaciji prisotno tveganje nastanka hidravličnega udara, vedno uporabite opremo za preprečevanje hidravličnega udara. Da preverite, da v vaši inštalaciji ni tveganja za pojav hidravličnega udara, se posvetujte z inštalaterjem za vodovod.
- Ne nameščajte na vod s toplo vodo. Izvedite potrebne ukrepe za preprečevanje zamrznitve cevi. Območje temperature vode za delovanje naj bo med

najmanj 0,6°C (33°F) in največ 38°C (100°F).

- Uporabljajte samo pitno vodo.

### Varnost otrok

- Če imajo vrata ključavnico, jo hranite izven dosega otrok.
- Otroke je treba nadzirati, da se ne igrajo z napravo.

### Skladnost z direktivo OEE0 in odstranjevanjem odpadnih izdelkov:



Izdelek je v skladu z direktivo EU OEE0 (2012/19/EU). Izdelek vsebuje simbol za razvrstitev odpadne električne in elektronske opreme (OEE0).

Izdelek je bil izdelan z visokokakovostnimi sestavnimi deli in materiali, ki jih je mogoče ponovno uporabiti in so primerni za recikliranje. Odsluženega odpadnega izdelka ne odlagajte z običajnimi gospodinjskimi in drugimi odpadki. Odnosite ga na center za zbiranje in recikliranje električne in elektronske opreme. Za informacije o teh centrih za zbiranje se obrnite na lokalne oblasti.

### Skladnost z direktivo RoHS:

Izdelek, ki ste ga kupili, je v skladu z direktivo EU RoHS (2011/65/EU). Ne vsebuje škodljivih in prepovedanih materialov, ki so navedeni v direktivi.

### Informacije o embalaži

Embalažni material izdelka je izdelan iz materiala, ki ga je

mogoče reciklirati, v skladu z našimi nacionalnimi okoljskimi predpisi. Embalažnega materiala ne odlagajte skupaj z gospodinjskimi ali drugimi odpadki. Odnesite ga na zbirna mesta za embalažni material, ki so jih določile lokalne oblasti.

### **Opozorilo HC** **Ce hladilni sistem naprave vsebuje R600a:**

Ta plin je vnetljiv. Zato pazite, da med uporabo in transportom ne poškodujete hladilnega sistema in cevi. V primeru poškodbe, naj proizvod ne bo v bližini potencialnih virov ognja, ob katerih se lahko vname in prezračite prostor, v katerem je naprava.

### **To opozorilo ne velja, če hladilni sistem vaše naprave vsebuje R134a.**

Vrsta plina, ki ga vsebuje naprava, je navedena na tipski plošči na levi steni znotraj hladilnika.

Naprave nikoli ne sežgite, da bi se je znebili.

### **Varčevanje z energijo**

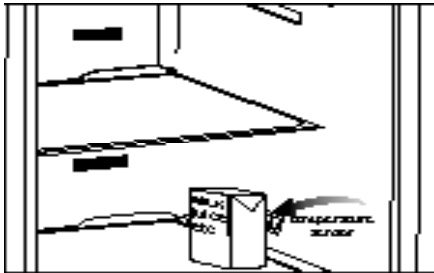
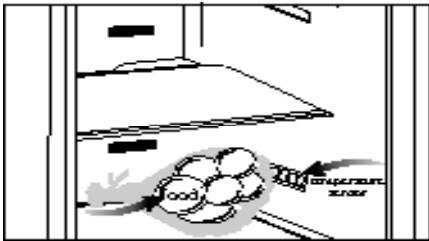
- Vrat hladilnika ne puščajte odprtih dalj časa.
- V hladilniku ne shranjujte toplih živil ali pijač.
- Hladilnika ne napolnite preobilno, saj s tem preprečite kroženje zraka.
- Hladilnika ne postavljajte na neposredno sočno svetlobo ali v bližino naprav, ki oddajajo toploto, kot so pečice, pomivalni stroji ali radiatorji.
- Živila shranjujte v zaprtih posodah.

- Za naprave z zamrzovalnim delom; v napravo lahko shranite največjo količino živil, če odstranite polico ali predal zamrzovalnika. Vrednost porabe energije se je določila, ko se je odstranila polica ali predal zamrzovalnika in je bila naprava napolnjena z največjo količino živil. Uporaba police ali predala glede na oblike in velikost živil, ki jih želite shraniti, ne predstavlja nevarnosti.
- Odtajanje zamrznjenih živil v hladilnem delu, bo privarčevalo energijo in ohranilo kakovost živil.

## Priporočila za predel za sveža živila

### \* Neobvezno

- Preprečite, da bi živila prišla v stik s senzorjem za temperaturo v predelu za sveža živila. Da bi v predelu za sveža živila ohranili popolno temperaturo za shranjevanje, poskrbite, da senzorja ne bodo ovirala živila.
- V napravo ne nalagajte vročih živil.



### 3 Namestitev

⚠ Proizvajalec ne bo odgovarjal, če ne boste upoštevali informacij v navodilih za uporabo.

#### Napotki, ki jih je treba upoštevati ob ponovnem prevozu hladilnika

1. Hladilnik morate izprazniti in očistiti pred vsakim prevozom.
2. Police, pripomočke, predale za sveža živila itd. v hladilniku pred ponovnim pakiranjem varno pritrdite z lepilnim trakom, da jih zaščitite pred sunki.
3. Embalažo pričvrstite z debelimi trakovi in močnimi vrvmi ter sledite navodilom za prevoz natisnjenih na embalaži.

#### Prosimo, ne pozabite ...

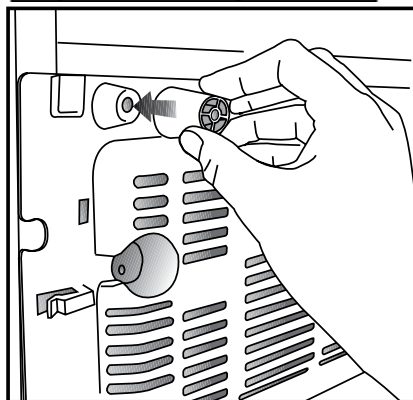
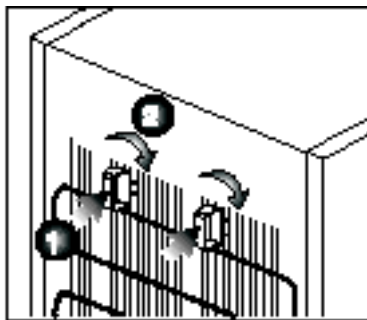
Vsak recikliran material je nujen vir za naravo in nacionalne vire.

Če želite sodelovati pri recikliranju embalažnega materiala, se za nadaljnje informacije obrnite na okoljske organe ali lokalne oblasti.

#### Pred uporabo hladilnika

Preden pričnete uporabljati hladilnik, preverite naslednje;

1. Ali je notranjost hladilnika suha in lahko zrak v zadnjem delu prosto kroži?
2. Plastična klina namestite, kot kaže slika. Plastična klina zagotovi potrebno razdaljo med hladilnikom in steno za neovirano kroženje zraka. (Slika je samo primer in se ne sklada popolnoma z vašo napravo.)



3. Notranjost hladilnika očistite kot je priporočeno v poglavju »Vzdrževanje in čiščenje«.
4. Hladilnik priključite v vtičnico električnega omrežja. Ko se vrata hladilnika odprejo, zasveti notranja luč hladilnega dela.
5. Ko se vklopi kompresor, boste zaslišali hrup. Tekočina in plini v hladilnem sistemu običajno lahko povzročijo hrup, tudi kadar kompresor ne deluje.
6. Sprednji robovi hladilnika so lahko topli na dotik. To je običajno. Te površine so oblikovane, tako da so tople, kar preprečuje kondenzacijo.



## Električna povezava

Napravo priključite v ozemljeno vtičnico, ki je zaščitena z varovalko ustrezne zmogljivosti.

Pomembno;

- Priključitev mora ustrezati nacionalnim predpisom.
- Vtič napajalnega kabla naj bo po namestitvi lahko dostopen.
- Določena napetost mora ustrezati omrežni napetosti.
- Za priključitev ne uporabljajte podaljševalnih kablov ali večpotnih vtičev.

⚠ Poškodovan napajalni kabel lahko zamenja le usposobljen električar.

⚠ Naprave ne uporabljajte preden ni popravljena! Obstaja nevarnost električnega udara!

## Odstranjevanje embalaže

Embalažni material je lahko nevaren za otroke. Embalažni material hranite izven dosega otrok ali ga odstranite v skladu z navodili za odstranjevanje odpadkov. Ne odstranite ga z običajnimi gospodinjskimi odpadki. Embalaža hladilnika je izdelana iz materiala primerne za recikliranje.

## Odstranjevanje starega hladilnika

Staro napravo odstranite okolju prijazno.

- Glede odstranjevanja hladilnika se posvetujte s pooblaščenim prodajalcem ali centrom za zbiranje odpadkov v vaši občini.

Preden odstranite hladilnik, izklopite električni vtič in onemogočite morebitne ključavnice na vratih, da zaščitite otroke pred nevarnostmi.

## Namestitev in montaža

1. Namestite hladilnik na mesto, ki bo omogočalo preprosto uporabo.
2. Hladilnik naj ne bo v bližini toplotnih virov, vlažnih prostorov ali neposredne sončne svetlobe.
3. Za učinkovito delovanje mora biti prostor okrog hladilnika ustrezno prezračen.

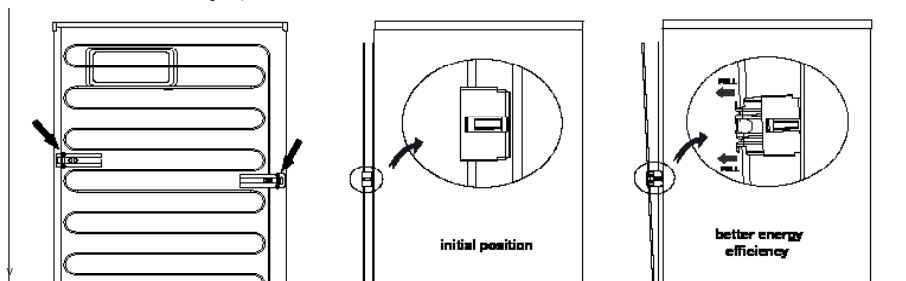
Če bo hladilnik nameščen v vdolbino v steni, mora biti najmanj 5 cm razmika od stropa in najmanj 5 cm razmika od stene.

Če so tla pokrita s preprogo, mora biti proizvod 2,5 cm nad tlemi.

4. Da bi preprečili tresenje, namestite hladilnik na ravno talno površino.

- Kondenzator vaše naprave je nameščen na hrbtni strani, kot je prikazano spodaj. Da bi dosegli večjo energetske učinkovitost z manjšo porabo energije, povlecite kondenzator proti sebi, kot prikazuje spodnja slika.

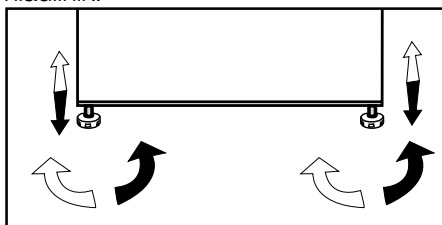
\* Morda ni na voljo pri vseh modelih.



## Nastavitev nogic

Če vaš hladilnik ni izravnán;

Hladilnik lahko izravnate tako, da sprednje noge zavrtite, kot kaže slika. Kot, kjer je noga, je spuščén, če obrnete v smeri črne puščice in dvignjen, če obrnete v nasprotno smer. Olajšajte si delo in prosite za pomoč drugo osebo, ki naj rahlo privzdigne hladilnik.

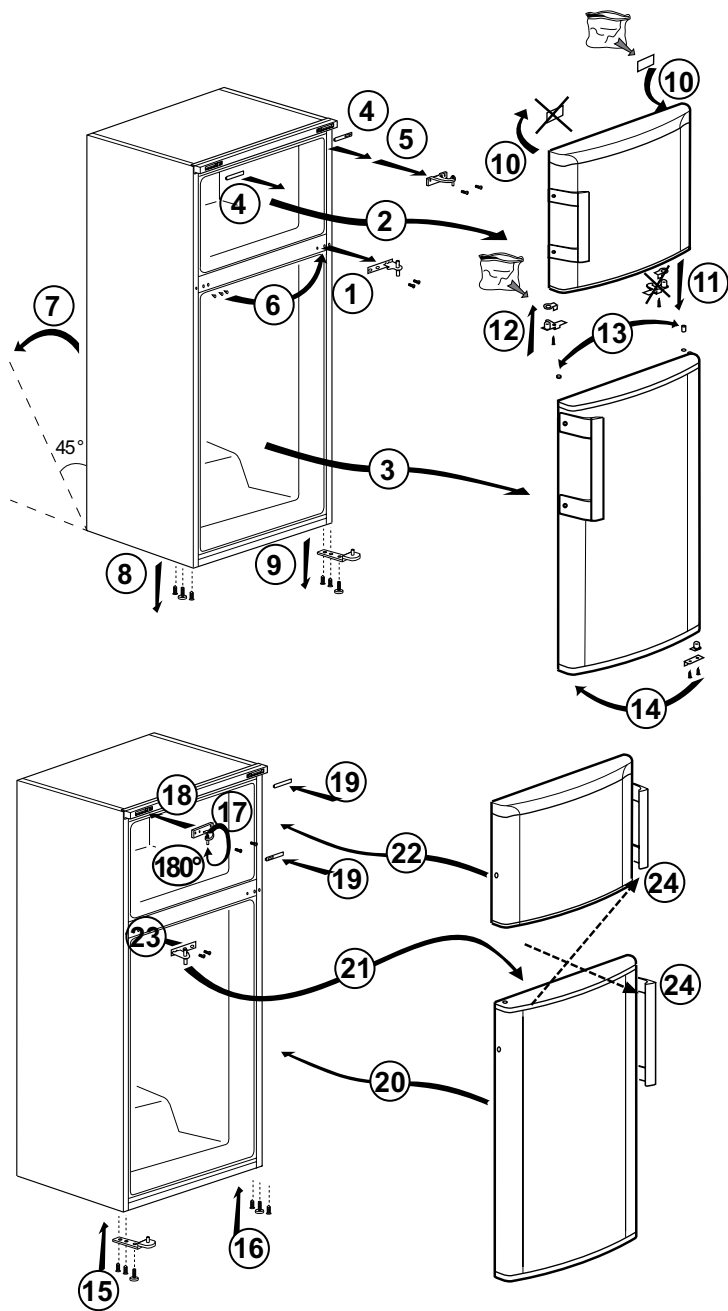


## 4 Priprava

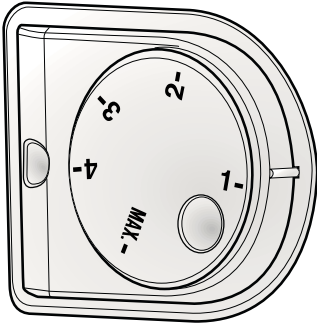
- Hladilnik morate namestiti vsaj 30 cm od virov toplote kot so kuhalne plošče, pečice, glavni grelci ali štedilniki in vsaj 5 cm od električnih pečic, prav tako ga ne postavljajte pod neposredno sončno svetlobo.
- Prepričajte se, da je notranjost hladilnika popolnoma čista.
- Če bosta dva hladilnika nameščena drug ob drugem, naj bo vmes vsaj 2 cm razmika.
- Pri prvi uporabi hladilnika upoštevajte naslednja navodila med prvimi šestimi urami delovanja.
- Izognite se pogostemu odpiranju vrat.
- Delovati mora prazen, brez živil.
- Hladilnika ne izklopite. Če se pojavi nenadzorovan izpad elektrike, upoštevajte opozorila v poglavju »Priporočljive rešitve za težave«.
- Originalno embalažo in penasti material shranite za prihodnji prevoz ali premikanje.
- Naprava je namenjena delovanju pri spodaj navedenih temperaturah in je opremljena z naprednim temperaturnim nadzornim sistemom [AETCS], ki zagotavlja, da se zamrznjena živila v zamrzovalniku pri priporočljivi nastavitvi [4 - štiri na gumbu] ne odtajajo, tudi če se temperatura okolja zniža na - 15 °C. Ko napravo prvič nameščate, je NE postavljajte v okolje z nizko temperaturo, kajti zamrzovalnik tako ne bo znižal temperature na standardno temperaturo delovanja. Ko doseže stabilno stanje delovanja, lahko napravo premaknete. Napravo lahko nato postavite v garažo ali neseogrevan prostor, brez da bi vas skrbelo, da bodo zamrznjena živila v zamrzovalniku uničena. Vendar pa živila v hladilniku pri zgoraj omenjenih nizkih temperaturah okolja običajno zamrznejo, zato preverite in po potrebi porabite hrano v hladilniku. Ko se temperatura okolja vrne v običajno stanje, lahko po potrebi spremenite gumb za nastavitve.
- Če je temperatura okolja pod 0 °C, bodo živila v hladilnem delu zamrznila. Zato priporočamo, da ne uporabljate hladilnega dela pri tako nizkih temperaturah okolja. Zamrzovalni del lahko uporabljate kot običajno.
- Pri nekaterih modelih se nadzorna plošča samodejno izključi 5 minut zatem, ko zaprete vrata. Ko odprete vrata ali pritisnete na katero koli tipko, se bo ponovno akvirirala.
- Zaradi temperaturne spremembe, ki je posledica odpiranja/zapiranja vrat izdelka med delovanjem, je kondenzacija vrat/polic in steklenih vsebnikov običajna.
  - za samostoječi aparat; »ta hladilni aparat ni namenjen za uporabo kot vgradni aparat«;

## Obrniti vrata

Nadaljujte v številčnem vrstnem redu.



## 5 Uporaba hladilnika



### Gumb za nastavev temperature

Z gumbom za nastavev temperature lahko nastavite temperaturo v hladilniku.

### Nastavev temperature v hladilniku

Nastavev temperature v hladilniku se uravnava z gumbom za nastavev temperature na steni desno predelka zamrzovalnika. Gumb ima 5 možnosti nastavitve temperature. Nastavite možnost, ki vam ustreza.

### Dvojni hladilni sistem

Hladilnik je opremljen z dvema ločenima hladilnima sistemoma za hlajenje predela za svežo hrano in zamrzovalnega dela. Tako se zrak predela za svežo hrano in zrak zamrzovalnega dela ne pomešata. Zahvaljujoč dveh ločenih hladilnih sistemov, je hitrost hlajenja višja kot v ostalih hladilnikih. Vonji se v predalih ne mešajo. Prihranek energije - ločeno avtomatsko odtajevanje.

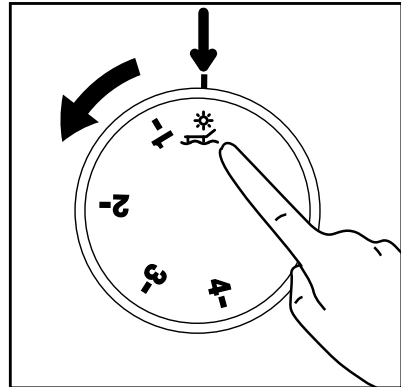
### Funkcija za počitnice (Vacation)

V kolikor vrat naprave ne odprete 12 ur po tem, ko ste nastavili termostat na najtoplejši položaj, se bo samodejno vklopila funkcija za počitnice.

Fukcijo prekličete, če odprete vrata naprave ali spremenite nastavitve termostata.

Funkcija za počitnice je poljubna. Lahko se razlikuje glede na vrsto naprave in morda ne obstaja v vsaki napravi.

Ko je funkcija za počitnice vklopljena, ne priporočamo shranjevanja živil v hladnejših delih.



## Zaustavitev naprave

Če ima termostat na voljo položaj "0";

- Naprava bo prenehala z delovanjem, ko boste obrnili gumb termostata na položaj "0" (nič). Naprava bo ponovno začela delovati, šele ko boste gumb termostata ponovno nastavili na položaj "1" ali kateri drug položaj.

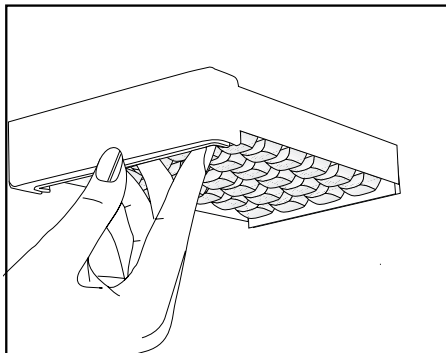
Če ima termostat na voljo položaj "min";

- Napravo zaustavite, tako da jo izključite.

## Priprava ledu

Posodo za led napolnite z vodo in jo postavite na ustrezno mesto. Led bo pripravljen približno v dveh urah.

Led brez težav odstranite, če nekoliko upognete posodo za led.



## Ledomat in posoda za shranjevanje ledu

### Uporaba ledomata

\* Ledomat napolnite z vodo in ga postavite na ustrezno mesto. Led bo pripravljen približno v dveh urah. Ledomata ne odstranjujte iz svojega mesta, da bi vzeli led.

\* Gumbe na njem zavrtite v smeri urinega kazalca za 90 stopinj.

Kocke ledu v celicah bodo padle v posodo za shranjevanje ledu spodaj.

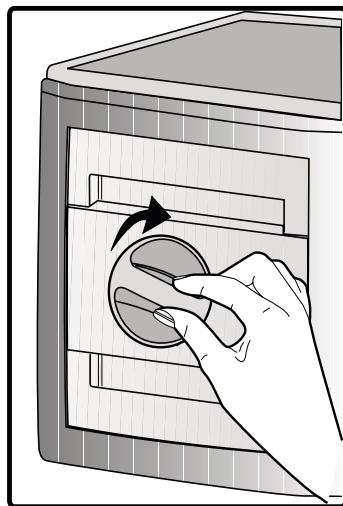
\* Posodo za shranjevanje ledu lahko izvlečete in postrežete kocke ledu.

\* Če želite, lahko kocke ledu hranite v posodi za shranjevanje ledu.

### Posoda za shranjevanje ledu

Posoda za shranjevanje ledu je namenjena le zadrževanju kock ledu.

V posodo ne vlivajte vode, saj se lahko zlomi.



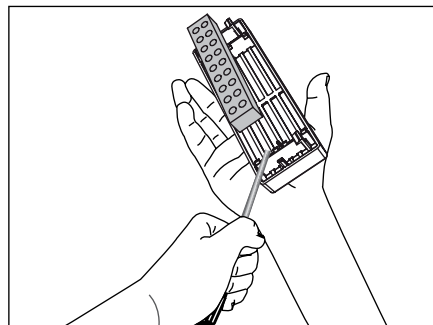
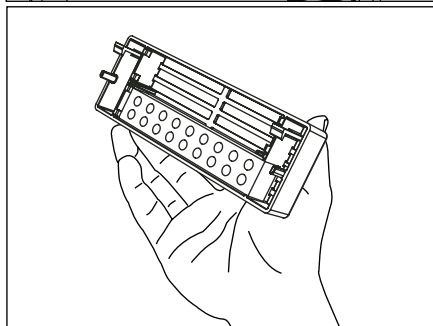
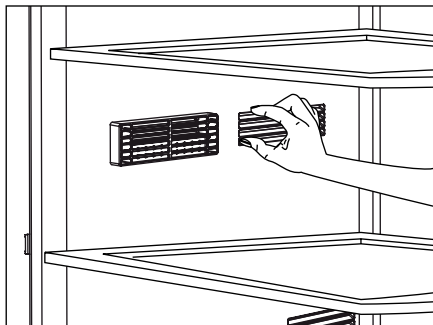
## Opis in čiščenje filtra proti neprijetnim vonjavam:

\* OPCIJSKO

Filter proti neprijetnim vonjavam preprečuje nastajanje neprijetnih vonjav v hladilniku.

Pokrov, v katerem je nameščen filter proti neprijetnim vonjavam, povlecite navzdol in ga odstranite kot je prikazano. Filter pustite na sončni svetlobi en dan. V tem času se bo filter očistil. Filter ponovno namestite na ustrezno mesto.





Filter proti neprijetnim vonjavam morate očistiti enkrat na leto.



## Zamrzovanje svežih živil

- Preden postavite živila v hladilnik jih zavijte ali pokrijte.
- Topla živila ohladite na sobno temperaturo preden jih postavite v hladilnik.
- Živila, ki jih želite zamrzniti, morajo biti sveža in kakovostna.
- Živila razdelite v količine glede na družinsko porabo na dan ali obrok.
- Živila zapakirajte nepredušno, da se ne izsušijo, čeprav bodo shranjena le za kratek čas.
- Materiali za pakiranje se ne smejo trgati, biti morajo odporni na mraz, vlago, vonj, olja in kisline ter nepredušni. Dobro jih zaprite, materiali pa morajo prav tako biti preprosti za uporabo in primerni za globoko zamrzovanje.
- Zamrznjena živila porabite nemudoma, ko se odtalijo ter jih nikoli ne zamrznite ponovno.
- Če želite ohraniti najboljše rezultate, upoštevajte naslednja navodila.
  1. Ne zamrzujte velike količine živil naenkrat. Kakovost živil se najbolj ohrani, če so globoko zamrznjena v čim krajšem času.
  2. Če v predel za zamrzovanje shranite topla živila, bo hladilni sistem deloval neprestano, dokler živila ne bodo popolnoma zamrznjena.
  3. Pazite, da ne zamešate zamrznjenih in svežih živil.

## Priporočila za shranjevanje zamrznjenih živil

- Vnaprej pakirana zamrznjena živila iz trgovine shranite po navodilih proizvajalca zamrznjenih živil za predel za shranjevanje zamrznjenih živil     (4 zvezdice).

- Da bi ohranili visoko kakovost proizvajalca zamrznjenih živil in prodajalca živil, upoštevajte naslednje:
  1. Po nakupu nemudoma postavite zavitke v zamrzovalnik.
  2. Prepričajte se, da je vsebina označena in datirana.
  3. datumov »Uporabno do«, »Najbolje porabiti do« na etiketi ne prekoračite.

## Odtajanje

Predel zamrzovalnik se samodejno odtaja.

## Postavitev živil

Police zamrzovalnega dela	Različna zamrznjena živila, kot so meso, ribe, sladoled, zelenjava itd.
Pladenj za jajca	Jajce
Police hladilnega dela	Živila v ponvah, pokritih krožnikih in zaprtih posodah.
Police na vratih hladilnega dela	Majhna in zapakirana živila ali pijače (kot so mleko, sadni sokovi in pivo)
Predel za sveža živila	Zelenjava in sadje
Svež predal	Delikatesni izdelki (sir, maslo, salame itd.)



## Informacije za globoko zamrzovanje

Da bi ohranili kakovost živil, jih pri postavitvi

v hladilnik zamrznite v čim krajšem času.

Živila lahko dalj časa hranite pri  $-18^{\circ}\text{C}$  ali nižjih temperaturah.

Svežino živil lahko ohranite več mesecev (pri  $-18^{\circ}\text{C}$  ali nižjih temperaturah v globokem zamrzovanju).

### **OPOZORILO!**

- Živila razdelite v količine glede na družinsko porabo na dan ali obrok.
- Živila zapakirajte nepredušno, da se ne izsušijo, čeprav bodo shranjena le za kratek čas.

Potrebni materiali za pakiranje;

- Na mraz odporen lepilni trak.
- Samolepilna nalepka.
- Gumica.
- Pisalo.

Materiali za pakiranje živil se ne smejo trgati, biti morajo odporni na mraz, vlago, vonj, olja in kisline.

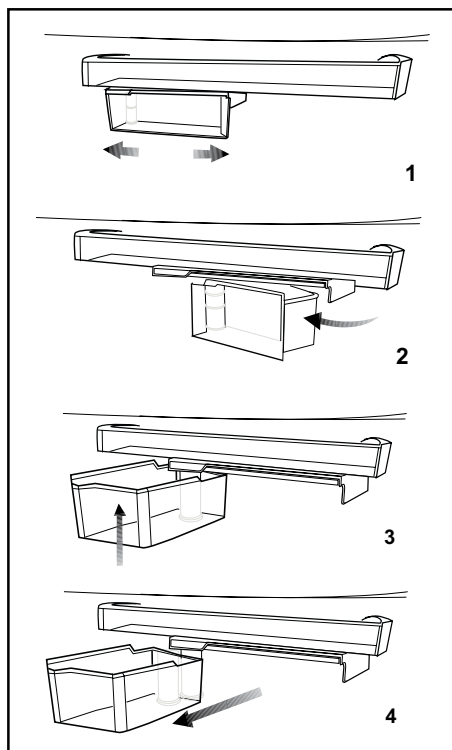
Pazite, da živila za zamrzovanje ne pridejo v stik s predhodno zamrznjenimi živilii, saj lahko povzročijo delno taljenje.

Zamrznjena živila porabite nemudoma, ko se odtalijo ter jih nikoli ne zamrznite ponovno.

## Vrtljiva posoda za shranjevanje

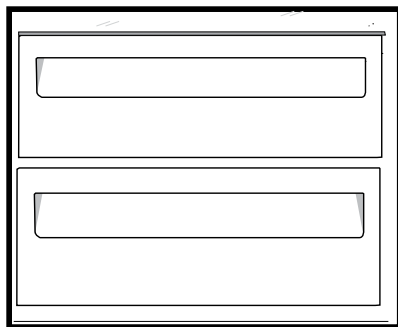
Drsne police na trupu lahko premikate levo ali desno, da lahko na nižjo polico postavite dolge steklenice, kozarce ali škatle (slika 1).

Živila, ki ste shranili v posodo, dosežete tako, da jo primete in jo zavrtite z desne strani (slika 2). Če želite posodo napolniti ali očistiti, jo zavrtite za 90 stopinj, dvignite in potisnite proti sebi (sliki 3-4).



## Zamrzovalni predel

Ta predel je namenjen shranjevanju zamrznjenih živil, ki se počasi odtajajo (meso, ribe, piščanec, itd.). Zamrzovalni predel je najhladnejši del hladilnika, ki nudi popolne pogoje za shranjevanje mlečnih izdelkov (sir, maslo), mesa, rib ali piščanca. V tem predelu pa ne shranjujte zelenjave in/ali sadja.



## 6 Vzdrževanje in čiščenje

- ⚠ Pri čiščenju nikoli ne uporabljajte bencina, benzena ali podobnih snovi.
- ⚠ Priporočamo, da napravo pred čiščenjem izključite iz električnega omrežja.
- ⓘ Za čiščenje ne uporabljajte ostrih abrazivnih predmetov, mila, gospodinjskih čistil, čistilnih sredstev in loščila.
- ⓘ Pri hladilnikih brez tehnologije No Frost se na zadnji notranji steni hladilnega dela lahko pojavijo vodne kaplje ali plast ledu, debeline do 2 cm. Hladilnega dela ne čistite; nikoli ne uporabljajte olja ali podobnih sredstev.
- ⓘ Za čiščenje zunanje površine izdelka uporabite samo rahlo vlažno krpo iz mikrovlaknen. Gobice in druge vrste krp za čiščenje lahko opraskajo površino.
- ⓘ Omarico hladilnika očistite z mlačno vodo in jo do suhega obrišite.
- ⓘ Za čiščenje notranjosti uporabite izžeto krpo, ki ste jo namočili v raztopino ene čajne žličke sode bikarbonata in 500 ml vode ter nato do suhega obrišite.
- ⚠ Preprečite, da bi ohišje luči in ostali električni predmeti prišli v stik z vodo.
- ⚠ Če hladilnika dalj časa ne boste uporabljali, izključite električni kabel, odstranite vsa živila, ga očistite in pustite vrata priprta.
- ⓘ Preverite, da so tesnila na vratih čista in ne vsebujejo delcev živil.
- ⓘ Če želite odstraniti vratne police, jih izpraznite in jih enostavno potisnite navzgor od podlage.
- ⓘ Za čiščenje zunanjih površin in kromiranih delov izdelka ne uporabljajte čistilnih sredstev ali klorirane vode. Klor povzroči korozijo na kovinskih površinah.
- ⓘ Ne uporabljajte ostrih in abrazivnih orodij ali mil, gospodinjskih čistilnih sredstev, detergentov, bencina, benzena, voskov itd., da se s plastičnih delov ne odstranijo napisi in da ne pride do deformacij. Za čiščenje uporabite toplo vodo in mehko krpo in obrišite do suhega.

### Zaščita plastičnih površin

- ⓘ Tekočega olja ali na olju kuhanih jedi ne shranjujte v hladilniku v odprtih posodah, saj lahko poškodujejo plastične površine hladilnika. Če na plastičnih površinah razlijete olje ali jih umažete z oljem, jih očistite in splaknite s toplo vodo.

## 7 Priporočljive rešitve za težave

Prosimo, preglejte ta seznam preden pokličete servisno službo. Lahko Vam prihrani čas in denar. Na seznamu so pogoste pritožbe, ki niso posledica pomanjkljive izdelave ali materiala. Nekatere izmed opisanih značilnosti, morda ne veljajo za vašo napravo.

### Hladilnik ne deluje

- Ali je hladilnik pravilno priključen? Priključite vtič v vtičnico na steni.
- Ali je glavna varovalka ali pa varovalka vtičnice v katero je priključen hladilnik pregorela? Preverite varovalko.

### Kondenzacija na stranski steni hladilnega dela. (MULTI ZONE, COOL CONTROL in FLEXI ZONE)

- Zelo hladne prostorske razmere. Pogosto odpiranje in zapiranje vrat. Visoka vlažnost v prostoru. Shranjevanje živil, ki vsebujejo tekočino, v odprtih posodah. Vrata so bila priprta.
- Termostat preklopite na hladnejšo stopnjo.
- Vrata naj bodo odprta manj časa ali pa jih ne uporabljajte tako pogosto.
- Živila, ki so shranjena v odprtih posodah, pokrijte z ustrežno ovojnino.
- Kondenzacijo obrišite s suho krpo in preverite, če se ponovi.

### Kompresor ne deluje

- Termična zaščita kompresorja bo med nenadnimi izpadi električnega toka ali pri izključevanju-vključevanju pregorela, saj pritisk hladilnega sredstva v hladilnem sistemu še ni uravnotežen.
- Po približno 6 minutah se bo hladilnik zagnal. Če se hladilnik po tem času ne zažene, pokličite servisno službo.
- Hladilnik se odtaja. Za hladilnik s popolnoma samodejnim odtajanjem je to običajno. Odtajanje poteka v rednih presledkih.
- Hladilnik ni vključen v vtičnico. Prepričajte se, da je vtič dobro priključen v vtičnico.
- Ali so temperature pravilno nastavljene? Izpad električnega toka. Pokličite vašega dobavitelja električne energije.

Delovanje hladilnika je pogosto ali traja dalj časa.

<ul style="list-style-type: none"> <li>• Nov hladilnik je širši od prejšnjega. To je običajno. Veliki hladilniki delujejo dalj časa.</li> <li>• Temperatura prostora je lahko visoka. To je normalno.</li> <li>• Hladilnik je bil pred kratkim priključen ali pa je bil prenapolnjen z živili. Popolno ohlajanje hladilnika lahko traja nekaj ur dlje.</li> <li>• V hladilnik so bile nedavno postavljene večje količine toplih živil. Topla živila povzročijo daljše delovanje hladilnika, da dosežejo varno temperaturo za shranjevanje.</li> <li>• Vrata so se pogosto odpirala ali bila dalj časa priprta. Topel zrak, ki je prišel v hladilnik, povzroča daljše delovanje hladilnika. Vrata odpirajte manj pogosto.</li> <li>• Vrata zamrzovalnega ali hladilnega dela so bila priprta. Preverite, če so vrata dobro zaprta.</li> <li>• Hladilnik je nastavljen na zelo nizko temperaturo. Temperaturo hladilnika nastavite na toplejšo stopnjo in počakajte, da jo doseže.</li> <li>• Tesnilo na vratih hladilnika ali zamrzovalnika je umazano, izrabljeno, zlomljeno ali nepravilno nameščeno. Tesnilo očistite ali zamenjajte. Poškodovano/zlomljeno tesnilo povzroča, da hladilnik deluje dalj časa za vzdrževanje trenutne temperature.</li> </ul>
<p>Temperatura zamrzovalnika je zelo nizka, medtem ko je temperatura hladilnika ustrezna.</p>
<ul style="list-style-type: none"> <li>• Temperatura zamrzovalnika je nastavljen na zelo nizko stopnjo. Temperaturo zamrzovalnika nastavite na toplejšo stopnjo in preverite.</li> </ul>

<p>Temperatura hladilnika je zelo nizka, medtem ko je temperatura zamrzovalnika ustrezna.</p>
<ul style="list-style-type: none"> <li>• Temperatura hladilnika je nastavljen na zelo nizko stopnjo. Temperaturo hladilnika nastavite na toplejšo stopnjo in preverite.</li> </ul>
<p>Živila shranjena v predalih hladilnega dela zamrzujejo.</p>
<ul style="list-style-type: none"> <li>• Temperatura hladilnika je nastavljen na zelo nizko stopnjo. Temperaturo hladilnika nastavite na toplejšo stopnjo in preverite.</li> </ul>
<p>Temperature v hladilniku ali zamrzovalniku so zelo visoke.</p>
<ul style="list-style-type: none"> <li>• Temperatura hladilnika je nastavljen na zelo visoko stopnjo. Nastavitev hladilnika vpliva na temperaturo zamrzovalnika. Spremenite temperaturo hladilnika ali zamrzovalnika, da dosežete ustrezno temperaturo.</li> <li>• Vrata so priprta. Dobro zaprite vrata.</li> <li>• V hladilnik so bile nedavno postavljene večje količine toplih živil. Počakajte, da hladilnik ali zamrzovalnik doseže želeno temperaturo.</li> <li>• Hladilnik je bil pred kratkim priključen. Zaradi velikosti hladilnik potrebuje čas, da se popolnoma ohladi.</li> </ul>
<p>Hladilnik oddaja zvok, ki je podoben zvoku analogne ure.</p>
<ul style="list-style-type: none"> <li>• Ta zvok oddaja elektromagnetni ventil hladilnika. Elektromagnetni ventil zagotavlja prehajanje hladilnega sredstva, ki ga lahko nastavimo na hladilne ali zamrzovalne temperature oz. hladilne funkcije. To je normalno in ni okvara.</li> </ul>

Med delovanjem hladilnika se hrup poveča.
<ul style="list-style-type: none"> <li>• Značilnosti učinkovitosti delovanja hladilnika se lahko spremenijo glede na spremembe temperature prostora. To je običajno in ni napaka.</li> </ul>
Tresljaji ali hrup
<ul style="list-style-type: none"> <li>• Neravna ali slabotna tla. Hladilnik se med počasnim premikanjem trese. Prepričajte se, da so tla ravna, močna in primerna podpora za hladilnik.</li> <li>• Hrup lahko povzročajo predmeti, ki so postavljeni na hladilniku. Takšne predmete odstranite z vrha hladilnika.</li> </ul>
Hrup podoben prelivanju tekočine ali pršenju.
<ul style="list-style-type: none"> <li>• Način delovanja hladilnika povzroča pretok tekočine in plinov. To je običajno in ni napaka.</li> </ul>
Hrup podoben pihanju vetra.
<ul style="list-style-type: none"> <li>• Zračni aktivatorji (ventilatorji) pripomorejo k učinkovitemu hlajenju hladilnika. To je običajno in ni napaka.</li> </ul>
Kondenzacija na notranjih stenah hladilnika.
<ul style="list-style-type: none"> <li>• Vroče in vlažno vreme poveča zaledenitev in kondenzacijo. To je običajno in ni napaka.</li> <li>• Vrata so priprta. Prepričajte se, da so vrata popolnoma zaprta.</li> <li>• Vrata so se pogosto odpirala ali bila dalj časa priprta. Vrata odpirajte manj pogosto.</li> </ul>
Na zunanji strani hladilnika ali med vrati se pojavi vlaga.
<ul style="list-style-type: none"> <li>• Vlažno vreme. Pri vlažnem vremenu je to običajno. Ko se vlaga zniža, bo kondenzacija izginila.</li> </ul>

Neprijeten vonj v hladilniku.
<ul style="list-style-type: none"> <li>• Notranjost hladilnika naj bo čista. Notranjost hladilnika očistite z gobo, toplo ali gazirano vodo.</li> <li>• Vonj povzročajo nekatere posode ali materiali pakiranja. Uporabite druge posode ali drugačno vrsto materialov pakiranja.</li> </ul>
Vrata se ne zapirajo.
<ul style="list-style-type: none"> <li>• Obojnine živil preprečujejo zapiranje vrat. Prestavite pakiranja, ki ovirajo vrata.</li> <li>• Hladilnik ni popolnoma pokončno postavljen na tla in se zatrese ob rahlem premiku. Prilagodite vijake za nastavitve.</li> <li>• Neravna ali šibka tla. Prepričajte se, da so tla ravna in primerna podpora za hladilnik.</li> </ul>
Predali so obtičali.
<ul style="list-style-type: none"> <li>• Živila se dotikajo stropa predala. Ponovno razporedite živila v predalu.</li> </ul>
Če je površina izdelka vroča.
<ul style="list-style-type: none"> <li>• Med delovanjem izdelka se lahko predel med obojimi vrati, stranske plošče in zadnja rešetka segrejejo. To je običajno in ne zahteva posredovanja serviserja!</li> </ul>

## ZAVRNITEV ODGOVORNOSTI / OPOZORILO

Nekatere (enostavne) napake lahko končni uporabnik ustrezno popravi, ne da bi prišlo do kakršnih koli varnostnih težav ali nevarne uporabe, pod pogojem, da so izvedene v mejah in v skladu z naslednjimi navodili (glejte poglavje “Samopopravila”).

Če ni drugače dovoljeno v spodnjem poglavju “Samopopravila”, bodo vsa popravila naslovljena na registriranega pooblaščenega serviserja, da se izognemo varnostnim težavam. Registrirani pooblaščen serviser je poklicni serviser, ki mu je proizvajalec odobril dostop do navodil in seznama nadomestnih delov tega izdelka v skladu z metodami, opisanimi v zakonodajnih aktih v skladu z Direktivo 2009/125/ES.

**Vendar lahko samo servisni agent (tj. pooblaščen poklicni serviserji), do katerega lahko pridete prek telefonske številke, navedene v uporabniškem priročniku/garancijskem listu ali prek pooblaščenega prodajalca, opravlja storitve v skladu z garancijskimi pogoji. Zato vas prosimo, da upoštevate, da za popravila, ki jih izvajajo poklicni serviserji (ki niso pooblaščen s strani Beko) ne bo veljala garancija.**

### Samopopravila

Končni uporabnik lahko sam izvede popravilo v zvezi z naslednjimi rezervnimi deli: vratni ročaji, vratni tečajji, pladnji, košare in vratna tesnila (posodobljen seznam je na voljo tudi na spletnem mestu support.beko.com od 1. marca 2021).

Poleg tega je treba za zagotovitev varnosti izdelka in za preprečitev nevarnosti resnih poškodb omenjeno samopopravilo opraviti po navodilih v uporabniškem priročniku za samopopravilo ali v navodilih, ki so na voljo na support.beko.com. Zaradi lastne varnosti izdelek izključite iz električnega omrežja, preden se lotite kakršnega koli samopopravljanja.

Popravila in poskusi popravljanja končnih uporabnikov za dele, ki niso vključeni na tak seznam in/ali ne upoštevajo navodil v uporabniških priročnikih za samopopravilo ali so na voljo na support.beko.com, lahko sprožijo vprašanja varnosti, ki jih ni mogoče pripisati Beko, in garancija za ta izdelek ne velja.

Zato je zelo priporočljivo, da se končni uporabniki vzdržijo poskusov popravil, ki ne spadajo v omenjeni seznam rezervnih delov, in se v takšnih primerih obrnejo na pooblaščen poklicni serviserje ali registrirani poklicni serviser. Nasprotno, takšni poskusi končnih uporabnikov lahko povzročijo varnostne težave in poškodujejo izdelek ter posledično povzročijo požar, poplavo, električni udar in resne telesne poškodbe.

Primeri popravil, za katere se je treba obrniti na pooblaščen ali registrirane poklicne serviserje, so med drugim naslednji: kompresor, hladilni krogotok, matična plošča, inverterska plošča, plošča zaslona itd.

Proizvajalec/prodajalec ni odgovoren v primeru, ko končni uporabniki ne upoštevajo zgoraj navedenega.

Razpoložljivost rezervnih delov hladilnik, ki ste ga kupili, je 10 let.

V tem obdobju bodo na voljo originalni nadomestni deli za pravilno delovanje hladilnik.

Hladilnik, ki ste ga kupili, ima najmanj 24-mesečno garancijo.

Ta izdelek je opremljen z svetlobnim virom energijskega razreda "G".

Svetlobni vir v tem izdelku lahko zamenjajo samo poklicni serviserji.



## Ju lutem lexoni këtë manual më parë.

I nderuar klient,

Shpresojmë që produkti juaj, i cili është prodhuar në fabrika moderne dhe është kontrolluar nën procedurat më të rrepta të kontrollit të cilësisë, do t'ju ofrojë një shërbim të efektshëm.

Prandaj, lexoni të gjithë këtë manual me kujdes para se ta përdorni këtë produkt dhe ruajeni si referencë. Nëse ia dorëzoni produktin dikujt tjetër, jepini gjithashtu edhe këtë manual.

## Manuali i përdoruesit do t'ju ndihmojë ta përdorni produktin shpejt dhe në mënyrë të sigurt.

- Lexoni manualin para se të instaloni dhe përdorni produktin.
- Sigurohuni që t'i lexoni udhëzimet e sigurisë.
- Mbajeni manualin në një vend që ta arrini më mirë me lehtësi pasi mund t'ju duhet më vonë.
- Lexoni dokumentet e tjera të dhëna me produktin.

Mos harroni që ky manual përdoruesi vlen gjithashtu edhe për disa modele të tjera. Ndryshimet midis modeleve do të tregohen në manual.





## Shpjegim i simboleve

### Gjatë këtij manuali përdoruesi janë përdorur simbolet e mëposhtme:

 Informacione të rëndësishme ose këshilla të dobishme.

 Paralajmërim kundrejt situatave të rrezikshme për jetën dhe pronën.

 Paralajmërim kundrejt tensionit elektrik.

 <b>INFORMATION</b>	
 <b>ENERG</b> 	
<small>SUPPLIER'S NAME</small> <b>A</b>	
<p>. Informacionet e modelit të ruajtura në bazën e të dhënave të produktit mund të arrihen duke hyrë në faqen e mëposhtme të internetit dhe duke kërkuar për identifikuesin e modelit tuaj (*) që gjendet në etiketën e energjisë.</p> <p><a href="https://eprel.ec.europa.eu/">https://eprel.ec.europa.eu/</a></p>	

# **PËRMBAJTJA**

## **1 Frigoriferi juaj 3**

### **2 Paralajmërimi të Rëndësishme Sigurie 4**

Përdorimi i synuar .....	4
Siguria e përgjithshme .....	5
Për produktet me dispenser uji; .....	9
Siguria për fëmijët .....	10
Pajtueshmëria me Direktivën WEEE dhe Hedhjen e Produkteve	
Mbeturina: .....	10
Informacione të paketimit.....	10
Paralajmërim HC .....	10
Gjërat që mund të bëhen për kursimin e energjisë .....	11
Rekomandimet për ndarjen e ushqimeve të freskëta.....	11

### **3 Instalimi 12**

Pikat të cilave u duhen kushtuar vëmendje kur zhvendosni frigoriferin	12
Para se ta vini frigoriferin në punë, ...	12
Lidhja elektrike.....	13
Hedhja e paketimit.....	13
Hedhja e frigoriferit të vjetër .....	13
Vendosja dhe Instalimi .....	13
Rregullimi i këmbëve.....	14

### **4 Përgatitja 15**

### **5 Përdorimi i frigoriferit 17**

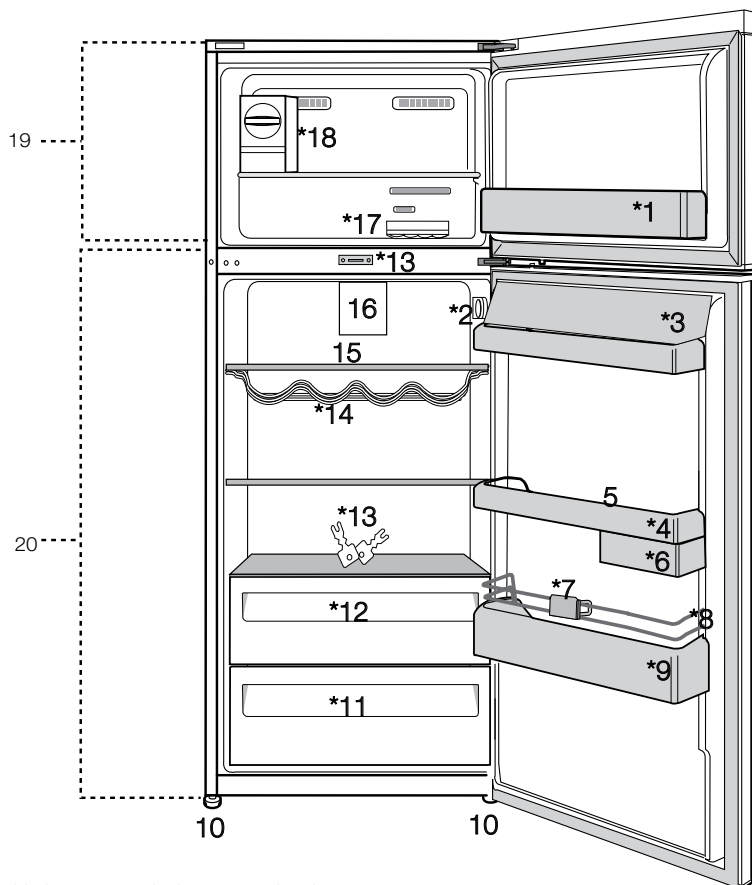
Butoni i përcaktimit të temperaturës	17
Caktimi i temperaturës së frigoriferit .	17
Sistemi i dyfishtë i ftohjes .....	17
Funksioni i pushimeve.....	17
Ngrirja e ushqimeve të freskëta.....	18
Rekomandimet për ruajtjen e ushqimeve të ngrira .....	18
Vendosja e ushqimeve .....	18
Informacionet për ngrirjen e thellë ....	19
Ndalimi i produktit.....	19
Ndarja e freskisë.....	20
Prodhimi i akullit.....	20
Kontejneri i ruajtjes me rrotullim .....	21
Icematic dhe kontejneri i ruajtjes së akullit .....	21
Përshkrimi dhe pastrimi i filtrit të aromave .....	22
Kthimi i dyerve .....	23

### **6 Mirëmbajtja dhe pastrimi24**

Mbrojtja e sipërfaqeve plastike .....	24
---------------------------------------	----

### **7 Zgjidhja e problemeve 25**

# 1 Frigoriferi juaj



1. Rafti i derës së ndarjes së ngrirësit
2. Butoni i përcaktimit të temperaturës
3. Rafti i derës së ndarjes së frigoriferit
4. Mbjajtësja e vezëve
5. Frigorifer raft dera ndarje
6. Kontejneri i ruajtjes me rrotullim
7. Mbjajtësja e shisheve
8. Teli i mbajtësës
9. Rafti i shisheve
10. Këmbët e rregullueshme

11. Rafti i perimeve
12. Ndarja e freskuesit
13. Çelësi
14. Mbjajtësja e verës
15. Raftet e xhamit të ndarjes së frigoriferit
16. Elementi i fryrjes
17. Kontejneri i akullit
18. Icematic
19. Ndarja e ngrirësit
20. Ndarja e frigoriferit

## \*opsionale

**ⓘ** Figurat që ndodhen në këtë manual janë skematike dhe mund të mos korrespondojnë saktësisht me produktin tuaj. Nëse pjesët e subjektit nuk janë përfshirë në produktin që keni blerë, atëherë është vlejshme të keni parasysh modele të tjera.

## 2 Paralajmëime të Rëndësishme Sigurie

Ju lutem shikoni informacionet e mëposhtme. Nëse nuk i përmbaheni këtyre informacioneve mund të shkaktohen lëndime ose dëmtime materiale. Përndryshe, të gjitha angazhimet e garancisë dhe besueshmërisë do të bëhen të pavlefshme. Pjesët origjinale të ndërrimit do të ofrohen për 10 vite, pas datës së blerjes së produktit.

### Përdorimi i synuar

#### **PARALAJMËRIM:**

Mbajini të hapura dhe të lira nga pengesat vrimat e ajrimit, në kasën e pajisjes si dhe në strukturën e integruar.

#### **PARALAJMËRIM:**

Mos përdorni pajisje mekanike ose mjete të tjera për të përshpejtuar procesin e shkrirjes, përveç atyre që rekomandohen nga prodhuesi.

#### **PARALAJMËRIM:**

Mos e dëmtoni qarkun e lëngut ftohës.

#### **PARALAJMËRIM:**

Mos përdorni pajisje elektrike brenda ndarjeve të ushqimeve në pajisje, përveçse kur janë të tipit të rekomanduar nga prodhuesi.

Kjo pajisje është projektuar për përdorim familjar dhe në aktivitete të ngjashme, si p.sh.  
– zona të kuzhinës së personelit në dyqane,

zyra e ambiente të tjera pune;

– shtëpi në fermë dhe nga klientët në hotele, motele dhe ambiente të tjera banimi;

### **Siguria e përgjithshme**

- Kur doni ta hidhni/flakni produktin, rekomandojmë që të konsultoheni me shërbimin e autorizuar me qëllim që të mësoni informacionet që duhen dhe organet e autorizuar.
- Konsultohuni me shërbimin e autorizuar për të gjitha pyetjet dhe problemet që lidhen me frigoriferin tuaj. Mos ndërhyjni ose mos lejoni asnjë që të ndërhyjë në frigorifer pa njoftuar shërbimet e autorizuar.
- Për produktet me një ndarje ngrirësi; Mos hani kone akulloresh dhe kuba akulli menjëherë pasi i keni nxjerrë nga ndarja e ngrirësit! (Kjo mund të shkaktojë kafshim ngrice në gojë.)

- Për produktet me ndarje ngrirësi; Mos vendosni pije në shishe dhe kanaçe në ndarjen e ngrirësit. Përndryshe ato mund të çahen.
- Mos i prekni ushqimet e ngrira me dorë; ato mund t'ju ngjiten në dorë.
- Hiqeni frigoriferin nga priza para se ta pastroni ose shkruini.
- Avulli dhe materialet e pastrimit që avullojnë nuk duhet të përdoren asnjëherë në pastrim dhe proceset e shkrirjes të frigoriferit. Në këto raste, avulli mund të bjerë në kontakt me pjesët elektrike dhe të shkaktojë qark të shkurtër ose goditje elektrike.
- Mos e përdorni asnjëherë si mjet për t'u mbështetur ose si shkallë derën ose pjesët e frigoriferit.
- Mos përdorni pajisje elektrike brenda frigoriferit.

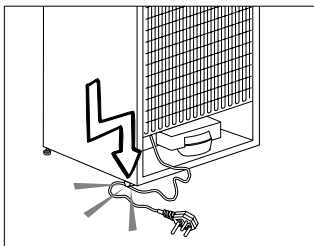
- Mos i dëmtoni pjesët, ku qarkullon lëngu ftohës, me mjete shpimi ose prerjeje. Lëngu ftohës që mund të dalë kur shpohen kanalet e evaporatorit, zgjatimeve të tubit ose shtresave të sipërfaqes shkakton irritime në lëkurë dhe dëmtime në sy.
- Mos i mbuloni ose bllokoni vrimat e ventilimit në frigorifer me asnjë lloj material.
- Pajisjet elektrike duhet të riparohen vetëm nga persona të autorizuar. Riparimet e bëra nga persona jo kompetentë krijojnë rreziqe për përdoruesin.
- Në rast të ndonjë defekti ose gjatë një pune mirëmbajtjeje ose riparimi, shkëputeni frigoriferin nga korrenti qoftë duke fikur siguresën përkatëse ose duke e hequr pajisjen nga priza.
- Mos e tërhiqni kabllin kur tërhiqni spinën.
- Vendosini pijet e larta të mbyllura fort dhe në pozicion vertikal.
- Sigurohuni që pijet alkoolike të forta të mbahen të siguruara me tapë të mbyllur dhe të vendosen në pozicion vertikal.
- Mos përdorni pajisje mekanike ose mjete të tjera për të përshpejtuar procesin e shkrirjes, përveç atyre të rekomanduara nga prodhuesi.
- Ky produkt nuk është synuar të përdoret nga persona me çrregullime fizike, ndjesore ose mendore apo nga njerëz që nuk janë mësuar ose pa përvojë (përfshirë fëmijët) përveç nëse mbikëqyren nga një person i cili do të jetë përgjegjës për sigurinë e tyre ose që do t'i udhëzojë mirë për përdorimin e produktit.
- Mos e vini në punë një frigorifer të dëmtuar.

Konsultohuni me agjentin e shërbimit nëse keni ndonjë merak.

- Siguria elektrike e frigoriferit tuaj do të garantohet vetëm nëse sistemi i tokëzimit në shtëpinë tuaj përputhet me standardet.
- Ekspozimi ndaj shiut, borës, diellit dhe erës është i rrezikshëm në lidhje me sigurinë elektrike.
- Kontaktoni shërbimin e autorizuar kur ka një dëmtim të kabllit të energjisë për të shmangur rrezikun.
- Asnjëherë mos e vini frigoriferin në prizë gjatë instalimit. Përndryshe, mund të shkaktohet vdekje ose lëndime serioze.
- Ky frigorifer është synuar vetëm për të mbajtur ushqime. Nuk duhet të përdoret për asnjë qëllim tjetër.
- Etiketa e të dhënave teknike ndodhet në

murin e majtë brenda frigoriferit.

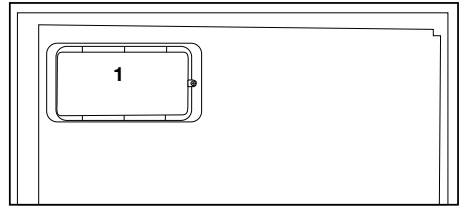
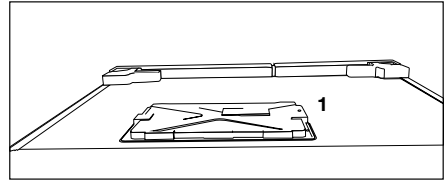
- Asnjëherë mos e lidhni frigoriferin me sistemet e kursimit të energjisë; ato mund ta dëmtojnë frigoriferin.
- Nëse ka një dritë blu mbi frigorifer, mos e shikoni dritën blu me mjete optike.
- Për frigoriferët me kontroll manual, prisni të paktën 5 minuta para se ta vini frigoriferin në punë pas një ndërperje energjie.
- Ky manual përdorimi duhet t'i jepet pronarit të ri të produktit kur i jepet të tjerëve.
- Bëni kujdes të mos e dëmtoni kabllin e energjisë kur transportoni frigoriferin. Përkulja e kabllit mund të shkaktojë zjarr. Mos vendosni objekte të rënda mbi kabllin e energjisë.
- Mos e preni spinën me duar të lagura kur e hiqni produktin nga priza.



- Mos e vendosni frigoriferin nëse priza në mur është e lirë.
- Nuk duhet të spërkatet ujë në pjesët e brendshme ose të jashtme të produktit për arsye sigurie.
- Mos spërkatni substanca që përmbajnë gazra të djegshme si për shembull gaz propan pranë frigoriferit për të shmangur rrezikun e zjarrit dhe shpërthimit.
- Mos vendosni asnjëherë enë të mbushura me ujë mbi frigorifer; në rast spërkatjesh kjo mund të shkaktojë goditje elektrike ose zjarr.
- Mos e mbingarkoni frigoriferin me ushqime. Nëse ngarkohet tepër, ushqimet mund të bien dhe t'ju lëndojnë dhe të dëmtojnë frigoriferin kur hapni derën.
- Mos vendosni asnjëherë objekte mbi frigorifer; përndryshe, këto objekte mund të bien kur hapni ose mbyllni derën e frigoriferit.
- Meqenëse kërkojnë një temperaturë shumë të saktë, vaksinat, ilaçet të ndjeshme ndaj nxehtësisë dhe materialet shkencore, etj. nuk duhet të mbahen në frigorifer.
- Nëse nuk do të përdoret për një kohë të gjatë, frigoriferi duhet të hiqet nga priza. Një problem i mundshëm në kablirin e energjisë mund të shkaktojë zjarr.
- Frigoriferi mund të lëvizë nëse këmbët e rregullueshme nuk janë siguruar mirë mbi dysheme. Sigurimi mirë i këmbëve të rregullueshme mbi dysheme mund të mos lejojë që frigoriferi të lëvizë.



- Kur lëvizni frigoriferin, mos e kapni nga doreza e derës. Përndryshe, mund të thyhet.
- Kur duhet ta lëvizni produktin pas një frigoriferi ose ngrirësi tjetër, distanca midis pajisjeve duhet të jetë të paktën 8 cm. Përndryshe, muret anësore pranë mund të krijojnë lagështi.
- Produkti nuk duhet të përdoret asnjëherë ndërkohë që ndarja që ndodhet sipër ose prapa produktit dhe në të cilin ndodhen qarqet elektronike (kapaku i kutisë të qarkut elektrik) (1) është i hapur.



### **Për produktet me dispenser uji;**

- Presioni nga vendi i hyrjes së ujit të ftohtë duhet të jetë maksimumi 90 psi (6,2 bar). Nëse presioni i ujit e kalon 80 psi (5,5 bar), përdorni një valvulë kufizuese të presionit në sistemin tuaj kryesor. Nëse nuk dini se si ta kontrolloni presionin e ujit, kërkoni ndihmën e një hidrauliku profesionist.
- Nëse ekziston rreziku i efektit të goditjes çekiç nga uji në instalimin tuaj, përdorni gjithmonë një pajisje për parandalimin e këtij efekti në instalimin tuaj. Këshillohuni me një hidraulik profesionist nëse

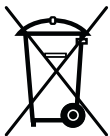
nuk jeni të sigurt se nuk ka një efekt të goditjes çekiç nga uji në instalimin tuaj.

- Mos e instaloni te vendi i hyrjes së ujit të nxehtë. Tregoni kujdes ndaj rrezikut të ngrirjes së tubave. Intervali operativ i temperaturave të ujit duhet të jetë minimumi 0,6°C (33°F) dhe maksimumi 38°C (100°F).
- Përdorni vetëm ujë të pijshëm.

## **Siguria për fëmijët**

- Nëse dera ka një kyç, çelësi duhet të mbahet larg fëmijëve.
- Fëmijët duhet të mbikëqyren për të mos lejuar që të ngacmojnë produktin.

## **Pajtueshmëria me Direktivën WEEE dhe Hedhjen e Produkteve Mbeturina:**



Ky produkt i përmbahet Direktivës EU WEEE (2012/19/EU). Ky produkt mbart simbolin e klasifikimit për pajisjet mbeturina elektrike dhe elektronike

(WEEE).

Ky produkt është prodhuar me pjesë dhe materiale të cilësisë të lartë të cilat mund të ripërdoren dhe janë të përshtatshme për riciklim. Prandaj, mos e hidhni produktin së bashku me mbeturinat e zakonshme të shtëpisë në fund të jetëgjatësisë së tij. Çojeni në një pikë grumbullimi për riciklimin e pajisjeve elektrike dhe elektronike. Ju lutem konsultohuni me autoritetet lokale për të mësuar pikën më të afërt të grumbullimit. Ndhmoni në mbrojtjen e mjedisit dhe burimeve natyrore duke i ricikluar produktet e përdorura. Për sigurinë e fëmijëve, priteni kabllin e energjisë dhe thyejeni mekanizmin e kyçjes të derës, nëse ka, kështu do të jetë jo-funksional para se ta hidhni produktin.

## **Informacione të paketimit**

Materialet e paketimit të produktit janë prodhuar nga materiale të riciklueshme në përputhje me Rregullat Kombëtare për Mjedisin. Mos i hidhni materialet e paketimit së bashku me mbeturinat e tjera ose ato shtëpiake. Çojini në pikat e grumbullimit të materialeve të paketimit të caktuara nga autoritetet lokale.

## **Mos harroni...**

Çdo substancë e ricikluar është një çështje e domosdoshme për natyrën dhe pasuritë tona kombëtare.

Nëse doni të kontribuoni në rivlerësimin e materialeve të paketimit, mund të konsultoheni me organizatat ambientaliste ose komunat ku ndodhni.

## **Paralajmërim HC**

### **Nëse sistemi i ftohjes të produktit tuaj përmban R600a:**

Ky gaz është i djegshëm. Prandaj, bëni kujdes të mos dëmtoni sistemin e

ftohjes dhe tubacionet gjatë përdorimit dhe transportit. Në rast dëmtimi, mbajeni produktin larg nga substancat e dëmshme të zjarrit të cilat mund të bëjnë që këto produkte të marrin zjarr dhe ajroseni dhomën në të cilën është vendosur njësia.

### **Injoroni këtë paralajmërim nëse sistemi i ftohjes të produktit tuaj përmban R134a.**

Lloji i gazit i përdorur në produkt është treguar në etiketën e tipit e cila ndodhet në murin e majtë brenda frigoriferit.

Asnjëherë mos e hidhni produktin në zjarr për ta hedhur.

### **Gjërat që mund të bëhen për kursimin e energjisë**

- Mos i lini dyert e frigoriferit të hapura për një kohë të gjatë.
- Mos vendosni ushqime ose pije të nxehta brenda frigoriferit.
- Mos e mbingarkoni frigoriferin në mënyrë që të mos pengohet qarkullimi i ajrit brenda frigoriferit.
- Mos e instaloni frigoriferin nën dritën direkte të diellit ose pranë pajisjeve që çlirojnë nxehtësi si për shembull furrat, lavastoviljet ose radiatorët. Mbajeni frigoriferin të paktën 30cm larg burimeve që lëshojnë nxehtësi dhe të paktën 5cm nga furrat elektrike.
- Bëni kujdes që ta mbani ushqimin në enë të mbyllura.

## **Rekomandimet për ndarjen e ushqimeve të freskëta**

### **\*opsionale**

Mos lejoni që ushqimet të prekin sensorin e temperaturës në ndarjen e ushqimeve të freskëta. Për të lejuar që ndarja e ushqimeve të freskëta të ruajë temperaturën e saj ideale, sensori nuk duhet të bllokohet nga ushqimet.

Mos vendosni ushqime të nxehta te produkti.

- Për produktet me një ndarje ngrirësi; Mund të mbani më shumë ushqime në ngrirës kur e hiqni raftin ose sirtarin e ngrirësit. Vlera e konsumit të energjisë e treguar për frigoriferin tuaj është përcaktuar duke hequr raftin ose sirtarin e ngrirësit dhe nën ngarkesë maksimale. Nuk ka asnjë problem të përdorni një raft ose sirtar sipas formave dhe madhësisë që ushqimeve që do të ngrihen.
- Shkrija e ushqimeve në ndarjen e frigoriferit do të sigurojë kursim energjie dhe do të ruajë cilësinë e ushqimit.

### 3 Instalimi

⚠ Në rastin se nuk merren parasysh informacionet që janë dhënë në këtë manual përdoruesi, prodhuesi nuk do të mbajë asnjë përgjegjësi për këtë.

#### **Pikat të cilave u duhen kushtuar vëmendje kur zhvendosni frigoriferin**

1. Frigoriferi duhet të hiqet nga priza. Para transportit të frigoriferit, ai duhet të zbrazet dhe të pastrohet.

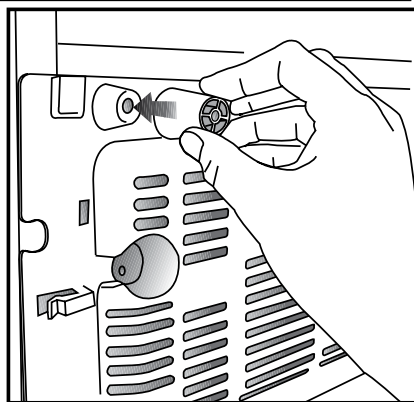
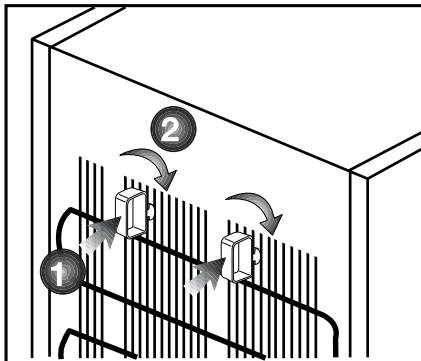
2. Para se të ripaketohet, raftet, aksesorët, krisperi, etj. brenda frigoriferit duhet të fiksohen me ngjitës dhe të sigurohen nga goditjet. Paketimi duhet të lidhet me një ngjitës të trashë ose litarë të shtrënguar dhe duhet të zbatohen me përpikëri rregullat e transportit mbi paketim.

3. Paketimi dhe materialet e shumës origjinale duhet të ruhen për transport ose lëvizje në të ardhmen.

#### **Para se ta vini frigoriferin në punë,**

Kontrolloni të mëposhtmet para se ta vini në punë se përdorni frigoriferin tuaj:

1. Ngjitni 2 pyka plastike siç tregohet në figurë më poshtë. Pykat plastike janë synuar për të mbajtur distancën që do të garantojë qarkullimin e ajrit midis frigoriferit dhe murit. (Figura është vizatuar vetëm si prezantim dhe nuk është identike me produktin tuaj.)



2. Pastrojeni pjesën e brendshme të frigoriferit siç rekomandohet në pjesën "Mirëmbajtja dhe pastrimi".

3. Futeni spinën e frigoriferit në prizën në mur. Kur hapet dera e frigoriferit, llamba e brendshme do të ndizet.

4. Kur fillon të punojë kompresori, do të dëgjohet një tingull. Lëngu dhe gazrat e izoluar brenda sistemit të ftohjes mund të krijojnë zhurma, edhe nëse kompresori nuk është në punë dhe kjo është normale.

5. Anët e para të frigoriferit mund të ndihen të ngrohta. Kjo është normale. Këto zona janë bërë posaçërisht që të jenë të ngrohta për të shmangur kondensimin.

## Lidhja elektrike

Lidhjeni produktin tuaj me një prizë të tokëzuar e cila mbrohet nga një siguresë me kapacitetin e duhur.

E rëndësishme:

Lidhja duhet të jetë në përputhje me rregullat kombëtare.

- Spina e korrentit duhet të jetë e arritshme me lehtësi pas instalimit.
- Siguria elektrike e frigoriferit tuaj do të garantohet vetëm nëse sistemi i tokëzimit në shtëpinë tuaj përputhet me standardet.
- Tensioni që tregohet në etiketën që ndodhet në anën e brendshme të produktit tuaj duhet të jetë e njëjtë me tensionin e rrejtit.
- **Nuk duhet të përdoren kablo zgjatimi dhe multi spina për lidhjen.**

⚠ Një dëmtim në kabllin e energjisë duhet të ndërrohet nga një electricist i kualifikuar.

⚠ Produktet nuk duhet të vihen në punë para se të riparohen! Ekziston rreziku i goditjes elektrike!

## Hedhja e paketimit

Materialet e paketimit mund të jenë të rrezikshme për fëmijët. Mbajini materialet e paketimit larg fëmijëve ose hidhini duke i klasifikuar sipas udhëzimeve për mbeturinat të treguara nga autoritetet vendase. Mos i hidhni së bashku me mbeturinat e zakonshme shtëpiake, hidhini në pikat e caktuara nga autoritetet vendase.

Paketimi i frigoriferit tuaj është prodhuar prej materialesh të riciklueshme.

## Hedhja e frigoriferit të vjetër

Hidhni frigoriferin tuaj të vjetër pa dëmtuar mjedisin.

- Mund të konsultoheni me shitësin e autorizuar ose qendrën e grumbullimit të mbeturinave të bashkisë tuaj për hedhjen e frigoriferit.

Para se ta hidhni frigoriferin, priteni spinën elektrike dhe, nëse ka ndonjë kyç në derë, bëjini të papërdorshme me qëllim që të mbron fëmijët nga ndonjë rrezik.

## Vendosja dhe Instalimi

⚠ Nëse dera e hyrjes të dhomës ku do të instalohet frigoriferi nuk është e gjerë mjaftueshëm që të kalojë frigoriferi, atëherë thërrisni shërbimin e autorizuar që ata të heqin dyert e frigoriferit dhe kalojeni anash përmes derës.

1. Montojeni frigoriferin në një vend që përdoret me lehtësi.
2. Mbajeni frigoriferin larg burimeve të nxehtësisë, vendeve të lagështa dhe dritës direkte të diellit.
3. Duhet të ketë ventilim të mjaftueshëm me qëllim që frigoriferi të punojë me efektshmëri. Nëse frigoriferi do të vendoset në një pjesë të futur në mur, duhet të ketë një distancë të paktën 5 cm nga tavani dhe të paktën 5 cm nga muri. Mos e vendosni produktin tuaj mbi materiale si për shembull tapet ose qilim.
4. Vendoseni frigoriferin mbi një sipërfaqe të sheshtë për të parandaluar lëkundjet.

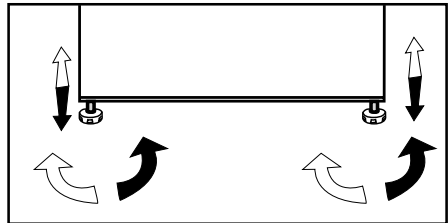
- Kondensatori i pajisjes suaj ndodhet në pjesën e pasme siç tregohet më poshtë. Për të arritur një eficiencë më të mirë të energjisë me një konsum më të ulët të energjisë, tërhiqeni kondensatorin drejt vetes siç tregohet në figurën më poshtë. Pozicioni i kondensatorit do të jetë i fiksuar mirë me anë të mekanizmit bllokues të mbajtëseve të sipërme në çdo anë.

\* OPSIONALE



## Rregullimi i këmbëve

Nëse frigoriferi juaj nuk është në nivel; Mund ta vendosni frigoriferin në nivel duke rrotulluar këmbët e para siç tregohet në figurë. Cepi ku ndodhet këmba ulet kur e rrotulloni në drejtim të shigjetës të zezë dhe ngrihet kur e rrotulloni në drejtim të kundërt. Marrja e ndihmës nga dikush për ta ngritur pak frigoriferin do ta bëjë më të lehtë këtë proces.



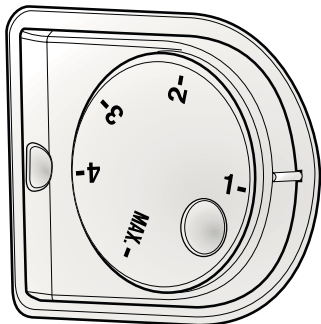
## 4 Përgatitja

- për një pajisje kolonë; “ky frigorifer nuk është planifikuar të përdoret si pajisje inkaso” ;
- Frigoriferi/ngrirësi duhet të montohet të paktën 30 cm larg nga burimet e nxehtësisë si pllakat e gatimit, furrat, ngrohësit qendrorë dhe sobat dhe të paktën 5 cm larg nga furrat elektrike dhe nuk duhet të ndodhet nën dritën e drejtpërdrejtë të diellit.
- Sigurohuni që pjesa e brendshme e frigoriferit/ngrirësit të jetë plotësisht e pastruar.
- Nëse montohen dy frigoriferë krah njëri-tjetrit, duhet të ketë të paktën 2 cm distancë mes tyre.
- Kur e përdorni frigoriferin/ngrirësin për herë të parë, kini parasysh udhëzimet e mëposhtme gjatë gjashtë orëve të para.
- Dera e tij nuk duhet të hapet shpesh.
- Ai duhet të përdoret bosh pa vendosur ushqime në të.
- Mos e hiqni frigoriferin/ngrirësin nga priza. Në rast se ndodh një defekt elektrik jashtë kontrollit tuaj, shikoni paralajmërimet në paragrafin “Zgjidhjet e rekomanduara për problemet”.
- Shportat/raftet e përfshira me ndarjen e freskisë duhet të përdoren gjithmonë për një konsum të ulët të energjisë dhe për kushte më të mira të ruajtjes.
- Kontakti i ushqimeve me sensorin e temperaturës në ndarjen e ngrirësit mund të rritë konsumin e energjisë të pajisjes. Për këtë arsye duhet të shmangni çdo kontakt me sensorin(ët).
- Ky produkt është projektuar për t’u përdorur në temperatura ambiente deri në 43°C (90°F). Edhe nëse temperatura e ambientit bie nën -15 °C, ushqimet e ngrira në ngrirës nuk shkrijnë falë Sistemit të tij të përparuar të kontrollit elektronik të temperaturës. Për montimin e para, produkti NUK duhet të vendoset në temperatura të ulëta të ambientit. Kjo sepse ngrirësi nuk mund të kthehet në temperaturën standarde të funksionimit. Kur të arrijë funksionimin e vazhdueshëm, produkti mund të zhvendoset në një vend tjetër. Kështu që, më vonë mund ta vendosni produktin në garazh ose në një dhomë pa ngrohje pa u shqetësuar se ushqimet e ngrira mund të prishen. Sidoqoftë, ka mundësi që temperaturat e ulëta të përmendura më sipër të shkaktojnë ngrirjen e ushqimeve në ndarjen e frigoriferit; kështu që konsumojini ushqimet në frigorifer në një mënyrë të kontrolluar sipas nevojës. Kur temperatura e ambientit të kthehet në normale, mund ta ndryshoni parametrin e butonit sipas nevojës.
- Nëse temperatura e ambientit është nën 0°C, ushqimet në ndarjen e frigoriferit do të ngrijnë. Për këtë arsye rekomandojmë që të mos e përdorni ndarjen e frigoriferit në temperatura të tilla të ulëta të ambientit. Ju mund të vazhdoni ta përdorni ndarjen e ngrirësit si zakonisht.
- Në disa modele, paneli i instrumenteve fiket automatikisht 5 minuta pas mbylljes së derës. Ai do të riaktivizohet kur të hapet dera ose kur të shtypet një buton.

- Për shkak të ndryshimit të temperaturës si rezultat i hapjes/ mbylljes së derës së produktit gjatë përdorimit, kondensimi në raftet e derës/trupit dhe në kontejnerët e xhamit është normal.
- Duke qenë se ajri dhe lagështia nuk do të depërtojnë direkt në produkt kur dyert nuk janë të hapura, produkti juaj do të optimizohet në kushte të mjaftueshme për ta mbrojtur ushqimin. Në këtë funksion të kursimit të energjisë, funksionet dhe komponentet si kompresori, ventilatori, ngrohësi, shkrirja, ndriçimi, ekrani etj. do të punojnë sipas nevojave për të konsumuar minimumin e energjisë, ndërkohë që ruhet freskia e ushqimeve tuaja.



## 5 Përdorimi i frigoriferit



### Butoni i përcaktimit të temperaturës

Butoni i përcaktimit të temperaturës ju lejon që të bëni përcaktimin e temperaturës së frigoriferit.

### Caktimi i temperaturës së frigoriferit

Përcaktimi i përgjithshëm i temperaturës i frigoriferit bëhet me anë të butonit të përcaktimit të temperaturës në faqen e djathtë të ndarjes së frigoriferit. Ky buton ka o pozicion të ndryshme të përcaktimit të temperaturës. Zgjidhni pozicionin e përshtatshëm për nevojat tuaja.

### Sistemi i dyfishtë i ftohjes

Frigoriferi juaj është i pajisur me dy sisteme të ndara të ftohjes për ftohjen e ndarjes së ushqimeve të freskëta dhe për ndarjen e ngrirësit. Kështu që ajri në ndarjen e ushqimeve të freskëta dhe në ndarjen e ngrirësit nuk do të përzihet. Falë këtyre dy sistemeve të ndara të ftohjes, shpejtësia e ftohjes është shumë më e lartë se në frigoriferët e tjerë. Aromat e ndarjeve nuk do të përzihen. Po ashtu, sigurohet edhe një kursim më i madh i energjisë pasi shkrirja automatike kryhet individualisht.

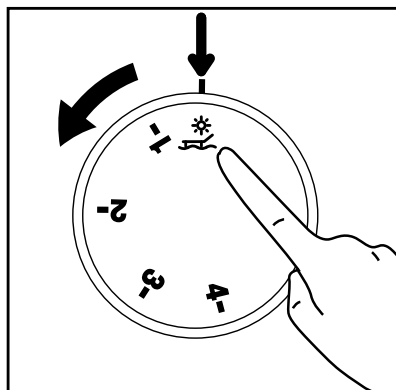
### Funksioni i pushimeve

Nëse dyert e produktit nuk hapen për 12 orë pasi termostati të vendoset në pozicionin më të ngrohtë, atëherë do të aktivizohet automatikisht funksioni i pushimeve.

Hapni derën e produktit ose ndryshoni përcaktimin e termostatit për ta anuluar këtë funksion.

Funksioni i pushimeve është opsional. Ai mund të ndryshojë sipas tipit të produktit dhe mund të mos jetë i përfshirë në çdo produkt.


Rekomandohet që t'i ruani ushqimet në ndarjen më të freskët kur aktivizohet funksioni i pushimeve.



## Ngrirja e ushqimeve të freskëta

- Preferohet që ushqimet t'i mbështillni ose t'i mbuloni para se t'i vendosni në frigorifer.
- Ushqimet e nxehta duhet të ftoheshin në temperaturën e dhomës para se t'i vendosni në frigorifer.
- Ushqimet që dëshironi të ngrini duhet të jenë të freskëta dhe me cilësi.
- Ushqimet duhet të ndahen në porcione sipas nevojave të konsumit në familje sipas vakteve ose ditëve.
- Ushqimet duhet të paketohen në një mënyrë të izoluar nga ajri për të parandaluar tharjen e tyre nëse do të ruhen për një kohë të shkurtër.
- Materialet që përdoren për paketimin duhet të jenë të forta dhe rezistente ndaj të ftohtit, lagështisë, aromave, vajrave dhe acideve dhe duhet të sigurojnë izolimin nga ajri. Për më tepër, ato duhet të mbyllën mirë dhe të prodhuara me materiale të lehta në përdorim që janë të përshtatshme për përdorim në ngrirje të thellë.
- Ushqimet e ngrira duhet të përdoren menjëherë pasi të shkrihen dhe nuk duhet të ngrihen përsëri.
- Kini parasysh udhëzimet e mëposhtme për të siguruar rezultatet më të mira.
  1. Mos ngrini sasi shumë të mëdha ushqimesh në të njëjtën kohë. Cilësia e ushqimeve ruhet më mirë kur ato ngrihen tërësisht deri në qendër sa më shpejt të jetë e mundur.
  2. Vendosja e ushqimeve të ngrohta në ndarjen e ngrirësit bën që sistemi i ftohjes të punojë vazhdimisht deri sa ushqimet të ngrihen mirë.
  3. Tregoni kujdes që të mos i përzieni ushqimet e ngrira me ushqimet e freskëta.

## Rekomandimet për ruajtjen e ushqimeve të ngrira

- Ushqimet e ngrira dhe të paketuara në treg duhet të ruhen në përputhje me udhëzimet e prodhuesit të ushqimeve të ngrira për një ndarje ruajtëse të ushqimeve të ngrira  (me 4 yje).
- Për të garantuar ruajtjen e cilësisë së lartë të realizuar nga prodhuesi i ushqimeve të ngrira dhe shitësi i ushqimeve, duhet të kini parasysh si më poshtë:
  1. Vendosini pakot në ngrirës sa më shpejt pas blerjes.
  2. Sigurohuni që përmbajtja të ketë të shënuar etiketën dhe datën.
  3. Mos i kaloni datat e përdorimit të rekomanduar dhe të skadimit në paketim.

## Shkrirja e akullit

Akulli në ndarjen e ngrirësit shkrihet automatikisht.

## Vendosja e ushqimeve

Raftet e ndarjes së ngrirësit	Ushqimet e ndryshme të ngrira si mishi, peshku, akullore, perime, etj.
Sirtari i vezëve	Vezët
Raftet e ndarjes së frigoriferit	Ushqimet në tava, në pjata të mbuluara dhe në enë të mbyllura
Raftet e derës së ndarjes së frigoriferit	Ushqime të vogla të paketuara dhe pije (si qumësht, lëng frutash dhe birra)
Ndarja e perimeve	Perimet dhe frutat
Ndarja e zonës së freskët	Produkte delikate (djathë, gjalpë, sallam, etj.)

## Informacionet për ngrirjen e thellë

Ushqimet duhet të ngrihen sa më shpejt kur vendosen në një frigorifer për të ruajtur cilësinë e tyre.

Ushqimet mund të mbahen për një kohë të gjatë vetëm në temperaturat -18°C ose temperatura më të ulëta.

Mund ta ruani freskinë e ushqimeve për shumë muaj (në -18°C ose në temperatura më të ulëta në ngrirje të thellë).

### KUJDES! ⚠

- Ushqimet duhet të ndahen në porcione sipas nevojave të konsumit në familje sipas vakteve ose ditëve.
- Ushqimet duhet të paketohen në një mënyrë të izoluar nga ajri për të parandaluar tharjen e tyre nëse do të ruhen për një kohë të shkurtër.
- Materialet e nevojshme për paketimin:
- Ngjithës rezistent ndaj të ftohtit
- Etiketë ngjithëse
- Unaza gome
- Stilolaps për shënime

Materialet që përdoren për paketimin e ushqimeve duhet të jenë të forta dhe rezistente ndaj të ftohtit, lagështisë, aromave, vajrave dhe acideve.

Ushqimet për ngrirje nuk duhet të lejohen të bien në kontakt me artikujt e ngrirë paraprakisht për të parandaluar shkrirjen e tyre të pjesëshme.

Ushqimet e ngrira duhet të përdoren menjëherë pasi të shkrihen dhe nuk duhet të ngrihen përsëri.

## Ndalimi i produktit

Nëse termostati juaj është i pajisur me pozicionin "0":

- Produkti juaj do të ndalojë funksionimin kur ta rrotulloni butonin e termostatit te pozicioni "0" (zero). Produkti juaj nuk do të ndizet nëse nuk e ktheni përsëri butonin e termostatit te pozicioni "1" ose te një nga pozicionet e tjera.

Nëse termostati juaj është i pajisur me pozicionin "min":

- Hiqeni produktin nga priza për ta ndaluar.

**i** Ky produkt është i pajisur me një burim ndriçimi të klasës energjetike "G".

Burimi i ndriçimit në këtë produkt duhet të zëvendësohet vetëm nga riparues profesionistë.

## Ndarja e freskisë

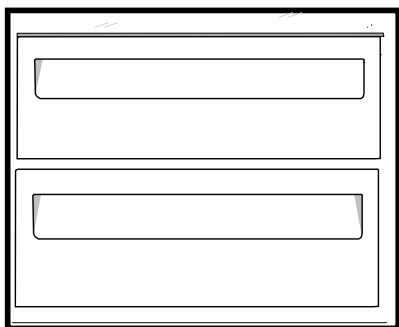
Ndarja e freskisë është ideale për ruajtjen e produkteve të ngurta të bulmetit, mishin, peshkun dhe mishin e pulës. Temperatura e ndarjes së freskisë qëndron midis  $-2^{\circ}\text{C}$  dhe  $+3^{\circ}\text{C}$ , pak më ftohtë se ndarja e ushqimeve të freskëta.

Para se t'i vendosni në ndarjen e ngrirjes për ruajtje, këshillohet që t'i vendosni ushqimet në ndarjen e freskisë për të kursyer energjinë dhe për një rendiment më të mirë të ruajtjes. Në rast se ndarja e freskisë është plot, mund të përdorni ndarjen e ushqimeve të freskëta për këtë qëllim.

Nuk rekomandohet që të ruani fruta dhe perime në ndarjen e freskisë.

Sirtari i ndarjes së freskisë është opsional për t'u përdorur. Pajisja plotëson kërkesat e ruajtjes së temperaturës së ndarjes së freskisë me dhe pa sirtarin e përfshirë.

Mund ta rritni vëllimin e brendshëm të frigoriferit duke e hequr sirtarin e ndarjes së freskisë. Tërhiqeni sirtarin drejt vetes deri sa të ndalojë te bllokuesi. Ngrijeni pjesën përpara afro 1 cm dhe tërhiqeni ndarjen drejt vetes për ta hequr plotësisht.

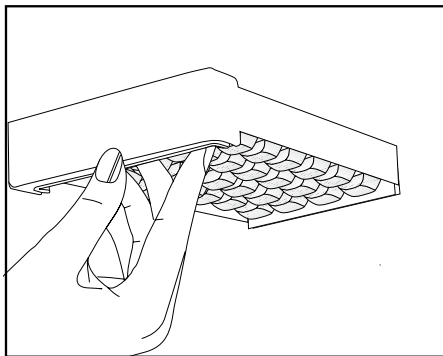


## Prodhimi i akullit

### \*opsionale

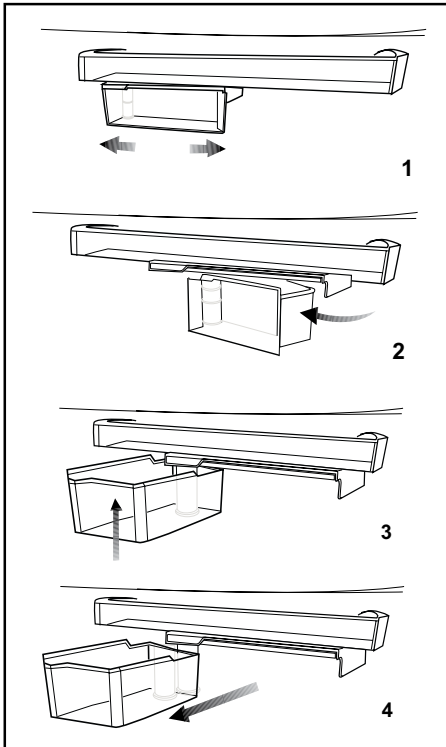
Mbusheni kontejnerin e akullit me ujë dhe vendoseni në ndarjen e ngrirjesit. Akulli do të jetë gati për afro dy orë.

Mund ta hiqni akullin në kontejnerin e akullit duke e hequr nga ngrirësi dhe duke e rrotulluar.



## Kontejneri i ruajtjes me rrotullim (në disa modele)

Rafti me rrëshqitje mund të lëvizet në të majtë ose në të djathtë për të lejuar vendosjen e shisheve të gjata, vazove ose kutive te rafti më i ulët (Fig. 1). Ushqimet që keni vendosur në raft mund t'i merrni duke e kapur dhe rrotulluar atë nga ana e djathtë (Fig.2). Kur të dëshironi ta vendosni ose ta hiqni për ta pastruar, rrotullojeni 90 gradë, ngrijeni dhe tërhiqeni drejt vetes (Fig. 3-4).



## Icematic dhe kontejneri i ruajtjes së akullit \*opsionale

### Përdorimi i Icematic

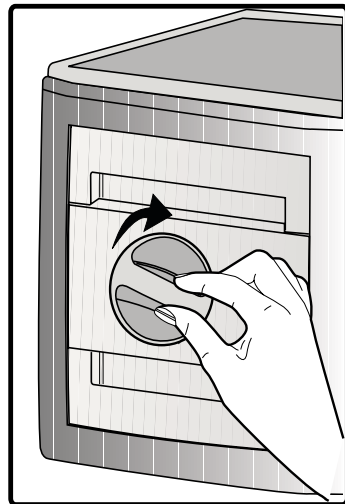
Mbusheni Icematic me ujë dhe vendoseni në vendin përkatës. Akulli do të jetë gati për afro dy orë. Mos e hiqni Icematic nga vendi i tij për të marrë akullin.

Rrotulloni dorezat në rezervuarët e akullit në drejtim orar me 90 gradë. Kubat e akullit në rezervuarë do të bien në kontejnerin e ruajtjes së akullit poshtë.

Mund ta nxirrni kontejnerin e ruajtjes së akullit dhe t'i përdorni kubat e akullit. Nëse dëshironi, mund t'i mbani kubat e akullit në kontejnerin e ruajtjes së akullit.

### Kontejneri i ruajtjes së akullit

Kontejneri i ruajtjes së akullit është vetëm për grumbullimin e kubave të akullit. Mos hidhni ujë në të. Në rast të kundërt, ai do të thyhet.



## Përshkrimi dhe pastrimi i filtrit të aromave

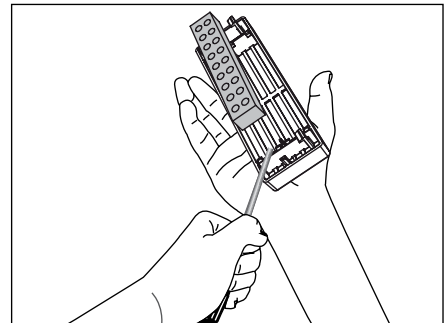
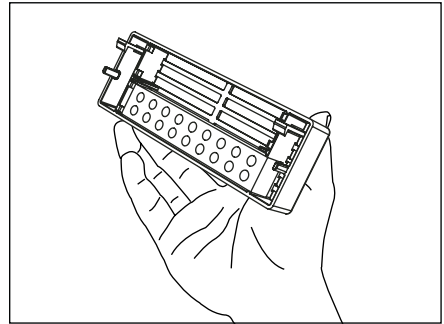
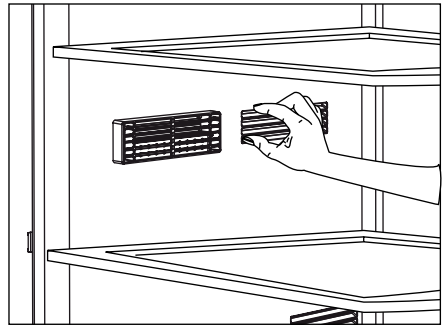
### \*opsionale

Filtri i aromave parandalon grumbullimin e aromave të pakëndshme në frigorifer.

Nga pjesa përpara, tërhiqeni poshtë kapakun, në të cilin është montuar filtri i aromave, dhe hiqeni si në ilustrim.

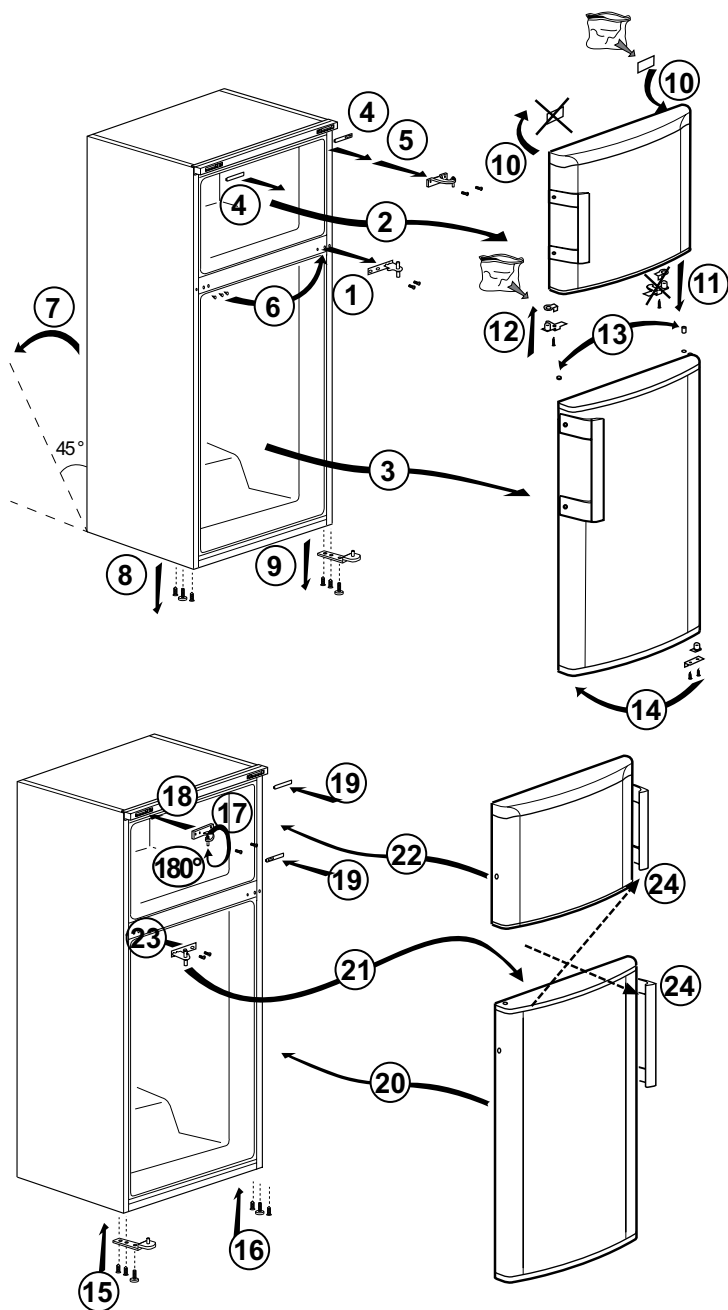
Lëreni filtrin nën dritën e diellit për një ditë. Gjatë kësaj kohe filtri do të pastrohet. Montojeni filtrin përsëri në vendin e tij.

Filtri i aromave duhet të pastrohet një herë në vit.



## Kthimi i dyerve

Veproni në rend numerik,



## 6 Mirëmbajtja dhe pastrimi

- ⚠ Mos përdorni asnjëherë benzinë, benzen ose substanca të ngjashme për të pastruar.
- ⚠ Rekomandojmë që ta hiqni pajisjen nga priza para se ta pastroni.
- ⚠ Mos përdorni asnjëherë mjete të mprehta, sapun, pastrues shtëpiak, detergjent dhe dyll lustrues për pastrim.
- 📌 Përdorni ujë të ngrohtë për të pastruar kabinën e frigoriferit dhe thajeni me leckë.
- 📌 Përdorni një leckë të njomë të shtrydhur në një solucion me një lugë çaji bikarbonat sode në një pintë uji për të pastruar pjesën e brendshme dhe thajeni me leckë.
- ⚠ Sigurohuni që të mos hyjë ujë në kasën e llambës dhe në pjesët e tjera elektrike.
- ⚠ Nëse frigoriferi juaj nuk do të përdoret për një kohë të gjatë, hiqeni kabllin e korrentit, hiqni të gjitha ushqimet, pastrojeni dhe lëreni derën pak të hapur.
- 📌 Kontrolloni gominat e dyerve për t'u siguruar që të jenë të pastra dhe pa grimva ushqimesh.
- ⚠ Për të hequr raftet e derës, hiqni të gjitha gjërat në to dhe thyesht shtyjeni raftin e derës lart nga baza.

- ⚠ Mos përdorni asnjëherë agjentë pastrimi ose ujë që përmban klor për të pastruar sipërfaqet e jashtme dhe pjesët e lyer me krom të produktit. Klorigen shkakton gjëryerje mbi sipërfaqet metalike.

### Mbrojtja e sipërfaqeve plastike

- 📌 Mos vendosni vajra të lëngshme ose ushqime të gatuar me vaj në frigorifer në enë të pambyllura pasi ato mund të dëmtojnë sipërfaqet plastike të frigoriferit tuaj. Në rast të spërkatjes ose derdhjes të vajit mbi sipërfaqet plastike, pastrojeni dhe shpëlajeni pjesën përkatëse të sipërfaqes menjëherë me ujë të ngrohtë.



## 7 Zgjidhja e problemeve

Ju lutem shikoni këtë listë para se të thërrisni shërbimin. Do t'ju kursejë kohë dhe para. Kjo listë përmban ankesat e shpeshta që nuk lindin nga defektet e prodhimit ose përdorimi i materialeve. Disa nga karakteristikat të përshkruar këtu mundësisht nuk ekzistojnë në prodhimin juaj.

<b>Frigoriferi nuk punon.</b>
<ul style="list-style-type: none"><li>• Spina nuk është futur mirë në prizë. &gt;&gt;&gt;Vendoseni spinën mirë në prizë.</li><li>• Siguresa e prizës në të cilën është lidhur frigoriferi juaj ose siguresa kryesore mund të kenë rënë. &gt;&gt;&gt;Kontrolloni siguresën.</li></ul>
<b>Kondensim në muret anësore të ndarjes të frigoriferit (MULTIZONE, COOL CONTROL dhe FLEXI ZONE).</b>
<ul style="list-style-type: none"><li>• Ambienti është shumë i ftohtë. &gt;&gt;&gt;Mos e montoni frigoriferin në vende ku temperatura bie nën 10 °C.</li><li>• Dera është hapur shpesh. &gt;&gt;&gt;Mos e hapni dhe mbyllni derën e frigoriferit shpesh.</li><li>• Ambienti është shumë i lagësht. &gt;&gt;&gt;Mos e instaloni frigoriferin në vende me shumë lagështi.</li><li>• Ushqime që kanë lëngje janë vendosur në enë të hapura. &gt;&gt;&gt;Mos e vendosni ushqimin me përmbajtje të lëngshme në enë të hapura.</li><li>• Dera e frigoriferit është lënë pak hapur. &gt;&gt;&gt;Mbylleni derën e frigoriferit.</li><li>• Termostati është vendosur në një nivel shumë të ftohtë. &gt;&gt;&gt;Vendoseni termostatin në një nivel të përshtatshëm.</li></ul>
<b>Kompresori nuk punon.</b>
<ul style="list-style-type: none"><li>• Mbrojtja termike e kompresorit do të fryhet gjatë ndërprerjeve të papritura të energjisë ose heqjes dhe vënies në prizë pasi presioni i lëngut ftohës në sistemin e ftohjes të frigoriferit nuk është balancuar akoma. Frigoriferi do të fillojë të punojë për rreth 6 minuta. Ju lutem thërrisni shërbimin nëse frigoriferi nuk ndizet në fund të kësaj periudhe.</li><li>• Frigoriferi është në ciklin e shkrires. &gt;&gt;&gt;Kjo është normale për një shkrije të plotë automatike të frigoriferit. Cikli i shkrires ndodh rregullisht.</li><li>• Frigoriferi nuk është futur në prizë. &gt;&gt;&gt;Sigurohuni që spina është futur në prizë.</li><li>• Parametrat e temperaturës nuk janë bërë mirë. &gt;&gt;&gt;Zgjidhni vlerën e duhur të temperaturës.</li><li>• Ka një ndërprerje energjie. &gt;&gt;&gt;Frigoriferi kthehet në punimin normal kur kthehet energjia.</li></ul>
<b>Zhurma e punimit rritet kur frigoriferi është në punë.</b>
<ul style="list-style-type: none"><li>• Performanca e punimit të frigoriferit mund të ndryshojë për shkak të ndryshimeve në temperaturën e ambientit. Kjo është normale dhe nuk është defekt.</li></ul>
<b>Frigoriferi punon shpesh për një kohë të gjatë.</b>

<ul style="list-style-type: none"> <li>• Produkti i ri mund të jetë më i gjerë se ai i mëparshmi. Frigoriferët më të mëdhenj punojnë për një kohë më të gjatë.</li> <li>• Temperatura e dhomës mund të jetë e lartë. &gt;&gt;&gt;Është normale që produkti të punojë për periudha më të gjata në ambient të ngrohtë.</li> <li>• Frigoriferi mund të jetë vënë në prizë së fundi ose mund të jetë i mbushur me ushqime. &gt;&gt;&gt;Kur frigoriferi vihet në prizë ose është mbushur së fundi me ushqime, do të kërkojë më shumë kohë që të arrijë temperaturën e caktuar. Kjo është normale.</li> <li>• Sasi të mëdha ushqimesh të nxehta mund të jenë vendosur në frigorifer së fundi. &gt;&gt;&gt;Mos vendosni ushqime të nxehta në frigorifer.</li> <li>• Dyert mund të hapen shpesh ose të lihen pak hapur për një kohë të gjatë. &gt;&gt;&gt;Ajri i ngrohtë që ka hyrë në frigorifer bën që frigoriferi të punojë për periudha më të gjata. Mos i hapni dyert shpesh.</li> <li>• Dera e ndarjes të frigoriferit ose ngrirësit mund të jetë lënë pak hapur. &gt;&gt;&gt;Kontrolloni nëse dyert janë mbyllur plotësisht.</li> <li>• Frigoriferi është rregulluar në një temperaturë shumë të ulët. &gt;&gt;&gt;Rregulloni temperaturën e frigoriferit në një gradë më të ngrohtë dhe prisni derisa të arrihet temperatura.</li> <li>• Gomina e derës të frigoriferit ose ngrirësit mund të jetë ndotur, konsumuar, çarë ose të mos jetë izoluar mirë. &gt;&gt;&gt;Pastroni ose ndërroni gominën. Gominat e dëmtuara/çara bëjnë që frigoriferi të punojë më gjatë për të ruajtur temperaturën aktuale.</li> </ul>
Temperatura e ngrirësit është shumë e ulët ndërsa temperatura e frigoriferit është e mjaftueshme.
<ul style="list-style-type: none"> <li>• Temperatura e ngrirësit është rregulluar në një vlerë shumë të ulët. &gt;&gt;&gt;Rregulloni temperaturën e ngrirësit në një gradë më të ngrohtë dhe kontrolloni.</li> </ul>
Temperatura e frigoriferit është shumë e ulët ndërsa temperatura e ngrirësit është e mjaftueshme.
<ul style="list-style-type: none"> <li>• Temperatura e frigoriferit është rregulluar në një vlerë shumë të ulët. &gt;&gt;&gt;Rregulloni temperaturën e frigoriferit në një gradë më të ngrohtë dhe kontrolloni.</li> </ul>
Ushqimet që mbahen në sirtarët e ndarjes të frigoriferit kanë ngrirë.
<ul style="list-style-type: none"> <li>• Temperatura e frigoriferit është rregulluar në një vlerë shumë të lartë. &gt;&gt;&gt;Rregulloni temperaturën e frigoriferit në një vlerë më të ulët dhe kontrolloni.</li> </ul>
Temperatura në frigorifer ose ngrirës është shumë e lartë.

<ul style="list-style-type: none"> <li>• Temperatura e frigoriferit është rregulluar në një vlerë shumë të lartë. &gt;&gt;&gt;Konfigurimi i temperaturës të ndarjes të frigoriferit ka një efekt në temperaturën e ngrirësit. Ndryshoni temperaturat e frigoriferit ose ngrirësit dhe prisni derisa ndarjet përkatëse të arrijnë temperaturën e mjaftueshme.</li> <li>• Dyert hapen shpesh ose janë lënë hapur për një kohë të gjatë. &gt;&gt;&gt;Mos i hapni dyert shpesh.</li> <li>• Dera është pak hapur. &gt;&gt;&gt;Mbylleni derën plotësisht.</li> <li>• Frigoriferi është vënë në prizë ose është mbushur me ushqime së fundi. &gt;&gt;&gt;Kjo është normale. Kur frigoriferi vihet në prizë ose është mbushur së fundi me ushqime, do të kërkojë më shumë kohë që të arrijë temperaturën e caktuar.</li> <li>• Sasi të mëdha ushqimesh të nxehta mund të jenë vendosur në frigorifer së fundi. &gt;&gt;&gt;Mos vendosni ushqime të nxehta në frigorifer.</li> </ul>
<ul style="list-style-type: none"> <li>• Dridhje ose zhurmë.</li> </ul>
<ul style="list-style-type: none"> <li>• Dyshemeja nuk është në nivel ose është e paqëndrueshme. &gt;&gt;&gt; Nëse frigoriferi tundet kur lëvizet ngadalë, balancojeni duke i rregulluar këmbët. Gjithashtu sigurohuni që dyshemeja të jetë e fortë mjaft për të mbajtur frigoriferin, dhe të jetë në nivel.</li> <li>• Sendet që vendosni në frigorifer mund të shkaktojnë zhurmë. &gt;&gt;&gt;Hiqni sendet që janë sipër frigoriferit.</li> </ul>
<p>Ka zhurma që vijnë nga frigoriferi si për shembull rrjedhje lëngjesh, spërkatje, etj.</p>
<ul style="list-style-type: none"> <li>• Rrjedha e lëngut dhe gazit është sipas parimeve të punimit të frigoriferit tuaj. Kjo është normale dhe nuk është defekt.</li> </ul>
<p>Vjen një fishkëllimë nga frigoriferi.</p>
<ul style="list-style-type: none"> <li>• Përdoren ventilatorë për të ftohur frigoriferin. Kjo është normale dhe nuk është defekt.</li> </ul>
<p>Kondensim në muret e brendshme të frigoriferit.</p>
<ul style="list-style-type: none"> <li>• Moti i ngrohtë dhe i lagësht rrit akullin dhe kondensimin. Kjo është normale dhe nuk është defekt.</li> <li>• Dyert hapen shpesh ose janë lënë hapur për një kohë të gjatë. &gt;&gt;&gt;Mos i hapni dyert shpesh. Mbyllini nëse janë hapur.</li> <li>• Dera është pak hapur. &gt;&gt;&gt;Mbylleni derën plotësisht.</li> </ul>
<p>Ndodh lagështi nga jashtë frigoriferit ose midis dyerve.</p>
<ul style="list-style-type: none"> <li>• Mund të ketë lagështi në ajër; kjo është normale në mot me lagështi. Kur lagështia është më e ulët, do të shfaqet kondensimi.</li> </ul>
<p>Erë e keqe brenda frigoriferit.</p>
<ul style="list-style-type: none"> <li>• Nuk është bërë pastrimi rregullisht. &gt;&gt;&gt;Pastroni pjesën e brendshme të frigoriferit rregullisht me një sfungjer, ujë të ngrohtë ose karbonat të tretur në ujë.</li> <li>• Disa enë ose materiale paketimi mund të shkaktojnë erë. &gt;&gt;&gt;Përdorni enë të tjera ose materiale paketimi origjinale.</li> <li>• Ushqimi vendoset në frigorifer në enë të pambuluara. &gt;&gt;&gt;Mbajeni ushqimin në enë të mbyllura. Mikroorganizmat që përhapen nga enët e pambuluara mund të shkaktojnë erëra të pakëndshme.</li> <li>• Hiqni ushqimet që u ka kaluar data e skadencës dhe që janë prishur nga frigoriferi.</li> </ul>
<p>Dera nuk mbyllet.</p>

- Paketimet e ushqimeve nuk lejojnë derën të mbyllet. >>>Lëvizni paketimet që pengojnë derën.
- Frigoriferi nuk është plotësisht shesh mbi dysheme. >>>Rregulloni këmbët për të balancuar frigoriferin.
- Dyshemeja nuk është në nivel ose nuk është e fortë. >>>Sigurohuni që dyshemeja është në nivel dhe është në gjendje të mbajë frigoriferin.

Krisperët kanë ngecur.

- Ushqimi prek tavanin e sirtarit. >>>Rivendosni ushqimet në sirtar.

## Прочитајте го ова упатство прво!

Почитуван кориснику,

Се надеваме дека овој производ којшто е произведен во модерна фабрика и проверен според многу прецизни процедури за проверка на квалитетот, ќе ви овозможи ефективна услуга.

Затоа, препорачуваме внимателно да го прочитате целото упатство за производот пред употреба и да го чувате при рака за идни осврти.




### Ова упатство






- Ќе ви помогне да го користите апаратот на брз и безбеден начин.
- Прочитајте го упатството пред да го поставите и вклучите производот.
- Следете ги упатствата, особено оние за безбедноста.
- Чувајте го упатството на лесно достапно место зашто може да ви притреба подоцна.
- Покрај тоа, прочитајте ги и другите документи што се доставуваат со производот.

Имајте предвид дека ова упатство важи и за други модели.

### Симболи и нивно значење

Ова упатство со инструкции ги содржи следниве симболи:

-  Важни информации или корисни совети за употреба.
-  Предупредувања за опасни состојби по животот и имотот.
-  Предупредување за електричниот напон.

 <b>INFORMATION</b>	
	
SUPPLIER'S NAME	MODEL IDENTIFIER (*)
	

.Информациите за моделот се чуваат во базата на податоци и до нив можете да стигнете ако одите на следнава веб-локација и да го побарате идентификаторот на вашиот модел (\*) кој се наоѓа на налепницата за енергија.

<https://eprel.ec.europa.eu/>

## **1 Вашиот ладилник 3**

### **2 Важни безбедносни предупредувања 4**

#### **Наменета употреба ..... 4**

Кај производи со диспензер за вода ..... 10

Безбедност за деца ..... 10

Усогласување со Директивата за фрлање на електронска и електрична опрема и за одлагање на отпадот: ..... 10

Усогласување со Директивата за ограничување на опасните материји: ..... 11

Информации за пакувањето ..... 11

НСА-Предупредување ..... 11

Работи што треба да ги направите за штедење енергија ..... 11

Препораки за одделот за свежа храна ..... 12

### **3 Поставување 13**

Работи што треба да се имаат во предвид кога го транспортирате ладилникот ..... 13

Пред вклучување на ладилникот. 13

Електрично поврзување ..... 14

Поставување и поврзување ..... 14

Прилагодување на ногарките ..... 15

Менување на светилката за осветлување ..... 15

### **4 Подготовка 16**

## **5 Употреба на ладилникот 18**

Копче за поставување на температурата ..... 18

Поставување на температурата во фрижидерот ..... 18

Двоен систем на разладување .... 18

Функција за одмор ..... 18

Замрзнување свежа храна ..... 19

Препораки за зачувување на смрзната храна ..... 20

Ставање храна ..... 20

Информации за длабоко замрзнување ..... 20

Нула температура во одделот ..... 22

Правење мраз ..... 22

Ротирачки сад за чување ..... 23

Ледоматот и садот за чување мраз ..... 23

Опис и чистење на филтерот за мириси ..... 24

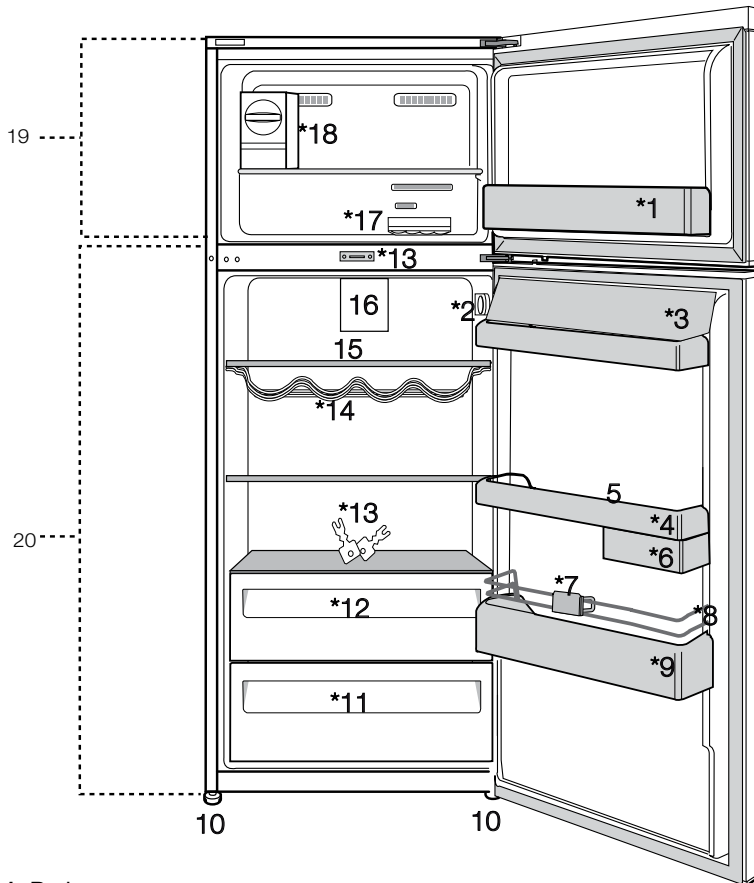
Преместување на вратите ..... 25

### **6 Одржување и чистење 26**

Заштита на пластичните површини ..... 26

### **7 Препорачани решенија за проблемите 27**

# 1 Вашиот ладилник



1.1. Рафт на вратата на одделот за замрзнување

2. Копче за поставување на температурата

3. Делови за путер и за сирење

4. Рафт на вратата на одделот за ладење

5. Држачи за јајца

6. Ротирачки сад за чување

7. Држач на шишиња

8. Заштитна жица

9. Рафт за шишиња

10. Приспособливи ногалки

11. Свеж оддел

12. Разладувачки оддел

13. Клуч

14. Вински подрум

15. Стаклени рафтови за одделот за ладење

16. Дувач

17. Сад за мраз

18. Ледомат

19. Оддел за замрзнување

20. Оддел за ладење

\*по избор


Сликите што се прикажани во ова упатство за употреба се шематски и може да не соодветствуваат точно со производот. Ако деловите од поглавјето не се вклучени во производот што сте го купиле, тогаш тие важат за други модели.


## 2 Важни безбедносни предупредувања

Прочитајте ги следните информации. Непочитувањето на овие информации може да предизвика повреди или материјална штета. И гаранцијата и заложбите за доверливост нема да бидат важечки.


Оригиналните резервни делови ќе ги добивате 10 години по датумот кога е набавен производот.

### Наменета употреба

 **ПРЕДУПРЕДУВАЊЕ:**  
Гледајте да нема никакви пречки пред отворите за вентилација, внатре во уредот или во вградената инфраструктура.

 **ПРЕДУПРЕДУВАЊЕ:**  
Не користете механички уреди или други средства за да го забрзате процесот на одмрзнување, освен оние што ги препорачува производителот.

 **ПРЕДУПРЕДУВАЊЕ:**  
Не оштетувајте го струјното коло на фрижидерот

 **ПРЕДУПРЕДУВАЊЕ:**  
Не користете електрични уреди во одделите за чување храна на уредот, освен ако не се од тип препорачан од производителот.

Овој уред е наменет да се употребува во домаќински и слични уреди, како што се – кујни за персоналот



во продавници,  
канцеларии и други  
работни средини;  
– фарми и клиенти во  
хотели, мотели и други  
станбени средини;  
– средини како што  
се пансиони со  
сместување и појадок;  
– добавување храна  
и слична примена  
неповрзана со  
малопродажба.

### **Општа безбедност**

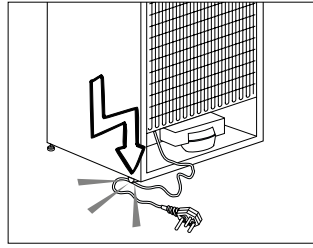
- Ви препорачуваме да се консултирате со локалниот авторизиран сервис и со овластените институции за да ги добиете неопходните информации кога ќе сакате да го фрлите / одложите производот.
- Консултирајте се со овластен сервис за сите прашања и проблеми поврзани со ладилникот. Не интервенирајте ниту не пуштајте друг да интервенира на ладилникот без да го известите овластениот сервисер.

- За производите од одделот на замрзнувачот - Не јадете сладолед во корнет или коцки мраз веднаш по вадење од одделот за замрзнување! (Може да предизвикате смрзнатини на устата.)
- За производите во одделот на замрзнувачот - Не ставајте пијалаци во шише или конзерва во одделот на замрзнувачот. Инаку, тие може да пукнат.
- Не допирајте ја замрзната храна со рака, може да ви се залепи за раката.
- Исклучете го ладилникот од струја пред чистење или одмрзнување.
- Испарувачи и материјали за чистење што испаруваат не смее никогаш да се користат за чистење и за процесот на одмрзнување на ладилникот. Во тие случаи, испарувањето може

- да дојде во контакт со електричните делови и да предизвика краток спој или електричен удар.
- Никогаш не користете делови од ладилникот како што е вратата за потпора или расчекор.
  - Не користете електрични уреди во внатрешноста на ладилникот.
  - Не оштетувајте ги деловите каде што циркулира фреонот со дупчалки или алатки за сечење. Фреонот може да прсне и може да предизвика иритација на кожата и повреда на очите кога ќе се дупнат каналите за испарувањата, продолжетоците на цевките или површинските премази.
  - Не покривајте ги или не блокирајте ги отворите за вентилација на ладилникот со каков било материјал.
  - Електричните делови мора да ги поправи само овластено лице. Поправките што ги извршиле некомпетентни лица може да предизвикаат ризик за корисникот.
  - Во случај на грешка при работа или во текот на одржување или поправка, исклучете го ладилникот од довод на ел. енергија со тоа што ќе го извадите соодветниот осигурувач или ќе го извлечете кабелот.
  - Не влечете го кабелот кога го вадите приклучокот.
  - Проверете дали алкохолните пијалоци се убаво затворени и поставени исправено .
  - Никогаш не чувајте конзерви под притисок што содржат запаливи и експлозивни супстанции во ладилникот.
  - Не користете механички уреди или други средства

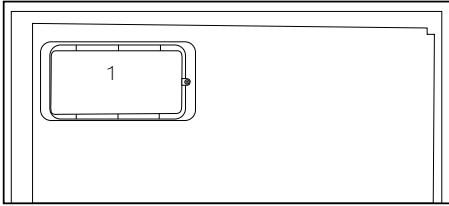
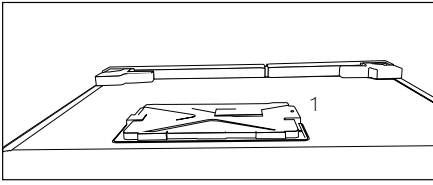
- за забрзување на процесот на одмрзнување, освен оние што ги препорачува производителот.
- Овој производ не е наменет да го користат лица со намалени физички, сетилни или ментални способности или необучени или неискусни лица (вклучително и деца), освен ако не се под надзор на лице кое е одговорно за нивната безбедност или кое ќе ги научи како да го користат производот правилно.
  - Не вклучувајте оштетен ладилник. Консултирајте се со сервисер ако се сомневате на дефект.
  - Електричната безбедност на ладилникот е гарантирана само кога системот за заземјување во домот е усогласен со стандардите.
  - Изложување на производот на дожд, снег, сонце и ветер е опасно во однос на електричната безбедност.
  - Контактирајте овластен сервисер кога е оштетен кабелот за струја за да избегнете опасност.
  - Никогаш не вклучувајте го ладилникот на сиден приклучок за време на поставувањето. Инаку, може да има ризик од смрт или сериозна повреда.
  - Овој ладилник е наменет само за чување на храна. Не смее да се користи за други намени.
  - Етикетата со техничките спецификации се наоѓа на левиот сид во ладилникот.
  - Никогаш не поврзувајте го ладилникот за системи за штедење струја. Може да го оштетат ладилникот.

- Ако има сина светлина во ладилникот, не гледајте во неа со незаштитени очи или со оптички помагала подолг период.
- Почекајте најмалку 5 минути за да го вклучите ладилникот откако снемало струја кај ладилниците што се контролираат рачно.
- Ова упатство за работа треба да се предаде на новиот сопственик на производот ако го дадете на други.
- Избегнувајте да предизвикувате оштетувања на кабелот за напојување кога го транспортирате ладилникот. Превитканиот кабел може да предизвика пожар. Никогаш не ставајте тешки предмети врз кабелот за струја. Не допирајте го приклучокот со мокри раце кога го приклучувате производот.



- Не приклучувајте го ладилникот ако штекерот е разлабавен.
- Вода не смее да се прска директно на внатрешните и надворешните делови на производот од безбедносни причини.
- Не прскајте разни средства што содржат запаливи гасови како што е пропанот близу до ладилникот за да избегнете ризик од пожар и експлозија.
- Никогаш не ставајте садови со вода врз ладилникот. Во спротивно, може да предизвикаат електричен удар или пожар.
- Не преполнувајте го ладилникот со прекумерна количина храна. Ако го

- преполните, храната може да падне и да ве повреди и да го оштети ладилникот кога ја отворате вратата. Никогаш не ставајте предмети врз ладилникот. Во спротивно, овие предмети може да паднат кога ја отворате или затворате вратата на ладилникот.
- Вакцините, лековите што се осетливи на топлина, истражувачките материјали и слично не смее да се чуваат во ладилникот бидејќи бараат прецизна температура.
  - Ладилникот треба да се исклучи од струја ако не се користи долго време. Можен проблем со кабелот може да предизвика пожар.
  - Ладилникот може да се мрда ако прилагодливите ногарки не се правилно поставени на подот. Ладилникот нема да се мрда со правилно обезбедување на прилагодливите ногарки на подот.
  - Не држете го ладилникот за рачката на вратата кога го транспортирате. Во спротивно, може да се скрши.
  - Кога треба да го поставите производот до друг ладилник или замрзнувач, растојанието меѓу нив треба да биде најмалку 8 цм. Во спротивно, соседните сидови може да фатат влага.
  - Никогаш не користете го производот ако се отворени деловите на горниот или задниот дел на вашиот производ што имаат електронски плочи со отпечатени струјни кола внатре (заштита на електронски плочи со отпечатени струјни кола) (1).



## Кај производи со диспензер за вода

- Притисокот на влезот за ладна вода ќе биде максимум 90 паскали (6.2 бар). Ако притисокот на водата надмине 80 паскали (5,5 бари), користете вентил за ограничување на притисокот во водоводниот систем. Ако не знаете како да го проверите водниот притисок, побарајте помош од професионален водоинсталатер.
- Ако има ризик од хидраулички удар во

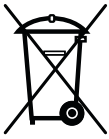
вашата инсталација, секогаш користете опрема за спречување хидраулички удар во вашата инсталација. Консултирајте се со професионални водоводџии ако не сте сигурни дали има или нема хидрауличен удар во вашата инсталација.

- Не инсталирајте на влезот на топлата вода. Преземете мерки против ризикот од замрзнување на цревата. Работниот интервал на водата треба да биде најмалку 33°F (0,6°C) и најмногу 100°F (38°C).
- Користете само вода за пиење.

### Безбедност за деца

- Ако вратата има брава, клучот треба да се чува далеку од дофатот на децата.
- Децата мора да се надгледуваат за да се спречи тие да си играат со ладилникот.

**Усогласување со Директивата за фрлање на електронска и електрична опрема и за одлагање на отпадот:**



Овој отпад е усогласен со Директивата на ЕУ за фрлање на електронска и електрична опрема (2012/19/EU). Овој

производ го носи

симболот за

класификација на отпадот од електрична и електронска опрема (WEEE).

Овој производ е произведен со многу квалитетни делови и материјали коишто може да се користат одново и се соодветни за рециклирање. Не фрлајте го производот со нормалниот домашен отпад и со друг отпад кога веќе нема да го користите. Однесете го во собирен центар за рециклирање на електрична и електронска опрема. Консултирајте се со овластените тела во општината за да дознаете каде има собирни центри.

### **Усогласување со Директивата за ограничување на опасните материји:**

Производот што го купивте е усогласен со отпад е усогласен со Директивата за ограничување на опасните материји (2011/65/EU). Не содржи штетни и забранети материјали коишто се наведени во Директивата.

### **Информации за пакувањето**

Материјалот за пакувањето на производот е произведен од материјал што може да се рециклира во согласност со Државните одредби за заштита на животната средина. Не фрлајте го материјалот од пакувањето заедно со домашниот или друг отпад. Однесете го во центри за собирање материјал за пакување коишто ги посочуваат општинските тела

### **НСА-Предупредување**

#### **Ако системот за разладување на производот содржи R600a:**

Овој гас е запалив. Затоа треба са се обрне внимание да не се оштетуваат системот за ладење и цевководите при употреба и транспорт. Во случај на оштетување, чувајте го производот настрана од можни извори на оган што може да предизвикаат негово палење и вентилирајте ја просторијата каде што е сместен. Игнорирајте го ова предупредување ако системот за ладење на производот содржи R134a.

Типот на гас што се користи во производот е посочен на плочката на левиот ѕид во ладилникот. Никогаш не фрлајте го производот во оган.

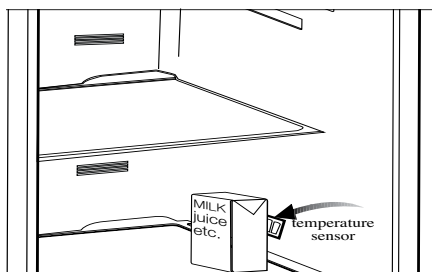
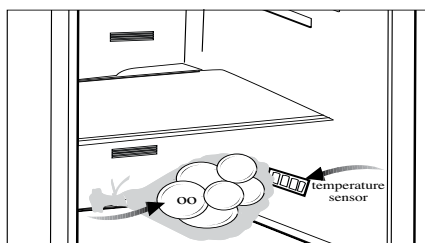
### **Работи што треба да ги направите за штедење енергија**

- Не држете ги вратите на ладилникот отворени подолг период.

- Не ставајте топли пијалаци или храна во ладилникот.
- Не преоптоварувајте го ладилникот со што ќе се попречи циркулацијата на воздухот во внатрешноста.
- Не поставувајте го ладилникот под директна сончева светлина или близу до уреди што зрачат топлина како што се печка, машина за миење садови или радијатори.
- Внимавајте храната да ја чувате во затворени садови.
- За производи со оддел за замрзнување - Може да чувате максимална количина храна во замрзнувачот ако ја извадите полицата или фиоката од замрзнувачот. Посочената вредност за потрошувачката на струја за ладилникот е одредена со извадени полици или фиоки и под максимално оптоварување. Нема штета ако се користи полица или фиока во согласност со облиците или големината на храната што треба да се замрзне.
- Ако ја одмрзнувате замрзната храна во одделот на ладилникот, ќе заштедите струја и ќе го зачувате квалитетот на храната.

## Препораки за одделот за свежа храна

- Не дозволувајте храна да дојде во контакт со сензорот за температура во одделот за свежа храна. Сензорот не треба да биде блокиран со храна за да се одржи идеалната температура за чување свежа храна.
- Не ставајте врела храна во ладилникот.





### 3 Поставување

⚠ Имајте предвид дека производителот нема да биде одговорен ако не се почитуваат информациите коишто се дадени во упатството за работа.

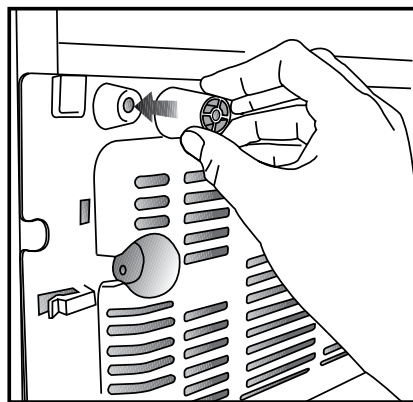
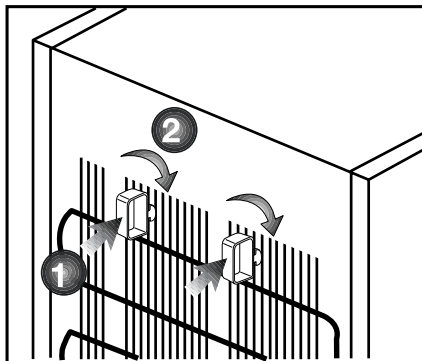
#### Работи што треба да се имаат во предвид кога го транспортирате ладилникот

1. Ладилникот мора да се испразни и исчисти пред каков било транспорт.
2. Полиците, дополнителната опрема, фиоките и сл. во ладилникот мора безбедно да се зацврстат со лента за лепење за да се спречи нишање пред повторно пакување.
3. Пакувањето мора да се зацврсти со дебели ленти и цврсти јажиња, а правилата што се отпечатени на пакувањето мора да се почитуваат.

Не заборавајте...

Секој рециклирачки материјал е неопходен извор за природата и за нашите природни ресурси.

Ако сакате да придонесете при рециклирање на материјалите за пакување, може да добиете повеќе информации од овластените лица за животна средина или од локалната власт.



#### Пред вклучување на ладилникот

Пред да почнете да го употребувате ладилникот, проверете го следново:

1. Дали внатрешноста на ладилникот е сува и дали може воздухот да циркулира слободно од задната страна?
2. Поставете ги 2 пластични клина како што е прикажано на сликата. Пластичните клинови ќе го обезбедат неопходното растојание меѓу ладилникот и ѕидот за да се овозможи циркулација на воздухот. (Илустрацијата е само пример и

- не соодветствува во целост со производот).
- Исчистете ја внатрешноста на ладилникот како што е препорачано во поглавјето „Одржување и чистење“.
  - Вклучете во ладилникот во приклучок за струја. Кога вратата ќе се отвори, соодветното внатрешно осветлување на ладилникот ќе се вклучи.
  - Ќе слушнете бучава кога ќе се вклучи компресорот. Течноста и гасовите затворени во системот на ладилникот ја зголемуваат бучавата, без оглед дали компресорот е вклучен или не, тоа е сосема нормално.
  - Предните рабови на ладилникот може да се малку топли. Тоа е сосема нормално. Овие области се дизајнирани да бидат топли за да се спречи кондензација.

## **Електрично поврзување**

**Поврзете го производот во заземјен штекер што е заштитен со осигурувач со соодветен капацитет.**

Важно:

- Поврзувањето мора да биде усогласено со државните регулативи.
- Приклучокот на кабелот за напојување мора да биде лесно достапен по приклучувањето.
- Посочениот напон мора да биде еднаков на напонот на напојувањето.
- Не смее да се користат продолжни кабли и приклучоци со повеќе влезови.

⚠ Квалификуван електричар мора да го замени оштетениот кабел за напојување.

⚠ Производот не смее да работи пред да се поправи! Постои ризик од електричен удар!

Фрлање на пакувањето

Материјалот за пакување е опасен за децата. Чувајте го материјалот за пакување подалеку од дофат на децата или фрлете го класифицирајќи го во согласност со упатствата за фрлање отпад. Не фрлајте го заедно со редовниот домашен отпад.

Пакувањето на ладилникот е произведено од рециклирачки материјали.

Фрлање на стариот ладилник  
Фрлете го стариот ладилник без да направите штета за животната средина.

- Консултирајте се со овластениот застапник или со центар за собирање отпад во вашата општина за тоа како да го фрлите ладилникот.

Пред да го фрлите ладилникот, исечете го кабелот за напојување и, ако има брави на вратата, искршете ги за да ги заштитите децата од каква било опасност.

## **Поставување и поврзување**

⚠ Ако влезната врата на просторијата каде што треба да се смести ладилникот не е доволно широка за да може тој да помине, повикајте го овластениот сервис да ги извади вратите на ладилникот и тогаш, поминете го ладилникот низ вратата странично.

- Кондензаторот на апаратот се наоѓа одзади како што е прикажано. За да постигнете подобра енергетска ефикасност со помала потрошувачка на ел. енергија, повлечете го кондензаторот кон себе како што е прикажано на сликата подолу. Позицијата на кондензаторот се фиксира на местото преку механизмот за заклучување на горните држачи од обете страни.

\* ПО ИЗБОР



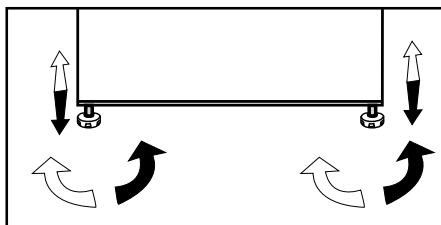
1. Поставете го ладилникот на место кое овозможува лесна употреба.
2. Поставете го ладилникот подалеку од извори на топлина, влажни места или директна сончева светлина.
3. Мора да има соодветна воздушна вентилација околу ладилникот со цел да се постигне ефикасна работа. Ако ладилникот треба да се постави во вдлабнатина во сидот, тогаш мора да има најмалку 5 цм. растојание од таванот и најмалку 5 цм од сидот.

**Ако на подот има килим, ладилникот мора да е подигнат од подот за 2.5 цм.**

4. Поставете го ладилникот на рамни подови за да се спречи нишање.

## Прилагодување на ногарките

Ако ладилникот не е избалансиран Може да го избалансирате ладилникот со вртење на предните ногарки, како што е прикажано на сликата. Аголот каде што има ногарка, се спушта кога вртите во правец на црната стрелка и се подигнува кога вртите во спротивната насока. Ако некој би ви помогнал со делумно подигнување на ладилникот, тоа ќе ви ја олесни работата.



## Менување на светилката за осветлување

Повикајте овластен сервисер за да ја смените светилката што служи за осветлување на ладилникот.

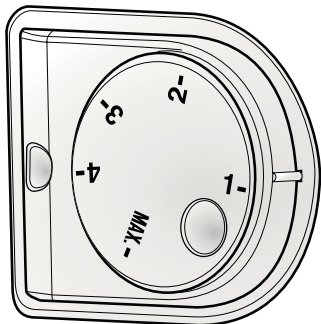
Сијалицата што се користи во овој уред не служи за осветлување на соби во домот. Намената на сијалицата е да му помогне на корисникот да ја стави храната во фрижидерот безбедно и удобно. Сијалиците што се користат во овој производ треба да ги издржуваат екстремните физички услови, како што се температурите под  $-20^{\circ}\text{C}$ .

## 4 Подготовка

- самостоен уред; „овој фрижидер не е наменет да се користи како уред за вградување“;
- Вашиот ладилник/замрзнувач треба да се инсталира најмалку 30 см од извори на топлина како што се плотни, рерни, централен грејач и шпорети, како и на најмалку 5 см од електрични рерни и не треба да биде лоциран под директна сончева светлина.
- Ве молиме, проверете дали внатрешноста на ладилникот/замрзнувачот е темелно исчистена.
- Ако треба да се инсталираат два ладилника еден до друг, треба да има растојание од најмалку 2 см меѓу нив.
- Кога првпат го вклучувате ладилникот/замрзнувачот, Ве молиме, почитувајте ги следниве упатства во првите шест часа.
- Неговата врата не треба да се отвора често.
- Мора да работи празен без да се става храна во него.
- Не исклучувајте го кабелот на ладилникот/замрзнувачот. Ако снема струја, не по Ваша вина, Ве молиме, прочитајте ги предупредувањата во делот „Препорачани решенија за проблемите“.
- Корпите/фиоките дадени со одделот за ладење мора секогаш да се користат за ниска потрошувачка на енергија и за подобри услови на складирање.
- Контактот на храна со сензорот за температура во одделот за замрзнување може да ја зголеми потрошувачката на енергија на уредот. Затоа, мора да се избегнува секаков контакт со сензорот/сензорите.
- Овој производ е дизајниран да функционира на амбиентални температури до 43 °C (90 SDgrF). Иако амбиенталната температура падне до -15 °C, замрзнатата храна во замрзнувачот нема да се одмрзне благодарение на напредниот електронски систем за контрола на температурата. При првата инсталација, производот НЕ треба да се става на ниски амбиентални температури. Ова е затоа што замрзнувачот не може да ја постигне стандардната температура на работење. Кога ќе постигне континуирано работење, производот може да се помести на друго место. Така, подоцна може да го ставите својот производ во гаражата или во незагревана соба, без да се грижите дали ќе се расипе во него замрзнатата храна. Сепак, веројатно е дека споменатите ниски температури може да предизвикаат замрзнување на храната во одделот за ладење; затоа, Ве молиме, конзумирајте ја храната во фрижидерот на правилен и контролиран начин. Кога амбиенталната температура ќе се врати на нормала, може да ја смените поставката на копчето според своите потреби.
- Ако амбиенталната температура е под 0°C, храната во одделот за ладење ќе замрзне. Затоа, препорачуваме да не го користите одделот за ладење на толку ниски амбиентални температури. Може да продолжите да го користите одделот за замрзнување како и обично.
- Во некои модели, панелот со инструменти автоматски се исклучува 5 минути по затворање на вратата. Ќе се реактивира кога вратата ќе се отвори или ќе се притисне кое било копче.

- Поради промената на температурата од отворање/затворање на вратата на производот додека работи, кондензирањето на рафтовите на вратата/на телото и стаклените садови е нормално.
- Бидејќи топлиот и влажен воздух директно не навлегуваат во вашиот производ кога вратите не се отворени, вашиот производ ќе се оптимизира во услови доволни за заштита на вашата храна. Во оваа функција за зачувување енергија, функциите и составните делови како компресор, вентилатор, грејач, замрзнувач, осветлување, дисплеј ќе работат и други, ќе работат во согласност со потребите за трошење минимална електрична енергија и истовремено вашата храна ќе биде свежа.

## 5 Употреба на ладилникот



### Копче за поставување на температурата

Копчето за поставување на температурата Ви овозможува да ја поставувате температурата во фрижидерот.

### Поставување на температурата во фрижидерот

Генералното поставување на температурата на фрижидерот се прави со копчето за поставување на температурата на десниот ѕид на одделот за ладење. Ова копче има 4 различни позиции за поставување на температурата. Изберете ја позицијата што одговара на Вашите потреби.

### Двоен систем на разладување

Фрижидерот е опремен со два одделни системи за ладење за ладење на одделот за свежа храна и одделот за замрзнување. Така, одделот за свежа храна и одделот за замрзнување не се мешаат. Благодарение на овие два одделни системи за ладење, брзината на ладење е многу повисока отколку во други фрижидери. Не се мешаат мирисите во одделите. Има и дополнителна заштеда на енергија бидејќи автоматското топење се прави поединечно.

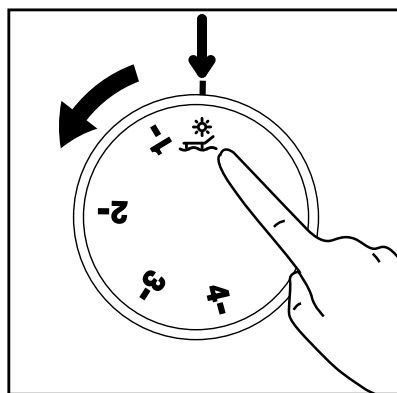
### Функција за одмор

Ако вратите на производот нема да се отворат 12 часа откако термостатот ќе се префрли на најтоплата позиција, тогаш автоматски се вклучува функцијата за одмор.

Отворете ја вратата на производот или сменете ја поставката на термостатот за да ја откажете функцијата.

Функцијата за одмор е по избор. Варира зависно од типот на производот и не е вклучена во секој производ.

Не се препорачува да се чува храна во одделот за разладување кога е активна функцијата за одмор.



Прилагодување на одделот на замрзнувачот	Прилагодување на одделот на ладилникот	Објаснувања
-18°C	4°C	Ова е нормална, препорачана поставка.
-20-22 или -24°C	4°C	Овие поставки се препорачуваат кога амбиенталната температура надминува 30°C.
Брзо замрзнување	4°C	Кога сакате да ја замрзнете храната за кратко време. Ладилникот ќе се врати во претходниот режим кога ќе заврши процесот.
-18°C или поладно	2°C	Ако мислите дека одделот на ладилникот не е доволно студен заради жешки временски услови или често отворање и затворање на вратата.
-18°C или поладно	Брзо ладење	Може да го користите кога одделот на ладилникот е преполнет или ако сакате да ја изладите храната бргу. Се препорачува да ја активирате функцијата за брзо ладење 4-8 часа пред да ја ставите храната.

## Замрзнување свежа храна

- Се претпочита храната да се завитка или покрие пред да се стави во ладилникот.
- Врела храна мора прво да се излади на собна температура пред да се стави во ладилникот.
- Храната што сакате да ја замрзнете мора да биде свежа и со добар квалитет.
- Храната мора да се подели во порции во согласност со дневните потреби на семејството или со потребите за консумирање месо.
- Храната мора да биде спакувана со истиснат воздух за да се спречи исушување дури и кога ќе се чува краток период.
- Материјалите што ќе се употребат за пакување на храната мора да се отпорни на кинење и отпорни на ладно, влага, миризби, масла или киселини и со истиснат воздух. Понатаму, мора да бидат добро затворени и мора да се изработени од материјали што се лесни за употреба и соодветни за употреба во длабоко замрзнување.
- Замрзната храна мора да се употреби веднаш по растопување и не смее повторно да се замрзнува.
- Следете ги следните упатства за да ги постигнете најдобрите резултати.

1. Не замрзнувајте премногу големи количини храна одеднаш. Квалитетот на храната најдобро се зачувува кога се замрзнува целосно колку што е можно поскоро.
2. Ставање топла храна во одделот за замрзнување предизвикува системот за ладење да работи постојано додека не се замрзне храната целосно.
3. Особено внимавајте да не мешате веќе смрзната храна и свежа храна.

### Препораки за зачувување на смрзната храна

- Купената спакувана замрзната храна треба да складира во согласност со упатството на производителот за замрзната храна во **❄️ ❄️ ❄️** одделот за складирање смрзната храна ( 4 ѕвездички).
- За да го одржите најдобриот квалитет што го постигнал производителот на замрзната храна, треба да го запомните следново:
  1. Ставете ги пакувањата во ладилникот колку што е можно побргу по купување.
  2. Проверете дали пакувањето е обележано и има датум.
  3. Не надминувајте ги датумите на пакувањето „Да се употреби до“ и „Рок на употреба“.

### Одмрзнување

Одделот на замрзнувачот се одмрзнува автоматски.

### Ставање храна

Полици во одделот на замрзнувачот	Разна замрзната храна како што се месо, риба, сладолед, зеленчук, итн.
Тацна за јајца	Јајце
Полици во одделот на ладилникот	Храна во тави, покриени чинии и затворени садови
Полици на вратата во одделот на ладилникот	Мала и спакувана храна или пијалаци (како што се млеко, сок или пиво)
Свежа храна	Зеленчук и овошје
Оддел за одржување свежина	Деликатесни производи (сирење, путер, салама, итн.)

### Информации за длабоко замрзнување

Храната мора да се замрзне што е можно поскоро кога ќе се стави во ладилникот за да се одржи добриот квалитет.

Нормативите TSE бараат (според одредени мерни услови) ладилникот да замрзнува најмалку 4.5 кг. храна на 32°C амбиентална температура до -18°C или помалку во рок од 24 часа на секои 100 литри замрзнувачки волумен.

Можно е да се чува храната подолг период само на -18°C или на пониски температури.



Може да ја одржувате свежината на храната повеќе месеци (на  $-18^{\circ}\text{C}$  или пониски температури во длабоко замрзнување).

### **ПРЕДУПРЕДУВАЊЕ!** ⚠

- Храната мора да се подели во порции во согласност со дневните потреби на семејството или со потребите за консумирање месо.
- Храната мора да биде спакувана со истиснат воздух за да се спречи исушување дури и кога се чува за краток период.

Материјали што се неопходни за пакување:

- Лента за лепење што е отпорна на ладно
- Самолеплива лента
- Гумени ластичиња
- Стегачи

Материјалите што ќе се употребат за пакување на храната мора да се отпорни на кинење и отпорни на ладно, влага, миризби, масла или киселини.

Храната што треба да се замрзне не смее да дојде во контакт со претходно замрзнати ставки за да се спречи делумно растопување.

Замрзната храна мора да се употреби веднаш по растопување и не смее повторно да се замрзнува.

Исклучување на производот

Ако термостатот има позиција „0“:

- Производот ќе престане да работи кога ќе го свртите копчето на термостатот на позицијата „0“ (нула). Производот нема да започне со работа ако не го свртите копчето на термостатот на позиција „1“ или на некоја од другите позиции повторно.

Ако термостатот има позиција „мин“:

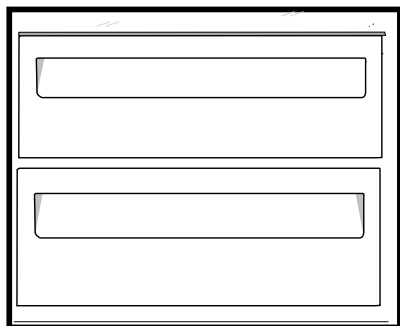
- Исклучете го производот од струја за да престане да работи.

ⓘ Овој производ е опремен со извор на осветлување од енергетската класа „G“.

Изворот на осветлување во овој производ треба да го замени само стручен сервисер.

## Нула температура во одделот

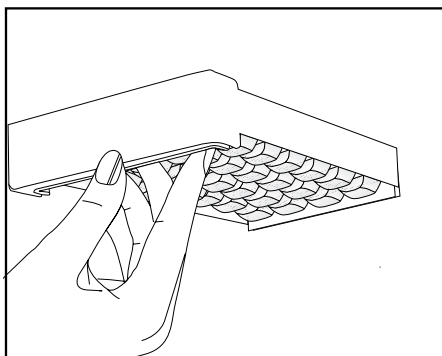
Овој оддел е дизајниран да складира замрзната храна која треба да се отпопува полака (месо, риба, пиле, итн.) Одделот со нула температура е најладното место во ладилникот во кој млечните производи (сирење, путер), месо, риба или пиле може да се чуваат во идеални услови. Зеленчукот и/или овошјето не смее да се ставаат во овој оддел.



## Правење мраз

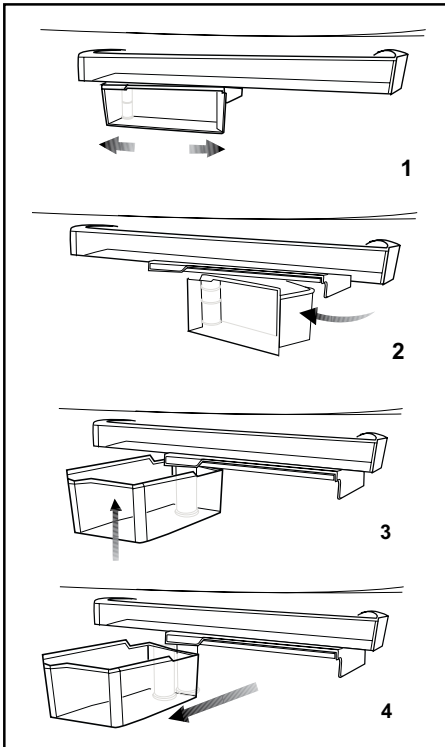
Наполнете го садот за мраз со вода и ставете го на неговото место. Мразот ќе биде направен по приближно два часа.

Може лесно да го извадите мразот со лесно свиткување на садот за лед.



## Ротирачки сад за чување

(во некои модели) Рафтот на лизгање може да се движи лево или десно за да може да ставате високи шишиња, тегли или кутии на долниот рафт (Слика 1) Може да ја досегнете храната што сте ја ставиле на рафтот ако ја фатите и свртете од десниот раб (Слика 2). Кога сакате да наполните или да ја извадите за да ја чистите, свртете ја за 90 степени, подигнете ја и повлечете ја кон себе (Слика 3-4).

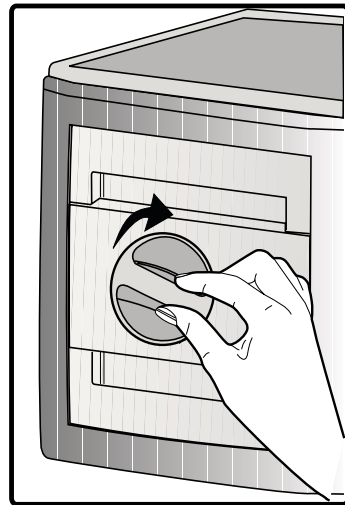


## Ледоматот и садот за чување мраз

\*Може да не е достапен во сите модели Користење на ледоматот Наполнете го ледоматот со вода и ставете го на место. Вашиот мраз ќе биде подготвен за два часа. Не го вадете ледоматот од местото за да земете мраз. Свртете ги за 90 степени рачките на резервоарите за мраз во правец на движење на часовникот. Коцките мраз од резервоарите ќе паднат во долниот сад за чување мраз.

Може да го извадите садот за чување на мразот и да го послужите мразот.

Ако сакате, може да ги чувате коцките мраз во садот за чување мраз. Сад за чување мраз Садот за чување мраз е наменет само за акумулирање на коцки мраз. Не ставајте вода во него или ќе се скрши.

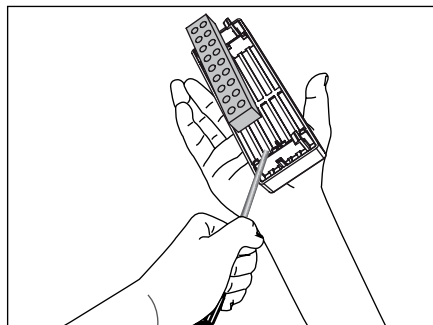
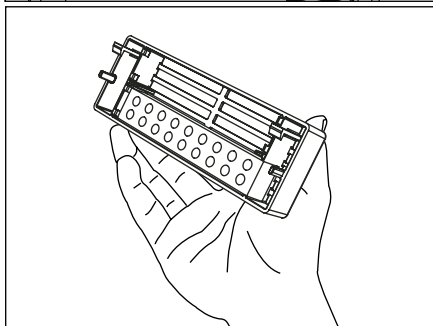
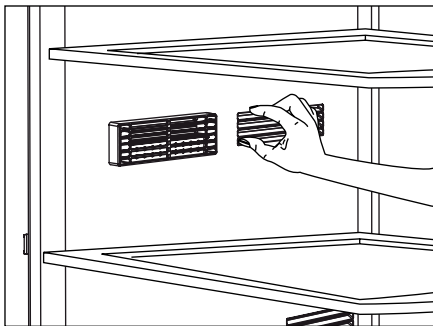


## Опис и чистење на филтерот за мириси

\*по избор Филтерот за мириси спречува да се собира непријатна миризба во фрижидерот.

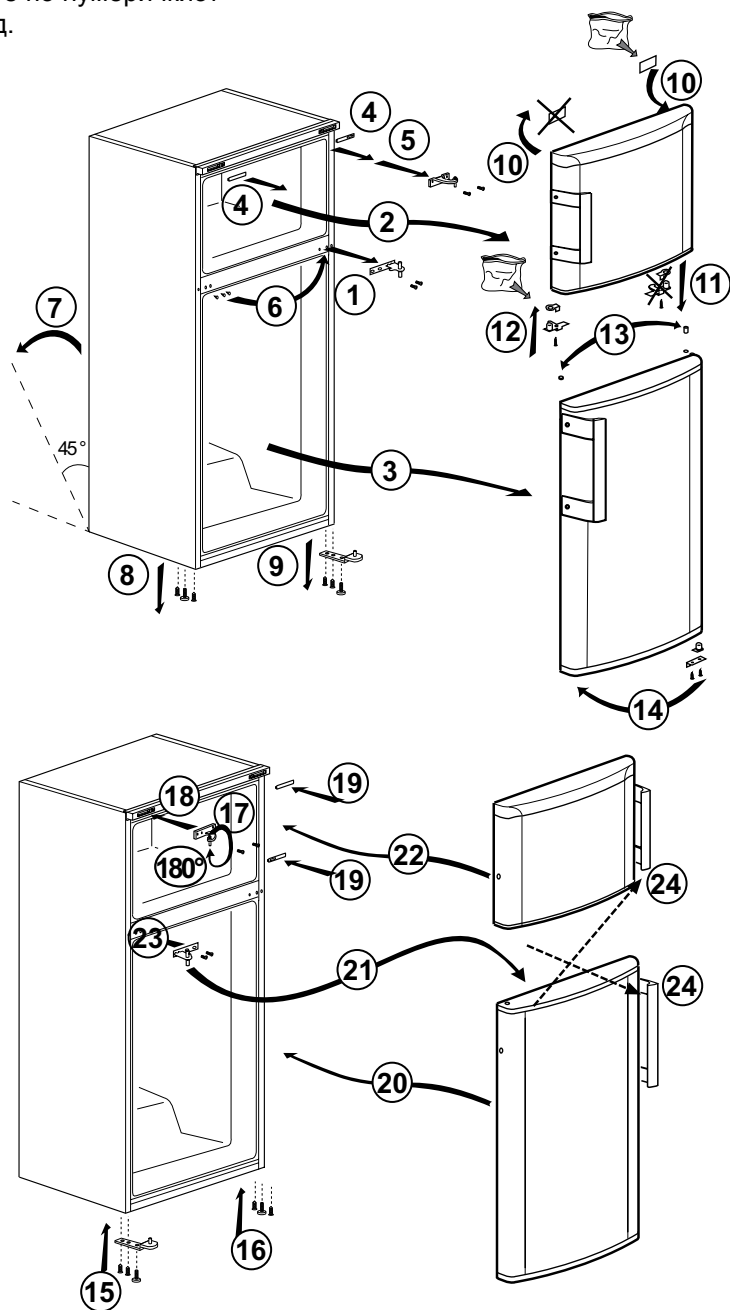
Повлечете го надолу капакот на кој е инсталиран филтерот за мириси од предниот дел и тргнете го како што е прикажано. Оставете го филтерот на сончева светлина еден ден. Филтерот ќе се исчисти за тоа време. Вратете го на место филтерот.

Филтерот за мириси мора да се чисти еднаш годишно.



## Преместување на вратите

Постапете по нумеричкиот редослед.



## 6 Одржување и чистење

---

- ⚠ Никогаш не користете бензин, нафта или слични средства за чистење.
- ⚠ Препорачуваме да го исклучите апаратот пред чистење.
- ❗ Никогаш не користете груби абразивни инструменти, сапун, домашни средства за чистење, детергент и средство за полирање за чистење.
- ❗ Користете топла вода за чистење на внатрешноста на апаратот и избришете за да се исуши.
- ❗ Користете влажна и добро исцедена крпа потопена во раствор од една лажичка сода бикарбонат и една чаша вода за чистење на внатрешноста, а потоа избришете за да се исуши.
- ⚠ Внимавајте да не навлезе вода во куќиштето на осветлувањето или во другите електрични делови.
- ⚠ Ако апаратот нема да се користи подолго време, исклучете го, извадете ја храната, исчистете го и оставате ја вратата полуотворена.
- ❗ Проверувајте ја редовно гумата на вратата која треба да биде чиста и без остатоци од храна.
- ❗ За да ги извадите полиците на вратата, извадете ја целата содржина и потоа едноставно притиснете ја полицата нагоре од лежиштето.
- ❗ Никогаш не користете средства за чистење или вода што содржат хлор за да ги исчистите надворешните површини и деловите обложени со хром на производот. Хлорот предизвикува корозија на таквите метални површини.
- ❗ Не користете остри и абразивни предмети или сапун, средства за чистење во домаќинството, детергенти, бензин, восок, итн., инаку ќе се извадат пломбите на пластичните делови и ќе се деформираат. Користете топла вода и мека ткаенина за чистење. Избришете за да биде суво.

### **Заштита на пластичните површини**

- ❗ Не ставајте течни масла или храна зготвена со масло во незатворени садови во ладилникот бидејќи тие може да ги оштетат пластичните површини на ладилникот. Во случај на истурање или размачкување масло врз пластичните површини, исчистете го и исплакнете го дадениот дел на површината веднаш со топла вода.

## 7 Препорачани решенија за проблемите

Прочитајте го овој список пред да повикате сервис. Ќе ви заштеди време и пари. Овој список ги опфаќа честите поплаки што не произлегуваат од неправилна работа или употреба на материјали. Некои од одликите што се опишани тука веројатно не постојат кај вашиот производ.

<b>Ладилникот не работи</b>
<ul style="list-style-type: none"><li>• Дали ладилникот е правилно приклучен? Приклучете го во штекер.</li><li>• Дали осигурувачот на приклучокот на којшто е поврзан ладилникот или главниот осигурувач се прегорени? Проверете го осигурувачот.</li></ul>
<b>Се јавува кондензација на страничните ѕидови во одделот на ладилникот. (MULTI ZONE, COOL CONTROL ve FLEXI ZONE)</b>
<ul style="list-style-type: none"><li>• Многу студени амбиентални услови. Често отворање и затворање на вратата. Амбиентални услови со многу влага. Складирана храна што содржи течност во отворени садови. Вратата е оставена подотворена.</li><li>• Префрлете го термостатот на поладен степен.</li><li>• Намалете го времето за оставена отворена врата или користете ја поретко.</li><li>• Затворете ја храната што ја чувате во отворени садови со соодветен материјал.</li><li>• Избришете ја кондензацијата со сува крпа и проверете дали повторно ќе се појави.</li></ul>
<b>Компресорот не се вклучува</b>
<ul style="list-style-type: none"><li>• Заштитната термика на компресорот ќе престане да работи при ненадеен прекин на ел. енергија или ќе го прекине ел. напојување бидејќи притисокот на ладилникот во системот за ладење сè уште не е избалансиран.</li><li>• Ладилникот ќе продолжи со работа по приближно 6 минути. Повикајте го сервисерот ако ладилникот не се вклучи по истекување на овој период.</li><li>• Ладилникот е во циклус на одмрзнување. Ова е нормално за целосно автоматизиран процес на одмрзнување кај ладилникот. Циклусот на одмрзнување започнува периодично.</li><li>• Ладилникот не е приклучен во штекер. Проверете дали приклучокот е приклучен правилно во ѕидниот штекер.</li><li>• Дали прилагодувањето на температурата е правилно направено? Нема струја. Повикајте го електродистрибутерот.</li></ul>
<b>Ладилникот често или долго работи.</b>

- Новиот ладилник веројатно е поширок од претходниот. Тоа е сосема нормално. Големите ладилници работат подолг период.
- Собната температура е висока. Ова е нормално.
- Ладилникот веројатно е приклучен неодамна или можеби е преоптоварен со храна. Комплетното разладување на ладилникот може да потрае неколку часа подолго.
- Веројатно е ставена голема количина врела храна во ладилникот неодамна. Врелата храна предизвикува подолг период на работа на ладилникот сè додека не се постигне безбедна температура на складирање.
- Вратите веројатно биле често отворани или оставени подотворени долг период. Топлиот воздух што навлегол во ладилникот предизвикува тој да работи подолг период. Отворајте ги вратите поретко.
- Вратите на одделите на ладилникот или замрзнувачот веројатно биле оставени подотворени. Проверете дали вратите се добро затворени.
- Ладилникот е прилагоден на многу ниска температура. Прилагодете ја температурата во ладилникот на повисок степен и почекајте додека не се постигне температурата.
- Гумата на вратата од ладилникот или замрзнувачот е нечиста, истрошена, искината или не е правилно поставена. Исчистете ја или заменете ја гумата. Оштетена / искината гума предизвикува ладилникот да работи подолг период за да ја одржува тековната температура.

Температурата во замрзнувачот е многу ниска додека температурата во ладилникот е задоволителна.

- Температурата во замрзнувачот е прилагодена на многу ниска температура. Прилагодете ја температурата во замрзнувачот на повисок степен и проверете.

Температурата во ладилникот е многу ниска додека температурата во замрзнувачот е задоволителна.

- Температурата во ладилникот е прилагодена на многу ниска температура. Прилагодете ја температурата во ладилникот на повисок степен и проверете.

Храната што се чува во фиоките на ладилникот се замрзнува.

- Температурата во ладилникот е прилагодена на многу ниска температура. Прилагодете ја температурата во ладилникот на повисок степен и проверете.

Температурата во ладилникот или замрзнувачот е многу висока.

- Температурата во ладилникот е прилагодена на многу висока температура. Прилагодувањето во ладилникот влијае врз температурата во замрзнувачот. Сменете ја температурата во ладилникот или замрзнувачот додека истата не постигне задоволително ниво.
- Вратата веројатно била оставена подотворена. Затворете ја вратата убаво.
- Веројатно е ставена голема количина врела храна во ладилникот неодамна. Почекајте додека ладилникот или замрзнувачот не ја постигнат саканата температура.
- Ладилникот веројатно бил приклучен неодамна. Целосно разладување на ладилникот трае подолго заради неговата големина.

Бучава слична на звукот на секундарнарникот што се слуша кај аналогниот часовник се слуша од ладилникот.

- Ова бучава доаѓа од соленоидниот вентил на ладилникот. Функциите на соленоидниот вентил, за да може фреонот да минува низ одделот, може да се прилагодуваат на температури за ладење или замрзнување или да извршуваат функции за ладење. Ова е нормално и не е дефект.



Бучавата при работа се зголемува кога работи ладилникот.
<ul style="list-style-type: none"> <li>• Карактеристиките за работата на ладилникот се менуваат соодветно на промените во амбиенталната температура. Тоа е нормално и не е грешка.</li> </ul>
Вибрации или бучава.
<ul style="list-style-type: none"> <li>• Подот не е рамен или е многу слаб. Ладилникот се ниша кога ќе се помести малку. Проверете дали подот е рамен, цврст и може да го држи ладилникот.</li> <li>• Бучавата може да се предизвикува и од работите што се ставени врз ладилникот. Тие предмети треба да се тргнат од ладилникот.</li> </ul>
Има бучава што наликува на истурање вода или шиштење.
<ul style="list-style-type: none"> <li>• Течните и гасните звуци се случуваат заради работните принципи на ладилникот. Тоа е нормално и не е грешка.</li> </ul>
Има бучава како да дува ветер.
<ul style="list-style-type: none"> <li>• Активаторите за воздух (вентилаторите) се користат за да може ладилникот да лади ефикасно. Тоа е нормално и не е грешка.</li> </ul>
Има кондензација на внатрешните сидови на ладилникот.
<ul style="list-style-type: none"> <li>• Врела и влажна клима го зголемува создавањето мраз и кондензација. Тоа е нормално и не е грешка.</li> <li>• Вратите се подотворени. Обезбедете вратите да се секогаш добро затворени.</li> <li>• Вратите веројатно се отворале многу често или биле оставени отворени подолг период. Отворајте ја вратата поретко.</li> </ul>
Влага се појавува на надворешноста на ладилникот или меѓу вратите.
<ul style="list-style-type: none"> <li>• Климата е влажна. Ова е нормално за влажна клима. Кога ќе се намали влагата, ќе исчезне и кондензацијата.</li> </ul>
Има лоша миризба во ладилникот.
<ul style="list-style-type: none"> <li>• Внатрешноста на ладилникот мора да се исчисти. Исчистете ја внатрешноста на ладилникот со сунѓер, топла вода или карбонизирана вода.</li> <li>• Некои садови или материјали за пакување веројатно го предизвикуваат мирисот. Употребете друг сад или материјал за пакување од друг производител.</li> </ul>
Вратата(ите) не се затвора(ат).
<ul style="list-style-type: none"> <li>• Спакуваната храна може да го попречува затворањето на вратите. Преместете ја спакуваната храна што ја попречува вратата.</li> <li>• Ладилникот веројатно не е поставен целосно вертикално на подот и се ниша кога малку ќе се потурне. Прилагодете ги шрафовите за подигнување.</li> <li>• Подот не е рамен или цврст. Проверете дали подот е рамен и може да го држи ладилникот.</li> </ul>
Фиоките се заглавени.
<ul style="list-style-type: none"> <li>• Храната веројатно го допира плафонот на фиоката. Прераспределете ја храната во фиоката.</li> </ul>