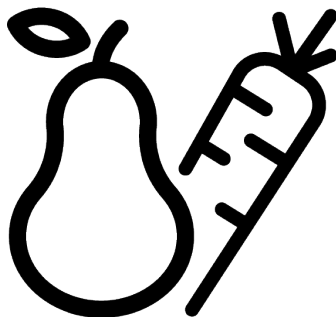


# beko

**Refrigerator** / User Manual  
**Réfrigérateur** / Manuel d'utilisation  
**Frigorífico** / Manual do utilizador



B3RCNE364HW - B3RCNE364ZXBR

58 7429 0000/ EN/ FR/ PT/ AF/ 15/09/2022 14:55  
7282943710\_7282947602



## Please read this manual first!

Dear Customer

**Please read this manual before using the product.**

Thank you for choosing this Beko product. We would like you to achieve the optimal efficiency from this high quality product which has been manufactured with state of the art technology. To do this, carefully read this manual and any other documentation provided before using the product and keep it as a reference.

Heed all information and warnings in the user manual. This way, you will protect yourself and your product against the dangers that may occur.

Keep the user manual. Include this manual with the unit if you hand it over to someone else.

**The following symbols are used in the user manual:**



Hazard that may result in death or injury.



Important information or useful tips on operation.







Read the user manual.



Combustible material, warning against fire hazard.

NOTICE A hazard that may cause material damage to the product or its surroundings

|   |  |
|---|--|
| <br><br><b>SUPPLIER'S NAME</b><br><br><b>MODEL IDENTIFIER</b> → (*)<br> | <p>The model information as stored in the product data base can be reached by entering following website and searching for your model identifier (*) found on energy label.</p> <p><a href="https://eprel.ec.europa.eu/">https://eprel.ec.europa.eu/</a></p> |
|---|--|

|          |  |           |
|----------|--|-----------|
| <b>1</b> | <b>Safety Instructions.....</b>                          | <b>4</b>  |
| 1.1      | Intention of Use .....                                   | 4         |
| 1.2      | Safety of Children, Vulnerable<br>Persons and Pets ..... | 4         |
| 1.3      | Electrical Safety.....                                   | 5         |
| 1.4      | Handling Safety .....                                    | 6         |
| 1.5      | Installation Safety.....                                 | 6         |
| 1.6      | Operational Safety.....                                  | 7         |
| 1.7      | Food Storage Safety.....                                 | 10        |
| 1.8      | Maintenance and Cleaning Safety                          | 10        |
| <b>2</b> | <b>Environmental Instructions.....</b>                   | <b>11</b> |
| <b>3</b> | <b>Your Refrigerator .....</b>                           | <b>11</b> |
| <b>4</b> | <b>Installation .....</b>                                | <b>12</b> |
| 4.1      | Right Place For Installation.....                        | 12        |
| 4.2      | Electrical Connection .....                              | 12        |
| 4.3      | Attaching the Plastic Wedges .....                       | 13        |
| 4.4      | Adjusting the Legs.....                                  | 13        |
| 4.5      | Hot Surface Warning.....                                 | 13        |
| <b>5</b> | <b>Preparation.....</b>                                  | <b>13</b> |
| 5.1      | What to Do for Energy Saving .....                       | 13        |
| 5.2      | First Use.....   | 14        |
| 5.3      | Climate Class and Definitions .....                      | 14        |
| <b>6</b> | <b>Operating the Product.....</b>                        | <b>14</b> |
| <b>7</b> | <b>Use of Your Appliance.....</b>                        | <b>15</b> |
| 7.1      | Control Panel of the Product .....                       | 15        |
| 7.2      | Storing Food in the Cooler Com-<br>partment.....         | 16        |
| 7.3      | Crisper .....  | 18        |
| 7.4      | Crisper Technologies .....                               | 19        |
| 7.5      | Photocatalytic Module (Fresh-<br>Guard) .....            | 19        |
| 7.6      | Dairy Products Cold Storage Area                         | 20        |
| 7.7      | Reversing the Door Opening Side.                         | 20        |
| 7.8      | Door Open Alert .....                                    | 20        |
| 7.9      | Foldable Wine Rack.....                                  | 20        |
| 7.10     | Replacing the Illumination Lamp..                        | 20        |
| 7.11     | AeroFlow .....   | 20        |
| <b>8</b> | <b>Maintenance and Cleaning .....</b>                    | <b>21</b> |
| <b>9</b> | <b>Troubleshooting.....</b>                              | <b>22</b> |

# 1 Safety Instructions

- This section includes the safety instructions necessary to prevent the risk of personal injury or material damage.
- Our company shall not be held responsible for damages that may occur if these instructions are not observed.



Always have installation and repair operations performed by manufacturer, authorized service or a person who will be described by importer company.



Use original spare parts and accessories only.



Do not repair or replace any component of the product unless it is clearly specified in the user manual.



Do not perform any modifications on the product.

## 1.1 Intention of Use

- This product is not suitable for commercial use and should not be used for a purpose other than its intended use.
- This product is intended for operating interiors, such as households or similar.

For example;

In the staff kitchens of the stores, offices and other working environments,

In farm houses,

In the units of hotels, motels or other resting facilities that are used by the customers,

In hostels, or similar environments,

In catering services and similar non-retail applications.

- This product shall not be used in open or enclosed external environments such as vessels, camper vans, balconies or terraces. Exposing the product to rain, snow, sunlight and wind may cause risk of fire.

## 1.2 Safety of Children, Vulnerable Persons and Pets



- This product may be used by children aged 8 years and older and persons with underdeveloped physical, sensory or mental capabilities or lack of experience and knowledge if they are being supervised or have been given instruction concerning use of the appliance in a safe way and the hazards involved.

- Children between 3 and 8 years are allowed to put and take out food into/from the cooler product.
- Electrical products are dangerous for children and pets. Children and pets must not play with, climb on, or enter the product.
- Cleaning and user maintenance should not be performed by children unless there is someone overseeing them.
- Keep the packaging materials away from children. Risk of injury and suffocation.

Before disposing of old products that shall not be used any more:

1. Unplug the power cord from the mains socket.
  2. Cut the power cable and remove it from the appliance together with the plug.
  3. Do not remove the racks and drawers from the product to prevent children from getting inside the appliance.
  4. Remove the doors.
  5. Store the product so that it shall not be tipped over.
  6. Do not allow children to play with the scrapped product.
- Do not dispose of the product by throwing it into fire. Risk of explosion.

- If there is a lock available on the product's door, keep the key out of children's reach.

### 1.3 Electrical Safety

- The product shall not be plugged into the outlet during installation, maintenance, cleaning, repair, and transportation operations.
- Do not tuck the power cable under the product or to the rear of the product. Do not put heavy items on the power cable. The power cable should not be bent, crushed, and come into contact with any heat source.
- Do not use an extension cord, multi-plug or adaptor to operate your product.
- Portable multi-plugs or portable power supplies may overheat and cause fire. Thus, do not have a multi-plug, portable power sources behind or in the vicinity of the product.
- Do not plug the product's power cord in a loose or damaged power outlet. These types of connections may overheat and cause fire.
- The plug shall be easily accessible. If this is not possible, a mechanism that meets the electrical legislation and that disconnects all terminals from

the mains (fuse, switch, main switch, etc.) shall be available on the electrical installation.

- Do not touch the plug with wet hands.
- When unplugging the appliance, don't hold the power cord, but the plug.

### 1.4 Handling Safety

- This product is heavy, do not handle it by yourself.
- Do not hold the product from its door while handling the product.
- Be careful not to damage the cooling system and the pipes while handling the product. Do not operate the product if the pipes are damaged, and contact an authorized service.

### 1.5 Installation Safety

- Contact the Authorized Service for the product's installation. To prepare the product for use, see the information in the user manual and make sure the electric and water utilities are as required. If not, call a qualified electrician and plumber to arrange the utilities as necessary. Failure to do so may result in electric shock, fire, problems with the product, or injury.

- Check for any damage on the product before installing it. Do not have the product installed if it is damaged.
- Place the product on a clean, level and hard surface and balance it with the adjustable legs. Otherwise, the refrigerator may tip over and cause injuries.
- The product shall be installed in a dry and ventilated environment. Do not keep carpets, rugs or similar covers under the product. This may cause risk of fire as a result of inadequate ventilation!
- Do not block or cover ventilation holes. Otherwise, power consumption increases and your product may be damaged.
- The product must not be connected to supply systems such as solar power supply. Otherwise, your product may be damaged due to sudden voltage changes!
- The more refrigerant a refrigerator contains, the bigger its installation room should be. In very small rooms, a flammable gas-air mixture may occur in case of a gas leak in the cooling system. At least 1 m<sup>3</sup> of volume is required for each 8 grams of refrigerant. The

amount of the refrigerant available in your product is specified in the Type Label.

- The installation place of the product shall not be exposed to direct sunlight and it shall not be in the vicinity of a heat source such as stoves, radiators, etc. If you cannot prevent installation of the product in the vicinity of a heat source, use a suitable insulation plate and make sure the minimum distance to the heat source is as specified below:
  - At least 30 cm away from heat sources such as stoves, ovens, heating units and heaters, etc.,
  - And at least 5 cm away from electrical ovens.
- Your product has the protection class of I.
- Plug the product in a grounded socket that conforms with the Voltage, Current and Frequency values specified in the type label. The socket must have a 10A – 16A fuse. Our firm will not assume responsibility for any damages due to usage without earthing and without power connection in compliance with local and national regulations.
- The product's power cable must be unplugged during installation. Otherwise, risk of electric shock and injury may occur!
- Do not plug the product's power cord in loose, dislocated, broken, dirty, oily power outlets which have a risk of water contact. These types of connections may cause overheating and fire.
- Place the power cable and hoses (if any) of the product so that they shall not cause a risk of tripping over.
- Penetration of humidity and liquid to live parts or to the power cord may cause short circuit. Thus, do not use the product in humid environments or in areas where water may splash (e.g. garage, laundry room, etc.) If the refrigerator is wet by water, unplug it and contact an authorized service.
- Do not ever connect your refrigerator to power saving devices. These systems are harmful for the product



## **1.6 Operational Safety**

- Do not ever use chemical solvents on the product. These materials contain an explosion risk.

- In case of a failure of the product, unplug it and do not operate until it is repaired by the authorized service. There is a risk of electric shock!
- Do not place a source of flame (e.g. candles, cigarettes, etc.) on the product or in the vicinity of it.
- Do not get on the product. Risk of falling and injury!
- Do not cause damage to the pipes of the cooling system using sharp and piercing tools. The refrigerant that sprays out in case of puncturing the gas pipes, pipe extensions or upper surface coatings may cause irritation of skin and injury to the eyes.
- Do not place and operate electrical appliances inside the refrigerator/freezer unless it is advised by the manufacturer.
- Do not jam any parts of your hands or your body to the moving parts inside the product. Be careful to prevent jamming of your fingers between the refrigerator and its door. Be careful while opening or closing the door if there are children around.
- Do not put ice cream, ice cubes or frozen food to your mouth as soon as you take them out of the freezer. Risk of frostbite!
- Do not touch the inner walls, metal parts of the freezer or food kept inside the freezer with wet hands. Risk of frostbite!
- Do not place soda cans or cans and bottles that contain fluids that may be frozen to the freezer compartment. Cans or bottles may explode. Risk of injury and material damage!
- Do not use or place materials sensitive against temperature such as flammable sprays, flammable objects, dry ice or other chemical agents in the vicinity of the refrigerator. Risk of fire and explosion!
- Do not store explosive materials such as aerosol cans with flammable materials inside the product.
- Do not place cans containing fluids over the product in an open state. Splashing of water on an electrical part may cause the risk of an electric shock or a fire.
- This product is not intended for storage and cooling of medicines, blood plasma,



laboratory preparations or similar materials and products that are subject to the Medical Products Directive.

- If the product is used against its intended purpose, it may cause damage to or deterioration of the products kept inside.
  - If your refrigerator is equipped with blue light, do not look at this light with optical devices. Do not stare directly at UV LED light for a long time. Ultraviolet rays may cause eye strain.
  - Do not fill the product with more food than its capacity. Injuries or damages may occur if the contents of the refrigerator fall when the door is opened. Similar problems may also occur when an object is placed over the product.
  - Ensure that you have removed any ice or water that may have fallen to the floor to prevent injuries.
  - Change the locations of the racks/bottle racks on the door of your refrigerator only when the racks are empty. Danger of injury!
  - Do not place objects that may fall/tip over on the product. These objects may fall while opening or closing the door and cause injuries and/or material damages.
- Do not hit or exert excessive pressure on glass surfaces. Broken glass may cause injuries and/or material damages.
  - The cooling system in your product contains R600a refrigerant. The refrigerant type used in the product is specified in the type label. This gas is flammable. Therefore, be careful not to damage the cooling system and the pipes while operating the product. In case of damage to the pipes;
    1. Do not touch the product or the power cable.
    2. Keep the product away from potential sources of fire that may cause the product to catch fire.
    3. Ventilate the area where the product is placed. Do not use a fan.
    4. Contact Authorized Service.
    5. If the product is damaged and you observe gas leak, please stay away from the gas. Gas may cause frostbite if it contacts your skin.

## 1.7 Food Storage Safety

Please pay attention to the following warnings to avoid food spoilage:

- Leaving the doors open for a long time may cause the temperature inside the product to rise.
- Regularly clean the accessible drainage systems in contact with food.
- Clean the water tanks that have not been used for 48 hours and mains-fed water systems that have not been used for more than 5 days.
- Store raw meat and fish products in appropriate compartments within the product. Thus, it does not drip on or come into contact with other foods.
- Two-star freezer compartments are used for storing pre-filled foods, making and storing ice and ice cream.
- One, two and three-star compartments are not appropriate for freezing fresh food.
- If the cooling product has been left empty for a long time, turn off the product, defrost, clean, and dry the product in order to protect the housing of the product.

## 1.8 Maintenance and Cleaning Safety

- Unplug the refrigerator before cleaning it or starting to perform maintenance.
- Do not pull by the door handle if you shall move the product for cleaning purposes. Handle may cause injuries if it is pulled too hard.
- Do not put your hands etc. under the refrigerator. Jamming may occur or any sharp edge may cause personal injuries.
- Do not clean the product by spraying or pouring water on the product and inside the product. Risk of electric shock and fire.
- When cleaning the product, do not use sharp and abrasive tools or household cleaning agents, detergent, gas, gasoline, thinner, alcohol, varnish, and similar substances. Use only cleaning and maintenance agents that are not harmful for food inside the product.
- Do not ever use steam or steamed cleaning materials for cleaning the product and thawing the ice inside it. Steam con-

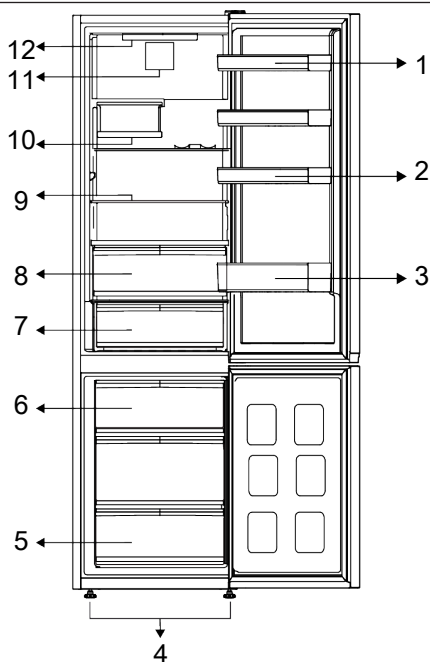
tacts the live areas in your refrigerator and causes short circuit or electric shock.

- Take care to keep water away from the ventilation holes, electronic circuits or lighting of the product.

- Use a clean, dry cloth to wipe the dust or foreign material on the tips of the plugs. Do not use a wet or damp piece of cloth to clean the plug. Otherwise, risk of fire or electric shock may occur.

## 2 Environmental Instructions

### 3 Your Refrigerator



1 \* Adjustable Door Shelves

3 \* Bottle Shelf

5 \* Freezer Compartment

7 \* Cold Storage Drawer

9 \* Adjustable Shelves

11 \* Fan

2 \* Egg Holders

4 \* Adjustable Front Legs

6 \* Ice Container

8 \* Crisper

10 \* Foldable Wine Bin

12 \* Illumination Lamp

**\*Optional:** Figures in this user manual are schematic and may not exactly match your product. If your product does not comprise the relevant parts, the information pertains to other models.

## 4 Installation



Read the "Safety Instructions" section first!

### 4.1 Right Place For Installation

Contact the Authorized Service for the product's installation. To prepare the product for installation, see the information in the user manual and make sure the electric and water utilities are as required. If not, call an electrician and plumber to arrange the utilities as necessary.



**WARNING:**

The manufacturer assumes no responsibility for any damages caused by the work carried out by unauthorized persons.



**WARNING:**

The product's power cable must be unplugged during installation. Failure to do so may result in death or serious injuries!



**WARNING:**

If the door span is too narrow for the product to pass, remove the door and turn the product sideways; if this does not work, contact the authorized service.

- Place the product on a flat surface to avoid vibration.
- Place the product at least 30 cm away from the heater, stove and similar sources of heat and at least 5 cm away from electric ovens.
- Do not expose the product to direct sunlight or keep it in damp environments.

- Your product requires adequate air circulation to function efficiently. If the product will be placed in an alcove, remember to leave at least 5 cm clearance between the product and the ceiling, rear wall and the side walls.
- Check if the rear wall clearance protection component is present at its location (if provided with the product).
- If the component is not available, or if it is lost or fallen, position the product so that at least 5 cm clearance shall be left between the rear surface of the product and the wall of the room. The clearance at the rear is important for efficient operation of the product.

### 4.2 Electrical Connection



Do not use extension or multi sockets in power connection.



Damaged power cable must be replaced by Authorized Service.



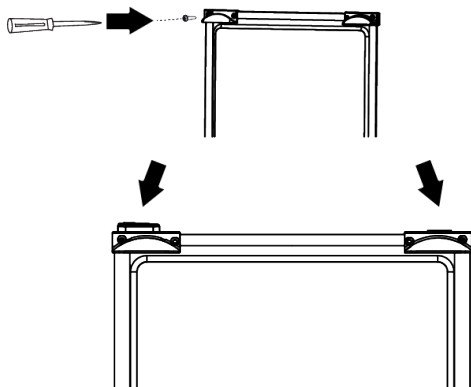
When placing two coolers in adjacent position, leave at least 4 cm distance between the two units.

- Our firm will not assume responsibility for any damages due to usage without earthing and power connection in compliance with national regulations.
- The power cable plug must be easily accessible after installation.
- Do not use multi-group plug with or without extension cable between the wall socket and the refrigerator.

### 4.3 Attaching the Plastic Wedges

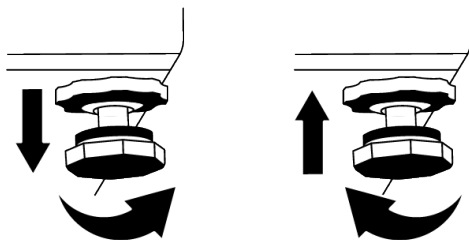
Use the plastic wedges provided with the product to maintain sufficient space for air circulation between the product and the wall.

1. To attach the wedges, remove the screws on the product and use the screws provided with the wedges.
2. Attach 2 plastic wedges on the ventilation cover as shown in the figure.



### 4.4 Adjusting the Legs

If the product is not in balanced position, adjust the front adjustable legs by rotating them to right or left.



### 4.5 Hot Surface Warning

The side walls of your product are equipped with cooler pipes to enhance the cooling system. High pressure fluid may flow through these surfaces, and cause hot surfaces on the side walls. This is normal and it does not require servicing. Be careful when you contact these areas.

## 5 Preparation



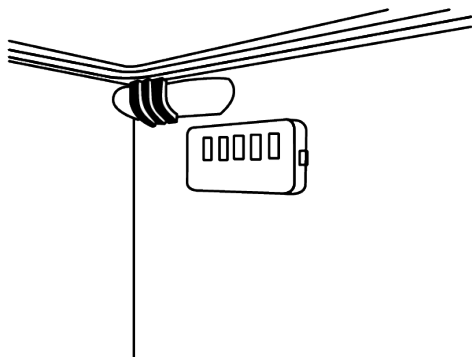
Read the "Safety Instructions" section first!

### 5.1 What to Do for Energy Saving



Connecting the product to electronic energy-saving systems is harmful, as it may damage the product.

- In order to load the maximum quantity of food into the freezer compartment of your refrigerator, the upper drawers should be taken out and the food should be placed onto the wire/glass shelves. Net volume and energy consumption information declared in the energy label of your refrigerator was tested by taking out the upper drawers in the cooler department and the ice bucket, which is easily removable by hand.
- Using the below drawer when storing is strongly recommended.
- Depending on the product's features; defrosting frozen foods in the cooler compartment will ensure energy saving and preserve food quality.
- Make sure the foods are not in contact with the cooler compartment temperature sensor described below.
- This refrigerating appliance is not intended to be used as a built in appliance.
- Do not keep the refrigerator doors open for long periods.
- Do not place hot food or beverages into the refrigerator.
- Do not overfill the refrigerator; blocking the internal air flow will reduce cooling capacity.



- If they are in contact with the sensor, energy consumption of the appliance might increase
- Food shall be stored using the drawers in the cooler compartment in order to ensure energy saving and protect food in better conditions.
- Food packages shall not be in direct contact with the temperature sensor located in the freezer compartment.

## 5.2 First Use

Before using your refrigerator, make sure the necessary preparations are made in line with the instructions in "Safety and Environmental Instructions" and "Installation" sections.


- Keep the product running without placing any food inside for 6 hours and do not open the door, unless absolutely necessary.
- The temperature change caused by opening and closing of the door while using the product may normally lead to condensation on door/body shelves and glassware placed in the product.

## 6 Operating the Product




Read the "Safety Instructions" section first!


- Do not use any mechanical tools or any other tools than the recommendations of the manufacturer to speed up the thawing operation.



A sound will be heard when the compressor is engaged. It is normal for the product to make noise even if the compressor is not running, as fluid and gas may be compressed in the cooling system.



It is normal for the front edges of the refrigerator to be warm. These areas are designed to warm up in order to prevent condensation.



For some models, indicator panel turns off automatically 1 minute after the door closes. It will be re-activated when the door is opened or any button is pressed.

## 5.3 Climate Class and Definitions

Please refer to the Climate Class on the rating plate of your device. One of the following information is applicable to your device according to the Climate Class.

- **SN:** Long Term Temperate Climate: This cooling device is designed for use at ambient temperatures between 10 °C and 32 °C.
- **N:** Temperate Climate: This cooling device is designed for use at ambient temperatures between 16°C and 32 °C.
- **ST:** Subtropical Climate: This cooling device is designed for use at ambient temperatures between 16°C and 38°C.
- **T:** Tropical Climate: This cooling device is designed for use at ambient temperatures between 16°C and 43°C.

- Do not use parts of your refrigerator such as the door or drawers as a support or a step. This may cause the product to tip over or its components to be damaged.
- The product shall be used for storing food only.

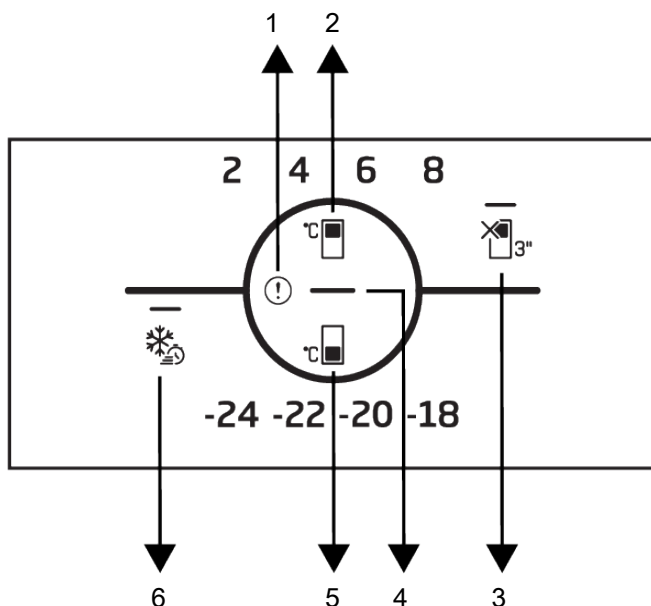
- Turn off the water valve if you will be away from home (e.g. at vacation) and you will not be using the Icematic or the water dispenser for a long period of time. Otherwise, water leaks may occur.

### Unplugging the Product

- If you are not going to use the product for a long time, unplug the product from the socket.
- Remove the food to prevent odours,
- Wait for the ice to melt, clean the interior and let it dry, leave the doors open to avoid damaging the inner body plastics.

## 7 Use of Your Appliance

### 7.1 Control Panel of the Product



- |  |  |
|--|--|
| 1 Error Status Indicator                       | 2 Cooler Compartment Temperature Setting Key |
| 3 * Cooler Compartment OFF (Vacation) Function | 4 Energy Saving (Display Off) Indicator      |
| 5 Freezer Compartment Temperature Setting Key  | 6 Quick Freezing Key                         |



Read the "Safety Instructions" section first.

Auditory and visual functions on the indicator panel will assist you in using the refrigerator.

**\*Optional:** Shown functions are optional, there may be differences of shape and location in functions found on your appliance's indicator panel.

## 1. Error Condition Indicator

This indicator shall be active when your refrigerator cannot perform adequate cooling or in case of any sensor error. Exclamation mark may be displayed when you load warm food to the freezer compartment or keep the door open for a long period of time. This is not a fault, this warning shall be removed when the food is cooled down or when any key is pressed.

## 2. Cooler Compartment Temperature

### Setting Key

Allows setting of temperature for cooler compartment. Pressing the key will enable the cooler compartment temperature to be set at 8 °C, 6 °C, 4 °C, and 2 °C.

## 3. Cooler Compartment Off (Vacation)

### Function Key

Press the key for 3 seconds to activate the vacation function. Vacation mode is activated and the LED on the vacation symbol is illuminated. The cooler compartment does not perform active cooling function. You should not keep your food in the cooler compartment if you activate this function. The other compartments continue to cool according to temperatures set before. Press the key for 3 seconds again to cancel this function.

## 7.2 Storing Food in the Cooler Compartment

### Storing Food in the Cooler Compartment

- Compartment temperatures rise prominently if compartment door is opened and closed frequently and kept open for a long time, this can reduce the life span of the food and cause the food to spoil.
- In order not to cause odour and taste changes, the food should be stored in the closed containers.

## 4. Energy Saving (Display Off) Indicator

When the doors are not opened and closed for an extended period of time, the energy saving mode is automatically enabled and the energy saving icon lights up. When the energy saving function is enabled, all icons other than the energy saving icon disappear on the screen. When the energy saving function is active, pressing any key or opening the door will deactivate the energy saving function and the display signals will return to normal. The energy-saving function is a function activated ex-factory and cannot be cancelled.

## 5. Freezer Compartment Temperature

### Setting Key

Temperature setting is made for freezer compartment. Pressing the key will enable the freezer compartment temperature to be set at -18 °C, -20 °C, -22 °C, and -24 °C values.

## 6. Quick Freezing Key

When the quick freeze key is pressed, the LED on the quick freeze key is illuminated and the quick freeze function shall be activated. The freezer compartment temperature is set to -27 °C. Press the key again to cancel the function. The quick freezing function shall be automatically cancelled after a specified period. To freeze a large amount of fresh food, press the quick freezing key before placing the food in the freezer compartment.

- Do not store too much food in your refrigerator. To achieve a better and homogeneous cooling, place the food separately in a way that cold air can wander through them.
- Provide air flow by leaving a space between the food and internal wall. If you lean the food against the rear wall, the food may freeze.



- Bring cooked hot meals to the room temperature before placing them in the refrigerator. Then, you can place the tepid meal in the lower shelves of your refrigerator. Do not place the tepid meals close to the foods which may easily spoil.
- Defrost your frozen food in the fresh food compartment. Thereby, you can cool fresh food compartment by using frozen food and save energy.
- Storing unripe tropical fruits (mango, melon varieties, papaya, banana, pineapple) in the refrigerator may speed up the ripening process. This is not recommended because it will cause shorter storage time.
- You should store onions, garlics, ginger and other root vegetables in dark and cold room conditions, not in the refrigerator.
- If you notice that a food has spoiled in the refrigerator, throw away that food and clean the accessories which have come into contact with it.
- In order to cool the meals like soups and stews, which are cooked in the large pots, quickly, you can put them in the refrigerator by separating them into their own shallow containers.
- Do not place unpackaged food close to eggs.
- Keep the fruits and vegetables separately and store each variety together (for example; apples with apples, carrots with carrots)
- Take green vegetables out of the plastic bag and place them in the refrigerator after wrapping them in a paper towel or drying cloth. If you wash this type of food before placing them in the refrigerator, remember to dry them.
- You can both create a damp environment and provide an air flow by keeping fruits and vegetables, which are prone to drying, in the perforated or unsealed plastic bags.
- Except the cases where extreme circumstances are available in the environment, if your product (on the recommended set values table) is set to the specified set values, the food keep their freshness for a longer time both in the fresh product compartment and freezer compartment.

| Store Foods In The Different Places According To Their Properties: |   |
|--|---|
| Food   | Location  |
| Egg  | Door Shelf  |
| Dairy products (butter, cheese)                                    | If available, zero degree (for breakfast food) compartment                    |
| Fruits, vegetables and greenery                                    | Fruit-vegetable compartment, crisper or EverFresh+ compartment (if available) |
| Fresh meat, poultry, fish, sausage etc. Cooked foods               | If available, zero degree (for breakfast food) compartment                    |
| Ready to serve foods, packaged products, canned foods and pickles  | Top shelves or door shelf   |
| Beverages, bottles, spices and snacks                              | Door Shelf  |

### Storing Food In The Freezer Compartment

- You can activate Quick Freezing function 4-6 hours before freezing function and perform a faster cooling.
- Bring hot meals to the room temperature before placing them in the freezer compartment.
- Foods to be frozen must be divided into portions according to a size to be consumed, and frozen in separate packages.

- It is recommended to pack the foods before placing them in the freezer.
- In order to prevent expiration of storage time, write the freezing date, time and name of the product on the package according to the storage times of different foods.
- Consume the foods you have defrosted quickly. Defrosted foods cannot be frozen again unless they are cooked. It is not safe to consume the refrozen fresh foods without cooking after they are defrosted.
- As you freeze fresh foods, do not bring them in contact with already frozen foods. Otherwise, frozen foods will be defrosted.

### **Storing The Foods, Which Are Sold Frozen**

- Always follow the instructions of the producer in relation to the time during which you are required to store your foods. Do not exceed the time specified in these instructions!
- In order to protect the quality of the food, keep the time interval between purchasing transaction and storing as short as possible.
- Buy frozen food which are stored at  $-18^{\circ}\text{C}$  or lower temperatures.
- Avoid buying foods whose packages are covered with ice etc. This means that the product could be partially defrosted and refrozen. Temperature impacts the quality of the food.
- Do not exceed the storing time recommended by the food producer. Remove only the food as much as you need from the freezer.
- Except the cases where extreme circumstances are available in the environment, if your product (on the recommended set values table) is set to the specified set values, the food keep their freshness for a longer time both in the fresh product compartment and freezer compartment.

- If fresh food compartment is set to a lower temperature, fresh fruits and vegetables may be partially frozen.

### **Freezer Details**

As per the IEC 62552 standards, the freezer must have the capacity to freeze 4.5 kg of food items at  $-18^{\circ}\text{C}$  or lower temperatures at  $25^{\circ}\text{C}$  room temperature in 24 hours for each 100 litres of freezer compartment volume.

Food products can only be preserved for extended periods at or below temperature of  $-18^{\circ}\text{C}$ .

You can keep the foods fresh for months (in freezer at or below temperatures of  $-18^{\circ}\text{C}$ ).

The food products to be frozen must not contact the already-frozen food inside to avoid partial defrosting.

Boil the vegetables and filter the water to extend the frozen storage time. Place the food in air-tight packages after filtering and place in the freezer. Bananas, tomatoes, lettuce, celery, boiled eggs, potatoes and similar food items should not be frozen. In case these foods are frozen, only nutritional values and eating qualities will be negatively affected. A rotting that would threaten human health is not in question.

### **Placing The Food**

**Freezer compartment shelves:** Different frozen foods like meat, fish, ice cream, vegetables etc.

**Cooler compartment shelves:** Food items inside pots, capped plate and capped cases, eggs (in closed case)

**Cooler compartment door shelves:** Small and packaged food or beverages

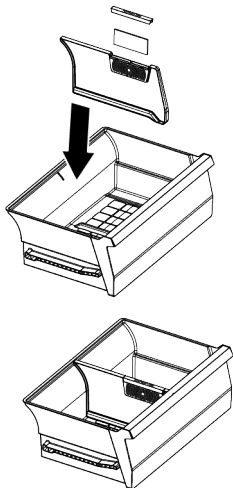
**Crisper:** Vegetables and fruits

**Fresh food compartment:** Delicatessen (breakfast food, meat products to be consumed in short time)

## **7.3 Crisper**

The refrigerator's crisper is designed to keep vegetables fresh by preserving their humidity. For this purpose, the overall cold

air circulation is intensified in the crisper. Keep fruits and vegetables in this compartment. Keep the green-leaved vegetables and fruits separately to prolong their life.



## 7.4 Crisper Technologies

### Blue Light

Fruits and vegetables stored in the crispers that are illuminated with a blue light continue their photosynthesis by means of the wavelength effect of blue light and thus preserve their vitamin content.

### HarvestFresh

Fruits and vegetables stored in crispers illuminated with the HarvestFresh technology preserve their vitamins for a longer time thanks to the blue, green, red lights and dark cycles, which simulate a day cycle. When the door of your refrigerator is opened during the dark period of the HarvestFresh technology, your refrigerator shall sense this automatically and illuminate the crisper with one of the blue, green or red lights respectively for your convenience. After you have closed the door of the refrigerator, the dark period will continue, representing the night time in a day cycle.

## 7.5 Photocatalytic Module (Fresh-Guard)

Thanks to this module, which is positioned behind the evaporator cover in the fresh food compartment, the air is actively passed over the titanium dioxide-coated photocatalytic filter and the cleaned air is circulated inside. In this way, bad odours are removed from the interior of the refrigerator before becoming permeated with the food surfaces, and at the same time, a hygienic air circulation is achieved via disinfected air. This feature is driven by the fresh food compartment fan located behind the evaporator cover, the UV-A LED and the titanium dioxide-coated odour filter. To activate/deactivate this module, which provides hygiene and odour-free air circulation in the refrigerator; press and hold the button (🌿) for 3 seconds and make sure

that the function indicator (🌿) appears on the screen when it is active, and disappears from the screen when it is deactivated. Once the feature is activated as described, it works periodically without the need to press any key again. If the door of the fresh food compartment is opened while the module is active, the fan and UV-A LED will not operate temporarily, but will resume operation once the door is closed. In case of a power outage while the module is running, the module will resume operation from the point it stopped once the power is restored.

**Note:** To prevent bad odours that may occur with the mixture of odours from different types of food, we recommend you to store aromatic food such as cheese, olives and delicatessen in their packaging and with their lids closed. For the safety of other food stored, hygienic storage conditions and to prevent bad odours, we recommend you to remove the food that you have observed to be spoilt from the refrigerator as soon as possible.

## 7.6 Dairy Products Cold Storage Area

### Cold Storage Drawer

The Cold Storage Drawer can reach lower temperatures in the cooler compartment. Use this drawer for delicatessen products (salami, sausage, etc.) and dairy products that require colder storage conditions, or for meat, chicken or fish to be consumed quickly. It is not suitable to store fruits and vegetables in this drawer.

## 7.7 Reversing the Door Opening Side


The door opening side of your refrigerator can be reversed according to the place you put it. When you need this, you should definitely call the nearest Authorized Service.

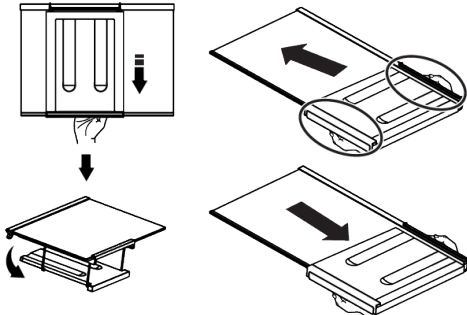
## 7.8 Door Open Alert

An audible alert will be heard if the product's door remains open for 1 minute. The audible alert will stop when you close the cabinet door or press any button on the display (if available).

## 7.9 Foldable Wine Rack

It allows the user to store wine bottles if necessary. To use the rack section, grasp the plastic part and gently pull it down. You can now use the foldable wine rack.

 It is recommended to store a maximum of 2 wine bottles on the foldable wine rack.



To group the wine rack, first remove the glass shelf from the refrigerator. Place it on the glass shelf by pushing the plastic part through the front and back grooves as shown in the picture. The product will be ready to use with the foldable wine rack.

To remove the foldable wine rack, first remove the glass shelf from the refrigerator. Then grab the plastic part and pull it in any direction. You can now use the product without a foldable wine rack when needed.

## 7.10 Replacing the Illumination Lamp

Call the Authorized Service when the Bulb/LED used for lighting in your refrigerator will be replaced.

Lamp(s) used in this appliance cannot be used for house lighting. Intended use of this lamp is to help the user place food into the refrigerator / freezer safely and comfortably.

## 7.11 AeroFlow

It is an air distribution system that provides homogeneous temperature distribution. With the air circulation, the homogeneous temperature distribution is ensured in the fresh food storage compartment, and the temperature fluctuations are kept at low levels. No direct air blowing over the food is realized and this helps to reduce moisture loss. It preserves the freshness of the food stored in the fresh food compartment of the refrigerator. In this way, your food is stored at more stable temperatures and the contact with air is reduced. The drying and shrinking of foods by losing moisture is prevented and freshness is provided for a longer time.

**WARNING:**

Read the "Safety Instructions" section first.

**WARNING:**

Unplug the refrigerator before cleaning it.

- Do not use sharp or abrasive tools to clean the product. Do not use materials such as household cleaning agents, soap, detergents, gas, gasoline, thinner, alcohol, wax, etc.
- The dust shall be removed from the ventilation grill on the rear of the product at least once a year (without opening the cover). Clean the product with a dry cloth.
- Take care to keep water away from the lamp's cover and other electrical parts.
- Clean the door with a damp cloth. Remove all contents to remove the door and body racks. Remove the door racks by lifting them upwards. Clean and dry the shelves, then attach back in place by sliding from above.
- Do not use chlorinated water or cleaning products on the exterior surface and chrome-coated parts of the product. Chlorine will cause rust on such metallic surfaces.
- Do not use sharp and abrasive tools, soap, house cleaning materials, detergents, gas, gasoline, varnish and similar substances to prevent deformation of the plastic part and removal of prints on the part. Use warm water and a soft cloth for cleaning, and then dry it.
- On the products without a No-Frost feature, water droplets and icing up to a thickness of a finger may occur on the rear wall of the freezer compartment. Do not clean, and never apply oils or similar materials.

- Use a mildly dampened micro-fibre cloth to clean the external surface of the product. Sponges and other types of cleaning clothes may cause scratches.
- To clean all removable components during the cleaning of the interior surface of the product, wash these components with a mild solution consisting of soap, water and carbonate. Wash and dry thoroughly. Prevent contact of water with illumination components and the control panel.

**CAUTION:**

Do not use vinegar, rubbing alcohol or other alcohol based cleaning agents on any interior surface.

**Stainless Steel External Surfaces**

Use a non-abrasive stainless steel cleaning agent and apply it with a soft lint-free cloth. To polish, gently wipe the surface with a micro-fibre cloth dampened with water and use dry polishing chamois. Always follow the veins of the stainless steel.

**Preventing Odours**

The product is manufactured free of any odorous materials. However, keeping the food in inappropriate sections and improper cleaning of internal surfaces may lead to odours.

- To avoid this, clean the inside with carbonated water every 15 days.
- Keep the foods in sealed holders, as micro-organisms arising from foods kept in unsealed containers will cause bad odour.
- Do not keep expired and spoilt foods in the refrigerator.

**Protecting Plastic Surfaces**

Oil spilled on plastic surfaces may damage the surface and must be cleaned immediately with warm water.

## 9 Troubleshooting

---

Check this list before contacting the service. Doing so will save you time and money. This list includes frequent complaints that are not related to faulty workmanship or materials. Certain features mentioned herein may not apply to your product.

### **The refrigerator is not working.**

- The power plug is not fully settled. >>> Plug it in to settle completely into the socket.
- The fuse connected to the socket powering the product or the main fuse is blown. >>> Check the fuse.

### **Condensation on the side wall of the cooler compartment (MULTI ZONE, COOL CONTROL and FLEXI ZONE).**

- The door is opened too frequently. >>> Take care not to open the product's door too frequently.
- The environment is too humid. >>> Do not install the product in humid environments.
- Foods containing liquids are kept in unsealed holders. >>> Keep the foods containing liquids in sealed holders.
- The product's door is left open. >>> Do not keep the product's door open for long periods.
- The thermostat is set to a very cool temperature. >>> Set the thermostat to an appropriate temperature.

### **Compressor is not working.**

- In case of sudden power failure or pulling the power plug off and putting back on, the gas pressure in the product's cooling system is not balanced, which triggers the compressor thermic safeguard. The product will restart after approximately 6 minutes. If the product does not restart after this period, contact the service.
- Defrosting is active. >>> This is normal for a fully-automatic defrosting product. The defrosting is carried out periodically.
- The product is not plugged in. >>> Make sure the power cord is plugged in.

- The temperature setting is incorrect. >>> Select the appropriate temperature setting.
- The power is out. >>> The product will continue to operate normally once the power is restored.

### **The refrigerator's operating noise is increasing while in use.**

- The product's operating performance may vary depending on the ambient temperature variations. This is normal and not a malfunction.

### **The refrigerator runs too often or for too long.**

- The new product may be larger than the previous one. Larger products will run for longer periods.
- The room temperature may be high. >>> The product will normally run for long periods in higher room temperature.
- The product may have been recently plugged in or a new food item is placed inside. >>> The product will take longer to reach the set temperature when recently plugged in or a new food item is placed inside. This is normal.
- Large quantities of hot food may have been recently placed into the product. >>> Do not place hot food into the product.
- The doors were opened frequently or kept open for long periods. >>> The warm air moving inside will cause the product to run longer. Do not open the doors too frequently.
- The freezer or cooler door may be ajar. >>> Check that the doors are fully closed.
- The product may be set to a temperature that is too low. >>> Set the temperature to a higher degree and wait for the product to reach the adjusted temperature.
- The cooler or freezer door washer may be dirty, worn out, broken or not properly settled. >>> Clean or replace the gasket.

Damaged / torn door washer will cause the product to run for longer periods to preserve the current temperature.

**The freezer temperature is very low, but the cooler temperature is adequate.**

- The freezer compartment temperature is set to a very low degree. >>> Set the freezer compartment temperature to a higher degree and check again.

**The cooler temperature is very low, but the freezer temperature is adequate.**

- The cooler compartment temperature is set to a very low degree. >>> Set the cooler compartment temperature to a higher degree and check again.

**The food items kept in cooler compartment drawers are frozen.**

- The cooler compartment temperature is set to a very low degree. >>> Set the cooler compartment temperature to a higher degree and check again.

**The temperature in the cooler or the freezer is too high.**

- The cooler compartment temperature is set to a very high degree. >>> Temperature setting of the cooler compartment has an effect on the temperature in the freezer compartment. Wait until the temperature of relevant parts reach the sufficient level by changing the temperature of cooler or freezer compartments.
- The doors were opened frequently or kept open for long periods. >>> Do not open the doors too frequently.
- The door may be ajar. >>> Fully close the door.
- The product may have been recently plugged in or a new food item is placed inside. >>> This is normal. The product will take longer to reach the set temperature when recently plugged in or a new food item is placed inside.
- Large quantities of hot food may have been recently placed into the product. >>> Do not place hot food into the product.

**Shaking or noise.**

- The surface is not flat or durable >>> If the product is shaking when moved slowly, adjust the stands to balance the product. Also make sure the ground is sufficiently durable to bear the product.
- Any items placed on the product may cause noise. >>> Remove any items placed on the product.
- The product is making noise of liquid flowing, spraying etc.
- The product's operating principles involve liquid and gas flows. >>> This is normal and not a malfunction.

**There is sound of wind blowing coming from the product.**

- The product uses a fan for the cooling process. This is normal and not a malfunction.

**There is condensation on the product's internal walls.**

- Hot or humid weather will increase icing and condensation. This is normal and not a malfunction.
- The doors were opened frequently or kept open for long periods. >>> Do not open the doors too frequently; if open, close the door.
- The door may be ajar. >>> Fully close the door.

**There is condensation on the product's exterior or between the doors.**

- The ambient weather may be humid, this is quite normal in humid weather. >>> The condensation will dissipate when the humidity is reduced.

**The interior smells bad.**

- The product is not cleaned regularly. >>> Clean the interior regularly using sponge, warm water and carbonated water.
- Certain holders and packaging materials may cause odour. >>> Use holders and packaging materials without free of odour.



- The foods were placed in unsealed holders. >>> Keep the foods in sealed holders. Microorganisms may spread out of unsealed food items and cause bad odour.
- Remove any expired or spoiled foods from the product.

**The door is not closing.**

- Food packages may be blocking the door. >>> Relocate any items blocking the doors.
- The product is not standing in full upright position on the ground. >>> Adjust the stands to balance the product.
- The surface is not flat or durable >>> Make sure the surface is flat and sufficiently durable to bear the product.

**The crisper is jammed.**

- The food items may be in contact with the upper section of the drawer. >>> Reorganize the food items in the drawer.

**Temperature on the product surface.**

- High temperature may be observed between two doors, on the side panels and on the rear grill area while your product is operated. This is normal and it does not require servicing.

**Fan continues to operate when the door is opened.**

- Fan may continue to operate when the freezer door is open.



**WARNING:** If the problem persists after following the instructions in this section, contact your vendor or an Authorized Service. Do not try to repair the product. This is normal.

**DISCLAIMER / WARNING**

Some (simple) failures can be adequately handled by the end-user without any safety issue or unsafe use arising, provided that they are carried out within the limits and in accordance with the following instructions (see the “Self-Repair” section).

Therefore, unless otherwise authorized in the “Self-Repair” section below, repairs shall be addressed to registered professional repairers in order to avoid safety issues. A registered Professional repairer is a professional repairer that has been granted access to the instructions and spare parts list of this product by the manufacturer according to the methods described in legislative acts pursuant to Directive 2009/125/EC.

**However, only the service agent (i.e. authorized professional repairers) that you can reach through the phone number given in the user manual/warranty card or through your authorized dealer may provide service under the guarantee terms. Therefore, please be advised that**

**repairs by professional repairers (who are not authorized by) Beko shall void the guarantee.**

**Self-Repair**

Self-repair can be done by the end-user with regard to the following spare parts: door handles, door hinges, trays, baskets and door gaskets (an updated list is also available [support.beko.com](http://support.beko.com) as of 1st March 2021).

Moreover, to ensure product safety and to prevent risk of serious injury, the mentioned self-repair shall be done following the instructions in the user manual for self-repair or which are available in [support.beko.com](http://support.beko.com). For your safety, unplug the product before attempting any self-repair.

Repair and repair attempts by end-users for parts not included in such list and/or not following the instructions in the user manuals for self-repair or which are available in [support.beko.com](http://support.beko.com), might give raise to safety issues not attributable to Beko, and will void the warranty of the product.



Therefore, it is highly recommended that end-users refrain from the attempt to carry out repairs falling outside the mentioned list of spare parts, contacting in such cases authorized professional repairers or registered professional repairers. On the contrary, such attempts by end-users may cause safety issues and damage the product and subsequently cause fire, flood, electrocution and serious personal injury to occur.

By way of example, but not limited to, the following repairs must be addressed to authorized professional repairers or registered professional repairers: compressor, cooling circuit, main board, inverter board, display board, etc.

The manufacturer/seller cannot be held liable in any case where end-users do not comply with the above.

The spare part availability of the refrigerator that you purchased is 10 years. During this period, original spare parts will be available to operate the refrigerator properly. The minimum duration of guarantee of the refrigerator that you purchased is 24 months.

This product is equipped with a lighting source of the "G" energy class.

The lighting source in this product shall only be replaced by Professional repairer.

See also

2 DISCLAIMER / WARNING [; 25]

## Premièrement veuillez lire ce manuel !

**Cher client, chère cliente,**

**Veuillez lire ce manuel avant d'utiliser l'appareil.**

Nous vous remercions d'avoir choisi ce Bekoproduit. Nous aimerions que vous obteniez une efficacité optimale de ce produit de haute qualité qui a été fabriqué avec une technologie de pointe. À cette fin, lisez attentivement ce manuel et toute autre documentation fournie avant d'utiliser le produit et conservez-les comme référence.

Tenez compte de toutes les informations et de tous les avertissements figurant dans le manuel d'utilisation. De cette façon, vous vous protégez, vous et votre produit, contre les dangers qui peuvent survenir.

Conservez le manuel d'utilisation. Joignez ce guide à l'unité si vous le remettez à quelqu'un d'autre.

**Les symboles suivants sont utilisés dans le manuel d'utilisation :**



Il s'agit d'un danger qui peut entraîner la mort ou des blessures.



Informations importantes ou conseils utiles sur le fonctionnement.








Lisez le manuel d'utilisation.



Matériau combustible, mise en garde contre le risque d'incendie.

**AVERTISSEMENT** Un danger qui peut causer des dommages matériels au produit ou à son environnement

|   |   |
|---|---|
|  <b>ENERG</b>  |  |
| <b>SUPPLIER'S NAME</b>  | <b>MODEL IDENTIFIER</b> → (*)   |
|   |  |

Les informations sur le modèle, telles qu'elles sont enregistrées dans la base de données des produits, peuvent être obtenues en accédant au site web suivant et en recherchant l'identifiant du modèle (\*) figurant sur l'étiquette énergétique.

<https://eprel.ec.europa.eu/>

|          |          |   |           |
|----------|----------|---|-----------|
|          | <b>8</b> | <b>Entretien et nettoyage .....</b>   | <b>47</b> |
|          | <b>9</b> | <b>Dépannage .....</b>  | <b>48</b> |
| <b>1</b> |          | <b>Consignes de sécurité.....</b>   | <b>28</b> |
| 1.1      |          | Intention d'utilisation.....  | 28        |
| 1.2      |          | Sécurité des enfants, des personnes vulnérables et des animaux domestiques..... | 28        |
| 1.3      |          | Sécurité électrique.....  | 29        |
| 1.4      |          | Sécurité de manipulation .....  | 30        |
| 1.5      |          | Sûreté des installations .....  | 30        |
| 1.6      |          | Sécurité de fonctionnement .....  | 32        |
| 1.7      |          | Sécurité du stockage des aliments .....   | 35        |
| 1.8      |          | Sécurité relative à l'entretien et au nettoyage .....                           | 35        |
| <b>2</b> |          | <b>Instructions environnementales..</b>   | <b>37</b> |
| <b>3</b> |          | <b>Votre réfrigérateur .....</b>  | <b>37</b> |
| <b>4</b> |          | <b>Installation .....</b>   | <b>37</b> |
| 4.1      |          | Lieu idéal d'installation .....   | 37        |
| 4.2      |          | Branchement électrique.....   | 38        |
| 4.3      |          | Fixation des cales en plastique ....  | 38        |
| 4.4      |          | Réglages des pieds avant.....   | 39        |
| 4.5      |          | Attention aux surfaces chaudes...   | 39        |
| <b>5</b> |          | <b>Préparation.....</b>   | <b>39</b> |
| 5.1      |          | Moyens d'économiser l'énergie....   | 39        |
| 5.2      |          | Première utilisation .....  | 40        |
| 5.3      |          | Classe climatique et définitions ...  | 40        |
| <b>6</b> |          | <b>Fonctionnement de l'appareil.....</b>  | <b>40</b> |
| <b>7</b> |          | <b>Utilisation de votre appareil.....</b>                                       | <b>41</b> |
| 7.1      |          | Panneau de contrôle du produit ...  | 41        |
| 7.2      |          | Stockage des aliments dans le compartiment réfrigérant.....                     | 43        |
| 7.3      |          | Bac à légumes .....   | 45        |
| 7.4      |          | Technologies Crisper .....  | 45        |
| 7.5      |          | Module photocatalytique (FreshGuard) .....                                      | 46        |
| 7.6      |          | Zone d'entreposage frais des produits laitiers .....                            | 46        |
| 7.7      |          | Inversion du côté d'ouverture de la porte .....                                 | 46        |
| 7.8      |          | Alerte de porte ouverte.....  | 46        |
| 7.9      |          | Porte-bouteille pliable .....   | 46        |
| 7.10     |          | Remplacement de la lampe d'éclairage.....                                       | 47        |
| 7.11     |          | AeroFlow .....  | 47        |

## 1 Consignes de sécurité

Cette section contient les instructions de sécurité nécessaires à la prévention des risques de dommage corporel ou de dommage matériel.

Notre entreprise ne peut être tenue pour responsable des dommages qui peuvent se produire si ces instructions ne sont pas respectées.

Les opérations d'installation et de réparation doivent être effectuées par un service agréé.

Utilisez uniquement des pièces de rechange et des accessoires d'origine.

Les pièces de rechange originales sont fournies pendant les 10 années suivant la date d'achat de l'appareil.

Évitez de réparer ou de remplacer tout composant de l'appareil sauf si cela est clairement spécifié dans le manuel d'utilisation.

Il ne faut pas effectuer de modifications sur l'appareil.

### 1.1 Intention d'utilisation

Ce produit ne convient pas à un usage commercial et ne doit pas être utilisé autrement que pour l'usage auquel il est destiné. Ce

produit est conçu pour être utilisé à l'intérieur, dans les foyers et dans des endroits similaires.

Par exemple ;

- cuisines du personnel des magasins, bureaux et autres environnements professionnels,
- les maisons de campagne,
- unités des hôtels, motels ou autres installations de repos utilisées par les clients,
- hôtels ou environnements similaires,
- services de restauration et les espaces semblables de vente en gros.

Ces appareils ne doivent pas être utilisés dans des environnements extérieurs ouverts ou clôturés tels que les bateaux, balcons ou terrasses. L'exposition de l'appareil à la pluie, à la neige, au soleil et au vent présente un risque d'incendie.

### 1.2 Sécurité des enfants, des personnes vulnérables et des animaux domestiques

- Cet appareil peut être utilisé par des enfants âgés d'au moins 8 ans, ainsi que par des personnes avec des capacités physiques, sensorielles ou

mentales réduites ou sans expérience et connaissances, si elles sont supervisées ou ont été formées à l'utilisation sécurisée de l'appareil et comprennent les risques relatifs.

- Les enfants de 3 à 8 ans sont autorisés à mettre les aliments dans la glacière et à les enlever.
- Les produits électriques sont dangereux pour les enfants et les animaux domestiques. Les enfants et les animaux domestiques ne doivent pas jouer avec le produit, ni grimper dessus, ni y entrer.
- Le nettoyage et l'entretien des utilisateurs ne doivent pas être effectués par des enfants, sauf s'il y a une personne qui les surveille.
- Tenez les emballages hors de la portée des enfants. Risque de blessure et d'asphyxie.

Avant de vous débarrasser des appareils usagés qui ne doivent plus être utilisés :

1. Débranchez le cordon d'alimentation de la prise de courant.
2. Coupez le cordon d'alimentation et retirez-le de l'appareil avec la prise.

3. Ne retirez pas les étagères et les tiroirs de l'appareil pour empêcher les enfants d'y pénétrer.
4. Démontage des portes.
5. Stockez l'appareil de façon à éviter qu'il se renverse.
6. Ne laissez pas les enfants jouer avec un appareil usagé.
  - Ne jetez pas l'appareil en le mettant au feu. Risque d'explosion.
  - Si une serrure est disponible dans la porte de l'appareil, gardez la clé hors de la portée des enfants.



### 1.3 Sécurité électrique

- Il ne faut pas brancher le produit dans la prise de courant pendant les opérations d'installation, d'entretien, de nettoyage, de réparation et de transport.
- Si le câble d'alimentation est endommagé, il doit être remplacé par un service agréé uniquement pour éviter tout risque qui pourrait survenir.
- Ne placez pas le câble d'alimentation sous l'appareil ou à l'arrière de celui-ci. Ne placez aucun objet lourd sur le câble d'alimentation. Le câble d'alimentation ne doit pas être plié, écrasé et entrer en contact avec une source de chaleur.

- N'utilisez pas de rallonge, de prise multiple ou d'adaptateur pour faire fonctionner votre appareil.
- Les prises multiples mobiles ou les blocs d'alimentation portatifs peuvent surchauffer et causer un incendie. Par conséquent, aucune prise multiple ne doit se trouver derrière ou à proximité de l'appareil.
- La prise doit être facilement accessible. Si cela n'est pas possible, l'installation électrique doit être dotée d'un mécanisme conforme à la réglementation en matière d'électricité et qui déconnecte toutes les bornes du réseau (fusible, interrupteur, commutateur principal, etc.).
- Évitez de toucher le cordon d'alimentation avec des mains humides.
- Lorsque vous débranchez l'appareil, ne tenez pas le cordon d'alimentation, mais la prise.

#### **1.4 Sécurité de manipulation**

- Cet appareil est lourd, ne le manipulez pas seul.
- Lors de la manipulation de l'appareil, évitez de le tenir par sa porte.

- Veillez à ne pas endommager le système de refroidissement et les tuyaux lorsque vous manipulez l'appareil. Évitez de faire fonctionner l'appareil si les tuyaux sont endommagés et contactez un service agréé.

#### **1.5 Sûreté des installations**

- Contactez le service agréé pour l'installation de votre réfrigérateur. Pour préparer l'installation du réfrigérateur, lisez attentivement les instructions du manuel d'utilisation et assurez-vous que les équipements électriques et d'approvisionnement d'eau sont installés convenablement. Si ce n'est pas le cas, appelez un électricien et un plombier pour faire le nécessaire pour les services publics. Le non-respect de cette consigne peut entraîner un choc électrique, un incendie, des problèmes avec le produit ou des blessures.
- Vérifiez que l'appareil n'est pas endommagé avant de l'installer. N'installez pas l'appareil lorsqu'il est endommagé.
- Placez l'appareil sur une surface plane et dure et équilibrez-le avec les pieds ré-

glables. Sinon, le réfrigérateur risque de se renverser et provoquer des blessures.

- Installez l'appareil dans un endroit sec et ventilé. Ne laissez pas de tapis, de moquettes ou d'autres revêtements de sol similaires sous l'appareil. Ils peuvent entraîner un risque d'incendie en raison d'une ventilation inadéquate !
- N'obstruez pas ou ne couvrez pas les orifices de ventilation. Sinon, la consommation d'énergie pourrait augmenter et votre appareil pourrait être endommagé.
- Le produit ne doit pas être connecté à des systèmes d'alimentation tels que l'alimentation solaire. Sinon, votre produit peut être endommagé en raison de changements soudains de tension !
- Plus un réfrigérateur contient de réfrigérant, plus grande doit être la pièce d'installation. Dans les très petites pièces, un mélange gaz-air inflammable peut se produire en cas de fuite de gaz dans le système de refroidissement. Au moins 1 m<sup>3</sup> de volume est requis pour chaque 8 grammes de réfrigérant. La quantité de réfrigérant disponible dans votre appareil est indiquée sur la plaque signalétique.
- Le lieu d'installation du produit ne doit pas être exposé à la lumière directe du soleil et ne doit pas se trouver à proximité d'une source de chaleur telle qu'un poêle, un radiateur, etc. Si vous ne pouvez pas empêcher l'installation du produit à proximité d'une source de chaleur, vous devez utiliser une plaque isolante appropriée et la distance minimale par rapport à la source de chaleur doit être conforme aux spécifications ci-dessous.
  - À au moins 30 cm des sources de chaleur telles que les cuisinières, les appareils de chauffage, etc.
  - Et à au moins 5 cm des fours électriques.
- Votre produit a la classe de protection I.
- Branchez le produit dans une prise avec mise à la terre conforme aux valeurs de tension, de courant et de fréquence indiquées sur la plaque signalétique. La prise de courant doit être équipée d'un fusible de 10 à 16A. Notre entreprise ne sera pas tenue responsable de tout dommage résultant de l'utilisation de l'ap-

pareil sans prise de mise à la terre ou branchement électrique conforme aux normes locales et nationales en vigueur.

- Débranchez le câble d'alimentation du réfrigérateur pendant l'installation. Dans le cas contraire, vous risquez de vous électrocuter et de vous blesser !
- Ne branchez pas l'appareil sur des prises desserrées, cassées, sales, graisseuses ou qui sont sorties de leur logement ou sur des prises présentant un risque de contact avec l'eau.
- Placez le câble d'alimentation et les flexibles (si disponibles) de l'appareil de sorte qu'ils ne puissent pas provoquer de risque de trébuchement.
- La pénétration de l'humidité dans les pièces sous tension ou dans le cordon d'alimentation peut provoquer un court-circuit. Par conséquent, n'utilisez pas l'appareil dans des environnements humides ou dans des endroits où l'eau peut éclabousser (p. ex. les garages, les buanderies, etc.). Lorsque le réfrigérateur est

mouillé par l'eau, débranchez-le et contactez un service autorisé.

- Ne branchez jamais votre réfrigérateur sur des dispositifs d'économie d'énergie. Ces dispositifs peuvent être dangereux pour l'appareil



## **1.6 Sécurité de fonctionnement**

- N'utilisez jamais de solvants chimiques sur le réfrigérateur. Ces matériaux présentent un risque d'explosion.
- En cas de panne de l'appareil, débranchez-le et ne l'utilisez pas avant sa réparation par le service autorisé. Il existe un risque d'électrocution !
- Ne placez pas une source de flamme (p. ex. des bougies, cigarettes, etc.) sur l'appareil ou à proximité de celui-ci.
- Ne montez pas sur l'appareil. Risque de chute et de blessure !
- N'endommagez pas les tuyaux du système de refroidissement avec des outils tranchants et perçants. Le réfrigérant qui s'échappe en cas de perforation des tuyaux à gaz, des tuyaux d'extension ou des revêtements de la surface supé-



rieure peut provoquer une irritation de la peau et des liaisons oculaires.

- Ne placez pas et n'utilisez pas d'appareils électriques à l'intérieur du réfrigérateur/congélateur, sauf avis contraire du fabricant.
- Ne coincez pas les parties de vos mains ou de votre corps sur les parties mobiles à l'intérieur de l'appareil. Faites attention à ne pas coincer vos doigts entre le réfrigérateur et sa porte. Soyez prudent lorsque vous ouvrez ou fermez la porte en présence des enfants.
- Ne mettez pas de crème glacée, de glaçons ou d'aliments congelés dans votre bouche immédiatement après les avoir sortis du congélateur. Risque de gelure !
- Ne touchez pas les parois intérieures, les parties métalliques du congélateur ou les aliments conservés dans le congélateur avec les mains mouillées. Risque de gelure !
- Ne placez pas de canettes de soda ou de bouteilles contenant des liquides pouvant être congelés dans le compartiment congélateur. Les canettes ou les bouteilles peuvent exploser. Risque de blessures et de dommages matériels !
- N'utilisez pas ou ne placez pas de matériaux sensibles à la température tels que des aérosols inflammables, des objets inflammables, de la glace sèche ou d'autres agents chimiques à proximité du réfrigérateur. Risque d'incendie ou d'explosion !
- Ne stockez pas de matières explosives telles que des aérosols contenant des matériaux inflammables à l'intérieur de l'appareil.
- Ne placez pas de canettes contenant des liquides sur l'appareil. L'éclaboussure d'eau sur une pièce électrique peut entraîner un risque d'électrocution ou d'incendie.
- Cet appareil n'est pas destiné au stockage et au refroidissement de médicaments, de plasma sanguin, de préparations de laboratoire ou de matériaux et produits similaires qui sont soumis à la directive sur les produits médicaux.
- Si l'appareil est utilisé à d'autres fins que celles pour lesquelles il a été conçu, il peut endommager ou détériorer les produits qu'il contient.

- Si votre réfrigérateur est équipé d'un voyant lumineux bleu, ne contemplez pas le voyant lumineux avec des instruments optiques. Ne fixez pas directement la lumière LED à UV pendant une longue période, car les rayons ultraviolets peuvent entraîner la fatigue oculaire.
- Ne remplissez pas l'appareil de nourriture dépassant sa capacité. Des blessures ou des dégâts peuvent survenir au cas où le contenu du réfrigérateur tombe lorsque la porte est ouverte. Des problèmes similaires peuvent survenir lorsqu'un objet est placé sur l'appareil.
- Pour éviter tout risque de blessures, rassurez-vous que vous avez retiré toute la glace ou toute l'eau qui auraient pu se verser au sol.
- Changez l'emplacement des casiers/porte-bouteilles sur la porte de votre réfrigérateur uniquement lorsqu'ils sont vides. Risque de blessures !
- Ne placez aucun objet qui pourrait tomber ou basculer sur l'appareil. Ces objets peuvent tomber lors de l'ouverture ou de la fermeture de la porte, et causer des blessures et/ou des dégâts matériels.
- Ne frappez ni n'exercez aucune pression excessive sur les surfaces en verre. Le verre brisé peut causer des blessures et/ou des dégâts matériels.
- Le système de refroidissement de votre produit contient du réfrigérant R600a Le type de réfrigérant utilisé dans le produit est spécifié sur la plaque signalétique. Ce gaz est inflammable. Par conséquent, veillez à ne pas endommager le système de refroidissement et les tuyaux pendant l'utilisation de l'appareil. Si les tuyaux sont endommagés :
  1. Ne touchez pas l'appareil ni le câble d'alimentation,
  2. Maintenez l'appareil éloigné des sources potentielles d'incendie qui pourraient causer l'incendie de l'appareil,
  3. Aérez la zone où l'appareil est placé, - N'utilisez pas de ventilateur,
  4. Contactez un centre de service agréé.
  5. Si l'appareil est endommagé et que vous observez une fuite de gaz, éloignez-vous du gaz. Le gaz peut causer des gelures lorsqu'il entre en contact avec votre peau.



## 1.7 Sécurité du stockage des aliments

Veillez prêter attention aux avertissements suivants afin d'éviter la détérioration des aliments :

- Laisser les portes ouvertes pendant une longue période peut entraîner une augmentation de la température à l'intérieur du produit.
- Nettoyez régulièrement les systèmes de drainage accessibles en contact avec les aliments.
- Nettoyez les réservoirs d'eau qui n'ont pas été utilisés pendant 48 heures et les systèmes d'alimentation en eau qui n'ont pas été utilisés pendant plus de 5 jours.
- Conservez les produits de viande et de poisson crus dans des compartiments appropriés à l'intérieur de l'appareil. Ainsi, ils ne coulent pas sur les autres aliments et n'entre pas en contact avec eux.
- Les compartiments de congélation à deux étoiles permettent de conserver les aliments pré-cuisinés, de préparer et de conserver la glace et la crème glacée.

- Les compartiments à une, deux et trois étoiles ne conviennent pas à la congélation des aliments frais.
- Si le produit réfrigérant est resté vide pendant une longue période, éteignez le produit, dégivrez, nettoyez et séchez le produit afin de protéger le boîtier de l'appareil.



## 1.8 Sécurité relative à l'entretien et au nettoyage

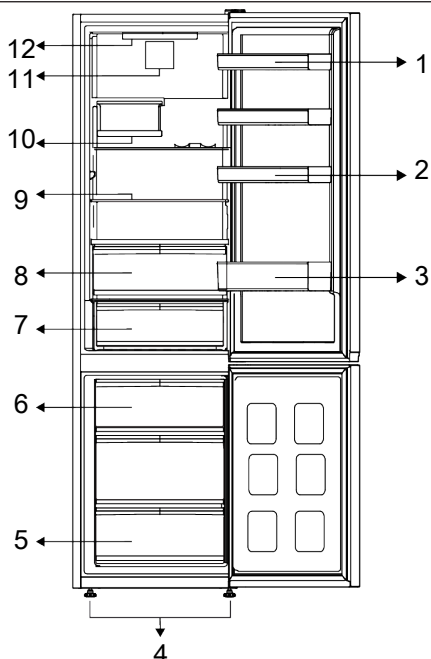
- Ne tirez pas sur la poignée de la porte si vous devez déplacer l'appareil pour le nettoyer. La poignée peut causer des blessures si vous la tirez trop fort.
- Ne nettoyez pas l'appareil en pulvérisant ou en versant de l'eau dessus et à l'intérieur. Risque de choc électrique et d'incendie.
- Lors du nettoyage de l'appareil, n'utilisez pas d'outils tranchants et abrasifs ni de produits de nettoyage ménagers, de détergents, d'essence, de diluant, d'alcool, de vernis et de substances similaires. Utilisez des produits de nettoyage et d'entretien qui ne sont pas nocifs pour les aliments uniquement à l'intérieur de l'appareil.

- N'utilisez jamais de vapeur ou de matériel de nettoyage à vapeur pour nettoyer l'appareil et faire fondre la glace qui s'y trouve. Lorsque la vapeur entre en contact avec les zones sensibles de votre réfrigérateur, elle peut provoquer un court-circuit ou un choc électrique.
- Veillez à éloigner l'eau des circuits électroniques ou de l'éclairage de l'appareil.
- Utilisez un torchon propre et sec pour essuyer la poussière ou les corps étrangers sur les extrémités des fiches. N'utilisez pas de torchon humide ou mouillé pour nettoyer la fiche. Ceci, pour éviter tout risque d'incendie ou de choc électrique.

## 2 Instructions environnementales

### 3 Votre réfrigérateur

FR



- 1 \* Étagères de porte réglables
- 3 \* Étagère pour les bouteilles
- 5 \* Compartiment de congélation
- 7 \* Tiroir de stockage du froid
- 9 \* Étagères réglables
- 11 \* Ventilateur

- 2 \* Porte-œuf
- 4 \* Pieds avant réglables
- 6 \* Récipient à glace
- 8 \* Bac à légumes
- 10 \* Poubelle à vin pliable
- 12 \* Lampe d'éclairage

**\*En option :** Les illustrations présentées dans ce manuel d'utilisation sont schématiques et peuvent ne pas correspondre

exactement à votre produit. Si votre appareil ne présente pas les parties citées, alors l'information s'applique à d'autres modèles.

## 4 Installation



Lisez d'abord la section « Instructions de sécurité » !

### 4.1 Lieu idéal d'installation

Contactez le service agréé pour l'installation de votre réfrigérateur. Pour préparer l'installation du réfrigérateur, lisez attentive-

ment les instructions du manuel d'utilisation et assurez-vous que les équipements électriques et d'approvisionnement d'eau sont installés convenablement. Si ce n'est pas le cas, appelez un électricien et un plombier pour faire le nécessaire pour les services publics.

**AVERTISSEMENT :**

Le fabricant ne sera pas tenu responsable en cas de problèmes causés par des travaux effectués par des personnes non autorisées.

**AVERTISSEMENT :**

Débranchez le câble d'alimentation du réfrigérateur pendant l'installation. Le non-respect de cette consigne peut entraîner la mort ou des blessures graves !

**AVERTISSEMENT :**

Si le cadre de la porte est trop étroit pour laisser passer l'appareil, retirez la porte et faites passer l'appareil sur les côtés ; si cela ne fonctionne pas, contactez le service agréé.

- Placez l'appareil sur une surface plane pour éviter les vibrations.
- Placez le produit à 30 cm du chauffage, de la cuisinière et des autres sources de chaleur similaires et à au moins 5 cm des fours électriques.
- N'exposez pas le produit directement à lumière du soleil et ne le laissez pas dans des environnements humides.
- Votre produit nécessite une circulation d'air adéquate pour pouvoir fonctionner efficacement. S'il est placé dans une alcôve, n'oubliez pas de laisser un espace d'au moins 5 cm entre l'appareil, le plafond, la paroi arrière et les parois latérales.
- Vérifiez que l'élément de protection d'espace de la façade arrière est présent à son emplacement (au cas où il est fourni avec l'appareil).
- Si l'élément n'est pas disponible, perdu ou tombé, positionnez l'appareil de manière à laisser un espace d'au moins 5 cm entre la surface arrière de l'appareil et les murs de la pièce. L'espace prévu à l'arrière est important pour le fonctionnement efficace de l'appareil.

## 4.2 Branchement électrique



Ne branchez pas le réfrigérateur sur une rallonge ou une multiprise.



Les câbles d'alimentation endommagés doivent être remplacés par le service agréé.



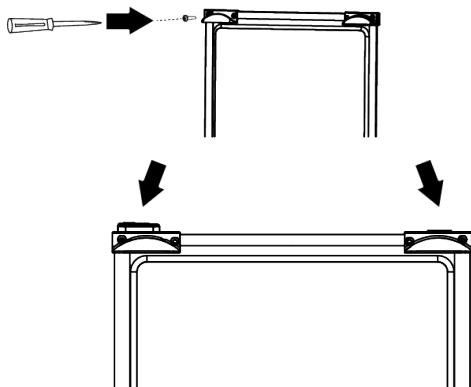
Lorsque deux réfrigérateurs sont installés côte à côte, laissez au moins 4 cm de distance entre les deux appareils

- Notre entreprise ne sera pas tenue responsable de tout dommage résultant de l'utilisation de l'appareil sans prise de mise à la terre ou branchement électrique conforme à la norme nationale en vigueur.
- Gardez la fiche du câble d'alimentation à portée de main après l'installation.
- N'utilisez pas de fiche multigroupe avec ou sans rallonge entre la prise murale et le réfrigérateur.

## 4.3 Fixation des cales en plastique

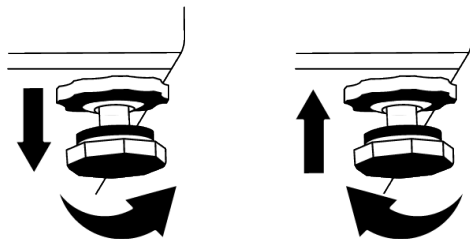
Utilisez les cales en plastiques fournies avec le réfrigérateur pour maintenir une circulation d'air suffisante entre le réfrigérateur et le mur.

1. Pour fixer les cales, retirez les vis du réfrigérateur et utilisez celles fournies avec les cales.
2. Fixez 2 cales en plastique sur le couvercle de ventilation tel qu'illustré par l'image.



#### 4.4 Réglages des pieds avant

Si l'appareil n'est pas équilibré, réglez les pieds avant en les tournant vers la gauche ou la droite.



#### 4.5 Attention aux surfaces chaudes

Les parois latérales de votre produit sont équipées de tuyaux de refroidissement pour améliorer le système de refroidissement. Un fluide à haute pression peut s'écouler à travers ces surfaces, et provoquer des surfaces chaudes sur les parois latérales. C'est normal et cela ne nécessite pas d'entretien. Faites attention lorsque vous contactez ces zones.

## 5 Préparation



Lisez d'abord la section « Instructions de sécurité » !

### 5.1 Moyens d'économiser l'énergie



Il est dangereux de connecter l'appareil aux systèmes électroniques d'économie d'énergie, ils pourraient l'endommager.

- Cet appareil de réfrigération n'est pas conçu pour être utilisé comme un appareil encastré.
- Ne laissez pas la porte du réfrigérateur ouverte longtemps.
- Ne conservez pas des aliments ou des boissons chaud(e)s dans le réfrigérateur.
- Ne surchargez pas le réfrigérateur, l'obstruction du flux d'air interne réduira la capacité de réfrigération.
- Afin de charger la quantité maximale d'aliments dans le compartiment congélateur, vous devez retirer les tiroirs supérieurs et placer les aliments sur les

clayettes métalliques/en verre. Les informations sur le volume net et la consommation d'énergie déclarées sur l'étiquette énergétique de votre réfrigérateur ont été testées en sortant les tiroirs supérieurs du compartiment réfrigérateur et le bac à glaçons, que l'on peut facilement retirer à la main.

- Il est fortement recommandé d'utiliser le tiroir du bas pour le rangement.
- Selon les caractéristiques de l'appareil, le dégivrage des aliments congelés dans le compartiment réfrigérateur assurera l'économie d'énergie et la préservation de la qualité des aliments.
- Veuillez-vous assurer que les aliments ne sont pas en contact direct avec le capteur de température du compartiment réfrigérateur décrit ci-après.
- Les aliments sont stockés à l'aide des tiroirs du compartiment réfrigéré afin de garantir une économie d'énergie et de protéger les aliments dans de meilleures conditions.

- Les emballages de denrées alimentaires ne doivent pas être en contact direct avec le capteur de température situé dans le compartiment de congélation.
- En cas de contact avec le capteur, la consommation d'énergie de l'appareil peut augmenter

## 5.2 Première utilisation

Avant d'utiliser votre réfrigérateur, assurez-vous que les installations nécessaires sont conformes aux instructions des sections « Instructions en matière de sécurité et d'environnement » et « Installation ».

- Laissez l'appareil fonctionner à vide pendant 6 heures, et ne l'ouvrez pas sauf en cas de nécessité absolue.
- Le changement de température causé par l'ouverture et la fermeture de la porte pendant l'utilisation du produit peut normalement entraîner la formation de condensation sur les tablettes de la porte/du corps et sur les verres placés dans l'appareil.



Un son retentit à l'activation du compresseur. Il est normal que l'appareil fasse du bruit même si le compresseur ne fonctionne pas, car du fluide et du gaz peuvent être comprimés dans le système de refroidissement.



Il est normal que les bords avant du réfrigérateur soient chauds. Ces parties doivent en principe être chaudes afin d'éviter la condensation.



Pour certains modèles, le panneau indicateur s'éteint automatiquement 1 minute après la fermeture des portes. Il s'active à nouveau à l'ouverture de la porte ou lorsque vous appuyez sur n'importe quelle touche.

## 5.3 Classe climatique et définitions

Veillez vous référer à la classe climatique figurant sur la plaque signalétique de votre appareil. L'une des informations suivantes s'applique à votre appareil selon la classe climatique.

- **SN** : Climat tempéré à long terme : Ce dispositif de refroidissement est conçu pour être utilisé à une température ambiante comprise entre 10 °C et 32 °C.
- **N** : Climat tempéré : Ce dispositif de refroidissement est conçu pour être utilisé à une température ambiante comprise entre 16°C et 32 °C.
- **ST** : Climat subtropical : Ce dispositif de refroidissement est conçu pour être utilisé à une température ambiante comprise entre 16°C et 38°C.
- **T** : Climat tropical : Ce dispositif de refroidissement est conçu pour être utilisé à une température ambiante comprise entre 16°C et 43°C.

## 6 Fonctionnement de l'appareil



Lisez d'abord la section « Instructions de sécurité » !

- Il ne faut pas utiliser d'outils mécaniques ou autres que les recommandations du fabricant pour accélérer l'opération de décongélation.
- Évitez d'utiliser des parties de votre réfrigérateur, telles que la porte ou les tiroirs, comme support ou comme marchepied. Cela peut faire trébucher le produit ou endommager ses composants.
- Le produit ne doit être utilisé que pour la conservation des aliments.



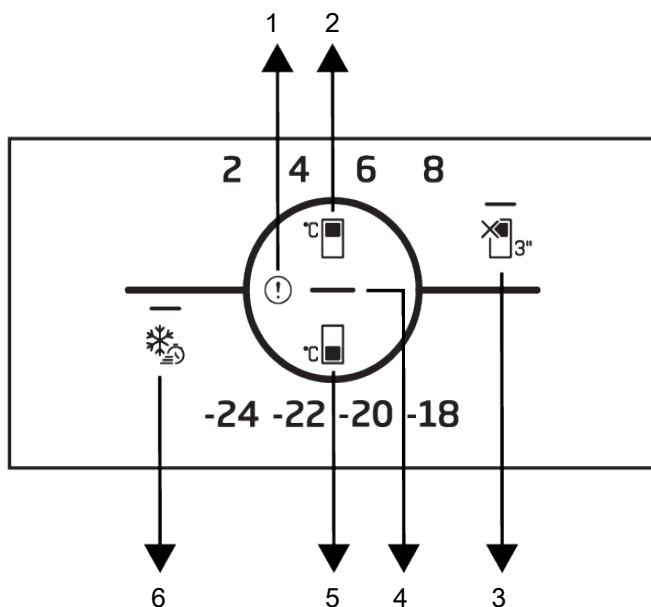
- Fermez le robinet d'eau si vous vous absentez de chez vous (par exemple, en vacances) et que vous n'utilisez pas le distributeur d'eau ou le distributeur de glace pendant une longue période. Dans le cas contraire, des fuites d'eau peuvent se produire.

### Interruption du programme

- Si vous n'avez pas l'intention d'utiliser le produit pendant une longue période, débranchez-le de la prise de courant.
- Enlevez la nourriture pour éviter les odeurs.
- Attendez que la glace fonde, nettoyez l'intérieur et laissez-le sécher, laissez les portes ouvertes pour éviter d'endommager les plastiques intérieurs de la carrosserie.

## 7 Utilisation de votre appareil

### 7.1 Panneau de contrôle du produit



1 Indicateur de condition d'erreur

3 \* Touche de fonction ARRÊT du compartiment réfrigéré (vacances)

5 Clé de réglage de la température du compartiment congélateur

2 \* Clé de réglage de la température du compartiment de refroidissement

4 Indicateur d'économie d'énergie (affichage éteint)

6 Clé de congélation rapide



Lisez d'abord la section « Instructions de sécurité ».

Les fonctions sonores et visuelles dudit panneau vous aident à utiliser votre réfrigérateur.

**\*En option:** Les fonctions indiquées sont facultatives, il peut y avoir des différences de forme et d'emplacement au niveau des fonctions indiquées sur l'indicateur de votre appareil.

### 1. Indicateur de condition d'erreur

Cet indicateur doit être activé lorsque votre réfrigérateur ne peut pas assurer un refroidissement adéquat ou en cas d'erreur de capteur. Un point d'exclamation peut être affiché lorsque vous chargez des aliments chauds dans le compartiment de congélation ou que vous gardez la porte ouverte pendant une longue période. Il ne s'agit pas d'un défaut, cet avertissement disparaît lorsque l'aliment est refroidi ou lorsqu'on appuie sur une touche quelconque.

### 2. Clé de réglage de la température du compartiment de refroidissement

Permet de régler la température du compartiment de réfrigération. En appuyant sur la touche, la température du compartiment réfrigérant peut être réglée à 8 °C, 6 °C, 4 °C et 2 °C.

### 3. Touche de fonction Arrêt du compartiment réfrigéré (vacances)

Appuyez sur la touche pendant 3 secondes pour activer la fonction vacances. Le mode vacances est activé et la LED du symbole de vacances est allumée. Le compartiment de refroidissement n'assure pas la fonction de refroidissement actif. Vous ne devez pas conserver vos aliments dans le compartiment réfrigérateur lorsque cette fonction est activée. Les autres compartiments continuent à se refroidir en fonction des températures précédemment réglées. Il

suffit d'appuyer à nouveau sur la touche pendant 3 secondes pour annuler cette fonction.

### 4. Indicateur d'économie d'énergie (affichage éteint)

Lorsque les portes sont fermées pendant une longue période, le mode Économie d'énergie s'active automatiquement et l'icône d'économie d'énergie s'allume. Lorsque la fonction d'économie d'énergie est activée, toutes les icônes, excepté l'icône d'économie d'énergie, disparaissent de l'écran. Lorsque cette fonction est utilisée, la pression sur une touche quelconque ou l'ouverture de la porte entraîne sa désactivation et les voyants allumés retournent à la normale. La fonction d'économie d'énergie est une fonction activée départ usine et ne peut être annulée.

### 5. Clé de réglage de la température du compartiment Congélateur

Le réglage de la température est effectué pour le compartiment de congélation. Appuyez sur la touche pour régler la température du compartiment congélateur à des valeurs de -18 °C, -20 °C, -22 °C, -24 °C.

### 6. Touche de gel rapide

Dès que vous appuyez sur la touche d'arrêt rapide, le voyant LED de la touche s'allume et la fonction d'arrêt rapide est activée. La température du compartiment de congélation est réglée sur -27 °C. Appuyez à nouveau sur la touche pour annuler la fonction. La fonction de congélation rapide est automatiquement annulée après une période spécifique. Pour congeler une grande partie d'aliments frais, appuyez sur la touche de congélation rapide avant de mettre les aliments dans le compartiment congélateur.

## 7.2 Stockage des aliments dans le compartiment réfrigérant

### Stockage des aliments dans le compartiment réfrigérant

- La température des compartiments augmente considérablement si la porte du compartiment est ouverte et fermée fréquemment et si elle reste ouverte pendant longtemps, ce qui peut réduire la durée de vie des aliments et les faire se gâter.
- Afin de ne pas provoquer de changements d'odeur et de goût, les aliments doivent être conservés dans des récipients fermés.
- Ne conservez pas de quantités excessives d'aliments dans votre réfrigérateur. Pour obtenir un refroidissement plus efficace et homogène, placez les aliments séparément de manière à ce que l'air froid puisse circuler.
- Assurez la circulation de l'air en laissant un espace entre l'aliment et la paroi interne. Si vous appuyez les aliments contre la paroi arrière, ils risquent de geler.
- Amenez les plats chauds cuisinés à la température ambiante avant de les placer dans le réfrigérateur. Ensuite, vous pouvez placer le repas tiède dans les étagères inférieures de votre réfrigérateur. Ne placez pas les repas tièdes à proximité des aliments qui peuvent facilement se gâter.
- Décongelez vos aliments congelés dans le compartiment des aliments frais. Ainsi, vous pouvez refroidir le compartiment des aliments frais en utilisant des aliments congelés et économiser de l'énergie.
- La conservation au réfrigérateur de fruits tropicaux non mûrs (mangue, variétés de melon, papaye, banane, ananas) peut accélérer le processus de maturation. Ce n'est pas recommandé car cela raccourcira la durée de conservation.
- Vous devez conserver les oignons, les aulx, les gingembres et les autres légumes-racines dans une pièce sombre et froide, et non au réfrigérateur.
- Si vous remarquez qu'un aliment a tourné dans le réfrigérateur, jetez-le et nettoyez les accessoires qui ont été en contact avec cet aliment.
- Pour refroidir rapidement les plats tels que les soupes et les ragoûts, qui sont cuits dans de grandes marmites, vous pouvez les mettre au réfrigérateur en les séparant dans leurs propres récipients peu profonds.
- Ne placez pas les aliments non emballés à proximité des œufs.
- Conservez les fruits et légumes séparément et stockez chaque variété ensemble (par exemple : les pommes avec les pommes, les carottes avec les carottes).
- Sortez les légumes verts du sac en plastique et placez-les au réfrigérateur après les avoir enveloppés dans une serviette en papier ou un linge sec. Si vous lavez ce type d'aliments avant de les placer dans le réfrigérateur, n'oubliez pas de les sécher.
- Vous pouvez à la fois créer un environnement humide et assurer une circulation d'air en conservant les fruits et légumes, qui ont tendance à sécher, dans des sacs en plastique perforés ou non fermés.
- Sauf en cas de circonstances extrêmes dans l'environnement, si votre produit (sur le tableau des valeurs de consigne recommandées) est réglé sur les valeurs de consigne spécifiées, les aliments conservent leur fraîcheur plus longtemps, aussi bien dans le compartiment des produits frais que dans celui du congélateur.

| Rangez les aliments dans les différents endroits en fonction de leurs propriétés : |   |
|--|---|
| Aliment  | Lieux   |
| OEuf   | Balconnet   |
| Produits laitiers (beurre, fromage)  | Si disponible, compartiment zéro degré (pour les aliments du petit-déjeuner)          |
| Fruits, légumes et verdure   | Compartiment fruits-légumes, bac à légumes ou Compartiment EverFresh+ (si disponible) |
| Viande fraîche, volaille, poisson, saucisses, etc. Aliments cuits                  | Si disponible, compartiment zéro degré (pour les aliments du petit-déjeuner)          |
| Aliments prêts à consommer, produits emballés, conserves, produits marinés         | Étagères supérieures ou balconnet   |
| Boissons, bouteilles, épices et snacks   | Balconnet   |

### Stockage des aliments dans le compartiment congélateur

- Vous pouvez activer la fonction de congélation rapide 4 à 6 heures avant la fonction de congélation et effectuer un refroidissement plus rapide.
- Amenez les repas chauds à la température ambiante avant de les placer dans le compartiment congélateur.
- Les aliments à congeler doivent être divisés en portions en fonction de la taille à consommer, et congelés dans des emballages séparés.
- Il est recommandé d'emballer les aliments avant de les placer dans le congélateur.
- Afin de prévenir l'expiration du temps de conservation, inscrivez la date et l'heure de congélation ainsi que le nom du produit sur l'emballage, en fonction des temps de conservation des différents aliments.
- Consommez rapidement les aliments que vous avez décongelés. Les aliments décongelés ne peuvent être recongelés que s'ils sont cuits. Il n'est pas sûr de consommer les aliments frais recongelés sans cuisson après leur décongélation.
- Lorsque vous congelez des aliments frais, ne les mettez pas en contact avec des aliments déjà congelés. Sinon, les aliments congelés seront décongelés.

### Stockage des aliments, qui sont vendus sous forme congelée

- Suivez toujours les instructions du producteur en ce qui concerne le temps pendant lequel vous devez conserver vos aliments. Ne dépassez pas le temps indiqué dans ces instructions !
- Afin de préserver la qualité des aliments, veillez à ce que l'intervalle de temps entre la transaction d'achat et le stockage soit aussi court que possible.
- Achetez les aliments congelés qui sont conservés à -18 °C ou à des températures inférieures.
- Évitez d'acheter des aliments dont l'emballage est recouvert de glace, etc. Cela signifie que le produit pourrait être partiellement décongelé et recongelé. La température a un impact sur la qualité des aliments.
- Ne dépassez pas la durée de conservation recommandée par le producteur de l'aliment. Ne sortez du congélateur que les aliments dont vous avez besoin.
- Sauf en cas de circonstances extrêmes dans l'environnement, si votre produit (sur le tableau des valeurs de consigne recommandées) est réglé sur les valeurs de consigne spécifiées, les aliments conservent leur fraîcheur plus longtemps, aussi bien dans le compartiment des produits frais que dans celui du congélateur.
- Si le compartiment des aliments frais est réglé sur une température inférieure, les fruits et légumes frais peuvent être partiellement congelés.

### Détails du congélateur

Selon les normes IEC 62552, à une température ambiante de 25°C, le congélateur doit pouvoir congeler 4,5 kg de denrées alimentaires à -18°C ou à des températures inférieures en 24 heures pour chaque 100 litres de volume du compartiment congélateur.

Les aliments peuvent être préservés pour des périodes prolongées uniquement à des températures inférieures ou égales à -18 °C.

Vous pouvez garder les aliments frais pendant des mois (dans le congélateur à des températures inférieures ou égales à 18 °C).

Les aliments à congeler ne doivent pas être en contact avec ceux déjà congelés pour éviter un dégivrage partiel.

Faites bouillir les légumes et filtrez l'eau pour prolonger la durée de conservation à l'état congelé. Placez les aliments dans des emballages sous vide après les avoir filtrés et placez-les dans le congélateur. Les bananes, les tomates, les feuilles de laitue, le céleri, les œufs durs, les pommes de terre et les aliments similaires ne doivent pas être congelés. Au cas où cette nourriture pourrit, seules les valeurs nutritionnelles et les qualités alimentaires seront affectées négativement. Une pourriture menaçant la santé humaine n'est pas en cause.

#### **Placer les aliments**

**Balconnets du compartiment congélateur** : Différents aliments congelés comme la viande, le poisson, la crème glacée, les légumes, etc.

**Étagères du compartiment réfrigérateur** : Les aliments contenus dans des casseroles, des plats couverts, des gamelles et les œufs (dans des gamelles)

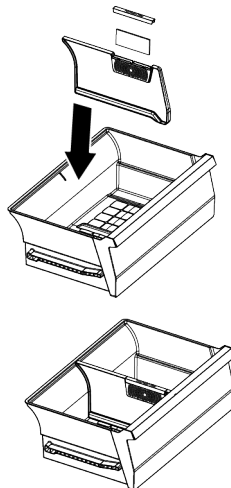
**Balconnets de la porte du compartiment réfrigérateur** : Aliments ou boissons de petite taille et emballés.

**Bac à légumes** : Légumes et fruits

**Compartiment des aliments frais** : Delicatessen (aliments pour le petit déjeuner, produits carnés à consommer dans un délai court).

## 7.3 Bac à légumes

Le bac à légumes du réfrigérateur est conçu pour conserver les légumes frais en préservant leur humidité. À cette fin, la circulation générale d'air froid est intensifiée dans le bac à légumes. Conservez les fruits et les légumes dans ce compartiment. Conservez séparément les légumes verts et les fruits pour prolonger leur durée de vie.



## 7.4 Technologies Crisper

### **Voyant lumineux bleu**

Les fruits et légumes stockés dans les bacs à légumes éclairés par une lumière bleue continuent leur photosynthèse grâce à l'effet de longueur d'onde de la lumière bleue et préservent ainsi leur teneur en vitamine.

### **HarvestFresh**

Les fruits et légumes conservés dans les bacs à légumes éclairés par la technologie HarvestFresh conservent leurs vitamines plus longtemps grâce aux lumières bleues, vertes, rouges et aux cycles d'obscurité, qui simulent un cycle de jour.

Lorsque la porte de votre réfrigérateur est ouverte pendant la période d'obscurité de la technologie HarvestFresh, votre réfrigérateur le détecte automatiquement et allume le bac à légumes avec l'une des lumières bleues, vertes ou rouges respectivement

pour votre confort. Une fois que vous avez fermé la porte du réfrigérateur, la période d'obscurité se poursuit, représentant ainsi la nuit dans un cycle de jour.

## 7.5 Module photocatalytique (Fresh-Guard)

Grâce à ce module, qui est positionné derrière le couvercle d'évaporateur dans le compartiment d'aliments frais, l'air traverse activement le filtre photocatalytique recouvert de dioxyde de titane et l'air nettoyé circule à l'intérieur. De cette façon, les mauvaises odeurs sont éliminées à l'intérieur du réfrigérateur avant de s'imprégner sur les surfaces des aliments, et au même moment, l'air hygiénique circule grâce à l'air désinfecté. Cette fonctionnalité est activée par le ventilateur du compartiment d'aliments frais situé derrière le couvercle d'évaporateur, par la lampe LED UV-A et le filtre à odeur recouvert de dioxyde de titane. Pour activer/désactiver ce module, qui assure une circulation d'air hygiénique et sans odeur dans le réfrigérateur, ap-

puyez sur le bouton (P<sub>3</sub>) et maintenez-le enfoncé pendant 3 secondes et assurez-

vous que l'indicateur de la fonction (P<sub>3</sub>) s'affiche à l'écran lorsqu'il est activé, et disparaît de l'écran lorsqu'il est désactivé. Une fois la fonctionnalité activée comme indiqué, elle fonctionne périodiquement sans qu'il soit nécessaire d'appuyer à nouveau sur une touche. Si la porte du compartiment d'aliments frais est ouverte alors que le module est activé, le ventilateur et la lampe LED UV-A ne fonctionneront pas pendant un moment, mais reprendront leur fonctionnement une fois la porte fermée. En cas de panne de courant alors que le module est en marche, le module reprendra son fonctionnement à partir du point où il s'est arrêté une fois le courant rétabli.

**Remarque :** Il est recommandé de conserver les aliments aromatiques tels que le fromage, les olives et les charcuteries dans leur emballage et avec leur couvercle fer-

mé, afin d'éviter les mauvaises odeurs qui peuvent se dégager du mélange d'odeurs provenant de différents types d'aliments. Pour la sécurité des autres aliments conservés, les conditions de stockage hygiéniques et pour éviter les mauvaises odeurs, nous vous recommandons de retirer le plus rapidement possible du réfrigérateur les aliments dont vous avez constaté l'altération.

## 7.6 Zone d'entreposage frais des produits laitiers

### Tiroir de stockage du froid

Le tiroir de stockage du froid peut atteindre des températures plus basses dans le compartiment réfrigérant. Utilisez ce tiroir pour les produits de charcuterie (salami, saucisse, etc.) et les produits laitiers qui nécessitent des conditions de stockage plus froides, ou pour la viande, le poulet ou le poisson à consommer rapidement. Il n'est pas possible de stocker des fruits et des légumes dans ce tiroir.

## 7.7 Inversion du côté d'ouverture de la porte

Le côté d'ouverture de la porte de votre réfrigérateur peut être inversé en fonction de l'endroit où vous le placez. En cas de besoin, vous devez absolument appeler le service agréé le plus proche.


## 7.8 Alerte de porte ouverte

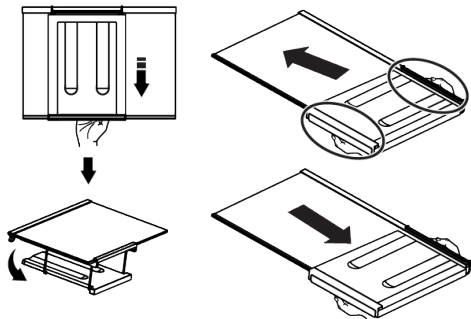
Un signal sonore est émis si la porte de l'appareil reste ouverte pendant 1 minute. L'alerte sonore s'arrête lorsque vous fermez la porte de l'armoire ou appuyez sur n'importe quel bouton de l'écran (si disponible).

## 7.9 Porte-bouteille pliable

Il permet à l'utilisateur de stocker des bouteilles de vin si nécessaire. Pour utiliser la section de la crémaillère, saisissez la partie

en plastique et tirez-la doucement vers le bas. Vous pouvez maintenant utiliser le porte-bouteilles pliable.

 Il est recommandé de stocker un maximum de 2 bouteilles de vin sur le porte-bouteilles pliable.




Pour regrouper le porte-bouteille, retirez premièrement la tablette en verre du réfrigérateur. Placez-le sur l'étagère en verre en poussant la partie en plastique dans les rainures avant et arrière, comme indiqué sur la photo. Le produit sera prêt à être utilisé avec le porte-vin pliable.

Pour retirer le porte-bouteilles pliable, premièrement, retirez la tablette en verre du réfrigérateur. Saisissez ensuite la partie en plastique et tirez-la dans n'importe quelle direction. Vous pouvez maintenant utiliser l'appareil sans porte-bouteilles pliable si nécessaire.

## 8 Entretien et nettoyage

 **AVERTISSEMENT :**  
Lisez d'abord la section « Instructions de sécurité ».

 **AVERTISSEMENT :**  
Débranchez le réfrigérateur avant le nettoyage.

- N'utilisez pas des objets pointus ou des produits de nettoyage abrasifs pour nettoyer l'appareil. Il ne faut pas utiliser de matériaux tels que des produits d'entre-

## 7.10 Remplacement de la lampe d'éclairage

Appelez le service autorisé lorsque l'ampoule/LED utilisée pour l'éclairage de votre réfrigérateur doit être remplacée.

La ou les lampes utilisées dans cet appareil ne peuvent pas être utilisées pour l'éclairage de la maison. L'objectif de cette lampe est d'aider l'utilisateur à placer les aliments dans le réfrigérateur/congélateur de manière sûre et confortable.

## 7.11 AeroFlow

C'est un système de distribution d'air qui assure une répartition homogène de la température. Grâce à la circulation de l'air, la distribution homogène de la température est assurée dans le compartiment de stockage des aliments frais, et les fluctuations de température sont maintenues à de faibles niveaux. Il n'y a pas de soufflage direct d'air sur les aliments, ce qui permet de réduire la perte d'humidité. Cela préserve la fraîcheur des aliments stockés dans le compartiment des aliments frais du réfrigérateur. De cette façon, vos aliments sont conservés à des températures plus stables et le contact avec l'air est réduit. Le séchage et le rétrécissement des aliments par perte d'humidité sont évités et la fraîcheur est assurée plus longtemps.

tien ménager, du savon, des détergents, du gaz, de l'essence, un diluant, de l'alcool, de la cire, etc.

- La poussière doit être enlevée de la grille de ventilation située à l'arrière du produit au moins une fois par an (sans ouvrir le couvercle). Nettoyez l'appareil avec un chiffon humide.
- Veillez à ne pas mouiller le logement de la lampe ainsi que d'autres composants électriques.
- Nettoyez la porte avec un chiffon humide. Retirez tout le contenu pour enlever la porte et les supports de carrosserie.

Retirez les supports de porte en les soulevant vers le haut. Nettoyez et séchez les étagères, puis refixez-les en les faisant glisser à partir du haut.

- N'utilisez pas d'eau contenant du chlore, ou des produits de nettoyage pour les surfaces externes et les pièces chromées de l'appareil. Le chlore entraîne la corrosion de ce type de surfaces métalliques.
- Il ne faut pas utiliser d'outils tranchants et abrasifs, de savon, de produits d'entretien ménager, de détergents, de gaz, d'essence, de vernis et de substances similaires pour empêcher la déformation de la pièce en plastique et l'élimination des empreintes sur la pièce. Utilisez de l'eau chaude et un chiffon doux pour le nettoyage, puis séchez-le.
- Sur les produits sans fonction « No-Frost », des gouttelettes d'eau et un givre pouvant atteindre l'épaisseur d'un doigt peuvent se former sur la paroi arrière du compartiment congélateur. Ne nettoyez pas et n'appliquez jamais d'huiles ou de produits similaires.
- Utilisez un chiffon en microfibres légèrement humidifié pour nettoyer la surface extérieure du produit. Les éponges et autres types de vêtements de nettoyage peuvent provoquer des éraflures.
- Afin de nettoyer tous les composants amovibles pendant le nettoyage de la surface intérieure du produit, il faut laver ces composants avec une solution douce composée de savon, d'eau et de carbonate. Lavez et séchez soigneusement. Évitez le contact de l'eau avec les composants d'éclairage et le panneau de contrôle.

## 9 Dépannage

Vérifiez la liste suivante avant de contacter le service après-vente. Cela devrait vous éviter de perdre du temps et de l'argent. Cette liste répertorie les plaintes fréquentes ne provenant pas de vices de fabrication ou



### ATTENTION :

N'utilisez pas de vinaigre, d'alcool à friction ni de produits nettoyants à base d'alcool sur les surfaces intérieures.

### Surfaces extérieures en acier inoxydable

Utilisez un produit de nettoyage non abrasif pour l'acier inoxydable et appliquez-le avec un chiffon doux non pelucheux. Pour polir, essuyez doucement la surface avec un chiffon en microfibres humidifié à l'eau et utilisez une peau de chamois sèche. Suivez toujours les veines de l'acier inoxydable.

### Prévention des odeurs

À sa sortie d'usine, cet appareil ne contient aucun matériau odorant. Cependant, la conservation des aliments dans des sections inappropriées et le mauvais nettoyage de l'intérieur peuvent donner lieu aux mauvaises odeurs.

- Pour éviter cela, nettoyez l'intérieur à l'aide de carbonate dissout dans l'eau tous les 15 jours.
- Conservez les aliments dans des récipients scellés, car les micro-organismes provenant des aliments conservés dans des récipients non scellés provoquent une mauvaise odeur.
- Ne conservez pas d'aliments périmés ou avariés dans le réfrigérateur.

### Protection des surfaces en plastique

Si de l'huile se répand sur les surfaces en plastique, il faut immédiatement les nettoyer avec de l'eau tiède, sinon elles seront endommagées.

des défauts de pièces. Certaines fonctionnalités mentionnées dans ce manuel peuvent ne pas exister sur votre modèle.

### Le réfrigérateur ne fonctionne pas.

- La fiche électrique n'est pas correctement insérée. >>> Branchez-la en l'enfonçant complètement dans la prise.



- Le fusible branché à la prise qui alimente l'appareil ou le fusible principal est grillé. >>> Vérifiez les fusibles.

### **Condensation sur la paroi latérale du congélateur (MULTI ZONE, COOL, CONTROL et FLEXI ZONE).**

- La porte a été ouverte trop fréquemment >>> Évitez d'ouvrir trop fréquemment la porte de l'appareil.
- L'environnement est trop humide. >>> N'installez pas l'appareil dans des endroits humides.
- Les aliments contenant des liquides sont conservés dans des récipients non fermés. >>> Conservez ces aliments dans des emballages scellés.
- La porte de l'appareil est restée ouverte. >>> Ne laissez pas la porte de l'appareil ouverte longtemps.
- Le thermostat est réglé sur une température très froide. >>> Réglez le thermostat à la température appropriée.

### **Le compresseur ne fonctionne pas.**

- En cas de coupure soudaine de courant ou de débranchement intempestif, la pression du gaz dans le système de réfrigération de l'appareil n'est pas équilibrée, ce qui déclenche la fonction de conservation thermique du compresseur. L'appareil se remet en marche au bout de 6 minutes environ. Dans le cas contraire, veuillez contacter le service de maintenance.
- Le dégivrage est actif. >>> Ce processus est normal pour un appareil à dégivrage complètement automatique. Le dégivrage se déclenche périodiquement.
- L'appareil n'est pas branché. >>> Vérifiez que le cordon d'alimentation est branché.
- Le réglage de la température est incorrect. >>> Sélectionnez le réglage de température approprié.
- Absence d'énergie électrique. >>> Le produit continuera à fonctionner normalement une fois le courant rétabli.

### **Le bruit du réfrigérateur en fonctionnement s'accroît pendant son utilisation.**

- Le rendement de l'appareil en fonctionnement peut varier en fonction des fluctuations de la température ambiante. Ceci est normal et ne constitue pas un dysfonctionnement.

### **Le réfrigérateur fonctionne fréquemment ou pendant de longues périodes.**

- Il se peut que le nouvel appareil soit plus grand que l'ancien. Les appareils plus grands fonctionnent plus longtemps.
- La température de la pièce est peut-être trop élevée. >>> Il est normal que l'appareil fonctionne plus longtemps quand la température de la pièce est élevée.
- L'appareil vient peut-être d'être branché ou chargé de nouvelles denrées alimentaires. >>> L'appareil met plus longtemps à atteindre la température réglée s'il vient d'être branché ou récemment rempli de denrées. C'est normal.
- Il est possible que des quantités importantes d'aliments chauds aient été récemment placés dans l'appareil. >>> Ne mettez pas d'aliments chauds à l'intérieur de l'appareil.
- Les portes étaient ouvertes fréquemment ou sont restées longtemps ouvertes. >>> L'air chaud qui se déplace à l'intérieur permet à l'appareil de fonctionner plus longtemps. N'ouvrez pas les portes trop fréquemment.
- Il est possible que la porte du congélateur soit entrouverte. >>> Vérifiez que les portes sont complètement fermées.
- L'appareil peut être réglé à une température trop basse. >>> Réglez la température à un degré supérieur et attendez que l'appareil atteigne la nouvelle température.
- Le joint de la porte du congélateur peut être sale, usé, cassé, ou mal positionné. >>> Nettoyez ou remplacez le joint d'étanchéité. Si le joint du congélateur est endommagé ou arraché, l'appareil prendra plus longtemps à conserver la température actuelle.

**La température du congélateur est très basse, alors que celle du réfrigérateur est appropriée.**

- La température du compartiment congélateur est très basse. >>> Réglez la température du compartiment congélateur à un degré supérieur et vérifiez à nouveau.

**La température du réfrigérateur est très basse, alors que celle du congélateur est appropriée.**

- La température du compartiment réfrigérateur est très basse. >>> Réglez la température du compartiment de refroidissement à un degré supérieur et vérifiez à nouveau.

**Les aliments conservés dans le compartiment réfrigérateur sont congelés.**

- La température du compartiment réfrigérateur est très basse. >>> Réglez la température du compartiment de refroidissement à un degré supérieur et vérifiez à nouveau.

**La température du compartiment réfrigérateur ou congélateur est très élevée.**

- La température du compartiment réfrigérateur est réglée à un degré très élevé. >>> Le réglage de la température du compartiment réfrigérateur a une incidence sur la température du compartiment congélateur. Attendez jusqu'à ce que la température des pièces correspondantes atteigne le niveau d'efficacité requis en changeant la température des compartiments réfrigérateur ou congélateur.
- Les portes étaient ouvertes fréquemment ou sont restées longtemps ouvertes. >>> N'ouvrez pas les portes trop fréquemment.
- La porte peut être entrouverte. >>> Fermez complètement la porte.
- L'appareil vient peut-être d'être branché ou chargé de nouvelles denrées alimentaires. >>> Cela est normal. L'appareil met plus longtemps à atteindre la température réglée s'il vient d'être branché ou récemment rempli de denrées.

- Il est possible que des quantités importantes d'aliments chauds aient été récemment placés dans l'appareil. >>> Ne mettez pas d'aliments chauds à l'intérieur de l'appareil.

**En cas de vibrations ou de bruits.**

- La surface n'est pas plate ou durable >>> Si l'appareil balance lorsqu'il est déplacé doucement, ajustez les supports afin de le remettre en équilibre. Assurez-vous également que le sol est assez solide pour supporter l'appareil.
- Les éléments placés sur l'appareil peuvent être à l'origine du bruit. >>> Retirez tous les éléments placés sur l'appareil.
- L'appareil émet un bruit d'écoulement de liquide ou de pulvérisation, etc.
- Les principes de fonctionnement de l'appareil impliquent des écoulements de liquides et des émissions de gaz. >>> Ceci est normal et ne constitue pas un dysfonctionnement.

**L'appareil émet un sifflement.**

- L'appareil effectue le refroidissement à l'aide d'un ventilateur. Ceci est normal et ne constitue pas un dysfonctionnement.

**Il y a de la condensation sur les parois internes de l'appareil.**

- Un climat chaud ou humide accélère le processus de givrage et de condensation. Ceci est normal et ne constitue pas un dysfonctionnement.
- Les portes étaient ouvertes fréquemment ou sont restées longtemps ouvertes. >>> N'ouvrez pas les portes trop fréquemment ; fermez-les lorsqu'elles sont ouvertes.
- La porte peut être entrouverte. >>> Fermez complètement la porte.

**Il y a de la condensation sur les parois externes ou entre les portes de l'appareil.**

- Il se peut que le climat ambiant soit humide, auquel cas cela est normal. >>> La condensation se dissipera lorsque l'humidité sera réduite.

### Présence d'une odeur désagréable dans l'appareil.

- L'appareil n'est pas nettoyé régulièrement. >>> Nettoyez régulièrement l'intérieur à l'aide d'une éponge, de l'eau tiède et du carbonate dissout dans l'eau.
- Certains récipients et matériaux d'emballage sont peut-être à l'origine des mauvaises odeurs. >>> Utilisez des récipients et des emballages exempts de toute odeur.
- Les aliments étaient placés dans des récipients ouverts. >>> Conservez les aliments dans des récipients fermés. Des micro-organismes peuvent se proliférer dans des récipients non fermés et émettre de mauvaises odeurs.
- Retirez tous les aliments périmés ou avariés de l'appareil.

### La porte ne se ferme pas.

- Les paquets d'aliments peuvent bloquer la porte. >>> Déplacez tout ce qui bloque les portes.
- L'appareil ne se tient pas parfaitement droit sur le sol. >>> Ajustez les supports afin de remettre l'appareil en équilibre.
- La surface n'est pas plane ou durable >>> Assurez-vous que la surface est plane et suffisamment durable pour supporter le produit.

### Le bac à légumes est bloqué.

- Il est possible que les aliments soient en contact avec la section supérieure du bac. >>> Reclassez les aliments dans le bac.

### Température à la surface de l'appareil.

- Une température élevée peut être observée entre deux portes, sur les panneaux latéraux et sur la zone du gril arrière lorsque votre produit est utilisé. C'est normal et cela ne nécessite pas d'entretien.

### Le ventilateur continue de fonctionner lorsque la porte est ouverte.

- Le ventilateur peut continuer à fonctionner lorsque la porte du congélateur est ouverte.



**AVERTISSEMENT :** Si le problème persiste même après observation des instructions contenues dans cette partie, contactez votre fournisseur ou un service de maintenance agréé. N'essayez pas de réparer vous-même l'appareil. C'est normal.

## CLAUSE DE NON-RESPONSABILITÉ / AVERTISSEMENT

Certaines défaillances (simples) peuvent être traitées de manière adéquate par l'utilisateur final sans qu'aucun problème de sécurité ou d'utilisation dangereuse ne survienne, à condition qu'elles soient effectuées dans les limites et conformément aux instructions suivantes (voir la section « Auto-réparation »).

Par conséquent, sauf autorisation contraire dans la section « Auto-réparation » ci-dessous, adressez-vous à des réparateurs professionnels agréés pour toutes réparations afin d'éviter des problèmes de sécurité. Un réparateur professionnel agréé est une personne à qui le fabricant a donné accès aux instructions et à la liste des pièces déta-

chées de ce produit selon les méthodes décrites dans les actes législatifs en application de la directive 2009/125/CE

**Toutefois, seul l'agent de service (c'est-à-dire les réparateurs professionnels agréés) que vous pouvez joindre au numéro de téléphone indiqué dans le manuel d'utilisation/la carte de garantie ou par l'intermédiaire de votre fournisseur agréé peut fournir un service conformément aux conditions de garantie. Par conséquent, veuillez noter que les réparations effectuées par des réparateurs professionnels (qui ne sont pas autorisés par) Beko Marka annulent la garantie.**

**Auto-réparation**

L'auto-réparation peut être effectuée par l'utilisateur final en ce qui concerne les pièces de rechange suivantes : poignées de porte, charnières de porte, plateaux, paniers et joints de porte (une liste mise à jour est également disponible sur [support.beko.com](http://support.beko.com) à partir du 1er mars 2021).

En outre, pour garantir la sécurité du produit et éviter tout risque de blessure grave, ladite auto-réparation doit être effectuée en suivant les instructions du manuel d'utilisation pour l'auto-réparation ou celles disponibles sur [support.beko.com](http://support.beko.com). Pour votre sécurité, débranchez le produit avant de procéder à toute auto-réparation.

Les réparations et tentatives de réparation par les utilisateurs finaux pour des pièces ne figurant pas dans cette liste et/ou ne suivant pas les instructions des manuels d'utilisation pour l'auto-réparation ou celles disponibles sur [support.beko.com](http://support.beko.com), pourraient donner lieu à des problèmes de sécurité non imputables à Beko, et annuleront la garantie du produit.

Il est donc fortement recommandé aux utilisateurs finaux de s'abstenir de tenter d'effectuer des réparations ne figurant pas sur la liste des pièces de rechange mentionnée, mais de contacter dans de tels cas des réparateurs professionnels autorisés ou des réparateurs professionnels agréés. Au contraire, de telles tentatives de la part des utilisateurs finaux peuvent causer des problèmes de sécurité et endommager le produit et, par la suite, provoquer un incendie, une inondation, une électrocution et des blessures corporelles graves.

À titre d'exemple, mais sans s'y limiter, vous devez vous adresser à des réparateurs professionnels autorisés ou à des réparateurs professionnels agréés pour les réparations suivantes : compresseur, circuit de refroidissement, carte mère, carte d'inverseur, panneau d'affichage, etc.

Le fabricant/vendeur ne peut être tenu responsable dans tous les cas où les utilisateurs finaux ne se conforment pas à ce qui précède.

La disponibilité des pièces de rechange du réfrigérateur que vous avez acheté est de 10 ans. Pendant cette période, les pièces de rechange d'origine seront disponibles pour faire fonctionner le réfrigérateur correctement.

La durée minimale de garantie du réfrigérateur que vous avez acheté est de 24 mois.

Cet appareil est équipé d'une source d'éclairage de classe énergétique « G ».

La source d'éclairage de cet appareil ne doit être remplacée que par des réparateurs professionnels.



Voir aussi

2 CLAUSE DE NON-RESPONSABILITÉ / AVERTISSEMENT [ ] 52]



## Primeiro deve ler este manual!

**Caro Cliente,**

**Deve ler este manual antes de utilizar o produto.**

Agradecemos ter escolhido este produto Beko . Gostaria de obter uma eficiência ótima deste produto de alta qualidade que foi fabricado com a tecnologia mais moderna. Para o fazer, deve ler cuidadosamente este manual e qualquer outra documentação fornecida antes de utilizar o produto e manter a mesma como uma referência.

Deve prestar atenção a toda a informação e todas as advertências no manual do utilizador. Desta forma, irá proteger-se a si mesmo e ao seu produto contra os perigos que podem ocorrer.

Guardar o manual do utilizador. Deve incluir este manual com a unidade caso o produto seja cedido a outra pessoa.

**São usados os símbolos seguintes no manual do utilizador:**



Risco que pode resultar em morte ou lesões.



Informações importantes ou dicas úteis sobre o funcionamento.








Ler o manual do utilizador.



Material combustível, advertência contra risco de incêndio.

**OBSERVAÇÃO** Um risco que pode causar danos materiais ao produto ou ao seu redor

|  |  |
|--|--|
|  <b>ENERG</b>   | A informação do modelo tal como está guardada na base de dados do produto pode ser acedida entrando no seguinte sítio web e procurando o seu identificador de modelo (*) encontrado na etiqueta energética.<br><a href="https://eprel.ec.europa.eu/">https://eprel.ec.europa.eu/</a> |
| <b>SUPPLIER'S NAME</b> → <b>MODEL IDENTIFIER</b> → (*)   |  |
|    |   |

|          |   |           |
|----------|---|-----------|
|          | <b>8 Manutenção e limpeza.....</b>                                      | <b>75</b> |
|          | <b>9 Resolução de problemas.....</b>                                    | <b>76</b> |
| <hr/>    |   |           |
| <b>1</b> | <b>Instruções de segurança .....</b>                                    | <b>56</b> |
| 1.1      | Uso a que se destina.....   | 56        |
| 1.2      | Segurança de crianças, pessoas vulneráveis e animais de estimação ..... | 56        |
| 1.3      | Segurança elétrica.....   | 57        |
| 1.4      | Segurança de manuseamento .....   | 58        |
| 1.5      | Segurança da instalação .....   | 58        |
| 1.6      | Segurança de funcionamento .....  | 60        |
| 1.7      | Segurança de armazenamento dos alimentos .....                          | 62        |
| 1.8      | Segurança da manutenção e limpeza.....                                  | 63        |
| <b>2</b> | <b>Instruções ambientais .....</b>                                      | <b>64</b> |
| <b>3</b> | <b>O seu Frigorífico .....</b>  | <b>64</b> |
| <b>4</b> | <b>Instalação .....</b>   | <b>65</b> |
| 4.1      | Lugar correto para a instalação ...                                     | 65        |
| 4.2      | Ligação elétrica .....  | 65        |
| 4.3      | Fixar as cunhas de plástico .....                                       | 66        |
| 4.4      | Ajustar os pés.....   | 66        |
| 4.5      | Advertência de superfície quente.                                       | 66        |
| <b>5</b> | <b>Preparação .....</b>   | <b>66</b> |
| 5.1      | O que fazer para poupar energia..                                       | 66        |
| 5.2      | Primeira utilização .....   | 67        |
| 5.3      | Classe climática e definições.....                                      | 67        |
| <b>6</b> | <b>Funcionar com o produto .....</b>                                    | <b>67</b> |
| <b>7</b> | <b>Uso do seu aparelho .....</b>  | <b>69</b> |
| 7.1      | Painel de controlo de produto .....                                     | 69        |
| 7.2      | Guardar alimentos no Compartimento de refrigeração...                   | 70        |
| 7.3      | Gaveta para frescos .....   | 73        |
| 7.4      | Tecnologias da gaveta para frescos .....                                | 73        |
| 7.5      | Módulo Fotocatalítico (FreshGuard).....                                 | 73        |
| 7.6      | Zona de armazenamento de produtos láteos frios.....                     | 74        |
| 7.7      | Inverter o lado de abertura da porta .....                              | 74        |
| 7.8      | Alerta de porta aberta .....  | 74        |
| 7.9      | Prateleira dobrável para vinhos....                                     | 74        |
| 7.10     | Substituição da lâmpada Iluminação .....                                | 74        |
| 7.11     | AeroFlow.....   | 74        |

## 1 Instruções de segurança

---

Esta secção inclui as instruções de segurança necessárias para prevenir risco de lesões e danos materiais.

A nossa empresa não será considerada responsável por danos que possam ocorrer caso estas instruções não sejam seguidas.

A instalação e reparação devem ser sempre realizadas por Assistência Autorizada.

Utilizar apenas peças de substituição e acessórios originais.

As peças de substituição serão fornecidas durante 10 anos após a data de compra do produto.

Não reparar ou substituir qualquer componente do produto exceto se especificamente mencionado no manual do utilizador.

Não realizar quaisquer modificações no produto.

### 1.1 Uso a que se destina

Este produto não é adequado para uso comercial e não deve ser usado exceto para o fim a que se destina. Estes produtos é

destinado a ser usado no interior, em habitações e espaços similares.

Por exemplo:

- Nas cozinhas do pessoal de estabelecimentos comerciais e outros ambientes de trabalho,
- Em casa rurais,
- Em unidades hoteleiras, motéis ou outras instalações de lazer que são utilizadas por clientes,
- Em hostels e alojamentos similares,
- Em serviços de restauração e grossistas similares.

Este produto não deve ser usado em ambientes exteriores fechados ou abertos como navios, varandas ou terraços. Expor o produto à chuva, neve, sol e vento pode causar perigo elétrico.

### 1.2 Segurança de crianças, pessoas vulneráveis e animais de estimação

- Este produto pode ser usado por crianças a partir de 8 anos e mais e por pessoas com capacidades físicas, sensoriais ou mentais



reduzidas ou com falta de experiência e conhecimento se lhes tiver sido dada a supervisão ou tiver sido dada instrução relativamente ao uso do produto de uma forma segura e entender os riscos envolvidos.

- Crianças entre 3 e 8 anos podem colocar e retirar alimentos de/para do frigorífico.
- Os produtos elétricos são perigosos para as crianças e para os animais domésticos. As crianças e os animais de estimação não podem brincar, trepar ou entrar dentro do produto.
- A limpeza e manutenção do utilizador não deve ser feita por crianças a menos que sejam supervisionadas.
- Manter o material de embalagem afastado do alcance das crianças. Risco de lesão ou asfixia

Antes de eliminar os produtos antigos que já não devem ser usados:

1. Desligar o cabo de alimentação da tomada elétrica.
2. Cortar o cabo de alimentação e remover o mesmo do aparelho em conjunto com a ficha.

3. Não remover as prateleiras e as gavetas do produto de modo a impedir que as crianças entrem para dentro do mesmo.
  4. Remover as portas.
  5. Armazenar o produto de modo que não possa ser tombado.
  6. Não permitir que as crianças brinquem com o produto desmontado.
- Não eliminar o produto colocando-o no fogo. Risco de explosão.
  - Se existir algum fecho na porta do produto, deve manter a chave longe do alcance das crianças.



### 1.3 Segurança elétrica

- O produto não deve ser ligado à tomada durante as operações de instalação, manutenção, limpeza, reparação e transporte.
- Se o cabo de alimentação estiver danificado, deve ser substituído pela assistência autorizada apenas para evitar qualquer risco que possa ocorrer.
- Não dobrar o cabo de alimentação por baixo do produto ou na parte de trás do produto. Não colocar objetos pesados em cima do cabo de

alimentação. O cabo de alimentação não pode ser dobrado, esmagado ou entrar em contacto com qualquer fonte de calor.

- Não usar um cabo de extensão, uma extensão múltipla ou um adaptador para operar com o seu produto.
- As tomadas múltiplas portáteis ou as fontes de alimentação portáteis podem sobreaquecer ou provocar um incêndio. Portanto, não colocar uma extensão múltipla atrás ou junto ao produto.
- A ficha deve estar facilmente acessível. Se isso não for possível, deve estar disponível na instalação elétrica um mecanismo que esteja em conformidade com a legislação e que desligue todos os terminais da corrente elétrica (fusível, disjuntor, disjuntor geral, etc.).
- Não tocar na ficha com as mãos molhadas.
- Quando desligar o aparelho, não segurar no cabo de alimentação, mas na ficha.



#### **1.4 Segurança de manuseamento**

- Este produto é pesado, não o deve manusear sozinho.

- Quando estiver a manusear o produto, não o segurar pela porta.
- Ter o cuidado de não danificar o sistema de refrigeração e as tubagens quando estiver a manusear o produto. Não operar o produto se a tubagem estiver danificada e deve contactar a assistência autorizada.



#### **1.5 Segurança da instalação**

- Contactar a Assistência Autorizada para a instalação do produto. Para preparar o produto para a instalação, consultar a informação no manual do utilizador e assegurar que as ligações elétricas e da água estão conforme é exigido. Se não, contactar um electricista e um canalizador para fazer as adequações necessárias. O incumprimento do referido pode resultar em choque elétrico, incêndio, problemas com o produto ou lesões.
- Verificar se há algum dano no produto antes de o instalar. Não instalar o produto se estiver danificado.

- Colocar o produto numa superfície nivelada e rija e equilibrar o mesmo com os pés ajustáveis. Caso contrário, o frigorífico pode-se tombar e provocar lesões.
- O produto deve ser instalado num espaço seco e ventilado. Não manter carpetes, tapetes ou revestimentos similares do pavimento por baixo do produto. Isso pode provocar um incêndio em consequência de uma ventilação não adequada!
- Não bloquear os orifícios de ventilação. Caso contrário, o consumo de energia pode aumentar e podem ocorrer danos no seu produto.
- O produto não deve ser ligado a sistemas de alimentação como o fornecimento de energia solar. Caso contrário, o produto pode ficar danificado devido a alterações repentinas de tensão!
- Quanto mais refrigerante um frigorífico tiver, maior deverá ser o espaço para a instalação. Em espaços muito pequenos, pode ocorrer uma mistura de gás-ar inflamável no caso de uma fuga de gás no sistema de refrigeração. É necessário pelo menos 1 m<sup>3</sup> de volume por cada 8 gramas de refrigerante. A quantidade de refrigerante disponível no seu produto é especificada na Etiqueta de Classificação.
- O local de instalação do produto não deve estar exposto à luz solar direta e não deve estar junto de uma fonte de calor como fogões, radiadores, etc. Se não puder evitar a instalação do produto junto de uma fonte de calor, deve usar uma placa de isolamento adequada e a distância mínima da fonte de calor deve ser como abaixo especificada.
  - Pelo menos 30 cm afastada de fontes de calor como fogões, equipamentos de aquecimento e aquecedores, etc.
  - E pelo menos 5 cm afastada de fornos elétricos.
- O seu produto tem a classe de proteção de I.
- Ligar o produto numa tomada com ligação terra que esteja de acordo com os valores de tensão, corrente e frequência especificados na etiqueta de classificação. A tomada deve ter um fusível de 10A - 16A. A nossa empresa não assumirá responsabilidade por quaisquer danos devido à utilização sem ligação da

alimentação elétrica e à terra em conformidade com os regulamentos locais e nacionais.

- O cabo de alimentação do produto deve ser desligado durante a instalação. Caso contrário, pode ocorrer risco de choque elétrico e de danos!
- Não ligar o produto a tomadas soltas, partidas, sujas, com gordura ou a tomadas que estejam fora do lugar ou tomadas com risco de contacto com água.
- Colocar o cabo de alimentação e as mangueiras (se existirem) do produto de modo a não provocarem um risco de queda.
- A penetração da humidade nas partes condutoras ou no cabo de alimentação podem provocar um curto-circuito. Portanto, não usar o produto em espaços húmidos ou em áreas onde a água pode salpicar (por ex. garagem, lavandaria, etc.). Se o frigorífico ficar molhado com água, desligar o mesmo e contactar a assistência autorizada.

- Não ligar o seu frigorífico a dispositivos de poupança de energia. Estes sistemas são nocivos para o produto.



## **1.6 Segurança de funcionamento**

- Não usar solventes químicos no produto. Estes materiais implicam um risco de explosão.
- No caso de uma falha do produto, desligar e não operar com o mesmo até que seja reparado pela assistência autorizada. Existe risco de choque elétrico!
- Não colocar uma fonte de chama (por ex. velas, cigarros, etc.) sobre o produto ou próximo do mesmo.
- Não entrar dentro do produto. Risco de queda e de lesões!
- Não provocar danos nas tubagens do sistema de refrigeração quando usar ferramentas afiadas e de perfuração. O refrigerante que é pulverizado no caso de perfuração das tubagens de gás, as extensões das tubagens ou os revestimentos da superfície superior e pode provocar irritação da pele e lesões nos olhos.

- Não colocar e nem operar com aparelhos elétricos dentro dos frigoríficos/congelador exceto se recomendado pelo fabricante.
- Não prender qualquer parte das suas mãos ou corpo em alguma das partes móveis dentro do produto. Ter cuidado para evitar prender os seus dedos entre o frigorífico e a porta respetiva. Ter cuidado quando estiver a abrir ou a fechar a porta se estiver crianças por perto.
- Não colocar gelados, cubos de gelo ou alimentos congelados na boca assim que os retirar do congelador. Risco de queimadura pelo frio!
- Não tocar nas paredes interiores, nas peças metálicas do congelador ou nos alimentos mantidos dentro do congelador com as mãos molhadas. Risco de queimadura pelo frio!
- Não colocar latas e garrafas de refrigerante que contenham líquidos que possam congelar no compartimento do congelador. As garrafas ou as latas podem explodir. Risco de lesões e de danos no material!
- Não usar ou colocar quaisquer substâncias sensíveis à temperatura tais como pulverizadores inflamáveis, objetos inflamáveis, gelo seco, medicamentos ou produtos químicos próximo ou dentro do frigorífico. Risco de incêndio e explosão!
- Não guardar dentro do produto substâncias explosivas como latas de spray com materiais inflamáveis.
- Não colocar latas contendo líquidos sobre o produto. Os salpicos de água sobre uma peça elétrica podem provocar risco de um choque elétrico ou um incêndio.
- Este produto não se destina ao armazenamento e refrigeração de medicamentos, plasma de sangue, preparações laboratoriais ou materiais similares e produtos que estejam sujeitos à Diretiva de Produtos Médicos.
- Se o produto for usado fora do fim a que se destina, isso pode provocar ou deteriorar os produtos mantidos no interior.
- Se o seu frigorífico estiver equipado com luz azul, não olhar para esta luz com dispositivos óticos. Não olhar diretamente para a luz LED UV durante um longo período de tempo. Os raios ultravioleta podem provocar cansaço ocular.

- Não encher o produto com mais alimentos do que o previsto na respetiva capacidade. Podem ocorrer lesões ou danos se o conteúdo do frigorífico cair quando a porta for aberta. Podem ocorrer problemas similares quando um objeto é colocado sobre o produto.
- Assegurar que removeu qualquer gelo ou água que possa ter caído no chão para evitar lesões.
- Mudar as localizações das prateleiras/prateleiras de garrafas na porta do seu frigorífico somente enquanto as prateleiras estiverem vazias. Perigo de lesões!
- Não colocar objetos que possam cair/tombar sobre o produto. Estes objetos podem cair quando estiver a abrir ou a fechar a porta e provocar lesões e/ou danos no material.
- Não pressionar ou exercer pressão excessiva nas superfícies de vidro. O vidro partido pode provocar lesões e/ou danos materiais.
- O sistema de refrigeração no seu produto contém refrigerante R600a. O tipo de refrigerante usado no produto é especificado na etiqueta do tipo. O gás é inflamável. Portanto, deve ter o cuidado de não danificar o sistema de refrigeração e as tubagens quando estiver a manusear o produto. No caso de danos nas tubagens;
  1. Não tocar o produto ou o cabo de alimentação.
  2. Manter o produto afastado de fontes potenciais de incêndio que possam provocar a ignição do produto.
  3. Ventilar o espaço onde o produto é colocado. Não usar uma ventoinha.
  4. Contactar o serviço autorizado.
  5. Se o produto estiver danificado e observar uma fuga de gás, deve manter-se afastado do gás. O gás pode provocar queimadura de frio se entrar em contacto com a pele.

### 1.7 Segurança de armazenamento dos alimentos

Deve prestar atenção às seguintes advertências para evitar que os alimentos se estraguem:

- Deixar as portas abertas durante um longo período de tempo pode provocar uma subida da temperatura dentro do produto.
- Limpar regularmente os sistemas de escoamento acessíveis que estão em contacto com os alimentos.
- Limpar os reservatórios de água que não forem usados durante 48 horas e os sistemas principais de alimentação de água que não forem usados durante mais de 5 dias.
- Armazenar a carne crua e o peixe nos compartimentos apropriados dentro do produto. De modo a que não pingue ou entre em contacto com os outros alimentos.
- Os compartimentos do congelador de duas estrelas são usados para armazenar alimentos pré-recheados, fazer e armazenar gelo e gelado.
- Os compartimentos de uma, duas e três estrelas não são apropriados para congelar alimentos frescos.
- Se o produto de refrigeração tiver sido deixado vazio durante um longo período de tempo, desligar o produto,

descongelar, limpar e secar o produto de modo a proteger a estrutura do mesmo.

## 1.8 Segurança da manutenção e limpeza

- Não puxar pelo manípulo da porta se pretender deslocar o produto para efeitos de limpeza. O manípulo pode provocar lesões se for puxado com demasiada força.
- Não limpar o produto pulverizando ou despejando água sobre o produto e dentro do produto. Risco de choque elétrico e incêndio.
- Quando limpar o produto, não usar ferramentas afiadas e abrasivas ou soluções de limpeza doméstica, detergente, gás, gasolina, diluente, álcool, verniz e substâncias similares. Usar apenas soluções de limpeza e de manutenção que não sejam nocivas para os alimentos que estão dentro do produto.
- Nunca usar vapor ou materiais de limpeza a vapor para limpar o produto e descongelar o gelo dentro do mesmo. O vapor entra em contacto com as

áreas condutoras no seu frigorífico e provoca curto-circuito ou choque elétrico.

- Deve ter cuidado para manter água afastada dos circuitos eletrónicos ou da iluminação do produto.
- Usar um pano limpo e seco para limpar o pó ou materiais estranhos nos terminais ou

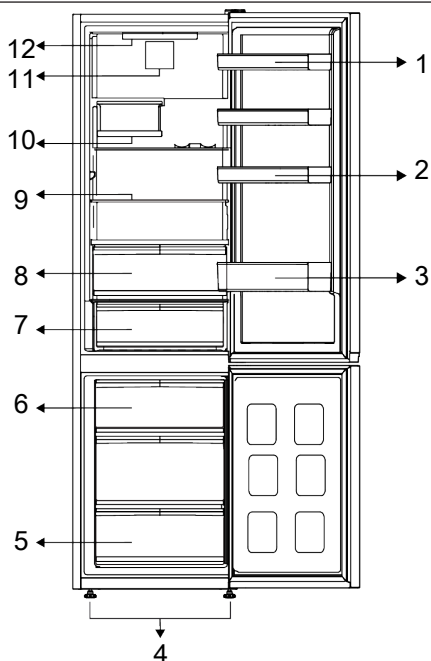
nas fichas. Não usar um pano molhado ou húmido quando estiver a limpar a ficha. Caso contrário, pode ocorrer risco de incêndio ou de choque elétrico.

## 2 Instruções ambientais

---

### 3 O seu Frigorífico

---



- 1 \* Prateleiras da porta ajustáveis
- 3 \* Prateleira para garrafas
- 5 \* Compartimento do congelador
- 7 \* Gaveta de armazenamento a frio
- 9 \* Prateleiras ajustáveis
- 11 \* Ventilador

- 2 \* Suporte para ovos
- 4 \* Pés frontais ajustáveis
- 6 \* Recipiente de gelo
- 8 \* Gaveta para frescos
- 10 \* Recipiente dobrável para vinho
- 12 \* Lâmpada de iluminação



**\*Opcional:** As imagens neste manual do utilizador são esquemáticas e podem não coincidir com o seu produto. Se o seu produto não incluir peças relevantes, a informação diz respeito a outros modelos.

## 4 Instalação



Ler primeiro a secção “Instruções de segurança”!

### 4.1 Lugar correto para a instalação

Contactar a Assistência Autorizada para a instalação do produto. Para preparar o produto para a instalação, consultar a informação no manual do utilizador e assegurar que as ligações elétricas e da água estão conforme é exigido. Se não, contactar um electricista e um canalizador para fazer as adequações necessárias.



#### ADVERTÊNCIA:

O fabricante não assume qualquer responsabilidade por quaisquer danos causados por trabalho realizado por pessoas não autorizadas.



#### ADVERTÊNCIA:

O cabo de alimentação do produto deve ser desligado durante a instalação. Não o fazer pode resultar em morte ou lesões graves!



#### ADVERTÊNCIA:

Se o vão da porta for muito estreito para o produto passar, retirar a porta e voltar o produto de lado; se isso não resultar, contactar a assistência autorizada.

- Colocar o produto numa superfície plana para evitar vibração.
- Colocar o produto afastado pelo menos 30 cm de aquecedor, fogão e fontes de calor similares e pelo menos a 5 cm de fornos elétricos.

- Não expor o produto a luz solar direta ou manter o mesmo em ambientes húmidos.
- Este produto exige circulação de ar adequada para funcionar eficientemente. Se o produto for colocado num nicho, devem ser deixados pelo menos 5 cm de espaço entre o produto e o teto, as paredes traseiras e laterais.
- Verificar se o componente de proteção de espaço da parede traseira está presente na sua localização (se fornecido com o produto).
- Se o componente não estiver disponível, ou se se perder ou cair, posicionar o produto de forma a deixar pelo menos 5 cm de espaço entre o produto e as paredes da divisão. O espaço na parte traseira é importante para o funcionamento eficiente do produto.

### 4.2 Ligação elétrica



Não usar extensões ou tomadas múltiplas na ligação elétrica.



Cabo de alimentação danificado deve ser substituído pela assistência autorizada.



Ao colocar dois frigoríficos em posição adjacente, deixe pelo menos 4 cm de distância entre as duas unidades.

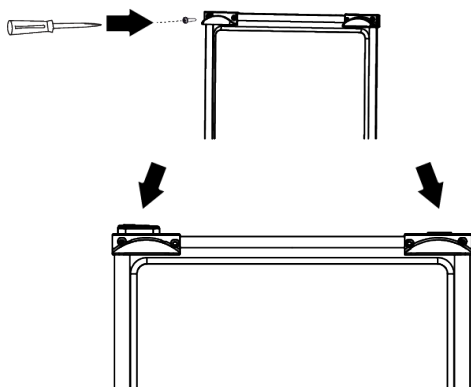
- A nossa empresa não assumirá responsabilidade por quaisquer danos devido à utilização sem ligação da alimentação elétrica e à terra em conformidade com os regulamentos nacionais.

- A ficha do cabo de alimentação deve ser facilmente acessível após a instalação.
- Não usar fichas múltiplas com ou sem cabo de extensão entre a tomada de parede e o frigorífico.

### 4.3 Fixar as cunhas de plástico

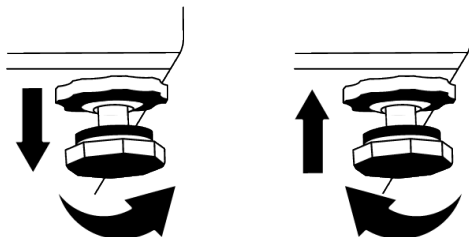
Usar as cunhas de plástico fornecidas com o produto para manter o espaço suficiente para a circulação do ar entre o produto e a parede.

1. Para fixar as cunhas, retirar os parafusos do produto e usar os parafusos fornecidos com as cunhas.
2. Fixar 2 cunhas de plástico na tampa de ventilação, conforme mostrado na figura.



### 4.4 Ajustar os pés


Se o produto não estiver em posição equilibrada, ajustar os pés frontais ajustáveis rodando-os para a direita ou esquerda.




### 4.5 Advertência de superfície quente

As paredes laterais do produto encontram-se equipadas com tubos de refrigeração para melhorar o sistema de arrefecimento. O fluido de alta pressão pode fluir através destas superfícies e provocar superfícies quentes nas paredes laterais. Isto é normal e não exige assistência. Deve ter cuidado quando contactar estas zonas.

## 5 Preparação

 Ler primeiro a secção "Instruções de segurança"!

### 5.1 O que fazer para poupar energia

 Ligar o produto a sistemas eletrónicos de poupança de energia é prejudicial, pois pode danificar o produto.

- Este aparelho de refrigeração não é destinado a ser usado como aparelho de encastrar.
- Não manter as portas do frigorífico abertas durante longos períodos.
- Não colocar alimentos ou bebidas quentes no frigorífico.
- Não encher demasiado o frigorífico; bloquear o fluxo de ar interior reduzirá a capacidade de arrefecimento.
- De modo a carregar a quantidade máxima de alimentos no compartimento do congelador do seu frigorífico, as gavetas superiores devem ser retiradas e os alimentos devem ser colocados nas prateleiras de vidro/metálicas. A informação do volume líquido e do consumo de energia declarada na etiqueta energética do seu frigorífico foi testada retirando as gavetas superiores.

no departamento do frigorífico e no recipiente para o gelo, que é facilmente retirado manualmente.

- É fortemente recomendado usar a gaveta por baixo quando estiver a armazenar alimentos.
- Dependendo das características do produto; descongelar alimentos congelados no compartimento de refrigeração vai garantir poupança de energia e preservar a qualidade dos alimentos.
- Assegurar que os alimentos não ficam em contacto com o sensor de temperatura do compartimento de refrigeração descrito abaixo.
- Os alimentos devem ser armazenados nas gavetas do compartimento de refrigeração, de forma a garantir a poupança de energia e proteger os alimentos em melhores condições.
- As embalagens de alimentos não devem estar em contacto direto com o sensor de temperatura localizado no compartimento do congelador.
- Se estiverem em contacto com o sensor, o consumo de energia do aparelho pode aumentar.

## 5.2 Primeira utilização

Antes de utilizar o seu frigorífico, assegurar que os preparativos necessários são feitos de acordo com as instruções em "Instruções de segurança e meio ambiente" e as secções da "Instalação".

- Manter o produto a funcionar sem colocar quaisquer alimentos durante 6 horas e não abrir a porta, a menos que seja absolutamente necessário.
- A alteração da temperatura provocada pela abertura e fecho da porta enquanto estiver a usar o produto pode normalmente levar à formação de

condensação nas prateleiras da porta/interiores e nos utensílios de vidro colocados no produto.



Será ouvido um som quando o compressor for acionado. É normal para o produto fazer ruído mesmo de o compressor não estiver a funcionar, dado poder existir fluído e gás comprimido no sistema de refrigeração.



É normal que as arestas da frente do frigorífico fiquem quentes. Estas áreas são concebidas para aquecer para impedir a condensação.



Em alguns modelos, o painel indicador desliga automaticamente 1 minuto depois de a porta fechar. Será reativado quando a porta for aberta ou qualquer botão for premido.

## 5.3 Classe climática e definições

Consultar a Classe Climática na placa de classificação do seu aparelho. Uma das informações seguintes é aplicável ao seu aparelho de acordo com a Classe Climática.

- **SN:** Clima temperado longa duração: Este dispositivo foi concebido para usado a temperatura ambiente entre 10 °C e 32°C.
- **N:** Clima temperado: Este dispositivo foi concebido para ser usado a temperatura ambiente entre 16 °C e 32°C.
- **ST:** Clima subtropical: Este dispositivo foi concebido para usado a temperatura ambiente entre 16 °C e 38°C.
- **T:** Clima tropical: Este dispositivo foi concebido para usado a temperatura ambiente entre 16 °C e 43°C.

## 6 Funcionar com o produto



Ler primeiro a secção "Instruções de segurança"!

- Não usar nenhuma ferramenta mecânica ou qualquer outra ferramenta diferente das recomendações do fabricante para acelerar a operação de descongelamento.
- Não usar peças do frigorífico, tais como a porta ou gavetas, como apoio ou degrau. Isto pode fazer com que o produto tombe ou que os componentes fiquem danificados.
- O produto deve ser usado apenas para armazenar alimentos.
- Fechar a válvula de água se for ficar longe de casa (por ex., nas férias) e não for usar o Icematic ou o dispensador de

água durante um longo período de tempo. Caso contrário, podem ocorrer fugas de água.

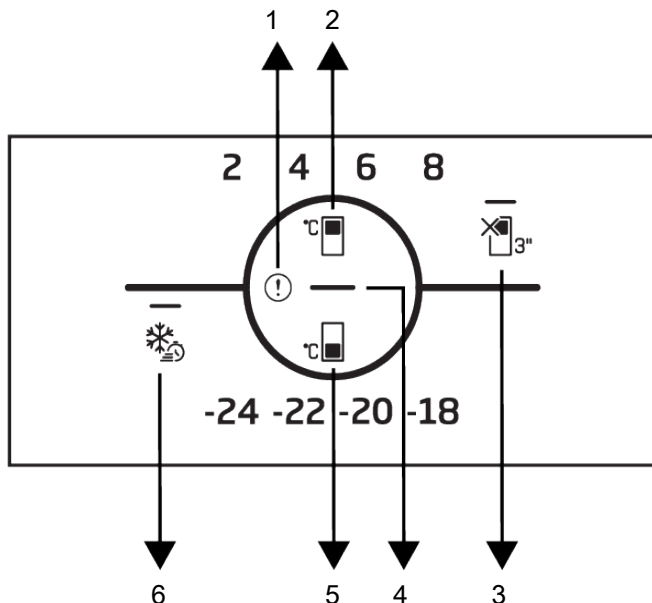
#### **Pausar o programa**

- Se não for utilizar o produto durante um longo período de tempo, deve desligar o mesmo da tomada.
- Remover os alimentos para evitar odores.
- Aguardar que o gelo derreta, limpar o interior e deixar que o mesmo seque, deixar as portas abertas para evitar danos nos plásticos da estrutura interior.

## 7 Uso do seu aparelho

### 7.1 Painel de controlo de produto

PT



- 1 Indicador do estado do erro
- 2 Tecla de definição de temperatura do compartimento de refrigeração
- 3 \* Função do compartimento de refrigeração DESLIGADO (Férias)
- 4 Indicador de poupança de energia (visor desligado)
- 5 \* Tecla de definição de temperatura do compartimento do congelador
- 6 Tecla congelamento rápido



Ler primeiro a secção "Instruções de segurança".

As funções sonoras e visuais no painel indicador ajudarão a usar o frigorífico.

**\*Opcional:** As funções mostradas são opcionais, podem existir diferenças de forma e localização nas funções encontradas no painel indicador do seu aparelho.

#### 1. Indicador da condição de erro (!)

Este indicador deve estar ativo quando o seu frigorífico não puder realizar a refrigeração adequada no caso de algum erro no sensor. Pode ser exibido um ponto

de exclamação quando colocar alimentos quentes no compartimento congelador ou manter a porta aberta durante um longo período de tempo. Isso não é uma avaria, este aviso deve ser removido quando o alimento for arrefecido ou quando qualquer tecla for premida.

#### 2. Tecla de definição de temperatura do compartimento de refrigeração °C

Permite definição de temperatura para o compartimento de refrigeração. Premir a tecla irá ativar a temperatura do compartimento do refrigerador para ser definida em 8 °C, 6 °C, 4 °C e 2 °C.

### 3. Tecla de função desligar compartimento de refrigeração (Férias)



Premir a tecla durante 3 segundos para ativar a função férias. O modo férias é ativado e o LED no símbolo férias acende-se. O compartimento de refrigeração não executa a função de refrigeração. Não deve manter os alimentos no compartimento de refrigeração quando esta função for ativada. Os outros compartimentos continuam a arrefecer de acordo com a temperatura definida anteriormente. Premir de novo a tecla durante 3 segundos para cancelar esta função.

### 4. Indicador de poupança de energia (visor desligado)

Quando as portas não são abertas e fechadas durante um longo período de tempo, o modo de poupança de energia é automaticamente ativado e o ícone de poupança de energia acende. Quando a função de poupança de energia for ativada, todos os ícones exceto o ícone de poupança de energia desaparecem do ecrã. Quando a função de poupança de energia for ativada, ao premir qualquer

tecla ou abrir a porta desativará a função de poupança de energia e os sinais do visor voltarão ao normal. A função de poupança de energia é uma função ativada de fábrica e não pode ser cancelada.

### 5. Tecla de definição de temperatura do compartimento do congelador



A definição de temperatura é feita para o compartimento do congelador. Premir a tecla irá ativar a temperatura do compartimento do congelador para ser definida em -18 °C, -20 °C, -22 °C e -24 °C.

### 6. Tecla de congelação rápida



Quando a tecla de congelação rápida for premida, o LED na tecla de congelação rápida acende e a função de congelação rápida deve ser ativada. A temperatura do compartimento do congelador é definida para -27 °C. Premir a tecla de novo para cancelar a função. A função de congelação rápida deve ser automaticamente cancelada após um período especificado. Para congelar uma grande quantidade de alimentos frescos, premir a tecla de congelação rápida antes de colocar os alimentos no compartimento congelador.

## 7.2 Guardar alimentos no Compartimento de refrigeração

### Guardar alimentos no Compartimento de refrigeração

- As temperaturas dos compartimentos aumentam consideravelmente se a porta do compartimento for aberta e fechada com frequência e mantida aberta durante muito tempo, isto pode reduzir a vida útil dos alimentos e fazer com que os alimentos se estraguem.
- Para não provocar alterações de odor e sabor, os alimentos devem ser armazenados em recipientes fechados.
- Não guardar demasiados alimentos no seu frigorífico. Para obter um arrefecimento melhor e homogéneo,

colocar os alimentos separadamente de forma que o ar frio possa circular por entre os mesmos.

- Proporcionar fluxo de ar deixando um espaço entre o alimento e a parede interior. Se encostar os alimentos à parede traseira, os alimentos podem congelar.
- Levar as refeições quentes cozinhadas à temperatura ambiente, antes de as colocar no frigorífico. Em seguida, pode colocar a refeição morna nas prateleiras mais baixas do frigorífico. Não colocar as refeições mornas perto de alimentos que se podem estragar facilmente.

- Descongelar os alimentos congelados no compartimento de alimentos frescos. Assim, pode arrefecer o compartimento de alimentos frescos usando alimentos congelados e poupar energia.
- O armazenamento de frutas tropicais verdes (manga, variedades de melão, mamão, banana, abacaxi) no frigorífico pode acelerar o processo de maturação. Isto não é recomendado porque causará um tempo de armazenamento menor.
- Deve armazenar cebolas, alhos, gengibre e outros tubérculos em condições ambientais escuras e frias, não no frigorífico.
- Se perceber que um alimento está estragado no frigorífico, deitar fora esse alimento e limpar os acessórios que entraram em contacto com esse alimento.
- Para arrefecer rapidamente as refeições como sopas e ensopados, que são cozidos em panelas grandes, pode colocá-las no frigorífico separando-os nos seus próprios recipientes rasos.
- Não colocar os alimentos não embalados perto dos ovos.
- Manter as a frutas e os legumes separados e armazenar cada variedade junta (por exemplo, maçãs com maçãs, cenouras com cenouras)
- Retirar os legumes verdes do saco de plástico e colocar no frigorífico depois de os envolver em papel de cozinha ou pano de secagem. Se lavar este tipo de alimentos antes de os colocar no frigorífico, lembrar-se de os secar.
- Pode criar um ambiente húmido e fornecer um fluxo de ar, mantendo frutas e legumes, que sejam propensos a secar, em sacos de plástico perfurados ou não fechados.
- Exceto nos casos em que circunstâncias extremas estão disponíveis no ambiente, se o seu produto (na tabela de valores definidos recomendados) estiver definido para os valores definidos especificados, os alimentos mantêm a frescura durante mais tempo, tanto no compartimento de produtos frescos como no compartimento do congelador.

| Armazenar os alimentos em diferentes locais de acordo com suas propriedades:  |  |
|---|--|
| Alimento  | Local  |
| Ovos  | Prateleiras da porta   |
| Produtos láteos (manteiga, queijo)  | Se disponível, compartimento zero graus (para alimentos para o pequeno-almoço)                   |
| Frutos, legumes e hortaliças  | Compartimento frutas-legumes, gaveta para frescos ou<br>Compartimento EverFresh+ (se disponível) |
| Carne fresca, aves, peixe, salsichas, etc. Alimentos cozinhados               | Se disponível, compartimento zero graus (para alimentos para o pequeno-almoço)                   |
| Alimentos prontos a servir, produtos embalados, alimentos enlatados e pickles | Prateleiras superiores ou prateleira da porta  |
| Bebidas, garrafas, especiarias e petiscos                                     | Prateleiras da porta   |

### Guardar alimentos no Compartimento do congelador

- Pode ativar a função de Congelação Rápida 4-6 horas antes da função de congelação e realizar um arrefecimento mais rápido.
- Levantar as refeições quentes à temperatura ambiente, antes de as colocar no compartimento congelador.
- Os alimentos a serem congelados devem ser divididos em porções de acordo com o tamanho a ser consumido e congelados em embalagens separadas.
- É recomendado embalar os alimentos antes de os colocar no congelador.
- A fim de evitar a expiração do tempo de armazenamento, gravar a data de congelação, de tempo e nome do

produto na embalagem de acordo com os períodos de armazenamento dos diferentes alimentos.

- Consumir rapidamente os alimentos que descongelou. Os alimentos descongelados não podem ser congelados novamente, exceto se estiverem cozinhados. Não é seguro consumir os alimentos frescos congelados de novo sem os cozinhar depois de descongelados.
- Quando congelar alimentos frescos, não deixar que fiquem em contacto com alimentos já congelados. Caso contrário, os alimentos congelados serão descongelados.

### **Armazenar os alimentos, que são vendidos em forma congelada**

- Seguir sempre as instruções do produtor em relação ao tempo durante o qual deve armazenar os seus alimentos. Não exceder o tempo especificado nestas instruções!
- Para proteger a qualidade dos alimentos, manter o intervalo de tempo entre a compra e o armazenamento o mais curto possível.
- Comprar os alimentos congelados que são armazenados a  $-18\text{ }^{\circ}\text{C}$  ou temperaturas inferiores.
- Evitar comprar alimentos cujas embalagens estejam cobertas de gelo, etc. Isto significa que o produto pode ter sido parcialmente descongelado e congelado novamente. A temperatura afeta a qualidade dos alimentos.
- Não exceder o tempo de armazenamento recomendado pelo produtor do alimento. Retirar apenas a quantidade necessária de alimentos do congelador.
- Exceto nos casos em que circunstâncias extremas estão disponíveis no ambiente, se o seu produto (na tabela de valores definidos recomendados) estiver definido para os valores definidos especificados, os alimentos mantêm a

frescura durante mais tempo, tanto no compartimento de produtos frescos como no compartimento do congelador.

- Se o compartimento de alimentos frescos estiver definido para uma temperatura mais baixa, frutas e legumes frescos podem ficar parcialmente congelados.

### **Detalhes do congelador**

De acordo com as normas IEC 62552, o congelador deve ter a capacidade de congelar 4,5 kg de itens alimentares a  $-18\text{ }^{\circ}\text{C}$  ou temperaturas inferiores em temperatura ambiente de  $25\text{ }^{\circ}\text{C}$  em 24 horas por cada 100 litros do volume do compartimento do congelador.

Os itens alimentares só podem ser preservados por períodos prolongados a ou abaixo da temperatura de  $-18\text{ }^{\circ}\text{C}$ .

Pode manter os alimentos frescos durante meses (no congelador a temperaturas de ou abaixo de  $-18\text{ }^{\circ}\text{C}$ ).

Os itens alimentares a congelar não devem entrar em contacto com os alimentos já congelados no seu interior para evitar uma descongelação parcial.

Ferver os legumes e filtrar a água para aumentar o tempo de armazenamento congelado. Colocar os alimentos em embalagens a vácuo após a filtragem e colocar no congelador. Bananas, tomates, alface, aipo, ovos cozidos, batatas e alimentos semelhantes não devem ser congelados. Caso este alimento apodreça, apenas os valores nutricionais e as qualidades alimentares serão afetados negativamente. O apodrecimento ameaçador da saúde humana não está em questão.

### **Colocar os alimentos**

#### **Prateleiras do compartimento do**

**congelador:**Diferentes alimentos congelados como carne, peixe, gelado, legumes etc.



### Prateleiras do compartimento

**refrigerador:**Alimentos dentro de recipientes, prato com tampa e caixas com tampa, ovos (em caixa com tampa)

### Prateleiras da porta do compartimento

**refrigerador:**Alimentos ou bebidas pequenos e embalados

**Gaveta para frescos:**Legumes e fruta

### Compartimento de alimentos

**frescos:**Charcutaria (pequeno-almoço, produtos de carne a serem consumidos a curto prazo)

## 7.3 Gaveta para frescos

A gaveta para frescos do frigorífico foi projetada para manter os vegetais, preservando a humidade. Para este efeito, a circulação de ar frio é intensificada na gaveta para frescos. Manter as frutas e vegetais neste compartimento. Manter os vegetais de folhas verdes e as frutas separadamente para lhes prolongar a vida.

## 7.4 Tecnologias da gaveta para frescos

### Luz azul

as frutas e vegetais armazenados nos compartimentos que são iluminados com a luz azul continuam sua fotossíntese por meio do efeito do comprimento de onda da luz azul e, assim, preservam seu conteúdo vitamínico.

### HarvestFresh

As frutas e os vegetais armazenados em compartimentos iluminados com a tecnologia HarvestFresh preservam as suas vitaminas por mais tempo, graças aos ciclos de luz azul, verde, vermelha e escura, que simulam um ciclo diurno.

Quando a porta do seu frigorífico for aberta durante o período escuro da tecnologia HarvestFresh o frigorífico deve sentir isso automaticamente e iluminar a gaveta com uma das luzes azul, verde ou vermelha, respetivamente, para sua conveniência. Depois de fechar a porta do frigorífico, o período escuro continuará, representando a noite num ciclo diurno.

## 7.5 Módulo Fotocatalítico (FreshGuard)

Graças a este módulo, que está posicionado por trás da tampa do evaporador com compartimento dos alimentos frescos, o ar é ativamente passado pelo filtro fotocatalítico revestido a dióxido de titânio e o ar limpo é circulado no interior. Deste modo, os maus odores são removidos do interior do frigorífico antes de ser impregnado nas superfícies dos alimentos e ao mesmo tempo, é obtida uma circulação higiénica de ar através do ar desinfetado. Esta função é acionada pelo ventilador do compartimento dos alimentos frescos localizado por trás da tampa do evaporador, o LED UV-A e o filtro de odores revestido a dióxido de titânio. Para ativar/desativar este módulo, que fornece higiene e uma circulação de ar livre de odores no frigorífico, premir e manter

premido o botão (P<sub>3</sub>) durante 3 segundos e assegurar que o indicador de função (P) aparece no ecrã quando está ativo e desaparece do ecrã quando está desativado. Depois de esta função ser ativada conforme descrito, a mesma funciona periodicamente sem a necessidade de premir novamente qualquer tecla. Se a porta do compartimento dos alimentos frescos estiver aberta enquanto o módulo estiver ativo, o ventilador e o LED UV-A não será ativado temporariamente, mas irá retomar o funcionamento depois de a porta ser fechada. No caso de interrupção do fornecimento de energia enquanto o módulo está em funcionamento, o módulo irá retomar o funcionamento a partir do ponto onde parou depois de o fornecimento de energia ter sido retomado.

**Nota:** Para evitar maus odores que podem ocorrer com uma mistura de odores de tipos diferentes de alimentos, recomendamos-lhe armazenar os alimentos aromáticos como queijo, azeitonas e charcutaria nas respetivas embalagens e com as respetivas tampas

fechadas. Para a segurança de outros alimentos armazenados, para que haja condições de armazenamento higiénicas e para impedir maus odores, recomendamos que sejam retirados do frigorífico logo que possível os alimentos que tenha verificado estarem estragados.

## 7.6 Zona de armazenamento de produtos láteos frios

### Gaveta de armazenamento a frio

A gaveta de armazenamento a frio pode atingir temperaturas mais baixas no compartimento mais frio. Usar esta gaveta para produtos de charcutaria (salame, salsichas, etc.) e produtos láteos que exigem condições de armazenamento mais frias ou para carne, frango ou peixe a ser consumido rapidamente. Não é adequado armazenar frutas e vegetais nesta gaveta.

## 7.7 Inverter o lado de abertura da porta


O lado de abertura da porta do seu frigorífico pode ser invertido de acordo com o local onde o vai colocar. Quando isto é necessário, deve definitivamente contactar o Serviço Autorizado mais próximo.

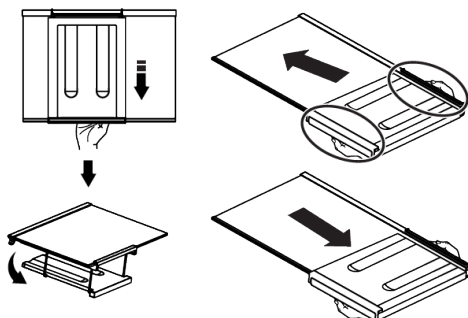
## 7.8 Alerta de porta aberta

Um alerta sonoro será ouvido se a porta do produto permanecer aberta durante 1,5 minuto. O alerta sonoro parará quando a porta for fechada ou premir qualquer botão no visor (se disponível).

## 7.9 Prateleira dobrável para vinhos

Permite ao utilizador armazenar garrafas de vinho se necessário. Para usar a secção da prateleira, segurar na parte plástica e puxar suavemente a mesma para baixo. Pode agora usar a prateleira dobrável de vinhos.

 Recomenda-se armazenar no máximo de 2 garrafas de vinho na prateleira dobrável para vinhos.



Para agrupar a prateleira para vinhos, em primeiro lugar, retirar a prateleira de vidro do frigorífico. Colocar a mesma na prateleira de vidro puxando a parte de plástico através das guias frontal e traseira conforme mostrado na imagem. O produto estará pronto a usar com a prateleira dobrável para vinhos.

Para retirar a prateleira dobrável para vinhos, em primeiro lugar, retirar a prateleira de vidro do frigorífico. Depois segurar a parte de plástico e puxar a mesma em qualquer direção. Pode agora usar o produto sem a prateleira dobrável para vinhos quando for necessário.

## 7.10 Substituição da lâmpada Iluminação

Contactar o Serviço Autorizado quando a lâmpada/LED usada para iluminar o seu frigorífico for para ser substituída.

A(s) lâmpada(s) usada(s) neste aparelho não pode(m) ser usada(s) para iluminação doméstica. O uso pretendido desta lâmpada é ajudar o utilizador a colocar alimentos no frigorífico/congelador com segurança e conforto.

## 7.11 AeroFlow

É um sistema de distribuição de ar que fornece uma distribuição homogénea da temperatura. Com a circulação de ar, a

distribuição homogénea da temperatura é assegurada no compartimento de armazenamento de alimentos frescos e a flutuação da temperatura é mantida em níveis reduzidos. Não é feita a disseminação de ar direto sobre os alimentos e isso ajuda a reduzir a perda de humidade. Isto preserva a frescura dos alimentos armazenados no compartimento

de alimentos frescos do frigorífico. Deste modo, os seus alimentos são armazenados a temperaturas mais estáveis e o contacto com o ar é reduzido. A secagem e a contração dos alimentos ao perderem a humidade é evitada e a frescura é permitida durante um período de tempo mais longo.

## 8 Manutenção e limpeza



### ADVERTÊNCIA:

Ler primeiro a secção “Instruções de segurança”.



### ADVERTÊNCIA:

Desligar o frigorífico da ficha antes de o limpar.

- Não usar ferramentas afiadas ou abrasivas para limpar o produto. Não usar materiais tais como produtos de limpeza doméstica, detergentes, sabão, gás, gasolina, álcool, cera, etc.
- O pó deve ser retirado da grade de ventilação na parte traseira do produto pelo menos uma vez por ano (sem abrir a tampa). Limpar o produto com um pano seco.
- Ter cuidado para manter a tampa da lâmpada e outras peças elétricas afastadas da água.
- Limpar a porta com um pano macio e humedecido. Retirar todo o conteúdo para remover as prateleiras da porta e da estrutura. Remover as prateleiras da porta levantando-as para cima. Limpar e secar as prateleiras e, em seguida, voltar a colocá-las no lugar deslizando de cima para baixo.
- Não usar lixívia ou produtos de limpeza na superfície exterior e nas partes revestidas a cromo do produto. A lixívia dá origem a corrosão nas referidas superfícies metálicas.
- Não usar ferramentas afiadas e abrasivas, sabão, materiais de limpeza doméstica, detergentes, gás, gasolina,

verniz e substâncias semelhantes para evitar a deformação da peça de plástico e remoção de impressões na peça. Usar água morna e um pano macio para limpar e secar.

- Nos produtos sem a funcionalidade No-Frost, podem ocorrer gotas de água e gelo com a espessura de um dedo na parede traseira do compartimento congelador. Não limpar e nunca aplicar óleos ou soluções similares.
- Usar um pano em microfibra ligeiramente humedecido para limpar a superfície exterior do produto. Esponjas e outros tipos de panos de limpeza podem causar riscos.
- Para limpar todos os componentes amovíveis durante a limpeza da superfície interior do produto, lavar esses componentes com uma solução neutra composta por sabão, água e carbonato. Lavar e secar em profundidade. Evitar o contacto da água com componentes de iluminação e o painel de controlo.



### CUIDADO:

Não usar vinagre, álcool isopropílico ou outras soluções de limpeza à base de álcool em qualquer das superfícies interiores.

### Superfícies exteriores em aço inoxidável

Usar um agente de limpeza não abrasivo para aço inoxidável e aplicar com um pano macio que não solte cotão. Para polir, limpar suavemente a superfície com um

pano em microfibra humedecido com água e usar uma camurça para polir. Deve seguir sempre os veios do aço inoxidável.

### **Evitar odores**

O produto é fabricado livre de quaisquer materiais odoríferos. No entanto, manter os alimentos em secções inadequadas e a limpeza inadequada das superfícies interiores pode causar odores.

- Para evitar isto, limpar o interior com água carbonatada a cada 15 dias.

## **9 Resolução de problemas**

Verificar esta lista antes de contactar o serviço. Ao fazê-lo poupará tempo e dinheiro. Esta lista inclui queixas frequentes que não são relacionadas com mão-de-obra ou materiais. Determinadas funções aqui referidas podem não ser aplicáveis ao seu produto.

### **O frigorífico não está a funcionar.**

- A ficha de alimentação não está totalmente encaixada. >>> Ligar a mesma para a encaixar totalmente na tomada.
- O fusível ligado à tomada para alimentar o produto ou o fusível principal rebentou. >>> Verificar o fusível.

### **A condensação na parede lateral do compartimento de refrigeração (ZONA MÚLTIPLA, CONTROLO FRIO e ZONA FLEXI)**

- A porta é aberta com demasiada frequência. >>> Ter o cuidado para não abrir a porta do produto com demasiada frequência.
- O ambiente é demasiado húmido. >>> Não instalar o produto em ambientes húmidos.
- Os alimentos que contêm líquidos são mantidos em recipientes não fechados. >>> Manter os alimentos que contêm líquidos em recipientes fechados.
- A porta do produto foi deixada aberta. >>> Não manter a porta do produto aberta durante longos períodos.

- Manter os alimentos em recipientes fechados, dado poderem surgir microorganismos a partir dos alimentos em recipientes não fechados que provocarão maus odores.
- Não manter alimentos expirados e estragados no frigorífico.

### **Proteger as superfícies de plástico**

Óleo derramado sobre superfícies de plástico pode danificar a superfície e deve ser limpo imediatamente com água morna.

- O termostato está definido para uma temperatura muito fria. >>> Definir o termostato para uma temperatura apropriada.

### **O compressor não está a funcionar.**

- No caso de uma falha repentina de energia ou de retirar a ficha de alimentação e de voltar a colocar, a pressão do gás no sistema de refrigeração do produto não está equilibrada, o que faz acionar a proteção térmica do compressor. O produto irá arrancar depois de aproximadamente 6 minutos. Se o produto não arrancar após este período de tempo, deve contactar o serviço.
- A descongelação está ativa. >>> Isto é normal para um produto com descongelação totalmente automática. A descongelação é realizada periodicamente.
- O produto não está ligado. >>> Assegurar que o cabo de alimentação está ligado.
- A definição da temperatura está incorreta. >>> Selecionar a definição apropriada da temperatura.
- A alimentação está desligada. >>> O produto irá continuar a operar normalmente após a alimentação ser reposta.

**O ruído de funcionamento do frigorífico está a aumentar quando este está a ser utilizado.**

- O desempenho de funcionamento do produto pode variar dependendo das variações da temperatura ambiente. Isto é normal e não é um mau funcionamento.

**O frigorífico funciona com demasiada frequência ou durante longos períodos.**

- O novo produto pode ser maior que o anterior. Os produtos maiores irão funcionar por períodos mais longos.
- A temperatura ambiente pode estar alta. >>> O produto funcionará normalmente por longos períodos em temperatura ambiente mais elevada.
- O produto pode ter sido ligado recentemente ou foi colocado no seu interior um produto alimentar novo. >>> O produto levará mais tempo a atingir a temperatura definida quando recentemente ligado ou foi colocado no seu interior um novo produto alimentar. Isto é normal.
- Podem ter sido colocados dentro do produto grandes quantidades de alimentos quentes. >>> Não colocar alimentos quentes dentro do produto.
- As portas foram abertas com frequência ou mantidas abertas durante longos períodos. >>> O ar quente que se desloca dentro do produto fará com que o produto funcione durante mais tempo. Não abrir as portas com demasiada frequência.
- A porta do congelador ou do refrigerador podem estar entreabertas. >>> Verificar se as portas estão totalmente fechadas.
- O produto pode estar definido para uma temperatura demasiado baixa. >>> Definir a temperatura para um valor mais alto e aguardar que o produto atinja a temperatura ajustada.
- A anilha do refrigerador ou do congelador pode estar suja, gasta, partida ou incorretamente encaixada. >>> Limpar ou substituir a junta. A anilha da porta danificada/rasgada fará com que o

produto funcione durante períodos mais longos para preservar a temperatura atual.

**A temperatura do congelador é muito baixa, mas a temperatura do refrigerador é adequada.**

- A temperatura do compartimento do congelador está definida para um valor muito baixo. >>> Definir a temperatura do compartimento do congelador para um valor mais alto e verificar novamente.

**A temperatura do compartimento de refrigeração é muito baixa, mas a temperatura do congelador é adequada.**

- A temperatura do compartimento de refrigeração está definida para um valor muito baixo. >>> Definir a temperatura do compartimento de refrigeração para um valor mais alto e verificar novamente.

**Os produtos alimentares mantidos nas gavetas do compartimento do refrigerador estão congelados.**

- A temperatura do compartimento de refrigeração está definida para um valor muito baixo. >>> Definir a temperatura do compartimento de refrigeração para um valor mais alto e verificar novamente.

**A temperatura no compartimento de refrigeração ou no congelador é muito alta.**

- A temperatura do compartimento de refrigeração está definida para um valor muito alto. >>> A definição da temperatura do compartimento de refrigeração tem um efeito na temperatura do compartimento do congelador. Aguardar até que a temperatura das partes relevantes atinjam o nível suficiente alterando a temperatura do compartimento de refrigeração ou a temperatura do congelador.
- As portas foram abertas com frequência ou mantidas abertas durante longos períodos. >>> Não abrir a porta com demasiada frequência.
- A porta pode estar entreaberta. >>> Fechar totalmente a porta.

- O produto pode ter sido ligado recentemente ou foi colocado no seu interior um produto alimentar novo. >>> Isto é normal. O produto levará mais tempo a atingir a temperatura definida quando recentemente ligado ou foi colocado no seu interior um novo produto alimentar.
- Podem ter sido colocados dentro do produto grandes quantidades de alimentos quentes. >>> Não colocar alimentos quentes dentro do produto.

#### **Vibrar ou ruído.**

- A superfície não está plana ou durável >>> Se o produto vibrar quando deslocado lentamente, ajustar os suportes para equilibrar o produto. Assegurar também que o pavimento é suficientemente durável para suportar o produto.
- Quaisquer itens colocados sobre o produto podem provocar ruído. >>> Remover quaisquer itens colocados em cima do produto.
- O produto a fazer ruído de líquido a correr, a pulverizar, etc.
- Os princípios de funcionamento do produto envolvem fluxos de líquido e de gás. >>> Isto é normal e não é um mau funcionamento.

#### **Há um som de vento a soprar vindo do produto.**

- O produto usa um ventilador para o processo de refrigeração. Isto é normal e não é um mau funcionamento.

#### **Há condensação nas paredes interiores do produto.**

- O tempo húmido ou quente irá aumentar a formação de gelo ou de condensação. Isto é normal e não é um mau funcionamento.
- As portas foram abertas com frequência ou mantidas abertas durante longos períodos. >>> Não abrir as portas com demasiada frequência; se aberta, fechar a porta.

- A porta pode estar entreaberta. >>> Fechar totalmente a porta.

#### **Há condensação no exterior do produto ou entre as portas.**

- O meio ambiente pode estar húmido, o que é bastante normal no tempo húmido. >>> A condensação irá desaparecer quando a humidade é reduzida.

#### **O interior tem mau cheiro.**

- O produto não é limpo regularmente. >>> Limpar regularmente o interior usando uma esponja, água quente e água gaseificada.
- Determinados recipientes e materiais de embalagem podem provocar odores. >>> Usar recipientes e materiais de embalagem isentos de odor.
- Os alimentos foram colocados em recipientes não fechados. >>> Manter os alimentos em recipientes fechados. Podem espalhar-se microorganismos de produtos alimentares não fechados e provocarem maus odores.
- Remover do produto todos os alimentos fora de prazo ou que se encontrem estragados.

#### **A porta não está a fechar.**

- As embalagens dos alimentos podem estar a bloquear a porta. >>> Colocar noutra posição os itens que estão a bloquear as portas.
- O produto não está totalmente na posição vertical no pavimento. >>> Ajustar os suportes para equilibrar o produto.
- A superfície não está plana ou durável >>> Assegurar que a superfície está plana e é suficientemente durável para suportar o produto.

#### **A gaveta para frescos está encravada.**

- Os produtos alimentares podem estar em contacto com a secção superior da gaveta. >>> Reorganizar os produtos alimentares na gaveta.

### Temperatura na superfície do produto.

- Entre as duas portas, nos painéis laterais e na zona da grelha traseira pode ser observada uma temperatura elevada enquanto o produto estiver em funcionamento. Isto é normal e não exige assistência.

### O ventilador continua a funcionar quando a porta é aberta.

- O ventilador pode continua a funcionar quando a porta do congelador é aberta.



**ADVERTÊNCIA:** Se o problema persistir após ter seguido as instruções nesta secção, contactar o seu vendedor ou um Serviço Autorizado. Não tentar reparar o produto. Isto é normal.

## ISENÇÃO DE RESPONSABILIDADE /ADVERTÊNCIA

Algumas falhas (simples) podem ser tratadas de forma adequada pelo utilizador final sem que surja qualquer problema de segurança ou de utilização não segura, desde que as mesmas sejam solucionadas dentro dos limites e de acordo com as seguintes instruções (consultar a secção “Reparação Autónoma”.

Portanto, exceto se contrariamente autorizado na secção “Reparação Autónoma” abaixo, as reparações devem ser realizadas por profissionais reparadores registados de modo a evitar problemas de segurança. Um reparador profissional registado é um reparador profissional a quem o fabricante concedeu acesso às instruções e à lista de peças de substituição deste produto de acordo com os métodos descritos na lei nos termos da Diretiva 2009/125/CE.

**No entanto, apenas o agente de reparação (ou seja, os reparadores profissionais autorizados) com quem pode entrar em contacto através do número de telefone fornecido no manual do utilizador/cartão da garantia ou através do seu revendedor autorizado que pode fornecer serviços de acordo com os termos de garantia. Portanto, deve estar ciente de que as reparações feitas por reparadores profissionais (que não estejam autorizados pela )Beko anulam a garantia.**

### Reparação Autónoma

A reparação autónoma pode ser feita pelo utilizador final no que se refere às seguintes peças de substituição: pegas da porta, dobradiça da porta, tabuleiros, cestos e vedantes da porta (também está disponível uma lista atualizada [support.beko.com](http://support.beko.com) desde 1 de março de 2021).

Além disso, para garantir a segurança do produto e evitar o risco de lesões graves, a reparação autónoma referida deve ser feita seguindo as instruções do manual do utilizador para reparação autónoma ou as que estão disponíveis em [support.beko.com](http://support.beko.com). Para sua segurança, deve desligar o produto antes de tentar fazer qualquer reparação autónoma.

As reparações e tentativas de reparação feitas pelos utilizadores finais de peças não incluídas na referida lista e/ou não seguindo as instruções nos manuais do utilizador relativamente à mesma ou que se encontram disponíveis em [support.beko.com](http://support.beko.com), podem levantar questões de segurança não atribuíveis a Beko, e anularão a garantia do produto.

Portanto, é altamente recomendável que os utilizadores finais evitem tentar realizar reparações que não se enquadrem na lista mencionada de peças de substituição, e nesse caso deverão contactar com reparadores profissionais autorizados ou reparadores profissionais registados. Por outro lado, as referidas tentativas por parte dos utilizadores finais podem provocar problemas de segurança e danificar o



produto e, subsequentemente, provocar incêndio, inundação, eletrocussão e ferimentos graves.

A título de exemplo, mas não limitado a, as seguintes reparações devem ser realizadas por reparadores profissionais autorizados ou reparadores profissionais registados: compressor, circuito de refrigeração, placa principal, placa do inversor, placa do visor, etc.

O fabricante/vendedor não pode ser responsabilizado em nenhuma circunstância em que os utilizadores finais não cumpram com o acima referido.

A disponibilidade de peças de substituição do frigorífico que comprou é de 10 anos.

Durante este período, as peças de

substituição originais estarão disponíveis para o funcionamento correto do frigorífico.

A duração mínima da garantia do frigorífico que adquiriu é de 24 meses.

Este produto está equipado uma fonte de iluminação com a classe energética "G".

A fonte de iluminação neste produto será somente substituída por um reparador profissional.

Ver também

- 2 CLAUSE DE NON-RESPONSABILITÉ / AVERTISSEMENT [} 52]









