



Oven

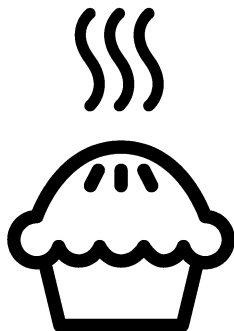
User Manual

Плита

Руководство пользователя

Backofen

Gebrauchsanleitung



CSS 48100 GW

EN / RU / DE

585.3001.51/R.AI/25.11.2019/5-1

7715288306

Please read this user manual first!

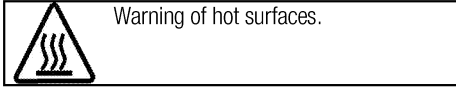
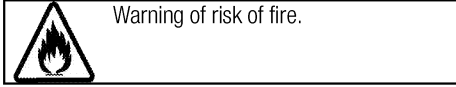
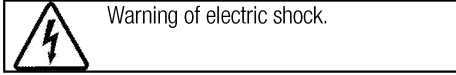
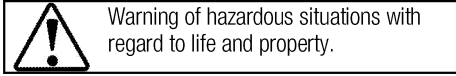
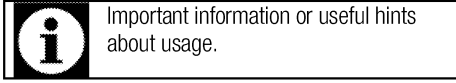
Dear Customer,

Thank you for purchasing this Beko product. We hope that you get the best results from your product which has been manufactured with high quality and state-of-the-art technology. Therefore, please read this entire user manual and all other accompanying documents carefully before using the product and keep it as a reference for future use. If you handover the product to someone else, give the user manual as well. Follow all warnings and information in the user manual.

Remember that this user manual is also applicable for several other models. Differences between models will be identified in the manual.

Explanation of symbols

Throughout this user manual the following symbols are used:



Arçelik A.Ş.
Karaağaç caddesi No:2-6
34445 Söğütözü/İstanbul/TURKEY
Made in TURKEY



This product was manufactured using the latest technology in environmentally friendly conditions.

TABLE OF CONTENTS

1 Important instructions and warnings for safety and environment 4

General safety	4
Electrical safety	4
Product safety	5
Intended use	8
Safety for children.....	8
Disposing of the old product.....	8
Package information	9

2 General information 10

Overview	10
Package contents	11
Technical specifications	12

3 Installation 13

Before installation	13
Installation and connection	14
Future Transportation.....	15

4 Preparation 16

Tips for saving energy	16
Initial use.....	16
First cleaning of the appliance	16
Initial heating.....	16

5 How to use the hob 17

General information about cooking	17
Using the hobs.....	17

6 How to operate the oven 19

General information on baking, roasting and grilling	19
How to operate the electric oven	19
Operating modes.....	19
Using the oven clock	20
Cooking times table.....	21
How to operate the grill.....	21
Cooking times table for grilling.....	21

7 Maintenance and care 22

General information.....	22
Cleaning the hob.....	22
Cleaning the control panel	22
Cleaning the oven	22
Removing the oven door	23
Removing the door inner glass	24
Replacing the oven lamp.....	24

8 Troubleshooting 25

1 Important instructions and warnings for safety and environment

This section contains safety instructions that will help protect from risk of personal injury or property damage. Failure to follow these instructions shall void any warranty.

General safety

- This appliance can be used by children aged from 8 years and above and persons with reduced physical, sensory or mental capabilities or lack of experience and knowledge if they have been given supervision or instruction concerning use of the appliance in a safe way and understand the hazards involved.

Children shall not play with the appliance. Cleaning and user maintenance shall not be made by children without supervision.

- The appliance is not to be used by persons (including children) with reduced physical, sensory or mental capabilities, or lack of experience and knowledge, unless they have been given supervision or instruction. Children should be supervised and ensure they do not play with the appliance
- If the product is handed over to someone else for personal use or second-hand use purposes, the

user manual, product labels and other relevant documents and parts should be also given.

- Never place the product on a carpet-covered floor. Otherwise, lack of airflow beneath the product will cause electrical parts to overheat. This will cause problems with your product.
- Installation and repair procedures must always be performed by Authorised Service Agents. The manufacturer shall not be held responsible for damages arising from procedures carried out by unauthorised persons which may also void the warranty. Before installation, read the instructions carefully.
- Do not operate the product if it is defective or has any visible damage.
- Ensure that the product function knobs are switched off after every use.

Electrical safety

- If the product has a failure, it should not be operated unless it is repaired by an Authorised Service Agent. There is the risk of electric shock!
- Only connect the product to a grounded outlet/line with the

voltage and protection as specified in the “Technical specifications”. Have the grounding installation made by a qualified electrician while using the product with or without a transformer. Our company shall not be liable for any problems arising due to the product not being earthed in accordance with the local regulations.

- Never wash the product by spreading or pouring water onto it! There is the risk of electric shock!
- The product must be disconnected during installation, maintenance, cleaning and repairing procedures.
- If the power connection cable for the product is damaged, it must be replaced by the manufacturer, its service agent or similarly qualified persons in order to avoid a hazard.
- The appliance must be installed so that it can be completely disconnected from the mains supply. The separation must be provided by a switch built into the fixed electrical installation, according to construction regulations.
- Rear surface of the oven gets hot when it is in use. Make sure that the electrical connection does not contact the rear surface;

otherwise, connections can get damaged.

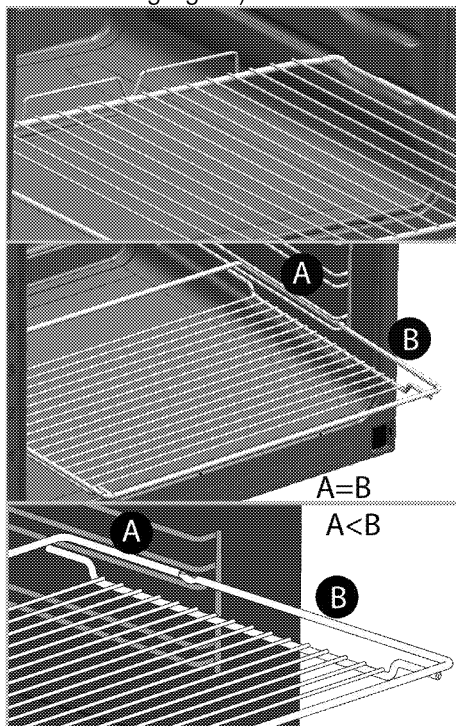
- Do not trap the mains cable between the oven door and frame and do not route it over hot surfaces. Otherwise, cable insulation may melt and cause fire as a result of short circuit.
- Any work on electrical equipment and systems should only be carried out by authorised and qualified persons.
- In case of any damage, switch off the product and disconnect it from the mains. To do this, turn off the fuse at home.
- Make sure that fuse rating is compatible with the product.

Product safety

- **WARNING:** The appliance and its accessible parts become hot during use. Care should be taken to avoid touching heating elements. Children less than 8 years of age shall be kept away unless continuously supervised.
- Never use the product when your judgment or coordination is impaired by the use of alcohol and/or drugs.
- Be careful when using alcoholic drinks in your dishes. Alcohol evaporates at high temperatures and may cause fire since it can ignite when it comes into contact with hot surfaces.

- Food Poisoning Hazard: Do not let food sit in oven for more than 1 hour before or after cooking. Doing so can result in food poisoning or sickness.
- Do not place any flammable materials close to the product as the sides may become hot during use.
- During use the appliances becomes hot. Care should be taken to avoid touching heating elements inside the oven.
- Keep all ventilation slots clear of obstructions.
- Do not heat closed tins and glass jars in the oven. The pressure that would build-up in the tin/jar may cause it to burst.
- Do not place baking trays, dishes or aluminium foil directly onto the bottom of the oven. The heat accumulation might damage the bottom of the oven.
- Do not use harsh abrasive cleaners or sharp metal scrapers to clean the oven door glass since they can scratch the surface, which may result in shattering of the glass.
- Do not use steam cleaners to clean the appliance as this may cause an electric shock.
- (Varies depending on the product model.)

Placing the wire shelf and tray onto the wire racks properly
It is important to place the wire shelf and/or tray onto the rack properly. Slide the wire shelf or tray between 2 rails and make sure that it is balanced before placing food on it (Please see the following figure).



- Do not use the product if the front door glass removed or cracked.
- Do not use the oven handle to hang towels for drying. Do not hang up towel, gloves, or similar textile products when the grill function is at open door.
- Always use heat resistant oven gloves when putting in or

removing dishes into/from the hot oven.

- Place the baking paper into the cooking pot or on to the oven accessory (tray, wire grill etc) together with the food and then insert all into the preheated oven. Remove the excess parts of the baking paper overflowing from the accessory or the pot in order to prevent the risk of touching the oven's heating elements. Never use the baking paper in an operating temperature higher than the indicated value for the baking paper. Do not place the baking paper directly on the base of the oven.
- **WARNING:** Ensure that power cord of the appliance is unplugged or circuit breaker is switched off before replacing the lamp to avoid the possibility of electric shock.
- The appliance must not be installed behind a decorative door in order to avoid overheating.
- Product must be placed directly on the floor. It must not be placed onto a base or a pedestal.
- **WARNING:** Unattended cooking on a hob with fat or oil can be dangerous and may result in fire. NEVER try to extinguish a fire with water, but switch off the appliance and then cover flame e.g. with a lid or a fire blanket.
- **CAUTION:** The cooking process has to be supervised. A short term cooking process has to be supervised continuously.
- **WARNING:** Danger of fire: Do not store items on the cooking surfaces.
- **WARNING:** If the surface is cracked, switch off the appliance to avoid the possibility of electric shock.
- In case of hotplate glass breakage : Immediately shut off all burners and any electrical heating element and isolate the appliance from the power supply. Do not touch the appliance surface. Do not use the appliance.
- The appliance is not intended to be operated by means of an external timer or separate remote-control system.
- Vapour pressure that build up due to the moisture on the hob surface or at the bottom of the pot can cause the pot to move. Therefore, make sure that the oven surface and bottom of the pots are always dry.
- **WARNING:** Use only hob guards designed by the manufacturer of the cooking appliance or indicated by the manufacturer of the appliance in the instructions

for use as suitable or hob guards incorporated in the appliance. The use of inappropriate guards can cause accidents.

Prevention against possible fire risk!

- Ensure all electrical connections are secure and tight to prevent risk of arcing.
- Do not use damaged cables or extension cables.
- Ensure liquid or moisture is not accessible to the electrical connection point.

Intended use

- This product is designed for domestic use. Commercial use will void the guarantee.
- **CAUTION:** This appliance is for cooking purposes only. It must not be used for other purposes, for example room heating.
- This product should not be used for warming the plates under the grill, drying towels, dish cloths etc. by hanging them on the oven door handles. This product should also not be used for room heating purposes.
- The manufacturer shall not be liable for any damage caused by improper use or handling errors.
- The oven can be used for defrosting, baking, roasting and grilling food.

Safety for children

- **WARNING:** Accessible parts may become hot during use. Young children should be kept away.
- The packaging materials will be dangerous for children. Keep the packaging materials away from children. Please dispose of all parts of the packaging according to environmental standards.
- Electrical products are dangerous to children. Keep children away from the product when it is operating and do not allow them to play with the product.
- Do not place any items above the appliance that children may reach for.
- When the door is open, do not load any heavy object on it and do not allow children to sit on it. It may overturn or door hinges may get damaged.

Disposing of the old product

Compliance with the WEEE Directive and Disposing of the Waste Product:



This product complies with EU WEEE Directive (2012/19/EU). This product bears a classification symbol for waste electrical and electronic equipment (WEEE).

This product has been manufactured with high quality parts and materials which can be reused and are suitable for recycling. Do not dispose of the waste product with normal domestic and other wastes at the end of its service life. Take it to the collection center for the recycling of electrical and electronic equipment. Please consult your local authorities to learn about these collection centers.

Compliance with RoHS Directive:

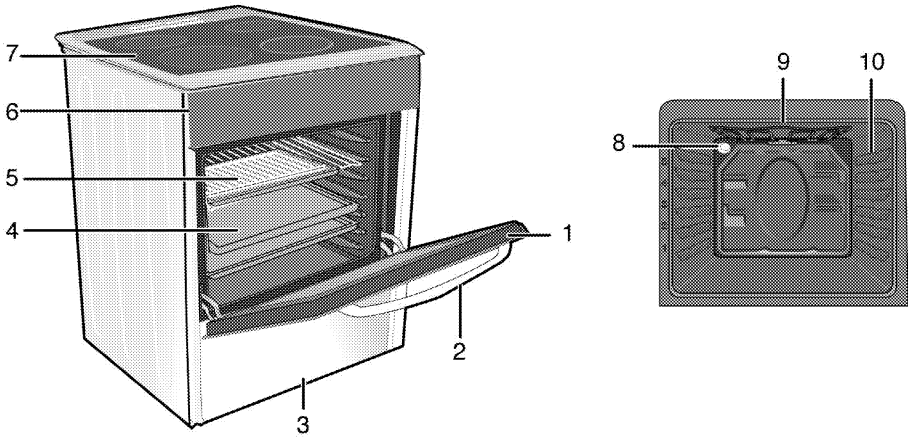
The product you have purchased complies with EU RoHS Directive (2011/65/EU). It does not contain harmful and prohibited materials specified in the Directive.

Package information

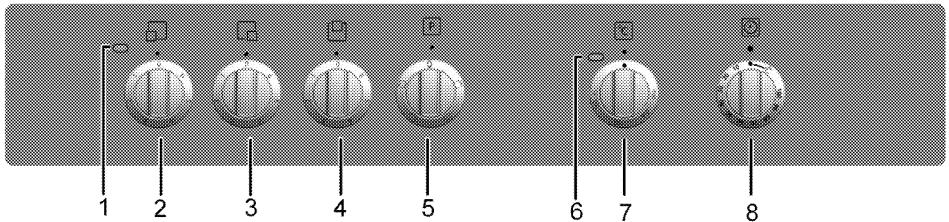
- Packaging materials of the product are manufactured from recyclable materials in accordance with our National Environment Regulations. Do not dispose of the packaging materials together with the domestic or other wastes. Take them to the packaging material collection points designated by the local authorities.

2 General information

Overview



- | | | | |
|---|------------|----|-----------------------|
| 1 | Door | 6 | Control panel |
| 2 | Handle | 7 | Burner plate |
| 3 | Lower part | 8 | Lamp |
| 4 | Tray | 9 | Grill heating element |
| 5 | Wire shelf | 10 | Shelf positions |



- | | | | |
|---|--|---|------------------|
| 1 | Warning lamp | 5 | Function knob |
| 2 | Single-circuit cooking plate Front left | 6 | Thermostat lamp |
| 3 | Single-circuit cooking plate Front right | 7 | Thermostat knob |
| 4 | Single-circuit cooking plate Middle | 8 | Mechanical timer |

Package contents

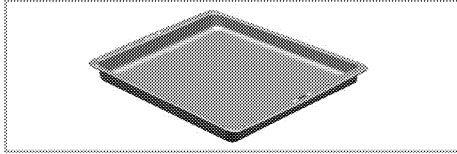


Accessories supplied can vary depending on the product model. Not every accessory described in the user manual may exist on your product.

1. **User manual**

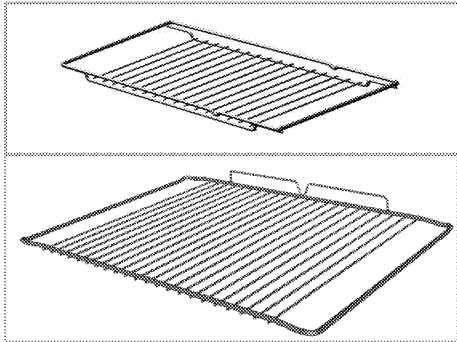
2. **Standard tray**

Used for pastries, frozen foods and big roasts.



3. **Wire grill**

Used for roasting and for placing the food to be baked, roasted or cooked in casserole dishes to the desired rack.

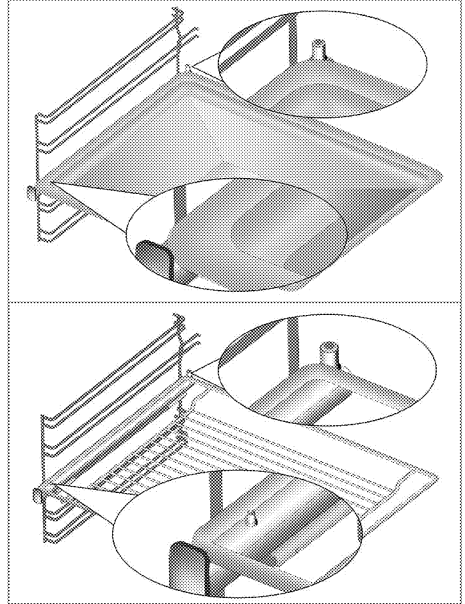


4. **Placing the wire shelf and tray onto the telescopic racks properly**
(This feature is optional. It may not exist on your product.)

Telescopic racks allow you to install and remove the trays and wire shelf easily.

When using the tray and wire shelf with

telescopic racks, make sure that the pins at the rear section of the telescopic rack stands against the edges of the wire shelf and tray.



Technical specifications

GENERAL	
External dimensions (height / width / depth)	850 mm/500 mm/500 mm
Voltage / frequency	220-240 50 Hz
Total power consumption	6000 W
Cable type / section	min.H05VV-F 3 x 2,5 mm ²
HOB	
Burners	
Front left	Single-circuit cooking plate
Dimension	180 mm
Power	1700 W
Front right	Single-circuit cooking plate
Dimension	140 mm
Power	1200 W
Middle	Single-circuit cooking plate
Dimension	140 mm
Power	1200 W
OVEN/GRILL	
Main oven	Conventional oven
Inner lamp	15–25 W
Grill power consumption	1500 W

Basics: Information on the energy label of electrical ovens is given in accordance with the EN 60350-1 / IEC 60350-1 standard. Those values are determined under standard load with bottom-top heater or fan assisted heating (if any) functions.

Energy efficiency class is determined in accordance with the following prioritization depending on whether the relevant functions exist on the product or not. 1-Cooking with eco-fan, 2- Turbo slow cooking, 3- Turbo cooking, 4- Fan assisted bottom/top heating, 5-Top and bottom heating.



Technical specifications may be changed without prior notice to improve the quality of the product.




Figures in this manual are schematic and may not exactly match your product.





Values stated on the product labels or in the documentation accompanying it are obtained in laboratory conditions in accordance with relevant standards. Depending on operational and environmental conditions of the product, these values may vary.

3 Installation

Product must be installed by a qualified person in accordance with the regulations in force. The manufacturer shall not be held responsible for damages arising from procedures carried out by unauthorized persons which may also void the warranty.

 Preparation of location and electrical installation for the product is under customer's responsibility.

 **DANGER:**
The product must be installed in accordance with all local electrical regulations.

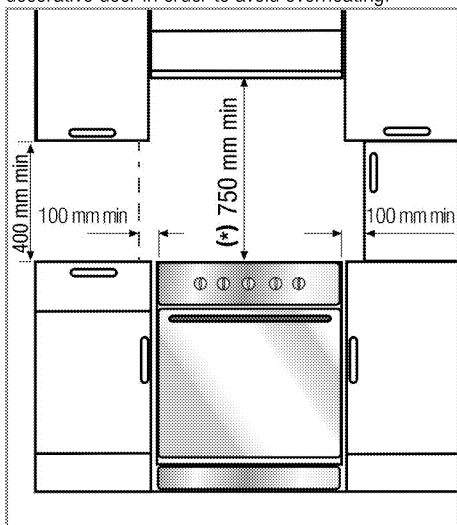
 **DANGER:**
Prior to installation, visually check if the product has any defects on it. If so, do not have it installed.
Damaged products cause risks for your safety.

Before installation

To ensure that critical air gaps are maintained under the appliance, we recommend that this appliance is mounted on a solid base and that the feet do not sink into any carpet or soft flooring.

The kitchen floor must be able to carry the weight of the appliance plus the additional weight of cookware and bakeware and food.

If the range is placed on a base, measures have to be taken to prevent the appliance slipping from the base. The appliances must not be installed behind a decorative door in order to avoid overheating.

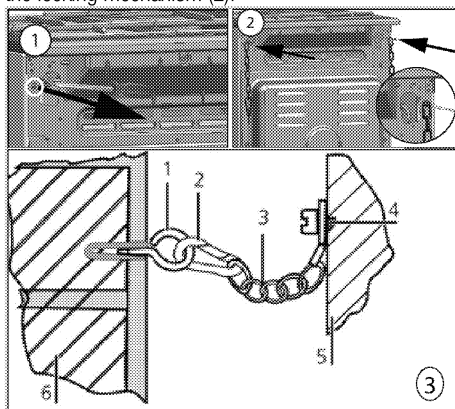


- It can be used with cabinets on either side but in order to have a minimum distance of 400mm above hotplate level allow a side clearance of 65mm between the appliance and any wall, partition or tall cupboard.
- It can also be used in a free standing position. Allow a minimum distance of 750 mm above the hob surface.
- (*) If a cooker hood is to be installed above the cooker, refer to cooker hood manufacturer' instructions regarding installation height (min 650 mm).
- The appliance corresponds to device class 1, i.e. it may be placed with the rear and **one** side to kitchen walls, kitchen furniture or equipment of any size. The kitchen furniture or equipment on the **other** side may only be of the same size or smaller.
- Any kitchen furniture next to the appliance must be heat-resistant (100 °C min.).

Safety chain

If your product has 2 safety chains;

The appliance must be secured against overbalancing by using the supplied two safety chains on your oven. Fasten hook (1) by using a proper peg to the kitchen wall (6) and connect safety chain (3) to the hook via the locking mechanism (2).

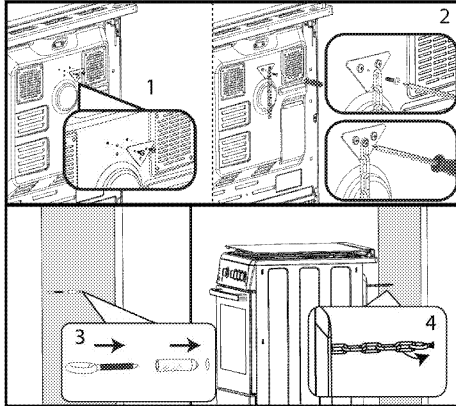


- 1 Stability hook
- 2 Locking mechanism
- 3 Safety chain (supplied and mounted to oven)
- 4 Firmly fix chain to cooker rear
- 5 Rear of cooker
- 6 Kitchen wall

If your product has 1 safety chain;

The appliance must be secured against overbalancing by using the supplied one safety chain on your oven.

Follow below steps in the picture to secure the safety chain to your product.



i Stability chain to be as short as practicable to avoid oven tilting forward and diagonal to avoid oven side tilting.

Cooker stability chain for cookers is not designed with bracket engagement slot.

Installation and connection

Product can only be installed and connected in accordance with the statutory installation rules.

i Do not install the product next to refrigerators or freezers. The heat emitted by the product will increase the energy consumption of cooling appliances.

- Carry the product with at least two persons.
- Product must be placed directly on the floor. It must not be placed onto a base or a pedestal.

i Do not use the door and/or handle to carry or move the product. The door, handle or hinges get damaged.

Electrical connection

Connect the product to a grounded outlet/line protected by a miniature circuit breaker of suitable capacity as stated in the "Technical specifications" table. Have the grounding installation made by a qualified electrician while using the product with or without a transformer. Our company shall not be liable for any damages that will arise due to using the product without a grounding installation in accordance with the local regulations.

! DANGER:
The product must be connected to the mains supply only by an authorised and qualified person. The product's warranty period starts only after correct installation. Manufacturer shall not be held responsible for damages arising from procedures carried out by unauthorised persons.

! DANGER:
The power cable must not be clamped, bent or trapped or come into contact with hot parts of the product.
A damaged power cable must be replaced by a qualified electrician. Otherwise, there is risk of electric shock, short circuit or fire!

The mains supply data must correspond to the data specified on the type label of the product. The rating plate is either seen when the door or the lower cover is opened or it is located at the rear wall of the unit depending on the unit type.

Power cable of your product must comply with the values in "Technical specifications" table.

! DANGER:
Before starting any work on the electrical installation, disconnect the product from the mains supply.
There is the risk of electric shock!

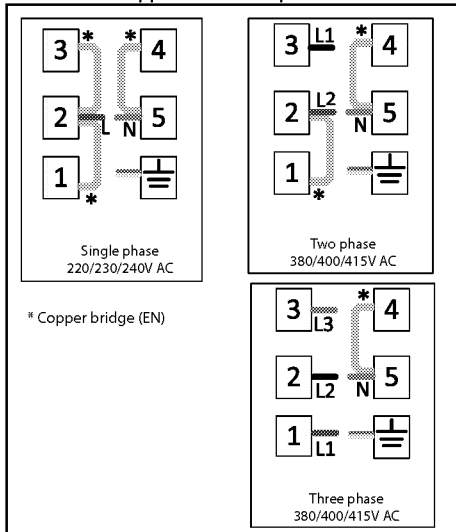
Connecting the power cable

i While performing the wiring, you must apply with the national/local electrical regulations and must use the appropriate socket outlet/line and plug for oven. In case of the product's power limits are out of current carrying capability of plug and socket outlet/line, the product must be connected through fixed electrical installation directly without using plug and socket outlet/line.


1. If it is not possible to disconnect all poles in the supply power, a disconnection unit with at least 3 mm contact clearance (fuses, line safety switches, contactors) must be connected and all the poles of this disconnection unit must be adjacent to (not above) the product in accordance with IEE directives. Failure to obey this instruction may cause operational problems and invalidate the product warranty.

Additional protection by a residual current circuit breaker is recommended.

If a cable is supplied with the product:



2. **For single-phase connection**, connect as identified below:

- Brown cable = L (Phase)
- Blue cable = N (Neutral)
- Green/yellow cable = (E)  (Ground)
- Push the product towards the kitchen wall.

• **Adjusting the feet of oven**

Vibrations during use may cause cooking vessels to move. This dangerous situation can be avoided if the product is level and balanced.

For your own safety please ensure the product is level by adjusting the four feet at the bottom by



turning left or right and align level with the work top.

Final check

1. Reconnect the product to the mains.
2. Check electrical functions.

Future Transportation

- Keep the product's original carton and transport the product in it. Follow the instructions on the carton. If you do not have the original carton, pack the product in bubble wrap or thick cardboard and tape it securely.
- To prevent the wire grill and tray inside the oven from damaging the oven door, place a strip of cardboard onto the inside of the oven door that lines up with the position of the trays. Tape the oven door to the side walls.
- Do not use the door or handle to lift or move the product.

	Do not place any objects onto the product and move it in upright position.
	Check the general appearance of your product for any damages that might have occurred during transportation.

4 Preparation

Tips for saving energy

The following information will help you to use your appliance in an ecological way, and to save energy:

- Use dark coloured or enamel coated cookware in the oven since the heat transmission will be better.
- While cooking your dishes, perform a preheating operation if it is advised in the user manual or cooking instructions.
- Do not open the door of the oven frequently during cooking.
- Try to cook more than one dish in the oven at the same time whenever possible. You can cook by placing two cooking vessels onto the wire shelf.
- Cook more than one dish one after another. The oven will already be hot.
- You can save energy by switching off your oven a few minutes before the end of the cooking time. Do not open the oven door.
- Defrost frozen dishes before cooking them.
- Use pots/pans with cover for cooking. If there is no cover, energy consumption may increase 4 times.
- Select the burner which is suitable for the bottom size of the pot to be used. Always select the correct pot size for your dishes. Larger pots require more energy.
- Pay attention to use flat bottom pots when cooking with electric hobs.
Pots with thick bottom will provide a better heat conduction. You can obtain energy savings up to 1/3.
- Vessels and pots must be compatible with the cooking zones. Bottom of the vessels or pots must not be smaller than the hotplate.
- Keep the cooking zones and bottom of the pots clean. Dirt will decrease the heat conduction between the cooking zone and bottom of the pot.
- For long cookings, turn off the cooking zone 5 or 10 minutes before the end of cooking time. You can obtain energy savings up to 20% by using the residual heat.

Initial use

First cleaning of the appliance



The surface might get damaged by some detergents or cleaning materials.

Do not use aggressive detergents, cleaning powders/creams or any sharp objects during cleaning. Do not use harsh abrasive cleaners or sharp metal scrapers to clean the oven door glass since they can scratch the surface, which may result in shattering of the glass.

1. Remove all packaging materials.
2. Wipe the surfaces of the appliance with a damp cloth or sponge and dry with a cloth.

Initial heating

Heat up the product for about 30 minutes and then switch it off. Thus, any production residues or layers will be burnt off and removed.



WARNING

Hot surfaces cause burns!

Product may be hot when it is in use. Never touch the hot burners, inner sections of the oven, heaters and etc. Keep children away. Always use heat resistant oven gloves when putting in or removing dishes into/from the hot oven.

Electric oven

1. Take all baking trays and the wire grill out of the oven.
2. Close the oven door.
3. Select Static position.
4. Select the highest grill power; See *How to operate the electric oven, page 19*.
5. Operate the oven for about 30 minutes.
6. Turn off your oven; See *How to operate the electric oven, page 19*

Grill oven

1. Take all baking trays and the wire grill out of the oven.
2. Close the oven door.
3. Select the highest grill power; see *How to operate the grill, page 21*.
4. Operate the grill about 30 minutes.
5. Turn off your grill; see *How to operate the grill, page 21*



Smoke and smell may emit for a couple of hours during the initial operation. This is quite normal. Ensure that the room is well ventilated to remove the smoke and smell. Avoid directly inhaling the smoke and the smell that emits.

5 How to use the hob

General information about cooking



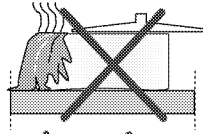
Never fill the pan with oil more than one third of it. Do not leave the hob unattended when heating oil. Overheated oils bring risk of fire. **Never attempt to extinguish a possible fire with water!** When oil catches fire, cover it with a fire blanket or damp cloth. Turn off the hob if it is safe to do so and call the fire department.

- Before frying foods, always dry them well and gently place into the hot oil. Ensure complete thawing of frozen foods before frying.
- Do not cover the vessel you use when heating oil.
- Place the pans and saucepans in a manner so that their handles are not over the hob to prevent heating of the handles. Do not place unbalanced and easily tilting vessels on the hob.
- Do not place empty vessels and saucepans on cooking zones that are switched on. They might get damaged.
- Operating a cooking zone without a vessel or saucepan on it will cause damage to the product. Turn off the cooking zones after the cooking is complete.
- As the surface of the product can be hot, do not put plastic and aluminum vessels on it. Clean any melted such materials on the surface immediately. Such vessels should not be used to keep foods either.
- Use flat bottomed saucepans or vessels only.
- Put appropriate amount of food in saucepans and pans. Thus, you will not have to make any unnecessary cleaning by preventing the dishes from overflowing. Do not put covers of saucepans or pans on cooking zones. Place the saucepans in a manner so that they are centered on the cooking zone. When you want to move the saucepan onto another cooking zone, lift and place it onto the cooking zone you want instead of sliding it.

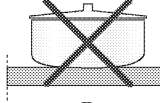
Tips about glass ceramic hobs

- Glass ceramic surface is heatproof and is not affected by big temperature differences.

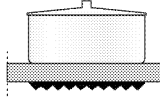
- Do not use the glass ceramic surface as a place of storage or as a cutting board.
- Use only the saucepans and pans with machined bottoms. Sharp edges create scratches on the surface.
- Do not use aluminum vessels and saucepans. Aluminum damages the glass ceramic surface.



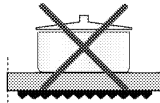
Spills may damage the glass ceramic surface and cause fire.



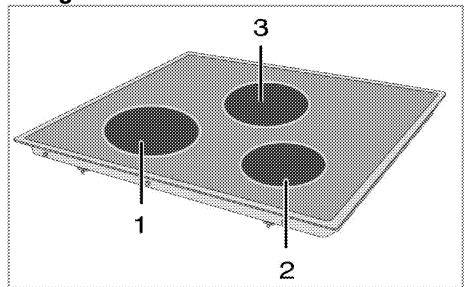
Do not use vessels with concave or convex bottoms.



Use only the saucepans and pans with flat bottoms. They ensure easier heat transfer. If the diameter of the saucepan is too small, energy will be wasted.



Using the hobs

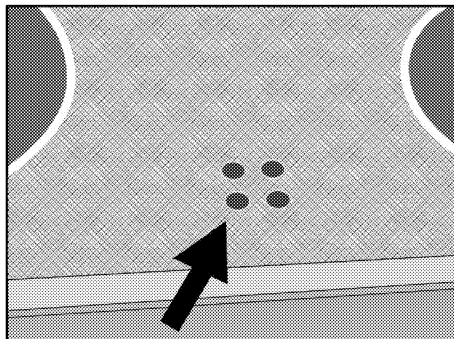


- 1 Single-circuit cooking plate 18-20 cm
- 2 Single-circuit cooking plate 14-16 cm
- 3 Single-circuit cooking plate 14-16 cm is list of advised diameter of pots to be used on related burners.

**DANGER:**

Do not allow any object to drop on the hob. Even small objects such as a saltshaker may damage the hob.

Do not use cracked hobs. Water may leak through these cracks and cause short circuit. In case of any kind of damage on the surface (eg., visible cracks), switch off the product immediately to minimize the risk of electric shock.

**Turning on the ceramic plates**

The hob control knobs are used for operating the plates. To obtain the desired cooking power, turn the hob control knobs to the corresponding level.

Cooking level	1	2 — 3	4 — 6
	warming	stewing, simmering	cooking, roasting, boiling

Turning off the ceramic plates

Turn the plate knob to OFF (upper) position.

6 How to operate the oven

General information on baking, roasting and grilling



WARNING

Hot surfaces cause burns!
Product may be hot when it is in use. Never touch the hot burners, inner sections of the oven, heaters and etc. Keep children away. Always use heat resistant oven gloves when putting in or removing dishes into/from the hot oven.



DANGER:

Be careful when opening the oven door as steam may escape.
Exiting steam can scald your hands, face and/or eyes.

Tips for baking

- Use non-sticky coated appropriate metal plates or aluminum vessels or heat-resistant silicone moulds.
- Make best use of the space on the rack.
- Place the baking mould in the middle of the shelf.
- Select the correct rack position before turning the oven or grill on. Do not change the rack position when the oven is hot.
- Keep the oven door closed.

Tips for roasting

- Treating whole chicken, turkey and large piece of meat with dressings such as lemon juice and black pepper before cooking will increase the cooking performance.
- It takes about 15 to 30 minutes longer to roast meat with bones when compared to roasting the same size of meat without bones.
- Each centimeter of meat thickness requires approximately 4 to 5 minutes of cooking time.
- Let meat rest in the oven for about 10 minutes after the cooking time is over. The juice is better distributed all over the roast and does not run out when the meat is cut.
- Fish should be placed on the middle or lower rack in a heat-resistant plate.

Tips for grilling

When meat, fish and poultry are grilled, they quickly get brown, have a nice crust and do not get dry. Flat pieces, meat skewers and sausages are particularly suited for grilling as are vegetables with high water content such as tomatoes and onions.

- Distribute the pieces to be grilled on the wire shelf or in the baking tray with wire shelf in such a way that the space covered does not exceed the size of the heater.
- Slide the wire shelf or baking tray with grill into the desired level in the oven. If you are grilling on the wire shelf, slide the baking tray to the lower rack to collect fats. Add some water in the tray for easy cleaning.

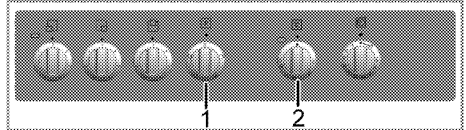


Foods that are not suitable for grilling carry the risk of fire. Only grill food which is suitable for intensive grilling heat.

Do not place the food too far in the back of the grill. This is the hottest area and fatty food may catch fire.

How to operate the electric oven

Select temperature and operating mode



1 Function knob

2 Thermostat knob

1. Set the oven timer to the desired cooking time; see .
2. Set the Function knob to the desired operating mode.
3. Set the Temperature knob to the desired temperature.

» Oven heats up to the adjusted temperature and maintains it. During heating, temperature lamp stays on.

Switching off the electric oven

Switch the oven timer to off position.



When the timer is set to a certain time, it will turn off automatically; see

Turn the function knob and temperature knob to off (upper) position.

Operating modes

The order of operating modes shown here may be different from the arrangement on your product.

Top and bottom heating



Top and bottom heating are in operation. Food is heated simultaneously from the top and bottom. For example, it is suitable for cakes, pastries, or cakes and casseroles in baking moulds. Cook with one tray only.

Top heating



Only top heating is in operation. For example, it is suitable for cakes with bright surface and food which you desire to have browned from the top.

Bottom heating



Only bottom heating is in operation. It is suitable for pizza and for subsequent browning of food from the bottom.



This function must be used for easy steam cleaning as well.

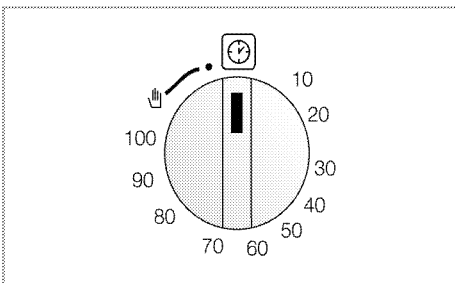
Full grill



Large grill at the ceiling of the oven is in operation. It is suitable for grilling large amount of meat.

- Put big or medium-sized portions in correct rack position under the grill heater for grilling.
- Set the temperature to maximum level.
- Turn the food after half of the grilling time.

Using the oven clock



Starting the cooking



In order to operate the oven, you must select cooking mode and the desired temperature and set the time. Otherwise, the oven will not operate.

1. Turn the Time Adjustment knob clockwise to set the cooking time.
2. Put your dish into the oven.
3. Select operation mode and temperature; see. *How to operate the electric oven, page 19.*

» The oven will be heated up to the preset temperature and will maintain this temperature until the end of the cooking time you selected.

4. Once the cooking time is over, Time Setting knob will automatically rotate counterclockwise. A warning sound indicating that the set time is over is heard and the power is cut.



If you do not want to use the timer function, turn the knob counterclockwise towards the hand symbol.

5. Turn off the oven with the Time Setting knob, function knob and temperature knob.

Turning off the oven before the set time

1. Turn the Time Adjustment knob counterclockwise until it stops.
2. Turn off the oven with the Function knob and Temperature knob.

Cooking times table



The timings in this chart are meant as a guide. Timings may vary due to temperature of food, thickness, type and your own preference of cooking.

Baking and roasting



1st rack of the oven is the **bottom** rack.

Dish	Cooking vessel	Rack position	Temperature (°C)	Cooking time (approx. in min.)
Cakes in tray	Oven tray 24 ... 26 cm	3	170 ... 180	25 ... 35
Cakes in mould	Cake mould 18 ... 22 cm	3	170 ... 180	35 ... 45
Cookies	Oven tray	3	170 ... 190	25 ... 35
Crispy mille-feuille	Oven tray	3	180 ... 190	25 ... 35
Donut	Oven tray	3	160 ... 180	25 ... 35
Pastries	Oven tray	3	200	40 ... 50
Leaven	Roasting tray	3	200	35 ... 45
Rich pastry	Oven tray	3	180 ... 190	25 ... 35
Dough pastry	Oven tray	3	180 ... 190	40 ... 50
Lasagna	Deep tray	3	170 ... 180	40 ... 50
Pizza	Oven tray	3	200 ... 220	15 ... 20
Steak	Oven tray	3	15 min. 250/max *	110 ... 120
Leg of lamb	Oven tray	3	15 min. 250/max *	70 ... 90
Roasted chicken	Oven tray	3	15 min. 250/max *	60 ... 70
Turkey (5.5 kg)	Oven tray	3	25 min. 220 *	180 ... 240
Fish	Oven tray	3	200	15 ... 25
			* then 150	

How to operate the grill



WARNING

Close oven door during grilling. Hot surfaces may cause burns!

- Turn the Time Adjustment knob counter clockwise to Hand symbol when grilling.

Switching on the grill

1. Turn the Function knob to the desired grill symbol.
2. Then, select the desired grilling temperature.
3. If required, perform a preheating of about 5 minutes.

» Temperature light turns on.

Switching off the grill

1. Turn the Function knob to Off (top) position.



Foods that are not suitable for grilling carry the risk of fire. Only grill food which is suitable for intensive grilling heat.

Do not place the food too far in the back of the grill. This is the hottest area and fatty food may catch fire.

Cooking times table for grilling

Grilling with electric grill

Food	Rack position	Recommended temperature (°C)**	Grilling time (approx.)
Fish	3...4	250/max	20...25 min. #
Sliced chicken	3...4	250/max	15...20 min.
Lamb chops	3...4	250/max	12...15 min.
Roast beef	3...4	250/max	15...25 min. #
Veal chops	3...4	250/max	15...25 min. #

depending on thickness

**If the grill temperature of your product cannot be adjusted, the grill will work at the maximum temperature.

7 Maintenance and care

General information

Service life of the product will extend and the possibility of problems will decrease if the product is cleaned at regular intervals.



DANGER:

Disconnect the product from mains supply before starting maintenance and cleaning works.

There is the risk of electric shock!



DANGER:

Allow the product to cool down before you clean it.

Hot surfaces may cause burns!

- Clean the product thoroughly after each use. In this way it will be possible to remove cooking residues more easily, thus avoiding these from burning the next time the appliance is used.
- No special cleaning agents are required for cleaning the product. Use warm water with washing liquid, a soft cloth or sponge to clean the product and wipe it with a dry cloth.
- Always ensure any excess liquid is thoroughly wiped off after cleaning and any spillage is immediately wiped dry.
- Do not use cleaning agents that contain acid or chloride to clean the stainless or inox surfaces and the handle. Use a soft cloth with a liquid detergent (not abrasive) to wipe those parts clean, paying attention to sweep in one direction.



The surface might get damaged by some detergents or cleaning materials.

Do not use aggressive detergents, cleaning powders/creams or any sharp objects during cleaning.

Do not use harsh abrasive cleaners or sharp metal scrapers to clean the oven door glass since they can scratch the surface, which may result in shattering of the glass.



Do not use steam cleaners to clean the appliance as this may cause an electric shock.

Cleaning the hob

Glass ceramic surface

Wipe the glass ceramic surface (vitreoceramic) with cold water, paying attention to leave no residual cleaning agents, and dry with a soft clothing. Residues

may cause damage on the glass ceramic surface when using the hob for the next time.

Dried residues on the glass ceramic surface (vitreoceramic) should under no circumstances be scraped with hook blades, steel wool or similar tools. Remove calcium stains (yellow stains) with commercially available lime remover or a small amount of lime remover such as vinegar or lemon juice. If the surface is heavily soiled, apply the cleaning agent on a sponge and wait until it is absorbed well. Then, clean the surface of the hob with a damp cloth.



Sugar-based foods such as thick cream and syrup must be cleaned promptly without waiting the surface to cool down. Otherwise, glass ceramic surface may get damaged permanently.

Slight color fading may occur on coatings or other surfaces in time. This does not affect the operation of the product.

Color fading and stains on the glass ceramic surface is a normal condition, and not a defect.

Cleaning the control panel

Clean the control panel and knobs with a damp cloth and wipe them dry.



If your product is equipped with buttons/knobs do not remove the control buttons/knobs to clean the control panel.

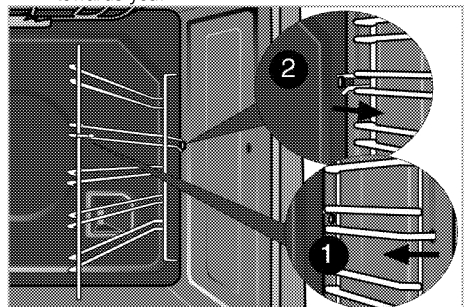
Control panel may get damaged!

Cleaning the oven

To clean the side wall (Varies depending on the product model.)

(This feature is optional. It may not exist on your product.)

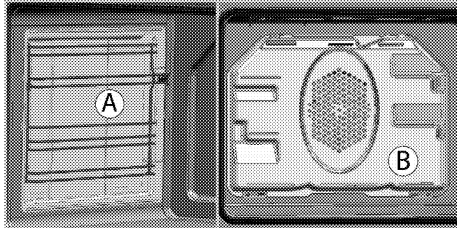
1. Remove the front section of the side rack by pulling it in the opposite direction of the side wall.
2. Remove the side rack completely by pulling it towards you.



Catalytic walls

(This feature is optional. It may not exist on your product.)

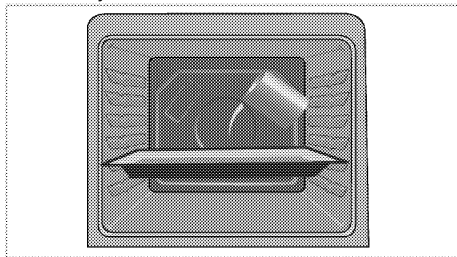
The inner side walls (A) and/or the rear wall (B) of your product may be coated with catalytic enamel. Catalytic walls have a light matte colour and a porous surface. Catalytic walls of the oven should not be cleaned. Porous surfaces of the catalytic walls are automatically cleaned by absorbing and converting the spilled oil (steam and carbon dioxide).



Easy Steam Cleaning

It ensures easy cleaning because the dirt (having waited not for too long) is softened with the steam that forms inside the oven and the water drops condensing on the inner surfaces of the oven.

1. Remove all accessories inside the oven.
2. Pour 300 ml of water into the oven tray and place the tray at the 2nd rack of the oven.



3. Set the oven to easy steam cleaning mode and run at 100°C for 25 minutes.
4. Open the door and wipe the inner surfaces of the oven with a damp sponge or cloth.
5. Use warm water with washing liquid, a soft cloth or sponge to clean the persistent dirt and wipe it with a dry cloth.



During the easy steam cleaning mode, water that is placed in the tray to soften lightly formed residues/dirt within the oven cavity will evaporate and condense in the oven cavity and inner glass of the oven door, therefore water may drip when the oven door is opened. Wipe away the condensation as soon as the oven door is opened.

Clean oven door

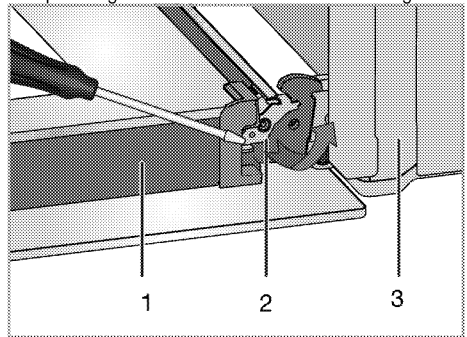
To clean the oven door, use warm water with washing liquid, a soft cloth or sponge to clean the product and wipe it with a dry cloth.



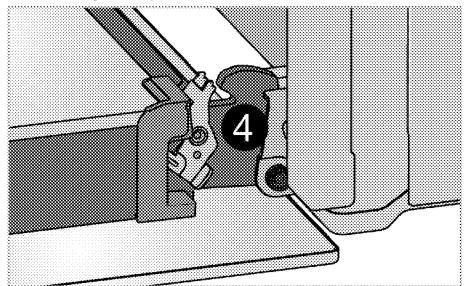
Don't use any harsh abrasive cleaners or sharp metal scrapers for cleaning the oven door. They could scratch the surface and destroy the glass.

Removing the oven door

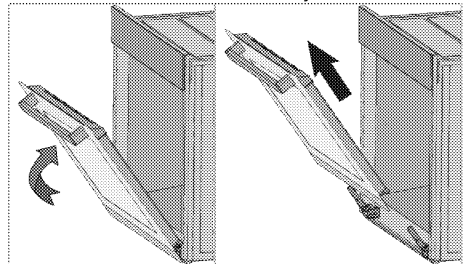
1. Open the front door (1).
2. Open the clips at the hinge housing (2) on the right and left hand sides of the front door by pressing them down as illustrated in the figure.



- 1 Door
- 2 Hinge lock(closed position)
- 3 Oven
- 4 Hinge lock(open position)



3. Move the front door to half-way.



- Remove the front door by pulling it upwards to release it from the right and left hinges.

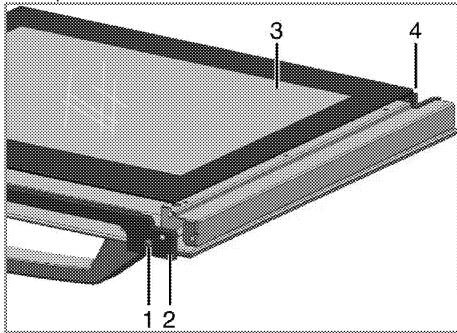
i Steps carried out during removing process should be performed in reverse order to install the door. Do not forget to close the clips at the hinge housing when reinstalling the door.

Removing the door inner glass

(This feature is optional. It may not exist on your product.)

The inner glass panel of the oven door can be removed for cleaning.

- Open the oven door.



- Screw
 - Profile
 - Inner glass pane
 - Plastic slot
- Take out the screw(1) with a screwdriver
 - Take out the profile (2) than hold up to inner glass (3).
 - Then group the door again, put the glass pane (3) to the plastic slots (4) and group the profile.

Replacing the oven lamp



DANGER:

Before replacing the oven lamp, make sure that the product is disconnected from mains and cooled down in order to avoid the risk of an electrical shock.
Hot surfaces may cause burns!



The oven lamp is a special electric light bulb that can resist up to 300 °C. See *Technical specifications, page 12* for details. Oven lamps can be obtained from Authorised Service Agents or technician with licence.



Position of lamp might vary from the figure.



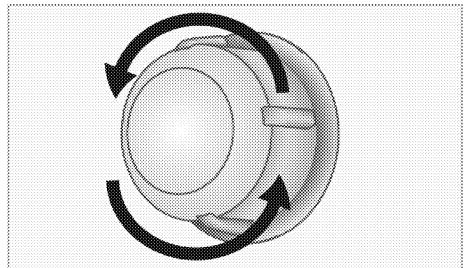
The lamp used in this appliance is not suitable for household room illumination. The intended purpose of this lamp is to assist the user to see foodstuffs.



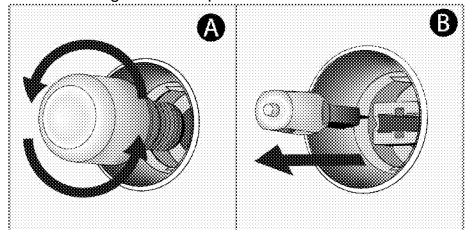
The lamps used in this appliance have to withstand extreme physical conditions such as temperatures above 50 °C.

If your oven is equipped with a round lamp:

- Disconnect the product from mains.
- Turn the glass cover counter clockwise to remove it.



- If your oven lamp is of type (A) shown in the figure below, remove it by rotating as shown and replace it. If it is of type (B), pull and remove it as shown in the figure and replace it.



- Install the glass cover.

8 Troubleshooting

Oven emits steam when it is in use.

- It is normal that steam escapes during operation. >>> *This is not a fault.*

Product emits metal noises while heating and cooling.

- When the metal parts are heated, they may expand and cause noise. >>> *This is not a fault.*

Product does not operate.

- The mains fuse is defective or has tripped. >>> *Check fuses in the fuse box. If necessary, replace or reset them.*
- Product is not plugged into the (grounded) socket. >>> *Check the plug connection.*

Oven light does not work.

- Oven lamp is defective. >>> *Replace oven lamp.*
- Power is cut. >>> *Check if there is power. Check the fuses in the fuse box. If necessary, replace or reset the fuses.*

Oven does not heat.

- Might not be set to a certain cooking function and/or temperature. >>> *Set the oven to a certain cooking function and/or temperature.*
- In models equipped with a timer, the timer is not adjusted. >>> *Adjust the time.*
(In products with microwave oven, timer controls only microwave oven.)
- Power is cut. >>> *Check if there is power. Check the fuses in the fuse box. If necessary, replace or reset the fuses.*

(In models with timer) Clock display is blinking or clock symbol is on.

- A previous power outage has occurred. >>> *Adjust the time / Switch of the product and switch it on again.*



Consult the Authorised Service Agent or technician with licence or the dealer where you have purchased the product if you can not remedy the trouble although you have implemented the instructions in this section. Never attempt to repair a defective product yourself.

Arcelik A.S.

Karaağaç Caddesi No:2-6 Süttüce, 34445, Turkey

Made in TURKEY

Importer in Russia: «BEKO LLC»

Address: Selskaya street, 49, Fedorovskoe village, Pershinskoe rural settlement, Kirzhach district, Vladimir region, Russian Federation 601021

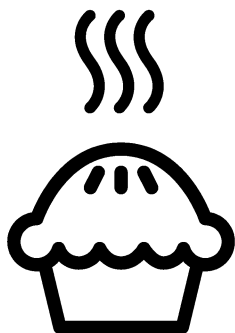
The manufacture date is included in the serial number of a product specified on rating label, which is located on a product, namely: first two figures of serial number indicate the year of manufacture, and last two – the month.

For example, "10- 100001-05» indicates that the product was produced in May, 2010.

You can ask for certification number from our Call Center 8-800-200-23-56 The manufacturer reserves the right for making changes in modification, design and specification of an electric device.



Плита
Руководство пользователя



RU

Перед началом эксплуатации прочитайте это руководство пользователя!

Уважаемый покупатель!

Спасибо за то, что отдали предпочтение продукции компании «Веко». Надеемся, что это высококачественное изделие, изготовленное с применением самых современных технологий, будет демонстрировать наилучшие результаты эксплуатации. Для этого перед началом эксплуатации внимательно прочитайте это руководство и всю сопутствующую документацию и используйте его в дальнейшем в качестве справочника. Если вы передаете изделие новому владельцу, передайте ему и руководство пользователя. Придерживайтесь всех предупреждений и информации, содержащихся в руководстве.

Помните, что данное руководство пользователя также может быть применимо к некоторым другим моделям. Различия между моделями будут указаны в руководстве.

Пояснения к символам

В данном руководстве пользователя используются следующие символы:



Важная информация или полезные советы по использованию.



Предупреждение о ситуациях, опасных для жизни людей и имущества.



Предупреждение об опасности поражения электрическим током.



Предупреждение об опасности пожара.



Предупреждение о горячих поверхностях.

1 Важные инструкции и предупреждения по технике безопасности и охране окружающей среды **4**

Общие правила техники безопасности	4
Электробезопасность	5
Безопасность изделия	6
Использование по назначению	10
Безопасность детей	10
Утилизация старого изделия	11
Утилизация упаковочных материалов	11

2 Общие сведения **12**

Обзор	12
Содержание упаковки	13
Технические характеристики	14

3 Установка **15**

До начала установки	15
Установка и подключение	16
Для будущей транспортировки	18

4 Подготовка к эксплуатации **19**

Рекомендации по экономии электроэнергии	19
Подготовка к эксплуатации	19
Очистка прибора перед началом эксплуатации	19
Первоначальный прогрев	19

5 Правила эксплуатации варочной панели **21**

Общие сведения о приготовлении пищи	21
Эксплуатация варочных панелей	22

6 Правила эксплуатации духовки **23**

Общие сведения о выпекании, жарении и приготовлении с грилем	23
Правила эксплуатации электрической духовки	23
Режимы работы	24
Использование часов духовки	24
Время приготовления блюд	25
Как пользоваться грилем	25
Время приготовления блюд на гриле	26

7 Уход и техническое обслуживание **27**

Общие сведения	27
Чистка варочной панели	27
Чистка панели управления	27
Чистка духовки	28
Снятие дверцы духового шкафа	28
Снятие внутреннего стекла дверцы	29
Замена лампочки освещения духового шкафа	29

8 Поиск и устранение неисправностей **31**

1 Важные инструкции и предупреждения по технике безопасности и охране окружающей среды

В данном разделе содержатся инструкции по технике безопасности, которые помогут вам избежать травм и повреждений. При несоблюдении этих правил все гарантийные обязательства аннулируются.

Общие правила техники безопасности

- Это изделие может эксплуатироваться детьми старше 8 лет и людьми с ограниченными физическими, сенсорными или умственными способностями, а также лицами, не имеющими достаточного опыта и знаний, только в том случае, если они находятся под наблюдением лиц, ответственных за их безопасность, или проинструктированы на предмет безопасного использования изделия и осознают связанные с этим риски. Следите за тем, чтобы дети не играли с устройством. Дети могут чистить и обслуживать устройство только под наблюдением.
- Прибор не должен использоваться лицами

(включая детей) с ограниченными физическими, сенсорными или умственными способностями или недостатком опыта и знаний, за исключением случаев, когда использование происходит под непосредственным контролем или в соответствии с указаниями.

Следите за детьми, чтобы они не играли с прибором.

- В случае передачи изделия третьему лицу в личное пользование или в целях вторичного использования необходимо также передать руководство пользователя, наклейки изделия, а также другие связанные с ним документы и компоненты.
- Не устанавливайте устройство на ковровом покрытии. Недостаточная вентиляция под днищем устройства может привести к перегреву электрических деталей и проблемам в работе изделия.
- Работы по установке и ремонту должны выполняться только представителями авторизованной сервисной службы. Производитель не

несет ответственности за повреждения в результате выполнения работ лицами, не имеющими соответствующей квалификации. Это также может привести к аннулированию гарантии. Перед установкой внимательно прочтите инструкции.

- Не пользуйтесь неисправным изделием, а также при наличии на нем заметных повреждений.
- Проверяйте, чтобы после каждого использования переключатели функций изделия были выключены.

Электробезопасность

- В случае неисправности следует прекратить эксплуатацию изделия, пока оно не будет отремонтировано в авторизованном сервисном центре. Существует риск поражения электрическим током!
- Изделие можно подключать только к заземленной розетке/линии, напряжение и уровень защиты которой соответствуют параметрам, указанным в разделе «Технические характеристики». Установку заземления должен выполнять

квалифицированный специалист (при использовании прибора с трансформатором или без него). Наша компания не несет ответственности за какие-либо проблемы, возникшие вследствие использования изделия без заземления, выполненного в соответствии с местными нормами и правилами.

- Никогда не лейте воду на изделие во время мытья! Существует риск поражения электрическим током!
- Прежде чем приступить к установке, техническому обслуживанию, чистке и ремонту, изделие необходимо отключить от электросети.
- Во избежание несчастных случаев при повреждении кабеля питания его замену должен выполнять производитель, его специалист по сервису или лицо, имеющее аналогичную квалификацию.
- Электроприбор следует устанавливать таким образом, чтобы его можно было полностью отсоединить от сети электропитания. Отсоединение должно осуществляться с помощью штепсельной вилки или

выключателя, встроенного в фиксированную сеть электропитания, в соответствии со строительными нормативами и правилами.

- Задняя стенка духового шкафа во время работы сильно нагревается. Следите за тем, электрические провода не соприкоснулись с задней стенкой, так как это может привести к их повреждению.
- Следите за тем, чтобы шнур питания не был зажат между рамой и дверцей духового шкафа, и не прокладывайте его по горячим поверхностям. В противном случае изоляция кабеля может расплавиться, что приведет к короткому замыканию и пожару.
- Все работы с электрическим оборудованием и системами должны выполняться только квалифицированными специалистами, допущенными к выполнению таких работ.
- В случае какого-либо повреждения выключите прибор и отсоедините его от электросети. Для этого выключите общий предохранитель в доме.
- Проверьте, соответствуют ли изделию номинальные

характеристики предохранителя.

Безопасность изделия

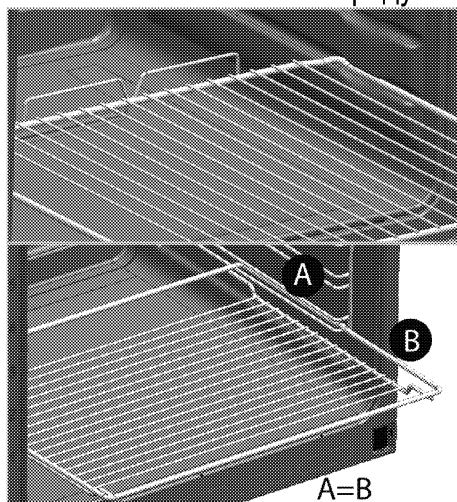
- **ВНИМАНИЕ:** Данное изделие и его внешние части нагреваются в процессе использования. Будьте осторожны, не касайтесь нагревательных элементов. Детей младше 8 лет следует допускать к духовому шкафу только под постоянным присмотром взрослых.
- Не пользуйтесь прибором, находясь под воздействием алкоголя или лекарственных препаратов, снижающих скорость реакции или нарушающих координацию движений.
- Будьте осторожны при использовании спиртных напитков в приготавливаемых блюдах. При высокой температуре спирт испаряется и при соприкосновении с горячими поверхностями может загореться и вызвать пожар.
- Не располагайте рядом с прибором легковоспламеняющиеся материалы, так как во время работы его боковые

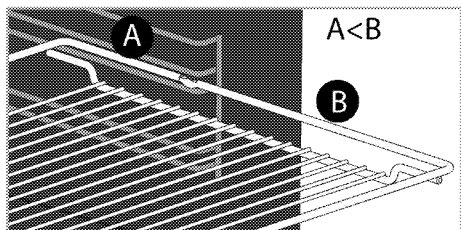
поверхности могут сильно нагреваться.

- Во время работы устройство может нагреваться. Будьте осторожны, не касайтесь нагревательных элементов внутри духового шкафа.
- Следите за тем, чтобы вентиляционные отверстия были полностью открыты.
- Не разогревайте в духовом шкафу продукты в закрытых жестяных или стеклянных банках. Внутри банок может повыситься давление, что приведет к взрыву.
- Не ставьте противни или посуду непосредственно на дно духового шкафа, а также не кладите на него алюминиевую фольгу. Избыточное тепло может привести к повреждению дна духового шкафа.
- Не используйте для чистки стеклянной дверцы духового шкафа грубые абразивные чистящие средства или острые металлические скребки, чтобы не поцарапать поверхность, поскольку это может привести к разрушению стекла.
- Не используйте для чистки устройства пароочистители, поскольку это может привести

к поражению электрическим током.

- (Может отличаться в зависимости от модели изделия.)
Правильное расположение проволочной решетки и противня на направляющих
Проволочную решетку и/или противень следует правильно устанавливать на направляющие. Вставьте проволочную решетку или противень между 2 направляющими и проверьте, устойчиво ли держится решетка или противень (см. рисунок). Только после этого можно класть на них продукты.





- Не пользуйтесь духовым шкафом, если стекло в передней дверце потрескалось или вынуто.
- Ручка духовки не предназначена для сушки полотенца. Если функция гриля включена, а дверца открыта, не вешайте полотенца, перчатки и другие тряпичные изделия.
- Помещая продукты в горячий духовой шкаф или вынимая их оттуда, обязательно пользуйтесь термостойкими рукавицами.
- Положите бумагу для выстилания пекарных форм в горшок для варки или на противень, решетку и т.д. вместе с приготавливаемыми пищевыми продуктами, и поместите все в предварительно нагретую печь. Удалите излишки бумаги, выступающие за пределы противня или горшка, чтобы они не смогли соприкоснуться с нагревательными элементами. Не используйте бумагу для выстилания пекарных форм, рабочая температура которой ниже температуры в печи. Не кладите бумагу непосредственно на основание печи.
- **ВНИМАНИЕ:** Перед заменой лампы убедитесь, что шнур питания прибора отключен от сети или что прерыватель цепи выключен, чтобы избежать поражения электрическим током.
- Прибор не следует устанавливать за декоративной дверцей, поскольку это может привести к перегреву.
- Прибор следует устанавливать прямо на пол. Не устанавливайте прибор на подставку или стойку.
- **ВНИМАНИЕ:** При приготовлении пищи с жиром или маслом не оставляйте варочную панель без присмотра, поскольку это может привести к возгоранию. Категорически **ЗАПРЕЩАЕТСЯ** гасить такое пламя водой; следует выключить устройство и накрыть огонь, например, крышкой или противопожарным покрытием.
- **ОСТОРОЖНО:** За процессом приготовления пищи

необходимо следить. За кратковременным процессом приготовления пищи необходимо следить постоянно.

- **ВНИМАНИЕ:** Опасность пожара: не храните предметы на конфорках.
- **ВНИМАНИЕ:** Если поверхность треснула, выключите устройство во избежание поражения электрическим током.
- Если стекло электроплиты разбилось: незамедлительно выключите все горелки и электрические нагревательные элементы, а также отключите устройство от электросети. Не прикасайтесь к поверхности устройства. Не используйте устройство.
- Конструкция данного устройства не предусматривает управление им с помощью внешнего таймера или отдельной системы дистанционного управления.
- Следите за тем, чтобы дно посуды и поверхность конфорки были сухими, так как посуда может подпрыгивать под давлением пара, который

образуется при нагревании влажных поверхностей.

- **ВНИМАНИЕ:** Используйте только защитные ограждения для плиты, разработанные производителем вашего кухонного оборудования или указанные производителем в руководстве пользователя вашего оборудования как подходящие для него, либо же защитные ограждения, встроенные в ваше кухонное оборудование производителем. Использование несоответствующих защитных ограждений может привести к несчастному случаю.

Для обеспечения пожарной безопасности изделия соблюдайте нижеуказанные правила.

- Убедитесь, что вилка плотно вставлена в розетку и не искрит.
- Запрещается использовать поврежденный либо обрезанный кабель, а также удлинитель; можно пользоваться только оригинальным кабелем.
- Убедитесь, что в розетке, к которой подключается изделие, отсутствуют жидкость или влага.

Использование по назначению

- Данное изделие предназначено исключительно для бытового использования. Запрещается использовать прибор в коммерческих целях.
- **ОСТОРОЖНО:** Данное изделие предназначено исключительно для приготовления пищи. Его запрещено использовать для других целей, например, для обогрева помещения."
- Изделие не следует использовать с целью нагревания тарелок под грилем, сушики полотенец и посудных полотенец, путем развешивания их на ручках, а также для обогрева помещения.
- Производитель не несет ответственности за повреждения в результате использования изделия не по назначению или неправильного обращения с ним.
- Духовой шкаф можно использовать для размораживания, выпекания, жарения и приготовления продуктов на гриле.

Безопасность детей

- **ВНИМАНИЕ:** Доступные части прибора могут сильно нагреваться при использовании. Не допускайте к ним детей.
- Упаковочные материалы опасны для детей. Храните упаковочные материалы в недоступном для детей месте. Утилизируйте все упаковочные материалы в соответствии с нормами по охране окружающей среды.
- Электрическое оборудование представляет опасность для детей. Во время работы духового шкафа не допускайте к нему детей, а также не разрешайте им играть с ним.
- Не размещайте над прибором предметы, которые дети могут попытаться достать.
- Не ставьте на открытую дверцу тяжелые предметы и не позволяйте детям садиться на нее, Духовой шкаф может перевернуться, а также могут быть повреждены петли дверцы.

Утилизация старого изделия

Соответствие Директиве ЕС об утилизации электрического и электронного оборудования (WEEE) и утилизация вышедшего из употребления оборудования:



Данное изделие соответствует Директиве ЕС об утилизации электрического и электронного оборудования (2012/19/EU). Данное изделие имеет маркировку, указывающую на утилизацию его как электрического и электронного оборудования (WEEE).

Это изделие произведено из высококачественных деталей и материалов, которые подлежат повторному использованию и переработке.

Поэтому не выбрасывайте изделие с обычными бытовыми отходами после завершения его эксплуатации. Его следует сдать в соответствующий центр по утилизации электрического и электронного оборудования. О местонахождении таких центров вы можете узнать в местных органах власти.

Соответствие Директиве ЕС об ограничении содержания вредных веществ (RoHS):

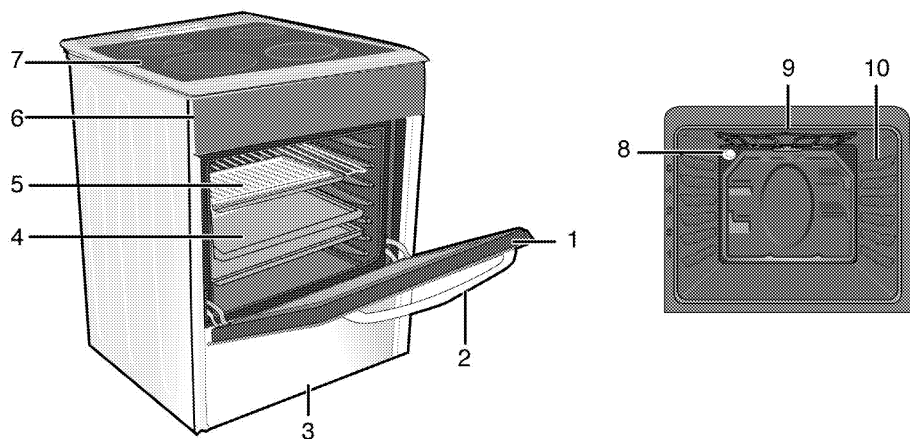
Приобретенное вами изделие соответствует Директиве ЕС о правилах ограничения содержания вредных веществ (2011/65/EU). Оно не содержит вредных и запрещенных материалов, указанных в Директиве.

Утилизация упаковочных материалов

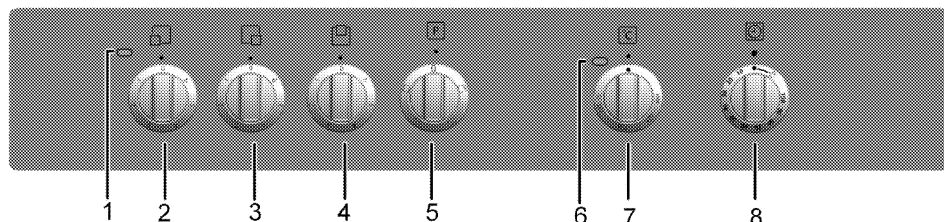
- Упаковочные материалы опасны для детей. Храните упаковочные материалы в безопасном и недоступном для детей месте. Упаковочные материалы изделия изготовлены из материалов, подлежащих вторичной переработке. Утилизируйте их соответствующим образом и сортируйте согласно инструкций по обращению с отходами, подлежащими вторичной переработке. Не утилизируйте их вместе с обычными бытовыми отходами.

2 Общие сведения

Обзор



- | | | | |
|---|---------------------|----|------------------------------|
| 1 | Дверца | 6 | Панель управления |
| 2 | Ручка дверцы | 7 | Крышка конфорки |
| 3 | Нижняя часть | 8 | Лампочка |
| 4 | Противень | 9 | Нагревательный элемент гриля |
| 5 | Проволочная решетка | 10 | Положения полок |



- | | | | |
|---|--|---|----------------------|
| 1 | Сигнальная лампочка | 5 | Ручка выбора функции |
| 2 | Одноконтурная зона нагрева Передняя левая | 6 | Лампочка термостата |
| 3 | Одноконтурная зона нагрева Передняя правая | 7 | Ручка термостата |
| 4 | Одноконтурная зона нагрева Средняя | 8 | Механический таймер |

Содержание упаковки

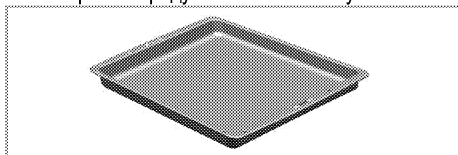


Изделие комплектуется различным набором дополнительных принадлежностей в зависимости от модели. Некоторые дополнительные принадлежности, описанные в руководстве пользователя, в комплекте этого изделия могут отсутствовать.

1. Руководство пользователя

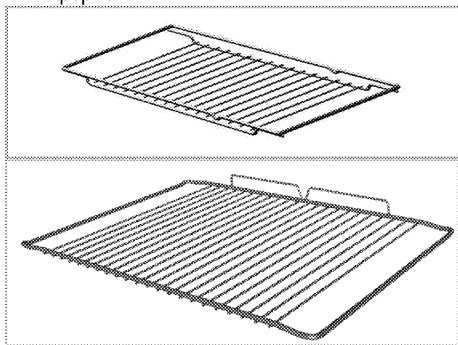
2. Стандартный противень

Предназначен для выпечки изделий из теста, размораживания замороженных продуктов и жарения продуктов большими кусками.



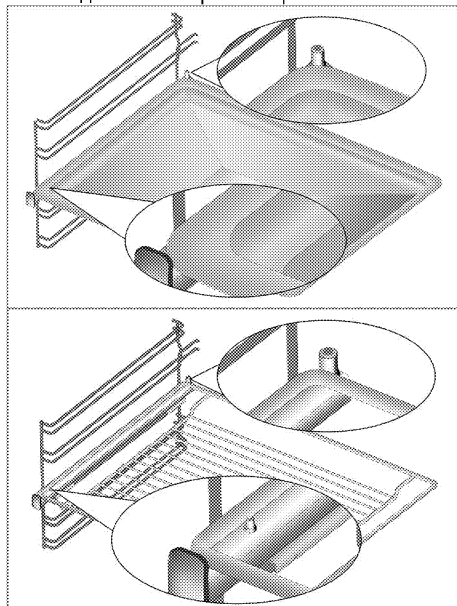
3. Решетка

Предназначена для жарения, а также для размещения продуктов на нужной полке при выпечке, жарении или приготовлении в формах.



4. Правильное расположение проволочной решетки на выдвигаемых направляющих (Данная функция — дополнительная. Она может отсутствовать в вашем изделии.)

Благодаря наличию выдвигаемых направляющих можно легко устанавливать и выдвигать противни и проволочную решетку. При установке противней или проволочной решетки следите за тем, чтобы края противня или решетки опирались на штырьки, расположенные на задней части выдвигаемых направляющих.



Технические характеристики



ОБЩИЕ СВЕДЕНИЯ	
Габариты (высота / ширина / глубина)	850 мм/500 мм/500 мм
Напряжение/частота	220-240 50 Гц
Общая потребляемая мощность	6000 Вт
Тип кабеля/сечение	мин. H05VV-F 3 x 2,5 мм ²
ВАРОЧНАЯ ПАНЕЛЬ	
Конфорки	
Передняя левая	Одноконтурная зона нагрева
Размеры	180 мм
Мощность	1700 Вт
Передняя правая	Одноконтурная зона нагрева
Размеры	140 мм
Мощность	1200 Вт
Средняя	Одноконтурная зона нагрева
Размеры	140 мм
Мощность	1200 Вт
ДУХОВКА/ГРИЛЬ	
Главный духовой шкаф	Обычный духовой шкаф
Лампочка внутреннего освещения	15–25 Вт
Гриль: потребляемая мощность	1500 Вт
Класс защиты -1	


Степень защиты IP 44

- # Основные сведения Данные на паспортной табличке энергопотребления электрических духовых шкафов приведены в соответствии со стандартом EN 60350-1 / IEC 60350-1. Эти данные определены при стандартной нагрузке с функциями нижнего-верхнего нагревательного элемента или нагрева с помощью вентилятора (при наличии).

Класс энергетической эффективности определен в соответствии с приведенными ниже приоритетами в зависимости от наличия или отсутствия соответствующих функций в изделии. 1 - Приготовление с вентилятором - экономичный режим, 2 - Медленное приготовление в турборежиме, 3 - Приготовление в турборежиме, 4 - Нагрев сверху и снизу с вентилятором, 5 - Нагрев сверху и снизу.

«Этикетка энергоэффективности представлена на продукте»

	При усовершенствовании качества продукции технические характеристики могут быть изменены без предварительного уведомления.
	Иллюстрации в данном руководстве являются схематичными и могут несколько отличаться от конкретного изделия.

	Значения, указанные на этикетках изделия или в сопроводительной документации, получены в лабораторных условиях согласно соответствующим стандартам. Эти данные могут быть иными в зависимости от условий эксплуатации изделия.
---	--

3 Установка

Прибор должен устанавливаться квалифицированным специалистом в соответствии с действующими нормами и правилами. В противном случае гарантия аннулируется. Производитель не несет ответственности за повреждения в результате выполнения работ лицами, не имеющими соответствующей квалификации. Это может привести к аннулированию гарантии.



Подготовка места установки, электрического оборудования обеспечивается покупателем.



ОПАСНО:

Бытовой прибор следует устанавливать в соответствии со всеми местными нормами по подключению газового и/или электрического оборудования.

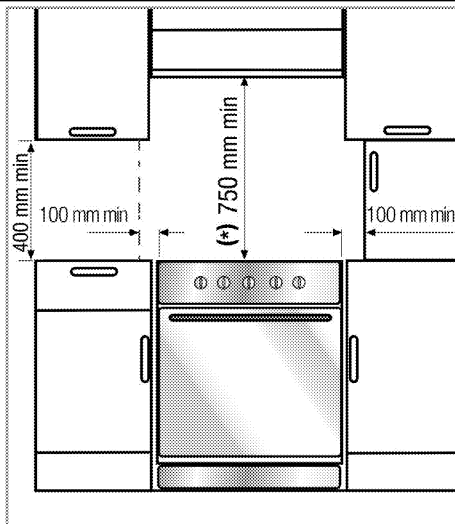


ОПАСНО:

Прежде чем приступить к установке, визуально проверьте отсутствие внешних дефектов духового шкафа. При наличии дефектов не устанавливайте его. Поврежденные электроприборы представляют собой угрозу вашей безопасности.

До начала установки

Для того чтобы обеспечить наличие необходимых зазоров для циркуляции воздуха под плитой, рекомендуем устанавливать ее на твердом основании так, чтобы ножки не погружались в ковер или мягкое напольное покрытие. Кухонный пол должен выдерживать вес прибора с учетом веса посуды и продуктов.



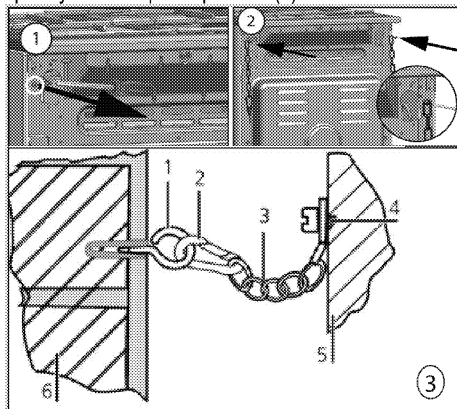
- Ее можно использовать с кухонными шкафами с обеих сторон, однако следует оставить свободное пространство минимум 400 мм над уровнем конфорок, а также боковое свободное пространство не менее 65 мм между плитой и стеной, перегородкой или высоким кухонным шкафом.
- Плита может также стоять отдельно. Обеспечьте свободное расстояние не менее 750 мм от поверхности плиты до поверхностей над ней.
- В случае установки надплитного воздухоочистителя соблюдайте инструкции его производителя в отношении высоты монтажа устройства (мин. 650 мм).
- Это устройство соответствует требованиям к приборам класса 1, и его можно устанавливать так, чтобы задняя и **одна** из боковых стенок примыкали к стенам помещения, стенкам кухонных шкафчиков или бытовых приборов любой высоты. Кухонная мебель или бытовые приборы, примыкающие с **другой** стороны, должны быть не выше прибора.
- Вся кухонная мебель, рядом с которой устанавливается устройство, должна быть термостойкой (не менее 100 °C).

Предохранительная цепь

Если изделие оснащено двумя предохранительными цепями(2);

Для обеспечения устойчивости изделия его необходимо закрепить с помощью двух предохранительных цепей, входящих в комплект поставки.

С помощью соответствующего дюбеля установите крючок (1) в стене кухни (6), а затем подсоедините предохранительную цепь (3) к крючку с помощью карабина (2).

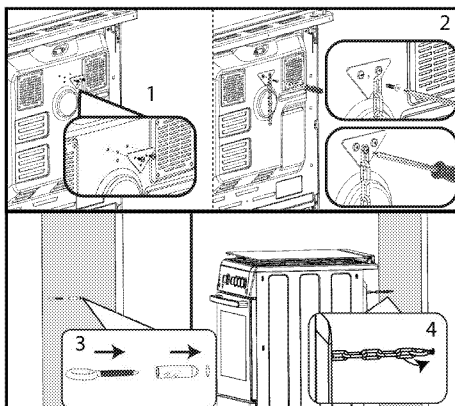


- 1 Крючок
- 2 Карабин
- 3 Предохранительная цепь
- 4 Прочно закрепите цепь с задней стороны плиты
- 5 Задняя сторона плиты
- 6 Стена кухни

Если изделие оснащено одной предохранительной цепью(1);

Для обеспечения устойчивости изделия его необходимо закрепить с помощью входящей в комплект поставки предохранительной цепи на духовом шкафу.

Следуйте указаниям на рисунке ниже для крепления предохранительной цепи к изделию.



i Предохранительная цепь должна быть как можно короче, чтобы исключить опрокидывание изделия как вперед, так и в сторону.

В конструкции предохранительной цепи для плиты нет гнезда для крепления скобы.

Установка и подключение

Прибор следует устанавливать и подключать в соответствии с действующими нормами и правилами.

i Не устанавливайте изделие рядом с холодильником или морозильной камерой. Поскольку духовой шкаф излучает тепло, холодильники будут потреблять больше электроэнергии.

- Переносить прибор должны не менее двух человек.
- Прибор следует устанавливать прямо на пол. Не устанавливайте прибор на подставки.

i Не перемещайте устройство, держась за дверцу и/или за ручку дверцы. Дверца, ручка или петли могут повредиться.

Подключение к электросети

Подключайте изделие к розетке или линии с заземлением, защищенной миниатюрным автоматическим выключателем с соответствующим номиналом, который указан в таблице «Технические характеристики». Установку заземления должен выполнять квалифицированный электрик (при использовании изделия с трансформатором или без него). Наша компания не несет ответственности за ущерб, понесенный вследствие использования изделия без

заземления, выполненного в соответствии с местными нормами и правилами.



ОПАСНО:

Подключение прибора к электросети должен выполнять квалифицированный специалист, имеющий право на выполнение таких работ. Гарантийный период начинается только после правильной установки. Производитель не несет ответственности за повреждения в результате выполнения работ лицами, не имеющими соответствующей квалификации.



ОПАСНО:

Шнур питания не должен быть сдавлен, изогнут или зажат, а также не должен соприкасаться с нагревающимися компонентами изделия. Замену поврежденного шнура питания должен выполнять квалифицированный электрик. В противном случае это может привести к поражению электрическим током, короткому замыканию или возгоранию!

Параметры электрической сети должны соответствовать данным, указанным на паспортной табличке прибора. Паспортную табличку можно увидеть либо при открытой дверце или нижней крышке, либо на задней стенке прибора, в зависимости от типа прибора. Шнур питания прибора должен соответствовать параметрам, указанным в таблице "Технические характеристики".



ОПАСНО:

Перед выполнением каких-либо электромонтажных работ отключите прибор от электрической сети. Существует риск поражения электрическим током!

Подключение кабеля питания

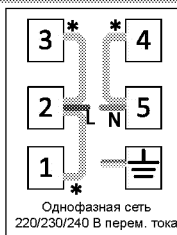


При монтаже проводки необходимо соблюдать национальные/местные электротехнические правила и нормы, а также использовать соответствующие розетки/штепсельные вилки и вилку для духовки. В случае если предельные значения мощности продукции превышают допустимую нагрузку на вилку и розетку, изделие должно быть подключено через стационарное электрическое оборудование напрямую без использования вилки и розетки.

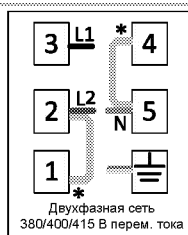
1. Если нет возможности установить автоматический выключатель на все контакты, то в соответствии с директивами МЭК следует использовать для подключения размыкатели с контактным зазором не менее 3 мм (плавкие предохранители, защитные сетевые выключатели, замыкатели). Место подключения должно находиться рядом с прибором, но не над плитой. Несоблюдение этих указаний может вызвать проблемы в процессе эксплуатации, а также привести к аннулированию гарантии на прибор.

В качестве дополнительной меры безопасности рекомендуется использовать устройство защитного отключения.

Подключение кабелем, прилагаемым к прибору

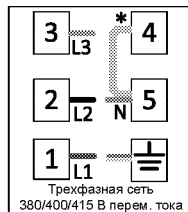


Однофазная сеть
220/230/240 В перем. тока




Двухфазная сеть
380/400/415 В перем. тока

* Медная перемычка



Трёхфазная сеть
380/400/415 В перем. тока

2. **Инструкция по подключению к однофазной электрической сети.**
 - коричневый провод = L (фаза)
 - синий провод = N (нейтраль)

- желто-зеленый провод = (E)  (земля)
- Придвиньте прибор к стене кухни.
- **Регулирование ножек духовки**
При наличии вибрации посуда во время приготовления может сдвигаться. Для предотвращения опасных ситуаций необходимо, чтобы прибор стоял ровно и устойчиво.
В целях безопасности, выровняйте прибор с помощью 4 регулируемых ножек ножки. Для этого поворачивайте их влево и вправо до тех пор, пока прибор не будет ровно стоять на столешнице.

Окончательная проверка

1. Включите прибор в сеть.
2. Проверьте, работают ли электрические компоненты.

Для будущей транспортировки

- Сохраните оригинальную упаковочную коробку и перевозите прибор в ней. Следуйте указаниям, нанесенным на упаковке. Если оригинальная упаковочная коробка не сохранилась, заверните изделие в пузырчатую упаковку или поместите в плотный картон. Надежно заклейте клейкой лентой.

- Чтобы проволочная решетка и противень, которые хранятся внутри духовки, не повредили дверцу, поместите с внутренней стороны дверцы картонную полоску вровень с противнями. Прикрепите дверцу духового шкафа к боковым стенкам клейкой лентой.
- Не поднимайте и не передвигайте духовой шкаф, держась за дверцу или за ручку дверцы.



Не размещайте на приборе никаких предметов и не ставьте его вертикально.



Осмотрите прибор снаружи на предмет возможных повреждений при транспортировке.

4 Подготовка к эксплуатации

Рекомендации по экономии электроэнергии

Эти рекомендации помогут вам использовать изделия экологически чистым способом и сэкономить электроэнергию.

- Используйте в духовом шкафу темную или эмалированную посуду: это позволит улучшить теплопередачу.
 - Прогревайте духовой шкаф перед приготовлением пищи, если это рекомендуется в руководстве пользователя или в инструкциях по приготовлению продуктов.
 - Во время приготовления пищи не открывайте дверцу духового шкафа слишком часто.
 - По возможности старайтесь готовить в духовом шкафу несколько блюд одновременно. При приготовлении пищи на решетку можно устанавливать по две емкости с продуктами.
 - Готовьте блюда одно за другим. Духовой шкаф уже будет прогрет.
 - Для экономии электроэнергии можно выключать духовой шкаф за несколько минут до окончания приготовления блюда. Не открывайте дверцу духового шкафа.
 - Размораживайте замороженные продукты перед приготовлением.
 - Готовьте пищу в закрытой посуде. При приготовлении в открытой посуде энергопотребление может возрасти в 4 раза.
 - Выбирайте конфорку соответственно размеру дна посуды. Обязательно выбирайте посуду соответственно объему приготовляемого блюда. Чем больше объем посуды, тем выше энергопотребление.
 - Для приготовления пищи на электрических конфорках используйте посуду только с плоским дном.
- Посуда с толстым дном лучше проводит тепло, что позволяет на треть сократить потребление энергии.
- Размер посуды должен соответствовать размеру зон нагрева. Не следует использовать посуду с дном меньшего диаметра, чем диаметр конфорки.
 - Следите за тем, чтобы зоны нагрева и дно посуды были чистыми. Загрязнения

ухудшают теплопередачу между зоной нагрева и дном посуды.

- Если блюдо готовится долго, выключайте зону нагрева за 5-10 минут до окончания приготовления. Использование остаточного тепла позволяет сэкономить до 20% электроэнергии.

Подготовка к эксплуатации

Очистка прибора перед началом эксплуатации



Некоторые моющие средства и чистящие материалы могут повредить поверхность. Не используйте для чистки агрессивные моющие средства, чистящие порошки/кремы, а также острые предметы.

1. Снимите все упаковочные материалы.
2. Протрите поверхность прибора влажной тканью или губкой и вытрите насухо.

Первоначальный прогрев

Прогрейте прибор в течение 30 минут, а затем выключите. Это обеспечит выгорание и удаление производственных загрязнений и покрытий.



ПРЕДУПРЕЖДЕНИЕ!

Горячие поверхности могут причинить ожоги!

Во время работы прибор может сильно нагреваться. Не прикасайтесь к горячим конфоркам, внутренним частям духового шкафа, нагревательным элементам и т.п. Не разрешайте детям приближаться к нему.

Помещая продукты в горячий духовой шкаф или вынимая их оттуда, обязательно пользуйтесь термостойкими перчатками.

Электрический духовой шкаф

1. Выньте из духового шкафа все противни и решетку.
2. Закройте дверцу духового шкафа.
3. Выберите положение Static (Статический)
4. Включите гриль на максимальную мощность (см. раздел *Правила эксплуатации электрической духовки, стр. 23*).
5. Дайте духовому шкафу поработать около 30 минут.
6. Затем выключите духовой шкаф (см. раздел *Правила эксплуатации электрической духовки, стр. 23*).

Духовой шкаф с грилем

1. Выньте из духового шкафа все противни и решетку.
2. Закройте дверцу духового шкафа.
3. Включите гриль на максимальную мощность (см. раздел *Как пользоваться грилем, стр. 25*).
4. Дайте духовому шкафу поработать около 30 минут.
5. Затем выключите духовой шкаф (см. раздел *Как пользоваться грилем, стр. 25*).



При первом включении в течение нескольких часов возможно выделение дыма и запаха. Это вполне нормально. Убедитесь, что кухня хорошо проветривается, чтобы удалить дым и запах. Не вдыхайте выделяющиеся дым и запахи.

5 Правила эксплуатации варочной панели

Общие сведения о приготовлении пищи



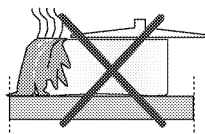
Не заполняйте кастрюлю растительным маслом более чем на одну треть. При нагревании масла не оставляйте варочную панель без присмотра. Остерегайтесь возгорания раскаленных масел. **Не тушите огонь водой!** При возгорании масла накройте посуду одеялом или влажной тканью. По возможности выключите варочную панель и позвоните в пожарную службу.

- Перед жареньем продукты нужно обязательно обсушивать. Опускайте продукты в горячий жир с осторожностью. Замороженные продукты перед жареньем следует полностью разморозить.
- Посуду, в которой разогревается жир, накрывать нельзя.
- Посуду следует ставить на плиту таким образом, чтобы ручки не нагревались над горячей поверхностью плиты. Не ставьте на плиту неустойчивую посуду, которая легко опрокидывается.
- Не ставьте на включенные конфорки пустую посуду – это может привести к ее повреждению.
- Не оставляйте включенными конфорки, на которых нет посуды – это может привести к повреждению плиты. Обязательно выключайте конфорки после окончания приготовления пищи.
- Не ставьте на плиту пластмассовую или алюминиевую посуду, так как на горячей поверхности они могут расплавиться. Расплавившиеся материалы следует сразу же счищать с поверхности. Такую посуду также не следует использовать для хранения пищевых продуктов.
- Можно использовать только посуду с плоским дном.
- Размер посуды должен соответствовать количеству продуктов. Тогда продукты не

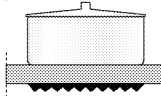
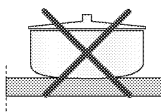
будут выплескиваться из посуды, и не придется лишний раз мыть плиту. Не кладите на конфорки крышки кастрюль. Размещайте посуду по центру конфорки. Если нужно переместить посуду на другую конфорку, поднимите ее и переставьте. Ни в коем случае не передвигайте посуду по поверхности плиты.

Советы по использованию стеклокерамических варочных панелей

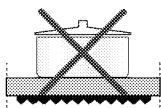
- Стеклокерамическая поверхность устойчива к нагреву и большим перепадам температуры.
- Не кладите на стеклокерамическую поверхность продукты и другие предметы и не используйте ее в качестве разделочной доски.
- Используйте посуду только с гладким дном. Посуда с острыми краями может поцарапать поверхность.
- Не используйте алюминиевую посуду, так как алюминий может повредить стеклокерамическую поверхность.



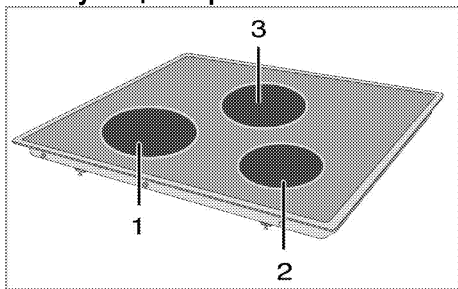
Выплеснувшиеся продукты могут повредить стеклокерамическую поверхность, и тем самым вызвать пожар. Не используйте посуду с вогнутым или выпуклым дном.



Используйте посуду только с плоским дном. Такая посуда нагревается быстро и равномерно. Если диаметр посуды слишком мал, энергия будет расходоваться впустую.



Эксплуатация варочных панелей



- 1 Одноконтурная зона нагрева 18-20 см
- 2 Одноконтурная зона нагрева 14-16 см
- 3 Одноконтурная зона нагрева 14-16 см список рекомендованных диаметров посуды для использования на соответствующих конфорках.



ОПАСНО:

Следите за тем, чтобы на варочную панель ничего не упало. Даже небольшие предметы (например, солонка) могут повредить варочную панель.

Не пользуйтесь варочной панелью, если на ней есть трещины. В трещины может попасть вода и вызвать короткое замыкание.

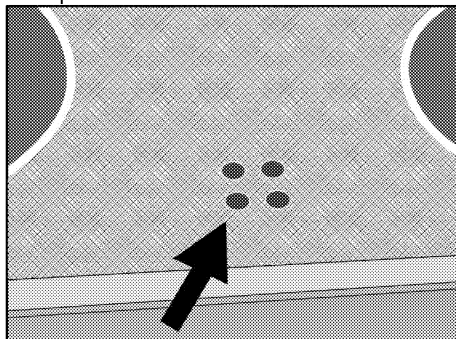
При обнаружении на поверхности каких-либо повреждений (например, трещин) немедленно выключите электроприбор во избежание поражения электрическим током.

Стеклокерамическая варочная панель оснащена индикатором питания и индикатором остаточного тепла.

Индикатор остаточного тепла указывает статус включенной зоны нагрева. После выключения конфорки индикатор остается включенным.

Индикатор остаточного тепла погаснет, когда

температура конфорки снизится до уровня, при котором ее можно касаться рукой. Мигание индикатора остаточного тепла не является неисправностью.



Включение керамических конфорок

Включение конфорок выполняется с помощью ручек регуляторов. Чтобы установить нужный уровень мощности, поверните ручку регулятора в соответствующее положение.

Уровень мощности	1	2-3	4-6
	разогревание	тушение, приготовление на медленном огне	варка, жарение, кипячение

Выключение керамических конфорок

Поверните регулятор конфорки в положение «ВЫКЛ.» (вверх).

6 Правила эксплуатации духовки

Общие сведения о выпекании, жарении и приготовлении с грилем



ПРЕДУПРЕЖДЕНИЕ!

Горячие поверхности могут причинить ожоги!

Во время работы прибор может сильно нагреваться. Не прикасайтесь к горячим конфоркам, внутренним частям духового шкафа, нагревательным элементам и т.п. Не разрешайте детям приближаться к нему.

Помещая продукты в горячий духовой шкаф или вынимая их оттуда, обязательно пользуйтесь термостойкими рукавицами.



ОПАСНО:

Будьте осторожны, открывая дверцу духового шкафа, так как наружу может выходить пар.

Выпускаемый пар может обжечь вам руки, лицо и/или глаза.

Советы по выпеканию

- Используйте антипригарные металлические тарелки или алюминиевые контейнеры с соответствующим покрытием, либо термостойкие силиконовые формы.
- Рационально используйте площадь решетки.
- Устанавливайте форму для выпекания в середине решетки.
- Выбирайте правильное положение решетки перед включением духового шкафа или гриля. Не изменяйте положение решетки, когда духовой шкаф горячий.
- Держите закрытой дверцу шкафа.

Советы по приготовлению жареных блюд

- Тушку курицы или индейки и большие куски мяса перед приготовлением рекомендуется сбрызнуть лимонным соком и посыпать черным перцем. Тогда готовое блюдо будет вкуснее.
- Мясо с костями следует жарить на 15-30 минут дальше, чем такое же количества мяса без костей.
- На каждый сантиметр толщины мяса требуется приблизительно 4-5 минут времени приготовления.
- По истечении времени приготовления мяса оставьте его в духовом шкафу примерно на 10 минут. Сок лучше распределится внутри

куска жареного мяса и не будет вытекать, когда вы будете разрезать мясо.

- Рыбу в термостойкой посуде следует готовить на решетке, установленной на средний или нижний уровень.

Советы по приготовлению продуктов на гриле

При приготовлении на гриле мясо, рыба или птица быстро подрумянивается, сверху образуется хрустящая корочка, и продукт не пересыхает. На гриле можно отлично приготовить не только тонкие куски мяса, шашлыки и сосиски, но и овощи с большим содержанием жидкости (например, помидоры и лук).

- Для приготовления на гриле разложите куски продуктов на решетке или на противне с решеткой так, чтобы площадь, занимаемая продуктами, соответствовала размеру нагревательного элемента.
- Вставьте решетку или противень с решеткой в духовку на нужный уровень. Если продукты готовятся на решетке, установите на нижний уровень поддон для сбора жира. Для облегчения чистки поддона налейте в него немного воды.

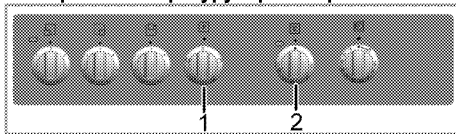


Продукты, которые не подходят для приготовления на гриле, могут привести к возгоранию. На гриле можно готовить только такие продукты, которые выдерживают интенсивный нагрев.

Не размещайте продукты слишком близко к задней части гриля. Эта зона нагревается сильнее всего, и жирные продукты могут загореться.

Правила эксплуатации электрической духовки

Выберите температуру и режим работы



- 1 Ручка выбора функции
- 2 Ручка термостата

1. Настройте таймер духовки на нужную продолжительность приготовления (см. раздел).
2. Установите нужный режим работы с помощью ручки выбора функций.
3. Установите нужную температуру с помощью регулятора температуры.

» После нагрева духовки в ней будет поддерживаться заданная температура. Во время нагрева будет светиться индикатор температуры.

Выключение электрической духовки

Переведите таймер духовки в положение отключения.



Когда таймер установлен на определенное время, он выключается автоматически (см.

Поверните ручку выбора функций и регулятор температуры в положение отключения (вверх).

Режимы работы

Приведенная здесь последовательность режимов работы может отличаться от вашей модели.

Нагрев сверху и снизу



Работают оба нагревательных элемента — и верхний, и нижний. Продукты подогреваются одновременно сверху и снизу. Этот режим подходит, например, для тортов, разной выпечки, а также кексов и запеканок в формах.. Готовьте только с одним противнем.

Нагрев сверху



Работает только верхний нагревательный элемент. Этот режим подходит, например, для выпечки пирогов с румяной корочкой, а также для других блюд, которые нужно запечь сверху.

Нагрев снизу



Работает только нижний нагревательный элемент. Подходит для выпечки пиццы и дополнительного обжаривания продуктов с нижней стороны. Эта функция также упрощает очистку паром.



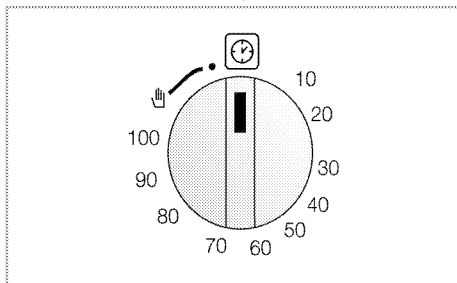
Full grill (Усил. гриль)



Работает большой гриль на потолке духовки. Подходит для приготовления на гриле больших порций мяса.

- Для приготовления на гриле положите большие или средние порции под нагревательный элемент гриля на соответствующий уровень полки духового шкафа.
- Установите температуру на максимальный уровень.
- Когда пройдет половина времени, отведенного на приготовление, переверните продукт.

Использование часов духовки



Подготовка к работе и приготовление блюд



Для подготовки духовки к работе необходимо выбрать нужный режим и температуру приготовления, а также установить время. В противном случае духовка работать не будет.

1. Задайте продолжительность приготовления, повернув ручку Time Adjustment (Установка времени) по часовой стрелке.
2. Поставьте блюдо в духовой шкаф.

3. Выберите режим работы и температуру (см. *Правила эксплуатации электрической духовки, стр. 23.*)

» Духовка разогреется до заданной температуры, которая будет поддерживаться до установленного времени окончания приготовления.

4. По истечении заданного времени приготовления ручка Time Adjustment (Установка времени) автоматически повернется против часовой стрелки. Прозвучит звуковой сигнал, означающий, что заданное время истекло, и прибор выключится.



Если таймер не используется, выключите его, повернув ручку против часовой стрелки к символу руки.

5. Духовку можно выключить с помощью регулятора времени, ручки выбора функций и регулятора температуры.

Досрочное выключение духовки

1. Поверните регулятор Time Adjustment (Установка времени) против часовой стрелки до упора.
2. Выключите духовку с помощью ручки выбора функций и регулятора температуры.

Время приготовления блюд



Значения времени в этой таблице следует считать справочными. Они могут изменяться в зависимости от температуры продуктов, толщины, вида и ваших кулинарных предпочтений.

Выпечка и жарение



1-й полкой духового шкафа является нижняя полка.

Блюда	Посуда	Уровень размещения			Температура (°C)	Примерное время приготовления (мин.)
		☐	☐	☐		
Выпечка на противне	Противень 24 - 26 см	3	☐	170 ... 180	25 ... 35	
Выпечка в форме	Форма для выпечки 18 - 22 см	3	☐	170 ... 180	35 ... 45	
Печенье	Противень	3	☐	170 ... 190	25 ... 35	
Слоеное тесто	Противень	3	☐	180 ... 190	25 ... 35	
Пончики	Противень	3	☐	160 ... 180	25 ... 35	
Мучные кондитерские изделия	Противень	3	☐	200	40 ... 50	
Закваска	Противень для жарения	3	☐	200	35 ... 45	
Сдобная выпечка	Противень	3	☐	180 ... 190	25 ... 35	
Изделия из теста	Противень	3	☐	180 ... 190	40 ... 50	
Лазанья	Глубокий противень	3	☐	170 ... 180	40 ... 50	
Пицца	Противень	3	☐	200 ... 220	15 ... 20	
Мясо порционное	Противень	3	☐	15 мин. 250/макс.*	110 ... 120	
Баранья нога	Противень	3	☐	15 мин. 250/макс.*	70 ... 90	
Жареная курица	Противень	3	☐	15 мин. 250/макс.*	60 ... 70	
Индейка (5,5 кг)	Противень	3	☐	25 мин. 220 *	180 ... 240	
Рыба	Противень	3	☐	200	15 ... 25	
					* затем 150	

Как пользоваться грилем



ПРЕДУПРЕЖДЕНИЕ!
Закрывайте дверцу во время приготовления пищи на гриле. Горячие поверхности могут причинить ожоги!

- При приготовлении в режиме гриля поверните регулятор времени по часовой

стрелке и установите на значок Hand (Рука).

Включение гриля

1. Поверните ручку выбора функций и установите на нужный значок режима «Гриль».
2. Затем установите нужную температуру жаренья.

3. При необходимости прогрейте гриль около 5 минут.

» При этом включится индикаторная лампочка температуры.

Выключение гриля

1. Поверните ручку выбора функций в положение отключения (вверх).



Продукты, которые не подходят для приготовления на гриле, могут привести к возгоранию. На гриле можно готовить только такие продукты, которые выдерживают интенсивный нагрев. Не размещайте продукты слишком близко к задней части гриля. Эта зона нагревается сильнее всего, и жирные продукты могут загореться.

Время приготовления блюд на гриле

Приготовление блюд на электрическом гриле

Продукты	Уровень размещения	Рекомендуемая температура (°C)**	Время приготовления на гриле (прибл.)
Рыба	3...4	250/max	20...25 мин. #
Курица (куски)	3...4	250/max	15...20 мин.
Отбивные из молодой баранины	3...4	250/max	12...15 мин.
Ростбиф	3...4	250/max	15...25 мин. #
Отбивные из телятины	3...4	250/max	15...25 мин. #

в зависимости от толщины
**Если настройка температуры гриля в вашем изделии не предусмотрена, то гриль будет работать при максимальной температуре.

7 Уход и техническое обслуживание

Общие сведения

Регулярно выполняйте чистку прибора. Это позволит продлить срок его службы, а также избежать многих проблем.



ОПАСНО:

Перед выполнением работ по обслуживанию и чистке отключите прибор от электрической сети. Существует риск поражения электрическим током!



ОПАСНО:

Дайте изделию остыть, прежде чем приступать к чистке. Горячие поверхности могут причинить ожоги!

- Прибор следует тщательно чистить после каждого использования. Так легче удалять остатки пищи, которые могут пригореть при следующем использовании прибора.
- Для чистки прибора не требуются специальные чистящие средства. Прибор можно вымыть теплой водой с добавлением жидким моющего средства, используя мягкую ткань или губку. А затем протереть сухой тканью.
- Обязательно протирайте прибор насухо после чистки и сразу же удаляйте попавшую на него жидкость.
- Не используйте для чистки ручки и поверхностей из нержавеющей стали чистящие средства, содержащими кислоты или хлор. Эти детали можно протирать мягкой тканью, смоченной в жидком моющем средстве (без абразивных добавок), стараясь тереть в одном направлении.



Некоторые моющие средства и чистящие материалы могут повредить поверхность. Не используйте для чистки агрессивные моющие средства, чистящие порошки/кремы, а также острые предметы.



Не используйте для чистки устройства парочистители, поскольку это может привести к поражению электрическим током.

Чистка варочной панели

Стеклокерамические поверхности

Очистите стеклокерамические поверхности с помощью холодной воды, полностью удаляя чистящее средство с поверхности, и протрите насухо мягкой тканью. Остатки пищи на стеклокерамической поверхности могут повредить ее при следующем включении.

Ни в коем случае не используйте для удаления со стеклокерамической поверхности засохших остатков пищи ножи с зубчатым лезвием, металлические мочалки и т. п. Известковый налет (желтые пятна) можно удалять специальными средствами для удаления накипи, которые можно приобрести в торговой сети, или другими используемыми для этого средствами, например, столовым уксусом или лимонным соком.

Для удаления сильных загрязнений нанесите моющее средство губкой и оставьте на некоторое время для воздействия. Затем очистите поверхность варочной панели влажной тканью.



Продукты, содержащие сахар, такие, как крем или сироп, нужно удалять немедленно, не дожидаясь остывания поверхности, так как они могут необратимо повредить стеклокерамическую поверхность.

Со временем может произойти изменение цвета поверхности, однако это никоим образом не влияет на ее работу.

Появление пятен и обесцвечивание стеклокерамической поверхности – это обычное явление, которые не является признаком ее повреждения.

Чистка панели управления

Очистьте панель управления и ручки-регуляторы влажной тканью и вытрите насухо.



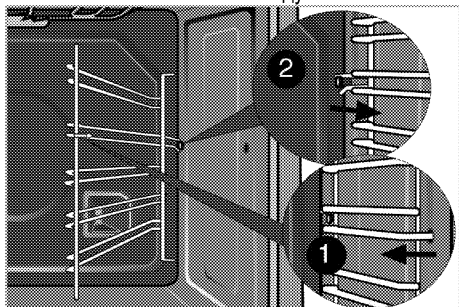
Если ваш прибор оснащен кнопками/ручками, не снимайте ручки-регуляторы для чистки панели управления. Так можно повредить панель управления!

Чистка духовки

Чистка боковых стенок (Может отличаться в зависимости от модели изделия.)

(Данная функция — дополнительная. Она может отсутствовать в вашем изделии.)

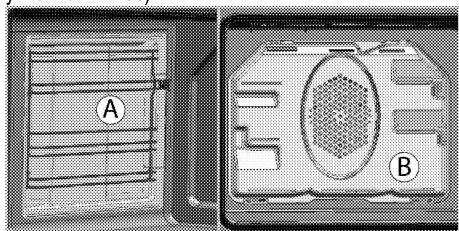
1. Снимите переднюю часть боковой решетки, оттянув ее от боковой стенки.
2. Потяните боковую решетку к себе и полностью выньте ее из духовки.



Стенки с каталитическим покрытием

(Данная функция — дополнительная. Она может отсутствовать в вашем изделии.)

Внутренние боковые стенки (А) и (или) задняя стенка (В) вашего изделия могут быть покрыты каталитической эмалью. Стенки с каталитическим покрытием имеют светлую матовую пористую поверхность. Стенки духовки, имеющие каталитическое покрытие, не следует чистить. Пористые поверхности стенок с каталитическим покрытием самоочищаются путем впитывания и разложения пролитого жира (на воду и углекислый газ).

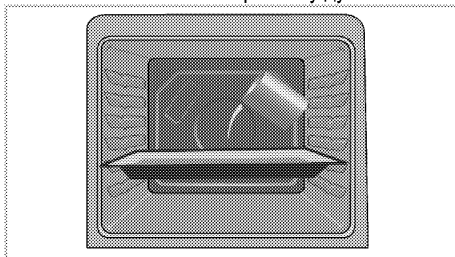


Простая очистка паром

Это упрощает чистку, поскольку грязь (после кратковременного ожидания) смягчается паром, образующимся в духовом шкафу, и каплями воды, конденсирующимися на внутренних поверхностях духового шкафа.

1. Выньте из духового шкафа все принадлежности.

2. Налейте в противень 300 мл воды и поместите его на 2-ю решетку духовки.



3. Установите духовку до легкого режима очистки паром и работайте на 100 °С в течение 25 минут.
4. Откройте дверцу и протрите внутренние поверхности духового шкафа влажной губкой или тканью.
5. Стойкую грязь следует удалять теплой водой с жидким мощным средством, используя мягкую ткань или губку, а после чистки следует вытирать прибор сухой тканью.

i При работе в режиме упрощенной очистки паром, вода, налитая в лоток для размягчения образовавшихся осадков/грязи внутри духовки, испарится и конденсируется внутри духовки и на внутренней поверхности двери духовки, поэтому при открытии двери духовки может капать вода. Вытрите конденсат сразу после открытия дверей духовки.

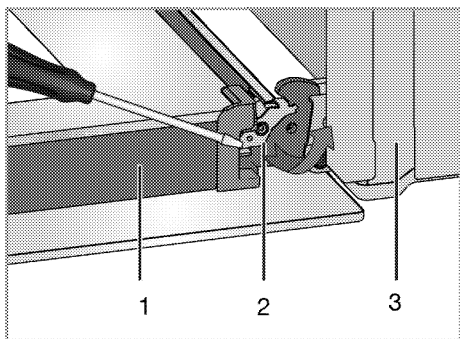
Чистка дверцы духовки

Мойте дверцу духовки мягкой тканью или губкой, смоченной в теплой воде с добавлением жидкого мощного средства, и вытирайте сухой тканью.

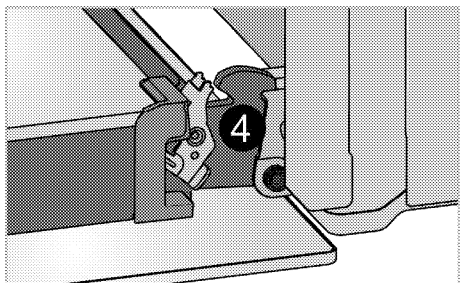
i Не используйте для чистки дверцы моющие средства с абразивными веществами или металлические скребки. Они могут поцарапать поверхность и повредить стекло.

Снятие дверцы духового шкафа

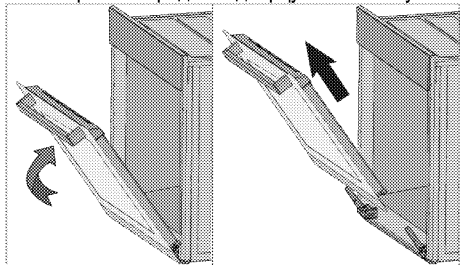
1. Откройте переднюю дверцу (1).
2. Откройте зажимы на корпусе петли (2) с правой и левой стороны передней дверцы, нажав на них, как показано на рисунке.



- 1 Дверца
- 2 Шарнирный замок(закрытое положение)
- 3 Духовой шкаф
- 4 Шарнирный замок(открытая позиция)



3. Откройте переднюю дверцу наполовину.



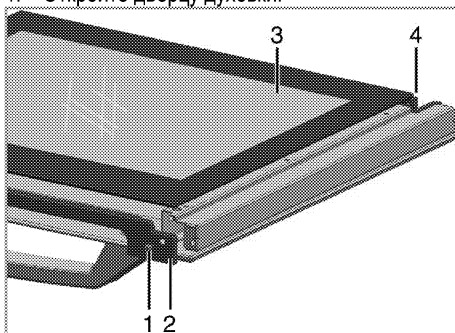
4. Снимите переднюю дверцу, потянув ее вверх и освободив от правой и левой петли.

i Для установки дверцы на место следует выполнить в обратном порядке действия по снятию. Не забудьте закрыть зажимы на корпусе петли при установке дверцы на место.

Снятие внутреннего стекла дверцы (Данная функция — дополнительная. Она может отсутствовать в вашем изделии.)

Внутреннее стекло панели дверцы духового шкафа можно снять для чистки.

1. Откройте дверцу духовки.



- 1 Винт
 - 2 Профиль
 - 3 Внутреннее стекло
 - 4 Пластмассовый держатель
2. Открутите отверткой винт (1)
 3. Выньте профиль (2), а затем внутреннее стекло (3).
 4. После чего соберите дверь, установив стекло (3) в пластмассовые держатели (4) и сгруппировав профиль.

Замена лампочки освещения духового шкафа



ОПАСНО:

Во избежание поражения электрическим током, прежде чем заменять лампочку, убедитесь в том, что электроприбор отсоединен от сети и остыл. Горячие поверхности могут причинить ожоги!



Для освещения духового шкафа используется специальная электрическая лампочка, которая может выдерживать температуру до 300 С. Дополнительные сведения см. в разделе "Технические характеристики, стр. 14". Лампочки освещения духового шкафа можно приобрести в фирменных сервисных центрах.



Расположение лампочки может отличаться от изображения на рисунке.



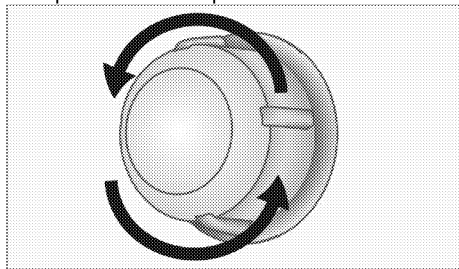
Лампа, используемая в этом приборе, не подходит для освещения бытовых помещений. Эта лампа предназначена для вспомогательной цели, позволяющей пользователю увидеть пищевые продукты.



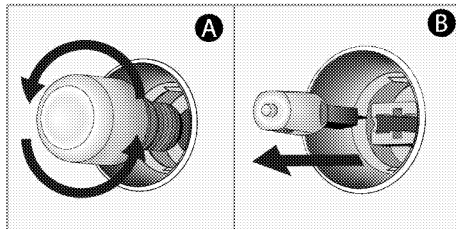
Лампы, используемые в этом приборе, должны выдерживать экстремальные физические условия, например температуру выше 50 °С.

Замена круглой лампочки освещения духового шкафа

1. Отсоедините духовой шкаф от электросети.
2. Снимите стеклянный плафон, повернув его против часовой стрелки.



3. Если в вашей духовке используется лампа типа (А), показанная на рисунке ниже, поверните ее в соответствии с рисунком, чтобы извлечь ее и заменить. Если используется лампа типа (В), потяните и извлеките ее, как показано на рисунке, и замените.



4. Установите на место стеклянный плафон.

8 Поиск и устранение неисправностей

Во время работы из духового шкафа выделяется пар.

- Вполне нормально, если пар выделяется во время работы. >>> *Это не является неисправностью.*

При нагревании и охлаждении прибор издает металлические шумы.

- При нагревании металлические детали могут расширяться и издавать звуки. >>> *Это не является неисправностью.*

Прибор не работает.

- Плавкий предохранитель неисправен или сработал. >>> *Проверьте плавкие предохранители в блоке предохранителей. При необходимости замените их или включите.*
- Духовой шкаф не включен в (заземленную) розетку электросети. >>> *Проверьте соединение штепсельной вилки.*

Освещение духовки не работает.

- Лампочка освещения духового шкафа неисправна. >>> *Замените лампочку освещения шкафа.*
- Нет электропитания. >>> *Проверьте наличие электропитания. Проверьте предохранители в блоке предохранителей. При необходимости замените или включите предохранители.*

Духовка не нагревается.

- Не задана функция или температура. >>> *Выберите функцию и установите температуру с помощью переключателя функций и (или) регулятора температуры.*
- В моделях, оснащенных таймером, таймер не установлен. >>> *Установите время.* (В моделях с микроволновой печью управление по таймеру действует только для микроволновой печи).
- Нет электропитания. >>> *Проверьте наличие электропитания. Проверьте предохранители в блоке предохранителей. При необходимости замените или включите предохранители.*

В моделях с таймером) Цифровой индикатор времени мигает, или светится символ часов.

- Ранее произошло отключение электроэнергии. >>> *Установите время / Выключите духовой шкаф и включите снова.*



Если вы не можете устранить неполадки, несмотря на выполнение инструкций, приведенных в данном разделе, обратитесь к представителю авторизованной сервисной службы. Не пытайтесь самостоятельно отремонтировать неисправный электроприбор.

Изготовитель: «Arcelik A.S.»

Юридический адрес: Караач Джаддеси № 2-6 34445 Сютлюдже Стамбул, Турция
(Karaağaç Caddesi No:2-6 Sütlüce, 34445, Turkey)

Произведено в Турции

Импортер на территории РФ: ООО «БЕКО»

Юридический адрес: 601021 Россия, Владимирская обл., Киржачский р-н, МОСП Першинское, дер.
Федоровское, ул. Сельская, д. 49.

Информацию о сертификации продукта Вы можете уточнить, позвонив на горячую линию
8-800-200-23-56.

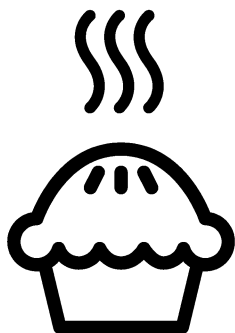
Дата производства включена в серийный номер продукта, указанный на этикетке, расположенной на продукте, а именно: первые две цифры серийного номера обозначают год производства, а последние две – месяц. Например, "10-100001-05" обозначает, что продукт произведен в мае 2010 года.

Изготовитель оставляет за собой право на внесение изменений в конструкцию, дизайн и комплектацию электроприбора.

beko

Backofen

Gebrauchsanleitung



DE

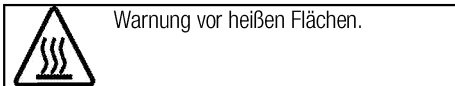
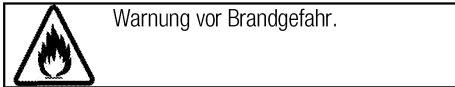
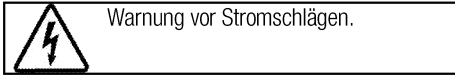
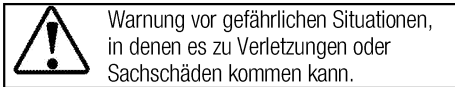
Bitte zuerst diese Bedienungsanleitung lesen!

Sehr geehrte Kundin, sehr geehrter Kunde,
vielen Dank für den Kauf eines Beko-Produktes. Wir hoffen, dass dieses Produkt, das mit hochwertiger und hochmoderner Technologie hergestellt wurde, beste Ergebnisse erzielt. Daher bitte die gesamte Bedienungsanleitung und alle beiliegenden Dokumente aufmerksam durchlesen und zum zukünftigen Nachschlagen aufbewahren. Bei Weitergabe des Produktes auch die Bedienungsanleitung mit aushändigen. Alle Warnungen und Informationen in der Bedienungsanleitung einhalten.

Bitte beachten, dass diese Bedienungsanleitung für unterschiedliche Modelle geschrieben wurde. Unterschiede zwischen den verschiedenen Modellen werden natürlich in der Anleitung erwähnt.

Die Symbole

In dieser Anleitung verwenden wir folgende Symbole:



Arçelik A.Ş.
Karaağaç caddesi No:2-6
34445 Sütlüce/Istanbul/TURKEY
Made in TURKEY

1 Wichtige Sicherheits- und Umwelthinweise 4

Allgemeine Sicherheit.....	4
Elektrische Sicherheit.....	5
Produktsicherheit.....	6
Bestimmungsgemäße Verwendung.....	8
Sicherheit von Kindern.....	9
Altgeräte entsorgen.....	9
Verpackungsmaterialien entsorgen.....	9

2 Allgemeine Informationen 10

Geräteübersicht.....	10
Lieferumfang.....	11
Technische Daten.....	12

3 Installation 13

Vor der Installation.....	13
Einbauen und Anschließen.....	14
Transport.....	15

4 Vorbereitungen 16

Tipps zum Energiesparen.....	16
Erste Inbetriebnahme.....	16
Erstreinigung des Gerätes.....	16
Erstaufheizung.....	16

5 Bedienung Kochfeld 18

Allgemeine Hinweise zum Kochen.....	18
Kochfeld verwenden.....	19

6 Bedienung des Backofens 20

Allgemeine Hinweise zum Backen, Braten und Grillen.....	20
So bedienen Sie den Backofen.....	20
Betriebsarten.....	21
Ofenuhr verwenden.....	21
Garzeitentabelle.....	22
So bedienen Sie den Grill.....	22
Garzeitentabelle zum Grillen.....	22

7 Reinigung und Wartung 23

Allgemeine Hinweise.....	23
Kochfeld reinigen.....	23
Bedienfeld reinigen.....	23
Backofen reinigen.....	23
Backofentür ausbauen.....	24
Türinnenscheibe ausbauen.....	25
Beleuchtung des Backofens auswechseln.....	25

8 Problemlösungen 27

1 Wichtige Sicherheits- und Umwelthinweise

Dieser Abschnitt enthält Hinweise, die für die Sicherheit des Benutzers und anderer Personen unerlässlich sind. Diese Hinweise müssen beachtet werden, damit es nicht zu Verletzungen oder Sachschäden kommt.

Bei Nichteinhaltung dieser Anweisungen erlöschen sämtliche Garantieansprüche.

Allgemeine Sicherheit

- Dieses Gerät darf von Kindern (ab acht Jahren) oder Personen bedient werden, die unter körperlichen, sensorischen oder geistigen Einschränkungen leiden oder denen es an der nötigen Erfahrung und Wissen im Umgang mit solchen Geräten mangelt, wenn solche Personen beaufsichtigt werden und, zuvor gründlich mit der sicheren Bedienung des Gerätes vertraut gemacht wurden und sich der damit verbundenen Gefahren voll und ganz bewusst sind. Kinder dürfen nicht mit dem Gerät spielen. Reinigungs- und Wartungsarbeiten dürfen von Kindern nicht ohne Aufsicht eines Erwachsenen durchgeführt werden.
- Das Gerät darf nicht von Personen genutzt werden, die unter körperlichen oder geistigen Einschränkungen leiden oder denen es an der nötigen Erfahrung im Umgang mit solchen Geräten mangelt. Ausnahmen sind nur dann möglich, wenn solche Personen beaufsichtigt werden oder gründlich über den richtigen Umgang mit dem Gerät aufgeklärt wurden. Dies gilt natürlich auch für Kinder. Kinder müssen stets beaufsichtigt werden, damit sie nicht mit dem Gerät spielen.
- Falls das Produkt an jemand anderen zur persönlichen oder Secondhand-Benutzung übergeben wird, sollten Bedienungsanleitung, Produktetiketten und andere relevante Dokumente und Teile ebenfalls übergeben werden.
- Produkt niemals auf einen Teppichboden stellen. Andernfalls kann die geringe Luftzirkulation unter dem Produkt eine Überhitzung der elektrischen Teile zur Folge haben. Dies führt zu Problemen mit dem Produkt.
- Installation und Reparaturen müssen grundsätzlich vom autorisierten Kundendienst ausgeführt werden. Der Hersteller haftet nicht für Schäden, die durch den Eingriff nicht

autorisierter Personen entstehen; zudem kann dadurch die Garantie erlöschen. Vor der Installation aufmerksam alle Anweisungen lesen.

- Gerät nicht nutzen, falls es nicht ordnungsgemäß funktioniert oder sichtbare Beschädigungen aufweist.
- Nach jeder Benutzung prüfen, ob die Funktionsknöpfe des Produktes ausgeschaltet sind.

Elektrische Sicherheit

- Falls das Produkt einen Fehler aufweist, sollte es bis zur Reparatur durch einen autorisierten Kundendienstmitarbeiter nicht in Betrieb genommen werden. Es besteht Stromschlaggefahr!
- Schließen Sie das Produkt nur an eine geerdete Steckdose an, deren Spannung und Schutz den Angaben unter „Technische Daten“ entsprechen. Lassen Sie durch einen qualifizierten Elektriker eine Erdung vornehmen. Unser Unternehmen haftet nicht für Probleme, die durch ein nicht entsprechend den örtlichen Richtlinien geerdetes Produkt entstehen.
- Reinigen Sie das Produkt niemals, indem Sie Wasser darauf verteilen oder schütten! Es besteht Stromschlaggefahr!

- Das Produkt darf während Installation, Wartung, Reinigung und Reparatur nicht an eine Steckdose angeschlossen sein.
- Falls das Netzkabel des Produktes beschädigt ist, muss es zur Vermeidung von Gefahren vom Hersteller, einem Kundendienstmitarbeiter oder vergleichbar qualifizierten Personen ausgetauscht werden.
- Das Gerät muss so installiert sein, dass es vollständig vom Netzwerk getrennt werden kann. Die Trennung muss entsprechend den Baurichtlinien entweder durch einen Netzstecker oder einen in der festen elektrischen Installation eingebauten Schalter ermöglicht werden.
- Die Rückseite des Ofens wird im Betrieb heiß. Achten Sie darauf, dass der Elektroanschluss die Rückseite nicht berührt; andernfalls kann der Anschluss beschädigt werden.
- Klemmen Sie das Netzkabel nicht zwischen Backofentür und Rahmen ein; führen Sie es nicht über heiße Oberflächen. Andernfalls kann die Kabelisolierung schmelzen und in Folge eines Kurzschlusses einen Brand verursachen.
- Jegliche Arbeiten an elektrischen Geräten und Systemen sollten von

autorisierten und qualifizierten Personen ausgeführt werden.

- Schalten Sie das Gerät bei Schäden aus, unterbrechen Sie die entsprechende Stromversorgung. Schalten Sie dazu die Sicherungen im Haus ab.
- Stellen Sie sicher, dass die Sicherungsangaben mit dem Produkt kompatibel sind.

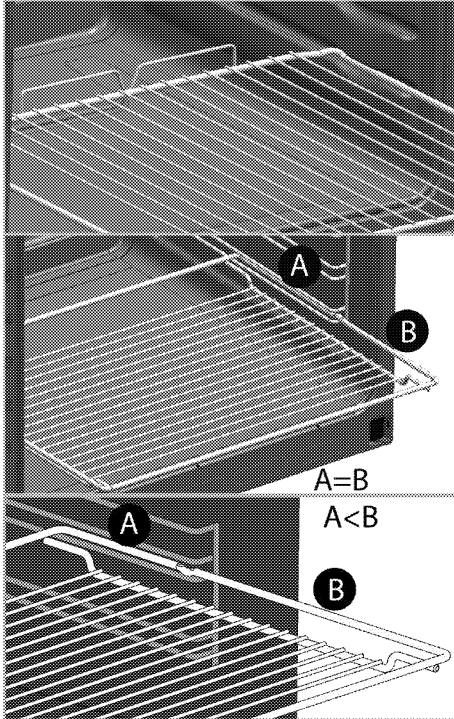
Produktsicherheit

- **WARNUNG:** Das Gerät und seine zugänglichen Teile werden während des Betriebs heiß. Keine Heizelemente berühren. Kinder unter 8 Jahren fernhalten, sofern nicht kontinuierlich beaufsichtigt.
- Produkt niemals nutzen, wenn Urteilsvermögen oder Koordination durch Alkohol und/oder Drogen beeinträchtigt sind.
- Bei alkoholischen Getränken in den Gerichten entsprechend vorsichtig sein. Alkohol verdampft bei hohen Temperaturen und kann durch Entzünden bei Kontakt mit heißen Oberflächen Feuer verursachen.
- Keine brennbaren Materialien in der Nähe des Produktes aufstellen, da die Seiten während des Gebrauchs heiß werden können.
- Während des Gebrauchs wird das Gerät heiß. Keine Heizelemente

im Inneren des Backofens berühren.

- Darauf achten, dass keine Belüftungsschlitze blockiert werden.
- Keine geschlossenen Dosen und Glasgefäße im Ofen erhitzen. Der in der Dose/im Glasgefäß entstehende Druck könnte Dose/Glasgefäß bersten lassen.
- Backbleche, Gerichte und Alufolie nicht direkt auf den Boden des Backofens stellen. Der Hitzestau kann den Boden des Backofens beschädigen.
- Zur Reinigung der Backofen-Glastür keine aggressiven scheuernden Reiniger oder scharfen Metallschaber verwenden, da diese die Oberfläche zerkratzen und so das Glas springen lassen können.
- Zur Reinigung des Gerätes keine Dampfreiniger verwenden; andernfalls besteht Stromschlaggefahr.
- (Variiert je nach Produktmodell.) Rost und Backblech richtig einsetzen
Es ist wichtig, dass Rost und/oder Blech richtig in den Einschüben sitzen. Schieben Sie Rost oder Blech zwischen zwei Schienen ein, vergewissern Sie sich, dass insbesondere der Rost gerade sitzt, bevor Sie Lebensmittel

darauf legen; bitte schauen Sie sich die folgende Abbildung an.



- Produkt nicht verwenden, falls das Glas der Fronttür entfernt oder gesprungen ist.
- Griff der Ofentüre nicht zum Trocknen von Geschirrtüchern verwenden. Keine Geschirrtücher, Handschuhe oder vergleichbare Textilprodukte aufhängen, wenn die Grillfunktion bei geöffneter Tür arbeitet.
- Beim Hineingeben oder Herausnehmen von Gerichten in den/aus dem heißen Ofen immer hitzebeständige Handschuhe verwenden.
- Legen Sie das Backpapier mit den Lebensmitteln in einem Kochtopf oder auf einem Ofenzubehör (Backblech, Rost etc.) aus und geben Sie alles zusammen in den vorgeheizten Ofen. Entfernen Sie überschüssige Bereiche des Backpapiers, die über das Zubehör oder den Topf hinausragen, damit es keine Heizelemente des Ofens berührt. Verwenden Sie Backpapier niemals bei einer Betriebstemperatur, welche die für das Backpapier angegebenen Werte übersteigen. Legen Sie Backpapier nicht direkt auf dem Boden des Ofens aus.
- **WARNUNG:** Stellen Sie vor dem Lampenwechsel sicher, dass das Netzkabel des Gerätes getrennt oder die Sicherung deaktiviert ist, damit kein Stromschlag möglich ist.
- Damit es nicht zu Überhitzung kommt, darf das Gerät nicht hinter Zierklappen/Ziertüren aufgestellt werden
- Das Gerät muss direkt auf dem Boden stehen. Es darf nicht auf Sockeln oder anderweitig erhöht aufgestellt werden.
- **WARNUNG:** Unbeaufsichtigtes Garen auf einem Kochfeld mit Fett oder Öl kann gefährlich sein und Brände verursachen. Niemals

versuchen, ein Feuer mit Wasser zu löschen; stattdessen das Gerät abschalten und Flammen z. B. mit einem Deckel oder einer Feuerlöschdecke abdecken.

- VORSICHT: Das Gerät muss beim Kochen im Auge behalten werden. Auch bei kurzen Zubereitungen muss das Gerät ständig im Auge behalten werden.
- WARNUNG: Brandgefahr: Keine Gegenstände auf den Kochoberflächen aufbewahren.
- WARNUNG: Falls die Oberfläche gesprungen ist, Gerät zur Vermeidung möglicher Stromschlaggefahr abschalten.
- Falls das Glas der Herdplatte springt: Schalten Sie umgehend alle Brenner und elektrischen Heizelemente aus und trennen Sie das Gerät von der Stromversorgung. Geräteoberfläche nicht berühren! Gerät nicht benutzen.
- Das Gerät darf nicht über externe Timer oder separate Fernsteuerungssysteme betrieben werden.
- Dampfdruck, der aufgrund von Feuchtigkeit an der Kochfeldoberfläche oder an der Unterseite des Kochgeschirrs entsteht, kann dazu führen, dass sich das Kochgeschirr bewegt.

Daher muss sichergestellt werden, dass Kochfeldoberfläche und Unterseite des Kochgeschirrs immer trocken sind.

- WARNUNG: Verwenden Sie nur Kochfeldschutzabdeckungen, die vom Hersteller des Gerätes entwickelt wurden oder vom Gerätehersteller in der Anleitung als geeignet angegeben sind, bzw. die mit dem Gerät gelieferten Kochfeldschutzabdeckungen. Die Nutzung nicht geeigneter Schutzabdeckungen kann Unfälle verursachen.

Brandschutzvorkehrungen des Produktes:

- Sicherstellen, dass die elektrische Verbindung richtig in die Steckdose eingesteckt ist und keine Funken erzeugt.
- Keine beschädigten oder abgeschnittenen Kabel bzw. Verlängerungskabel verwenden; nur das Originalkabel einsetzen.
- Beim Anschließen des Produktes sicherstellen, dass sich keine Flüssigkeit oder Feuchtigkeit an der elektrischen Verbindung befindet.

Bestimmungsgemäße Verwendung

- Dieses Gerät wurde für den reinen Hausgebrauch entwickelt. Eine gewerbliche Nutzung ist nicht zulässig.

- **VORSICHT:** Dieses Gerät dient ausschließlich der Zubereitung von Speisen. Es darf nicht zu anderen Zwecken eingesetzt werden.
- Benutzen Sie das Gerät nicht zum Vorwärmen von Tellern, hängen Sie keine Küchentücher, Handtücher und dergleichen zum Trocknen oder Anwärmen an die Griffe.
- Der Hersteller haftet nicht für Schäden, die durch unsachgemäßen Gebrauch oder falsche Bedienung verursacht werden.
- Das Gerät ist zum Garen, Auftauen, Backen, Braten und Grillen von Lebensmitteln geeignet.

Sicherheit von Kindern

- **WARNUNG:** Verschiedene Teile des Gerätes werden während des Gebrauchs heiß. Daher kleine Kinder vom Gerät fernhalten.
- Verpackungsmaterialien können eine Gefahr für Kinder darstellen. Sämtliche Verpackungsmaterialien an einem sicheren Ort und außerhalb der Reichweite von Kindern aufbewahren.
- Elektrische Produkte können eine Gefahr für Kinder darstellen. Kinder im Betrieb daher

unbedingt vom Gerät fernhalten. Kinder nicht mit dem Gerät spielen lassen.

- Keine Gegenstände auf das Gerät stellen, die Kinder erreichen können.
- Wenn die Ofentür geöffnet ist, keine schweren Gegenstände darauf ablegen und keine Kinder darauf sitzen lassen. Das Gerät kann kippen oder die Ofentür oder die Türscharniere können beschädigt werden.

Altgeräte entsorgen

Erfüllung von WEEE-Vorgaben zur Entsorgung von Altgeräten:



Dieses Produkt erfüllt die Vorgaben der EU-WEEE-Direktive (2012/19/EU). Das Produkt wurde mit einem Klassifizierungssymbol für elektrische und elektronische Altgeräte (WEEE) gekennzeichnet. Dieses Gerät wurde aus hochwertigen Materialien hergestellt, die wiederverwendet und recycelt werden können. Entsorgen Sie das Gerät am Ende seiner Einsatzzeit nicht mit dem regulären Hausmüll; geben Sie es stattdessen bei einer Sammelstelle zur Wiederverwertung von elektrischen und elektronischen Altgeräten ab. Ihre Stadtverwaltung informiert Sie gerne über geeignete Sammelstellen in Ihrer Nähe.

Einhaltung von RoHS-Vorgaben:

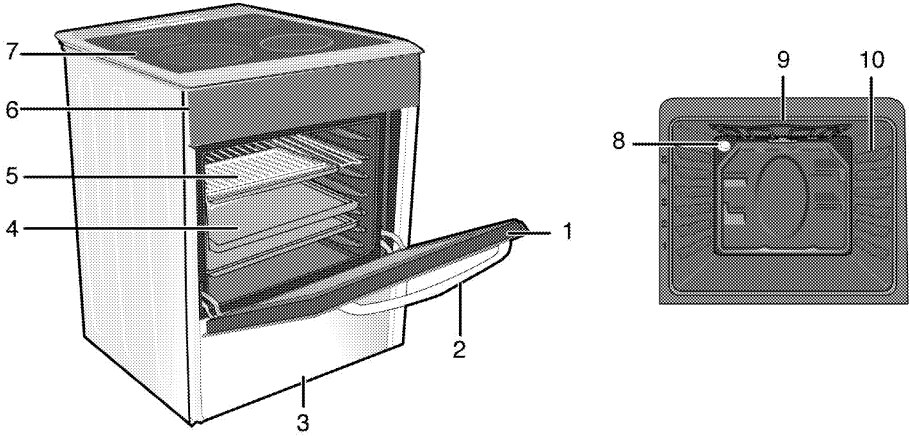
Das von Ihnen erworbene Produkt erfüllt die Vorgaben der EU-RoHS Direktive (2011/65/EU). Es enthält keine in der Direktive angegebenen gefährlichen und unzulässigen Materialien.

Verpackungsmaterialien entsorgen

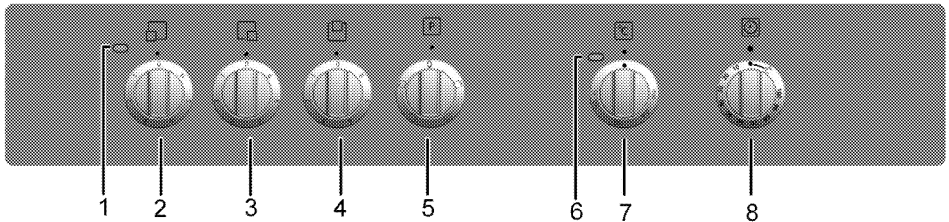
- Die Verpackung des Gerätes besteht aus wiederverwertbaren Materialien. Entsorgen Sie diese vorschriftsgemäß und entsprechend sortiert. Entsorgen Sie solche Materialien nicht mit dem normalen Hausmüll.

2 Allgemeine Informationen

Geräteübersicht



- | | | | |
|---|------------|----|--------------------|
| 1 | Tür | 6 | Bedienfeld |
| 2 | Griff | 7 | Brennerplatte |
| 3 | Unterteil | 8 | Beleuchtung |
| 4 | Backblech | 9 | Grill-Heizelement |
| 5 | Gitterrost | 10 | Einschubpositionen |



- | | | | |
|---|-------------------------------|---|--------------------|
| 1 | Warnleuchte | 5 | Funktionsknopf |
| 2 | Einzelkochplatte Vorne links | 6 | Temperaturleuchte |
| 3 | Einzelkochplatte Vorne rechts | 7 | Temperaturknopf |
| 4 | Einzelkochplatte Mitte | 8 | Mechanischer Timer |

Lieferumfang

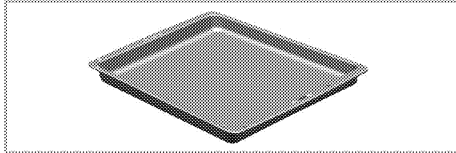


Je nach Modell wird eventuell unterschiedliches Zubehör mitgeliefert. Daher kann es vorkommen, dass nicht sämtliches in der Anleitung erwähntes Zubehör mit Ihrem Gerät geliefert wird.

1. Bedienungsanleitung

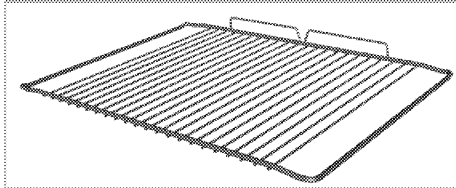
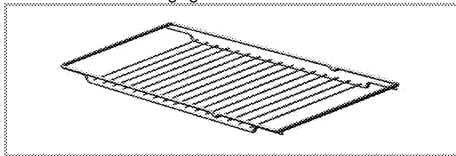
2. Backblech

Für Backwaren, Tiefkühlgerichte und große Braten.



3. Rost

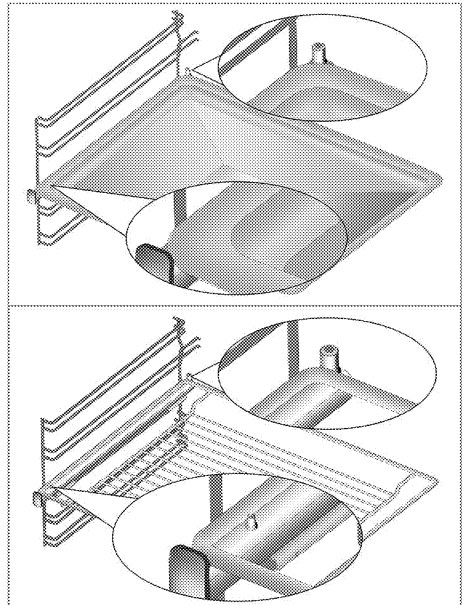
Zum Rösten und Grillen und als Unterlage für Behälter, in denen unterschiedlichste Lebensmittel gegart werden können.



4. Gitterrost und Backblech richtig in die Teleskopeinschübe einschieben (Dieses Merkmal ist optional. Es ist bei Ihrem Modell möglicherweise nicht vorhanden.)

Durch die Teleskopeinschübe lassen sich Bleche und Rost besonders leicht einlegen und entfernen.

Achten Sie beim Einsatz von Backblech und Gitterrost mit den Teleskopeinschüben darauf, dass die Stifte am rückwärtigen Teil des Teleskopeinschubs die Kanten von Backblech und Gitterrost berühren.



Technische Daten

ALLGEMEIN	
Außenabmessungen (Höhe/Breite/Tiefe)	850 mm/500 mm/500 mm
Spannung/Frequenz	220-240 50 Hz
Leistungsaufnahme gesamt	6000 W
Kabeltyp/Kabelquerschnitt	MinimumH05VV-F 3 x 2,5 mm ²
KOCHFELD	
Kochzonen	
Vorne links	Einzelkochplatte
Abmessungen	180 mm
Leistung	1700 W
Vorne rechts	Einzelkochplatte
Abmessungen	140 mm
Leistung	1200 W
Mitte	Einzelkochplatte
Abmessungen	140 mm
Leistung	1200 W
BACKOFEN/GRILL	
Hauptofen	Herkömmlicher Ofen
Garraumleuchte	15–25 W
Leistungsaufnahme Grill	1500 W

Allgemeine Hinweise: Energieangaben von Elektroöfen werden gemäß des Standards EN 60350-1 / IEC 60350-1 ermittelt. Die entsprechenden Werte werden unter üblichen Einsatzbedingungen bei Ober-/Unterhitze oder im Umluftbetrieb (sofern vorhanden) ermittelt.

Die Energieeffizienzklasse wird gemäß Funktion ermittelt: je nachdem, ob das Gerät mit den entsprechenden Funktionen ausgestattet ist. 1. Garen mit Eco-Umluft, 2. Turbo-Niedertemperaturgaren, 3. Turbogaren, 4. Ober-/Unterhitze mit Umluft, 5. Ober-/Unterhitze



Im Zuge der Qualitätsverbesserung können sich technische Daten ohne Vorankündigung ändern.



Die Abbildungen in dieser Anleitung dienen lediglich der Veranschaulichung und können etwas vom tatsächlichen Aussehen des Gerätes abweichen.



Angaben am Produkt oder in der begleitenden Dokumentation wurden unter Laborbedingungen unter Berücksichtigung der zutreffenden Richtlinien ermittelt. Solche Werte können je nach Einsatzumgebung und Nutzungsweise des Gerätes abweichen.

3 Installation

Gerät vom nächstgelegenen autorisierten Kundendienst gemäß gültigen Bestimmungen installieren lassen. Andernfalls erlischt die Garantie. Der Hersteller haftet nicht für Schäden, die durch Aktivitäten nicht autorisierter Personen entstehen; zudem kann dadurch die Garantie erlöschen.



Die Vorbereitung des Aufstellungsortes und der elektrischen Anschlüsse sind Sache des Kunden.



GEFAHR:

Die Installation des Gerätes muss in Übereinstimmung mit sämtlichen zutreffenden Vorschriften zur Elektroinstallation erfolgen.



GEFAHR:

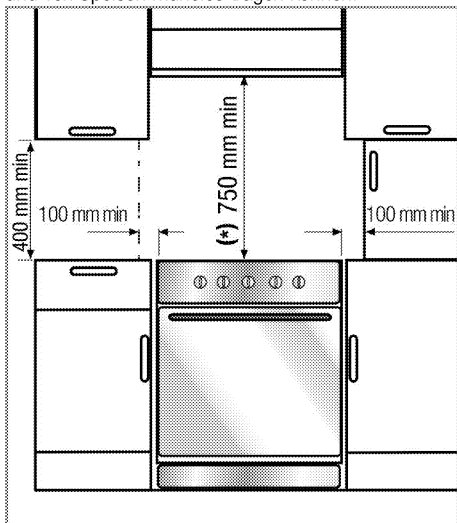
Gerät vor der Installation auf eventuelle, sichtbare Defekte untersuchen. Falls Defekte vorliegen, darf das Gerät nicht installiert werden.

Beschädigte Geräte müssen grundsätzlich als Sicherheitsrisiko betrachtet werden.

Vor der Installation

Um sicherzustellen, dass unter dem Produkt genügend Abstand zur Oberfläche ist, empfehlen wir, dass das Produkt auf einer soliden Basis montiert wird und dass die Füße nicht auf einen Teppich oder eine andere weiche Oberfläche gestellt werden.

Der Küchenboden muss das Gerätgewicht sowie zusätzlich das Gewicht von Koch- bzw. Backgeschirr und von Speisen mühelos tragen können.



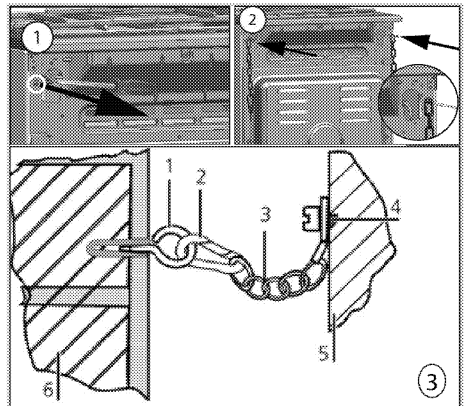
- Der Ofen kann mit Schränken an beiden Seiten benutzt werden. Ein Abstand von mindestens 400 mm über der Herdplatte und ein Abstand von 65 mm zwischen Gerät und Wand oder Hochschrank muss eingehalten werden.
- Das Kochfeld kann auch freistehend benutzt werden. Achten Sie auf einen minimalen Abstand von 750 mm oberhalb des Kochfeldes.
- (*) Wenn eine Dunstabzugshaube über dem Kochfeld installiert werden soll, beachten Sie die Anweisungen des Herstellers zur Installationshöhe (mindestens 650 mm Abstand).
- Das Gerät entspricht der Geräteklasse 1, d. h. es kann mit der Rückwand und **einer** Seitenwand an Küchenwände, Küchenmöbel oder Geräte beliebiger Höhe gestellt werden. An der anderen Seitenwand dürfen nur **Küchenmöbel** oder Geräte mit gleicher oder geringerer Höhe stehen.
- Angrenzende Küchenmöbel müssen hitzebeständig sein (bis mindestens 100 °C).

Sicherheitskette

Falls Ihr Gerät zwei Sicherheitsketten besitzt:

Das Gerät muss mit der mitgelieferte Kette gegen Umkippen gesichert werden.

Befestigen Sie den Haken (1) mit einem geeigneten Hering an der Küchenwand (6), verbinden Sie die Sicherheitskette (3) per Verschlussmechanismus (2) mit dem Haken.

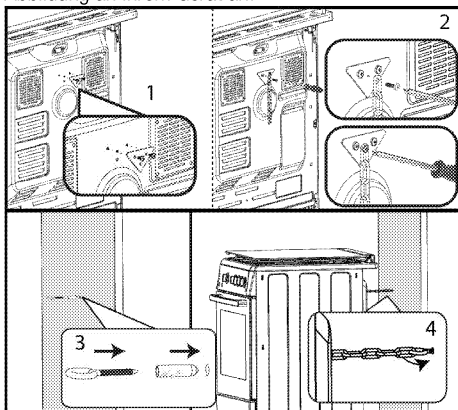


- 1 Befestigungshaken
- 2 Verschlussmechanismus
- 3 Sicherheitskette
- 4 Kette an der Herdrückseite fixieren
- 5 Herdrückseite

Falls Ihr Gerät eine Sicherheitskette besitzt:

Das Gerät muss mit den beiden mitgelieferten Ketten gegen Umkippen gesichert werden.

Bringen Sie die Kette anhand der Schritte in der Abbildung an Ihrem Gerät an.



i Die Haltekette sollte so kurz wie möglich sein, damit der Ofen nicht nach vorne umkippt; sie sollte diagonal verlaufen, damit der Ofen nicht zur Seite kippt.

Herd-Haltekette für Herde, die über keinen Schlitz zur Halterbefestigung verfügen.

Einbauen und Anschließen

Das Gerät darf nur nach den gesetzlichen Installationsvorschriften angeschlossen und installiert werden.

i Stellen Sie das Gerät nicht neben Kühl- oder Gefriergeräten auf. Die Wärmeabgabe des Gerätes führt zu steigendem Energieverbrauch der Kühlgeräte.

- Tragen Sie das Gerät grundsätzlich mit mindestens zwei Personen.
- Das Gerät muss direkt auf dem Fußboden stehen. Es darf nicht auf einen Sockel oder eine andere Erhöhung gestellt werden.

i Missbrauchen Sie die Tür/den Türgriff nicht zum Anheben oder Bewegen des Gerätes. Tür, Griff und Scharniere können beschädigt werden.

Elektrischer Anschluss

Schließen Sie das Gerät an eine geerdete Schutzkontaktsteckdose/Leitung an, die mit einem Miniatur-Leistungtrennschalter passender Kapazität gemäß der „Technische Daten“-Tabelle abgesichert wird. Lassen Sie durch einen qualifizierten Elektriker

eine Erdung vornehmen, egal ob Sie das Produkt mit oder ohne Transformator verwenden. Der Hersteller haftet nicht bei Schäden, die durch den Einsatz des Gerätes ohne vorschriftsmäßige Erdung entstehen.

GEFAHR:
Das Gerät darf nur von einer autorisierten Fachkraft an das Stromnetz angeschlossen werden. Der Hersteller haftet nicht für Schäden, die durch Aktivitäten nicht autorisierter Dritter entstehen.

GEFAHR:
Das Netzkabel darf nicht eingeklemmt, geknickt oder gequetscht werden und darf nicht mit heißen Geräteteilen in Berührung kommen. Beschädigte Netzkabel müssen durch einen zugelassenen Elektriker ausgetauscht werden. Andernfalls kann es zu Stromschlägen, Kurzschlüssen und Bränden kommen!

Die Netzanschlussdaten müssen mit den Daten auf dem Typenschild des Gerätes übereinstimmen. An das Typenschild gelangen Sie nach Öffnen der Tür oder der unteren Abdeckung; je nach Modell kann es sich auch an der Rückwand des Gerätes befinden. Verwenden Sie nur Netzkabel, die den Angaben im Abschnitt „Technische Daten“ entsprechen.

GEFAHR:
Trennen Sie das Gerät vollständig von der Stromversorgung, bevor Sie mit der Elektroinstallation beginnen. Es besteht Stromschlaggefahr!

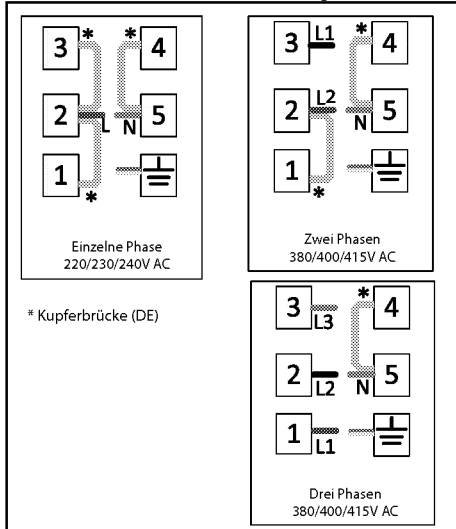
Netzkabel anschließen

i Beim Ausführen der Elektroinstallation müssen die nationalen/lokalen Elektroinstallationsregeln eingehalten und muss eine korrekte Steckdose und ein passender Stecker für den Ofen verwendet werden. Falls die Anschlusswerte des Gerätes zu hoch für den Steckeranschluss sind, muss es ohne Steckverbindung mit direktem Kabelanschluss fest installiert werden.


1. Falls der Netzanschluss nicht vollständig getrennt werden kann, muss ein Trennschalter (Sicherung, Netzschalter oder dergleichen) mit mindestens 3 mm Kontaktabstand zwischengeschaltet werden. Die einschlägigen Installationsvorschriften (in Deutschland VDE 0100) sind dabei einzuhalten. Bei Nichtbeachtung kann es zu Betriebsstörungen und zum Erlöschen der Garantie kommen.

Wir empfehlen eine zusätzliche Absicherung mit einem Fehlerstromschutzschalter (FI-Schutzschalter).

Falls ein Netzkabel mit dem Gerät geliefert wird:



2. **Bei Einphasenanschluss** erfolgt der Anschluss wie folgt:

- Braunes Kabel = L (Phase)
- Blaues Kabel = N (Nullleiter)
- Grünes/gelbes Kabel = (E)  (Erde)
- Schieben Sie das Produkt an die Küchenwand.
- **Füße des Ofens anpassen**
Vibrationen während des Betriebs können das Kochgeschirr in Bewegung versetzen. Diese Gefahrensituation kann vermieden werden, wenn das Produkt ebenerdig steht.



Achten Sie zu Ihrer eigenen Sicherheit darauf, dass das Produkt gerade steht, indem Sie die vier Füße an der Unterseite nach links oder rechts drehen und dadurch die Ebenerdigkeit der Arbeitsoberfläche anpassen.

Endkontrolle

1. Schließen Sie das Gerät wieder an die Stromversorgung an.
2. Elektrische Funktionen prüfen.

Transport

- Bewahren Sie den Originalkarton auf, falls Sie das Gerät künftig transportieren müssen. Halten Sie sich an die Hinweise auf dem Karton. Falls Sie den Originalkarton nicht mehr besitzen sollten, verpacken Sie das Gerät in Luftpolsterfolie oder starken Karton, anschließend gut mit Klebeband sichern.
- Damit Gitterroste und Bleche nicht zu Beschädigungen der Ofentür führen, schützen Sie die Ofentür von innen mit einem passenden Stück Karton. Fixieren Sie die Ofentür mit Klebeband.
- Verwenden Sie die Tür/den Türgriff nicht zum Anheben oder Bewegen des Gerätes.

	Legen Sie keine Gegenstände auf dem Gerät ab, bewegen Sie das Gerät grundsätzlich in aufrechter Position.
	Überprüfen Sie das Gerät nach dem Transport genau, überzeugen Sie sich davon, dass es nicht zu Beschädigungen gekommen ist.

4 Vorbereitungen

Tipps zum Energiesparen

Mit den folgenden Hinweisen nutzen Sie Ihr Gerät umweltbewusst und energiesparend:

- Verwenden Sie am besten dunkles oder emailliertes Kochgeschirr – dies leitet die Wärme besser.
- Lassen Sie den Backofen vorheizen, wenn dies durch Bedienungs- oder Zubereitungsanleitung empfohlen wird.
- Verzichten Sie bei der Zubereitung auf häufiges Öffnen der Backofentür.
- Bereiten Sie mehrere Gerichte gleichzeitig zu, sofern dies möglich ist. Dazu stellen Sie einfach mehrere Behälter auf den Gitterrost.
- Größere Gerichte und solche, deren Geschmack sich nicht gegenseitig beeinflussen soll, bereiten Sie nacheinander zu. Der Backofen ist dann bereits vorgeheizt.
- Sie können zusätzliche Energie sparen, indem Sie den Backofen ein paar Minuten vor Ende der Garzeit bereits abschalten. Verzichten Sie während der Zubereitung möglichst auf ein Öffnen der Backofentür.
- Tauen Sie gefrorene Gerichte vor der Zubereitung auf.
- Kochen Sie mit Deckel. Beim Kochen ohne Deckel kann der Energieverbrauch auf das Vierfache ansteigen.
- Wählen Sie stets die zum Bodendurchmesser des Kochgeschirrs passende Kochstelle. Entscheiden Sie sich immer für Kochgeschirr in der passenden Größe. Größeres Kochgeschirr verbraucht mehr Energie.
- Achten Sie darauf, beim Kochen mit Elektroherden grundsätzlich Kochgeschirr mit flachem Boden zu verwenden. Kochgeschirr mit dickem Boden leitet die Wärme besser und speichert diese eine Weile. Auf diese Weise können Sie bis zu ein Drittel Energie einsparen.
- Die Größe des Kochgeschirrs muss grundsätzlich zur Kochzone passen. Der Boden des Kochgeschirrs darf nicht kleiner als die Kochstelle sein.
- Halten Sie das Kochfeld und den Boden des Kochgeschirrs sauber. Verschmutzungen verschlechtern die Wärmeübertragung zwischen Kochfeld und Kochgeschirrboden.
- Wenn die Zubereitung etwas länger dauert, schalten Sie die Kochzone 5 – 10 Minuten vor

Ablauf der Garzeit ab. Durch Ausnutzung der Restwärme können Sie bis zu 20 % Energie einsparen.

Erste Inbetriebnahme

Erstreinigung des Gerätes



Durch bestimmte Reinigungsmittel können die Oberflächen des Gerätes beschädigt werden.

Verwenden Sie keine aggressiven Reinigungsmittel, keine Scheuermittel und keine scharfen oder spitzen Gegenstände bei der Reinigung.

1. Entfernen Sie sämtliches Verpackungsmaterial.
2. Geräteoberflächen mit einem feuchten Tuch oder Schwamm abwischen und mit einem Tuch trocknen.

Erstaufheizung

Lassen Sie das Gerät etwa 30 Minuten lang aufheizen, schalten Sie es anschließend ab. Auf diese Weise werden sämtliche Rückstände und Beschichtungen entfernt.



WARNUNG

Verbrennungsgefahr durch heiße Flächen!

Das Gerät kann sich im Betrieb stark aufheizen. Berühren Sie niemals heiße Brenner, das Innere des Backofens, Heizelemente und so weiter. Halten Sie Kinder fern.

Tragen Sie grundsätzlich hitzebeständige Schutzhandschuhe, wenn Sie etwas in den Backofen stellen oder herausnehmen.

Backofen-Funktion

1. Nehmen Sie sämtliches Zubehör (z. B. Backbleche und Gitterrost) aus dem Backofen heraus.
2. Schließen Sie die Backofentür.
3. Wählen Sie die Einstellung „Ober- und Unterhitze“.
4. Wählen Sie die höchste Backofentemperatur; siehe *"So bedienen Sie den Backofen, Seite 20"*.
5. Lassen Sie den Backofen etwa 30 Minuten lang heizen.
6. Schalten Sie den Backofen ab; siehe *"So bedienen Sie den Backofen, Seite 20"*

Grill-Funktion

1. Nehmen Sie sämtliches Zubehör (z. B. Backbleche und Gitterrost) aus dem Backofen heraus.
2. Schließen Sie die Backofentür.
3. Wählen Sie die Einstellung „Grill, groß“.
4. Wählen Sie die höchste Temperatureinstellung; siehe *"So bedienen Sie den Grill, Seite 22"*.
5. Lassen Sie den Grill etwa 30 Minuten lang heizen.

6. Schalten Sie den Grill ab; siehe "*So bedienen Sie den Grill, Seite 22*"



Bei der ersten Inbetriebnahme kann es über mehrere Stunden zu Rauch- und Geruchsentwicklung kommen. Dies ist völlig normal. Lüften Sie den Raum gut durch, damit Rauch und Gerüche schnell abziehen können. Atmen Sie die Dämpfe möglichst nicht ein.

5 Bedienung Kochfeld

Allgemeine Hinweise zum Kochen



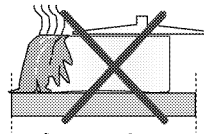
Füllen Sie Kochgeschirr maximal bis zu einem Drittel mit Öl. Lassen Sie das Kochfeld niemals unbeaufsichtigt, wenn Sie mit heißem Öl arbeiten. Überhitzte Öle und Fette können Brände verursachen. **Versuchen Sie niemals, Fettbrände mit Wasser zu löschen!** Falls Öle oder Fette Feuer fangen, ersticken Sie die Flammen mit einer Löschdecke, notfalls mit einem leicht feuchten Tuch. Trennen Sie den Herd von der Stromversorgung, falls dies gefahrlos möglich ist. Rufen Sie die Feuerwehr.

- Vor dem Frittieren trocknen Sie die Lebensmittel gründlich und lassen sie langsam in das heiße Öl hinab. Achten Sie darauf, dass gefrorene Lebensmittel vor dem Frittieren restlos aufgetaut sind.
- Decken Sie das Kochgeschirr beim Frittieren nicht ab.
- Platzieren Sie das Kochgeschirr so auf dem Kochfeld, dass dessen Griffe oder Stiele nicht von anderen Kochstellen erhitzt werden. Stellen Sie keine Behälter auf das Kochfeld, die zum Kippen neigen.
- Stellen Sie kein leeres Kochgeschirr auf eingeschaltete Kochzonen. Es kann zu Beschädigungen kommen.
- Wenn Sie eine Kochzone verwenden, ohne Kochgeschirr darauf zu platzieren, verursacht dies Schäden am Gerät. Schalten Sie die Kochzonen nach dem Gebrauch aus.
- Da sich die Oberfläche des Gerätes erhitzt, legen Sie niemals Gegenstände aus Kunststoff oder Aluminium darauf ab.
Entfernen Sie geschmolzene Rückstände solcher Materialien sofort von der Oberfläche.
Übrigens sollten Lebensmittel grundsätzlich nicht in solchen Gefäßen gelagert werden.
- Verwenden Sie ausschließlich Kochgeschirr mit flachem Boden.
- Geben Sie die richtige Menge an Lebensmitteln in das jeweilige Kochgeschirr; nicht überfüllen. Dadurch ersparen Sie sich unnötige Reinigungsarbeit durch überlaufende Speisen.

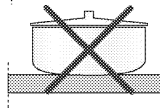
Legen Sie die Deckel des Kochgeschirrs nicht auf den Kochzonen ab.
Stellen Sie Kochgeschirr so auf das Kochfeld, dass es exakt in der Mitte der Kochzone steht. Wenn Sie Kochgeschirr von einer Kochzone zur nächsten bewegen möchten, heben Sie das Kochgeschirr an, anstatt es über das Kochfeld zu schieben, da es ansonsten zu Schäden der Glaskeramik kommt.

Tipps zu Glaskeramik-Kochfeldern

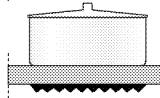
- Glaskeramik ist hitzefest und beständig gegen starke Temperaturdifferenzen.
- Missbrauchen Sie die Glaskeramik nicht als Ablage oder als Schneidbrett.
- Verwenden Sie ausschließlich Kochgeschirr mit entsprechend bearbeitetem Boden. Scharfe Kanten verursachen Kratzer auf der Oberfläche.
- Benutzen Sie kein Kochgeschirr aus Aluminium. Aluminium beschädigt die Glaskeramik.



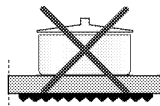
Überlaufende Speisen können die Glaskeramik beschädigen und Brände verursachen.



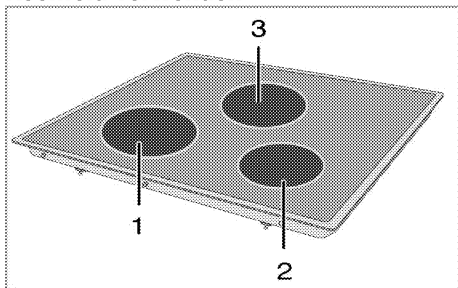
Kein Kochgeschirr mit gewölbtem Boden verwenden.



Ausschließlich Kochgeschirr mit ebenem Boden verwenden. Dadurch wird die Hitze optimal übertragen.
Bei Kochgeschirr mit zu geringem Durchmesser verschwenden Sie Energie.



Kochfeld verwenden



- 1 Einzelkochplatte 18-20 cm
- 2 Einzelkochplatte 14-16 cm
- 3 Einzelkochplatte 14-16 cm ist eine Liste mit für die jeweiligen Brenner empfohlenen Geschirrdurchmessern.



GEFAHR:

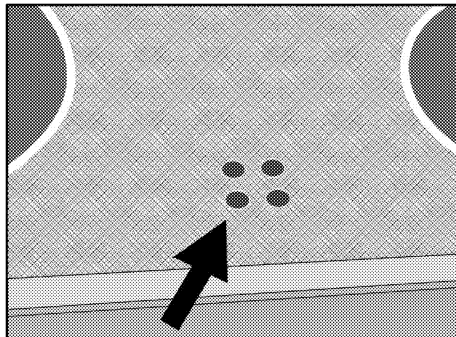
Lassen Sie keine Gegenstände auf das Kochfeld fallen. Selbst kleine Gegenstände wie Salzstreuer können das Kochfeld beschädigen. Verwenden Sie keine Kochfelder, die gesprungen sind. Durch die Sprünge kann Wasser eindringen und einen gehörigen Kurzschluss verursachen.

Falls Sie Beschädigungen der Glaskeramik (z. B. sichtbare Sprünge) bemerken sollten, unterbrechen Sie sofort die Stromversorgung, damit es nicht zu Stromschlägen kommt.

Glaskeramikkochfelder sind mit einer Betriebsanzeige und einer Heißzonenwarnanzeige ausgestattet.

Die Heißzonenwarnanzeige zeigt den Zustand der aktiven Kochzone an; sie leuchtet auch nach dem Abschalten der Kochstelle weiter und dient als Restwärmeanzeige. Sobald sich die Temperatur der

Kochstelle soweit reduziert, dass sie gefahrlos berührt werden kann, erlischt die Warnanzeige. Ein Flackern der Heißzonenwarnanzeige weist nicht auf einen Fehler hin.



Keramikplatten einschalten

Die Kochstellen werden mit den Kochfeldknöpfen bedient. Zum Erzielen der gewünschten Garleistung drehen Sie den Kochfeldknopf auf die entsprechende Stufe.

Leistungsstufe	1	2 — 3	4 — 6
	warm halten	dünsten, köcheln	Kochen, Braten, Sieden

Keramikplatten abschalten

Drehen Sie den Knopf der Kochstelle in die Aus-Position (oben).

6 Bedienung des Backofens

Allgemeine Hinweise zum Backen, Braten und Grillen



WARNUNG

Verbrennungsgefahr durch heiße Flächen! Das Gerät kann sich im Betrieb stark aufheizen. Berühren Sie niemals heiße Brenner, das Innere des Backofens, Heizelemente und so weiter. Halten Sie Kinder fern.

Tragen Sie grundsätzlich hitzebeständige Schutzhandschuhe, wenn Sie etwas in den Backofen stellen oder herausnehmen.



GEFAHR:

Öffnen Sie die Backofentür vorsichtig: Heißer Dampf kann austreten. Der austretende Dampf kann zu Verbrühungen von Händen, Gesicht und Augen führen.

Tipps zum Backen

- Benutzen Sie Metallgeschirr mit Antihafbeschichtung oder hitzebeständige Silikonformen.
- Nutzen Sie den Platz auf dem Gitterrost gut aus.
- Stellen Sie Backformen in die Mitte des Gitterrostes.
- Wählen Sie die richtige Einschubposition, bevor Sie Backofen oder Grill einschalten. Wechseln Sie die Einschubposition nicht, solange der Backofen heiß ist.
- Halten Sie die Backofentür geschlossen.

Tipps zum Rösten

- Eine Würzmischung aus Zitronensaft und schwarzem Pfeffer sorgt für eine besonders schmackhafte Zubereitung von ganzen Hühnern, Puten und größeren Fleischportionen.
- Fleisch mit Knochen braucht etwa 15 – 30 Minuten länger zum Garen als dieselbe Menge Fleisch ohne Knochen.
- Jeder Zentimeter an Fleischdicke braucht etwa 4 – 5 Minuten mehr an Garzeit.
- Lassen Sie Fleisch nach Ablauf der Garzeit noch etwa 10 Minuten im Backofen ruhen. Der Fleischsaft verteilt sich so gleichmäßiger im Braten und läuft beim Anschneiden nicht aus.
- Fisch stellen Sie auf einem hitzebeständigem Teller möglichst in der mittleren oder unteren Einschubposition in den Backofen.

Tipps zum Grillen

Fleisch, Geflügel und Fisch werden durch das Grillen schnell braun, bekommen eine schöne Kruste und

trocknen dabei nicht aus. Insbesondere flache Stücke, Fleischspieße und Würstchen sowie Gemüse mit hohem Wasseranteil (wie Tomaten oder Zwiebeln) sind zum Grillen gut geeignet.

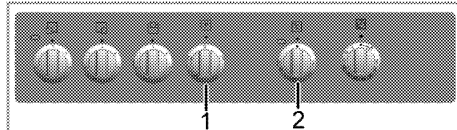
- Verteilen Sie das Grillgut so auf dem Gitterrost, dass es nicht über die Kanten des Gitterrostes hinausragt.
- Schieben Sie den Gitterrost (mit darunter eingeschobener Tropfschale) in die richtige Einschubposition. Vergessen Sie nicht, die Tropfschale beim Grillen in den untersten Einschub einzuschieben, damit das Fett aufgefangen wird. Geben Sie etwas Wasser in die Tropfschale – so wird die Reinigung einfacher.



Lebensmittel, die nicht zum Grillen geeignet sind, können sich im schlimmsten Fall entzünden. Grillen Sie nur Lebensmittel, die bei der starken Hitze beim Grillen keinen Schaden nehmen.

Platzieren Sie das Grillgut nicht nahe der Backofenrückwand. Dort wird es besonders heiß, fettes Grillgut kann in Brand geraten.

So bedienen Sie den Backofen Temperatur und Betriebsart einstellen



1 Funktionsknopf

2 Temperaturknopf

1. Stellen Sie den Ofentimer auf die gewünschte Garzeit ein; siehe *Ofenuhr verwenden, Seite 21*
2. Stellen Sie den Funktionswähler auf die gewünschte Betriebsart ein.
3. Stellen Sie den Temperaturwähler auf die gewünschte Temperatur ein.

» Der Ofen heizt sich auf die eingestellte Temperatur auf und hält diese aufrecht. Während des Aufheizens bleibt die Temperaturleuchte eingeschaltet.

Backofen ausschalten

Bringen Sie den Ofentimer in die Aus-Position.



Wenn der Timer auf eine bestimmte Zeit eingestellt ist, schaltet er sich automatisch ab; siehe *Ofenuhr verwenden, Seite 21*

Bringen Sie Funktions- und Temperatureinstellungsknopf in die obere Position (Aus).

Betriebsarten

Die hier gezeigte Reihenfolge der Betriebsarten kann je nach Gerätemodell etwas abweichen.

Ober- und Unterhitze



Ober- und Unterhitze werden eingesetzt. Das Gargut wird gleichzeitig von oben und unten erhitzt. Diese Betriebsart eignet sich beispielsweise für Kuchen, Gebäck und Aufläufe. Nur ein Blech verwenden.

Oberhitze



Bei dieser Betriebsart wird lediglich das obere Heizelement eingesetzt. Sie eignet sich beispielsweise für Kuchen mit einer hellen Oberfläche und Gerichte, deren Oberseite braun werden soll.

Unterhitze



Bei dieser Betriebsart wird lediglich das untere Heizelement eingesetzt. Geeignet z. B. für Pizza und zum Nachbräunen von unten.



Diese Funktion muss auch zur einfachen Dampfreinigung verwendet werden.

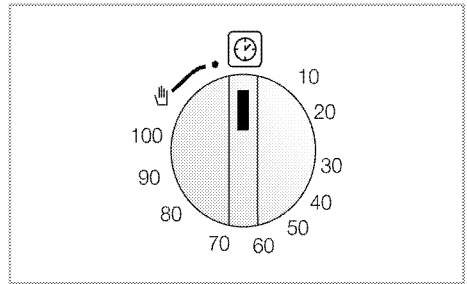
Grill, groß



Der große Grill an der Oberseite des Backofens ist in Betrieb. Diese Betriebsart eignet sich insbesondere zum Grillen größerer Fleischmengen.

- Stellen Sie mittelgroße bis große Portionen auf dem richtigen Einschub direkt unter das Grillelement.
- Stellen Sie die maximale Temperatur ein.
- Wenden Sie das Grillgut nach der Hälfte der Garzeit.

Ofenuhr verwenden



Garvorgang starten



Damit der Ofen in Betrieb genommen werden kann, müssen Sie eine Betriebsart und die gewünschte Temperatur auswählen sowie die Zeit einstellen. Andernfalls arbeitet der Ofen nicht.

1. Drehen Sie den Zeitknopf zum Einstellen der Uhrzeit im Uhrzeigersinn.
2. Schieben Sie die Lebensmittel in den Ofen.
3. Wählen Sie Betriebsart und Temperatur; siehe. *So bedienen Sie den Backofen, Seite 20.*

» Der Ofen heizt sich bis zur vorgegebenen Temperatur auf und hält diese Temperatur bis zum eingestellten Garzeitende.

4. Nachdem die Garzeit abgelaufen ist, stellt sich der Zeiteinstellungsknopf automatisch gegen den Uhrzeigersinn zurück. Ein Signalton zeigt an, dass die eingestellte Zeit abgelaufen ist und die Stromversorgung unterbrochen wird.



Wenn Sie die Timerfunktion nicht nutzen möchten, drehen Sie den Knopf gegen den Uhrzeigersinn auf das Handsymbol.

5. Schalten Sie den Ofen mit dem Zeit-, Funktions- und Temperaturknopf ab.

Ofen vor der eingestellten Zeit ausschalten

1. Drehen Sie den Zeitknopf soweit wie möglich gegen den Uhrzeigersinn.
2. Schalten Sie den Ofen mit dem Temperaturknopf und Funktionswähler ab.

Garzeitentabelle



Die Zeitangaben in dieser Tabelle sollen als Richtwerte dienen. Zeitangaben können aufgrund von Temperatur, Dicke, Typ der Lebensmittel und Ihren eigenen Vorlieben abweichen.

Backen und Braten



Der erste Einschub ist der **untere** Einschub.

Gericht	Kochgeschirr	Einschubposition	Temperatur (°C)	Gardauer (ca.-Angabe in Min.)
Kuchenblech	Backblech 24 – 26 cm	3	170 ... 180	25 ... 35
Kuchen, Form	Kuchenform 18 – 22 cm	3	170 ... 180	35 ... 45
Kekse	Backblech	3	170 ... 190	25 ... 35
Knuspriger Blätterteig	Backblech	3	180 ... 190	25 ... 35
Donut	Backblech	3	160 ... 180	25 ... 35
Backwaren	Backblech	3	200	40 ... 50
Sauerteig	Fettpfanne	3	200	35 ... 45
Teufchen	Backblech	3	180 ... 190	25 ... 35
Teiggebäck	Backblech	3	180 ... 190	40 ... 50
Lasagne	Tiefes Backblech/Tropfschale	3	170 ... 180	40 ... 50
Pizza	Backblech	3	200 ... 220	15 ... 20
Steaks	Backblech	3	15 Min. 250/max. *	110 ... 120
Lammkeule	Backblech	3	15 Min. 250/max. *	70 ... 90
Brathähnchen	Backblech	3	15 Min. 250/max. *	60 ... 70
Pute (5,5 kg)	Backblech	3	25 min. 220 *	180 ... 240
Fisch	Backblech	3	200	15 ... 25
			* dann 150	

So bedienen Sie den Grill



WARNUNG

Backofentür beim Grillen geschlossen halten. Verbrennungsgefahr durch heiße Flächen!

- Drehen Sie den Zeitknopf während des Grillens gegen den Uhrzeigersinn auf das Handsymbol.

Grill einschalten

1. Drehen Sie den Funktionswähler auf das gewünschte Grillsymbol.
 2. Wählen Sie dann die gewünschte Grilltemperatur.
 3. Heizen Sie den Grill bei Bedarf etwa 5 Minuten vor.
- » Die Temperaturleuchte schaltet sich ein.

Garzeitentabelle zum Grillen

Elektrischer Grill

Speise	Einschubposition	Empfohlene Temperatur (°C)**	Grilldauer (ca.)
Fisch	3...4	250/max	20...25 Min. #
Hühnerklein	3...4	250/max	15...20 Min.
Lammkoteletts	3...4	250/max	12...15 Min.
Rinderbraten	3...4	250/max	15...25 Min. #
Kalbskoteletts	3...4	250/max	15...25 Min. #

je nach Dicke

**Falls die Grilltemperatur Ihres Produktes nicht angepasst werden kann, arbeitet der Grill mit Höchsttemperatur.

Grill ausschalten

1. Drehen Sie den Funktionswähler in die Aus-Position (oben).



Lebensmittel, die nicht zum Grillen geeignet sind, können sich im schlimmsten Fall entzünden. Grillen Sie nur Lebensmittel, die bei der starken Hitze beim Grillen keinen Schaden nehmen.

Platzieren Sie das Grillgut nicht nahe der Backofenrückwand. Dort wird es besonders heiß, fettes Grillgut kann in Brand geraten.

7 Reinigung und Wartung

Allgemeine Hinweise

Durch regelmäßiges Reinigen verlängern Sie die Lebenserwartung Ihres Gerätes und beugen Fehlfunktionen vor.



GEFAHR:

Trennen Sie das Gerät von der Stromversorgung, bevor Sie es reinigen. Es besteht Stromschlaggefahr!



GEFAHR:

Lassen Sie das Gerät vor dem Reinigen gründlich abkühlen. Verbrennungsgefahr durch heiße Flächen!

- Reinigen Sie das Gerät nach jedem Gebrauch gründlich. Dadurch lassen sich Speisereste leichter entfernen und können beim nächsten Einsatz des Gerätes nicht einbrennen.
- Zur Reinigung benötigen Sie keine Spezialreiniger. Verwenden Sie am besten warmes Wasser mit etwas herkömmlichem Reiniger, ein weiches Tuch oder einen Schwamm. Anschließend mit einem Tuch trocknen.
- Achten Sie stets darauf, überschüssige und verschüttete Flüssigkeiten nach der Reinigung gründlich ab- bzw. aufzuwischen.
- Wenn Sie Edelstahl und Griffe reinigen verzichten Sie auf Reinigungsmittel, die Säuren oder Chlor enthalten. Reinigen Sie diese Teile mit einem weichen Tuch und etwas Flüssigreiniger (kein Scheuermittel); wischen Sie dabei am besten nur in eine Richtung.



Durch bestimmte Reinigungsmittel können die Oberflächen des Gerätes beschädigt werden. Verwenden Sie keine aggressiven Reinigungsmittel, keine Scheuermittel und keine scharfen oder spitzen Gegenstände bei der Reinigung.



Nutzen Sie keine Dampfreiniger zur Reinigung des Gerätes – es besteht Stromschlaggefahr.

Kochfeld reinigen

Glaskeramik

Wischen Sie die Glaskeramikoberfläche mit warmes Wasser ab; achten Sie darauf, dass keine Reinigungsmittelreste zurückbleiben; anschließend mit einem weichen Tuch abtrocknen. Achten Sie darauf, dass keine Rückstände auf der Glaskeramik verbleiben;

andernfalls kann das Kochfeld bei der nächsten Nutzung beschädigt werden.

Versuchen Sie niemals, Rückstände mit Messern, Stahlwolle und ähnlichen Hilfsmitteln von der Glaskeramikoberfläche zu entfernen. Entfernen Sie Kalkflecken (beige bis gelbe Flecken) mit handelsüblichem Kalkentferner oder einer kleinen Menge alternativer Kalkentferner, wie Essig oder Zitronensaft.

Bei hartnäckigen Verschmutzungen tragen Sie Reinigungsmittel mit einem Schwamm auf und warten ab, bis das Mittel richtig in den Schmutz eingezogen ist. Anschließend wischen Sie die Glaskeramik des Kochfeldes mit einem feuchten Tuch sauber.



Stark zuckerhaltige Lebensmittel müssen sofort entfernt werden, bevor die Glaskeramik abkühlt. Andernfalls kann die Glaskeramikoberfläche dauerhaft beschädigt werden.

Mit der Zeit kann es zu leichten Farbveränderungen der Glaskeramik und der Markierungen kommen. Dies wirkt sich nicht auf den Betrieb des Produktes aus. Farbveränderungen und sonstige leichte optische Veränderungen sind bei Glaskeramik normal; es handelt sich nicht um einen Defekt.

Bedienfeld reinigen

Reinigen Sie Bedienfeld und Knöpfe mit einem feuchten Tuch; anschließend trocken reiben.



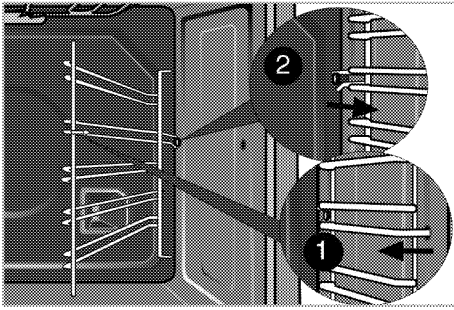
Falls Ihr Produkt mit mechanischen Tasten oder Knöpfen ausgestattet ist, ziehen Sie die diese zum Reinigen des Bedienfelds nicht ab. Das Bedienfeld kann beschädigt werden!

Backofen reinigen

So reinigen Sie die Seitenwand (Variiert je nach Produktmodell.)

(Dieses Merkmal ist optional. Es ist bei Ihrem Modell möglicherweise nicht vorhanden.)

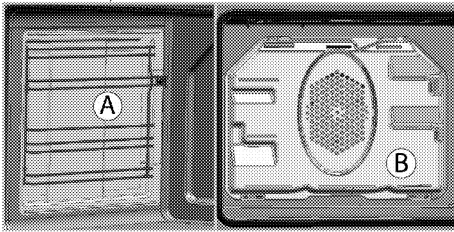
1. Lösen Sie den vorderen Bereich der seitlichen Halterungen, indem Sie diese von der Seitenwand wegziehen.
2. Ziehen Sie die seitliche Halterung komplett zu sich hin heraus.



Katalytische Seitenwände

(Dieses Merkmal ist optional. Es ist bei Ihrem Modell möglicherweise nicht vorhanden.)

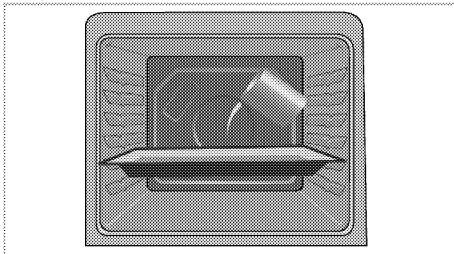
Seitenwände (A) und/oder Rückwand (B) Ihres Produktes können mit katalytischer Emaille beschichtet sein. Die katalytischen Wände haben eine helle matte Farbe und eine poröse Oberfläche. Die katalytischen Seitenwände des Backofens sollten nicht gereinigt werden. Die poröse Oberfläche der katalytischen Wände reinigt sich durch Absorbierung und Umwandlung von Rückständen (Dampf und Kohlendioxid) von selbst.



SimpleSteam Reinigung

Diese Funktion gewährleistet eine einfache Reinigung, da Schmutz (der durch langes Warten eingetrocknet ist) mit dem im Inneren des Backofens entstehenden Dampf und den an den Innenflächen des Backofens kondensierenden Wassertropfen aufgeweicht wird.

1. Entfernen Sie sämtliches Zubehör aus dem Garraum.
2. Gießen Sie 300 ml Wasser in das Blech und platzieren Sie es im 2. Einschub des Ofens.



3. Stellen Sie den Backofen auf einfache Dampfreinigung ein, lassen Sie ihn bei 100 °C 25 Minuten laufen.
4. Öffnen Sie die Tür, wischen Sie die Innenflächen des Backofens mit einem feuchten Schwamm oder Tuch ab.
5. Verwenden Sie zum Entfernen von hartnäckigem Schmutz am besten warmes Wasser mit etwas herkömmlichem Reiniger, ein weiches Tuch oder einen Schwamm und ein Tuch zum Trockenreiben.



Während des Dampfreinigungsmodus verdampft Wasser, das zum Aufweichen von Verschmutzungen und Verkrustungen im Garraum auf das Blech gegeben wurde. Dadurch entsteht eine beabsichtigte Kondensation im Garraum und am Innenglas der Ofentür und kann Wasser heruntertropfen, wenn Sie die Ofentür öffnen. Wischen Sie den Ofen nach Öffnen der Tür gründlich trocken.

Backofentür reinigen

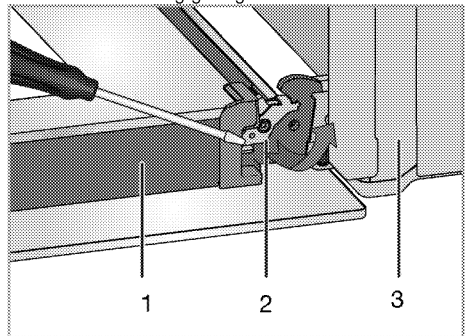
Verwenden Sie zum Reinigen der Backofentür am besten warmes Wasser mit etwas herkömmlichem Reiniger, ein weiches Tuch oder einen Schwamm. Anschließend mit einem Tuch trocknen.



Verzichten Sie bei der Reinigung der Backofentür auf aggressive Reinigungsmittel und auf scharfkantige Schaber aus Metall. Solche Hilfsmittel können die Oberflächen zerkratzen und das Glas beschädigen.

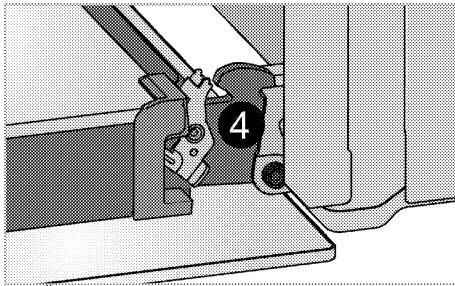
Backofentür ausbauen

1. Öffnen Sie die Backofentür (1).
2. Öffnen Sie die Clips am Scharniergehäuse links und rechts der Backofentür, indem Sie diese wie in der Abbildung gezeigt nach unten drücken.

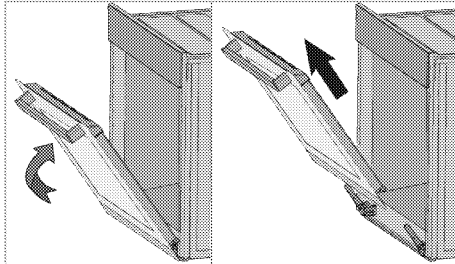


- 1 Tür
- 2 Scharniersperre (geschlossene Position)
- 3 Ofen

4 Scharniersperre(geöffnete Position)



3. Öffnen Sie die Backofentür zur Hälfte.



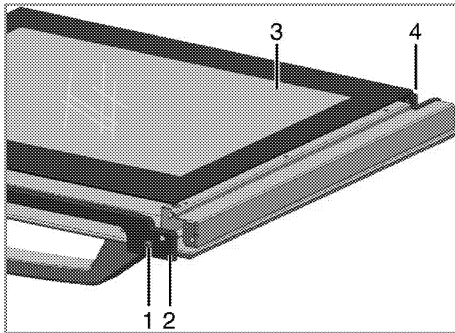
4. Nehmen Sie die Ofentür heraus, indem Sie diese etwas anheben und von den Scharnieren rechts und links lösen.

i Zum Einbau führen Sie die obigen Schritte wieder in umgekehrter Reihenfolge aus. Vergessen Sie nicht, die Clips am Scharniergehäuse nach dem Wiedereinsetzen der Tür wieder zu schließen.

Türinnenscheibe ausbauen (Dieses Merkmal ist optional. Es ist bei Ihrem Modell möglicherweise nicht vorhanden.)

Die Türinnenscheibe kann zur Reinigung ausgebaut werden.

1. Öffnen Sie die Backofentür.



- 1 Schraube
- 2 Profil

- 3 Innenscheibe
 - 4 Kunststoffschlitz
2. Lösen Sie die Schraube (1) mit einem Schraubendreher.
 3. Nehmen Sie das Profil (2) heraus, legen Sie es dann an das Innenglas (3) an.
 4. Anschließend ordnen Sie die Tür wieder an, setzen das Innenglas (3) in die Kunststoffschlitze (4) ein und ordnen das Profil an.

Beleuchtung des Backofens auswechseln



GEFAHR:

Bevor Sie die Beleuchtung des Backofens auswechseln, sorgen Sie dafür, dass das Gerät vollständig von der Stromversorgung getrennt und komplett abgekühlt ist; ansonsten droht Verbrennungs- und Stromschlaggefahr.
Verbrennungsgefahr durch heiße Flächen!



Als Leuchtmittel wird eine spezielle Glühlampe eingesetzt, die für Temperaturen bis 300 °C ausgelegt ist. Weitere Hinweise finden Sie in "Technische Daten, Seite 12" Passende Leuchtmittel erhalten Sie beim autorisierten Kundendienst.



Die Position der Beleuchtung kann etwas von der Abbildung abweichen.



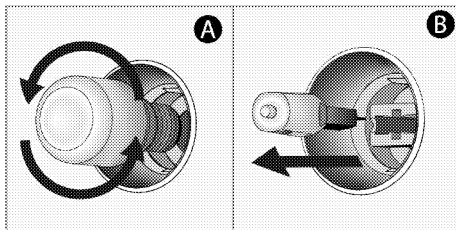
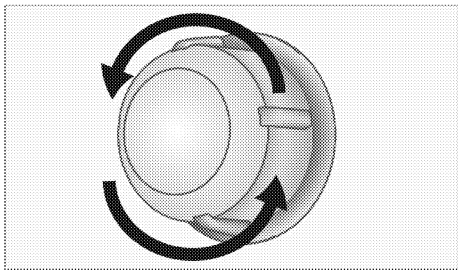
Die in diesem Gerät verwendete Lampe ist nicht zur Raumbeleuchtung geeignet. Der vorgesehene Zweck dieser Lampe besteht darin, dass der Nutzer Lebensmittel besser sehen kann.



Die in diesem Gerät verwendeten Lampen müssen extremen physikalischen Bedingungen, wie Temperaturen über 50 °C standhalten.

Wenn Ihr Ofen mit einer runden Leuchte ausgestattet ist:

1. Trennen Sie das Gerät vollständig von der Stromversorgung.
2. Schrauben Sie die Glasabdeckung gegen den Uhrzeigersinn ab.



3. Wenn es sich bei Ihrer Ofenlampe um den in der nachstehenden Abbildung gezeigten Typ (A) handelt, drehen Sie sie wie abgebildet heraus und wechseln Sie sie. Falls sie vom Typ (B) ist, ziehen Sie sie wie abgebildet heraus und wechseln Sie sie.

4. Glasabdeckung wieder anbringen.

8 Problemlösungen

Aus dem Backofen tritt im Betrieb Dampf aus.

- Während des Betriebs ist ein Dampfaustritt normal. >>> *Dies ist kein Fehler.*

Beim Aufheizen und Abkühlen sind metallische Geräusche zu hören.

- Wenn sich die Temperatur von Metallteilen ändert, dehnen sich diese aus oder ziehen sich zusammen – dabei entstehen Geräusche. >>> *Dies ist kein Fehler.*

Das Gerät funktioniert nicht.

- Die Sicherung ist durchgebrannt oder ausgelöst. >>> *Kontrollieren Sie die Sicherungen im Sicherungskasten. Bei Bedarf austauschen oder zurücksetzen.*
- Das Gerät ist nicht richtig an die (geerdete) Steckdose angeschlossen. >>> *Überprüfen Sie die Steckerverbindung.*

Die Ofenbeleuchtung funktioniert nicht.

- Das Leuchtmittel ist defekt. >>> *Tauschen Sie das Leuchtmittel aus.*
- Die Stromversorgung wurde unterbrochen. >>> *Überprüfen Sie die Stromversorgung. Kontrollieren Sie die Sicherungen im Sicherungskasten. Sicherungen bei Bedarf austauschen oder zurücksetzen.*

Backofen heizt nicht.

- Passende Garfunktion und/oder Temperatur nicht eingestellt. >>> *Stellen Sie den Ofen auf die richtige Garfunktion und/oder Temperatur ein.*
- Bei Modellen mit Timer ist der Timer eventuell nicht richtig eingestellt. >>> *Stellen Sie die richtige Zeit ein.*
(Bei Produkten mit Mikrowellenofen kontrolliert der Timer nur die Mikrowelle.)
- Die Stromversorgung wurde unterbrochen. >>> *Überprüfen Sie die Stromversorgung. Kontrollieren Sie die Sicherungen im Sicherungskasten. Sicherungen bei Bedarf austauschen oder zurücksetzen.*

(Bei Modellen mit Timer:) Die Uhrzeitanzeige blinkt oder das Uhrensymbol leuchtet.

- Es gab einen Stromausfall. >>> *Stellen Sie die aktuelle Uhrzeit ein, schalten Sie das Gerät aus und anschließend wieder ein.*



Falls sich ein Problem nicht mit den obigen Hinweisen lösen lassen sollte, wenden Sie sich bitte an den autorisierten Kundendienst oder an den Händler, bei dem Sie das Gerät gekauft haben. Versuchen Sie niemals, ein defektes Gerät selbst zu reparieren.

