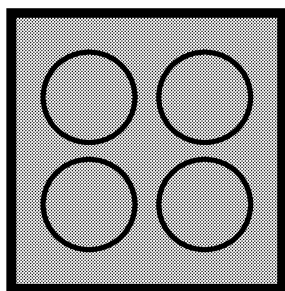


Built-in Hob

User manual



HIC 64100 X

EN | **DE** | **FR** | **NL** | **ES**

185.9102.39/R.AC/08.06.2017
7756182901

Please read this user manual first!

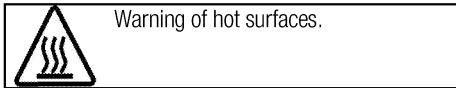
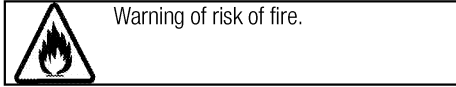
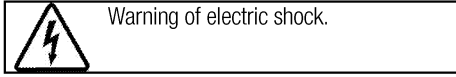
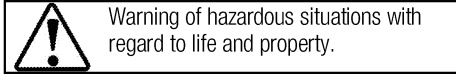
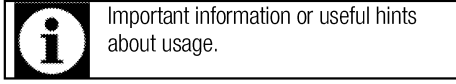
Dear Customer,

Thank you for purchasing this Beko product. We hope that you get the best results from your product which has been manufactured with high quality and state-of-the-art technology. Therefore, please read this entire user manual and all other accompanying documents carefully before using the product and keep it as a reference for future use. If you handover the product to someone else, give the user manual as well. Follow all warnings and information in the user manual.

Remember that this user manual is also applicable for several other models. Differences between models will be identified in the manual.

Explanation of symbols

Throughout this user manual the following symbols are used:



Arçelik A.Ş.
Karaağaç caddesi No:2-6
34445 Sütlüce/Istanbul/TURKEY
Made in TURKEY



This product was manufactured using the latest technology in environmentally friendly conditions.

TABLE OF CONTENTS

1 Important instructions and warnings for safety and environment 4

| | |
|-----------------------------------|---|
| General safety | 4 |
| Electrical safety | 4 |
| Product safety | 5 |
| Intended use | 6 |
| Safety for children..... | 6 |
| Disposing of the old product..... | 7 |
| Package information | 7 |
| Future Transportation..... | 7 |

2 General information 8

| | |
|--------------------------------|---|
| Overview | 8 |
| Technical specifications | 9 |

3 Installation 10

| | |
|-----------------------------------|----|
| Before installation | 10 |
| Installation and connection | 10 |

4 Preparation 13

| | |
|--------------------------------------|----|
| Tips for saving energy | 13 |
| Initial use | 13 |
| First cleaning of the appliance..... | 13 |

5 How to use the hob 14

| | |
|---|----|
| General information about cooking | 14 |
| Using the hobs | 14 |

6 Maintenance and care 16

| | |
|----------------------------------|----|
| General information..... | 16 |
| Cleaning the hob | 16 |
| Cleaning the control panel | 16 |

7 Troubleshooting 17

1 Important instructions and warnings for safety and environment

This section contains safety instructions that will help protect from risk of personal injury or property damage. Failure to follow these instructions shall void any warranty.

General safety

- This appliance can be used by children aged from 8 years and above and persons with reduced physical, sensory or mental capabilities or lack of experience and knowledge if they have been given supervision or instruction concerning use of the appliance in a safe way and understand the hazards involved.

Children shall not play with the appliance. Cleaning and user maintenance shall not be made by children without supervision.

- The appliance is not to be used by persons (including children) with reduced physical, sensory or mental capabilities, or lack of experience and knowledge, unless they have been given supervision or instruction. Children should be supervised and ensure they do not play with the appliance
- If the product is handed over to someone else for personal use or second-hand use purposes, the

user manual, product labels and other relevant documents and parts should be also given.

- Installation and repair procedures must always be performed by Authorised Service Agents. The manufacturer shall not be held responsible for damages arising from procedures carried out by unauthorised persons which may also void the warranty. Before installation, read the instructions carefully.
- Do not operate the product if it is defective or has any visible damage.
- Ensure that the product function knobs are switched off after every use.

Electrical safety

- If the product has a failure, it should not be operated unless it is repaired by an Authorised Service Agent. There is the risk of electric shock!
- Only connect the product to a grounded outlet/line with the voltage and protection as specified in the “Technical specifications”. Have the grounding installation made by a qualified electrician while using the product with or without a

transformer. Our company shall not be liable for any problems arising due to the product not being earthed in accordance with the local regulations.

- Never wash the product by spreading or pouring water onto it! There is the risk of electric shock!
- The product must be disconnected during installation, maintenance, cleaning and repairing procedures.
- If the power connection cable for the product is damaged, it must be replaced by the manufacturer, its service agent or similarly qualified persons in order to avoid a hazard.
- Only use the connection cable specified in the “Technical specifications”.
- The appliance must be installed so that it can be completely disconnected from the mains supply. The separation must be provided by a switch built into the fixed electrical installation, according to construction regulations.
- Any work on electrical equipment and systems should only be carried out by authorised and qualified persons.
- In case of any damage, switch off the product and disconnect it

from the mains. To do this, turn off the fuse at home.

- Make sure that fuse rating is compatible with the product.

Product safety

- **WARNING:** The appliance and its accessible parts become hot during use. Care should be taken to avoid touching heating elements. Children less than 8 years of age shall be kept away unless continuously supervised.
- Never use the product when your judgment or coordination is impaired by the use of alcohol and/or drugs.
- Be careful when using alcoholic drinks in your dishes. Alcohol evaporates at high temperatures and may cause fire since it can ignite when it comes into contact with hot surfaces.
- Do not place any flammable materials close to the product as the sides may become hot during use.
- Keep all ventilation slots clear of obstructions.
- Do not use steam cleaners to clean the appliance as this may cause an electric shock.
- **WARNING:** Unattended cooking on a hob with fat or oil can be dangerous and may result in fire. NEVER try to extinguish a fire with water, but switch off the

appliance and then cover flame e.g. with a lid or a fire blanket.

- **CAUTION:** The cooking process has to be supervised. A short term cooking process has to be supervised continuously.
- **WARNING:** Danger of fire: Do not store items on the cooking surfaces.
- **WARNING:** If the surface is cracked, switch off the appliance to avoid the possibility of electric shock.
- In case of hotplate glass breakage : Immediately shut off all burners and any electrical heating element and isolate the appliance from the power supply. Do not touch the appliance surface. Do not use the appliance.
- The appliance is not intended to be operated by means of an external timer or separate remote-control system.
- Vapour pressure that build up due to the moisture on the hob surface or at the bottom of the pot can cause the pot to move. Therefore, make sure that the oven surface and bottom of the pots are always dry.
- **WARNING:** Use only hob guards designed by the manufacturer of the cooking appliance or indicated by the manufacturer of the appliance in the instructions

for use as suitable or hob guards incorporated in the appliance. The use of inappropriate guards can cause accidents.

Prevention against possible fire risk!

- Ensure all electrical connections are secure and tight to prevent risk of arcing.
- Do not use damaged cables or extension cables.
- Ensure liquid or moisture is not accessible to the electrical connection point.

Intended use

- This product is designed for domestic use. Commercial use will void the guarantee.
- **CAUTION:** This appliance is for cooking purposes only. It must not be used for other purposes, for example room heating.
- The manufacturer shall not be liable for any damage caused by improper use or handling errors.

Safety for children

- **WARNING:** Accessible parts may become hot during use. Young children should be kept away.
- The packaging materials will be dangerous for children. Keep the packaging materials away from children. Please dispose of all parts of the packaging according to environmental standards.
- Electrical products are dangerous to children. Keep children away

from the product when it is operating and do not allow them to play with the product.

- Do not place any items above the appliance that children may reach for.

Disposing of the old product

Compliance with the WEEE Directive and Disposing of the Waste Product:



This product complies with EU WEEE Directive (2012/19/EU). This product bears a classification symbol for waste electrical and electronic equipment (WEEE).

This product has been manufactured with high quality parts and materials which can be reused and are suitable for recycling. Do not dispose of the waste product with normal domestic and other wastes at the end of its service life. Take it to the collection center for the recycling of electrical and electronic equipment.

Please consult your local authorities to learn about these collection centers.

Compliance with RoHS Directive:

The product you have purchased complies with EU RoHS Directive (2011/65/EU). It does not contain harmful and prohibited materials specified in the Directive.

Package information

- Packaging materials of the product are manufactured from recyclable materials in accordance with our National Environment Regulations. Do not dispose of the packaging materials together with the domestic or other wastes. Take them to the packaging material collection points designated by the local authorities.

Future Transportation

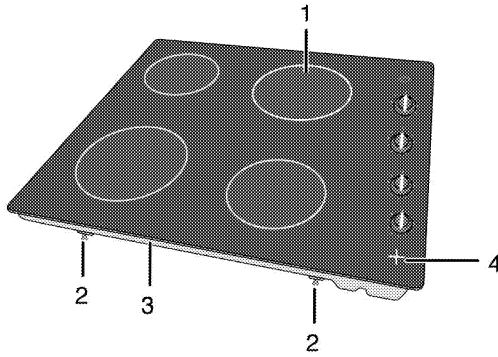
- Keep the product's original carton and transport the product in it. Follow the instructions on the carton. If you do not have the original carton, pack the product in bubble wrap or thick cardboard and tape it securely.



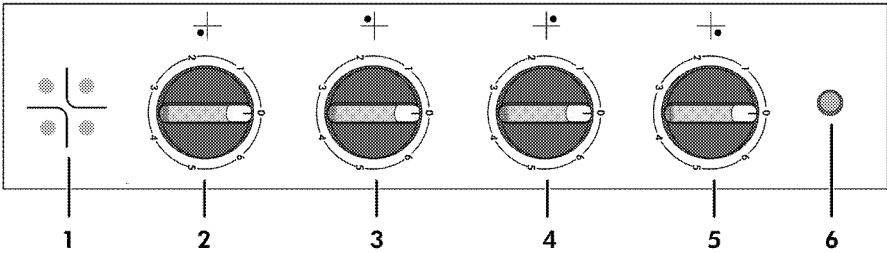
Check the general appearance of your product for any damages that might have occurred during transportation.

2 General information

Overview



- | | | | |
|---|------------------------------|---|---|
| 1 | Single-circuit cooking plate | 3 | Base cover |
| 2 | Assembly clamp | 4 | Hob hot (Residual heat) indicator light |



- | | | | |
|---|---|---|---|
| 1 | Hob hot (Residual heat) indicator light | 4 | Single-circuit cooking plate Rear left |
| 2 | Single-circuit cooking plate Front right | 5 | Single-circuit cooking plate Rear right |
| 3 | Single-circuit cooking plate Front left | 6 | Warning lamp |

Technical specifications

| | |
|--|--|
| Voltage / frequency | 220-240 V/380-415V 2N ~ 50 Hz |
| Total power consumption | 5800 W |
| Cable type / section | min.H05V2V2-F 3 x 2,5 mm ² / 5 x 1,5 mm ² |
| External dimensions (height / width / depth) | 71 mm/580 mm/510 mm |
| Installation dimensions (width / depth) | 560(+2) mm /490(+2) mm |
| Burners | |
| Front right | Single-circuit cooking plate |
| Dimension | 140 mm |
| Power | 1200 W |
| Front left | Single-circuit cooking plate |
| Dimension | 180 mm |
| Power | 1700 W |
| Rear left | Single-circuit cooking plate |
| Dimension | 140 mm |
| Power | 1200 W |
| Rear right | Single-circuit cooking plate |
| Dimension | 180 mm |
| Power | 1700 W |



Technical specifications may be changed without prior notice to improve the quality of the product.



Figures in this manual are schematic and may not exactly match your product.



Values stated on the product labels or in the documentation accompanying it are obtained in laboratory conditions in accordance with relevant standards. Depending on operational and environmental conditions of the product, these values may vary.

3 Installation

Product must be installed by a qualified person in accordance with the regulations in force. The manufacturer shall not be held responsible for damages arising from procedures carried out by unauthorized persons which may also void the warranty.



Preparation of location and electrical installation for the product is under customer's responsibility.



DANGER:

The product must be installed in accordance with all local electrical regulations.



DANGER:

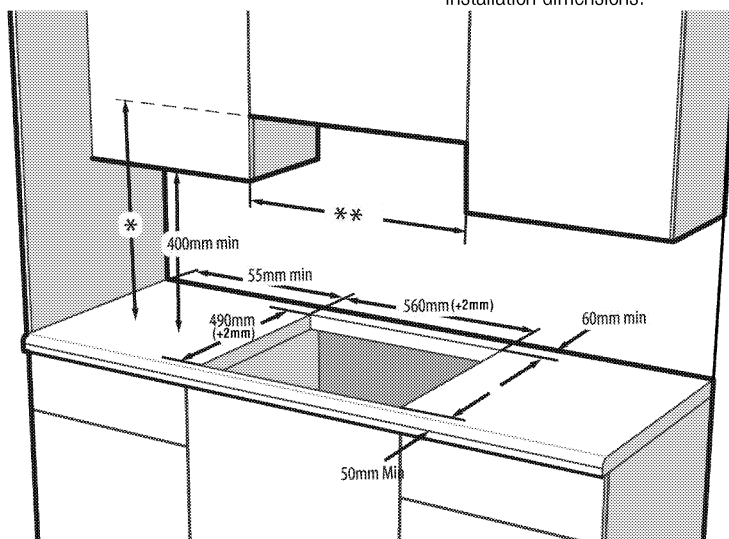
Prior to installation, visually check if the product has any defects on it. If so, do not have it installed.

Damaged products cause risks for your safety.

Before installation

The hob is designed for installation into commercially available work tops. A safety distance must be left between the appliance and the kitchen walls and furniture. See figure (values in mm).

- It can also be used in a free standing position. Allow a minimum distance of 750 mm above the hob surface.
- (*) If a cooker hood is to be installed above the cooker, refer to cooker hood manufacturer' instructions regarding installation height (min 650 mm)
- Remove packaging materials and transport locks.
- Surfaces, synthetic laminates and adhesives used must be heat resistant (100 °C minimum).
- The worktop must be aligned and fixed horizontally.
- Cut aperture for the hob in worktop as per installation dimensions.



* Minimum height to extractor as recommend in extractor instruction manual

** Minimum distance between cabinetry must be equal to width of hob

Installation and connection

- The product must be installed in accordance with all local gas and electrical regulations.



Do not install the hob on places with sharp edges or corners.
There is the risk of breaking for glass ceramic surface!

Electrical connection

Connect the product to a grounded outlet/line protected by a miniature circuit breaker of suitable capacity as stated in the "Technical specifications" table. Have the grounding installation made by a qualified electrician while using the product with or without a transformer. Our company shall not be liable for any damages that will arise due to using the product without a grounding installation in accordance with the local regulations.

**DANGER:**

The product must be connected to the mains supply only by an authorised and qualified person. The product's warranty period starts only after correct installation. Manufacturer shall not be held responsible for damages arising from procedures carried out by unauthorised persons.

**DANGER:**

The power cable must not be clamped, bent or trapped or come into contact with hot parts of the product.

A damaged power cable must be replaced by a qualified electrician. Otherwise, there is risk of electric shock, short circuit or fire!

- Connection must comply with national regulations.
- The mains supply data must correspond to the data specified on the type label of the product. Type label is at the rear housing of the product.
- Power cable of your product must comply with the values in "Technical specifications" table.

**DANGER:**

Before starting any work on the electrical installation, disconnect the product from the mains supply.

There is the risk of electric shock!

Connecting the power cable

While performing the wiring, you must apply with the national/local electrical regulations and must use the appropriate socket outlet/line and plug for oven. In case of the product's power limits are out of current carrying capability of plug and socket outlet/line, the product must be connected through fixed electrical installation directly without using plug and socket outlet/line.

1. **If a power cable is not supplied together with your product**, a power cable that you would select from the table (*Technical specifications, page 9*) in accordance with the electrical installation at your home must be connected to your product by following the instructions in cable diagram.

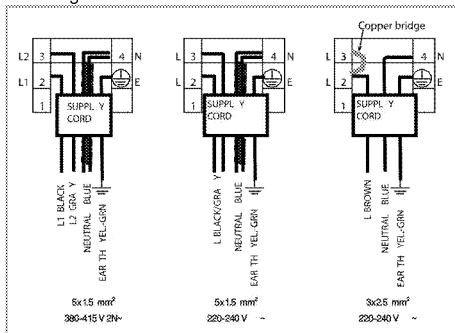
If it is not possible to disconnect all poles in the supply power, a disconnection unit with at least 3 mm contact clearance (fuses, line safety switches, contactors) must be connected and all the poles of this disconnection unit must be adjacent to (not above) the product in accordance with IEE directives. Failure to

obey this instruction may cause operational problems and invalidate the product warranty.



Additional protection by a residual current circuit breaker is recommended.

2. Open the terminal block cover with a screwdriver.
3. Insert the power cable through the cable clamp below the terminal and secure it to the main body with the integrated screw on cable clamping component.
4. Connect the cables according to the supplied diagram.



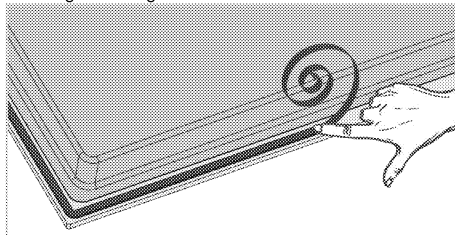
5. After completing the wire connections, close the terminal block cover.
6. Route the power cable so that it will not contact the product and get squeezed between the product and the wall.



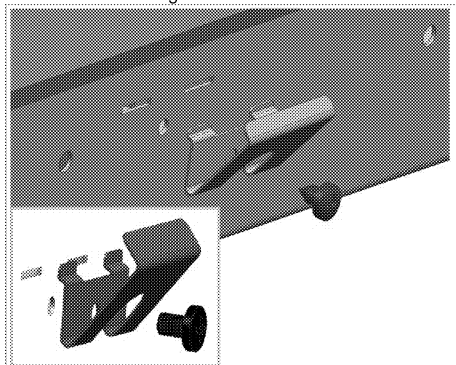
Power cable must not be longer than 2 m because of safety reasons.

Installing the product

1. Turning the hob upside down, place it on a flat surface.
2. When installing the hob, apply the sealing gasket, which was provided in the packaging, around the hob as shown in the following picture, ensuring that it remains 1 to 2 mm inside from the outer edge of the glass.



3. Fix the mounting springs inserting and screwing them through the holes of the bottom case as shown in the figure.

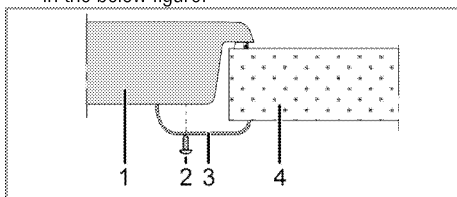


For some models, your product may come with the mounting springs already fitted on it.



The number of mounting springs on your product varies depending on product model.

4. Place the hob on the counter and align it.
5. When the hob is placed on the counter top it will be fixed easily with the help of the clamps. If the installation with these clamps is not sufficient for your cooktop, additional 2 mounting clamps can be fixed to the front side of the product as shown in the below figure.

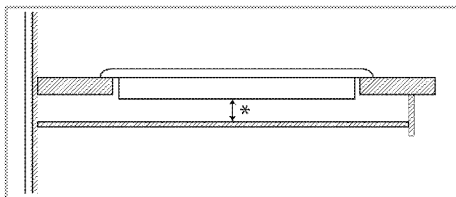


- 1 Hob
- 2 Screw
- 3 Installation clamp
- 4 Counter



When installing the hob onto a cabinet, a shelf must be installed in order to separate the cabinet from the hob as illustrated in the above figure. This is not required when installing onto a built-under oven.

For example, if it is possible to touch the bottom of the product since it is installed onto a drawer, this section must be covered with a wooden plate.

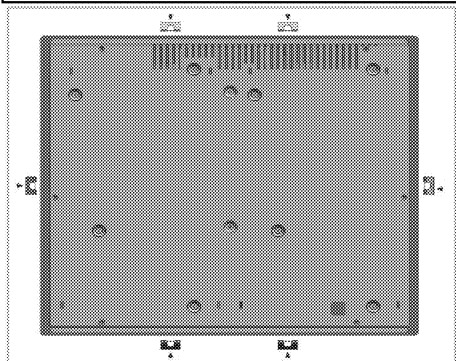


* min. 15 mm

Rear view (connection holes)



Location of the connection holes shown in the below figure are schematic, may vary depending on the product model. Fix them according to connection holes on your product.



DANGER:

Making connections to different holes is not a good practice in terms of safety since it can damage the gas and electrical system.



DANGER:

There are gas and electrical components contained within this hob, therefore when fitting the mounting springs/clamps only attach the supplied fixings to the connection holes shown in this manual. Failure to observe this advise may lead to life and property safety



The number of mounting springs on your product varies depending on product model.

Final check

1. Operate the product.
2. Check the functions.

4 Preparation

Tips for saving energy

The following information will help you to use your appliance in an ecological way, and to save energy:

- Defrost frozen dishes before cooking them.
- Use pots/pans with cover for cooking. If there is no cover, energy consumption may increase 4 times.
- Select the burner which is suitable for the bottom size of the pot to be used. Always select the correct pot size for your dishes. Larger pots require more energy.
- Pay attention to use flat bottom pots when cooking with electric hobs.
Pots with thick bottom will provide a better heat conduction. You can obtain energy savings up to 1/3.
- Vessels and pots must be compatible with the cooking zones. Bottom of the vessels or pots must not be smaller than the hotplate.

- Keep the cooking zones and bottom of the pots clean. Dirt will decrease the heat conduction between the cooking zone and bottom of the pot.
- For long cookings, turn off the cooking zone 5 or 10 minutes before the end of cooking time. You can obtain energy savings up to 20% by using the residual heat.

Initial use

First cleaning of the appliance



The surface might get damaged by some detergents or cleaning materials.

Do not use aggressive detergents, cleaning powders/creams or any sharp objects during cleaning.

Do not use harsh abrasive cleaners or sharp metal scrapers to clean the oven door glass since they can scratch the surface, which may result in shattering of the glass.

1. Remove all packaging materials.
2. Wipe the surfaces of the appliance with a damp cloth or sponge and dry with a cloth.

5 How to use the hob

General information about cooking



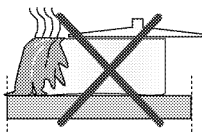
Never fill the pan with oil more than one third of it. Do not leave the hob unattended when heating oil. Overheated oils bring risk of fire. **Never attempt to extinguish a possible fire with water!** When oil catches fire, cover it with a fire blanket or damp cloth. Turn off the hob if it is safe to do so and call the fire department.

- Before frying foods, always dry them well and gently place into the hot oil. Ensure complete thawing of frozen foods before frying.
- Do not cover the vessel you use when heating oil.
- Place the pans and saucepans in a manner so that their handles are not over the hob to prevent heating of the handles. Do not place unbalanced and easily tilting vessels on the hob.
- Do not place empty vessels and saucepans on cooking zones that are switched on. They might get damaged.
- Operating a cooking zone without a vessel or saucepan on it will cause damage to the product. Turn off the cooking zones after the cooking is complete.
- As the surface of the product can be hot, do not put plastic and aluminum vessels on it. Clean any melted such materials on the surface immediately. Such vessels should not be used to keep foods either.
- Use flat bottomed saucepans or vessels only.
- Put appropriate amount of food in saucepans and pans. Thus, you will not have to make any unnecessary cleaning by preventing the dishes from overflowing. Do not put covers of saucepans or pans on cooking zones. Place the saucepans in a manner so that they are centered on the cooking zone. When you want to move the saucepan onto another cooking zone, lift and place it onto the cooking zone you want instead of sliding it.

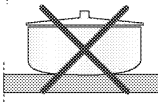
Tips about glass ceramic hobs

- Glass ceramic surface is heatproof and is not affected by big temperature differences.

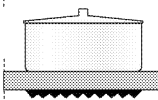
- Do not use the glass ceramic surface as a place of storage or as a cutting board.
- Use only the saucepans and pans with machined bottoms. Sharp edges create scratches on the surface.
- Do not use aluminum vessels and saucepans. Aluminum damages the glass ceramic surface.



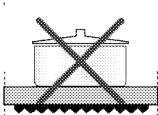
Spills may damage the glass ceramic surface and cause fire.



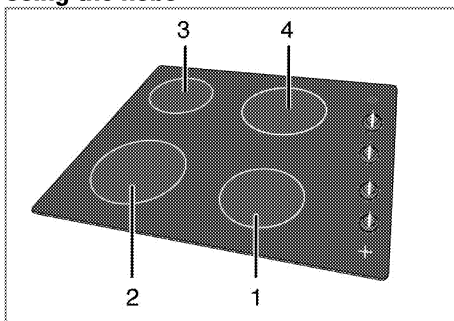
Do not use vessels with concave or convex bottoms.



Use only the saucepans and pans with flat bottoms. They ensure easier heat transfer. If the diameter of the saucepan is too small, energy will be wasted.



Using the hobs



- 1 Single-circuit cooking plate 14-16cm
- 2 Single-circuit cooking plate 18-20cm
- 3 Single-circuit cooking plate 14-16cm
- 4 Single-circuit cooking plate 18-20 cm is list of advised diameter of pots to be used on related burners.

**DANGER:**

Do not allow any object to drop on the hob. Even small objects such as a saltshaker may damage the hob.

Do not use cracked hobs. Water may leak through these cracks and cause short circuit. In case of any kind of damage on the surface (eg., visible cracks), switch off the product immediately to minimize the risk of electric shock.

Glass ceramic hob is equipped with an operation light and a hot zone warning indicator.

Hot zone warning indicator indicates the status of the active zone and it remains lit after the plate is turned off. When the temperature of the plate cools down to a level that it can be touched by hand, warning indicator turns off. Flickering of the hot zone warning indicator is not a failure.

Turning on the ceramic plates

The hob control knobs are used for operating the plates. To obtain the desired cooking power, turn the hob control knobs to the corresponding level.

| Cooking level | 1 | 2 — 3 | 4 — 6 |
|---------------|---------|--------------------|----------------------------|
| | warming | stewing, simmering | cooking, roasting, boiling |

Turning off the ceramic plates

Turn the plate knob to OFF (upper) position.

6 Maintenance and care

General information

Service life of the product will extend and the possibility of problems will decrease if the product is cleaned at regular intervals.



DANGER:

Disconnect the product from mains supply before starting maintenance and cleaning works.

There is the risk of electric shock!



DANGER:

Allow the product to cool down before you clean it.

Hot surfaces may cause burns!

- Clean the product thoroughly after each use. In this way it will be possible to remove cooking residues more easily, thus avoiding these from burning the next time the appliance is used.
- No special cleaning agents are required for cleaning the product. Use warm water with washing liquid, a soft cloth or sponge to clean the product and wipe it with a dry cloth.
- Always ensure any excess liquid is thoroughly wiped off after cleaning and any spillage is immediately wiped dry.
- Do not use cleaning agents that contain acid or chloride to clean the stainless or inox surfaces and the handle. Use a soft cloth with a liquid detergent (not abrasive) to wipe those parts clean, paying attention to sweep in one direction.



The surface might get damaged by some detergents or cleaning materials.

Do not use aggressive detergents, cleaning powders/creams or any sharp objects during cleaning.

Do not use harsh abrasive cleaners or sharp metal scrapers to clean the oven door glass since they can scratch the surface, which may result in shattering of the glass.



Do not use steam cleaners to clean the appliance as this may cause an electric shock.

Cleaning the hob

Glass ceramic surfaces

Wipe the glass ceramic surface using a piece of cloth dampened with cold water in a manner as not to leave any cleaning agent on it. Dry with a soft and dry cloth. Residues may cause damage on the glass ceramic surface when using the hob for the next time.

Dried residues on the glass ceramic surface should under no circumstances be scraped with hook blades, steel wool or similar tools.

Remove calcium stains (yellow stains) by a small amount of lime remover such as vinegar or lemon juice. You can also use suitable commercially available products.

If the surface is heavily soiled, apply the cleaning agent on a sponge and wait until it is absorbed well. Then, clean the surface of the hob with a damp cloth.



Sugar-based foods such as thick cream and syrup must be cleaned promptly without waiting the surface to cool down. Otherwise, glass ceramic surface may be damaged permanently.

Slight color fading may occur on coatings or other surfaces in time. This will not affect operation of the product.

Color fading and stains on the glass ceramic surface is a normal condition, and not a defect.

Cleaning the control panel

Clean the control panel and knobs with a damp cloth and wipe them dry.



If your product is equipped with buttons/knobs do not remove the control buttons/knobs to clean the control panel.

Control panel may get damaged!

7 Troubleshooting

Product emits metal noises while heating and cooling.

- When the metal parts are heated, they may expand and cause noise. >>> *This is not a fault.*

Product does not operate.

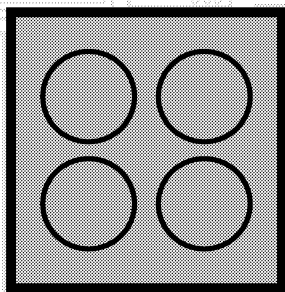
- The mains fuse is defective or has tripped. >>> *Check fuses in the fuse box. If necessary, replace or reset them.*
- Product is not plugged into the (grounded) socket. >>> *Check the plug connection.*



Consult the Authorised Service Agent or technician with licence or the dealer where you have purchased the product if you can not remedy the trouble although you have implemented the instructions in this section. Never attempt to repair a defective product yourself.

Einbau-Kochfeld

Gebrauchsanleitung



DE

beko

Bitte zuerst diese Bedienungsanleitung lesen!

Sehr geehrte Kundin, sehr geehrter Kunde,
vielen Dank für den Kauf eines Beko-Produktes. Wir hoffen, dass dieses Produkt, das mit hochwertiger und hochmoderner Technologie hergestellt wurde, beste Ergebnisse erzielt. Daher bitte die gesamte Bedienungsanleitung und alle beiliegenden Dokumente aufmerksam durchlesen und zum zukünftigen Nachschlagen aufbewahren. Bei Weitergabe des Produktes auch die Bedienungsanleitung mit aushändigen. Alle Warnungen und Informationen in der Bedienungsanleitung einhalten.

Bitte beachten, dass diese Bedienungsanleitung für unterschiedliche Modelle geschrieben wurde. Unterschiede zwischen den verschiedenen Modellen werden natürlich in der Anleitung erwähnt.

Die Symbole

In dieser Anleitung verwenden wir folgende Symbole:



Wichtige Informationen oder nützliche
Tipps zum Gebrauch.



Warnung vor gefährlichen Situationen,
in denen es zu Verletzungen oder
Sachschäden kommen kann.



Warnung vor Stromschlägen.



Warnung vor Brandgefahr.



Warnung vor heißen Flächen.



Arçelik A.Ş.
Karaağaç caddesi No:2-6
34445 Sütlüce/Istanbul/TURKEY
Made in TURKEY

| | | | |
|---|-----------|--------------------------------------|-----------|
| 1 Wichtige Sicherheits- und Umwelthinweise | 4 | 4 Vorbereitungen | 15 |
| Allgemeine Sicherheit..... | 4 | Tipps zum Energiesparen..... | 15 |
| Elektrische Sicherheit..... | 5 | Erste Inbetriebnahme | 15 |
| Produktsicherheit..... | 5 | Erstreinigung des Gerätes..... | 15 |
| Bestimmungsgemäße Verwendung | 7 | 5 Bedienung Kochfeld | 16 |
| Sicherheit von Kindern | 7 | Allgemeine Hinweise zum Kochen | 16 |
| Altgeräte entsorgen..... | 8 | Kochfeld verwenden | 17 |
| Verpackungsmaterialien entsorgen | 8 | 6 Reinigung und Wartung | 18 |
| Transport | 8 | Allgemeine Hinweise | 18 |
| 2 Allgemeine Informationen | 9 | Kochfeld reinigen | 18 |
| Geräteübersicht..... | 9 | Bedienfeld reinigen | 18 |
| Technische Daten | 10 | 7 Problemlösungen | 19 |
| 3 Installation | 11 | | |
| Vor der Installation..... | 11 | | |
| Einbauen und Anschließen | 11 | | |

1 Wichtige Sicherheits- und Umwelthinweise

Dieser Abschnitt enthält Hinweise, die für die Sicherheit des Benutzers und anderer Personen unerlässlich sind. Diese Hinweise müssen beachtet werden, damit es nicht zu Verletzungen oder Sachschäden kommt.

Bei Nichteinhaltung dieser Anweisungen erlöschen sämtliche Garantieansprüche.

Allgemeine Sicherheit

- Dieses Gerät darf von Kindern (ab acht Jahren) oder Personen bedient werden, die unter körperlichen, sensorischen oder geistigen Einschränkungen leiden oder denen es an der nötigen Erfahrung und Wissen im Umgang mit solchen Geräten mangelt, wenn solche Personen beaufsichtigt werden und, zuvor gründlich mit der sicheren Bedienung des Gerätes vertraut gemacht wurden und sich der damit verbundenen Gefahren voll und ganz bewusst sind. Kinder dürfen nicht mit dem Gerät spielen. Reinigungs- und Wartungsarbeiten dürfen von Kindern nicht ohne Aufsicht eines Erwachsenen durchgeführt werden.
- Das Gerät darf nicht von Personen genutzt werden, die unter körperlichen oder geistigen Einschränkungen leiden oder denen es an der nötigen Erfahrung im Umgang mit solchen Geräten mangelt. Ausnahmen sind nur dann möglich, wenn solche Personen beaufsichtigt werden oder gründlich über den richtigen Umgang mit dem Gerät aufgeklärt wurden. Dies gilt natürlich auch für Kinder. Kinder müssen stets beaufsichtigt werden, damit sie nicht mit dem Gerät spielen.
- Falls das Produkt an jemand anderen zur persönlichen oder Secondhand-Benutzung übergeben wird, sollten Bedienungsanleitung, Produktetiketten und andere relevante Dokumente und Teile ebenfalls übergeben werden.
- Installation und Reparaturen müssen grundsätzlich vom autorisierten Kundendienst ausgeführt werden. Der Hersteller haftet nicht für Schäden, die durch den Eingriff nicht autorisierter Personen entstehen; zudem kann dadurch die Garantie erlöschen. Vor der Installation aufmerksam alle Anweisungen lesen.
- Gerät nicht nutzen, falls es nicht ordnungsgemäß funktioniert oder

sichtbare Beschädigungen aufweist.

- Nach jeder Benutzung prüfen, ob die Funktionsknöpfe des Produktes ausgeschaltet sind.

Elektrische Sicherheit

- Falls das Produkt einen Fehler aufweist, sollte es bis zur Reparatur durch einen autorisierten Kundendienstmitarbeiter nicht in Betrieb genommen werden. Es besteht Stromschlaggefahr!
- Schließen Sie das Produkt nur an eine geerdete Steckdose an, deren Spannung und Schutz den Angaben unter „Technische Daten“ entsprechen. Lassen Sie durch einen qualifizierten Elektriker eine Erdung vornehmen. Unser Unternehmen haftet nicht für Probleme, die durch ein nicht entsprechend den örtlichen Richtlinien geerdetes Produkt entstehen.
- Reinigen Sie das Produkt niemals, indem Sie Wasser darauf verteilen oder schütten! Es besteht Stromschlaggefahr!
- Das Produkt darf während Installation, Wartung, Reinigung und Reparatur nicht an eine Steckdose angeschlossen sein.
- Falls das Netzkabel des Produktes beschädigt ist, muss es zur Vermeidung von Gefahren vom

Hersteller, einem Kundendienstmitarbeiter oder vergleichbar qualifizierten Personen ausgetauscht werden.

- Verwenden Sie nur das unter „Technische Daten“ angegebene Anschlusskabel.
- Das Gerät muss so installiert sein, dass es vollständig vom Netzwerk getrennt werden kann. Die Trennung muss entsprechend den Baurichtlinien entweder durch einen Netzstecker oder einen in der festen elektrischen Installation eingebauten Schalter ermöglicht werden.
- Jegliche Arbeiten an elektrischen Geräten und Systemen sollten von autorisierten und qualifizierten Personen ausgeführt werden.
- Schalten Sie das Gerät bei Schäden aus, unterbrechen Sie die entsprechende Stromversorgung. Schalten Sie dazu die Sicherungen im Haus ab.
- Stellen Sie sicher, dass die Sicherheitsangaben mit dem Produkt kompatibel sind.

Produktsicherheit

- **WARNUNG:** Das Gerät und seine zugänglichen Teile werden während des Betriebs heiß. Keine Heizelemente berühren. Kinder unter 8 Jahren fernhalten, sofern nicht kontinuierlich beaufsichtigt.

- Produkt niemals nutzen, wenn Urteilsvermögen oder Koordination durch Alkohol und/oder Drogen beeinträchtigt sind.
- Bei alkoholischen Getränken in den Gerichten entsprechend vorsichtig sein. Alkohol verdampft bei hohen Temperaturen und kann durch Entzünden bei Kontakt mit heißen Oberflächen Feuer verursachen.
- Keine brennbaren Materialien in der Nähe des Produktes aufstellen, da die Seiten während des Gebrauchs heiß werden können.
- Darauf achten, dass keine Belüftungsschlitze blockiert werden.
- Zur Reinigung des Gerätes keine Dampfreiniger verwenden; andernfalls besteht Stromschlaggefahr.
- WARNUNG: Unbeaufsichtigtes Garen auf einem Kochfeld mit Fett oder Öl kann gefährlich sein und Brände verursachen. Niemals versuchen, ein Feuer mit Wasser zu löschen; stattdessen das Gerät abschalten und Flammen z. B. mit einem Deckel oder einer Feuerlöschdecke abdecken.
- VORSICHT: Das Gerät muss beim Kochen im Auge behalten werden. Auch bei kurzen Zubereitungen muss das Gerät ständig im Auge behalten werden.
- WARNUNG: Brandgefahr: Keine Gegenstände auf den Kochoberflächen aufbewahren.
- WARNUNG: Falls die Oberfläche gesprungen ist, Gerät zur Vermeidung möglicher Stromschlaggefahr abschalten.
- Falls das Glas der Herdplatte springt: Schalten Sie umgehend alle Brenner und elektrischen Heizelemente aus und trennen Sie das Gerät von der Stromversorgung. Geräteoberfläche nicht berühren! Gerät nicht benutzen.
- Das Gerät darf nicht über externe Timer oder separate Fernsteuerungssysteme betrieben werden.
- Dampfdruck, der aufgrund von Feuchtigkeit an der Kochfeldoberfläche oder an der Unterseite des Kochgeschirrs entsteht, kann dazu führen, dass sich das Kochgeschirr bewegt. Daher muss sichergestellt werden, dass Kochfeldoberfläche und Unterseite des Kochgeschirrs immer trocken sind.
- WARNUNG: Verwenden Sie nur Kochfeldschutzabdeckungen, die vom Hersteller des Gerätes entwickelt wurden oder vom

Gerätehersteller in der Anleitung als geeignet angegeben sind, bzw. die mit dem Gerät gelieferten Kochfeldschutzabdeckungen. Die Nutzung nicht geeigneter Schutzabdeckungen kann Unfälle verursachen.

Brandschutzvorkehrungen des Produktes:

- Sicherstellen, dass die elektrische Verbindung richtig in die Steckdose eingesteckt ist und keine Funken erzeugt.
- Keine beschädigten oder abgeschnittenen Kabel bzw. Verlängerungskabel verwenden; nur das Originalkabel einsetzen.
- Beim Anschließen des Produktes sicherstellen, dass sich keine Flüssigkeit oder Feuchtigkeit an der elektrischen Verbindung befindet.

Bestimmungsgemäße Verwendung

- Dieses Gerät wurde für den reinen Hausgebrauch entwickelt. Eine gewerbliche Nutzung ist nicht zulässig.
- VORSICHT: Dieses Gerät dient ausschließlich der Zubereitung von Speisen. Es darf nicht zu anderen Zwecken eingesetzt werden.
- Der Hersteller haftet nicht für Schäden, die durch unsachgemäßen Gebrauch oder

falsche Bedienung verursacht werden.

Sicherheit von Kindern

- **WARNUNG:** Verschiedene Teile des Gerätes werden während des Gebrauchs heiß. Daher kleine Kinder vom Gerät fernhalten.
- Verpackungsmaterialien können eine Gefahr für Kinder darstellen. Sämtliche Verpackungsmaterialien an einem sicheren Ort und außerhalb der Reichweite von Kindern aufbewahren.
- Elektrische Produkte können eine Gefahr für Kinder darstellen. Kinder im Betrieb daher unbedingt vom Gerät fernhalten. Kinder nicht mit dem Gerät spielen lassen.
- Keine Gegenstände auf das Gerät stellen, die Kinder erreichen können.

Altgeräte entsorgen

Erfüllung von WEEE-Vorgaben zur Entsorgung von Altgeräten:



Dieses Produkt erfüllt die Vorgaben der EU-WEEE-Direktive (2012/19/EU). Das Produkt wurde mit einem Klassifizierungssymbol für elektrische und elektronische Altgeräte (WEEE) gekennzeichnet. Dieses Gerät wurde aus hochwertigen Materialien hergestellt, die wiederverwendet und recycelt werden können. Entsorgen Sie das Gerät am Ende seiner Einsatzzeit nicht mit dem regulären Hausmüll; geben Sie es stattdessen bei einer Sammelstelle zur Wiederverwertung von elektrischen und elektronischen Altgeräten ab. Ihre Stadtverwaltung informiert Sie gerne über geeignete Sammelstellen in Ihrer Nähe.

Einhaltung von RoHS-Vorgaben:

Das von Ihnen erworbene Produkt erfüllt die Vorgaben der EU-RoHS Direktive (2011/65/EU). Es enthält keine

in der Direktive angegebenen gefährlichen und unzulässigen Materialien.

Verpackungsmaterialien entsorgen

- Die Verpackung des Gerätes besteht aus wiederverwertbaren Materialien. Entsorgen Sie diese vorschriftsgemäß und entsprechend sortiert. Entsorgen Sie solche Materialien nicht mit dem normalen Hausmüll.

Transport

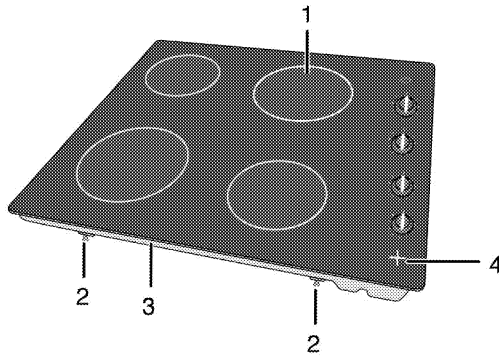
- Bewahren Sie den Originalkarton auf, falls Sie das Gerät künftig transportieren müssen. Halten Sie sich an die Hinweise auf dem Karton. Falls Sie den Originalkarton nicht mehr besitzen sollten, verpacken Sie das Gerät in Luftpolsterfolie oder starken Karton, anschließend gut mit Klebeband sichern.



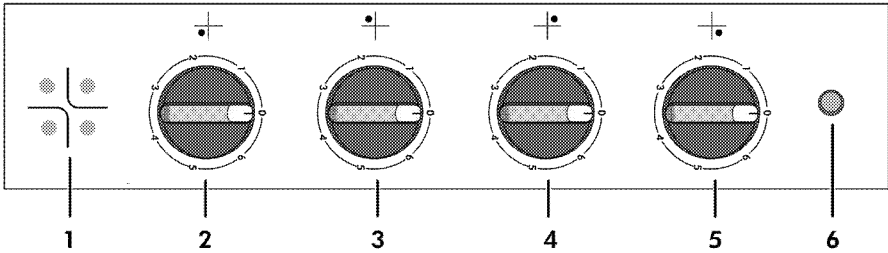
Überprüfen Sie das Gerät nach dem Transport genau, überzeugen Sie sich davon, dass es nicht zu Beschädigungen gekommen ist.

2 Allgemeine Informationen

Geräteübersicht



- | | | | |
|---|------------------|---|------------------|
| 1 | Einzelkochplatte | 3 | Basisabdeckung |
| 2 | Montageklemme | 4 | Restwärmeanzeige |



- | | | | |
|---|-------------------------------|---|--------------------------------|
| 1 | Restwärmeanzeige | 4 | Einzelkochplatte Hinten links |
| 2 | Einzelkochplatte Vorne rechts | 5 | Einzelkochplatte Hinten rechts |
| 3 | Einzelkochplatte Vorne links | 6 | Warnleuchte |

Technische Daten

| | |
|--------------------------------------|---|
| Spannung/Frequenz | 220-240 V/380-415V 2N ~ 50 Hz |
| Leistungsaufnahme gesamt | 5800 W |
| Kabeltyp/Kabelquerschnitt | MinimumH05V2V2-F 3 x 2,5 mm ² / 5 x 1,5 mm ² |
| Außenabmessungen (Höhe/Breite/Tiefe) | 71 mm/580 mm/510 mm |
| Einbaumaße (Breite/Tiefe) | 560(+2) mm /490(+2) mm |
| Kochzonen | |
| Vorne rechts | Einzelkochplatte |
| Abmessungen | 140 mm |
| Leistung | 1200 W |
| Vorne links | Einzelkochplatte |
| Abmessungen | 180 mm |
| Leistung | 1700 W |
| Hinten links | Einzelkochplatte |
| Abmessungen | 140 mm |
| Leistung | 1200 W |
| Hinten rechts | Einzelkochplatte |
| Abmessungen | 180 mm |
| Leistung | 1700 W |



Im Zuge der Qualitätsverbesserung können sich technische Daten ohne Vorankündigung ändern.



Die Abbildungen in dieser Anleitung dienen lediglich der Veranschaulichung und können etwas vom tatsächlichen Aussehen des Gerätes abweichen.



Angaben am Produkt oder in der begleitenden Dokumentation wurden unter Laborbedingungen unter Berücksichtigung der zutreffenden Richtlinien ermittelt. Solche Werte können je nach Einsatzumgebung und Nutzungsweise des Gerätes abweichen.

3 Installation

Gerät vom nächstgelegenen autorisierten Kundendienst gemäß gültigen Bestimmungen installieren lassen. Andernfalls erlischt die Garantie. Der Hersteller haftet nicht für Schäden, die durch Aktivitäten nicht autorisierter Personen entstehen; zudem kann dadurch die Garantie erlöschen.



Die Vorbereitung des Aufstellungsortes und der elektrischen Anschlüsse sind Sache des Kunden.



GEFAHR:

Die Installation des Gerätes muss in Übereinstimmung mit sämtlichen zutreffenden Vorschriften zur Elektroinstallation erfolgen.



GEFAHR:

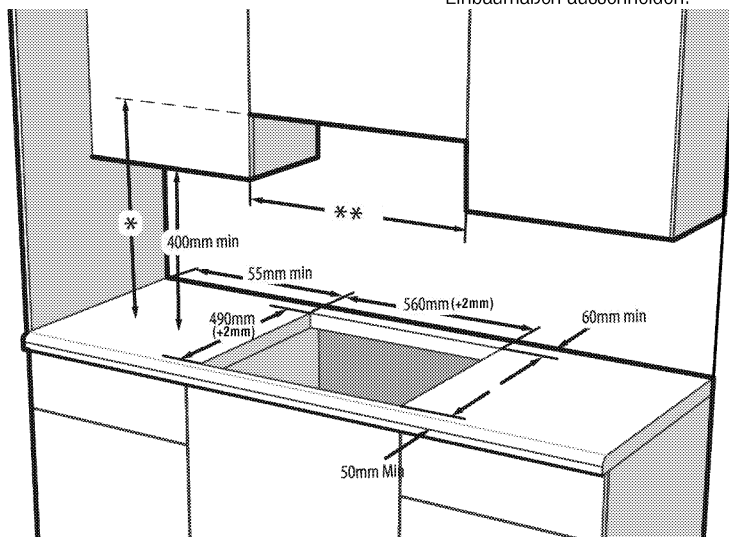
Gerät vor der Installation auf eventuelle, sichtbare Defekte untersuchen. Falls Defekte vorliegen, darf das Gerät nicht installiert werden.

Beschädigte Geräte müssen grundsätzlich als Sicherheitsrisiko betrachtet werden.

Vor der Installation

Das Kochfeld ist für den Einbau in eine handelsübliche Küchenarbeitsplatte vorgesehen. Zwischen Gerät und angrenzenden Küchenwänden und -möbeln muss ein Sicherheitsabstand verbleiben. Siehe Abbildung auf der nächsten Seite (Angaben in mm).

- Das Kochfeld kann auch freistehend benutzt werden. Achten Sie auf einen minimalen Abstand von 750 mm oberhalb des Kochfeldes.
- Wenn eine Dunstabzugshaube über dem Herd installiert werden soll, beachten Sie die Anweisungen des Herstellers zur Installationshöhe (mindestens 650 mm Abstand).
- Verpackungsmaterial und Transportsicherungen entfernen.
- Oberflächen, Kunststoffbeläge und verwendete Kleber müssen hitzebeständig sein (bis mindestens 100 °C).
- Die Küchenarbeitsplatte muss waagrecht ausgerichtet und fixiert sein.
- Die Küchenarbeitsplatte entsprechend den Einbaumaßen ausschneiden.



* Minimale Abzugshöhe gemäß Empfehlungen der zugehörigen Anleitung

** Minimaler Abstand zu Möbeln muss der Breite des Kochfeldes entsprechen

Vorschriften zur Gas- und Elektroinstallation erfolgen.



Installieren Sie das Kochfeld nicht in der Nähe von scharfen Ecken oder Kanten auf.

Glaskeramik kann bei unsachgemäßer Handhabung brechen!

Einbauen und Anschließen

- Die Installation des Gerätes muss in Übereinstimmung mit sämtlichen zutreffenden

Elektrischer Anschluss

Schließen Sie das Gerät an eine geerdete Schutzkontaktsteckdose/Leitung an, die mit einem Miniatur-Leistungstrennschalter passender Kapazität gemäß der „Technische Daten“-Tabelle abgesichert wird. Lassen Sie durch einen qualifizierten Elektriker eine Erdung vornehmen, egal ob Sie das Produkt mit oder ohne Transformator verwenden. Der Hersteller haftet nicht bei Schäden, die durch den Einsatz des Gerätes ohne vorschriftsmäßige Erdung entstehen.



GEFAHR:

Das Gerät darf nur von einer autorisierten Fachkraft an das Stromnetz angeschlossen werden.

Der Hersteller haftet nicht für Schäden, die durch Aktivitäten nicht autorisierter Dritter entstehen.



GEFAHR:

Das Netzkabel darf nicht eingeklemmt, geknickt oder gequetscht werden und darf nicht mit heißen Geräteteilen in Berührung kommen.

Beschädigte Netzkabel müssen durch einen zugelassenen Elektriker ausgetauscht werden. Andernfalls kann es zu Stromschlägen, Kurzschlüssen und Bränden kommen!

- Der Anschluss muss gemäß nationalen Richtlinien erfolgen.
- Der Netzstecker muss nach der Installation frei zugänglich bleiben, das Netzkabel darf jedoch nicht über das Gerät hinweg verlegt werden.
- Verwenden Sie nur Netzkabel, die den Angaben im Abschnitt „Technische Daten“ entsprechen.



GEFAHR:

Trennen Sie das Gerät vollständig von der Stromversorgung, bevor Sie mit der Elektroinstallation beginnen.

Es besteht Stromschlaggefahr!

Netzkabel anschließen



Beim Ausführen der Elektroinstallation müssen die nationalen/lokalen Elektroinstallationsregeln eingehalten und muss eine korrekte Steckdose und ein passender Stecker für den Ofen verwendet werden. Falls die Anschlusswerte des Geräts zu hoch für den Steckeranschluss sind, muss es ohne Steckverbindung mit direktem Kabelanschluss fest installiert werden.

1. Falls bei Ihrem Produkt kein Netzkabel mitgeliefert wurde, wählen Sie bitte entsprechend der Elektroinstallation bei Ihnen

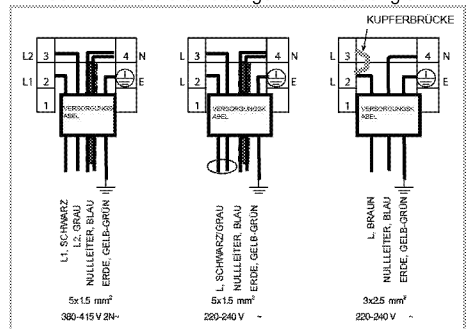
zuhause ein Netzkabel aus der Tabelle (*Technische Daten, Seite 10*); befolgen Sie zum Anschließen Ihres Produktes die Anweisungen im Kabeldiagramm.

Falls der Netzanschluss nicht vollständig getrennt werden kann, muss ein Trennschalter (Sicherung, Netzschalter oder dergleichen) mit mindestens 3 mm Kontaktabstand zwischengeschaltet werden. Die einschlägigen Installationsvorschriften (in Deutschland VDE 0100) sind dabei einzuhalten. Bei Nichtbeachtung kann es zu Betriebsstörungen und zum Erlöschen der Garantie kommen.



Wir empfehlen eine zusätzliche Absicherung mit einem Fehlerstromschutzschalter (FI-Schutzschalter).

2. Öffnen Sie die Anschlussabdeckung mit einem Schraubendreher.
3. Stecken Sie das Netzkabel durch die Kabelklemme unter dem Anschluss; befestigen Sie es mit der an der Kabelklemmkomponente integrierten Schraube am Hauptgerät.
4. Schließen Sie die Kabel gemäß Abbildung an.



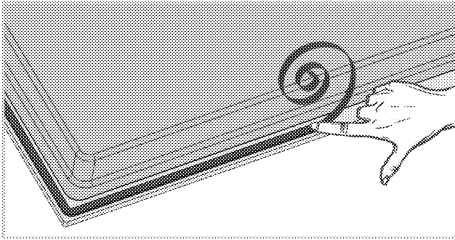
5. Nach Abschluss der Verkabelung schließen Sie die Anschlussabdeckung.
6. Verlegen Sie das Netzkabel so, dass es weder das Produkt berührt noch zwischen Produkt und Wand eingeklemmt wird.



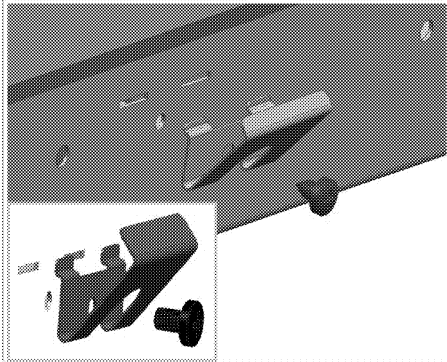
Die Länge des Netzkabels darf aus Sicherheitsgründen nicht mehr als 2 m betragen.

Gerät installieren

1. Drehen Sie das Kochfeld herum; platzieren Sie es auf einem flachen Untergrund.
2. Bringen Sie bei Installation des Kochfeldes wie abgebildet die mitgelieferte Dichtung rund um das Kochfeld an. Achten Sie darauf, einen Abstand von 1 bis 2 mm von der Innenseite des Glasaußenrandes einzuhalten.



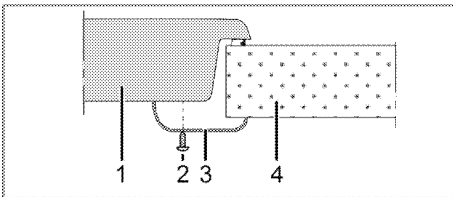
3. Befestigen Sie die Montagefedern, stecken Sie sie wie abgebildet durch die Löcher am unteren Gehäuse und schrauben sie fest.



i Bei einigen Modellen könnte Ihr Produkt mit bereits angebrachten Montagefedern geliefert werden.

i Die Anzahl Montagefedern an Ihrem Produkt variiert je nach Produktmodell.

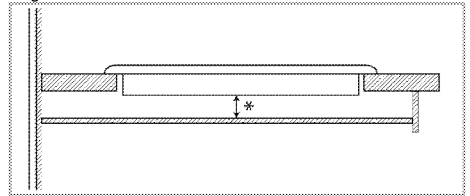
4. Zentrieren Sie das Produkt auf der Arbeitsplatte.
 5. Wenn das Kochfeld auf der Arbeitsplatte platziert wird, lässt es sich problemlos mit den Klemmen befestigen. Wenn die Installation mit diesen Klemmen nicht für Ihr Arbeitsplatte geeignet ist, können weitere 2 Montageklemmen an der Vorderseite des Produktes wie in der nachstehenden Abbildung gezeigt befestigt werden.



- 1 Kochfeld
 2 Schraube
 3 Montageklemme

i Bei der Installation des Kochfeldes in einem Möbel muss ein Einlegeboden installiert werden, damit das Möbel vom Kochfeld getrennt wird (vgl. Abbildung oben). Dies ist bei der Installation eines integrierten Ofens nicht erforderlich.

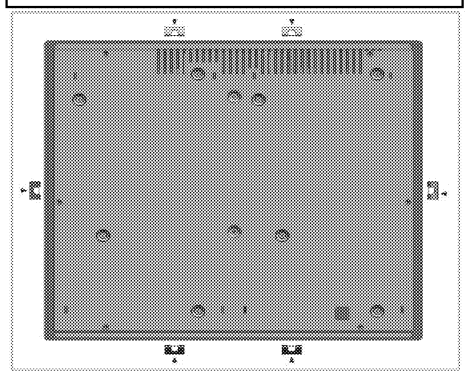
Beispiel: Wenn Sie die Unterseite des Produktes berühren können, da dieses über einer Schublade installiert ist, muss dieser Bereich mit einer Holzplatte abgedeckt werden.



* Minimum 15 mm

Rückansicht (Anschlussöffnungen)

i Positionen der nachstehend abgebildeten Verbindungslöcher sind schematisch und können je nach Produktmodell variieren. Befestigen Sie sie entsprechend den Verbindungsöffnungen an Ihrem Produkt.



GEFAHR:
 Der Anschluss über mehrere Öffnungen sollte vermieden werden, da es unter Umständen zu Beschädigungen des Gas- und elektrischen Systems kommen kann.

**GEFAHR:**

Das Kochfeld enthält Komponenten, die mit Gas und Strom arbeiten. Aus diesem Grund darf das Kochfeld nur durch die Befestigungslöcher unter ausschließlichem Einsatz der mitgelieferten Befestigungselemente und Schrauben und entsprechend den Anweisungen in der Anleitung an der Arbeitsplatte befestigt werden. Andernfalls besteht eine Gefahr für Leib, Leben und Eigentum.



Die Anzahl Montagefedern an Ihrem Produkt variiert je nach Produktmodell.

Endkontrolle

1. Betrieb des Geräts.
2. Prüfen Sie die Funktion.

4 Vorbereitungen

Tipps zum Energiesparen

Mit den folgenden Hinweisen nutzen Sie Ihr Gerät umweltbewusst und energiesparend:

- Tauen Sie gefrorene Gerichte vor der Zubereitung auf.
- Kochen Sie mit Deckel. Beim Kochen ohne Deckel kann der Energieverbrauch auf das Vierfache ansteigen.
- Wählen Sie stets die zum Bodendurchmesser des Kochgeschirrs passende Kochstelle. Entscheiden Sie sich immer für Kochgeschirr in der passenden Größe. Größeres Kochgeschirr verbraucht mehr Energie.
- Achten Sie darauf, beim Kochen mit Elektroherden grundsätzlich Kochgeschirr mit flachem Boden zu verwenden. Kochgeschirr mit dickem Boden leitet die Wärme besser und speichert diese eine Weile. Auf diese Weise können Sie bis zu ein Drittel Energie einsparen.
- Die Größe des Kochgeschirrs muss grundsätzlich zur Kochzone passen. Der Boden des

Kochgeschirrs darf nicht kleiner als die Kochstelle sein.

- Halten Sie das Kochfeld und den Boden des Kochgeschirrs sauber. Verschmutzungen verschlechtern die Wärmeübertragung zwischen Kochfeld und Kochgeschirrboden.
- Wenn die Zubereitung etwas länger dauert, schalten Sie die Kochzone 5 – 10 Minuten vor Ablauf der Garzeit ab. Durch Ausnutzung der Restwärme können Sie bis zu 20 % Energie einsparen.

Erste Inbetriebnahme

Erstreinigung des Gerätes



Durch bestimmte Reinigungsmittel können die Oberflächen des Gerätes beschädigt werden.

Verwenden Sie keine aggressiven Reinigungsmittel, keine Scheuermittel und keine scharfen oder spitzen Gegenstände bei der Reinigung.

1. Entfernen Sie sämtliches Verpackungsmaterial.
2. Geräteoberflächen mit einem feuchten Tuch oder Schwamm abwischen und mit einem Tuch trocknen.

5 Bedienung Kochfeld

Allgemeine Hinweise zum Kochen



Füllen Sie Kochgeschirr maximal bis zu einem Drittel mit Öl. Lassen Sie das Kochfeld niemals unbeaufsichtigt, wenn Sie mit heißem Öl arbeiten. Überhitzte Öle und Fette können Brände verursachen. **Versuchen Sie niemals, Fettbrände mit Wasser zu löschen!** Falls Öle oder Fette Feuer fangen, ersticken Sie die Flammen mit einer Löschdecke, notfalls mit einem leicht feuchten Tuch. Trennen Sie den Herd von der Stromversorgung, falls dies gefahrlos möglich ist. Rufen Sie die Feuerwehr.

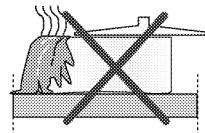
- Vor dem Frittieren trocknen Sie die Lebensmittel gründlich und lassen sie langsam in das heiße Öl hinab. Achten Sie darauf, dass gefrorene Lebensmittel vor dem Frittieren restlos aufgetaut sind.
- Decken Sie das Kochgeschirr beim Frittieren nicht ab.
- Platzieren Sie das Kochgeschirr so auf dem Kochfeld, dass dessen Griffe oder Stiele nicht von anderen Kochstellen erhitzt werden. Stellen Sie keine Behälter auf das Kochfeld, die zum Kippen neigen.
- Stellen Sie kein leeres Kochgeschirr auf eingeschaltete Kochzonen. Es kann zu Beschädigungen kommen.
- Wenn Sie eine Kochzone verwenden, ohne Kochgeschirr darauf zu platzieren, verursacht dies Schäden am Gerät. Schalten Sie die Kochzonen nach dem Gebrauch aus.
- Da sich die Oberfläche des Gerätes erhitzt, legen Sie niemals Gegenstände aus Kunststoff oder Aluminium darauf ab.
Entfernen Sie geschmolzene Rückstände solcher Materialien sofort von der Oberfläche. Übrigens sollten Lebensmittel grundsätzlich nicht in solchen Gefäßen gelagert werden.
- Verwenden Sie ausschließlich Kochgeschirr mit flachem Boden.
- Geben Sie die richtige Menge an Lebensmitteln in das jeweilige Kochgeschirr; nicht überfüllen. Dadurch ersparen Sie sich unnötige Reinigungsarbeit durch überlaufende Speisen.

Legen Sie die Deckel des Kochgeschirrs nicht auf den Kochzonen ab.

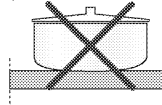
Stellen Sie Kochgeschirr so auf das Kochfeld, dass es exakt in der Mitte der Kochzone steht. Wenn Sie Kochgeschirr von einer Kochzone zur nächsten bewegen möchten, heben Sie das Kochgeschirr an, anstatt es über das Kochfeld zu schieben, da es ansonsten zu Schäden der Glaskeramik kommt.

Tipps zu Glaskeramik-Kochfeldern

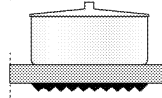
- Glaskeramik ist hitzefest und beständig gegen starke Temperaturdifferenzen.
- Missbrauchen Sie die Glaskeramik nicht als Ablage oder als Schneidbrett.
- Verwenden Sie ausschließlich Kochgeschirr mit entsprechend bearbeitetem Boden. Scharfe Kanten verursachen Kratzer auf der Oberfläche.
- Benutzen Sie kein Kochgeschirr aus Aluminium. Aluminium beschädigt die Glaskeramik.



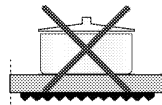
Überlaufende Speisen können die Glaskeramik beschädigen und Brände verursachen.



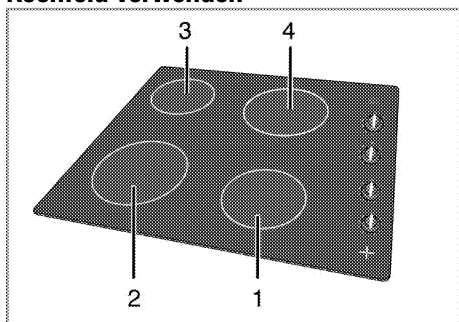
Kein Kochgeschirr mit gewölbtem Boden verwenden.



Ausschließlich Kochgeschirr mit ebenem Boden verwenden. Dadurch wird die Hitze optimal übertragen. Bei Kochgeschirr mit zu geringem Durchmesser verschwenden Sie Energie.



Kochfeld verwenden



- 1 Einzelkochplatte 14-16cm
- 2 Einzelkochplatte 18-20cm
- 3 Einzelkochplatte 14-16cm
- 4 Einzelkochplatte 18-20 cm ist eine Liste mit für die jeweiligen Brenner empfohlenen Geschirrdurchmessern.



GEFAHR:

Lassen Sie keine Gegenstände auf das Kochfeld fallen. Selbst kleine Gegenstände wie Salzstreuer können das Kochfeld beschädigen.

Verwenden Sie keine Kochfelder, die gesprungen sind. Durch die Sprünge kann Wasser eindringen und einen gehörigen Kurzschluss verursachen.

Falls Sie Beschädigungen der Glaskeramik (z. B. sichtbare Sprünge) bemerken sollten, unterbrechen Sie sofort die Stromversorgung, damit es nicht zu Stromschlägen kommt.

Glaskeramikkochfelder sind mit einer Betriebsanzeige und einer Heizonenwarnanzeige ausgestattet.

Die Heizonenwarnanzeige zeigt den Zustand der aktiven Kochzone an; sie leuchtet auch nach dem Abschalten der Kochstelle weiter und dient als Restwrmeanzeige. Sobald sich die Temperatur der Kochstelle soweit reduziert, dass sie gefahrlos berhrt werden kann, erlischt die Warnanzeige. Ein Flackern der Heizonenwarnanzeige weist nicht auf einen Fehler hin.

Keramikplatten einschalten

Die Kochstellen werden mit den Kochfeldknpfen bedient. Zum Erzielen der gewnschten Garleistung drehen Sie den Kochfeldknopf auf die entsprechende Stufe.

| Leistungsstufe | 1 | 2 — 3 | 4 — 6 |
|----------------|-------------|------------------|------------------------|
| | warm halten | dnsten, kcheln | Kochen, Braten, Sieden |

Keramikplatten abschalten

Drehen Sie den Knopf der Kochstelle in die Aus-Position (oben).

6 Reinigung und Wartung

Allgemeine Hinweise

Durch regelmäßiges Reinigen verlängern Sie die Lebenserwartung Ihres Gerätes und beugen Fehlfunktionen vor.

**GEFAHR:**

Trennen Sie das Gerät von der Stromversorgung, bevor Sie es reinigen. Es besteht Stromschlaggefahr!

**GEFAHR:**

Lassen Sie das Gerät vor dem Reinigen gründlich abkühlen. Verbrennungsgefahr durch heiße Flächen!

- Reinigen Sie das Gerät nach jedem Gebrauch gründlich. Dadurch lassen sich Speisereste leichter entfernen und können beim nächsten Einsatz des Gerätes nicht einbrennen.
- Zur Reinigung benötigen Sie keine Spezialreiniger. Verwenden Sie am besten warmes Wasser mit etwas herkömmlichem Reiniger, ein weiches Tuch oder einen Schwamm. Anschließend mit einem Tuch trocknen.
- Achten Sie stets darauf, überschüssige und verschüttete Flüssigkeiten nach der Reinigung gründlich ab- bzw. aufzuwischen.
- Wenn Sie Edelstahl und Griffe reinigen verzichten Sie auf Reinigungsmittel, die Säuren oder Chlor enthalten. Reinigen Sie diese Teile mit einem weichen Tuch und etwas Flüssigreiniger (kein Scheuermittel); wischen Sie dabei am besten nur in eine Richtung.



Durch bestimmte Reinigungsmittel können die Oberflächen des Gerätes beschädigt werden.

Verwenden Sie keine aggressiven Reinigungsmittel, keine Scheuermittel und keine scharfen oder spitzen Gegenstände bei der Reinigung.



Nutzen Sie keine Dampfreiniger zur Reinigung des Gerätes – es besteht Stromschlaggefahr.

Kochfeld reinigen

Glaskeramik

Wischen Sie die Glaskeramik mit einem mit warmem Wasser angefeuchteten Tuch sauber. Anschließend mit einem weichen Tuch trocknen. Achten Sie darauf, dass keine Rückstände auf der Glaskeramik verbleiben; andernfalls kann das Kochfeld bei der nächsten Nutzung beschädigt werden.

Versuchen Sie niemals, Rückstände mit Messern, Stahlwolle und ähnlichen Hilfsmitteln von der Glaskeramik zu entfernen.

Entfernen Sie Kalkflecken (beige bis gelbe Flecken) mit etwas Kalkentferner; Essig oder Zitronensaft funktionieren ebenfalls. Alternativ können Sie entsprechende handelsübliche Produkte verwenden. Bei hartnäckigen Verschmutzungen tragen Sie Reinigungsmittel mit einem Schwamm auf und warten ab, bis das Mittel richtig in den Schmutz eingezogen ist. Anschließend wischen Sie die Glaskeramik des Kochfeldes mit einem feuchten Tuch sauber.



Stark zuckerhaltige Lebensmittel müssen sofort entfernt werden, bevor die Glaskeramik abkühlt. Andernfalls kann die Glaskeramik dauerhaft beschädigt werden.

Mit der Zeit kann es zu leichten Farbveränderungen der Glaskeramik und der Markierungen kommen. Die Funktion des Gerätes wird dadurch nicht beeinträchtigt. Farbveränderungen und sonstige leichte optische Veränderungen sind bei Glaskeramik normal; es handelt sich nicht um einen Defekt.

Bedienfeld reinigen

Reinigen Sie Bedienfeld und Knöpfe mit einem feuchten Tuch; anschließend trocken reiben.



Falls Ihr Produkt mit mechanischen Tasten oder Knöpfen ausgestattet ist, ziehen Sie die diese zum Reinigen des Bedienfeldes nicht ab. Das Bedienfeld kann beschädigt werden!

7 Problemlösungen

Beim Aufheizen und Abkühlen sind metallische Geräusche zu hören.

- Wenn sich die Temperatur von Metallteilen ändert, dehnen sich diese aus oder ziehen sich zusammen – dabei entstehen Geräusche. >>> *Dies ist kein Fehler.*

Das Gerät funktioniert nicht.

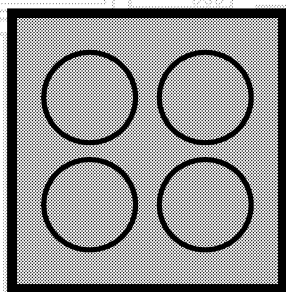
- Die Sicherung ist durchgebrannt oder ausgelöst. >>> *Kontrollieren Sie die Sicherungen im Sicherungskasten. Bei Bedarf austauschen oder zurücksetzen.*
- Das Gerät ist nicht richtig an die (geerdete) Steckdose angeschlossen. >>> *Überprüfen Sie die Steckerverbindung.*



Falls sich ein Problem nicht mit den obigen Hinweisen lösen lassen sollte, wenden Sie sich bitte an den autorisierten Kundendienst oder an den Händler, bei dem Sie das Gerät gekauft haben. Versuchen Sie niemals, ein defektes Gerät selbst zu reparieren.

Table de cuisson encastrables

Manuel de l'utilisateur



FR

beko

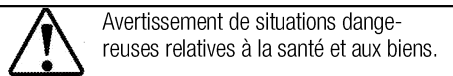
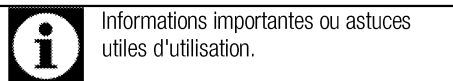
Avant de commencer, merci de bien vouloir lire ce manuel d'utilisation !

Chère cliente, cher client,

Nous vous remercions d'avoir porté votre choix sur un produit Beko. Nous espérons que vous tirerez le meilleur parti de votre produit, qui a été fabriqué dans des usines de pointe avec des matériaux de qualité. C'est pourquoi nous vous prions de lire attentivement le présent manuel et tous les autres documents connexes dans leur intégralité avant d'utiliser le produit et de les conserver. Si vous cédez l'appareil à une tierce personne, n'oubliez pas de lui fournir le Manuel d'utilisation. Respectez tous les avertissements et informations contenus dans le manuel d'utilisation. Souvenez-vous que ce Manuel d'utilisation s'applique également à plusieurs autres modèles. Les différences entre les modèles seront identifiées dans le manuel.

Explication des symboles

Vous trouverez les symboles suivants dans ce Manuel d'utilisation :



Arçelik A.Ş.
Karaağaç caddesi No:2-6
34445 Sütlüce/İstanbul/TURKEY
Made in TURKEY

1 Instructions importantes et mises en garde relatives à la sécurité et à l'environnement 4

Sécurité générale.....4
 Sécurité électrique.....4
 Sécurité du produit.....5
 Utilisation prévue.....7
 Sécurité des enfants.....7
 Mise au rebut de l'ancien appareil.....8
 Elimination des emballages.....8
 Déplacement ultérieur.....8

2 Généralités 9

Vue d'ensemble.....9
 Caractéristiques techniques.....10

3 Installation 11

Avant l'installation.....11
 Installation et branchement.....11

4 Préparation 15

Conseils pour faire des économies d'énergie..... 15
 Première utilisation..... 15
 Premier nettoyage de l'appareil..... 15

5 Utilisation de la table de cuisson 16

Généralités concernant la cuisson..... 16
 Utilisation des tables de cuisson..... 17

6 Maintenance et entretien 18

Généralités..... 18
 Nettoyage de la table de cuisson..... 18
 Nettoyage du bandeau de commande..... 18

7 Recherche et résolution des pannes 19

1 Instructions importantes et mises en garde relatives à la sécurité et à l'environnement

Ce chapitre contient les instructions de sécurité qui vous aideront à éviter les risques de blessure corporelle ou de dégâts matériels. Le non respect de ces instructions entraînera l'annulation de toute garantie.

Sécurité générale

- Cet appareil peut être utilisé par des enfants de 8 ans et plus et des personnes aux capacités physiques, sensorielles ou mentales réduites ou des personnes dénuées d'expérience ou de connaissance si elles ont pu bénéficier d'une surveillance ou d'instructions concernant l'utilisation de l'appareil en toute sécurité et comprennent les risques encourus.

Les enfants ne doivent pas jouer avec l'appareil. Le nettoyage et l'entretien ne doivent pas être effectués par un enfant sans surveillance.

- Cet appareil n'est pas conçu pour être utilisé par des personnes (y compris les enfants) présentant des aptitudes physiques, sensorielles et mentales réduites, ou sans expérience et sans connaissances, à moins d'avoir été encadrées ou reçu des consignes d'utilisation.

Les enfants bénéficiant d'un encadrement ne doivent pas jouer avec l'appareil.

- Si l'appareil est confié à une autre personne pour usage personnel ou vendu en seconde main, assurez-vous qu'il est toujours accompagné du manuel d'utilisation, des étiquettes, de tout autre document pertinent et des pièces.
- Les procédures d'installation et de réparation doivent être effectuées par des agents d'entretien qualifiés. Le fabricant ne sera pas responsable des dommages causés à la suite d'une utilisation faite par des personnes non qualifiées, situation susceptible d'annuler aussi la garantie. Avant l'installation, lisez attentivement les instructions.
- Ne faites pas fonctionner l'appareil s'il est défectueux ou présente des dégâts visibles.
- Assurez-vous que les boutons de fonctionnement de l'appareil sont en position d'arrêt après chaque utilisation.

Sécurité électrique

- Si le produit est en panne, ne l'utilisez pas, à moins qu'il ne soit réparé par un Agent d'entretien

agréé. Vous risqueriez un choc électrique !

- Branchez l'appareil uniquement à une sortie/ligne avec mise à la terre ainsi que la tension et la protection spécifiées dans le chapitre « Spécifications techniques ». Faites installer la mise à la terre par un électricien qualifié lorsque vous utilisez l'appareil avec ou sans transformateur. Notre entreprise décline sa responsabilité par rapport à tout problème consécutif à la non mise à la terre de l'appareil suivant la réglementation locale en vigueur.
- Ne lavez jamais l'appareil en y versant de l'eau. Vous risqueriez un choc électrique !
- Débranchez l'appareil pendant les opérations d'installation, d'entretien, de nettoyage et de réparation.
- Si le cordon d'alimentation est endommagé, il doit être remplacé par le fabricant, l'un de ses techniciens ou une personne de qualification similaire afin d'éviter tout risque.
- N'utilisez que le câble d'alimentation spécifié dans le chapitre « Spécifications techniques ».
- Installez l'appareil de sorte que l'on puisse le déconnecter complètement du réseau. La séparation doit être effectuée par une

prise secteur ou un commutateur intégré à l'installation électrique fixe, suivant la réglementation en matière de construction.

- Toutes les opérations sur des équipements et des systèmes électriques ne peuvent être réalisées que par des personnes habilitées et qualifiées.
- En cas de dégâts, éteignez l'appareil et débranchez-le du secteur. Pour ce faire, coupez le fusible domestique.
- Vérifiez que la tension du fusible est compatible avec l'appareil.

Sécurité du produit

- **AVERTISSEMENT** : Les parties accessibles de l'appareil deviennent chaudes au cours de son utilisation. Des mesures doivent être prises pour éviter de toucher aux éléments de chauffage. Les enfants de moins de 8 ans doivent être maintenus à l'écart, sauf s'ils sont continuellement surveillés.
- Ne jamais utiliser l'appareil sous l'emprise de l'alcool ou de toute autre drogue.
- Prenez garde lorsque vous utilisez des boissons alcoolisées dans vos plats. L'alcool s'évapore à températures élevées et peut provoquer un incendie étant donné qu'il peut s'enflammer lorsqu'il entre en

contact avec des surfaces chaudes.

- Assurez-vous qu'aucune substance inflammable ne soit placée à proximité de l'appareil étant donné que les côtés peuvent chauffer pendant son utilisation.
- Évitez d'obstruer les éventuelles sorties d'aération.
- N'utilisez pas de nettoyeurs à vapeur pour le nettoyage de l'appareil, car ceux-ci présentent un risque d'électrocution.
- **AVERTISSEMENT** : Le fait de cuire les aliments contenant de l'huile ou des matières grasses sur une table de cuisson sans surveillance peut s'avérer dangereux, au point de provoquer un incendie. N'essayez JAMAIS d'éteindre le feu avec de l'eau. Coupez plutôt l'alimentation de l'appareil, puis couvrez la flamme avec un couvercle ou une couverture pare-flammes.
- **ATTENTION** : Le processus de cuisson doit être encadré. Les processus de cuisson de courte durée doivent être continuellement encadrés.
- **AVERTISSEMENT** : Danger d'incendie : ne rien conserver sur les surfaces de cuisson.
- **AVERTISSEMENT** : En cas de fissure au niveau de la surface, mettre l'appareil hors tension pour être à l'abri d'une éventuelle électrocution.
- En cas de bris du verre de la plaque de cuisson : Éteignez immédiatement tous les brûleurs et les éventuels éléments chauffants électriques, et débranchez l'appareil de l'alimentation électrique. Évitez de toucher la surface de l'appareil. N'utilisez pas l'appareil.
- L'appareil n'est pas prévu pour fonctionner avec une minuterie externe ou un système de télécommande distinct.
- La pression de vapeur qui s'accumule à cause de l'humidité à la surface de la table de cuisson ou sur le bas de la casserole peut déplacer cette dernière. C'est pourquoi, assurez-vous que la surface du four et le bas des casseroles sont toujours secs.
- **AVERTISSEMENT** : Utilisez uniquement les dispositifs protecteurs conçus par le fabricant des appareils de cuisson, ou ceux indiqués par ce dernier comme adéquats, dans le manuel d'utilisation, ou encore des dispositifs protecteurs fournis avec l'appareil. L'utilisation des dispositifs protecteurs inappropriés peut causer des accidents.

Pour que votre appareil soit fiable:

- veillez à ce que la fiche soit bien branchée dans la prise afin que des étincelles ne se produisent pas.
- Utilisez uniquement les câbles de rallonge d'origine, et veillez à ce qu'ils ne soient pas coupés ou autrement endommagés.
- Assurez-vous également que la prise ne contient pas de liquide ni de moisissure avant de brancher l'appareil.

Utilisation prévue

- Cet appareil est conçu pour un usage domestique. L'utilisation commerciale est interdite.
- ATTENTION : Cet appareil sert uniquement à des fins de cuisson. Il ne doit pas être utilisé à d'autres fins, par exemple le chauffage du local.
- Le fabricant ne saurait être tenu responsable des dégâts causés par une utilisation ou une manipulation incorrecte.
- Les pièces détachées d'origine sont disponibles pendant 10 ans, à compter de la date d'achat du produit .

Sécurité des enfants

- ATTENTION : Les parties accessibles peuvent s'échauffer pendant l'utilisation. Les enfants doivent être tenus à l'écart.

- Les matériaux d'emballage peuvent présenter un danger pour les enfants. Gardez les matériaux d'emballage hors de portée des enfants. Veuillez jeter les pièces de l'emballage en respectant les normes écologiques.
- Les appareils électriques sont dangereux pour les enfants. Tenez les enfants à l'écart de l'appareil lorsqu'il fonctionne et interdisez-leur de jouer avec.
- Ne rangez pas d'objets au dessus de l'appareil que les enfants pourraient atteindre.

Mise au rebut de l'ancien appareil

Conformité avec la directive DEEE et mise au rebut des déchets :



Ce produit est conforme à la directive DEEE (2012/19/UE) de l'Union européenne). Ce produit porte un symbole de classification pour la mise au rebut des équipements électriques et électroniques (DEEE).

Le présent produit a été fabriqué avec des pièces et du matériel de qualité supérieure susceptibles d'être réutilisés et adaptés au recyclage. Par conséquent, nous vous conseillons de ne pas le mettre au rebut avec les ordures ménagères et d'autres déchets à la fin de sa durée de vie. Au contraire, rendez-vous dans un point de collecte pour le recyclage de tout matériel électrique et électronique. Veuillez vous rapprocher des autorités de votre localité pour plus d'informations concernant le point de collecte le plus proche.

Conformité avec la directive LdSD :

L'appareil que vous avez acheté est conforme à la directive LdSD (2011/65/UE) de l'Union européenne. Il

ne comporte pas les matériels dangereux et interdits mentionnés dans la directive.

Élimination des emballages

- Les emballages sont dangereux pour les enfants. Conservez les emballages en lieu sûr à l'écart des enfants. Les emballages de l'appareil sont fabriqués à partir de matériaux recyclés. Éliminez-les de manière appropriée et triez-les en fonction des instructions de recyclage des déchets. Ne les jetez pas avec les déchets domestiques normaux.

Déplacement ultérieur

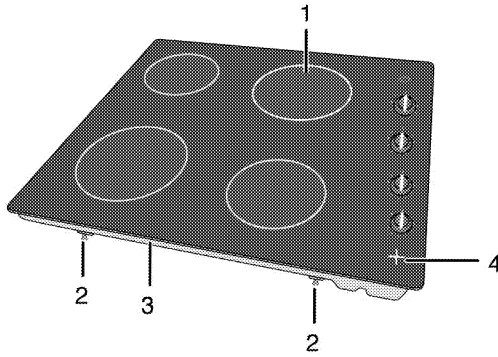
- Conservez le carton d'origine de l'appareil et utilisez-le pour déplacer le produit. Suivez les instructions figurant sur le carton. Si vous n'avez plus le carton original, emballez l'appareil dans du film à bulles ou du carton épais avec du ruban adhésif pour maintenir le tout.



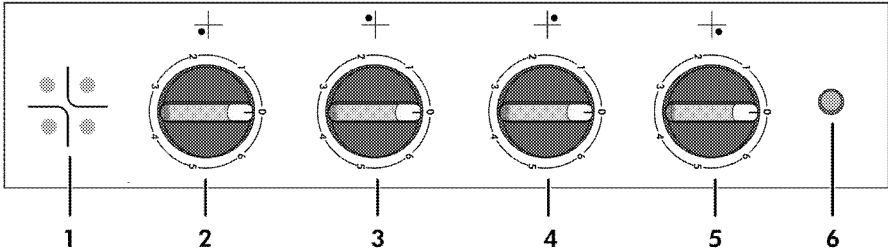
Inspectez l'aspect général de l'appareil pour détecter les dégâts potentiellement dus au transport.

2 Généralités

Vue d'ensemble



- | | | | |
|---|-------------------|---|-----------------------------------|
| 1 | Plaque de cuisson | 3 | Fond |
| 2 | Bride de montage | 4 | Témoin de table de cuisson chaude |



- | | | | |
|---|-----------------------------------|---|----------------------------------|
| 1 | Témoin de table de cuisson chaude | 4 | Plaque de cuisson Arrière gauche |
| 2 | Plaque de cuisson Avant droit | 5 | Plaque de cuisson Arrière droit |
| 3 | Plaque de cuisson Avant gauche | 6 | Témoin d'avertissement |

Caractéristiques techniques

| | |
|--|--|
| Tension/fréquence | 220-240 V/380-415V 2N ~ 50 Hz |
| Consommation d'énergie totale | 5800 W |
| Type de câble/section | min.H05V2V2-F 3 x 2,5 mm ² / 5 x 1,5 mm ² |
| Dimensions extérieures (hauteur/longueur/profondeur) | 71 mm/580 mm/510 mm |
| Dimensions d'installation (longueur/profondeur) | 560(+2) mm /490(+2) mm |
| Brûleurs | |
| Avant droit | Plaque de cuisson |
| Dimension | 140 mm |
| Puissance | 1200 W |
| Avant gauche | Plaque de cuisson |
| Dimension | 180 mm |
| Puissance | 1700 W |
| Arrière gauche | Plaque de cuisson |
| Dimension | 140 mm |
| Puissance | 1200 W |
| Arrière droit | Plaque de cuisson |
| Dimension | 180 mm |
| Puissance | 1700 W |



Les caractéristiques techniques peuvent changer sans avis préalable afin d'améliorer la qualité de l'appareil.



Les illustrations comprises dans ce manuel sont schématiques et peuvent ne pas correspondre exactement à l'appareil.



Les valeurs mentionnées sur les étiquettes de l'appareil ou dans la documentation qui l'accompagnent sont obtenues dans des conditions de laboratoire conformément aux normes correspondantes. En fonction des conditions de fonctionnement et de l'environnement de l'appareil, ces valeurs peuvent varier.

3 Installation

Le produit doit être installé par une personne qualifiée conformément à la réglementation en vigueur. Dans le cas contraire, la garantie n'est pas valable. Le fabricant se sera pas tenu pour responsable des dégâts consécutifs à des procédures réalisées par des personnes non autorisées et pourra annuler la garantie dans ce cas.



La préparation de l'emplacement et l'installation de l'électricité pour l'appareil sont sous la responsabilité du client.



DANGER:

Installez l'appareil conformément aux réglementations en matière de gaz et d'électricité en vigueur dans votre localité.



DANGER:

Avant l'installation, regardez si l'appareil présente des défauts. Si tel est le cas, ne le faites pas installer.

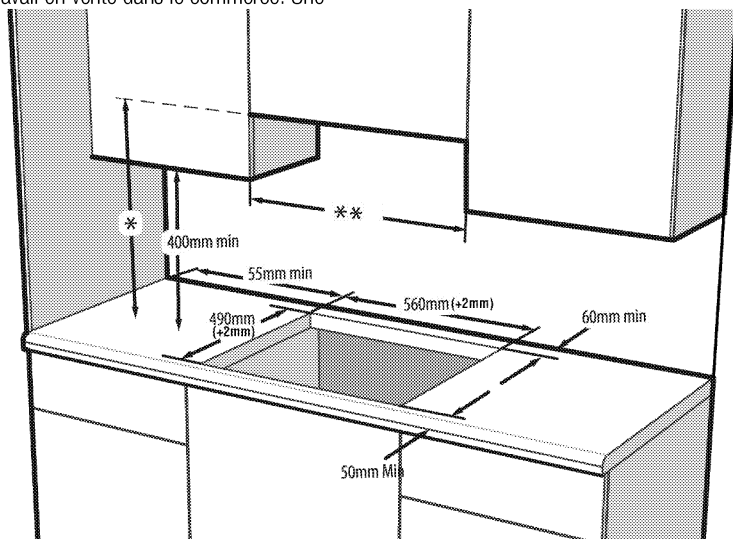
Les appareils endommagés présentent des risques pour votre sécurité.

distance de sécurité doit être laissée entre l'appareil et les parois de la cuisine et des meubles. Voir le schéma (valeurs en mm).

- Il peut aussi être utilisé en position debout, de manière autonome. Laissez une distance minimum de 750 mm au-dessus de la surface de la table de cuisson.
- (*) S'il faut encastrer une hotte au-dessus de la cuisinière, reportez-vous aux consignes du fabricant de la hotte concernant la hauteur d'installation (Min 650 mm)
- Retirez les matériaux d'emballage et les sécurités de transport.
- Les surfaces, les feuilles laminées synthétiques et les adhésifs doivent résister à la chaleur (jusqu'à 100 °C min.).
- Le plan de travail doit être à niveau et fixé horizontalement.
- Découpez une ouverture pour la table de cuisson dans le plan de travail en fonction des dimensions d'installation.

Avant l'installation

Cette table de cuisson est destinée à être installée sur un plan de travail en vente dans le commerce. Une



* Hauteur minimale pour l'extracteur telle que recommandée dans le manuel d'instructions de l'extracteur

** La distance minimale entre le meuble doit être égale à la largeur de la table de cuisson.

Installation et branchement

- Installez l'appareil conformément à toutes les réglementations en matière de gaz et d'électricité en vigueur.

i N'installez pas la table de cuisson à des endroits avec rebords et coins tranchants. Cela peut briser la surface vitrocéramique !

Raccordement électrique

Branchez l'appareil à une prise mise à la terre protégée par un disjoncteur miniature de capacité suffisante tel qu'indiqué dans le tableau « Caractéristiques techniques ». Faites installer la mise à la terre par un électricien qualifié lors de l'utilisation de l'appareil avec ou sans transformateur. Notre société ne sera pas tenue pour responsable des dégâts résultant de l'utilisation de l'appareil sans une installation de mise à la terre conforme aux réglementations locales en vigueur.



DANGER:

L'appareil doit uniquement être raccordé à l'alimentation électrique par une personne autorisée et qualifiée. La période de garantie de l'appareil démarre uniquement après son installation correcte. Le fabricant se sera pas tenu pour responsable des dégâts consécutifs à des procédures réalisées par des personnes non autorisées.



DANGER:

Le câble d'alimentation ne doit pas être serré, plié ou pincé ou entrer en contact avec des pièces chaudes de l'appareil. Un câble d'alimentation endommagé doit être remplacé par un électricien qualifié. Dans le cas contraire, il présente un risque d'électrocution, de court-circuit ou d'incendie !

- La connexion doit être conforme aux réglementations nationales en vigueur.
- Les valeurs de l'alimentation électrique doivent correspondre aux valeurs figurant sur la plaque signalétique de l'appareil. La plaque signalétique est à l'arrière du produit.
- Le câble d'alimentation de l'appareil doit être conforme aux valeurs du tableau "Caractéristiques techniques".



DANGER:

Avant d'effectuer tout travail sur l'installation électrique, l'appareil doit être débranché du réseau d'alimentation électrique. Vous risqueriez un choc électrique !

Raccordement du câble d'alimentation



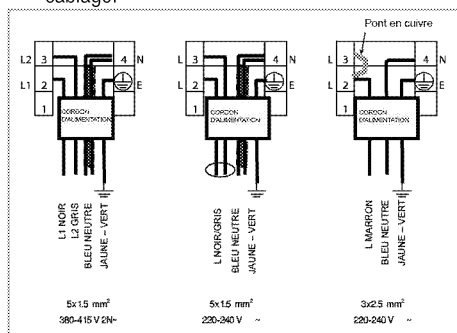
Lors du câblage, vous devez respecter les réglementations nationales/locales en matière d'électricité. Par ailleurs, vous devez utiliser des prises et des fiches recommandées pour fours. Au cas où la limite de puissance de l'appareil est supérieure à la capacité de conduction du courant par la fiche et la prise, branchez l'appareil directement sur une installation électrique fixe sans utiliser de fiche ni de prise.

1. **Si votre produit est fourni sans câble d'alimentation**, vous devez brancher à votre produit un câble d'alimentation choisi à partir du tableau (*Caractéristiques techniques, page 10*) en conformité avec l'installation électrique de votre domicile, en suivant les instructions sur le diagramme du câble. S'il n'est pas possible de débrancher tous les pôles de la source d'alimentation, une unité de déconnexion avec une ouverture minimale de 3 mm (fusibles, interrupteurs de sécurités, contacts) doit être connectée et tous les pôles de cette unité de déconnexion doivent être adjacents au produit (et non au-dessus), conformément aux directives IEE. Le non respect de ces instructions risque de causer des problèmes de fonctionnement et d'invalider la garantie du produit.



Une protection supplémentaire par un disjoncteur de courant résiduel est recommandée.

2. Ouvrez le couvercle du boîtier de raccordement à bornes à l'aide d'un tournevis.
3. Insérez le câble d'alimentation dans le collier de serrage pour câble sous la borne et fixez-le au corps principal avec la vis intégrée sur le collier de serrage.
4. Branchez les câbles en respectant le schéma de câblage.



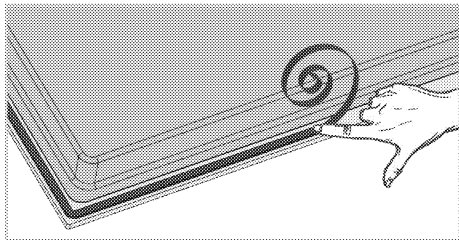
- Après avoir effectué les connexions électriques, refermez le couvercle du boîtier de raccordement des bornes.
- Dirigez le câble d'alimentation de sorte qu'il ne soit pas en contact avec le produit ni écrasé entre le produit et le mur.



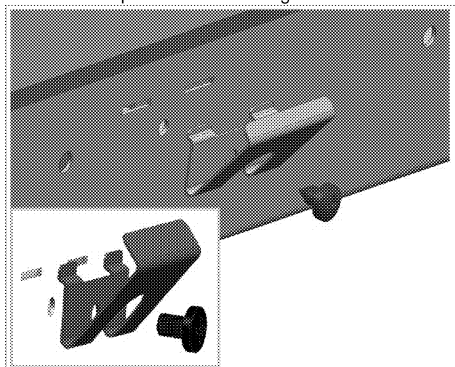
Le câble d'alimentation ne doit pas être plus long que 2 m pour des raisons de sécurité.

Installation des produits

- Retournez la table de cuisson et placez-la sur une surface plane.
- Lors de l'installation de la table de cuisson, appliquez le joint d'étanchéité fourni dans l'emballage autour de la table de cuisson comme présenté dans l'illustration suivante, en s'assurant qu'il reste 1 à 2 mm à l'intérieur du bord extérieur du verre.



- Fixez les ressorts de montage en les insérant et en les vissant à travers les orifices du boîtier inférieur tel qu'illustré dans la figure.



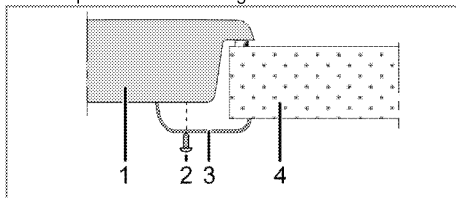
Pour certains modèles, votre produit peut être livré avec les ressorts de montage déjà installés.



Le nombre de ressorts de montage de votre produit varie en fonction du modèle.

- Placez la table de cuisson sur le plan de travail et alignez-la.

- Lorsque la table de cuisson est disposée au-dessus du plan de travail, sa fixation se fera aisément grâce aux colliers de serrage. Si les dimensions du plan de travail s'avèrent inappropriées, fixer 2 brides sur la partie avant du produit tel qu'illustré dans la figure.

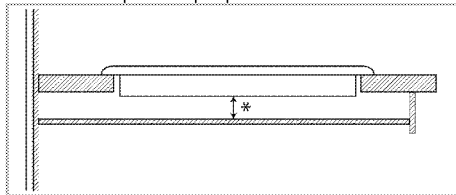


- Table de cuisson
- Vis
- Colliers de serrage de l'installation
- Plan de travail



Quand vous installez la table de cuisson sur un meuble encastré, vous devez mettre une planche pour séparer le meuble de la table de cuisson, comme illustré dans la figure suivante. Cela n'est pas nécessaire quand vous installez un four encastré.

Par exemple, s'il est possible de toucher le bas du produit car il est installé sur un tiroir, cette partie doit être couverte par une plaque en bois.



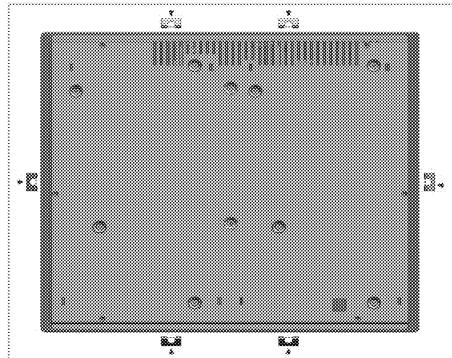
* min. 15 mm

Vue de derrière (orifices de raccord)



L'emplacement des orifices de raccord montrés dans la figure ci-dessous sont indicatifs et peuvent varier selon le modèle du produit.

Fixez-les en fonction des orifices de raccord sur votre produit.



DANGER:

La réalisation des raccords dans d'autres orifices n'est pas une pratique recommandée en termes de sécurité, car cela pourrait endommager le circuit de gaz ou le circuit électrique.



DANGER:

La hotte comporte des éléments fonctionnant à l'électricité et au gaz. À cet effet, il convient de la fixer au plan de travail uniquement par les orifices de fixation, en utilisant seulement les éléments et vis de fixation fournis, et en suivant les instructions du manuel. Au cas contraire, la procédure présenterait des risques pour la sécurité des biens et des personnes.



Le nombre de ressorts de montage de votre produit varie en fonction du modèle.

Vérification finale

1. Mise en marche de l'appareil.
2. Vérifiez les fonctions.

4 Préparation

Conseils pour faire des économies d'énergie

Les conseils suivants vous permettront d'utiliser votre appareil de façon écologique et d'économiser ainsi de l'énergie :

- Décongelez les plats surgelés avant de les cuire.
- Utilisez des récipients munis de couvercles. Sans couvercle, la consommation d'énergie peut être 4 fois plus importante.
- Sélectionnez le brûleur le mieux adapté à la taille du bas de la casserole utilisée. Sélectionnez toujours la casserole à la taille la plus appropriée pour vos plats. Les grandes casseroles nécessitent davantage d'énergie.
- Veillez à utiliser des casseroles à fond plat pour la cuisson sur une table de cuisson électrique. Les casseroles avec un fond épais offrent une meilleure conduction de la chaleur. Vous pouvez économiser jusqu'à 1/3 de l'énergie.
- Les récipients et casseroles doivent être compatibles avec les zones de cuisson. Le fond des ré-

cipients ou des casseroles ne doit pas être plus petit que la plaque chauffante.

- Veillez à ce que les zones de cuisson et le fond des casseroles soient toujours propres. La saleté réduit la conduction de la chaleur entre la zone de cuisson et le fond de la casserole.
- Pour les cuissons longues, éteignez la zone de cuisson 5 à 10 minutes avant la fin du temps de cuisson. Vous pouvez ainsi économiser jusqu'à 20 % d'énergie en utilisant la chaleur résiduelle.

Première utilisation

Premier nettoyage de l'appareil



La surface pourrait être endommagée par certains détergents ou produits de nettoyage. N'utilisez pas de détergents agressifs, de poudre/crèmes de nettoyage ou d'objets tranchants pour le nettoyage.

1. Retirez tous les matériaux d'emballage.
2. Essuyez les surfaces de l'appareil à l'aide d'un chiffon humide ou d'une éponge et terminez avec un chiffon sec.

5 Utilisation de la table de cuisson

Généralités concernant la cuisson



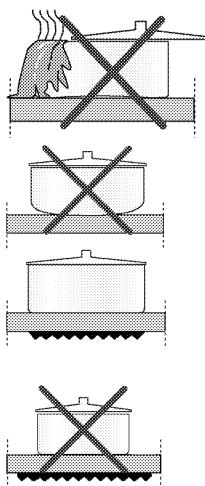
Ne remplissez jamais la poêle à plus d'un tiers. Ne laissez pas la table de cuisson sans surveillance lorsque vous chauffez de l'huile. Une huile surchauffée expose au risque d'incendie. **Ne tentez jamais d'éteindre un éventuel incendie avec de l'eau !** Lorsque l'huile s'enflamme, couvrez-la avec une couverture pare-flammes ou un chiffon humide. Éteignez la table de cuisson si cela ne pose aucun risque et appelez les sapeurs-pompiers.

- Avant de faire frire des aliments, séchez-les toujours avant de les tremper dans l'huile chaude. Assurez-vous que les aliments surgelés soient bien décongelés avant de les faire frire.
- Ne couvrez pas le récipient lorsque vous faites chauffer de l'huile.
- Disposez les poêles et casseroles de manière à ce que leur poignée ne se trouve pas au-dessus de la table de cuisson afin d'éviter de faire chauffer les poignées. Ne placez pas de récipients instables et pouvant se renverser facilement sur la table de cuisson.
- Ne placez pas de récipients et de casseroles vides sur les foyers qui sont allumés. Ils pourraient être endommagés.
- Faire chauffer un foyer en l'absence d'un récipient ou d'une casserole peut entraîner des dommages pour l'appareil. Arrêtez les foyers de cuisson une fois la cuisson terminée.
- La surface de l'appareil peut être brûlante, évitez donc de poser des récipients en plastique ou en aluminium dessus.
Nettoyez immédiatement tout matériau de ce type ayant fondu sur la surface de l'appareil. Évitez également d'utiliser ce type de récipients pour y conserver de la nourriture.
- N'utilisez que des casseroles à fond plat.
- Placez la quantité de nourriture appropriée dans les casseroles utilisées. Ainsi, vous n'aurez pas à effectuer un nettoyage superflu en évitant que vos plats ne débordent.
Ne posez pas les couvercles de vos poêles et casseroles sur les foyers de cuisson.

Placez les casseroles de manière à ce qu'elles soient centrées sur le foyer de cuisson. Lorsque vous voulez déplacer la casserole sur un autre foyer de cuisson, soulevez-la et placez-la sur le foyer de cuisson souhaité au lieu de la faire glisser.

Conseils concernant les plaques vitrocéramiques

- La surface vitrocéramique est à l'épreuve de la chaleur et n'est pas soumise aux différences de températures importantes.
- N'utilisez pas la surface vitrocéramique comme lieu de rangement ou comme planche à découper.
- N'utilisez que des poêles et casseroles avec un fond usiné. Les bords tranchants peuvent rayer la surface.
- N'utilisez pas de récipients et casseroles en aluminium. L'aluminium endommage la surface vitrocéramique.

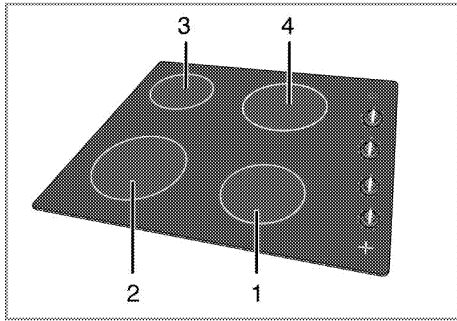


Les débordements peuvent endommager la surface vitrocéramique et entraîner un risque d'incendie.

N'utilisez pas de récipients avec un fond creux ou incurvé.

N'utilisez que des poêles et casseroles avec un fond plat. Elles assurent un meilleur transfert de chaleur. Si le diamètre de la casserole est trop petit, vous gaspillerez de l'énergie.

Utilisation des tables de cuisson



- 1 Plaque de cuisson 14-16cm
- 2 Plaque de cuisson 18-20cm
- 3 Plaque de cuisson 14-16cm
- 4 Plaque de cuisson 18-20 cm (Les dimensions indiquées représentent les diamètres recommandés de poêles et casseroles à utiliser.)



DANGER:

Évitez de laisser tomber un objet sur la table de cuisson. Même de petits objets comme la salière peuvent endommager la table de cuisson.

Évitez d'utiliser des tables de cuisson fissurées. De l'eau peut s'y infiltrer et provoquer un court-circuit.

Si la surface est endommagée d'une manière quelconque (fissures visibles par exemple), éteignez immédiatement l'appareil pour réduire les risques d'électrocution.

La table vitrocéramique est dotée d'un témoin de fonctionnement et d'un voyant d'avertissement de chaleur résiduelle.

Le voyant d'avertissement de chaleur résiduelle indique l'emplacement de la plaque chauffante et reste allumé après extinction de la plaque chauffante. Lorsque la température de la zone de cuisson baisse à un niveau tel que l'on peut y poser la main, le voyant d'avertissement s'éteint. Le clignotement du voyant d'avertissement de chaleur résiduelle n'est pas une défaillance.

Allumage des plaques en céramique

Les manettes de commande de la table de cuisson sont utilisées pour contrôler les plaques. Pour obtenir la puissance de cuisson désirée, tournez la manette de commande sur le niveau correspondant.

| Niveau de cuisson | 1 | 2 — 3 | 4 — 6 |
|-------------------|------------|----------------------|------------------------------|
| | réchauffer | mijoter, mitonner | cuire, rôtir, bouillir |

Extinction des plaques en céramique

Tournez le bouton de la plaque sur OFF (indicateur vers le haut)

6 Maintenance et entretien

Généralités

Un nettoyage régulier de l'appareil en rallongera la durée de vie et diminuera l'apparition de problèmes.



DANGER:

Débranchez l'appareil de la prise d'alimentation avant de commencer le nettoyage et l'entretien.

Vous risqueriez un choc électrique !



DANGER:

Laissez l'appareil refroidir avant de le nettoyer. Les surfaces chaudes peuvent brûler !

- Nettoyez l'appareil après chaque utilisation. Il vous sera ainsi possible d'ôter plus facilement les résidus de nourriture éventuels, évitant ainsi qu'ils ne brûlent lors de l'utilisation suivante.
- Aucun produit nettoyant particulier n'est nécessaire pour nettoyer l'appareil. Utilisez de l'eau tiède avec du détergent, un chiffon doux ou une éponge pour nettoyer l'appareil et essuyez-le à l'aide d'un chiffon sec.
- Veillez toujours à bien essuyer les excès de liquide après le nettoyage et essuyez immédiatement tout déversement.
- N'utilisez pas de détergents contenant de l'acide ou du chlore pour nettoyer les surfaces en acier inoxydable et la poignée. Utilisez un chiffon doux avec un détergent liquide non abrasif pour nettoyer ces parties, en prenant soin de toujours frotter dans le même sens.



La surface pourrait être endommagée par certains détergents ou produits de nettoyage.

N'utilisez pas de détergents agressifs, de poudre/crèmes de nettoyage ou d'objets tranchants pour le nettoyage.



N'utilisez pas de nettoyeurs à vapeur pour le nettoyage de l'appareil, car ceux-ci présentent un risque d'électrocution.

Nettoyage de la table de cuisson

Surfaces vitrocéramiques

Essuyez la surface vitrocéramique à l'aide d'un chiffon humidifié à l'eau froide pour ne pas laisser de traces du produit de nettoyage. Séchez à l'aide d'un chiffon doux et sec. Les résidus peuvent endommager la surface vitrocéramique lors de l'utilisation suivante de la table de cuisson.

Les résidus séchés sur la surface vitrocéramique ne doivent en aucun cas être grattés au moyen de lames à crochet, de laine d'acier ou d'outils similaires.

Éliminez les traces de calcaire (tâches jaunâtres) avec un détartrant comme le vinaigre ou le jus de citron.

Vous pouvez également utiliser les produits appropriés disponibles dans le commerce.

Si la surface est fortement souillée, appliquez le produit de nettoyage avec une éponge et attendez qu'il soit bien absorbé. Nettoyez ensuite la surface de la table de cuisson avec un chiffon humide.



Les aliments sucrés, crèmes épaisses et sirops par exemple, doivent être nettoyés rapidement avant que la surface ne refroidisse. Dans le cas contraire, la surface vitrocéramique peut être endommagée de manière irréversible.

Avec le temps, une légère décoloration peut se produire sur les revêtements ou d'autres surfaces. Cela n'affecte en rien le fonctionnement du produit.

La surface vitrocéramique se décolore et se tâche dans des conditions normales d'utilisation, il ne s'agit pas d'un défaut.

Nettoyage du bandeau de commande

Nettoyez le bandeau de commande et les boutons de commande avec un chiffon humide et essuyez-les.



Si votre produit est équipé des boutons, ne retirez pas ceux de commande pour nettoyer le panneau de commande.

Le panneau de commande pourrait être endommagé !

7 Recherche et résolution des pannes

Le appareil émet des bruits métalliques lors des phases de chauffage et de refroidissement.

- Lorsque les pièces métalliques sont chauffées, elles peuvent se détendre et émettre ces bruits. >>>
Cela n'est pas un défaut.

Le appareil ne fonctionne pas.

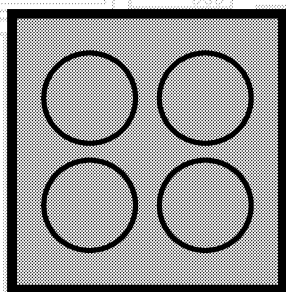
- Le fusible d'alimentation est défectueux ou grillé. >>> *Vérifiez les fusibles dans la boîte à fusibles. Remplacez ou réactivez-les le cas échéant.*
- L'appareil n'est pas relié à la prise de mise à la terre. >>> *Vérifiez le branchement de la prise.*



Consultez le technicien autorisé ou le revendeur qui vous a vendu l'appareil si vous ne parvenez pas à résoudre le problème après avoir suivi les instructions comprises dans ce chapitre. N'essayez jamais de réparer un appareil défectueux vous-même.

Inbouwkookplaat

Gebruikershandleiding



NL

beko

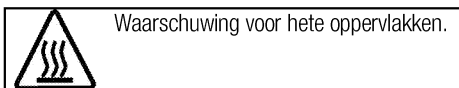
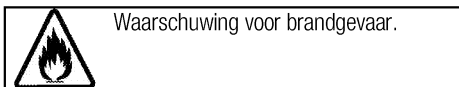
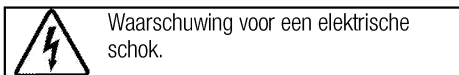
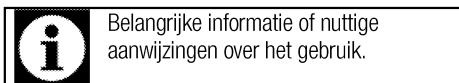
Gelieve eerst deze gebruikershandleiding te lezen!

Beste klant,

Dank u voor het aankopen van een Beko-product. We hopen dat u de beste resultaten verkrijgt uit uw product, dat vervaardigd is met de allernieuwste technologie van hoge kwaliteit. Lees daarom deze volledige gebruikershandleiding en alle andere bijgevoegde documenten zorgvuldig door voordat u het product in gebruik neemt en houd deze ter referentie voor toekomstig gebruik. Als u het product aan iemand anders overdraagt, voeg daar dan de gebruikershandleiding ook bij. Volg alle waarschuwingen en informatie in deze gebruikershandleiding op. Vergeet niet dat deze gebruikershandleiding ook van toepassing kan zijn op verschillende andere modellen. De verschillen tussen de modellen zijn duidelijk aangegeven in de handleiding.

Verklaring van symbolen

In deze gebruikershandleiding worden de volgende symbolen gebruikt:



Arçelik A.Ş.
Karaağaç caddesi No:2-6
34445 Sütlüce/Istanbul/TURKEY
Made in TURKEY

**1 Belangrijke instructies en
waarschuwingen voor veiligheid en
milieu 4**

| | |
|-------------------------------------|---|
| Algemene veiligheid | 4 |
| Elektrische veiligheid..... | 4 |
| Productveiligheid | 5 |
| Bedoeld gebruik..... | 7 |
| Kindveiligheid | 7 |
| Het oude product afvoeren | 7 |
| Verpakkingsmateriaal afvoeren | 7 |
| Toekomstig transport | 7 |

2 Algemene informatie 8

| | |
|-------------------------------|---|
| Overzicht..... | 8 |
| Technische specificaties..... | 9 |

3 Installatie 10

| | |
|--------------------------------|----|
| Voor installatie..... | 10 |
| Installatie en verbinding..... | 10 |

4 Voorbereidingen 14

| | |
|--|----|
| Tips om energie te besparen..... | 14 |
| Het eerste gebruik..... | 14 |
| Eerste reiniging van het toestel | 14 |

5 De kookplaat gebruiken 15

| | |
|--------------------------------------|----|
| Algemene informatie over koken | 15 |
| Gebruik van de kookplaten..... | 15 |

6 Onderhoud en verzorging 17

| | |
|-------------------------------------|----|
| Algemene informatie | 17 |
| Reiniging van de kookplaat | 17 |
| Het bedieningspaneel reinigen | 17 |

7 Problemen oplossen 18

1 Belangrijke instructies en waarschuwingen voor veiligheid en milieu

Dit gedeelte bevat veiligheidsvoorschriften die helpen persoonlijk letsel of schade aan eigendommen te voorkomen. Het niet opvolgen van deze instructies laat alle garantie vervallen.

Algemene veiligheid

- Dit apparaat kan worden gebruikt door kinderen vanaf 8 jaar en personen met verzwakte fysieke, zintuiglijke of mentale toestand, of met een gebrek aan ervaring en kennis, als deze onder toezicht staan of instructies zijn gegeven betreffende het veilige gebruik van het apparaat en op de hoogte zijn van de betrokken gevaren. Laat kinderen niet met het apparaat spelen. Reiniging en gebruikersonderhoud dienen niet zonder toezicht door kinderen uitgevoerd te worden.
- Dit apparaat mag niet worden gebruikt door personen (kinderen inbegrepen) in verzwakte fysieke, zintuiglijke of mentale toestand, of met een gebrek aan ervaring en kennis, tenzij ze onder toezicht staan of instructies hebben gekregen. Zie erop toe dat kinderen niet met het apparaat spelen.

- Indien het product voor persoonlijk of tweedehands gebruik aan iemand anders wordt overgedragen, dienen de gebruikershandleiding, productetiketten en andere relevante documenten en onderdelen ook te worden overhandigd.
- Installatie- en reparatiewerk moet altijd uitgevoerd worden door bevoegde serviceagenten. De fabrikant is niet aansprakelijk voor schade die voortvloeit uit werkzaamheden door onbevoegde personen. Dit kan de garantie ongeldig maken. Lees alvorens de installatie de instructie zorgvuldig door.
- Gebruik het apparaat niet als het defect is of zichtbare schade vertoont.
- Controleer of de functieknoppen van het product na ieder gebruik zijn uitgeschakeld.

Elektrische veiligheid

- Indien het product een defect heeft, moet het niet in gebruik worden genomen zonder dat het gerepareerd is door een bevoegde onderhoudsdienst. Er is kans op elektrische schokken!

- Sluit het product uitsluitend aan op een geaarde uitgang/lijn met een voltage en beveiliging zoals gespecificeerd in de “Technische specificaties”. Laat de aardingsinstallatie aanleggen door een bevoegd elektricien terwijl u het product met of zonder transformator gebruikt. Ons bedrijf is niet aansprakelijk voor problemen die zijn ontstaan doordat het product niet geaard is in overeenstemming met de plaatselijke voorschriften.
- Reinig het product nooit door er water overheen te gooien! Er is kans op elektrische schokken!
- Het product moet tijdens installatie, onderhoud, reiniging en reparatiehandelingen losgekoppeld zijn.
- Als het stroomkabel van het product beschadigd is, moet deze om gevaar te voorkomen worden vervangen door de fabrikant, door zijn onderhoudsdienst of door soortgelijke bevoegde personen.
- Gebruik uitsluitend de stroomkabel zoals gespecificeerd in de “Technische specificaties”.
- Het apparaat dient dusdanig geïnstalleerd te zijn dat het volledig van het netwerk afgesloten kan worden. De loskoppeling dient te geschieden door het uittrekken van de stekker of het uitschakelen van een schakelaar die in de vaste elektrische installatie is ingebouwd, volgens de constructievoorschriften.
- Werk aan elektrische apparatuur of systemen mag uitsluitend worden uitgevoerd door bevoegde en gekwalificeerde personen.
- Zet in geval van schade het product uit en sluit het af van het elektriciteitsnet. Verwijder daartoe de zekering in huis.
- Zorg ervoor dat de stroomwaarde van de zekering compatibel is met het product.

Productveiligheid

- **WAARSCHUWING:** Het toestel en de toegankelijke onderdelen worden warm tijdens de werking. Zorg ervoor dat u geen verwarmingselementen aanraakt. Behalve als ze voortdurend onder toezicht staan, moeten kinderen jonger dan 8 jaar uit de buurt worden gehouden.
- Gebruik het product niet wanneer uw beoordelingsvermogen of coördinatie nadelig beïnvloed worden door het gebruik van drugs en/of alcohol.
- Wees voorzichtig bij het gebruiken van alcoholische dranken in uw maaltijden. Alcohol verdampt bij hoge temperaturen en kan brand veroorzaken

aangezien het vlam vat wanneer het in contact komt met warme oppervlakken.

- Plaats geen ontvlambare materialen dichtbij het apparaat aangezien de zijkanten heet worden tijdens gebruik.
- Houd alle ventilatiesleuven vrij van obstakels.
- Gebruik geen stoomreinigers om het toestel schoon te maken, want dat kan elektrische schokken veroorzaken.
- **WAARSCHUWING:** Onbeheerd koken op een kookplaat met vet of olie kan gevaarlijk zijn en kan leiden tot brand. Probeer **NOOIT** een brand met water te blussen, maar schakel het apparaat uit en bedek vervolgens de vlam met bijvoorbeeld, een deksel of een branddeken.
- **OPGELET:** Er moet worden toegezien op het kookproces. Er moet voortdurend worden toegezien op een kort kookproces.
- **WAARSCHUWING:** Brandgevaar: Bewaar geen items op de kookplaten.
- **WAARSCHUWING:** Als het oppervlak gebarsten is, schakel het apparaat uit om de mogelijkheid van een elektrische schok te voorkomen.
- In geval van een breuk van de glazen kookplaat: Sluit

onmiddellijk alle branders en het elektrisch verwarmingselement af en trek de stekker uit het stopcontact. Raak het apparaatoppervlak niet aan. Gebruik het apparaat niet.

- Dit apparaat is niet bedoeld om bediend te worden d.m.v. een externe timer of een afzonderlijke afstandsbediening.
- Stoomdruk die zich ophoopt door vocht op het kookplaatoppervlak of op de bodem van de pot kan de pot doen bewegen. Verzeker u er daarom van dat het fornuisoppervlak en de onderkant van de pannen altijd droog zijn.
- **WAARSCHUWING:** Gebruik uitsluitend fornuisbeschermers die door de fabrikant van het kooktoestel zijn ontworpen of die door de fabrikant van het toestel in de gebruiksaanwijzing geschikt zijn verklaard of fornuisbeschermers die onderdeel zijn van het toestel. Het gebruik van ongeschikte beschermers kan ongelukken veroorzaken.

Voor de betrouwbaarheid van de brandbaarheid van het product;

- Zorg ervoor dat de stekker past bij de contactdoos en dat er geen vonken kunnen ontstaan.
- Gebruik geen beschadigde of gesneden kabel of een

verlengkabel, behalve de originele kabel.

- Zorg ervoor dat er geen vloeistof of vocht zit op de ingestoken stekker van het product.

Bedoeld gebruik

- Dit product is bedoeld voor huishoudelijk gebruik. Commercieel gebruik is niet toegelaten.
- OPGELET: Dit toestel is uitsluitend bedoeld voor het koken. Het mag niet als verwarmingstoestel worden gebruikt".
- De fabrikant is niet aansprakelijk voor schade veroorzaakt door foutief gebruik of bediening.

Kindveiligheid

- **WAARSCHUWING:** Toegankelijke onderdelen kunnen tijdens gebruik heet worden. Houd jonge kinderen uit de buurt.
- De verpakkingsmaterialen kunnen gevaarlijk zijn voor kinderen. Houd de verpakkingsmaterialen buiten het bereik van kinderen. Doe alle delen van de verpakking weg volgens de milieunormen.
- Elektrische toestellen zijn gevaarlijk voor kinderen. Houd kinderen bij het product vandaan als het in gebruik is en sta niet toe dat ze ermee spelen.

- Plaats geen items boven het toestel binnen het bereik van kinderen.

Het oude product afvoeren

Voldoet aan de WEEE-richtlijn en de richtlijnen voor afvoeren van het restproduct:



Dit product voldoet aan de EU-richtlijn WEEE (2012/19/EU). Dit product is voorzien van een classificatiesymbool voor afvalsortering van elektrische en elektronische apparatuur (WEEE).

Dit product werd vervaardigd uit onderdelen en materialen van hoge kwaliteit die hergebruikt kunnen worden en geschikt zijn voor recycling. Gooi het restproduct aan het einde van zijn levensduur niet weg bij normaal huishoudelijk of ander afval. Breng het naar het verzamelpunt voor recycling van elektrische en elektronische apparatuur. Raadpleeg uw plaatselijke autoriteiten om te weten waar u deze verzamelpunten aantreft.

Voldoet aan RoHS-richtlijn:

Het door u aangekochte product voldoet aan de EU-richtlijn RoHS (2011/65/EU). Het bevat geen schadelijke en verboden materialen die in deze richtlijn zijn opgenomen.

Verpakkingsmateriaal afvoeren

- Verpakkingsmateriaal is gevaarlijk voor kinderen. Houd verpakkingsmateriaal op een veilige plek buiten het bereik van kinderen. Verpakkingsmateriaal van het product wordt vervaardigd van recyclebaar materiaal. Voer het netjes af en sorteer het overeenkomstig de regels voor recyclebaar afval. Werp het niet weg bij het normale huisafval.

Toekomstig transport

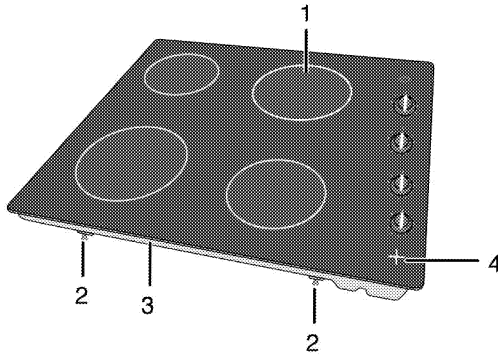
- Bewaar de originele doos van het product en vervoer het product daarin. Volg de aanwijzingen op de doos. Als u de originele doos niet hebt, verpak het product dan in luchtkussensfolie of dik karton en tape het goed vast.



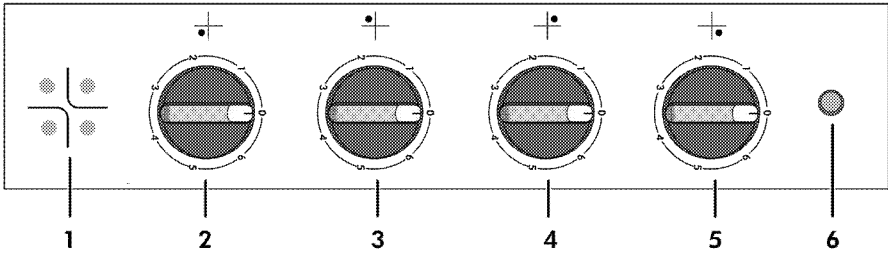
Controleer globaal het uiterlijk van uw product op eventuele schade die tijdens het transport werd veroorzaakt.

2 Algemene informatie

Overzicht



- | | | | |
|---|--------------------------|---|--------------------------------|
| 1 | Single-circuit kookplaat | 3 | Basisdeksel |
| 2 | Montageklem | 4 | Indicatorlampje kookplaat heet |



- | | | | |
|---|---|---|---|
| 1 | Indicatorlampje kookplaat heet | 4 | Single-circuit kookplaat Links achteraan |
| 2 | Single-circuit kookplaat Rechts vooraan | 5 | Single-circuit kookplaat Rechts achteraan |
| 3 | Single-circuit kookplaat Links vooraan | 6 | Waarschuwinglamp |

Technische specificaties

| | |
|--|--|
| Elektrische spanning / frequentie | 220-240 V/380-415V 2N ~ 50 Hz |
| Totaal stroomverbruik | 5800 W |
| Kabeltype/-functionaliteit | min.H05V2V2-F 3 x 2,5 mm ² / 5 x 1,5 mm ² |
| Buitenste afmetingen (hoogte/breedte/diepte) | 71 mm/580 mm/510 mm |
| Toestelafmetingen (breedte/diepte) | 560(+2) mm /490(+2) mm |
| Branders | |
| Rechts vooraan | Single-circuit kookplaat |
| Afmetingen | 140 mm |
| Stroom | 1200 W |
| Links vooraan | Single-circuit kookplaat |
| Afmetingen | 180 mm |
| Stroom | 1700 W |
| Links achteraan | Single-circuit kookplaat |
| Afmetingen | 140 mm |
| Stroom | 1200 W |
| Rechts achteraan | Single-circuit kookplaat |
| Afmetingen | 180 mm |
| Stroom | 1700 W |



De technische specificaties mogen zonder voorafgaande kennisgeving gewijzigd worden om de productkwaliteit te verbeteren.



De afbeeldingen in deze handleiding zijn schematisch en komen mogelijk niet exact overeen met uw product.



Waarden vermeld op de productlabels of in de bijgeleverde documentatie worden verkregen onder laboratoriumomstandigheden overeenkomstig de relevante standaarden. Deze waarden kunnen schommelen afhankelijk van de werkings- en omgevingsomstandigheden van het product.

3 Installatie

Product dient geïnstalleerd te worden door een bekwaam persoon in overeenstemming met de van kracht zijnde voorschriften. De fabrikant is niet aansprakelijk voor schade die voortvloeit uit werkzaamheden door onbevoegde personen. Mogelijk kan dit de garantie ongeldig maken.



De voorbereiding van de locatie en de elektriciteitsinstallatie voor het product vallen onder de verantwoordelijkheid van de klant.



GEVAAR:

Het product moet aangesloten worden overeenkomstig de lokale gas- en elektriciteitsvoorschriften.



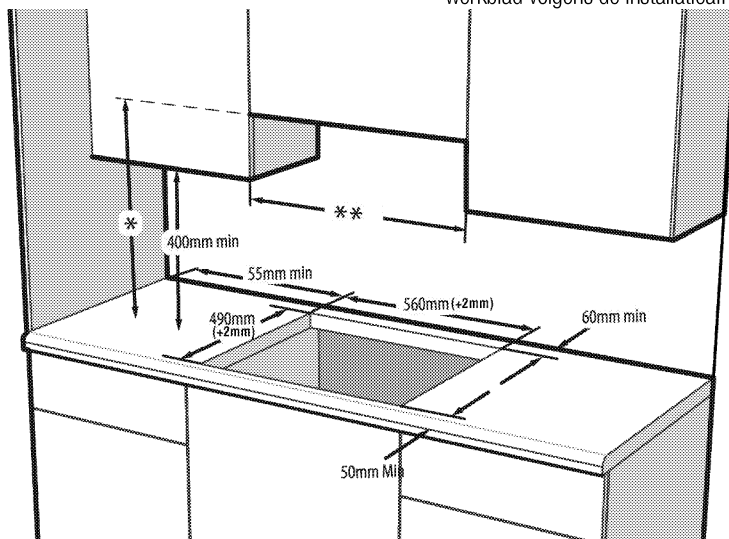
GEVAAR:

Controleer vóór installatie van het product of het zichtbare gebreken heeft.
Zo ja, laat het dan niet installeren.
Beschadigde producten vormen een gevaar voor uw veiligheid.

Voor installatie

De kookplaat is ontworpen voor installatie in een commercieel werkblad. Er moet een veiligheidsafstand worden gelaten tussen het apparaat en de keukenwanden en het keukenmeubilair. Zie afbeelding (waarden in mm).

- Het fornuis kan ook losstaand worden geplaatst. Voorzie een minimumafstand van 750 mm boven het kookoppervlak.
- (*) Indien boven het fornuis een afzuigkap wordt geplaatst, dient u de instructies van de fabrikant te raadplegen met betrekking tot de installatiehoogte (minstens 650 mm)
- Verwijder verpakkingsmateriaal en transportsloten.
- Oppervlakken, synthetische laminaten en hechtmiddelen die worden gebruikt, moeten warmtebestendig zijn. (100° C minimum).
- Het werkblad moet uitgelijnd zijn en horizontaal bevestigd zijn.
- Maak een opening voor de kookplaat in het werkblad volgens de installatieafmetingen.



* De minimumhoogte naar de afzuiger zoals aanbevolen in de instructiehandleiding van de afzuiger

** De minimumafstand tussen de kasten moet gelijk zijn aan de breedte van de kookplaat



Installeer de kookplaat niet op plaatsen met scherpe randen of hoeken.
Er bestaat een risico dat het keramische oppervlak breekt!

Installatie en verbinding

- Het product moet overeenkomstig de lokale gas- en elektriciteitsvoorschriften aangesloten worden.

Elektrische aansluiting

Sluit het product aan op een geaarde contactdoos die beveiligd is door een zekering met geschikte capaciteit

zoals vermeld in de tabel "Technische specificaties". Laat de aardingsinstallatie aanleggen door een bevoegd elektricien terwijl u het product met of zonder transformator gebruikt. Ons bedrijf is niet aansprakelijk voor schade die voortvloeit uit het gebruik van het product zonder een aardingsinstallatie overeenkomstig de plaatselijke voorschriften.



GEVAAR:

Het product mag uitsluitend door een bevoegd en gekwalificeerde persoon op de netvoeding aangesloten worden. De garantieperiode van het product gaat uitsluitend in na correcte installatie. De fabrikant is niet aansprakelijk voor schade die voortvloeit uit werkzaamheden door onbevoegde personen.



GEVAAR:

De stroomkabel mag niet worden vastgeklemd, verbogen of samengedrukt of in contact komen met warme onderdelen van het product. Een beschadigde stroomkabel moet door een bevoegde elektricien worden vervangen. Anders bestaat er een risico op een elektrische schok, kortsluiting of brand!

- De aansluiting moet voldoen aan de landelijke voorschriften.
- De gegevens over de stroomvoorziening moeten overeenkomen met de gegevens vermeld op het typeplaatje van het product. Het modellabel bevindt zich op de achterkant van het product.
- De stroomkabel van uw product moet voldoen aan de waarden in de tabel "Technische specificaties".



GEVAAR:

Koppel het product los van het elektriciteitsnet voordat met werk aan de elektrische installatie begonnen wordt. Er is kans op elektrische schokken!

Het aansluiten van de stroomkabel



Tijdens het aanleggen van de bedrading dient u de nationale/plaatselijke elektrische voorschriften na te leven en de geschikte contactdoos en stekker voor de oven te gebruiken. In het geval de stroomlimieten van het product de draagcapaciteit van de stekker en contactdoos overschrijden, dient het product direct op de vaste elektrische installatie te worden aangesloten zonder de stekker en contactdoos te gebruiken.

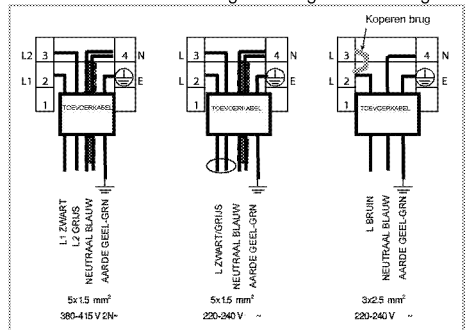
1. **Als uw product niet met een stroomkabel geleverd is** dient u een stroomkabel uit de tabel (*Technische specificaties, pagina 9*) te kiezen die overeenkomt met de elektrische installatie bij u thuis en dient u deze aan te sluiten op uw product volgens de instructies in het kabeldiagram.

Indien het niet mogelijk is alle polen in de stroomtoevoer af te sluiten dient er een afsluiteenheid met minstens 3 mm contactdoorlaat (zekeringen, lijnveiligheidschakelaars, schakelaars) aangesloten te worden en dienen alle polen van deze afsluiteenheid zich in de buurt (niet boven) van het product te bevinden overeenkomstig de IEE-richtlijnen. Het niet nakomen van deze instructie kan operationele problemen veroorzaken en de garantie van het product ongeldig maken.



Aanvullende bescherming door een overblijvende stroomonderbreker wordt aanbevolen.

2. Open de klembeschermer met een schroevendraaier.
3. Steek de stroomkabel door de kabelklem onder de sluitklem en maak deze vast aan het hoofdgedeelte met de geïntegreerde schroef op het kabelklemdeel.
4. Verbind de kabels volgens het geleverde diagram.



5. Sluit, na de voltooiing van de draadaansluitingen, de klembeschermer.
6. Leid de stroomkabel dusdanig dat het geen contact met het product maakt en dat het niet beklemd raakt tussen het product en de muur.

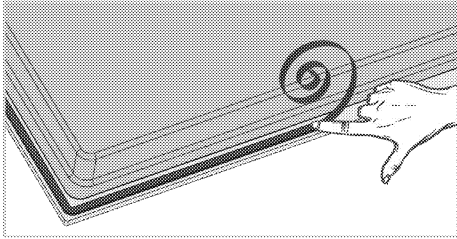


De stroomkabel mag om veiligheidsredenen niet langer zijn dan 2 m.

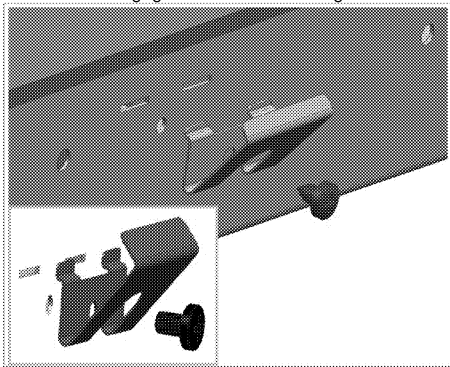
Het product installeren

1. Draai de kookplaat om en leg deze op een vlak oppervlak.
2. Bij de installatie van de kookplaat dient u de afdichtingspakking, die bij de verpakking werd

geleverd, rond de kookplaat aan te brengen zoals getoond in de volgende afbeelding. Zorg hierbij voor dat deze 1 tot 2 mm binnenin de buitenrand van het glas blijft.



3. Bevestig de montageveren door ze in de gaten te plaatsen en ze vast te schroeven op de onderkast zoals weergegeven in de afbeelding.

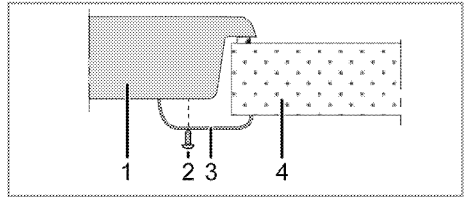


Op sommige modellen zijn de montageveren al bevestigd.



Het aantal bevestigingsveren op uw product varieert afhankelijk van het productmodel.

4. Plaats de kookplaat op het aanrecht en lijn deze uit.
 5. Als de kookplaat wordt bevestigd op het aanrechtblad, wordt deze met behulp van de klemmen makkelijk vastgezet. Als de afmetingen van het aanrechtblad niet passen, kunnen 2 bevestigingsklemmen aan de voorkant van het product worden bevestigd, zoals weergegeven in de onderstaande afbeelding.

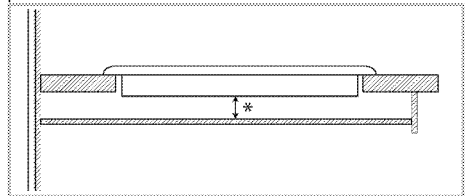


- 1 Kookplaat
 2 Schroef
 3 Installatieklem
 4 Werkblad



Bij de installatie van de kookplaat op een kastje dient er een plank geïnstalleerd te worden om de kast van de kookplaat af te scheiden, zoals weergegeven in de bovenstaande afbeelding. Dit is niet nodig indien er geïnstalleerd wordt op een inbouwoven.

Indien het bijvoorbeeld mogelijk is de onderkant van het product aan te raken bij installatie op een lade dient dit gedeelte afgedekt te worden met een houten plank.

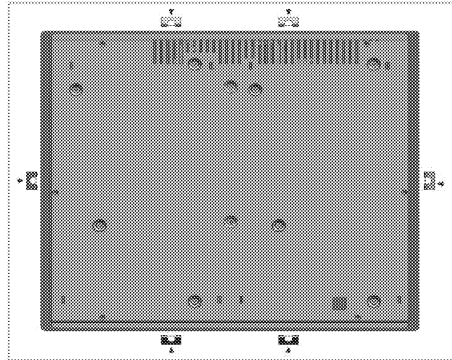


* min. 15 mm

Achteraanzicht (aansluitopeningen)



De locatie van de verbindingsgaten op onderstaande afbeelding zijn schematisch en kunnen verschillen afhankelijk van het model. Deze moeten worden aangepast in functie van de verbindingsgaten die op uw product zijn aangebracht.



GEVAAR:

Verbindingen maken naar verschillende openingen is geen goede veiligheidsoefening, aangezien het het gas -en elektriciteitssysteem kan beschadigen.



GEVAAR:

Kookplaat bevat onderdelen die op gas en stroom werken. Daarom moet de kookplaat uitsluitend op een werkblad worden bevestigd door middel van de bevestigingsgaten, en uitsluitend met de vergrendelelementen en schroeven die zijn meegeleverd en zoals aangegeven in de handleiding. Anders bestaat er gevaar voor leven en eigendom.



Het aantal bevestigingsveren op uw product varieert afhankelijk van het productmodel.

Laatste controle

1. Het product bedienen.
2. Controleer de functies.

4 Voorbereidingen

Tips om energie te besparen

De volgende informatie zal u helpen om uw apparaat op een ecologische manier te gebruiken en energie te besparen:

- Ontdooi bevroren gerechten voor u ze bereidt.
- Gebruik potten/pannen met deksels om te koken. Als u geen deksel gebruikt kan het energieverbruik met 4 keer toenemen.
- Kies de brander die geschikt is voor de bodemmaat van de te gebruiken pan. Kies altijd de juiste pannemaat voor uw gerechten. Grotere pannen behoeven meer energie.
- Let erop plattebodempotten te gebruiken als u met elektrische kookplaten kookt. Pannen met een dikke bodem voorzien in een betere warmtegeleiding. U kunt tot een 1/3 energie besparen.
- Schalen en pannen moeten compatibel zijn met de kookzones. De bodem van de schalen of pannen mogen niet kleiner zijn dan de kookplaat.

- Houd de kookzones en de bodem van de pannen schoon. Vuil zal de warmtegeleiding tussen de kookzones en de bodem van de pan verminderen.
- Voor lang koken draait u de kookzone 5 of 10 minuten voor het eind van de kooktijd uit. U kunt tot 20% energie besparen door de resterende warmte te gebruiken.

Het eerste gebruik

Eerste reiniging van het toestel



Het oppervlak kan beschadigd geraken door sommige detergenten of reinigingsmaterialen. Gebruik geen agressieve detergenten, reinigingspoeder/melk of scherpe voorwerpen tijdens het reinigen.

1. Verwijder alle verpakkingsmaterialen.
2. Veeg de oppervlakken van het toestel met een vochtige doek of spons en droog het met een doek.

5 De kookplaat gebruiken

Algemene informatie over koken

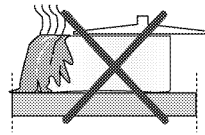


Vul de de pan nooit voor meer dan eenderde met olie. Laat de kookplaat niet onbewaakt achter als u olie verhit. Oververhitte olie geeft brandgevaar. **Probeer een mogelijk vuur nooit te doven met water!** Bedek olie als het in brand vliegt met een branddeken of een vochtige doek. Zet de kookplaat, als dit veilig kan, uit en bel de brandweer.

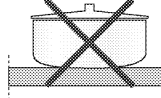
- Droog eten steeds goed af voor het koken en plaats het voorzichtig in de hete olie. Zorg ervoor dat etenswaren volledig zijn ontdooid voor het koken.
- Dek de kookpot niet af als u olie verwarmt.
- Plaats potten en steelpannen zo op de kookplaat dat de handvatten niet over de kookplaat hangen om te voorkomen dat ze opwarmen. Plaats geen kookpotten op de kookplaat die gemakkelijk overhellen of omvallen.
- Plaats geen lege kookpotten en steelpannen op kookzones die zijn ingeschakeld. Ze kunnen beschadigd raken.
- Een kookzone bedienen zonder kookpot of steelpan zal schade veroorzaken aan het product. Schakel de kookzone uit nadat u klaar bent met koken.
- Plaats geen plastic of aluminium kookpotten op het oppervlak omdat dat heet kan zijn. Reinig dergelijke gesmolten materialen meteen van het oppervlak. Dergelijke potten worden best ook niet gebruikt om voedsel in te bewaren.
- Gebruik enkel steelpannen of kookpotten met een vlakke bodem.
- Plaats de aangewezen hoeveelheid voedsel in steelpannen en pannen. Zo hoeft u niet onnodig te reinigen door het overvloeien van voedsel te voorkomen. Plaats geen deksels van steelpannen of pannen op kookzones. Plaats steelpannen zo dat ze gecentreerd staan op de kookzone. Als u een steelpan van één kookzone naar een andere wenst te verplaatsen, heft u ze op in plaats van ze naar de andere kookzone te schuiven.

Tips voor glazen keramische kookplaten

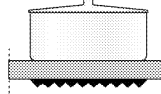
- Glazen keramische oppervlakken zijn hittebestendig en worden niet aangetast door grote temperatuurverschillen.
- Gebruik het glazen keramische oppervlak niet als opslagplaats of snijoppervlak.
- Gebruik enkel steelpannen en pannen met thermodiffusor bodem. Scherpe randen veroorzaken krassen op het oppervlak.
- Gebruik geen aluminium kookpotten en pannen. Aluminium beschadigt het glazen keramische oppervlak.



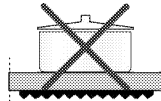
Gemorste vloeistoffen kunnen het glazen keramische oppervlak beschadigen en vuur veroorzaken.



Gebruik geen kookpotten met concave of convexe bodems.

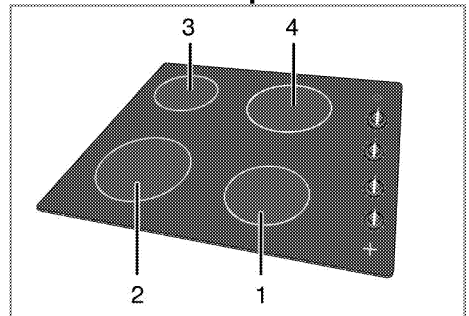


Gebruik enkel steelpannen en pannen met vlakke bodem. Deze verzekeren een betere warmteverdeling.



Als de diameter van de steelpan te klein is, zal er energie verloren gaan.

Gebruik van de kookplaten



- 1 Single-circuit kookplaat 14-16cm
- 2 Single-circuit kookplaat 18-20cm
- 3 Single-circuit kookplaat 14-16cm

- 4 Single-circuit kookplaat 18-20 cm is een lijst lijst van aanbevolen kookpotdiameters om te gebruiken op de overeenkomstige branders.

 **GEVAAR:**
Laat geen voorwerpen op de kookplaat vallen. Zelfs kleine voorwerpen zoals een zoutvaatje kunnen de kookplaat beschadigen. Gebruik geen gebarsten kookplaten. Er kan water door deze barsten lekken en kortsluiting veroorzaken.
Als u enige schade op het oppervlak aantreft (bijv. zichtbare barsten) dient u het product onmiddellijk uit te zetten om het risico op een elektrische schok te minimaliseren.

De keramische kookplaat is uitgerust met een bedieningslampje en een waarschuwingsindicator voor hete zones.

De waarschuwingsindicator voor hete zones bepaalt de status van de actieve zone en blijft branden nadat de

kookplaat werd uitgezet. De waarschuwingsindicator wordt uitgeschakeld als de kookplaat voldoende is afgekoeld om hem veilig met de hand aan te raken. Een flikkerende waarschuwingsindicator voor hete zones is geen storing.

De keramische kookplaten inschakelen

De kookplaatknoppen worden gebruikt om de platen te bedienen. Om het gewenste kookvermogen te verkrijgen, draait u de kookplaatknoppen naar het overeenkomstige niveau.

| Kookniveau | 1 | 2 — 3 | 4 — 6 |
|------------|----------|-----------------------|--------------------------------|
| | opwarmen | stoven, suddereren | bakken, roosteren, koken |

De keramische kookplaten uitschakelen

Draai de kookplaatknop naar de uit-positie (boven).

6 Onderhoud en verzorging

Algemene informatie

De levensduur van het product zal worden verlengd en er zullen minder vaak problemen zijn als het product regelmatig wordt gereinigd.



GEVAAR:

Sluit het product van de stroom af voor te beginnen met onderhouds- en reinigingswerk. Er is kans op elektrische schokken!



GEVAAR:

Laat het product afkoelen voordat u het reinigt. Hete oppervlakken kunnen brandwonden veroorzaken!

- Reinig het product grondig na ieder gebruik. Zo kunt u kookresten gemakkelijker verwijderen, en voorkomt u dat ze verbranden als u het apparaat de volgende keer gebruikt.
- Er zijn geen speciale reinigingsmiddelen vereist om het product te reinigen. Gebruik warm water met wasvloeistof, een zachte doek of spons voor het reinigen van het product en een droge doek om het te drogen.
- Zorg er steeds voor dat overvloedige vloeistoffen worden afgeveegd na de reiniging en dat gemorste vloeistoffen steeds meteen worden afgeveegd.
- Gebruik voor het reinigen van roestvrijstalen oppervlakken en de handgreep geen reinigingsmiddelen die zuur of chloride bevatten. Gebruik een zachte doek met een vloeibaar detergent (niet-schurend) om deze onderdelen schoon te vegen, en let erop dat u in één richting veegt.



Het oppervlak kan beschadigd geraken door sommige detergenten of reinigingsmaterialen. Gebruik geen agressieve detergenten, reinigingspoeder/melk of scherpe voorwerpen tijdens het reinigen.



Gebruik geen stoomreinigers om het toestel schoon te maken, want dat kan elektrische schokken veroorzaken.

Reiniging van de kookplaat

Glazen keramische oppervlakken

Veeg over het glazen keramische oppervlak met een koude vochtige doek om te voorkomen dat er reinigingsmiddel achterblijft. Droog af met een zachte en droge doek. Resten kunnen het glazen keramische oppervlak beschadigen bij het volgende gebruik van de kookplaat.

Gedroogde restjes mogen nooit van het glazen keramische oppervlak worden gekrast met gebogen messen, staalwol of gelijkaardige gereedschappen. Verwijder calciumvlekken (gele vlekken) met een kleine hoeveelheid ontkalker zoals azijn of citroensap. U kunt ook geschikte commercieel beschikbare producten gebruiken.

Breng het reinigingsmiddel aan op een spons en wacht tot het goed ingetrokken is als het oppervlak erg vervuild is. Reinig daarna het oppervlak van de kookplaat met een vochtige doek.



Voedingswaren op basis van suiker, zoals volle room en siroop moeten meteen worden gereinigd zonder te wachten tot het oppervlak is afgekoeld. Anders kan het glazen keramische oppervlak permanent worden beschadigd.

Na verloop van tijd kan de kleur van de deklaag of andere oppervlakken licht vervagen. Dit heeft geen effect op de werking van het product. Vervaging van de kleur en vlekken op het glazen keramische oppervlak zijn normaal en dus geen defect.

Het bedieningspaneel reinigen

Reinig bedieningspaneel en knoppen met een vochtige doek en veeg ze droog.



Verwijder de knoppen van uw product niet tijdens het reinigen van het bedieningspaneel. Het bedieningspaneel kan beschadigd worden!

7 Problemen oplossen

Als de oven verwarmt en koelt geeft deze metaalachtige geluiden.

- Wanneer de metalen onderdelen worden verwarmd, kunnen deze uitzetten en geluid veroorzaken. >>> *Dit is geen fout.*

Het product werkt niet.

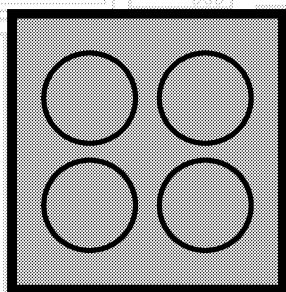
- De hoofdzekering is defect of doorgeslagen. >>> *Controleer zekeringen in de zekeringenkast. Vervang of reset deze indien nodig.*
- De stekker van het product zit niet in het (geaarde) stopcontact. >>> *Controleer de plugkoppeling.*



Raadpleeg de bevoegde serviceagent of de dealer waarbij u het product hebt gekocht als u, ondanks het doorvoeren van de aanwijzingen in dit gedeelte, het probleem niet kunt oplossen. Probeer nooit om een product met gebreken zelf te repareren.

Placa empotrada

Manual del usuario



ES

beko

Lea este manual en primer lugar.

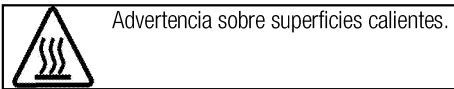
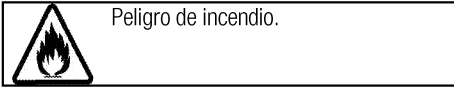
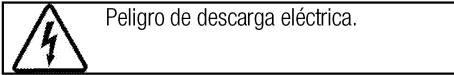
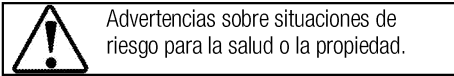
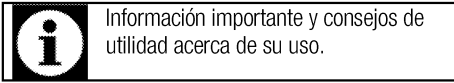
Estimado cliente:

Le agradecemos la compra de un producto Beko. Esperamos que obtenga los mejores resultados de este producto fabricado con materiales de alta calidad y la más avanzada tecnología. Por lo tanto, le rogamos que lea detenidamente el manual de usuario y la documentación que lo acompaña antes de utilizar el producto y los guarde para futuras consultas. Si cede el aparato a un tercero, entréguele también el manual del usuario. Cumpla con todas las advertencias e información del manual de usuario.

Recuerde que este manual del usuario puede ser también aplicable a otros modelos. Las diferencias entre los modelos se identificarán en el manual.

Explicación de los símbolos

A lo largo del manual se utilizan los siguientes símbolos:



Arçelik A.Ş.
Karaağaç caddesi No:2-6
34445 Sütlüce/Istanbul/TURKEY
Made in TURKEY

1 Instrucciones y advertencias importantes para la seguridad y el medio ambiente 4

Seguridad general.....4
 Seguridad eléctrica.....4
 Seguridad del producto.....5
 Uso previsto.....7
 Seguridad de los niños.....7
 Eliminación del aparato.....7
 Eliminación del material de embalaje.....7
 Eliminación del aparato.....8

2 Información general 9

Resumen.....9
 Especificaciones técnicas.....10

3 Instalación 11

Antes de la instalación.....11
 Instalación y conexión.....11

4 Preparaciones 15

Consejos para ahorrar energía.....15
 Uso por primera vez.....15
 Primera limpieza de la unidad.....15

5 Cómo usar la placa 16

Información general sobre la cocción de alimentos.....16
 Uso de las placas.....16

6 Mantenimiento y cuidados 18

Información general.....18
 Limpieza de la placa.....18
 Limpieza del panel de control.....18

7 Resolución de problemas 19

1 Instrucciones y advertencias importantes para la seguridad y el medio ambiente

En esta sección se indican instrucciones sobre la seguridad que le ayudarán a evitar riesgos de lesiones y daños materiales. El incumplimiento de estas instrucciones anulará cualquier garantía.

Seguridad general

- Este aparato podrá ser utilizado por niños mayores de 8 años o adultos con sus capacidades físicas, sensoriales o mentales reducidas, o que carezcan de experiencia y conocimientos, siempre y cuando lo hagan bajo la supervisión de una persona responsable de su seguridad o que ésta les haya dado instrucciones acerca de su uso, y que sean conscientes de los riesgos.
Los niños no deben jugar con el aparato. Los niños no deben acometer las tareas de limpieza y mantenimiento de usuario sin supervisión.
- Este aparato no está destinado a ser utilizado por personas (incluidos niños) con minusvalía física, sensorial o mental, o por falta de experiencia y conocimiento, a menos que sean supervisados o instruidos acerca

del uso por una persona responsable de su seguridad.

Los niños bajo supervisión no deben jugar con el aparato.

- Si da el aparato a otra persona para uso personal o de segunda mano, dele también el manual de instrucciones, las etiquetas del producto y el resto de documentos y piezas correspondientes.
- Deje los procedimientos de instalación y reparación siempre en manos de agentes de servicio autorizados. El fabricante declina toda responsabilidad por los posibles daños derivados de la realización de los citados procedimientos por parte de personas no autorizadas, pudiendo declarar nula la garantía. Antes de la instalación, lea la instrucciones detenidamente.
- No utilice el producto si presenta algún defecto o daño visible.
- Asegúrese de apagar los mandos de función del producto después de cada uso.

Seguridad eléctrica

- Si el aparato tiene una anomalía, no lo use hasta que no lo repare un agente de servicio autorizado.

Existe el riesgo de descarga eléctrica.

- Conecte el aparato únicamente a una toma de corriente o línea provista de toma de tierra y con el voltaje y las medidas de protección que se indican en la tabla "Especificaciones técnicas". Solicite a un electricista cualificado la instalación de la toma de tierra mientras utiliza el aparato con o sin un transformador. Nuestra compañía no se hará responsable de ningún daño que pudiera derivarse del uso del aparato sin conexión a tierra en conformidad con la normativa local.
- Nunca lave el aparato rociando o vertiendo agua sobre él. Existe el riesgo de descarga eléctrica.
- Es preciso desenchufar el aparato durante las operaciones de instalación, mantenimiento, limpieza y reparación.
- En caso de que el cable de alimentación del aparato esté dañado, deberá solicitar su sustitución al fabricante, su agente de servicio técnico o personal cualificado similar con el fin de evitar riesgos.
- Use únicamente el cable de conexión que se indica en "Especificaciones técnicas".

- El aparato debe instalarse de manera que pueda desconectarse completamente de la red. Ello debe ser posible por medio de un enchufe de alimentación o de un interruptor integrado en la instalación eléctrica fija, de acuerdo con las normativas de construcción.
- Deje en manos de personal autorizado y cualificado cualquier operación que deba realizarse sobre sistemas y equipos eléctricos.
- En caso de daños, apague el aparato y desconéctelo de la red eléctrica. Para ello, desconecte el fusible de su hogar.
- Asegúrese de que la corriente del fusible sea compatible con el aparato.

Seguridad del producto

- **ADVERTENCIA:** El aparato y sus piezas accesibles alcanzan temperaturas elevadas durante el uso. Procure no tocar las partes calientes. Mantenga alejados a los niños menores de 8 años a no ser que los someta a vigilancia continua.
- Nunca use el aparato con las facultades de coordinación o discernimiento alteradas por el consumo de alcohol o drogas.
- Tenga cuidado al utilizar bebidas alcohólicas en sus platos. El

alcohol se evapora a altas temperaturas y puede ocasionar un incendio, ya que puede prender al entrar en contacto con superficies calientes.

- No coloque materiales inflamables junto al aparato, ya que sus laterales pueden alcanzar temperaturas elevadas durante el uso.
- Mantenga todas las ranuras de ventilación libres de obstáculos.
- No use limpiadores al vapor para limpiar el aparato, ya que esto podría causar una descarga eléctrica.
- **ADVERTENCIA:** Desatender alimentos que se estén friendo en grasa o aceite sobre una placa puede ser peligroso, ya que podría provocarse un incendio. **JAMÁS** trate de extinguir un incendio con agua; en vez de eso, apague el aparato y cubra las llamas con una tapa o una manta ignífuga, por ejemplo.
- **PRECAUCIÓN:** El proceso de cocción debe ser supervisado. Un proceso de cocción a corto plazo debe ser supervisado continuamente.
- **ADVERTENCIA:** Peligro de incendio: No coloque objetos sobre las superficies de cocción.
- **ADVERTENCIA:** Si la superficie estuviera agrietada, apague el

aparato para evitar la posibilidad de una descarga eléctrica.

- En caso de rotura del cristal de la placa: Apague inmediatamente todos los quemadores y cualquier elemento calefactor eléctrico y desconecte el aparato del suministro eléctrico. No toque la superficie del aparato. No utilice el aparato.
- El aparato no está diseñado para su manejo a través de un temporizador externo o un control remoto independiente.
- La presión del vapor que se forma debido a la presencia de humedad en la superficie de la placa o en la parte inferior de la cazuela puede causar que esta se mueva. Por consiguiente, asegúrese de que tanto la superficie del horno como la parte inferior de las cazuelas estén siempre secas.
- **ADVERTENCIA:** Use únicamente protectores de placa diseñados por el fabricante del aparato de cocina, que ya vengán incorporados al aparato o que según las instrucciones de uso del aparato sean aptos para su uso. El uso de protectores inadecuados puede provocar accidentes.

Para evitar riesgos de incendio:

- Asegúrese de que el enchufe encaje bien en la toma, así como de que no se produzcan chispas.
- No use el cable original si presenta daños o está cortado, ni use cables de extensión.
- Asegúrese de que el enchufe no esté mojado ni húmedo.

Uso previsto

- Este aparato ha sido diseñado para uso doméstico. No está permitido su uso comercial.
- **PRECAUCIÓN:** Este electrodoméstico está destinado únicamente a la cocción de alimentos. No debe utilizarse para ningún otro propósito, por ejemplo para caldear una estancia
- El fabricante no asumirá ninguna responsabilidad en caso de daños derivados de un uso o manejo inadecuados.

Seguridad de los niños

- **ADVERTENCIA:** Las piezas accesibles pueden alcanzar temperaturas elevadas durante el uso. Mantenga a los niños pequeños alejados.
- Los materiales de embalaje son peligrosos para los niños. Mantenga a los niños alejados de los materiales de embalaje. Deshágase de estas piezas del embalaje en conformidad con las

normativas en materia medioambiental.

- Los aparatos eléctricos son peligrosos para los niños. Mantenga a los niños alejados del aparato cuando esté en funcionamiento y no les permita jugar con él.
- No deposite encima del aparato artículos que puedan quedar al alcance de los niños.

Eliminación del aparato

Conformidad con la normativa WEEE y eliminación del aparato al final de su vida útil:



Este producto es conforme con la directiva de la UE sobre residuos de aparatos eléctricos y electrónicos (WEEE) (2012/19/UE). Este producto incorpora el símbolo de la clasificación selectiva para los residuos de aparatos eléctricos y electrónicos (WEEE). Este aparato se ha fabricado con piezas y materiales de primera calidad, que pueden ser reutilizados y son aptos para el reciclado. No se deshaga del producto junto con sus residuos domésticos normales y de otros tipos al final de su vida útil. Llévelo a un centro de reciclaje de dispositivos eléctricos y electrónicos. Solicite a las autoridades locales información acerca de dichos centros de recogida.

Cumplimiento de la directiva RoHS:

El producto que ha adquirido es conforme con la directiva de la UE sobre la restricción de sustancias peligrosas (RoHS) (2011/65/UE). No contiene ninguno de los materiales nocivos o prohibidos especificados en la directiva.

Eliminación del material de embalaje

- Los materiales de embalaje son peligrosos para los niños. Guarde los materiales de embalaje en un lugar seguro y lejos del alcance de los niños. Los materiales de embalaje del aparato se han fabricado con materiales reciclables. Deshágase de ellos de forma adecuada y clasifíquelos según las instrucciones para el reciclaje de residuos. No los arroje a la basura junto con los residuos domésticos normales.

Eliminación del aparato

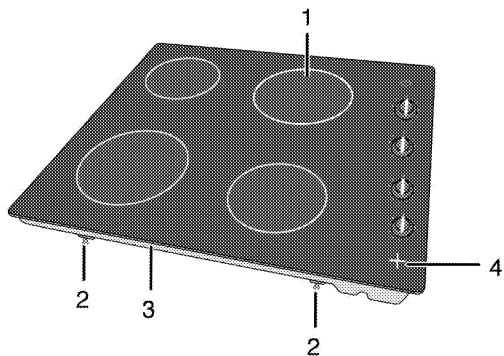
- Guarde la caja de cartón original del aparato y transporte en ella el producto. Siga las instrucciones indicadas en la caja. Si no dispone de la caja de cartón original, envuelva el aparato en plástico de burbujas o cartón grueso y sujételo con cinta adhesiva.



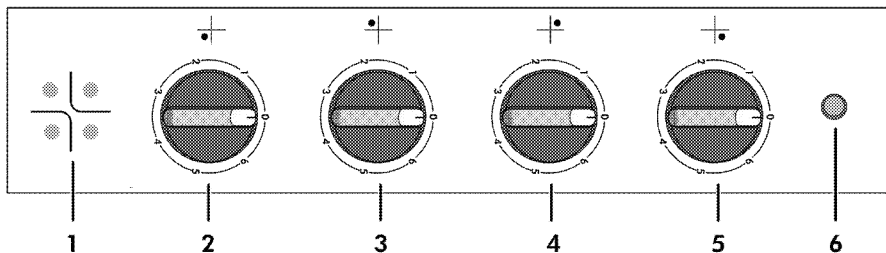
Compruebe el aspecto general del aparato con el fin de identificar posibles daños producidos durante el transporte.

2 Información general

Resumen



- | | | | |
|---|--|---|--------------------------|
| 1 | Plancha de cocción de un solo circuito | 3 | Cubierta base |
| 2 | Abrazadera de montaje | 4 | Piloto de placa caliente |



- | | | | |
|---|--|---|--|
| 1 | Piloto de placa caliente | 4 | Plancha de cocción de un solo circuito Trasera izquierda |
| 2 | Plancha de cocción de un solo circuito Frontal derecha | 5 | Plancha de cocción de un solo circuito Trasera derecha |
| 3 | Plancha de cocción de un solo circuito Frontal izquierda | 6 | Piloto de aviso |

Especificaciones técnicas

| | |
|---|--|
| Voltaje/frecuencia | 220-240 V/380-415V 2N ~ 50 Hz |
| Consumo energético total | 5800 W |
| Tipo de cable / sección | min.H05V2V2-F 3 x 2,5 mm ² / 5 x 1,5 mm ² |
| Dimensiones externas (altura/anchura/profundidad) | 71 mm/580 mm/510 mm |
| Dimensiones de instalación (anchura/profundidad) | 560(+2) mm /490(+2) mm |
| Quemadores | |
| Frontal derecha | Plancha de cocción de un solo circuito |
| Dimensiones | 140 mm |
| Potencia | 1200 W |
| Frontal izquierda | Plancha de cocción de un solo circuito |
| Dimensiones | 180 mm |
| Potencia | 1700 W |
| Trasera izquierda | Plancha de cocción de un solo circuito |
| Dimensiones | 140 mm |
| Potencia | 1200 W |
| Trasera derecha | Plancha de cocción de un solo circuito |
| Dimensiones | 180 mm |
| Potencia | 1700 W |



Las especificaciones técnicas pueden cambiar sin previo aviso con el fin de mejorar la calidad del producto.



Las ilustraciones presentes en el manual son esquemáticas y es posible que no se correspondan exactamente con su producto.



Los valores que se indican en las etiquetas de los productos o en la documentación que los acompaña se obtienen en condiciones de laboratorio de acuerdo con las normativas pertinentes. Estos valores pueden variar en función de las condiciones de funcionamiento y entorno del aparato.

3 Instalación

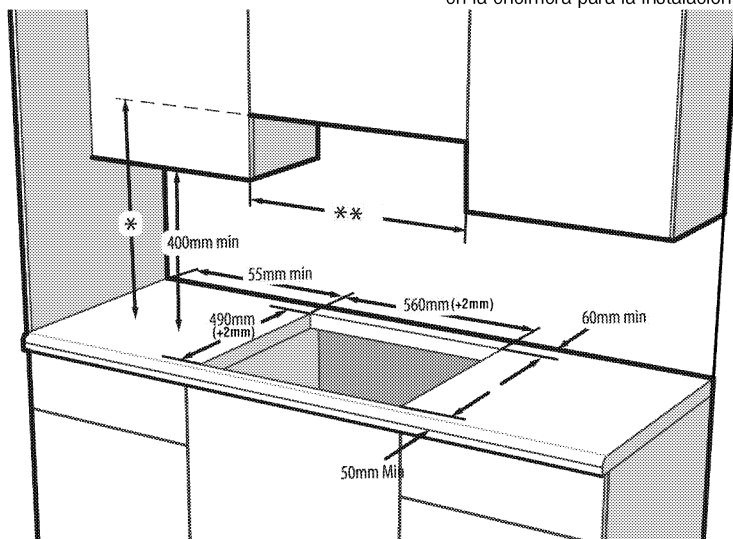
La instalación del aparato debe correr a cargo de una persona cualificada, en conformidad con las normativas vigentes. De lo contrario, la garantía quedará anulada. El fabricante declina toda responsabilidad por los posibles daños derivados de la realización de los citados procedimientos por parte de personas no autorizadas, pudiendo declarar nula la garantía.

| | |
|--|--|
|  | La preparación de la ubicación y de las instalaciones de electricidad son responsabilidad del cliente. |
|  | PELIGRO: La instalación del electrodoméstico debe llevarse a cabo en conformidad con todas las normativas locales sobre gas y electricidad. |
|  | PELIGRO: Antes de proceder a la instalación, compruebe visualmente si el aparato presenta alguna anomalía. Si fuese el caso, no lo instale. Los productos con anomalías suponen un riesgo para la seguridad. |

Antes de la instalación

La placa ha sido diseñada para su instalación sobre una encimera comercial. Es preciso dejar una distancia de seguridad entre el aparato y las paredes de la cocina y los muebles. Vea la ilustración (valores en mm).

- También puede colocarse en posición vertical sin nada a los lados. Deje una distancia mínima de 750 mm por encima de la superficie de la placa.
- (*) Si va a instalar una campana extractora sobre la cocina, consulte las instrucciones de instalación del fabricante de la campana para obtener información sobre la altura de instalación (mín. 650 mm).
- Retire los materiales de embalaje y los bloqueos de transporte.
- Las superficies, laminados sintéticos y adhesivos utilizados deben ser resistentes al calor (100 °C como mínimo).
- La encimera debe estar alineada y fijada horizontalmente.
- Corte una abertura de las dimensiones indicadas en la encimera para la instalación de la placa.



- * Respete la separación mínima con respecto al extractor que se indique en el manual de instrucciones del extractor
- ** La distancia mínima entre los armarios debe ser equivalente a la anchura de la placa

Instalación y conexión

- La instalación del electrodoméstico debe llevarse a cabo en conformidad con todas las normativas locales sobre gas y electricidad.



No instale la placa en lugares con aristas cortantes o esquinas.
Existe el riesgo de rotura de la superficie vitrocerámica.

Conexión eléctrica

Conecte el aparato a una toma o línea provista de toma de tierra y protegida por un disyuntor en miniatura de capacidad adecuada, según se indica en la tabla "Especificaciones técnicas". Solicite a un electricista cualificado la instalación de la toma de tierra mientras utiliza el aparato con o sin un transformador. Nuestra compañía no se hará responsable de ningún daño que pudiera derivarse del uso del aparato sin una instalación de toma de tierra en conformidad con la normativa local.



PELIGRO:

La conexión del producto a la red eléctrica será realizada exclusivamente por un técnico cualificado. El periodo de garantía del producto comienza sólo tras la correcta instalación. El fabricante declina toda responsabilidad por los posibles daños derivados de la realización de los citados procedimientos por parte de personas no autorizadas.



PELIGRO:

El cable de alimentación no debe estar aprisionado, doblado o entrar en contacto con piezas calientes del producto. Si el cable está dañado, deberá sustituirlo un electricista cualificado. En caso contrario existe riesgo de descarga eléctrica, cortocircuito o incendio.

- La conexión debe cumplir con las normativas nacionales.
- Los datos de la red de suministro de electricidad deben corresponderse con los de la placa de tipo del aparato. La placa de tipo se encuentra en la carcasa trasera del aparato.
- El cable de corriente de su aparato debe cumplir con los valores recogidos en la "Tabla de especificaciones".



PELIGRO:

Antes de iniciar cualquier trabajo sobre la instalación eléctrica, desconecte el producto de la red de alimentación eléctrica. Existe el riesgo de descarga eléctrica.

Conexión del cable de alimentación



Al realizar el cableado, debe respetar las regulaciones eléctricas locales/nacionales y debe utilizar la línea/salida de enchufe apropiada y el conector para hornos. En el caso de que los límites de potencia del electrodoméstico estén fuera de la capacidad de conducir corriente de la línea/salida de enchufe, el electrodoméstico debe conectarse a través de una instalación eléctrica fija directamente sin utilizar un enchufe y una línea/salida de enchufe.

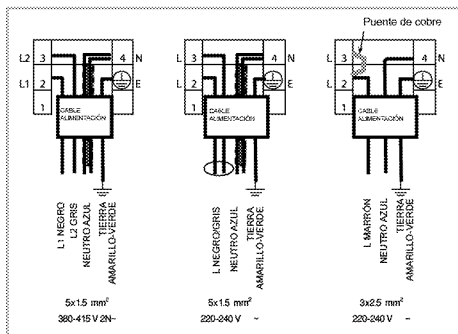
1. **Si el aparato no va acompañado de un cable de alimentación**, deberá conectar un cable de alimentación que deberá seleccionarse de la tabla (*Especificaciones técnicas, pág. 10*) en función de la instalación eléctrica de su domicilio siguiendo las instrucciones del diagrama de cableado.

En caso de que no sea posible desconectar todos los polos en la fuente de suministro eléctrico, deberá conectarse una unidad de desconexión cuya separación entre contactos sea de 3 mm como mínimo (fusibles, interruptores de seguridad de línea, contactores) y cuyos polos estén adyacentes al aparato (pero no encima de él), en conformidad con la normativa del IEE. La no observancia de estas instrucciones puede ocasionar problemas de funcionamiento y la anulación de la garantía del aparato.



Se recomienda una protección adicional en forma de disyuntor de corriente residual.

2. Abra la cubierta del bloque de conexiones con un destornillador.
3. Inserte el cable de alimentación a través de la abrazadera situada debajo del terminal y fije el cable al cuerpo principal por medio del tornillo integrado en la abrazadera.
4. Conecte los cables según el diagrama suministrado.

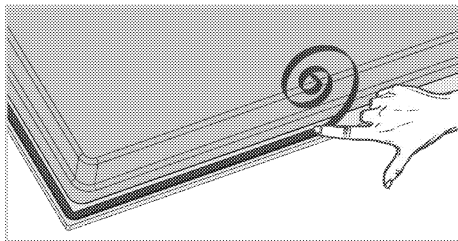


- Una vez completado el cableado, cierre la cubierta del bloque de conexiones.
- Disponga el cable de alimentación de forma que no entre en contacto con el aparato ni quede atrapado entre este y la pared.

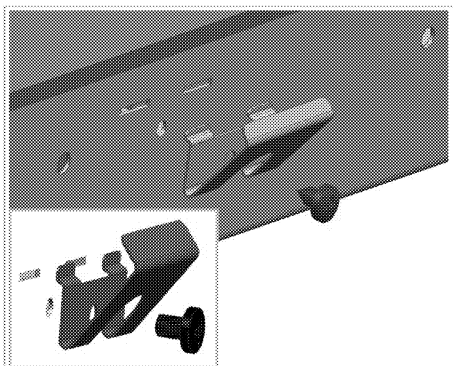
i Por razones de seguridad, el cable de alimentación no debe superar los 2 metros.

Instalación del producto

- Gire la placa boca abajo y colóquela sobre una superficie plana.
- Al instalar la placa, aplique la junta de sellado suministrada en el embalaje alrededor de la placa, tal y como se muestra en la imagen siguiente, asegurándose de que permanezca de 1 a 2 mm en el interior desde el borde exterior del vidrio.



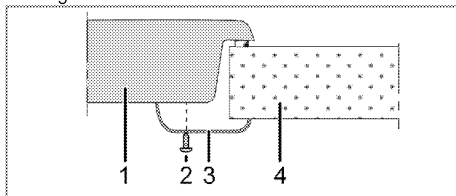
- Fije los soportes de montaje insertándolos y atornillándolos en los orificios de la caja inferior, tal como se muestra en la figura.



i En algunos modelos, su producto ya puede venir con los muelles de montaje instalados.

i El número de resortes de montaje de su producto varía dependiendo del modelo del producto.

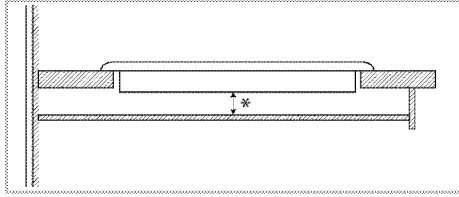
- Coloque la placa sobre la encimera y alinéela.
- Una vez la placa está colocada sobre la encimera, podrá fijarse con facilidad mediante las abrazaderas. Si las dimensiones de la encimera no son las adecuadas, podrán fijarse dos abrazaderas de montaje a la parte frontal del producto, tal como se muestra en la figura siguiente.



- Placa
- Tornillo
- Abrazadera de instalación
- Encimera

i Si va a instalar la placa en un armario, es preciso que coloque un estante para separar la placa del armario, tal y como se muestra en la ilustración anterior. Esto no es necesario cuando instale la placa sobre un horno empotrado.

Por ejemplo, si la parte inferior del aparato quedara al descubierto y por lo tanto fuese posible tocarla porque el aparato está instalado encima de un cajón, dicha sección deberá cubrirse con una plancha de madera.

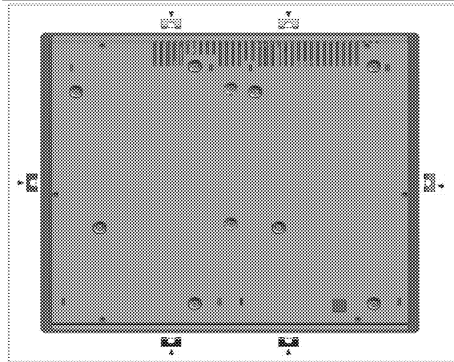


* min. 15 mm

Vista trasera (orificios de conexión)



La ubicación de los orificios de conexión que se muestran en la siguiente figura son esquemáticos y pueden variar dependiendo del modelo del producto. Fíjelos según los orificios de conexión de su producto.



PELIGRO:

Realizar conexiones a diferentes orificios no es muy recomendable en términos de seguridad, ya que podría dañar el sistema de suministro eléctrico y de gas.



PELIGRO:

La placa contiene componentes que funcionan con gas y electricidad. Por esta razón, la placa debe fijarse en la estantería únicamente con los agujeros de fijación, únicamente con los elementos y tornillos de fijación que vienen con el aparato y tal y como se indica en el manual. De lo contrario, supondrá un riesgo para la propiedad.



El número de resortes de montaje de su producto varía dependiendo del modelo del producto.

Comprobación final

1. Utilizar el producto.
2. Compruebe las funciones.

4 Preparaciones

Consejos para ahorrar energía

La siguiente información le ayudará a utilizar su aparato de manera respetuosa con el medio ambiente y a ahorrar energía.

- Descongele los platos congelados antes de cocinarlos.
- Utilice sartenes y cazuelas con tapa para cocinar. Sin tapa, el consumo de energía se multiplica por 4.
- Seleccione el quemador más adecuado para el tamaño de la base del recipiente que vaya a utilizar. Seleccione siempre el recipiente de tamaño más adecuado para sus platos. Los recipientes más grandes requieren más energía.
- No olvide utilizar recipientes de base plana cuando cocine en placas eléctricas. Los recipientes de base más gruesa proporcionarán una mejor conducción del calor. Puede reducir hasta un tercio el consumo energético.
- Los recipientes deben ser compatibles con las zonas de cocción. La base de los recipientes no debe ser mas pequeña que la zona de cocción.

- Mantenga limpias las zonas de cocción y las bases de los recipientes de cocina. La presencia de suciedad reducirá la conducción de calor entre la zona de cocción y la base del recipiente.
- Para procesos de cocción largos, apague la zona de cocción 5 o 10 minutos antes de que finalice el periodo de cocción. Puede ahorrar hasta un 20% de energía utilizando el calor residual.

Uso por primera vez

Primera limpieza de la unidad



La superficie podría resultar dañada por la acción de algunos detergentes o agentes de limpieza.

No utilice detergentes agresivos, polvos/cremas limpiadoras, ni tampoco ningún objeto afilado.

1. Retire todos los materiales de embalaje.
2. Pase un paño humedecido o una esponja por todas las superficies de la unidad y seque con un trapo.

5 Cómo usar la placa

Información general sobre la cocción de alimentos



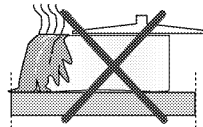
Nunca vierta en una sartén una cantidad de aceite superior a un tercio de su capacidad. No deje la placa desatendida mientras se calienta el aceite. Los aceites sobrecalentados suponen un riesgo de incendio. **Nunca trate de extinguir un incendio con agua.** Si el aceite prende, cubra el recipiente con una manta ignífuga o un paño húmedo. Apague la placa si es seguro hacerlo y llame a los bomberos.

- Antes de freír alimentos, siempre séquelos bien y deposítelos con suavidad en el aceite caliente. Asegúrese de que los alimentos congelados se hayan descongelado completamente antes de freírlos.
- No cubra los recipientes en los que caliente aceite.
- Coloque las ollas y cazuelas de forma que sus asas no queden situadas encima de la placa, para evitar que se calienten. No utilice recipientes que no guarden bien el equilibrio y puedan volcarse con facilidad.
- No coloque recipientes vacíos en las zonas de cocción activas, ya que podrían dañarse.
- Si utiliza las zonas de cocción sin haber colocado encima un recipiente, el aparato podría sufrir daños. Apague las zonas de cocción una vez completada la cocción.
- Dado que la superficie del producto podría estar caliente, no coloque sobre ella recipientes de plástico o aluminio. Limpie inmediatamente cualquier residuo de dichos materiales que pueda haber quedado sobre la superficie. No se recomienda tampoco el uso de este tipo de recipientes para conservar alimentos.
- Utilice únicamente recipientes de base plana.
- Deposite una cantidad de alimentos adecuada en las ollas y cazuelas. De esta forma evitará limpiezas innecesarias por rebosamiento. No deposite las tapas de las ollas y cazuelas sobre las zonas de cocción. Coloque las ollas de forma que queden centradas en la zona de cocción. Cuando desee

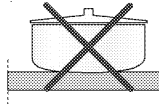
cambiar de zona de cocción un recipiente, levántelo y deposítelo sobre la nueva zona de cocción, en lugar de deslizarlo.

Consejos sobre placas vitrocerámicas

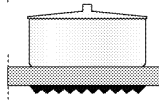
- La superficie vitrocerámica es resistente al calor, y no se ve afectada por las grandes diferencias de temperatura.
- No utilice la superficie vitrocerámica como almacén o como tabla de corte.
- Utilice únicamente ollas y cazuelas con bases mecanizadas. Los bordes angulados pueden rayar la superficie.
- No utilice recipientes de aluminio. El aluminio daña la superficie vitrocerámica.



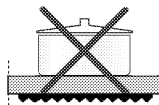
Los derramamientos pueden dañar la superficie vitrocerámica y causar incendios.



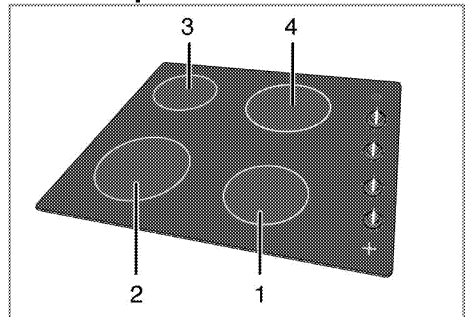
No utilice recipientes de base cóncava o convexa.



Utilice únicamente ollas y cazuelas de base plana, ya que facilitan la transferencia del calor. Si el diámetro del recipiente es demasiado pequeño, estará derrochando energía.



Uso de las placas



- 1 Plancha de cocción de un solo circuito 14-16cm
- 2 Plancha de cocción de un solo circuito 18-20cm
- 3 Plancha de cocción de un solo circuito 14-16cm

- 4 Plancha de cocción de un solo circuito 18-20 cm es la lista de los diámetros aconsejados para las cazuelas utilizadas en los correspondientes quemadores.



PELIGRO:

No deje caer ningún objeto sobre la placa. Incluso los objetos pequeños, como por ejemplo un salero, pueden dañarla. No utilice la placa si está resquebrajada. Podría penetrar agua en las grietas y causar un cortocircuito. Si la superficie presentara cualquier tipo de daño (p. ej. grietas visibles), apague inmediatamente el aparato para reducir el riesgo de descarga eléctrica.

La placa vitrocerámica dispone de un piloto de funcionamiento y un indicador de advertencia de zona caliente.

El indicador de advertencia de zona caliente indica el estado de la zona activa y permanece encendido hasta que la plancha se apaga. Cuando la temperatura de la plancha se reduce hasta un nivel que permita el contacto con la mano, el indicador de advertencia se apaga. El parpadeo del indicador de advertencia de zona caliente no debe considerarse una anomalía.

Encendido de la planchas cerámicas

Las planchas se controlan a través de los mandos de control de la placa. Para obtener la potencia de cocción deseada, gire los mandos de control de la placa hasta el nivel correspondiente.

| Nivel de cocción | 1 | 2 — 3 | 4 — 6 |
|------------------|---------------|--------------------------------|-------------------------|
| | calentamiento | guisado, cocción a fuego lento | cocción, asado, hervido |

Apagado de las planchas cerámicas

Gire el mando de la plancha hasta la posición de apagado (superior).

6 Mantenimiento y cuidados

Información general

La limpieza a intervalos regulares del aparato prolongará su vida útil y reducirá la frecuencia de aparición de los problemas más frecuentes.



PELIGRO:

Desconecte el producto de la red de alimentación antes de iniciar las tareas de mantenimiento y limpieza.

Existe el riesgo de descarga eléctrica.



PELIGRO:

Antes de limpiar el aparato deje que se enfríe. Las superficies calientes pueden causar quemaduras.

- Limpie el producto concienzudamente después de cada uso. De esta manera eliminará los residuos de alimentos con mayor facilidad, evitando que se quemen la próxima vez que utilice el aparato.
- No es necesario utilizar agentes limpiadores especiales para limpiar el aparato. Limpie el aparato con un paño suave o esponja humedecido en agua caliente con un producto limpiador y séquelo con un paño suave.
- Asegúrese de secar bien la placa tras la limpieza y de enjuagar inmediatamente cualquier líquido derramado.
- No utilice productos de limpieza que contengan ácido o cloro para limpiar las superficies inoxidable y el asa. Utilice un paño suave con un detergente líquido no abrasivo para la limpieza de esas partes, procurando pasar el paño siempre la misma dirección.



La superficie podría resultar dañada por la acción de algunos detergentes o agentes de limpieza.

No utilice detergentes agresivos, polvos/cremas limpiadoras, ni tampoco ningún objeto afilado.



No use limpiadores al vapor para limpiar el aparato, ya que esto podría causar una descarga eléctrica.

Limpieza de la placa

Superficies vitrocerámicas

Pase un paño humedecido en agua fría sobre la superficie vitrocerámica de forma que no quede ningún resto de producto de limpieza sobre ella. Séquela con un paño suave y seco. Los residuos podrían dañar la superficie vitrocerámica la próxima vez que utilice la placa.

Los residuos que se hayan secado sobre la superficie vitrocerámica no deben eliminarse bajo ningún concepto con cuchillas de hoja curva, lana de acero o utensilios similares.

Eliminen las manchas de calcio (manchas amarillas) con una pequeña cantidad de una sustancia antical como vinagre, zumo de limón o alguno de los productos disponibles comercialmente.

Si la superficie presenta un grado alto de suciedad, aplique el producto de limpieza con una esponja y espere hasta que se haya absorbido bien. A continuación limpie la superficie de la placa con un paño humedecido.



Los alimentos azucarados como la crema o el almibar deben eliminarse inmediatamente, sin esperar a que la superficie se enfríe. De lo contrario, la superficie vitrocerámica podría sufrir daños permanentes.

Es posible que, con el tiempo, los recubrimientos y otras superficies sufran una ligera decoloración, cosa que no afectará al funcionamiento del aparato.

La decoloración y la aparición de manchas en la superficie vitrocerámica es normal, no un defecto.

Limpieza del panel de control

Limpie el panel y los mandos de control con un paño húmedo y a continuación séquelos.



Si su aparato viene equipado con botones/mandos no retire los mandos de control para limpiar el panel de control. Puede dañarse el panel de control.

7 Resolución de problemas

El aparato emite ruidos metálicos durante el calentamiento y el enfriamiento.

- Las piezas metálicas se calientan y pueden expandirse y causar ruido. >>> *Esto no constituye ninguna anomalía.*

El aparato no funciona.

- El fusible de red es defectuoso o se ha disparado. >>> *Compruebe los fusibles contenidos en la caja de fusibles. En caso necesario, sustitúyalos o reinícelos.*
- El producto no está conectada a la toma (con conexión a tierra). >>> *Compruebe la conexión del enchufe.*



Consulte a un servicio técnico autorizado o al comercio donde haya adquirido el producto si no puede solucionar el problema después de seguir las instrucciones de esta sección. No intente reparar usted mismo un producto defectuoso.

