



## Refrigerator-Freezer type I

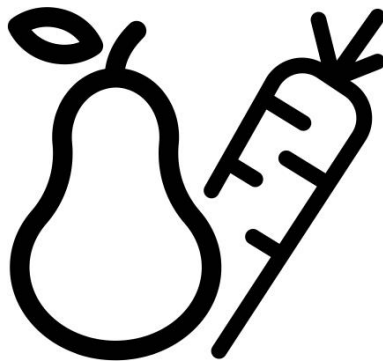
Instruction of use

## Réfrigérateur-Congélateur Type I

Notice d'utilisation

ا ثلاجة - نوع الفريزر

تعليمات الاستخدام



RDSA43W

EN-FR-AR



## EN Index

Safety first /1  
Electrical requirements /2  
Transportation instructions /2  
Installation instructions /2  
Getting to know your appliance /3  
Suggested arrangement of food in the appliance /3  
Temperature control and adjustment /4  
Before operating; Storing frozen food /4  
Freezing fresh food /4  
Making ice cubes /5  
Defrosting /5  
Replacing the interior light bulb /6  
Cleaning and care /6  
Repositioning the door /6  
Do's and don'ts /7  
Troubleshooting /8

## FR Sommaire

La sécurité d'abord /9  
Conditions électriques /10  
Instructions de transport /10  
Instructions d'installation /10  
Apprendre à connaître votre appareil /11  
Suggestion d'agencement des denrées dans l'appareil /11  
Commande de température et réglage /12  
Avant l'utilisation /12  
Conservation des denrées surgelées /12  
Congélation des produits frais /12  
Fabrication de glaçons /13  
Dégivrage /13  
Remplacer l'ampoule intérieure /13  
Repositionnement de la porte /13  
Nettoyage et entretien /14  
À faire / À éviter /15  
Diagnostic /16

## AR الفهرس

السلامة أولاً /17  
المتطلبات الكهربائية /18  
إرشادات النقل /18  
إرشادات التركيب /18  
التعرف على الجهاز الخاص بك /19  
الترتيب المقترح للأطعمة داخل الجهاز /19  
التحكم في درجة الحرارة والضبط /19  
قبل التشغيل /19  
تخزين الأطعمة المجمدة /20  
تجميد الأطعمة الطازجة /20  
إعداد مكعبات الثلج /20  
إذابة التجمد /20  
استبدال مصباح الإضاءة الداخلي /21  
التنظيف والعناية /21  
إعادة ضبط موضع الباب /21  
ما يجب عمله وما لا يجب عمله /22  
استكشاف الأعطال وإصلاحها /23



## **WARNING!**

In order to ensure a normal operation of your refrigerating appliance, which uses a completely environmentally friendly refrigerant the R600a (flammable only under certain conditions) you must observe the following rules:

- Do not hinder the free circulation of the air around the appliance.
- Do not use mechanic devices in order to accelerate the defrosting, others than the ones recommended by the manufacturer.
- Do not destroy the refrigerating circuit.
- Do not use electric appliances inside the food cheeping compartment, others than those that might have been recommended by the manufacturer.

## **ATTENTION!**

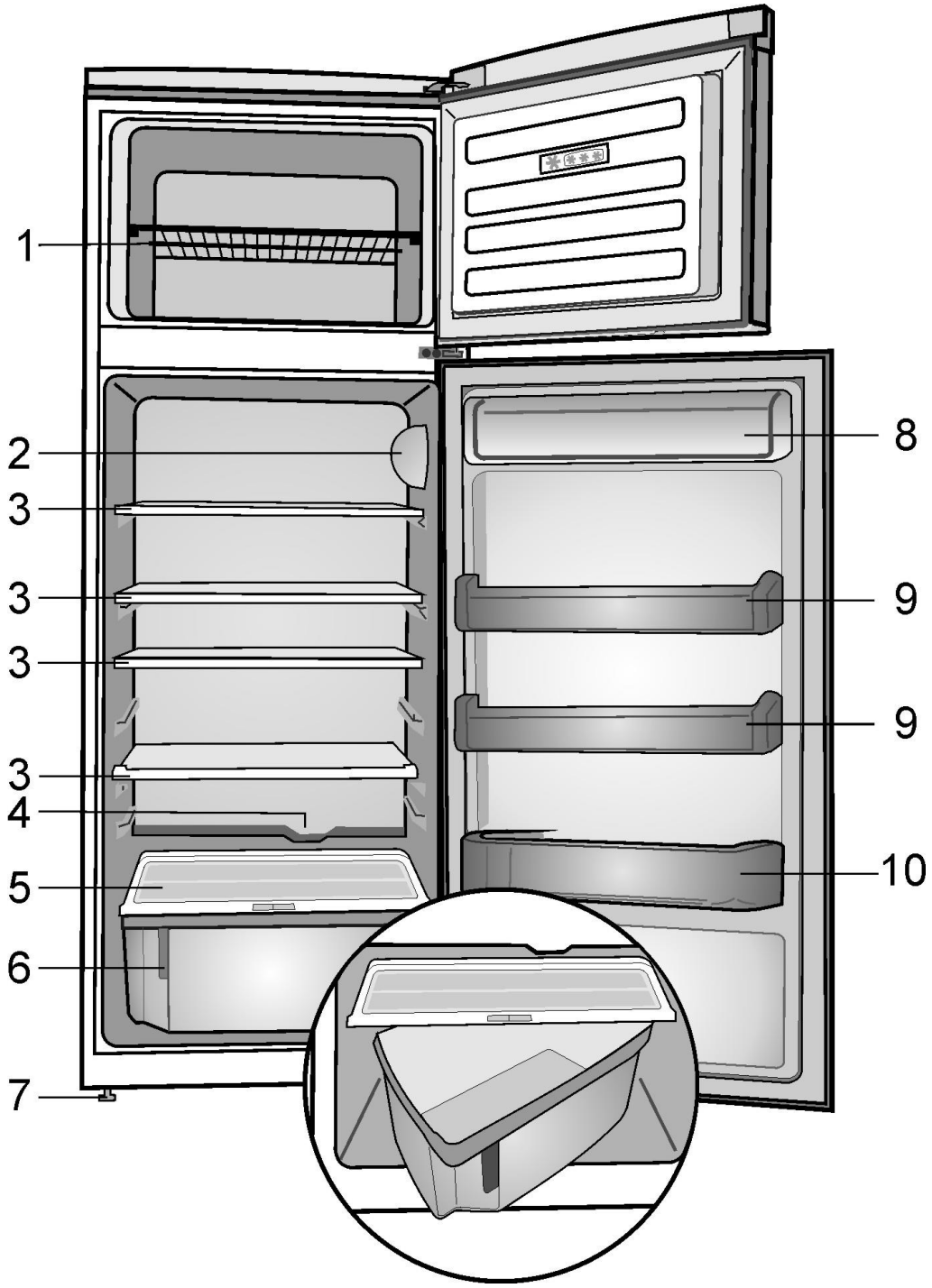
Pour assûrer un fonctionnement normal de votre appareil qui utilise un agent frigorifique complètement écologique, R600a (inflammable seulement dans certaines conditions) vous devez respecter les règles suivantes:

- N'empêchez pas la libre circulation de l'air autour de l'appareil.
- N'utilisez pas des dispositifs mécaniques pour accélérer le dégivrage, autres que ceux recommandés par le fabricant.
- Ne détruisez pas le circuit frigorifique.
- N'utilisez pas des appareils électriques à l'intérieur du compartiment pour conserver les denrées, apart celles qui sont éventuellement recommandés par le fabricant.

## **تحذير!**

لضمان التشغيل الطبيعي لجهاز التبريد لديك، والذي يستخدم سائل تبريد صديق للبيئة تمامًا ( R600a قابل للاشتعال في ظروف معينة فقط)، يتعين عليك مراعاة القواعد التالية:

- لا تضع شيئاً معوقاً لحرية تدوير الهواء حول الجهاز.
- لا تستخدم أدوات ميكانيكية لتسريع عملية إزالة الثلج، بخلاف الأدوات التي توصي بها الجهة المصنعة.
- لا تعتمد إلى إتلاف دائرة التبريد.
- لا تستخدم أدوات كهربائية داخل صندوق حفظ الطعام بالجهاز، بخلاف تلك الموصى بها من قبل الجهة المصنعة.

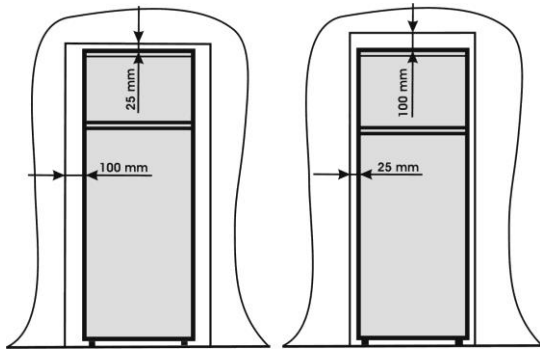


1

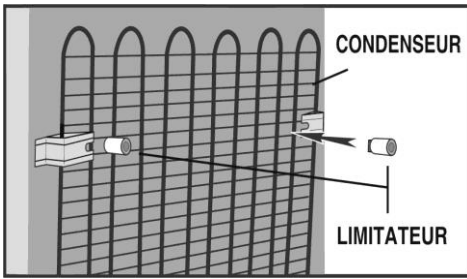
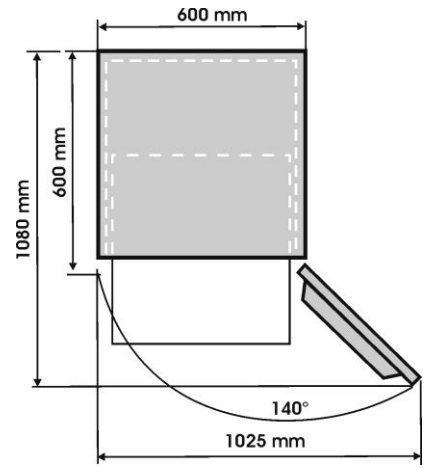
❶ Figures that take place in this instruction manual are schematic and may not correspond exactly with your product. If the subject parts are not included in the product you have purchased, then it is valid for other models.

❶ Les illustrations présentées dans cette notice d'utilisation sont schématiques et peuvent ne pas correspondre exactement à votre produit. Si certains fonctions ne sont pas inclus dans le produit que vous avez acheté, ils concerneront d'autres modèles.

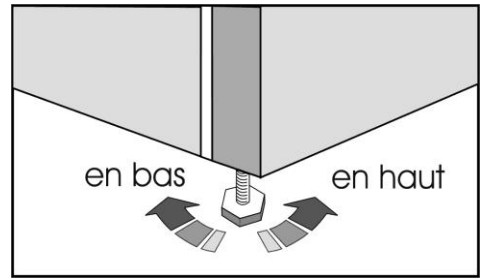
❶ الأشكال الواردة في دليل التعليمات هذا هي رسومات بيانية وقد لا تتطابق تمامًا مع المنتج. إذا لم تكن هذه القطع واردة في هذا الجهاز الذي اشتريته، فإنها مناسبة لأنواع أخرى.



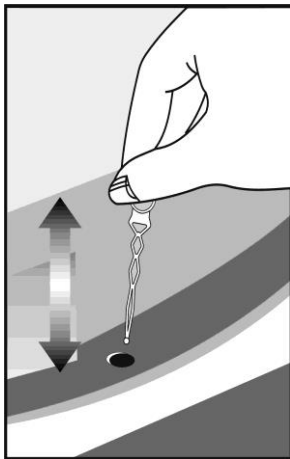
2



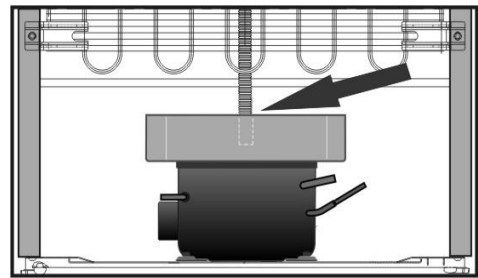
3



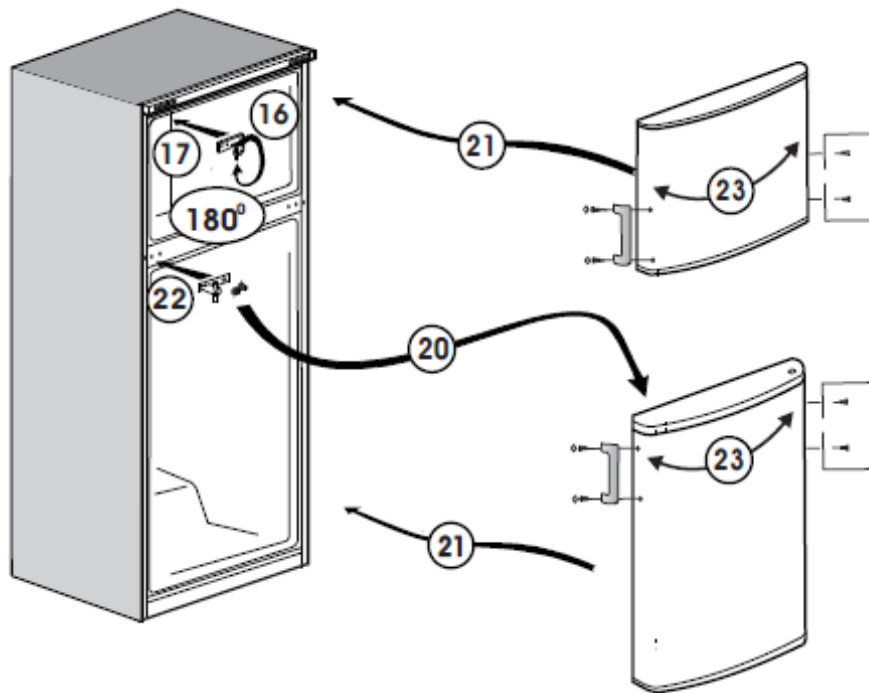
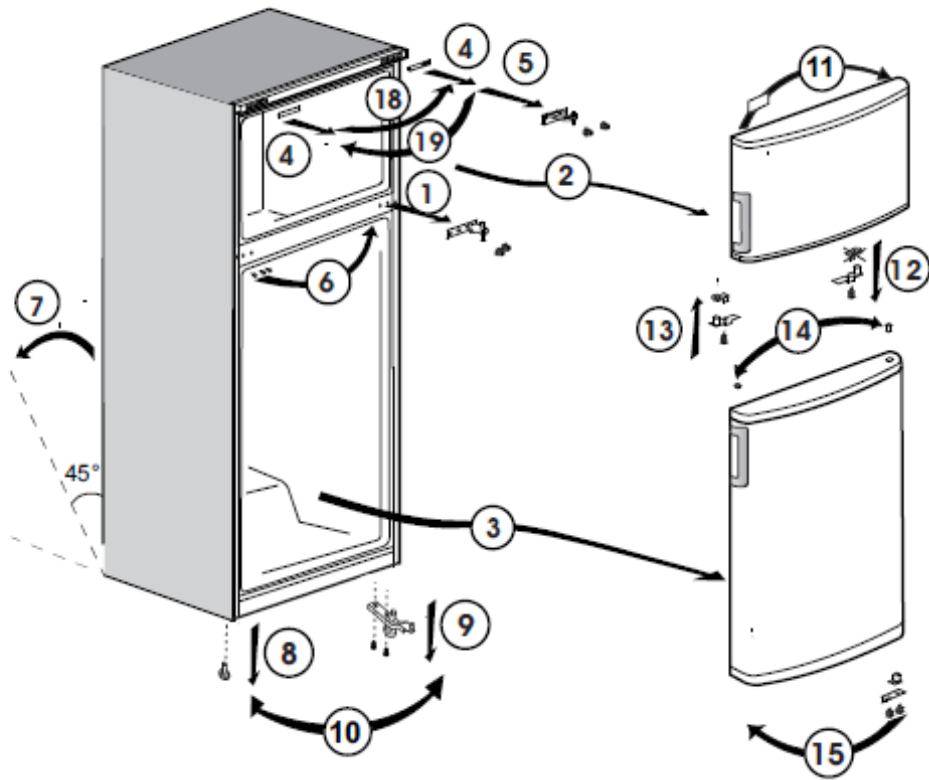
4



5



6



Congratulations on your choice of a **BEKO** Quality Appliance, designed to give you many years of service.

### ***Safety first!***

Do not connect your appliance to the electricity supply until all packing and transit protectors have been removed.

- Leave to stand for at least 4 hours before switching on, to allow compressor oil to settle, if transported horizontally.
- If you are discarding an old appliance with a lock or latch fitted to the door, ensure that it is left in a safe condition to prevent the entrapment of children.
- This appliance must only be used for its intended purpose.
- Do not dispose of the appliance on a fire. Your appliance contains non CFC substances in the insulation which are flammable. We suggest you contact your local authority for information on disposal and available facilities.
- We do not recommend use of this appliance in an unheated, cold room. (e.g. garage, conservatory, annex, shed, out-house etc.)

To obtain the best possible performance and trouble free operation from your appliance it is very important to read these instructions carefully. Failure to observe these instructions may invalidate your right to free service during the guarantee period.

Please keep these instructions in a safe place for easy reference.

Original Spare parts will be provided for 10 years, following the product purchasing date.

**This appliance is not intended for use by person with reduced physical, sensory or mental capabilities or lack of experience and knowledge unless they have been given supervision or instruction concerning use of the appliance by a person responsible for their safety.  
Children should be supervised to ensure that they do not play with the appliance.**



## Electrical requirements

Before inserting the plug into the wall socket make sure that the voltage and the frequency shown in the rating plate inside the appliance corresponds to your electricity supply. We recommend that this appliance is connected to the mains supply via a suitably switched and fused socket in a readily accessible position.

### **Warning! This appliance must be earthed.**

Repairs to electrical equipment should only be performed by a qualified technician. Incorrect repairs carried out by an unqualified person are carry risks that may have critical consequences for the user of the appliance.

### **ATTENTION!**

This appliance operates with R600a which is an environmental friendly but flammable gas. During the transportation and fixing of the product, care must be taken not to damage the cooling system. If the cooling system is damaged and there is a gas leakage from the system, keep the product away from open flame sources and ventilate the room for a while.

**WARNING** - Do not use mechanical devices or other means to accelerate the defrosting process, others than those recommended by the manufacturer.

**WARNING** - Do not damage the refrigerant circuit.

**WARNING** - Do not use electrical appliances inside the food storage compartments of the appliance, unless they are of the type recommended by the manufacturer.

**WARNING** - If the supply cord is damaged, it must be replaced by the manufacturer, its service agent or similarly qualified persons in order to avoid a hazard.

## Transportation instructions

1. The appliance should be transported only in an upright position. The packing as supplied must be intact during transportation.

2. If during the transport the appliance, has been positioned horizontally, it must not be operated for at least 4 hours, to allow the system to settle.

3. Failure to comply with the above instructions could result in damage to the appliance, for which the manufacturer will not be held liable.

4. The appliance must be protected against rain, moisture and other atmospheric influences.

### **Important!**

- Care must be taken while cleaning/carrying the appliance not to touch the bottom of the condenser metal wires at the back of the appliance, as this could cause injury to fingers and hands.
- Do not attempt to sit or stand on top of your appliance as it is not designed for such use. You could injure yourself or damage the appliance.
- Make sure that the mains cable is not caught under the appliance during and after moving, as this could damage the cable.
- Do not allow children to play with the appliance or tamper with the controls.

## Installation instructions

1. Do not keep your appliance in a room where the temperature is likely to fall below 10 degrees C (50 degrees F) at night and/or especially in winter, as it is designed to operate in ambient temperatures between +10 and +38 degrees C (50 and 100 degrees F). At lower temperatures the appliance may not operate, resulting in a reduction in the storage life of the food.

2. Do not place the appliance near cookers or radiators or in direct sunlight, as this will cause extra strain on the appliance's functions. If installed next to a source of heat or freezer, maintain the following minimum side clearances:

From Cookers 30 mm

From Radiators 300 mm

From Freezers 25 mm

3. Make sure that sufficient room is provided around the appliance to ensure free air circulation (**Item 2**).

- Put the back airing lid to the back of your refrigerator to set the distance between the refrigerator and the wall (**Item 3**).

4. The appliance should be positioned on a smooth surface. The two front feet can be adjusted as required. To ensure that your appliance is standing upright adjust the two front feet by turning clockwise or anti-clockwise, until firm contact is secured with the floor. Correct adjustment of feet prevents excessive vibration and noise **(Item 4)**.

5. Refer to "Cleaning and Care" section to prepare your appliance for use.

### **Getting to know your appliance**


(Item 1)


- 1 - Freezer shelf
- 2 - Thermostat and lamp housing
- 3 - Adjustable Cabinet shelves
- 4 - Defrost water collection channel - Drain tube
- 5 - Crisper cover
- 6 - Crisper
- 7 - Adjustable front feet
- 8 - Dairy Compartment
- 9 - Jars shelf
- 10 - Bottle shelf

### **Suggested arrangement of food in the appliance**

Guidelines for obtaining optimum storage and hygiene:

1. The fridge compartment is for the short-term storage of fresh food and drinks.

2. The freezer compartment is  rated and suitable for the freezing and storage of pre-frozen food.

The recommendation for  storage as stated on the food packaging should be observed at all times.

3. Dairy products should be stored in the special compartment provided in the door liner.

4. Cooked dishes should be stored in airtight containers.

5. Fresh wrapped produce can be kept on the shelf. Fresh fruit and vegetables should be cleaned and stored in the crispers.

6. Bottles can be kept in the door section.

7. To store raw meat, wrap in polythene bags and place on the lowest shelf. Do not allow to come into contact with cooked food, to avoid contamination. For safety, only store raw meat for two to three days.

8. For maximum efficiency, the removable shelves should not be covered with paper or other materials to allow free circulation of cool air.

9. Do not keep vegetable oil on door shelves. Keep the food packed, wrapped or covered. Allow hot food and beverages to cool before refrigerating. Leftover canned food should not be stored in the can.

10. Fizzy drinks should not be frozen and products such as flavoured water ices should not be consumed too cold.

11. Some fruit and vegetables suffer damage if kept at temperatures near 0°C. Therefore wrap pineapples, melons, cucumbers, tomatoes and similar produce in polythene bags.

12. High-proof alcohol must be stored upright in tightly closed containers. Never store products that contain an inflammable propellant gas (e.g. cream dispensers, spray cans, etc.) or explosive substances. These are an explosion hazard.

## **Temperature control and adjustment**

Operating temperatures are controlled by the thermostat knob and may be set at any position between 1 and 5 (the coldest position).

If the thermostat knob is in position "0" the appliance is off. In this case neither the lamp for inside lighting will light.

The average temperature inside the fridge should be around +5°C (+41°F).

Therefore adjust the thermostat to obtain the desired temperature. Some sections of the fridge may be cooler or warmer (such as salad crisper and top part of the cabinet) which is quite normal. We recommend that you check the temperature periodically with a thermometer to ensure that the cabinet is kept to this temperature. Frequent door openings cause internal temperatures to rise, so it is advisable to close the door as soon as possible after use.

## **Before operating**

### **Final Check**

Before you start using the appliance check that:

1. The feet have been adjusted for perfect levelling.
2. The interior is dry and air can circulate freely at the rear.
3. The interior is clean as recommended under "Cleaning and care."
4. The plug has been inserted into the wall socket and the electricity is switched on.

When the door is open the interior light will come on.

### **And note that:**

5. You will hear a noise as the compressor starts up. The liquid and gases sealed within the refrigeration system may also make some (noise), whether the compressor is running or not. This is quite normal.

6. Slight undulation of the top of the cabinet is quite normal due to the manufacturing process used; it is not a defect.

7. We recommend setting the thermostat knob midway and monitor the temperature to ensure the appliance maintains desired storage temperatures (See section Temperature Control and Adjustment).

8. Do not load the appliance immediately it is switched on. Wait until the correct storage temperature has been reached. We recommend checking the temperature with an accurate thermometer (see; Temperature Control and Adjustment).

## **Storing frozen food**

Your freezer is suitable for the long-term storage of commercially frozen foods and also can be used to freeze and store fresh food. If there is a power failure, do not open the door. Frozen food should not be affected if the failure lasts for less than 19 hrs. If the failure is longer, then the food should be checked and either eaten immediately or cooked and then re-frozen.

## **Freezing fresh food**

Please observe the following instructions to obtain the best results.

Do not freeze too large a quantity at any one time. The quality of the food is best preserved when it is frozen right through to the core as quickly as possible.

Do not exceed the freezing capacity of your appliance in 24 h.

Placing warm food into the freezer compartment causes the refrigeration machine to operate continuously until the food is frozen solid. This can temporarily lead to excessive cooling of the refrigeration compartment.

When freezing fresh food, keep the thermostat knob at medium position. Small quantities of food up to 1/2 kg. (1 lb) can be frozen without adjusting the temperature control knob.

Take special care not to mix already frozen food and fresh food.

### ***Making ice cubes***

Fill the ice - cube tray 3/4 full with water and place it in the freezer. Loosen frozen trays with a spoon handle or a similar implement; never use sharp-edged objects such as knives or forks.

### ***Defrosting***

#### ***A) Fridge compartment***

The fridge compartment defrosts automatically. The defrost water runs to the drain tube via a collection container at the back of the appliance (**Item 5**).

During defrosting, water droplets may form at the back of the fridge compartment where a concealed evaporator is located. Some droplets may remain on the liner and refreeze when defrosting is completed. Do not use pointed or sharp-edged objects such as knives or forks to remove the droplets which have refrozen.

If, at any time, the defrost water does not drain from the collection channel, check that no food particles have blocked the drain tube. The drain tube can be cleared with a pipe-cleaner or similar implement.

Check that the tube is permanently placed with its end in the collecting tray on the compressor to prevent the water spilling on the electric installation or on the floor (**Item 6**).

#### ***B) Freezer compartment***

Defrosting is very straightforward and without mess, thanks to a special defrost collection basin.

Defrost twice a year or when a frost layer of around 7 (1/4") mm has formed. To start the defrosting procedure, switch off the appliance at the socket outlet and pull out the mains plug.

All food should be wrapped in several layers of newspaper and stored in a cool place (e.g. fridge or larder).

Containers of warm water may be placed carefully in the freezer to speed up the defrosting.

Do not use pointed or sharp-edged objects, such as knives or forks to remove the frost. Never use hairdryers, electrical heaters or other such electrical appliances for defrosting. Sponge out the defrost water collected in the bottom of the freezer compartment. After defrosting, dry the interior thoroughly. Insert the plug into the wall socket and switch on the electricity supply.

### ***Replacing the interior light bulb***

To change the Bulb/LED used for illumination of your refrigerator, call your Authorised Service.

The lamp(s) used in this appliance is not suitable for household room illumination. The intended purpose of this lamp is to assist the user to place foodstuffs in the refrigerator/freezer in a safe and comfortable way.

The lamps used in this appliance have to withstand extreme physical conditions such as temperatures below -20°C.

### ***Cleaning and care***

1. We recommend that you switch off the appliance at the socket outlet and pull out the mains plug before cleaning.

2. Never use any sharp instruments or abrasive substances, soap, household cleaner, detergent or wax polish for cleaning.

3. Use luke warm water to clean the cabinet of the appliance and wipe it dry.

4. Use a damp cloth wrung out in a solution of one teaspoon of bicarbonate of soda to one pint of water to clean the interior and wipe it dry.

5. Make sure that no water enters the temperature control box.

6. If the appliance is not going to be used for a long period of time, switch it off, remove all food, clean it and leave the door ajar.

7. We recommend that you polish the metal parts of the product (i.e. door exterior, cabinet sides) with a silicone wax (car polish) to protect the high quality paint finish.

8. Any dust that gathers on the condenser, which is located at the back of the appliance, should be removed once a year with a vacuum cleaner.

9. Check door seals regularly to ensure they are clean and free from food particles.

10. Never:

- Clean the appliance with unsuitable material; eg petroleum based products.
- Subject it to high temperatures in any way,
- Scour, rub etc., with abrasive material.

11. Removal of dairy cover and door tray :

- To remove the dairy cover, first lift the cover up by about an inch and pull it off from the side where there is an opening on the cover.
- To remove a door tray, remove all the contents and then simply push the door tray upwards from the base.

12. Make sure that the special plastic container at the back of the appliance which collects defrost water is clean at all times. If you want to remove the tray to clean it, follow the instructions below:

- Switch off at the socket outlet and pull out the mains plug
- Gently uncrimp the stud on the compressor, using a pair of pliers, so that the tray can be removed
- Lift it up.
- Clean and wipe it dry
- Reassemble, reversing the sequence and operations

13. Large accumulation of ice will impair the performance of the freezer.

### ***Repositioning the door***

Proceed in numerical order **(Item 7)**.

**Do's and don'ts**

- Do-** Clean and defrost your appliance regularly (See "Defrosting")
- Do-** Keep raw meat and poultry below cooked food and dairy products.
- Do-** Take off any unusable leaves on vegetables and wipe off any soil.
- Do-** Leave lettuce, cabbage, parsley and cauliflower on the stem.
- Do-** Wrap cheese firstly in greaseproof paper and then in a polythene bag, excluding as much air as possible. For best results, take out of the fridge compartment an hour before eating.
- Do-** Wrap raw meat and poultry loosely in polythene or aluminium foil. This prevents drying.
- Do-** Wrap fish and offal in polythene bags.
- Do-** Wrap food with a strong odour or which may dry out, in polythene bags, or aluminium foil or place in airtight container.
- Do-** Wrap bread well to keep it fresh.
- Do-** Chill white wines, beer, lager and mineral water before serving.
- Do-** Check contents of the freezer every so often.
- Do-** Keep food for as short a time as possible and adhere to "Best Before" and "Use by" etc. dates.
- Do-** Store commercially frozen food in accordance with the instructions given on the packets.
- Do-** Always choose high quality fresh food and be sure it is thoroughly clean before you freeze it.
- Do-** Prepare fresh food for freezing in small portions to ensure rapid freezing.
- Do-** Wrap all food in aluminium foil or freezer quality polythene bags and make sure any air is excluded.
- Do-** Wrap frozen food immediately after purchasing and put it in to the freezer as soon as possible.
- Do-** Defrost food in the fridge compartment.
- Don't-** Store bananas in your fridge compartment.
- Don't-** Store melon in your fridge. It can be chilled for short periods as long as it is wrapped to prevent it flavouring other food.
- Don't-** Cover the shelves with any protective materials which may obstruct air circulation.
- Don't-** Store poisonous or any dangerous substances in your appliance. It has been designed for the storage of edible foodstuffs only.
- Don't-** Consume food which has been refrigerated for an excessive length of time.
- Don't-** Store cooked and fresh food together in the same container. They should be packaged and stored separately.
- Don't-** Let defrosting food or food juices drip onto food.
- Don't-** Leave the door open for long periods, as this will make the appliance more costly to run and cause excessive ice formation.
- Don't-** Use sharp edged objects such as knives or forks to remove the ice.
- Don't-** Put hot food into the appliance. Let it cool down first.
- Don't-** Put liquid-filled bottles or sealed cans containing carbonated liquids into the freezer, as they may burst.
- Don't-** Exceed the maximum freezing loads when freezing fresh food.
- Don't-** Give children ice-cream and water ices direct from the freezer. The low temperature may cause 'freezer burns' on lips.
- Don't-** Freeze fizzy drinks.
- Don't-** Try to keep frozen food which has thawed; it should be eaten within 24 hours or cooked and refrozen.
- Don't-** Remove items from the freezer with wet hands.

### **Troubleshooting**

If the appliance does not operate when switched on, check;

- That the plug is inserted properly in the socket and that the power supply is on. (To check the power supply to the socket, plug in another appliance).
- Whether the fuse has blown/circuit breaker has tripped/main distribution switch has been turned off.


- That the temperature control has been set correctly.

- That the new plug is wired correctly, if you have changed the fitted, moulded plug.

If the appliance is still not operating at all after above checks, contact the dealer from whom you purchased the unit.

Please ensure that above checks have been done, as a charge will be made if no fault is found.



The symbol  on the product or on packaging indicates that this product may not be treated as household waste. Instead it shall be handed over to the applicable collection point for the recycling of electrical and electronic equipment. By ensuring this product is disposed of correctly, you will help prevent potential negative consequences for the environment and human health, which could otherwise be caused by inappropriate waste handling of this product. For more detailed information about recycling of this product, please contact your local city office, your household waste disposal service or the shop where you purchased the product.

Nous vous félicitons d'avoir choisi un appareil de qualité **BEKO**, conçu pour vous offrir de nombreuses années de service.

### ***La sécurité d'abord !***

Ne connectez pas votre appareil à l'alimentation électrique avant d'avoir enlevé tous les emballages et protections de transport.

- Attendez au moins 4 heures avant de le brancher pour permettre à l'huile du compresseur de se stabiliser si l'appareil a été transporté couché.
- Si vous vous débarrassez d'un vieil appareil à ressort ou loquet intégré à la porte, prenez soin de le rendre hors de danger pour éviter que les enfants ne s'enferment à l'intérieur.
- L'utilisation de cet appareil s'applique uniquement à l'usage prévu.
- Ne vous débarrassez pas de l'appareil dans un feu. L'isolation de votre appareil contient des substances non CFC qui sont inflammables. Veuillez contacter les autorités locales pour obtenir des renseignements concernant la mise au rebut et les endroits existants.
- L'utilisation de cet appareil dans une pièce froide, non chauffée n'est pas recommandée (garage, jardin d'hiver, annexe, abri, remise, etc.).

Afin d'obtenir les meilleurs résultats possibles et un fonctionnement sans encombres de votre appareil, veuillez lire ces instructions attentivement. Le non-respect de ces instructions pourrait annuler votre droit à l'assistance sans frais pendant la période de garantie.

Veuillez conserver ces instructions soigneusement à titre de référence pratique.

Les pièces détachées d'origine sont disponibles pendant 10 ans, à compter de la date d'achat du produit.

**Cet appareil ne sera pas utilisé par des personnes ayant capacités physiques, sensorielles ou mentales réduites, ou sans expérience concernant l'utilisation de l'appareil, si une personne responsable de leur sécurité ne les a pas instruites pour ce but.**

**Les enfants doivent être surveillés pour avoir la certitude qu'ils ne jouent pas avec l'appareil.**



## Conditions électriques

Avant de brancher l'appareil à la prise murale, vérifiez que la tension et la fréquence indiquées sur la plaque signalétique à l'intérieur de l'appareil correspondent à votre alimentation électrique.

Nous recommandons de connecter cet appareil au réseau électrique par le biais d'une prise dotée d'un commutateur et d'un fusible et placée de façon à être facile d'accès.

### **Avertissement ! Cet appareil doit être branché à une borne de mise à la terre.**

Les réparations de l'appareillage électrique sont réservées exclusivement à un technicien qualifié. De mauvaises réparations réalisées par une personne non qualifiée peuvent occasionner des risques dont les conséquences peuvent être critiques pour l'utilisateur de l'appareil.

### **ATTENTION !**

Cet appareil fonctionne avec du R 600a, un gaz qui contribue à la protection de l'environnement mais qui est inflammable. Pendant le transport et l'installation du produit, veillez à ne pas endommager le système réfrigérant. Si le système réfrigérant est abîmé et qu'une fuite de gaz se produit, tenez l'appareil à l'écart des sources de flammes vives et aérer bien la pièce.

**AVERTISSEMENT** - N'utilisez pas d'outils mécaniques ou autres moyens pour accélérer le processus de décongélation autres que ceux qui sont recommandés par le fabricant.

**AVERTISSEMENT** - N'abîmez pas le circuit réfrigérant.

**AVERTISSEMENT** - Ne faites pas fonctionner d'appareils électriques à l'intérieur des compartiments de conservation de denrées, à moins qu'ils soient conformes au type d'appareils recommandés par le fabricant.

**AVERTISSEMENT** - Si le cordon d'alimentation est endommagé, celui-ci doit être remplacé par le fabricant, ses agents agréés ou tout autre agent qualifié afin d'être à l'abri de tout danger.

## Instructions de transport

1. L'appareil doit être transporté en position debout uniquement. L'emballage fourni doit rester intact pendant le transport.

2. Si l'appareil a été couché pendant le transport, il ne doit pas être mis en service pendant au moins 4 heures pour permettre au système de se stabiliser.

3. Le non-respect des instructions ci-dessus pourrait endommager l'appareil et ne saurait engager la responsabilité du fabricant.

4. L'appareil doit être protégé contre la pluie, l'humidité et autres conditions atmosphériques.

### **Important !**

- Lors du nettoyage/déplacement de l'appareil, prenez soin de ne pas toucher les câbles métalliques du condenseur au dos de l'appareil, cela pouvant occasionner des blessures aux doigts et aux mains.
- N'essayez pas de vous asseoir ou de vous monter sur l'appareil, celui-ci n'étant pas prévu à cet effet. Vous pourriez vous blesser ou endommager l'appareil.
- Assurez-vous que le câble d'alimentation ne soit pas coincé sous l'appareil pendant et après son déplacement car cela pourrait endommager le câble.
- Veillez à ce que les enfants ne jouent pas avec l'appareil et ne touchent pas aux commandes.

## Instructions d'installation

1. N'installez pas votre appareil dans une pièce dont la température peut descendre en dessous de 10 degrés Celsius (50 degrés Fahrenheit) la nuit et/ou particulièrement en hiver. En effet, il est conçu pour fonctionner à des températures ambiantes comprises entre +10 et +38 degrés Celsius (50 et 100 degrés Fahrenheit). En cas de températures inférieures, l'appareil peut ne pas fonctionner correctement et la durée de conservation des denrées pourrait être réduite.

2. Ne placez pas l'appareil à proximité de cuisinières, radiateurs ou à la lumière directe du soleil, car cela entraînerait un effort supplémentaire pour les fonctions de l'appareil. S'il est installé à côté d'une source de chaleur ou d'un congélateur, respectez les dégagements latéraux minimum suivants :

- des cuisinières 30 mm
- des radiateurs 300 mm
- des congélateurs 25 mm

3. Assurez-vous de laisser suffisamment d'espace autour de l'appareil pour que l'air puisse circuler librement (**figure 2**).

• Placez la grille d'aération au dos de votre réfrigérateur pour établir la distance nécessaire entre le réfrigérateur et le mur (**figure 3**).

4. L'appareil doit être posé sur une surface lisse. Les deux pieds avant peuvent se régler si nécessaire. Pour s'assurer que votre appareil est à niveau, ajustez les deux pieds avant en tournant dans le sens des aiguilles d'une montre ou dans le sens inverse jusqu'à ce que l'appareil soit bien calé au sol. Le réglage approprié des pieds évite les vibrations excessives et le bruit (**figure 4**).

5. Référez-vous à la section « Nettoyage et Entretien » pour préparer votre appareil à l'emploi.


### **Apprendre à connaître votre appareil (Figure 1)**


- 1 - Clayette du congélateur
- 2 - Logement du thermostat et de la lampe
- 3 - Clayettes réglables
- 4 - Voie de récupération de l'eau de dégivrage - Tube d'écoulement
- 5 - Couvercle du bac à légumes
- 6 - Bac à légumes
- 7 - Pieds avant réglables
- 8 - Compartiment produits laitiers
- 9 - Clayette à bocaux
- 10 - Clayette range-bouteilles

### **Suggestion d'agencement des denrées dans l'appareil**

Indications pour obtenir une conservation et une hygiène optimales :

1. Le compartiment réfrigérateur est destiné à la conservation à court terme d'aliments frais et boissons.

2. Le compartiment congélateur est de niveau  et est destiné à la congélation et la conservation de denrées surgelées.

La recommandation de conservation  indiquée sur l'emballage des aliments doit toujours être respectée.

3. Les aliments cuisinés doivent être conservés dans des récipients hermétiques.

4. Les produits frais emballés peuvent être placés sur la clayette. Les fruits et légumes frais doivent être lavés et rangés dans les bacs à légumes.

5. Les bouteilles peuvent être placées dans la porte.

6. Pour conserver la viande crue, emballez-la dans des sachets plastiques et placez-la sur la clayette la plus basse. Veillez à ce qu'elle ne touche pas les aliments cuisinés afin d'éviter toute contamination. Pour votre sécurité, ne conservez pas la viande crue plus de deux à trois jours.

7. Pour une efficacité optimale, ne couvrez pas les clayettes amovibles de papier ou autres matériaux afin que l'air puisse circuler librement.

8. Ne conservez pas d'huile végétale dans les balconnets de porte. Conservez les denrées emballés, enveloppés ou couverts. Laissez refroidir les aliments et boissons chauds avant de les introduire dans le réfrigérateur. Le reste du contenu des boîtes de conserve ne doit pas être conservé dans la boîte.

9. Ne congelez pas de boissons gazeuses et ne consommez pas de produits tels que des bâtonnets glacés à l'eau lorsqu'ils sont trop froids.

10. Certains fruits et légumes s'abîment s'ils sont conservés à une température avoisinant 0°C. Emballez les ananas, melons, concombres, tomates et produits similaires dans des sacs en polyéthylène.

11. L'alcool à teneur élevée doit être conservé debout dans des récipients fermés hermétiquement. Ne conservez jamais de produits contenant du gaz propulseur inflammable (crème en bombe, bombes aérosols, etc.) ou des substances explosives. Ils présentent un risque d'explosion.

## **Commande de température et réglages**

Les températures de fonctionnement s'ajustent à l'aide de la manette du thermostat et sont réglables de manière continue entre 1 et 5 (réglage le plus froid).

Si la manette du thermostat se trouve sur la position « 0 », l'appareil est éteint. Dans ce cas-là, l'éclairage intérieur ne fonctionnera pas.

La température médiane à l'intérieur du réfrigérateur avoisine les +5°C (+41°F). Réglez donc le thermostat de façon à obtenir la température souhaitée. Certaines parties du réfrigérateur peuvent être plus fraîches ou plus chaudes (telles que le bac à légumes et la partie supérieure du compartiment), ce qui est tout à fait normal. Nous vous conseillons de vérifier la température régulièrement à l'aide d'un thermomètre pour s'assurer que le compartiment est maintenu à cette température. Si la porte est ouverte fréquemment, les températures internes montent. Il est donc conseillé de fermer la porte immédiatement après utilisation.

## **Avant l'utilisation**

### **Vérification finale**

Avant de commencer à utiliser l'appareil, vérifiez que :

1. Les pieds ont été ajustés et sont parfaitement à niveau.
2. L'intérieur est sec et l'air peut circuler librement derrière l'appareil.
3. L'intérieur est propre, conformément aux indications de la section « Nettoyage et entretien ».
4. La prise de l'appareil a été branchée dans la prise murale et le courant passe. Lorsque la porte est ouverte, l'éclairage intérieur s'allumera.

### **Notez que :**

5. Vous remarquerez un bruit lorsque le compresseur se met en marche. Le liquide et les gaz intégrés au système du réfrigérateur peuvent également faire du bruit, que le compresseur soit en marche ou non. Ceci est tout à fait normal.

6. Une légère ondulation du dessus de la carrosserie est normale du fait du procédé de fabrication utilisé et ne constitue pas un défaut.

7. Nous recommandons de régler la manette du thermostat sur la position médiane et de contrôler la température pour vérifier que l'appareil maintienne les températures de conservation souhaitées (voir la section Commande de température et Réglages).

8. Ne remplissez pas l'appareil immédiatement après l'avoir branché. Attendez que la bonne température de conservation soit atteinte. Nous vous conseillons de vérifier la température à l'aide d'un thermomètre précis (voir Commande de température et Réglages).

## **Conservation des denrées surgelées**

Votre congélateur est destiné à la conservation à long terme d'aliments surgelés du commerce et peut servir également à congeler et conserver des produits frais. En ce qui concerne la conservation d'aliments frais congelés au domicile, consultez le guide de durée de conservation situé sur la contre-porte.

En cas de panne de courant, n'ouvrez pas la porte. Les denrées surgelées ne devraient pas s'abîmer si la coupure dure moins de 19 heures. Si la coupure est plus longue, inspectez les denrées et mangez-les immédiatement ou bien faites-les cuire puis congeler-les à nouveau.

## **Congeler les produits frais**

Veillez respecter les instructions suivantes afin d'obtenir les meilleurs résultats. Ne congelez pas une quantité trop importante à la fois. La qualité des aliments est préservée de façon optimale lorsqu'ils sont entièrement congelés aussi rapidement que possible. Ne dépassez pas le pouvoir de congélation de votre appareil pour 24 heures. Le fait d'introduire des aliments chauds dans le congélateur entraîne le fonctionnement du dispositif de réfrigération en continu jusqu'à ce que les aliments soient entièrement congelés.

Cela peut occasionner un refroidissement excessif temporaire du compartiment réfrigérateur.

Lorsque vous congélez des produits frais, laissez la manette du thermostat sur la position médiane. De petites quantités de nourriture ne dépassant pas 0,5 kg (1 lb) peuvent être congelées sans avoir à ajuster la commande de température.

Faites particulièrement attention à ne pas mélanger les produits déjà congelés et les produits frais.

### **Fabrication de glaçons**

Remplissez les bacs à glaçons d'eau jusqu'aux  $\frac{3}{4}$  et introduisez les dans le congélateur. Dégagez les bacs à glaçons à l'aide du manche d'une cuillère ou outil similaire, n'utilisez jamais d'objets tranchants tels que des couteaux ou fourchettes.

### **Dégivrage**

#### **A) Compartiment réfrigérateur**

Le compartiment réfrigérateur dégivre automatiquement. L'eau de dégivrage s'évacue par le tube d'écoulement et se déverse dans le bac de récupération à l'arrière de l'appareil (**figure 5**).

Pendant le dégivrage, des gouttelettes d'eau peuvent se former à l'arrière du compartiment réfrigérateur, où un évaporateur est dissimulé. Des gouttelettes peuvent rester sur la cuve et geler une fois le dégivrage achevé. N'utilisez pas d'objets pointus ou tranchants tels que couteaux ou fourchettes pour enlever les gouttelettes ayant gelé à nouveau.

Si, à tout moment, l'eau de dégivrage ne s'évacue pas par la gouttière de récupération, vérifiez qu'aucune particule alimentaire ne bloque le tube d'écoulement. Le tube d'écoulement peut être débouché à l'aide d'un cure-pipe ou autre outil similaire.

Vérifiez que le tube soit placé de façon permanente de telle manière que son extrémité se trouve dans le bac récupérateur situé sur le compresseur afin d'éviter que l'eau n'entre en contact avec l'installation électrique ou le sol (**figure 6**).

#### **B) Compartiment congélateur**

Le dégivrage est très simple et sans encombre grâce au bac spécial de récupération de l'eau de dégivrage.

Dégivrez deux fois par an ou lorsque la couche de givre atteint environ 7 mm (1/4"). Pour procéder au dégivrage, déconnectez l'appareil et débranchez la prise d'alimentation.

Emballer les denrées dans plusieurs couches de papier journal et stockez-les dans un endroit frais (réfrigérateur ou cellier par exemple).

Des récipients d'eau chaude peuvent être placés avec précaution dans le congélateur pour accélérer le dégivrage.

N'utilisez pas d'objets pointus ou tranchants tels que couteaux ou fourchettes pour enlever le givre.

N'utilisez jamais de sèche-cheveux, radiateurs électriques ou autres appareils électriques similaires pour dégivrer.

Épongez l'eau de dégivrage située au fond du compartiment congélateur. Une fois le dégivrage terminé, séchez soigneusement l'intérieur. Branchez l'appareil à la prise murale et rétablissez l'alimentation électrique.

#### **Remplacer l'ampoule intérieure**

Pour remplacer la lampe LED du réfrigérateur, veuillez contacter le service après-vente agréé.

La lampe (s) utilisé dans cet appareil ne convient pas pour l'éclairage de la salle de ménage. Le but visé par cette lampe est d'aider à l'utilisateur de placer les aliments dans le réfrigérateur / congélateur d'une manière sûre et confortable. Les voyants utilisés dans cet appareil doivent résister aux conditions physiques extrêmes telles que des températures inférieures à -20°C.

#### **Repositionnement de la porte**

Procédez dans l'ordre numérique (**figure 7**).

## Nettoyage et entretien

1. Avant de procéder au nettoyage, veuillez déconnecter le réfrigérateur et débrancher la prise d'alimentation.

2. N'utilisez jamais d'ustensiles tranchants ni de substances abrasives, savon, produit de nettoyage domestique, détergent ou cirage pour le nettoyer.

3. Utilisez de l'eau tiède pour nettoyer la carrosserie et séchez soigneusement à l'aide d'un chiffon.

4. Utilisez un chiffon humide imbibé d'une solution composée d'une cuillère à café de bicarbonate de soude pour un demi litre d'eau pour nettoyer l'intérieur et séchez soigneusement.

5. Prenez soin de ne pas faire couler d'eau dans le boîtier de commande de température.

6. En cas de non utilisation de l'appareil pendant une période prolongée, débranchez-le, sortez toutes les denrées, nettoyez-le et laissez la porte entrouverte.

7. Il est recommandé de polir les parties métalliques de votre appareil (extérieur de la porte, parois latérales de la carrosserie) à l'aide d'une cire en silicone (cire pour voiture) pour protéger la surface peinte de qualité supérieure.

8. Dépoussiérez le condenseur situé à l'arrière de l'appareil une fois par an à l'aide d'un aspirateur.

9. Inspectez les joints de porte régulièrement pour vérifier qu'ils sont propres et qu'il n'y a pas de particules de nourriture.

10. Ne jamais :

- Nettoyer l'appareil au moyen d'un produit inadapté, à base de pétrole par exemple.
- L'exposer à de hautes températures en aucune façon.
- Récurer, frotter etc. avec un matériau abrasif.

11. Retirer les balconnets :

- Pour retirer un balconnet, sortez tout son contenu puis poussez simplement le balconnet vers le haut à partir de la base.

12. Assurez-vous que le récipient spécial en plastique à l'arrière de l'appareil qui récupère l'eau de dégivrage soit propre en permanence. Si vous souhaitez retirer le bac pour le nettoyer, suivez les instructions ci-dessous :

- Déconnecter la prise de courant et débrancher la prise d'alimentation.
- Dessertir doucement le goujon situé sur le compresseur à l'aide d'une pince afin de pouvoir enlever le bac.
- Soulevez-le.
- Nettoyez et séchez-le soigneusement.
- Ré-assemblez, en procédant dans l'ordre inverse des opérations.

13. Une couche de glace trop épaisse diminuera les résultats de l'appareil.

**A faire / A ne pas faire**

**À faire-** Nettoyer et dégivrer votre appareil régulièrement (voir « Dégivrage »).

**À faire-** Conserver la viande et volaille crue en dessous des aliments cuits et produits laitiers.

**À faire-** Ôter les feuilles inutilisables des légumes et enlever la terre.

**À faire-** Laisser la salade, chou, persil et chou-fleur sur leur tige.

**À faire-** Emballer le fromage d'abord dans du papier sulfurisé puis dans un sachet plastique, en retirant le plus d'air possible. Pour les meilleurs résultats possibles, le sortir du compartiment réfrigérateur une heure avant la dégustation.

**À faire-** Emballer viande et volaille crue dans un sachet plastique ou aluminium. Cela évite qu'elles ne se dessèchent.

**À faire-** Emballer le poisson et les abats dans des sachets plastiques.

**À faire-** Envelopper les denrées dont l'odeur est forte ou risquant de se dessécher dans des sacs en polyéthylène, du papier aluminium ou récipient hermétique.

**À faire-** Envelopper le pain soigneusement pour qu'il reste frais.

**À faire-** Réfrigérer les vins blancs, bière, bière blonde et eau minérale avant de servir.

**À faire-** Inspecter le contenu du congélateur à intervalles réguliers.

**À faire-** Conserver les denrées pendant une durée aussi courte que possible et respecter les « dates limite de conservation » et « dates limite de consommation ».

**À faire-** Stockez les aliments surgelés dans le commerce selon les instructions indiquées sur les emballages.

**À faire-** Toujours Sélectionner des produits frais de bonne qualité et veiller à les nettoyer soigneusement avant de les congeler.

**À faire-** Préparer de petites portions de produits frais à congeler pour permettre une congélation rapide.

**À faire-** Emballer toutes les denrées dans du papier aluminium ou des sachets congélation en polyéthylène de bonne qualité et veiller à le vider de son air.

**À faire-** Emballer les produits surgelés juste après les avoir achetés et les mettre au congélateur dès que possible.

**À faire-** Dégeler les aliments dans le compartiment réfrigérateur.

**À éviter-** Conserver les bananes dans le compartiment réfrigérateur.

**À éviter-** Conserver le melon au réfrigérateur. Il peut être réfrigéré pendant de courtes durées dans la mesure où il est emballé pour éviter de parfumer d'autres denrées.

**À éviter-** Couvrir les clayettes de matériaux de protection qui pourraient obstruer la circulation d'air.

**À éviter-** Conserver des substances toxiques ou dangereuses dans l'appareil. Ce dernier a été conçu pour la conservation de denrées alimentaires uniquement.

**À éviter-** Consommer des aliments qui ont été réfrigéré pendant une durée excessive.

**À éviter-** Conserver les aliments cuits et les produits frais ensemble dans le même récipient. Ils doivent être emballés et conservés séparément.

**À éviter-** Laisser les aliments ou jus des aliments en train de dégeler goutter sur les denrées de votre réfrigérateur.

**À éviter-** Laisser la porte ouverte pendant une durée prolongée car cela augmentera le coût de fonctionnement de l'appareil et entraînera un dépôt excessif de glace.

**À éviter-** Utiliser des objets tranchants tels que couteaux ou fourchettes pour enlever la glace.

**À éviter-** Introduire des aliments chauds dans l'appareil. Le laisser refroidir au préalable.

**À éviter-** Mettre des bouteilles remplies de liquide ou cannettes fermées hermétiquement contenant des liquides gazeux au congélateur car elles pourraient éclater.

**À éviter-** Dépasser le pouvoir de congélation maximal lors de la congélation de produits frais.

**À éviter-** Consommer de la glace ou des bâtonnets glacés dès leur sortie du congélateur. La basse température peut provoquer des brûlures aux lèvres.

**À éviter-** Congeler des boissons gazeuses.

**À éviter-** Conserver un produit congelé qui a été dégelé ; il doit être consommé sous 24 heures ou bien cuit puis recongelé.

**À éviter-** Sortir des produits du congélateur avec les mains mouillées.

### Diagnostic

Si l'appareil ne fonctionne pas quand il est branché, vérifiez :

- Que la prise de l'appareil est branchée correctement à la prise murale et que le courant passe (pour vérifier l'alimentation à la prise murale, branchez un autre appareil).
- Si le fusible a sauté/le disjoncteur s'est déclenché/l'interrupteur du réseau d'alimentation est éteint.
- Que la commande de température soit réglée correctement.

- Que la nouvelle prise soit montée correctement si vous avez changé la prise moulée intégrée.

Si l'appareil ne fonctionne toujours pas après avoir effectué toutes les vérifications ci-dessus, contactez le fournisseur qui vous a vendu le produit.

Veillez vous assurer d'avoir effectué toutes les vérifications ci-dessus car vous serez facturés si aucun défaut n'est détecté.

#### Recyclage



Ce produit est marqué du symbole du tri sélectif, relatif aux déchets d'équipements électriques et électroniques. Cela signifie que ce produit doit être pris en charge par un système de collecte sélectif conformément à la directive européenne 2012/19/UE, afin de pouvoir être recyclé ou démantelé dans le but de réduire tout impact sur l'environnement. Attention les produits électroniques n'ayant pas fait l'objet d'un tri sélectif sont potentiellement dangereux pour l'environnement et la santé humaine en raison de la présence potentielle de substances dangereuses.

تهانينا لاختيارك جهاز BEKO الذي يمتنع بجودة عالية، المصمم لإعطائك سنوات عديدة من الخدمة.

## السلامة أولاً!

- يجب عدم توصيل الجهاز بمصدر التيار قبل نزع كافة واقبات التعبئة والنقل.
- اترك الجهاز منتصباً لمدة 4 ساعة قبل تشغيله للسماح باستقرار الزيت الضاغط، إذا تم نقله بطريقة أفقية.
- إذا قمت ببنء جهازك القديم بمزلاج أو ممسكة موصلة بالباب، تأكد من تركه في جو آمن لمنع الأطفال من الوصول إليه.
- يجب استخدام هذا الجهاز للأغراض المصمم من أجلها فقط.
- يجب عدم التخلص من الجهاز بإلقائه في النار. يحتوي الجهاز على مواد لا تحتوي على كلوروفلوروكربون في المادة العازلة وهو مواد قابلة للاشتعال. يرجى الاتصال بالجهات المحلية المختصة لمعرفة المعلومات الملائمة للتخلص من الأجهزة ومعرفة الأماكن المخصصة لذلك.
- يوصى بعدم استخدام هذا الجهاز في غرفة باردة أو غير دافئة، (على سبيل المثال المرآب أو الأماكن المغلقة أو البنايات الملحقة أو خارج المنزل وما إلى ذلك).
- من الضروري قراءة هذه الإرشادات بعناية للحصول على أفضل أداء ممكن وتجنب مشاكل تشغيل الجهاز. عدم الالتزام بالتعليمات يمكن أن يفقدك حقل في الخدمة المجانية أثناء مدة الضمان.
- يرجى حفظ هذه الإرشادات في مكان آمن حتى يسهل الرجوع إليها.

هذا الجهاز غير مصمم للاستخدام من طرف أشخاص ذوي الإحتياجات الجسدية، الحسية أو الذهنية الخاصة أو الذين يفتقرون إلى الخبرة والمعرفة ما لم يتم الإشراف عليهم أو إعطائهم تعليمات حول طريقة استخدام الجهاز بمساعدة شخص مسنول عن سلامتهم.

يجب الإشراف على الأطفال للتأكد من أنهم لا يعبتون بالجهاز.



## المتطلبات الكهربائية

## هام!

- يجب توخي الحذر عند تنظيف / حمل الجهاز بحيث لا يلمس أطراف الأسلاك المعدنية للمكثف الموجود في مؤخرة الجهاز، حيث قد يسبب ذلك إصابات بالأصابع واليدين.
- لا تحاول الجلوس على الجهاز أو الوقوف عليه حيث أنه لم يصمم لهذا الاستعمال. قد تتسبب في إصابة نفسك أو في تلف الجهاز.
- تأكد من عدم وجود الكابل الرئيسي تحت الجهاز أثناء وبعد تحريكه حيث قد يؤدي ذلك لتلفه.
- لا يسمح للأطفال باللعب بالجهاز أو العبث بمفاتيح التحكم.

## إرشادات التركيب

1. يجب عدم وضع الجهاز في غرفة تقل بها درجة الحرارة عن 10 درجة مئوية (50 درجة فهرنهايت) ليلاً وخصوصاً في الشتاء، حيث أن هذا الجهاز مصمم ليعمل في درجة حرارة محيطية ما بين 10+ و 38+ درجة مئوية (50 و 100 درجة فهرنهايت). ففي درجات الحرارة التي تقل عن هذا، ربما لا يعمل الجهاز، مما يتسبب في انخفاض مدة تخزين الأغذية.
2. لا يجب وضع الجهاز بالقرب من أوعية الطبخ أو أجهزة الإشعاع أو تعرضه المباشر لأشعة الشمس، حيث قد يتسبب ذلك في إجهاد إضافي لوحدات الجهاز. إذا تم تركيب الجهاز بجوار مصدر حرارة أو فريزر، يجب الحفاظ على الحد الأدنى للمسافات الفاصلة الآتية:  
بعيداً عن أوعية الطبخ 30مم  
بعيداً عن أجهزة الإشعاع 300مم  
بعيداً عن الفريزر 25مم
3. تأكد من وجود مساحة فارغة كافية حول الجهاز لضمان حرية دوران الهواء (الشكل 2)
- ثبت غطاء التهوية الخلفي في مؤخرة الثلاجة لضبط المسافة بين الثلاجة والحائط (الشكل 3).
4. يجب وضع الجهاز فوق سطح أملس. يمكنك ضبط القدم الأمامية كما ترغب. للتأكد من أن الجهاز يقف منتصباً اضبط القدم الأمامية في اتجاه عقارب الساعة أو عكس عقارب الساعة، حتى يلمس المنتج الأرض بشكل محكم. التثبيت المحكم بالأرض يؤدي إلى تفادي الاهتزاز والضوضاء المفرطة (الشكل 4).
5. يمكنك الرجوع إلى قسم "التنظيف والعناية" لإعداد جهازك للاستخدام.

قبل إدخال القابس في مقبس الحائط تأكد أن درجة الفولتية والتكرار الموضحة في ملصق التصنيف تتطابق مع مصدر التيار. يوصى بتوصيل هذا الجهاز بمصدر التيار الرئيسي بواسطة مقبس تيار ملائم يسهل الوصول إليه.

## تحذير! يجب توصيل الجهاز بطاريف أرضي.

يجب أن تتم الإصلاحات في الجهاز الكهربائي عن طريق فني مؤهل. قد تؤدي الإصلاحات عن طريق شخص غير مؤهل إلى مخاطر قد يكون لها نتائج خطيرة على مستخدم الجهاز.

## تنبيه!

يعمل هذا الجهاز بغاز R600a والذي هو صديق للبيئة ولكنه غاز قابل للاشتعال. أثناء نقل وتثبيت المنتج، يجب توخي الحذر لعدم إتلاف نظام التبريد. في حالة تلف نظام التبريد، أو في حالة حدوث تسرب من النظام، احتفظ بالمنتج بعيداً عن مصادر السنة اللهب وقم بتهوية الغرفة لفترة.

**تحذير** - جب عدم استخدام أدوات ميكانيكية أو أية وسائل أخرى للتسريع من عملية إزالة التجميد، بخلاف الأدوات التي توصي بها جهة التصنيع.

**تحذير** - يجب عدم إتلاف دائرة التبريد.

**تحذير** - يجب عدم استخدام أجهزة كهربائية دخل تجاويف تخزين الطعام الموجودة بالجهاز، إلا إذا كانت من النوع الذي أوصت به جهة التصنيع.

**تحذير** - في حالة تلف سلك التيار الكهربائي، يجب أن تحل محلها من قبل الشركة المصنعة، وكيل خدماتها أو الأشخاص المؤهلين وكذلك من أجل تجنب المخاطر.

## إرشادات النقل

1. يجب أن يتم نقل الجهاز وهو في وضع منتصب فقط. يجب أن تكون حزمة التعبئة محكمة الغلق خلال النقل.
2. إذا تم وضع الجهاز أثناء النقل في وضع أفقي يجب ترك الجهاز بدون تشغيل لمدة لا تقل عن 4 ساعة، حتى يتم السماح للنظام بالاستقرار.
3. عدم الالتزام بالإرشادات السابقة قد ينتج عنه خسائر في الجهاز والتي لن تحاسب عليها جهة التصنيع.
4. يجب أن يتم حماية الجهاز من هطول الأمطار والرطوبة والظروف الجوية الأخرى.

التعرف على الجهاز الخاص بك  
(الشكل 1).

10. لا يجب تجميد المشروبات الغازية ومنتجات مثل مكعبات الثلج ذات النكهة التي يجب ألا تستهلك وهي باردة جداً.
11. قد تتلف بعض الفاكهة والخضروات إذا تم حفظها في درجة حرارة قريبة من الصفر درجة مئوية. لذلك يلف الأناناس والبطيخ والخيار والطماطم والمنتجات المشابهة في أكياس البوليثلين.
12. يجب تخزين المشروبات الفوارة منتصبة في أوعية محكمة الغلق. لا تقم بتخزين منتجات تحتوي على غازات مضغوطة قابلة للالتهاب (مثل أوعية الكريم وعبوات الاسبراي إلخ) أو مواد قابلة للانفجار. قد يؤدي ذلك لخطر الانفجار.

### التحكم في درجة الحرارة والضبط

يتم التحكم في درجة حرارة التشغيل من خلال مقبض الثرموستات كما يمكن ضبطه على أي وضع بين 1 و 5 (أعلى وضع للتبريد). إذا كان مقبض الثرموستات على الوضع "0" فالجهاز في وضع متوقف. في هذه الحالة لن يضئ المصباح للإضاءة الداخلية. ينبغي أن يكون متوسط درجة الحرارة داخل الثلجة +5 درجة مئوية (+41 فهرنهايت). لذلك تضبط الثرموستات للحصول على درجة الحرارة المرغوبة من الطبيعي أن تكون بعض أجزاء الثلجة أكثر برودة أو أكثر دفئاً (مثل درج السلطة والجزء العلوي من التجويف). يوصى بقياس درجة الحرارة دورياً باستخدام الترمومتر للتأكد من ثبات التجويف على درجة الحرارة. يتسبب الفتح المستمر للباب في رفع درجة الحرارة الداخلية، لذلك ينصح بسرعة غلق الباب قدر الإمكان بعد الاستعمال.

### قبل التشغيل

#### الفحص النهائي

قبل بدء استخدام الجهاز قم بفحص أنه:

1. تم تثبيت القدم على سطح مستو.
2. جفاف الجزء الداخلي للجهاز وأن الهواء يدور بحرية في الجزء الخلفي.
3. نظافة الجهاز من الداخل كما هو موصى به تحت عنوان "التنظيف والعناية".
4. التأكد من توصيل القابس في مقبس الحائط والتأكد من عمل الكهرباء. عند فتح الباب سيضئ المصباح الداخلي.

#### ولاحظ أن:

5. سوف تسمع ضوضاء عند بدء عمل جهاز ضغط الهواء. قد تؤدي السوائل والغازات المتسربة من جهاز الثلجة إلى إحداث (ضوضاء)، سواء أكان الضاغط يعمل أو لا يعمل. هذا شيء طبيعي تماماً.
6. من الطبيعي وجود تموج طفيف في أعلى التجويف وهو يرجع إلى عملية التصنيع، وهو ليس عيباً.

- 1- رف الفريزر
- 2-مبيت الثرموستات والمصباح.
- 3- أرفف خزانة قابلة للضبط
- 4-أنبوب تجميع الماء الناتج عن إذابة الثلج-  
أنبوب الصرف
- 5 - غطاء حاظ الأغذية
- 6- درج
- 7- أقدام أمامية قابلة للضبط
- 8- صندوق الألبان
- 9- رف للبرطمانات
- 10- رف الزجاجات

### الترتيب المقترح للأطعمة داخل الجهاز

دليل الحصول على درجة تخزين قصوى وصحية:

1. يتم استخدام تجويف الثلجة لتخزين الأغذية الطازجة والمشروبات لفترة قصيرة.
2. يصنف تجويف الفريزر بواسطة \*\*\* \* ويتناسب مع تجميد وتخزين الأطعمة المجمدة مسبقاً.
- يجب دائماً مراعاة \*\*\* \* التوصيات الخاصة بالتخزين دائماً كما هو موضح على عبوة الطعام.
3. يجب تخزين منتجات الألبان في التجويف الخاص المزود بالباب.
4. يجب تخزين الأطباق المطهية في عبوات محكمة الغلق.
5. يجب حفظ المنتج الطازج الملفوف على الرف. يجب تنظيف الفاكهة والخضروات وتخزينها في حافظ الأطعمة.
6. يمكن حفظ الزجاج في القسم الخاص بالباب.
7. لتخزين اللحم النيئ، يلف في أكياس من البوليثلين ويوضع على الرف السفلي. لا تسمح لهذه الأطعمة بلامسة الأطعمة المطهية لتجنب التلوث البكتيري. لسلامتك، تحفظ اللحوم النيئة لمدة يومين أو ثلاثة أيام فقط.
8. للحصول على أقصى درجة من الكفاءة، لا يجب تغطية الأرفف القابلة للتحرك بالورق أو أي مواد أخرى للسماح بحرية دوران الهواء البارد.
9. لا تحفظ زيوت الخضروات في أرفف الباب. تحفظ الأطعمة معبئة وملفوفة أو مغطاة. يراعى تبريد الأطعمة الساخنة والمشروبات قبل تثليجها. لا يجب حفظ بقايا الأطعمة المعبئة في العلب.

**إعداد مكعبات الثلج**

أماً 3/4 من ملء درج مكعبات الثلج بالماء وضعه في الفريزر. قم بفك الصواني المتجمدة بالاستعانة بمقبض الملعقة أو أي أداة مشابهة، ولا تقم مطلقاً باستخدام الأغراض مستدقة الرأس مثل السكاكين والشوكات.

**إزالة الثلج****(A) تجويف الثلاجة**

يقوم تجويف الثلاجة بفك التجميد تلقائياً. يتدفق الماء المسال من خلال قنوات التصفية إلى حوض التجميع الموجود بمؤخرة الجهاز. (الشكل 5).

أثناء إزالة الثلج، قد يتم تكوين نقط ماء في مؤخرة تجويف الثلاجة حيث يوجد جهاز تبخير الماء المخفي. قد تبقى بعض النقط على البطانة ثم يعاد تجميدها بعد انتهاء عملية إزالة الثلج. لا يجب استخدام أدوات مدببة أو حادة مثل السكاكين أو الشوك لإزالة النقط المائية التي تم تجميدها.

إذا لم يتم صرف المياه المسالة في أي وقت من قناة التجميع، قم بفحص ما إذا كان هناك بعض فضلات الطعام التي قد تسد أنبوب الصرف. يمكن تنظيف أنبوب الصرف باستخدام ماسورة تنظيف أو أداة مشابهة لها.

تفحص وضع الأنبوب بشكل دائم مع توجيه طرفه في صينية التجميع على الضاغط لمنع انسكاب المياه على التركيبات الكهربائية أو على الأرضية (الشكل 6).

**(B) مقصورة الفريزر**

يتم إزالة الثلج بطريقة مستقيمة وبدون إحداث فوضى والفضل في ذلك يرجع إلى حوض تجميع الثلج المذاب المميز.

يتم إزالة الثلج مرتين سنوياً أو عند تكون طبقة ثلجية بحجم ما يقرب من 7.25 مم. لبدء إجراء إزالة الثلج، يجب إيقاف تشغيل الجهاز من مقبس منفذ الحائط وسحب مقبس التيار.

يجب لف جميع الأطعمة في طبقات عديدة من الجرائد ثم تخزين في مكان بارد (على سبيل المثال في الثلاجة أو موضع حفظ اللحم).

يمكن وضع أوعية مملوءة بالمياه الدافئة في الفريزر بحرص لتسريع عملية إزالة الثلج.

لا يجب استخدام أدوات مدببة أو حادة مثل السكاكين أو الشوك لإزالة الثلج.

يجب عدم استخدام مجفف الشعر أو السخانات الكهربائية أو أي أجهزة كهربائية أخرى لإزالة الثلج.

يجب مسح المياه المسالة المتجمعة أسفل تجويف الفريزر. بعد إنهاء عملية إزالة الثلج، قم بتجفيف الفريزر من الداخل تماماً. أدخل القابس في مقبس الحائط ثم قم بتشغيل الكهرباء.

7. يوصى بوضع مقبض الترموستات في المنتصف ومراقبة درجة الحرارة للتأكد من أن الجهاز لا يزال يحتفظ بدرجة الحرارة المرغوبة للتخزين (انظر قسم التحكم في درجة الحرارة والضغط).

8. لا تقم بتحميل الجهاز في الحال بمجرد تشغيله. انتظر حتى يصل الجهاز لدرجة حرارة التخزين الصحيحة. يوصى بفحص درجة الحرارة بواسطة ترمومتر مضبوط أو دقيق (انظر؛ التحكم في درجة الحرارة والضغط).

**تخزين الأطعمة المجمدة**

يتناسب الفريزر مع التخزين طويل المدى للأطعمة المخزنة بغرض التجارة كما يمكن استخدامه في تجميد وتخزين الأطعمة الطازجة.

إذا حدث تعطل للطاقة لا تقم بفتح الباب. لن تتأثر الأغذية المجمدة إذا استمر العطل أقل من 19 ساعة. أما إذا استمر التعطل لأكثر من ذلك، فيجب فحص الأطعمة وأكلها في الحال أو طهيها وإعادة تجميدها بعد ذلك.

**تجميد الأطعمة الطازجة**

يرجى إتباع التعليمات الآتية للحصول على أفضل النتائج. لا تقم بتجميد كمية كبيرة مرة واحدة في نفس الوقت. يتم الاحتفاظ بجودة الطعام بشكل أفضل عند تجميده بطريقة صحيحة بالكامل في أسرع وقت ممكن.

لا تتجاوز سعة التجميد الخاصة بجهازك في اليوم.

يتسبب وضع الطعام دافئ في تجويف الفريزر إلى عمل الثلاجة باستمرار حتى يتم تجميد الطعام وجعله صلباً. يمكن أن يؤدي ذلك لتبريد زائد لصندوق الثلاجة.

عند تجميد الطعام الطازج، قم بضبط مقبض الترموستات في وضع متوسط. يمكن تجميد الكميات الصغيرة من الطعام حتى وزن نصف كيلوجرام. (1 رطل) بدون الحاجة لضبط مقبض التحكم في درجة الحرارة.

توخ الحذر جيداً لعدم خلط الأطعمة المجمدة فعلياً بالأطعمة الطازجة.

**استبدال مصباح الإضاءة الداخلي**

في مدخنتسما (LED) تيفلخا ءعضلا حابصم/حابصملا ريغتل  
دمتعلا تبايصلما زكرمبل اصتلاا يجرى، تجلاتلا ءعضلا  
تيسانم ريغ زاهجلا اذه في ءمدخنتسما (حبايصلما) حابصملا  
وه حابصملا اذهل ياسلاا ضرغلا. تيلز نملا فرغلا في ءعضلا  
تقيرط دمجلا/تجلاتلا في ماعطلا تاودأ عضولا مدخنتسما ءدعاسم  
تتماو تلهسد  
في لثمتتل محد تردق اهل زاهجلا اذه في ءمدخنتسما حبايصلما  
تبيوئم تجرد 20- نملقا ءرارحلا تاجرد

**التنظيف والعناية**

1. يوصى بإيقاف تشغيل الجهاز من مقبس منفذ الحائط وسحب مقبس التيار قبل التنظيف.
2. لا تستخدم أبداً أي أدوات حادة أو مواد كاشطة، أو صابون أو منظفات منزلية أو منظفات حادة أو صمغ التلميع عند التنظيف.
3. يستخدم الماء الفاتر لتنظيف تجويف الجهاز ثم يجفف.
4. استخدم قطعة من القماش الملتوية والرطبة مع ملء ملعقة شاي من بيكربونات الصودا مضافة لجالون من الماء لتنظيف الداخل ثم يجفف.
5. تأكد من عدم دخول أي مياه إلى صندوق التحكم في الحرارة.
6. إذا كان الجهاز لن يستعمل لفترة طويلة من الزمن، أغلقه ثم أفرغ جميع الأطعمة ثم نظفه وارك الباب مفتوح جزئياً.
7. يوصى بتلميع الأجزاء المعدنية من المنتج (مثل الباب الخارجي وجوانب التجويف) باستخدام صمغ السيلكون (ملمع السيارات) لحماية الطلاء ذو الجودة العالية.
8. يجب إزالة أي أتربة متجمعة على المكثف الموجود في مؤخرة الجهاز مرة كل عام باستخدام المكنسة الكهربائية.
9. قم بفحص موانع التسرب في الباب بانتظام للتأكد من سلامتهم وخلوهم من بقايا الطعام.

**10. لا تقم أبداً:**

- بتنظيف الجهاز بمواد غير مناسبة، على سبيل المثال المنتجات البترولية.
- بتوصيله بدرجة حرارة عالية بأي حال من الأحوال.
- الجلي أو الحك وما إلى ذلك باستخدام مواد كاشطة.
- 11. إخراج غطاء حفظ منتجات الألبان ورفع الباب:
- لإخراج غطاء حفظ منتجات الألبان، قم برفع الغطاء لأعلى أولاً لمسافة بوصة ثم اسحبه من الجانب حيث توجد فتحة في الغطاء.
- لإخراج رف الباب، أخرج جميع المحتويات ثم ادفع رف الباب لأعلى بعيداً عن القاعدة.
- 12. تأكد من أن الوعاء البلاستيكي الموجود في مؤخرة الجهاز والذي يقوم بجمع المياه التي تم إذابتها نظيف دائماً. إذا أردت استخراج الرف لتنظيفه، اتبع الإرشادات الآتية:
- قم بإيقاف التشغيل من منفذ الحائط وافصل قابس الكهرباء.
- قم بفك المشبك الموجود على الضاغط برفق باستخدام زرادية، بحيث يمكنك إخراج الرف
- قم برفعه إلى أعلى.
- قم بتنظيفه ثم تجفيفه
- أعد التجميع بالترتيب العكسي والعمليات
- 13. سيضعف تراكم الثلج بكميات كبيرة من كفاءة أداء الفريزر.

**إعادة ضبط موضع الباب**

اتبع الترتيب الرقمي (الشكل 7).

**ما يجب عمله وما لا يجب عمله**

**قم بعمل** - نظف وفك تجميد الجهاز بشكل دوري (انظر "فك التجميد")

**قم بعمل** - احتفظ باللحوم النيئة والدواجن في درجة حرارة تقل عن الأطعمة المطهية ومنتجات الألبان.

**قم بعمل** - انزع أي أوراق غير مستخدمة من الخضروات وامسح أي أوساخ منها.

**قم بعمل** - اترك الخس والكرنب والبقدونس والقرنبيط بالجزء السفلي.

**قم بعمل** - لف الجبن أولاً بورق مانع لتسرب الزيوت ثم في أكياس من البوليثلين مع محاولة خلوها من الهواء قدر الإمكان. للحصول على أفضل النتائج، أخرج الأطعمة من تجويف الثلاجة قبل تناولها بساعة.

**قم بعمل** - تغليف اللحوم النيئة والدواجن على نحو فسيح في أكياس بولي إيثيلين أو رقائق الألومنيوم. فهذا يحول دون جفافها.

**قم بعمل** - تغليف الأسماك واللحوم المعوية في أكياس بولي إيثيلين.

**قم بعمل** - تغليف الأطعمة ذات الرائحة النفاذة أو المتعرضة للجفاف في أكياس بولي إيثيلين أو رقائق الألومنيوم أو قم بتعبئتها في عبوات محكمة الغلق ومفرغة من الهواء.

**قم بعمل** - لف الخبز جيداً للحفاظ عليه طازج.

**قم بعمل** - تبريد الخمر الأبيض والبيرة والجعة والمياه المعدنية قبل التقديم.

**قم بعمل** - فحص محتويات الفريزر كل فترة.

**قم بعمل** - حفظ الطعام لأقصر وقت ممكن والالتزام بتواريخ "الأفضل قبل" و"الاستخدام بحلول" وهكذا.

**قم بعمل** - تخزين الطعام المخزن بغرض التجارة وفقاً للإرشادات الموجودة على العبوة.

**قم بعمل** - الاختيار الدائم لأطعمة طازجة جيداً والتأكد من نظافتها بالكامل قبل تجميدها.

**قم بعمل** - إعداد الطعام الطازج للتجميد في أجزاء صغيرة للتأكد من سرعة التجميد.

**قم بعمل** - لف جميع الأطعمة بورق القصدير أو أكياس البوليثلين ذو الكفاءة في التجميد وتأكد من عدم احتوائها على الهواء.

**قم بعمل** - لف الأطعمة المجمدة في الحال بعد شرائها ووضعها في الفريزر بأسرع وقت ممكن.

**قم بعمل** - بفك تجميد الأطعمة في صندوق الثلاجة.

**لا تقم بعمل** - تخزين الموز في تجويف الثلاجة.

**لا تقم بعمل** - تخزين البطيخ في الثلاجة الخاصة بك. يمكن تبريده لفترات قصيرة مادام تم لفه لمنع تسرب النكهة للأطعمة الأخرى.

**لا تقم بعمل** - تغطية الأرفف بأي مادة واقية قد تعوق دورة الهواء.

**لا تقم بعمل** - تخزين أي مواد سامة أو خطيرة داخل الجهاز الخاص بك. فقد صمم هذا الجهاز لتخزين المواد القابلة للأكل فقط.

**لا تقم بعمل** - استهلاك الأطعمة التي تم تجميدها لمدة زائدة من الوقت.

**لا تقم بعمل** - تخزين الأطعمة المطهية والطازجة معاً في نفس الوعاء. يجب تعبئتها وتخزينها منفصلة عن بعضها البعض.

**لا تقم بعمل** - اترك الأطعمة حتى يزول الثلج أو يتم سرد عصير الطعام.

**لا تقم بعمل** - ترك الباب مفتوح لفترات طويلة، حيث سيؤدي ذلك لجعل الجهاز أكثر بطأ في العمل ويؤدي لتكون المزيد من الثلج.

**لا تقم بعمل** - استخدام أدوات حادة مثل السكاكين أو الشوك لإزالة الثلج.

**لا تقم بعمل** - وضع أطعمة ساخنة في الجهاز. اتركه ليبرد أولاً.

**لا تقم بعمل** - وضع الزجاج المملوء بالسوائل أو العبوات المسربة التي تحتوي على سوائل ثاني أكسيد الكربون داخل الفريزر لاحتمال انفجارها.

**لا تقم بعمل** - زيادة الحمولات المجمدة للحد الأقصى عند تجميد الأطعمة الطازجة.

**لا تقم بعمل** - إعطاء الأطفال أسب كريمة أو مكعبات ثلج مباشرة من الفريزر. قد تؤدي درجة الحرارة المنخفضة إلى "حروق" على الشفاه.

**لا تقم بعمل** - تجميد المشروبات الغازية.

**لا تقم بعمل** - محاولة الاحتفاظ بالأطعمة المجمدة التي سالت، حيث يجب تناولها في خلال 24 ساعة أو أن يتم طهيها وإعادة تجميدها.


**لا تقم بعمل** - تحريك الأشياء الموجودة في الفريزر بأيدي مبللة.

## استكشاف الأعطال وإصلاحها

- أنه قد تم وضع مفتاح درجة الحرارة بطريقة صحيحة.
- في حالة تغيير القابس المنصهر المركب تأكد أن القابس الجديد تم توصيله بالسلك بطريقة صحيحة.
- إذا لم يعمل الجهاز بعد كل الفحوصات السابقة، يرجى الاتصال بالمورد الذي قمت بشراء الجهاز منه.
- يرجى التأكد من عمل جميع الفحوصات السابقة، حيث سيتم تحصيل المصاريف إذا لم نجد عيباً في الجهاز.

- إذا لم يعمل الجهاز عند تشغيله قم بفحص؛
- أن القابس موصل بشكل صحيح في المقبس وأن مصدر الطاقة يعمل. (لفحص مصدر الطاقة الموصل بالمقبس، قم بتوصيله بجهاز آخر)
- ما إذا كان المصهر قد تلف/ كان قاطع الدائرة الكهربائية يعوقه شيء / تم إيقاف تشغيل مفتاح التوزيع الرئيسي.



يشير الرمز  الموجود على المنتج أو العبوة إلى أن هذا المنتج لا يمكن التعامل معه على أنه مخلفات منزلية. وبدلاً من ذلك يجب تسليمه إلى نقطة تجميع مخصصة لإعادة تدوير المعدات الكهربائية والإلكترونية. من خلال التحقق من أنه تم التخلص من هذا المنتج بشكل صحيح، سوف تساعد على منع الآثار السلبية المحتملة على البيئة وصحة الإنسان، والتي يمكن أن تسببها المعالجة غير الصحيحة لهذا المنتج. للحصول على مزيد من المعلومات حول إعادة تدوير هذا المنتج، يرجى الاتصال ببلدية المدينة المحلية، وخدمة التخلص من المخلفات المنزلية أو المحل الذي اشترت منه هذا المنتج.



