



Refrigerator-Freezer type I

Instruction of use

Kühl-Gefrier-Typ I

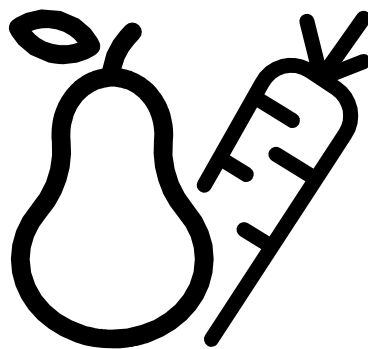
Gebrauchsanweisung

Réfrigérateur-Congélateur de type I

Notice d'utilisation

Koel-Vriescombinatie type I

Gebruiksaanwijzing



RDSA240K31WN

EN-DE-FR-NL

**WARNING!**

In order to ensure a normal operation of your refrigerating appliance, which uses a completely environmentally friendly refrigerant the R600a (flammable only under certain conditions) you must observe the following rules:

- ♦ Do not hinder the free circulation of the air around the appliance.
- ♦ Do not use mechanical devices in order to accelerate the defrosting, others than the ones recommended by the manufacturer.
- ♦ Do not destroy the refrigerating circuit.
- ♦ Do not use electric appliances inside the food keeping compartment, other than those that might have been recommended by the manufacturer.

WARNUNG!

Ihr Gerät verwendet ein umweltverträgliches Kältemittel, R600a (nur unter bestimmten Umständen brennbar). Um einen einwandfreien Betrieb Ihres Gerätes sicherzustellen, beachten Sie bitte folgende Vorschriften:

- ♦ Die Luftzirkulation um das Gerät darf nicht behindert sein.
- ♦ Verwenden Sie außer der vom Hersteller empfohlenen, keine mechanischen Hilfsmittel, um den Abtauprozess zu beschleunigen.
- ♦ Der Kältemittelkreislauf darf nicht beschädigt werden.
- ♦ Verwenden Sie im Lebensmittelaufbewahrungsbereich Ihres Gerätes keine elektrischen Geräte, es sei denn, sie sind vom Hersteller empfohlen.

ATTENTION!

Pour assurer un fonctionnement normal de votre appareil qui utilise un agent frigorifique écologique, R600a (inflammable seulement sous certaines conditions) vous devez respecter les règles suivantes:

- ♦ N'empêchez pas la libre circulation de l'air autour de l'appareil.
- ♦ N'utilisez pas des dispositifs mécaniques pour accélérer le dégivrage, autres que ceux recommandés par le fabriquant.
- ♦ Ne détruisez pas le circuit frigorifique.
- ♦ N'utilisez pas des appareils électriques à l'intérieur du compartiment pour conserver les aliments, hormis celles qui sont éventuellement recommandés par le fabriquant.

WAARSCHUWING!

U moet de volgende regels in acht nemen om de normale werking van uw koelkast, die het volledig milieuvriendelijke koelmiddel R600a gebruikt, te verzekeren:

- ♦ Hinder de vrije luchtcirculatie rond het toestel niet.
- ♦ Gebruik geen andere mechanische toestellen om het ontdooien te versnellen dan de toestellen die door de fabrikant worden aangeraden.
- ♦ Vernietig het koelcircuit niet.
- ♦ Gebruik geen andere elektrische toestellen in de bewaarlade voor etenswaren dan de toestellen die eventueel door de fabrikant worden aangeraden.

EN Index

Safety first /1
Electrical requirements /2
Transportation instructions /2
Installation instructions /2
Getting to know your appliance /3
Suggested arrangement of food in the appliance /3
Temperature control and adjustment /3
Before operating /3
Storing frozen food /4
Freezing fresh food /4
Making ice cubes /4
Defrosting /4
Replacing the interior light bulb /5
Cleaning and care /5
Repositioning the door /5
Do's and don'ts /5
Troubleshooting /6

DE Inhalt

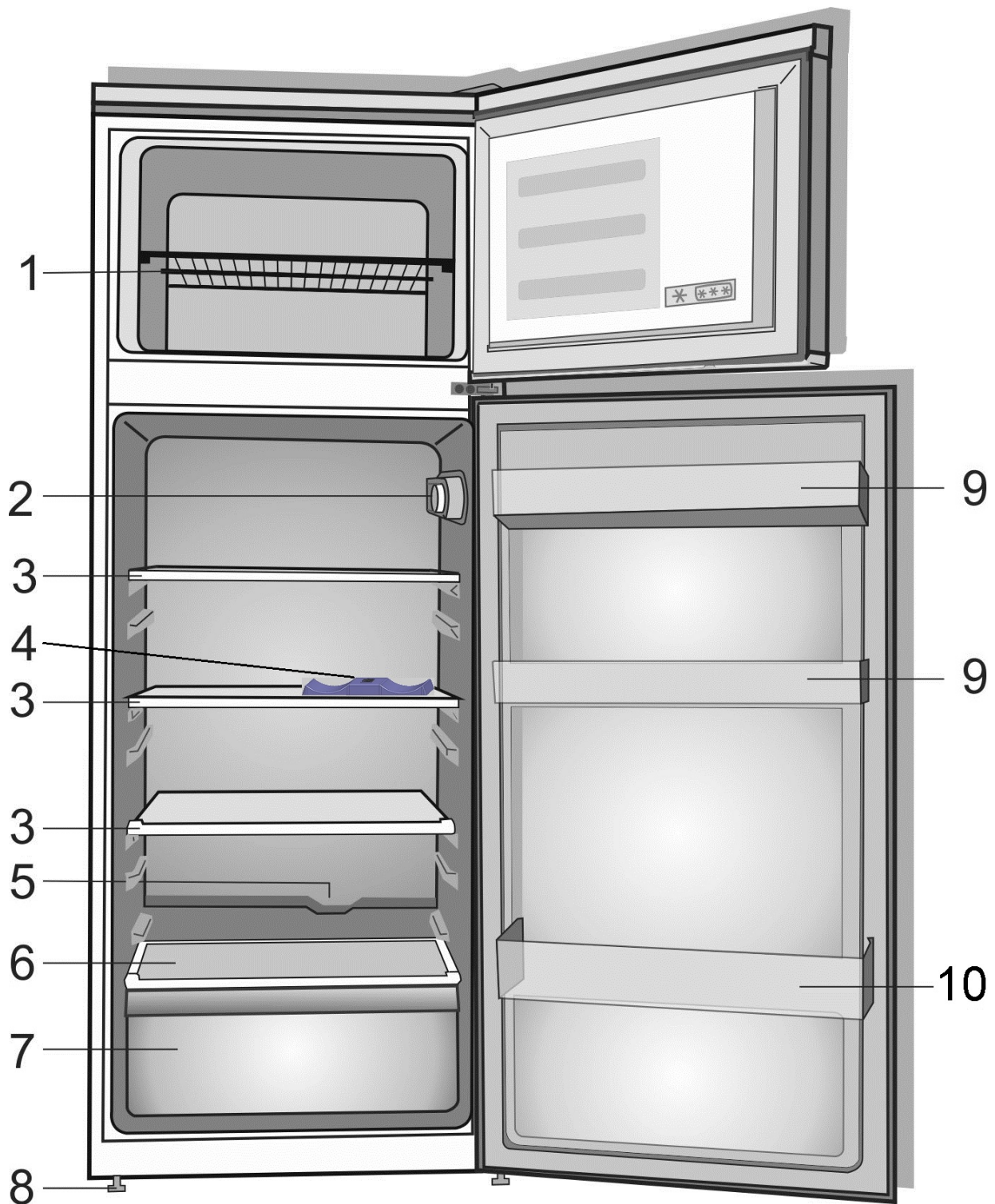
Sicherheit an erster Stelle /7
Voraussetzungen für den elektroanschluss /8
Transportvorschriften /8
Hinweise zur Installation und zum Aufstellungsort /8
Kennenlernen des geräts /9
Vorschläge für das einordnen von Lebensmitteln /9
Einstellung und Regelung der Temperatur /9
Inbetriebnahme; Lagerung von Tiefkühlware /10
Einfrieren von frischen Lebensmitteln /10
Lebensmittelsymbole und Gefrierkalender /10
Herstellung von eiswürfeln; Abtauen /10
Auswechseln der Glühlampe für die Innenbeleuchtung; Reinigung und Pflege /11
Wechseln des Türanschlags /12
Was Sie tun sollten und was auf keinen fall-einige hinweise /12
Massnahmen bei Betriebsstörung /13
Hinweise zu Betriebsgerauschen /13

FR Sommaire

La sécurité d'abord /14
Conditions électriques /15
Instructions de transport /15
Instructions d'installation /15
Apprendre à connaître votre appareil /16
Suggestion d'agencement des denrées dans l'appareil /16
Commande de température et réglage /16
Avant l'utilisation /17
Conservation des denrées surgelées /17
Congélation des produits frais /17
Fabrication de glaçons /17
Dégivrage; Remplacer l'ampoule intérieure /18
Repositionnement de la porte /18
Nettoyage et entretien /18
À faire / À éviter /19
Diagnostic /20

NL Inhoud

Veiligheid eerst /21
Elektriciteitsvereisten /22
Transportinstructies /22
Installatie-instructies /22
Uw toestel leren kennen /23
Voorstel voor de schikking van de etenswaren in het toestel /23
Opmeting en regeling van de temperatuur /23
Alvorens de inwerkstelling /24
Diepvriesproducten bewaren /24
Verse etenswaren invriezen /24
Ijsblokjes maken /24
Ontdooien /24
Het binnenlichtje vervangen /25
Schoonmaak en onderhoud /25
De deur verplaatsen /26
Wel en niet /26
Informatie over de functiegeluiden /27
Problemen oplossen /27



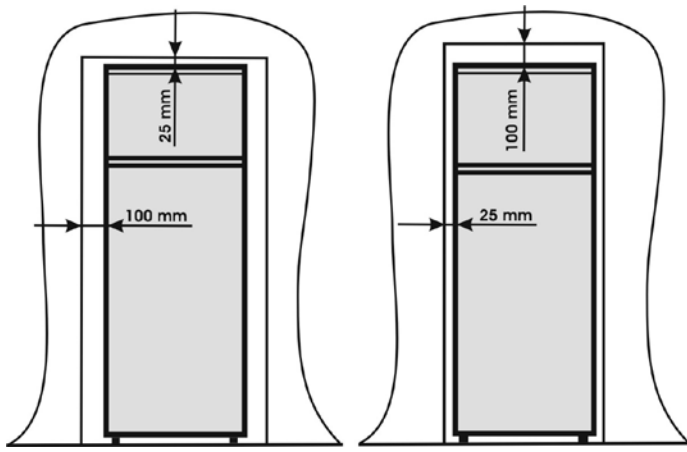
1

1 Figures that take place in this instruction manual are schematic and may not correspond exactly with your product. If the subject parts are not included in the product you have purchased, then it is valid for other models.

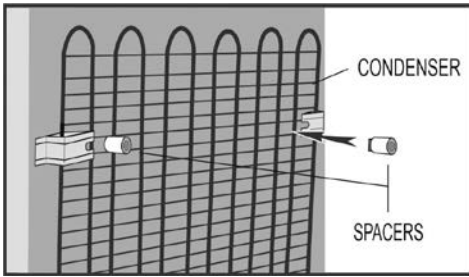
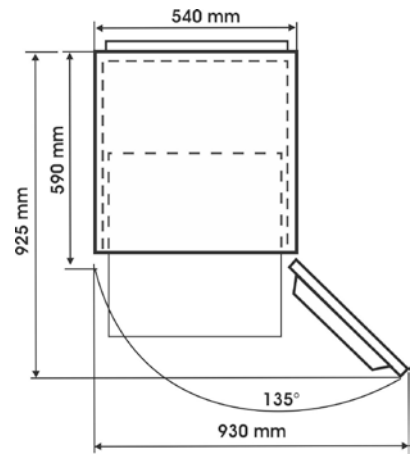
1 Abbildungen und Angaben in dieser Anleitung sind schematisch und können etwas von Ihrem Produkt abweichen. Falls Teile nicht zum Lieferumfang des erworbenen Gerätes zählen, gelten sie für andere Modelle.

1 Les illustrations présentées dans cette notice d'utilisation sont schématiques et peuvent ne pas correspondre exactement à votre produit. Si des pièces présentées ne sont pas comprises dans le produit que vous avez acheté, elles sont valables pour d'autres modèles.

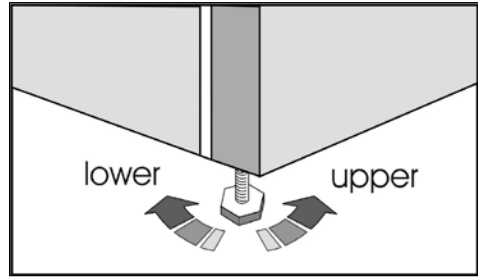
1 De afbeeldingen in deze gebruiksaanwijzing zijn schematisch en hoeven niet exact met uw product overeen te komen. Wanneer onderdelen niet tot het product behoren dat u hebt gekocht, gelden deze voor andere modellen.



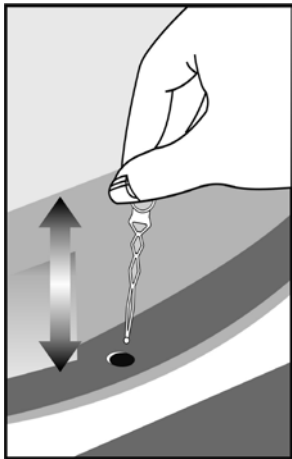
2



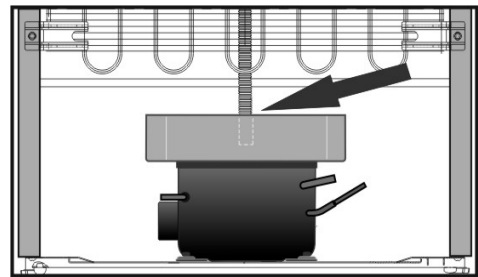
3



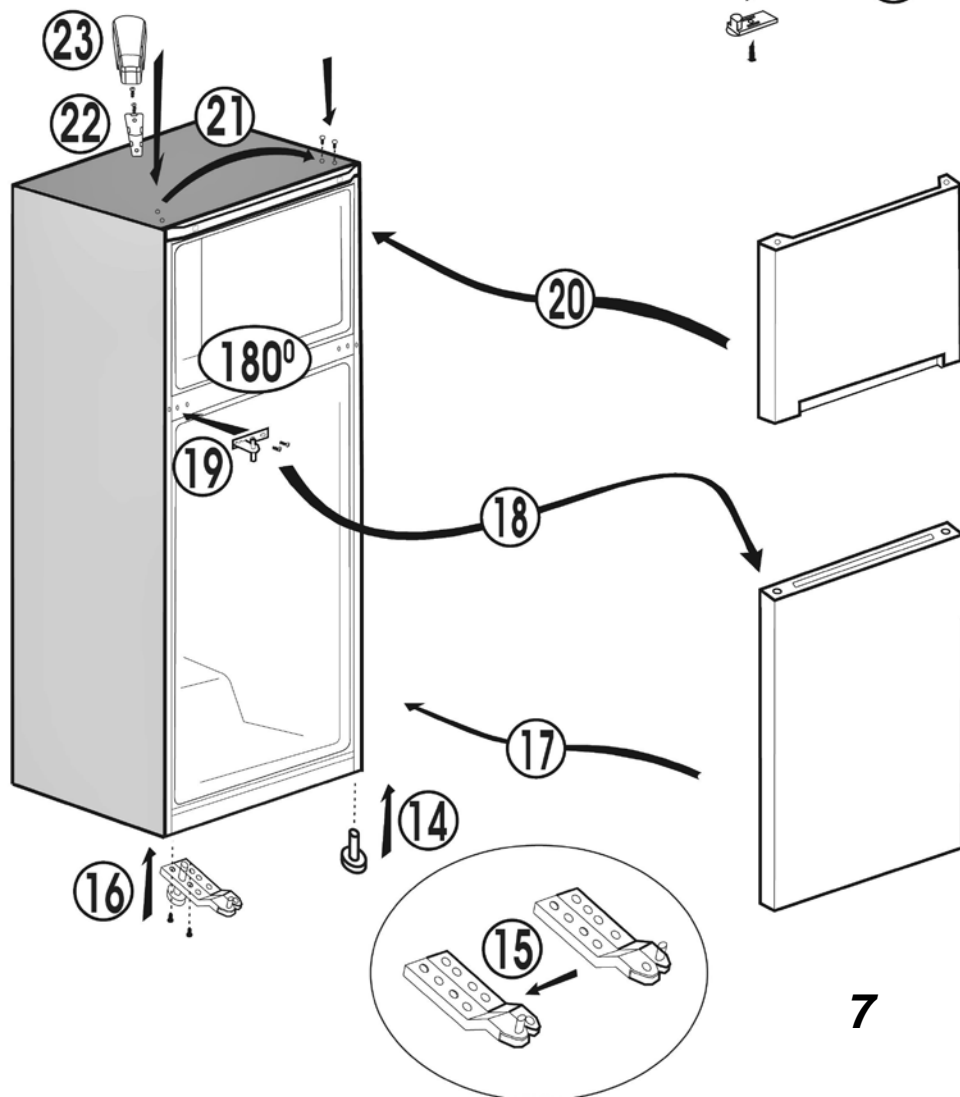
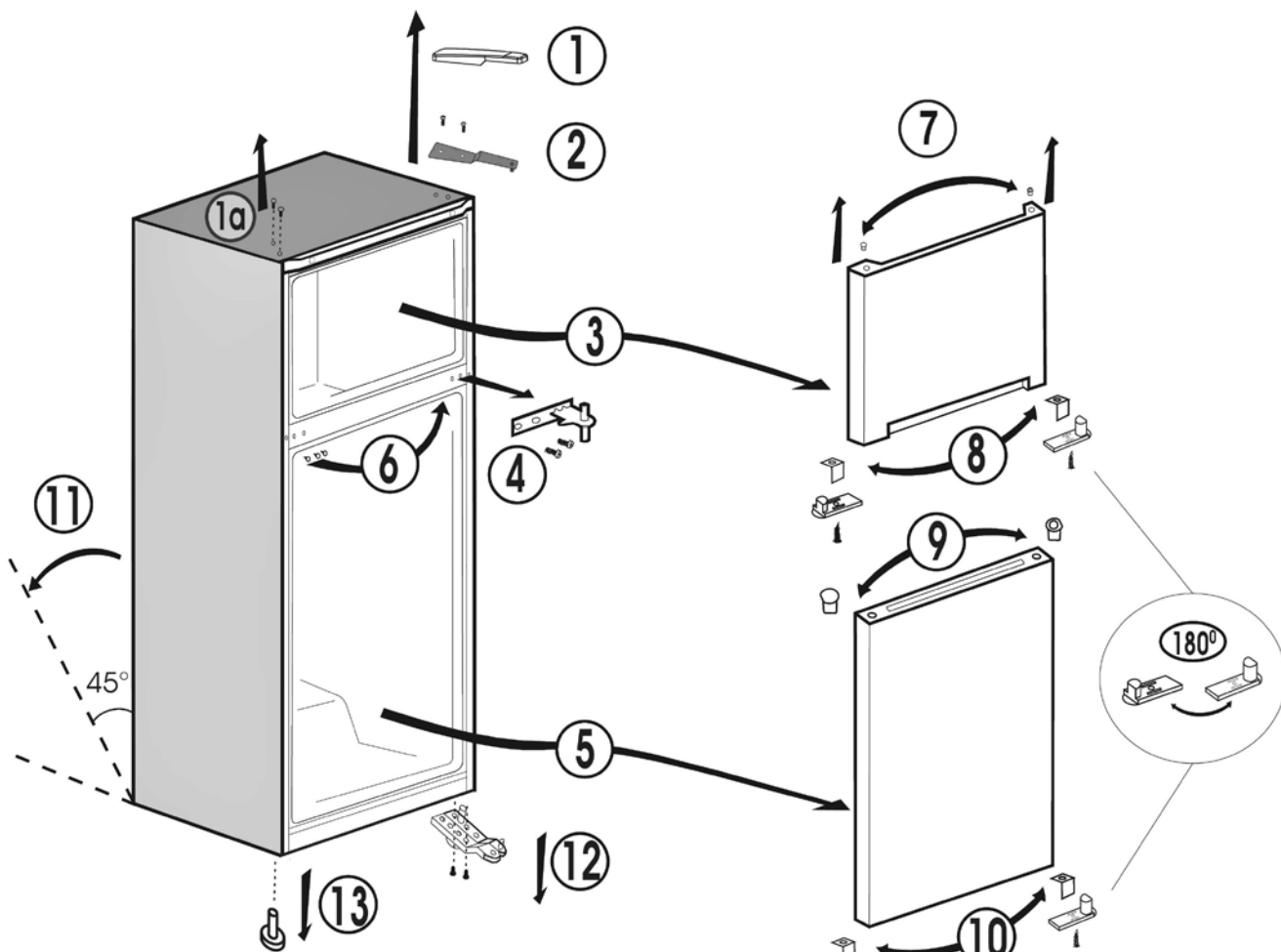
4



5



6



Congratulations on your choice of a **Beko** Quality Appliance, designed to give you many years of service.

Safety first!

Do not connect your appliance to the electricity supply until all packing and transit protectors have been removed.

- Leave to stand for at least 4 hours before switching on, to allow compressor oil to settle, if transported horizontally.
- If you are discarding an old appliance with a lock or latch fitted to the door, ensure that it is left in a safe condition to prevent the entrapment of children.
- This appliance must only be used for its intended purpose.
- Do not dispose of the appliance on a fire. Your appliance contains non CFC substances in the insulation which are flammable. We suggest you contact your local authority for information on disposal and available facilities.
- We do not recommend use of this appliance in an unheated, cold room (e.g. garage, conservatory, annex, shed, out-house etc.).

To obtain the best possible performance and trouble free operation from your appliance it is very important to read these instructions carefully. Failure to observe these instructions may invalidate your right to free service during the guarantee period.

Please keep these instructions in a safe place for easy reference.

Original Spare parts will be provided for 10 years, following the product purchasing date.

**This appliance is not intended for use by person with reduced physical, sensory or mental capabilities or lack of experience and knowledge unless they have been given supervision or instruction concerning use of the appliance by a person responsible for their safety.
Children should be supervised to ensure that they do not play with the appliance.**

Electrical requirements

Before inserting the plug into the wall socket make sure that the voltage and the frequency shown in the rating plate inside the appliance corresponds to your electricity supply.

We recommend that this appliance is connected to the mains supply via a suitably switched and fused socket in a readily accessible position.

Warning! This appliance must be earthed.

Repairs to electrical equipment should only be performed by a qualified technician. Incorrect repairs carried out by an unqualified person are carry risks that may have critical consequences for the user of the appliance.

ATTENTION!

This appliance operates with R600a which is an environmental friendly but flammable gas. During the transportation and fixing of the product, care must be taken not to damage the cooling system. If the cooling system is damaged and there is a gas leakage from the system, keep the product away from open flame sources and ventilate the room for a while.

WARNING - Do not use mechanical devices or other means to accelerate the defrosting process, others than those recommended by the manufacturer.

WARNING - Do not damage the refrigerant circuit.

WARNING - Do not use electrical appliances inside the food storage compartments of the appliance, unless they are of the type recommended by the manufacturer.

WARNING - If the supply cord is damaged, it must be replaced by the manufacturer, its service agent or similarly qualified persons in order to avoid a hazard.

Transportation instructions

1. The appliance should be transported only in an upright position. The packing as supplied must be intact during transportation.
2. If during the transport the appliance, has been positioned horizontally, it must not be operated for at least 4 hours, to allow the system to settle.
3. Failure to comply with the above instructions could result in damage to the appliance, for which the manufacturer will not be held liable.
4. The appliance must be protected against rain, moisture and other atmospheric influences.

Important!

- Care must be taken while cleaning/carrying the appliance not to touch the bottom of the condenser metal wires at the back of the appliance, as this could cause injury to fingers and hands.
- Do not attempt to sit or stand on top of your appliance as it is not designed for such use. You could injure yourself or damage the appliance.
- Make sure that the mains cable is not caught under the appliance during and after moving, as this could damage the cable.
- Do not allow children to play with the appliance or tamper with the controls.

Installation instructions

1. Do not keep your appliance in a room where the temperature is likely to fall below 10 degrees C (50 degrees F) at night and/or especially in winter, as it is designed to operate in ambient temperatures between +10 and +38 degrees C (50 and 100 degrees F). At lower temperatures the appliance may not operate, resulting in a reduction in the storage life of the food.
2. Do not place the appliance near cookers or radiators or in direct sunlight, as this will cause extra strain on the appliance's functions. If installed next to a source of heat or freezer, maintain the following minimum side clearances:

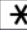



From Cookers	30 mm
From Radiators	300 mm
From Freezers	25 mm
3. Make sure that sufficient room is provided around the appliance to ensure free air circulation (**Item 2**).
- Put the back airing lid to the back of your refrigerator to set the distance between the refrigerator and the wall (**Item 3**).
4. The appliance should be positioned on a smooth surface. The two front feet can be adjusted as required. To ensure that your appliance is standing upright adjust the two front feet by turning clockwise or anti-clockwise, until firm contact is secured with the floor. Correct adjustment of feet prevents excessive vibration and noise (**Item 4**).
5. Refer to "Cleaning and Care" section to prepare your appliance for use.

Getting to know your appliance (Item 1)

- 1 - Freezer shelf
- 2 - Thermostat and lamp housing
- 3 - Adjustable Cabinet shelves
- 4 - Bottle holder
- 5 - Defrost water collection channel - drain tube
- 6 - Crisper cover
- 7 - Crisper
- 8 - Adjustable front feet
- 9 - Jars shelf
- 10 - Bottle shelf

Suggested arrangement of food in the appliance

Guidelines for obtaining optimum storage and hygiene:

1. The fridge compartment is for the short-term storage of fresh food and drinks.
2. The freezer compartment is   rated and suitable for the freezing and storage of pre-frozen food. The recommendation for   storage as stated on the food packaging should be observed at all times.
3. Dairy products should be stored in the special compartment provided in the door liner. In order to freeze fresh food it is recommended to pack the products in aluminium or plastic sheet, cool them in the fresh food compartment and store them on the freezer compartment shelf. It is preferable that the shelf be fixed in the upper side of the freezer compartment.
4. Cooked dishes should be stored in airtight containers.
5. Fresh wrapped produce can be kept on the shelf. Fresh fruit and vegetables should be cleaned and stored in the crispers.
6. Bottles can be kept in the door section.
7. To store raw meat, wrap in polythene bags and place on the lowest shelf. Do not allow to come into contact with cooked food, to avoid contamination. For safety, only store raw meat for two to three days.
8. For maximum efficiency, the removable shelves should not be covered with paper or other materials to allow free circulation of cool air.
9. Do not keep vegetable oil on door shelves. Keep the food packed, wrapped or covered. Allow hot food and beverages to cool before refrigerating. Leftover canned food should not be stored in the can.

10. Fizzy drinks should not be frozen and products such as flavoured water ices should not be consumed too cold.

11. Some fruit and vegetables suffer damage if kept at temperatures near 0°C. Therefore wrap pineapples, melons, cucumbers, tomatoes and similar produce in polythene bags.

12. High-proof alcohol must be stored upright in tightly closed containers. Never store products that contain an inflammable propellant gas (e.g. cream dispensers, spray cans, etc.) or explosive substances. These are an explosion hazard.

Temperature control and adjustment

Operating temperatures are controlled by the thermostat knob and may be set at any position between 1 and 5 (the coldest position).

If the thermostat knob is in position "0" the appliance is off. In this case neither the lamp for inside lighting will light.

The average temperature inside the fridge should be around +5°C (+41°F).

Therefore adjust the thermostat to obtain the desired temperature. Some sections of the fridge may be cooler or warmer (such as salad crisper and top part of the cabinet) which is quite normal. We recommend that you check the temperature periodically with a thermometer to ensure that the cabinet is kept to this temperature. Frequent door openings cause internal temperatures to rise, so it is advisable to close the door as soon as possible after use.

Before operating**Final Check**

Before you start using the appliance check that:

1. The feet have been adjusted for perfect levelling.
2. The interior is dry, and air can circulate freely at the rear.
3. The interior is clean as recommended under "Cleaning and care."
4. The plug has been inserted into the wall socket and the electricity is switched on. When the door is open the interior light will come on.

And note that:

5. You will hear a noise as the compressor starts up.

The liquid and gases sealed within the refrigeration system may also make some (noise), whether the compressor is running or not. This is quite normal.

6. Slight undulation of the top of the cabinet is quite normal due to the manufacturing process used; it is not a defect.

7. We recommend setting the thermostat knob midway and monitor the temperature to ensure the appliance maintains desired storage temperatures (See section Temperature Control and Adjustment).

8. Do not load the appliance immediately it is switched on. Wait until the correct storage temperature has been reached. We recommend checking the temperature with an accurate thermometer (see; Temperature Control and Adjustment).

Storing frozen food

Your freezer is suitable for the long-term storage of commercially frozen foods and also can be used to freeze and store fresh food. If there is a power failure, do not open the door. Frozen food should not be affected if the failure lasts for less than 16 hrs. If the failure is longer, then the food should be checked and either eaten immediately or cooked and then re-frozen.

Freezing fresh food

Please observe the following instructions to obtain the best results.

Do not freeze too large a quantity at any one time. The quality of the food is best preserved when it is frozen right through to the core as quickly as possible.

Do not exceed the freezing capacity of your appliance in 24 h.

Placing warm food into the freezer compartment causes the refrigeration machine to operate continuously until the food is frozen solid. This can temporarily lead to excessive cooling of the refrigeration compartment.

When freezing fresh food, keep the thermostat knob at medium position. Small quantities of food up to 1/2 kg. (1 lb) can be frozen without adjusting the temperature control knob.

Take special care not to mix already frozen food and fresh food.

Making ice cubes

Fill the ice - cube tray 3/4 full with water and place it in the freezer. Loosen frozen trays with a spoon handle or a similar implement; never use sharp-edged objects such as knives or forks.

Defrosting

A) Fridge compartment

The fridge compartment defrosts automatically. The defrost water runs to the drain tube via a collection container at the back of the appliance (**Item 5**).

During defrosting, water droplets may form at the back of the fridge compartment where a concealed evaporator is located. Some droplets may remain on the liner and refreeze when defrosting is completed. Do not use pointed or sharp-edged objects such as knives or forks to remove the droplets which have refrozen.

If, at any time, the defrost water does not drain from the collection channel, check that no food particles have blocked the drain tube. The drain tube can be cleared with a pipe-cleaner or similar implement.

Check that the tube is permanently placed with its end in the collecting tray on the compressor to prevent the water spilling on the electric installation or on the floor (**Item 6**).

B) Freezer compartment

Defrosting is very straightforward and without mess, thanks to a special defrost collection basin.

Defrost twice a year or when a frost layer of around 7 (1/4") mm has formed. To start the defrosting procedure, switch off the appliance at the socket outlet and pull out the mains plug. All food should be wrapped in several layers of newspaper and stored in a cool place (e.g. fridge or larder).

Containers of warm water may be placed carefully in the freezer to speed up the defrosting.

Do not use pointed or sharp-edged objects, such as knives or forks to remove the frost. Never use hairdryers, electrical heaters or other such electrical appliances for defrosting. Sponge out the defrost water collected in the bottom of the freezer compartment. After defrosting, dry the interior thoroughly. Insert the plug into the wall socket and switch on the electricity supply.

Replacing the interior light bulb

To change the Bulb/LED used for illumination of your refrigerator, call your Authorised Service.

The lamp(s) used in this appliance is not suitable for household room illumination. The intended purpose of this lamp is to assist the user to place foodstuffs in the refrigerator / freezer in a safe and comfortable way.

The lamps used in this appliance have to withstand extreme physical conditions such as temperatures below -20°C.

Cleaning and care

1. We recommend that you switch off the appliance at the socket outlet and pull out the mains plug before cleaning.

2. Never use any sharp instruments or abrasive substances, soap, household cleaner, detergent or wax polish for cleaning.

3. Use luke warm water to clean the cabinet of the appliance and wipe it dry.

4. Use a damp cloth wrung out in a solution of one teaspoon of bicarbonate of soda to one pint of water to clean the interior and wipe it dry.

5. Make sure that no water enters the temperature control box.

6. If the appliance is not going to be used for a long period of time, switch it off, remove all food, clean it and leave the door ajar.

7. We recommend that you polish the metal parts of the product (i.e. door exterior, cabinet sides) with a silicone wax (car polish) to protect the high quality paint finish.

8. Any dust that gathers on the condenser, which is located at the back of the appliance, should be removed once a year with a vacuum cleaner.

9. Check door seals regularly to ensure they are clean and free from food particles.

10. Never:

- Clean the appliance with unsuitable material; eg petroleum based products.
- Subject it to high temperatures in any way,
- Scour, rub etc., with abrasive material.

11. Removal of dairy cover and door tray:

- To remove the dairy cover, first lift the cover up by about an inch and pull it off from the side where there is an opening on the cover.
- To remove a door tray, remove all the contents and then simply push the door tray upwards from the base.

12. Make sure that the special plastic container at the back of the appliance which collects defrost water is clean at all times. If you want to remove the tray to clean it, follow the instructions below:

- Switch off at the socket outlet and pull out the mains plug.
- Gently uncrimp the stud on the compressor, using a pair of pliers, so that the tray can be removed.
- Lift it up.
- Clean and wipe it dry
- Reassemble, reversing the sequence and operations

13. Large accumulation of ice will impair the performance of the freezer.

Repositioning the door

Proceed in numerical order (**Item 7**).

Do's and don'ts

- Do-** Clean and defrost your appliance regularly (see "Defrosting").
- Do-** Keep raw meat and poultry below cooked food and dairy products.
- Do-** Take off any unusable leaves on vegetables and wipe off any soil.
- Do-** Leave lettuce, cabbage, parsley and cauliflower on the stem.
- Do-** Wrap cheese firstly in greaseproof paper and then in a polythene bag, excluding as much air as possible. For best results, take out of the fridge compartment an hour before eating.
- Do-** Wrap raw meat and poultry loosely in polythene or aluminium foil. This prevents drying.
- Do-** Wrap fish and offal in polythene bags.
- Do-** Wrap food with a strong odour or which may dry out, in polythene bags, or aluminium foil or place in airtight container.
- Do-** Wrap bread well to keep it fresh.
- Do-** Chill white wines, beer, lager and mineral water before serving.
- Do-** Check contents of the freezer every so often.
- Do-** Keep food for as short a time as possible and adhere to "Best Before" and "Use by" etc. dates.
- Do-** Store commercially frozen food in accordance with the instructions given on the packets.
- Do-** Always choose high quality fresh food and be sure it is thoroughly clean before you freeze it.


- Do-** Prepare fresh food for freezing in small portions to ensure rapid freezing.
- Do-** Wrap all food in aluminum foil or freezer quality polythene bags and make sure any air is excluded.
- Do-** Wrap frozen food immediately after purchasing and put it in to the freezer as soon as possible.
- Do-** Defrost food in the fridge compartment.
- Don't-** Store bananas in your fridge compartment.
- Don't-** Store melon in your fridge. It can be chilled for short periods as long as it is wrapped to prevent it flavouring other food.
- Don't-** Cover the shelves with any protective materials which may obstruct air circulation.
- Don't-** Store poisonous or any dangerous substances in your appliance. It has been designed for the storage of edible foodstuffs only.
- Don't-** Consume food which has been refrigerated for an excessive length of time.
- Don't-** Store cooked and fresh food together in the same container. They should be packaged and stored separately.
- Don't-** Let defrosting food or food juices drip onto food.
- Don't-** Leave the door open for long periods, as this will make the appliance more costly to run and cause excessive ice formation.
- Don't-** Use sharp edged objects such as knives or forks to remove the ice.
- Don't-** Put hot food into the appliance. Let it cool down first.
- Don't-** Put liquid-filled bottles or sealed cans containing carbonated liquids into the freezer, as they may burst.
- Don't-** Exceed the maximum freezing loads when freezing fresh food.
- Don't-** Give children ice-cream and water ices direct from the freezer. The low temperature may cause 'freezer burns' on lips.
- Don't-** Freeze fizzy drinks.
- Don't-** Try to keep frozen food which has thawed; it should be eaten within 24 hours or cooked and refrozen.
- Don't-** Remove items from the freezer with wet hands.

Troubleshooting

If the appliance does not operate when switched on, check:

- That the plug is inserted properly in the socket and that the power supply is on. (To check the power supply to the socket, plug in another appliance).
 - Whether the fuse has blown/circuit breaker has tripped/main distribution switch has been turned off.
 - That the temperature control has been set correctly.
 - That the new plug is wired correctly, if you have changed the fitted, moulded plug.
- If the appliance is still not operating at all after above checks, contact the dealer from whom you purchased the unit.
- Please ensure that above checks have been done, as a charge will be made if no fault is found.



The symbol  on the product or on packaging indicates that this product may not be treated as household waste. Instead it shall be handed over to the applicable collection point for the recycling of electrical and electronic equipment. By ensuring this product is disposed of correctly, you will help prevent potential negative consequences for the environment and human health, which could otherwise be otherwise be caused by inappropriate waste handling of this product. For more detailed information about recycling of this product, please contact your local city office, you household waste disposal service or the shop where you purchased the product.

Wir beglückwünschen Sie dazu, daß Sie sich für ein Haushaltsgerät von **Beko** entschieden haben - ein Produkt von hoher Qualität, das Ihnen sicher viele Jahre lang wertvolle Dienste leisten wird.

Sicherheit an erster Stelle!

Schließen Sie Ihr Gerät NICHT an die Stromversorgung an, bevor Sie die gesamte Verpackung und alle Transportschutzvorrichtungen entfernt haben.

- Lassen Sie das Gerät vor dem Einschalten für mindestens 4 Stunden aufrecht stehen, damit sich nach einem waagerechten Transport zunächst das Kompressoröl sammeln kann.
- Falls Sie ein Altgerät entsorgen und sich an dessen Tür ein Schloß oder eine Verriegelung befindet, dann achten Sie darauf, daß Sie letztere in einem sicheren Zustand hinterlassen, so daß sich Kinder nicht versehentlich im Gerät einschließen können.
- Dieses Haushaltgerät darf nur für seinen vorgesehenen Verwendungszweck eingesetzt werden.
- Bei der Entsorgung des Geräts darf kein Feuer zum Einsatz kommen. Die Isolierung des Geräts enthält FCKW-freie Stoffe, die jedoch entflammbar sind und daher nicht mit Feuer in Berührung kommen dürfen. Bitte informieren Sie sich bei den vor Ort zuständigen Behörden über die vorhandenen Entsorgungsmöglichkeiten und-einrichtungen.
- Vom Einsatz dieses Geräts in einem ungeheizten bzw. kühlen Raum wird abgeraten (z.B. Garage, Wintergarten, Abstellraum, Schuppen, Nebengebäude usw.).

Um eine optimale Leistung und einen störungsfreien Betrieb des Geräts zu erreichen, sollten Sie sich die vorliegende Bedienungsanleitung unbedingt genau durchlesen.

Die Nichtbeachtung dieser Bedienungsanleitung kann den Verlust Ihres Rechts auf kostenlosen Service während der Garantiezeit zur Folge haben.

Bitte bewahren Sie diese Bedienungsanleitung gut auf, damit Sie sie bei Bedarf jederzeit zur Hand haben.

Originalersatzteile stehen für einen Zeitraum von 10 Jahren ab Kaufdatum zur Verfügung.

Dieses Gerät ist nicht dafür bestimmt durch Personen (einschließlich Kinder) mit eingeschränkten physischen, sensorischen oder geistigen Fähigkeiten oder mangels Erfahrung und/oder mangels Wissen benutzt zu werden, es sei denn, sie werden durch eine für ihre Sicherheit zuständige Person beaufsichtigt oder erhalten von ihr Anweisungen, wie das Gerät zu benutzen ist.

Voraussetzungen für den elektroanschluss

Bevor Sie das Gerät mit einer Steckdose verbinden, sollten Sie sich vergewissern, daß Spannung und Frequenz der Stromversorgung mit den Angaben auf dem Typenschild übereinstimmen, das sich im Innenraum des Geräts befindet. Das Gerät sollte an einer ordnungsgemäß installierten und leicht zugänglichen Steckdose angeschlossen werden, die mit einer Sicherung abgesichert ist.

Achtung! Dieses Gerät muß über einen ordnungsgemäßen Erdanschluß verfügen! Reparaturen an elektrischen Geräten dürfen ausschließlich von einem hierfür qualifizierten Fachmann ausgeführt werden. Eine falsch bzw. nicht fachgerecht ausgeführte Reparatur kann Gefahren mit möglicherweise gravierenden Folgen für den Benutzer herbeiführen. Wenn die Netzanschlussleitung dieses Gerätes beschädigt wird, muss sie durch den Hersteller oder seinen Kundendienst oder eine ähnlich qualifizierte Person ersetzt werden, um Gefährdungen zu vermeiden.

Transportvorschriften

1. Das Gerät sollte wenn möglich ausschließlich senkrecht transportiert werden. Während eines Transports muß sich die mitgelieferte Verpackung komplett am Gerät befinden.
2. Wenn sich das Gerät während eines Transports in waagerechter Lage befunden hat, darf es danach für einen Zeitraum von 4 Stunden nicht in Betrieb genommen werden, damit sich das Kühlsystem wieder stabilisieren kann.
3. Die Nichtbeachtung der obengenannten Vorschriften kann zu einer Beschädigung des Geräts führen. Der Hersteller kann nicht zur Verantwortung gezogen werden, wenn diese Vorschriften sind nicht beachtet.
4. Das Gerät muß so transportiert werden, daß es vor Regen, Feuchtigkeit und anderen Witterungseinflüssen geschützt ist.

Wichtiger Hinweis!

- Achten Sie beim Reinigen / Tragen des Geräts darauf, daß Sie die unteren Enden des Kondensator-Drahtgitters an der Rückseite des Geräts nicht berühren, da Sie sich dabei an den Fingern / Händen verletzen könnten.
- Sie sollten sich auf keinen Fall auf das Gerät stellen oder setzen, da es nicht für eine solche Belastung ausgelegt ist. Sie könnten sich hierdurch verletzen oder das Gerät beschädigen.

- Stellen Sie sicher, daß sich das Anschlußkabel beim Tragen / Verrücken des Geräts bzw. danach nicht unter diesem verfängt und dadurch abgetrennt oder anderweitig beschädigt wird.
- Achten Sie darauf, daß Kinder nicht mit dem Gerät spielen oder sich an den Bedienelementen zu schaffen machen.

Hinweise zur installation und zum aufstellungsort

1. Stellen Sie das Gerät nicht in einem Raum auf, wo die Temperaturen nachts bzw. besonders im Winter leicht unter 10°C (50°F) fallen können. Das Gerät ist für einen Betrieb bei einer Umgebungstemperatur zwischen +10°C und +38°C (bzw. 50 bis 100°F) ausgelegt. Wenn Sie das Gerät in einem ungeheizten / kühlen Raum (z.B. Wintergarten, Abstellraum, Schuppen, Garage usw.) aufstellen, dann beeinträchtigt dies die Funktion und kann zu einer Verkürzung der Lagerungszeit von Tiefkühlware führen.
2. Stellen Sie das Gerät nicht in der Nähe eines Herds, eines Heizkörpers oder im Bereich direkter Sonneneinstrahlung auf, da das Kühlaggregat dann stärker arbeiten muß. Wenn die Aufstellung in der Nähe einer Wärmequelle oder eines Gefrierschranks erfolgt, dann sind die folgenden seitlichen Mindestabstände einzuhalten:

von Herden	30 mm
von Heizkörpern:	300 mm
von Gefriergeräten:	25 mm
3. Achten Sie darauf, daß um das Gerät herum genügend Platz verbleibt, so daß für eine ausreichende Luftzirkulation gesorgt ist (**Abb. 2**).
- Bringen Sie die hinter Lüftungsabdeckung an der Rückseite des Geräts an, um den Abstand zwischen dem Kühlschranks und der Wand zu bestimmen (**Abb. 3**).
4. Das Gerät sollte auf einer ebenen Fläche stehen. Die beiden vorderen Füße sind je nach Bedarf höhenverstellbar. Um eine genau senkrechte Stellung zu erzielen, können Sie die beiden vorderen Füße durch Drehen im Uhrzeigersinn oder umgekehrt so einstellen, bis das Gerät überall fest auf dem Boden steht. Durch ein korrektes Einstellen der Füße lassen sich darüber hinaus überflüssige Schwingungen und Geräusche vermeiden (**Abb. 4**).



5. Lesen Sie vor einer ersten Benutzung des Geräts den Abschnitt „Reinigung und Pflege“.

Kennenlernen des Geräts (Abb. 1)

- 1 - Ablage für Gefrierfach
- 2 - Thermostat und Beleuchtungsarmatur
- 3 - Verstellbare Ablagen
- 4 - Flaschenhalter
- 5 - Tauwasserablauf
- 6 - Deckel für Gemüseschubladen
- 7 - Obst- und Gemüsekorb
- 8 - Höhenverstellbare Füßen
- 9 - Gläserfach
- 10 - Flaschenfach

Vorschläge für das Einordnen von Lebensmitteln

Zur Erzielung bestmöglicher Ergebnisse und zur Einhaltung der Lebensmittelhygiene berücksichtigen Sie bitte die folgenden Regeln und Hinweise:

1. Das Kühlabteil dient dem kurzzeitigen Lagern von frischen Lebensmitteln und Getränken.
2. Das Gefrierfach ist ein  Fach und eignet sich zum Einfrieren und für die Lagerung von Tiefkühlware, wie sie im Handel erhältlich ist. Beachten Sie in jedem Falle die Empfehlungen für  Lagerung, wie sie auf der Lebensmittelverpackung angegeben sind.
3. Milchprodukte sollten in dem dafür vorgesehenen Fach in der Türverkleidung gelagert werden.
Frische Lebensmittel frieren Sie ein, indem Sie sie in Alu- oder Plastikfolie verpacken, zuerst im Kühlbereich herunterkühlen und erst anschließend in das Tiefkühlfach geben.
Die Ablage sollte am besten im oberen Teil des Tiefkühlfachs angebracht werden.
4. Gekochte Speisen müssen in luftdicht verschlossenen Behältern aufbewahrt werden.
5. Frische, noch verpackte Lebensmittel können auf einer Ablage eingeordnet werden. Frisches Obst und Gemüse sollten Sie säubern und in den dafür vorgesehenen Körben lagern.
6. Flaschen können im Türbereich eingeordnet werden.
7. Rohes Fleisch sollten Sie in Polyethylenbeutel wickeln und auf der untersten Ablage verstauen, wobei Sie darauf achten sollten, daß es nicht mit gekochten Speisen in Berührung kommt, um eine Übertragung von Keimen zu verhindern. Rohes Fleisch sollte sicherheitshalber nicht länger als zwei bis drei Tage gelagert werden.

8. Zur maximalen Ausnutzung der Kühlleistung sollten Sie die herausnehmbaren Ablagen nicht mit Papier oder anderen Materialien bedecken, so daß für eine gute Zirkulation der Kaltluft gesorgt ist.

9. Stellen Sie keine Behälter mit Pflanzenöl auf die Ablageborde in der Tür. Lagern Sie die Lebensmittel in ihrer Verpackung bzw. eingewickelt oder abgedeckt. Lassen Sie heiße Speisen und Getränke abkühlen, bevor Sie sie in das Gerät stellen. Lagern Sie keine explosiven Stoffe ein. Hochprozentiger Alkohol muß in aufrecht stehenden, dicht verschlossenen Behältern gelagert werden.

Reste von Lebensmitteln, die in Konservendosen geliefert werden, sollten nicht in der Dose selbst aufbewahrt werden.

10. Kohlensäurehaltige Getränke dürfen nicht Eissorbetts sollten Sie nicht zu kühl genießen.

11. Bei einigen Obst- und Gemüsesorten tritt eine Qualitätsminderung ein, wenn sie bei einer Temperatur nahe 0°C gelagert werden. Bewahren Sie daher Ananas, Melonen, Gurken, Tomaten und ähnliche Erzeugnisse in Polyethylenbeuteln auf.

12. Hochprozentiger Alkohol muß in aufrecht stehenden, dicht verschlossenen Behältern gelagert werden. Neuartige Lebensmittel, bei denen ein brennbares Treibgas verwendet wird (Sahnespender, Sprühdosen usw.), oder explosive Stoffe sollten niemals im Gerät aufbewahrt werden - Explosionsgefahr!

Einstellung und Regelung der Temperatur

Die Einstellung der Betriebstemperatur kann mit dem Thermostatkopf vorgenommen werden. Es können verschiedene Einstellungen zwischen 1 und 5 gewählt werden, wobei letzteres dem kältesten Wert entspricht. Die Durchschnittstemperatur im Kühlabteil sollte bei etwa +5°C (+41°F) liegen. Um die gewünschte Temperatur zu erreichen, können Sie den Thermostatkopf entsprechend einstellen. Dabei können bestimmte Bereiche des Kühlabteils kälter und andere wärmer sein (wie etwa der Gemüsekorb und der obere Bereich des Kühlabteils), was aber eine normale Erscheinung darstellt. Es empfiehlt sich, die Temperatur von Zeit zu Zeit mittels eines Thermometers zu überprüfen, um sicherzustellen, daß der genannte Wert tatsächlich eingehalten wird. Ein häufiges Öffnen der Tür führt zu einer höheren Innentemperatur, deswegen sollten Sie die Tür sofort zu schließen nach Verwendung.

Inbetriebnahme**Abschließende Kontrolle**

Kontrollieren Sie die folgenden Punkte, bevor Sie das Gerät in Betrieb nehmen:

1. Die Füße müssen so eingestellt sein, daß das Gerät genau waagrecht steht.
2. Der Innenraum muß trocken sein, und die Luft muß hinter dem Gerät ungehindert zirkulieren können.
3. Reinigen Sie den Innenraum gemäß den Hinweisen im Abschnitt „Reinigung und Pflege“.
4. Verbinden Sie den Netzstecker mit der Steckdose und schalten Sie die Stromversorgung ein. Sofern die Tür geöffnet ist, sollte nun die Beleuchtung angehen.
5. Beim Einschalten des Kompressors ist ein Geräusch zu hören. Darüber hinaus können die im Kühlsystem enthaltenen flüssigen und gasförmigen Stoffe bestimmte Geräusche erzeugen, und zwar unabhängig davon, ob der Kompressor gerade läuft oder nicht. Auch hierbei handelt es sich um eine normale Erscheinung.
6. Eine leicht gewellte Oberfläche der Deckplatte ist normal und steht mit dem Herstellungsprozeß im Zusammenhang. Diese Erscheinung stellt keinen Schaden dar und sollte daher kein Anlaß zur Beunruhigung sein.
7. Es wird empfohlen, den Thermostatknopf auf eine mittlere Position einzustellen und zu kontrollieren, ob die jeweils gewünschte Lagertemperatur eingehalten wird (vgl. hierzu den Abschnitt „Einstellung und Regelung der Temperatur“).
8. Beladen Sie das Gerät nicht schon unmittelbar nach dem Einschalten, sondern warten Sie solange, bis die richtige Lagertemperatur erreicht ist. Die Überprüfung der Temperatur mit einem gut geeichten Thermometer wird empfohlen (siehe Abschnitt „Einstellung und Regelung der Temperatur“).

Lagerung von Tiefkühlware

Das Gefrierabteil eignet sich sowohl für die Langzeitlagerung von handelsüblicher Tiefkühlware als auch für die Lagerung und das Einfrieren von frischen Lebensmitteln. Lassen Sie bei einem Stromausfall die Tür geschlossen. Tiefkühlware wird nicht beeinträchtigt, wenn der Stromausfall weniger als 16 Stunden andauert. Dauert der Ausfall länger, dann sollten die Lebensmittel überprüft und sofort gekocht und wieder gefriert.

Einfrieren von frischen Lebensmitteln

Zur Erzielung bestmöglicher Ergebnisse berücksichtigen Sie bitte die folgenden Hinweise:

Frieren Sie nie eine zu große Menge auf einmal ein. Die Qualität von Lebensmitteln bleibt dann am besten erhalten, wenn sie so schnell wie möglich vollständig durchfrieren. Das Gefriervermögen Ihres Geräts pro 24 Stunden darf nicht überschritten werden.

Wenn Sie warme Speisen in das Gefrierabteil stellen, dann wird das Kühlaggregat solange ununterbrochen arbeiten, bis die Speisen eingefroren sind. Zeitweise kann dies auch dazu führen, daß es im Kühlteil wesentlich kälter wird, als es normalerweise der Fall wäre. Zum Einfrieren frischer Lebensmittel stellen Sie den Thermostatknopf auf eine mittlere Position. Kleinere Mengen Lebensmittel, d.h. bis zu 1/2 kg (1 Pfund), können eingefroren werden, ohne den Temperaturwahlschalter extra neu einzustellen.

Achten Sie unbedingt darauf, daß Sie bereits eingelagerte Tiefkühlware nicht unmittelbar neben frische Lebensmittel legen.

Lebensmittelsymbole und Gefrierkalender

Die Lebensmittelsymbole sind auf der Türverkleidung des Gefrierabteils dargestellt. Die Zahlen neben den Lebensmittelsymbolen geben jeweils den Zeitraum in Monaten an, für den eine Lagerung gefahrlos erfolgen kann. Beachten Sie bei käuflich erworbener Tiefkühlware das auf der jeweiligen Verpackung angegebene Verfallsdatum.

Herstellung von Eiswürfeln

Füllen Sie die Eiswürfelschale zu zwei Dritteln mit Wasser, und stellen Sie sie dann in das Gefrierabteil. Eine festgefrorene Schale mittels eines Löffelstiels o.ä. lösen, aber hierzu niemals scharfkantige Gegenstände verwenden, wie etwa Messer oder Gabel.

Abtauen**A) Kühlabteil**

Das Kühlabteil verfügt über eine Abtau-Automatik. Das Tauwasser läuft über einen Sammelbehälter an der Rückwand in die Tauwasserablaufleitung (**Abb. 5**). Während des Abtauens können sich an der Rückwand des Kühlabteils, hinter dem der Verdampfer verborgen ist, Wassertropfen bilden.

Dabei können einige Tropfen auf der Verkleidung der Rückwand verbleiben und nach dem Abtauen wieder gefrieren. Verwenden Sie zum Entfernen solcher gefrorenen Tropfen niemals einen spitzen oder scharfkantigen Gegenstand, wie etwa ein Messer oder eine Gabel. Sollte das Tauwasser einmal nicht aus dem Sammelkanal ablaufen, so überprüfen Sie, ob evtl. die Tauwasserablaufleitung durch Reste von Lebensmitteln o.ä. verstopft wurde. Zum Reinigen der Ablaufleitung kann man ein geeignetes Werkzeug hindurchführen, z.B. einen Pfeifenputzer o.ä. - vgl. **(Abb. 6)**.

B) Gefrierabteil

Durch den eingebauten Tauwassersammelbehälter gestaltet sich das Abtauen sehr einfach und unkompliziert. Sie sollten etwa zweimal pro Jahr abtauen, bzw. wenn sich eine Eisschicht von etwa 7 mm (1/4") Stärke gebildet hat. Schalten Sie zum Abtauen das Gerät ggf. an der Steckdose ab und ziehen Sie den Netzstecker. Wickeln Sie die Lebensmittel in mehrere Lagen Zeitungspapier und verstauen Sie dann alles an einem kühlen Ort (z.B. Kühlschrank oder Speisekammer). Um das Abtauen zu beschleunigen, können Sie vorsichtig Behälter mit warmem Wasser in das Gefrierabteil stellen.

Verwenden Sie zum Entfernen des Eises niemals einen spitzen oder scharfen Gegenstand, wie etwa ein Messer oder eine Gabel.

Verwenden Sie zum Abtauen niemals einen Haartrockner, ein elektrisches Heizgerät oder ähnliche Elektroapparate. Wischen Sie das Tauwasser auf, das sich am Boden des Gefrierabteils angesammelt hat, und trocknen Sie den Innenraum nach dem Abtauen gründlich ab. Verbinden Sie den Netzstecker mit der Steckdose und schalten Sie den Strom wieder an.

Auswechseln der Glühlampe für die Innenbeleuchtung

Die Innenbeleuchtung Ihres Kühlschranks sollte ausschließlich vom autorisierten Kundendienst ausgetauscht werden.

Die Glühbirnen für dieses Haushaltsgerät sind für Beleuchtungszwecke nicht geeignet. Die beabsichtigte Aufgabe dieser Lampe ist es den Benutzer zu ermöglichen die Plazierung der Lebensmittel in den Kühlschrank / Eiskühltruhe sicher und bequem vorzunehmen.

Die in diesem Gerät verwendeten Lampen müssen extremen physikalischen Bedingungen, wie z. B. Temperaturen von -20°C, standhalten.

Reinigung und Pflege

1. Vor der Reinigung empfiehlt es sich, das Gerät ggf. an der Steckdose abzuschalten und den Netzstecker zu ziehen.
2. Verwenden Sie zum Reinigen weder scharfe Gegenstände noch Scheuermittel, Seife, Haushaltsreiniger, andere Putzmittel oder Wachspolitur.
3. Reinigen Sie den Innenraum des Geräts mit lauwarmem Wasser und reiben Sie ihn dann trocken.
4. Befeuchten Sie zum Reinigen ein Tuch in einer Lösung aus einem Teelöffel Natriumbikarbonat (doppeltkohlen-saures Natron) und einem halben Liter Wasser, und wischen Sie den Innenraum damit aus.
5. Achten Sie darauf, daß kein Wasser in die Thermostateinheit gelangt.
6. Wenn das Gerät für eine längere Zeit nicht verwendet werden soll, dann schalten Sie es ab, nehmen Sie sämtliche Lebensmittel heraus, reinigen Sie es, und lassen Sie die Tür leicht geöffnet.
7. Zum Polieren der Metallteile des Geräts (d.h. die Türaußenseite und die seitlichen Außenwände) empfehlen wir die Verwendung eines Waxes auf Silikonbasis (Autopolitur). Auf diese Weise wird die hochwertige Außenlackierung geschützt.
8. Staub, der sich auf dem Kondensator hinter dem Gerät ansammelt, sollte einmal pro Jahr mit einem Staubsauger entfernt werden.
9. Überprüfen Sie die Türdichtung regelmäßig auf Sauberkeit und achten Sie darauf, daß sich keine Reste von Lebensmitteln o.ä. darauf befinden.
10. Vermeiden Sie es in jedem Fall,
 - das Gerät mit ungeeigneten Substanzen zu reinigen, wie etwa mit benzinhaltigen Mitteln,
 - es allzu hohen Temperaturen auszusetzen,
 - es mit scheuernden Substanzen zu putzen, abzureiben o.ä.
11. Ausbau des Deckels des Milchproduktfachs und der Türablage:
 - Zum Ausbau den Deckel zunächst 2-3 cm anheben und dann an der Seite abziehen, an der sich im Deckel eine Öffnung befindet.
 - Um eine Türablage zu entfernen, zunächst den gesamten Inhalt der Ablage entfernen und dann einfach vom Boden her nach oben drücken.

12. Achten Sie darauf, daß die Plastikschaale an der Rückseite des Geräts, die zum Sammeln von Tauwasser dient, immer sauber bleibt. Wenn Sie die Schale zum Reinigen ausbauen wollen, dann gehen Sie wie folgt vor:

- Das Gerät ggf. an der Steckdose abschalten und den Netzstecker ziehen.
- Den Stift am Kompressor vorsichtig mit einer Zange zurückbiegen, so daß die Schale freiliegt.
- Die Schale abnehmen.
- Die Schale reinigen und trockenreiben.
- Zum Wiedereinbauen die gleichen Schritte in umgekehrter Reihenfolge ausführen.

13. Stärkere Eisablagerungen sollten regelmäßig mittels ein Eisschabers aus Plastik entfernt werden. Massive Eisablagerungen vermindern die Kühlleistung Ihres Geräts.

Wechseln des Türanschlags

Befolgen Sie nacheinander die einzelnen Schritte entsprechend der Numerierung (**Abb. 7**).

Was sie tun sollten und was auf keinen fall-einige hinweise

- Richtig:** Das Gerät regelmäßig reinigen und abtauen (siehe Abschnitt „Abtauen“).
- Richtig:** Rohes Fleisch und Geflügel tiefer lagern als gekochte Speisen und Molkereiprodukte.
- Richtig:** Bei Gemüse alles unbrauchbare Blattwerk entfernen und etwaigen Schmutz abwischen.
- Richtig:** Blattsalat, Kohl, Petersilie und Blumenkohl am Stiel belassen.
- Richtig:** Käse fest in Butterbrotpapier und dann in einen Beutel aus Polyethylen wickeln, und die Luft soweit als möglich herausdrücken. Käse schmeckt am besten, wenn er eine Stunde vor dem Verzehr aus dem Kühlabteil genommen wird.
- Richtig:** Rohes Fleisch und Geflügel nicht zu fest in Polyethylen- oder Aluminiumfolie einwickeln, um ein Austrocknen zu verhindern.
- Richtig:** Fisch und Innereien in Polyethylenbeutel wickeln.
- Richtig:** Lebensmittel, die einen starken Geruch haben oder nicht austrocknen sollen, in Polyethylenbeutel oder Aluminiumfolie wickeln oder in luftdichten Behältern lagern.
- Richtig:** Brot gut einwickeln, damit es frisch bleibt.
- Richtig:** Weißwein, Bier und Mineralwasser vor dem Servieren gut kühlen.

Richtig: Von Zeit zu Zeit den Inhalt des Gefrierabteils überprüfen.

Richtig: Lebensmittel so kurz wie möglich aufbewahren und die Angaben „Mindestens haltbar bis:“ bzw.

Richtig: Handelsübliche Tiefkühlware entsprechend der Hinweise auf der jeweiligen Verkaufsverpackung lagern.

Richtig: Zum Einfrieren nur frische Lebensmittel bester Qualität verwenden und diese vorher gründlich säubern.

Richtig: Einzufrierende Lebensmittel vorher in kleine Portionen zerlegen, damit sie rasch durchfrieren.

Richtig: Lebensmittel zum Einfrieren in Aluminiumfolie oder Gefrierbeutel aus einwandfreiem Polyethylen packen und darauf achten, daß die Luft vollständig herausgedrückt wurde.

Richtig: Tiefkühlware gleich nach dem Einkaufen einwickeln und sobald als möglich in das Gefrierabteil legen. Tiefkühlware zum Auftauen ins Kühlabteil legen.

Falsch: Bananen im Kühlabteil lagern.

Falsch: Melonen im Kühlabteil lagern. - Melonen können allerdings für kurze Zeit gekühlt werden, solange sie eingewickelt werden, so daß sich ihr Aroma nicht auf andere Lebensmittel überträgt.

Falsch: Die Ablagen mit einem schonenden Material bedecken. - Dies würde die Kaltluftzirkulation behindern.

Falsch: Gifte oder Gefahrenstoffe im Gerät lagern. - Das Gerät ist ausschließlich für die Lagerung von Lebensmitteln bestimmt.

Falsch: Lebensmittel verzehren, die zu lange im Gerät gelagert wurden.

Falsch: Gekochte Speisen und frische Lebensmittel zusammen in einen Behälter tun. - Beides sollte getrennt verpackt und gelagert werden.

Falsch: Beim Auftauen Wasser oder Flüssigkeit von Lebensmitteln auf andere Lebensmittel tropfen lassen.

Falsch: Die Tür längere Zeit offenstehen lassen. - Hierdurch wird der Betrieb des Geräts teurer, und die Eisbildung verstärkt sich.

Falsch: Zum Entfernen des Eises spitze oder scharfe Gegenstände verwenden, wie etwa ein Messer oder eine Gabel.

Falsch: Warme Speisen ins Gerät stellen. - Besser zuerst abkühlen lassen.

- Falsch:** Mit Flüssigkeit gefüllte Flaschen oder ungeöffnete Konserven mit kohlenensäurehaltigen Getränken in das Gefrierabteil stellen. - Diese können zerplatzen.
- Falsch:** Beim Einfrieren frischer Lebensmittel das maximale Gefriervermögen überschreiten.
- Falsch:** Kindern Speiseeis oder Eissorbetts unmittelbar nach dem Herausnehmen aus dem Gefrierabteil geben. - Die sehr niedrige Temperatur kann zu 'kalten Verbrennungen' an den Lippen führen.
- Falsch:** Kohlenensäurehaltige Getränke einfrieren.
- Falsch:** Aufgetaute Tiefkühlware weiter aufbewahren. - Statt dessen innerhalb von 24 Stunden verzehren oder kochen und wieder einfrieren.
- Falsch:** Mit feuchten Händen etwas aus dem Gefrierabteil herausnehmen.

Massnahmen bei Betriebsstörung

Wenn das Gerät nach dem Einschalten nicht funktionieren sollte, dann prüfen Sie, ob:

- der Netzstecker richtig in der Steckdose steckt, und daß der Strom angeschaltet ist (zum Prüfen der Stromversorgung können Sie ein anderes Gerät an die Steckdose anschließen);
- ob evtl. die Sicherung durchgebrannt ist / der Sicherungsautomat ausgelöst wurde oder der Hauptschalter auf Aus steht;
- ob der Temperaturwahlschalter richtig eingestellt wurde;
- (falls der angegossene Stecker ersetzt wurde) ob der neu angebrachter Stecker richtig verdrahtet wurde.

Sollte das Gerät nach dieser Überprüfung immer noch nicht funktionieren, dann setzen Sie sich bitte mit dem Händler in Verbindung, bei dem Sie das Gerät erworben haben.

Denken bitte Sie daran, daß eine Gebühr fällig wird, wenn am Gerät kein Fehler gefunden werden sollte; prüfen Sie das Gerät daher auf jeden Fall wie oben beschrieben.

Hinweise zu Betriebsgeräuschen

Um die gewählte Temperatur konstant zu halten, schaltet Ihr Gerät von Zeit zu Zeit den Kompressor ein.

Die dabei entstehenden Geräusche sind funktionsbedingt.

Sie verringern sich automatisch, sobald das Gerät die Betriebstemperatur erreicht hat.

Das Brummen kommt vom Motor (Kompressor). Es kann kurzfristig etwas lauter werden, wenn sich der Motor einschaltet.

Das Blubbern, Gurgeln oder Surren kommt vom Kältemittel, das durch die Rohre fileßt.

Das Klicken ist immer dann zu hören, wenn der Thermostat den Motor ein- oder ausschaltet.

- Knackgeräusche können auftreten, wenn...
 - die automatische Abtauung erfolgt
 - sich das Gerät abkühlt bzw. erwärmt (Materialausdehnungen)

Sollten die funktionsbedingten Geräusche zu laut sein, hat dies womöglich einfache Ursachen, die sich vielfach ganz leicht beheben lassen.

Das Gerät steht uneben

Verwenden Sie die Schraubfüße oder legen Sie etwas unter.

Das Gerät "steht an"

Bitte rücken Sie das Gerät von anstehenden Möbeln oder Geräten weg.

Schubladen, Korbe oder Abstellflächen wackeln oder klemmen

Prüfen Sie bitte die herausnehmbaren Teile und setzen Sie sie eventuell neu ein.

Flaschen oder Gefäße berühren sich

Rücken Sie bitte die Flaschen oder Gefäße leicht auseinander.



Bedeutung des Symbols „Mülltonne“

Schonen Sie unsere Umwelt, Elektrogeräte gehören nicht in den Hausmüll.

Nutzen Sie die für die Entsorgung von Elektrogeräten vorgesehenen Sammelstellen und geben dort Ihre Elektrogeräte ab die Sie nicht mehr benutzen werden.

Sie helfen damit die potenziellen Auswirkungen, durch falsche Entsorgung, auf die Umwelt und die menschliche Gesundheit zu vermeiden.

Sie leisten damit Ihren Beitrag zur Wiederverwertung, zum Recycling und zu anderen Formen der Verwertung von Elektro- und Elektronik-Altgeräten.

Informationen, wo die Geräte zu entsorgen sind, erhalten Sie über Ihre Kommunen oder die Gemeindeverwaltungen.

In vielen Ländern der EU ist die Entsorgung von Elektro- und Elektronik-Altgeräten über den Haus- und/oder Restmüll ab 13.8.2005 verboten.

In Deutschland ab 23.3.2006.

Félicitations pour avoir choisi un appareil **Beko**, fabriqué dans des usines modernes.

La sécurité d'abord!

Ne connectez pas votre appareil à l'alimentation électrique avant d'avoir enlevé tout l'emballage et protections pour le transport.

- Attendez au moins 4 heures avant de le brancher pour permettre à l'huile du compresseur de se stabiliser si l'appareil a été transporté horizontalement.
- Si vous vous débarrassez d'un vieil appareil à ressort ou loquet intégré à la porte, prenez soin de le rendre hors de danger pour éviter que les enfants ne s'enferment à l'intérieur.
- L'utilisation de cet appareil s'applique uniquement à l'usage prévu.
- Ne vous débarrassez pas de l'appareil dans un feu. L'isolation de votre appareil contient des substances non CFC qui sont inflammables. Veuillez contacter les autorités locales pour obtenir des renseignements concernant la mise au rebut et les endroits existants.
- L'utilisation de cet appareil dans une pièce froide, non chauffée n'est pas recommandée (garage, jardin d'hiver, annexe, abri, remise, etc.).

Afin d'obtenir les meilleurs résultats possibles et un fonctionnement sans encombres de votre appareil, veuillez lire ces instructions attentivement. Le non-respect de ces instructions pourrait annuler votre droit à l'assistance sans frais pendant la période de garantie. Veuillez conserver ces instructions soigneusement à titre de référence pratique.

Les pièces détachées d'origine sont disponibles pendant 10 ans, à compter de la date d'achat du produit.

Cet appareil ne sera pas utilisé par des personnes ayant capacités physiques, sensorielles ou mentales réduites, ou sans expérience concernant l'utilisation de l'appareil, si une personne responsable de leur sécurité ne les a pas instruites pour ce but.

Les enfants doivent être surveillés pour avoir la certitude qu'ils ne jouent pas avec l'appareil.

Conditions électriques

Avant de brancher l'appareil à la prise murale, vérifiez que la tension et la fréquence indiquées sur la plaque signalétique à l'intérieur de l'appareil correspondent à votre alimentation électrique.

Nous recommandons de connecter cet appareil au réseau électrique par le biais d'une prise dotée d'un commutateur et d'un fusible et placée de façon à être facile d'accès.

Avertissement ! Cet appareil doit être branché à une borne de mise à la terre.

Les réparations de l'appareillage électrique sont réservées exclusivement à un technicien qualifié. De mauvaises réparations réalisées par une personne non qualifiée peuvent occasionner des risques dont les conséquences peuvent être critiques pour l'utilisateur de l'appareil.

ATTENTION !

Cet appareil fonctionne avec du R600a, un gaz qui contribue à la protection de l'environnement mais qui est inflammable. Pendant le transport et l'installation du produit, veillez à ne pas endommager le système réfrigérant. Si le système réfrigérant est abîmé et qu'une fuite de gaz se produit, tenez l'appareil à l'écart des sources de flammes vives et aérer bien la pièce.

AVERTISSEMENT - N'utilisez pas d'outils mécaniques ou autres moyens pour accélérer le processus de décongélation autres que ceux qui sont recommandés par le fabricant.

AVERTISSEMENT - N'abîmez pas le circuit réfrigérant.

AVERTISSEMENT - Ne faites pas fonctionner d'appareils électriques à l'intérieur des compartiments de conservation de denrées, à moins qu'ils soient conformes au type d'appareils recommandés par le fabricant.

AVERTISSEMENT - Si le cordon d'alimentation est endommagé, celui-ci doit être remplacé par le fabricant, ses agents agréés ou tout autre agent qualifié afin d'être à l'abri de tout danger.

Instructions de transport

1. L'appareil doit être transporté en position debout uniquement. L'emballage fourni doit rester intact pendant le transport.

2. Si l'appareil a été couché pendant le transport, il ne doit pas être mis en service pendant au moins 4 heures pour permettre au système de se stabiliser.

3. Le non-respect des instructions ci-dessus pourrait endommager l'appareil et ne saurait engager la responsabilité du fabricant.

4. L'appareil doit être protégé contre la pluie, l'humidité et autres conditions atmosphériques.

Important !

- Lors du nettoyage/déplacement de l'appareil, prenez soin de ne pas toucher les câbles métalliques du condenseur au dos de l'appareil, cela pouvant occasionner des blessures aux doigts et aux mains.
- N'essayez pas de vous asseoir ou de vous monter sur l'appareil, celui-ci n'étant pas prévu à cet effet. Vous pourriez vous blesser ou endommager l'appareil.
- Assurez-vous que le câble d'alimentation ne soit pas coincé sous l'appareil pendant et après son déplacement car cela pourrait endommager le câble.
- Veillez à ce que les enfants ne jouent pas avec l'appareil et ne touchent pas aux commandes.

Instructions d'installation

1. N'installez pas votre appareil dans une pièce dont la température peut descendre en dessous de 10 degrés Celsius (50 degrés Fahrenheit) la nuit et/ou particulièrement en hiver. En effet, il est conçu pour fonctionner à des températures ambiantes comprises entre +10 et +38 degrés Celsius (50 et 100 degrés Fahrenheit). En cas de températures inférieures, l'appareil peut ne pas fonctionner correctement et la durée de conservation des denrées pourrait être réduite.

2. Ne placez pas l'appareil à proximité de cuisinières, radiateurs ou à la lumière directe du soleil, car cela entraînerait un effort supplémentaire pour les fonctions de l'appareil. S'il est installé à côté d'une source de chaleur ou d'un congélateur, respectez les dégagements latéraux minimum suivants:

des cuisinières	30 mm
des radiateurs	300 mm
des congélateurs	25 mm

3. Assurez-vous de laisser suffisamment d'espace autour de l'appareil pour que l'air puisse circuler librement (**figure 2**).

- Placez la grille d'aération au dos de votre réfrigérateur pour établir la distance nécessaire entre le réfrigérateur et le mur (**figure 3**).

4. L'appareil doit être posé sur une surface lisse. Les deux pieds avant peuvent se régler si nécessaire. Pour s'assurer que votre appareil est à niveau, ajustez les deux pieds avant en tournant dans le sens des aiguilles d'une montre ou dans le sens inverse jusqu'à ce que l'appareil soit bien calé au sol. Le réglage approprié des pieds évite les vibrations excessives et le bruit (**figure 4**).

5. Référez-vous à la section « Nettoyage et Entretien » pour préparer votre appareil à l'emploi.


Apprendre à connaître votre appareil (figure 1)


- 1 - Clayette du congélateur
- 2 - Logement du thermostat et de la lampe
- 3 - Clayettes réglables
- 4 - Porte-bouteille
- 5 - Voie de récupération de l'eau de dégivrage - tube d'écoulement
- 6 - Couvercle du bac à légumes
- 7 - Bac à légumes
- 8 - Pieds avant réglables
- 9 - Balconnet à bocaux
- 10 - Balconnet range-bouteilles

Suggestion d'agencement des denrées dans l'appareil

Indications pour obtenir une conservation et une hygiène optimales:

1. Le compartiment réfrigérateur est destiné à la conservation à court terme d'aliments frais et boissons.

2. Le compartiment congélateur est de niveau  et est destiné à la congélation et la conservation de denrées surgelées.

La recommandation de conservation  indiquée sur l'emballage des aliments doit toujours être respectée.

3. Les produits laitiers doivent être conservés dans le compartiment spécial fourni dans le casier de la porte. Pour congeler des produits frais, il est recommandé de les emballer dans des films plastiques ou dans du papier aluminium et de les placer dans le compartiment congélateur afin de les refroidir. Placez-les ensuite dans la clayette du compartiment congélateur. Nous vous conseillons de placer la clayette dans la partie supérieure du compartiment congélateur.

4. Les aliments cuisinés doivent être conservés dans des récipients hermétiques.

5. Les produits frais emballés peuvent être placés sur la clayette. Les fruits et légumes frais doivent être lavés et rangés dans les bacs à légumes.

6. Les bouteilles peuvent être placées dans la porte.

7. Pour conserver la viande crue, emballez-la dans des sachets plastiques et placez-la sur la clayette la plus basse. Veillez à ce qu'elle ne touche pas les aliments cuisinés afin d'éviter toute contamination. Pour votre sécurité, ne conservez pas la viande crue plus de deux à trois jours.

8. Pour une efficacité optimale, ne couvrez pas les clayettes amovibles de papier ou autres matériaux afin que l'air puisse circuler librement.

9. Ne conservez pas d'huile végétale dans les balconnets de porte. Conservez les denrées emballées, enveloppées ou couvertes. Laissez refroidir les aliments et boissons chauds avant de les introduire dans le réfrigérateur. Le reste du contenu des boîtes de conserve ne doit pas être conservé dans la boîte.

10. Ne congélez pas de boissons gazeuses et ne consommez pas de produits tels que des bâtonnets glacés à l'eau lorsqu'ils sont trop froids.

11. Certains fruits et légumes s'abîment s'ils sont conservés à une température avoisinant 0°C. Emballez les ananas, melons, concombres, tomates et produits similaires dans des sacs en polyéthylène.

12. L'alcool à teneur élevée doit être conservé debout dans des récipients fermés hermétiquement. Ne conservez jamais de produits contenant du gaz propulseur inflammable (crème en bombe, bombes aérosols, etc.) ou des substances explosives. Ils présentent un risque d'explosion.

Commande de température et réglages

Les températures de fonctionnement s'ajustent à l'aide de la manette du thermostat et sont réglables de manière continue entre 1 et 5 (réglage le plus froid). Si la manette du thermostat se trouve sur la position « 0 », l'appareil est éteint.

Dans ce cas-là, l'éclairage intérieur ne fonctionnera pas.

La température médiane à l'intérieur du réfrigérateur avoisine les +5°C (+41°F). Réglez donc le thermostat de façon à obtenir la température souhaitée. Certaines parties du réfrigérateur peuvent être plus fraîches ou plus chaudes (telles que le bac à légumes et la partie supérieure du compartiment), ce qui est tout à fait normal. Nous vous conseillons de vérifier la température régulièrement à l'aide d'un thermomètre pour s'assurer que le compartiment est maintenu à cette température. Si la porte est ouverte fréquemment, les températures internes montent. Il est donc conseillé de fermer la porte immédiatement après utilisation.

Avant l'utilisation

Vérification finale

Avant de commencer à utiliser l'appareil, vérifiez que:

1. Les pieds ont été ajustés et sont parfaitement à niveau.
2. L'intérieur est sec et l'air peut circuler librement derrière l'appareil.
3. L'intérieur est propre, conformément aux indications de la section « Nettoyage et entretien ».
4. La prise de l'appareil a été branchée dans la prise murale et le courant passe. Lorsque la porte est ouverte, l'éclairage intérieur s'allumera.

Notez que:

5. Vous remarquerez un bruit lorsque le compresseur se met en marche. Le liquide et les gaz intégrés au système du réfrigérateur peuvent également faire du bruit, que le compresseur soit en marche ou non. Ceci est tout à fait normal.
6. Une légère ondulation du dessus de la carrosserie est normale du fait du procédé de fabrication utilisé et ne constitue pas un défaut.
7. Nous recommandons de régler la manette du thermostat sur la position médiane et de contrôler la température pour vérifier que l'appareil maintienne les températures de conservation souhaitées (voir la section Commande de température et Réglages).
8. Ne remplissez pas l'appareil immédiatement après l'avoir branché.

Attendez que la bonne température de conservation soit atteinte. Nous vous conseillons de vérifier la température à l'aide d'un thermomètre précis (voir Commande de température et Réglages).

Conservation des denrées surgelées

Votre congélateur est destiné à la conservation à long terme d'aliments surgelés du commerce et peut servir également à congeler et conserver des produits frais. En cas de panne de courant, n'ouvrez pas la porte. Les denrées surgelées ne devraient pas s'abîmer si la coupure dure moins de 16 heures. Si la coupure est plus longue, inspectez les denrées et mangez-les immédiatement ou bien faites-les cuire puis congeler-les à nouveau.

Congeler les produits frais

Veuillez respecter les instructions suivantes afin d'obtenir les meilleurs résultats.

Ne congelez pas une quantité trop importante à la fois. La qualité des aliments est préservée de façon optimale lorsqu'ils sont entièrement congelés aussi rapidement que possible.

Ne dépassez pas le pouvoir de congélation de votre appareil pour 24 heures.

Le fait d'introduire des aliments chauds dans le congélateur entraîne le fonctionnement du dispositif de réfrigération en continu jusqu'à ce que les aliments soient entièrement congelés. Cela peut occasionner un refroidissement excessif temporaire du compartiment réfrigérateur.

Lorsque vous congelez des produits frais, laissez la manette du thermostat sur la position médiane. De petites quantités de nourriture ne dépassant pas 0,5 kg (1 lb) peuvent être congelées sans avoir à ajuster la commande de température.

Faites particulièrement attention à ne pas mélanger les produits déjà congelés et les produits frais.

Fabrication de glaçons

Remplissez les bacs à glaçons d'eau jusqu'aux $\frac{3}{4}$ et introduisez les dans le congélateur. Dégagez les bacs à glaçons à l'aide du manche d'une cuillère ou outil similaire, n'utilisez jamais d'objets tranchants tels que des couteaux ou fourchettes.

Dégivrage

A) Compartiment réfrigérateur

Le compartiment réfrigérateur dégivre automatiquement. L'eau de dégivrage s'évacue par le tube d'écoulement et se déverse dans le bac de récupération à l'arrière de l'appareil (**figure 5**).

Pendant le dégivrage, des gouttelettes d'eau peuvent se former à l'arrière du compartiment réfrigérateur, où un évaporateur est dissimulé. Des gouttelettes peuvent rester sur la cuve et geler une fois le dégivrage achevé. N'utilisez pas d'objets pointus ou tranchants tels que couteaux ou fourchettes pour enlever les gouttelettes ayant gelé à nouveau.

Si, à tout moment, l'eau de dégivrage ne s'évacue pas par la gouttière de récupération, vérifiez qu'aucune particule alimentaire ne bloque le tube d'écoulement. Le tube d'écoulement peut être débouché à l'aide d'un cure-pipe ou autre outil similaire.

Vérifiez que le tube soit placé de façon permanente de telle manière que son extrémité se trouve dans le bac récupérateur situé sur le compresseur afin d'éviter que l'eau n'entre en contact avec l'installation électrique ou le sol (**figure 6**).

B) Compartiment congélateur

Le dégivrage est très simple et sans encombre grâce au bac spécial de récupération de l'eau de dégivrage. Dégivrez deux fois par an ou lorsque la couche de givre atteint environ 7 mm (1/4"). Pour procéder au dégivrage, déconnectez l'appareil et débranchez la prise d'alimentation.

Emballez les denrées dans plusieurs couches de papier journal et stockez-les dans un endroit frais (réfrigérateur ou cellier par exemple). Des récipients d'eau chaude peuvent être placés avec précaution dans le congélateur pour accélérer le dégivrage.

N'utilisez pas d'objets pointus ou tranchants tels que couteaux ou fourchettes pour enlever le givre. N'utilisez jamais de sèche-cheveux, radiateurs électriques ou autres appareils électriques similaires pour dégivrer.

Épongez l'eau de dégivrage située au fond du compartiment congélateur. Une fois le dégivrage terminé, séchez soigneusement l'intérieur. Branchez l'appareil à la prise murale et rétablissez l'alimentation électrique.

Remplacer l'ampoule intérieure

Pour remplacer la lampe LED du réfrigérateur, veuillez contacter le service après-vente agréé.

La lampe (s) utilisée dans cet appareil ne convient pas pour l'éclairage de la cuisine. Le but visé par cette lampe est d'aider à l'utilisateur de placer les aliments dans le réfrigérateur / congélateur d'une manière sûre et confortable. Les voyants utilisés dans cet appareil doivent résister aux conditions physiques extrêmes telles que des températures inférieures à -20°C.

Repositionnement de la porte

Procédez dans l'ordre numérique (**figure 7**).

Nettoyage et entretien

1. Avant de procéder au nettoyage, veuillez déconnecter le réfrigérateur et débrancher la prise d'alimentation.
2. N'utilisez jamais d'ustensiles tranchants ni de substances abrasives, savon, produit de nettoyage domestique, détergent ou cirage pour le nettoyer.
3. Utilisez de l'eau tiède pour nettoyer la carrosserie et séchez soigneusement à l'aide d'un chiffon.
4. Utilisez un chiffon humide imbibé d'une solution composée d'une cuillère à café de bicarbonate de soude pour un demi litre d'eau pour nettoyer l'intérieur et séchez soigneusement.
5. Prenez soin de ne pas faire couler d'eau dans le boîtier de commande de température.
6. En cas de non utilisation de l'appareil pendant une période prolongée, débranchez-le, sortez toutes les denrées, nettoyez-le et laissez la porte entrouverte.
7. Il est recommandé de polir les parties métalliques de votre appareil (extérieur de la porte, parois latérales de la carrosserie) à l'aide d'une cire en silicone (cire pour voiture) pour protéger la surface peinte de qualité supérieure.
8. Dépoussiérez le condenseur situé à l'arrière de l'appareil une fois par an à l'aide d'un aspirateur.
9. Inspectez les joints de porte régulièrement pour vérifier qu'ils sont propres et qu'il n'y a pas de particules de nourriture.
10. Ne jamais:

- Nettoyer l'appareil au moyen d'un produit inadapté, à base de pétrole par exemple.
- L'exposer à de hautes températures en aucune façon.

- Récurer, frotter etc. avec un matériau abrasif.

11. Retirer les balconnets:

- Pour retirer un balconnet, sortez tout son contenu puis poussez simplement le balconnet vers le haut à partir de la base.

12. Assurez-vous que le récipient spécial en plastique à l'arrière de l'appareil qui récupère l'eau de dégivrage soit propre en permanence. Si vous souhaitez retirer le bac pour le nettoyer, suivez les instructions ci-dessous:

- Déconnecter la prise de courant et débrancher la prise d'alimentation.
- Dessertir doucement le goujon situé sur le compresseur à l'aide d'une pince afin de pouvoir enlever le bac.
- Soulevez-le.
- Nettoyez et séchez-le soigneusement.
- Ré-assemblez, en procédant dans l'ordre inverse des opérations.

13. Une couche de glace trop épaisse diminuera les résultats de l'appareil.

A faire / A ne pas faire

À faire- Nettoyer et dégivrer votre appareil régulièrement (voir « Dégivrage »).

À faire- Conserver la viande et volaille crue en dessous des aliments cuits et produits laitiers.

À faire- Ôter les feuilles inutilisables des légumes et enlever la terre.

À faire- Laisser la salade, chou, persil et chou-fleur sur leur tige.

À faire- Emballer le fromage d'abord dans du papier sulfurisé puis dans un sachet plastique, en retirant le plus d'air possible. Pour les meilleurs résultats possibles, le sortir du compartiment réfrigérateur une heure avant la dégustation.

À faire- Emballer viande et volaille crue dans un sachet plastique ou aluminium. Cela évite qu'elles ne se dessèchent.

À faire- Emballer le poisson et les abats dans des sachets plastiques.

À faire- Envelopper les denrées dont l'odeur est forte ou risquant de se dessécher dans des sacs en polyéthylène, du papier aluminium ou récipient hermétique.

À faire- Envelopper le pain soigneusement pour qu'il reste frais.

À faire- Réfrigérer les vins blancs, bière, bière blonde et eau minérale avant de servir.

À faire- Inspecter le contenu du congélateur à intervalles réguliers.

À faire- Conserver les denrées pendant une durée aussi courte que possible et respecter les « dates limite de conservation » et « dates limite de consommation ».

À faire- Stockez les aliments surgelés dans le commerce selon les instructions indiquées sur les emballages.

À faire- Toujours Sélectionner des produits frais de bonne qualité et veiller à les nettoyer soigneusement avant de les congeler.

À faire- Préparer de petites portions de produits frais à congeler pour permettre une congélation rapide.

À faire- Emballer toutes les denrées dans du papier aluminium ou des sachets congélation en polyéthylène de bonne qualité et veiller à le vider de son air.

À faire- Emballer les produits surgelés juste après les avoir achetés et les mettre au congélateur dès que possible.

À faire- Dégeler les aliments dans le compartiment réfrigérateur.

À éviter- Conserver les bananes dans le compartiment réfrigérateur.

À éviter- Conserver le melon au réfrigérateur. Il peut être réfrigéré pendant de courtes durées dans la mesure où il est emballé pour éviter de parfumer d'autres denrées.

À éviter- Couvrir les clayettes de matériaux de protection qui pourraient obstruer la circulation d'air.

À éviter- Conserver des substances toxiques ou dangereuses dans l'appareil. Ce dernier a été conçu pour la conservation de denrées alimentaires uniquement.

À éviter- Consommer des aliments qui ont été réfrigérés pendant une durée excessive.

À éviter- Conserver les aliments cuits et les produits frais ensemble dans le même récipient. Ils doivent être emballés et conservés séparément.

À éviter- Laisser les aliments ou jus des aliments en train de dégelé gouter sur les denrées de votre réfrigérateur.

À éviter- Laisser la porte ouverte pendant une durée prolongée car cela augmentera le coût de fonctionnement de l'appareil et entraînera un dépôt excessif de glace.

À éviter- Utiliser des objets tranchants tels que couteaux ou fourchettes pour enlever la glace.

À éviter- Introduire des aliments chauds dans l'appareil. Le laisser refroidir au préalable.

À éviter- Mettre des bouteilles remplies de liquide ou cannettes fermées hermétiquement contenant des liquides gazeux au congélateur car elles pourraient éclater.

À éviter- Dépasser le pouvoir de congélation maximal lors de la congélation de produits frais.

À éviter- Consommer de la glace ou des bâtonnets glacés dès leur sortie du congélateur. La basse température peut provoquer des brûlures aux lèvres.

À éviter- Congeler des boissons gazeuses.

À éviter- Conserver un produit congelé qui a été dégelé; il doit être consommé sous 24 heures ou bien cuit puis recongelé.

À éviter- Sortir des produits du congélateur avec les mains mouillées.

Diagnostic

Si l'appareil ne fonctionne pas quand il est branché, vérifiez:

- Que la prise de l'appareil est branchée correctement à la prise murale et que le courant passe (pour vérifier l'alimentation à la prise murale, branchez un autre appareil).
- Si le fusible a sauté/le disjoncteur s'est déclenché/l'interrupteur du réseau d'alimentation est éteint.
- Que la commande de température soit réglée correctement.
- Que la nouvelle prise soit montée correctement si vous avez changé la prise moulée intégrée.

Si l'appareil ne fonctionne toujours pas après avoir effectué toutes les vérifications ci-dessus, contactez le fournisseur qui vous a vendu le produit. Veuillez vous assurer d'avoir effectué toutes les vérifications ci-dessus car vous serez facturés si aucun défaut n'est détecté.

Recyclage



Ce produit est marqué du symbole du tri sélectif, relatif aux déchets d'équipements électriques et électroniques. Cela signifie que ce produit doit être pris en charge par un système de collecte sélectif conformément à la directive européenne 2002/96/CE, afin de pouvoir être recyclé ou démantelé dans le but de réduire tout impact sur l'environnement. Attention les produits électroniques n'ayant pas fait l'objet d'un tri sélectif sont potentiellement dangereux pour l'environnement et la santé humaine en raison de la présence potentielle de substances dangereuses.

Gefeliciteerd met uw keuze voor een kwaliteitstoestel van **Beko**, ontwikkeld voor vele jaren dienst.

Veiligheid eerst!

Sluit uw toestel niet op de stroomtoevoer aan totdat alle verpakking en transportbescherming werd verwijderd.

- Laat de koelkast, als ze horizontaal werd vervoerd, minstens 4 uur stilstaan alvorens ze in werking te stellen. Dit dient om de olie van de compressor te laten zakken.
 - Als u een oud toestel met een slot of een klink aan de deur vervangt, zorg er dan voor dat het op een veilige manier wordt achtergelaten zodat kinderen er niet in opgesloten kunnen geraken.
 - Dit toestel mag enkel worden gebruikt voor het doel waar het voor dient.
 - Verbrand uw apparaat niet. Het apparaat bevat bestanddelen zonder C.F.K. in de isolatie. Deze zijn brandbaar. Wij raden u aan om de plaatselijke instanties te contacteren voor informatie over de beschikbare faciliteiten voor het verwijderen van uw toestel.
 - Wij raden het gebruik van dit toestel af in een onverwarmde, koude ruimte. (bijv. garage, serre, aanbouw, schuurtje, bijgebouw, enz.)
- Het is heel belangrijk deze instructies zorgvuldig te lezen om de best mogelijke en probleemloze werking van uw toestel te bewerkstelligen. Het niet opvolgen van deze instructies kan uw recht op gratis service tijdens de garantieperiode doen vervallen. Gelieve deze instructies op een veilige plaats te bewaren voor eenvoudige raadpleging.

De originele onderdelen worden beschikbaar gehouden gedurende een periode van 10 jaar vanaf de aankoopdatum.

**Dit toestel is niet geschikt voor gebruik door personen met fysische of mentale problemen of met een gebrek aan ervaring of kennis tenzij er toezicht of uitleg over het product gegeven wordt door de persoon die de verantwoordelijkheid over hun veiligheid draagt.
Kinderen moeten onder toezicht staan zodat ze niet met het toestel kunnen spelen.**

Elektriciteitsvereisten

Vergewis u ervan, alvorens u de stekker in het stopcontact steekt, dat de voltage en de frequentie op de kwalificatieplaat binnenin het toestel overeenkomen met uw stroomtoevoer. Wij raden u aan dit toestel aan te sluiten op de hoofdtoevoer via een naar behoren aangesloten en verzekerd stopcontact op een onmiddellijk bereikbare plaats.

Waarschuwing! Dit toestel moet worden geaard.

Herstellingen aan de elektrische uitrusting mogen enkel door een gekwalificeerde technicus worden uitgevoerd. Foutieve herstellingen, die werden uitgevoerd door een ongekwalificeerde persoon, houden risico's in die kritieke gevolgen kunnen hebben voor de gebruiker van het toestel.

OPGELET!

Dit toestel werkt op R600a. Dit is een milieuvriendelijk, maar brandbaar gas. Tijdens het transport en de plaatsing van het product moet er zorg voor worden gedragen dat het koelsysteem niet wordt beschadigd. Als het koelsysteem toch wordt beschadigd en er ontstaat een gaslek, houd het product dan verwijderd van open vuurbronnen en verlucht de kamer een tijdje.

WAARSCHUWING - Gebruik geen andere mechanische toestellen of andere middelen om het ontdooiingsproces te versnellen dan die toestellen of middelen die door de fabrikant worden aangeraden.

WAARSCHUWING - Beschadig het koelcircuit niet.

WAARSCHUWING - Gebruik geen elektrische toestellen in de bewaarladen van het toestel, tenzij ze door de fabrikant worden aangeraden.

WAARSCHUWING - Indien het netsnoer beschadigd is, moet dit door de producent, de dealer of een ander gekwalificeerd persoon worden gerepareerd om gevaar te voorkomen.

Transportinstructies

1. Het toestel mag enkel in staande positie worden vervoerd. De oorspronkelijke verpakking moet intact blijven tijdens het transport.

2. Als het toestel tijdens het transport horizontaal werd geplaatst, mag het minstens gedurende 4 uur niet in werking worden gesteld zodat het systeem kan stabiliseren.

3. Het niet naleven van de bovenstaande instructies kan het toestel beschadigen.

Hiervoor kan de fabrikant niet verantwoordelijk worden gehouden.
4. Het apparaat moet worden beschermd tegen regen, vochtigheid en andere weersinvloeden.

Belangrijk!

- Tijdens het schoonmaken/dragen van het toestel dient u ervoor te zorgen dat de metalen draden aan de onderkant van de condensor, die zich aan de achterkant van het toestel bevindt, niet worden aangeraakt. Deze kunnen vingers en handen kwetsen.
- Probeer niet bovenop het toestel te gaan zitten of staan, omdat het daar niet voor werd ontworpen. U zou zichzelf kunnen kwetsen of het toestel beschadigen.
- Zorg ervoor dat de hoofdkabel niet onder het toestel komt vast te zitten tijdens en na het verplaatsen ervan. Dit zou de kabel kunnen beschadigen.
- Laat kinderen niet met het toestel spelen of aan de knoppen komen.

Installatie-instructies

1. Plaats uw toestel niet in een kamer waar de temperatuur 's nachts en/of vooral 's winters lager dan 10°C (50°F) kan worden. Het werd ontworpen voor een werking in een omgevingstemperatuur tussen +10°C en +38°C (50°F en 100°F). Bij lagere temperaturen zou het apparaat mogelijk niet kunnen werken. Dit zou de bewaartijd van de etenswaren verkorten.

2. Plaats het toestel niet in direct zonlicht of in de nabijheid van een fornuis of een radiator. Dit zou de functies van het toestel extra belasten. Als het toch naast een warmtebron of een diepvriezer wordt geplaatst, neem dan de volgende minimumafstanden in acht:

Van een fornuis 30 mm

Van een radiator 300 mm

Van een diepvriezer 25 mm

3. Zorg voor voldoende ruimte rond het toestel, zodat de lucht er vrij kan circuleren **(Afbeelding 2).**

• Bevestig het verluchtingstokje aan de achterkant van uw koelkast om de afstand tussen de koelkast en de muur te bepalen **(Afbeelding 3).**

4. Het toestel moet op een vlak oppervlak worden geplaatst. De twee voorste voetjes kunnen naar wens worden aangepast.

Draai ze met of tegen de richting van de klok, totdat ze veilig en stevig de grond raken en uw toestel goed recht staat. Het juist afstellen van de voetjes voorkomt overdreven trillingen en lawaai (**Afbeelding 4**).

5. Raadpleeg het onderdeel "Schoonmaak en Onderhoud" om uw toestel klaar te maken voor gebruik.

Uw toestel leren kennen (Afbeelding 1)

- 1 - Vak voor diepvrieszone
- 2 - Thermostaat en lampkast
- 3 - Aanpasbare kabinetsschappen
- 4 - Houder fles
- 5 - Watercollector
- 6 - Deksel van de groentelade
- 7 - Groentelades
- 8 - Aanpasbaar voetje
- 9 - Schap voor glazen potten
- 10 - Vak voor flessen

Voorstel voor de schikking van de etenswaren in het toestel

Richtlijnen voor het bereiken van een optimale opslagruimte en hygiëne:

1. De koelruimte dient voor het gedurende korte termijn bewaren van vers voedsel en drank.

2. Het diepvriezergedeelte is  gekwalificeerd en is geschikt voor het invriezen en bewaren van diepvriesproducten. De aanbeveling voor -bewaring, zoals vermeld op de verpakking van de diepvriesproducten, moet altijd in acht worden genomen.

3. Melkproducten moeten worden bewaard in het speciale vak voorzien in de deur.

Om vers voedsel in te vriezen is het aanbevolen om de producten te verpakken in aluminium of plastic vellen, deze af te koelen in het vak voor vers voedsel en ze dan te bewaren op het schap van het diepvriesvak. Het schap moet bij voorkeur vastgemaakt worden in het bovenste deel van het diepvriesvak.

4. Bereide gerechten moeten in luchtdichte containers worden bewaard.

5. Verse ingepakte producten kunnen op het schap worden bewaard. Vers fruit en groeten moeten worden schoongemaakt en worden bewaard in de groentelade.

6. Flessen kunnen in het deurvak worden bewaard.

7. Rauw vlees pakt u in een plastic zakje en bewaart u op het onderste schap. Zorg ervoor dat het niet in contact komt met bereide etenswaren, zodat besmetting wordt vermeden. Bewaar rauw vlees uit veiligheid niet langer dan twee of drie dagen.

8. Voor maximale efficiëntie mogen de verwijderbare schappen niet worden bedekt met papier of andere materialen, zodat de koele lucht er vrij rond kan circuleren.

9. Bewaar geen plantaardige olie in de deurvakken. Bewaar de etenswaren verpakt, ingepakt of bedekt. Laat warm eten en warme dranken eerst afkoelen, alvorens u ze in de koelkast plaatst. Overschot van ingeblikte etenswaren mag niet in het blik worden bewaard.

10. Bruisende dranken mogen niet worden ingevroren en producten zoals ijslolly's mogen niet te koud worden gegeten.

11. Sommige stukken fruit en groenten worden slecht wanneer ze worden bewaard bij temperaturen rond 0°C. Daarom pakt u ananassen, meloenen, komkommers, tomaten en gelijkaardige producten beter in plastic zakjes in.

12. Sterk alcoholische dranken moeten rechtstaand worden bewaard in veilig gesloten containers. Bewaar nooit producten met een ontvlambaar drijfgas (vb. slagroomverdelers, spuitbussen, enz.) of met explosieve bestanddelen. Zij vormen ontploffingsgevaar.

Opmeting en regeling van de temperatuur

De temperatuur wordt geregeld door de thermostaatknop en mag op eender welke positie tussen 1 en 5 (de koudste positie) worden ingesteld. De gemiddelde temperatuur in de koelkast zou ongeveer +5°C (+41°F) moeten bedragen. Regel daarom de thermostaat zo dat de gewenste temperatuur wordt bereikt. Sommige gedeelten van de koelkast kunnen koeler of warmer zijn (zoals de groentelade en het bovenste gedeelte van de koelkast). Dit is normaal. Wij raden u aan om de temperatuur af en toe te controleren met een thermometer, zodat u ervoor kan zorgen dat deze temperatuur blijft behouden. Het frequent openen van de deur doet de inwendige temperatuur stijgen. U wordt daarom aangeraden de deur zo snel mogelijk na gebruik te sluiten.

Alvorens de inwerkingstelling

Laatste controle

Alvorens u het toestel begint te gebruiken, controleer of:

1. De voetjes zo werden geregeld dat de koelkast perfect recht staat.
2. De binnenkant droog is en dat de lucht achteraan vrij kan circuleren.
3. De binnenkant proper is, zoals aanbevolen onder "Schoonmaak en onderhoud".
4. De stekker in het stopcontact zit en de elektriciteit is aangesloten. Wanneer de deur wordt geopend, zal het binnenlichtje aangaan.

Ter informatie:

5. U zult een geluid horen wanneer de compressor opstart. De vloeistof en de gassen die zich in het koelsysteem bevinden, zouden ook wat lawaai kunnen veroorzaken en dit ongeacht of de compressor aan het werken is of niet. Dit is normaal.
6. Een lichte golving van de bovenkant van de koelkast is normaal wegens het gebruikte fabricatieproces; het is geen defect.
7. Wij raden u aan de thermostaatknop halfweg in te stellen en de temperatuur op te volgen, zodat het toestel de vereiste bewaartemperaturen behoudt (Zie onderdeel Opmeting en regeling van de temperatuur).
8. Laad het toestel niet onmiddellijk, nadat het is aangeschakeld. Wacht tot de juiste bewaartemperatuur wordt bereikt. Wij raden u aan de temperatuur op te meten met een accurate thermometer (zie: Opmeting en regeling van de temperatuur).

Diepvriesproducten bewaren

Uw diepvriezer is geschikt voor het langdurige bewaren van commercieel ingevroren etenswaren en kan ook worden gebruikt om verse etenswaren in te vriezen en te bewaren. Open de deur niet in geval van een elektriciteitspanne. De ingevroren etenswaren zouden niet mogen worden aangetast, als de panne minder dan 16 uur duurt. Als ze langer duurt, moeten de etenswaren worden nagekeken en ofwel onmiddellijk worden opgegeten, ofwel worden klaargemaakt en dan opnieuw ingevroren.

Verse etenswaren invriezen

Gelieve de volgende instructies in acht te nemen om de beste resultaten te bereiken. Vries nooit een al te grote hoeveelheid in één keer in.

De kwaliteit van het eten blijft het best geconserveerd wanneer het zo snel mogelijk goed tot in het hart wordt ingevroren. Overschrijd de vriescapaciteit van uw toestel niet binnen een tijdspanne van 24 uur. Warm eten in de diepvriezer plaatsen, heeft tot gevolg dat de machine aan één stuk door zal blijven koelen totdat het eten vast is diepgevroren. Dit kan tijdelijk leiden tot een overdreven afkoeling van het koelkastgedeelte.

Houd de thermostaatknop op de middenpositie wanneer u verse etenswaren invriest. Kleine hoeveelheden etenswaren, tot ½ kg. (1 lb.), kunnen worden ingevroren zonder de temperatuurknop te verdraaien. Zorg er goed voor geen diepvriesproducten te mengen met verse etenswaren.

IJsblokjes maken

Vul de vorm voor ¾ met water en plaats hem in de diepvriezer. Maak aangevroren vormen los met het uiteinde van een lepel of een gelijkaardig instrument; gebruik nooit scherpe voorwerpen, zoals messen of vorken.

Ontdooien

A) Koelkastgedeelte

Het koelkastgedeelte ontdooit automatisch. Het dooiwater loopt naar de afvoerpijp via een verzamelbak aan de achterkant van het toestel (**Afbeelding 5**).

Tijdens het ontdooien kunnen er waterdruppels worden gevormd aan de achterkant van het koelkastgedeelte, waar er zich een verborgen verdampers bevindt. Sommige druppels zouden op de voering kunnen blijven zitten en opnieuw aanvriezen wanneer het ontdooiingproces is afgelopen. Gebruik geen puntige of scherpe voorwerpen, zoals messen of vorken, om de opnieuw aangevroren druppels te verwijderen. Als het dooiwater op een bepaald moment niet afloopt van het verzamelkanaal, controleer dan of er geen etensresten de afvoerpijp hebben geblokkeerd. De afvoerpijp kan met een pijpreiniger of een gelijkaardig instrument worden vrijgemaakt.

Controleer of de slang op permanente wijze met het ene uiteinde in de verzamelbak op de compressor is geplaatst om te voorkomen dat water op de elektrische installatie of op de vloer wordt gemorst (**Afbeelding 6**).

B) Het diepvriesgedeelte

Ontdooien is zeer eenvoudig en zonder vuiligheid, dankzij een speciale verzamelbak voor het dooiwater.

Ontdooi twee keer per jaar of wanneer er zich een ijslaag van ongeveer 7 mm ($\frac{1}{4}$ ") heeft gevormd. Om de ontdooiprocedure te beginnen, schakel het toestel uit aan het stopcontact en trek de hoofdstekker uit. Al de etenswaren moeten in verschillende lagen krantenpapier worden ingepakt en worden bewaard in een koele ruimte (vb. koelkast of provisiekamer).

U mag eventueel kommen met warm water voorzichtig in de diepvriezer plaatsen om het ontdooien te versnellen.

Gebruik geen puntige of scherpe voorwerpen, zoals messen of vorken, om het ijs te verwijderen.

Gebruik nooit haardrogers, elektrische verwarmingstoestellen of andere gelijkaardige elektrische toestellen om te ontdooien. Spons het verzamelde dooiwater op de bodem van het diepvriesgedeelte op. Maak de binnenkant na het ontdooien goed droog. Steek de stekker in het stopcontact en schakel de stroomtoevoer aan.

Het binnenlichtje vervangen

Om de lamp/led voor de binnenverlichting van uw koelkast te vervangen, bel uw bevoegde onderhoudsdienst.

De lamp of lampen voorzien in dit apparaat mogen niet worden gebruikt voor de verlichting van huishoudelijke ruimten. Het beoogde gebruik van deze lamp is de gebruiker te helpen etenswaren op veilige en comfortabele wijze in de koelkast/diepvriezer te plaatsen. De lampen die in dit apparaat worden gebruikt moeten bestendig zijn tegen extreme fysieke omstandigheden, zoals temperaturen beneden de -20°C.

Schoonmaak en onderhoud

1. Wij raden u aan het toestel uit te schakelen aan het stopcontact en de hoofdstekker uit te trekken voor het schoonmaken.

2. Gebruik nooit scherpe instrumenten of schurende bestanddelen, zeep, huishoudproducten, afwasmiddel of boenwas om te poetsen.

3. Gebruik lauw water om het kabinet van het toestel schoon te maken en wrijf het droog.

4. Gebruik een vochtige doek, uitgewrongen in een oplossing van één koffielepel natriumbicarbonaat voor 50 cl water, om de binnenkant schoon te maken en wrijf vervolgens droog.

5. Zorg ervoor dat er geen water de temperatuurregelaar binnensijpelt.

6. Als het toestel voor een lange periode niet zal worden gebruikt, schakel het dan uit, verwijder al de etenswaren, maak het schoon en laat de deur op een kier staan.

7. Wij raden u aan de metalen onderdelen van het product (d.i. de buitenkant van de deur, de wanden van de kast) op te poetsen met een siliconewas (autoboenwas) om de verfafwerking van hoge kwaliteit te beschermen.

8. Al het stof dat zich op de condensator nestelt, die zich achteraan het toestel bevindt, moet één keer per jaar met een stofzuiger worden verwijderd.

9. Kijk de deurgrendels regelmatig na om u ervan te vergewissen dat ze proper en vrij van etensresten zijn.

10. Nooit doen:

- Maak het toestel nooit schoon met ongeschikt materiaal; vb. producten op basis van petroleum.
- Stel het toestel nooit bloot aan hoge temperaturen op eender welke manier.
- Schrob, wrijf, enz. nooit met schurend materiaal.

11. Verwijdering van de zuivelbeschermer en het deurvak:

- Om de zuivelbeschermer te verwijderen, licht u hem eerst ongeveer enkele centimeters op en trekt u hem dan van de kant waar er een opening is in de beschermer.
- Om een deurvak te verwijderen, neemt u er al de inhoud eerst uit en drukt u het deurvak vervolgens eenvoudigweg naar boven van de basis.

12. Zorg ervoor dat de speciale plastic bak, die achteraan het toestel het dooiwater opvangt, altijd proper is. Als u de bak wilt verwijderen om hem schoon te maken, volg dan de onderstaande instructies:

- Schakel het toestel uit aan het stopcontact en trek de hoofdstekker uit.
- Plooi de nagel op de compressor voorzichtig recht met een tang, zodat de bak kan worden verwijderd.
- Hef de bak op.

- Maak de bak schoon en wrijf hem droog
- Zet het geheel terug in elkaar door de volgorde van de handelingen om te draaien 13. Om een lade te verwijderen, trekt u hem zo ver mogelijk uit het toestel, licht u hem op en trekt u hem er vervolgens volledig uit.

De deur verplaatsen

Ga te werk in de volgorde van de getallen (Afbeelding 7).

Wel en niet doen

- Wel-** Uw toestel regelmatig schoonmaken en ontdooien (Zie "Ontdooien").
- Wel-** Rauw vlees en gevogelte bewaren onder klaargemaakte etenswaren en zuivelproducten.
- Wel-** Onbruikbare bladeren van groenten verwijderen en eventuele aarde er afwrijven.
- Wel-** Laat sla, kool, peterselie en bloemkool op hun stengel.
- Wel-** Pak kaas eerst in vetvrij papier in en vervolgens in een plastic zakje. Probeer zo veel mogelijk lucht buiten te sluiten. Voor het beste resultaat neemt u de kaas een uur voor de maaltijd uit de koelkast.
- Wel-** Pak rauw vlees en gevogelte los in plastic of aluminiumfolie in. Dit voorkomt uitdroging.
- Wel-** Pak vis en restafval in plastic zakjes in.
- Wel-** Pak etenswaren met een sterke geur of etenswaren die kunnen uitdrogen in plastic zakjes of aluminiumfolie in of plaats ze in een luchtdichte bak.
- Wel-** Pak brood goed in, zodat het vers blijft.
- Wel-** Koel witte wijn, bier, pils en mineraalwater alvorens op te dienen.
- Wel doen -** Kijk de inhoud van de diepvriezer nu en dan eens na.
- Wel-** Bewaar etenswaren zo kort mogelijk en houdt u aan de vervaldatum.
- Wel-** Bewaar diepvriesproducten volgens de instructies op de verpakking.
- Wel-** Opteer altijd voor verse etenswaren van hoge kwaliteit en zorg ervoor dat ze volledig proper zijn alvorens u ze invriest.
- Wel-** Verdeel in te vriezen verse etenswaren in kleine porties, zodat ze snel kunnen invriezen.
- Wel-** Pak al de etenswaren in aluminiumfolie of plastic diepvrieszakjes in en zorg ervoor dat alle lucht wordt buitengesloten.

- Wel-** Pak diepvriesproducten onmiddellijk in na aankoop en plaats ze zo snel mogelijk in de diepvriezer.
- Wel-** Ontdooi etenswaren in het koelkastgedeelte.
- Niet-** Bananen bewaren in het koelkastgedeelte.
- Niet-** Meloen bewaren in uw koelkast. De meloen kan voor korte perioden worden afgekoeld, zolang hij is ingepakt en niet de smaak van andere etenswaren kan bederven.
- Niet-** De schappen bedekken met beschermend materiaal. Dit zou de luchtcirculatie kunnen hinderen.
- Niet-** Giftige of gevaarlijke bestanddelen in uw koelkast bewaren. Het toestel werd namelijk enkel ontworpen voor het bewaren van eetbare producten.
- Niet-** Etenswaren consumeren die overdreven lang in de koelkast hebben gestaan.
- Niet-** Klaargemaakte en verse etenswaren samen in dezelfde bak bewaren. Zij moeten afzonderlijk worden ingepakt en bewaard.
- Niet-** Ontdooiende etenswaren of sappen van etenswaren op andere etenswaren laten druppelen.
- Niet-** De deur voor een lange tijd open laten staan. Dit zal het toestel kostelijker maken en overdreven ijsaanslag veroorzaken.
- Niet-** Scherpe objecten, zoals messen of vorken, gebruiken om het ijs te verwijderen.
- Niet-** Warm eten in het toestel plaatsen. Laat het eerst afkoelen.
- Niet-** Flessen of luchtdichte blikken met koolzuurhoudende vloeistoffen in de diepvriezer plaatsen. Deze zouden namelijk kunnen barsten.
- Niet-** De maximumlading overschrijden wanneer u verse etenswaren invriest.
- Niet-** Ijsjes of ijslolly's, die direct uit de diepvriezer komen, aan kinderen geven. De lage temperatuur kan 'vriesbrandwonden' veroorzaken op de lippen.
- Niet-** Bruisende dranken diepvriezen.
- Niet-** Ingevroren etenswaren, die zijn ontdooid, proberen te bewaren; zij moeten binnen de 24 uur worden opgegeten of worden klaargemaakt en opnieuw ingevroren.
- Niet-** Items uit de diepvriezer nemen met natte handen.

Informatie over de functiegeluiden

Om de geselecteerde temperatuur constant te houden, schakelt uw toestel nu en dan de compressor AAN.

De resulterende geluiden zijn normaal.

Van zodra het toestel de gewenste temperatuur heeft bereikt, zullen de geluiden automatisch minder luid worden.

Het zoemende geluid wordt voortgebracht door de motor (compressor). Wanneer de motor wordt AANGESCHAKELD, kan het geluid even luider worden.

Het bubbelende, gorgelende of gonzende geluid wordt voortgebracht door de koelvloeistof, wanneer ze door de pijpen stroomt.

Het klikkende geluid kan altijd worden gehoord wanneer de thermostaat de motor AAN/UIT schakelt.

Een klikkend geluid kan voorkomen wanneer

- het automatische ontdooisysteem is actief.
- het toestel aan het afkoelen of aan het opwarmen is (materiaalexpansie).

Als deze geluiden overdreven luid zijn, zijn de oorzaken ervan waarschijnlijk niet heel erg.

Meestal kan dit heel eenvoudig worden opgelost.

- Het toestel staat niet recht - Gebruik de aanpasbare voetjes of plaats verpakkingsmateriaal onder de voetjes.
- Het toestel staat tegen iets anders - Gelieve het toestel te verwijderen van keukeneenheden of andere toestellen.

- Laden, manden of schabben liggen los of kleven vast - Gelieve de verwijderbare onderdelen na te kijken en ze, indien nodig, opnieuw te plaatsen.
- Flessen en/of kommen raken elkaar - Gelieve de flessen en/of kommen van elkaar te verwijderen.


Problemen oplossen

Als het toestel niet werkt wanneer het is aangeschakeld, controleer dan het volgende:

- Of de stekker goed in het stopcontact steekt en of de stroomtoevoer aanstaat. (Om de stroomtoevoer naar het stopcontact te testen, sluit u een ander toestel erop aan).
- Of de zekering is gesprongen / de stroomonderbreker is doorgeslagen / de hoofddistributie werd afgesloten.
- Of de temperatuurregeling juist werd ingesteld.
- Of de nieuwe stekker juist werd aangesloten, als u de aangeleverde standaardstekker heeft vervangen.

Als het toestel nog altijd niet werkt na alle bovenstaande controles, contacteer dan de verdeler van wie u het toestel heeft gekocht. Gelieve ervoor te zorgen dat de bovenstaande controles werden uitgevoerd, aangezien u de verplaatsing zal worden aangerekend als er geen fout wordt vastgesteld.



Het symbol  op het product of op de verpakking geeft aan dat het product niet als huishoudelijke afval kan worden behandeld. In plaats daarvan moet het worden afgegeven in het toepasselijke recyclagecentrum voor het recyclen van elektrische en elektronische apparaten. Door ervoor te zorgen dat dit product op de juiste manier wordt verwijderd, helpt u potentiële negatieve gevolgen te vermijden voor het milieu en de menselijke gezondheid, die anders veroorzaakt zouden kunnen worden door de verkeerde afvalbehandeling van dit product. Voor meer gedetailleerde informatie over het recyclen van dit product, neem contact op met de plaatselijke instanties, uw huishoudafvalverwerkingsdienst of de winkel waar u het product hebt aangekocht.

