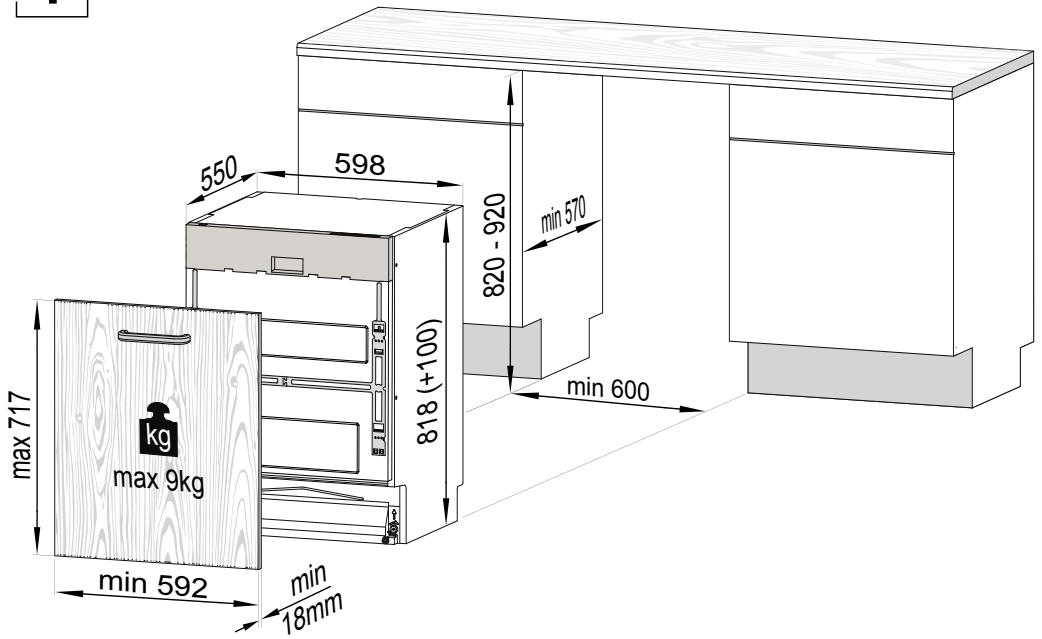
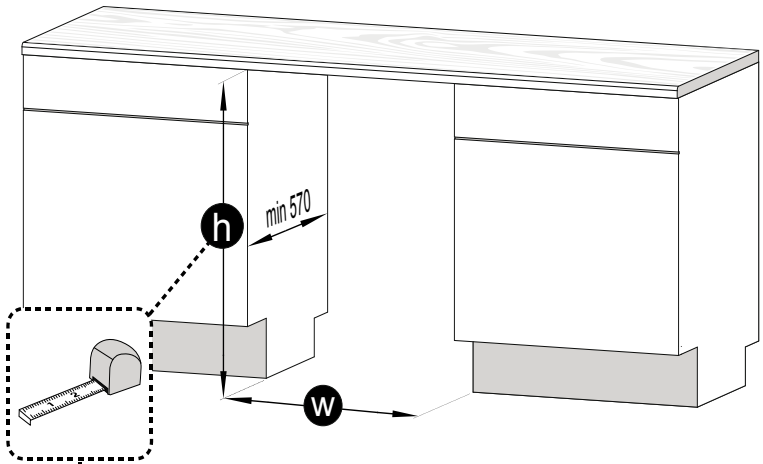



<b>a)</b> 	<b>b)</b> 	<b>c)</b> 	<b>d)</b>  Ø 4 x 36mm
<b>e)</b>  Ø 4 x 43mm	<b>f)</b>  Ø 3.5 x 14mm	<b>g)</b>  (+50mm)	

1



2



$h = 870 - 920$

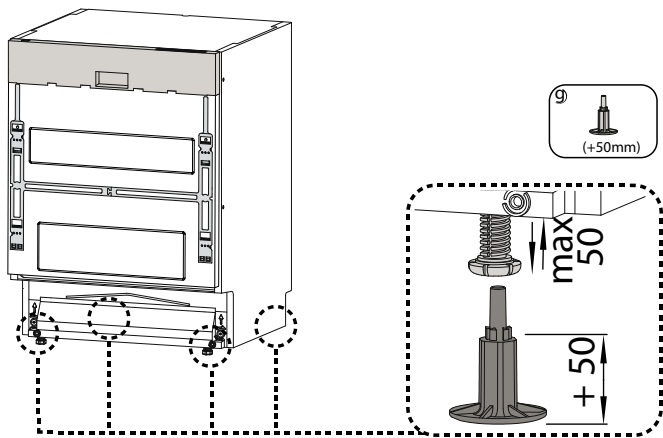
3

$h = 820 - 870$

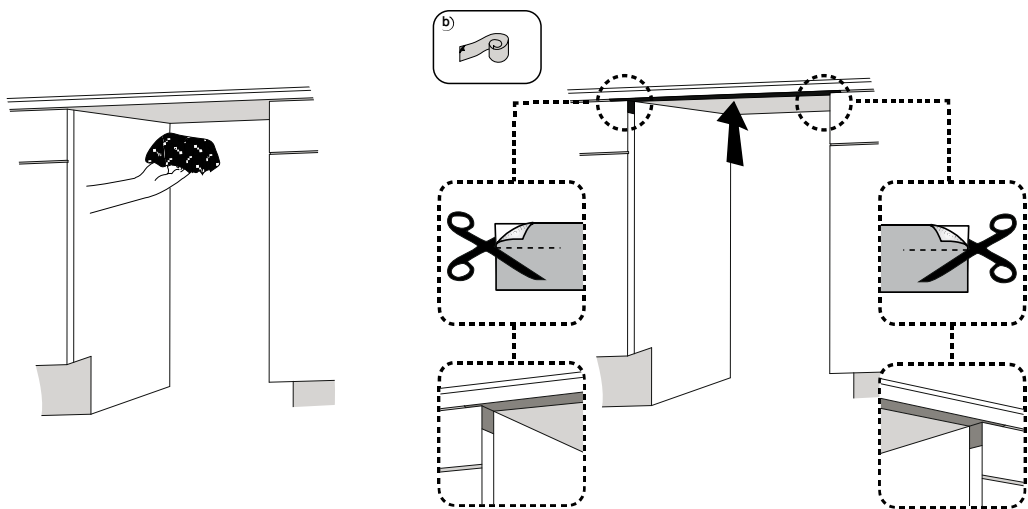
4



# 3

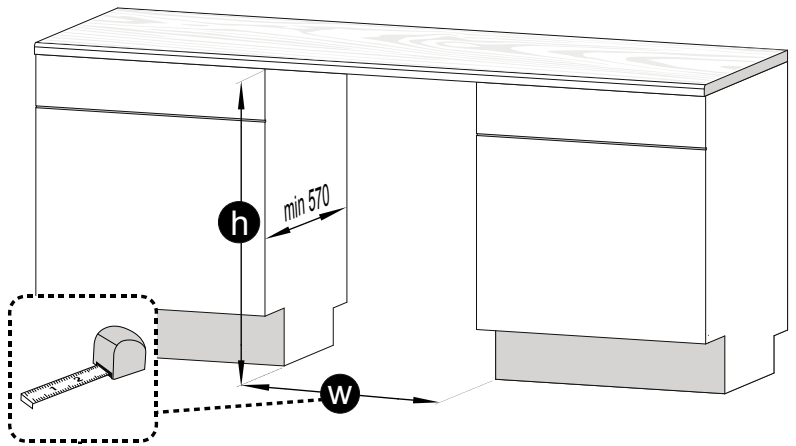


# 4





7



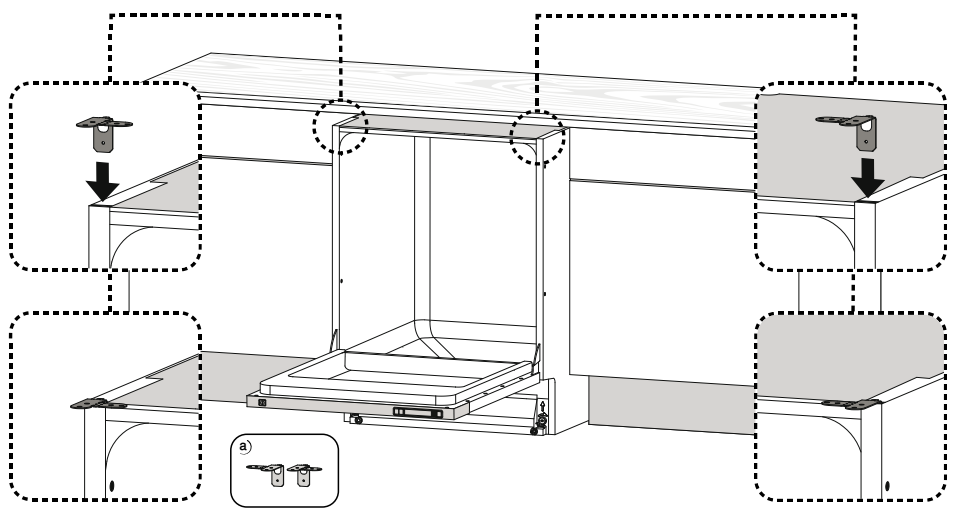
$w > 610$

8

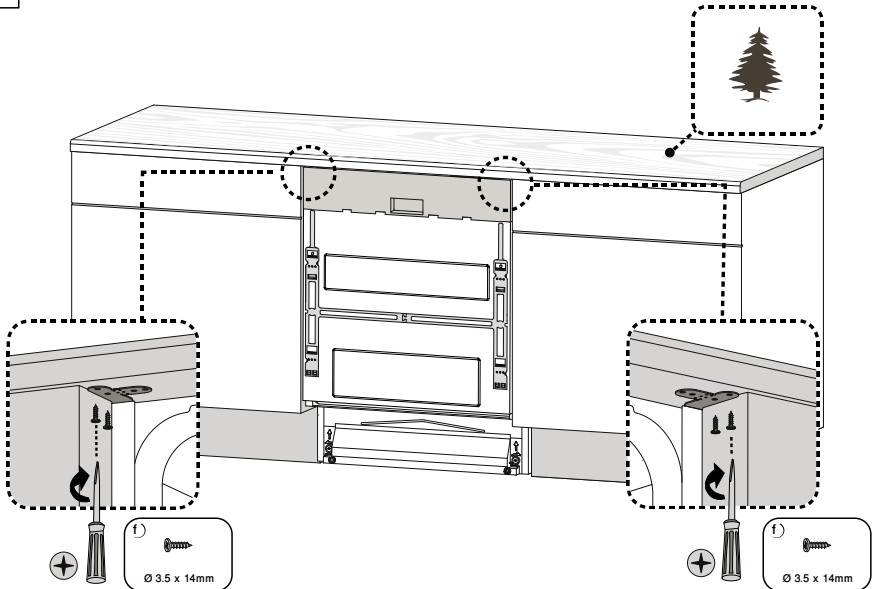
$w = 600 - 610$

10

8

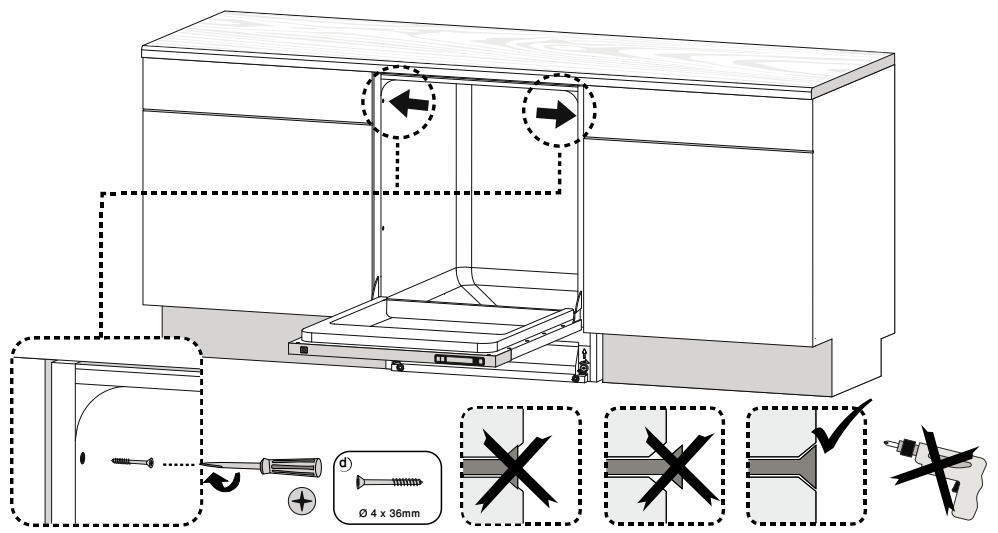


9

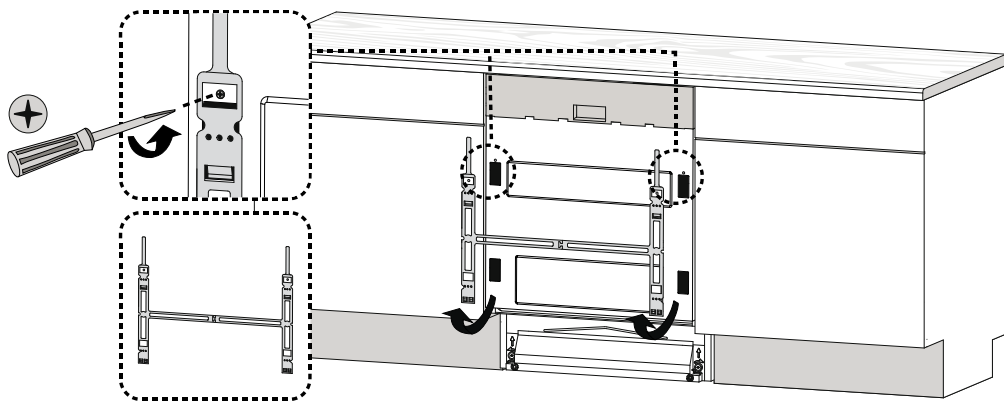


11

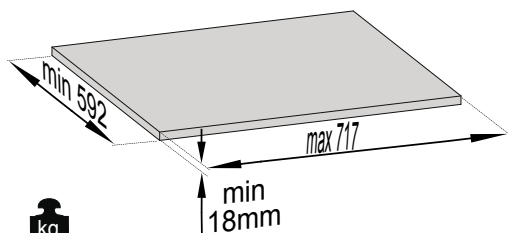
10



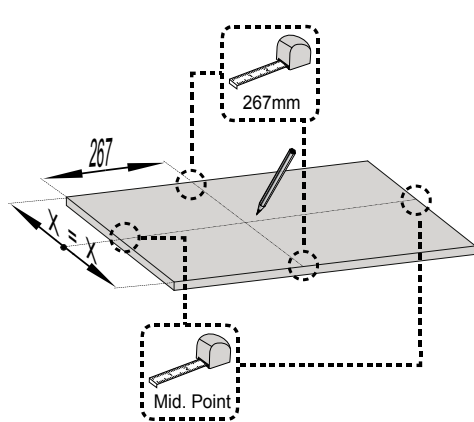
11



12

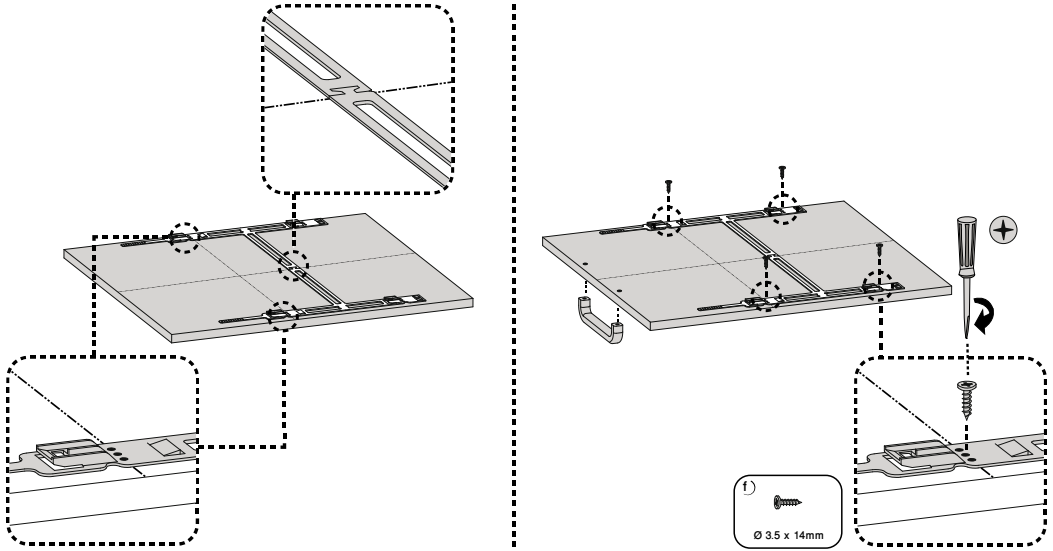


kg  
Max 9kg

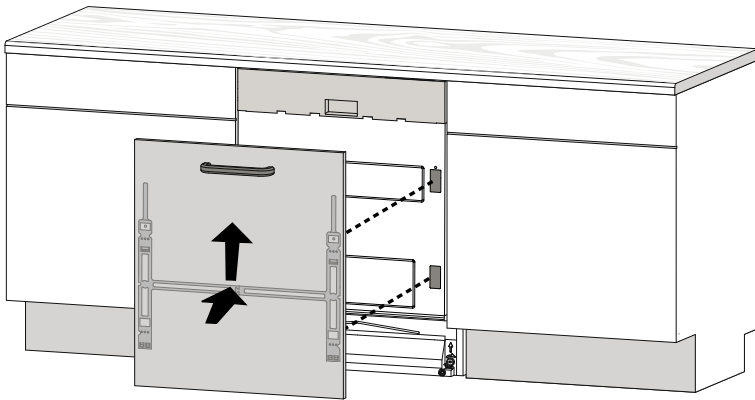




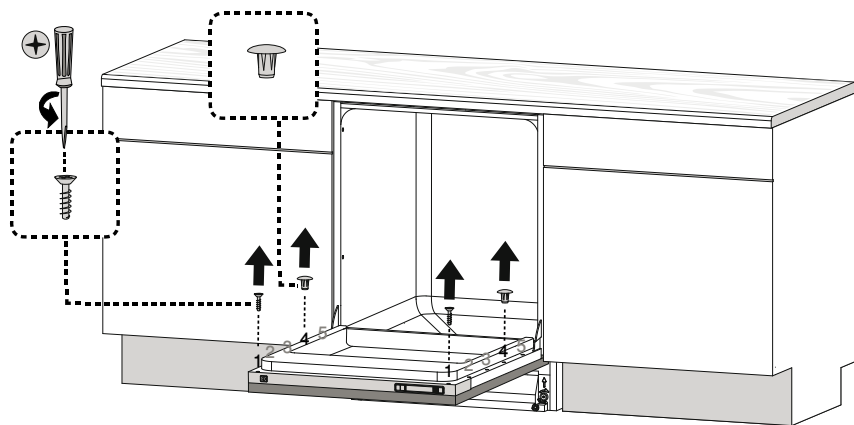
13



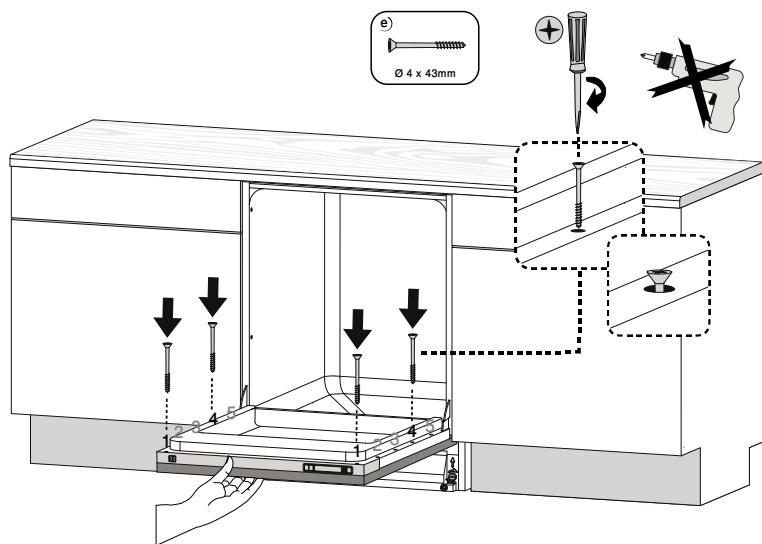
14



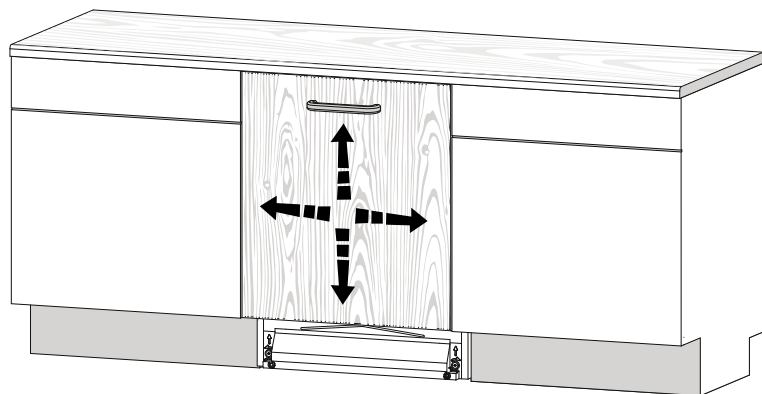
15



16



17



18

