



Built-in Hob

User Manual

Sisseehitatav pliit

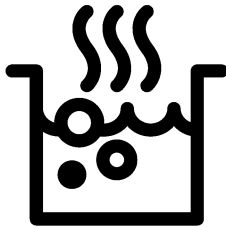
Kasutusjuhend

Εντοιχιζόμενη Πλάκα Εστιών

Εγχειρίδιο χρήσης

Ugradbena ploča za kuhanje

Uputstvo za upotrebu



HIZE64101X

EN / ET / EL / BS

185.2413.99/R.AM/13.01.2020/5-1

7768687351

Please read this user manual first!

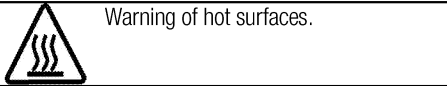
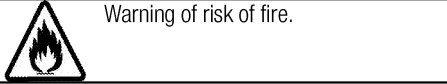
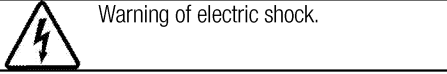
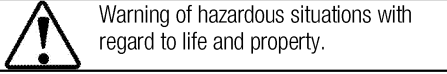
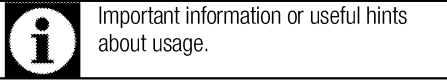
Dear Customer,

Thank you for purchasing this Beko product. We hope that you get the best results from your product which has been manufactured with high quality and state-of-the-art technology. Therefore, please read this entire user manual and all other accompanying documents carefully before using the product and keep it as a reference for future use. If you handover the product to someone else, give the user manual as well. Follow all warnings and information in the user manual.

Remember that this user manual is also applicable for several other models. Differences between models will be identified in the manual.

Explanation of symbols

Throughout this user manual the following symbols are used:



Arçelik A.Ş.

Karaağaç caddesi No:2-6
34445 Sütlüce/İstanbul/TURKEY

Made in TURKEY



This product was manufactured using the latest technology in environmentally friendly conditions.

TABLE OF CONTENTS

1 Important instructions and warnings for safety and environment 4

General safety	4
Electrical safety	4
Product safety	5
Intended use	6
Safety for children.....	6
Disposing of the old product	6
Package information	6

2 General information 7

Overview	7
Technical specifications	8

3 Installation 9

Before installation	9
Installation and connection	9
Future Transportation.....	11

4 Preparation 12

Tips for saving energy	12
Initial use.....	12
First cleaning of the appliance.....	12

5 How to use the hob 13

General information about cooking	13
Using the hobs.....	13

6 Maintenance and care 14

General information.....	14
Cleaning the hob.....	14
Cleaning the control panel	14

7 Troubleshooting 15

1 Important instructions and warnings for safety and environment

This section contains safety instructions that will help protect from risk of personal injury or property damage. Failure to follow these instructions shall void any warranty.

General safety

- This appliance can be used by children aged from 8 years and above and persons with reduced physical, sensory or mental capabilities or lack of experience and knowledge if they have been given supervision or instruction concerning use of the appliance in a safe way and understand the hazards involved.
Children shall not play with the appliance. Cleaning and user maintenance shall not be made by children without supervision.
- The appliance is not to be used by persons (including children) with reduced physical, sensory or mental capabilities, or lack of experience and knowledge, unless they have been given supervision or instruction.
Children should be supervised and ensure they do not play with the appliance
- If the product is handed over to someone else for personal use or second-hand use purposes, the user manual, product labels and

other relevant documents and parts should be also given.

- Installation and repair procedures must always be performed by Authorised Service Agents. The manufacturer shall not be held responsible for damages arising from procedures carried out by unauthorised persons which may also void the warranty. Before installation, read the instructions carefully.
- Do not operate the product if it is defective or has any visible damage.
- Ensure that the product function knobs are switched off after every use.

Electrical safety

- If the product has a failure, it should not be operated unless it is repaired by an Authorised Service Agent. There is the risk of electric shock!
- Only connect the product to a grounded outlet/line with the voltage and protection as specified in the “Technical specifications”. Have the grounding installation made by a qualified electrician while using the product with or without a transformer. Our company shall not be liable for any problems arising due to the product not being earthed in

accordance with the local regulations.

- Never wash the product by spreading or pouring water onto it! There is the risk of electric shock!
- The product must be disconnected during installation, maintenance, cleaning and repairing procedures.
- If the power connection cable for the product is damaged, it must be replaced by the manufacturer, its service agent or similarly qualified persons in order to avoid a hazard.
- Only use the connection cable specified in the “Technical specifications”.
- The appliance must be installed so that it can be completely disconnected from the mains supply. The separation must be provided by a switch built into the fixed electrical installation, according to construction regulations.
- Any work on electrical equipment and systems should only be carried out by authorised and qualified persons.
- In case of any damage, switch off the product and disconnect it from the mains. To do this, turn off the fuse at home.
- Make sure that fuse rating is compatible with the product.

Product safety

- **WARNING:** The appliance and its accessible parts become hot

during use. Care should be taken to avoid touching heating elements. Children less than 8 years of age shall be kept away unless continuously supervised.

- Never use the product when your judgment or coordination is impaired by the use of alcohol and/or drugs.
- Be careful when using alcoholic drinks in your dishes. Alcohol evaporates at high temperatures and may cause fire since it can ignite when it comes into contact with hot surfaces.
- Do not place any flammable materials close to the product as the sides may become hot during use.
- Keep all ventilation slots clear of obstructions.
- Do not use steam cleaners to clean the appliance as this may cause an electric shock.
- **WARNING:** Unattended cooking on a hob with fat or oil can be dangerous and may result in fire. NEVER try to extinguish a fire with water, but switch off the appliance and then cover flame e.g. with a lid or a fire blanket.
- **CAUTION:** The cooking process has to be supervised. A short term cooking process has to be supervised continuously.
- **WARNING:** Danger of fire: Do not store items on the cooking surfaces.

- The appliance is not intended to be operated by means of an external timer or separate remote-control system.
- **WARNING:** Use only hob guards designed by the manufacturer of the cooking appliance or indicated by the manufacturer of the appliance in the instructions for use as suitable or hob guards incorporated in the appliance. The use of inappropriate guards can cause accidents.
- The packaging materials will be dangerous for children. Keep the packaging materials away from children. Please dispose of all parts of the packaging according to environmental standards.
- Electrical products are dangerous to children. Keep children away from the product when it is operating and do not allow them to play with the product.
- Do not place any items above the appliance that children may reach for.

Prevention against possible fire risk!

- Ensure all electrical connections are secure and tight to prevent risk of arcing.
- Do not use damaged cables or extension cables.
- Ensure liquid or moisture is not accessible to the electrical connection point.

Intended use

- This product is designed for domestic use. Commercial use will void the guarantee.
- This appliance is for cooking purposes only. It must not be used for other purposes, for example room heating.
- The manufacturer shall not be liable for any damage caused by improper use or handling errors.

Safety for children

- **WARNING:** Accessible parts may become hot during use. Young children should be kept away.

Disposing of the old product

Compliance with the WEEE Directive and Disposing of the Waste Product:



This product complies with EU WEEE Directive (2012/19/EU). This product bears a classification symbol for waste electrical and electronic equipment (WEEE).

This product has been manufactured with high quality parts and materials which can be reused and are suitable for recycling. Do not dispose of the waste product with normal domestic and other wastes at the end of its service life. Take it to the collection center for the recycling of electrical and electronic equipment. Please consult your local authorities to learn about these collection centers.

Compliance with RoHS Directive:

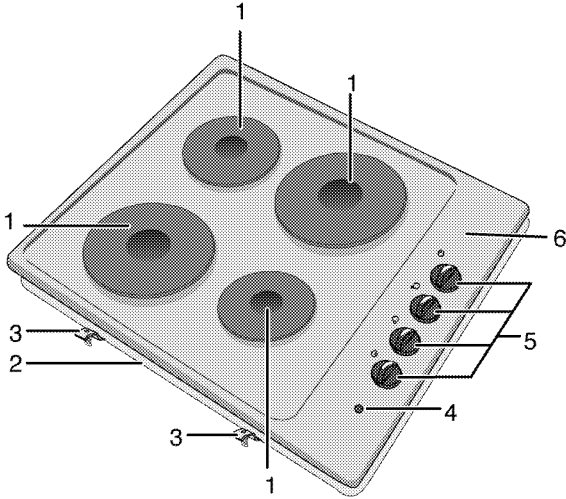
The product you have purchased complies with EU RoHS Directive (2011/65/EU). It does not contain harmful and prohibited materials specified in the Directive.

Package information

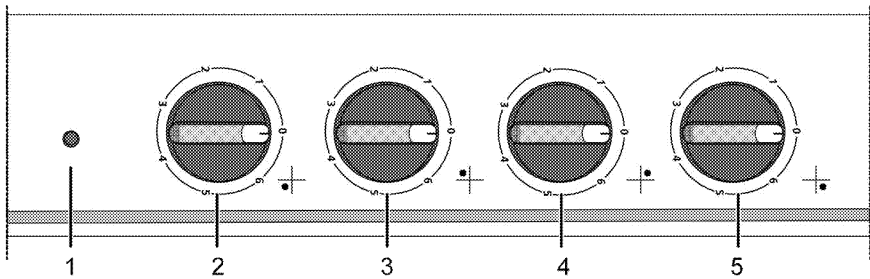
- Packaging materials of the product are manufactured from recyclable materials in accordance with our National Environment Regulations. Do not dispose of the packaging materials together with the domestic or other wastes. Take them to the packaging material collection points designated by the local authorities.

2 General information

Overview



- | | | | |
|---|----------------|---|----------------|
| 1 | Hotplate | 4 | Warning lamp |
| 2 | Base cover | 5 | Hotplates knob |
| 3 | Assembly clamp | 6 | Burner plate |



- | | | | |
|---|----------------------|---|---------------------|
| 1 | Warning lamp | 4 | Hotplate Rear left |
| 2 | Hotplate Front right | 5 | Hotplate Rear right |
| 3 | Hotplate Front left | | |

Technical specifications

Voltage / frequency	220-240 V ~ / 380-415 V 2N ~ 50/60 Hz
Total power consumption	6000 W
Fuse	25 A
Cable type / section	min.H05V2V2-F 3 x 2,5 mm ²
External dimensions (height / width / depth)	60 mm/580 mm/510 mm
Installation dimensions (width / depth)	560 mm/490 mm
Burners	
Front right	Hotplate
Dimension	145 mm
Power	1500 W
Front left	Hotplate
Dimension	180 mm
Power	1500 W
Rear left	Hotplate
Dimension	145 mm
Power	1000 W
Rear right	Hotplate
Dimension	180 mm
Power	2000 W



Technical specifications may be changed without prior notice to improve the quality of the product.



Figures in this manual are schematic and may not exactly match your product.



Values stated on the product labels or in the documentation accompanying it are obtained in laboratory conditions in accordance with relevant standards. Depending on operational and environmental conditions of the product, these values may vary.

3 Installation

Product must be installed by a qualified person in accordance with the regulations in force. The manufacturer shall not be held responsible for damages arising from procedures carried out by unauthorized persons which may also void the warranty.



Preparation of location and electrical installation for the product is under customer's responsibility.



DANGER:

The product must be installed in accordance with all local electrical regulations.



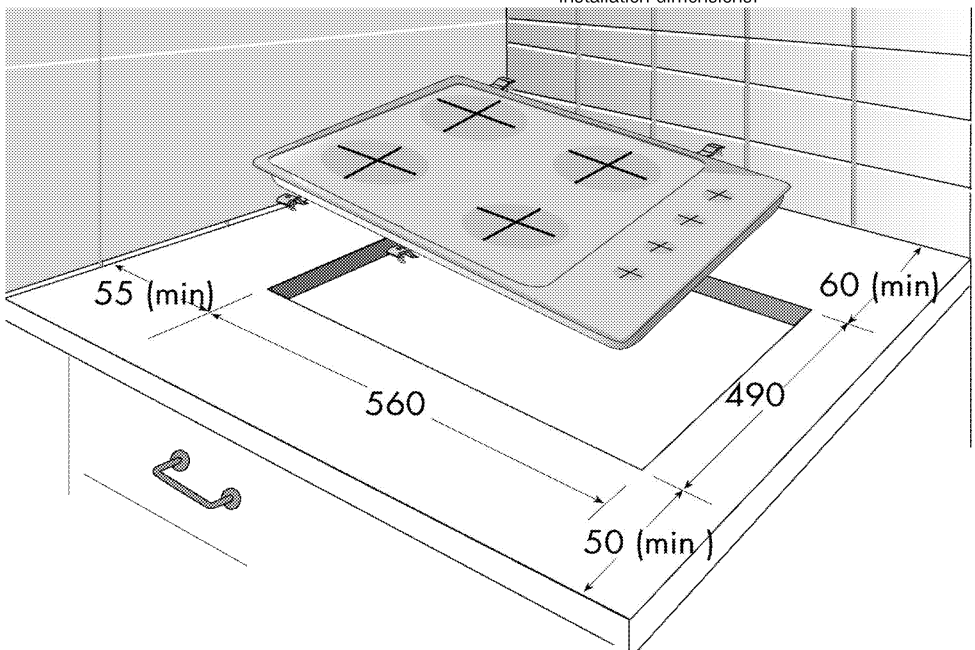
DANGER:

Prior to installation, visually check if the product has any defects on it. If so, do not have it installed.
Damaged products cause risks for your safety.

Before installation

The hob is designed for installation into commercially available work tops. A safety distance must be left between the appliance and the kitchen walls and furniture. See figure (values in mm).

- It can also be used in a free standing position. Allow a minimum distance of 750 mm above the hob surface.
- (*) If a cooker hood is to be installed above the cooker, refer to cooker hood manufacturer' instructions regarding installation height (min 650 mm)
- Remove packaging materials and transport locks.
- Surfaces, synthetic laminates and adhesives used must be heat resistant (100 °C minimum).
- The worktop must be aligned and fixed horizontally.
- Cut aperture for the hob in worktop as per installation dimensions.



Installation and connection

- The product must be installed in accordance with all local gas and electrical regulations.

Electrical connection

Connect the product to a grounded outlet/line protected by a miniature circuit breaker of suitable

capacity as stated in the "Technical specifications" table. Have the grounding installation made by a qualified electrician while using the product with or without a transformer. Our company shall not be liable for any damages that will arise due to using the product without a grounding installation in accordance with the local regulations.

**DANGER:**

The product must be connected to the mains supply only by an authorised and qualified person. The product's warranty period starts only after correct installation.

Manufacturer shall not be held responsible for damages arising from procedures carried out by unauthorised persons.

**DANGER:**

The power cable must not be clamped, bent or trapped or come into contact with hot parts of the product.

A damaged power cable must be replaced by a qualified electrician. Otherwise, there is risk of electric shock, short circuit or fire!

- Connection must comply with national regulations.
- The mains supply data must correspond to the data specified on the type label of the product. Type label is at the rear housing of the product.
- Power cable of your product must comply with the values in "Technical specifications" table.

**DANGER:**

Before starting any work on the electrical installation, disconnect the product from the mains supply.

There is the risk of electric shock!

Connecting the power cable

While performing the wiring, you must apply with the national/local electrical regulations and must use the appropriate socket outlet/line and plug for oven. In case of the product's power limits are out of current carrying capability of plug and socket outlet/line, the product must be connected through fixed electrical installation directly without using plug and socket outlet/line.

1. **If a power cable is not supplied together with your product**, a power cable that you would select from the table (*Technical specifications, page 8*) in accordance with the electrical installation at your home must be connected to your product by following the instructions in cable diagram.

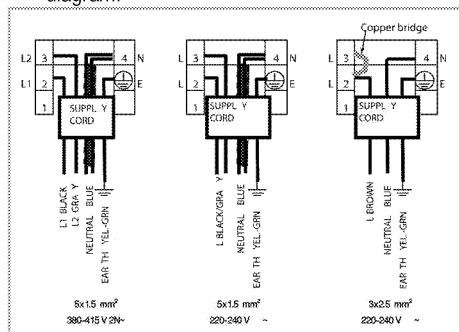
If it is not possible to disconnect all poles in the supply power, a disconnection unit with at least 3 mm contact clearance (fuses, line safety switches, contactors) must be connected and all the poles of this disconnection unit must be adjacent to (not above) the product in accordance with IEE directives. Failure to

obey this instruction may cause operational problems and invalidate the product warranty.



Additional protection by a residual current circuit breaker is recommended.

2. Open the terminal block cover with a screwdriver.
3. Insert the power cable through the cable clamp below the terminal and secure it to the main body with the integrated screw on cable clamping component.
4. Connect the cables according to the supplied diagram.



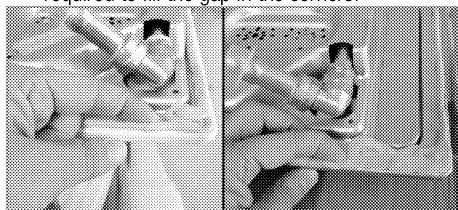
5. After completing the wire connections, close the terminal block cover.
6. Route the power cable so that it will not contact the product and get squeezed between the product and the wall.



Power cable must not be longer than 2 m because of safety reasons.

Installing the product

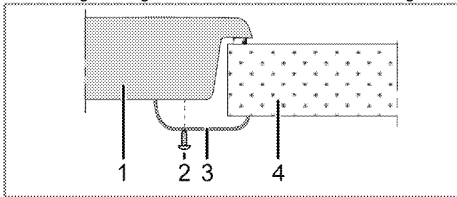
1. Turning the hob upside down, place it on a flat surface.
2. In order to avoid the foreign substances and liquids penetrate between the hob and the counter, please apply the putty supplied in the package on the contours of the lower housing of the hob but make sure that the putty does not overlap.
3. Fill the corners by forming bends at the corners as illustrated in the figure. Form as much bend as required to fill the gap in the corners.





Make sure that the skirting sections on the lower housing of the hob are filled with putty.

- Place the hob on the counter and align it.
- Using the installation clamps secure the hob by fitting through the holes on the lower casing.

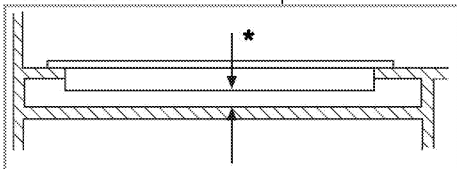


- Hob
- Screw
- Installation clamp
- Counter



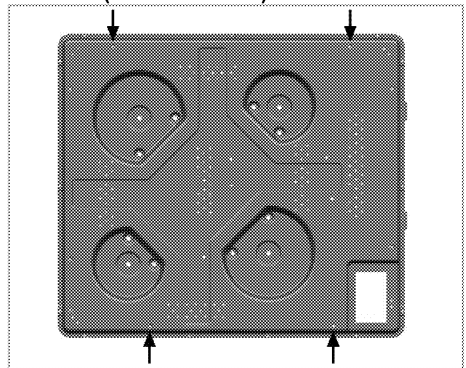
When installing the hob onto a cabinet, a shelf must be installed in order to separate the cabinet from the hob as illustrated in the above figure. This is not required when installing onto a built-under oven.

For example, if it is possible to touch the bottom of the product since it is installed onto a drawer, this section must be covered with a wooden plate.



* min. 15 mm

Rear view (connection holes)



DANGER:

Making connections to different holes is not a good practice in terms of safety since it can damage the gas and electrical system.



DANGER:

There are gas and electrical components contained within this hob, therefore when fitting the mounting springs/clamps only attach the supplied fixings to the connection holes shown in this manual. Failure to observe this advise may lead to life and property safety

Final check

- Operate the product.
- Check the functions.

Future Transportation

- Keep the product's original carton and transport the product in it. Follow the instructions on the carton. If you do not have the original carton, pack the product in bubble wrap or thick cardboard and tape it securely.



Check the general appearance of your product for any damages that might have occurred during transportation.

4 Preparation

Tips for saving energy

The following information will help you to use your appliance in an ecological way, and to save energy:

- Defrost frozen dishes before cooking them.
- Use pots/pans with cover for cooking. If there is no cover, energy consumption may increase 4 times.
- Select the burner which is suitable for the bottom size of the pot to be used. Always select the correct pot size for your dishes. Larger pots require more energy.
- Pay attention to use flat bottom pots when cooking with electric hobs.
Pots with thick bottom will provide a better heat conduction. You can obtain energy savings up to 1/3.
- Vessels and pots must be compatible with the hotplates. Bottom of the vessels or pots must not be smaller than the hotplate.

- Keep the hotplates and bottom of the pots clean. Dirt will decrease the heat conduction between the hotplate and bottom of the pot.
- For long cookings, turn off the hotplate 5 or 10 minutes before the end of cooking time. You can obtain energy savings up to 20% by using the residual heat.

Initial use

First cleaning of the appliance



The surface might get damaged by some detergents or cleaning materials.

Do not use aggressive detergents, cleaning powders/creams or any sharp objects during cleaning.

Do not use harsh abrasive cleaners or sharp metal scrapers to clean the oven door glass since they can scratch the surface, which may result in shattering of the glass.

1. Remove all packaging materials.
2. Wipe the surfaces of the appliance with a damp cloth or sponge and dry with a cloth.

5 How to use the hob

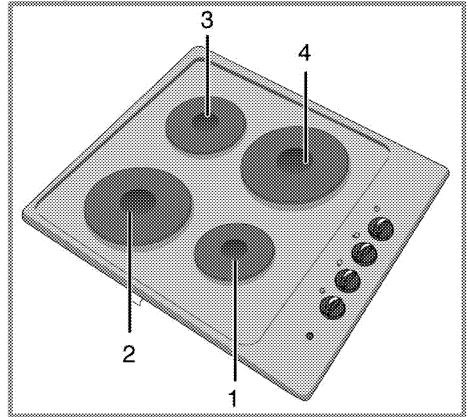
General information about cooking



Never fill the pan with oil more than one third of it. Do not leave the hob unattended when heating oil. Overheated oils bring risk of fire. **Never attempt to extinguish a possible fire with water!** When oil catches fire, cover it with a fire blanket or damp cloth. Turn off the hob if it is safe to do so and call the fire department.

- Before frying foods, always dry them well and gently place into the hot oil. Ensure complete thawing of frozen foods before frying.
 - Do not cover the vessel you use when heating oil.
 - Place the pans and saucepans in a manner so that their handles are not over the hob to prevent heating of the handles. Do not place unbalanced and easily tilting vessels on the hob.
 - Do not place empty vessels and saucepans on cooking zones that are switched on. They might get damaged.
 - Operating a cooking zone without a vessel or saucepan on it will cause damage to the product. Turn off the cooking zones after the cooking is complete.
 - As the surface of the product can be hot, do not put plastic and aluminum vessels on it. Such vessels should not be used to keep foods either.
 - Use flat bottomed saucepans or vessels only.
 - Put appropriate amount of food in saucepans and pans. Thus, you will not have to make any unnecessary cleaning by preventing the dishes from overflowing.
- Do not put covers of saucepans or pans on cooking zones.
- Place the saucepans in a manner so that they are centered on the cooking zone. When you want to move the saucepan onto another cooking zone, lift and place it onto the cooking zone you want instead of sliding it.

Using the hobs



- 1 Hotplate 14-16 cm
- 2 Hotplate 18-20 cm
- 3 Hotplate 14-16 cm
- 4 Hotplate 18-20 cm is list of advised diameter of pots to be used on related burners.

Using hotplates

Hotplate knobs can be turned in both directions in a way that will provide temperature control in steps.



If the hob is equipped with hotplates featuring Booster function, relevant hotplate will be marked with a red dot.

Overheating protection

Hotplates that have a power above 1000 W are equipped with an overheating protection. Overheating protection decreases the power of the hotplate in following cases:

- There is no vessel or saucepan on the hotplate.
- There is an empty vessel or saucepan on the hotplate.
- The bottom of the vessel or saucepan is not flat.

Turning on the hotplates

Use hotplate knobs to operate the hotplates. Move the hotplate knobs to the relevant level in order to obtain the desired cooking level.

Cooking level	1	2 — 3	4 — 6
	warming	stewing, simmering	cooking, roasting, boiling

Turning off the hotplates

Turn the hotplate knob to OFF (upper) position.

6 Maintenance and care

General information

Service life of the product will extend and the possibility of problems will decrease if the product is cleaned at regular intervals.



DANGER:

Disconnect the product from mains supply before starting maintenance and cleaning works.

There is the risk of electric shock!



DANGER:

Allow the product to cool down before you clean it.

Hot surfaces may cause burns!

- Clean the product thoroughly after each use. In this way it will be possible to remove cooking residues more easily, thus avoiding these from burning the next time the appliance is used.
- No special cleaning agents are required for cleaning the product. Use warm water with washing liquid, a soft cloth or sponge to clean the product and wipe it with a dry cloth.
- Always ensure any excess liquid is thoroughly wiped off after cleaning and any spillage is immediately wiped dry.
- Do not use cleaning agents that contain acid or chloride to clean the stainless or inox surfaces and the handle. Use a soft cloth with a liquid detergent (not abrasive) to wipe those parts clean, paying attention to sweep in one direction.



The surface might get damaged by some detergents or cleaning materials.

Do not use aggressive detergents, cleaning powders/creams or any sharp objects during cleaning.

Do not use harsh abrasive cleaners or sharp metal scrapers to clean the oven door glass since they can scratch the surface, which may result in shattering of the glass.

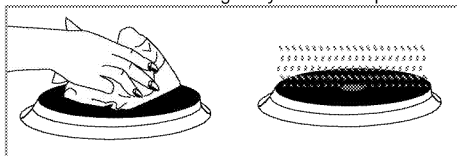


Do not use steam cleaners to clean the appliance as this may cause an electric shock.

Cleaning the hob

Electric hobs

1. Turn off the hotplates and wait until they cool down.
2. If necessary, clean the plates with a cleaning agent (you can obtain cleaners/softeners from specialty stores).
3. Warm only for a few minutes after cleaning in order to have their top section dried.
4. Apply a thin layer of machine oil onto the top surface of the hob regularly in order to protect it.



Cleaning the control panel

Clean the control panel and knobs with a damp cloth and wipe them dry.



If your product is equipped with buttons/knobs do not remove the control buttons/knobs to clean the control panel.

Control panel may get damaged!

7 Troubleshooting

Product emits metal noises while heating and cooling.

- When the metal parts are heated, they may expand and cause noise. >>> *This is not a fault.*

Product does not operate.

- The mains fuse is defective or has tripped. >>> *Check fuses in the fuse box. If necessary, replace or reset them.*
- Product is not plugged into the (grounded) socket. >>> *Check the plug connection.*



Consult the Authorised Service Agent or technician with licence or the dealer where you have purchased the product if you can not remedy the trouble although you have implemented the instructions in this section. Never attempt to repair a defective product yourself.

Arcelik A.S.

Karaağaç Caddesi No:2-6 Sütlüce, 34445, Turkey
Made in TURKEY

Importer in Russia: «BEKO LLC»

Address: Selskaya street, 49, Fedorovskoe village, Pershinskoe rural settlement, Kirzhach district, Vladimir region, Russian Federation 601021

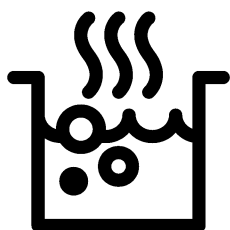
The manufacture date is included in the serial number of a product specified on rating label, which is located on a product, namely: first two figures of serial number indicate the year of manufacture, and last two – the month. For example, "10- 100001-05» indicates that the product was produced in May, 2010.

You can ask for certification number from our Call Center 8-800-200-23-56 The manufacturer reserves the right for making changes in modification, design and specification of an electric device.



Sisseehitatav pliit

Kasutusjuhend



ET

Tutvuge palun esmalt käesoleva kasutusjuhendiga!

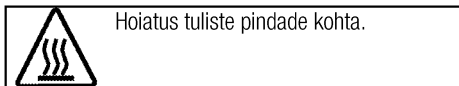
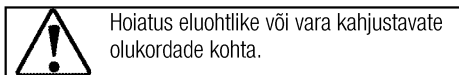
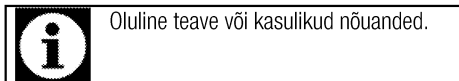
Lugupeetud klient!

Aitäh, et otsustasite Bekou toote kasuks. Loodetavasti jääte selle kaasaegse tehnoloogia järgi valmistatud kvaliteetse toote tööga rahule. Selleks tutvuge enne toote kasutamist hoolikalt kasutusjuhendi ja kõigi kaasasolevate dokumentidega ja hoidke need alles. Kui annate toote üle uuele omanikule, pange kaasa ka kasutusjuhend. Järgige kõiki kasutusjuhendis toodud hoiatusi ja juhiseid.

Pidage meeles, et kasutusjuhendis võib olla juttu mitmest mudelist. Mudelite erinevused on kasutusjuhendis välja toodud.

Sümbolite tähendused

Kasutusjuhendis kasutatakse järgmisi sümboleid:



Arçelik A.Ş.
Karaağaç caddesi No:2-6
34445 Sütlüce/Istanbul/TURKEY
Made in TURKEY

**1 Olulised hoiatused ning juhised
ohutuse tagamiseks ja keskkonna
säätmiseks 4**

Üldine ohutus 4
 Elektriohutus 4
 Toote ohutu kasutamine 5
 Ettenähtud otstarve 6
 Laste ohutuse tagamine 6
 Toote kõrvaldamine kasutuselt..... 6
 Pakkematerjali kõrvaldamine 6

2 Üldine teave 7

Ülevaade 7
 Tehnilised andmed 8

3 Paigaldamine 9

Enne paigaldamist 9
 Paigaldamine ja ühendamine 9
 Toote kõrvaldamine kasutuselt..... 11

4 Ettevalmistused 12

Nõuandeid energia säästmiseks 12
 Esimene kasutuskord 12
 Seadme esmane puhastamine 12

5 Pliidiplaadi kasutamine 13

Üldine teave toiduvalmistamise kohta 13
 Pliidi kasutamine 13

6 Hoidmine ja hooldus 14

Üldine teave 14
 Pliidi puhastamine 14
 Juhtpaneeli puhastamine 14

7 Probleemide lahendamine 15

1 Olulised hoiatused ning juhised ohutuse tagamiseks ja keskkonna säästmiseks

Käesolev peatükk sisaldab ohutusjuhiseid, mis aitavad teil vältida kehavigastusi ja varalist kahju. Nende juhiste eiramisel kaotab garantii kehtivuse.

Üldine ohutus

- Üle 8-aastased lapsed ja füüsilise, meelega- või vaimupuudega inimesed või isikud, kellel puuduvad vastavad kogemused või teadmised, võivad seadet kasutada juhul, kui nad teevad seda järelevalve all või on saanud seadme kasutamiseks vajalikud juhised ning mõistavad sellega kaasnevat ohte.

Lapsed ei tohi seadmega mängida. Lapsed ei tohi omapead seadet puhastada ja hooldada.

- Seadet ei tohi kasutada lapsed ega füüsilise, meelega- või vaimse puudega isikud või kogemusteta ja vastavate teadmisteta isikud, kui nad ei tegutse nende ohutuse eest vastutava isiku järelevalve või juhendamise all.

Lapsed ei tohi seadmega mängida, kui puudub järelevalve.

- Kui toode antakse kellelegi teisele isiklikuks kasutamiseks või uuele omanikule, tuleb anda kaasa ka kasutusjuhend, toote etiketid ja

muud olulised dokumendid ja osad.

- Paigaldus- ja remonttööd tuleb alati jätta volitatud teeninduse hooleks. Tootja ei vastuta kahjude eest, mis tulenevad volitatute isikute tehtud protseduuridest ja võivad muuta garantii kehtetuks. Enne paigaldamist tutvuge hoolikalt juhistega.
- Ärge kasutage toodet, kui see on rikkis või sellel on nähtavaid vigastusi.
- Kontrollige pärast iga kasutuskorda, et toote funktsiooninupud on välja lülitatud.

Elektriohutus

- Rikkis toodet ei tohi kasutada, vaid see tuleb lasta volitatud teeninduses korda teha. Elektrilöögi oht!
- Toote võib ühendada ainult maandatud elektrikontakti/-liiniga, mille pinge ja kaitse vastavad tabelile "Tehnilised andmed". Laske maandus paigaldada kvalifitseeritud elektrikul olenemata sellest, kas kasutate toodet transformatoriga või ilma. Meie ettevõtte ei vastuta probleemide eest, mis on tingitud toote kasutamisest ilma

kohalikele eeskirjadele vastava maanduseta.

- Ärge kunagi peske toodet veega uhtudes või üle kallates!
Elektrilöögi oht!
- Paigaldamise, hoolduse, puhastamise ja remondi ajaks tuleb toode vooluvõrgust lahutada.
- Kui toote toitejuhe saab viga, peab tootja, hooldusfirma või vastava kvalifikatsiooniga elektrik ohu vältimiseks selle välja vahetama.
- Kasutage ainult ühendusjuhet, mis vastab tabelile "Tehnilised andmed".
- Seade tuleb paigaldada nii, et selle saab võrgust täielikult lahti ühendada. Lahtiühendamise võimalus tuleb tagada voolupistikuga või püsielektrisüsteemi paigaldatud lülitiga, mis vastab ehitusnõuetele.
- Elektriseadmetel ja -süsteemidel peaksid töid teostama ainult volitatud ja vastava kvalifikatsiooniga isikud.
- Kahjustuste tekkimisel lülitage toode välja ning lahutage see vooluvõrgust. Selleks lülitage välja kaitsekork.
- Veenduge, et kaitsme voolutugevus vastab toote niminäitajatele.

Toote ohutu kasutamine

- HOIATUS: Seade ja selle välispinnad muutuvad kasutamise käigus tuliseks. Kindlasti tuleb hoiduda kokkupuutest kuumutuselementidega. Alla 8-aastased lapsed tuleb seadmest eemal hoida, välja arvatud juhul, kui nad on täiskasvanu pideva jälgimise all.
- Ärge kasutage toodet, kui mõtlemisvõime või koordineerimine on alkoholi ja/või uimastite tarbimise tagajärjel halvenenud.
- Olge toitusesse alkohoolseid jooke lisades ettevaatlik. Kõrgel temperatuuril alkohol aurustub ning võib tuliste pindadega kokku puutudes põhjustada tulekahju.
- Ärge asetage toote lähedusse kergestisüttivaid materjale, kuna selle küljed võivad kasutamise ajal kuumeneda.
- Ärge tõkestage ventilatsiooniavasid.
- Ärge kasutage puhastamiseks aurupuhasteid, muidu võite saada elektrilöögi.
- HOIATUS: Rasva või õli sisaldava anuma jätmise pliidile järelevalveta on ohtlik ja võib põhjustada tulekahju. ÄRGE üritage tuld kustutada veega, vaid lülitage seade välja ja seejärel katke leek nt pajakaane või tuletekiga kinni.

- **TÄHELEPANU:** Kõpsetamistoimingut peab jälgima. Lühiajalist kõpsetamistoimingut peab pidevalt jälgima.
- **HOIATUS:** Tuleht: Ärge hoidke keedupindadel esemeid.
- Seade ei ole mõeldud kasutamiseks välise taimeri või eraldi kaugjuhtimissüsteemiga.
- **HOIATUS:** Kasutage ainult seadme külge paigaldatud, tootja poolt valmistatud või kasutusjuhendis soovitatud kaitsepiirideid. Ebasobivate kaitsepiirete kasutamine võib lõppeda õnnetusega.

Toote tuleohutuse tagamine:

- Veenduge, et pistik on kindlalt pesas, et ei tekiks sädemeid.
- Ärge kasutage kahjustatud või vigastatud juhet. Samuti ei tohi kasutada pikendusjuhet.
- Vältige niiskuse või vedeliku sattumist toote ühendamiseks kasutatud pistikupesale.

Ettenähtud otstarve

- Toode on mõeldud ainult kodukasutuseks. Kasutamine ettevõtluses ei ole lubatud.
- Seade on mõeldud ainult toidu valmistamiseks. Seda ei tohi kasutada muuks otstarbeks, näiteks ruumi kütmiseks.
- Tootja ei võta mingit vastutust ebaõige kasutamise või käsitlemise tagajärjel tekkinud kahjude eest.

Laste ohutuse tagamine

- **HOIATUS:** Ligipääsetavad osad võivad kasutamisel kuumeneda. Väikelapsed tuleb eemal hoida.
- Pakkematerjalid on lastele ohtlikud. Hoidke pakkematerjale väljaspool laste käeulatus. Käidelge kõiki pakendijätmeid vastavalt keskkonnastandarditele.
- Elektriseadmed on lastele ohtlikud. Hoidke lapsed töötavast seadmest eemal ja ärge laske neil seadmega mängida.
- Ärge asetage seadme kohale asju, mida lapsed võiksid üritada kätte saada.

Toote kõrvaldamine kasutuselt

WEEE direktiivi täitmine ja romuseadme kõrvaldamine:



Seade vastab Euroopa Liidu WEEE direktiivile (2012/19/EL). Seadmel on elektri- ja elektroonikaseadmete jäätmete (WEEE) liigiti kogumise tähis.

Seade on valmistatud kvaliteetsetest osadest ja materjalidest, mis sobivad ringlussevõtmiseks ja taaskasutamiseks. Ärge visake tarbetuks muutunud seadet tavalise olmeprügi ega muude jäätmete hulka. Viige see elektri- ja elektroonikajätmete kogumispunkti. Kogumispunktide kohta saate täpsemat teavet kohalikest omavalitsusest.

RoHS-direktiivi täitmine:

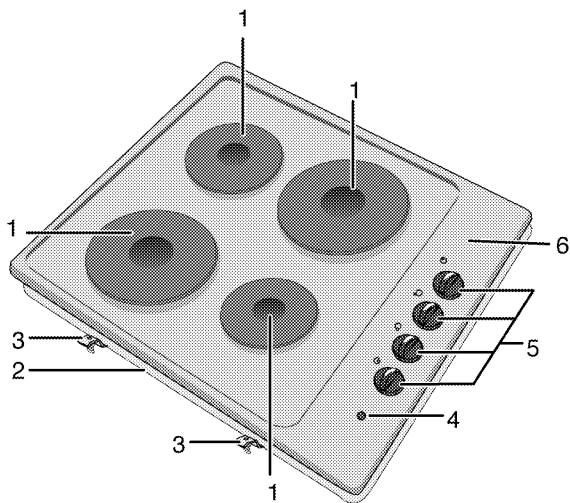
Seade vastab Euroopa Liidu RoHS-direktiivile (2011/65/EL). See ei sisalda direktiivis mainitud kahjulikke ja keelatud materjale.

Pakkematerjali kõrvaldamine

- Pakkematerjalid on lastele ohtlikud. Hoidke pakkematerjale ohutus kohas, kust lapsed neid kätte ei saa. Toote pakend on valmistatud taaskasutatavatest materjalidest. Kõrvaldage pakkematerjalid nõuetekohaselt ja sorteerige vastavalt taaskasutatavate jäätmete kogumise eeskirjadele. Ärge visake neid olmeprügi hulka.

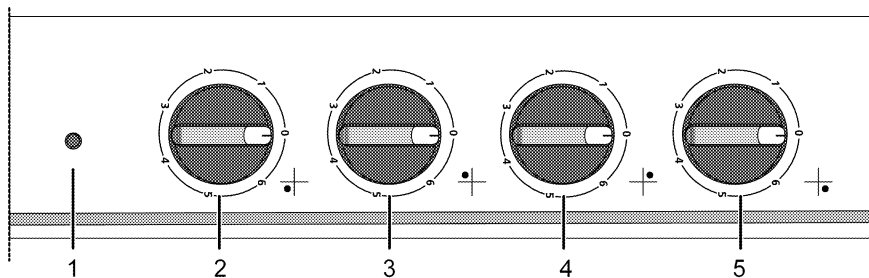
2 Üldine teave

Ülevaade



- 1 Kuumutusplaat
- 2 Aluskate
- 3 Kinnitusklamber

- 4 Hoiatustuli
- 5 Kuumutusplaadi nupp
- 6 Põletiplaat



- 1 Hoiatustuli
- 2 Kuumutusplaat Parem esimene
- 3 Kuumutusplaat Vasak esimene

- 4 Kuumutusplaat Vasak tagumine
- 5 Kuumutusplaat Parem tagumine

Tehnilised andmed

Pinge/sagedus	220-240 V ~ / 380-415 V 2N ~ 50/60 Hz
Energiatarve kokku	6000 W
Kaitse	25 A
Juhtme tüüp/ristlõige	minH05V2V2-F 3 x 2,5 mm ²
Välismõõtmed (kõrgus/laius/sügavus)	60 mm/580 mm/510 mm
Paigaldusmõõtmed (laius/sügavus)	560 mm/490 mm
Põletid	
Parem esimene	Kuumutusplaat
Suurus	145 mm
Võimsus	1500 W
Vasak esimene	Kuumutusplaat
Suurus	180 mm
Võimsus	1500 W
Vasak tagumine	Kuumutusplaat
Suurus	145 mm
Võimsus	1000 W
Parem tagumine	Kuumutusplaat
Suurus	180 mm
Võimsus	2000 W



Toote kvaliteedi parandamiseks võidakse tehnilisi andmeid etteatamiseta muuta.



Kasutusjuhendis toodud joonised on skemaatilised ning ei pruugi teie tootega täpselt kokku langeda.



Tootel olevatel etikettidel või tootega kaasas olevas dokumentatsioonis toodud väärtused on saadud laboritingimustes vastavalt asjaomastele standarditele. Olenevalt toote töö- ja keskkonnatingimustest võivad tegelikud väärtused varieeruda.

3 Paigaldamine

Toode tuleb lasta paigaldada pädeval spetsialistil vastavalt kehtivatele eeskirjadele. Muidu muutub garantii kehtetuks. Tootja ei vastuta kahjude eest, mis tulenevad volitamata isikute tehtud protseduuridest ja võivad muuta garantii kehtetuks.



Toote paigalduskoha ning elektrisüsteemi ettevalmistamine on kliendi ülesanne.



OHT:

Toote paigaldamisel tuleb järgida kõiki gaasi- ja elektrisüsteemidele kehtestatud kohalikke eeskirju.



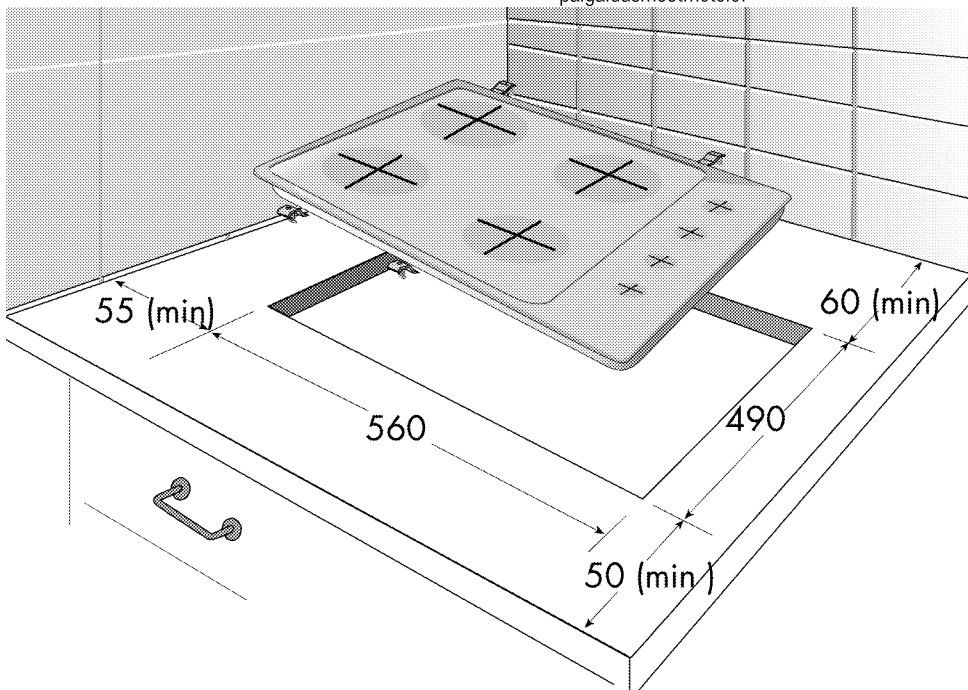
OHT:

Enne paigaldamist vaadake üle, kas tootel ei ole defekte. Defektide esinemisel ärge laske toodet paigaldada. Kahjustatud toode võib kujutada ohtu.

Enne paigaldamist

Pliit on mõeldud paigaldamiseks kaubandusvõrgus müüdavale tööpinnale. Seadme ning köögiseinte ja -mööbli vahele tuleb jätta ohutuse tagamiseks piisav vahe. Vt joonist (väärtused millimeetrites).

- Seda võib kasutada ka vabalt seisvas asendis. Jätke pliidi pinna kohale vähemalt 750 mm vaba ruumi.
- (*) Kui katsete paigaldada pliidi kohale õhupuhasti, valige selle paigalduskõrgus vastavalt tootja juhistele (vähemalt 650 mm).
- Eemaldage pakkematerjalid ning transpordifiksaatorid.
- Pinnad, sünteetilised laminaadid ja kasutatavad puhastusvahendid peavad olema kuumuskindlad (vähemalt 100 °C).
- Tööpind peab olema joondatud ja kinnitatud horisontaalselt.
- Lõigake tööpinna pliidi jaoks auk, mis vastab paigaldusmõõtmetele.



Paigaldamine ja ühendamine

- Toodet tohib paigaldada ja ühendada ainult vastavalt ametlikele paigalduseeskirjadele.

Elektriühendused

Ühendage toode maandatud elektrikontakti/-liiniga, millel on sobivate näitajatega minikaitselüliti (vt tabelit "Tehnilised andmed"). Laske maandus paigaldada kvalifitseeritud elektrikul olenemata sellest, kas

kasutate toodet transformaatoriga või ilma. Meie ettevõtte ei vastuta kahjude eest, mis on tingitud toote kasutamisest ilma kohalikele eeskirjadele vastava maanduseta.

OHT:

Toote võivad vooluvõrku ühendada ainult autoriseeritud ja kvalifitseeritud isikud. Toote garantiaeg algab alles pärast nõuetekohast paigaldamist.

Tootja ei vastuta kahjude eest, mis tulenevad volitamata isikute tehtud protseduuridest.

OHT:

Toitejuhet ei tohi kinnitada klambritega, väänata ega muljuda ning see ei tohi puutuda kokku toote kuumenevate osadega. Kahjustatud toitejuhtme peab välja vahetama kvalifitseeritud elektrik. Muul juhul tuleb arvestada elektrilöögi, lühise või tulekahju ohuga!

- Ühendus peab vastama riiklikele eeskirjadele.
- Võrgutoite näitajad peavad vastama seadme tüübisildile märgitud andmetele. Tüübisilt paikneb toote korpuse tagaküljel.
- Toote toitejuhe peab vastama tehniliste andmete tabelis toodud väärtustele.

OHT:

Enne elektritööde tegemist ühendage toode vooluvõrgust lahti.

Elektrilöögi oht!

Toitejuhtme ühendamine

i Juhtmestiku paigaldamisel tuleb järgida elektrisüsteemidele kehtestatud siseriiklike/kohalike eeskirju ning kasutada ahju jaoks sobivat elektrikontakti/-liini ja pistikut. Kui toote võimsus on suurem kui pistiku ja elektrikontakti/-liini (kestev) taluvusvool, tuleb toode ühendada püsielektrisüsteemi otse, kasutamata pistikut ja elektrikontakti/-liini.

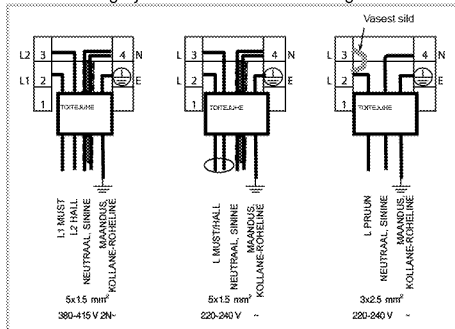
1. **Kui tootega ei ole kaasas toitejuhet**, tuleb sellega ühendada toitejuhe, mis valitakse tabelist (*Tehnilised andmed, lk 8*) vastavalt teie kodus olevale elektrisüsteemile, järgides ühendusskeemil toodud juhiseid.

Kui toitevoolu kõiki poolusi ei ole võimalik lahutada, tuleb ühendada vähemalt 3 mm kontaktivahega voolukatkestusseade (kaitse, liinikatkestusüliti, kontaktor) ja kõik voolukatkestusseadme poolused peavad vastavalt IEE direktiividele paiknema toote kõrval (mitte kõrgemal). Selle juhise eiramine võib

põhjustada probleeme toote kasutamisel ja muuta garantii kehtetuks.

i Soovitatav on kasutada lisakaitseks jääkvoolukatkestist.

2. Avage kruvikeeraja abil klemmikarbi kaas.
3. Pange toitejuhe läbi juhtmeklambri terminali all ja kinnitage see juhtmepinguti kaudu sisseehitatud kruviga põhiseadme külge.
4. Ühendage juhtmed kaasasoleva diagrammi abil.

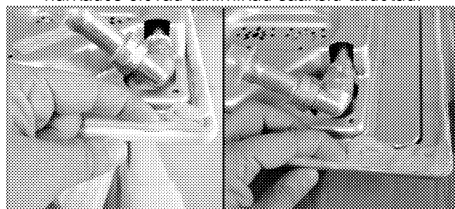


5. Pärast juhtmete ühendamist sulgege klemmikarbi kaas.
6. Paigutage toitejuhe nii, et see ei puutu vastu toodet, ning vältige selle surumist toote ja seina vahele.

i Ohutuse tagamiseks ei tohi juhe olla pikem kui 2 meetrit.

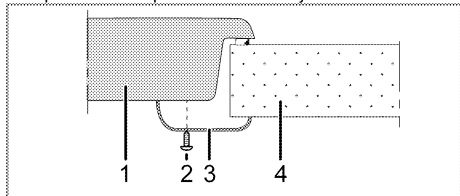
Toote paigaldamine

1. Keerake pliit tagurpidi ja asetage siledale pinnale.
2. Et takistada erinevate ainete ja vedelike sattumist pliidi ja tööpinna vahele, kandke enne paigaldamist pliidi alumise külje servadele pakendis olevat tihendusmaterjali, aga vältige kihtide kattumist.
3. Täitke nurgad materjali painutades, nagu joonisel näidatud. Painutage materjali vajalikul määral, et nurkades olevad tühimikud saaksid täidetud.

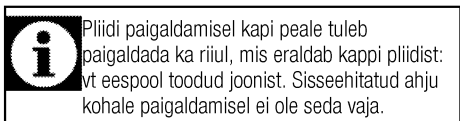


i Veenduge, et äärisse on pliidi korpuse alumisel küljel tihendusmaterjaliga täidetud.

- Asetage pliit tööpinnale ja seadke avaga kohakuti.
- Kinnitage pliit paigaldusklaamritega, mis tuleb pista läbi korpuse alumisel küljel olevate avade.

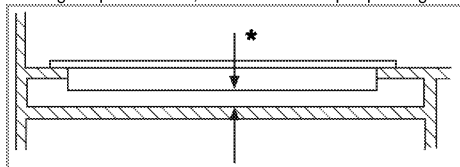


- Pliit
- Kruvi
- Paigaldusklaamber
- Tööpind



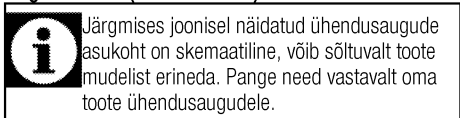
Pliidi paigaldamisel kapi peale tuleb paigaldada ka riiul, mis eraldab kappi pliidist: vt eespool toodud joonist. Sisseehitatud ahju kohale paigaldamisel ei ole seda vaja.

Näiteks kui toode paigaldatakse sahtli kohale ja selle alakülg on puudutatav, tuleb see katta puitplaadiga.

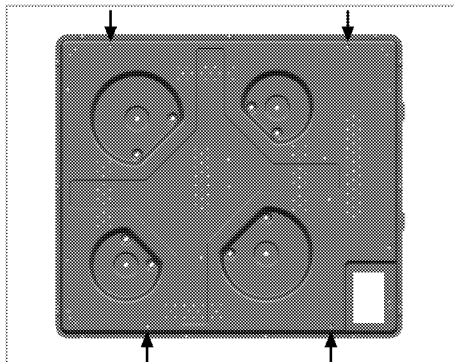


* min 15 mm

Tagantvaade (ühendusavad)



Järgmises joonisel näidatud ühendusaugude asukoht on skemaatiline, võib sõltuvalt toote mudelist erineda. Pange need vastavalt oma toote ühendusaugudele.



OHT:

Ühenduste tegemine erinevatesse aukudesse pole hea ohutuse seisukohast, kuna see võib kahjustada gaasi- ja elektrisüsteemi.



OHT:

Pliit sisaldab gaasi ja elektriga töötavaid osi. Seetõttu tuleb selle kinnitamiseks tööpinna külge kasutada ainult fikseerimisavasid, ainult komplekti kuuluvaid kinnitusdetalle ja kruvisid ning järgida juhendis olevaid juhiseid. Muidu võib see ohustada inimeste elu ja vara.

Lõppkontroll

- Toote kasutamine.
- Kontrollige funktsioone.

Toote kõrvaldamine kasutuselt

- Hoidke toote originaalkarp alles ja kasutage seda toote transportimiseks. Järgige karbile märgitud juhiseid. Kui teil originaalkarpi pole, pakkige toode mullikillesse või paksu kargongi sisse ja kinnitage kindlalt teibiga.



Kontrollige toote üldilmet, et avastada võimalikke transpordi käigus tekkinud defekte.

4 Ettevalmistused

Nõuandeid energia säästmiseks

Alljärgnevad nõuanded aitavad teil oma seadet kasutada ökoloogilisel viisil ja säästa energiat:

- Külmutatud road sulatage enne kuumutamist üles.
- Kasutage hautamisel kaantega potte/panne. Ilma kaaneta võib kuluda kuni 4 korda rohkem energiat.
- Valige põleti, mille läbimõõt vastab kasutatava poti/panni läbimõõdule. Kasutage roogade valmistamisel alati sobiva suurusega kastrulit. Suuremad potid/pannid vajavad rohkem energiat.
- Elektripliidi puhul kasutage lameda põhjaga potte. Paksu põhjaga potid juhivad paremini soojust. Saate säästa kuni kolmandiku elektrist.
- Keedunõud ja pannid peavad vastama keeduplaadi suurusele. Poti või panni põhi ei tohi olla keeduplaadist väiksem.

- Hoidke keeduplaadid ja pottide/pannade põhjad puhtad. Mustus halvendab soojusülekannet keeduplaadi ja keedunõu põhja vahel.
- Pikema valmistusaja korral lülitage keeduplaat 5 kuni 10 minutit enne valmistusaja lõppu välja. Jääkkuumuse kasutamisel saate säästa kuni 20% energiat.

Esimene kasutuskord

Seadme esmane puhastamine



Mõned puhastusained või -vahendid võivad pinda kahjustada.

Ärge kasutage tugevatoimelisi puhastusaineid, puhastuspulbrit või -pastat ega teravaid esemeid.

1. Eemaldage kõik pakkematerjalid.
2. Pühkige seadme pindu niiske lapi või käsna ja kuivatage lapiga.

5 Pliidiplaadi kasutamine

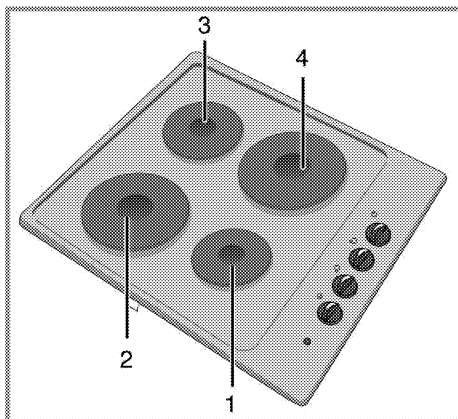
Üldine teave toiduvalmistamise kohta



Ärge kunagi pange pannile õli rohkem kui kolmandiku ulatuses. Õli kuumutamisel ärge jätke pliiti järelevalveta. Õli ülekuumenemisega kaasneb tulekahju oht. **Ärge kunagi üritage kustutada tuld veega!** Õli süttimisel summutage leegid tuletaki või märja lapiga. Lülitage pliit välja, kui seda saab ohutult teha, ja helistage tuletõrjesse.

- Enne toiduainete praadimist kuivatage need hoolikalt ja asetage ettevaatlikult kuuma õli sisse. Külmutatud toiduained tuleb enne praadimist täielikult üles sulatada.
 - Õli kuumutamisel ärge katke anumad kaanega.
 - Jälgige, et pottide ja pannide sangad ei jääks pliidi kohale, et vältida nende kuumenemist. Ärge asetage pliidile kõikuvaid ja kergesti ümberminevaid keedunõusid.
 - Ärge asetage sisselülitatud keedualadele tühje potte või panne. See võib neid kahjustada.
 - Kui keedualal ei ole potti või panni ja see töötab tühjalt, võivad tagajärjeks olla toote kahjustused. Kui olete toidu valmistamise lõpetanud, lülitage keedualad välja.
 - Kuna toote pind võib olla tuline, ärge asetage sellele plastist või alumiiniumist nõusid. Sellistes nõudes ei tohiks hoida ka toitu.
 - Kasutage ainult lameda põhjaga potte või panne.
 - Pange potti või pannile sobiv kogus toitu. Nii ei voola toit üle äära ja säästate end pliidi puhastamisest.
- Ärge asetage poti- või pannikaasi keedualadele. Jälgige, et potid ja pannid asetseksid keeduala keskel. Kui soovite panna poti teisele keedualale, ärge libistage seda, vaid tõstke üles ja asetage soovitud keedualale.

Pliidi kasutamine



- 1 Kuumutusplaat 14-16 cm
- 2 Kuumutusplaat 18-20 cm
- 3 Kuumutusplaat 14-16 cm
- 4 Kuumutusplaat 18-20 cm on nimekirja vastavatele põletitele sobivate pottide diameetritest.

Keeduplaadite kasutamine

Pliidi nuppe saab keerata mõlemas suunas, mis võimaldab reguleerida temperatuuri sammhaaval.



Kui pliidil on võimenduse funktsiooniga keeduplaadid, on vastav keeduplaat tähistatud punase täpiga.

Ülekuumenemiskaitse

Keeduplaadidel võimsusega üle 1000 W on ülekuumenemiskaitse. Ülekuumenemiskaitse vähendab keeduplaadi võimsust järgmistel tingimustel:

- Keeduplaadil ei ole potti või panni.
- Keeduplaadil on tühi pott või pann.
- Poti/panni põhi ei ole lame.

Keeduplaadite sisselülitamine

Keeduplaate saate juhtida vastavate nuppudega. Keerake keeduplaadi nupp soovitud kuumusastme valimiseks vastavasse asendisse.

Kuumusaste	1	2-3	4-6
	soojendamine	hautamine, kuumutamine	hautamine, praadimine, keetmine

Keeduplaadite väljalülitamine

Keerake keeduplaadi nupp väljalülitatud (ülemisse) asendisse.

6 Hoidmine ja hooldus

Üldine teave

Toote kasutamisega pikeneb ja probleeme tekib harvem, kui toodet regulaarselt puhastada.



OHT:

Enne hooldus- ja puhastustööde alustamist ühendage toode vooluvõrgust lahti.
Elektrilöögi oht!



OHT:

Enne toote puhastamist laske sellel maha jahtuda.
Kuumad pinnad võivad tekitada põletusi!

- Puhastage toodet põhjalikult pärast iga kasutuskorda. Sel viisil on lihtsam eemaldada toiduvalmistusjääke, vältides nende kõrbemist seadme järgmisel kasutuskorral.
- Toote puhastamiseks pole vaja spetsiaalseid puhastusvahendeid. Kasutage toote puhastamiseks sooja vett koos vedela pesuvahendiga, pehmet lappi või käsna ning kuivatamiseks kuiva lappi.
- Liigne vedelik tuleb pärast puhastamist alati ära pühkida ja pritsmed kohe kuivatada.
- Ärge kasutage roostevabast terasest või inoxist pindade ja käepideme puhastamiseks puhastusvahendeid, mis sisaldavad hapet või kloriidi. Nende osade puhastamiseks kasutage pehmet lappi ja vedelat puhastusvahendit (mitteabrasiivset), tõmmates lapiga ainult ühes suunas.



Mõned puhastusained või -vahendid võivad pinda kahjustada.

Ärge kasutage tugevatoimelisi puhastusaineid, puhastuspulbrit või -pastat ega teravaid esemeid.

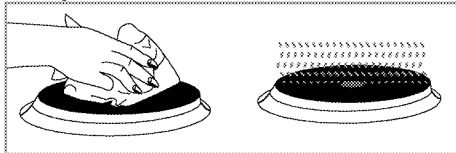


Ärge kasutage puhastamiseks aurupuhasteid, muidu võite saada elektrilöögi.

Pliidi puhastamine

Elektripliit

1. Lülitage keeduplaadid välja ja oodake, kuni need maha jahtuvad.
2. Vajadusel puhastage plaadid puhastusvahendiga (puhastus- ja hooldusvahendid on saadaval vastavates poodides).
3. Pärast puhastamist soojendage neid paar minutit, et pealispind kuivaks.
4. Pliidi pealispinna kaitsmiseks kandke sellele regulaarselt õhuke kiht masinaõli.



Juhtpaneeli puhastamine

Puhastage juhtpaneeli ja nuppe niiske lapiga ning seejärel pühkige need kuivaks.



Ärge eemaldage juhtpaneeli puhastamiseks nuppe, kui teie tootel neid on.

Muidu võite juhtpaneeli kahjustada!

7 Probleemide lahendamine

Toote kuumenemisel ja jahtumisel on kuulda metallet heli.

- Metallosade kuumenemisel võivad need paisuda ning tekitada hääli. >>> *Tegemist ei ole rikkega.*

Toode ei tööta.

- Võrgukaitse on rakendunud või läbi põlenud. >>> *Kontrollige elektrikilbi korke. Vajadusel vahetage või lähtestage need.*
- Toode ei ole ühendatud (maandatud) pistikupessa. >>> *Kontrollige pistiku ühendust.*

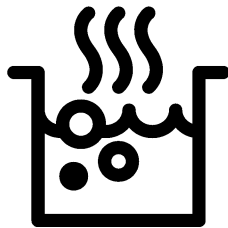


Kui teil ei õnnestu probleemi käesolevas lõigus antud juhiste kohaselt lahendada, konsulteerige volitatud teenindusega või edasimüüjaga, kellelt te toote ostsite. Ärge kunagi üritage rikkis toodet ise parandada.



Εντοιχιζόμενη Πλάκα Εστιών

Εγχειρίδιο χρήσης



EL

Διαβάστε πρώτα το παρόν εγχειρίδιο χρήσης!

Αγαπητέ Πελάτη,

Ευχαριστούμε που προτιμήσατε ένα προϊόν Beko. Ελπίζουμε να έχετε τα καλύτερα αποτελέσματα από το προϊόν σας, το οποίο έχει κατασκευαστεί με υψηλή ποιότητα και τεχνολογία αιχμής. Για την ασφάλεια σας και την σωστή χρήση-λειτουργία του προϊόντος, διαβάστε προσεκτικά ολόκληρο το παρόν εγχειρίδιο χρήσης και τα άλλα συνοδευτικά έγγραφα, πριν χρησιμοποιήσετε το προϊόν, και φυλάξτε το ως αναφορά για μελλοντική χρήση. Αν παραδώσετε το προϊόν σε άλλον, παραδώστε μαζί και το εγχειρίδιο χρήσης. Τηρείτε όλες τις προειδοποιήσεις και πληροφορίες που περιέχονται στο εγχειρίδιο χρήσης.

Να θυμάστε ότι αυτό το εγχειρίδιο χρήσης έχει επίσης εφαρμογή και σε αρκετά άλλα μοντέλα. Οι διαφορές ανάμεσα σε μοντέλα θα αναφέρονται στο εγχειρίδιο.

Σημασία των συμβόλων

Σε όλη την έκταση του παρόντος εγχειριδίου χρήσης χρησιμοποιούνται τα εξής σύμβολα:



Σημαντικές πληροφορίες ή χρήσιμες συμβουλές σχετικά με τη χρήση.



Προειδοποίηση για καταστάσεις που αποτελούν κίνδυνο για τη ζωή και την περιουσία.



Προειδοποίηση για ηλεκτροπληξία.



Προειδοποίηση για κίνδυνο πυρκαγιάς.



Προειδοποίηση για θερμές επιφάνειες.



Arçelik A.Ş.
Karaağaç caddesi No:2-6
34445 Sütlüce/Istanbul/TURKEY
Made in TURKEY

1 Σημαντικές οδηγίες και προειδοποιήσεις για την ασφάλεια και το περιβάλλον 4

Γενικά για την ασφάλεια 4
Ηλεκτρική ασφάλεια..... 4
Ασφάλεια προϊόντος..... 5
Προβλεπόμενη χρήση..... 7
Ασφάλεια παιδιών..... 7
Τελική διάθεση του παλιού προϊόντος..... 7
Τελική διάθεση των υλικών συσκευασίας..... 7

2 Γενικές πληροφορίες 8

Γενική επισκόπηση..... 8
Τεχνικές προδιαγραφές..... 9

3 Εγκατάσταση 10

Πριν την εγκατάσταση 10
Εγκατάσταση και σύνδεση 11
Τελική διάθεση του παλιού προϊόντος..... 13

4 Προετοιμασίες 14

Πρακτικές συμβουλές για εξοικονόμηση ενέργειας 14
Αρχική χρήση 14
Πρώτος καθαρισμός της συσκευής..... 14

5 Πως να χρησιμοποιείτε την πλάκα εστιών 15

Γενικές πληροφορίες για το μαγείρεμα..... 15
Χρήση των πλακών εστιών..... 15

6 Συντήρηση και φροντίδα 17

Γενικές πληροφορίες 17
Καθαρισμός της πλάκας εστιών 17
Καθαρισμός του πίνακα ελέγχου 17

7 Αντιμετώπιση προβλημάτων 18

1 Σημαντικές οδηγίες και προειδοποιήσεις για την ασφάλεια και το περιβάλλον

Το τμήμα αυτό περιέχει οδηγίες ασφαλείας που θα σας βοηθήσουν να προστατευτείτε από τον κίνδυνο τραυματισμού και υλικών ζημιών. Η μη τήρηση αυτών των οδηγιών θα έχει ως αποτέλεσμα την ακύρωση κάθε εγγύησης.

Γενικά για την ασφάλεια

- Η συσκευή αυτή μπορεί να χρησιμοποιηθεί από παιδιά από 8 ετών και άνω και από άτομα με μειωμένες σωματικές, αισθητηριακές ή πνευματικές ικανότητες ή με έλλειψη εμπειρίας και γνώσης, αν τους έχει δοθεί επιτήρηση ή εκπαίδευση σχετικά με τη χρήση της συσκευής με ασφαλή τρόπο και κατανοούν τους ενεχόμενους κινδύνους. Τα παιδιά δεν θα πρέπει να παίζουν με τη συσκευή. Ο καθαρισμός και η συντήρηση από το χρήστη δεν θα πρέπει να γίνεται από παιδιά χωρίς επίβλεψη.
- Η συσκευή δεν προορίζεται για χρήση από άτομα (περιλαμβανομένων παιδιών) με μειωμένες σωματικές, αισθητηριακές ή διανοητικές ικανότητες ή με έλλειψη εμπειρίας και γνώσης, εκτός αν τα άτομα αυτά έχουν λάβει επιτήρηση ή καθοδήγηση.

Τα παιδιά που επιτηρούνται δεν θα πρέπει να παίζουν με τη συσκευή.

- Αν το προϊόν παραδοθεί σε τρίτον για προσωπική χρήση ή για χρήση του ως μεταχειρισμένου προϊόντος, πρέπει να παραδοθούν μαζί του και το εγχειρίδιο χρήσης, οι ετικέτες του προϊόντος και τα άλλα σχετικά με το προϊόν έγγραφα και εξαρτήματα.
- Οι διαδικασίες εγκατάστασης και επισκευών πρέπει πάντα να εκτελούνται από αδειούχους τεχνίτες. Ο κατασκευαστής δεν θα φέρει καμία ευθύνη για ζημιές που θα προκύψουν από διαδικασίες που εκτελούνται από μη αδειοδοτημένα άτομα, πράγμα που μπορεί επίσης να ακυρώσει την εγγύηση. Πριν την εγκατάσταση, διαβάστε προσεκτικά τις οδηγίες.
- Μη χρησιμοποιήσετε το προϊόν αν είναι ελαττωματικό ή έχει οποιαδήποτε ορατή ζημιά.
- Ελέγχετε ότι τα κουμπιά των λειτουργιών του προϊόντος απενεργοποιούνται μετά από κάθε χρήση.

Ηλεκτρική ασφάλεια

- Αν το προϊόν παρουσιάσει βλάβη, δεν θα πρέπει να χρησιμοποιείται,

- έως ότου επισκευαστεί από τον αδειοδοτημένο αντιπρόσωπο σέρβις. Υπάρχει κίνδυνος ηλεκτροπληξίας!
- Συνδέετε το προϊόν μόνο σε γειωμένη πρίζα/γραμμή με την τάση και προστασία που προβλέπεται στις "Τεχνικές προδιαγραφές". Αναθέστε την εγκατάσταση της γείωσης σε πιστοποιημένο ηλεκτρολόγο αν χρησιμοποιείτε το προϊόν με ή χωρίς μετασχηματιστή. Η εταιρεία μας δεν θα φέρει την ευθύνη για οποιαδήποτε προβλήματα προκύψουν λόγω μη γείωσης του προϊόντος σύμφωνα με τους τοπικούς κανονισμούς.
 - Ποτέ μην πλένετε το προϊόν απλώνοντας ή χύνοντας νερό πάνω του! Υπάρχει κίνδυνος ηλεκτροπληξίας!
 - Το προϊόν πρέπει να είναι αποσυνδεδεμένο από την πρίζα κατά τις διαδικασίες εγκατάστασης, συντήρησης, καθαρισμού και επισκευών.
 - Αν υποστεί ζημιά το καλώδιο σύνδεσης στο ρεύμα, αυτό πρέπει να αντικατασταθεί από τον κατασκευαστή, τον αντιπρόσωπό του σέρβις ή από άτομο με παρόμοια εξειδίκευση, για την αποφυγή κινδύνου.
 - Χρησιμοποιείτε μόνο το καλώδιο σύνδεσης που προβλέπεται στις "Τεχνικές προδιαγραφές".
- Η συσκευή πρέπει να εγκατασταθεί έτσι ώστε να είναι εφικτή η πλήρης αποσύνδεσή της από το δίκτυο. Η αποσύνδεση πρέπει να γίνεται είτε μέσω ενός φινις ρεύματος δικτύου, είτε μέσω διακόπτη ενσωματωμένου στη σταθερή ηλεκτρική εγκατάσταση, σύμφωνα με τους κατασκευαστικούς κανονισμούς.
 - Οποιοσδήποτε εργασίες σε εξοπλισμό και συστήματα που λειτουργούν με ηλεκτρισμό θα πρέπει να εκτελούνται μόνο από εξουσιοδοτημένο και πιστοποιημένο προσωπικό.
 - Σε περίπτωση οποιασδήποτε ζημιάς, απενεργοποιήστε τη συσκευή και αποσυνδέστε την από την παροχή ρεύματος δικτύου. Για να το κάνετε αυτό απενεργοποιήστε τον ασφαλειοδιακόπτη της οικιακής εγκατάστασης.
 - Βεβαιωθείτε ότι η ονομαστική τιμή ρεύματος της ασφάλειας είναι σύμφωνη με τα χαρακτηριστικά του προϊόντος.
- Ασφάλεια προϊόντος
- ΠΡΟΕΙΔΟΠΟΙΗΣΗ: Η συσκευή και τα προσπελάσιμα μέρη της αποκτούν υψηλή θερμοκρασία κατά τη χρήση. Θα πρέπει να προσέχετε να μην αγγίζετε τα στοιχεία θέρμανσης (αντιστάσεις). Θα πρέπει να κρατάτε μακριά τα παιδιά ηλικίας μικρότερης των 8

- ετών εκτός αν αυτά βρίσκονται υπό διαρκή επίβλεψη.
- Ποτέ μη χρησιμοποιήσετε το προϊόν αν η κρίση σας ή ο συντονισμός των κινήσεών σας έχει επηρεαστεί από τη χρήση οινοπνεύματος και/ή τοξικών ουσιών.
 - Προσέχετε όταν χρησιμοποιείτε αλκοολούχα ποτά στα φαγητά σας. Το οινόπνευμα εξατμίζεται σε υψηλές θερμοκρασίες και μπορεί να προκαλέσει φωτιά, αφού μπορεί να αναφλεγεί αν έρθει σε επαφή με καυτές επιφάνειες.
 - Μην τοποθετείτε οποιαδήποτε εύφλεκτα υλικά κοντά στο προϊόν γιατί οι πλευρές του μπορεί να θερμανθούν πολύ κατά τη χρήση.
 - Διατηρείτε καθαρά από εμπόδια όλα τα ανοίγματα αερισμού.
 - Μη χρησιμοποιείτε ατμοκαθαριστές για τον καθαρισμό του προϊόντος γιατί μπορεί έτσι να προκληθεί ηλεκτροπληξία.
 - ΠΡΟΕΙΔΟΠΟΙΗΣΗ: Το μαγείρεμα με λίπος ή λάδι σε πλάκα εστιών χωρίς επιτήρηση, μπορεί να είναι επικίνδυνο και μπορεί να γίνει αιτία φωτιάς. ΠΟΤΕ μην επιχειρήσετε να σβήσετε μια τέτοια φωτιά με νερό, αλλά απενεργοποιήστε τη συσκευή και κατόπιν καλύψτε τη φλόγα, π.χ.

- με ένα καπάκι ή με κουβέρτα πυρόσβεσης.
- ΠΡΟΣΟΧΗ: Η διαδικασία μαγειρέματος πρέπει να επιτηρείται. Μία σύντομη διαδικασία μαγειρέματος πρέπει να επιτηρείται διαρκώς.
 - ΠΡΟΕΙΔΟΠΟΙΗΣΗ: Κίνδυνος φωτιάς: Μη φυλάσσετε είδη πάνω στις επιφάνειες μαγειρέματος.
 - Η συσκευή αυτή δεν προορίζεται για χειρισμό μέσω εξωτερικού χρονοδιακόπτη ή χωριστού συστήματος τηλεχειρισμού.
 - ΠΡΟΕΙΔΟΠΟΙΗΣΗ: Χρησιμοποιείτε μόνο προστατευτικά πλάκας εστιών που έχουν σχεδιαστεί από τον κατασκευαστή της συσκευής μαγειρέματος ή που αναφέρονται από τον κατασκευαστή της συσκευής στις οδηγίες για χρήση ως κατάλληλων ή τα προστατευτικά πλάκας εστιών που είναι ενσωματωμένα στη συσκευή. Η χρήση ακατάλληλων προστατευτικών μπορεί να προκαλέσει ατυχήματα.
- Για την ασφάλεια του προϊόντος από φωτιά:
- Βεβαιωθείτε ότι το φως ταιριάζει καλά στην πρίζα, ώστε να μην παράγονται σπινθήρες.
 - Μη χρησιμοποιείτε καλώδια που έχουν υποστεί ζημιά ή είναι κομμένα, ούτε καλώδιο επέκτασης,

- παρά μόνο το αρχικό καλώδιο της συσκευής.
- Βεβαιωθείτε ότι δεν υπάρχει υγρό ή υγρασία στην πρίζα στην οποία έχει συνδεθεί το προϊόν.

Προβλεπόμενη χρήση

- Το προϊόν αυτό έχει σχεδιαστεί για οικιακή χρήση. Δεν επιτρέπεται η επαγγελματική χρήση.
- Η συσκευή αυτή έχει σχεδιαστεί μόνο για χρήση μαγειρέματος. Δεν πρέπει να χρησιμοποιηθεί για άλλους σκοπούς, όπως για θέρμανση του χώρου.
- Ο κατασκευαστής δεν θα είναι υπεύθυνος για οποιαδήποτε βλάβη προκληθεί από λανθασμένη χρήση ή χειρισμό.

Ασφάλεια παιδιών

- **ΠΡΟΕΙΔΟΠΟΙΗΣΗ:** Τα προσπελάσιμα μέρη μπορεί να αποκτήσουν υψηλή θερμοκρασία κατά τη χρήση. Πρέπει να κρατάτε τα μικρά παιδιά μακριά.
- Τα υλικά συσκευασίας θα είναι επικίνδυνα για τα παιδιά. Κρατάτε τα υλικά συσκευασίας μακριά από παιδιά. Απορρίψτε όλα τα μέρη της συσκευασίας σύμφωνα με τους περιβαλλοντολογικούς κανονισμούς.
- Τα προϊόντα που λειτουργούν με ηλεκτρισμό είναι επικίνδυνα για τα παιδιά. Κρατάτε τα παιδιά μακριά από το προϊόν όταν λειτουργεί και μην τους επιτρέπετε να παίζουν με το προϊόν.

- Μη τοποθετείτε πάνω από τη συσκευή πράγματα που μπορούν να φτάσουν τα παιδιά.

Τελική διάθεση του παλιού προϊόντος Συμμόρφωση με την Οδηγία περί αποβλήτων ηλεκτρικού και ηλεκτρονικού εξοπλισμού (ΑΗΗΕ) και τελική διάθεση του προϊόντος:



Το προϊόν αυτό συμμορφώνεται με την Οδηγία της Ευρωπαϊκής Ένωσης περί αποβλήτων ηλεκτρικού και ηλεκτρονικού εξοπλισμού (ΑΗΗΕ) (Οδηγία 2002/96/ΕΕ σε συνδυασμό με 2003/108 ΕΕ και την 2012/19/ΕΕ). Το προϊόν φέρει σύμβολο ταξινόμησης για απόβλητα ηλεκτρικού και ηλεκτρονικού εξοπλισμού (ΑΗΗΕ). Το προϊόν αυτό έχει κατασκευαστεί με εξαρτήματα και υλικά υψηλής ποιότητας τα οποία μπορούν να επαναχρησιμοποιηθούν και είναι κατάλληλα για ανακύκλωση. Μην απορρίψετε το απόβλητο προϊόν μαζί με τα κανονικά οικιακά και άλλα απορρίμματα στο τέλος της ωφέλιμης ζωής του. Παραδώστε το σε κέντρο συλλογής για την ανακύκλωση ηλεκτρικού και ηλεκτρονικού εξοπλισμού. Ζητήστε πληροφορίες από τις τοπικές σας αρχές σχετικά με αυτά τα κέντρα συλλογής.

Συμμόρφωση με την Οδηγία περί περιορισμού χρήσης ορισμένων επικίνδυνων ουσιών (RoHS):

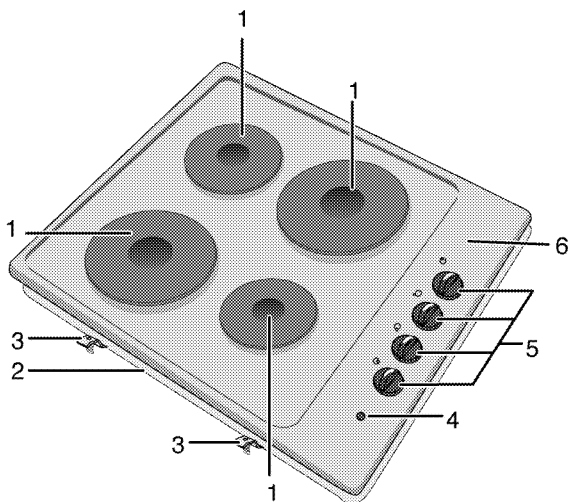
Το προϊόν που έχετε προμηθευτεί συμμορφώνεται με την Οδηγία της Ευρωπαϊκής Ένωσης περί περιορισμού χρήσης ορισμένων επικίνδυνων ουσιών (RoHS) (2011/65/ΕΕ). Δεν περιέχει επικίνδυνα και απαγορευμένα υλικά που ορίζονται στην Οδηγία.

Τελική διάθεση των υλικών συσκευασίας

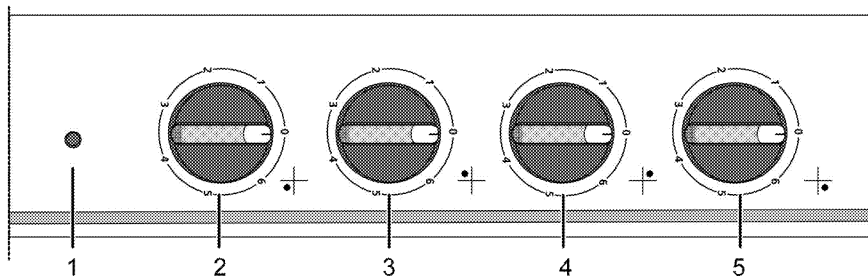
- Τα υλικά συσκευασίας είναι επικίνδυνα για τα παιδιά. Διατηρείτε τα υλικά συσκευασίας σε ασφαλές μέρος μακριά από τα παιδιά. Τα υλικά συσκευασίας του προϊόντος είναι κατασκευασμένα από ανακυκλώσιμα υλικά. Η τελική διάθεσή τους πρέπει να γίνεται σωστά και με διαλογή σύμφωνα με τις οδηγίες για τα ανακυκλούμενα απόβλητα. Δεν πρέπει να απορρίπτονται μαζί με τα κανονικά οικιακά απορρίμματα.

2 Γενικές πληροφορίες

Γενική επισκόπηση




- | | |
|-----------------------------|----------------------------|
| 1 Ηλεκτρική εστία | 4 Προειδοποιητική λυχνία |
| 2 Κάλυμμα βάσης | 5 Κουμπί ηλεκτρικής εστίας |
| 3 Σφιγκτήρας συναρμολόγησης | 6 Πλάκα εστιών αερίου |





- | | |
|-----------------------------------|---------------------------------|
| 1 Προειδοποιητική λυχνία | 4 Ηλεκτρική εστία Πίσω αριστερή |
| 2 Ηλεκτρική εστία Εμπρός δεξιά | 5 Ηλεκτρική εστία Πίσω δεξιά |
| 3 Ηλεκτρική εστία Εμπρός αριστερή | |

Τεχνικές προδιαγραφές

Τάση / συχνότητα	220-240 V ~ / 380-415 V 2N ~ 50/60 Hz
Συνολική κατανάλωση ισχύος	6000 W
Ασφάλεια	25 A
Τύπος καλωδίου / διατομή	ελάχ. H05V2V2-F 3 x 2,5 χιλ. ²
Εξωτερικές διαστάσεις (ύψος / πλάτος / βάθος)	60 χιλ./580 χιλ./510 χιλ.
Διαστάσεις εγκατάστασης (πλάτος / βάθος)	560 χιλ./490 χιλ.
Εστίες αερίου	
Εμπρός δεξιά	Ηλεκτρική εστία
Διαστάσεις	145 χιλ.
Ισχύς	1500 W
Εμπρός αριστερή	Ηλεκτρική εστία
Διαστάσεις	180 χιλ.
Ισχύς	1500 W
Πίσω αριστερή	Ηλεκτρική εστία
Διαστάσεις	145 χιλ.
Ισχύς	1000 W
Πίσω δεξιά	Ηλεκτρική εστία
Διαστάσεις	180 χιλ.
Ισχύς	2000 W

 Οι τεχνικές προδιαγραφές μπορεί να τροποποιηθούν χωρίς προηγούμενη ειδοποίηση για τη βελτίωση της ποιότητας του προϊόντος.

 Οι εικόνες στο παρόν εγχειρίδιο περιλαμβάνονται για λόγους σχηματικής απεικόνισης και μόνο και μπορεί να μην ταιριάζουν ακριβώς με το προϊόν σας.

 Οι τιμές που αναφέρονται στις πινακίδες του προϊόντος ή σε άλλα έντυπα τεκμηρίωσης που το συνοδεύουν έχουν μετρηθεί σε εργαστηριακές συνθήκες σύμφωνα με τα σχετικά πρότυπα. Ανάλογα με τις συνθήκες λειτουργίας και περιβάλλοντος του προϊόντος, οι τιμές αυτές μπορεί να διαφέρουν.

3 Εγκατάσταση

Το προϊόν θα πρέπει να εγκατασταθεί από πιστοποιημένο άτομο σύμφωνα με τους ισχύοντες κανονισμούς. Διαφορετικά θα ακυρωθεί η εγγύηση. Ο κατασκευαστής δεν θα φέρει καμία ευθύνη για ζημιές που θα προκύψουν από διαδικασίες που εκτελούνται από μη αδειοδοτημένα άτομα και μπορεί να ακυρώσει την εγγύηση.



Η προετοιμασία της θέσης του προϊόντος και των εγκαταστάσεων ρεύματος για το προϊόν αποτελούν ευθύνη του πελάτη.



ΚΙΝΔΥΝΟΣ:

Το προϊόν πρέπει να εγκατασταθεί σύμφωνα με όλους τους τοπικούς κανονισμούς εγκαταστάσεων αερίου και/ή ηλεκτρικών εγκαταστάσεων.



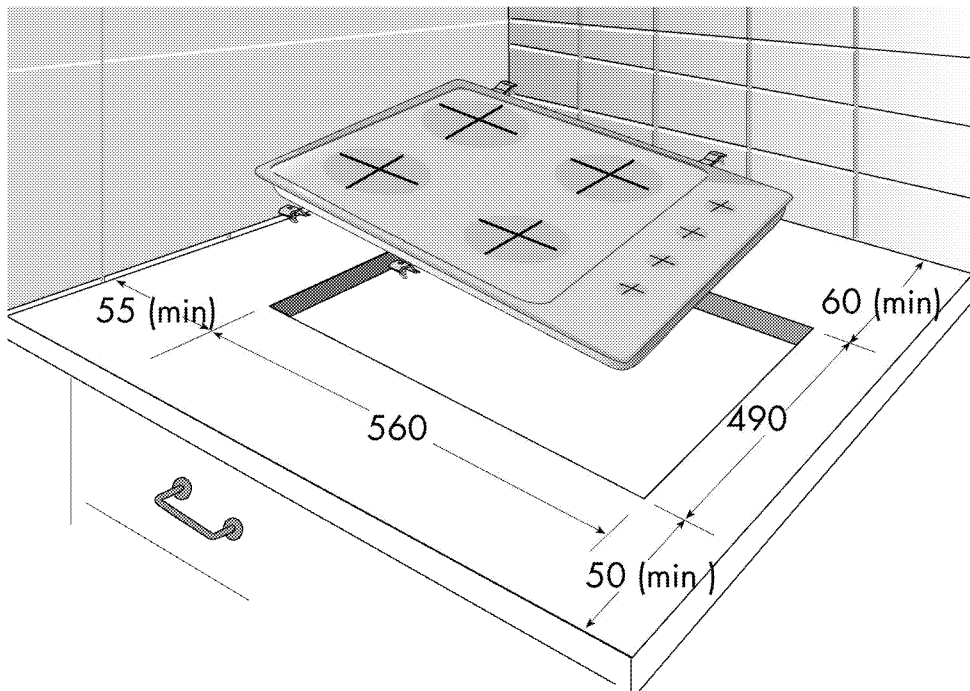
ΚΙΝΔΥΝΟΣ:

Πριν την εγκατάσταση, ελέγξτε οπτικά αν το προϊόν παρουσιάζει οποιοδήποτε ελάττωμα. Αν ναι, τότε μην το εγκαταστήσετε. Τα προϊόντα που έχουν υποστεί ζημιά είναι επικίνδυνα για την ασφάλειά σας.

Πριν την εγκατάσταση

Η πλάκα εστιών είναι σχεδιασμένη για εγκατάσταση σε πάγκο κουζίνας του εμπορίου. Θα πρέπει να παραμείνει μια απόσταση ασφαλείας ανάμεσα στη συσκευή και τους τοίχους και τα έπιπλα της κουζίνας. Βλ. εικόνα (τιμές σε χιλ.).

- Μπορεί επίσης να χρησιμοποιηθεί και σε μη εντοιχισμένη θέση. Αφήστε ελάχιστη απόσταση 750 χιλ. πάνω από την επιφάνεια της πλάκας εστιών.
- (*) Αν πρόκειται να εγκατασταθεί απορροφητήρας πάνω από τη συσκευή μαγειρέματος, ανατρέξτε στις οδηγίες του κατασκευαστή του απορροφητήρα σχετικά με το ύψος τοποθέτησης (ελάχιστο 650 χιλ.)
- Αφαιρέστε τα υλικά συσκευασίας και τα υλικά που προστέθηκαν για ασφαλή μεταφορά.
- Οι επιφάνειες, οι συνθετικές επικαλύψεις και τα συγκολλητικά υλικά που χρησιμοποιούνται θα πρέπει να έχουν αντοχή σε υψηλές θερμοκρασίες (τουλάχιστον έως 100 °C).
- Ο πάγκος πρέπει να είναι ευθυγραμμισμένος και στερεωμένος σε οριζοντιωμένη θέση.
- Κόψτε το άνοιγμα για την πλάκα εστιών στον πάγκο σύμφωνα με τις διαστάσεις εγκατάστασης.




Εγκατάσταση και σύνδεση


- Το προϊόν αυτό επιτρέπεται να εγκατασταθεί και να συνδεθεί μόνο σύμφωνα με τους ισχύοντες εθνικούς κανονισμούς εγκαταστάσεων.

Ηλεκτρική σύνδεση

Συνδέστε το προϊόν σε γειωμένη πρίζα/γραμμή που προστατεύεται από ασφαλειοδιακόπτη μίνι τύπου με κατάλληλη ονομαστική τιμή ρεύματος όπως αναφέρεται στον πίνακα "Τεχνικές προδιαγραφές". Αναθέστε την εγκατάσταση της γείωσης σε πιστοποιημένο ηλεκτρολόγο αν χρησιμοποιείτε το προϊόν με ή χωρίς μετασχηματιστή. Η εταιρεία μας δεν θα φέρει την ευθύνη για οποιοσδήποτε ζημίες προκύψουν λόγω χρήσης του προϊόντος χωρίς εγκατάσταση γείωσης που συμμορφώνεται με τους τοπικούς κανονισμούς.




ΚΙΝΔΥΝΟΣ:
Η μονάδα επιτρέπεται να συνδεθεί στο σύστημα διανομής αερίου μόνο αδειούχους τεχνίτες. Η περίοδος εγγύησης της συσκευής ξεκινά μόνο μετά από σωστή εγκατάσταση. Ο κατασκευαστής δεν θα φέρει την ευθύνη για ζημίες που προκύψουν από διαδικασίες που εκτελούνται από μη αδειοδοτημένα άτομα.



ΚΙΝΔΥΝΟΣ:
Το καλώδιο ρεύματος δεν πρέπει να συσφίγγεται, να λυγίζεται, να συμπίεζεται ή να έρχεται σε επαφή με ζεστά σημεία της μονάδας. Αν το καλώδιο τροφοδοσίας υποστεί ζημιά, πρέπει να αντικατασταθεί από αδειούχους τεχνίτες. Διαφορετικά, υπάρχει κίνδυνος ηλεκτροπληξίας, βραχυκυκλώματος ή φωτιάς!

- Η σύνδεση πρέπει να συμμορφώνεται με τους εθνικούς κανονισμούς.
- Τα δεδομένα της παροχής ρεύματος δικτύου πρέπει να αντιστοιχούν στα δεδομένα που ορίζονται στην ετικέτα τύπου του προϊόντος. Η ετικέτα τύπου βρίσκεται στο πίσω περίβλημα του προϊόντος.
- Το καλώδιο ρεύματος του προϊόντος πρέπει να συμμορφώνεται με τις τιμές στον πίνακα "Τεχνικές προδιαγραφές".



ΚΙΝΔΥΝΟΣ:
Πριν ξεκινήσετε οποιαδήποτε εργασία στην ηλεκτρική εγκατάσταση, αποσυνδέστε τη συσκευή από την παροχή ρεύματος δικτύου. Υπάρχει κίνδυνος ηλεκτροπληξίας!

Σύνδεση του καλωδίου ρεύματος



Κατά την καλωδίωση, πρέπει να συμμορφωθείτε με τους εθνικούς/τοπικούς ηλεκτρολογικούς κανονισμούς και πρέπει να χρησιμοποιείτε πρίζα/καλώδιο και φως που είναι κατάλληλα για το φούρνο. Σε περίπτωση που τα όρια ισχύος του προϊόντος υπερβαίνουν τις τιμές ρεύματος του φως και της πρίζας/του καλωδίου ρεύματος, το προϊόν πρέπει να συνδεθεί απευθείας μέσω σταθερής ηλεκτρικής εγκατάστασης χωρίς χρήση φως και πρίζας/καλωδίου ρεύματος.

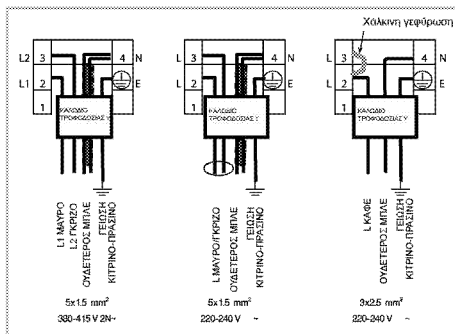
1. **Αν δεν παρέχεται καλώδιο ρεύματος μαζί με το προϊόν**, πρέπει στη συσκευή σας να συνδεθεί καλώδιο ρεύματος που θα επιλεγεί από τον πίνακα βάσει της διαθέσιμης οικιακής σας ηλεκτρικής εγκατάστασης. Η σύνδεση πρέπει να γίνει με τήρηση των οδηγιών στο διάγραμμα καλωδίωσης. *Τεχνικές προδιαγραφές, σελίδα 9*

Αν δεν είναι δυνατή η αποσύνδεση όλων των πόλων στην τροφοδοσία ρεύματος, πρέπει να συνδεθεί μια διάταξη απομόνωσης με ελάχιστο διάκενο επαφών 3 χιλ. σε όλους τους πόλους (ασφάλειες, ασφαλειοδιακόπτες γραμμής, επαφείς). Όλοι οι πόλοι της μονάδας αποσύνδεσης πρέπει να είναι κοντά στην κουζίνα (αλλά όχι από πάνω) σύμφωνα με τους ισχύοντες κανονισμούς (π.χ. της IEE για το Ην.Βασ.). Η μη συμμόρφωση με αυτή την οδηγία μπορεί να προκαλέσει λειτουργικά προβλήματα και ακύρωση της εγγύησης του προϊόντος.



Συνιστάται επίσης πρόσθετη προστασία με ρελέ ρεύματος διαρροής.

2. Ανοίξτε το κάλυμμα του μπλοκ των ακροδεκτών με ένα κατσαβίδι.
3. Περάστε το καλώδιο ρεύματος μέσα από το σφιγκτήρα καλωδίου κάτω από τον ακροδέκτη και στερεώστε το στο κύριο σώμα με την ενσωματωμένη βίδα του σφιγκτήρα καλωδίου.
4. Συνδέστε τα καλώδια σύμφωνα με το παρεχόμενο διάγραμμα.



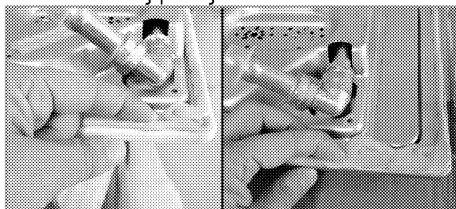
5. Μετά την ολοκλήρωση των συνδέσεων των καλωδίων, κλείστε το κάλυμμα του μπλοκ ακροδεκτών.
6. Περάστε το καλώδιο ρεύματος ώστε να μην είναι σε επαφή με το προϊόν και να μη συμπιέζεται ανάμεσα στο προϊόν και τον τοίχο.



Για λόγους ασφαλείας το καλώδιο δεν πρέπει να έχει μήκος μεγαλύτερο από 2 μέτρα.

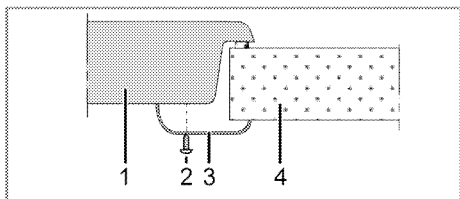
Εγκατάσταση του προϊόντος

1. Γυρίστε την πλάκα εστιών ανάποδα και τοποθετήστε τη σε επίπεδη επιφάνεια.
2. Για να αποφύγετε τη διείσδυση ξένων υλικών και υγρών ανάμεσα στην πλάκα εστιών και τον πάγκο, απλώστε το στόκο που περιέχεται στη συσκευασία στην περιμέτρο του κάτω μέρους του περιβλήματος της πλάκας εστιών αλλά βεβαιωθείτε ότι δεν υπάρχει αλληλοεπικάλυψη στο στόκο.
3. Γεμίστε τις γωνίες σχηματίζοντας καμπύλες στις γωνίες όπως φαίνεται στην εικόνα. Σχηματίστε όση καμπύλη χρειάζεται για να γεμίσετε το διάκενο στις γωνίες.



Βεβαιωθείτε ότι γεμίζονται με στόκο τα τμήματα ποδιάς στο κάτω περίβλημα της πλάκας εστιών.

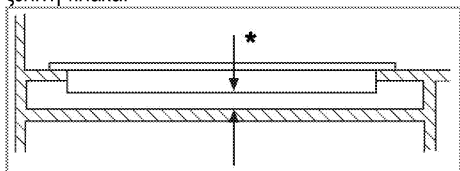
4. Τοποθετήστε την πλάκα εστιών στον πάγκο και ευθυγραμμίστε τη.
5. Με τους σφιγκτήρες εγκατάστασης στερεώστε την πλάκα εστιών με εφαρμογή διαμέσου των ανοιγμάτων στο κάτω μέρος του περιβλήματος.



- 1 Πλάκα εστιών
- 2 Βίδα
- 3 Σφιγκτήρας εγκατάστασης
- 4 Πάγκος

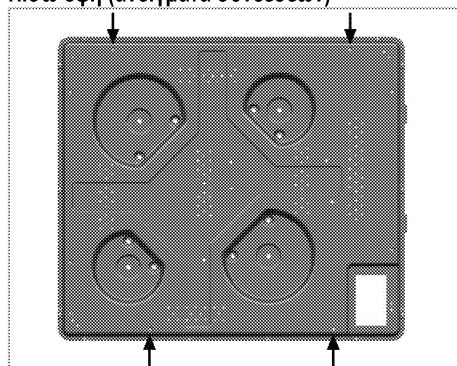
i Όταν εγκαθιστάτε την πλάκα εστιών πάνω σε ντουλάπι, πρέπει να τοποθετηθεί ένα ράφι για διαχωρισμό του ντουλαπιού από την πλάκα εστιών όπως φαίνεται στην πιο πάνω εικόνα. Αυτό δεν είναι απαραίτητο, αν η εγκατάσταση γίνει πάνω από εντοιχιζόμενο φούρνο κάτω πάγκου.

Για παράδειγμα, αν είναι εφικτή η επαφή με το κάτω μέρος της συσκευής αφού εγκατασταθεί πάνω από ένα συρτάρι, το τμήμα αυτό πρέπει να καλυφθεί με ξύλινη πλάκα.



* ελάχ. 15 χιλ.

Πίσω όψη (ανοίγματα συνδέσεων)



! ΚΙΝΔΥΝΟΣ:
 Η πραγματοποίηση συνδέσεων σε διαφορετικές οπές δεν είναι καλή πρακτική από άποψη ασφάλειας γιατί μπορεί να προκληθεί ζημιά στο σύστημα αερίου και στο ηλεκτρικό σύστημα.

! ΚΙΝΔΥΝΟΣ:
 Η εστία περιλαμβάνει επί μέρους μονάδες που λειτουργούν με αέριο και ηλεκτρισμό. Γι' αυτό, η εστία πρέπει να στερεωθεί στον πάγκο μόνο μέσω αυτών των οπών στερέωσης, με χρήση μόνο των εξαρτημάτων στερέωσης και των βιδών που παρέχονται και με τον τρόπο που υποδεικνύεται στο εγχειρίδιο οδηγιών. Διαφορετικά θα δημιουργεί κινδύνους για την ασφάλεια ζωής και περιουσίας.

Τελικός έλεγχος

1. Λειτουργία του προϊόντος.
2. Ελέγξτε τις λειτουργίες.

Τελική διάθεση του παλιού προϊόντος

- Φυλάξτε το αρχικό κουτί του προϊόντος και μεταφέρετε το προϊόν μέσα σε αυτό. Ακολουθήστε τις οδηγίες πάνω στο χαρτοκιβώτιο. Αν δεν έχετε το αρχικό χαρτοκιβώτιο, συσκευάστε το προϊόν σε προστατευτικό με φυσαλίδες ή χοντρό χαρτόνι και στερεώστε καλά τη συσκευασία με κολλητική ταινία.

i Ελέγξτε τη γενική εμφάνιση του προϊόντος σας για τυχόν ζημιές που μπορεί να έχουν προκληθεί κατά τη μεταφορά.

4 Προετοιμασίες

Πρακτικές συμβουλές για εξοικονόμηση ενέργειας

Οι πληροφορίες που ακολουθούν θα σας βοηθήσουν να χρησιμοποιείτε τη συσκευή σας με οικολογικό τρόπο και να εξοικονομείτε ενέργεια:

- Αποψύχετε τα κατεψυγμένα τρόφιμα πριν τα μαγειρέψετε.
- Χρησιμοποιείτε για το μαγείρεμα κασαρόλες και τηγάνια με καπάκι. Αν δεν χρησιμοποιείται καπάκι, η κατανάλωση ενέργειας μπορεί να αυξηθεί 4 φορές.
- Επιλέξτε την εστία αερίου που είναι κατάλληλη για το μέγεθος της βάσης του σκεύους που πρόκειται να χρησιμοποιηθεί. Πάντα επιλέγετε το σωστό μέγεθος σκεύους για τα φαγητά σας. Για τα μεγαλύτερα σκεύη απαιτείται περισσότερη ενέργεια.
- Προσέχετε να χρησιμοποιείτε σκεύη με επίπεδη βάση όταν μαγειρεύετε με ηλεκτρικές πλάκες εστιών.
Τα σκεύη με βάσεις μεγάλου πάχους θα παρέχουν καλύτερη μεταφορά θερμότητας. Μπορείτε έτσι να εξοικονομήσετε έως 1/3 της ενέργειας.
- Τα δοχεία και οι κασαρόλες πρέπει να είναι συμβατά με τις ηλ. εστίες. Η βάση των σκευών

δεν πρέπει να είναι μικρότερη από την ηλεκτρική εστία.

- Διατηρείτε τις ηλ. εστίες και τις βάσεις των σκευών σε καθαρή κατάσταση. Οι βρομιές θα μειώσουν τη μεταφορά θερμότητας ανάμεσα στην ηλ. εστία και τη βάση του σκεύους.
- Για μαγείρεμα μεγάλης διάρκειας, απενεργοποιείτε την ηλ. εστία 5 έως 10 λεπτά πριν το τέλος του χρόνου μαγειρέματος. Μπορείτε έτσι να εξοικονομήσετε έως 20% της ενέργειας με τη χρήση της υπολειπόμενης θερμότητας.

Αρχική χρήση

Πρώτος καθαρισμός της συσκευής



Η επιφάνεια μπορεί να υποστεί ζημιά από ορισμένα απορρυπαντικά ή καθαριστικά υλικά.

Μη χρησιμοποιείτε για τον καθαρισμό σκληρά απορρυπαντικά, σκόνες/κρέμες καθαρισμού ή οποιαδήποτε αιχμηρά αντικείμενα.

1. Αφαιρέστε όλα τα υλικά συσκευασίας.
2. Σκουπίστε τις επιφάνειες της συσκευής με ένα ελαφρά υγρό πανί ή σφουγγάρι και στεγνώστε με ένα άλλο πανί.

5 Πως να χρησιμοποιείτε την πλάκα εστιών

Γενικές πληροφορίες για το μαγείρεμα

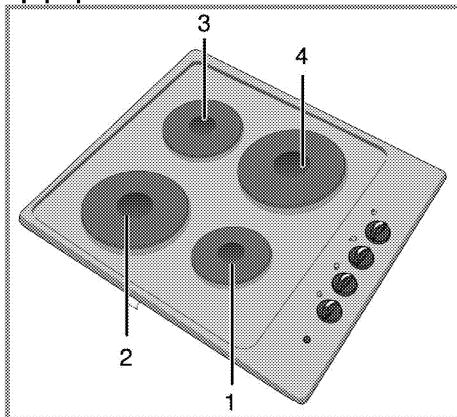


Ποτέ μην προσθέσετε στο τηγάνι λάδι πάνω από το ένα τρίτο του ύψους του. Μην αφήνετε την πλάκα εστιών χωρίς επίτηρηση όταν ζεσταίνεται λάδι. Η υπερθέρμανση του λαδιού προκαλεί κίνδυνο φωτιάς. **Μην προσπαθήσετε ποτέ να σβήσετε ενδεχόμενη φωτιά με νερό!** Όταν το λάδι πιάσει φωτιά, καλύψτε το με κουβέρτα κατάσβεσης φωτιάς ή με ένα υγρό πανί. Απενεργοποιήστε την πλάκα εστιών, αν είναι ασφαλές να το κάνετε, και τηλεφωνήστε στην Πυροσβεστική υπηρεσία.

- Πριν το τηγάνισμα τροφίμων, πάντα να τα στεγνώνετε καλά. Κατόπιν τοποθετείτε τα προσεκτικά μέσα στο καυτό λάδι. Να εξασφαλίσετε ότι τα κατεψυγμένα τρόφιμα έχουν αποψυχθεί πλήρως πριν τα τηγανίσετε.
- Όταν ζεσταίνεται το λάδι μην καλύπτετε το σκεύος.
- Τοποθετείτε τα τηγάνια και τις κασαρόλες με τρόπο ώστε οι λαβές τους να μην είναι πάνω από τις εστίες, για να αποφύγετε θέρμανση των λαβών. Μην τοποθετείτε πάνω στην πλάκα εστιών σκεύη που δεν είναι σταθερά ή μπορούν να ανατραπούν εύκολα.
- Μην τοποθετείτε κενά σκεύη και κασαρόλες σε αναμμένες εστίες. Μπορεί να υποστούν ζημιά.
- Η λειτουργία μιας εστίας χωρίς σκεύος ή κασαρόλα πάνω της θα προκαλέσει ζημιά στη συσκευή. Απενεργοποιείτε τις εστίες όταν τελειώνετε το μαγείρεμα.
- Επειδή η επιφάνεια του προϊόντος μπορεί να είναι καυτή, μην τοποθετείτε πάνω της σκεύη από αλουμίνιο και πλαστικό. Αυτά τα σκεύη δεν θα πρέπει να χρησιμοποιούνται ούτε για τη φύλαξη των τροφίμων.
- Χρησιμοποιείτε μόνο κασαρόλες ή σκεύη με επίπεδη βάση.
- Τοποθετείτε την κατάλληλη ποσότητα φαγητού μέσα στις κασαρόλες και τα τηγάνια. Έτσι δεν θα χρειαστεί να καθαρίζετε άσκοπα, αφού θα αποτρέψετε την υπερχειλίση του φαγητού.

Μην τοποθετείτε τα καπάκια από τις κασαρόλες ή τα τηγάνια πάνω στις εστίες. Τοποθετείτε τις κασαρόλες έτσι ώστε να είναι κεντραρισμένες πάνω στη εστία. Αν θέλετε να μετακινήσετε την κασαρόλα σε άλλη εστία, σηκώστε την και τοποθετήστε τη στη εστία που θέλετε αντί να τη σύρετε.

Χρήση των πλακών εστιών



- 1 Ηλεκτρική εστία 14-16 εκ.
- 2 Ηλεκτρική εστία 18-20 εκ.
- 3 Ηλεκτρική εστία 14-16 εκ.
- 4 Ηλεκτρική εστία 18-20 εκ. είναι λίστα συνιστώμενης διαμέτρου σκευών προς χρήση σε αντίστοιχες εστίες αερίου.

Χρήση ηλεκτρικών εστιών

Τα περιστροφικά κουμπιά της πλάκας εστιών μπορούν να περιστραφούν και στις δύο κατευθύνσεις ώστε να παρέχουν έλεγχο της θερμοκρασίας σε βήματα.



Αν η πλάκα εστιών είναι εξοπλισμένη με ηλεκτρικές εστίες που διαθέτουν λειτουργία Ενίσχυσης θέρμανσης (ταχείας θέρμανσης), η αντίστοιχη ηλεκτρική εστία θα επισημαίνεται με μια κόκκινη τελεία.

Προστασία από υπερθέρμανση

Οι ηλεκτρικές εστίες με ισχύ άνω των 1000 W διαθέτουν προστασία από υπερθέρμανση. Η προστασία από υπερθέρμανση μειώνει την ισχύ της ηλεκτρικής εστίας υπό τις εξής συνθήκες:

- Δεν υπάρχει σκεύος ή κασαρόλα πάνω στην ηλεκτρική εστία.

- Υπάρχει κενό σκεύος ή κατσαρόλα πάνω στην ηλεκτρική εστία.
- Το κάτω μέρος του σκεύους ή της κατσαρόλας δεν είναι επίπεδο.

Ενεργοποίηση των ηλεκτρικών εστιών

Για το χειρισμό των ηλεκτρικών εστιών χρησιμοποιήστε τα περιστροφικά κουμπιά τους. Ρυθμίστε τα περιστροφικά κουμπιά των ηλεκτρικών εστιών στο αντίστοιχο επίπεδο για να αποκτήσετε το επιθυμητό επίπεδο μαγειρέματος.

Επίπεδο μαγειρέματος	1	2 — 3	4 — 6
5	ζέσταμα	βράσιμο, σιγοβράσιμο	μαγείρεμα, ψήσιμο, βράσιμο

Απενεργοποίηση των ηλεκτρικών εστιών

Γυρίστε το περιστροφικό κουμπί ηλεκτρικής εστίας στη θέση απενεργοποίησης (πάνω).

6 Συντήρηση και φροντίδα

Γενικές πληροφορίες

Η διάρκεια ωφέλιμης ζωής του προϊόντος θα αυξηθεί και η συχνότητα των προβλημάτων θα μειωθεί αν το προϊόν καθαρίζεται σε κανονικά διαστήματα.



ΚΙΝΔΥΝΟΣ:

Αποσυνδέστε τη συσκευή από την τροφοδοσία ρεύματος δικτύου πριν ξεκινήσετε εργασίες συντήρησης και καθαρισμού.

Υπάρχει κίνδυνος ηλεκτροπληξίας!



ΚΙΝΔΥΝΟΣ:

Αφήνετε τη μονάδα να κρυώσει πριν την καθαρίσετε.

Οι καυτές επιφάνειες μπορούν να προκαλέσουν εγκαύματα!

- Καθαρίζετε το προϊόν σχολαστικά μετά από κάθε χρήση. Με τον τρόπο αυτό θα είναι πιο εύκολη η απομάκρυνση καταλοίπων μαγειρέματος, αποφεύγοντας να καούν την επόμενη φορά που θα χρησιμοποιηθεί η συσκευή.
- Δεν απαιτούνται ειδικά καθαριστικά προϊόντα για τον καθαρισμό του προϊόντος. Για να καθαρίσετε το προϊόν χρησιμοποιήστε χλιαρό νερό με υγρό πλυσίματος, ένα μαλακό πανί ή σφουγγάρι και σκουπίστε το με ένα στεγνό πανί.
- Πάντα εξασφαλίστε ότι σκουπίζετε σχολαστικά όλα τα πλεονάζοντα υγρά μετά τον καθαρισμό και ότι σκουπίζετε άμεσα κάθε υγρό που τυχόν χυθεί.
- Μη χρησιμοποιείτε καθαριστικά προϊόντα που περιέχουν οξύ ή χλωρίνη για να καθαρίσετε τις ανοξείδωτες επιφάνειες και τη λαβή. Χρησιμοποιήστε ένα μαλακό πανί με υγρό απορρυπαντικό (που δεν χαράζει) για να καθαρίσετε αυτά τα μέρη σκουπίζοντάς τα, αλλά προσέξτε να σκουπίζετε προς μία κατεύθυνση.



Η επιφάνεια μπορεί να υποστεί ζημιά από ορισμένα απορρυπαντικά ή καθαριστικά υλικά.

Μη χρησιμοποιείτε για τον καθαρισμό σκληρά απορρυπαντικά, σκόνες/κρέμες καθαρισμού ή οποιαδήποτε αιχμηρά αντικείμενα.

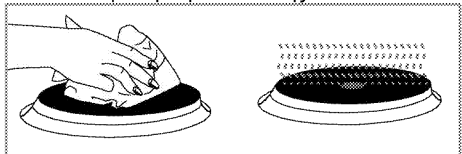


Μη χρησιμοποιείτε ατμοκαθαριστές για τον καθαρισμό του προϊόντος γιατί μπορεί έτσι να προκληθεί ηλεκτροπληξία.

Καθαρισμός της πλάκας εστιών

Ηλεκτρικές πλάκες εστιών

1. Απενεργοποιήστε τις ηλεκτρικές πλάκες και περιμένετε να κρυώσουν.
2. Αν χρειάζεται, καθαρίστε τις πλάκες με ένα καθαριστικό (μπορείτε να προμηθευτείτε προϊόντα καθαρισμού/ περιποίησης σε ειδικά καταστήματα).
3. Μετά τον καθαρισμό θερμάνετε μόνο για λίγα λεπτά για να στεγνώσει το πάνω μέρος τους.
4. Απλώνετε τακτικά μια λεπτή στρώση λαδιού μηχανής στην πάνω επιφάνεια της πλάκας εστιών για την προστασία της.



Καθαρισμός του πίνακα ελέγχου

Καθαρίζετε τον πίνακα ελέγχου και τα περισταφικά κουμπιά με ένα υγρό πανί και στεγνώνετε με σκουπίσμα.



Μην αφαιρείτε τα κουμπιά/περιστροφικά κουμπιά ελέγχου για να καθαρίσετε τον πίνακα ελέγχου.

Ο πίνακας ελέγχου μπορεί να υποστεί ζημιά!

7 Αντιμετώπιση προβλημάτων

Το προϊόν εκπέμπει μεταλλικούς θορύβους κατά τη θέρμανση και ψύξη.

- Όταν τα μεταλλικά μέρη θερμανθούν, μπορεί να διασταλούν και να προκαλέσουν θόρυβο. >>> Αυτό δεν είναι βλάβη.

Το προϊόν δεν λειτουργεί.

- Η ασφάλεια ρεύματος δικτύου είναι καμένη ή απενεργοποιημένη. >>> *Ελέγξτε τις ασφάλειες στο κουτί ασφαλειών. Εάν είναι απαραίτητο, αντικαταστήστε ή επανενεργοποιήστε τις.*
- Το προϊόν δεν έχει συνδεθεί στη (γειωμένη) πρίζα. >>> *Ελέγξτε την σύνδεση του φισ.*



Αν παρά την εφαρμογή των οδηγιών της ενότητας αυτής, δεν μπορείτε να αποκαταστήσετε το πρόβλημα, τότε συμβουλευτείτε τον αδειοδοτημένο αντιπρόσωπο σέρβις ή το κατάστημα όπου αγοράσατε το προϊόν. Σε καμία περίπτωση μην επιχειρήσετε να επισκευάσετε μόνοι σας ένα προϊόν που παρουσιάζει βλάβη.

ΠΑΡ. ΣΕΪΤΑΝΙΔΗΣ Α.Ε.

ΠΟΛΥΣΤΥΛΟ ΚΑΒΑΛΑΣ ΤΗΛ 2510 392 180-3
ΥΠΟΚΑΤΑΣΤΗΜΑ ΑΘΗΝΩΝ
ΑΛΙΜΟΥ 8 ΚΑΙ ΣΑΛΩΓΓΟΥ, ΑΛΙΜΟΣ
ΤΗΛ 211 012 2829-30-31-32
E-mail: seitanidis@otenet.gr



ΕΓΓΥΗΣΗ

Η εταιρεία ΠΑΡ.ΣΕΪΤΑΝΙΔΗΣ Α.Ε. σας ευχαριστεί για την προτίμηση που δείξτε αγοράζοντας τις συσκευές beko και σας παρέχει τον παρακάτω χρόνο εγγύησης από την ημερομηνία αγοράς τους. Αν μέσα στην διάρκεια της εγγύησης η συσκευή σας χρειαστεί επισκευή, μπορείτε να ενημερωθείτε για τα εξουσιοδοτημένα service από το τηλεφωνικό κέντρο της εταιρεία μας στο τηλέφωνο **2510 392511 / 2510 392512**

ΨΥΓΕΙΑ	3 ΧΡΟΝΙΑ	ΚΑΤΑΨΥΚΤΕΣ	3 ΧΡΟΝΙΑ
ΚΟΥΖΙΝΕΣ	3 ΧΡΟΝΙΑ	ΦΟΥΡΝΟΙ ΜΙΚΡΟΚΥΜΑΤΩΝ	2 ΧΡΟΝΙΑ
ΠΛΥΝΤΗΡΙΑ	3 ΧΡΟΝΙΑ	ΜΙΚΡΟΣΥΣΚΕΥΕΣ - ΣΚΟΥΠΕΣ	2 ΧΡΟΝΙΑ

ΟΝΟΜΑΤΕΠΩΝΥΜΟ ΑΓΟΡΑΣΤΗ..... ΑΡ. ΕΓΓΥΗΣΗΣ.....

..... ΑΡ. ΠΑΡΑΣΤΑΤ. ΑΓΟΡΑΣ.....

ΔΙΕΥΘΥΝΣΗ..... ΜΟΝΤΕΛΟ ΣΥΣΚΕΥΗΣ.....

..... ΣΕΙΡΙΑΚΟΣ ΑΡΙΘΜΟΣ ΣΥΣΚΕΥΗΣ.....

ΤΗΛ : ΗΜΕΡ/ΝΙΑ ΑΓΟΡΑΣ.....

ΣΦΡΑΓΙΔΑ & ΥΠΟΓΡΑΦΗ ΠΩΛΗΤΗ.....



..... ΑΡ. ΕΓΓΥΗΣΗΣ.....

..... ΑΡ. ΠΑΡΑΣΤΑΤ. ΑΓΟΡΑΣ.....

ΟΝΟΜΑΤΕΠΩΝΥΜΟ ΑΓΟΡΑΣΤΗ..... ΜΟΝΤΕΛΟ ΣΥΣΚΕΥΗΣ.....

..... ΣΕΙΡΙΑΚΟΣ ΑΡΙΘΜΟΣ ΣΥΣΚΕΥΗΣ.....

ΔΙΕΥΘΥΝΣΗ..... ΗΜΕΡ/ΝΙΑ ΑΓΟΡΑΣ.....

.....

ΤΗΛ : **ΣΦΡΑΓΙΔΑ & ΥΠΟΓΡΑΦΗ ΠΩΛΗΤΗ.....**

.....

ΟΡΟΙ ΚΑΙ ΠΡΟΫΠΟΘΕΣΕΙΣ ΙΣΧΥΟΣ ΤΗΣ ΠΑΡΟΥΣΗΣ ΕΓΓΥΗΣΗΣ

1. Για να ισχύει η παρούσα εγγύηση θα πρέπει να συμπληρωθούν πλήρως και να υπογραφούν δεδόντως με φροντίδα του πελάτη και τα δύο μέρη της εγγύησης. Το απόκομμα για την εταιρεία θα πρέπει να ταχυδρομηθεί με συστημένη επιστολή ή να προσκομηθεί στα γραφεία της εταιρείας μας (Πολύτυλο Καβάλας Τ.Θ 1402 , Τ.Κ.64003) εντός 10 ημερών από την ημερομηνία αγοράς.
2. Η εργοστασιακή εγγύηση καλύπτει τον χρόνο που αναγράφεται στον σχετικό πίνακα για κάθε συσκευή, κάθε ανωμαλία ή βλάβη που οφείλεται αποκλειστικά σε κατασκευαστικό ελάττωμα ή ελαττωματικό εξάρτημα της συσκευής. Η αποκατάσταση της βλάβης γίνεται εντελώς δωρεάν δια της αντικατάστασης ή επισκευής του ελαττωματικού εξαρτήματος. Σε καμία περίπτωση δεν προβλέπεται η **αντικατάσταση** της συσκευής. Ο καταναλωτής οφείλει με δικές του δαπάνες να πάει την συσκευή στο κοντινότερο εξουσιοδοτημένο service της εταιρίας.
3. Η εταιρεία μας διατηρεί το δικαίωμα να καθορίζει τον τρόπο και τόπο επισκευής των βλαβών κατά την απόλυτη κρίση της .
4. Η εγγύηση δεν καλύπτει βλάβες που οφείλονται άμεσα ή έμμεσα σε αμέλεια , παράλειψη , κακή εγκατάσταση και πάσης φύσεως επέμβαση στη συσκευή από μη εξουσιοδοτημένο συνεργείο , κακή χρήση και ελλιπή συντήρηση της συσκευής. Επίσης η εταιρεία μας δεν ευθύνεται για βλάβες που οφείλονται σε κακή ηλεκτρική σύνδεση σε τάση διαφορετική από την αναγραφόμενη στη πινακίδα της συσκευής , σε μη γειωμένο ρευματοδότη ή σε μεταβολές της τάσης. Στις καλύψεις της εγγύησης δεν συμπεριλαμβάνονται τα εύθραυστα εξαρτήματα όπως ενδεικτικά αναφέρουμε : γυάλινες και πλαστικές επιφάνειες , λυχνίες κ.α.
5. Η εγγύηση παρέχεται προς τον αρχικό αγοραστή και ισχύει από την ημερομηνία αγοράς της συσκευής.
6. Η παρούσα εγγύηση πρέπει να συνοδεύεται από τιμολόγιο ή δελτίο λιανικής πώλησης ή φωτοαντίγραφο **αυτού**.

Αποφύγετε την αλλοίωση της εγγύησης και της πινακίδας μητρώου που βρίσκεται στο πίσω μέρος της συσκευής.

Φυλάξτε την εγγύηση και μετά την λήξη της.

Προσκομίστε την σε κάθε αίτημα για επισκευή.

ΠΡΟΣΟΧΗ

ΣΕ ΠΕΡΙΠΤΩΣΗ ΠΟΥ ΔΕΝ ΣΤΑΛΕΙ Η ΚΑΡΤΑ ΕΓΓΥΗΣΕΩΣ ΕΝΤΟΣ 10 ΗΜΕΡΩΝ ΣΤΗΝ ΕΤΑΙΡΕΙΑ ΔΕΝ ΙΣΧΥΕΙ Η ΕΓΓΥΗΣΗ ΤΗΣ ΣΥΣΚΕΥΗΣ ΠΟΥ ΕΠΙΛΕΞΑΤΕ

SERVICE ΛΕΥΚΩΝ ΣΥΣΚΕΥΩΝ

ΑΘΗΝΑ ΜΑΚΡΗΣ ΦΩΤΙΟΣ	210 2116649 6932366733	ΘΕΣΣΑΛΟΝΙΚΗ ΓΙΑΓΟΥΡΗΣ Π. Κ ΣΙΑ Ο.Ε.	6947424284 6936065106
ΠΑΤΡΑ ΧΟΡΜΠΑΣ ΝΙΚΟΛΑΟΣ	2610 640810 6932 437700	ΒΟΛΟΣ ΝΑΟΥΜΙΔΗΣ ΓΕΩΡΓΙΟΣ	22410 94130 6981972363
ΙΩΑΝΝΙΝΑ ΤΣΟΥΓΙΑΣ ΧΡΗΣΤΟΣ	26510 31947 6945 306990	ΚΟΜΟΤΗΝΗ ΠΑΠΑΖΟΥΔΗΣ ΚΩΝΣΤΑΝΤΙΝΟΣ	25310 33711 6932 587473

SERVICE ΘΗΛΕΟΡΑΣΕΩΝ – ΗIFI

ΑΘΗΝΑ ΜΑΝΩΛΟΠΟΥΛΟΣ ΓΕΩΡΓΙΟΣ	210 8836512	ΘΕΣΣΑΛΟΝΙΚΗ ΣΑΜΙΟΣ ΠΑΡΑΣΧΟΣ	2310 429229
ΠΑΤΡΑ ΗΛΙΟΠΟΥΛΟΣ ΔΗΜΗΤΡΙΟΣ	2610 622388	ΒΟΛΟΣ ΜΑΡΓΑΡΙΤΟΥΛΗΣ ΘΕΟΔΩΡΟΣ	24210 30113



ΠΡΟΣ : **beko**

ΧΩΡΟΣ
ΓΡΑΜ / ΜΟΥ

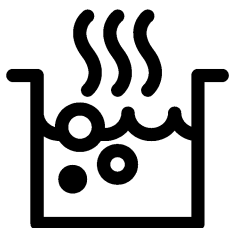
ΠΑΡ. ΣΕΪΤΑΝΙΔΗΣ Α.Ε.

ΠΟΛΥΤΥΛΟ ΚΑΒΑΛΑΣ
Τ.Θ 1402 , Τ.Κ.64003
ΤΗΛ 2510 392180-3



Ugradbena ploča za kuhanje

Uputstvo za upotrebu



Molimo prvo pročitajte ovaj priručnik za korisnika!

Poštovani Korisniče,

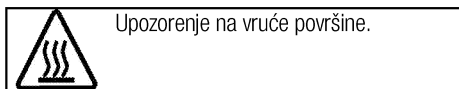
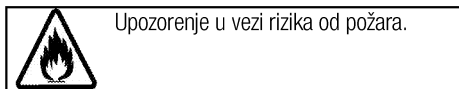
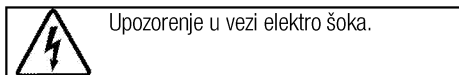
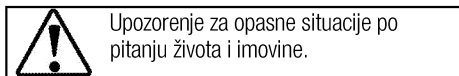
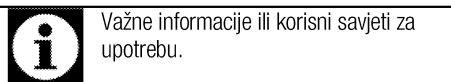
Hvala vam što ste izabrali Beko proizvod. Nadamo se da ćete uživati u najboljim rezultatima vašeg proizvoda koji je proizveden pomoću najmodernije tehnologije visoke kvalitete. Stoga, molimo vas pažljivo pročitajte ovaj cijeli priručnik za korisnika i sve druge prateće dokumente prije upotrebe proizvoda i čuvajte ih kao referencu za buduću upotrebu.

Ako uručite ovaj proizvod nekom drugom, također mu/joj predajte i ovaj priručnik za korisnika. Slijedite sva upozorenja i informacije u ovom priručniku za korisnika.

Zapamtite da se ovaj priručnik za korisnika može primijeniti i za nekoliko drugih modela. Razlike između modela će biti identifikovane u ovim uputstvima.

Pojašnjenje simbola

Sljedeći simboli su korišteni u ovom priručniku za korisnika:



Arçelik A.Ş.
Karaağaç caddesi No:2-6
34445 Sütlüce/Istanbul/TURKEY
Made in TURKEY

1	Važna uputstva i upozorenja za sigurnost i okoliš	4
	Opće mjere sigurnosti	4
	Električna sigurnost.....	4
	Sigurnost proizvoda.....	5
	Predviđena upotreba.....	6
	Sigurnost za djecu	6
	Odlaganje starog proizvoda.....	7
	Odlaganje materijala za pakovanje	7
2	Opće informacije	8
	Pregled	8
	Tehničke specifikacije	9
3	Instalacija	10
	Prije instalacije	10
	Instalacija i povezivanje	10
	Odlaganje starog proizvoda.....	12
4	Priprema	13
	Savjeti za uštedu energije	13
	Prva upotreba	13
	Prvo čišćenje uređaja	13
5	Kako koristiti ploču za kuhanje	14
	Opšte informacije o kuhanju.....	14
	Upotreba ploče za kuhanje.....	14
6	Održavanje i njega	15
	Opšte informacije	15
	Čišćenje ploče za kuhanje.....	15
	Čišćenje kontrolne ploče.....	15
7	Rješavanje problema	16

1 Važna uputstva i upozorenja za sigurnost i okoliš

Ovaj odjeljak sadrži sigurnosna uputstva koja će vam pomoći da se zaštitite od rizika od lične povrede ili oštećenja imovine. Ne pridržavanje ovih uputstava će poništiti svaku garanciju.

Opće mjere sigurnosti

- Ovaj uređaj mogu koristiti djeca dobi od 8 godina i starija kao i osobe sa reduciranim fizičkim, čulnim ili mentalnim sposobnostima ili sa nedostatkom iskustva i znanja ukoliko im je obezbijeđen nadzor ili uputstvo u vezi upotrebe uređaja na bezbjedan način i razumijevanja opasnosti koje mogu biti uključene.
Djeca se ne smiju igrati sa uređajem. Djeca bez nadzora ne smiju obavljati radnje oko čišćenja i održavanja.
- Uređaj nije namijenjen za upotrebu od strane osoba (uključujući djecu) sa smanjenim fizičkim, osjetilnim ili mentalnim sposobnostima ili s nedostatkom iskustva i znanja, osim ako su pod nadzorom ili ako su instruirani po pitanju upotrebe uređaja.
Djeca koju nadgledate ne smiju se igrati s uređajem.
- Ako je proizvod uručen nekom drugom za ličnu upotrebu ili da se

koristi kao rabljeni proizvod, takođe treba uručiti priručnik za korisnika, oznake proizvoda i druge relevantne dokumente kao i dijelove proizvoda .

- Postupke ugradnje i opravke uvijek moraju izvoditi ovlašteni serviseri. Proizvođač se neće držati odgovornim za oštećenja nastala usljed procedura koje su izvodile neovlaštene osobe što takođe može prouzrokovati da garancija bude nevažeća. Prije ugradnje, pažljivo pročitajte uputstva.
- Nemojte koristiti uređaj ukoliko je u kvaru ili ako na njemu ima vidljivih oštećenja.
- Uvjerite se da su funkcijske tipke proizvoda isključene nakon svake upotrebe.

Električna sigurnost

- Ukoliko proizvod ima grešku, ne bi trebalo njim rukovati dok se greška ne popravi od strane zastupnika iz ovlaštenog servisa. Postoji rizik od elektro šoka!
- Proizvod spojite samo na uzemljeni izlaz/vod s naponom i zaštito kao što je specificirano u odjeljku "Tehničke specifikacije". Neka uzemljenje izvrši kvalifikovani električar dok se proizvod koristi sa ili bez

transformatora. Naša kompanija neće biti odgovorna za bilo kakve probleme nastale zbog toga što proizvod nije bio uzemljen u skladu sa lokalnim regulativama.

- Nikada ne perite proizvod poljevanjem ili posipanjem vode po njemu! Postoji rizik od elektro šoka!
- Proizvod mora biti iskopčan za vrijeme ugradnje, održavanja, čišćenja i popravke.
- Ako je napojni kabal za priključivanje proizvoda oštećen, isti se mora zamijeniti od strane proizvođača, njegovog zastupnika ili sličnih kvalifikovanih osoba da bi se izbjegli neželjeni rizici.
- Koristite samo kabal za priključivanje koji je specificiran u odjeljku "Tehničke specifikacije".
- Uređaj mora biti ugrađen tako da se može u potpunosti iskopčati sa mreže. Separacija mora biti obezbijeđena bilo pomoću glavnog utikača, bilo pomoću sklopke ugrađene u fiksnu električnu instalaciju, u skladu sa konstrukcionim propisima.
- Sve radove na električnoj opremi i sistemima trebaju izvoditi samo ovlaštene i kvalificirane osobe.
- U slučaju bilo kakvog oštećenja, isključite uređaj i iskopčajte ga sa napajanja. Da biste ovo uradili, isključite osigurač u kući.

- Provjerite da je jačina osigurača kompatibilna sa vašim proizvodom.

Sigurnost proizvoda

- UPOZORENJE: Uređaj i njegovi dostupni dijelovi postaju vrelli za vrijeme upotrebe. Potrebno je voditi računa da bi se izbjeglo dodirivanje grijanih elemenata. Djecu mlađu od 8 godina treba držati dalje od uređaja ukoliko nisu pod stalnim nadzorom.
- Osobe čije su prosudbe ili koordinacija smanjene pod uticajem alkohola i/ili droga ne smiju koristiti uređaj.
- Budite oprezni kada koristite alkoholna pića u vašem posuđu. Alkohol isparava na visokim temperaturama i može izazvati požar jer se zapali kada stupi u kontakt sa vrućim površinama.
- Nemojte stavljati nikakve zapaljive materijale u blizini proizvoda jer i bočne strane mogu postati vruće tokom upotrebe.
- Držite sve otvore za ventilaciju očišćenim od prepreka.
- Nemojte koristiti čistače na paru da čistite uređaj jer bi to moglo prouzrokovati strujni udar.
- UPOZORENJE: Kuhanje bez nadzora na ploči za kuhanje sa masnoćom ili uljem može biti opasno i može izazvati požar. NIKADA ne pokušavajte gasiti

vatru vodom, nego isključite uređaj i potom pokrijte plamen sa, npr. poklopcem ili dekom.

- **OPREZ:** Proces kuhanja se mora nadgledati. Kratkotrajni proces kuhanja se mora neprestano nadgledati.
- **UPOZORENJE:** Opasnost od požara: Nemojte ostavljati stvari na površinama za kuhanje.
- Uređaj nije namijenjen za rukovanje sredstvima nekog eksternog programatora ili posebnog sistema daljinskog upravljača.
- **UPOZORENJE:** Koristite samo štitnike ploče za kuhanje dizajnirane od strane proizvođača uređaja za kuhanje ili one koji su naznačeni od strane proizvođača uređaja u uputstvima za upotrebu kao pogodne za štitnike ploče za kuhanje, ugrađene u uređaj. Korištenje neadekvatnih štitnika može prouzrokovati nezgode.

Za sigurnost od požara na proizvodu;

- Provjerite da li utikač odgovara utičnici kao i to da ne uzrokuje iskrenje.
- Ne upotrebljavajte oštećen ili sječen ili produžni kabal osim originalnog kabla.
- Budite sigurni da tečnost ili vlaga na utičnici ne dospiju u proizvod preko utikača.

Predviđena upotreba

- Ovaj proizvod je dizajniran za upotrebu u domaćinstvu. Komercijalna upotreba nije dopuštena.
- Ovaj uređaj je samo za kuhanje. On se ne smije koristiti u druge svrhe, na primjer grijanje prostorije.
- Proizvođač nije odgovoran za bilo kakve štete uzrokovane nepropisnim korištenjem ili greškama pri rukovanju.

Sigurnost za djecu

- **UPOZORENJE:** Pristupačni dijelovi mogu postati vrući tokom upotrebe. Malu djecu treba držati dalje od uređaja.
- Ambalažni materijali mogu predstavljati opasnost za djecu. Držite ambalažne materijale dalje od dohvata djece. Molimo odložite sve dijelove pakovanja i sklada sa ekološkim propisima.
- Električni proizvodi predstavljaju opasnost za djecu. Držite djecu dalje od proizvoda kada je on u funkciji i nemojte dozvoliti djeci da se igraju s tim proizvodom.
- Ne ostavljajte iznad uređaja bilo kakve predmete koje djeca mogu dosegnuti.

Odlaganje starog proizvoda

Usklađenost sa WEEE Direktivom i odlaganje otpadnog proizvoda:



Ovaj proizvod je u skladu sa EU WEEE Direktivom (2012/19/EU). Ovaj proizvod posjeduje klasifikacijski simbol za otpadnu električnu i elektroničku opremu (WEEE).

Ovaj proizvod je proizveden od visoko kvalitetnih dijelova koji se mogu ponovo upotrijebiti i koji su pogodni za recikliranje. Nemojte odlagati otpadni proizvod s običnim kućnim i drugim otpadima čiji je vijeka trajanja prošao. Odnosite taj otpad na odlagalište za reciklažu električne i elektroničke

opreme. Molimo vas posavjetujte se sa lokalnim institucijama da saznate gdje se nalaze ova odlagališta.

Usklađenost sa RoHS Direktivom:

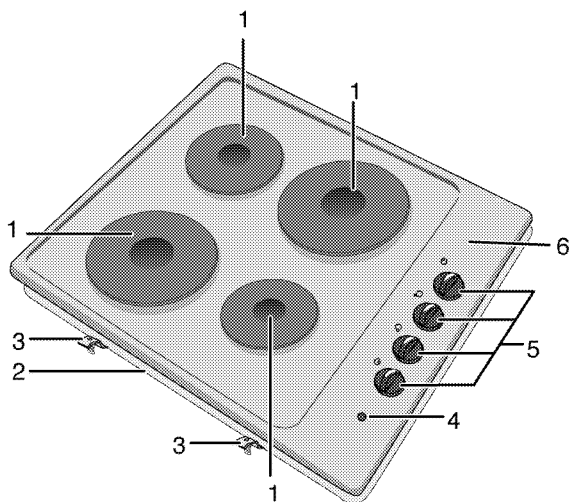
Proizvod koji ste kupili je u skladu sa EU RoHS Direktivom (2011/65/EU). On ne sadrži nikakve štetne i zabranjene materijale specificirane u ovoj Direktivi.

Odlaganje materijala za pakovanje

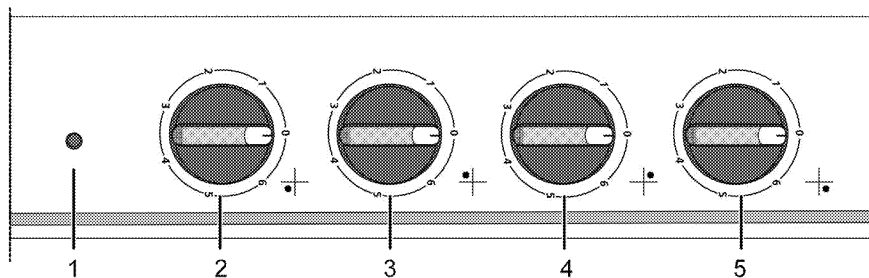
- Materijal za pakovanje predstavlja opasnost po djecu. Čuvajte materijal za pakovanje na sigurnom mjestu van dohvata djece. Materijali za pakovanje ovog proizvoda napravljeni su od reciklirajućeg materijala. Pravilno ih odložite i sortirajte ih u skladu sa uputstvima za reciklažu otpada. Nemojte ih odlagati zajedno sa običnim kućnim otpadom.

2 Opće informacije

Pregled



- | | | | |
|---|-----------------------|---|--------------------|
| 1 | Ringla | 4 | Lampica upozorenja |
| 2 | Poklopac dna | 5 | Tipka ringli |
| 3 | Spojnica za sklapanje | 6 | Ploča gorionika |



- | | | | |
|---|-----------------------|---|------------------------|
| 1 | Lampica upozorenja | 4 | Ringla Stražnji lijevi |
| 2 | Ringla Prednji desni | 5 | Ringla Stražnji desni |
| 3 | Ringla Prednji lijevi | | |

Tehničke specifikacije

Napon/frekvencija	220-240 V ~ / 380-415 V 2N ~ 50/60 Hz
Ukupna potrošnja električne energije	6000 W
Osigurač	25 A
Vrsta kabla/poprečni presjek	min.H05V2V2-F 3 x 2,5 mm ²
Vanjske dimenzije (visina/širina/dubina)	60 mm/580 mm/510 mm
Dimenzije za ugradnju (širina/dubina)	560 mm/490 mm
Gornjaci	
Prednji desni	Ringla
Dimenzije	145 mm
Snaga	1500 W
Prednji lijevi	Ringla
Dimenzije	180 mm
Snaga	1500 W
Stražnji lijevi	Ringla
Dimenzije	145 mm
Snaga	1000 W
Stražnji desni	Ringla
Dimenzije	180 mm
Snaga	2000 W



Tehničke specifikacije su podložne izmjenama bez prethodne obavijesti kako bi se poboljšao kvalitet uređaja.



Slike u ovom priručniku su shematske i moguće je da se ne podudaraju tačno s vašim uređajem.



Vrijednosti prikazane na naljepnicama uređaja ili u priloženoj dokumentaciji postignute su u laboratorijskim uvjetima u skladu sa relevantnim standardima. Ovisno o uvjetima okoline i rada uređaja, ove vrijednosti mogu varirati.

3 Instalacija

Proizvod mora biti ugrađen od strane ovlaštene osobe u skladu sa propisima koji su na snazi. U suprotnom, garancija će postati nevažeća. Proizvođač se neće držati odgovornim za oštećenja nastala usljed procedura koje su izvodile neovlaštene osobe i garancija može biti nevažeća.



Priprema lokacije i elektro instalacije za ovaj proizvod je u nadležnosti korisnika.



OPASNOST:

Prilikom instalacije, uređaj mora biti spojen u skladu sa svim lokalnim propisima o plinskim i/li električnim instalacijama.



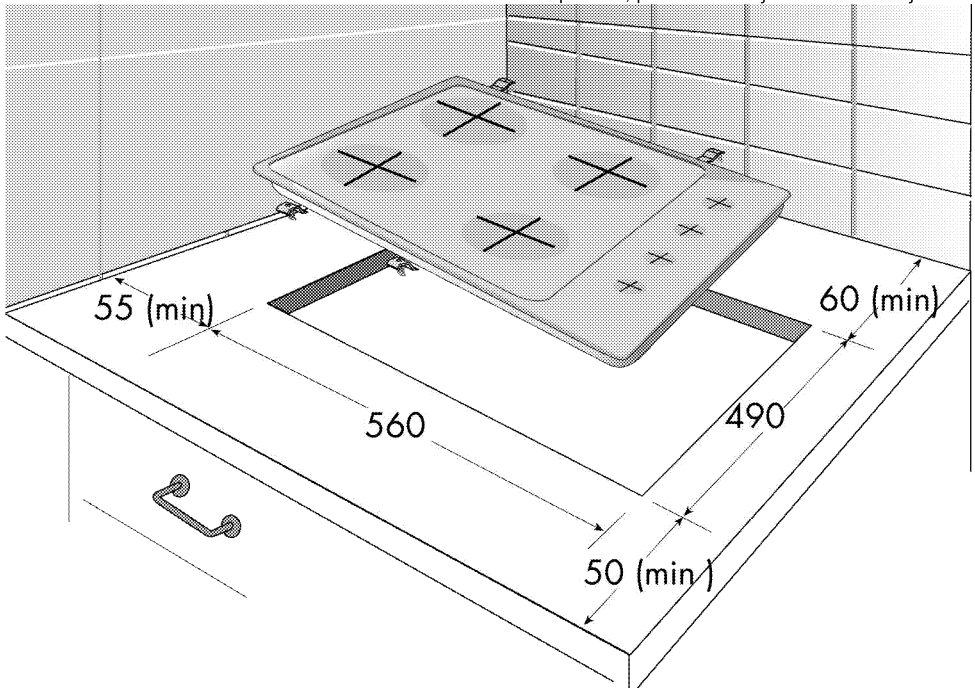
OPASNOST:

Prije instalacije, izvršiti vizuelno provjeru da li na proizvodu ima bilo kakvih nedostataka. Ako da, nemojte vršiti instalaciju. Oštećeni proizvodi predstavljaju rizik za vašu sigurnost.

Prije instalacije

Ploča za kuhanje namijenjena je instaliranju u komercijalno dostupne radne površine. Između uređaja i kuhinjskih zidova i namještaja mora se ostaviti dovoljno prostora radi sigurnosti. Pogledati sliku (mjere u mm).

- Može se koristiti i kao samostojeći uređaj. Omogućite minimalnu razdaljinu od 750 mm iznad površine ploče za kuhanje.
- (*) Kada je potrebno ugraditi kuhinjsku napu iznad štednjaka, pogledajte priložena uputstva od proizvođača kuhinjske nape za pravilno određivanje visine ugradnje (min 650 mm).
- Skinite materijale korištene za pakovanje i transportne graničnike.
- Površine, sintetički laminati i ljepila moraju biti otporna na toplotu (minimalno 100 °C).
- Radna površina mora biti poravnata i učvršćena u horizontalnom položaju.
- Isijecite prorez za ploču za kuhanje na radnoj površini, prema dimenzijama za instaliranje.



Instalacija i povezivanje

- Proizvod se isključivo može instalirati i priključiti u skladu sa statutarnim pravilima instalacije.

Električno spajanje

Priključite proizvod na uzemljenu utičnicu/vod koji su zaštićeni minijaturnom automatskom sklopkom odgovarajućeg kapaciteta kao što je navedeno u tabeli "Tehničke specifikacije". Neka uzemljenje uradi kvalifikovani električar dok se proizvod koristi sa ili bez transformatora. Naša kompanija neće biti odgovorna za bilo kakva oštećenja koja mogu nastati zbog korištenja proizvoda bez uzemljenja u skladu s lokalnim propisima.



OPASNOST:

Uređaj mora biti spojen na napojnu mrežu samo od strane ovlaštene i kvalifikovane osobe. Period garancije za proizvod počinje samo nakon ispravno izvršene instalacije. Proizvođač se neće držati odgovornim za oštećenja nastala usljed procedura koje su izvodile neovlaštene osobe.



OPASNOST:

Kabal za napajanje se ne smije pritiskati, savijati ili gnječiti, niti doći u kontakt sa vrućim dijelovima na proizvodu. Oštećeni kabal za napajanje se mora zamijeniti od strane kvalifikovanog električara. U suprotnom, postoji rizik od elektro šoka, kratkog spoja ili požara!

- Pri spajanju mora se pridržavati državnih propisa.
- Podaci napojnog voda moraju odgovarati podacima navedenim na etiketi o tipu proizvoda. Etiketa o tipu nalazi se na stražnjem dijelu kućišta proizvoda.
- Napojni kabal vašeg proizvoda se mora slagati sa vrijednostima iz table "Tehničke specifikacije".



OPASNOST:

Prije započinjanja bilo kakvog rada na električnim instalacijama, iskopčajte uređaj iz napajanja. Postoji rizik od elektro šoka!

Spajanje napojnog kabla



Dok obavljate spajanje žica, morate se pridržavati nacionalnih/lokalnih propisa o električnoj energiji i morate koristiti odgovarajuću utičnicu/vod i utikač za pećnicu. U slučaju da su energetska ograničenja proizvoda izvan trenutnog kapaciteta nosivosti utikača i utičnice/voda, proizvod se mora spojiti direktno preko fiksne električne instalacije, bez korištenja utikača i utičnice/voda.

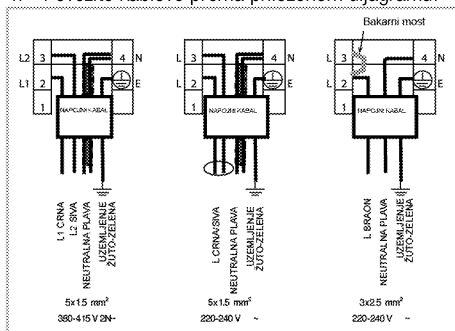


Preporučuje se dodatna zaštita putem prekidača strujnog kola zaostale električne energije.

1. Ako napojni kabal nije isporučen uz vaš proizvod, napojni kabal koji odaberete iz table (Tehničke specifikacije, Stranica 9) u skladu sa elektro instalacijama u vašem domu mora biti spojen na vaš proizvod slijedeći uputstva u dijagramu kablova.

Nije moguće prekinuti sve polove u izvoru napajanja, jedinica prekida s minimalno 3 mm kontaktnog zazora (osigurava, prekidači linijske sigurnosti, kontaktori) mora biti spojena i svi polovi ove jedinice prekida moraju biti u blizini (ne iznad) proizvoda u skladu sa IEE direktivama. Ne pokoravanje ovim uputstvima može prouzrokovati probleme u radu i učiniti nevažećom garanciju za proizvod.

2. Otvorite odvijačem poklopac priključnog bloka.
3. Umetnite napojni kabal kroz objumicu za kabal ispod priključka i pričvrstite ga na glavno tijelo s integrisanim vijkom na komponenti objumice za kabal.
4. Povežite kablove prema priloženom dijagramu.



5. Nakon što ste završili spajanje žica, zatvorite poklopac priključnog bloka.
6. Vodite napojni kabal tako da ne dođe u kontakt s proizvodom i da ne bude prignječen između proizvoda i zida.

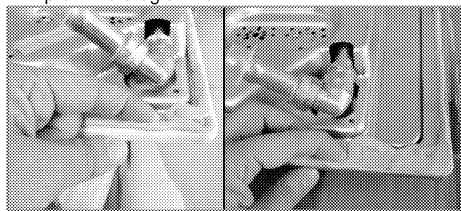


Napojni kabl ne smije biti duži od 2 m iz sigurnosnih razloga.

Instalacija proizvoda

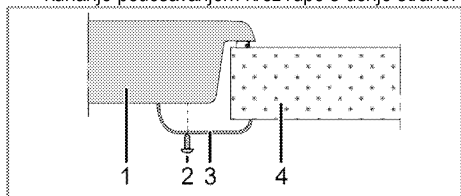
1. Okrećući ploču za kuhanje na drugu stranu, postavite je na ravnu površinu.
2. Kako biste izbjegli da neželjene supstance i tečnosti prodiru između ploče za kuhanje i pulta, molimo nanesite kit koji je isporučen u pakovanju na niže konture kućišta ploče za kuhanje ali osigurajte da kit ne iscuri.

3. Popunite uglove tako što ćete formirati pregibe na uglovima kao što je prikazano na slici. Formirajte koliko god je potrebno pregiba da biste popunili praznine u uglovima.



i Budite sigurni da bočni odjelci na nižem kućištu ploče za kuhanje budu ispunjeni i zakitovani.

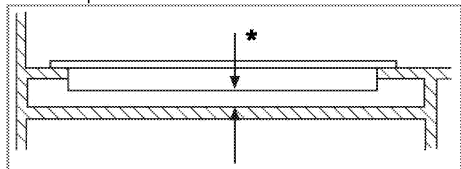
4. Postavite ploču za kuhanje na pult i poravnajte je.
5. Koristeći instalacione spojnice osigurajte ploču za kuhanje podešavanjem kroz rupe s donje strane.



- 1 Ploča za kuhanje
2 Vijak
3 Instalaciona spojnica
4 Pult

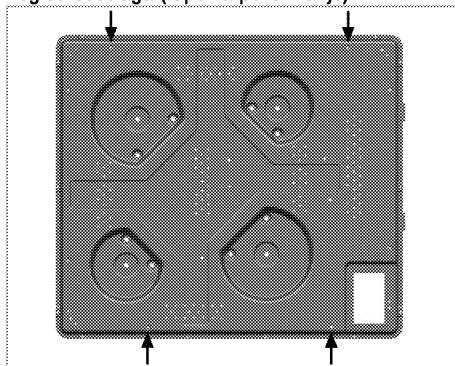
i Kada instalirate ploču za kuhanje na kabinet, mora se ugraditi polica da biste razdvojili kabinet od ploče za kuhanje kao što je prikazano na slici gore. Ovo se ne zahtijeva kada se instalira na ugradbenu pećnicu.

Na primjer, ako je moguće dotaketi dno proizvoda jer je instaliran na ladici, ova sekcija mora biti pokrivena drvenom pločom.



* min. 15 mm

Pogled odstraga (rupe za povezivanje)



OPASNOST:
Spajanje na drugačije rupe nije dobro u pogledu sigurnosti jer može doći do oštećenja na plinskom ili električnom sistemu.

OPASNOST:
Ploča za kuhanje sadrži komponente koje rade na plin i struju. Iz tog razloga ploča za kuhanje bi trebala biti pričvršćena na pult samo kroz rupice za pričvršćivanje, koristeći samo osiguravajuće elemente i vijke koji su isporučeni i kao što je naznačeno u ovom priručniku. U suprotnom, to će predstavljati opasnost za bezbjednost po život i imovinu.

Završna provjera

1. Rukovanje proizvodom.
2. Provjerite funkcije.

Odlaganje starog proizvoda.

- Sačuvajte originalnu kutiju u koju je proizvod bio upakovan i transportujte proizvod u istoj. Slijedite uputstva na kutiji. Ukoliko nemate originalnu kutiju, upakujte proizvod u zaštitnu foliju sa zračnim mjehurićima ili debelu kartonsku ambalažu i čvrsto omotajte ljepljivom trakom.

i Provjerite generalno izgled vašeg proizvoda radi bilo kakvih oštećenja koja su se mogla desiti tokom transporta.

4 Priprema

Savjeti za uštedu energije

Sljedeće informacije će vam pomoći da koristite vaš uređaj na ekološki način i da štedite energiju:

- Odmrznite zamrznuta jela prije kuhanja.
- Koristite šerpe/tave sa poklopcima za kuhanje. Ukoliko nema poklopca, potrošnja energije se može uvećati 4 puta.
- Odaberite gorionik koji je prikladan za veličinu dna posude koju ćete koristiti za kuhanje. Uvijek odaberite ispravno veličinu posude za spremanje vaših jela. Veće posude zahtijevaju više energije.
- Vodite računa o tome da koristite posude sa ravnim dnom kada kuhate na električnoj ploči za kuhanje. Posude sa debelim dnom će omogućiti bolju provodljivost toplote. Možete postići uštedu energije i do 1/3.
- Posude za kuhanje moraju biti kompatibilne sa kolima za kuhanje. Dno posude ne smije biti manje nego što je kolo na kojem će se kuhati.

- Održavajte kola za kuhanje i dna posuda čistim. Prljavština će umanjiti provodljivost toplote između kola za kuhanje i dna posude.
- Za duža kuhanja, isključite kola za kuhanje 5 ili 10 minuta prije isteka vremena kuhanja. Možete postići uštedu energije i do 20% koristeći preostalu toplotu.

Prva upotreba

Prvo čišćenje uređaja



Neki deterdženti i materijali za čišćenje mogu izazvati oštećenja na površini.

Nemojte koristiti agresivne deterdžente, praškove/kreme za čišćenje ili bilo kakve oštre predmete dok čistite.

1. Uklonite sve materijale korištene za pakovanje
2. Obrišite površine uređaja vlažnom krpom ili spužvom i posušite krpom.

5 Kako koristiti ploču za kuhanje

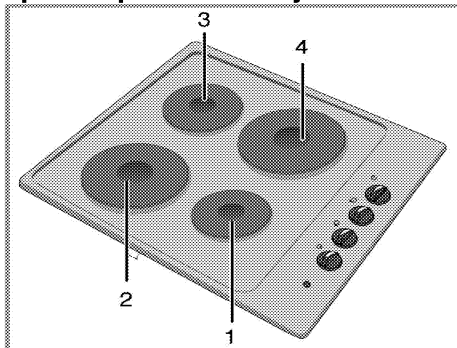
Opšte informacije o kuhanju



Nikada nemojte puniti tavu uljem više od jedne trećine. Ne ostavljajte ploču za kuhanje bez nadzora kada se zagrijava ulje. Pregrijano ulje predstavlja rizik od požara. **Nikada nemojte pokušavati gasiti mogući požar vodom!** Kada je ulje zahvaćeno vatrom, pokrijte ga protivpožarnim čebetom ili vlažnom krpom. Isključite ploču za kuhanje ako je bezbjedno da se to uradi i pozovite vatrogasnu službu.

- Prije prženja hrane, uvijek ju dobro posušite i nježno stavite u vrelo ulje. Osigurajte da se smrznuta hrana u potpunosti otopi prije prženja.
- Nemojte pokrivati posude koje koristite kada zagrijevate ulje.
- Postavite tave i duboke tave na način da njihove ručke ne budu iznad ringle kako biste spriječili grijanje ručki. Nemojte stavljeti na ringle posude koje nisu balansirane i koje se lako naginju.
- Ne stavlajte prazne posude i duboke tave na zone kuhanja koje su uključene. Mogle bi se oštetiti.
- Ako uključite zone kuhanja da rade bez posude ili duboke tave na njima to može prouzrokovati oštećenja na proizvodu. Isključite zone kuhanja nakon završetka kuhanja.
- Obzirom da površine na proizvodu mogu biti vruće, ne stavlajte plastične i aluminijske posude na njih.
Takve posude se ne bi trebale koristiti niti za čuvanje hrane.
- Koristite tave ili drugo posuđe samo sa ravnim dnom.
- Stavite odgovarajuću količinu hrane u duboke tave ili drugo posuđe. Stoga nećete trebati činiti bilo kakva nepotrebna čišćenja jer ćete time spriječiti da jela kipe van.
Ne stavlajte poklopce tava ili drugog posuđa na zone kuhanja.
Stavite tave tako da su one centrirane na zoni kuhanja. Kada želite premjestiti posudu na drugu zonu kuhanja, podignite je i postavite na zonu kuhanja koju odaberete, nemojte je vući po površini.

Upotreba ploče za kuhanje



- 1 Ringla 14-16 cm
- 2 Ringla 18-20 cm
- 3 Ringla 14-16 cm
- 4 Ringla 18-20 cm je popis predloženih prečnika posuda koje treba koristiti na odgovarajućim gorionicima.

Upotreba ringli

Tipke na ploči za kuhanje mogu se okretati u oba pravca na način koji obezbjeđuje kontrolu temperature korak po korak.



Ako je ploča za kuhanje opremljena s obilježjem "Booster" funkcije za ringle, odgovarajuća ringle će biti označena crvenom tačkom.

Zaštita od pregrijavanja

Ringle čija je snaga preko 1000 W opremljene su sa zaštitom od pregrijavanja. Zaštita od pregrijavanja umanjuje snagu ringle u slijedećim slučajevima:

- Ukoliko nema nikakve posude ili duboke tave na ringli.
- Ukoliko se na ringli nalazi prazna posuda ili duboka tava.
- Ukoliko dno posude ili duboke tave nije ravno.

Uključivanje ringli

Koristite tipke za ringle da rukujete ringlama. Podesite tipke za ringle na odgovarajući nivo kako biste postigli željenu jačinu kuhanja.

Jačina kuhanja	1	2 – 3	4 – 6
	zagrijavanje	pirjanje, krčkanje	kuhanje, prženje, vrenje

Isključivanje ringli

Okrenite tipku za ringle u položaj "OFF" (isključeno) (prema gore).

6 Održavanje i njega

Opšte informacije

Životni vijek proizvoda će biti produžen, a učestali problemi će se smanjiti ukoliko se proizvod čisti u redovnim intervalima.



OPASNOST:

Isključite uređaj s glavnog napajanja prije započinjanja aktivnosti oko održavanja i čišćenja.

Postoji rizik od elektro šoka!



OPASNOST:

Sačekajte da se uređaj ohladi prije čišćenja.

Vruće površine mogu izazvati opekotine!

- Očistite temeljito proizvod nakon svake upotrebe. Na taj način će biti moguće lakše uklanjanje ostataka kuhanja, te oni neće gorjeti prilikom narednog korištenja uređaja.
- Za čišćenje uređaja nisu potrebna posebna sredstva za čišćenje. Koristite toplu vodu s tečnošću za pranje, mekanu krpu ili spužvu da očistite proizvod i zatim ga prebrišite suhom krpom.
- Uvijek osigurajte da bilo kakav višak tečnosti bude temeljito obrisano nakon čišćenja i sve što je proljeveno da se odmah posuši brisanjem.
- Nemojte koristiti sredstva za čišćenje koja sadrže kiseline ili hlorid da biste čistili površine od nehrđajućeg materijala ili od inoksa niti za čišćenje ručke. Koristite mekanu krpu sa tečnim deterdžentom (ne abrazivnim) da prebrišete te dijelove, obratite pažnju da brišete u jednom smjeru.



Neki deterdženti i materijali za čišćenje mogu izazvati oštećenja na površini. Nemojte koristiti agresivne deterdžente, praškove/kreme za čišćenje ili bilo kakve oštre predmete dok čistite.

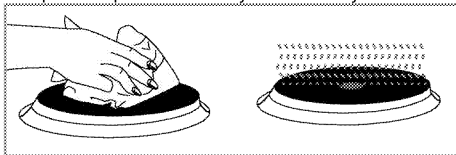


Nemojte koristiti čistače na paru da čistite uređaj jer bi to moglo prouzrokovati strujni udar.

Čišćenje ploče za kuhanje.

Električne ploče za kuhanje

1. Isključite kola za kuhanje i sačekajte da se ohlade
2. Ako je potrebno, očistite kola sa sredstvom za čišćenje (sredstva za čišćenje/omekšivače možete pronaći u specijalizovanim prodavnicama).
3. Zagrijete samo na par minuta nakon čišćenja kako bi se njihovi gornji odjelci osušili.
4. Redovno nanosite tanki sloj mašinskog ulja po površini ploče za kuhanje kako biste je zaštitili.



Čišćenje kontrolne ploče

Očistite kontrolnu ploču i kontrolne tipke vlažnom krpom te ih potom osušite.



Nemojte uklanjati kontrolnu dugmad/tipke da čistite kontrolnu tablu. Kontrolna tabla bi se mogla oštetiti!

7 Rješavanje problema

Proizvod odašilje metalne zvukove dok se zagrijava i hladi.

- Kada se metalni dijelovi zagrijavaju, mogu se širiti i praviti zvukove. >>> *Nije riječ o kvaru.*

Proizvod ne radi.

- Osigurač napajanja je pokvaren ili je pregorio. >>> *Provjerite osigurače u kutiji s osiguračima. Ako je potrebno, zamijenite ih ili vratite u početni položaj.*
- Proizvod nije uključen u (uzemljen) utičnicu. >>> *Provjerite utikač na kablu.*



Ukoliko ne možete ukloniti problem čak i ako ste implementirali uputstva iz ovog odjeljka, posavjetujte se sa ovlaštenim servisierom ili trgovcem kod kojeg ste kupili vaš proizvod. Nikada ne pokušavajte sami popravljati neispravan proizvod.

