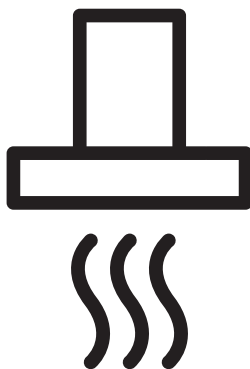




Cooker Hood

User Manual



HNT61320XHS

EN



01M-8897683200-3222-07

CONTENTS

1 Important safety and environmental instructions	4
1.1 General Safety	4
1.2 Compliance with the WEEE Directive and Disposing of the Waste Product: ...	7
1.3 Compliance with RoHS Directive ...	8
1.4 Package Information.....	8
2 General appearance	9
2.1 Overview	9
2.2 Technical data	9
3 Operation of the appliance	10
3.1 Controlling the appliance.....	10
3.2 Efficient use in terms of energy saving.....	10
3.3 Operating the hood.....	10
3.4 Replacement of Lamp	10
3.5 Operation with flue connection ...	11
3.6 Operation without flue connection	11
4 Cleaning and maintenance	12
4.1 Cleaning of grease filter.....	12
4.2 Replacement of carbon filters	12
5 Installation of appliance	14
5.1 Position of the appliance.....	14
5.2 Installation of the hood.....	14
5.3 Storage.....	14
5.4 Handling and transportation.....	14
6 Troubleshooting	15

Please read this user manual first!

Dear Valued Customer,

Thank you for preferring this Beko appliance. We hope that you get the best results from your appliance which has been manufactured with high quality and state-of-the-art technology. For this reason, please read this entire user manual and all other accompanying documents carefully before using the appliance and keep it as a reference for future use. If you handover the appliance to someone else, give the user manual as well. Follow the instructions by paying attention to all the information and warnings in the user manual.

Remember that this user manual may also apply to other models. Differences between models are explicitly described in the manual.

Meanings of the Symbols

Following symbols are used in various sections of this user manual:



Important information and useful hints about usage.



WARNING: Warnings against dangerous situations concerning the security of life and property.



WARNING: Warning for danger of fire.



WARNING: Warning for electric shock.



1 Important safety and environmental instructions

1.1 General Safety

Important Safety Instructions Read Carefully And Keep For Future Reference This section contains safety instructions that will help protect from risk of fire, electric shock, exposure to leak microwave energy, personal injury or property damage. Failure to follow these instructions shall void any warranty.

- Beko products comply with the applicable safety standards; therefore, in case of any damage on the appliance or power cable, it should be repaired or replaced by the dealer, service center or a specialist and authorized service alike to avoid any danger. Faulty or unqualified repair work may be dangerous and cause risk to the user.
- This appliance is intended to be used in household and similar applications such as:
 - Staff kitchen areas in shops, offices and other working environments;
 - Farm houses
 - By clients in hotels, and other residential type environments;
 - Bed and Breakfast type environments.
- Operate the appliance for its intended purpose only as described in this manual.
- The manufacturer cannot be held liable for damages resulting from improper installation or misuse of the product.
- This appliance can be used by children aged from 8 years and above and persons with reduced physical, sensory or mental capabilities or lack of experience and knowledge if they have been given supervision or instruction concerning use of the appliance in a safe way and understand the hazards

1 Important safety and environmental instructions

involved.

- Children shall not be allowed play with the appliance. Cleaning and user maintenance shall not be made by children without supervision.
 - The minimum distance between the supporting surface for the cooking vessels on the hob and the lowest part of your product must be at least 65 cm.
 - If the instructions for installation for the gas hob specify a greater distance, this has to be taken into account.
 - Make sure that your mains power supply complies with the information supplied on the rating plate of the appliance.
 - Never use the appliance if the power cable or the appliance itself is damaged.
 - Prevent damage to the power cable by not squeezing, bending, or rubbing it on sharp edges. Keep the power cable away from hot surfaces and naked flame.
 - Use the appliance with a grounded outlet only.
- WARNING:** Do not connect the appliance to the mains until the installation is fully complete.
- Place the appliance in a way so that the plug is always accessible.
 - Do not touch the lamps if they have operated for a long time. They can burn your hands since they will be hot.
 - Follow the regulations set out by competent authorities on discharge of the exhaust air (this warning is not applicable for use without flue).
 - Operate your appliance after putting a pot, pan etc. on the hob. Otherwise, high heat may cause deformation in some parts of your product.

1 Important safety and environmental instructions

- Turn off the hob before taking the pot, pan etc. from it.
- Do not leave hot oil on the hob. Pans with hot oil may cause self combustion.
- Pay attention to your curtains and covers since oil may catch fire while cooking food such as fries.
- Grease filter must be cleaned at least monthly. Carbon filter must be replaced at least every 3 months.
- Product shall be cleaned accordance with user manual. If cleaning was not carried out in accordance with user manual, there may be fire risk.
- Do not use non-fire-resistant filtering materials instead of the current filter.
- Only use the original parts or parts recommended by the manufacturer.
- Do not operate the product without the filter and do not remove the filters while the product is running.
- In the event of be started any flame, de-energize your product and cooking appliances.
- In the event of be started any flame, cover the flame and never use water to extinguish.
- Unplug the appliance before each cleaning and when the appliance is not in use.
- The negative pressure in the environment should not exceed 4 Pa (4x10 bar) while the hood for electric hob and appliances running on another type of energy but electricity operate simultaneously.
- In the environment where the appliance is being used, the exhaust of devices running on fuel oil or gas, such as room heater must be absolutely isolated or device must be hermetical type.
- When connecting the flue, use pipes with a diameter

1 Important safety and environmental instructions

of 120 or 150 mm. Pipe connection must be as short as possible and have as few elbows as possible.

- Danger of choking! Keep all the packaging materials away from children.

CAUTION: Accessible parts may become hot when used with cooking appliances.

- The product outlet must not be connected to air channels that include other smoke.
- The ventilation in the room may be insufficient when the hood for electric hob is used simultaneously with the devices operating on gas or other fuels (this may not apply to appliances that only discharge the air back into the room).
- Objects placed on the product may fall. Do not place any objects on the product.
- Do not flambe under the your product.

WARNING: Before installing the Hood, remove the protective films.

- Never leave high naked flames under the hood when it is in operation
- Deep fat fryers must be continuously monitored during use: overheated oil can burst into flames.

1.2 Compliance with the WEEE Directive and Disposing of the Waste Product:

This product complies with EU WEEE Directive (2012/19/EU). This product bears a classification symbol for waste electrical and electronic equipment (WEEE).



This symbol indicates that this product shall not be disposed with other household wastes at the end of its service life. Used device must be returned to official collection point for recycling of electrical and electronic devices. To find these collection systems please contact to your local authorities or retailer where the product was purchased. Each household performs important role in recovering and recycling of old appliance. Appropriate disposal of used appliance helps prevent potential negative consequences for the environment and human health.

1 Important safety and environmental instructions

1.3 Compliance with RoHS Directive

The product you have purchased complies with EU RoHS Directive (2011/65/EU). It does not contain harmful and prohibited materials specified in the Directive.

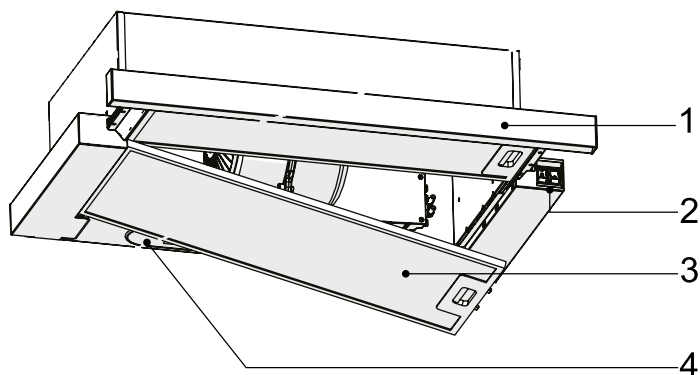
1.4 Package Information



Packaging materials of the product are manufactured from recyclable materials in accordance with our National Environment Regulations. Do not dispose of the packaging materials together with the domestic or other wastes. Take them to the packaging material collection points designated by the local authorities.

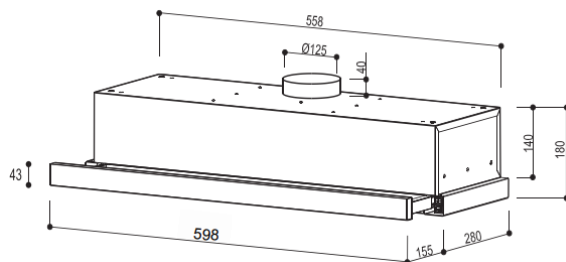
2 General appearance

2.1 Overview



Control and parts

1. Sliding panel
2. Control panel
3. Grease filter
4. Lighting



2.2 Technical data

Model	HNT61320XHS
Supply voltage	220V~ 60Hz
Lamp power	2 x 2 W
Motor power	150 W
Total power	154 W
Flow rate – 3. Level	317 m ³ /h
Insulation Class of Motor	Class F
Insulation Class	Class I

3 Operation of the appliance

3.1 Controlling the appliance

KEY	FUNCTION
A : Low Button	Push the low button, and the motor will run at low speed.
B : High Button	Push the high button, and the motor will run at high speed.
C : Lamp Button	Push the light button and the two lights will illuminate. Push it again and the light will turn on-off.
D : OFF Button	Push the stop button, and the motor will stop.
E : Automatic Button	Push the Automatic button, and the motor will run at Automatic speed.

3.2 Efficient use in terms of energy saving

- When using your appliance, adjust the speed settings according to vapour and odour intensity, in order to save energy.
- Use low speeds (1) under normal conditions, and high speed (2) and boost mode for intense odour and vapour.
- The hood is equipped with lamps in order to illuminate the cooking area.
- Using them for environmental lighting shall cause unnecessary energy expenditure and insufficient lighting.
- For your device to consume less energy, run it at a low speed level.
- Your device will reduce energy consumption as it will run more efficiently

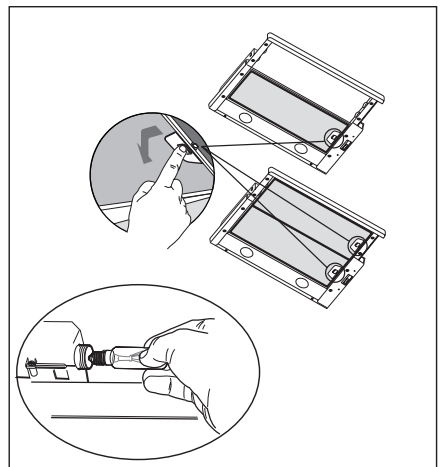
when you provide sufficient air intake to it.

- Set your device to the intense suction power level before the formation of steam, in cases where you know that the dense steam will occur. So, you reduce energy consumption by using your device for a shorter time as it will have a sufficient air intake.
- Keep the lids of the cookware closed to reduce the steam evolving.

3.3 Operating the hood

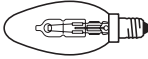
- Your appliance contains a motor that has various speeds.
- For better performance, we recommend using low speeds under normal conditions and high speeds in cases of strong odours and intense vapour.
- You can start your appliance by pressing on the desired speed setting button. (A, B,D)
- You may illuminate the cooking area by pressing the lamp (C).

3.4 Replacement of Lamp



3 Operation of the appliance

Make the electrical connections of the appliance. Your appliance uses 2X2 W spot LED lamp. For replacing the lamps, push downwards on the holder from its behind, turn it counter-clockwise, and take it out downwards. Apply the above operation in reverse to install new lamps.

Bulb	
Bulb Power	2X2 W
Holder / Socket	E14
Bulb Voltage	220-240V~ 50-60Hz
Size	25 x90 mm

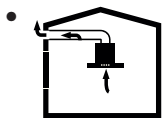


- Before replacing the light bulbs, disconnect the power supply of the hood.
- Do not touch the light bulbs when they are hot.
- Be careful not to touch the replaced light bulb directly with hands.



You may procure lamps from Authorised Service Agents.

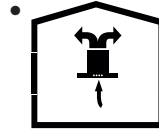
3.5 Operation with flue connection



- Vapour is extracted through the flue duct, which is fastened to the connection head on the hood.
- The diameter of the flue duct must be the same as the connection ring. In horizontal settings, the pipe has to have

a slight upward slope (around 10°) so that the air can exit the room easily.

3.6 Operation without flue connection



- Air is filtered through the carbon filter and recirculated in the room. Carbon filter is used when it is impossible to use a flue in the house.
- In flueless use, remove the flaps inside the flue adapter.
- Remove the oil filter. To install the carbon filter, fit the filter to the tabs by centring it on the plastic piece on both sides of the fan body. Tighten it by turning right or left.
- Replace aluminium oil filter.

4 Cleaning and maintenance

The device should be cleaned and maintained regularly. Failure to keep the device clean will adversely affect the service life of the device. For cleaning and maintenance, follow the instructions stated in the manual.



Before cleaning and maintenance, unplug the product or turn off the switch.

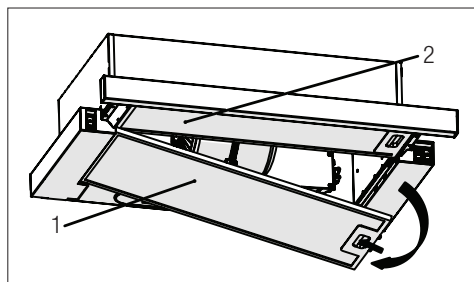


Non-compliance with the provisions associated with the cleaning of the device and replacement of the filters may result in a risk of fire. Therefore, it is recommended to follow the guidelines stated here. The manufacturer is not responsible for the engine damages or fires originating from the improper use.

Clean using only a cloth dampened with neutral liquid detergent. Do not clean with tools or instruments. Do not use abrasive products. Do not use alcohol.

4.1 Cleaning of grease filter

This filter captures oil particles in the air. You are recommended to clean your filter every month under normal usage conditions. First remove the grease filters for this process. Wash the filters with liquid detergent and rinse them with water and install them back after they get dry. Grease filters may get discolored as they are washed; this is normal and you don't need to change your filter.



1. External aluminium grease filter

2. Internal aluminium grease filter

- Pull the sliding plate out by holding the front panel. Remove the external aluminium grease filter first, and then the internal aluminium grease filter.
- Push the aluminium grease filter lock forward.
- Then lower it slightly down and pull it out. Otherwise, you can bend the filter. Wash and rinse aluminium grease filters with liquid detergent and replace aluminium grease filters to their sockets by carrying out the steps specified above in reverse order. This filter retains the particles in the air.



You may also wash the aluminium grease filter in the dishwasher.

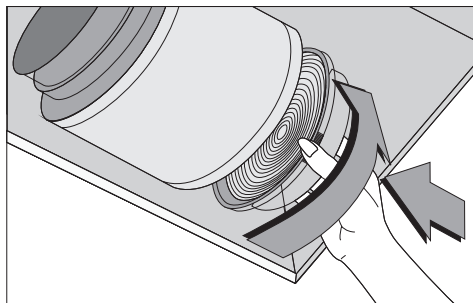


CAUTION: In case of normal use, clean your aluminium grease filter once in a month.

4.2 Replacement of carbon filters

Odour removing filters contain charcoal (Active carbon). Aluminium grease filters must be installed in the product, regardless of whether or not carbon filters are used.

4 Cleaning and maintenance



- Remove aluminium grease filter.
- To remove the charcoal filter, remove the charcoal filter from its housing by rotating it counter-clockwise from the tab.
- Install the new charcoal filter.
- Install the aluminium grease filters.

CAUTION:



- Carbon filter shall never be washed.
- Replace carbon filters once every 3 months.
- You can obtain the carbon filter from the authorized services.

5 Installation of appliance



WARNING: Before starting the installation, read the safety information on user manual.

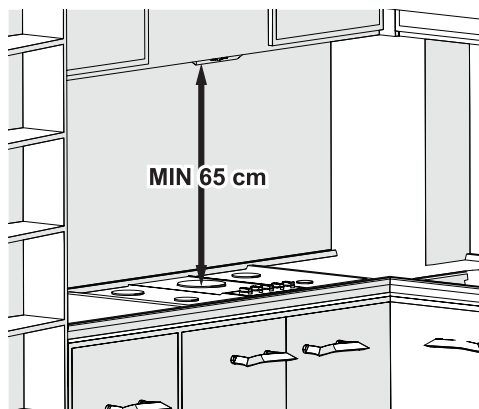


WARNING: Failure to install with screws and stabilizers in accordance with these instructions may result in electric shock.

For the installation of the hood, please contact the nearest Authorized Service.

It is the customer's responsibility to prepare the location and electrical installation of the hood.

5.1 Position of the appliance



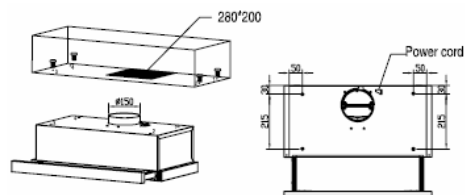
- Distance between the cooker and the cooker hood must be considered prior to assembly. This distance should be 65 cm.
- Distance must be measured from the surface of grate for gas cookers,
- from surface of glass for electric cookers.

5.2 Installation of the hood



CAUTION: Use protective gloves and goggles for drilling and cutting operations.

- When the extractor is working at the same time as other non-electrical cooking equipment, the outlet air pressure must not exceed 4 Pa.
- To achieve optimum performance the length of the outlet hose should not exceed 4 meters, or include more than two 90 angles (elbows)
- If venting to the outside, should not install the activated carbon filters with the unit.



5.3 Storage

- If you do not intend to use the appliance for a long time, store it carefully.
- Before lifting the appliance unplug it and then let it cool completely.
- Keep the appliance and its accessories in their original packages.
- Store it in a cool, dry place.
- Always keep the appliance out of the reach of children.

5.4 Handling and transportation

- During handling and transportation, carry the appliance in its original packaging. The packaging of the appliance protects it against physical damages.

5 Installation of appliance

- Do not place heavy loads on the appliance or the packaging. The appliance may be damaged.
- Dropping the appliance will render it non-operational or cause permanent damage.

6 Troubleshooting

Troubleshooting	Root cause	Help
Appliance is not working.	Check your fuses.	Fuse may be blown, inspect and restore it.
Appliance is not working.	Check the electrical connection.	Mains voltage shall be between 220 and 240 V.
Appliance is not working.	Check the electrical connection.	Check if other appliance in your kitchen operate.
Illumination light does not operate.	Check the electrical connection.	Mains voltage shall be between 220 and 240 V.
Illumination light does not operate.	Inspect the lamp switch.	Lamp switch shall be at "on" position.
Illumination light does not operate.	Inspect the lamps.	The lamps of the appliance shall illuminate.
Air inlet of the appliance is inadequate.	Inspect the aluminium filter.	Under normal operating conditions, aluminum grease filter shall be cleaned at least once in a month.
Air inlet of the appliance is inadequate.	Check the air discharge chimney.	The air discharge chimney shall be at "on" position.
Air inlet of the appliance is inadequate.	Inspect the carbon filter.	The filters of the appliances with carbon filters shall be replaced once in every 3 months under normal conditions.

Arçelik A.Ş.
Karaağaç Caddesi No: 2-6, 34445,
Sütlüce, İstanbul, Türkiye

www.beko.com