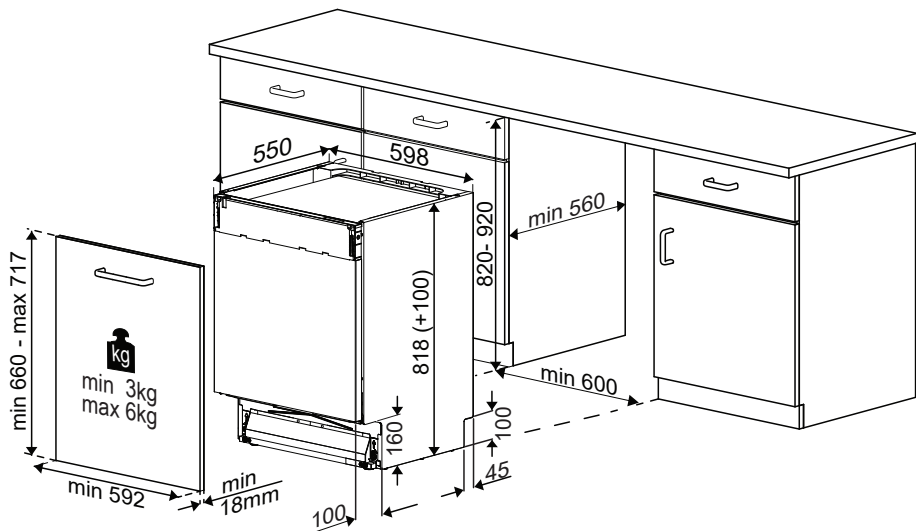
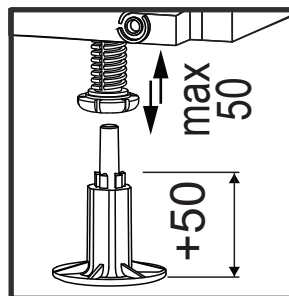
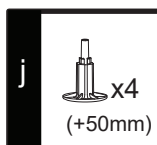
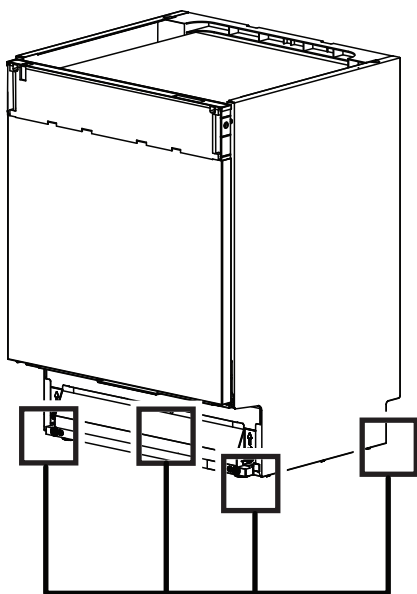
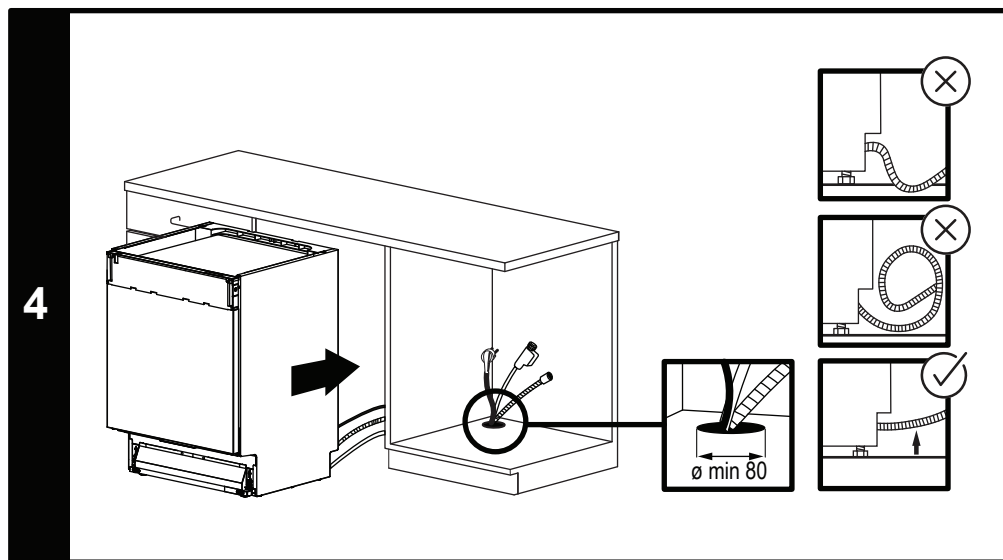
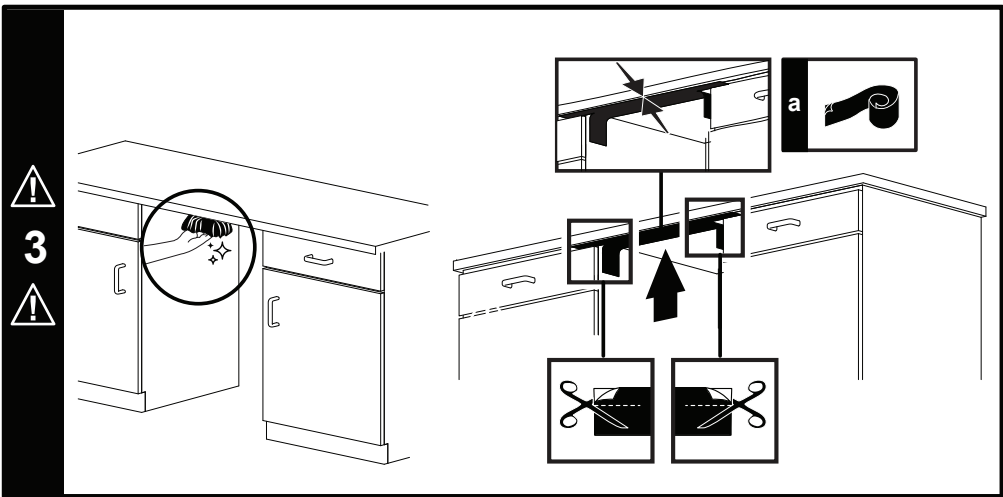


1

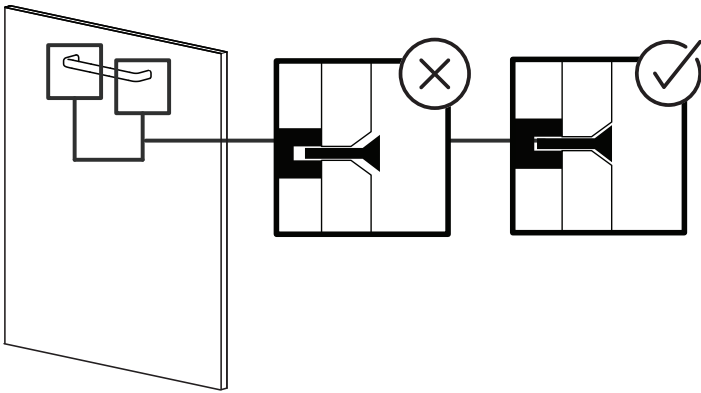
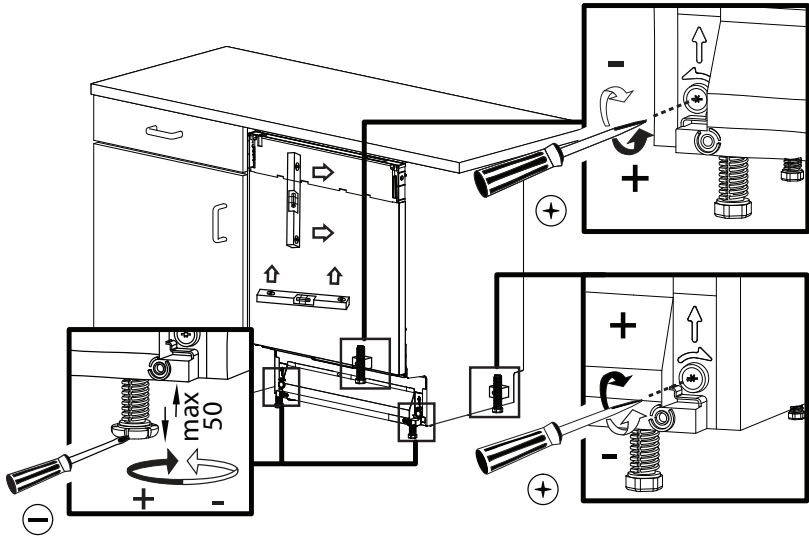


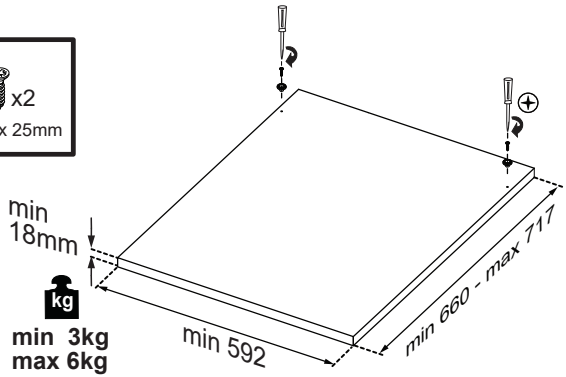
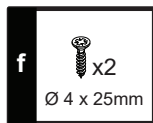
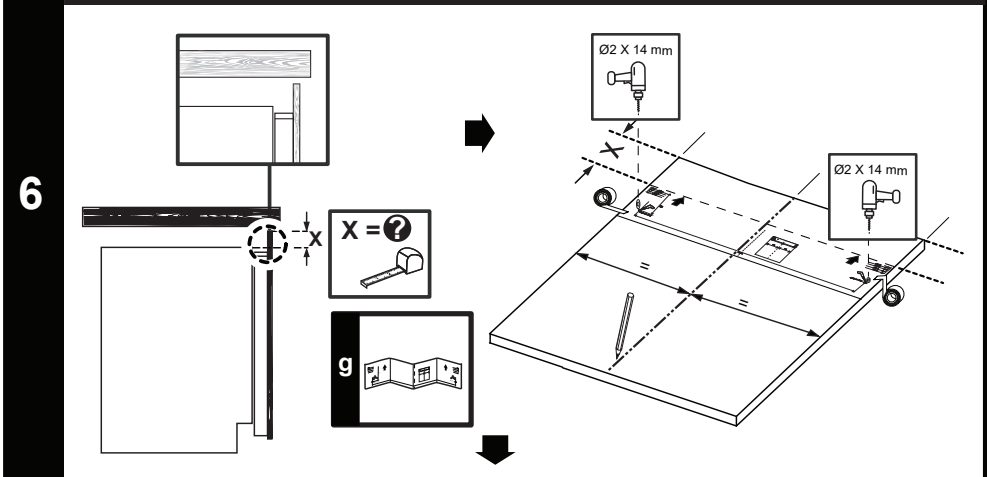
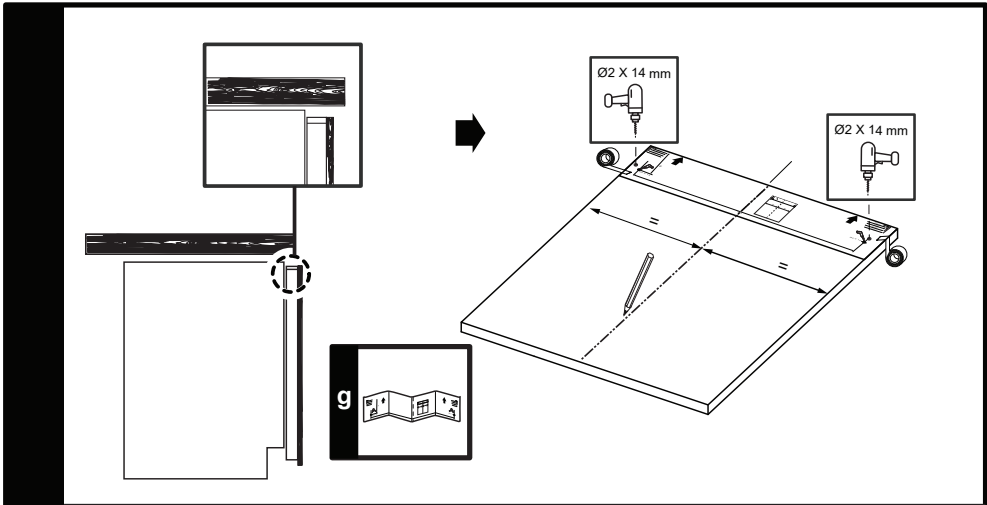
2

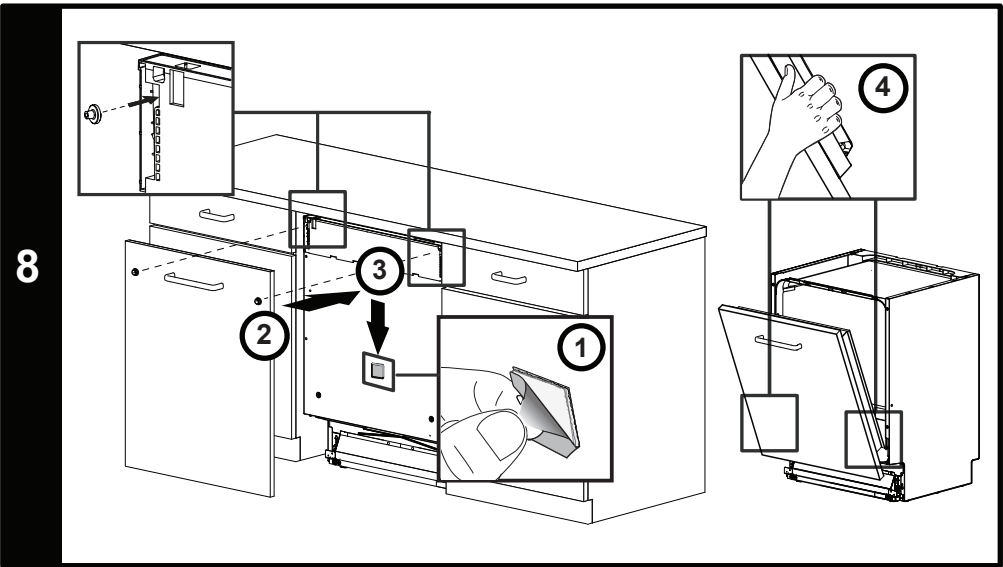
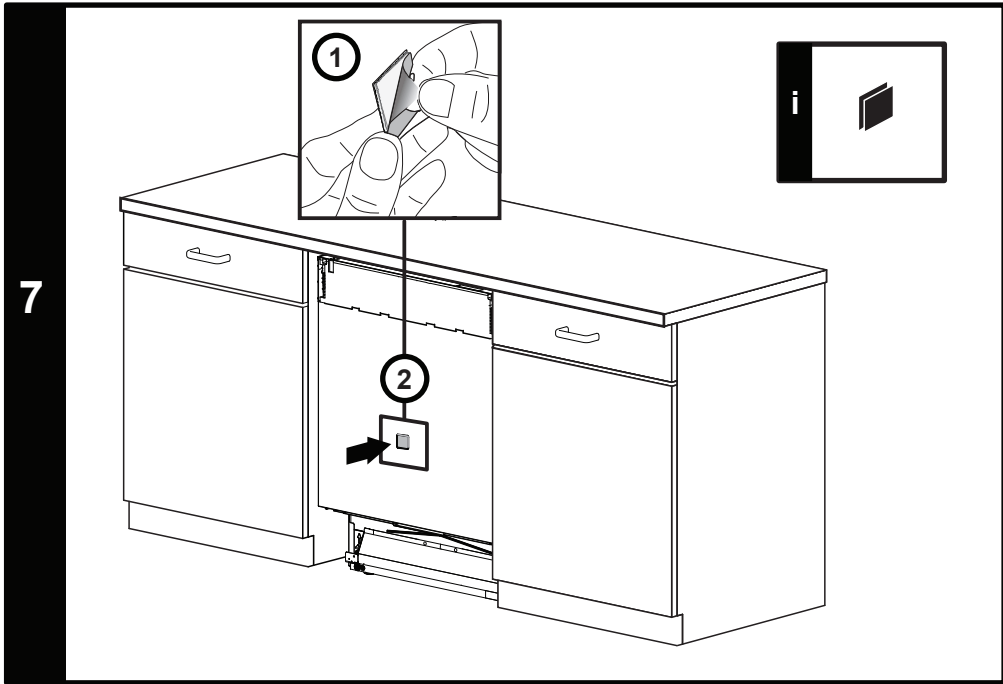




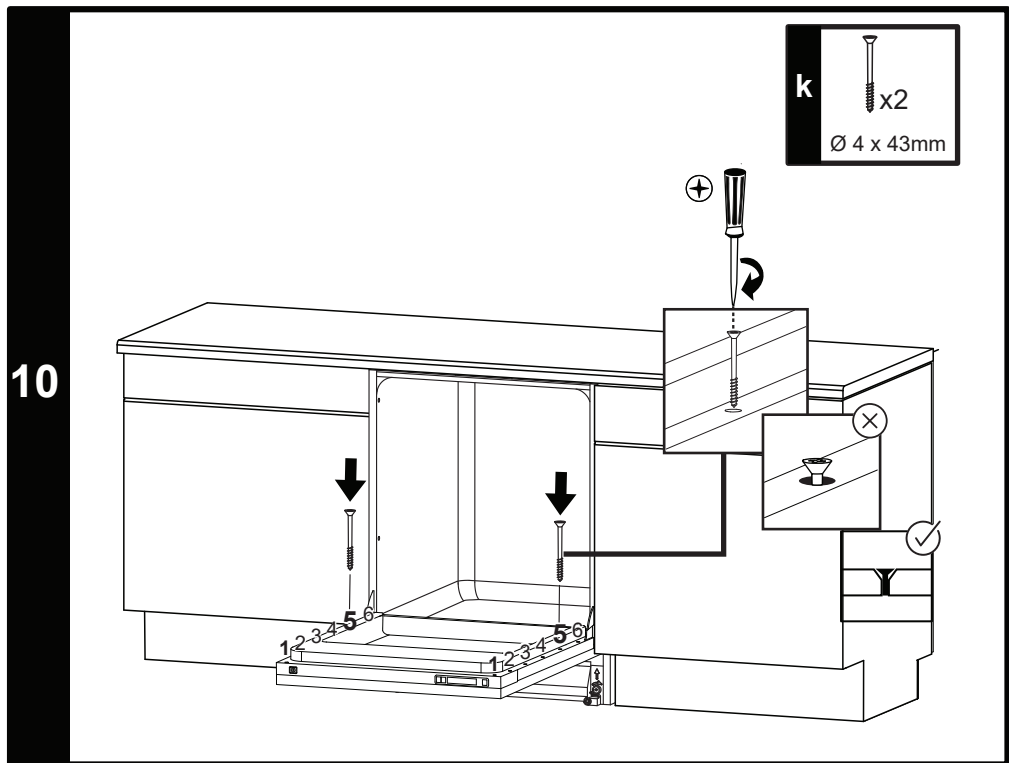
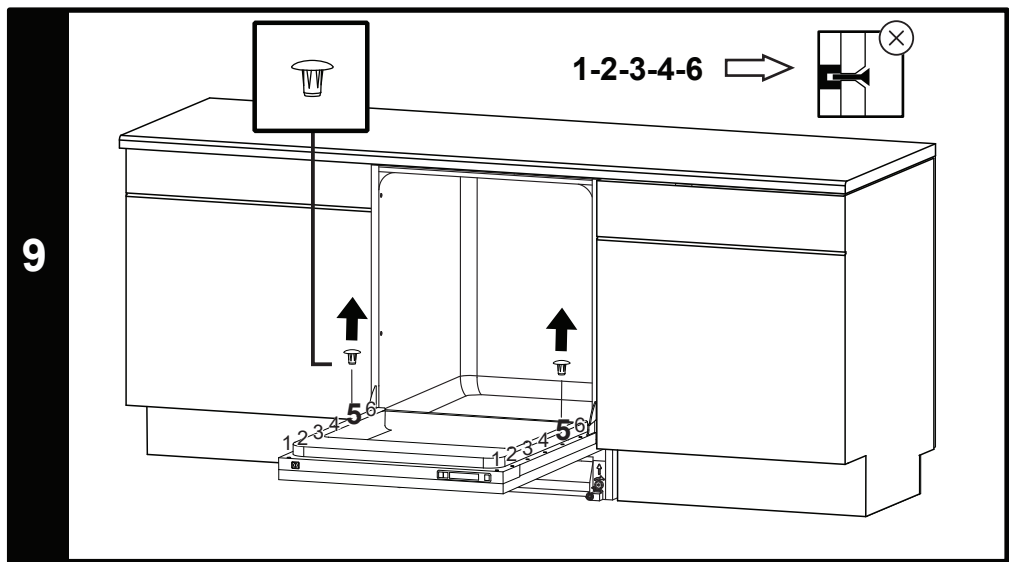
5



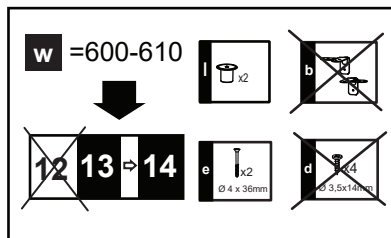
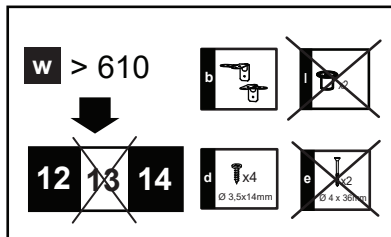
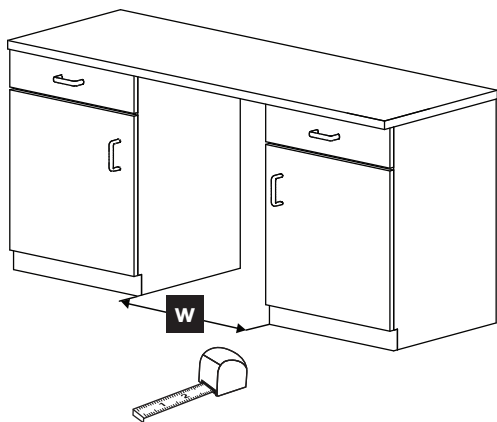




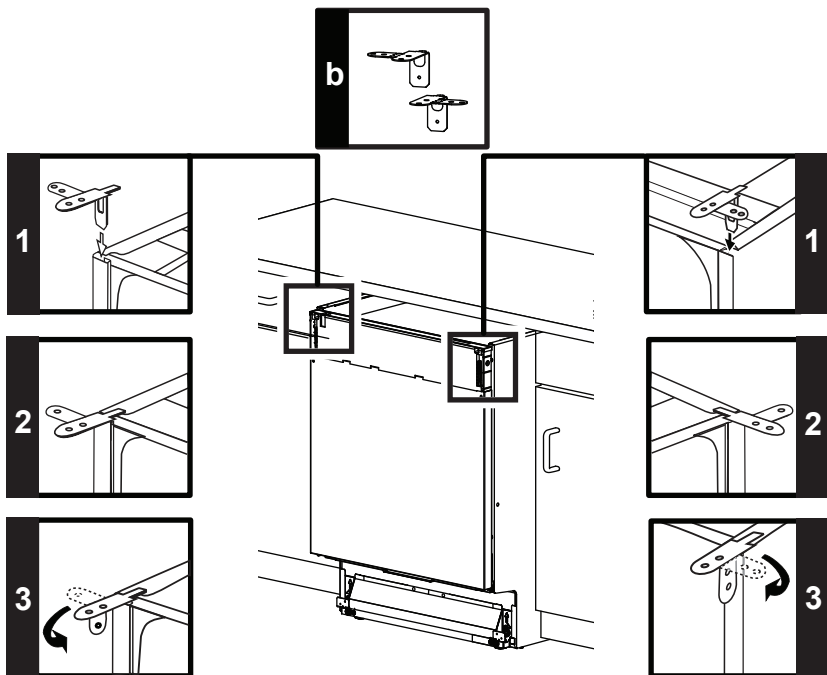




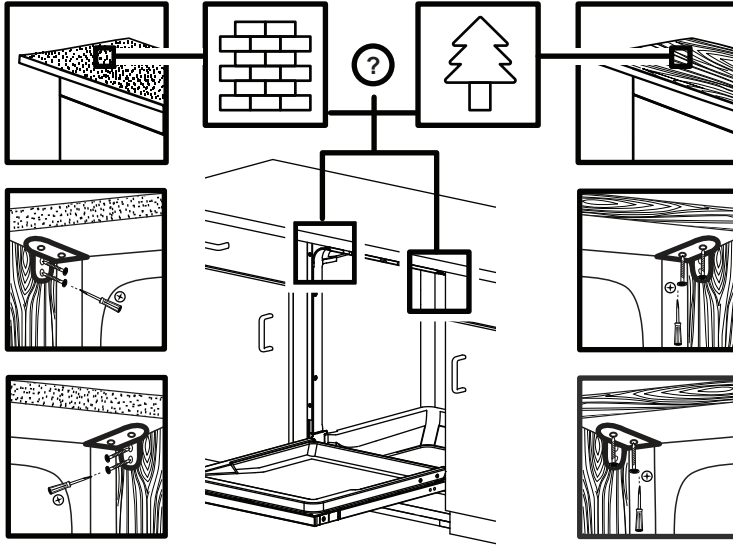
⚠  
11  
⚠




12  
—  
a

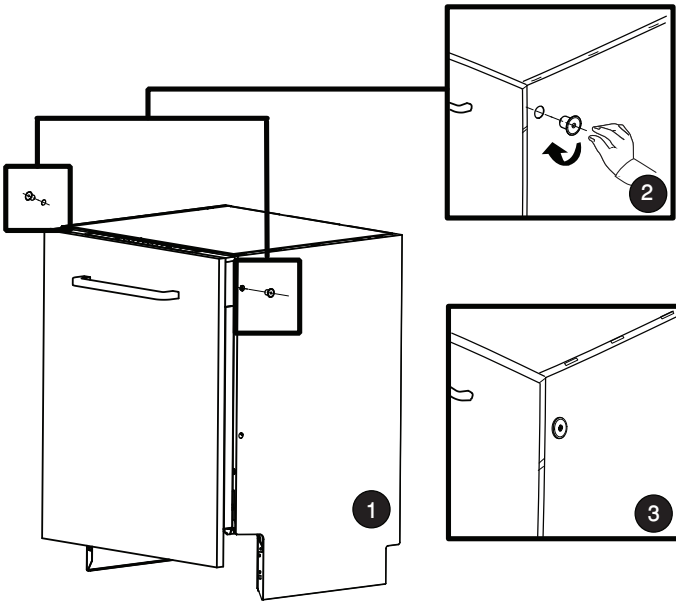



12  
-  
b

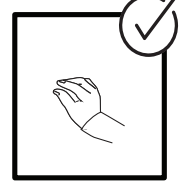
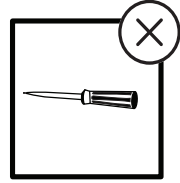


d  x4  
Ø 3,5x14mm

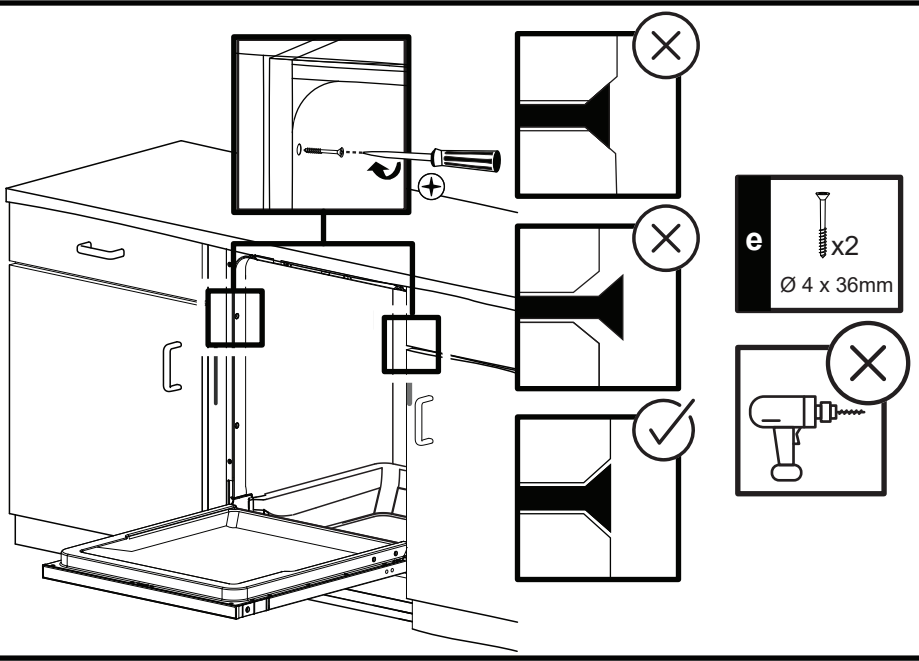
13  
-  
a



 x2



13  
b



14

