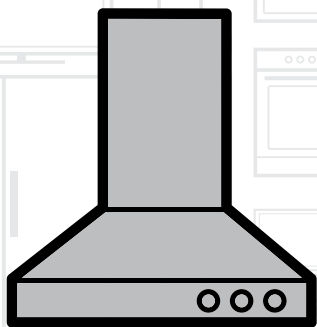


Hood

User manual



HCA62541W | HCA62541BH

HCA62541B

EN | PL | RO | DE | ES | FR | NL

CS | SL | SK | UA | ET | LT | LV

01M-8851153200-3820-13
01M-8851163200-3820-13
01M-8865223200-3820-13

beko

Please read this user manual first!

Dear Customers!

Thank you for preferring a Beko product. We hope that you get the best results from your product which has been manufactured with high quality and state-of-the-art technology. Therefore, please read this entire user manual and all other accompanying documents carefully before using the product and keep it as a reference for future use. If you handover the product to someone else, give the user manual as well. Follow all warnings and information in the user manual.

Remember that this user manual is also applicable for several other models. Differences between the models are explicitly described in the manual.

Meanings of the Symbols

Following symbols are used in the various section of this manual:



Important information or useful hints about usage.



WARNING: Warnings for dangerous situations concerning the safety of life and property.



Warning for electric shock.



Warning for hot surfaces.



Lamp



This product has been manufactured in environmental friendly modern plants without giving any harm to the nature.

CONTENTS

ENGLISH	04-22
POLSKI	23-42
ROMÂNĂ	43-61
DEUTSCH	62-83
ESPAÑOL	84-105
FRANÇAIS	106-126
NEDERLANDS	127-148
ČESKY	149-167
SLOVENŠČINA	168-187
SLOVENSKÝ	188-207
УКРАЇНСЬКИЙ	208-228
EESTI	229-248
LIETUVIŲ K.	249-268
LATVISKI	269-288

1 Important safety and environmental instructions

1.1 General Safety

Important Safety Instructions Read Carefully And Keep For Future Reference This section contains safety instructions that will help protect from risk of fire, electric shock, exposure to leak microwave energy, personal injury or property damage. Failure to follow these instructions shall void any warranty.

- Beko products comply with the applicable safety standards; therefore, in case of any damage on the appliance or power cable, it should be repaired or replaced by the dealer, service center or a specialist and authorized service alike to avoid any danger. Faulty or unqualified repair work may be dangerous and cause risk to the user.
- This appliance is intended to be used in household and similar applications such as:
 - Staff kitchen areas in shops, offices and other working environments;
 - Farm houses
 - By clients in hotels, and other residential type environments;
 - Bed and Breakfast type environments.
- Operate the appliance for its intended purpose only as described in this manual.
- The manufacturer cannot be held liable for damages resulting from improper installation or misuse of the product.
- This appliance can be used by children aged from 8 years and above and persons with reduced physical, sensory or mental capabilities or lack of experience and knowledge if they have been given supervision or instruction concerning use of the appliance in a safe way and understand the hazards involved.
- Children shall not be allowed play with the appliance. Cleaning and user maintenance shall not be made by children without supervision.
- The minimum distance between the supporting surface for the cooking vessels on the hob and the lowest part of your product must be at least 65 cm.
- If the instructions for installation for the gas hob specify a greater distance, this has to be taken into account.
- Make sure that your mains power

1 Important safety and environmental instructions

supply complies with the information supplied on the rating plate of the appliance.

- Never use the appliance if the power cable or the appliance itself is damaged.
- Prevent damage to the power cable by not squeezing, bending, or rubbing it on sharp edges. Keep the power cable away from hot surfaces and naked flame.
- Use the appliance with a grounded outlet only.

WARNING: Do not connect the appliance to the mains until the installation is fully complete.

- Place the appliance in a way so that the plug is always accessible.
- Do not touch the lamps if they have operated for a long time. They can burn your hands since they will be hot.
- Follow the regulations set out by competent authorities on discharge of the exhaust air (this warning is not applicable for use without Chimney).
- Operate your appliance after putting a pot, pan etc. on the hob. Otherwise, high heat may cause deformation in some parts of your product.

- Turn off the hob before taking the pot, pan etc. from it.
- Do not leave hot oil on the hob. Pans with hot oil may cause self combustion.
- Pay attention to your curtains and covers since oil may catch fire while cooking food such as fries.
- Grease filter must be replaced at least monthly. Carbon filter must be replaced at least every 3 months.
- Product shall be cleaned accordance with user manual. If cleaning was not carried out in accordance with user manual, there may be fire risk.
- Do not use non-fire-resistant filtering materials instead of the current filter.
- Only use the original parts or parts recommended by the manufacturer.
- Do not operate the product without the filter and do not remove the filters while the product is running.
- In the event of be started any flame, de-energize your product and cooking appliances.
- In the event of be started any flame, cover the flame and never

1 Important safety and environmental instructions

use water to extinguish.

- Unplug the appliance before each cleaning and when the appliance is not in use.
- The negative pressure in the environment should not exceed 4 Pa (4 x 10 bar) while the hood for electric hob and appliances running on another type of energy but electricity operate simultaneously.
- In the environment where the appliance is being used, the exhaust of devices running on fuel oil or gas, such as room heater must be absolutely isolated or device must be hermetical type.
- When connecting the Chimney , use pipes with a diameter of 120 or 150 mm. Pipe connection must be as short as possible and have as few elbows as possible.

Danger of choking! Keep all the packaging materials away from children.

CAUTION: Accessible parts may become hot when used with cooking appliances.

- The product outlet must not be connected to air channels that include other smoke.
- The ventilation in the room may

be insufficient when the hood for electric hob is used simultaneously with the devices operating on gas or other fuels (this may not apply to appliances that only discharge the air back into the room).

- Objects placed on the product may fall. Do not place any objects on the product.
- Do not flambe under the your product.

WARNING: Before installing the Hood, remove the protective films.

- Never leave high naked flames under the hood when it is in operation
- Deep fat fryers must be continuously monitored during use: overheated oil can burst into flames.

1.2 Compliance with the WEEE Directive and Disposing of the Waste Product:

This product complies with EU WEEE Directive (2012/19/EU). This product bears a classification

symbol for waste electrical and electronic equipment (WEEE).



This symbol indicates that this product shall not be disposed with other house-

1 Important safety and environmental instructions

hold wastes at the end of its service life. Used device must be returned to official collection point for recycling of electrical and electronic devices. To find these collection systems please contact to your local authorities or retailer where the product was purchased. Each household performs important role

in recovering and recycling of old appliance. Appropriate disposal of used appliance helps prevent potential negative consequences for the environment and human health.

1.3 Compliance with RoHS Directive

The product you have purchased complies with EU RoHS Directive (2011/65/EU). It does not contain harmful and prohibited materials specified in the Directive.

1.4 Package Information



Packaging materials of the product are manufactured from recyclable materials in accordance with our National

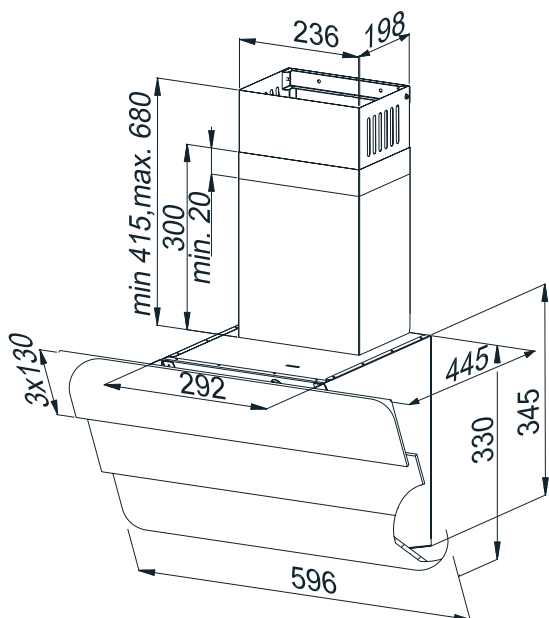
Environment Regulations. Do not dispose of the packaging materials together with the domestic or other wastes. Take them to the pac-

kaging material collection points designated by the local authorities.

2 General Appearance

Technical data contained in this manual and labels attached to the hood were obtained from measurements and calculations in accordance with the requirements of EU Regulation No. 65/2014 and 66/2014. This appliance complies with the European Directives 2009/125/EC and 2011/65/EU.

Fig.1 Dimension drawing

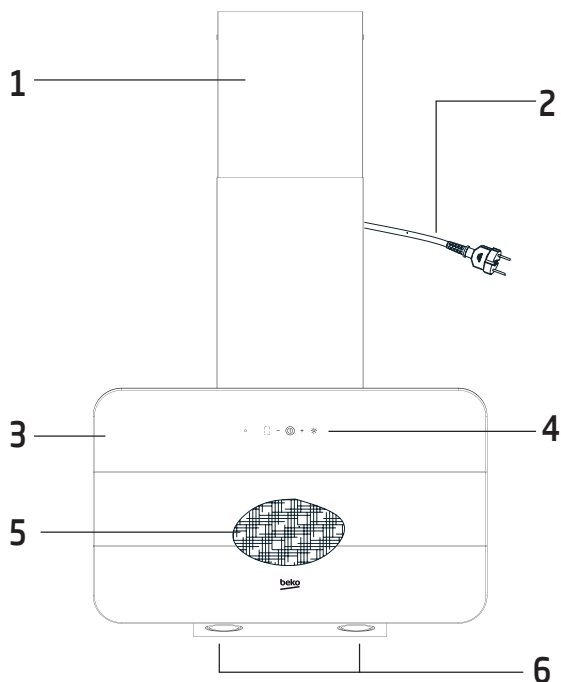


2.1 Technical Data

Model	HCA 62541 W / HCA 62541 B/ HCA62541BH
Supply voltage	220-240V ~ 50 Hz
Lamp Power	6 W
Motor Power	200 W
Flow rate (m ³ /h) - 3. Level	365 m ³ /h
Insulation Class of Motor	Class F
Insulation Class	Class I

2 General Appearance

Fig.2 Explanatory figure of the kitchen hood







1. Chimney cover
2. Power supply cord
3. Hinged flap
4. Touch control panel
5. Aluminium grease filter
6. Lighting

3 Operation of the Appliance

The hood is designed for suction of fumes while preparing meals. The device can be operated in two modes:

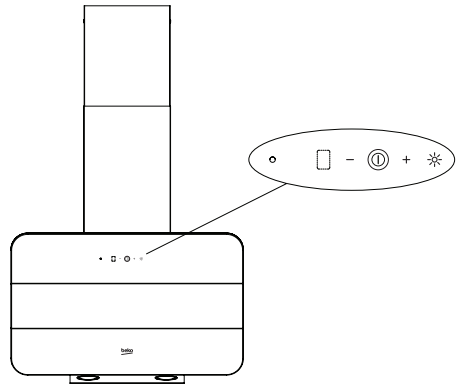
As extractor: vapors are removed outside the room by means of a venting pipe. The venting pipe is not available with the device and must be purchased separately.

	Use the shortest vapor discharging pipe possible.
	The venting pipe shall have the smoothest inner surface as possible (it is not recommended to use pipes of type spiro).
	Use a pipe with as few bends as possible (bending angles should not be greater than 90 degrees).
	It is not recommended to apply section changes of the pipe (larger to smaller e.g. air outlet Ø150 mm to air outlet Ø120mm).






As absorber: vapors are cleaned of grease and odors before they are returned to the room through the grille on the upper chimney cover. If the hood shall work as an absorber, it is necessary to install an active carbon filter (Fig. 6). The carbon filter is not standard equipment; it must be purchased from a vendor.

The hood is equipped with a touch control located on the top glass panel (Fig.3).

Fig. 3 Localization of the touch panel



Designation of touch fields:

-  Switching on/ off the hood
-  Switching on/ off the hood lighting
-  Reduction of turbine speed
-  Increasing the turbine speed
-  Digital display

3 Operation of the Appliance

3.1 Control of turbine operation

In standby mode, the control panel is not illuminated and the fields **+**, **—** and **⚡** are disabled. To activate the control panel, touch the field **⊙** or use the remote control (if enclosed). After activation, the control panel is highlighted and the touch field symbols appear; touching the field **⊙** starts the turbine at the recently used gear, touching the field **+** starts the turbine at the highest gear and touching the field **—** starts the turbine at the lowest gear. The turbine speed can be increased by touching the field **+**, reducing - by touching the symbol **—**. Disabling the hood turbine is done by touching the field **⊙** or after touching the field **—** when the turbine is operating at first gear. Along with the change of turbine speed, the digits on the display change accordingly:

1- turbine operating in first gear, 2- turbine operating in second gear, 3- turbine operating in third gear, 4- turbine operating in intensive gear (turbo).

In accordance with EU regulation 66/2014, the hood is equipped with an automatic, five-minute counter, which automatically changes the turbine level from fourth gear into third after 5 minutes (does not apply to the model with turbine number "5").

3.2 Lighting control

To turn on the hood light, the symbol **⚡** must be pressed; another pressing of the symbol switches the light off.

3.3 Additional information on the hood control

The hood control is equipped with a hood operation counter. The counter is set to 35 hours. After this time expires, the display shows the symbol **[F]** indicating the **recommended cleaning of the aluminum filter**. To delete the symbol "F" on the hood display, the symbol **—** must be touched and held continuously for about 8 seconds.

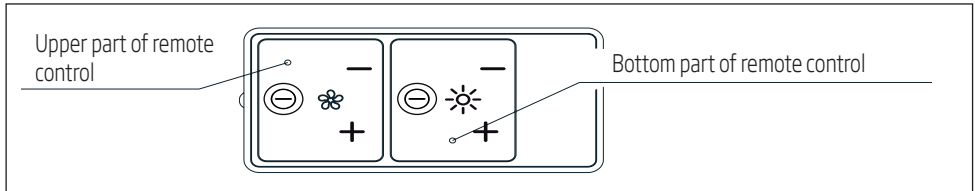
The hood control is equipped with a touch panel lock to deactivate the touch panel, for example when cleaning the hood. To enable the lock, touch and hold the symbol **⊙** (for about 10 seconds) until the symbol **[.]** (dot in the lower right corner) appears on the display. To return to normal operation, touch and hold the symbol **⊙** again (for about 10 seconds) until the dot on the display goes out. The hood control is equipped with a time switch that disables the hood turbine after 15 minutes from the switching on of the counter. The time switch of the turbine does not disable the lighting and the speed of the turbine can be freely changed. To activate the time switch, the hood turbine must work on any speed on the 1, 2, 3 or intense gear. The timer is activated by holding the symbol **+** (for about 10 seconds), until a dot starts to flash in the lower right corner. To disable this feature, hold again the symbol (for about 10 seconds) or turn the hood off.

The hood control is equipped with a feature to automatically turn off the turbine operation after 2 hours of inactivity of hood control.

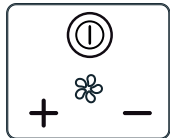
3 Operation of the Appliance





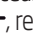

The hood has a remote control (only selected models) (Fig. 4)

Fig. 4 Remote control

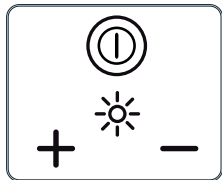






3.4 Remote control operation



The turbine operation is controlled with the upper part of the remote control, marked as . Enabling/ disabling the turbine is done by pressing the button with the symbol  but also  and . Increasing speed is done by pressing the button , reducing it by pressing the button .

3.5 Lighting control via remote control



The lighting is controlled with the bottom part of the remote control, marked as . Enabling/ disabling the light is done by pressing the button with the symbol . The buttons  and  are disabled.

3.6 Methods of reducing the effect of cooking process on the environment

To reduce Energy consumption, cook with using covers on kitchenware.

- Aluminum filters must be kept clean (recommended length of aluminum filter operation between cleanings is max. 35h of

hood operation).

- Take care of permeability of the ventilation pipes.
- The operation level of the turbine when cooking shall be always set to a minimum gear, which will allow removing the fumes at the current intensity of cooking

3.7 Replacing of lighting

Prior to any work related to the replacement of lighting, be sure to unplug the power supply. If the hood was previously enabled, you should wait until the light bulbs are cooled, after which you can proceed with the replacement. The process of exchanging the bulbs is shown in Fig. 5.



Before replacing the light bulbs, disconnect the power supply of the hood.



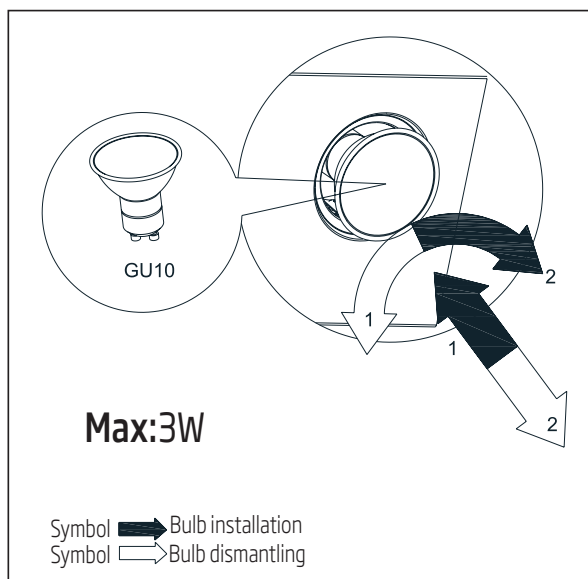
Do not touch the light bulbs when they are hot.



Be careful not to touch the replaced light bulb directly with hands.

3 Operation of the Appliance

Fig.5 Replacing the lighting



4 Cleaning and maintenance

Before carrying out any maintenance operations on the appliance, remove the plug from the wall outlet. The hood should be cleaned with mild cleaning agents, do not use abrasives. Regular maintenance nly improves the performance and durability of the hood. The hood should be cleaned at least once a month or every 35 hours of hood operation. To clean hood DO NOT USE ALCOHOL-BASED AGENTS. Satin items (inox) should be cleaned with special preparations for that purpose.



Failure to comply with the provisions relating to cleaning of the device and replacement of filters may cause fire risks. It is therefore recommended to comply with the guidelines given herein. The manufacturer is not liable for any damage to the engine or fires caused by improper use.

4.1 Grease filter

The hood is equipped with an aluminum filter, which retains the fat particles from cooking. The filter can be removed by moving the locks in the direction of the arrows (Fig. 6). The filter should be washed by hand by immersing for 15 minutes in water with dishwashing liquid at a temperature of 40-50°C. After 15 minutes, you can proceed with washing and then rinsing. The filter must be dry before being placed in the hood. The filter can also be washed in a dishwasher. During the washing procedure, the filter may discolor, however it does

not affect its filtering properties. If the filter is not cleaned regularly, it reduces the performance of the hood and could cause the risk of fire. The filter should be cleaned at least after each 35 hours of hood operation.

4.2 Carbon filter

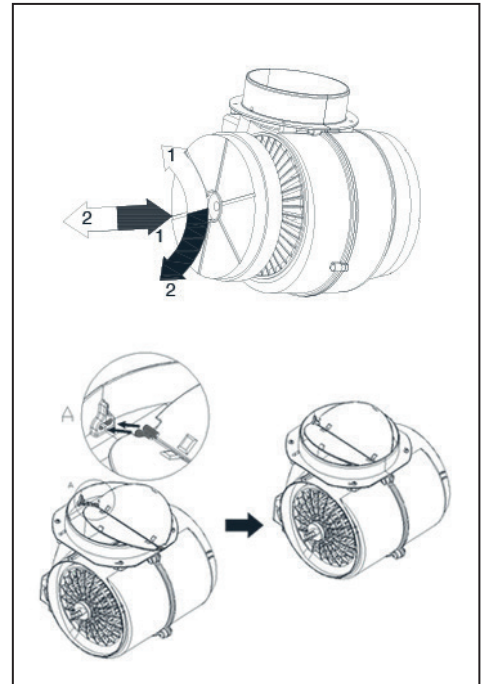
The hood can be fitted with an active carbon filter. The carbon filter is applied only in case the hood is not connected to the vent pipe.

The filter should be placed on the turbine casing, as shown in drawing (Fig. 6). The active carbon filter should be replaced every 6 months.



The carbon filter shall not be washed nor regenerated.

Fig.6 Replacing the carbon filter



5 Installing your appliance

**WARNING!**

Before starting the installation, read the safety information on User Manual.

**WARNING!**

Failure to install with screws and stabilizers in accordance with these instructions may result in electric shock.

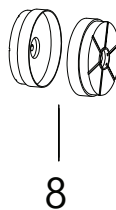
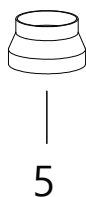
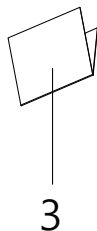
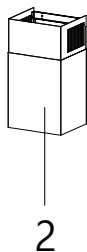
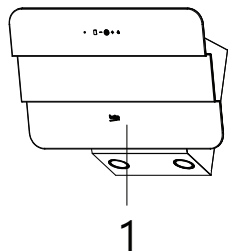
The minimum distance of hood suspension between the surface, on which the kitchenware are positioned on the heating device (gas or electric cooker), and the lowest part of the kitchen hood (Fig. 7) must be not less than 65 cm.

If the instruction manual of the heating device contains the requirement of a greater installation distance of the kitchen hood than indicated above, please follow these instructions. The installation of the hood and the hood chimney shield is shown in the drawings (Fig. 8 - Fig. 13)

The hood is equipped with mounting anchors suitable for the majority of the walls and ceilings. The general provisions on the discharge of air from rooms have to be observed during installation.

5 Installing your appliance

5.1 Installation Accessories



1. Hood
2. Chimney
3. User Manual
4. Blower flaps
5. Ø150/120mm Plastic Adapter
6. 6x HS4,0 x45 Screw
7. 6x PWB x40 Screw plug
8. 2x Carbon Filters (HCA 62541 BH)

5 Installing your appliance

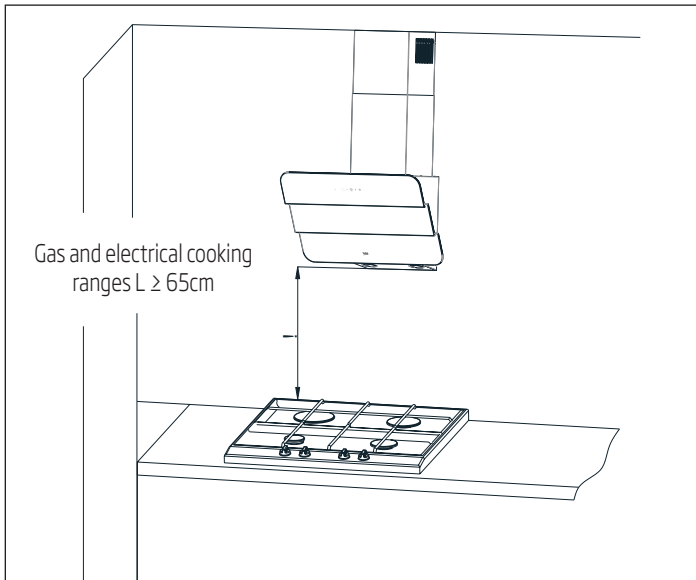


Fig.7 Suggested distance from the kitchen cooker

Before installation, the following must be done:

- Check that the dimensions of the purchased product are adapted to the selected target spot.
- Disconnect and remove (if possible) the furniture located in the installation area of the hood to get easy access to the ceiling or wall to which the hood is to be fitted. If this is not possible, the elements located near the working area must be secured.
- Verify if there is a plug socket close to the hood installation area and if it is possible to connect the hood to the vent pipe evacuating the vapors outside.
- Verify if the drilling spots do not cover installation wires (electrical, hydraulic, etc.).
- Be equipped with the following tools: measuring tape, pencil, drill/ driver, drill $\varnothing 8$, screwdriver, bubble level.

5.2 Installation works

1. Determine the heating element axis and transfer it to the wall where the hood will be mounted on. Mark all the specific hood

mounting points. Use the drill and drill holes (Fig. 8).

2. Insert extension bolts in the openings. In the two holes marked as A insert screws (leaving 7 mm screw length on the outside as in Fig. 9).
3. Open the hood flap and remove the grease filter (Fig.10).
4. Screw the chimney cover clamp, hang the hood on two loosely fitted screws (Fig. 11).
5. Place the bubble level on the kitchen hood body. By rotating the elements marked as A, set the hood horizontally in accordance with the indication of the bubble level and then tighten the two loosely fitted screws and the two remaining screws (Fig. 12).
6. Put the chimney cover on the body. Then gently pull out the part of the hood that is marked as B upwards until you will be able to screw it to the clamp previously affixed to the wall (Fig. 13)



The installation must be carried out very carefully, so as not to scratch the chimney cover and the hood.

5 Installing your appliance

Fig.8 Installation dimensions

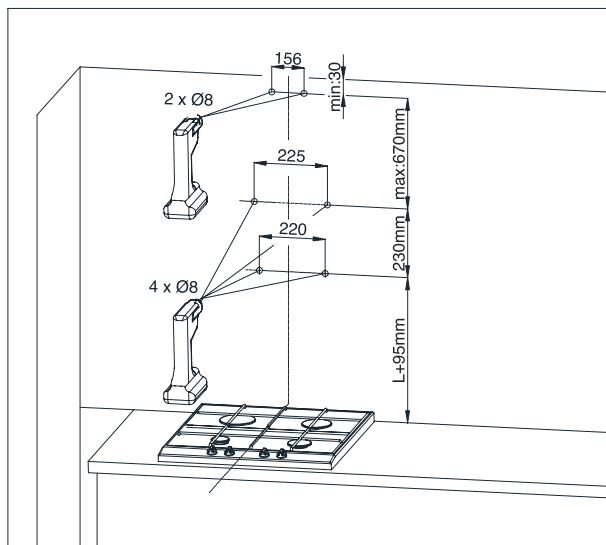
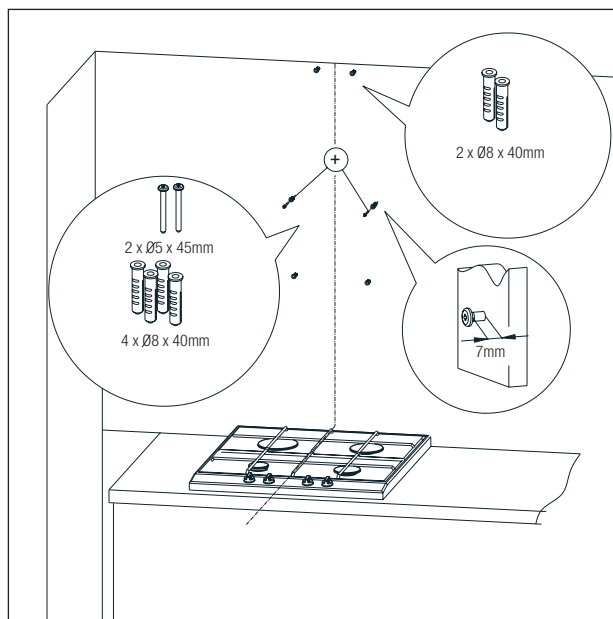


Fig.9 Assembly of extension bolts



5 Installing your appliance

Fig.10 Dismantling of aluminum grease filter

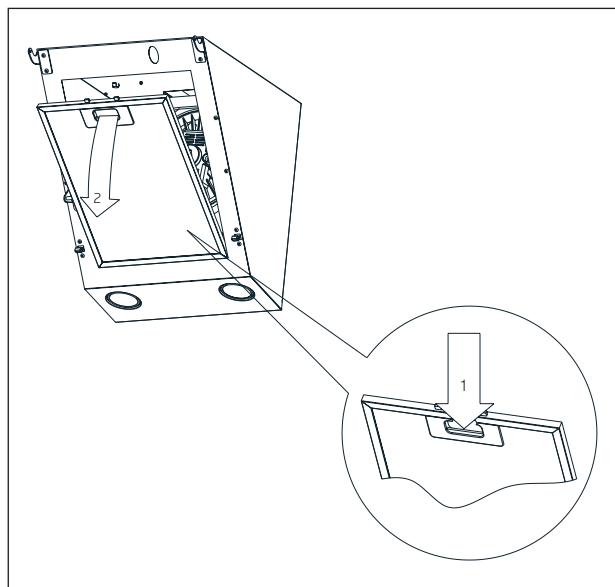
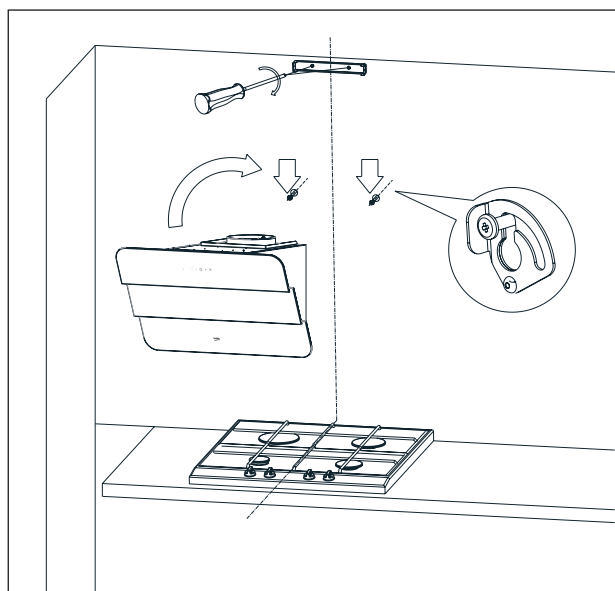


Fig.11 Suspending the hood



5 Installing your appliance

Fig.12 Positioning the hood

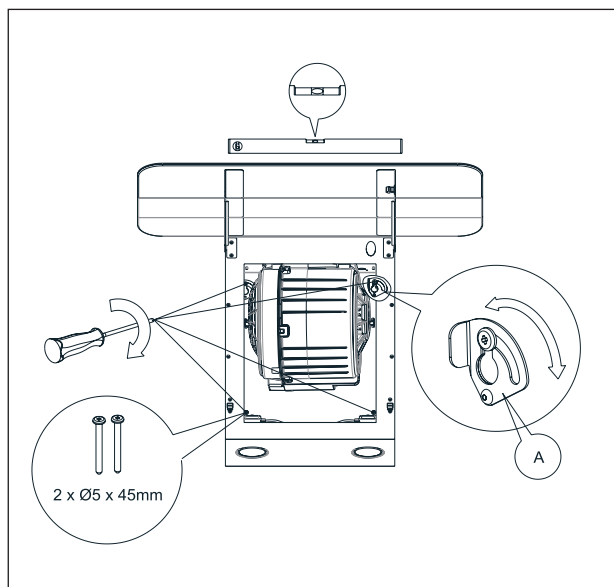
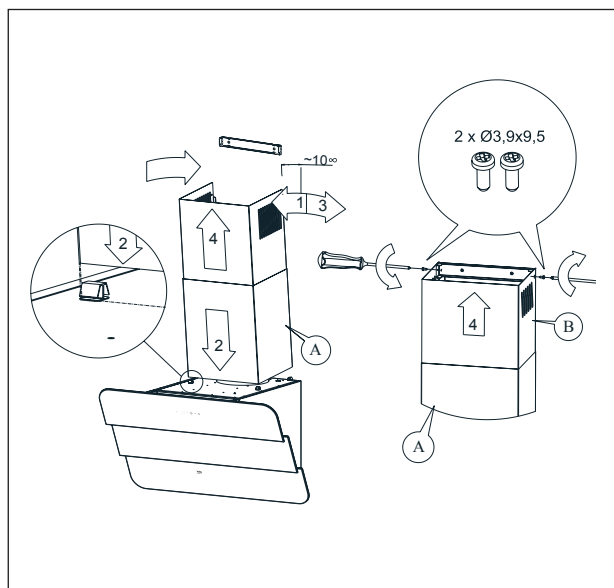


Fig.13 Hood cover assembly



5 Installing your appliance

5.3 Electric connection

The mains voltage must correspond to the voltage indicated on the rating plate affixed to the inside of the hood. If the kitchen hood is equipped with a plug, it should be put in a socket connector that meets the requirements of binding regulations and is located in an easily accessible place. If the hood is not fitted with a plug, the installation of the hood should be entrusted to someone with appropriate permissions (e.g. electrician).

6 Troubleshooting

Troubleshooting	Root Cause	Help
Appliance is not working.	Check your fuses.	Fuse may be blown, inspect and restore it.
Appliance is not working.	Check the electrical connection.	Mains voltage shall be between 220 and 240 V.
Appliance is not working.	Check the electrical connection.	Check if other appliance in your kitchen operate.
Illumination light does not operate.	Check the electrical connection.	Mains voltage shall be between 220 and 240 V.
Illumination light does not operate.	Inspect the lamp switch.	Lamp switch shall be at "on" position.
Illumination light does not operate.	Inspect the lamps.	The lamps of the appliance shall illuminate.
Air inlet of the appliance is inadequate.	Inspect the aluminium filter.	Under normal operating conditions, aluminum grease filter shall be cleaned at least once in a month.
Air inlet of the appliance is inadequate.	Check the air discharge chimney .	The air discharge chimney shall be at "on" position.
Air inlet of the appliance is inadequate.	Inspect the carbon filter.	The filters of the appliances with carbon filters shall be replaced once in every 3 months under normal conditions.

Proszę najpierw przeczytać tę instrukcję obsługi!

Drodzy Klienci,

Dziękujemy za wybór wyrobu marki Beko. Mamy nadzieję, że wyrób ten, wyprodukowany przy użyciu wysokiej jakości najnowszej technologii, okaże się w najwyższym stopniu zadowalający. Dlatego proszę przed jego użyciem uważnie przeczytać całą tę instrukcję obsługi i towarzyszące jej dokumenty i zachować ją do wglądu na przyszłość. Przy przekazaniu tego wyrobu komuś innemu, proszę oddać mu także tę instrukcję. Proszę przestrzegać wszystkich ostrzeżeń i informacji z tej instrukcji obsługi.

Proszę pamiętać, że instrukcja ta odnosi się także do kilku innych modeli. Różnice pomiędzy nimi są wyraźnie opisane w tej instrukcji.

Znaczenie symboli

W niniejszej instrukcji stosuje się następujące symbole:



Ważne informacje i przydatne wskazówki dotyczące użytkowania.



OSTRZEŻENIE Ostrzeżenia dotyczące sytuacji zagrażających bezpieczeństwu, życiu i mieniu.



Ostrzeżenie przed porażeniem prądem.



Ostrzeżenie przed gorącymi powierzchniami.



Lampa



Urządzenie zostało wyprodukowane w nowoczesnych, bezpiecznych dla środowiska zakładach bez wpływu na przyrodę.

Ważne instrukcje dotyczące bezpieczeństwa twa i ochrony środowiska naturalnego

Rozdział ten zawiera instrukcje zachowania bezpieczeństwa, które pomogą chronić się przed zagrożeniami obrażeniami ciała lub szkodami w mieniu. Nieprzestrzeganie tych instrukcji unieważnia udzieloną gwarancję.

1.1 Bezpieczeństwo: Zasady ogólne

- Wszystkie prace montażowe i naprawy należy powierzać Autoryzowanemu Agentowi Serwisowemu. Producent nie odpowiada za szkody, które mogą być spowodowane przez osoby nieupoważnione.
 - Urządzenie to nie jest przeznaczone do użytku przez osoby (w tym dzieci) o ograniczonej sprawności fizycznej, czuciowej i psychicznej, niedoświadczone i nieumiejętne. Należy zawsze uważać na dzieci, aby nie bawiły się tym urządzeniem.
- Jeśli przewód zasilający jest uszkodzony, jego wymianę należy powierzyć osobie o uznanych przez producenta kwalifikacjach, personelowi serwisu posprzedażnego lub podobnego (najlepiej elektrykowi) lub osobie wskazanej przez importera.
 - Napięcie zasilania 220 do 240 voltów.
 - W razie awarii okapu nie należy go używać dopóki nie zostanie naprawiony przez Autoryzowanego Agenta Serwisowego. Zagrożenie porażeniem prądem elektrycznym!
 - Nie prowadź przewodu zasilającego w pobliżu kuchenki. Grozi to pożarem od przewodu zasilającego, bo jego izolacja łatwo się topi.
 - Nie wkładaj wtyczki przewodu zasilającego do gniazdka przed ukończeniem montażu okapu.
 - Najlepiej działają przewody zewnętrzny nie dłuższe niż 4 m. Może skręcać pod kątem prostym nie więcej niż 2 razy, a jego średnica musi być co najmniej $\varnothing 120$ mm.

1.1.1 Bezpieczeństwo: Elektryczność

- Zawsze odłączaj okap od sieci na czas montażu, konserwacji, czyszczenia i napraw.

Ważne instrukcje dotyczące bezpieczeństwa twa i ochrony środowiska naturalnego

- Przed każdą interwencją wewnątrz okapu wyjmij wtyczkę z gniazdka.
- Używaj okapu tylko, jeśli przyłączony jest do gniazdka z uziemieniem.
- Nie dotykaj lamp okapu, jeśli paliły się przez dłuższy czas. Można poparzyć dłonie taką gorącą lampą.
- Wystrzegaj się obfitych płomieni pod okapem. Grozi to zapaleniem się cząstek na filtrze oleju, co może spowodować pożar.

1.1.2 Bezpieczeństwo: Wyrób

- Wylot okapu można przyłączyć do przewodu kominowego rurą o średnicy 120 mm lub 150 mm.
- Nie wolno przyłączać się do przewodów kominowych połączonych z kuchenkami, szymbów wylotowych, ani przewodów kominowych, w których palą się płomienie. Przestrzegaj urzędowych zasad zrzutu powietrza wylotowego.
- Pomiędzy dolną powierzchnią okapu a górną powierzchnią kuchenki/piecyka powinien być odstęp co najmniej 65 cm na kuchenkę gazową lub elektryczną.
- Nie używaj okapu bez filtrów aluminiowych i nie wyjmuj ich, gdy okap działa.
- Kuchenkę włączaj dopiero po postawieniu na niej garnków lub patelni. W przeciwnym razie niektóre części okapu mogą się odkształcać w miarę nagrzewania się.
- Wyłączaj kuchenkę zanim zdejmiesz z niej garnki i patelnie.
- Wystrzegaj się materiałów łatwopalnych pod okapem.
- Podczas smażenia potraw może się zapalić olej. Dlatego należy uważać na tkaniny i zasłony.
- Nie wolno pozostawiać kuchenki bez nadzoru, gdy smażą się na niej potrawy, bo grozi to zapaleniem się oleju i pożarem.
- Jeśli nie czyści się okapu z określoną częstotliwością, podnosi to zagrożenie pożarem.
- Podczas czyszczenia okapu zachowaj szczególną ostrożność i noś rękawice.

Ważne instrukcje dotyczące bezpieczeństwa twa i ochrony środowiska naturalnego

- Zalecamy uruchamianie okapu na kilka minut przed rozpoczęciem gotowania, aby nabrał mocy ssania. Dzięki temu, gdy zaczną się opary, ssanie będzie ciągłe i stabilne.
- Nie wyłączaj okapu przez 15 minut po zakończeniu gotowania lub smażenia, aby usunąć z kuchni zapach oparów gotowania.
- Gdy okap działa, zwłaszcza jeśli działa nad kuchenką gazową, upewnij się, że pomieszczenie to jest wentylowane czystym powietrzem.
- Zwróć uwagę, aby nie przyłączać okapu do przewodów kominowych używanych przez urządzenia nielektryczne. (Np.: przewód spalinowy grzejnika).
- Właściwa praca okapu równocześnie z innym urządzeniem, które wymaga powietrza, możliwa jest tylko przy niskim ciśnieniu 4 Pa (0,04 mbar), przy którym unika się zwrotnego wchłaniania gazu. Można to osiągnąć tylko przy dopływie powietrza przez nieosłonięte otwory (drzwi, okna, otwory wentylacyjne lub innych środki techniczne).

Zwracaj szczególną uwagę na zapewnienie wystarczającego przepływu powietrza. Do tego celu nie wystarczy przewód kominowy, którym dopływa/ odpływa powietrze.

1.1.3 Bezpieczeństwo: Dzieci

- Materiały opakowaniowe są niebezpieczne dla dzieci. Należy trzymać je w bezpiecznym miejscu, poza zasięgiem dzieci.
- Urządzenie elektryczne są niebezpieczne dla dzieci. Trzymaj dzieci z dala od tego okapu. Nie pozwalaj dzieciom bawić się nim.
- Urządzenia tego mogą używać dzieci w wieku 8 lat lub starsze oraz osoby niepełnosprawne fizycznie, sensorycznie lub umysłowo, lub nieumiejętne i nieodświadczone, pod warunkiem, że ktoś nadzoruje ich użytkowanie pod względem bezpieczeństwa, lub zostały odpowiednio poinstruowane i zdają sobie sprawę z zagrożeń przy jego użytkowaniu. Dzieci nie powinny bawić się tym urządzeniem.

Ważne instrukcje dotyczące bezpieczeństwa twa i ochrony środowiska naturalnego

- **OSTRZEŻENIE:** Jeśli jest to okap nad kuchnią, jego wystające części mogą się nagrzewać.

1.2 Przeznaczenie

- Urządzenie to przeznaczone jest do użytku domowego. Nie nadaje się do zastosowań komercyjnych i nie należy go używać niezgodnie z przeznaczeniem.
- Producent nie ponosi odpowiedzialności za szkody spowodowane niewłaściwym użytkowaniem lub transportem.
- Okres używalności tego okapu wynosi 10 lat. Jest to okres, w którym do nabycia będą części zamienne do utrzymania prawidłowego działania okapu.
- **OSTRZEŻENIE:** Zaniedbanie przykręcenia śrub zgodnie ze wskazaniami w tej instrukcji może zagrażać porażeniem elektrycznych.

1.3 Zgodność z dyrektywą WEEE i pozbywanie się zużytych wyrobów



Wyrób ten zgodny jest z dyrektywą WEEE Unii Europejskiej (2012/19/UE). Wyrób ten oznaczony jest symbolem klasyfikacyjnym dla zużytego sprzętu elektrycznego i elektronicznego (WEEE).

Wyrób ten wykonano z części i materiałów wysokiej jakości, które mogą być odzyskane i użyte jako surowce wtórne. Po zakończeniu użytkowania nie należy pozbywać się go razem z innymi odpadkami domowymi. Należy przekazać go do punktu zbiórki urządzeń elektrycznych i elektronicznych na surowce wtórne. Gdzie jest najbliższy taki punkt zbiórki można dowiedzieć się od władz miejscowych.

Zgodność z dyrektywą RoHS:

Wyrób ten jest zgodny z dyrektywą RoHS Unii Europejskiej (2011 /65 / UE). Nie zawiera wskazanych w tej dyrektywie materiałów szkodliwych i zakazanych.

1.4 Informacje o opakowaniu

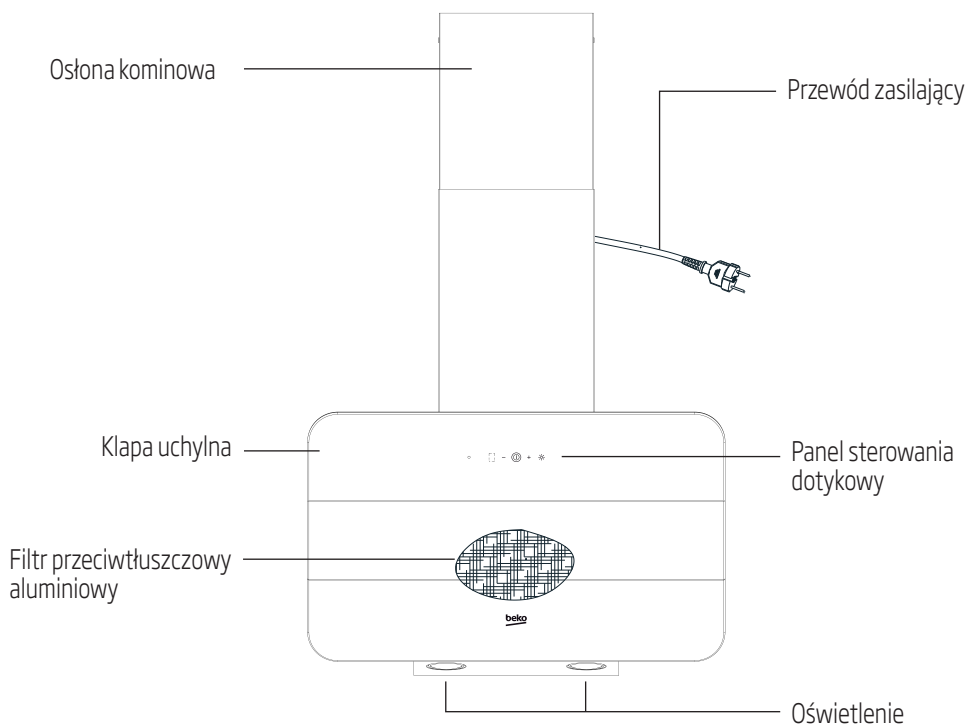


Opakowanie tego wyrobu wykonano z materiałów nadających się do recyklingu, zgodnie z naszym ustawodawstwem krajowym.. Nie wyrzucaj materiałów opakowaniowych do śmieci wraz z innymi odpadkami domowymi. Oddaj je w jednym z wyznaczonych przez władze lokalne punktów zbiórki materiałów opakowaniowych.

2 Dane techniczne okapu

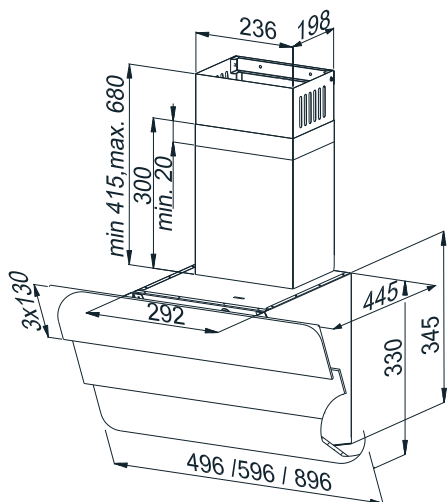
Dane techniczne zawarte w niniejszej instrukcji obsługi oraz na dołączonych do okapu etykietach zostały uzyskane poprzez wykonanie pomiarów i obliczeń zgodnie z wymogami rozporządzenia UE nr 65/2014 oraz 66/2014. Produkt jest zgodny z dyrektywami 2009/125/EC i 2011/65/EU.

Rys.1 Rysunek poglądowy okapu kuchennego.



2 Dane techniczne okapu

Rys.2 Rysunek gabarytowy.



3 Obsługa okapu

Okap jest przeznaczony do zasysania oparów podczas przygotowywania posiłków. Urządzenie może pracować w dwóch trybach:

Jako wyciąg: opary usuwane są na zewnątrz pomieszczenia za pomocą rury odprowadzającej. Rura odprowadzająca nie jest dostępna w komplecie z urządzeniem i należy ją zakupić oddzielnie.



Należy używać jak najkrótszego przewodu odprowadzającego opary.



Należy używać przewodu odprowadzającego o jak najgładziej powierzchni wewnętrznej (nie zaleca się stosowania rur typu spiro).



Stosować przewód o jak najmniejszej liczbie zagięć (kąty zgięć nie powinny być większe niż 90 stopni).



Nie zaleca się stosowania zmian przekroju przewodu (większego na mniejszy np. wylot powietrza Ø150 mm na wylot powietrza Ø120mm).

Jako pochłaniacz: opary są oczyszczane z tłuszczu i zapachów zanim zostaną zwrócone do pomieszczenia przez kratki w górnej osłonie kolumny. Aby okap pracował jako pochłaniacz należy zainstalować filtr węglowy (Rys.10). Filtr węglowy nie jest wyposażeniem standardowym, należy dokupić go u sprzedawcy.

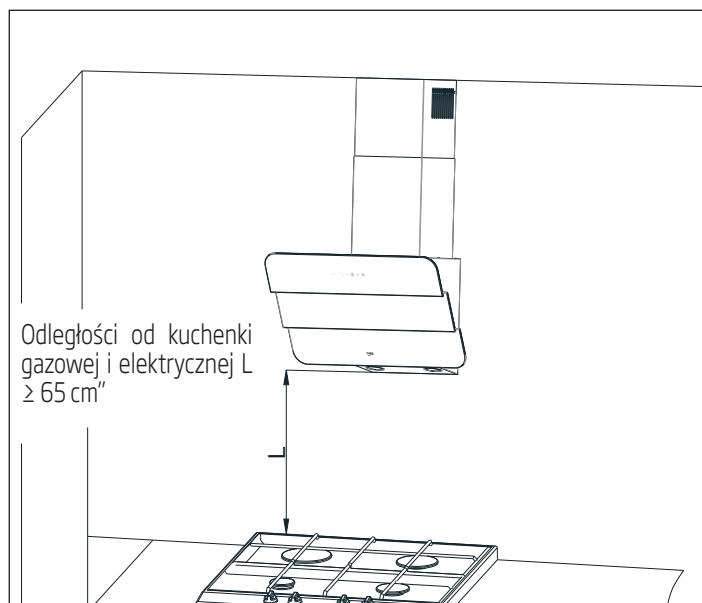
4 Montaż okapu



Niezgodnie z instrukcją zastosowanie śrub lub elementów mocujących może grozić porażeniem prądem elektrycznym.

Minimalna odległość zawieszenia okapu między powierzchnią, na której znajdują się naczynia kuchenne na urządzeniu grzewczym (kuchenka gazowa lub elektryczna), a najniższą częścią okapu kuchennego (rys. 3) nie może być mniejsza niż 65 cm. Jeżeli w instrukcji obsługi urządzenia grzewczego podana jest większa odległość instalowania okapu kuchennego niż wskazana powyżej, należy dostosować się do takich wskazań. Montaż okapu i osłony kominowej okapu przedstawiony jest na rysunkach (Rys.4 - Rys.9) Okap wyposażony jest w kołki mocujące odpowiednie do większości ścian i sufitów. Podczas montażu należy przestrzegać ogólnie obowiązujących przepisów dotyczących odprowadzenia powietrza z pomieszczeń.

Rys. 3 Sugerowana odległość od płyty grzewczej.



4 Montaż okapu

Przed przystąpieniem do instalacji należy:

- Sprawdzić, czy wymiary zakupionego produktu są dostosowane do wybranego miejsca docelowego.
- Odłączyć i usunąć (jeżeli istnieje taka możliwość) meble znajdujące się w obszarze instalacji okapu, aby uzyskać łatwy dostęp do sufitu lub ściany na której ma być zamontowany okap. Jeśli nie jest to możliwe należy zabezpieczyć elementy znajdujące się w pobliżu wykonywanych prac.
- Sprawdzić, czy w pobliżu strefy montowania okapu znajduje się gniazdko wtykowe i czy można podłączyć okap do przewodu wentylacyjnego odprowadzającego opary na zewnątrz.
- Sprawdzić, czy w miejscach w których będą wykonane wiercenia nie znajdują się przewody instalacyjne (elektryczne, hydrauliczne itp.).
- Wyposażyć się w następujące narzędzia: miarkę, ołówek, wiertarkę /wkrętkarkę, wiertło Ø8, śrubokręt, poziomicę.

4.1 Czynnności montażowe:

1. Wyznaczyć oś elementu grzewczego i przenieść ją na ścianę gdzie będzie zamontowany okap. Zaznaczyć wszystkie charakterystyczne punkty mocowań okapu. Użyć wiertarki i wywiercić otwory (Rys. 4).
2. W wywiercone otwory włożyć kołki rozporowe. W dwa otwory oznaczone literą A również wkręcić wkręty (pozostawiając 7mm długości wkrętu na zewnątrz kołka Rys.5).
3. Otworzyć klapę okapu i wymontować filtr przeciwłuszczowy (Rys.6).
4. Przykręcić zworę osłony kominowej, zawiesić okap kuchenny na dwóch niedokręconych wkrętach (Rys. 7).
5. Umieścić poziomicę na korpusie okapu kuchennego. Obracając elementem oznaczonym literą A ustawić okap w poziomie zgodnie ze wskazaniem poziomicy, a następnie dokręcić dwa już wkręcone po części wkręty i wkręcić dwa pozostałe (Rys.8).

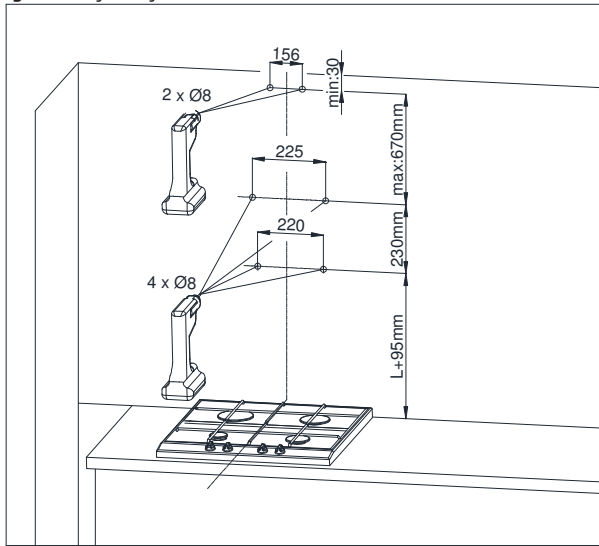
6. Umieścić na korpusie osłonę kominową. Następnie delikatnie wysuwać część okapu oznaczoną literą B ku górze, do momentu aż będzie możliwość przykręcenia jej do zwory wcześniej przymocowanej do ściany (Rys. 9).



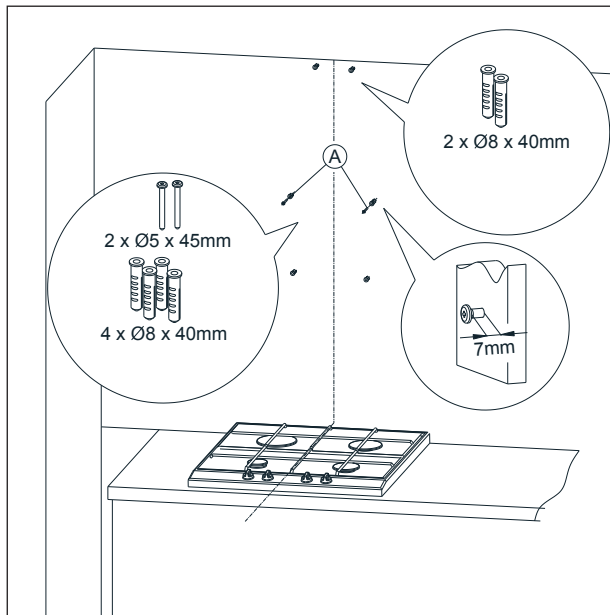
Tę operację montażu należy przeprowadzić bardzo ostrożnie, aby nie porysować osłony komina i samego okapu.

4 Montaż okapu

Rys. 4 Wymiary montażowe.

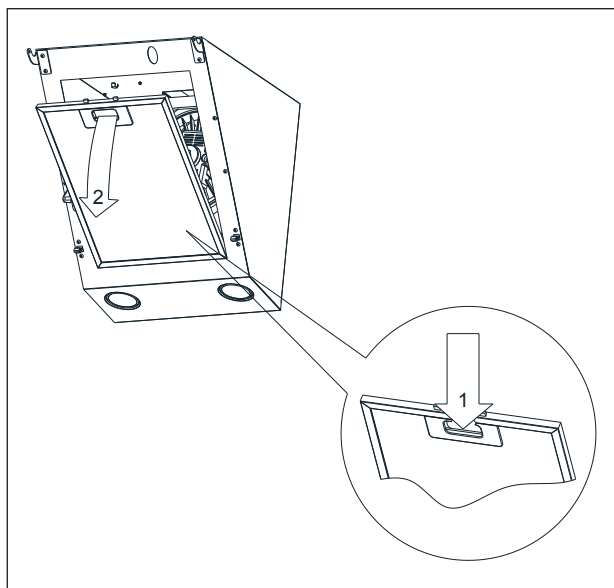


Rys. 5 Montaż kołków rozporowych.

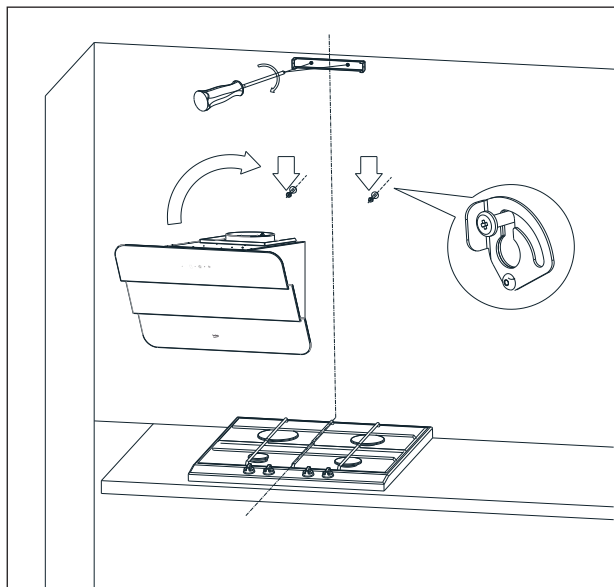


4 Montaż okapu

Rys. 6 Demontaż filtra aluminiowego przeciw tłuszczowego

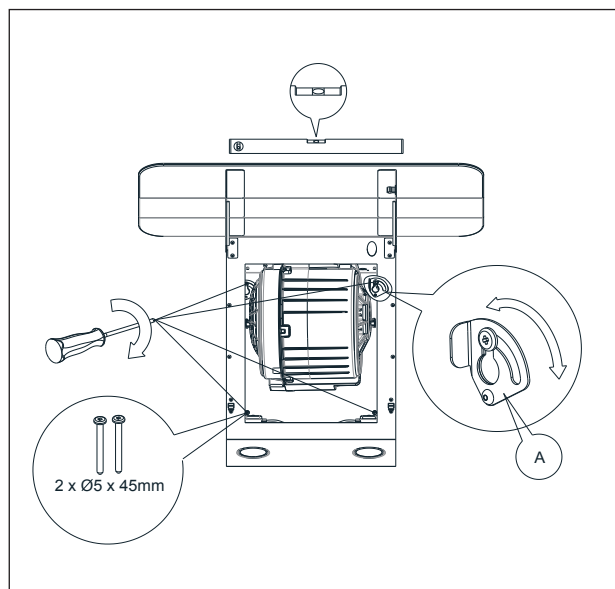


Rys. 7 Zawieszanie okapu.

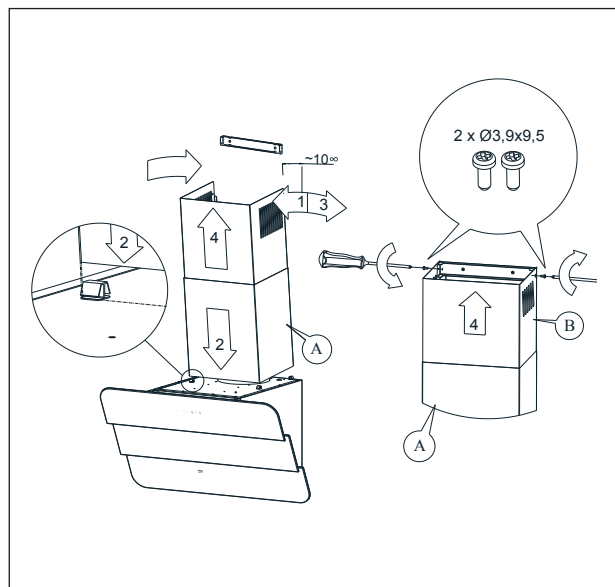


4 Montaż okapu

Rys. 8 Ustawianie okapu kuchennego.



Rys. 9 Montaż osłony kominowej.



4.2 Podłączenie elektryczne

Napięcie sieciowe musi odpowiadać napięciu wskazanemu na tabliczce umieszczonej w wewnętrznej części okapu. Jeżeli okap wyposażony jest we wtyczkę należy ją umieścić w gniazdku wtykowym spełniającym wymagania obowiązujących przepisów i znajdującym się w łatwo dostępnym miejscu. Jeżeli okap nie jest wyposażony we wtyczkę, instalacje okapu należy powierzyć osobie z odpowiednimi uprawnieniami (np. elektrykowi).

5 Czystczenie i konserwacja

Przed wykonaniem jakichkolwiek czynności związanych z konserwacją urządzenia, należy wyjąć wtyczkę z gniazdka. Okap należy czyścić łagodnymi środkami czyszczącymi, nie należy używać środków ściernych. Regularna konserwacja znacznie poprawia jakość pracy i trwałość okapu. Czynność czyszczenia okapu należy powtarzać przynajmniej raz w miesiącu lub co 35 godzin pracy okapu. Do mycia okapu w żadnym wypadku **NIE WOLNO STOSOWAĆ ŚRODKÓW NA BAZIE ALKOHOLU**. Elementy satynowe (inox) należy czyścić specjalnymi preparatami przeznaczonymi do tego celu.



Nieprzestrzeganie przepisów dotyczących czyszczenia urządzenia i wymiany filtrów może powodować powstanie zagrożenia pożarem. Zaleca się zatem przestrzeganie podanych wskazówek. Producent nie ponosi odpowiedzialności za ewentualne uszkodzenia silnika lub pożary spowodowane niewłaściwym użytkowaniem.

5.1 Filtr przeciwtłuszczowy

Okap jest wyposażony w filtr aluminiowy, który zatrzymuje cząstki tłuszczu pochodzące z gotowania. Filtr wyjmuje się poprzez przesunięcie zamków w kierunku wskazanym strzałkami (Rys.7). Filtr powinien być myty ręcznie poprzez zanurzenie na 15 minut w wodzie z płynem do mycia naczyń o temperaturze 40-50°C. Po upływie 15 minut należy rozpocząć mycie następnie i dokładnie opłukać filtr. Filtr musi być suchy przed ponownym umieszczeniem w okapie. Filtr może być również myty w zmywarkach. Filtr podczas mycia może się odbarwić co, nie ma wpływu na jego właściwości filtrowania. Nie czyszczony regularnie filtr zmniejsza wydajność okapu i może przyczynić się do powstania pożaru. Filtr należy czyścić przynajmniej co 35 godzin pracy okapu.

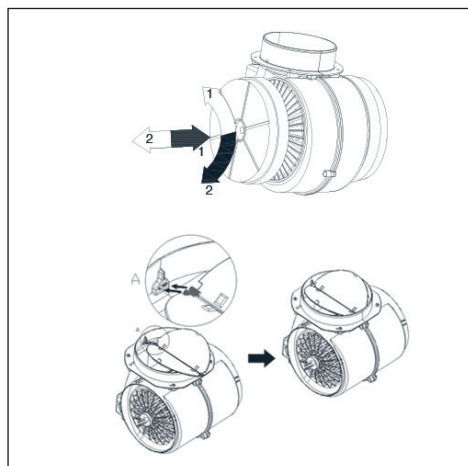
5.2 Filtr węglowy

Okap może być wyposażony w filtr węglowy. Filtr węglowy stosuje się wyłącznie, kiedy okap nie jest podłączony do przewodu wentylacyjnego. Filtr należy umieścić na obudowie turbiny, jak ilustruje to rysunek (Rys.10). Filtr węglowy powinien być wymieniany co 6 miesięcy.



Nie wolno myć lub regenerować filtra węglowego.

Rys. 10 Wymiana filtra węglowego.



5.3 Wymiana oświetlenia

Przed przystąpieniem do jakichkolwiek prac związanych z wymianą oświetlenia, należy odłączyć zasilanie. Jeżeli okap był wcześniej włączony należy odczekać aby żarówki się ochłodziły i po ochłodzeniu można przystąpić do ich wymiany. Proces wymiany żarówki przedstawia rysunek 11.



Przed wymianą żarówek należy odłączyć zasilanie okapu.

5 Czyszczenie i konserwacja

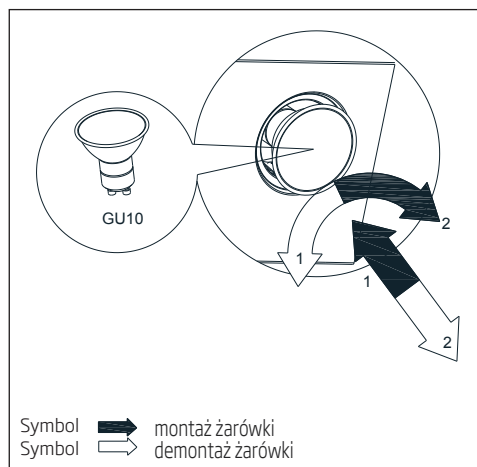


Nie należy dotykać żarówek dopóki są gorące.



Należy uważać, aby nie dotykać bezpośrednio zakładanej żarówki rękami.

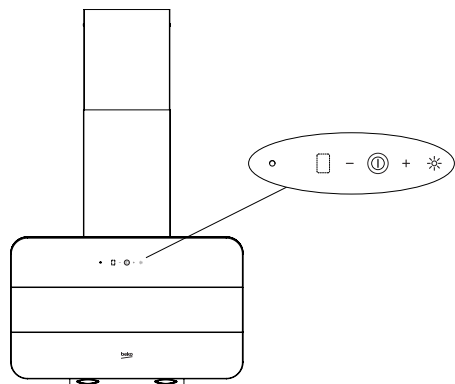
Rys. 11 Wymiana oświetlenia.



6 Sterowanie pracą okapu

Okap wyposażony jest w sterowanie dotykowe znajdujące się na szybie górnej (Rys.12).

Rys. 12 Usytuowanie panelu dotykowego.



Oznaczenia pól dotykowych:

- Ⓢ Pole dotykowe włączające / wyłączające okap
- ☀ Pole dotykowe włączające / wyłączające oświetlenie okapu
- Pole dotykowe zmniejszające prędkość turbiny
- ⊕ Pole dotykowe zwiększające prędkość turbiny
- ⎓ Wyświetlacz cyfrowy

6.1 Sterowanie pracą turbiny

W trybie czuwania sterowanie jest niepodświetlone i nie działają pola ⊕, — ani ☀. W celu aktywacji sterowania należy dotknąć pola Ⓢ lub użyć pilota (jeśli jest dołączony). Po aktywacji, sterowanie się podświetla i pojawiają się symbole pól dotykowych, dotknięcie pola Ⓢ powoduje włączenie turbiny na ostatnio używanym biegu, dotknięcie pola ⊕ powoduje uruchomienie turbiny na najwyższym biegu, dotknięcie pola — powoduje uruchomienie turbiny na najniższym biegu.

Zwiększenie prędkości turbiny odbywa się przez dotknięcie symbolu ⊕, zmniejszenie przez dotknięcie symbolu —. Wyłączenie turbiny okapu następuje po dotknięciu pola Ⓢ lub po dotknięciu pola — gdy turbina pracuje na pierwszym biegu. Wraz ze zmianą prędkości pracy turbiny zmieniają się odpowiednio cyfry na wyświetlaczu: 1- praca turbiny na pierwszym biegu, 2- praca turbiny na drugim biegu, 3- praca turbiny na trzecim biegu, 4- praca turbiny na biegu intensywnym (turbo).

Zgodnie z rozporządzeniem EU 66/2014 okap wyposażony jest w automatyczny, pięciominutowy licznik zmieniający samoistnie poziom biegu turbiny z czwartego na trzeci po upływie 5 minut (nie dotyczy modelu z turbiną o numerze „5”).

6.2 Sterowanie oświetleniem

Aby włączyć oświetlenie okapu należy dotknąć symbolu ☀, ponowne dotknięcie powoduje wyłączenie oświetlenia.

6.3 Dodatkowe informacje dotyczące sterowania okapem

Sterownik okapu wyposażony jest w licznik czasu pracy okapu. Licznik ustawiony jest na 35 godzin. Po upływie tego czasu na wyświetlaczu pojawia się symbol ⏸, który sygnalizuje zalecane czyszczenie filtra aluminiowego. Aby usunąć znak „F” na wyświetlaczu okapu należy dotknąć i przytrzymać symbol — „w sposób ciągły” przez około 8 sekund.

Sterownik okapu wyposażony jest w blokadę panelu dotykowego służącą do dezaktywowania panelu dotykowego np. podczas czyszczenia okapu. Aby włączyć blokadę należy przytrzymać symbol Ⓢ (przez około 10 sekund) aż pojawi się na wyświetlaczu symbol ⎓ (kropka w dolnym prawym rogu). Aby powrócić do normalnej pracy należy ponownie przytrzymać symbol Ⓢ (przez około 10 sekund) na wyświetlaczu zgaśnie kropka.

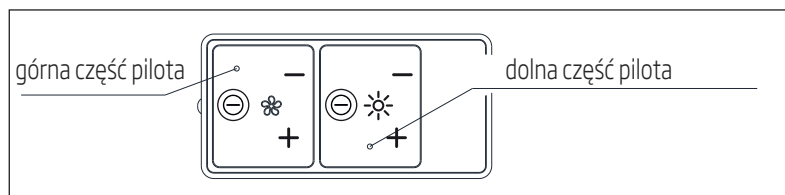
6 Sterowanie pracą okapu

Sterownik okapu wyposażony jest w wyłącznik czasowy turbiny okapu, który wyłącza turbinę okapu po upływie 15 minut od włączenia licznika. Wyłącznik czasowy turbiny nie wyłącza oświetlenia, a prędkości turbiny można dowolnie zmieniać. Aby wyłącznik czasowy mógł zostać włączony turbina okapu musi pracować na dowolnej prędkości biegu 1, 2, 3, intensywnym. Aktywacja timera następuje poprzez przytrzymanie symbolu **+** (przez około 10 sekund), aż na wyświetlaczu w prawym dolnym rogu zacznie pulsować punkt. Wyłączenie tej funkcji można dokonać przez ponowne przytrzymanie symbolu **+** (około 10 sekund) lub wyłączenie okapu.

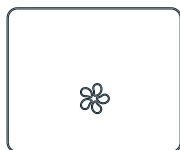
Sterownik okapu wyposażony jest w funkcję automatycznego wyłączenia pracy turbiny po upływie 2 godzin bezczynności sterowania okapem.

Okap posiada pilot do zdalnego sterowania (dotyczy wybranych modeli) (Rys. 13)

Rys. 13 Pilot zdalnego sterowania.



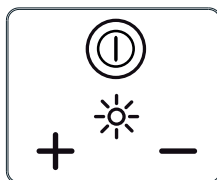
6.4 Sterowanie pracą turbiny przy pomocy pilota



Za sterowanie pracą turbiny odpowiada górna część pilota oznaczona symbolem ☀. Włączenie / wyłączenie turbiny odbywa się przez naciśnięcie przycisku z symbolem

Ⓢ ale też **+** i **-**. Zwiększanie prędkości odbywa się przez naciskanie przycisku **+**, zmniejszanie przez naciskanie przycisku **-**.

6.5 Sterowanie oświetleniem przy pomocy pilota



Za sterowanie oświetleniem odpowiada dolna część pilota oznaczona symbolem ☀. Włączenie / wyłączenie oświetlenia odbywa się przez naciśnięcie przycisku z sym-

bolem Ⓢ. Przyciski z symbolem **+**, **-** są nieaktywne.

6.6 Sposoby zmniejszenia wpływu procesu gotowania na środowisko

- W celu zmniejszenia zużycia energii należy gotować w naczyniach pod przykrywką.
- Filtry aluminiowe okapu należy utrzymywać w czystości (zalecany czas pracy filtra aluminiowego pomiędzy jego czyszczeniami wynosi max 35h pracy okapu).
- Należy dbać o drożność przewodów wentylacyjnych.
- Poziom pracy turbiny podczas gotowania należy zawsze ustawiać na minimalny bieg, który pozwoli na usunięcie oparów przy aktualnej intensywności gotowania.

6.7 Karta produktu

Karta produktu umieszczona jest wewnątrz okapu.

7 Rozwiązywanie problemów

Objawy	Przyczyny wystąpienia	Sposoby naprawy
Podczas pracy okapu na wyświetlaczu pojawia się pulsująca litera "F".	Po 35 godzinach pracy okap sygnalizuje konieczność wyczyszczenia lub wymiany filtra przeciwłuszczowego.	Należy nacisnąć i przytrzymać przez ok. 8s pole "-" na sterowaniu dotykowym. Filtr należy umyć w zmywarce lub wymienić na nowy.
Wyświetlacz pokazuje jedynie znak "-." (minus oraz kropka w prawym dolnym rogu), okap nie reaguje na próbę włączenia.	Panel dotykowy został zablokowany - jest to funkcja ułatwiająca mycie okapu.	Aby wyłączyć blokadę należy nacisnąć i przytrzymać przez ok. 10s pole z symbolem włącznika.
Na wyświetlaczu nie pojawia się żaden symbol, okap nie reaguje na naciśnięcie pól sterowania.	Prawdopodobnie zawiesił się panel sterowania.	Należy odłączyć okap od źródła zasilania na ok. 15s i włączyć go ponownie.
Wyświetlacz pokazuje symbol jednego z biegów, okap nie reaguje na naciśnięcie pól sterowania.	Prawdopodobnie zawiesił się panel sterowania.	Należy odłączyć okap od źródła zasilania na ok. 15s i włączyć go ponownie.
Turbina okapu wyłącza się po 15min pracy, na wyświetlaczu pulsuje np. "1." (numer aktualnego biegu i kropka w prawym dolnym rogu wyświetlacza).	Został aktywowany automatyczny wyłącznik czasowy panelu sterowania.	Aby deaktywować wyłącznik czasowy należy nacisnąć i przytrzymać przez ok. 10s symbol plus lub wyłączyć okap.
Na czwartym biegu pulsuje cyfra "4" na wyświetlaczu, po 5min bieg zmieniający jest na trzeci.	Okap wyposażony jest w tryb turbo, który po 5min pracy automatycznie zmienia bieg na trzeci w celu oszczędzania energii.	Trybu turbo należy używać jedynie przy intensywnym gotowaniu.
Okap można obsługiwać jedynie za pomocą panelu sterowania, nie reaguje na pilota	Wyczerpała się bateria w pilocie lub odległość jest zbyt duża.	Należy wymienić baterię na nową.
Okap słabo zasysa opary.	Prawdopodobną przyczyną są zanieczyszczone filtry	Filtr przeciwłuszczowy należy umyć w zmywarce lub wymienić na nowy. Filtr węglowy (jeśli występuje) należy wymienić na nowy.
Nie świeci jeden lub więcej punkt świetlny.	Przepalona żarówka halogenowa / ledowa.	Żarówkę należy wymienić na nową, zgodną z symbolem podanym w instrukcji obsługi okapu.
Okap generuje nadmierny hałas i wibracje.	Przyczyną może być nieprawidłowy montaż okapu do ściany lub szafki kuchennej. Nie przykręcono wszystkich przewidzianych wkrętów lub nie dokręcono wkrętów, pozostawiając luz.	Okap musi być zamontowany do ściany lub szafki z wykorzystaniem wszystkich punktów przewidzianych przez producenta. Po wyregulowaniu położenia okapu w pionie i w poziomie należy dokręcić wszystkie wkręty montażowe.

* dotyczy okapów ze sterowaniem dotykowym

Jeśli powyższe zalecenia nie rozwiązują problemów, należy skontaktować się z autoryzowanym serwisem AGD uprawnionym do naprawy. Pod żadnym pozorem użytkownik okapu nie jest uprawniony do samodzielnych napraw. Wykaz punktów serwisowych znajduje się na karcie gwarancyjnej oraz na stronie internetowej.

Vă rugăm să citiți mai întâi acest manual!

Stimați clienți!

Vă mulțumim pentru că preferați un produs Beko. Sperăm să obțineți cele mai bune rezultate de la produsul dumneavoastră, care a fost fabricat la o calitate înaltă și cu tehnologii performante. În acest scop, vă rugăm să citiți cu grijă și în întregime acest manual de utilizare și toate celelalte documente însoțitoare înainte de a utiliza produsul și să le păstrați pentru consultări ulterioare. Dacă predați produsul altei persoane, oferiți-i și manualul de utilizare. Respectați toate avertismentele și informațiile din manualul de utilizare.

Rețineți că acest manual de utilizare este valabil și pentru alte modele. Diferențele dintre modele sunt descrise în manual în mod clar.

Semnificația simbolurilor

Următoarele simboluri sunt utilizate în diverse părți ale acestui manual de utilizare:



Informații importante și sugestii utile cu privire la utilizare.



AVERTISMENT: Avertismente pentru situații periculoase referitoare la siguranța vieții și a bunurilor.



Avertisment privind șocurile electrice.



Avertisment pentru suprafețe fierbinți.



Lampă



Acest produs a fost fabricat în fabrici moderne, prietenoase cu mediul înconjurător, fără a dăuna naturii.

Acest produs este conform cu regulamentul DEEE.



Nu conține PCB.

Această secțiune conține instrucțiuni de siguranță care vă vor ajuta să vă protejați de riscul vătămarilor personale sau pagubelor materiale. Nerespectarea acestor instrucțiuni anulează garanția furnizată.

1.1 Siguranță generală

- Procedurile de instalare și de reparare trebuie efectuate întotdeauna de către un agent de service autorizat. Producătorul nu își asumă răspunderea pentru daunele survenite ca urmare a procedurilor efectuate de persoane neautorizate.
- Acest aparat nu este destinat utilizării de către persoane (inclusiv copii) cu capacități fizice, senzoriale sau mentale reduse sau fără experiență și cunoștințe. Copiii trebuie supravegheați pentru a nu se juca cu aparatul.

1.1.1 Siguranță electrică

- În timpul procedurilor de instalare, întreținere, curățare și reparare, deconectați întotdeauna produsul de la priză.

- În cazul în care cablul de alimentare este defect, acesta trebuie înlocuit de o persoană calificată și certificată de producător, de centrul de service post-vânzare sau similar (de preferință un electrician) sau de o persoană descrisă de importator.
- Tensiunea de funcționare este cuprinsă între 220 și 240 de volți.
- Dacă aparatul are o defecțiune, acesta nu trebuie utilizat decât dacă este reparat de un agent de service autorizat. Există riscul de șoc electric!
- Nu trasați cablul de alimentare în apropierea plitelor. În caz contrar, cablul de alimentare poate să provoace incendiu, deoarece se topește ușor.
- Nu conectați hota la priză înainte de finalizarea montării.
- Pentru o funcționare optimă, conducta externă de evacuare nu trebuie să fie mai lungă de 4 m. Nu trebuie să aibă mai mult de două unghiuri drepte (90°), iar diametrul trebuie să fie de minimum $\varnothing 120$ mm.

Instrucțiuni importante referitoare la siguranță și mediu înconjurător

- Înainte de a interveni asupra componentelor interne ale produsului, deconectați produsul de la priză.
- Utilizați produsul doar cu o priză cu împământare.
- Evitați flăcările mari sub produs. În caz contrar, particulele din filtrul de ulei se pot aprinde, provocând un incendiu.
- Porniți plitele după ce ați pus cratițele sau oalele pe acestea. În caz contrar, căldura care se ridică poate deforma unele piese ale produsului.

1.1.2 Siguranța produsului

- Dumneavoastră puteți folosi o conductă cu diametrul de 120 mm sau de 150 mm pentru racordul de evacuare al hotei.
- Nu racordați hota la căi de evacuare conectate la sobe, la hornuri pentru gaze arse sau la căi de evacuare prin care se ridică flăcări. Respectați regulile stabilite de autorități privind evacuarea gazelor arse.
- Distanța dintre suprafața inferioară a hotei și suprafața superioară a plitei/cuptorului nu trebuie să fie mai mică de 65 cm pentru plitele cu gaz și electrice.
- Nu utilizați hota fără filtrele de aluminiu și nu scoateți filtrele în timpul funcționării.
- Nu atingeți niciodată lămpile hotei după ce au fost aprinse timp îndelungat. Lămpile fierbinți vă pot arde mâna.
- Opriți plitele înainte de a lua cratițele sau oalele.
- Evitați materialele inflamabile sub hotă.
- În timpul prăjirii alimentelor, uleiul se poate aprinde. Așadar, fiți atenți cu materialele textile și cu perdelele.
- În timpul prăjirii alimentelor, nu lăsați niciodată mașina de gătit nesupravegheată; în caz contrar, uleiul încins poate cauza un incendiu.
- Dacă hota nu este curățată la intervale specifice, există riscul de incendiu.
- În momentul când curățați hota, fiți foarte atenți și purtați mănuși.
- Vă recomandăm să operați aparatul cu câteva minute înainte de începerea gătirii, pentru a mări forța de aspirare. În acest fel, forța

Instrucțiuni importante referitoare la siguranță și mediu înconjurător

de aspirare va fi continuă și stabilă în momentul când se ridică vaporii.

- Utilizați hota alte 15 minute după finalizarea gătirii sau prăjirii, pentru a elimina mirosul și vaporii de gătire din bucătărie.
- În momentul când hota este utilizată, în special împreună cu mașinile de gătit pe gaz, asigurați-vă că mediul este ventilat cu aer curat.
- Fiți atenți să nu conectați produsul la căile de evacuare utilizate de dispozitivele non-electrice. (De ex.: Calea de evacuare a unui boiler).
- Utilizarea simultană și fluentă a hotei și a altui dispozitiv care necesită o cantitate de aer este posibilă doar atunci când o presiune scăzută de 4 Pa (0,04 mbar) este atinsă, fiind astfel evitată reabsorbirea gazului. Acest lucru poate fi realizat prin mijloacele de admisie a aerului din deschiderile descoperite (ușă, fereastră, goluri de ventilație sau alte măsuri tehnice).

Fiți foarte atenți să furnizați un debit suficient de aer. O cale de evacuare care furnizează admisia/evacuarea aerului nu este suficientă pentru acest scop.

1.1.3 Siguranța copiilor

- Ambalajele sunt periculoase pentru copii. Păstrați ambalajele într-un loc sigur, departe de copii.
- Aparatele electrice sunt periculoase pentru copii. Țineți copiii departe de produs. Nu permiteți copiilor să se joace cu produsul.
- Acest produs poate fi utilizat de copii de la 8 ani în sus și de persoane cu capacitate fizică, senzorială sau mentală limitată sau care nu au cunoștințe și experiență, atât timp cât sunt supravegheați pentru utilizarea în siguranță a produsului sau sunt instruiți corespunzător sau înțeleg riscurile de utilizare a produsului. Nu permiteți copiilor să se joace cu produsul.
- **ATENȚIE:** În momentul când hota este utilizată împreună cu un dispozitiv de gătire, componentele accesibile se pot încălzi.

Instrucțiuni importante referitoare la siguranță și mediu înconjurător

1.2 Utilizare destinată

- Acest aparat este destinat uzului casnic. Nu este destinat pentru uz comercial și nu trebuie folosit în alte scopuri.
- Producătorul nu își asumă răspunderea pentru daunele produse în urma utilizării sau manipulării incorecte.
- Durata de funcționare a aparatului este de 10 ani. Aceasta este perioada impusă pentru disponibilitatea pieselor de schimb necesare funcționării produsului.
- **AVERTISMENT:** Nerespectarea fixării șuruburilor conform instrucțiunilor furnizate în aceste manual poate conduce la pericole electrice.

1.3 Conformitate cu Directiva DEEE și de depozitare a deșeurilor



Acest produs este conform cu Directiva DEEE a UE (2012/19/UE). Acest produs a fost marcat cu simbolul de clasificare pentru deșeurile de echipamente electrice și electronice (DEEE).

Acest produs a fost fabricat cu componente și cu materiale de înaltă calitate, care pot fi refolosite și reciclate. La sfârșitul duratei de funcționare, nu eliminați produsul împreună cu deșeurile menajere și cu alte tipuri de deșeurile. Transportați-l la un punct de colectare pentru reciclarea echipamentelor electrice și electronice. Vă rugăm să contactați autoritățile locale, pentru a afla unde se află aceste puncte de colectare.

Conformitate cu Directiva RoHS:

Produsul pe care l-ați achiziționat este conform cu Directiva RoHS UE (2011/65/UE). Acesta nu conține materiale periculoase și interzise specificate în această Directivă.

1.4 Informații cu privire la ambalaj

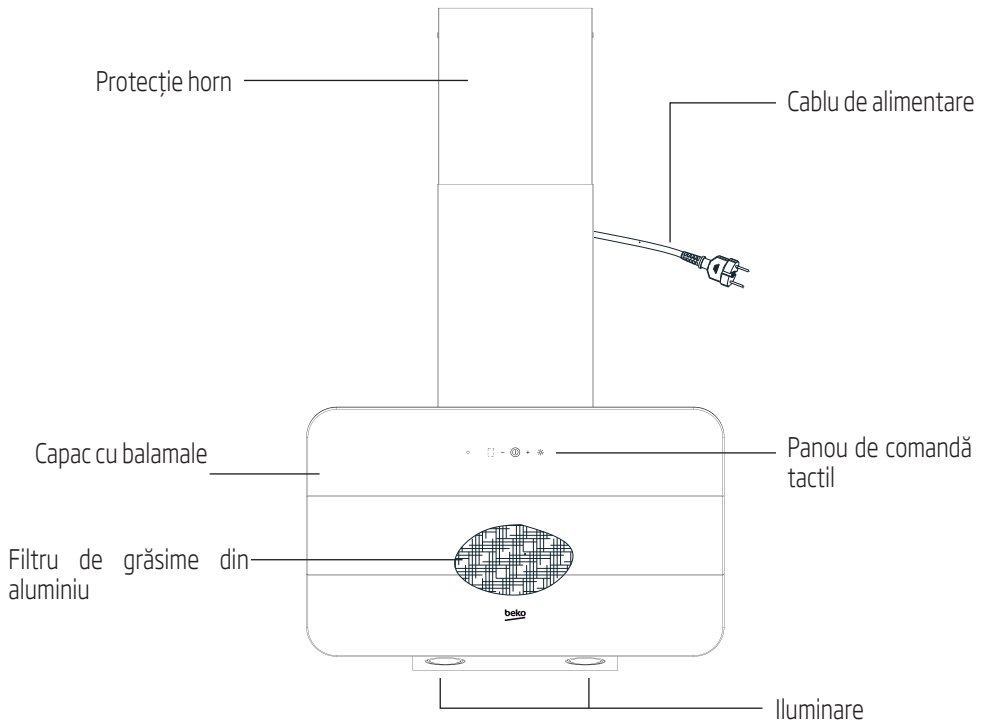


Ambalajul produsului este fabricat din materiale reciclabile, conform Legislației Naționale. Materialele utilizate pentru ambalaj nu trebuie să fie eliminate împreună cu deșeurile menajere sau cu orice alt tip de deșeurile. Transportați-le la punctele de colectare destinate ambalajelor, amenajate de autoritățile locale.

2 Specificații tehnice ale aparatului

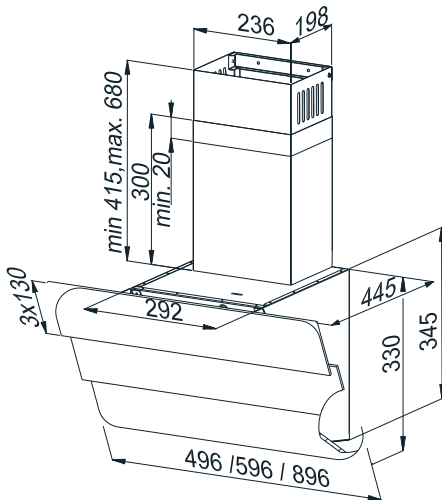
Datele tehnice cuprinse în acest manual și etichetele lipite pe hotă au fost obținute prin măsurători și calcule în conformitate cu cerințele Regulamentului UE nr. 65/2014 și 66/2014. Acest produs este conform cu Directivele Europene 2009/125/CE și 2011/65/UE.

Fig.1 Figura explicativă a hotei de bucătărie



2 Specificații tehnice ale aparatului

Fig.2 Desen cu dimensiuni



3 Utilizarea aparatului

Hota este proiectată pentru absorbția fumului în timp ce se pregătesc felurile de mâncare. Dispozitivul poate fi operat în două moduri:

Ca extractor: vaporii sunt scoși din încăpere printr-o țevă de aerisire. Conducta de evacuare nu este disponibilă împreună cu dispozitivul și trebuie achiziționată separat.



Utilizați cea mai scurtă conductă de descărcare a vaporilor.



Conducta de evacuare trebuie să aibă cea mai netedă suprafață interioară (nu se recomandă utilizarea țevilor tip spiro).



Folosii o țevă cu cât mai puține coturi posibil (unghiurile de îndoire nu trebuie să fie mai mari de 90 de grade).



Nu se recomandă să se aplice schimbări de secțiune ale țevii (mai mari sau mai mici, de exemplu ieșiri de aer de Ø150 mm, la ieșiri de aer de Ø120 mm).

Ca aspirator: vaporii sunt curățați de grăsime și de mirosuri înainte de a se întoarce în cameră prin grilaj pe protecția hornului de deasupra. Dacă hota va funcționa ca un aspirator, este necesar să se instaleze un filtru cu carbon activ (Fig. 10). Filtrul de carbon nu este un echipament standard; trebuie să fie cumpărat de la un furnizor.

4 Montarea aparatului



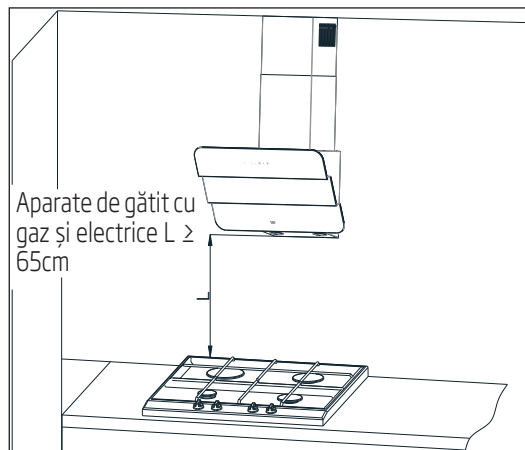
Utilizarea șuruburilor sau a elementelor de fixare incompatibile cu manualul poate provoca șocuri electrice.

Distanța minimă de suspendare a hotei între suprafața pe care sunt așezate ustensilele de bucătărie pe dispozitivul de încălzire (aragaz cu gaz sau electric) și partea inferioară a hotei de bucătărie (Fig. 3) trebuie să fie de cel puțin 65 cm.

Dacă manualul de instrucțiuni al dispozitivului de încălzire conține cerința unei distanțe mai mari de instalare a hotei de bucătărie decât cea indicată mai sus, urmați aceste instrucțiuni. Instalarea hotei și a protecției coșului pentru hotă este prezentată în desene (Fig. 4 - Fig. 9)

Hota este echipată cu buloane de ancorare de montaj adecvate pentru majoritatea pereților și plafoanelor. Dispozițiile generale privind evacuarea aerului din încăperi trebuie să fie respectate în timpul instalării.

Fig.3 Distanța recomandată de la aragazul de bucătărie



4 Montarea aparatului

Înainte de instalare, trebuie întreprinse următoarele:

- Verificați dacă dimensiunile produsului achiziționat sunt adaptate locului vizat selectat.
- Deconectați și scoateți (dacă este posibil) mobilierul amplasat în zona de instalare a hotei, pentru a avea acces ușor la tavan sau la peretele de care trebuie montată hota. Dacă acest lucru nu este posibil, elementele situate în apropierea zonei de lucru trebuie să fie securizate.
- Verificați dacă există o priză în apropierea zonei de instalare a hotei și dacă este posibilă conectarea hotei la conducta de aerisire care evacuează vaporii din exterior.
- Verificați dacă punctele de găurire nu acoperă cablurile de instalare (electrice, hidraulice etc.).
- Echipați-vă cu următoarele instrumente: bandă de măsurare, creion, burghiu/dispozitiv de cuplare, burghiu Ø8, șurubelniță, poloboc.

4.1 Lucrări de montare

1. Determinați axa elementului de încălzire și transferați-o pe peretele pe care va fi montată hota. Marcați toate punctele specifice de montare a hotei. Utilizați burghiul și orificiile de foraj (Fig. 4).
2. Introduceți șuruburile de extensie în deschideri. În cele două orificii marcate cu A, introduceți șuruburi (lăsând o lungime de 7 mm a șurubului în exterior, ca în Fig. 5).
3. Deschideți clapeta hotei și scoateți filtrul de grăsimi (Fig. 6).
4. Înșurubați clema de protecție a coșului, prindeți hota pe două șuruburi strânse ușor (Fig. 7).
5. Așezați polobocul pe corpul de bucătărie al hotei. Prin rotirea elementelor marcate cu A, poziționați hota orizontal, în conformitate cu indicația polobocului și apoi strângeți tare cele două șuruburi strânse ușor și cele două șuruburi rămase (Fig. 8).

6. Puneți protecția coșului pe corpul aparatului. Apoi ridicați ușor partea hotei care este marcată cu B, până când puteți să o înșurubați în clema fixată anterior pe perete (Fig. 9).



Instalarea trebuie efectuată foarte atent, pentru a nu zgâria protecția coșului și hota.

4 Montarea aparatului

Fig.4 Dimensiuni de instalare

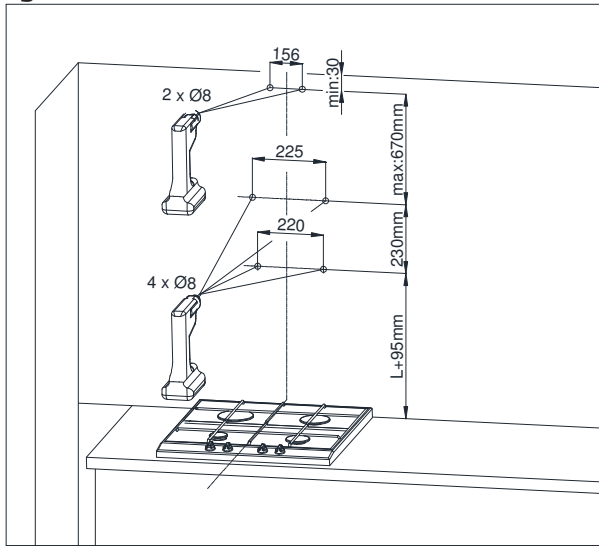
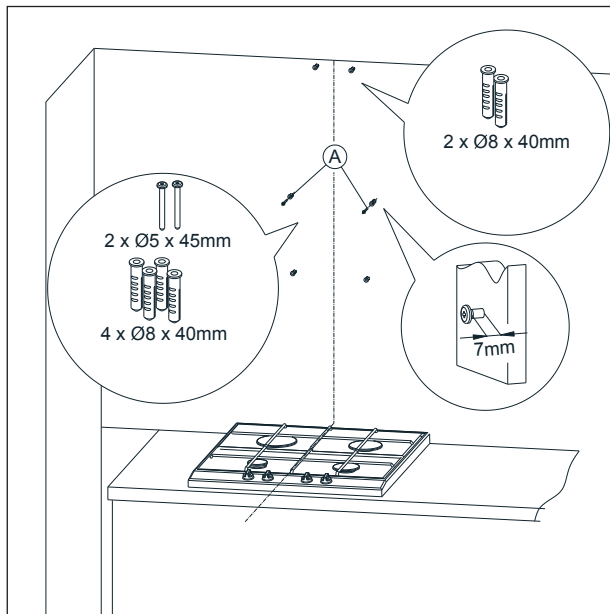


Fig.5 Montarea șuruburilor de extensie



4 Montarea aparatului

Fig.6 Demontarea filtrului de grăsime din aluminiu

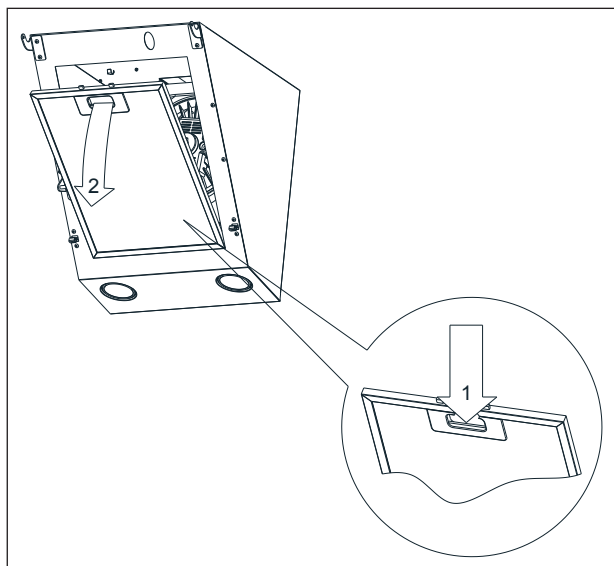
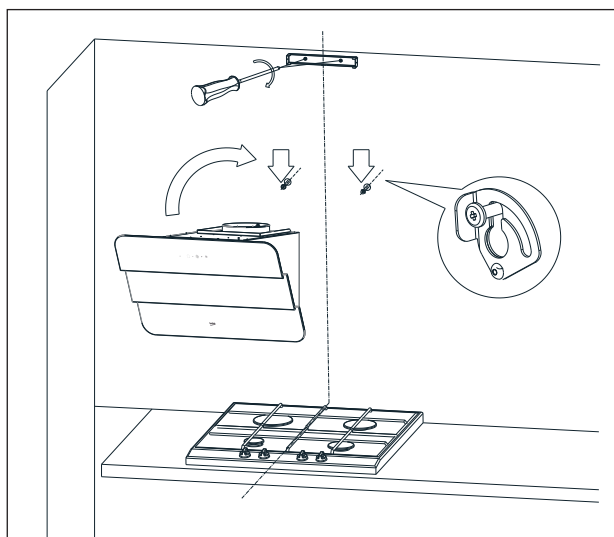


Fig.7 Suspendarea hotei



4 Montarea aparatului

Fig.8 Poziționarea hotăi

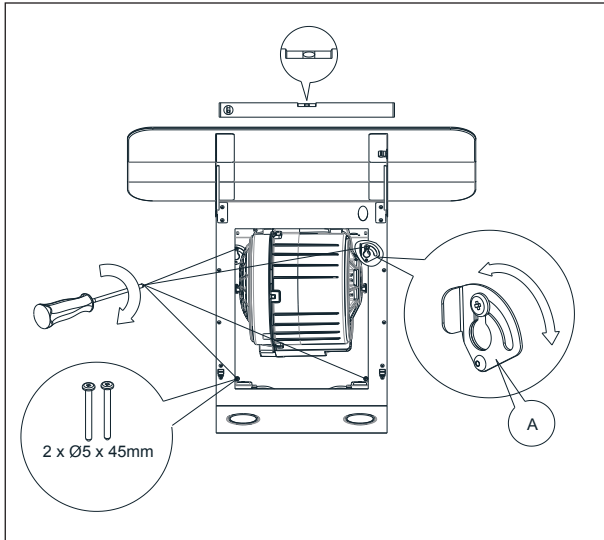
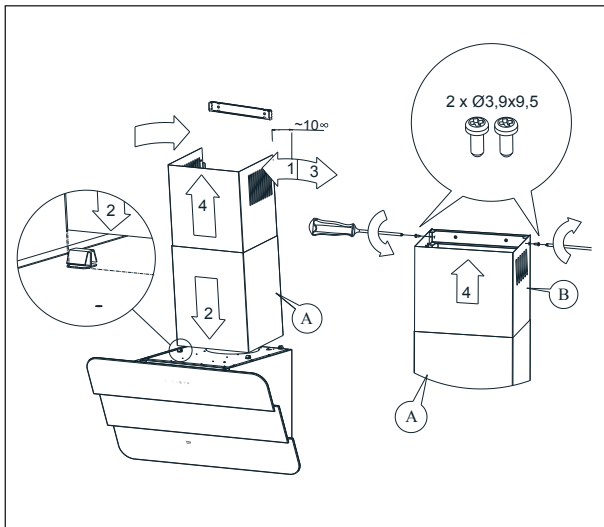


Fig.9 Asamblare protecție hotă



4.2 Conexiunea electrică

Tensiunea de alimentare trebuie să corespundă tensiunii indicate pe plăcuța cu caracteristici tehnice aplicată în interiorul hotei. Dacă hota de bucătărie este echipată cu un ștecher, acesta trebuie introdus într-un conector de priză care îndeplinește cerințele obligatorii și se află într-un loc ușor accesibil. Dacă hota nu este prevăzută cu o priză, instalarea hotei trebuie să fie încredințată unei persoane cu permise corespunzătoare (de ex. electrician)

5 Curățarea și întreținerea

Înainte de a efectua orice operațiune de întreținere a aparatului, scoateți ștecherul din priză de perete. Hota trebuie curățată cu agenți de curățare ușori, nu utilizați abrazivi. Întreținerea regulată îmbunătățește semnificativ performanța și durabilitatea hotei. Hota trebuie curățată cel puțin o dată pe lună sau la fiecare 35 de ore de funcționare a hotei. Pentru curățarea hotei, NU UTILIZAȚI AGENȚI PE BAZĂ DE ALCOOL. Articolele satinete (inox) trebuie curățate cu preparate speciale în acest scop.



Nerespectarea dispozițiilor referitoare la curățarea dispozitivului și la înlocuirea filtrelor poate provoca riscuri de incendiu. Prin urmare, se recomandă respectarea recomandărilor din acest document. Producătorul nu este răspunzător pentru eventualele daune produse motorului sau pentru incendiile cauzate de utilizarea necorespunzătoare.

5.1 Filtru de grăsime

Hota este echipată cu un filtru din aluminiu, care reține particulele de grăsime de la gătit. Filtrul poate fi scos prin deplasarea opritoarelor în direcția săgeților (Fig. 7). Filtrul trebuie spălat manual, prin cufundare timp de 15 minute în apă cu lichid de spălat vase, la o temperatură de 40-50°C. După 15 minute, puteți continua cu spălarea și apoi cu clătirea. Filtrul trebuie să fie uscat înainte de a fi introdus în hotă. Filtrul poate fi spălat și în mașina de spălat vase. În timpul procedurii de spălare, filtrul poate să se decoloreze, dar acest lucru nu afectează proprietățile sale de filtrare. Dacă filtrul nu este curățat în mod regulat, se reduce performanța hotei, ceea ce poate provoca riscul de incendiu. Filtrul trebuie curățat cel puțin după fiecare 35 de ore de funcționare a hotei.

5.2 Filtru de carbon

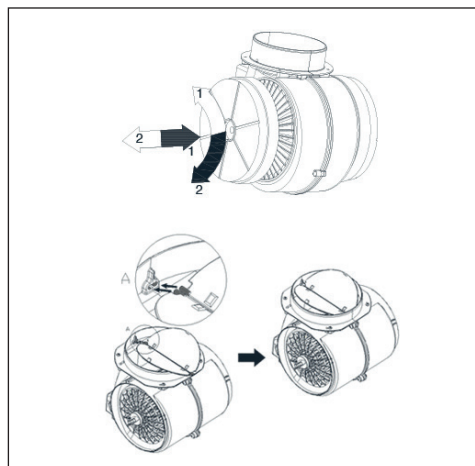
Hota poate fi echipată cu un filtru de carbon activ. Filtrul de carbon se aplică doar în cazul în care hota nu este conectată la conducta de aerisire.

Filtrul trebuie așezat pe carcasa turbinei, așa cum se arată în desen (Fig. 10). Filtrul de carbon activ trebuie înlocuit la fiecare 6 luni.



Filtrul de carbon nu trebuie să fie spălat și nici regenerat.

Fig.10 Înlocuirea filtrului cu carbon



5.3 Înlocuirea becurilor

Înainte de orice lucrare referitoare la înlocuirea becurilor, asigurați-vă că ați deconectat sursa de alimentare. Dacă hota a fost activată anterior, trebuie să așteptați până se răcesc becurile, după care le puteți înlocui. Procesul de schimbare a becurilor este arătat în Fig. 11.



Înainte de a înlocui becurile, deconectați sursa de alimentare a hotei.

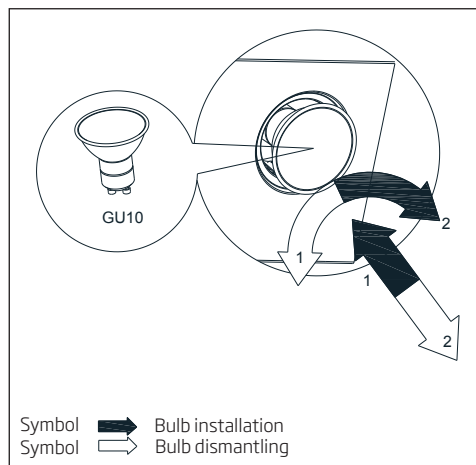


Nu atingeți becurile atunci când sunt fierbinți.



Aveți grijă să nu atingeți becul înlocuit direct cu mâinile.

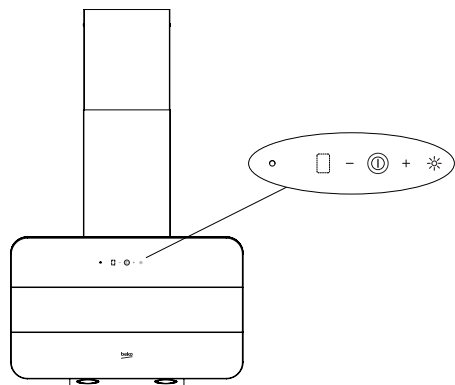
Fig.11 Înlocuirea becurilor



6 Comanda de funcționare a hotei

Hota este echipată cu o comandă tactilă, situată pe panoul de sticlă superior (Fig.12).

Fig. 12 Localizarea panoului tactil



Desemnarea câmpurilor tactile:

- ① Pornirea/oprirea hotei
- ☀️ Pornirea/oprirea becurilor hotei
- Reducerea vitezei turbinei
- + Creșterea vitezei turbinei
- ☐ Afășaj digital

6.1 Comanda de funcționare a turbinei

În modul de așteptare, panoul de control nu este iluminat și câmpurile +, — și * sunt dezactivate. Pentru a activa panoul de control, atingeți câmpul ① sau folosiți telecomanda (dacă este inclusă). După activare, panoul de control este evidențiat și apar simbolurile câmpului tactil; prin atingerea câmpului ① se pornește turbina la viteza utilizată recent, prin atingerea câmpului + se pornește turbina la cea mai mare treaptă de viteză și prin atingerea câmpului — se pornește turbina la cea mai joasă treaptă de viteză.

Viteza turbinei poate fi mărită prin atingerea câmpului + și redusă prin atingerea simbolului —. Dezactivarea turbinei hotei se face prin atingerea câmpului ① sau după atingerea câmpului —, atunci când turbina funcționează la prima treaptă de viteză. Odată cu schimbarea vitezei turbinei, cifrele de pe afișaj se modifică în consecință:

1 - turbină care funcționează în prima treaptă de viteză, 2 - turbină care funcționează în treapta a doua, 3 - turbină care funcționează în treapta a treia, 4 - turbină care funcționează în treapta intensivă (turbo).

În conformitate cu Regulamentul UE 66/2014, hota este echipată cu un contor automat, de cinci minute, care schimbă automat nivelul turbinei de la treapta a patra la a treia după 5 minute (nu se aplică modelului cu numărul turbinei „5”).

6.2 Comandă iluminat

Pentru a activa iluminatul hotei, trebuie apăsat simbolul *; o altă apăsare a simbolului oprește iluminatul.

6.3 Informații suplimentare despre comanda hotei

Sistemul de control al hotei este echipat cu un contor de funcționare a hotei. Contorul este setat la 35 de ore. După expirarea acestui timp, pe ecran se afișează simbolul F, care indică **curățarea recomandată a filtrului de aluminiu**. Pentru a șterge simbolul „F” de pe afișajul hotei, simbolul — trebuie să fie atins și menținut astfel continuu, timp de aproximativ 8 secunde.

Dispozitivul de control al hotei este echipat cu un blocaj al panoului tactil, pentru a dezactiva panoul tactil, de exemplu când curățați hota. Pentru a activa blocajul, atingeți și țineți apăsat simbolul ① (timp de aproximativ 10 secunde), până când simbolul ☐ (punct din colțul din dreapta jos) apare pe afișaj.

6 Comanda de funcționare a hotei

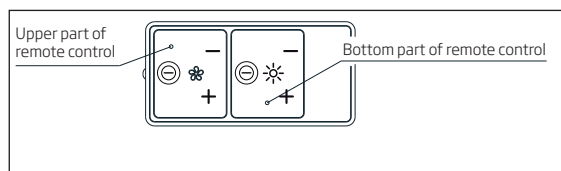
Pentru a reveni la funcționarea normală, atingeți din nou și țineți apăsat simbolul Ⓢ (timp de aproximativ 10 secunde), până când punctul de pe afișaj se stinge.

Dispozitivul de control al hotei este echipat cu un comutator de timp, care dezactivează turbina hotei după 15 minute de la pornirea contorului. Comutatorul de timp al turbinei nu dezactivează iluminarea, iar viteza turbinei poate fi schimbată în mod liber. Pentru a activa comutatorul de timp, turbina hotei trebuie să funcționeze cu orice viteză, pe treapta 1, 2, 3 sau la nivel intens. Temporizatorul este activat prin menținerea simbolului + (timp de aproximativ 10 secunde), până când un punct începe să lumineze intermitent în colțul din dreapta jos. Pentru a dezactiva această funcție, țineți apăsat din nou simbolul (timp de aproximativ 10 secunde) sau opriți hota.

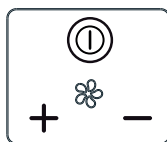
Dispozitivul de control al hotei este echipat cu o caracteristică pentru oprirea automată a funcționării turbinei după 2 ore de inactivitate a controlului hotei.

Hota are o telecomandă (doar modelele selectate) (Fig.13)

Fig. 13 Telecomandă



6.4 Funcționarea telecomenzii

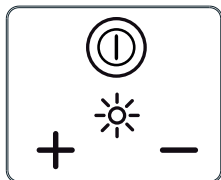


Funcționarea turbinei este controlată cu partea superioară a telecomenzii, marcată ca Ⓢ. Activarea/dezactivarea turbinei se face prin apăsarea butonului cu

simbolul Ⓢ, dar și + și -. Viteza poate fi mărită apăsând butonul + și poate fi redusă apăsând butonul -.

6 Comanda de funcționare a hotei

6.5 Comandă iluminatului prin telecomandă



Iluminatul este controlat cu partea de jos a telecomenzii, marcată ca ☀. Activarea/dezactivarea luminii se face prin apăsarea butonului cu simbolul ①.

Butoanele + și - sunt dezactivate.

6.6 Metode de reducere a efectului procesului de gătire asupra mediului

- Pentru a reduce consumul de energie, gătiți cu ajutorul protecțiilor pe ustensilele de bucătărie.
- Filtrele din aluminiu trebuie să fie păstrate curate (timpul recomandat de operare a filtrului de aluminiu între curățări este de cel mult 35 de ore de funcționare a hotei).
- Aveți grijă de permeabilitatea conductelor de ventilație.
- Nivelul de funcționare a turbinei la gătire trebuie să fie întotdeauna setat la o treaptă minimă, ceea ce va permite îndepărtarea fumului la intensitatea curentă de gătit.

6.7 Fișă produs

Fișa produsului este așezată în interiorul hotei.

7 Rezolvarea problemelor

Simptome	Cauză	Metoda de reparare
În timpul funcționării hotei, se afișează intermitent litera „F”.	După 35 de ore de funcționare, hota indică necesitatea curățării sau înlocuirii filtrului de grăsime.	Țineți apăsat timp de aproximativ 8 sec. „-” de pe comanda tactilă. Filtrul trebuie spălat în mașina de spălat vase sau înlocuit cu unul nou.
Afișajul arată numai simbolul „-” (minus și punct în colțul din dreapta jos), hota nu răspunde la dezactivare.	Comanda tactilă a fost blocată - această caracteristică facilitează curățarea hotei.	Pentru a dezactiva blocarea, țineți apăsat timp de aproximativ 10 sec. câmpul cu simbolul de pornire.
Pe afișaj nu este afișat niciun simbol, hota nu răspunde la apăsarea câmpurilor de control.	Comanda tactilă este probabil suspendată.	Deconectați hota de la sursa de alimentare timp de aproximativ 15 sec. și reporniți-o.
Afișajul arată simbolul uneia dintre treptele de viteze; hota nu răspunde la apăsarea câmpurilor de control.	Comanda tactilă este probabil suspendată	Deconectați hota de la sursa de alimentare timp de aproximativ 15 sec. și reporniți-o.
Turbina hotei se deconectează după 15 min. de funcționare, pe afișaj apare o cifră intermitentă, adică „1.” (numărul vitezei curente și punct în colțul din dreapta jos).	A fost activat comutatorul automat de timp al comenzii tactile.	Pentru a dezactiva comutatorul de timp, țineți apăsat simbolul „+” timp de aproximativ 10 sec. sau dezactivați hota.
La treapta a patra, cifra „4” apare intermitent pe afișaj, iar după 5 min., viteza trece în treapta a treia.	Hota este echipată cu un mod turbo, care trece automat în treapta a treia după 5 minute de funcționare, pentru a economisi energie.	Treapta turbo va fi utilizată doar la gătit intensiv.
Hota poate fi acționată numai cu ajutorul panoului de control, nu răspunde la telecomandă.	Bateria telecomenzii este goală sau distanța este prea lungă.	Înlocuiți bateria cu una nouă.
Hota are o aspirație foarte scăzută de vapori.	Probabil este cauzată de filtrele murdare.	Filtrul de grăsime trebuie curățat în mașina de spălat vase sau înlocuit cu unul nou. Filtrul de carbon (dacă există) trebuie înlocuit cu unul nou.
Unul sau mai multe puncte de lumină nu funcționează.	Bec halogen/LED defect.	Becul trebuie înlocuit cu unul nou, compatibil cu simbolul specificat în manualul de instrucțiuni pentru hota aragazului.
Hota a generat zgomot și vibrații excesive.	Acest lucru poate fi cauzat de instalarea incorectă a hotei pe dulapurile de pe perete sau de bucătărie. Nu s-au folosit toate șuruburile furnizate sau șuruburile sunt montate slab, lăsând spațiu liber.	Hota trebuie montată pe perete sau pe dulap, folosind toate punctele prevăzute de producător. După reglarea poziției hotei orizontal și vertical, strângeți toate șuruburile de montare.

* se aplică la hote cu control tactil.

Dacă recomandările de mai sus nu rezolvă problema, contactați un service autorizat pentru reparații de electrocasnice. În niciun caz utilizatorul hotei nu are dreptul la reparații independente. O listă de puncte de service este inclusă în cardul de garanție și pe pagina de internet.

Bitte zunächst diese Anleitung lesen!

Sehr geehrte Kundin, sehr geehrter Kunde,
Danke, dass Sie sich für ein Produkt der Marke Beko entschieden haben. Wir hoffen, dass Sie mit diesem Produkt, das mit den höchsten Qualitätsanforderungen und der modernsten Technologie hergestellt wurde, beste Ergebnisse erzielen. Bitte lesen Sie die gesamte Bedienungsanleitung und alle anderen Begleitdokumente aufmerksam, bevor Sie das Produkt verwenden; bewahren Sie sie zum künftigen Nachschlagen sicher auf. Wenn Sie das Produkt an einen Dritten weitergeben, händigen Sie bitte auch diese Anleitung aus. Befolgen Sie alle Warnhinweise und Informationen in dieser Anleitung.

Bitte denken Sie daran, dass diese Anleitung auch für einige andere Modelle erstellt wurde. Unterschiede zwischen den Modellen werden in der Anleitung klar und deutlich beschrieben.

Bedeutung der Symbole

Folgende Symbole werden in den verschiedenen Abschnitten dieser Anleitung verwendet:



Wichtige Informationen und nützliche Tipps zur Verwendung.



WARNUNG: Warnhinweise zu gefährlichen Situationen im Hinblick auf die Sicherheit von Leib, Leben und Eigentum.



Warnung vor Stromschlägen.



Warnung vor heißen Flächen.



Lampe



Dieses Produkt wurde in umweltfreundlichen, modernen Einrichtungen ohne schädliche Auswirkungen auf die Natur hergestellt.

Dieser Abschnitt enthält Sicherheitsanweisungen, die beim Schutz vor Personen- und Sachschäden helfen. Bei Nichtbeachtung dieser Anweisungen erlischt die gewährte Garantie.

1.1 Allgemeine Sicherheit

- Lassen Sie Installations- und Reparaturarbeiten immer von einem autorisierten Servicedienst durchführen. Der Hersteller übernimmt keine Haftung für Schäden, die von unautorisierten Personen verursacht wurden.
- Dieses Gerät darf nicht von Personen (einschließlich Kindern) benutzt werden, die unter körperlichen oder geistigen Einschränkungen leiden oder denen es an der nötigen Erfahrung im Umgang mit solchen Geräten mangelt. Kinder sollten soweit beaufsichtigt werden, dass sie nicht mit dem Gerät spielen.

1.1.1 Elektrische Sicherheit

- Trennen Sie das Gerät bei Installations-, Wartungs-, Reinigungs- und Reparaturarbeiten immer von der Stromversorgung.
- Falls das Netzkabel defekt ist, sollte es vom Hersteller, Kundendienst oder einer ähnlich qualifizierten Person (idealerweise einem Elektriker) bzw. einer vom Importeur genannten Person ersetzt werden.
- Die Betriebsspannung beträgt 220 bis 240 Volt.
- Falls das Gerät einen Fehler aufweist, darf es erst nach Reparatur durch den autorisierten Servicedienst wieder in Betrieb genommen werden. Es besteht Stromschlaggefahr!
- Netzkabel nicht in der Nähe von Kochfeldern verlegen. Andernfalls kann das Netzkabel einen Brand verursachen, falls es wegen zu großer Hitze schmilzt.
- Die Dunstabzugshaube niemals vor Abschluss der Installation an die Stromversorgung anschließen.

- Zur Erzielung optimaler Leistung darf der Abzug nicht länger als 4 m sein. Er darf nicht mehr als 2 Knicke (90 °) haben und sein Durchmesser muss mind. \varnothing 120 mm betragen.
- Trennen Sie das Gerät vor jeglicher Handhabung der internen Teile des Gerätes von der Stromversorgung.
- Verwenden Sie das Gerät nur mit einer geerdeten Steckdose.
- Dunstabzugshaube nicht ohne Aluminiumfilter betreiben; Filter nicht entfernen, während die Dunstabzugshaube in Betrieb ist.
- Lampen der Dunstabzugshaube niemals berühren, wenn sich das Gerät bereits längere Zeit in Betrieb befindet. Die Lampen können heiß sein und Verbrennungen verursachen.

1.1.2 Produktsicherheit

- Sie können ein Rohr mit einem Durchmesser von 120 oder 150 mm am Abluftanschluss der Dunstabzugshaube verwenden.
- Keine Verbindungen zu Schächten herstellen, die mit Öfen, Abluftschächten oder Kaminen mit aufsteigenden Flammen verbunden sind. Beachten Sie behördliche Richtlinien zur Ableitung von Abluft.
- Der Abstand zwischen Unterkante der Dunstabzugshaube und Oberkante des Herdes/Ofens sollte bei Gas- und Elektroherden mindestens 65 cm betragen.
- Vermeiden Sie hohe Flammen unter dem Gerät. Andernfalls können sich im Aluminiumfilter angesammelte Partikel entzünden und einen Brand verursachen.
- Schalten Sie Kochfelder erst ein, nachdem Sie Kochgeschirr darauf gestellt haben. Andernfalls kann die steigende Temperatur bestimmte Teile Ihres Produktes verformen.
- Schalten Sie die Kochfelder ab, bevor Sie das Kochgeschirr herunternehmen.
- Vermeiden Sie entflammbare Materialien unter der Dunstabzugshaube.
- Öl kann sich beim Braten entzünden. Achten Sie daher besonders auf Kleidung und Vorhänge.

- Lassen Sie das Kochgerät niemals unbeaufsichtigt, während Sie braten; heißes Öl kann Feuer fangen.
- Falls die Dunstabzugshaube nicht in den angegebenen Intervallen gereinigt wird, besteht Brandgefahr.
- Seien Sie bei der Reinigung der Dunstabzugshaube extrem vorsichtig, tragen Sie Handschuhe.
- Zur Steigerung der Saugleistung empfehlen wir Ihnen, das Gerät einige Minuten vor Beginn des Kochens oder Bratens in Betrieb zu nehmen. Dadurch erhalten Sie eine kontinuierliche und stabile Saugleistung, sobald Küchendünste entstehen.
- Die Dunstabzugshaube nach Abschluss des Kochens oder Bratens 15 Minuten weiterlaufen lassen, damit Gerüche und Küchendünste entfernt werden.
- Achten Sie bei der Benutzung der Dunstabzugshaube - insbesondere in Verbindung mit Gasherden - auf eine ausreichende Frischluftzufuhr.
- Achten Sie darauf, das Gerät nicht an Abzugsschächte anzuschließen, die von nicht elektrischen Geräten verwendet werden. (Bsp.: Heizungsschacht)
- Die gleichzeitige Verwendung der Dunstabzugshaube und eines weiteren, Luft ansaugenden Gerätes ist nur möglich, wenn ein Unterdruck von mindestens 4 Pa (0,04 mbar) erreicht und dadurch ein Zurückströmen des Gases vermieden wird. Dazu muss Luft durch nicht abgedeckte Öffnungen (Tür, Fenster, Lüftungsöffnungen oder andere technische Maßnahmen) in den Raum strömen können. Achten Sie darauf, dass ausreichend Luft zugeführt wird. Ein Schacht, der den Luftein- und -austritt ermöglicht, ist für diesen Zweck nicht ausreichend.

1.1.3 Sicherheit von Kindern

- Verpackungsmaterialien können für Kinder gefährlich sein. Bewahren Sie Verpackungsmaterialien an einem sicheren Ort außerhalb der Reichweite von Kindern auf.

- Elektrische Geräte können für Kinder gefährlich sein. Halten Sie Kinder stets vom Produkt fern. Verbieten Sie Kindern, mit dem Gerät zu spielen.
- Dieses Gerät darf von Kindern ab 8 Jahren sowie von Personen mit eingeschränkten körperlichen, sensorischen oder geistigen Fähigkeiten oder einem Mangel an Wissen und Erfahrung verwendet werden, sofern sie im Hinblick auf eine sichere Benutzung des Gerätes beaufsichtigt werden oder entsprechend angeleitet wurden und die damit verbundenen Gefahren verstehen. Kinder dürfen nicht mit dem Gerät spielen.
- **ACHTUNG:** Zugängliche Teile können sich bei der Verwendung mit dem Kochgerät aufheizen.
- Der Hersteller haftet nicht für Schäden aufgrund von unsachgemäßer Benutzung oder Handhabung.
- Die Betriebslebenszeit des Gerätes beträgt 10 Jahre. Dies entspricht dem Verfügbarkeitszeitraum von Ersatzteilen, damit das Produkt richtig funktioniert.
- **WARNUNG:** Falls Sie die Schrauben nicht entsprechend den Anweisungen in der Anleitung befestigen, können elektrische Gefahren entstehen.

1.2 Zweckmäßiger Gebrauch

- Dieses Gerät ist für den privaten Gebrauch bestimmt. Es eignet sich nicht zum kommerziellen Einsatz und darf nicht zweckentfremdet verwendet werden.

1.3 Entsorgung von Altgeräten:

Dieses Produkt erfüllt die Vorgaben der EU-WEEE-Direktive (2012/19/EU). Das Produkt wurde mit einem Klassifizierungssymbol für elektrische und elektronische Altgeräte (WEEE) gekennzeichnet.



Dieses Gerät wurde aus hochwertigen Materialien hergestellt, die wiederverwendet und recycelt werden können. Entsorgen Sie das Gerät am Ende seiner Einsatzzeit nicht mit dem regulären Hausmüll; geben Sie es stattdessen bei einer Sammelstelle zur Wiederverwertung von elektrischen und elektronischen Altgeräten ab. Ihre Stadtverwaltung informiert Sie gerne über geeignete Sammelstellen in Ihrer Nähe.

Einhaltung von RoHS-Vorgaben:

Das von Ihnen erworbene Produkt erfüllt die Vorgaben der EU-RoHS Direktive (2011/65/EU). Es enthält keine in der Direktive angegebenen gefährlichen und unzulässigen Materialien.

1.4 Informationen zur Verpackung

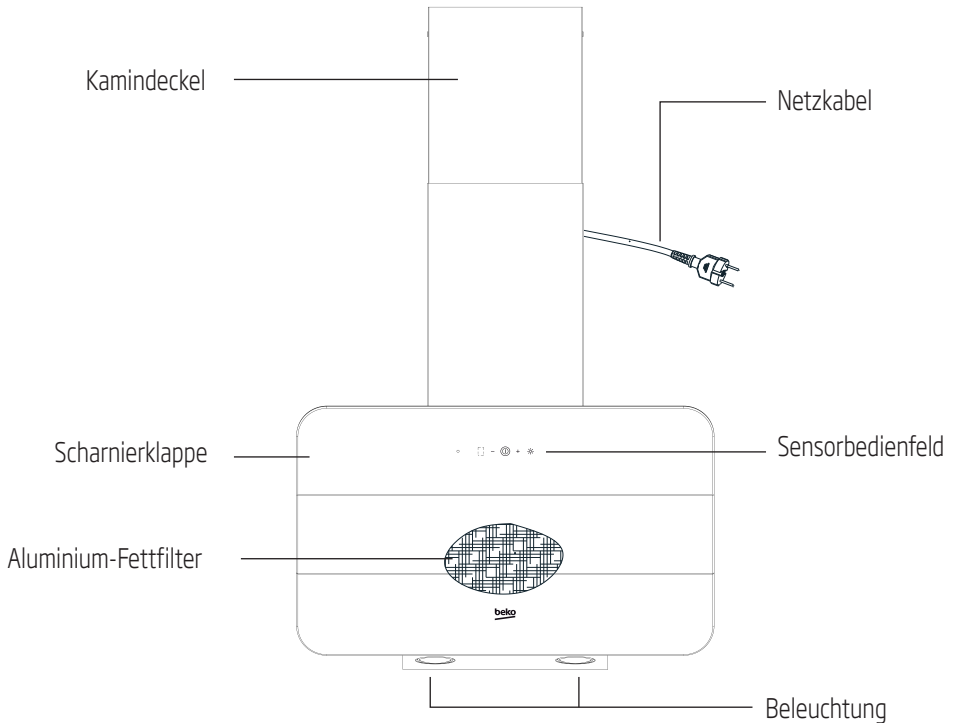


Die Verpackung des Produkts wurde gemäß unserer nationalen Gesetzgebung aus recyclingfähigen Materialien hergestellt. Entsorgen Sie die Verpackungsmaterialien nicht mit dem Hausmüll oder anderem Müll. Bringen Sie sie zu einer von der Stadtverwaltung bereitgestellten Sammelstelle für Verpackungsmaterial.

2 Technische Daten des Gerätes

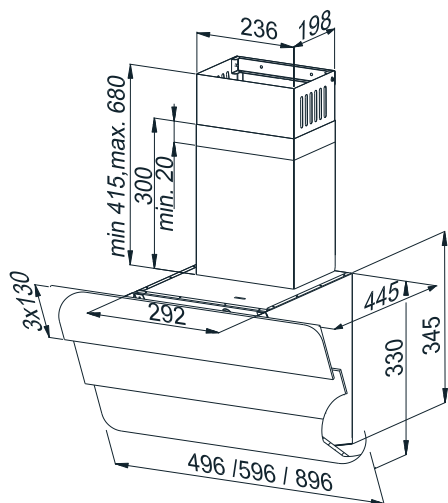
Die technischen Daten in diesem Handbuch und auf den an die Dunstabzugshaube angebrachten Etiketten wurden in Erfüllung der EU-Verordnungen 65/2014 und 66/2014 erhoben und berechnet. Dieses Gerät erfüllt die Vorgaben der europäischen Richtlinien 2009/125/EG und 2011/65/EU.

Abb. 1 Erläuternde Abbildung der Dunstabzugshaube



2 Technische Daten des Gerätes

Abb. 2 Dimensionszeichnung



3 Gerät bedienen

Diese Dunstabzugshaube dient zum Absaugen von Rauch und Dampf, die beim Zubereiten von Speisen entstehen. Das Gerät kann auf zwei Arten betrieben werden:

Als Absauger: Die Dünste werden durch ein Ventilationsrohr aus dem Raum abgeführt. Ein solches Absaugrohr gehört nicht zum Lieferumfang.



Halten Sie die Dunstabfuhrleitung so kurz wie möglich.



Die Abzugsrohre müssen innen so glatt wie möglich sein (verwenden Sie keine gewellten Rohre).



Die Rohre sollten so wenig Kurven wie möglich enthalten (die Kurvenwinkel sollten 90 ° nicht überschreiten).



Die Abluftleitung sollte keine Durchmesseränderungen enthalten (vor allem nicht von groß auf kleiner, z.B. von 150 auf 120 mm Ø am Wandeintritt).

Als Absorber: Die Dünste werden von Fett und Gerüchen befreit und die gefilterte Luft wird durch das Gitter oben am Kamindeckel wieder in den Raum zurückgeleitet. Wird die Dunstabzugshaube als Absorber eingesetzt, muss unbedingt ein Aktivkohlefilter (Abb. 10) eingesetzt werden. Dieser Aktivkohlefilter wird nicht standardmäßig mitgeliefert, sondern muss getrennt erstanden werden.

4 Gerät installieren



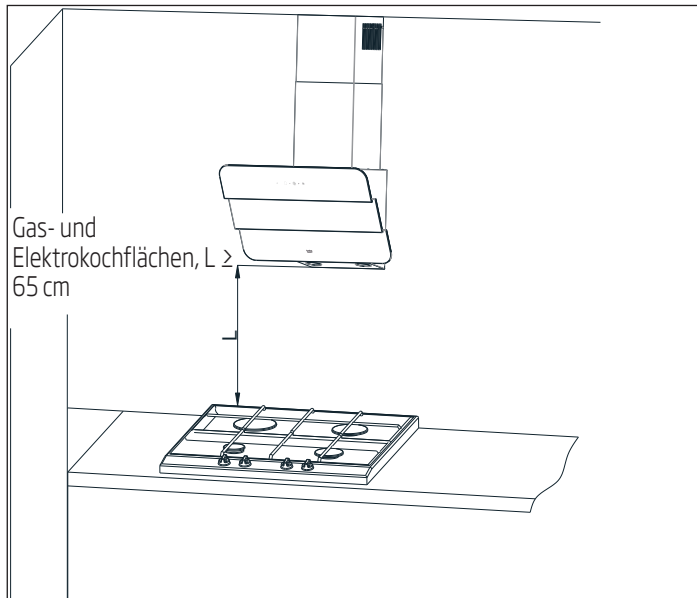
Die Verwendung von im Handbuch nicht empfohlenen Schrauben oder Befestigungselementen könnte zu Stromschlägen führen.

Der Mindestabstand beim Aufhängen der Haube zwischen Kochflächenhöhe (Gasbrenner oder Elektroplatte) und unterstem Rand der Abzugshaube (Abb. 3) muss mindestens 65 cm betragen.

Falls die Anleitung des Herdes einen größeren Montageabstand von Abzugshauben verlangt, befolgen Sie diese Anweisungen. Die Montage von Abzugshaube und Kaminverkleidung geht aus den Abbildungen 4 bis 9 hervor.

Die Dunstabzugshaube wird mit Befestigungselementen geliefert, die für die meisten Wände und Decken geeignet sind. Die allgemeinen Vorkehrungen für ausreichenden Luftaustausch im Raum müssen für die Installation beachtet werden.

Abb. 3 Empfohlener Abstand zum Herd



4 Gerät installieren

Beachten Sie vor der Montage des Gerätes bitte Folgendes:

- Prüfen Sie, ob die Abmessungen des Gerätes zum Montageort passen.
 - Demontieren Sie (falls möglich) die an die Montagestelle angrenzenden Möbel, um leichten Zugang zur Decke oder Wand zu bekommen, an die die Absaughaube montiert werden soll. Ist dies nicht möglich, prüfen Sie, dass die Elemente in der Nähe der Montagestelle sicher befestigt sind.
 - Prüfen Sie, ob sich eine geeignete Steckdose im Montagebereich befindet sowie, ob die Abzugshaube problemlos an die Abluftleitung zur Abfuhr der Dünste nach außen angeschlossen werden kann.
 - Prüfen Sie, dass unter den vorgesehenen Bohrlöchern keine Strom-, Gas-, Wasser- oder andere Leitungen verlaufen.
 - Halten Sie folgendes Werkzeug bereit: Maßband, Bleistift, Bohrschrauber, 8-mm-Bohrer, Schraubendreher, Wasserwaage.
5. Legen Sie die Wasserwaage auf die Haube auf. Stellen Sie die mit A markierten Elemente durch Drehen so ein, dass die Haube laut Wasserwaage waagrecht hängt. Ziehen Sie dann die beiden lockeren Schrauben sowie die beiden anderen Schrauben fest (Abb. 8).
 6. Befestigen Sie den Kamindeckel am Gehäuse. Ziehen Sie nun vorsichtig den als B markierten Teil der Haube nach oben heraus, bis Sie ihn an die vorher an die Wand fixierte Schelle schrauben können (Abb. 9).



Bei diesen Arbeiten sollten Sie sehr vorsichtig vorgehen, um ein Verkratzen der Haube oder des Kamindeckels zu vermeiden.

4.1 Montage

1. Bestimmen Sie die Hezelementachse und markieren Sie diese an der Wand, an der die Dunstabzugshaube montiert werden soll. Markieren Sie alle Haubenmontagepunkte. Bohren Sie die Befestigungslöcher (Abb. 4).
2. Setzen Sie Spreizschrauben in die Bohrlöcher ein. Schrauben Sie die vorgesehenen Schrauben in die zwei Löcher „A“ ein. Diese müssen 7 mm herausstehen, siehe Abb. 5.
3. Öffnen Sie die Haubenklappe und entfernen den Fettfilter (Abb. 6).
4. Schrauben Sie die Kamindeckelschellen an, hängen Sie die Haube an zwei noch locker angezogenen Schrauben auf (Abb. 7).

4 Gerät installieren

Abb. 4 Montageabmessungen

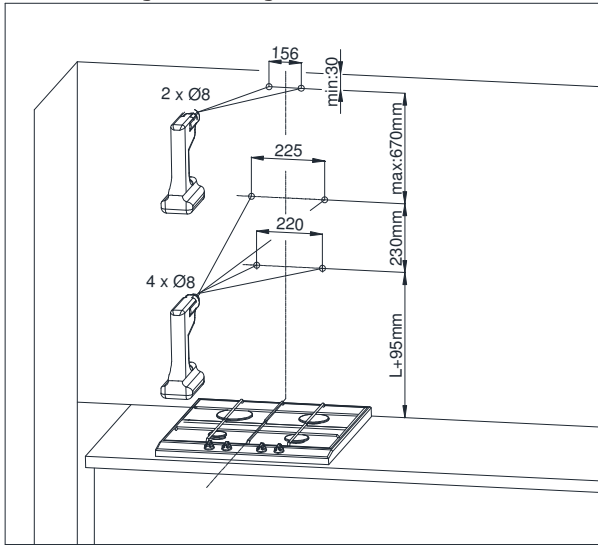
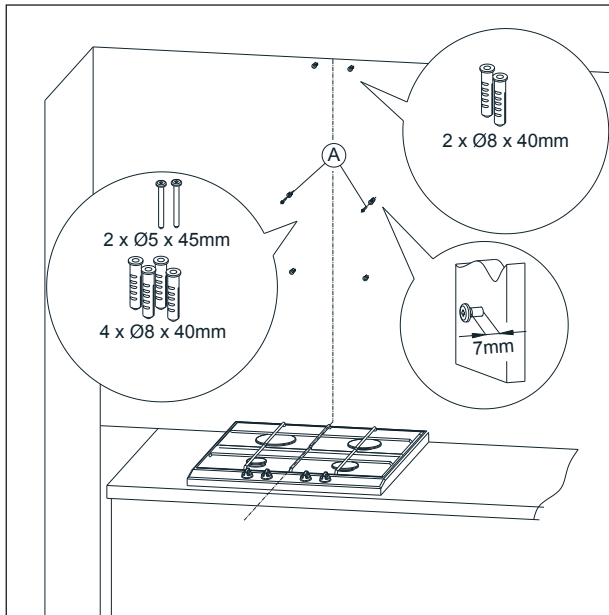


Abb. 5 Spreizschrauben montieren



4 Gerät installieren

Abb. 6 Aluminiumfettfilter demontieren

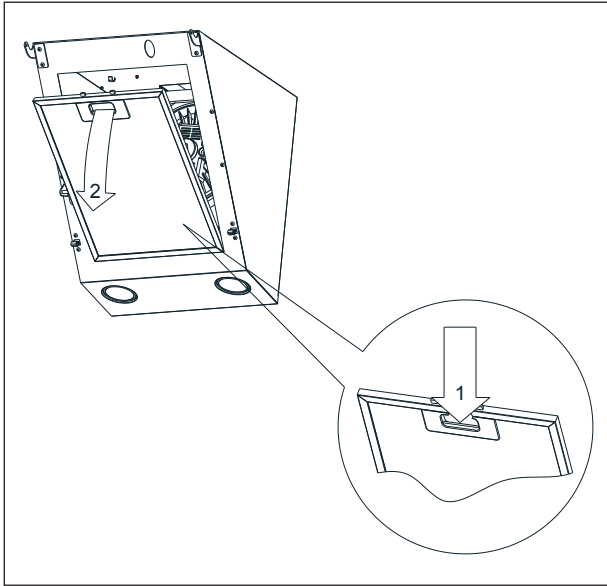
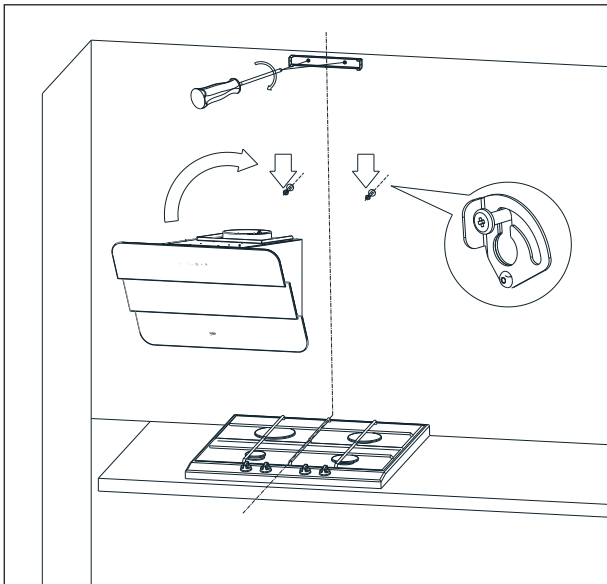


Abb. 7 Dunstabzugshaube aufhängen



4 Gerät installieren

Abb. 8 Dunstabzugshaube positionieren

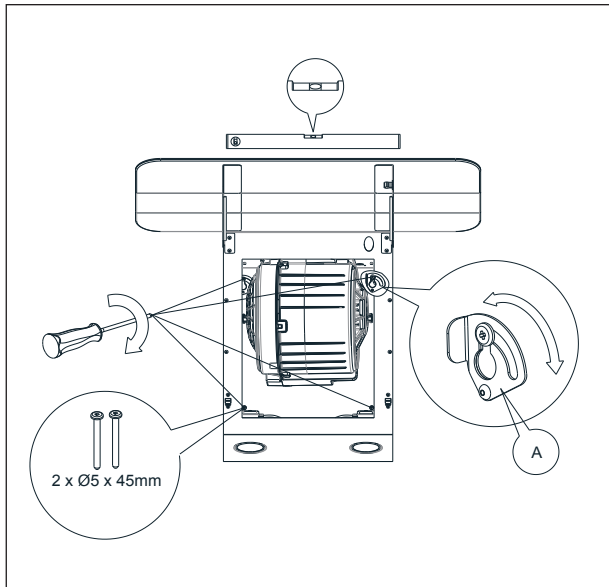
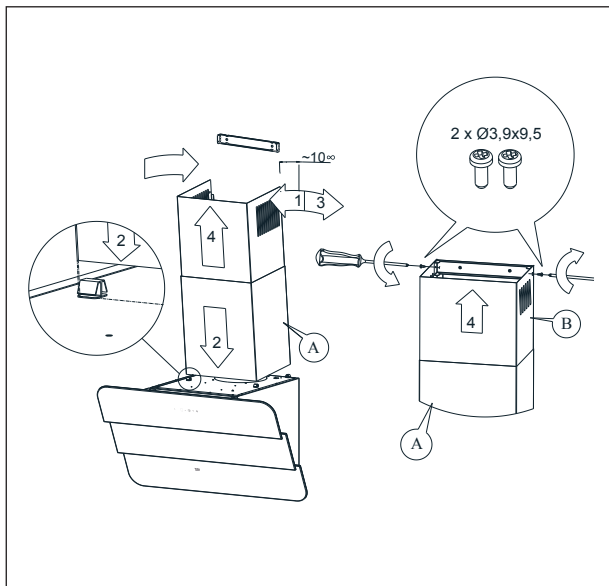


Abb. 9 Haubenabdeckung montieren



4.2 Elektrischer Anschluss

Stellen Sie sicher, dass die Netzspannung mit der am Typenschild an der Innenseite der Dunstabzugshaube angegebenen Spannung übereinstimmt. Kommt die Dunstabzugshaube mit einem Kabel mit Stecker, sollte dieser in eine passende Steckdose eingesteckt werden, die den Elektroinstallationsnormen entspricht und leicht zugänglich ist. Hat die Dunstabzugshaube keinen Stecker, muss die Installation von einer qualifizierten Person (z.B. einem Elektriker) vorgenommen werden.

5 Reinigung und Wartung

Schalten Sie das Gerät vor jeglichen Wartungsarbeiten ab oder ziehen Sie den Netzstecker aus der Steckdose. Reinigen Sie die Abzugshaube nur mit sanften Reinigungsmitteln, verwenden Sie keine Scheuermittel. Eine regelmäßige Instandhaltung verbessert die Leistung und Lebensdauer der Haube bedeutet. Die Haube sollte zumindest einmal im Monat oder nach je 35 Stunden Betriebszeit gereinigt werden. Verwenden Sie zum Reinigen KEINE ALKOHOLHALTIGEN MITTEL. Die Elemente mit matter Oberfläche (aus Edelstahl) sollten mit einem Spezialmittel für dieses Material gereinigt werden.



Jegliche Nichteinhaltung der Anweisungen zum Reinigen des Gerätes und Auswechseln des Filters können zu hoher Brandgefahr führen. Halten Sie sich also immer strikt an die Anweisungen in dieser Anleitung. Der Hersteller haftet nicht für Schäden oder Brände aufgrund von unsachgemäßer Benutzung oder Handhabung.

5.1 Fettfilter

Die Dunstabzugshaube ist mit einem Aluminiumfilter ausgestattet, der die beim Kochen ausgestoßenen Fettpartikel auffängt. Dieser Filter kann durch Bewegen der Verschlüsse in Pfeilrichtung herausgenommen werden (Abb. 7). Der Filter sollte 15 Minuten lang in 40 bis 50 °C warmem Spülmittelwasser eingeweicht und dann von Hand ausgespült werden. Vor Wiedereinsetzen muss der Filter vollständig trocken sein. Der Filter kann auch in der Spülmaschine gereinigt werden. Durch das Waschen könnte der Filter seine Farbe verändern, was jedoch seine Filtereigenschaften nicht beeinträchtigt. Wird dieser Filter nicht regelmäßig gereinigt, verringert sich die Leistung der Abzugshaube und entsteht Brandgefahr. Der Filter sollte daher zumindest nach je 35 Stunden Betriebszeit gereinigt werden.

5.2 Aktivkohlefilter

Die Abzugshaube kann mit einem Aktivkohlefilter ausgestattet werden. Dies ist jedoch nur nötig, wenn die Haube nicht an einen Dunstabzug angeschlossen ist.

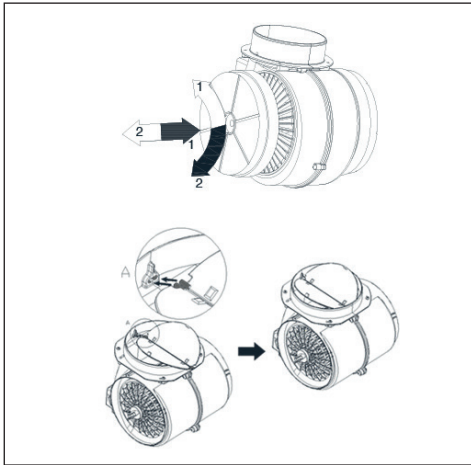
5 Reinigung und Wartung

Der Filter wird wie in Abb. 10 gezeigt, in das Gebläsegehäuse eingesetzt. Der Kohlefilter sollte alle 6 Monate ausgewechselt werden.



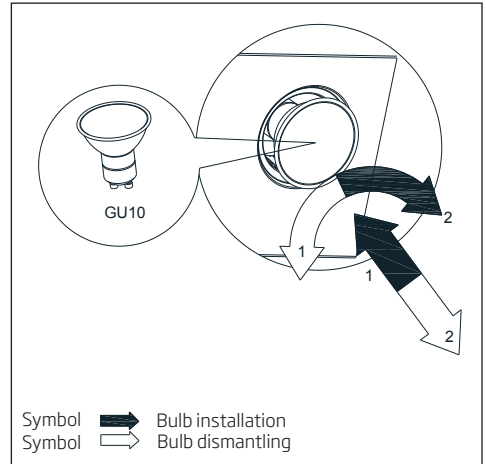
Der Kohlefilter darf nicht ausgewaschen oder regeneriert werden.

Abb. 10 Aktivkohlefilter ersetzen



Achten Sie darauf, die neuen Lampen nicht direkt mit den Fingern anzufassen.

Abb. 11 Leuchtmittel auswechseln



5.3 Leuchtmittel austauschen

Vergewissern Sie sich vor jeglicher Arbeit an der Beleuchtung, die Stromversorgung zu unterbrechen. War die Beleuchtung vorher in Betrieb, warten Sie, bis die Lampen abgekühlt sind, bevor Sie sie austauschen. Der Austauschvorgang wird in Abb. 11 gezeigt.



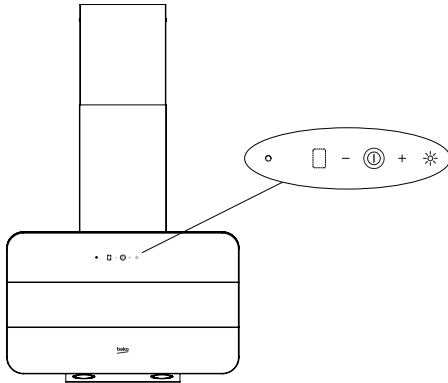
Trennen Sie vor Austausch der Leuchtmittel die Stromversorgung der Haube.



Berühren Sie die Lampen nicht, solange sie noch heiß sind.

Die Dunstabzugshaube wird mechanisch bedient (Abb. 12).

Abb. 12 Lage der Sensorsteuerung



Bestimmung der Berührungstasten:

- ① Ein-/Ausschalten der Dunstabzugshaube
- ☀ Ein-/Ausschalten der Beleuchtung
- Verringerung der Gebläsestufe
- ⊕ Steigerung der Gebläsestufe
- ☐ Digitalanzeige

6.1 Gebläse steuern

Im Bereitschaftsmodus leuchtet die Sensorsteuerung nicht und sind die Felder ⊕, — und ☀ deaktiviert. Berühren Sie zum Aktivieren des Bedienfelds das Feld ① oder benutzen die Fernbedienung (falls vorhanden). Nach dem Aktivieren leuchtet die Sensorsteuerung auf und erscheinen die Bedienfeldsymbole; durch Berühren von Feld ① läuft das Gebläse auf der zuletzt verwendeten Stufe an, mit dem Feld ⊕ geht es auf die höchste Stufe, während das Gebläse am Feld — auf die niedrigste Stufe gestellt wird.

Die Gebläsestufe steigt durch Berühren von Feld ⊕ und verringert sich durch Berühren von —. Zum Abschalten des Gebläses drücken Sie auf ① oder auf —, wenn es auf der niedrigsten Stufe läuft. Die Anzeige auf dem Display passt sich der jeweiligen Gebläsestufe an:

1 - Gebläse auf erster Stufe, 2 - Gebläse auf zweiter Stufe, 3 - Gebläse auf dritter Stufe, 4 - Gebläse auf höchster Stufe (Turbo).

In Erfüllung der EU-Verordnung 66/2014 ist die Dunstabzugshaube mit einem Fünf-Minuten-Timer ausgestattet, der das Gebläse nach 5 Minuten Betrieb in der Turbo-Stufe automatisch zurück in die dritte Stufe schaltet (gilt nicht für Modelle mit fünf Gebläsestufen).

6.2 Beleuchtung steuern

Betätigen Sie zum Einschalten der Beleuchtung das Symbol ☀. Die nächste Betätigung dieses Symbols schaltet das Licht wieder aus.

6.3 Weitere Angaben zur Haubensteuerung

Die Haubensteuerung ist mit einem Betriebsstundenzähler ausgestattet. Dieser ist auf 35 Stunden eingestellt. Nach Ablauf dieser Zeit erscheint das Symbol ⏸ auf dem Display, um anzuzeigen, dass der **Aluminiumfilter gereinigt werden muss**. Betätigen Sie zum Löschen des Symbols „F“ auf dem Display acht Sekunden lang das Symbol —.

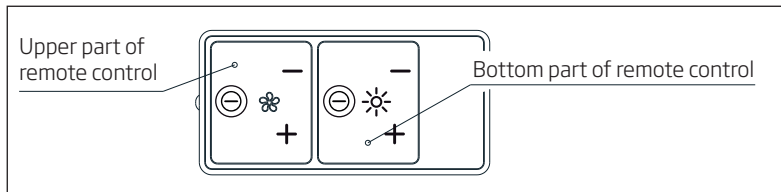
Die Haubensteuerung ist mit einer Bedienfeldblockade ausgestattet, um das Bedienfeld zu deaktivieren, wenn das Gerät zum Beispiel gereinigt wird. Betätigen Sie zum Blockieren des Bedienfelds zehn Sekunden lang das Symbol ①, bis das Symbol ☐ (Punkt in der unteren rechten Ecke) auf dem Display erscheint. Kehren Sie zum Normalbetrieb zurück, indem Sie erneut zehn Sekunden lang das Symbol ① drücken, bis der Punkt auf dem Display verschwindet.

Die Haubensteuerung ist mit einem Timer ausgestattet, der das Gebläse 15 Minuten nach Einschalten des Timers ausschaltet. Dieser Gebläsetimer schaltet nicht die Beleuchtung aus und funktioniert mit jeglicher Gebläsestufe. Um diesen Timer zu aktivieren, muss das Gebläse auf einer beliebigen Stufe laufen. Sie aktivieren diesen Timer durch ca. zehn Sekunden langes Betätigen des Symbols **+**, bis ein Punkt in der rechten unteren Displayecke zu Blinken beginnt. Diese Funktion deaktivieren Sie durch erneutes zehnssekündiges Betätigen des Symbols oder durch Ausschalten der Dunstabzugshaube.

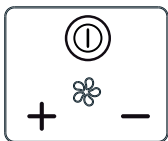
Die Haubensteuerung schaltet das Gebläse automatisch nach zwei Stunden ohne jegliche Betätigung eines Bedienelements aus.

Einige Modelle dieser Dunstabzugshaube werden mit einer Fernbedienung geliefert (Abb. 13).

Abb. 13 Fernbedienung

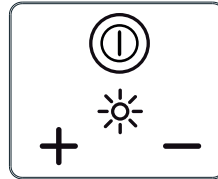


6.4 Mit der Fernbedienung steuern



Das Gebläse wird mit dem oberen als **☀** markierten Teil der Fernbedienung gesteuert. Sie können das Gebläse mit den Tasten **☉**, **⊕** und **⊖** ein- und ausschalten. Die Gebläsestufe steigern Sie mit der Taste **⊕** und verringern sie mit **⊖**.

6.5 Beleuchtung mit der Fernbedienung steuern



Die Haubenbeleuchtung wird mit dem unteren als **☀** markierten Teil der Fernbedienung gesteuert. Sie können die Beleuchtung mit der Taste **☉** ein- und ausschalten. Die Tasten **⊕** und **⊖** haben keine Funktion.

6 Bedienung der Dunstabzugshaube

6.6 Methoden zur Vermeidung der Umweltbeeinträchtigung durch Kochen

- Sie sparen Energie, wenn Sie immer nur Töpfe mit Deckel verwenden.
- Die Aluminiumfilter müssen immer sauber gehalten werden (sie sollten spätestens nach je 35 Stunden Betrieb gereinigt werden).
- Achten Sie darauf, dass die Abluftleitungen richtig dicht bleiben.
- Die Gebläsestufe sollte immer so gewählt werden, dass sie gerade ausreicht, um den jeweils entwickelten Kochdunst komplett abzusaugen.

6.7 Produktdatenblatt

Das Produktdatenblatt wird in die Haube eingelegt mitgeliefert.

7 Problembekämpfung

Anzeichen	Ursache	Lösung
Im Haubenbetrieb wird blinkend der Buchstabe „F“ angezeigt.	Nach 35 Betriebsstunden zeigt das Gerät an, dass der Fettfilter gereinigt oder ausgetauscht werden muss.	Drücken Sie 8 Sekunden lang die Taste „-“ an der Sensorsteuerung. Reinigen Sie den Filter in der Spülmaschine oder setzen einen neuen ein.
Das Display zeigt nur die Anzeige „-“ (Minuszeichen und Punkt unten rechts) und die Haube reagiert nicht auf Ausschaltversuche.	Die Sensorsteuerung wurde blockiert, um die Reinigung des Filters zu erzwingen.	Um diese Blockierung wieder freizugeben, drücken Sie 10 Sekunden lang das Feld mit dem Einschaltssymbol.
Auf dem Display erscheint kein Symbol, die Haube reagiert auf keine Betätigung der Sensorsteuerung.	Die Sensorsteuerung ist wahrscheinlich blockiert.	Trennen Sie die Dunstabzugshaube 15 Sekunden lang von der Stromversorgung und schließen sie wieder an.
Auf dem Display erscheint das Symbol einer der Stufen, aber die Haube reagiert auf keine Betätigung der Sensorsteuerung.	Die Sensorsteuerung ist wahrscheinlich blockiert.	Trennen Sie die Dunstabzugshaube 15 Sekunden lang von der Stromversorgung und schließen sie wieder an.
Das Gebläse schaltet sich nach ca. 15 Minuten Betrieb ab und das Display zeigt eine blinkende Nummer, z. B. „1.“ (aktuelle Gebläsestufe und ein Punkt in der rechten unteren Ecke).	Die automatische Zeitsteuerung der Sensorsteuerung wurde aktiviert.	Geben Sie die Zeitschaltung wieder frei, indem Sie 10 Sekunden lang auf das Symbol „+“ drücken oder die Haube deaktivieren.
In der vierten Stufe blinkt „4“ auf dem Display. Nach fünf Minuten wird das Gebläse automatisch auf die dritte Stufe heruntergeschaltet.	Die Dunstabzugshaube ist mit einem Turbomodus ausgestattet, der nach 5 Minuten zum Energiesparen automatisch auf Stufe drei zurückschaltet.	Die Turbostufe sollte nur bei intensiver Dunstentwicklung aktiviert werden.
Die Dunstabzugshaube reagiert nicht auf die Fernbedienung, jedoch wohl auf die Sensorsteuerung.	Die Batterie der Fernsteuerung ist leer oder der Bedienabstand zu groß.	Setzen Sie eine neue Batterie ein.
Die Absaugleistung der Dunstabzugshaube ist schlecht.	Wahrscheinlich ist der Filter voll.	Reinigen Sie den Filter in der Spülmaschine oder setzen einen neuen ein. Tauschen Sie den Kohlefilter (falls vorhanden) gegen einen neuen aus.
Eine oder mehrere Lampen leuchten nicht.	Halogen- oder LED-Lampen defekt.	Tauschen Sie defekte Lampen immer nur gegen neue mit den im Handbuch der Dunstabzugshaube verlangten technischen Daten aus.
Die Dunstabzugshaube macht Geräusche und vibriert.	Dies kann an einer schlechten Montage an der Wand oder an die Küchenschränke liegen. Nicht alle mitgelieferten Schrauben wurden verwendet, oder sind nicht fest montiert.	Die Dunstabzugshaube muss an allen vom Hersteller vorgesehenen Befestigungspunkten solide an eine Wand oder einen Schrank montiert werden. Ziehen Sie nach sorgfältiger vertikaler und horizontaler Nivellierung der Haube alle Montageschrauben fest an.

7 Problembehebung

* Gilt für Dunstabzugshauben mit Sensorsteuerung.

Lässt sich das Problem mit diesen Empfehlungen nicht lösen, wenden Sie sich an einen zum Reparieren von unseren Haushaltsgeräten autorisierten technischen Service. Der Nutzer der Dunstabzugshaube darf das Gerät unter keinen Umständen anderweitig reparieren. Eine Liste unserer Servicestellen finden Sie auf der Garantiekarte und unserer Webseite.

¡Lea este manual antes de utilizar el aparato!

Estimados clientes:

Gracias por elegir un producto Beko. Esperamos que obtenga los mejores resultados de nuestro producto ya que ha sido fabricado con gran calidad y con tecnología de última generación. Por tanto, le aconsejamos que lea este manual del usuario con atención y todos los demás documentos adjuntos antes de utilizar el aparato y que lo guarde para futuras consultas. Si va a entregar este aparato a otra persona, proporciónese también el manual del usuario. Siga todas las advertencias e instrucciones incluidas en este manual.

Recuerde que este manual del usuario también es válido para otros modelos. Las diferencias entre los modelos se describen explícitamente en el manual.

Significado de los símbolos

Los siguientes símbolos se usan en las diversas secciones del presente manual:



Información importante y consejos útiles sobre su uso.



ADVERTENCIA: Advertencias de situaciones peligrosas sobre la seguridad de las personas y la propiedad.



Advertencia sobre posibles descargas eléctricas.



Advertencia sobre superficies calientes.



Lámpara



Este producto se ha fabricado en plantas de fabricación modernas y que hacen uso de procesos respetuosos con el medio ambiente.

Este aparato es conforme a la normativa sobre aparatos eléctricos y electrónicos y la gestión de sus residuos (RAEE).



No contiene PCB.

Esta sección contiene instrucciones de seguridad que ayudarán a la protección contra los riesgos de lesiones personales o daño a la propiedad. El incumplimiento de estas instrucciones causará la pérdida de la garantía.

1.1 Seguridad general

- Los procedimientos de instalación y reparación deben ser siempre llevados a cabo por el servicio técnico autorizado. El fabricante no se responsabilizará por daños resultantes de procedimientos llevados a cabo por personas no autorizadas.
- Este aparato no ha sido diseñado para que lo usen niños o adultos con sus facultades físicas, sensoriales o mentales reducidas, o bien que carezcan de la experiencia y conocimientos necesarios. Vigile a los niños para asegurarse de que no jueguen con este electrodoméstico.

1.1.1 Seguridad eléctrica

- Desconecte el producto de la corriente durante los procedimientos de instalación, mantenimiento, limpieza y reparación.

- En caso de que el cable de alimentación esté defectuoso, deberá ser sustituido por el fabricante, su servicio técnico o una persona cualificada (preferentemente un electricista) o alguien designado por el importador.
- El voltaje de funcionamiento es de entre 220 y 240 voltios.
- Si el aparato presenta un fallo, no debe ponerse en funcionamiento salvo que sea reparado por el servicio técnico autorizado. ¡Existe riesgo de descargas eléctricas!
- No haga pasar el cable de electricidad cerca de las placas. En caso contrario, el cable de electricidad puede causar un incendio, ya que se derrite fácilmente.
- Nunca enchufe la campana extractora antes de que se haya completado la instalación.
- Para obtener el máximo rendimiento, el conductor externo no debe superar los 4 metros de longitud. No debe contener más de 2 ángulos perpendiculares (90°) y su diámetro debe ser de como mín. $\varnothing 120$ mm.

Instrucciones importantes para la seguridad y el medio ambiente

- Desconecte el aparato antes de cualquier intervención en las partes internas del mismo.
- Use el aparato únicamente con un enchufe con toma a tierra.

1.1.2 Seguridad del producto

- Se puede utilizar un tubo de 120 mm o 150 mm de diámetro para la conexión de la chimenea de la campana extractora.
- No realice las conexiones a chimeneas conectadas a los fogones, conductos de ventilación o chimeneas con llamas. Siga las reglas establecidas por las autoridades sobre la descarga de los escapes de aire.
- La altura entre la superficie inferior de la campana extractora y la superficie superior de la cocina/horno no debe ser inferior a 65 cm para placas a gas y eléctricas.
- No ponga en funcionamiento la campana extractora sin filtros de aluminio y no quite los filtros mientras esta se encuentre en funcionamiento.
- Nunca toque las lámparas de la campana extractora después de que haya estado en funcionamiento por un tiempo prolongado. Las lámparas calientes pueden quemarle la mano.
- Evite que haya llamas de grandes dimensiones debajo del aparato. En caso contrario, las partículas en el filtro de aceite pueden prenderse fuego y generar un incendio.
- Encienda las placas después de haber colocado encima las sartenes u ollas. De lo contrario, la temperatura elevada puede deformar algunas partes de su producto.
- Apague las placas antes de retirar las sartenes u ollas.
- Evite colocar materiales inflamables debajo de la campana extractora.
- El aceite puede prenderse fuego mientras se están realizando frituras. Por lo tanto, tenga cuidado con los trapos y cortinas.
- Nunca desatienda la olla cuando fría alimentos; de lo contrario el aceite caliente podría causar un incendio.

Instrucciones importantes para la seguridad y el medio ambiente

- Existe riesgo de incendio si su campana extractora no se limpia en los períodos especificados.
- Sea extremadamente cuidadoso y utilice guantes cuando limpie la campana extractora.
- Le recomendamos que ponga en funcionamiento el aparato algunos minutos antes de comenzar a cocinar para incrementar la potencia de aspiración. Así, tendrá una potencia de aspiración continua y estable cuando empiece a salir vapor.
- Haga funcionar su campana extractora durante 15 minutos más después de terminar de cocinar o freír para eliminar los olores y el vapor de cocción de la cocina.
- Cuando la campana se esté utilizando, especialmente junto con cocinas a gas, asegúrese de que el ambiente se ventile con aire limpio.
- Preste atención a no conectar el aparato a las chimeneas utilizadas por dispositivos no eléctricos. (Ej.: chimeneas de los sistemas de calefacción).
- El funcionamiento simultáneo y preciso de la campana y otro dispositivo que necesite aire es únicamente posible cuando se alcance una presión baja de 4 Pa (0,04 mbar). Así se evita la reabsorción del gas. Esto sólo se puede conseguir mediante el aire procedente de las aperturas no cubiertas (puerta, ventana, orificios de ventilación u otras medidas técnicas). Ponga especial atención para proporcionar un flujo de aire suficiente. Una chimenea que posibilite la entrada/salida de aire no es suficiente para este propósito.

1.1.3 Seguridad de los niños

- Los materiales de embalaje son peligrosos para los niños. Mantenga los materiales de embalaje en un lugar seguro, fuera del alcance de los niños.
- Los aparatos eléctricos son peligrosos para los niños. Mantenga a los niños lejos de este producto. No deje que los niños jueguen con el aparato.

Instrucciones importantes para la seguridad y el medio ambiente

- Los niños de ocho o más años y las personas con las capacidades físicas, sensoriales o mentales limitadas o que no tengan los conocimientos y la experiencia necesarios pueden usar este aparato siempre y cuando lo hagan bajo supervisión o bien comprendan las instrucciones de uso seguro del aparato y sus riesgos potenciales. No deje que los niños jueguen con el aparato.

- **PRECAUCIÓN:** Las partes accesibles pueden calentarse cuando se usen con un aparato de cocción.

1.2 Uso previsto

- Este aparato se ha diseñado para uso doméstico. No es adecuado para uso comercial y no debe utilizarse fuera de su uso previsto.
- El fabricante no será responsable por ningún daño ocasionado por su utilización o manipulación inadecuada.
- La vida útil del aparato es de 10 años. Este es el período necesario para que haya disponibilidad de repuestos para el funcionamiento correcto del producto.

- **ADVERTENCIA:** No arreglar los tornillos según las instrucciones indicadas en el manual puede causar riesgos eléctricos.

1.3 Conformidad con la normativa WEEE y eliminación del aparato al final de su vida útil:

Este producto es conforme con la directiva de la UE sobre residuos de aparatos eléctricos y electrónicos (WEEE) (2012/19/UE). Este producto incorpora el símbolo de la clasificación selectiva para los residuos de aparatos eléctricos y electrónicos (WEEE).



Este aparato se ha fabricado con piezas y materiales de primera calidad, que pueden ser reutilizados y son aptos para el reciclado. No se deshaga del producto junto con sus los residuos domésticos normales y de otros tipos al final de su vida útil. Llévelo a un centro de reciclaje de dispositivos eléctricos y electrónicos. Solicite a las autoridades locales información acerca de dichos centros de recogida.

Cumplimiento de la directiva RoHS:

El producto que ha adquirido es conforme con la directiva de la UE sobre la restricción de sustancias peligrosas (RoHS) (2011/65/UE). No contiene ninguno de los materiales nocivos o prohibidos especificados en la directiva.

1

Instrucciones importantes para la seguridad y el medio ambiente

1.4 Información de embalaje

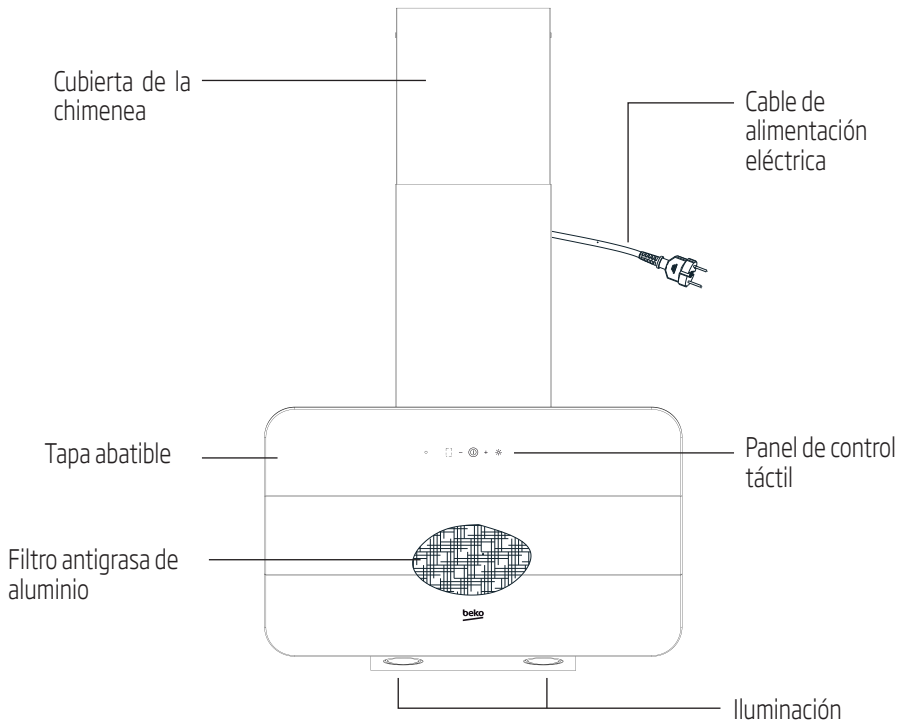


El embalaje del producto está fabricado con material reciclable de acuerdo con las normativas nacionales sobre medio ambiente. No se deshaga del material de embalaje ni de los desechos domésticos o de otro tipo. Llévelos a los puntos de recogida de material de embalaje designados por las autoridades locales.

2 Especificaciones técnicas de su aparato

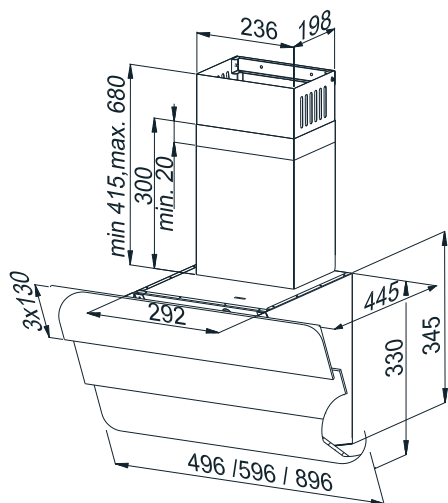
Los datos técnicos incluidos en este manual y las etiquetas adjuntas en la campana extractora fueron obtenidos a partir de mediciones y cálculos conformes a los requisitos de la regulación de la UE n.º 65/2014 y 66/2014. Este aparato cumple con las directivas europeas 2009/125/CE y 2011/65/UE.

Fig. 1 Figura explicativa de la campana extractora de cocina



2 Especificaciones técnicas de su aparato

Fig. 2 Plano de dimensiones



3 Funcionamiento de su aparato

La campana está diseñada para la aspiración de humos durante la preparación de las comidas. El dispositivo puede manejarse de dos modos:

Como extractor: los vapores se evacuan fuera de la sala mediante una tubería de ventilación. La tubería de ventilación no se suministra junto con el dispositivo y debe adquirirse por separado.



Utilice una tubería de descarga de vapor lo más corta posible.



La tubería de ventilación debe tener la superficie interior lo más lisa posible (no se recomienda el uso de tuberías de tipo espiral).



Utilice una tubería con tan pocos codos como sea posible (los ángulos acodados no deben superar los 90 grados).



No se recomienda modificar el calibre de la tubería (de mayor a menor, p. ej. una salida de aire de Ø150 mm a una de Ø120mm).

Como absorbedor: la grasa y los olores del vapor se eliminan antes de devolverlos a la sala a través de la rejilla situada en la cubierta superior de la chimenea. Si la campana se va utilizar como absorbedor, es necesario instalar un filtro de carbono activo (fig. 10). El filtro de carbono no forma parte del equipamiento estándar; debe adquirirse en un proveedor.

4 Instalación de su aparato



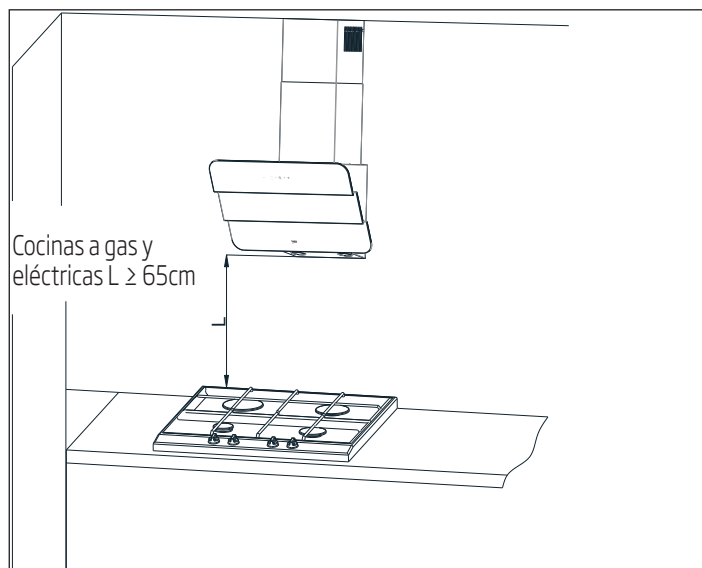
El uso de tornillos o sujeciones incompatibles con el manual pueden provocar una descarga eléctrica.

La distancia mínima de suspensión de la campana entre la superficie en la que se sitúan las piezas de la batería de cocina sobre el dispositivo calentador (cocina eléctrica o de gas), y la parte más baja de la campana de cocina (fig. 3) no debe ser inferior a 65 cm.

Si el manual de instrucciones del dispositivo calentador plantea el requisito de una mayor distancia de instalación de la campana de cocina que la indicada anteriormente, siga estas instrucciones. La instalación de la campana extractora y la pantalla de la chimenea de la campana se muestra en los planos (fig. 4 - fig. 9)

La campana extractora viene equipada con anclajes de montaje aptos para la mayoría de las paredes y techos. Durante la instalación deben tenerse en cuenta las disposiciones generales sobre la descarga de aire procedente de las salas.

Fig. 3 Distancia recomendada desde la cocina



4 Instalación de su aparato

Antes de la instalación, deberán realizarse las siguientes operaciones:

- Compruebe que las dimensiones del producto adquirido están adaptadas al lugar de destino seleccionado.
- Desconecte y retire (si es posible) el mobiliario situado en la zona de instalación de la campana extractora para facilitar el acceso al techo o a la pared donde debe encajarse la campana extractora. En caso de que esto no sea posible, deben asegurarse los elementos situados cerca del área de trabajo.
- Compruebe si hay una toma de enchufe cerca del punto de instalación de la campana y si es posible conectar la campana a la tubería de ventilación para evacuar los vapores del exterior.
- Revise que los puntos de perforación no cubran los cables de instalación (eléctricos, hidráulicos, etc.).
- Equípese con las siguientes herramientas: cinta métrica, lápiz, taladro con brocas de Ø8, destornillador, nivel de burbuja.

4.1 Trabajos de instalación

1. Determine el eje del elemento calentador y transfíralo a la pared donde debe montarse la campana. Marque todos los puntos de montaje de la campana extractora específicos. Use el taladro y los orificios de taladrado (fig. 4).
2. Introduzca los pernos de expansión en las aberturas. En los dos orificios marcados como A introduzca los tornillos (dejando 7 mm de longitud del tornillo en la parte exterior, tal como se muestra en la fig. 5).
3. Abra la tapa de la campana extractora y retire el filtro antigrasa (fig. 6).
4. Atornille el anclaje de la cubierta de la chimenea, cuelgue la campana en los dos tornillos flojos (fig. 7).

5. Coloque el nivel de burbuja en el cuerpo de la campana extractora. Ajuste la campana horizontalmente según la indicación del nivel de burbuja girando los elementos marcados como A, y luego apriete los dos tornillos flojos y los dos tornillos restantes (fig. 8).
6. Coloque la cubierta de la chimenea en el cuerpo. Luego tire suavemente la parte de la campana marcada como B hacia arriba hasta que sea capaz de atornillarla al anclaje colocado anteriormente en la pared (fig. 9).



La instalación debe realizarse con sumo cuidado para no rayar la cubierta de la chimenea y la campana extractora.

4 Instalación de su aparato

Fig. 4 Dimensiones de la instalación

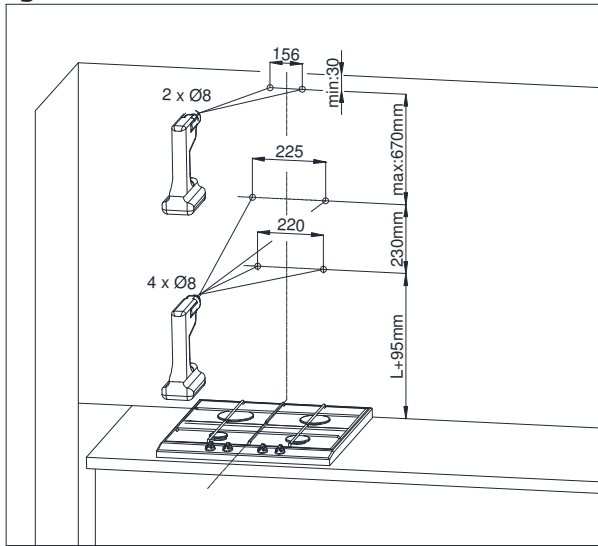
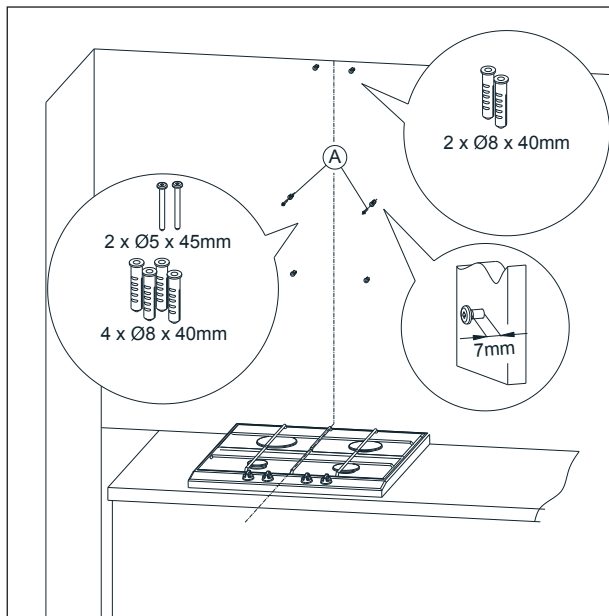


Fig. 5 Montaje de los pernos de expansión



4 Instalación de su aparato

Fig. 6 Desmontaje del filtro antigrasa de aluminio

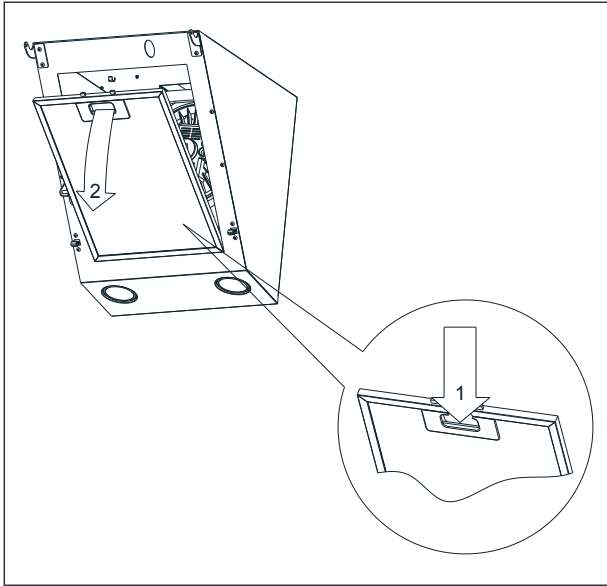
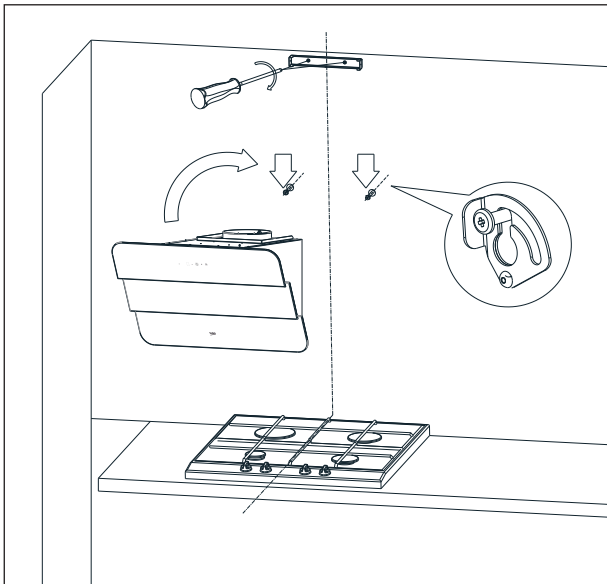


Fig. 7 Colgado de la campana



4 Instalación de su aparato

Fig. 8 Colocación de la campana

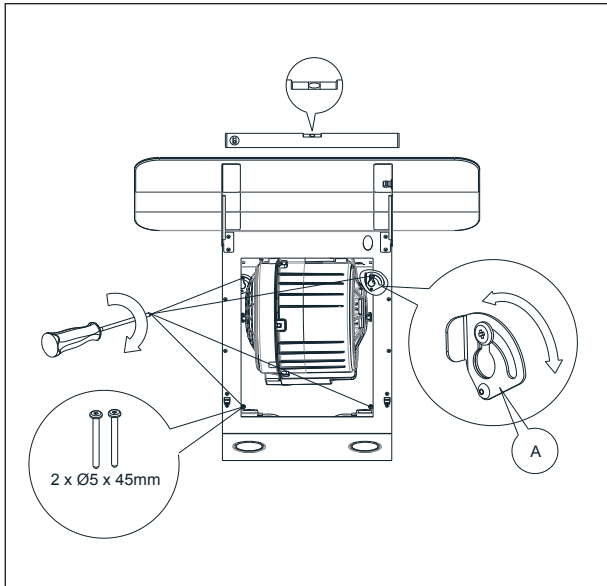
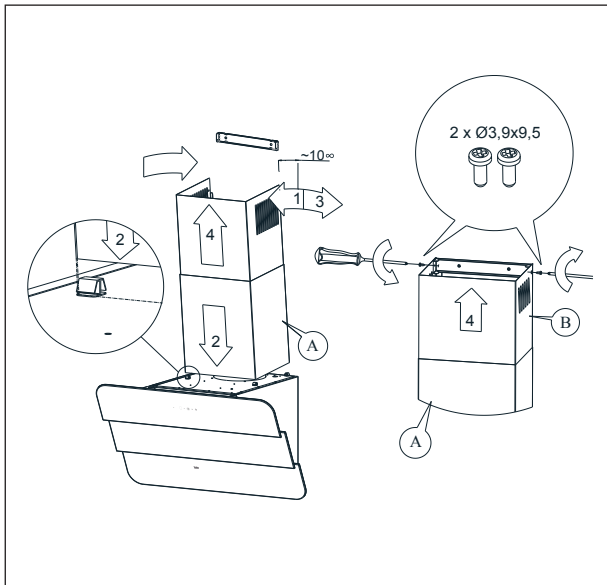


Fig. 9 Montaje de la cubierta de la campana extractora



4 Instalación de su aparato

4.2 Conexión eléctrica

La tensión de la red eléctrica debe corresponder a la indicada en la placa de datos pegada en el interior de la campana. Si la campana de cocina tiene un enchufe, éste debe conectarse a una toma de corriente que cumpla los requisitos de las normativas obligatorias y estar localizada en un lugar de fácil acceso. Si la campana no dispone de un enchufe, la instalación de la campana debe encomendarse a una persona cualificada (p. ej. un electricista).

5 Limpieza y mantenimiento

Antes de realizar cualquier operación de mantenimiento en el aparato, desenchúfelo de la toma de corriente de pared. La campana debe limpiarse con productos de limpieza neutros, no utilice productos de limpieza abrasivos. El mantenimiento periódico mejora significativamente el rendimiento y la vida útil de la campana extractora. La campana extractora debe limpiarse al menos una vez al mes o cada 35 horas de funcionamiento. Para limpiar la campana, **NO UTILICE AGENTES A BASE DE ALCOHOL**. Los elementos satinados (inox) deben limpiarse con preparados especiales para ello.



El incumplimiento de estas disposiciones relacionadas con la limpieza del dispositivo y la sustitución de filtros puede provocar riesgos de incendio. Por lo tanto, se recomienda cumplir con las pautas aquí descritas. El fabricante no se hace responsable de cualquier daño ocasionado al motor o los incendios provocados por un uso indebido.

5.1 Filtro antigrasa

La campana extractora está equipada con un filtro de aluminio, el cual retiene las partículas de grasa procedentes de la cocción. El filtro puede retirarse moviendo los cierres en la dirección de las flechas (fig. 7). El filtro debe limpiarse a mano sumergiéndolo durante 15 minutos en agua con líquido lavavajillas a una temperatura de 40-50°C. Después de 15 minutos, puede continuar con el lavado y luego el aclarado. El filtro debe secarse antes de colocarse en la campana extractora.

El filtro también puede lavarse en el lavavajillas. Durante el procedimiento de lavado, el filtro puede decolorarse, aunque esto no afecta a sus propiedades de filtrado. Si el filtro no se limpia periódicamente, el rendimiento de la campana extractora disminuirá y podría generarse un riesgo de incendio. El filtro debe limpiarse al menos cada 35 horas de funcionamiento de la campana extractora.

5.2 Filtro de carbono

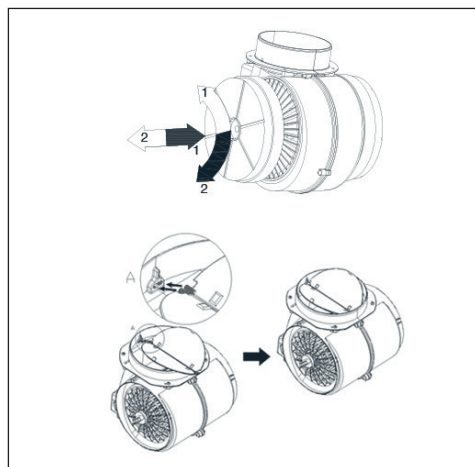
La campana extractora puede montarse con un filtro de carbono activo. El filtro de carbono solo se aplica en el caso de que la campana extractora no esté conectada a la tubería de ventilación.

El filtro debe colocarse en la carcasa de la turbina, tal y como se muestra en el plano (fig. 10). El filtro de carbono activo debe sustituirse cada 6 meses.



El filtro de carbono no debe lavarse ni regenerarse.

Fig. 10 Sustitución del filtro de carbono



5 Limpieza y mantenimiento

5.3 Sustitución de la iluminación

Antes de realizar cualquier trabajo relacionado con la sustitución o iluminación, asegúrese de desconectar la fuente de alimentación. Si la campana fue activada anteriormente, debe esperar hasta que las bombillas se enfríen, luego ya puede seguir con su sustitución. El proceso de sustitución de las bombillas se muestra en la figura 11.




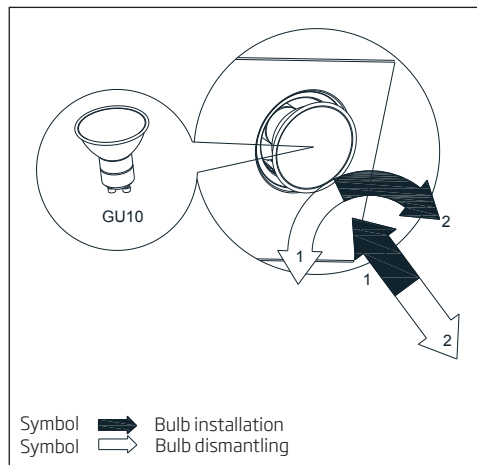
-  Antes de sustituir las bombillas, desconecte la campana extractora de la alimentación eléctrica.
-  No toque las bombillas cuando estén calientes.
-  Tenga cuidado de no tocar la bombilla reemplazada directamente con las manos.

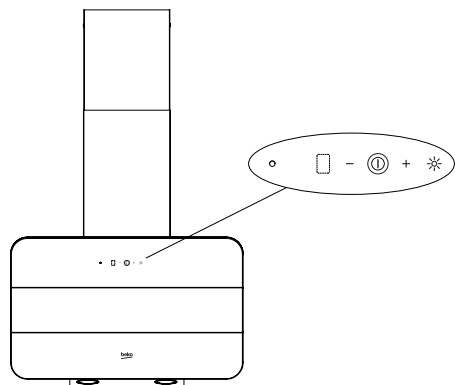
Fig. 11 Sustitución de la iluminación



6 Control del funcionamiento de la campana extractora

La campana extractora está equipada con un control táctil localizado en el panel de vidrio superior (fig. 12).

Fig. 12 Localización del panel táctil



Designación de los campos táctiles:

ⓐ Encendido/apagado de la campana extractora

☀ Encendido/apagado de la iluminación de la campana extractora

— Reducción de la velocidad de la turbina

⊕ Aumento de la velocidad de la turbina

☐ Pantalla digital

6.1 Control del funcionamiento de la turbina

En el modo de espera, el panel de control no está iluminado y los campos ⊕, — y ☀ están inhabilitados. Para activar el panel de control, toque el campo ⓐ o utilice el mando a distancia (si está incluido). Una vez activado, se ilumina el panel de control y aparece el símbolo del campo táctil; al pulsar el campo ⓐ la turbina arranca en la última marcha utilizada, al pulsar el campo ⊕ la turbina arranca en la marcha más alta y al pulsar el campo — la turbina arranca en la marcha más baja.

La velocidad de la turbina puede aumentarse pulsando el campo ⊕, y reducirse pulsando el símbolo —. La turbina de la campana se desactiva pulsando el campo ⓐ o después de pulsar el campo — cuando la turbina está funcionando en la primera marcha. Junto con el cambio de la velocidad de la turbina, los dígitos de la pantalla cambian en consecuencia:

- 1- turbina funcionando en la primera marcha,
- 2- turbina funcionando en la segunda marcha,
- 3- turbina funcionando en la tercera marcha,
- 4- turbina funcionando en la marcha intensiva (turbo).

De conformidad con la reglamentación europea 66/2014, la campana viene equipada con un contador automático de cinco minutos, que cambia automáticamente el nivel de la turbina de la cuarta marcha a la tercera transcurridos 5 minutos (esto no se aplica al modelo con el número de turbina "5").

6.2 Control de la iluminación

Para encender la luz de la campana, debe pulsarse el símbolo ☀; al pulsar de nuevo el símbolo se apaga la luz.

6.3 Información adicional sobre el control de la campana extractora

El control de la campana está equipada con un contador de funcionamiento de la campana. El contador está fijado en 35 horas. Una vez transcurrido este tiempo, la pantalla muestra el símbolo ☒ que indica **que el filtro de aluminio debe limpiarse**. Para borrar el símbolo "F" de la pantalla de la campana, debe pulsarse el símbolo — y mantenerse pulsado durante aprox. 8 segundos.

El control de la campana está equipado con un bloqueo del panel táctil para desactivar el panel táctil, por ejemplo durante la limpieza de la campana.

6 Control del funcionamiento de la campana extractora

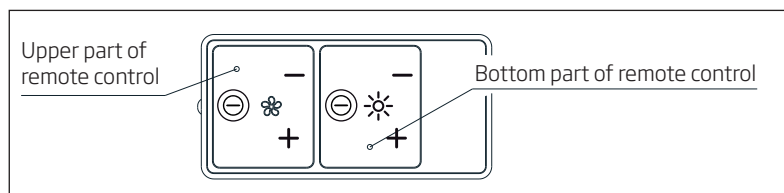
Para activar el bloqueo, pulse y mantenga pulsado el símbolo Ⓢ (durante aprox. 10 segundos) hasta que el símbolo Ⓢ (punto en la esquina inferior derecha) aparezca en la pantalla. Para volver al funcionamiento normal, toque y mantenga pulsado el símbolo Ⓢ de nuevo (durante aprox. 10 segundos) hasta que desaparezca el punto en la pantalla.

El control de la campana está equipado con un temporizador que desactiva la turbina de la campana transcurridos 15 minutos desde el encendido del contador. El temporizador de la turbina no inhabilita la iluminación y la velocidad de la turbina puede modificarse libremente. Para activar el temporizador, la turbina de la campana debe funcionar a cualquier velocidad en el engranaje 1, 2, 3 o intensivo. El temporizador se activa manteniendo pulsado el símbolo + (durante aprox. 10 segundos), hasta que un punto comience a parpadear en la esquina inferior derecha. Para inhabilitar esta función, vuelva a mantener el símbolo (durante aprox. 10 segundos) o apague la campana extractora.

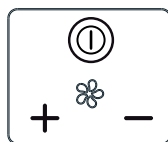
El control de la campana extractora viene equipado con una función para desactivar automáticamente el funcionamiento de la turbina transcurridas 2 horas de inactividad del control de la campana.

La campana cuenta con un mando a distancia (solo modelos seleccionados) (fig. 13)

Fig. 13 Mando a distancia

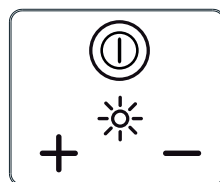


6.4 Funcionamiento del mando a distancia



El funcionamiento de la turbina se controla con la parte superior del mando a distancia, marcado como ✿. La activación o la desactivación de la turbina se realiza pulsando el botón con el símbolo Ⓢ, pero también + y -. El aumento de velocidad se realiza pulsando el botón +, para reducirla se pulsa el botón -.

6.5 Control de la iluminación mediante el mando a distancia



La iluminación se controla con la parte inferior del mando a distancia, marcado como ☀. La activación o la desactivación de la luz se realiza pulsando el botón con el símbolo Ⓢ. Los botones + y - están desactivados.

6.6 Métodos de reducción del efecto del proceso de cocción en el entorno

- Para reducir el consumo de energía, cocine poniendo tapas sobre las piezas de la batería de cocina.
- Los filtros de aluminio deben mantenerse limpios (el periodo entre limpiezas recomendado para el filtro de aluminio es máx. 35 horas de funcionamiento de la campana).
- Tenga cuidado de la permeabilidad de las tuberías de ventilación.
- El nivel de funcionamiento de la turbina durante la cocción debe ajustarse siempre a la marcha mínima, que permite la eliminación de los humos a la intensidad actual de cocción.

6.7 Ficha del producto

La ficha del producto se localiza dentro de la campana extractora.

7 Solución de problemas

Síntomas	Causa	Método de reparación
Durante el funcionamiento de la campana, se muestra la letra "F" parpadeante.	Después de 35 horas de funcionamiento, la campana extractora indica la necesidad de limpieza o sustitución del filtro antigrasa.	Pulse y mantenga pulsado "-" durante aprox. 8 segundos en el control táctil. El filtro debe lavarse en el lavavajillas o sustituirse por uno nuevo.
La pantalla solo muestra el símbolo "-." (menos y el punto en la esquina inferior derecha), la campana no reacciona al desactivado.	El control táctil se ha bloqueado - esta característica facilita la limpieza de la campana extractora.	Para desactivar el bloqueo, pulse y mantenga pulsado durante 10 segundos el campo con el símbolo de encendido.
No se muestra ningún símbolo en la pantalla, la campana extractora no responde a la pulsación de los campos de control.	El control táctil está probablemente en suspenso.	Desconecte la campana extractora de la fuente de alimentación durante aprox. 15 segundos y vuelva a encenderla.
La pantalla muestra el símbolo de una de las marchas, la campana extractora no responde a la pulsación de los campos de control.	El control táctil está probablemente en suspenso	Desconecte la campana extractora de la fuente de alimentación durante aprox. 15 segundos y vuelva a encenderla.
La turbina de la campana se desconecta después de 15 minutos de funcionamiento, la pantalla muestra un dígito parpadeante, es decir, "1." (el número de engranaje actual y el punto en la esquina inferior derecha).	El desactivado automático del control táctil ha sido activado.	Para desactivar el temporizador, pulse y mantenga pulsado durante aprox. 10 segundos el símbolo "+" o desactive la campana.
En la cuarta marcha el dígito "4" parpadea en la pantalla, después de 5 minutos la marcha cambia a la tercera.	La campana está equipada con un modo turbo, que cambia automáticamente al tercer engranaje después de 5 minutos de funcionamiento para ahorrar energía.	El engranaje turbo solo se utilizará con el cocinado intensivo.
La campana solo puede manejarse mediante el panel de control, no responde al mando a distancia.	La batería del mando a distancia está agotada o la distancia es demasiado grande.	Sustituya la batería por una nueva.
La campana tiene una capacidad de aspiración del vapor muy deficiente.	La causa probable es unos filtros sucios.	El filtro antigrasa debe lavarse en el lavavajillas o sustituirse por uno nuevo. El filtro de carbono (si está presente) debe sustituirse por uno nuevo.
Uno o varios puntos de luz no funcionan.	Bombilla LED / halógena defectuosa.	La bombilla necesita sustituirse por una nueva, compatible con el símbolo especificado en el manual de instrucciones para la campana de cocina.
La campana generó demasiado ruido y vibraciones.	Esto puede deberse a una instalación incorrecta de la campana extractora en la pared o en los armarios de cocina. No se han utilizado todos los tornillos facilitados o los tornillos se encuentran sueltos y dejan un espacio.	La campana extractora debe montarse en una pared o en un armario aprovechando todos los puntos facilitados por el fabricante. Una vez ajustada la posición de la campana extractora de forma horizontal y vertical, apriete todos los tornillos de montaje.

7 Solución de problemas

* se aplica a las campanas extractoras con el control táctil.

Si las anteriores recomendaciones no solucionan el problema, póngase en contacto con el servicio técnico autorizado de reparación de electrodomésticos. Bajo ninguna circunstancia el usuario de la campana extractora está autorizado a repararla por su cuenta. En la tarjeta de garantía y en el sitio web se incluye una lista de puntos de servicio.

Avant d'utiliser l'appareil, veuillez lire ce manuel !






Cher client !

Merci d'avoir choisi les produits Beko. Nous espérons que ce produit, fabriqué dans des installations modernes et soumis à un processus de contrôle qualité rigoureux, vous offre les meilleures performances possibles. C'est pourquoi nous vous recommandons, avant d'utiliser ce produit, de lire attentivement ce manuel et tous les autres documents fournis et de les conserver soigneusement pour toute consultation future. Si vous confiez le produit à quelqu'un d'autre, n'oubliez pas de lui remettre également le manuel d'utilisation. Veuillez à bien respecter les consignes et les instructions figurant dans le manuel d'utilisation.

N'oubliez pas que ce manuel d'utilisation s'applique aussi à plusieurs autres modèles d'appareils. Les différences entre un modèle et un autre sont clairement exposées dans le manuel.

Signification des pictogrammes

Les symboles suivants sont repris tout au long de ce manuel :

	Informations importantes et conseils utiles concernant l'utilisation de l'appareil.
	AVERTISSEMENT : Avertissements sur les situations dangereuses concernant la sécurité des biens et des personnes.
	Avertissement contre le risque d'électrocution.
	Avertissement en cas de contact avec une surface brûlante.
	Ampoule



Ce produit a été fabriqué dans les usines modernes respectueuses de l'environnement.

Cet appareil est conforme à la directive DEEE.



Ne contient pas de PCB.

Cette section contient les consignes de sécurité qui aident à se prémunir contre les risques de dommages corporels ou matériels. Le non-respect de ces consignes annule la garantie.

1.1 Consignes générales de sécurité

- Les procédures d'installation et de réparation doivent toujours être mises en application par un agent d'entretien agréé. Le fabricant ne saurait être tenu responsable des dommages découlant des procédures effectuées par des personnes non autorisées.
- Ce produit n'a pas été prévu pour être utilisé par des personnes (notamment les enfants) dont les capacités physiques, sensorielles ou mentales sont réduites, ou n'ayant pas suffisamment d'expérience ou de connaissances. Les enfants doivent toujours être surveillés pour s'assurer qu'ils ne jouent pas avec l'appareil.
- Si le câble d'alimentation est défectueux, faites-le remplacer par une personne qualifiée agréée par le fabricant, le service après-vente ou toute personne aux qualifications similaires (de préférence un électricien) ou une personne désignée par l'importateur.
- La tension de fonctionnement est de 220 à 240 volts.
- Si l'appareil a une panne, arrêtez de l'utiliser, et faites-le réparer par un technicien agréé avant de recommencer à l'utiliser. Il y a risque d'électrocution !
- Ne faites pas passer le câble électrique près des tables de cuisson. Autrement, il pourrait fondre facilement et causer un incendie.
- Ne branchez jamais la hotte avant la fin de l'installation.
- Afin d'obtenir les meilleurs résultats, la longueur du conducteur externe ne doit pas excéder 4 m. Il ne doit pas contenir plus de 2 angles (90°) perpendiculaires et son diamètre doit être de 120 mm minimum.

1.1.1 Sécurité électrique

- Débranchez toujours l'appareil du secteur pendant les procédures d'installation, d'entretien, de nettoyage et de réparation.

Instructions importantes en matière de sécurité et d'environnement

- Débranchez l'appareil du secteur avant toute intervention sur les pièces internes.
- Utilisez l'appareil uniquement avec une prise de terre.
- Ne touchez jamais les ampoules de la hotte après une longue durée de fonctionnement. Elles pourraient vous brûler les mains puisqu'elles sont chaudes.

1.1.2 Sécurité du produit

- Vous pouvez utiliser un tuyau de 120 mm ou 150 mm de diamètre sur le raccordement au conduit de cheminée de la hotte.
- N'effectuez aucun raccordement sur les conduits de cheminée connectés aux cuisinières, aux conduits d'évacuation ou aux conduits de cheminée à flammes montantes. Respectez les règles concernant l'évacuation d'air définies par les autorités.
- La hauteur entre la surface inférieure de la hotte et la surface supérieure de la cuisinière/du four ne doit pas être inférieure à 65 cm pour les tables de cuisson électriques et à gaz.
- N'utilisez pas la hotte sans filtres en aluminium et ne les retirez pas lorsqu'elle est en fonctionnement.
- Évitez les grandes flammes sous l'appareil. Autrement, les particules du filtre à huile pourraient s'enflammer et causer un incendie.
- Allumez les tables de cuisson après y avoir déposé les poêles ou les casseroles. Sinon, la chaleur élevée pourrait déformer certaines pièces de votre appareil.
- Éteignez les tables de cuisson avant d'y retirer les poêles et les casseroles.
- Évitez de laisser les matériaux inflammables sous la hotte.
- De l'huile pourrait s'enflammer lors des fritures. Alors, faites attention aux torchons et aux rideaux.
- Ne laissez jamais la plaque de cuisson sans surveillance lors des fritures ; autrement, de l'huile chaude pourrait causer un incendie.
- Il y a risque d'incendie si votre hotte n'est pas nettoyée à des périodes spécifiques.

Instructions importantes en matière de sécurité et d'environnement

- Faites très attention et portez des gants pendant le nettoyage de la hotte.
- Il est conseillé de faire fonctionner la hotte pendant quelques minutes avant de commencer la cuisson afin d'augmenter la puissance d'aspiration. Ainsi, la puissance d'aspiration sera continue et stable lors de l'échappement des vapeurs.
- Laissez votre hotte en marche 15 minutes encore après la cuisson ou la friture afin d'évacuer de la cuisine toutes les odeurs et les vapeurs de cuisson.
- Lorsque la hotte est en fonctionnement, simultanément avec les tables de cuisson de cuisson à gaz, assurez-vous que l'environnement est aéré.
- Évitez de raccorder l'appareil aux conduits de cheminée utilisés par les appareils non électriques. (Exemple : Conduit de l'élément chauffant).
- Le fonctionnement simultané et harmonieux de la hotte et d'un autre appareil nécessitant de l'air n'est possible que lorsqu'une basse pression de 4 Pa (0,04 mbar) est garantie ; ainsi, la réabsorption du gaz est évitée. Ceci n'est possible que grâce à l'air venant d'ouvertures non couvertes (porte, fenêtre, ouvertures d'aération ou autres mesures techniques). Assurez-vous par-dessus tout que le débit d'air est suffisant. Une cheminée qui permet une entrée/sortie de l'air ne convient pas à cette utilisation.

1.1.3 Sécurité des enfants

- Les matériaux d'emballage sont dangereux pour les enfants. Conservez-les en lieu sûr, hors de la portée des enfants.
- Les appareils électriques sont dangereux pour les enfants. Tenez les enfants à l'écart de l'appareil. Ne les laissez pas jouer avec l'appareil.

Instructions importantes en matière de sécurité et d'environnement

- Cet appareil peut être utilisé par les enfants âgés de 8 ans ou plus et par les personnes à capacités physiques, sensorielles ou mentales réduites ou qui n'ont pas les connaissances et l'expérience, tant qu'ils sont surveillés dans l'utilisation sécuritaire du produit ou s'ils sont instruits en conséquence ou comprennent les risques liés à l'utilisation du produit. Les enfants ne doivent pas jouer avec l'appareil.
- **MISE EN GARDE :** Les parties accessibles de l'appareil peuvent devenir chaudes lorsque vous l'utilisez avec un appareil de cuisson.
- La durée de vie de votre appareil est de 10 ans. Il s'agit de la période nécessaire pour la disponibilité des pièces de rechange pour le fonctionnement correct de l'appareil.
- **AVERTISSEMENT :** Le non-respect des instructions du présent manuel fournies pour la fixation des vis peut présenter des risques électriques.

1.2 Utilisation prévue

- Cet appareil est destiné à un usage domestique. Il n'est pas adapté pour un usage commercial, et ne doit pas être utilisé à des fins autres que celles prévues.
- La responsabilité du fabricant ne saurait être engagée en cas d'utilisation ou de manipulation inadaptée.

1.3 Conformité avec la directive DEEE et mise au rebut des déchets :

Ce produit est conforme à la directive DEEE (2012/19/UE) de l'Union européenne). Ce produit porte un symbole de classification pour la mise au rebut des équipements électriques et électroniques (DEEE).



Le présent produit a été fabriqué avec des pièces et du matériel de qualité supérieure susceptibles d'être réutilisés et adaptés au recyclage. Par conséquent, nous vous conseillons de ne pas le mettre au rebut avec les ordures ménagères et d'autres déchets à la fin de sa durée de vie. Au contraire, rendez-vous dans un point de collecte pour le recyclage de tout matériel électrique et électronique. Veuillez vous rapprocher des autorités de votre localité pour plus d'informations concernant le point de collecte le plus proche.

Conformité avec la directive

LdSD :

L'appareil que vous avez acheté est conforme à la directive LdSD (2011/65/UE) de l'Union européenne. Il ne comporte pas les matériaux dangereux et interdits mentionnés dans la directive.

1.4 Information sur l'emballage

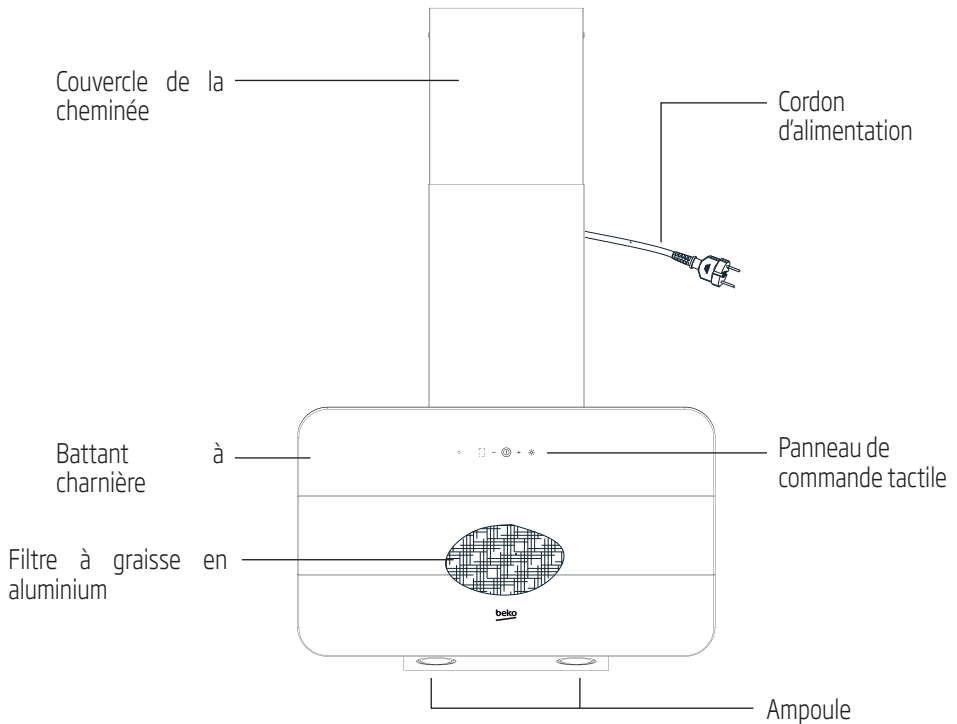


L'emballage du produit est composé de matériaux recyclables, conformément à notre réglementation nationale. Ne jetez pas les éléments d'emballage avec les déchets domestiques et autres déchets. Déposez-les dans un des points de collecte d'éléments d'emballage que vous indiquera l'autorité locale dont vous dépendez.

2 Spécifications techniques de l'appareil

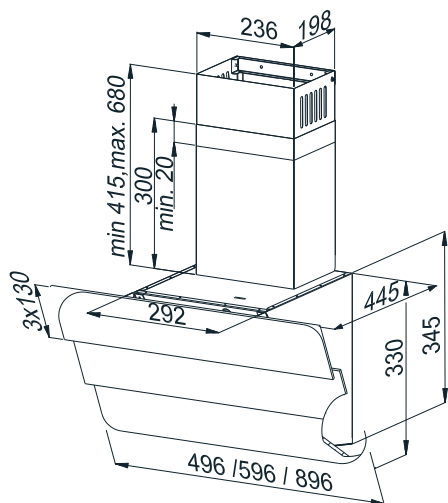
Les informations techniques figurant dans ce manuel et sur les étiquettes de la hotte ont été obtenues à partir de mesures et de calculs conformes aux exigences des directives n° 65/2014 et 66/2014 de l'UE. Cet appareil est conforme aux directives européennes 2009/125/EC et 2011/65/EU.

Fig. 1 Figure explicative d'une hotte de cuisine



2 Spécifications techniques de l'appareil

Fig. 2 Schéma coté



3 Fonctionnement de l'appareil

La hotte est conçue pour l'aspiration des fumées pendant la cuisson des repas. Cet appareil peut être utilisé de deux façons.

Comme extracteur : les vapeurs sont extraites vers l'extérieur par le biais d'un tuyau d'évacuation. Le tuyau d'évacuation n'est pas fourni avec l'appareil. Il doit être acheté séparément.



Le tuyau d'évacuation des vapeurs à utiliser doit être le plus court possible.



La surface interne du tuyau doit être aussi douce que possible (l'utilisation de tuyaux de type spiro n'est pas recommandée).



Le tuyau à utiliser ne doit pas comporter trop de courbes (les angles de courbure, le cas échéant, ne doivent pas être supérieurs à 90°).



Il n'est pas recommandé d'appliquer des changements de section au tuyau (d'une plus grande à une plus petite section, par exemple d'une sortie d'air de 150 mm de diamètre à une autre de 120 mm de diamètre).

Comme absorbeur : la hotte purifie l'air des odeurs et des particules de graisse avant de le renvoyer dans la pièce par le biais d'une grille sur le couvercle supérieur de la cheminée. Si vous utilisez la hotte comme absorbeur, vous devez installer un filtre à charbon (fig. 10). Le filtre à charbon n'est pas un équipement de série. Il doit être acheté auprès d'un fournisseur.

4 Installation de l'appareil



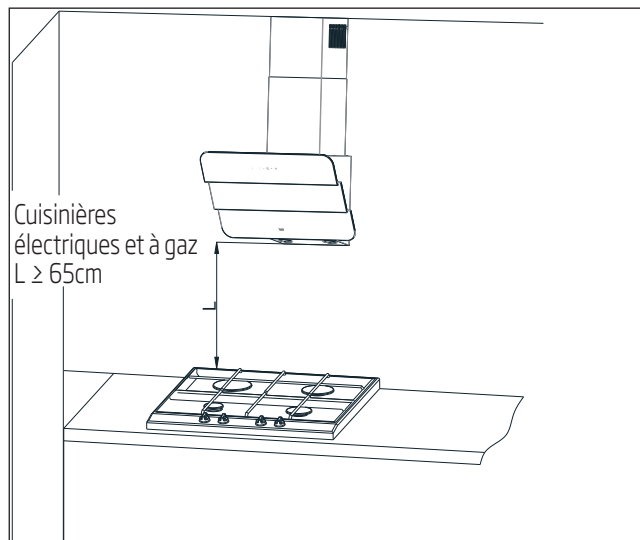
L'utilisation de vis ou de dispositifs de fixation non préconisés par le manuel peut entraîner une électrocution.

La distance minimale de la suspension de la hotte entre la surface sur laquelle les ustensiles de cuisine sont placés sur l'appareil de chauffage (cuisinière électrique ou à gaz) et la partie inférieure de la hotte de cuisine (fig. 3) ne doit pas être inférieure à 65 cm.

Si le manuel d'utilisation de l'appareil de cuisson en question préconise une plus grande distance d'installation de la hotte de cuisine que celle spécifiée ci-dessus, conformez-vous à ces instructions. Les figures 4 et 9 présentent l'installation de la hotte et du panneau d'isolation de la cheminée.

La hotte est dotée d'encrages de fixation adaptés pour la plupart des types de murs et de plafonds. L'installation doit être conforme aux réglementations d'ordre général relatives à l'évacuation d'air vicié des pièces.

Fig. 3 Distance recommandée de la cuisinière



4 Installation de l'appareil

Avant d'installation :

- Assurez-vous que les dimensions de l'appareil que vous avez acheté sont adaptées au point cible choisi.
- Détachez et, si possible, retirez le meuble situé sur la zone d'installation de la hotte pour pouvoir facilement accéder au plafond ou au mur sur lequel doit se fixer la hotte. Si cela n'est pas possible, assurez-vous de sécuriser tout ce qui se trouve dans la zone de travail et autour de celle-ci.
- Vérifiez s'il se trouve une prise près de la zone d'installation de la hotte et s'il est possible de raccorder la hotte au tuyau d'évacuation des vapeurs vers l'extérieur.
- Vérifiez si les points sur lesquels vont être percés les trous de fixation ne couvrent pas les câbles d'installations (les câbles électriques, hydrauliques, etc.)
- Munissez-vous des outils suivants : un mètre à ruban, un crayon, une perceuse d'un diamètre de 8, d'un tournevis, d'un niveau à bulle.

4.1 Travaux d'installation

1. Déterminez l'axe de l'élément chauffant et transférez-le au mur de fixation de la hotte. Marquez tous les points d'ancrage de la hotte. Percez des trous à l'aide de la perceuse (fig. 4).
2. Insérez des boulons d'expansion sur les trous. Sur les trous marqués A, insérez des vis (en laissant une longueur de 7 mm à l'extérieur tel qu'indiqué à la fig. 5).
3. Ouvrez le battant de la hotte et retirez le filtre à graisse (fig. 6).
4. Fixez le dispositif de serrage du couvercle de la cheminée, accrochez la hotte sur deux vis légèrement serrées (fig. 7).
5. Placez le niveau à bulle sur le corps de la hotte. En tournant les éléments marqués A, fixez la hotte horizontalement en fonction du niveau à bulle, puis serrez fermement les deux vis légèrement serrées et les deux vis restantes (fig. 8).

6. Placez le couvercle de la cheminée sur le corps. Ensuite, tirez légèrement la partie B de la hotte vers le haut, jusqu'à ce que vous puissiez la visser au dispositif de serrage précédemment fixé au mur (fig. 9).



L'installation doit être effectuée très soigneusement, de sorte à ne pas érafler le couvercle de cheminée ou la hotte.

4 Installation de l'appareil

Fig. 4 Dimensions d'installation

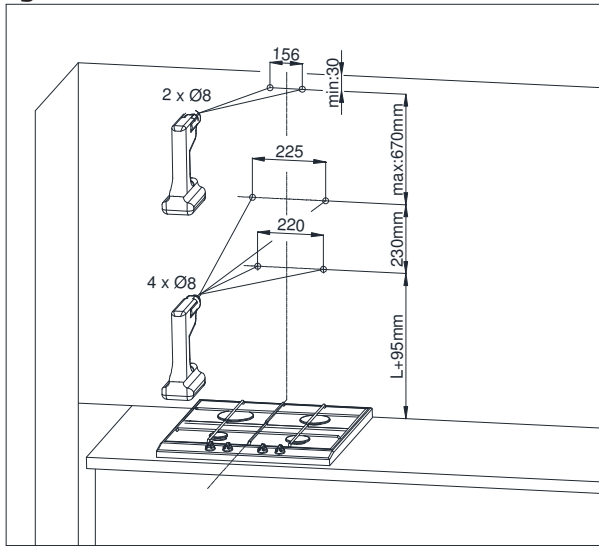
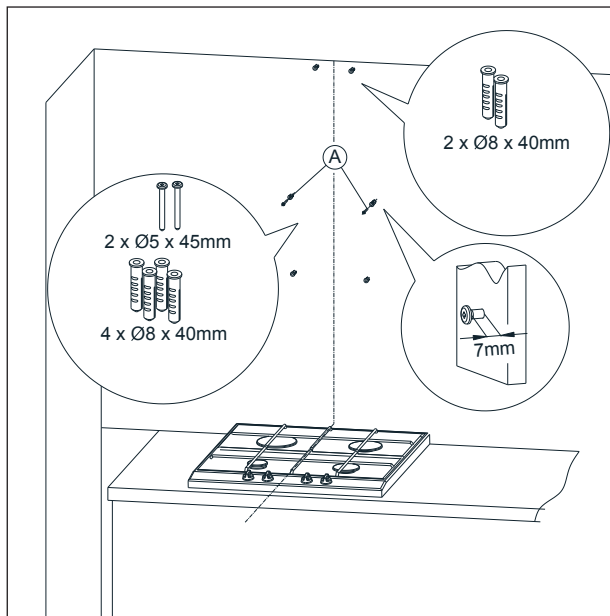


Fig. 5 Montage des boutons d'expansion



4 Installation de l'appareil

Fig. 6 Démontage du filtre à graisse en aluminium

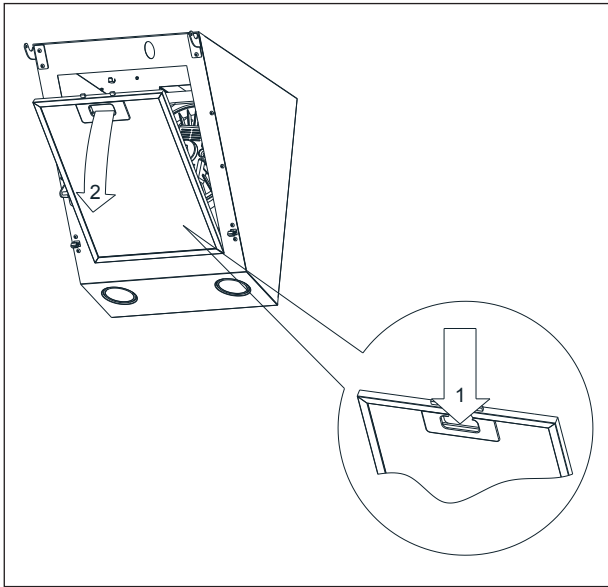
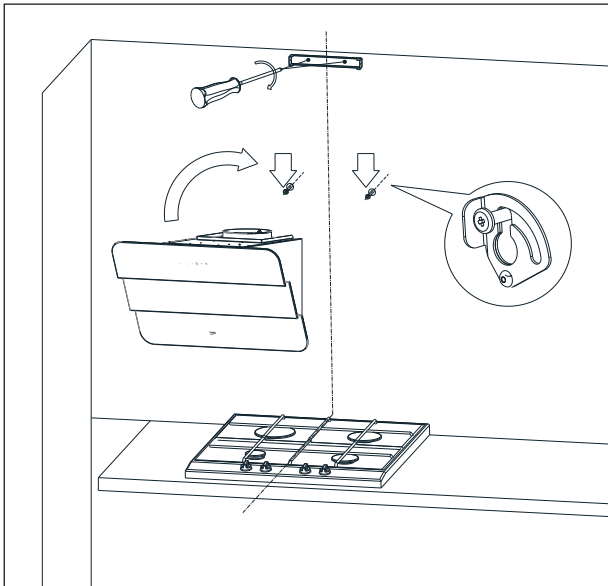


Fig. 7 Suspension de la hotte



4 Installation de l'appareil

Fig. 8 Positionnement de la hotte

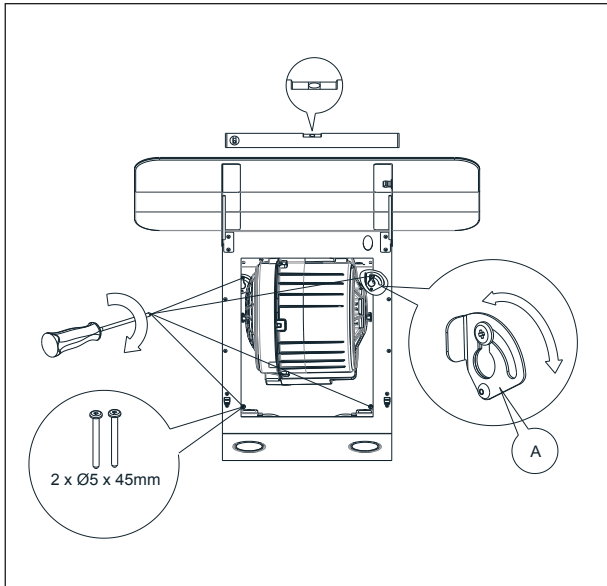
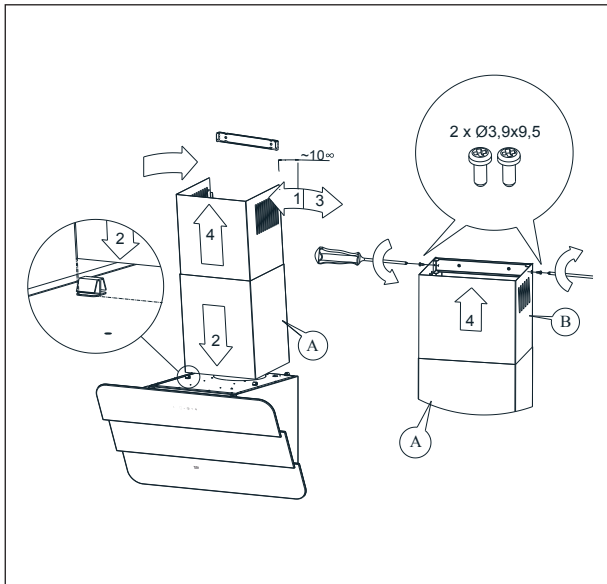


Fig. 9 Montage du couvercle de la hotte



4.2 Connexion électrique

La tension du réseau électrique local doit correspondre à celle spécifiée sur la plaque signalétique de l'appareil, située à l'arrière de celui-ci. Si la hotte de cuisine est équipée d'une fiche, vous devez l'insérer dans une prise conforme aux exigences des règlements contraignants et située dans un endroit facilement accessible. Si la hotte ne dispose pas de fiche, l'installation doit être confiée à une personne disposant des autorisations appropriées (par exemple un électricien).

5 Nettoyage et entretien

Avant de procéder à toute opération de maintenance de l'appareil, démontez la fiche de la sortie murale. Vous devez nettoyer la hotte à l'aide d'agents de nettoyage doux. N'utilisez pas d'agents abrasifs. La maintenance régulière améliore considérablement la performance et la durabilité de la hotte. Nettoyez la hotte au minimum une fois par mois ou après chaque 35 heures de fonctionnement. Pour nettoyer la hotte, N'UTILISEZ PAS D'AGENTS À BASE D'ALCOOL. Les composants en finition satinée (inox) doivent être nettoyés à l'aide de préparations spécialement destinées à cette fin.



La non-conformité aux instructions relatives au nettoyage de l'appareil et au remplacement des filtres présente des risques d'incendie. Nous vous recommandons fortement de vous conformer aux lignes directrices fournies dans le présent document. Le fabricant n'est pas responsable des dommages sur le moteur ou des incendies résultant de l'utilisation inappropriée.

5.1 Filtre à graisse

La hotte est équipée d'un filtre en aluminium qui retient les particules graisseuses qui résultent de la cuisine. Le filtre peut être retiré en déplaçant les verrous dans la direction des flèches (Fig. 7). Lavez le filtre à la main, en le plongeant pendant 15 minutes dans de l'eau contenant un liquide vaisselle à une température variant 40 à 50 °C. Après 15 minutes, vous pouvez procéder au lavage, puis au rinçage.

Assurez-vous que le filtre est bien sec avant de l'installer dans la hotte. Le filtre est également lavable au lave-vaisselle. Pendant cette procédure de lavage, le filtre peut se décolorer, mais cela n'affecte pas ses propriétés filtrantes. Si vous ne nettoyez pas le filtre de façon régulière, cela réduira les performances de la hotte et peut entraîner des risques d'incendie. Nettoyez le filtre au minimum après chaque 35 heures de fonctionnement.

5.2 Filtre à charbon

La hotte peut être équipée d'un filtre à charbon. Le filtre à charbon n'est utilisé que si la hotte est connectée à un conduit de ventilation.

Le filtre doit être placé sur le carter de turbine, comme indiqué sur le schéma (Fig. 10). Le filtre à charbon doit être remplacé tous les 6 mois.



Le filtre à charbon ne doit être ni lavé ni régénéré.

5 Nettoyage et entretien

Fig. 10 Remplacement du filtre à charbon

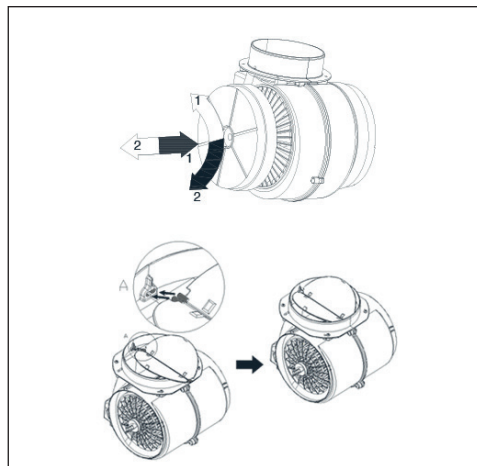
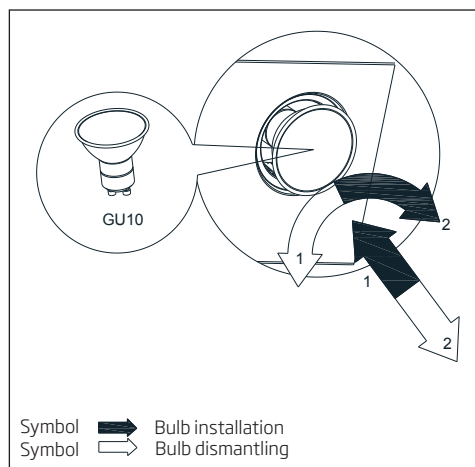


Fig. 11 Remplacement de la lampe



5.3 Remplacement de la lampe

Avant toute procédure liée au remplacement de la lampe, vous devez débrancher l'alimentation électrique. Si la hotte était en marche, vous devez patienter que les ampoules refroidissent, après quoi, vous pouvez procéder au remplacement. La procédure de remplacement des ampoules est décrite dans la figure 11.



Avant de remplacer les lampes, déconnectez l'alimentation électrique de la hotte.



Ne touchez jamais les ampoules lorsqu'elles sont chaudes.

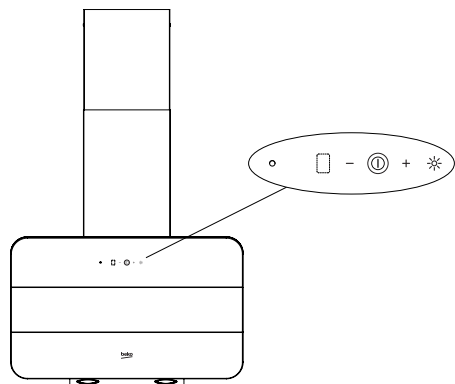


Évitez de toucher la lampe remplacée directement avec les mains.

6 Contrôle du fonctionnement de la hotte

La hotte est équipée d'une commande tactile située sur le panneau en verre supérieur (fig. 12).

Fig. 12 Localisation de la commande tactile



Désignation des champs tactiles :

- ① Mettre la hotte sous/hors tension
- ☀ Allumer/Éteindre la lampe de la hotte
- Réduire la vitesse de la turbine
- + Augmenter la vitesse de la turbine
- ☐ Écran numérique

6.1 Contrôle du fonctionnement de la turbine

En mode veille, le panneau de commande n'est pas allumé et les champs +, — et * sont désactivés. Pour activer le panneau de commande, touchez le champ ① ou utilisez la télécommande (si fournie). Après l'activation, le panneau de commande s'allume et les symboles des champs apparaissent ; touchez le champ ① pour lancer la turbine à la vitesse récemment utilisée, touchez le champ + pour lancer la turbine à la vitesse maximale et touchez le champ — pour lancer la turbine à la vitesse minimale.

Vous pouvez augmenter la vitesse de la turbine en touchant le champ +, réduire la vitesse en touchant le symbole —. Désactivez la turbine de la hotte en touchant le champ ① ou après avoir touché le champ — lorsque la turbine fonctionne à la première vitesse. Avec le changement de vitesse de la turbine, les chiffres à l'écran changent en conséquence :

1- fonctionnement de la turbine à la première vitesse, 2- fonctionnement de la turbine à la deuxième vitesse, 3- fonctionnement de la turbine à la troisième vitesse, 4- fonctionnement de la turbine au régime intense (turbo).

Conformément au règlement 66/2014 de l'Union européenne, la hotte est équipée d'un compteur automatique bloqué sur cinq minutes, qui change automatiquement la vitesse de la turbine de la quatrième à la troisième après 5 minutes (ne s'applique pas aux modèles avec numéro de turbine « 5 »).

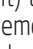


6.2 Commande d'éclairage



Pour allumer l'éclairage de la hotte, appuyez sur le symbole ☀ ; une autre pression du même symbole éteint l'éclairage de la hotte.

6.3 Informations supplémentaires sur la commande de la hotte

La commande de la hotte est équipée d'un compteur de fonctionnement de la hotte. Le compteur est réglé sur 35 heures. À l'expiration de cette période, l'écran affiche le symbole ⏸ indiquant **qu'il est recommandé de nettoyer le filtre en aluminium**. Pour effacer le symbole « F » de l'écran de la hotte, touchez le symbole — de façon continue pendant environ 8 secondes.

La commande de la hotte est équipée d'un verrou de panneau tactile permettant de désactiver le panneau tactile, par exemple lors du nettoyage de la hotte.

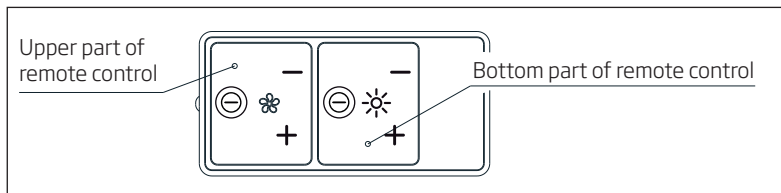
Pour activer le verrou, touchez longuement le symbole  (pendant environ 10 secondes) jusqu'à ce que le symbole  (point dans le coin inférieur droit) apparaisse à l'écran. Pour revenir au fonctionnement normal, touchez et maintenez à nouveau le symbole  (pendant environ 10 secondes) jusqu'à ce que le point à l'écran disparaisse.

La commande de la hotte est équipée d'une minuterie qui désactive la turbine de la hotte au bout de 15 minutes de la mise en marche du compteur. La minuterie de la turbine ne désactive pas l'éclairage et vous pouvez modifier la vitesse de la turbine à votre convenance. Pour activer la minuterie, la turbine de la hotte doit fonctionner aux vitesses 1, 2, 3 ou à une vitesse intense. Activez la minuterie en maintenant le symbole  enfoncé (pendant environ 10 secondes), jusqu'à ce qu'un point commence à clignoter dans le coin inférieur droit de l'écran. Pour désactiver cette fonction, maintenez à nouveau le symbole  enfoncé (pendant environ 10 secondes) ou éteignez la hotte.

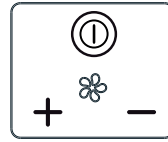
La commande de la hotte est équipée d'une fonction pour éteindre automatiquement la turbine après 2 heures d'inactivité de la commande de la hotte.

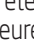
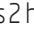




La hotte dispose d'une télécommande (uniquement les modèles sélectionnés) (fig. 13)

Fig. 13 Télécommande

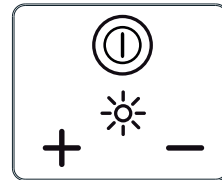



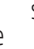
6.4 Utilisation de la télécommande



Le fonctionnement de la turbine est contrôlé avec la partie supérieure de la télécommande, marquée comme . Pour activer/désactiver la turbine, appuyez sur le bouton marqué des symboles ,  et . Pour augmenter la vitesse, appuyez sur le bouton  et sur le bouton  pour la réduire.

6.5 Contrôle de l'ampoule à partir de la télécommande



L'ampoule est contrôlée avec la partie inférieure de la télécommande, marquée comme . Pour allumer/éteindre l'ampoule, appuyez sur le bouton marqué du symbole . Les boutons  et  sont désactivés.

6.6 Méthodes de réduction de l'impact de la cuisson sur l'environnement

- Pour réduire la consommation d'énergie, placez des couvercles sur les ustensiles de cuisine lors de la cuisson.
- Les filtres en aluminium doivent être gardés propres (la durée recommandée du fonctionnement du filtre en aluminium entre les nettoyages est de 35 heures maximum de fonctionnement de la hotte).
- Assurez la perméabilité des tuyaux de ventilation.
- Réglez toujours le niveau de fonctionnement de la turbine lors de la cuisson à une vitesse minimale, ce qui permettra d'éliminer les fumées à l'intensité actuelle de la cuisson.

6.7 Fiche technique du produit

La fiche technique du produit se trouve à l'intérieur de la hotte.

7 Dépannage

Symptômes	Cause	Méthodes de réparation
Lors du fonctionnement de la hotte, la lettre « F » clignote à l'écran.	Au bout de 35 heures de fonctionnement, la hotte indique le besoin de nettoyer ou de remplacer le filtre à graisse.	Appuyez et maintenez la touche « - » de la commande tactile enfoncée pendant environ 8 secondes. Lavez le filtre au lave-vaisselle ou remplacez-le par un nouveau.
L'écran affiche uniquement le symbole « - ». (Signe moins et le point dans le coin inférieur droit), la hotte ne réagit pas à la désactivation.	La commande tactile a été verrouillée - cette fonction facilite le nettoyage de la hotte.	Pour désactiver le verrouillage, appuyez et maintenez enfoncé pendant environ 10 secondes le champ avec le symbole de mise en marche.
Aucun symbole ne s'affiche à l'écran, la hotte ne réagit pas à la pression des champs de commande.	La commande tactile est probablement désactivée.	Débranchez la hotte pendant environ 15 secondes puis rebranchez-la.
L'écran affiche le symbole de l'une des vitesses; la hotte ne réagit pas à la pression des champs de commande.	La commande tactile est probablement désactivée	Débranchez la hotte pendant environ 15 secondes puis rebranchez-la.
La turbine de la hotte se déconnecte après 15 minutes de fonctionnement, l'écran affiche un chiffre clignotant, qui est « 1 ». (Numéro de vitesse actuelle et point dans le coin inférieur droit).	La minuterie automatique de la commande tactile a été activée.	Pour désactiver la minuterie, appuyez et maintenez enfoncé pendant environ 10 secondes le symbole « + » ou éteignez la hotte.
Sur la quatrième vitesse, le chiffre « 4 » clignote à l'écran et au bout de 5 minutes, la hotte passe à la troisième vitesse.	La hotte est équipée d'un mode turbo, qui passe automatiquement en troisième vitesse après 5 minutes de fonctionnement pour une économie d'énergie effective.	Activez la vitesse turbo uniquement lors d'une cuisson intense.
La hotte ne peut fonctionner qu'à l'aide du panneau de commande, elle ne répond pas à la télécommande.	Les piles de la télécommande sont usées ou la distance est trop longue.	Remplacez les piles par des nouvelles.
La hotte effectue une très mauvaise aspiration de vapeur.	Les filtres sales sont la cause probable.	Le filtre à graisse doit être lavé au lave-vaisselle ou remplacé par un nouveau. Le filtre à charbon (si présent) doit être remplacé par un nouveau.
Un ou plusieurs points lumineux ne fonctionnent pas.	Ampoule halogène / LED défectueuse.	L'ampoule doit être remplacée par une nouvelle, compatible avec le symbole spécifié dans le mode d'emploi de la hotte.
La hotte a produit des bruits et des vibrations excessifs.	Cela peut être dû à une installation incorrecte de la haute sur le mur ou les armoires de cuisine. Toutes les vis fournies n'ont pas été utilisées ou les vis sont peu ajustées et laissent des espaces.	La hotte doit être montée sur un mur ou une armoire à l'aide de tous les points prévus par le fabricant. Après avoir ajusté la position de la hotte horizontalement et verticalement, serrez toutes les vis de montage.
* cette consigne s'applique aux hottes disposant de commande tactile.		
Si les recommandations ci-dessus ne résolvent pas le problème, contactez un service agréé d'appareils ménagers pour toute réparation. L'utilisateur de la hotte ne doit en aucun cas réparer sa hotte de lui-même. Une liste des points de service est incluse dans la carte de garantie et disponible sur le site.		

Lees deze handleiding eerst!

Beste klant,

Dank u voor het kiezen van een product van Beko. We hopen dat u het beste haalt uit uw product, dat vervaardigd is met de modernste technologie van hoge kwaliteit. Lees daarom deze gehele gebruikershandleiding en alle andere bijgeleverde documenten zorgvuldig door voordat u het product gaat gebruiken en bewaar deze ter referentie in de toekomst. Als u het product aan iemand anders geeft, overhandig dan ook de gebruikershandleiding. Volg alle waarschuwingen en informatie in de gebruikershandleiding op.

Onthoud dat deze gebruikershandleiding ook van toepassing is op verschillende andere modellen. De verschillen tussen de modellen worden in de handleiding uitdrukkelijk omschreven.

Betekenis van de symbolen

De volgende symbolen worden gebruikt in de verschillende delen van deze handleiding:



Belangrijke informatie en nuttige aanwijzingen voor gebruik.



WAARSCHUWING: Waarschuwingen voor levensgevaarlijke situaties en schade aan eigendommen.



Gevaar voor elektrische schok.



Waarschuwing voor hete oppervlakken.



Lamp



Dit product is in een milieuvriendelijke, moderne faciliteit geproduceerd zonder het milieu op geen enkele manier te schaden.

Dit apparaat voldoet aan de WEEE-regelgeving.



Het bevat geen pcb.

Dit deel bevat veiligheidsinstructies die u beschermen tegen het risico op persoonlijk letsel of materiële schade. Het niet naleven van deze instructies laat de garantie vervallen.

1.1 Algemene veiligheid

- Laat de installatie- en reparatiewerkzaamheden altijd uitvoeren door een erkende serviceagent. De fabrikant kan niet aansprakelijk worden gehouden voor schade die voortkomt uit werkzaamheden die door niet-erkende personen zijn uitgevoerd.
- Dit toestel is niet bedoeld voor gebruik door personen (waaronder kinderen) met beperkte fysieke, zintuiglijke of mentale capaciteiten of met een gebrek aan ervaring en kennis. Kinderen moeten onder toezicht staan om ervoor te zorgen dat ze niet spelen met het apparaat.

1.1.1 Elektrische veiligheid

- Sluit het product af van de stroom tijdens installatie-, onderhouds-, reinigings- en reparatiewerkzaamheden.
- Als de stroomkabel defect is, moet deze worden vervangen door een door de fabrikant erkend persoon, een after-salesservice of een gelijkwaardig gekwalificeerd persoon (bij voorkeur een elektricien) of een door de importeur aangewezen persoon.
- Werkingsstroom is tussen de 220 en 240 volt.
- Als het apparaat een storing vertoont, mag het niet worden gebruikt voordat het is gerepareerd door de erkende serviceagent. Er bestaat een risico op elektrische schok!
- Leg geen stroomkabels dichtbij fornuizen. Anders kan de stroomkabel smelten en in brand vliegen.
- Sluit de afzuigkap nooit aan op de stroom voordat de installatie voltooid is.
- Om de beste resultaten te verkrijgen moet de externe conductor niet langer zijn van 4 m. Deze mag niet meer dan 2 loodrechte (90°) hoeken hebben en de diameter moet min. $\varnothing 120$ mm zijn.

- Sluit het apparaat af van het stroomnet voordat enige werkzaamheden aan de interne onderdelen van het apparaat worden uitgevoerd.
- Gebruik het apparaat uitsluitend met een geaard stopcontact.
- Raak de lamp van de afzuigkap nooit aan nadat deze lang heeft aangestaan. Hete lampen kunnen uw handen verbranden.
- Voorkom grote vlammen onder het product. Anders kunnen deeltjes op het vetfilter ontsteken en tot brand leiden.

1.1.2 Productveiligheid

- U kunt een pijp met een diameter van 120 mm of 150 mm gebruiken voor de aansluiting van de afzuigkap op het rookkanaal.
- Sluit het niet aan op rookkanalen die zijn aangesloten op kachels, uitlaatschachten of rookkanalen met opgaande vlammen. Raadpleeg de regelgeving van de gemeente voor de afvoer van uitlaatgas.
- De hoogte tussen het laagste oppervlak van de afzuigkap en het bovenste oppervlak van het fornuis/de oven mag voor gasfornuizen en elektrische kookplaten niet minder zijn van 65 cm.
- Laat de afzuigkap niet functioneren zonder aluminium filters en verwijder de filters niet tijdens de werking.
- Zet de kookplaat aan nadat er pannen zijn opgezet. Anders kan de opkomende temperatuur bepaalde delen van uw product misvormen.
- Zet de kookplaat uit voordat u de pannen ervan af neemt.
- Vermijd ontvlambare materialen onder de afzuigkap.
- Olie kan ontvlammen bij het frituren van voedsel. Wees daarom voorzichtig met doeken en gordijnen.
- Laat de frituurpan bij het frituren nooit onbeheerd achter; anders kan hete olie in brand vliegen.
- Er bestaat een risico op brand als uw afzuigkap niet binnen de aangegeven perioden wordt gereinigd.
- Wees uitermate voorzichtig en draag handschoenen bij het reinigen van de afzuigkap.

- We adviseren u het apparaat een paar minuten voordat u gaat koken aanzet om het afzuigvermogen te vermeerderen. Zo heeft u een voortdurend en stabiel afzuigvermogen als de dampen opstijgen.
- Laat uw afzuigkap na de beëindiging van het koken of bakken gedurende 15 minuten doorwerken om alle geuren en kookdampen in de keuken te verwijderen.
- Zorg in het bijzonder in combinatie met gasfornuizen dat als de afzuigkap in gebruik is de ruimte geventileerd wordt met schone lucht.
- Zorg dat het apparaat niet wordt aangesloten op het rookkanaal dat wordt gebruikt door niet-elektrische apparaten. (bijv.: rookkanaal voor kachel).
- Een gelijktijdige goede werking van de afzuigkap met een ander apparaat dat lucht nodig heeft is alleen mogelijk als de lage druk van 4 Pa (0,04 mbar) wordt bereikt en zo de heropname van gas wordt voorkomen. Dit kan alleen worden bereikt door lucht die uit onafgesloten openingen komt (deur, raam, ventilatieopeningen of andere technische maatregelen). Zorg nauwlettend op voldoende aanvoer van lucht. Een rookkanaal dat zorgt voor in- en uitgaande lucht is in dit geval niet voldoende.

1.1.3 Kinderveiligheid

- Verpakkingsmateriaal is gevaarlijk voor kinderen. Houd verpakkingsmateriaal op een veilige plek buiten het bereik van kinderen.
- Elektrische apparaten zijn gevaarlijk voor kinderen. Houd kinderen buiten bereik van het product. Laat kinderen niet met het apparaat spelen.

- Dit apparaat kan gebruikt worden door kinderen vanaf 8 jaar en ouder en personen met verminderd lichamelijk, zintuiglijk of geestelijk vermogen of gebrek aan ervaring en kennis, zolang dat gebeurt onder toezicht of ze instructies hebben ontvangen over het veilige gebruik van het apparaat en van de betrokken risico's op de hoogte zijn. Kinderen mogen niet met het apparaat spelen.

- **WAARSCHUWING:** Tijdens het gebruik van een kooktoestel kunnen toegankelijke delen heet worden.

1.2 Bedoeld gebruik

- Dit apparaat is bedoeld voor huishoudelijk gebruik. Het is niet geschikt voor commercieel gebruik en moet niet anders worden gebruikt dan waarvoor het is bedoeld.
- De producent is niet aansprakelijk voor schade als gevolg van onjuist gebruik of hantering.

- De levensduur van uw apparaat is 10 jaar. Dit is de vereiste periode voor beschikbaarheid van onderdelen voor het juist functioneren van het product.

- **WAARSCHUWING:** Het niet opvolgen van de in deze handleiding meegeleverde instructies over het bevestigen van de schroeven kan leiden tot gevaar met elektriciteit.

1.3 Voldoet aan de WEEE-richtlijn en de richtlijnen voor afvoeren van het restproduct:

Dit product voldoet aan de EU-richtlijn WEEE (2012/19/EU). Dit product is voorzien van een classificatiesymbool voor afvalsortering van elektrische en elektronische apparatuur (WEEE).



Dit product werd vervaardigd uit onderdelen en materialen van hoge kwaliteit die hergebruikt kunnen worden en geschikt zijn voor recycling. Gooi het restproduct aan het einde van zijn levensduur niet weg bij normaal huishoudelijk of ander afval. Breng het naar het verzamelpunt voor recycling van elektrische en elektronische apparatuur. Raadpleeg uw plaatselijke autoriteiten om te weten waar u deze verzamelpunten aantreft.

Voldoet aan RoHS-richtlijn:

Het door u aangekochte product voldoet aan de EU-richtlijn RoHS (2011/65/EU). Het bevat geen schadelijke en verboden materialen die in deze richtlijn zijn opgenomen.

1.4 Verpakkingsinformatie

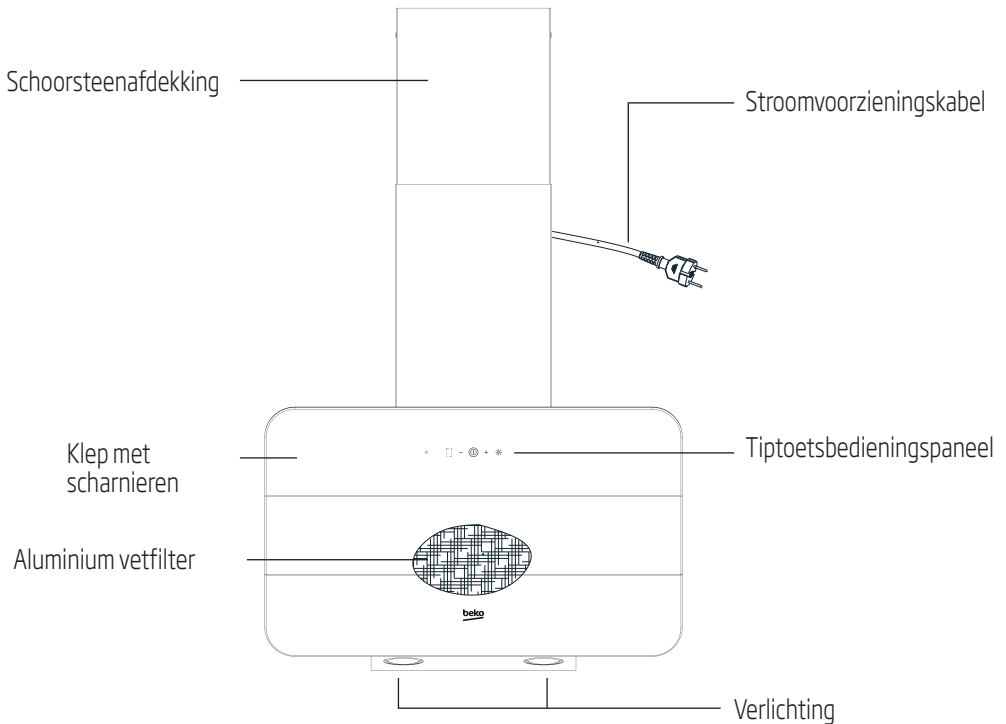


Het verpakkingsmateriaal van het product is vervaardigd uit gerecyclede materialen overeenkomstig onze nationale regelgeving. Gooi het verpakkingsmateriaal niet weg met het huishoudelijk of ander afval. Breng het naar een door de gemeente aangewezen verzamelpunt voor verpakkingsmateriaal.

2 Technische specificaties van uw product

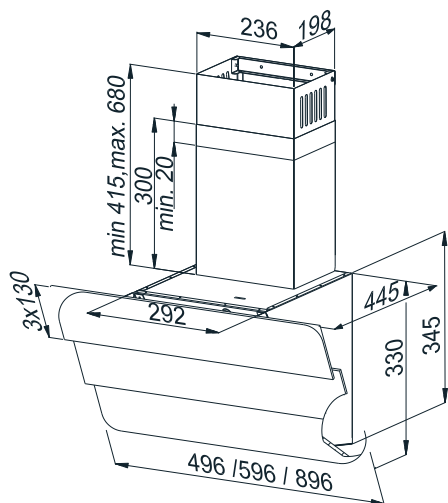
De technische gegevens in deze handleiding en op etiketten die zich op de afzuigkap bevinden zijn afkomstig van metingen en berekeningen in overeenstemming met de vereisten van EG-voorschrift 65/2014 en 66/2014. Dit apparaat voldoet aan de Europese richtlijnen 2009/125/EEG en 2011/65/EEG.

Afb. 1 Overzichtsafbeelding van de afzuigkap



2 Technische specificaties van uw product

Afb. 2 Afmetingschema



3 Bedienen van uw apparaat

De afzuigkap is ontworpen voor het afzuigen van damp tijdens het bereiden van maaltijden. Het apparaat kan worden bediend in twee modi:

Als extractor: dampen worden buiten de ruimte gebracht door een ventilatiepijp. De ventilatiepijp wordt niet met het apparaat meegeleverd en dient afzonderlijk te worden gekocht.



Maak gebruik van de kortst mogelijke afvoerpijp voor damp.



De ventilatiepijp dient van binnen zo glad mogelijk te zijn (het wordt niet aanbevolen Spiro-pijpen te gebruiken).



Gebruik een pijp met zo min mogelijk krommingen (bochten mogen niet groter zijn dan 90 graden).



Het wordt niet aanbevolen verschillende pijpdiameters te gebruiken (groter naar kleiner bijv. luchtuitlaat van Ø 150 mm op luchtuitlaat van Ø 120 mm).

Als dampopnemer: vet en geur worden uit de dampen onttrokken voordat ze door het rooster in de bovenste schoorscheenafdekking terug in de ruimte worden gebracht. Als de afzuigkap wordt gebruikt als dampopnemer is het noodzakelijk een actief koolstoffilter te installeren (afb. 10). Het koolstoffilter is geen standaard uitrusting; het dient te worden gekocht bij een verkooppunt.

4 Uw apparaat installeren



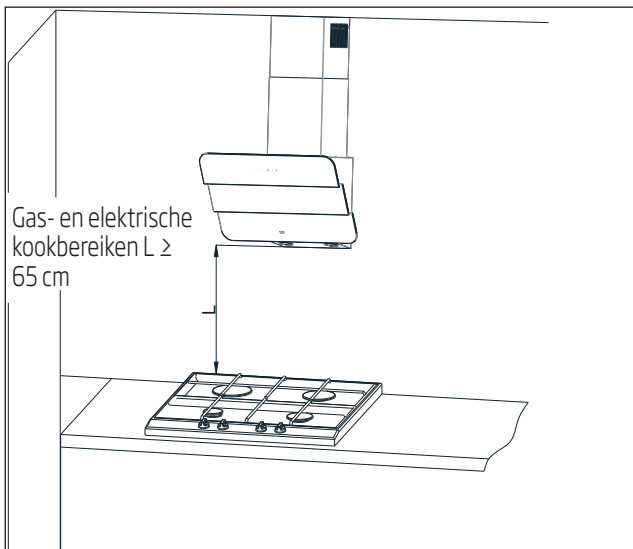
Het gebruik van schroeven of bevestigingen die niet compatibel zijn met die in de handleiding kunnen een elektrische schok veroorzaken.

De minimale afstand van de ophanging van de afzuigkap tot het oppervlak waar het keukengerei op het kookapparaat wordt geplaatst (gas- of elektrische kookplaat) en het onderste gedeelte van de afzuigkap (afb. 3) mag niet minder zijn van 65 cm.

Als de instructiehandleiding van het kookapparaat een grotere installatieafstand tot de afzuigkap aangeeft dan hier wordt gegeven, dient u deze instructies op te volgen. De installatie van de afzuigkap en de schoorsteenkap wordt weergegeven in de tekeningen (afb. 4 - afb. 9)

De afzuigkap wordt geleverd met montageverankeringen die geschikt zijn voor het merendeel van alle wanden en plafonds. De algemene bepalingen voor luchtafvoer uit de ruimtes dienen tijdens de installatie in acht te worden genomen.

Afb. 3 Aanbevolen afstand van het kooktoestel



4 Uw apparaat installeren

Voor de installatie dient het volgende te worden uitgevoerd:

- Controleer dat de afmetingen van het aangekochte product zijn aangepast op de gekozen plek van bevestiging.
 - Haal (indien mogelijk) het meubilair dat zich in de installatiezone voor de afzuigkap bevindt weg om goede toegang te hebben tot het plafond of de wand waar de afzuigkap wordt bevestigd. Als dit niet mogelijk is, zullen de elementen in de buurt van de werkzone worden afgeschermd.
 - Controleer of er zich een stopcontact bevindt in de buurt van de installatiezone van de afzuigkap en of het mogelijk is de afzuigkap aan te sluiten op de ventilatiepijp die de dampen naar buiten leidt.
 - Controleer of de boorgaten niet op installatiebedrading komen (elektrisch, hydraulisch, enz.).
 - Zorg dat u bent uitgerust met het volgende gereedschap: meetlint, potlood, boormachine, boor Ø 8, schroevendraaier, waterpas.
5. Plaats de waterpas op de behuizing van de afzuigkap. Draai de elementen die zijn gemarkeerd met A zodat de afzuigkap horizontaal komt te hangen volgens de waterpas en draai dan de twee losaangedraaide schroeven en de twee resterende schroeven vast (afb. 8).
 6. Plaats de schoorsteenafdekking op de behuizing. Trek dan voorzichtig het deel van de afzuigkap dat is gemarkeerd als B naar boven totdat u deze vast kunt schroeven op de kram die eerder op de wand is bevestigd (afb. 9).



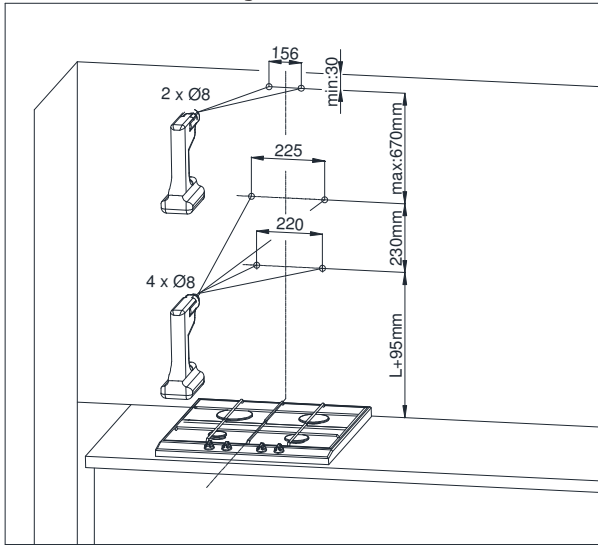
De installatie dient heel voorzichtig te gebeuren om de schoorsteenafdekking en de afzuigkap niet te krassen.

4.1 Installatiewerk

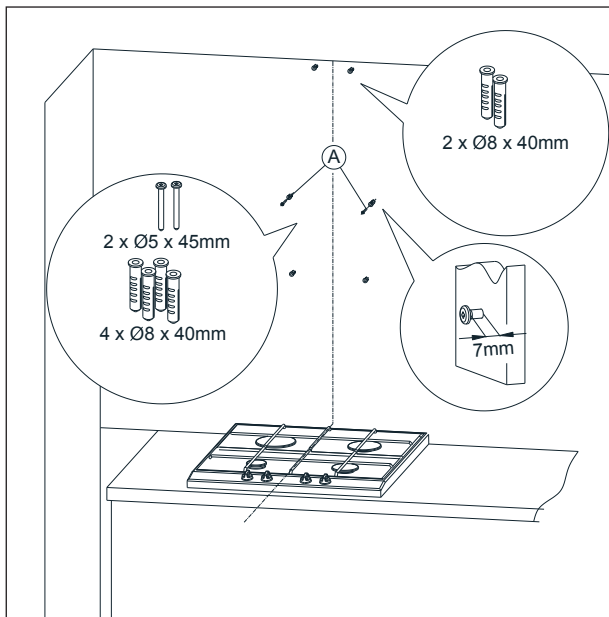
1. Bepaal de assen van het kookelement en zet dit over op de wand waar de afzuigkap tegenaan wordt bevestigd. Markeer alle specifieke bevestigingspunten van de afzuigkap. Boor de gaten (afb. 4).
2. Steek de verlengbouten in de openingen. Steek de schroeven in de twee gaten die zijn gemarkeerd als A (laat daarbij 7 mm van de schroef uitsteken zoals in afb. 5).
3. Open de klep van de afzuigkap en verwijder het vetfilter (afb. 6).
4. Schroef de kram van de schoorsteenafdekking vast en hang de afzuigkap op twee losaangedraaide schroeven (afb. 7).

4 Uw apparaat installeren

Afb. 4 Installatieafmetingen

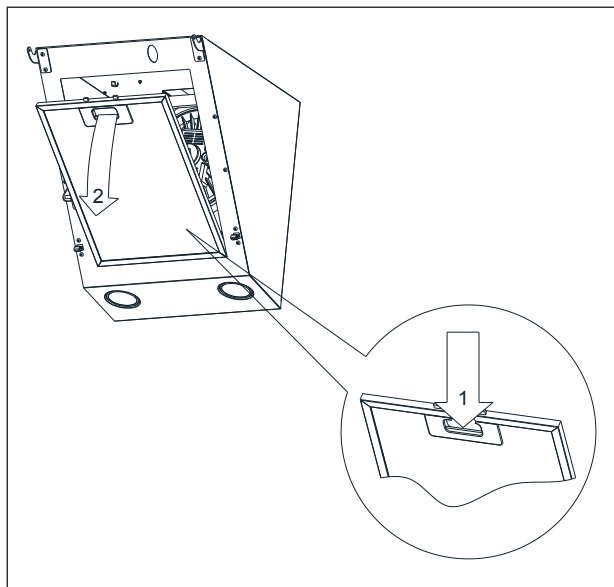


Afb. 5 Montage van de verlengsbouten

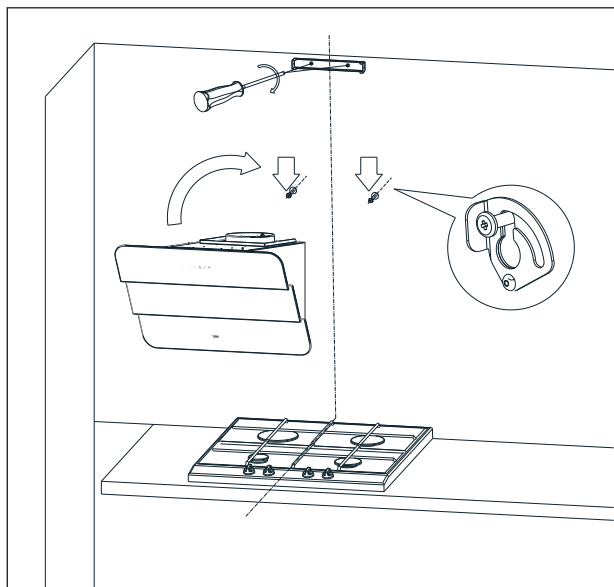


4 Uw apparaat installeren

Afb. 6 Uit elkaar halen van aluminium vetfilter

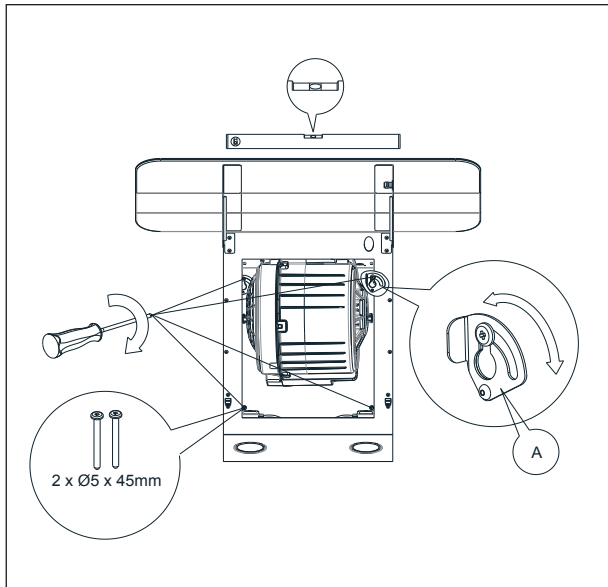


Afb. 7 De afzuigkap ophangen

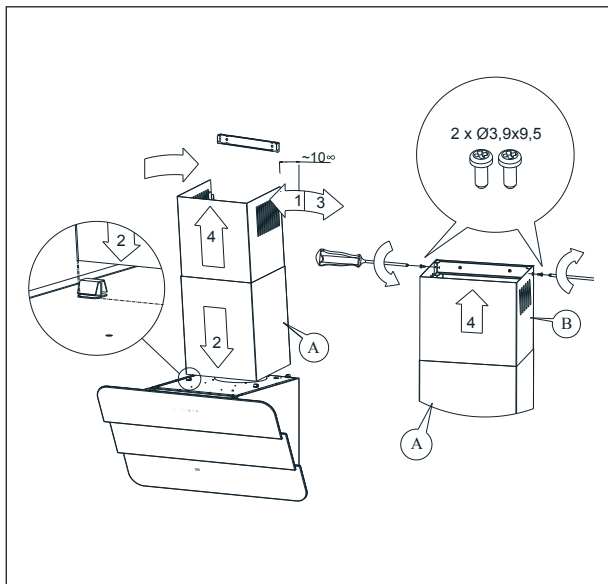


4 Uw apparaat installeren

Afb. 8 De afzuigkap plaatsen



Afb. 9 Montage afdekking van afzuigkap



4.2 Elektrische aansluiting

Controleer of de netspanning overeenkomt met het typeplaatje dat zich aan de binnenkant van de afzuigkap bevindt. Indien de afzuigkap is voorzien van een stekker, dient het stopcontact waar deze in wordt gestoken aan de voorschriften te voldoen en op een handig toegankelijke plaats te zitten. Indien de afzuigkap geen stekker heeft, dient de installatie van de afzuigkap te worden uitgevoerd door een erkend persoon (bijv. een elektricien).

5 Reinigen en onderhoud

Verwijder voordat u onderhoud aan het apparaat uitvoert de stekker uit het stopcontact. De afzuigkap dient te worden gereinigd met milde, niet-schurende schoonmaakmiddelen. Regelmatig onderhoud verbetert de prestatie en duurzaamheid van de afzuigkap aanzienlijk. De afzuigkap dient minstens eenmaal per maand of iedere 35 werkuren te worden gereinigd. Gebruik **GEEN OP ALCOHOL GEBASEERDE MIDDELEN** om de afzuigkap te reinigen. Glanzende delen (inox) dienen te worden gereinigd met speciale middelen voor inox.



Het niet naleven van de voorzorgsmaatregelen met betrekking tot de reiniging van het apparaat en vervanging van de filters kan leiden tot brandgevaar. Het wordt daarom aanbevolen de richtlijnen hierin op te volgen. De producent is niet aansprakelijk voor schade aan de motor of brand als gevolg van onjuist gebruik.

5.1 Vetfilter

De afzuigkap is uitgerust met een aluminium filter, die de vetdeeltjes tijdens het koken vasthoudt. Het filter kan worden verwijderd door de vergrendelingen in de richting van de pijlen te bewegen (afb. 7). Het filter dient met de hand te worden gewassen door het 15 minuten in afwaswater onder te dompelen met een temperatuur van 40 - 50 °C. U kunt na 15 minuten verdergaan met het wassen en afspoelen. Het filter dient te worden gedroogd voordat het terug wordt geplaatst in de afzuigkap. Het filter kan ook worden gereinigd in een vaatwasmachine. Tijdens het wassen kan het filter verkleuren. Dit is echter niet van invloed op de filtereigenschappen. Als het filter niet regelmatig wordt gereinigd, zal de prestatie van de afzuigkap verminderen en kan er brandgevaar ontstaan. De afzuigkap dient minstens na iedere 35 werkuren te worden gereinigd.

5.2 Koolstoffilter

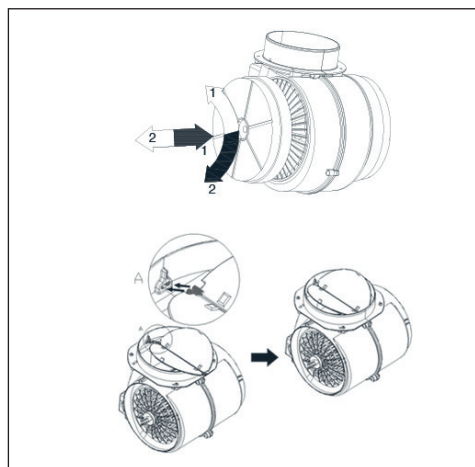
De afzuigkap kan worden uitgerust met een actief koolstoffilter. Het koolstoffilter wordt alleen toegepast als de afzuigkap niet op een ventilatiepijp wordt aangesloten.

Het filter dient te worden geplaatst op de turbinebehuizing, zoals in de tekening aangegeven (afb. 10). Het actieve koolstoffilter moet minstens iedere 6 maanden worden vervangen.



Het koolstoffilter kan niet worden gewassen of hersteld.

Afb. 10 Vervanging van de koolstoffilter



5 Reinigen en onderhoud

5.3 Vervanging van de lampjes

Zorg ervoor dat voordat u vervangingswerkzaamheden aan de lampjes uitvoert de stekker uit het stopcontact trekt. Als de afzuigkap eerder was ingeschakeld, dient u te wachten tot de lampjes zijn afgekoeld. Hierna kunt u ze vervangen. De vervanging van de lampjes wordt getoond in afb. 11.



Trek de stekker uit het stopcontact voordat u de lampjes vervangt.

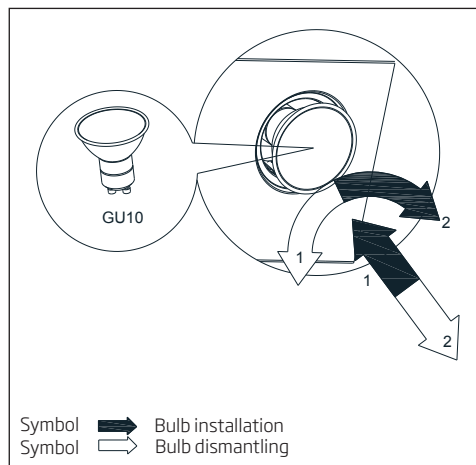


Raak de lampjes niet aan als deze heet zijn.



Let op dat u de vervangende lampjes niet rechtstreeks met de handen aanraakt.

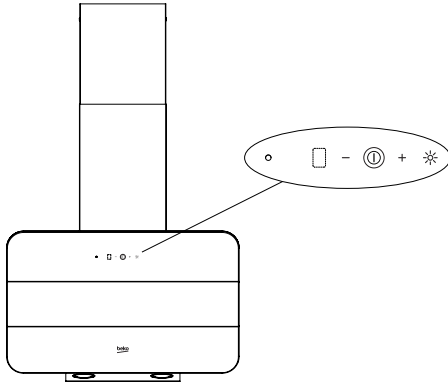
Afb. 11 Vervanging van de lampjes



6 Bediening van de afzuigkap

De afzuigkap is uitgerust met een tiptoetsbediening op het glazen bovenpaneel (afb. 12).

Afb. 12 Locatie van het tiptoetspaneel



Toegewezen tiptoetsvelden:

- ① In-/uitschakelen van de afzuigkap
- ☀ In-/uitschakelen van de afzuigkapverlichting
- Verlaging van de turbinesnelheid
- + Verhoging van de turbinesnelheid
- [] Digitale display

6.1 Regeling van de afzuigkap

In stand-by-modus is het bedieningspaneel niet verlicht en zijn de velden +, — en ☀ uitgeschakeld. Raak het veld ① aan of gebruik de afstandsbediening (indien meegeleverd) om het bedieningspaneel te activeren. Na activatie gaat het bedieningspaneel branden en verschijnen de symbolen van de tiptoetsvelden; bij aanraking van het veld ① gaat de afzuigkap werken op de snelheid die u het laatst heeft gebruikt, bij aanraking van veld + gaat de afzuigkap werken op de hoogste snelheid en bij aanraking van het veld — gaat de afzuigkap op de laagste snelheid werken.

De snelheid kan worden verhoogd door aanraking van veld + en worden verlaagd door aanraking van veld —. Het uitschakelen van de afzuigkap doet u door veld ① aan te raken of na aanraking van het veld — als de afzuigkap werkt op de eerste snelheid. Met de wijziging van de snelheid, wijzigen ook de cijfers op het display:

1 - afzuigkap werkt op eerste snelheid, 2 - afzuigkap werkt op tweede snelheid, 3 - afzuigkap werkt op derde snelheid, 4 - afzuigkap werkt op intensieve snelheid (turbo).

Overeenkomstig EG-voorschrift 66/2014 is de afzuigkap uitgerust met een automatische schakelaar van vijf minuten, die na 5 minuten de snelheid van de afzuigkap automatisch wijzigt van de vierde naar de derde snelheid (niet van toepassing op het model dat snelheid '5' heeft).

6.2 Bediening van verlichting


Om de verlichting van de afzuigkap aan te zetten, dient het symbool ☀ te worden ingedrukt; nogmaals indrukken schakelt de verlichting uit.

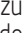
6.3 Extra informatie op de afzuigkapbediening

De afzuigkap is uitgerust met een urenteller. Deze teller is ingesteld op 35 uur. Nadat deze tijd is verstreken toont het display het symbool [] om aan te geven dat **wordt aanbevolen het aluminium filter te reinigen**. Om het symbool 'F' van het display te verwijderen, moet het symbool — worden aangeraakt en circa 8 seconden worden vastgehouden.

De afzuigkapbediening is uitgerust met een tiptoetsvergrendeling om het tiptoetspaneel uit te schakelen, bijvoorbeeld als u de afzuigkap reinigt. Om de vergrendeling te activeren, dient u het symbool ① (gedurende circa 10 seconden) ingedrukt te houden totdat het symbool [] (punt in de rechteronderhoek) op het display verschijnt.

6 Bediening van de afzuigkap

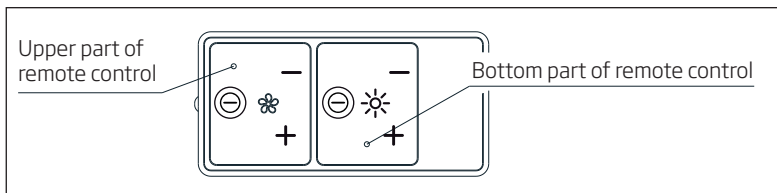
Om naar de normale werking terug te keren, dient u het symbool  (gedurende circa 10 seconden) nogmaals ingedrukt te houden totdat de punt op het display uitgaat.

De bediening van de afzuigkap is uitgerust met een tijdschakelaar die de afzuigkap binnen 15 minuten na het inschakelen van de schakelaar uitzet. De tijdschakelaar van de afzuigkap zet het licht niet uit en de snelheid van de afzuigkap kan naar wens worden gewijzigd. Om de tijdschakelaar te activeren, moet de afzuigkap werken op elke willekeurige snelheid. De tijdschakelaar wordt geactiveerd door het symbool  (gedurende circa 10 seconden) ingedrukt te houden, totdat een punt in de rechteronderhoek gaat knipperen. Houd het symbool (gedurende circa 10 seconden) weer ingedrukt of schakel de afzuigkap uit om deze functie te deactiveren.

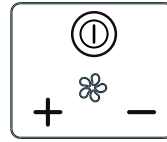
De afzuigkapregeling is uitgerust met een functie om de turbine na een werking van 2 uur automatisch uit te schakelen.

De afzuigkap is voorzien van een afstandsbediening (uitsluitend op geselecteerde modellen) (afb. 13)

Afb. 13 Afstandsbediening

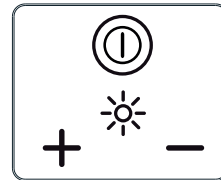


6.4 Werking afstandsbediening



De werking van de afzuigkap wordt geregeld met het bovenste gedeelte van de afstandsbediening, aangegeven met . Het in- en uitschakelen van de afzuigkap doet u door het symbool  of  en  in te drukken. Het verhogen van de snelheid gaat met knop , verlagen met de knop .

6.5 Bediening verlichting met afstandsbediening



De verlichting van de afzuigkap wordt geregeld met het onderste gedeelte van de afstandsbediening, aangegeven met . Het aan- en uitzetten van de verlichting doet u door het symbool  in te drukken. De knoppen  en  worden gedeactiveerd.

6.6 Manieren om het effect van het kookproces op het milieu te verminderen

- Maak gebruik van kookgerei met deksels om het energieverbruik te verminderen.
- Aluminium filters dienen schoon te worden gehouden (aanbevolen werkingsduur van het aluminium filter voor reiniging is maximaal 35 uur).
- Zorg ervoor dat de ventilatiepijpen open blijven.
- Tijdens het koken dient de turbine altijd minimaal op de minimum stand te werken, zodat de dampen tijdens het koken kunnen worden verwijderd.

6.7 Productblad

Het productblad bevindt zich binnenin de afzuigkap.

7 Problemen oplossen

Symptomen	Oorzaak	Reparatiewijze
Tijdens de werking van de afzuigkap wordt de letter 'F' met pulsen weergegeven.	Na een werking van 35 uur geeft de afzuigkap aan dat er een reiniging dient plaats te vinden of het vetfilter dient te worden vervangen.	Druk op '-' van de tiptoetsbediening en houd deze circa 8 sec. vast. Het filter dient te worden gewassen in de vaatwasmachine of worden vervangen door een nieuwe.
Het display geeft alleen het symbool ':.' (een min en een punt rechtsonder), de afzuigkap reageert niet op uitschakelen.	De tiptoetsbediening is vergrendeld - deze functie vergemakkelijkt het reinigen van de afzuigkap.	Druk om de vergrendeling uit te schakelen circa 10 sec. op het veld waar het symbool voor inschakelen staat.
Er wordt geen symbool op het display weergegeven, de afzuigkap reageert niet op indrukken van de tiptoetsbediening.	De tiptoetsbediening is waarschijnlijk buiten werking gesteld.	Haal de afzuigkap circa 15 sec. van de stroom en sluit hem er dan weer op aan.
Het display toont het symbool van een van de snelheden; de afzuigkap reageert niet op indrukken van de tiptoetsbediening.	De tiptoetsbediening is waarschijnlijk buiten werking gesteld	Haal de afzuigkap circa 15 sec. van de stroom en sluit hem er dan weer op aan.
De turbine van de afzuigkap gaat na 15 min. werken uit, het display toont met pulsen bijv. cijfer '1.' (nummer van huidige snelheid en punt rechtsonder).	De automatische tijdschakelaar van de tiptoetsbediening is geactiveerd.	Druk om de tijdschakelaar uit te schakelen circa 10 sec. op het symbool '+' of schakel de afzuigkap uit.
Op de vierde snelheid geeft het display met pulsen '4' aan en na 5 min. wijzigt de snelheid naar de derde stand.	De afzuigkap is uitgerust met een turbomodus, die na 5 min. werking automatisch naar de derde stand schakelt om energie te besparen.	De turbostand dient alleen gebruikt te worden bij intensief koken.
De afzuigkap kan alleen worden bediend met behulp van het bedieningspaneel, hij reageert niet op de afstandsbediening.	De batterij van de afstandsbediening is leeg of de afstand is te groot.	Vervang de batterij door een nieuwe.
De afzuigkap heeft heel weinig afzuigkracht.	Waarschijnlijk zijn de filters vuil.	Het vetfilter dient te worden gewassen in de vaatwasmachine of worden vervangen door een nieuwe. Het koolstoffilter (indien aanwezig) dient te worden vervangen door een nieuwe.
Een of meer lichtpunten werken niet.	Kapot halogeenlampje/led.	Het lampje dient te worden vervangen door een nieuwe, dat compatibel is met het symbool dat is aangegeven in de instructiehandleiding van de afzuigkap.

7 Problemen oplossen

De afzuigkap brengt overmatig veel lawaai en trillingen voort.	Dit kan worden veroorzaakt door een onjuiste installatie van de afzuigkap aan de wand of the keukenkastjes. Niet alle meegeleverde schroeven zijn gebruikt of de schroeven zijn niet vastgedraaid en hebben speling.	De afzuigkap dient te zijn bevestigd aan een wand of kast met gebruik van alle bevestigingspunten die door de fabrikant zijn meegeleverd. Na het horizontaal en verticaal aanpassen van de positie van de afzuigkap, worden alle bevestigingsschroeven aangedraaid.
--	--	---

* van toepassing op afzuigkappen met tiptoetsbediening.

Als de bovenstaande aanbevelingen het probleem niet oplossen, neem dan contact op met een erkende servicedienst van huishoudelijke apparaten ter reparatie. Het is de gebruiker onder geen enkel beding toegestaan de afzuigkap zelf te repareren. Op de garantiekaart en de website vindt u een lijst met servicepunten.

Nejprve si tento návod přečtěte!



Vážení zákazníci,

Děkujeme, že jste si vybrali produkt značky Beko. Doufáme, že s tímto výrobkem, který byl vyroben s využitím vysoce kvalitní a moderní technologie, dosáhnete těch nejlepších výsledků. Proto si před použitím výrobku pečlivě přečtěte celý návod k použití a jakékoli doplňující dokumenty, a uchovejte je pro budoucí použití. Pokud výrobek předáte další osobě, rovněž jí předejte návod k použití. Dodržte veškerá varování a informace uvedené v návodu k použití.

Nezapomeňte, že tento návod se může vztahovat i k několika jiným modelům. Rozdíly mezi modely jsou v návodu výslovně popsány.

Význam symbolů

V různých částech tohoto návodu k použití jsou použity následující symboly:

	Důležité informace a užitečné tipy k použití.
	VAROVÁNÍ: Upozornění na nebezpečné situace týkající se ohrožení života a majetku.
	Varování před úrazem elektrickým proudem.
	Upozornění na horké povrchy.
	Lampa



Tento výrobek byl vyroben v ekologicky šetrných a moderních zařízeních bez poškození přírody.

Důležité pokyny z hlediska bezpečnosti a životního prostředí

Tento oddíl obsahuje bezpečnostní pokyny, které pomohou s ochranou před úrazy osob nebo poškozením majetku. Nedodržení těchto pokynů zruší platnost záruky.

1.1 Obecné bezpečnostní pokyny

- Instalaci a veškeré opravy vždy svěřte pracovníkům autorizovaného servisu. Výrobce nenese zodpovědnost za škody, které mohou způsobit jím neautorizované osoby.
- Toto zařízení není určeno pro použití osobami (včetně dětí) s omezenými fyzickými, vjemovými nebo mentálními schopnostmi, nebo osobami, které nemají dostatek zkušeností, ani znalostí. Děti musí být pod dozorem, aby se zajistilo, že si se spotřebičem nebudou hrát.

1.1.1 Elektrická bezpečnost

- Během instalace, údržby, čištění a opravy vždy odpojte výrobek od sítě.

- Je-li napájecí kabel vadný, musí být vyměněn kvalifikovanou osobou certifikovanou výrobcem, poprodejním servisem apod. (nejlépe elektrikářem) nebo osobou určenou dovozcem.
- Provozní napětí je 220 až 240 voltů.
- Pokud dojde k poruše zařízení, nemělo by se používat, dokud je není opraveno pracovníkem autorizovaného servisu. Existuje nebezpečí úrazu elektrickým proudem!
- Neved'te napájecí kabel v blízkosti varné desky. Napájecí kabel by se mohl vznítit, jelikož se snadno roztaví.
- Nikdy nezapojujte digestoř před dokončením instalace.
- Chcete-li dosáhnout optimálního výsledku, nesmí být vnější vývod delší než 4 m. Nesmí obsahovat více než 2 kolmé (90°) úhly a jeho průměr musí být nejméně $\varnothing 120$ mm.
- Spotřebič odpojte od napájení před jakoukoli prací na vnitřních součástkách spotřebiče.
- Spotřebič zapojujte pouze do uzemněné zásuvky.

1.1.2 Bezpečnost výrobku

- Pro připojení odvodu digestoře můžete použít trubici o průměru 120 nebo 150 mm.
- Nepoužívejte připojení k odvodu využívaná sporáky, odvětrací šachty nebo odvody se stoupajícími plameny. Dodržujte pravidla stanovená úřady pro odvod odpadního vzduchu.
- Vzdálenost mezi spodní plochou digestoře a horní plochou sporáku/trouby by neměla být menší než 65 cm v případě plynových hořáků, jakož i elektrických plotýnek.
- Nepoužívejte digestoř bez hliníkových filtrů a nedemontujte filtry za provozu.
- Nikdy se nedotýkejte světel digestoře po dlouhodobém použití. Horké žárovky vás mohou popálit.
- Vyvarujte se používání prudkých plamenů pod výrobkem. Jinak by se mohly částice na olejovém filtru vznítit a způsobit požár.
- Zapněte digestoř poté, co na sporák postavíte pánve či hrnce. Jinak by stoupající teplota mohla poškodit některé součásti vašeho výrobku.
- Digestoř vypněte, než pánve nebo hrnce odeberete.
- Pod digestoř neumísťujte hořlavé materiály.
- Olej se může vznítit během smažení. Dávejte pozor na používání hadříků a závěsů.
- Při smažení nikdy nenechávejte sporák bez dozoru; jinak může dojít ke vznícení horkého oleje.
- Abyste předešli riziku požáru, čistěte digestoř ve stanovených intervalech.
- Při čištění digestoře postupujte velmi opatrně a používejte rukavice.
- Doporučujeme vám zapnout spotřebič pár minut před začátkem vaření, čímž zvýšíte sací výkon. Jakmile začne stoupat pára, budete již mít k dispozici stálý a stabilní sací výkon.
- Digestoř nechte v provozu ještě 15 minut po ukončení vaření nebo smažení, aby byl odstraněn veškerý zápach a páry v kuchyni.
- Když digestoř používáte, zejména společně s plynovými sporáky, zkontrolujte, zda je v místnosti zajištěno odvětrávání.

Důležité pokyny z hlediska bezpečnosti a životního prostředí

- Dávejte pozor, abyste nepřipojili spotřebič k odvodům používaným neelektrickými zařízeními. (Např.: odvod od topení).
- Současný a bezproblémový provoz digestoře a dalšího zařízení, které využívá vzduch, je možné pouze je-li dosaženo nízkého tlaku 4 Pa (0.04 mbar) a tak se zabrání opětovnému vstřebání plynu. Toho lze dosáhnout pouze pomocí vzduchu vycházejícího z nezakrytých otvorů (dveře, okno, větrací otvory nebo jiná technická opatření). Velkou péči věnujte zajištění dostatečného průtoku vzduchu. K tomuto účelu nestačí průduch, který poskytuje průnik/východ vzduchu.
- Tento spotřebič mohou použít děti starší 8 let a lidé s omezenými fyzickými, sensorickými nebo duševními schopnostmi nebo které nemají dostatečné znalosti a zkušenosti, pokud na ně a bezpečné použití produktu dospělá osoba nebo jsou-li poučeni o rizicích souvisejících s použitím produktu. Děti si nesmí se spotřebičem hrát.
- **POZOR:** Při použití s vařícím zařízením může dojít k zahřátí přístupných částí.

1.1.3 Bezpečnost dětí

- Obalové materiály představují pro děti nebezpečí. Obalové materiály uchovejte ho mimo dosah dětí.
- Elektrické spotřebiče představují nebezpečí pro děti. Udržujte děti mimo dosah výrobku. Nedovolte dětem, aby si hrály se spotřebičem.
- Výrobce nenes odpovědnost za žádné škody plynoucí z nesprávného použití či manipulace.
- Životnost Vašeho spotřebiče činí 10 let. Jde o období nutné pro dostupnost náhradních dílů nutných pro provoz výrobku.

1.2 Zamýšlené použití

- **VAROVÁNÍ:** Instalace šroubů v rozporu s pokyny uvedenými v tomto návodu může vést k úrazu elektrickým proudem.

1.3 Dodržování směrnice WEEE a o likvidaci odpadů:

Tento produkt splňuje směrnici EU WEEE (2012/19/EU). Tento výrobek nese symbol pro třídění, platný pro elektrický a elektronický odpad (WEEE).



Tento produkt byl vyroben z vysoce kvalitních součástí a materiálů, které lze znovu použít a které jsou vhodné pro recyklaci. Produkt na konci životnosti nevyhazujte do běžného domácího odpadu. Odveďte ho do sběrného místa pro recyklaci elektrických a elektronických zařízení. Informace o těchto sběrných místech získáte na místních úřadech.

Dodržování směrnice RoHS:

Produkt, který jste zakoupili splňuje směrnici EU RoHS (2011/65/EU). Neobsahuje žádné škodlivé ani zakázané materiály, které jsou směrníci zakázané.

1.4 Informace o balení

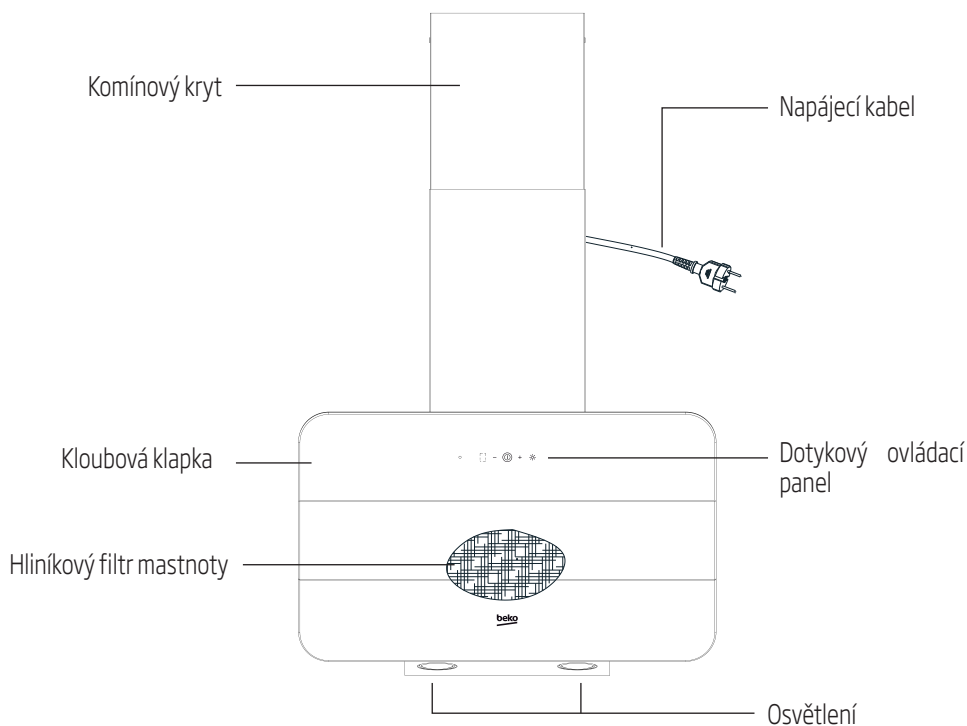


Balení produktu je vyrobeno z recyklovatelných materiálů, v souladu s naší národní legislativou. Obalové materiály nelikvidujte s domácím nebo jiným druhem odpadu. Odveďte je na sběrné místo balícího materiálu, které má pověření místních orgánů.

2 Technické parametry spotřebiče

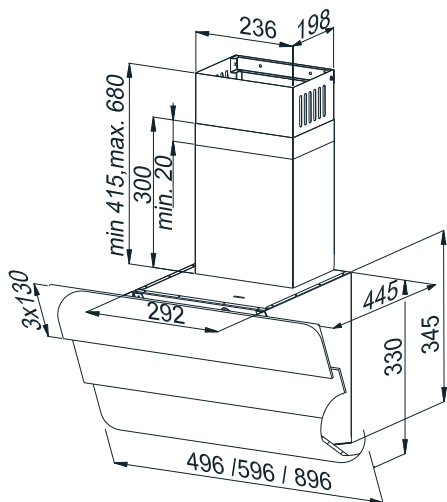
Technické údaje obsažené v této příručce a štítky umístěné na spotřebiči byly získány na základě měření a výpočtů v souladu s požadavky nařízení EU č. 65/2014 a 66/2014. Tento spotřebič odpovídá evropským směrnicím 2009/125/ES a 2011/65/ES.

Obr.1 Vysvětlující vyobrazení kuchyňské digestoře



2 Technické parametry spotřebiče

Obr.2 Kresba rozměrů



3 Provoz spotřebiče

Digestoř je určena k odsávání par při přípravě jídel. Příklad je možno provozovat ve dvou režimech:

Jako odsavač: páry jsou odvedeny z místnosti pomocí ventilačního potrubí. Ventilační potrubí není součástí přístroje a musí být zakoupeno zvlášť.



Použijte co nejkratší vypouštěcí potrubí.



Vypouštěcí potrubí musí mít co nejhladší vnitřní povrch (nedoporučuje se používat potrubí typu spiro).



Použijte potrubí s co nejmenším počtem ohybů (ohybové úhly by neměly přesáhnout 90 stupňů).



Nedoporučuje se provádět změny průřezu potrubí (větší na menší, např. výstup vzduchu Ø 150 mm na výstup vzduchu Ø 120 mm).

Jako pohlcovač: páry jsou očištěny od mastnoty a zápachů a poté se vrací do místnosti přes mřížku na horním komínovém krytu. Má-li digestoř fungovat jako pohlcovač, je nutné nainstalovat aktivní uhlíkový filtr (obr. 10). Uhlíkový filtr není součástí běžného vybavení, je třeba zakoupit jej od výrobce.

4 Instalace spotřebiče



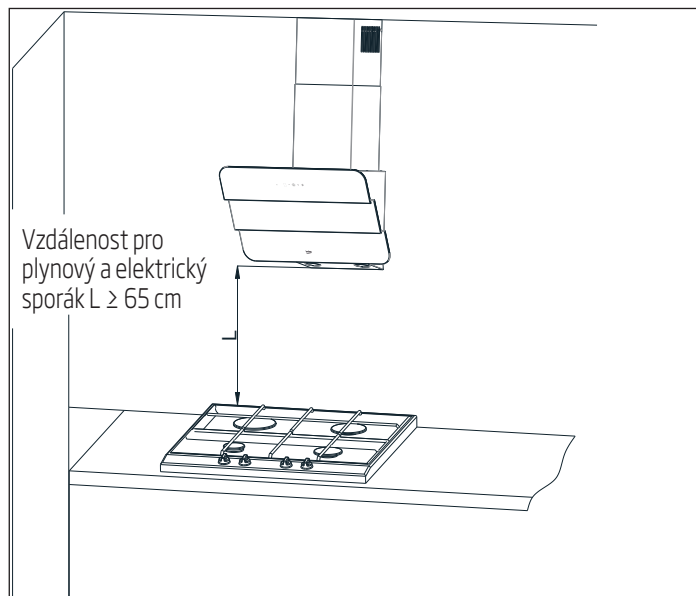
Použití šroubů nebo upevňovacích prostředků, které nejsou v souladu s tímto návodem, může způsobit úraz elektrickým proudem.

Minimální vzdálenost zavěšení digestoře mezi povrchem, na kterém je umístěno nádobí na topném zařízení (plynový nebo elektrický sporák), a nejnižší částí kuchyňského digestoře (obr. 3) nesmí být menší než 65 cm.

Pokud návod k obsluze topného zařízení obsahuje požadavek na větší instalační vzdálenost kuchyňské digestoře, než je uvedeno výše, postupujte podle těchto pokynů. Instalace digestoře a komínového krytu je znázorněna na obrázcích (obr. 4 - obr. 9)

Digestoř je vybavena montážními kotvami vhodnými pro většinu stěn a stropů. Při montáži je nutno dodržovat obecná ustanovení o vypouštění vzduchu z místností.

Obra.3 Navrhovaná vzdálenost od kuchyňského vaříče



4 Instalace spotřebiče

Před instalací je nutno provést následující kroky:

- Zkontrolovat, zda jsou rozměry zakoupeného produktu přizpůsobeny vybranému cílovému místu.
- Odpojte a odstraňte (pokud je to možné) nábytek umístěný v oblasti instalace digestoře, abyste získali snadný přístup ke stropu nebo stěně, ke které má být digestoř uchycena. Není-li to možné, je třeba předměty v blízkosti pracovního prostoru zabezpečit.
- Ověřte, zda je v blízkosti místa instalace digestoře zásuvka a zda je možné připojit digestoř k potrubí, které odvádí výpary ven.
- Ověřte, zda místa pro vrtání nezakrývají instalační kabely (elektrické, hydraulické atd.).
- Připravte si následující vybavení: metr, tužku, vrtačku, vrták Ø8, šroubovák, vodováhu.



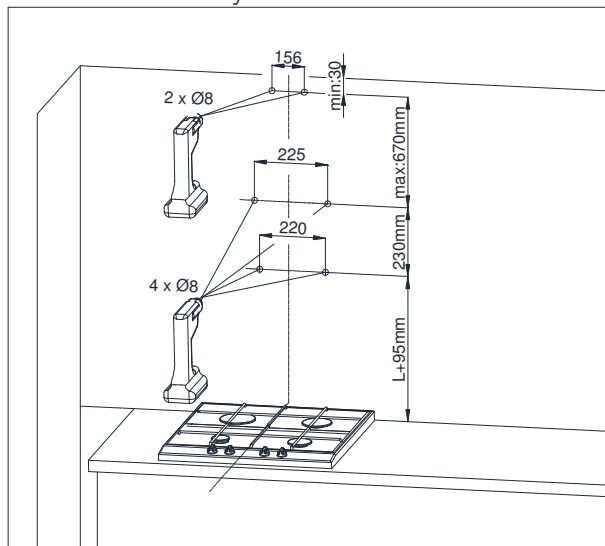
Instalace musí být prováděna velmi opatrně, aby nedošlo k poškrábání komínového krytu a digestoře.

4.1 Instalační práce

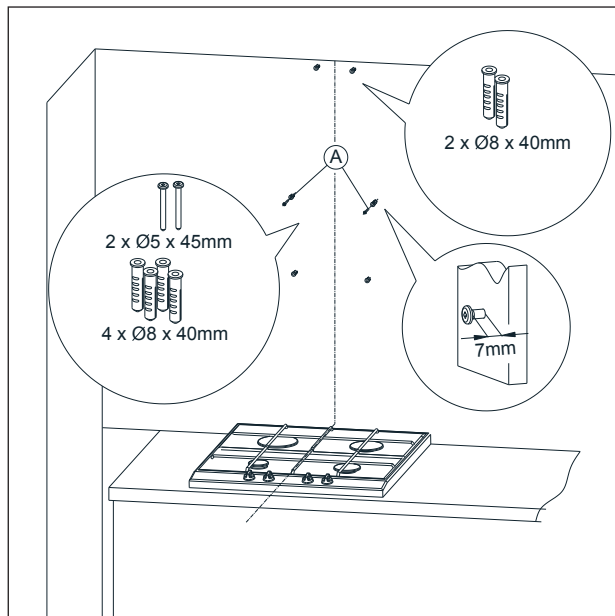
1. Určete osu topného tělesa a přeneste ji na stěnu, kde bude umístěna digestoř. Označte si všechny specifické body pro montáž digestoře. Pomocí vrtačky navrtejte příslušné otvory (obr. 4).
2. Vložte do otvorů prodlužovací šrouby. Do dvou otvorů označených jako A vložte šrouby (na vnější straně nechte 7 mm, jak je znázorněno na obr. 5).
3. Otevřete klapku digestoře a vytáhněte filtr mastnoty (obr. 6).
4. Odšroubujte komínový kryt, zavěste digestoř na dva volně nasazené šrouby (obr. 7).
5. Na tělo digestoře položte vodováhu. Otáčením prvků označených jako A nastavte horizontální polohu digestoře v souladu s ukazatelem na vodováze a následně utáhněte dva volně nasazené šrouby a dva zbývající šrouby (obr. 8).
6. Připevněte na tělo digestoře komínový kryt. Následně jemně vytáhněte část digestoře označenou jako B směrem nahoru, dokud ji nebudete schopni přišroubovat k části uchycené na zed' (obr. 9).

4 Instalace spotřebiče

Obr.4 Instalační rozměry

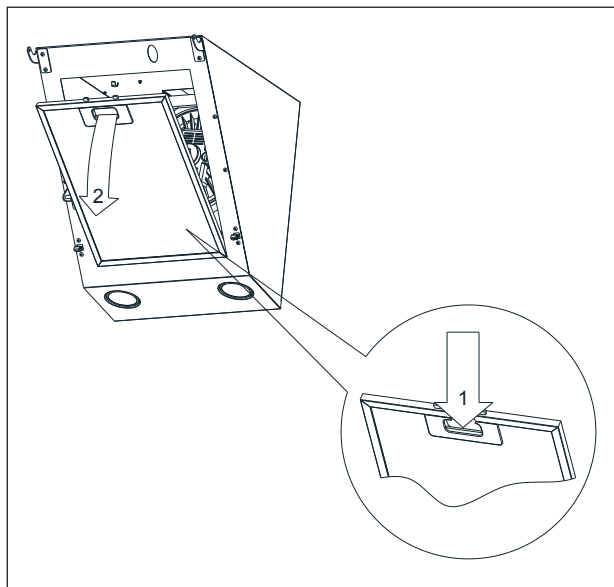


Obr.5 Montáž prodlužujících šroubů

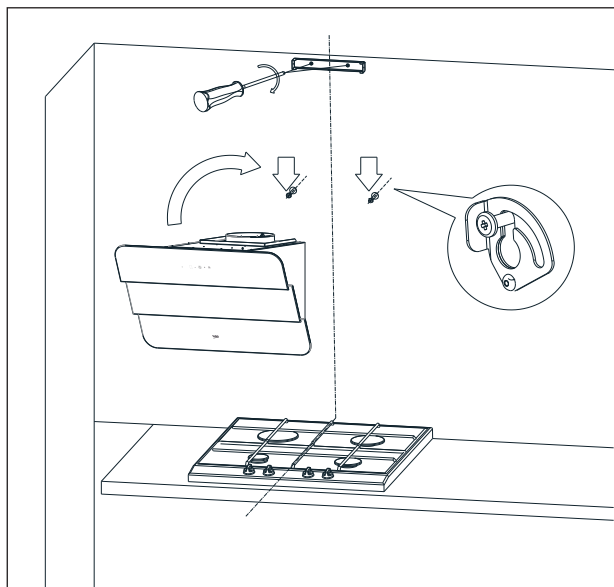


4 Instalace spotřebiče

Obr.6 Demontáž hliníkového filtru mastnoty

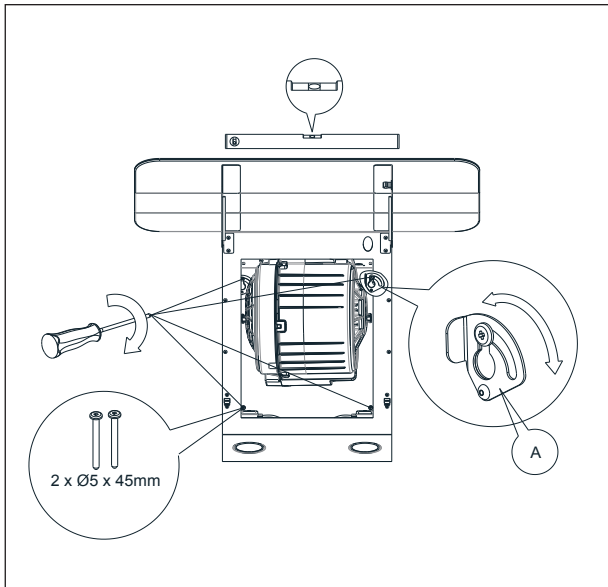


Obr.7 Zavěšování digestoře

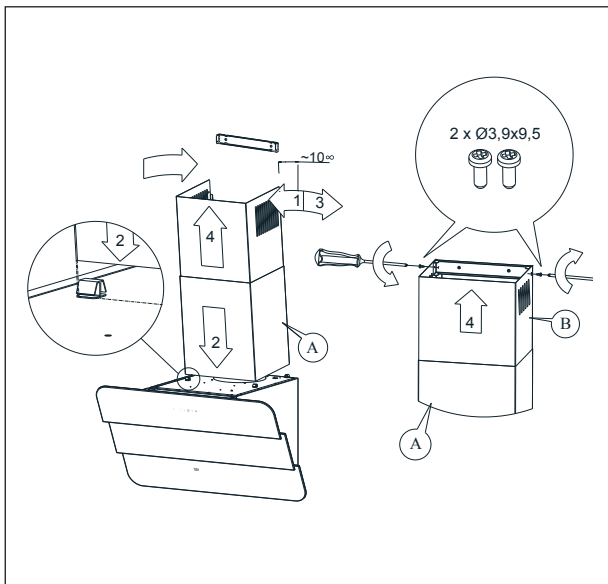


4 Instalace spotřebiče

Obr.8 Umistování digestoře



Obr.9 Montáž krytu digestoře



4 Instalace spotřebiče

4.2 Elektrické připojení

Napětí v síti musí odpovídat údajům na štítku na vnitřní straně digestoře. Pokud je digestoř vybavena zástrčkou, měla by být umístěna v zásuvce, která splňuje požadavky závazných předpisů a je umístěna na snadno dostupném místě. Pokud digestoř není vybavena zástrčkou, její instalace by měla být svěřena osobě, která má příslušná oprávnění (např. elektrikář).

5 Čištění a údržba

Před prováděním jakýchkoli úkonů údržby spotřebiče vyjměte zástrčku ze zásuvky. Digestoř je třeba čistit jemnými čisticími prostředky, nepoužívejte abrazivní čisticí přípravky. Pravidelná údržba výrazně zlepšuje výkon a výdrž digestoře. Digestoř by měla být čistěna nejméně jednou za měsíc nebo každých 35 hodin provozu. K čištění digestoře **NEPOUŽÍVEJTE PROSTŘEDKY NA BÁZI ALKOHOLU**. Výrobky z umělé hmoty (inox) by se měly čistit speciálními přípravky.



Nedodržení předpisů týkajících se čištění zařízení a výměny filtrů může způsobit riziko požáru. Proto se doporučuje dodržovat pokyny uvedené v tomto dokumentu. Výrobce nezodpovídá za škody na motoru ani za požáry způsobené nesprávným použitím.

5.1 Filtr mastnoty

Digestoř je vybavena hliníkovým filtrem, který zachytává tukové částice z vaření. Filtr lze odstranit posunutím zámků ve směru šipek (obr. 7). Filtr by se měl umýt ručně ponořením do vody na 15 minut s prostředkem na mytí nádobí při teplotě 40-50 °C. Po 15 minutách můžete pokračovat v mytí a následně filtr opláchnout. Filtr musí být před umístěním do digestoře suchý. Filtr lze také umýt v myčce nádobí. Během procesu mytí může filtr změnit barvu, to však nemá vliv na jeho filtrační vlastnosti. Pokud není filtr pravidelně čištěn, snižuje výkon digestoře a může způsobit požár. Filtr by měl být čištěn nejméně po každých 35 hodinách provozu digestoře.

5.2 Uhlíkový filtr

Digestoř může být vybavena filtrem s aktivním uhlím. Uhlíkový filtr se používá pouze v případě, že digestoř není připojena k odvětrávacímu potrubí.

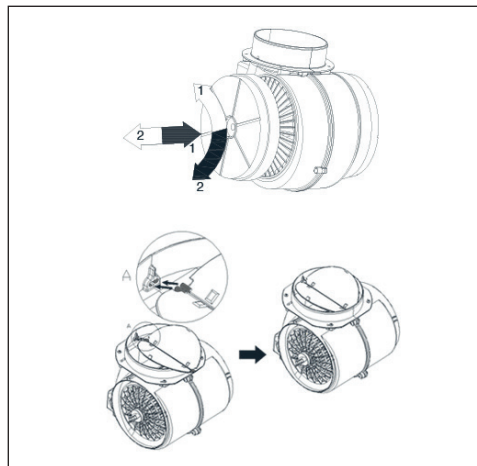
5 Čištění a údržba

Filtr by měl být umístěn na plášti turbíny, jak je znázorněno na obrázku (obr. 10). Filtr s aktivním uhlím by měl být měněn každých 6 měsíců.

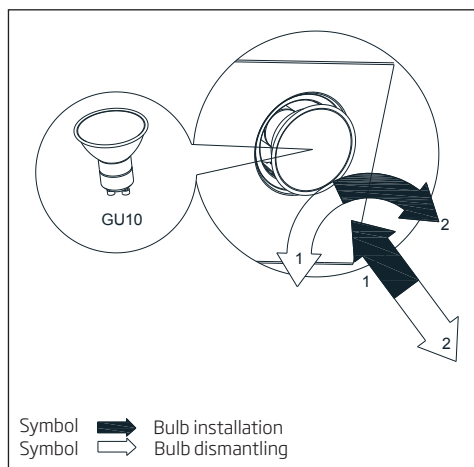


Uhlíkový filtr se nesmí umývat ani regenerovat.

Obr.10 Výměna uhlíkového filtru



Obr.11 Výměna osvětlení



5.3 Výměna osvětlení

Než začnete pracovat na výměně osvětlení, odpojte napájecí zdroj. Pokud již byla digestoř v provozu, měli byste počkat, než žárovky vychladnou a až poté pokračovat ve výměně. Proces výměny žárovek je znázorněn na obr. 11.



Před výměnou žárovek odpojte digestoř od zdroje napájení.



Nedotýkejte se žárovek, dokud jsou horké.

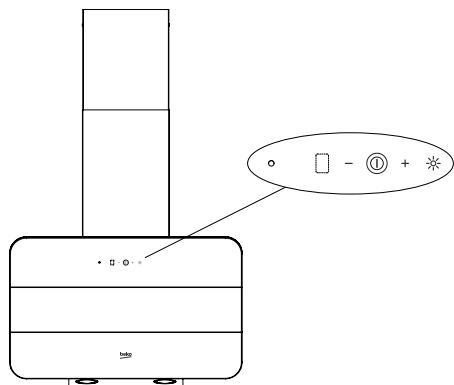


Dejte pozor, abyste se přímo rukou nedotkli vyměněné žárovky.

6 Ovládání provozu digestoře

Digestoř je vybavena dotykovým ovládáním na vrchním skleněném panelu (obr. 12).

Obr. 12 Lokalizace dotykového panelu



Popis dotykových polí:

- Ⓢ Zapínání/vypínání digestoře
- ☀ Zapínání/vypínání osvětlení digestoře
- Snížování rychlosti turbíny
- ⊕ Zvýšení rychlosti turbíny
- ⎓ Digitální displej

6.1 Kontrola ovládání digestoře

V pohotovostním režimu není ovládací panel osvětlen a políčka **+**, **—** a **☀** jsou vypnuta. Chcete-li ovládací panel aktivovat, stiskněte pole **Ⓢ** nebo použijte dálkový ovladač (je-li přiložen). Po aktivaci se zvýrazní ovládací panel a objeví se symboly dotykového pole; stisknutím tlačítka **Ⓢ** spustíte turbínu na naposledy použité rychlosti, stisknutím tlačítka **⊕** spustíte turbínu na nejvyšším rychlostním stupni a stisknutím tlačítka **—** spustíte turbínu na nejnižším rychlostním stupni.

Rychlost turbíny lze zvýšit stisknutím pole **⊕**, snížit stisknutím pole **—**. Deaktivace turbíny digestoře se provádí stisknutím pole **Ⓢ** nebo pole **—**, když turbína pracuje na prvním rychlostním stupni. Spolu se změnou rychlosti turbíny se čísla na displeji odpovídajícím způsobem mění:

1 - turbína pracující v prvním rychlostním stupni, 2 - turbína pracující ve druhém stupni, 3 - turbína pracující ve třetím stupni, 4 - turbína pracující v intenzivním rychlostním stupni (turbo).

V souladu s nařízením EU 66/2014 je digestoř vybavena automatickým pětiminutovým počítadlem, které automaticky po pěti minutách změni úroveň turbíny ze čtvrtého rychlostního stupně na třetí (neplatí pro model s číslem turbíny „5“).

6.2 Ovládání osvětlení

Pro aktivaci osvětlení digestoře musíte stisknout tlačítko **☀**; dalším stisknutím tlačítka se symbolem světlo zhasnete.

6.3 Další informace o ovládání digestoře

Digestoř je vybavena počítadlem provozu digestoře. Počítadlo je nastaveno na 35 hodin. Po uplynutí této doby se na displeji zobrazí symbol, **F**, který indikuje **doporučené čištění hliníkového filtru**. Chcete-li na displeji digestoři vymazat symbol „F“, musíte stisknout a držet symbol **—** nepřetržitě po dobu asi 8 sekund.

Ovládání digestoře je vybaveno zámek dotykového panelu, který deaktivuje dotykový panel, například během čištění digestoře. Chcete-li aktivovat zámek, stiskněte a podržte symbol **Ⓢ** (asi 10 sekund), dokud se na displeji neobjeví symbol **Ⓢ** (tečka v pravém dolním rohu). Chcete-li se vrátit k běžnému provozu, znovu stiskněte a podržte symbol **Ⓢ** (asi 10 sekund), dokud tečka na displeji nezmizí.

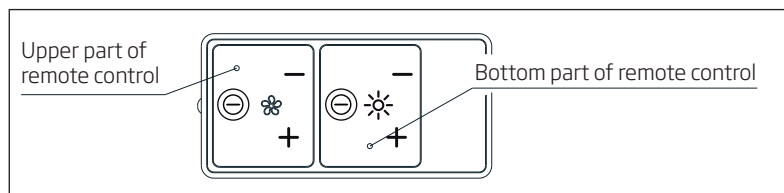
6 Ovládání provozu digestoře

Digestoř je vybavena časovým spínačem, který deaktivuje turbínu digestoře po 15 minutách od spuštění počítadla. Časový spínač turbíny nevypne osvětlení a rychlost turbíny může být volně měněna. Pro aktivaci časového spínače musí turbína digestoře pracovat na libovolné rychlosti na 1, 2, 3 nebo na rychlosti turbo. Časovač se aktivuje přidržím symbolu **+** (asi 10 sekund), než začne blikat tečka v pravém dolním rohu. Chcete-li tuto funkci deaktivovat, podržte znovu symbol (asi 10 sekund) nebo digestoř vypněte.

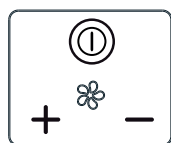
Ovládání digestoře je vybaveno funkcí automatického vypnutí turbíny po 2 hodinách nečinnosti ovládání digestoře.

Digestoř má dálkové ovládání (pouze vybrané modely) (obr. 13)

Obr. 13 Dálkové ovládání



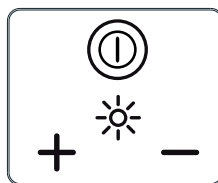
6.4 Provoz s dálkovým ovládáním



Ovládání turbíny je řízeno horní částí dálkového ovladače označenou jako ☀. Aktivace/deaktivace světla se provádí stisknutím tlačítka se symbolem Ⓢ a rovněž **+** a

-. Zvyšování rychlosti se provádí stisknutím tlačítka **+**, snižování stisknutím tlačítka **-**.

6.5 Dálkové ovládání osvětlení



Osvětlení se ovládá spodní částí dálkového ovladače označenou jako ☀. Aktivace/deaktivace světla se provádí stisknutím tlačítka se symbolem Ⓢ. Tlačítka

+ a **-** jsou zablokována.

6.6 Metody snižování vlivu procesu vaření na životní prostředí

- Chcete-li snížit spotřebu energie, vařte s poklicemi.
- Hliníkové filtry musí být udržovány v čistotě (doporučená délka provozu hliníkových filtrů mezi čištěními je max. 35 h).
- Dbejte na propustnost ventilačního potrubí.
- Provozní úroveň turbíny při vaření by měla být vždy nastavena na minimální rychlostní stupeň, což umožní odstranění výparů při aktuální intenzitě vaření.

6.7 Produktový list

Produktový list se nachází uvnitř digestoře.

7 Řešení problémů

Příznaky	Příčina	Způsob opravy
Během provozu digestoře se zobrazuje blikající písmeno „F“.	Po 35 hodinách provozu signalizuje digestoř nutnost vyčištění nebo výměny filtru mastnoty.	Stiskněte a podržte „-“ na dotykovém ovladači po dobu asi 8 sekund. Filtr by měl být umyt v myčce nebo nahrazen novým.
Na displeji se zobrazí pouze symbol „-“ (Minus a tečka v pravém dolním rohu), digestoř nereaguje na vypnutí.	Dotykový ovladač byl zablokován - tato funkce usnadňuje čištění digestoře.	Chcete-li zámek odblokovat, stiskněte a podržte po dobu asi 10 sekund pole se symbolem zapnutí.
Na displeji se nezobrazuje žádný symbol, digestoř nereaguje na tisknutí ovládacích polí.	Dotykový ovladač je pravděpodobně blokovan.	Odpojte digestoř od napájení na dobu asi 15 sekund a znovu ji zapněte.
Na displeji se zobrazí symbol jedné z rychlostí; digestoř nereaguje na tisknutí ovládacích polí.	Dotykový ovladač je pravděpodobně blokovan	Odpojte digestoř od napájení na dobu asi 15 sekund a znovu ji zapněte.
Turbína digestoře se po 15 minutách provozu odpojí, na displeji se zobrazí pulzující číslice, např. „1.“ (aktuální stupeň rychlosti a tečka v pravém dolním rohu).	Byl aktivován automatický časový spínač dotykového ovládání.	Chcete-li časový spínač deaktivovat, stiskněte a podržte po dobu asi 10 sekund symbol „+“ nebo digestoř vypněte.
Na čtvrtém rychlostním stupni pulsuje na displeji číslice „4“, po 5 minutách se změni rychlost na stupeň tři.	Digestoř je vybavena režimem turbo, který po 5 minutách provozu automaticky přepne na třetí rychlostní stupeň, aby šetřil energii.	Režim turbo musí být používán pouze v kombinaci s intenzivním vařením.
Digestoř lze ovládat pouze pomocí ovládacího panelu, nereaguje na dálkové ovládání.	Baterie dálkového ovladače je vybitá nebo je vzdálenost příliš dlouhá.	Vyměňte baterii za novou.
Digestoř vykazuje velmi špatné nasávání par.	Pravděpodobnou příčinou jsou zanešené filtry.	Filtr mastnoty musí být myt v myčce nebo nahrazen novým. Uhlíkový filtr (pokud je k dispozici) musí být nahrazen novým.
Jeden nebo více světelných bodů nefunguje.	Vadná halogenová/LED žárovka.	Žárovka musí být nahrazena novou, kompatibilním se symbolem určeným v návodu k obsluze digestoře.
Digestoř vytváří nadměrný hluk a vibrace.	To může být způsobeno nesprávnou instalací digestoře na stěnu nebo kuchyňské skříň. Nebyly použity všechny dodané šrouby nebo jsou uchyceny volně a umožňují vůli.	Digestoř musí být namontována na stěnu nebo skříňku pomocí všech bodů, které poskytuje výrobce. Po nastavení horní a horní polohy digestoře utáhněte všechny upevňovací šrouby.
* týká se digestoří s dotykovým ovládáním.		
Pokud výše uvedená doporučení problém nevyřeší, obraťte se na autorizovaný servis pro domácí spotřebiče. Za žádných okolností není uživateli umožněna samostatná oprava. Seznam servisních bodů je součástí záručního listu a webové stránky.		

Najprej preberite uporabniški priročnik!


Spoštovana stranka,

zahvaljujemo se vam, da ste se odločili za nakup izdelka Beko. Upamo, da bo izdelek, ki je bil izdelan z visokokakovostno in najnovejšo tehnologijo, upravičil vaše zaupanje. Zato pred uporabo naprave preberite celoten uporabniški priročnik in vso ostalo priloženo dokumentacijo ter jo shranite kot referenco za prihodnjo uporabo. Če napravo predate komu drugemu, zraven priložite še uporabniški priročnik. Upoštevajte vsa opozorila in informacije v uporabniškem priročniku.

Upoštevajte, da je uporabniški priročnik namenjen tudi številnim drugim modelom. Razlike med posameznimi modeli so natančno navedene v priročniku.

Pomen simbolov

Naslednji simboli so uporabljeni v različnih poglavjih tega priročnika:

	Pomembne informacije in uporabni nasveti za uporabo.
--	--

	OPOZORILO: Opozorila za nevarne situacije, ki zadevajo varnost za življenje in lastnino.
--	---

	Opozorilo o električnem udaru.
--	--------------------------------

	Opozorilo za vroče površine.
--	------------------------------

	Lučka
--	-------



Ta izdelek je bil izdelan v okolju prijaznih in sodobnih proizvodnih obratih, ki ne škodujejo naravi.

Ta naprava je v skladu z Direktivo o odpadni električni in elektronski opremi (OEE0).



Ne vsebuje polikloriranih bifenilov.

1 Pomembna navodila za varnost in okolje

V tem poglavju so navedena varnostna navodila za zaščito pred telesnimi poškodbami in stvarno škodo. Neupoštevanje teh navodil razveljavi garancijo.

1.1 Splošna varnost

- Namestitev in popravila naj vedno opravlja pooblaščen serviser. Proizvajalec ni odgovoren za poškodbe, ki nastanejo zaradi del, ki jih opravijo nepooblaščen delavci.
- Naprava ni namenjena za uporabo osebam (vključno z otroki) z zmanjšanimi fizičnimi, senzornimi ali duševnimi zmožnostmi oziroma osebam s pomanjkljivimi izkušnjami in znanjem. Nadzirajte otroke in jim ne dovolite, da se igrajo z napravo.

1.1.1 Električna varnost

- Pred opravljanjem namestitve, vzdrževanja, čiščenja in popravil naprave jo vedno izklopite iz električnega omrežja.

- Zamenjavo poškodovanega električnega kabla naj opravi usposobljeni delavec, ki ima pooblastilo proizvajalca, zaposleni na poprodajnem servisu, ustrezni delavec (po možnosti električar) ali oseba, ki jo je predlagal uvoznik.
- Obratovalna napetost znaša 220 do 240 V.
- Če je naprava okvarjena, jo ne smete uporabljati, dokler je ne popravi pooblaščen serviser. Nevarnost električnega udara.
- Ne napeljte napajalnega kabla v bližino kuhalnih plošč. Kabel se lahko vname, saj se hitro topi.
- Napo vključite šele, ko ste končali napeljavo.
- Za najboljše rezultate ne sme biti zunanji prevodnik daljši od 4 m. V njem sta lahko največ 2 pravokotna (90°) kota, premer prevodnika pa mora biti najmanj 120 mm.
- Pred začetkom izvajanja kakršnega koli posega na zunanjih delih napravo odklopite iz omrežja.
- Napravo uporabljajte samo z ozemljeno vtičnico.

1 Pomembna navodila za varnost in okolje

1.1.2 Varnost izdelka

- Uporabite lahko cev s premerom 120 ali 150 mm na cevni povezavi za dimne pline nape.
- Ne povežite na cevi za dimne pline, povezane na štedilnik, izpušne jaške ali cevi za dimne pline z odprtim ognjem. Upoštevajte pravila, kot jih določijo organi, pristojni za odvajanje odpadnega zraka.
- Pri plinskih in električnih kuhalnih ploščah mora biti razdalja med spodnjo površino nape in zgornjo površino štedilnika/pečice najmanj 65 cm.
- Nape ne uporabljajte, če niso nameščeni aluminijasti filtri; med uporabo aluminijastih filtrov ne smete odstraniti.
- Ne dotikajte se lučk na napi, ki so svetile dalj časa. Na vročih površinah lučk si lahko opečete roko.
- Ne dovolite, da pod izdelkom visoko gori odprti ogenj. Delci na oljnem filtru se lahko vnamejo in filter zagori.
- Kuhalne plošče vklopite šele, ko nanje postavite ponve ali posode. Zaradi naraščajoče vročine lahko posamezni deli izdelka spremenijo obliko. Preden umaknete ponve ali posode, izklopite kuhalne plošče.
- Ne postavljajte vnetljivih materialov pod napo.
- Med cvrtjem se olje lahko vname. Zato previdno s krpami in zavesami.
- Med cvrtjem ne zapuščajte štedilnika, saj se lahko vname vroče olje.
- Če nape redno ne čistite, ustvarite nevarnost požara.
- Pri čiščenju nape bodite zelo previdni in si nadenite rokavice.
- Svetujemo, da napravo zaženete nekaj minut pred začetkom kuhe, tj. počakate, da naprava doseže večjo moč sesanja. Tako bo moč sesanja neprekinjena in enakomerna, ko se bo dvignila para.
- Napa naj deluje še 15 minut po končani kuhi ali cvrtju, da iz kuhinje odstrani vse vonje in paro, nastale med kuho.
- Poskrbite za dobro prezračevanje med delovanjem nape, predvsem pa če uporabljate plinski štedilnik.

1 Pomembna navodila za varnost in okolje

- Ne povežite naprave na cevi za dimne pline, povezane na neelektrične naprave. (Npr. cev za dimne pline grelnika).
- Sočasno in nemoteno delovanje nape in druge naprave, ki za delovanje potrebuje zrak, je možno le ob nizkem tlaku 4 Pa (0,04 mbar), saj tako ne pride do reabsorpcije plina. To je možno le s pomočjo zraka, ki prihaja iz odkritih odprtih (vrata, okno, prezračevalne odprtine ali druge odprtine, nastale s tehničnimi posegi). Pazite, da je na voljo zadosten pretok zraka. Cev za dimne pline, ki zagotavlja vhod/izhod zraka, za ta namen ne zadostuje.

1.1.3 Varnost otrok

- Embalažni material je nevaren za otroke. Embalažni material shranite na varno in izven dosega otrok.
- Električne naprave so nevarne za otroke. Preprečite otrokom dostop do izdelka. Ne dovolite otrokom, da se igrajo z napravo.
- Otroci od 8. leta starosti ter osebe z zmanjšanimi fizičnimi, senzornimi ali psihičnimi sposobnostmi ali s pomanjkanjem izkušenj in znanja lahko napravo uporabljajo le, če so pod nadzorom ali pa so prejele ustrezna navodila glede varne uporabe naprave in razumejo nevarnosti, ki so povezane z njeno uporabo. Otroci se ne smejo igrati z napravo.
- **POZOR:** Dostopni deli se lahko segrejejo, če jih uporabljate s kuhalno napravo.

1.2 Namen uporabe

- Naprava je namenjena uporabi v gospodinjstvu. Naprava ni primerna za uporabo v komercialne namene in je ni dovoljeno uporabljati za namene, za katere ni bila izdelana.
- Proizvajalec ni odgovoren za poškodbe, nastale zaradi nepravilne uporabe ali rokovanja.
- Življenjska doba naprave je 10 let. V tem obdobju so na voljo nadomestni deli, potrebni za njeno ustrezno delovanje.

1 Pomembna navodila za varnost in okolje

- **OPOZORILO:** Pritrditev vijakov, ki ni v skladu z navodili v tem priročniku, lahko privede do električne nevarnosti.

1.3 Skladnost z direktivo OEE0 in odstranjevanjem odpadnih izdelkov:

Izdelek je v skladu z direktivo EU OEE0 (2012/19/EU). Izdelek vsebuje simbol za razvrstitev odpadne električne in elektronske opreme (OEE0).



Izdelek je bil izdelan z visokokakovostnimi sestavnimi deli in materiali, ki jih je mogoče ponovno uporabiti in so primerni za recikliranje.

Odsluženega odpadnega izdelka ne odlagajte z običajnimi gospodinjstvi in drugimi odpadki. Odnosite ga na center za zbiranje in recikliranje električne in elektronske opreme. Za informacije o teh centrih za zbiranje se obrnite na lokalne oblasti.

Skladnost z direktivo RoHS:

Izdelek, ki ste ga kupili, je v skladu z direktivo EU RoHS (2011/65/EU). Ne vsebuje škodljivih in prepovedanih materialov, ki so navedeni v direktivi.

1.4 Podatki o embalaži



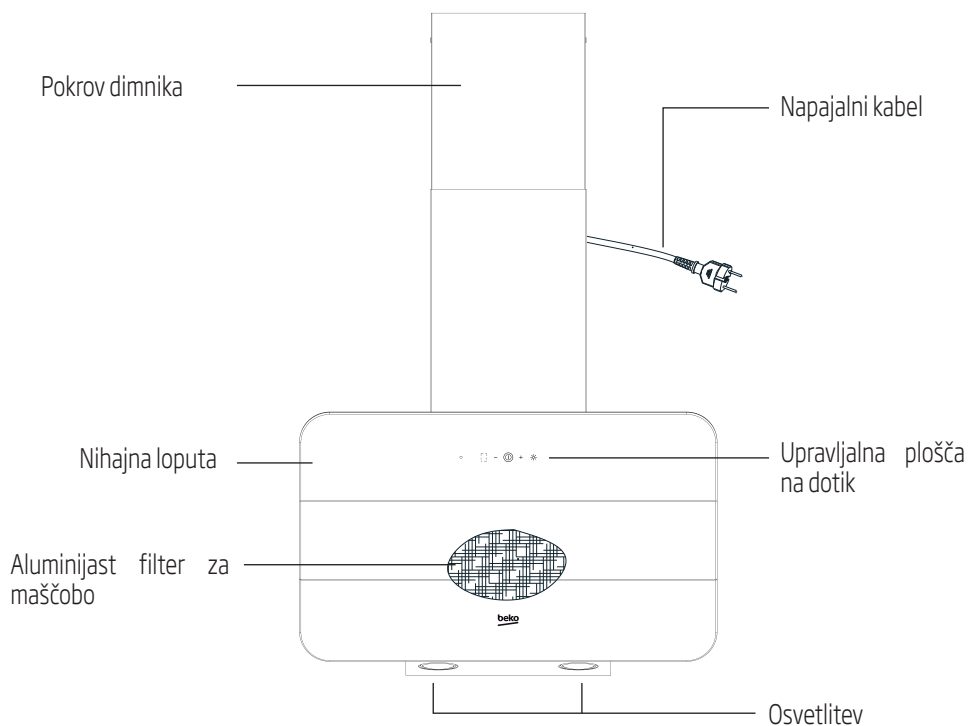
Embalaža izdelka je izdelan iz materiala, ki ga je mogoče reciklirati, v skladu z našimi nacionalnimi okoljskimi predpisi.

Embalažnega materiala ne odlagajte skupaj z gospodinjstvi ali drugimi odpadki. Odnosite ga na zbirna mesta za embalažni material, ki so jih določile lokalne oblasti.

2 Tehnične lastnosti naprave

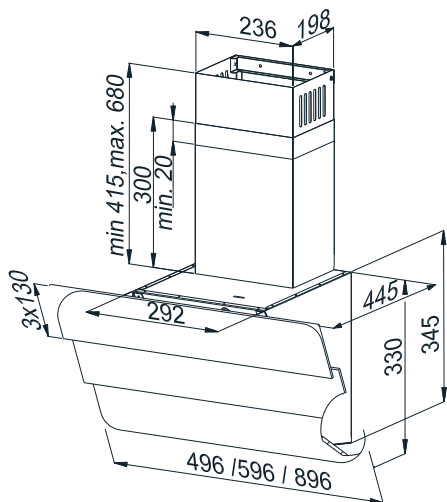
Tehnični podatki v tem priročniku in na nalepkah, ki so pritrjene na napo, so bili pridobljeni z meritvami in izračuni v skladu z zahtevami uredb EU št. 65/2014 in 66/2014. Naprava je v skladu z zahtevami evropskih direktiv 2009/125/ES in 2011/65/EU.

Sl. 1 Pojasnjevalna slika kuhinjske nape



2 Tehnične lastnosti naprave

Sl. 2 Skica mer



3 Upravljanje naprave

Napa je zasnovana za sesanje pare med pripravo obrokov. Naprava se lahko uporablja na dva načina:

Kot ekstraktor: para se odstrani izven prostora s pomočjo prezračevalne cevi. Prezračevalna cev ni priložena napravi in jo je treba kupiti posebej.



Uporabite čim krajšo cev za odvajanje pare.



Prezračevalna cev mora imeti čim bolj gladko notranjo površino (uporaba cevi tipa spiro ni priporočena).



Uporabite cev s čim manj zavoji (koti zavoja ne smejo biti večji od 90 stopinj).



Menjave delov cevi niso priporočene (večji z manjšimi, na primer, izhod zraka \emptyset 150 mm z izhodom zraka \emptyset 120 mm).

Kot absorber: pari je odstranjena maščoba in vonjave, preden se vrne v prostor prek rešetke na zgornjem pokrovu dimnika. Če se napa uporablja kot absorber, morate namestiti filter z aktivnim ogljikom (sl. 10). Ogljikov filter ni vključen v standardno opremo; kupiti ga morate pri prodajalcu.

4 Namestitev naprave



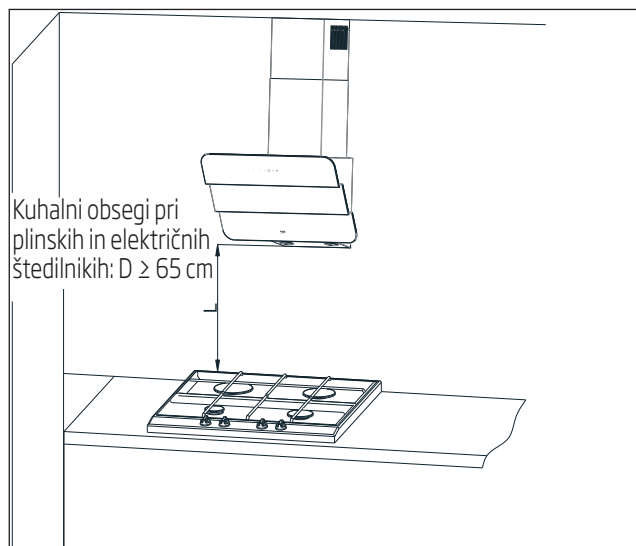
Uporaba vijakov ali zapiral, ki niso skladna s priročnikom, lahko povzroči električni udar.

Najmanjša razdalja nape med površino, na katero se postavi posoda na kuhalno napravo (plinski ali električni štedilnik), in najnižjim delom kuhinjske nape (sl. 3) ne sme biti manjša od 65 cm.

Če navodila za uporabo kuhalne naprave zahtevajo večjo namestitveno razdaljo kuhinjske nape od zgoraj navedene razdalje, upoštevajte ta navodila. Namestitev nape in zaščitnega pokrova dimnika nape je prikazana na skicah (sl. 4-9).

Napa je opremljena z montažnimi sidri, ki so primerna za namestitev na večino sten in stropov. Med nameščanjem upoštevajte splošne določbe za odvod zraka iz prostorov.

Sl. 3 Priporočena razdalja od kuhinjskega štedilnika



4 Namestitev naprave

Pred začetkom namestitve je treba izvesti naslednje:

- Preverite, ali so dimenzije kupljenega izdelka prilagojene izbranemu mestu namestitve.
- Za lažji dostop do stropa ali stene, kjer boste namestili napo, odklopite priključke in odstranite (če je možno) pohišstvo, ki se nahaja na mestu za namestitev nape. Če to ni mogoče, zavarujte elemente v bližini delovnega območja.
- Prepričajte se, da je v bližini mesta namestitve nape vtičnica in da je napo mogoče priključiti na prezračevalno cev za odvajanje pare.
- Prepričajte se, da točke vrtanja ne prekrivajo žic za namestitev (električnih, hidravličnih itn.).
- Pri roki imejte merilni trak, svinčnik, vrtalnik, sveder Ø8, izvijač in libelo (vodno tehniko).

4.1 Namestitev

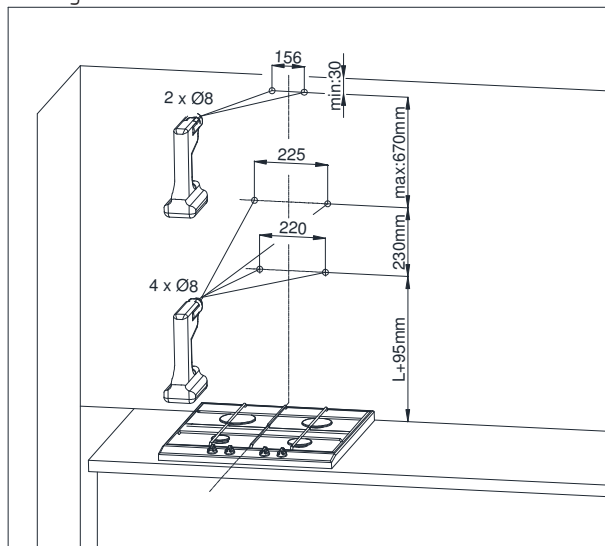
1. Določite os kuhalne naprave in jo prenesite na steno, kjer bo napa nameščena. Označite vse montažne točke nape. Uporabite vrtalnik in zvrтайте luknje (sl. 4).
2. V odprtine vstavite razširitvene vijake. V luknji, označeni s črko A, vstavite vijaka (pustite 7 mm dolžine vijaka zunaj, kot je prikazano na sl. 5).
3. Odprite loputo nape in odstranite filter za maščobo (sl. 6).
4. Privijte sponko pokrova dimnika in obesite napo na dva rahlo privita vijaka (sl. 7).
5. Položite libelo na ohišje kuhinjske nape. Z obračanjem elementov, označenih s črko A, nastavite napo v vodoravni položaj v skladu z oznako na libeli in nato privijte dva rahlo privita vijaka ter še dva preostala vijaka (sl. 8).
6. Položite pokrov dimnika na ohišje. Nato nežno izvlecite del nape, ki je označen s črko B, navzgor, da ga lahko privijete na sponko, ki ste jo predhodno pritrdili na steno (sl. 9).



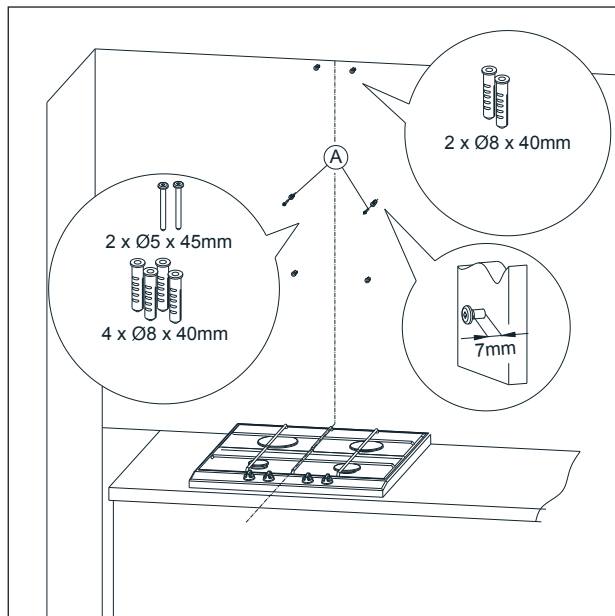
Namestitev je treba izvesti izredno previdno, da ne opraskate pokrova dimnika in nape.

4 Namestitev naprave

Sl. 4 Vgradne mere

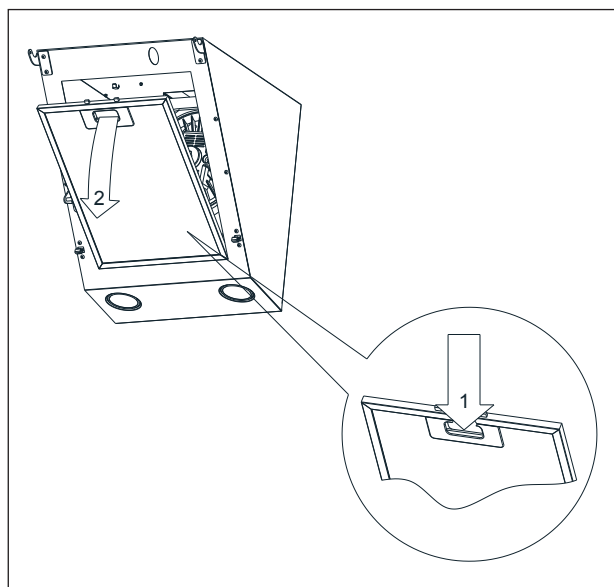


Sl. 5 Montaža razširitvenih vijakov

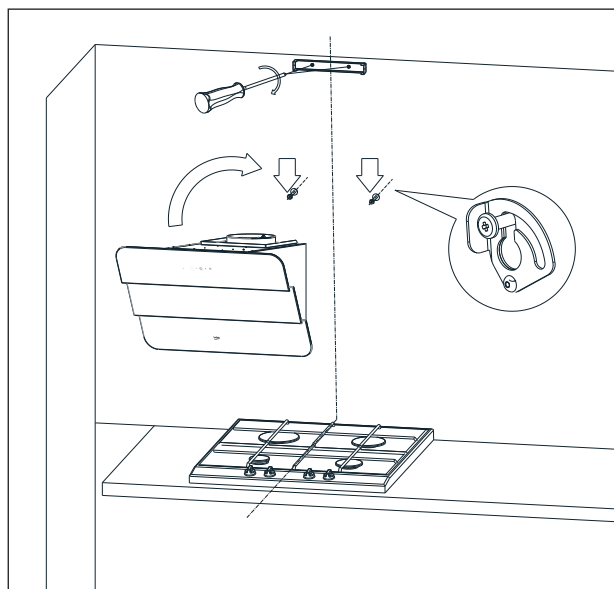


4 Namestitev naprave

Sl. 6 Razstavljanje aluminijastega filtra za maščobo

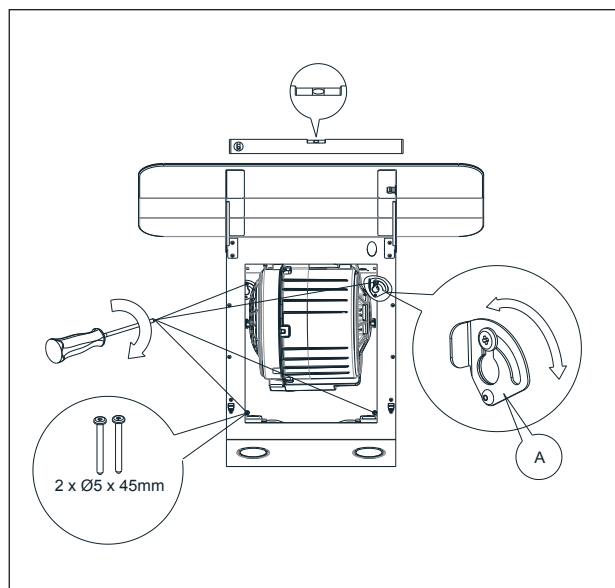


Sl. 7 Obešanje nape

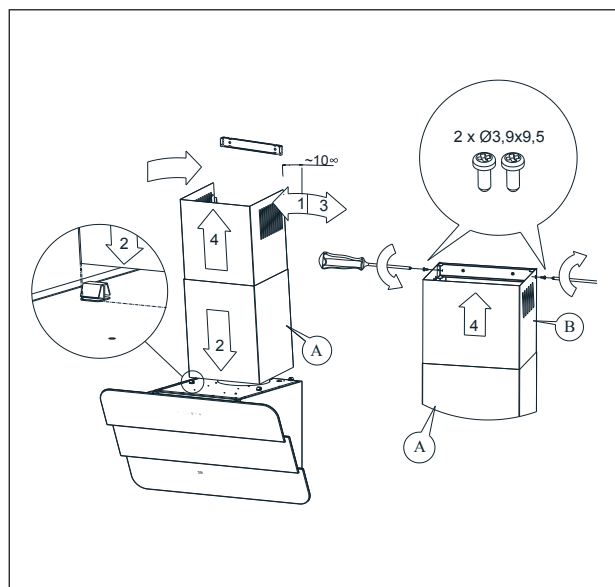


4 Namestitev naprave

Sl. 8 Fiksiranje nape



Sl. 9 Montaža pokrova nape



4.2 Električni priključek

Omrežna napetost mora biti v skladu z napetostjo, označeno na ploščici za tehnične navedbe, nameščeni na notranji strani nape. Če je kuhinjska napa opremljena z vtičem, ga je treba vtakniti v priključek vtičnice, ki izpolnjuje zahteve veljavnih uredb in se nahaja na lahko dostopnem mestu. Če napa ni opremljena z vtičem, naj namestitev nape izvede usposobljena oseba (npr. električar).

5 Čiščenje in vzdrževanje

Pred vzdrževanjem izključite vtič iz stenske vtičnice. Napa čistite z blagimi detergenti. Ne uporabljajte abrazivnih čistilnih sredstev. Redno vzdrževanje znatno izboljša delovanje in vzdržljivost nape. Napa čistite vsaj enkrat na mesec ali vsakih 35 ur delovanja. Za čiščenje nape **NE UPORABLJAJTE DETERGENTOV NA OSNOVI ALKOHOLA**. Satenaste površine (inox) čistite s posebnimi, za to namenjenimi čistili.



Neupoštevanje določb v zvezi s čiščenjem naprave in zamenjavo filtrov lahko povzroči nevarnost požara. Zato je priporočeno, da upoštevate smernice, navedene v tem priročniku. Proizvajalec ni odgovoren za poškodbe motorja ali požare, nastale zaradi nepravilne uporabe.

5.1 Filtri za maščobo

Napa je opremljena z aluminijastim filtrom, ki zadrži delce maščobe od kuhanja. Filter lahko odstranite s premikanjem zaklepov v smeri puščic (sl. 7). Filter je treba čistiti ročno, tako da ga za 15 minut potopite v vodo temperature 40-50 °C, ki ste ji dodali tekočino za pomivanje posode. Po 15 minutah lahko nadaljujete čiščenje in filter sperete. Počakajte, da se filter posuši in ga nato vstavite v napa. Filter lahko perete tudi v pomivalnem stroju. Med pranjem se lahko filter razbarva, kar pa ne vpliva na njegovo zmogljivost filtriranja. Če filtra ne čistite redno, to poslabša delovanje nape in lahko povzroči nevarnost požara. Filter čistite vsaj vsakih 35 ur delovanja nape.

5.2 Ogljikov filter

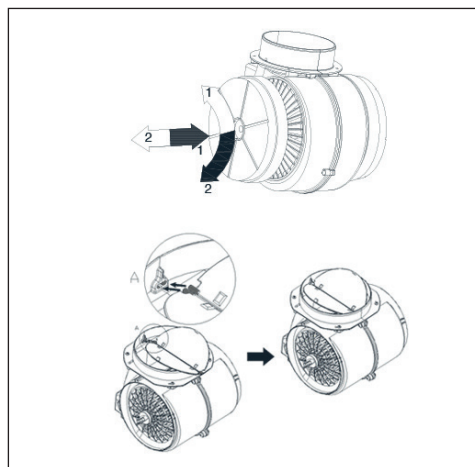
Napa je lahko opremljena s filtrom z aktivnim ogljikom. Ogljikov filter se uporablja samo v primeru, da napa ni priključena na prezračevalno cev.

Filter namestite na ohišje turbine, kot prikazuje skica (sl. 10). Filter z aktivnim ogljikom je treba zamenjati najmanj vsakih 6 mesecev.



Ogljikov filter ni primeren za pranje in ga ni mogoče obnoviti.

Sl. 10 Zamenjava ogljikovega filtra



5 Čiščenje in vzdrževanje

5.3 Zamenjava žarnic

Pred zamenjavo žarnic se prepričajte, da ste izklopili električno napajanje. Če je napa pred tem delovala, počakajte, da se žarnice ohladijo, nato pa nadaljujte z zamenjavo. Postopek zamenjave žarnic je prikazan na sliki 11.



Pred zamenjavo žarnic izklopite električno napajanje nape.

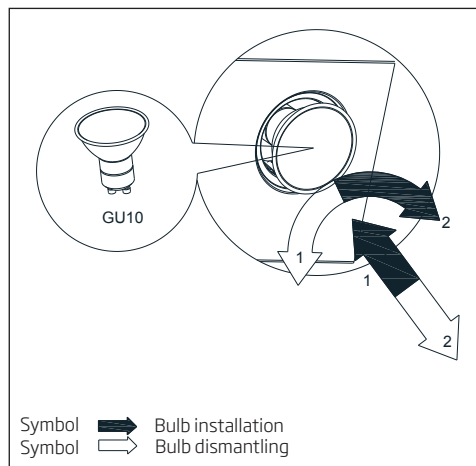


Ne dotikajte se vročih žarnic.



Bodite previdni, da se zamenjane žarnice ne dotikate neposredno z rokami.

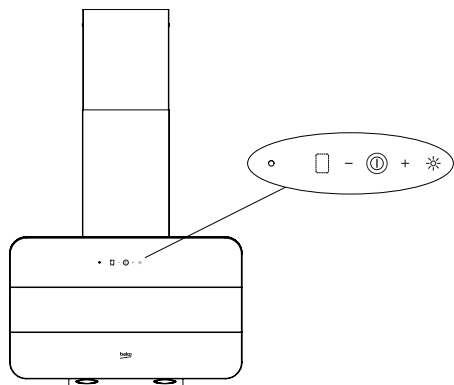
Sl. 11 Zamenjava žarnic



6 Upravljanje delovanja nape

Napa je opremljena z upravljanjem na dotik, ki se nahaja na zgornji stekleni plošči (sl. 12).

SI. 12 Lokalizacija plošče na dotik



Določitev polj na dotik:

Ⓞ Vklp/izklop nape

☀ Vklp/izklop osvetlitve nape

— Zmanjšanje hitrosti turbine

⊕ Povečanje hitrosti turbine

⌂ Digitalni zaslon

6.1 Upravljanje delovanja turbine

V načinu pripravljenosti upravljalna plošča ne sveti, polja **⊕**, **—** in **☀** pa so onemogočena. Za vklop upravljalne plošče se dotaknite polja **Ⓞ** ali pa uporabite daljinski upravljalnik (če je priložen). Po vklopu je upravljalna plošča osvetljena in pojavijo se simboli polj na dotik; z dotikom polja **Ⓞ** zaženete turbino v nedavno uporabljeni prestavi, z dotikom polja **⊕** zaženete turbino v najvišji prestavi in z dotikom polja **—** zaženete turbino v najnižji prestavi.

Hitrost turbine lahko povečate z dotikom polja **⊕**, zmanjšate pa jo z dotikom simbola **—**. Turbino nape onemogočite z dotikom polja **Ⓞ** ali z dotikom polja **—**, ko turbina deluje v prvi prestavi. Skladno s spremembo hitrosti turbine se spremenijo tudi številke na zaslonu:

1 - turbina deluje v prvi prestavi, 2 - turbina deluje v drugi prestavi, 3 - turbina deluje v tretji prestavi, 4 - turbina deluje v najhitrejši prestavi (turbo).

V skladu z direktivo EU št. 66/2014 je napa opremljena s samodejnim, petminutnim števcem, ki po 5 minutah (ne velja za modele s številko turbine »5«) samodejno spremeni prestavo turbine iz četrte v tretjo.

6.2 Upravljanje osvetlitve

Za vklop lučke nape pritisnite simbol **☀**, s ponovnim pritiskom simbola pa jo ugasnete.

6.3 Dodatne informacije o upravljanju nape

Upravljanje nape je opremljeno s števcem delovanja nape. Števec je nastavljen na 35 ur. Po preteku tega časa se na zaslonu prikaže simbol **⌂**, ki označuje **priporočeno čiščenje aluminijastega filtra**. Če želite ugasniti simbol »F« na zaslonu nape, se dotaknite simbola **—** in ga neprekinjeno držite približno 8 sekund.

Upravljanje nape je opremljeno z zaklepom plošče na dotik, ki ploščo na dotik lahko izklopi med čiščenjem nape. Če želite omogočiti zaklep, se dotaknite simbola **Ⓞ** in ga držite (približno 10 sekund), dokler se na zaslonu ne pojavi simbol **⌂** (pika v spodnjem desnem kotu). Če se želite vrniti na običajno delovanje, se ponovno dotaknite simbola **Ⓞ** in ga držite (približno 10 sekund), dokler pika na zaslonu ne ugasne.

Upravljanje nape je opremljeno s časovnim stikalom, ki onemogoči turbino nape po 15 minutah od vklopa števca. Časovno stikalo turbine ne izklopi osvetlitve, hitrost turbine pa lahko po meri spreminjate.

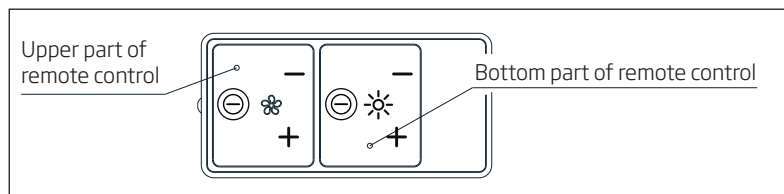
6 Upravljanje delovanja nape

Za vklop časovnega stikala mora turbina nape delovati pri katerikoli hitrosti v 1, 2, 3 ali najvišji prestavi. Časovnik vklopite z držanjem simbola **+** (približno 10 sekund), dokler pika v spodnjem desnem kotu ne začne utripati. Če želite onemogočiti to funkcijo, ponovno držite simbol (približno 10 sekund) ali izklopite napa.

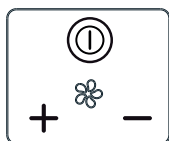
Upravljanje nape je opremljeno s funkcijo samodejnega izklopa delovanja turbine po 2 urah nedejavnosti nape.

Napa ima daljinski upravljalnik (samo izbrani modeli) (sl. 13).

SI. 13 Daljinski upravljalnik



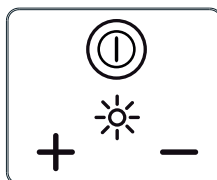
6.4 Delovanje z daljinskim upravljanjem



Zgornji del daljinskega upravljalnika z oznako ☀ upravlja delovanje turbine. Turbino lahko omogočite/onemogočite s pritiskom na gumb s simbolom ☉ ali z

dotikom gumbov **+** in **-**. Hitrost povečate s pritiskom na gumb **+**, zmanjšate pa s pritiskom na gumb **-**.

6.5 Daljinsko upravljanje osvetlitve



Spodnji del daljinskega upravljalnika z oznako ☀ upravlja osvetlitev. Lučko omogočite/onemogočite s pritiskom na gumb s simbolom ☉. Gumba **+** in **-** sta onemogočena.

6 Upravljanje delovanja nape

6.6 Metode za zmanjševanje učinkov postopka kuhanja na okolje

- Če želite zmanjšati porabo energije, pri kuhanju uporabljajte pokrovke.
- Aluminijske filtre ohranjajte čiste (priporočamo zamenjavo po največ 35 ur delovanja nape med čiščenji).
- Poskrbite za prepustnost prezračevalnih cevi.
- Raven delovanja turbine med kuhanjem vedno nastavite na najnižjo prestavo, saj boste s tem omogočili odstranjevanje pare s trenutno intenzivnostjo kuhanja.

6.7 Podatkovni list izdelka

Podatkovni list izdelka se nahaja v napi.

7 Odpravljanje težav

Simptomi	Vzrok	Način popravila
Med delovanjem nape začne utripati črka »F«.	Po 35 urah delovanja je treba nabo očistiti ali zamenjati filter za maščobo.	Na upravljalni plošči na dotik pritisnite »-« in držite 8 sekund. Filter operite v pomivalnem stroju ali ga zamenjajte.
Zaslon prikaže le simbol »-« (minus in pika v spodnjem desnem kotu), napa se ne odziva na izklop.	Plošča na dotik je zaklenjena - ta funkcija olajša čiščenje nape.	Za izklop zaklepa pritisnite polje s simbolom za vklop in ga držite 10 sekund.
Na zaslonu ne sveti noben simbol, napa se ne odziva na pritisk upravljalnih polj.	Upravljanje na dotik je najverjetneje začasno prekinjeno.	Izklopite nabo iz električnega napajanja za približno 15 sekund in jo nato ponovno vklopite.
Na zaslonu sveti simbol ene od prestav; napa se ne odziva na pritisk upravljalnih polj.	Upravljanje na dotik je najverjetneje začasno prekinjeno.	Izklopite nabo iz električnega napajanja za približno 15 sekund in jo nato ponovno vklopite.
Turbina nape se izklopi po 15 minutah delovanja, zaslon prikaže utripajočo številko, tj. »1« (številka trenutne prestave in pika v spodnjem desnem kotu).	Vklopljeno je samodejno časovno stikalo upravljanja na dotik.	Za izklop časovnega stikala pritisnite simbol »+« in ga držite 10 sekund ali pa izklopite nabo.
V četrti prestavi na zaslonu utripa številka »4«, po 5 minutah se prestava spremeni v tretjo prestavo.	Napa je opremljena s turbo načinom, ki samodejno preklopi v tretjo prestavo po 5 minutah delovanja in s tem prihrani energijo.	Turbo prestavo uporabljajte le pri intenzivnem kuhanju.
Nabo lahko upravljate le s pomočjo upravljalne plošče, saj se ne odziva na daljinski upravljalnik.	Baterija daljinskega upravljalnika je izpraznjena ali pa ste na preveliki razdalji.	Zamenjajte baterijo.
Napa zelo slabo sesa paro.	Najverjetnejši vzrok so umazani filtri.	Filter za maščobo operite v pomivalnem stroju ali ga zamenjajte. Treba je zamenjati ogljikov filter (če je nameščen).
Ne deluje ena ali več svetlobnih točk.	Halogenska/LED žarnica je v okvari.	Žarnico je treba zamenjati z novo združljivo žarnico s simbolom, ki je naveden v navodilih za uporabo nape.
Napa oddaja glasne zvoke in močno vibrira.	Vzrok je lahko neustrezna namestitvev nape na steno ali kuhinjske omarice. Niste uporabili vseh priloženih vijakov ali pa so vijaki slabo priviti.	Nabo je treba namestiti na steno ali omarico s pomočjo vseh točk, ki jih je določil proizvajalec. Ko ste položaj nape vodoravno in navpično prilagodili, zategnite vse montažne vijake.
*Velja za nape z upravljanjem na dotik.		
Če zgoraj navedena priporočila ne odpravijo težave, se obrnite na pooblaščen servis gospodinjstkih aparatov. Pod nobenimi pogoji uporabnik ne sme samostojno popravljati nape. Seznam servisnih mest je vključen v garancijski list, najdete ga pa tudi na spletni strani.		

Najskôr si prečítajte túto používateľskú príručku!

Vážený zákazník,

Ďakujeme vám, že ste si vybrali produkt značky Beko. Dúfame, že dosiahnete najlepšie výsledky so svojim produktom, ktorý sa vyrobil s vysokou kvalitou a najmodernejšou technológiou. Z tohto dôvodu si pred použitím produktu pozorne prečítajte celú túto používateľskú príručku a všetky ostatné sprievodné dokumenty a uschovajte ich pre referenciu do budúcnosti. Ak produkt dáte niekomu inému, dajte mu tiež používateľskú príručku. Dodržujte všetky varovania a informácie v používateľskej príručke.

Nezabúdajte, že táto používateľská príručka sa vzťahuje aj na niekoľko ďalších modelov. Príručka bude poukazovať na rozdiely medzi modelmi.

Význam symbolov

V rôznych častiach tohto návodu na použitie sú použité nasledujúce symboly:



Dôležité informácie o užitočných tipoch na použitie.



VAROVANIE: Upozornenie na nebezpečné situácie týkajúce sa ohrozenia života a majetku.



Varovanie pred zásahom elektrickým prúdom.



Upozornenie na horúce povrchy.



Lampa



Tento produkt bol vyrobený v ekologicky šetrných a moderných zariadeniach bez poškodenia prírody.

Dôležité bezpečnostné pokyny a pokyny týkajúce sa životného prostredia

Táto časť obsahuje bezpečnostné pokyny, ktoré vám pomôžu vás ochrániť pred rizikom fyzického zranenia alebo škody na majetku. Nedodržanie týchto pokynov zruší platnosť záruky.

1. 1 Všeobecná bezpečnosť

- Inštalačné a opravárske úkony vždy zverujte do rúk autorizovaného servisného technika. Výrobca nenesie zodpovednosť za škody, ktoré môžu spôsobiť ním neautorizované osoby.
- Tento spotrebič nie je určený na použitie osobami (vrátane detí) so zníženými fyzickými, vnemovými a duševnými schopnosťami, prípadne nedostatkom skúseností alebo znalostí. Na deti je potrebné dohliadať, aby sa nehrali so spotrebičom.

1.1.1 Elektrická bezpečnosť

- Počas inštalácie, údržby, čistenia a opravy vždy odpojte výrobok od siete.

- Ak je napájací kábel chybný, musí byť vymenený kvalifikovanou osobou certifikovanou výrobcom, popredajnom servisom a pod. (najlepšie elektrikárom) alebo osobou určenou dovozcom.
- Prevádzkové napätie je 220 až 240 V.
- Ak dôjde k poruche spotrebiča, nesmie sa prevádzkovať, kým sa nepodrobí oprave autorizovaným servisným technikom. Hrozí riziko zásahu elektrickým prúdom!
- Napájacie káble neved'te v blízkosti varných platní. V opačnom prípade môže dôjsť k požiaru, pretože napájací kábel sa ľahko roztaví.
- Digestor nikdy nezapájajte, kým inštalácia nie je dokončená.
- Ak sa má dosiahnuť optimálny výkon, externý vodič nesmie byť dlhší ako 4 m. Nesmie obsahovať viac ako 2 kolmé (90°) zahnutia a jeho priemer musí byť min. $\varnothing 120$ mm.
- Spotrebič odpojte od napájania pred akoukoľvek prácou na vnútorných súčiastkach spotrebiča.
- Spotrebič zapájajte iba do uzemnenej zásuvky.

1.1.2 Produktová bezpečnosť

- Na pripojenie digestora k vetraciemu kanálu použite potrubie s priemerom 120 mm alebo 150 mm.
- Výrobok nepripájajte k vetracím kanálom, ku ktorým sú pripojené sporáky, vývodným šachtám ani vetracím kanálom so vzostupným plameňom. Dodržiavajte pravidlá, ktoré ustanovili miestne orgány pre výtlak odvádzaného vzduchu.
- Vzdialenosť medzi spodnou plochou digestora a hornou plochou sporáku / rúry by nemala byť menšia ako 65 cm v prípade plynových a elektrických horákov.
- Digestor neprevádzkujte bez hliníkových filtrov a filtre nevyberajte počas prevádzky.
- Nikdy sa nedotýkajte svetiel digestora po dlhodobom použití. Horúce žiarivky vám môžu popáliť ruku.
- Dávajte pozor, aby pod produktom nevznikal silný plameň. V opačnom prípade sa čiastočky v olejovom filtri môžu vznietiť a spôsobiť požiar.
- Varné platne zapínajte až po tom, ako na ne položíte hrnce alebo panvice. V opačnom prípade môže stúpajúce teplo poškodiť určitým častiam produktu.
- Pred odstránením hrncov alebo panvíc vypnite varné platne.
- Pod digestor neumiestňujte horľavé materiály.
- Počas smaženia jedla sa olej môže vznietiť. Preto si dávajte pozor na odevy a záclony.
- Počas smaženia jedla nikdy neopúšťajte sporák bez dozoru; v opačnom prípade vriaci olej môže spôsobiť požiar.
- Ak sa digestor nečistí v špecifikovaných intervaloch, hrozí riziko požiaru.
- Pri čistení digestora si dávajte veľký pozor a na ruky si nasadzte rukavice.
- Odporúčame vám spotrebič ponechať v činnosti pár minút pred zahájením varenia, aby sa zvýšil sací výkon. Tým sa dosiahne kontinuálny a stabilný sací výkon na zachytávanie stúpajúcich pár.

- Digestor ponechajte v činnosti 15 minút po skončení varenia alebo smaženia, aby ste kuchyňu zbavili zápachu.
 - Keď sa digestor používa, najmä v kombinácii s plynovými varičmi, uistite sa, že priestor sa vetrá čerstvým vzduchom.
 - Dávajte pozor, aby ste spotrebič neprípájali k vetracím kanálom používaným zariadeniami inej ako elektrickej povahy. (Príklad: Vetrací kanál ohrievača).
 - Súčasnú a hladkú prevádzku digestora a ďalšieho zariadenia, ktoré využíva vzduch je možné iba za dosiahnutia nízkeho tlaku 4 Pa (0,04 mbar) a tak sa zabráni opätovnému vstrebaniu plynu. Toho je možné dosiahnuť iba pomocou vzduchu vychádzajúceho z nezakrytých otvorov (dvere, okno, vetracie otvory alebo iné technické prostriedky). Veľkú starostlivosť venujte zabezpečeniu dostatočného prietoku vzduchu. K tomuto účelu nestačí prieduch, ktorý poskytuje prienik / východ vzduchu.
- ### 1.1.3 Bezpečnosť detí
- Baliace materiály sú pre deti nebezpečné. Baliace materiály uschovajte na bezpečnom mieste mimo dosahu detí.
 - Elektrické spotrebiče sú pre deti nebezpečné. Deti držte v bezpečnej vzdialenosti od produktu. Nedovoľte deťom hrať sa so spotrebičom.
 - Tento spotrebič môžu používať deti staršie ako 8 rokov a ľudia s obmedzenými fyzickými, senzorickými alebo duševnými schopnosťami alebo ktoré nemajú dostatočné vedomosti a skúsenosti, pokiaľ na bezpečné použitie produktu dohliada dospelá osoba alebo ak sú poučení o rizikách spojených s použitím produktu. Deti sa nesmú hrať so spotrebičom.
 - **POZOR:** Dostupné časti sa môžu rozohriať pri použití s vriacim zariadením.

Dôležité bezpečnostné pokyny a pokyny týkajúce sa životného prostredia

1.2 Zamýšľané použitie

- Tento spotrebič je určený na použitie v domácnosti. Nie je vhodný na komerčné použitie a nesmie sa používať nad rámec určeného použitia.
- Výrobca nebude niesť zodpovednosť za žiadne škody spôsobené nevhodným používaním alebo manipuláciou.
- Prevádzková životnosť spotrebiča je 10 rokov. Toto je aj obdobie nevyhnutnej dostupnosti náhradných dielov na zabezpečenie funkčnosti produktu.
- **VAROVANIE:** Nevykonanie opravy skrutiek v súlade s pokynmi uvedenými v návode môže viesť k úrazu elektrickým prúdom.

1.3 V súlade so smernicou o odpadoch z elektrických a elektronických zariadení a zneškodňovaní odpadov:

Tento produkt je v súlade so smernicou o odpadoch z elektrických a elektronických zariadení EÚ (2012/19/EÚ). Tento produkt obsahuje symbol triedeného odpadu pre odpadové elektrické a elektronické vybavenie (WEEE).



Tento produkt bol vyrobený z vysoko kvalitných častí a materiálov, ktoré môžu byť znovu použité a sú vhodné na recykláciu. Na konci životnosti odpad z produktu neodstraňujte s bežným odpadom z domácnosti ani s iným odpadom. Recyklujte ho v zbernom mieste určenou na recykláciu elektrického a elektronického vybavenia. Pre zistenie informácií o zberných miestach kontaktujte miestne úrady.

V súlade s Obmedzením používania niektorých nebezpečných látok v elektronických a elektrických zariadeniach

Tento produkt bol zakúpený v súlade so smernicou o odpadoch z elektrických a elektronických zariadení EÚ (2011/65/EÚ). Neobsahuje žiadne nebezpečné alebo zakázané materiály špecifikované smernicou.

1.4 Informácie o balení

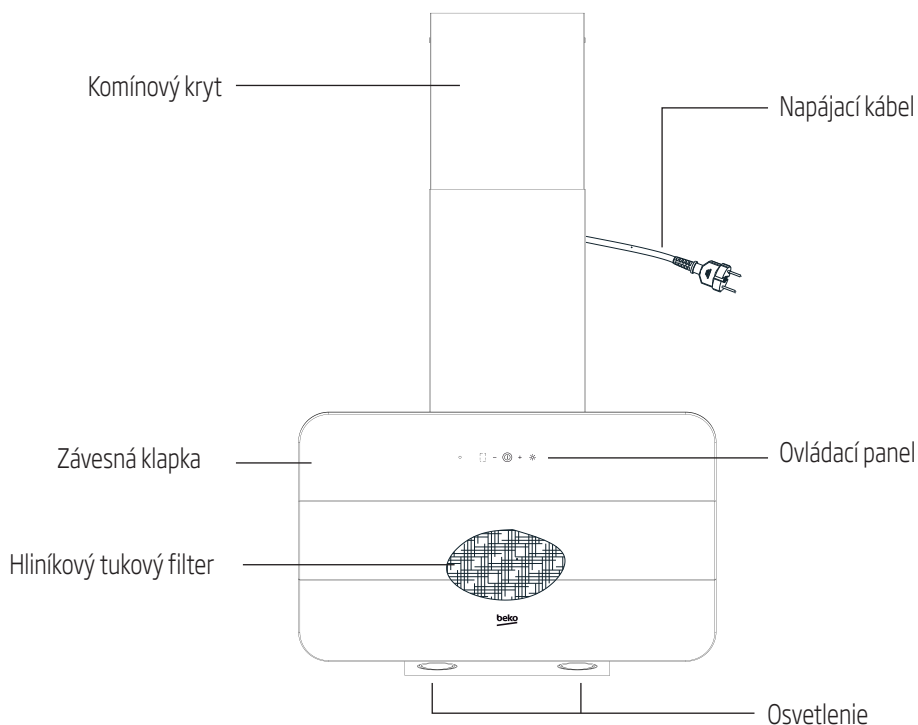


Balenie produktu je vyrobené z recyklovateľných materiálov, v súlade s našou národnou legislatívou. Baliaci materiál nelikvidujte spolu s komunálnym alebo iným odpadom. Zoberťe ho na zberné miesto baliaceho materiálu, ktoré vytvorili miestne úrady.

2 Technické parametre vášho spotrebiča

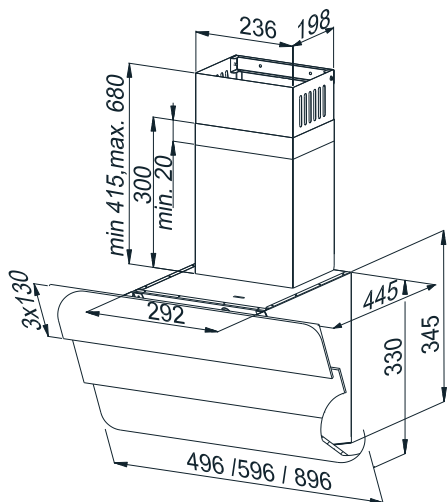
Technické údaje obsiahnuté v tejto príručke a štítky prilepené k digestoru boli získané z meraní a výpočtov v súlade s požiadavkami nariadenia EÚ č. 65/2014 a 66/2014. Tento spotrebič zodpovedá európskym smerniciam 2009/125/EG, 2011/65/EÚ.

Obr. 1 Vysvetľujúci obrázok kuchynského digestora



2 Technické parametre vášho spotrebiča

Obr. 2 Rozmer kreslenia



3 Prevádzka spotrebiča

Digestor je určený na odsávanie výparov pri príprave jedál. Prístroj je možné prevádzkovať v dvoch režimoch:

Ako odsávač: výpary sú odstránené z miestnosti pomocou odvodušňovacieho potrubia. Odvodušňovacie potrubie nie je k dispozícii so zariadením a musí sa zakúpiť samostatne.



Použite čo najkratšie vybijacie potrubie.



Vetracie potrubie musí mať čo najhladšiu vnútornú plochu (neodporúča sa používať rúrky typu spiro).



Použite potrubie s čo najmenším ohybom (uhly ohýbania by nemali byť väčšie ako 90 stupňov).



Neodporúča sa použiť zmeny prierezu potrubia (väčšie na menšie, napr. výstup vzduchu Ø 150 mm na výstup vzduchu Ø 120 mm).

Ako absorbér: pary sa vyčistia masťou a pachmi pred tým, ako sa vrátia do miestnosti cez mriežku na hornom kryte komína. Ak má digestor pracovať ako absorbér, je potrebné nainštalovať filter s aktívnym uhlím (obr.10). Uhlíkový filter nie je štandardným vybavením; musí sa zakúpiť od dodávateľa.

4 Inštalácia spotrebiča



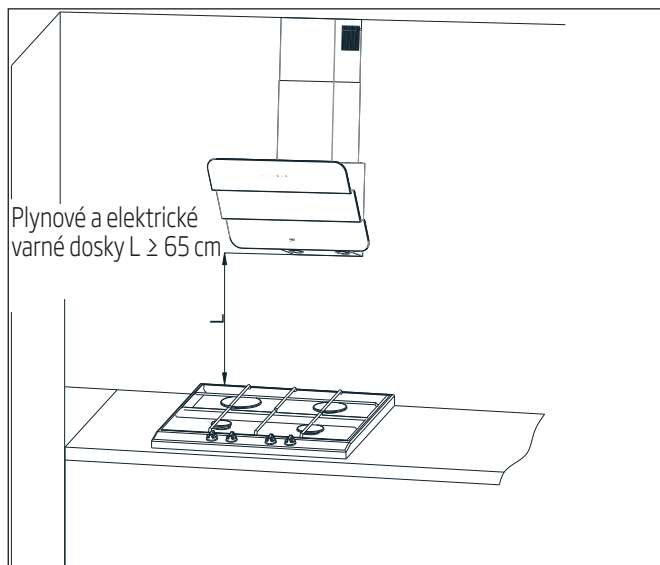
Použitie skrutiek alebo spojovacích prostriedkov, ktoré nie sú v súlade s návodom, môže spôsobiť zásah elektrickým prúdom.

Minimálna vzdialenosť zavesenia digestora medzi povrchom, na ktorom sú umývačky riadu umiestnené na vykurovacom zariadení (plynový alebo elektrický sporák), a najnižšia časť kuchynského digestora (obrázok 3) nesmie byť menšia ako 65 cm.

Ak návod na obsluhu vykurovacieho zariadenia obsahuje požiadavku na väčšiu inštalačnú vzdialenosť kuchynského krytu, ako je uvedené vyššie, postupujte podľa týchto pokynov. Inštalácia digestora komína a komína digestora je zobrazená na obrázkoch (obr. 4 - obr. 9)

Digestor je vybavený montážnymi kotvami vhodnými pre väčšinu stien a stropov. Pri montáži musia byť dodržané všeobecné ustanovenia o vypúšťaní vzduchu z miestnosti.

Obr. 3 Odporúčaná vzdialenosť od kuchynského sporáka



4 Inštalácia spotrebiča

Pred inštaláciou je potrebné vykonať nasledujúce kroky:

- Skontrolujte, či sú rozmery zakúpeného produktu prispôsobené zvolenému cieľovému bodu.
- Odpojte a odstráňte (ak je to možné) nábytok umiestnený v oblasti inštalácie digestora, aby ste mali ľahký prístup k stropu alebo stene, ku ktorým má byť digestor odsadený. Ak to nie je možné, prvky umiestnené v blízkosti pracovného priestoru musia byť zabezpečené.
- Overte, či je zásuvka v blízkosti miesta inštalácie odsávača a či je možné pripojiť odsávač vzduchu k odvodušňovaciemu potrubiu, ktoré vypúšťa výpary von.
- Skontrolujte, či vrtacie miesta nezahŕňajú inštaláčne vodiče (elektrické, hydraulické atď.).
- Mali by byť vybavené nasledujúcimi nástrojmi: meracia páska, ceruzka, vrták/vodič, vrtáčka Ø8, skrutkovač, hladina bublín.

4.1 Inštaláčne práce

1. Zistíte os kúrenia a preneste ju na stenu, na ktorej bude nasadený odsávač. Označte všetky špecifické montážne body digestora. Použite vrtáčku a navrtajte otvory (obr. 4).
2. Vložte predĺžené skrutky do otvorov. Do dvoch otvoroch s označením A vložte skrutky (na vonkajšej strane zostáva 7 mm dĺžka skrutky ako na obrázku 5).
3. Otvorte veko digestora a odstráňte mazací filter (obr. 6).
4. Zaskrutkujte kryt komína, zaveste digestor na dve voľne nasadené skrutky (obr. 7).
5. Umiestnite bublinu na telo digestora v kuchyni. Otáčaním prvkov označených ako A nastavte odsávač horizontálne podľa indikácie úrovne bubliny a potom utiahnite dve voľne nasadené skrutky a dve zostávajúce skrutky (obr. 8).

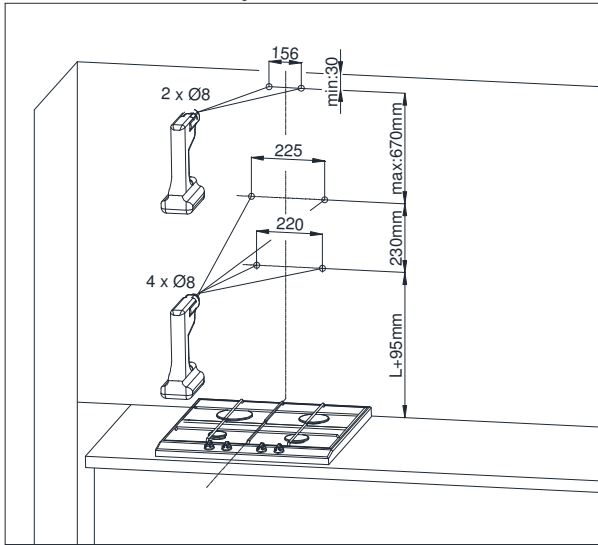
6. Dajte komínový kryt na telo. Potom opatrne vytiahnite časť krytu, ktorá je označená ako B nahor, až kým nebudete schopný skrutku pripevniť na kĺb, ktorý bol predtým pripevnený k stene (obr. 9).



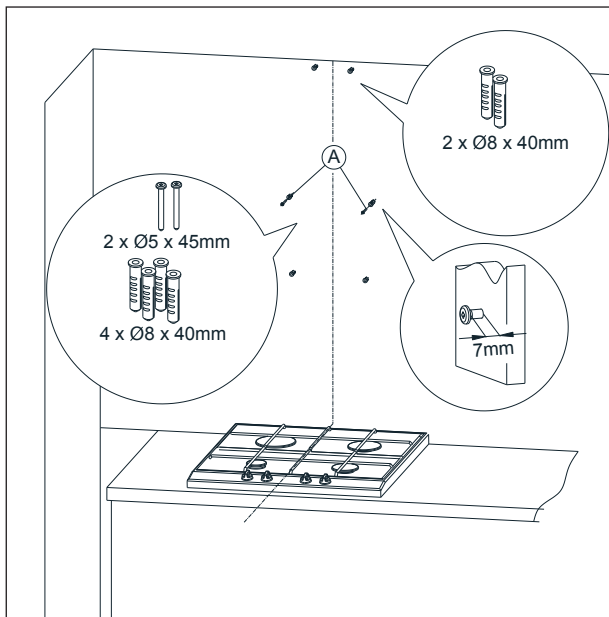
Inštalácia musí byť vykonaná veľmi opatrne, aby nedošlo k poškriabaniu krytu komína a digestora.

4 Inštalácia spotrebiča

Obr. 4 Inštalčné rozmery

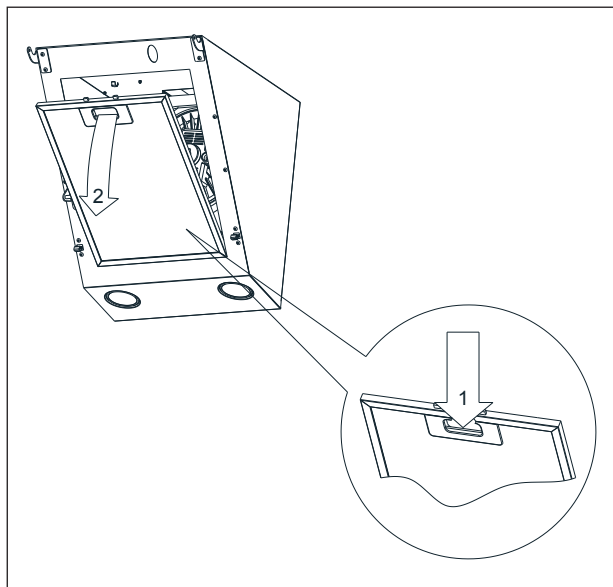


Obr. 5 Montáž predžovacích skrutiek

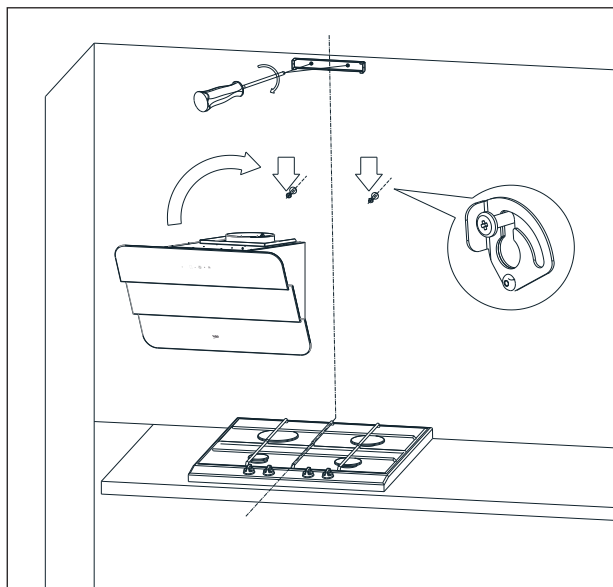


4 Inštalácia spotrebiča

Obr. 6 Odstránenie hliníkového tukového filtra

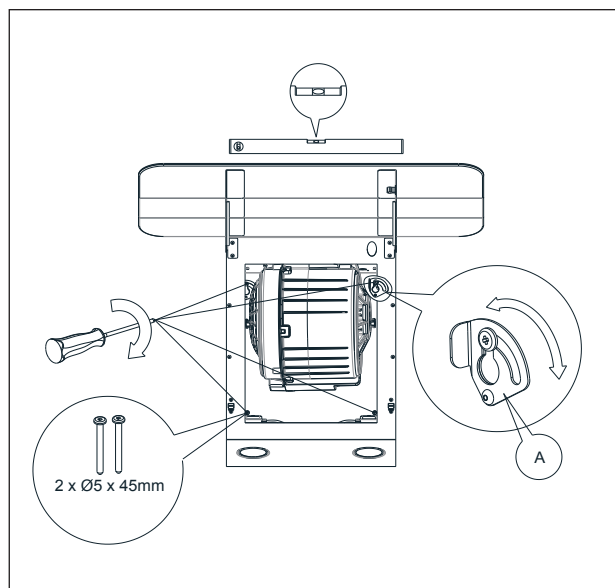


Obr. 7 Odstránenie digestora

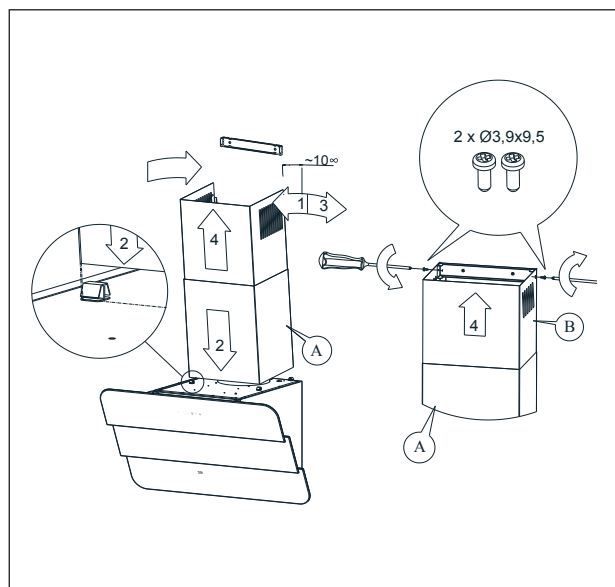


4 Inštalácia spotrebiča

Obr. 8 Umiestnenie digestora



Obr. 9 Montáž krytu digestora



4. 2 Elektrické pripojenie

Sieťové napájanie musí byť v súlade s tým, ktoré je uvedené na menovitom štítku upevnenom vo vnútri digestora. Ak je digestor vybavený zástrčkou, mal by byť umiestnený v zásuvke, ktorá spĺňa požiadavky záväzných predpisov a nachádza sa na ľahko prístupnom mieste. Ak odsávač nie je vybavený zástrčkou, inštalácia odsávača by mala byť zverená niekomu s príslušnými oprávneniami (napríklad elektrikárom).

5 Čistenie a údržba

Pred vykonaním akýchkoľvek úkonov údržby spotrebiča odpojte zástrčku zo sieťovej zásuvky. Digestor by mal byť čistený s miernymi čistiacimi prostriedkami, nepoužívajte abrazívne čistiace prípravky. Pravidelná údržba výrazne zlepšuje výkon a trvácnosť digestora. Digestor by sa mal čistiť najmenej raz mesačne alebo každých 35 hodín prevádzky digestora. Na čistenie digestora **NEPOUŽÍVAJTE PROSTRIEDKY NA BÁZE ALKOHOLU**. Výrobky zo saténu (inox) by sa mali na tento účel čistiť špeciálnymi prípravkami.



Nedodržanie ustanovení týkajúcich sa čistenia zariadenia a výmeny filtrov môže spôsobiť riziko požiaru. Preto sa odporúča dodržiavať tu uvedené pokyny. Výrobca nebude niesť zodpovednosť za žiadne škody motora alebo požiare spôsobené nevhodným používaním alebo manipuláciou.

5.1 Filter mastnoty

Digestor je vybavený hliníkovým filtrom, ktorý zachytáva tukové častice z varenia. Filter je možné odstrániť posunutím zámkov v smere šípok (obr. 7). Filter by sa mal umývať ručne ponorením do umývačky riadu na 15 minút s teplotou vody 40-50°C. Po 15 minútach môžete pokračovať s umývaním a opláchnutím. Pred umiestnením do digestora musí byť filter suchý. Filter je možné umývať aj v umývačke riadu. V priebehu procesu prania môže byť filter odfarbený, avšak to nemá vplyv na jeho filtračné vlastnosti. Ak filter nie je pravidelne čistený, znižuje výkonnosť digestora a môže spôsobiť riziko požiaru.

Filter by sa mal čistiť najmenej každých 35 hodín prevádzky digestora.

5.2 Uhlíkový filter

Digestor môže byť vybavený aktívnym uhlíkovým filtrom. Uhlíkový filter sa aplikuje iba v prípade, že digestor nie je pripojený na odvzdušňovacie potrubie.

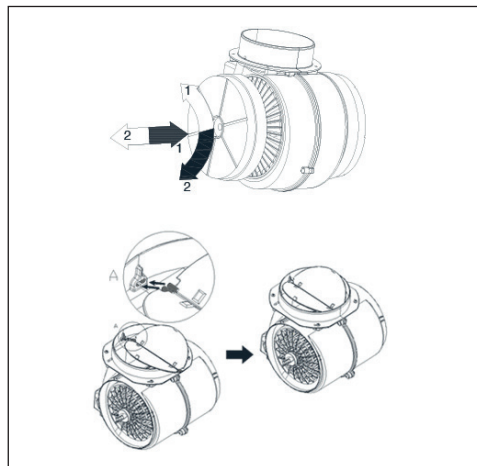
5 Čistenie a údržba

Filter by mal byť umiestnený na plášti turbíny, ako je znázornené na obrázku (obr. 10). Filter s aktívnym uhlím by sa mal vymeniť každých 6 mesiacov.



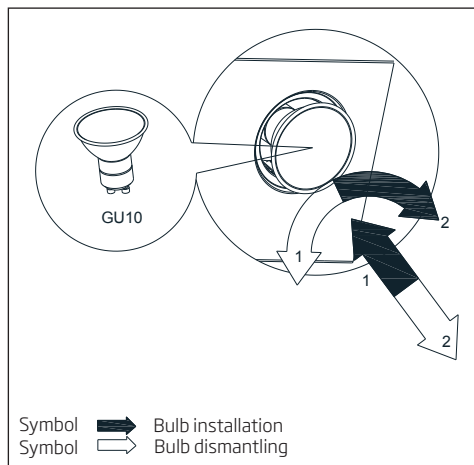
Uhlíkový filter sa nesmie umývať ani regenerovať.

Obr. 10 Výmena karbónového filtra



Dávajte pozor, aby ste sa priamo rukami nedotkli vymenenej žiarovky.

Obr. 11 Výmena osvetlenia



5.3 Výmena osvetlenia

Pred akoukoľvek prácou týkajúcou sa výmeny osvetlenia sa uistite, že je napájací zdroj odpojený. Ak bol digestor predtým povolený, mali by ste počkať, kým sa žiarovky neochladia, potom môžete pokračovať s výmenou. Proces výmeny žiaroviek je znázornený na obr. 11.



Pred výmenou žiaroviek odpojte napájací zdroj digestora.

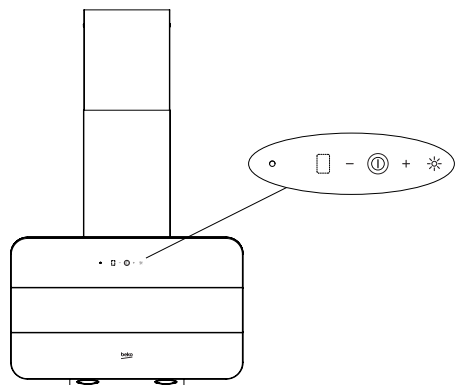


Nedotýkajte sa žiaroviek, keď sú horúce.

6 Ovládanie prevádzky digestora

Digestor je vybavený dotykovým ovládaním umiestneným na hornom sklennom paneli (obr. 12).

Obr. 12 Umiestnenie dotykového panelu



Označenie dotykových polí:

Ⓞ Zapnutie/ vypnutie digestora

☀ Zapnutie/ vypnutie osvetlenia digestora

— Zníženie rýchlosti turbíny

⊕ Zvýšenie rýchlosti turbíny

[] Digitálny displej

6.1 Ovládanie prevádzky turbíny

V pohotovostnom režime nie je ovládací panel osvetlený a polia **⊕**, **—** a **☀** sú vypnuté. Ak chcete aktivovať ovládací panel, dotknite sa polia **Ⓞ** alebo použite diaľkový ovládač (ak je priložený). Po aktivácii sa zvýrazní ovládací panel a objavia sa symboly dotykového polia; dotknutím sa polia **Ⓞ** sa spustí turbínu na nedávno použitom zariadení, ak sa dotknete polia **⊕** spustí sa turbínu na najvyššom prevodovom stupni a ak stlačíte pole **—** spustí sa turbína na najnižšom prevodovom stupni.

Rýchlosť turbíny môže byť zvýšená dotykom polia **⊕**, znížená - dotykom symbolu **—**. Vypnutie turbíny digestora sa uskutoční dotykom polia **Ⓞ** alebo po dotyku polia **—**, keď je turbína na prvom prevodovom stupni. Spolu so zmenou rýchlosti turbíny sa číslice na displeji menia zodpovedajúcim spôsobom:

1 - turbína pracujúca na prvom prevodovom stupni,
2 - turbína pracujúca na druhom prevodovom stupni, 3 - turbína pracujúca na treťom prevodovom stupni, 4 - turbína prevádzkovaná na intenzívnom prevodovom stupni (turbo).

V súlade s nariadením EÚ č. 66/2014 je digestor vybavený automatickým päťminutovým počítadlom, ktoré po 5 minútach automaticky zmení úroveň turbíny zo štvrtého stupňa na tretí (neplatí pre model s číslom turbíny "5").

6.2 Regulácia osvetlenia

Osvetlenie digestora zapnete stlačením symbolu **☀**; ďalšie stlačenie symbolu svetko vypne.

6.3 Ďalšie informácie o ovládaní digestora

Ovládanie digestora je vybavené počítadlom prevádzky digestora. Počítadlo je nastavené na 35 hodín. Po uplynutí tohto času sa na displeji objaví symbol **F**, ktorý indikuje **odporúčané čistenie hliníkového filtra**. Ak chcete na displeji digestora vymazať symbol "F", musíte sa dotknúť symbolu **—** a držať ho nepretržite približne po dobu 8 sekúnd.

Ovládač digestora je vybavený zámkom dotykového panelu, ktorý deaktivuje dotykový panel, napríklad pri čistení digestora. Ak chcete zapnúť uzamknutie, dotknite sa a podržte symbol **Ⓞ** (asi na 10 sekúnd), kým sa na displeji neobjaví symbol **Ⓞ** (bodka v pravom dolnom rohu). Ak sa chcete vrátiť k bežnej prevádzke, znova stlačte a podržte symbol **Ⓞ** (asi na 10 sekúnd), kým bodka na displeji nezmizne.

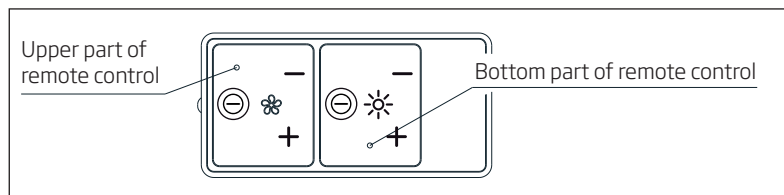
6 Ovládanie prevádzky digestora

Ovládanie digestora je vybavené časovým spínačom, ktorý deaktivuje turbínu digestora po 15 minútach od zapnutia počítadla. Časový spínač turbíny nezumožňuje osvetlenie a rýchlosť turbíny sa môže voľne meniť. Ak chcete aktivovať časový spínač, turbína digestora musí pracovať na akejkoľvek rýchlosti na 1, 2, 3 alebo intenzívnom zariadení. Časovač sa aktivuje podržaním symbolu **+** (asi na 10 sekúnd), kým začne blikať bodka v pravom dolnom rohu. Ak chcete túto funkciu vypnúť, držte symbol opäť (asi na 10 sekúnd), alebo vypnite digestor.

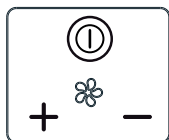
Ovládanie digestora je vybavené funkciou na automatické vypnutie prevádzky turbíny po 2 hodinách nečinnosti ovládania digestora.

Digestor má diaľkové ovládanie (iba vybrané modely) (obr. 13)

Obr. 13 Diaľkové ovládanie



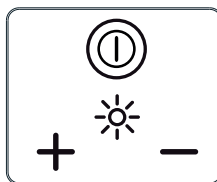
6. 4 Regulácia diaľkového ovládania



Operácia turbíny je riadená hornou časťou diaľkového ovládača, ktorá je označená ako ☀. Povolenie/deaktivácia turbíny sa vykonáva stlačením tlačidla

so symbolom Ⓢ, ale aj **+** a **-**. Rýchlosť zvýšite stlačením tlačidla **+** a znížite stlačením tlačidla **-**.

6. 5 Regulácia osvetlenia pomocou diaľkového ovládania



Osvetlenie sa ovláda so spodnou časťou diaľkového ovládača označenou ako ☀. Zapnutie/vypnutie svetla sa vykoná stlačením tlačidla so

symbolom Ⓢ. Tlačidlá **+** a **-** sú vypnuté.

6. 6 Metódy znižovania vplyvu procesu varenia na životné prostredie

- Ak chcete znížiť spotrebu energie, pri varení používajte pokrievky na riad.
- Hliníkové filtre sa musia udržiavať v čistote (odporúčaná dĺžka prevádzky hliníkového filtra medzi čisteniami je max. 35 hodín prevádzky digestora).
- Dbajte na priepustnosť ventilačných rúrok.
- Pracovná úroveň turbíny pri varení musí byť vždy nastavená na minimálny prevodový stupeň, ktorý umožní odstránenie výparov pri bežnej intenzite varenia.

6. 7 Produktový list

Produktový list sa nachádza vo vnútri digestora.

7 Riešenie problémov

Príznamy	Príčina	Spôsob opravy
Počas prevádzky digestora sa zobrazí pulzujúce písmeno "F".	Po 35 hodinách prevádzky digestor indikuje potrebu čistenia alebo výmeny filtra tuku.	Stlačte a podržte približne 8 sekúnd "-" na dotykovom ovládači. Filter by sa mal umývať v umývačke riadu alebo nahradiť novým.
Na displeji sa zobrazí iba symbol "-." (mínus a bodka v pravom dolnom rohu), kryt nereaguje na vypnutie.	Dotykový ovládač bol uzamknutý - táto funkcia uľahčuje čistenie digestora.	Ak chcete zámok zablokovať, stlačte a podržte na približne 10 sekúnd pole so symbolom zapnutia.
Na displeji sa nezobrazuje žiadny symbol, digestor nereaguje na stlačenie ovládacích polí.	Dotykový ovládač je pravdepodobne pozastavený.	Odpojte digestor od napájacieho zdroja približne na 15 sekúnd a znovu ho zapnite.
Na displeji sa zobrazí symbol jedného z prevodových stupňov; digestor nereaguje na stlačenie ovládacích polí.	Dotykový ovládač je pravdepodobne pozastavený	Odpojte digestor od napájacieho zdroja približne na 15 sekúnd a znovu ho zapnite.
Po uplynutí 15 minút prevádzky sa odpojí turbína digestora, na displeji sa zobrazí pulzujúca číslica, t.j. "1." (aktuálne číslo prevodovky a bodka v pravom dolnom rohu).	Automatický časový spínač dotykového ovládania bol aktivovaný.	Ak chcete deaktivovať časový spínač, stlačte a podržte na približne 10 sekúnd symbol "+" alebo odpojte digestor.
Pri štvrtom prevodovom stupni na displeji pulzuje číslica "4"; po 5 minútach sa prevodovka zmení na trojku.	Digestor je vybavený turbo módom, ktorý po 5 minútach prevádzky automaticky prepne na tretí prevodový stupeň, čím šetrí energiu.	Turbodúchadlo sa používa iba pri intenzívnom varení.
Digestor môže byť ovládaný iba pomocou ovládacieho panela, nereaguje na diaľkový ovládač.	Batéria diaľkového ovládača je prázdna alebo je vzdialenosť príliš dlhá.	Vymeňte batériu za novú.
Digestor má veľmi zlé odsávanie pary.	To pravdepodobne spôsobujú špinavé filtre.	Filtračný tuk musí byť umývaný v umývačke riadu alebo vymenený za nový. Uhlíkový filter (ak je k dispozícii) musí byť nahradený novým.
Jeden alebo viac svetelných bodov nefunguje.	Vadná halogénová / LED žiarovka.	Žiarovka sa musí nahradiť novou, kompatibilnou so symbolom uvedeným v návode na použitie digestora.
Digestor spôsobuje nadmerný hluk a vibrácie.	Môže to byť spôsobené nesprávnou inštaláciou digestora do nástennej alebo kuchynskej skrine. Neboli použité všetky sprevádzajúce skrutky alebo boli skrutky voľne namontované.	Digestor musí byť namontovaný na stenu alebo skrinku pomocou všetkých bodov, ktoré poskytuje výrobca. Po nastavení horizontálnej a vertikálnej polohy digestora upevnite všetky montážne skrutky.
* aplikujte u digestorov s dotykovým ovládaním.		
Ak vyššie uvedené odporúčania nevyriešia problém, obráťte sa na autorizovanú službu pre domáce spotrebiče oprávnenú na opravu. Za žiadnych okolností nie je užívateľ digestora oprávnený na nezávislú opravu. Zoznam servisných miest je súčasťou záručnej karty a webovej stránky.		

Перед використанням ознайомтеся з посібником!

Шановні покупці,

дякуємо за вибір продукції Beko! Ми сподіваємося, що Ви отримаєте найкращі результати від використання продукту, який вироблено за допомогою високоякісних матеріалів і найсучасніших технологій. Саме тому просимо Вас уважно та повністю прочитати цей посібник користувача та всю іншу супроводжувальну документацію перед використанням продукту і зберігати посібник для використання у майбутньому. Передавати продукт іншій особі необхідно разом із посібником користувача. Дотримуйтесь всіх попереджень і візьміть до уваги інформацію, надану в посібнику користувача.

Пам'ятайте, цей посібник користувача може також використовуватися для інших моделей. Відмінності між моделями чітко описані в посібнику.

Значення символів

Наступні символи використовуються у різних розділах даного посібника.



Важлива інформація або корисні рекомендації щодо використання.



УВАГА! Попередження щодо небезпечних ситуацій стосовно безпеки життя та майна.



Попередження про ураження електричним струмом.



Попередження щодо гарячої поверхні.



Лампа



Товар виготовлено на екологічно нешкідливому сучасному обладнанні, без нанесення шкоди навколишньому середовищу.

Цей прилад відповідає вимогам Директиви щодо утилізації відходів електричного та електронного обладнання (WEEE).



Не містить ПХБ.

Цей розділ містить інструкції з техніки безпеки, які допоможуть уникнути травмування і пошкодження майна. Недотримання даних інструкції анулює надану гарантію.

1.1. Загальні правила техніки безпеки

- Усі роботи з установки та ремонту пристрою мають виконуватися представником авторизованого сервісного центру. Фірма-виробник не нестиме відповідальності за будь-яку шкоду, яка виникла внаслідок виконання таких робіт не уповноваженими на це особами.
 - Цей прилад не призначений для використання особами (у тому числі дітьми) з обмеженими фізичними, сенсорними або розумовими можливостями, або особами, які не мають відповідного досвіду чи знань з використання приладу. Не дозволяйте дітям гратися з приладом.
- ### 1.1.1. Електрична безпека
- Під час виконання робіт з установки, технічного обслуговування та очищення пристрій необхідно від'єднати від мережі електроживлення.
 - Якщо шнур електроживлення пошкоджено, виробник повинен замінити його, заміна має виконуватися спеціалістом післяпродажного обслуговування або спеціалістом з аналогічною кваліфікацією (бажано електриком) чи особою, призначеною імпортером.
 - Робоча напруга – від 220 до 240 В.
 - У випадку несправності експлуатувати прилад забороняється. Несправність має бути усунена представником авторизованого сервісного центру. Існує ризик ураження електричним струмом!
 - Не прокладайте кабель електроживлення поблизу варильних поверхонь. Інакше кабель електроживлення може спалахнути, оскільки він швидко плавиться.

Важливі інструкції щодо техніки безпеки та охорони навколишнього середовища

- Ніколи не підключайте витяжку до мережі електроживлення, якщо її установку не завершено.
- Щоб отримати високу продуктивність функціонування витяжки, довжина зовнішнього провідника не повинна перевищувати 4 м. Він не повинен згинатися під кутом 90° більше, ніж два рази, а його діаметр має становити щонайменше $\varnothing 120$ мм.
- Від'єднайте витяжку від мережі електроживлення перед виконанням будь-який робіт на внутрішніх частинах приладу.
- Включайте прилад тільки в розетку із заземлюючим контактом.
- Не під'єднуйте витяжку до повітропроводів, що підключені до печей, витяжних шахт або таких, в які потрапляє полум'я. Дотримуйтесь норм та правил, встановлених органами з контролю відведення відпрацьованих газів.
- Відстань між нижньою поверхнею витяжки і верхньою поверхнею плити/духовки має бути не меншою ніж 65 см для газових і електричних плит.
- Не використовуйте витяжку без алюмінієвих фільтрів і не знімайте фільтри, коли витяжка працює.
- Не торкайтеся ламп витяжки після їх довготривалої роботи. Ви можете обпекти руки.
- Уникайте великого полум'я під приладом. Інакше частки в масляному фільтрі можуть зайнятися і призвести до виникнення пожежі.

1.1.2. Безпека пристрою

- Для підключення витяжки до повітропроводу можна використовувати трубу діаметром 120 мм або 150 мм.

Важливі інструкції щодо техніки безпеки та охорони навколишнього середовища

- Вмикайте варильну поверхню лише після розміщення на ній каструль або сковорідок. В іншому випадку тепло, яке піднімається, може призвести до деформації деяких частин витяжки.
- Перед зняттям каструль або сковорідок вимкніть варильну поверхню.
- Уникайте розміщення легкозаймистих матеріалів під продуктом.
- Під час смаження їжі може спалахнути олія. Тому будьте обережні з одягом і шторами.
- Не залишайте плиту без нагляду під час смаження їжі, оскільки гаряча олія може призвести до виникнення пожежі.
- Недотримання інструкцій щодо чищення витяжки може призвести до пожежі.
- Будьте вкрай обережними і використовуйте рукавички під час чищення витяжки.
- Ми рекомендуємо увімкнути прилад за декілька хвилин до початку приготування їжі для того, щоб збільшити потужність всмоктування. Це забезпечить постійну і стабільну потужність всмоктування на момент виникнення випарів.
- Не вимикайте витяжку впродовж 15 хвилин після закінчення приготування їжі для того, щоб забезпечити видалення неприємних запахів і випарів від приготування їжі.
- Якщо ви використовуєте витяжку, особливо разом із плитою, переконайтеся, що у приміщення потрапляє свіже повітря.
- Не під'єднуйте прилад до повітропроводу, який використовується неелектричними пристроями. (Наприклад, повітропровід печі).

Важливі інструкції щодо техніки безпеки та охорони навколишнього середовища

- Якщо одночасно з витяжкою використовується інший пристрій, що потребує повітря, низький тиск у приміщенні не має перевищувати 4 Па (0,04 мбар), щоб запобігти всмоктуванню витяжкою відпрацьованих газів іншого пристрою. Це можливо лише за умови надходження повітря з відкритих отворів (двері, вікна, вентиляційні отвори та інші технічні заходи). Зверніть особливу увагу на забезпечення достатнього потоку повітря. Недостатньо лише повітропроводу, який забезпечує надходження і вихід повітря.
- Даним електроприладом можуть користуватися діти у віці від 8 років і люди з обмеженими фізичними, сенсорними або розумовими можливостями, а також люди, що не мають потрібних знань і досвіду, якщо вони знаходяться під наглядом особи, відповідальної за безпечне використання виробу, отримали відповідні інструкції або розуміють супутні ризики. Не дозволяйте дітям гратися з приладом.
- **ОБЕРЕЖНО!** Під час використання пристрою для приготування їжі деталі витяжки можуть нагріватися.

1.1.3. Безпека дітей

- Пакувальні матеріали є небезпечними для дітей. Зберігайте пакувальні матеріали у недоступному для дітей місці.
- Електричні прилади є небезпечними для дітей. Не допускайте контакту дітей із приладом. Не дозволяйте дітям гратися із приладом.

1.2. Використання за призначенням

- Цей прилад призначений для домашнього використання. Його не можна використовувати у комерційних цілях і не за призначенням.
- Виробник не несе відповідальності за будь-які збитки, що виникли внаслідок неправильного використання або поводження із приладом.

Важливі інструкції щодо техніки безпеки та охорони навколишнього середовища

- Термін служби приладу становить 10 років. Цей період часу визначений наявністю запчастин, необхідних для належного функціонування приладу.
- **УВАГА!** Кріплення гвинтів, яке не відповідає наведеним у посібнику інструкціям, може призвести до небезпеки ураження електричним струмом.

1.3 Відповідність вимогам Директиви щодо утилізації відходів електричного та електронного обладнання (WEEE) і утилізація продукту:

Даний пристрій відповідає вимогам Директиви ЄС WEEE (2012/19/EU). Даний пристрій має класифікаційний знак утилізації відходів електричного та електронного обладнання (WEEE).



Цей продукт було виготовлено з використанням високоякісних деталей і матеріалів, які можуть бути використані повторно та придатні для вторинної переробки.

Після закінчення терміну служби пристрою не утилізуйте його разом із побутовими та іншими відходами. Доставте його до пункту прийому електричного та електронного обладнання для подальшої утилізації. Про місцезнаходження найближчого такого пункту прийому можна дізнатися у відповідних місцевих органах влади.

Відповідність вимогам Директиви ЄС щодо обмеження використання небезпечних речовин

Пристрій, який ви придбали, відповідає вимогам Директиви ЄС щодо обмеження використання небезпечних речовин (2011/65/EU). Він не містить шкідливих та заборонених речовин, вказаних у Директиві.

1.4 Інформація щодо пакувальних матеріалів

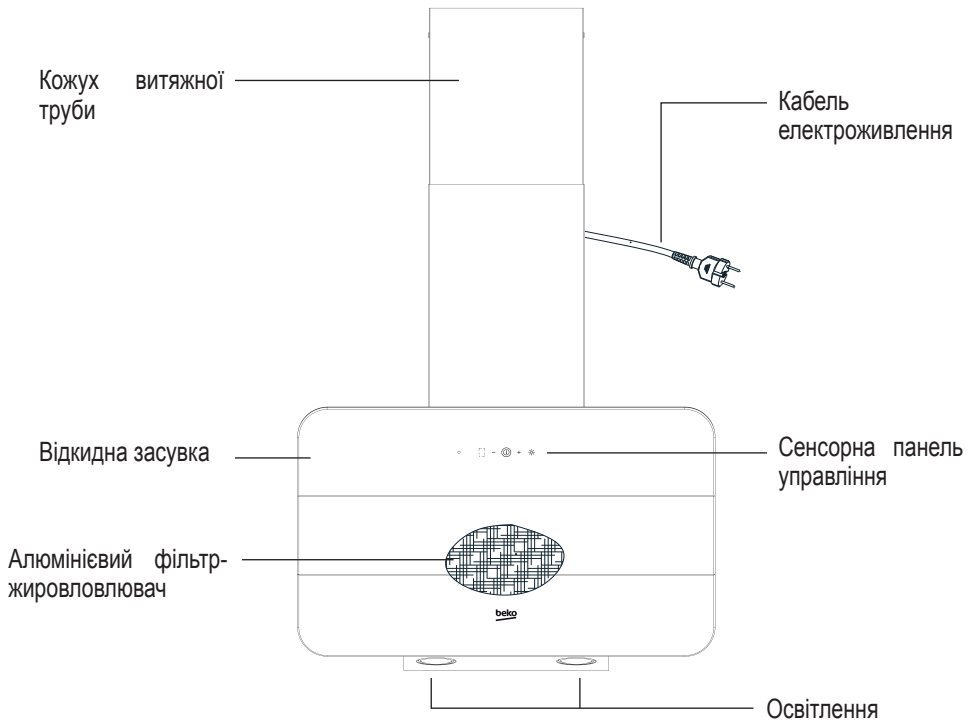


Пакувальні матеріали пристрою виготовлені з вторинної сировини у відповідності до Державних вимог охорони навколишнього середовища. Не утилізуйте пакувальні матеріали разом із побутовими та іншими відходами. Здавайте їх у спеціальні пункти прийому тари, споруджені місцевими комунальними службами.

2 Технічні характеристики приладу

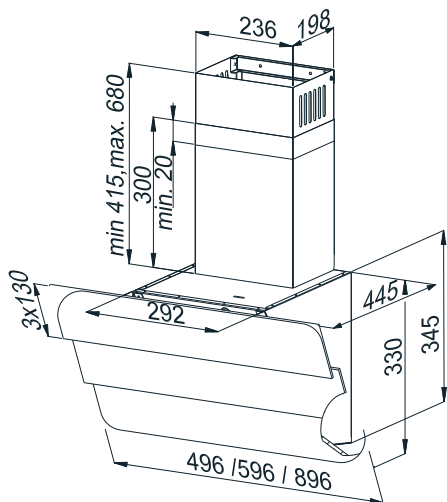
Технічні характеристики, що містяться в цьому посібнику та на маркуванні, прикріпленому на витяжці, були отримані в результаті вимірювань і розрахунків відповідно до вимог Постанови ЄС № 65/2014 і 66/2014. Даний прилад відповідає директивам 2009/125/EC і 2011/65/EU.

Мал. 1 Пояснювальний малюнок кухонної витяжки



2 Технічні характеристики приладу

Мал. 2 Креслення з розмірами



Витяжка призначена для всмоктування випарів під час приготування їжі. Пристрій може працювати в двох режимах:

Проточному: випари виводяться за межі приміщення за допомогою вентиляційної труби. Вентиляційна труба не входить у комплект пристрою і купується окремо.



Використовуйте трубопровід для відводу випарів якнайкоротшої довжини.



Вентиляційна труба повинна мати гладку внутрішню поверхню (не рекомендується використовувати спіральновиті труби типу спіро).



Використовуйте трубу з найменшими згинами (кути згинання не повинні перевищувати 90 градусів).



Не рекомендується застосовувати труби різного діаметру (перехід з більшого діаметру до меншого, наприклад з вивідної труби Ø 150 мм до вивідної труби Ø120 мм).

Поглинаючому: випари очищаються від жиру та запаху і повертаються в приміщення через решітку у верхній частині кожуха витяжної труби. Для роботи витяжки у поглинаючому режимі необхідно встановити вугільний фільтр (мал. 10). Вугільний фільтр не входить у комплект пристрою; його потрібно придбати у постачальника.

4 Установка приладу



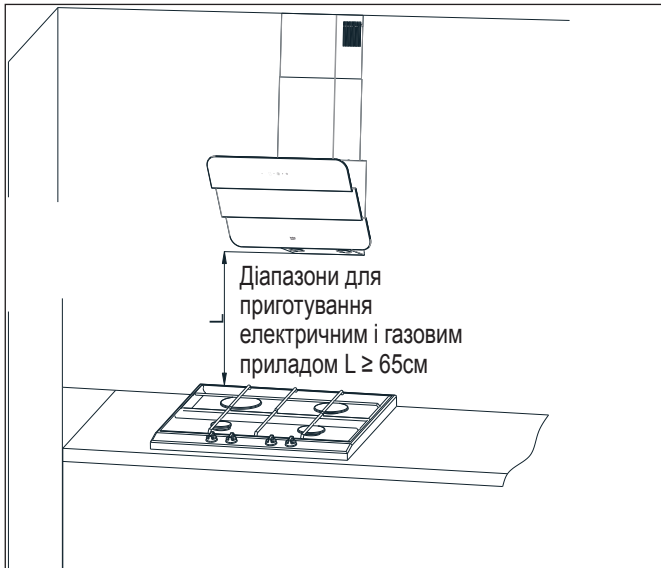
Використання шурупів або кріплень, не передбачених інструкцією, може спричинити ураження електричним струмом.

Мінімальна відстань монтажу витяжки між поверхнею нагрівального пристрою (газової або електричної плити) та нижньою частиною кухонної витяжки (мал. 3) повинна становити не менше 65 см.

Якщо в інструкції з експлуатації нагрівального пристрою міститься вимога щодо більшої відстані монтажу кухонної витяжки, ніж вказано вище, дотримуйтесь цих інструкцій. Встановлення витяжки і витяжної труби показано на кресленнях (мал.4 - мал.9)

До комплекту витяжки входять кріплення, які підходять для більшості стін та стель. Під час установки необхідно дотримуватися загальних положень щодо відведення відпрацьованих газів з приміщень.

Мал. 3 Рекомендована відстань від кухонної плити



4 Установка приладу

Перед встановленням виконайте дії, вказані нижче.

- Переверіте, чи розміри придбаного приладу відповідають вибраному місцю встановлення.
- Від'єднайте та зніміть (якщо це можливо) меблі, розташовані в місці монтажу витяжки, щоб дістатися до стелі або стіни, на якій має бути встановлена витяжка. Якщо це неможливо, закріпіть елементи, розташовані поблизу робочої зони.
- Переверіте, чи є штепсельна розетка поруч із місцем монтажу витяжки та чи є можливість під'єднати витяжку до вентиляційної труби для відведення випарів назовні.
- Переверіте, чи не знаходяться точки свердління над монтажними проводами (електричними, водяними тощо).
- Підготуйте наступні інструменти: вимірювальну стрічку, олівець, дріль-шурупокрут, свердло Ø8, викрутку, бульбашковий рівень.

4.1. Монтажні роботи

1. Визначте осі нагрівального приладу та перемістіть його до стіни, на якій буде встановлена витяжка. Точно позначте всі точки монтажу витяжки. Висвердліть отвори за допомогою дрилі (мал. 4).
2. Вставте дюбелі в отвори. У два отвори, позначені літерою А, вставте гвинти (залиште 7 мм довжини гвинта назовні, як показано на малюнку 5).
3. Відкрийте засувку витяжки та зніміть фільтр-жировловлювач (мал. 6).
4. Прикрутіть тримач кожуха витяжної труби, повісьте витяжку на два гвинти, що виступають (мал.7).

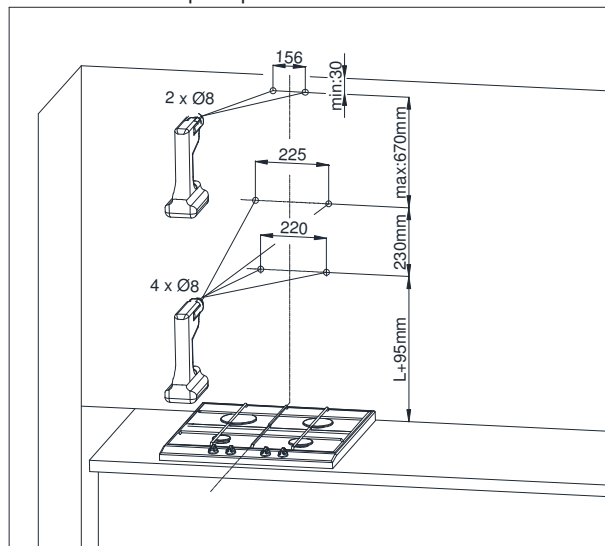
5. Помістіть бульбашковий рівень на корпус кухонної витяжки. Повертаючи елементи, позначені літерою А, встановіть витяжку горизонтально відповідно до показів бульбашкового рівня, а потім затягніть два гвинти, які виступають, та два гвинти, що залишились (мал. 8).
6. Установіть кожух витяжної труби на корпус. Потім обережно підніміть частину витяжки, позначену літерою В, вгору, щоб прикрутити її до тримача, попередньо прикріпленого до стіни (мал. 9).



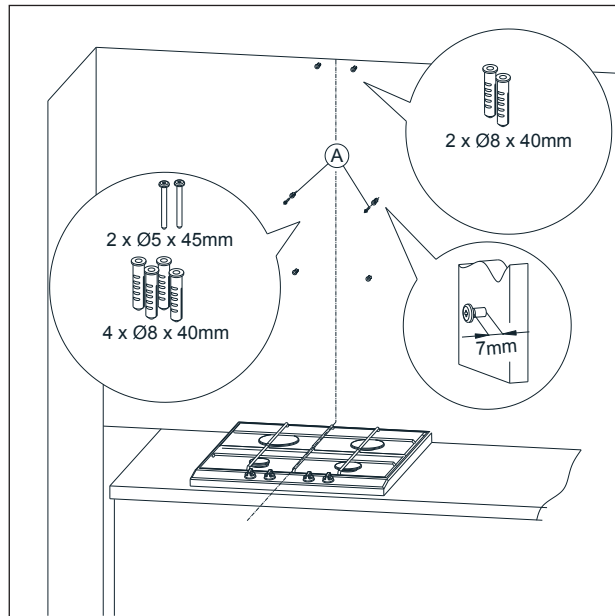
Виконуйте монтаж максимально обережно, щоб не подряпати кожух витяжної труби та витяжку.

4 Установка приладу

Мал. 4 Монтажні розміри

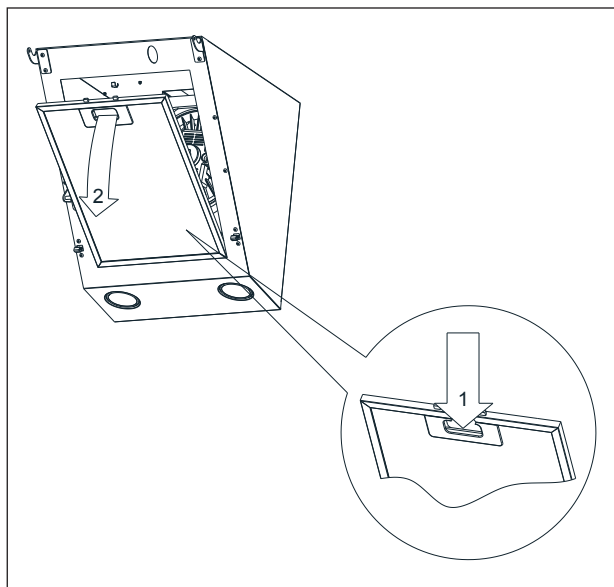


Мал. 5 Установлення дюбелів

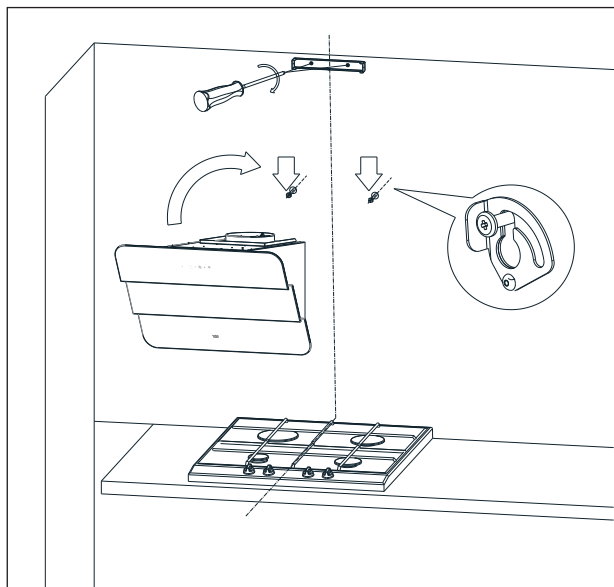


4 Установка приладу

Мал. 6 Демонтаж алюмінієвого фільтра-жировловлювача

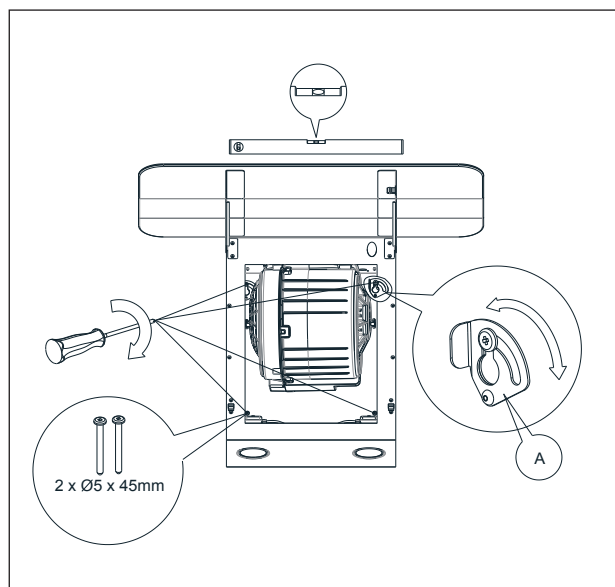


Мал. 7 Навішування витяжки

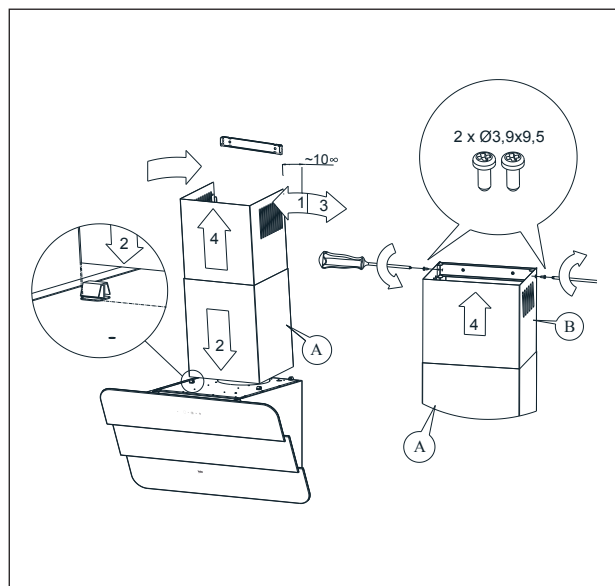


4 Установка приладу

Мал. 8 Виставлення положення витяжки



Мал. 9 Кожух витяжки в зборі



4.2. Підключення до електромережі

Напруга живлення повинна відповідати напрузі, зазначеній на табличці, прикріпленій до внутрішньої частини витяжки. Якщо кухонна витяжка оснащена штекером, його слід вставити в розетку, яка відповідає обов'язковим вимогам і розташована у легкодоступному місці. Якщо витяжка не оснащена штекером, монтаж повинен виконуватися спеціалістом з відповідними дозволами (наприклад, електриком).

5 Очищення і технічне обслуговування

Перед виконанням будь-яких операцій з технічного обслуговування приладу вийміть штекер з розетки. Для очищення витяжки використовуйте м'які неабразивні миючі засоби. Регулярне технічне обслуговування значно покращує продуктивність і подовжує термін використання витяжки. Витяжку потрібно чистити принаймні раз на місяць або після кожних 35 годин роботи. Для чищення витяжки **НЕ ВИКОРИСТОВУЙТЕ ЗАСОБИ НА ОСНОВІ СПИРТУ**. Глянцеві елементи (з нержавіючої сталі) слід чистити спеціальними засобами.



Недотримання інструкцій з очищення і заміни фільтрів витяжки може призвести до виникнення пожежі. Саме тому рекомендується дотримуватися вказівок, наведених у цьому документі. Виробник не несе відповідальність за пошкодження двигуна чи пожежі, які виникли внаслідок неправильного використання приладу.

5.1. Фільтр-жировловлювач

Витяжка обладнана алюмінієвим фільтром, який утримує частинки жиру, які утворюються під час приготування їжі. Щоб зняти фільтр, перемістіть замки у напрямку, вказаному стрілками (мал. 7). Фільтр слід промити вручну, зануливши його на 15 хвилин у воду з додаванням засобу для миття посуду при температурі 40-50 °С. Через 15 хвилин можна продовжити миття та промити чистою водою. Повністю висушіть фільтр перед встановленням у витяжку.

Фільтр можна також мити в посудомийній машині. Під час миття фільтр може змінити колір, проте це не впливає на його фільтраційні властивості. Нерегулярне чищення фільтра зменшує продуктивність витяжки й може спричинити ризик виникнення пожежі. Фільтр потрібно чистити принаймні після кожних 35 годин роботи витяжки.

5.2. Вугільний фільтр

Витяжка може бути оснащена вугільним фільтром. Вугільний фільтр застосовується лише у випадку, якщо витяжка не під'єднана до вентиляційної труби.

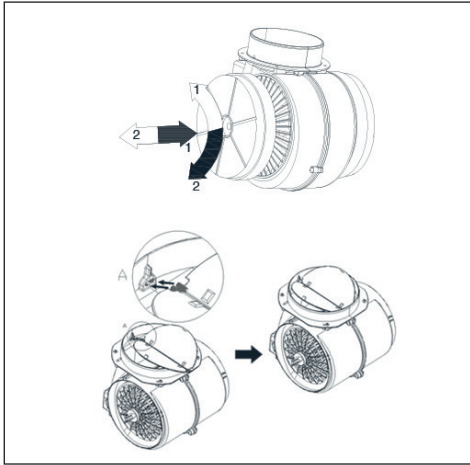
Фільтр слід встановити на корпусі турбіни, як показано на зображенні (мал. 10). Вугільні фільтри слід замінювати принаймні через кожні 6 місяців.



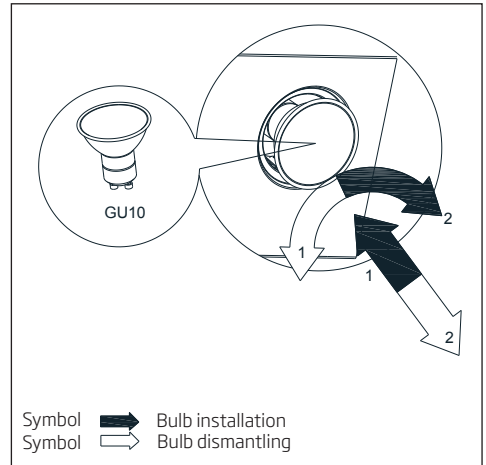
Не слід промивати чи відновлювати вугільний фільтр.

5 Очищення і технічне обслуговування

Мал. 10 Заміна вугільного фільтра



Мал. 11 Заміна ламп



5.3. Заміна ламп

Перед виконанням будь-яких робіт, пов'язаних із заміною ламп, обов'язково від'єднайте витяжку від мережі електроживлення. Якщо витяжка попередньо була включена, слід зачекати, доки лампи охолонуть, після чого можна продовжити заміну. Процес заміни ламп показано на мал. 11.



Перед заміною ламп від'єднайте витяжку від мережі електроживлення.



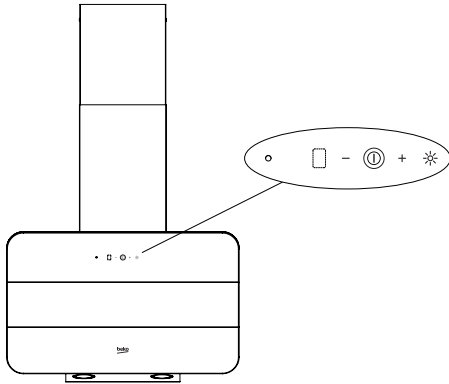
Не торкайтесь ламп, доки вони не охолонуть.



Будьте обережні, не торкайтесь заміненої лампи голими руками.

Витяжка оснащена сенсорною панеллю, яка знаходиться на верхній скляній панелі (мал. 12).

Мал. 12 Розташування сенсорної панелі



Позначення сенсорних кнопок:

- Ⓢ Увімкнення/вимкнення витяжки
- ☀ Увімкнення/вимкнення освітлення витяжки
- Зменшення швидкості турбіни
- + Збільшення швидкості турбіни
- ☐ Цифровий дисплей

6.1. Управління роботи турбіни

У режимі очікування підсвічування панелі управління вимкнено, а сенсорні кнопки +, — та ☀ відключені. Щоб увімкнути панель управління, торкніться сенсорної кнопки Ⓢ або скористайтеся пультом дистанційного управління (якщо входить в комплект пристрою). Після активації панелі управління вмикається її підсвічування і з'являються символи сенсорних кнопок.

При торканні до сенсорної кнопки Ⓢ турбіна запускається з останньою робочою швидкістю; при торканні до сенсорної кнопки + турбіна запускається з максимальною швидкістю; при торканні до сенсорної кнопки — турбіна запускається з мінімальною швидкістю.

Швидкість турбіни можна збільшити, торкнувшись сенсорної кнопки +, зменшити – торкнувшись символу —. Щоб вимкнути турбіну витяжки, торкніться до сенсорної кнопки Ⓢ або сенсорної кнопки —, коли турбіна працює на першій швидкості. Одночасно зі зміною швидкості турбіни відповідно змінюються і цифри на дисплеї:

1 – турбіна працює на першій швидкості; 2 – турбіна працює на другій швидкості; 3 – турбіна працює на третій швидкості; 4 – турбіна працює на турбошвидкості (турборежим).




Відповідно до вимог Постанови ЄС 66/2014 витяжка обладнана автоматичним таймером тривалістю 5 хвилин, який автоматично змінює швидкість турбіни з четвертої на третю через 5 хвилин (не застосовується до моделі пристрою з номером турбіни «5»).


6.2. Управління освітленням

Щоб увімкнути освітлення витяжки, торкніться символу ☀; повторне натискання символу вимикає освітлення.

6.3. Додаткова інформація про управління витяжкою

Панель витяжки оснащена лічильником операцій. Лічильник встановлений на 35 годин. Після завершення цього часу на дисплеї з'являється символ [F], який вказує на **необхідність очистки алюмінієвого фільтра**. Щоб видалити символ «F» з дисплею витяжки, торкніться і утримуйте символ — протягом приблизно 8 секунд.

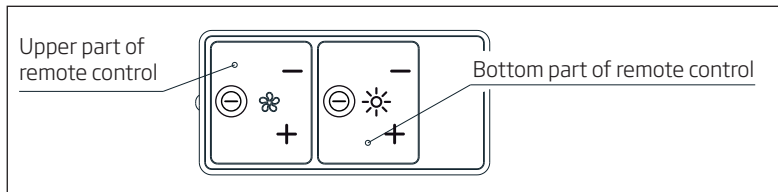
На панелі управління витяжкою передбачена можливість блокування сенсорної панелі, яка дозволяє вимкнути сенсорну панель, наприклад, під час очищення витяжки. Щоб увімкнути блокування, торкніться і утримуйте символ  (протягом приблизно 10 секунд), доки на дисплеї не з'явиться символ  (крапка у нижньому правому куті). Щоб повернутися до нормальної роботи, знову торкніться і утримуйте символ  (протягом приблизно 10 секунд), поки крапка на дисплеї не зникне.

Панель управління обладнана реле часу, яке вимикає турбіну витяжки через 15 хвилин після увімкнення лічильника. Реле часу турбіни не відключає освітлення і дозволяє безперешкодно змінювати швидкість роботи турбіни. Щоб активувати реле часу, турбіна витяжки повинна працювати на будь-якій швидкості: 1, 2, 3 або турбо. Таймер активується утриманням символу  (протягом приблизно 10 секунд), доки у нижньому правому куті не з'явиться крапка. Щоб вимкнути цю функцію, знову натисніть і утримуйте символ (протягом приблизно 10 секунд) або вимкніть витяжку.

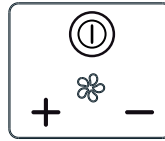
Панель витяжки оснащена функцією автоматичного вимкнення роботи турбіни після 2-х годин відсутності активності на панелі витяжки.


Витяжка оснащена пультом дистанційного управління (тільки вибрані моделі) (мал. 13)






Мал. 13 Пульт дистанційного управління



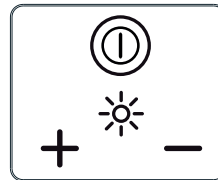
6.4. Операції дистанційного управління







Управління роботою турбіни здійснюється верхньою частиною пульта дистанційного управління, позначеною . Увімкнення/вимкнення турбіни

виконується натисканням кнопки з символом , а також  і . Підвищення швидкості виконується натисканням кнопки , зменшення швидкості – натисканням кнопки .

6.5. Дистанційне управління освітленням



Управління освітленням здійснюється нижньою частиною пульта дистанційного керування, позначеною . Увімкнення/вимкнення освітлення виконується натисканням кнопки з символом .

Кнопки  та  неактивні.

6.6. Способи зменшення впливу процесу приготування їжі на навколишнє середовище

- Щоб зменшити споживання енергії, готуйте їжу, накриваючи посуд кришками.
- Слідкуйте за чистотою алюмінієвих фільтрів (рекомендована періодичність чищення алюмінієвого фільтра не рідше кожних 35 годин роботи витяжки).
- Підтримуйте прохідність вентиляційних труб.
- Під час приготування їжі завжди встановлюйте мінімальну швидкість турбіни, яка дозволить видалити випари при поточній інтенсивності готування.

6.7. Інформація про прилад

Інформація про прилад знаходиться всередині витяжки.

Ознаки	Причини	Спосіб ремонту
Під час роботи витяжки відображається блимаюча літера «F».	Після 35 годин роботи витяжка вказує на необхідність очищення чи заміни фільтра-жировловлювача.	Натисніть і утримуйте кнопку «-» на сенсорній панелі протягом 8 сек. Фільтр слід промити в посудомийній машині або замінити на новий.
На дисплеї відображається лише символ «-» (мінус та крапка у правому нижньому куті), витяжка не реагує на відключення.	Сенсорна панель заблокована — ця функція полегшує чищення витяжки.	Щоб вимкнути блокування, натисніть та утримуйте протягом 10 секунд сенсорну кнопку з символом увімкнення.
На дисплеї не відображається жодний символ, витяжка не реагує на натискання сенсорних кнопок управління.	Робота сенсорної панелі, ймовірно, призупинена.	Від'єднайте витяжку від мережі електроживлення приблизно на 15 сек. і знову приєднайте.
На дисплеї відображається символ однієї зі швидкостей; витяжка не реагує на натискання сенсорних кнопок управління.	Робота сенсорної панелі, ймовірно, призупинена.	Від'єднайте витяжку від мережі електроживлення приблизно на 15 сек. і знову приєднайте.
Турбіна витяжки відключається після 15 хвилин роботи, на дисплеї відображається блимаюча цифра, наприклад, «1.» (номер поточної швидкості та крапка у правому нижньому куті).	Увімкнено автоматичне реле часу сенсорної панелі.	Щоб вимкнути реле часу, натисніть та утримуйте протягом 10 секунд символ «+» або вимкніть витяжку.
Для четвертої швидкості на дисплеї блимає цифра «4», через 5 хв. швидкість змінюється на третю.	Витяжка оснащена турборежимом, який автоматично переключається на третю швидкість після 5 хвилин роботи, щоб заощадити енергію.	Турбошвидкість слід використовувати тільки при інтенсивному приготуванні їжі.
Витяжкою можна керувати тільки за допомогою панелі управління, вона не реагує на дистанційне управління.	Акумулятор пульта дистанційного управління розряджений або відстань занадто велика.	Замініть акумулятор на новий.
Витяжка погано втягує випари.	Ймовірно, причиною є забруднені фільтри.	Фільтр-жировловлювач потрібно очистити в посудомийній машині або замінити на новий. Вугільний фільтр (за наявності) потрібно замінити на новий.
Одна або декілька освітлювальних точок не працюють.	Несправна галогенна/світлодіодна лампа.	Лампу потрібно замінити на нову у відповідності з символом, вказаним в інструкції з експлуатації витяжки.
Витяжка працює з надмірним шумом і вібрацією.	Причиною цього може бути неправильна установка витяжки на стіну або в кухонних меблях. Встановлено не всі гвинти або зазори гвинтів, що виступають, занадто великі.	Витяжку слід встановити на стіну або в шафу, використовуючи всі точки, передбачені виробником. Після регулювання положення витяжки по горизонталі та вертикалі затягніть усі монтажні гвинти.

* застосовується до витяжок з сенсорною панеллю.

Якщо не вдається вирішити проблему, дотримуючись наведених вище рекомендацій, зверніться до авторизованого сервісу побутової техніки, який має право виконувати ремонт. Користувачу категорично забороняється самостійно виконувати ремонт. Див. перелік сервісних пунктів на гарантійному талоні та на веб-сайті.

Palun lugege esmalt kasutusjuhendit!

Lugupeetud klient!

Aitäh, et otsustasite Beko toote kasuks. Loodetavasti jääte selle kaasaegse tehnoloogia järgi valmistatud kvaliteetse toote tööga rahule. Selleks tutvuge enne toote kasutamist hoolikalt kasutusjuhendi ja kõigi kaasasolevate dokumentidega ja hoidke need alles. Kui annate toote üle uuele omanikule, pange kaasa ka kasutusjuhend. Järgige kõiki kasutusjuhendis toodud hoiatusi ja juhiseid.

Võtke arvesse, et see kasutusjuhend kehtib ka mitme muu mudeli jaoks. Mudelitevahelised erinevused tuuakse juhendis välja.

Sümbolite selgitus

Selles juhendis kasutatavad sümbolid on järgmised.



See toote tootmiseks kasutati uusimat tehnoloogiat keskkonnasõbralikes tingimustes.

Käesolev jaotis sisaldab ohutusjuhiseid, mis aitavad teil vältida kehavigastusi ja varalist kahju. Nende juhiste mittejärgmise korral tühistatakse kõik garantiid.

1.1 Üldine ohutus

- Jätke paigaldus ja remont alati volitatud hooldustehniku hooleks. Tootja ei vastuta kahjude eest, mis tulenevad volitamata isikute tehtud protseduuridest.
- Seda seadet ei tohi kasutada isikud (sh lapsed), kellel on piiratud füüsilised, sensoorsed või vaimsed võimed või puudulikud kogemused ja teadmised. Lapsi tuleks valvata, et nad seadmega ei mängiks.

1.1.1 Elektriohutus

- Paigaldamise, hoolduse, puhastamise ja remondi ajal lahutage toote toitevõrgust.
- Kahjustatud toitejuhtme peab välja vahetama tootja, teenindus või muu pädev, vastava sertifikaadiga asutus või inimene (eelistatavalt elektrik) või maaletooja määratud inimene.
- Tööpinge on 220-240 V.

- Kui seade läheb rikki, ei tohi seda kasutada enne, kui volitatud hooldustehnik on rikke kõrvaldanud. Elektrilöögi oht!
- Hoidke toitejuhe pliidiplaatidest eemal. Toitejuhe võib põhjustada tulekahju, sest see sulab kergesti.
- Ärge lülitage õhupuhastit sisse enne, kui paigaldamine on lõpule viidud.
- Parimate tööomaduste tagamiseks ei tohi väline suitsutoru olla pikem kui 4 meetrit. Selles ei tohi olla rohkem kui 2 täisnurka (90°) ja läbimõõt peab olema vähemalt 120 mm.
- Enne seadme siseosade käsitlemist lahutage seade vooluvõrgust.

1.1.2 Toote ohutu kasutamine

- Õhupuhasti suitsutoruühenduse tegemiseks võib kasutada 120 mm või 150 mm läbimõõduga toru.
- Ärge ühendage ahjudega ühendatud suitsutorudega, väljalaskekanalite ega suitsutorudega, millesse ulatuvad leegid. Järgige ametiasutuste kehtestatud heitõhu väljalaskmist käsitlevaid eeskirju.

- Õhupuhasti alumise pinna ja pliidi/ ahju pealmise pinna vahelise ala kõrgus peab olema vähemalt 65 cm.
- Ärge kasutage õhupuhastit ilma alumiiniumfiltriteta ega eemaldage filtreid kasutamise ajal.
- Ärge puudutage õhupuhasti lampi, kui see on pikka aega töötanud. Lambid võivad olla tulised ja teie kätt kõrvetada.
- Vältige suurt leeki otse seadme all. Muidu võivad õlipüüduuri osakesed süttida ja põhjustada tulekahju.
- Lülitage pliidiplaat sisse alles pärast seda, kui olete panni või poti sellele asetanud. Muidu võib tõusev temperatuur seadme osi deformeerida.
- Lülitage pliidiplaat välja enne panni või poti eemaldamist.
- Ärge kasutage õhupuhasti all kergestisüttivaid materjale.
- Õli võib toidu praadimisel süttida. Olge rõivaste ja kardinatega ettevaatlik.
- Ärge jätke pliiti toidu praadimisel järelevalveta, sest keev õli võib põhjustada tulekahju.
- Kui õhupuhastit ei puhastada ettenähtud ajal, võib tekkida tulekahju oht.
- Olge õhupuhasti puhastamisel eriti ettevaatlik ja kandke kindaid.
- Soovitame seadme lülitada sisse mõned minutid enne toiduvalmistamise alustamist, et lasta imemisvõimsusel suurened. Nii on toiduvalmistamise aurude tõusmisel tagatud pidev ja stabiilne imemisvõimsus.
- Laske õhupuhastil töötada 15 minutit pärast küpsetamise või praadimise lõpetamist, et eemaldada köögist lõhnad ja toiduvalmistamise aurud.
- Õhupuhasti kasutamisel (eriti koos gaasipliidiga) veenduge, et ruumi ventileeritaks puhta õhuga.
- Ärge ühendage seadet õhupuhastitega, mida kasutavad mitteelektrilised seadmed (nt kamina suitsutoru).
- Kui õhupuhastiga samaaegselt kasutatakse samas ruumis mõnd muud seadet kui elektriseade, ei tohi negatiivne rõhk ruumis ületada 0,4 mbar, et õhupuhasti ei suunaks teise seadme heitgaase uuesti ruumi tagasi.

1.1.3 Laste ohutus

- Pakkematerjalid on lastele ohtlikud. Hoidke pakkematerjale ohutus kohas, kust lapsed neid kätte ei saa.
- Elektriseadmed on lastele ohtlikud. Hoidke lapsed tootest eemal. Ärge lubage lastel seadmega mängida.

1.2 Ettenähtud otstarve

- Seade on ettenähtud kasutamiseks ainult koduses majapidamises. See ei sobi kommertskasutuseks ja seda ei tohi kasutada muuks kui ettenähtud otstarbeks.
- Tootja ei võta mingit vastutust väärkasutamise või käsitlemise tagajärjel tekkinud kahjude eest.
- Aeg, mille jooksul peavad saadaval olema toote nõuetekohaseks toimimiseks vajalikud varuosad on 10 aastat.

1.3 WEEE direktiivi täitmine ja romuseadme kõrvaldamine:



Seade vastab Euroopa Liidu WEEE direktiivile (2012/19/EL). Seadmel on elektri- ja elektroonikaseadmete jäätmete (WEEE) liigiti kogumise tähis.

Seade on valmistatud kvaliteetsetest osadest ja materjalidest, mis sobivad ringlussevõtmiseks ja taaskasutamiseks. Ärge visake tarbetuks muutunud seadet tavalise olmeprügi ega muude jäätmete hulka. Viige see elektri- ja elektroonikajäätmete kogumispunkti. Kogumispunktide kohta saate täpsemat teavet kohalikust omavalitsusest.

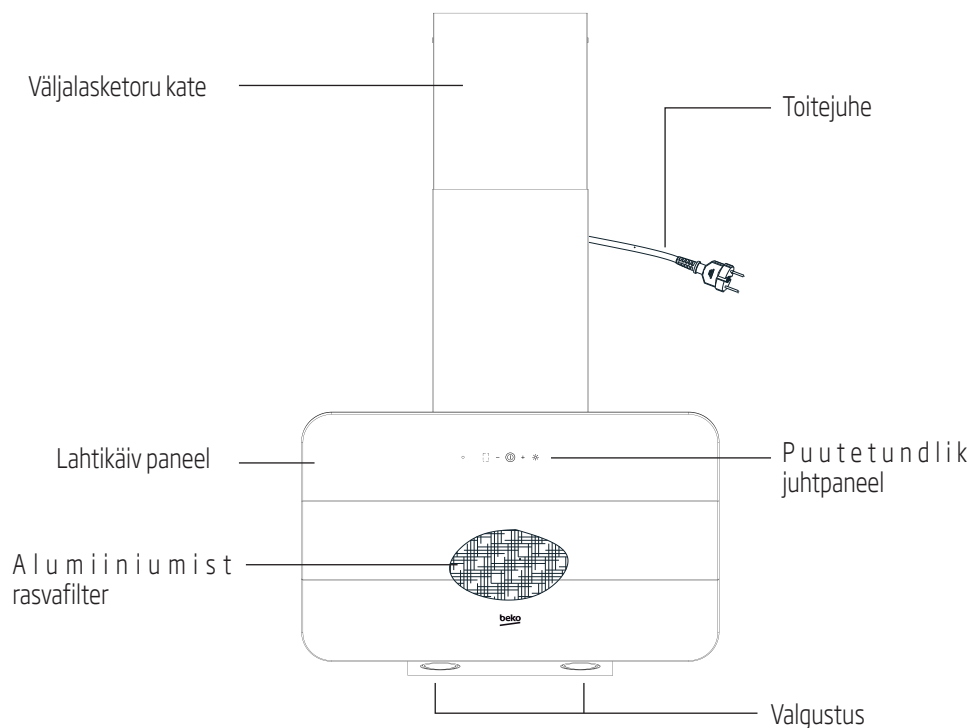
1.4 RoHS-direktiivi täitmine:

Seade vastab Euroopa Liidu RoHS-direktiivile (2011/65/EL). See ei sisalda direktiivis mainitud kahjulikke ja keelatud materjale.

2 Teie seadme tehnilised andmed

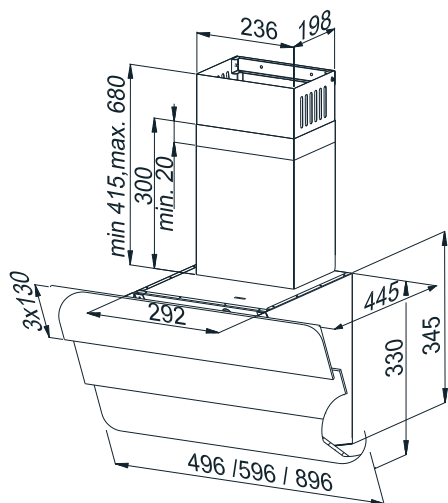
Käesolevas juhendis ja õhupuhasti külge kinnitatud siltidel sisalduvad tehnilised andmed on saadud mõõtmistest ja arvutustest vastavalt EL-i määruste nr 65/2014 ja 66/2014 nõuetele. See seade vastab Euroopa Liidu direktiividele 2009/125/EÜ ja 2011/65/EL.

Joonis 1 Köögi õhupuhasti selgitav joonis



2 Teie seadme tehnilised andmed

Joonis 2 Mõõtjoonis



3 Seadme kasutamine

Õhupuhasti on ette nähtud toidutegemise ajal eralduvate aurude imamiseks. Seadet saab kasutada kahes režiimis.

Väljatõmbeseadmena: aurud suunatakse ventilatsioonitoru abil ruumist välja. Ventilatsioonitoru ei ole seadmega kaasas ja tuleb osta eraldi.



Kasutage lühimat võimalikku auru väljalasketoru.



Ventilatsioonitorul peab olema võimalikult sile sisepind (spirotüüpi torude kasutamine pole soovitatav).



Kasutage võimalikult vähese paindekohtadega toru (paindenurgad ei tohi olla üle 90 kraadi).



Toru läbimõõtu ei soovitata muuta (suuremast väiksemaks, näiteks õhu väljalaskeava suuruselt Ø150 mm õhu väljalaskeava suuruselt Ø120 mm).

Absorbeerijana: aurud puhastatakse rasvast ja lõhnadest ning suunatakse tagasi ruumi väljalasketoru ülemises osas oleva võre kaudu. Kui õhupuhasti töötab absorbeerijana, siis on vaja paigaldada aktiivsõefilter (Joonis 10). Sõefilter ei ole standardvarustuses; see tuleb osta edasimüüjalt.

4 Seadme paigaldamine



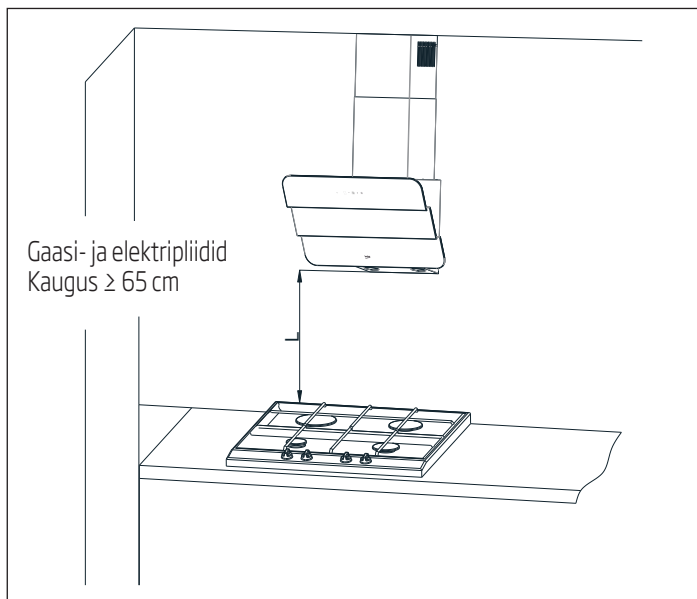
Kasutusjuhendiga sobimatute kruvide või kinnitusdetailide kasutamine võib põhjustada elektrilöögi.

Õhupuhasti minimaalne riputuskõrgus kütteseadme (gaasi- või elektripliit) selle pinna, millele asetatakse kööginõud, ja õhupuhasti madalaima osa vahel (Joonis 3) peab olema vähemalt 65 cm.

Kui kütteseadme kasutusjuhendis nõutakse õhupuhasti suuremat paigalduskaugust, kui eespool näidatud, järgige neid juhiseid. Õhupuhasti ja õhupuhasti väljalasketoru katte paigaldamine on näidatud joonistel (Joonis 4 kuni Joonis 9).

Õhupuhasti on varustatud enamuse seinte ja lagedega sobivate kinnitusankrutega. Paigaldamise ajal tuleb järgida ruumist õhu väljajuhtimist käsitlevaid üldiseid eeskirju.

Joonis 3 Soovitav kaugus köögipiidist



4 Seadme paigaldamine

Enne paigaldamist tuleb teha järgmist:

- kontrollige, kas ostetud toote mõõtmed on sobivad valitud paigalduskoha jaoks;
- ühendage lahti ja eemaldage (võimaluse korral) õhupuhasti paigalduskohas asuv mööbel juurdepääsu saamiseks laele või seinale, kuhu õhupuhasti paigaldatakse. Kui see ei ole võimalik, tuleb tööpiirkonna lähedal asuvad elemendid kindlalt kinnitada;
- kontrollige, kas õhupuhasti paigalduskoha lähedal on pistikupesad ja kas on võimalik ühendada õhupuhasti ventilatsioonitoruga, mille kaudu pääsevad aurud ruumist välja;
- veenduge, et puurimiskohad ei kattu paigaldusjuhtmete asukohaga (elektrilised, hüdraulilised jne);
- varustage end järgmiste tööriistadega: mõõdulint, pliats, trell/puur, puuriotsik Ø8, kruvikeeraja, vesilood.

4.1 Paigaldamine

1. Määrake kuumutuselemendi telg ja kandke see üle seinale, kuhu õhupuhasti paigaldatakse. Märkige kõik vajalikud õhupuhasti paigalduspunktid. Kasutage trelli ja puurige augud (Joonis 4).
2. Pange aukudesse pikenduspolidid. Kahte auku, mis on tähistatud A-ga, sisestage kruvid (jättes välja 7 mm pikkuse kruviotsa, nagu näidatud joonisel 5).
3. Avage õhupuhasti lahtikäiv paneel ja eemaldage rasvafilter (Joonis 6).
4. Kruvige külge väljalasketoru katte klamber, riputage õhupuhasti kahele lõdvalt kinnitatud kruvile (Joonis 7).
5. Asetage vesilood köögi õhupuhasti korpusele. A-ga tähistatud elemente pöörates seadke õhupuhasti vastavalt loodile horisontaalsesse asendisse ja keerake seejärel kinni kaks kergelt kinnitatud kruvi ja kaks ülejäänud kruvi (Joonis 8).

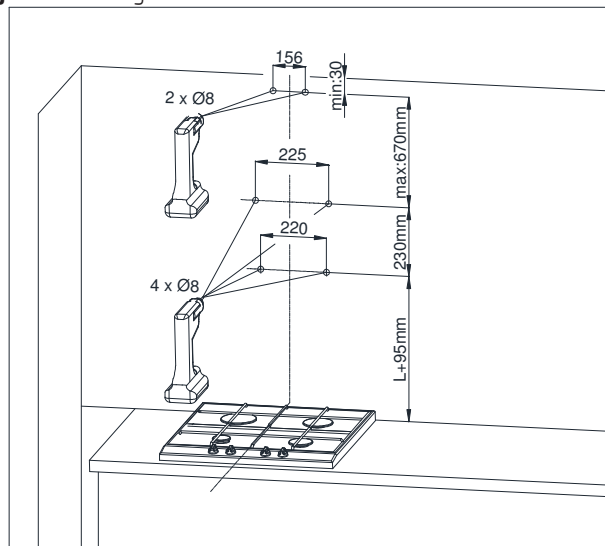
6. Asetage õhupuhasti väljalasketoru kate peale. Seejärel tõmmake õrnalt välja ja ülespoole õhupuhasti osa, mis on tähistatud B-ga, kuni saate selle kruvida varem seinale kinnitatud klambri külge (Joonis 9).



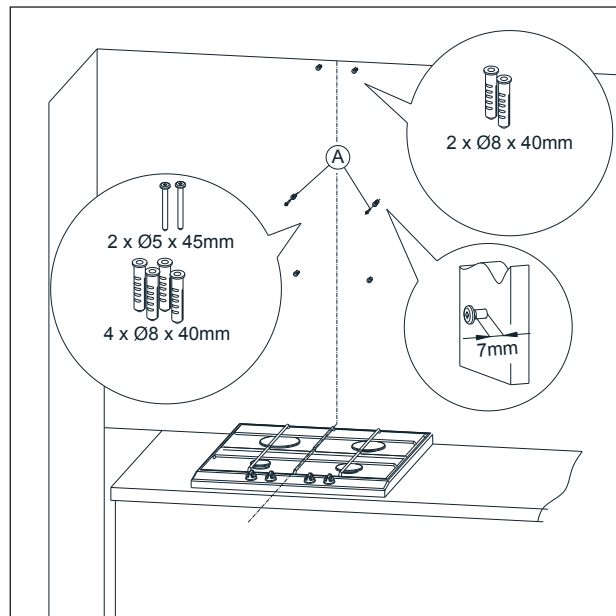
Paigaldamine peab toimuma väga ettevaatlikult, et mitte kriimustada väljalasketoru katet ja õhupuhastit.

4 Seadme paigaldamine

Joonis 4 Paigaldusmõõdud

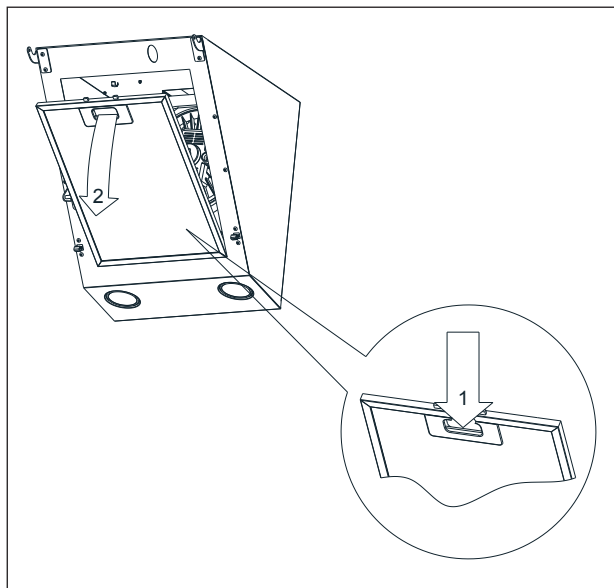


Joonis 5 Pikenduspoltide monteerimine

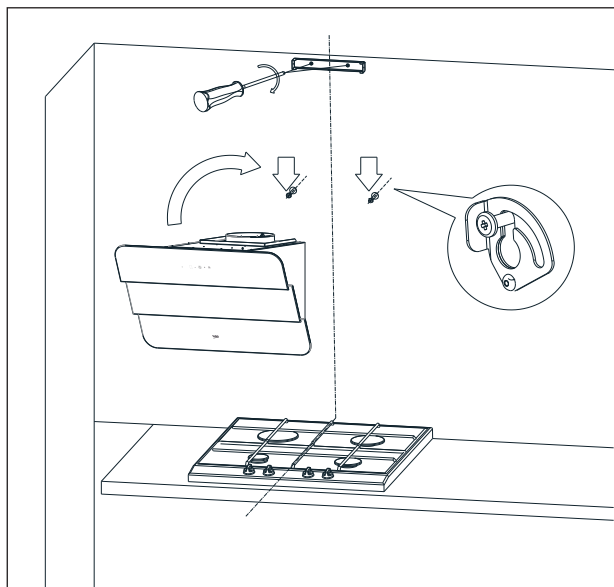


4 Seadme paigaldamine

Joonis 6 Alumiiniumist rasvafiltri eemaldamine

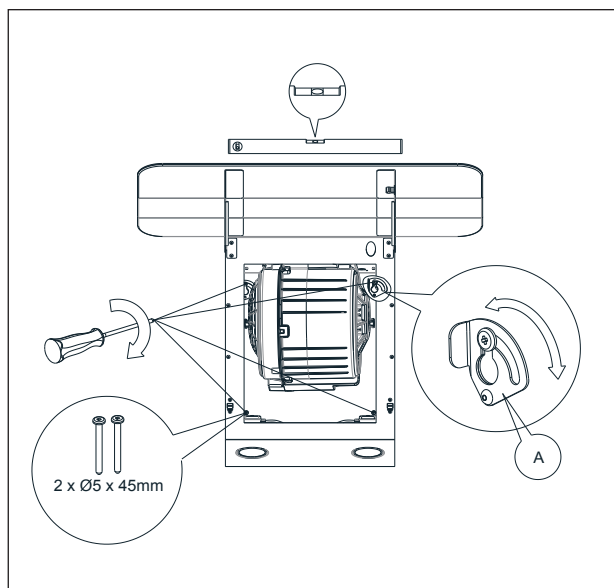


Joonis 7 Õhupuhaülesriputamine

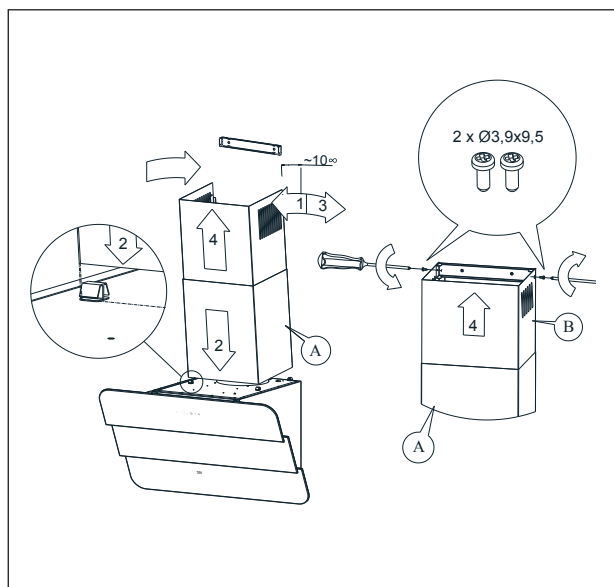


4 Seadme paigaldamine

Joonis 8 Õhupuhaasti paigutamine



Joonis 9 Õhupuhaastite katte kokkupanek



4.2 Elektriühendus

Toitevool peab vastama õhupuhasti siseküljel olevale andmesildile märgitud pingele. Kui köögi õhupuhasti on varustatud pistikuga, tuleb see sisestada asjaomaste eeskirjade nõuetele vastavasse pistikupesasse, mis asub kergesti ligipääsetavas kohas. Kui õhupuhasti ei ole pistikuga varustatud, tuleb õhupuhasti paigaldamine usaldada kellelegi, kellel on vastavad volitused (nt elektrik).

5 Puhastamine ja hooldus

Enne seadme hooldustööde tegemist eemaldage pistik seinakontaktist. Õhupuhastit tuleb puhastada õrnatoimeliste puhastusvahenditega, mitte kasutada abrasiivaineid. Regulaarne hooldus parandab oluliselt õhupuhasti jõudlust ja vastupidavust. Õhupuhastit tuleb puhastada vähemalt kord kuus või iga 35-tunnise tööaja järel. Õhupuhasti puhastamiseks EI TOHI KASUTADA ALKOHOLI SISALDAVAID AINEID. Satineeritud osad (inox) tuleb puhastada spetsiaalsete selleks otstarbeks ette nähtud vahenditega.



Seadme puhastamist ja filtrite vahetamist käsitlevate nõuete eiramine võib põhjustada tuleohtu. Seetõttu on soovitatav järgida siin esitatud juhiseid. Tootja ei vastuta valest kasutamisest põhjustatud mootorikahjustuste ega tulekahjude eest.

5.1 Rasvafilter

Õhupuhasti on varustatud alumiiniumfiltriga, mis hoiab kinni toiduvalmistamisel lenduvaid rasvaosakesi. Filtri eemaldamiseks tuleb lukke liigutada noolega näidatud suunas (joonis 7). Filtrit tuleb pesta käsitsi, jättes selle 15 minutiks 40-50°C temperatuuriga vette, kuhu on lisatud nõudepesuvahendit. 15 minuti pärast võite filtri pesta ja seejärel loputada. Enne paigaldamist õhupuhastisse peab filter olema kuiv. Filtrit võib pesta ka nõudepesumasinas. Pesuprotseduuri ajal võib filter värvi muuta, kuid see ei mõjuta filtri filtreerimisomadusi. Kui filtrit korrapäraselt ei puhastata, vähendab see õhupuhasti töövõimet ja võib põhjustada tulekahjuohtu. Filtrit tuleb puhastada vähemalt õhupuhasti iga 35 töötunni järel.

5.2 Söefilter

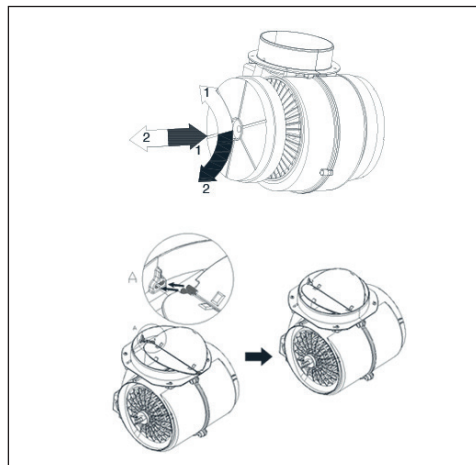
Õhupuhastile saab paigaldada aktiivsöefiltri. Söefiltrit kasutatakse ainult juhul, kui õhupuhasti ei ole ventilatsioonitoruga ühendatud.

Filter tuleb paigaldada turbiinikorpusele, nagu joonisel näidatud (joonis 10). Aktiivsöefiltrit tuleb vahetada iga 6 kuu tagant.



Söefiltrit ei tohi pesta ega taastada.

Joonis 10 Söefiltri vahetamine



5.3 Valgustuse vahetamine

Enne valgustuse väljavahetamisega seotud mistahes töid ühendage seade kindlasti vooluvõrgust lahti. Kui õhupuhasti just töötas, peate ootama, kuni lambipirnid on jahtunud, misjärel saate neid vahetada. Pirnide vahetamise protsessi on näidatud joonisel 11.



Enne lambipirnide vahetamist eemaldage õhupuhasti vooluvõrgust.



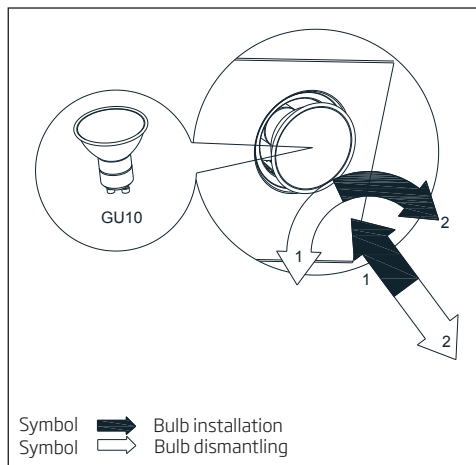
Ärge puudutage pirne, kui need on kuumad.



Olge ettevaatlik ja ärge puudutage vahetatud lambipirni paljaste kätega.

5 Puhastamine ja hooldus

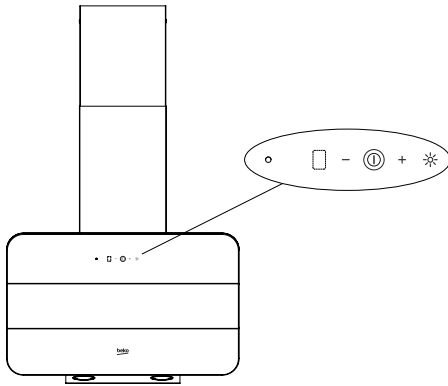
Joonis 11 Valgustuse vahetamine



6 Õhupuhasti töö juhtimine

Õhupuhasti on varustatud puutetundliku juhtpaneeliga, mis paikneb ülemisel klaaspaneelil (Joonis 12).

Joonis 12 Puutepaneeli sümbolite selgitus



Puuteväljade tähised:

- ① Õhupuhasti sisse-/väljalülitamine
- ☀️ Õhupuhasti valgustuse sisse-/väljalülitamine
- Turbiini kiiruse vähendamine
- ⊕ Turbiini kiiruse suurendamine
- ☐ Digitaalne kuva

6.1 Turbiini töö juhtimine

Ooterežiimis ei ole juhtpaneel valgustatud ja väljad ⊕, — ja ☀️ ei tööta. Juhtpaneeli aktiveerimiseks puudutage välja ① või kasutage kaugjuhtimispuhki (kui see on komplektis). Pärast aktiveerimist on juhtpaneel valgustatud ja nähtavale ilmuvad puutevälja sümbolid; välja ① puudutamine käivitab turbiini viimati kasutatud käigul, välja ⊕ puudutamine käivitab turbiini kõige kõrgemal käigul ja välja — puudutamine käivitab turbiini madalaimal käigul.

Turbiini kiirust saab suurendada, puudutades välja ⊕, vähendada - puudutades sümbolit —. Õhupuhasti turbiini väljalülitamine toimub, kui puudutada välja ① või pärast välja — puudutamist, kui turbiin töötab esimesel käigul. Koos turbiini kiiruse muutmisega muutuvad numbrid ekraanil järgmiselt:

1 - turbiin töötab esimesel käigul, 2 - turbiin töötab teisel käigul, 3 - turbiin töötab kolmandal käigul, 4 - turbiin töötab intensiivsel käigul (turbo).

Vastavalt EL-i määrulese 66/2014 on õhupuhasti varustatud automaatse 5-minuti loenduriga, mis 5 minuti pärast lülitab turbiini töötaseme automaatselt neljandalt käigult kolmandale (see ei kehti mudelile turbiinnumbriga „5“).

6.2 Valgustuse juhtimine

Õhupuhasti valgustuse sisselülitamiseks tuleb vajutada sümbolit ☀️; sümboli teistkordne vajutamine lülitab valguse välja.

6.3 Täiendav teave õhupuhasti juhtimise kohta

Õhupuhasti juhtpaneel on varustatud õhupuhasti töötundide loenduriga. Loendur on seatud 35 tunnile. Pärast selle aja möödumist kuvatakse ekraanil sümbol ⌚, mis näitab, et **soovitav on puhastada alumiiniumfiltrit**. Sümboli „F“ kustutamiseks õhupuhasti ekraanilt tuleb sümbolit — puudutada ja hoida sõrme sellel umbes 8 sekundit järjest.

Õhupuhasti juhtpaneelil on puutetundlik lukk puutepaneeli väljalülitamiseks, näiteks õhupuhasti puhastamise korral. Lukustuse lubamiseks puudutage ja hoidke sümbolit ① (umbes 10 sekundit), kuni ekraanile ilmub sümbol ☐ (punkt paremas alanurgas). Normaalse töörežiimi taastamiseks puudutage ja hoidke all sümbolit ① uuesti (umbes 10 sekundit), kuni ekraanil olev punkt kustub.

Õhupuhasti juhtseade on varustatud ajalülitiga, mis lülitab õhupuhasti turbiini välja 15-minutilise

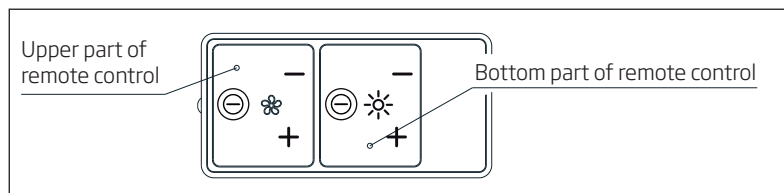
6 Õhupuhasti töö juhtimine

loenduri sisselülitumisel. Turbiini ajalüliti ei lülita välja valgust ja turbiini kiirust saab vabalt muuta. Kellaaja lüliti aktiveerimiseks peab õhupuhasti turbiin töötama mistahes kiirusel 1, 2, 3 või intensiivsel käigul. Taimer aktiveeritakse, hoides all sümbolit **+** (umbes 10 sekundit), kuni punkt paremal alumises nurgas hakkab vilkuma. Selle funktsiooni keelamiseks hoidke jälle sümbolit (umbes 10 sekundit) või lülitage õhupuhasti välja.

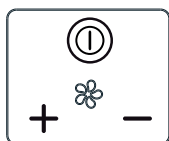
Õhupuhasti juhtseade on varustatud funktsiooniga, mis seiskab turbiinide töö automaatselt pärast seda, kui õhupuhasti juhtpaneeli pole 2 tunni jooksul kasutatud.

Õhupuhastil on kaugjuhtimispult (ainult valitud mudelitel) (Joonis 13)

Joonis 13 Kaugjuhtimispult

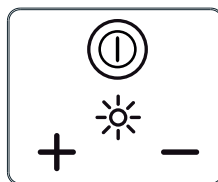


6.4 Töö kaugjuhtimispuldiga



Turbiini käitamist juhitakse kaugjuhtimispuldi ülaosast, tähistusega ☀. Turbiini sisse-/väljalülitamiseks vajutage nuppu sümboliga ☉, aga ka **+** ja **-**. Kiiruse suurendamine toimub nupu **+** vajutamisega, vähendamine nuppu **-** vajutades.

6.5 Valgustuse juhtimine kaugjuhtimispuldi abil



ja **-** on keelatud.

Valgust juhitakse kaugjuhtimispuldi alumise osaga, tähistusega ☀. Valguse sisse- ja väljalülitamiseks vajutage nuppu sümboliga ☉. Nupud **+**

6.6. Meetodid toiduvalmistamise mõju vähendamiseks keskkonnale

- Energiatarbimise vähendamiseks küpsetage toitu kaane all.
- Alumiiniumfiltrid tuleb hoida puhtana (soovitav alumiiniumfiltri tööaja pikkus puhastuste vahel on maksimaalselt 35 tundi õhupuhasti tööd).
- Hoolditsege ventilatsioonitorude läbilaskvuse eest.
- Toidutegemise ajal seatakse turbiini töötasand alati miinimumkäigule, mis võimaldab auru eemaldamist vastavalt toiduvalmistamise intensiivsusele.

6.7 Tooteleht

Tooteleht asub õhupuhasti sees.

7 Probleemide lahendamine

Tunnused	Põhjus	Parandusmeetod
Õhupuhasti käitamise ajal vilgub täht „F“.	Pärast 35 töötunni möödumist osutab õhupuhasti rasvafiltri puhastamise või asendamise vajadusele.	Vajutage ja hoidke umbes 8 sekundit all tähist „-“ puutejuhtpaneelil. Filter tuleb pesta nõudepesumasinas või asendada uuega.
Ekraanil kuvatakse ainult sümbol „-“ (miinus ja punkt paremal all), õhupuhasti ei reageeri väljalülitamisele.	Puutejuhtimine on lukustatud - see funktsioon hõlbustab õhupuhasti puhastamist.	Lukustuse keelamiseks vajutage ja hoidke sisselülitamise sümboliga välja umbes 10 sekundit all.
Ekraanil ei kuvata ühtegi sümbolit, õhupuhasti ei vasta juhtimisväljade puudutamisele.	Puutejuhtimine on tõenäoliselt peatatud.	Lahutage õhupuhasti toitest umbes 15 sekundiks ja lülitage uuesti sisse.
Ekraanil kuvatakse ühte käigusümbolit, õhupuhasti ei vasta juhtimisväljade puudutamisele.	Puutejuhtimine on tõenäoliselt peatatud	Lahutage õhupuhasti toitest umbes 15 sekundiks ja lülitage uuesti sisse.
Õhupuhasti turbiin peatub 15 minuti pärast, ekraanil kuvatakse vilkuvat numbrit, s.t „1.“ (jooksva käigu numbrit ja paremal all punkti).	Puutejuhtekraani automaatne aeglüliti on aktiveeritud.	Aeglüliti väljalülitamiseks puudutage ja hoidke umbes 10 sekundit sümbolit „+“ või lülitage õhupuhasti välja.
Neljanda käigu korral vilgub näidikul number „4“, 5 minuti pärast lülitatakse sisse kolmas käik.	Õhupuhasti on varustatud turborežiimiga, mis lülitub pärast 5-minutilist tööd energia säästmiseks automaatselt üle kolmandale käigule.	Turbokäiku tuleb kasutada ainult intensiivse toiduvalmistamise korral.
Õhupuhastit saab käitada ainult juhtpaneelilt, puhasti ei reageeri kaugjuhtimispuuldile.	Kaugjuhtimispuldi patarei on tühi või kaugus on liiga suur.	Vahetage patarei välja.
Õhupuhasti imemisjõudlus on väike.	Arvatav põhjus on mustunud filtrid.	Rasvafiltrit tuleb pesta nõudepesumasinas või asendada uuega. Söefilter (kui on olemas) tuleb asendada uuega.
Üks märgutuli või mitu märgutuld ei tööta.	Defektne halogeen-/LED-lamp.	Lambipirn tuleb asendada uuega, mis vastab pliiidi õhupuhasti juhendis märgitud sümbolile.
Õhupuhasti tekitab liigset müra ja vibratsiooni.	Selle põhjuseks võib olla õhupuhasti vale paigaldamine seinale või köögikappidele. Ei ole kasutatud kõiki kaasapandud kruvisid või kruvid on lõdvalt kinnitatud.	Õhupuhasti tuleb kinnitada seinale või kapile kõigist tootja poolt ettenähtud punktidest. Pärast õhupuhasti asendi horisontaalset ja vertikaalset reguleerimist keerake kõik kinnituskruvid kinni.
* kehtib puutejuhtimisega õhupuhastite korral.		
Kui ülaltoodud soovitused ei lahenda probleemi, võtke ühendust kodumasinate parandamiseks volitatud teeninduspunktiga. Ühelgi juhul ei tohi õhupuhasti kasutaja seadet ise parandada. Teeninduspunktide loend on esitatud garantiikaardil ja veebisaidil.		

Visų pirma perskaitykite šį naudotojo vadovą!

Gerb. klientai,

Dėkojame, kad pasirinkote „Beko“ produktą. Tikimės, kad su juo visada gausite geriausią rezultatą, nes produktas buvo pagamintas laikantis aukščiausių kokybės standartų ir pagal moderniausias technologijas. Dėl to perskaitykite visą šį naudotojo vadovą ir kitus pridedamus dokumentus prieš naudodamiesi šiuo produktu ir pasidėkite juos ateičiai. Jei perduodate produktą kam nors kitam, taip pat perduokite ir šį vadovą. Laikykitės visų naudotojo vadove esančių įspėjimų ir informacijos.

Atsiminkite, kad šios instrukcijos taip pat gali būti taikytinos keletui kitų modelių. Šioje instrukcijoje nurodyta, kuo skiriasi įvairūs modeliai.

Simbolių vertė

Įvairiose šio vadovo dalyse naudojami šie simboliai:



Svarbi informacija arba naudingi patarimai apie naudojimą.



ĮSPĖJIMAS: Įspėjimai apie pavojingas situacijas, susijusias su gyvybės ir turto sauga.



Įspėjimas dėl elektros smūgio.



Įspėjimas dėl karštų paviršių.



Lemputė



Šis produktas pagamintas modernioje gamykloje, kurioje darbo procesai nekenkia gamtai.

1.1 Bendrieji saugos reikalavimai

Svarbios saugos instrukcijos Atidžiai perskaitykite ir pasilikite ateičiai! Šiame skyriuje pateikiama saugos informacija, kuri padės išvengti gaisro, elektros smūgio, mikrobangų krosnelės spinduliuojamos energijos poveikio pavojaus, susižeidimų ar materialinės žalos. Jei nesilaikysite šių instrukcijų, nebėbus taikoma garantija.

- „Beko“ gaminiai atitinka galiojančius saugos standartus, todėl, jeigu prietaisas arba jo maitinimo laidas būtų pažeistas, jį privalo paleisti platintojas, aptarnavimo centras ar specialistas arba bet kuris kitas įgaliotasis atstovas, kad būtų išvengta bet kokių pavojų. Klaidingi arba netinkami remonto darbai gali kelti pavojų ir riziką vartotojui.
- Šis įrenginys yra skirtas naudoti buitiniams ir panašioms tikslams, pvz.:
 - darbuotojų valgomuosiuose, pavyzdžiui, parduotuvėse, biuruose ir kitoje darbo aplinkoje;
 - ūkininkų gyvenamuosiuose namuose;
 - klientams viešbučiuose ir kitoje

gyvenamojo aplinkoje;

- viešbučiuose, kuriose siūloma nakvynė su pusryčiais.

- Prietaisą naudokite tik pagal paskirtį, aprašytą šiose naudojimo instrukcijose.
- Gamintojas neatsako už žalą, patirtą dėl netinkamo gaminio įrengimo ar naudojimo.
- Šį prietaisą leidžiama naudoti vaikams nuo 8 metų amžiaus ir asmenims, turintiems fizinių, jutimo ar psichinių negalių, arba neturintiems patirties ir žinių, kaip naudoti šį prietaisą, su sąlyga, kad jie bus prižiūrimi arba išmokyti, kaip saugiai naudoti šį prietaisą, ir supras atitinkamus pavojus.
- Neleiskite vaikams žaisti su šiuo prietaisu. Neprižiūrimi vaikai negali atlikti valymo ir naudotojo atliekamų techninės priežiūros darbų.
- Mažiausias atstumas tarp kaitlentės virimo indų atraminio paviršiaus ir žemiausios gaminio dalies turi būti bent 65 cm.
- Jei dujinės kaitlentės montavimo instrukcijose nurodytas didesnis atstumas, reikia jį atsižvelgti.
- Pasirūpinkite, kad jūsų elektros tinklo duomenys atitiktų prietaiso

1 Svarbios saugumo ir aplinkosaugos instrukcijos

kategorijos plokštelėje nurodytus duomenis.

- Niekada nenaudokite prietaiso, jeigu šis yra sugadintas arba pažeistas jo maitinimo laidas.
- Saugokite maitinimo laidą, kad jis nebūtų suspaustas, užlenktas arba trinamas į aštrius kraštus. Saugokite maitinimo kabelį nuo įkaitusių paviršių ir atviros ugnies.
- Prietaisąjunkite tik prie įžeminto elektros lizdo.

ĮSPĖJIMAS: Nejunkite prietaiso prie elektros tinklo, kol jis nėra visiškai sumontuotas.

- Prietaisą pastatykite taip, kad elektros kištukas visada būtų pasiekiamas.
- Nelieskite lempučių, jeigu jos ilgai švietė. Jos bus karštos, dėl to galite nusideginti rankas.
- Laikykitės kompetentingų valdžios institucijų nustatytų taisyklių dėl ištraukiamojo oro išleidimo (šis įspėjimas netaikomas, jeigu prietaisas naudojamas be dūmtraukio).
- Įjunkite prietaisą po to, kai pastatysite ant kaitvietės puodą, keptuvę ir t.t. Priešingu atveju dėl didelio karščio kai kurios jūsų gamtinio dalys gali deformuotis.

- Išjunkite kaitvietę prieš nuimdami nuo jos puodą, keptuvę ir t.t.
- Nepalikite ant kaitvietės karšto aliejaus. Keptuvės su karštu aliejumi gali tapti užsidegimo priežastimi.
- Atkreipkite dėmesį į užuolaidas ir uždangalus, nes kepant, pvz., bulvių šiaudelius, aliejus gali užsiliepsnoti.
- Riebalų filtrą reikia keisti bent kartą per mėnesį. Anglies filtrą reikia keisti bent kartą per 3 mėnesius.
- Gaminys turi būti valomas pagal naudojimo instrukciją. Jei valymas atliktas ne pagal naudojimo instrukciją, gali kilti gaisro pavojus.
- Vietoje dabartinio filtro nenaudokite ugniai neatsparių filtravimo medžiagų.
- Naudokite tik originalias arba gamintojo rekomenduojamas dalis.
- Nenaudokite prietaiso be filtro ir neišimkite filtrų iš veikiančio prietaiso.
- Atsiradus liepsnai, išjunkite gaminį ir maisto gamtinio prietaisus.
- Atsiradus liepsnai, ją uždenkite ir jokių būdų negesinkite vandeniu.
- Jeigu prietaiso nenaudojate arba

1 Svarbios saugumo ir aplinkosaugos instrukcijos

prieš jį valydami, atjunkite jį nuo elektros tinklo.

- Patalpoje, kurioje vienu metu veikia virš elektrinės kaitlentės montuojamas garų rinktuvas ir kiti, ne elektra maitinami prietaisai, neigiamas slėgis neturi viršyti 4 Pa (4 x 10 bar).
- Patalpoje, kurioje naudojamas prietaisas, mazutu arba dujomis kūrenamų prietaisų, pvz., šildytuvo, išmetamos dujos privalo būti visiškai izoliuotos arba tokie prietaisai privalo būti hermetiški.
- Dūmtraukiui prijungti naudokite 120 mm arba 150 mm skersmens vamzdžius. Vamzdžio jungtis turi būti kuo trumpesnė, o alkūnių skaičius – minimalus.

Pavojus uždusti! Visas pakuotės dalis laikykite vaikams nepasiekiamoje vietoje.

ATSARGIAI: Naudojant su maisto gaminimo prietaisais, liečiamos prietaiso dalys gali įkaisti.

- Gaminio išleidimo vamzdžio negalima jungti prie ortakių, kuriuose yra kitų dūmų.
- Vienu metu patalpoje naudojant virš elektrinės kaitlentės montuojamą garų rinktuvą ir dujomis arba kitu kuru kūrenamus prietaisus

ventiliacija gali būti nepakankama (ši nuostata gali būti netaikoma prietaisams, kurie orą išleidžia tik atgal į patalpą).

- Ant gaminio sudėti daiktai gali nukristi. Nedėkite jokių daiktų ant gaminio.
- Neuždeginėkite po gaminiu.

ĮSPĖJIMAS: Prieš montuodami garų rinktuvą, nuimkite apsaugines plėveles.

- Niekada nepalikite atviros liepsnos po veikiančiu garų rinktuvu.
- Naudojant gruzdintuves, jas reikia nuolat prižiūrėti: per daug įkaitęs aliejus gali užsiliepsnoti.

1.2 Atitiktis EEJA direktyvai ir atitarnavusio gaminio sutvarkymas:

Šis gaminys atitinka ES EEJA direktyvą (2012/19/ES). Šis gaminys žymimas elektros ir elektroninės įrangos atliekų (EEJA) simboliu.



Šis simbolis reiškia, kad, kai produktas tampa nebenaudojamas, jo negalima šalinti kartu su kitomis buitinėmis

atliekomis. Panaudotą prietaisą būtina pristatyti į elektros ir elektroninių prietaisų surinkimo ir perdirbi-

1 Svarbios saugumo ir aplinkosaugos instrukcijos

mo punktą. Norėdami sužinoti, apie surinkimo ir perdirbimo punktus - susisieki su vietos institucijomis arba pardavėju. Kiekvienas atliekame svarbų vaidmenį saugodami gamtą ir perdirbdami senus buitinius prietaisus.

Atitinkamas panaudotų buitinių prietaisų šalinimas padeda išvengti neigiamos žalos gamtai ir žmogaus sveikatai.

1.3 Atitiktis RoHS direktyvai

Jūsų įsigytas gaminys atitinka ES

RoHS direktyvą (2011/65/ES). Jame nėra direktyvoje nurodytų kenksmingų ar draudžiamų medžiagų.

1.4 Informacija apie pakuotę

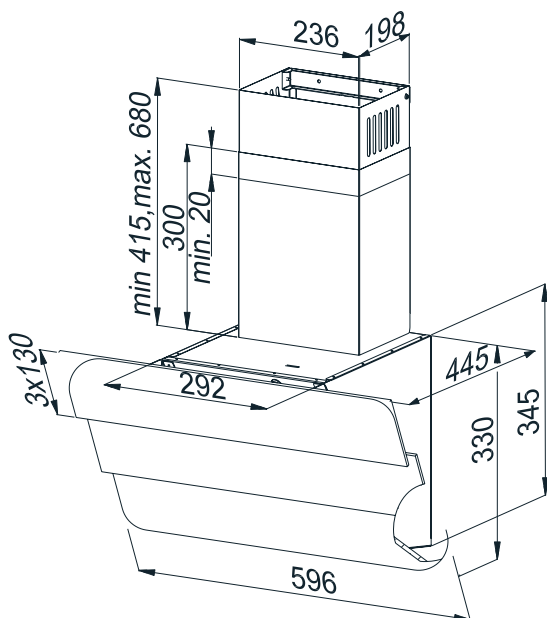


Šio gaminio pakavimo medžiagos pagamintos iš pakartotinai panaudojamų medžiagų, atsižvelgiant į mūsų nacionalinius aplinkosaugos reglamentus. Neišmeskite pakavimo medžiagų kartu su buitineis atliekomis arba kitomis šiukšlėmis. Jas atiduokite į vietinių valdžios institucijų nurodytus pakavimo medžiagų surinkimo punktus.

2 Prietaiso techninės specifikacijos

Šiame vadove ir prie gartraukio pritvirtintose etiketėse pateikti techniniai duomenys gauti atlikus matavimus ir skaičiavimus pagal EU reglamentų Nr. 65/2014 ir 66/2014 reikalavimus. Šis prietaisas atitinka Europos direktyvas 2009/125/EB ir 2011/65/EU.

1 pav. Matmenų brėžinys

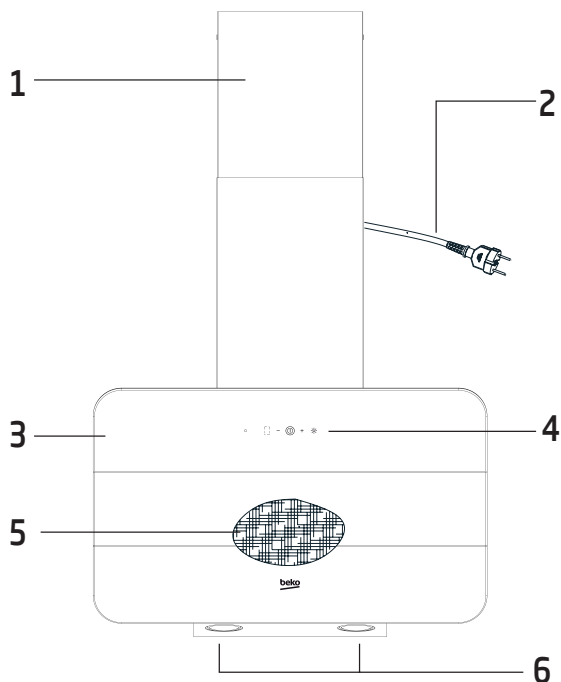


2.1 Techniniai duomenys

Modelis	HCA 62541 W / HCA 62541 B/ HCA62541BH
Tiekama elektros įtampa ir dažnis	220-240V ~ 50 Hz
Lemputės galios (W)	6 W
Variklio galios (W)	200 W
Oro srautas (m ³ /val.) - 3. lygis	365 m ³ /h
Izoliacijos klasė	I klasė

2 Prietaiso techninės specifikacijos

2 pav. Aiškinamasis virtuvės gartraukio vaizdas



1. Dūmtraukio dangtis
2. Maitinimo laidas
3. Sulankstomas atvartas
4. Palieskite valdymo skydelį
5. Aliuminio riebalų filtras
6. Apšvietimas

3 Prietaiso naudojimas

Gartraukis skirtas dūmams siurbti ruošiant maistą. Įrenginys gali veikti dviem režimais:

Kaip ekstraktorius: garai pašalinami iš patalpos ventiliaciniu vamzdžiu. Oro išleidimo vamzdis su prietaisu netiekiamas ir turi būti įsigytas atskirai.



Naudokite kuo trumpesnę garų išleidimo vamzdį.



Oro išleidimo vamzdžio vidinis paviršius turi būti kuo lygesnis (nerekomenduojama naudoti spiralinių vamzdžių).



Naudokite vamzdį su kuo mažiau posūkių (lenkimo kampai neturėtų būti didesni nei 90 laipsnių).

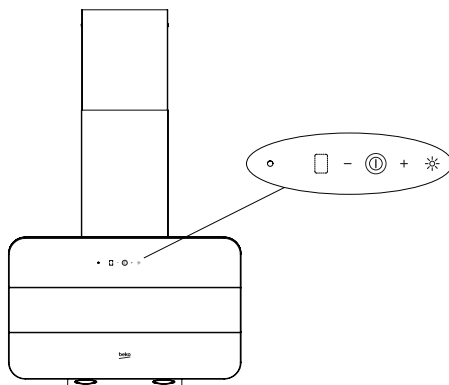


Nerekomenduojama keisti vamzdžio sekcijų (nuo didesnių iki mažesnių, pvz., oro išleidimo anga Ø150 mm iki oro išleidimo anga Ø120 mm).





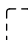
Kaip absorberis: garai išvalomi nuo tepalų ir kvapų prieš juos grąžinant į patalpą per groteles viršutiniame kamino dangtyje. Jei gartraukis veikia kaip absorberis, būtina sumontuoti aktyvųjį anglies filtrą (6 pav.). Anglies filtras nėra standartinė įranga; jį reikia įsigyti iš pardavėjo.

Gartraukyje yra jutiklinis valdiklis, esantis viršutiniame stiklo skydelyje (3 pav.).

3 pav. Jutiklinio skydelio vietos nustatymas



Jutiklinių laukų žymėjimas:

-  Gartraukio įjungimas/ išjungimas
-  Gartraukio apšvietimo įjungimas/ išjungimas
-  Turbinos greičio sumažinimas
-  Turbinos greičio didinimas
-  Skaitmeninis ekranas

3 Gartraukio veikimo valdymas

3.1 Turbinos veikimo valdymas

Budėjimo režimu valdymo pultas nešviečia, o laukai ir **+** **—** **☼** yra išjungti. Norėdami suaktyvinti valdymo pultą, palieskite lauką **Ⓞ** arba naudokite nuotolinio valdymo pultą (jei yra). Suaktyvinus valdymo pultas paryškinamas ir pasirodo jutiklinio lauko simboliai; palietus lauką turbina **Ⓞ** paleidžiama neseniai naudota pavara, palietus lauką turbina **+** paleidžiama aukščiausia pavara, o palietus lauką turbina **—** paleidžiama žemiausia pavara. Turbinos greitį galima padidinti palietus lauką **+**, sumažinti - palietus simbolį **—**. Gartraukio turbina išjungžiama palietus lauką arba palietus lauką, **Ⓞ** kai turbina veikia pirmąją pavara. Pakeitus turbinos greitį atitinkamai **—** pasikeičia ekrane rodomi skaitmenys: .

1 turbina, veikianti pirmąją pavara, 2 turbina, veikianti antrąją pavara, 3 turbina, veikianti trečiąją pavara, 4 turbina, veikianti intensyviają pavara (turbo).

Pagal EU reglamentą 66/2014 gartraukyje įrengtas automatinis penkių minučių skaitiklis, kuris automatiškai pakeičia turbinos lygį iš ketvirtos pavaros į trečią po 5 minučių (netaikoma modeliui, kurio turbinos numeris yra "5").

3.2 Apšvietimo valdymas

Norint įjungti gartraukio apšvietimą, **☼** reikia paspausti simbolį; dar kartą paspaudus simbolį, apšvietimas išjungiamas.

3.3 Papildoma informacija apie gartraukio valdymą

Gartraukio valdiklyje yra gartraukio veikimo skaitiklis. Skaitiklis nustatytas 35 valandoms. Pasibaigus laikui, ekrane rodomas simbolis **⌚** F, nurodantis **rekomenduojamą aliuminio filtro valymą**. Norint ištrinti simbolį "F" gartraukio ekrane, simbolį **—** reikia paliesti ir palaikyti nepertraukiamai maždaug 8 sekundes.

Gartraukio valdiklyje yra jutiklinio skydelio užraktas, skirtas jutikliniam skydeliui išjungti, pvz., valant gartraukį. Norėdami įjungti užraktą, palieskite ir palaikykite simbolį **Ⓞ** (maždaug 10 sekundžių), kol ekrane pasirodys simbolis **⌚** (taškas apatiniame dešiniame kampe). Norėdami grįžti prie įprasto veikimo, **Ⓞ** palieskite ir palaikykite simbolį dar kartą (maždaug 10 sekundžių), kol ekrane išnyks taškas.

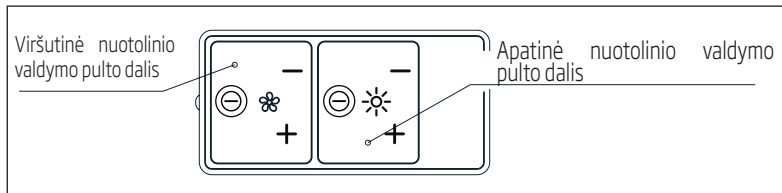
3 Gartraukio veikimo valdymas

Gartraukio valdiklyje yra laiko jungiklis, kuris išjungia gartraukio turbiną praėjus 15 minučių nuo skaitiklio įjungimo. Turbinos laiko jungiklis neišjungia apšvietimo ir turbinos greitį galima laisvai keisti. Norint įjungti laiko jungiklį, gartraukio turbina turi veikti bet koku greičiu 1, 2, 3 arba intensyvia pavara. Laikmatis suaktyvinamas laikant nuspaustą simbolį **+** (apie 10 sekundžių), kol apatiniame dešiniajame kampe pradeda mirksėti taškas. Norėdami išjungti šią funkciją, dar kartą palaikykite simbolį (apie 10 sekundžių) arba išjunkite gartraukį.

Gartraukio valdiklyje yra funkcija, kuri automatiškai išjungia turbinos veikimą, kai 2 valandas neveikia gartraukio valdymas.

Gartraukis turi nuotolinio valdymo pultą (tik pasirinkti modeliai) (4 pav.)

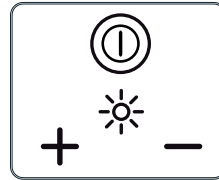
4 pav. Nuotolinio valdymo pultas



3.4 Nuotolinio valdymo pultas

Turbinos veikimas valdomas viršutine nuotolinio valdymo pulto dalimi, pažymėta kaip **⊛**. Turbina įjungiama/ išjungiama paspaudžiant mygtuką su simboliu, **Ⓢ** bet taip pat **+** ir **-** ir. Greitis didinamas paspaudžiant mygtuką, o mažinant **+** paspaudžiant mygtuką **-**.

3.5 Apšvietimo valdymas nuotolinio valdymo pultu



Apšvietimas valdomas apatine nuotolinio valdymo pulto dalimi, pažymėta kaip **☀**. Lempūtė įjungiama/ išjungiama paspaudžiant mygtuką su simboliu **Ⓢ**

Mygtukai **+** ir **-** yra išjungti.

3 Gartraukio veikimo valdymas

3.6 Maisto ruošimo proceso poveikio aplinkai mažinimo būdai

- Norėdami sumažinti energijos sąnaudas, kepkite naudodami virtuvės reikmenų dangtelius.
- Aliuminio filtrai turi būti švarūs (rekomenduojama aliuminio filtro veikimo trukmė tarp valymų yra ne daugiau kaip 35 val. gartraukio veikimo).
- Pasirūpinkite ventiliacijos vamzdžių pralaidumu.
- Gaminant maistą turbinos veikimo lygis visada turi būti nustatytas į minimalią pavarą, kad būtų galima pašalinti dūmus esant dabartiniam virimo intensyvumui.

3.7 Apšvietimo keitimas

Prieš atlikdami bet kokius darbus, susijusius su apšvietimo keitimu, būtinai atjunkite maitinimo šaltinį. Jei gartraukis anksčiau buvo įjungtas, turėtumėte palaukti, kol elektros lemputės atvės, tada galite tęsti keitimą. Lempučių keitimo procesas parodytas 5 pav.



Prieš pakeisdami lemputę atjunkite gartraukį nuo maitinimo šaltinio.

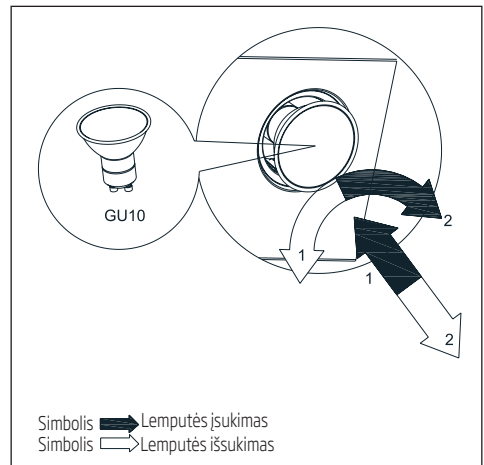


Nelieskite įkaitusių lempučių.



Nelieskite tiesiai rankomis pakeistos lemputės.

5 pav. Apšvietimo keitimas



4 Valymas ir priežiūra

Prieš atlikdami bet kokius prietaiso techninės priežiūros darbus, ištraukite kištuką iš sieninio lizdo. Gaubtą reikia valyti švelniomis valymo priemonėmis, nenaudokite abrazyvų. Reguliari techninė priežiūra žymiai pagerina gartraukio veikimą ir ilgaamžiškumą. Gaubtą reikia valyti bent kartą per mėnesį arba kas 35 gartraukio veikimo valandas. Norėdami valyti gartraukį **NEAUDOKITE ALKOHOLIO PAGRINDU PAGAMINTŲ MEDŽIAGŲ, Satino elementus (inox) reikia valyti specialiais tam skirtais preparatais.**



Nesilaikant nurodymų dėl prietaiso valymo ir filtrų pakeitimo gali kilti pavojus. Todėl rekomenduojama laikytis čia pateiktų instrukcijų. Gamintojas neatsako už jokią žalą varikliui ar gaisrą, kilusį dėl netinkamo naudojimo.

4.1 Tepalo filtras

Gartraukyje yra aliuminio filtras, kuris saugo riebalų daleles nuo virimo. Filtrą galima nuimti judinant užraktus rodyklių kryptimi (7 pav.). Filtrą reikia plauti rankomis panardinant 15 minučių į indų plovimo skystį 40-50 °C temperatūroje. Po 15 minučių galite tęsti plovimą ir tada skalauti. Filtrą reikia išdžiovinti prieš dedant į gartraukį. Filtrą taip pat galima plauti indaplovėje. Plovimo procedūros metu filtras gali išblukti, tačiau tai neturi įtakos jo filtravimo savybėms. Jei filtras nėra reguliariai valomas, tai sumažina gartraukio našumą ir gali sukelti gaisro pavojų. Filtrą reikia valyti bent kas 35 valandas po gartraukio veikimo.

4.2 Anglies filtras

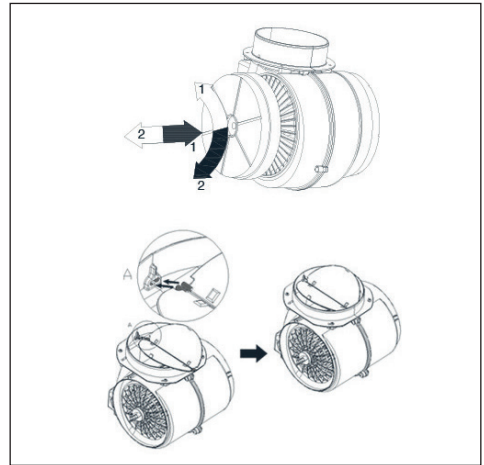
Ant gartraukio galima įrengti aktyvintos anglies filtrą. Anglies filtras įrengiamas tik tuo atveju, jei gartraukis nėra prijungtas prie ištraukimo angos.

Filtrą reikia dėti ant turbinos korpuso, kaip parodyta brėžinyje (10 pav.). Šaldytuvo filtrą reikia keisti kas 6 mėnesius.



Anglies filtras neplaunamas ir neatnaujinamas.

6 pav. The filter should be placed on the turbine casing, as shown in drawing



5 Valymas ir priežiūra



ĮSPĖJIMAS

Prieš pradėdami perskaitykite saugos instrukcijas.



ĮSPĖJIMAS

Neįstačius varžtų ar nepritvirtinus prietaiso pagal šias instrukcijas gali kilti elektros pavojus.

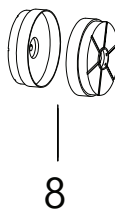
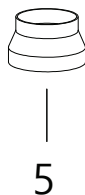
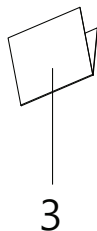
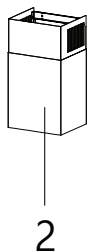
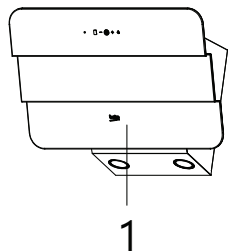
Mažiausias atstumas tarp gartraukio pakabos paviršiaus, ant kurio virtuvės reikmenys dedami ant šildymo įtaiso (dujinės arba elektrinės viryklės), ir apatinės virtuvės gartraukio dalies (7 pav.) turi būti ne mažesnis kaip 65 cm.

Jei šildymo įrenginio naudojimo instrukcijoje reikalaujama didesnio virtuvės gartraukio montavimo atstumo nei nurodyta anksčiau, vadovaukitės šiomis instrukcijomis. Gartraukio ir gartraukio kamino skydo montavimas parodytas brėžiniuose (8 pav. - 13 pav.)

Gartraukyje yra montavimo inkarai, tinkami daugumai sienų ir lubų. Montuojant būtina laikytis bendrųjų nuostatų dėl oro išleidimo iš patalpy.

5 Valymas ir priežiūra

5.1 Montavimo priedai



1. Gaubtas
2. Dūmtraukis
3. Vartotojo vadovas
4. Pūtimo sklendės
5. Ø150 / 120mm plastikinis adapteris
6. 6x HS4,0 x45 varžtas
7. 6x PW8 x40 varžtas
8. 2x anglies filtrai (HCA 62541 BH)

5 Valymas ir priežiūra

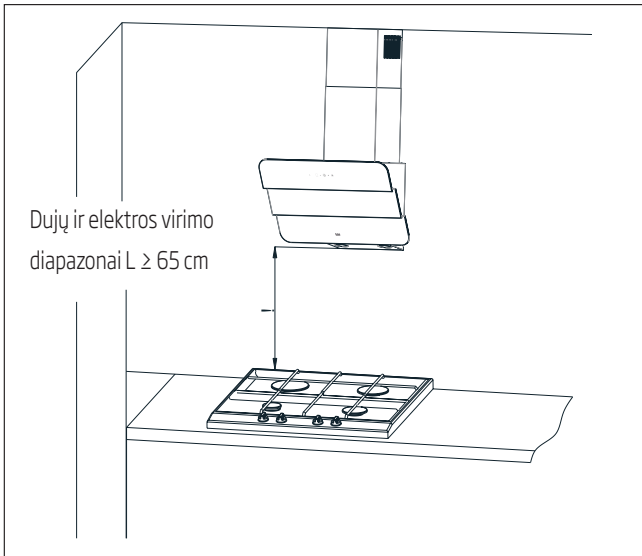


Fig.7 Siūlomas atstumas nuo virtuvės viryklės

Prieš diegiant reikia atlikti šiuos veiksmus:

- Patikrinkite, ar įsigyto produkto matmenys pritaikyti pasirinktai tikslinei vietai.
- Atjunkite ir nuimkite (jei įmanoma) baldus, esančius gartraukio montavimo vietoje, kad būtų lengva pasiekti lubas arba sieną, prie kurios bus tvirtinamas gartraukis. Jei tai neįmanoma, šalia darbo zonos esantys elementai turi būti pritvirtinti.
- Patikrinkite, ar šalia gartraukio montavimo vietos yra kištukinis lizdas ir ar gartraukį galima prijungti prie ventiliacinio vamzdžio, kuriuo iš išorės išleidžiami garai.
- Patikrinkite, ar gręžimo vietos neuždengia montavimo laidų (elektros, hidraulinių ir t. t.).
- Įrenkite šiuos įrankius: matavimo juostą, pieštuką, grąžtą/ sukтуvą, Ø8 grąžtą, atsuktuva, burbuliukų lygį.

5.2 Montavimo darbai

1. Nustatykite kaitinimo elemento ašį ir perkeltkite jį ant sienos, ant kurios bus montuojamas gartraukis. Pažymėkite visus konkrečius gartraukio montavimo taškus. Naudokite gręžimo

ir gręžimo skylės (8 pav.).

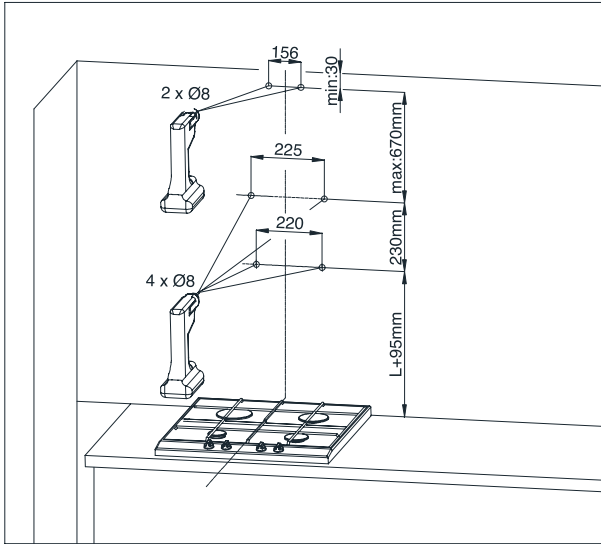
2. Įkiškite pailginimo varžtus į angas. Dviejose angose, pažymėtose kaip A įdėkite varžtus (paliekant 7 mm ilgio varžtus išorėje, kaip parodyta 9 pav.).
3. Atidarykite gartraukio sklendę ir išimkite tepalo filtrą (10 pav.).
4. Prisukite kamino dangčio apkabą, pakabinkite gartraukį ant dviejų laisvai pritvirtintų varžtų (11 pav.).
5. Padėkite burbuliukų lygį ant virtuvės gartraukio korpuso. Sukdami elementus, pažymėtus kaip A, nustatykite gartraukį horizontaliai pagal burbuliukų lygio rodmenį, tada priveržkite du laisvai pritvirtintus varžtus ir du likusius varžtus (12 pav.).
6. Uždėkite kamino dangtį ant korpuso. Tada švelniai traukite gartraukio dalį, pažymėtą kaip B, į viršų, kol galėsite prisukti ją prie anksčiau prie sienos pritvirtintos apkabos (13 pav.).



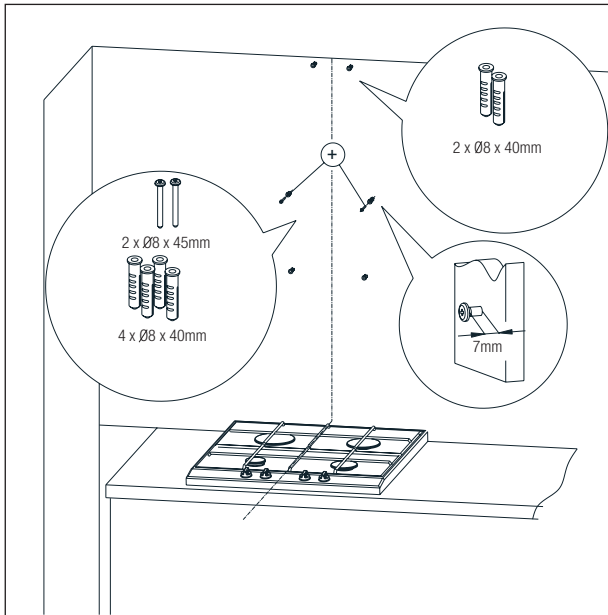
Montavimas turi būti atliekamas labai atsargiai, kad nebūtų subraižytas kamino dangtis ir gartraukis.

5 Valymas ir priežiūra

8 pav. Montavimo matmenys

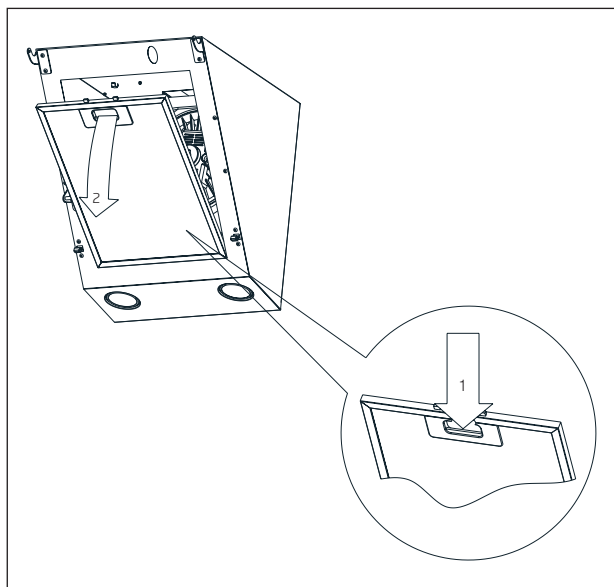


9 pav. Prailginimo varžtų surinkimas

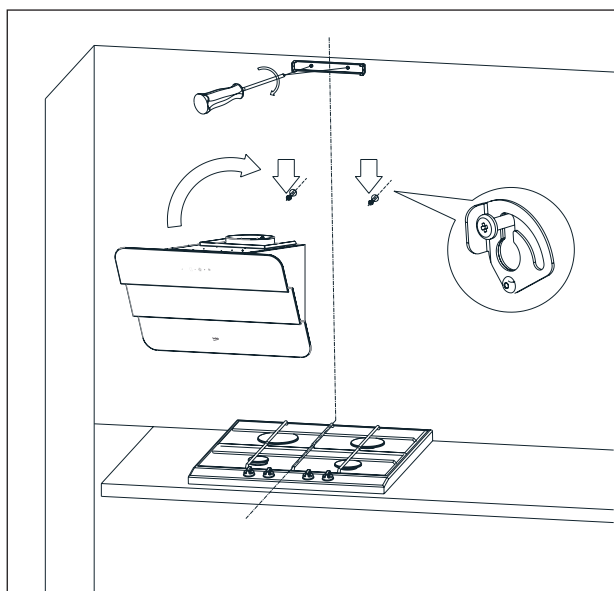


5 Valymas ir priežiūra

10 pav. Aliuminio tepalo filtro išmontavimas



11 pav. Gartraukio pakabinimas



5.3 Elektros jungtys

Maitinimo tinklo įtampa turi atitikti įtampą, nurodytą duomenų plokštelėje, pritvirtintoje prie gartraukio vidaus. Jei virtuvės gartraukyje yra kištukas, jį reikia įkišti į lizdinę jungtį, atitinkančią privalomų taisyklių reikalavimus ir esančią lengvai pasiekiamoje vietoje. Jei gartraukyje nėra kištuko, gartraukio montavimas turėtų būti patikėtas asmeniui, turinčiam atitinkamus leidimus (pvz., elektrikui).

7 Trikčių šalinimas

Trikčių šalinimas	Priežastis	Pagalba
Gaminys neveikia.	Patikrinkite saugiklį.	Saugiklis gali būti uždarytas, atidarykite jį.
Gaminys neveikia.	Patikrinkite elektros jungtį.	Tinklo įtampa turėtų būti 220 - 240 V.
Gaminys neveikia.	Patikrinkite elektros jungtį.	Patikrinkite, ar kiti jūsų virtuvės gaminiai veikia.
Apšvietimo lemputė neveikia.	Patikrinkite elektros jungtį.	Tinklo įtampa turėtų būti 220 - 240 V.
Apšvietimo lemputė neveikia.	Patikrinkite lemputės jungiklį.	Lemputės jungiklis turėtų būti įjungtas.
Apšvietimo lemputė neveikia.	Patikrinkite lemputes.	Gaminio lemputės neturėtų būti sugedusios.
Gaminio oro įsiurbimas prastas.	Patikrinkite aliuminio filtrą.	Aliuminio alyvos filtrą normaliomis sąlygomis reikia valyti bent kartą per mėnesį.
Gaminio oro įsiurbimas prastas.	Patikrinkite oro išleidimo angą.	Oro išleidimo dūmtraukis turėtų būti „įjungtas“ padėtyje.
Gaminio oro įsiurbimas prastas.	Patikrinkite anglies filtrą.	Gaminiams su anglies filtrais paprastai filtrus reikia keisti kas 3 mėnesius.

Lūdzu, vispirms izlasiet šo lietotāja rokasgrāmatu!

Cienītie klienti!

Paldies, ka izvēlējāties šo Beko izstrādājumu. Mēs ceram, ka iegūsit vislabākos rezultātus no izstrādājuma, kas ražots pēc augstas kvalitātes un mūsdienīgas tehnoloģijas. Tāpēc, pirms izstrādājuma lietošanas, lūdzu, uzmanīgi izlasiet visu lietotāja rokasgrāmatu un visus citus pievienotos dokumentus un saglabājiet tos uzziņai turpmākai lietošanai. Ja izstrādājumu nododat kādam citam, nododiet arī lietotāja rokasgrāmatu. Ievērojiet visus lietotāja rokasgrāmatā dotos brīdinājumus un informāciju.

Atcerieties, ka šī lietotāja rokasgrāmata var attiekties arī uz citiem modeļiem. Atšķirības starp modeļiem ir sīkāk aprakstītas šajā rokasgrāmatā.

Simbolu nozīme

Dažādās šīs rokasgrāmatas nodaļās ir atrodami tālāk norādītie simboli:



Svarīga informācija un noderīgi padomi par lietošanu.



BRĪDINĀJUMS. Brīdinājums par bīstamām situācijām, kas attiecas uz dzīvības un īpašuma apdraudējumu.



Brīdinājums par elektriskās strāvas triecienu.



Brīdinājums par karstām virsmām.



Lampa



Šis izstrādājums ir ražots videi draudzīgās, modernās ražotnēs, neradot kaitējumu dabai.

1 Svarīgas drošības un vides instrukcijas

1.1. Vispārējā drošība

Svarīgas drošības instrukcijas, uzmanīgi izlasiet un ņemiet vērā turpmākos norādījumus Šajā sadaļā ir drošības norādījumi, kas palīdzēs aizsargāties no ugunsgrēka, elektriskās strāvas trieciena, noplūdes mikroviļņu enerģijas iedarbības, miesas bojājumiem vai īpašuma bojājumiem. Neievērojot šos norādījumus, garantija zaudē spēku.

- Beko izstrādājumi atbilst piemērojamajiem drošības standartiem; tāpēc, ja ierīcei vai strāvas kabelim ir kādi bojājumi, tie ir jālabo vai jānomaina izplatītājam, servisa centram vai arī speciālistam, kā arī pilnvarotam servisa dienestam, lai izvairītos no jebkāda riska. Kļūdaini vai nekvalificēti remonta darbi var būt bīstami un radīt risku lietotājam.
- Šī ierīce ir paredzēta izmantošanai mājāsaimniecībā un līdzīgos gadījumos, piemēram:
 - personāla virtuves zonās veikalos, birojos un citās darba vidēs;
 - saimniecību ēkās;
 - klientiem viesnīcās, moteļos un citās dzīvojamā tipa vidēs;
 - gultas un brokastu tipa vidēs.

- Izmantojiet ierīci paredzētajam mērķim tikai šajā rokasgrāmatā aprakstītajā veidā.
- Izgatavotājs nav atbildīgs par zaudējumiem, kas radušies nepareizas izstrādājuma uzstādīšanas vai nepareizas lietošanas dēļ.
- Šo ierīci var izmantot bērni, kas vecāki par 8 gadiem, un cilvēki ar fiziskiem, kustību vai garīgiem traucējumiem vai pieredzes un zināšanu trūkumu, ja viņi tiek uzraudzīti vai arī viņi ir apmācīti izmantot ierīci drošā veidā un apzinās iespējamās riskus.
- Bērniem nav atļauts spēlēties ar ierīci. Bērni nedrīkst veikt tās tīrīšanu un uzturēšanu bez uzraudzības.
- Minimālajam attālumam starp plīts vārīšanas trauku atbalsta virsmu un izstrādājuma zemāko daļu jābūt vismaz 65 cm
- Ja gāzes plīts uzstādīšanas instrukcijās norādīts lielāks attālums, tas ir jāņem vērā.
- Pārliedzinieties, vai strāvas padeve atbilst informācijai, kas sniegta uz ierīces datu plāksnītes.
- Nekādā gadījumā nelietojiet ierīci, ja ir bojāts strāvas kabelis vai pati ierīce.

1 Svarīgas drošības un vides instrukcijas

- Novērsiet strāvas kabeļa bojājumus, nespiežot, neliecot un neberzējot to uz asām malām. Sargājiet strāvas kabeli no karstām virsmām un atklātas uguns.
 - Izmantojiet ierīci tikai ar iezemētu kontaktligzdu.
- BRĪDINĀJUMS:** Nepievienojiet ierīci elektrotīklam, līdz uzstādīšana nav pabeigta.
- Novietojiet ierīci tā, lai kontaktdakša būtu vienmēr pieejama.
 - Nepieskarieties lampām, ja tās ilgi darbojas. Tās var apdedzināt rokas, jo būs karstas.
 - Ievērojiet kompetento iestāžu noteiktos noteikumus par izplūdes gaisa novadīšanu (šis brīdinājums nav piemērojams lietošanai bez dūmvada).
 - Darbiniet ierīci pēc katla, pannas utt. novietošanas uz plīts. Pretējā gadījumā liels karstums var izraisīt deformācijas dažās jūsu izstrādājuma daļās.
 - Pirms noņemiet katlu, pannu utt. no tās, izslēdziet plīti.
 - Neatstājiet karstu eļļu uz plīts virsmas. Pannas ar karstu eļļu var izraisīt pašaiizdeģšanos.
 - Pievērsiet uzmanību aizkariem un pārsegumiem, jo eļļa var aizdegties, gatavojot ēdienu, piemēram, ceptus kartupeļus.
 - Tauku filtrs jāmaina vismaz reizi mēnesī. Oglekļa filtrs jāmaina vismaz reizi 3 mēnešos.
 - Izstrādājums jātīra saskaņā ar lietotāja rokasgrāmatu. Ja tīrīšana netika veikta saskaņā ar lietotāja rokasgrāmatu, var tikt izraisīta ugunsbīstamība.
 - Pašreizējā filtra vietā nelietojiet ugunsneizturīgus filtrēšanas materiālus.
 - Izmantojiet tikai oriģinālās vai ražotāja ieteiktās detaļas.
 - Nedarbiniet izstrādājumu bez filtra un neizņemiet filtrus, kamēr izstrādājums darbojas.
 - Liesmu gadījumā atvienojiet izstrādājumu un ēdiena gatavošanas ierīces.
 - Ja rodas liesma, aplājiet liesmu un nekad nelietojiet ūdeni dzēšanai.
 - Pirms katras tīrīšanas reizes un ja ierīce netiek lietota, atvienojiet ierīci no elektrotīkla.
 - Kamēr elektriskās plīts virsmu un ierīču, kas darbojas ar cita veida enerģiju, bet elektroenerģijas avots darbojas vienlaicīgi, negatīvais spiediens vidē nedrīkst pārsniegt 4 Pa (4 x 10 bāri).

1 Svarīgas drošības un vides instrukcijas

- Apkārtējā vidē, kurā ierīci lieto, ierīcēm, kas darbojas ar mazutu vai gāzi, piemēram, istabas sildītājam, jābūt absolūti izolētiem vai arī ierīcei jābūt hermētiskai.
- Pievienojot dūmvadu, izmantojiet caurules ar diametru 120 vai 150 mm. Cauruļu savienojumam jābūt pēc iespējas īsākam un ar pēc iespējas mazāk izliekumu.

Sadursmes risks! Glabājiet visus iepakojuma materiālus prom no bērniem.

PIESARDZĪBA! Pieejamas detaļas var sakarst, ja tās lieto kopā ar ēdiena gatavošanas ierīcēm..

- Izstrādājuma izeju nedrīkst savienot ar gaisa kanāliem, kas satur citus dūmus.
- Ventilācija telpā var būt nepietiekama, ja elektriskās plīts tvaika nosūcējs tiek izmantots vienlaikus ar ierīcēm, kuras darbina ar gāzi vai citu degvielu (tas var neattiekties uz ierīcēm, kuras gaisu izvada atpakaļ telpā).
- Uz izstrādājuma novietotie priekšmeti var nokrist. Nenovietojiet uz izstrādājuma nekādus priekšmetus.
- Neflambējiet zem izstrādājuma.

BRĪDINĀJUMS: Pirms nosūcēja

uzstādīšanas noņemiet aizsargplēves.

- Nekad neatstājiet zem nosūcēja atklātu liesmu, ja tas darbojas
- Lietošanas laikā ir nepārtraukti jāuzrauga cepšana lielā tauku daudzumā: pārkarsēta eļļa var izraisīt liesmas.

1.2 Atbilstība WEEE direktīvai un atkritumu likvidēšana

Šī ierīce atbilst EU WEEE direktīvai (2012/19/EU). Šis izstrādājums ir klasificēts elektrisko un elektronisko atkritumu (WEEE) simbols.



Šis simbols norāda, ka pēc kalpošanas laika šo izstrādājumu nedrīkst izmest kopā ar citiem sadzīves atkritumiem. Lietotā ierīce jānodod oficiālajā savākšanas vietā, lai pārstrādātu elektriskās un elektroniskās ierīces. Lai atrastu šīs savākšanas sistēmas, lūdzu, sazināties ar vietējām valsts iestādēm vai mazumtirgotāju, kur izstrādājums tika iegādāts. Katra mājsaimniecība pilda svarīgu lomu atgūstot un pārstrādājot veco ierīci. Lietotas ierīces atbilstoša iznīcināšana palīdz novērst iespējamās negatīvās sekas videi

1 Svarīgas drošības un vides instrukcijas

un cilvēku veselībai.

1.3 Atbilstība RoHS direktīvai

Jūsu iegādātais izstrādājums atbilst ES RoHS direktīvai (2011/65/EU). Tas nesatur kaitīgus un aizliegtus materiālus, kas norādīti direktīvā.

1.4 Informācija par iepakojumu

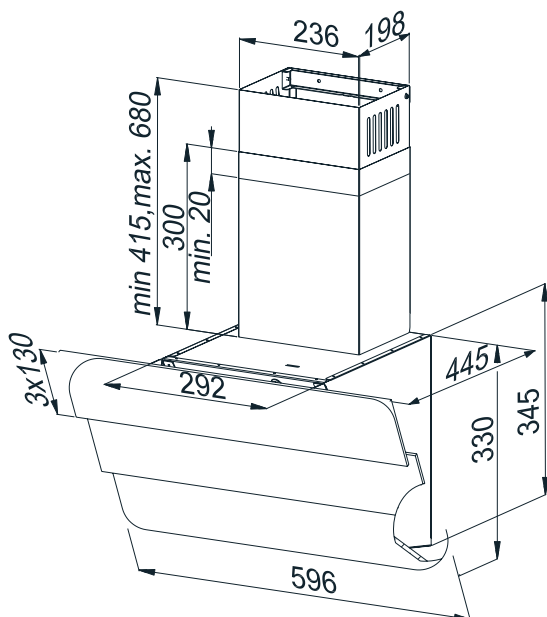


Izstrādājuma iepakojuma materiāli ir izgatavoti no pārstrādājamiem materiāliem saskaņā ar mūsu nacionālajiem vides noteikumiem. Neatbrīvojieties no iepakojuma materiāliem, izmetot tos kopā ar mājsaimniecības vai cita veida atkritumiem. Nogādājiet tos uz vietējo iestāžu norādītajiem iepakojuma materiālu savākšanas punktiem.

2 Jūsu ierīces tehniskās specifikācijas

Šajā rokasgrāmatā un tvaika nosūcējam piestiprinātajās etiķetēs norādītie tehniskie dati tika iegūti mērījumos un aprēķinos saskaņā ar EU Regulas Nr. 65/2014 un 66/2014 prasībām. Šī ierīce atbilst Eiropas Direktīvai 2009/125/EK un 2011/65/EU.

1. att. Izmēru rasējums

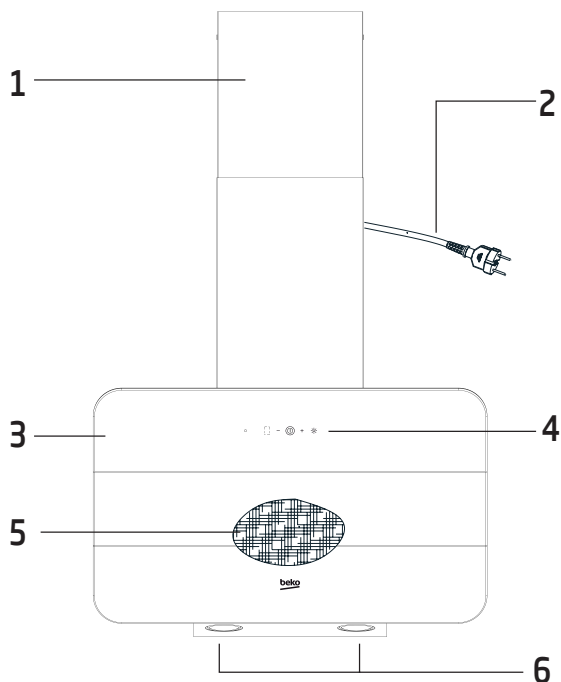


2.1 Techniniai duomenys

Modelis	HCA 62541 W / HCA 62541 B/ HCA62541BH
Barošanas spriegums un frekvence	220-240V ~ 50 Hz
Lampas jauda (W)	6 W
Motora jauda (W)	200 W
Gaisa plūsma (m ³ /h) - 3. Līmenis	365 m ³ /h
Izolācijas klase	I klasē

2 Jūsu ierīces tehniskās specifikācijas

2. att. Virtuves tvaika nosūcēja attēls ar paskaidrojumiem



1. Skursteņa pārsegs
2. Strāvas padeves vads
3. Šarnīra atloka
4. Pieskarīeties vadības panelim
5. Alumīnija tauku filtrs
6. Apgaismojums

3 Ierīces lietošana

Tvaika nosūcējs ir paredzēts izplūdes gāzu nosūkšanai maltīšu gatavošanas laikā. Ierīci var darbināt divos veidos:

Kā tvaika nosūcēju: tvaiki tiek izvadīti ārā no telpas pa ventilācijas cauruli. Ventilācijas caurule nav iekļauta ierīces komplektā un ir jāiegādājas atsevišķi.



Izmantojiet iespējami īsāko tvaiku izvadīšanas cauruli.



Ventilācijas caurulei ir nepieciešama pēc iespējas gludāka virsma (nav ieteicams izmantot spīro tipa caurules).



Izmantojiet cauruli ar pēc iespējas mazāku līkumu skaitu (līkuma leņķiem nevajadzētu pārsniegt 90 grādus).

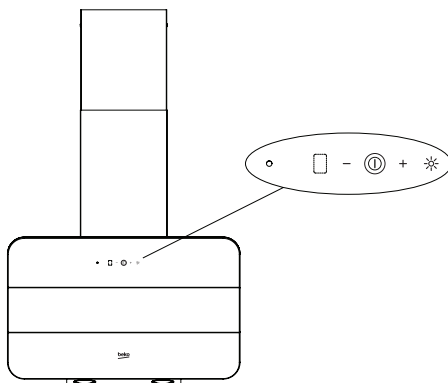


Nav ieteicams ievietot caurules sekciju pārejas (no lielākām uz mazākām, piem., gaisa izvads Ø150 mm uz gaisa izvadu Ø120mm).

Kā absorbentu: tvaiki tiek attīrīti no taukvielām un smakām, pirms tie caur režģi, kas atrodas uz augšējā skursteņa pārsega, nonāk atpakaļ telpā. Ja tvaika nosūcējs darbosies kā absorbents, ir nepieciešams uzstādīt aktīvās ogles filtru (6. att.). Ogles filtrs nav iekļauts standarta aprīkojumā; tas ir jāiegādājas tirdzniecības vietā.

Tvaika nosūcējam ir skārienjutīga vadība, kas atrodas uz augšējā stikla paneļa (3. att.).

3. att. Skārienjutīgā paneļa atrašanās vieta



Skārienjutīgo lauku apzīmējums:

ⓘ Tvaika nosūcēja ieslēgšana/izslēgšana

☀ Apgaismojuma ieslēgšana/izslēgšana

— Turbīnas ātruma samazināšana

⊕ Turbīnas ātruma palielināšana

[] Digitālais displejs

3 Tvaika nosūcēja darbības pārvaldība

3.1. Turbīnas darbības vadība

Gaidstāves režīmā vadības panelis nav izgaismots un lauki **+**, **—** un **✳** ir atspējoti. Lai ieslēgtu vadības paneli, pieskarieties laukam **⊕** vai izmantojiet tālvadības pultī (ja tāda ir). Pēc ieslēgšanas vadības panelis izgaismojas un parādās skārienjutīgā lauka simboli; pieskaroties laukam **⊕**, turbīna sāks darboties ar pēdējo izmantoto ātrumu, pieskaroties laukam **+**, turbīna sāks darboties ar lielāko ātrumu, un, pieskaroties laukam **—**, turbīna sāks darboties ar mazāko ātrumu.

Turbīnas ātrumu var palielināt, pieskaroties laukam **+**, un samazināt, pieskaroties simbolam **—**. Tvaika nosūcēja turbīnu izslēdz, pieskaroties laukam **⊕** vai pēc pieskaršanās laukam, **—** kad turbīna darbojas pirmajā ātrumā Mainot turbīnas ātrumu, attiecīgi mainās displejā redzami skaitļi:

1- turbīna darbojas pirmajā ātrumā, 2- turbīna darbojas otrajā ātrumā, 3- turbīna darbojas trešajā ātrumā, 4- turbīna darbojas intensīvajā ātrumā (turbo).

Saskaņā ar EU Regulu 66/2014 tvaika nosūcējam ir automātisks piecu minūšu taimeris, kas automātiski maina turbīnas griešanās ātrumu no ceturtā uz trešo, kad ir pagājušas 5 minūtes (neattiecas uz modeli, kam turbīnas numurs ir "5").

3.2. Apgaismojuma vadība

Lai ieslēgtu tvaika nosūcēja gaismu, piespiediet simbolu **✳**; vēlreiz nospiežot simbolu, gaisma tiks izslēgta.

3.3. Papildinformācija par tvaika nosūcēja vadību

Tvaika nosūcēja vadībai ir tvaika nosūcēja darbības taimeris. Taimeris ir iestatīts uz 35 stundām. Kad ir pagājis minētais laiks, displejā parādās simbols **⌚**, kas norāda uz **ieteicamo alumīnija filtra tīrīšanu**. Lai dzēstu simbolu "F" no tvaika nosūcēja displeja, pieskarieties un apmēram 8 sekundes

turiet piespiestu simbolu **—**.

Tvaika nosūcēja vadības sistēmai ir skārienpaneļa bloķētājs, kas izslēdz skārienpaneli, piemēram, kad tīrāt tvaika nosūcēju. Lai ieslēgtu bloķētāju, pieskarieties un turiet piespiestu simbolu **⊕** (apmēram 10 sekundes), līdz displejā parādās simbols **⌚** (punktīņš apakšējā labajā stūrī). Lai atgrieztos pie normālas darbības, vēlreiz pieskarieties un turiet piespiestu simbolu **⊕** (apmēram 10 sekundes), līdz displejā redzamais punktīņš izdziest.

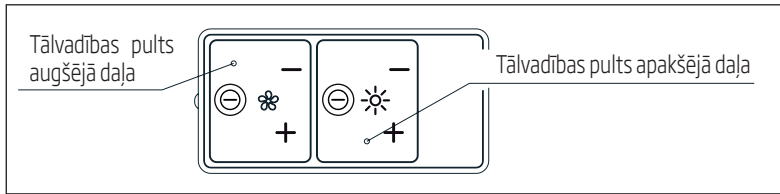
3 Tvaika nosūcēja darbības pārvaldība

Tvaika nosūcēja vadībai ir laika slēdzis, kas izslēdz turbīnu, kad pagājušas 15 minūtes kopš taimera ieslēgšanas. Turbīnas laika slēdzis neizslēdz apgaismojumu un turbīnas ātrumu var brīvi mainīt. Lai ieslēgtu laika slēdzi, tvaika nosūcēja turbīnai ir jādarbojas jebkurā ātrumā 1, 2, 3 vai intensīvajā ātrumā. Taimeris aktivizē, turot piespiestu simbolu **+** (apmēram 10 sekundes), līdz apakšējā labajā stūrī sāk mirgot punktiņš. Lai atspējotu šo iezīmi, vēlreiz turiet piespiestu simbolu (apmēram 10 sekundes) vai izslēdziet tvaika nosūcēju.

Nosūcēja vadībai ir iezīme, kas automātiski izslēdz turbīnu, ja tvaika nosūcēja vadība 2 stundas ir bijusi neaktīva.

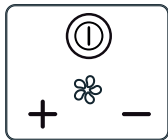
Tvaika nosūcējam ir tāl vadība (tikai konkrētos modeļos) (4. att.)

4. att. Tālvadības pults



3.4. Tālvadības pults lietošana

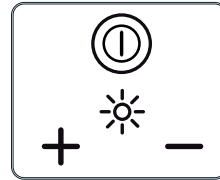
Turbīnas darbību vada ar tālvadības pults augšējo daļu, kas apzīmēta ar ☀.



Turbīnu ieslēdz/izslēdz, piespiežot pogu ar simbolu ☀, un arī ar un Ⓜ Ātrumu palielina, + piespiežot pogu, — un

samazina + piespiežot pogu —

3.5. Attālināta apgaismojuma vadība



Apgaismojumu vadība tiek veikta no tālvadības pults apakšējās daļas, kas apzīmēta ar ☀. Turbīnu ieslēdz/izslēdz, piespiežot pogu ar simbolu ☀, un arī ar un Ⓜ.

Pogas + un — ir atspējotas.

3 Tvaika nosūcēja darbības pārvaldība

3.6. Paņēmieni, ar kuriem samazināt gatavošanas ietekmi uz vidi

- Lai samazinātu energopatēriņu, gatavošanas laikā virtuves traukiem uzlieciet vāku.
- Alumīnija filtri ir jāuztur tīri (ieteicamais alumīnija filtra darbības ilgums starp tīrīšanas reizēm ir ne vairāk kā 35 h tvaika nosūcēja darbības stundas).
- Parūpējieties par ventilācijas cauruļu caurlaidību.
- Turbīnas ātrums gatavošanas laikā vienmēr ir jāiestata uz minimālo, kas ļaus izvadīt tvaikus atbilstoši gatavošanas intensitātei.

3.7. Apgaismojuma maiņa

Pirms sākat ar gaismas ķermeņu maiņu saistītas darbības, obligāti atvienojiet vadu no barošanas avota. Ja tvaika nosūcējs pirms tam bija ieslēgts, pagaidiet, kamēr spuldzes atdziest, un tad nomainiet tās. Spuldžu maiņas process ir parādīts 5. att.



Pirms spuldžu nomaiņas atvienojiet tvaika nosūcēja barošanas avotu.

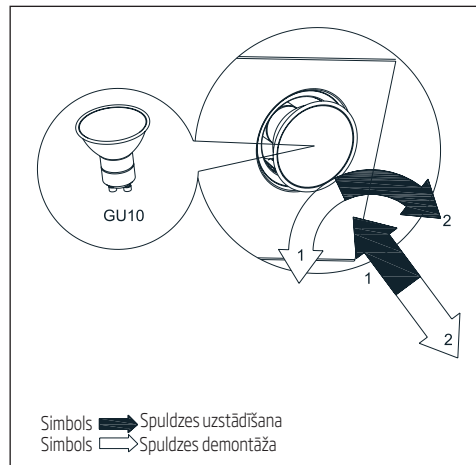


Nepieskarieties spuldzēm, ja tās ir karstas.



Esiet piesardzīgi, nepieskarieties nomainītajai spuldzei tieši ar rokām.

5. att. Apgaismojuma maiņa



4 Tīrīšana Un Apkope

Pirms iekārtas apkopes darbību veikšanas atvienojiet kontaktdakšu no sienas rozetes. Tvaika nosūcējs ir jānotīra ar maigiem tīrīšanas līdzekļiem, neizmantojiet abrazīvus tīrīšanas līdzekļus. Regulāra apkope būtiski uzlabo tvaika nosūcēja veikspēju un kalpošanas laiku. Tvaika nosūcējs ir jātīra vismaz reizi mēnesī vai ik pēc 35 darbības stundām. **NETĪRIET tvaika nosūcēju AR ALKOHOLA BĀZES TĪRĪŠANAS LĪDZEKĻIEM.** Satīna virsmas (inox) ir jātīra ar īpašiem preparātiem.



Ja netiek ievēroti noteikumi par ierīces tīrīšanu un filtru nomaiņu, tas var izraisīt ugunsbīstamību. Tāpēc ieteicams ievērot šeit sniegtos norādījumus. Ražotājs nav atbildīgs par motora bojājumiem vai ugunsgrēkiem, kas radušies nepareizas lietošanas dēļ.

4.1. Tauku filtrs

Tvaika nosūcējam ir alumīnija filtrs, kas savāc gatavošanas laikā radušās tauku daļiņas. Filtru var izņemt, atvienojot fiksatorus bultiņu virzienā (7. att.). Filtru mazgājiet ar rokām, iemērcot uz 15 minūtēm 40-50°C siltā ūdenī, kam pievienots trauku mazgāšanas līdzeklis. Pēc 15 minūtēm varat mazgāt un izskalot filtru. Pirms ievietošanas atpakaļ tvaika nosūcējā filtram ir jābūt sausam. Filtru var mazgāt arī trauku mazgāšanas mašīnā. Mazgāšanas laikā filtrs var mainīt krāsu, taču tas neietekmē filtrēšanas īpašības. Ja filtrs netiek regulāri tīrīts, tas samazina tvaika nosūcēja veikspēju un var izraisīt ugunsgrēka risku. Filtru vajadzētu tīrīt vismaz ik pēc 35 tvaika nosūcēja darbības stundām.

4.2. Ogles filtrs

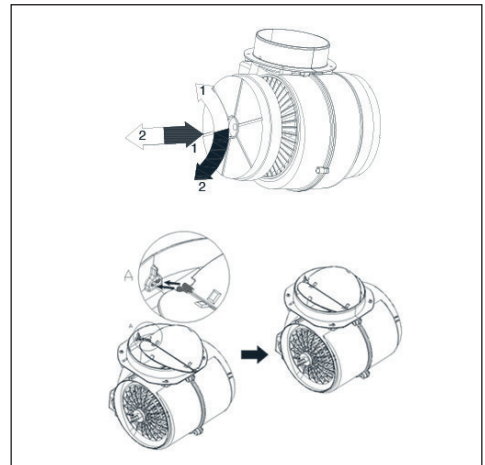
Tvaika nosūcēju var aprīkot ar aktīvās ogles filtru. Oglekļa filtru lieto tikai tad, ja tvaika nosūcējs nav pievienots ventilācijas kanālam.

Filtram vajadzētu būt novietotam uz turbīnas ietvara, kā parādīts rasējumā (10. att.). Ledusskapja filtrs jāmaina ik pēc 6 mēnešiem.



Ogles filtru nedrīkst mazgāt vai atjaunot.

6. att. Ogles filtra maiņa



4 Tīrīšana Un Apkope



BRĪDINĀJUMS

Pirms iestatīšanas, lūdzu, izlasiet drošības instrukcijas.



BRĪDINĀJUMS

Ja skrūves vai stiprinājuma ierīci neuzstāda saskaņā ar šīm instrukcijām, tas var izraisīt elektriskā apdraudējuma risku.

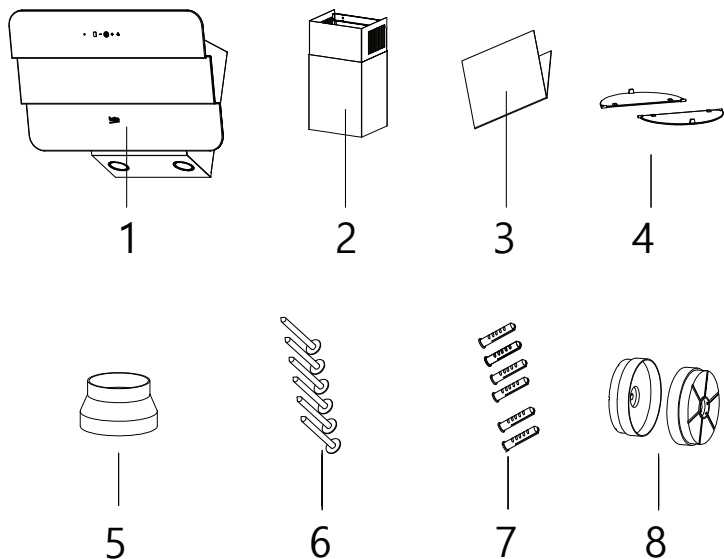
Minimālajam tvaika nosūcēja piekares attālumam starp gatavošanas virsmu (gāzes vai elektriskā plīts), uz kuras tiek likti trauki, un zemāko virtuves plīts daļu (7. att.) ir jābūt ne mazākam par 65 cm.

Ja gatavošanas ierīces lietošanas rokasgrāmatā ir norādīta prasība par lielāku uzstādīšanas attālumu no virtuves plīts, nekā norādīts augstāk, lūdzu, ievērojiet šīs norādes. Tvaika nosūcēja uzstādīšana un tvaika nosūcēja skursteņa pārsegs ir parādīti rasējumos (8. att. - 13. att.)

Tvaika nosūcējam ir montāžas enkuri, kas ir piemēroti lielākajai daļai sienu un griestu. Uzstādīšanas procesā ir jāievēro vispārējās prasības gaisa nosūkšanai no telpām.

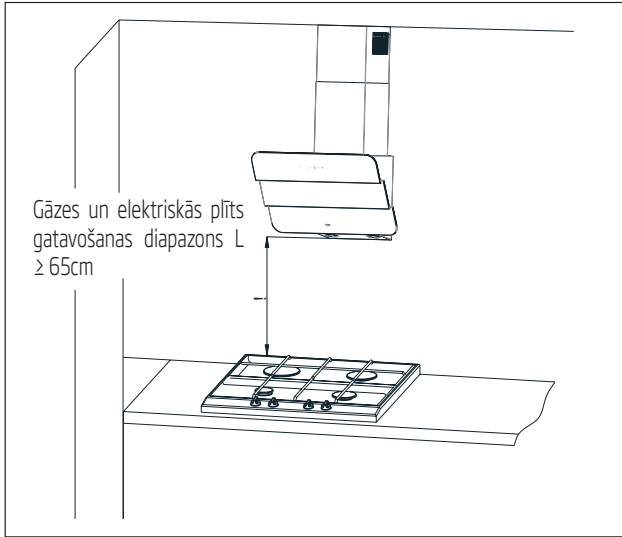
4 Ierīces uzstādīšana

5.1 Instalācijas piederumi



1. Kapuce
2. Skurstenis
3. Lietotāja rokasgrāmata
4. Pūtēja atloki
5. Ø150 / 120mm plastmasas adapteris
6. 6x HS4,0 x45 skrūve
7. 6x skrūvējams spraudnis PW8 x40
8. 2x oglekļa filtri (HCA 62541 BH)

5 Ierīces uzstādīšana



7.att Ierosinātais attālums no virtuves pīts

Pirms uzstādīšanas jums ir jāpaveic tālāk norādītais:

- Pārbaudiet, vai iegādātā produkta izmēri ir piemēroti izvēlētajai uzstādīšanas vietai.
- Atvienojiet un noņemiet (ja iespējams) mēbeles, kas atrodas tvaika nosūcēja uzstādīšanas vietā, lai būtu vieglāk piekļūt griestiem vai sienām, kur paredzēts stiprināt tvaika nosūcēju. Ja tas nav iespējams, darba zonas tuvumā esošie elementi ir jāpasargā.
- Pārbaudiet, vai tvaika nosūcēja uzstādīšanas zonas tuvumā atrodas elektrības rozete un tvaika nosūcēju var pievienot ventilācijas caurulei, caur kuru izvadīt tvaikus.
- Pārbaudiet, vai zem urbšanas punktiem neatrodas vadi (elektrības, hidrauliskie utt.).
- Jums būs nepieciešami šādi instrumenti: mērlente, zīmulis, urbis/skrūvgriezis, urbja gals Ø8, skrūvgriezis, līmeņrādis.

5.2. Uzstādīšanas darbi

1. Nosakiet sildelementa asi un pārnesiet to uz sienas, kur tiks uzstādīts tvaika nosūcējs. Iezīmējiet visus konkrētos tvaika nosūcēja

montāžas punktus. Ar urbi izurbiet caurumus (8. att.).

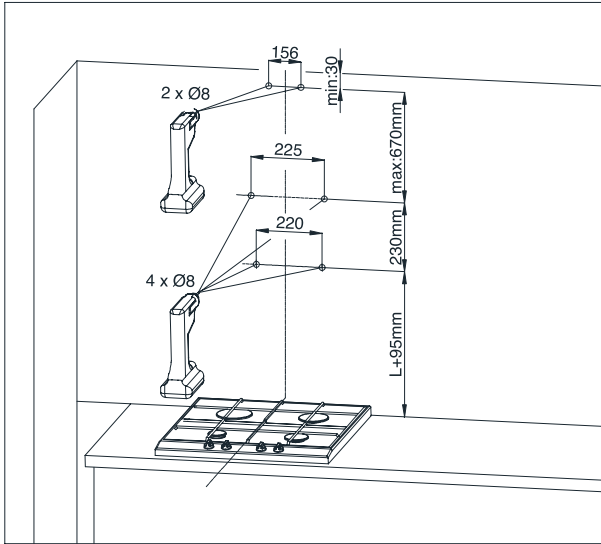
2. Ievietojiet caurumos dībeļus. Abos caurumos, kas apzīmēti ar A, ievietojiet skrūves (atstājot ārpusē 7 mm no skrūves, kā norādīts 9. att.).
3. Atveriet tvaika nosūcēja aizvērtņi un izņemiet eļļas filtru (10. att.)
4. Pieskrūvējiet skursteņa pārsega skavu, uzkariniet tvaika nosūcēju uz divām brīvi ievietotajām skrūvēm (11. att.).
5. Novietojiet līmeņrādi uz virtuves tvaika nosūcēja korpusa. Pagriežot elementus, kas atzīmēti ar A, novietojiet tvaika nosūcēju horizontāli atbilstoši līmeņrāža rādījumam un pievelciet abas brīvi ievietotās skrūves un vēl divas atlikušās skrūves (12. att.).
6. Novietojiet skursteņa pārsegu uz korpusa. Tad uzmanīgi izvelciet daļu tvaika nosūcēja, kas atzīmēts ar B, uz augšu, līdz jūs varēsīt to pieskrūvēt pie skavas, kas iepriekš bija piestiprināta sienai (13. att.).



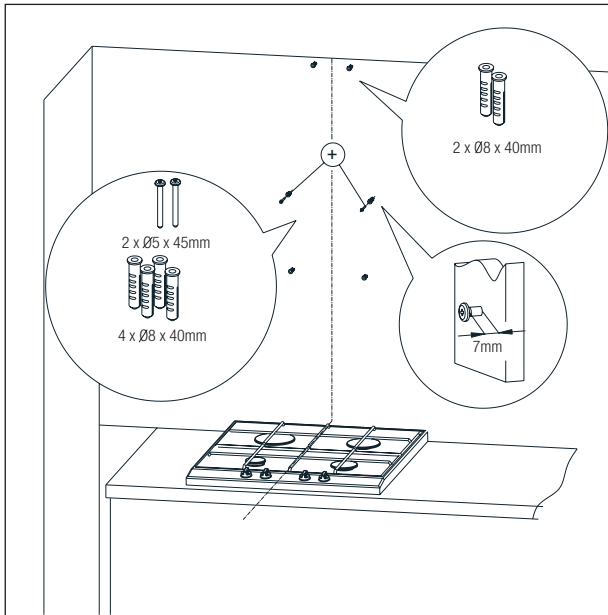
Uzstādīšana ir jāveic ļoti rūpīgi, lai nesaskrāpētu skursteņa pārsegu un tvaika nosūcēju.

5 Ierīces uzstādīšana

8. att. Uzstādīšanas izmēri

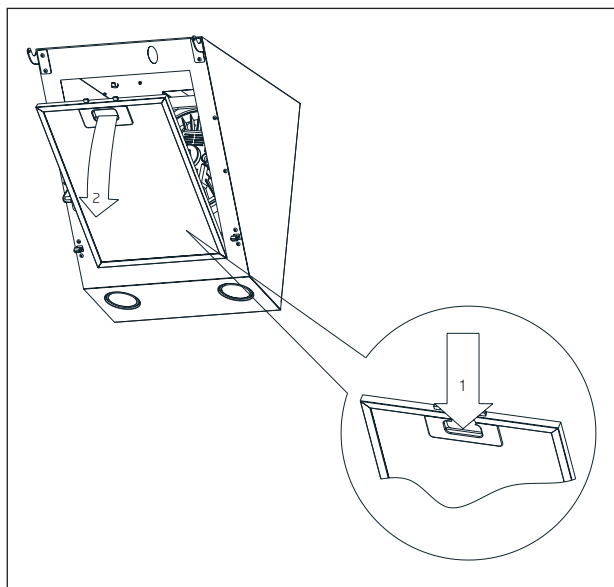


9. att. Dībeļu montāža

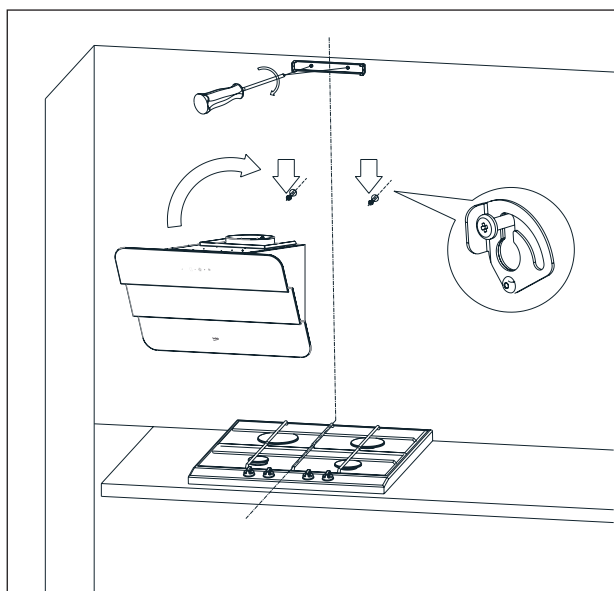


5 Ierīces uzstādīšana

10. att. Alumīnija eļļas filtra demontāža



11. att. Tvaika nosūcēja piekarināšana



5.3. Savienojums ar elektrotīklu

Tīkla spriegumam ir jāatbilst spriegumam, kas norādīts nominālo parametru plāksnītē, kas atrodas tvaika nosūcēja iekšpusē. Ja virtuves tvaika nosūcējam ir kontaktdakša, tā jāiesprauž kontaktligzdā, kas atbilst saistošā regulējuma prasībām un atrodas viegli pieejamā vietā. Ja tvaika nosūcējam nav kontaktdakšas, tad tvaika nosūcēja uzstādīšana ir jāuztic atbilstoši kompetentam speciālistam (piem., elektriķim).

7 Traucējumu meklēšana

Traucējumu meklēšana	Iemesls	Risinājums
Izstrādājums nedarbojas.	Pārbaudiet drošinātāju.	Drošinātājs var būt izslēgts, ieslēdziet to.
Izstrādājums nedarbojas.	Pārbaudiet elektrisko savienojumu.	Elektriskā tīkla spriegumam ir jābūt 220-240 V.
Izstrādājums nedarbojas.	Pārbaudiet elektrisko savienojumu.	Pārbaudiet, vai parējās ierīces virtuvē darbojas.
Apgaismojuma spuldze nedarbojas.	Pārbaudiet elektrisko savienojumu.	Elektriskā tīkla spriegumam ir jābūt 220-240 V.
Apgaismojuma spuldze nedarbojas.	Pārbaudiet spuldzes slēdzi.	Spuldzes slēdzim ir jābūt stāvoklī "iesl.".
Apgaismojuma spuldze nedarbojas.	Pārbaudiet spuldzes.	Izstrādājuma spuldzēm ir jābūt darba kārtībā.
Izstrādājums nenodrošina efektīvu gaisa nosūci.	Pārbaudiet alumīnija filtru.	Normālos lietošanas apstākļos alumīnija filtrs ir jātīra ik mēnesi.
Izstrādājums nenodrošina efektīvu gaisa nosūci.	Pārbaudiet ventilācijas caurules aizbīdni.	Ventilācijas caurules aizbīdnim ir jābūt stāvoklī "iesl.".
Izstrādājums nenodrošina efektīvu gaisa nosūci.	Pārbaudiet oglekļa filtru.	Normālos lietošanas apstākļos izstrādājumos, kas ir aprīkoti ar oglekļa filtru, filtrs ir jāmaina ik pēc 3 mēnešiem.



Arçelik A.Ş. Karaağaç Cad.
No:2-6 Söğütözü, 34445
İstanbul, Türkiye

www.beko.com