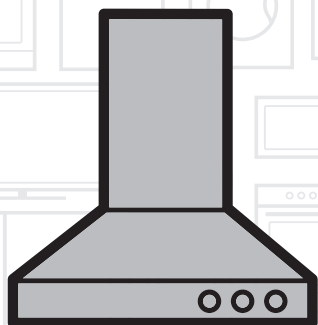


Cooker Hood

Instructions Booklet



HCA 62420 B

EN | DE | ES | FR | NL | PL |

01M-8892033200-5020-04

beko

Please read this user manual first!






Dear Valued Customer,

Thank you for preferring this Beko appliance. We hope that you get the best results from your appliance which has been manufactured with high quality and state-of-the-art technology. For this reason, please read this entire user manual and all other accompanying documents carefully before using the appliance and keep it as a reference for future use. If you handover the appliance to someone else, give the user manual as well. Follow the instructions by paying attention to all the information and warnings in the user manual.

Remember that this user manual may also apply to other models. Differences between models are explicitly described in the manual.

Meanings of the Symbols

Following symbols are used in various sections of this user manual:

	Important information and useful hints about usage.
	WARNING: Warnings against dangerous situations concerning the security of life and property.
	Warning for danger of fire.
	Warning for electric shock.
	Protection class against electric shock.



This appliance has been manufactured in environmentally friendly modern plants without giving any harm to the nature.

Complies with the WEEE regulation.



It does not contain PCB.

CONTENTS

ENGLISH **04-15**

DEUTSCH **16-32**

ESPAÑOL **33-46**

FRANÇAIS **47-60**

NEDERLANDS **61-73**

POLSKI **74-88**

1 Important Safety and Environmental Instructions

1.1 General Safety

Important Safety Instructions Read Carefully And Keep For Future Reference This section contains safety instructions that will help protect from risk of fire, electric shock, exposure to leak microwave energy, personal injury or property damage. Failure to follow these instructions shall void any warranty.

- Beko products comply with the applicable safety standards; therefore, in case of any damage on the appliance or power cable, it should be repaired or replaced by the dealer, service center or a specialist and authorized service alike to avoid any danger. Faulty or unqualified repair work may be dangerous and cause risk to the user.
- This appliance is intended to be used in household and similar applications such as:
 - Staff kitchen areas in shops, offices and other working environments;
 - Farm houses
 - By clients in hotels, and other residential type environments;
 - Bed and Breakfast type environments.
- Operate the appliance for its intended purpose only as described in this manual.
- The manufacturer cannot be held liable for damages resulting from improper installation or misuse of the product.
- This appliance can be used by children aged from 8 years and above and persons with reduced physical, sensory or mental capabilities or lack of experience and knowledge if they have been given supervision or instruction concerning use of the appliance in a safe way and understand the hazards involved.
- Children shall not be allowed play with the appliance. Cleaning and user maintenance shall not be made by children without supervision.
- The minimum distance between the supporting surface for the cooking vessels on the hob and the lowest part of your product must be at least 65 cm
- If the instructions for installation for the gas hob specify a greater distance, this has to be taken into account.
- Make sure that your mains power

1 Important Safety and Environmental Instructions

supply complies with the information supplied on the rating plate of the appliance.

- Never use the appliance if the power cable or the appliance itself is damaged.
- Prevent damage to the power cable by not squeezing, bending, or rubbing it on sharp edges. Keep the power cable away from hot surfaces and naked flame.
- Use the appliance with a grounded outlet only.

WARNING: Do not connect the appliance to the mains until the installation is fully complete.

- Place the appliance in a way so that the plug is always accessible.
- Do not touch the lamps if they have operated for a long time. They can burn your hands since they will be hot.
- Follow the regulations set out by competent authorities on discharge of the exhaust air (this warning is not applicable for use without flue).
- Operate your appliance after putting a pot, pan etc. on the hob. Otherwise, high heat may cause deformation in some parts of your product.

- Turn off the hob before taking the pot, pan etc. from it.
- Do not leave hot oil on the hob. Pans with hot oil may cause self combustion.
- Pay attention to your curtains and covers since oil may catch fire while cooking food such as fries.
- Grease filter must be replaced at least monthly. Carbon filter must be replaced at least every 3 months.
- Product shall be cleaned accordance with user manual. If cleaning was not carried out in accordance with user manual, there may be fire risk.
- Do not use non-fire-resistant filtering materials instead of the current filter.
- Only use the original parts or parts recommended by the manufacturer.
- Do not operate the product without the filter and do not remove the filters while the product is running.
- In the event of be started any flame, de-energize your product and cooking appliances.
- In the event of be started any flame, cover the flame and never

1 Important Safety and Environmental Instructions

use water to extinguish.

- Unplug the appliance before each cleaning and when the appliance is not in use.
- The negative pressure in the environment should not exceed 4 Pa (4 x 10 bar) while the hood for electric hob and appliances running on another type of energy but electricity operate simultaneously.
- In the environment where the appliance is being used, the exhaust of devices running on fuel oil or gas, such as room heater must be absolutely isolated or device must be hermetical type.
- When connecting the flue, use pipes with a diameter of 120 or 150 mm. Pipe connection must be as short as possible and have as few elbows as possible.

Danger of choking! Keep all the packaging materials away from children.

CAUTION: Accessible parts may become hot when used with cooking appliances.

- The product outlet must not be connected to air channels that include other smoke.
- The ventilation in the room may

be insufficient when the hood for electric hob is used simultaneously with the devices operating on gas or other fuels (this may not apply to appliances that only discharge the air back into the room).

- Objects placed on the product may fall. Do not place any objects on the product.
- Do not flambe under the your product.

WARNING: Before installing the Hood, remove the protective films.

- Never leave high naked flames under the hood when it is in operation
- Deep fat fryers must be continuously monitored during use: overheated oil can burst into flames.

1 Important Safety and Environmental Instructions

1.2 Compliance with the WEEE Directive and Disposing of the Waste Product:

This product complies with EU WEEE Directive

(2012/19/EU). This product bears a classification

symbol for waste electrical and electronic equipment (WEEE).



This symbol indicates that this product shall not be disposed with other household wastes at the end of its service life. Used device must be returned to official collection point for recycling of electrical and electronic devices. To find these collection systems please contact to your local authorities or retailer where the product was purchased. Each household performs important role in recovering and recycling of old appliance. Appropriate disposal of used appliance helps prevent potential negative consequences for the environment and human health.

1.3 Compliance with RoHS Directive

The product you have purchased complies with EU RoHS Directive (2011/65/EU). It does not contain harmful and prohibited materials specified in the Directive.

1.4 Package Information



Packaging materials of the product are manufactured from recyclable materials in accordance with our National Environment Regulations. Do not dispose of the packaging materials together with the domestic or other wastes. Take them to the packaging material collection points designated by the local authorities.

2 General Appearance

2.1 Overview

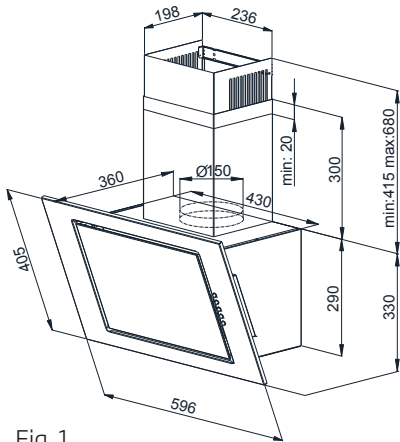


Fig. 1

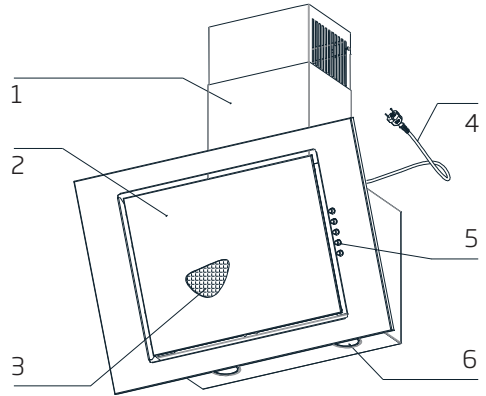


Fig. 2

1. Chimney
2. Glass Cover
3. Aluminum Grease Filter
4. Power Cord
5. Control Buttons
6. Lighting

2.2 Technical Data

Model	HCA62420B
Supply Voltage and Frequency	220-240 V 50 Hz
Lamp Power (W)	2x3
Motor Power (W)	115
Air Flow (m ³ /h) - 3. Level	430
Motor Insulation Class	Class F
Insulation Class	Class II

3 Using the Appliance

3.1 Use of the Push Buttons

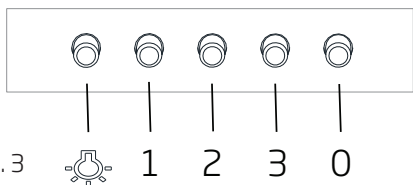


Fig. 3

The hood is equipped with a mechanical control.

- Pressing the "0" - disables the hood.
- Pressing the "1" - to turn the hood with a minimum speed.
- Pressing the "2" - turns the hood with an average speed.
- Pressing the "3" - turns the hood at maximum speed.

Higher speed means more air flow.

- Press the button  to turn on the lights. Repeat pressing the button to turn off the lighting.


3.2 Things to Do for Energy Saving

- Ensure sufficient air intake to make the hood operate efficiently and with low operation noise during cooking.
- Set the fan level according to the density of steam in kitchen. Use the high level only when needed. A lower fan level means less energy consumption.
- If dense smoke is expected in the kitchen, select a higher level of fan in advance. It is required to operate the hood much longer to remove the smoke already spread all over kitchen.
- Turn off the hood when not in use.
- Clean or replace the filter at intervals stated, thus, the efficiency of the ventilation is increased and the risk of fire is eliminated.

3.3 Operating the Hood

- Hood is equipped with a motor having various

speed settings.

- For a better performance, we advise you to use low speeds in normal conditions, and high speeds when smell and vapors are intensified.
- You can start the hood by pressing the desired speed level key.(1,2,3)
- You can illuminate the cooking area by pressing the light key.()

3.4 Lamp Replacement

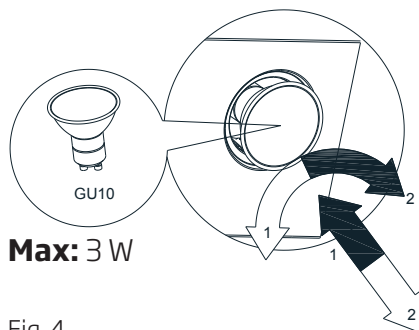


Fig. 4

Symbol  Bulb installation
Symbol  Bulb dismantling

Disconnect the hood from the mains supply. This appliance is equipped with 3 W spot LED lamps.



Before replacing the light bulbs, disconnect the power supply of the hood.



Do not touch the light bulbs when they are hot.



Be careful not to touch the replaced light bulb directly with hands.



You may procure lamps from Authorised Service Agents.

4 Cleaning and Maintenance

Prior to cleaning and maintenance, unplug the appliance or turn the main switch off or loosen the fuse that supplies the hood.



Failure to comply with the provisions relating to cleaning of the device and replacement of filters may cause fire risks. It is therefore recommended to comply with the guidelines given herein. The manufacturer is not liable for any damage to the engine or fires caused by improper use.

Clean using only a cloth dampened with neutral liquid detergent. Do not clean with tools or instruments. Do not use abrasive products. Do not use alcohol

4.1 Cleaning of Aluminium Grease Filter

This filter captures oil particles in the air. You are recommended to clean your filter every month under normal usage conditions. First remove the grease filters for this process. Wash the filters with liquid detergent and rinse them with water and install them back after they get dry. Aluminium grease filters may get discolored as they are washed; this is normal and you don't need to change your filter.

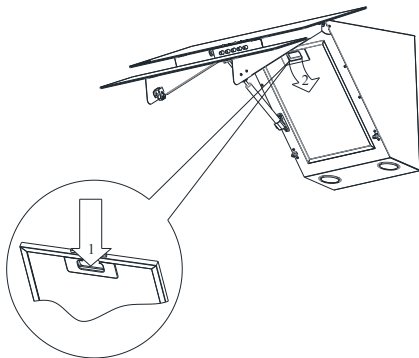


Fig. 5



You can wash the grease filter in the dishwasher

4.2 Changing of Carbon Filter (Air Circulation Mode)

The hood can be fitted with an active carbon filter. The carbon filter is applied only in case the hood is not connected to the vent duct.

In any case it is necessary to replace the carbon filter at least every three months.

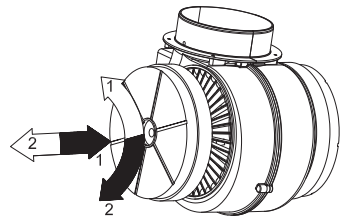


Fig. 6

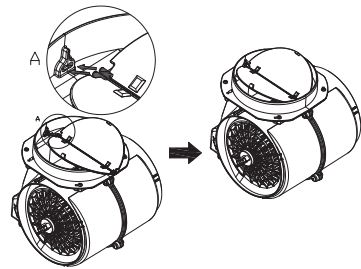


Fig. 7



WARNING: The carbon filter is never washed.



WARNING: Carbon filter is available from Authorized Services.

5 Setting Up the Device



WARNING

Please read safety instructions before setting up.



WARNING

Failure to install the screws or fixing device in accordance with these instructions may result in electrical hazards.

5.1 Installation Accessories

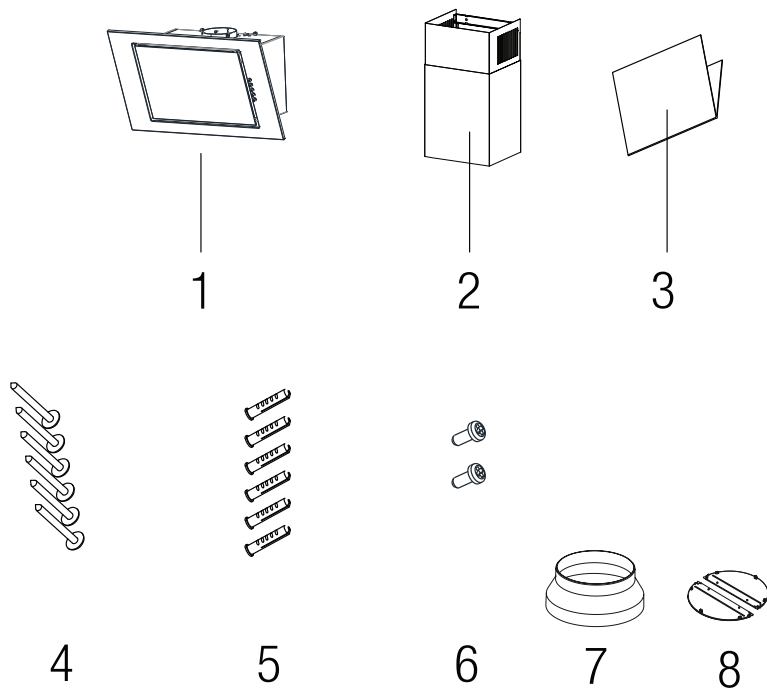


Fig. 8

- 1- Hood
- 2- Chimney
- 3- User Manual
- 4- 4 x \varnothing 5 x 45 Screw
- 5- 6 x \varnothing 8 x 40 Screw Plug
- 6- 2 x \varnothing 3,9 x 9,5 Screw
- 7- \varnothing 150/120mm Plastic Flue Adapter
- 8- Back Pressure Valve

5 Setting Up the Device

5.2 Hood installation



The use of screws and fastening elements not specified in the Operation Manual may cause the electrical shock.

The minimum distance of hood hanging between the surface of kitchenware placement over the cooking range (gas, electric range), and lowest part of the hood (Fig.3) shall amount at least 65 cm for electric cooking ranges and at least 65 cm for gas cooking ranges. Should the cooking range operation manual provide the higher distance for hood installation, such higher distance requirement shall be maintained. The installation of the hood and chimney body is shown at the figures (Fig.4 - Fig.9). The hood is equipped with the fixing pins matching to the most part of walls and ceilings. In course of the assembly, observe the common rules for air exhaust from the premises.

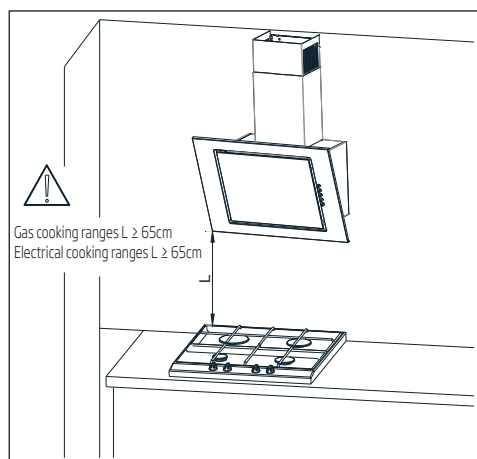


Fig.9 Recommended distances from the cooking range

Before starting the installation:

- Check if the purchased device dimensions match to the planned installation place.
- Disassembly and remove (if possible) any furniture remaining in the hood installation area, in order to ensure the easy access to ceiling or wall, where the hood shall be mounted. If it is not possible, protect the furniture elements remaining in the adjacent area.
- Check, if there is a socket near the mounting area, and control if the hood may be connected to the ventilation channel for vapours evacuation.
- Check if there are no cables (electrical, hydraulic, etc.) in places in which the drilling will be performed.
- Prepare the following tools: tape ruler, pencil, drill / electric screwdriver, drilling tool $\varnothing 8$, screwdriver, builder's level.

Assembly operation:

1. Define the axis of cooking range, and project it onto the wall, where the hood will be mounted. Sign all characteristic points of hood fastening. Make the openings with the drill. (Fig. 10)

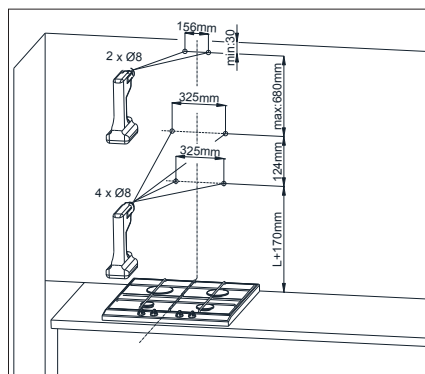


Fig.10 Assembly dimensions

2. Into the openings, insert the screw plugs. In two openings marked with A screw also the screws (leaving 7 mm of screw length outside the screw plug, Fig.11).

5 Setting Up the Device

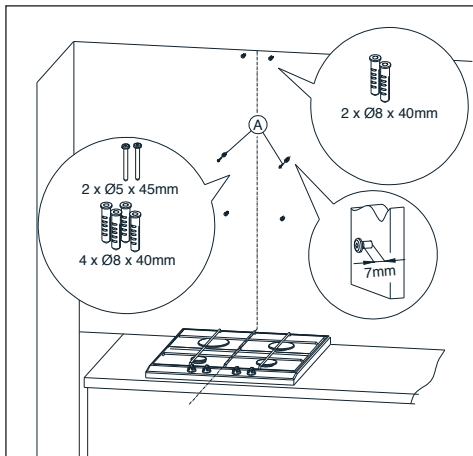


Fig.11 Screw plugs assembly

3. Screw the chimney body fastening element, hang the hood on two untightened screws (Fig. 12).

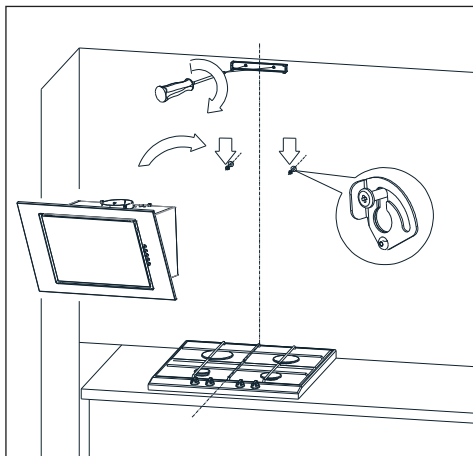


Fig.12 Hood hanging

4. Open the hood cover and remove the fat filter (Fig.13).

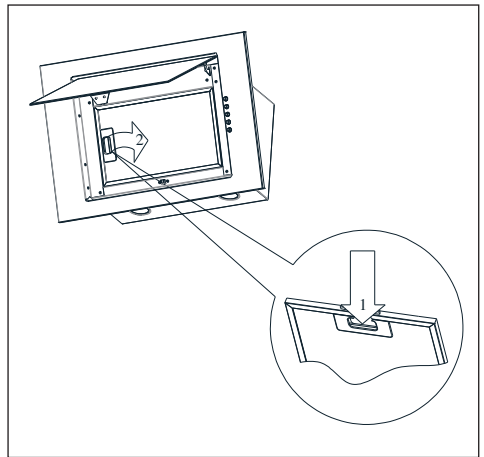


Fig.13 Aluminium fat filter removing

5. Place the level on the hood body. Rotating the element marked with A, adjust the hood level according the level's indications, and then tighten two screws previously screwed partially and screw in two remaining screws (Fig. 14).

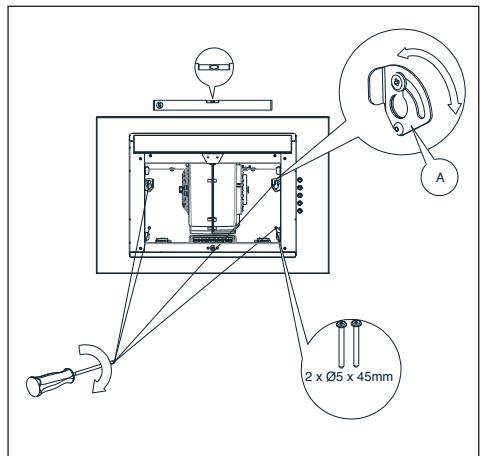


Fig.14 Range hood positioning

5 Setting Up the Device

Place the chimney body on the hood body. Then, draw delicately the hood part signed with B upwards, until it becomes possible to screw it to the fastening element previously attached to the wall (Fig. 15).

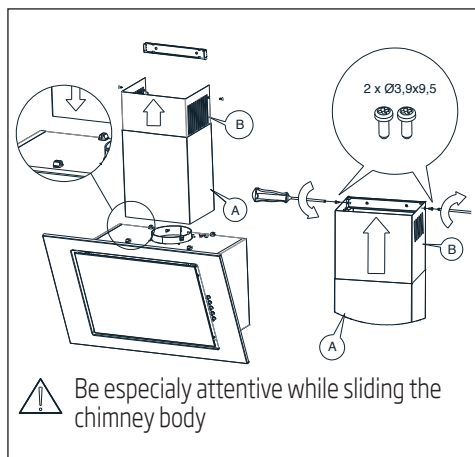


Fig.15 Chimney body assembly



This assembly operation shall be performed very carefully, in order to avoid the scratching of chimney body and hood itself.

5.3 Electrical connections

The network voltage shall correspond to the voltage indicated at the plate placed inside the hood. If the hood is equipped with a plug, insert it into the socket complying with the applicable requirements, and located in the easily accessible place. If the hood is not equipped with a plug, the hood installations shall be performed by a person having the required authorizations (such as electrician).

6 Troubleshooting

Troubleshooting	Reason	Help
The product does not work.	Check your fuse.	Your fuse might be closed, make it work.
The product does not work.	Check the electrical connection.	The mains voltage should be between 220-240 V.
The product does not work.	Check the electrical connection.	Check if the other products in your kitchen are working or not.
The lighting lamp does not work.	Check the electrical connection.	The mains voltage should be between 220-240 V.
The lighting lamp does not work.	Check the lamp switch.	The lamp switch should be in the "on" position.
The lighting lamp does not work.	Check the lamps.	The lamps of the product should not be faulty.
The air intake of the product is poor.	Check the aluminum filter.	The aluminum oil filter should be cleaned at least once a month under normal conditions.
The air intake of the product is poor.	Check the air vent flue.	The air vent flue should be in the "on" position.
The air intake of the product is poor.	Check the carbon filter.	For products with carbon filters, the filter should normally be changed every 3 months.

Bitte lesen Sie zuerst dieses Handbuch!

Sehr geehrter Kunde,


Herzlichen Glückwunsch zum Kauf dieses Geräts. Wir hoffen, dass Sie mit Ihrem Gerät, das mit hoher Qualität und modernster Technologie hergestellt wurde, die besten Ergebnisse erzielen. Lesen Sie deshalb bitte dieses gesamte Benutzerhandbuch und alle anderen zugehörigen Dokumente sorgfältig durch, bevor Sie das Gerät benutzen, und bewahren Sie es als Hinweis für den zukünftigen Gebrauch auf. Wenn Sie das Gerät an eine andere Person weitergeben, geben Sie auch das Benutzerhandbuch mit. Befolgen Sie die Anweisungen, indem Sie alle Informationen und Warnungen im Benutzerhandbuch beachten.


Bitte beachten Sie, dass diese Bedienungsanleitung auch für andere Modelle gilt. Unterschiede zwischen den Modellen werden im Handbuch ausdrücklich beschrieben.

Bedeutungen der Symbole

Die folgenden Symbole werden in verschiedenen Abschnitten dieses Benutzerhandbuchs verwendet:

	Wichtige Informationen und nützliche Hinweise zur Benutzung.
--	--

	WARNUNG: Warnungen vor gefährlichen Situationen, die die Sicherheit von Leben und Eigentum betreffen.
--	--

	Warnung vor Brandgefahr.
---	--------------------------

	Warnung vor Stromschlag.
--	--------------------------

	Schutzklasse bei Stromschlag.
---	-------------------------------



Dieses Gerät wurde in umweltfreundlicher Ausführung hergestellt, ohne die Natur zu schädigen.

1 Wichtige Sicherheits- und Umwelanweisungen

1.1 Allgemeine Sicherheit

Wichtige Sicherheitshinweise
Sorgfältig lesen und zum späteren Nachschlagen aufbewahren
Dieser Abschnitt enthält Sicherheitshinweise, die zum Schutz vor Brandgefahr, Stromschlag, Exposition gegenüber austretender Mikrowellenenergie, Personen- oder Sachschäden beitragen. Die Nichtbeachtung dieser Sicherheitsvorschriften hat den Verlust der Garantie zur Folge.

- Grundig-Produkte entsprechen den geltenden Sicherheitsnormen; daher sollte im Falle einer Beschädigung des Gerätes oder des Netzkabels dieses vom Händler, Servicezentrum oder einem Fachmann und autorisierten Service gleichermaßen repariert oder ersetzt werden, um jede Gefahr zu vermeiden. Fehlerhafte oder unqualifizierte Reparaturarbeiten können gefährlich sein und ein Risiko für den Benutzer darstellen.
- Dieses Gerät ist ausschließlich zur Verwendung in einem Haushalt und vergleichbaren Einrichtungen gedacht, darunter:
 - in Personalküchen in Geschäften, Büroräumen und anderen Ar-

beitsumgebungen;

- in landwirtschaftlichen Betrieben

- für Gäste in Hotels, und vergleichbaren Unterkünften;

- kleineren Pensionen oder vergleichbaren Einrichtungen.

- Betreiben Sie das Gerät nur für den vorgesehenen Zweck, wie in diesem Handbuch beschrieben.
- Der Hersteller kann nicht für Schäden verantwortlich gemacht werden, die durch unsachgemäße Installation oder Bedienung des Geräts entstehen.
- Dieses Gerät kann von Kindern ab 8 Jahren und Personen mit eingeschränkten körperlichen, sensorischen oder geistigen Fähigkeiten oder fehlender Erfahrung und Kenntnissen benutzt werden, wenn sie in sicherer Weise beaufsichtigt oder unterwiesen wurden und die damit verbundenen Gefahren verstehen.
- Kinder dürfen nicht mit dem Gerät spielen. Reinigung und Benutzerwartung darf nicht von Kindern gemacht werden ohne Aufsicht.
- Der Mindestabstand zwischen der Auflagefläche für die Kochgefäße

1 Wichtige Sicherheits- und Umwelanweisungen

auf dem Kochfeld und dem untersten Teil Ihres Produkts muss mindestens 65 cm betragen.

- Wenn in den Installationsanweisungen für das Gaskochfeld ein größerer Abstand angegeben ist, muss dies berücksichtigt werden.
- Stellen Sie sicher, dass Ihre Netzspannung mit den Angaben auf dem Typenschild des Geräts übereinstimmt.
- Verwenden Sie das Gerät nicht, wenn das Netzkabel oder das Gerät beschädigt ist.
- Verhindern Sie Schäden an der Stromversorgung Kabel durch nicht quetschen, biegen, oder an scharfen Kanten reiben. Halten Sie das Netzkabel von erhitzten Oberflächen und offenen Flammen fern.
- Verwenden Sie das Gerät nur mit einer geerdeten Steckdose.

WARNUNG: Schließen Sie das Gerät nicht an das Stromnetz an, bevor die Installation vollständig abgeschlossen ist.

- Das Gerät muss derart aufgestellt werden, dass der Stecker zugänglich ist.
- Berühren Sie die Gerätelampen nicht, wenn diese bereits für län-

gere Zeit in Betrieb gewesen sind. Lampen können zu Verbrennungen an Ihren Händen führen, da diese heiß sind.

- Befolgen Sie die von den zuständigen Behörden festgelegten Vorschriften zur Ableitung der Abluft (dieser Warnhinweis gilt nicht für die Verwendung ohne Kamin).
- Bedienen Sie Ihr Gerät, nachdem Sie einen Topf, eine Pfanne usw. auf das Kochfeld gestellt haben. Andernfalls können hohe Temperaturen Deformationen an manchen Teilen Ihres Gerätes verursachen.
- Schalten Sie das Kochfeld aus, bevor Sie den Topf, die Pfanne usw. aus dem Kochfeld nehmen.
- Lassen Sie kein heißes Öl auf dem Kochfeld. Pfannen mit heißem Öl können sich selbst entzünden und einen Brand verursachen.
- Achten Sie auf Ihre Vorhänge und Abdeckungen, da Öl beim Kochen von Lebensmitteln wie Pommes Frites Feuer fangen kann.
- Der Fettfilter muss mindestens monatlich gewechselt werden. Der Kohlefilter muss mindestens alle 3 Monate gewechselt werden.
- Das Produkt ist entsprechend

1 Wichtige Sicherheits- und Umwelanweisungen

dem Benutzerhandbuch zu reinigen. Wenn die Reinigung nicht in Übereinstimmung mit dem Benutzerhandbuch durchgeführt wurde, kann Brandgefahr bestehen.

- Verwenden Sie niemals nicht-feuerfeste Materialien anstelle der vorgesehenen Filter.
- Verwenden Sie nur Originalteile oder Teile empfohlen von der Hersteller.
- Betreiben Sie das Gerät niemals ohne Filter, und nehmen Sie diesen niemals heraus, wenn das Gerät eingeschaltet ist.
- Sollte eine Flamme entzündet werden, schalten Sie Ihr Produkt und Ihre Kochgeräte ab.
- Falls eine Flamme entzündet wird, decken Sie die Flamme ab und verwenden Sie niemals Wasser zum Löschen.
- Ziehen Sie den Netzstecker vor jeder Reinigung und wenn das Gerät nicht in Gebrauch ist.
- Der Unterdruck in der Umgebung sollte 4 Pa (4 x 10 bar) nicht überschreiten, während die Dunstabzugshaube für Elektroherd und Geräte, die mit einer anderen Energieart, aber mit Strom betrie-

ben werden, gleichzeitig in Betrieb sind.

- In der Umgebung, in der das Gerät benutzt wird, muss der Auspuff von Geräten, die mit Heizöl oder Gas betrieben werden, wie z.B. Raumheizgeräte, absolut isoliert sein oder das Gerät muss hermetisch dicht sein.
- Beim Anschluss des Kamins sind Rohre mit einem Durchmesser von 120 oder 150 mm zu verwenden. Die Rohrverbindung muss so kurz wie möglich sein und möglichst wenige Bögen haben.

Die Gefahr des Erstickens!

Halten Sie das Verpackungsmaterial von Kindern fern!

VORSICHT! Zugängliche Teile können bei der Verwendung mit Kochgeräten heiß werden.

- Der Ausgang der Dunstabzugshaube darf nicht an Luftkanäle angeschlossen werden, die anderen Rauch enthalten.
- Die Belüftung des Raumes kann unzureichend sein, wenn die Dunstabzugshaube des Elektrokochfeldes gleichzeitig mit den mit Gas oder anderen Brennstoffen betriebenen Geräten verwendet wird (dies gilt möglicherweise

1 Wichtige Sicherheits- und Umwelanweisungen

nicht für Geräte, die die Luft nur in den Raum zurückführen).

- Objekte platziert auf dem Gerät, können eventuell herunterfallen. Legen Sie keine Gegenstände auf das Gerät.
- Flammen Sie nicht unter Ihrem Produkt.

WARNUNG: Entfernen Sie vor der Installation der Dunstabzugshaube die Schutzfolien.

- Lassen Sie niemals hohe offene Flammen unter der Dunstabzugshaube, wenn sie in Betrieb ist.
- Fritteusen müssen während des Betriebs ständig überwacht werden: überhitztes Öl kann in Flammen aufgehen.

1.2 Einhaltung der WEEE-Richtlinie und Entsorgung des Abfallproduktes:

Diese Gerät entspricht der EU WEEE-Richtlinie (2012/19/EU). Dieses Gerät trägt das Klassifizierungssymbol für Elektro- und Elektronik-Altgeräte (WEEE).



Dieses Symbol zeigt an, dass dieses Produkt am Ende seiner Lebensdauer nicht zusammen mit anderen Haushaltsabfällen entsorgt werden darf. Gebrauchte Geräte

müssen zum Recycling von elektrischen und elektronischen Geräten an einer offiziellen Sammelstelle abgegeben werden. Um diese Sammelsysteme zu finden, wenden Sie sich bitte an Ihre örtlichen Behörden oder den Händler, bei dem das Produkt gekauft wurde. Jeder Haushalt spielt eine wichtige Rolle bei

der Rückgewinnung und dem Recycling von Altgeräten. Die richtige Entsorgung Ihrer Altgeräte hilft, potenziell schädliche Umweltauswirkungen und mögliche Gesundheitsgefahren zu verhindern.

1 Wichtige Sicherheits- und Umwelanweisungen

1.3 Einhaltung der RoHS-Richtlinie

Das von Ihnen gekaufte Produkt entspricht der EU RoHS Richtlinie (2011/65/EU). Sie enthält keine schädlichen und verbotenen Materialien, die in der Richtlinie aufgeführt sind.

1.4 Informationen zur Verpackung



Die Verpackungsmaterialien des Produkts werden in Übereinstimmung mit unseren nationalen Umweltvorschriften aus wiederverwertbaren Materialien hergestellt. Entsorgen Sie das Verpackungsmaterial nicht zusammen mit dem Hausmüll oder anderen Abfällen. Bringen Sie sie zu den von den örtlichen Behörden benannten Sammelstellen für Verpackungsmaterial.

2 Allgemeines Aussehen

2.1 Übersicht

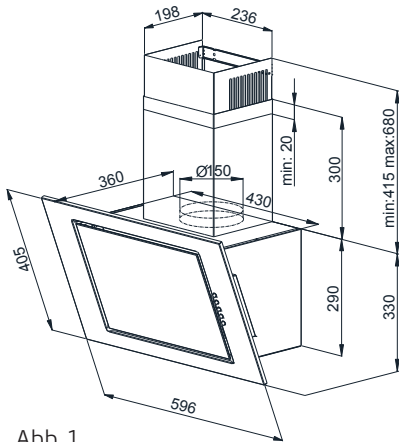


Abb. 1

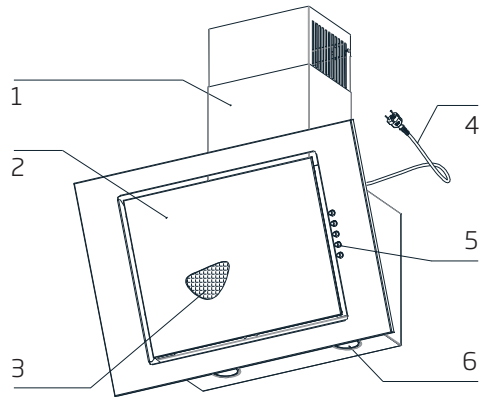


Abb. 2

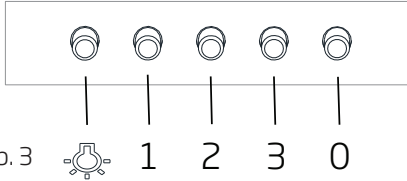
1. Kamin
2. Glasdeckel
3. Aluminium-Fettfilter
4. Stromkabel
5. Steuertasten
6. Beleuchtung

2.2 Technische Daten

Modell	HCA62420B
Versorgungsspannung und Frequenz	220-240 V 50 Hz
Lampenleistung (W)	2x3
Motorleistung (W)	115
Luftstrom (m ³ /h) - 3. Stufe	430
Motor-Isolationsklasse	Klasse F
Isolationsklasse	Klasse II

3 Nutzung des Gerätes

3.1 Verwendung der Drucktasten



Die Dunstabzugshaube ist mit einer mechanischen Steuerung ausgestattet.

- Durch Drücken der „0“ wird die Dunstabzugshaube deaktiviert.
- Drücken Sie die „1“, um die Dunstabzugshaube mit einer Mindestgeschwindigkeit zu drehen.
- Durch Drücken der „2“ wird die Dunstabzugshaube mit einer Durchschnittsgeschwindigkeit gedreht.
- Durch Drücken der Taste „3“ wird die Dunstabzugshaube mit maximaler Geschwindigkeit gedreht.

Höhere Geschwindigkeit bedeutet mehr Luftstrom.

- Drücken Sie die Taste , um das Licht einzuschalten. Wiederholen Sie das Drücken der Taste, um die Beleuchtung auszuschalten.


3.2 Maßnahmen zur Energieeinsparung

- Stellen Sie einen ausreichenden Lufteinlass sicher, damit die Dunstabzugshaube während des Kochens effizient und mit geringen Betriebsgeräuschen arbeitet.
- Stellen Sie die Lüfterstufe entsprechend der Dampfdichte in der Küche ein. Verwenden Sie die hohe Stufe nur bei Bedarf. Eine niedrigere Lüfterstufe bedeutet weniger Energieverbrauch.
- Wenn in der Küche dichter Rauch zu erwarten ist, wählen Sie im Voraus eine höhere

Lüfterstufe. Die Dunstabzugshaube muss viel länger betrieben werden, um den bereits in der Küche verteilten Rauch zu entfernen.

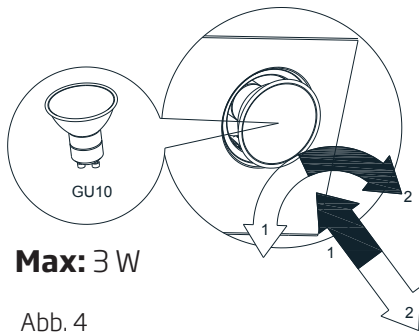
- Schalten Sie die Dunstabzugshaube aus, wenn Sie sie nicht benutzen.
- Reinigen oder ersetzen Sie den Filter in den angegebenen Intervallen. Dadurch wird die Effizienz der Belüftung erhöht und die Brandgefahr beseitigt.

3.3 Bedienung der Dunstabzugshaube

- Die Dunstabzugshaube ist mit einem Motor mit verschiedenen Geschwindigkeitseinstellungen ausgestattet.
- Für eine bessere Leistung empfehlen wir Ihnen, unter normalen Bedingungen niedrige Geschwindigkeiten und wenn Geruch und Dämpfe verstärkt werden, hohe Geschwindigkeiten zu verwenden.
- Sie können die Dunstabzugshaube starten, indem Sie die gewünschte Geschwindigkeitsstufe drücken. (1,2,3)
- Durch Drücken der Lichttaste können Sie die Kochstelle beleuchten. ()

3 Nutzung des Gerätes

3.4 Lampenwechsel



Symbol Installation der Glühbirne
Symbol Demontage der Glühbirne

Trennen Sie die Dunstabzugshaube vom Stromnetz. Dieses Gerät ist mit 3-W-Spot-LED-Lampen ausgestattet.



Trennen Sie vor dem Austausch der Glühbirnen die Stromversorgung der Dunstabzugshaube.



Berühren Sie die Glühbirnen nicht, wenn sie heiß sind.



Achten Sie darauf, die ausgetauschte Glühbirne nicht direkt mit den Händen zu berühren.



Sie können Lampen von autorisierten Kundendienstmitarbeitern beziehen.

4 Reinigung und Instandhaltung

Ziehen Sie vor der Reinigung und Wartung den Netzstecker aus der Steckdose oder schalten Sie den Hauptschalter aus oder lösen Sie die Sicherung, die die Dunstabzugshaube versorgt.



Die Nichtbeachtung der Bestimmungen zur Reinigung des Geräts und zum Austausch von Filtern kann zu Brandgefahr führen. Es wird daher empfohlen, die hier angegebenen Richtlinien einzuhalten. Der Hersteller haftet nicht für Schäden am Motor oder Brände, die durch unsachgemäße Verwendung verursacht werden.

Reinigen Sie das Gerät nur mit einem mit einem neutralen Flüssigwaschmittel angefeuchteten Tuch. Nicht mit Werkzeugen oder Instrumenten reinigen. Verwenden Sie keine Scheuermittel. Verwenden Sie kein Alkohol

4.1 Reinigung des Aluminium-Fettfilters

Dieser Filter erfasst die Ölpartikel in der Luft. Es wird empfohlen, den Filter jeden Monat unter normalen Nutzungsbedingungen zu reinigen. Entfernen Sie zuerst die Fettfilter für diesen Vorgang. Waschen Sie die Filter mit flüssigem Reinigungsmittel, spülen Sie sie mit Wasser aus und setzen Sie sie nach dem Trocknen wieder ein.

Aluminium-Fettfilter können sich beim Waschen verfärben. Dies ist normal und Sie müssen Ihren Filter nicht wechseln.

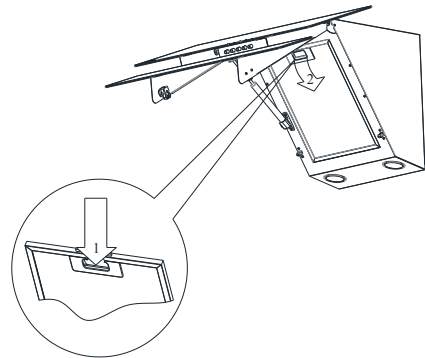


Abb. 5

4 Reinigung und Instandhaltung



Sie können den Aluminium-Fettfilter in der Spülmaschine waschen



WARNUNG: Der Kohlefilter ist beim autorisierten Kundendienst erhältlich.

4.2 Wechseln des Kohlefilters (Luftzirkulationsmodus)

Die Dunstabzugshaube kann mit einem Aktivkohlefilter ausgestattet werden. Der Kohlefilter wird nur angewendet, wenn die Dunstabzugshaube nicht mit dem Entlüftungskanal verbunden ist.

In jedem Fall muss der Kohlefilter mindestens alle drei Monate ausgetauscht werden.

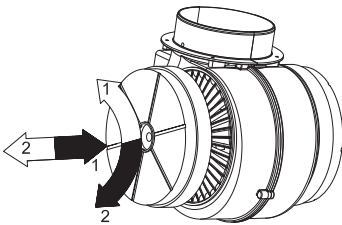


Abb. 6

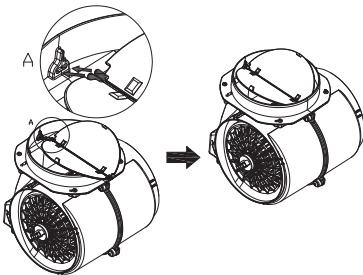


Abb. 7



WARNUNG: Der Kohlefilter darf niemals gewaschen werden.

5 Einrichtung des Gerätes



WARNUNG

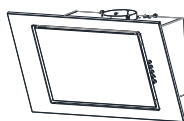
Bitte lesen Sie vor dem Einrichten die Sicherheitshinweise.



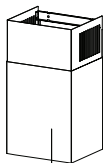
WARNUNG

Wird die Installation der Schrauben oder Befestigungsvorrichtung nicht in Übereinstimmung mit diesen Anweisungen durchgeführt, kann dies zu einem elektrischen Schlag führen.

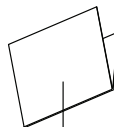
5.1 Installations-Zubehör



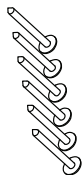
1



2



3



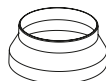
4



5



6



7



8

Abb. 8

- 1 - Dunstabzugshaube
- 2 - Kamin
- 3 - Benutzerhandbuch
- 4- 4 x Ø 5 x 45 Schraube
- 5- 6 x Ø 8 x 40 Schraubverschluss
- 6- 2 x Ø 3,9 x 9,5 Schraube
- 7- Ø150/120mm Kunststoff-Abluftkanal Adapter
- 8- Rückschlagventil

5 Einrichtung des Gerätes

5.2 Installation der Dunstabzugshaube



Die Verwendung von Schrauben und Befestigungselementen, die nicht in der Bedienungsanleitung angegeben sind, kann einen elektrischen Schlag verursachen.

Der Mindestabstand der Dunstabzugshaube, die zwischen der Oberfläche des Küchengeräts über dem Kochbereich (Gas, Elektroherd) und dem untersten Teil der Dunstabzugshaube (Abb. 3) hängt, muss bei mindestens 65 cm für Gaskochherdesein. Sollte die Bedienungsanleitung des Kochbereichs den größeren Abstand für die Installation der Dunstabzugshaube vorsehen, muss dieser höhere Abstand eingehalten werden. Die Installation der Dunstabzugshaube und des Kaminkörpers ist in den Abbildungen dargestellt (Abb.4 - Abb.9). Die Dunstabzugshaube ist mit Befestigungsstiften ausgestattet, die zu den meisten Wänden und Decken passen. Beachten Sie bei der Montage die allgemeinen Regeln für Luftabgase aus den Räumlichkeiten.

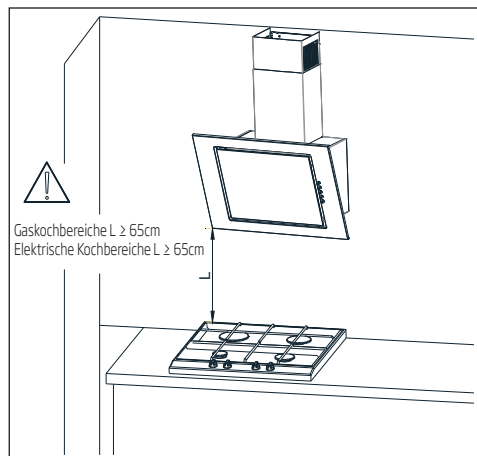


Abb.9 Empfohlene Abstände vom Kochbereich

Vor dem Start der Installation:

- Überprüfen Sie, ob die Abmessungen der gekauften Geräte mit dem geplanten Installationsort übereinstimmen.
- Zerlegen und entfernen Sie (wenn möglich) alle Möbel, die im Installationsbereich der Dunstabzugshaube verbleiben, um einen einfachen Zugang zur Decke oder Wand zu gewährleisten, an der die Dunstabzugshaube montiert werden soll. Wenn dies nicht möglich ist, schützen Sie die im angrenzenden Bereich verbleibenden Möbelelemente.
- Überprüfen Sie, ob sich in der Nähe des Montagebereichs eine Steckdose befindet, und prüfen Sie, ob die Dunstabzugshaube zur Evakuierung der Dämpfe an den Lüftungskanal angeschlossen werden kann.
- Überprüfen Sie, ob an den Stellen, an denen die Bohrungen durchgeführt werden, keine Kabel (elektrisch, hydraulisch usw.) vorhanden sind.
- Bereiten Sie die folgenden Werkzeuge vor: Bandlineal, Bleistift, Bohrer / Elektroschrauber, Bohrwerkzeug Ø8, Schraubendreher, Nivelliergerät.

Montagevorgang:

1. Definieren Sie die Achse des Kochbereichs und projizieren Sie sie an die Wand, an der die Dunstabzugshaube montiert werden soll. Markieren Sie alle charakteristischen Punkte der Dunstabzugshaubenbefestigung. Die Öffnungen mit dem Bohrer herstellen. (Abb. 10)

5 Einrichtung des Gerätes

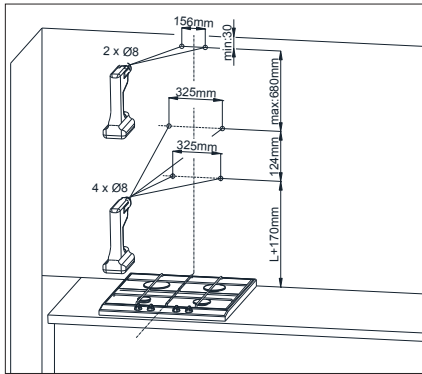


Abb.10 Montageabmessungen

2. Stecken Sie den Schraubverschluss in die Öffnungen. Schrauben Sie in zwei mit A gekennzeichneten Öffnungen auch die Schrauben fest (lassen Sie 7mm Schraubenlänge außerhalb des Schraubverschlusses, Abb. 11).

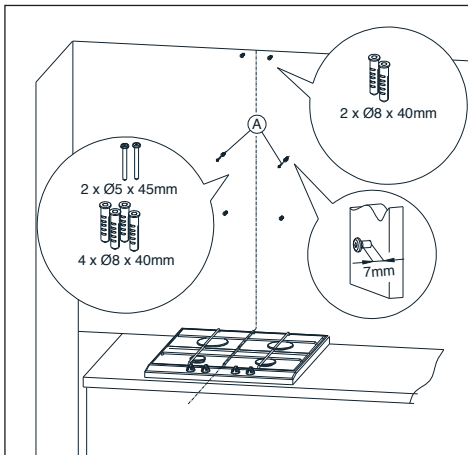


Abb.11 Montage des Schraubverschlusses

3. Schrauben Sie das Befestigungselement des Kaminkörpers fest und hängen Sie die Dunstabzugshaube an zwei nicht festgezogenen Schrauben (Abb. 12).

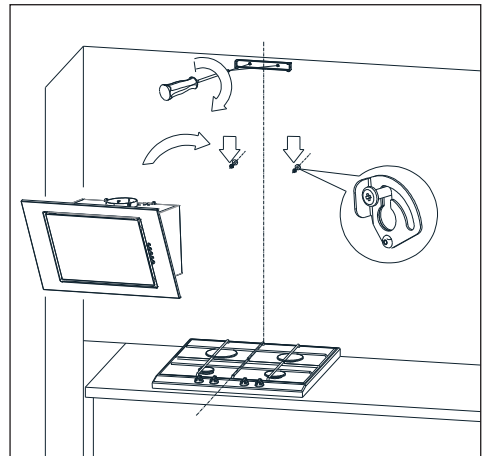


Abb.12 Dunstabzugshaube aufhängen

4. Öffnen Sie die Dunstabzugshaubenabdeckung und entfernen Sie den Fettfilter (Abb.13).

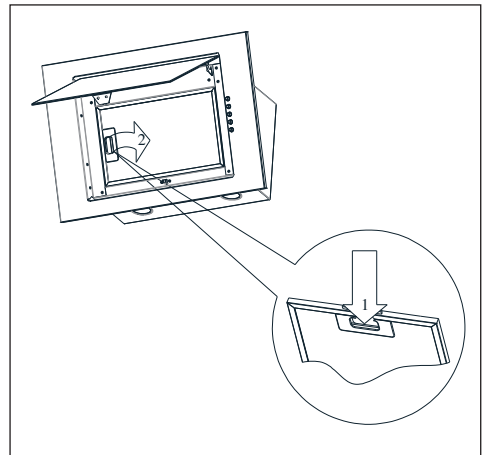


Abb.13 Entfernen des Aluminiumfettfilters

5. Stellen Sie die Wasserwaage auf den Dunstabzugshaubenkörper. Drehen Sie das mit A gekennzeichnete Element, stellen Sie die Dunstabzugshaubenstufe gemäß der Stufenanzeige ein und ziehen Sie dann zuvor teilweise festgeschraubte Schrauben fest und schrauben Sie zwei verbleibende Schrauben ein (Abb. 14).

5 Einrichtung des Gerätes

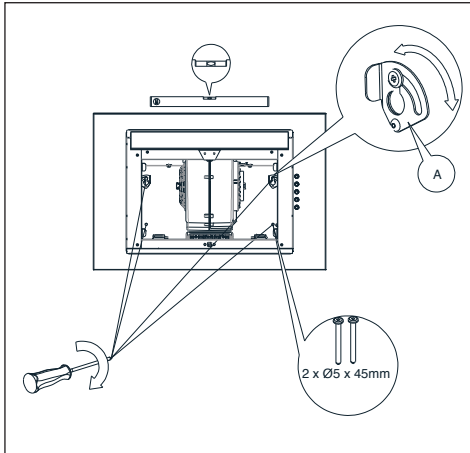


Abb.14 Bereich der Dunstabzugshaubenposition

Stellen Sie den Kaminkörper auf den Dunstabzugshaubenkörper. Ziehen Sie dann das mit B markierte Dunstabzugshaubenteil vorsichtig nach oben, bis es möglich ist, es mit dem zuvor an der Wand befestigten Befestigungselement zu verschrauben (Abb. 15).

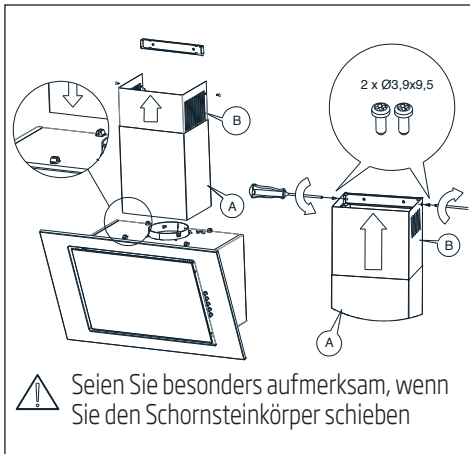


Abb.15 Montage des Kaminkörpers



Diese Montage muss sehr sorgfältig durchgeführt werden, um ein Verkratzen des Kaminkörpers und der Dunstabzugshaube selbst zu vermeiden.

5.3 Elektrische Anschlüsse

Die Netzspannung muss der Spannung entsprechen, die auf der Platte in der Dunstabzugshaube angegeben ist. Wenn die Dunstabzugshaube mit einem Stecker ausgestattet ist, stecken Sie ihn gemäß den geltenden Anforderungen in die Steckdose und an der leicht zugänglichen Stelle. Wenn die Dunstabzugshaube nicht mit einem Stecker ausgestattet ist, müssen die Dunstabzugshaubeninstallationen von einer Person durchgeführt werden, die über die erforderlichen Berechtigungen verfügt (z.B. einem Elektriker).

6 Fehlerbehebung

Fehlerbehebung	Grund	Hilfe
Das Produkt funktioniert nicht.	Überprüfen Sie Ihre Sicherung	Ihre Sicherung könnte geschlossen sein, sorgen Sie dafür, dass sie funktioniert.
Das Produkt funktioniert nicht.	Überprüfen Sie die elektrische Verbindung.	Die Netzspannung sollte zwischen 220-240V liegen.
Das Produkt funktioniert nicht.	Überprüfen Sie die elektrische Verbindung.	Überprüfen Sie, ob die anderen Produkte in Ihrer Küche funktionieren oder nicht.
Die Beleuchtung Lampe funktioniert nicht.	Überprüfen Sie die elektrische Verbindung.	Die Netzspannung sollte zwischen 220-240V liegen.
Die Beleuchtung Lampe funktioniert nicht.	Überprüfen Sie den Lampenschalter.	Der Lampenschalter sollte sich in der Position "Ein/on" befinden.
Die Beleuchtung Lampe funktioniert nicht.	Überprüfen Sie die Lampen.	Die Lampen des Produkts sollten nicht defekt sein.
Die Luftzufuhr des Produkts ist schlecht.	Prüfen Sie den Aluminiumfilter.	Der Aluminium-Ölfilter sollte unter normalen Bedingungen mindestens einmal im Monat gereinigt werden.
Die Luftzufuhr des Produkts ist schlecht.	Überprüfen Sie den Abluftkamin.	Der Entlüftungskanal sollte sich in der "Ein/on" Stellung befinden.
Die Luftzufuhr des Produkts ist schlecht.	Überprüfen Sie den Kohlefilter.	Bei Produkten mit Kohlefilter sollte der Filter normalerweise alle 3 Monate gewechselt werden.

Garantiebedingungen

Anschrift:

Beko Deutschland GmbH
Thomas-Edison-Platz 3
D-63263 Neu-Isenburg

Kundendienst-Tel.: 06102-86 86 891
Fax: 01805-414 400 *
E-Mail: Kundendienst@beko.com
Ersatzteile-Tel.: 01805-242 515 *
Fax: 01805-345 001*
E-Mail: ersatzteile@beko.com

Sehr geehrte Kundin, sehr geehrter Kunde,

wir gratulieren Ihnen zum neuen Gerät der Marke Beko und wünschen Ihnen viel Freude daran. Sollten Sie dennoch einmal einen Grund zu einer Reklamation erkennen, dann wenden Sie sich bitte an unseren Kundendienst. Geben Sie im Falle einer Störung Ihre genaue Anschrift, Telefonnummer und den GERÄTETYP (vom Typenschild des Gerätes) an.

Hinweis für Kühl- und Gefriergeräte, Achtung!

Um voll funktionsfähig zu sein, benötigt Ihr Gerät nach dem Transport ca. 24 Stunden, in denen sich das Kühlmittel stabilisiert. Sofern es nicht vermeidbar ist und Sie das Gerät sofort nach Aufstellung mit Gefriergut bestücken wollen, müssen Sie damit rechnen, dass die rote Lampe bis zur Stabilisierung des Kühlkreislaufs aufleuchtet. Die Kühlleistung beginnt jedoch vom Augenblick des Anschlusses an sich auf zu bauen.

Die Garantiezeit beträgt 24 Monate ab Kaufdatum.

Bedingungen:

Dieses Gerät wurde nach den modernsten Methoden hergestellt und geprüft. Der Hersteller leistet unabhängig von der gesetzlichen Gewährleistungsverpflichtung des Verkäufers / Händlers für die Dauer von 24 Monaten, gerechnet vom Tag des Kaufes, Garantie für einwandfreies Material und fehlerfreie Fertigung.

Der Garantieanspruch erlischt bei Eingriffen durch den Käufer oder durch Dritte, die vom Hersteller nicht für den Service autorisiert sind oder wenn das Gerät zu gewerblichen Zwecken eingesetzt wird. Schäden die durch unsachgemäße Behandlung oder Bedienung, durch falsches Aufstellen oder Aufbewahren, durch unsachgemäßen Anschluss, oder fehlerhafte Installationen sowie durch höhere Gewalt oder sonstige äußere Einflüsse entstehen, fallen nicht unter die Gewährleistung.

Abhilfemöglichkeiten:

Wir behalten uns vor, bei Reklamationen die defekten Teile auszubessern oder zu ersetzen oder das Gerät auszutauschen. Ausgetauschte Teile oder ausgetauschte Geräte gehen in unser Eigentum über. Nur wenn durch Nachbesserung(en) oder Umtausch des Gerätes die herstellerseitig vorgesehene Nutzung endgültig nicht zu erreichen sein sollte, kann der Käufer aus Gewährleistung innerhalb von 24 Monaten, gerechnet vom Tag des Kaufes, Herabsetzung des Kaufpreises oder Aufhebung des Kaufvertrages verlangen. Nachbesserungen verlängern nicht die Gewährleistungszeit. Schadenersatzansprüche, auch hinsichtlich Folgeschäden, sind, soweit sie nicht auf Vorsatz oder grober Fahrlässigkeit beruhen, ausgeschlossen.

Bei unnötiger oder unberechtigter Beanspruchung des Kundendienstes berechnet dieser Zeit- und Wegeentgelt. Reklamationen sind unmittelbar nach Feststellung zu melden. Der Garantieanspruch ist vom Käufer, durch Vorlage der Kaufquittung, nachzuweisen. Bei Nicht-vorlage ist die Reparatur kostenpflichtig. Eine Rückerstattung – nach späterer Einsendung der Kaufquittung – kann nur innerhalb von einem Monat nach Rechnungsdatum gewährt werden.

**Diese Garantiezusage ist gültig innerhalb der Bundesrepublik Deutschland
) 0,14 EUR/Min. aus dem Festnetz der T-Com; Mobilfunk max. 0,42 EUR/Min. (nur für Deutschland)**

¡Lea el Manual del usuario antes del uso!

Estimado cliente:

Gracias por elegir un producto Beko. Esperamos que consiga los mejores resultados con su producto el cual ha sido fabricado con una tecnología de alta calidad y última generación. Por lo tanto, por favor lea este manual de instrucciones al completo y el resto de documentos que lo acompañan antes de utilizar el producto y manténgalo como una referencia para su futuro uso. Si entrega el producto a otra persona, facilítele también el manual de usuario. Siga todas las advertencias e información del manual de instrucciones.

Recuerde que este Manual del usuario es también aplicable a otros modelos. Las diferencias entre los modelos serán identificadas en el manual.

Significados de los símbolos

Los siguientes símbolos se utilizan en varias secciones de este manual:

	Información importante y consejos útiles sobre uso.
--	---

	ADVERTENCIA: Advertencias para situaciones peligrosas concernientes a la seguridad de la vida y de los bienes.
--	---

	Advertencia de peligro de incendio.
--	-------------------------------------

	Advertencia de descarga eléctrica.
--	------------------------------------

	Clase de protección para descarga eléctrica.
---	--



Este aparato ha sido fabricado en plantas modernas respetuosas con el medio ambiente y sin dañar la naturaleza.

1.1 Seguridad general

Instrucciones de seguridad importantes - Léalas detenidamente y guárdelas para consultarlas en el futuro. Esta sección contiene instrucciones de seguridad que ayudarán a protegerse contra riesgos de incendio, descargas eléctricas, exposición a fugas de ondas microondas, lesiones personales o daños a la propiedad. El incumplimiento de estas instrucciones anulará cualquier garantía.

- Los productos de Beko cumplen con las normativas de seguridad aplicables; por lo tanto, en caso de que se produzcan daños en el aparato o en el cable de alimentación, éste deberá ser reparado o sustituido por el distribuidor, el servicio técnico o servicio especializado y autorizado para evitar cualquier peligro. Las reparaciones realizadas por personal no cualificado pueden ser peligrosas y causar riesgos para el consumidor.
- Este aparato está destinado para usos domésticos y similares como en:
 - Zonas de cocina para personal en tiendas, oficinas y otros entornos laborales;
 - Granjas;
 - Clientes en hoteles, y otros entornos de tipo residencial;
 - Entornos tipo alojamiento y desayuno.
- Use el aparato sólo para el fin previsto, tal como se describe en este manual.
- El fabricante no se hace responsable de los daños causados por la instalación o el funcionamiento inadecuado del aparato.
- Los niños a partir de los 8 años, las personas con discapacidades físicas, sensoriales o mentales, así como las personas que carecen de experiencia y conocimientos, podrán utilizar este aparato siempre y cuando se les vigile e instruya sobre su uso en condiciones de seguridad, y que comprendan los peligros que entraña su uso.
- No deje que los niños jueguen con el aparato. Los niños no deberán realizar la limpieza y el mantenimiento sin estar vigilados por parte de un adulto.
- La distancia mínima entre la superficie de apoyo de los recipientes de cocción en la placa de cocina y la parte más baja del aparato debe ser de al menos 65 cm.

1 Instrucciones importantes sobre seguridad y medio ambiente

- Si en las instrucciones de instalación de la cocina de gas se especifica una distancia mayor, ésta deberá respetarse.
 - Asegúrese de que la alimentación eléctrica cumpla con las indicaciones de la placa de características del aparato.
 - Nunca utilice el aparato si el cable de alimentación o el propio aparato están dañados.
 - Evite daños al cable procurando que no sufra tirones, no se doble y no roce con bordes afilados para evitar dañarlo. Mantenga el cable de alimentación alejado de las superficies calientes y de fuentes de fuego.
 - Utilice el aparato sólo con una toma de corriente con conexión a tierra.
- ADVERTENCIA:** No conecte el aparato a la red eléctrica hasta que la instalación esté completamente terminada.
- Coloque el aparato de manera que el enchufe sea siempre accesible.
 - No toque las luces cuando han estado encendidas por mucho tiempo. Se puede quemar con ellas, ya que estarán calientes.
 - Siga las normas establecidas por las autoridades competentes sobre la descarga del aire de escape (esta advertencia no es aplicable para el uso sin chimenea).
 - Encienda el aparato después de colorar una olla o sartén sobre el quemador. De lo contrario, la temperatura alta puede conducir a la deformación de algunos componentes del aparato.
 - Apague el quemador antes de retirar la olla, la sartén, etc. del mismo.
 - No deje aceite caliente sobre el quemador. Las cacerolas con aceite caliente pueden causar autocombustión.
 - Preste atención a sus cortinas y cubiertas ya que el aceite puede incendiarse al cocinar alimentos como las papas fritas.
 - El filtro de grasa debe ser reemplazado al menos una vez al mes. El filtro de carbón debe ser reemplazado al menos cada 3 meses.
 - El producto se limpiará de acuerdo con el manual del usuario. Si la limpieza no se ha llevado a cabo de acuerdo con el manual de usuario, puede haber riesgo de incendio.
 - No utilice materiales filtrantes no

1 Instrucciones importantes sobre seguridad y medio ambiente

resistentes al fuego en lugar del filtro.

- Utilice únicamente las piezas originales o las recomendadas por el fabricante.
- No utilice la campana sin el filtro ni los quite mientras el aparato esté funcionando.
- En caso de que se encienda alguna llama, desactive su producto y los aparatos de cocina.
- En caso de que se encienda una llama, cúbrala y nunca use agua para apagarla.
- Desenchufe el aparato antes de cada limpieza y cuando el aparato no esté en uso.
- La presión negativa en el ambiente no debe exceder los 4 Pa (4 x 10 bar) mientras que la campana para la cocina eléctrica y los electrodomésticos que funcionan con otro tipo de energía pero con electricidad funcionan simultáneamente.
- En el entorno en el que se utiliza el aparato, el escape de los dispositivos que funcionan con fuel o gas, como los calentadores de habitaciones, debe estar absolutamente aislado o el aparato debe ser de tipo hermético.

- Al conectar el conducto de humos, utilice tubos con un diámetro de 120 o 150 mm. La conexión de la tubería debe ser lo más corta posible y tener el menor número de codos posible.

¡Peligro de asfixia! Mantenga todos los materiales de embalaje lejos de los niños.

¡PRECAUCIÓN! Cuando este utilizando aparatos de cocina, las piezas accesibles podrían quemar.

- La salida del producto no debe estar conectada a canales de aire que incluyan otros humos.
 - La ventilación de la habitación puede ser insuficiente cuando la campana extractora eléctrica se utiliza simultáneamente con los aparatos que funcionan con gas u otros combustibles (esto no puede aplicarse a los aparatos que sólo descargan el aire de vuelta a la habitación).
 - Los objetos colocados sobre el aparato pueden caer. No coloque ningún objeto sobre el aparato.
 - No flamee bajo el producto.
- ADVERTENCIA:** Antes de instalar la campana, retire las películas protectoras.
- Nunca deje llamas altas y desnu-

1 Instrucciones importantes sobre seguridad y medio ambiente

das bajo la campana cuando esté en funcionamiento.

- Las freidoras de grasa profunda deben ser continuamente monitoreadas durante su uso; el aceite sobrecalentado puede estallar en llamas.

1.2 Cumplimiento de la Directiva RAEE y eliminación del producto

Este aparato cumple con la Directiva WEEE (RAEE) de la UE (2012/19/EU). Este producto tiene un símbolo de clasificación para residuos de aparatos eléctricos y electrónicos (WEEE).



Este símbolo indica que este producto no debe desecharse con otros desechos domésticos al final de su vida útil. El dispositivo usado debe ser devuelto a un punto de recogida oficial para el reciclaje de aparatos eléctricos y electrónicos. Para encontrar estos sistemas de recogida, por favor, póngase en contacto con las autoridades locales o con el distribuidor donde se compró el producto. Cada hogar desempeña un papel importante

en la recuperación y el reciclaje de aparatos viejos. La eliminación adecuada de los electrodomésticos

usados ayuda a prevenir posibles consecuencias negativas para el medio ambiente y la salud humana.

1.3 Cumplimiento de la Directiva RoHS

El producto que ha adquirido es conforme con la directiva de la UE sobre la restricción de sustancias peligrosas (RoHS) (2011/65/UE). No contiene materiales nocivos ni prohibidos especificados en la Directiva.

1.4 Información sobre el embalaje



Los materiales de embalaje del producto se fabrican con materiales reciclables de acuerdo con nuestras Regulaciones Nacionales de Medio Ambiente. No se deshaga de los materiales de embalaje junto con los desechos domésticos o de otro tipo. Llévelos a los puntos de recolección de material de embalaje designados por las autoridades locales.

2 Aspecto General

2.1 Descripción general

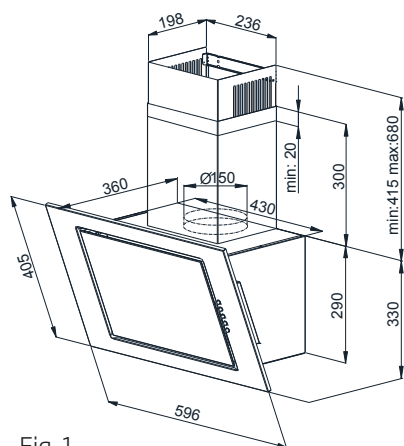


Fig. 1

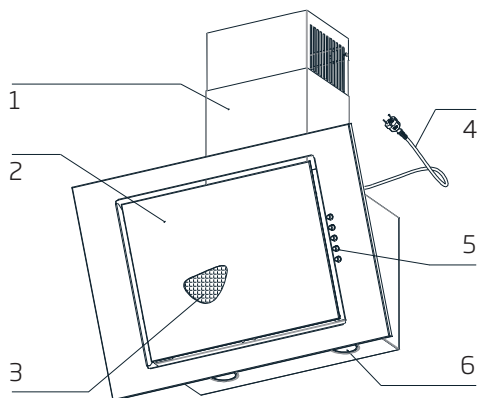


Fig. 2

1. Chimenea
2. Cubierta de vidrio
3. Filtro de grasa de aluminio
4. Cable de alimentación
5. Botones de control
6. Iluminación

2.2 Datos técnicos

Modelo	HCA62420B
Tensión y frecuencia de suministro	220-240 V 50 Hz
Potencia de la lámpara (W)	2x3
Potencia del motor (W)	115
Flujo de aire (m ³ /h) - 3. Nivel	430
Clase de aislamiento del motor	Clase F
Clase de aislamiento	Clase II

3 Uso del aparato

3.1 Uso de los pulsadores

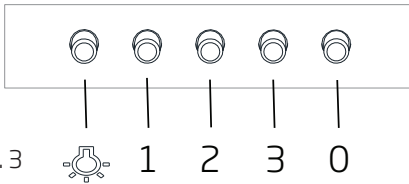


Fig. 3

La campana está equipada con un control mecánico.

- Presionando el "0" - se apaga la campana.
- Presionando el "1" - para encender la campana con una velocidad mínima.
- Presionando el "2" - enciende la campana con una velocidad media.
- Presionando el "3" - enciende la campana a una velocidad máxima.

Una velocidad más alta significa más flujo de aire.

- Presionar el botón  para encender las luces. Vuelva a pulsar este botón para apagar la luz.


3.2 Qué hacer para ahorrar energía

- Asegure una entrada de aire suficiente para que la campana funcione eficientemente y con bajo ruido de funcionamiento durante la cocción.
- Ajuste el nivel del ventilador de acuerdo con la densidad del vapor en la cocina. Utilice el nivel alto sólo cuando sea necesario. Un menor ajuste del ventilador significa menos consumo de energía.
- Si se espera un humo denso en la cocina, seleccione un nivel más alto de ventilador de antemano. Se requiere operar la campana mucho más tiempo para eliminar el humo ya extendido por toda la cocina.
- Apague la campana cuando no la utilice.
- Limpie o reemplace el filtro a los intervalos indicados, así se aumenta la eficiencia de la ventilación y se elimina el riesgo de incendio.

3.3 Uso de la campana

- La campana está equipada con un motor que

tiene varios ajustes de velocidad.

- Para un mejor rendimiento, le aconsejamos que utilice velocidades bajas en condiciones normales, y velocidades altas cuando el olor y los vapores se intensifican.
- Puede encender la campana presionando la tecla de nivel de velocidad deseada.(1,2,3)
- Puede iluminar la superficie donde se cocina activando la luz. ()

3.4 Sustitución de la bombilla

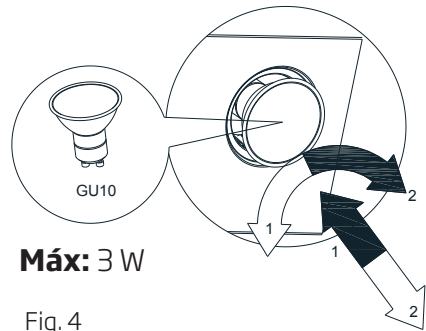




Fig. 4

Símbolo  Colocación de la bombilla
Símbolo  Extracción de la bombilla

Desenchufe la campana de la corriente eléctrica. Este aparato está equipado con lámparas spot LED de 3 W.



Antes de cambiar las bombillas, desconecte la fuente de alimentación de la campana.



No toque las bombillas cuando estén calientes.



Tenga cuidado de no tocar la bombilla sustituida directamente con las manos.



Puede adquirir las bombillas a través de agentes de servicio autorizados.

4 Limpieza y mantenimiento

Antes de la limpieza y el mantenimiento, desenchufe el aparato o apague el interruptor principal o afloje el fusible que alimenta la campana.



El incumplimiento de las disposiciones relativas a la limpieza del aparato y a la sustitución de los filtros puede provocar riesgos de incendio. Por lo tanto, se recomienda cumplir con las directrices que se dan en este documento. El fabricante no se hace responsable de ningún daño al motor ni de los incendios causados por un uso inadecuado.

Limpie el aparato sólo con un paño humedecido con detergente líquido neutro. No limpie con herramientas o instrumentos. No utilice productos abrasivos. No utilice alcohol

4.1 Limpieza del filtro de grasa de aluminio

Este filtro captura las partículas de aceite en el aire. Se recomienda que limpie el filtro todos los meses en condiciones de uso normales. Primero retire los filtros de grasa para este proceso. Lave los filtros con detergente líquido y enjuáguelos con agua y vuelva a instalarlos después de que se sequen. Los filtros de grasa de aluminio pueden decolorarse al lavarlos; esto es normal y no es necesario cambiar el filtro.

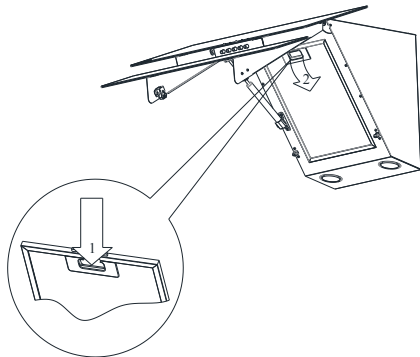


Fig. 5



Puede lavar el filtro de aluminio en el lavavajillas

4.2 Cambio del filtro de carbón (Modo de circulación de aire)

El capó puede ser equipado con un filtro de carbón activo. El filtro de carbón se aplica sólo en caso de que la campana no esté conectada al conducto de ventilación.

En cualquier caso, es necesario sustituir el filtro de carbón al menos cada tres meses.

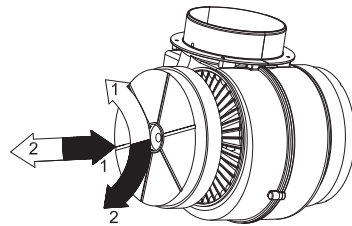


Fig. 6

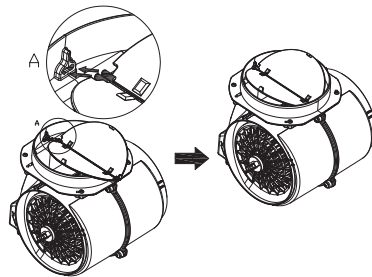


Fig. 7



ADVERTENCIA: El filtro de carbono nunca se lava.



ADVERTENCIA: El filtro de carbón está disponible en los Servicios Autorizados.

5 Ajustes del aparato



ADVERTENCIA

Por favor, lea las instrucciones de seguridad antes de instalarse.



ADVERTENCIA

Si no se instalan los tornillos o el dispositivo de fijación de acuerdo con estas instrucciones, pueden producirse riesgos eléctricos.

5.1 Accesorios de instalación

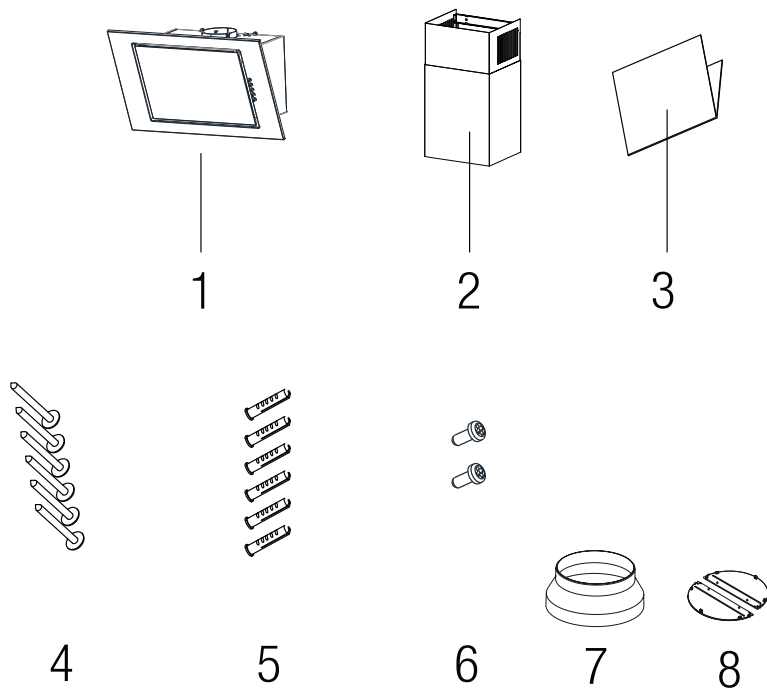


Fig. 8

- 1- Campana
- 2- Chimenea
- 3- Manual de usuario
- 4- 4 x tornillos \emptyset de 5 x 45
- 5- 6 x tornillos \emptyset de 8 x 40
- 6- 2 x tornillos \emptyset de 3,9 x 9,5
- 7- Adaptador plástico del conducto \emptyset 150/120mm
- 8- Válvula de contrapresión

5 Ajustes del aparato

5.2 Instalación de la campana



El uso de tornillos y elementos de fijación no especificados en el Manual de instrucciones puede causar la descarga eléctrica.

La distancia mínima de la campana que cuelga entre la superficie de colocación de los utensilios de cocina sobre la cocina (de gas, eléctrica) y la parte más baja de la campana (Fig.3) será de al menos 65 cm para las cocinas eléctricas y de al menos 65 cm para las cocinas de gas. En caso de que el manual de instrucciones de la cocina prevea una distancia mayor para la instalación de la campana extractora, deberá mantenerse dicha distancia. La instalación de la campana y el cuerpo de la chimenea se muestra en las figuras (Fig.4 - Fig.9). La campana está equipada con los pasadores de fijación que se adaptan a la mayor parte de las paredes y techos. Durante el montaje, observe las reglas comunes para la extracción de aire de los locales.

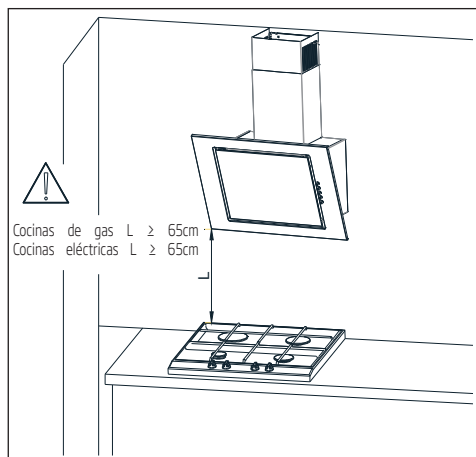


Fig.9 Distancias recomendadas para la cocina

Antes de comenzar la instalación:

- Compruebe si las dimensiones del dispositivo adquirido coinciden con el lugar de instalación previsto.
- Desmontar y retirar (si es posible) cualquier mueble que quede en el área de instalación de la campana, para asegurar el fácil acceso al techo o a la pared, donde se montará la campana. Si no es posible, proteja los elementos de mobiliario que queden en el área adyacente.
- Compruebe si hay un enchufe cerca de la zona de montaje y controle si la campana puede conectarse al canal de ventilación para la evacuación de vapores.
- Compruebe si no hay cables (eléctricos, hidráulicos, etc.) en los lugares en los que se realizará la perforación.
- Prepare las siguientes herramientas: regla de cinta, lápiz, taladro / destornillador eléctrico, herramienta de perforación de Ø8, destornillador, nivel de construcción.

Operación de montaje:

1. Definir el eje de la cocina y proyectarlo sobre la pared, donde se montará la campana. Marcar todos los puntos característicos de la fijación de la campana. Hacer las aberturas con el taladro. (Fig.10)

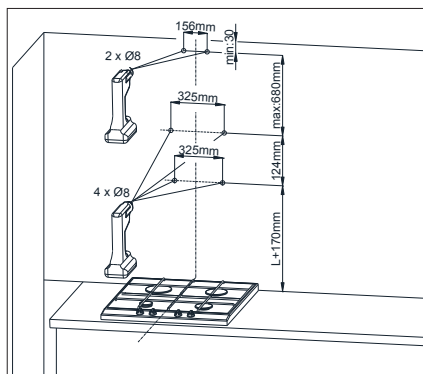


Fig.10 Dimensiones del montaje

5 Ajustes del aparato

2. En las aberturas, inserte los tapones de rosca. En dos aberturas marcadas con un tornillo A también los tornillos (dejando 7 mm de longitud de tornillo fuera del tapón, Fig.11).

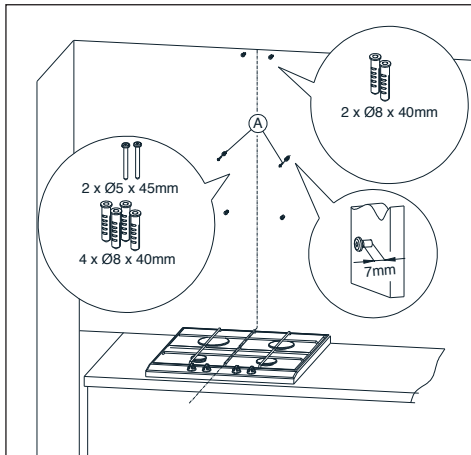


Fig.11 Montaje de los tapones de rosca

3. Atornillar el elemento de fijación del cuerpo de la chimenea, colgar la campana en dos tornillos no apretados (Fig. 12).

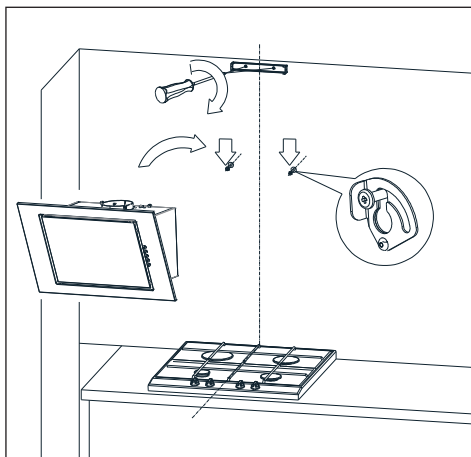


Fig.12 Campana colgando

4. Abrir la tapa de la campana y quitar el filtro de grasa (Fig.13).

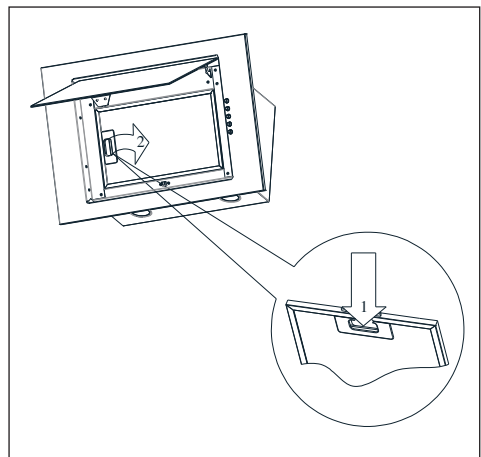


Fig.13 Extracción del filtro de grasa de aluminio

5. Coloque el nivel en el cuerpo de la campana. Girando el elemento marcado con una A, ajuste el nivel de la campana según las indicaciones del nivel, y luego apriete dos tornillos previamente atornillados parcialmente y enrosque los dos tornillos restantes (Fig. 14).

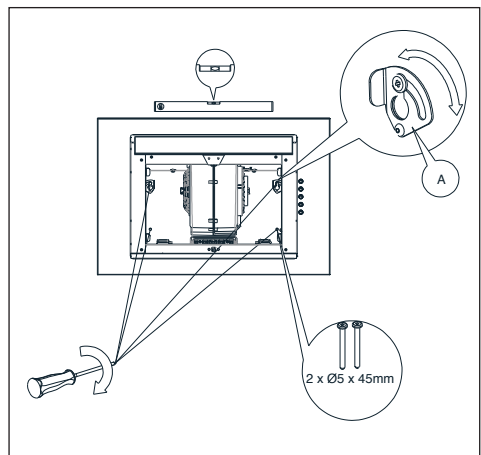


Fig.14 Posicionamiento de la campana de alcance

5 Ajustes del aparato

Coloque la chimenea sobre el cuerpo de la campana. Luego, dibuja delicadamente la parte de la campana firmada con la B hacia arriba, hasta que sea posible atornillarla al elemento de sujeción previamente fijado a la pared (Fig. 15).

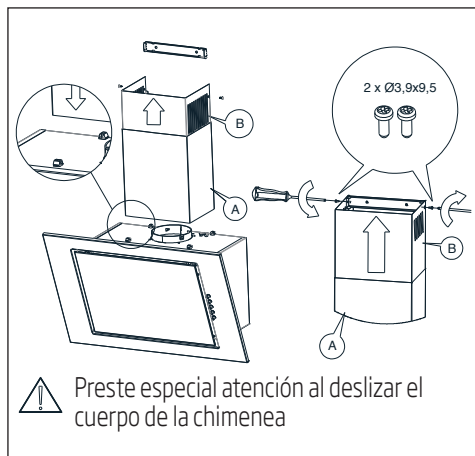


Fig.15 Montaje del cuerpo de la chimenea



Esta operación de ensamble se realizará con mucho cuidado, para evitar que se arañe el cuerpo de la chimenea y el propio capó.

5.3 Conexión eléctrica

El voltaje de la red corresponderá al voltaje indicado en la placa colocada en el interior de la campana. Si la campana está equipada con un enchufe, introdúzcalo en el enchufe que cumpla con los requisitos aplicables, y situado en un lugar de fácil acceso. Si la campana no está equipada con un enchufe, la instalación de la campana será realizada por una persona que tenga las autorizaciones requeridas (como un electricista).

6 Resolución de problemas

Resolución de problemas	Razón	Ayuda
El producto no funciona.	Revise los fusibles.	Los fusibles podrían estar desconectados, conéctelos.
El producto no funciona.	Revise la conexión eléctrica.	El voltaje de la red eléctrica debe ser entre 220-240 V.
El producto no funciona.	Revise la conexión eléctrica.	Compruebe si otros aparatos de su cocina funcionan.
La lámpara de iluminación no funciona.	Revise la conexión eléctrica.	El voltaje de la red eléctrica debe ser entre 220-240 V.
La lámpara de iluminación no funciona.	Revise el interruptor de la lámpara.	El interruptor de la lámpara debería estar en la posición "on".
La lámpara de iluminación no funciona.	Revise las lámparas.	Las lámparas del producto no deben estar defectuosas.
La entrada de aire del producto es baja.	Revise el filtro de aluminio.	El filtro de aceite de aluminio debe ser limpiado al menos una vez al mes en condiciones normales de uso.
La entrada de aire del producto es baja.	Revise el conducto de ventilación.	El conducto de ventilación debería estar en la posición de encendido "on".
La entrada de aire del producto es baja.	Revise el filtro de carbón.	En los productos que usen filtros de carbón, el filtro debe cambiarse normalmente cada 3 meses.



**Contacto para asistencia técnica:
902 877 665 / 932 992 581**

CONDICIONES DE GARANTÍA - ESPAÑA

El presente certificado cubre la garantía de reparación de su electrodoméstico durante dos años, a partir de la fecha de venta, contra todo defecto de funcionamiento proveniente de fabricación o materiales; o de sustitución del aparato, salvo que una de estas opciones resulte imposible o desproporcionada respecto de la otra. Cuando usted detecte un defecto o anomalía en el aparato contacte de forma inmediata con nosotros, un plazo de dos meses es el límite para informarnos de la falta de conformidad. El cargo de desplazamiento está incluido en la reparación, excepto para pequeños electrodomésticos que pueden ser transportados al taller del servicio oficial de la marca. En caso de sustitución, el plazo de garantía se suspende y el nuevo aparato mantendrá el periodo de vigencia del aparato sustituido, y como mínimo 6 meses de garantía.

La presente garantía sólo será válida si se presenta factura, ticket de compra o el albarán de entrega del producto correspondiente si éste fuera posterior a la fecha de factura. La presente garantía es válida en el territorio español y portugués para los aparatos distribuidos por Beko Electronics España S.L.. La garantía sólo tendrá validez sobre el primer comprador o adquirente del producto. La garantía será válida para aparatos adecuados a las condiciones climáticas y medioambientales en que estén ubicados.

EXCLUSIONES DE LA GARANTÍA

El coste de la reparación será a cargo del usuario en los siguientes casos:

- Los aparatos utilizados para uso profesional o no exclusivamente doméstico, en establecimientos públicos, industriales o comerciales.
- Los aparatos desmontados o manipulados por personas ajenas a los servicios técnicos expresamente autorizados.
- Las instalaciones, transporte, sustitución de aparatos, puestas en marcha, cambio de sentido de puertas.
- Intervenciones de mantenimiento o de información sobre el uso de los aparatos.
- Cambio de inyectores en aparatos de gas.
- Las averías provocadas por falta de mantenimiento o limpieza o aquellas provocadas por un uso indebido, sobrecarga, abandono o de manera no conforme a las instrucciones de uso o de instalación de los aparatos.
- Las averías producidas por causas fortuitas, siniestros de fuerza mayor o derivados de instalación incorrecta y en general, averías por causas ajenas al propio aparato.
- Las averías provocadas por conexiones que puedan presentar fluctuaciones, irregularidades o falta de uniformidad en el suministro, por ejemplo: suministro de agua impulsado por grupos de presión, energía solar, energía eólica, generadores eléctricos, u otro tipo de suministro no normalizado.
- La sustitución de materiales rotos o deteriorados por desgaste o uso no normal del aparato, o materiales consumibles tales como: juntas, plásticos, gomas, correas, cristales, escobillas, bombillas, asas, tiradores, tapas de quemadores, filtros, rejillas, ánodes de sacrificio (magnesio o similares) de calentadores o calderas, etc.
- Los aparatos que presenten oxidación, o daños por corrosión en esmaltes o pinturas, que puedan ser provocados por efectos químicos o electroquímicos del agua o cualquier otra sustancia, o aceleradas por circunstancias ambientales o climáticas no propicias.
- Defectos estéticos en serigrafía o pintura.
- Los daños de transporte o manipulación, golpes, etc.
- Los aparatos deben instalarse de forma accesible para su reparación, debiendo asumir el usuario los costes necesarios para el acceso al aparato para su reparación y sustitución.

La presente garantía no afecta a los derechos de que dispone el consumidor conforme a lo previsto en el Real Decreto 1/2007, de 16 de noviembre, por el que se aprueba el texto refundido de la Ley General para la Defensa de los Consumidores y Usuarios y otras leyes complementarias, y la Ley 3/2014 que la modifica.

El Servicio Oficial de Asistencia Técnica resolverá cualquier incidencia que pudiera precisar su electrodoméstico siempre que el aparato esté instalado de forma accesible.

Para asegurarse que su electrodoméstico va a ser intervenido por un técnico oficial autorizado, rogamos solicite el carnet avalado por ANFEL (Asociación Nacional de Fabricantes de Electrodomésticos) a nuestros técnicos.

Las marcas BEKO, ALTUS, BLOMBERG, y GRUNDIG se distribuyen por Beko Electronics España S.L.

DATOS APARATO (a rellenar por el Distribuidor):

Titular:		Sello Establecimiento:
Modelo:	Núm. serie:	
Establecimiento:	Fecha de compra:	

El garante e importador de su electrodoméstico es: BEKO ELECTRONICS ESPAÑA S.L. Calle Provenza nº 388 3º Barcelona 08025, España. El producto ha sido fabricado por ARÇELIK A.S (Arçelik A.S.Sütlüce Karaağaç Cad. No:2-6 34445 Beyoglu, Istanbul, Turkey) o Arctic S.A. (210, 13 Decembrie St., 135200, Gaesti, Dambovitá, Romania

Conózanos mejor en nuestra página: www.beko.com Conserve este documento, es importante para usted.

Veillez d'abord lire ce manuel d'utilisation !

Chère cliente, cher client,

Nous vous remercions d'avoir préféré cet appareil Beko. Nous espérons que vous obtiendrez les meilleurs résultats de votre appareil qui a été fabriqué avec une technologie de pointe et de haute qualité. Pour cette raison, veuillez lire attentivement ce manuel d'utilisation et tous les autres documents fournis avant d'utiliser l'appareil et conservez-le comme référence pour une utilisation future. Si vous donnez l'appareil à une autre personne, donnez-lui également le manuel d'utilisation. Suivez les instructions en faisant attention à toutes les informations et avertissements du manuel d'utilisation.

Notez que ce manuel d'utilisation peut également s'appliquer à d'autres modèles. Les différences entre les modèles sont explicitement décrites dans le manuel.


Signification des symboles

les symboles suivants sont utilisés dans différentes sections de ce manuel :

	Informations importantes et conseils utiles sur l'utilisation.
--	--

	AVERTISSEMENT : Avertissements contre les situations dangereuses concernant la sécurité de la vie et des biens.
--	--

	Avertissement lié au risque d'incendie.
---	---

	Avertissement lié aux chocs électriques.
--	--

	Classe de protection contre les chocs électriques.
---	--



Cet appareil a été fabriqué dans des usines modernes respectueuses de l'environnement.

1.1 Sécurité générale

Lisez attentivement les consignes de sécurité importantes et conservez-les pour vous y référer ultérieurement. Cette section contient des consignes de sécurité qui permettront de protéger contre les risques d'incendies, de chocs électriques, d'expositions aux fuites d'énergies micro-ondes, de blessures corporelles ou de dommages matériels. Le non-respect de ces instructions annule toute garantie.

- Les fours à micro-ondes Beko sont conformes aux normes de sécurité applicables ; par conséquent, en cas de dommage sur l'appareil ou le câble d'alimentation, celui-ci doit être réparé ou remplacé par le revendeur, le centre de service ou un service spécialisé et autorisé afin d'éviter tout danger. Lorsque les réparations sont mauvaises ou effectuées par un personnel non qualifié, elles peuvent être dangereuses et entraîner des risques pour l'utilisateur.
- Cet appareil est conçu pour être utilisé dans les maisons et les endroits similaires tels que :
 - Dans les cuisines du personnel des boutiques, des bureaux et autres environnements profes-

sionnels ;

- Dans les fermes
 - les cuisines pour clients dans les hôtels et autres lieux d'habitation ; et
 - Dans des chambres ou des salles de petit-déjeuner.
- N'utilisez l'appareil que pour l'usage auquel il est destiné tel que décrit dans ce manuel.
 - Le fabricant ne peut être tenu responsable des dommages résultant d'une installation incorrecte ou d'une mauvaise utilisation du produit.
 - Cet appareil peut être utilisé par des enfants âgés de 8 ans et plus et des personnes ayant des capacités physiques, sensorielles ou mentales réduites ou un manque d'expérience et de connaissances s'ils ont reçu une supervision ou des instructions concernant l'utilisation de l'appareil de manière sûre et comprennent les dangers impliqués.
 - Les enfants ne sont pas autorisés à jouer avec l'appareil. Le nettoyage et l'entretien par l'utilisateur ne doivent pas être effectués par des enfants sans surveillance.

1 Instructions importantes en matière de sécurité et d'environnement

- Il faut que la distance minimale entre la surface d'appui des récipients de cuisson sur la plaque de cuisson et la partie la plus basse de votre produit soit d'au moins 65 cm
 - Dans le cas où les instructions d'installation de la plaque de cuisson au gaz indiquent une distance plus grande, il faut en tenir compte.
 - Assurez-vous que votre alimentation électrique est conforme aux informations fournies sur la plaque signalétique de l'appareil.
 - N'utilisez jamais l'appareil si le câble d'alimentation ou l'appareil lui-même est endommagé.
 - Évitez d'endommager le câble d'alimentation en ne pas le serrer, le plier ou le frotter sur des bords tranchants. Éloignez le câble d'alimentation de toute surface brûlante et des flammes.
 - Utilisez l'appareil uniquement avec une prise mise à la terre.
- AVERTISSEMENT :** Ne branchez pas l'appareil sur le secteur avant que l'installation ne soit complètement terminée.
- Placez l'appareil de manière à ce que la fiche soit toujours accessible.
 - Ne touchez pas les lampes si elles ont fonctionné pendant une longue période. Ils peuvent vous brûler les mains car ils seront chauds.
 - Il faut respecter les règles fixées par les autorités compétentes en matière d'évacuation de l'air vicié (cet avertissement ne s'applique pas à l'utilisation sans conduit de fumée).
 - Faites fonctionner votre appareil après avoir placé une casserole, une casserole, etc. sur la table de cuisson. Dans le cas contraire, une chaleur élevée peut entraîner une déformation de certaines parties de votre produit.
 - Éteignez la plaque de cuisson avant de retirer la casserole, la casserole, etc.
 - Évitez de laisser de l'huile chaude dans la plaque de cuisson. Les casseroles avec de l'huile chaude peuvent provoquer une auto-combustion.
 - Faites attention à vos rideaux et couvertures, car l'huile peut prendre feu pendant la cuisson des aliments tels que les frites.
 - Le filtre à graisse doit être rem-

1 Instructions importantes en matière de sécurité et d'environnement

placé au moins une fois par mois. Il faut remplacer le filtre à charbon au moins tous les 3 mois.

- Le produit doit être nettoyé conformément au manuel d'utilisation. En cas de nettoyage non conforme au manuel d'utilisation, il peut y avoir un risque d'incendie.
- Évitez d'utiliser des matériaux filtrants non résistants au feu à la place du filtre actuel.
- Utilisez uniquement les pièces ou pièces d'origine recommandées par le fabricant.
- Ne faites pas fonctionner le produit sans filtre et ne retirez pas les filtres lorsque le produit est en marche.
- En cas d'allumage d'une flamme, mettez votre produit et vos appareils de cuisson hors tension.
- En cas d'allumage d'une flamme, couvrez la flamme et n'utilisez jamais d'eau pour l'éteindre.
- Débranchez l'appareil avant chaque nettoyage et lorsque l'appareil n'est pas utilisé.
- La pression négative de l'environnement ne doit pas dépasser 4 Pa (4 x 10 bars) lorsque la hotte de la plaque de cuisson électrique et les appareils fonctionnent si-

multanément à l'électricité et un autre type d'énergie.

- Lorsque l'appareil est utilisé dans l'environnement, l'échappement des appareils fonctionnant au mazout ou au gaz, tels que les chauffe-eau, doit être absolument isolé ou l'appareil doit être de type hermétique.
- Pour le raccordement du conduit de fumée, utilisez des tuyaux d'un diamètre de 120 ou 150 mm. Le raccordement des tuyaux doit être aussi court que possible et comporter le moins de coudes possible.

Risque de suffocation ! Gardez tous les matériaux d'emballage hors de portée des enfants.

ATTENTION : Les pièces accessibles peuvent chauffer lorsqu'elles sont utilisées avec des appareils de cuisson.

- La sortie de la hotte ne doit pas être connectée aux conduits d'air utilisés à d'autres fins.
- La ventilation de la pièce peut être insuffisante lorsque la hotte de la plaque de cuisson électrique est utilisée simultanément avec les appareils fonctionnant au gaz ou à d'autres combustibles (cela peut ne pas s'appliquer aux appareils

1 Instructions importantes en matière de sécurité et d'environnement

qui ne font que rejeter l'air dans la pièce).

- Les objets placés sur le produit peuvent tomber. Ne placez aucun objet sur ce produit.

- Ne flambez pas sous votre produit.

AVERTISSEMENT : Avant d'installer la hotte, retirez les films protecteurs.

- Ne jamais laisser de grandes flammes nues sous la hotte lorsque celui-ci est en fonctionnement

- Les friteuses doivent être surveillées en permanence pendant leur utilisation : une huile surchauffée peut s'enflammer.

1.2 Conformité avec la directive DEEE et élimination des déchets :

Cet appareil est conforme à la directive WEEE de l'Union européenne (2012/19/UE). Le produit possède un symbole de classification attribué aux déchets d'équipements électriques et électroniques (WEEE).



Ce symbole indique que cet appareil ne doit pas être mis au rebut avec les ordures ménagères à la fin de sa durée de vie. Les appareils usagés doivent être retournés au point de collecte officiel pour le recyclage des

dispositifs électriques et électroniques. Pour trouver ces systèmes de collecte, veuillez contacter les autorités locales ou le détaillant où le produit a été acheté. Chaque ménage joue un rôle important dans la récupération et le recyclage des anciens appareils. La mise au rebut appropriée des appareils usagés permet de prévenir les conséquences négatives potentielles pour l'environnement et la santé humaine.

1.3 Conformité avec la Directive RoHS

Votre appareil est conforme à la directive RoHS de l'Union européenne (2011/65/UE). Il ne comporte pas de matériaux dangereux et interdits mentionnés dans la directive.

1.4 Informations sur l'emballage



Les matériaux d'emballage de cet appareil sont fabriqués à partir de matériaux recyclables, conformément à nos réglementations nationales en matière d'environnement. Ne mettez pas les matériaux d'emballage au rebut avec les ordures ménagères et d'autres déchets. Déposez-les plutôt aux points de collecte des matériaux d'emballage, désignés par les autorités locales.

2 Aspect général

2.1 Vue d'ensemble

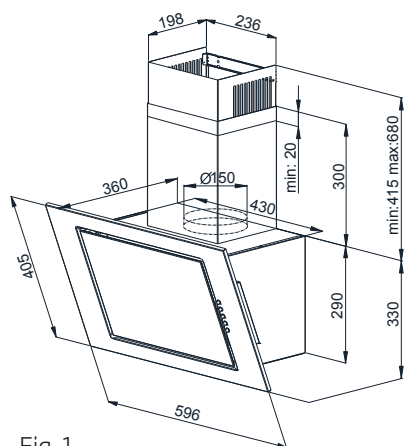


Fig. 1

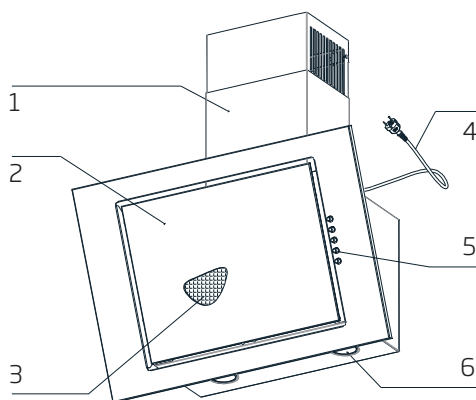


Fig. 2

1. Cheminée
2. Couvercle en verre
3. Filtre à graisse en aluminium
4. Cordon d'alimentation
5. Touches de contrôle
6. Éclairage

2.2 Données techniques

Modèle	HCA62420B
Tension et fréquence d'alimentation	220-240 V~ 50 Hz
Puissance de la lampe (W)	2x3
Puissance du moteur (W)	115
Débit d'air (m ³ / h) - 3. Niveau	430
Classe d'isolation du moteur	Class F
Classe d'isolation	Classe II

3 Utilisation de l'appareil

3.1 Utilisation des boutons «Push»

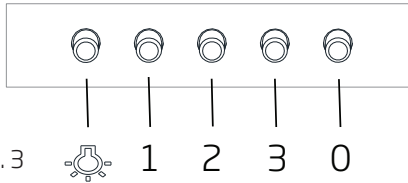



Fig. 3

La hotte est équipée d'une commande mécanique.

- Appuyer sur le « 0 » - désactive la hotte.
- En appuyant sur le « 1 » - pour faire tourner la hotte avec une vitesse minimale.
- Appuyer sur le « 2 » - fait tourner la hotte avec une vitesse moyenne.
- Appuyer sur le « 3 » - fait tourner la hotte à la vitesse maximale.


Une vitesse plus élevée signifie plus de débit d'air.

- Appuyez sur le bouton  pour allumer les lumières. Répétez la pression sur le bouton pour éteindre l'éclairage.

3.2 Choses à faire pour économiser de l'énergie

- Veillez à ce que l'entrée d'air soit suffisante pour que la hotte fonctionne efficacement et avec un faible bruit de fonctionnement pendant la cuisson.
- Réglez le niveau du ventilateur en fonction de la densité de vapeur dans la cuisine. Utilisez le niveau élevé uniquement lorsque cela est nécessaire. Un niveau de ventilateur plus bas signifie moins de consommation d'énergie.
- Si une fumée dense est attendue dans la cuisine, sélectionnez à l'avance un niveau de ventilateur plus élevé. Il est nécessaire de faire fonctionner la hotte beaucoup plus longtemps pour éliminer la fumée déjà répandue dans toute la cuisine.
- Éteignez la hotte lorsqu'elle n'est pas utilisée.
- Nettoyez ou remplacez le filtre aux intervalles indiqués, ainsi, l'efficacité de la ventilation est augmentée et le risque d'incendie est éliminé.

3.3 Fonctionnement de la hotte

- La hotte est équipée d'un moteur avec différents réglages de vitesse.
- Afin d'obtenir de meilleures performances, nous vous conseillons d'utiliser des vitesses basses dans des conditions normales, et des vitesses élevées lorsque les odeurs et les vapeurs sont intensifiées.
- Vous pouvez démarrer la hotte en appuyant sur la touche du niveau de vitesse souhaité. (1,2,3)
- Vous pouvez éclairer la zone de cuisson en appuyant sur la touche d'éclairage. ()

3.4 Remplacement de la lampe

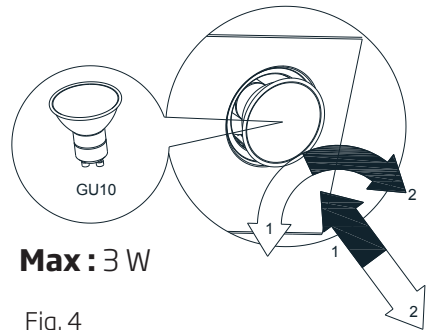




Fig. 4

Symbole  Installation d'ampoule
Symbole  Démontage de l'ampoule

Débranchez la hotte de l'alimentation secteur. Cet appareil est équipé de lampes LED spot de 3 W.



Avant de remplacer les ampoules, débranchez l'alimentation électrique de la hotte.



Ne touchez pas les ampoules lorsqu'elles sont chaudes.

3 Utilisation de l'appareil



Veillez à ne pas toucher l'ampoule remplacée directement avec les mains.



Vous pouvez vous procurer des lampes auprès d'agents de service agréés.

4 Nettoyage et entretien

Lors du nettoyage et de l'entretien, débranchez l'appareil, coupez l'interrupteur principal ou desserrez le fusible qui alimente la hotte.



Le non-respect des dispositions relatives au nettoyage de l'appareil et au remplacement des filtres peut entraîner des risques d'incendie. Il est donc recommandé de se conformer aux directives données ici. Le fabricant décline toute responsabilité en cas de dommages au moteur ou d'incendies causés par une utilisation incorrecte.

Nettoyez en utilisant uniquement un chiffon imbibé de détergent liquide neutre. Ne nettoyez pas avec des outils ou des instruments. N'utilisez pas des produits abrasifs. N'utilisez pas d'alcool.

4.1 Nettoyage du filtre à graisse en aluminium

Ce filtre capture les particules d'huile dans l'air. Il est recommandé de nettoyer votre filtre tous les mois dans des conditions d'utilisation normales. Retirez d'abord les filtres à graisse pour ce processus. Lavez les filtres avec un détergent liquide et rincez-les à l'eau et réinstallez-les une fois qu'ils sont secs. Les filtres à graisse en aluminium peuvent être découverts lors du lavage ; c'est normal et vous n'avez pas besoin de changer votre filtre.

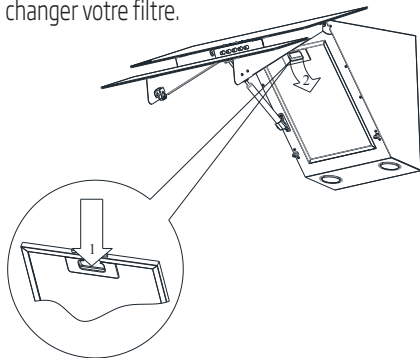


Fig. 5



Vous pouvez laver le filtre à graisse au lave-vaisselle

4.2 Remplacement du filtre à charbon (mode de circulation d'air)

La hotte peut être équipée d'un filtre à charbon actif. Le filtre à charbon est appliqué uniquement dans le cas où la hotte n'est pas connectée au conduit de ventilation.

Dans tous les cas, il est nécessaire de remplacer le filtre à charbon au moins tous les trois mois.

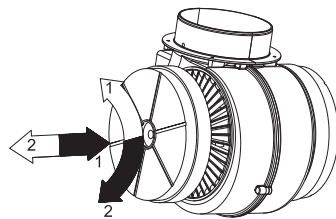


Fig. 6

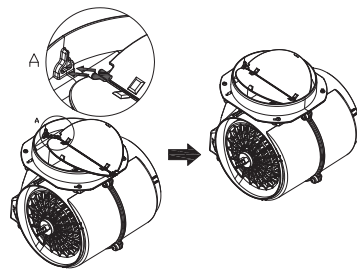


Fig. 7



AVERTISSEMENT : Le filtre à charbon n'est jamais lavé.



AVERTISSEMENT : Le filtre à charbon est disponible auprès des services agréés.

5 Installation de l'appareil



AVERTISSEMENT

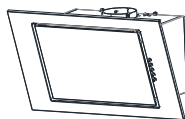
Veuillez lire les consignes de sécurité avant l'installation.



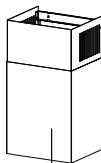
AVERTISSEMENT

Le non-respect de ces instructions lors de l'installation des vis ou du dispositif de fixation peut entraîner des risques électriques.

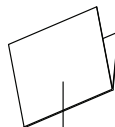
5.1 Accessoires d'installation



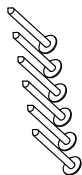
1



2



3



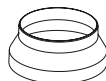
4



5



6



7



8

Fig. 8

1- Hotte

2- Cheminée

3- Manuel de l'utilisateur

4- Vis de 4 x Ø 5 x 45

5- Bouchon à vis de 6 x Ø 8 x 40

6- Vis de 2 x Ø 3,9 x 9,5

7- Adaptateur de conduit de fumée en plastique Ø150/120 mm

8- Valve de contre-pression

5 Installation de l'appareil

5.2 Installation de la hotte



L'utilisation de vis et d'éléments de fixation non spécifiés dans le manuel d'utilisation peut provoquer un choc électrique.

La distance minimale de la hotte suspendue entre la surface de la batterie de cuisine placée au-dessus de la cuisinière (gaz, électrique) et la partie la plus basse de la hotte (Fig. 3) doit être d'au moins 65 cm pour les cuisinières électriques et d'au moins 65 cm pour les cuisinières à gaz. Au cas où le manuel d'utilisation de la cuisinière prévoit une distance plus élevée pour l'installation de la hotte, cette exigence de distance plus élevée doit être maintenue. L'installation de la hotte et du corps de cheminée est illustrée sur les figures (Fig. 4 - Fig. 9). La hotte est équipée de broches de fixation correspondant à la plupart des murs et plafonds. Au cours de l'assemblage, respectez les règles communes pour l'évacuation de l'air des locaux.

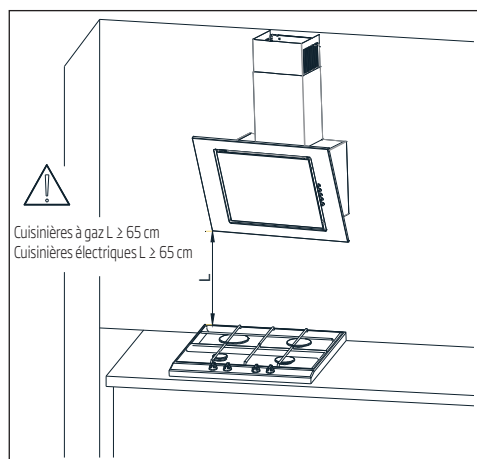


Fig. 9 Distances recommandées par rapport à la cuisinière

Avant de commencer l'installation :

- Vérifiez si les dimensions de l'appareil acheté correspondent au lieu d'installation prévu.
- Le démontage et l'enlèvement (si possible) de tout meuble restant dans la zone d'installation de la hotte, afin de garantir un accès facile au plafond ou au mur, où la hotte doit être montée. Si ce n'est pas possible, protégez les éléments de mobilier restant dans la zone adjacente.
- Vérifiez s'il y a une prise près de la zone de montage et contrôlez si la hotte peut être connectée au canal de ventilation pour l'évacuation des vapeurs.
- Vérifiez s'il n'y a pas de câbles (électriques, hydrauliques, etc.) aux endroits où le forage sera effectué.
- Préparez les outils suivants : règle à ruban, crayon, perceuse / tournevis électrique, outil de perçage Ø8, tournevis, niveau à bulle.

Opérations d'assemblage :

1. Définissez l'axe de la cuisinière et projetez-le sur le mur, là où la hotte sera montée. Signez tous les points caractéristiques de la fixation de la hotte. Faites les ouvertures avec la perceuse. (Fig. 10)

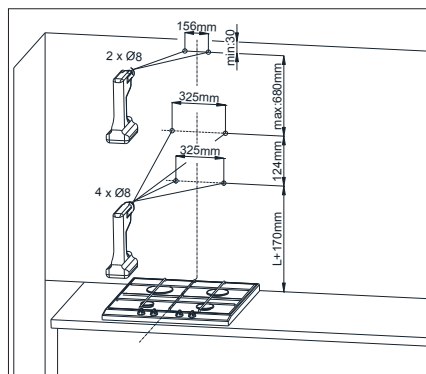


Fig. 10 Dimensions d'assemblage

5 Installation de l'appareil

2. Dans les ouvertures, insérez les bouchons à vis. Dans deux ouvertures marquées d'un A, vissez également les vis (laissant 7 mm de longueur de vis à l'extérieur du bouchon à vis, Fig. 11).

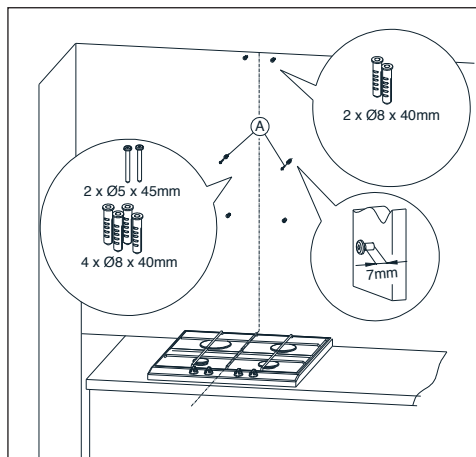


Fig. 11 Assemblage des bouchons à vis

3. Vissez l'élément de fixation du corps de cheminée, accrochez la hotte sur deux vis non serrées (Fig. 12).

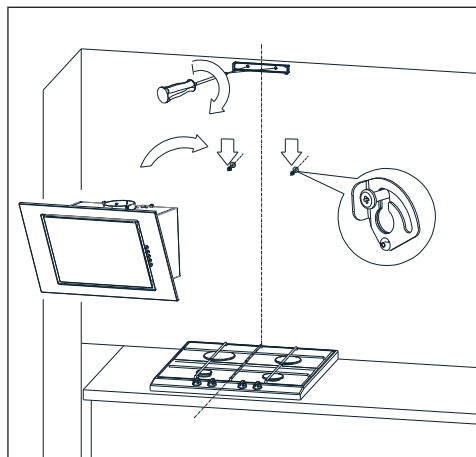


Fig. 12 Suspension de la hotte

4. Ouvrez le couvercle de la hotte et retirez le filtre à graisse (Fig. 13).

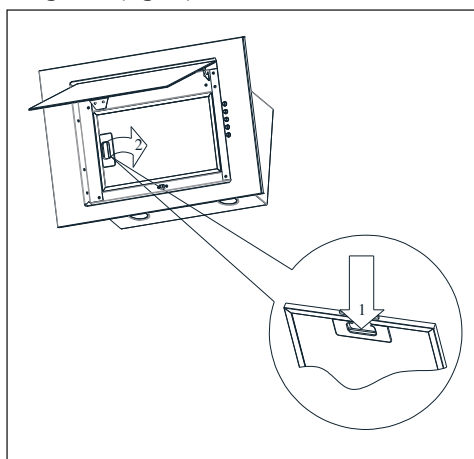


Fig. 13 Dépose du filtre à graisse en aluminium

5. Placez le niveau sur le corps de la hotte. En faisant tourner l'élément marqué d'un A, ajustez le niveau de la hotte en fonction des indications du niveau, puis serrez deux vis partiellement vissées auparavant et vissez les deux vis restantes (Fig. 14).

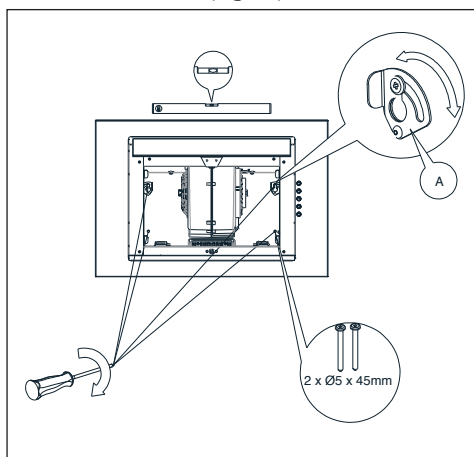


Fig. 14 Positionnement de la hotte

5 Installation de l'appareil

Placez le corps de cheminée sur le corps de la hotte. Ensuite, tirez délicatement la partie de la hotte marquée d'un B vers le haut, jusqu'à ce qu'elle puisse être vissée à l'élément de fixation préalablement fixé au mur (Fig. 15).

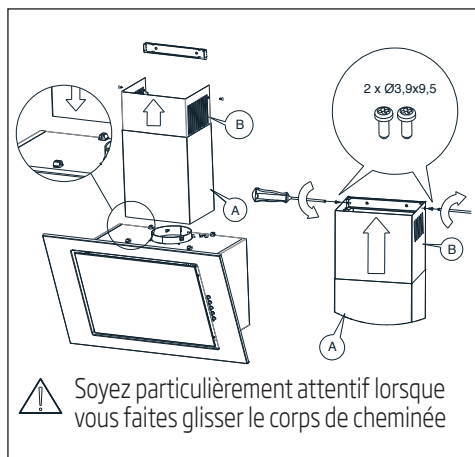


Fig. 15 Assemblage du corps de cheminée



Cette opération d'assemblage doit être effectuée avec le plus grand soin, afin d'éviter de rayer le corps de la cheminée et la hotte elle-même.

5.3. Raccordements électriques

La tension du réseau doit correspondre à la tension indiquée sur la plaque placée à l'intérieur de la hotte. Si la hotte est équipée d'une fiche, insérez-la dans la prise de courant conforme aux exigences applicables et située à un endroit facilement accessible. Si la hotte n'est pas équipée d'une fiche, les installations de la hotte doivent être effectuées par une personne ayant les autorisations requises (telle qu'un électricien).

6 Dépannage

Dépannage	Raison	Aide
Le produit ne fonctionne pas.	Vérifiez le fusible.	Il se peut que votre fusible soit coupé ; remettez-le en marche.
Le produit ne fonctionne pas.	Vérifiez le branchement.	La tension du secteur doit être comprise entre 220 et 240 V.
Le produit ne fonctionne pas.	Vérifiez le branchement.	Vérifiez si les autres appareils de votre cuisine fonctionnent ou pas.
L'ampoule ne fonctionne pas.	Vérifiez le branchement.	La tension du secteur doit être comprise entre 220 et 240 V.
L'ampoule ne fonctionne pas.	Vérifiez l'interrupteur de l'ampoule.	L'interrupteur de l'ampoule doit être en position « Allumé ».
L'ampoule ne fonctionne pas.	Vérifiez les ampoules.	Les ampoules de l'appareil ne doivent pas être défectueuses.
L'appareil n'aspire pas l'air correctement.	Vérifiez le filtre en aluminium.	L'aluminium du filtre doit être nettoyé au moins une fois par mois en conditions d'utilisation normales.
L'appareil n'aspire pas l'air correctement.	Vérifiez l'évent d'aération.	L'évent d'aération doit être en position « Marche ».
L'appareil n'aspire pas l'air correctement.	Vérifiez le filtre à charbon.	Pour les appareils dotés d'un filtre à charbon, celui-ci doit normalement être remplacé tous les 3 mois.

Lees eerst deze handleiding!

Beste gewaardeerde klant,

Hartelijk dank voor het feit dat u de voorkeur geeft aan dit Beko-apparaat. Wij hopen dat u de beste resultaten krijgt van uw apparaat dat werd vervaardigd met hoogwaardige en moderne technologie. Om die reden vragen wij u deze volledige handleiding en alle andere begeleidende documenten zorgvuldig te lezen voor u het apparaat in gebruik neemt en bewaar ze voor een eventuele raadpleging in de toekomst. Als u het product doorgeeft aan iemand anders mag u niet vergeten ook de handleiding mee te geven. Volg de instructies en besteed aandacht aan alle informatie en waarschuwingen in de handleiding.

Denk eraan dat deze handleiding ook van toepassing kan zijn op andere modellen. Verschillen tussen modellen worden uitdrukkelijk beschreven in de handleiding.

Betekenis van de symbolen

De volgende symbolen worden gebruikt in verschillende hoofdstukken van deze handleiding.



Belangrijke informatie en nuttige tips bij het gebruik.



WAARSCHUWING: Waarschuwingen tegen gevaarlijke situaties met gevaar voor het leven of uw eigendom.



Waarschuwing voor brandgevaar.



Waarschuwing voor elektrische schokken.



Beschermingsklasse tegen elektrische schokken.



Dit apparaat is vervaardigd in milieuvriendelijke moderne fabrieken zonder schade aan de natuur.

1 Belangrijke veiligheids- en omgevingsinstructies

1.1 Algemene informatie

Belangrijke veiligheidsinstructies
Lees deze instructies zorgvuldig en bewaar ze voor de toekomst. Dit hoofdstuk bevat veiligheidsinstructies die u helpen zich te beschermen tegen de risico's van brand, elektrische schokken, blootstelling geen lekken van microgolvenenergie, persoonlijke letsels of schade aan eigendommen. Het niet naleven van deze instructies resulteert in de nietigverklaring van de garantie.

- De producten van Beko zijn conform de geldige veiligheidsnormen; om die reden, in het geval van schade aan het apparaat of het netsnoer, moet het worden gerepareerd of vervangen door de verdeler, het servicecentrum of een specialist en geautoriseerde service om risico's te voorkomen. Slechte reparatiewerken kunnen gevaar en Oorzaak risico's veroorzaken aan de gebruiker.
- Dit apparaat is bedoeld voor huishoudelijk gebruik en gelijkaardige toepassingen zoals:
 - Personeelskeuken in winkels, kantoren en andere professionele omgevingen,
 - Boerderijen;

- Door klanten in hotels, motels en andere residentiële omgevingen;
- Bed and breakfast omgevingen;
- Gebruik het apparaat uitsluitend voor de beoogde doeleinden zoals beschreven in deze handleiding.
- De producent kan niet aansprakelijk worden gehouden voor schade die het resultaat is van incorrect en onredelijk gebruik van het apparaat.
- Dit apparaat mag worden gebruikt door kinderen van 8 jaar en ouder en personen met een verminderde fysiek, gevoelsmatig en mentaal vermogen of een gebrek aan ervaring en kennis als ze onder toezicht staan of instructies krijgen met betrekking tot het veilige gebruik van het apparaat en de betrokken risico's.
- Kinderen mogen niet spelen met het apparaat. De reiniging en het onderhoud door de gebruiker mogen niet worden uitgevoerd zonder toezicht.
- De minimumafstand tussen het steunoppervlak voor de kookpotten op de kookplaat en het onderste deel van uw product moet ten minste 65cm bedragen.
- Als de instructies voor de installa-

1 Belangrijke veiligheids- en omgevingsinstructies

tie van de gaskookplaat een grotere afstand preciseren, moet dit worden gerespecteerd.

- Zorg ervoor dat uw netspanning overeenstemt met de gegevens op het typeplaatje van het apparaat.
- Gebruik het apparaat niet als het netsnoer of het apparaat zelf beschadigd is.
- Voorkom schade aan het netsnoer door het niet plat te drukken, te buigen of over scherpe randen te schuren. Houd het netsnoer uit de buurt van hete oppervlakken en open vlammen.
- Gebruik het apparaat enkel met een gaard stopcontact.

WAARSCHUWING: Sluit het apparaat niet aan op het elektrisch net voor de installatie volledig is voltooid.

- Het apparaat moet zodanig worden gepositioneerd dat de stekker toegankelijk blijft.
- Raak de lampen niet aan als ze lang hebben gewerkt. De lampen kunnen uw hand verbranden omdat ze zo warm worden.
- Volg de instructies zoals vooropgesteld door de bevoegde autoriteiten over de verwijdering van

de afvoerlucht (deze waarschuwing is niet van toepassing zonder schoorsteen).

- Gebruik uw apparaat nadat u een pot, pan, etc... op de kookplaat hebt geplaatst. Zo niet kan overtoollige warmte vervormingen veroorzaken van sommige onderdelen van uw product.
- Schakel de kookplaat uit voor u potten, pannen, etc. verwijderd.
- Laat geen hete olie op de kookplaat staan. Pannen met hete olie kunnen in brand schieten.
- Let op uw gordijnen en dekfel aangezien olie in brand kan schieten tijdens de bereiding van etenswaren zoals frietjes.
- Het vetfilter moet ten minste elke maand worden vervangen. Het koolstoffilter moet ten minste elke 3 maanden worden vervangen.
- Het product moet worden gereinigd in overeenstemming met de handleiding. Als de reiniging niet is uitgevoerd in overeenstemming met de handleiding bestaat er een brandrisico.
- Gebruik geen filtermateriaal dat niet vuurbestendig is in de plaats van het huidige filter.

1 Belangrijke veiligheids- en omgevingsinstructies

- Gebruik uitsluitend originele onderdelen of onderdelen die door de fabrikant worden aanbevolen.
 - Gebruik uw product nooit zonder filter. Verwijder de filters niet wanneer het product ingeschakeld is.
 - Als u een vlam opmerkt wanneer u het product inschakelt, moet u het onmiddellijk uitschakelen.
 - Als u een vlam opmerkt wanneer u het product inschakelt, moet u de vlam afdekken en nooit blussen met water
 - Verwijder de stekker uit het stopcontact na elke reiniging en wanneer u het apparaat niet gebruikt
 - De negatieve druk in de omgeving mag niet hoger zijn dan 4 Pa (4 x 10 bar) in de afzuigkap in elektrische kookplaten en apparaten die op een ander type energie werken dan elektriciteit.
 - In de omgeving waar het apparaat wordt gebruikt, moet de afvoer van de apparaten die werken op brandstofolie of gas, zoals een kamerverwarming, volledig worden afgesloten of ze moeten van het hermetische type zijn.
 - Bij de aansluiting van de schoorsteen moet u buizen gebruiken met een diameter van 120 of 150 mm. De aansluiting van de buizen moet zo kort mogelijk zijn en zo weinig mogelijk ellebogen hebben.
- Verstikkingsgevaar!** Houd alle verpakkingsmateriaal uit de buurt van kinderen.
- OPGELET:** De toegankelijke onderdelen kunnen warm worden indien gebruikt met kooktoestellen.
- De uitlaat van het product mag niet zijn verbonden met de luchtkanalen die andere rook geleiden.
 - De ventilatie in de ruimte kan ontoereikend zijn wanneer de afzuigkap van de elektrische kookplaat gelijktijdig wordt gebruikt met de apparaten die werken op gas of andere brandstoffen (dit is mogelijk niet van toepassing op apparaten die de lucht enkel terugvoeren naar de ruimte).
 - Voorwerpen die op het product worden geplaatst, kunnen vallen. Plaats geen voorwerpen op het product.
 - Maak geen vlammen onder uw product.
- WAARSCHUWING:** Voor u de afzuigkap installeert, moet u de

1 Belangrijke veiligheids- en omgevingsinstructies

beschermende lagen verwijderen.

- Laat de vlammen nooit hoog opslaan onder de afzuigkap wanneer deze is ingeschakeld
- Frituurpannen moeten voortdurend onder toezicht staan tijdens gebruik; oververhitte olie kan in brand schieten.

1.2 Conformiteit met de WEEE-richtlijn en Verwijdering van afvalproducten:

Dit product is conform met de EU WEEE-richtlijn (2012/19/EU). Dit product draagt een classificatiesymbool voor afgedankte elektrische en elektronische apparatuur (WEEE).



Dit symbool wijst erop dat dit product niet mag worden weggegooid met ander huishoudelijk afval aan het einde van de levensduur. Een gebruikt apparaat moet naar een officieel inzamelpunt worden gebracht voor recycling van elektrische en elektronische apparaten. Neem contact op met uw lokale autoriteiten of detailhandelaar waar het product is gekocht om deze collectiesystemen te vinden. Elk gezin speelt een belangrijke rol

in de recuperatie en recycling van oude apparaten. De correcte verwijdering van gebruikte apparatuur helpt potentiële negatieve gevolgen voor het milieu en de volksgezondheid te voorkomen.

1.3 Conformiteit met de RoHS-richtlijn

Het product dat u hebt gekocht is conform met de Europese RoHS-richtlijn (2011/65/EU). Het bevat geen schadelijk en verboden materiaal zoals gespecificeerd in de Richtlijn.

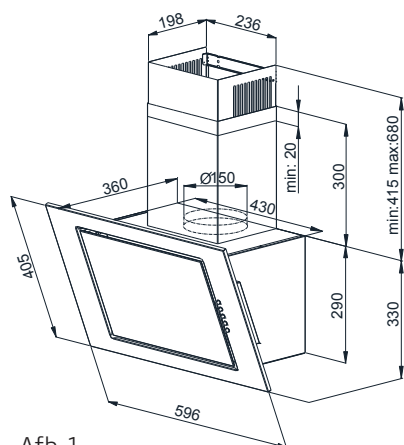
1.4 Informatie op de verpakking



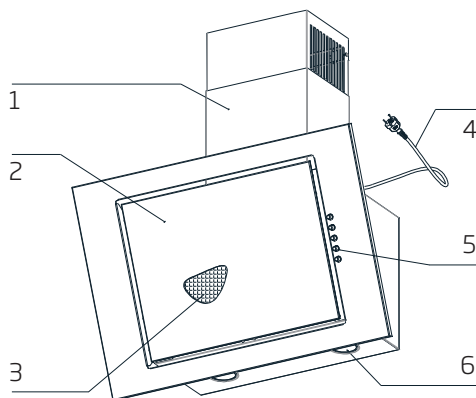
Het verpakkingsmateriaal van het product is gefabriceerd van recyclebaar materiaal in overeenstemming met onze Nationale Milieuwetgeving. U mag het verpakkingsmateriaal niet samen met het huishoudelijke of ander afval weggooiden. Breng het naar de inzamelpunten voor verpakkingsmateriaal aangewezen door de lokale autoriteiten.

2 Algemeen uiterlijk

2.1 Overzicht



Afb. 1



Afb. 2

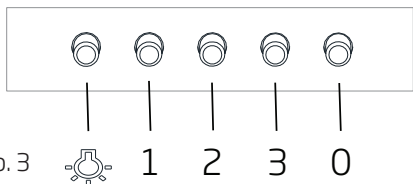
1. Schoorsteen
2. Glazen deksel
3. Aluminium vetfilter
4. Netsnoer
5. Bedieningsknoppen
6. Verlichting

2.2- Technische gegevens

Model	HCA62420B
Netspanning en frequentie	220-240 V 50 Hz
Lampvermogen (W)	2x3
Motorvermogen (W)	115
Debiet (m ³ /u) - 3. Niveau	430
Motor isolatieklasse	Klasse F
Isolatieklasse	Klasse II

3 Het gebruik van het apparaat

3.1 Het gebruik van de drukknoppen



Afb. 3

De kap is uitgerust met een mechanische bediening.

- Druk op "0" om de afzuigkap uit te schakelen.
- Druk op "1" om de afzuigkap in te schakelen aan een minimumsnelheid.
- Druk op "2" om de afzuigkap in te schakelen aan een minimumsnelheid.
- Druk op "3" om de afzuigkap in te schakelen aan een maximumsnelheid.

Hogere snelheden resulteren in een hoger luchtdebiet.

- Druk op de knop  om de lichten uit te schakelen. Druk de knop opnieuw in om de verlichting uit te schakelen.


3.2 Energie besparen

- Zorg voor voldoende luchtcirculatie voor een efficiënte werking van de kap met weinig geruis tijdens het koken.
- Stel het ventilatorniveau in volgens de dichtheid van de stoom in de keuken. Gebruik het hoge niveau enkel wanneer dit nodig is. Een lager ventilatorniveau betekent minder energieverbruik.
- Wanneer men zich aan een hoge dichtheid van stoom verwacht, moet u een hoger niveau selecteren voor de ventilator. De afzuigkap moet veel langer worden gebruikt om de rook te verwijderen die al is verspreid in de keuken.
- Schakel de afzuigkap uit wanneer u ze niet nodig hebt.
- Reinig of vervang het filter volgens de vermelde intervallen. Zo verhoogt u de efficiëntie van de ventilatie en vermindert u brandrisico's.

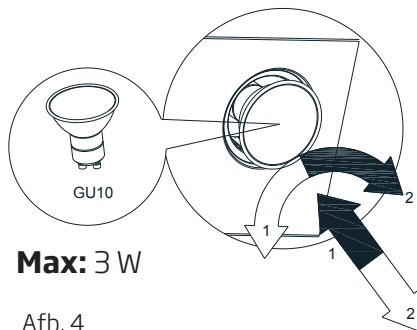
3.3 De bediening van de afzuigkap

- De afzuigkap is uitgerust met een motor met

meerdere versnellingen.

- Voor een betere prestatie raden wij aan de lagere versnellingen te gebruiken in normale omstandigheden en hogere versnellingen als de geurtjes of damp intenser worden.
- U kunt de afzuigkap starten door de gewenste versnellingsknop in te drukken (1, 2, 3)
- U kunt de kookzone verlichten door de lichtknop in te drukken. ()

3.4 De lamp vervangen



Afb. 4

Symbol  Installatie van de lamp
Symbol  Lamp verwijderen

Ontkoppel de afzuigkap van de voeding. Dit apparaat is uitgerust met 3 W LED spotlampen.



U moet de stroomtoevoer van de afzuigkap uitschakelen voor u de lampen vervangt.



Raak de lampen niet aan als ze warm zijn.



Zorg ervoor de vervangen lamp niet rechtstreeks aan te raken met de handen.



U kunt lampen kopen bij geautoriseerde service vertegenwoordigers.

4 Reiniging en onderhoud

Voor u het apparaat reinigt en onderhoudt, moet u de stroom uitschakelen of de schakelaar omschakelen of de zekering van de afzuigkap verwijderen.

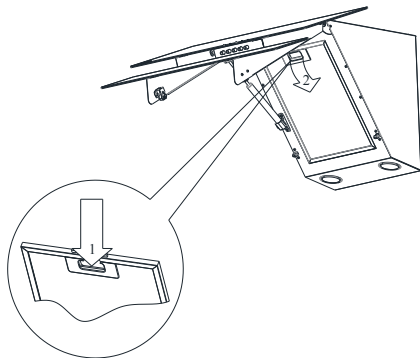


Het niet naleven van de voorzieningen met betrekking tot de reiniging van het apparaat en de vervanging van de filters kan een brandrisico inhouden. Het is daarom aanbevolen de richtlijnen in deze handleiding na te leven. De fabrikant is niet verantwoordelijk voor schade aan de motor of brand die wordt veroorzaakt door een incorrect gebruik.

Reinig uitsluitend met een doek die is vochtig gemaakt in een neutraal reinigingsmiddel. Niet reinigen met gereedschap of instrumenten. Gebruik geen schurende producten. Gebruik geen alcohol.

4.1 Reiniging van aluminium Vetfilter

Dit filter legt oliedeeltjes in de lucht vast. Het is aanbevolen uw filter elke maand te reinigen bij gebruik in normale omstandigheden. Verwijder eerst de vetfilters voorafgaand aan dit proces. Was de filters met vloeibaar wasmiddel en spoel ze met water en monteer ze opnieuw nadat ze zijn gedroogd. Aluminium vetfilters kunnen verkleuren wanneer ze worden gewassen. Dit is normaal en u hoeft het filter niet te vervangen.



Afb. 5

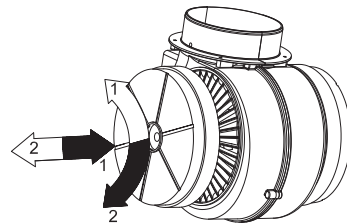


U kunt het vetfilter wassen in de vaatwasmachine.

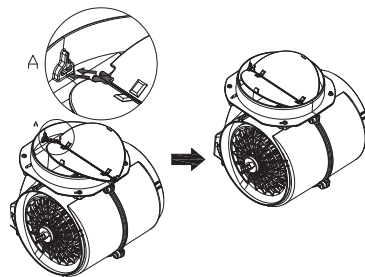
4.2 Het koolstoffilter vervangen (Luchtcirculatiemodus)

De afzuigkap kan worden voorzien van een koolstoffilter. Het koolstoffilter wordt enkel aangebracht als de afzuigkap niet is verbonden met een ventilatiekoker.

Het is noodzakelijk het koolstoffilter ten minste elke drie maanden te vervangen.



Afb. 6



Afb. 7



WAARSCHUWING: Het koolstoffilter wordt nooit gewassen.



WAARSCHUWING: Koolstoffilter is beschikbaar bij geautoriseerde services.

5 Het apparaat instellen



WAARSCHUWING

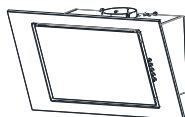
Lees de veiligheidsinstructies voor de installatie.



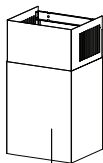
WAARSCHUWING

Als de schroeven of bevestigingsmiddelen niet worden geïnstalleerd in overeenstemming met deze instructies kan dit resulteren in elektrische gevaren.

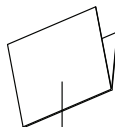
5.1 Installatie toebehoren



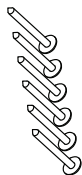
1



2



3



4



5



6



7



8

Afb. 8

- 1 - Afzuigkap
- 2 - Schoorsteen
- 3- Handleiding
- 4- 4 x Ø 5 x 45 schroeven
- 5- 6 x Ø 8 x 40 pluggen
- 6- 2 x Ø 3,9 x 9,5 schroeven
- 7- Ø150/120mm plastic rookkanaal adapter
- 8- Tegendrukkle

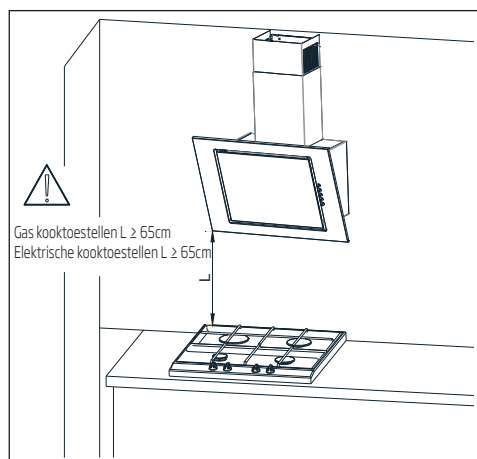
5 Het apparaat instellen

5.2 Installatie van de afzuigkap



Het gebruik van schroeven en bevestigingselementen die niet zijn gespecificeerd in de handleiding kan resulteren in elektrische schokken.

De minimumafstand van de afzuigkap die tussen het oppervlak van het keukengerei boven de kookplaat hangt (gas, elektrisch) en het onderste deel van de afzuigkap (Afb. 3) moet ten minste 65 cm bedragen voor elektrische kookplaten en ten minste 65 cm voor gaskookplaten. Als de handleiding van de kookplaat een grotere afstand specificeert, moet deze specificatie worden nageleefd. De installatie van de afzuigkap en de schoorsteen is weergegeven in de afbeeldingen (Afb. 4 - Afb. 9). De afzuigkap is uitgerust met bevestigingspinnen die overeenstemmen met de meest voorkomende onderdelen van muren en plafonds. Tijdens de montage moet u de algemene regels met betrekking tot luchtafvoer uit de ruimte naleven.



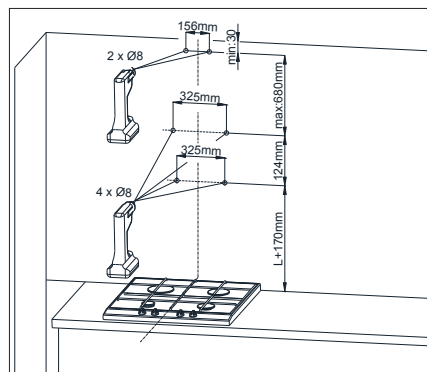
Afb. 9 Aanbevolen afstanden van de kookplaat

Voor de start van de installatie:

- Controleer of de afmetingen van het gekochte apparaat overeenstemmen met de geplande installatielocatie.
- Demonteer en verwijder (indien mogelijk) alle meubelen die aanwezig zijn in de installatielocatie van de afzuigkap om een gemakkelijke toegang te garanderen tot de muren of het plafond waar de kap wordt gemonteerd. Als dat niet mogelijk is, moet u de meubelen in de ruimte afschermen.
- Controleer of er een stopcontact aanwezig is in de buurt van de montagezone en controleer of de afzuigkap kan worden aangesloten op het ventilatiekanaal om dampen af te voeren.
- Controleer of er geen kabels (elektrisch, hydraulisch, etc.) aanwezig zijn waar boorwerken moeten worden uitgevoerd.
- Houd het volgende gereedschap binnen handbereik: liniaal, potlood, boor / elektrische schroevendraaier, boor Ø8, schroevendraaier, waterpas.

Montage

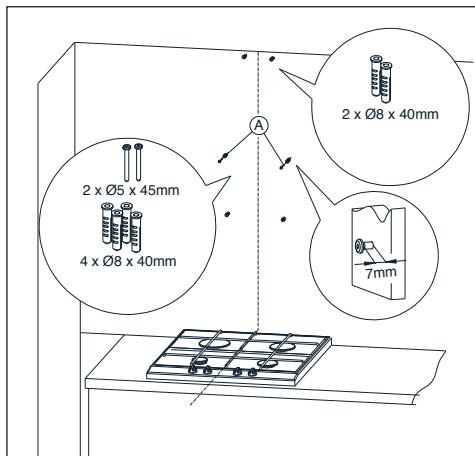
1. Definieer de as van de kookplaat en projecteer hem in de muur waar de afzuigkap moet worden gemonteerd. Markeer alle punten voor de bevestiging van de afzuigkap. Boor de gaten. (Afb. 10)



Afb.10 Montage afmetingen

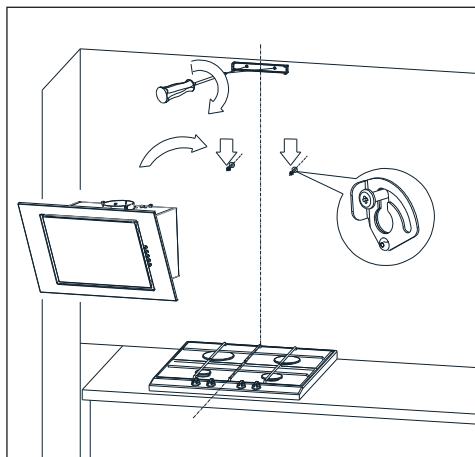
5 Het apparaat instellen

2. Steek de pluggen in de gaten. Schroef ook de schroeven in in de twee gaten die zijn gemarkeerd met de letter A (laat 7 mm schroeflengte buiten de plug, Afb.11).



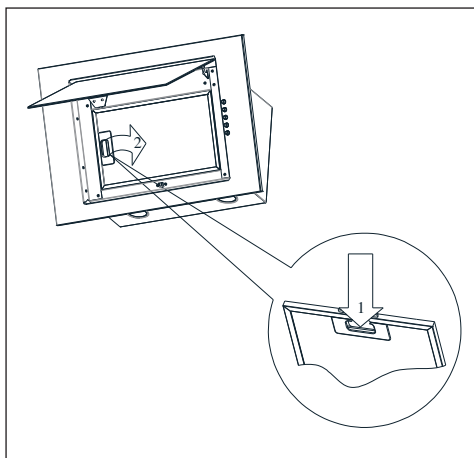
Afb.11 Pluggen montage

3. Schroef het bevestigingselement van de schoorsteen vast, hang de afzuigkap op twee niet-aangedraaide schroeven (Afb. 12).



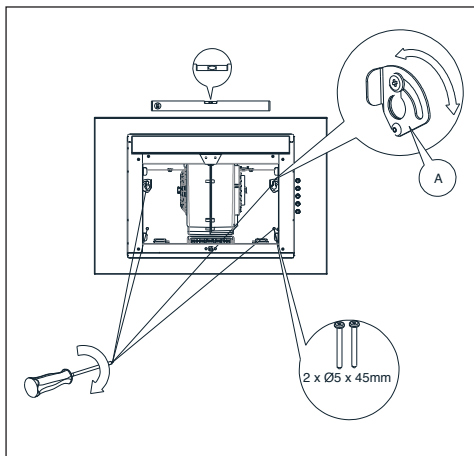
Afb.12 De afzuigkap hangen

4. Open het deksel van de afzuigkap en verwijder het vetfilter (Afb. 13).



Afb.13 Aluminium vetfilter verwijderen

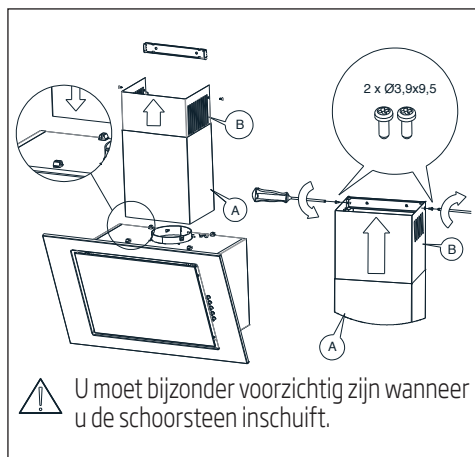
5. Plaats de waterpas op de afzuigkap. Draai het element gemarkeerd met A en pas het niveau van de afzuigkap aan volgens de aanwijzingen van de waterpas. Draai daarna de eerder gedeeltelijk aangedraaide schroeven aan en schroef de twee resterende schroeven in (Afb. 14).



Afb.14 Positionering van de kookplaat

5 Het apparaat instellen

Plaats de schoorsteen op de afzuigkap. Teken daarna het afzuigkap gedeelte met de B omhoog gericht tot ze kan worden geschroefd op het bevestigingselement dat eerder werd bevestigd aan de muur (Afb. 15).



Afb.15 Schoorsteen montage



Deze montage moet voorzichtig worden uitgevoerd om krassen op de schoorsteen en de afzuigkap zelf te voorkomen.

5.3 Elektrische aansluitingen

De netvoeding moet overeenstemmen met de spanning vermeld op het plaatje in de afzuigkap. Als de afzuigkap is voorzien van een stekker moet u deze in een stopcontact steken dat conform is met de geldige vereisten en dat gemakkelijk toegankelijk is. Als de afzuigkap niet voorzien is van een stekker moet de installatie van de afzuigkap worden uitgevoerd door een geautoriseerde persoon (bijv. een elektricien).

6 Probleemoplossing

Probleemoplossen	Reden	Help
Het product werkt niet.	Controleer uw zekering.	Uw zekering is mogelijk afgesloten, schakel ze in.
Het product werkt niet.	Controleer de elektrische aansluiting.	De netspanning moet tussen 220-240 V bedragen.
Het product werkt niet.	Controleer de elektrische aansluiting.	Controleer of de andere producten in uw keuken werken.
De lamp werkt niet.	Controleer de elektrische aansluiting.	De netspanning moet tussen 220-240 V bedragen.
De lamp werkt niet.	Controleer de schakelaar van de lamp.	De lampschakelaar moet in de "Aan" positie staan.
De lamp werkt niet.	Controleer de lampen.	De lampen van het product mogen niet defect zijn.
De luchtinlaat van het product is slecht.	Controleer het aluminium filter.	Het aluminium oliefilter moet één maal per maand worden gewassen bij normaal gebruik.
De luchtinlaat van het product is slecht.	Controleer het luchtuitlaat rookkanaal.	Het luchtuitlaat rookkanaal moet in de "Aan" positie staan.
De luchtinlaat van het product is slecht.	Controleer het koolstoffilter.	Voor producten met koolstoffilters moet het filter normaal gezien elke drie maanden worden vervangen.

Przed rozpoczęciem użytkowania należy zapoznać się z instrukcją obsługi!

Szanowni Klienci,

dziękujemy za wybranie produktu firmy Beko. Mamy nadzieję, że wyrób ten, wyprodukowany z zapewnieniem wysokiej jakości przy użyciu najnowszych technologii, okaże się w pełni zadowalający. Przed użyciem urządzenia należy uważnie przeczytać całą instrukcję obsługi oraz towarzyszące jej dokumenty i zachować ją do wglądu na przyszłość. Przekazując wyrób innemu użytkownikowi, należy dołączyć również niniejszą instrukcję. Proszę przestrzegać wszystkich ostrzeżeń i informacji zawartych w tej instrukcji obsługi.

Pamiętaj, że ta instrukcja obsługi może dotyczyć także innych modeli. Różnice między modelami są wyraźnie opisane w instrukcji.

Znaczenie symboli

W niniejszej instrukcji stosuje się następujące symbole:



Ważne informacje i przydatne wskazówki dotyczące użytkowania.



OSTRZEŻENIE: Ostrzeżenia dotyczące sytuacji zagrażających bezpieczeństwu, życiu i mieniu.



Ostrzeżenie dotyczące pożaru.



Ostrzeżenie przed porażeniem prądem elektrycznym.



Klasa ochrony przeciwporażeniowej.



Urządzenie zostało wyprodukowane w przyjaznych dla środowiska nowoczesnych zakładach bez szkody dla przyrody.

1.1 Ogólne zasady bezpieczeństwa

Ważne instrukcje dotyczące bezpieczeństwa. Przeczytaj uważnie i zachowaj na przyszłość. Rozdział ten zawiera instrukcje zachowania bezpieczeństwa, które

pomogą chronić się przed ryzykiem pożaru, porażenia prądem elektrycznym, wycieku mikrofal, obrażeniami ciała lub uszkodzeniami w mieniu. Nieprzestrzeganie tych instrukcji unieważnia udzielone gwarancje.

- Produkty firmy Beko spełniają wszystkie wymagania stosownych norm bezpieczeństwa. W przypadku jakiegokolwiek uszkodzenia urządzenia lub przewodu zasilającego, aby uniknąć wszelkich zagrożeń należy oddać je do naprawy lub wymiany przez sprzedawcę, punkt serwisowy lub specjalistę albo autoryzowany serwis. Niewłaściwa lub niewykwalifikowana naprawa może spowodować niebezpieczeństwo i zagrożenie dla użytkownika.
- Urządzenie to jest przeznaczone do użytku domowego lub w podobnych miejscach, np.:
 - w pomieszczeniach kuchennych

dla personelu sklepów, biur itp;
- w zabudowaniach gospodarczych
- hotelach i innych obiektach mieszkalnych;
- w obiektach typu nocleg ze śniadaniem (B&B).

- To urządzenie należy używać tylko zgodnie z jego przeznaczeniem, w sposób opisany w niniejszej instrukcji.
- Producent nie ponosi odpowiedzialności za zniszczenia wynikłe z nieprawidłowej instalacji i użytkowania urządzenia.
- To urządzenie może być obsługiwane przez dzieci w wieku 8 lat i starsze, osoby niepełnosprawne fizycznie, psychicznie lub sensorycznie, a także osoby bez doświadczenia lub wiedzy w zakresie obsługi urządzenia, o ile znajdują się one pod nadzorem lub zostały szczegółowo poinstruowane o bezpiecznym korzystaniu z urządzenia i potencjalnych zagrożeniach.
- Dzieciom nie wolno używać urządzenia do zabawy. Dzieci bez nadzoru nie mogą czyścić ani konserwować tego urządzenia.
- Minimalna odległość między po-

1 Ważne instrukcje dotyczące bezpieczeństwa i ochrony środowiska

wierzchnią podtrzymującą naczynia do gotowania na płycie grzejnej a najniższą częścią produktu musi wynosić co najmniej 65 cm.

- Jeśli w instrukcji montażu płyty gazowej podano większą odległość, należy to wziąć pod uwagę.
- Upewnij się, że zasilanie z domowej sieci elektrycznej jest zgodne z informacjami podanymi na tabliczce znamionowej urządzenia.
- Nie używaj urządzenia, jeśli kabel zasilania lub wtyczka są uszkodzone.
- Aby zapobiec uszkodzeniu przewodu zasilającego, nie wolno dopuścić do jego ściskania, zginania lub ocierania o ostre krawędzie. Trzymaj kabel zasilania daleko od gorących powierzchni i otwartego ognia.
- Używaj urządzenia tylko z uzziemionym gniazdem.

OSTRZEŻENIE: Nie podłączaj urządzenia do zasilania przed całkowitym zakończeniem instalacji.

- Ustaw urządzenie w taki sposób, aby wtyczka była zawsze dostępna.
- Nie dotykaj lamp urządzenia, gdy pracują przez długi czas. Lampy

mogą powodować oparzenia, ponieważ będą gorące.

- Należy przestrzegać przepisów określonych przez właściwe władze w zakresie odprowadzania powietrza wylotowego (to ostrzeżenie nie dotyczy użytkowania bez kominu).
- Uruchom urządzenie po postawieniu garnka, patelni itp. na płycie. W przeciwnym razie wysokie temperatury mogą powodować odkształcenia w niektórych częściach urządzenia.
- Przed wyjęciem garnka, patelni itp. wyłącz płytę
- Nie pozostawiaj gorącego oleju na płycie. Naczynia z gorącym olejem mogą spowodować samozapłon.
- Należy uważać na zastony i przykrycia, ponieważ olej może zapalić się podczas gotowania potraw, takich jak frytki.
- Filtr przeciwłuszczowy należy wymieniać co najmniej raz w miesiącu. Filtr węglowy należy wymieniać przynajmniej co 3 miesiące.
- Produkt należy czyścić zgodnie z instrukcją obsługi. Jeśli czyszczenie nie zostało przeprowadzone zgodnie z instrukcją obsługi, może

1 Ważne instrukcje dotyczące bezpieczeństwa i ochrony środowiska

wystąpić ryzyko pożaru.

- W miejsce filtra nie wolno używać materiałów łatwopalnych.
- Należy stosować wyłącznie oryginalne lub zalecane przez producenta części zamienne.
- Nie używaj urządzenia bez filtra i nie wyciągaj filtrów gdy urządzenie jest w użyciu.
- W przypadku pojawienia się jakiegokolwiek płomienia należy odłączyć produkt i urządzenia kuchenne od zasilania.
- W przypadku pojawienia się jakiegokolwiek płomienia, przykryj go i nigdy nie używaj wody do gaszenia.
- Przed każdym czyszczeniem oraz gdy urządzenie nie jest używane należy odłączyć je od zasilania.
- Podciśnienie w otoczeniu nie powinno przekraczać 4 Pa (4 x 10 barów), podczas gdy okap do elektrycznej płyty grzejnej i urządzenia zasilane innym rodzajem energii, ale prądem, działają jednocześnie.
- W środowisku, w którym urządzenie jest używane, wylot urządzeń zasilanych olejem opałowym lub gazem, takich jak grzejnik pokojowy, musi być absolutnie odiz-

lowany lub urządzenie musi być typu hermetycznego.

- Do podłączenia przewodu kominowego należy użyć rur o średnicy 120 lub 150 mm. Połączenie rurowe musi być jak najkrótsze i mieć jak najmniej kolanek.

Niebezpieczeństwo zadławienia! Wszystkie opakowania należy przechowywać poza zasięgiem dzieci.

UWAGA: Dostępne części mogą się nagrzewać podczas używania z urządzeniami do gotowania.

- Wyjście produktu nie może być podłączone do kanałów powietrznych, w których są już odprowadzane spaliny z innych źródeł.
- Wentylacja w pomieszczeniu może być niewystarczająca, gdy okap do płyty elektrycznej jest używany jednocześnie z urządzeniami zasilanymi gazem lub innymi paliwami (może to nie dotyczyć urządzeń, które jedynie odprowadzają powietrze z powrotem do pomieszczenia).
- Przedmioty umieszczone na urządzeniu mogą przewrócić się. Nie umieszczaj żadnych przedmiotów na urządzeniu.
- Nie wolno palić pod produktem.

1 Ważne instrukcje dotyczące bezpieczeństwa i ochrony środowiska

OSTRZEŻENIE: Przed zainstalowaniem okapu zdejmij folie ochronne.

- Nigdy nie pozostawiaj otwartego ognia, gdy okap pracuje
- Frytkownice muszą być stale monitorowane podczas użytkowania: nagrzany olej może się zapalić.

1.2 Zgodność z dyrektywą WEEE i utylizacja produktu:

Ten produkt jest zgodny z Dyrektywą UE WEEE (2012/19/UE). Produkt nosi symbol klasyfikacyjny dla zużytego sprzętu elektrycznego i elektronicznego (WEEE).



Ten symbol oznacza, że sprzęt nie może być umieszczany łącznie z innymi odpadami gospodarstwa domowego po okresie jego użytkowania. Zużyte urządzenie należy oddać do specjalnego punktu zbiórki zużytego sprzętu elektrycznego i elektronicznego w celu utylizacji. Aby uzyskać informacje o punktach zbiórki w swojej okolicy należy skontaktować się z lokalnymi władzami lub punktem sprzedaży tego produktu. Każde gospodarstwo domowe pełni ważną rolę

w odzyskiwaniu i recyklingu starego sprzętu. Odpowiednie postępo-

wanie ze zużytym sprzętem zapobiega potencjalnym negatywnym konsekwencjom dla środowiska naturalnego i ludzkiego zdrowia.

1.3 Zgodność z dyrektywą RoHS:

Niniejszy wyrób jest zgodny z dyrektywą Parlamentu Europejskiego i Rady RoHS (Ograniczenie użycia substancji niebezpiecznych) (2011/65/WE). Nie zawiera szkodliwych i zakazanych materiałów, podanych w tej dyrektywie.

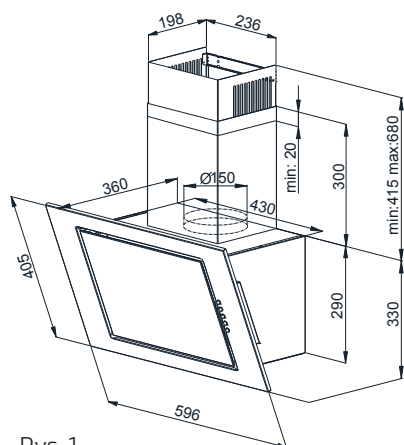
1.4 Informacje o opakowaniu



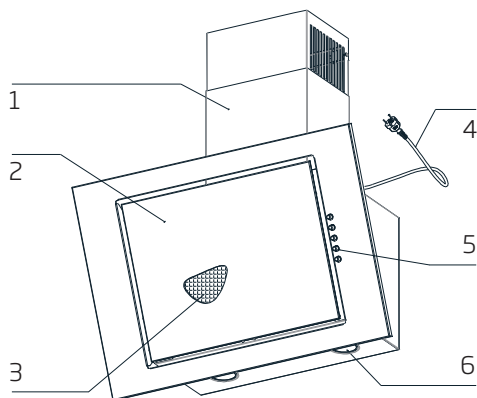
Opakowanie produktu zostało wytworzone z materiałów nadających się do recyklingu zgodnie z naszymi krajowymi przepisami dotyczącymi ochrony środowiska. Nie wyrzucaj opakowania razem z odpadami domowymi lub innymi odpadami. Oddaj je do punktów zbiórki materiałów opakowaniowych wyznaczonych przez lokalne władze.

2 Ogólny Wygląd

2.1 Omówienie



Rys. 1



Rys. 2

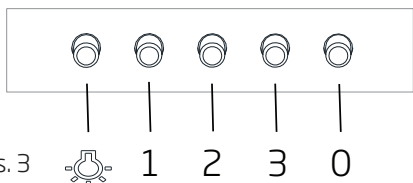
1. Komin
2. Szklana pokrywa
3. Aluminiowy filtr przeciwtłuszczowy
4. Kabel zasilający
5. Przyciski sterujące
6. Podświetlenie

2.2 Dane techniczne

Model	HCA62420B
Napięcie i częstotliwość zasilania	220-240 V 50 Hz
Moc lampy (W)	2x3
Moc silnika (W)	115
Przepływ powietrza (m ³ /h) - 3. Poziom	430
Klasa izolacji silnika	Klasa F
Klasa izolacji	Klasa II

3 Korzystanie z produktu

3.1 Korzystanie z przycisków



Rys. 3

Okap wyposażony jest w urządzenie sterujące.

- Przycisk „0” - wyłącza okap.
- Przycisk „1” - okap pracuje z minimalną prędkością.
- Przycisk „2” - okap pracuje ze średnią prędkością.
- Przycisk „3” - okap pracuje z maksymalną prędkością.

Wyższa prędkość oznacza większy przepływ powietrza.

- Naciśnij przycisk , aby włączyć oświetlenie. Naciśnij przycisk ponownie, aby wyłączyć oświetlenie.


3.2. Co robić, aby zaoszczędzić energię.

- Zapewnij wystarczający dopływ powietrza, aby okap działał wydajnie i przy niskim poziomie hałasu podczas gotowania.
- Ustaw poziom wentylatora zgodnie z gęstością pary w kuchni. Używaj najwyższego poziomu tylko w razie potrzeby. Niższe ustawienie wentylatora oznacza mniejsze zużycie energii.
- Jeśli przewidujesz, że w kuchni wytworzy się gęsta para, to wcześniej ustaw wyższy poziom wentylatora. Aby usunąć dym, który już rozprzestrzenił się po całej kuchni okap musi pracować dłużej.
- Wyłącz okap, gdy nie jest używany.
- Czyść lub wymieniaj filtr w podanych odstępach czasu, dzięki czemu zwiększa się skuteczność wentylacji i eliminuje ryzyko pożaru.

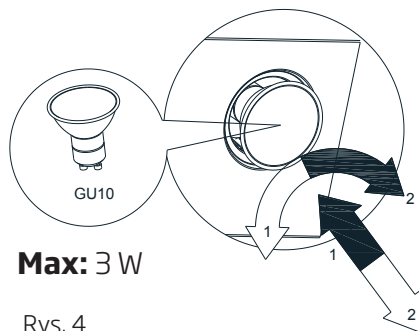
3.3 Obsługa okapu

- Okap jest wyposażony w silnik z różnymi

ustawieniami prędkości.

- Aby uzyskać lepszą wydajność, zalecamy stosowanie niskich prędkości w normalnych warunkach oraz wysokich, gdy zapach i opary są intensywniejsze.
- Możesz uruchomić urządzenie, naciskając przycisk żądanego ustawienia prędkości.(1,2,3)
- Możesz podświetlić powierzchnię gotowania naciskając przycisk oświetlenia.()

3.4 Wymiana lampy



Max: 3 W

Rys. 4

Symbol  Instalacja żarówki
Symbol  Demontaż żarówki

Wyciągnij wtyczkę z kontaktu. Urządzenie jest wyposażone w punktowe lampy LED o mocy 3 W.



Przed wymianą żarówek należy odłączyć okap od zasilania.



Nie dotykaj żarówek, gdy są gorące.



Uważaj, aby nie dotknąć wymienionej żarówki bezpośrednio rękoma.



Żarówki można nabyć u przedstawicieli autoryzowanego serwisu.

4 Czyszczenie i konserwacja

Przed czyszczeniem i konserwacją należy odłączyć urządzenie lub wyłączyć główny wyłącznik lub poluzować bezpiecznik zasilający okap.

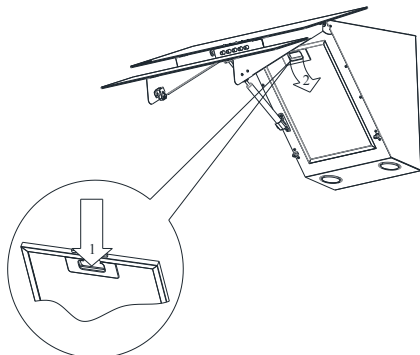


Nieprzestrzeganie przepisów dotyczących czyszczenia urządzenia i wymiany filtrów może grozić pożarem. Dlatego zaleca się przestrzeganie podanych informacji. Producent nie ponosi odpowiedzialności za jakiegokolwiek uszkodzenia silnika lub pożary spowodowane nieprawidłowym użytkowaniem.

Czyścić wyłącznie szmatką zwilżoną neutralnym płynnym detergentem. Nie czyścić narzędziami ani przyrządami. Nie używaj produktów ściernych. Nie wolno używać alkoholu.

4.1 Czyszczenie aluminiowego filtra przeciwłuszczowego

Ten filtr zatrzymuje cząsteczki oleju w powietrzu. Zaleca się czyszczenie filtra co miesiąc przy normalnych warunkach użytkowania. Najpierw wyjmij potrzebne filtry przeciwłuszczowe. Umyj filtry płynnym detergentem i wypłucz je wodą, a po wyschnięciu zainstaluj z powrotem. Aluminiowe filtry przeciwłuszczowe mogą się odkleić podczas mycia; to normalne i nie musisz zmieniać filtra.



Rys. 5

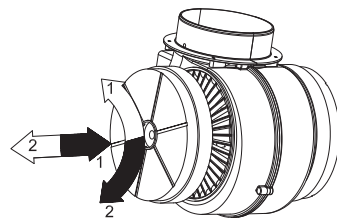


Filtr przeciwłuszczowy można myć w zmywarce

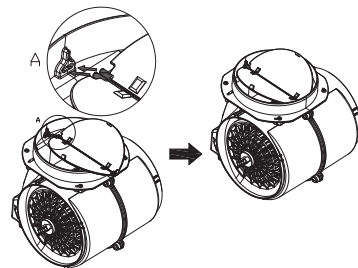
4.2 Wymiana filtra węglowego (tryb cyrkulacji powietrza)

Okap może być wyposażony w filtr z węglem aktywnym. Filtr węglowy jest stosowany tylko w przypadku, gdy okap nie jest podłączony do kanału wentylacyjnego.

W każdym przypadku konieczna jest wymiana filtra węglowego przynajmniej co trzy miesiące.



Rys. 6



Rys. 7



OSTRZEŻENIE: Nie myje się filtra węglowego.



OSTRZEŻENIE: Filtr węglowy jest dostępny w autoryzowanych serwisach.

5 Konfigurowanie urządzenia



OSTRZEŻENIE

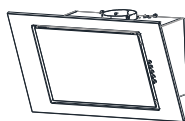
Przed przystąpieniem do konfiguracji przeczytaj instrukcje dotyczące bezpieczeństwa.



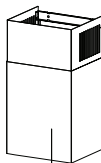
OSTRZEŻENIE

Niezainstalowanie śrub lub urządzenia mocującego zgodnie z niniejszymi instrukcjami może spowodować porażenie prądem.

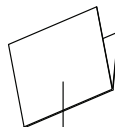
5.1 Akcesoria instalacyjne



1



2



3



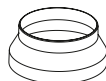
4



5



6



7



8

Rys. 8

- 1- Okap
- 2- Komin
- 3- Instrukcja obsługi
- 4- 4 x Ø 5 x 45 śruba
- 5- 6 x Ø 8 x 40 śruba zamykająca
- 6- 2 x Ø 3,9 x 9,5 śruba
- 7- ØPlastikowy adapter do przewodu kominowego 150/120 mm
- 8- Zawór zwrotny

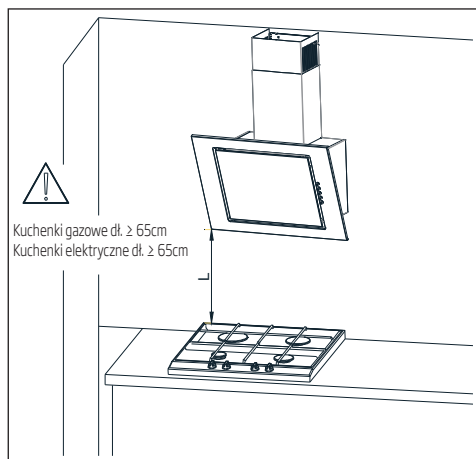
5 Konfigurowanie urządzenia

5.2 Instalacja okapu



Użycie śrub i elementów mocujących nie wymienionych w instrukcji obsługi może grozić porażeniem prądem.

Minimalna odległość zawieszono go okapu od naczyń umieszczonych na kuchence (gazowej, elektrycznej) a najniższą częścią okapu (rys. 3) powinna wynosić co najmniej 65 cm w przypadku kuchenek elektrycznych i co najmniej 65 cm w przypadku kuchenek gazowych. Jeżeli instrukcja obsługi kuchenki podaje większą odległość do zamontowanego okapu należy zachować ten wymóg. Montaż okapu i korpusu komina pokazano na rysunkach (Rys.4 - Rys.9). Okap wyposażony jest w kołki mocujące dopasowane do większości ścian i sufitów. Podczas montażu należy przestrzegać ogólnych zasad odprowadzania powietrza z pomieszczenia.



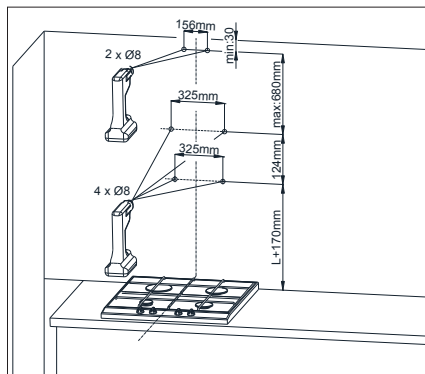
Rys.9 Zalecane odległości od strefy gotowania

Przed rozpoczęciem instalacji:

- Sprawdź, czy wymiary zakupionego urządzenia odpowiadają miejscu instalacji.
- Zdemontuj i usuń (jeśli to możliwe) meble znajdujące się obok miejsca, w którym ma wisieć okap, aby zapewnić łatwy dostęp do sufitu lub ściany, na której zostanie zamontowany okap. Jeśli nie jest to możliwe należy zabezpieczyć meble.
- Sprawdź, czy w pobliżu miejsca montażu znajduje się gniazdko i sprawdź, czy okap może być podłączony do kanału wentylacyjnego w celu odprowadzania oparów.
- Sprawdź, czy w miejscu wiercenia nie ma kabli (elektrycznych, hydraulicznych itp.).
- Przygotuj następujące narzędzia: taśmę mierniczą, ołówek, wiertarkę/śrubokręt elektryczny, wiertło $\varnothing 8$, śrubokręt, poziomiec.

Montaż:

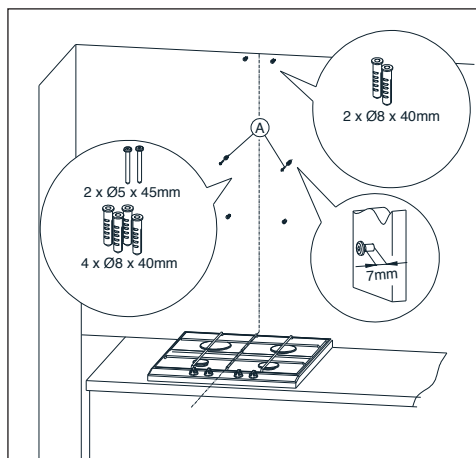
1. Nakreśl oś kuchenki i zaznacz ją na ścianie, na której zostanie zamontowany okap. Zaznacz wszystkie punkty montażu okapu. Wywierć otwory. (Rys. 10)



Rys.10 Wymiary montażowe

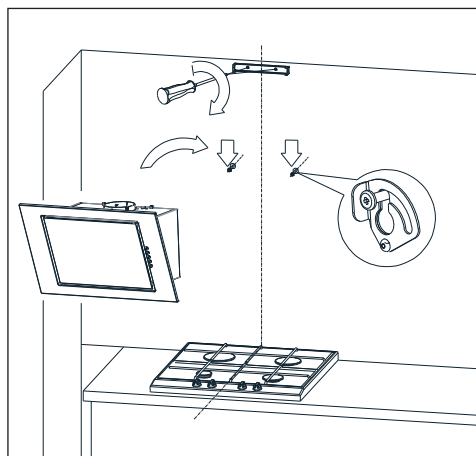
2. Włóż do otworów śruby zamykające. W dwóch otworach oznaczonych A wkręć także śruby (pozostawiając 7 mm długości poza śrubą zamykającą, rys.11).

5 Konfigurowanie urządzenia



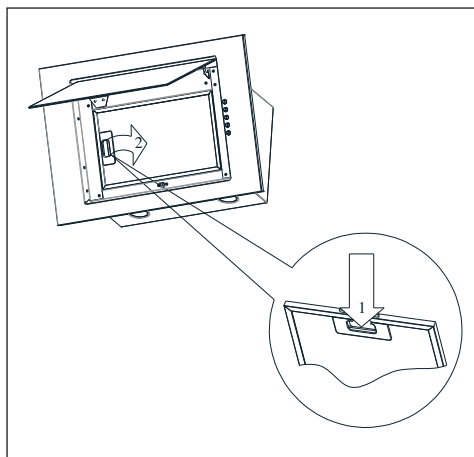
Rys.11 Montaż śrub zamykających

3. Przykręcić element mocujący korpus kominia, a okap zawiesić na dwóch odkręconych śrubach (rys.12).



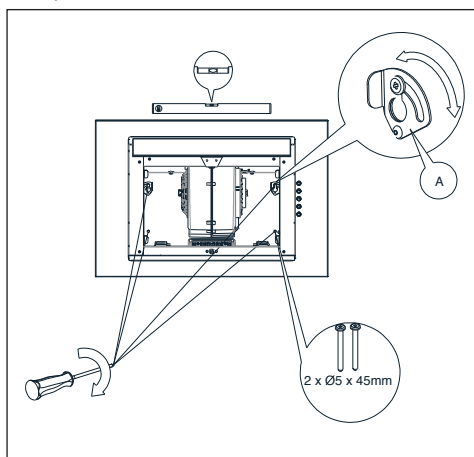
Rys.12 Zawieszenie okapu

4. Otwórz pokrywę okapu i wyjmij filtr tłuszczu (Rys.13).



Rys.13 Usunięcie aluminiowego filtra tłuszczu

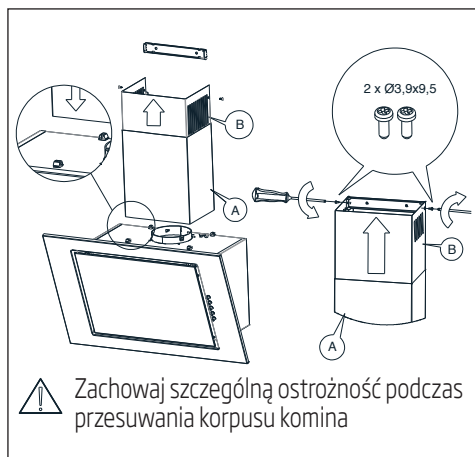
5. Umieść poziomicę na korpusie okapu. Obracając element oznaczony literą A, wyreguluj poziom okapu zgodnie z oznaczeniami poziomicy, a następnie dokręć dwie wcześniej wkręcone częściowo śruby i wkręć dwie pozostałe (Rys. 14).



Rys.14 Umiejscowienie okapu

5 Konfigurowanie urządzenia

Umieść korpus komina na korpusie okapu. Następnie delikatnie pociągnij część okapu oznaczoną literą B do góry, aż będzie możliwe przykręcenie jej do zamontowanego wcześniej do ściany elementu mocującego (rys.15).



Rys.15 Montaż korpusu komina



Tę część montażu należy wykonać bardzo ostrożnie, aby uniknąć zarysowania korpusu komina i samego okapu.

5.3 Podłączenie do prądu

Napięcie sieciowe powinno odpowiadać napięciu wskazanemu na tabliczce znamionowej znajdującej się wewnątrz okapu. Jeżeli okap wyposażony jest we wtyczkę należy włożyć ją do gniazdka spełniającego obowiązujące wymagania i znajdującego się w łatwo dostępnym miejscu. Jeżeli okap nie jest wyposażony we wtyczkę, montaż okapu powinna wykonać osoba posiadająca wymagane uprawnienia (np. elektryk).

6 Rozwiązywanie problemów

Rozwiązywanie problemów	Przyczyna	Pomoc
Produkt nie działa.	Sprawdź bezpiecznik.	Bezpiecznik może być zablokowany, napraw to.
Produkt nie działa.	Sprawdź połączenie elektryczne.	Napięcie sieciowe powinno wynosić między 220-240 V.
Produkt nie działa.	Sprawdź połączenie elektryczne.	Sprawdź, czy inne przedmioty w Twojej kuchni działają, czy nie.
Oświetlenie nie działa.	Sprawdź połączenie elektryczne.	Napięcie sieciowe powinno wynosić między 220-240 V.
Oświetlenie nie działa.	Sprawdź włącznik oświetlenia.	Powinien się znajdować w pozycji „ON”
Oświetlenie nie działa.	Sprawdź lampy.	Lampy nie powinny być uszkodzone.
Pobór powietrza jest słaby.	Sprawdź filtr przeciw tłuszczowy.	Aluminiowy filtr przeciw tłuszczowy należy czyścić co najmniej raz w miesiącu przy normalnym użytkowaniu.
Pobór powietrza jest słaby.	Sprawdź kanał wentylacyjny.	Powinien się znajdować w pozycji „ON”
Pobór powietrza jest słaby.	Sprawdź filtr węglowy.	W przypadku produktów z filtrami węglowymi filtr należy wymieniać co 3 miesiące.

Drodzy Klienci,

Dziękujemy za zakup naszych produktów. Jesteśmy przekonani, że nasze urządzenia będą służyć przez lata. Każdy produkt firmy Beko jest objęty 2-letnim okresem gwarancji.

Warunki gwarancji Beko S.A- (małe urządzenia AGD)

BEKO spółka akcyjna z siedzibą w Warszawie (02-819), przy ulicy Puławskiej 366, wpisana do rejestru przedsiębiorców prowadzonego przez Sąd Rejonowy dla m.st. Warszawy w Warszawie, XIII Wydział Gospodarczy Krajowego Rejestru Sądowego, pod numerem: 0000078147 (dalej: „BEKO”) udziela gwarancji jakości (dalej: „Gwarancja”) na wprowadzone przez BEKO do obrotu na terenie Polski produkty marki BEKO (dalej: „Urządzenia”) osobom, które nabyły te produkty („Użytkownik”) na następujących warunkach:

I. ZAKRES OCHRONY.

BEKO gwarantuje, że Urządzenie zakupione przez Użytkownika jest wolne od wad produkcyjnych lub materiałowych, powstałych z przyczyn tkwiących w tym Urządzeniu (dalej: „Wada”), które ujawnią się w ciągu terminu określonego w części II. niniejszych Warunków Gwarancji (dalej: „Okres Gwarancyjny”).

W razie ujawnienia się Wady Produktu w trakcie Okresu Gwarancyjnego, zostanie ona usunięta na koszt BEKO w sposób uzależniony od właściwości wady, na zasadach i w zakresie określonym w niniejszych Warunkach Gwarancji.

BEKO zobowiązuje się do usunięcia Wady poprzez dokonanie nieodpłatnej naprawy lub wymiany Urządzenia, bądź też reklamacja zgłoszona na podstawie niniejszych Warunków Gwarancji zostanie rozpoznana w inny sposób uzgodniony przez BEKO i Użytkownika.

Udzielona gwarancja jest ważna na terytorium Rzeczypospolitej Polskiej.

II. CZAS TRWANIA GWARANCJI.

Okres Gwarancyjny wynosi 24 miesiące licząc od daty zakupu Urządzenia przez pierwszego Użytkownika.

III. PROCEDURA ZGŁOSZENIA REKLAMACYJNEGO.

Wady Urządzenia ujawnione w Okresie Gwarancyjnym będą usuwane pod warunkiem przedstawienia przez Użytkownika dowodu zakupu tego Urządzenia zawierającego oznaczenia niezbędne do jego identyfikacji (model, datę zakupu).

Uprawnienia wynikające z niniejszych Warunków Gwarancji mogą być zrealizowane przez Użytkownika wyłącznie w Autoryzowanych Punktach Serwisowych BEKO (dalej: „Serwis”) po uprzednim dokonaniu zgłoszenia na Infolinii BEKO pod numerem telefonu: 222501414. Urządzenie powinno być odpowiednio zapakowane i zabezpieczone przez Użytkownika na czas transportu do punktu serwisowego Beko.

Wady Urządzenia będą usunięte w terminie 14 dni od daty zgłoszenia Wady na Infolinii BEKO.

Jeżeli część zamienna wymieniana w ramach uprawnień wynikających z niniejszych Warunków Gwarancji Urządzenia jest sprowadzana z zagranicy, termin naprawy, o którym

mowa w punkcie 5 powyżej, może ulec wydłużeniu jednak, nie więcej niż do 30 dni licząc odpowiednio od daty zgłoszenia Wady na Infolinii BEKO. Informacje o spodziewanych terminach napraw dostępne są na Infolinii BEKO pod numerem 222501414. Po usunięciu Wady, Urządzenie zostanie dostarczone Użytkownikowi na koszt BEKO.

IV. WYŁĄCZENIA.

Warunkiem skorzystania z niniejszych Warunków Gwarancji jest:

użytkowanie Urządzenia zgodnie z Instrukcją Obsługi dołączoną do tego Urządzenia i jego przeznaczeniem, jak również odpowiednie czyszczenie i konserwację Urządzenia;

użytkowanie w warunkach indywidualnego gospodarstwa domowego. Urządzenie nie jest używane do celów prowadzenia działalności gospodarczej lub w zastosowaniach eksploatacji masowej, w szczególności w gastronomicznej działalności hoteli, restauracji i innych obiektów turystyczno-rekreacyjnych lub zbiorowego żywienia. stosowanie osprzętu zalecanego przez producenta; brak ingerencji w Urządzenie przez osoby do tego nieupoważnione; brak ingerencji w tabliczkę znamionową z numerem seryjnym Urządzenia. Udzielona przez Beko Gwarancja nie obejmuje:

wad powstałych z przyczyn innych niż tkwiące w Urządzeniu;

normalnego zużycia elementów eksploatacyjnych tj. akumulatory, baterie, noże, filtry, żarówki, szczotki, itp.;

czynności przewidzianych w Instrukcji Obsługi, do wykonania których zobowiązany jest Użytkownik Urządzenia we własnym zakresie i na swój koszt, w tym: instruktażu dotyczącego obsługi Urządzenia, instalacji oraz regulacji urządzenia.

usterek powstałych w wyniku nieprawidłowego lub niewłaściwego użytkowania, niedbalstwa, przypadkowego uszkodzenia Urządzenia, nieodpowiedniego napięcia prądu lub dokonania jakichkolwiek zmian, które mają wpływ na niewłaściwe działanie Urządzenia, i które naprawiane były przez osoby nieupoważnione, używania instalacji niezgodnych z odpowiednimi Polskimi Normami i innych niż wymienione w Instrukcji Obsługi Urządzenia; uszkodzeń mechanicznych, termicznych, chemicznych, korozji, innych uszkodzeń spowodowanych działaniem lub zaniedbaniem Użytkownika lub powstałych na skutek działania sił zewnętrznych (do których zalicza się w szczególności wyładowania atmosferyczne, skoki napięcia, wszystkiego rodzaju awarie domowej instalacji wodno-kanalizacyjnej, itp.), a także powstałych na skutek przedostania się zanieczyszczeń lub ciał obcych do Urządzenia, zakamienienia (proces odkamieniania musi być przeprowadzany zgodnie z instrukcją obsługi z użyciem odpowiednich środków czyszczących) elementów ze szkła, plastiku oraz porcelany; odbarwień Urządzenia lub poszczególnych jego części;

usterek powstałych na skutek przechowywania i użytkowania Urządzenia w warunkach, które są niezgodne z normalnymi warunkami domowymi określonymi wymaganiami powszechnie obowiązujących przepisów prawa i odpowiednich Polskich Norm;

V. POZOSTAŁE POSTANOWIENIA.

Niniejsze warunki gwarancji mają zastosowanie do Urządzeń zakupionych od dnia 01.03.2019 r. Gwarant oświadcza, że niniejsza Gwarancja jest udzielana Użytkownikowi dodatkowo i nie wyłącza, nie ogranicza ani nie zawiesza uprawnień Użytkownika wynikających z przepisów o rękojmi za wady rzeczy sprzedanej na podstawie Kodeksu cywilnego.



Arçelik A.Ş. Karaağaç Caddesi No:2-6,
34445, Söğütözü / İSTANBUL

www.beko.com