



Cordless Stick Vacuum Cleaner

User Manual



VRT 60221 VD - VRT 61225 VW

EN - FR - RO - IT - PL - SR



01M-8912743200-4122-02
01M-8912763200-4122-02

Please read this guide first!

Dear Customer,

Thank you for choosing a Beko product. We would like you to achieve the optimal efficiency from this high quality product which has been manufactured with state of art technology. Please make sure you read and understand this guide and supplementary documentation fully before use and keep it as a reference. Include this guide with the unit if you hand it over to someone else. Observe all warnings and information herein and follow the instructions.

Symbols and their meanings

These symbols are used throughout this guide:



Important information and useful hints about usage.



WARNING: Warnings against dangerous situations concerning the security of life and property.



Electric shock protection rating

CONTENTS

ENGLISH	03-17
FRANÇAIS	18-32
ROMANIAN	33-51
ITALIANO	52-67
POLSKI	68-84
SRPSKI	85-97

1 Important safety and environmental instructions

This section contains safety instructions to prevent hazards that can result in injury or property damage.

Any warranty is void if these instructions are not followed.

1.1 General safety

- This appliance complies with international safety standards.
- This device can be used by children over 8 years of age, people with physical, sensory or mental challenges or people with lack of experience or knowledge; as long as control is ensured or information is provided regarding the hazards. Children must not play with the appliance. Cleaning and user maintenance shall not be carried out by unattended children.
- Do not use the appliance if the power cord or the appliance is damaged. Contact authorized service.
- Your mains power supply shall match the information shown on the rating plate label of the appliance.
- Do not use the appliance with an extension cord.
- To prevent damage to the power cord, prevent it from being pinched, crimped or rubbed against sharp edges.
- Do not touch the plug of the appliance with damp or wet hands while the appliance is plugged in.
- Do not pull on the cord while unplugging the appliance.
- Do not vacuum flammable materials and ensure that the cigarette ashes are cooled down before vacuuming them.
- Do not vacuum water and other fluids.
- Protect the appliance against precipitation, humidity and heat sources.
- Do not use the appliance in or near explosive or flammable environments and substances.
- Unplug the appliance before cleaning and maintenance.
- Do not immerse the appliance or its power cord in water for cleaning.

1 Important safety and environmental instructions

- Do not disassemble the appliance.
- Use only original parts or parts recommended by the manufacturer.
- To prevent blockage of the filter or damage to the motor, do not vacuum cement, plaster or fragments of compressed paper.
- Use the appliance with the adapter delivered with the appliance only.
- Do not use the appliance without filters, it may get damaged.
- If you keep the packaging materials, keep them out of the reach of children.
- This appliance is not intended to be used by persons, including children, with physical, sensory and mental disabilities or those who have not adequate experience and knowledge regarding its use, unless they are under the supervision of a person responsible for their safety or they are informed about the operation of the appliance.
- Children shall be supervised to prevent them from playing with the appliance.
- Unplug the adaptor and remove the battery pack before any cleaning or maintenance procedure.
- To avoid any risk of hazard, a damaged adaptor shall be replaced by the manufacturer, the authorized representative of the manufacturer or a similarly qualified technician.
- Keep your fingers, hair and loose clothes away from moving parts or clearances while vacuuming.
- Batteries shall be removed from the appliance before discarding the appliance.
- Disconnect the appliance from power supply before removing the battery.
- Please discard used batteries in accordance with local laws and regulations.
- The batteries included in this appliance may only be replaced with qualified persons.
- Appliance is not intended to be operated for commercial purposes. This appliance is not designed for commercial use, it

1 Important safety and environmental instructions

is intended for home use and in applications as follows:

- In the staff kitchens of the stores, offices and other working environments
 - In farm houses;
 - By customers in hotels, motels or other accommodation facilities
 - In hostels or similar environments.
- **WARNING:** Use the HCX1501-3200450E (VRT 61225 VW), HCX1501-2700500E (VRT 60221 VD) removable supply unit delivered with the appliance to charge to the battery.
 - This appliance shall not be operated by children and people with limited physical, sensory and cognitive skills or people with lack of experience and knowledge unless they are under supervision or they are provided with the relevant instructions.
 - Children shall be supervised to prevent them from playing with the appliance.

1.2 Compliance with the WEEE Directive and disposal of the waste product



This product complies with EU WEEE Directive (2012/19/EU). This product bears a classification symbol for waste electrical and electronic equipment (WEEE). This symbol indicates that this product shall not be disposed with other household wastes at the end of its service life. Used device must be returned to official collection point for recycling of electrical and electronic devices. To find these collection systems please contact to your local authorities or retailer where the product was purchased. Each household performs important role in recovering and recycling of old appliance. Appropriate disposal of used appliance helps prevent potential negative consequences for the environment and human health.

1.3 Packaging information



Packaging materials of the product are manufactured from recyclable materials in accordance with our National Environment Regulations. Do not dispose of the packaging materials together with the domestic or other wastes. Take them to the packaging material collection points designated by the local authorities.

1.4 Information on waste batteries



This symbol on the packaging of the packaging related with rechargeable batteries indicates that the rechargeable battery shall not be disposed of with domestic waste. A chemical symbol may accompany this symbol on some rechargeable batteries.

And mercury (Hg) and lead (Pb) symbols may also be added if the rechargeable batteries contain more than %0.0005 mercury and more than %0.004 lead content.

Rechargeable batteries shall not be disposed of with household waste even if they do not contain heavy metals. Always discard the used batteries as per local environmental legislation. Investigate the waste disposal regulations in effect in your area of residence.

1 Important safety and environmental instructions

1.5 What to do for energy saving

- When using your appliance, adjust the speed settings according to the surface, in order to save energy.
- Normally, lower speeds are used when cleaning hard surfaces, curtains and sofas, while high speeds are used in for cleaning carpets.

1.6 Compliance with RoHS Directive



The product you have purchased complies with EU RoHS Directive (2011/65/EU). It does not contain harmful and prohibited materials specified in the Directive.

2 Overview

2.1 Controls and components

1. Charge indicator LED lights
2. Power Adjustment button
3. On/off button
4. Emptying dust container ring
5. Dust container
6. Tube release button
7. Appliance release button
8. Charging Dock
9. Accessory attachment parts
10. Tube
11. Brush release button
12. Electric turbo brush
13. Charging adaptor
14. Lid for filling the water tank
15. Mop attachment; Water Tank
16. Mopping cloth (x2 pcs)
17. Mini turbo brush (VRT 61225 VW)
18. Dust brush
19. Crevice attachment
20. Screw (4 pcs)
21. Dowel (4 pcs)

2.2 Technical data

	VRT 61225 VW	VRT 60221 VD
Nominal input power	150 W	110 W
Input	100 - 240 V~ 50-60 Hz 0,5 A	
Output	32 V  0.45 A	27 V  0.5 A
Charging time	4-6 hours	
Runtime at max. power	17 mins	
Runtime at min. power	45 mins	

The rights to make technical and design changes are reserved.

The values provided with the appliance or its accompanying documents are laboratory readings in accordance with the respective standards. These values may differ depending on the use and ambient conditions.

2 Overview

External Power Supply Parameter

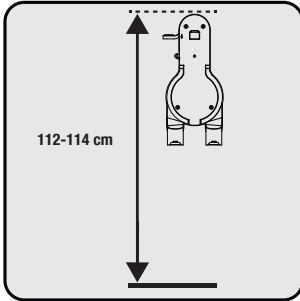
	VRT 61225 VW	VRT 60221 VD
Manufacturer:	Guangdong Huachuangxing Power Supply Co.,Ltd	
Model ID:	HCX1501-3200450E	HCX1501-2700500E
Input Voltage:	100-240V~	
Input Frequency:	50-60Hz	
Input Current:	0.5A	
Output Voltage	32.0V	27.0V
Output Current	0.45A	0.5A
Output Power:	14.4W	13.5W
Average active efficiency:	85.5%	84.39%
Efficiency at low load (10%):	83.33%	70.65%
Power consumption under no load:	0.041W	0.071W

3 Installation

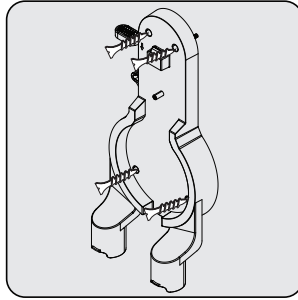
3.1 Intended use

This appliance is intended for household use and it is not suitable for industrial use.

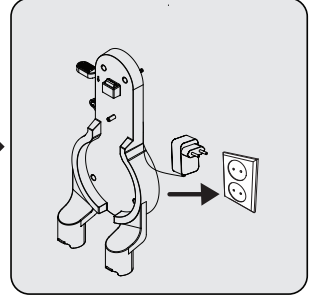
3.2 Installation of the charging dock



Position the charging dock at a height of 112- 114 cm from the ground.

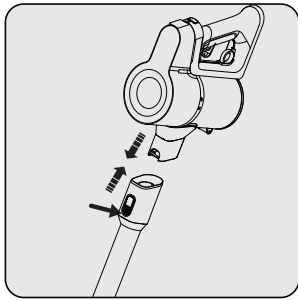


1- Fix four dowels on the wall
2- Place four screws into their locations on the charging dock and mount on the dowels on the wall.

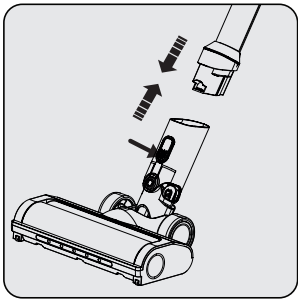


Plug the charging adaptor to the socket.

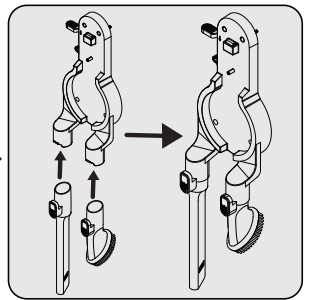
3.3 Installation of the body and the brush



Push the tube in the direction of arrow towards the body by pushing on the tube release button.



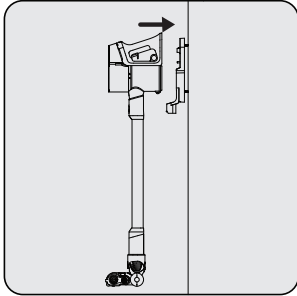
Press the electric turbo brush release button on the electric turbo brush and push it in the direction of arrow towards the tube.



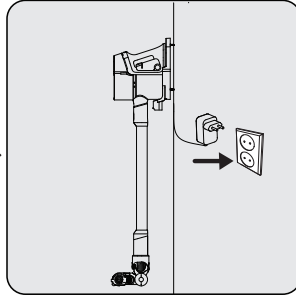
Attach crevice attachment (16) and dust brush to the charging dock.

4 Operation

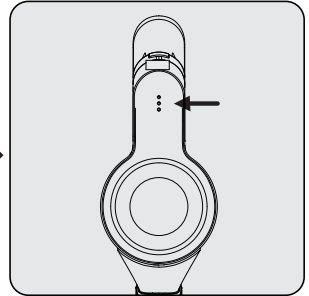
4.1 Charging the appliance



Place the appliance on the charging dock.
After placing dust container on the charging dock, push the appliance towards the charging dock.



Plug the charging adaptor to the socket.



Flashing of the charge indicator LEDs in white colour indicates that the appliance is being charged.
– When all levels of the charge indicator LEDs are illuminated, this indicates that the charging of the appliance is completed.

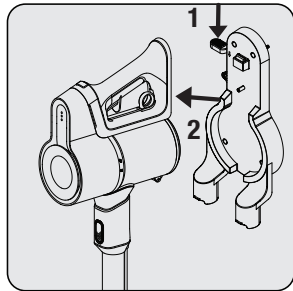


It takes up to 4 to 6 hours to charge the appliance completely. The appliance shall not be operated while charging.

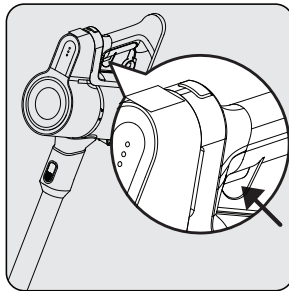


If the appliance is placed on the charging dock while it is being operated, it shall be stopped automatically.

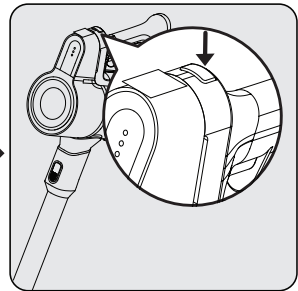
4.2 Usage



1- Push the appliance release button on the charging dock downward and pull the appliance towards yourself at the same time.
2- Remove the appliance from the charging dock.



Press the on/off button to operate the appliance. The appliance starts operating with the minimum power when the on/off button is pressed.

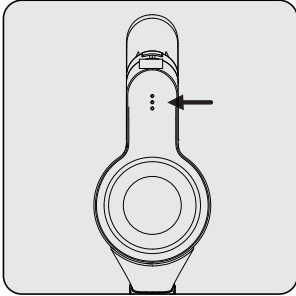


To switch to the maximum power when operating in the minimum power, push the power adjustment button. To switch to the minimum power when operating in the maximum power, push the power adjustment button again.

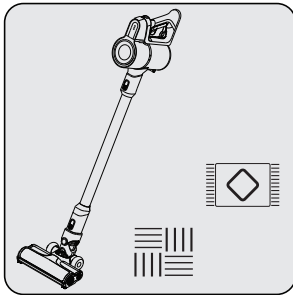
4 Operation



The appliance may be placed for charging before the complete discharging of the battery. The appliance may be kept continuously as charging on the charging dock until the next operation.

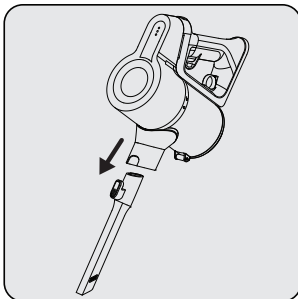


Pay attention to the power indicator LEDs (1) during operation. These indicators gradually turn off as the charge level is reduced, and when all indicators are turned off and only one indicator illuminates in red, then the charge of the appliance is about to run out. The appliance stops operating automatically after a short while when the red LED illuminates.

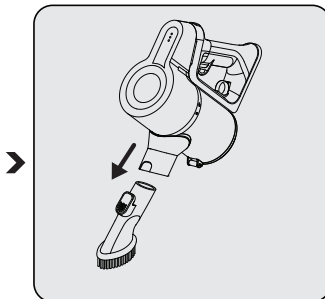


This appliance is suitable for use on carpets and hard floors.

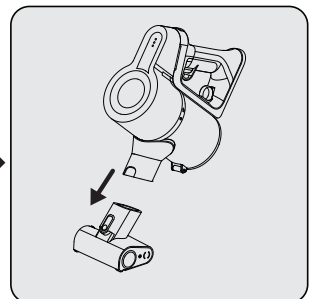
4.3 Accessories



Crevice: Suitable for vacuuming the rear of the furnitures, hard to reach areas and narrow areas.

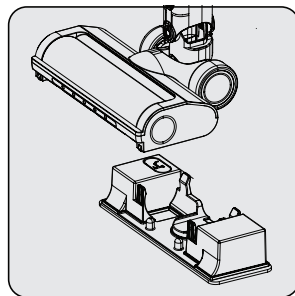
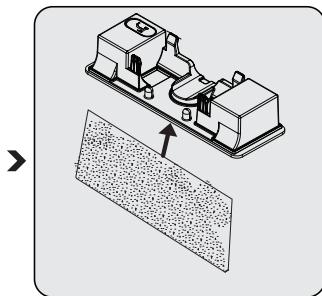
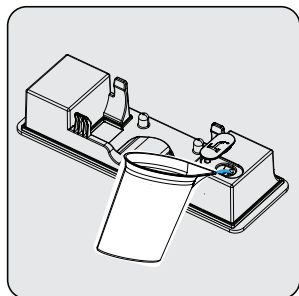


Dust brush: Suitable for vacuuming curtains, waxed furniture and delicate and fragile objects.



Mini turbo brush (VRT 61225 VW): Suitable for vacuuming floorings, stair steps, car interiors, sofas and seat, etc. It is also used for vacuuming pet hair on such surfaces.

4 Operation



Mop Attachment: Suitable for hard floor mopping process. Fill the water tank with potable water.

Attach mopping cloth to the bottom of water tank.

Attach mop attachment to the bottom of electrical turbo brush.



WARNING: Do not use the mop attachment on a carpet.



WARNING: Do not put bleach or detergent in the water tank.



WARNING: Remove the mop attachment after usage is completed.



WARNING: Remove the mop attachment immediately after the mopping operation is completed to prevent damage to your wooden floors.



WARNING: Clean the water tank after each use.



Mopping cloths can be washed in washing machine.



WARNING: Do not lift or tilt the nozzle, as water may spray out of the water tank.

5 Cleaning and maintenance

Turn off and unplug the appliance before cleaning.



WARNING: Never use gasoline, solvent, abrasive cleaners, metal objects or hard brushes to clean the appliance.



WARNING: Deformation may occur on the filters within time as a result of usage. It shall be replaced with a new one to prevent loss of performance. Contact with the customer services to buy a new one.

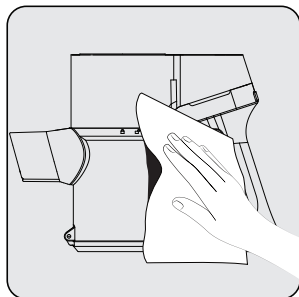
5.1 Cleaning the Dust container and Filters



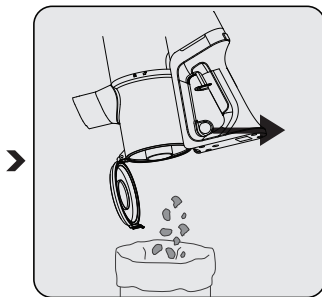
WARNING: Do not wash the filters.



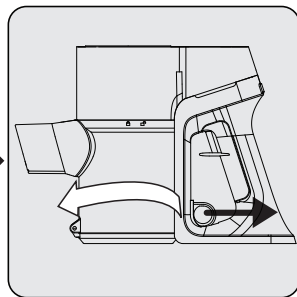
We recommend you to clean the dustbin (5) after each operation.



Wipe the surface of the body with a wet cloth.

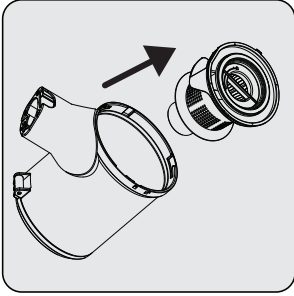


Pull the emptying dust container ring to the last point. Dust container lid will be opened. Empty all the dust it contains.

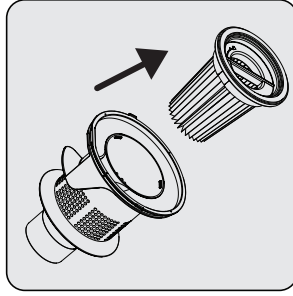


For a detailed cleaning of filters, remove the dust container by turning it clockwise while pulling dust container ring lightly.

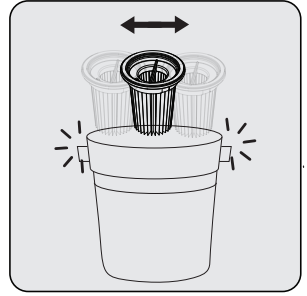
5 Cleaning and maintenance



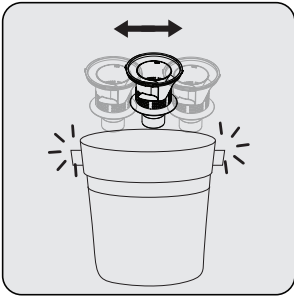
Pull EPA E10 and plastic filter holding from the EPA E10 handle.



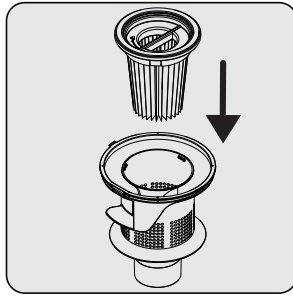
Separate EPA E10 and plastic filter from each other.



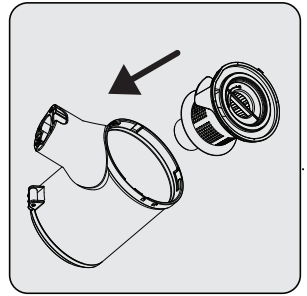
Remove the dust on the EPA E10 filter by tapping it on a hard surface such as a waste bin or by using a brush.



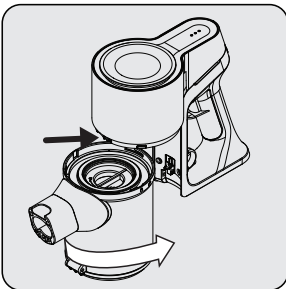
Remove the dust on the plastic filter by tapping it on a hard surface such as a waste bin or by using a brush.



Attach EPA E10 filter to the plastic filter back.



Attach plastic filter on the dustbin.



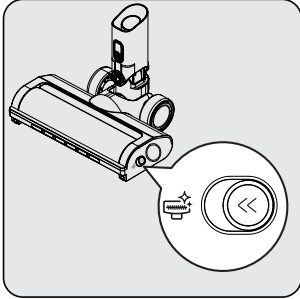
Fix the connector of dustbin to the holes on the body, then fix the dustbin by turning counter clockwise until you hear the click sound.

5 Cleaning and maintenance

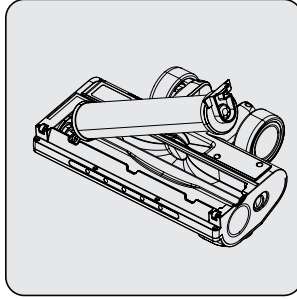
5.2 Cleaning of the brush



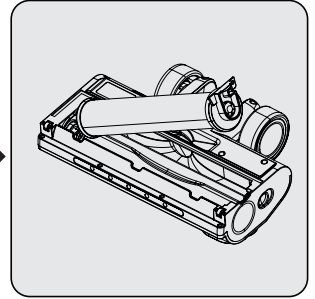
WARNING: Do not wash the turbo brush (8) and the main roller.



Press on the roller release button.



Remove the dust on it by tapping it lightly to a hard surface or remove the dust with a brush. If any hair, etc. is tangled, remove it by cutting it off.



Fix the roller back to its place by pushing.

5.3 Storage

- If you do not intend to use the appliance for a long time, store it carefully.
- Unplug the appliance.
- Ensure that the appliance is kept out of reach of children.
- If you shall not be using the battery for a long period of time, please keep it in a cool and dry place at half charged condition. Do not charge or discharge completely.
- Store the battery on a non-conducting material, and do not allow the battery to contact metal directly. This shall damage the battery.

5.4 Transport and shipping

- During transport and shipping, carry the appliance with its original packaging. The packaging of the appliance will protect the appliance against physical damage.
- Do not put heavy objects on the appliance or its packaging. Otherwise the appliance may be damaged.
- If the appliance is dropped, the appliance may not operate or permanent damage may occur.


Veillez d'abord lire ce manuel !

Cher client(e),

Nous vous remercions d'avoir choisi un produit Beko. Nous aimerions que vous obteniez une efficacité optimale de ce produit de haute qualité qui a été fabriqué avec une technologie de pointe. Veuillez vous assurer que vous avez bien lu et compris ce guide et la documentation complémentaire avant de les utiliser et conservez-les comme référence. Joignez ce guide à l'aspirateur si vous le remettez à quelqu'un d'autre. Respectez tous les avertissements et informations contenues dans le présent document et suivez les instructions.

Symboles et leurs significations

Ces symboles sont utilisés tout au long de ce guide :

	Informations et recommandations importantes concernant l'utilisation de l'appareil.
--	---

	AVERTISSEMENT : Avertissements sur les dommages corporels ou matériels.
--	--

	Classe de protection contre les chocs électriques
--	---



LE TRI + FACILE



FR
Cet appareil, ses accessoires et cordons se recyclent

À DÉPOSER EN MAGASIN



OU

À DÉPOSER EN DÉCHÈTERIE



Points de collecte sur www.quefairedemesdechets.fr
Privilégiez la réparation ou le don de votre appareil !

1 Instructions importantes en matière de sécurité et d'environnement

Cette section contient des instructions de sécurité nécessaires à la prévention des risques de dommage corporel ou de dommage matériel.

Le non-respect de ces instructions annulera toute garantie.

1.1 Sécurité générale

- Cet appareil est conforme aux normes internationales de sécurité.
- Cet appareil peut être utilisé par des enfants âgés d'au moins 8 ans et par des personnes ayant des capacités physiques, sensorielles ou mentales réduites ou dénuées d'expérience ou de connaissance, s'ils (si elles) sont correctement surveillé(es) ou si des instructions relatives à l'utilisation de l'appareil en toute sécurité leur ont été données et si les risques encourus ont été appréhendés. Les enfants ne doivent pas jouer avec l'appareil. Le nettoyage et l'entretien par l'utilisateur ne doivent pas être effectués par des enfants sans surveillance.
- N'utilisez pas l'appareil si le cordon d'alimentation ou l'appareil est endommagé. Contactez un centre de service agréé.
- Votre alimentation secteur doit être conforme aux informations spécifiées sur la plaque signalétique.
- N'utilisez pas l'appareil avec une rallonge.
- Pour éviter que le cordon d'alimentation ne soit endommagé, assurez-vous qu'il ne reste pas coincé, plié ou en contact avec des bords tranchants.
- Ne touchez pas la fiche de l'appareil avec les mains mouillées ou humides lorsque l'appareil est branché.
- Ne tirez pas le cordon pour débrancher l'appareil.
- N'aspirez pas les matériaux inflammables et assurez-vous que les cendres de cigarette sont refroidies avant de les aspirer.
- N'aspirez pas d'eau et d'autres liquides.

1 Instructions importantes en matière de sécurité et d'environnement

- Protégez l'appareil de la pluie, de l'humidité et des sources de chaleur.
- N'utilisez pas l'appareil dans ou à proximité d'environnements et de matériaux explosifs ou inflammables.
- Débranchez l'appareil avant le nettoyage et l'entretien.
- N'immergez pas l'appareil ou son cordon d'alimentation dans l'eau pour le nettoyer.
- Ne démontez pas l'appareil.
- Utilisez uniquement les pièces d'origine ou celles recommandées par le fabricant.
- Pour éviter de bloquer le filtre ou d'endommager le moteur, n'aspirez pas le ciment, le plâtre ou les fragments de papier comprimé.
- Utilisez l'appareil uniquement avec l'adaptateur fourni.
- N'utilisez pas l'appareil sans filtres, sinon il pourrait être endommagé.
- Si vous conservez les matériaux d'emballage, gardez-les hors de portée des enfants.
- Gardez les enfants sous surveillance afin de vous assurer qu'ils ne jouent pas avec l'appareil.
- Débranchez l'adaptateur et retirez la batterie avant toute procédure de nettoyage ou d'entretien.
- Pour éviter tout risque de danger, un adaptateur endommagé doit être remplacé par le fabricant, le représentant autorisé du fabricant ou un technicien également qualifié.
- Tenez vos doigts, vos cheveux et vos vêtements amples à l'écart des pièces mobiles ou des dégagements lorsque vous passez l'aspirateur.
- Les batteries doivent être retirées de l'appareil avant de le mettre au rebut.
- Débranchez l'appareil de la source d'alimentation avant de retirer la batterie.
- Veuillez éliminer les batteries usagées conformément aux lois et règlements locaux.

1 Instructions importantes en matière de sécurité et d'environnement

- Les batteries fournies dans cet appareil ne peuvent être remplacées que par des personnes qualifiées.
- L'appareil n'est pas destiné à être utilisé à des fins commerciales. Ce produit n'est pas conçu pour un usage commercial ; il est destiné à être utilisé à domicile et dans les applications suivantes :
 - les cuisines du personnel des magasins, bureaux et autres environnements de travail ;
 - par les clients dans les hôtels, les motels ou d'autres installations d'hébergement ;
 - dans les auberges ou les environnements similaires.
- **AVERTISSEMENT :** Utilisez l'unité d'alimentation amovible HCX1501-3200450E (VRT 61225 VW), HCX1501-2700500E (VRT 60221 VD) livrée avec l'appareil pour charger la batterie.

1.2 Conformité à la directive WEEE et élimination des déchets



Cet appareil est conforme à la directive WEEE de l'Union européenne (2012/19/EU). Le produit possède un symbole de classification attribué aux déchets d'équipements électriques et électroniques (WEEE).

Ce symbole indique que cet appareil ne doit pas être mis au rebut avec les ordures ménagères à la fin de sa durée de vie. Les appareils usagés doivent être retournés au point de collecte officiel pour le recyclage des dispositifs électriques et électroniques. Pour trouver ces systèmes de collecte, veuillez contacter les autorités locales ou le détaillant où le produit a été acheté. Chaque foyer joue un rôle important dans la récupération et le recyclage des vieux appareils. La mise au rebut appropriée des appareils usagés permet de prévenir les conséquences négatives potentielles pour l'environnement et la santé humaine.

1.3 Informations sur l'emballage



L'emballage de l'appareil a été fabriqué à partir de matériaux recyclables, conformément à la législation nationale.

Évitez de mettre les déchets d'emballage au rebut avec les ordures ménagères ou d'autres déchets ; déposez-les dans les points de collecte dédiés désignés par les autorités locales.

1 Instructions importantes en matière de sécurité et d'environnement

1.4 Batteries usagées



Assurez-vous de mettre au rebut les batteries usagées conformément aux lois et réglementations locales. Le symbole sur la batterie et l'emballage indique que la batterie livrée avec l'appareil ne doit pas être considérée comme un déchet ménager. Ce symbole peut être utilisé en conjonction avec un symbole chimique dans certaines régions. Si les batteries contiennent plus de 0,0005 % de mercure et plus de 0,004 % de plomb, le symbole chimique Hg est ajouté pour le mercure et Pb pour le plomb sous le symbole. En vous assurant que les batteries sont mises au rebut de façon appropriée, vous contribuerez à la prévention des dommages potentiels à l'environnement et à la santé humaine dus à une mise au rebut inappropriée des batteries.

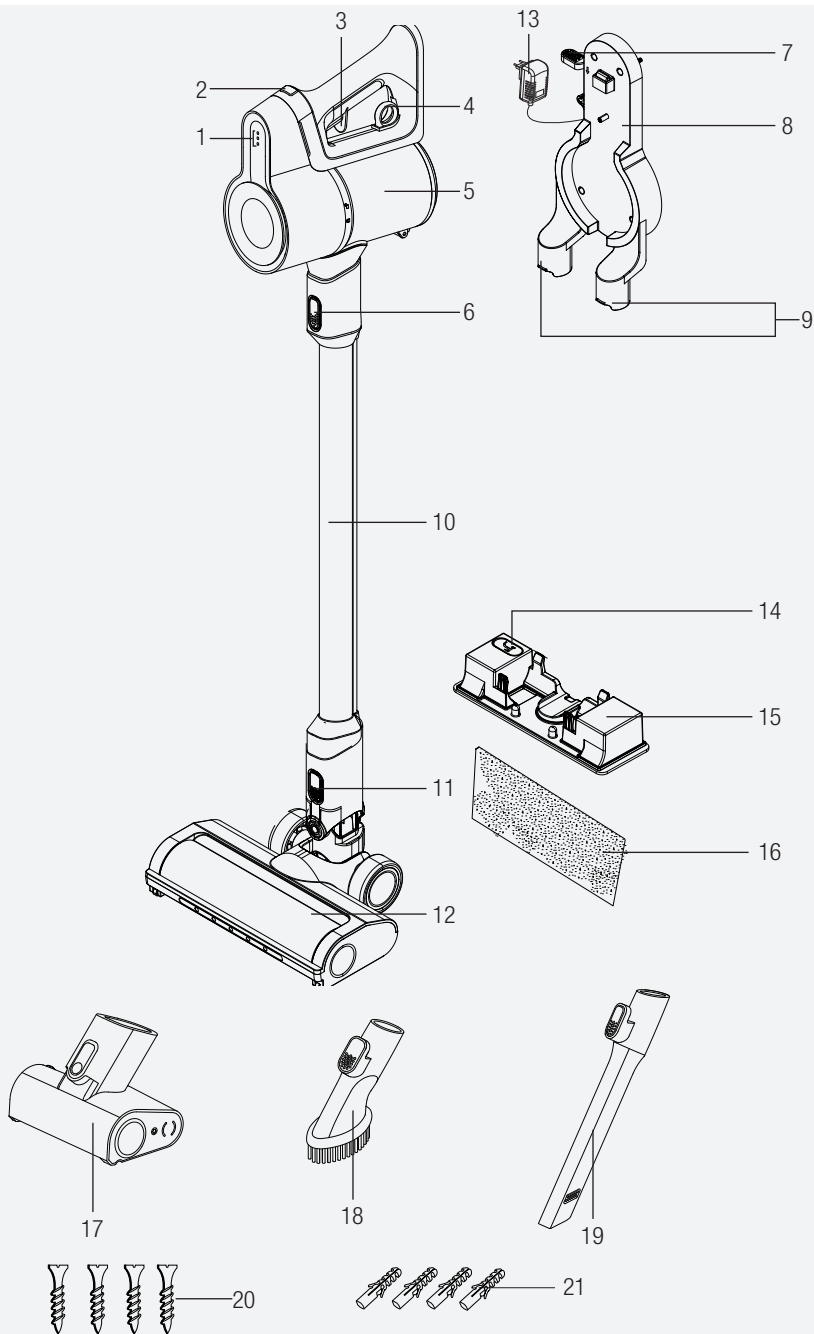
1.5 Comment économiser de l'énergie

- Lorsque vous utilisez votre appareil, effectuez les réglages de vitesse en fonction de la surface afin d'économiser de l'énergie.
- En général, les vitesses les plus faibles sont utilisées pour le nettoyage des surfaces dures, des rideaux et des canapés, tandis que les vitesses élevées sont utilisées pour le nettoyage des tapis.

1.6 Conformité avec la directive LdSD

L'appareil que vous avez acheté est conforme à la directive LdSD (2011/65/UE) de l'Union européenne. Il ne comporte pas les matériels dangereux et interdits mentionnés dans la directive.



2 Vue d'ensemble



2 Vue d'ensemble

2.1 Commandes et composants

1. Voyants LED de charge
2. Bouton de réglage de la vitesse
3. Commutateur Marche/Arrêt
4. Anneau de déverrouillage du réservoir à poussière
5. Réservoir à poussière
6. Bouton de déverrouillage du tube
7. Bouton de déverrouillage de l'appareil
8. Station de charge murale
9. Encoches de fixation des accessoires
10. Tube
11. Bouton de déverrouillage de la brosse
12. Brosse turbo électrique
13. Chargeur secteur
14. Couvercle pour le remplissage du réservoir d'eau
15. Réservoir d'eau
16. Lingettes (x2pcs)
17. Mini Turbo brosse (VRT 61225 VW)
18. Brosse à poussière
19. Suceur
20. Vis (4 pièces)
21. Cheville (4 pièces)

	VRT 61225 VW	VRT 60221 VD
Puissance d'entrée nominale	150 W	110 W
Entrée	100 - 240 V~ 50-60 Hz 0,5 A	
Courant de sortie	32 V  0.45 A	27 V  0.5 A
Durée de charge	4-6 hours	
Période de fonctionnement à puissance maximale	17 mins	
Période de fonctionnement à puissance minimale	45 mins	

Le fabricant se réserve le droit d'apporter des modifications techniques et de conception.

Les valeurs fournies avec l'appareil ou les documents qui l'accompagnent sont des valeurs de laboratoire conformes aux normes respectives. Ces valeurs peuvent varier en fonction de l'utilisation et des conditions ambiantes.

2 Vue d'ensemble

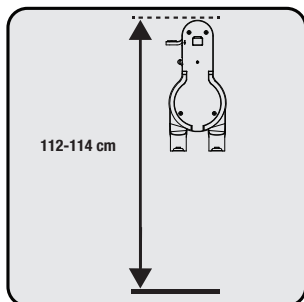
	VRT 61225 VW	VRT 60221 VD
Fabricant:	Guangdong Huachuangxing Power Supply Co.,Ltd	
Identifiant de modèle	HCX1501-3200450E	HCX1501-2700500E
Tension d'entrée	100-240V~	
Fréquence d'entrée	50-60Hz	
Courant d'entrée	0.5A	
Tension de sortie :	32.0V	27.0V
Courant de sortie	0.45A	0.5A
Puissance de sortie	14.4W	13.5W
Rendement moyen en mode actif	85.5%	84.39%
Efficacité à faible charge (10 %)	83.33%	70.65%
Consommation électrique sans charge	0.041W	0.071W

3 Installation

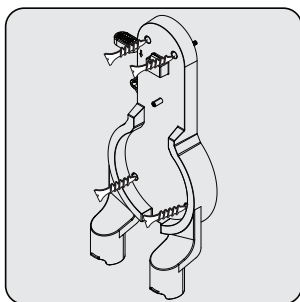
3.1 Utilisation prévue

Cet appareil est destiné à un usage domestique et non à un usage industriel.

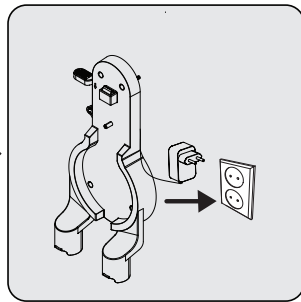
3.2 Installation de la station de charge



Positionnez la station de charge à une hauteur de 112 à 114 cm du sol.

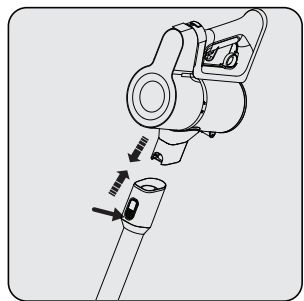


1- Fixez quatre chevilles dans le mur
2- Placez quatre vis dans leurs emplacements sur la station de charge et fixez-les sur les chevilles placées au mur.

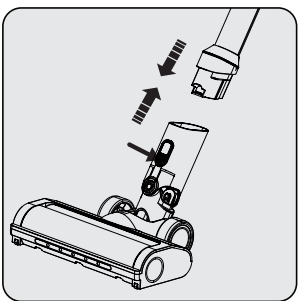


Branchez le chargeur secteur à la prise de courant.

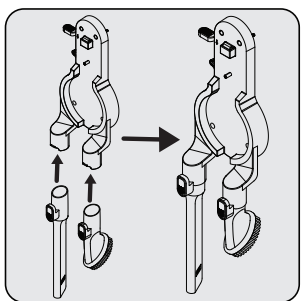
3.3 Installation du corps principal, du tube et de la brosse



Poussez le tube dans le sens de la flèche vers le corps en appuyant sur le bouton de déverrouillage du tube.



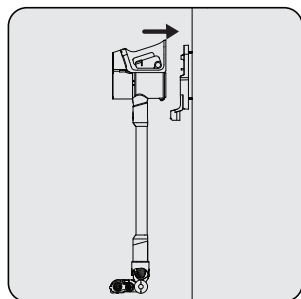
Appuyez sur le bouton de déverrouillage de la brosse turbo électrique situé sur la brosse turbo électrique, ensuite poussez-la dans le sens de la flèche vers le tube.



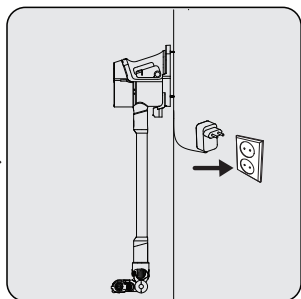
Fixez le suceur et la brosse à poussière sur la station de charge.

4 Fonctionnement

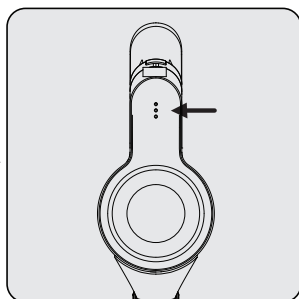
4.1 Charge de l'appareil



Placez l'appareil sur la station de charge.
Après avoir placé l'aspirateur avec le réservoir à poussière sur la station de charge, poussez l'appareil vers la station de charge.



Branchez le chargeur secteur à la prise de courant.



Le clignotement des voyants LED de charge en blanc indique que l'appareil est en cours de charge.
– Lorsque tous les voyants LED de charge sont allumés, cela indique que la charge de l'appareil est terminée.

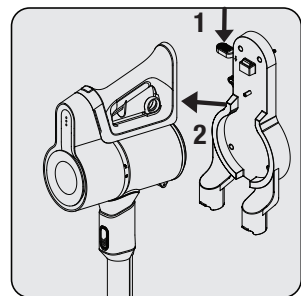


Il faut 4 à 6 heures pour recharger complètement l'appareil. L'appareil ne doit pas être utilisé pendant la charge.

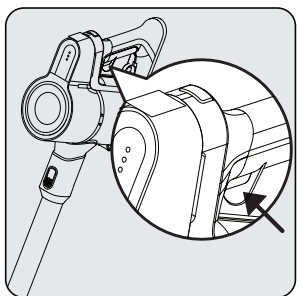


Lorsque l'appareil est placé sur la station de charge pendant son fonctionnement, il s'arrête automatiquement.

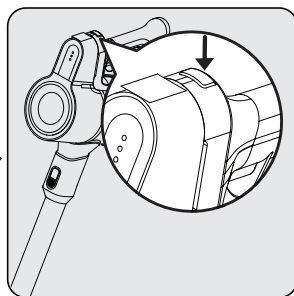
4.2 Démarrage



1- Poussez le bouton de déverrouillage de l'appareil sur la station de charge vers le bas et tirez en même temps l'appareil vers vous.
2- Retirez l'appareil de la station de charge.



Appuyez sur le commutateur Marche/Arrêt pour faire fonctionner l'appareil. L'appareil fonctionne à la vitesse minimale lorsque vous appuyez sur le commutateur Marche/Arrêt.

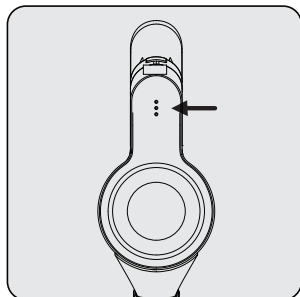


Pour passer à la vitesse maximale lorsque vous utilisez la vitesse minimale, appuyez sur le bouton de réglage de la vitesse.
Pour passer à la vitesse minimale lorsque vous utilisez la vitesse maximale, appuyez à nouveau sur le bouton de réglage de la vitesse.

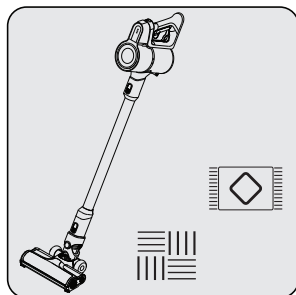
4 Fonctionnement



L'aspirateur peut être replacé sur la station de charge murale pour être chargé avant la décharge complète de la batterie. L'appareil peut être maintenu en charge en permanence sur la station de charge jusqu'à la prochaine opération.

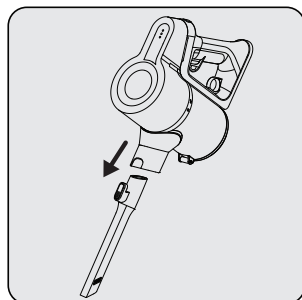


Faites attention aux voyants LED d'alimentation pendant le fonctionnement. Ces voyants s'éteignent progressivement à mesure que le niveau de batterie diminue. Lorsque tous les voyants sont éteints et qu'un seul voyant s'allume en rouge, l'autonomie de l'appareil est sur le point de s'épuiser. L'appareil s'arrête automatiquement après un court instant lorsque le voyant LED rouge s'allume.

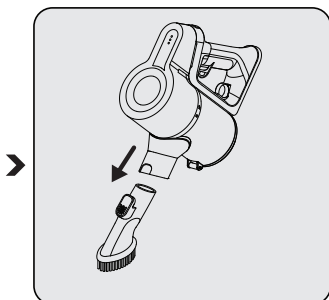


Cet appareil convient pour une utilisation sur les tapis et les sols durs.

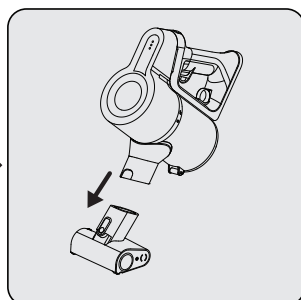
4.3 Accessoires



Suceur: Convient pour le nettoyage de l'arrière des meubles, des zones difficiles d'accès et des zones étroites.

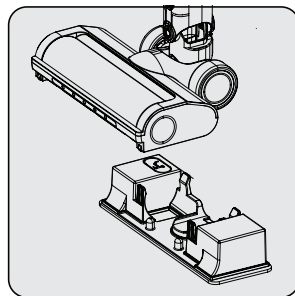
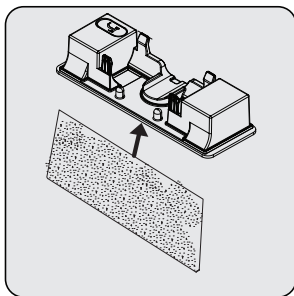
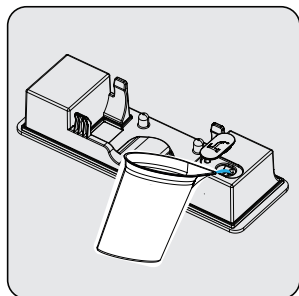


Brosse à poussière: Convient pour le nettoyage des rideaux, des meubles cirés et des objets délicats et fragiles.



Mini Turbo brosse (VRT 61225 VW): Convient pour le nettoyage des sols, des marches d'escalier, de l'intérieur des voitures, des canapés et des sièges, etc. Elle est également utilisée pour nettoyer les poils d'animaux sur ces surfaces.

4 Fonctionnement



Réservoir d'eau: Convient au nettoyage des sols durs. Remplissez le réservoir d'eau avec de l'eau filtrée pour limiter la formation de calcaire.

Fixez la lingette sur le réservoir d'eau.

Placez le réservoir d'eau au niveau de la brosse principale.



Avertissement : N'utilisez pas la lingette sur un tapis.



Avertissement: Ne mettez pas d'eau de Javel ou de détergent dans le réservoir d'eau.



Avertissement: Retirez le réservoir d'eau une fois l'utilisation terminée.



Avertissement: Retirez le réservoir d'eau immédiatement après avoir terminé le nettoyage pour éviter d'endommager vos sols en bois.



Avertissement: Nettoyez le réservoir d'eau après chaque utilisation.



Les lingettes de nettoyage peuvent être lavés en machine à laver.



Avertissement: Ne soulevez pas ou n'inclinez pas la buse, car de l'eau pourrait être projetée hors du réservoir d'eau.

5 Nettoyage et entretien

Éteignez et débranchez l'appareil avant de le nettoyer.



AVERTISSEMENT : N'utilisez jamais d'essence, de solvants, de nettoyants abrasifs, d'objets métalliques ou de brosses dures pour nettoyer l'appareil.



AVERTISSEMENT : Le filtre peut subir des déformations dans le temps en raison de l'utilisation. Il doit être remplacé par un nouveau afin d'éviter toute perte de performance. Contactez le service client pour en acheter un nouveau.

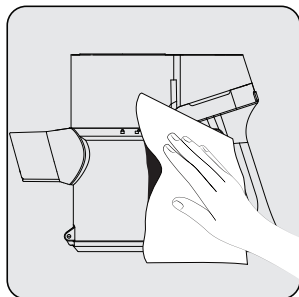
5.1 Nettoyage du réservoir à poussière et des filtres



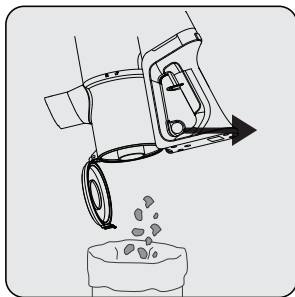
AVERTISSEMENT : Ne lavez pas sous l'eau les filtres.



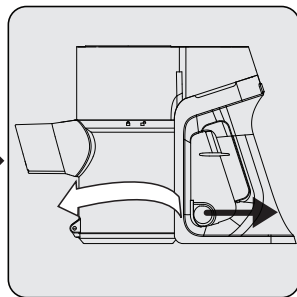
Nous vous recommandons de nettoyer le réservoir à poussière après chaque utilisation. Nettoyez le réservoir à poussière avec un chiffon humide, mais il ne faut le laver dans le lave-vaisselle.



Essuyez la surface du corps à l'aide d'un chiffon humide.

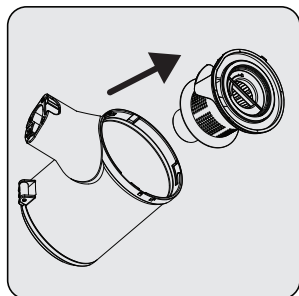


Tirez l'anneau d'ouverture du réservoir à poussière jusqu'au dernier niveau. Le couvercle du réservoir à poussière s'ouvre. Videz toute la poussière qu'il contient.

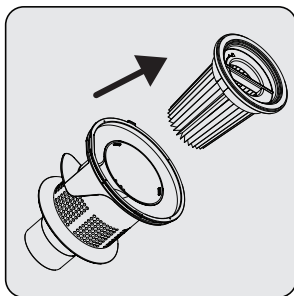


Pour un nettoyage en profondeur des filtres, retirez le corps du réservoir à poussière en le tournant dans le sens des aiguilles d'une montre tout en tirant légèrement sur l'anneau du réservoir à poussière.

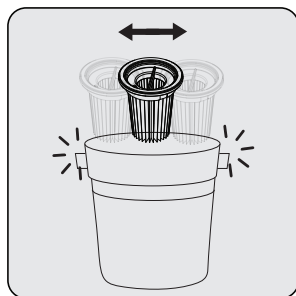
5 Nettoyage et entretien



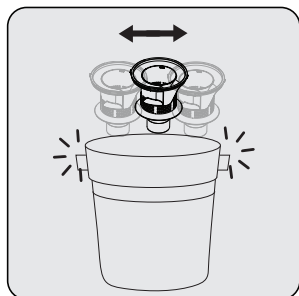
Retirez le filtre EPA E10 et le filtre en plastique en tenant la poignée du filtre EPA E10



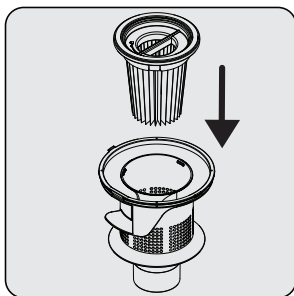
Séparez le filtre EPA E10 et le filtre en plastique.



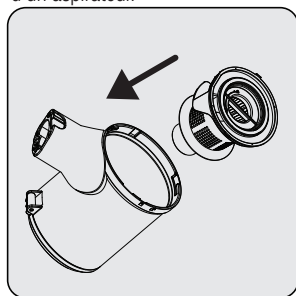
Retirez la poussière du filtre EPA E10 en le frappant délicatement contre une surface dure telle qu'une poubelle ou à l'aide d'une brosse ou d'un aspirateur.



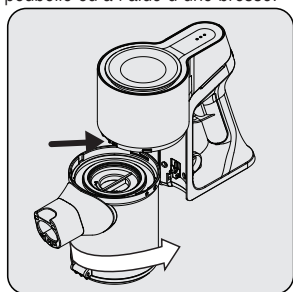
Retirez la poussière du filtre en plastique en le frappant délicatement contre une surface dure telle qu'une poubelle ou à l'aide d'une brosse.



Fixez le filtre EPA E10 au dos du filtre en plastique.



Fixez le filtre en plastique sur le réservoir à poussière.



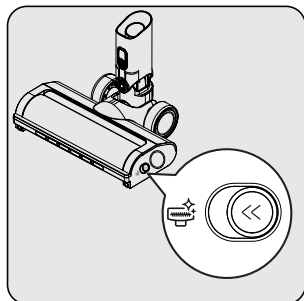
Passez les dents du réservoir à poussière dans les trous du corps, puis fixez le réservoir en le tournant dans le sens inverse des aiguilles d'une montre jusqu'à ce que vous entendiez un clic.

5 Nettoyage et entretien

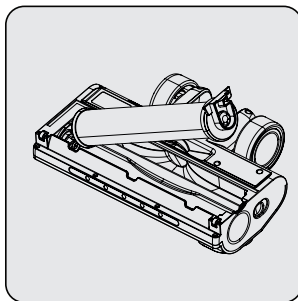
5.2 Nettoyage de la brosse



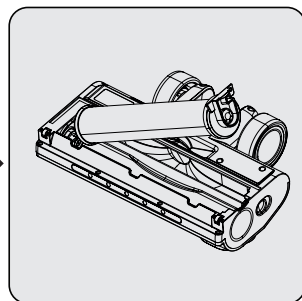
AVERTISSEMENT : Ne lavez pas la brosse turbo mais vous pouvez nettoyer le rouleau.



Appuyez sur le bouton de déverrouillage du rouleau.



Retirez-en la poussière en la frappant légèrement contre une surface dure ou à l'aide d'une brosse. Si des poils ou d'autres objets sont coincés dessus, retirez-les en les coupant.



Remettez le rouleau à sa place en le poussant.

5.3 Rangement

- Si vous ne comptez pas utiliser votre appareil pendant un certain temps, veuillez le ranger soigneusement.
- Débranchez l'appareil.
- Assurez-vous que l'appareil est hors de la portée des enfants.
- Si vous prévoyez de ne pas utiliser la batterie pendant une période prolongée, rangez l'aspirateur à mi-charge dans un endroit frais et sec. Évitez de le recharger ou de le décharger complètement.
- Rangez l'aspirateur dans sur un matériau non conducteur, et ne le laissez pas entrer en contact direct avec du métal. Cela endommage la batterie.

5.4 Transport et livraison

- Lors du transport et de la livraison, emportez l'appareil dans son emballage d'origine. L'emballage de l'appareil le protège des dommages physiques.
- Ne placez pas de lourdes charges sur l'appareil ou sur l'emballage. Sinon l'appareil pourrait s'abîmer.
- Si l'appareil tombe, il risque de ne plus fonctionner ou subir des dommages permanents.

Vă rugăm citiți mai întâi acest ghid!

Stimate client,

Vă mulțumim că ați ales un produs Beko. Dorim să obțineți eficiența optimă de la acest produs de înaltă calitate fabricat cu tehnologie de ultimă generație. Vă rugăm să citiți și să înțelegeți integral acest ghid și documentația suplimentară înainte de utilizare și să îl păstrați ca referință. Includeți acest ghid împreună cu unitatea dacă o predați altcuiva. Respectați toate avertismentele și informațiile din acest document și urmați instrucțiunile.

Simboluri și semnificațiile lor

Aceste simboluri sunt utilizate în prezentul ghid:



Informații importante și sugestii utile privind utilizarea.



AVERTIZARE: Avertizări pentru situații periculoase privind siguranța vieții și bunurilor.



Clasa de protecție la electrocutare.



**HĂRTIE RECICLATĂ ȘI
RECICLABILĂ**

1 Instrucțiuni importante referitoare la siguranță și mediul înconjurător

Această secțiune conține instrucțiuni de siguranță pentru prevenirea pericolelor care pot cauza vătămări corporale sau daune materiale.

Orice garanție este nulă dacă aceste instrucțiuni nu sunt respectate.

1.1 Siguranță generală

- Acest aparat este conform cu standardele internaționale de siguranță.
- Acest dispozitiv poate fi utilizat de copiii cu vârsta peste 8 ani, de persoane cu probleme fizice, auditive sau psihice sau de persoane care nu au experiență sau cunoștințe; atâta timp cât se asigură controlul sau le sunt furnizate informații privind potențialele pericole. Copiii nu trebuie să se joace cu aparatul. Curățarea și operațiunile de întreținere nu trebuie realizate de copii nesupravegheați.
- Nu utilizați aparatul dacă cablul de alimentare sau aparatul este deteriorat. Contactați un service autorizat.
- Sursa dumneavoastră de alimentare trebuie să fie conformă cu informațiile specificate pe eticheta de tip.
- Nu utilizați aparatul cu un prelungitor.
- Pentru a preveni deteriorarea cablului de alimentare, evitați prinderea, îndoirea sau frecarea acestuia de margini ascuțite.
- Dacă aveți mâinile umede sau ude, nu atingeți ștecherul aparatului când este conectat la priză.
- Nu deconectați aparatul trăgând de cablu.
- Nu aspirați materiale inflamabile și asigurați-vă că scrumul de țigară este stins înainte de a-l aspira.
- Nu aspirați apă sau alte lichide.
- Protejați aparatul de precipitații, umiditate și surse de căldură.
- Nu utilizați aparatul în medii și substanțe explozive sau inflamabile sau în apropierea acestora.
- Înainte de curățare și întreținere, scoateți aparatul din priză.
- Pentru curățare, nu introduceți aparatul sau cablul acestuia în apă.

1 Instrucțiuni importante referitoare la siguranță și mediul înconjurător

- Nu dezasamblați aparatul.
- Utilizați doar componente originale sau componente recomandate de către producător.
- Pentru a preveni obturarea filtrului sau deteriorarea motorului, nu aspirați ciment, tencuială sau hârtie compactată.
- Utilizați aparatul numai cu adaptorul cu care a fost furnizat.
- Nu utilizați aparatul fără filtre deoarece poate fi deteriorat.
- Dacă păstrați materialele de ambalare, depozitați-le în locuri inaccessibile copiilor.
- Acest aparat nu este destinat utilizării de către persoane, inclusiv copii, cu dizabilități fizice, senzoriale și mentale sau de către persoane fără experiență și cunoștințe adecvate despre utilizarea acestuia, cu excepția cazului în care sunt supravegheate de persoane responsabile pentru siguranța lor sau persoanele au fost informate despre modul de funcționare a aparatului.
- Copiii vor fi supravegheați pentru a preveni joaca cu aparatul.
- Înainte de a începe orice procedură de curățare sau întreținere, deconectați adaptorul și înlăturați acumulatorul.
- Pentru a evita orice risc de pericol, adaptorul deteriorat ar trebui înlocuit de către producător, reprezentantul autorizat al producătorului sau de un tehnician calificat similar.
- În timp ce aspirați, feriți degetele, părul și hainele largi de componentele în mișcare sau de degajări.
- Bateria ar trebui înlăturată din aparat, înainte de a fi scos din uz.
- Deconectați aparatul de la sursa de alimentare, înainte de scoaterea bateriei.
- Vă rugăm să eliminați bateriile în conformitate cu reglementările și legislația locală.
- Bateriile incluse în acest aparat pot fi înlocuite numai de personal calificat.

1 Instrucțiuni importante referitoare la siguranță și mediul înconjurător

- Aparatul nu este destinat utilizării în scopuri comerciale. Acest aparat nu este destinat utilizării comerciale, este destinat utilizării la domiciliu și în aplicații după cum urmează:
 - în bucătăriile pentru personal ale magazinelor, birourilor și în alte medii de lucru,
 - gospodării agricole;
 - de către clienții din hoteluri, moteluri sau alte unități de cazare
 - în hosteluri sau alte medii similare.
- **AVERTIZARE:** Pentru a încărca bateria, vă rugăm să utilizați numai unitatea detașabilă de încărcare HCX1501-3200450E (VRT 61225 VW), HCX1501-2700500E (VRT 60221VD), furnizată cu acest produs.
- Acest aparat nu trebuie utilizat de către copii și persoane cu capacitate fizică sau senzorială sau capacitate cognitivă limitată, sau de persoane fără experiență și cunoștințe, decât dacă sunt supravegheate sau au primit instrucțiuni relevante.
- Copiii vor fi supravegheați pentru a preveni joaca cu aparatul.

1.2 Respectarea reglementărilor WEEE și eliminarea deșeurilor



Acest produs este în conformitate cu Directiva WEEE a UE (2012/19/EU). Acest produs a fost marcat cu simbolul de clasificare pentru deșeurile de echipamente electrice și electronice (WEEE).

Acest simbol arată că acest produs nu trebuie eliminat împreună cu deșeurile menajere la sfârșitul perioadei sale de utilizare. Aparatul uzat trebuie transportat la un punct de colectare pentru reciclarea echipamentelor electrice și electronice. Vă rugăm să contactați autoritățile locale sau distribuitorul de unde a fost achiziționat produsul pentru a afla unde se află aceste puncte de colectare. Fiecare gospodărie are un rol important în recuperarea și reciclarea electrocasnicelor vechi. Eliminarea corespunzătoare a electrocasnicelor utilizate ajută la prevenirea posibilelor consecințe negative pentru mediu și sănătatea umană.

1 Instrucțiuni importante referitoare la siguranță și mediul înconjurător

1.3 Informații despre ambalaj



Ambalajul produsului este fabricat din materiale reciclabile, în conformitate cu legislația națională.

Nu eliminați deșeurile de ambalaje împreună cu deșeurile menajere sau alte deșeuri, ci eliminați-le în zonele de colectare a ambalajelor specificate de către autoritățile locale.

1.4 Baterii uzate



Asigurați-vă că bateriile uzate sunt eliminate în conformitate cu reglementările și legislația locală. Simbolul de pe baterie și de pe ambalaj semnalizează faptul că bateria furnizată cu acest produs nu trebuie eliminată împreună cu deșeurile menajere. În anumite regiuni, acest simbol este reprezentat însoțit de un simbol chimic. În situația în care bateriile conțin mercur mai mult de 0,0005% și plumb mai mult de 0,004%, substanța chimică Hg este adăugată pentru mercur iar simbolul chimic Pb este adăugat pentru plumb sub simbol. Prin asigurarea unei eliminări corecte a bateriilor, contribuiți la prevenirea potențialelor daune asupra mediului și sănătății umane pericole rezultate din cauza eliminării necorespunzătoare a bateriilor.

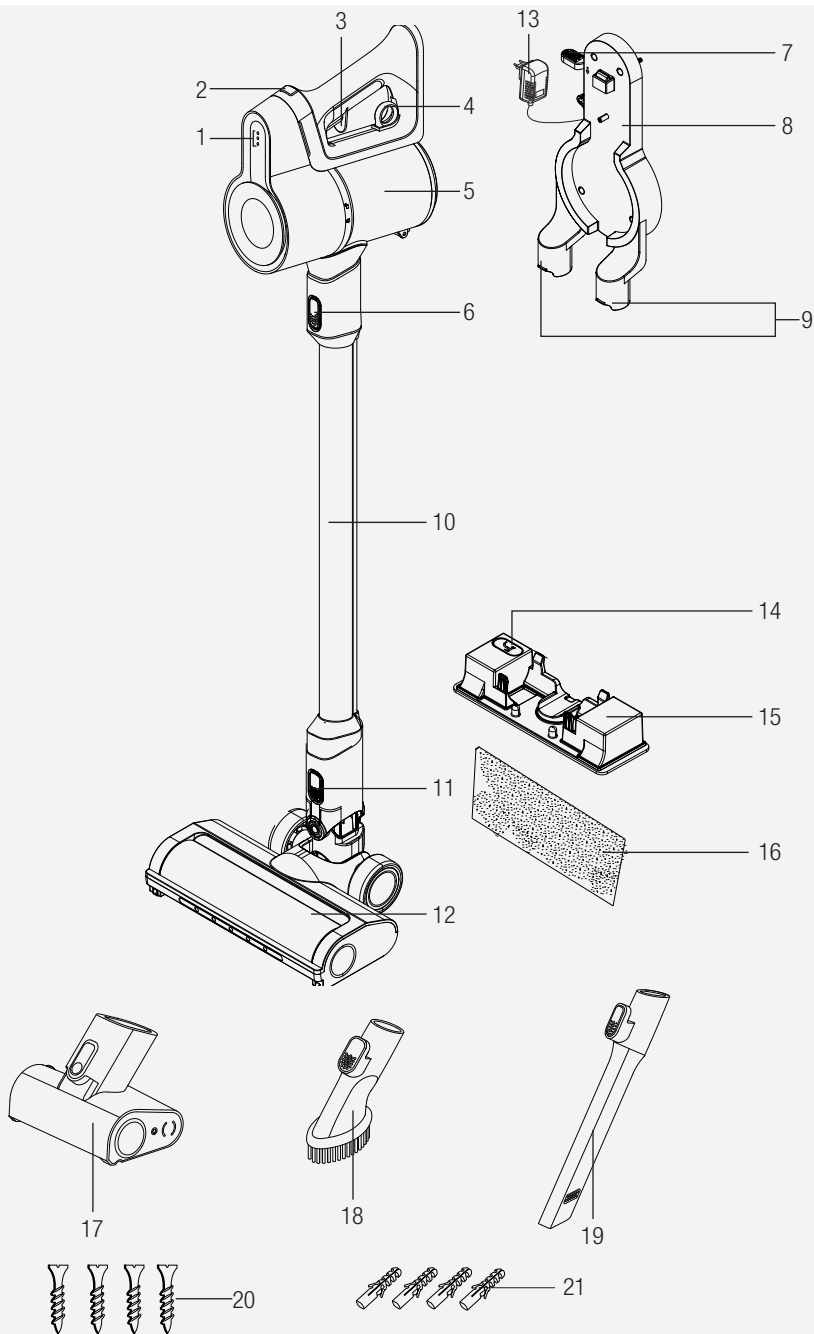
1.5 Modalități de reducere a consumului de energie electrică

- Când folosiți aparatul, ajustați setările de viteză în funcție de suprafață pentru a economisi energie.
- În mod normal, la curățarea suprafețelor dure, a perdelelor și a canapelelor se utilizează viteze mai mici, iar pentru curățarea covoarelor se utilizează viteze mari.

1.6 Conformitate cu Directiva RoHS:

Produsul pe care l-ați achiziționat respectă Directiva UE RoHS (2011/65/UE). Nu conține materiale dăunătoare și interzise specificate în Directivă.

2 Prezentare generală





2 Prezentare generală

2.1 Comenzi și componente

1. Indicator LED de încărcare
2. Buton de reglare a vitezei
3. Buton pornire/oprire
4. Inel de deschidere a recipientului pentru praf
5. Recipient pentru praf
6. Buton de eliberare a tubului
7. Comutator îndepărtare dispozitiv
8. Stație de încărcare
9. Piese și accesorii
10. Tub
11. Buton de eliberare a periei
12. Perie electrică turbo
13. Adaptor de încărcare
14. Capac pentru umplerea recipientului de apă
15. Accesoriu pentru mop; Recipient de apă
16. Laveta
17. Perie mini turbo (VRT 61225 VW)
18. Perie de praf
19. Accesoriu pentru spatii înguste
20. Șurub (4 buc.)
21. Diblu (4 buc.)

2.2 Date tehnice

	VRT 61225 VW	VRT 60221 VD
Putere nominală de intrare	150 W	110 W
Intrare	100 - 240 V~ 50-60 Hz 0,5 A	
Ieșire	32 V  0.45 A	27 V  0.5 A
Timp de încărcare	4-6 hours	
Timp de funcționare la putere maximă	17 mins	
Timp de funcționare la putere minimă	45 mins	

Ne rezervăm dreptul de a opera modificări tehnice și de design.

Valorile furnizate împreună cu aparatul sau în cadrul documentelor însoțitoare sunt citiri de laborator în conformitate cu standardele corespunzătoare. Aceste valori pot varia în funcție de condițiile de utilizare și de mediu.

2 Prezentare generală

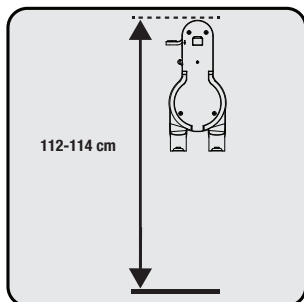
	VRT 61225 VW	VRT 60221 VD
Producător:	Guangdong Huachuangxing Power Supply Co.,Ltd	
Model ID:	HCX1501-3200450E	HCX1501-2700500E
Tensiunea de intrare:	100-240V~	
Frecvența de intrare	50-60Hz	
Curentul de intrare	0.5A	
Tensiunea de ieșire	32.0V	27.0V
Curentul de ieșire	0.45A	0.5A
Puterea de ieșire	14.4W	13.5W
Randament mediu în regim activ	85.5%	84.39%
Randament la sarcină redusă(10%)	83.33%	70.65%
Consum de putere fără sarcină	0.041W	0.071W

3 Instalarea

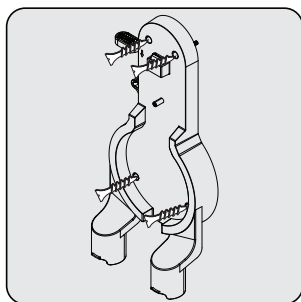
3.1 Domeniul de utilizare

Acest aparat este destinat pentru uz casnic, nu este adecvat pentru utilizare în scopuri industriale.

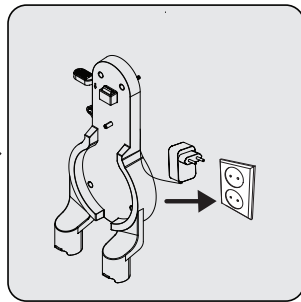
3.2 Instalarea stației de încărcare



Poziționați stația de încărcare la o înălțime de 112- 114 cm de la sol.

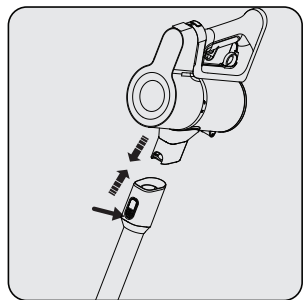


1- Fixați cele patru dibluri în perete
2- Introduceți cele patru șuruburi în orificiile lor de pe stație de încărcare și montați diblurile în perete.

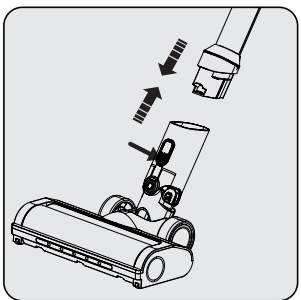


Introduceți adaptorul de încărcare în ieșire.

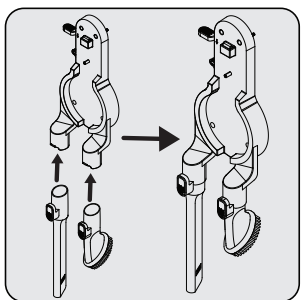
3.3 Instalarea corpului și periei



Împingeți tubul în direcția indicată de săgeata apăsând butonul de eliberare a tubului.



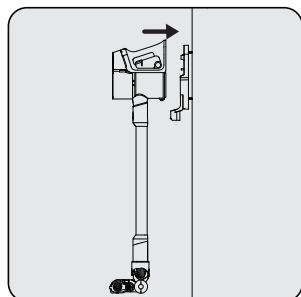
Apăsăți butonul de eliberare a periei electrice turbo de pe peria electrică turbo și împingeți-o în direcția săgeții spre baghetă.



Atașați accesoriul pentru spații înguste și peria pentru praf la stația de încărcare.

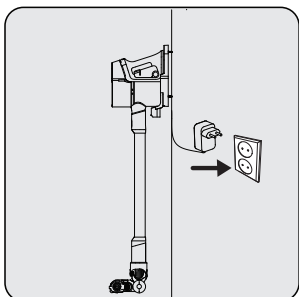
4 Operarea

4.1 Încărcarea aparatului

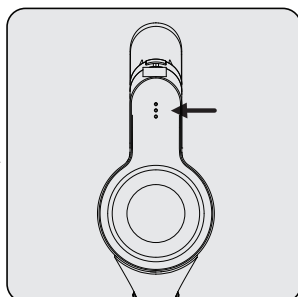


Puneți aparatul în stație de încărcare.

După punerea recipientului pentru praf pe stația de încărcare, împingeți aparatul spre stația de încărcare.



Introduceți adaptorul de încărcare în ieșire.



Illuminarea intermitentă în culoare albă a indicatorului cu LED-uri indică faptul că aparatul este încărcat

– Când toate nivelurile indicatorului de încărcare cu LED-uri sunt aprinse, înseamnă că încărcarea aparatului este finalizată.

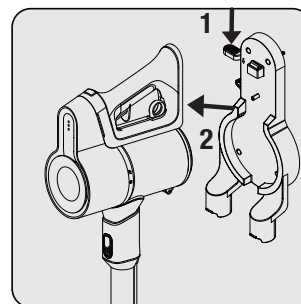


Sunt necesare 4 până la 6 ore pentru încărcarea completă a aparatului. Aparatul nu trebuie să funcționeze în timpul încărcării.



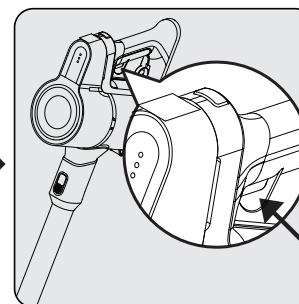
Dacă aparatul este așezat pe stația de încărcare în timpul funcționării, acesta va fi oprit automat.

4.2 Pornirea

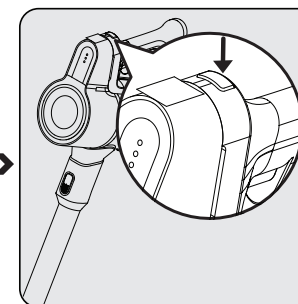


1- Apăsați în jos comutatorul de eliberare a aparatului de pe stația de încărcare și trageți aparatul către dvs. în același timp.

2- Scoateți aparatul din stația de încărcare.



Apăsați butonul de pornire/oprire (on/off) pentru ca aparatul să înceapă să funcționeze. Aparatul începe să funcționeze cu viteza minimă atunci când este apăsat butonul de pornire/oprire (on/off).

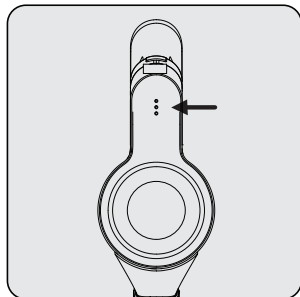


Pentru a comuta la viteza maximă atunci când lucrați la viteză minimă, apăsați butonul de reglare a vitezei. Pentru a comuta la viteză minimă atunci când lucrați la viteză maximă, apăsați din nou butonul de reglare a vitezei.

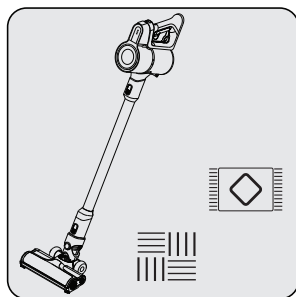
4 Operarea



Poate fi conectat pentru încărcare înainte de descărcarea completă a bateriei. Aparatul poate fi ținut continuu pe stația de încărcare până la următoarea utilizare.

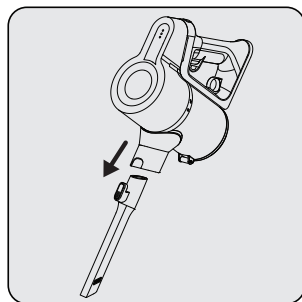


În timpul funcționării, fiți atenți la indicatorul de putere cu LED-uri. Acești indicatori se opresc treptat pe măsură ce nivelul de energie este redus, atunci când toți indicatorii sunt opriți și doar un indicator se aprinde în roșu, energia este minimă. La scurt timp după ce LED-ul va lumina în culoare roșie, aparatul se va opri automat.

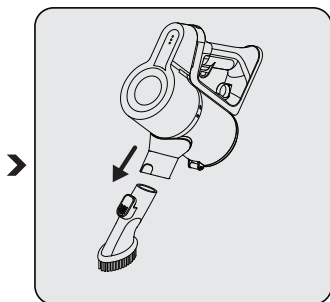


Acest aparat este potrivit pentru utilizarea pe mochete și suprafețe dure.

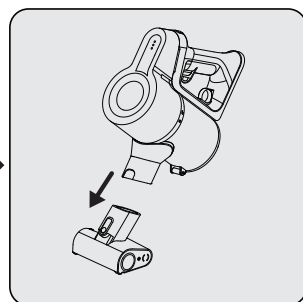
4.3 Accesorii



Accesoriu pentru spații înguste: Potrivit pentru aspirarea în spatele mobilierului, a zonelor greu accesibile sau înguste.

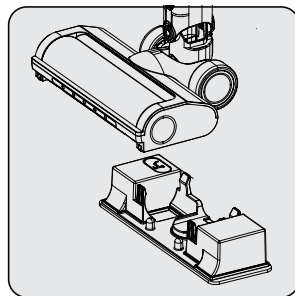
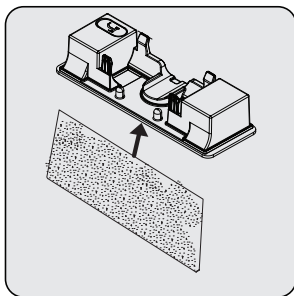
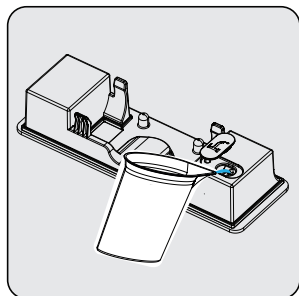


Perie de praf: Potrivită pentru aspirarea perdelor, a mobilierului tratat cu ceară și a obiectelor sensibile și fragile.



Perie mini turbo (VRT 61225 VW): Potrivită pentru aspirarea pardoselilor, treptelor scărilor, interioarelor mașinilor, canapelelor și scaunelor etc. Este, de asemenea, utilizată pentru aspirarea părului animalelor de companie de pe astfel de suprafețe.

4 Operarea



Accesoriu mop: Potrivit pentru procesul de curățare a pardoselii dure. Umpleți recipientul de apă cu apă potabilă.

Atașați laveta de mop pe partea inferioară a recipientului de apă.

Atașați accesoriul mop în partea inferioară a periei turbo electrice.



AVERTIZARE: Nu utilizați pe covor accesoriul mop.



AVERTIZARE: Nu puneți înălbitor sau detergent în rezervorul de apă.



AVERTIZARE: Îndepărtați accesoriul pentru mop după terminarea utilizării.



AVERTIZARE: Pentru a preveni deteriorarea podelelor din lemn, înlăturați imediat accesoriul mop la finalizarea operațiunii de curățare cu mop.



AVERTIZARE: Curățați recipientul de apă după fiecare utilizare.



Lavetele de mop pot fi spălate în mașina de spălat.



AVERTIZARE: Nu ridicați și nu înclinați duza, deoarece apa poate fi pulverizată din rezervorul de apă.

5 Curățarea și întreținerea

Opriiți și deconectați aparatul înainte de a-l curăța.



AVERTIZARE: Nu utilizați benzină, solvenți, agenți abrazivi de curățare, obiecte metalice sau perii dure pentru a curăța aparatul.



AVERTIZARE: Ca efect al utilizării, filtrele se pot deforma în timp. Pentru a evita pierderi de randament, se recomandă schimbarea cu altele noi. Contactați service-ul pentru clienți în scopul achiziționării de noi filtre.

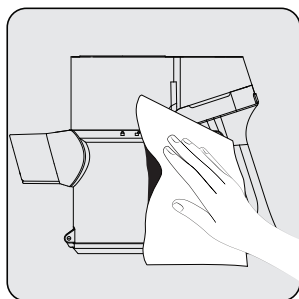
5.1 Curățarea filtrelor și a recipientului pentru praf



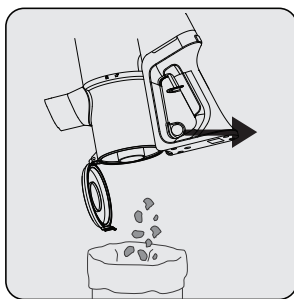
AVERTIZARE: Nu spălați filtrele.



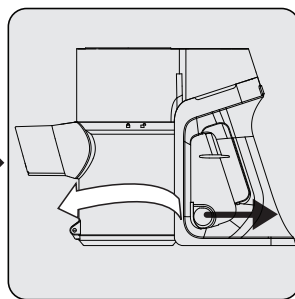
Vă recomandăm să curățați rezervorul de praf (5) după fiecare utilizare.



Ștergeți suprafața corpului cu o cârpă umedă.

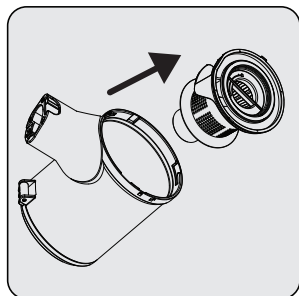


Trageți inelul de deschidere a capacului recipientului pentru praf (4) până la ultimul punct. Capacul recipientului pentru praf se va deschide. Goliți tot praful pe care îl conține.

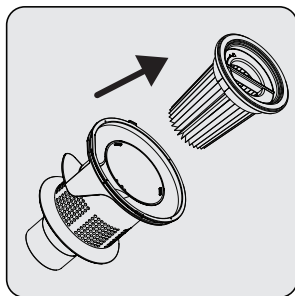


Pentru o curățare detaliată a filtrelor, îndepărtați corpul recipientului pentru praf rotindu-l în sens orar, trăgând ușor inelul recipientului pentru praf.

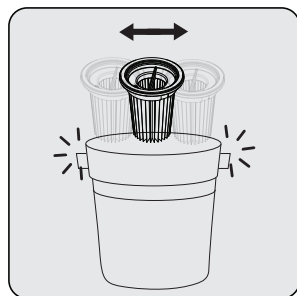
5 Curățarea și întreținerea



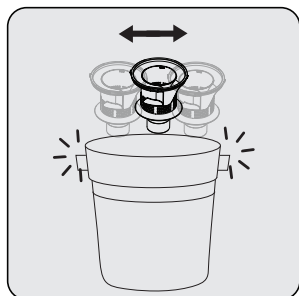
Trageți filtrul EPA E10 și filtrul din plastic ținând de mânerul EPA E10.



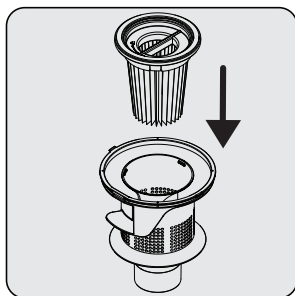
Separăți filtrul EPA E10 și filtrul de plastic unul de celălalt.



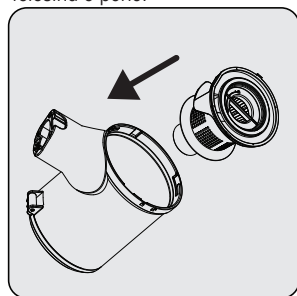
Îndepărtați praful de pe filtrul EPA E10 tapotându-l pe o suprafață dură, cum ar fi un coș de gunoi sau folosind o perie.



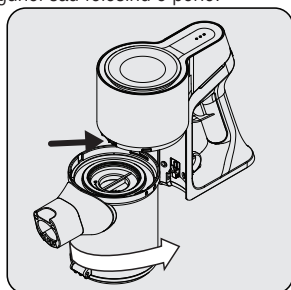
Îndepărtați praful de pe filtrul de plastic și burete tapotându-le pe o suprafață dură, cum ar fi un coș de gunoi sau folosind o perie.



Atașați filtrul EPA E10 la filtrul de plastic.



Atașați filtrul de plastic pe recipientul pentru praf.



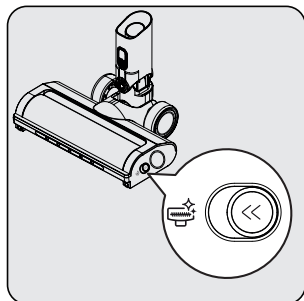
Poziționați clemele recipientului pentru praf în orificiile de pe corp, apoi fixați recipientul răsucind în sens antiorar până când auziți un clic.

5 Curățarea și întreținerea

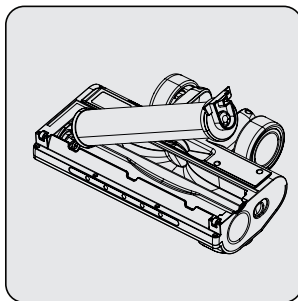
5.2 Curățarea periei



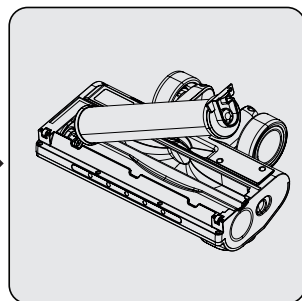
AVERTIZARE: Nu spălați peria turbo și peria rotativă principală.



Apăsați butonul de eliberare a periei.



Îndepărtați praful de pe ea prin tapotarea de o suprafață dură sau îndepărtați praful cu o perie. Dacă există păr încâlcit sau altceva ce nu poate fi îndepărtat ușor, îndepărtați-le prin tăiere.



Fixați rola din nou în locația sa prin împingere.

5.3 Depozitarea

- Dacă nu doriți să utilizați aparatul pentru o perioadă lungă de timp, depozitați-l cu grijă.
- Scoateți aparatul din priză.
- Asigurați-vă că nu lăsați aparatul la îndemâna copiilor.
- Dacă nu utilizați bateria o perioadă lungă de timp, depozitați-o pe jumătate încărcată într-un loc uscat și răcoros. Nu încărcați sau descărcați complet.
- Depozitați bateria pe o suprafață non conductoare și nu permiteți să ajungă în contact direct cu metale. În caz contrar, bateria poate fi deteriorată.

5.4 Manevrarea și transportul

- În timpul manevrării și transportului, transportați aparatul în ambalajul său original. Ambalajul aparatului îl va proteja împotriva deteriorării fizice.
- Nu plasați obiecte grele pe produs sau pe ambalajul acestuia. În caz contrar, aparatul poate fi deteriorat.
- Dacă aparatul este scăpat, este posibil ca aparatul să nu funcționeze sau să se deterioreze permanent.



CERTIFICAT DE GARANȚIE

Tensiune de alimentare/frecvență: 220-240V~, 50-60Hz

Importator: ARCTIC S.A., Găești, Dâmbovița, str. 13 Decembrie nr. 210, email: office@arctic.ro

TIP: Aspirator Fier /Stație de călcat Radiator electric
 Aerotermă Ventilator Sterilizator UV
 Convector electric

Model / Serie:.....

VÂNZĂTOR

Nr. factură:.....Data:

Vânzător (firma, localitatea):

CUMPĂRĂTOR

NumeLocalitatea

Str.Nr.BlocSc.Et.Ap.

Județ TelefonE-mail

S-a efectuat proba de funcționare a aparatului, s-a prezentat modul de folosire, s-au predat instrucțiunile de utilizare și toate accesoriile. Am primit aparatul în perfectă stare de funcționare.

Stimați clienți,

La cumpărare vă recomandăm să solicitați efectuarea probei de funcționare și să verificați existența instrucțiunilor de utilizare și a accesoriilor.

Pentru a putea beneficia de toate avantajele produselor și serviciilor noastre vă rugăm:

- să citiți cu atenție și să respectați recomandările prezentate în "Instrucțiunile de utilizare".
- să păstrați cu grijă acest certificat pentru a-l putea prezenta (împreună cu documentul fiscal de achiziție), personalului SERVICE ARCTIC, la orice sesizare efectuată în perioada de garanție.

Vă mulțumim că ați optat pentru cumpărarea unui produs Beko!

Garanția legală de conformitate

Durata medie de utilizare a produsului este de 5 ani!

Perioada de garanție legală de conformitate este de 2 ani de la livrarea produsului*,

*prin „produs” se înțelege „bun” conform OUG nr. 140/2021¹

Perioada de garanție legală de conformitate pentru conținutul digital sau serviciul digital în cazul bunurilor cu elemente digitale pentru care contractul de vânzare-cumpărare prevede furnizarea continuă de conținut digital sau a serviciului digital pe durată determinată este de:

- 2 ani de la livrare, respectiv de la livrarea bunului – pentru produse cu durata medie de utilizare de 5 ani (art. 9 (3) din OUG nr. 140/2021);
- 5 ani de la livrare, respectiv de la livrarea bunului – pentru produse cu durata medie de utilizare mai mare de 5 ani (art. 9 (3) din OUG nr. 140/2021);
- Pe tot parcursul perioadei de furnizare a conținutului / serviciului digital – pentru furnizare continuă a conținutului / serviciului digital pe o perioadă mai mare de 5 ani (art. 9 (4) din OUG nr. 140/2021).

¹Ordonanță de urgență 140/2021 privind anumite aspecte referitoare la contractele de vânzare de bunuri





Remedii incluse în garanția legală de conformitate conform OUG nr. 140/2021
(vă rugăm să aveți în vedere prevederile de mai jos)

ARCTIC garantează toate drepturile legale prevăzute de OUG nr. 140/2021 în beneficiul consumatorilor cu privire la garanția legală de conformitate. Dispozițiile prezentului certificat de garanție legală de conformitate se completează, în mod corespunzător, cu dispozițiile OUG nr. 140/2021.

În caz de neconformitate, consumatorul are dreptul de a beneficia de aducerea în conformitate a bunurilor, de a beneficia de o reducere proporțională a prețului sau de a obține încetarea contractului, în condițiile legii - art. 11 (1).

Consumatorii pot să opteze pentru o anumită măsură corectivă în cazul în care neconformitatea bunurilor este constatată la scurt timp după livrare, fără a depăși 30 de zile calendaristice - art. 11 (7).

Pentru ca bunurile să fie aduse în conformitate, consumatorul poate opta între reparație și înlocuire, cu excepția cazului în care măsura corectivă aleasă ar fi imposibilă sau, în comparație cu cealaltă măsură corectivă disponibilă, ar impune vânzătorului costuri care ar fi disproporționate, luând în considerare toate circumstanțele (ex. valoarea bunurilor în cazul în care nu ar fi existat neconformitatea, gravitatea neconformității sau dacă măsura corectivă alternativă ar putea fi executată fără vreun inconvenient semnificativ pentru consumator) - art. 11 (2).

Instalarea incorectă a bunurilor (art. 7).

Orice neconformitate cauzată de instalarea incorectă a bunurilor este considerată ca reprezentând o neconformitate a bunurilor, în oricare din următoarele situații:

- a) instalarea face parte din contractul de vânzare și a fost realizată de vânzător sau sub răspunderea vânzătorului;
- b) instalarea, destinată să fie realizată de consumator, a fost realizată de acesta și instalarea incorectă s-a datorat unor deficiențe în instrucțiunile de instalare furnizate de vânzător sau, în cazul bunurilor cu elemente digitale, de către vânzătorul sau furnizorul conținutului digital sau al serviciului digital.

Proba neconformității.

Orice neconformitate care este constatată în termen de un an de la data la care bunurile (inclusiv cele cu elemente digitale) au fost livrate este prezumată a fi existat deja în momentul livrării bunurilor până la proba contrarie sau cu excepția cazului în care această prezumție este incompatibilă cu natura bunurilor sau cu natura neconformității - art. 10 (1).

În cazul bunurilor cu elemente digitale pentru care contractul de vânzare prevede furnizarea continuă de conținut digital sau de servicii digitale pentru o anumită perioadă, sarcina probei cu privire la conformitatea conținutului digital sau a serviciului digital pe parcursul perioadelor de garanție legală îi revine vânzătorului în cazul unei neconformități care este constatată pe parcursul acestei perioade - art. 10 (3).

Remediere prin reparație.

În cazul în care neconformitatea este remediată prin reparație, termenele de garanție legală se prelungesc cu timpul de nefuncționare a bunului, din momentul la care a fost adusă la cunoștința vânzătorului lipsa de conformitate până la predarea efectivă a bunului în stare de utilizare normală către consumator - art. 12 (6).

Remediere prin înlocuire.

În cazul în care neconformitatea este remediată prin înlocuire, pentru bunurile care înlocuiesc bunurile neconforme, termenele legale de garanție pentru produsul înlocuit încep să curgă de la data înlocuirii cu noul produs - art. 12 (7).

Reducerea prețului și încetarea contractului.

Consumatorul are dreptul fie să obțină o reducere proporțională a prețului în conformitate cu legea, fie să obțină încetarea contractului de vânzare în condițiile legii, în oricare dintre următoarele cazuri - art. 11(4):

- a) vânzătorul nu a finalizat reparația sau înlocuirea sau, după caz, nu a finalizat reparația sau înlocuirea potrivit prevederilor legii sau vânzătorul a refuzat să aducă în conformitate bunurile potrivit prevederilor legii;
- b) se constată o neconformitate, în pofida eforturilor vânzătorului de a o remedia;
- c) neconformitatea este de o asemenea gravitate încât justifică o reducere de preț sau dreptul la încetarea imediată a contractului de vânzare;
- d) vânzătorul a declarat că nu va aduce bunurile în conformitate într-un termen rezonabil sau fără inconveniente semnificative pentru consumator ori acest lucru reiese clar din circumstanțele cazului.

Consumatorul are dreptul de a suspenda plata unei părți restante din prețul bunurilor sau a unei părți a acesteia până în momentul în care vânzătorul își va fi îndeplinit obligațiile care îi revin în temeiul legii - art. 11(6). Reducerea de preț este proporțională cu diminuarea valorii bunurilor permise de consumator în comparație cu valoarea pe care bunurile ar avea-o dacă ar fi în conformitate - art.13.

Încetarea contractului:

- a) nu poate fi solicitată dacă vânzătorul dovedește că neconformitatea este minoră;
- b) poate fi solicitată pentru totalitatea bunurilor achiziționate și livrate, deși motivul de încetare vizează doar anumite bunuri, în cazul în care consumatorului nu i se poate pretinde în mod rezonabil să accepte să păstreze numai bunurile conforme;
- c) determină obligația consumatorului de a returna vânzătorului bunurile, pe cheltuiala vânzătorului;
- d) determină obligația vânzătorului de a rambursa consumatorului prețul plătit pentru bunuri la primirea bunurilor sau a unei dovezi prezentate de consumator că bunurile au fost returnate; vânzătorul va folosi aceleași modalități de plată ca și cele folosite de consumator pentru tranzacția inițială, cu excepția cazului în care consumatorul a fost de acord cu o altă modalitate de plată și cu condiția de a nu cădea în sarcina consumatorului plata de comisioane în urma rambursării.

Garanția legală pentru viciu ascuns este aplicabilă în condițiile legii, conform OG nr. 21/1992 (revizia 2) privind protecția consumatorului, OUG nr. 140/2021 și Codului Civil. Viciul ascuns reprezintă deficiența calitativă a unui produs livrat sau a unui serviciu prestat care nu a fost cunoscută și nici nu putea fi cunoscută de către consumator prin mijloacele obișnuite de verificare.



Service-ul acestui produs este asigurat de ARCTIC S.A. cu sediul în Găești, Dâmbovița, str. 13 Decembrie nr. 210. • *9010 • www.arctic.ro • www.beko.ro • e-mail: service@arctic.ro
Program Call Center: Luni - Vineri 08:30 - 20:00; Sâmbătă 08:30 - 17:00

UNITĂȚILE SERVICE ALE ARCTIC S.A. EXECUTĂ REPARAȚII ÎN TERMENUL DE GARANȚIE ȘI ÎN AFARA ACESTUIA

Nr. crt.	Data Reclamației	Data primirii în reparație	Reparat			Reparația curentă și/sau componenta înlocuită	Prelungirea termenului de garanție	Efectuarea verificării	
			Programat	Data ridicării aparatului	Cauza întârzierii			SERVICE	CLIENT

CONDIȚII SUPLEMENTARE DE GARANȚIE LEGALĂ DE CONFORMITATE:

Pentru orice defecțiune aparută în perioada de garanție legală, apelați la vânzător (respectiv, prin magazinul de unde a fost achiziționat produsul sau direct prin Call Center Arctic). Prelungirea termenului de garanție se va înscrie în certificatul de garanție de către unitatea SERVICE care a efectuat reparația. Garanția acoperă repararea și/sau înlocuirea pieselor constatate ca neconforme în sensul OUG nr. 140/2021. (necauzate de consumator) de către tehnicienii Service Arctic.

Termenul de realizare a operațiilor de reparație, înlocuire sau întreținere este de 15 zile calendaristice de la data la care cumpărătorul a sesizat lipsa de conformitate către vânzător (respectiv, prin magazinul de unde a achiziționat produsul sau direct prin Call Center Arctic).

Reparațiile /înlocuirile se efectuează cu respectarea următoarelor condiții - art. 12(1)-(5) din OUG nr. 140/2021:

- fără costuri și fără vreun inconvenient semnificativ pentru consumator, ținând seama de natura bunurilor și de scopul pentru care consumatorul a solicitat bunurile în cauză;
- consumatorul pune bunurile la dispoziția vânzătorului, iar vânzătorul preia bunurile înlocuite pe propria cheltuială;
- obligăția de a repara sau înlocui bunurile include, după caz, demontarea bunurilor neconforme și instalarea bunurilor de înlocuire sau a bunurilor reparate sau suportarea costurilor aferente demontării și instalării;
- consumatorul nu este obligat să plătească pentru utilizarea normală a bunurilor înlocuite în perioada care a precedat înlocuirea acestora.

Reclamațiile referitoare la aspectele prevăzute mai jos, se rezolvă numai contra cost:

- piesele și accesoriile care prezintă lovituri, zgârieturi, spărături sau deformări din vina exclusivă a consumatorului.

PRODUSUL NU BENEFICIAZĂ DE GARANȚIE LEGALĂ DE CONFORMITATE ÎN URMĂTOARELE CAZURI:

- Nu au fost respectate instrucțiunile de transport, manipulare, instalare, utilizare și întreținere prescrite.
- Subsamburlurile și accesoriile casabile care se deteriorează în timpul transportului vor fi înlocuite de vânzător (în cazul în care transportul e asigurat de vânzător sau sub responsabilitatea acestuia).
- Garanția nu se acordă subsansamblelor și accesoriilor casabile ale produselor care suferă deteriorări din vina exclusivă a consumatorului.
- Tensiunea de alimentare are valori care nu se încadrează în limitele prevăzute de standarde (SREN 50160).
- Instalația electrică a utilizatorului prezintă improvizații sau neconformități.
- Produsul a fost folosit în alte scopuri decât cel pentru care a fost proiectat.
- Produsul a suportat intervenții (reparații, modificări) din partea unor persoane neautorizate de producător.

Drepturile consumatorului sunt cele prevăzute în OUG nr. 140/2021 și OG 21/1992 (republicată).

În cadrul acestui proces, Arctic vă prelucrează date cu caracter personal, cu respectarea legilor aplicabile privind confidențialitatea și protecția datelor. Pentru informații complete despre modul în care vă prelucreăm datele, precum și despre drepturile dumneavoastră, vă rugăm să consultați secțiunea "Protecția datelor personale", accesând site-ul nostru la adresa <https://www.beko.ro/>.


Si prega di leggere questa guida prima dell'uso!

Gentile Cliente,


Grazie per aver scelto un prodotto Beko. Vorremmo che da questo prodotto di alta qualità, fabbricato con una tecnologia all'avanguardia, ottenessi l'efficienza ottimale. Prima dell'uso assicurati di aver letto e compreso a fondo questa guida e la documentazione supplementare e conservale come riferimento. Fornisci questa guida con l'unità se la consegni a qualcun altro. Osserva tutte le avvertenze e le informazioni qui contenute e segui le istruzioni.

Simboli e loro significati

In tutta questa guida sono utilizzati i seguenti simboli:

	Informazioni importanti e suggerimenti utili sull'uso.
--	--

	AVVERTENZA: Avvertenze relative a situazioni pericolose riguardanti la sicurezza della vita e delle cose.
--	--

	Grado di protezione contro le scosse elettriche
--	---

1 Importanti istruzioni di sicurezza e ambientali

Questa sezione contiene istruzioni di sicurezza per prevenire pericoli che possono provocare lesioni o danni materiali.

Qualsiasi garanzia è nulla se queste istruzioni non vengono seguite.

1.1 Norme di sicurezza generali

- Questo elettrodomestico è conforme alle norme di sicurezza internazionali.
- Questo dispositivo può essere utilizzato da bambini di età superiore a 8 anni, persone con problemi fisici, uditivi o mentali o persone con mancanza di esperienza o conoscenza; purché ne sia garantito il controllo o vengano fornite informazioni sui pericoli. I bambini non devono giocare con l'apparecchiatura. La pulizia e gli interventi di manutenzione non dovranno essere eseguiti dai bambini non sorvegliati.
- Non utilizzare l'elettrodomestico se il cavo di alimentazione o l'elettrodomestico stesso sono danneggiati. Contattare il servizio autorizzato.
- L'alimentazione di rete dovrà essere in linea con le informazioni specificate sulla targhetta di identificazione.
- Non usare l'elettrodomestico con una prolunga.
- Per evitare di danneggiare il cavo di alimentazione, evitare che venga pizzicato, piegato o sfregato contro bordi taglienti.
- Non toccare la spina dell'elettrodomestico se le mani sono bagnate o umide, quando l'elettrodomestico è collegato.
- Non tirare il cavo mentre si scollega l'elettrodomestico.
- Non aspirare materiali infiammabili e assicurarsi che la cenere delle sigarette sia raffreddata prima di aspirarla.
- Non aspirare acqua e altri liquidi.
- Proteggere l'elettrodomestico da pioggia, umidità e fonti di calore.
- Non utilizzare l'elettrodomestico in ambienti e sostanze esplosive o infiammabili o nelle loro vicinanze.
- Scollegare l'elettrodomestico prima della pulizia e della manutenzione.

1 Importanti istruzioni di sicurezza e ambientali

- Non immergere l'elettrodomestico o il suo cavo di alimentazione in acqua per la pulizia.
- Non smontare l'elettrodomestico.
- Servirsi unicamente di ricambi originali o consigliati dal produttore.
- Per evitare il blocco del filtro o danni al motore, non aspirare cemento, gesso o frammenti di carta compressa.
- Utilizzare l'elettrodomestico solo con l'adattatore in dotazione.
- Non utilizzare l'elettrodomestico senza filtri, altrimenti potrebbe danneggiarsi.
- Se si conserva il materiale d'imballaggio, tenerlo fuori dal portata dei bambini.
- Questo elettrodomestico non è destinato ad essere utilizzato da persone, compresi i bambini, con disabilità fisiche, sensoriali e mentali o da coloro che non hanno un'adeguata esperienza e conoscenza del suo utilizzo, a meno che non siano sotto la sorveglianza di una persona responsabile della loro sicurezza o siano informati sul funzionamento dell'elettrodomestico stesso.
- I bambini dovranno essere sorvegliati per evitare che giochino con l'elettrodomestico.
- Scollegare l'adattatore e rimuovere il pacco batterie prima di qualsiasi procedura di pulizia o manutenzione.
- Per evitare qualsiasi rischio e pericolo, un eventuale adattatore danneggiato dovrà essere sostituito dal produttore, dal rappresentante autorizzato del produttore o da un tecnico altrettanto qualificato.
- Durante l'aspirazione, tenere le dita, i capelli e i vestiti larghi lontano dalle parti in movimento.
- Prima di eliminare l'elettrodomestico le batterie dovranno essere rimosse.
- Prima di rimuovere la batteria, scollegare l'elettrodomestico dalla fonte di alimentazione.

1 Importanti istruzioni di sicurezza e ambientali

- Smaltire le batterie usate in conformità con le leggi e i regolamenti locali.
- Le batterie incluse in questo elettrodomestico potranno essere sostituite solo da persone qualificate.
- Questa apparecchiatura non è stata pensata per essere usata a fini commerciali. Questa apparecchiatura non è stata progettata per un uso commerciale, è destinata all'uso domestico e nelle seguenti applicazioni:
 - Nelle cucine del personale dei negozi, negli uffici e in altri ambienti di lavoro
 - Nelle aziende agricole;
 - Negli hotel, da clienti, all'interno di motel e altri ambienti residenziali
 - In ostelli o ambienti simili.
- **AVVERTENZA:** Per caricare la batteria, utilizzare l'unità di alimentazione rimovibile HCX1501-3200450E (VRT 61225 VW), HCX1501-2700500E (VRT 60221 VD) fornita in dotazione con l'elettrodomestico.
- Questo elettrodomestico non dovrà essere azionato da bambini e da persone con capacità fisiche, sensoriali e cognitive limitate o da persone con mancanza di esperienza e conoscenza, a meno che non siano sorvegliate o abbiano ricevuto le relative istruzioni.
- I bambini dovranno essere sorvegliati per evitare che giochino con l'elettrodomestico.

1 Importanti istruzioni di sicurezza e ambientali

1.2 Conformità con il regolamento WEEE e smaltimento dei rifiuti

Questo apparecchio è conforme alla Direttiva UE WEEE (2012/19/EU). Questo apparecchio riporta il simbolo di classificazione per i rifiuti delle apparecchiature elettriche ed elettroniche (WEEE).



Questo simbolo indica che questo prodotto non deve essere smaltito con altri rifiuti domestici al termine della sua vita utile. Il dispositivo usato deve essere portato a un punto di raccolta ufficiale per il riciclaggio di dispositivi elettrici ed elettronici. Per individuare questi punti di raccolta, contattare le proprie autorità locali oppure il rivenditore presso cui è stato acquistato il prodotto. Ciascuna famiglia ha un ruolo importante nel recupero e riciclaggio di vecchi apparecchi. Lo smaltimento appropriato degli apparecchi usati aiuta a prevenire potenziali conseguenze negative per l'ambiente e la salute umana.

1.3 Informazioni sull'imballaggio



L'imballaggio del prodotto è realizzato con materiali riciclabili, in conformità con la legislazione nazionale.

Non smaltire i rifiuti di imballaggio con i rifiuti domestici o altri rifiuti, smaltirli nelle aree di raccolta degli imballaggi specificate dalle autorità locali.

1.4 Batterie esauste



Assicurarsi che le batterie esauste vengano smaltite in conformità alle leggi e ai regolamenti locali. Il simbolo sulla batteria e sull'imballaggio indica che la batteria consegnata con il prodotto non deve essere considerata un rifiuto domestico. In alcune regioni, questo simbolo potrebbe essere usato in combinazione con un simbolo chimico. Se le batterie contengono più di 0,0005% di mercurio e più di 0,004% di piombo, sotto il simbolo viene aggiunto il simbolo chimico Hg per il mercurio e il simbolo chimico Pb per il piombo. Assicurandosi che le batterie siano smaltite correttamente, si contribuisce alla prevenzione di potenziali danni all'ambiente e alla salute umana dovuti allo smaltimento improprio delle batterie.

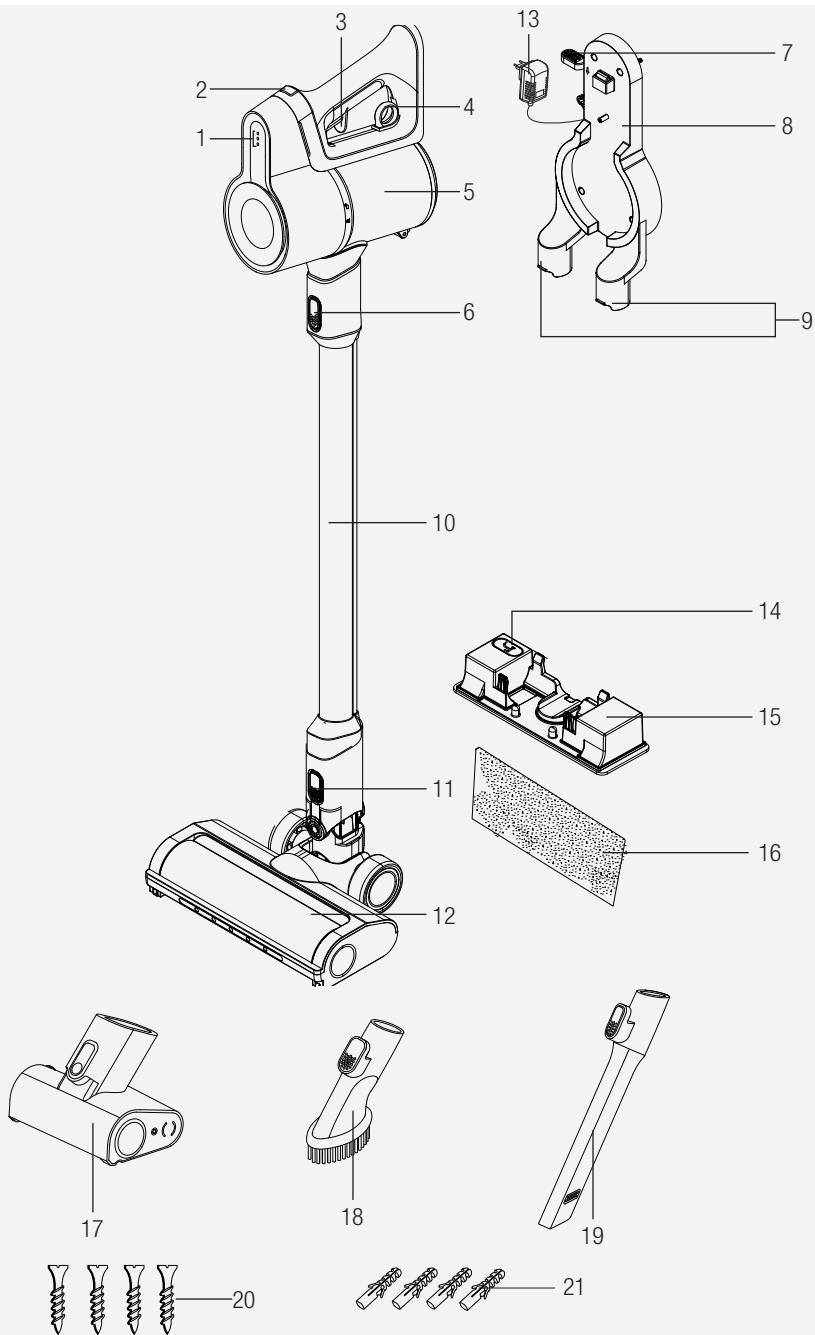
1.5 Cosa fare per risparmiare energia

- Quando si utilizza l'apparecchiatura, regolare le impostazioni della velocità in base alla superficie, al fine di risparmiare energia.
- Si usano di norma velocità più basse per la pulizia di superfici rigide, tende e divani. Le velocità più alte, invece, si usano per la pulizia dei tappeti.

1.6 Conformità alla Direttiva RoHS:

L'apparecchio acquistato è conforme alla Direttiva UE RoHS (2011/65/EU). Non contiene materiali pericolosi o proibiti specificati nella Direttiva.

2 Panoramica





2 Panoramica

2.1 Comandi e componenti

1. LED indicatori di ricarica
2. Pulsante di regolazione della velocità
3. Interruttore On/Off
4. Anello di apertura del contenitore della polvere
5. Contenitore della polvere
6. Pulsante di rilascio del tubo di aspirazione
7. Interruttore di rimozione del dispositivo
8. Stazione di ricarica
9. Componenti di fissaggio degli accessori
10. Tubo
11. Pulsante di rilascio delle setole
12. Turbo spazzola elettrica
13. Adattatore di ricarica
14. Coperchio per il riempimento del serbatoio dell'acqua
15. Attacco per mop; serbatoio dell'acqua
16. Panno per pulire (x2 pezzi)
17. Mini turbo-spazzola (VRT 61225 VW)
18. Spazzola anti-polvere
19. Bocchetta a lancia
20. Vite (4 pezzi)
21. Tassello (4 pezzi)

2.2 Dati tecnici

	VRT 61225 VW	VRT 60221 VD
Potenza nominale in ingresso	150 W	110 W
Ingresso	100 - 240 V~ 50-60 Hz 0,5 A	
Uscita	32 V  0.45 A	27 V  0.5 A
Periodo di ricarica	4-6 hours	
Periodo di funzionamento alla massima potenza	17 mins	
Periodo di funzionamento alla minima potenza	45 mins	

I diritti di apportare modifiche tecniche e di design sono riservati.

I valori forniti con l'elettrodomestico o i documenti di accompagnamento sono letture di laboratorio in conformità con le rispettive norme. Questi valori possono differire a seconda dell'uso e delle condizioni ambientali.

2 Panoramica

Parametro di alimentazione esterna

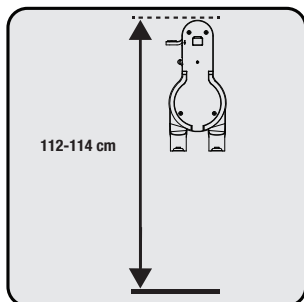
	VRT 60221 VD	VRT 61225 VW
Produttore	Guangdong Huachuangxing Power Supply Co.,Ltd	
ID modello:	HCX1501-3200450E	HCX1501-2700500E
Tensione in ingresso	100-240V~	
Frequenza in ingresso	50-60Hz	
Corrente in ingresso	0.5A	
Tensione in uscita	32.0V	27.0V
Corrente di uscita	0.45A	0.5A
Potenza in uscita	14.4W	13.5W
Efficienza attiva media	85.5%	84.39%
Efficienza a basso carico (10%)	83.33%	70.65%
Consumo di energia a vuoto	0.041W	0.071W

3 Installazione

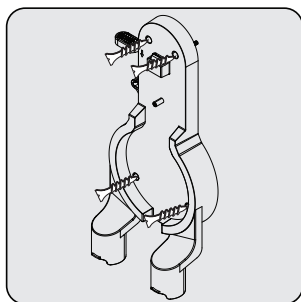
3.1 Uso previsto

Questo elettrodomestico è destinato all'uso domestico, non è adatto all'uso industriale.

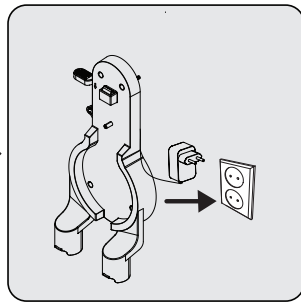
3.2 Installazione della stazione di ricarica



Posizionare la stazione di ricarica (8) ad un'altezza di 112-114 cm da terra.

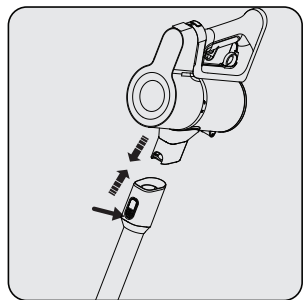


1- Fissare quattro tasselli a parete
2- Mettere quattro viti nella stazione di ricarica e montare i tasselli a parete.

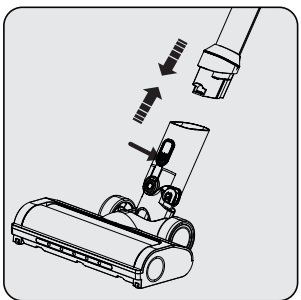


Collegare l'adattatore di ricarica alla presa di corrente.

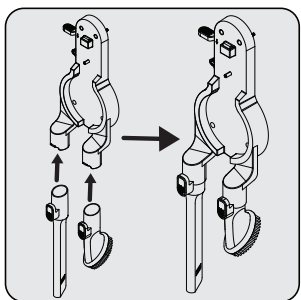
3.3 Installazione del corpo e della spazzola



Spingere il tubo di aspirazione nella direzione della freccia verso il corpo, spingendo sul pulsante di rilascio del tubo di aspirazione.



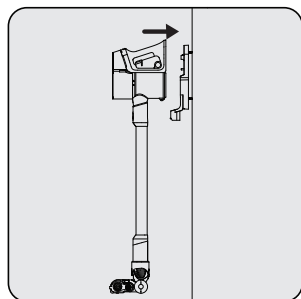
Premere il pulsante di rilascio della turbo-spazzola elettrica sulla turbo-spazzola elettrica e spingerla nella direzione della freccia verso il tubo di aspirazione.



Fissare la Bocchetta a lancia e la spazzola a pennello alla stazione di ricarica.

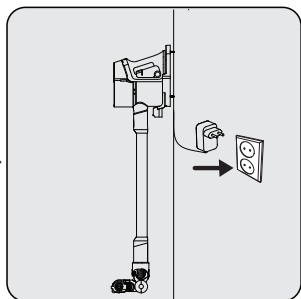
4 Funzionamento

4.1 Ricarica dell'elettrodomestico

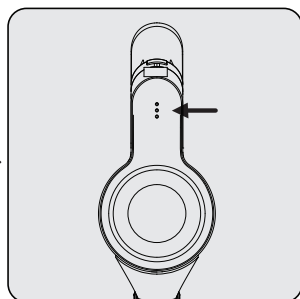


Mettere l'apparecchiatura sulla stazione di ricarica.

Dopo aver posizionato il contenitore della polvere sulla stazione di ricarica, spingere l'apparecchio verso la stazione di ricarica.



Collegare l'adattatore di ricarica alla presa di corrente.



Il lampeggiamento dei LED dell'indicatore di ricarica in colore bianco indica che l'elettrodomestico è in ricarica.

- Quando tutti i livelli dei LED indicatori di ricarica sono illuminati, significa che la ricarica dell'elettrodomestico è completa.

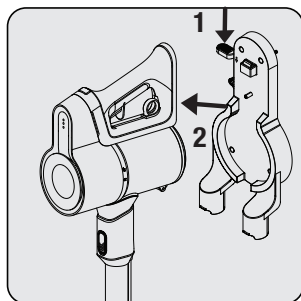


Ci vogliono dalle 4 alle 6 ore per una ricarica completa dell'elettrodomestico. L'elettrodomestico non deve essere messo in funzione durante la ricarica.



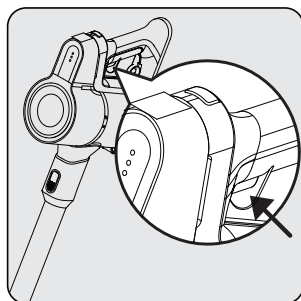
Se l'elettrodomestico viene posto sulla stazione di caricamento mentre è in funzione, si arresterà automaticamente.

4.2 Avvio

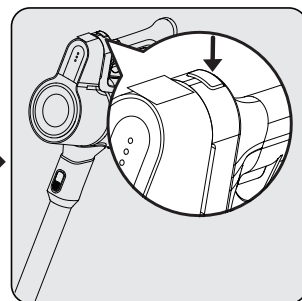


1- Spingere l'interruttore di rilascio dell'apparecchiatura sulla stazione di ricarica verso il basso e spingere l'apparecchiatura verso di sé contemporaneamente.

2- Togliere l'apparecchiatura sulla stazione di ricarica.



Premere il pulsante on/off per mettere in funzione l'elettrodomestico. Alla pressione dell'interruttore on/off, l'elettrodomestico inizia a funzionare alla velocità minima.



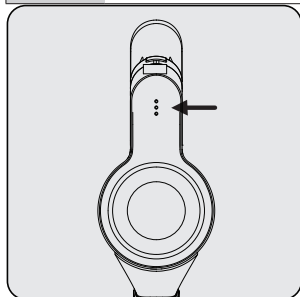
Per passare alla velocità massima quando l'apparecchiatura è in uso alla velocità minima, spingere il pulsante di regolazione della velocità.

Per passare alla velocità minima quando l'apparecchiatura è in uso alla velocità massima, spingere nuovamente il pulsante di regolazione della velocità.

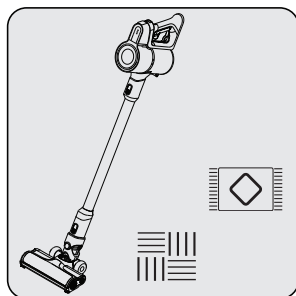
4 Funzionamento



Potrà essere collegato per la ricarica prima dello scaricamento completo della batteria. L'elettrodomestico potrà essere tenuto continuamente in carica sulla stazione di ricarica fino all'operazione successiva.

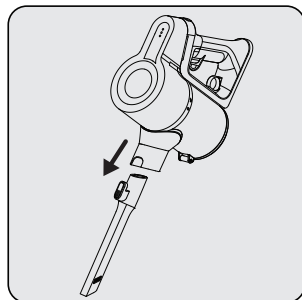


Prestare attenzione ai LED dell'indicatore di alimentazione durante il funzionamento. Questi indicatori si spengono gradualmente man mano che il livello di carica si riduce, e quando tutti gli indicatori sono spenti e solo uno si accende in rosso, allora la carica dell'elettrodomestico sta per esaurirsi. In caso di accensione del LED rosso, l'elettrodomestico smette di funzionare automaticamente dopo poco tempo.

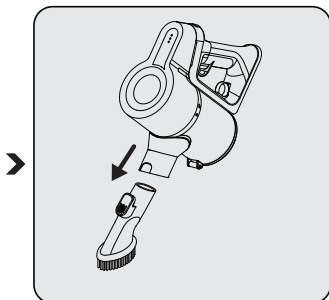


Questo elettrodomestico è adatto per essere usato su tappeti e pavimenti duri.

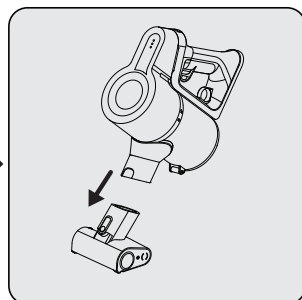
4.3 Accessori



Bocchetta a lancia: adatto per aspirare la parte posteriore dei mobili, aree difficili da raggiungere e aree strette.

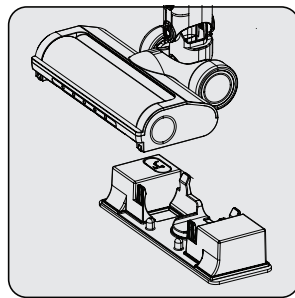
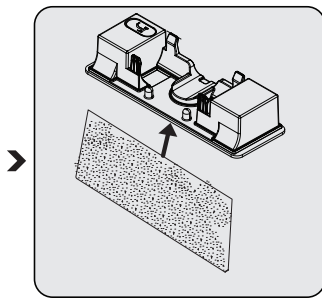
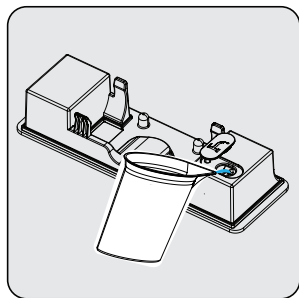


Spazzola anti-polvere: adatta per aspirare tende, mobili incerati e oggetti delicati e fragili.



Mini turbo-spazzola (VRT 61225 VW): adatta per aspirare pavimenti, gradini di scale, interni di automobili, divani e sedili, ecc. Si usa anche per aspirare i peli degli animali domestici su tali superfici.

4 Funzionamento



Attacco per mop: Adatto per la pulizia di pavimenti duri. Riempire il serbatoio dell'acqua con acqua potabile.

Fissare il panno per la pulizia sul fondo del serbatoio dell'acqua.

Collegare l'attacco per mop alla parte inferiore della turbo-spazzola elettrica.



ATTENZIONE: Non usare l'attacco per mop sui tappeti.



ATTENZIONE: Non mettere candeggina o detersivo nel serbatoio dell'acqua.



ATTENZIONE: Rimuovere l'attacco per mop al termine dell'utilizzo.



ATTENZIONE: Per evitare di danneggiare i pavimenti in legno, rimuovere l'attacco per mop immediatamente dopo il completamento della pulizia.



ATTENZIONE: Pulire il serbatoio dell'acqua dopo ogni uso.



I panni per la pulizia possono essere lavati in lavatrice.



ATTENZIONE: Non sollevare o inclinare l'ugello, poiché l'acqua potrebbe fuoriuscire dal serbatoio.

5 Pulizia e manutenzione

Spegner e scollegare l'elettrodomestico prima di pulirlo.



AVVERTENZA: Non utilizzare benzina, solventi, detersivi abrasivi, oggetti metallici o spazzole dure per pulire l'elettrodomestico.



AVVERTENZA: I filtri potrebbero subire deformazioni nel tempo a causa dell'uso. Per evitare la perdita di prestazioni dovranno essere sostituiti con filtri nuovi. Contattare il servizio clienti per comprare dei filtri nuovi.

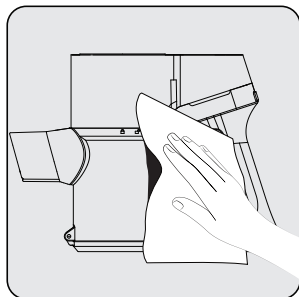
5.1 Pulizia del contenitore della polvere e dei filtri



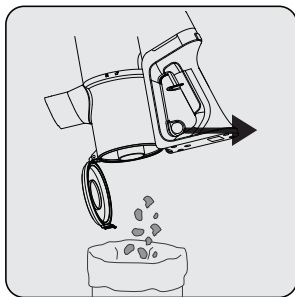
AVVERTENZA: Non lavare i filtri.



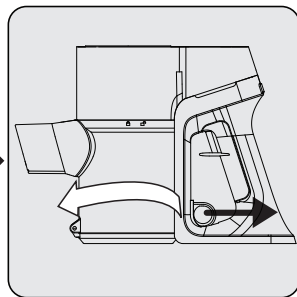
Si raccomanda di pulire il serbatoio della polvere dopo ogni operazione.



Pulire la superficie del corpo con un panno umido.

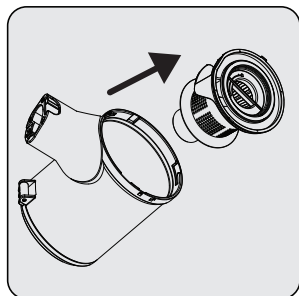


Estrarre l'anello di apertura del coperchio del contenitore della polvere fino all'ultimo punto. Il coperchio del contenitore della polvere verrà aperto. Svuotare tutta la polvere contenuta al suo interno.

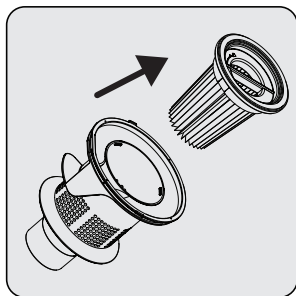


Per una pulizia dettagliata dei filtri, togliere il corpo del contenitore della polvere ruotandolo in senso orario tirando leggermente l'anello del contenitore della polvere.

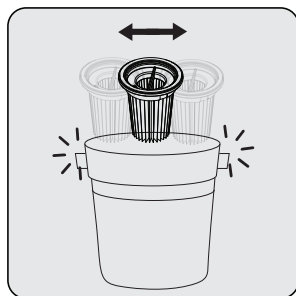
5 Pulizia e manutenzione



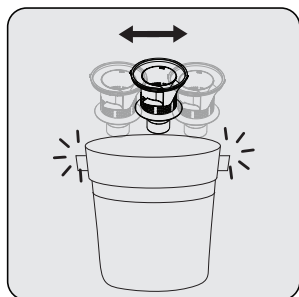
Tirare l'EPA E10 e il filtro in plastica dall'impugnatura EPA E10.



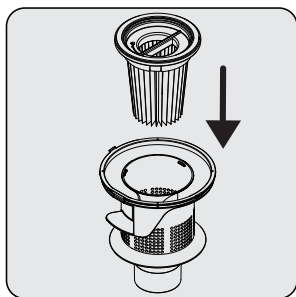
Separare l'EPA E10 e il filtro in plastica.



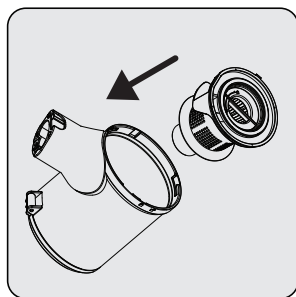
Rimuovere la polvere dal filtro EPA E10 battendolo su una superficie rigida come un cestino dei rifiuti o usando una spazzola.



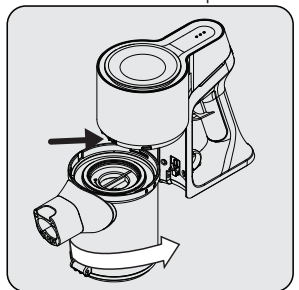
Rimuovere la polvere sul filtro in plastica battendolo su una superficie rigida come un cestino dei rifiuti o usando una spazzola.



Fissare il filtro EPA E10 alla parte posteriore in plastica del filtro.



Fissare il filtro in plastica sul contenitore del filtro.



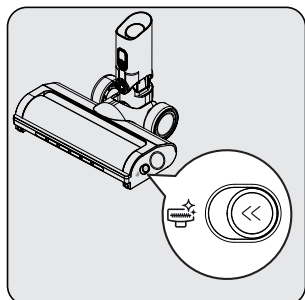
Passare sui denti del contenitore della polvere sui fori del corpo, quindi fissare il contenitore ruotandolo in senso anti-orario fino a che non ci sente un clic.

5 Pulizia e manutenzione

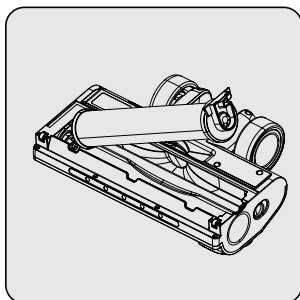
5.2 Pulizia della spazzola



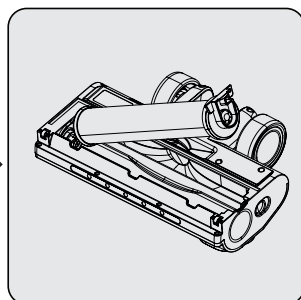
AVVERTENZA: Non lavare la turbo-spazzola (8) e la spazzola del rullo principale.



Premere il pulsante di rilascio della spazzola del rullo.



Rimuovere la polvere su di essa battendo leggermente su una superficie dura o rimuovere la polvere con una spazzola. Se qualche pelo, ecc. è aggrovigliato, rimuoverlo tagliandolo.



Fissare la parte posteriore del rullo in posizione spingendo.

5.3 Conservazione

- Se non si intende utilizzare l'elettrodomestico per un lungo periodo di tempo, conservarlo con cura.
- Scollegare l'elettrodomestico.
- Assicurarsi che l'elettrodomestico sia tenuto fuori dalla portata dei bambini.
- Se la batteria non sarà usata per un lungo periodo di tempo, conservarla in un luogo fresco e asciutto a metà carica. Non ricaricare o scaricare completamente.
- Conservare la batteria su un materiale non conduttivo e non permettere che la batteria venga a contatto diretto con il metallo. Questo danneggerà la batteria.

5.4 Trasporto e spedizione

- Durante il trasporto e la spedizione, trasportare l'elettrodomestico nel suo imballaggio originale. L'imballaggio dell'elettrodomestico lo proteggerà da danni fisici.
- Non appoggiare carichi pesanti sull'elettrodomestico o sull'imballaggio. In caso contrario, l'elettrodomestico si potrebbe danneggiare.
- In caso di caduta, l'elettrodomestico potrebbe non funzionare o potrebbe subire danni permanenti.

CERTIFICATO DI GARANZIA

La presente garanzia commerciale si intende aggiuntiva e non sostitutiva di ogni altro diritto di cui gode il consumatore, intendendo per consumatore esclusivamente colui che utilizza il bene per scopi estranei all'attività imprenditoriale o professionale eventualmente svolta e pertanto per uso domestico/privato, e in particolare non pregiudica in alcun modo i diritti del consumatore stabiliti dal Digs 206/05. BEKO Italy S.r.l. in conformità alla facoltà prevista dalla legge, offre al consumatore una garanzia commerciale aggiuntiva, nei termini e nei modi di seguito indicati.

Questo certificato non deve essere spedito per la convalida. E' valido e operante solo se conservato assieme alla ricevuta fiscale o altro documento reso fiscalmente obbligatorio.

Condizioni di Garanzia

1. BEKO Italy S.r.l. garantisce l'apparecchio per un periodo di 2 anni dalla data di acquisto (12 mesi se acquistato con fattura di vendita e non con scontrino fiscale).
2. La garanzia è valida esclusivamente sul territorio italiano compresa la Repubblica di San Marino e la città del Vaticano e deve essere comprovata da scontrino fiscale o fattura, che riporti il nominativo del Rivenditore, la data di acquisto dell'apparecchio nonché gli estremi identificativi dello stesso (tipo, modello).
3. Per garanzia s'intende la sostituzione o riparazione gratuita delle parti componenti l'apparecchio che sono risultate difettose all'origine, per vizi di fabbricazione.
4. L'utente decade dai diritti di garanzia se non denuncia il difetto di conformità entro 2 mesi dalla scoperta dello stesso.
5. Diritto di Chiamata: gratuita per i primi 12 mesi di garanzia, a pagamento per gli altri 12 mesi nel caso l'utente non sia in grado di provare che il difetto sia dovuto a vizio di conformità del prodotto.
6. Manodopera e ricambi gratuiti per i 24 mesi del periodo di garanzia.
7. L'intervento di riparazione viene effettuato presso il centro di assistenza reperibile presso il call centre e sul sito www.beko.it, fatto salvo i casi di impossibilità oggettiva o di forza maggiore.
8. La riparazione o sostituzione dei componenti o dell'apparecchio stesso, non estendono la durata della garanzia.
9. Tutte le parti asportabili e tutte le parti estetiche, non sono coperte da garanzia.
10. Tutti i materiali soggetti ad usura non sono coperti da garanzia a meno che venga dimostrata la difettosità risalente a vizio di fabbricazione delle stesse.
11. La BEKO Italy S.r.l. declina ogni responsabilità per eventuali danni che possano derivare, direttamente od indirettamente, a persone e cose come conseguenza del mancato rispetto delle istruzioni tutte, incluse nell'apposito Manuale per l'uso dell'apparecchio allegato a ciascuno apparecchio, da parte dell'utente ed in particolar modo per quanto concerne le avvertenze relative alla installazione, all'uso ed alla manutenzione dell'apparecchio stesso.
12. La garanzia non diventa operante e l'assistenza sarà effettuata totalmente a pagamento nei seguenti casi:
 - a. Danni dovuti al trasporto o alla movimentazione delle merci.
 - b. Interventi di installazione e montaggio, così come l'errata connessione o errata erogazione dalle reti di alimentazione, mancanza di allacciamento alla presa di terra.
 - c. Installazione errata, imperfetta o incompleta, per incapacità d'uso da parte dell'Utente, se mancano gli spazi necessari ad operare attorno ai prodotti, per eccessiva o scarsa temperatura dell'ambiente,.
 - d. Interventi nei quali non è stato riscontrato il difetto lamentato, o per generici problemi di funzionamento causati da errata impressione del cliente
 - e. Danni causati da agenti atmosferici (fulmini, terremoti, incendi, alluvioni, ecc.)
 - f. Se il numero di matricola risulta asportato, cancellato o manomesso.
 - g. Riparazioni, modifiche o manomissioni effettuate da persone non autorizzate dal produttore o comunque per cause non dipendenti dal prodotto. Per guasti dovuti a mancanza di regolare manutenzione (pulizia e manutenzione del prodotto.).
 - h. Mancanza dei documenti fiscali o se gli stessi risultano contraffatti o non inerenti al prodotto.
 - i. L'uso improprio dell'apparecchio, non di tipo domestico o diverso da quanto stabilito dal produttore, fa decadere il diritto alla Garanzia.
 - j. Per tutte le circostanze esterne che non siano riconducibili a difetti di fabbricazione dell'elettrodomestico.
 - k. Si intendono a pagamento anche tutti gli eventuali trasporti necessari per lo svolgimento degli interventi legati ai casi citati.

Il Servizio Assistenza di BEKO Italy S.r.l. è l'unico autorizzato a riparare i prodotti a marchio BEKO. Per ogni controversia è competente il foro di Milano.

Durante e dopo il periodo di garanzia, vi consigliamo di rivolgervi sempre ai nostri centri di assistenza autorizzati. Per contattare il Centro di Assistenza Tecnica Autorizzato operante nella sua zona chiami il numero unico per l'Italia:

02.03.03

Prima di contattare l'assistenza tecnica, al fine di agevolare la gestione della chiamata, è necessario avere a portata di mano il modello del prodotto e il documento fiscale di acquisto.




Proszę najpierw przeczytać ten przewodnik!

Drogi kliencie,

Dziękujemy za wybór produktu Beko. Chcemy, abyś osiągnął optymalną wydajność dzięki temu wysokiej jakości produktowi, który został wyprodukowany przy użyciu najnowocześniejszej technologii. Przed użyciem należy dokładnie przeczytać i zrozumieć ten przewodnik oraz dokumentację uzupełniającą oraz zachować go do wykorzystania w przyszłości. Dołącz ten przewodnik do urządzenia, jeśli przekażesz go komuś innemu. Przestrzegaj wszystkich ostrzeżeń i informacji zawartych w tym dokumencie i postępuj zgodnie z instrukcjami.

Symbole i ich znaczenie

Poniższe symbole są używane w tym przewodniku:

	Ważne informacje i przydatne wskazówki dotyczące użytkowania.
	OSTRZEŻENIE: Ostrzeżenia dotyczące sytuacji zagrażających bezpieczeństwu, życiu i mieniu.
	Stopień ochrony przed porażeniem elektrycznym

1 Ważne instrukcje dotyczące bezpieczeństwa i ochrony środowiska

Ta sekcja zawiera instrukcje bezpieczeństwa, aby zapobiec zagrożeniom, które mogą spowodować obrażenia ciała lub uszkodzenie mienia.

Wszelkie gwarancje są nie będą ważne, jeśli instrukcje nie będą przestrzegane.

1.1 Ogólne zasady bezpieczeństwa

- Urządzenie jest zgodne z międzynarodowymi normami bezpieczeństwa.
- Z urządzenia mogą korzystać dzieci powyżej 8 roku życia i osoby o ograniczonej sprawności fizycznej, sensorycznej lub umysłowej, bądź o niedostatecznym doświadczeniu i wiedzy jedynie pod nadzorem lub po przeszkoleniu w zakresie bezpiecznej obsługi i zagrożeń. Dzieciom nie wolno używać urządzenia do zabawy. Czyszczenie i konserwacja nie powinny być wykonywane przez dzieci bez nadzoru.
- Nie używaj urządzenia, jeśli kabel zasilania lub wtyczka są uszkodzone. Skontaktuj się z autoryzowanym serwisem.
- Zasilanie sieciowe powinno być zgodne z informacjami podanymi na tabliczce znamionowej.
- Z urządzeniem nie należy używać przedłużaczy.
- Aby zapobiec uszkodzeniu przewodu zasilającego, nie należy go przyciskać, zaciskać ani ocierać o ostre krawędzie.
- Nie wolno dotykać urządzenia i jego wtyczki mokrymi ani wilgotnymi dłońmi, jeśli jest ono podłączone do zasilania.
- Nie należy wyjmować wtyczki z gniazdka, ciągnąc za przewód zasilający.
- Nie odkurzać materiałów łatwopalnych. Należy upewnić się, że popiół z papierosów ostygł przed odkurzaniem.
- Nie odkurzać wody i innych cieczy.
- Chronić urządzenie przed opadami atmosferycznymi, wilgocią i źródłami ciepła.
- Urządzenia nie należy używać w otoczeniu lub w pobliżu materiałów wybuchowych lub łatwopalnych.

1 Ważne instrukcje dotyczące bezpieczeństwa i ochrony środowiska

- Przed przystąpieniem do czyszczenia i konserwacji urządzenia należy odłączyć je od zasilania.
- Podczas czyszczenia nie wolno zanurzać urządzenia ani przewodu zasilającego w wodzie.
- Nie demontuj urządzenia.
- Należy stosować wyłącznie oryginalne lub zalecane przez producenta części zamienne.
- Aby zapobiec zatkaniu filtra lub uszkodzeniu silnika, nie należy odkurzać cementu, tynku ani fragmentów prasowanego papieru.
- Urządzenia należy używać wyłącznie z dołączonym zasilaczem.
- Nie używać urządzenia bez filtrów. Może to spowodować jego uszkodzenie.
- Opakowanie urządzenia należy przechowywać poza zasięgiem dzieci.
- Niniejsze urządzenie nie jest przeznaczone dla osób, w tym dzieci, niepełnosprawnych fizycznie, zmysłowo lub umysłowo lub tych, które nie posiadają odpowiedniego doświadczenia i wiedzy na temat jego użytkowania, chyba że znajdują się pod nadzorem osoby odpowiedzialnej za bezpieczeństwo urządzenia lub zostały przeszkolone.
- Nie wolno dopuścić, by dzieci bawiły się urządzeniem.
- Przed przystąpieniem do czyszczenia lub konserwacji, należy odłączyć i wyjąć adapter sieciowy.
- Aby uniknąć ryzyka obrażeń, uszkodzony adapter powinien zostać wymieniony przez producenta, autoryzowanego przedstawiciela lub wykwalifikowanego technika.
- Trzymaj palce, włosy i luźne części ubrania z dala od otworów oraz ruchomych części urządzenia.
- Przed wyrzuceniem urządzenia należy wyjąć akumulator.
- Przed wyjęciem akumulatora należy odłączyć urządzenie od źródła zasilania.
- Zużyte akumulatory należy utylizować zgodnie z lokalnymi przepisami i regulacjami.

1 Ważne instrukcje dotyczące bezpieczeństwa i ochrony środowiska

- Akumulatory mogą być usunięte tylko przez wykwalifikowane osoby
- Urządzenie nie jest przeznaczone do użytku komercyjnego. Ten produkt nie jest przeznaczony do użytku komercyjnego, jest przeznaczony do użytku domowego i do następujących zastosowań:
 - w kuchniach pracowniczych w sklepach, biurach i innych środowiskach
 - na farmach;
 - dla klientów w hotelach, motelach lub innych miejscach
 - hostelach i podobnych miejscach
- **OSTRZEŻENIE:** Aby naładować akumulator, użyj wyjmowanego zasilacza HCX1501-3200450E (VRT 61225 VW), HCX1501-2700500E (VRT 60221 VD) dostarczonego z urządzeniem.
- Niniejsze urządzenie nie jest przeznaczone dla dzieci i osób niepełnosprawnych fizycznie, zmysłowo lub umysłowo lub tych, które nie posiadają odpowiedniego doświadczenia i wiedzy na temat jego użytkowania, chyba że znajdują się pod nadzorem lub zostały przeszkolone.
- Nie wolno dopuścić, by dzieci bawiły się urządzeniem.

1.2 Zgodność z dyrektywą WEEE i usuwanie odpadów



Niniejszy wyrób jest zgodny z dyrektywą Parlamentu Europejskiego i Rady (2012/19/WE). Wyrób ten oznaczony jest symbolem klasyfikacji zużytych urządzeń elektrycznych i elektronicznych (WEEE).

Ten symbol oznacza, że sprzęt nie może być umieszczany łącznie z innymi odpadami gospodarstwa domowego po okresie jego użytkowania. Zużyte urządzenie należy oddać do specjalnego punktu zbiórki zużytego sprzętu elektrycznego i elektronicznego w celu utylizacji. Aby uzyskać informacje o punktach zbiórki w swojej okolicy należy skontaktować się z lokalnymi władzami lub punktem sprzedaży tego produktu. Gospodarstwo domowe spełnia ważną rolę w przyczynianiu się do ponownego użycia i odzysku zużytego sprzętu. Odpowiednie postępowanie ze zużytym sprzętem zapobiega potencjalnym negatywnym konsekwencjom dla środowiska naturalnego i ludzkiego zdrowia.

1 Ważne instrukcje dotyczące bezpieczeństwa i ochrony środowiska

1.3 Opakowanie urządzenia



Opakowanie urządzenia jest wykonane z materiałów nadających się do recyklingu zgodnie z przepisami krajowymi.

Nie należy wyrzucać odpadów opakowaniowych wraz z odpadami pochodzącymi z gospodarstw domowych lub innymi odpadami. Należy oddawać je do punktów zbiórki opakowań wyznaczonych przez władze lokalne.

1.4 Zużyte akumulatory



Zużyte akumulatory należy utylizować zgodnie z lokalnymi przepisami. Symbol na akumulatorze lub opakowaniu oznacza, że akumulatory nie mogą być traktowane jako odpady komunalne. Na niektórych akumulatorach symbol ten może być używany razem z symbolem chemicznym. Symbole chemiczne rtęci (Hg) lub ołowiu (Pb) dodaje się, gdy bateria/akumulator zawiera więcej niż 0,0005% rtęci lub 0,004% ołowiu. Odpowiednio gospodarując zużytymi produktami i akumulatorami, można zapobiec ich potencjalnemu negatywnemu wpływowi na środowisko oraz zdrowie ludzi, jaki mógłby wystąpić w przypadku niewłaściwego obchodzenia się z tymi odpadami.

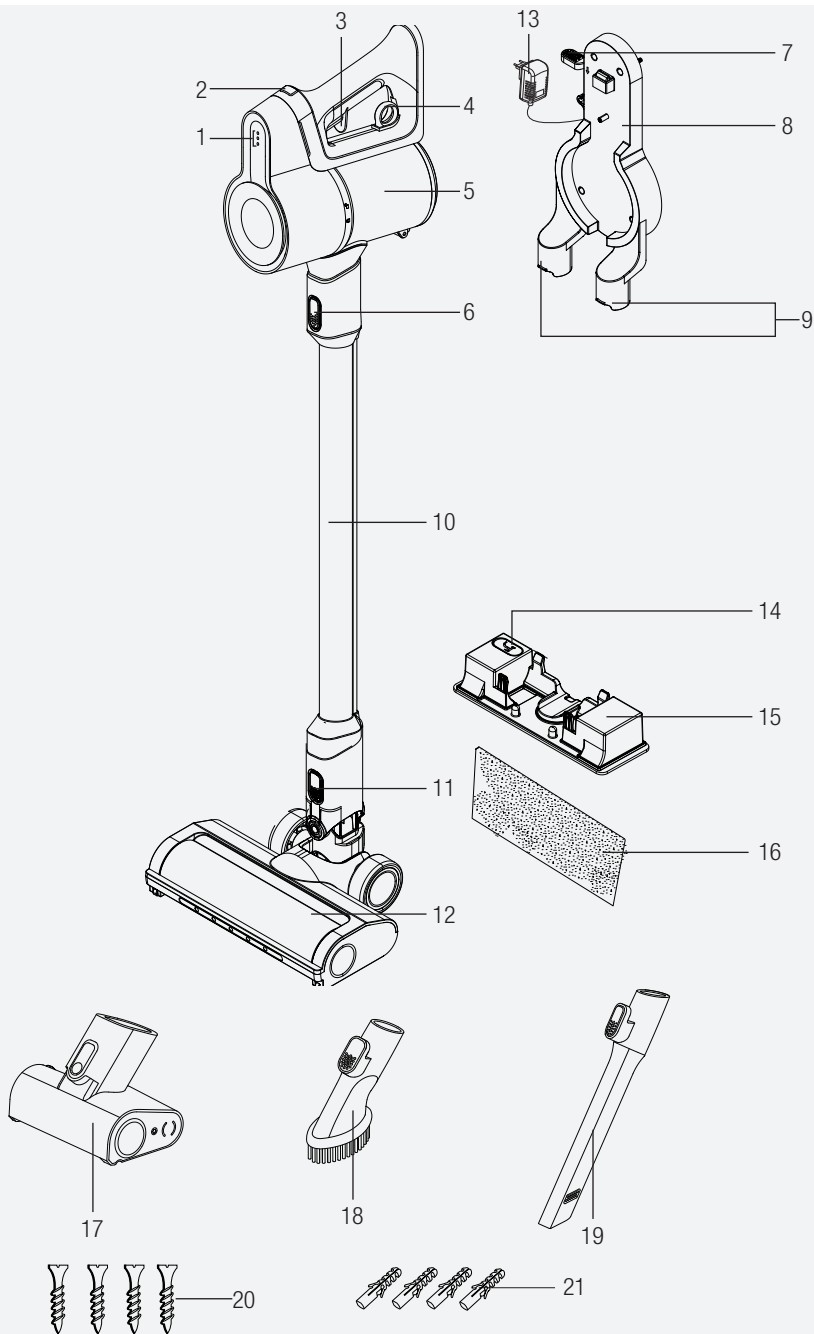
1.5. Co robić, aby zaoszczędzić energię.

- Podczas korzystania z okapu dostosuj ustawienia prędkości do powierzchni, aby oszczędzać energię.
- Zwykle niższe prędkości są używane do czyszczenia twardych powierzchni, zasłon i sof, podczas gdy wysokie do czyszczenia dywanów.

1.6 Zgodność z dyrektywą RoHS:

Niniejszy wyrób jest zgodny z dyrektywą Parlamentu Europejskiego i Rady RoHS (Ograniczenie użycia substancji niebezpiecznych) (2011/65/WE). Nie zawiera szkodliwych i zakazanych materiałów, podanych w tej dyrektywie.

2 Instalacja



2 Instalacja

2.1 Elementy sterujące i komponenty

1. Diody wskaźnika naładowania
2. Przycisk regulacji prędkości
3. Włącznik/Wyłącznik
4. Przycisk otwierania pojemnika na kurz
5. Pojemnik na kurz
6. Przycisk zwalniania rury
7. Przycisk zwalniania urządzenia
8. Stacja ładująca
9. Akcesoria do mocowania części
10. Rura
11. Przycisk zwalniania szczotki
12. Elektryczna turboszczotka
13. Adapter do ładowania
14. Pokrywa do napełnienia zbiornika na wodę
15. Przystawka do mopu; Zbiornik wodny
16. Ściereczka do mopów (2 szt.)
17. Mini turboszczotka (VRT 61225 VW)
18. Szczotka do kurzu
19. Wąska dysza szczelinowa
20. Śruba (4 szt.)
21. Kołek (4 szt.)

2.2 Dane techniczne

	VRT 61225 VW	VRT 60221 VD
Nominalna moc wejściowa	150 W	110 W
Wejście	100 - 240 V~ 50-60 Hz 0,5 A	
Wyjście	32 V $\overline{\text{---}}$ 0.45 A	27 V $\overline{\text{---}}$ 0.5 A
Czas ładowania	4-6 godzin	
Czas pracy przy maksymalnej mocy	17 min	
Czas pracy przy minimalnej mocy	45 mins	

Wartości podane wraz z urządzeniem lub w dołączonych dokumentach są odczytami laboratoryjnymi, zgodnie z odpowiednimi normami. Wartości te mogą się różnić w zależności od warunków użytkowania i otoczenia.

2 Instalacja

Parametr zewnętrznego źródła zasilania

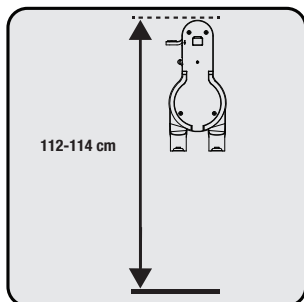
	VRT 61225 VW	VRT 60221 VD
Producent	Guangdong Huachuangxing Power Supply Co.,Ltd	
Model	HCX1501-3200450E	HCX1501-2700500E
Napięcie wejściowe	100-240V~	
Częstotliwość wejściowa	50-60Hz	
Prąd wejściowy	0.5A	
Napięcie wyjściowe	32.0V	27.0V
Prąd wyjściowy	0.45A	0.5A
Moc wyjściowa	14.4W	13.5W
Średnia sprawność podczas pracy:	85.5%	84.39%
Wydajność przy niskim obciążeniu (10%)	83.33%	70.65%
Pobór mocy bez obciążenia:	0.041W	0.071W

3 Instalacja

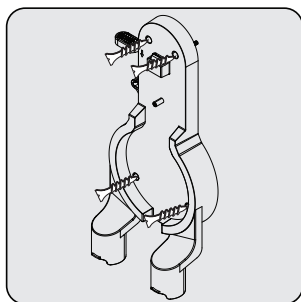
3.1 Przeznaczenie

Niniejsze urządzenie jest przeznaczone do użytku domowego i nie nadaje się do użytku przemysłowego.

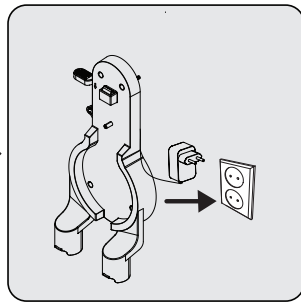
3.2 Instalacja stacji ładującej



Ustaw stację ładującą na wysokości 112-114 cm od podłogi.

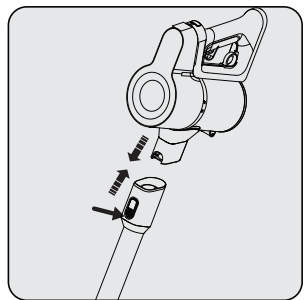


1- Zamocuj cztery kołki do ściany
2- Umieść cztery śruby w odpowiednich miejscach w stacji ładującej i zamontuj na kołkach na ścianie.

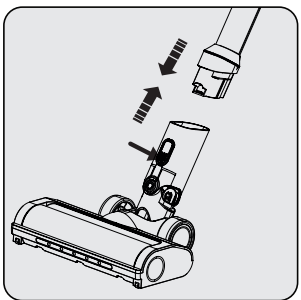


Podłącz adapter do ładowania do gniazdka.

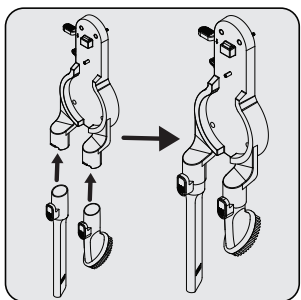
3.3 Instalacja korpusu i szczotki



Popchnąć rurę zgodnie ze strzałką a korpusie, naciskając przycisk zwalniający rurę.



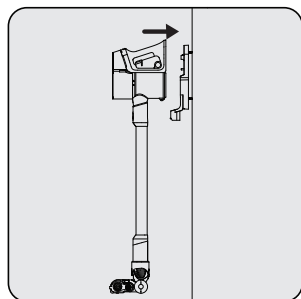
Naciśnij przycisk zwalniania elektrycznej turboszczotki znajdujący się na elektrycznej turboszczotce i popchnij go zgodnie z kierunkiem strzałki w stronę rury.



Przymocuj wąską dyszę szczelinową i szczotkę do kurzu do stacji ładującej.

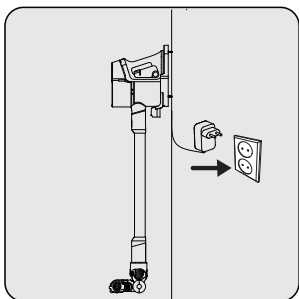
4 Obsługa

4.1 Ładowanie urządzenia

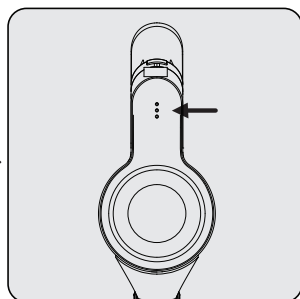


Umieść urządzenie na stacji ładującej.

Po umieszczeniu pojemnika na kurz (5) w stacji ładującej, popchnij urządzenie w kierunku stacji ładującej.



Podłącz adapter do ładowania do gniazdka.



Podczas ładowania diody LED migają na biało.

– Jeśli wszystkie diody LED się świecą, oznacza to, że urządzenie jest naładowane.

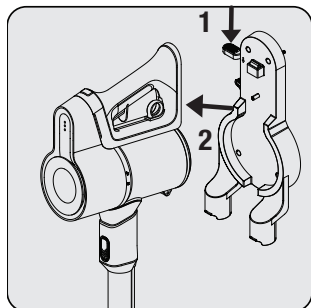


Naładowanie urządzenia do pełna zajmuje od 4 do 6 godzin. Nie należy obsługiwać urządzenia w trakcie jego ładowania.



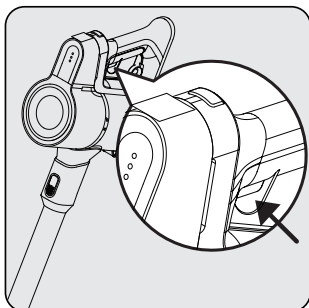
Jeżeli urządzenie zostanie umieszczone w stacji ładującej podczas pracy wówczas zostanie automatycznie zatrzymane.

4.2 Uruchamianie urządzenia

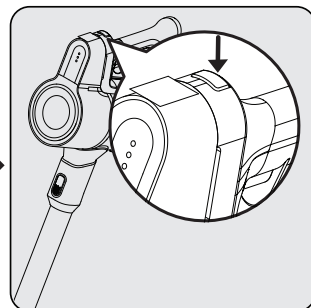


1- Wciśnij przełącznik zwalniający urządzenie na stacji ładującej w dół i jednocześnie pociągnij urządzenie do siebie.

2- Wyjmij urządzenie ze stacji ładującej.



Naciśnij włącznik, aby uruchomić urządzenie. Urządzenie uruchamia się z minimalną prędkością.



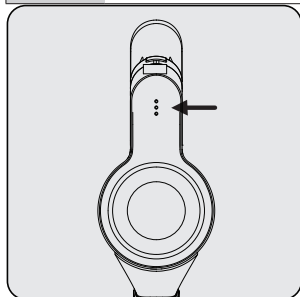
Aby przełączyć się na prędkość maksymalną podczas pracy z prędkością minimalną, naciśnij przycisk regulacji prędkości.

Aby przełączyć się na prędkość minimalną podczas pracy z prędkością maksymalną, naciśnij przycisk regulacji prędkości.

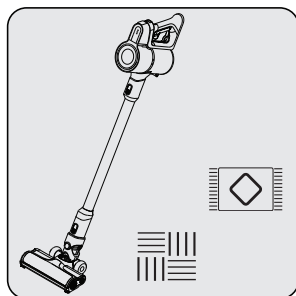
4 Obsługa



Urządzenie można podłączyć do ładowania przed całkowitym rozładowaniem akumulatora. Urządzenie można nieprzerwanie ładować w stacji ładującej do następnego użycia.

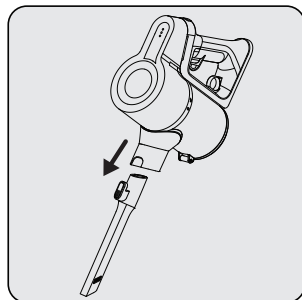


Należy zwrócić uwagę na diody LED wskaźnika zasilania podczas pracy urządzenia. Wskaźniki te stopniowo wyłączają się, gdy poziom naładowania baterii spada, a gdy wszystkie wskaźniki są wyłączone i tylko jeden świeci na czerwono, oznacza to, że urządzenie wkrótce się rozładuje. Urządzenie wyłącza się automatycznie po krótkiej chwili, gdy zapali się czerwona dioda LED.

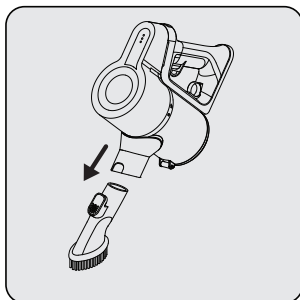


Urządzenie nadaje się do czyszczenia dywanów i twardych podłóg.

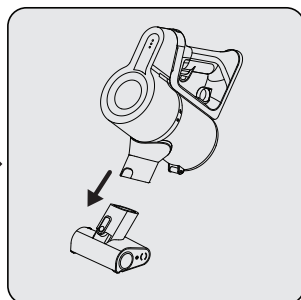
4.3 Akcesoria



Wąska dysza szczelinowa: Nadaje się do odkurzania tylnej części mebli, trudno dostępnych miejsc i wąskich obszarów.

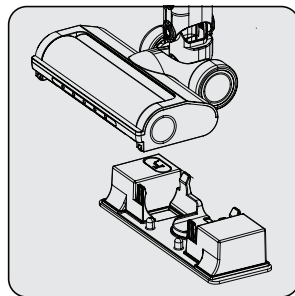
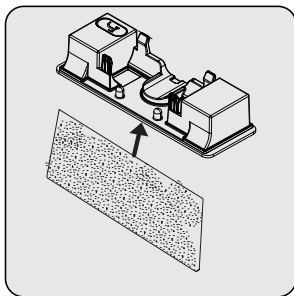
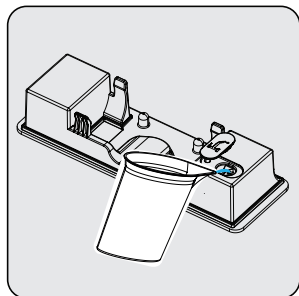


Szczotka do kurzu: Nadaje się do odkurzania zasłon, mebli oraz delikatnych i kruchych przedmiotów.



Mini turboszczotka (VRT 61225 VW): Nadaje się do odkurzania podłóg, stopni schodów, wewnątrz samochodów, sof i siedzisk itp. Nadaje się również do odkurzania sierści zwierząt.

4 Obsługa



Nasadka do mopa: Nadaje się do mopowania twardych podłóg. Napełnij zbiornik wodą pitną.

Przymocuj ściereczkę do mopa na dnie zbiornika na wodę.

Przymocuj nasadkę do mopa do dolnej części elektrycznej turboszczotki.



OSTRZEŻENIE: Nie używaj nasadki do mopa na dywanie.



OSTRZEŻENIE: Nie wlewaj wybielacza ani detergentu do zbiornika na wodę.



OSTRZEŻENIE: Po zakończeniu użytkowania zdejmij nasadkę do mopa.



OSTRZEŻENIE: Zdejmij nasadkę do mopa natychmiast po zakończeniu mopowania, aby zapobiec uszkodzeniu podłóg drewnianych.



OSTRZEŻENIE: Wyczyść zbiornik wody po każdym użyciu.



Ściereczki do mopowania można prać w pralce.



OSTRZEŻENIE: Nie podnoś ani nie przechylaj dyszy, ponieważ woda może wypłynąć ze zbiornika na wodę.

5 Czyszczenie i konserwacja

Przed czyszczeniem należy wyłączyć urządzenie i wyciągnąć wtyczkę z gniazdka.



OSTRZEŻENIE: Do czyszczenia urządzenia nie wolno używać benzyny, rozpuszczalników, szorstkich środków czyszczących, przedmiotów metalowych ani twardych szczotek.



OSTRZEŻENIE: W wyniku użytkowania po pewnym czasie na filtrach mogą pojawić się odkształcenia. Aby zapobiec utracie wydajności należy go wymienić na nowy. Skontaktuj się z obsługą klienta w celu zakupu nowego filtra.

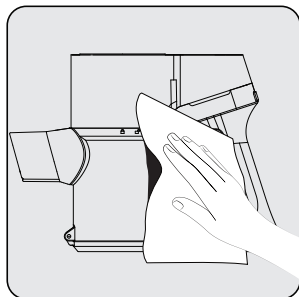
5.1 Czyszczenie pojemnika na kurz i filtrów



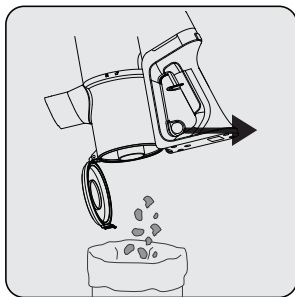
OSTRZEŻENIE: Nie myć filtrów.



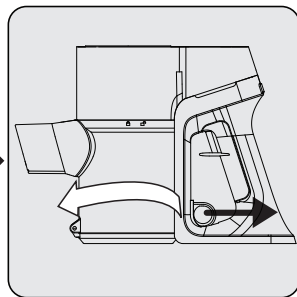
Zalecamy czyszczenie pojemnika na kurz po każdym cyklu sprzątaniu.



Powierzchnię korpusu przetrzyj wilgotną szmatką.

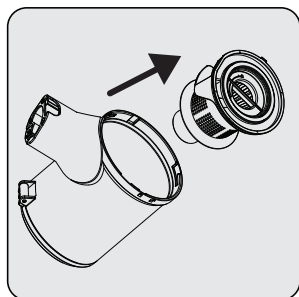


Naciśnij przycisk otwierania pokrywy pojemnika na kurz do ostatniego punktu. Pokrywa pojemnika na kurz otworzy się. Usuń znajdujący się w nim kurz.

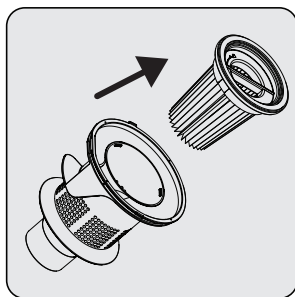


Aby dokładnie wyczyścić filtry, zdejmij korpus pojemnika na kurz, obracając go w kierunku zgodnie ze wskazówkami zegara, jednocześnie lekko pociągając przycisk pojemnika na kurz.

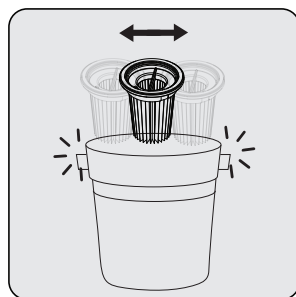
5 Czyszczenie i konserwacja



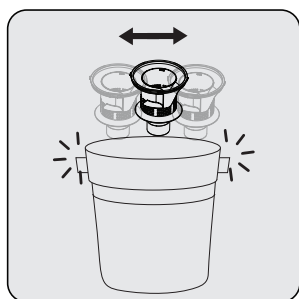
Wyciągnij EPA E10 i plastikowy uchwyt filtra z uchwytem EPA E10.



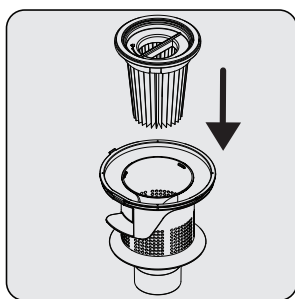
Oddziel EPA E10 i filtr plastikowy od siebie.



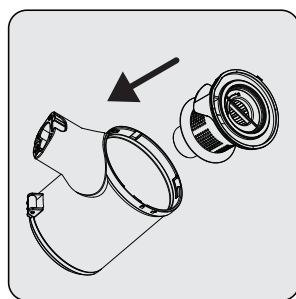
Usuń kurz z filtra EPA E10, stukając nim o twardą powierzchnię, taką jak kosz na śmieci, lub za pomocą szczotki.



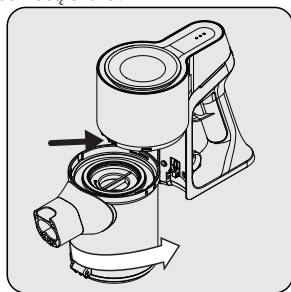
Usuń kurz z filtra plastikowego, stukając nim o twardą powierzchnię, taką jak kosz na śmieci, lub za pomocą szczotki.



Zamocuj filtr EPA E10 z powrotem do filtra plastikowego.



Zamocuj filtr plastikowy w pojemniku na kurz (5).



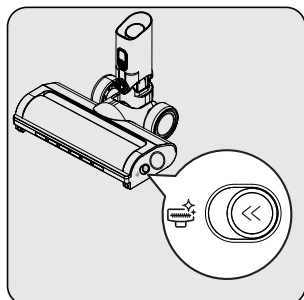
Przełóż ząbki pojemnika na kurz do otworów w korpusie, a następnie zamocuj pojemnik, przeciwnie do ruchu wskazówek zegara, aż usłyszysz kliknięcie.

5 Czyszczenie i konserwacja

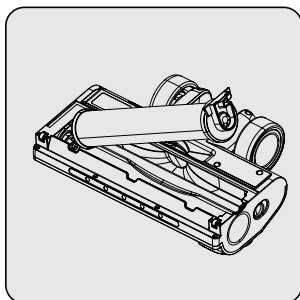
5.2 Czyszczenie szczotki



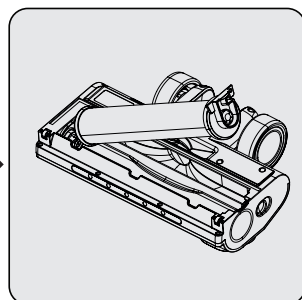
OSTRZEŻENIE: Nie myć turboszczotki ani głównej szczotki walcowej.



Naciśnij przycisk zwalniania szczotki walcowej.



Usuń kurz, stukając lekko o twardą powierzchnię lub używając szczotki. Jeśli jakiegokolwiek włosy itp. są splątane, usuń je, odcinając.



Przymocuj rolkę z powrotem przez naciśnięcie.

5.3 Przechowywanie

- Jeśli urządzenie nie będzie używane przez dłuższy czas, należy je starannie przechowywać.
- Odłącz urządzenie od prądu.
- Urządzenie należy trzymać poza zasięgiem dzieci.
- Gdy nie używasz akumulatora przez dłuższy czas, przechowuj go w chłodnym i suchym miejscu w stanie naładowania do połowy. Nie ładuj ani nie rozładuj go całkowicie.
- Akumulator należy przechowywać na materiale nieprzewodzącym i nie dopuszczać do bezpośredniego kontaktu akumulatora z metalem. Może to spowodować uszkodzenie akumulatora.

5.4 Transport i wysyłka

- Urządzenie należy przenosić i wysyłać w oryginalnym opakowaniu. Zabezpiecza ono urządzenie przed fizycznymi uszkodzeniami.
- Nie wolno umieszczać ciężkich ładunków na urządzeniu lub opakowaniu. W przeciwnym razie urządzenie może zostać uszkodzone.
- Jeśli urządzenie zostanie upuszczone, może nie działać lub może dojść do trwałego uszkodzenia.

Drodzy Klienci,

Dziękujemy za zakup naszych produktów. Jesteśmy przekonani, że nasze urządzenia będą służyć przez lata. Każdy produkt firmy Beko jest objęty 2-letnim okresem gwarancji.

Warunki gwarancji Beko S.A. (małe urządzenia AGD)

BEKO spółka akcyjna z siedzibą w Warszawie (02-819), przy ulicy Puławskiej 366, wpisana do rejestru przedsiębiorców prowadzonego przez Sąd Rejonowy dla m.st. Warszawy w Warszawie, XIII Wydział Gospodarczy Krajowego Rejestru Sądowego, pod numerem: 0000078147 (dalej: „BEKO”) udziela gwarancji jakości (dalej: „Gwarancja”) na wprowadzone przez BEKO do obrotu na terenie Polski produkty marki BEKO (dalej: „Urządzenia”) osobom, które nabyły te produkty („Użytkownik”) na następujących warunkach:

I. ZAKRES OCHRONY.

BEKO gwarantuje, że Urządzenie zakupione przez Użytkownika jest wolne od wad produkcyjnych lub materiałowych, powstałych z przyczyn tkwiących w tym Urządzeniu (dalej: „Wada”), które ujawnią się w ciągu terminu określonego w części II. niniejszych Warunków Gwarancji (dalej: „Okres Gwarancyjny”).

W razie ujawnienia się Wady Produktu w trakcie Okresu Gwarancyjnego, zostanie ona usunięta na koszt BEKO w sposób uzależniony od właściwości wady, na zasadach i w zakresie określonym w niniejszych Warunkach Gwarancji.

BEKO zobowiązuje się do usunięcia Wady poprzez dokonanie nieodpłatnej naprawy lub wymiany Urządzenia, bądź też reklamacja zgłoszona na podstawie niniejszych Warunków Gwarancji zostanie rozpatrzona w inny sposób uzgodniony przez BEKO i Użytkownika. Udzielona gwarancja jest ważna na terytorium Rzeczypospolitej Polskiej.

II. CZAS TRWANIA GWARANCJI.

Okres Gwarancyjny wynosi 24 miesiące licząc od daty zakupu Urządzenia przez pierwszego Użytkownika.

III. PROCEDURA ZGŁOSZENIA REKLAMACYJNEGO.

Wady Urządzenia ujawnione w Okresie Gwarancyjnym będą usuwane pod warunkiem przedstawienia przez Użytkownika dowodu zakupu tego Urządzenia zawierającego oznaczenia niezbędne do jego identyfikacji (model, datę zakupu).

Uprawnienia wynikające z niniejszych Warunków Gwarancji mogą być zrealizowane przez Użytkownika wyłącznie w Autoryzowanych Punktach Serwisowych BEKO (dalej: „Serwis”) po uprzednim dokonaniu zgłoszenia na Infolinii BEKO pod numerem telefonu: 22 250 14 14. Urządzenie powinno być odpowiednio zapakowane i zabezpieczone przez Użytkownika na czas transportu do punktu serwisowego Beko.

Wady Urządzenia będą usunięte w terminie 14 dni od daty zgłoszenia Wady na Infolinii BEKO.

Jeżeli część zamienna wymieniana w ramach uprawnień wynikających z niniejszych Warunków Gwarancji Urządzenia jest sprowadzana z zagranicy, termin naprawy, o którym mowa w punkcie 5 powyżej, może ulec wydłużeniu jednak, nie więcej niż do 30 dni licząc odpowiednio od daty zgłoszenia Wady na Infolinii BEKO. Informacje o spodziewanych terminach napraw dostępne są na Infolinii BEKO pod numerem 22 250 14 14. Po usunięciu Wady, Urządzenie zostanie dostarczone Użytkownikowi na koszt BEKO.

IV. WYŁĄCZENIA.

Warunkiem skorzystania z niniejszych Warunków Gwarancji jest:

- użytkowanie Urządzenia zgodnie z Instrukcją Obsługi dołączoną do tego Urządzenia i jego przeznaczeniem, jak również odpowiednie czyszczenie i konserwacje Urządzenia;
- użytkowanie w warunkach indywidualnego gospodarstwa domowego. Urządzenie nie jest używane do celów prowadzenia działalności gospodarczej lub w zastosowaniach eksploatacji masowej, w szczególności w gastronomicznej działalności hoteli, restauracji i innych obiektów turystyczno-rekreacyjnych lub zbiorowego żywienia. Stosowanie osprzętu zalecanego przez producenta; brak ingerencji w Urządzenie przez osoby do tego nieupoważnione; brak ingerencji w tabliczkę znamionową z numerem seryjnym Urządzenia.

Udzielona przez Beko Gwarancja nie obejmuje:

- wad powstałych z przyczyn innych niż tkwiące w Urządzeniu;
- normalnego zużycia elementów eksploatacyjnych tj. akumulatory, baterie, noże, filtry, żarówki, szczotki, itp.;
- czynności przewidzianych w Instrukcji Obsługi, do wykonania których zobowiązany jest Użytkownik Urządzenia we własnym zakresie i na swój koszt, w tym: instruktażu dotyczącego obsługi Urządzenia, instalacji oraz regulacji urządzenia.
- usterek powstałych w wyniku nieprawidłowego lub niewłaściwego użytkowania, niedbalstwa, przypadkowego uszkodzenia Urządzenia, nieodpowiedniego napięcia prądu lub dokonania jakichkolwiek zmian, które mają wpływ na niewłaściwe działanie Urządzenia, i które naprawiane były przez osoby nieupoważnione, używania instalacji niezgodnych z odpowiednimi Polskimi Normami i innych niż wymienione w Instrukcji Obsługi Urządzenia;
- uszkodzeń mechanicznych, termicznych, chemicznych, korozji, innych uszkodzeń spowodowanych działaniem lub zaniedbaniem Użytkownika lub powstałych na skutek działania sił zewnętrznych (do których zalicza się w szczególności wyładowania atmosferyczne, skoki napięcia, wszystkiego rodzaju awarie domowej instalacji wodno-kanalizacyjnej, itp.), a także powstałych na skutek przedostania się zanieczyszczeń lub ciał obcych do Urządzenia, zakamienienia (proces odkamieniania musi być przeprowadzany zgodnie z instrukcją obsługi z użyciem odpowiednich środków czyszczących) elementów ze szkła, plastiku oraz porcelany; odbarwień Urządzenia lub poszczególnych jego części;
- usterek powstałych na skutek przechowywania i użytkowania Urządzenia w warunkach, które są niezgodne z normalnymi warunkami domowymi określonymi wymaganiami powszechnie obowiązujących przepisów prawa i odpowiednich Polskich Norm;

V. POZOSTAŁE POSTANOWIENIA.

Niniejsze warunki gwarancji mają zastosowanie do Urządzeń zakupionych od dnia 01.03.2019 r. Gwarant oświadcza, że niniejsza Gwarancja jest udzielana Użytkownikowi dodatkowo i nie wyłącza, nie ogranicza ani nie zawiesza uprawnień Użytkownika wynikających z przepisów o rękojmi za wady rzeczy sprzedanej na podstawie Kodeksu cywilnego.

Najpre pročitate ovaj priručnik!

Poštovani kupci,

Zahvaljujemo vam što ste odabrali proizvod kompanije Beko. Želimo da postignete optimalnu efikasnost ovog visokokvalitetnog proizvoda koji je proizveden uz primenu vrhunske tehnologije. Obavezno je pročitati i potpuno razumeti ovaj vodič i dodatnu dokumentaciju pre upotrebe, i isti čuvati za naknadne upute. Ne odvajajte ovaj vodič od jedinice ako želite da je predate nekom drugom licu. Pridržavajte se svih upozorenja i informacija datim ovde i sledite uputstva.

Simboli i njihova značenja

Dole navedeni simboli su upotrebljeni u ovom vodiču:



Važne informacije i korisni saveti u vezi sa upotrebom.



UPOZORENJE: Upozorenja na opasne situacije koje se odnose na bezbednost života i imovine.



Ocena zaštite od električnog udara



RECIKLIRANI I
RECIKLABILNI PAPIR

1 Važna uputstva u vezi sa bezbednošću i zaštitom životne sredine

Ovaj odeljak sadrži bezbednosna uputstva za sprečavanje opasnosti koje mogu dovesti do povreda ili materijalne štete.

Svaka garancija će prestati da bude važeća ako se ne poštuju ova uputstva.

1.1 Opšta bezbednost

- Ovaj uređaj je usklađen sa međunarodnim standardima bezbednosti.
- Ovaj uređaj mogu koristiti deca starija od 8 godina, lica sa fizičkim, čulnim ili mentalnim problemima ili lica sa nedostatkom iskustva ili znanja; sve dok su pod nadzorom ili su im pružene informacije u vezi sa opasnostima. Deca ne smeju da se igraju sa uređajem. Deca ne smeju da čiste niti da održavaju aparat bez odgovarajućeg nadzora.
- Ne koristite uređaj ako je kabl za napajanje ili sam uređaj oštećen. Obratite se ovlašćenom servisu.
- Vaše mrežno napajanje mora biti usklađeno s navedenim informacijama na oznaci tipa.
- Nemojte koristiti uređaj s produžnim kablom.
- Da biste sprečili oštećenje kabla za napajanje, vodite računa da isti nije pritisnut, uvrnut ili nategnut preko oštih ivica.
- Ne dodirujte utikač uređaja vlažnim ili mokrim rukama dok je uređaj priključen na napajanje električnom energijom.
- Kada uređaj isključujete iz struje, ne vucite ga za kabl.
- Ne usisavajte zapaljive materijale i vodite računa da se pepeo cigareta ohladi pre nego što ga usisate.
- Nemojte da usisavate vodu ili druge tečnosti.
- Zaštitite uređaj od padavina, vlage i izvora toplote.
- Ne koristite aparat u eksplozivnom ili zapaljivom okruženju ili u blizini istog.
- Izvucite utikač uređaja iz struje pre čišćenja i održavanja.
- Nemojte uranjati uređaj ili njegov kabl za napajanje u vodu za potrebe čišćenja.
- Nemojte rasklapati ovaj uređaj.

1 Važna uputstva u vezi sa bezbednošću i zaštitom životne sredine

- Koristite samo originalne delove ili delove koje je preporučio proizvođač.
- Da biste sprečili blokadu filtera ili oštećenje motora, nemojte usisavati cement, gips ili fragmente komprimovanog papira.
- Koristite uređaj isključivo sa adapterom isporučenim uz uređaj.
- Nemojte da koristite uređaj bez filtera, jer se tako može oštetiti.
- Ako čuvate ambalažu, čuvajte je van domašaja dece.
- Ovaj uređaj ne smeju da koriste osobe sa ograničenim fizičkim, čulnim ili mentalnim sposobnostima (uključujući decu), niti osobe koje nemaju dovoljno znanja ili iskustva u korišćenju ovog uređaja, osim ako su pod nadzorom osobe koja je odgovorna za njihovu bezbednost i ako su od nje dobile uputstva o pravilnom korišćenju ovog uređaja.
- Decu treba nadzirati kako bi se sprečilo da se igraju sa ovim uređajem.
- Isključite adapter i uklonite bateriju pre bilo kakvog postupka čišćenja ili održavanja.
- Da biste izbegli bilo kakvu opasnost, oštećeni adapter mora da zameni proizvođač, ovlašćeni predstavnik proizvođača ili podjednako kvalifikovan tehničar.
- Držite prste, kosu i široku odeću dalje od pokretnih delova ili praznina tokom usisavanja.
- Baterije treba izvaditi iz uređaja pre nego što uređaj odložite u otpad.
- Isključite aparat iz napajanja pre uklanjanja baterije.
- Bacite istrošene baterije u skladu sa lokalnim zakonima i propisima.
- Dozvoljeno je da baterije isporučene s ovim uređajem menjaju samo kvalifikovane osobe.
- Uređaj nije namenjen za rad u komercijalne svrhe. Ovaj proizvod nije dizajniran za komercijalnu upotrebu, namenjen je za upotrebu u domaćinstvu i u sljedećim uslovima:
 - u kuhinjama zaposlenih

1 Važna uputstva u vezi sa bezbednošću i zaštitom životne sredine

prodavnica, kancelarija i drugih radnih okruženja;

- u seoskim kućama;
- za goste u hotelima, motelima i drugim sličnim vrstama smeštajnih objekata;
- u hostelima ili sličnim okruženjima.

• **UPOZORENJE:** Za punjenje baterije koristite uklonjivu jedinicu za napajanje HCX1501-3200450E (VRT 61225 VW), HCX1501-2700500E (VRT 60221 VD) koja je isporučena s uređajem.

• Ovaj uređaj mogu koristiti deca starija od 8 godina, lica sa fizičkim, čulnim ili mentalnim problemima ili lica sa nedostatkom iskustva ili znanja, sve dok su pod nadzorom ili su im pružene informacije u vezi sa opasnostima.

• Decu treba nadzirati kako bi se sprečilo da se igraju sa ovim uređajem.

1.2 Informacije o usklađenosti sa WEEE propisima i odlaganju otpada



Ovaj proizvod je usaglašen sa WEEE direktivom Evropske unije (2012/19/EU). Ovaj proizvod nosi simbol klasifikacije za električni i elektronski otpad (WEEE).

Ovaj simbol označava da se ovaj proizvod ne sme odlagati zajedno s ostalim kućnim otpadom na kraju njegovog radnog veka. Korišćeni uređaj mora se vratiti na službeno mesto za sakupljanje za recikliranje električnih i elektronskih uređaja. Da biste pronašli ove sisteme za sakupljanje, obratite se lokalnim nadležnim telima ili prodavcu gde je proizvod kupljen. Svako domaćinstvo ima važnu ulogu u vraćanju i recikliranju starih uređaja. Odgovarajuće odlaganje iskorišćenog aparata pomaže u sprečavanju potencijalnih negativnih posledica po životnu sredinu i zdravlje ljudi.

1.3 Informacije o pakovanju



Ambalaža proizvoda je napravljena od materijala koji mogu da se recikliraju, u skladu sa nacionalnim propisima o zaštiti životne sredine.

Ambalažu ne odlažite sa kućnim otpadom ili drugim vrstama otpada već je odložite u sabirne centre za ambalažu koje su navele lokalne vlasti.

1.4 Istrošene baterije



Obavezno odložite istrošene baterije u skladu sa lokalnim zakonima i propisima. Simbol na bateriji i pakovanju označava da bateriju isporučenu sa proizvodom ne treba smatrati kućnim otpadom. Ovaj simbol se može koristiti u kombinaciji sa hemijskim simbolom u nekim regionima. Ako baterije sadrže više od 0,0005% žive i više od 0,004% olova, hemijski simbol Hg se dodaje za živu, a hemijski simbol Pb za olovo ispod predmetnog simbola. Ako obezbedite pravilno odlaganje baterija, doprinećete sprečavanju potencijalne štete po životnu sredinu i zdravlje ljudi usled nepropisnog odlaganja baterija.

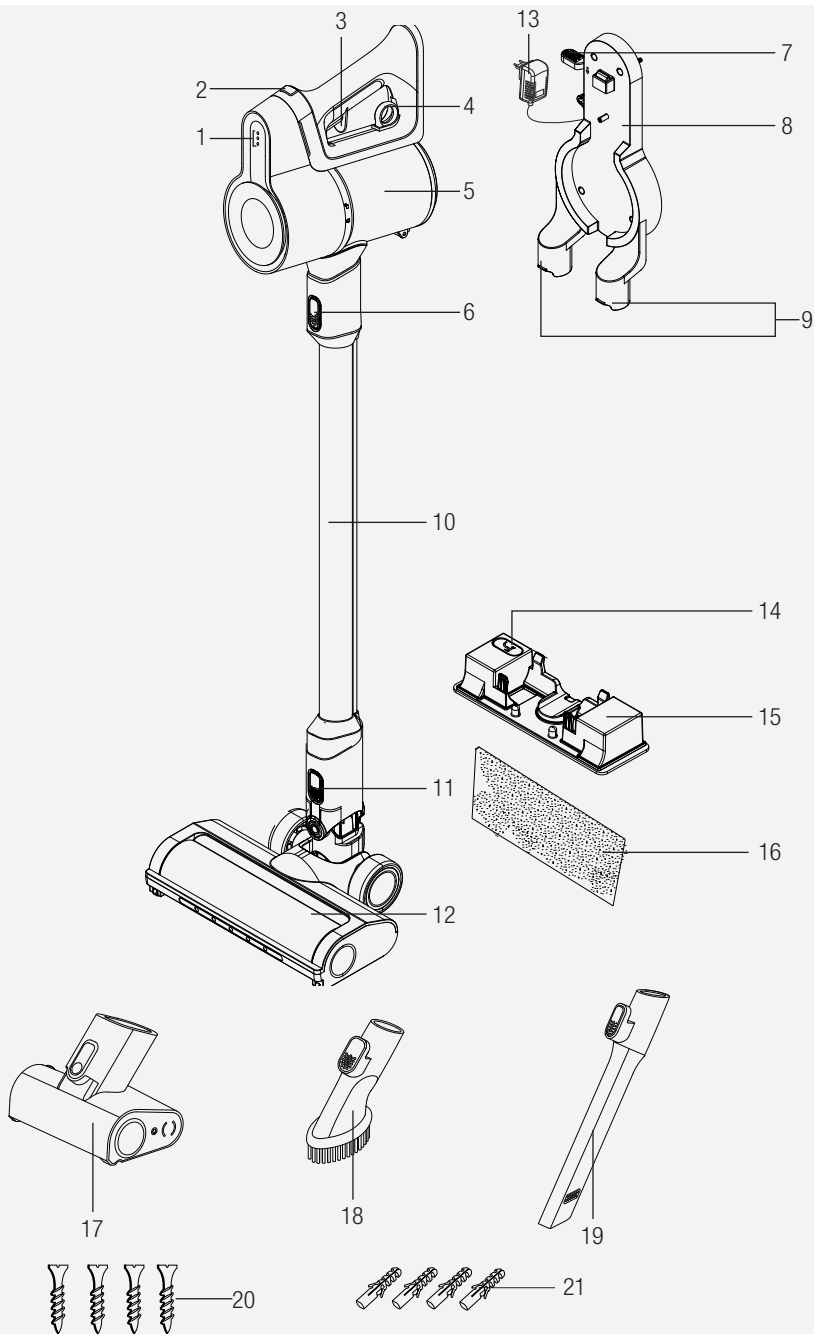
1.5 Kako se šteti energiju

- Kada koristite uređaj, podesite podešavanje brzine prema površini da biste uštedeli energiju.
- Obično se pri čišćenju tvrdih površina, zavesa i kauča koriste niže brzine, dok se kod čišćenja tepiha koriste velike brzine.

1.6 Usaglašenost sa RoHS direktivom

Proizvod koji ste kupili u saglasnosti je sa RoHS direktivom Evropske unije (2011/65/EU). On ne sadrži štetne i zabranjene materijale navedene u direktivi.

2 Prikaz





2 Prikaz

2.1 Kontrole i komponente

1. Napuniteindikator led svetla
2. Dugme za prilagodavanje brzine
3. Prekidač za uključivanje/isključivanje
4. Prsten za otvaranje posude za prašinu
5. Posuda za sakupljanje prašine
6. Dugme za otpuštanje cevi
7. Prekidač za uklanjanje uređaja
8. Stanica za punjenje
9. Dodatni delovi za pričvršćivanje
10. Cev
11. Dugme za otpuštanje četke
12. Električna tubro četka
13. Adapter za punjenje
14. Poklopac otvora za punjenje rezervoara za vodu
15. Priključak za brisanje; Rezervoar za vodu
16. Krpa za brisanje (2 kom)
17. Mini tubro četka (VRT 61225 VW)
18. Četka za prašinu
19. Mlaznica za uzani dio
20. Zavrtnj (4 kom.)
21. Tipl (4 kom)

2.2 Tehnički podaci

	VRT 61225 VW	VRT 60221 VD
Nominalna ulazna snaga	150 W	110 W
Ulazna jačina:	100 - 240 V~ 50-60 Hz 0,5 A	
Izlazna jačina	32 V  0.45 A	27 V  0.5 A
Period punjenja	4-6 sati	
Period rada maksimalnom snagom:	17 min	
Period rada srednjom snagom	45 min	

Prava na tehničke i dizajnerske promene su zadržana.

Vrednosti date na uređaju ili pratećoj dokumentaciji su laboratorijska očitavanja u skladu sa odgovarajućim standardima. Ove vrednosti mogu da se razlikuju u zavisnosti od korišćenja i ambijentalnih uslova.

2 Prikaz

Parametar spoljnega napajanja

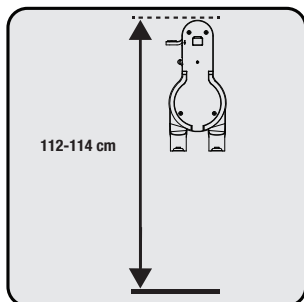
	VRT 61225 VW	VRT 60221 VD
Proizvođač	Guangdong Huachuangxing Power Supply Co.,Ltd	
Identifikacioni broj modela	HCX1501-3200450E	HCX1501-2700500E
Ulazni napon	100-240V~	
Ulazna frekvencija	50-60Hz	
Ulazna struja	0.5A	
Izlazni napon	32.0V	27.0V
Izlazna struja	0.45A	0.5A
Izlazna snaga	14.4W	13.5W
Prosečna aktivna efikasnost	85.5%	84.39%
Efikasnost pri malom opterećenju (10 %)	83.33%	70.65%
Potrošnja energije bez opterećenja	0.041W	0.071W

3 Instalacija

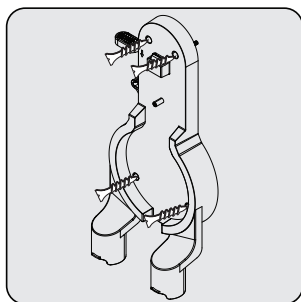
3.1 Predviđena namena

Uređaj je namenjen samo za kućnu upotrebu i nije pogodan za industrijsku upotrebu.

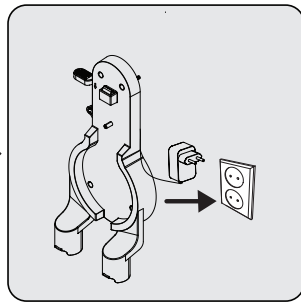
3.2 Ugradnja mobilne stanice za punjenje



Postavite stanicu za punjenje na visinu od 112-114 cm od podloge.

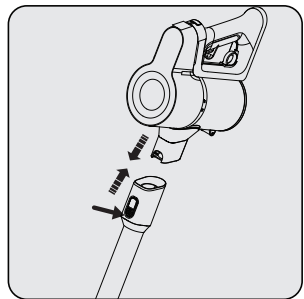


1- Pričvrstite četiri tipla na zid
2- Postavite četiri vijka na njihova mesta na priključnoj stanici za punjenje i montirajte ih na tiplje na zidu.

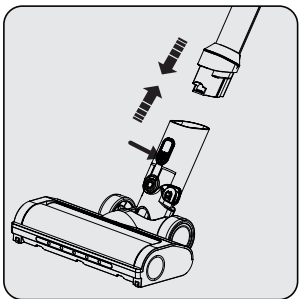


Priključite adapter za punjenje u utičnicu.

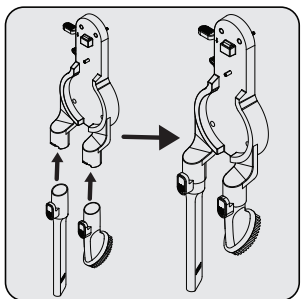
3.3 Ugradnja tela i četke



Gurajte štapić u smeru strelice prema telu pritiskajući dugme za otpuštanje štapića.



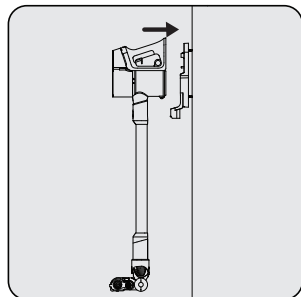
Pritisnite dugme za otpuštanje električne turbo četke koje se nalazi na električnoj turbo četki i pritisnite ga u smeru strelice prema cevi.



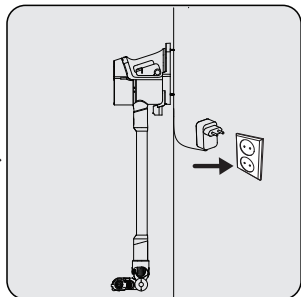
Pričvrstite usku mlaznicu i četku na priključnoj stanici za punjenje.

4 Rad

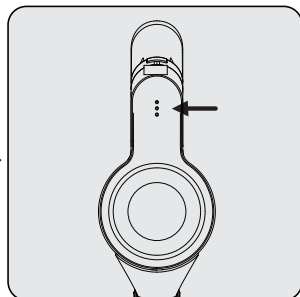
4.1 Punjenje uređaja



Postavite uređaj na stanicu za punjenje .
Nakon postavljanja posude za prašinu na stanicu za punjenje, gurnite uređaj prema priključnoj stanici za punjenje.



Priključite adapter za punjenje u utičnicu.



Treperenje belih LED lampica indikatora napunjenosti pokazuje da se uređaj puni.
– Kada sve LED lampice indikatora napunjenosti, to znači da je punjenje uređaja završeno.

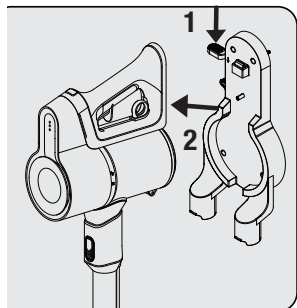


Potpuno punjenje uređaja traje od 4 do 6 sati. Ne treba koristiti uređaj tokom punjenja.

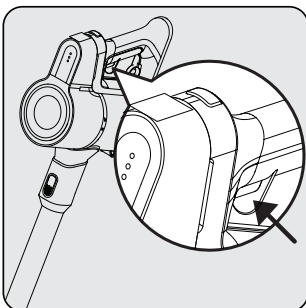


Ako je uređaj postavljen na jedinicu za punjenje tokom rada, automatski će se zaustaviti.

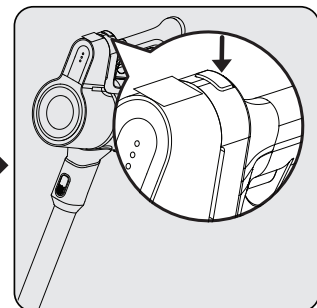
4.2 Pokretanje



1- Pritisnite prekidač za otpuštanje uređaja na priključnoj stanici za punjenje) nadole i istovremeno povucite uređaj prema sebi.
2- Uklonite aparat sa priključne stanice za punjenje.



Pritisnite dugme za uključivanje/isključivanje da biste uključili uređaj. Uređaj počinje da radi sa minimalnom brzinom kada se pritisne prekidač za uključivanje/isključivanje.

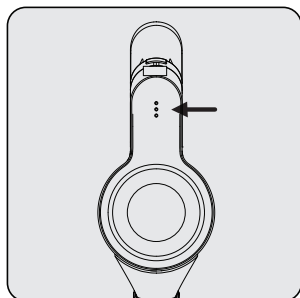


Da biste prešli na maksimalnu brzinu kada radite na minimalnoj brzini, pritisnite dugme za podešavanje brzine.
Da biste prešli na minimalnu brzinu kada radite u maksimalnoj brzini, ponovo pritisnite dugme za podešavanje brzine.

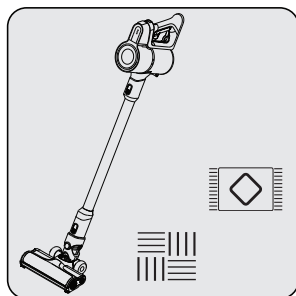
4 Rad



Može se povezati na punjenje pre nego se baterije potpuno isprazne. Uređaj se može neprekidno puniti na stanici za punjenje (8) do sledećeg korišćenja.

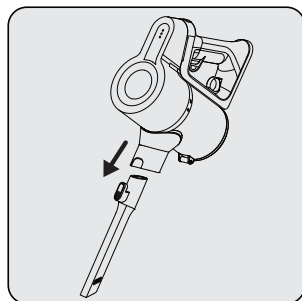


Obratite pažnju na LED indikatore (1) napunjenosti tokom rada. Ovi indikatori se postepeno isključuju kako se nivo napunjenosti smanjuje, a kada se svi indikatori isključe i samo jedan indikator svetli crvenom bojom, uređaj će se uskoro isprazniti. Kada svetli crvena LED lampica, uređaj će automatski prestati da radi nakon kratkog vremena.

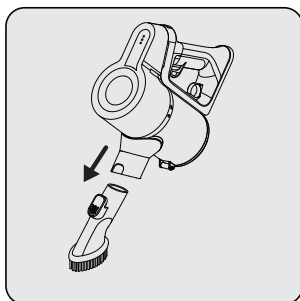


Ovaj uređaj je namenjen za upotrebu na tepisima i tvrdim podlogama.

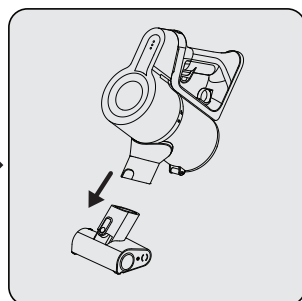
4.3 Dodatna oprema



Mlaznica za uzani dio: Pogodna za usisavanje zadnjeg dela nameštaja, teško dostupnih područja i uskih područja.

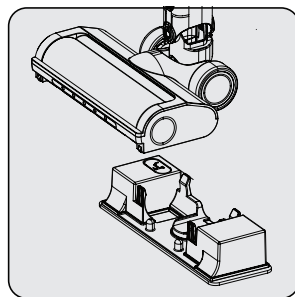
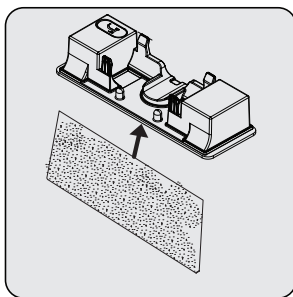
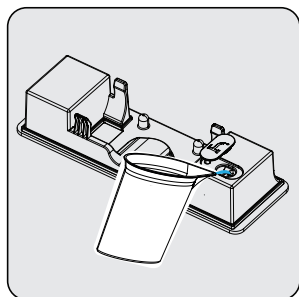


Četka za prašinu: Pogodna za usisavanje zavesa, voštanih predmeta i osetljivih i lomljivih predmeta.



Mini turbo četka (VRT 61225 VW): Pogodna za usisavanje podova, stepeništa, unutrašnjosti automobila, sofa i sedišta itd. Takođe se koristi za usisavanje dlaka kućnih ljubimaca na takvim površinama.

4 Rad



Priključak za krpu: Pogodno za proces brisanja tvrdih podova. Napunite rezervoar za vodu pitkom vodom.

Pričvrstite krpu za brisanje na dno rezervoara za vodu.

Pričvrstite priključak za krpu na dno električne turbo četke.



UPOZORENJE: Ne koristite priključak za brisanje na tepisima.



UPOZORENJE: Ne stavljajte izbeljivač ili deterdžent u posudu za vodu.



UPOZORENJE: Uklonite priključak za brisanje nakon završetka upotrebe.



UPOZORENJE: Uklonite priključak za brisanje odmah nakon završetka brisanja da biste sprečili oštećenje drvenih podova.



UPOZORENJE: Očistite rezervoar za vodu nakon svake upotrebe.



Krpe za brisanje mogu se prati u mašini za pranje veša.



UPOZORENJE: Nemojte podizati ili naginjati mlaznicu, jer voda može da prsne iz rezervoara za vodu.

5 Čišćenje i održavanje

Isključite uređaj i izvucite utikač uređaja iz napajanja pre čišćenja.



UPOZORENJE: Nikada nemojte koristiti benzin, rastvarač, abrazivna sredstva za čišćenje, metalne predmete ili grube četke za čišćenje ovog uređaja.



UPOZORENJE: Deformacija na filterima može nastati tokom vremena kao rezultat upotrebe. Iste treba zameniti novim da bi se sprečio gubitak nivoa učinka. Kontaktirajte korisničku službu da biste kupili novi filter.

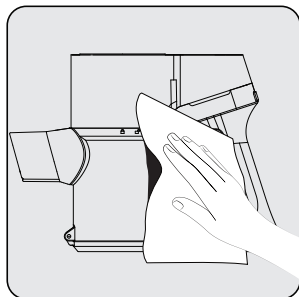
5.1 Čišćenje posude za prašinu i filtera



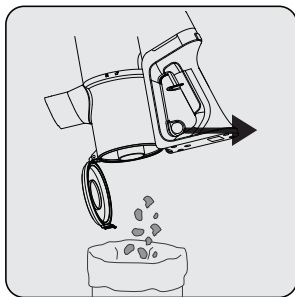
UPOZORENJE: Nemojte prati filtere.



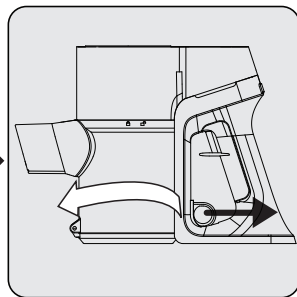
Preporučujemo da nakon svakog rada očistite rezervoar za prašinu.



Unutrašnjost uređaja obrišite vlažnom krpom.

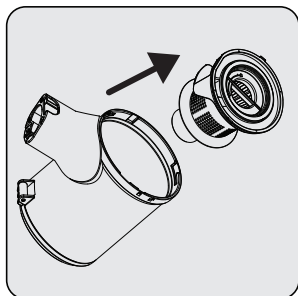


Povucite prsten za otvaranje poklopca posude za prašinu do poslednje tačke. Otvoriće se poklopac posude za prašinu. Ispraznite svu prašinu koju sadrži.

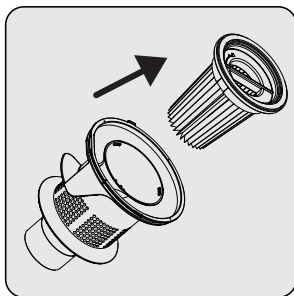


Da biste detaljno očistili filtere, uklonite telo posude za prašinu okretanjem u smeru kazaljke na satu dok lagano povlačite prsten posude za prašinu.

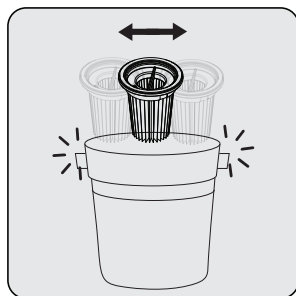
5 Čišćenje i održavanje



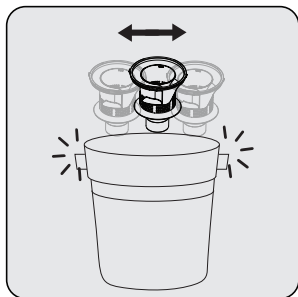
Izvučite EPA E10 i držač plastičnog filtera sa ručke EPA E10.



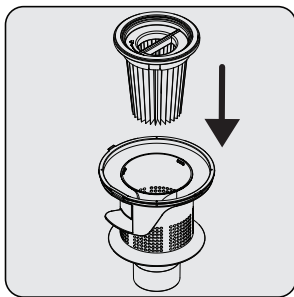
Odvojite EPA E10 i plastični filter jedan od drugog.



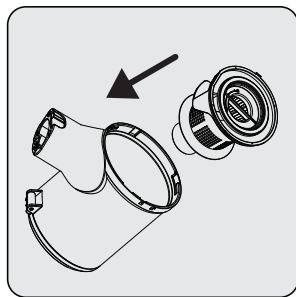
Uklonite prašinu sa filtera EPA E10 tapkajući ga o tvrdu površinu kao što je kanta za smeće ili to uradite pomoću četke.



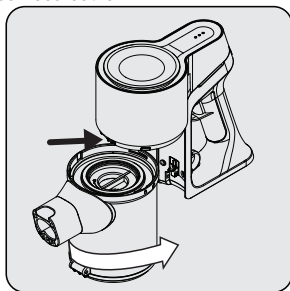
Uklonite prašinu sa metalnog filtera tapkajući ga o tvrdu površinu kao što je kanta za smeće ili to uradite pomoću četke.



Pričvrstite EPA E10 filter na plastični filter nazad.



Pričvrstite plastični filter na posudu za prašinu.



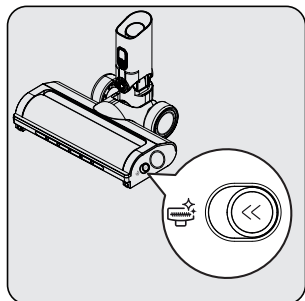
Provucite nazubljeni deo posude za prašinu do rupa na telu, a zatim podesite posudu okretanjem suprotno od kazaljke na satu dok ne čujete zvuk klika.

5 Čišćenje i održavanje

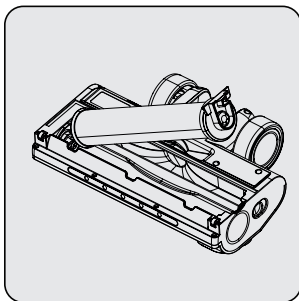
5.2 Čišćenje četke



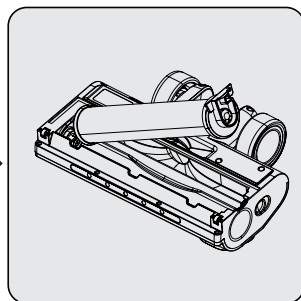
UPOZORENJE: Ne perite turbo četku (8) i glavnu rolo-četku.



Pritisnite dugme za otpuštanje rolo-četke.



Uklonite prašinu s nje laganim tapkanjem po tvrdoj površini ili uklonite prašinu četkom. Ako se zaplete neka dlaka i sl., uklonite je tako što ćete je iseći.



Gurnite rolo-četku i tako je vratite na svoje mesto.

5.3 Skladištenje

- Ako ne nameravate da koristite aparat duže vreme, pažljivo ga odložite.
- Isključite uređaj iz struje.
- Vodite računa da aparat držite van dohvata dece.
- Ako bateriju nećete koristiti duže vreme, držite uređaj na hladnom i suvom mestu sa napola napunjenim baterijama. Ne puniti i ne praznite do kraja.
- Čuvajte bateriju na neprovodnom materijalu i vodite računa da baterija ne bude u direktnom kontaktu s metalom. To će oštetiti bateriju.

5.4 Transport i otprema

- Za vreme transporta i otpreme, uređaj nosite u originalnom pakovanju. Ambalaža uređaja ga štiti od fizičkih oštećenja.
- Nemojte stavljati teške predmete na uređaj ili njegovu ambalažu. U suprotnom, uređaj se može oštetiti.
- Ako uređaj padne, uređaj možda neće raditi ili može doći do trajnih oštećenja.

Arçelik A.Ş. Karaağaç Cad.
No:2-6 Sütlüce, 34445
İstanbul, Türkiye

www.beko.com