

beko

Refrigerator

User manual

Réfrigérateur

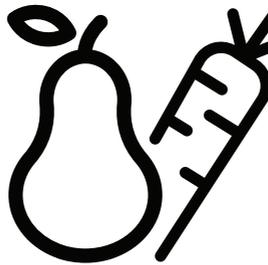
Manuel d'utilisation

Kühlschrank/Gefrierschrank

Bedienungsanleitung

Køleskab

Brugervejledning



TSE1423N - TSE1524N

EN / FR / DE / DA



RECYCLED &
RECYCLABLE PAPER



PAPIER ENTIÈREMENT
RECYCLÉ ET RECYCLABLE



RECYCELTES UND
RECYCELBARES PAPIER



GENBRUGT OG
GENBRUGELIGT PAPIR

58 5008 0000/AH
1/6

Please read this user manual first!

Dear Customer,

We hope that your product, which has been produced in modern plants and checked under the most meticulous quality control procedures, will provide you an effective service.

Therefore, read this entire user manual carefully before using the product and keep it as a reference. If you handover the product to someone else, give the user manual as well.

The user manual will help you use the product in a fast and safe way.

- Read the manual before installing and operating the product.
- Make sure you read the safety instructions.
- Keep the manual in an easily accessible place as you may need it later.
- Read the other documents given with the product.

Remember that this user manual is also applicable for several other models. Differences between models will be identified in the manual.

Explanation of symbols

Throughout this user manual the following symbols are used:

 Important information or useful tips.

 Warning against dangerous conditions for life and property.

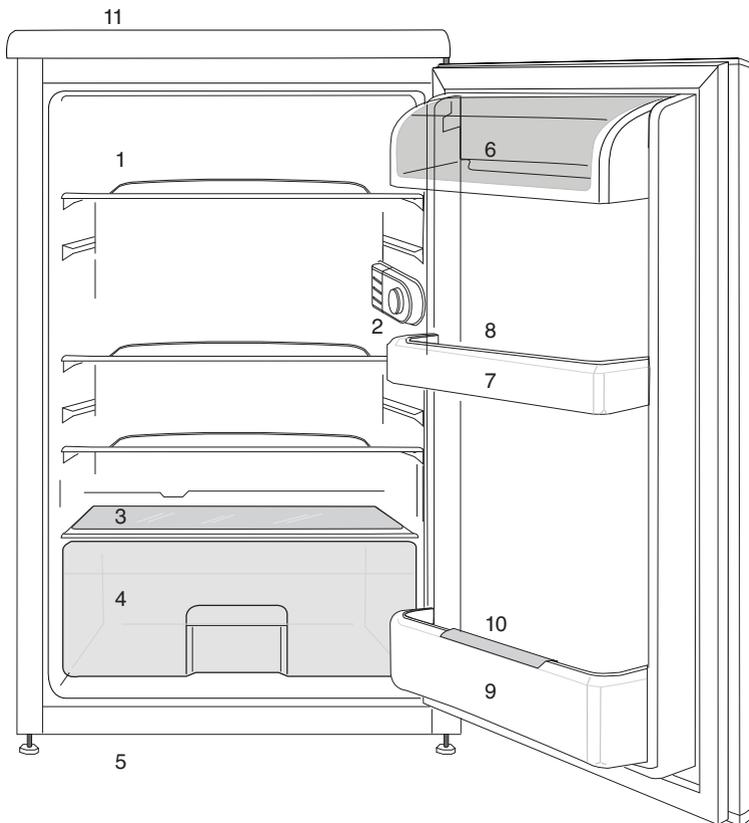
 Warning against electric voltage.

 INFORMATION	
	
SUPPLIER'S NAME 	MODEL IDENTIFIER (*) 
The model information as stored in the product data base can be reached by entering following website and searching for your model identifier (*) found on energy label. https://eprel.ec.europa.eu/	

CONTENTS

1 Your cooler/freezer	3	4 Preparation	13
2 Important Safety Warnings	4	Reversing the doors	14
Intended use	4	5 Using your cooler/freezer	15
General safety	4	Freezing.....	15
For products with a water dispenser;7		Freezing food	15
Child safety	7	Making ice cubes.....	16
Compliance with WEEE Directive and		Storing frozen food.....	16
Disposing of the Waste Product:	8	Defrosting of the appliance	16
Package information	8	Cooling	17
HC warning.....	8	Food storage	17
Things to be done for energy saving	8	Defrosting of the appliance	17
3 Installation	10	6 Maintenance and cleaning	18
Points to be paid attention to when		7 Troubleshooting	20
the relocation of the cooler/freezer	10		
Before you start the cooler/freezer,	10		
Electrical connection	11		
Disposing of the packaging.....	11		
Disposing of your old cooler/freezer	11		
Placing and Installation.....	11		
Adjusting the legs	12		
Changing the illumination lamp	12		

1 Your cooler/freezer



- | | |
|-------------------------------------|--------------------|
| 1. Movable shelves | 7. Door shelves |
| 2. Interior light & Thermostat knob | 8. Egg tray |
| 3. Crisper cover | 9. Bottle shelf |
| 4. Crisper | 10. Bottle gripper |
| 5. Adjustable front feet | 11. Top trim |
| 6. Dairy compartment | |

i Figures that take place in this instruction manual are schematic and may not correspond exactly with your product. If the subject parts are not included in the product you have purchased, then it is valid for other models.

2 Important Safety Warnings

Please review the following information. Failure to observe this information may cause injuries or material damage. Otherwise, all warranty and reliability commitments will become invalid.

The service life of your product is 10 years. During this period, original spare parts will be available to operate the product properly.

Intended use

WARNING:

Keep ventilation openings, in the appliance enclosure or in the built-in structure, clear of obstruction.

WARNING:

Do not use mechanical devices or other means to accelerate the defrosting process, other than those recommended by the manufacturer.



WARNING:

Do not damage the refrigerant circuit.

WARNING:

Do not use electrical appliances inside the food storage compartments of the appliance, unless they are of the type recommended by the manufacturer.

This appliance is intended to be used in household and similar applications such as

- staff kitchen areas in shops, offices and other working environments;
- farm houses and by clients in hotels, motels and other residential type environments;
- bed and breakfast type environments;
- catering and similar non-retail applications.

General safety

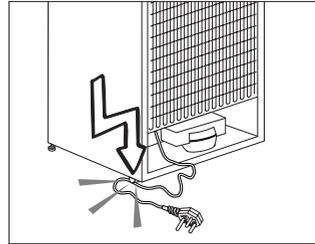
- When you want to dispose/ scrap the product, we recommend you to consult the authorized service in order to learn the required information and authorized bodies.
- Consult your authorized service for all your questions and problems related to the cooler/freezer. Do not intervene or let someone intervene to the cooler/ freezer without notifying the authorised services.
- For products with a freezer compartment; Do not eat cone ice cream and ice cubes immediately after you take them out of the freezer compartment! (This may cause frostbite in your mouth.)
- For products with a freezer compartment; Do not put bottled and canned liquid beverages in the freezer

compartment. Otherwise, these may burst.

- Do not touch frozen food by hand; they may stick to your hand.
- Unplug your cooler/freezer before cleaning or defrosting.
- Vapor and vaporized cleaning materials should never be used in cleaning and defrosting processes of your cooler/freezer. In such cases, the vapor may get in contact with the electrical parts and cause short circuit or electric shock.
- Never use the parts on your cooler/freezer such as the door as a means of support or step.
- Do not use electrical devices inside the cooler/freezer.
- Do not damage the parts, where the refrigerant is circulating, with drilling or cutting tools. The refrigerant that might blow out when the gas channels of the evaporator, pipe extensions or surface coatings are punctured causes skin irritations and eye injuries.
- Do not cover or block the ventilation holes on your cooler/freezer with any material.
- Electrical devices must be repaired by only authorised persons. Repairs performed by incompetent persons create a risk for the user.
- In case of any failure or during a maintenance or repair work, disconnect your cooler/freezer's mains supply by either turning off the relevant fuse or unplugging your appliance.
- Do not pull by the cable when pulling off the plug.
- Place the beverage with higher proofs tightly closed and vertically.
- Never store spray cans containing flammable and explosive substances in the cooler/freezer.
- Do not use mechanical devices or other means to accelerate the defrosting process, other than those recommended by the manufacturer.
- This product is not intended to be used by persons with physical, sensory or mental disorders or unlearned or inexperienced people (including children) unless they are attended by a person who will be responsible for their safety or who will instruct them accordingly for use of the product
- Do not operate a damaged cooler/freezer. Consult with the service agent if you have any concerns.
- Electrical safety of your cooler/freezer shall be guaranteed only if the earth system in your house complies with standards.

- Exposing the product to rain, snow, sun and wind is dangerous with respect to electrical safety.
- Contact authorized service when there is a power cable damage to avoid danger.
- Never plug the cooler/freezer into the wall outlet during installation. Otherwise, risk of death or serious injury may arise.

- Do not touch the plug with wet hands when plugging the product.

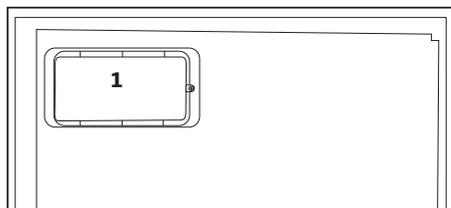
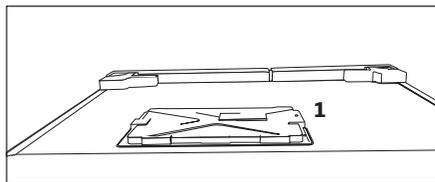


- This cooler/freezer is intended for only storing food items. It must not be used for any other purpose.
- Label of technical specifications is located on the left wall inside the cooler/freezer.
- Never connect your cooler/freezer to electricity-saving systems; they may damage the cooler/freezer.
- If there is a blue light on the cooler/freezer, do not look at the blue light with optical tools.
- For manually controlled cooler/freezers, wait for at least 5 minutes to start the cooler/freezer after power failure.
- This operation manual should be handed in to the new owner of the product when it is given to others.
- Avoid causing damage on power cable when transporting the cooler/freezer. Bending cable may cause fire. Never place heavy objects on power cable.

- Do not plug the cooler/freezer if the wall outlet is loose.
- Water should not be sprayed on inner or outer parts of the product for safety purposes.
- Do not spray substances containing inflammable gases such as propane gas near the cooler/freezer to avoid fire and explosion risk.
- Never place containers filled with water on top of the cooler/freezer; in the event of spillages, this may cause electric shock or fire.
- Do not overload the cooler/freezer with food. If overloaded, the food items may fall down and hurt you and damage cooler/freezer when you open the door.
- Never place objects on top of the cooler/freezer; otherwise, these objects may fall down when you open or close the cooler/freezer's door.
- As they require a precise storage temperature, vaccines, heat-sensitive

medicine and scientific materials and etc. should not be kept in the cooler/freezer.

- If not to be used for a long time, cooler/freezer should be unplugged. A possible problem in power cable may cause fire.
- Cooler/freezer may move if adjustable legs are not properly secured on the floor. Properly securing adjustable legs on the floor can prevent the cooler/freezer to move.
- When carrying the cooler/freezer, do not hold it from door handle. Otherwise, it may be snapped.
- When you have to place your product next to another cooler/freezer or freezer, the distance between devices should be at least 8cm. Otherwise, adjacent side walls may be humidified.
- The product shall never be used while the compartment which is located at the top or back of your product and in which electronic boards are available (electronic board box cover) (1) is open.



For products with a water dispenser;

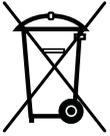
Pressure of water mains should be minimum 1 bar.
Pressure of water mains should be maximum 8 bars.

- Use only potable water.

Child safety

- If the door has a lock, the key should be kept away from reach of children.
- Children must be supervised to prevent them from tampering with the product.

Compliance with WEEE Directive and Disposing of the Waste Product:



This product complies with EU WEEE Directive (2012/19/EU). This product bears a classification symbol for waste electrical and electronic equipment (WEEE).

This product has been manufactured with high quality parts and materials which can be reused and are suitable for recycling. Therefore, do not dispose the product with normal domestic waste at the end of its service life. Take it to a collection point for the recycling of electrical and electronic equipment. Please consult your local authorities to learn the nearest collection point. Help protect the environment and natural resources by recycling used products. For children's safety, cut the power cable and break the locking mechanism of the door, if any, so that it will be non-functional before disposing of the product.

Package information

Packaging materials of the product are manufactured from recyclable materials in accordance with our National Environment Regulations. Do not dispose of the packaging materials together with the domestic or other wastes. Take them to the packaging material collection points designated by the local authorities.

Do not forget...

Any recycled substance is an indispensable matter for nature and our national asset wealth.

If you want to contribute to the re-evaluation of the packaging materials, you can consult to your environmentalist organizations or the municipalities where you are located.

HC warning

If your product's cooling system contains R600a:

This gas is flammable. Therefore, pay attention to not damaging the cooling system and piping during usage and transportation. In the event of damage, keep your product away from potential fire sources that can cause the product catch a fire and ventilate the room in which the unit is placed.

Ignore this warning if your product's cooling system contains R134a.

Type of gas used in the product is stated in the type label which is on the left wall inside the refrigerator.

Never throw the product in fire for disposal.

Things to be done for energy saving

- Do not leave the doors of your refrigerator open for a long time.
- Do not put hot food or drinks in your refrigerator.
- Do not overload your refrigerator so that the air circulation inside of it is not prevented.

- Do not install your refrigerator under direct sunlight or near heat emitting appliances such as ovens, dishwashers or radiators. Keep your refrigerator at least 30cm away from heat emitting sources and at least 5cm from electrical ovens.
- Pay attention to keep your food in closed containers.
- For products with a freezer compartment; You can store maximum amount of food items in the freezer when you remove the shelf or drawer of the freezer. Energy consumption value stated for your refrigerator has been determined by removing freezer shelf or drawer and under maximum load. There is no harm to use a shelf or drawer according to the shapes and size of food to be frozen.
- Thawing frozen food in fridge compartment will both provide energy saving and preserve the food quality.

3 Installation

⚠ The manufacturer will not be liable for any event caused by disregarding the information supplied in this user manual.

Points to be paid attention to when the relocation of the cooler/freezer

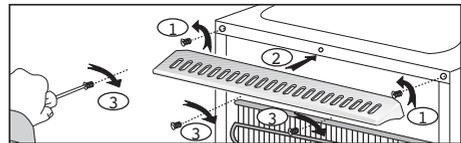
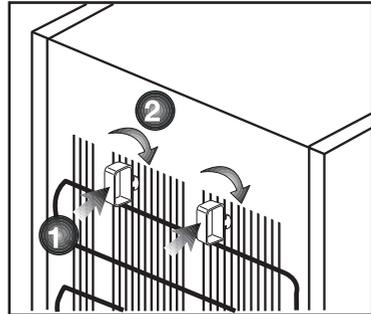
1. Your cooler/freezer should be unplugged. Before transportation of your cooler/freezer, it should be emptied and cleaned.
2. Before it is re-packaged, shelves, accessories, crisper, etc. inside your cooler/freezer should be fixed with adhesive tape and secured against impacts. Package should be bound with a thick tape and the transportation rules on the package should be strictly observed.
3. Original packaging and foam materials should be kept for future transportations or moving.

Before you start the cooler/freezer,

Check the following before you start to use your cooler/freezer:

1. Attach 2 plastic wedges as illustrated below. Plastic wedges are intended to keep the distance which will ensure the air circulation between your cooler/freezer and the wall. (The picture is drawn up as a representation and it is not identical with your product.)
2. Clean the interior of the cooler/freezer as recommended in the "Maintenance and cleaning" section.

3. Connect the plug of the cooler/freezer to the wall socket. When the fridge door is opened, fridge internal lamp will turn on.
4. When the compressor starts to operate, a sound will be heard. The liquid and gases sealed within the



refrigeration system may also give rise to noise, even if the compressor is not running and this is quite normal.

5. Front edges of the cooler/freezer may feel warm. This is normal. These areas are designed to be warm to avoid condensation.

Electrical connection

Connect your product to a grounded socket which is being protected by a fuse with the appropriate capacity. Important:

The connection must be in compliance with national regulations.

- The power plug must be easily accessible after installation.
- Electrical safety of your cooler/freezer shall be guaranteed only if the earth system in your house complies with standards.
- The voltage stated on the label located at left inner side of your product should be equal to your network voltage.
- **Extension cables and multi plugs must not be used for connection.**

⚠ A damaged power cable must be replaced by a qualified electrician.

⚠ Faulty product must not be operated before it is repaired! There is the risk of electric shock!

Disposing of the packaging

The packing materials may be dangerous for children. Keep the packing materials out of the reach of children or dispose of them by classifying them in accordance with the waste instructions stated by your local authorities. Do not throw away with regular house waste, throw away on packaging pick up spots designated by the local authorities.

The packing of your cooler/freezer is produced from recyclable materials.

Disposing of your old cooler/freezer

Dispose of your old cooler/freezer without giving any harm to the environment.

- You may consult your authorized dealer or waste collection center of your municipality about the disposal of your cooler/freezer.

Before disposing of your cooler/freezer, cut out the electric plug and, if there are any locks on the door, make them inoperable in order to protect children against any danger.

Placing and Installation

⚠ If the entrance door of the room where the cooler/freezer will be installed is not wide enough for the cooler/freezer to pass through, then carefully remove the doors of your cooler/freezer and pass it sideways through the door.

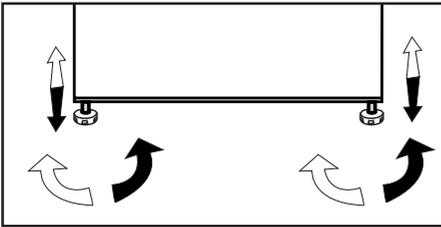
1. Install your cooler/freezer to a place that allows ease of use.
2. Keep your cooler/freezer away from heat sources, humid places and direct sunlight.
3. There must be appropriate air ventilation around your cooler/freezer in order to achieve an efficient operation. If the cooler/freezer is to be placed in a recess in the wall, there must be at least 5 cm distance with the ceiling and at least 5 cm with the wall. Do not place your product on the materials such as rug or carpet.
4. Place your cooler/freezer on an even floor surface to prevent jolts.

WARNING:

Do not locate extension sockets or charging transformers/ power supplies or Lithium-Iron battery operated products adjacent to the compressor as they could overheat.

Adjusting the legs

If your refrigerator is unbalanced; You can balance your refrigerator by turning its front legs as illustrated in the figure. The corner where the leg exists is lowered when you turn in the direction of black arrow and raised when you turn in the opposite direction. Taking help from someone to slightly lift the refrigerator will facilitate this process.



Changing the illumination lamp

To change the Bulb/LED used for illumination of your refrigerator, call your AuthorisedService.

The lamp(s) used in this appliance is not suitable for household room illumination. The intended purpose of this lamp is to assist the user to place foodstuffs in the refrigerator/ freezer in a safe and comfortable way. The lamps used in this appliance have to withstand extreme physical conditions such as temperatures below -20 °C.

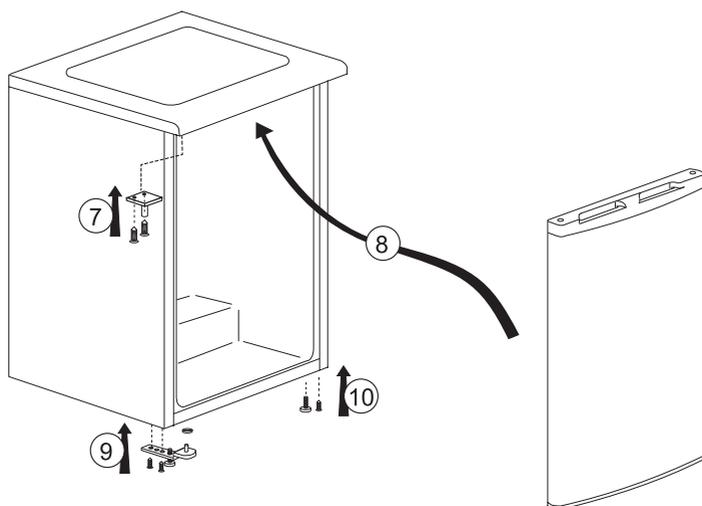
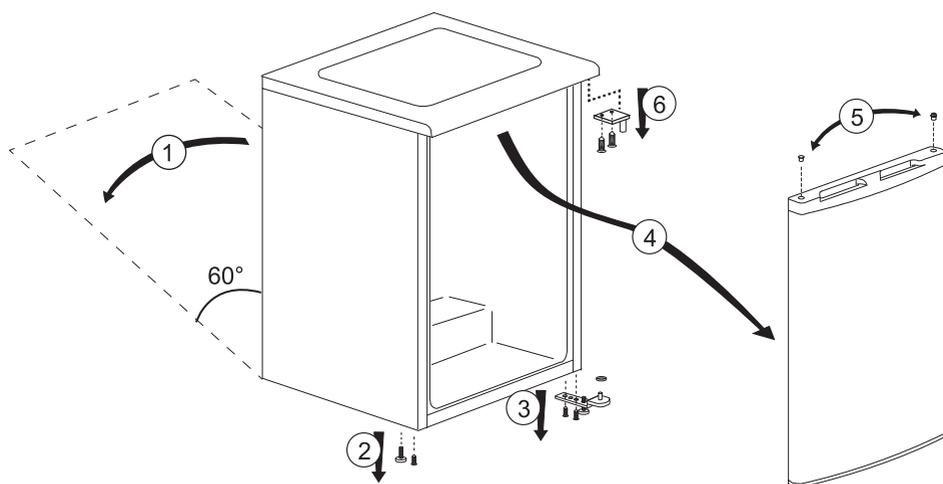
(only chest and upright freezer)

4 Preparation

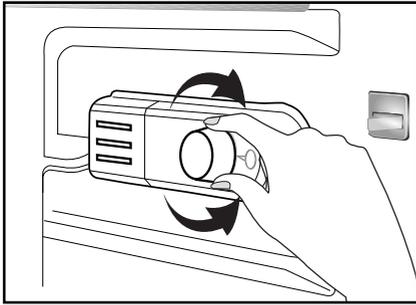
- For a freestanding appliance; 'this refrigerating appliance is not intended to be used as a built-in appliance' ;
- Your cooler/freezer should be installed at least 30 cm away from heat sources such as hobs, ovens, central heater and stoves and at least 5 cm away from electrical ovens and should not be located under direct sunlight.
- The ambient temperature of the room where you install your cooler/freezer should at least be 10°C. Operating your cooler/freezer under cooler conditions is not recommended with regard to its efficiency.
- Please make sure that the interior of your cooler/freezer is cleaned thoroughly.
- If two cooler/freezers are to be installed side by side, there should be at least 2 cm distance between them.
- When you operate your cooler/freezer for the first time, please observe the following instructions during the initial six hours.
- The door should not be opened frequently.
- It must be operated empty without any food in it.
- Do not unplug your cooler/freezer. If a power failure occurs out of your control, please see the warnings in the "Recommended solutions for the problems" section.
- Original packaging and foam materials should be kept for future transportations or moving.
- Due to temperature change as a result of opening/closing the product door during operation, condensation on the door/body shelves and the glass containers is normal.

Reversing the doors

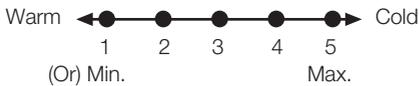
Proceed in numerical order



5 Using your cooler/freezer



The operating temperature is regulated by the temperature control.



**1 = Lowest cooling setting
(Warmest setting)**

**5 = Highest cooling setting
(Coldest setting)**

(Or)

**Min. = Lowest cooling setting
(Warmest setting)**

**Max. = Highest cooling setting
(Coldest setting)**

The average temperature inside the fridge should be around +5°C.

Please choose the setting according to the desired temperature.

You can stop operation of your appliance by turning the thermostat knob to "0" position.

Please note that there will be different temperatures in the cooling area.

The coldest region is immediately above the vegetable compartment.

The interior temperature also depends on ambient temperature, the frequency with which the door is opened and the amount of food kept inside.

Frequently opening the door causes the interior temperature to rise.

For this reason, it is recommended to close the door again as soon as possible after use.

Freezing

Freezing food

The freezing compartment is marked with  this symbol.

You can use the appliance for freezing fresh food as well as for storing pre-frozen food.

Please refer to the recommendations given on the packaging of your food.

- Attention

Do not freeze fizzy drinks, as the bottle may burst when the liquid in it is frozen.

Be careful with frozen products such as coloured ice-cubes.

Do not exceed the freezing capacity of your appliance in 24 hours. See the rating label.

In order to maintain the quality of the food, the freezing must be effected as rapidly as possible.

Thus, the freezing capacity will not be exceeded, and the temperature inside the freezer will not rise.

- Attention

Keep the already deep-frozen food always separated with freshly placed food.

When deep-freezing hot food, the cooling compressor will work until the food is completely frozen. This can temporarily cause excessive cooling of the refrigeration compartment.

If you find the freezer door difficult to open just after you have closed it, don't worry. This is due to the pressure difference which will equalize and allow the door to open normally after a few minutes.

You will hear a vacuum sound just after closing the door. This is quite normal.

Making ice cubes

Fill the ice-cube tray 3/4 full with water and place it in the freezer.

As soon as the water has turned into ice, you can take out the ice cubes.

Never use sharp objects such as knives or forks to remove the ice cubes. There is a risk of injury!

Let the ice cubes slightly thaw instead, or put the bottom of the tray in hot water for a short moment.

Storing frozen food

The frozen food compartment is marked with  symbol.

The frozen food compartment is suitable for the storage of pre-frozen food. The recommendation for storage, as stated on the food packaging, should be observed at all times.

Defrosting of the appliance

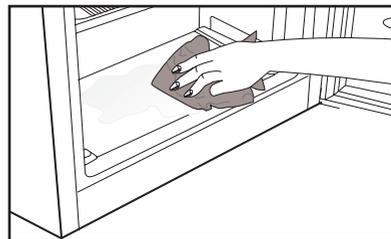
Excessive build-up of ice will affect the freezing performance of your device.

It is therefore recommended that you defrost your appliance at least twice a year, or whenever the ice build-up exceeds 7 mm.

Defrost your device when there is only little or no food in it.

Take out the deep-frozen food. Wrap the deep-frozen food in several layers of paper, or a blanket, and keep it in a cold place.

Unplug the appliance or switch off the circuit breaker to start the defrosting process.



Take out the accessories (like shelf, drawer etc.) from the appliance and use a suitable container to collect the thawing water.

Use a sponge or a soft cloth to remove thawing water if necessary at the freezing compartment

 and frozen food compartment 

Keep the door open during defrosting.

For quicker defrosting, place containers with warm water inside the appliance.

Never use electrical devices, defrosting sprays or pointed or sharp-edged objects such as knives or forks to remove the ice.

After the defrosting is done, clean the inside.

Reconnect the appliance to the mains. Place the frozen food into the drawers and slide the drawers into the freezer.

Cooling

Food storage

The fridge compartment is for the short-term storage of fresh food and drinks.

Store milk products in the intended compartment in the refrigerator.

Bottles can be stored in the bottle holder or in the bottle shelf of the door.

Raw meat is best kept in a polyethylene bag in the compartment at the very bottom of the refrigerator.

Allow hot food and beverages to cool to room temperature prior to placing them in the refrigerator.

• Attention

Store concentrated alcohol in a container only standing upright and tightly closed.

• Attention

Do not store explosive substances or containers with flammable propellant gases (canned cream, spray cans etc.) in the appliance.

There is a danger of explosion.

Defrosting of the appliance

The fridge compartment defrosts automatically. The thawing water flows through the drain channel into a collection container at the back of the appliance.

During defrosting, water droplets form at the back wall of the fridge due to the evaporation.

If not all of the drops run down, they may freeze again after defrosting completes. Remove them with a soft cloth dampened with warm water. Do not use hard or sharp objects.

6

Maintenance and cleaning

Cleaning your fridge at regular intervals will extend the service life of the product.

WARNING:

- Unplug the product before cleaning it.
- Never use gasoline, benzene or similar substances for cleaning purposes.
- Never use any sharp and abrasive tools, soap, household cleaners, detergent and wax polish for cleaning.
- For non-No Frost products, water drops and frosting up to a fingerbreadth occur on the rear wall of the Fridge compartment. Do not clean it; never apply oil or similar agents on it.
- Only use slightly damp microfiber cloths to clean the outer surface of the product. Sponges and other types of cleaning cloths may scratch the surface
- Dissolve one teaspoon of bi-carbonate in half litre of water. Soak a cloth with the solution and wrung it thoroughly. Wipe the interior of the refrigerator with this cloth and the dry thoroughly.
- Make sure that no water enters the lamp housing and other electrical items.
- If you will not use the refrigerator for a long period of time, unplug it, remove all food inside, clean it and leave the door ajar.
- Check regularly that the door gaskets are clean. If not, clean them.
- To remove door and body shelves, remove all of its contents.
- Remove the door shelves by pulling them up. After cleaning, slide them from top to bottom to install.
- Never use cleaning agents or water that contain chlorine to clean the outer surfaces and chromium coated parts of the product. Chlorine causes corrosion on such metal surfaces.

6.1 Avoiding bad odours

- Materials that may cause odour are not used in the production of our refrigerators. However, due to inappropriate food preserving conditions and not cleaning the inner surface of the refrigerator as required can bring forth the problem of odour. Pay attention to following to avoid this problem:
- Keeping the refrigerator clean is important. Food residuals, stains, etc. can cause odour. Therefore, clean the refrigerator with bi-carbonate dissolved in water every few months. Never use detergents or soap.
- Keep the food in closed containers. Microorganisms spreading out from uncovered containers can cause unpleasant odours.
- Never keep the food that have passed best before dates and spoiled in the refrigerator.

6.2 Protecting the plastic surfaces

Do not put liquid oils or oil-cooked meals in your refrigerator in unsealed containers as they damage the plastic surfaces of the refrigerator. If oil is spilled or smeared onto the plastic surfaces, clean and rinse the relevant part of the surface at once with warm water.

7

Troubleshooting

Check this list before contacting the service. Doing so will save you time and money. This list includes frequent complaints that are not related to faulty workmanship or materials. Certain features mentioned herein may not apply to your product.

The refrigerator is not working.

- The power plug is not fully settled.
>>> Plug it in to settle completely into the socket.
- The fuse connected to the socket powering the product or the main fuse is blown. >>> Check the fuses.

Condensation on the side wall of the cooler compartment (MULTI ZONE, COOL, CONTROL and FLEXI ZONE).

- The door is opened too frequently
>>> Take care not to open the product's door too frequently.
- The environment is too humid. >>> Do not install the product in humid environments.
- Foods containing liquids are kept in unsealed holders. >>> Keep the foods containing liquids in sealed holders.
- The product's door is left open. >>> Do not keep the product's door open for long periods.
- The thermostat is set to too low temperature. >>> Set the thermostat to appropriate temperature.

Compressor is not working.

- In case of sudden power failure or pulling the power plug off and putting back on, the gas pressure in the product's cooling system is not balanced, which triggers the compressor thermic safeguard. The product will restart after approximately 6 minutes. If the product does not restart after this period, contact the service.
- Defrosting is active. >>> This is normal for a fully-automatic defrosting product. The defrosting is carried out periodically.
- The product is not plugged in. >>> Make sure the power cord is plugged in.
- The temperature setting is incorrect. >>> Select the appropriate temperature setting.
- The power is out. >>> The product will continue to operate normally once the power is restored.

The refrigerator's operating noise is increasing while in use.

- The product's operating performance may vary depending on the ambient temperature variations. This is normal and not a malfunction.

The refrigerator runs too often or for too long.

- The new product may be larger than the previous one. Larger products will run for longer periods.
- The room temperature may be high. >>> The product will normally run for long periods in higher room temperature.

- The product may have been recently plugged in or a new food item is placed inside. >>> The product will take longer to reach the set temperature when recently plugged in or a new food item is placed inside. This is normal.
- Large quantities of hot food may have been recently placed into the product. >>> Do not place hot food into the product.
- The doors were opened frequently or kept open for long periods. >>> The warm air moving inside will cause the product to run longer. Do not open the doors too frequently.
- The freezer or cooler door may be ajar. >>> Check that the doors are fully closed.
- The product may be set to temperature too low. >>> Set the temperature to a higher degree and wait for the product to reach the adjusted temperature.
- The cooler or freezer door washer may be dirty, worn out, broken or not properly settled. >>> Clean or replace the washer. Damaged / torn door washer will cause the product to run for longer periods to preserve the current temperature.

The freezer temperature is very low, but the cooler temperature is adequate.

- The freezer compartment temperature is set to a very low degree. >>> Set the freezer compartment temperature to a higher degree and check again.

The cooler temperature is very low, but the freezer temperature is adequate.

- The cooler compartment temperature is set to a very low degree. >>> Set the freezer compartment temperature to a higher degree and check again.

The food items kept in cooler compartment drawers are frozen.

- The cooler compartment temperature is set to a very low degree. >>> Set the freezer compartment temperature to a higher degree and check again.

The temperature in the cooler or the freezer is too high.

- The cooler compartment temperature is set to a very high degree. >>> Temperature setting of the cooler compartment has an effect on the temperature in the freezer compartment. Wait until the temperature of relevant parts reach the sufficient level by changing the temperature of cooler or freezer compartments.
- The doors were opened frequently or kept open for long periods. >>> Do not open the doors too frequently.
- The door may be ajar. >>> Fully close the door.
- The product may have been recently plugged in or a new food item is placed inside. >>> This is normal. The product will take longer to reach the set temperature when recently plugged in or a new food item is placed inside.
- Large quantities of hot food may have been recently placed into the product. >>> Do not place hot food

Shaking or noise.

- The ground is not level or durable.
>>> If the product is shaking when moved slowly, adjust the stands to balance the product. Also make sure the ground is sufficiently durable to bear the product.
- Any items placed on the product may cause noise. >>> Remove any items placed on the product.

The product is making noise of liquid flowing, spraying etc.

- The product's operating principles involve liquid and gas flows. >>> This is normal and not a malfunction.

There is sound of wind blowing coming from the product.

- The product uses a fan for the cooling process. This is normal and not a malfunction.

There is condensation on the product's internal walls.

- Hot or humid weather will increase icing and condensation. This is normal and not a malfunction.
- The doors were opened frequently or kept open for long periods.
>>> Do not open the doors too frequently; if open, close the door.
- The door may be ajar. >>> Fully close the door.

There is condensation on the product's exterior or between the doors.

- The ambient weather may be humid, this is quite normal in humid weather. >>> The condensation will dissipate when the humidity is reduced.

The interior smells bad.

- The product is not cleaned regularly.
>>> Clean the interior regularly using sponge, warm water and carbonated water.
- Certain holders and packaging materials may cause odour. >>> Use holders and packaging materials without free of odour.
- The foods were placed in unsealed holders. >>> Keep the foods in sealed holders. Micro-organisms may spread out of unsealed food items and cause malodour. Remove any expired or spoiled foods from the product.

The door is not closing.

- Food packages may be blocking the door. >>> Relocate any items blocking the doors.
- The product is not standing in full upright position on the ground. >>> Adjust the stands to balance the product.
- The ground is not level or durable.
>>> Make sure the ground is level and sufficiently durable to bear the product.

The vegetable bin is jammed.

- The food items may be in contact with the upper section of the drawer. >>> Reorganize the food items in the drawer.

If The Surface Of The Product Is Hot.

- High temperatures may be observed between the two doors, on the side panels and at the rear grill while the product is operating. This is normal and does not require service maintenance! Be careful when touching these areas.



WARNING:

If the problem persists after following the instructions in this section, contact your vendor or an Authorised Service. Do not try to repair the product.

DISCLAIMER / WARNING

Some (simple) failures can be adequately handled by the end-user without any safety issue or unsafe use arising, provided that they are carried out within the limits and in accordance with the following instructions (see the “Self-Repair” section).

Therefore, unless otherwise authorized in the “Self-Repair” section below, repairs shall be addressed to registered professional repairers in order to avoid safety issues. A registered professional repairer is a professional repairer that has been granted access to the instructions and spare parts list of this product by the manufacturer according to the methods described in legislative acts pursuant to Directive 2009/125/EC.

However, only the service agent (i.e. authorized professional repairers) that you can reach through the phone number given in the user manual/ warranty card or through your authorized dealer may provide service under the guarantee terms. Therefore, please be advised that repairs by professional repairers (who are not authorized by Beko) shall void the guarantee.

Self-Repair

Self-repair can be done by the end-user with regard to the following spare parts: door handles, door hinges, trays, baskets and door gaskets (an updated list is also available in support.beko.com as of 1st March 2021).

Moreover, to ensure product safety and to prevent risk of serious injury, the mentioned self-repair shall be done following the instructions in the user manual for self-repair or which are available in support.

beko.com. For your safety, unplug the product before attempting any self-repair.

Repair and repair attempts by end-users for parts not included in such list and/ or not following the instructions in the user manuals for self-repair or which are available in support.beko.com, might give raise to safety issues not attributable to Beko, and will void the warranty of the product.

Therefore, it is highly recommended that end-users refrain from the attempt to carry out repairs falling outside the mentioned list of spare parts, contacting in such cases authorized professional repairers or registered professional repairers. On the contrary, such attempts by end-users may cause safety issues and damage the product and subsequently cause fire, flood, electrocution and serious personal injury to occur.

By way of example, but not limited to, the following repairs must be addressed to authorized professional repairers or registered professional repairers: compressor, cooling circuit, main board, inverter board, display board, etc.

The manufacturer/seller cannot be held liable in any case where end-users do not comply with the above.

The spare part availability of the refrigerator that you purchased is 10 years.

During this period, original spare parts will be available to operate the refrigerator properly

The minimum duration of guarantee of the refrigerator that you purchased is 24 months.

This product is equipped with a lighting source of the “G” energy class.

The lighting source in this product shall only be replaced by professional repairers.

Veillez commencer par lire ce manuel d'utilisation!

Cher client,

Nous espérons que votre produit, qui a été fabriqué dans des usines modernes et vérifié au terme des procédures de contrôle de qualité les plus méticuleuses, vous donnera entière satisfaction.

Veillez donc lire attentivement l'intégralité de ce manuel avant de commencer à utiliser le produit et conservez-le manuel comme référence. Si vous remettez cet appareil à quelqu'un d'autre, remettez-lui également le manuel d'utilisation.

Ce manuel vous aidera à utiliser votre produit en toute sécurité et efficacement.

- Lisez le manuel avant d'installer et de faire fonctionner votre produit.
- Veillez à lire les instructions de sécurité.
- Laissez ce manuel dans un endroit facile d'accès car vous pourriez en avoir besoin ultérieurement.
- Lisez également la documentation fournie avec le produit.

N'oubliez pas que le manuel d'utilisation est également valable pour plusieurs autres modèles. Les différences entre les différents modèles seront identifiées dans le manuel.

Explication des symboles

Les symboles ci-dessous sont utilisés dans le manuel d'utilisation:

 Informations importantes ou astuces.

 Avertissement relatif aux situations dangereuses pour la vie et la propriété.

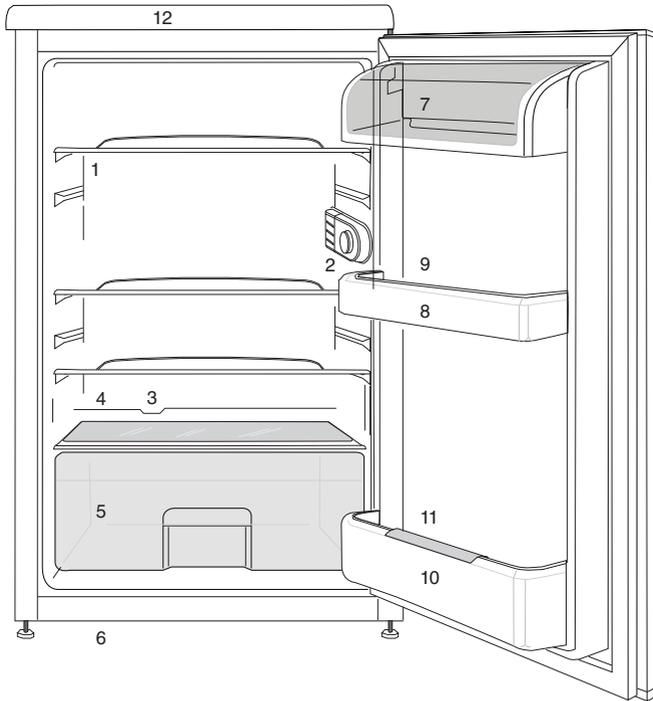
 Avertissement relatif à la tension électrique.

 INFORMATIONS	
 ENERGY 	Vous pouvez accéder aux informations relatives au modèle telles que sauvegardées dans la base de données des produits en entrant le site internet suivant et en recherchant l'identifiant de votre modèle (*) qui se trouve sur la vignette énergie
SUPPLIER'S NAME  MODEL IDENTIFIER  (*)	
https://eprel.ec.europa.eu/	

TABLE DES MATIÈRES

1 Votre réfrigérateur	3	4 Préparation	14
2 Précautions de sécurité importantes	4	Réglage des pieds	15
Sécurité générale.....	5	Remplacement de l'ampoule	15
Pour les appareils dotés d'une fontaine à eau.....	8	Installation (sous le plan de travail).....	15
Sécurité enfants	8	Réversibilité des portes.....	16
Conformité avec la réglementation DEEE et mise au rebut des déchets...	9	5 Utilisation de votre réfrigérateur	17
Informations relatives à l'emballage..	9	Congélation.....	17
Avertissement HC	9	Congeler les denrées	17
Mesures d'économie d'énergie	10	Fabrication de glaçons	18
3 Installation	11	Conservation des denrées surgelées	18
Éléments à prendre en considération lors du déplacements de votre réfrigérateur.....	11	Dégivrage de l'appareil.....	18
Avant de mettre votre réfrigérateur en marche.....	11	Réfrigération.....	19
Branchement électrique	12	Conservation des denrées.....	19
Mise au rebut de l'emballage	12	• Attention	19
Mise au rebut de votre ancien réfrigérateur.....	13	• Attention	19
Disposition et Installation.....	13	Dégivrage de l'appareil.....	19
		6 Entretien et nettoyage	20
		Protection des surfaces en plastique.	21
		7 Dépannage	22

1 Votre réfrigérateur



1. Tablettes mobiles
2. Éclairage intérieur & commande du thermostat
3. Voie de récupération de l'eau de dégivrage - Tube d'écoulement
4. Couvercle du bac à légumes
5. Bac à légumes
6. Pieds avant réglables
7. Compartiment produits laitiers
8. Balconnets de porte
9. Casier à oeufs
10. Clayette range-bouteilles
11. Cale-bouteilles
12. Bandeau supérieur

i Les illustrations présentées dans cette notice d'utilisation sont schématiques et peuvent ne pas correspondre exactement à votre produit. Si des pièces présentées ne sont pas comprises dans le produit que vous avez acheté, elles sont valables pour d'autres modèles.

2 Précautions de sécurité importantes

Veuillez examiner les informations suivantes :

Cet appareil peut être utilisé par des enfants âgés d'au moins 8 ans et par des personnes ayant des capacités physiques, sensorielles ou mentales réduites ou dénuées d'expérience ou de connaissance, s'ils (si elles) sont correctement surveillé(e)s ou si des instructions relatives à l'utilisation de l'appareil en toute sécurité leur ont été données et si les risques encourus ont été appréhendés. Les enfants ne doivent pas jouer avec l'appareil. Le nettoyage et l'entretien par l'utilisateur ne doivent pas être effectués par des enfants sans surveillance.

Le non-respect de ces consignes peut entraîner des blessures ou dommages matériels. Sinon, tout engagement lié à la garantie et à la fiabilité du produit devient invalide.

Les pièces détachées d'origine sont disponibles pendant 10 ans, à compter de la date d'achat du produit.

	<p>REMARQUE : Assurez-vous que les trous d'aération ne sont pas fermés quand le dispositif est dans son boîtier ou est installé à sa place.</p>
--	--

	<p>REMARQUE: Ne pas utiliser tout dispositif mécanique ou un autre dispositif hors des recommandations du fabricant pour accélérer le processus de décongeler.</p>
	<p>REMARQUE: Ne pas endommager le circuit de fluide du réfrigérateur.</p>
	<p>REMARQUE: Ne pas utiliser des appareils électriques non prévus par le fabricant dans les compartiments de conservation des aliments.</p>
	<p>AVERTISSEMENT: Ne conservez pas de substances explosives comme des aérosols avec un liquide inflammable dans cet appareil.</p>

Ce dispositif est conçu pour l'usage domestique ou les applications similaires suivantes :

- Pour être utilisé dans la cuisine de personnel dans les magasins, bureaux et autres environnements de travail ;

- Pour être utilisé par les clients dans les maisons de campagne et hôtels et les autres environnements d'hébergement ;

- Dans des environnements de type de pension de famille

- Dans des applications similaires n'ayant pas de service alimentaire et non détaillants

Sécurité générale

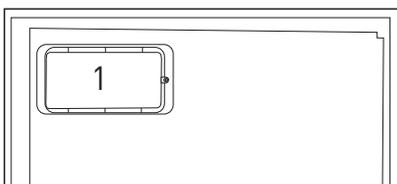
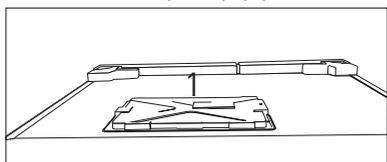
- Si le cordon d'alimentation est endommagé, celui-ci doit être remplacé par le fabricant, ses agents agréés ou tout autre agent qualifié afin d'être à l'abri de tout danger.
- Avant de vous débarrasser de votre appareil, veuillez consulter les autorités locales ou votre revendeur pour connaître le mode opératoire et les organismes de collecte agréés.
- Consultez le service après-vente agréé concernant toutes questions ou problèmes relatifs au réfrigérateur. N'intervenez pas ou ne laissez personne intervenir sur le réfrigérateur sans le communiquer au service après-vente agréé.
- Pour les produits équipés d'un compartiment congélateur : ne mangez pas de cônes de crème glacée ou des glaçons immédiatement après les avoir sortis du compartiment de congélation ! (Cela pourrait provoquer des engelures).

- Pour les produits équipés d'un compartiment congélateur : ne placez pas de boissons en bouteille ou en cannette dans le compartiment de congélation. Cela peut entraîner leur éclatement.
- Ne touchez pas des produits congelés avec les mains, ils pourraient se coller à celles-ci.
- Débranchez votre réfrigérateur avant de le nettoyer ou de le dégivrer.
- La vapeur et des matériaux de nettoyage pulvérisés ne doivent jamais être utilisés pour les processus de nettoyage ou de dégivrage de votre réfrigérateur. La vapeur pourrait pénétrer dans les pièces électriques et provoquer des courts-circuits ou des électrocutions.
- Ne jamais utiliser les pièces de votre réfrigérateur telles que la porte, comme un support ou une marche.
- N'utilisez pas d'appareils électriques à l'intérieur du réfrigérateur.
- N'endommagez pas les pièces où circule le liquide réfrigérant avec des outils de forage ou coupants. Le liquide réfrigérant qui pourrait s'échapper si les canalisations de gaz de l'évaporateur, les rallonges de tuyau ou les revêtements de surface étaient percés, cela pourrait irriter la peau et provoquer des blessures aux yeux.

- Ne pas couvrir ou obstruer les orifices de ventilation du réfrigérateur.
- Les appareils électriques peuvent être réparés seulement par des personnes autorisées. Les réparations réalisées par des personnes ne présentant pas les compétences requises peuvent présenter un risque pour l'utilisateur.
- En cas de dysfonctionnement ou lors d'opérations d'entretien ou de réparation, débranchez l'alimentation électrique du réfrigérateur soit en désactivant le fusible correspondant, soit en débranchant l'appareil.
- Assurez-vous que les boissons comportant un taux d'alcool très élevé sont conservées en sécurité avec leur couvercle fixé et placées en position verticale.
- Placez les boissons alcoolisées verticalement, dans des récipients convenablement fermés.
- Ne conservez jamais des aérosols contenant des substances inflammables et explosives dans le réfrigérateur.
- N'utilisez pas d'outils mécaniques ou autres dispositifs pour accélérer le processus de décongélation autres que ceux qui sont recommandés par le fabricant.
- Ce produit n'est pas conçu pour être utilisé par des personnes (enfants compris) souffrant de déficience physique, sensorielle, mentale, ou inexpérimentées, à moins d'avoir obtenu une autorisation auprès des personnes responsables de leur sécurité.
- Ne faites pas fonctionner un réfrigérateur endommagé. Consultez le service agréé en cas de problème.
- La sécurité électrique du réfrigérateur n'est assurée que si le système de mise à la terre de votre domicile est conforme aux normes en vigueur.
- L'exposition du produit à la pluie, la neige, au soleil ou au vent présente des risques concernant la sécurité électrique.
- Contactez le service agréé quand un câble d'alimentation est endommagé pour éviter tout danger.
- Ne branchez jamais le réfrigérateur à la prise murale au cours de l'installation. Vous vous exposeriez à un risque de mort ou à de blessures graves.
- Ce réfrigérateur est conçu seulement pour conserver des aliments. Par conséquent, il ne doit pas être utilisé à d'autres fins.

- L'étiquette avec les caractéristiques techniques est située sur la paroi gauche à l'intérieur du réfrigérateur.
- Ne branchez jamais votre réfrigérateur à des systèmes d'économie d'énergie, cela peut l'endommager.
- S'il y a une lumière bleue sur le réfrigérateur, ne la regardez ni avec vos yeux nus, ni avec des outils optiques pendant longtemps.
- Pour les réfrigérateurs contrôlés manuellement, attendez au moins 5 minutes pour allumer le réfrigérateur après une coupure de courant.
- Si cet appareil venait à changer de propriétaire, n'oubliez pas de remettre la présente notice d'utilisation au nouveau bénéficiaire.
- Évitez d'endommager le câble d'alimentation quand vous transportez le réfrigérateur. Tordre le câble peut entraîner un incendie. Ne placez jamais d'objets lourds sur le câble d'alimentation.
- Évitez de toucher à la prise avec des mains mouillées au moment de brancher l'appareil.
- Évitez de brancher le réfrigérateur lorsque la prise de courant électrique a lâché.
- Pour des raisons de sécurité, évitez de pulvériser directement de l'eau sur les parties externes et internes du réfrigérateur.
- Ne pulvérisez pas de substances contenant des gaz inflammables comme du propane près du réfrigérateur pour éviter tout risque d'incendie et d'explosion.
- Ne placez jamais de récipients contenant de l'eau sur votre réfrigérateur, ils pourraient causer des chocs électriques ou un incendie.
- Évitez de surcharger le réfrigérateur avec une quantité excessive d'aliments. S'il est surchargé, les aliments peuvent tomber, vous blesser et endommager le réfrigérateur quand vous ouvrez la porte.
- Ne placez jamais d'objets au-dessus du réfrigérateur, ils pourraient tomber quand vous ouvrez ou fermez la porte du réfrigérateur.
- Les produits qui nécessitent un contrôle de température précis (vaccin, médicament sensible à la chaleur, matériels scientifiques, etc.) ne doivent pas être conservés dans le réfrigérateur.
- Si le réfrigérateur n'est pas utilisé pendant longtemps, il doit être débranché. Un problème avec le câble d'alimentation pourrait causer un incendie.
- Le réfrigérateur peut bouger si ses pieds réglables ne sont pas bien fixés sur le sol. Bien fixer les pieds réglables sur le sol peut empêcher le réfrigérateur de bouger.

- Quand vous transportez le réfrigérateur, ne le tenez pas par la poignée de la porte. Cela peut le casser.
- Quand vous devez placer votre produit près d'un autre réfrigérateur ou congélateur, la distance entre les appareils doit être d'au moins 8 cm. Sinon, les murs adjacents peuvent être humidifiés.
- Ne jamais utiliser le produit si la section située dans sa partie supérieure ou inférieure avec cartes de circuits imprimés électroniques à l'intérieur est ouverte (couverture de cartes de circuits imprimés électroniques) (1).



Pour les appareils dotés d'une fontaine à eau

- La pression de l'eau froide à l'entrée ne doit pas excéder 90 psi (6,2 bar). Si votre pression d'eau dépasse 80 psi (5,5 bar), utilisez une soupape de limitation de pression sur votre réseau de conduite. Si vous ne savez pas comment

vérifiez la pression de l'eau, demandez l'assistance d'un plombier professionnel.

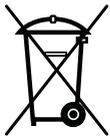
- S'il existe un risque d'effet coup de bélier sur votre installation, utilisez systématiquement un équipement de protection contre l'effet coup de bélier sur celle-ci. Consultez des plombiers professionnels si vous n'êtes pas sûr de la présence de cet effet sur votre installation.
- Ne l'installez pas sur l'entrée d'eau chaude. Prenez des précautions contre le risque de congélation des tuyaux. L'intervalle de fonctionnement de la température des eaux doit être de 33 F (0,6°C) au moins et de 100 F (38 C) au plus.
- Utilisez uniquement de l'eau potable.

Sécurité enfants

- Si la porte a un verrouillage, la clé doit rester hors de portée des enfants.
- Les enfants doivent être surveillés et empêchés de s'amuser avec le produit.

Conformité avec la réglementation DEEE et mise au rebut des déchets

Ce produit ne contient pas de matériaux dangereux et interdits décrits dans la « Réglementation sur le contrôle des déchets d'équipements électriques et électroniques » publié par le Ministère de l'Environnement et de l'Urbanisme. Conforme avec la réglementation DEEE.



Le présent produit a été fabriqué avec des pièces et du matériel de qualité supérieure susceptibles d'être réutilisés et adaptés au recyclage. Par conséquent, nous vous conseillons de ne pas le mettre au rebut aux côtés des ordures ménagères à la fin de sa durée de vie. Au contraire, rendez-vous dans un point de collecte pour le recyclage de tout matériel électrique et électronique. Veuillez vous rapprocher des autorités de votre localité pour plus d'informations concernant le point de collecte le plus proche. Aidez-nous à protéger l'environnement et les ressources naturelles en recyclant les produits usagés. Pour la sécurité des enfants, coupez le câble d'alimentation et le mécanisme de verrouillage de la porte, le cas échéant. Ce faisant, vous rendez l'appareil inopérant avant sa mise au rebut.

Informations relatives à l'emballage

Les matériaux d'emballage de cet appareil sont fabriqués à partir de matériaux recyclables, conformément à nos Réglementations Nationales en Environnement. Ne mélangez pas les matériaux d'emballage avec les déchets domestiques ou d'autres déchets. Amenez-les aux points de collecte des matériaux d'emballage, désignés par les autorités locales.

N'oubliez pas...

Pour la préservation de la nature et de notre santé, il est indispensable de recycler les matières.

Si vous voulez contribuer au recyclage des matériaux d'emballage, vous pouvez vous renseigner auprès d'organisations environnementales ou de l'autorité locale proche de votre domicile.

Avertissement HC

Si le système de refroidissement de votre appareil contient R600a :

Ce gaz est inflammable. Par conséquent, veuillez prendre garde à ne pas endommager le système de refroidissement et les tuyauteries lors de son utilisation ou de son transport. En cas de dommages, éloignez votre produit de toute source potentielle de flammes susceptible de provoquer l'incendie de l'appareil. De même, placez le produit dans une pièce aérée.

Ne tenez pas compte de cet avertissement si le système de refroidissement de votre appareil contient R134a.

Le type de gaz utilisé dans l'appareil est mentionné sur la plaque signalétique située sur la paroi gauche de l'intérieur du réfrigérateur.

Ne jetez jamais l'appareil au feu pour vous en débarrasser.

Mesures d'économie d'énergie

- Ne laissez pas les portes du réfrigérateur ouvertes pendant une durée prolongée.
- N'introduisez pas de denrées ou de boissons chaudes dans le réfrigérateur.
- Ne surchargez pas le réfrigérateur pour ne pas obstruer pas la circulation d'air à l'intérieur.
- N'installez pas le réfrigérateur à la lumière directe du soleil ou près d'appareil émettant de la chaleur tels qu'un four, un lave-vaisselle ou un radiateur. Maintenez une distance d'au moins 30 cm entre votre réfrigérateur et toute source de chaleur, et à une distance de 5cm d'un four électrique.
- Veillez à conserver vos denrées dans des récipients fermés.
- Pour les produits équipés d'un compartiment congélateur : vous pouvez conserver une quantité maximale d'aliments dans le congélateur quand vous enlevez l'étagère ou le tiroir du congélateur. La consommation d'énergie précisée pour votre réfrigérateur a été déterminée en enlevant l'étagère ou le tiroir du congélateur et avec la charge maximale. Il n'y aucun risque à utiliser une étagère ou un tiroir en fonction des formes et tailles des denrées à congeler.
- La décongélation des aliments dans le compartiment réfrigérateur permet de faire des économies d'énergie et de préserver la qualité des aliments.

3 Installation

⚠ AVERTISSEMENT:

Dans l'hypothèse où l'information contenue dans ce manuel n'a pas été prise en compte par l'utilisateur, le fabricant ne sera aucunement responsable en cas de problèmes.

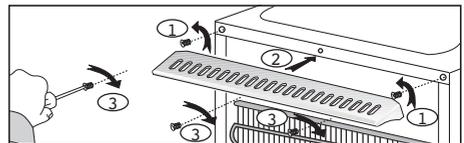
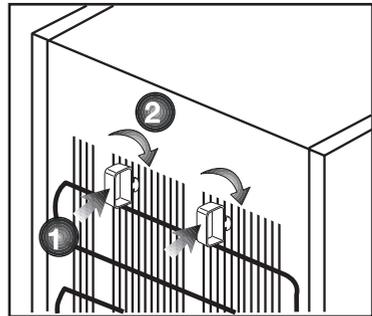
Éléments à prendre en considération lors du déplacement de votre réfrigérateur

1. Votre réfrigérateur doit être débranché. Avant le transport de votre réfrigérateur, vous devez le vider et le nettoyer. Avant d'emballer votre réfrigérateur, vous devez fixer ses étagères, bac, accessoires, etc, avec du ruban adhésif afin de les protéger contre les chocs.
1. L'emballage doit être solidement attaché avec du ruban adhésif épais ou avec un cordage solide. La réglementation en matière de transport et de marquage de l'emballage doit être strictement respectée.
2. L'emballage et les matériaux de protection d'emballage doivent être conservés pour les éventuels transports ou déplacements à venir.

Avant de mettre votre réfrigérateur en marche

Vérifiez les points suivants avant de commencer à utiliser votre réfrigérateur

1. Fixez les câbles en plastique tel qu'indiqué sur le schéma ci-dessous. Les câbles en plastique servent à maintenir une distance permettant la circulation de l'air entre le réfrigérateur et le mur. (Cette image n'est donnée qu'à titre indicatif ; elle n'est pas identique à votre produit.)
2. Vous pouvez installer les 2 cales en plastique comme illustré dans le schéma. Les cales en plastique maintiendront la distance nécessaire entre votre Congélateur / réfrigérateur et le mur pour permettre une bonne circulation de l'air. (Le schéma présenté est fourni à titre indicatif et peut ne pas correspondre exactement avec votre produit.)



3. Nettoyez l'intérieur du réfrigérateur tel qu'indiqué dans la section « Entretien et nettoyage ».

4. Insérez la prise du réfrigérateur dans la prise murale. Lorsque la porte du réfrigérateur est ouverte, la lampe interne du réfrigérateur s'éclaire.
5. Lorsque le compresseur commence à fonctionner, il émettra un son. Le liquide et les gaz intégrés au système du réfrigérateur peuvent également faire du bruit, que le compresseur soit en marche ou non. Ceci est tout à fait normal.
6. Les parties antérieures du réfrigérateur peuvent chauffer. Ce phénomène est normal. Ces zones doivent en principe être chaudes pour éviter tout risque de condensation.

Branchement électrique

Branchez votre réfrigérateur à une prise électrique protégée par un fusible ayant une capacité appropriée. Important :

- Le branchement doit être conforme aux normes en vigueur sur le territoire national.
- La fiche du câble d'alimentation doit être facilement accessible après installation.
- La sécurité électrique du réfrigérateur n'est assurée que si le système de mise à la terre de votre domicile est conforme aux normes en vigueur.
- La tension indiquée sur l'étiquette située sur la paroi gauche interne de votre produit doit correspondre à celle fournie par votre réseau électrique.

- **Les rallonges et prises multivoies ne doivent pas être utilisés pour brancher l'appareil.**

AVERTISSEMENT:

Un câble d'alimentation endommagé doit être remplacé par un électricien qualifié.

AVERTISSEMENT:

L'appareil ne doit pas être mis en service avant d'être réparé ! Cette précaution permet d'éviter tout risque de choc électrique!

Mise au rebut de l'emballage

Les matériaux d'emballage peuvent être dangereux pour les enfants. Tenez les matériaux d'emballage hors de portée des enfants ou jetez-les conformément aux consignes établies par les autorités locales en matière de déchets. Ne les jetez pas avec les déchets domestiques, déposez-les dans les centres de collecte désignés par les autorités locales.

L'emballage de votre appareil est produit à partir de matériaux recyclables.

Mise au rebut de votre ancien réfrigérateur

Débarrassez-vous de votre ancien réfrigérateur sans nuire à l'environnement.

- Vous pouvez consulter le service après-vente agréé ou le centre chargé de la mise au rebut dans votre municipalité pour en savoir plus sur la mise au rebut de votre produit.

Avant de procéder à la mise au rebut de votre machine, coupez la prise électrique et, le cas échéant, tout verrouillage susceptible de se trouver sur la porte. Rendez-les inopérants afin de ne pas exposer les enfants à d'éventuels dangers.

Disposition et Installation

AVERTISSEMENT:

Si la porte d'entrée de la pièce où sera installé le réfrigérateur n'est pas assez large pour laisser passer le réfrigérateur, appelez le service après-vente qui retirera les portes du réfrigérateur et le fera entrer latéralement dans la pièce.

1. Installez le réfrigérateur dans un emplacement qui permette une utilisation pratique.
2. Maintenez le réfrigérateur éloigné de toutes sources de chaleur, des endroits humides et de la lumière directe du soleil.
3. Une ventilation d'air autour du réfrigérateur doit être aménagée pour obtenir un fonctionnement efficace. Si le réfrigérateur est placé dans un enfoncement du mur, il doit

y avoir un espace d'au moins 5 cm avec le plafond et d'au moins 5 cm avec le mur. Ne placez pas l'appareil sur des revêtements tels qu'un tapis ou de la moquette.

4. Placez le réfrigérateur sur une surface plane afin d'éviter les à-coups.

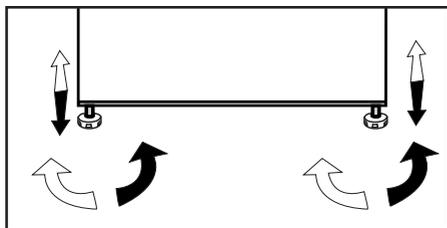
4 Préparation

- Pour un appareil amovible, 'cet appareil de réfrigération n'est pas conçu pour être utilisé comme un appareil à encastrer' ;
- Votre congélateur / réfrigérateur doit être installé à au moins 30 cm des sources de chaleur telles que les plaques de cuisson, les fours, appareils de chauffage ou cuisinières, et à au moins 5 cm des fours électriques. De même, il ne doit pas être exposé à la lumière directe du soleil.
- Veuillez vous assurer que l'intérieur de votre appareil est soigneusement nettoyé.
- La température ambiante de la pièce où vous installez le congélateur / réfrigérateur doit être d'au moins 10°C. Faire fonctionner l'appareil sous des températures inférieures n'est pas recommandé et pourrait nuire à son efficacité.
- Si deux congélateur / réfrigérateurs sont installés côte à côte, ils doivent être séparés par au moins 2 cm.
- Lorsque vous faites fonctionner le congélateur / réfrigérateur pour la première fois, assurez-vous de suivre les instructions suivantes pendant les six premières heures.
- La porte ne doit pas être ouverte fréquemment.
- Le congélateur / réfrigérateur doit fonctionner à vide, sans denrées à l'intérieur.
- Ne débranchez pas le congélateur / réfrigérateur. Si une panne de courant se produit, veuillez vous reporter aux avertissements dans la section « Solutions recommandées aux problèmes ».
- L'emballage et les matériaux de protection d'emballage doivent être conservés pour les éventuels transports ou déplacements à venir.
- Les paniers/tiroirs fournis avec le compartiment rafraîchissement doivent être utilisés de manière continue pour une consommation énergétique minimale et de meilleures conditions de conservation.
- Le contact entre le capteur de température et les denrées alimentaires à l'intérieur du compartiment de congélation peut augmenter la consommation énergétique de l'appareil. Pour cette raison, les contacts avec les capteurs doivent être évités.
- Dans certains modèles, le tableau de bord s'éteint automatiquement 5 minutes après la fermeture de la portière. Il est réactivé à l'ouverture de la portière ou lorsqu'on appuie sur n'importe quelle touche.
- En raison des variations de température dues à l'ouverture ou à la fermeture de la porte de l'appareil en fonctionnement, il est normal que la condensation se forme sur la porte, les étagères ou les récipients en verre.

Réglage des pieds

Si le réfrigérateur n'est pas stable.

Vous pouvez équilibrer le réfrigérateur en tournant les pieds avant, tel qu'illustré sur le schéma. Le côté où se trouve le pied s'abaisse lorsque vous tournez dans le sens de la flèche noire, et s'élève lorsque vous tournez dans le sens opposé. Si vous vous faites aider par quelqu'un pour légèrement soulever le réfrigérateur, l'opération s'en trouvera simplifiée.



Remplacement de l'ampoule

Pour remplacer la lampe LED du réfrigérateur, veuillez contacter le service après-vente agréé.

Les ampoules de cet appareil d'électroménager ne sont pas adaptées à une utilisation d'éclairage. L'utilisation recherchée de cette lampe est de permettre à l'utilisateur de placer confortablement et en sécurité les aliments dans le réfrigérateur / coffre.

Les voyants utilisés dans cet appareil doivent résister aux conditions physiques extrêmes telles que des températures inférieures à -20°C .

Installation (sous le plan de travail)

- La hauteur intérieure du plan de travail doit être de 820 mm.
- Les cuisinières ou autres sources de chaleur ne doivent pas être placées au-dessus du plan de travail sous lequel l'appareil est installé.
- La fiche d'alimentation principale doit se trouver à proximité du côté droit ou gauche de l'appareil.
- Découpez la partie indiquée sur l'image puis retirez-la à l'aide d'une pince.

Fig.1

- Positionnez votre appareil sous le plan de travail et ajustez les pieds avant de façon à ce que le dessus touche le plan de travail.
- Pour faire fonctionner l'appareil sous le plan de travail, la distance minimale entre le mur et la pièce en plastique de référence indiquée doit être de 595 mm.

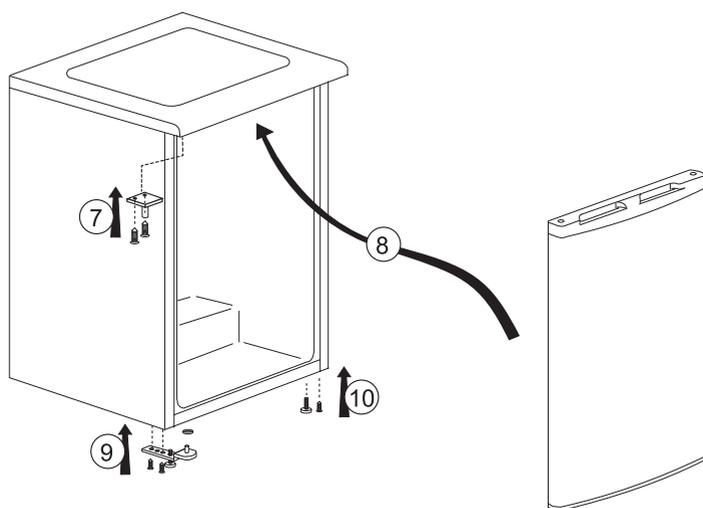
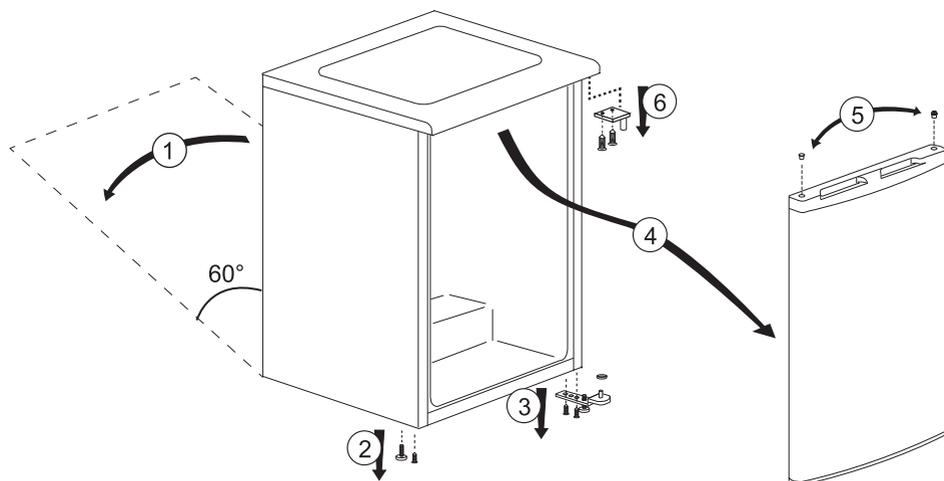
Fig.2-3

- Fixez l'appareil sous le plan de travail à l'aide des deux vis qui faisaient partie du couvercle. (Le plan de travail doit être en plastique ou en bois)

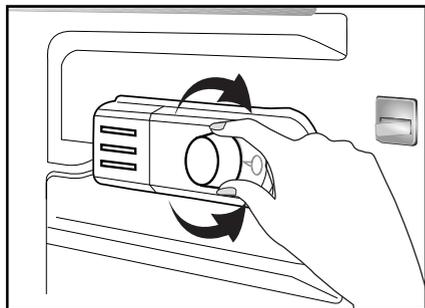
Fig.4

Réversibilité des portes

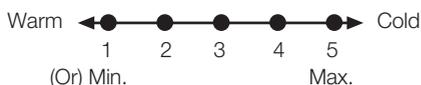
Procédez dans l'ordre numérique.



5 Utilisation de votre réfrigérateur



La température de fonctionnement est réglée à l'aide de la commande de température.



1 = Réglage de réfrigération le plus faible (réglage le plus chaud)

5 = Réglage de réfrigération le plus fort (réglage le plus froid)

(Ou)

Min. = Réglage de réfrigération le plus faible

(réglage le plus chaud)

Min. = Réglage de réfrigération le plus fort

(réglage le plus froid)

La température médiane à l'intérieur du réfrigérateur doit avoisiner les +5 °C.

Veuillez choisir le réglage en fonction de la température désirée.

Vous pouvez éteindre votre appareil en réglant la commande du thermostat sur la position "0".

Vous remarquerez qu'il y a plusieurs températures différentes dans la zone de réfrigération.

La zone la plus froide est située directement au-dessous du bac à légumes.

La température intérieure est également fonction de la température ambiante, de la fréquence d'ouverture de la porte et de la quantité de denrées stockées à l'intérieur.

Si la porte est ouverte fréquemment, la température intérieure monte.

Pour cette raison, il est recommandé de après utilisation.

Congélation

Congeler les denrées

Le compartiment de congélation porte le symbole

Vous pouvez utiliser cet appareil pour congeler des denrées fraîches ainsi que pour stocker des denrées surgelées.

Veuillez vous référer aux recommandations indiquées sur l'emballage de votre aliment.

• Attention

Ne pas congeler de boissons gazeuses car le liquide congelé peut faire éclater la bouteille.

Soyez prudents avec les produits congelés tels que les glaçons colorés.

Ne dépassez pas le pouvoir de congélation de votre appareil par 24 heures. Se référer à la plaque signalétique.

Afin de préserver la qualité des aliments, la congélation doit être effectuée le plus rapidement possible.

Ainsi, le pouvoir de congélation ne sera pas dépassé et la température à l'intérieur du congélateur ne montera pas.

• Attention

Conservez toujours les aliments déjà surgelés séparément des denrées qui viennent d'y être placées.

Lorsque vous surgelez un aliment chaud, le compresseur de réfrigération fonctionnera tant que l'aliment n'est pas complètement congelé. Cela peut causer un refroidissement excessif temporaire du compartiment réfrigérateur.

Si vous trouvez que la porte du congélateur est difficile à ouvrir juste après l'avoir fermée, ne vous inquiétez pas. Cela est dû à la différence de pression qui va se régulariser et permettra d'ouvrir la porte normalement au bout de quelques minutes.

Vous entendrez un bruit d'aspiration juste après avoir fermé la porte. Ceci est tout à fait normal.

Fabrication de glaçons

Remplissez les bacs à glaçons aux 3/4 d'eau et introduisez-les dans le congélateur.

Dès que l'eau est devenue glace, vous pouvez sortir les glaçons.

N'utilisez jamais d'objets tranchants tels que couteaux ou fourchettes pour démouler les glaçons. Vous pourriez vous blesser !

Laisser plutôt les glaçons dégeler légèrement ou bien mettez le fond du bac dans l'eau chaude pendant quelques instants.

Conservation des denrées surgelées

Le compartiment des denrées congelées porte le symbole .

Le compartiment des denrées congelées est destiné au stockage de denrées surgelées. La recommandation de conservation, indiquée sur l'emballage des aliments, doit toujours être respectée.

Dégivrage de l'appareil

La couche excessive de givre diminue l'efficacité de congélation de votre appareil.

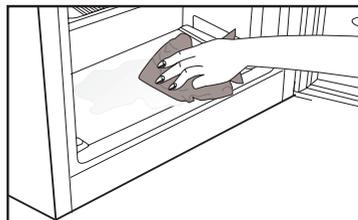
Il est donc recommandé de dégivrer votre appareil au moins deux fois par an ou lorsque la couche de givre dépasse 7 mm.

Dégivrez votre appareil quand il est peu garni ou vide.

Sortez les denrées surgelées. Enveloppez-les dans plusieurs feuilles de papiers ou dans une couverture et conservez-les dans un endroit frais.

Débranchez l'appareil ou coupez le disjoncteur afin de procéder au dégivrage.

Retirez les accessoires (tablette, tiroir, etc.) de l'appareil et utilisez un récipient approprié pour récupérer l'eau de dégivrage.



Utilisez une éponge ou un chiffon doux pour éponger l'eau de dégivrage du compartiment de congélation  et le compartiment de denrées congelées  le cas échéant.

Maintenez la porte ouverte pendant le dégivrage.

Pour un dégivrage accéléré, placez des récipients contenant de l'eau chaude à l'intérieur de l'appareil.

N'utilisez jamais d'appareils électriques, bombes de dégivrage ou d'objets tranchants comme des couteaux ou fourchettes pour enlever la glace.

Une fois le dégivrage terminé, nettoyez l'intérieur.

Rebranchez l'appareil au réseau électrique. Placez les produits surgelés dans les tiroirs et insérez-les dans le congélateur.

Réfrigération

Conservation des denrées

Le compartiment réfrigérateur est destiné à la conservation à court terme d'aliments frais et boissons.

Conservez les produits laitiers dans le compartiment prévu à cet effet dans le réfrigérateur.

Les bouteilles peuvent être stockées sur la clayette support bouteilles ou dans le balconnet range bouteilles de la porte.

La viande crue sera conservée de manière optimale dans un sac en polyéthylène dans le compartiment situé tout en bas du réfrigérateur.

Laisser refroidir les aliments et boissons à la température ambiante avant de les introduire dans le réfrigérateur.

• Attention

Conservez l'alcool à forte concentration dans un récipient à la verticale et bien fermé uniquement.

• Attention

Ne conservez pas de substances explosives ni de récipients à gaz propulseurs inflammables (crème en bombe, bombes aérosols etc.) dans l'appareil.

Un risque d'explosion existe.

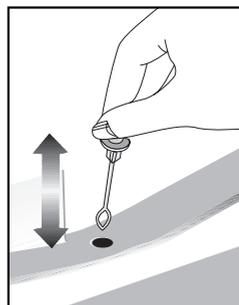
Dégivrage de l'appareil

Le compartiment réfrigérateur dégivre automatiquement. L'eau de dégivrage s'écoule dans la voie d'écoulement et se déverse dans le bac de récupération situé à l'arrière de l'appareil.

Pendant le dégivrage, des gouttelettes d'eau se forment sur la paroi arrière du réfrigérateur à cause de l'évaporation.

Si toutes les gouttes ne s'écoulent pas, elles pourraient geler à nouveau une fois le dégivrage achevé. Essayez-les à l'aide d'un chiffon doux imbibé d'eau tiède. N'utilisez pas d'objets durs ou tranchants.

Vérifiez l'écoulement de l'eau de dégivrage de temps en temps. L'orifice peut éventuellement être obstrué. Nettoyez-le avec un coton-tige ou objet similaire.



6 Entretien et nettoyage

- ⚠ N'utilisez jamais d'essence, de benzène ou de matériaux similaires pour le nettoyage.
- ⚠ Nous vous recommandons de débrancher l'appareil avant de procéder au nettoyage.
- ❗ N'utilisez jamais d'ustensiles tranchants, savon, produit de nettoyage domestique, détergent et cirage pour le nettoyage.
- ❗ Pour des appareils qui ne sont pas de la marque No Frost, des gouttes d'eau et une couche de givre pouvant atteindre la largeur d'un doigt se forment sur la paroi arrière du compartiment réfrigérateur. Ne les nettoyez pas et évitez d'y utiliser de l'huile ou des produits similaires.
- ❗ Utilisez uniquement des tissus en microfibres légèrement mouillés pour nettoyer la surface externe de l'appareil. Les éponges et autres tissus de nettoyage sont susceptibles de rayer la surface.
- ❗ Utilisez de l'eau tiède pour nettoyer la carrosserie du congélateur / réfrigérateur et séchez-la soigneusement à l'aide d'un chiffon.
- ❗ Utilisez un chiffon humide imbibé d'une solution composée d'une cuillère à café de bicarbonate de soude pour un demi litre d'eau pour nettoyer l'intérieur et séchez soigneusement.
- ⚠ Prenez soin de ne pas faire couler d'eau dans le logement de la lampe et dans d'autres éléments électriques.
- ⚠ En cas de non utilisation de votre congélateur / réfrigérateur pendant une période prolongée, débranchez le câble d'alimentation, sortez toutes les denrées, nettoyez-le et laissez la porte entrouverte.
- ❗ Inspectez les joints de porte régulièrement pour vérifier qu'ils sont propres et qu'il n'y a pas de résidus de nourriture.
- ❗ Pour retirer les balconnets de portes, sortez tout son contenu puis poussez simplement le balconnet vers le haut à partir de la base.
- ❗ Ne jamais utiliser des produits nettoyants ou de l'eau contenant du chlore pour le nettoyage des surfaces externes et des pièces chromées du produit. Le chlore entraîne la corrosion de ces surfaces métalliques.
- ❗ Évitez d'utiliser des objets tranchants ou abrasifs, du savon, des produits ménagers de nettoyage, des détergents, de l'essence, du benzène, de la cire, ect. ; autrement, les marques sur les pièces en plastique pourraient s'effacer et les pièces elles-mêmes pourraient présenter des déformations. Utilisez de l'eau tiède et un torchon doux pour nettoyer et sécher.

Protection des surfaces en plastique.

- Ne placez pas d'huiles ou de plats huileux dans le congélateur / réfrigérateur dans des récipients non fermés, car les graisses peuvent endommager les surfaces en plastique du congélateur / réfrigérateur. Si vous versez ou éclaboussez de l'huile sur les surfaces en plastique, nettoyez et lavez les parties souillées avec de l'eau chaude immédiatement.

7 Dépannage

Veillez vérifier la liste suivante avant d'appeler le service après-vente. Cela peut vous faire économiser du temps et de l'argent. Cette liste regroupe les problèmes les plus fréquents ne provenant pas d'un défaut de fabrication ou d'utilisation du matériel. Il se peut que certaines des fonctions décrites ne soient pas présentes sur votre produit.

Le réfrigérateur ne fonctionne pas.

- La fiche n'est pas insérée correctement dans la prise. >>> Insérez correctement la fiche dans la prise.
- Est-ce que le fusible ou le fusible principal a sauté? >>> Vérifiez le fusible.

Condensation sur la paroi intérieure du compartiment réfrigérateur. (MULTIZONE, COOL CONTROL et FLEXI ZONE).

- La porte a été ouverte souvent. >>> Évitez d'ouvrir et de fermer trop fréquemment la porte du réfrigérateur.
- L'environnement est très humide. >>> N'installez pas votre réfrigérateur dans des endroits très humides.
- La nourriture contenant du liquide est conservée dans des récipients ouverts. >>> Ne conservez pas de la nourriture contenant du liquide dans des récipients ouverts.
- La porte du réfrigérateur est laissée entrouverte. >>> Fermez la porte du réfrigérateur.
- Le thermostat est réglé à un niveau très froid. >>> Réglez le thermostat à un niveau adapté.

Le compresseur ne fonctionne pas.

- Le dispositif de protection thermique du compresseur sautera en cas de coupures soudaines du courant ou de débranchement intempestif, en effet la pression du liquide réfrigérant du système de refroidissement ne sera pas équilibrée. Le réfrigérateur recommencera à fonctionner normalement après 6 minutes environ. Veuillez contacter le service après-vente si le réfrigérateur ne redémarre pas après cette période.
- Le réfrigérateur est en mode dégivrage. >>> Cela est normal pour un réfrigérateur à dégivrage semi-automatique. Le cycle de dégivrage se déclenche régulièrement.
- Le réfrigérateur n'est pas branché à la prise. >>> Assurez-vous que la prise est branchée dans la prise murale.
- Les réglages de température ne sont pas effectués correctement. >>> Sélectionnez la température appropriée.
- Il y a une panne de courant. >>> Le réfrigérateur recommence à fonctionner normalement après le retour du courant.

Le niveau sonore augmente lorsque le réfrigérateur est en marche.

- Les caractéristiques de performance du réfrigérateur peuvent changer en raison des variations de la température ambiante. Cela est normal et n'est pas un défaut.

Le réfrigérateur fonctionne fréquemment ou pendant de longues périodes.

- Votre nouveau réfrigérateur peut être plus large que l'ancien. Les grands réfrigérateurs fonctionnent plus longtemps.

- La température de la pièce est probablement élevée. >>> Il est normal que l'appareil fonctionne plus longtemps quand la température ambiante est élevée.

- Le réfrigérateur pourrait y avoir été branché tout récemment ou pourrait avoir été chargé de denrées alimentaires. >>> Quand le réfrigérateur a été branché ou récemment rempli avec de la nourriture, il met plus de temps à atteindre la température réglée. Ce phénomène est normal.

- D'importantes quantités de denrées chaudes ont peut-être été introduites dans le réfrigérateur récemment. >>> Ne mettez pas de nourriture chaude dans le réfrigérateur.

- Les portes ont peut-être été ouvertes fréquemment ou laissées entrouvertes pendant une durée prolongée. >>> L'air chaud qui entre dans l'appareil oblige le réfrigérateur à travailler sur de plus longues périodes. N'ouvrez pas les portes fréquemment.

- La porte du réfrigérateur est probablement entrouverte. >>> Vérifiez que les portes sont bien fermées.

- Le réfrigérateur est réglé à une température très basse. >>> Réglez la température du réfrigérateur à un degré supérieur et attendez que la température réglée soit atteinte.

- Le joint de la porte du réfrigérateur ou du congélateur peut être sale, déchiré, rompu ou mal en place. >>> Nettoyez ou remplacez le joint. Tout joint endommagé/déchiré fait fonctionner le réfrigérateur pendant une période de temps plus longue afin de conserver la température actuelle.

La température du congélateur est très basse alors que celle du réfrigérateur est correcte.

- La température du congélateur est réglée à une température très basse. >>> Réglez la température du congélateur à un degré supérieur et vérifiez.

La température du réfrigérateur est très basse alors que celle du congélateur est correcte.

- La température du réfrigérateur est réglée à une température très basse. >>> Réglez la température du réfrigérateur à un degré supérieur et vérifiez.

Les denrées conservées dans les tiroirs du compartiment de réfrigération sont congelées.

- La température du réfrigérateur est réglée à une température très basse. >>> Réglez la température du réfrigérateur à un niveau inférieur et vérifiez.

La température dans le réfrigérateur ou le congélateur est très élevée.

- La température du réfrigérateur est réglée à une température très basse. >>>Le réglage du compartiment réfrigérant a un effet sur la température du congélateur. Changez les températures du réfrigérateur ou du congélateur et attendez que les compartiments atteignent une température suffisante.
- Les portes ont peut être été ouvertes fréquemment ou laissées entrouvertes pendant une durée prolongée. >>>N'ouvrez pas les portes fréquemment.
- La porte est entrouverte. >>>Refermez complètement la porte.
- Le réfrigérateur a été récemment branché ou rempli avec de la nourriture. >>>Ce phénomène est normal. Lorsque le réfrigérateur vient d'être branché ou récemment rempli avec de la nourriture, il met plus de temps à atteindre la température réglée.

- D'importantes quantités de denrées chaudes ont peut être été introduites dans le réfrigérateur récemment. >>>Ne mettez pas de nourriture chaude dans le réfrigérateur.

Vibrations ou bruits

- Le sol n'est pas plat ou stable. >>>Si le réfrigérateur balance lorsqu'il est déplacé lentement, équilibrez-le en ajustant sa base. Assurez-vous que le sol est plat et suffisamment solide pour supporter le poids et le volume de l'appareil.
- Les éléments placés sur le réfrigérateur peuvent faire du bruit. >>>Enlevez les éléments du haut du réfrigérateur.

Le réfrigérateur produit des bruits semblables à de l'eau qui coule, à la pulvérisation d'un liquide, etc.

- Des écoulements de gaz et de liquides surviennent dans le réfrigérateur, de par ses principes de fonctionnement. Cela est normal et n'est pas un défaut.

Un sifflement sort du réfrigérateur.

- Les ventilateurs sont utilisés pour refroidir le réfrigérateur. Cela est normal et n'est pas un défaut.

Condensation sur les parois intérieures du réfrigérateur.

- Un temps chaud et humide augmente la formation de givre et de condensation. Cela est normal et n'est pas un défaut.
- Les portes ont peut être été ouvertes fréquemment ou laissées entrouvertes pendant une durée prolongée. >>>N'ouvrez pas les portes fréquemment. Refermez-les si elles sont ouvertes.
- La porte est entrouverte. >>>Refermez complètement la porte.

De l'humidité est présente à l'extérieur ou entre les portes du réfrigérateur.

- Il y a peut être de l'humidité dans l'air; ceci est tout à fait normal par un temps humide. Lorsque l'humidité est faible, la condensation disparaîtra.

Présence d'une mauvaise odeur dans le réfrigérateur.

- Il n'y a pas de nettoyage régulier effectué. >>>Nettoyez régulièrement l'intérieur du réfrigérateur avec une éponge, de l'eau tiède ou du carbonate dissout dans l'eau.
- Certains récipients ou matériaux d'emballage peuvent provoquer ces odeurs. >>>Utilisez un autre récipient ou changez de marque de matériau d'emballage.
- Les denrées sont mises au réfrigérateur dans des récipients sans couvercle. >>>Conservez les aliments liquides dans des récipients fermés. Les micro-organismes issus de récipients non fermés peuvent dégager des odeurs désagréables.
- Enlevez les aliments périmés et pourris du réfrigérateur.

La porte ne se ferme pas.

- Des récipients empêchent la fermeture de la porte. >>>Retirez les emballages qui obstruent la porte.
- Le réfrigérateur n'est pas complètement vertical sur le sol. >>>Ajustez les pieds du réfrigérateur pour l'équilibrer.
- Le sol n'est pas plat ou solide. >>>Assurez-vous que le sol est plat et qu'il peut supporter le poids du réfrigérateur.

Les bacs à légumes sont coincés.

- Il se peut que les denrées touchent le plafond du tiroir. >>>Disposez à nouveau les denrées dans le tiroir.

Si La Surface De L'appareil Est Chaude.

- Vous pouvez observer une élévation de la température entre les deux portes, sur les panneaux latéraux et au niveau de la grille arrière pendant le fonctionnement de l'appareil. Ce phénomène est normal et ne nécessite aucune opération d'entretien !

CLAUSE DE NON-RESPONSABILITÉ / AVERTISSEMENT

Il est possible de remédier à certaines défaillances (simples) de manière adéquate par l'utilisateur final sans qu'il y ait de problème de sécurité ou d'utilisation dangereuse, à condition qu'elles soient effectuées dans les limites et conformément aux instructions suivantes (voir la section « Auto-réparation »).

Dès lors, sauf autorisation contraire dans la section « Auto-réparation » ci-dessous, les réparations doivent être adressées à des réparateurs professionnels agréés afin d'éviter les problèmes de sécurité. Un réparateur professionnel agréé est un réparateur professionnel à qui le fabricant a donné accès aux instructions et à la liste des pièces détachées de ce produit selon les méthodes décrites dans les actes législatifs en application de la directive 2009/125/CE.

Par contre, tel que mentionné dans le manuel d'utilisation/carte de garantie, seul l'agent de service (c'est-à-dire les réparateurs professionnels agréés) que vous pouvez joindre au numéro de téléphone indiqué dans le manuel d'utilisation/carte de garantie ou par l'intermédiaire de votre revendeur agréé peut fournir un service dans le cadre des conditions de garantie. Par conséquent, veuillez noter que les réparations effectuées Beko) par des réparateurs professionnels (qui ne sont pas autorisés par) annuleront la garantie.

Auto-réparation

L'utilisateur final peut lui-même réparer les pièces de rechange ci-après : poignées de porte, charnières de porte, plateaux, paniers et joints de porte (une liste mise à jour est également disponible à l'adresse support.beko.com au 1er mars 2021).

En outre, pour garantir la sécurité du produit et éviter tout risque de blessure grave, l'autoréparation mentionnée doit être effectuée en suivant les instructions du manuel d'utilisation pour l'autoréparation ou qui sont disponibles dans support.beko.com Pour votre sécurité, débranchez le produit avant de tenter toute autoréparation.

Les réparations et tentatives de réparation par les utilisateurs finaux pour les pièces ne figurant pas dans cette liste et/ou ne suivant pas les instructions des manuels d'utilisation pour l'autoréparation ou qui sont disponibles dans support.beko.com, pourrait donner lieu à des problèmes de sécurité non imputables à Beko, et annulera la garantie du produit. Il est donc fortement recommandé aux utilisateurs finaux de s'abstenir de tenter d'effectuer des réparations ne figurant pas sur la liste des pièces de rechange mentionnée, en s'adressant dans ce cas à des réparateurs professionnels autorisés ou à des réparateurs professionnels agréés. Au contraire, de telles tentatives de la part des utilisateurs finaux peuvent causer des problèmes de sécurité et endommager le produit et, par la suite, provoquer un incendie, une inondation, une électrocution et des blessures corporelles graves.

Sans être exhaustives, les réparations suivantes par exemple doivent être effectuées par des personnes qualifiées : les réparateurs professionnels ou les réparateurs professionnels agréés : compresseur, circuit de refroidissement, carte mère, carte de convertisseur, carte d'affichage, etc.

Le fabricant/vendeur ne peut être tenu responsable dans tous les cas où les utilisateurs finaux ne se conforment pas à ce qui précède.

La disponibilité des pièces de rechange du réfrigérateur que vous avez acheté est de 10 ans.

Pendant cette période, des pièces de rechange originales seront disponibles pour faire fonctionner correctement le réfrigérateur.

La durée minimale de garantie du réfrigérateur que vous avez acheté est de 24 mois.

Cet appareil est doté d'une source d'éclairage de classe énergétique "G". Seuls des réparateurs qualifiés sont autorisés à procéder au remplacement de la source d'éclairage de cet appareil.

Bitte lesen Sie zuerst diese Anleitung!

Lieber Kunde,

Wir sind sicher, dass Ihnen dieses Produkt, das in modernsten Fertigungsstätten hergestellt und den strengsten Qualitätsprüfungen unterzogen wurde, lange Zeit gute Dienste leisten wird.

Wir empfehlen Ihnen, vor Inbetriebnahme des Gerätes das gesamte Handbuch durchzulesen und es anschließend aufzubewahren.

Diese Anleitung...

- hilft Ihnen, Ihr Gerät schnell und sicher zu bedienen.
- Lesen Sie die Anleitung, bevor Sie Ihr Gerät aufstellen und bedienen.
- Halten Sie sich an die Anweisungen, beachten Sie insbesondere die Sicherheitshinweise.
- Bewahren Sie die Anleitung an einem leicht zugänglichen Ort auf, damit Sie jederzeit darin nachschlagen können.
- Lesen Sie auch die weiteren Dokumente, die mit Ihrem Produkt geliefert wurden.
- Bitte beachten Sie, dass diese Anleitung eventuell auch für andere Geräte eingesetzt werden kann.

Symbole und ihre Bedeutung

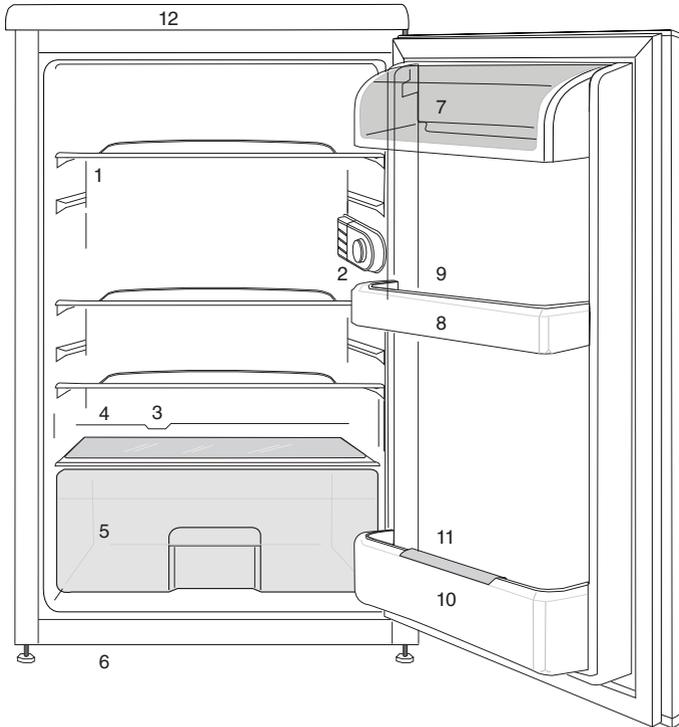
In dieser Anleitung finden Sie die folgenden Symbole:

-  Wichtige Informationen oder nützliche Tipps.
-  Warnung vor Verletzungen oder Sachschäden.
-  Warnung vor elektrischem Strom.
-  Warnung: Brandgefahr / Brennbare Materialien

 ANGABEN	
 ENERGY 	Die Modellinformationen, wie sie in der Produktdatenbank gespeichert sind, können durch Eingabe der folgenden Webseite und Suche nach Ihrer Modellkennung (*) auf dem Energieetikett erreicht werden.
SUPPLIER'S NAME  A	MODEL IDENTIFIER  A (*)
	https://eprel.ec.europa.eu/

1 Ihr Kühlschrank	3	4 Vorbereitung	15
2 Wichtige Sicherheitshinweise	4	Türanschlag umkehren	16
Bestimmungsgemäßer Einsatz.....	4	5 So bedienen Sie Ihren Kühlschrank	17
Allgemeine Hinweise zu Ihrer Sicherheit	4	Gefrieren	17
Kinder - Sicherheit	8	Einfrieren von Lebensmitteln	17
Ihre Pflichten als Endnutzer	8	Herstellung von Eiswürfeln	18
Hinweise zum Recycling.....	9	Lagerung von Tiefkühlkost	18
Rücknahmepflichten der Vertreiber..	9	Gerät abtauen.....	19
HC-Warnung.....	10	Kühlen	19
Tipps zum Energiesparen	10	Lagern von Lebensmitteln	19
3 Installation	11	Gerät abtauen.....	20
Wenn Sie den Kühlschrank versetzen möchten:.....	11	6 Wartung und Reinigung	21
Vor dem Einschalten	11	Schutz der Kunststoffflächen	22
Elektrischer Anschluss.....	12	7 Empfehlungen zur Problemlösung	23
Verpackungsmaterialien entsorgen	12		
Altgeräte entsorgen.....	12		
Aufstellung und Installation	12		
Füße einstellen	13		
Beleuchtung auswechseln	14		
Installation (Montage unter der Arbeitsplatte).....	14		

1 Ihr Kühlschrank



- | | |
|---|------------------------------|
| 1. Bewegliche Ablagen | 7. Bereich für Milchprodukte |
| 2. Innenbeleuchtung und Thermostatknopf | 8. Türablagen |
| 3. Tauwassersammelkanal | 9. Eierbehälter |
| 4. Gemüsefachabdeckung | 10. Flaschenablage |
| 5. Gemüsefach | 11. Flaschenhalter |
| 6. Einstellbare Füße an der Vorderseite | 12. Obere Abschlussplatte |

i Abbildungen und Angaben in dieser Anleitung sind schematisch und können etwas von Ihrem Gerät abweichen. Falls Teile nicht zum Lieferumfang des erworbenen Gerätes zählen, gelten sie für andere Modelle.

2 Wichtige Sicherheitshinweise

Bitte lesen Sie die folgenden Hinweise aufmerksam durch. Bei Nichtbeachtung dieser Angaben kann es zu Verletzungen und Sachschäden kommen. In diesem Fall erlöschen auch sämtliche Garantie- und sonstigen Ansprüche.

Originalersatzteile stehen für einen Zeitraum von 10 Jahre beginnend mit dem Kaufdatum zur Verfügung.

Bestimmungsgemäßer Einsatz

	ACHTUNG: Stellen Sie sicher, dass wenn das Gerät in seinem Gehäuse oder platziert ist, die Entlüftungsöffnungen nicht blockiert werden.
	ACHTUNG: Um den Auftauvorgang zu beschleunigen, keine anderen mechanischen Geräte oder Geräte verwenden, die nicht vom Hersteller empfohlen sind.
	ACHTUNG: Dem Kühlmittelkreislauf keine Schäden zufügen.
	ACHTUNG: In den ebensmittelaufbewahrungsfächern keine elektrischen Geräte verwenden, die nicht vom Hersteller empfohlen sind.

WARNUNG:



Lagern Sie keinerlei explosiven Substanzen (dazu zählen auch Sprühdosen mit brennbarem Treibmittel) im Gerät.

Dieses Gerät ist für die private Nutzung oder für den Gebrauch bei folgenden ähnlichen Anwendungen konzipiert wurden

- In Personalküchen in Geschäften, Büros und anderen Arbeitsumgebungen;
- In Bauernhöfen, Hotels, Motels und anderen Unterkünften, für den Gebrauch der Kunden;
- Umgebungen mit Übernachtung und Frühstück;
- Bei Catering und ähnlichen Non-Retail-Anwendungen.

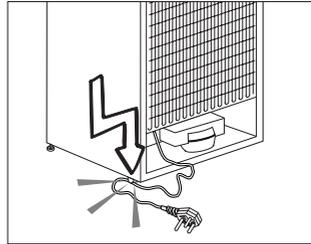
Allgemeine Hinweise zu Ihrer Sicherheit

- Wenn Sie das Gerät entsorgen möchten, wenden Sie sich am besten an den autorisierten Kundendienst. Hier erhalten Sie notwendige Informationen und erfahren, welche Stellen für die Entsorgung zuständig sind.
- Bei Problemen und Fragen zum Gerät wenden Sie sich grundsätzlich an den autorisierten Kundendienst. Ziehen Sie keine Dritten zu Rate, versuchen Sie nichts in Eigenregie, ohne den autorisierten Kundendienst davon in Kenntnis zu setzen.

- Bei Geräten mit Tiefkühlbereich: Der Verzehr von Speiseeis und Eiswürfeln unmittelbar nach der Entnahme aus dem Tiefkühlbereich ist nicht ratsam. (Dies kann zu Erfrierungen führen.)
- Bei Geräten mit Tiefkühlbereich: Bewahren Sie Getränke in Flaschen sowie Dosen niemals im Tiefkühlbereich auf. Diese platzen.
- Berühren Sie gefrorene Lebensmittel nicht mit der Hand; sie können festfrieren.
- Trennen Sie Ihren Kühlschrank vor dem Reinigen oder Abtauen vom Stromnetz.
- Verwenden Sie niemals Dampf- oder Sprühreiniger zum Reinigen und Abtauen Ihres Kühlschranks. Die Dämpfe oder Nebel können in Kontakt mit stromführenden Teilen geraten und Kurzschlüsse oder Stromschläge auslösen.
- Missbrauchen Sie niemals Teile Ihres Kühlschranks (z. B. Tür) als Befestigungen oder Kletterhilfen.
- Nutzen Sie keine elektrischen Geräte innerhalb des Kühlschranks.
- Achten Sie darauf, den Kühlkreislauf keinesfalls mit Bohr- oder Schneidwerkzeugen zu beschädigen. Das Kühlmittel kann herausspritzen, wenn die Gaskanäle des Verdunsters, Rohr- und Schlauchleitungen oder Oberflächenversiegelungen beschädigt werden. Dies kann zu Hautreizungen und Augenverletzungen führen.
- Decken Sie keinerlei Belüftungsöffnungen des Kühlschranks ab.
- Elektrische Geräte dürfen nur von autorisierten Fachkräften repariert werden. Reparaturen durch weniger kompetente Personen können erhebliche Gefährdungen des Anwenders verursachen.
- Sollten Fehler oder Probleme während der Wartung oder Reparaturarbeiten auftreten, so trennen Sie den Kühlschrank von der Stromversorgung, indem Sie die entsprechende Sicherung abschalten oder den Netzstecker ziehen.
- Ziehen Sie niemals am Netzkabel – ziehen Sie direkt am Stecker.
- Achten Sie darauf, hochprozentige Getränke stehend und mit fest verschlossenem Deckel zu lagern.
- Bewahren Sie niemals Sprühdosen mit brennbaren und explosiven Substanzen im Kühlschrank auf.
- Nutzen Sie keine mechanischen oder anderen Hilfsmittel, um das Gerät abzutauen – es sei denn, solche Hilfsmittel werden ausdrücklich vom Hersteller empfohlen.
- Dieses Produkt darf nicht von Personen (einschließlich Kindern) mit eingeschränkten physischen, sensorischen oder geistigen Fähigkeiten bedient werden, sofern sie nicht durch eine Person, die für ihre Sicherheit verantwortlich ist, in der Bedienung des Produktes angeleitet werden.
- Nehmen Sie einen beschädigten Kühlschrank nicht in Betrieb. Wenden Sie sich bei jeglichen Zweifeln an einen Kundendienstmitarbeiter.
- Die elektrische Sicherheit des Gerätes ist nur dann gewährleistet, wenn das hausinterne Erdungssystem den zutreffenden Normen entspricht.

- Setzen Sie das Gerät keinem Regen, Schnee, direktem Sonnenlicht oder Wind aus; dies kann die elektrische Sicherheit gefährden.
- Wenden Sie sich zur Vermeidung von Gefahren an den autorisierten Kundendienst, falls das Netzkabel beschädigt ist.
- Stecken Sie während der Installation niemals den Netzstecker ein. Andernfalls kann es zu schweren bis tödlichen Verletzungen kommen.
- Dieser Kühlschrank dient nur der Aufbewahrung von Lebensmitteln. Für andere Zwecke sollte er nicht verwendet werden.
- Das Etikett mit den technischen Daten befindet sich an der linken Innenwand des Kühlschranks.
- Schließen Sie Ihren Kühlschrank niemals an energiesparende Systeme an; dies kann den Kühlschrank beschädigen.
- Falls sich ein blaues Licht am Kühlschrank befindet, blicken Sie nicht längere Zeit mit bloßem Augen oder optischen Werkzeugen hinein.
- Bei manuell gesteuerten Kühlschränken warten Sie mindestens 5 Minuten, bevor Sie den Kühlschrank nach einem Stromausfall wieder einschalten.
- Falls Sie das Gerät an einen anderen Besitzer weitergeben, vergessen Sie nicht, die Bedienungsanleitung ebenfalls auszuhändigen.
- Achten Sie darauf, dass das Netzkabel beim Transport des Kühlschranks nicht beschädigt wird. Übermäßiges Biegen des Kabels birgt Brandgefahr. Platzieren Sie keine schweren Gegenstände auf dem Netzkabel.

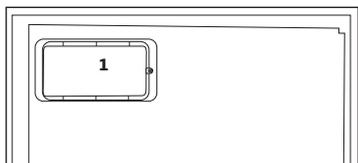
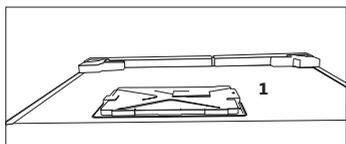
- Berühren Sie den Netzstecker niemals mit feuchten oder gar nassen Händen.



- Achten Sie beim Aufstellen des Gerätes darauf, dass das Netzkabel nicht eingeklemmt oder anderweitig beschädigt wird.
- Platzieren Sie nicht mehrere Mehrfachsteckdosen oder Netzteile hinter dem Gerät. Schließen Sie den Kühlschrank nicht an lose Steckdosen an.
- Kinder im Alter von 3 bis 8 Jahren dürfen Kühlgeräte ein- und ausräumen.
- Vermeiden Sie durch Einhaltung der folgenden Anweisungen Lebensmittelkontamination:
 - Durch langes Öffnen der Tür kann die Temperatur in den Fächern des Gerätes drastisch ansteigen.
 - Reinigen Sie die Oberflächen, die mit Lebensmitteln in Berührung kommen, sowie zugängliche Ableitungssysteme regelmäßig.
 - Reinigen Sie Wassertanks, wenn diese 48 Stunden lang nicht benutzt wurden; spülen Sie das an die Wasserversorgung angeschlossene Wassersystem durch, falls 5 Tage lang kein Wasser entnommen wurde.

- Bewahren Sie rohes Fleisch und Fisch in geeigneten Behältern im Kühlschrank auf, damit diese nicht mit anderen Lebensmitteln in Berührung kommen.
- Zwei-Sterne-Gefrierfächer eignen sich zur Aufbewahrung von Tiefkühlkost, zur Lagerung oder Herstellung von Speiseeis und zur Herstellung von Eiswürfeln.
- Ein-, Zwei- und Drei-Sterne-Fächer eignen sich nicht zum Einfrieren frischer Lebensmittel.
- Falls das Kühlgerät lange Zeit leer bleibt, sollten Sie es abschalten, abtauen, reinigen, trocknen und die Tür geöffnet lassen, damit sich kein Schimmel im Gerät bildet.
- Sprühen Sie aus Sicherheitsgründen niemals Wasser auf die Innen- und Außenflächen des Gerätes.
- Sprühen Sie keine Substanzen mit brennbaren Gasen, wie z. B. Propangas, in die Nähe des Kühlschranks; andernfalls bestehen Brand- und Explosionsgefahr.
- Stellen Sie keine mit Wasser gefüllten Gegenstände auf den Kühlschrank; dies birgt Brand- und Stromschlaggefahr.
- Überladen Sie das Gerät nicht mit Lebensmitteln. Wenn das Gerät überladen ist, können beim Öffnen der Kühlschranktür Lebensmittel herausfallen und Verletzungen verursachen.
- Stellen Sie keinesfalls Gegenstände auf den Kühlschrank; sie könnten beim Öffnen oder Schließen der Kühlschranktür herunterfallen.
- Materialien wie beispielsweise Impfstoffe, wärmeempfindliche Arznei, wissenschaftliche Proben usw. sollten nicht im Kühlschrank aufbewahrt werden, da sie bei exakt festgelegten Temperaturen gelagert werden müssen.
- Trennen Sie den Kühlschrank vom Stromnetz, wenn er längere Zeit nicht benutzt wird. Ein mögliches Problem im Netzkabel kann einen Brand auslösen.
- Wenn die höhenverstellbaren Füße nicht sicher auf dem Boden stehen, kann sich der Kühlschrank bewegen. Die angemessene Sicherung der höhenverstellbaren Füße am Boden kann eine Bewegung des Kühlschranks verhindern.
- **WARNUNG:** Wenn Sie das Gerät in die gewünschte Position bringen, müssen Sie darauf achten, dass das Netzkabel nicht eingeklemmt oder beschädigt wird.
- **WARNUNG:** An der Rückseite des Geräts dürfen sich nicht mehrere tragbare Steckdosen oder tragbare Stromversorgungsgeräte befinden.
- Halten Sie den Kühlschrank beim Tragen nicht am Türgriff. Andernfalls könnte er abbrechen.
- Wenn Sie Ihr Produkt neben einem anderen Kühl- oder Gefrierschrank aufstellen möchten, sollte der Abstand zwischen beiden Geräten mindestens 8 cm betragen. Andernfalls können die benachbarten Seitenwände feucht werden.
- Benutzen Sie das Gerät niemals, wenn die sich auf der Oberseite bzw. auf der Rückseite befindlichen Bereiche mit den elektronischen

Leitern im Inneren geöffnet sind (Abdeckung der elektronischen Leiterplatten) (1).



Bei Geräten

mit Wasserspender:

- Der Druck für die Kaltwasserzufuhr sollte maximal 90 psi (620 kPa) betragen. Wenn der Wasserdruck in Ihrem Haushalt 80 psi (550 kPa) übersteigt, verwenden Sie bitte ein Druckbegrenzungsventil in Ihrem Leitungssystem. Sollten Sie nicht wissen, wie der Wasserdruck gemessen wird, ziehen Sie bitte einen Fachinstallateur hinzu.
- Sollte für Ihr Leitungssystem das Risiko eines Wasserschlags (Druckstoß) bestehen, verwenden Sie stets eine geeignete Druckstoßsicherung. Wenden Sie sich bitte an einen Fachinstallateur, falls Sie sich über die Wasserschlaggefährdung in Ihrem Leitungssystem nicht sicher sein sollten.
- Nutzen Sie niemals die Warmwasserzufuhr für den Einbau. Treffen Sie geeignete Vorsichtsmaßnahmen zum Schutz der Leitungen gegen mögliches Einfrieren. Die für den Betrieb

zulässige Wassertemperatur liegt im Bereich von mindestens 0,6°C (33°F) bis hin zu maximal 38°C (100°F).

- Nur Trinkwasser verwenden.

Kinder - Sicherheit

- Bei abschließbaren Türen bewahren Sie den Schlüssel außerhalb der Reichweite von Kindern auf.
- Achten Sie darauf, dass Kinder nicht mit dem Produkt spielen.

Ihre Pflichten als Endnutzer



Dieses Elektro- bzw. Elektronikgerät ist mit einer durchgestrichenen Abfalltonne auf Rädern gekennzeichnet. Das Gerät darf deshalb nur getrennt vom unsortierten Siedlungsabfall gesammelt und zurückgenommen werden. Es darf somit nicht in den Hausmüll gegeben werden. Das Gerät kann z.B. bei einer kommunalen Sammelstelle oder ggf. bei einem Vertreiber (siehe unten zu deren Rücknahmepflichten in Deutschland) abgegeben werden.

Das gilt auch für alle Bauteile, Unterbaugruppen und Verbrauchsmaterialien des zu entsorgenden Altgeräts.

Bevor das Altgerät entsorgt werden darf, müssen alle Altbatterien und Altakkumulatoren vom Altgerät getrennt werden, die nicht vom Altgerät umschlossen sind. Das gleiche gilt für Lampen, die zerstörungsfrei

aus dem Altgerät entnommen werden können. Der Endnutzer ist zudem selbst dafür verantwortlich, personenbezogene Daten auf dem Altgerät zu löschen.

Einhaltung der RoHS-Richtlinie:

Das von Ihnen gekaufte Gerät entspricht der RoHS-Richtlinie der EU (2011/65/EU). Es enthält keinerlei Materialien, die gemäß der Richtlinie als schädlich oder verboten gelten.

Hinweise zum Recycling



Helfen Sie mit, alle Materialien zu recyceln, die mit diesem Symbol gekennzeichnet sind.

Entsorgen Sie solche Materialien, insbesondere Verpackungen, nicht im Hausmüll, sondern über die bereitgestellten Recyclingbehälter oder die entsprechenden örtlichen Sammelsysteme.

Recyceln Sie zum Umwelt- und Gesundheitsschutz elektrische und elektronische Geräte.

Rücknahmepflichten der Vertreiber

Wer auf mindestens 400 m² Verkaufsfläche Elektro- und Elektronikgeräte vertreibt oder diese gewerblich an Endnutzer abgibt, ist verpflichtet, bei Abgabe eines neuen Gerätes, ein Altgerät des Endnutzers der gleichen Geräteart, das im Wesentlichen die gleichen Funktionen wie das neue Gerät erfüllt, am Ort der Abgabe oder in unmittelbarer Nähe, unentgeltlich

zurückzunehmen. Das gilt auch für Vertreiber von Lebensmitteln mit einer Gesamtverkaufsfläche von mindestens 800 m², die mehrmals im Kalenderjahr oder dauerhaft Elektro- und Elektronikgeräte anbieten und auf dem Markt bereitstellen. Solche Vertreiber müssen zudem auf Verlangen des Endnutzers Altgeräte, die in keiner äußeren Abmessung größer als 25 cm sind, (kleine Elektrogeräte) im Einzelhandelsgeschäft oder in unmittelbarer Nähe hierzu unentgeltlich zurückzunehmen; die Rücknahme darf in diesem Fall nicht an den Kauf eines Elektro- oder Elektronikgerätes verknüpft, kann aber auf drei Altgeräte pro Geräteart beschränkt werden.

Ort der Abgabe ist auch der private Haushalt, wenn das neue Elektro- oder Elektronikgerät dorthin geliefert wird; in diesem Fall ist die Abholung des Altgerätes für den Endnutzer kostenlos.

Die vorstehenden Pflichten gelten auch für den Vertrieb unter Verwendung von Fernkommunikationsmitteln, wenn die Vertreiber Lager- und Versandflächen für Elektro- und Elektronikgeräte bzw. Gesamtlager und Versandflächen für Lebensmittel beinhalten, die den oben genannten Verkaufsflächen entsprechen. Die unentgeltliche Abholung von Elektro- und Elektronikgeräten ist dann aber auf Wärmeüberträger (z.B. Kühlschrank), Bildschirme, Monitore und Geräte, die Bildschirme mit einer Oberfläche von mehr als 100 cm² enthalten und Geräte beschränkt,

bei denen mindestens eine der äußeren Abmessungen mehr als 50 cm beträgt. Für alle übrigen Elektro- und Elektronikgeräte muss der Vertreiber geeignete Rückgabemöglichkeiten in zumutbarer Entfernung zum jeweiligen Endnutzer gewährleisten; das gilt auch für kleine Elektrogeräte (s.o.), die der Endnutzer zurückgeben möchte, ohne ein neues Gerät zu erwerben.

HC-Warnung

Falls das Kühlsystem Ihres Produktes R600a enthält:

Dieses Gas ist leicht entflammbar. Achten Sie also darauf, Kühlkreislauf und Leitungen während Betrieb und Transport nicht zu beschädigen. Bei Beschädigungen halten Sie das Produkt von potenziellen Zündquellen (z. B. offenen Flammen) fern und sorgen für eine gute Belüftung des Raumes, in dem das Gerät aufgestellt wurde.

Ignorieren Sie diese Warnung, falls das Kühlsystem Ihres Produktes R134a enthält.

Die Art des im Gerät eingesetzten Gases wird auf dem Typenschild an der linken Innenwand des Kühlschranks angegeben.

Entsorgen Sie das Produkt keinesfalls durch Verbrennen.

Tipps zum Energiesparen

- Halten Sie die Kühlschranktüren nur möglichst kurz geöffnet.
- Geben Sie keine warmen Speisen oder Getränke in den Kühlschrank.
- Überladen Sie den Kühlschrank nicht; die Luft muss frei zirkulieren können.
- Stellen Sie den Kühlschrank nicht im direkten Sonnenlicht oder in der Nähe von Wärmequellen wie Öfen, Spülmaschinen oder Heizkörpern auf. Halten Sie den Kühlschrank mindestens 30 cm von Wärmequellen und mindestens 5 cm von elektrischen Öfen entfernt.
- Achten Sie darauf, Ihre Lebensmittel in verschlossenen Behältern aufzubewahren.
- Bei Geräten mit Tiefkühlbereich: Sie können noch mehr Lebensmittel einlagern, wenn Sie die Ablage oder Schublade aus dem Tiefkühlbereich herausnehmen. Der für Ihren Kühlschrank angegebene Energieverbrauch wurde nach dem Entfernen der Ablage oder Schublade und bei maximaler Beladung bestimmt. Ansonsten ist es Ihnen freigestellt, die Ablage oder Schublade zu verwenden.
- Das Auftauen von gefrorenen Lebensmitteln im Kühlbereich ist energiesparend und bewahrt die Qualität der Lebensmittel.

3 Installation

⚠ Der Hersteller haftet nicht, falls die Angaben in dieser Anleitung nicht berücksichtigt werden.

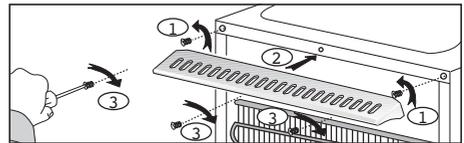
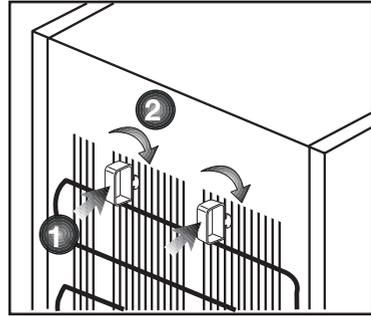
Wenn Sie den Kühlschrank versetzen möchten:

1. Ziehen Sie zuvor den Netzstecker. Der Kühlschrank sollte geleert und gesäubert werden, bevor Sie ihn transportieren oder versetzen.
2. Sichern Sie die beweglichen Teile im Inneren (z. B. Ablagen, Zubehör, Gemüsefach etc.) vor dem Verpacken mit Klebeband, schützen Sie solche Teile vor Stößen. Umwickeln Sie die Verpackung mit kräftigem Klebeband oder stabilen Schnüren, beachten Sie die Transporthinweise auf der Verpackung.
3. Originalverpackung und Schaumstoffmaterialien sollten zum zukünftigen Transport des Gerätes aufbewahrt werden.

Vor dem Einschalten

Beachten Sie Folgendes, bevor Sie Ihren Kühlschrank benutzen:

1. Bringen Sie die beiden Kunststoffkeile wie nachstehend abgebildet an. Die Kunststoffkeile sorgen für den nötigen Abstand zwischen Kühlschrank und Wand, damit die Luft frei zirkulieren kann. (Die Abbildung dient lediglich zur Orientierung und kann daher etwas von Ihrem Gerät abweichen.)
2. Bitte bringen Sie die beiden Kunststoffkeile wie in der Abbildung gezeigt an. Die Kunststoffkeile sorgen für den richtigen Abstand zwischen Kühlschrank und Wand



- und damit für die richtige Luftzirkulation. (Die Abbildung dient lediglich zur Orientierung und muss nicht exakt mit Ihrem Gerät übereinstimmen.)
3. Reinigen Sie das Innere des Kühlschranks wie im Abschnitt „Wartung und Reinigung“ beschrieben.
 4. Schließen Sie den Netzstecker des Kühlschranks an eine Steckdose an. Beim Öffnen der Tür leuchtet die Innenbeleuchtung auf.
 5. Beim Anspringen des Kompressors sind Geräusche zu hören. Die Flüssigkeiten und Gase im Kühlsystem können auch leichte Geräusche erzeugen, wenn der Kompressor nicht läuft. Dies ist völlig normal.
 6. Die Vorderkanten des Kühlgerätes können sich warm anfühlen. Dies

ist normal. Diese Bereiche wärmen sich etwas auf, damit sich kein Kondenswasser bildet.

Elektrischer Anschluss

Schließen Sie das Gerät an eine geerdete (Schuko-) Steckdose an. Diese Steckdose muss mit einer passenden Sicherung abgesichert werden.

Wichtig:

- Der Anschluss muss gemäß lokaler Vorschriften erfolgen.
- Der Netzstecker muss nach der Installation frei zugänglich bleiben.
- Die elektrische Sicherheit des Gerätes ist nur dann gewährleistet, wenn das hausinterne Erdungssystem den zutreffenden Normen entspricht.
- Die auf dem Typenschild an der linken Innenwand des Gerätes angegebene Spannung muss mit Ihrer Netzspannung übereinstimmen.
- **Zum Anschluss dürfen keine Verlängerungskabel oder Mehrfachsteckdosen verwendet werden.**

⚠ Ein beschädigtes Netzkabel muss unverzüglich durch einen qualifizierten Elektriker ausgetauscht werden.

⚠ Das Gerät darf vor Abschluss der Reparaturen nicht mehr betrieben werden! Es besteht Stromschlaggefahr!

Verpackungsmaterialien entsorgen

Das Verpackungsmaterial kann eine Gefahr für Kinder darstellen. Halten Sie Verpackungsmaterialien von Kindern fern oder entsorgen Sie das Verpackungsmaterial gemäß gültigen Entsorgungsbestimmungen. Entsorgen Sie das Verpackungsmaterial über geeignete Sammelstellen (Ihre Stadtverwaltung informiert Sie gerne), nicht über den regulären Hausmüll.

Die Verpackung Ihres Gerätes wurde aus recyclingfähigen Materialien hergestellt.

Altgeräte entsorgen

Entsorgen Sie Altgeräte auf umweltfreundliche Weise.

- Bei Fragen zur richtigen Entsorgung wenden Sie sich bitte an Ihren Händler, an eine Sammelstelle oder an Ihre Stadtverwaltung.

Bevor Sie das Gerät entsorgen, schneiden Sie den Netzstecker ab und machen die Türverschlüsse (sofern vorhanden) unbrauchbar, damit Kinder nicht in Gefahr gebracht werden.

Aufstellung und Installation

⚠ Falls die Tür des Raumes, in dem der Kühlschrank aufgestellt werden soll, nicht breit genug ist, wenden Sie sich an den autorisierten Kundendienst, lassen die Kühlschranktüren demontieren und befördern das Gerät seitlich durch die Tür.

1. Stellen Sie Ihren Kühlschrank an einer gut erreichbaren Stelle auf.
2. Platzieren Sie den Kühlschrank

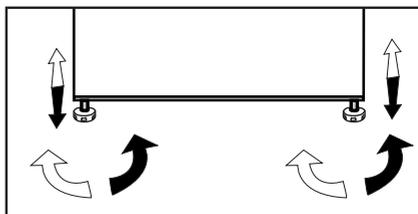
nicht in der Nähe von Wärmequellen oder dort, wo er Feuchtigkeit oder direktem Sonnenlicht ausgesetzt ist.

3. Damit das Gerät richtig arbeiten kann, müssen Sie ausreichend Platz um das Gerät herum freilassen, damit eine ordentliche Belüftung gewährleistet ist. Wenn Sie den Kühlschrank in einer Nische aufstellen, müssen Sie einen Abstand von mindestens 5 cm zur Decke und 5 cm zu den Wänden einhalten. Stellen Sie das Gerät nicht auf Materialien wie Teppichen oder Teppichböden auf.
4. Stellen Sie Ihren Kühlschrank auf einem ebenen Untergrund auf, damit er nicht wackelt.
5. Ihr Produkt benötigt eine ausreichende Luftzirkulation, um effizient zu funktionieren. Wenn das Produkt in eine Nische gestellt wird, denken Sie daran, mindestens 5 cm Abstand zwischen dem Produkt und der Decke, der Rückwand und den Seitenwänden zu lassen.
6. Wenn das Produkt in eine Nische gestellt wird, denken Sie daran, mindestens 5 cm Abstand zwischen dem Produkt und der Decke, der Rückwand und den Seitenwänden zu lassen. Prüfen Sie, ob die Rückwand-Abstandsschutzkomponente an ihrem Standort vorhanden ist (falls mit dem Produkt geliefert). Wenn die Komponente nicht verfügbar ist oder verloren geht oder heruntergefallen ist, positionieren Sie das Produkt so, dass zwischen der Rückseite des Produkts und der Wand des Raums mindestens 5 cm Abstand verbleiben. Der Freiraum an der Rückseite ist wichtig für den effizienten Betrieb des Produkts.

FüÙe einstellen

Wenn Ihr Kühlschrank nicht absolut gerade steht:

Sie können den Kühlschrank – wie in der Abbildung gezeigt – durch Drehen der FrontfüÙe ausbalancieren. Wenn Sie in Richtung des schwarzen Pfeils drehen, senkt sich die Ecke, an der sich der Fuß befindet. Beim Drehen in Gegenrichtung wird die Ecke angehoben. Diese Arbeit fällt erheblich leichter, wenn ein Helfer das Gerät etwas anhebt.



Beleuchtung auswechseln

Die Innenbeleuchtung Ihres Kühlschranks sollte ausschließlich vom autorisierten Kundendienst ausgetauscht werden. Die Glühbirnen für dieses Haushaltsgerät sind für Beleuchtungszwecke nicht geeignet. Die beabsichtigte Aufgabe dieser Lampe ist es den Benutzer zu ermöglichen die Platzierung der Lebensmittel in den Kühlschrank / Eiskühltruhe sicher und bequem vorzunehmen.

Die in diesem Gerät verwendeten Lampen müssen extremen physikalischen Bedingungen, wie z. B. Temperaturen von -20 °C, standhalten.

Installation (Montage unter der Arbeitsplatte)

- Die Höhe der Arbeitsplatte sollte 820 mm betragen.
- (!) Kochgeräte und sonstige Wärmequellen dürfen nicht oberhalb des unter der Arbeitsplatte montierten Gerätes platziert werden.
- Eine Steckdose muss sich nahe der linken oder rechten Seite des Gerätes befinden.
- Entfernen Sie die obere Geräteabdeckung. Dazu lösen Sie insgesamt vier Schrauben: Zwei an der Rückseite, zwei weitere an der Vorderkante.

Abb. 1

- Schneiden Sie den im Bild gezeigten Teil aus und entfernen Sie ihn mit einer Zange.
- Platzieren Sie das Gerät unter der Arbeitsplatte und stellen Sie die Füße an der Frontseite so ein, dass das Oberteil des Gerätes die Platte berührt.

Damit das Gerät unter der Arbeitsplatte eingesetzt werden kann, muss zwischen Wand und der Referenzmarkierung am oberen Kunststoff-Verbindungsstück mindestens 595 mm Platz vorhanden sein.

Abb. 2-3

- Fixieren Sie das Gerät mit zwei der Schrauben, die Sie aus der oberen Abdeckung herausgedreht haben. (Die Arbeitsplatte muss aus Kunststoff oder Holz bestehen!)

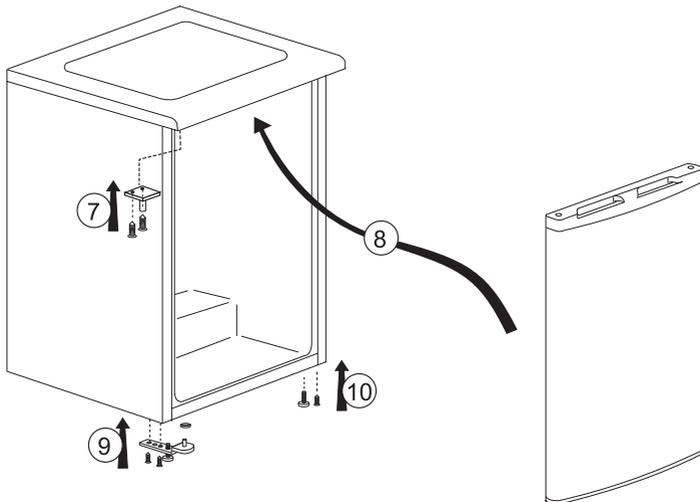
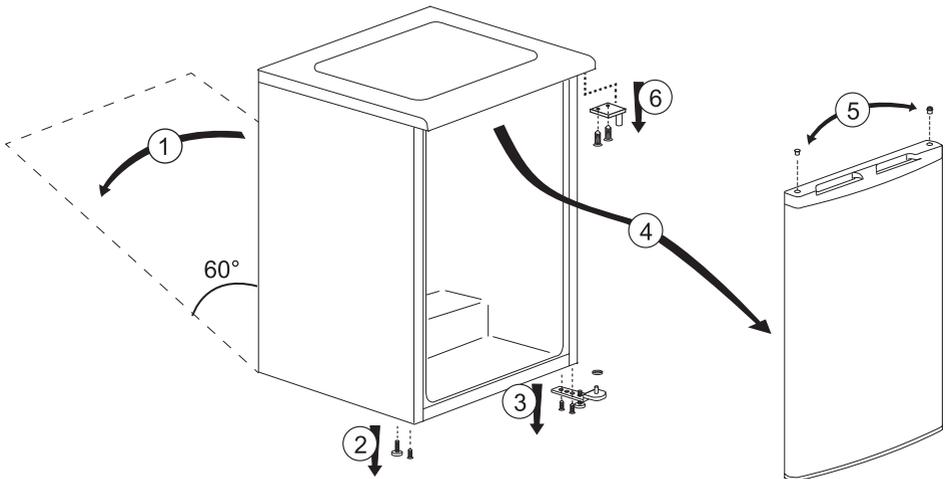
Abb. 4

4 Vorbereitung

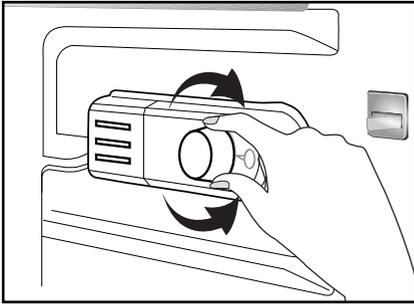
- Für ein freistehendes Gerät; „Dieses Kühlgerät darf nicht als Einbaugerät verwendet werden.“
- Ihr Kühlschrank / Gefrierschrank sollte mindestens 30 cm von Hitzequellen wie Kochstellen, Öfen, Heizungen, Herden und ähnlichen Einrichtungen aufgestellt werden. Halten Sie mindestens 5 cm Abstand zu Elektroöfen ein, vermeiden Sie die Aufstellung im direkten Sonnenlicht.
- Die Zimmertemperatur des Raumes, in dem der Kühlschrank / Gefrierschrank aufgestellt wird, sollte mindestens 10 °C betragen. Im Hinblick auf den Wirkungsgrad ist der Betrieb des Kühlschrank / Gefrierschranks bei geringerer Umgebungstemperatur nicht ratsam.
- Sorgen Sie dafür, dass das Innere Ihres Kühlschrank / Gefrierschranks gründlich gereinigt wird.
- Falls zwei Kühlschränke nebeneinander platziert werden sollen, achten Sie darauf, dass sie mindestens 2 cm voneinander entfernt aufgestellt werden.
- Wenn Sie den Kühlschrank / Gefrierschrank zum ersten Mal in Betrieb nehmen, halten Sie sich bitte an die folgenden Anweisungen für die ersten sechs Betriebsstunden.
- Die Kühlschrank / Gefrierschranktür sollte nicht zu häufig geöffnet werden.
- Der Kühlschrank / Gefrierschrank muss zunächst vollständig leer arbeiten.
- Ziehen Sie nicht den Netzstecker. Falls der Strom ausfallen sollte, beachten Sie die Warnhinweise im Abschnitt „Empfehlungen zur Problemlösung“.
- Originalverpackung und Schaumstoffmaterialien sollten zum zukünftigen Transport des Gerätes aufbewahrt werden.
- Bei einigen Modellen schaltet sich das Armaturenbrett 5 Minuten nach dem Schließen der Tür automatisch ab. Es schaltet sich wieder an, wenn die Tür geöffnet wurde oder indem man auf einen beliebigen Schalter drückt.
- Temperaturschwankungen aufgrund des Öffnens/Schließens der Kühlschranktür können zur Kondensation an den Böden in der Tür und im Kühlschrankinnern sowie an den Glasbehältern führen.

Türanschlag umkehren

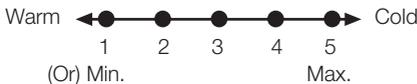
Gehen Sie der Reihe nach vor.



5 So bedienen Sie Ihren Kühlschrank



Die Betriebstemperatur wird über die Temperatursteuerung reguliert.



1 = Schwächste Kühlung (wärmste Einstellung)

5 = Stärkste Kühlung (kälteste Einstellung)

(Oder)

Min. = Schwächste Kühlung (wärmste Einstellung)

Max. = Stärkste Kühlung (kälteste Einstellung)

Die Durchschnittstemperatur im Inneren des Kühlschranks sollte bei etwa +5 °C liegen.

Bitte wählen Sie die der gewünschten Temperatur entsprechende Einstellung.

Sie können den Betrieb des Gerätes unterbrechen, indem Sie in den Thermostatknopf auf die Position „0“ einstellen.

Bitte beachten Sie, dass im Kühlbereich unterschiedliche Temperaturen herrschen.

Der kälteste Bereich befindet sich unmittelbar über dem Gemüsefach.

Die Innentemperatur hängt auch von der Umgebungstemperatur ab, außerdem davon, wie oft die Tür geöffnet wird und wie viel Lebensmittel im Inneren gelagert werden.

Beim häufigen Öffnen der Tür steigt die Innentemperatur an.

Aus diesem Grund empfehlen wir, die Tür möglichst schnell wieder zu schließen.

Gefrieren

Einfrieren von Lebensmitteln

Der Gefrierbereich ist mit dem Symbol  gekennzeichnet.

In Ihrem Gerät können Sie frische Nahrungsmittel einfrieren und auch bereits gefrorene Lebensmittel lagern.

Bitte beachten Sie dazu die Empfehlungen auf der Verpackung der Lebensmittel.

• Achtung

Frieren Sie keine kohlenensäurehaltigen Getränke ein: Die Flaschen können beim Einfrieren platzen.

Gehen Sie umsichtig mit gefrorenen Produkten wie farbigen Eiswürfeln um.

Überschreiten Sie die Tiefkühlkapazität ihres Geräts innerhalb von 24 Stunden nicht. Beachten Sie das Typenschild.

Um eine hohe Qualität der Lebensmittel zu bewahren, müssen Nahrungsmittel so schnell wie möglich eingefroren werden.

Dadurch sollte die Gefrierkapazität nicht überschritten werden und die Innentemperatur des Kühlgerätes nicht ansteigen.

• **Achtung**

Trennen Sie bereits gefrorene Lebensmittel grundsätzlich von Nahrungsmitteln, die gerade erst in das Kühlgerät gegeben wurden.

Beim Einfrieren heißer Speisen arbeitet der Kompressor so lange, bis die Lebensmittel komplett gefroren sind. Dies kann vorübergehend zu einer stärkeren Abkühlung des Kühlbereiches führen.

Machen Sie sich keine Sorgen, wenn sich die Kühlschranktür kurz nach dem Schließen nur mit Mühe öffnen lassen sollte. Dies liegt daran, dass sich die Druckunterschiede zwischen Innenraum und Umgebung erst einmal ausgleichen müssen. Nach ein paar Minuten lässt sich die Tür ganz normal öffnen.

Nach dem Schließen der Tür hören Sie ein Vakuumgeräusch. Dies ist völlig normal.

Herstellung von Eiswürfeln

Füllen Sie die Eiswürfelschale zu etwa 3/4 mit Wasser und stellen Sie diese ins Tiefkühlfach.

Sobald sich das Wasser in Eis verwandelt hat, können Sie die Eiswürfel herausnehmen.

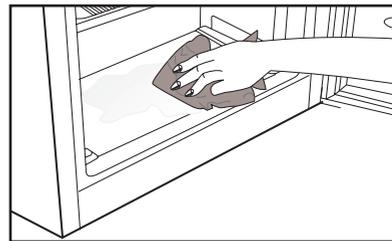
Benutzen Sie niemals scharfe Gegenstände wie Messer oder Gabeln zum Herauslösen der Eiswürfel. Es besteht Verletzungsgefahr!

Lassen Sie die Eiswürfel lieber etwas antauen oder tauchen Sie den Boden der Schale einen Moment lang in heißes Wasser.

Lagerung von Tiefkühlkost

Der Tiefkühlbereich ist mit dem Symbol  gekennzeichnet.

Im Tiefkühlbereich können Sie vorgefrorene Lebensmittel lagern. Die Lagerungsempfehlungen auf der Lebensmittelverpackung sollten immer eingehalten werden.



Gerät abtauen

Übermäßige Eisbildung kann sich negativ auf die Gefrierleistung Ihres Gerätes auswirken.

Daher empfehlen wir Ihnen, das Gerät mindestens zweimal pro Jahr abzutauen – oder wenn die Eisschicht eine Stärke von 7 mm überschreitet.

Tauen Sie das Gerät ab, wenn sich keine oder nur wenige Lebensmittel darin befinden.

Nehmen Sie tiefgefrorene Lebensmittel heraus. Wickeln Sie das Gefriergut in mehrere Lagen Papier oder in ein Handtuch ein und lagern Sie es an einem kühlen Ort.

Zum Abtauen des Gerätes ziehen Sie den Netzstecker oder schalten die Sicherung aus.

Nehmen Sie Zubehörteile (wie Ablagen, Schubladen, usw.) aus dem Gerät heraus und fangen Sie das Tauwasser mit einem geeigneten Behälter auf.

Sofern nötig, entfernen Sie Tauwasser mit einem Schwamm oder einem weichen Tuch aus dem Tiefkühlfach  und Gefriergutfach .

Lassen Sie die Tür während des Abtauvorgangs offen stehen.

Wenn Sie den Abtauvorgang beschleunigen möchten, stellen Sie ein paar Schüsseln mit warmem Wasser in das Gerät.

Verwenden Sie niemals Elektrogeräte, Abtausprays oder spitze oder scharfkantige Gegenstände wie Messer oder Gabeln zum Entfernen des Eises.

Reinigen Sie den Innenraum nach dem Abtauen.

Schließen Sie das Gerät wieder an die Stromversorgung an. Legen Sie das Gefriergut in die Schubladen, schieben Sie die Schubladen in das Kühlgerät ein.

Kühlen

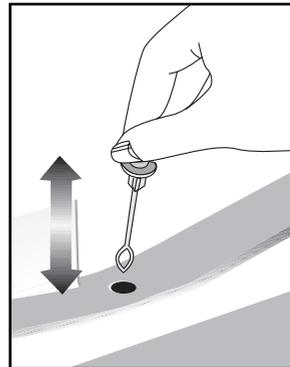
Lagern von Lebensmitteln

Der Kühlbereich ist für die kurzfristige Lagerung von frischen Lebensmitteln und Getränken vorgesehen.

Lagern Sie Milchprodukte im dafür vorgesehenen Bereich des Kühlschranks.

Flaschen können Sie im Flaschenhalter oder in der Flaschenablage der Tür aufbewahren.

Rohes Fleisch geben Sie am besten in einen Polyethylen-Beutel (PE) und lagern es im untersten Bereich des Kühlschranks.



Lassen Sie heiße Speisen und Getränke immer erst auf Raumtemperatur abkühlen, bevor Sie diese in den Kühlschrank stellen.

- **Achtung**

Lagern Sie hochprozentigen Alkohol nur aufrecht stehend und fest verschlossen in einem geeigneten Behälter.

- **Achtung**

Lagern Sie keine explosiven Substanzen oder Behälter mit brennbaren Treibgasen (Sprühsahne, Sprühdosen, usw.) im Kühlgerät.

Es besteht Explosionsgefahr.

Gerät abtauen

Der Kühlbereich taut automatisch ab. Das Tauwasser fließt durch den Abflusskanal in einen Sammelbehälter an der Rückseite des Gerätes.

Beim Abtauen bilden sich durch Verdunstung Wassertröpfchen an der Rückwand des Kühlschranks.

Falls die Tropfen nicht komplett ablaufen, können sie nach dem Abtauen wieder gefrieren. Entfernen Sie sie mit einem weichen Tuch, das Sie mit warmem Wasser angefeuchtet haben. Benutzen Sie keine harten oder scharfen Gegenstände.

Kontrollieren Sie den Tauwasserfluss von Zeit zu Zeit. Dieser kann gelegentlich zum Stocken kommen. Reinigen Sie es mit einem Pfeifenreiniger oder ähnlichem

6 **Wartung und Reinigung**

- ⚠ Verwenden Sie zu Reinigungszwecken niemals Benzin oder ähnliche Substanzen.
- ⚠ Wir empfehlen, vor dem Reinigen den Netzstecker zu ziehen.
- ⓘ Verwenden Sie zur Reinigung niemals scharfe Gegenstände, Seife, Haushaltsreiniger, Waschmittel oder Wachspolituren.
- ⓘ Bei nicht eisfreien Geräten bilden sich Wassertropfen an der Rückwand des Kühlfaches, die zu einer fingerdicken Eisschicht gefrieren können. Nicht beseitigen, nicht reinigen, niemals Öl oder andere Mittel auftragen.
- ⓘ Reinigen Sie die Außenflächen des Gerätes nur mit einem leicht angefeuchteten Mikrofasertuch. Schwämme und andere Reinigungshilfen können die Oberfläche verkratzen.
- ⓘ Reinigen Sie das Gehäuse des Gerätes mit lauwarmem Wasser, wischen Sie die Flächen danach trocken.
- ⚠ Zur Reinigung des Innenraums verwenden Sie ein feuchtes Tuch, das Sie in eine Lösung aus 1 Teelöffel Natron und einem halben Liter Wasser getaucht und ausgewrungen haben. Nach dem Reinigen wischen Sie den Innenraum trocken.
- ⚠ Achten Sie darauf, dass kein Wasser in das Lampengehäuse oder andere elektrische Komponenten eindringt.
- ⚠ Wenn Ihr Kühlgerät längere Zeit nicht benutzt wird, ziehen Sie den Netzstecker, nehmen alle Lebensmittel heraus, reinigen das Gerät und lassen die Türe geöffnet.
- ⓘ Kontrollieren Sie die Türdichtungen regelmäßig, um sicherzustellen, dass diese sauber und frei von Speiseresten sind.
- ⓘ Zum Entfernen einer Türablage räumen Sie sämtliche Gegenständen aus der Ablage und schieben diese dann nach oben heraus.
- ⓘ Verwenden Sie zur Reinigung der Außenflächen und Chrombeschichteten Produktteile niemals Reinigungsmittel oder Wasser, die/das Chlor enthält. Chlor lässt Metalloberflächen korrodieren.
- ⓘ Verwenden Sie keine spitzen oder scheuernde Gegenstände, Seifen, Reinigungsmittel bzw. Chemikalien, sowie auch kein Benzin, keine Benzole bzw. Wachse usw. Andernfalls werden die Einprägungen auf den Plasteteilen möglicherweise beschädigt oder deformiert. Verwenden Sie warmes Wasser und einen weichen Lappen zum anschließenden Trockenreiben.

Schutz der Kunststoffflächen

- i** Geben Sie keine Öle oder stark fetthaltige Speisen offen in Ihren Kühlschrank / Gefrierschrank – dadurch können die Kunststoffflächen angegriffen werden. Sollten die Plastikoberflächen einmal mit Öl in Berührung kommen, so reinigen Sie die entsprechenden Stellen umgehend mit warmem Wasser.

7 Empfehlungen zur Problemlösung

Bitte arbeiten Sie diese Liste durch, bevor Sie den Kundendienst anrufen. Das kann Ihnen Zeit und Geld sparen. In der Liste finden Sie häufiger auftretende Probleme, die nicht auf Verarbeitungs- oder Materialfehler zurückzuführen sind. Nicht alle hier beschriebenen Funktionen sind bei jedem Modell verfügbar.

Der Kühlschrank / Gefrierschrank arbeitet nicht.

- Ist der Kühlschrank / Gefrierschrank richtig angeschlossen? Stecken Sie den Netzstecker in die Steckdose.
- Ist die entsprechende Haussicherung herausgesprungen oder durchgebrannt? Überprüfen Sie die Sicherung.

Kondensation an den Seitenwänden des Kühlbereiches. (Multizone, Kühlkontrolle und FlexiZone)

- Sehr geringe Umgebungstemperaturen. Häufiges Öffnen und Schließen der Tür. Sehr feuchte Umgebung. Offene Lagerung von feuchten Lebensmitteln. Tür nicht richtig geschlossen. Kühlere Thermostateinstellung wählen.
- Türen kürzer geöffnet halten oder seltener öffnen.
- Offene Behälter abdecken oder mit einem geeigneten Material einwickeln.
- Kondensation mit einem trockenen Tuch entfernen und überprüfen, ob diese erneut auftritt.

Der Kompressor läuft nicht

- Eine Schutzschaltung stoppt den Kompressor bei kurzzeitigen Unterbrechungen der Stromversorgung und wenn das Gerät zu oft und schnell ein- und ausgeschaltet wird, da der Druck des Kühlmittels eine Weile lang ausgeglichen werden muss. Ihr Kühlschrank / Gefrierschrank beginnt nach etwa sechs Minuten wieder zu arbeiten. Bitte wenden Sie sich an den Kundendienst, falls Ihr Kühlschrank / Gefrierschrank nach Ablauf dieser Zeit nicht wieder zu arbeiten beginnt.
- Der Kühlschrank / Gefrierschrank taut ab. Dies ist bei einem vollautomatisch abtauenden Kühlschrank / Gefrierschrank völlig normal. Das Gerät taut von Zeit zu Zeit ab.
- Der Netzstecker ist nicht eingesteckt. Überprüfen Sie, ob das Gerät richtig angeschlossen ist.
- Stimmen die Temperatureinstellungen?
- Eventuell ist der Strom ausgefallen.

Der Kühlschrank / Gefrierschrank arbeitet sehr intensiv oder über eine sehr lange Zeit.

- Ihr neues Gerät ist vielleicht etwas breiter als sein Vorgänger. Dies ist völlig normal. Große Kühlgeräte arbeiten oft längere Zeit.
- Die Umgebungstemperatur ist eventuell sehr hoch. Dies ist völlig normal.
- Das Kühlgerät wurde möglicherweise erst vor kurzem in Betrieb genommen oder mit Lebensmitteln gefüllt. Es kann einige Stunden länger dauern, bis der Kühlschrank / Gefrierschrank seine Arbeitstemperatur erreicht hat.
- Kurz zuvor wurden größere Mengen warmer Speisen im Kühlschrank / Gefrierschrank eingelagert. Heiße Speisen führen dazu, dass der Kühlschrank / Gefrierschrank etwas länger arbeiten muss, bis die geeignete Temperatur zur sicheren Lagerung erreicht ist.
- Türen wurden häufig geöffnet oder längere Zeit nicht richtig geschlossen. Der Kühlschrank / Gefrierschrank muss länger arbeiten, weil warme Luft in den Innenraum eingedrungen ist. Öffnen Sie die Türen möglichst selten.
- Die Tür des Kühl- oder Tiefkühlbereichs war nur angelehnt. Vergewissern Sie sich, dass die Türen richtig geschlossen wurden.
- Die Kühlschrank / Gefrierschranktemperatur ist sehr niedrig eingestellt. Stellen Sie die Kühlschrank / Gefrierschranktemperatur höher ein und warten Sie, bis die gewünschte Temperatur erreicht ist.
- Die Türdichtungen von Kühl- oder Gefrierbereich sind verschmutzt, verschlissen, beschädigt oder sitzen nicht richtig. Reinigen oder ersetzen Sie die Dichtung. Beschädigte oder defekte Dichtungen führen dazu, dass der Kühlschrank / Gefrierschrank länger arbeiten muss, um die Temperatur halten zu können.

Die Temperatur im Tiefkühlbereich ist sehr niedrig, während die Temperatur im Kühlbereich normal ist.

- Die Tiefkühltemperatur ist sehr niedrig eingestellt. Stellen Sie die Gefrierfachtemperatur wärmer ein und prüfen Sie.

Die Temperatur im Kühlbereich ist sehr niedrig, während die Temperatur im Tiefkühlbereich normal ist.

- Die Kühltemperatur ist eventuell sehr niedrig eingestellt. Stellen Sie die Kühlbereichtemperatur wärmer ein und prüfen Sie.

Im Kühlbereich gelagerte Lebensmittel frieren ein.

- Die Kühltemperatur ist eventuell sehr niedrig eingestellt. Stellen Sie die Kühlbereichtemperatur wärmer ein und prüfen Sie.

Die Temperatur im Kühl- oder Tiefkühlbereich ist sehr hoch.

- Die Temperatur des Kühlbereichs ist eventuell sehr hoch eingestellt. Die Einstellung des Kühlbereichs beeinflusst die Temperatur im Tiefkühlbereich. Stellen Sie den Kühl- oder Tiefkühlbereich auf die gewünschte Temperatur ein.
- Türen wurden häufig geöffnet oder längere Zeit nicht richtig geschlossen; weniger häufig öffnen.
- Die Tür wurde eventuell nicht richtig geschlossen; Tür richtig schließen.
- Kurz zuvor wurden größere Mengen warmer Speisen im Kühlschrank / Gefrierschrank eingelagert. Warten Sie, bis der Kühl- oder Tiefkühlbereich die gewünschte Temperatur erreicht.
- Der Kühlschrank / Gefrierschrank war kurz zuvor von der Stromversorgung getrennt. Ihr Kühlschrank / Gefrierschrank braucht einige Zeit, um sich auf die gewünschte Temperatur abzukühlen.

Das Betriebsgeräusch nimmt zu, wenn der Kühlschrank / Gefrierschrank arbeitet.

- Das Leistungsverhalten des Kühlgerätes kann sich je nach Umgebungstemperatur ändern. Dies ist völlig normal und keine Fehlfunktion.

Vibrationen oder Betriebsgeräusche.

- Der Boden ist nicht eben oder nicht fest. Der Kühlschrank / Gefrierschrank wackelt, wenn er etwas bewegt wird. Achten Sie darauf, dass der Boden eben ist und das Gewicht des Kühlschrank / Gefrierschranks problemlos tragen kann.
- Das Geräusch kann durch auf dem Kühlschrank / Gefrierschrank abgestellte Gegenstände entstehen. Nehmen Sie abgestellte Gegenstände vom Kühlschrank / Gefrierschrank herunter.

Fließ- oder Spritzgeräusche sind zu hören.

- Aus technischen Gründen bewegen sich Flüssigkeiten und Gase innerhalb des Gerätes. Dies ist völlig normal und keine Fehlfunktion.

Windähnliche Geräusche sind zu hören.

- Zum gleichmäßigen Kühlen werden Ventilatoren eingesetzt. Dies ist völlig normal und keine Fehlfunktion.

Kondensation an den Kühlschrank / Gefrierschranksinnenflächen.

- Bei heißen und feuchten Wetterlagen tritt verstärkt Eisbildung und Kondensation auf. Dies ist völlig normal und keine Fehlfunktion.
- Die Türen wurden eventuell nicht richtig geschlossen; Türen komplett schließen.
- Türen wurden häufig geöffnet oder längere Zeit nicht richtig geschlossen; weniger häufig öffnen.

Feuchtigkeit sammelt sich an der Außenseite des Kühlschrank / Gefrierschranks oder an den Türen.

- Eventuell herrscht hohe Luftfeuchtigkeit; dies ist je nach Wetterlage völlig normal. Die Kondensation verschwindet, sobald die Feuchtigkeit abnimmt.

Unangenehmer Geruch im Kühlschrank / Gefrierschranksinnenraum.

- Das Innere des Kühlschrank / Gefrierschranks muss gereinigt werden. Reinigen Sie das Innere des Kühlschrank / Gefrierschranks mit einem Schwamm, den Sie mit lauwarmem oder kohlendioxidhaltigem Wasser angefeuchtet haben.
- Bestimmte Behälter oder Verpackungsmaterialien verursachen den Geruch. Verwenden Sie andere Behälter oder Verpackungsmaterial einer anderen Marke.

Die Tür wurde nicht richtig geschlossen.

- Lebensmittelpackungen verhindern eventuell das Schließen der Tür. Entfernen Sie die Verpackungen, welche die Tür blockieren.
- Der Kühlschrank / Gefrierschrank steht nicht mit sämtlichen Füßen fest auf dem Boden und schaukelt bei kleinen Bewegungen. Stellen Sie die Höheneinstellschrauben ein.
- Der Boden ist nicht eben oder nicht stabil genug. Achten Sie darauf, dass der Boden eben ist und das Gewicht des Kühlschrank / Gefrierschranks problemlos tragen kann.

Das Gemüsefach klemmt.

- Die Lebensmittel berühren eventuell den oberen Teil der Schublade. Ordnen Sie die Lebensmittel in der Schublade anders an.

HAFTUNGSAUSSCHLUSS / WARNUNG

Einige (einfache) Fehler können vom Endbenutzer angemessen behandelt werden, ohne dass Sicherheitsprobleme oder unsichere Verwendung auftreten, sofern sie innerhalb der Grenzen und gemäß den folgenden Anweisungen ausgeführt werden (siehe Abschnitt „Selbstreparatur“).

Sofern im Abschnitt „Selbstreparatur“ unten nichts anderes autorisiert ist, sind Reparaturen an registrierte professionelle Reparaturtechniker zu richten, um Sicherheitsprobleme zu vermeiden. Ein registrierter professioneller Reparaturbetrieb ist ein professioneller Reparaturtechniker, dem vom Hersteller Zugang zu den Anweisungen und der Ersatzteilliste dieses Produkts gemäß den in den Rechtsakten entsprechend der Richtlinie 2009/125/EG beschriebenen Methoden gewährt wurde.

Allerdings kann nur der Dienstleister (d.h. autorisierte professionelle Reparaturtechniker), den Sie über die in der Bedienungsanleitung/Garantiekarte angegebene Telefonnummer oder über Ihren autorisierten Händler erreichen können, einen Service gemäß den Garantiebedingungen anbieten. Bitte beachten Sie daher, dass Reparaturen durch professionelle Reparaturtechniker (die nicht von Bekoautorisiert sind) zum Erlischen der Garantie führen.

Selbstreparatur

Die Selbstreparatur kann vom Endbenutzer in Bezug auf folgende Ersatzteile durchgeführt werden: Dichtungen, Filter, Türscharniere, Körbe, Propeller, Kunststoffzubehör usw. (eine aktualisierte Liste ist ab dem 1. März 2021 ebenfalls in support.beko.com verfügbar).

Um die Produktsicherheit zu gewährleisten und das Risiko schwerer Verletzungen zu vermeiden, muss die erwähnte

Selbstreparatur gemäß den Anweisungen im Benutzerhandbuch zur Selbstreparatur durchgeführt werden, die unter support.beko.com verfügbar sind. Ziehen Sie zu Ihrer Sicherheit den Stecker aus der Steckdose, bevor Sie eine Selbstreparatur durchführen.

Reparatur- und Reparaturversuche von Endbenutzern für Teile, die nicht in dieser Liste enthalten sind und/oder die Anweisungen in den Benutzerhandbüchern zur Selbstreparatur nicht befolgen oder die auf support.beko.com verfügbar sind, können zu Sicherheitsproblemen führen, die nicht auf Bekozurückzuführen sind, und führt zum Erlöschen der Garantie des Produkts.

Deshalb wird dringend empfohlen, dass Endbenutzer nicht versuchen, Reparaturen durchzuführen, die außerhalb der genannten Ersatzteilliste liegen, und sich in solchen Fällen an autorisierte professionelle Reparaturtechniker oder registrierte professionelle Reparaturtechniker wenden. Ansonsten können solche Versuche von Endbenutzern Sicherheitsprobleme verursachen und das Produkt beschädigen und anschließend Brand, Überschwemmungen, Stromschläge und schwere Personenschäden verursachen.

Beispielsweise müssen, ohne darauf beschränkt zu sein, die folgenden Reparaturen an autorisierte professionelle Reparaturtechniker oder registrierte professionelle Reparaturtechniker gerichtet werden: Kompressor, Kühlkreislauf, Hauptplatine, Wechselrichterplatine, Anzeigetafel usw.

Der Hersteller/Verkäufer kann in keinem Fall haftbar gemacht werden, in dem Endbenutzer die oben genannten Bestimmungen nicht einhalten.

Die Ersatzteilverfügbarkeit des von Ihnen
gekauften Kühlschranks beträgt 10 Jahre.
Während dieser Zeit stehen Originalersatzteile
zur Verfügung, um den Kühlschrank
ordnungsgemäß zu betreiben.
Die Mindestgarantiedauer für den von Ihnen
gekauften Kühlschrank beträgt 24 Monate.
Dieses Produkt ist mit einer Lichtquelle der
Energieklasse „G“ ausgestattet.
Die Lichtquelle in diesem Produkt darf nur von
professionellen Reparaturtechnikern ersetzt
werden.

Læs venligst denne vejledning først!

Kære kunde

Vi håber, at dit produkt, der er produceret i moderne produktionsanlæg og kontrolleret under de grundigste kvalitetskontrolprocedurer, vil give yde dig en effektiv service.

Derfor anbefaler vi dig grundigt at læse hele vejledningen for produktet, inden du tager det i anvendelse, og gemmer det tilgængeligt for fremtidige opslag.

Denne vejledning

- Vil hjælpe dig med at bruge køle-/fryseskabet hurtigt og sikkert.
- Læs denne vejledning, inden du installerer og betjener produktet.
- Følg instruktionerne, især sikkerhedsinstruktionerne.
- Opbevar denne manual på et nemt tilgængeligt sted, da du kan få brug for den senere.
- Derudover skal du også læse de andre dokumenter, der er fulgt med produktet.
- Bemærk at denne vejledning også kan være gældende for andre modeller.

Symboler og deres beskrivelse

Denne brugsvejledning indeholder følgende symboler:

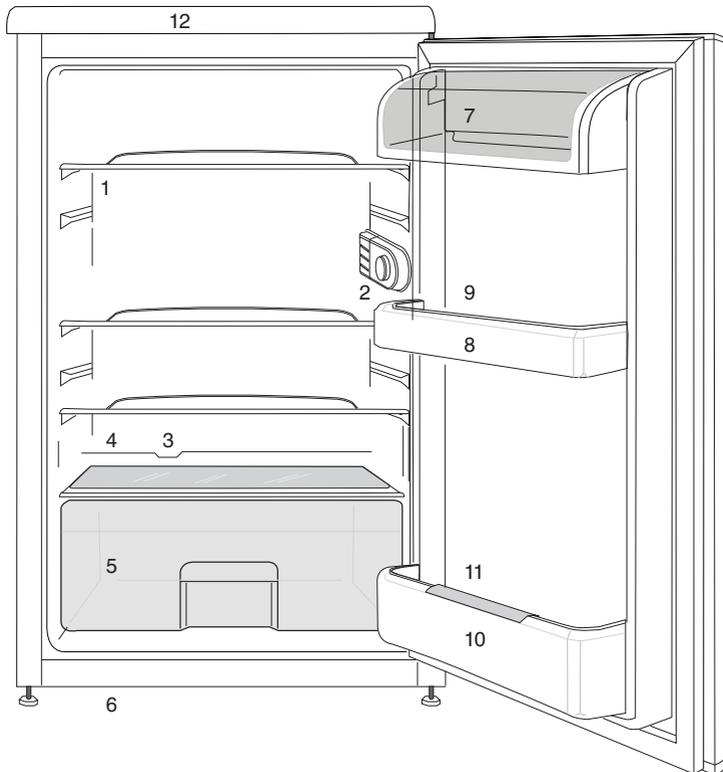
-  Vigtige informationer eller brugbare tips.
-  Advarsel mod farlige forhold for liv og ejendom.
-  Advarsel mod strømspænding.

 INFORMATION				
 	Modeloplysninger, som er gemt i produktbasen, kan nås ved at gå ind på følgende websted og søge efter din modelidentifikator (*), der findes på energimærket. https://eprel.ec.europa.eu/			
<table border="1"><thead><tr><th>SUPPLIER'S NAME</th><th>MODEL IDENTIFIER (*)</th></tr></thead><tbody><tr><td></td><td></td></tr></tbody></table>		SUPPLIER'S NAME	MODEL IDENTIFIER (*)	
SUPPLIER'S NAME	MODEL IDENTIFIER (*)			
				

INDHOLD

1 Køl/frys	3	4 Tilberedning	12
2 Vigtige sikkerhedsadvarsler	4	Vende dørene	13
Tilsigtet brug	4	Vende dørene	14
Børnesikkerhed	7	5 Anvendelse af køl/frys	15
Overholdelse af WEEE-direktivet og bortskaftelse af affald:	7	Frysning	15
Overholdelse af RoHS-direktivet:	7	Nedfrysning af mad	15
Emballagegodeplysninger	8	Fremstille isterninger	16
HC Advarsel	8	Opbevaring af frostvarer	16
Energibesparende foranstaltninger ..	8	Afrimning af apparatet	16
3 Installation	9	Køling	17
Hvis køl/frys skal transporteres igen	9	Opbevaring af mad	17
Inden køl/frys betjenes	9	Afrimning af apparatet	17
Elektrisk tilslutning	9	6 Vedligeholdelse og rengøring	18
Bortskaftelse af emballagen	10	Beskyttelse af plasticoverflader	18
Bortskaftelse af det gamle køleskab	10	7 Anbefalede løsninger på problemerne	19
Placering og installation	10		
Justering af fødder	11		
Udskiftning af belysningslampen ...	11		
Installation (under bordet)	11		

1 Køl/frys



- | | |
|--|------------------------|
| 1. Flytbare hylder | 7. Rum til mejerivarer |
| 2. Indvendigt lys & termostatknop | 8. Lågehylder |
| 3. Opsamlingskanal til optøet vand - Afløbsrør | 9. Æggebakke |
| 4. Låg til grøntsagsskuffe | 10. Flaskehylde |
| 5. Grøntsagsskuffe | 11. Flaskegriber |
| 6. Justerbare forreste fødder | 12. Topbeklædning |

i Tallene i denne manual er skematiske og svarer måske ikke helt til dit produkt. Hvis delene ikke er indeholdt i det produkt, du har købt, findes de i andre modeller.

2 Vigtige sikkerhedsadvarsler

Gennemgå følgende informationer. Hvis man undlader at overholde disse informationer, kan det forårsage kvæstelser eller materiel skade. Ellers vil alle garantier og løfter om driftssikkerhed blive ugyldige.

Originale reservedele kan leveres i 10 år efter produktets købsdato.

Tilsluttet brug

ADVARSEL:

Hold ventilationsåbninger i apparatets kabinet eller i den indbyggede struktur fri for forhindringer.

ADVARSEL:

Brug ikke mekanisk udstyr eller andre midler til at fremskynde afrimningen, ud over dem, der er anbefalet af producenten.

ADVARSEL:

 Undgå at beskadige kølekredsløbet.

ADVARSEL:

Brug ikke elektriske apparater inden i rummet til opbevaring af fødevarer i apparatet, medmindre de er af en type anbefalet af producenten.

ADVARSEL:

Opbevar ikke eksplosive stoffer, såsom spraydåser med brændbare drivgasser i køleskabet.

Generelle sikkerhedsregler

- Når du vil bortkaste/skrotte produktet, anbefaler vi, at du rådfører dig med den autoriserede service for at tilegne dig de krævede informationer samt med de autoriserede myndigheder.
- Kontakt den autoriserede forhandler for at få svar på spørgsmål og problemer omkring køl/frys. Undlad at foretage indgreb eller lade andre foretage indgreb på køl/frys uden at informere den autoriserede forhandler.
- For produkter med fryser; Undlad at spise vaffelis eller isterninger lige efter, du har taget dem ud af fryseren! (Det kan forårsage forfrysninger i munden.)
- For produkter med fryser; læg ikke flydende drikkevarer på flaske eller kande i fryseren. De kan eksplodere.
- Rør ikke frosne madvarer med hænderne, da de kan hænge fast i din hånd.
- Tag køl/frys ud af stikket inden rengøring eller afrimning.
- Damp og fordampede rengøringsmaterialer skal aldrig bruges ved rengøring og afrimning af køl/frys.

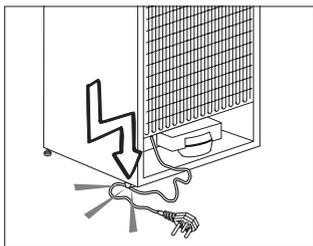
Hvis det sker, kan dampen komme i kontakt med de elektriske dele og forårsage kortslutning eller elektrisk stød.

- Brug aldrig delene på køl/frys, som f.eks. lågen til at støtte dig på eller stå på.
- Brug ikke elektriske apparater inde i køl/frys.
- Undlad at beskadige de dele, hvor kølemidlet cirkulerer, med bore- eller skæreværktøjer. Kølemidlet, som kan blæse ud, når fordamperens gaskanaler, forlængerrørene eller overfladebelæggningerne punkteres, kan forårsage hudirritationer og øjenskader.
- Undlad med nogen form for materiale at tildække eller blokere ventilationshullerne på køl/frys.
- Elektrisk udstyr må kun repareres af autoriserede personer. Reparationer, der er udført af inkompetente personer, skaber en risiko for brugeren.
- I tilfælde af fejlfunktion under vedligeholdelses- eller reparationsarbejde skal køl/fryss forsyningsnet afbrydes ved enten at slukke for den relevante sikring eller ved at tage apparatets stik ud af kontakten.
- Træk ikke i ledningen, når stikket skal tages ud.
- Sørg for, at drikkevarer med høj alkoholprocent opbevares

sikkert med låget spændt til og opretstående.

- Opbevarer aldrig sprayflasker, der indeholder brændbare og eksplosive substanser, i køl/frys.
- Der må ikke anvendes mekanisk udstyr eller andre midler, ud over de af producenten anbefalede, for at fremskynde afrimningsprocessen.
- Dette produkt er ikke beregnet til at bruges af personer med fysiske handicap, føleforstyrrelser og psykiske lidelser eller personer, som ikke har modtaget instruktion (herunder børn), medmindre de er ledsaget af en person, der er ansvarlig for deres sikkerhed eller som instruerer dem i brug af produktet.
- Lad ikke et beskadiget køle-/fryseskab køre. Kontakt serviceagenten, hvis du har nogen betænkeligheder.
- Der kan kun garanteres for køl/fryss strømsikkerhed, hvis jordingsystemet i dit hjem opfylder standarderne.
- At udsætte produkterne for regn, sne, sol og vind er farligt hvad angår el-sikkerheden.
- Kontakt autoriseret service, hvis der er et beskadiget strømkabel, for at undgå fare.
- Sæt aldrig køl/frys ind i stikkontakten under installationen. Hvis det sker, kan der opstå risiko for dødsfald eller alvorlig skade.

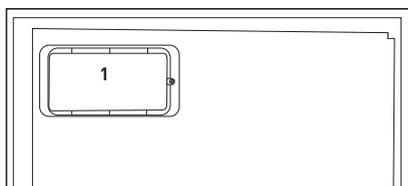
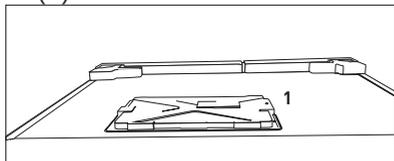
- Dette køle-/fryseskab er kun beregnet til at opbevare madvarer. Det bør ikke bruges til andre formål.
- Typeskiltet med tekniske informationer er placeret på den venstre væg i køl/frys.
- Tilslut aldrig køl/frys til el-besparende systemer; de kan beskadige køl/frys.
- Hvis der er et blåt lys på Køl/frys, skal du undgå at kigge på det med eller uden briller i en længere tid.
- For manuelt betjente køle-/fryseskabe skal man vente mindst 5 minutter med at starte det efter strømsvigt.
- Denne brugermanual skal afleveres til den nye ejer når det skifter ejermand.
- Undlad at beskadige strømkablet, når køl/frys transporteres. Det kan forårsage brand at bøje kablet. Placer aldrig tunge genstande på strømkablet. Rør ikke ved stikket med våde hænder, når du tager stikket ud.



- Tilslut ikke køl/frys hvis stikkontakten er løs.
- Vand bør ikke blive sprayet direkte på indre og ydre dele af produktet af sikkerhedsmæssige årsager.
- Undlad at sprøjte substanser, der indeholder brændbare gasser, som f.eks. propangas, nær ved køl/frys for at undgå risiko for brand og eksplosion.
- Placer aldrig beholdere, der er fyldt med vand, oven på køl/frys, da det kan forårsage elektrisk stød eller brand.
- Overfyld ikke køl/frys med overdrevne mængder mad. Hvis det er overfyldt, kan maden falde ned og beskadige dig og beskadige køl/frys, når lågen åbnes. Placer aldrig genstande oven på køl/frys; disse genstande kan falde ned, når du åbner eller lukker køle-/fryseskablågen.
- Vacciner, varmefølsomme medikamenter, videnskabelige materialer osv. bør ikke opbevares i køl/frys, da de har brug for præcis temperatur.
- Køl/frys skal tages ud af stikkontakten, hvis det ikke skal bruges i længere tid. Et evt. problem i strømkablet kan forårsage brand.
- Køl/frys kan flytte sig, hvis de justerbare ben ikke er sikret godt nok på gulvet. Rigtigt sikrede justerbare ben på gulvet kan forhindre køl/frys i at flytte sig.
- Når køl/frys skal bæres, må man ikke holde i lågens håndtag. Hvis det sker, kan det brække.
- Hvis produktet skal placeres ved siden af et andet køle-/fryseskab eller fryser, skal afstanden mellem de to apparater være mindst 8 cm.

Ellers kan de tilgrænsende sidevægge blive fugtige.

- Benyt aldrig produktet, hvis afsnittet øverst eller på bagsiden af dit produkt med elektroniske printkort indeni er åbent (printkort-dæksel) (1).



For produkter med en vanddispenser;

For problemløs drift af vandkredsløbet i køleskabet skal trykket i vandforsyningsnet være på 1-8 bar. I det tilfælde, når vandtrykket overstiger 5 bar, skal der anvendes en trykregulator. Hvis trykket i vandforsyningsnettet overstiger 8 bar, bør køleskabets vandkredsløb ikke slutes til vandtilførslen. Hvis du ikke ved, hvordan du skal måle tryk i vandforsyningsnet, kan du bede fagfolk om hjælp.

- Brug kun drikkevand.

Børnesikkerhed

- Hvis døren har en lås, bør nøglen opbevares uden for børns rækkevidde.
- Børn skal overvåges for at forhindre, at de piller ved produktet.

Overholdelse af WEEE-direktivet og bortskaffelse af affald:



Dette produkt er i overensstemmelse med WEEE-direktiv (2012/19/EU). Dette produkt bærer et symbol for klassificering af bortskaffelse af elektrisk og elektronisk udstyr

(WEEE).

Dette produkt er fremstillet af dele og materialer af høj kvalitet, der kan bruges igen, og som er egnede for genbrug. Smid ikke produktet med husholdningsaffald og andet affald ved slutningen af dets levetid. Bring det til et opsamlingssted for genbrug af elektroniske og elektriske apparater. Kontakt dine lokale myndigheder for at finde nærmeste opsamlingssted.

Overholdelse af RoHS-direktivet:

Det produkt, du har købt, er i overensstemmelse med EU RoHS-direktivet (2011/65/EU). Det indeholder ikke skadelige og forbudte materialer angivet i direktivet.

Emballageoplysninger

Produktets emballage er fremstillet af genbrugsmaterialer i overensstemmelse med vores nationale miljøbestemmelser. Smid ikke emballagen sammen med husholdningsaffald eller andet affald. Bring den til et opsamlingssted udpeget af de lokale myndigheder.

HC Advarsel

Hvis køl/frys kølesystem indeholde R600a:

Denne gas er brændbar. Du skal derfor være opmærksom på ikke at ødelægge kølesystemet og kølerørene under brug og transport. I tilfælde af beskadigelse skal produktet holdes væk fra mulige brandkilder, der kan forårsage, at produktet går i brand, og du skal sørge for at lufte ud i rummet, hvor produktet er placeret.

Ignorer denne advarsel, hvis dit køle-/fryseskabs kølesystem indeholder R134a.

Gastypen, der bruges i produktet, er meddelt på typeskiltet, der er på venstre væg inde i køl/frys.

Kast aldrig produktet i en brand for bortskaffelse.

Energibesparende foranstaltninger

- Undlad at lade lågerne i køl/frys stå åbne i lang tid.
- Put ikke varm mad eller drikke i køl/frys.
- Overfyld ikke køl/frys, så luftcirkulationen bliver forhindret.
- Placer ikke dit køle-/fryseskab under direkte sollys eller tæt på varmeudstrålende apparater, som f.eks. ovne, opvaskemaskiner eller radiatorer.
- Vær omhyggelig med at opbevare maden i lukkede beholdere.
- Produkter med en fryser: Du kan opbevare maksimal mængde madvarer i fryseren, hvis du fjerner hylde eller skuffen i fryseren. Energiforbrugsværdien, der er angivet for køl/frys, er blevet bestemt ved at fjerne fryserhylde eller -skuffen og under maksimal indfyldning. Der er ingen skade ved at bruge en hylde eller skuffe der passer i form og størrelse til de madvarer der skal frys.
- Optøning af frossen mad i køl/frys vil både skabe energibesparelse og bevare madens kvalitet.

3 Installation

⚠ Producenten kan ikke holdes ansvarlig, hvis oplysningerne givet i brugsanvisningen ikke er overholdt.

Hvis køl/frys skal transporteres igen

1. Køl/frys skal tømmes og rengøres inden transport.
2. Hylder, tilbehør, grøntsagsskuffer osv. skal fastgøres sikkert for at modvirke stød, inden produktet pakkes igen.
3. Emballagen skal fastgøres, og reglerne for transport, der er trykt på pakken, skal følges.

Glem ikke, at...

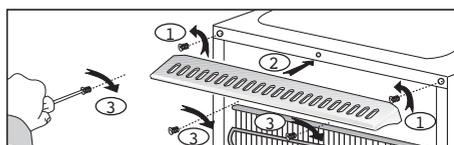
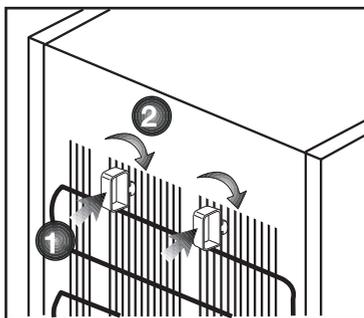
Alt genbrugsmateriale er en uundværlig kilde for naturen og for vore nationale ressourcer.

Hvis du ønsker at medvirke til at genbruge emballagen, kan du få yderligere informationer hos miljøorganisationerne eller de lokale myndigheder.

Inden køl/frys betjenes

Inden du begynder at bruge Køl/frys, skal du kontrollere følgende:

1. Køl/frys skal være tørt indvendigt, og luften skal kunne cirkulere frit bagved det.
2. Rengør køl/frys indvendigt som anbefalet i afsnittet "Vedligeholdelse og rengøring".
3. Sæt Køl/fryss ledning i kontakten. Når køleskabsdøren åbnes, vil køl/fryss indvendige lys tændes.



4. Der vil kunne høres en lyd, når kompressoren starter. Kølevæskens og gasarternes, der findes i kølesystemet, kan også støje lidt, selv om kompressoren ikke kører, hvilket er helt normalt.
5. Køl/fryss forreste kanter kan føles varme. Dette er normalt. Disse områder er beregnet til at være varme for at undgå kondensering.
6. Køl/frys

Elektrisk tilslutning

Tilslut produktet til en jordet kontakt, der er beskyttet af en sikring med passende kapacitet.

Vigtigt:

- Tilslutningen skal være i overensstemmelse med de nationale regulativer.

- Strømsstikket skal være nemt tilgængeligt efter installationen.
 - Den angivne spænding skal være lig med spændingen på dit el-net.
 - Mellemkabler og stikdåser med flere stik skal ikke bruges til tilslutningen.
- ⚠ Beskadiget netledning skal udskiftes af autoriseret el-installatøren.
- ⚠ Produktet må ikke betjenes, før det er repareret! Der er fare for elektrisk stød!

Bortskaffelse af emballagen

Emballagen kan være farlig for børn. Hold emballagen væk fra børns rækkevidde eller bortskaf den, idet du skal klassificere den i henhold til affaldsinstruktionerne. Smid den ikke væk sammen med det øvrige husholdningsaffald.

Køl/fryss emballage er produceret af genanvendelige materialer.

Bortskaffelse af det gamle køleskab

Bortskaf det gamle køleskab uden at skade miljøet.

- Du kan spørge din forhandler eller genbrugsstationen i din kommune angående bortskaffelse af køl/frys.

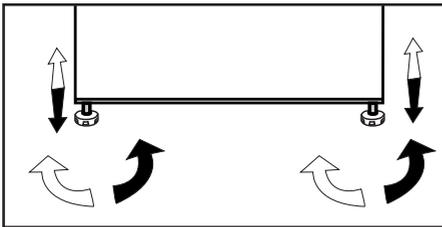
Inden køl/frys bortskaffes, skal du skære elstikket af, og hvis der er låse i lågen, skal du gøre dem ubrugelige for at beskytte børn mod fare.

Placering og installation

1. Ungå at placere køl/frys ved varmekilder, fugtige steder og direkte sollys.
2. Der skal være tilstrækkelig ventilation rundt om køl/frys for at opnå en effektiv funktion. Hvis køl/frys skal placeres i en fordybning i væggen, skal der være mindst 5 cm afstand fra loft og væg. Hvis gulvet er belagt med tæppe, skal produktet hæves 2,5 cm fra gulvet.
3. Placér køl/frys på en jævn gulvoverflade for at undgå rystebevægelser.

Justering af fødder

Hvis køleskabet står stabilt, kan du justere det ved at dreje de forreste ben som illustreret på tegningen. Det hjørne, hvor benet befinder sig, bliver sænket, når du drejer i retning af den sorte pil, og hævet, når du drejer i den modsatte retning. Hvis du får hjælp fra nogen til at løfte køleskabet let, vil det lette denne proces.



Udskiftning af belysningslampen

For at skifte pæren, der belyser køleskabet, bedes du ringe til den autoriserede service.

Pærerne for dette husholdningsapparat er ikke egnede til belysningsformål. Det tiltænkte formål med denne pære er at gøre det muligt for brugeren at placere levnedsmidler i køleskabet/fryseren på en sikker og bekvem måde.

De pærer der anvendes i enheden, skal kunne modstå ekstreme fysiske forhold som eksempelvis temperaturer under -20 °C.

Installation (under bordet)

- Bordets indvendige højde skal være 820 mm.
- Komfurer eller andre varmekilder skal ikke placeres over bordet, der hvor apparatet er installeret under bordet.
- Kontakten til strømforsyningen skal være tæt på højre eller venstre side af apparatet.
- Fjern maskinens topdæksel. Der er 4 skruer (2 styk på bagsiden, 2 styk under forreste kanter), der skal fjernes.

Fig. 1

- Skær den del af, der er vist på figuren, og fjern den så ved hjælp af en bidetang.
- Placer dit apparat under bordet og juster de forreste fødder, indtil toppen grænser op til bordet.

For at kunne bruge produktet under bordet skal afstanden mellem væggen og referencen, der er angivet øverst i forbindelsesplasten, være mindst 595 mm.

Fig. 2-3

- Fastgør apparatet under bordet ved hjælp af 2 af de skruer, der blev taget af det øverste dæksel. (Bordets materiale skal være plastic eller træbaseret!)

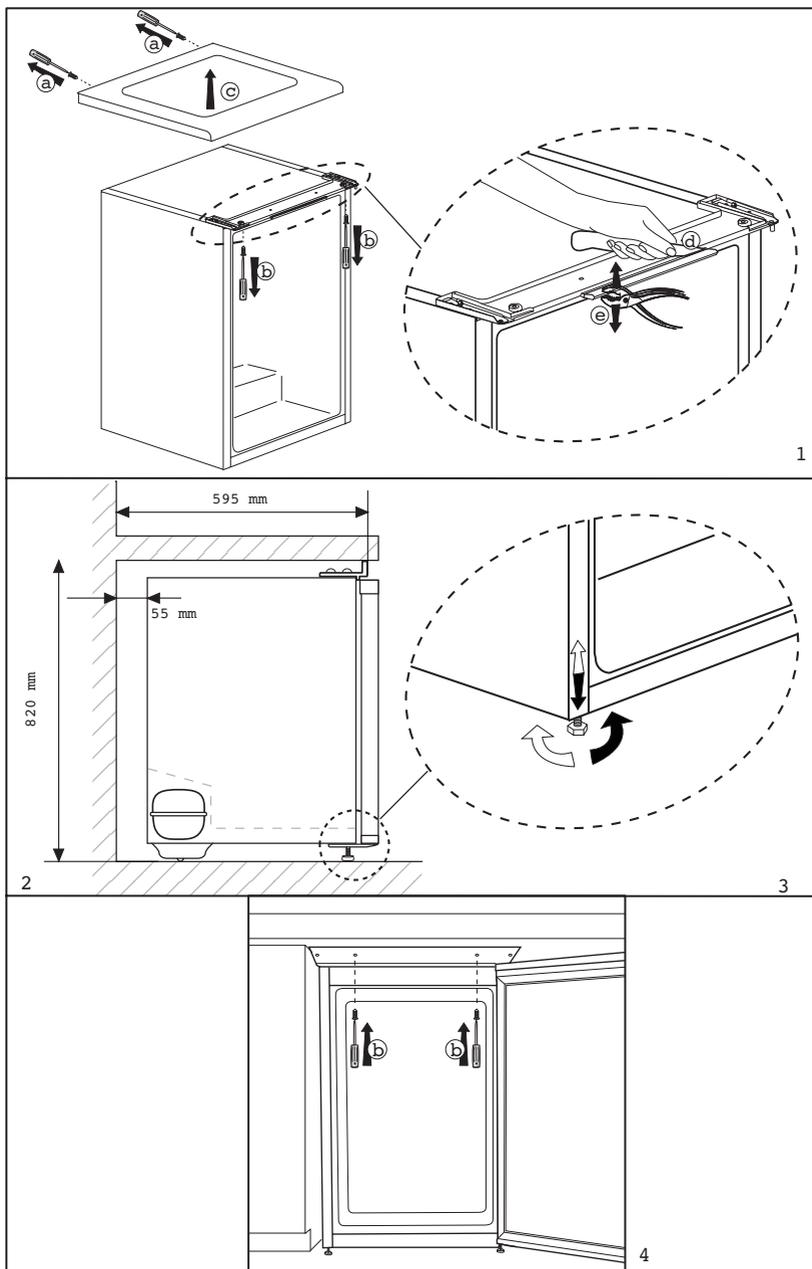
Fig. 4

4 Tilberedning

- Til et fritstående køleskab: "dette køleskab er ikke beregnet til at blive brugt som indbygget køleskab".
- Køl/frys skal installeres mindst 30 cm væk fra varmekilder, som f.eks. kogeplader, ovne, radiatorer og brændeovne, og mindst 5 cm væk fra elektriske ovne, og det bør ikke placeres i direkte sollys.
- Den omgivende rumtemperatur bør være mindst 10°C. Betjening af køl/frys under køligere forhold end dette anbefales ikke med hensyn til apparatets ydeevne.
- Sørg for at rengøre køl/frys indvendigt meget grundigt.
- Hvis der skal installeres to køleskabe ved siden af hinanden, bør afstanden mellem dem være mindst 2 cm.
- Når du betjener køl/frys første gang, skal du være opmærksom på følgende i de første seks timer.
- Døren bør ikke åbnes ofte.
- Køl/frys skal køre tom uden madvarer i det.
- Træk ikke stikket ud. Hvis der forekommer strømudfald uden for din kontrol, så læs advarslerne under afsnittet "Anbefalede løsninger ved problemer".
- Original indpakningsmateriale bør opbevares for fremtidig brug under transport eller flytning.
- På grund af temperaturændring som et resultat af at åbne / lukke produktets dør under drift, er kondens på dør / hylde og glasbeholdere normal.

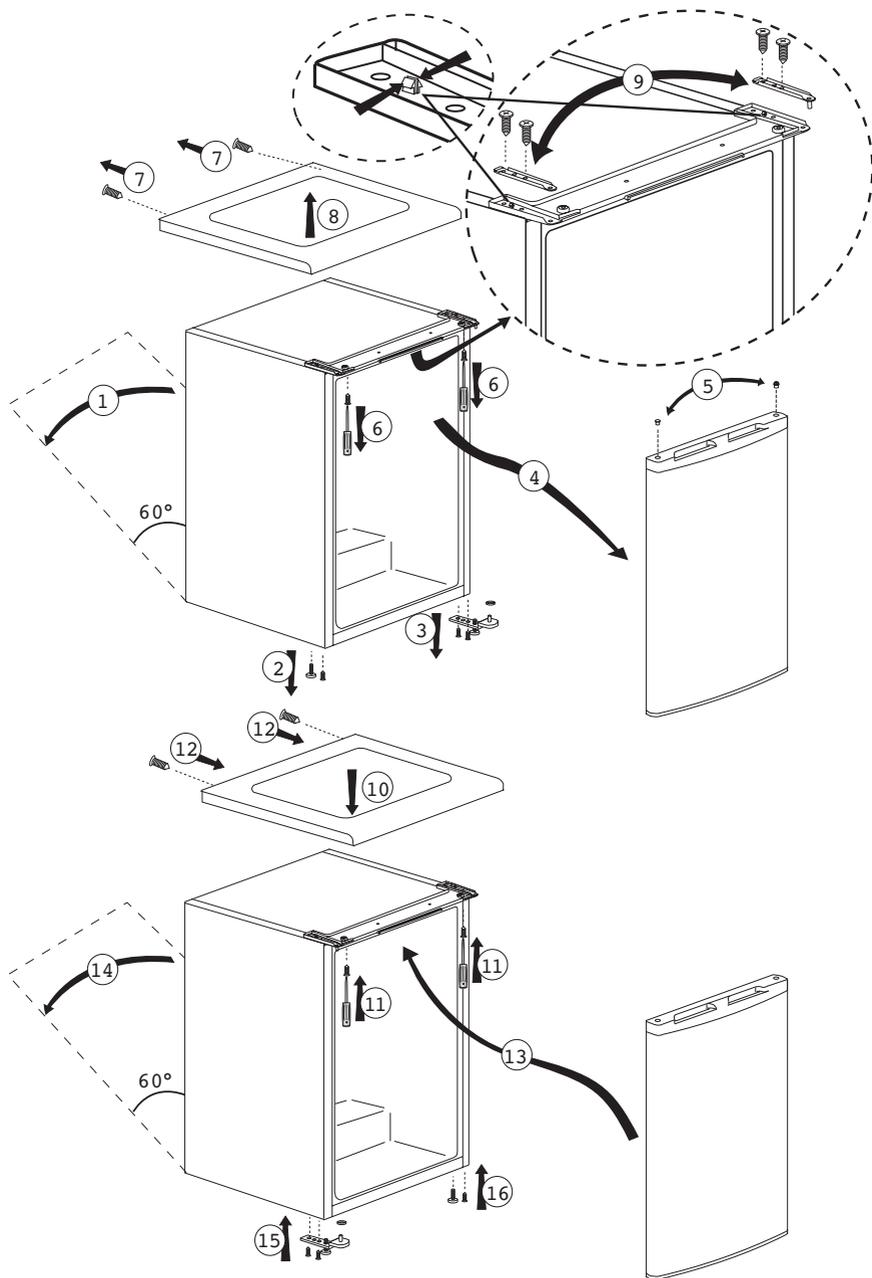
Vende dørene

Fortsæt i numerisk rækkefølge

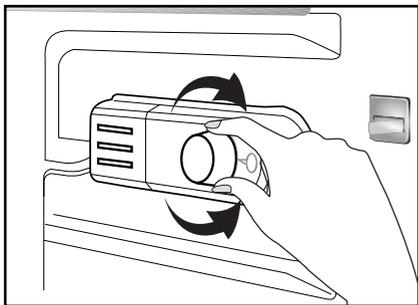


Vende dørene

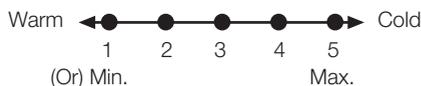
Fortsæt i numerisk rækkefølge



5 Anvendelse af køl/frys



Driftstemperaturen reguleres ved temperaturstyringen.



**1 = Laveste indstilling til køl
(varmeste indstilling)**

**5 = Højeste indstilling til køl
(koldeste indstilling)**

(Eller)

**Min. = Laveste indstilling til køl
(Varmeste indstilling)**

**Maks. = Højeste indstilling til køl
(Koldeste indstilling)**

Gennemsnitstemperaturen inde i køl/frys bør være omkring +5 °C

Vælg indstilling efter ønsket temperatur.

Du kan stoppe driften på dit apparat ved at indstille termostatknappen på position "0".

Bemærk venligst, at der er forskellige temperaturer i køleområdet.

Det koldeste området er umiddelbart over grøntsagsrummet.

Den indvendige temperatur afhænger også af rumtemperaturen, hvor ofte lågen åbnes, og mængden af madvarer, der opbevares i køl/frys.

Hvis lågen åbnes ofte, får det den indvendige temperatur til at stige.

Det anbefales derfor at lukke lågen så hurtigt som muligt efter brug.

Frysning

Nedfrysning af mad

Fryseområdet er markeret med  dette symbol.

Du kan bruge fryseren til at fryse friske madvarer samt til at opbevare præ-frosne mad.

Referer venligst til angivelserne på madvarernes emballage.

• Bemærk

Frys ikke drikkevarer med brus, da flasken kan sprænge, når væsken deri fryses.

Vær forsigtig med frosne produkter som f.eks. farvede isterninger.

Overskrid ikke apparatets indfrysningkapacitet pr døgn. Se mærkeskiltet.

For at opretholde madens kvalitet skal frysningen udføres så hurtigt som muligt.

På den måde vil frysekapaciteten ikke blive overskredet, og temperaturen i fryseren vil ikke stige.

• Bemærk

Opbevar altid de allerede dybfrosne madvarer adskilt fra nyligt placerede madvarer.

Når der dybfryses varm mad, vil kølekompressoren arbejde, indtil maden er helt frossen. Dette kan midlertidigt forårsage overdreven køling af køleskabsrummet.

Hvis du synes, at fryserlågen er svær at åbne, lige efter du har lukket den, skal du ikke være bekymret. Dette skyldes trykforskellen, der vil udjævnes og lade lågen åbne normalt efter et par minutter.

Du vil høre en vakuum-lyd lige efter at have lukket døren. Det er ganske normalt.

Fremstille isterninger

Fyld isterningbakken 3/4 fuld med vand og sæt den i fryseren.

Så snart vandet er blevet til is, kan du tage isterningerne ud.

Brug aldrig skarpe objekter som f.eks. knive eller gafler til at tage isterningerne ud. Der er risiko for skade!

Lad i stedet isterningerne optø langsomt, eller sæt bunden af bakken i varmt vand et lille øjeblik.

Opbevaring af frostvarer

Fryserummet er markeret med  dette symbol.

Rummet for frossen mad er egnet til opbevaring af præ-frossen mad. Anbefalingerne for opbevaring i fryser, som det fremgår af levnedsmiddelemballagen, bør altid følges.

Afrimning af apparatet

Overdreven dannelse af is vil påvirke din fryseres frysekapacitet.

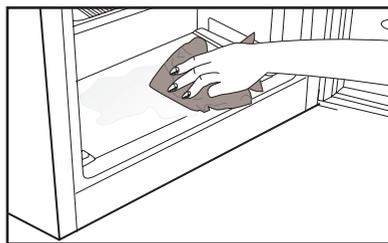
Det anbefales derfor, at du afrimer din fryser mindst 2 gange om året, eller hver gang isdannelsen overstiger 7 mm.

Afrim din fryser, når der kun er lidt eller ikke noget mad i den.

Tag det dybfrosne mad ud. Pak det dybfrosne mad ind i flere lag papir, eller et tæppe, og opbevar det på et koldt sted.

Tak stikket ud af kontakten eller sluk for kontakten for at starte afrimningsprocessen.

Tag tilbehørsdelene ud (så som hylde, skuffe, osv.) af apparatet og brug en passende beholder til at opsamle det optøede vand.



Brug en svamp eller en blød klud til at fjerne det optøede vand fra fryserummet.

 og fra rummet for frosset vand 

Hold døren åben under afrimning.

For hurtigere afrimning kan du sætte beholdere med varmt vand ind i apparatet.

Brug aldrig elektrisk udstyr, optøingspray eller spidse eller skarp-kantede genstande, som f.eks. knive eller gafler, til at fjerne isen.

Når afrimningen er gjort, skal der gøres rent indvendigt.

Slut igen apparatet til strømforsyningen. Sæt den frosne med ind i skufferne og skub skufferne ind i fryseren.

Køling

Opbevaring af mad

Køleskabssektionen er beregnet til kortvarig opbevaring af friske mad- og drikkevarer.

Opbevar mælkeprodukter i den tilsigtede sektion i køl/frys.

Flasker kan opbevares i flaskeholderen eller i lågens flaskehylde.

Råt kød opbevares bedst i en plasticpose allernederst i køl/frys.

Lad varme mad- og drikkevarer afkøle i rumtemperatur, inden de sættes ind i køl/frys.

• Bemærk

Opbevar kun koncentreret alkohol i en opretstående og tæt lukket beholder.

• Bemærk

Opbevar ikke eksplosive stoffer eller beholdere med brændbare drivgasser (flødeskum på dåse, spraydåser osv.) i køl/frys.

Der er fare for eksplosion.

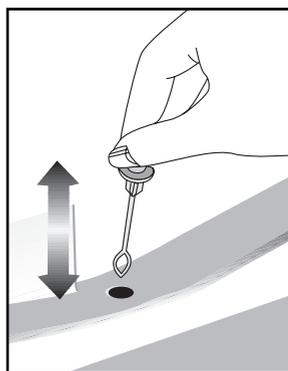
Afrimning af apparatet

Køleskabssektionen afrimer automatisk. Det optøede vand flyder gennem afløbskanalen ned i en opsamlingsbakke på apparatets bagside.

Under optøning dannes der mikroskopiske vanddråber bag på køl/frys som følge af fordampningen.

Hvis ikke alle dråber løber ned, kan de fryse igen, efter afrimningen er afsluttet. Tør dem af med en blød klud opvredet i varmt vand. Brug ikke hårde eller skarpe genstande.

Kontrollér fra tid til anden strømmen af optøet vand. Det kan blive tilstoppet en gang imellem. Rengøres med en piberenser eller lignende redskab.



6 Vedligeholdelse og rengøring

- ⚠ Brug aldrig benzin, benzen eller lignende substanser til rengøring.
- ⚠ Vi anbefaler, at apparatet tages ud af stikkontakten inden rengøring.
- ⚠ Anvend aldrig skarpe, slibende redskaber, sæbe, rengøringsmidler, detergenter og pudsemidler med voks til rengøring.
- ⚠ For produkter, der ikke er No Frost, forekommer der vanddråber og rimfrost på op til en fingers bredde på kølerummets bagvæg. Rengør det ikke. Brug aldrig olie eller lignende midler på det.
- ⚠ Brug kun let fugtede mikrofiberklude til at rengøre produktets overflade. Svampe og andre typer rengøringsklude kan give ridser i overfladen.
- ℹ Vask køleskabskabinettet i lunkent vand og tør det med en klud.
- ℹ Anvend en fugtig klud vredet op i en opløsning af én teskefuld natriumbikarbonat (tvekulsurt natron) til 1/2 liter vand til rengøring af indersiderne, og tør efter med en klud.
- ⚠ Sørg for at der ikke kommer vand ind i lampehuset eller andre elektriske genstande.
- ⚠ Hvis køl/frys ikke skal benyttes i længere tid: Tag stikket ud, fjern alle madvarer, rengør det, og lad døren stå på klem.
- ℹ Kontroller gummilisterne jævnligt for sikre, at de er rene og fri for madpartikler.

- ℹ For at fjerne dørhylde tømmes indholdet ud, hvorefter dørhylden ganske enkelt løftes op fra sin plads.
- ⚠ Brug aldrig rengøringsmidler eller vand, der indeholder klorin, til rengøring af de ydre overflader og de forkromede dele af produktet. Klorin forårsager korrosion på den slags metaloverflader.

Beskyttelse af plasticoverflader

- ℹ Put ikke flydende olier eller olie-tilberedte måltider i køl/frys i åbne beholdere, da de ødelægger køl/fryss plasticoverflader. Hvis der spildes eller smøres olie på plasticoverfladerne, skal den relevante del af overfladen renses og skylles med det samme med varmt vand.

7 Anbefalede løsninger på problemerne

Læs denne liste igennem, inden du ringer efter service. Det kan spare dig for tid og penge. Denne liste indeholder ofte forekommende reklamationer, der ikke opstår af defekt udførelse eller materialebrug. Det er muligt, at nogle af de her beskrevne funktioner ikke findes i dit produkt.

Køle-/fryseskabet virker ikke

- Er køle-/fryseskabet sat rigtigt i stikkontakten? Sæt stikket i kontakten i væggen.
- Er sikringen, som køle-/fryseskabet er tilsluttet, eller hovedsikringen sprunget? Kontroller sikringen.

Kondensation på siden af køle-/fryseskabet (MULTIZONE, KØLEKONTROL og FLEXIZONE).

- Meget kolde omgivelser. Ofte åbning og lukning af lågen. Højt fugtindhold i omgivelserne. Opbevaring af mad, der indeholder væske, i åbne beholdere. Lågen står på klem. Sæt termostaten på koldere grader.
- Reducér tiden, hvor lågen står åben, eller brug den mindre ofte.
- Dæk maden, der opbevares i åbne beholdere, til med passende materiale.
- Tør kondensvandet af vha. en tør klud og kontroller, om det vedvarer.

Kompressoren kører ikke.

- Beskyttelsestermo fra kompressoren vil blæse ud under pludselig strømudfald eller tilkoblinger/afkoblinger, da kølemiddeltrykket i køle-/fryseskabets kølesystem ikke er bragt i balance endnu. Køle-/fryseskabet vil starte med at køre efter ca. 6 minutter. Ring efter service, hvis køle-/fryseskabet ikke starter efter denne periode.
- Køle-/fryseskabet er ved at afrime. Dette er normalt for et køle-/fryseskab med fuldautomatisk afrimning. Afrimning foregår med jævne mellemrum.
- Køle-/fryseskabsstikket er ikke sat i kontakten. Sørg for, at stikket er sat ordentligt i kontakten.
- Er temperaturindstillingerne foretaget rigtigt?
- Strømmen kan være afbrudt.

Køle-/fryseskabet kører ofte eller i lang tid.

- Det nye køle-/fryseskab kan være bredere end det foregående. Det er ganske normalt. Store køle-/fryseskabe arbejder i længere perioder.

- Den omgivende rumtemperatur kan være høj. Det er ganske normalt.

- Køle-/fryseskabet kan have været sat til for nylig eller have været fyldt op med mad. Komplet nedkøling af køle-/fryseskabet kan vare et par timer længere.

- Store mængder varm mad kan være blevet sat ind i køle-/fryseskabet fornylig. Varm mad medfører, at køle-/fryseskabet skal køre i længere tid, indtil maden når den ønskede temperatur.

- Lågerne kan have været åbnet jævnligt eller have stået på klem i lang tid. Den varme luft, der er kommet ind i køle-/fryseskabet, får køle-/fryseskabet til at køre i længere perioder. Undlad at åbne lågen så ofte.

- Fryserens eller køle-/fryseskabets dør kan have stået på klem. Kontroller om lågerne er lukket tæt.

- Køle-/fryseskabet er indstillet meget koldt. Indstil køle-/fryseskabstemperaturen højere, indtil temperaturen er tilpas.

- Køle-/fryseskabets eller fryserens lågepakning kan være snavset, slidt, ødelagt eller ikke sat ordentligt på. Rengør eller udskift pakningen. Beskadiget/brækket pakning forårsager, at køle-/fryseskabet kører i længere perioder for at vedligeholde den aktuelle temperatur.

Frysertemperaturen er meget lav, mens køle-/fryseskabstemperaturen er tilpas.

- Frysertemperaturen er indstillet meget koldt. Juster frysertemperaturen varmere og kontroller.

Køle-/fryseskabstemperaturen er meget lav, mens fryserstemperaturen er tilpas.

- Køle-/fryseskabstemperaturen er indstillet til en meget lav temperatur. Juster køle-/fryseskabstemperaturen varmere og kontroller.

Mad, der opbevares i køle-/fryseskabet, fryser.

- Køle-/fryseskabstemperaturen er indstillet til en meget lav temperatur. Juster køle-/fryseskabstemperaturen varmere og kontroller.

Temperaturen i køle-/fryseskab eller fryser er meget høj.

- Køle-/fryseskabstemperaturen er indstillet til en meget lav temperatur. Køle-/fryseskabsindstillingen har virkning på fryserens temperatur. Skift køle-/fryseskabets eller fryserens temperatur, indtil køle-/fryseskabs- eller frysertemperatur når et tilpas niveau.

- Lågerne kan have været åbnet jævnligt eller have stået på klem i lang tid.

- Døren kan have stået på klem, luk døren helt.

- Store mængder varm mad kan være blevet sat ind i køle-/fryseskabet fornylig. Vent til køle-/fryseskabet eller fryseren når den ønskede temperatur.

- Køle-/fryseskabet kan være taget ud af kontakten fornylig. Komplet nedkøling af køle-/fryseskabet tager tid.

Funktionslyden øges, når køle-/fryseskabet kører.

- Egenskaberne for køle-/fryseskabets driftsydelse kan ændre sig alt efter ændringerne i den omgivende temperatur. Det er normalt og ikke en fejl.

Vibrationer eller støj.
<ul style="list-style-type: none"> • Gulvet er ikke lige, eller det er svagt. Køle-/fryseskabet vipper, når det flyttes langsomt. Sørg for, at gulvet er lige, stærkt og kapabelt til at bære køle-/fryseskabet. • Støjen kan være forårsaget af de genstande, der er lagt i køle-/fryseskabet. Ting oven på køle-/fryseskabet skal fjernes.
Der er støj som væske, der løber over eller sprøjter.
<ul style="list-style-type: none"> • Væske- og gasstrømning sker i henhold til køle-/fryseskabets driftsprincipper. Det er normalt og ikke en fejl.
Der er en støj som en vind, der blæser.
<ul style="list-style-type: none"> • Ventilatorer bruges til at køle køle-/fryseskabet. Det er normalt og ikke en fejl.
Kondensvand på køle-/fryseskabets indervægge.
<ul style="list-style-type: none"> • Varmt og fugtigt vejr øger isdannelse og udsvedning. Det er normalt og ikke en fejl. • Dørrerne kan have stået på klem, sørg for de er helt lukkede. • Lågerne kan have været åbnet jævnlige eller have stået på klem i lang tid.
Der opstår fugt på ydersiden af køle-/fryseskabet eller mellem lågerne.
<ul style="list-style-type: none"> • Der kan være fugtighed i luften hvilket er normalt i fugtigt vejr. Når fugtigheden er mindre, vil kondensen forsvinde.
Dårlig lugt inde i køle-/fryseskabet.
<ul style="list-style-type: none"> • Køle-/fryseskabets skal rengøres indvendigt. Rengør køle-/fryseskabet indvendigt med en svamp, varmt vand eller kulstofholdigt vand. • Nogle beholdere eller emballeringsmaterialer kan forårsage lugten. Brug en anden beholder eller et andet mærke indpakningsmateriale.

Døren lukker ikke.
<ul style="list-style-type: none"> • Madbeholdere forhindrer lågen i at lukke. Omplacér pakkerne, der blokerer lågen. • Køle-/fryseskabet står ikke helt lodret på gulvet og vipper når det flyttes lidt. Justér højdeskrueerne. • Gulvet er ikke lige eller stærkt. Sørg for, at gulvet er lige, stærkt og kapabelt til at bære køle-/fryseskabet.
Grøntsagsskuffer sidder fast.
<ul style="list-style-type: none"> • Måden berører måske skuffens top. Omarranger måden i skuffen.
Hvis Produktets Overflade Er Varm.
<ul style="list-style-type: none"> • Der kan opleves varme temperaturer mellem de to løber, på sidepanelerne og ved risten bagtil, når produktet er i brug. Dette er normalt og kræver ikke vedligeholdelse af servicepersonale. Vær forsigtig, når du rører ved disse områder.

ANSVARSRFRASKRIVELSE / ADVARSEL

Nogle (enkle) fejl kan i tilstrækkelig grad håndteres af slutbrugeren uden sikkerhedsproblemer eller usikker anvendelse, forudsat at de udføres inden for grænserne og i overensstemmelse med følgende instruktioner (se afsnittet "Selvreparation").

Derfor medmindre andet er tilladt i afsnittet "Selvreparation" nedenfor, skal reparationer rettes til registrerede professionelle reparatører for at undgå sikkerhedsproblemer. En registreret professionel reparatør er en professionel reparatør, som producenten har givet adgang til listen over instruktioner og reservedele til dette produkt i henhold til metoderne beskrevet i lovgivningsmæssige retsakter i henhold til direktiv 2009/125/EF.

Imidlertid er det kun serviceagenten (dvs. autoriserede professionelle reparatører), som du kan nå gennem det telefonnummer, der er angivet i brugervejledningen/garantikortet eller gennem din autoriserede forhandler, der kan levere service under garantibetingelserne. Vær derfor opmærksom på, at reparationer udført af professionelle reparatører (som ikke er godkendt af Beko) annullerer garantien.

Selvreparation

Selvreparation kan udføres af slutbrugeren med hensyn til følgende reservedele: dørhåndtag, dørhængsler, bakker, kurve og dørpakninger (en opdateret liste er også tilgængelig på support.beko.com pr. 1. marts 2021).

For at sikre produktsikkerhed og for at forhindre risiko for alvorlig personskade skal den nævnte selvreparation desuden udføres efter instruktionerne i brugervejledningen til selvreparation, eller som findes på support.beko.com. For din sikkerhed skal du trække stikket ud af produktet, inden du prøver selvreparation.

Slutbrugeres reparations- og reparationsforsøg på dele, der ikke er med på en sådan liste og/eller ikke følger instruktionerne i brugervejledningerne til selvreparation, eller som findes på support.beko.com kan give anledning til sikkerhedsproblemer, der ikke kan henføres til Beko og annullerer produktets garanti.

Derfor anbefales det stærkt, at slutbrugere afstår fra forsøget på at udføre reparationer, der falder uden for den nævnte liste over reservedele, og i sådanne tilfælde kontakter autoriserede professionelle reparatører eller registrerede professionelle reparatører. Tværtimod kan sådanne forsøg fra slutbrugere medføre sikkerhedsproblemer og beskadige produktet og derefter forårsage brand, oversvømmelse, elektrisk stød og alvorlig personskade.

Som eksempel, men ikke begrænset til, skal følgende reparationer udføres ved henvendelse til rettes til autoriserede, professionelle reparatører eller registrerede professionelle reparatører: kompressor, kølekredsløb, hovedkort, inverterkort, displaykort osv.

Producenten/sælgeren kan ikke holdes ansvarlig i tilfælde, hvor slutbrugerne ikke overholder ovenstående .

Reservedeles tilgængelighed for den køleskabet, du har købt, er 10 år. I denne periode vil originale reservedele være tilgængelige for at betjene køleskabet korrekt.

Garantiens minimumsvarighed for køleskabet, som du har købt, er 24 måneder.

Dette produkt er forsynet med en lyskilde i energiklasse "G".

Lyskilden i dette produkt må kun udskiftes af professionelle reparatører.

beko

Koelkast

Gebruiksaanwijzing

Kjøleskap

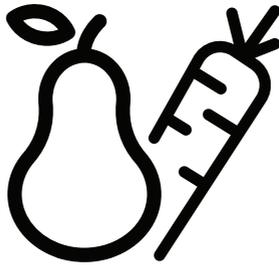
Bruksanvisning

Jääkaappi

Käyttöopas

Kylskåp

Bruksanvisning



TSE1423N - TSE1524N

NL / NO / FIN / SV /



GERECYCLED &
RECYCLEBAAR PAPIER



RESIRKULERT OG
RESIRKULERTBART PAPIR



KIERRÄTETTY JA
KIERRÄTETTÄVÄ PAPERI



ÅTERVUNNET &
ÅTERVINNINGSBART
PAPPER

Gelieve eerst deze gebruiksaanwijzing te lezen!

Geachte Klant,

We hopen dat uw product, dat in een moderne fabriek werd geproduceerd en onder de meest nauwkeurige procedures voor kwaliteitscontrole werd gecontroleerd, u doeltreffend van dienst zal zijn.

Wij bevelen daarom aan dat u eerst zorgvuldig de volledige gebruiksaanwijzing van uw product leest voordat u het product gaat gebruiken. Bewaar de handleiding voor toekomstige raadpleging.

Deze gebruiksaanwijzing...

...helpt u uw toestel snel en veilig te gebruiken.

- Lees de gebruiksaanwijzing voordat u het product installeert en gebruikt.
- Volg de instructies, in het bijzonder die met betrekking tot veiligheid.
- Bewaar de gebruiksaanwijzing op een eenvoudig toegankelijke plaats aangezien u deze later nodig kunt hebben.
- Daarnaast dient u ook de andere documenten die bij uw product worden geleverd te lezen.

Let erop dat deze gebruiksaanwijzing ook voor andere modellen kan gelden.

Symbolen en hun beschrijvingen

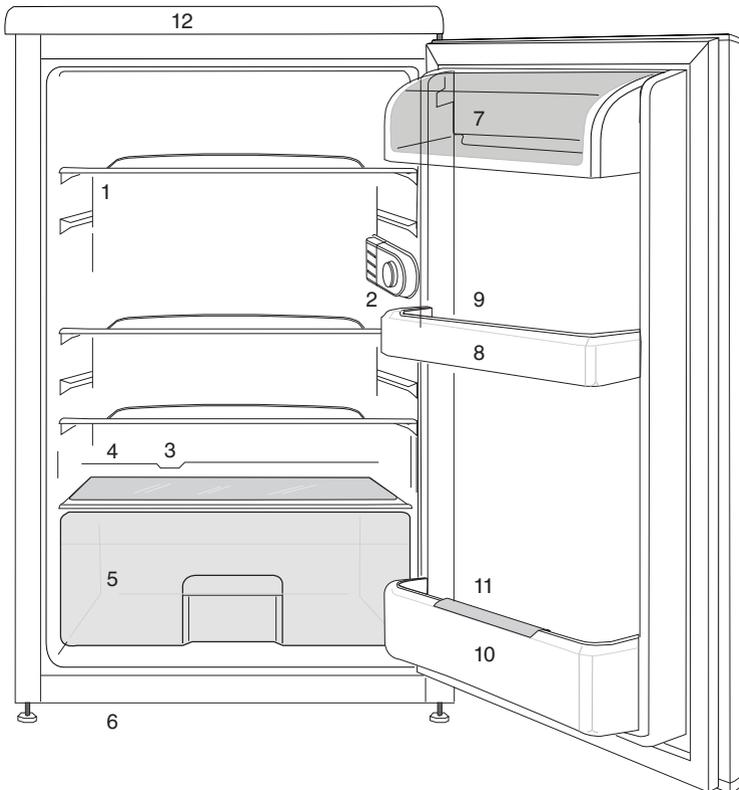
Deze instructiehandleiding bevat de volgende symbolen:

-  Belangrijke informatie of nuttige gebruikstips.
-  Waarschuwing tegen gevaarlijke omstandigheden voor leven en eigendommen.
-  Waarschuwing tegen elektrische spanning.

 INFORMATIE	
 ENERGY 	
SUPPLIER'S NAME	MODEL IDENTIFIER (*)
 A	 A
De informatie van het model zoals opgeslagen in de product-databank is toegankelijk op de onderstaande website. Zoek uw model identificatie (*) vermeld op het energielabel. https://eprel.ec.europa.eu/	

1 Uw koelkast	3	4 Voorbereiding	12
2 Belangrijke veiligheidswaarschuwingen	4	Het vervangen van de lamp	13
Bedoeld gebruik.....	4	Installatie (Onder het werkblad)	13
Algemene veiligheid	4	De deuren omkeren.....	14
Voor modellen met een drinkfontein	8	5 Gebruik van uw koelkast	15
Kinderbeveiliging	8	Diepvriezen.....	15
Voldoet aan de WEEE-richtlijn en de richtlijnen voor afvoeren van het restproduct:	8	Voedsel invriezen	15
Voldoet aan RoHS-richtlijn:	9	Ijsblokjes maken.....	16
HC-waarschuwing	9	Bewaren van bevroren etenswaren	16
Aanwijzingen ter besparing van energie.....	9	Ontdooien van het apparaat.....	16
3 Installatie	10	Koelen	17
Punten waarop gelet moet worden bij de verplaatsing van een koelkast	10	Bewaren van voedsel	17
Voordat u de koelkast inschakelt,.....	10	Ontdooien van het apparaat.....	17
Elektrische aansluiting	10	6 Onderhoud en reiniging	18
Afvoeren van de verpakking	11	Bescherming van de plastic oppervlakken	18
Afvoeren van uw oude koelkast.....	11	7 Fouten opsporen	19
Plaatsing en installatie.....	11		

1 Uw koelkast



- | | |
|--|-----------------------------|
| 1. Verplaatsbare schappen | 7. Vak voor zuivelproducten |
| 2. Binnenlampje & Thermostaatknop | 8. Deurrekjes |
| 3. Afvoerkanaal dooiwater - afvoerpijp | 9. Eierrek |
| 4. Deksel van de groentelade | 10. Flessenhouder |
| 5. Groentelade | 11. Flessengrijper |
| 6. Verstelbare voetjes | 12. Afsluiting bovenkant |

i De afbeeldingen in deze gebruiksaanwijzing zijn schematisch en hoeven niet exact met uw product overeen te komen. Wanneer onderdelen niet tot het product behoren dat u hebt gekocht, zijn deze geldig voor andere modellen.

2 Belangrijke veiligheidswaarschuwingen

Gelieve de volgende informatie goed te bestuderen.
Niet-inachtneming van deze informatie kan verwondingen of materiële schade veroorzaken.

In dat geval worden alle garanties en betrouwbaarheidsengagementen ongeldig.

Originele reserveonderdelen worden geleverd gedurende een periode van 10 jaar vanaf de product aankoopdatum.

Bedoeld gebruik

⚠	WAARSCHUWING: Indien het apparaat in zijn beschermingskap is of geplaatst is, zorg ervoor dat de ventilatieopeningen niet gedekt zijn.
⚠	WAARSCHUWING: Gebruik geen mechanische apparaten of andere apparaten behalve apparaten welke door de producent worden geadviseerd om het proces voor ontdoeien te versnellen.
⚠	WAARSCHUWING: Beschadig koelmiddelstroom circuit niet.

⚠	WAARSCHUWING: Gebruik geen elektrische apparaten welke niet aanbevolen worden door de producent binnen de opslag ruimten voor voedsel.
⚠	WAARSCHUWING: Bewaar geen explosieve stoffen, zoals spuitbussen met een ontvlambaar drijfgas, in dit apparaat.

Dit apparaat is ontworpen om huiselijk gebruik of bij onderstaande soortgelijke gevallen gebruikt te worden.

- Voor het gebruik in personeel keukens bij winkels, bureaus en overige werkplaatsen;

- Voor het gebruik door klanten bij boerderijen en hotels, motels en overige plaatsen waar klanten kunnen verblijven.

- In omgevingen als hostels;

- Soortgelijke toepassingen welke geen diensten in verband met eten bieden of die niet kleinhandelaar zijn.

Algemene veiligheid

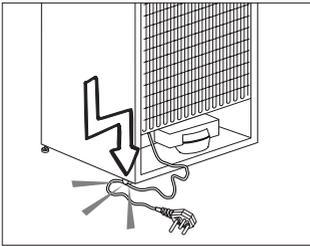
- Wanneer u het product wenst af te voeren, raden wij u aan de bevoegde onderhoudsdienst te raadplegen om de benodigde informatie en bevoegde instanties te leren kennen.

- Raadpleeg uw bevoegde onderhoudsdienst voor alle vragen en problemen met betrekking tot de koelkast. Voer geen ingrepen aan de koelkast uit en laat dit ook niet door iemand anders doen zonder de bevoegde onderhoudsdienst op de hoogte te stellen.
- Voor producten met een diepvriesvak; Eet geen ijs of ijsblokjes meteen nadat u deze uit het diepvriesvak heeft gehaald. (Dit kan bevriezing in uw mond veroorzaken.)
- Voor producten met een diepvriesvak; Plaats geen flessen of blikjes met vloeibare dranken in het diepvriesvak Deze zouden kunnen barsten.
- Raak ingevroren levensmiddelen niet met de hand aan; deze kunnen aan uw hand vastplakken.
- Verwijder de stekker uit uw koelkast voor u deze reinigt of ontdooit.
- Bij het schoonmaken en ontdooien van de koelkast mogen geen stoom en stoomreinigers gebruikt worden. De stoom kan in contact komen met de elektrische onderdelen en kortsluiting of een elektrische schok veroorzaken.
- Gebruik geen onderdelen van uw koelkast zoals de deur als steun of opstapje.
- Gebruik geen elektrische apparaten binnen in de koelkast.
- Beschadig de onderdelen, waar de koelvloeistof circuleert, niet door boor- of snijdgereedschap. De koelvloeistof kan naar buiten geblazen worden wanneer de gasleidingen van de verdamper, leidingverlengingen of oppervlaktecoatings worden doorboord en dit kan huidirritatie en oogletsel veroorzaken.
- Dek of blokkeer de ventilatieopeningen van uw koelkast met geen enkel materiaal.
- Elektrische toestellen mogen enkel door bevoegde personen worden hersteld. Reparaties die door onbevoegde personen worden uitgevoerd kunnen een risico voor de gebruiker opleveren.
- Sluit in geval van storing of tijdens onderhouds- of reparatiewerken de stroomtoevoer van de koelkast af door de zekering eruit te draaien of de stekker van het apparaat eruit te trekken.

- Bij het uittrekken van de stekker deze niet aan de kabel uittrekken.
- Zorg ervoor dat alcoholische dranken rechtop worden bewaard met dop goed gesloten.
- Bewaar nooit spuitbussen met een ontvlambare of explosieve inhoud in de koelkast.
- Gebruik geen andere mechanische gereedschappen of andere middelen om het ontdooiproces te versnellen dan deze aangeraden door de fabrikant.
- Dit product is niet bestemd voor gebruik door personen met een fysieke, zintuiglijke of mentale stoornis of ongeschoolde of onervaren mensen (inclusief kinderen) tenzij deze worden bijgestaan door een persoon die verantwoordelijk is voor hun veiligheid of die hen dienovereenkomstig instructies geeft bij het gebruik van het product
- Gebruik geen beschadigde koelkast. Neem contact op met de dealer als u vragen heeft.
- Elektrische veiligheid van uw koelkast wordt alleen gegarandeerd wanneer het aardingssysteem in uw huis aan de normen voldoet.
- Blootstelling van het product aan regen, sneeuw, zon en wind is gevaarlijk met betrekking tot de elektrische veiligheid.
- Neem contact op met een bevoegde dienst wanneer de stroomkabel beschadigd is om zo gevaar te voorkomen.
- Steek tijdens installatie nooit de stekker van de koelkast in de wandcontactdoos. Er bestaat een kans op overlijden of serieus letsel.
- Deze koelkast is enkel bestemd voor het bewaren van voedsel. Hij mag niet voor andere doeleinden worden gebruikt.
- Het label met technische specificaties bevindt zich aan de linkerwand binnenin de koelkast.
- Sluit je koelkast nooit aan op energiebesparende systemen; deze kunnen de koelkast beschadigen.
- Als er zich een blauwe lamp in uw koelkast bevindt, kijk hier dan niet voor een lange tijd in met het blote oog of met optische hulpmiddelen. Wacht minstens 5 minuten met het inschakelen van de koelkast na stroomuitval bij manueel bediende koelkasten.
- Deze gebruikershandleiding moet aan de nieuwe eigenaar van het toestel gegeven worden wanneer het toestel doorgegeven wordt.

- Vermijd schade aan de stroomkabel bij transport van de koelkasten. De kabel plooiën kan vuur veroorzaken. Plaats geen zware voorwerpen op de stroomkabel.

- Raak de stekker niet aan met natte handen wanneer deze in het stopcontact wordt geplaatst.



- Plaats de stekker van de koelkast niet in het stopcontact als dit stopcontact los is.

- Er mag om veiligheidsredenen geen water rechtstreeks op de binnen- of buitendelen van het toestel gesproeid worden.

- Sproei geen stoffen met ontvlambare gassen zoals propaangas dichtbij de koelkast om gevaar op vuur en ontploffing te voorkomen.

- Plaats geen containers gevuld met water op de koelkast; dit kan bij morsen elektrische schokken of vuur veroorzaken.

- Laad de koelkast niet te vol met voedsel. Indien de koelkast overladen is, kan

voedsel naar beneden vallen bij het openen en u kwetsen of de koelkast beschadigen.

- Plaats geen objecten op de koelkast; deze kunnen naar beneden vallen wanneer u de deur open of dicht doet.

- Producten die een nauwkeurige temperatuurregeling nodig hebben (vaccins, hittegevoelige medicatie, wetenschappelijke materialen, enz.) mogen niet in koelkast bewaard worden.

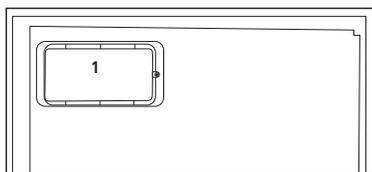
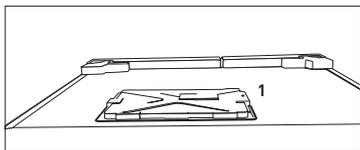
- De koelkast moet worden losgekoppeld indien deze langdurig niet wordt gebruikt. Een mogelijk probleem met de stroomkabel kan vuur veroorzaken.

- De koelkast kan bewegen als de stelvoetjes niet juist op de vloer worden vastgezet. De stelvoetjes juist vastzetten op de vloer kan voorkomen dat de koelkast beweegt.

- Hef de koelkast niet aan het handvat bij verplaatsing. Anders breekt het.

- Als u het product naast een andere koelkast of diepvriezer plaatst, moet de afstand hiertussen minstens 8 cm zijn. Anders kunnen aansluitende zijwanden nat worden.

- Gebruik het product nooit als de sectie boven- of achteraan op het product dat elektronische printplaten bevat, geopend is (elektronische printplaat deksel) (1).



Voor modellen met een drinkfontein

- De druk van de koud waterinlaat mag maximum 8 bar bedragen. Als uw waterdruk hoger is dan 5,5 bar moet u een drukbegrenzer gebruiken in uw netwerk. Als u niet weet hoe u uw waterdruk kunt controleren, moet u hulp vragen van een professionele loodgieter.
- Als het risico bestaat op een waterslageffect in uw installatie moet u altijd een waterslag preventie apparatuur installeren. Raadpleeg een professionele loodgieter als u niet zeker bent of er een waterslageffect aanwezig is in uw installatie.
- Installeer deze niet op de warme waterinlaat.

Neem de nodige maatregelen tegen het bevriezen van de leidingen. De watertemperatuur bedrijfsinterval moet minimum 0,6°C en maximum 38°C zijn.

- Gebruik enkel drinkwater.

Kinderbeveiliging

- Indien de deur een slot heeft, moet de sleutel buiten het bereik van kinderen worden gehouden.
- Kinderen moeten onder toezicht staan om te voorkomen dat ze met het product knoeien.

Voldoet aan de WEEE-richtlijn en de richtlijnen voor afvoeren van het restproduct:



Dit product voldoet aan de EU-richtlijn WEEE (2012/19/EU). Dit product is voorzien van een classificatiesymbool voor afvalsortering van elektrische en elektronische apparatuur (WEEE).

Dit product werd vervaardigd uit onderdelen en materialen van hoge kwaliteit die hergebruikt kunnen worden en geschikt zijn voor recycling. Gooi het restproduct aan het einde van zijn levensduur niet weg bij normaal huishoudelijk of ander afval. Breng het naar het verzamelpunt voor recycling van elektrische en elektronische apparatuur. Raadpleeg uw plaatselijke autoriteiten om te weten waar u deze verzamelpunten aantreft.

Voldoet aan RoHS-richtlijn:

Het door u aangekochte product voldoet aan de EU-richtlijn RoHS (2011/65/EU). Het bevat geen schadelijke en verboden materialen die in deze richtlijn zijn opgenomen.

HC-waarschuwing

Als het koelsysteem van uw product R600a bevat:

Dit gas is ontvlambaar. Zorg daarom tijdens gebruik en transport dat het koelsysteem en de leidingen niet beschadigd raken. In het geval van schade: houd uw product weg van mogelijke ontstekingsbronnen die kunnen veroorzaken dat het product vuur vat en ventileer de ruimte waarin de unit is geplaatst.

Negeer deze waarschuwing als het koelsysteem van uw product R134a bevat.

Het type gas dat in dit product wordt gebruikt staat vermeld op de type-etiket aan de linkerwand binnenin de koelkast.

Gooi het product nooit in vuur voor verwijdering.

Aanwijzingen ter besparing van energie

- Houd de deuren van uw koelkast niet lang open.
- Plaats geen warme levensmiddelen of dranken in de koelkast.
- Overlaad de koelkast niet zodat luchtcirculatie aan de binnenzijde niet geblokkeerd wordt.
- Plaats de koelkast niet in direct zonlicht of naast warmteafgevend apparaten zoals

een oven, vaatwasser of radiator. Houd uw koelkast minstens 30 cm verwijderd van warmteafgevend bronnen en minstens 5 cm van elektrische ovens.

- Bewaar uw levensmiddelen in gesloten bakjes.

- Voor producten met een diepvriesvak; U kunt een maximale hoeveelheid voedsel in de diepvries bewaren wanneer u de schappen of lade uit de diepvries verwijdert. De waarde voor energieconsumptie van uw diepvries werd vastgesteld door verwijdering van de diepvries schappen of laden en onder de maximum hoeveelheid. Er bestaat geen risico bij het gebruik van een schap of lade volgens de vorm en grootte van het in te vriezen voedsel.

- Bevroren voedsel in het koelgedeelte ontdooien laat toe om energie te besparen en behoudt de voedselkwaliteit.

3 Installatie

⚠ Indien de informatie die in deze gebruikershandleiding wordt gegeven, niet wordt opgevolgd, is de fabrikant in geen geval aansprakelijk.

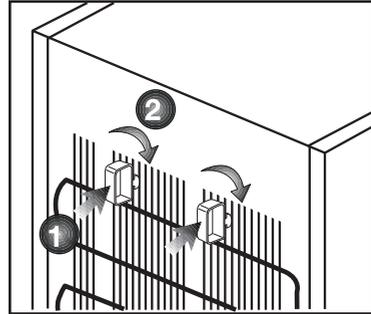
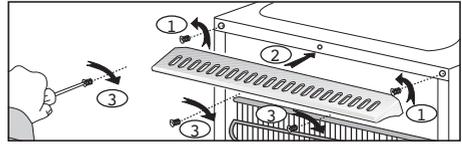
Punten waarop gelet moet worden bij de verplaatsing van een koelkast

1. Uw koelkast moet van de stroom zijn afgesloten. Voor het vervoer van uw koelkast moet deze leeg zijn gemaakt en gereinigd.
2. Voordat deze wordt verpakt, moeten schappen, accessoires, groentelade, enz. in de koelkast worden vastgemaakt met tape en beschermd zijn tegen stoten. De verpakking dient met dikke tape of geschikt touw worden ingebonden en de vervoerregels op de verpakking dienen strikt te worden nageleefd.
3. Originele verpakking en schuimmaterialen moeten worden bewaard voor toekomstig transport of verhuizen.

Voordat u de koelkast inschakelt,

Controleer het volgende voordat u uw koelkast gaat gebruiken:

1. Bevestig 2 plastic wiggen zoals hieronder afgebeeld. Plastic wiggen zijn bedoeld om afstand te houden, om zo een luchtcirculatie te behouden tussen uw koelkast en de muur. (De afbeelding is slechts een schets en is niet gelijk aan uw product.)
2. Maak de binnenkant van de koelkast schoon, zoals aanbevolen in het hoofdstuk "Onderhoud en reiniging".



3. Sluit de stekker van de koelkast aan op het stopcontact. Als de koelkastdeur wordt geopend, gaat de binnenverlichting van de koelkast aan.
4. Als de compressor begint te draaien, komt er een geluid vrij. De vloeistof en de gassen die zich in het koelsysteem bevinden, zouden ook wat lawaai kunnen veroorzaken zelfs wanneer de compressor niet werkt. Dit is normaal.
5. De buitenkant van de koelkast kan warm aanvoelen. Dit is normaal. Deze oppervlakken zijn bedoeld om warm te worden om condensvorming te voorkomen.

Elektrische aansluiting

Sluit uw apparaat aan op een geaard stopcontact, beschermd door een zekering met de juiste capaciteit. Belangrijk:

- De aansluiting moet in naleving zijn met nationale voorschriften.
- De stroomstekker moet na installatie eenvoudig bereikbaar zijn.
- Elektrische veiligheid van uw koelkast wordt alleen gegarandeerd wanneer het aardingssysteem in uw huis aan de normen voldoet.
- Het voltage op het etiket dat zich links binnenin uw product bevindt moet gelijk zijn aan uw netstroomvoltage.
- **Verlengkabels en verdeelstekkers mogen voor aansluiting niet worden gebruikt.**

⚠ Een beschadigde stroomkabel kabel moet door een gekwalificeerd elektricien worden vervangen.

⚠ Het product mag niet in werking worden gesteld voordat het gerepareerd is! Er bestaat anders gevaar op een elektrische schok!

Afvoeren van de verpakking

De verpakkingsmaterialen kunnen gevaarlijk zijn voor kinderen. Houd het verpakkingsmateriaal buiten bereik van kinderen of voer deze af conform afvalinstructies zoals bepaald door uw lokale autoriteiten. Gooi het niet weg met het normale huishoudafval, maar maak gebruik van ophaalplaatsen voor verpakkingen die door lokale autoriteiten zijn aangewezen.

De verpakking van uw koelkast is vervaardigd uit herbruikbare materialen.

Afvoeren van uw oude koelkast

Voer uw oude koelkast af zonder het milieu op enige wijze te schaden.

- U kunt uw bevoegde dealer of het afvalcentrum van uw gemeente raadplegen over het afvoeren van uw koelkast.

Voordat u uw koelkast afvoert, snijd de elektrische stekker af. Indien het apparaat is uitgevoerd met deursluitingen, dit slot dan onbruikbaar maken om kinderen tegen gevaar te beschermen.

Plaatsing en installatie

⚠ Als de toegangsdeur van de kamer waarin de koelkast wordt geïnstalleerd niet breed genoeg is voor de koelkast om erdoor te passen, bel dan de bevoegde dienst zodat deze de deuren van uw koelkast kan verwijderen en de koelkast zijdelings door de deur kan.

1. Installeer uw koelkast op een plaats waar deze gemakkelijk kan worden gebruikt.
2. Houd uw koelkast uit de buurt van warmtebronnen, vochtige plaatsen en direct zonlicht.
3. Er moet geschikte luchtventilatie rond uw koelkast zijn om een efficiënte werking te verkrijgen. Als de koelkast in een uitsparing in de muur wordt geplaatst, moet er minstens 5 cm afstand zijn ten opzichte van het plafond en minstens 5 cm ten opzichte van de muur. Plaats uw product niet op materialen zoals een kleden of vloerbedekking.
4. Plaats uw koelkast op een vlak vloeroppervlak om schokken te vermijden.

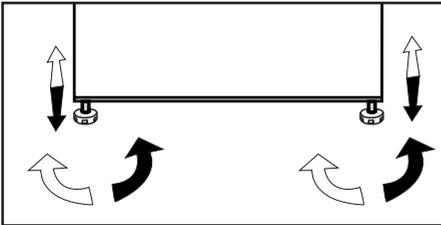
4 Voorbereiding

- i** Voor een vrijstaand apparaat; "dit koelend apparaat is niet bedoeld voor gebruik als een ingebouwd apparaat";.
- i** Uw koelkast moet worden geïnstalleerd op minstens 30 cm afstand van warmtebronnen zoals kookplaten, centrale verwarming en kachels en op minstens 5 cm afstand van elektrische ovens. De koelkast mag niet in direct zonlicht worden geplaatst.
De omgevingstemperatuur van de kamer waarin u de koelkast installeert dient minstens 10°C te zijn. In verband met efficiëntie wordt gebruik van uw koelkast in koudere omstandigheden niet aanbevolen.
- i** Controleer of de binnenzijde van uw koelkast volledig schoon is.
- i** Bij installatie van twee koelkasten naast elkaar, moeten de koelkasten op een afstand van minstens 2 cm van elkaar worden geplaatst.
- i** Wanneer u de koelkast voor de eerste keer in gebruik neemt, gelieve tijdens de eerste zes uur de volgende instructies in acht te nemen.
 - De deur niet regelmatig openen.
 - Koelkast moet in bedrijf gesteld worden zonder levensmiddelen.
 - De stekker van de koelkast niet uittrekken. Indien zich een stroomstoring voordoet buiten uw macht, zie de waarschuwingen in het deel "Aanbevolen oplossingen voor problemen".
- i** Originele verpakking en schuimmaterialen moeten worden bewaard voor toekomstig transport of verhuizen.

Stelvoetjes aanpassen

Wanneer uw koelkast niet waterpas staat;

U kunt uw koelkast waterpas stellen door aan de stelvoetjes te draaien zoals getoond in de afbeelding. De hoek van het stelvoetje wordt verlaagd wanneer u in de richting van de zwarte pijl draait en verhoogd wanneer u in de tegenovergestelde richting draait. Wanneer iemand u hierbij helpt door de koelkast lichtjes op te tillen vereenvoudigt dit het proces.



Het vervangen van de lamp

Om de lamp/led voor de binnerverlichting van uw koelkast te vervangen, bel uw bevoegde onderhoudsdienst.

De lamp of lampen voorzien in dit apparaat mogen niet worden gebruikt voor de verlichting van huishoudelijke ruimten. Het beoogde gebruik van deze lamp is de gebruiker te helpen etenswaren op veilige en comfortabele wijze in de koelkast/diepvriezer te plaatsen.

De lampen die in dit apparaat worden gebruikt moeten bestendig zijn tegen extreme fysieke omstandigheden, zoals temperaturen beneden de -20°C.

Installatie (Onder het werkblad)

- De interne hoogte van het werkblad moet 820 mm zijn.

(!) Forniuzen of andere warmtebronnen mogen niet boven het werkblad worden geplaatst daar waar het toestel onder het werkblad is geïnstalleerd.

- Het stopcontact moet zich dicht bij het toestel aan de linker- of rechterkant bevinden.

- Verwijder het bovenste deksel van het toestel. Er zijn 4 schroeven (2 stuks aan de achterkant, 2 stuks onder de voorrand) die verwijderd moeten worden.

Fig. 1

- Knip het deel dat wordt getoond in de afbeelding en verwijder het met behulp van een tang.

- Plaats uw toestel onder het werkblad en pas de voetjes aan de voorzijde aan tot de bovenkant van het toestel het werkblad raakt.

Ten einde het product onder het werkblad te gebruiken, moet de afstand tussen de muur en de referentieaangegeven in het bovenste verbinding plastic minimum 595 mm bedragen.

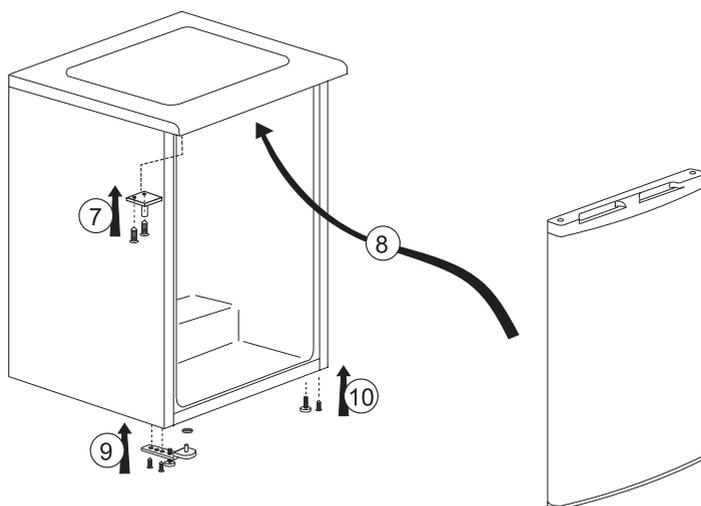
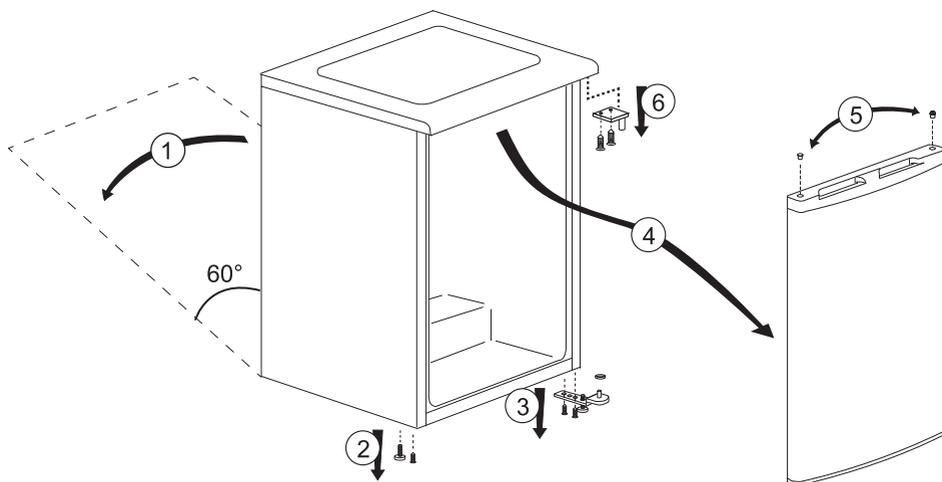
Fig. 2-3

- Bevestig het toestel onder het werkblad via 2 van de schroeven die uit het bovenste dekssel verwijderd werden (Het materiaal van het werkblad moet op plastic of hout gebaseerd zijn!)

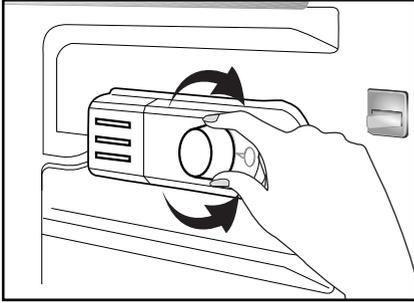
Fig. 4

De deuren omkeren

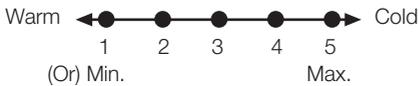
Ga verder in numerieke volgorde.



5 Gebruik van uw koelkast



De werkingstemperatuur wordt geregeld via de temperatuursturing.



**1 = Laagste koelinstelling
(Warmste instelling)**
**5 = Hoogste koelinstelling
(Koudste instelling)**

(Of)

**Min. = Laagste koelstand
(warmste instelling)**
**Max. = Hoogste koelstand
(Koudste instelling)**

De gemiddelde temperatuur in de koelkast moet ongeveer +5°C bedragen.

Kies een stand overeenkomstig de gewenste temperatuur.

U kunt de werking van uw apparaat stoppen door de thermostaatknop in de positie "0" te draaien.

Merk op dat er in het koelgebied verschillende temperaturen zijn.

Het koudste gedeelte bevindt zich onmiddellijk boven het groentevak.

De binnentemperatuur hangt ook af van de omgevingstemperatuur, hoe vaak de deur geopend wordt en de hoeveelheid voedsel die binnenin bewaard wordt.

Wanneer u de deur vaak opent stijgt de temperatuur in de koelkast.

Het is daarom raadzaam om de deur na elk gebruik zo snel mogelijk te sluiten.

Diepvriezen

Voedsel invriezen

Het diepvriesgedeelte is met dit symbool  gemarkeerd.

U kunt het apparaat gebruiken om verse etenswaren in te vriezen of om diepvriesproducten te bewaren.

Raadpleeg de aanbevelingen op de verpakking van de etenswaren.

• Let op

Vries geen koolzuurhoudende dranken in; wanneer de vloeistof bevriest kan de fles barsten.

Wees voorzichtig met diepvriesproducten zoals gekleurde ijsblokjes.

Overschrijd de vriescapaciteit van uw apparaat niet binnen een periode van 24 uur. Zie het typeplaatje.

Om de kwaliteit van het voedsel te behouden, moet het invriezen zo snel mogelijk gebeuren.

Op die manier zal de invriescapaciteit niet worden overschreden en zal de temperatuur in de diepvriezer niet stijgen.

• Let op

Houd het al diepgevroren voedsel altijd apart van vers voedsel.

Bij het invriezen van warm voedsel, werkt de koelcompressor tot het voedsel volledig bevroren is. Dit kan tijdelijk leiden tot een overmatige koeling van het koelkastgedeelte.

Maak u geen zorgen als u de deur van de diepvriezer moeilijk kunt openen net nadat u deze gesloten hebt. Dit komt door het drukverschil. Het drukverschil wordt na enkele minuten genivelleerd zodat u de deur weer normaal kunt openen.

U hoort een vacuümgeluid net nadat u de deur sluit. Dit is normaal.

Ijsblokjes maken

Vul de vorm voor $\frac{3}{4}$ met water en plaats hem in de diepvriezer.

Zodra het water bevroren is, kunt u de ijsblokjes verwijderen.

Gebruik nooit scherpe voorwerpen, zoals messen en vorken om ijsblokjes te verwijderen. U kunt zichzelf verwonden!

Laat de ijsblokjes lichtjes ontdooien of plaats de onderkant van de vorm korte tijd in water.

Bewaren van bevroren etenswaren

Het vak voor diepvriesproducten is gemarkeerd met dit  symbool.

Het vak voor diepvriesproducten

is geschikt voor het bewaren van bevroren levensmiddelen. De aanbeveling voor bewaring, zoals vermeld op de verpakking van de diepvriesproducten, moet altijd in acht worden genomen.

Ontdooien van het apparaat

Overmatige ijsvorming op de wanden van de diepvriezer kan de vriesprestaties van uw apparaat nadelig beïnvloeden.

Ontdooi uw apparaat dus minstens twee keer per jaar of telkens wanneer de ijslaag dikker is dan 7 mm.

Ontdooi het apparaat wanneer het zo goed als of helemaal leeg is.

Neem de diepgevroren producten uit het apparaat. Wikkel de diepgevroren producten in verschillende lagen krantenpapier of in een deken, en bewaar ze op een koude plaats.

Trek de stekker uit het stopcontact of schakel de zekering uit voordat u met ontdooien begint.

Verwijder de toebehoren (de rekken, de laden, enz.) uit het apparaat en gebruik een geschikte bak om het dooiwater op te vangen.

Gebruik indien nodig een spons of een zachte doek om het dooiwater te



verwijderen in het invriesvak  en het diepvriesvak 

Laat de deur tijdens het ontdooien open.

Plaats bakken met warm water in het apparaat om het ontdooien te versnellen.

Gebruik nooit elektrische apparatuur, ontdooisprays of puntige of scherpe voorwerpen zoals messen of vorken om het ijs te verwijderen.

Nadat het ontdooien klaar is, reinig de binnenkant.

Steek de stekker van het apparaat opnieuw in het stopcontact. Leg de ingevroren etenswaren in de laden en schuif deze in de diepvriezer.

Koelen

Bewaren van voedsel

Het koelkastgedeelte dient voor het bewaren van verse etenswaren en dranken.

Bewaar melkproducten in het daartoe bedoelde vak in de koelkast.

Flessen kunnen in de flessenhouder worden gezet of in het flessenvak van de deur.

Rauw vlees kan het best worden bewaard in een polyethyleen zak onderaan in de koelkast.

Laat hete voedingswaren en dranken eerst afkoelen tot kamertemperatuur voor u ze in de koelkast plaatst.

• Let op

Bewaar geconcentreerde alcohol in blik enkel rechtopstaand en goed afgesloten.

• Let op

Bewaar geen explosieve bestanddelen of containers met ontvlambaar drijfgas (slagroomverdelers, spuitbussen, enz.) in het apparaat.

Er bestaat een kans op explosie.

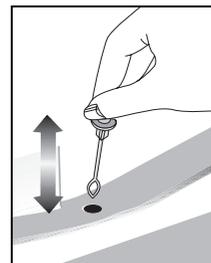
Ontdooien van het apparaat

Het koelkastgedeelte ontdooit automatisch. Het dooiwater stroomt door het afvoerkanaal in een verzamelcontainer aan de achterzijde van het apparaat.

Tijdens het ontdooien worden aan de achterkant van de koelkast waterdruppels gevormd als gevolg van de verdamping.

Wanneer niet alle druppels naar beneden glijden, kunnen deze opnieuw bevroren nadat het ontdooiproces is voltooid. Verwijder deze met een zachte doek met warm water. Gebruik geen harde of scherpe voorwerpen.

Controleer af en toe de stroom van het dooiwater. Deze kan nu en dan verstopt geraken. Reinig deze met een pijpreiniger of een gelijkaardig instrument.



6 Onderhoud en reiniging

- ⚠ Gebruik nooit benzine, benzeen of gelijksoortige substanties voor het reinigingswerk.
- ⚠ Wij bevelen aan dat u de stekker uit het toestel trekt voordat u met reinigen begint.
- ⚠ Gebruik nooit scherpe voorwerpen, zeep, huishoudproducten, afwasmiddel of boenwas om te poetsen.
- ⓘ In producten die geen No Frost hebben ontstaan er op de achterwand van het koelvak waterdruppels en een vingerdikke ijslaag. Maak het niet schoon; doe er nooit olie op soortgelijke middelen op.
- ⓘ Gebruik uitsluitend licht vochtige microvezeldoeken om de buitenkant van het product schoon te maken. Sponzen en andere soorten schoonmaakdoeken kunnen het oppervlak krassen.
- ⓘ Gebruik lauwwarm water om de kast van uw koelkast schoon te maken en wrijf deze droog.
- ⓘ Gebruik een vochtige doek, uitgewrongen in een oplossing van één koffielepel natriumbicarbonaat voor 50 cl water, om de binnenkant schoon te maken en wrijf vervolgens droog.
- ⚠ Zorg ervoor dat er geen water in de lamp en andere elektrische onderdelen binnensijpelt.
- ⚠ Als uw koelkast voor een lange periode niet zal worden gebruikt, trek dan de stroomkabel uit, verwijder alle etenswaren, maak de koelkast schoon en laat de deur op een kier staan.
- ⓘ Kijk de deurgrendels regelmatig na om u ervan te overtuigen dat ze schoon en vrij van etensresten zijn.
- ⚠ Om deurroosters te verwijderen, verwijder de inhoud en druk het deurrooster vervolgens eenvoudigweg naar boven vanaf de basis.
- ⚠ Gebruik nooit reinigingsmiddelen of water dat chloor bevat om de buitenkant en de verchromde onderdelen van het product te reinigen. Chloor veroorzaakt corrosie op dergelijke metalen oppervlakken.
- ⚠ Gebruik geen scherpe en schurende werktuigen of zeep, huishoudelijke reinigingsmiddelen, oplosmiddelen, benzine, benzeen, was, etc. Zo niet zullen stempels op plastic onderdelen loskomen en kunnen vervormingen optreden. Gebruik warm water en een zachte doek om te reinigen en te drogen.

Bescherming van de plastic oppervlakken

- ⓘ Plaats geen vloeibare olie of in olie bereide maaltijden in uw koelkast in onafgedichte bakjes. Deze kunnen de plastic oppervlakken van uw koelkast beschadigen. Mocht u olie morsen op de kunststof oppervlakken, reinig dit deel van het oppervlak dan direct met warm water en spoel af.

7 Fouten opsporen

Controleer de volgende punten voordat u de onderhoudsdienst belt. Dit kan u tijd en geld besparen. Deze lijst omvat regelmatige klachten die niet voortkomen uit defect vakmanschap of materiaalgebruik. Het is mogelijk dat bepaalde functies die hier beschreven zijn niet tot uw product behoren.

De koelkast werkt niet.	De compressor draait niet
<ul style="list-style-type: none">• De stekker zit niet op de juiste manier in het stopcontact. >>>Zorg ervoor dat de stekker veilig in het stopcontact wordt geplaatst.• De zekering van het stopcontact waarop de koelkast is aangesloten of de hoofdzekering is gesprongen. >>>Controleer de zekering.	<ul style="list-style-type: none">• Thermische bescherming van de compressor kan springen gedurende plotselinge stroomuitval of afsluiting van de stroomtoevoer wanneer de druk van het koelmiddel in het koelsysteem van de koelkast niet in balans is. De koelkast gaat na ongeveer 6 minuten draaien. Neem contact op met de onderhoudsdienst wanneer uw koelkast na deze periode niet start.• De koelkast zit in een ontdooiencyclus. >>>Dit is normaal voor een volledig automatisch ontdooiende koelkast. Ontdooiencyclus vindt periodiek plaats.• De stekker van de koelkast steekt niet in het stopcontact. >>>Zorg ervoor dat de stekker in het stopcontact zit.• De temperatuuraanpassingen werden niet correct uitgevoerd. >>>Kiest een geschikte temperatuurwaarde.• Er is een stroomstoring. >>>Zodra de storing is verholpen keert de koelkast terug naar normale werking.
Condensvorming langs de wand van het koelgedeelte (MULTI ZONE, COOL CONTROL en FLEXI ZONE).	Het werkingsgeluid neemt toe wanneer de koelkast werkt.
<ul style="list-style-type: none">• Omgeving is erg koud. >>>Plaats de koelkast niet in een ruimte waar de temperatuur lager kan worden dan 10°C.• De deur van de koelkast werd regelmatig open gemaakt. >>>Open en sluit de deur van de koelkast niet te veel.• Omgeving is erg vochtig. >>>Plaats de koelkast niet in een vochtige ruimte.• Voedsel met veel vloeistoffen wordt in open bakjes bewaard. >>>Bewaar dit soort voedsel in gesloten bakjes.• De deur van de koelkast staat op een kier. >>>Sluit de deur van de koelkast.• De thermostaat staat veel te laag. >>>Zet de thermostaat hoger.	<ul style="list-style-type: none">• De werking van de koelkast kan veranderen als gevolg van wijzigingen in de omgevingstemperatuur. Dit is normaal en geen defect.

De koelkast werkt frequent of gedurende lange tijd.

- Uw nieuwe product is mogelijk breder dan het vorige. Grote koelkasten werken langer.
- De omgevingstemperatuur kan hoog zijn. >>> Het is normaal dat het product langer draait in een warme omgeving.
- De stekker van de koelkast kan onlangs ingestoken zijn of de koelkast kan zijn volgeladen met etenswaren. >>> Wanneer de koelkast pas is ingeschakeld of kortgeleden werd gevuld, duurt het langer om de ingestelde temperatuur te bereiken. Dit is normaal.
- Grote hoeveelheden warme levensmiddelen kunnen recentelijk in de koelkast zijn geplaatst. >>> Plaats geen warm voedsel in de koelkast.
- Deuren werden regelmatig geopend of hebben enige tijd op een kier gestaan. >>> De warme lucht die in de koelkast is binnengekomen maakt dat de koelkast langer werkt. Open de deuren niet te dikwijls.
- De deur van het vries- of koelcompartiment is mogelijk op een kier blijven staan. >>> Controleer of de deuren goed gesloten zijn.
- De koelkast is zeer koud ingesteld. >>> Stel de koelkasttemperatuur hoger en wacht tot de temperatuur wordt bereikt.
- Deurafdichting van de koelkast of diepvriezer kan vuil, versleten, gebroken of niet goed geplaatst zijn. >>> Maak de afdichting schoon of vervang deze. Een beschadigde/ gebroken afdichting maakt dat de koelkast langer moet werken om de huidige temperatuur te handhaven.

Diepvriestemperatuur is erg laag terwijl de koelkasttemperatuur voldoende is.

- De diepvriestemperatuur is zeer koud ingesteld. >>> Stel de diepvriezertemperatuur hoger in en controleer.

Koelkasttemperatuur is erg laag terwijl de diepvriestemperatuur voldoende is.

- De temperatuur van het koelvak is zeer koud ingesteld. >>> Stel de koelkasttemperatuur hoger in en controleer.

Etenswaren die in laden van het koelgedeelte worden bewaard, bevroren.

- De temperatuur van het koelvak is zeer hoog ingesteld. >>> Stel de koelkasttemperatuur lager in en controleer.

Temperatuur in de koelkast of diepvriezer is zeer hoog.

- De temperatuur van het koelvak is zeer hoog ingesteld. >>>De temperatuur van het koelvak heeft invloed op de temperatuur van de diepvriezer. Wijzig de temperatuur van de koelkast of de diepvriezer en wacht tot de betreffende compartimenten de gewenste temperatuur bereikt.
- Deuren werden regelmatig geopend of hebben enige tijd op een kier gestaan. >>>Open de deuren niet te vaak.
- De deur staat op een kier. >>>Sluit de deur volledig.
- De koelkast is pas ingeschakeld of werd recent geladen met voedsel. >>>Dit is normaal. Wanneer de koelkast net is ingeschakeld of kortgeleden werd gevuld, duurt het langer om de ingestelde temperatuur te bereiken.
- Grote hoeveelheden warme levensmiddelen kunnen recentelijk in de koelkast zijn geplaatst. >>>Plaats geen warm voedsel in de koelkast.

• Vibratie of geluid.

- De vloer is niet gelijk of stabiel. >>> Indien de koelkast schommelt bij enige beweging, moet u de stelvoetjes aanpassen. Zorg dat de vloer vlak en sterk genoeg is om de koelkast te dragen.
- De spullen die boven op de koelkast liggen kunnen geluid veroorzaken. >>>Verwijder deze van de bovenzijde van de koelkast.

Er komt een geluid van morsende of sprayende vloeistof uit de koelkast.

- Vloeistof- en gasstromen vinden plaats conform de werkingsprincipes van uw koelkast. Dit is normaal en geen defect.

Er komt een fluitend geluid van de koelkast.

- Er worden ventilatoren gebruikt om de koelkast te koelen. Dit is normaal en geen defect.

Condens op de binnenwanden van de koelkast.

- Met warm en vochtig weer neemt ijs- en condensvorming toe. Dit is normaal en geen defect.
- Deuren werden regelmatig geopend of hebben enige tijd op een kier gestaan. >>>Open de deuren niet te vaak. Sluit ze wanneer ze open staan.
- De deur staat op een kier. >>>Sluit de deur volledig.

Vocht aan de buitenkant van de koelkast of tussen de deuren.

- De lucht is mogelijk vochtig; dit is vrij normaal bij vochtig weer. Wanneer de vochtigheid minder wordt, zal de condens verdwijnen.

Slechte geur binnenin de koelkast.

- Ze wordt niet regelmatig schoongemaakt. >>>Maak de binnenkant van de koelkast regelmatig schoon met een spons met lauw water waarin eventueel wat carbonaat is opgelost.
- Sommige bakjes of verpakkingsmaterialen kunnen de geur veroorzaken. >>>Gebruik een ander bakje of ander soort verpakkingsmateriaal.
- Er is voedsel in de koelkast geplaatst in een open bakje. >>>Bewaar het voedsel altijd in een gesloten bakje. Micro-organismen die zich verspreiden vanuit containers zonder deksel kunnen onaangename geuren veroorzaken.
- Neem vervallen voedingswaren en gemorste gerechten altijd meteen uit de koelkast.

De deur sluit niet.

- Voedselpakketjes kunnen er de reden van zijn dat de deur niet sluit. >>>Verplaats de verpakkingen die de deur belemmeren.
- De koelkast staat niet volledig waterpas op de vloer. >>>Stel de stelvoetjes bij om de koelkast waterpas te zetten.
- De vloer is niet gelijk of stevig. >>>Zorg dat de vloer vlak is en de koelkast kan dragen.

Groenteladen zitten vast.

- De levensmiddelen kunnen de bovenzijde van de lade raken. >>>Herschik de levensmiddelen in de lade.

Als Het Oppervlak Van Het Product Heet Is.

- Tijdens de werking kunnen tussen de twee deuren, de zijpanelen en de achterste grill hoge temperaturen worden waargenomen. Dit is normaal en behoeft geen serviceonderhoud!

DISCLAIMER / WAARSCHUWING

Sommige (eenvoudige) defecten kunnen correct worden behandeld door de eindgebruiker zonder dat dit aanleiding geeft tot veiligheidsproblemen of een onveilig gebruik, op voorwaarde dat ze worden uitgevoerd binnen de limieten en in overeenstemming met de volgende instructies (zie het hoofdstuk “Zelf-reparatie”).

Om die reden, tenzij anderzijds toegelaten in het onderstaande hoofdstuk ‘Zelf-reparatie’, moeten reparaties worden uitgevoerd door geregistreerde professionele monteurs om veiligheidsproblemen te voorkomen. Een geregistreerde professionele monteur is een professionele monteur die toegang heeft gekregen tot de instructies en de lijst met reserveonderdelen van dit product door de fabrikant, in overeenstemming met de methoden beschreven in wetsbesluiten in overeenstemming met Richtlijn 2009/125/EC.

Hoewel, de onderhouds- en reparatiewerken in het kader van de garantievoorzieningen mogen uitsluitend worden uitgevoerd door de gespecialiseerd vertegenwoordiger (m.a.w. geautoriseerde professionele monteurs) die u kunt bereiken via het telefoonnummer vermeld in de gebruikshandleiding/garantiekartaal of via uw geautoriseerde verdeler. Om die reden zullen reparaties die worden uitgevoerd door professionele monteurs (die niet zijn geautoriseerd door Beko) de garantie nietig verklaren.

Zelf-reparatie

De eindgebruiker kan de volgende reserveonderdelen zelf repareren: deur handgrepen, deur scharnieren, laden, manden en deurpakkingen (een bijgewerkte lijst is ook beschikbaar op support.beko.com op 1 maart 2021).

Bovendien, om de veiligheid van het product te garanderen en het risico van ernstig letsel te voorkomen, moet de vermelde zelf-reparatie worden uitgevoerd in overeenstemming met de instructies in de handleiding voor zelf-reparatie of die beschikbaar is in in support.beko.com. Uit veiligheidsoverwegingen moet u de stekker van het product loskoppelen voor u een zelf-reparatie probeert uit te voeren.

Reparaties en pogingen tot reparatie door eindgebruikers van onderdelen die niet zijn omvat in deze lijst en/of waarbij de instructies in de handleiding voor zelf-reparatie of die beschikbaar zijn in support.beko.com niet worden nageleefd, kunnen resulteren in veiligheidsproblemen die niet kunnen worden toegewezen aan Beko Beko en deze zullen de garantie van het product nietig verklaren.

Om die reden raden wij ten stelligste af dat eindgebruikers op eigen houtje reparaties proberen uit te voeren die buiten de vermelde lijst van reserveonderdelen vallen en in dergelijke situaties beroep doen op een geautoriseerde professionele monteur of geregistreerde professionele monteurs. Dergelijke pogingen van eindgebruikers kunnen daarentegen veiligheidsproblemen en schade aan het product veroorzaken en resulteren in brand, overstromingen, elektrische schokken en ernstig persoonlijk letsel.

Als voorbeeld, maar niet beperkt tot, de volgende reparaties moeten worden uitgevoerd door geautoriseerde professionele servicemonteurs of geregistreerde professionele monteurs: compressor, koelcircuit, moederbord, omzetter bord, weergavebord, etc.

De fabrikant/verkoper kan niet aansprakelijk worden gesteld wanneer eindgebruikers de bovenstaande instructies niet naleven.

De beschikbaarheid van de reserveonderdelen van de koelkast die u hebt gekocht is 10 jaar. Tijdens deze periode zijn de originele reserveonderdelen beschikbaar voor de correcte werking van uw koelkast.

De minimale duur van de garantie van de koelkast die u hebt gekocht, is 24 maanden.

Dit product is uitgerust met een lichtbron van de "G"-energieklasse.

De lichtbron in dit product mag enkel worden vervangen door professionele reparateurs.

Vennligst les denne veiledningen først!

Kjære kunde,

Vi håper at produktet ditt, som er produsert ved moderne anlegg og som er kontrollert med strenge kvalitetskontrollprosedyrer, vil gi deg effektiv ytelse.

Derfor ber vi deg lese nøye gjennom denne veiledningen før du bruker produktet og beholde denne for fremtidig bruk.

Bruksanvisningen

- Vil hjelpe deg til å bruke apparatet på en hurtig og sikker måte.
- Vennligst les bruksanvisningen før du installerer og bruker produktet.
- Følg instruksjonene, spesielt de som angår sikkerheten.
- Hold veiledningen lett tilgjengelig, siden du kan ha behov for den senere.
- Les også de andre dokumentene som ble levert sammen med produktet.

Vennligst merk at denne bruksanvisningen kan gjelde for flere andre modeller.

Symboler og beskrivelser av disse

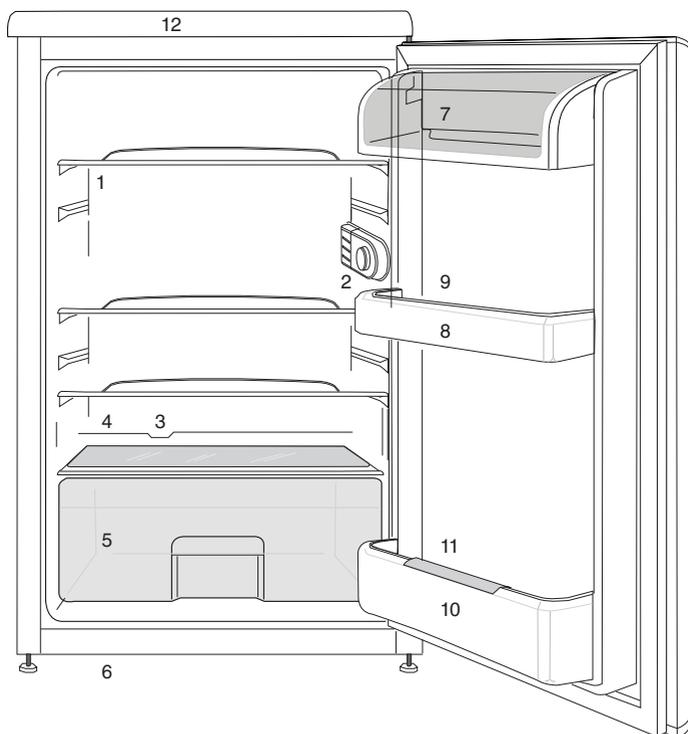
Denne veiledningen inneholder følgende symboler:

-  Viktig informasjon eller nyttige tips om bruk.
-  Advarsel om farlige tilstander for liv og eiendom.
-  Advarsel om elektrisk spenning.

INNHold

1 Kjøøl/frys	3	4 Forberedelse	11
2 Viktige sikkerhetsadvarsler	4	Juster føttene	12
Beregnet bruk.....	4	Schimbarea lämpii	12
For produkter med en vanndisplenser:	7	Installasjon (under benken)	12
Barnesikring	7	Omhengsling av dørene	13
Samsvar med WEEE-direktivet og		5 Bruke kjøøl/frys	14
Deponering av avfallsproduktet:	7	Frysing	14
Samsvar med RoHS-direktivet:.....	8	Frysing av matvarer	14
Informasjon om emballasjen	8	Lag isbiter.....	15
HC-advarsel	8	Lagring av frosne matvarer	15
Ting å gjøre for å spare energi	8	Avising av kjøøleskapet.....	15
3 Installasjon	9	Nedkjøøling	16
Punkter som er viktige ved ny		Oppbevaring av mat	16
transportering av kjøøl/frys.....	9	Avising av kjøøleskapet.....	16
Før du bruker kjøøl/frys.....	9	6 Vedlikehold og rengjøøring	17
Elektrisk tilkobling	10	Beskyttelse av plastoverflater	17
Bortskaffing av emballasjen	10	7 Anbefalte løøsninger på	18
Bortskaffing av det gamle kjøøl/frys ...	10	problemer	
Plassering og installasjon.....	10		

1 Kjøl/frys



- | | |
|---|---------------------------|
| 1. Flyttbare hyller | 7. Del for melkeprodukter |
| 2. Internt lys og termostatbryter | 8. Dørhyller |
| 3. Smeltevannsopsamlingskanal - avløpsrør | 9. Eggbrett |
| 4. Grønnsaksoppbevaringslokk | 10. Flaskehylle |
| 5. Grønnsaksoppbevaring | 11. Flaskegriper |
| 6. Justerbare fremben | 12. Topplst |

i Figurene i denne veiledningen er skjematisk og kan derfor være litt forskjellige fra ditt produkt. Hvis noen deler ikke medfølger produktet du har kjøpt, gjelder den for andre modeller.

2 Viktige sikkerhetsadvarsler

Vennligst les følgende informasjon. Hvis denne informasjonen ikke overholdes, kan det forårsake personskader eller materialskader. Videre vil garanti og pålitelighetsløfte bli ugyldig.

Levetiden for produktet du har kjøpt, er 10 år. Dette er perioden for å holde reservedeler som kreves for at enheten skal fungere slik som beskrevet.

Beregnet bruk

	ADVARSEL: Sørg for at ventilasjon såpningene i apparatets kabinett eller i den innebygde strukturen ikke blokkeres.
	ADVARSEL: Bruk ikke andre mekaniske innretninger eller midler for å akselerere avisingsprosessen enn det som er anbefalt av produsenten.
	ADVARSEL: Ikke skad kjølekretsen.
	ADVARSEL: Ikke bruk elektriske apparater inne i oppbevaringsrommene for mat i apparatet, med mindre de er av en type som anbefales av produsenten.

 **ADVARSEL:** Ikke oppbevar eksplosive stoffer, slik som aerosolbokser med antennelig drivmiddel i dette apparatet.

Dette apparatet er beregnet til bruk i husholdninger og lignende bruksområder som f.eks.

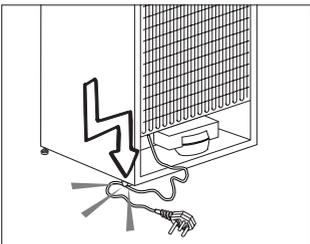
- kjøkkenområder med ansatte i butikker, kontorer og andre arbeidsmiljøer;
- gårdshus og av kunder i hoteller, moteller og andre typer boligmiljøer;
- overnattingssteder med frokost;
- catering og lignende bruksområder utenom detaljhandel.

Generell sikkerhet

- Når du ønsker å kaste/skrote produktet, anbefaler vi at du forhører deg med autorisert service for å få nødvendig informasjon og autoriserte myndigheter.
- Hør med autorisert service når det gjelder alle spørsmål og problemer relatert til kjølfrys. Ikke foreta endringer eller la noen andre foreta endringer på kjølfrys uten å varsle autorisert service.
- For produkter med en fryserdel: Ikke spis iskrem med kjeks eller isbiter straks etter at du tar dem ut av fryseren! (Dette kan forårsake frostbitt i munnen.)

- For produkter med en fryserdel: Ikke putt drikkevarer på flaske eller bokser i fryseren. Dette kan føre til at de sprekker.
- Ikke rør frossen mat med hendene, da disse kan hefte seg til hånden.
- Trekk ut støpselet før rengjøring eller avising.
- Damp og damprengjørings materialer skal aldri brukes i rengjørings- og avtiningsprosesser for kjøl/frys. I slike tilfeller kan dampen komme i kontakt med de elektriske planene og forårsake kortslutning eller elektrisk sjokk.
- Bruk aldri deler på kjøl/frys slik som døren som støtte eller trinn.
- Ikke bruk elektriske innretninger på innsiden av kjøl/frys.
- Ikke ødelegg delene der kjølevæsken sirkulerer, med drill eller kutteverktøy. Kjølevæsken som kan strømme ut når gasskanaler for fordampere, rørforlengelser eller overflatebelegg punkteres, kan forårsake hudirritasjon og øyeskader.
- Ikke dekk til eller blokker ventilasjonsåpningene på kjøl/frys med noe materiale.
- Elektriske enheter må kun repareres av autoriserte personer. Reparasjoner som utføres av en inkompetent person kan forårsake fare for brukeren.
- I tilfelle feil under vedlikehold eller reparasjonsarbeid, kople fra kjøl/fryss strømforsyning ved å slå av relevant sikring eller trekke ut støpselet.
- Ikke trekk etter ledningen når du trekker ut støpslet.
- Plasser drikkebeholdere tett lukket og stående.
- Lagre aldri spraybokser som inneholder antennelig og eksplosive stoffer i kjøl/frys.
- Ikke bruk mekanisk utstyr eller andre midler for å akselerere avisingprosessen annet enn slikt utstyr som produsenten anbefaler.
- Dette produktet er ikke beregnet til bruk av personer med fysiske, sensoriske eller mentale forstyrrelser eller personer som ikke er opplært eller ikke har erfaring (inkludert barn), med mindre det holdes under oppsyn av personer som er ansvarlige for deres sikkerhet eller som vil instruere dem tilstrekkelig i bruk av produktet.
- Ikke bruk et ødelagt kjøleskap. Hør med serviceagenten hvis du har spørsmål.
- Elektrisk sikkerhet på kjøl/frys kan garanteres kun hvis jordingen i hjemmet oppfyller standardene.
- Det er farlig å utsette produktet for regn, snø, sol og vind pga. elektrisk sikkerhet.
- Ta kontakt med autorisert service når en strømkabel skades for å unngå fare.

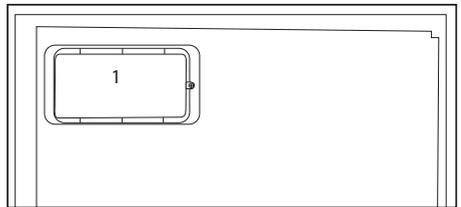
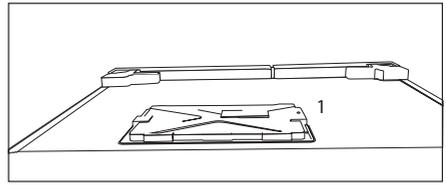
- Plugg aldri kjøøl/frys inn i vegguttaket under installasjonen. Dette kan føre til fare for døden eller alvorlig skade.
- Dette kjøøl/frys er kun beregnet til for å oppbevare mat. Det skal ikke brukes til noen andre formål.
- Merket med tekniske spesifikasjoner befinner seg på venstre vegg inne i kjøøl/frys.
- Koble aldri kjøøl/frys til strømsparesystemer, de kan skade kjøøl/frys.
- Dersom det er et blått lys på kjøøl/frys, ikke se på det med det blotte øye eller ved hjelp av optiske verktøy over lengre tid.
- For manuelt kontrollerte kjøleskap vent i minst 5 minutter for å starte kjøøl/frys etter et strømbrudd.
- Denne brukerhåndboken skal overleveres til neste eier av produktet hvis det skifter eier.
- Unngå å skade strømkabelen ved transport av kjøøl/frys. Bøying av kabelen kan forårsake brann. Plasser aldri tunge gjenstander på strømledningen. Ikke berør støpselet med våte hender når du kobler til produktet.
- Ikke koble til kjøøl/frys hvis vegguttaket er løst.
- Ikke sprut vann direkte på de ytre eller indre delene av produktet av sikkerhetsmessige grunner.
- Ikke spray stoffer som inneholder antennelige gasser, slik som propangass i nærheten av kjøøl/frys for å unngå brann- og eksplosjonsfare.
- Ikke plasser gjenstander som er fylt med vann oppå kjøøl/frys, da det kan føre til elektrisk støt eller brann.
- Ikke overbelast kjøøl/frys med for mye mat. Hvis det overlastes, kan maten falle ned og skade deg og kjøøl/frys når du åpner døren. Ikke plasser gjenstander oppe på kjøøl/frys, da disse kan falle ned ved åpning eller lukking av kjøleskapsdøren.
- Produkter som trenger en nøyaktig temperaturkontroll (vaksiner, varmesensitive medisiner, forskningsmaterialer osv.), skal ikke oppbevares i kjøøl/frys.
- Hvis det ikke skal brukes på lang tid, skal kjøøl/frys kobles fra strømuttaket. Et problem i den elektriske kabelen kan føre til brann.
- Kjøøl/frys kan flytte seg hvis de justerbare beina ikke er riktig sikret på gulvet. Riktig sikring av justerbare bein på gulvet kan forhindre at kjøøl/frys flytter seg.



- Når du bærer kjøl/frys, ikke hold det etter dørhåndtaket. Da kan det knekke av.
- Hvis du må plassere produktet ved siden av et annet kjøleskap eller fryser, skal avstanden mellom enheten være minst 8 cm. Ellers kan sideveggene som grenser til hverandre bli fuktige.

For produkter med en vandisplenser:

- For at vannkretsen i kjøleskapet skal være jevn, må vanntrykket vært mellom 1 og 8 bar. Hvis trykket i vannledningen er høyere enn 5 bar må man bruke en trykkregulator. Hvis vanntrykket er høyere enn 8 bar skal ikke dette kjøleskapets vannkrets kobles til vannforsyningen. Skaff deg profesjonell hjelp hvis du ikke har tilstrekkelig kunnskap om vanntrykk.
- Bruk kun drikkevann.
- Bruk aldri produktet hvis en del som ligger på toppen eller bak på produktet som har elektroniske kretskort inne, er åpen (deksel for elektronisk kretskort) (1).



Barnesikring

- Hvis du har en lås på døren, skal nøkkelen oppbevares utilgjengelig for barn.
- Barn må passes på for å sikre at de ikke tukler med produktet.

Samsvar med WEEE-direktivet og Deponering av avfallsproduktet:



Dette produktet er i samsvar med EU-direktivet som omhandler elektronisk og elektrisk utstyr (2012/19/EU). Dette produktet har et klassifiseringsymbol for sortering av avfall elektrisk og elektronisk utstyr (WEEE).

Dette produktet er laget av høykvalitetsdeler og -materialer som kan gjenbrukes og resirkuleres. Produktet skal ikke kastes sammen med normalt husholdningsavfall og annet avfall på slutten av levetiden. Ta det med til et innsamlingspunkt for resirkulering av elektriske og elektroniske innretninger.

Vennligst forhør deg med de lokale myndighetene for å få opplysninger om slike innsamlingssteder.

Samsvar med RoHS-direktivet:

Produktet du har kjøpt er i samsvar med EU-RoHS-direktivet (2011/65/EU). Det inneholder ingen farlige eller forbudte substanser som er angitt i direktivet.

Informasjon om emballasjen

Emballasjen for dette produktet er produsert av resirkulerbart materiale, i hht. nasjonale miljøforskrifter. Ikke kast emballasjen sammen med normalt husholdningsavfall eller annet avfall. Ta dem til et lokalt innsamlingspunkt som er beregnet på emballasjematerialer.

HC-advarsel

Hvis produktets kjølesystem inneholder R600a:

Denne gassen er brennbar. Derfor, vær forsiktig så kjølesystemet og rørene ikke ødelegges under bruk og transport. I tilfelle skade skal produktet holdes på avstand fra potensielle brannkilder som kan gjøre at produktet begynner å brenne, og ventiler rommet der enheten er plassert.

Ignorer denne advarselen hvis produktets kjølesystem inneholder R134a:

Typen gass som brukes i produktet er oppgitt på typeskiltet som finnes på venstre vegg inne i kjøøl/frys.

Kast aldri produktet inn i flammer.

Ting å gjøre for å spare energi

- Ikke hold dørene til kjøøl/frys åpne over lang tid.
- Ikke putt varm mat eller drikke i kjøøl/frys.
- Ikke overlast kjøøl/frys slik at luften sirkulerer inne i kjøøl/frys hvis den ikke forhindres.
- Ikke installer kjøøl/frys under direkte sollys eller i nærheten av varmeutstrålende apparater, slik som ovn, oppvaskmaskin eller radiator.
- Se til å holde maten i lukkede beholdere.
- For produkter med en fryserdel: Du kan lagre maksimale mengder mat i fryseren hvis du fjerner hyllene eller skuffen i fryseren. Energiforbruksverdien som er oppgitt for kjøøl/frys har blitt bestemt ved å fjerne fryserhyllene eller skuffen og under maksimal last. Det er ingen fare ved bruk av hyllene eller skuffen i henhold til form og størrelse på maten som skal fryses.
- Opptining av frossenmat i kjøleskapsdelen vil både gi energisparing og bevare matkvaliteten.

3 Installasjon

⚠ Vennligst husk at produsenten ikke skal holdes ansvarlig hvis informasjonen som gis i bruksanvisningen ikke overholdes.

Punkter som er viktige ved ny transportering av kjøøl/frys

1. Kjøøl/frys må tømmes og rengjøres før transport.
2. Hyller, tilbehør, grønnsaksoppbevaringsboks osv. i kjøøl/frys må festes godt med teip mot støt før innpakning.
3. Innpakningen må festes med tykk teip og sterke tau, og transportreglene på pakningen må følges.

Vennligst ikke glem...

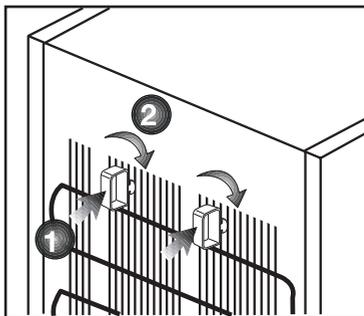
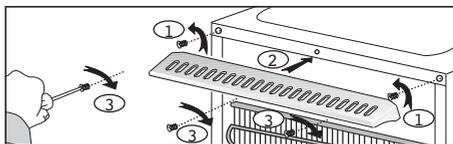
Hvert resirkulert material er en uunnværlig kilde for naturen og for de nasjonale ressursene.

Hvis du ønsker å bidra til resirkulering av pakkematerialene, kan du få mer informasjon fra miljømyndigheter eller lokale myndigheter

Før du bruker kjøøl/frys

Før du begynner å bruke kjøøl/frys må du kontrollere følgende:

1. Er de indre delene av kjøøl/frys tørre, og kan luften sirkulere fritt på baksiden av skapet?
2. Installer de 2 plastkildene slik som vist på figuren. Plastkiler vi gi nødvendig avstand mellom kjøøl/frys og vegg for å kunne gjøre det mulig med luftsirkulasjon. (Den



illustrerte figuren er kun et eksempel og samsvarer ikke helt med ditt produkt.)

3. Rengjør de indre delene av kjøøl/frys slik som anbefalt i avsnittet "Vedlikehold og rengjøring".
4. Sett kjøøl/fryss støpsel inn i uttaket. Hvis kjøleskapsdøren er åpen, vil lyset inne i skapet tennes.
5. Du vil høre en lyd når kompressoren starter opp. Væsken og gassene som er foreglet inne i kjølesystemet også kan lage litt støy, selv om kompressoren ikke går, og dette er helt normalt.
6. Frontkantene på kjøøl/frys kan føles varme. Dette er normalt. Disse områdene er designet til å være varme for å unngå kondens.

Elektrisk tilkobling

Tilkople produktet til et jordet uttak som er beskyttet av en sikring med riktig kapasitet.

Viktig:

- Tilkoblingen skal være i overensstemmelse med nasjonale forskrifter.
- Strømledningens støpsel skal være lett tilgjengelig etter installasjon.
- Oppgitt spenning må tilsvare spenningen i strømmettet ditt.
- Skjøtekabler og flerveisplugger skal ikke brukes for tilkobling.

⚠ En ødelagt strømledning skal skiftes ut av en kvalifisert elektriker.

⚠ Produktet skal ikke brukes før det er reparert! Det er fare for elektrisk støt!

Bortskaffing av emballasjen

Innpakningsmaterialer kan være farlige for barn. Hold innpakningsmaterialene utilgjengelig for barn eller kast dem ved sortering etter avfallsforskriftene. Ikke kast dem sammen med normalt husholdningsavfall.

Emballasjen for maskinen din er produsert av resirkulerbare materialer.

Bortskaffing av det gamle kjøøl/frys

Bortskaff det gamle kjøøl/frys uten å skade miljøet.

- Du kan forhøre deg med din autoriserte forhandler eller avfallssorteringssenteret der du bor om bortskaffing av kjøøl/frys ditt.

Før du bortskaffer kjøøl/frys, kutt av strømstøpselet, og hvis det finnes låser på døren, se til at de ikke lenger virker, slik at barn beskyttes mot all fare.

Plassering og installasjon

1. Plasser ikke kjøøl/frys ved varmekilder, fuktige steder og i direkte sollys.
2. Det skal være tilstrekkelig luftventilasjon rundt kjøøl/frys for å oppnå en effektiv drift. Hvis kjøøl/frys skal plasseres i en innbygging i veggen, må det være minst 5 cm avstand fra taket og 5 cm fra veggen. Hvis gulvet er dekket med et teppe, skal produktet heves 2,5 cm fra gulvet.
3. Plasser kjøøl/frys på jevn gulvoverflate for å unngå støt.

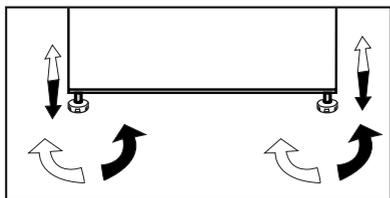
4 Forberedelse

- For et frittstående apparat; "Dette kjøleapparatet er ikke ment å brukes som et innebygd apparat";
- Kjøl/frys skal installeres minst 30 cm på avstand fra varmekilder, slik som f.eks. komfyrer, ovner, sentralvarme og kokeplater, samt minst 5 cm borte fra elektriske ovner og skal ikke plasseres i direkte sollys.
- Omgivelsestemperaturen i det rommet der kjøl/frys plasseres skal være minst 10°C. Bruk av kjøl/frys under kaldere forhold enn dette anbefales ikke pga. effektiviteten.
- Vennligst se til at de indre delene av kjøl/frys rengjøres grundig.
- Hvis to kjøleskap skal installeres ved siden av hverandre, skal det være en avstand på minst 2 cm mellom dem.
- Når du bruker kjøl/frys for første gang, vennligst følg instruksene rundt de første seks timene.
- Døren skal ikke åpnes ofte.
- Det skal kun brukes tomt uten mat.
- Ikke trekk ut støpselet for kjøl/frys. Hvis et strømsbrudd oppstår som du ikke kan kontrollere, vennligst se advarsler i avsnittet "Anbefalte løsninger på problemer".
- Originalinnpakningen og skummaterialer skal beholdes for fremtidig transport eller flytting.
- Grunnet temperatursvingninger som følge av åpning/lukking av produktets dør under drift, er kondens på hyller i døren og på selve enheten, foruten på glassbeholdere, normalt.

Juster føttene

Hvis kjøleskapet ikke er balansert:

Du kan balansere kjøleskapet ved å rotere frontbeina slik som illustrert på figuren. Hjørnet der beina finnes senkes når du roterer dem i retningen av den svarte pilen og løftes når du roterer i motsatt retning. Det er lettere hvis du får hjelp til å løfte kjøleskapet mens du gjennomfører denne prosessen.



Schimbarea lămpii

Pentru a schimba lampa din interiorul frigiderului, luați legătura cu un service autorizat.

Becul (becurile) folosite în acest aparat nu sunt adecvate pentru iluminatul casnic. Scopul acestui bec este să ajute utilizatorul să plaseze alimente în frigider/congelator într-un mod sigur și confortabil.

Lămpile utilizate în acest produs trebuie să reziste la condiții fizice extreme cum ar fi temperaturi sub -20 °C.

Installasjon (under benken)

- Intern høyde på benken skal være 820 mm.(!) Komfyrer eller andre varmekilder skal ikke plasseres over benken der apparatet er installert under benken.
- Strømuttaket i veggene skal befines seg rett til venstre eller høyre for apparatet.
- Fjern toppdekslet på apparatet. Det er 4 skruer (2 stk. på baksiden, 2 stk. under frontkanten) som skal fjernes. Fig. 1
- Kutt delen som vist på bildet, og fjern den ved hjelp av tang.
- Plasser apparatet under benken, og juster frontføttene inntil toppen når benken.

For å kunne bruke produktet under benken skal avstanden mellom veggene og referansen indikert i toppforbindelsesplaten være minst 595 mm.

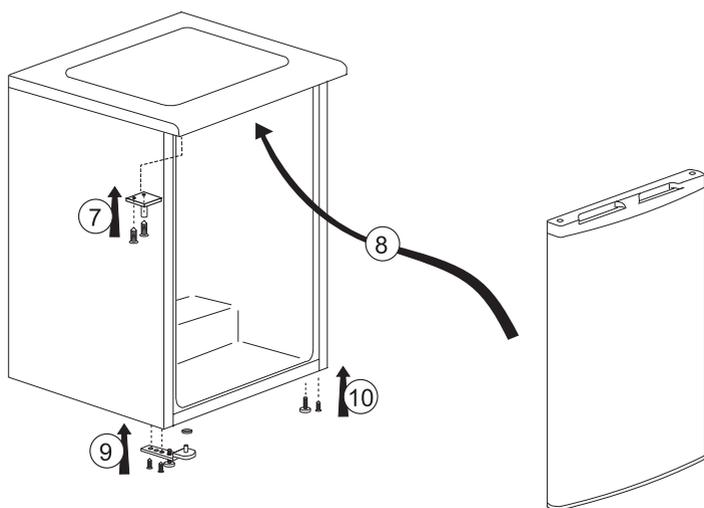
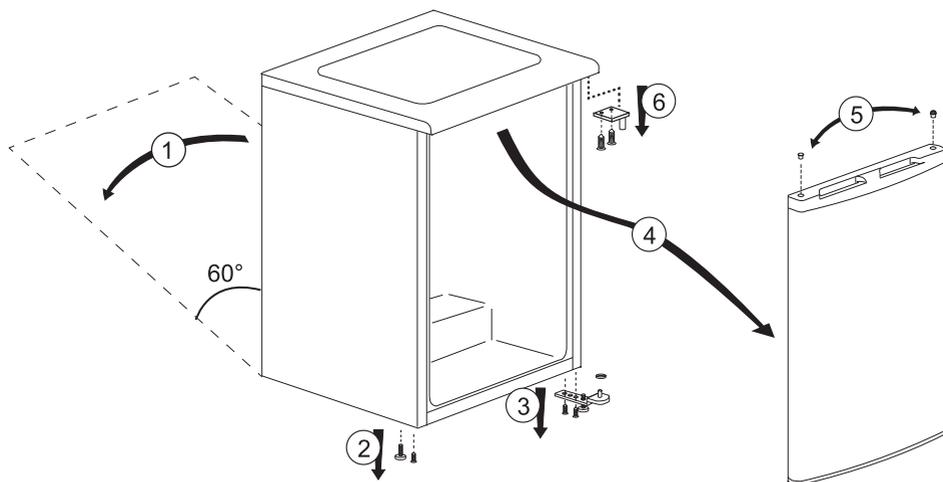
Fig. 2-3

- Fest apparatet under benken ved bruk av 2 av skruene som ble fjernet fra toppdekslet. (Materialet på benken må være plast- eller trebasert!)

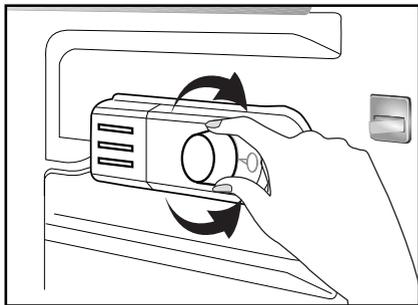
Fig. 4

Omhengsling av dørene

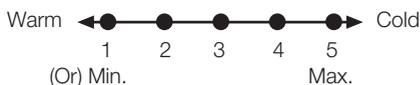
Gå frem i nummerrekkefølge .



5 Bruke kjøøl/frys



Driftstemperaturen justeres med temperaturkontrollen.



**1 = Laveste kjøleinnstilling
(Varmeste innstilling)**

**5 = Høyeste kjøleinnstilling
(Kaldeste innstilling)**

(eller)

**Min. = Laveste kjøleinnstilling
(Varmeste innstilling)**

**Maks. = Høyeste kjøleinnstilling
(Kaldeste innstilling)**

Gjennomsnittstemperaturen inne i kjøøl/frysbør ligge på om lag +5°C.

Vennligst velg innstilling etter ønsket temperatur.

Du kan stoppe bruken av apparatet ved å stille termostatbryteren til "0"-stillingen.

Vennligst merk at det vil være ulike temperaturer i kjøleområder.

Det kaldeste området er rett ovenfor grønnsaksområdet.

Interiørtemperaturen avhenger også av omgivelsestemperaturen, hvor ofte døren åpnes og mengde mat som oppbevares inne i skapet.

Hvis døren åpnes ofte, kan temperaturen inne i kjøøl/frysøke.

Av denne grunn anbefales det å lukke døren igjen så snart som mulig etter bruk.

Frysing

Frysing av matvarer

Fryseområdet er merket med  dette symbolet.

Du kan bruke innretningen til å fryse fersk mat, samt lagre mat som allerede er frossen.

Vennligst se anbefalingene på pakningen av maten.

• OBS

Ikke frys drikkevarer, da frossen væske kan sprengte flasken.

Vær forsiktig med frosne produkter slik som fargede isterninger.

Ikke gå ut over frysekapasiteten i apparatet over 24 timer. Se typebetegnelsen.

For å opprettholde kvaliteten på maten må frysingen skje så raskt som mulig.

Dermed vil ikke frysekapasiteten overstiges, og temperaturen inne i fryseren vil ikke stige.

• OBS

Hold alltid dypfrossen mat på avstand fra fersk mat.

Ved dypfrysing av varm mat, vil kjølekompressoren jobbe inntil maten er helt frossen. Dette kan føre til midlertidig nedkjøling av kjøleskapsdelen.

Hvis det er vanskelig å åpne fryserdøren rett etter at du har lukket den, trenger du ikke bekymre deg. Dette er pga. trykkforskjellen som gradvis vil utjevne seg og la døren åpnes som vanlig etter noen få minutter.

Du vil høre en vakuumlid rett etter du lukker døren. Dette er helt normalt.

Lag isbiter

Fyll isbitbrettet 3/4 fullt med vann og plasser det i fryseren.

Så snart vannet er blitt til is kan du ta ut isterningene.

Ikke bruk skarpe gjenstander som kniver eller gafler til å fjerne isen. Det er fare for skade!

La isen tine lett eller hold bunnen av brettet i varmt vann i kort tid.

Lagring av frosne matvarer

Delen for frossen mat er merket med  dette symbolet.

Delen for frossen mat egner seg for lagring av mat som allerede er frossen. Se alltid på anbefalingene om matvaren egner seg for fryselagring.

Avising av kjøleskapet

Store isansamlinger vil redusere effektiviteten på fryseren.

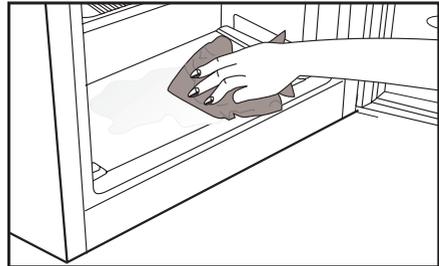
Det anbefales derfor at du aviser innretninga minst 2 ganger årlig eller når isdannelsen overstiger 7 mm

Avis innretningen når det er lite eller ingen mat i den.

Ta ut den dypfrosne maten. Pakk den dypfrosne maten inn i flere lag papir, eller i et teppe, og hold den på en kjølig plass.

Kople fra innretningen eller slå av eller fjern sikringen for å starte avisingsprosessen.

Ta ut tilbehør (for eksempel hylle, skuff osv.) fra innretningen og bruk en passende beholder for å samle opp smeltevannet.



Bruk en svamp eller myk klut for å fjerne smeltevann ved behov ved frysedelen.

 Og delen for frossenmat 

Hold døren åpen under avising.

For hurtigere avising kan det plasseres beholdere med varmtvann inne i skapet.

Ikke bruk elektriske apparater, avisingspray eller spisse eller skarpe gjenstander som kniver eller gafler til å fjerne isen.

Etter avising er fullført, rengjør innsiden.

Kople apparatet til strømuttaket igjen. Putt tilbake den frosne maten i skuffer og inn i fryseren.

Nedkjøling

Oppbevaring av mat

Kjøleskapsdelen brukes for kortvarig oppbevaring av ferske matvarer og drikkevarer.

Lagre melkeprodukter i tiltenkt del i kjøleskapet.

Flasker kan oppbevares i flaskeholderen eller i flaskehyllen i døren.

Rått kjøtt oppbevares best i polyetylenpose i delen helt på bunnen av kjøleskapet.

La varm mat og drikke kjøle seg ned i romtemperatur før de plasseres i kjøleskapet.

• OBS

Lagre konsentrert alkohol i beholder kun stående og godt lukket.

• OBS

Lagre aldri eksplosive stoffer eller beholdere med brennbar drivgass (trykkbeholder for krem, sprayflasker og liknende) i kjøleskapet.

Det er fare for eksplosjon.

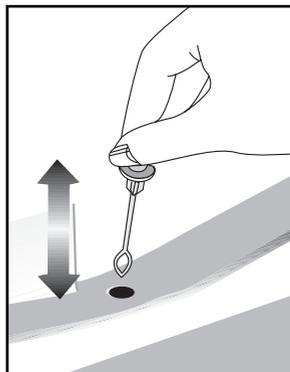
Avising av kjøleskapet

Kjøleskapsdelen ises av automatisk. Avisingsvannet renner ned avløpsrøret via et samlekar på baksiden av apparatet.

Under avising vil det danne seg vandrdåper bakerst i kjølfrysuga. fordampning.

Hvis ikke alle dråpene renner ned, kan de fryse igjen etter at avisingen er fullført. Fjern dem med en myk klut fuktet med varmt vann. Ikke bruk harde eller skarpe gjenstander.

Kontroller flyten på smeltevannet av og til. Det hender at det kan tilstoppes. Rengjør ved hjelp av en piperenser eller noe tilsvarende.



6 Vedlikehold og rengjøring

- ⚠ Bruk aldri bensin, benzen eller lignende stoffer til rengjøring.
- ⚠ Vi anbefaler at du trekker ut støpselet på apparatet før rengjøring.
- ⚠ Bruk aldri noen skarpe redskaper eller rengjøringsmidler med skureeffekt, såpe, rengjøringsmidler for hjemmebruk eller voks til rengjøringen.
- ⚠ I andre enn No Frost-produkter dannes det vanndråper og isklumper på opptil en fingerbreddes størrelse på baksiden av kjøleskapet. Ikke rengjør kjøleskapet og påfør heller aldri olje eller lignende midler.
- ⚠ Bruk bare lett fuktet mikrofiberduk til å rengjøre produktets ytre overflate. Svamper og andre typer rengjøringskluter vil kunne skrape opp overflaten.
- ℹ Bruk lunkent vann for å vaske skapet og tørk det tørt.
- ℹ Bruk en fuktig klut vridd opp i en oppløsning av en teskje bikarbonatsoda til ca. ½ liter vann for å rengjøre innsiden av skapet og tørk det tørt.
- ⚠ Pass på at det ikke kommer vann inn i pærehuset eller andre elektriske gjenstander.
- ⚠ Hvis kjøl/frys ikke skal brukes over en lengre periode, må du trekke ut støpselet, ta ut alle matvarer, rengjøre det og sette døren på klem.
- ℹ Kontroller pakningene til dørene jevnlig for å sikre at de er rene og fri for matrester.
- ⚠ For å demontere dørstativene tar du først ut alt innholdet og så skyver du ganske enkelt dørstativet opp fra bunnen.
- ℹ Bruk aldri rengjøringsmidler eller vann som inneholder klor til å rense de ytre overflatene og krombelagte delene av produktet. Klor forårsaker korrosjon på slike metallflater.

Beskyttelse av plastoverflater

- ℹ Ikke putt flytende oljer eller oljekokte måltider i kjøl/frys i uforseglede beholdere, da disse kan ødelegge plastoverflatene i kjøl/frys. Ved søling eller smøring av olje på plastoverflater, rengjør og rens relevant del av overflaten med en gang med varmt vann.

7 Anbefalte løsninger på problemer

Kontroller følgende liste før du ringer service. Det kan spare deg tid og penger. Denne listen inkluderer hyppige klager som ikke oppstår fra defekt utføring eller materialbruk. Noen av funksjonene som beskrives her finnes kanskje ikke i ditt produkt.

Kjøleskapet virker ikke

- Er kjøleskapet plugget inn? Sett støpselet inn i strømuttaket.
- Har sikringen til uttaket kjøleskapet er tilknyttet eller hovedsikringen gått? Kontroller sikringen.

Kondens på sideveggen av kjøleskapet. (MULTI ZONE, COOL CONTROL og FLEXI ZONE)

- Svært kalde omgivelsesforhold. Hyppig åpning eller lukking av døren. Svært fuktige omgivelsesforhold. Lagring av mat som inneholder væske i åpne beholdere. Døren står på gløtt.
- Still termostaten til kaldere grad.
- Reduser tiden døren står åpen eller bruk mindre hyppig.
- Dekk til mat som lagres i åpne beholdere med egnet materiale.
- Tørk av kondensen med en tørr klut og kontroller om problemet fortsetter.

Kompressoren går ikke

- Termovern for kompressoren vil koples ut under plutselig strømbrudd eller utplugging og innplugging hvis kjølevæsketrykket i kjølesystemet til kjøleskapet ikke er balansert.
- Kjøleskapet vil starte etter ca. 6 minutter. Vennligst ring service hvis kjøleskapet ikke starter etter utløpet av denne tiden.
- Kjøleskapet er i defrostsyklus. Dette er normalt for helautomatisk avisningskjøleskap. Avisningssyklusen gjennomføres regelmessig.
- Kjøleskapet er ikke tilkoplek strømuttaket. Kontroller at støpselet er satt godt inn i kontakten.
- Er temperaturinnstillingene foretatt riktig? Det er strømbrudd. Ring strømleverandøren.

Kjøleskapet går hyppig eller over lang tid.

- Det nye kjøleskapet kan være bredere enn det gamle. Dette er helt normalt. Store kjøleskap arbeider over lengre tidsperioder.
- Romtemperaturen kan være høy. Dette er helt normalt.
- Kjøleskapet kan ha vært plugget inn nylig eller blitt lastet med mat. Fullstendig nedkjøling av kjøleskapet kan ta et par timer lenger.
- Store mengder varm mat har blitt lagt inn i kjøleskapet nylig. Varm mat forårsaker lengre drift av kjøleskapet inntil den oppnår sikker oppbevaringstemperatur.
- Dørene kan ha vært åpnet hyppig eller stått på gløtt i lang tid. Varm luft som har kommet inn i kjøleskapet gjør at kjøleskapet kjører over lang tid. Åpne dørene mindre hyppig.
- Fryser- eller kjøleskapsdør kan ha stått på gløtt. Kontroller om dørene er tett lukket.
- Kjøleskapet er justert til svært kald temperatur. Juster kjøleskapets temperatur til høyere grad og vent inntil temperaturen er oppnådd.
- Dørtetningen til kjøleskapet eller fryseren kan være tilsmusset, utslitt, ødelagt eller ikke på plass. Rengjør eller skift ut tetningen. Skadet/ødelagt tetning gjør at kjøleskapet går over lang tid for å opprettholde aktuell temperatur.

Frysertemperaturen er svært lav, mens kjøleskapstemperaturen er tilstrekkelig.

- Fryserens temperatur er justert til svært lav temperatur. Juster fryserens temperatur til høyere grad og kontroller.

Kjøleskapstemperaturen er svært lav, mens frysertemperaturen er tilstrekkelig.

- Kjøleskapets temperatur er justert til svært lav temperatur. Juster kjøleskapets temperatur til høyere grad og kontroller.

Mat som oppbevares i skuffene fryser.	Det er lyder som ligner væskesøl eller spraying.
<ul style="list-style-type: none"> Kjøleskapets temperatur er justert til svært lav temperatur. Juster kjøleskapets temperatur til høyere grad og kontroller. 	<ul style="list-style-type: none"> Væske- og gasstrømninger skjer etter virkeprinsippene til kjøleskapet. Dette er helt normalt og er ingen feil.
Temperaturen i kjøleskapet eller fryseren er svært høy.	Det høres støy som om det blåser vind.
<ul style="list-style-type: none"> Kjøleskapets temperatur er justert til svært høy grad. Kjøleskapsjusteringen har virkning på temperaturen til fryseren. Endre temperaturen i kjøleskapet eller fryseren inntil kjøleskapets eller fryserens temperatur når et tilstrekkelig nivå. Døren kan ha stått på gløtt. Lukk døren helt. Store mengder varm mat har blitt lagt inn i kjøleskapet nylig. Vent inntil kjøleskap eller fryser når ønsket temperatur. Kanskje kjøleskapet nettopp ble tilkoblet. Fullstendig nedkjøling av kjøleskapet tar tid pga. størrelsen. 	<ul style="list-style-type: none"> Luftvifter brukes for at kjøleskapet skal kjøle effektivt. Dette er helt normalt og er ingen feil.
Støy som ligner lyden av sekunder som høres fra en analog klokke kommer fra kjøleskapet.	Kondens på de indre veggene på kjøleskapet.
<ul style="list-style-type: none"> Støyen kommer fra solenoidventilen på kjøleskapet. Solenoidventilen har til hensikt å sikre at kjølemiddelet passerer gjennom delen som kan justeres til kjøle- eller frysetemperaturer og utføre kjølefunksjoner. Dette er normalt og er ingen feil. 	<ul style="list-style-type: none"> Varmt og fuktig vær øker ising og kondens. Dette er helt normalt og er ingen feil. Dørene står på gløtt. Se til at dørene lukkes fullstendig. Dørene kan ha vært åpnet svært hyppig eller stått åpne i lang tid. Åpne døren mindre hyppig.
Driftslyden øker når kjøleskapet går.	Fuktighet oppstår på utsiden av kjøleskapet eller mellom dørene.
<ul style="list-style-type: none"> Ytelsesegenskapene til kjøleskapet kan endres etter endringene i omgivelsestemperaturen. Dette er helt normalt og er ingen feil. 	<ul style="list-style-type: none"> Været kan være fuktig. Dette er helt normalt ved fuktig vær. Når fuktigheten er lavere, vil kondensen forsvinne.
Vibrasjon eller klapping.	Dårlig lukt inne i kjøleskapet.
<ul style="list-style-type: none"> Gulvet er ikke jevnt eller er svakt. Kjøleskapet vugger når det flyttes sakte. Se til at gulvet er jevnt, sterkt og har evne til å bære kjøleskapet. Støyen kan forårsakes av gjenstandene som legges inn i kjøleskapet. Slike gjenstander skal fjernes fra toppen av kjøleskapet. 	<ul style="list-style-type: none"> Det må rengjøres inni kjøleskapet. Rengjør innsiden av kjøleskapet med en svamp, varmt vann eller karbonert vann. Noen beholdere eller innpakningsmaterialer kan forårsake lukten. Bruk en annen beholder eller annet merke på innpakningsmaterialet.
	Døren(e) lukkes ikke.
	<ul style="list-style-type: none"> Matpakninger forhindrer lukking av døren. Flytt pakninger som forhindrer lukking av døren. Kjøleskapet er antagelig ikke plassert helt vertikalt på gulvet og kan vugge når det beveges forsiktig. Juster høydeskruene. Gulvet er ikke jevnt eller sterkt. Se til at gulvet er jevnt og har evne til å bære kjøleskapet.

Grønnsaksoppbevaringsboksene sitter fast.

- Mat kan berøre taket i skuffen. Ordne maten i skuffen på nytt.

Hvis Produktets Overflate Er Varm.

- Det kan oppstå høye temperaturer mellom de to dørene, på sideplatene og baksiden av produktet når det er i bruk. Dette er helt normalt og krever ikke vedlikehold.

ANSVARFRASKRIVELSE/ADVARSEL

Noen (enkle) feil kan håndteres tilstrekkelig av sluttbrukeren uten at det oppstår noe sikkerhetsproblem eller usikker bruk, forutsatt at de utføres innenfor grensene og i samsvar med følgende instruksjoner (se delen "Selvreparasjon").

Derfor, med mindre annet er godkjent i avsnittet "Selvreparasjon" nedenfor, skal reparasjoner rettes til registrerte profesjonelle reparatører for å unngå sikkerhetsproblemer. En registrert profesjonell reparatør er en profesjonell reparatør som har fått tilgang til instruksjonene og reservedelslisten for dette produktet av produsenten i henhold til metodene beskrevet i lovgivning i henhold til direktiv 2009/125/EF.

Midlertid er det kun serviceagenten (dvs. autoriserte profesjonelle reparatører) som du kan nå gjennom telefonnummeret som er oppgitt i brukerhåndboken/garantikortet eller gjennom din autoriserte forhandler, som kan gi service under garantibetingelsene. Vær derfor oppmerksom på at reparasjoner utført av profesjonelle reparatører (som ikke er autorisert av Beko) vil annullere garantien.

Selvreparasjon

Sluttbrukeren kan utføre selvreparasjon på følgende reservedeler: dørhåndtak, dørhengsler, skuffer, kurver og dørpakninger (en oppdatert liste er også tilgjengelig på support.beko.com fra 1. mars 2021).

For å sikre produktsikkerhet og for å forhindre risiko for alvorlig personskade, skal videre nevnte selvreparasjon gjøres etter instruksjonene i brukerhåndboken

for selvreparasjon eller som er tilgjengelige i support.beko.com Av hensyntil egen sikkerhet, trekk ut produktet før du prøver selvreparasjon.

Reparasjon og reparasjonsforsøk av sluttbrukere for deler som ikke er oppført i en slik liste og/eller ikke følger instruksjonene i brukerhåndbøkene for selvreparasjon eller som er tilgjengelige i support.beko.com, kan medføre til sikkerhetsproblemer som ikke kan tilskrives Beko, og vil annullere garantien for produktet.

Derfor anbefales det sterkt at sluttbrukere avstår fra forsøket på å utføre reparasjoner som faller utenfor nevnte liste over reservedeler, og i slike tilfeller kontakter autoriserte profesjonelle reparatører eller registrerte profesjonelle reparatører. Tvert imot, slike forsøk fra sluttbrukere kan forårsake sikkerhetsproblemer og skade produktet og deretter føre til brann, flom, elektrisk stød og alvorlig personskade.

Følgende er eksempler på reparasjoner som må rettes til autoriserte profesjonelle reparatører eller registrerte profesjonelle reparatører: kompressor, kjølekrets, hovedkort, omformerkort, skjermkort osv.

Produsenten/selgeren kan ikke holdes ansvarlig i noe tilfelle der sluttbrukere ikke overholder ovenstående.

Tilgjengeligheten av reservedeler til kjøleskapet du kjøpte er 10 år.

I løpet av denne perioden vil originale reservedeler være tilgjengelige for å betjene kjøleskapet riktig.

Minste garantiperiode for kjøleskapet du kjøpte er 24 måneder.

Dette produktet er utstyrt med en lyskilde i energiklassen "G".
Lyskilden i dette produktet skal bare erstattes av profesjonelle reparatører.

Lue tämä käyttöopas ensin!

Hyvä asiakas,
toivomme, että nykyaikaisissa tuotantolaitoksissa valmistamamme ja erittäin huolellisella laadunvalvonnalla tarkastettu tuote toimii käytössäsi mahdollisimman tehokkaasti.

Tämän varmistamiseksi toivomme, että luet huolellisesti koko käyttöoppaan ennen jääkaapin käyttöön ottoa, ja säilytät sitä helposti saatavilla tulevaa käyttöä varten.

Tämä käyttöopas

- Auttaa käyttämään jääkaappia nopeasti ja turvallisesti.
- Lue käyttöopas ennen jääkaapin asennusta ja käyttöä.
- Noudat ohjeita, erityisesti niitä, jotka koskevat turvallisuutta.
- Säilytä käyttöopasta helposti saatavilla olevassa paikassa, sillä voit tarvita sitä myöhemmin.

Lue myös muut tuotteen mukana tulleet asiakirjat.

Huomaa, että tämä käyttöopas voi soveltua myös muihin malleihin.

Symbolit ja niiden kuvausTässä käyttöoppaassa käytetään seuraavia symboleja:

 Tärkeitä tietoja tai hyödyllisiä käyttövihjeitä.

 Varoitus hengelle ja omaisuudelle vaarallisista olosuhteista.

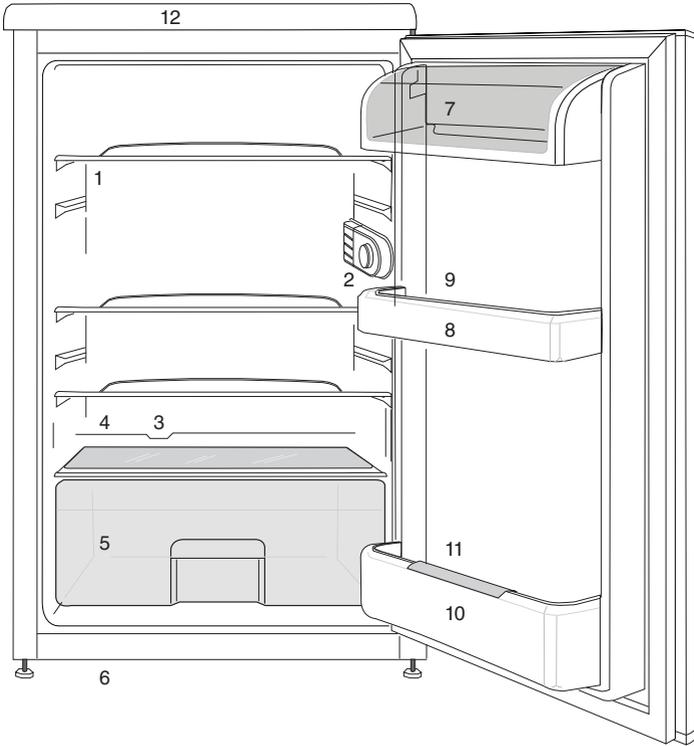
 Varoitus sähköjännitteestä.

 TIETOJA	
 	Tuotetietokantaan tallennetut mallitiedot löytyvät seuraavalta verkkosivulta etsimällä tuotetunnuksella (*), joka löytyy energiakilvestä.
SUPPLIER'S NAME 	MODEL IDENTIFIER (*) 
	https://eprel.ec.europa.eu/

SISÄLTÖ

1 Jääkaappi/pakastin	3	4 Valmistelu	12
2 Tärkeitä turvallisuusvaroituksia	4	Ovien uudelleen sijoitus	13
Käyttötarkoitus	4	5 Jääkaappi/pakastin käyttö	14
Laitteet, joissa on vesiautomaatti	7	Pakastaminen	14
Lasten turvallisuus	7	Ruoan pakastaminen	14
Sähkö- ja elektroniikkaromua koskevan direktiivin (WEEE) vaatimustenmukaisuus ja tuotteen hävittäminen:	7	Jääpalojen teko	15
RoHS-direktiivin vaatimustenmukaisuus:	7	Pakastetun ruuan säilyttäminen	15
Pakkaustiedot	7	Laitteen sulattaminen	15
HC-varoitus	7	Jäähdytys	16
Energian säästötoimet	8	Ruokien säilytys	16
3 Asennus	9	Laitteen sulattaminen	16
Jääkaapin kuljetuksessa huomioitavat asiat	9	6 Ylläpito ja puhdistus	17
Ennen käyttöönottoa	9	Muoviosien suojelu	17
Sähköliitännät	10	7 Suositellut ongelmanratkaisut	18
Pakkauksen hävittäminen	10		
Vanhan jääkaapin hävittäminen	10		
Sijoittaminen ja asennus	10		
Jalkojen säätäminen	11		
Lampun vaihtaminen	11		
Asennus (työtason alapuolelle)	11		

1 Jääkaappi/pakastin



- | | |
|---|---------------------|
| 1. Irrotettavat hyllyt | 7. Maitotuoteosasto |
| 2. Sisävalo ja termostaattivalitsin | 8. Ovihylly |
| 3. Sulatusveden keräyskanava -
kuivatusputki | 9. Munalokero |
| 4. Vihanneslokeroon kansi | 10. Pullohylly |
| 5. Vihanneslokero | 11. Pullonpidike |
| 6. Säädettävät etujalat | 12. Yläkarni |

i Tämän ohjekirjan kuvitus on kaavakuviin perustuvaa eikä se ehkä vastaa täysin todellista tuotetta. Jos jokin osa puuttuu ostamastasi tuotteesta, kuvaus koskee muita malleja.

2 Tärkeitä turvallisuusvaroituksia

Tutustu seuraaviin ohjeisiin. Näiden ohjeiden noudattamatta jättäminen saattaa aiheuttaa loukkaantumisen tai aineellisia vahinkoja. Muuten kaikki takuu- ja käyttövarmuusvastuut mitätöityvät.

Ostamasi laitteen käyttöikä on 10 vuotta. Tämä on myös aika, jonka kuluessa laitteen toimintaan kuvatulla tavalla tarvittavia varaosia on saatavana.

Käyttötarkoitus

Tämä tuote on suunniteltu

- sisätiloihin ja suljettuihin tiloihin kuten koteihin,
- suljettuihin työskentely-ympäristöihin, kuten myymälöihin ja toimistoihin,
- suljettuihin majoitustiloihin kuten maatiloille, hotelleihin ja pensioaatteihin.
- Tuotetta ei saa käyttää ulkona.

Yleinen turvallisuus

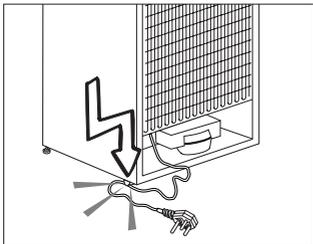
- Kun haluat hävittää/romuttaa laitteen, suosittelemme ottamaan yhteyttä valtuutettuun huoltoon vaadittavien tietojen ja valtuutettujen tahojen selville saamiseksi.
- Ota yhteys valtuutettuun huoltoon kaikissa jääkaappi/pakastinin liittyvissä kysymyksissä ja ongelmissa. Älä puutu tai anna kenenkään muun puuttua jääkaapin huoltoon ilmoittamatta valtuutettuun huoltoon.

- Tuotteet joissa on pakastusosasto: Älä laita jäätelöä tai jääkuutioita suuhusi heti otettuasi ne pakastinosastosta! (Se voi aiheuttaa suuhun paleltuman.)
- Tuotteet joissa on pakastusosasto: Älä laita pullotettuja tai tölkitettyjä nesteitä pakastinosastoon. Ne voivat pakastettaessa särkyä.
- Älä kosketa käsin pakastettua ruokaa, se voi tarttua käteesi.
- Irrota jääkaappi/pakastin verkkovirrasta ennen puhdistamista tai sulattamista.
- Höyryä ja höyrystyviä puhdistusaineita ei saa koskaan käyttää jääkaapin puhdistuksessa ja sulatuksessa. Höyry voi tässä tapauksessa päästä kosketuksiin sähköosien kanssa ja aiheuttaa oikosulun tai sähköiskun.
- Älä koskaan käytä jääkaapin osia, kuten ovea, tukena tai askelmana.
- Älä käytä sähkölaitteita jääkaapin sisällä.
- Älä vahingoita poraamalla tai leikkaamalla osia, joissa jäähdytysaine kiertää. Jäähdytysainetta voi suihkuta ulos, kun haihduttimen kaasukanava, johdon jatke tai pinnoite puhkaistaan, ja se voi aiheuttaa ihon ärsytystä ja silmävahinkoja.

- Älä peitä tai tuki millään materiaalilla jääkaapin tuuletusaukkoja.
- Vain valtuutetut henkilöt saavat korjata sähkölaitteita. Epäpätevän henkilön tekemät korjaukset voivat aiheuttaa vaaran käyttäjälle.
- Vian ilmetessä tai jääkaappi/pakastina huollettaessa tai korjattaessa sammuta virta joko kääntämällä sulake pois päältä tai irrottamalla virtajohto.
- Älä vedä johdosta irrottaessasi pistokkeen.
- Varmista, että runsaasti alkoholia sisältävät juomat ovat kunnolla suljetuissa astioissa ja asetettuna pystyasentoon.
- Älä säilytä jääkaapissa suihkepulloja, jotka sisältävät syttyviä ja räjähtäviä aineita.
- Älä käytä sulatusprosessin nopeuttamiseen mekaanisia tai muita keinoja, joita valmistaja ei suosittele.
- Tätä laitetta ei ole tarkoitettu sellaisten henkilöiden (lapset mukaan lukien) käytettäväksi, joilla on heikentyneet fyysiset, aistimelliset tai henkiset kyvyt tai joilta puuttuu kokemusta ja tietoa, jollei heidän turvallisuudestaan vastaava henkilö valvo heitä ja opasta heitä laitteen käytössä.
- Älä käytä rikkoutunutta jääkaappi/pakastina. Jos epäilet vikaa, ota yhteys huoltoedustajaan.
- Jääkaapin sähköturvallisuus taataan vain, jos kodin maadoitusjärjestelmä on standardien mukainen.
- Laitteen altistaminen sateelle, lumelle, auringolle ja tuulelle on vaarallista sähköturvallisuuden kannalta.
- Ota yhteys valtuutettuun huoltoon, jos sähköjohto on vahingoittunut, jotta vältetään vaarat.
- Älä koskaan liitä jääkaappi/pakastina pistorasiaan asennuksen aikana. Se voi aiheuttaa vaaran, joka voi johtaa kuolemaan tai vakavaan vammaan.
- Tämä jääkaappi/pakastin on tarkoitettu pelkästään elintarvikkeiden säilytykseen. Sitä ei saa käyttää mihinkään muihin tarkoituksiin.
- Tekniset tiedot sisältävä tyyppikilpi sijaitsee jääkaapin sisällä vasemmalla seinällä.
- Älä liitä jääkaappi/pakastina sähkönsäästöjärjestelmiin. Ne voivat vahingoittaa jääkaappi/pakastina.
- Jos jääkaapissa palaa sininen valo, älä katso siihen pitkään paljain silmin tai optisilla laitteilla.
- Odota käsinohjattavalla jääkaapilla vähintään 5 minuuttia ennen jääkaapin käynnistämistä virtakatkon jälkeen.
- Tämä käyttöopas tulee luovuttaa uudelle omistajalle tuotteen mukana, jos tuote

vaihtaa omistajaa.

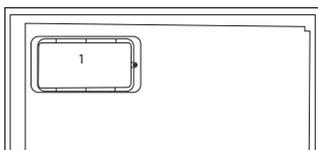
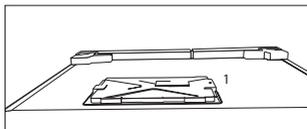
- Vältä vahingoittamasta virtajohtoa, kun siirrät jääkaappi/pakastina. Johdon taivuttaminen saattaa aiheuttaa tulipalon. Älä sijoita painavia esineitä sähköjohdon päälle. Älä kosketa pistoketta märin käsin, kun liität tuotteen.



- Älä kytke jääkaappi/pakastina pistorasiaan, jos sähköliitäntä on löysä.
- Vettä ei saa turvallisuuden vuoksi koskaan suihkuttaa suoraan tuotteen sisä- tai ulkosiin.
- Älä suihkuta lähellä jääkaappi/pakastina syttyviä aineita, kuten propaanikaasua, sillä se aiheuttaa tulipalo- ja räjähdysvaaran.
- Älä aseta vettä sisältäviä astioita jääkaapin päälle, sillä sellainen voi aiheuttaa sähköiskun tai tulipalon.
- Älä täytä jääkaappi/pakastina liian suurella elintarvikemäärällä. Jos jääkaappi/pakastin on ylikuormitettu, se saattaa kaatua ja vahingoittaa sinua, ja rikkoa jääkaapin ovea avattaessa. Älä aseta esineitä jääkaapin päälle, sillä ne

saattavat pudota jääkaapin ovea avatessa tai sulkiessa.

- Sellaisia tuotteita, jotka vaativat tarkan lämpötilan säädön (esim. rokotteet, lämpöherkät lääkkeet, tieteellinen materiaali jne.), ei tule säilyttää jääkaapissa.
- Jos jääkaappi/pakastina ei käytetä pidempään aikaan, se on irrotettava verkkovirrasta. Mahdollinen ongelma sähköjohdossa saattaa aiheuttaa tulipalon.
- Jääkaappi/pakastin saattaa siirtyä, jos säädettäviä jalkoja ei ole kiinnitetty oikein lattiaan. Säädettävien jalkojen kiinnittäminen lattiaan oikein voi estää jääkaappi/pakastina siirtymästä.
- Kun kannat jääkaappi/pakastina, älä pidä kiinni sen ovenkahvasta. Se saattaa silloin särkyä.
- Älä koskaan käytä tuotetta jos osa tuotteen edessä tai takana, missä elektroninen piirilevy sijaitsee on auki (elektronisen piirilevyn suojus) (1).



Laitteet, joissa on vesiautomaatti

- Jotta jääkaapin vesijohtopiiri toimii ongelmitta, veden syöttöpaineen tulee olla välillä [1]1-8 baria[2]. Jos veden syöttöpaine on yli [1]5 baria[2], paineensäädintä on käytettävä. Jos veden syöttöpaine on yli [1]8 baria[2], jääkaapin vesijohtopiiriä ei saa kytkeä veden syöttöön. Jos et tiedä miten veden syöttöpaine mitataan, pyydä ammattilaista tarkistamaan se.
- Käytä vain juomavettä.

Lasten turvallisuus

- Jos ovesa on lukko, avain tulee pitää lasten ulottumattomissa.
- Lapsia tulee valvoa, jotta he eivät pääse leikkimään laitteella.

Sähkö- ja elektroniikkaromua koskevan direktiivin (WEEE) vaatimustenmukaisuus ja tuotteen hävittäminen:



Tämä tuote noudattaa Euroopan unionin sähkö- ja elektroniikkaromua koskevaa direktiiviä 2012/19/EY (WEEE-direktiivi). Tässä

tuotteessa on sähkö- ja elektroniikkalaitteiden (WEEE) kierrätysymboli.

Tämä laite on valmistettu korkealuokkaisista osista ja

materiaaleista, jotka voidaan käyttää uudelleen ja jotka soveltuvat kierrätettäviksi. Älä hävitä tätä tuotetta normaalin kotitalousjätteen mukana sen käyttöiän päätyttyä. Vie se sähkö- ja elektroniikkaromun kierrätyspisteeseen. Kysy paikallisilta viranomaisilta lähimmän kierrätyspisteen sijaintipaikka.

RoHS-direktiivin vaatimustenmukaisuus:

Valitsemasi tuote noudattaa Euroopan unionin tiettyjen vaarallisten aineiden käytön rajoittamisesta sähkö- ja elektroniikkalaitteissa koskevaa direktiiviä 2011/65/EY (RoHS-direktiivi). Laite ei sisällä direktiivissä määritettyjä haitallisia ja kiellettyjä materiaaleja.

Pakkaustiedot

Tuotteen pakkausmateriaalit on valmistettu kierrätettävistä materiaaleista kansallisten ympäristösäädösten mukaisesti. Älä hävitä pakkausmateriaalia kotitalousjätteen tai muun jätteen mukana. Vie materiaalit pakkausmateriaalien keräyspisteisiin, joiden sijainnit saat tietoon paikallisilta viranomaisilta.

HC-varoitus

Jos laite on varustettu jäähdytysjärjestelmällä, joka sisältää R600a- kylmäainetta:

Tämä kaasu on syttyvää. Varo siksi vahingoittamasta jäähdytysjärjestelmää ja putkistoa käytön ja kuljetuksen aikana. Pidä laite erossa mahdollisista tulenlähteistä, jotka saattavat sytyttää sen tuleen. Tuuleta huone, johon laite on sijoitettu.

Ohita tämä varoitus, jos laitteen kylmäjärjestelmä sisältää R134a-kylmäainetta.

Laitteessa käytetyn kaasun tyyppi on ilmoitettu jääkaapin sisäpuolella vasemmalla seinällä olevassa tyyppikilvessä.

Älä hävitä laitetta polttamalla.

Energian säästötoimet

- Älä jätä jääkaapin ovea auki pitkäksi aikaa.
- Älä laita lämpimiä ruokia tai juomia jääkaappi/pakastin.
- Älä ylikuormita jääkaappi/pakastina niin, että ilman kierto kaapin sisällä estyy.
- Älä asenna jääkaappi/pakastina suoraan auringonpaisteeseen tai lähelle lämmönlähteitä, kuten uunit, astianpesukoneet tai lämpöpatterit.
- Pidä huoli, että säilytät elintarvikkeita suljetuissa astioissa.
- Tuotteet joissa on pakastusosasto: voit säilyttää pakastimessa mahdollisimman paljon elintarvikkeita, kun irrotat pakastimen hyllyn tai lokeron. Jääkaapissa ilmoitetut energiankulutusarvot on määritetty maksimitäytöllä irrottamalla jääkaapin hylly

tai lokero. Vaaraa ei ole käytettäessä hyllyä tai vetolaatikkoa pakastettavien elintarvikkeiden mukaan.

- Pakastetun ruoan sulattaminen jääkaappi/pakastinosastossa säästää sekä energiaa että säilyttää ruoan laadun.

3 Asennus

⚠️ Valmistaja ei ole vastuussa, jos käyttöoppaassa annettuja ohjeita ei noudateta.

Jääkaapin kuljetuksessa huomioitavat asiat

1. Jääkaappi/pakastin on aina tyhjennettävä ja puhdistettava ennen kuljetusta.
2. Jääkaapin hyllyt, lisävarusteet, vihanneslokerot jne., on kiinnitettävä paikoilleen kunnolla teipillä niiden suojaamiseksi tärinältä ennen uudelleenpakkausta.
3. Pakkaus on sidottava vahoilla teipeillä ja naruilla ja pakkaukseen painettuja kuljetusohjeita on noudatettava.

Älä unohda...

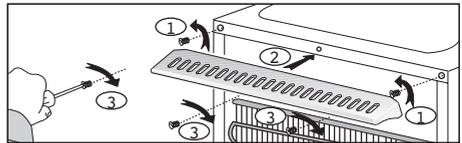
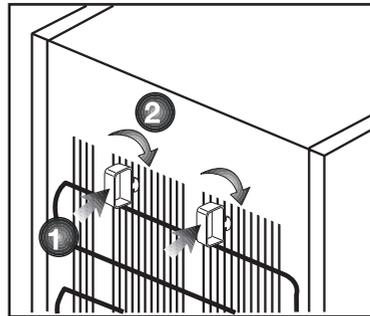
Kaikki kierrätetyt materiaalit ovat korvaamaton lähde luonnolle ja kansallisille resursseille.

Jos haluat osallistua pakkausmateriaalien kierrätykseen, saat lisätietoja ympäristöosastoilta tai paikallisilta viranomaisilta.

Ennen käyttöönottoa

Tarkista seuraavat seikat ennen kuin alat käyttää jääkaappi/pakastina:

1. Ovatko jääkaapin sisäpinnat kuivia ja kiertääkö ilma vapaasti jääkaapin takana?
2. Asenna 2 muovikiilaa kuten kuvassa on esitetty. Muovikiilat varmistavat vaadittavan etäisyyden jääkaapin ja seinän välillä ilman kierron takaamiseksi. (Kuva on vain esimerkki eikä vastaa tuotetta täsmällisesti.)



3. Puhdista jääkaapin sisäpinnat, kuten on suositeltu osassa "Ylläpito ja puhdistus".
4. Liitä jääkaapin virtajohto pistorasiaan. Kun jääkaapin ovi avataan, jääkaapin sisätilan valo syttyy.
5. Kuulet ääntä, kun kompressori käynnistyy. Jäähdytysjärjestelmään suljetut nesteet ja kaasut voivat myös aiheuttaa jonkin verran ääntä silloinkin, kun kompressori ei ole käynnissä. Se on aivan normaalia.
6. Jääkaapin etureunat voivat tuntua lämpimiltä. Tämä on normaalia. Näiden alueiden on suunniteltu olevan lämpimiä kondensaation estämiseksi.

Sähköliitännät

Liitä jääkaappi/pakastin maadoitettuun pistorasiaan, joka on suojattu riittävän tehokkaalla sulakkeella.

Tärkeää:

- Liitännän on oltava kansallisten säädösten mukainen.
- Virtakaapelin pistokkeen on oltava helposti saatavilla asennuksen jälkeen.
- Määritetyn jännitteen on oltava sama kuin sähköverkolla.
- Liitäntään ei saa käyttää jatkokaapeleita tai haaroitusrasioita.

⚠ Vahingoittunut virtakaapeli on jätettävä pätevän sähkötekniikon vaihdettavaksi.

⚠ Tuotetta ei saa käyttää ennen kuin se on korjattu! Muuten se voi aiheuttaa sähköiskun!

Pakkauksen hävittäminen

Pakkausmateriaali voi olla lapsille vaarallista. Pidä pakkausmateriaali lasten ulottumattomissa tai hävitä se lajittelemalla jätteidenhävitysohjeiden mukaisesti. Älä hävitä pakkausmateriaalia kotitalousjätteen mukana.

Jääkaapin pakkaus on valmistettu kierrätettävistä materiaaleista.

Vanhan jääkaapin hävittäminen

Hävitä vanha jääkaappi/pakastin aiheuttamatta vahinkoa ympäristölle.

- Voit ottaa yhteyden valtuutettuun jälleenmyyjään tai kunnalliseen jätehuoltokeskukseen saadaksesi ohjeet jääkaapin hävittämisestä.

Ennen kuin hävität jääkaapin, leikkaa virtapistoke irti, ja jos ovesta on lukitus, tee siitä toimintakyvytön, jottei siitä koidu vaaraa lapsille.

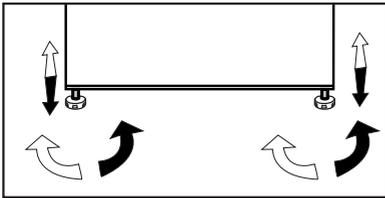
Sijoittaminen ja asennus

⚠ Jos oviaukko jääkaapin asennushuoneeseen ei ole tarpeeksi leveä, soita valtuutettuun huoltoon ja pyydä heitä irrottamaan jääkaapin ovet, jolloin se saattaa mahtua ovesta sivuttain.

1. Asenna jääkaappi/pakastin paikkaan, jossa sitä on helppo käyttää.
2. Pidä jääkaappi/pakastin etäällä lämmönlähteistä, kosteista paikoista ja suoralta auringonpaisteelta.
3. Jääkaapin ympärillä on oltavaa tilaa kunnolliselle tuuletukselle, jotta se toimisi tehokkaasti. Jos jääkaappi/pakastin asetetaan seinän syvennykseen, väliä kattoon ja seiniin on jätettävä vähintään 5 cm. Jos lattia on päällystetty matolla, jääkaapin on oltava koholla lattiasta vähintään 2,5 cm.
4. Aseta jääkaappi/pakastin tasaisella lattiapinnalle tärinän ehkäisemiseksi.

Jalkojen säätäminen

Jos jääkaappi on epätasapainossa Voit tasapainoittaa jääkaapin kiertämällä etujalkoja, kuten kuvassa. Kulma, jossa jalka sijaitsee, laskeutuu, kun jalkaa kierretään mustan nuolen suuntaisesti ja nousee, kun sitä kierretään vastakkaiseen suuntaan. Toimenpidettä helpottaa, jos joku toinen auttaa nostamalla hieman jääkaappia.



Lampun vaihtaminen

Ota yhteyttä valtuuttuun huoltoon, kun jääkaapin lamppu on vaihdettava.

Tämän kodinkoneen valaisin/valaisimet eivät sovellu huoneen valaisemiseen. Valaisimen tarkoitus on auttaa käyttäjää sijoittamaan elintarvikkeet jääkaappiin/pakastimeen on turvallisella ja mukavalla tavalla.

Tässä laitteessa käytettävien lampujen tulee kestää äärimmäisiä olosuhteita kuten alle 20 °C lämpötiloja.

Asennus (työtason alapuolelle)

- Työtason sisäpuolen korkeuden tulee olla 820 mm.
- (!) Liesiä tai muita lämmön lähteitä ei saa sijoittaa työtasolle, jonka alle laite asennetaan.
- Verkkopistorasian tulee olla lähellä laitteen oikealla tai vasemmalla puolella.
- Irrota laitteen yläsuojus. Näet 4 ruuvia (2 takana ja 2 alla etureunassa), jotka on poistettava.

Kuva 1

- Leikkaa kuvassa esitetty osa ja irrota se pihdeillä.
- Sijoita laite työtason alapuolelle ja säädä etujalkoja kunnes laitteen yläosa koskettaa työtasoa.
- Jotta voit käyttää laitetta työtason alapuolella, etäisyyden seinästä ja ylämuoviliitännän merkissä olevan etäisyyden tulee olla vähintään 595 mm.

Kuva 2-3

- Kiinnitä laite työtason alapuolelle yläkannesta irrotetuilla 2 ruuvilla. (Työtason materiaalin tulee olla muovia tai puuta!)

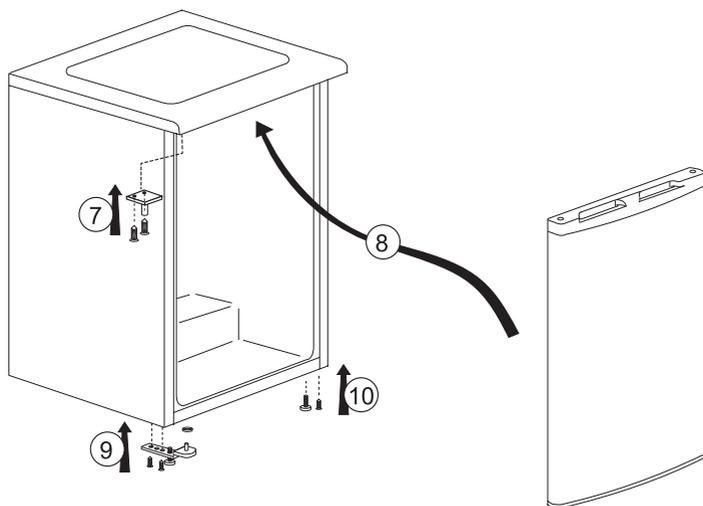
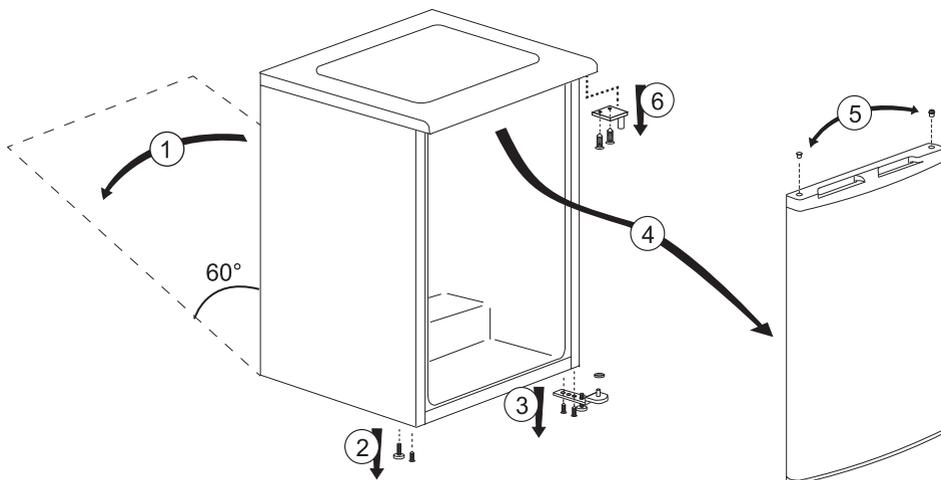
Kuva 4

4 Valmistelu

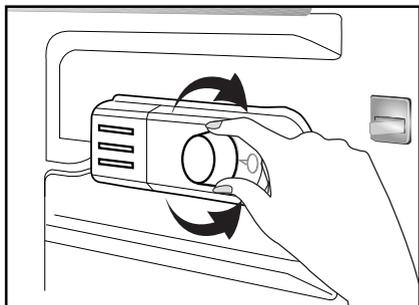
- Vapaasti seisoville laitteille; 'tätä jäähdytyslaitetta ei ole tarkoitettu käytettäväksi sisäänrakennettuna laitteena' ;
- Jääkaappi/pakastin on asennettava vähintään 30 cm:n etäisyydelle lämmönlähteistä, kuten keittotaso, liesi, keskuslämmitin ja uuni sekä vähintään 5 cm:n etäisyydelle sähköliedestä, eikä sitä saa sijoittaa suoraan auringonpaisteeseen.
- Jääkaapin sijoitushuoneen lämpötilan on oltava vähintään 10 °C. Jääkaapin käyttöä kylmemmissä olosuhteissa ei suositella, sillä sen tehokkuus kärsii.
- Varmista, että jääkaapin sisäpinta on puhdistettu huolellisesti.
- Jos kaksi jääkaappi/pakastina asennetaan rinnakkain, niiden väliin on jätettävä tilaa vähintään 2 cm.
- Kun käytät jääkaappi/pakastina ensimmäistä kertaa, huomioi seuraavat ohjeet ensimmäisten kuuden tunnin aikana.
- Ovea ei saa avata jatkuvasti.
- Jääkaappi/pakastina on käytettävä tyhjänä ilman elintarvikkeita.
- Älä irrota jääkaappi/pakastina verkkovirrasta. Jos ilmenee itsestäsi riippumaton virtakatkos, katso varoitukset osassa "Suositellut ongelmanratkaisut".
- Alkuperäiset pakkaus- ja vaahtomuovimateriaalit kannattaa säilyttää tulevaa kuljetusta tai siirtoa varten.
- Laitteen oven avaamisen/sulkemisen käynnissä oloaikana aiheuttaman lämpötilan muutoksen vuoksi, veden tiivistyminen oven/rungon hyllyihin ja lasiastioihin on normaalia.

Ovien uudelleen sijoitus

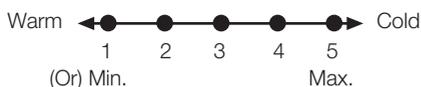
Etene numerjärjestyksessä.



5 Jääkaappi/pakastin käyttö



Käyttölämpötilaa säädetään lämpötilasäätimellä.



1 = Pienin jäähdytysasetus (Lämpimin asetus)

5 = Suurin jäähdytysasetus (Kylmin asetus)

(tai)

Min. = Pienin jäähdytysasetus (Lämpimin asetus)

Max. = Suurin jäähdytysasetus (Kylmin asetus)

Jääkaapin keskilämpötilan tulee olla noin +5° C.

Aseta asetus halutun lämpötilan mukaan.

Voit pysäyttää laitteen toiminnan kiertämällä termostaattivalitsimen asentoon "0".

Huomaa, että jäähdytysalueella on eri lämpötiloja.

Kylmin alue on välittömästi vihanneslokero yläpuolella.

Sisälämpötila riippuu myös ympäröivästä lämpötilasta, oven avaamistiheydestä ja laitteessa olevien ruokien määrästä.

Oven jatkuva avaaminen aiheuttaa sisälämpötilan nousun.

Tästä syystä suositellaan, että ovi suljetaan välittömästi käytön jälkeen.

Pakastaminen

Ruoan pakastaminen

Pakastuslokeron merkitys on merkitty tällä  symbolilla.

Voit käyttää laitetta tuoreen ruoan pakastamiseen sekä pakasteruokien säilytykseen.

Tarkista ruokien päällysteen suositukset.

• Huomio

Älä pakasta hiilihappojuomia, sillä jäätyvä neste saattaa rikkoa pullon.

Ole varovainen pakastetuotteiden, kuten värillisten jääkuutioiden, käsittelyssä.

Älä ylitä laitteen pakastuskykyä 24 tuntiin. Katso luokituskilpi.

Ruuan laadun säilyttämiseksi on pakastuksen tapahduttava mahdollisimman nopeasti.

Silloin ei pakastuskapasiteettia ylitetä eikä pakastimen sisälämpötila nouse.

• Huomio

Säilytä jo pakastetut ruuat eri osastossa kuin juuri pakastimeen laitettu tuoreruoka.

Kun pakastat kuumia ruokia, jäähdytyskompressori toimii, kunnes ruoka on täysin pakastunut. Tämä voi tilapäisesti johtaa jääkaappi/pakastinosan liialliseen kylmenemiseen.

Jos pakastimen oven avaaminen heti sulkemisen jälkeen on hankalaa, älä huolestu. Tämä johtuu paine-eroista, jotka tasoittuvat, jolloin oven voi avata normaalisti muutaman minuutin kuluttua.

Kuulet tyhjiöäänäni heti oven sulkemisen jälkeen. Tämä on aivan normaalia.

Jääpalojen teko

Täytä jääpalarasia $\frac{3}{4}$ täyteen vettä ja laita se pakastimeen.

Heti kun vesi on jäänyt, voit ottaa jääpalat esiin.

Älä käytä teräviä esineitä, kuten veitsiä tai haarukoita, jääpalojen irrottamiseen. Ne aiheuttavat loukkaantumisvaaran!

Anna jääpalojen sen sijaan hieman sulaa tai aseta astian pohja hetkeksi kuumaan veteen.

Pakastetun ruuan säilyttäminen

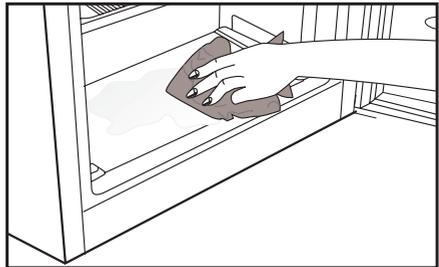
Pakastelokero on merkitty tällä  symbolilla.

Pakastelokero soveltuu pakastettujen ruokien säilytykseen. Pakkauksen päällysteen säilytys-suositusta tulee aina noudattaa.

Laitteen sulattaminen

Liiallinen jään kertyminen vaikuttaa laitteen pakastuskykyyn.

Siksi laitteen sulatusta suositellaan vähintään kaksi kertaa vuodessa tai aina kun jääkertymää on yli 7 mm. Sulata laite silloin, kun siinä on vain vähän ruokia tai ei lainkaan.



Ota pakasteruuat esiin. Kääri ne useaan kerrokseen paperia tai huopaan, ja laita ne viileään paikkaan. Irrota laite verkosta tai sammuta virtakatkaisija, ja aloita sulatusprosessi. Ota lisävarusteet (kuten hyllyt, laatikot

jne.) laitteesta, ja käytä sopivaa astiaa sulatusveden keräämiseen.

Pyyhi sulatusvesi tarvittaessa sienellä tai pehmeällä liinalla pakastelokerosta.

☼☼☼ ja pakasteosastosta. ☼☼

Jätä ovi auki sulatuksen ajaksi. Aseta laitteeseen lämmintä vettä sisältäviä astioita nopeampaa sulatusta varten.

Älä käytä sähkölaitteita, sulatussuihkeita tai suippokärkisiä tai teräviä esineitä, kuten veitsiä tai haarukoita, jään poistamiseen.

Kun sulatus on suoritettu, puhdista sisäpuoli.

Kytke laite takaisin verkkovirtaan. Aseta pakasteruoka vetolaatikoihin ja työnnä laatikot pakastimeen.

Jäähdytys

Ruokien säilytys

Jääkaappi/pakastinosasto on tarkoitettu tuoreiden ruokien ja juomien lyhytaikaiseen säilytykseen.

Säilytä maitotuotteet niille tarkoitettussa osassa jääkaappi/pakastina.

Pullot voidaan säilyttää pullonpidikkeissä tai oven pullohyllyllä.

Raaka liha säilyy parhaiten muovikätreessä aivan jääkaapin alaosassa.

Anna kuumien ruokien ja juomien jäähtyä huonelämpötilassa, ennen kuin laitat ne jääkaappi/pakastinin.

• Huomio

Säilytä alkoholijuomia ainoastaan pystyasennossa ja tiukasti suljettuna.

• Huomio

Älä koskaan säilytä laitteessa tuotteita, jotka sisältävät syttyviä ponnekaasuja (spraypurkit, kermasprayt jne.).

Ne aiheuttavat räjähdysvaaran.

Laitteen sulattaminen

Jääkaappi/pakastinosasto sulattaa itsensä automaattisesti. Sulatusvesi poistuu poistoputkea pitkin laitteen takana olevaan keräysastiaan.

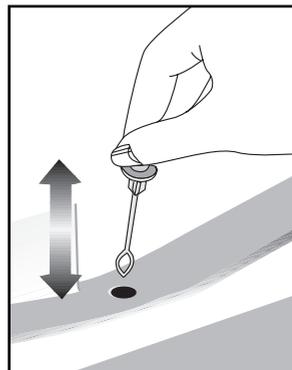
Haihtumisen vuoksi jääkaapin takaosaan voi kertyä vesipisaroita sulatuksen aikana.

Jos kaikki pisarat ole valuneet alas, ne saattavat jäättyä sulatuksen päätyttyä.

Kuivaa ne pehmeällä liinalla joka on kostutettu lämpimällä vedellä. Älä käytä kovia tai teräviä esineitä.

Tarkasta sulatusveden kulku ajoittain.

Se saattaa joskus tukkeutua. Puhdista piipunpuhdistimella tai vastaavalla välineellä.



6 Ylläpito ja puhdistus

- ⚠ Älä koskaan käytä puhdistamiseen bensiiniä, bentseeniä tai vastaavia aineita.
- ⚠ Suosittelemme, että irrotat laitteen verkkovirrasta ennen puhdistusta.
- ❗ Älä koskaan käytä puhdistamiseen teräviä, hankaavia välineitä, saippuaa, puhdistusainetta, pesuainetta ja vahaa.
- ❗ Jos tuote ei ole itsesulattavaa mallia, jääkaappiosaston takaseinään saattaa muodostua vesipisaroita ja enintään sormenleveyden paksuinen jääkerros. Älä puhdista tai koskaan käytä öljyjä tai muita samankaltaisia aineita laitteen takaseinän puhdistamiseen.
- ❗ Käytä ainoastaan hieman kosteaa mikrokuituliinaa laitteen ulkopinnan puhdistamiseen. Sienet ja muuntyyppiset puhdistusliinat voivat naarmuttaa laitteen pintaa.
- ❗ Käytä jääkaappi/pakastin sisätilojen puhdistukseen haaleaa vettä ja pyyhi kuivaksi.
- ❗ Käytä sisätilojen puhdistukseen liinaa, joka on kostutettu 1 tl ruokasoodaa ja 1/2 litraa vettä sisältävässä liuoksessa ja puristettu kuivaksi, kuivaa lopuksi.
- ⚠ Varmista, ettei vettä pääse lamppukoteloon ja muihin sähkökohteisiin.
- ⚠ Mikäli jääkaappia ei käytetä pitkään aikaan, irrota virtakaapeli pistorasiasta, poista kaikki ruuat, puhdista jääkaappi ja jätä ovi raolleen.
- ❗ Tarkista oven eristeet säännöllisesti varmistaaksesi, että ne ovat puhtaita ja vapaita ruuasta.
- ❗ Ovitelineiden irrottamiseksi poista niistä kaikki sisältö ja työnnä sitten ovitelinettä pohjasta ylöspäin.
- ❗ Älä käytä klooria sisältäviä puhdistusaineita tai vettä tuotteen ulkopintojen ja kromattujen osien puhdistamiseen. Kloori syövyttää sellaisia metallipintoja.
- ❗ Älä käytä teräviä tai hankaavia työkaluja tai saippuaa, kodin puhdistusaineita, pesuaineita, bensaa, bentseeniä, vahaa jne. muuten muoviosissa olevat merkinnät lähtevät irti ja osat voivat muuttaa muotoaan. Käytä puhdistamiseen lämmintä vettä sekä pehmeää liinaa ja kuivaa laite sen jälkeen.

Muoviosien suojele

- ❗ Älä laita nestemäistä öljyä tai öljyssä keitettyjä elintarvikkeita jääkaappiin avoimissa astioissa, sillä ne vahingoittavat jääkaappi/pakastin muovipintoja. Jos öljyä vuotaa tai tarttuu muovipinnoille, puhdista ja huuhtele kohta heti lämpimällä vedellä.

7 Suositellut ongelmanratkaisut

Tarkista tämä luettelo, ennen kuin soitat huoltoon. Se voi säästää aikaa ja rahaa. Tämä luettelo sisältää useita valituksia, jotka eivät johdu virheellisestä työstä tai käytetystä materiaalista. Joitain tässä kuvatuista ominaisuuksista ei ehkä ole laitteessasi.

Jääkaappi ei käy

- Onko jääkaapin virtajohto kunnolla kiinni pistorasiassa? Aseta pistoke seinäpistorasiaan.
- Onko jääkaapin pistorasian sulake tai pääsulake palanut? Tarkista sulake.

Kondensaatiota jääkaappiosaston sivuseinässä.

- Hyvin kylmä ympäristö. Oven jatkuva avaaminen ja sulkeminen. Hyvin kostea ympäristö. Nestepitoisten ruokien säilytys avoimessa astiassa. Oven jättäminen raolleen.
- Termostaatin kytkeminen kylmemmälle.
- Oven avoinnaoloajan lyhentäminen tai käyttämällä sitä harvemmin.
- Avoimissa astioissa säilytettyjen ruokien peittäminen sopivalla materiaalilla.
- Pyyhi kondensoitunut vesi kuivalla liinalla ja tarkista tuleeko sitä lisää.

Kompressor ei käy

- Kompressorin lämpövastus työntyy ulos äkillisen virtakatkoksen sattuessa tai kun virta sammuu ja syttyy uudelleen, kun jääkaapin jäähdytysjärjestelmän jäähdytysaineenpaine ei ole vielä tasapainossa. Jääkaappi käynnistyy noin 6 minuutin kuluttua. Soita huoltoon, jos jääkaappi ei käynnisty tässä ajassa.
- Jääkaapin sulatusjakso on käynnissä. Tämä on normaalia täysautomaattisesti itsesulattavassa jääkaapissa. Sulatuskierto tapahtuu tietyn väliajoin.
- Jääkaappia ei ole kytketty pistorasiaan. Varmista, että pistoke on asetettu tiukasti seinäpistorasiaan.
- Onko lämpötila-asetukset tehty oikein?
- Sähkökatkos. Soita sähköntoimittajalle.

Jääkaappi käy alituiseen tai pitkän ajan.

- Uusi jääkaappisi voi olla leveämpi kuin edellinen. Tämä on aivan normaalia. Suuret jääkaapit käyvät kauemmin.
- Huonelämpötila voi olla liian korkea. Tämä on aivan normaalia.
- Jääkaappi on voitu kytkeä päälle äskettäin tai siihen on säilötty äskettäin ruokaa. Jääkaapin jäähtyminen oikeaan lämpötilaan voi kestää muutamia tunteja kauemmin.
- Suuri määrä ruokaa on voitu säilöä jääkaappiin äskettäin. Lämmin ruoka aiheuttaa jääkaapin käymisen pitempään, kunnes se saavuttaa turvallisen säilytyslämpötilan.
- Ovet on voitu avata äskettäin tai jätetty raolleen pitkäksi aikaa. Jääkaappiin päässyt lämmin ilma aiheuttaa jääkaapin käymisen pitemmän aikaa. Avaa ovia harvemmin.
- Pakastin- tai jääkaappiosaston ovi on voitu jättää raolleen. Tarkista onko ovet suljettu tiukasti.

Jääkaappi käy alituiseen tai pitkän ajan.

- Jääkaappi on säädetty hyvin alhaiselle lämpötilalle. Säädä jääkaapin lämpötila lämpimämmäksi ja odota, kunnes haluttu lämpötila on saavutettu.
- Jääkaapin tai pakastimen oven tiiviste voi olla likainen, kulunut, rikkoutunut tai huonosti paikallaan. Puhdista tai vaihda tiiviste. Vahingoittunut, rikkoutunut tiiviste aiheuttaa jääkaapin käymisen pitempiä aikoja nykyisen lämpötilan ylläpitämiseksi.
- Pakastimen lämpötila on hyvin alhainen, kun jääkaapin lämpötila on sopiva.
- Pakastin on säädetty hyvin alhaiselle lämpötilalle. Säädä pakastimen lämpötila lämpimämmäksi ja tarkista.

Jääkaapin lämpötila on hyvin alhainen, kun pakastimen lämpötila on sopiva.

- Jääkaappi on säädetty hyvin alhaiselle lämpötilalle. Säädä jääkaapin lämpötila lämpimämmäksi ja tarkista.

Jääkaappiosaston vetolaatikoissa säilytetty ruoka jäätyy.

- Jääkaappi on säädetty hyvin alhaiselle lämpötilalle. Säädä jääkaapin lämpötila lämpimämmäksi ja tarkista.

Jääkaapin tai pakastimen lämpötila on hyvin korkea.

- Jääkaappi on säädetty hyvin korkealle lämpötilalle. Jääkaapin säädöt vaikuttavat pakastimen lämpötilaan. Muuta jääkaapin tai pakastimen lämpötilaa, kunnes jääkaappi tai pakastin saavuttaa riittävän tason.
- Ovet on voitu avata äskettäin tai jätetty raolleen pitkäksi aikaa. Lämmintä ilmaa tunkeutuu jääkaappiin tai pakastimeen, kun ovet avataan. Avaa ovia harvemmin.
- Ovi on voitu jättää raolleen. Sulje ovi kokonaan.
- Suuri määrä ruokaa on voitu säilöä jääkaappiin äskettäin. Odota, kunnes jääkaappi tai pakastin saavuttaa halutun lämpötilan.
- Jääkaapin virtajohto on voitu liittää pistorasiaan äskettäin. Jääkaapin jäähtyminen kokonaan kestää kauemmin sen koon vuoksi.

Käyntiäni voimistuu, kun jääkaappi käy.

- Jääkaapin käyttöteho saattaa muuttua ympäristön lämpötilan muutosten mukaan.
- Se on normaalia eikä ole vika.

Tärinä tai käyntiääni.

- Lattia ei ole tasainen tai se on heikko. Jääkaappi huojuu, kun sitä siirretään hitaasti. Varmista, että lattia on tasainen, luja, ja että se kestää jääkaapin painon.
- Melu saattaa johtua jääkaappin laitetuista kohteista. Tällaiset kohteet tulisi poistaa jääkaapin yläosasta.

Esiintyy nesteen vuotamisen tai suihtuamisen kaltaisia ääniä.

- Neste- ja kaasuvuotoja ilmenee jääkaapin käyttöperiaatteiden mukaisesti. Se on normaalia eikä ole vika.

Kuuluu tuulen huminan kaltaista ääntä

- Ilma-aktivaattoreita (tuulettimia) käytetään jääkaapin jäähdyttämiseen tehokkaasti. Se on normaalia eikä ole vika.
- Jääkaapissa oleva vesi/kondensaatio/jää.

Kondensaatio jääkaapin sisäseinissä.

- Kuuma ja kostea sää lisää jäätymistä ja kondensaatiota. Se on normaalia eikä ole vika.
- Ovet ovat raollaan. Varmista, että ovet on suljettu kokonaan.
- Ovia on voitu avata jatkuvasti tai ne on voitu jättää auki pitkäksi aikaa. Avaa ovia harvemmin.
- Jääkaapin ulkopinnoilla oleva vesi/kondensaatio/jää.

Kosteutta esiintyy jääkaapin ulkopinnoilla tai ovien välissä.

- Sää voi olla kostea. Tämä on aivan normaalia kostealla säällä. Kun kosteutta on vähemmän, kondensaatio häviää.

Paha haju jääkaapin sisällä.
<ul style="list-style-type: none"> Jääkaapin sisäpuoli on puhdistettava. Puhdista jääkaapin sisäpuoli sienellä, lämpimällä vedellä tai hiilihapollisella vedellä. Jotkut astiat tai pakkausmateriaalit voivat olla hajun aiheuttajia. Käytä erilaista säilytysastiaa tai erimerkkistä pakkausmateriaalia.
Ovi/ovet eivät mene kiinni.
<ul style="list-style-type: none"> Elintarvikepakkaukset voivat estää oven sulkeutumisen. Poista pakkaukset, jotka ovat oven esteenä. Jääkaappi ei todennäköisesti ole aivan pystysuorassa lattialla ja se voi keinua hieman siirrettynä. Säädä nostoruuveja. Lattia ei ole tasainen tai kestävä. Varmista, että lattia on tasainen, ja että se kestää jääkaapin painon.
Lokerot ovat juuttuneet.
<ul style="list-style-type: none"> Elintarvikkeita voi olla kosketuksissa lokeron kattoon. Järjestä ruuat uudelleen vetolaatikossa.
Jos Tuotteen Pinta On Kuuma.
<ul style="list-style-type: none"> Korkeat lämpötilat voidaan havaita kahden oven välillä, sivupaneeleissa ja takaritilässä laitteen ollessa käytössä. Tämä on normaalia eikä vaadi huoltotoimenpiteitä! Ole varovainen joutuessasi kosketuksiin näiden alueiden kanssa.

VASTUUVAPAUCLAUSEKE / VAROITUS

Loppukäyttäjä voi suorittaa joitakin (yksinkertaisia) korjauksia ilman turvallisuusongelmia tai käyttöturvallisuuden heikkenemistä, olettaen, että ne suoritetaan rajoitusten ja seuraavien ohjeiden mukaan (katso osa "Itsekorjaus").

Siksi, jos osassa "Itsekorjaus" ei ole muuta todettu, korjaukset on luovutettava rekisteröidylle ammattimaiselle asentajalle turvallisuusongelmien välttämiseksi. Rekisteröity ammattimainen asentaja on henkilö, jolla on pääsy tämän tuotteen valmistajan ohjeisiin ja varaosaluetteloon, direktiivin 2009/125/EC mukaan kuvattujen menetelmien mukaisesti.

Mutta vain huoltoedustaja (ts. valtuutettu ammattimainen asentaja), johon voit ottaa yhteyden käyttöohjeessa/takuukortissa olevasta puhelinnumerosta tai valtuutetun jälleenmyyjän kautta, joka suorittaa korjaukset takuuehtojen mukaisesti. Huomaa siksi, että ammattimaisen asentajan suorittamat korjaukset (joita Beko ei ole valtuuttanut), mitätöi takuun.

Itsekorjaus

Loppukäyttäjä voi suorittaa itsekorjaukset seuraavien varaosien kohdalla:
ovenkahvat,
oven saranat, hyllyt, korit ja oven tiivisteet (päivitetty luettelo on myös saatavissa osoitteessa support.beko.com 1. maaliskuuta 2021 lähtien

Tämän lisäksi on tuoteturvallisuuden varmistamiseksi ja vakavien henkilövahinkojen välttämiseksi mainitut

itsekorjaukset suoritettava käyttöohjeessa tai osoitteessa support.beko.com olevien itsekorjausta koskevien ohjeiden mukaan. Irrota laite virransyötöstä ennen korjausten aloittamista.

Loppukäyttäjän suorittamat korjaukset tai korjausyritykset osille, joita ei ole mainittu kyseisessä luettelossa ja/tai käyttöohjeessa tai osoitteessa support.beko.com olevien itsekorjausohjeiden laiminlyöminen, voi johtaa turvallisuusongelmiin Beko hallinnan ulkopuolella ja voi mitätöidä tuotteen takuun.

Siksi suosittelemme, että loppukäyttäjät välttävät korjausten suorittamista, joita ei ole mainittu varaosaluettelossa, vaan ottavat yhteyden valtuutettuun tai rekisteröityyn ammattimaiseen asentajaan. Toisaalta nämä loppukäyttäjän suorittamat korjausyritykset voivat johtaa turvallisuusongelmiin ja tuotevaurioihin ja aiheuttaa tulipalon, tulvan, sähköiskun ja vakavaan henkilövahinkoon.

Esimerkkinä, mutta ei rajoittuen näihin, seuraavat korjaukset on luovutettava valtuutetulle tai rekisteröidylle ammattimaiselle asentajalle: kompressorin, jäähdytyspiirin, pääpiirilevyn, invertterilevyn, näyttökortti jne.

Valmistajaa/myyjää ei voida pitää vastuussa, mikäli loppukäyttäjä ei noudata yllä mainittuja ohjeita.

Varaosat ovat saatavissa ostamaasi jääkaapin 10 vuoden ajan.

Tämän aikana, varaosat ovat saatavissa jääkaapin toiminnan varmistamiseksi.

Ostamasi jääkaapin minimitalakuu-aika on 24 kuukautta.

Tämä tuote on varustettu “G”
energialuokan valolähteellä.
Tuotteen valolähteen saa suorittaa vain
ammattitaitoinen asentaja.

Läs den här bruksanvisningen först!

Kära kund!

Vi hoppas att produkten, som har producerats på en modern anläggning och genomgått de allra nogrannaste kvalitetsprocesser, kommer att erbjuda effektiv service.

Vi rekommenderar därför att du läser igenom hela bruksanvisningen noggrant innan du använder den och att du förvarar den nära till hands för framtida referens.

Den här bruksanvisningen

- Hjälper dig använda enheten på ett snabbt och säkert sätt.
- Läs bruksanvisningen innan du installerar och använder produkten.
- Följ instruktionerna, speciellt säkerhetsanvisningarna.
- Förvara bruksanvisningen på en lättåtkomlig plats där du kan hämta den senare.
- Läs även övriga dokument som tillhandahålls tillsammans med produkten.
- Observera att den här bruksanvisningen även kan gälla för andra modeller.

Symboler och beskrivningar för dem

Den här bruksanvisningen innehåller följande symboler:

 Viktig information eller användbara tips.

 Varning för risker för liv och egendom.

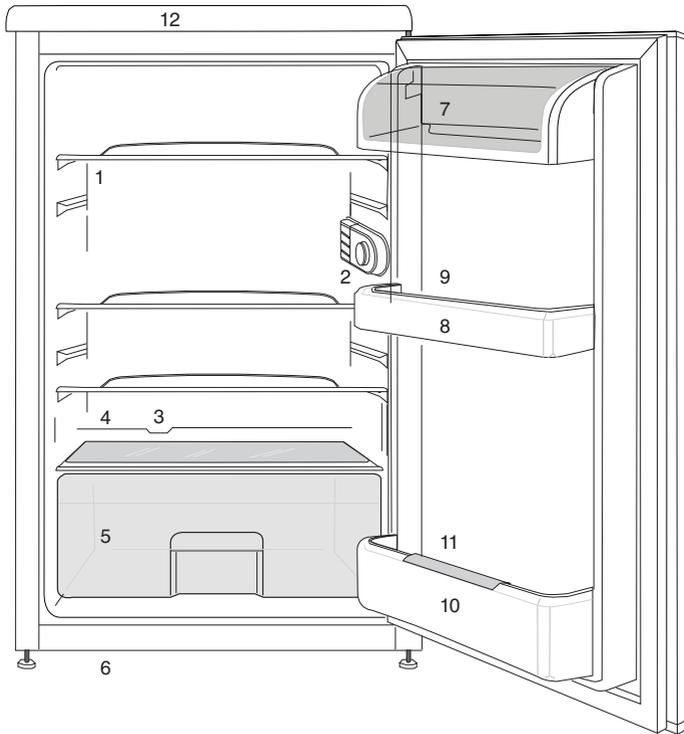
 Varning för elektrisk spänning.

 INFORMATION				
 	Modellinformationen, som är lagrad i produkt databasen, kan nås från webbsidan och genom att söka för modellidentifikationen (*), som finns i energimärkningen. https://eprel.ec.europa.eu/			
<table border="1"><thead><tr><th>SUPPLIER'S NAME</th><th>MODEL IDENTIFIER (*)</th></tr></thead><tbody><tr><td></td><td></td></tr></tbody></table>		SUPPLIER'S NAME	MODEL IDENTIFIER (*)	
SUPPLIER'S NAME	MODEL IDENTIFIER (*)			
				

INNEHÅLL

1 Kylskåpet	3	4 Förberedelse	12
2 Viktiga säkerhetsvarningar	4	Byte av dörrar.....	13
För produkter med vattenbehållare; ...	7	5 Använda kylskåpet	14
Barnsäkerhet.....	7	Frysning.....	14
I enlighet med WEEE-direktivet för		Frysning av mat.....	14
hantering av avfallsprodukter:	7	Göra isbitar.....	15
I enlighet med RoHS-direktivet:	7	Förvaring av fryst mat.....	15
Paketinformation	7	Avfrostning av enheten	15
HC-Varning.....	7	Kylning	16
Saker att göra för att spara energi	8	Matförvaring	16
3 Installation	9	Avfrostning av enheten	16
Saker att tänka på vid transport av		6 Underhåll och rengöring	17
frysskåpet.....	9	7 Rekommenderade lösningar	18
Innan du använder frysskåpet.....	9	på problem	
Elektrisk anslutning	10		
Kassering av förpackningen.....	10		
Kassering av ditt gamla skåp	10		
Placering och installation	10		
Justera skåpets fötter	11		
Byta lampan	11		
Installation (under disk)	11		

1 Kylskåpet



- | | |
|--|--------------------------------|
| 1. Flyttbara hyllor | 7. Utrymme för mejeriprodukter |
| 2. Invändig belysning och termostatknapp | 8. Dörrhyllor |
| 3. Uppsamlingskanal för avfrostningsvatten - dräneringsrör | 9. Äggbehållare |
| 4. Lock till grönsakslåda | 10. Flaskställ |
| 5. Grönsakslåda | 11. Flaskhållare |
| 6. Justerbara frontfötter | 12. Övre list |

i Bilder som förekommer i den här bruksanvisningen är exempel och överensstämmer inte exakt med din produkt. Om det finns delar som inte inkluderas i produkten du har köpt gäller det för andra modeller.

Läs följande information. Om du underlåter att följa den här informationen kan det orsaka person- och materialskador. Annars blir alla garanti- och tillförlitlighetsåtaganden ogiltiga.

Användningstidsåtgången för enheten är 10 år. Det här är den period som reservdelarna krävs för att enheten ska hålla.

Avsedd användning

	<p>VARNING: Håll ventilationsöppningar i apparatens hölje eller i den inbyggda strukturen fritt från hinder.</p>
	<p>VARNING: Använd inte mekaniska anordningar eller andra medel för att påskynda avfrostningsprocessen, annat än de som rekommenderas av tillverkaren.</p>
	<p>VARNING: Skada inte kylmedelskretsen.</p>
	<p>VARNING: Använd inte elektriska apparater inuti matvaru förvaringsutrymme na i apparaten, såvida de inte är av den typ som rekommenderas av tillverkaren.</p>

VARNING!



Förvara inte explosiva ämnen, så som aerosolbehållare med brandfarligt bränsle, i den här enheten.

Denna apparat är avsedd att användas i hushåll och liknande användning såsom

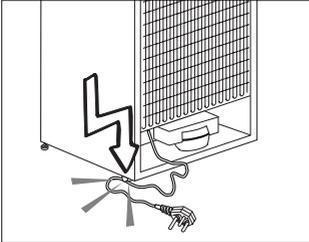
- personalkök i butiker, kontor och andra arbetsmiljöer;
- Bondgårdar och av kunder på hotell, motell och andra bostadsmiljöer;
- Bed and breakfast-miljöer;
- Catering och liknande icke-detaljhandelsanvändning.

Allmän säkerhet

- När du vill avyttra produkten rekommenderar vi att du rådgör med auktoriserad kundtjänst för att få den information som krävs, samt auktoriserade organ.
- Rådfråga auktoriserad service när det gäller alla frågor och problem som är relaterade till kylskåpet. Modifiera inte kylskåpet utan att meddela auktoriserad kundtjänst.
- För produkter med frysfacket; Ät inte glass och iskuber direkt efter att du har tagit ut dem ur frysfacket! (Det kan leda till köldskador i munnen.)
- För produkter med frysfack; Placera inte flaskprodukter och konserverade drycker i frysfacket. De kan explodera.
- Rör inte vid fryst mat med händerna; de kan fastna.
- Koppla ur kylskåpet före rengöring och avfrostning.

- Lättflyktiga material skall aldrig användas vid avfrostning av kylskåpet. Det kan leda till att ångan kommer i kontakt med elektriska delar och orsaka kortslutning eller elektriska stötar.
- Använd aldrig delar på ditt kylskåp såsom en dörr som stöd eller trappsteg.
- Använd inte elektriska enheter inne i kylskåpet.
- Skada inte delarna med borr eller vassa verktyg, när kylskåpet cirkulerar. Kylmedlet som kan läcka ut om rör eller ytor punkteras kan orsaka hudirritation och ögonskador.
- Täck inte över eller blockera ventilationshålen på kylskåpet med något material.
- Elektriska enheter måste repareras av behöriga fackmän. Reparationer som utförs av personer utan rätt kunskap kan orsaka risk för användaren.
- Vid eventuella fel eller felfunktion under service eller reparationsarbete, skall du koppla ur strömkällan till kylskåpet genom att antingen vrida ur motsvarande säkring eller dra ur sladden.
- Drag inte i kabeln – drag i kontakten.
- Se till att drycker med hög alkoholhalt placeras upprätt och förvaras säkert med fastsatta lock.
- Förvara aldrig spraymedel som innehåller antändbara och explosiva ämnen i kylskåpet.
- Använd inte mekaniska enheter eller andra sätt för att snabba på avfrostningsprocessen, förutom det som rekommenderas av tillverkaren.
- Den här produkten är inte avsedd att användas av personer med nedsatt fysisk, psykisk eller mental förmåga eller oerfarna personer (inklusive barn) om de inte övervakas av en person som ansvarar för deras säkerhet eller instruerar dem i användningen av produkter
- Använd inte ett skadat kylskåp. Kontakta serviceombudet om du har några frågor.
- Elsäkerheten för kylskåpet garanteras endast om jordningssystemet i huset uppfyller de krav som gäller.
- Det är farligt att utsätta produkten för regn, snö, sol och vind med tanke på elsäkerheten.
- Kontakta auktoriserad service om strömkabeln skadas för att undvika fara.
- Koppla aldrig in kylskåpet i vägguttaget under installationen. Det ökar risken för allvarig skada eller dödsfall.
- Det här kylskåpet är endast avsett för förvaring av livsmedel. Det får inte användas för något annat ändamål.
- Etiketten med tekniska specifikationer sitter på vänster insida i kylskåpet.
- Koppla aldrig in kylskåpet till energibesparande system; de kan skada kylskåpet.
- Om det finns en blå lampa på kylskåpet får du inte titta rakt in i den eller titta på den genom optiska verktyg under en längre stund.
- För manuellt kontrollerade kylskåp, vänta i minst 5 minuter för att starta kylskåpet efter strömavbrottet.
- Den här bruksanvisningen ska lämnas till den nya ägaren av produkten när den lämnas till andra.

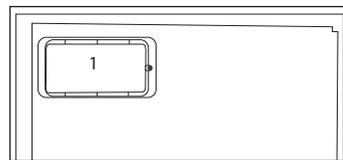
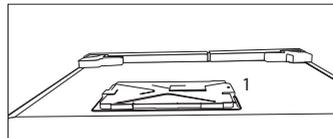
- Undvik att orsaka skada på strömkabeln vid transport av kylskåpet. Om du böjer kabeln kan det orsaka brand. Placera aldrig tunga föremål på strömkabeln. Rör inte vid kontakten med våta händer när du kopplar in produkten.



- Anslut inte kylskåpet till ett eluttag som sitter löst.
- Vatten får av säkerhetsskäl inte sprayas direkt på de inre eller yttre delarna av produkten.
- Spraya inte ämnen som innehåller antändbara gaser, såsom propangas, nära kylskåpet för att undvika brand och explosionsrisk.
- Placera aldrig behållare som är fyllda med vatten på kylskåpet, eftersom det kan orsaka elektrisk kortslutning eller brand.
- Överbelasta inte kylskåpet med för stora mängder mat. Om det överbelastas kan mat falla ned och skada dig och kylskåpet när du öppnar dörren. Placera aldrig föremål på kylskåpet; annars kan de falla ned när du öppnar eller stänger kylskåpsdörren.
- Produkter som behöver en exakt temperaturkontroll (vaccin, värmekänslig medicin, vetenskapliga material etc.) får inte förvaras i kylan.
- Om kylskåpet inte används under en längre tid ska det kopplas från

strömkällan. Ett möjligt problem i strömkabeln kan orsaka brand.

- Kylskåpet kan flytta på sig om de justerbara benen inte sitter fast ordentligt i golvet. Om du förankrar de justerbara benen ordentligt i golvet kan det förhindra att kylskåpet flyttar på sig.
- När du bär på kylskåpet ska du inte hålla i dörrhandtaget. Annars kan det släppa.
- Om du har placerat produkten intill ett annat kylskåp eller en frys ska avståndet mellan enheterna vara minst 8 cm. Annars kan de angränsande väggarna blir fuktiga.
- Använd aldrig produkten om delen som är överst eller bak på produkten har det elektroniskt skrivna kretskortet öppet (skyddet för kretskortet) (1).



För produkter med vattenbehållare;

- Trycket titt ingående vatten ska vara minst 90 psi (6.2 bar). Om vattentrycket överstiger 80 psi (5.5 bar), använd en tryckbegränsande ventil i ditt huvudsystem. Om du inte vet hur du kontrollerar trycket ska du fråga en yrkesrörmokare.
- Om det finns en risk för att vattenhammaren påverkas i din installation, använd alltid en vattenhammarförhindrande utrustning i din installation. Konsultera en yrkesrörmokare om du inte är säker på om vattnet påverkar din installation.
- Installera inte på varmvattenintaget. Vidtag åtgärder mot frysrisiker i slangarna. Vattentemperaturens driftsintervall ska vara minst 33°F (0,6°C) och mest 100°F (38°C).
- Använd bara drickbart vatten.

Barnsäkerhet

- Om dörren har ett lås ska nyckeln hållas borta från barn.
- Barn ska övervakas för att hindra att de pillar på produkten.

I enlighet med WEEE-direktivet för hantering av avfallsprodukter:



Den här produkten gäller under EU WEEE-direktivet (2012/19/EU). Den här produkten är försedd med en klassificeringssymbol för avfallshantering av elektriskt och elektroniskt material (WEEE).

Denna produkt är tillverkad med delar av hög kvalitet samt

material som kan återanvändas och återvinnas. Produkten får inte slängas i hushållsoporna eller i annat avfall vid livsslut. Ta den till en återvinningsstation för elektrisk och elektronisk utrustning. Kontakta din kommun för mer information om närmaste återvinningsstation.

I enlighet med RoHS-direktivet:

Produkten du har köpt gäller under EU RoHS-direktivet (2011/65/EU). Den innehåller inga av de farliga eller förbjudna material som anges i direktiven.

Paketinformation

Produktens förpackningsmaterial tillverkas av återvinningsbara material i enlighet med våra nationella miljöregler. Kassera inte förpackningsmaterial tillsammans med hushållsavfall eller annat avfall. Ta med dem till ett samlingsställe för förpackningsmaterial som anges av de lokala myndigheterna.

HC-Varning

Om produktens kylsystem innehåller R600a:

Den här gasen är lättantändlig. Var därför noggrann så att du inte skadar kylsystemet och rören under användning och transport. Om det skulle uppstå någon skada skall produkten hållas borta från potentiella eldkällor som kan göra att produkten fattar eld och du ska ventileras rummet där enheten är placerad.

Du kan bortse från den här varningen om produktens kylsystem innehåller R134a.

Typen av gas som används i produkten anges på märkplåten som sitter på kylskåpets vänstra insida.

Kasta aldrig produkten i eld när den ska kasseras.

Saker att göra för att spara energi

- Låt inte dörrarna till kylskåpet stå öppna under en längre tid.
- Placera inte varm mat eller varma drycker i kylskåpet.
- Överbelasta inte kylskåpet så att luften inuti det påverkas.
- Installera inte kylskåpet i direkt solljus eller nära värmeavsöndrande enheter såsom ugn, diskmaskin eller element.
- Observera att mat ska förvaras i tillslutna behållare.
- För produkter med frysack; Du kan lagra maximal mängd mat i frysen när du tar bort hyllan eller lådan till frysen. Energiförbrukningen som anges på kylskåpet har fastställts genom att ta bort fryshyllan eller lådan och ha maximal belastning. Det finns ingen risk i att använda en hylla eller låda enligt formerna och storlekarna på maten som ska frysas.
- Upptining av fryst mat i kylfacket sparar både energi och håller matens kvalitet.

3 Installation

⚠ Kom ihåg att tillverkaren inte skall hållas ansvarig om användaren underlåter att observera något i den här bruksanvisningen.

Saker att tänka på vid transport av frysskåpet

1. Frysskåpet måste vara tomt och rent före transport.
2. Hyllor, tillbehör, etc. i frysskåpet måste spännas fast ordentligt med tejp före ompaketering.
3. Förpackningen måste fästas ihop med tjock tejp och starka rep och de transportregler som anges på förpackningen måste följas.
4. Om skåpet legat ned under transport skall det stå upprätt i minst två timmar innan strömmen slås på.

Glöm inte...

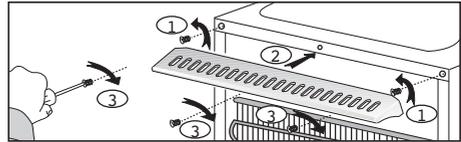
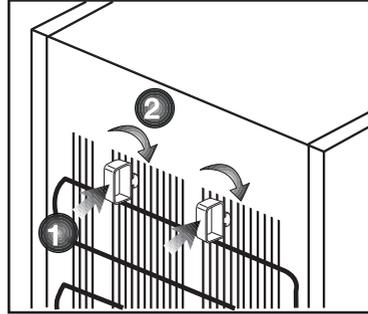
Varje återvunnet material är en ovärderlig källa för naturen och för våra nationella resurser.

Om du vill bidra till återvinningen av förpackningsmaterial kan du hämta ytterligare information från våra miljöorgan eller lokala myndigheter.

Innan du använder frysskåpet

Kontrollera följande innan du startar frysskåpet:

1. Är frysskåpet insida torr och kan luften cirkulera fritt bakom det?
2. Du kan installera de två plastklämmorna så som visas på bilden. Plastklämmorna ger rätt avstånd mellan frysskåpet



och väggen för att tillåta luften att cirkulera. (Bilden som visas är bara ett exempel och överensstämmer inte exakt med din produkt.)

3. Rengör frysskåpet insida enligt rekommendationerna i avsnittet "Underhåll och rengöring".
4. Koppla in frysskåpet i vägguttaget. När kylskåpsdörren öppnas kommer den invändiga belysningen att tändas.
5. Du kommer att höra ett bullrande ljud när kompressorn startar. Vätska och gas inne i produkten kan också ge upphov till ljud, även om kompressorn inte körs och detta är helt normalt.
6. De främre kanterna på frysskåpet kan kännas varma. Detta är normalt. De här områdena är utformade för att bli varma och därmed undvika kondens

Elektrisk anslutning

Anslut produkten till ett jordat uttag som skyddas av en säkring med lämplig kapacitet.

Viktigt:

- Anslutningen måste ske i enlighet med nationell lagstiftning.
- Strömkabelns kontakt måste vara lätt att komma åt efter installationen.
- Den angivna spänningen måste överensstämma med strömkällans spänning.
- Förlängningskablar och grenkontakter får inte användas för anslutningen.

⚠ En skadad strömkabel måste bytas av en behörig elektriker.

⚠ Produkten får inte användas innan den reparerats! Det finns risk för kortslutning!

Kassering av förpackningen

Förpackningsmaterial kan vara farligt för barn. Förvara förpackningsmaterialen utom räckhåll för barn eller kassera dem i enlighet med gällande avfallsregler. Kassera dem inte med hushållsavfallet.

Förpackningsmaterialet för ditt frysskåp produceras av återvinningsbara material.

Kassering av ditt gamla skåp

Kassera ditt gamla frysskåp utan att skada miljön.

- Du kan kontakta en auktoriserad återförsäljare eller ett återvinningscenter angående avyttring av ditt frysskåp.

Innan du kasserar frysskåp, dra ur strömkontakten och, om det finns några lås på dörren, göra dem obrukbara för att förhindra att barn skadar sig.

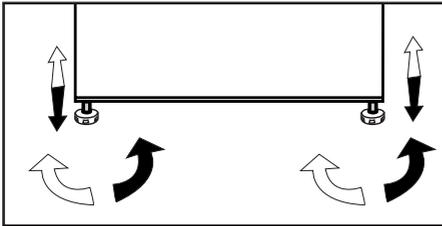
Placering och installation

1. Installera frysskåpet på en plats där det är lättåtkomligt.
2. Håll frysskåpet borta från värmekällor, fuktiga platser och direkt solljus.
3. Det måste finnas tillräcklig ventilation runt frysskåpet för att uppnå effektiv användning. Om frysskåpet placeras i en hålighet i väggen måste det vara ett avstånd på minst 5 cm till taket och 5 cm till väggen.
4. Placera frysskåpet på en jämn och plan golvyta för att förhindra lutningar.
5. Frysbox kan placeras i kalla rum, helt ner till -15 °C. Det ger dig möjlighet att placera frysen i t.ex. sommarstugan, garaget eller redskapsrummet.

Justera skåpets fötter

Om kylskåpet står på ett ojämnt underlag;

Du kan justerera kylskåpet genom att vrida fötterna såsom illustreras på bilden. Hörnet där fötterna finns sänks när du vrider i den svarta pilens riktning och höjs när du vrider i motsatt riktning. Det är lämpligt att be om hjälp när du gör detta för att göra det enklare.



Byta lampan

Ring auktoriserad service när du vill byta lampan.

Lamporna som används i utrustningen är inte anpassade som rumsbelysning. Det avsedda ändamålet för lamporna är att hjälpa användaren placera mat i kylskåpet/frysaren på ett säkert och bekvämt sätt.

Lamporna i apparaten måste kunna tåla extrema fysiska förhållanden såsom temperaturer under $-20\text{ }^{\circ}\text{C}$.

Installation (under disk)

- Den invändiga höjden under disken ska vara 820 mm.(!) Spisar eller andra värmekällor får inte placeras ovanpå disken om utrustningen installeras under disk.
- Strömuttaget måste vara nära enheten på höger eller vänster sida.
- Avlägsna det övre skyddet på apparaten. Det finns 4 skruvar (2 stycken på baksidan och 2 stycken nedanför den främre kanten) som ska tas bort.

Fig. 1

- Dela enheten som på bilden och avlägsna den med hjälp av tång.
- Placera utrustningen under disken och justera de främre fötterna tills ovan delen vidrör disken.
- För att använda produkten under disken ska avståndet mellan väggen och den övre plastanslutningen vara minst 595 mm.

Fig. 2-3

- Fäst apparaten under disken med 2 av skruvarna som avlägsnades från det övre skyddet. (Materialet på disken måste vara plast- eller träbaserat!)

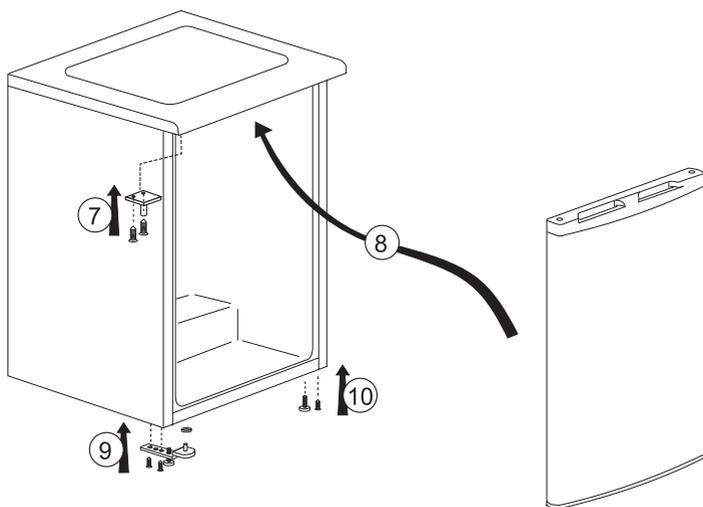
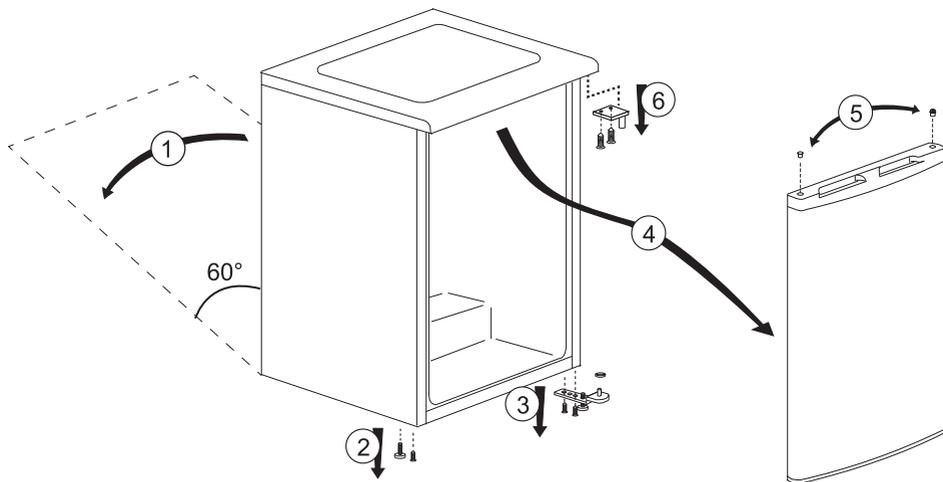
Fig. 4

4 Förberedelse

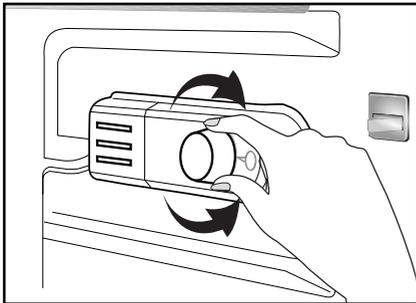
- För fristående enhet; 'denna kylenhet är inte avsedd att användas som en inbyggd enhet' ;
- Kylskåpet skall installeras minst 30 cm från värmekällor, såsom spis, ugn och centralvärme och minst 5 cm från elektriska ugnar och får inte placeras i direkt solljus.
- Den omgivande temperaturen i rummet där du installerar kylskåpet skall vara minst 10°C. Användning av kylskåpet i lägre temperaturer rekommenderas inte.
- Se till att kylskåpet är ordentligt rengjort invändigt.
- Om ni önskar att placera ett kylskåp och ett frysskåp bredvid varandra, som "side-by-side", skall ni använda ett monteringsset. Monteringssetet innehåller en matta och en dekorationslist. Mattan skall monteras på sidan av det ena skåpet, med lite luft mellan. Dekorationslisten monteras mellan de två skåpen, så att den döljer mellanrummet mellan skåpen. Monteringssetet är inte en del av produkten och skall levereras som tillbehör.
- Vid användning av kylskåpet för första gången skall du observera följande anvisningar under de första sex timmarna.
- Dörren får inte öppnas för ofta.
- Det måste köras tomt utan mat.
- Dra inte ur sladden till kylskåpet. Om det inträffar ett strömavbrott som ligger utanför din kontroll, se varningarna i avsnittet "Rekommenderade lösningar på problem".
- Korgarna/lådorna som medföljer kylfacket måste alltid användas för lägre energikonsumtion och för bättre lagringsvillkor.
- Om mat kommer i kontakt med temperatursensorn i frysfacket kan det öka energikonsumtionen för utrustningen. Därför måste all kontakt med denna sensor (dessa sensorer) undvikas.
- Originalförpackning och skumplastmaterial skall sparas för framtida transport.
- I vissa modeller stänger instrumentpanelen av 5 minuter efter att luckan har stängts. Den kommer att återaktiveras när luckan har öppnats, eller när en knapp tryckts in.
- På grund av temperaturförändringar som resulterar av att öppna / stänga dörren under drift, är kondens på dörr- / kylskåpshyllor och glasbehållare normalt.

Byte av dörrar

Gå tillväga i nummerordning

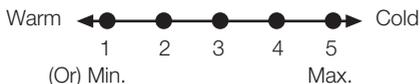


5 Använda kylskåpet



Drifttemperaturen regleras med temperaturreglaget.

1 = Lägsta kylinställning (Varmaste inställning)



5 = Högsta kylinställning (Kallaste inställning)

(Eller)

Min. = Lägsta kylinställning (Varmaste inställning)

Max. = Högsta kallaste inställning (Kallaste inställning)

Medeltemperaturen inuti kylskåpet bör ligga runt +5°C

Välj inställning enligt önskad temperatur.

Du kan avbryta driften av din enhet genom att vrida termostattvredet till läget "0".

Observera att det förekommer olika temperaturer i kylområdet.

Det kallaste området är placerat precis ovanför grönsakshyllan.

Den invändiga temperaturen beror också på den omgivande temperaturen, hur ofta dörren öppnas och hur mycket mat som förvaras i kylskåpet.

Frekvent öppnande av dörren gör att den invändiga temperaturen stiger.

Av denna anledning bör man stänga dörren så fort som möjligt efter användning.

Frysning

Frysning av mat

Frysområdet är märkt med  den här symbolen.

Du kan använda enheten för frysning av färsk mat samt för förvaring av djupfrost mat

Se rekommendationerna på matförpackningen.

• Observera

Frys inte kolsyrade drycker, eftersom flaskan kan spricka.

Var försiktig med frysta produkter som t.ex. färgade isbitar.

Överskrid inte din enhets infrysningskapacitet under 24 timmar. Se märketiketten.

För att bibehålla matens kvalitet, skall den frysas så fort som möjligt.

På detta sätt överskrids inte fryskapaciteten, och temperaturen inuti frysen kommer inte att stiga.

• Observera

Förvara alltid redan djupfrost mat separat från nyligen fryst mat.

Vid djupfrysning av varm mat, kommer kylkompressorn att slås på till dess att maten är helt fryst. Detta kan tillfälligt leda till extra kylning av kylskåpet.

Om du tycker att frysdörren är svår att öppna precis då du stängt den, var inte orolig. Detta beror på tryckskillnaden som jämnar ut sig så att dörren kan öppnas normalt efter några minuter.

Du kommer att höra ett vakuum-ljud precis då dörren stängts. Detta är helt normalt.

Göra isbitar

Fyll isbitsfacket till 3/4 med vatten och placera det i frysen.

Då vattnet har blivit till is, kan du ta ut isbitarna.

Använd aldrig vassa föremål som t.ex. knivar eller gafflar för att avlägsna isbitarna. Du kan skada dig!

Låt istället isbitarna tina något, eller placera fackets undersida i varmt vatten en kort stund.

Förvaring av fryst mat

Frysområdet är märkt med symbolen .

Frysfacket för fryst mat är lämpligt som lagring för mat som köpts fryst. Rekommendationen för förvaring som anges på matförpackningen skall alltid respekteras.

Avfrostning av enheten

Överdriven isbeläggning påverkar frysprestandan för din enhet.

Du bör därför avfrostas frysen minst två gånger per år, eller då isbeläggningen överstiger 7 mm.

Avfrostas enheten då den är tom eller nästan tom.

Ta ut djupfrost mat. Slå in den djupfrysda maten i flera lager papper, eller i en filt och förvara den på en sval plats.

Koppla från enheten eller slå av reläet innan du startar avfrostningen.

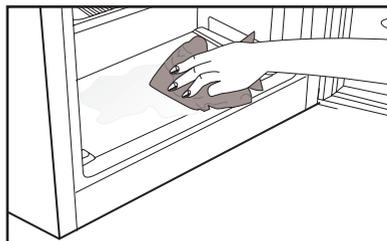
Avlägsna tillbehör (hylla, låda etc.) från enheten och använd en lämplig behållare för uppsamling av avfrostningsvattnet.

Använd en svamp eller mjuk trasa för att avlägsna smältvatten från frysfacket vid behov  och från frysfacket för fryst mat .

Håll dörren öppen under avfrostning. För snabbare avfrostning kan behållarna placeras med varmt vatten inuti enheten.

Använd aldrig elektriska apparater, avfrostningssprayer eller vassa eller skarpa föremål som knivar eller gafflar för att avlägsna isen.

Rengör insidan när avfrostningen är klar.



Anslut enheten till huvudströmmen. Placera den frysta maten i lådor och för in dem i frysen.

Kylning

Matförvaring

Kylen är till för kortvarig förvaring av färsk mat och dryck.

Förvara mjölkprodukter på avsedd hylla i kylskåpet.

Flaskor kan förvaras i flaskhållaren eller på flaskyllan i dörren.

Rått kött förvaras bäst i en plastpåse på hyllan i kylskåpets nedersta del.

Låt varm mat och varma drycker svalna till rumstemperatur innan de placeras i kylskåpet.

- **Observera**

Förvara koncentrerad alkohol i upprätt position i tätt försluten behållare.

- **Observera**

Förvara inte explosiva ämnen eller behållare med lättantändliga drivmedel (grädde i sprayform, sprayburkar etc.) i enheten.

Detta kan orsaka explosion.

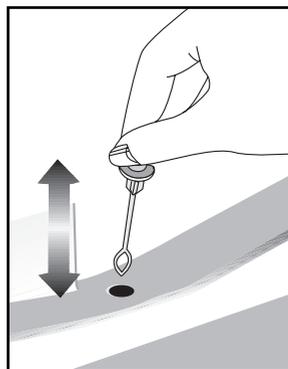
Avfrostning av enheten

Kylen avfrostas automatiskt. Avfrostningsvattnet rinner till dräneringsröret via en uppsamlingsbehållare på enhetens baksida.

Under avfrostning formas droppar på baksidan av frysen p.g.a. avdunstningsapparaten.

Om inte alla droppar rinner ner kan de frysa igen efter att avfrostningen är klar. Avlägsna dem med en mjuk trasa och varmt vatten. Använd inte hårda eller vassa objekt.

Kontrollera flödet med tinat vatten då och då. Det kan täppas till ibland. Dräneringsröret kan rensas med en piprensare eller liknande.



6 Underhåll och rengöring

- ⚠ Använd aldrig bensen, bensin eller liknande ämnen för rengöring.
- ⚠ Vi rekommenderar att du kopplar ur utrustningen före rengöring.
- ⚠ Använd aldrig vassa instrument eller slipande medel, tvål, rengöringsmedel, tvättmedel eller polish för rengöring.
- ⚠ För icke-No Frost-produkter kan vattendroppar och frost upp till en fingerbredd högt förekomma på den bakre väggen av kylutrymmet. Rengör den inte; använd aldrig olja eller liknande medel på den.
- ⚠ Använd endast lätt fuktad mikrofibertrasa för att rengöra produktens yta. Svampar och andra typer av rengöringsprodukter kan repa produktens yta.
- ℹ Använd ljummet vatten för rengöring av enhetens skåp och torka det torrt.
- ℹ Använd en fuktig trasa urvriden i en lösning av en tesked bikarbonatsoda till en halv liter vatten, torka ur interiören och torka sedan torrt.
- ⚠ Se till att inget vatten tränger in i lampkåpan och i andra elektriska tillbehör.
- ⚠ Om enheten inte kommer att användas under en längre tid, stäng då av den, plocka ur all mat, rengör den och lämna dörren på glänt.
- ℹ Kontrollera dörrtätningen regelbundet så att den är ren och fri från matrester.
- ⚠ För att ta bort ett dörrfack tar du först ur allt innehåll och trycker sedan enkelt upp det från sitt fäste.
- ⚠ Använd aldrig rengöringsmedel eller vatten med kloring för att rengöra de utvändiga ytorna och krombelagda delarna på produkten. Klorin orsakar korrosion på sådana metallytor.
- ⚠ Använd inte vassa och skrapande verktyg, eller tvål, rengöringsmedel för hemmabruk, rengöringsmedel, bensen, bensin, vax eller liknande, klistermärkena på plastdelarna lossnar då och deformation kan ske. Använd varmt vatten och en mjuk trasa för rengöring, torka sedan rent.

Skydd av plastytor

- ℹ Förvara inte rinnande olja eller mat som har tillagats i olja utan att vara tillslutna i kylskåpet, eftersom det kan skada kylskåpets plastytor. Om du spillar olja på plasten, rengör och skölj ytan direkt med varmvatten.

7 Rekommenderade lösningar på problem

Titta igenom listan innan du tillkallar service. Det kan spara både tid och pengar. Den här listan inkluderar vanliga klagomål som inte uppstår till följd av defekter i tillverkningen eller materialanvändningen. Vissa av funktionerna som beskrivs här kanske inte finns på din produkt.

Kylen fungerar inte

- Är kylskåpet korrekt inkopplat? Sätt i vägguttaget.
- Har säkringen som är ansluten till kylskåpet gått? Kontrollera säkringen.

Kondens på kylskåpets sidoväggar.

- Mycket kalla omgivande förhållanden. Dörren öppnas och stängs ofta. Hög luftfuktighet i den omgivande luften. Lagring av mat med vätska i öppna behållare. Dörren har lämnats öppen.
- Vrid termostaten till ett kallare läge.
- Minska tiden som dörren lämnas öppen eller öppna inte så ofta.
- Täck över mat som lagras i öppna behållare med ett lämpligt material.
- Torka av kondens med en torr trasa och kontrollera om den ligger kvar.

Kompressorn går inte

- Det termiska skyddet i kompressorn kommer att lösas ut vid plötsliga strömavbrott då kylskåpets tryck i kylsystemet inte har balanserats. Ditt kylskåp startar efter omkring 6 minuter. Tillkalla service om kylskåpet inte startar i slutet av den här perioden.
- Frysaren är i avfrostningsläge. Det här är normalt för en helautomatiskt avfrostande kyl. Avfrostningscykeln inträffar regelbundet.
- Kylskåpet är inte inkopplat i strömkällan. Se till att kontakten sitter ordentligt i vägguttaget.
- Är temperaturinställningen korrekt?
- Det är strömavbrott. Kontakta din elleverantör.

Kylskåpet körs ofta eller under en längre tid.

- Ditt nya kylskåp kan vara bredare än det gamla. Detta är helt normalt. Stora kylskåp arbetar under en längre tidsperiod.
- Den omgivande rumstemperaturen kan vara hög. Detta är helt normalt.
- Kylskåpet kan ha varit inkopplat nyligen eller ha fyllts på med mat. Det kan ta flera timmar innan kylskåpet har kylts ned helt.
- Stora mängder mat kanske har placerats i kylskåpet nyligen. Varm mat gör att kylskåpet arbetar längre för att uppnå önskad temperatur.
- Dörren kanske har öppnats ofta eller lämnats öppen under en längre tid. Den varma luften som har kommit in i kylskåpet gör att kylskåpet arbetar under längre perioder. Öppna inte dörrarna så ofta.
- Frysens eller kylfackets dörr kanske har lämnats öppen. Kontrollera om dörren är ordentligt stängd.

Kylskåpet körs ofta eller under en längre tid.

- Kylskåpet är inställt på en mycket kall nivå. Justera kylskåpstemperaturen till en högre nivå tills temperaturen är enligt önskemål.
- Dörrens tätning på kyl eller frys kan vara sliten, smutsig eller trasig. Rengör eller byt tätningen. Skadade tätningar kan göra att kylskåpet körs under en längre tid för att bibehålla den aktuella temperaturen.

Frystemperaturen är mycket låg när kyltemperaturen är normal.

- Frysens temperatur är inställd på en mycket kall nivå. Justera frystemperaturen till en högre nivå och kontrollera.

Kyltemperaturen är mycket låg när frystemperaturen är normal.

- Kylens temperatur är inställd på en mycket kall nivå. Justera kyltemperaturen till en högre nivå.

Mat som förvaras i kylskåpsfacken fryser.

- Kylens temperatur är inställd på en mycket kall nivå. Justera kyltemperaturen till en högre nivå.

Temperaturen i kylan eller frysen är mycket hög.

- Kylens temperatur är inställd på en mycket kall nivå. Kylinställningen påverkar frysens temperatur. Sänk temperaturen för kyl eller frys tills den ligger på acceptabel nivå.
- Dörren kanske har öppnats ofta eller lämnats öppen under en längre tid. Varm luft passerar in i kyl eller frys när dörrarna öppnas. Öppna inte dörrarna så ofta.
- Dörren kan ha lämnats öppen. Stäng dörren helt.
- Stora mängder mat kanske har placerats i kylskåpet nyligen. Vänta tills kylan eller frysen uppnår önskad temperatur.
- Kylskåpet kanske nyligen har varit urkopplat. Nedkylningen kan ta tid.

Kylskåpet dånar när det går.

- Egenskaperna hos kylskåpet kan ändras enligt den omgivande temperaturen. Detta är normalt och inte något fel.

Vibrationer eller felbalans.
<ul style="list-style-type: none"> • Golvet är ojämnt eller svagt. Kylskåpet skakar när det rör sig långsamt. Säkerställ att golvet är rakt, kraftigt och att det klarar tyngden från kylskåpet. • Ljudet kan orsakas av saker som ligger ovanpå kylan. Sådana saker ska plockas bort från kylens ovansida.
Det förekommer ljud som låter som dropp eller sprutning.
<ul style="list-style-type: none"> • Vätske- och gasflöden sker i enlighet med användningsprinciperna för ditt kylskåp. Detta är normalt och inte något fel.
Det förekommer ljud som låter som vind.
<ul style="list-style-type: none"> • Luftaktivatorer (fläktar) används för att låta kylan svalna effektivt. Detta är normalt och inte något fel.
Kondens på innerväggarna i kylskåpet.
<ul style="list-style-type: none"> • Varmt och fuktigt väder ökar isbildning och kondens. Detta är normalt och inte något fel. • Dörrarna är öppna. Kontrollera att dörren är helt stängd. • Dörrarna kan ha öppnats mycket ofta eller så kanske de har lämnats öppna under lång tid. Öppna inte dörrarna så ofta. • Vatten/fukt/is på kylskåpets utsida.
Fukt bildas på kylskåpets utsida eller mellan dörrarna.
<ul style="list-style-type: none"> • Vädret kan vara fuktigt. Det här är helt normalt vid fuktig väderlek. När fuktnivån är lägre försvinner kondensen.

Dålig lukt inne i kylan.
<ul style="list-style-type: none"> • Kylskåpets insida måste rengöras. Rengör kylskåpets insida med en svamp och varmt vatten. • Vissa behållare eller förpackningsmaterial kan orsaka lukt. Använd en annan behållare eller olika förpackningsmaterial.
Dörrarna går inte att stänga.
<ul style="list-style-type: none"> • De kan vara finnas mat i vägen. Byt ut förpackningarna som ligger ivägen för dörren. • Kylskåpet står antagligen inte helt plant på golvet och de kanske rör sig något när det förflyttas. Justera lyftskruvarna. • Golvet är inte helt plant eller tillräckligt starkt. Säkerställ att golvet är rakt, kraftigt och att det klarar tyngden från kylskåpet.
Grönsaker fastnar.
<ul style="list-style-type: none"> • Maten kanske vidrör taket i lådan. Sortera om maten i facket.
Produktens yta är varm.
<ul style="list-style-type: none"> • Medan produkten är i drift är temperaturen hög mellan de två dörrarna, på sidopanelerna och på bakgallret. Detta är normalt och inget serviceunderhåll krävs!

ANSVARFRISKRIVNING/VARNING
Slutanvändaren kan lösa en del (enkla) fel utan att det leder till säkerhetsproblem eller osäker användning, förutsatt att de utförs inom begränsningarna och enligt följande instruktioner (se sektion "Självreparation").

Därför ska, om inte annat angetts, reparationerna som i sektionen "Självreparation" överlåtas till registrerad professionell reparatör, för att undvika säkerhetsproblem. En registrerad professionell reparatör är en person, som tillverkaren har gett åtkomst till denna produkts instruktioner och reservdelslista enligt metoder som beskrivits i Direktivets 2009/125/EC laghandlingar.

Emellertid kan endast servicerepresentant (auktoriserad professionell reparatör), som kan nå genom telefonnumret i bruksanvisningen/garantikortet eller auktoriserad återförsäljare utföra service under garantitiden. Märk därför, att reparationer utförda av professionell reparatör (som inte är auktoriserad avBeko) kommer att upphäva garantin.

Självreparationer

Slutanvändaren kan utföra självreparationer angående följande reservdelar: dörrhandtag, dörrgångjärn, hyllor, korgar och dörrtätningar (en uppdaterad lista finns tillgänglig på adress support.beko.com fr o m. 1:a Mars 2021).

För att försäkra produktens säkerhet och förhindra allvarlig personskada, ska nämnda självreparationer utföras enligt instruktionerna för självreparationer i bruksanvisningen eller som finns

tillgängliga på adressen support.beko.com. Koppla ur produkten innan självreparationer utförs.

Alla självreparationer eller försök till dessa utförda av slutanvändaren av delar som inte inkluderats i nämnda lista och/eller att instruktionerna i bruksanvisningen eller som finns tillgängliga på adressen support.beko.com inte åtföljs, kan leda till säkerhetsproblem utanför Beko kontroll och upphäva garantin.

Därför rekommenderar vi att slutanvändaren avstår från att utföra reparationer, som inte nämnts i reservdelslistan, utan kontaktar istället auktoriserad professionell reparatör eller registrerad professionell reparatör. Å andra sidan kan dessa reparationer utförda av slutanvändare leda till säkerhetsproblem och skador på produkten och orsaka brand, översvämning, elchock och andra allvarliga personskador.

Till exempel måste följande, men inte begränsade till, utföras av auktoriserad professionell reparatör eller registrerad professionell reparatör: kompressor, kylkrets, elektronik kort, inverterkort, displaykort etc.

Tillverkaren/säljaren kan inte hållas ansvarig i fall, där slutanvändaren inte följer ovan nämnda regler.

Reservdelar till kylskåpet finns tillgängliga i 10 år.

Under denna period kommer reservdelar att finnas tillgängliga, för att kylskåpet ska fungera på korrekt sätt.

Minimigarantitiden för kylskåpet som du köpt är 24 månader.

Denna produkt är utrustad med ljuskälla i
"G" energiklass.
Endast en professionell montör får byta
produktens ljuskälla.

beko

Hűtőszekrény

Használati útmutató

Hladnjak

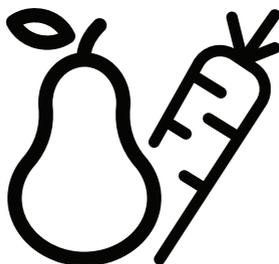
Korisnički priručnik

Hladilnik

Navodila za uporabo

Chłodziarka

Instrukcja użytkowania



TSE1423N - TSE1524N

HU / HR / SL / PL



ÚJRAHASZNOSÍTOTT ÉS
ÚJRAFELDOLGOZHATÓ
PAPÍR



RECIKLIRANI I
RECIKLAŽNI PAPIR



RECIKLIRANI PAPIR in
PAPIR ZA RECIKLIRANJE



PAPIER Z RECYKLINGU I
NADAJĄCY SIĘ DO PONÓWNEGO
PRZETWORZENIA

Kérjük, előbb olvassa el a használati útmutatót!

Tisztelt Vásárló!

Bízunk benne, hogy termékünk, mely egy modern gyárban készült, és a legaprólékosabb minőségirányítási eljárások alapján lett tesztelve, hatékony szolgáltatást fog biztosítani az Ön számára.

Ehhez azt javasoljuk, hogy használat előtt alaposan olvassa el a teljes használati útmutatót, és azt ne dobja ki, mert a jövőben még szüksége lehet rá.

Ez a használati útmutató

- Segít a készüléket gyors és biztonságos módon használni.
 - A termék beszerelése és használata előtt olvassa el a használati útmutatót.
 - Tartsa be az utasításokat, főleg azokat, melyek a biztonságra vonatkozó információkat.
 - A használati útmutatót tartsa olyan helyen, ahol a jövőben könnyen hozzá tud férni.
 - Olvassa el a többi dokumentumot is, melyet a termékhez kapott.
- Ne feledje, ez a használati útmutató más modellekre is érvényes lehet.

Szimbólumok és leírásuk

Ez a használati útmutató a következő szimbólumokat tartalmazza:

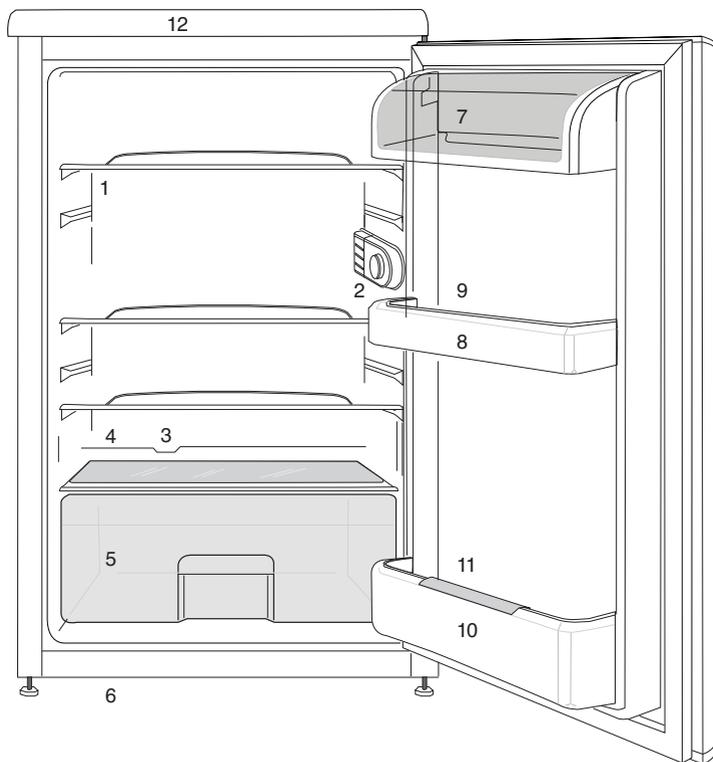
-  Fontos információ vagy hasznos tippek.
-  Figyelmeztetés élet vagy tulajdonra veszélyes körülményekre.
-  Figyelmeztetés elektromos feszültség miatt.

i INFORMÁCIÓ	
	
<small>SUPPLIER'S NAME</small>	<small>MODEL IDENTIFIER (*)</small>
	
<small>A termékadatbázisban tárolt modellinformációkat elérheti a következő weboldala belépéssel és az energiacímkén található modellazonosítójának (*) megkeresésével.</small>	
<small>https://eprel.ec.europa.eu/</small>	

TARTALOMJEGYZÉK

1 Hűtőszekrények	3	4 Előkészületek	15
2 Fontos biztonsági figyelmeztetések	4	Az ajtónyitás megfordítása.....	16
Rendeltetészerű használat	4	5 A hűtőszekrény használata	17
Vízadagolóval ellátott termékek esetén;	9	Fagyasztás	17
Gyermekbiztonság.....	9	Ételek fagyasztása.....	17
A WEEE-irányelvnek való megfelelés és a hulladék termék megsemmisítése: 10		Jégkocka-készítés.....	18
Az RoHS-irányelvnek való megfelelés:	10	Fagyasztott étel tárolása.....	18
Csomagolásra vonatkozó információ	10	A készülék kiolvasztása	18
HC Figyelmeztetés.....	10	Hűtés	19
Az energiatakarékosság jegyében teendő lépések.....	11	Ételek tárolása.....	19
3 Beüzemelés	12	A készülék kiolvasztása	19
A hűtő szállításakor figyelembe veendő dolgok.....	12	6 Karbantartás és tisztítás	20
A hűtő üzembe helyezése előtt	12	A műanyag felületek védelme	20
Elektromos összeköttetés.....	12	7 A problémák javasolt megoldása	21
A csomagolás leselejtezése	13		
A régi hűtő leselejtezése	13		
Elhelyezés és üzembe helyezés	13		
Tartólabák.....	14		
A lámpa cseréje	14		

1 Hűtőszekrény



- | | |
|---------------------------------------|---------------------|
| 1. Mozgatható polcok | 7. Tejtermék rekesz |
| 2. Belső világítás és termosztát gomb | 8. Ajtópolcok |
| 3. Vízelvezető pöcök | 9. Tojástartó |
| 4. Fiókfedő | 10. Üvegtartó polc |
| 5. Salátásrekesz | 11. Üvegbefogó |
| 6. Állítható első lábak | 12. Hűtő teteje |

I A használati útmutatóban található képek szemléltető jellegűek, nem a valódi terméket ábrázolják. Amennyiben olyan részeket talál, melyek nem találhatók meg, az Ön által megvásárolt termékben, akkor azok más modellekre vonatkoznak.

2 Fontos biztonsági figyelmeztetések

Kérjük, olvassa el az alábbi információkat. A következő információk figyelmen kívül hagyása sérüléseket vagy anyagi károkat okozhat. Az eredeti alkatrészeket a termék vásárlásától számított 10 évig szállítjuk.

Rendeltetésszerű használat

⚠	FIGYELEM: Hagyja szabadon a készülék és a beépített rendszerek szellőzőnyílásait.
⚠	FIGYELEM: Ne használjon mechanikus berendezéseket vagy egyéb eszközöket a kiolvasztás felgyorsításához, mint amelyeket a gyártó ajánlott.
⚠	FIGYELEM: Ne okozzon sérülést a hűtőkörön.

⚠	FIGYELEM: Ne használjon a gyártó ajánlásain kívüli elektromos berendezéseket a készülék élelmiszertároló részlegeiben.
⚠	FIGYELMEZTETÉS: Ne tároljon a készülékben gyúlékony anyagokat, pl. aeroszolos dobozokat.

A készülék kizárólag otthoni és hasonló körülmények közötti használatra való, mint pl.:

- üzletek, irodák és egyéb munkahelyek személyzeti konyhája;
- farmházak és a hotelek, motelek és egyéb lakójellegű környezetek;
- szállásadó szolgáltatók;
- étkeztetési szolgáltatók és hasonló nem üzleti alkalmazások.

Általános tudnivalók

- A termék leselejtezésével/kidobásával kapcsolatban kérjük, érdeklődjön a hivatalos szolgáltatónál.
- A hűtővel kapcsolatos kérdésekkel és problémákkal kérjük, forduljon a hivatalos szervizhez. Saját maga, ill. nem hivatásos személyek nem javíthatják a hűtőt a hivatalos szerviz tájékoztatása nélkül.
- Fagyasztóval ellátott termék esetén; A fagyasztóból kivéve ne egye meg azonnal a jégkrémet vagy a jégkockákat! (Ez fagyási sérülést okozhat a szájban.)
- Fagyasztóval ellátott termékek esetén; Soha ne helyezzen a fagyasztóba helyezzen üveges vagy kannás italokat. A fagyasztóban ezek megrepedhetnek.
- A fagyott ételeket ne fogja meg kézzel, mert hozzáragadhatnak a kezéhez.
- A tisztítás vagy leolvasztás előtt húzza ki a hűtőszekrényt.
- Permetes tisztítószer sose használjon a hűtő tisztításánál. Ez ugyanis rövidzárlatot vagy áramütést okozhat a hűtő elektromos alkatrészeivel való érintkezéskor.
- Soha ne használja a hűtő egyes elemeit, például az ajtót támasztékként vagy lépcsőként.
- Ne helyezzen el elektromos készüléket a hűtőben.
- Ne rongálja meg azon alkatrészeket, ahol a hűtőfolyadék áramlik, fúró vagy vágó eszközökkel. A párologtató gázvezetékeinek, a csőtoldalékok vagy a csőburkolatok megsérülésekor kifröccsenő hűtőfolyadék bőrirritációt és szemsérülést okoz.

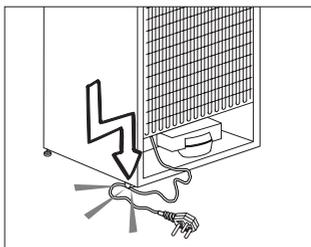
- A hűtő szellőzőnyílásait ne takarja le vagy tömjé be semmivel.
- Az elektromos berendezéseket kizárólag engedéllyel rendelkező személyek javíthatják. Az inkompetens személyek által elvégzett javítások veszélyforrást jelenthetnek.
- Meghibásodás, ill. karbantartási vagy javítási munkálatok során válassa le a hűtőt az elektromos hálózatról a megfelelő biztosíték kikapcsolásával vagy a készülék kihúzásával.
- A hűtőt a dugónál fogva húzza ki a konnektorból.
- Gondoskodjon róla, hogy a magas alkoholtartalmú italok biztonságosan legyenek tárolva lezárt kupakkal, függőlegesen elhelyezve.
- Soha ne tároljon a hűtőben gyúlékony vagy robbanó anyagokat tartalmazó spray dobozokat.
- A leolvasztás felgyorsításához csak a gyártó által ajánlott mechanikus eszközöket vagy egyéb módszereket használjon.
- A készüléket nem használhatják fizikai, érzékszervi vagy mentális rendellenességben szenvedő, vagy képzetlen/tapasztalatlan emberek (ideértve a gyermekeket is), kivéve, ha az ilyen személy felügyeletét valamely, annak biztonságáért felelős személy látja el, illetve ez a személy a készülék használatára vonatkozóan útmutatást biztosít.
- Ha a hűtő sérült, ne használja azt. Amennyiben kérdése van, konzultáljon valamelyik szervizessel.
- A hűtő elektromos biztonsága csak akkor biztosított, ha lakása földelőrendszere megfelel az előírásoknak.
- Ne tegye ki a terméket esőnek, hónak, napsütésnek

vagy szélnek, mert ez kárt tehet a termék elektromos rendszerében.

- A sérülések elkerülése érdekében, sérült tápkábel esetén vegye fel a kapcsolatot a hivatalos szervizzel.
- Beszerelés közben ne dugja be a hűtőt a konnektorba. Ellenkező esetben súlyos vagy halálos sérülést szenvedhet.
- A hűtőszeleprény csak élelmiszerek tárolására használható. Egyéb célra nem használható.
- A címke és a műszaki adatok leírása a hűtőszeleprény belsejében, a bal oldali falon található.
- Soha ne csatlakoztassa a hűtőszeleprényt energiamegtakarító rendszerhez; ezek kárt tehetnek a hűtőszeleprényben.
- Amennyiben kék fény világít a hűtőszeleprényen, pusztán szemmel vagy optikai eszközökkel ne

nézzen sokáig a kék fénybe.

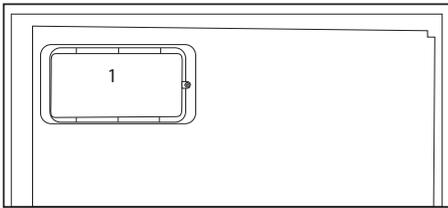
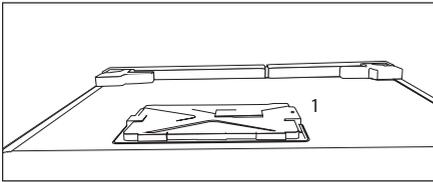
- A manuálisan szabályozott hűtőszeleprényeknél az áramszünet után legalább 5 percet várjon a hűtőszeleprény bekapcsolása előtt.
- A termék új tulajdonosnak történő átadásakor a ne feledje átadni a kézikönyvet is.
- A hűtőszeleprény szállításakor vigyázzon, nehogy kárt tegyen a tápkábelben. A kábel meghajlítása tüzet okozhat. Soha ne helyezzen nehéz tárgyakat a tápkábelre. A készülék bedugásakor soha ne fogja meg nedves kézzel a dugót.



- A hűtőszeleprényt ne csatlakoztassa laza konnektorba.

- Biztonsági okokból soha ne fújjon folyadékot a készülék belső vagy külső részeire.
- Ne fújjon ki gyúlékony anyagokat, pl. propán gáz, stb. a hűtőszekrény közelében, mert tűz keletkezhet, vagy felrobbanhat.
- Soha ne helyezzen vízzel töltött tárgyakat a hűtőszekrény tetejére, mert azok áramütést vagy tüzet okozhatnak.
- Soha ne terhelje túl a hűtőszekrényt túlzottan sok étellel. Túlterhelés esetén az élelmiszerek leeshetnek és kárt tehetnek a hűtőszekrényben az ajtó kinyitásakor. Soha ne helyezzen tárgyakat a hűtőszekrény tetejére; ellenkező esetben ezek a tárgyak az ajtó kinyitásakor vagy becsukásakor leeshetnek.
- Mivel ezek precíz teljesítményszabályozást igényelnek, a gyógyszerek, a hőérzékeny orvosságok és kutatási anyagok stb. nem tárolhatók a hűtőszekrényben.
- Amennyiben hosszú ideig nem használja, húzza ki a hűtőszekrényt. A tápkábel hibája tüzet okozhat.
- Amennyiben a beállítható lábak nincsenek megfelelően beállítva, a hűtő billeghet. Az állítható lábak megfelelő rögzítése megakadályozhatja a billegést.
- A hűtőszekrény szállításakor soha ne emelje fel a fogantyúnál fogva. A fogantyú letörhet.
- Amennyiben a terméket egy másik hűtőszekrény vagy fagyasztó mellé helyezi, a két készülék közt legalább 8 cm helyet kell hagynia. Ellenkező esetben a szomszédos falak bepárásodhatnak.

- Soha ne használja a terméket, ha a termék tetején vagy a hátoldalán található, belsejében nyomtatott áramkört tartalmazó elektronikus szakasz nyitva van (elektronikus nyomtatott áramkör fedél) (1).



Vízadagolóval ellátott termékek esetén;

- A hideg víz max. bemeneti nyomása 90 psi (6.2 bar). Ha a víz nyomása meghaladja a 80 psi (5.5 bar) értéket, használjon egy nyomáscsökkentő szelepet a vízhálózaton. Ja nem tudja ellenőrizni a víz nyomását, kérje

egy vízvezeték-szerelő segítségét.

- Ha fennáll a vízkalapács effektus kockázata a hálózatában, akkor mindig használjon egy vízkalapács effektust gátló berendezést. Ha nem biztos abban, hogy nincs vízkalapács effektus a hálózatában, akkor forduljon vízvezeték-szerelőhöz.
- Ne telepítse meleg víz bemenetre. Tegyen óvintézkedéseket a vezetékek elfagyásának megelőzése érdekében. A víz üzemi hőmérséklete min. 33°F (0.6°C) és max. 100°F (38°C) legyen.
- Kizárólag ivóvizet használjon.

Gyermekbiztonság

- Amennyiben az ajtó zárral is rendelkezik, a kulcsot tartsa távol a gyermekektől.
- A gyermekeket folyamatosan felügyelni kell, hogy ne babráljanak a termékkel.

A WEEE-irányelvnek való megfelelés és a hulladék termék megsemmisítése:



A termék megfelel az uniós WEEE-irányelv (2012/19/EU) követelményeinek. A terméken megtalálható az elektromos és elektronikus hulladékok besorolására vonatkozó szimbólum (WEEE).

A terméket magas minőségű alkatrészekből és anyagokból állították elő, amelyek ismételten felhasználhatók és alkalmasak az újrahasznosításra. A hulladék terméket annak élettartamának végén ne a szokásos háztartási vagy egyéb hulladékkal együtt selejtezze le. Vigye el azt egy az elektromos és elektronikus berendezések újrahasznosítására szakosodott begyűjtőhelyre. A begyűjtőhelyek kapcsán kérjük, tájékozódjon a helyi hatóságoknál.

Az RoHS-irányelvnek való megfelelés:

Az Ön által megvásárolt termék megfelel az uniós RoHS-irányelv (2011/65/EU) követelményeinek. A termék nem tartalmaz az irányelvben meghatározott káros vagy tiltott anyagokat.

Csomagolásra vonatkozó információ

A termék csomagolóanyagai, a nemzeti környezetvédelmi előírásokkal összhangban, újrahasznosítható anyagokból készültek. A csomagolóanyagokat ne a háztartási vagy egyéb hulladékokkal együtt dobja

ki! Vigye el azokat a helyi hatóságok által e célból kijelölt csomagolóanyag-begyűjtő pontokra.

HC Figyelmeztetés

Amennyiben a termék R600a hűtőrendszerrel rendelkezik:

Ez a gáz gyúlékony. Ennek következtében figyeljen oda, hogy szállítás és használat közben ne tegyen kárt a hűtőrendszerben. Sérülés esetén tartsa távol a terméket a lehetséges tűzforrásoktól, melynek hatására a készülék begyulladhat, továbbá folyamatosan szellőztesse a szobát, ahol a készüléket elhelyezte.

Hagyja figyelmen kívül ezt a figyelmeztetést, amennyiben a hűtőrendszer R134a hűtőközeget használ.

A termékben használt gáz típusát a hűtőszekrény belsejében, a bal oldali falon találja.

Soha ne égesse el a terméket.

Az energiatakarékosság jegyében teendő lépések

- Ne hagyja sokáig nyitva a hűtő ajtaját.
- Ne tegyen meleg ételt vagy italt a hűtőbe.
- Csak annyi ételt/italt tegyen a hűtőbe, hogy az ne akadályozza a levegő cirkulációt.
- Ne helyezze a hűtőt olyan helyre, ahol azt közvetlen napsütés éri, vagy ahol a közelben hőforrás van (pl. sütő, mosogatógép vagy radiátor).
- Ügyeljen rá, hogy az ételeket zárt edényben tárolja a hűtőben.
- Fagyasztórekesszel ellátott termékek esetén; Akkor tárolhat maximális mennyiségű élelmiszert a hűtőszekrényben, ha eltávolítja a polcokat vagy a fagyasztó fiókját. Az energiafogyasztást úgy határozták meg, hogy eltávolították a fagyasztó polcokat és fiókjait, és a fagyasztót telepakolták. A polc vagy a fiók használata esetén, az élelmiszerek kisebb mérete miatt nem áll fenn az élelmiszerek megfagyásának veszélye.
- A fagyasztott élelmiszer hűtőszekrényben történő felolvasztása energiát takarít meg, és megőrzi az étel minőségét.

3 Beüzemelés

⚠ Felhívjuk rá figyelmét, hogy a gyártó nem vállal felelősséget a jelen útmutatóban foglalt információk figyelmen kívül hagyása miatt bekövetkező károkokért.

A hűtő szállításakor figyelembe veendő dolgok

1. Szállítás előtt ürítse ki és tisztítsa ki a hűtőt.
2. A hűtő becsomagolása előtt a polcokat, kiegészítőket, fiókokat stb. rögzíteni kell szigszalaggal.
3. A csomagolást szigszalaggal és erős madzaggal össze kell fogni, és a csomagoláson feltüntetett szabályokat be kell tartani.

Ne feledje...

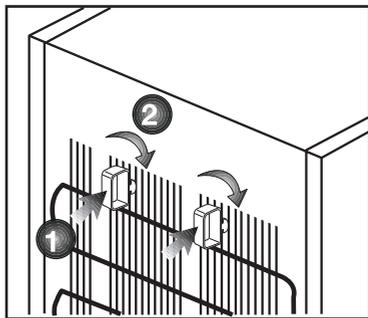
Minden újrahasznosított anyag nélkülözhetetlen a természet és nemzeti erőforrásaink számára.

Amennyiben szeretne részt venni a csomagolóanyagok újrahasznosításában, további információkat a környezetvédelmi szervektől vagy a helyi hatóságoktól szerezhet.

A hűtő üzembe helyezése előtt

A hűtő használatbavétele előtt ellenőrizze az alábbiakat:

1. A hűtő belseje száraz és a levegő szabadon tud áramolni a hátsó részén.
2. A képen látható módon szerelje fel a 2 műanyag éket. A műanyag ékek segítenek megtartani a szükséges



távolságot a hűtő és a fal között, és így a levegő szabadon tud áramolni. (A kép csak illusztráció, és nem feltétlenül tükrözi az Ön hűtőjét.)

3. A hűtőszekrény belsejét a "Karbantartás és tisztítás" c. fejezetben foglaltak szerint tisztítsa.
4. Dugja be a hűtőt a konnektorba. Ha az ajtó nyitva van, a hűtő belső világítása bekapcsol.
5. Hangot fog hallani, amint a kompresszor beindul. A hűtőrendszerben lévő folyadékok és gázok hangja akkor is hallható, ha a kompresszor nem üzemel.
6. Lehetséges, hogy a hűtő elülső éleit melegnek érzi. Ez normális jelenség. Ezek a részek azért melegednek fel, hogy így elejét vegyék a páralecsapódásnak.

Elektromos összeköttetés

A terméket egy olyan földelt aljzathoz csatlakoztassa, mely el van látva megfelelő teljesítményű biztosítékkal. Fontos:

- A csatlakozásnak meg kell felelnie az országos normáknak.

- Ügyeljen rá, hogy a tápkábel könnyen hozzáférhető legyen a hűtő elhelyezése után.
- A meghatározott feszültség értéknek meg kell egyeznie a hálózati feszültség értékével.
- Hosszabbítót és elosztót ne használjon.

⚠ A sérült tápkábel cseréjét bízza szakemberre.

⚠ A terméket hibásan ne üzemeltesse! Ilyenkor ugyanis áramütés veszélye áll fenn!

A csomagolás leselejtezése

A csomagolóanyagok veszélyt jelenthetnek a gyermekekre nézve. Ezért tartsa a csomagolóanyagokat gyermekektől távol, vagy selejtezze le azokat a hulladékokra vonatkozó utasítások szerint. A csomagolóanyagokat ne háztartási hulladékként kezelje.

A hűtő csomagolóanyaga újrahasznosítható anyagokból készült.

A régi hűtő leselejtezése

A régi hűtőt úgy selejtezze le, hogy ezzel ne okozzon kárt a környezetnek.

- A hűtő leselejtezésével kapcsolatban bővebb információt a hivatalos márkakereskedésekben ill. a hulladékgyűjtő központokban kaphat.

A hűtő leselejtezése előtt vágja el a tápkábelt, tegye használhatatlanná az ajtón lévő zárat (ha van), hogy a gyermekeket ne érhesse baj.

Elhelyezés és üzembe helyezés

⚠ Amennyiben a hűtőszekevény tárolására kijelölt szoba ajtaja nem elég széles, a hűtők ajtajainak eltávolításához hívja ki a hivatalos szervizt.

1. A hűtőszekevényt könnyen hozzáférhető helyre helyezze.

2. Tartsa távol a hűtőszekevényt a hőforrásoktól, a nedves helyektől és a közvetlen napsütéstől.

3. A hatékony működés érdekében a hűtőszekevényt egy jól szellőző helyen kell elhelyezni. Amennyiben a hűtőszekevényt egy falı bemélyedésbe helyezi be, a készülék körül minden irányból legalább 5 cm helyet kell hagyni.

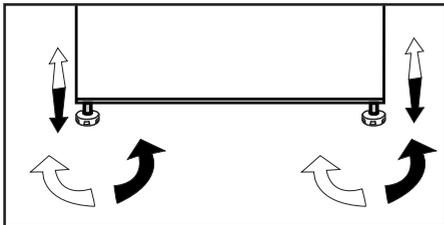
Amennyiben a padló szőnyeggel van letakarva, a terméket 2,5 cm-rel meg kell emelni.

4. A rázkódások elkerülése érdekében a hűtőszekevényt egy egyenletes padlón helyezze el.

Tartólábak

Ha a hűtő dülöngél:

A hűtő stabilizálásához csavarja el az elülső lábakat az ábrán látható módon. A láb a fekete nyíl irányába csavarva lejjebb ereszkedik, míg az ellenkező irányba tekerve megemelkedik. A műveletet kényelmes elvégzéséhez két emberre van szükség.



A lámpa cseréje

A hűtőszekrény lámpájának cseréjéhez, kérjük, hívja fel a szakszervizt.

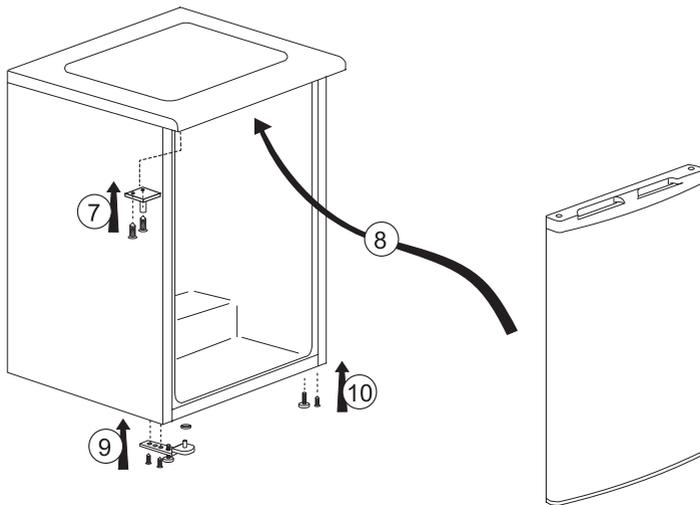
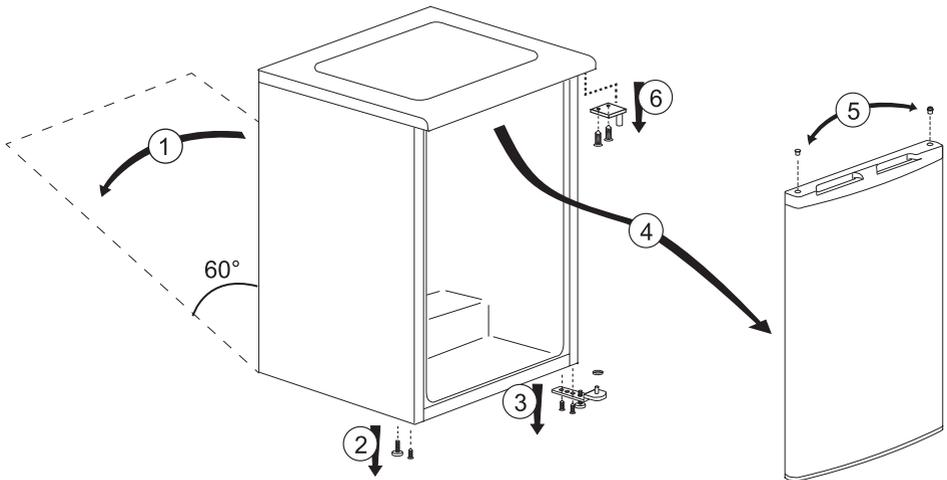
A készülékben lévő lámpa/lámpák háztartásban lévő helyiségek megvilágítására nem alkalmas/alkalmasak. A lámpa rendeltetése, hogy segítse a felhasználót az élelmiszerek hűtőszekrénybe/fagyasztószekrénybe való gyors és biztonságos behelyezésében.

A készülékben használt lámpáknak extrém környezeti hatásokat kell kibírniuk, mint pl. a -20 °C hőmérséklet.

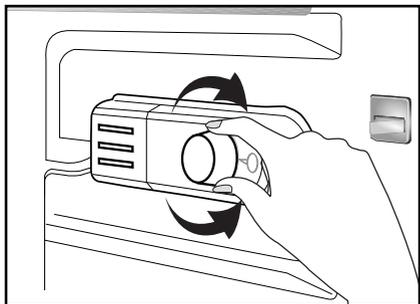
- Szabadon álló készülékek; „ezt a hűtőkészüléket nem beépített készülékként történő felhasználásra szánták”;
- A hűtőt legalább 30 cm-re kell elhelyezni minden hőforrástól (pl. kandalló, sütő, főzőlap), és legalább 5 cm-re az elektromos sütőktől. Ezenkívül óvni kell a közvetlen napsütéstől is.
- A helyiségben, ahol a hűtőt el kívánja helyezni, legalább 10 °C-os hőmérsékletnek kell lennie. Ennél hűvösebb helyen a hűtő optimális működését nem tudjuk garantálni.
- Kérjük, ügyeljen rá, hogy a hűtő belseje alaposan meg legyen tisztítva.
- Ha két hűtőt kíván egymás mellett elhelyezni, kérjük, hagyjon legalább 2 cm helyet közöttük.
- A hűtő első beüzemelésekor kérjük, tartsa be az alábbiakat az első hat óra alatt.
 - Ne nyitogassa gyakran az ajtót.
 - Ne tegyen ételt a hűtőbe.
 - Ne húzza ki a hűtőt. Áramkimaradás esetén kérjük, tekintse meg az “Problémák javasolt megoldása” c. részt.
- A hűtőrekeszhez tartozó kosarakat/ fiókokat mindig használni kell az alacsony energiafogyasztás és a jobb tárolási feltételek biztosítása érdekében.
- A fagyasztoreszben lévő hőmérsékletérzékelővel érintkező ételek növelhetik a berendezés energiafogyasztását. Ezért kerülni kell az érzékelővel/érzékelőkkel való érintkezést.
- Órizza meg az eredeti csomagolást, hogy a későbbiekben tudja miben szállítani a hűtőt.
- Néhány modell esetében a műszerfal automatikusan kikapcsol az ajtó bezárása után 5 perccel. Újra bekapcsol, ha kinyílik az ajtó vagy lenyom egy gombot.
- A készülék ajtajának működés közbeni kinyitásokor/bezárásakor a hőmérséklet-ingadozás miatt lecsapódás keletkezhet az ajtón/ polcokon és üvegtárolókon. Ez normális.

Az ajtónyitás megfordítása

A lépéseket számsorrendben végezze el.

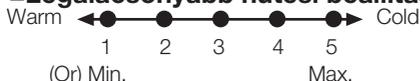


5 A hűtőszekrény használata



A működési hőmérsékletet a hőmérséklet szabályozó szabályozza.

1 = Legalacsonyabb hűtési beállítás



(Legmelegebb beállítás)

5 = Legmagasabb hűtési beállítás

(Leghidegebb beállítás)

(Vagy)

Min. = Legalacsonyabb hűtési beállítás

(Legmelegebb beállítás)

Max. = Legmagasabb hűtési beállítás

(Leghidegebb beállítás)

A hűtőszekrény átlagos belső hőmérsékletének +5°C kell lennie.

Kérjük ellenőrizze a beállításokat a kívánt hőmérsékletnek megfelelően.

A készülék műveletét megszakíthatja a termosztát "0" pozícióba való forgatásával.

Vegye figyelembe, hogy különböző hőmérséklet található a hűtési területen.

A leghidegebb tartomány a zöldségtartó rekesz fölött található.

A belső hőmérséklet függ a környezeti hőmérséklettől, az intenzitástól, hányszor nyitja ki az ajtót, és a bent levő ételek összességétől.

A rendszeres nyitogatás miatt a hőmérséklet emelkedik.

Ezért, használat után mindig csukja be az ajtót.

Fagyasztás

Ételek fagyasztása

A fagyasztó részt a  szimbólum jelzi.

Használhatja a készüléket friss ételek lefagyasztására, valamint előfagyasztott ételek tárolására.

Kérjük olvassa le az étel csomagolásán levő tárolásra vonatkozó ajánlásokat.

• Figyelem

Ne fagyasszon le szénsavas üdítőket, mert a palack szétrobbanhat, ha a folyadék megfagy.

Legyen óvatos az olyan fagyasztott termékekkel, mint pl. a színezett jégkockák.

Ne lépje túl 24 órán belül a készülék fagyasztókapacitását. Lásd a típus táblázatot.

Az étel minőségének megőrzése érdekében, a fagyasztást olyan gyorsan kell végrehajtani, amilyen gyorsan csak lehet.

Így nem lépi túl a fagyasztókapacitást és a fagyasztó hőmérséklete sem emelkedik.

• Figyelem

Mindig tartsa külön a mélyfagyasztott ételt a frissen behelyezett ételektől.

Ha meleg ételt szeretne mélyfagyasztani, a hűtőkompresszor addig működik, amíg az étel teljesen meg nem fagy. Ez ideiglenesen a hűtőrekesz túlzott lehűléséhez vezethet.

Ne aggódjon, ha nehezen tudja kinyitni a fagyasztó ajtaját, miután éppen becsukta azt. Ez a nyomáskülönbség miatt van, amely néhány perc múlva ismét lehetővé teszi az ajtó könnyű újrainyitását, mivel kiegyenlítődik.

Az ajtó becsukását követően egy vákuum hangot fog hallani. Ez teljesen normális jelenség.

Jégkocka-készítés

Töltse meg a jégkocka-tartót 3/4-ig vízzel és helyezze a fagyasztóba.

Miután a víz jéggé fagyott, kivetheti a jégkockákat.

Ne használjon a jég eltávolításához éles tárgyakat, pl. kést vagy villát. Ez ugyanis sérülésveszélyes.

Inkább hagyja felolvadni a jégkockákat vagy rövid időre mártsa meleg vízbe a jégkocka-tartó hátulját.

Fagyasztott étel tárolása

A mélyfagyasztott ételek rekeszt a ****** szimbólum jelzi.

A mélyfagyasztott ételek rekesz alkalmas előfagyasztott ételek tárolására. Az ajánlott tárolásért mindenkor figyelembe kell venni az étel csomagolásán meghatározottakat.

A készülék kiolvasztása

A túlzott jéglerakódás befolyásolja a fagyasztási teljesítményt.

Legalább évente kétszer engedje le a készüléket, illetve ha a jégfelrakódás vastagsága meghaladja a 7mm-t.

Akkor engedje le a készüléket, ha kevés étel van benne, vagy egyáltalán nincs benne semmi.

Vegye ki a mélyfagyasztott ételeket. Csomagolja be a mélyfagyasztott ételeket papírba vagy takaróba és tegye őket hideg helyre.

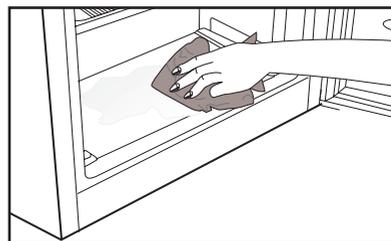
Áramtalanítsa vagy kapcsolja ki a árammegszakítót a leengedési folyamat elindításához.

Vegye ki a kiegészítőket (polcok, fiókok, stb.) a készülékből, és használjon megfelelő gyűjtőt a leolvadt víz összegyűjtésére.

Szükség esetén használjon szivacsot vagy puha törülkövendőt a leolvadt víz eltávolításához a fagyasztórekeszben

*** **** és fagyasztott-étel rekesz ******

Az ajtót hagyja nyitva a leolvasztás alatt.



A gyorsabb leengedés érdekében helyezzen meleg vízzel töltött edényt a készülékbe.

A jég eltávolítására soha ne használjon különböző spray-eket, éles tárgyakat, mint pl. kés vagy villa.

A leolvasztás után tisztítsa meg belülről.

Most már ismét csatlakoztathatja a készüléket a konnektorba. Tegye a fagyasztott ételeket a fiókba és csúsztassa a fiókot a fagyasztóba.

Hűtés

Ételek tárolása

A hűtőszekrény rekesze támogatja a friss ételek és italok rövidtávú tárolását.

A tejtermékeket tartsa az erre a célra kialakított rekeszben.

Az üvegeket az üvegtartóban vagy az ajtón található üvegpolcon tartsa.

A nyers húst polietilén zacskóban tárolja a rekeszben, a hűtő legalján.

Az italokat és meleg ételeket hagyja lehűlni szobahőmérsékletre, csak ezután rakja be a hűtőbe.

• Figyelem

Tömény alkoholt csak függőleges helyzetben tároljon, és az üveg kupakja legyen jól elzárva.

• Figyelem

Ne tároljon robbanásveszélyes anyagokat vagy éghető hajtógázokat (krémes dobozok, spray dobozok stb.) a készülékben.

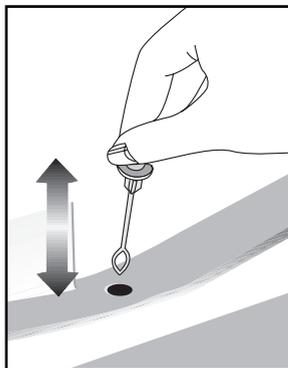
Robbanásveszélyes.

A készülék kiolvasztása

A hűtőrekesz automatikusan felenged. A kiolvasztott víz a lefolyócsőhöz fut egy a készülék hátulján található gyűjtőtartályon keresztül.

A leolvasztás során, a víz csöpöggető forma a hűtő hátoldalán gőzölöghet.

Ha nem minden csepp megy le, azok a leengedés után újra megfagynak. Távolítsa el azokat egy puha meleg vízzel megnedvesített törülközővel. Ne használjon éles vagy kemény tárgyakat.



6 Karbantartás és tisztítás

- ⚠ Tisztításhoz sose használjon benzint vagy hasonló szert.
- ⚠ Tisztítás előtt célszerű kihúzni a berendezést.
- ⚠ Soha ne használjon éles, csiszoló anyagot, szappant, háztartási tisztítót, tisztítószeret vagy viaszpolíturt a tisztításhoz.
- ⚠ A nem No Frost felszereltségű termékek esetében vízcseppek és ujjnyi vastagságú jég képződhet a hűtőtér hátsó falán. Ne tisztítsa le. Soha ne kenjen rá olajat vagy hasonló szereket.
- ⚠ Kizárólag enyhén nedves mikroszálás ruhát használjon a termék külső felületének tisztítására. A szivacsok és más típusú tisztító ruhák megkarcolhatják a felületet.
- ℹ Használjon langyos vizet a hűtő belsejének tisztításához, és törölje szárazra azt.
- ℹ A belső rész tisztításához mártson egy ruhát fél liter vízbe, amelyben feloldott egy teáskanál szódadikarbónát, csavarja ki, és törölje át vele a belsőt, majd törölje szárazra.
- ⚠ Ügyeljen rá, hogy ne kerüljön víz a lámpabúra alá ill. ne kerüljön kapcsolatba más elektromos résszel.
- ⚠ Ha a hűtőt hosszú ideig nem használják, húzza ki a konnektorból, távolítsa el minden élelmiszert, tisztítsa meg, és hagyja félig nyitva az ajtót.
- ℹ Rendszeresen ellenőrizze az ajtó tömítéseket, hogy meggyőződjön róla, hogy tiszták és ételmaradékoktól mentesek.
- ⚠ Az ajtópolcok eltávolításához vegyen ki onnan mindent, majd egyszerűen tolja fel az alapzatról.
- ⚠ A termék külső felületeinek és a krómbevonatos részek tisztításához soha ne használjon tisztítószereket vagy klórt tartalmazó vizet. A klór korróziót okoz az ilyen fémfelületeken.
- ⚠ Ne használjon éles vagy csiszoló hatású eszközöket, szappant, háztartási tisztítószereket, mosószereket, benzint, viaszt stb., mert a műanyag részekről lekopnak a nyomtatott minták és deformációt okoznak. Tisztítsa meg meleg vízzel és egy puha ruhával, majd törölje szárazra.

A műanyag felületek védelme

- ℹ Fedetlenül ne tegyen be olajat vagy olajban sült ételeket a hűtőbe, mert az olaj kárt tesz a hűtő műanyag részeiben. Amennyiben olaj kerül a műanyag felületekre, öblítse le és tisztítsa meg az adott részt langyos vízzel.

7 A problémák javasolt megoldása

Kérjük, mielőtt kihívná a szervizt, oldassa át a következő listát. Ezzel időt és pénzt takaríthat meg. Ez a lista azon gyakran előforduló panaszokat tartalmazza, melyek nem a hibás gyártásból vagy anyagokból erednek. Az itt ismertetett tulajdonságok közül nem mindegyik található meg az Ön készülékén.

A hűtőszekrény nem működik.

- A hűtőszekrény megfelelően be van dugva? Dugja be a dugót a fali aljzatba.
- Nem olvadt le a főbiztosíték vagy annak a konnektornak a biztosítéka, melyhez a hűtőszekrényt csatlakoztatta? Ellenőrizze a biztosítékot.

Lecsapódás található a fagyasztó oldalfalán (MULTIZONE, COOL CONTROL vagy FLEXI ZONE).

- Nagyon hideg környezeti körülmények. Az ajtó gyakori kinyitása és becsukása. Magas páratartalmú környezet. Olyan nyitott edényben lévő élelmiszer tárolása, mely folyadékot tartalmaz. Nyitva hagyta az ajtót. Állítsa hidegebbre a termosztátot.
- Csökkentse az időt, amíg az ajtó nyitva van, vagy használja kevesebbszer.
- A nyitott edényben tárolt élelmiszert fedje le egy megfelelő anyaggal.
- Egy száraz ruha segítségével törölje le a lecsapódást, majd ellenőrizze, hogy a hiba továbbra is fennáll-e.

A kompresszor nem működik

- A kompresszor biztosítéka hirtelen áramkimaradások esetén kiolvadt, illetve a folyamatos árammegszakítások után a hűtőszekrény hűtő rendszere még nem került egyensúlyba. A hűtőszekrény kb. 6 perc után fog bekapcsolni. Kérjük, hívja ki a szervizt, ha a hűtőszekrény ezután sem indulna el.
- A hűtőszekrény olvasztási ciklusban van. Ez egy teljesen automatikusan olvasztó hűtőszekrény esetében természetes. Az olvasztási ciklus megadott időközönként megy végbe.
- A hűtőszekrény nincs bedugva. Győződjön meg róla, hogy a dugó megfelelően csatlakozik-e a konnektorhoz.
- Megfelelőek a hőmérséklet beállítások?
- Lehet, hogy áramszünet van.

A hűtőszekrény gyakran vagy hosszú ideig működik.

- Lehet, hogy az új hűtőszekrény szélesebb, mint az előző. Ez teljesen normális jelenség. A nagyobb hűtőszekrények hosszabb ideig működnek.
- Lehet, hogy túl magas a szobahőmérséklet. Ez teljesen normális jelenség.
- előfordulhat, hogy a hűtőszekrény nem régen lett bedugva, vagy tele lett pakolva élelmiszerekkel. A hűtőszekrény lehűtése ezekben az esetekben néhány órával tovább tarthat.
- Nemrégiben nagy mennyiségű forró ételt helyezett a hűtőszekrénybe. A forró ételek hatására a hűtőszekrény tovább üzemel, míg az étel el nem éri a tárolási hőmérsékletet.
- Lehet, hogy az ajtók gyakran vagy hosszú ideig voltak kinyitva. Meleg levegő jutott a hűtőszekrénybe, melynek hatására a hűtőszekrény hosszabb ideig üzemel. Kevesebb alkalommal nyissa ki az ajtókat.
- A fagyasztó vagy a hűtő rész ajtaja lehet, hogy nyitva maradt. Ellenőrizze, hogy az ajtók megfelelően be vannak-e csukva.
- A hűtőszekrény nagyon alacsony hőmérsékletre lett állítva. Állítsa a hűtőszekrény hőmérsékletét magasabbra, és várja meg, míg eléri ezt a hőmérsékletet.
- A hűtő ajtajának szigetelése elképzelhető, hogy koszos, kopott, törött vagy nem megfelelően van behelyezve. Tisztítsa meg, vagy cserélje ki a szigetelést. A sérült/törött szigetelés hatására a tovább ideig működik annak érdekében, hogy fenn tudja tartani az aktuális 22

A fagyasztó hőmérséklete túl alacsony, miközben a hűtő hőmérséklete megfelelő.

- A fagyasztó nagyon alacsony hőmérsékletre lett állítva. Állítsa a fagyasztó hőmérsékletét magasabbra, és ellenőrizze.

A hűtő hőmérséklete túl alacsony, miközben a fagyasztó hőmérséklete megfelelő.

- Lehet, hogy a hűtő nagyon alacsony hőmérsékletre lett állítva. Állítsa a hűtő hőmérsékletét magasabbra, és ellenőrizze.

A hűtő fiókjában tartott élelmiszerek magfagynak.

- Lehet, hogy a hűtő nagyon alacsony hőmérsékletre lett állítva. Állítsa a hűtő hőmérsékletét magasabbra, és ellenőrizze.

A hűtő vagy a fagyasztó hőmérséklete nagyon magas.

- Lehet, hogy a hűtő nagyon magas hőmérsékletre lett állítva. A hűtő hőmérséklete hatással van a fagyasztó hőmérsékletére. Módosítsa úgy a hűtő és a fagyasztó hőmérsékletét, hogy ezek elérjék a kívánt szintet.
- Lehet, hogy az ajtó gyakran vagy hosszú ideig volt kinyitva; ritkábban nyitogassa az ajtót.
- Lehet, hogy nyitva felejtette az ajtót; csukja be megfelelően az ajtót.
- Nemrégiben nagy mennyiségű forró ételt helyezett a hűtőszekrénybe. Várjon, amíg a hűtő vagy a fagyasztó el nem éri a kívánt hőmérsékletet.
- Lehet, hogy a hűtőszekrény nemrég lett bedugva. A hűtőszekrény teljes lehűtése eltart egy ideig.

<p>A működés zaj a hűtő működése közben egyre hangosabb.</p>	<p>Pára jelenik meg a hűtőszekrény külső részén vagy az ajtók közt.</p>
<ul style="list-style-type: none"> • A hűtőszekrény működési teljesítménye a környezeti hőmérséklet változásának függvényében változik. Ez teljesen normális, nem utal hibára. 	<ul style="list-style-type: none"> • Elképzelhető, hogy pára van a levegőben; párás időben ez teljesen normális. Ha a páratartalom kevesebb lesz, a kondenzáció eltűnik.
<p>Rezgés vagy zaj.</p>	<p>Kellemetlen szag érezhető a hűtőben.</p>
<ul style="list-style-type: none"> • A padló nem egyenes vagy gyenge. A hűtő a lassú mozgás miatt ad ki hangot. Győződjön meg róla, hogy a padló elég erős-e ahhoz, hogy elbírja a hűtőszekrényt. • A zajt a hűtőszekrény tetejére helyezett tárgyak is okozhatják. Távolítsa el a hűtőszekrény tetején lévő tárgyakat. 	<ul style="list-style-type: none"> • A hűtőszekrény belső tisztításra szorul. Egy szivacs, langyos víz vagy szóda segítségével tisztítsa meg a hűtőszekrény belső részét. • A szagot lehet, hogy az edények vagy csomagolóanyag okozza. Használjon másik edényt, vagy más gyártótól származó csomagolóanyagot.
<p>A hűtőszekrényből csöpögéshez vagy fúvásához hasonló hangot hallani.</p>	<p>Az ajtó nem zárul be.</p>
<ul style="list-style-type: none"> • A hűtőszekrény működésének megfelelő folyadék vagy gázáramlás történik. Ez teljesen normális, nem utal hibára. 	<ul style="list-style-type: none"> • Az élelmiszerek csomagolásai megakadályozhatják az ajtó becsukását. Távolítsa el azokat a csomagokat, melyek akadályozzák az ajtót.
<p>Szélfúvásához hasonló hangot hallani.</p>	<ul style="list-style-type: none"> • A hűtőszekrény nem áll teljesen egyenesen, és mozgatásra billeg. Állítsa be a szintbeállító csavarokat.
<ul style="list-style-type: none"> • A ventilátorok működnek. Ez teljesen normális, nem utal hibára. 	<ul style="list-style-type: none"> • A padló nem egyenes vagy nem elég erős. Győződjön meg róla, hogy a padló egyenes-e, illetve elég erős-e ahhoz, hogy elbírja a hűtőszekrényt.
<p>Kondenzáció a hűtőszekrény belső falain.</p>	<p>A rács beragadt.</p>
<ul style="list-style-type: none"> • A meleg vagy párás levegő növeli a jégképződést és a kondenzációt. Ez teljesen normális, nem utal hibára. • Elképzelhető, hogy nyitva hagyta az ajtót; győződjön meg róla, hogy csukja be teljesen az ajtót. • Lehet, hogy az ajtó gyakran vagy hosszú ideig volt kinyitva; ritkábban nyitogassa az ajtót. 	<ul style="list-style-type: none"> • Az élelmiszer lehet, hogy hozzáér a fiók tetejéhez. Rendezze át az élelmiszereket a fiókban.
	<p>Ha A Termék Felülete Forró.</p>
	<ul style="list-style-type: none"> • A termék működése közben magas hőmérséklet figyelhető meg a két ajtó között, az oldalsó paneleken és a hátsó grillnél. Ez nem rendellenes jelenség és nem igényel szerviz karbantartást! Legyen óvatos, amikor megérinti ezeket a területeket.

NYILATKOZAT / FIGYELMEZTETÉS

Néhány (egyszerű) hibát a végfelhasználó is elháríthat anélkül, hogy bármilyen biztonsági kérdés vagy nem biztonságos használat merülne fel, feltéve, hogy azokat az itt meghatározott utasításoknak megfelelően hajtja végre (lásd: „Önállóan elvégezhető javítások” c. részt).

Hacsak az „Önállóan elvégezhető javítások” c. részben másképpen meghatározásra nem került, a javításokat regisztrált szakszervezeteknek kell elvégezni a biztonsági problémák elkerülése érdekében. Regisztrált szakszerviznek számít az a szerviz, akinek a gyártó a 2009/125/EK irányelv mentén megalkotott törvényi rendelkezések alapján hozzáférést biztosít a különböző utasításokhoz és pótalkatrészlistákhoz.

A garanciális feltételeknek megfelelően azonban csak az a szervizszolgáltató (pl.: hivatalos szakszerviz) nyújthat szolgáltatást, aki a felhasználói kézikönyvben/jótállási jegyen feltüntetett telefonszámon, vagy a hivatalos márkakereskedőn keresztül elérhető. Ezért kérjük, vegye figyelembe, hogy egyéb szervizek (akiket a Beko nem hagyott jóvá) által elvégzett javítások miatt a garancia érvényét veszti.

Önállóan elvégezhető javítások

A felhasználó a következő alkatrészek javítását végezheti el saját maga: ajtónyitó fogantyúk, ajtózsanérok, tálcák, kosarak és ajtó tömitések (a frissített lista a support.beko.com oldalon érhető el 2021. március 1-től).

Ezen felül, a termék biztonságának biztosítása és a súlyos sérülések elkerülése érdekében az említett önállóan elvégezhető javításokat a felhasználói útmutató vonatkozó részében feltüntetettek szerint kell elvégezni, amely elérhető a(z): support.beko.com-ben/-ban. A saját biztonsága érdekében az önállóan elvégezhető javítások előtt válassza le a terméket az elektromos hálózatról.

A végfelhasználók által az ilyen listán nem szereplő alkatrészek javítása és javítási kísérlete és/vagy a(z) support.beko.com-ben/-ban elérhető használati útmutatókban szereplő utasítások be nem tartása miatt, biztonsági kérdések merülnek fel, amelyek nem róhatók fel a Beko-nak/-nek, és a termék garanciája megszűnik.

Ezért javasolt, hogy a végfelhasználók ne kísérleljék meg az említett alkatrészlistán kívül eső alkatrészek javítását, ilyen esetekben vegyék fel a kapcsolatot a szakszervezetekkel vagy a regisztrált szakemberekkel. A végfelhasználók által végrehajtott ilyen kísérletek biztonsági problémákat okozhatnak, a termék károsodhat, amely tűzhöz, csőtöréshez, áramütéshez és egyéb súlyos személyi sérüléshez vezethet.

A nem kizárólagos listán példaként felsorolt alkatrészek javítását hivatalos márkaszervizzel vagy regisztrált szakemberrel kell elvégeztetni: kompresszor, hűtőkör, fő panel, inverterpanel, kijelzőpanel, stb.

A gyártó/eladó nem vonható felelősségre, ha a végfelhasználó nem tartja be a fent leírtakat.

A megvásárolt hűtőbereni alkatrészeinek rendelkezésre állása 10 év.

Ezen idő alatt, a hűtőbereni megfelelő üzemelése érdekében, biztosítjuk az eredeti cserealkatrészeket.

A megvásárolt hűtőberendezésre vonatkozó minimum garancia 24 hónap.

A termék „G” energiaosztályú fényforrással van felszerelve.

A termékben lévő fényforrást csak szakszerviz cserélheti ki.

Molimo prvo pročitajte ovaj priručnik!

Poštovani kupci,

Nadamo se da će vam naš proizvod, proizveden u suvremenim postrojenjima i provjeren po strogim procedurama kontrole kvalitete, pružiti učinkovit rad.

Zbog toga vam preporučujemo da pažljivo pročitate cijeli priručnik proizvoda prije uporabe te da ga čuvate na pristupačnom mjestu zbog buduće uporabe.

Ovaj priručnik

- Će vam pomoći da koristite svoj uređak brzo i sigurno.
- Pročitajte priručnik prije instaliranja i rada s vašim proizvodom.
- Slijedite upute, posebno one vezane za sigurnost.
- Ćuvajte priručnik na lako dostupnom mjestu jer bam može zatrebati kasnije.
- Osim toga, također pročitajte druge dokumente dostavljene s vašim proizvodom.

Molimo imajte na umu da ovaj priručnik može vrijediti i za druge modele.

Simboli i njihovi opisi

Ovaj korisnički priručnik sadrži sljedeće simbole:

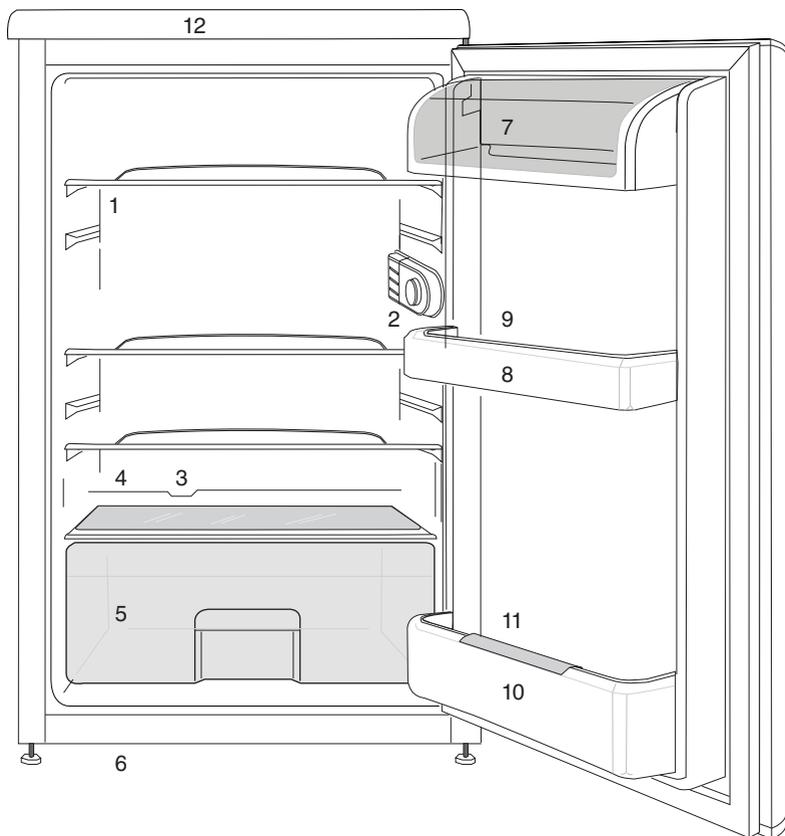
-  Važne informacije ili korisni savjeti za uporabu.
-  Upozorenja protiv opasnosti po život i imovinu.
-  Upozorenje protiv električnog napona.

 PODACI	
	
<small>SUPPLIER'S NAME</small> 	<small>MODEL IDENTIFIER (*)</small> 
<small>Podaci o modelu pohranjeni u bazi podataka o proizvodu mogu se dobiti unosom sledeće mrežne stranice i pretragom po identifikacionom broju vašeg modela (*) koji se nalazi na oznaci potrošnje električne energije.</small>	
<small>https://eprel.ec.europa.eu/</small>	

SADRŽAJ

1 Vaš hladnjak	3	4 Priprema	12
2 Važna sigurnosna upozorenja	4	Prilagođavanje nogu 13	
Predviđena namjena 4		Mijenjanje smjera otvaranja vrata 14	
Za proizvode s raspršivačem za vodu; 8		5 Uporaba vašeg hladnjaka	15
Sigurnost djece 8		Zamrzavanje 15	
Usklađenost s Direktivom o električnom i elektroničkom opremom (WEEE) i zbrinjavanju otpada: 8		Zamrzavanje hrane 15	
Usklađenost s Direktivom o zabrani uporabe određenih opasnih tvari u električnoj i elektroničkoj opremi (RoHS): 8		Priprema kockica leda 16	
Upozorenje za HC 9		Pohrana smrznute hrane 16	
Stvari koje se trebaju uraditi za uštedu energije 9		Odmrzavanje uređaja 16	
3 Instalacija	10	Hlađenje 17	
Stvari kojih se treba pridržavati kod ponovnog transporta vašeg hladnjaka 10		Spremanje hrane 17	
Prije uključivanja vašeg hladnjaka 10		Odmrzavanje uređaja 17	
Električno spajanje 10		6 Održavanje i čišćenje	18
Odlaganje pakiranja 11		Zaštita plastičnih površina 18	
Odlaganje stalnog hladnjaka 11		7 Preporučena rješenja za probleme	19
Postavljanje i instalacija 11			

1 Vaš hladnjak



- | | |
|--|-----------------------------------|
| 1. Pomične police | 7. Pretinac za mliječne proizvode |
| 2. Unutarnje svjetlo i tipka termostata | 8. Police vrata |
| 3. Kanal za skupljanje otopljene vode –
crijevo za odvodnju | 9. Polica za jaja |
| 4. Poklopac odjeljika za povrće | 10. Police za boce |
| 5. Odjeljak za povrće | 11. Držać boca |
| 6. Prilagodljive prednje nožice | 12. Gornji okvir |

i Slike koje se nalaze u ovom priručniku su shematske i možda se ne ogovaraju u potpunosti vašem proizvodu. Ako dijelovi naslova nisu sadržani u proizvodu koji ste kupili, on vrijedi za ostale modele.

2 Važna sigurnosna upozorenja

Molimo pregledajte sljedeće informacije. Nepridržavanje ovih informacija može uzrokovati ozljede ili materijalnu štetu. U suprotnom će sva upozorenja i obveze za pouzdanost postati nevaljane.

Originalni rezervni dijelovi bit će dostupni 10 godina od datuma kupovine proizvoda.

Predviđena namjena

	UPOZORENJE: Ventilacijski otvori uređaja trebaju biti u kućištu ili unutar ugradbene strukture, te ne smije biti prepreka.
	UPOZORENJE: Ne koristite mehaničke uređaje ili druga sredstva za ubrzanje postupka odmrzavanja, osim onih koje je preporučio proizvođač.
	UPOZORENJE: Nemojte oštetiti sklop rashladnog sredstva.
	UPOZORENJE: Ne koristite električne uređaje unutar odjeljaka za čuvanje hrane u uređaju, osim ako nisu tip koji je preporučio proizvođač.
	UPOZORENJE: Nemojte spremati eksplozivne supstance kao što su kantice sa sprejem sa zapaljivim pogonskim sredstvom u ovaj uređaj.

Ovaj uređaj namijenjen je uporabi u kućanstvu te za primjenu u prostorima poput:

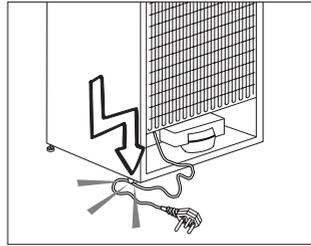
- kuhinja za osoblje, u trgovinama, uredima i drugim radnim okruženjima;
- od strane gostiju u hotelima, motelima ili drugim vrstama sličnih uslužnih objekata;
- u uslužnim objektima poput pansiona.
- za cetering i slične primjene različite od maloprodaje.

Opća sigurnost

- Kad budete željeli odložiti uređaj, preporučujemo da konzultirate ovlaštenu servis da biste saznali potrebne informacije i ovlaštena tijela.
- Konzultirajte se s ovlaštenim servisom za sva pitanja i probleme vezane za hladnjak. Nemojte intervenirati ili dopustiti da netko intervenira na hladnjaku bez prethodnog obavještanja ovlaštenih servisa.
- Za proizvode u odjeljku škrinje; Ne jedite kornete sladoleda i kockice leda odmah nakon vađenja kad ih izvadite iz odjeljka hladnjaka! (To može uzrokovati ozljede od hladnoće u vašim ustima.)
- Za proizvode s odjeljkom sa škrinjom; ne stavljajte tekućinu u bocama i konzervama u odjeljak škrinje. U suprotnom bi mogli puknuti.

- Ne dodirujte smrznutu hranu rukom; može vam se zalijepiti za ruku.
- Isključite svoj hladnjak prije čišćenja ili odmrzavanja.
- Para i raspršujuća sredstva za čišćenje se nikada ne smiju koristiti tijekom postupka čišćenja i odmrzavanja u vašem hladnjaku. U takvim slučajevima, para može doći u kontakt s električnim dijelovima i uzrokovati kratki spoj ili strujni udar.
- Nikada ne koristite dijelove vašeg hladnjaka, kao što su vrata, za pridržavanje ili za stajanje na njima.
- Ne koristite električne uređaje unutar hladnjaka.
- Ne oštećujte dijelove gdje cirkulira rashladno sredstvo pomoću alata za bušenje ili rezanje. Rashladno sredstvo koje može eksplodirati kad se plinski kanali isparivača, produžetka cijevi ili površinskih premaza probuše, može uzrokovati iritaciju kože i ozljede oka.
- Ne pokrivajte i ne blokirajte otvore za ventilaciju na vašem hladnjaku bilo kakvim materijalom.
- električne aparate smiju popravljati samo ovlaštene osobe. Popravke koje izvrše nestručne osobe mogu predstavljati rizik za korisnika.
- U slučaju bilo kakvog kvara tijekom održavanja ili popravke, otpojite hladnjak s napajanja ili isključivanjem odgovarajućeg osigurača ili isključivanjem vašeg uređaja iz struje.
- Kod isključivanja utikača, nemojte povlačiti za kabel.
- Pića s visokim udjelom alkohola potrebno je pravilno spremiti, u uspravnom položaju i s čvrsto zatvorenim poklopcem.
- Nikada ne držite konzerve sa sprejevima koji sadrže zapaljive i eksplozivne tvari u hladnjaku.
- Ne koristite mehaničke uređaje ili druge načine za ubrzavanje procesa topljenja, osim onih koje preporuča proizvođač.
- Ovaj uređaj nije namijenjen uporabi od strane osoba s fizičkim osjetilnim ili mentalnim nedostacima ili osoba bez znanja ili iskustva (uključujući djecu), osim ako su pod nadzorom osobe koja će biti odgovorna za njihovu sigurnost ili koja će ih valjano uputiti o uporabi proizvoda.
- Ne uključujte oštećeni hladnjak. Konzultirajte se sa serviserom ako imate bilo kakvih nedoumica.
- Za električnu sigurnost vašeg hladnjaka se jamči samo ako je uzemljenje u vašoj kući u skladu sa standardima.
- Izlaganje proizvoda kiši, snijegu, suncu i vjetru je opasno u pogledu električne sigurnosti.

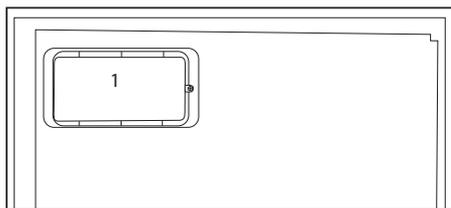
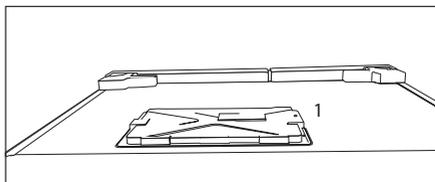
- Kad je oštećen kabel, javite se ovlaštenom servisu da izbjegnute opasnost.
- Nikada ne uključujte hladnjak u zidnu utičnicu tijekom instalacije. Inače može doći do opasnosti po život ili ozbiljne ozljede.
- Hladnjak je namijenjen samo držanju hrane. Ne smije se koristiti u bilo koje druge svrhe.
- Najljepnica s tehničkim specifikacijama se nalazi na lijevoj stijenci unutar hladnjaka.
- Nikada ne spajajte hladnjak na sustave za uštedu energije; oni mogu oštetiti hladnjak.
- Ako na hladnjaku postoji plavo svjetlo, nemojte gledati u plavo svjetlo optičkim alatima.
- Za hladnjake kojima se upravlja manualno, sačekajte bar 5 minuta da biste uključili hladnjak nakon nestanka el. energije.
- Ukoliko se uređaj da nekom drugom, korisnički priručnik se mora predati novom vlasniku.
- Pazite da ne oštetite kabel kod prijevoza hladnjaka. Presavijanje kabela može uzrokovati požar. Nikada ne stavljajte teške predmete na kabel napajanja. Ne dodirujte utikač mokrim rukama kad uključujete uređaj.



- Pri postavljanju aparata pazite da kabel za napajanje nije zarobljen ili oštećen.
- Ne postavljajte više prijenosnih utičnica ili prijenosnih napajanja na stražnjoj strani uređaja.
- Djeci u dobi od 3 do 8 godina dopušteno je puniti i prazniti rashladne uređaje.
- Kako biste izbjegli kontaminaciju hrane, molimo vas da se pridržavate sljedećih uputa:
- Otvaranje vrata na dulje vrijeme može uzrokovati značajno povećanje temperature u odjeljcima uređaja.
- Redovito čistite površine koje mogu doći u dodir s hranom i pristupačnim sustavima odvodnje.
- Očistite spremnike vode ako nisu korišteni 48 sati; isperite sustav za vodu povezan na dovod vode ako voda nije korištena 5 dana.
- Suho meso i ribu čuvajte u prikladnim posudama u hladnjaku, tako da ne bude u dodiru s drugim hranom ili ne kapaju na drugu hranu.
- Odjeljci s zamrznutom hranom s dvije zvjezdice prikladni

su za spremanje prethodno zamrznute hrane, skladištenje ili izradu sladoleda i pripremu kockica leda.

- Odjeljci s jednom, dvije ili tri zvjezdice nisu pogodni za zamrzavanje svježe hrane.
- Ako je uređaj za hlađenje ostavljen prazan dulje vrijeme, isključite ga, odmrznite, očistite, osušite i ostavite otvorena vrata kako bi se spriječilo stvaranje plijesni unutar uređaja.
- Ne uključujte hladnjak ako je električna utičnica labava.
- Voda se ne smije špricati izravno na unutarnje ili vanjske dijelove proizvoda zbog sigurnosnih razloga.
- Nemojte špricati tvari koje sadrže zapaljive plinove kao što je propan blizu hladnjaka da biste izbjegli opasnost od požara i eksplozije.
- Nikada na hladnjak ne stavljajte posude s vodom, jer inače mogu uzrokovati električni udar ili požar.
- Nemojte prepuniti hladnjak s previše hrane. Ako se prepuni, hrana može pasti i ozlijediti vas kad otvorite vrata. Nikad ne stavljajte predmete na hladnjak, inače ti predmeti mogu pasti kad otvarate ili zatvarate vrata hladnjaka.
- Proizvodi za koje je potrebna precizna kontrola temperature, cjepiva, lijekovi osjetljivi na toplinu, znanstveni materijali, itd. se ne smiju držati u hladnjaku.
- Ako se neće koristiti dulje vrijeme, hladnjak se treba isključiti. Mogući problem na kabelu napajanja može uzrokovati požar.
- Hladnjak se može pomaknuti ako podesive noge nisu pravilno pričvršćena na podu. Pravilno pričvršćivanje podesivih nogu na podu može spriječiti pomicanje hladnjaka.
- Kad nosite hladnjak, nemojte ga držati za ručku vrata. U suprotnom, može puknuti.
- Kad morate staviti svoj proizvod pored drugog hladnjaka ili škrinje, udaljenost između uređaja treba biti najmanje 8 cm. U suprotnom, susjedne bočne stjenke se mogu navlažiti.
- Nikad ne koristite proizvod ako dio koji se nalazi na vrhu ili poleđini proizvoda ima elektroničke tiskane pločice unutar otvora (poklopac elektroničke tiskane pločice)(1).



Za proizvode s raspršivačem za vodu;

- Tlak na ulaznom otvoru hladne vode treba biti maksimalno 90 psi (620 kPa). Ako tlak vode premaši (550 kPa) tada na cijevima za opskrbu vodom koristite tlačno-granični ventil. Ako ne znate kako provjeriti tlak vode tada potražite pomoć kod profesionalnog vodoinstalatera.
- Ako u instalacijama postoji opasnost od efekta vodenog udara tada u instalacijama uvijek koristite opremu za sprječavanje vodenog udara. Posavjetujte se s profesionalnim vodoinstalaterom ako niste sigurni postroji li efekt vodenog udara u instalacijama.
- Ne instalirajte na ulaznom otvoru za vruću vodu. Poduzmite mjere opreza zbog opasnosti od zamrzavanja cijevi. Radni interval temperature vode treba biti minimalno 33°F (0.6°C) i maksimalno 100°F (38°C).
- Koristite samo pitku vodu.

Sigurnost djece

- Ako vrata imaju bravu, ključ se treba držati podalje od dosega djece.
- Djeca moraju biti pod nadzorom da bi se spriječilo neovlašteno korištenje proizvoda.

Usklađenost s Direktivom o električnoj i elektroničkoj opremi (WEEE) i zbrinjavanju otpada:



Ovaj proizvod usklađen je EU Direktivom WEEE (2012/19/EU). Ovaj proizvod nosi lasifikacijsku oznaku za električni i elektronski otpad (WEEE).

Ovaj je proizvod proizveden s visokokvalitetnim dijelovima i materijalima koji se mogu ponovno upotrijebiti i prikladni su za reciklažu. Ne odlažite otpadne uređaje s normalnim otpadom iz kućanstva i drugim otpadom na kraju servisnog vijeka. Odnosite ga u sabirni centar za recikliranje električne i elektroničke opreme. Obratite se lokalnim vlastima da biste saznali više informacija o sabirnim centrima.

Usklađenost s Direktivom o zabrani uporabe određenih opasnih tvari u električnoj i elektroničkoj opremi (RoHS):

Proizvod koji ste kupili usklađen je s EU Direktivom RoHS (2011/65/EU). Ne sadrži štetne i zabranjene materijale navedene u Direktivi.

Podaci o pakiranju Ambalažni materijali proizvoda proizvedeni su od reciklirajućih materijala sukladno našim nacionalnim propisima o zaštiti okoliša. Ambalažne materijale ne odlažite skupa s kućnim ili drugim otpadom. Odnosite ih u sabirne centre ambalažnog otpada koje su odredile lokalne vlasti.

Upozorenje za HC

Ako rashladni sustav vašeg uređaja sadrži R600a:

Ovaj plin je zapaljiv. Zato pazite da tijekom uporabe i transporta ne oštetite sustav za hlađenje i cijevi. U slučaju oštećenja, držite uređaj podalje od potencijalnog izvora plamena koji može dovesti do toga da uređaj zapali, te prozračujete sobu u kojoj se nalazi uređaj.

Ignorirajte ovo upozorenje ako rashladni sustav vašeg uređaja sadrži R134a.

Vrsta plina koja se koristi u proizvodu je navedena na tipskoj pločici koja je na lijevoj stijenci unutar hladnjaka.

Nikada kod odlaganja ne bacajte uređaj u vatru.

uklonjena policica ili ladica škrinje i pod maksimalnim opterećenjem. Ne postoji opasnost od uporabe police ili ladice prema oblicima i veličinama hrane koja će biti zamrznuta.

- Topljenje smrznute hrane u odjeljku hladnjaka će osigurati uštedu energije u sačuvati kvalitetu hrane.

Stvari koje se trebaju uraditi za uštedu energije

- Ne ostavljajte vrata vašeg hladnjaka otvorena dulje vrijeme.
- Ne stavljajte toplu hranu ili pića u hladnjak.
- Nemojte prepuniti hladnjak tako da se ne sprječava cirkuliranja zraka u unutrašnjosti.
- Ne postavljajte vaš hladnjak izravno na sunčevu svjetlost ili blizu uređaja koji emitiraju toplinu kao što su pećnice, perilice suđa ili radijatori.
- Pazite da držite svoju hranu u zatvorenim posudama.
- Za uređaje s odjeljkom škrinje; možete spremiti maksimalnu količinu hrane u škrinju kad uklonite policu ili ladice škrinje. Vrijednost potrošnje energije koja je navedena za vaš hladnjak je određena tako da je

3 Instalacija

⚠ Molimo imajte na umu da se proizvođač neće smatrati odgovornim ukoliko se ne budete pridržavali informacija navedenih u korisničkom priručniku.

Stvari kojih se treba pridržavati kod ponovnog transporta vašeg hladnjaka

1. Vaš hladnjak mora biti ispražnjen i očišćen prije bilo kakvog transporta.
2. Police, dodaci, odjeljak za povrće itd. u vašem hladnjaku moraju biti čvrsto pričvršćeni ljepljivom trakom zbog treskanja prije ponovnog pakiranja.
3. Pakiranje se mora pričvrstiti ljepljivom trakom i mora se pridržavati pravila o transportu ispisanih na pakiranju.

Molimo ne zaboravite...

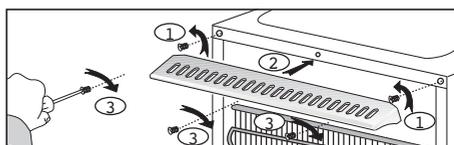
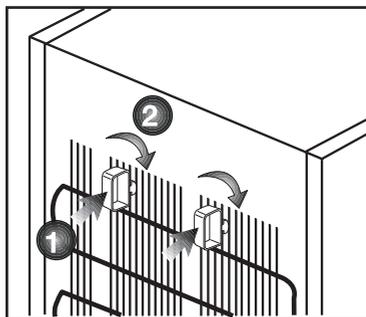
Svaki reciklirani materijal je nezamjenjiv izvor za prirodu i za naše nacionalne izvore.

Ako želite pridonijeti reciklaži materijala pakiranja, možete dobiti dodatne informacije od ureda za okoliš ili lokalnih vlasti.

Prije uključivanja vašeg hladnjaka

Prije početka uporabe vašeg hladnjaka provjerite sljedeće:

1. Je li unutrašnjost hladnjaka suha i može li zrak slobodno cirkulirati sa stražnje strane?
2. Prednji krajevi hladnjaka mogu biti topli na opip. To je normalno. Ova područja su napravljena da budu topla da bi se se izbjegla kondenzacija. Možete postaviti 2 plastična klina kako je prikazano na



slici. Plastični klinovi će dati osigurati potrebnu udaljenost između vašeg hladnjaka i zida da bi se omogućilo cirkuliranje zraka. (Slika s ilustracijom je samo primjer i ne odgovara u potpunosti vašem proizvodu.)

3. Čut ćete buku kad kompresor počne raditi. Tekućine i plinovi zabrtvljeni u rashladnom sustavu također mogu stvarati buku, čak i kad kompresor ne radi i to je potpuno normalno.
4. Prednji krajevi hladnjaka mogu biti topli na opip. To je u normalno. Ova područja su napravljena da budu topla da bi se se izbjegla kondenzacija.

Električno spajanje

Spojite svoj proizvod u uzemljenu utičnicu koja je zaštićena osiguračem odgovarajućeg kapaciteta.

Važno:

- Spoj mora biti u skladu s nacionalnim zakonskim odredbama.

- Kabel napajanja mora biti lako dostupan nakon postavljanja.
- Navedeni napon mora biti jednak naponu el. energije.
- Produžni kabeli i razvodnici se ne smiju koristiti za spajanje.

 Oštećeni kabel napajanja mora zamijeniti kvalificirani električar.

 Proizvod ne smije raditi prije popravke! Postoji opasnost od električnog udara!

Odlaganje pakiranja

Materijali pakiranja mogu biti opasni za djecu. Čuvajte materijale pakiranja dalje od dohvata djece ili ih odložite svrstavanjem u skladu s uputama o odlaganju. Nemojte ih odlagati s normalnim otpadom iz kućanstva.

Pakiranje vašeg hladnjaka je proizvedeno od recikliranih materijala.

Odlaganje stalnog hladnjaka

Odlaganje vašeg starog stroja bez štete za okoliš.

- O odlaganju vašeg hladnjaka se možete konzultirati s vašim ovlaštenim dobavljačem ili centrom za sakupljanje otpada u vašoj općini.

Prije odlaganja vašeg hladnjaka, odrežite električni utikač i, ukoliko postoje bilo kakve brave na vratima, onesposobite ih da biste zaštitili djecu od bilo kakve opasnosti.

Postavljanje i instalacija

 Ako ulaz u prostoriju gdje će biti postavljen hladnjak nije dovoljno širok da hladnjak kroz njega prođe, pozovite ovlaštenu servis da skine vrata vašeg hladnjaka tako da kroz vrata prođe bočno.

1. Instalirajte vaš hladnjak na mjesto koje dopušta laku uporabu.
2. Držite vaš hladnjak podalje od izvora topline, vlažnih mjesta i direktne sunčeve svjetlosti.
3. Da bi se postigao učinkoviti rad, oko vašeg hladnjaka mora postojati odgovarajuća ventilacija. Ako se hladnjak treba postaviti u otvor u zidu, mora postojati udaljenost najmanje 5 cm od plafona i 5 cm od zida.
4. Ako je pod prekriven tepihom, vaš uređaj mora biti podignut od poda 2.5 cm. Stavite svoj hladnjak na ravnu površinu poda da biste spriječili udarce.

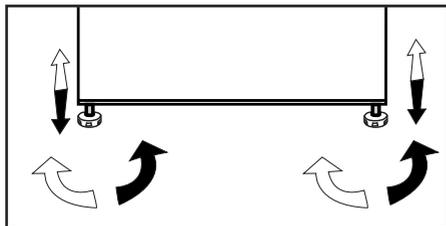
4 Priprema

- Za samostojeći uređaj; „Ovaj rashladni uređaj nije predviđen da se koristi kao ugradni uređaj“;
- Vaš hladnjak se treba postaviti najmanje 30 cm od izvora topline kao što su plamenici, pećnice, grijalice i štednjaci i najmanje 5 cm dalje od električnih pećnica te se ne smiju stavljati na direktnu sunčevu svjetlost.
- sobna temperatura u prostoriji u koju postavite hladnjak treba biti najmanje 10°C. Rad vašeg hladnjaka u hladnijim uvjetima od navedenih se ne preporuča vezano za učinkovitost.
- Pazite da se unutrašnjost vašeg hladnjaka temeljito čisti.
- Ako se dva hladnjaka trebaju instalirati jedan do drugog, između njih treba postojati razmak od najmanje 2 cm.
- Kada prvi put uključite hladnjak, molimo pridržavajte se sljedećih uputa tijekom prvih šest sati.
- Vrata se ne smiju često otvarati.
- Mora raditi prazan, bez ikakve hrane u njemu.
- Ne isključujte vaš hladnjak. Ako dođe do nestanka el. energije na koji ne možete utjecati, molimo pogledajte upozorenja u dijelu "Preporučena rješenja problema".
- Originalno pakiranje i materijali od pjene se trebaju čuvati zbog budućeg transporta ili selidbe.

Prilagođavanje nogu

Ako vaš hladnjak nije u ravnoteži;

Možete postaviti hladnjak u ravnotežu okretanjem prednjih nožica kako je prikazano na slici. kut gdje se nalaze noge je spušten kad okrenete u smjeru crne strelice a diže se kad okrenete u suprotnom smjeru. Ovaj postupak će biti lakši ako nekoga zamolite da malo podigne hladnjak.



Instalacija (ispod pulta)

- Unutrnja visina pulta treba biti 820 mm.(!) Štednjaci ili drugi izvori topline se ne smiju stavljati iznad pulta gdje je uređaj ugrađen ispod pulta.
- Strujna utičnica se treba nalaziti blizu na desnoj ili lijevoj strani uređaja.
- Uklonite gornji poklopac uređaja. Tu su 4 vijka (2 komada na stražnjoj strani, 2 komada ispod prednjeg ruba) koje se treba ukloniti.

(Slika 1)

- Odrežite dio prikazan na slici i zatim ga uklonite pomoću kliješta.
- Stavite uređaj ispod pulta i prilagodite prednje nožice dok vrh ne bude dodirivao pult.
- Da biste koristili proizvod ispod pulta, udaljenost ispod pulta, udaljenost između zida i reference označene na gornjem plastičnom sastavu mora biti najmanje 595 mm.

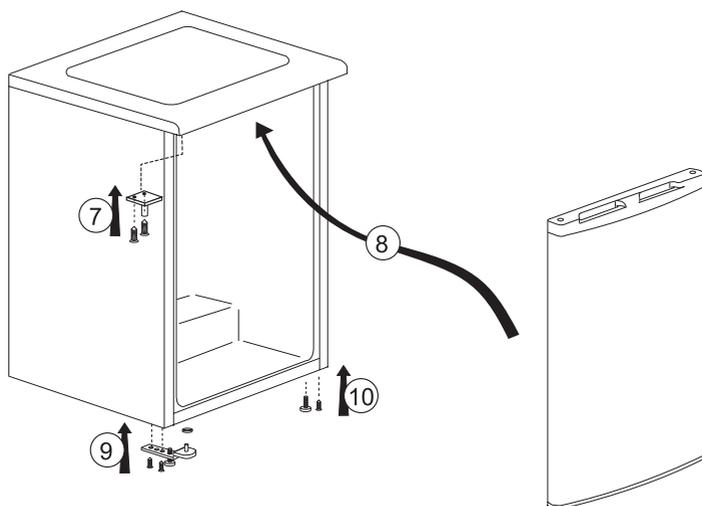
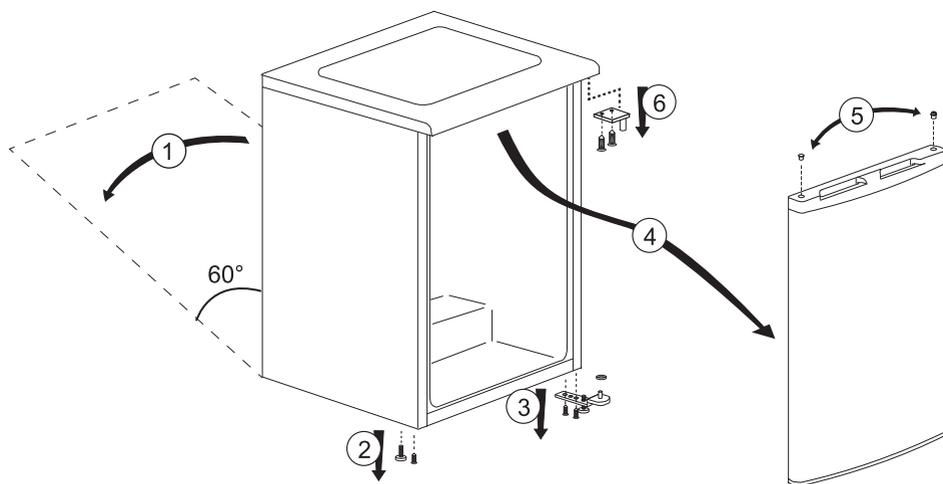
Slika. 2-3

- Učvrstite uređaj ispod pulta pomoću 2 vijka koja su skinuta s gornjeg poklopcu. (Korišteni materijal mora biti zasnovan na plastici ili drvu).

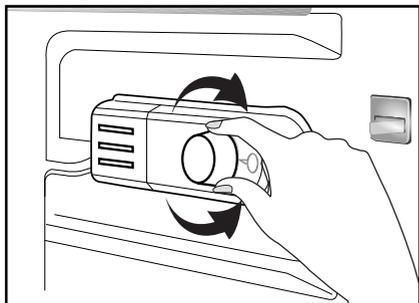
(Slika 4)

Mijenjanje smjera otvaranja vrata

Nastavite po rednim brojevima

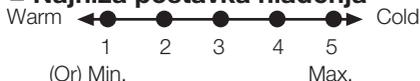


5 Uporaba vašeg hladnjaka



Temperatura rada se regulira tipkom za kontrolu temperature.

1 = Najniža postavka hlađenja



(najtoplija postavka)

5 = Najviša postavka hlađenja

(najhladnija postavka)

(li)

Min. = Najniža postavka hlađenja

(Najtoplija postavka)

Max. = Najviša postavka hlađenja

(Najhladnija postavka)

Prosječna temperatura unutar hladnjaka treba biti oko +5°C.

Molimo odaberite postavku prema željenoj temperaturi.

Mozete prekinuti rad Vašeg uređaja prilagođavanjem tipke termostata na položaj "0".

Molimo imajte na umu da će u prostoru za hlađenje biti različitih temperatura.

Najhladniji dio je odmah iznad odjeljka za povrće.

Unutarnja temperatura također ovisi o temperaturi okoline, učestalosti otvaranja vrata i količini hrane koja se nalazi unutra.

Često otvaranje vrata dovodi do rasta unutarnje temperature.

Zbog tog razloga, preporučamo zatvaranje vrata nakon uporabe što je češće moguće.

Zamrzavanje

Zamrzavanje hrane

Odjeljak za zamrzavanje hrane je označeno  ovim simbolom.

Možete koristiti uređaj za zamrzavanje svježije hrane kao i pohranu već smrznute hrane.

Molimo pogledajte preporuke dane na pakiranju Vaše hrane.

• Pažnja

Ne smrzavajte gazirana pića jer boca može eksplodirati kad je tekućina u njoj smrznuta.

Pazite sa zamrznutim proizvodima kao što su obojane kockice leda.

Nemojte prelaziti kapacitet zamrzavanja Vašeg aparata u 24 h. Pogledajte tipsku tablicu.

Da biste održali kvalitetu hrane, zamrzavanje se mora izvršiti što je brže moguće.

Zato, kapacitet zamrzavanja se ne smije prelaziti i unutarnja temperatura u škrinji neće porasti.

• Pažnja

Držite već smrznutu hranu odvojenu od svježije stavljene hrane.

Kad zamrzavate toplu hranu, kompresor hlađenja će raditi dok se hrana potpuno ne zamrzne. Ovo može

privremeno dovesti do pretjeranog hlađenja odjeljka za zamrzavanje.

Ako se vrata škrinje teško otvaraju odmah nakon što ste ih zatvorili, ne brinite se. To je zbog razlike tlaka koja se izjednačava i dopušta vratima da se normalno otvore nakon nekoliko minuta.

Čut ćete zvuk vakuuma odmah nakon zatvaranja vrata. To je u potpunosti normalno.

Priprava kockica leda

Ispunite posudu za led 3/4 vodom i stavite je u hladnjak.

Čim se voda pretvori u led, možete izvaditi kockice leda van.

Nikada ne koristite oštre predmete poput noževa ili vilica da biste izvadili kockice leda. Postoji opasnost od ozljede!

Pustite umjesto toga da se kockice leda malo odlede ili stavite na trenutak dno posude u toplu vodu.

Pohrana smrznute hrane

Odjeljak za zamrzavanje hrane je označeno  ovim simbolom.

Odjeljak sa smrznutom hranom je podesan za spremanje smrznute

hrane. Svo vrijeme se treba pridržavati preporuke za pohranu na pakiranju hrane.

Odmrzavanje uređaja

Pretjerano nakupljanje leda će utjecati na performanse zamrzavanja Vašeg uređaja.

Zato se preporuča da svoj uređaj odmrzavate bar dva puta godišnje, ili kad god se nakupi 7 mm leda.

Odmrzavajte svoj uređaj kad je u njemu malo hrane ili kad u njemu nema hrane.

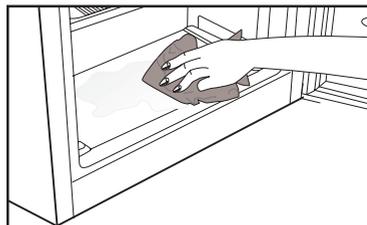
Izvadite zamrznutu hranu van. Zamotajte smrznutu hranu u nekoliko slojeva papira ili deku i držite na hladnom mjestu.

Isključite uređaj iz struje ili isključite sklopku da biste uključili postupak odmrzavanja.

Izvadite dodatke (kao što su police, ladica, itd.) iz uređaja i pomoću odgovarajućeg spremnika skupite vodu koja se topi.

Pomoću spužve ili meke krpe po potrebi uklonite vodu koja se topi u odjeljku za zamrzavanje  i smrznutu hranu . Držite vrata orvorena tijekom odmrzavanja.

Za brzo odmrzavanje, stavite spremnike s toplom vodom u uređaj.



Nikada nemojte koristiti električne aparate, sprejeve za odmrzavanje ili predmete s oštricom kao što su nozevi ili vilice da biste uklonili led.

Nakon odmrzavanja, očistite unutrašnjost.

Ponovno spojite uređaj u struju. Stavite smrznutu hranu u ladice i stavite ladice u hladnjak.

Hlađenje

Spremanje hrane

Odjeljak hladnjaka služi za kratkotrajnu pohranu svježe hrane i pića.

Mliječne proizvode držite u za to predviđenom pretincu u hladnjaku.

Boce se mogu držati u držaču za boce ili na policama za boce na vratima.

Svježe meso je najbolje držati u plastičnim vrećicama u pretincu na dnu hladnjaka.

Pustite da se hrana i piće ohlade na sobnu temperaturu prije nego ih stavite u hladnjak.

- **Pažnja**

Koncentrirani alkohol stavljajte samo uspravno i čvrsto zatvoren.

- **Pažnja**

Ne držite u uređaju eksplozivne tvari ili spremnike sa zapaljivim plinom (šlag u spreju, sprejevi, itd.)

Postoji opasnost od eksplozije.

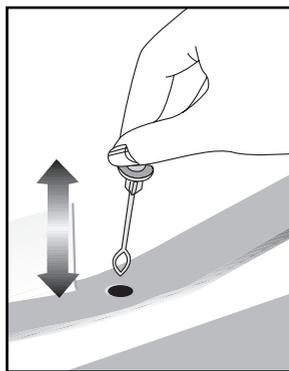
Odmrzavanje uređaja

Pretinac za zamrzavanje automatski odmrzava. Otopljena voda teče kroz kanal za odvodnju u spremnik za sakupljanje na stražnjem dijelu uređaja.

Tijekom odmrzavanja, na zadnjoj strani hladnjaka se formiraju kapi vode zbog isparivača.

Ako sve kapljice ne odu dolje, mogu se ponovno zamrznuti nakon dovršetka odmrzavanja. Uklonite ih mekom krpom smočenoj u toploj vodi. Ne koristite tvrde ili oštre predmete.

S vremena na vrijeme provjerite protok otopljene vode. Povremeno se može blokirati. Očistite to alatom za čišćenje cijevi ili sličnim sredstvom.



6 Održavanje i čišćenje

- ⚠ Nikada za čišćenje nemojte koristiti benzin ili slične materijale.
- ⚠ Savjetujemo da isključite uređaj iz struje prije čišćenja.
- ℹ Nikada za čišćenje nemojte koristiti oštre predmete ili abrazivne tvari, sapun, tekućinu za čišćenje kućanstva, deterdžent ili vosak za poliranje.
- ℹ Koristite mlaku vodu za čišćenje kutije hladnjaka i osušite ga krpom.
- ℹ Koristite ocijeđenu vlažnu krpu potopljenu u otopini jedne žličice sode bikarbone na pola litre vode da biste očistili unutrašnjost i osušite je krpom.
- ⚠ Pazite da voda ne uđe u kućište lampe i druge električne dijelove.
- ⚠ Ako se aparat neće koristiti dulje vrijeme, isključite ga, izvadite svu hranu, očistite ga i ostavite vrata otvorena.
- ℹ Provjeravajte brtve na vratima redovito da biste bili sigurni da su čisti i da na njima nema komadića hrane.
- ℹ Da biste skinuli police s vrata, izvadite sav sadržaj i tada jednostavno gurnite policu vrata gore iz osnove.
- ℹ Nikad ne upotrebljavajte sredstva za čišćenje ili vodu koja sadrži klor za čišćenje vanjskih površina ili kromiranih dijelova proizvoda. Klor uzrokuje koroziju na takvim metalnim površinama.

Zaštita plastičnih površina

- ℹ Ne stavljajte tekuće ulje ili jela kuhana na ulju u vaš hladnjak u nezatvorenim posudama jer oni mogu oštetiti plastične površine hladnjaka. U slučaju proljevanja ili razmazivanja ulja na plastičnim površinama, odmah očistite i isperite odgovarajuće dijelove površine toplom vodom.

7 Preporučena rješenja za probleme

Molimo provjerite popis prije zvanja servisa. To vam može uštedjeti vrijeme i novac. Popis sadrži česte reklamacije koje nisu posljedica oštećenja u proizvodnji ili uporabi. Neke od opisanih mogućnosti možda ne postoje na vašem proizvodu.

Hladnjak ne radi
<ul style="list-style-type: none">• Je li hladnjak pravilno uključen na napajanje? Uključite utikač u utičnicu u zidu.• Je li pregorio osigurač utičnice na koju je priključen vaš hladnjak? Provjerite osigurač.
kondenzacija na bočnoj stijenci odjeljka hladnjaka. (MULTI ZONA, UPRAVLJANJE HLADENJEM i FLEKSI ZONA)
<ul style="list-style-type: none">• Jako hladna okolina. Često otvaranje i zatvaranje vrata. Jako vlažna okolina. Čuvanje hrane koja sadrži tekućinu u otvorenim posudama. Ostavljanje vrata odškrinutim.• Prebacivanje termostata na hladniji stupanj.• Smanjivanje vremena kad su vrata otvorena ili rjeđa uporaba.• Prekrivanje hrane spremljene u otvorenim posudama odgovarajućim materijalom.• Obrišite kondenzat pomoću suhe krpe i provjerite ukoliko se i dalje javlja.
Kompresor ne radi
<ul style="list-style-type: none">• Zaštitni termički dio kompresora će pregoreti tijekom naglih nestanaka el. energije ili isključivanja priključaka jer tlak rashladnog sredstva u sustavu za hlađenje hladnjaka nije još izbalansiran.• Vaš hladnjak će početi s radom otprilike nakon 6 minuta. Molimo nazovite servis ako se vaš hladnjak ne uključi na kraju ovog razdoblja.• Hladnjak je u ciklusu odmrzavanja. To je normalno za hladnjak s potpuno automatskim odmrzavanjem. Ciklus za odmrzavanje se događa periodički.• Vaš hladnjak nije uključen u utičnicu. Pazite da je utikač dobro utaknut u zidnu utičnicu.• Je li temperatura pravilno postavljena? Došlo je do nestanka struje. Zovite vašeg dobavljača el.energije.

Hladnjak radi često ili dugotrajno.

- Vaš novi hladnjak je možda širi od prethodnog. To je u potpunosti normalno. Veći hladnjaci rade dulje.
- Sobna temperatura je možda visoka. To je potpuno normalno.
- Hladnjak je možda nedavno priključen na el.energiju ili je možda napunjen hranom. Potpuno hlađenje hladnjaka može trajati nekoliko sati dulje.
- Možda su nedavno u hladnjak stavljene velike količine tople hrane. Topla hrana uzrokuje dulji rad hladnjaka dok ne dostigne sigurnu temperaturu za čuvanje.
- Vrata su možda često otvarana ili ostavljena odškrinuta dulje vrijeme. Topli zrak koji je ušao u hladnjak uzrokuje da hladnjak radi dulje vrijeme. Rjeđe otvarajte vrata.
- Vrata škrinje ili hladnjaka su možda bila odškrinuta. Provjerite jesu li vrata čvrsto zatvorena.
- Hladnjak je postavljen na vrlo nisku temperaturu. Prilagodite temperaturu hladnjaka na topliju razinu dok se ne postigne temperatura.
- Brtva vrata hladnjaka ili škrinje može biti prijava, pohabana, oštećena ili nije dobro sjela. Očistite ili zamijenite brtvu. Oštećena/pokidana brtva uzrokuje dulji rad hladnjaka da bi se održala trenutna temperatura.

Temperatura hladnjaka je vrlo niska dok je temperatura frižidera dovoljna.

- Temperatura hladnjaka je postavljena na vrlo nisku temperaturu. Prilagodite temperaturu hladnjaka na topliji stupanj i provjerite.

Temperatura frižidera je vrlo niska dok je temperatura hladnjaka dovoljna.

- Temperatura hladnjaka je postavljena na vrlo nisku temperaturu. Prilagodite temperaturu hladnjaka na topliji stupanj i provjerite.

Hrana koja se čuva i ladicama hladnjaka se smrzava.

- Temperatura hladnjaka je postavljena na vrlo nisku temperaturu. Prilagodite temperaturu hladnjaka na topliji stupanj i provjerite.

Temperatura u hladnjaku ili škrinji je previsoka.

- Temperatura hladnjaka je postavljena na vrlo visoku temperaturu. Prilagođavanje hladnjaka ima utjecaja na temperaturu škrinje. Mijenjajte temperaturu hladnjaka ili škrinje dok temperatura hladnjaka ili škrinje ne dosegne dovoljnu razinu.
- Možda su vrata odškrinuta. Zatvorite vrata do kraja.
- Možda su nedavno u hladnjak stavljene velike količine tople hrane. Čekajte dok hladnjak ili škrinja ne dosegnu željenu temperaturu.
- Hladnjak je možda uključen nedavno. Potpuno hlađenje hladnjaka može potrajati zbog veličine.

Iz hladnjaka dolazi buka slična sekundama oja se čuje iz analognog sata.
<ul style="list-style-type: none"> Ova buka dolazi iz elektromagnetskog ventila hladnjaka. Elektromagnetski ventil služi osiguravanju prolaska rashladnog sredstva kroz odjeljak koji se može prilagoditi temperaturama hlađenja ili zamrzavanja i obavljanja funkcija hlađenja. to je normalno i nije uzrok kvara.
Buka tijekom rada se povećava kad hladnjak radi.
<ul style="list-style-type: none"> Radne performanse hladnjaka se mogu promijeniti ovisno o promjenama sobne temperature. To je normalno i ne predstavlja kvar.
Vibracije ili buka.
<ul style="list-style-type: none"> Pod nije ravan ili je slab. Hladnjak se njiše kad se polako pomiče. Pazite da je pod ravan, jak i da može nositi hladnjak. Buka može biti uzrokovana predmetima koji se nalaze na hladnjaku. Takvi predmeti se moraju ukloniti s hladnjaka.
Čuje se buka poput proljevanja tekućine ili špricanja.
<ul style="list-style-type: none"> Protok tekućine i plinova se događa u skladu s radnim principima vašeg hladnjaka. To je normalno i ne predstavlja kvar.
Čuje se buka poput puhanja vjetra.
<ul style="list-style-type: none"> Aktivatori zraka (ventilatori) se koriste da bi se hladnjak učinkovito hladio. To je normalno i ne predstavlja kvar.
Kondenzacija na unutarnjim stjenkama hladnjaka.
<ul style="list-style-type: none"> Toplo i vlažno vrijeme povećava nastanak leda i kondenziranje. To je normalno i ne predstavlja kvar. Vrata su odškrinuta. Pazite da su vrata zatvorena do kraja. Vrata su možda često otvarana ili su dulje vrijeme bila otvorena. Rjeđe otvarajte vrata.
Vlaga se pojavljuje na vanjskom dijelu hladnjaka ili između vrata.
<ul style="list-style-type: none"> Možda je vlažno vrijeme. To je potpuno normalno kod vlažnog vremena. Kad je vlažnost manja, kondenzat će nestati.
Neugodan miris unutar hladnjaka.
<ul style="list-style-type: none"> Mora se očistiti unutrašnjost hladnjaka. Očistite unutrašnjost hladnjaka spužvom, toplom ili gaziranom vodom. Neugodan miris možda uzrokuju neke posude ili materijali pakiranja. Koristite neku drugu posudu ili drugačiju marku materijala za pakiranje.
Vrata se ne zatvaraju.
<ul style="list-style-type: none"> Paketi hrane možda sprječavaju zatvaranje vrata. Uklonite pakete hrane koji smetaju vratima. Hladnjak vjerojatno nije potpuno okomit prema podu i možda se njiše kad se lagano pomiče. Prilagodite vijke za podizanje. Pod nije ravan ili jak. Pazite da je pod ravan i da može nositi hladnjak.
Odjeljci za voće i povrće su zaglavljani.
<ul style="list-style-type: none"> Hrana možda dodiruje vrh ladice. Presložite hranu u ladici.

ODRICANJE OD ODGOVORNOSTI / UPOZORENJE

Neke (jednostavne) kvarove može riješiti sam krajnji korisnik bez ikakvih sigurnosnih problema ili opasnosti koje mogu iskrsnuti uz uvjet da je to obavljeno u granicama i u skladu sa sljedećim uputama (pogledajte dio „Samopomoć“).

Stoga, osim ako nije drukčije određeno u donjem dijelu „Samopomoći“ popravke trebaju obaviti registrirani stručni servisi kako bi se izbjegli problemi sa sigurnosti. Registrirani stručni servis je stručni servis kojem je proizvođač odobrio pristup uputama i popisu rezervnih dijelova za ovaj proizvod u skladu s metodama opisanim u zakonskim aktima u skladu s Direktivom 2009/125/EC.

Međutim, samo servisi zastupnik (tj. ovlašteni stručni servisi) kojeg možete kontaktirati na telefonski broj naveden u korisničkom priručniku/jamstvenom listu ili ovlašteni zastupnik mogu obaviti servis u skladu s uvjetima jamstva. Stoga, upozoravamo vas kako će popravci koje su obavili stručni servisi (koje nije ovlastila tvrtka Beko) poništiti jamstvo.

Samopomoć

Samopopravak može obaviti krajnji korisnik za sljedeće zamjenjive dijelove: ručke na vratima, šarke vrata, ladice, košare i brtva na vratima (ažurirani popis dostupan je na support.beko.com od 01. ožujka 2021.)

Pored toga, kako bi se osigurala sigurnost proizvoda i spriječila opasnost od teških ozljeda, spomenuta samopomoć treba se obaviti pridržavajući se uputa u

korisničkom priručniku za samopomoć ili onih dostupnih na support.beko.com. Zbog vaše sigurnosti, isključite proizvod iz strujne mreže prije početka obavljanja bilo kakve samopomoći.

Popravak i pokušaj popravka koje obavljaju krajnji korisnici za dijelove koji nisu uključeni na popis i/ili ako se ne pridržavaju uputa u korisničkom priručniku ili onih dostupnih na support.beko.com, mogu izazvati sigurnosne probleme koji se ne mogu pripisati Beko te koji će poništiti jamstvo proizvoda.

Stoga, izričito se preporučuje da se krajnji korisnici suzdrže od pokušaja popravka koji ne uključuje spomenuti popis rezervnih dijelova te da u tom slučaju kontaktiraju ovlaštene stručne servise ili registrirane stručne servise. U suprotnom, takvi pokušaji koje poduzmu krajnji korisnici mogu izazvati sigurnosne probleme i oštetiti proizvod te posljedično izazvati požar, poplavu, smrt zbog strujnog udara i teške tjelesne ozljede.

Na primjer, ali se ne ograničavajući na to, sljedeće popravke moraju obaviti ovlašteni profesionalni servisi ili registrirani profesionalni servisi: kompresor, rashladni sklop, matična ploča, inverter ploča, ploča zaslona, itd.

Proizvođač/prodavač neće se smatrati odgovornim u slučaju da krajnji korisnici ne poštuju gore navedeno.

Dostupnost rezervnih dijelova za hladnjaka koju ste kupili je 10 godina. Tijekom ovog razdoblja originalni rezervni dijelovi bit će dostupni za ispravan rad hladnjaka.

Minimalno trajanje jamstva hladnjaka kojeg ste kupili je 24 mjeseca.

Ovaj proizvod opremljen je izvorom osvjetljenja energetske klase „G“.

Izvor osvjetljenja u ovom proizvodu smiju zamijeniti samo stručni serviseri.

Prosimo, da najprej preberete navodila za uporabo!

Dragi kupec,
upamo, da bo naprava, ki je bila izdelana v modernih obratih in preizkušena z natančnimi postopki kakovosti, zagotovila učinkovito delovanje.

Zato priporočamo, da pred uporabo pazljivo preberete celotna navodila za uporabo naprave in jih hranite v bližini, saj jih boste morda potrebovali v prihodnje.

Priročnik

- Priročnik vam bo pomagal pri hitri in varni uporabi naprave.
- Priročnik preberite preden napravo namestite in uporabite.
- Sledite navodilom, predvsem varnostnim.
- Priročnik hranite na lahko dosegljivem mestu, saj ga boste morda kasneje potrebovali.
- Poleg tega preberite tudi ostale dokumente, ki so priloženi napravi.
- Prosimo upoštevajte, da je priročnik lahko veljaven tudi za druge modele.

Simboli in njihov opis

Navodila za uporabo vsebujejo naslednje simbole:

 Pomembne informacije in koristni nasveti za uporabo.

 Opozorila pred nevarnostmi za življenje in lastnino.

 Opozorila pred električno napetostjo.

 INFORMACIJE	
	
<small>SUPPLIER'S NAME</small> A	<small>MODEL IDENTIFIER (*)</small> A

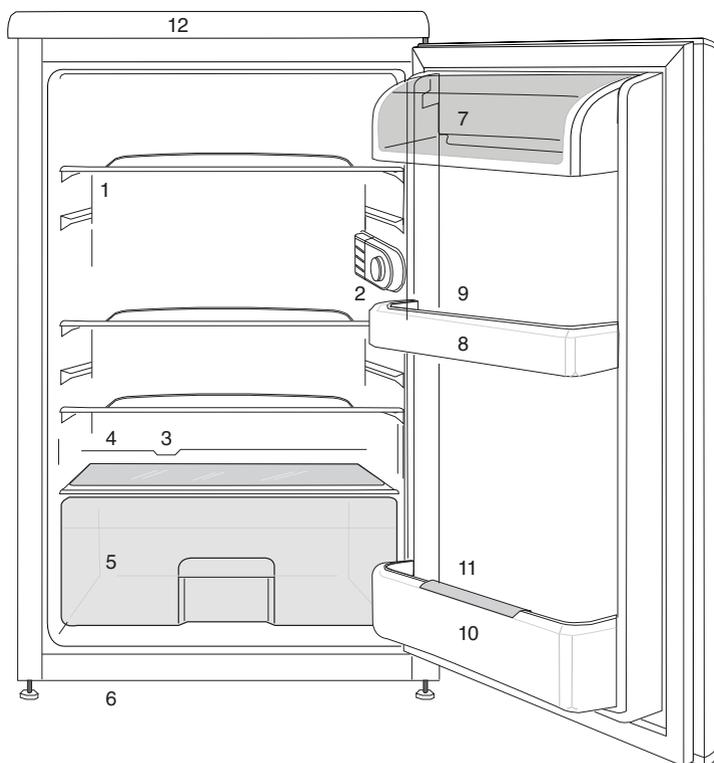
Do informacij o modelu, ki so shranjene v zbirki podatkov o izdelkih, lahko pridete tako, da obiščete naslednje spletno mesto in poiščete identifikator modela (*), ki je naveden na energijski nalepki.

<https://eprel.ec.europa.eu/>

VSEBINA

1 Hladilnik	3	4 Priprava	12
		Obračanje vrat	13
2 Pomembna varnostna opozorila	4	5 Uporaba hladilnika	14
Namen uporabe	4	Zamrzovanje	14
Za naprave z dispenzerjem za vodo; ..	7	Zamrzovanje živil	14
Varnost otrok	7	Izdelava kock ledu	15
Skladnost z direktivo OEEO in odstranjevanjem odpadnih izdelkov: ..	7	Shranjevanje zamrznjenih živil	15
Skladnost z direktivo RoHS:	8	Odtajanje naprave	15
Informacije o embalaži	8	Hlajenje	16
Opozorilo HC	8	Shranjevanje živil	16
Varčevanje z energijo	8	Odtajanje naprave	16
3 Namestitev	9	6 Vzdrževanje in čiščenje	17
Napotki, ki jih je treba upoštevati ob ponovnem prevozu hladilnika	9	Zaščita plastičnih površin	17
Pred uporabo hladilnika	9	7 Priporočljive rešitve za težave	18
Električna povezava	9		
Odstranjevanje embalaže	10		
Odstranjevanje starega hladilnika	10		
Namestitev in montaža	10		
Nastavitev nogic	11		
Namestitev (pod pultom)	11		

1 Hladilnik



- | | |
|--|-------------------------------|
| 1. Premične police | 7. Predel za mlečne izdelke |
| 2. Notranja luč & Gumb termostata | 8. Vratne police |
| 3. Zbiralni kanal odtaljene vode - Cev za izpust | 9. Pladenj za jajca |
| 4. Pokrov predela za sveža živila | 10. Polica za steklenice |
| 5. Predal za svežo hrano | 11. Prijemalnik za steklenice |
| 6. Nastavljivi sprednji nogi | 12. Zgornji okrov |

i Slike v navodilih za uporabo so shematske in morda ne ustrezajo vašemu proizvodu. Če naprava, ki ste jo kupili, ne vsebuje določenih delov, so veljavni za druge modele.

2 Pomembna varnostna opozorila

Prosimo, preglejte naslednje informacije. Če ne boste upoštevali teh informacij, lahko pride do telesnih poškodb ali poškodb materiala. V nasprotnem primeru garancija in zanesljivost nista veljavni.

Originalne nadomestne dele zagotavljamo 10 let po datumu nakupa.

Namen uporabe

	OPOZORILO : Odprtine za zračenje, ohišje naprave ali vgrajeni hladilni elementi naj bodo vedno nezastrti.
	OPOZORILO : Za hitrejšo odmrzovanje ne uporabljajte mehanskih naprav, razen takih, ki jih priporoča proizvajalec.
	OPOZORILO : Ne poškodujte tokokroga hladilnega sredstva.
	OPOZORILO : V notranjosti razdelka za shranjevanje živil aparata ne uporabljajte električnih naprav, razen takih, ki jih priporoča proizvajalec.

Ta naprava je namenjena za uporabo v gospodinjstvu in podobnih okoljih, kot so:

- kuhinje za osebje v trgovinah, pisarnah in drugih delovnih okoljih;
- hoteli, moteli in druga stanovanjska okolja, kjer jo lahko uporabljajo gostje;

– okolja, kjer ponujajo nočitve z zajtrkom.

– pri cateringu in v podobnih okoljih, kjer ne gre za neposredno prodajo.

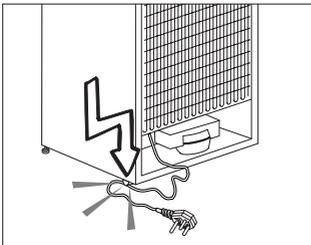
Splošna varnost

- Ko želite proizvod odstraniti/odvreči, Vam priporočamo, da se posvetujete s pooblaščen servisno službo in organi, da pridobite potrebne informacije.
- Pri morebitnih vprašanjih ali težavah s hladilnikom se posvetujte s pooblaščen servisno službo. Brez sporočila pooblaščen servisni službi ne posegajte v hladilnik sami ali s tujo pomočjo.
- Za naprave z zamrzovalnim delom; Sladoleda in ledenih kock ne jejte takoj, ko jih vzamete iz zamrzovalnega dela! (Povzročijo lahko ozeblino v ustih.)
- Za naprave z zamrzovalnim delom; V zamrzovalnem delu ne shranjujte tekočin v steklenicah ali pločevinkah. V nasprotnem primeru lahko počijo.
- Zamrznjenih živil se ne dotikajte z rokami, saj lahko primrznejo.
- Pred čiščenjem ali odtajanjem hladilnik izključite iz električnega omrežja.
- Hladilnika nikoli ne čistite in odtajajte s paro ali parnimi

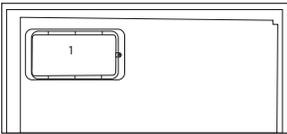
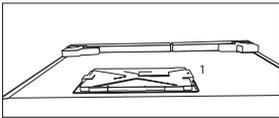
čistilnimi sredstvi. Para lahko pride v stik z električnimi deli in povzroči kratki stik ali električni udar.

- Delov hladilnika kot so vrata nikoli ne uporabljajte kot opornike ali stopnico.
- V hladilniku ne uporabljajte električnih naprav.
- Delov, kjer hladilno sredstvo kroži, ne poškodujte z napravami za vrtanje ali rezanje. Če se plinski kanali izparilnika, podaljški cevi ali površinske prevleke prebodejo, lahko hladilno sredstvo prodre in povzroči draženje kože ali poškodbe oči.
- Ne pokrivajte ali blokirajte zračnih odprtih na hladilniku z nobenim materialom.
- Električne naprave lahko popravljajo samo pooblašene osebe. Popravila, ki jih izvajajo nepooblašene osebe, povzročijo nevarnost za uporabnika.
- V primeru kakršnekoli napake ali pred vzdrževalnimi deli in popravili obvezno izključite električno napajanje hladilnika tako, da izključite zadevno varovalko ali iztaknete vtič naprave.
- Ko izklopate vtič, ne vlecite za kabel.
- Zagotovite, da so pijače z visoko vsebnostjo alkohola varno shranjene, zaprte s pokrovom in v pokončnem položaju.
- V hladilniku nikoli ne shranjujte razpršilcev, ki vsebujejo vnetljive in eksplozivne substance.
- Za pospeševanje postopka odtajanja ne uporabljajte mehanskih naprav ali drugih pripomočkov, razen tistih, ki jih priporoča proizvajalec.
- Naprave naj ne uporabljajo osebe s fizičnimi, senzornimi ali duševnimi motnjami ali osebe, ki nimajo potrebnega znanja oziroma izkušenj (vključno z otroki), razen če jih nadzira oseba, ki je odgovorna za njihovo varnost ali oseba, ki jim bo ustrezno svetovala glede uporabe naprave.
- Ne uporabljajte poškodovanega hladilnika. Če imate kakršne koli pomisleke, se obrnite na servisno službo.
- Električna varnost hladilnika je zagotovljena, le če ozemljitveni sistem v hiši ustreza standardom.
- Izpostavljanje proizvoda dežju, snegu, soncu ali vetru predstavlja električno nevarnost.
- Če je napetostni kabel poškodovan, se obrnite na pooblašeno servisno službo, da se izognete nevarnostim.
- Hladilnika med montažo nikoli ne vključite v vtičnico. V nasprotnem primeru obstaja nevarnost smrti ali resne poškodbe.

- Hladilnik je namenjen samo shranjevanju živil. Ne uporabljajte ga v druge namene.
- Etiketa s tehničnimi specifikacijami se nahaja na levi steni znotraj hladilnika.
- Hladilnika ne priključujte na sisteme varčevanja električne energije, saj ga lahko poškodujejo.
- Če je na hladilniku modra lučka, ne glejte vanjo z golim očesom ali skozi optične naprave dlje časa.
- Pri hladilnikih z ročnim upravljanjem, počakajte vsaj 5 minut, preden ga po električnem izpadu ponovno priključite.
- Če napravo dobi nov lastnik, mu izročite tudi navodila za uporabo.
- Med prenašanjem hladilnika ne poškodujte napetostnega kabla. Upogibanje kabla lahko povzroči požar. Na napetostni kabel nikoli ne postavljajte težkih predmetov. Ko napravo priklapljate, se ne dotikajte vtiča z mokrimi rokami.
- Hladilnika ne priključujte v razrahljano vtičnico.
- Iz varnostnih razlogov na notranjih ali zunanjih delih naprave ne škropite vode.
- V bližini hladilnika ne pršite vnetljivih plinov, kot je propan, saj obstaja nevarnost požara ali eksplozije.
- Na hladilnik nikoli ne postavljajte posod z vodo, saj to lahko povzroči električni udar ali požar.
- Hladilnika ne preobremenjujte s prekomernimi količinami živil. Če je naprava prenapolnjena, lahko živila med odpiranjem vrat hladilnika padejo dol in vas poškodujejo ali povzročijo škodo na hladilniku. Na hladilnik nikoli ne postavljajte predmetov, saj lahko med odpiranjem ali zapiranjem vrat hladilnika padejo dol.
- Cepiv, zdravil, občutljivih na toploto, znanstvenih materialov itd. ne shranjujte v hladilnik, saj zahtevajo določeno temperaturo.
- Če hladilnika ne boste uporabljali dlje časa, ga izklopite. Težave v napetostnem kablu namreč lahko povzročijo požar.
- Če nastavljive noge niso dobro nameščene na tleh, se hladilnik lahko premika. Če nastavljive noge dobro namestite na tla, lahko preprečite premikanje hladilnika.



- Med prenašanjem hladilnika ne držite za ročaje na vratih, saj jih lahko odtrgate.
- Če napravo namestite zraven drugega hladilnika ali zamrzovalnika, naj bo razdalja med napravami vsaj 8 cm. V nasprotnem primeru se lahko na sosednjih stenah naprav pojavi vlaga.
- Izdelka ne uporabljajte, če je področje na vrhu ali na zadnji strani izdelka, ki vsebuje elektronska tiskana vezja, odprto (pokrov elektronskega tiskanega vezja) (1).



Za naprave z dispenzerjem za vodo;

- Tlak vstopne hladne vode ne sme presegati 6,2 bar (90 psi). Če tlak vstopne vode presega 5,5 bar (80 psi), uporabite ventil za omejevanje tlaka v vodovodnem tokokrogu. Če ne veste, kako izmeriti vodni tlak, poprosite inštalaterja za vodovod.
- Če je v vaši inštalaciji prisotno tveganje nastanka hidravličnega udara, vedno

uporabite opremo za preprečevanje hidravličnega udara. Da preverite, da v vaši inštalaciji ni tveganja za pojav hidravličnega udara, se posvetujte z inštalaterjem za vodovod.

- Ne nameščajte na vod s toplo vodo. Izvedite potrebne ukrepe za preprečevanje zamrznitve cevi. Območje temperature vode za delovanje naj bo med najmanj 0,6°C (33°F) in največ 38°C (100°F).
- Uporabljajte samo pitno vodo.

Varnost otrok

- Če imajo vrata ključavnico, jo hranite izven dosega otrok.
- Otroke je treba nadzirati, da se ne igrajo z napravo.

Skladnost z direktivo OEE0 in odstranjevanjem odpadnih izdelkov:



Izdelek je v skladu z direktivo EU OEE0 (2012/19/EU). Izdelek vsebuje simbol za razvrstitev odpadne električne in elektronske opreme (OEE0).

Izdelek je bil izdelan z visokokakovostnimi sestavnimi deli in materiali, ki jih je mogoče ponovno uporabiti in so primerni za recikliranje. Odsluženega odpadnega izdelka ne odlagajte z običajnimi gospodinjstvi in drugimi odpadki. Odnosite ga na center za zbiranje in recikliranje

električne in elektronske opreme. Za informacije o teh centrih za zbiranje se obrnite na lokalne oblasti.

Skladnost z direktivo RoHS:

Izdelek, ki ste ga kupili, je v skladu z direktivo EU RoHS (2011/65/EU). Ne vsebuje škodljivih in prepovedanih materialov, ki so navedeni v direktivi.

Informacije o embalaži

Embalažni material izdelka je izdelan iz materiala, ki ga je mogoče reciklirati, v skladu z našimi nacionalnimi okoljskimi predpisi. Embalažnega materiala ne odlagajte skupaj z gospodinjskimi ali drugimi odpadki. Odnosite ga na zbirna mesta za embalažni material, ki so jih določile lokalne oblasti.

Opozorilo HC

Če hladilni sistem naprave vsebuje R600a:

Ta plin je vnetljiv. Zato pazite, da med uporabo in transportom ne poškodujete hladilnega sistema in cevi. V primeru poškodbe, naj proizvod ne bo v bližini potencialnih virov ognja, ob katerih se lahko vname in prezračite prostor, v katerem je naprava.

To opozorilo ne velja, če hladilni sistem vaše naprave vsebuje R134a.

Vrsta plina, ki ga vsebuje naprava, je navedena na tipski plošči na levi steni znotraj hladilnika.

Naprave nikoli ne sežgite, da bi se je znebili.

Varčevanje z energijo

- Vrat hladilnika ne puščajte odprtih dalj časa.
- V hladilniku ne shranjujte toplih živil ali pijač.
- Hladilnika ne napolnite preobilno, saj s tem preprečite kroženje zraka.
- Hladilnika ne postavljajte na neposredno sočno svetlobo ali v bližino naprav, ki oddajajo toploto, kot so pečice, pomivalni stroji ali radiatorji.
- Živila shranjujte v zaprtih posodah.
- Za naprave z zamrzovalnim delom; v napravo lahko shranite največjo količino živil, če odstranite polico ali predal zamrzovalnika. Vrednost porabe energije se je določila, ko se je odstranila polica ali predal zamrzovalnika in je bila naprava napolnjena z največjo količino živil. Uporaba police ali predala glede na oblike in velikost živil, ki jih želite shraniti, ne predstavlja nevarnosti.
- Odtajanje zamrznjenih živil v hladilnem delu, bo privarčevalo energijo in ohranilo kakovost živil.

3 Namestitev

⚠ Proizvajalec ne bo odgovarjal, če ne boste upoštevali informacij v navodilih za uporabo.

Napotki, ki jih je treba upoštevati ob ponovnem prevozu hladilnika

1. Hladilnik morate izprazniti in očistiti pred vsakim prevozom.
2. Police, pripomočke, predale za sveža živila itd. v hladilniku pred ponovnim pakiranjem varno pritrdite z lepilnim trakom, da jih zaščitite pred sunki.
3. Embalažo pričvrstite z debelimi trakovi in močnimi vrvmi ter sledite navodilom za prevoz natisnjenih na embalaži.

Prosimo, ne pozabite ...

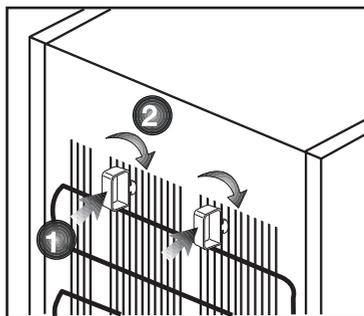
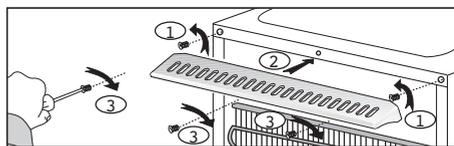
Vsak recikliran material je nujen vir za naravo in nacionalne vire.

Če želite sodelovati pri recikliranju embalažnega materiala, se za nadaljnje informacije obrnite na okoljske organe ali lokalne oblasti.

Pred uporabo hladilnika

Preden pričnete uporabljati hladilnik, preverite naslednje;

1. Ali je notranjost hladilnika suha in lahko zrak v zadnjem delu prosto kroži?
2. Prosimo, namestite 2 plastična klina, kot kaže slika. Plastična klina zagotovita potrebno razdaljo med hladilnikom in steno za neovirano kroženje zraka. (Slika je samo primer in se ne sklada popolnoma z vašo napravo.)



3. Notranjost hladilnika očistite kot je priporočeno v poglavju »Vzdrževanje in čiščenje«.
4. Hladilnik priključite v vtičnico električnega omrežja. Ko se vrata hladilnika odprejo, zasveti notranja luč hladilnega dela.
5. Ko se vklopi kompresor, boste zaslišali hrup. Tekočina in plini v hladilnem sistemu običajno lahko povzročijo hrup, tudi kadar kompresor ne deluje.
6. Sprednji robovi hladilnika so lahko topli na dotik. To je običajno. Te površine so oblikovane, tako da so tople, kar preprečuje kondenzacijo.

Električna povezava

Napravo priključite v ozemljeno vtičnico, ki je zaščitena z varovalko ustrezne zmogljivosti.

Pomembno;

- Priključitev mora ustrezati nacionalnim predpisom.

- Vtič napajalnega kabla naj bo po namestitvi lahko dostopen.
- Določena napetost mora ustrezati omrežni napetosti.
- Za priključitev ne uporabljajte podaljševalnih kablov ali večpotnih vtičev.

⚠ Poškodovan napajalni kabel lahko zamenja le usposobljen električar.

⚠ Naprave ne uporabljajte preden ni popravljena! Obstaja nevarnost električnega udara!

Odstranjevanje embalaže

Embalažni material je lahko nevaren za otroke. Embalažni material hranite izven dosega otrok ali ga odstranite v skladu z navodili za odstranjevanje odpadkov. Ne odstranite ga z običajnimi gospodinjskimi odpadki.

Embalaža hladilnika je izdelana iz materiala primerne za recikliranje.

Odstranjevanje starega hladilnika

Star hladilnik odstranite okolju prijazno.

- Glede odstranjevanja hladilnika se posvetujte s pooblaščenim prodajalcem ali centrom za zbiranje odpadkov v vaši občini.

Preden odstranite hladilnik, izklopite električni vtič in onemogočite morebitne ključavnice na vratih, da zaščitite otroke pred nevarnostmi.

Namestitev in montaža

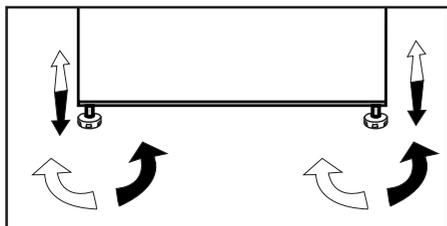
⚠ Če vhodna vrata sobe, kjer boste namestili hladilnik niso dovolj široka, da bi hladilnik lahko spravili skozi, pokličite pooblaščen servisno službo, da bodo odstranili vrata hladilnika in ga bočno spravite skozi vrata.

1. Namestite hladilnik na mesto, ki bo omogočalo preprosto uporabo.
2. Hladilnik naj ne bo v bližini toplotnih virov, vlažnih prostorov ali neposredne sončne svetlobe.
3. Za učinkovito delovanje mora biti prostor okrog hladilnika ustrezno prezračen. Če bo hladilnik nameščen v vdolbino v steni, mora biti najmanj 5 cm razmika od stropa in najmanj 5 cm razmika od stene. Če so tla pokrita s preprogo, mora biti proizvod 2,5 cm nad tlemi.
4. Da bi preprečili tresenje, namestite hladilnik na ravno talno površino.

Nastavitev nogic

Če vaš hladilnik ni izravnán

Hladilnik lahko izravnate tako, da sprednje noge zavrtite, kot kaže slika. Kot, kjer je noga, je spuščén, če obrnete v smeri črne puščice in dvignjen, če obrnete v nasprotno smer. Olajšajte si delo in prosite za pomoč drugo osebo, ki naj rahlo privzdigne hladilnik.



Namestitev (pod pultom)

- Notranja višina pulta naj bo 820mm.
- (!) Na pult pod katerim je nameščena naprava ne postavljajte kuhalnikov ali drugih virov toplote.
- V bližini naprave na desni ali levi strani mora biti vtičnica.
- Odstranite zgornji pokrov naprave. Tam so 4 vijaki (2 na zadnji strani, 2 nad sprednjim robom), ki jih odstranite.

Slika 1

- Odstranite del kot je prikazano na sliki in ga nato odstranite s pomočjo klešč.
- Napravo namestite pod pult in nastavite sprednje noge tako, da se zgornji del dotika pulta.
- Če napravo uporabljate pod pultom, naj bo razmik med steno in navedbo označeno na zgornji priključni plastiki najmanj 595 mm.

Slika 2-3

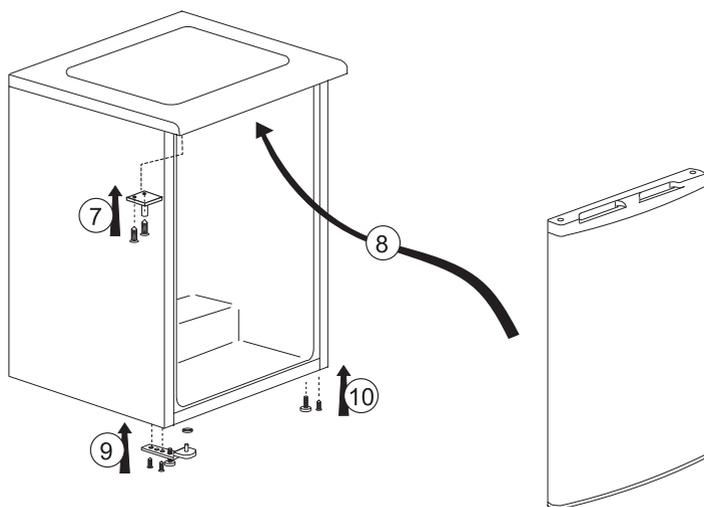
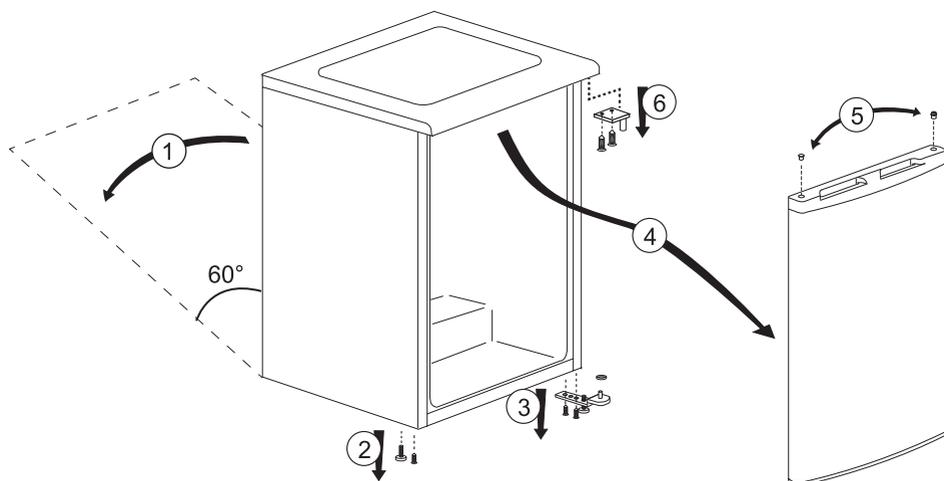
- Napravo pričvrstite pod pult z 2 vijakoma, ki ste jih odstranili iz zgornjega pokrova. (Pult mora biti plastičen ali lesen!)

Slika 4

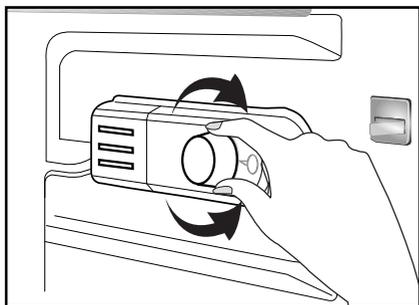
- Za samostoječi aparat; »ta hladilni aparat ni namenjen za uporabo kot vgradni aparat«;
- Hladilnik morate namestiti vsaj 30 cm od virov toplote kot so kuhalne plošče, pečice, glavni grelci ali štedilniki in vsaj 5 cm od električnih pečic, prav tako ga ne postavljajte pod neposredno sončno svetlobo.
- Temperatura prostora kjer boste namestili hladilnik naj bo vsaj 10°C. Delovanje hladilnika v hladnejših pogojih ni priporočljivo, saj vpliva na njegovo učinkovitost.
- Prepričajte se, da je notranjost hladilnika popolnoma čista.
- Če bosta dva hladilnika nameščena drug ob drugem, naj bo vmes vsaj 2 cm razmika.
- Pri prvi uporabi hladilnika upoštevajte naslednja navodila med prvimi šestimi urami delovanja.
- Izognite se pogostemu odpiranju vrat.
- Delovati mora prazen, brez živil.
- Hladilnika ne izklopite. Če se pojavi nenadzorovan izpad elektrike, upoštevajte opozorila v oglavju "Priporočljive rešitve za težave".
- Originalno embalažo in penasti material shranite za prihodnji prevoz ali premikanje.
- Košare/predali, ki so nameščeni v razdelku za hlajenje, morajo biti vedno v uporabi, da bo poraba energije nižja in pogoji za hranjenje boljši.
- Stik hrane s temperaturnim tipalom v zamrzovalnem delu lahko poveča porabo energije aparata. Zato preprečite vsak stik s tipalom/tipali
- Pri nekaterih modelih se nadzorna plošča samodejno izključi 5 minut zatem, ko zaprete vrata. Ko odprete vrata ali pritisnete na katero koli tipko, se bo ponovno akvirirala.
- Zaradi temperaturne spremembe, ki je posledica odpiranja/zapiranja vrat izdelka med delovanjem, je kondenzacija vrat/polic in steklenih vsebnikov običajna.

Obračanje vrat

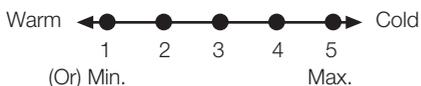
Sledite zaporedju



5 Uporaba hladilnika



Delovno temperaturo uravnate z nadzorom za temperaturo.



1 = Najnižja nastavitev hlajenja (Najtoplejša nastavitev)

5 = Najvišja nastavitev hlajenja (Najhladnejša nastavitev)

(ali)

Min. = Najnižja nastavitev hlajenja (Najtoplejša nastavitev)

Maks. = Najvišja nastavitev hlajenja

(Najhladnejša nastavitev)

Povprečna temperatura znotraj hladilnika naj bi bila okoli +5°C.

Prosimo izberite nastavitev, glede na želeno temperaturo.

Delovanje naprave lahko ustavite tako, da gumb termostata zavrtite v položaj "0".

Upoštevajte, da bodo v hladilnih območjih različne temperature.

Najhladnejše območje je takoj nad predelom za zelenjavo.

Notranja temperatura je odvisna tudi od temperature prostora, pogostosti

odpiranja vrat in količine shranjenih živil.

Pogosto odpiranje vrat povzroči naraščanje notranje temperature.

Zaradi tega je priporočljivo, da vrata takoj po uporabi zaprete.

Zamrzovanje

Zamrzovanje živil

Zamrzovalni del je označen s simbolom .

Napravo lahko uporabite tako za zamrzovanje svežih živil kot za shranjevanje prej zamrznjenih živil.

Prosimo, glejte priporočila na embalaži živil.

• Pozor

Ne zamrzujte gaziranih pijač, saj lahko steklenica poči, ko tekočina v njej zamrzne.

Bodite pazljivi z zamrznjenimi izdelki kot so obarvane kocke ledu.

Ne presegajte zmogljivosti zamrzovanja vaše naprave v 24-ih urah. Glejte etiketo.

Za vzdrževanje kakovosti živil mora zamrzovanje učinkovati čim hitreje.

Na ta način ne presežete zamrzovalne zmogljivosti in temperatura v zamrzovalniku se ne bo dvignila.

• Pozor

Že zamrznjena živila ločite od sveže zamrznjenih živil.

Pri globokem zamrzovanju vroče hrane bo hladilni kompresor deloval, dokler se hrana v celoti ne zamrzne. To lahko začasno povzroči prekomerno hlajenje hladilnega predela.

Ne skrbite, če vrata zamrzovalnika težko odprete po tem, ko ste jih zaprli. To je zaradi razlike v pritisku. Po nekaj minutah se bo le-ta izenačil in vrata boste lahko normalno odprli.

Ko zaprete vrata boste zaslišali vakuumski zvok. To je običajno.

Izdelava kock ledu

Pladenj za kocke ledu do 3/4 napolnite z vodo in ga postavite v zamrzovalnik. Takoj, ko se voda spremeni v led lahko vzamete kocke ledu.

Za odstranjevanje ledenih kock nikoli ne uporabljajte ostrih predmetov kot so noži ali vilice. Obstaja nevarnost poškodbe!

Počakajte, da se kocke ledu rahlo stalijo ali na kratko postavite dno pladnja v vročo vodo.

Shranjevanje zamrznjenih živil

Predel za zamrznjena živila je označen s simbolom .

Predel za zamrznjena živila je namenjen shranjevanju prej zamrznjenih živil. Priporočila za shranjevanje, ki so navedena na embalaži živil, je treba vedno upoštevati.

Odtajanje naprave

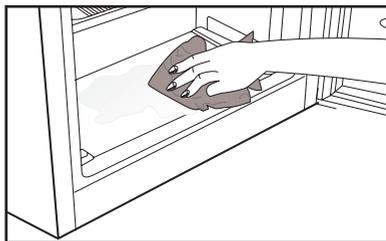
Prekomerno nabiranje ledu bo vplivalo na učinkovitost zamrzovanja vaše naprave.

Zaradi tega vam priporočamo, da napravo odtalite vsaj dvakrat letno ali vsakič, ko nabrani led preseže 7 mm. Napravo odtalite samo, ko je v njej malo hrane ali pa je prazna.

Globoko zamrznjeno hrano vzamite iz naprave. Globoko zamrznjeno hrano ovijte v več plasti papirja ali odejo in jo shranite v hladen prostor. Izključite napravo ali izklopite prekinjevalec, da se prične postopek odtajanja.

Iz naprave odstranite opremo (kot so police, predali, itd.) in uporabite primerno posodo za zbiranje odtajane vode.

Za odstranjevanje odtajane vode lahko po potrebi uporabite gobo ali mehko krpo v zamrzovalnem predelu  in predelu za zamrznjena živila. .



Med odtajanjem naj bodo vrata odprta.

Za hitrejšo odtajanje lahko v napravo postavite posode s toplo vodo.

Za odstranjevanje ledu nikoli ne uporabite električnih naprav, razpršilcev za odtajanje ali šilastih ali ostrih predmetov, kot so noži ali vilice.

Po odtajanju očistite notranjost.

Ponovno priključite napravo na napetost. Zamrznjena živila postavite v predale in jih pomaknite v zamrzovalnik.

Hlajenje

Shranjevanje živil

Predel hladilnika je za kratkotrajno shranjevanje svežih živil in pijač.

Mlečne izdelke shranjujte v predelu hladilnika, ki je namenjen za to.

Steklenice lahko shranite v nosilec steklenic ali na polico za steklenice na vratih.

Surovo meso je najboljšo shraniti v polietilenski vreči v predelu na skrajnem dnu hladilnika.

Počakajte, da se vroča živila in pijače ohladijo na sobno temperaturo, preden jih postavite v hladilnik.

• Pozor

Koncentriran alkohol shranjujte v posodi v navpičnem položaju, testno zaprtega.

• Pozor

V napravi ne shranjujte eksplozivnih substanc ali posod z vnetljivimi pogonskimi gorivi (konzervirana krema, razpršilci, itd.).

Obstaja nevarnost eksplozije.

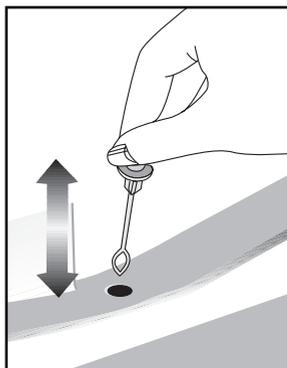
Odtajanje naprave

Predel hladilnika se samodejno odtaja. Odtajana voda teče skozi izpustni kanal v zbiralnik na zadnji strani naprave.

Med odtajanjem se zaradi izhlapevanja na zadnji steni hladilnika ustvarijo vodne kapljice.

Če vse kapljice ne odtečejo, lahko po odtajanju ponovno zamrznejo. Odstranite jih z mehko krpo, navlaženo s toplo vodo. Ne uporabljajte trdih ali ostrih predmetov.

Občasno preverite pretok odtajane vode. Včasih se lahko zamaši. Očistite ga s čistilcem za cevi ali podobnim pripomočkom.



6 Vzdrževanje in čiščenje

- ⚠ Pri čiščenju nikoli ne uporabljajte bencina, benzena ali podobnih snovi.
- ⚠ Priporočamo, da napravo pred čiščenjem izključite iz električnega omrežja.
- ⓘ Za čiščenje ne uporabljajte ostrih abrazivnih predmetov, mila, gospodinjskih čistil, čistilnih sredstev in loščila.
- ⓘ Omarico hladilnika očistite z mlačno vodo in jo do suhega obrišite.
- ⓘ Za čiščenje notranjosti uporabite izžeto krpo, ki ste jo namočili v raztopino ene čajne žličke sode bikarbonata in 500 ml vode ter nato do suhega obrišite.
- ⚠ Preprečite, da bi ohišje luči in ostali električni predmeti prišli v stik z vodo.
- ⚠ Če hladilnika dalj časa ne boste uporabljali, izključite električni kabel, odstranite vsa živila, ga očistite in pustite vrata priprta.
- ⓘ Preverite, da so tesnila na vratih čista in ne vsebujejo delcev živil.
- ⓘ Če želite odstraniti vratne police, jih izpraznite in jih enostavno potisnite navzgor od podlage.
- ⓘ Za čiščenje zunanjih površin in kromiranih delov izdelka ne uporabljajte čistilnih sredstev ali klorirane vode. Klor povzroči korozijo na kovinskih površinah.

Zaščita plastičnih površin

- ⓘ Tekočega olja ali na olju kuhanih jedi ne shranjujte v hladilniku v odprtih posodah, saj lahko poškodujejo plastične površine hladilnika. Če na plastičnih površinah razlijete olje ali jih umažete z oljem, jih očistite in splaknite s toplo vodo.

7 Priporočljive rešitve za težave

Prosimo, preglejte ta seznam preden pokličete servisno službo. Lahko Vam prihrani čas in denar. Na seznamu so pogoste pritožbe, ki niso posledica pomanjkljive izdelave ali materiala. Nekatere izmed opisanih značilnosti, morda ne veljajo za vašo napravo.

Hladilnik ne deluje
<ul style="list-style-type: none">• Ali je hladilnik pravilno priključen? Priključite vtič v vtičnico na steni.• Ali je glavna varovalka ali pa varovalka vtičnice v katero je priključen hladilnik pregorela? Preverite varovalko.
Kondenzacija na stranski steni hladilnega dela. (MULTI ZONE, COOL CONTROL in FLEXI ZONE)
<ul style="list-style-type: none">• Zelo hladne prostorske razmere. Pogosto odpiranje in zapiranje vrat. Visoka vlažnost v prostoru. Shranjevanje živil, ki vsebujejo tekočino, v odprtih posodah. Vrata so bila priprta.• Termostat preklopite na hladnejšo stopnjo.• Vrata naj bodo odprta manj časa ali pa jih ne uporabljajte tako pogosto.• Živila, ki so shranjena v odprtih posodah, pokrijte z ustrezno ovojnino.• Kondenzacijo obrišite s suho krpo in preverite, če se ponovi.
Kompresor ne deluje
<ul style="list-style-type: none">• Termična zaščita kompresorja bo med nenadnimi izpadi električnega toka ali pri izključevanju-vključevanju pregorela, saj pritisk hladilnega sredstva v hladilnem sistemu še ni uravnotežen.• Po približno 6 minutah se bo hladilnik zagnal. Če se hladilnik po tem času ne zažene, pokličite servisno službo.• Hladilnik se odtaja. Za hladilnik s popolnoma samodejnim odtajanjem je to običajno. Odtajanje poteka v rednih presledkih.• Hladilnik ni vključen v vtičnico. Prepričajte se, da je vtič dobro priključen v vtičnico.• Ali so temperature pravilno nastavljene? Izpad električnega toka. Pokličite vašega dobavitelja električne energije.

Delovanje hladilnika je pogosto ali traja dalj časa.
<ul style="list-style-type: none"> • Nov hladilnik je širši od prejšnjega. To je običajno. Veliki hladilniki delujejo dalj časa. • Temperatura prostora je lahko visoka. To je normalno. • Hladilnik je bil pred kratkim priključen ali pa je bil prenapolnjen z živili. Popolno ohlajanje hladilnika lahko traja nekaj ur dlje. • V hladilnik so bile nedavno postavljene večje količine toplih živil. Topla živila povzročijo daljše delovanje hladilnika, da dosežejo varno temperaturo za shranjevanje. • Vrata so se pogosto odpirala ali bila dalj časa priprta. Topel zrak, ki je prišel v hladilnik, povzroča daljše delovanje hladilnika. Vrata odpirajte manj pogosto. • Vrata zamrzovalnega ali hladilnega dela so bila priprta. Preverite, če so vrata dobro zaprta. • Hladilnik je nastavljen na zelo nizko temperaturo. Temperaturo hladilnika nastavite na toplejšo stopnjo in počakajte, da jo doseže. • Tesnilo na vratih hladilnika ali zamrzovalnika je umazano, izrabljeno, zlomljeno ali nepravilno nameščeno. Tesnilo očistite ali zamenjajte. Poškodovano/ zlomljeno tesnilo povzroča, da hladilnik deluje dalj časa za vzdrževanje trenutne temperature.
Temperatura zamrzovalnika je zelo nizka, medtem ko je temperatura hladilnika ustrezna.
<ul style="list-style-type: none"> • Temperatura zamrzovalnika je nastavljen na zelo nizko stopnjo. Temperaturo zamrzovalnika nastavite na toplejšo stopnjo in preverite.
Temperatura hladilnika je zelo nizka, medtem ko je temperatura zamrzovalnika ustrezna.
<ul style="list-style-type: none"> • Temperatura hladilnika je nastavljen na zelo nizko stopnjo. Temperaturo hladilnika nastavite na toplejšo stopnjo in preverite.
Živila shranjena v predalih hladilnega dela zamrzujejo.
<ul style="list-style-type: none"> • Temperatura hladilnika je nastavljen na zelo nizko stopnjo. Temperaturo hladilnika nastavite na toplejšo stopnjo in preverite.

Temperature v hladilniku ali zamrzovalniku so zelo visoke.
<ul style="list-style-type: none"> • Temperatura hladilnika je nastavljen na zelo visoko stopnjo. Nastavitev hladilnika vpliva na temperaturo zamrzovalnika. Spremenite temperaturo hladilnika ali zamrzovalnika, da dosežete ustrezno temperaturo. • Vrata so priprta. Dobro zaprite vrata. • V hladilnik so bile nedavno postavljene večje količine toplih živil. Počakajte, da hladilnik ali zamrzovalnik doseže zeleno temperaturo. • Hladilnik je bil pred kratkim priključen. Zaradi velikosti hladilnik potrebuje čas, da se popolnoma ohladi.
Hladilnik oddaja zvok, ki je podoben zvoku analogne ure.
<ul style="list-style-type: none"> • Ta zvok oddaja elektromagnetni ventil hladilnika. Elektromagnetni ventil zagotavlja prehajanje hladilnega sredstva, ki ga lahko nastavimo na hladilne ali zamrzovalne temperature oz. hladilne funkcije. To je normalno in ni okvara.
Med delovanjem hladilnika se hrup poveča.
<ul style="list-style-type: none"> • Značilnosti učinkovitosti delovanja hladilnika se lahko spremenijo glede na spremembe temperature prostora. To je običajno in ni napaka.
Tresljaji ali hrup
<ul style="list-style-type: none"> • Neravna ali slabotna tla. Hladilnik se med počasnim premikanjem trese. Prepričajte se, da so tla ravna, močna in primerna podpora za hladilnik. • Hrup lahko povzročajo predmeti, ki so postavljeni na hladilniku. Takšne predmete odstranite z vrha hladilnika.
Hrup podoben prelivanju tekočine ali pršenju.
<ul style="list-style-type: none"> • Način delovanja hladilnika povzroča pretok tekočine in plinov. To je običajno in ni napaka.
Hrup podoben pihanju vetra.
<ul style="list-style-type: none"> • Zračni aktivatorji (ventilatorji) pripomorejo k učinkovitemu hlajenju hladilnika. To je običajno in ni napaka.
Kondenzacija na notranjih stenah hladilnika.
<ul style="list-style-type: none"> • Vroče in vlažno vreme poveča zaledenitev in kondenzacijo. To je običajno in ni napaka. • Vrata so priprta. Prepričajte se, da so vrata popolnoma zaprta. • Vrata so se pogosto odpirala ali bila dalj časa priprta. Vrata odpirajte manj pogosto.
Na zunanji strani hladilnika ali med vrati se pojavi vlaga.
<ul style="list-style-type: none"> • Vlažno vreme. Pri vlažnem vremenu je to običajno. Ko se vlaga zniža, bo kondenzacija izginila.

Neprijeten vonj v hladilniku.
<ul style="list-style-type: none"> • Notranjost hladilnika naj bo čista. Notranjost hladilnika očistite z gobo, toplo ali gazirano vodo. • Vonj povzročajo nekatere posode ali materiali pakiranja. Uporabite druge posode ali drugačno vrsto materialov pakiranja.
Vrata se ne zapirajo.
<ul style="list-style-type: none"> • Ovojnine živil preprečujejo zapiranje vrat. Prestavite pakiranja, ki ovirajo vrata. • Hladilnik ni popolnoma pokončno postavljen na tla in se zatrese ob rahlem premiku. Prilagodite vijake za nastavitvev. • Neravna ali šibka tla. Prepričajte se, da so tla ravna in primerna podpora za hladilnik.
Predali so obtičali.
<ul style="list-style-type: none"> • Živila se dotikajo stropa predala. Ponovno razporedite živila v predalu.

ZAVRNITEV ODGOVORNOSTI / OPOZORILO

Nekatere (enostavne) napake lahko končni uporabnik ustrezno popravi, ne da bi prišlo do kakršnih koli varnostnih težav ali nevarne uporabe, pod pogojem, da so izvedene v mejah in v skladu z naslednjimi navodili (glejte poglavje "Samopopravila").

Če ni drugače dovoljeno v spodnjem poglavju "Samopopravila", bodo vsa popravila naslovljena na registriranega pooblaščenega serviserja, da se izognemo varnostnim težavam.

Registrirani pooblaščen serviser je poklicni serviser, ki mu je proizvajalec odobril dostop do navodil in seznama nadomestnih delov tega izdelka v skladu z metodami, opisanimi v zakonodajnih aktih v skladu z Direktivo 2009/125/ES.

Vendar lahko samo servisni agent (tj. pooblaščen poklicni serviserji), do katerega lahko pridete prek telefonske številke, navedene v uporabniškem priročniku/garancijskem listu ali prek pooblaščenega prodajalca, opravlja storitve v skladu z garancijskimi pogoji. Zato vas prosimo, da upoštevate, da za popravila, ki jih izvajajo poklicni serviserji (ki niso pooblaščen s strani Beko) ne bo veljala garancija.

Samopopravila

Končni uporabnik lahko sam izvede popravilo v zvezi z naslednjimi rezervnimi deli: vratni ročaj, vratni tečaj, pladnji, košare in vratna tesnila (posodobljen seznam je na voljo tudi na spletnem mestu support.beko.com od 1. marca 2021).

Poleg tega je treba za zagotovitev varnosti izdelka in za preprečitev nevarnosti resnih poškodb omenjeno samopopravilo opraviti po navodilih v uporabniškem priročniku za samopopravilo ali v navodilih, ki so na voljo na support.beko.com Zaradi lastne varnosti izdelek izključite iz električnega omrežja, preden se lotite kakršnega koli samopopravljanja.

Popravila in poskusi popraviljanja končnih uporabnikov za dele, ki niso vključeni na tak seznam in/ali ne upoštevajo navodil v uporabniških priročnikih za samopopravilo ali so na voljo na support.beko.com, lahko sprožijo vprašanja varnosti, ki jih ni mogoče pripisati Beko, in garancija za ta izdelek ne velja.

Zato je zelo priporočljivo, da se končni uporabniki vzdržijo poskusov popravil, ki ne spadajo v omenjeni seznam rezervnih delov, in se v takšnih primerih obrnejo na pooblaščen poklicni serviserje ali registrirani poklicni serviser. Nasprotno, takšni poskusi končnih uporabnikov lahko povzročijo varnostne težave in poškodujejo izdelek ter posledično povzročijo požar, poplavo, električni udar in resne telesne poškodbe.

Primeri popravil, za katere se je treba obrniti na pooblaščen ali registrirane poklicne serviserje, so med drugim naslednji: kompresor, hladilni krogotok, matična plošča, inverterska plošča, plošča zaslona itd.

Proizvajalec/prodajalec ni odgovoren v primeru, ko končni uporabniki ne upoštevajo zgoraj navedenega.

Razpoložljivost rezervnih delov hladilnik, ki ste ga kupili, je 10 let.

V tem obdobju bodo na voljo originalni nadomestni deli za pravilno delovanje hladilnik.

Hladilnik, ki ste ga kupili, ima najmanj 24-mesečno garancijo.

Ta izdelek je opremljen z svetlobnim virom energijskega razreda "G".

Svetlobni vir v tem izdelku lahko zamenjajo samo poklicni serviserji.

Prosimy najpierw przeczytać tę instrukcję obsługi!

Drodzy Klienci,

Mamy nadzieję, że nasz wyrób, wyprodukowany w nowoczesnym zakładzie i sprawdzony według najbardziej drobiazgowych procedur kontroli jakości, będzie Wam dobrze służył.

Dlatego zalecamy, aby uważnie przeczytać całą instrukcję obsługi tego wyrobu przed jego uruchomieniem i zachować ją do wglądu w przyszłości.

Instrukcja niniejsza

- Pomoże używać tego urządzenia sprawnie i bezpiecznie.
- Przeczytajcie tę instrukcję przed zainstalowaniem i uruchomieniem lodówki.
- Postępujcie zgodnie z tymi wskazówkami, zwłaszcza dotyczącymi bezpieczeństwa.
- Przechowujcie tę instrukcję w łatwo dostępnym miejscu, bo może się przydać później.
- Prosimy przeczytać także inne dokumenty dostarczone wraz z lodówką.
- Instrukcja ta może odnosić się także do innych modeli.

Symbole i ich znaczenie

Niniejsza instrukcja obsługi zawiera następujące symbole:

 Ważne informacje lub przydatne wskazówki użytkownika.

 Ostrzeżenie przed zagrożeniem życia i mienia.

 Ostrzeżenie przed porażeniem elektrycznym.

 INFORMACJE	
 <small>SUPPLIER'S NAME</small> A	 <small>MODEL IDENTIFIER</small> A (*)
<p>Informacje o modelu zapisane w bazie danych produktów można uzyskać, wchodząc na następującą stronę internetową i wyszukując identyfikator modelu (*) znajdujący się na etykiecie efektywności energetycznej.</p> <p>https://eprel.ec.europa.eu/</p>	

1 Oto Wasza chłodziarka 3

2 Ważne ostrzeżenia dot. bezpieczeństwa 4

Zamierzone przeznaczenie	4
Ogólne zasady bezpieczeństwa.....	4
Bezpieczeństwo dzieci	6
Zgodność z dyrektywą WEEE i usuwanie odpadów:	7
Zgodność z dyrektywą RoHS:	7
Informacje opakowaniu.....	7
Ostrzeżenie HCA.....	7
Co robić, aby oszczędzać energię.	8

3 Instalacja 9

W razie potrzeby ponownego transportu chłodziarki należy przestrzegać następujących wskazówek:	9
Przed uruchomieniem chłodziarki	9
Połączenia elektryczne	9
Usuwanie opakowania.....	10
Utylizacja starej chłodziarki	10
Ustawienie i instalacja.....	10
Regulacja nóżek	11
Instalacja (pod blatem).....	11

4 Przygotowanie 12

Przekładanie drzwi.....	13
-------------------------	----

5 Użytkowanie chłodziarki14

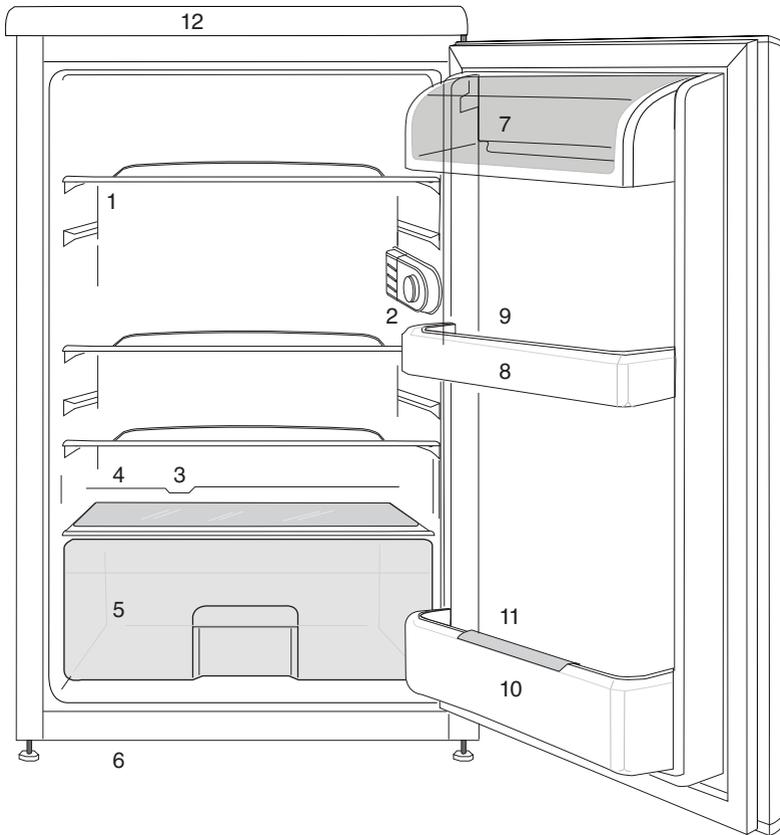
Zamrażanie.....	14
Zamrażanie żywności	14
Sporządzanie kostek lodu.....	15
Przechowywanie żywności mrożonej15	
Rozmrażanie zamrażarki.....	15
Chłodzenie	16
Przechowywanie żywności	16
Rozmrażanie zamrażarki.....	16

6 Konserwacja i czyszczenie 17

Zabezpieczenia powierzchni plastikowych	17
---	----

7 Zalecane rozwiązania problemów 18

1 Oto Wasza chłodziarka



- | | |
|---|------------------------|
| 1. Półki ruchome | 7. Pojemnik na nabiał |
| 2. Oświetlenie wewnętrzne i pokrętko termostatu | 8. Półki w drzwiczkach |
| 3. Kanał zbierania wody z rozmrażania– Rurka ściekowa | 9. Tacka na jaja |
| 4. Pokrywa pojemnika na świeże warzywa | 10. Półka na butelki |
| 5. Pojemnik na świeże warzywa | 11. Uchwyt na butelki |
| 6. Nastawiane nóżki przednie | 12. Obramowanie górne |

1 Rysunki w niniejszej instrukcji to tylko schematy i nie muszą ściśle odpowiadać Waszemu modelowi lodówki. Jeśli pewnych części nie ma w nabytej chłodziarce, to znaczy, że odnoszą się do innych modeli.

Prosimy przeczytać następujące ostrzeżenia. Ich nieprzestrzeganie grozi obrażeniami lub uszkodzeniem mienia. W takim przypadku tracą ważność wszelkie gwarancje i zapewnienia niezawodności.

Czas użytkowania nabytego urządzenia wynosi 10 lat. Przez ten czas utrzymujemy części zamienne potrzebne do jego zgodnego z opisem funkcjonowania.

Zamierzone przeznaczenie

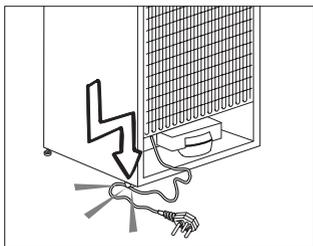
- Urządzenie można używać wyłącznie w gospodarstwie domowym oraz:
- na zapleczu kuchennych personelu w sklepach, biurach i w innych miejscach pracy;
- w kuchniach wiejskich i przez gości hotelowych, w motelach i innych tego rodzaju miejscach;
- w pensjonatach serwujących nocleg ze śniadaniem;
- cateringu i w innych tego rodzaju zastosowaniach niedetalicznych.
- Nie należy używać jej na dworze. Nie nadaje się do użytkowania na dworze, nawet w miejscach zadaszonych.

Ogólne zasady bezpieczeństwa

- Gdy zechcecie pozbyć się tego urządzenia/ złomować je, zalecamy skonsultowanie się z autoryzowanym serwisem, aby uzyskać potrzebne informacje i poznać kompetentne organa.
- Konsultujcie się z Waszym autoryzowanym serwisem w sprawach wszelkich pytań i problemów związanych z tą lodówką. Bez powiadomienia autoryzowanego serwisu nie wolno samemu ani innym osobom naprawiać chłodziarki.

- Nie jedzcie lodów ani lodu bezpośrednio po wyjęciu ich z zamrażalnika! (Może to spowodować odmrożenia w ustach).
- Nie wkładajcie do zamrażalnika napojów w puszkach ani w butelkach. Mogą wybuchnąć.
- Nie dotykajcie palcami mrożonej żywności, bo może do nich przylgnąć.
- Do czyszczenia i rozmrażania lodówki nie wolno stosować pary ani środków czyszczących w tej postaci. W takich przypadkach para może zetknąć się z częściami urządzeń elektrycznych i spowodować zwarcie albo porażenie elektryczne.
- Nie wolno używać żadnych części lodówki, takich jak drzwiczki, jako podpory ani stopnia.
- Wewnątrz lodówki nie wolno używać urządzeń elektrycznych.
- Nie wolno uszkadzać obwodu chłodzącego, w którym krąży środek chłodzący, narzędziami do wiercenia i cięcia. Środek chłodzący, który może wybuchnąć skutkiem przedziurawienia przewodów gazowych parownika, przedłużeń rur lub powłok powierzchni, może spowodować podrażnienia skóry lub obrażenia oczu.
- Nie przykrywajcie żadnym materiałem ani nie blokujcie otworów wentylacyjnych w lodówce.
- Urządzenia elektryczne naprawiać mogą tylko wykwalifikowani fachowcy. Naprawy wykonywane przez osoby niekompetentne mogą powodować zagrożenie dla użytkowników.

- W razie jakiegokolwiek awarii, a także w trakcie prac konserwacyjnych lub napraw, odłączcie lodówkę od zasilania z sieci albo wyłączając odnośny bezpiecznik, albo wyjmując wtyczkę z gniazdka.
- Wyjmując przewód zasilający z gniazdka należy ciągnąć za wtyczkę, nie za przewód.
- Napoje o wyższej zawartości alkoholu wkładajcie do lodówki w ściśle zamkniętych naczyniach i w pozycji pionowej.
- W urządzeniu nie należy przechowywać substancji wybuchowych ani pojemników z łatwopalnymi gazami pędnymi.
- W celu przyśpieszenia procesu rozmrażania lodówki nie należy używać żadnych urządzeń mechanicznych ani innych środków poza zalecanymi przez jej producenta.
- Urządzenie to nie jest przeznaczone do obsługi przez osoby (w tym dzieci) z ograniczoną sprawnością fizyczną, zmysłową lub umysłową, czy bez odpowiedniego doświadczenia i umiejętności, o ile nie zapewni się im nadzoru lub instrukcji jego użytkowania ze strony osoby odpowiedzialnej za ich bezpieczeństwo.
- Nie uruchamiajcie lodówki, jeśli jest uszkodzona. W razie wątpliwości należy się skonsultować z serwisem.
- Bezpieczeństwo elektryczne tej lodówki gwarantuje się tylko jeśli system uziemienia Waszej instalacji domowej spełnia wymogi norm.
- Wystawianie tego urządzenia na działanie deszczu, śniegu, słońca i wiatru zagraża jego bezpieczeństwu elektrycznemu.
- W razie uszkodzenia przewodu zasilającego itp. skontaktujcie się z autoryzowanym serwisem, aby nie narażać się na zagrożenie.
- W trakcie instalowania chłodziarki nigdy nie wolno włączać wtyczki w gniazdko w ścianie. Może to zagrażać śmiercią lub poważnym urazem.
- Chłodziarka ta służy wyłącznie do przechowywania żywności. Nie należy jej używać w żadnym innym celu.
- Etykieta z danymi technicznymi chłodziarki umieszczona jest po lewej stronie w jej wnętrzu.
- Nie przyłączaj tej chłodziarki do systemu oszczędzania energii, ponieważ może to ją uszkodzić.
- Jeśli chłodziarka wyposażona jest w niebieskie światło, nie patrz na nie poprzez przyrządy optyczne.
- Jeśli od ręcznie nastawianej chłodziarki odłączy się zasilanie, prosimy odczekać co najmniej 5 minut, zanim ponownie się je załączy.
- Jeżeli zmieni się właściciel tej chłodziarki, niniejszą instrukcję obsługi należy przekazać wraz z nią nowemu właścicielowi.
- Przy przesuwaniu chłodziarki uważaj, żeby nie uszkodzić przewodu zasilającego. Aby zapobiec pożarowi nie wolno skręcać tego przewodu. Nie ustawiać na przewodzie żadnych ciężkich przedmiotów. Gdy wtyczka chłodziarki jest wsadzona do gniazdka nie wolno jej dotykać wilgotnymi dłońmi.



- Nie wsadzaj wtyczki chłodziarki do obluzowanego gniazdka.
- Ze względów bezpieczeństwa nie przyskaj wodą bezpośrednio na zewnętrzne ani na wewnętrzne części chłodziarki.
- Ze względu na zagrożenie pożarem i wybuchem nie rozpylaj łatwopalnych materiałów, takich jak gaz propan itp., w pobliżu chłodziarki.
- Nie stawiaj na chłodziarce przedmiotów wypełnionych wodą, ponieważ grozi to porażeniem elektrycznym lub pożarem.
- Nie przeciążaj chłodziarki nadmierną ilością żywności. Nadmiar żywności może wypaść, gdy otwiera się drzwiczki, narażając użytkownika na obrażenia ciała lub uszkodzenie chłodziarki. Nie wolno stawiać żadnych przedmiotów na chłodziarce, ponieważ mogą spaść przy otwieraniu lub zamykaniu drzwiczek.
- W chłodziarce nie należy przechowywać żadnych materiałów, które wymagają utrzymania w pewnej temperaturze, takich jak szczepionki, leki wrażliwe na temperaturę, materiały do badań naukowych itp.
- Jeśli chłodziarka ma być nieużywana przez dłuższy czas, należy wyjąć jej wtyczkę z gniazdka. Uszkodzenie izolacji elektrycznej przewodu zasilającego może spowodować pożar.

- Czubek wtyczki elektrycznej należy regularnie czyścić, w przeciwnym razie może spowodować pożar.
 - Czubki wtyczki należy regularnie czyścić suchą ściereczką, w przeciwnym razie mogą spowodować pożar.
 - Jeśli nastawialne nóżki nie stoją pewnie na podłodze, chłodziarka może się przesuwać. Prawidłowa regulacja nóżek chłodziarki zapewnia jej stabilność na podłodze.
 - Jeśli chłodziarka ma klamkę w drzwiach nie należy ciągnąć za nią, gdy przesuwa się chłodziarkę, ponieważ można w ten sposób odłączyć ją od chłodziarki.
 - Jeśli musisz ustawić chłodziarkę obok innej chłodziarki lub zamrażarki, odległość między tymi urządzeniami musi wynosić co najmniej 8 mm. W przeciwnym razie na ich ustawionych naprzeciw siebie bocznych ścianach może skraplać się wilgoć.
 - Ciśnienie wody w instalacji wodociągowej musi wynosić co najmniej 1 bar. Ciśnienie wody w instalacji wodociągowej nie może przekraczać 8 bar.
 - Używaj wyłącznie wody pitnej.
- Bezpieczeństwo dzieci**
- Jeśli drzwiczki zamykane są na klucz, należy go chronić przez dostępem dzieci.
 - Należy zapewnić opiekę dzieciom, aby nie bawiły się lodówką.

Zgodność z dyrektywą WEEE i usuwanie odpadów:

Niniejszy wyrób jest zgodny z



dyrektywą Parlamentu Europejskiego i Rady (2012/19/WE). Wyrób ten oznaczony jest symbolem klasyfikacji zużytych urządzeń elektrycznych i elektronicznych (WEEE).

Wyrób ten wykonano z części i materiałów wysokiej jakości, które mogą być odzyskane i użyte jako surowce wtórne. Po zakończeniu użytkowania nie należy pozbywać się go razem z innymi odpadkami domowymi. Należy przekazać go do punktu zbiórki urządzeń elektrycznych i elektronicznych na surowce wtórne. Aby dowiedzieć się, gdzie jest najbliższy taki punkt, prosimy skonsultować się z władzami lokalnymi.

Zgodność z dyrektywą RoHS:

Niniejszy wyrób jest zgodny z dyrektywą Parlamentu Europejskiego i Rady RoHS (Ograniczenie użycia substancji niebezpiecznych) (2011/65/WE). Nie zawiera szkodliwych i zakazanych materiałów, podanych w tej dyrektywie.

Informacje opakowaniu

Materiały opakowania tego wyrobu są wykonane z surowców wtórnych, zgodnie z naszymi krajowymi przepisami dotyczącymi ochrony środowiska. Materiałów opakunkowych nie wolno wyrzucać z odpadami z gospodarstwa domowego lub innymi. Należy przekazać je do punktu zbiórki surowców wtórnych.

Ostrzeżenie HCA

Jeśli chłodziarka ta wyposażona jest w system chłodniczy zawierający R600a:

Gaz ten jest łatwopalny. Należy zatem uważać, aby w trakcie jego użytkowania i transportu nie uszkodzić systemu i przewodów chłodzenia. W razie uszkodzenia, należy trzymać chłodziarkę z dala od potencjalnych źródeł ognia, które mogą spowodować jej pożar i należy wietrzyć pomieszczenie, w którym jest umieszczona.

Prosimy zignorować to ostrzeżenie, jeśli chłodziarka ta wyposażona jest w system chłodniczy zawierający R134a.

Oznaczenie gazu zastosowanego w danej chłodziarce można odczytać z tabliczki znamionowej umieszczonej z lewej strony w jej wnętrzu.

Nie należy złomować chłodziarki przez jej spalanie.

Co robić, aby oszczędzać energię.

- Nie zostawiajcie drzwiczek lodówki otwartych na dłużej.
- Nie wkładajcie do lodówki gorących potraw ani napojów.
- Nie przeładowujcie lodówki tak, aby przeszkadzało to w krążeniu powietrza w jej wnętrzu.
- Nie instalujcie lodówki tam, gdzie narażona będzie na bezpośrednie działanie słońca ani w pobliżu urządzeń wydzielających ciepło takich jak piecyki, zmywarki do naczyń lub grzejniki.
- Pamiętajcie, aby żywność przechowywać w zamkniętych pojemnikach.
- Po wyjęciu półki lub szuflady z komory zamrażalnika można do niego włożyć maksymalną ilość żywności. Deklarowane zużycie energii przez chłodziarkę określono przy półce lub szufladzie wyjętej z komory zamrażania i przy maksymalnym wypełnieniu żywnością. Używanie półki lub szuflady odpowiednio do kształtów i rozmiarów zamrażanej żywności jest bezpieczne.

3 Instalacja

i Należy pamiętać, że producent nie ponosi odpowiedzialności, jeśli są ignorowane informacje podane w niniejszej instrukcji.

W razie potrzeby ponownego transportu chłodziarki należy przestrzegać następujących wskazówek:

1. Przed transportem należy chłodziarkę opróżnić i oczyścić.
2. Przed ponownym zapakowaniem chłodziarki, półki, akcesoria, pojemnik na warzywa itp. należy przymocować taśmą klejącą zabezpieczając je przed wstrząsami.
3. Opakowanie należy obwiązać grubą taśmą i silnymi sznurkami i przestrzegać reguł transportu wydrukowanych na opakowaniu.

Prosimy pamiętać...

Wszystkie surowce wtórne stanowią niezbywalne źródło oszczędności zasobów naturalnych i krajowych.

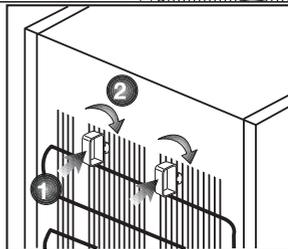
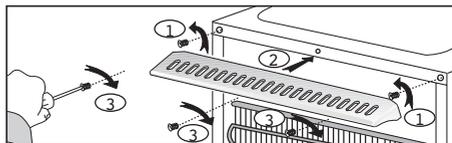
Osoby pragnące przyczynić się do wtórnego wykorzystania materiałów opakunkowych, mogą uzyskać dodatkowe informacje od instytucji ochrony środowiska lub władz lokalnych.

Przed uruchomieniem chłodziarki

Przed rozpoczęciem użytkowania chłodziarki, należy sprawdzić:

1. Czy wewnątrz chłodziarki jest suche i czy powietrze może swobodnie krążyć za chłodziarką?

2. Oczyścić wewnątrz chłodziarki, zgodnie z zaleceniami podanymi w rozdziale „Konservacja i czyszczenie”.



3. Włączyć wtyczkę chłodziarki w gniazdko w ścianie. Po otwarciu drzwiczek chłodziarki zapali się światło we wnętrzu jej komory chłodzenia.
4. Po uruchomieniu sprężarki usłyszycie jej szum. Płyn i gazy zawarte w systemie chłodzenia także mogą powodować szumy, nawet jeśli nie działa sprężarka i jest to zupełnie normalne.
5. Przednie krawędzie lodówki mogą się nieco nagrzewać. Jest to całkiem normalne. Te obszary powinny się nagrzewać, co zapobiega skraplaniu się pary.

Połączenia elektryczne

Lodówkę przyłącza się do gniazdka z uziemieniem zabezpieczonego bezpiecznikiem o odpowiedniej wydajności.

Ważne:

- Przyłączenie lodówki musi być zgodne z przepisami krajowymi.
- Po instalacji wtyczka zasilania musi być łatwo dostępna.
- Podane tam napięcie musi być równe napięciu w Waszej sieci zasilającej.
- Do przyłączenia nie można używać przedłużaczy, ani przewodów z wieloma wtyczkami.

⚠ Uszkodzony przewód zasilający musi wymienić upoważniony i wykwalifikowany elektryk.

⚠ Nie można ponownie uruchomić produktu przed jego naprawieniem! Grozi to porażeniem elektrycznym!

Usuwanie opakowania

Materiały opakunkowe mogą być niebezpieczne dla dzieci. Należy chronić materiały opakunkowe przed dostępem dzieci, albo usunąć je zgodnie z instrukcją odpowiednią dla odpadków ich kategorii. Nie można pozbywać się ich w taki sam sposób, jak innych odpadków domowych.

Opakowanie tej chłodziarki wyprodukowano z surowców wtórnych.

Utylizacja starej chłodziarki

Starej chłodziarki należy pozbyć się tak, aby nie zaszkodzić środowisku naturalnemu.

- W sprawie złomowania lodówki możecie skonsultować się z autoryzowanym sprzedawcą lub punktem zbiórki surowców wtórnych w swojej miejscowości.

Przed złomowaniem lodówki należy odciąć wtyczkę zasilania elektrycznego, a jeśli w drzwiczkach są jakieś zamki, należy je trwale uszkodzić, aby zapobiec zagrożeniu dzieci.

Ustawienie i instalacja

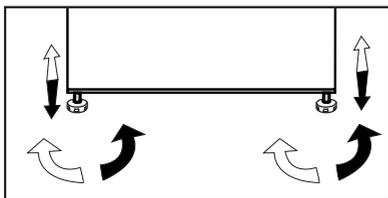
⚠ Jeśli drzwiczki wejściowe do pomieszczenia, w którym ma być zainstalowana chłodziarka, są zbyt wąskie, aby chłodziarka mogła przez nie przejść, należy wezwać autoryzowany serwis, który zdejmie z niej drzwiczki i przeniesie ją bokiem przez drzwi.

1. Chłodziarkę należy zainstalować w miejscu, w którym łatwo będzie ją używać.
2. Chłodziarka musi stać z dala od źródeł ciepła, miejsc wilgotnych i bezpośrednio nasłonecznionych.
3. Aby uzyskać wydajną pracę chłodziarki, należy zapewnić odpowiednią wentylację wokół niej. Jeśli chłodziarka ma stanąć we wnęcie w ścianie, należy zachować co najmniej 5 cm odstęp od sufitu i ściany. Jeśli podłoga pokryta jest wykładziną dywanową, chłodziarka musi stać 2,5 cm ponad powierzchnią podłogi.
4. Aby uniknąć wstrząsów, chłodziarkę należy ustawić na równej powierzchni podłogi.

Regulacja nóżek

Jeśli lodówka nie stoi równo;

Można wyrównać jej ustawienie obracając przednie nóżki, tak jak pokazano na rysunku. Narożnik lodówki obniża się obracając nóżkę w tym narożniku w kierunku czarnej strzałki, lub podnosi obracając nóżkę w przeciwnym kierunku. Proces ten ułatwi lekkie uniesienie lodówki z pomocą innej osoby.



Instalacja (pod blatem)

- Blat powinien być na wysokości 820 mm.(!) Jeśli pod blatem instaluje się to urządzenie, na blacie nie można umieszczać kuchenek ani innych źródeł ciepła.
- Gniazdko elektryczne w ścianie musi być blisko lewej lub prawej strony urządzenia.
- Zdejmij z urządzenia górną pokrywę. Należy usunąć 4 śrubki (2 z tyłu, 2 pod przednią krawędzią).

Rys. 1

- Odetnij część wskazaną na rysunku i zdejmij ją szczypcami.
- Wstaw urządzenie pod blat i ustaw przednie nóżki tak, aby jego górna powierzchnia dotykała blatu.
- Aby można było korzystać z urządzenia pod blatem, należy zachować odstęp pomiędzy ścianą a znakiem odniesienia na górnym złączu plastikowym na co najmniej 595 mm.

Rys. 2-3

- Umocuj urządzenie pod blatem 2 śrubkami, które wyjęto z górnej pokrywy. (Blat musi być zrobiony z plastyku, drewna, lub materiału drewnopodobnego!).

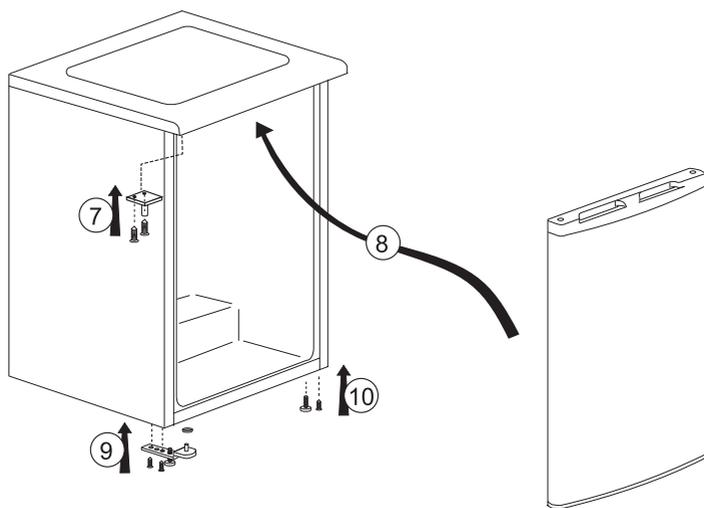
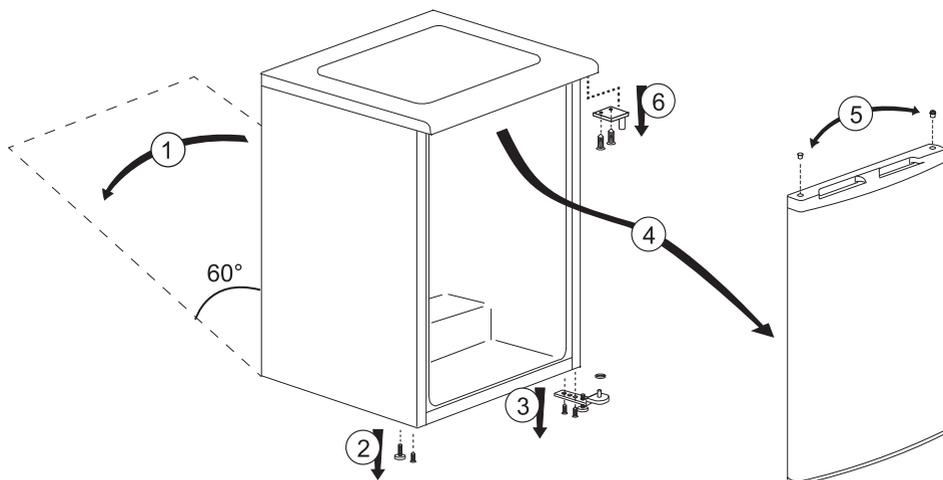
Rys. 4

4 Przygotowanie

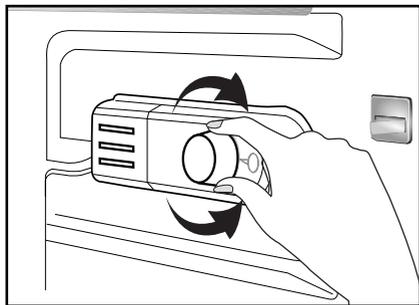
- W przypadku urządzenia wolnostojącego; „Urządzenie chłodnicze nie jest przeznaczone do stosowania jako urządzenie wbudowane”;
- Chłodziarkę tę należy zainstalować przynajmniej 30 cm od źródeł ciepła takich jak kuchenka, kaloryfer lub piec, i przynajmniej 5 cm od piecyka elektrycznego, a także że należy chronić ją przez bezpośrednim działaniem słońca.
- Temperatura otoczenia w pomieszczeniu, gdzie instaluje się chłodziarkę, powinna wynosić co najmniej 10°C. Ze względu na wydajność chłodziarki nie zaleca się użytkowania jej niższych temperaturach.
- Prosimy upewnić się, że wnętrze chłodziarki zostało dokładnie oczyszczone.
- Jeśli zainstalowane mają być dwie chłodziarki obok siebie, należy zachować co najmniej 2 cm odstęp między nimi.
- Przy pierwszym uruchomieniu chłodziarki prosimy przez pierwsze sześć godzin przestrzegać następujących instrukcji.
- Nie należy zbyt często otwierać drzwiczek.
- Należy uruchomić ją pustą, bez żadnej żywności we wnętrzu.
- Nie należy wyłączać wtyczki chłodziarki z gniazdka. W przypadku awarii zasilania, której nie można samemu naprawić, prosimy zastosować się do ostrzeżenia z rozdziału „Zalecane rozwiązania problemów”.
- Aby zapewnić niskie zużycie energii i lepsze warunki przechowywania, należy zawsze korzystać z dostarczonych koszy/szuflad, znajdujących się w komorze chłodzącej.
- Jeśli jedzenie dotykać będzie czujnika temperatury znajdującego się w zamrażarce, może zwiększyć to zużycie energii. Należy w związku z tym unikać jakiegokolwiek kontaktu z tym czujnikiem (tymi czujnikami).
- Oryginalne opakowanie i elementy z pianki należy zachować do przyszłego transportu lub przeprowadzek.
- W niektórych modelach, panel instrumentów wyłącza się automatycznie w 5 minut po zamknięciu drzwi. Panel włączy się ponownie po otwarciu drzwi i naciśnięciu dowolnego przycisku.
- Zmiana temperatury w wyniku otwierania/zamykania drzwiczek powoduje skraplanie się wody na drzwiczkach i półkach urządzenia oraz szklanych pojemnikach, co jest normalnym zjawiskiem.

Przekładanie drzwi

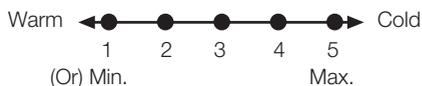
Postępuj w kolejności zgodnej z numeracją.



5 Użytkowanie chłodziarki



Temperaturę roboczą reguluje się pokrętkiem temperatury.



1 = Ustawienie najmniejszego chłodzenia (Nastawienie najcieplejsze)

5 = Ustawienie największego chłodzenia (Nastawienie najzimniejsze)

(lub)

Min. = Ustawienie najmniejszego chłodzenia

(Nastawienie najcieplejsze)

Maks. = Ustawienie największego chłodzenia

(Nastawienie najzimniejsze)

Średnia temperatura we wnętrzu chłodziarki powinna wynosić ok +5°C. Prosimy wybrać nastawienia stosownie do pożądanej temperatury.

Można zatrzymać działanie chłodziarki nastawiając pokrętkę termostatu na "0".

Prosimy zauważyć, że temperatury w obszarze chłodzenia będą się różnić. Strefa najzimniejsza znajduje się

bezpośrednio nad komorą na warzywa.

Temperatura we wnętrzu zależy także od temperatury otoczenia, częstotliwości otwierania drzwi oraz ilości przechowywanej w środku żywności.

Częste otwieranie drzwi powoduje wzrost temperatury we wnętrzu. Z tego powodu zaleca się zamykanie drzwi z powrotem najprędzej jak to możliwe po użyciu chłodziarki.

Zamrażanie

Zamrażanie żywności

Komorę zamrażania oznaczona jest tym symbolem.

W chłodziarce można zarówno zamrażać świeżą żywność, jak i przechowywać żywność już zamrożoną.

Prosimy zwrócić uwagę na zalecenia podanych na opakowaniu żywności.

• Uwaga

Nie należy zamrażać napojów gazowanych, ponieważ po zamrożeniu zawartości butelka może ulec rozerwaniu.

Należy zachować ostrożność przy obchodzeniu się z produktami zamrożonymi, takimi jak barwne kostki lodu.

Nie należy przekraczać 24-godzinnej zdolności zamrażania zamrażarki.

Patrz: tabliczka znamionowa.

Aby zachować oryginalne właściwości

żywności, należy ją zamrażać tak szybko, jak to możliwe.

W ten sposób nie przekracza się zdolności zamrażania i temperatura wewnątrz chłodziarki nie wzrośnie.

• Uwaga

Żywność uprzednio zamrożoną i świeżo zamrażaną należy przechowywać osobno.

Przy zamrażaniu żywności gorącej kompresor chłodzący pracować będzie aż po całkowite jej zamrożenie. Może to tymczasowo spowodować nadmierne ochłodzenie komory chłodniczej.

Jeśli drzwi zamrażarki trudno otwierają się zaraz po ich zamknięciu, nie ma powodu do obaw. Dzieje się tak z powodu różnicy ciśnień, które wyrównają się, co po kilku minutach umożliwi normalne otwieranie drzwi. Zaraz po zamknięciu drzwi słychać odgłos próżni. Jest to całkiem normalne.

Sporządzanie kostek lodu

Tackę na kostki lodu należy w 3/4 napęłnić wodą i umieścić w zamrażarce.

Gdy tylko woda zamrznie, można wyjąć kostki lodu.

Do wyjęcia kostek lodu nie wolno używać ostrych przedmiotów takich jak nóż, czy widelec. Grozi to skałeczeniem!

Należy raczej pozostawić lód, aby lekko odtajał, albo na chwilę włożyć spód tacki do gorącej wody.

Przechowywanie żywności mrożonej

Komora na żywność mrożoną oznaczona jest symbolem .

Komora na żywność mrożoną służy do przechowywania mrozonek spożywczych. Zawsze należy przestrzegać zaleceń co do przechowywania podanych na opakowaniu mrozonek.

Rozmrażanie zamrażarki

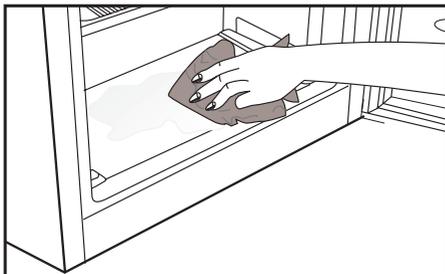
Nadmierne osadzanie się lodu szkodzi zdolności zamrażania chłodziarki.

Zaleca się zatem rozmrażanie zamrażarki co najmniej dwa razy rocznie. lub gdy osad lodu przekroczy 7 mm grubości.

Chłodziarkę należy rozmrażać, gdy jest pusta lub jest w niej bardzo niewiele żywności.

Należy wyjąć żywność zamrożoną. Następnie należy owinąć ją w kilka warstw papieru lub ściereczkę i przechować w chłodnym miejscu. Dalej należy wyjąć wtyczkę zasilania chłodziarki z gniazdka lub wyłączyć aby rozpocząć proces rozmrażania. Należy wyjąć z chłodziarki akcesoria (takie jak półki, szuflady itp.) oraz zbierać rozmrażaną wodę do odpowiedniego naczynia.

W razie potrzeby rozmrażaną wodę usuwa się gąbką lub miękką ściereczką z komory zamrażania  i z komory na mrozonki. 



W trakcie rozmrażania drzwi powinny być otwarte.

Aby przyspieszyć rozmrażanie można wewnątrz chłodziarki umieścić naczynia z ciepłą wodą.

Do usuwania lodu nie wolno używać urządzeń elektrycznych, płynów rozmrażających, ani przedmiotów o ostrych końcach lub krawędziach takich jak noże i widelce.

Po odszronieniu oczyścić wnętrze.

Teraz można ponownie włączyć chłodziarkę do sieci zasilającej.

Należy umieścić mrożoną żywność w szufladach i wsunąć je do zamrażarki.

Chłodzenie Przechowywanie żywności

Komorza chłodnicza służy do krótkoterminowego przechowywania świeżej żywności i napojów.

Produkty mleczne należy przechowywać w komorze w zagłębieniu chłodziarki.

Butelki można przechowywać w uchwycie na butelki lub na półce na butelki w drzwiach.

Surowe mięso najlepiej przechowywać w polietylenowym woreczku w komorze na samym dnie chłodziarki.

Przed włożeniem do chłodziarki gorącą żywność i napoje należy ostudzić do temperatury pokojowej.

• Uwaga

Alkohol wysokoprocentowy należy

przechowywać wyłącznie w dokładnie zamkniętych naczyniach ustawionych w pozycji pionowej.

• Uwaga

W chłodziarce nie należy przechowywać substancji wybuchowych ani pojemników z łatwopalnymi gazami pędnymi (śmietana w puszkach, puszki z rozpylaczami itp.).

Zachodzi tu zagrożenie wybuchem.

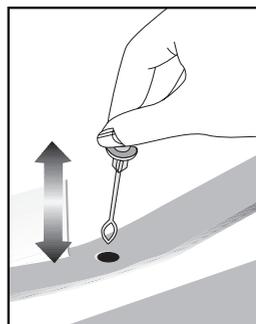
Rozmrażanie zamrażarki

Komorza chłodziarki rozmraża się automatycznie. Rozmrażana woda spływa kanałem ściekowym do pojemnika zbiorczego z tyłu chłodziarki.

W trakcie rozmrażania na tylnej ścianie chłodziarki zbierają się kropelki wody do odparowania w parowniku.

Jeśli nie wszystkie kropelki spłyną na dół, mogą ponownie zamrażać po zakończeniu rozmrażania. Należy je usunąć miękką ściereczką zwilżoną ciepłą wodą. Nie należy używać twardych ani ostrych przedmiotów.

Od czasu do czasu należy sprawdzić odpływ rozmrażanej wody. Może się on okazać zatkany. Należy to oczyścić środkiem do czyszczenia rur lub podobnym.



6 Konserwacja i czyszczenie

- ⚠ Do czyszczenia chłodziarki nie wolno używać benzyny, benzenu, ani podobnych substancji..
- ⚠ Zaleca się wyłączenie wtyczki chłodziarki z gniazdka przed jej czyszczeniem.
- ⚠ Do czyszczenia nie wolno stosować żadnych szorstkich narzędzi ani mydła, domowych środków czystości, detergentów, ani wosku do polerowania.
- ℹ Umyj obudowę chłodziarki letnią wodą i wytrzyj ją do sucha.
- ℹ Wnętrze należy czyścić ściereczką zamoczoną i wyżętą w roztworze jednej łyżeczki do herbaty sody oczyszczonej w 0,5 litra wody, a następnie wytrzeć do sucha.
- ⚠ Zadbaj, aby do obudowy lampki i innych urządzeń elektrycznych nie dostała się woda.
- ⚠ Jeśli chłodziarka ma być nieużywana przez dłuższy okres czasu, należy ją wyłączyć i całkowicie opróżnić z żywności, oczyścić i pozostawić z uchylonymi drzwiczkami.
- ℹ Regularnie sprawdzaj, czy uszczelki w drzwiczkach są czyste i nie osadzają się na nich cząstki żywności.
- ⚠ Aby wyjąć półki z drzwiczek, opróżnij je z zawartości, a potem po prostu naciśnij od podstawy ku górze.
- ⚠ Do czyszczenia powierzchni zewnętrznych i chromowanych części produktu nie należy używać ani środków czyszczących, ani wody z zawartością chloru. Chlor powoduje korozję takich powierzchni metalowych.

Zabezpieczenia powierzchni plastikowych

- ℹ Nie wkładać do chłodziarki oleju ani potraw smażonych na oleju w nieszczelnych pojemnikach, ponieważ może to uszkodzić jej plastikowe powierzchnie. W razie rozlania się lub rozsmarowania oleju na plastikowej powierzchni, od razu oczyścić i opłukać ciepłą wodą jej zabrudzoną część.

7 Zalecane rozwiązania problemów

Prosimy zapoznać się z tym wykazem przed wezwaniem serwisu. Może to oszczędzić Wasz czas i pieniądze. Wykaz ten zawiera częste kłopoty, które nie wynikają z wadliwego wykonania ani zastosowania wadliwych materiałów. Niektóre z opisanych tu funkcji mogą nie występować w tym modelu urządzenia.

Chłodziarka nie działa.

- Czy jest prawidłowo przyłączona do zasilania? Włożyć wtyczkę do gniazdka.
- Czy nie zadziałał bezpiecznik gniazdka, do którego jest przyłączona albo bezpiecznik główny? Sprawdzić bezpiecznik.

Skropliny na bocznej ścianie komory chłodzenia (MULTIZONE, COOL CONTROL oraz FLEXI ZONE).

- Bardzo niska temperatura otoczenia. Częste otwieranie i zamykanie drzwiczek. Znaczna wilgoć w otoczeniu. Przechowywanie żywności zawierającej płyny w otwartych pojemnikach. Pozostawienie uchylonych drzwiczek. Przełączyć termostat na niższą temperaturę.
- Otwierać drzwiczki na krócej albo rzadziej.
- Nakrywać żywność przechowywaną w otwartych pojemnikach odpowiednim materiałem.
- Wycierać skropliny suchą ściereczką i sprawdzać, czy nadal się utrzymują.

Sprężarka nie działa

- Zabezpieczenie termiczne sprężarki zadziała w trakcie nagłego zaniku zasilania lub załącza się i wyłącza, ponieważ nie wyrównało się jeszcze ciśnienie w systemie chłodzącym chłodziarki. Chłodziarka zacznie działać po ok. 6 minutach. Jeśli po upływie tego czasu chłodziarka nie zacznie działać, prosimy wezwać serwis.
- Chłodziarka jest w cyklu rozmrażania. Ton normalne dla chłodziarki z całkowicie automatycznym rozmrażaniem. Cykl rozmrażania następuje okresowo.
- Chłodziarka nie jest włączona do gniazdka. Upewnij się, że wtyczka jest prawidłowo włożona do gniazdka.
- Czy temperatura jest właściwie nastawiona?
- Być może w sieci nie ma prądu.

Chłodziarka pracuje często lub przez zbyt długi czas.

- Nowa chłodziarka jest szersza od poprzedniej. Jest to całkiem normalne. Duże chłodziarki działają przez dłuższy czas.
- Zbyt wysoka temperatura otoczenia. Jest to całkiem normalne.
- Chłodziarka została niedawno załączona lub jest przeładowana żywnością. Całkowite ochłodzenie chłodziarki może potrwać o parę godzin dłużej.
- Ostatnio włożono do chłodziarki znaczne ilości gorącej żywności. Gorące potrawy powodują dłuższą pracę chłodziarki zanim osiągnie temperaturę przechowywania.
- Zbyt często otwierano drzwiczki lub na dłużej pozostawiano je uchylone. Ciepłe powietrze, które weszło do chłodziarki, powoduje, że działa ona dłużej. Rzadziej otwierać drzwiczki.
- Pozostawiono uchylone drzwiczki komory chłodzenia lub zamrażania. Sprawdzić, czy drzwiczki są szczelnie zamknięte.
- Chłodziarka jest nastawiona na bardzo niską temperaturę. Nastawić chłodziarkę na wyższą temperaturę i odczekać, aż zostanie ona osiągnięta.
- Uszczelka w drzwiczkach chłodziarki lub zamrażalnika jest zabrudzona, uszkodzona, pęknięta lub nieprawidłowo włożona. Oczyszczyć lub wymienić uszczelkę. Uszkodzona/pęknięta uszczelka powoduje, że chłodziarka pracuje przez dłuższy czas, aby utrzymać bieżącą temperaturę.

Temperatura zamrażalnika jest bardzo niska, a temperatura chłodzenia jest wystarczająca.

- Chłodziarka jest nastawiona na bardzo niską temperaturę zamrażania. Nastawić chłodziarkę na wyższą temperaturę zamrażania i sprawdzić.

Temperatura chłodzenia jest bardzo niska, a temperatura zamrażania jest wystarczająca.

- Chłodziarka nastawiona jest na bardzo niską temperaturę chłodzenia. Nastawić chłodziarkę na wyższą temperaturę chłodzenia i sprawdzić.

Żywność przechowywana w szufladach komory zamraża.

- Chłodziarka nastawiona jest na bardzo niską temperaturę chłodzenia. Nastawić chłodziarkę na wyższą temperaturę chłodzenia i sprawdzić.

Bardzo wysoka temperatura w chłodziarce lub zamrażalniku.

- Chłodziarka nastawiona jest na bardzo wysoką temperaturę chłodzenia. Nastawienia chłodziarki wpływają na temperaturę w zamrażalniku. Zmienić temperaturę w chłodziarce lub zamrażalniku aż osiągnie odpowiedni poziom.
- Zbyt często otwierano drzwiczki lub na dłużej pozostawiano je uchylone, należy je rzadziej otwierać.
- Drzwiczki pozostawiono uchylone, należy je dokładnie zamknąć.
- Ostatnio włożono do chłodziarki znaczne ilości gorącej żywności. Odczekać, aż temperatura w chłodziarce lub zamrażalniku osiągnie właściwy poziom.
- Chłodziarkę załączono niedawno. Całkowite chłodzenie chłodziarki trochę potrwa.

Gdy chłodziarka pracuje, poziom hałasu wrasta.
<ul style="list-style-type: none"> • Z powodu zmian temperatury otoczenia zmieniły się charakterystyki eksploatacyjne chłodziarki. Jest to stan normalny, nie zaś awaria.
Drgania lub hałas
<ul style="list-style-type: none"> • Nierówna lub słaba podłoga. Chłodziarka podskakuje, gdy porusza się ją powoli. Sprawdź, czy podłoga jest równa i wytrzymuje ciężar chłodziarki. • Hałas powodują rzeczy położone na chłodziarce. Należy usunąć przedmioty ustawione na chłodziarce.
Z chłodziarki dochodzą odgłosy przelewania się i syczenia płynu.
<ul style="list-style-type: none"> • Zgodnie z zasadą funkcjonowania chłodziarki następują przepływy płynu lub gazu. Jest to stan normalny, nie zaś awaria.
Odgłos jakby szumu wiatru.
<ul style="list-style-type: none"> • Do ochłodzenia chłodziarki użyto wentylatorów. Jest to stan normalny, nie zaś awaria.
Skropliny na wewnętrznych ściankach chłodziarki.
<ul style="list-style-type: none"> • Ciepła i wilgotna pogoda sprzyja oblodzeniu i skraplaniu. Jest to stan normalny, nie zaś awaria. • Drzwiczki mogą być uchylone, upewnij się, że są całkowicie zamknięte. • Zbyt często otwierano drzwiczki lub na dłużej pozostawiano je uchylone, należy je rzadziej otwierać.
Na zewnątrz chłodziarki, lub pomiędzy drzwiczkami pojawia się wilgoć.
<ul style="list-style-type: none"> • Być może w powietrzu jest wilgoć; to całkiem normalne przy wilgotnej pogodzie. Gdy wilgoć w powietrzu ustąpi, skropliny znikną.
Nieprzyjemna woń wewnątrz chłodziarki.

- Trzeba oczyścić wnętrze chłodziarki. Oczyścić wnętrze chłodziarki gąbką namoczoną w ciepłej lub gazowanej wodzie.
- Woń powodują jakieś pojemniki lub materiały opakowaniowe. Używać innych pojemników lub materiałów opakowaniowych innej marki.

Drzwiczki są niezamknięte.

- W zamknięciu drzwiczek przeszkadzają paczki z żywnością. Przełożyć paczki przeszkadzające zamknięciu drzwiczek.
- Chłodziarka nie stoi całkiem pionowo na podłodze i kiwa się przy lekkim poruszeniu. Wyregulować wysokość nóżek.
- Podłoga nie jest równa lub dość wytrzymała. Sprawdzić, czy podłoga jest równa i wytrzymuje ciężar chłodziarki.

Szuflady do przechowywania świeżych warzyw się zatarły.

- Żywność dotyka sufitu szuflady. Zmienić ułożenie żywności w szufladzie.

ZASTRZEŻENIE/OSTRZEŻENIE

Niektóre (proste) awarie mogą być naprawione przez użytkownika końcowego bez obawy przed niebezpieczeństwem lub wynikającym z tego niebezpiecznego użytkownika, pod warunkiem, że naprawy zostaną wykonane w określonych granicach i zgodnie z następującymi instrukcjami (patrz rozdział „Samodzielna naprawa”).

Dlatego, o ile nie określono inaczej w rozdziale "Samodzielna naprawa", naprawy powinny być zlecane do profesjonalnych warsztatów w celu uniknięcia problemów związanych z bezpieczeństwem. Zarejestrowany profesjonalny podmiot zajmujący się naprawami to profesjonalny warsztat, któremu producent przyznał dostęp do instrukcji i wykazu części zamiennych produktu zgodnie z metodami opisanymi w aktach ustawodawczych zgodnie z dyrektywą 2009/125/WE.

Jednak tylko przedstawiciel serwisu (tj. autoryzowane profesjonalne warsztaty), z którym można skontaktować się pod numerem telefonu podanym w instrukcji obsługi/karcie gwarancyjnej lub za pośrednictwem autoryzowanego sprzedawcy, może świadczyć usługi na warunkach gwarancji. W związku z tym należy pamiętać, że naprawy wykonywane przez profesjonalne warsztaty (nieautoryzowane przez Beko) powodują utratę gwarancji.

Samodzielna naprawa

Użytkownik końcowy może samodzielnie naprawić następujące części zamienne: klamki, zawiasy drzwi, tace, kosze i uszczelki drzwi

(zaktualizowana lista jest również dostępna na support.beko.com od 1 marca 2021).

Ponadto, aby zapewnić bezpieczeństwo produktu i zapobiec ryzyku poważnych obrażeń, samodzielną naprawę należy wykonać zgodnie ze wskazówkami zawartymi w instrukcji obsługi w rozdziale "Samodzielna naprawa" lub dostępnymi w support.beko.com Dla własnego bezpieczeństwa, przed samodzielną naprawą, odłącz urządzenie od zasilania.

Naprawy i próby naprawy dokonywane przez użytkowników końcowych w przypadku części niewymienionych na liście i/lub nieprzestrzeganie wskazówek zawartych w rozdziale „Samodzielna naprawa” lub dostępnych w support.beko.com, mogą stanowić zagrożenie, którego nie można przypisać do Beko, oraz spowodują utratę gwarancji.

W związku z tym zdecydowanie zaleca się, aby użytkownicy końcowi powstrzymali się od podejmowania prób wykonywania napraw spoza wymienionego wykazu części zamiennych, kontaktując się w takich przypadkach z autoryzowanymi warsztatami lub profesjonalnymi warsztatami. Samodzielne próby naprawy mogą stwarzać zagrożenie i uszkodzić urządzenie, a następnie spowodować pożar, powódź, porażenie prądem i poważne obrażenia ciała.

Na przykład, ale nie tylko, następujące naprawy muszą zostać zlecone w autoryzowanych warsztatach lub w zarejestrowanych profesjonalnych warsztatach: sprężarka,

obwód chłodzenia, płyta główna, płyta falownika, tablica wyświetlacza itp.

Producent/sprzedawca nie ponosi odpowiedzialności w przypadku gdy użytkownik nie stosuje się do zaleceń.

Dostępność części zamiennych do zakupionej lodówki wynosi 10 lat. Przez ten czas dostępne będą oryginalne części zamienne do prawidłowej eksploatacji lodówki.

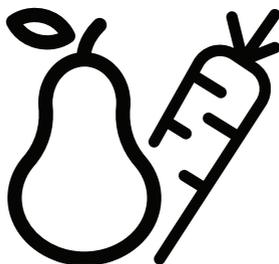
Minimalny okres gwarancji na zakupioną lodówkę wynosi 24 miesiące.

Ten produkt jest wyposażony w źródło światła o klasie energetycznej "G".

Źródło światła w tym produkcie może być wymieniane wyłącznie przez profesjonalnych serwisantów.

beko

Kūlmik
Kasutusjuhend
Frigorífico
Manual do Utilizador
Šaldytuvas
Vartotojo vadovas
Ledusskapis
Lietotāja rokasgrāmata



TSE1423N - TSE1524N

ET / PT / LT / LV



ÜMBERTÖÖDELTUD JA
TAASKASUTATAV PABER



PAPEL RECICLADO E
RECICLÁVEL



PERDIRBTAS &
PERDIRBAMAS POPIERIUS



PĀRSTRĀDĀTS UN
PĀRSTRĀDĀJAMS PĀPIRS

Palun lugege esmalt juhendit!

Kallis klient,

Me loodame, et teie toode, mis on toodetud moodsates tehastes ja kontrollitud kõige põhjalikumate kvaliteedikontrolli protseduuridega, teenib teid hästi.

Selleks soovitame teil põhjalikult kogu tootejuhendi läbi lugeda enne toote kasutamist ja hoida see ka tulevikuks käepärast.

See juhend

- Aitab teil oma seadet kasutada kiirelt ja ohutult.
- Lugege juhendit enne seadme paigaldamist ja kasutamist.
- Järgige juhiseid, eriti ohutustemaalisi.
- Hoidke juhendit kättesaadavas kohas, kuna te võite seda ka hiljem vajada.
- Lisaks lugege ka teisi tootega kaasas olevaid dokumente.

Palun pange tähele, et see juhend võib kehtida ka teiste mudelite kohta.

Sümbolid ja nende kirjeldused

See kasutusjuhend sisaldab järgnevaid sümboleid:

 Oluline teave või kasulikud näpunäited.

 Hoiatus elule ja varale ohtlike tingimuste eest.

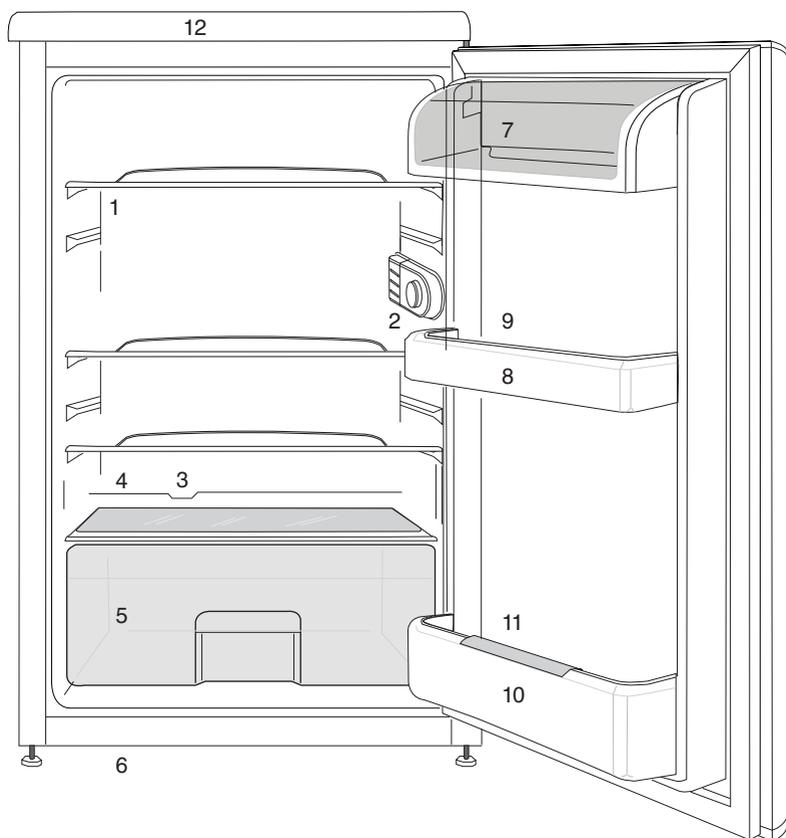
 Hoiatus elektripinge eest.

 TEAVE	
	
<small>SUPPLIER'S NAME</small> A	<small>MODEL IDENTIFIER (*)</small> A
<small>. Tooteandmebaasis säilitatava mudeli kohta käiva teabe juurde pääseb järgmisele veebisaidile sisenedes ja otsides energiamärgiselt oma mudeli identifikaatori (*). https://eprel.ec.europa.eu/</small>	

SISUKORD

1 Teie külmik	3	4 Ettevalmistus	10
2 Olulised hoiatused ohutuse tagamiseks	4	Jalgade seadistamine	11
Kasutusotstarve.....	4	Paigaldamine (tööpinna alla)	11
Veedosaatoriga toodete puhul:	6	5 Külmiku kasutamine	13
Laste ohutuse tagamine	6	Külmutus	13
WEEE direktiivi täitmine ja romuseadme kõrvaldamine:	6	Toiduainete külmutamine	13
RoHS-direktiivi täitmine:.....	6	Jääkuubikute valmistamine	14
Teave pakendi kohta.....	7	Külmutatud toiduainete säilitamine...14	
Ohuhoiatus.....	7	Seadme sulatamine	14
Mida saab teha energia säästmiseks .7		Jahutamine.....	15
3 Paigaldamine	8	Toiduainete hoidmine	15
Mida pidada meeles külmiku hilisemal transportimisel	8	Seadme sulatamine	15
Enne külmiku kasutamist	8	6 Hooldus ja puhastamine	16
Elektriühendus.....	9	Plastpindade kaitse	16
Pakendi utiliseerimine	9	7 Soovituslikud lahendused probleemidele	17
Vana külmiku utiliseerimine	9		
Asukoha valik ja paigaldamine	9		

1 Teie külmik



1. Sisevalgustus & Termostaadi nupp
2. Jahutuskambri riulid
3. Sulatusvee kogumiskanal-äravoolutoru
4. Juurviljakasti kate
5. Salatikast
6. Reguleeritavad esijalad
7. Või ja juustu kambrid
8. Ukseriulid
9. Munarest
10. Pudelihiul
11. Pudelihoidik
12. Ülemine laud

i Kasutusjuhendis esinevad joonised on skemaatilised ja ei pruugi täpselt vastata teie tootele. Kui kõnealused osad ei ole teie soetatud tootega kaasas, kehtib see teiste mudelite kohta.

2 Olulised hoiatused ohutuse tagamiseks

Palun tutvuge alljärgneva teabega. Selle teabe eiramine võib põhjustada vigastusi või materiaalselt kahju. Vastasel korral muutuvad kõik garantiid ja töökindluse tagatised kehtetuks.

Teie soetatud seadme ettenähtud eluiga on 10 aastat. Sellel perioodil hoitakse alles seadme ettenähtud tööks vajalikke varuosi.

Kasutusotstarve

Toode on mõeldud kasutamiseks

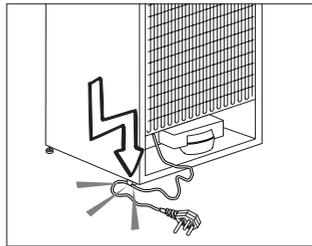
- tubades ja siseruumides: nt kodudes;
- suletud töökeskkonnas: nt kauplustes ja kontorites;
- kinnistes majutuspiirkondades: nt talumajad, hotellid, pansionaadid.
- Toodet ei tohiks kasutada välitingimustes.

Üldohutus

- Kui soovite toote utiliseerida või vanametalli saata, soovitame teil vajaliku teabe ja volitatud asutuste leidmiseks konsulteerida volitatud teenindusega.
- Kõigi külmikuga seotud küsimuste ja probleemide osas konsulteerige volitatud teenindusega. Ärge tegutsege külmiku kallal ega laske kellelgi teisel seda teha ilma volitatud teenindust teavitamata.
- Külmutuskambriga toodete puhul: ärge sööge jäätist ja jääkuubikuid kohe pärast sügavkülmikust väljavõtmist! (See võib tekitada suus külmaville.)

- Külmutuskambriga toodete puhul: ärge pange pudelisse ja purki villitud jooke sügavkülmikusse. Vastasel juhul võivad nad lõhkeda.
- Ärge puudutage külmutatud toiduaineid palja käega; need võivad kää külge kinni jääda.
- Enne puhastamist või sulatamist eemaldage külmik vooluvõrgust.
- Külmiku puhastamiseks ja sulatamiseks ei tohi kunagi kasutada auru ning pihustatavaid puhastusvahendeid. Sellistel juhtudel võib aur sattuda kontakti elektriosadega ja põhjustada lühise või elektrilöögi.
- Ärge kunagi kasutage külmiku osasid (nt uks) toetus- või astumispinna.
- Ärge kasutage külmiku sees elektriseadmeid.
- Ärge vigastage puurimis- või lõikeristadega külmiku osi, kus ringleb külmutusaine. Aurustaja, torupikenduste või pinnakattevahendite augustamisel välja lenduda võiv külmutusaine põhjustab nahaärritust ja silmakahjustusi.
- Ärge katke ega blokeerige külmiku ventilatsioonivahendeid.
- Elektriseadmeid võivad parandada ainult volitatud isikud. Ebakompetentsete isikute tehtud parandused võivad olla kasutajale ohtlikud.
- Rikke, hooldus- või parandustöö korral ühendage külmik vooluvõrgust lahti kas vastava kaitsme väljalülitamise või pistiku lahtiühendamise teel.

- Pistiku lahtiühendamisel ärge tõmmake juhtmest.
- Hoidke kõrgema alkoholisisaldusega pudeleid kindlalt suletuna vertikaalses asendis.
- Ärge hoidke külmikus aerosoolpakendeid tule- ja plahvatusohtlike ainetega.
- Ärge kasutage sulatusprotsessi kiirendamiseks mehaanilisi seadmeid ega muid vahendeid peale tootja soovitatute.
- Toode ei ole mõeldud kasutamiseks piiratud füüsiliste, sensorsete või vaimsete võimetega, samuti puudulike kogemuste ja teadmistega isikute (sealhulgas laste) poolt, välja arvatud nende turvalisuse eest vastutava isiku juuresolekul ja juhendamisel.
- Ärge kasutage vigastatud külmikut. Probleemide korral pidage nõu volitatud teenindusega.
- Teie külmiku elektriline ohutus on tagatud ainult siis, kui teie maja maandussüsteem vastab standarditele.
- Toote kokkupuutumine vihma, lume, päikese ja tuulega on elektriohutuse seisukohast ohtlik.
- Et vältida ohtliku olukorra teket, pöörduge toitejuhtme vigastuse korral volitatud teenindusse.
- Paigalduse ajal ärge ühendage külmikut seinakontakti. Vastasel korral võib tekkida surma või raske vigastuse oht.
- See külmik on mõeldud ainult toidu hoiustamiseks. Seda ei tohi kasutada teistel eesmärkidel.
- Tehniliste andmete silt paikneb külmiku sees vasakpoolsel seinal.
- Ärge kunagi ühendage külmikut energiasäästusüsteemiga – see võib külmikut kahjustada.
- Kui külmikul on sinine valgustus, ärge vaadage seda valgust läbi optiliste seadmete.
- Käsitsi juhitavate külmikute puhul oodake pärast voolukatkestust vähemalt 5 minutit, enne kui külmiku sisse lülitate.
- Omanikuvahetuse puhul tuleks kasutusjuhend edasi anda külmiku järgmisele omanikule.
- Külmiku transportimisel vältige toitejuhtme kahjustamist. Toitejuhtme painutamise tagajärjel võib tekkida tulekahju. Toitejuhtme peale ei tohi kunagi asetada raskeid esemeid. Ärge ühendage pistikut seinakontakti märgade kätega.



- Ärge ühendage külmikut logitseva seinakontaktiga.
- Ohutuse huvides ei tohi pritsida vett otse külmiku sisemistele või välimistele osadele.
- Tulekahju ja plahvatusohtu vältimiseks ärge pihustage külmiku lähedal kergesti süttivaid aineid (nt propaangaas).

- Ärge asetage külmiku peale veega täidetud esemeid, kuna see võib põhjustada elektrilöögi või tulekahju.
- Ärge pange külmikusse liiga suurt kogust toitu. Liiga täis pandud külmikust võivad toidud ukse avamisel välja kukkuda ning teid ennast või külmikut kahjustada. Ärge asetage külmiku peale esemeid, kuna need võivad külmiku ukse avamisel või sulgemisel alla kukkuda.
- Külmikus ei tohi hoida vaktsiine, temperatuuriridulikke ravimeid, teaduslikke aineid jne, mis nõuavad kindlaid temperatuuritingimusi.
- Kui külmikappi pole kavas pikemat aega kasutada, tõmmake pistik kontaktist välja. Toitejuhtme võimalik defekt võib põhjustada tulekahju.
- Elektripistiku otsa tuleks regulaarselt puhastada, vastasel juhul võib see põhjustada tulekahju.
- Elektripistiku otsa tuleks kuiva lapiga regulaarselt puhastada, vastasel juhul võib see põhjustada tulekahju.
- Kui reguleeritavad jalad ei ole kindlalt vastu põrandat, võib külmik paigast nihkuda. Et vältida külmiku nihkumist, tuleks reguleeritavad jalad põrandal korralikult fikseerida.
- Külmikut teisaldades ärge hoidke kinni uksekäepidemest. Vastasel korral võib see puruneda.
- Kui peate toote paigaldama teise külmiku või sügavkülmiku kõrvale, peab seadmete vahele jääma vähemalt 8 cm vaba ruumi. Vastasel juhul võivad külgeained niiskeks muutuda.

Veedsaatoriga toodete puhul:

Veesurve torustikus ei tohi olla madalam kui 1 bar. Veesurve torustikus ei tohi olla kõrgem kui 8 bar.

- Kasutage ainult joogikõlblikku vett.

Laste ohutuse tagamine

- Kui ukseel on lukk, tuleks võtit hoida väljaspool laste käeulatus.
- Hoidke lastel silma peal, et nad ei saaks seadmega mängida.

WEEE direktiivi täitmine ja romuseadme kõrvaldamine:



Seade vastab Euroopa Liidu WEEE direktiivile (2012/19/EL). Seadmel on elektri- ja elektroonikaseadmete jäätmete (WEEE) liigiti kogumise tähis.

Seade on valmistatud kvaliteetsetest osadest ja materjalidest, mis sobivad ringlussevõtmiseks ja taaskasutamiseks. Ärge visake tarbetuks muutunud seadet tavalise olmeprügi ega muude jäätmete hulka. Viige see elektri- ja elektroonikajäätmete kogumispunkti. Kogumispunktide kohta saate täpsemat teavet kohalikest omavalitsusest.

RoHS-direktiivi täitmine:

Seade vastab Euroopa Liidu RoHS-direktiivile (2011/65/EL). See ei sisalda direktiivis mainitud kahjulikke ja keelatud materjale.

Teave pakendi kohta

Vastavalt meie riiklikele keskkonnanäeskirjadele on toote pakend valmistatud taaskasutatavatest materjalidest. Ärge visake pakkematerjale tavalise olmeprügi või muude jäätmete hulka. Viige need kohaliku omavalitsuse poolt määratud pakendikogumispunkti.

Ohuhoiatus

Kui teie toote jahutussüsteem sisaldab ainet R600a:

See gaas on tuleohtlik. Seega olge ettevaatlik, et mitte kasutuse ja transpordi ajal jahutussüsteemi ning torustikku vigastada. Vigastuse korral hoidke toodet eemal potentsiaalsetest tuleallikatest, mis selle süüdata võiksid, ja ventileerige ruumi, milles seade asub.

See hoiatus ei puuduta teid, kui teie toote jahutussüsteem sisaldab ainet R134a.

Tootes kasutatava gaasi tüüp on kirjas andmesildil, mis paikneb külmiku sees vasakpoolsel seinal.

Ärge kunagi seadet põletage.

Mida saab teha energia säästmiseks

- Hoidke toitu suletud nõudes.
- Külmutuskambriga toodete puhul: et külmutuskamber mahutaks võimalikult palju, võite eemaldada riiuli või sahtli. Külmiku energiakulu ametlik väärtus on saadud maksimaalse täituvuse juures, kui külmutuskambri riiul või sahtel on eemaldatud. Riiulit või sahtlit võib vabalt kasutada vastavalt külmutatavate toiduainete kujule ja suurusele.
- Külmutatud toidu sulatamine jahutuskambris võimaldab säästa energiat ning ühtlasi säilitada toidu kvaliteeti.
- Ärge hoidke oma külmiku uksi pikalt lahti.
- Ärge pange külmikusse kuuma toitu-jooke.
- Ärge laadige külmikut liiga täis, et õhk saaks vabalt ringelda.
- Ärge paigaldage oma külmikut otsese päikesevalguse kätte või kuumust kiirgavate seadmete lähedale (nt ahjud, nõudepesumasinaid või radiaatorid).

3 Paigaldamine

⚠ Palun jätke meelde, et tootja vabaneb vastutusest, kui selles kasutusjuhendis antud teavet arvesse ei võeta.

Mida pidada meeles külmiku hilisemal transportimisel

1. Külmik tuleb enne igasugust liigutamist tühendada ja puhastada.
2. Riilid, lisaseadmed, köögiviljasahtel jms tuleb teibi abil enne uuesti pakendamist raputuste kaitseks kindlalt kinnitada.
3. Pakend tuleb siduda paksu teibi ja tugevate köite abil ning tuleb järgida pakendile trükitud transpordireegleid.

Palun ärge unustage...

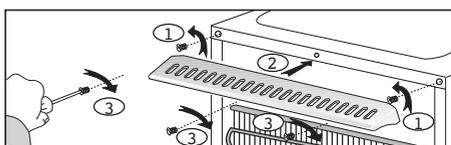
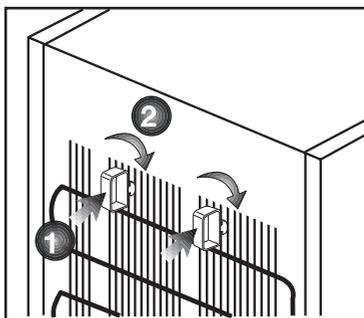
Iga ümbertöödeldud ese on hädavajalik abi loodusele ja meie loodusressurssidele.

Kui soovite panustada pakkematerjalide ümbertöötlemisse, saate lisateavet keskkonkakaitseasutustest või kohalike võimuorganite käest.

Enne külmiku kasutamist

Enne külmiku kasutama hakkamist kontrollige järgmist:

1. Kas külmiku sisemus on kuiv ja kas õhk saab selle tagaosas vabalt liikuda?
2. Puhastage külmiku sisemus, nagu soovitatud peatükis "Hooldus ja puhastamine".



3. Ühendage külmik seinakontakti. Kui külmiku uks on avatud, läheb jahutuskambri tuli põlema.
4. Kompressori käivitumisega kaasneb müra. Jahutussüsteemis olev vedelik ja gaasid võivad samuti müra tekitada, seda isegi juhul kui kompressor ei tööta – see on täiesti normaalne.
5. Külmiku esiservad võivad tunduda soojad. See on täiesti normaalne nähtus. Need alad peavad olema soojad, et vältida kondensaadi teket.
6. Sisestage 2 plastikust kiilu tagumise õhuava peale, nagu näidatud alloleval joonisel. Plastikust kiilud tagavad õhu liikumiseks vajaliku vahemaa külmiku ja seina vahel.

Elektriühendus

Ühendage seade maandatud pistikupessa, mida kaitseb sobiva nimivoolutugevusega kaitse.

NB!

- Ühendus peab vastama riiklikele nõuetele.
- Toitejuhe peab olema pärast paigaldust kergesti ligipääsetav.
- Ettenähtud pinge peab vastama teie vooluvõrgu pingele.
- Ühendamiseks ei tohi kasutada pikendusjuhtmeid ja harupistikuid.

⚠ Kahjustatud toitejuhe tuleb lasta välja vahetada kvalifitseeritud elektrikul.

⚠ Toodet ei tohi enne selle parandamist kasutada! Elektrilöögi oht!

Pakendi utiliseerimine

Pakkematerjalid võivad olla lastele ohtlikud. Hoidke pakkematerjale lastele kättesaamatus kohas või utiliseerige need, sorteerides need vastavalt jäätmekäitlusjuhiste. Ärge visake neid ära koos majapidamisjäätmetega.

Teie külmiku pakend on toodetud ümbertöödeldavatest materjalidest.

Vana külmiku utiliseerimine

Utiliseerige oma vana seade keskkonda kahjustamata.

- Külmiku utiliseerimise osas võite nõu pidada volitatud edasimüüjaga või oma haldusüksuse jäätmekäitluskeskusega.

Enne külmiku utiliseerimist ühendage lahti elektripistik ja kui uksele on lukke, muutke need kasutuskõlmatuks, et kaitsta lapsi ohtude eest.

Asukoha valik ja paigaldamine

⚠ Kui külmik ei mahu läbi ukse ruumi, kuhu soovite seda paigaldada, pöörduge volitatud teenindusse. Tehnik saab külmiku ukseid eemaldada, nii et see mahub küll läbi ukseava.

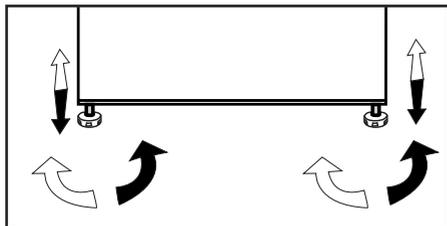
1. Paigaldage külmik kohta, kus seda on kerge kasutada.
2. Hoidke külmikut eemal soojusallikatest, niisketest kohtadest ja otsesest päikesevalgusest.
3. Külmiku tõhusa töö tagamiseks peab selle ümbruses toimuma piisav õhuringlus. Kui kavatsete paigutada külmiku seinarva, peab see jääma laest ja seintest vähemalt 5 cm kaugusele. Kui põrand on kaetud vaibaga, tuleb toode tõsta põrandast 2,5 cm kõrgusele.
4. Põrutuste vältimiseks asetage külmik ühetasasele põrandapinnale.

- Eraldiseiseva seadme puhul; „See külmutusseade ei ole ette nähtud kasutamiseks sisseehitatud seadmena”;
- Teie külmik tuleks paigaldada vähemalt 30 cm kaugusele kuumusallikatest nagu pliidirauad, ahjud, keskküttesüsteem ja pliidid, ning vähemalt 5 cm kaugusele elektriahjustest. Samuti ei tohiks see asuda otsese päikesevalguse käes.
- Külmiku paigaldamiseks kasutatava ruumi temperatuur peaks olema vähemalt 10°C. Jahedamates tingimustes külmiku kasutamine ei ole tõhususe vähenemise tõttu soovitatav.
- Palun veenduge, et külmiku sisemus on korralikult puhastatud.
- Kui kaks külmikut paigaldatakse kõrvuti, peaks nende vahele jääma vähemalt 2 cm ruumi.
- Kui kasutate külmikut esimest korda, järgige palun esimese kuue tunni jooksul järgnevaid juhiseid.
- Ust ei tohiks sagedasti avada.
- See peab töötama tühjalt, ilma et toit oleks sees.
- Ärge ühendage külmikut vooluvõrgust lahti. Kui tekib teist sõltumatu voolukatkestus, vaadake palun hoiatusi “Soovituslikud lahendused probleemidele” peatükis.
- Originaalpakend ja vahtmaterjal tuleks alles jätta juhiks, kui tulevikus on vaja külmikut liigutada või kolida.
- Mõnedel mudelitel lülitub juhtpaneel automaatselt 5 minutit peale ukse sulgemist välja. See aktiveerub uuesti, kui uks avada või vajutada mistahes nuppu.
- Seadme ukse avamise ja sulgemisega kaasnevate temperatuurikõikumiste normaalse kaasnähuna tekib ukse- ja siseriulitele ning klaasist mahutitele kondensaat.

Jalgade seadistamine

Kui teie külmik on tasakaalust väljas;

Saate oma külmikut tasakaalustada, kui pöörate esimesed jalad nii, nagu joonisel näidatud. Jalaga nurk langeb, kui pöörate seda musta noole suunas, ja tõuseb, kui pöörate seda vastupidises suunas. Kellegi appi kutsumine külmikut õrnalt kergitama on selle tegevuse juures suureks abiks.



Paigaldamine (tööpinna alla)

- Tööpinna sisekõrgus peaks olema 820 mm.(!) Kui seade on paigaldatud tööpinna alla, eti tohi tööpinna selle osa peale asetada pliiti vms küttekeha.
- Seinakontakt pistiku ühendamiseks peab paiknema seadme parema või vasaku külje lähedal.
- Eemaldage seadme ülemine kate. Eemaldada tuleb 4 kruvi (2 tagaküljel, 2 esiserva all).

Joon. 1

- Lõigake lahti joonisel näidatud osa ja eemaldage see tangide abil.
- Asetage seade tööpinna alla ja reguleerige esijalgu, kuni ülemine serv puutub vastu tööpinda.
- Toote kasutamiseks tööpinna all peab ülemisel plastist ühendusdetailil olev märg jäama seinast vähemalt 595 mm kaugusele.

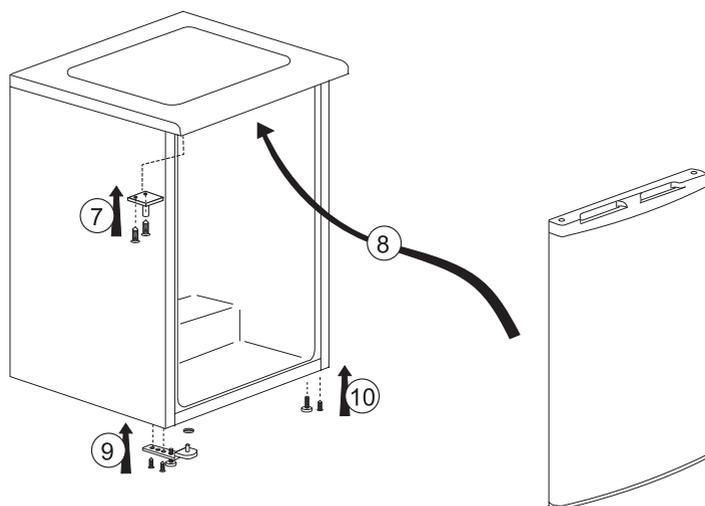
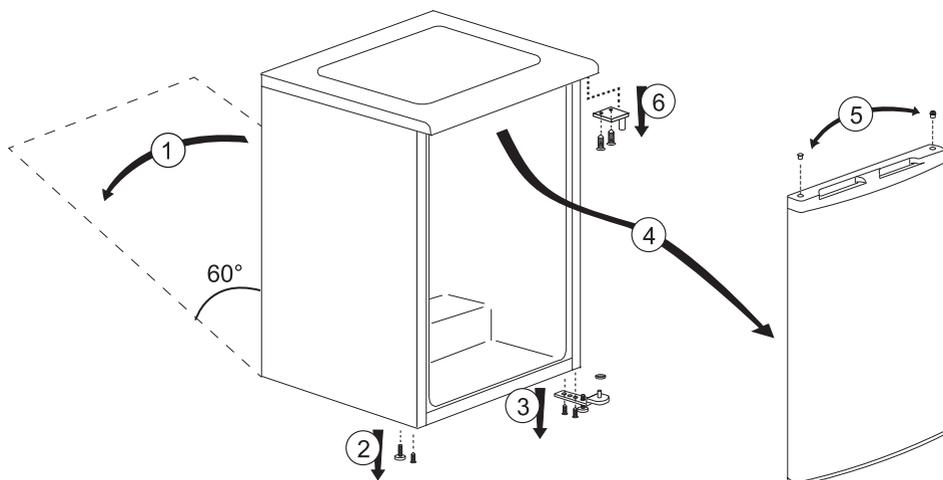
Joon. 2–3

- Kinnitage seade tööpinna alla ülemiselt kattelt eemaldatud 2 kruvi abil. (Tööpind peab olema plasti- või puidupõhisest materjalist!)

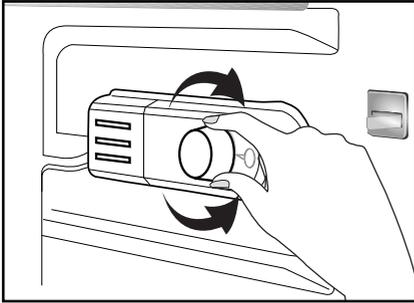
Joon. 4

Uste pööramine

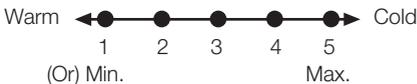
Jätka numbrilises järjestuses.



5 Külmiku kasutamine



Töötemperatuuri reguleeritakse temperatuuriregulaatoriga.



1 = Madalaim jahutussäte (kõige soojem säte)

5 = Kõrgeim jahutussäte (kõige külmem säte)

(või)

Min. = madalaim jahutussäte (kõige soojem säte)

Max. = kõrgeim jahutussäte (kõige külmem säte)

Keskmine temperatuur jahutuskambris peaks olema umbes +5 °C.

Valige säte vastavalt soovitud temperatuurile.

Seadme töö saate peatada termostaadi nupu keeramisega asendisse 0.

Pange tähele, et jahutuskambri eri kohtades on erinev temperatuur.

Kõige külmem piirkond on vahetult kõõgiviljasahkli kohal.

Sisetemperatuur oleneb ka ümbrustemperatuurist, ukse avamise sagedusest ja säilitatava toidu kogusest.

Ukse sage avamine põhjustab sisetemperatuuri tõusu.

Seetõttu on soovitatav uks pärast kasutamist võimalikult ruttu sulgeda.

Külmutus

Toiduainete külmutamine

Külmutuskamber on tähistatud selle sümboliga

Seadet saab kasutada värskete toiduainete külmutamiseks, aga ka eelkülmutatud toiduainete hoidmiseks.

Tutvuge soovitustega toiduainete pakendil.

• Tähelepanu!

Ärge külmutage gaseeritud jooke, kuna pudel võib selles oleva vedeliku külmumisel puruneda.

Külmutatud tooteid (nt värvilisi jääkuubikuid) tuleks käsitseda ettevaatlikult.

Ärge ületage seadme külmutusjõudlust 24 tunni jooksul. Vt andmesilti.

Toidu kvaliteedi säilitamiseks peab külmutamine toimuma võimalikult kiiresti.

Sel juhul ei ületata külmutusjõudlust ning temperatuur külmutuskambris ei tõuse.

• Tähelepanu!

Hoidke juba sügavkülmutatud toiduaineid värskest toidust lahus.

Kuuma toidu sügavkülmutamisel töötab jahutuskompressor seni, kuni toit on täielikult külmutatud. See võib ajutiselt langetada temperatuuri jahutuskambris.

Kui sügavkülmuti uks avaneb veidi pärast sulgemist raskelt, ärge liialt muretsege. Selle põhjuseks on rõhkude vahe, mis mõne minuti pärast võrdsustub ja lubab ust normaalselt avada.

Vahetult pärast ukse sulgemist kuulete hõrenduse tekkega seotud heli. See on täiesti normaalne nähtus.

Jääkuubikute valmistamine

Täitke jäänõu kolmveerandini veega ja asetage külmutuskambrisse.

Kui vesi on külmunud, võite jääkuubikud välja võtta.

Ärge kasutage jääkuubikute eemaldamiseks teravaid esemeid nagu näiteks nuga või kahvel. Vigastusoht!

Selle asemel laske jääkuubikutel veidi sulada või pange aluse põhi lühikeseks ajaks kuuma vette.

Külmutatud toiduainete säilitamine

Külmutatud toidu kamber on tähistatud selle sümboliga (**).

Külmutatud toidu kamber sobib eelkülmutatud toidu hoidmiseks. Alati tuleb järgida toiduainete pakendile märgitud soovitusi säilitustingimuste kohta.

Seadme sulatamine

Liigse jää teke mõjub negatiivselt seadme külmutusjõudlusele.

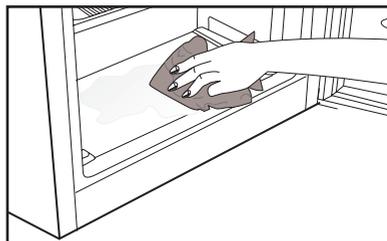
Seetõttu on soovitatav vabastada seade jääst vähemalt kaks korda aastas või siis, kui moodustunud jääkihi paksus ületab 7 mm.

Sulatage seade üles ajal, mil seal on vähe toitu või pole üldse.

Võtke sügavkülmutatud toit välja. Mässige sügavkülmutatud toiduained mitme paberikihi või teki sisse ja pange need jahedasse kohta.

Sulatusprotsessi alustamiseks eemaldage seade vooluvõrgust või lülitage võimsuslüliti välja.

Võtke abiseadmed (nt riul, sahtel jms) seadmest välja ning kasutage sulavee jaoks sobivat anumat.



Vajaduse korral kasutage külmutuskambrist ja külmutatud toidu kambrist sulavee eemaldamiseks

☄☄☄ käsna või pehmet lappi. ☄☄

Sulatamise ajal hoidke üks lahti.

Jää kiiremaks eemaldamiseks pange seadme sisse anum sooja veega.

Ärge mingil juhul kasutage jää eemaldamiseks elektriseadmeid, sulatuspihusteid või teravaotsalisi esemeid, nagu nuga või kahvel.

Pärast jää sulatamist puhastage seadme sisemus.

Ühendage seade uuesti voolu võrku. Paigutage külmutatud toiduained sahtlitesse ja lükake sahtlid sügavkülmutisse.

Jahutamine

Toiduainete hoidmine

Jahutuskamber on ette nähtud värskete toiduainete ja jookide lühiajaliseks hoidmiseks.

Hoidke piimatooteid külmiku vastavas kambris.

Pudeleid võib hoida pudelihoidikus või ukse küljes olevas pudeliriivis.

Toorest liha on parem hoida polüetüleenkotis külmkapi kõige alumises osas.

Laske kuumal toidul ja joogil enne külmkappi panekut toatemperatuurini jahtuda.

• Tähelepanu!

Hoidke kangeid alkohoolseid jooke tihedalt suletud pudelis püstasendis.

• Tähelepanu!

Ärge hoidke seadmes plahvatusohtlike aineid ega mahuteid kergsüttivate ohtlike gaasidega (plekkpurgis hoitav koor, pulverisaatorid jne).

Need võivad plahvatada.

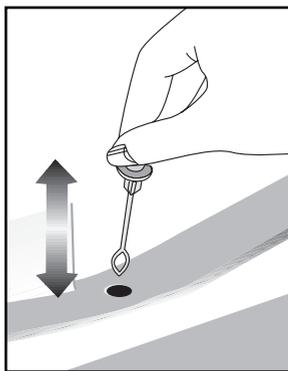
Seadme sulatamine

Jahutuskamber vabastatakse jäät automaatselt. Sulamisvesi voolab läbi äravoolukanali kogumisanumasse, mis asub seadme tagaküljel.

Jää sulatamise ajal moodustuvad jahutuskambri tagaseinale aurustumise tõttu veepiisad.

Kui kõik piisad ei voola alla, võivad need pärast sulatamise lõppu uuesti jäätuda. Eemaldage need sooja vette kastetud pehme lapiga. Ärge kasutage kõvu ega teravaid esemeid.

Kontrollige aeg-ajalt sulamisvee voolu. See võib mõnikord ummistuda. Puhastage seda torupuhasti vms instrumendiga.



6 Hooldus ja puhastamine

⚠ Ärge kunagi kasutage puhastamiseks bensini, benseeni või sarnaseid aineid.

⚠ Me soovime seadme enne puhastamist vooluvõrgust lahti ühendada.

ℹ Ärge kunagi kasutage puhastamiseks teravat abrasiivset riista, seepi, majapidamise puhastusvahendit, lahust või vaha.

ℹ Kasutage külmkambriga puhastamiseks leiget vett ning pärast kuivatage see.

ℹ Kasutage sisemuse puhastamiseks lappi, mida on niisutatud lahuses teelusikatäis söögisoodat poole liitri vee kohta, seejärel pühkige kuivaks.

⚠ Veenduge, et vett ei satuks lambikorpusesse ja teistesse elektriosadesse.

⚠ Kui te ei plaani külmikut pikka aega kasutada, ühendage lahti toitejuhe, eemaldage toit, puhastage kamber ja jätke uks praokile.

ℹ Kontrollige uksetihendeid regulaarselt, veendumaks et need on puhtad ja toiduosakestest vabad.

ℹ Ukseraamide eemaldamiseks eemaldage nende sisu ja seejärel lihtsalt lükake raam ülespoole pesast välja.

ℹ Ärge kasutage seadme välispindade ja kroomitud osade puhastamiseks kloori sisaldavat vett ega puhastusaineid. Kloor põhjustab metallpindade korrodeerumist.

Plastpindade kaitse

- Ärge pange õlisid või õlis küpsetatud toitu külmikusse lahtistes nõudes, kuna need kahjustavad külmiku plastpindasid. Kui plastpindadele satub õli, puhastage ja loputage vastavat osa koheselt sooja veega.

7 Soovituslikud lahendused probleemidele

Palun vaadake see nimekiri enne läbi, kui teenindusse helistate. See võib aidata säästa aega ja raha. See nimekiri sisaldab sagedasemaid kaebusi, mis ei ole põhjustatud vigase töö või materjalikasutuse tõttu. Mõned siinkirjeldatud funktsioonid võivad teie tootel puududa.

Külmik ei tööta
<ul style="list-style-type: none">• Kas külmik on korralikult pistikupessa ühendatud? Sisestage pistik seinakontakti.• Kas külmiku ühendamiseks kasutatava pesa kaitse või peakaitse on läbi põlenud? Kontrollige kaitset.
Kondensvesi külmiku külmkambri külgeinal. (MULTI ZONE, COOL CONTROL ja FLEXI ZONE)
<ul style="list-style-type: none">• Ümbritsev keskkond on väga külm. Sagedane ukse avamine ja sulgemine. Ümbritsev keskkond on väga niiske. Hoiustatava toidu hulgas on avatud mahutites vedelikke. Ukse praokile jätmine.• Termostaadi külmemale temperatuurile lülitamine.• Ukse lahtioluaja vähendamine või selle harvem kasutamine.• Avatud nõudes hoitava toidu katmine sobiva esemega.• Pühkige kondensvesi kuiva lapiga ära ja vaadake, kas see tekib uuesti.
Kompressor ei tööta
<ul style="list-style-type: none">• Kompressori kaitsetermostaat lülitub välja ootamatute voolukatkestuste või kiirete sisse-välja lülituste puhul, kuna külmutusaine surve külmiku jahutussüsteemis ei ole veel tasakaalustunud.• Külmik hakkab tööle umbes kuue minuti pärast. Kui külmik pärast seda tööle ei hakka, helistage palun teenindusse.• Külmik on sulatustsüklis. See on täisautomaatse sulatusega külmiku puhul tavaline. Sulatustsüklil toimub perioodiliselt.• Külmik ei ole pistikupessa ühendatud. Veenduge, et pistik on kindlalt seinakontakti sisestatud.• Kas temperatuuriseadistused on tehtud õigesti? Voolu ei ole. Helistage oma elektritarbijale.

Külmik töötab sagedasti või pikka aega.

- Teie uus külmik võib olla laiem kui eelmine. See on täiesti normaalne nähtus. Suured külmikud töötavad pikemat aega järjest.
- Ümbritseva ruumi temperatuur võib olla kõrge. See on täiesti normaalne nähtus.
- Külmik võib olla hiljuti sisse ühendatud või toitu täis laaditud. Külmiku täielik mahajahtumine võib võtta mõne tunni kauem.
- Külmikusse võib olla hiljuti pandud suur kogus kuuma toitu. Kuum toit põhjustab külmiku pikema tööperioodi, et saavutada ohutu hoiustamistemperatuur.
- Uksi võib olla hiljuti avatud või on need pikaks ajaks praokile jäetud. Külmikusse sisenenud soe õhk põhjustab külmiku pikema tööperioodi. Avage uksi harvemini.
- Sügavkülma või külmkambri uks võib olla praokile jäetud. Kontrollige, kas ukсед on korralikult kinni.
- Külmik on seadistatud väga madalale temperatuurile. Seadistage külmik kõrgemale temperatuurile ja oodake, kuni see saavutatakse.
- Külmiku või sügavkülmiku uksetihend võib olla määrdunud, kulunud, katki või lahti. Puhastage või asendage tihend. Kahjustatud/katkine tihend sunnib külmikut töötama kauem aega järjest, et hoida ettenähtud temperatuuri.

Sügavkülmiku temperatuur on väga madal, samas kui külmiku temperatuur on piisav.

- Sügavkülmiku temperatuur on seadistatud väga madalale. Seadke sügavkülmiku temperatuur soojemale tasemele ja kontrollige uuesti.

Külmiku temperatuur on väga madal, samas kui sügavkülmiku temperatuur on piisav.

- Külmiku temperatuur on seadistatud väga madalale. Seadke külmiku temperatuur soojemale tasemele ja kontrollige uuesti.

Külmiku sahtlites hoitav toit kipub jäätuma.

- Külmiku temperatuur on seadistatud väga madalale. Seadke külmiku temperatuur soojemale tasemele ja kontrollige uuesti.

Temperatuur külmikus või sügavkülmikus on väga kõrge.

- Külmiku temperatuur on seadistatud väga kõrgele. Külmiku seadistus mõjutab ka sügavkülmiku temperatuuri. Muutke külmiku või sügavkülma temperatuuri, kuni see jõuab piisava tasemeni.
- Uks võib olla praokile jäetud. Sulgege uks täielikult.
- Külmikusse võib olla hiljuti pandud suur kogus kuuma toitu. Oodake, kuni külmik või sügavkülmik jõuab soovitud temperatuurini.
- Külmik võib olla alles hiljuti vooluvõrku ühendatud. Külmiku täielik jahtumine võtab suuruse tõttu aega.

Külmikust kostab kella tiksumisega sarnanevat heli.

- Seda heli tekitab külmiku solenoidklapp. Solenoidklapi ülesanne on tagada jahutamine ja jahutusaine liikumine läbi jahutuskambri, mida saab reguleerida jahutus- või külmutusrežiimile. See on normaalne ning tegu ei ole rikkega.

Töömüra suureneb, kui külmik töötab.

- Külmiku tööjõudlusomadused võivad muutuda sõltuvalt ümbritsevast temperatuurist. See on normaalne ning tegu ei ole rikkega.

Vibratsioon või müra.

- Põrand ei ole tasane või on nõrk. Külmik kõigub, kui seda aeglaselt lükata. Veenduge, et põrand on tasane, tugev ja sobib külmiku toetamiseks.
- Müra võivad põhjustada külmikule asetatud esemed. Sellised esemed tuleks külmiku pealt eemaldada.

On kuulda vedeliku voolamise või pihustamise hääli.

- Vedeliku ja gaasi liikumine toimuvad vastavalt teie külmiku tööpõhimõttele. See on normaalne ning tegu ei ole rikkega.

On kuulda tuule puhumise sarnast häält.

- Külmiku tõhusamaks jahutamiseks kasutatakse õhuliigutajaid (ventilaatoreid). See on normaalne ning tegu ei ole rikkega.

Kondensvesi külmiku siseseintel.
<ul style="list-style-type: none"> • Kuum ja niiske ilm suurendab jäätumist ja kondensatsiooni. See on normaalne ning tegu ei ole rikkega. • Uksed on praakil. Veenduge, et uksed on täielikult suletud. • Uksi võib olla väga tihti avatud või on nad pikaks ajaks lahti jäetud. Avage ust harvemini.
Külmiku välisküljele või uste vahele tekib niiskus.
<ul style="list-style-type: none"> • Ilm võib olla niiske. See on niiske ilmaga täiesti normaalne. Kui niiskust on vähem, kaob ka kondensatsioon.
Halb lõhn külmiku sees.
<ul style="list-style-type: none"> • Külmiku sisemust peab puhastama. Puhastage külmiku sisemust käsna, sooja vee või gaseeritud veega. • Lõhna võivad põhjustada mõned nõud või pakkematerjalid. Kasutage teist nõu või erinevat marki pakkematerjali.
Uks(ed) ei sulgu.
<ul style="list-style-type: none"> • Toidupakendid võivad takistada ukse sulgumist. Asendage pakendid, mis ust takistavad. • Külmik ei paikne ilmselt põrandal täiesti vertikaalselt ja võib kergel liigutamisel kõikuda. Seadistage tasakaalustuskruvisid. • Põrand ei ole tasane või tugev. Veenduge, et põrand on tasane ja sobib külmiku toetamiseks.
Sahtlid on kinni kiilunud.
<ul style="list-style-type: none"> • Toit võib puutuda vastu sahtli lage. Seadke toit sahtlis ümber.

LAHTIÜTLUS / HOIATUS

Mõningate (lihtsate) tõrkedega saab lõppkasutaja piisavalt hästi ise hakkama, ilma et tekiks ohutusprobleeme või ohtlikku kasutamist, tingimusel et ta tegutseb järgmiste juhiste piires ja neid järgides (vt jaotist „Remont oma kätega”).

Seetõttu tuleb ohutusprobleemide vältimiseks jätta remont registreeritud professionaalsetele remonditöökodadele, välja arvatud juhul, kui allpool olevas jaotises „Remont oma kätega” on lubatud teisiti. Registreeritud professionaalne remonditöökoda on professionaalne remonditöökoda, kellele tootja on lubanud juurdepääsu selle toote juhistele ja varuosade loendile vastavalt direktiivides 2009/125/EÜ sätestatud õigusaktides kirjeldatud meetoditele.

Garantiitingimustele vastavat teenust võib aga pakkuda ainult hooldusettevõtte (nt volitatud professionaalne remonditöökoda), mille kontaktnumber on toodud kasutusjuhendis/garantiikaardil või edastatud volitatud edasimüüja poolt. Seetõttu palun arvestage sellega, et professionaalsete (kuid Beko poolt volitamata) remonditöökodade tehtud töö tühistab garantii.

Remont oma kätega

Lõppkasutaja võib teha remonte, mis on seotud järgmiste osadega: ukseligid, -hinged, kandikud, korvid ning uksetihendid (alates 01.03.2021 on ajakohastatud loend saadaval ka aadressil support.beko.com).

Toote ohutuse tagamiseks ja tõsiste vigastuste ohu vältimiseks tuleb selline oma kätega remont läbi viia vastavalt kasutusjuhendis antud juhistele oma kätega remondi kohta või siin: support.beko.com saadaval olevatele juhistele. Turvalisuse tagamiseks eemaldage toode vooluvõrgust enne mis tahes iseseisvat remonti.

Lõppkasutajate ettevõetud remondid ja remondikatsed seoses osadega, mis sellesse loendisse ei kuulu, ja/või kasutusjuhendis või siin: support.beko.com saadaval olevate iseseisva remondi juhiste mittejärgmine võib tekitada ohutusprobleeme, mis ei ole tingitud Beko poolt, ja tühistab toote garantii.

Seetõttu on tungivalt soovitatav, et lõppkasutajad hoiduksid remondikatsetest väljaspool nimetatud varuosade loendit, ja pöörduksid sellistel juhtudel volitatud professionaalsete remonditöökodade või registreeritud professionaalsete remonditöökodade poole. Vastasel juhul võivad sellised lõppkasutajate remondikatsed põhjustada ohutusprobleeme ja toodet kahjustada ning põhjustada seejärel tulekahju, üleujutusi, elektrilööke ja tõsiseid kehavigastusi.

Volitatud professionaalsetele remonditöökodadele või registreeritud professionaalsetele remonditöökodadele tuleb jätta näiteks järgmiste osadega, kuid mitte ainult nendega, seotud remonditööd: kompressor, jahutusahel, emaplaat, inverteri plaat, ekraaniplaat jne.

Tootjat/müüjat ei saa süüdistada ühelgi juhul, kui lõppkasutajad ei järgi ülaltoodut.

Teie poolt ostetud külmkapi varuosade saadavus on 10 aastat.

Selle perioodi jooksul on saadaval külmkapi nõuetekohaseks kasutamiseks vajalikud originaalvaruosad.

Teie poolt ostetud külmkapi minimaalne garantiiage on 24 kuud.

Avarustatud G-energiaklassi valgusallikaga.

Antud valgusallikat tohib vahetada ainult professionaalne remonditöökoda.

Por favor, leia primeiro este manual!

Caro cliente,

Esperamos que o seu produto, que foi produzido em modernas instalações e testado através de rigorosos controlos de qualidade, ofereça-lhe um serviço efectivo.

Para isso, recomendamos que leia cuidadosa e inteiramente o manual do seu produto antes de utilizá-lo e guarde-o para futuras consultas.

Este manual

- Ajudá-lo-á a utilizar o seu equipamento de forma rápida e segura.
- Leia o manual antes de instalar e operar o seu equipamento.
- Siga as instruções, especialmente as relativas à segurança.
- Guarde o manual num local acessível, já que poderá precisar dele mais tarde.
- Além disso, leia também os outros documentos fornecidos com o seu produto.

Observe que este manual também pode ser válido para outros modelos.

Os símbolos e as suas descrições

Este manual de instruções contém os seguintes símbolos:

 Informações importantes ou dicas úteis de utilização.

 Aviso sobre as condições de risco para a vida e a propriedade.

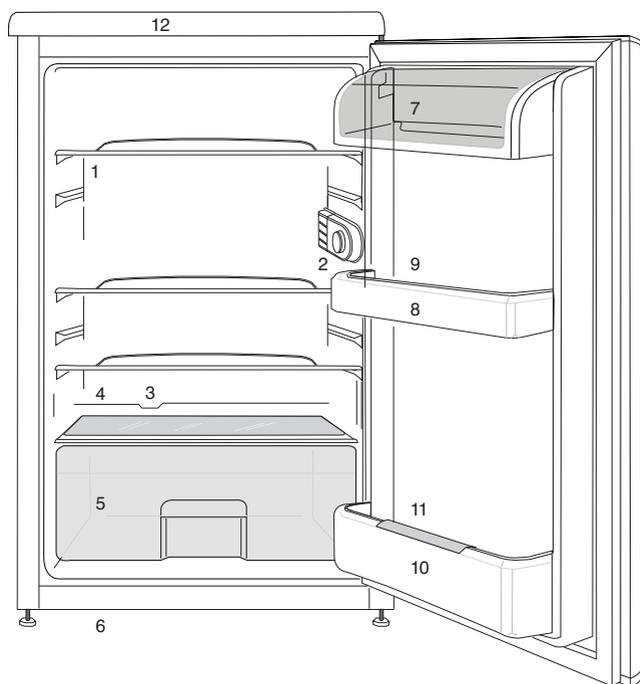
 Aviso sobre a voltagem eléctrica.

 INFORMAÇÃO	
	A informação do modelo conforme memorizada na base de dados do produto pode ser acedida entrando no seguinte sítio web e através da busca do identificador do seu modelo (*) que se encontra na etiqueta de classificação energética.
https://eprel.ec.europa.eu/	

CONTEÚDO

1 O seu frigorífico	3	4 Preparação	13
2 Avisos importantes de segurança	4	Ajuste dos pés.....	14
Usado pretendido.....	4	Instalação (Sob o balcão)	14
Para produtos com um dispensador de água;	8	Inverter as portas.....	15
Segurança com crianças	8	5 Utilizar o seu frigorífico	16
Conformidade com a Directiva WEEE e Eliminação de Resíduos:	9	Congelar.....	16
Cumprimento com a Directiva RoHS:	9	Congelar alimentos.....	16
Informação sobre a embalagem	9	Armazenar alimentos congelados	17
Aviso HC	9	Descongelação do equipamento	17
O que se pode fazer para economizar energia	10	Arrefecimento	18
3 Instalação	11	Armazenamento de alimentos	18
Pontos a serem considerados ao transportar novamente o seu frigorífico.....	11	Descongelação do equipamento	19
Antes de funcionar o seu frigorífico ..	11	6 Manutenção e limpeza	20
Eliminação da embalagem.....	12	Protecção das superfícies plásticas	20
Eliminação do seu frigorífico velho ..	12	7 Soluções recomendadas para os problemas	21
Colocação e instalação	12		

1 O seu frigorífico



1. Prateleiras móveis
2. Luz interior & Botão do termóstato
3. Canal de recolha da água da descongelação - Tubo de drenagem
4. Tampa da gaveta para frutos e legumes
5. Gaveta para frutos e legumes
6. Pés frontais ajustáveis
7. Compartimento para produtos lácteos
8. Prateleiras da porta
9. Porta-ovos
10. Prateleira para garrafas
11. Garra para garrafas
12. Armação superior

i As figuras que aparecem neste manual de instruções são esquemáticas e podem não corresponder exactamente ao seu produto. Se as partes referidas não estiverem incluídas no produto que adquiriu, é porque são válidas para outros modelos.

2 Avisos importantes de segurança

Por favor, reveja as informações seguintes. A não-observância destas informações pode causar ferimentos ou danos ao material. Caso contrário, todas as garantias e compromissos de fiabilidade tornar-se-ão inválidos.

As peças sobressalentes originais serão fornecidas durante 10 anos a partir da data da compra.

Uso pretendido

	AVISO: Manter as aberturas de ventilação, na caixa de proteção do aparelho ou na estrutura embutida, sem obstruções.
	AVISO: Não usar dispositivos mecânicos nem outros meios para acelerar o processo de descongelação, exceto os recomendados pelo fabricante.
	AVISO: Não danificar o circuito de refrigeração.
	AVISO: Não usar aparelhos eléctricos no interior dos compartimentos de armazenamento de alimentos do aparelho, a menos que sejam do tipo recomendado pelo fabricante.

Este aparelho é destinado a ser usado em uso doméstico e aplicações similares como

– zonas de cozinha em estabelecimentos comerciais, escritórios ou outros ambientes laborais;

– casas rurais e pelos clientes em hotéis, motéis e outros ambientes de tipo residencial;

– ambientes de tipo alojamento e pequeno almoço;

– utilizações de refeições e outros não-retalhistas similares.

Segurança geral

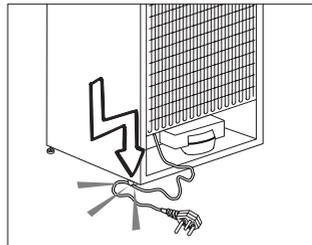
- Quando quiser eliminar/ desfazer-se do produto, recomendamos que consulte o serviço de assistência e os órgãos autorizados para obter mais informações.
- Consulte o seu serviço de assistência autorizado para todas as questões e problemas relativos ao frigorífico. Não tente reparar e nem permita que ninguém o faça sem notificar os serviços de assistência autorizados.
- Para produtos com um compartimento de congelador; Não coma cones de gelados e cubos de gelo imediatamente após retirá-los do compartimento do congelador! (Isto pode provocar queimaduras de frio na sua boca).

- Para produtos com compartimento de congelador; Não coloque bebidas líquidas enlatadas ou engarrafadas no compartimento do congelador. Caso contrário, podem rebentar.
- Não toque nos alimentos congelados; podem ficar presos à sua mão.
- Desligue o seu frigorífico da tomada antes da limpeza ou descongelação.
- O vapor e materiais de limpeza vaporizados nunca deverão ser utilizados nos processos de limpeza e descongelação do seu frigorífico. Em tais casos, o vapor poderá entrar em contacto com as partes eléctricas e provocar curto-circuito ou choque eléctrico.
- Nunca use as partes do seu frigorífico, tal como a porta, como meios de apoio ou degrau.
- Não utilize dispositivos eléctricos dentro do frigorífico.
- Não danifique as partes por onde circula a refrigeração, com ferramentas perfurantes ou cortantes. O refrigerante que pode explodir quando os canais de gás do evaporador, as extensões do tubo ou os revestimentos da superfície são perfurados, causa irritações na pele ou ferimentos nos olhos.
- Não cubra ou bloqueie os orifícios de ventilação do seu frigorífico com nenhum tipo de material.
- Os dispositivos eléctricos só devem ser reparados por pessoas autorizadas. As reparações realizadas por pessoas incompetentes causam riscos ao utilizador.
- Em caso de qualquer falha quer durante uma manutenção ou num trabalho de reparação, desligue a alimentação eléctrica do seu frigorífico, desligando o fusível correspondente ou retirando a ficha da tomada.
- Não puxe pelo cabo quando for retirar a ficha da tomada.
- Assegure-se de que bebidas fortemente alcoólicas são guardadas de forma segura com a tampa apertada e colocadas na vertical .
- Nunca guarde latas de aerossol inflamáveis e substâncias explosivas no frigorífico.
- Não utilize dispositivos mecânicos ou outros para acelerar o processo de descongelação. Siga apenas as instruções recomendadas pelo fabricante.
- Este produto não se destina a ser usado por pessoas com incapacidades físicas, sensoriais ou mentais ou sem conhecimento ou experiência (incluindo crianças), a menos que sejam supervisionadas por alguém responsável pela sua segurança ou que as instrua sobre o uso do produto.

- Não utilize um frigorífico avariado. Consulte o agente autorizado se tiver qualquer questão.
- A segurança eléctrica do seu frigorífico apenas poderá ser garantida se o sistema de ligação à terra da sua casa estiver em conformidade com as normas.
- A exposição do produto à chuva, neve, sol e vento é perigosa no que toca à segurança eléctrica.
- Para evitar qualquer perigo, contacte o serviço autorizado se o cabo eléctrico estiver danificado.
- Nunca ligue o frigorífico à tomada de parede durante a instalação. Caso contrário, poderá ocorrer perigo de morte ou ferimentos graves.
- Este frigorífico foi concebido unicamente para guardar alimentos. Não deverá ser utilizado para quaisquer outros fins.
- A etiqueta das especificações técnicas está localizada na parede esquerda no interior do frigorífico.
- Nunca ligue o seu frigorífico a sistemas de poupança de electricidade, pois podem danificá-lo.
- Se houver uma luz azul no frigorífico, não olhe para ela a olho nu ou com ferramentas

ópticas durante muito tempo.

- Para frigoríficos controlados manualmente, aguarde pelo menos 5 minutos para voltar a ligá-lo após uma falha eléctrica.
- Este manual de instruções deverá ser entregue ao novo proprietário do produto quando for dado/vendido a outros.
- Evite causar danos ao cabo eléctrico quando transportar o frigorífico. Dobrar o cabo pode causar incêndio. Nunca pouse objectos pesados no cabo eléctrico. Não toque na ficha com as mãos molhadas quando a introduz na tomada para ligar o produto.



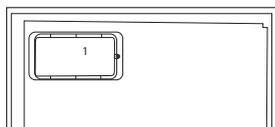
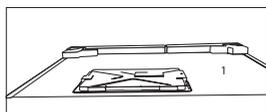
- Ao instalar o eletrodoméstico, certifique-se de que o cabo de alimentação não fica entalado nem danificado.
- Não coloque tomadas múltiplas nem fontes de alimentação portáteis junto à parte traseira do eletrodoméstico.
- As crianças com idade entre 3 e 8 anos podem colocar e retirar cargas de aparelhos de refrigeração.
- Para evitar a contaminação dos alimentos, respeite as instruções a seguir

apresentadas:

- – abrir a porta durante longos períodos de tempo pode causar um aumento de temperatura significativo nos compartimentos do aparelho;
- – limpe regularmente as superfícies que podem entrar em contacto com alimentos, assim como os sistemas de drenagem acessíveis;
- – limpe os reservatórios de água se não forem utilizados durante 48 horas; lave o sistema de ligação ao fornecimento
- de água, se não tiver sido extraída água durante 5 dias;
- – armazene carne e peixe crus em recipientes adequados, no frigorífico, para que não entrem em contacto ou pinguem para os outros alimentos;
- – os compartimentos para congelação de alimentos de duas estrelas são adequados para armazenar alimentos pré-congelados, armazenar ou fazer gelados e fazer cubos de gelo;
- – os compartimentos de uma, duas e três estrelas não são adequados para congelar alimentos frescos;
- – se o aparelho de refrigeração ficar vazio durante longos períodos de tempo, desligue, descongele, limpe, seque e deixe a porta aberta para evitar a formação de bolor no interior do aparelho.
- Não ligue o frigorífico à tomada, se a tomada de parede estiver solta.
- Não deverá ser vaporizado directamente nas partes interiores ou interiores do produto devido a razões de segurança.
- Para evitar risco de incêndio e explosão, não vaporize substâncias que contenham gases inflamáveis, tais como gás propano, etc., próximo ao frigorífico.
- Não coloque recipientes que contenham água sobre o topo do frigorífico, visto que tal poderá resultar em choque eléctrico ou incêndio.
- Não sobrecarregue o frigorífico com excesso de alimentos. Se sobrecarregado, os alimentos podem cair e feri-lo a si e danificar o frigorífico ao abrir a porta. Nunca coloque objectos no topo do frigorífico, visto que estes podem cair quando se abre ou fecha a porta do frigorífico.
- Como precisam de um controlo de temperatura exacta, as vacinas, medicamentos sensíveis ao aquecimento, materiais científicos, etc., não deverão ser guardados no frigorífico.
- Se não for utilizado por um longo tempo, o frigorífico deve ser desligado da tomada. Qualquer problema possível no

cabo eléctrico poderá resultar em incêndio.

- O frigorífico pode mover-se se os pés não estiverem devidamente fixados ao piso. O ajuste seguro e apropriado dos pés ao piso pode impedir o frigorífico se mova.
- Ao transportar o frigorífico, não segure pelo puxador da porta. Caso contrário, pode quebrar.
- Se posicionar o seu frigorífico próximo de outro frigorífico ou arca frigorífica, a distância entre os dispositivos deve ser de pelo menos 8 cm. Caso contrário, as paredes laterais adjacentes podem humedecer.
- Nunca usar o produto se a secção localizada na parte superior ou traseira do seu produto com placas de circuitos impressos electrónicos no interior estiver aberta (tampa da placa de circuito electrónico impresso) (1).



Para produtos com um dispensador de água;

- A pressão para a entrada de água fria deve ser no máximo de 90 psi (620 kPa). Se a sua pressão de água exceder 80 psi (550 kPa), utilize uma válvula limitadora de pressão no seu sistema de alimentação. Se não sabe como verificar a sua pressão de água, deve solicitar a ajuda de um canalizador profissional.
- Se existir o risco de o golpe de ariete afetar a sua instalação, deve utilizar sempre um equipamento de prevenção do golpe de ariete na sua instalação. Deve consultar os canalizadores profissionais se não tiver a certeza se existe o efeito de golpe de ariete na sua instalação.
- Não instalar na entrada de água quente. Deve tomar precauções relativamente ao risco de congelamento nas tubagens. O intervalo de funcionamento de temperatura da água deve ser 33°F (0,6°C) de mínimo e 100°F (38°C) de máximo.
- Use apenas água potável.

Segurança com crianças

- Se a porta possuir uma fechadura, a chave deverá ser mantida afastada do alcance das crianças.

- As crianças devem ser vigiadas para impedir que brinquem com o produto.

Conformidade com a Directiva WEEE e Eliminação de Resíduos:



Este produto está em conformidade com a Directiva WEEE da UE (2012/19/EU). Este produto porta um símbolo de classificação para resíduos de equipamentos eléctricos e electrónicos (WEEE).

Este produto foi fabricado com materiais e peças de alta qualidade, que podem ser reutilizados e reciclados. No fim da sua vida útil, não elimine o resíduo com o lixo doméstico normal ou outro lixo. Leve-o a um centro de recolha para reciclagem de equipamentos eléctricos e electrónicos. Consulte as autoridades locais para se informar sobre estes centros de recolha.

Cumprimento com a Directiva RoHS:

O produto que adquiriu está em conformidade com a Directiva RoHS da UE (2011/65/EU). Ele não contém materiais perigosos e proibidos especificados na Directiva.

Informação sobre a embalagem

Os materiais de embalagem do produto são fabricados a partir de materiais recicláveis, de acordo com as nossas Normas Ambientais Nacionais. Não elimine os materiais de embalagem junto com o lixo doméstico ou outro tipo de lixo. Encaminhe-os a um ponto de recolha de materiais de embalagem indicado pelas autoridades locais.

Aviso HC

O sistema de arrefecimento do seu produto contém R600a:

Este gás é inflamável. Por isso, tenha cuidado em não danificar o sistema de arrefecimento e a tubagem durante o uso e transporte. No caso de algum dano, mantenha o seu produto longe de potenciais fontes de fogo que possam fazer com que o produto de incendeie e ventile o compartimento no qual a unidade está colocada.

Ignore este aviso se o sistema de arrefecimento do seu produto contiver R134a:

O tipo de gás usado no produto está indicado na placa de características localizada na parede esquerda no interior do frigorífico.

Nunca elimine o seu produto no fogo.

O que se pode fazer para economizar energia

- Não deixe as portas do seu frigorífico abertas durante muito tempo.
- Não coloque alimentos ou bebidas quentes no seu frigorífico.
- Não sobrecarregue o seu frigorífico para que a circulação do ar no interior não seja dificultada.
- Não instale o seu frigorífico sob a luz solar directa ou próximo de aparelhos que emitem calor tais como fornos, máquinas de lavar louça ou radiadores.
- Tenha cuidado em manter os seus alimentos em recipientes fechados.
- Para produtos com um compartimento de congelador; Pode armazenar uma quantidade máxima de alimentos no congelador se remover a prateleira ou gaveta do congelador. O valor do consumo de energia indicado no seu frigorífico foi determinado removendo a prateleira do congelador ou a gaveta e com carga máxima. Não existe qualquer risco em utilizar uma prateleira ou gaveta de acordo com as formas e tamanhos dos alimentos a serem congelados.
- Descongelar os alimentos congelados no compartimento do frigorífico poupará energia e preservará a qualidade dos alimentos.

3 Instalação

⚠ Por favor, lembre-se de que o fabricante não pode ser responsabilizado se não forem observadas as informações fornecidas no manual de instruções.

Pontos a serem considerados ao transportar novamente o seu frigorífico

1. O seu frigorífico deve ser esvaziado e limpo antes de ser transportado.
2. As prateleiras, acessórios, gaveta para frutas e legumes, etc. do seu frigorífico devem ser firmemente presos com fita adesiva, devido aos solavancos antes de voltar a empacotá-lo.
3. A embalagem deve ser amarrada com fitas grossas e cordas fortes e devem ser seguidas as normas de transporte indicadas na mesma.

Não se esqueça...

Todo material reciclado é uma fonte indispensável para a natureza e para os nossos recursos nacionais.

Se quiser contribuir para a reciclagem dos materiais da embalagem, pode obter mais informações nos organismos relativos ao ambiente ou junto das autoridades locais.

Antes de funcionar o seu frigorífico

Antes de iniciar a utilização do seu frigorífico, verifique o seguinte:

1. O interior do frigorífico está seco e o ar pode circular livremente na sua parte traseira?

2. Introduza os 2 calços plásticos na ventilação traseira, conforme mostrado na figura seguinte. Os calços plásticos proporcionarão a distância necessária entre o seu frigorífico e a parede, permitindo assim a livre circulação do ar.
3. Limpe o interior do frigorífico conforme recomendado na secção “Manutenção e limpeza”.
4. Ligue o frigorífico à tomada eléctrica. A luz interior acender-se-á quando a porta do frigorífico for aberta.
5. Ouvirá um ruído quando o compressor começar a trabalhar. O líquido e os gases no interior do sistema de refrigeração também podem fazer algum ruído, mesmo que o compressor não esteja a funcionar, o que é perfeitamente normal.
6. As arestas da frente do frigorífico podem ficar quentes. Isto é normal. Estas arestas são projectadas para ficarem quentes, a fim de evitar a condensação.

Ligação eléctrica

Ligue o seu produto a uma tomada de terra, que esteja protegida por um fusível com a capacidade apropriada. Importante:

- A ligação deve estar em concordância com os regulamentos nacionais.
- A ficha do cabo de alimentação deve estar facilmente acessível após a instalação.

- A voltagem especificada deve ser igual à sua voltagem eléctrica.
- Não devem ser usados cabos de extensão e fichas multiusos para a ligação.

⚠ Um cabo de alimentação danificado deve ser substituído por um electricista qualificado.

⚠ O produto não deve ser utilizado antes de ser reparado! Há risco de choque eléctrico!

Eliminação da embalagem

Os materiais de embalagem podem ser perigosos para as crianças. Guarde os materiais da embalagem fora do alcance das crianças ou elimine-os, classificando-os de acordo com as instruções sobre o lixo. Não os elimine juntamente com o lixo doméstico normal.

A embalagem do seu frigorífico é produzida com materiais recicláveis.

Eliminação do seu frigorífico velho

Elimine o seu frigorífico velho sem causar qualquer perigo ao meio ambiente.

- Pode consultar o seu revendedor autorizado ou o centro de recolha do lixo do seu município a respeito da eliminação do seu frigorífico.

Antes de se desfazer do seu frigorífico, corte a ficha eléctrica e, se houver trincos nas portas, deixe-os inutilizados, a fim de proteger as crianças contra qualquer perigo.

Colocação e instalação

⚠ Se a porta de entrada do compartimento onde o frigorífico será instalado não for o suficientemente larga para que ele passe, chame o serviço de assistência autorizado para que possam remover as portas do seu frigorífico e passá-lo de forma inclinada através da porta.

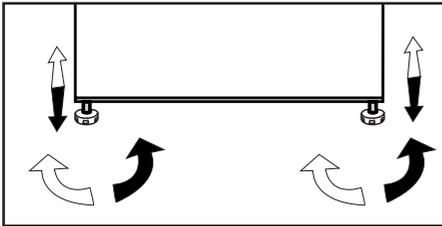
1. Instale o seu frigorífico num local que permita fácil acesso.
2. Mantenha o seu frigorífico longe das fontes de calor, lugares húmidos e luz solar directa.
3. Deve existir uma circulação de ar adequada à volta do seu frigorífico, para que obtenha um funcionamento eficiente. Se o frigorífico for colocado numa reentrância da parede, deve haver uma distância mínima de 5cm do tecto e, pelo menos, 5 cm da parede. Se o piso for coberto por alcatifa, o seu produto deve ter uma elevação de 2,5 cm do chão.
4. Coloque o seu frigorífico num pavimento uniforme para evitar solavancos.

4 Preparação

- Para um aparelho de instalação independente: "este frigorífico não se destina a ser usado como um aparelho de encastrar";
- O seu frigorífico deverá ser instalado a uma distância mínima de 30 cm de quaisquer fontes de calor, tais como placas, fornos, aquecimento central e fogões e de 5 cm de fornos eléctricos e não deverá ficar exposto directamente à luz solar.
- A temperatura ambiente do compartimento onde está instalado o seu frigorífico não deve ser inferior a 10 °C. Utilizar o seu frigorífico em condições de temperatura mais baixas não é recomendado em atenção à sua eficiência.
- Certifique-se de que o interior do seu frigorífico esteja completamente limpo.
- Se forem instalados dois frigoríficos lado a lado, deverá existir uma distância mínima de 2 cm entre eles.
- Quando utilizar o seu frigorífico pela primeira vez, por favor, observe as seguintes instruções durante as seis horas iniciais.
- A porta não deverá ser aberta frequentemente.
- Deve começar a funcionar vazio, sem alimentos no interior.
- Não retire a ficha da tomada do seu frigorífico. Se houver uma falha de energia inesperada, por favor, consulte os avisos na secção "Soluções recomendadas para os problemas".
- A embalagem original e os materiais de esponja deverão ser guardados para transportes ou deslocações futuras.
- Os cestos/gavetas que são fornecidos com o compartimento para os frescos têm de ser sempre utilizados para um menor consumo de energia e para melhores condições de armazenamento.
- O contacto dos alimentos com o sensor de temperatura no compartimento do congelador pode aumentar o consumo de energia do aparelho. Assim deve ser evitado qualquer contacto com o(s) sensor(es).
- Nalguns modelos, o painel de instrumentos desliga-se automaticamente 5 minutos depois da porta ter sido fechada. Será reactivado quando a porta for aberta ou quando for premida qualquer tecla.
- Devido a mudanças de temperatura, em consequência da abertura/ fecho da porta do produto durante o funcionamento, é normal que se produza condensação na porta/ prateleiras e recipientes de vidro da estrutura.

Ajuste dos pés

Se o seu frigorífico estiver desnivelado; Pode equilibrar o seu frigorífico, rodando os seus pés frontais conforme ilustrado na figura. O canto onde está o pé é baixado quando roda na direcção da seta preta e levantado quando roda na direcção oposta. Peça ajuda a alguém para erguer ligeiramente o frigorífico, facilitará este processo.



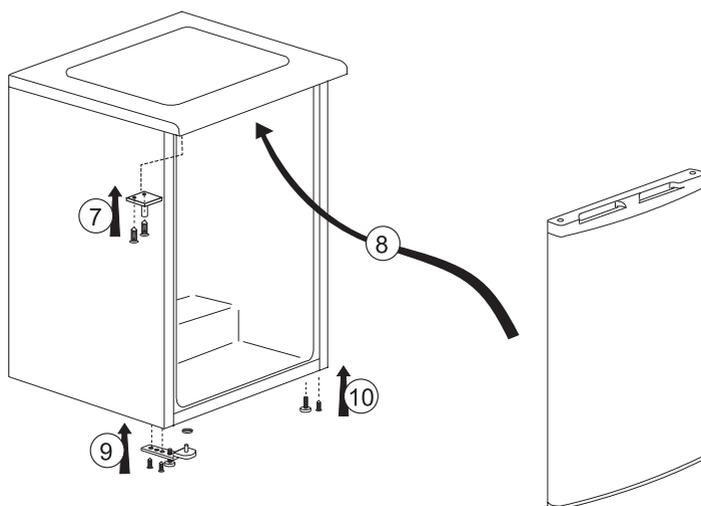
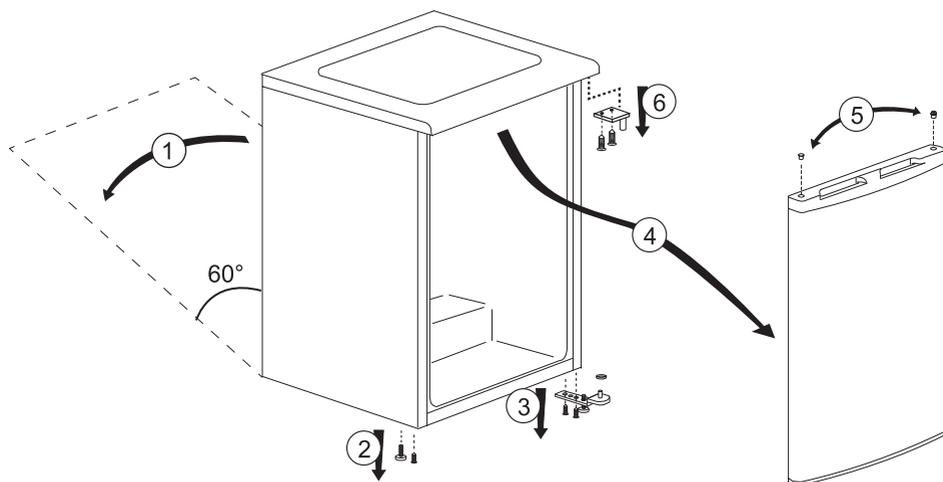
Instalação (Sob o balcão)

- A altura interna do balcão deve ser de 820 mm.(!) Sobre o balcão onde, sob ele, é instalado o equipamento não devem ser colocados fogões ou outras fontes de calor.
- As tomadas de corrente de parede deve estar próximas do lado direito ou esquerdo do equipamento.
- Remova a tampa superior do equipamento. Existem 4 parafusos (2 peças na parte de trás, 2 peças debaixo da extremidade frontal) que devem ser removidos. Fig. 1
- Corte a parte mostrada na figura e, em seguida, remova-a com a ajuda de um alicate.
- Coloque o seu equipamento sob o balcão e ajuste os pés frontais até que a sua parte superior fique em contacto com o balcão.
- Afim de utilizar o produto sob o balcão, a distância entre a parede e a referência indicada no plástico de ligação superior deve ser no mínimo de 595 mm. Fig. 2-3
- Fixe o equipamento sob a bancada utilizando os 2 parafusos que foram removidos da tampa superior. (O material da bancada deve ser de base plástica ou madeira!)

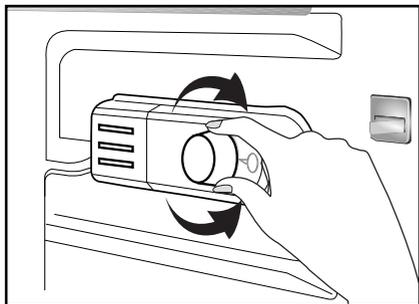
Fig. 4

Inverter as portas

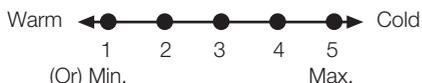
Proceda em ordem numérica.



5 Utilizar o seu frigorífico



A temperatura de funcionamento é regulada pelo respectivo controlo.



1 = Definição de arrefecimento mais baixa (Definição mais quente)

5 = Definição de arrefecimento mais elevada (Definição mais fria)

(Ou)

Mín. = Definição de arrefecimento mais baixa

(Definição mais quente)

Máx. = Definição de arrefecimento mais elevada

(Definição mais fria)

A temperatura média dentro do frigorífico deve ser cerca de +5°C.

Escolha a definição de acordo com a temperatura pretendida.

Pode parar o funcionamento do seu equipamento, rodando o botão do termóstato para a posição “0”.

Note que existem temperaturas diferentes na área de arrefecimento.

A área mais fria está imediatamente acima do compartimento para vegetais.

A temperatura inferior também depende da temperatura ambiente, da frequência com que a porta é aberta e da quantidade de alimentos mantidos no interior do equipamento.

A abertura frequente da porta faz subir a temperatura inferior.

Assim, recomendamos o fecho da porta o mais rapidamente possível após a utilização.

Congelar

Congelar alimentos

O compartimento do congelador está marcado com este símbolo .

Pode utilizar o equipamento para congelar alimentos frescos, bem como para guardar alimentos pré-congelados.

Consulte as recomendações fornecidas na embalagem do alimento.

• Atenção

Não congele bebidas gaseificadas já que a garrafa pode rebentar quando o líquido estiver congelado.

Tenha cuidado com os produtos congelados, como os cubos de gelo coloridos.

Não ultrapasse a capacidade de congelação do equipamento por um período superior a 24 horas. Consulte a placa de características.

Para manter a qualidade dos alimentos, o congelamento deve ser efectuado o mais rapidamente possível.

Assim, a capacidade de congelação não será excedida, e a temperatura no interior do congelador não aumentará.

• **Atenção**

Mantenha os alimentos já congelados sempre separados dos alimentos guardados frescos.

Quando congelar alimentos quentes, o compressor de arrefecimento funcionará até os alimentos estarem completamente congelados. Esta situação pode provocar, temporariamente, um arrefecimento excessivo do compartimento de refrigeração.

Se tiver dificuldade em abrir a porta do congelador, após ela ter sido aberta, não se preocupe. Esta situação deve-se à diferença de pressão de compensação. Após alguns minutos a porta abrir-se-á normalmente.

Ouvirá um som de vácuo logo após o fecho da porta. Esta situação é perfeitamente normal.

Fazer cubos de gelo

Encha as formas para gelo até 3/4 da sua capacidade e coloque-as no congelador.

Assim que a água se transformar em gelo, pode retirar os cubos.

Nunca utilize objectos pontiagudos, como facas ou garfos, para remover os cubos de gelo. Este procedimento pode causar lesões!

Deixe os cubos de gelo descongelarem ligeiramente, ou coloque o fundo da forma em água quente durante um curto espaço de tempo.

Armazenar alimentos congelados

O compartimento de congelação de alimentos está marcado com o símbolo **(**)**.

O compartimento de congelação de alimentos é apropriado para o armazenamento de alimentos pré-congelados. Devem ser sempre observadas as recomendações para o armazenamento, conforme o estabelecido nas embalagens dos alimentos.

Descongelação do equipamento

O gelo em excesso afecta o desempenho de congelação do frigorífico.

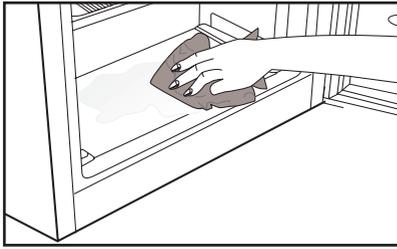
Por isso, recomendamos que descongele o equipamento pelo menos duas vezes por ano, ou sempre que a altura do gelo exceder 7 mm.

Descongele o frigorífico com ele vazio ou quando tiver poucos alimentos.

Retire os alimentos congelados. Embrulhe os alimentos congelados em várias camadas de papel, ou numa manta, e guarde-os num local frio.

Para iniciar o processo de descongelação, retire a ficha da corrente eléctrica ou desligue o interruptor de circuito.

Retire os acessórios (prateleiras, gavetas, etc.) do equipamento e utilize um recipiente adequado para recolher a água proveniente da descongelação.



Utilize uma esponja ou um pano macio para remover a água da descongelação, se necessário, no compartimento de congelação

 e no compartimento para alimentos congelados 

Mantenha a porta aberta durante a descongelação.

Para uma descongelação mais rápida, coloque recipientes com água quente no interior do equipamento.

Nunca utilize dispositivos eléctricos, aerossóis de descongelação ou objectos pontiagudos, como facas ou garfos, para remover o gelo.

Depois da descongelação estar concluída, limpe o interior.

Ligue novamente o equipamento à electricidade. Coloque os alimentos congelados nas gavetas e deslize-as para dentro do congelador

Arrefecimento

Armazenamento de alimentos

O compartimento do frigorífico destina-se a armazenar, durante um curto período de tempo, alimentos frescos e bebidas.

Guarde os produtos lácteos no compartimento destinado para o efeito no frigorífico.

As garrafas podem ser guardadas no respectivo suporte, ou na prateleira para garrafas existente na porta.

A carne crua deve ser guardada num saco de polietileno, na parte mais inferior do frigorífico.

Deixe as bebidas e alimentos quentes arrefecerem antes de os colocar no frigorífico.

• Atenção

Guarde álcool concentrado num recipiente apenas na vertical e hermeticamente fechado.

• Atenção

Não guarde substâncias explosivas nem recipientes com gases inflamáveis (natas enlatadas, aerossóis, etc.) no equipamento.

Existe perigo de explosão.

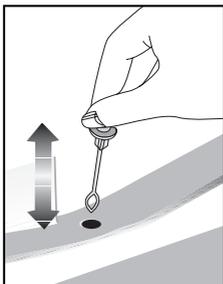
Descongelação do equipamento

O compartimento do frigorífico descongela-se automaticamente. A água da descongelação circula através do tubo de drenagem até dentro de recipiente colocado na parte de trás do equipamento.

Durante a descongelação, são formadas gotas de água na parede posterior do refrigerador devido à evaporação.

Se nem todas as gotas caírem, podem congelar de novo depois de completar a descongelação. Remova-as com um pano macio humedecido em água quente. Não utilize objectos duros ou pontiagudos.

Verifique periodicamente o fluxo de água da descongelação. Ocasionalmente, o sistema pode entupir. Limpe-o com um limpador de tubos ou utensílio semelhante.



6 Manutenção e limpeza

- ⚠ Nunca use gasolina, benzeno ou substâncias semelhantes para a limpeza.
- ⚠ Recomendamos que desligue a ficha do equipamento da tomada antes da limpeza.
- ⚠ Nunca utilize na limpeza objectos abrasivos ou pontiagudos, sabões, produtos de limpeza doméstica, detergentes ou ceras abrillantadoras.
- ℹ Utilize água morna para limpar o exterior do seu frigorífico e seque-o com um pano.
- ℹ Utilize um pano humedecido numa solução composta por uma colher de chá de bicarbonato de soda dissolvido em cerca de meio litro de água para limpar o interior e depois seque-o.
- ⚠ Certifique-se de que não entra água no compartimento da lâmpada e nos outros itens eléctricos.
- ⚠ Se o seu frigorífico não for utilizado durante um longo período de tempo, remova o cabo de alimentação, retire todos os alimentos, limpe-o e deixe a porta entreaberta.
- ℹ Verifique regularmente as borrachas vedantes da porta, para se assegurar que elas estão limpas e sem restos de alimentos.
- ⚠ Para remover os suportes da porta, retire todo o seu conteúdo e, em seguida, basta empurrar cuidadosamente o seu suporte para cima a partir da base.
- ⚠ Nunca utilize agentes de limpeza ou água que contenha cloro para limpar as superfícies externas e as partes cromadas do produto. O cloro provoca a corrosão de tais superfícies metálicas.

Protecção das superfícies plásticas

- ℹ Não coloque óleos líquidos ou comidas cozinhadas no óleo no seu frigorífico em recipientes abertos, uma vez que podem danificar as superfícies plásticas do seu frigorífico. No caso de derrame ou salpico de óleo nas superfícies plásticas, limpe e enxagúe a parte correspondente da superfície com água morna.

7 Soluções recomendadas para os problemas

Por favor, reveja esta lista antes de telefonar para a assistência. Com isso, pode poupar tempo e dinheiro. Esta lista abrange as reclamações frequentes resultantes de defeitos de fabricação ou utilização do material. Algumas das funções descritas aqui podem não existir no seu produto.

O frigorífico não funciona

- O frigorífico tem a ficha eléctrica ligada correctamente à tomada? Introduza a ficha na tomada de parede.
- O fusível da tomada na qual o frigorífico está ligado ou o fusível principal não está queimado? Verifique o fusível.

Condensação na parede lateral do compartimento do refrigerador (MULTIZONE, COOL CONTROL e FLEXI ZONE).

- Condições ambientais muito frias. Abertura e fecho frequentes da porta. Condições ambientais de alta humidade. Armazenamento de alimentos que contém líquidos em recipientes abertos. A porta foi deixada entreaberta. Comute o termóstato para um grau mais frio.
- Diminua o número de vezes de abertura da porta ou utilize menos frequentemente.
- Cubra os alimentos guardados em recipientes abertos com um material apropriado.
- Limpe a condensação usando um pano seco e verifique, se persistir.

O compressor não está a funcionar.

- A protecção térmica do compressor deixará de funcionar durante falhas eléctricas repentinas ou na extracção/colocação da ficha eléctrica, já que a pressão refrigerante no sistema de arrefecimento do frigorífico ainda não se encontra estabilizada. O seu frigorífico voltará a funcionar aproximadamente 6 minutos depois. Por favor, chame a assistência se o frigorífico não começar a operar no fim deste período.
- O refrigerador está no ciclo de descongelação. Isto é normal num frigorífico de descongelação totalmente automático. O ciclo de descongelação ocorre periodicamente.
- O seu frigorífico não está ligado à tomada. Certifique-se de que a ficha está correctamente ligada à tomada.
- A regulação da temperatura está feita correctamente?
- A corrente deve ser desligada.

O refrigerador está a funcionar frequentemente ou por um longo tempo.

- O seu novo produto pode ser mais largo do que o anterior. Esta situação é perfeitamente normal. Os frigoríficos grandes operam por um período maior de tempo.
- A temperatura ambiente pode estar muito elevada. Esta situação é perfeitamente normal.
- O frigorífico foi ligado à tomada há pouco tempo ou carregado com alimentos. O arrefecimento total do frigorífico pode demorar mais do que duas horas.
- Podem ter sido colocadas recentemente grandes quantidades de alimentos quentes no frigorífico. Os alimentos quentes obrigam a um funcionamento mais vigoroso do frigorífico até que alcance a temperatura segura de armazenamento.
- As portas podem estar a ser abertas frequentemente ou foram deixadas entreabertas por longo tempo. O ar quente que entrou no frigorífico faz com que o mesmo tenha que funcionar por períodos mais longos. Abra as portas com menos frequência.
- A porta do compartimento do refrigerador ou do congelador pode ter sido deixada entreaberta. Verifique se as portas estão completamente fechadas.
- O frigorífico está ajustado para uma temperatura muito baixa. Ajuste a temperatura do frigorífico para um grau mais quente e aguarde até que a temperatura seja atingida.
- O vedante da porta do refrigerador ou do congelador pode estar sujo, gasto, roto ou não ajustado correctamente. Limpe ou substitua o vedante. O vedante danificado/roto faz com que o frigorífico funcione por um período de tempo maior para que mantenha a temperatura actual.

A temperatura do congelador está muito baixa, enquanto que a temperatura do refrigerador é suficiente.

- A temperatura do congelador está ajustada para uma temperatura muito baixa. Ajuste a temperatura do congelador para um grau mais quente e verifique.

A temperatura do refrigerador está muito baixa, enquanto que a temperatura do congelador é suficiente.

- A temperatura do refrigerador pode ter sido ajustada para uma temperatura muito baixa. Ajuste a temperatura do refrigerador para um grau mais quente e verifique.

Os alimentos guardados nas gavetas do compartimento do refrigerador estão congelados.

- A temperatura do refrigerador pode ter sido ajustada para uma temperatura muito baixa. Ajuste a temperatura do refrigerador para um grau mais quente e verifique.

A temperatura no refrigerador ou no congelador é muito alta.
<ul style="list-style-type: none"> • A temperatura do refrigerador pode ter sido ajustada para um grau muito alto. O ajuste do refrigerador tem efeito na temperatura do congelador. Altere a temperatura do refrigerador ou do congelador até que a temperatura do refrigerador ou do congelador atinja um nível suficiente. • As portas podem estar a ser abertas frequentemente ou foram deixadas entreabertas por longo tempo; abra-as menos frequentemente. • A porta poderá ter sido deixada entreaberta; feche-a completamente. • Podem ter sido colocadas recentemente grandes quantidades de alimentos quentes no frigorífico. Aguarde até que o refrigerador ou o congelador atinja a temperatura desejada. • O frigorífico pode ter sido ligado à tomada há pouco tempo. O total arrefecimento do frigorífico leva tempo.
O ruído de funcionamento aumenta quando o frigorífico está a funcionar.
<ul style="list-style-type: none"> • O desempenho de funcionamento do frigorífico pode variar devido às alterações na temperatura ambiente. Esta situação é normal e não é um problema.
Vibrações ou ruído.
<ul style="list-style-type: none"> • O piso não está nivelado ou não é resistente. O frigorífico balança quando deslocado lentamente. Certifique-se de que o piso é suficientemente forte para suportar o frigorífico, e nivelado. • O ruído pode ser causado pelos itens colocados sobre o frigorífico. Os itens sobre o topo do frigorífico devem ser removidos.
Há ruídos que surgem do frigorífico como líquidos a verter ou gotejar.
<ul style="list-style-type: none"> • Os fluxos de gás e líquidos acontecem conforme os princípios de funcionamento do seu frigorífico. Esta situação é normal e não é um problema.
Há um ruído parecido com o vento a soprar.
<ul style="list-style-type: none"> • As ventoinhas são utilizadas para arrefecer o frigorífico. Esta situação é normal e não é um problema.
Condensação nas paredes internas do frigorífico.
<ul style="list-style-type: none"> • O tempo quente e húmido aumenta a formação de gelo e de condensação. Esta situação é normal e não é um problema. • As portas poderão ter sido deixadas entreabertas; certifique-se que as mesmas estão completamente fechadas. • As portas podem estar a ser abertas frequentemente ou foram deixadas entreabertas por longo tempo; abra-as menos frequentemente.
Há ocorrência de humidade no exterior do frigorífico ou entre as portas.
<ul style="list-style-type: none"> • Poderá existir humidade no ar; isto é bastante normal no tempo húmido. Quando a humidade for menor, a condensação irá desaparecer.

Maus odores dentro do frigorífico.

- O interior do frigorífico deve ser limpo. Limpe o interior do frigorífico com uma esponja, água morna ou água com gás.
- Alguns recipientes ou materiais de embalagem podem provocar cheiros. Utilize um recipiente diferente ou um material de embalagem de marca diferente.

A porta não está fechada.

- Os pacotes de alimentos podem impedir o fecho da porta. Coloque de outra forma as embalagens que estão a obstruir a porta.
- O frigorífico não está completamente na vertical no pavimento e balanceia quando ligeiramente movido. Ajuste os parafusos de elevação.
- O piso não é sólido ou não está nivelado. Certifique-se de que o piso está nivelado e capaz de suportar o frigorífico.

As gavetas para frutos e legumes estão bloqueadas.

- Os alimentos podem estar a tocar o tecto da gaveta. Arrume novamente os alimentos na gaveta.

ISENÇÃO DE RESPONSABILIDADE / ADVERTÊNCIA

Algumas falhas (simples) podem ser tratadas de forma adequada pelo utilizador final sem que surja qualquer problema de segurança ou de utilização não segura, desde que as mesmas sejam solucionadas dentro dos limites e de acordo com as seguintes instruções (consultar a secção “Reparação Autónoma”.

Portanto, exceto se contrariamente autorizado na secção “Reparação Autónoma” abaixo, as reparações devem ser realizadas por profissionais reparadores registados de modo a evitar problemas de segurança. Um reparador profissional registado é um reparador profissional a quem o fabricante concedeu acesso às instruções e à lista de peças de substituição deste produto de acordo com os métodos descritos na lei nos termos da Diretiva 2009/125/CE.

No entanto, apenas o agente de reparação (ou seja, os reparadores profissionais autorizados) com quem pode entrar em contacto através do número de telefone fornecido no manual do utilizador/cartão da garantia ou através do seu revendedor autorizado que pode fornecer serviços de acordo com os termos de garantia. Portanto, deve estar ciente de que as reparações feitas por reparadores profissionais (não autorizados por Beko) anulam a garantia.

Reparação Autónoma

A reparação autónoma pode ser feita pelo utilizador final em relação à seguintes peças de substituição: porta, manípulos, dobradiças das portas, tabuleiros, cestos

e vedantes da porta (é disponibilizada uma lista atualizada em support.beko.com). a partir de 1 de março de 2021).

Além disso, para garantir a segurança do produto e evitar o risco de ferimentos graves, a reparação autónoma referida deve ser feita seguindo as instruções do manual do utilizador para reparação autónoma ou as que estão disponíveis em support.beko.com Para sua segurança, deve desligar o produto antes de tentar fazer qualquer reparação autónoma.

As tentativas de reparação feitas pelos utilizadores finais de peças não incluídas na referida lista e/ou não seguindo as instruções nos manuais do utilizador relativamente à mesma ou que se encontram disponíveis em support.beko.com, podem levantar questões de segurança não atribuíveis a Beko, e anularão a garantia do produto.

Portanto, é altamente recomendável que os utilizadores finais evitem tentar realizar reparações que não se enquadrem na lista mencionada de peças de substituição, e nesse caso deverão contactar com reparadores profissionais autorizados ou reparadores profissionais registados. Por outro lado, as referidas tentativas por parte dos utilizadores finais podem provocar problemas de segurança e danificar o produto e, subsequentemente, provocar incêndio, inundação, eletrocussão e ferimentos graves.

Por exemplo, mas não limitado a, as seguintes reparações devem ser realizadas por

Reparadores profissionais autorizados ou registados: compressor, circuito de refrigeração, placa de circuitos, placa do inversor, placa do visor, etc.

O fabricante/vendedor não pode ser responsabilizado em circunstâncias em que os utilizadores finais não cumpram com o acima referido.

A disponibilidade de peças de substituição da frigorífico que comprou é de 10 anos.

Durante este período, as peças de substituição originais estarão disponíveis para operar corretamente a frigorífico.

A duração mínima da garantia do frigorífico que adquiriu é de 24 meses.

Este produto está equipado com uma fonte de iluminação da classe energética "G"

A fonte de iluminação neste produto deve somente ser substituída por reparadores profissionais.

Pirmiausia įdėmiai perskaitykite šį vadovą!

Gerbiamas pirkėjas,

Mes tikimės, kad mūsų gaminy, kuris buvo sukurtas moderniose gamyklose ir kruopščiai patikrintas pagal griežtus kokybės kontrolės reikalavimus, veiksmingai ir ilgai jums tarnaus.

Todėl mes rekomenduojame jums prieš naudojimą atidžiai perskaityti visą šio gaminio vartotojo vadovą ir išsaugoti jį, kad galėtumėte pasinaudoti juo ateityje.

Šis vadovas

- Padės jums greitai ir saugiai naudoti šį buitinį prietaisą.
- Prieš sumontuodami ir pradėdami naudoti šį gaminį, perskaitykite šį vadovą.
- Vadovaukitės nurodymais, ypač nurodymais dėl saugos.
- Laikykite šį vadovą lengvai pasiekiamoje vietoje, nes juo dar gali tekti pasinaudoti.
- Taip pat perskaitykite ir kitus su šiuo gaminiu pateiktus dokumentus.

Atkreipkite dėmesį, kad šis vadovas gali galoti ir kitiems modeliams.

Ženkli ir jų aprašymas

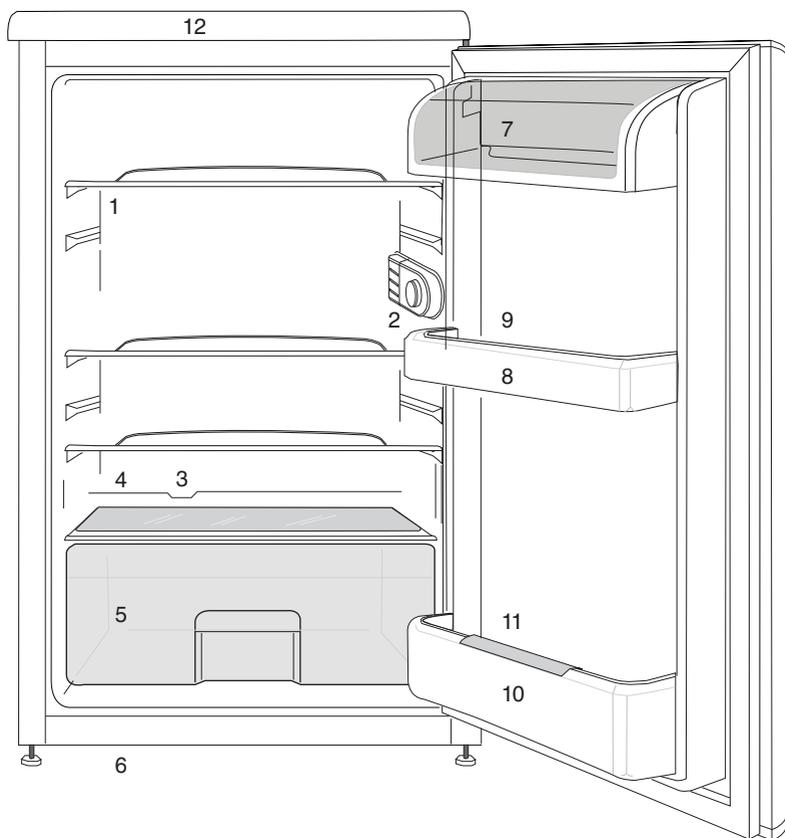
Šioje naudojimo instrukcijoje panaudoti tokie ženklai:

-  Svarbi informacija arba naudingi patarimai dėl naudojimo.
-  Įspėjimas dėl sveikatai pavojingų arba žalos turtui galinčių padaryti sąlygų.
-  Įspėjimas dėl elektros įtampos.

 INFORMACIJA	
 	Produkto duomenų bazėje saugomą modelio informaciją galima pasiekti užėjus į nurodytą svetainę ir suradus jūsų modelio identifikatorių (*), esantį energijos etiketėje.
SUPPLIER'S NAME 	MODEL IDENTIFIER (*) 
https://eprel.ec.europa.eu/	

1 Šaldytuvas	3	4 Paruošimas	12
2 Svarbūs įspėjimai dėl saugos	4	Kojelių reguliavimas	13
Naudojimo paskirtis	4	Durų perstatymas	14
Bendrieji saugos reikalavimai	4	5 Šaldytuvo eksploatavimas	15
Gaminiams su vandens dalytuvu;.....	8	Užšaldymas.....	15
Vaikų sauga.....	8	Maisto užšaldymas	15
WEEE Direktyvos ir senų gaminių išmetimo taisyklių atitiktis:	8	Ledo kubelių gaminimas	16
RoHS direktyvos atitiktis:	8	Šaldytų maisto produktų laikymas...16	
Informacija apie pakuotę.....	8	Buitinio prietaiso atitirpdymas	16
HC įspėjimas	8	Aušinimas.....	17
Jeigu gaminyje įrengta aušinimo sistema, kurioje naudojama R600a: .8		Maisto saugojimas.....	17
Nepaisykite šio įspėjimo, jeigu gaminyje įrengta aušinimo sistema, kurioje naudojama R134a.	9	Buitinio prietaiso atitirpdymas	17
Ką reikia daryti, norint sutaupyti energijos.....	9	6 Techninė priežiūra ir valymas	18
3 Įrengimas	10	Plastikinių paviršių apsauga	18
Į ką reikia atsižvelgti vežant šį šaldytuvą	10	7 Rekomenduojami problemų sprendimo būdai	19
Prieš pradėdant naudoti šaldytuvą..	10		
Elektros prijungimas.....	10		
Pakuotės išmetimas	11		
Seno šaldytuvo išmetimas	11		
Pastatymas ir instaliacija	11		

1 Šaldytuvas



- 1- Perkeliamos lentynos
- 2- Vidaus apšvietimo lemputė ir termostato rankenėlė
- 3- Atšildyto vandens surinkimo kanalas – drenažo vamzdelis
- 4- Stalčiaus daržovėms dangtis
- 5- Daržovių dėtuvė

- 6- Reguliuojama priekinė kojelė
- 7- Pieno produktų skyrius
- 8- Durų lentynos
- 9- Kiaušinių dėklas
- 10- Lentyna buteliams
- 11- Butelių laikiklis
- 12- Viršaus apdaila

ⓘ Šioje naudojimo instrukcijoje pateikti paveikslėliai yra orientacinio pobūdžio; gali būti, kad jie tiksliai nepavaizduoja jūsų turimo gaminio. Jei jūsų turimame gaminyje nėra aprašomų dalių, tai reiškia, jog tai taikoma kitiems modeliams.

2 Svarbūs įspėjimai dėl saugos

Prašome atidžiai perskaityti toliau pateiktą informaciją. Nepaisant šios informacijos, galima susižaloti arba padaryti žalos turtui. Tuomet nebegalios jokia garantija ir gamintojo įsipareigojimai.

Originalios atsarginės dalys tiekiamos 10 metų nuo gaminio įsigijimo dienos.

Naudojimo paskirtis

	ISPĖJIMAS: Pasirūpinkite, Kad Ventiliacijos Angos, Esančios Prietaiso Korpusė Arba Įmontuotoje Struktūroje, Visiškai Nebūtų Užblokuotos.
	ISPĖJIMAS: Nenaudokite Mechaninių Ar Kitų Priemonių, Kad Paspartinumėte Atitirpinimo Procesą, Išskyrus Pagal Gamintojo Rekomendacijas.
	ISPĖJIMAS: Nesugadinkite Šaldymo Kontūro.
	ISPĖJIMAS: Elektrinių Prietaisų Nenaudokite Prietaiso Viduje Esančiuose Maisto Laikymo Skyriuose, Nebent Jie Yra Tokio Tipu, Kurį Rekomenduoja Gamintojas.

Šis prietaisas yra skirtas naudoti buitiniams ir kitoms panašiomis sąlygomis, pvz.:

- darbuotojų virtuvėse, esančiose parduotuvėse, biuruose ir kitoje darbo aplinkoje;
- ūkių namuose ir klientams, skirtoje viešbučių, motelių ir kitoje gyvenamojoje aplinkoje;
- nakvynę su pusryčiais siūlančiose įstaigose;
- maitinimo ir panašių nemažmeninių paslaugų atveju.

Bendrieji saugos reikalavimai

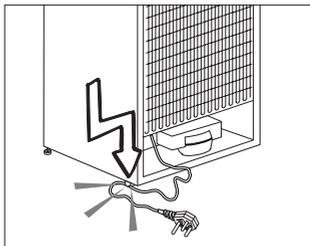
- Kai šį gaminį norėsite išmesti arba atiduoti į metalo laužą, rekomenduojama pasikonsultuoti su įgaliotomis tarnybomis ir institucijomis, kad sužinotumėte reikiamą informaciją.
- Jei kyla klausimų apie šaldytuvą arba atsiranda problemų, pasikonsultuokite su įgaliotais aptarnavimo specialistais. Šaldytuvo neardykite ir niekam neleiskite to daryti; tai galima daryti tik apie tai pranešus įgaliotiems aptarnavimo specialistams.
- Gaminiams su šaldiklio kamera; Ledų ir ledo kubelių nevalgykite vos juos išėmę į šaldiklio kameros! (Galite nušalti burną.)
- Gaminiams su šaldiklio kamera; Į šaldiklio kameras nedėkite butelių ir skardinių su gėrimais. Jie gali sprogti.

- Užšaldytų maisto produktų nelieskite rankomis – jie gali prilipti prie rankų.
- Prieš valydami arba atšildydami šaldytuvą, atjunkite jį nuo elektros tinklo.
- Šaldytuvui valyti ir šerkšniui šalinti negalima naudoti garų ir garinių valomųjų medžiagų. Garai gali pasiekti elektrines dalis ir sukelti trumpą jungimą arba elektros smūgį.
- Šaldytuvo dalių, pavyzdžiui, nuo spyrio apsaugančios plokštės arba durelių, nenaudokite kaip atramos ar laiptelio.
- Šaldytuvo viduje nenaudokite elektros prietaisų.
- Žiūrėkite, kad gręžimo ar pjovimo įrankiais nepažeistumėte dalių, kuriose cirkuliuoja aušinamasis skystis. Iš pradurtų garintuvo dujų kanalų, vamzdžių ilgintuvų arba paviršiaus dangų ištryškęs aušinamasis skystis gali suerzinti odą ir pažeisti akis.
- Jokiomis medžiagomis neuždenkite ir neužkimškite šaldytuvo ventiliacinių angų.
- Elektrinius prietaisus privalo taisyti tik įgaliotieji asmenys. Jei remontą vykdytų nekompetentingi asmenys, naudotojui gali kilti pavojus.
- Įvykus trikdžiai, taip pat techninės priežiūros arba remonto metu šaldytuvui atjunkite elektros maitinimą – arba išsukite atitinkamą saugiklį, arba ištraukite prietaiso laido kištuką.

- Netraukite laikydami už laido – traukite laikydami už kištuko.
- Pasirūpinkite, kad stiprūs alkoholiniai gėrimai būtų pastatyti vertikaliaje padėtyje su užsuktų dangteliu .
- Šaldytuve niekada nelaikykite flakonų su degiomis ir sprogiomis medžiagomis.
- Norėdami paspartinti atitirpinimo procesą, nenaudokite jokių mechaninių prietaisų ar kitų priemonių, išskyrus gamintojo rekomenduojamas.
- Šis buitinis prietaisas nėra skirtas naudoti asmenims (įskaitant vaikus) su fiziniais, jutimo ar protiniais sutrikimais arba asmenims, kurie turi nepakankamai patirties ir žinių naudoti šį prietaisą, nebent juos tinkamai prižiūrėtų (arba nurodytų, kaip naudoti šį buitinį prietaisą) už jų saugą atsakingas asmuo.
- Nenaudokite sugedusio šaldytuvo. Jeigu dėl ko nors nerimaujate, pasikonsultuokite su techninio aptarnavimo specialistais.
- Šaldytuvo elektros sauga garantuojama tik tuo atveju, jei jūsų name įrengta žemėjimo sistema atitinka standartus.
- Gaminį statyti vietoje, neapsaugotoje nuo lietaus, sniego, saulės ir vėjo, pavojinga elektros saugos požiūriu.
- Jeigu maitinimo kabelis būtų pažeistas, susisieki

su įgaliotuoju techninio aptarnavimo centru, kad išvengtumėte pavojaus.

- Įrengimo metu draudžiama šaldytuvo maitinimo laidą kišti į sieninį lizdą – galite žūti arba patirti rimtą traumą.
- Šis šaldytuvą skirtas tik maisto produktams laikyti. Prietaiso negalima naudoti kitai paskirčiai.
- Etiketė, kurioje nurodomi techniniai gaminio duomenys, pritvirtinta vidinėje kairėje šaldytuvo pusėje.
- Niekada nejunkite šio šaldytuvo į elektros energijos taupymo sistemas; jos gali sugadinti šaldytuvą.
- Jeigu šaldytuve įrengta mėlyna kontrolinė lemputė, ilgai nežiūrėkite į mėlyną šviesą plika akimi arba pro optinius prietaisus.
- Jeigu naudojate rankiniu būdu valdomą šaldytuvą, nutrūkus elektros tiekimui, prieš vėl jį įjungdami, palaukite bent 5 minutes.
- Atidavus šį gaminį kitiems, naujam gaminio savininkui reikia atiduoti ir šią naudojimo instrukciją.
- Gabendami šaldytuvą, stenkitės nepažeisti maitinimo kabelio. Sulenktas kabelis gali sukelti gaisrą. Ant maitinimo kabelio niekada nestatykite sunkių daiktų. Jungdami gaminį į maitinimo tinklą, nelieskite kištuko drėgnomis rankomis.



- Statant prietaisą, įsitinkite, ar maitinimo laidas niekur nestringa ir nėra pažeistas.
- Prietaiso užpakalinėje dalyje nemontuokite nešiojamų ilgintuvų su keliais lizdais arba nešiojamų maitinimo bloky.
- Vaikai nuo 3 iki 8 metų gali naudotis šaldymo prietaisais, t. y., sudėti į juos ir išimti iš jų produktus.
- Laikykitės šių nurodymų, kad maisto produktai nebūtų užteršti:
- ilgai nelaikykite atidarytų prietaiso durų, priešingu atveju temperatūra jo skyriuose gali ženkliai pakilti, reguliariai valykite su maistu galinčius liestis paviršius ir pasiekiamas vandens išleidimo sistemas,
- išvalykite vandens talpyklas, jeigu jomis nebuvo naudotasi 48 h; praplaukite prie vandentiekio prijungtą vandens sistemą, jeigu vanduo nebuvo leistas 5 dienas,
- žalią mėsą ir žuvį šaldytuve laikykite sudėję į tinkamus indus, kad ji nesiliestų arba nevarvėtų ant kitų maisto produktų,

- dviem žvaigždutėmis pažymėti šaldyto maisto skyriai yra skirti laikyti iš anksto sušaldytą maistą, laikyti arba gaminti ledus bei gaminti ledo kubelius,
- viena, dviem arba trimis žvaigždutėmis pažymėti skyriai nėra skirti šaldyti šviežią maistą,
- jeigu šaldymo prietaisas ilgą laiką bus paliktas tuščias, išjunkite jį, atitirpinkite, išvalykite, išdžiovinkite ir palikite dureles atviras, kad prietaise neatsirastų pelėsis.

- Nejunkite šaldytuvo, jeigu sieninis lizdas yra atsilaisvinęs.

- Saugumo sumetimais nepukškite vandens tiesiai ant vidinių arba išorinių šio gaminio dalių.

- Nepurkškite šalia šaldytuvo degių medžiagų, pavyzdžiui, propano dujų ir pan., nes kyla gaisro ir sprogdimo pavojus.

- Nestatykite ant šaldytuvo indų su vandeniu, nes gali kilti elektros smūgis arba gaisras.

- Neprikraukite į šaldytuvą per daug maisto produktų. Pridėjus per daug maisto produktų, atidarant arba uždarant šaldytuvo duris, jie gali iškristi ir sužeisti. Niekada nestatykite ant šaldytuvo daiktų, nes atidarius arba uždarius šaldytuvo dureles, jie gali nukristi.

- Šaldytuve negalima laikyti medžiagų, kurioms saugoti reikia tikslios temperatūros, pavyzdžiui,

vakcinų, temperatūrai jautrių vaistų, mokslinių tyrimų medžiagų ir pan.

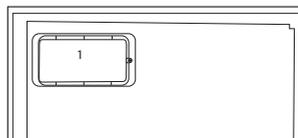
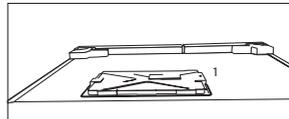
- Jeigu šaldytuvo ilgai nenaudojate, būtinai atjunkite jį nuo maitinimo tinklo. Dėl galimo maitinimo kabelio pažeidimo gali kilti gaisras.

- Jeigu reguliuojamos kojelės netvirtai remsis į grindis, šaldytuvus gali judėti. Pareguliuokite reguliuojamas kojeles, kad jos tinkamai remtųsi į grindis ir šaldytuvus nejudėtų.

- Nešdami šaldytuvą, nelaikykite jo už durų rankenos. Kitaip jį gali nulūžti.

- Jeigu šį gaminį reikia statyti prie kito šaldytuvo arba šaldiklio, tarp prietaisų būtina palikti bent 8 cm tarpą. Kitaip gretimos šoninės sienelės gali pradėti rasoti.

- Niekuomet nenaudokite gaminio, jei gaminio viršuje arba galinėje pusėje esantis skyrius su elektroninėmis spausdintinėmis plokštėmis viduje yra atidarytas (elektroninių spausdintinių plokščių dangtis) (1).



Gaminiams su vandens dalytuvu;

- Slėgis šalto vandens įvade neturi viršyti 90 psi (620 kPa). Jei slėgis jūsų vandens sistemoje viršija 80 psi (550 kPa), joje turi būti sumontuotas slėgio ribojimo vožtuvas. Jei nežinote, kaip patikrinti vandens slėgį, kreipkitės į santechnikos specialistą.
 - Jeigu jūsų vandentiekio sistemoje kyla hidraulinių smūgių pavojus, visada privalote naudoti apsaugos nuo hidraulinių smūgių įrangą. Pasitarkite su santechnikos specialistu, jeigu nesate užtikrinti, kad jūsų vandentiekio sistemoje nėra hidraulinių smūgių pavojaus.
 - Negalima montuoti karšto vandens įvade. Saugokite žarnas nuo užšalimo. Darbinė vandens temperatūra turi būti nuo 33 °F (0,6 °C) iki 100 °F (38 °C).
 - Naudokite tik geriamąjį vandenį.
- ### Vaikų sauga
- Jeigu durlės rakinamos spyna, laikykite raktą vaikams nepasiekiamoje vietoje.
 - Privaloma prižiūrėti mažus vaikus, kad jie nežaistų su šiuo buitiniu prietaisu.

WEEE Direktyvos ir senų gaminių išmetimo taisyklių atitikties:



Šis gaminytis atitinka ES WEEE Direktyvą (2012/19/ES). Šis gaminytis paženklintas elektros ir elektroninės įrangos klasifikavimo (WEEE) ženklu.

Šis gaminytis pagamintas iš aukštos kokybės medžiagų ir dalių, kurias galima perdirbti ir pakartotinai panaudoti. Pasibaigus gaminio tarnavimo laikui, neišmeskite jo kartu su įprastomis buitinėmis atliekomis. Atiduokite jį į surinkimo punktą, kad elektros ir elektronikos įranga būtų perdirbta. Surinkimo punktų adresus sužinosite vietos savivaldybėje.

RoHS direktyvos atitikties:

Jūsų įsigytas gaminytis atitinka ES RoHS Direktyvą (2011/65/ES). Jame nėra šioje Direktyvoje nurodytų kenksmingų ir draudžiamų medžiagų.

Informacija apie pakuotę

Šio gaminio pakavimo medžiagos pagamintos iš pakartotinai panaudojamų medžiagų, atsižvelgiant į mūsų nacionalinius aplinkosaugos reglamentus. Neišmeskite pakavimo medžiagų kartu su kitomis buitinėmis atliekomis arba kitomis šiukšlėmis. Išmeskite pakavimo medžiagas į tam skirtą vietos atliekų surinkimo punktą.

HC įspėjimas

Jeigu gaminyje įrengta aušinimo sistema, kurioje naudojama R600a:

Šios dujos lengvai užsiliepsnoja. Todėl būkite atsargūs, kad eksploatavimo ir transportavimo metu nepažeistumėte aušinimo sistemos ir vamzdžių. Pažeidimo atveju, saugokite gaminį nuo galimų liepsnos šaltinių, nuo kurių gaminytis galėtų užsidegti, ir vėdinkite patalpą, kurioje stovi šis prietaisas.

Nepaisykite šio įspėjimo, jeigu gaminyje įrengta aušinimo sistema, kurioje naudojama R134a.

Gaminyje naudojamų dujų rūšis nurodyta techninių gaminio duomenų etiketėje, kuri yra pritvirtinta vidinėje kairėje šaldytuvo pusėje.

Niekuomet nedeginkite šio buitinio prietaiso.

Ką reikia daryti, norint sutaupyti energijos

- Nelaikykite šaldytuvo durelių atidarytų ilgą laiką.
- Į šaldytuvą nedėkite karšo maisto arba gėrimų.
- Į šaldytuvą nedėkite pernelyg daug maisto produktų, kad nebūtų kliudoma viduje cirkuluoti orui.
- Šaldytuvo nestatykite vietoje, kur šviečia tiesioginiai saulės spinduliai arba arti šilumą skleidžiančių prietaisų, pavyzdžiui, orkaitių, indaplovių arba radiatorių.
- Maisto produktus laikykite uždaruose induose.
- Gaminiuose su šaldymo kamera; išėmę šaldiklio lentyną arba stalčių, šaldiklio kameroje galite laikyti maksimalų produktų kiekį. Paskelbtosios šaldytuvo energijos sąnaudos nustatytos išėmus šaldiklio kameros lentyną arba ištraukus stalčių ir sudėjus maksimalų leistiną produktų kiekį. Ant lentynos arba stalčiuje galima saugiai laikyti užšaldyti skirtus produktus, atsižvelgiant į jų formą ir dydį.
- Atšildant šaldytus maisto produktus šaldytuvo skyriuje, bus ir taupoma energija, ir išsaugoma maisto kokybė.

3 Įrengimas

⚠ Prašom atkreipti dėmesį, kad gamintojas nepriima atsakomybės, jei bus nepaisoma šiame eksploataavimo vadove pateiktos informacijos.

Į ką reikia atsižvelgti vežant šį šaldytuvą

1. Prieš šaldytuvą transportuojant, jį reikia ištuštinti ir išvalyti.
2. Prieš šaldytuvą supakuojant, jame esančias lentynas, papildomas dalis, daržovių dėtuves ir kt. būtina sutvirtinti lipnia juosta, kad šios dalys nesikratytų.
3. Pakuotės medžiagas būtina sutvirtinti storomis juostomis ir tvirtomis virvėmis; būtina paistyti ant pakuotės pateiktų transportavimo instrukcijų.

Atminkite...

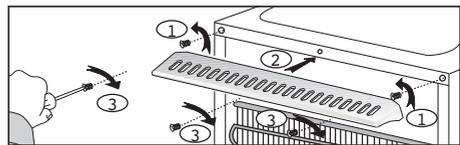
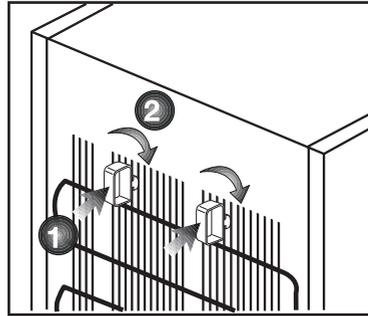
Visų medžiagų perdirbimas turi didelės įtakos tausojant gamtos ir mūsų šalies išteklius.

Jei pakavimo medžiagas norite atiduoti perdirbti, kreipkitės į aplinkosaugos institucijas arba vietos valdžios įstaigas, kur jums bus suteikta daugiau informacijos.

Prieš pradėdami naudoti šaldytuvą

Prieš pradėdami naudoti buitinį prietaisą, patikrinkite, ar:

1. Šaldytuvo vidus yra sausas, o galinėje dalyje oras laisvai cirkuliuoja?
2. Galite sumontuoti 2 plastikinius pleištus, kaip parodyta paveikslėlyje. Platsmasiniai pleištai užtikrins, kad šaldytuvus būtų pastatytas tinkamu atstumu nuo sienos, ir už jo galėtų laisvai cirkuliuoti oras. (Pateiktas paveikslėlis tėra pavyzdys, kuris nebūtinai tiksliai atitinka jūsų įsigyta gaminį.)



3. Vidų valykite vadovaudamiesi nurodymais, pateiktais skyriuje „Techninė priežiūra ir valymas“.
4. Įkiškite šaldytuvo elektros kištuką į sieninį lizdą. Atidarius šaldytuvo dureles, užsidega vidinis apšvietimas.
5. Pradėjus veikti kompresoriui, išgirsite nestiprius garsus. Ar kompresorius veikia, ar ne, šaldytuvo sistemoje hermetiškai uždarytas skystis ir dujos taip pat gali kelti silpnus garsus – tai visiškai normalu.
6. Priekiniai šaldytuvo kraštai gali įšilti. Tai normalu. Šios vietos turi būti šiltos tam, kad nesusidarytų kondensacija.

Elektros prijungimas

Prijunkite gaminį prie žeminto lizdo su tinkamos kategorijos saugikliu.

Svarbu

- Elektros prijungimą būtina atlikti atsižvelgiant į savo šalies reglamentus.
- Atlikus elektros instaliaciją, maitinimo laido kištukas turi būti lengvai pasiekiamas.
- Nurodytas įtampos stiprumas turi būti toks pat, kaip ir maitinimo tinklo įtampos stiprumas.
- Prijungimui negalima naudoti ilginimo laidų ir daugiaskylių kištukų.

⚠ Pažeistą maitinimo laidą privalo pakeisti kvalifikuotas elektrikas.

⚠ Negalima naudoti buitinio prietaiso, kol nebus pataisytas jo laidas! Kyla elektros smūgio pavojus!

Pakuotės išmetimas

Pakavimo medžiagos gali kelti pavojų vaikams. Laikykite pakavimo medžiagas vaikams nepasiekiamoje vietoje arba išmeskite jas, išrūšiuodami pagal atliekų rūšiavimo nurodymus. Neišmeskite pakavimo medžiagų kartu su kitomis buitinėmis atliekomis.

Šaldytuvo pakavimo medžiagos yra pagamintos iš pakartotinai panaudojamų medžiagų.

Seno šaldytuvo išmetimas

Seną šaldytuvą išmeskite taip, kad nebūtų daroma žala aplinkai.

- Kaip išmesti šį šaldytuvą, galite sužinoti iš savo įgaliotojo pardavimo atstovo arba savo savivaldybės atliekų surinkimo punkte.

Prieš išmesdami šaldytuvą, nupjaukite elektros kištuką ir, jei durys turi kokių nors užraktų, sugadinkite juos, kad nekiltų pavojų vaikams.

Pastatymas ir instaliacija

⚠ Jei patalpos, kurioje bus įrengiamas šaldytuvas, įėjimas nėra pakankamai platus, kad pro jį būtų galima įnešti šaldytuvą, iškvieskite įgaliotus aptarnavimo darbuotojus, kad jie nuimtų šaldytuvo dureles ir jį pro įėjimą įneštų šonu.

1. Šaldytuvą įrenkite tokioje vietoje, kur jį būtų lengva eksploatuoti.
2. Šaldytuvą statykite atokiai nuo šilumos šaltinių, drėgnų vietų ir tiesioginių saulės spindulių.
3. Tam, kad šaldytuvas efektyviai veiktų, aplink jį turi būti tinkama oro ventiliacija. Jei šaldytuvą reikia statyti sienos nišoje, nuo šaldytuvo iki lubų ir iki sienų turi būti mažiausiai 5 cm tarpas. Jei ant grindų patiestas kilimas, šį gaminį virš grindų būtina pakelti 2,5 cm.
4. Tam, kad nekiltų vibracija, šaldytuvą statykite ant lygaus grindų paviršiaus.
5. Šaldytuvo nestatykite patalpoje, kurioje aplinkos temperatūra žemesnė negu 10 °C.

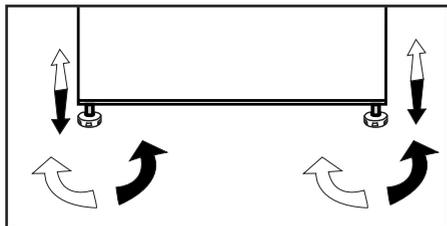
4 Paruošimas

- i** laisvai stovinčiam prietaisui; „Šis šaldymo prietaisas nėra skirtas naudoti vietoje įmontuojamo prietaiso“;
- i** Šaldytuvą reikia įrengti mažiausiai 30 cm atstumu nuo šilumos šaltinių, pavyzdžiui, viryklės viršaus, orkaitių, centrinio šildymo radiatorių bei viryklių, ir mažiausiai 5 cm atstumu nuo elektrinių orkaitių; nestatykite jo tiesioginiuose saulės spinduliuose.
- i** Patalpos, kur įrengiamas šaldytuvas, aplinkos temperatūra turi būti ne žemesnė negu 10°C. Šaldytuvo nerekomenduojama eksploatuoti esant žemesnei temperatūrai, nes jo veikimo efektyvumas taps prastesnis.
- i** Rūpinkitės šaldytuvo vidaus švara.
- i** Jei du šaldytuvai įrengiami vienas šalia kito, tarp jų turi būti mažiausiai 2 cm atstumas.
- i** Šaldytuvą pradėję eksploatuoti pirmą kartą, pirmąsias šešias valandas prašom paisyti tokių instrukcijų:
 - Nedarinėkite dažnai durelių.
 - Šiuo periodu šaldytuve turi nebūti maisto produktų.
 - Neišjunkite šaldytuvo iš maitinimo tinklo. Jei nutrūktų elektros tiekimas, žr. skyriuje „Kokių veiksmų imtis prieš iškviečiant įgaliotus aptarnavimo specialistus“ pateiktus įspėjimus.
- i** Originalias pakuotės medžiagas ir pustpalstį derėtų saugoti ateičiai, jei šaldytuvą prireiktų transportuoti arba perkelti.

Kojelių reguliavimas

Jei šaldytuvas stovi nelygiai;

jį galite išlyginti sukdami priekines kojeles, kaip pavaizduota toliau esančiame paveikslėlyje. Kampas, kurioje yra kojelė, nuleidžiamas kojelę sukant juodos rodyklės kryptimi ir pakeliamas kojelę sukant priešinga kryptimi. Šį darbą atlikti bus lengviau, jei ką nors pasikviesite į pagalbą, kad šiek tiek kilstelėtų šaldytuvą.



Montavimas (po stalviršiu)

- Vidinis stalviršio aukštis turėtų būti 820 mm.

(!) Jeigu šis buitinis prietaisas montuojamas po stalviršiu, virykles arba kitus šilumos šaltinius reikia statyti virš stalviršio.

- Sieninis elektros lizdas turi būti šalia buitinio prietaiso, jo kairėje ar dešinėje pusėje.

- Nuimkite viršutinį buitinio prietaiso dangtį. Reikia išsukti 4 varžtus (2 gale ir 2 po priekiniu kraštu).

1 pav.

- Nupjaukite paveikslėlyje parodytą dalį, tuomet nuimkite ją replėmis.

- Pastatykite buitinį prietaisą po stalviršiu ir reguliuokite priekines kojeles, kol prietaiso viršus sieks stalviršį.

Norint pastatyti šį prietaisą po stalviršiu, tart sienos ir žymės, esančios viršutinėje plastmasinėje prijungimo dalyje, turi būti mažiausiai 595 mm.

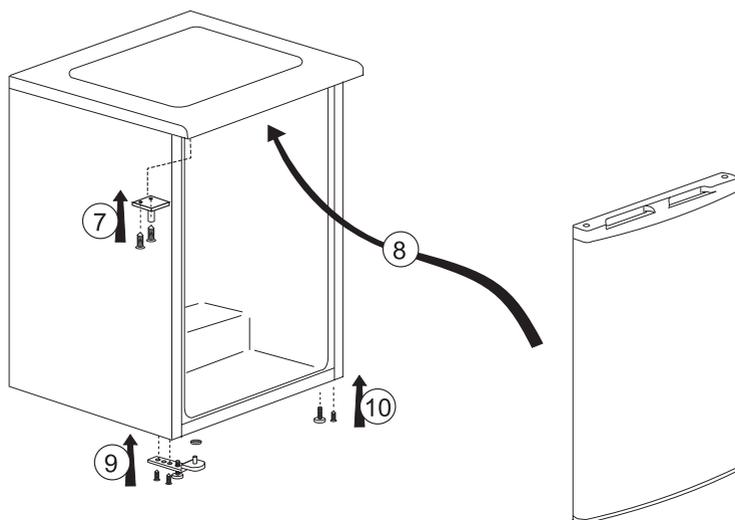
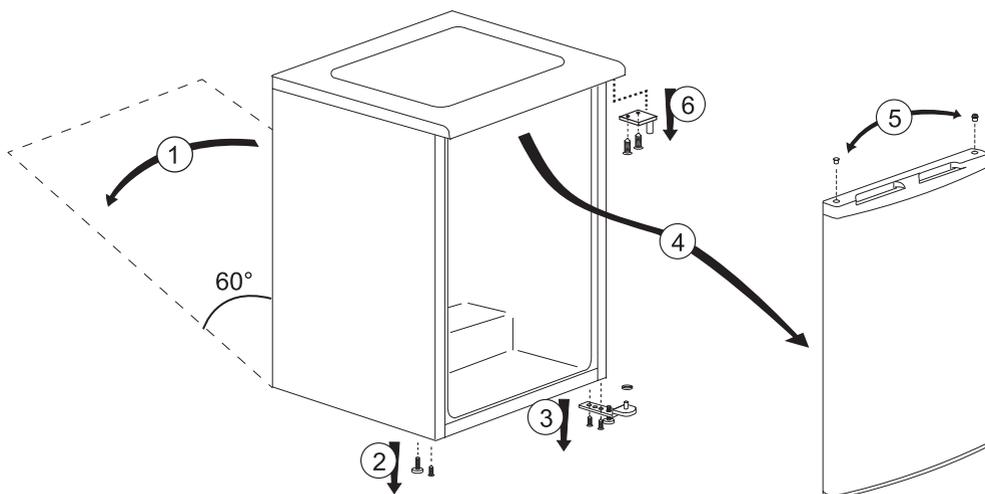
Pav. 2-3

- Įtaisykite buitinį prietaisą po stalviršiu ir prisukite jį 2 varžtais, išsuktais iš viršutinio dangčio. (Stalviršis turi būti padarytas iš plastmasės arba medienos!)

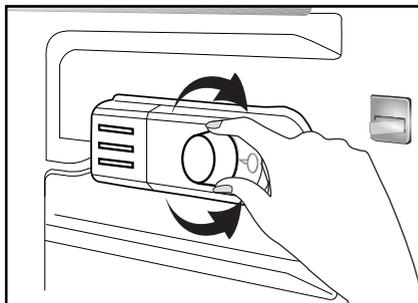
4 pav.

Durų perstatymas

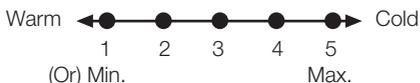
Veiksmus atlikite paeiliui pagal numerį



5 Šaldytuvo eksploatavimas



Veikimo temperatūrą reguliuoja temperatūros valdiklis.



1 = mažiausio šaldymo nuostata (šilčiausios temperatūros nuostata)
5 = didžiausio šaldymo nuostata (šalčiausios temperatūros nuostata)

(arba)

Min. = mažiausia aušinimo nuostata (šilčiausios temperatūros nuostata)
Max. = aukščiausia aušinimo nuostata (šalčiausios temperatūros nuostata)

Vidutinė temperatūra šaldytuvo viduje turėtų būti maždaug +5 °C.

Nuostatą pasirinkite pagal pageidaujamą temperatūrą.

Prietaiso veikimą išjungsite termostato rankenėlę nustatę į padėtį „0“.

Įsidėmėkite, kad šaldymo srityje bus skirtingos temperatūros.

Šalčiausia sritis yra iš karto virš daržovių skyriaus.

Vidaus temperatūra taip pat priklauso nuo aplinkos temperatūros, durelių atidarinėjimo dažnio ir viduje laikomo maisto kiekio.

Dažnai atidarinėjant dureles vidaus temperatūra kyla.

Dėl šios priežasties rekomenduojama uždaryti dureles kaip įmanoma greičiau po naudojimo.

Užšaldymas

Maisto užšaldymas

Šaldymo skyrius pažymėtas šiuo simboliu



Prietaisą galite naudoti šviežio maisto užšaldymui ir atšaldyti maisto saugojimui.

Vadovaukitės ant maisto įpakavimų esančiais nurodymais.

• Dėmesio

Neužšaldykite putojančių gėrimų, nes skysčiui užšalus butelis gali sprogti.

Atsargiai elkitės su užšaldytais produktais, pavyzdžiui, spalvotais ledo gabalėliais.

Nevir ykite buitinio prietaiso galingumo, nustatyto 24 val. Žr. kategorijos plokštelę.

Siekiant išlaikyti maisto kokybę, užšaldyti reikia kaip įmanoma greičiau.

Taip neviršysite užšaldymo galingumo ir šaldiklio temperatūra nepakils.

• Dėmesio

Giliai užšaldytą maistą visuomet laikykite atskirai nuo naujai įdėto maisto.

Kai giliai užšaldytas maistas vėsta, kompresorius veikia tol, kol maistas visiškai neužšąla. Tai gali laikinai padidinti šaldytuvo skyriaus vėsinimą.

Nereikia nerimauti, jei ką tik uždarę šaldiklio duris, negalite jų lengvai atidaryti. Tai nutinka dėl spaudimo skirtumo, kuris susivienodina, ir po kelių minučių duris galima lengvai atidaryti.

Vos uždarę duris, išgirsite sandarinimo garsą. Tai visiškai normalu

Ledo kubelių gaminimas

Pripilkite į ledo padėklą 3/4 vandens ir įdėkite jį į šaldiklį.

Kai tik vanduo užšąla, išimkite ledo kubelius.

Ledo kubeliams išimti niekada nenaudokite aštrių daiktų, pavyzdžiui, peilių arba šakučių. Rizikuojate susižeisti!

Vietoj to leiskite ledo kubeliams truputį atitirpti arba trumpam padėklo dugną panardinkite į karštą vandenį.

Šaldytų maisto produktų laikymas

Užšaldyto maisto skyrius pažymėtas simboliu .

Užšaldyto maisto skyriuje galima laikyti iš anksto užšaldytą maistą. Visada reikia paistyti ant maisto produktų įpakavimų nurodytų maisto laikymo rekomendacijų.

Buitinio prietaiso atitirpymas

Jei prietaise susikaups pernelyg daug ledo, jis gali pradėti prasčiau šaldyti.

Todėl rekomenduojama mažiausiai du kartus per metus arba ledo sankaupoms viršijus 7 mm prietaisą atšildyti.

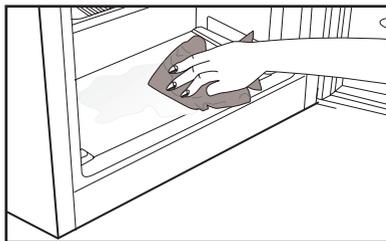
Prietaisą atšildykite tik tada, kai jame yra mažai maisto produktų arba jų visiškai nėra.

Išimkite giliai užšaldytus maisto produktus. Giliai užšaldytus produktus suvyniokite į kelis popieriaus sluoksnius arba antklodę ir juos laikykite vėsioje vietoje.

Ištraukite prietaiso laido kištuką arba išjunkite arba išimkite saugiklius, kad pradėtumėte atšildymo procesą.

Iš prietaiso išimkite priedus (lentynas, stalčių ir kt.); naudokite tinkamą indą vandeniui surinkti.

Jei reikia, atitirpusį vandenį šaldymo skyriuje  ir užšaldyto maisto skyriuje  surinkite kempine arba minkštu audeklu.



Atšildymo metu duris palikite atidarytas.

Atšildymas vyks greičiau, jei į prietaisą įdėsite kelis indus su šiltu vandeniu.

Ledui pašalinti niekada nenaudokite elektros prietaisų, atšildymo purškalo, smailių arba aštrių daiktų, pavyzdžiui, peilių ar šakučių.

Prietaisui visiškai atšilus, išvalykite jo vidų

Prietaisą vėl prijunkite prie elektros tinklo. Užšaldytus maisto produktus sudėkite į stalčius ir juos sukiškite į šaldiklį.

Aušinimas

Maisto saugojimas

Šaldytuvo skyrius skirtas trumpam šviežio maisto ir gėrimų saugojimui.

Pieno produktus laikykite atskirame šaldytuvo skyriuje.

Butelius galite laikyti butelių laikiklyje arba durelėse esančioje butelių lentynoje.

Žalią mėsą geriausia laikyti polietilenuose maišelyje, pačioje žemiausioje šaldytuvo lentynoje.

Prieš dėdami maisto produktus ir gėrimus į šaldytuvą, ataušinkite juos iki kambario temperatūros.

• Dėmesio

Koncentruotą alkoholį laikykite tik stipriai uždengtame, stovinčiame inde.

• Dėmesio

Prietaise nelaikykite sprogstančių medžiagų arba taros su degiasiomis sprogstančiomis dujomis (kremo skardinėse, purškalo skardinių ir taip toliau).

Kyla sprogimo pavojus.

Buitinio prietaiso atitirpymas

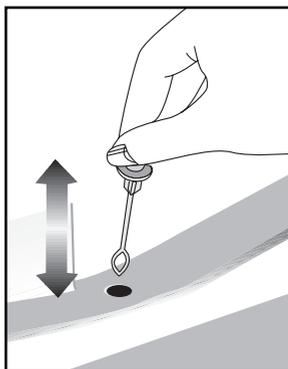
Šaldytuvo skyrius atšyla automatiškai.

Atšilęs vanduo per drenažo vamzdelį teka į buitinio prietaiso gale esantį surinkimo rezervuarą.

Atšildymo metu dėl garintuvo ant šaldytuvo galinės dalies gali susidaryti vandens lašelių.

Jei nuteka ne visi lašeliai, pasibaigus atitirpymui jie gali vėl užšalti. Juos nuvalykite šiltu vandeniu sudrėkintu minkštu audiniu. Nenaudokite kietų arba aštrių daiktų.

Kartkartėmis patikrinkite nutekančio vandens srautą. Kartais jis gali nutekėti. Užsikimšimą išvalykite naudodami vamzdžių valymo arba panašią priemonę.



6 Techninė priežiūra ir valymas

- ⚠ Valymui niekada nenaudokite benzino, benzolo arba panašių medžiagų.
- ⚠ Prieš valymą rekomenduojama išjungti buitinį prietaisą iš maitinimo tinklo.
- ⚠ Valymui niekada nenaudokite aštrių abrazyvinių įrankių, muilo, buitinio valiklio, skalbimo priemonių ar vaško poliravimui.
- ℹ Buitinio prietaiso skyrių nuvalykite drungnu vandeniu, o po to sausai iššluostykite.
- ℹ Šaldytuvo vidui valyti naudokite drėgną nuspaustą skudurėlį, sudrėkintą tirpale, pagamintame ištirpinus vieną arbatinį šaukštelį sodos (bikarbonato) vienoje pintoje (0,57 litro) vandens; po to sausai iššluostykite.
- ⚠ Žiūrėkite, kad į lemputės korpusą ir kitus elektros elementus nepatektų vandens.
- ⚠ Jeigu ketinate ilgam nenaudoti buitinio prietaiso, išjunkite jį ir išimkite visą maistą, išvalykite jį ir palikite dureles pravertas.
- ℹ Reguliariai patikrinkite, ar durelių tarpikliai yra švarūs ir ant jų nėra maisto dalelių.
- ⚠ Norėdami ištraukti durelių lentynas, išimkite visus daiktus ir po to paprasčiausiai patraukite durelių lentyną į viršų nuo pagrindo.

Plastikinių paviršių apsauga

- ℹ Į šaldytuvą nedėkite skysto aliejaus ar aliejuje virto maisto neuždarytuose induose, nes tokie produktai pažeis šaldytuvo plastikinius paviršius. Jei aliejus išsilieja ant plastikinių paviršių arba juos sutepa, užterštą vietą iš karto nuvalykite ir nuplaukite šiltu vandeniu.

7 Rekomenduojami problemų sprendimo būdai

Prieš kreipdamiesi į aptarnavimo tarnybą, prašom peržiūrėti šį sąrašą. Taip sutaupysite laiko ir pinigų. Šiame sąrašė pateikiamos dažniausiai pasitaikančios problemos, kurios nėra susijusios su pagaminimo arba naudojamų medžiagų broku. Kai kurių čia aprašytų funkcijų jūsų įsigytame gaminyje gali nebūti.

Šaldytuvas neveikia.
<ul style="list-style-type: none">• Ar tinkamai įkištas šaldytuvo laido kištukas? Įkiškite kištuką į sieninį lizdą.• Ar neperdegė lizdo, į kurį yra įjungtas šaldytuvas, saugiklis arba maitinimo tinklo saugiklis? Patikrinkite saugiklį.
Kondensacija ant šaldytuvo (skyrių MULTIZONE, COOL CONTROL ir FLEXI ZONE) šoninių sienų.
<ul style="list-style-type: none">• Labai žema aplinkos temperatūra. Dažnai atidaromos ir uždaromos durelės. Didelis aplinkos drėgnumas. Neuždarytuose induose laikomi skysti maisto produktai. Durelės buvo paliktos atidarytos. Nustatykite žemesnę termostato temperatūrą.• Trumpiau laikykite dureles atviras arba jas rečiau darinėkite.• Tinkamomis medžiagomis uždenkite atviruose induose laikomus maisto produktus.• Susidariusius lašelius nuvalykite sausu skudurėliu ir patikrinkite, ar jie vėl susidaro.
Neveikia kompresorius.
<ul style="list-style-type: none">• Įvykus staigiam energijos tiekimo pertrūkiui, iššoks kompresoriaus terminis saugiklis, arba, jei šaldytuvo slėgis aušinamojoje sistemoje nesubalansuotas, įsijungia išjungiklis. Šaldytuvas pradės veikti maždaug po 6 minučių. Jei praėjus šiam periodui šaldytuvas neįsijungia, kreipkitės į aptarnavimo tarnybą.• Vyksta šaldytuvo atšildymo ciklas. Tai normalus visiškai automatinio atšildymo šaldytuvo veikimas. Atšildymo ciklas vyksta periodiškai.• Šaldytuvo laido kištukas neįkištas į lizdą. Patikrinkite, ar kištukas gerai įkištas į lizdą.• Ar nustatyta teisinga temperatūra?• Gali būti dingęs elektros tiekimas.

Šaldytuvas dažnai įsijungia arba ilgą laiką veikia.

- Gali būti, kad jūsų naujas gaminys platesnis už ankstesnįjį. Tai visiškai normalu Dideli šaldytuvai veikia ilgesnį laiką.
- Gali būti, kad patalpoje yra aukšta temperatūra. Tai visiškai normalu
- Gali būti, kad šaldytuvas neseniai prijungtas arba į jį neseniai sudėta maisto produktų. Visiškas šaldytuvo atvėsimas gali trukti pora valandų ilgiau.
- Gali būti, kad į šaldytuvą neseniai įdėta daug karštų maisto produktų. Įdėjus karštų maisto produktų, šaldytuvas veikia ilgiau, t.y. tol, kol produktai atvėsinami iki saugaus laikymo temperatūros.
- Gali būti, kad buvo dažnai atidarinėjamos durelės arba jos buvo ilgą laiką paliktos atidarytos. Į šaldytuvą pateko šilto oro, todėl šaldytuvas ilgiau veikia. Rečiau atidarinėkite dureles.
- Gali būti, kad šaldiklio arba šaldytuvo skyriaus durelės buvo paliktos atidarytos. Patikrinkite, ar gerai uždarėte dureles.
- Šaldytuve nustatyta labai žema temperatūra. Nustatykite aukštesnę šaldytuvo temperatūrą ir palaukite, kol ši temperatūra bus pasiekta.
- Gali būti, kad užsiteršė, susidėvėjo, buvo pažeistas arba blogai priglunda šaldytuvo arba šaldiklio durelių tarpiklis. Tarpiklį nuvalykite arba pakeiskite. Dėl pažeisto tarpiklio šaldytuvus ilgiau veikia, kad būtų palaikoma esama temperatūra.

Šaldiklio temperatūra labai žema, tačiau šaldytuvo skyriaus temperatūra normali.

- Šaldiklyje nustatyta labai žema temperatūra. Nustatykite aukštesnę šaldiklio temperatūrą ir patikrinkite.

Šaldytuvo temperatūra labai žema, tačiau šaldiklio skyriaus temperatūra normali.

- Šaldytuve gali būti nustatyta labai žema temperatūra. Nustatykite aukštesnę šaldytuvo temperatūrą ir patikrinkite.

Šaldytuvo skyriaus stalčiuose laikomi maisto produktai sušąla.

- Šaldytuve gali būti nustatyta labai žema temperatūra. Nustatykite aukštesnę šaldytuvo temperatūrą ir patikrinkite.

Temperatūra šaldytuve arba šaldiklyje labai aukšta.

- Šaldytuve gali būti nustatyta labai aukšta temperatūra. Šaldytuvo temperatūros nuostata daro poveikį šaldiklio temperatūrai. Nustatykite tokią šaldytuvo arba šaldiklio temperatūrą, kad ji būtų reikiamo lygio.
- Gali būti, kad buvo dažnai atidarinėjamos durelės arba jos buvo ilgą laiką paliktos atidarytos; rečiau darinėkite dureles.
- Durelės galėjo būti paliktos praviros; tinkamai uždarykite dureles.
- Gali būti, kad į šaldytuvą neseniai įdėta daug karštų maisto produktų. Palaukite, kol šaldytuve arba šaldiklyje bus pasiekta norima temperatūra.
- Gali būti, kad šaldytuvas neseniai buvo prijungtas. Reikia šiek tiek palaukti, kol šaldytuvas tinkamai atvės.

Šaldytuvui pradėjus veikti, jis veikia triukšmingai.
<ul style="list-style-type: none"> Šio šaldytumo darbo našumo savybės gali kisti, priklausomai nuo aplinkos temperatūros pokyčių. Tai normalu ir nėra gedimas.
Vibracija arba triukšmas.
<ul style="list-style-type: none"> Nelygios arba silpnos grindys. Šaldytuvą lėtai judinamas linguoja. Grindys turi būti lygios ir pakankamai tvirtos, kad išlaikytų šaldytuvą. Triukšmą gali kelti ant šaldytuvo sudėti daiktai. Tokius daiktus reikėtų nuimti nuo šaldytuvo viršaus.
Iš šaldytuvo sklinda garsai, panašūs į skysčio ištekėjimą arba purškimą.
<ul style="list-style-type: none"> Šaldytuvą veikia jo viduje cirkuliuojant skysčio ir dujų srautams. Tai normalu ir nėra gedimas.
Girdimas garsas, kyg vėjas pūstų.
<ul style="list-style-type: none"> Norint, kad šaldytuvą šaldytų, jame naudojami ventiliatoriai. Tai normalu ir nėra gedimas.
Kondensacija ant vidinių šaldytuvo sienų.
<ul style="list-style-type: none"> Apledėjimas ir kondensacija didėja esant karštam ir drėgnam orui. Tai normalu ir nėra gedimas. Durėlės galėjo būti paliktos praviros; tinkamai iki galo uždarykite durėles. Gali būti, kad buvo dažnai atidarinėjamos durėlės arba jos buvo ilgą laiką paliktos atidarytos; rečiau darinėkite durėles.
Ant šaldytuvo išorės arba tarp durėlių susidaro drėgmės.
<ul style="list-style-type: none"> Oras gali būti labai drėgnas; esant drėgnam orui, tai visiškai normalu. Sumažėjus drėgnumui, kondensacija nesusidarys.
Šaldytuve sklinda prastas kvapas.
<ul style="list-style-type: none"> Reikia išvalyti šaldytuvo vidų. Šaldytuvo vidų išvalykite naudodami kempinę, šiltą arba prisotintą angliarūgštės vandenį. Gali būti, kad kvapą išskiria kai kurie indai arba pakuotės medžiagos. Naudokite kitą indą arba kitokios rūšies pakavimo medžiagą.
Durėlės neužsidaro.
<ul style="list-style-type: none"> Gali būti, kad durims neleidžia užsidaryti maisto produktų pakuotės. Pakuotes, kurios trukdo durėlėms užsidaryti, padėkite į kitą vietą. Gali būti, kad šaldytuvą nelygiai stovi ant grindų, todėl nesmarkiai jį stumtelėjus, jis gali judėti. Sureguliuokite aukščio reguliavimo varžtus. Nelygios arba netvirtos grindys. Grindys turi būti lygios ir pakankamai tvirtos, kad išlaikytų šaldytuvą.
Užstringa stalčiai.
<ul style="list-style-type: none"> Gali būti, kad maisto produktai liečia stalčiaus stogą. Pertvarkykite stalčiuje esančius maisto produktus.

SAISTĪBU ATRUNA / BRĪDINĀJUMS

Dažas (vienkāršas) kļūdas var novērst pats lietotājs, neapdraudot drošību un neradot nedrošas lietošanas apstākļus, ar nosacījumu, ka šīs darbības tiek veiktas atbilstoši un saskaņā ar instrukcijām (skatīt sadaļu “Lietotāja veikts remonts”).

Tādēļ, ja vien tālāk esošajā sadaļā “Lietotāja veikts remonts” nav norādīts citādi, remonta veikšanai ir jāizsauc reģistrēti profesionāli remonta veicēji, lai izvairītos no drošības apdraudējuma. Reģistrēts, profesionāls remonta veicējs ir profesionāls remonta veicējs, kam ražotājs ir izsniedzis šī izstrādājuma instrukcijas un rezervju daļu sarakstu un kas izmanto Direktīvā 2009/125/EK aprakstītās metodes.

Taču šādu pakalpojumu garantijas servisa ietvaros var sniegt tikai pakalpojuma aģents (t. i. pilnvaroti profesionāli remonta veicēji), ar kuriem varat sazināties pa tālruna numuru, kas ir norādīts lietotāja instrukcijā/ garantijas kartiņā ar sava pilnvarotā izplatītāja starpniecību. Tādēļ, lūdzu, nemiet vērā, ka, ja remontu veiks profesionāli remonta veicēji (kurus nav pilnvarojis Beko), jūsu garantija vairs nebūs spēkā.

Lietotāja veikts remonts

Remontā gali atlikti galutinis vartotojas, kai tai susiję su šiomis atsarginėmis dalimis: durų rankenos, durų vyriai, padėklai, krepšiai ir durų tarpinės (atnaujintas sąrašas taip pat prieinamas: support.beko.com nuo 2021 m. kovo 1 d.

Turklāt, lai nodrošinātu produkta drošību un novērstu nopietnas traumas risku,

minētais remonts, ko veic pats lietotājs, ir jāveic atbilstoši lietotāja rokasgrāmatā iekļautajām norādēm, kas attiecas uz lietotāja veiktu remontu, vai arī tām, kas ir pieejamas support.beko.com Jūsu drošības labad pirms jebkura jūsu veikta remonta atvienojiet izstrādājuma kabeli no elektropadeves.

Ja pats lietotājs veic remontu vai mēģina to veikt, izmantojot tādas rezerves daļas, kas nav iekļautas minētajā sarakstā, un/ vai veic šādas darbības, neievērojot lietotāja rokasgrāmatā dotās norādes par lietotāja veiktu remontu, vai norādes, kas pieejamas support.beko.com, izstrādājumam var rasties drošības problēmas, kas nav attiecināmas uz Beko, un tās atceļ izstrādājuma garantiju.

Tādēļ mēs patiešām aicinām lietotājus atturēties no remonta veikšanas, ja problēmas radušās ar sarakstā neminētajām rezerves daļām, un šādos gadījumos sazināties ar pilnvarotiem profesionāliem remonta veicējiem vai reģistrētiem profesionāliem remonta veicējiem. Lietotāju veikts remonts gluži pretēji var izraisīt drošības problēmas un sabojāt izstrādājumu, kā arī izraisīt ugunsgrēku, plūdus, īssavienojumu un nodarīt nopietnus miesas bojājumus.

Remiantis šiuo pavyzdžiu, bet neapsiribojant, šie remontai turi būti adresuojami įgaliotoms profesionalioms remonto bendrovėms ar registruotiems profesionaliems remonto specialistams: kompresorius, aušinimo grandinė, pagrindinė plokštė, inverterio plokštė, prietaisų skydas ir t. t.

Ražotājs/pārdevējs neuzņemas nekādu atbildību par situāciju, kurā lietotāji neievēro iepriekš minēto.

Jūsu iegādātās šaldytuvo rezerves daļas būs pieejamas 10 gadus pēc pirkuma. Šajā periodā oriģinālās rezerves daļas būs pieejamas, lai nodrošinātu pareizu šaldytuvo.

Minimali jsiogyto šaldytuvo garantijos trukmė - 24 mėnesiai.

Šiame produkte yra „G“ energijos klasės apšvietimo šaltinis.

Šio produkto apšvietimo šaltinį gali pakeisti tik profesionalai.

Lūdzu, vispirms izlasiet šo rokasgrāmatu!

Cienījamais pircēj!

Ceram, ka jūsu produkts, kas ražots modernās rūpnīcās un pārbaudīts ļoti pedantiskas kvalitātes kontroles procedūras laikā, nodrošinās efektīvu darbību.

Tādēļ mēs vēlētos ieteikt pirms produkta izmantošanas rūpīgi izlasīt visu rokasgrāmatu un turēt to ērti pieejamā vietā, lai vienmēr varētu tajā ieskatīties.

Šī rokasgrāmata

- Palīdzēs ātri un droši lietot iekārtu.
 - Izlasiet šo rokasgrāmatu pirms produkta uzstādīšanas un izmantošanas.
 - Ievērojiet norādījumus, it īpaši tos, kas saistīti ar drošību.
 - Turiet šo rokasgrāmatu viegli pieejamā vietā, jo jums tā var būt nepieciešama vēlāk.
 - Izlasiet arī citus kopā ar produktu saņemtos dokumentus.
- Lūdzu, atcerieties, ka šī rokasgrāmata var attiekties arī uz citiem modeļiem.

Simboli un to apraksti

Šajā rokasgrāmatā redzami šādi simboli:

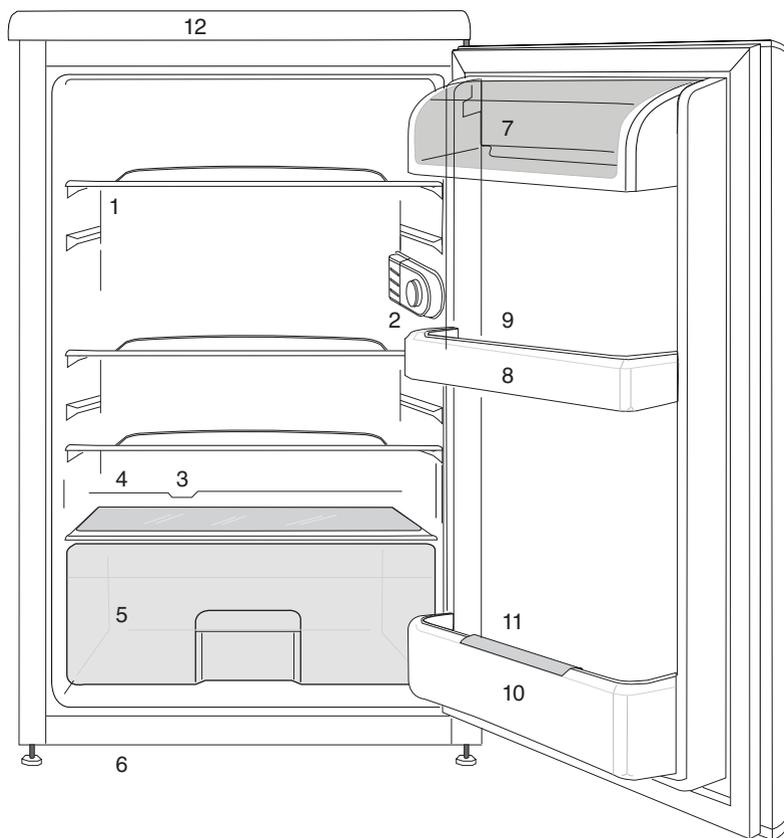
-  Svarīga informācija vai noderīgi padomi par izmantošanu.
-  Brīdinājums par dzīvībai un īpašumam bīstamiem apstākļiem.
-  Brīdinājums par elektrisko spriegumu.

i INFORMĀCIJA	
 SUPPLIER'S NAME:  MODEL IDENTIFIER (*) 	Produktu datubāzē saglabātajai modeļa informācijai var piekļūt, ievadot tālāk norādīto tīmekļa vietni un iekļaujot jūsu modeļa identifikatoru (*), kas norādīts uz enerģētiskās marķējuma. https://eprel.ec.europa.eu/

SATURS

1 Jūsu ledusskapis	3	4 Sagatavošana	14
2 Svarīgi brīdinājumi par drošību	4	Durvju ievietošana otrādi.....15	
Paredzētā lietošana.....	4	5 Ledusskapja izmantošana	16
Vispārējā drošība.....	4	Sasaldēšana	16
Piezīme par iekārtām ar ūdens automātu;.....	8	Pārtikas sasaldēšana	16
Bērnu drošība.....	9	Ledus gabaliņu pagatavošana.....	17
Atbilstība EEIA direktīvai un atkritumu pārstrāde	9	Sasaldētas pārtikas uzglabāšana	17
Atbilstība direktīvai par bīstamo vielu ierobežošanu elektroniskajā un elektriskajā aprīkojumā.....	9	Iekārtas atļaidināšana	17
Informācija par iepakojumu.....	9	Atdzesēšana.....	18
Brīdinājums par HC	9	Pārtikas uzglabāšana.....	18
Kas darāms, lai ietaupītu enerģiju	10	Iekārtas atļaidināšana	19
3 Uztādīšana	11	6 Apkope un tīrīšana	20
Lietas, kas jāapsver, atkārtoti pārvietojot ledusskapi.....	11	Plastmasas virsmu aizsargāšana	20
Pirms ledusskapja izmantošanas.....	11	7 Ieteicamie problēmu risinājumi	21
Pievienošana elektrotīklam.....	12		
Atbrīvošanās no iepakojuma	12		
Atbrīvošanās no vecā ledusskapja ...	12		
Novietošana un uzstādīšana.....	12		
Kājiņu noregulēšana	13		
Uzstādīšana (zem letes).....	13		

1 Jūsu ledusskapis



1. Pārvietojami plaukti
2. Iekšējais apgaismojums un termostata pārslēgs
3. Atlaidinātā ledus ūdens savākšanas kanāls – Noliešanas caurule
4. Augļu nodalījuma vāks
5. Augļu nodalījums
6. Regulējamas priekšējās kājas
7. Piena produktu nodalījums
8. Durvju plaukti
9. Olu turētājs
10. Pudeļu plaukts
11. Pudeles turētājs
12. Augšējā apmale

ⓘ Attēli šajā instrukciju rokasgrāmātā ir shematiski un var precīzi neatbilst jūsu modelim. Ja attiecīgās daļas nav iekļautas jūsu iegādātā produkta komplektācijā, tad tās attiecas uz citiem modeļiem.

2 Svarīgi brīdinājumi par drošību

Lūdzu, iepazīstieties ar šo informāciju. Šīs informācijas neievērošana var kļūt par cēloni traumām vai materiālajiem bojājumiem. Tā rezultātā visas garantijas un saistības par iekārtas drošību zaudēs spēku.

Originālās rezerves daļas tiks nodrošinātas 10 gadus, sākot ar produkta iegādes datumu.

Paredzētā lietošana

⚠	BRĪDINĀJUMS: Nenosprostojiet ierīces korpusā vai iekšpusē esošās ventilācijas atveres.
⚠	BRĪDINĀJUMS: Atkausēšanas procesa paātrināšanai neizmantojiet mehāniskas ierīces vai citus līdzekļus, ko nav rekomendējis ražotājs.
⚠	BRĪDINĀJUMS: Nebojājiet dzesētājielas kontūru.
⚠	BRĪDINĀJUMS: Pārtikas glabāšanas nodalījumos šajā ierīcē neizmantojiet elektroierīces, ko ražotājs nav rekomendējis.

BRĪDINĀJUMS!



Neglabājiet šajā iekārtā sprādzienbīstamas vielas, piemēram, aerosolus ar viegli uzliesmojošiem propelentiem.

Šī ierīce ir paredzēta lietošanai mājāsaimniecībā un šāda veida lietojumam:

- personāla virtuves zonās veikalos, birojos un citā darba vidē;
- lauku mājās, kā arī lietošanai viesnīcu un moteļu viesiem un citā dzīvojama tipa vidē;
- naktsmītnēs ar iekļautu brokastu piedāvājumu;
- sabiedriskās ēdināšanas u. c. lietojumam, kas neietver mazumtirdzniecību.

Vispārējā drošība

- Ja vēlaties atbrīvoties no šī izstrādājuma vai to pārstrādāt, mēs iesakām konsultēties ar pilnvarotu apkalpošanas centru, lai uzzinātu nepieciešamo informāciju un atrastu pilnvarotas organizācijas.
- Sazinieties ar pilnvarotu apkalpošanas centru saistībā ar visiem jautājumiem un problēmām attiecībā uz ledusskapi. Neveiciet ledusskapja remontu vai modifikāciju un nelaujiet to darīt citiem, neinformējot pilnvarotus pakalpojuma sniedzējus.

ar saldēšanas kameru: neēdiet saldējumu un ledus gabaliņus tūlīt pēc izņemšanas no saldēšanas kameras! (Tas var izraisīt mutes apsaldēšanu.)

- Piezīme par iekārtām ar saldēšanas kameru: neievietojiet šķidrus, pudelēs vai skārdenēs esošus dzērienus saldēšanās kamerā. Tie var saplīst.
- Nepieskarieties sasaldētam ēdienam ar rokām, jo tas var pie tām pielipt.
- Pirms atlaidināšanas vai tīrīšanas atvienojiet ledusskapi no barošanas avota.
- Ledusskapja tīrīšanas un atlaidināšanas laikā nevajadzētu izmantot tvaiku un izgarojošus tīrīšanas līdzekļus. Šādos gadījumos garaiņi var pieklūt elektriskajām daļām un radīt īssavienojumu vai elektriskās strāvas triecienu.
- Nekad neizmantojiet ledusskapja daļas, piemēram, durvis, kā atbalstu vai pakāpienu.
- Neizmantojiet elektriskās iekārtas ledusskapja iekšpusē.
- Neurbiet un nezāgējiet daļas, kurās cirkulē dzesēšanas šķidrums. Dzesēšanas šķidrums, kas var izplūst, kad iztvaices aparāta gāzes kanāli, cauruļvadu pagarinājumi vai vīrsma apvalki tiek pārplēsti, izraisa

ādas iekaisumus un acu traumas.

- Ar nekādiem materiāliem neaizklājiet un nenobloķējiet ledusskapja ventilācijas atveres.
- Elektroiekārtu remontu drīkst veikt tikai pilnvarotas personas. Labošana, ko veikušas nekompetentas personas, rada risku lietotājam.
- Bojājuma vai apkopes un labošanas darbu laikā atvienojiet ledusskapja strāvas padevi, atvienojot attiecīgo drošinātāju vai iekārtas spraudkontakta.
- Atvienojot spraudkontakta, to nevelciet aiz vada.
- Dzērieni ar augstu alkohola saturu ir jāuzglabā vertikālā stāvoklī un ar nostiprinātu vāku.
- Nekādā gadījumā neglabājiet ledusskapī aerosolus, kuru sastāvā ir viegli uzliesmojošas un sprādzienbīstamas vielas.
- Neizmantojiet mehāniskas ierīces vai citus līdzekļus, lai paātrinātu atlaidināšanas procesu, ja vien tos nav ieteicis ražotājs.
- Šī iekārta nav paredzēta, lai to izmantotu personas ar fiziskajiem, garīgajiem un uztveres traucējumiem vai cilvēki bez

pieredzes un zināšanās (tostarp bērni), ja vien viņus neuzrauga persona, kas ir atbildīga par viņu drošību vai sniedz norādījumus par iekārtas izmantošanu.

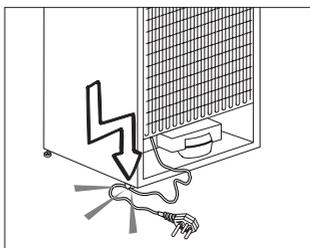
- Neizmantojiet bojātu ledusskapi. Ja jums rodas kaut kādas bažas, sazinieties ar apkalpošanas pārstāvi.
- Ledusskapja elektrodrošība var tikt garantēta tikai tad, ja iezemējuma sistēma jūsu mājā atbilst standartiem.
- Iekārtas pakļaušana lietus, sniega, saules un vēja iedarbībai apdraud elektrodrošību.
- Ja spēka kabelis ir bojāts, lai izvairītos no briesmām, sazinieties ar pilnvarotu apkalpošanas centru.
- Uzstādīšanas laikā nekādā gadījumā neievietojiet spraudkontaktu sienas kontaktligzdā. Pretējā gadījumā var rasties nāves draudu vai nopietnas traumas risks.
- Šis ledusskapis ir paredzēts tikai pārtikas uzglabāšanai. To nevajadzētu izmantot nekādam citam mērķim.
- Uzlīme ar izstrādājuma tehniskajiem datiem atrodas ledusskapja iekšpusē pa kreisi.
- Nekādā gadījumā nepievienojiet ledusskapi pie elektrības taupīšanas sistēmas, jo tas var sabojāt ledusskapi.

- Ja ledusskapim ir zils gaismas indikators, ilgstoši neskatieties uz to ar neapbruņotu aci vai caur optiskajām ierīcēm.

- Ja ledusskapji ir manuāli vadāmi, tad pirms to pārstartēšanas pēc elektropadeves traucējumiem ir jāpagaida vismaz 5 minūtes.

- Ja ledusskapis tiek atdots kādam citam, arī šī lietošanas rokasgrāmata ir jāatdod jaunajam īpašniekam.

- Ledusskapja transportēšanas laikā izvairieties no spēka kabeļa bojājumiem. Kabeļa saliekšana var izraisīt ugunsgrēku. Nekādā gadījumā nelieciet uz spēka kabeļa smagus priekšmetus. Pievienojot iekārtu barošanas avotam, nepieskarieties spraudkontaktam ar slapjām rokām.



- Novietojot iekārtu, nodrošiniet, lai elektrības kabelis netiktu iespiests vai bojāts.
- Iekārtas aizmugurē novietojiet vairākas pārvietojamās elektrības kontaktligzdas vai barošanas

avotus.

- Bērniem no 3 līdz 8 gadu vecumam ir atļauts uzpildīt un izkraut saldēšanas iekārtas.
- Lai izvairītos no pārtikas saindēšanas, lūdzu, ievērojiet šos norādījumus:
 - – Ilgstoša durvju atvēršana var radīt būtisku temperatūras pieaugumu
 - iekārtas nodalījumos.
 - – Regulāri tīriet virsmas, kas var nonākt saskarsmē ar pārtiku, un noplūdes sistēmas, kam iespējams piekļūt.
 - – Tīriet ūdens tvertnes, ja tās nav izmantotas 48 h; izskalojiet ūdens sistēmu, kas pieslēgta ūdens apgādes sistēmai, ja ūdens nav izskalots 5 dienas.
 - – Glabājiet jēlu gaļu un zivis piemērotās tvertnēs ledusskapī, lai pārtika nesaskartos ar ledusskapi vai
 - lai ūdens nepilētu uz citas pārtikas.
 - – Divu zvaigžņu saldētas pārtikas nodalījumi ir piemēroti iepriekš sasaldētas pārtikas glabāšanai, saldējuma gatavošanai
 - un ledus gabaliņu pagatavošanai.
 - – Vienas, divu un trīs zvaigžņu nodalījumi nav paredzēti svaigas pārtikas saldēšanai.
 - – Ja dzesēšanas iekārta tiks ilgstoši atstāta tukša, izslēdziet, atkausējiet, iztīriet,

izžāvējiet to un atstājiet

- durvis atvērtas, lai novērstu pelējuma veidošanos iekārtā.
- Nepievienojiet ledusskapi valīgai sienas kontaktligzdai.
- Drošības apsvērumu dēļ izvairieties no ledusskapja iekšējo un ārējo daļu apšļakstīšanas ar ūdeni.
 - Lai izvairītos no ugunsgrēka un sprādziena riska, ledusskapja tuvumā neizsmidziniet vielas, kuru sastāvā ir viegli uzliesmojušas gāzes, piemēram, propāna gāze.
 - Nekādā gadījumā nelieciet uz ledusskapja virsmas traukus ar ūdeni, jo tas var izraisīt elektriskās strāvas triecienu vai ugunsgrēku.
 - Nepārslogojiet ledusskapi ar pārāk lielu pārtikas daudzumu. Ja ledusskapis ir pārāk pilns, tad, atverot durvis, pārtika var izkrist no ledusskapja, radot kaitējumu jums vai iekārtai. Nekādā gadījumā nelieciet priekšmetus uz ledusskapja virsmas, jo ledusskapja durvju atvēršanas vai aizvēršanas laikā tie var nokrist.
 - Ledusskapī nedrīkst turēt vakcīnas, temperatūras jutīgus medikamentus un zinātniskiem pētījumiem paredzētus materiālus, jo tiem ir nepieciešama noteikta uzglabāšanas temperatūra.

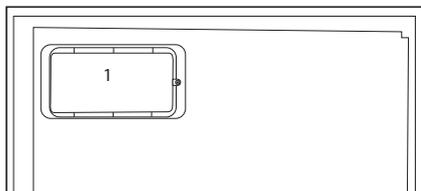
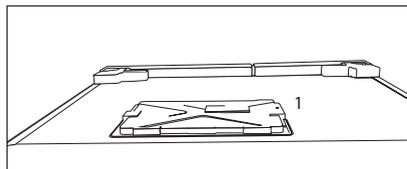
- Ja ledusskapis netiks ilgstoši izmantots, tas jāatvieno no barošanas avota. Spēka kabeļa bojājuma gadījumā var sākties ugunsgrēks.

- Ja regulējamās kājiņas nav pareizi nostiprinātas uz grīdas, tad ledusskapis var kustēties. Regulējamo kājiņu pareiza nostiprināšana uz grīdas var novērst ledusskapja kustēšanos.

- Nesot ledusskapi, neturiet to aiz durvju roktura. Pretējā gadījumā tas var nolūzt.

- Novietojot iekārtu līdzās citam ledusskapim vai saldētavai, starp šīm iekārtām ir jābūt vismaz 8 cm attālumam. Pretējā gadījumā uz līdzās esošajām sienām var kondensēties mitrums.

- Nekad neizmantojiet ierīci, ja ir atvērts nodalījums ierīces augšpusē vai aiz mugurē, kurā atrodas elektroniskās drukātās shēmas plates (elektronisko drukāto shēmu plašu pārsegs) (1).



Piezīme par iekārtām ar ūdens automātu;

- Maksimālajam aukstā ūdens ieplūdes caurules spiedienam jābūt 90 psi (620 kPa). Ja ūdens spiediens pārsniedz 80 psi (550 kPa), tīkla sistēmā izmantojiet spiedienu ierobežojošu vārstu. Ja nezināt, kā pārbaudīt ūdens spiedienu, lūdziet profesionāla santehniķa palīdzību.

- Ja sistēmā iespējams hidrauliskais trieciens, vienmēr tajā izmantojiet hidrauliskā trieciena novēršanas aprīkojumu. Ja neesat pārliecināts, vai jūsu sistēmā nav hidrauliskā trieciena, konsultējieties ar profesionāliem santehniķiem.

- Neuzstādiet uz karstā ūdens ieplūdes caurules. Veiciet piesardzības pasākumus, lai novērstu

šļūtenu sasalšanas risku. Ūdens temperatūras intervālam darbības laikā jābūt vismaz 33 °F (0,6 °C) un ne vairāk kā 100 °F (38 °C).

- Izmantojiet tikai dzeramo ūdeni.

Bērnu drošība

- Ja durvis ir slēdzamas, tad atslēga jāglabā bērniem nepieejamā vietā.
- Jāuzrauga, lai bērni nespēlētos ar iekārtu.

Atbilstība EEIA direktīvai un atkritumu pārstrāde



Šī iekārta atbilst ES EEIA direktīvas (2012/19/ES) prasībām. Šis

izstrādājums ir marķēts ar elektrisko un elektronisko iekārtu atkritumu (EEAI) klasifikācijas simbolu.

Šī iekārta ir izgatavota no augstas kvalitātes detaļām un materiāliem, kas ir atkārtoti izmantojami un piemēroti otrreizējai pārstrādei. Pēc iekārtas kalpošanas laika beigām neizmetiet to kopā ar parastajiem mājsaimniecības un citiem atkritumiem. Nogādājiet to elektrisko un elektronisko iekārtu savākšanas centrā, lai varētu veikt otrreizējo pārstrādi. Plašāku informāciju par savākšanas centriem varat uzzināt vietējā pašvaldībā.

Atbilstība direktīvai par bīstamo vielu ierobežošanu elektroniskajā un elektriskajā aprīkojumā

Jūsu nopirktā iekārta atbilst ES direktīvas par bīstamo vielu ierobežošanu elektroniskajā un elektriskajā aprīkojumā (2011/65/ES) prasībām. Tās sastāvā nav šajā direktīvā norādīto kaitīgo un aizliegto materiālu.

Informācija par iepakojumu

Iekārtas iepakojums ir izgatavots no otrreizēji pārstrādājamiem materiāliem atbilstoši mūsu valsts vides aizsardzības noteikumiem. Neizmetiet iepakojuma materiālus kopā ar mājsaimniecības vai citiem atkritumiem. Nogādājiet tos vietējo pašvaldību norādītajās iepakojuma materiālu savākšanas vietās.

Brīdinājums par HC

Ja iekārtas dzesēšanas sistēma satur R600a

Šī gāze ir viegli uzliesmojoša. Tādēļ pievērsiet uzmanību tam, lai izmantošanas un transportēšanas laikā dzesēšanas sistēma un cauruļvadi netiktu bojāti. Bojājuma gadījumā neturiet iekārtu potenciālu uguns avotu tuvumā, jo tas var izraisīt iekārtas aizdegšanos, un vēdiniet telpu, kurā novietota iekārta.

Neņemiet vērā šo brīdinājumu, ja iekārtai ir dzesēšanas sistēma, kas satur R134a.

Iekārtā izmantotais gāzes tips ir norādīts uz specifiskācijas plāksnītes ledusskapja iekšpusē kreisajā pusē.

Nekādā gadījumā neatbrīvojieties no iekārtas, to sadedzinot.

Kas darāms, lai ietaupītu enerģiju

- Neturiet ledusskapja durvis ilgstoši atvērtas.
- Neievietojiet ledusskapī karstu pārtiku vai dzērienus.
- Nepārpildiet ledusskapi, lai netiktu traucēta gaisa cirkulācija tā iekšpusē.
- Nenovietojiet ledusskapi tiešā saules gaismā vai karstumā izstarojošu iekārtu, piemēram, krāsns, trauku mazgājamās iekārtas vai radiatoru, tuvumā.
- Pievērsiet uzmanību tam, lai pārtika atrastos aizvērtos traukos.

- Piezīme par iekārtām ar saldēšanas kameru. Saldēšanas kamerā varat saglabāt maksimālo ēdiena daudzumu, izņemot no tās plauktu vai atvilktni. Norādītā saldēšanas kameras enerģijas patēriņa vērtība ir noteikta iekārtai ar izņemtu plauktu vai atvilktni un maksimālo noslodzi. Nepastāv nekāds risks, izmantojot plauktu vai atvilktni atbilstoši sasaldējamās pārtikas formai un izmēram.

- Sasaldētās pārtikas atļaidināšana ledusskapja nodalījumā gan ietaupīs elektroenerģiju, gan saglabās pārtikas kvalitāti.

3 Uzstādīšana

⚠ Lūdzu ņemiet vērā, ka ražotājs neuzņemas atbildību, ja instrukciju rokasgrāmatā iekļautā informācija netiek ievērota.

Lietas, kas jāapsver, atkārtoti pārvietojot ledusskapi

1. Jūsu ledusskapim pirms jebkuras transportēšanas ir jābūt iztukšotam un iztīrītam.
2. Ledusskapja plauktiem, piederumiem, atvilktnēm utt. pirms atkārtotas iepakšanas ir jābūt cieši nostiprinātiem ar līmlenti, lai tos nodrošinātu pret jebkādiem triecieniem.
3. Iepakojumam ir jābūt cieši nostiprinātam ar virvēm un līmlentēm, un jāievēro uz iepakojuma norādītie transportēšanas noteikumi.

Lūdzu, neaizmirstiet...

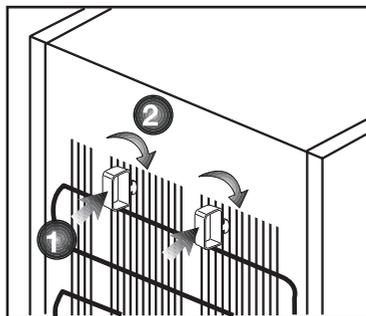
Ikviens pārstrādātais materiāls ir svarīgs avots dabai un mūsu nacionālajiem resursiem.

Ja jūs vēlaties nodot iepakojuma materiālu otrreizējai pārstrādei, papildu informāciju varat iegūt no vides aizsardzības organizācijām vai vietējās varas pārstāvjiem.

Pirms ledusskapja izmantošanas

Pirms ledusskapja ieslēgšanas pārbaudiet šādas lietas.

1. Vai ledusskapja iekšpuse ir tīra un gaiss tā aizmugurē var brīvi cirkulēt?



2. Varat uzlikt 2 plastmasas ķīļus, kā parādīts attēlā. Plastmasas ķīļi nodrošinās nepieciešamo attālumu starp ledusskapi un sienu, lai notiktu gaisa cirkulācija. (Attēls dots tikai piemēram, un tas precīzi neatbilst jūsu izstrādājuma izskatam.)
3. Iztīriet ledusskapja iekšpusi, kā ieteikts sadaļā "Apkope un tīrīšana".
4. Pievienojiet ledusskapja sienas kontaktlīdzi. Kad ledusskapja durvis tiks atvērtas, tad iedegsies ledusskapja nodalījuma iekšējais apgaismojums.
5. Būs dzirdams troksnis, jo kompresors sāks darbību. Troksni var radīt arī šķidrums un gāzes, kas atrodas dzesēšanas sistēmā, pat tad, ja kompresors nedarbojas, un tas ir normāli.
6. Ledusskapja priekšējās malas var būt siltas. Tas ir normāli. Šīm vietām ir jābūt siltām, lai izvairītos no kondensācijas.

Pievienošana elektrotīklam

Pievienojiet iekārtu iezemētai kontaktligzdai, kas aizsargāta ar atbilstošas jaudas drošinātāju. Svarīgi!

- Savienojumam jāatbilst nacionālajiem noteikumiem.
- Pēc uzstādīšanas spēka kabeļa spraudkontakta jābūt viegli pieejamam.
- Norādītajam spriegumam jāatbilst jūsu elektrotīkla spriegumam.
- Savienošanai nedrīkst tikt izmantoti pagarinātāji vai sadalītāji.

⚠ Bojātu elektrisko kabeļi jānomaina kvalificētam elektriķim.

⚠ Iekārtu nedrīkst izmantot, kamēr tā nav salabota! Pastāv elektriskās strāvas trieciena risks!

Atbrīvošanās no iepakojuma

Iepakojuma materiāli var būt bīstami bērniem. Glabājiet iepakojuma materiālus bērniem nepieejamā vietā vai atbrīvojieties no tiem atbilstoši noteikumiem par atkritumu apglabāšanu un pārstrādi. Tos nedrīkst izmest kopā ar parastiem sadzīves atkritumiem.

Ledusskapja iepakojums ir izgatavots no otrreizēji pārstrādājamiem materiāliem.

Atbrīvošanās no vecā ledusskapja

Atbrīvojieties no vecās iekārtas tā, lai netiktu nodarīts kaitējums videi.

- Par atbrīvošanos no ledusskapja varat konsultēties ar pilnvarotu

izplatītāju vai vietējās pašvaldības atkritumu savākšanas centru.

Pirms atbrīvošanās no ledusskapja, nogrieziet spraudkontakta un, ja uz durvīm ir slēdzenes, padariet tās neizmantojamas, lai pasargātu bērnus no jebkādām briesmām.

Novietošana un uzstādīšana

⚠ Ja ledusskapja uzstādīšanas telpā durvis ir par šauru, lai ledusskapi pa tām ievietotu, sazinieties ar pilnvarotu pakalpojuma sniedzēju, lai izņemtu ledusskapja durvis un ievietotu ledusskapi pa durvīm sāniski.

1. Uzstādiet ledusskapi vietā, kurā to iespējams viegli izmantot.

2. Neturiet ledusskapi karstuma avotu tuvumā, mitrās vietās un tiešā saules gaismā.

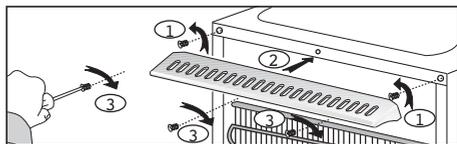
3. Lai nodrošinātu efektīvu darbību, apkārt ledusskapim ir jābūt pietiekamai ventilācijai.

Ja ledusskapis ir jāievieto sienas nišā, jābūt vismaz 5 cm attālumam no griestiem un 5 cm attālumam no sienas.

Ja grīda ir klāta ar paklāju, iekārtai jāatrodas vismaz 2,5 cm virs grīdas.

4. Novietojiet ledusskapi uz līdzenas grīdas virsmas, lai izvairītos no vibrācijas.

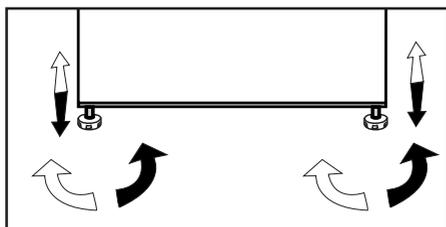
Ja iekārtai ir gaisa sadales režģis, lūdzu, skatieties, kā tas uzstādāms.



Kājiņu noregulēšana

Ja ledusskapis nav stabils;

Varat ledusskapi novietot stabili, pagriežot priekšējās kājiņas, kā parādīts attēlā. Stūris, kurā atrodas kāja, tiek nolaists uz leju, ja tiek pagriezts melnās bultiņas virzienā, un pacelts uz augšu, ja tiek pagriezts pretējā virzienā. Otrās personas palīdzība, viegli paceļot saldētāju, atvieglinās šo procesu.



Uzstādīšana (zem letes)

- Letes iekšējam augstumam ir jābūt 820 mm.

(!) Ja iekārta ir uzstādīta zem letes, tad virs letes nedrīkst novietot plītis un citus karstuma avotus.

- Barošanas avota sienas kontaktligzdas spraudnim jāatrodas tuvu iekārtas labajiem vai kreisajiem sāniem.

- Noņemiet iekārtas augšējo vāku. Šeit ir 4 izņemamas skrūves (2 aizmugurē un 2 zem priekšējās malas).

1. att.

- Nogrieziet attēlā redzamo daļu un pēc tam noņemiet to, izmantojot knaibles.

- Novietojiet iekārtu zem letes un regulējiet tās priekšējās kājiņas, līdz tās virsma pieskaras letei.

Lai varētu šo iekārtu izmantot zem letes, jābūt vismaz 595 mm attālumam starp sienu un atsauci, kas norādīta uz augšējās savienojuma plastmasas detaļas.

(2.-3. att.)

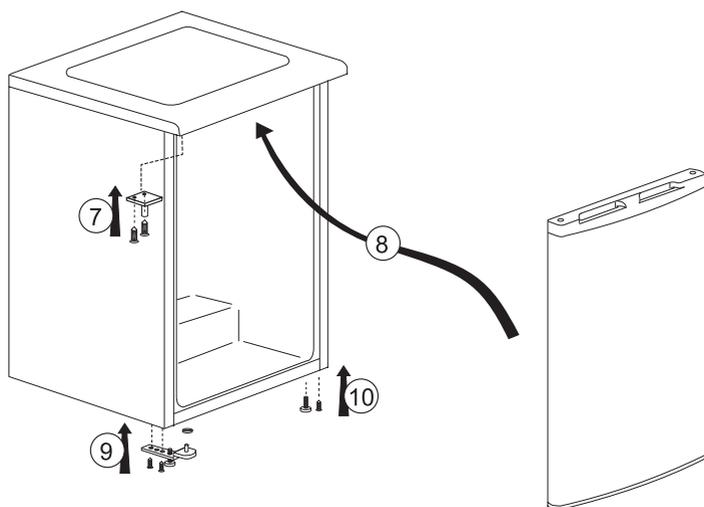
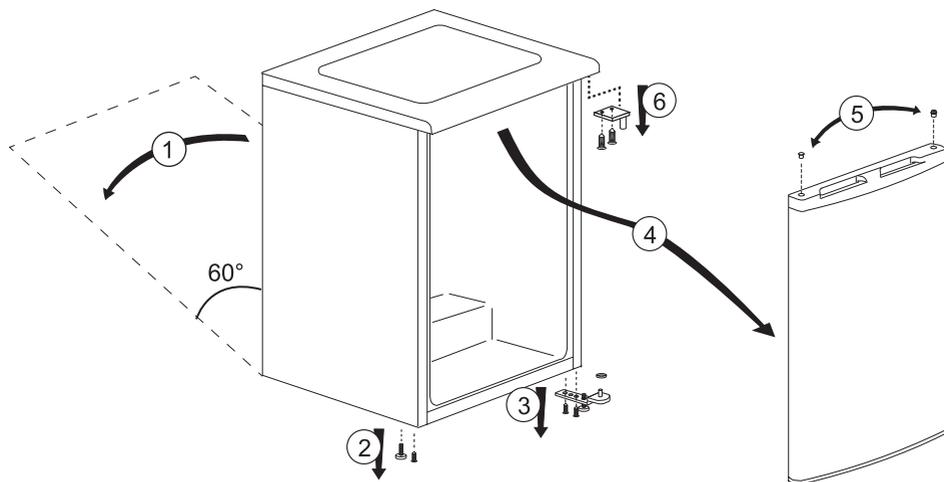
- Nostipriniet iekārtu zem letes, izmantojot 2 skrūves, kas noņemtas no augšējā vāka. (Letes konstrukcijai ir jābūt no plastmasas vai koka!)

4. att.

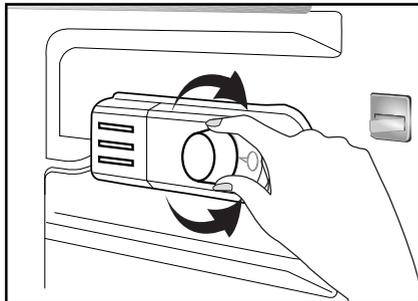
- Brīvi stāvošai iekārtai; "šī dzesēšanas iekārta nav paredzēta iebūvēšanai";
 - Ledusskapis ir uzstādāms vismaz 30 cm attālumā no karstuma avotiem, piemēram, radiatoriem, sildītājiem, centrālāpkures un krāsnīm, un vismaz 5 cm attālumā no elektriskajām krāsnīm, un to nedrīkst novietot tiešā saules gaismā.
 - Ledusskapja uzstādīšanas istabas temperatūrai ir jābūt vismaz 10° C. Ledusskapja darbināšana vēsākos apstākļos nav ieteicama saistībā ar tā efektivitāti.
 - Lūdzu, pārliecinieties, ka ledusskapja iekšpuse ir rūpīgi iztīrīta.
 - Ja ir jāuzstāda divi blakus esoši ledusskapji, starp tiem jānodrošina vismaz 2 cm atstarpe.
 - Kad ledusskapis tiek iedarbināts pirmo reizi, lūdzu, ievērojiet šīs instrukcijas pirmo sešu darbības stundu laikā.
 - Durvis nevajadzētu atvērt pārāk bieži.
 - Darbināšanu vajadzētu veikt bez ievietotas pārtikas.
 - Neatvienojiet ledusskapi no strāvas avota. Elektroapgādes traucējumu gadījumā, lūdzu, skatiet brīdinājumus nodaļā "Ieteicamie problēmu risinājumi".
 - Oriģinālo iepakojumu un putuplastu vajadzētu saglabāt transportēšanai vai pārvietošanai nākotnē.
 - Dažiem modeļiem instrumentu panelis automātiski izslēdzas 5 minūšu laikā pēc durvju aizvēršanas.
- Tas no jauna aktivizēsies, atverot durvis vai nospiežot jebkuru pogu.
- Dēļ temperatūros pokyčīų atidarant / uždarant veikiančio gaminio dureles, ant durelių / korpuso lentynų ir stiklo indelių gali susidaryti kondensatas, ir tai yra normalu.

Durvju ievietošana otrādi

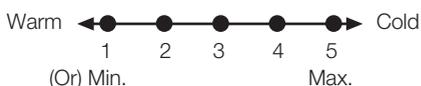
Rīkojieties ar cipariem norādītajā secībā



5 Ledusskapja izmantošana



Darba temperatūra tiek regulēta ar temperatūras kontroles palīdzību.



1 = Zemākais dzesēšanas iestatījums (Visaugstākā temperatūra)

5 = Augstākais dzesēšanas iestatījums (Viszemākā temperatūra)

(vai)

Min. = Zemākais dzesēšanas iestatījums

(Visaugstākā temperatūra)

Max. = Augstākais dzesēšanas iestatījums

(Viszemākā temperatūra)

Vidējai temperatūrai ledusskapī vajadzētu būt aptuveni +5°C.

Lūdzu, izvēlieties iestatījumu atbilstoši vēlamajai temperatūrai.

Varat pārtraukt savas iekārtas darbību, novietojot termostata pārslēgu "0" pozīcijā.

Lūdzu, atcerieties, ka atdzesēšanas zonā temperatūra atšķirsies.

Visaugstākā vieta ir tieši virs dārzeņu nodalījuma.

Iekšējā temperatūra ir atkarīga arī no ārējās temperatūras, durvju atvēršanas biežuma un ledusskapī turētās pārtikas daudzuma.

Biežas durvju virināšanas dēļ iekšējā temperatūra paaugstinās.

Tādēļ ieteicams aizvērt durvis pēc iespējas ātrāk pēc ledusskapja izmantošanas.

Sasaldēšana

Pārtikas sasaldēšana

Sasaldēšanas zona ir apzīmēta ar  šo simbolu.

Varat šo iekārtu izmantot svaigas pārtikas sasaldēšanai, kā arī iepriekš sasaldētas pārtikas uzglabāšanai.

Lūdzu, skatieties ieteikumus uz pārtikas iepakojuma.

• Uzmanību!

Nesasaldējiet gāzētus dzērienus, jo sasaluša šķidrums dēļ pudele var uzsprāgt.

Uzmanīgi rīkojieties ar sasaldētiem produktiem, teiksim, krāsainiem ledus gabaliņiem.

Nepārsniedziet iekārtas diennakts sasaldēšanas jaudu. Skatiet tehnisko pamatdatu plāksnīti.

Lai saglabātu pārtikas kvalitāti, sasaldēšanai jānotiek tik ātri, cik vien iespējams.

Tādejādi sasaldēšanas jauda netiks pārsniegta un iekšējā temperatūra nepaaugstināsies.

• Uzmanību!

Jau iepriekš dziļi sasaldēto pārtiku vienmēr turiet atsevišķi no tikko ievietotās pārtikas.

Karstas pārtikas dziļās sasaldēšanas laikā dzesēšanas kompresors darbosies, līdz pārtika būs pilnīgi sasalusi. Tas var īslaicīgi izraisīt pārāk lielu leduskapja nodalījuma dzesēšanu.

Neuztraucieties, ja uzreiz pēc saldētavas durvju aizvēršanas tās ir grūti atkal atvērt. Tā iemesls ir spiediena starpība, kas izlīdzināsies, un pēc pāris minūtēm būs atkal iespējams normāli atvērt durvis.

Uzreiz pēc durvju aizvēršanas dzirdēsiet vakuuma radītu skaņu. Tas ir visai normāli.

Ledus gabaliņu pagatavošana

Piepildiet ledus gabaliņu paplātes 3/4 daļas ar ūdeni un ielieciet to saldētavā.

Uzreiz pēc ūdens pārvēršanās ledū varat izņemt ledus gabaliņus.

Nekādā gadījumā ledus gabaliņu izņemšanai neizmantojiet asus priekšmetus, teiksim, nažus vai dakšiņas. Pastāv traumas risks!

Tā vietā ļaujiet ledus gabaliņiem mazliet atkust vai ielieciet paplātes apakšu uz īsu brīdi karstā ūdenī.

Sasaldētas pārtikas uzglabāšana

Sasaldēšanas zona ir apzīmēta ar ❄️❄️ šo simbolu.

Sasaldētās pārtikas nodalījums ir piemērots iepriekš sasaldētas pārtikas uzglabāšanai. Vienmēr jāievēro ieteikumus par pārtikas uzglabāšanu, kas norādīti uz iepakojuma.

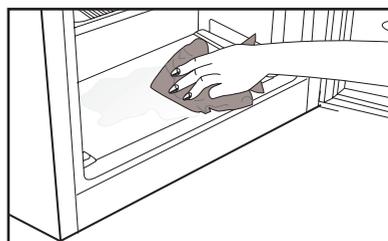
Iekārtas atlaidināšana

Pārāk lielas ledus kārtas izveidošanās ietekmēs iekārtas saldētspēju.

Tādēļ ieteicams atlaidināt iekārtu vismaz divas reizes gadā vai arī tad, kad ledus kārtā ir biezāka par 7 mm.

Atlaidiniet iekārtu tad, kad tajā nav daudz pārtikas.

Izņemiet laukā dziļi sasaldēto pārtiku. Ietiniet dziļi sasaldēto pārtiku vairākās papīra kārtās vai segā un turiet vēsā vietā.



Lai sāktu atlaidināšanu, atvienojiet iekārtu vai izslēdziet slēgiekārtu.

Izņemiet no iekārtas visus piederumus (teiksim, plauktus, atvilktnes utt.), un izmantojiet piemērotu tvertni izkusušā ledus ūdens savākšanai.

a nepieciešams, izkusušā ledus ūdens savākšanai saldēšanas kamerā un saldētās pārtikas nodalījumā

 izmantojiet mīkstu drāniņu 

Atlaidināšanas laikā turiet durvis atvērtas.

Lai paātrinātu atlaidināšanu, ievietojiet iekārtā traukus ar siltu ūdeni.

Nekādā gadījumā neizmantojiet elektroierīces, atlaidināšanai paredzētus aerosolus vai smailus vai asus priekšmetus, teiksim, nažus vai dakšiņas, ledus noņemšanai.

Pēc atlaidināšanas pabeigšanas iztīriet iekšpusi.

Atvienojiet iekārtu no barošanas avota. Ievietojiet atvilktnēs sasaldēto pārtiku un iebīdiet atvilktnes saldēšanas kamerā.

Atdzesēšana

Pārtikas uzglabāšana

Ledusskapja nodalījums paredzēts svaigas pārtikas un dzērienu īslaicīgai uzglabāšanai.

Uzglabājiet piena produktus tiem paredzētajā ledusskapja nodalījumā.

Pudeles var tikt ievietotas pudeļu turētājā vai pudeļu plauktā durvīs.

Jēlu gaļu vislabāk ievietot polietilēna maisiņā un turēt ledusskapja pašā apakšā.

Karstai pārtikai un bezalkoholiskajiem dzērieniem ļaujiet atdzist līdz istabas temperatūrai, un tikai pēc tam tos ievietojiet ledusskapī.

• Uzmanību!

Uzglabājiet koncentrētus alkoholiskos dzērienus tikai stāvus un cieši aizvērtus.

• Uzmanību!

Neglabājiet šajā iekārtā sprādzienbīstamas vielas vai tvertnes ar viegli uzliesmojošiem propelentiem (konservētu putukrējumu, krāsas aerosolus utt.).

Pastāv sprādziena risks.

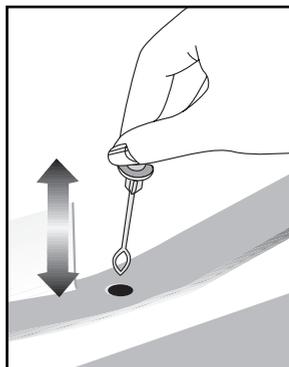
Iekārtas atlaidināšana

Ledusskapja nodalījuma atlaidināšana notiek automātiski. Izkusušā ledus ūdens caur ūdens noliešanas kanālu ieplūst savākšanas tvertnē iekārtas aizmugurē.

Iztvaikotāja darbības rezultātā atlaidināšanas laikā uz ledusskapja aizmugurējās sienas izveidojas ūdens pilieni.

Ja šie visi pilieni nenotek, tad pēc atlaidināšanas pabeigšanas tie var atkal piesalt. Notīriet tos ar mīkstu siltā ūdenī samitrinātu drāniņu. Neizmantojiet cietus vai asus priekšmetus.

Laiku pa laikam pārbaudiet izkusušā ūdens plūsmu. Tā reizēm var tikt bloķēta. To tīriet ar cauruļu tīrītāju vai līdzīgu rīku.



6 Apkope un tīrīšana

- △ Nekad tīrīšanas nolūkiem neizmantojiet gāzoliņu, benzīnu vai līdzīgas vielas.
- △ Mēs iesakām iekārtu pirms tīrīšanas atvienot no strāvas avota.
- Nekad neizmantojiet asus abrazīvus instrumentus, ziepes, mājsaimniecības tīrīšanas līdzekļus, mazgāšanas līdzekļus un pulējamo vasku, lai veiktu tīrīšanu.
- Produktiem, kam nav neapsarmošanas funkcijas, uz ledusskapja nodalījumu aizmugurējās sienas var veidoties ūdens lāsītes un līdz pat pirksta biezuma sarmas kārtas. Netīriet to; nekādā gadījumā neuzklājiet uz tās eļļu vai līdzīgas vielas.
- Izmantojiet tikai neredzētu mitru mikrošķiedras drāniņu, lai notīrītu produkta ārējo virsmu. Sūkļi un citu veidu tīrīšanas drānas var saskrāpēt šo virsmu.
- Izmantojiet remdenu ūdeni, lai iztīrītu ledusskapja korpusu, un noslaukiet to sausu.
- Izmantojiet mīkstu audumu, kas samitrināts šķīdumā, kas sastāv no vienas tējkarotes sodas un 0,57 l ūdens, lai iztīrītu iekšpusi, un tad noslaukiet to sausu.
- Pievērsiet uzmanību tam, lai ūdens neiekļūtu lampas ietvarā un citās elektriskās iekārtās.

- Ja ledusskapis netiek izmantots ilgāku laiku, atvienojiet spēka kabeli, izņemiet visu pārtiku, iztīriet to un atstājiet durvis pusvīrus.
- Regulāri pārbaudiet durvju blīvējumu, lai pārliecinātos, ka tas ir tīrs un tajā nav sakrājušās pārtikas daļiņas.
- Lai izņemtu durvju plauktus, izņemiet visu saturu un tad paceliet plauktus no apakšpuses uz augšu.
- Iekārtas ārējo virsmu un hromēto daļu tīrīšanai nekad neizmantojiet tīrīšanas līdzekļus vai ūdeni, kura sastāvā ir hlors. Hlors rada šādu metāla virsmu koroziju.
- Nenaudokite aštrus, braižančigus ierīkus, muilo, buitīņu valīkli, plovīkli, žibalo, degaļus, lako un pan., kad nesideformuotus ir nenusiluptus dažus sluosknis no plastikīnu daļiņu. Nuvalykite su drungnu vandeniu ir minkšta šluoste ir sausai nušluostykite.

Plastmasas virsmu aizsargāšana

- Nelieciet uz ledusskapja šķīdras eļļas vai eļļā gatavotus ēdienus nenoslēgtos traukos, jo tie bojā ledusskapja plastmasas virsmas. Ja uz plastmasas virsmām izlīst vai izsmērējas eļļa, uzreiz notīriet un ar siltu ūdeni noskalojiet attiecīgo vietu.

7 Ieteicamie problēmu risinājumi

Lūdzu, pārskatiet šo sarakstu pirms sazināšanās ar apkopes centru. Tas var ietaupīt jūsu laiku un naudu. Šajā sarakstā ietvertas bieži sastopamas problēmas, kas nav saistītas ar defektīvu ražojumu vai defektīva materiāla izmantošanu. Jūsu izstrādājumam var nebūt visas šeit aprakstītās funkcijas.

Ledusskapis nedarbojas.

- Vai ledusskapis ir pareizi pievienots strāvas avotam? Ievietojiet spraudkontakta sienas kontaktligzdā.
- Vai nav izdedzis drošinātājs kontaktligzdai, kurai pievienots ledusskapis, vai arī izsists galvenais drošinātājs? Pārbaudiet drošinātāju.

Kondensācija uz ledusskapja nodalījuma sānu sienas. (MULTI ZONE, COOL CONTROL un FLEXI ZONE)

- Ļoti zemā ārējā temperatūra. Bieža durvju atvēršana un aizvēršana. Ļoti liels mitrums apkārtējā telpā. Tiek atvērtos traukos uzglabāta pārtika, kas satur šķidrums. Durvis atstātas pusvīrus.
- Termostata iestatīšana zemākai temperatūrai.
- Samaziniet laiku, kad durvis tiek turētas atvērtas, vai retāk izmantojiet ledusskapi.
- Pārtikas, kas tiek glabāta atvērtos traukos, pārklāšana ar piemērotu materiālu.
- Noslaukiet kondensātu ar sausu audumu un pārbaudiet, vai tas saglabājas.

Kompresors nedarbojas

- Kompresora termiskā aizsardzība atslēgsies pēkšņu elektroapgādes traucējumu gadījumā vai arī pieslēgšanas-atslēgšanas laikā, jo dzesēšanas šķidrums ledusskapja dzesēšanas sistēmā nebūs sabalansēts.
- Ledusskapis sāks darboties pēc aptuveni 6 minūtēm. Lūdzu, sazinieties ar apkopes centru, ja ledusskapis nesāk darboties pēc šī laika perioda paiešanas.
- Ledusskapis izpilda atkausēšanas ciklu. Tas ir normāli ledusskapim, kas veic pilnīgi automātisku atslādināšanu. Atslādināšanas cikls periodiski atkārtojas.
- Ledusskapis nav pievienots kontaktligzdai. Pārbaudiet, vai spraudkontakts ir cieši iesprausts sienas kontaktligzdā.
- Vai temperatūras noregulēšana ir veikta pareizi? Noticis strāvas padeves pārrāvums. Saasinieties ar savu elektroenerģijas piegādātāju.

Ledusskapis darbojas bieži vai ilgu laiku.

- Iespējams jaunais ledusskapis ir platāks par iepriekšējo. Tas ir visai normāli. Lieli ledusskapji darbojas ilgāku laika periodu.
- Apkārtējā istabas temperatūra var būt augsta. Tas ir visai normāli.
- Iespējams ledusskapis ir nesen ieslēgts vai tajā nesen ievietota pārtika. Ledusskapja pilnīga atdzesēšana var notikt pāris stundas ilgāk.
- Nesen ledusskapī ievietots liels daudzums karsta ēdiena. Karsts ēdiens izraisa ilgāku ledusskapja darbību, līdz tiek sasniegta droša uzglabāšanas temperatūra.
- Iespējams durvis tiek bieži atvērtas vai ilgstoši atstātas pusvīrus. Siltais gaiss, kas iekļūst ledusskapī, liek tam darboties ilgāku laiku. Atveriet durvis retāk.
- Iespējams ledusskapja nodalījuma durvis atstātas pusvīrus. Pārbaudiet, vai durvis ir cieši aizvērtas.
- Ledusskapis ir noregulēts ļoti zemai temperatūrai. Iestatiet augstāku ledusskapja temperatūru un gaidiet, līdz šī temperatūra tiek sasniegta.
- Ledusskapja vai saldēšanas kameras durvju blīvējums var būt netīrs, nodilis, iepļīsis vai nepareizi novietots. Notīriet vai nomainiet blīvējumu. Bojāts/ieplīsis blīvējums liek ledusskapim darboties ilgāku laiku, lai saglabātu esošo temperatūru.

Saldēšanas kameras temperatūra ir ļoti zema, bet ledusskapja temperatūra ir apmierinoša.

- Saldētāja temperatūra ir noregulēta ļoti zemai temperatūrai. Iestatiet augstāku saldētāja temperatūru un pārbaudiet.

Ledusskapja temperatūra ir ļoti zema, bet saldēšanas kameras temperatūra ir apmierinoša.

- Ledusskapja temperatūra ir noregulēta ļoti zemai temperatūrai. Iestatiet augstāku ledusskapja temperatūru un pārbaudiet.

Pārtika, kas atrodas ledusskapja nodalījuma atvilktnēs, sasalst.

- Ledusskapja temperatūra ir noregulēta ļoti zemai temperatūrai. Iestatiet augstāku ledusskapja temperatūru un pārbaudiet.

Ledusskapja vai saldēšanas kameras temperatūra ir ļoti augsta.

- Noregulēta ļoti augsta ledusskapja temperatūra. Ledusskapja temperatūra ietekmē saldēšanas kameras temperatūru. Mainiet ledusskapja vai saldētāja temperatūru, līdz saldētāja vai ledusskapja temperatūra sasniedz pietiekošu līmeni.
- Durvis atstātas pusvīrus. Kārtīgi aizveriet durvis.
- Nesen ledusskapī ievietots liels daudzums karsta ēdiena. Gaidiet, līdz ledusskapis vai saldētājs sasniedz vēlamu temperatūru.
- Ledusskapis var būt nesen ieslēgts. Ledusskapja pilnīga atdzesēšana prasa laiku tā izmēra dēļ.

<p>No ledusskapja atskan skaņas, kas līdzīgas mehāniskā pulksteņa tikšķēšanai.</p>	<p>Atskan troksnis, kas atgādina vēja pūšanu.</p>
<ul style="list-style-type: none"> Šis troksnis nāk no ledusskapja elektromagnētiskā vārsta. Elektromagnētiskais vārsts nodrošina dzesēšanas šķidrums plūšanu cauri nodalījumam un var tikt noregulēts atbilstoši dzesēšanas vai saldēšanas temperatūrai un dzesēšanas funkciju veikšanai. Tas ir normāli un nav defekts. 	<ul style="list-style-type: none"> Tiek izmantoti gaisa aktivizētāji (ventilatori), lai ledusskapis tiktu efektīvāk atdzesēts. Tas ir normāli un nav defekts.
<p>Darbības troksnis palielinās, kad ledusskapis darbojas.</p>	<p>Kondensācija uz ledusskapja iekšējām sienām.</p>
<ul style="list-style-type: none"> Ledusskapja darbības veiktspējas raksturlielumi var mainīties atkarībā no ārējās temperatūras izmaiņām. Tas ir normāli un nav defekts. 	<ul style="list-style-type: none"> Karsti un mitri laika apstākļi palielina ledus un kondensāta veidošanos. Tas ir normāli un nav defekts. Durvis tiek turētas pusvīrus. Pārlicinieties, ka durvis ir cieši aizvērtas. Iespējams durvis tikušas ļoti bieži atvērtas vai turētas atvērtas ilgu laiku. Atveriet durvis retāk.
<p>Vibrācijas vai trokšņi.</p>	<p>Ledusskapja ārpusē vai starp durvīm rodas mitrums.</p>
<ul style="list-style-type: none"> Grīda nav līdzena vai tā ir ļodzīga. Ledusskapis līgojas, ja tas tiek lēni pakustināts. Pārlicinieties, ka grīda atrodas vienā līmenī, tā ir izturīga un spēj noturēt ledusskapja svaru. Iespējams troksni rada uz ledusskapja noliktās lietas. Tādas lietas jānoņem no ledusskapja virsmas. 	<ul style="list-style-type: none"> Iespējams ir mitri laika apstākļi. Tas ir normāli mitros laika apstākļos. Kad mitrums būs mazāks, kondensāts izzudīs.
<p>Atskan trokšņi, kas atgādina šķidrums izlīšanu vai izšļākušanos.</p>	<p>Slikta smaka ledusskapī.</p>
<ul style="list-style-type: none"> Atbilstoši ledusskapja darbības principiem tajā plūst šķidrums un gāze. Tas ir normāli un nav defekts. 	<ul style="list-style-type: none"> Ledusskapja iekšpuse ir jāiztīra. Iztīriet ledusskapja iekšpusi ar sūkli, siltu ūdeni vai gāzētu ūdeni. Iespējams smaku izraisa daži konteineri vai iepakojuma materiāli. Izmantojiet citus konteinerus vai citas markas iepakojuma materiālu.

Durvis neizveras.

- Pārtikas iepakojums var neļaut durvīm aizvērties. Pārvietojiet pakas, kas traucē durvīm.
- Iespējams ledusskapis neatrodas pilnīgi vertikāli uz grīdas un tas līgojas, kad tiek nedaudz pakustināts. Noregulējiet pacelšanas skrūves.
- Grīda nav vienā līmenī vai pietiekami izturīga. Pārļiecinieties, ka grīda atrodas vienā līmenī un spēj noturēt ledusskapi.

Augļu nodalījuma atvilktnes ir iesprūdušas.

- Iespējams pārtika pieskaras atvilktnes griestiem. Pārkārtojiet atvilktnē esošo pārtiku.

Ja lekārtas Virsma Ir Karsta.

- Lekārtas darbības laikā starp abām durvīm, uz sānu paneļiem un aizmugurējā grīdā var rasties augsta temperatūra. Tas ir normāli, un šādā gadījumā nav nepieciešama tehniskā apkope! Pieskaroties šīm zonām, ievērojiet piesardzību.

SAISTĪBU ATRUNA / BRĪDINĀJUMS
Dažas (vienkāršas) kļūdas var novērst pats lietotājs, neapdraudot drošību un neradot nedrošas lietošanas apstākļus, ar nosacījumu, ka šīs darbības tiek veiktas atbilstoši un saskaņā ar instrukcijām (skatīt sadaļu “Lietotāja veikts remonts”).

Tādēļ, ja vien tālāk esošajā sadaļā “Lietotāja veikts remonts” nav norādīts citādi, remonta veikšanai ir jāizsauc reģistrēti profesionāli remonta veicēji, lai izvairītos no drošības apdraudējuma. Reģistrēts, profesionāls remonta veicējs ir profesionāls remonta veicējs, kam ražotājs ir izsniedzis šī izstrādājuma instrukcijas un rezervju daļu sarakstu un kas izmanto Direktīvā 2009/125/EK aprakstītās metodes.

Taču šādu pakalpojumu garantijas servisa ietvaros var sniegt tikai pakalpojuma aģents (t. i. pilnvaroti profesionāli remonta veicēji), ar kuriem varat sazināties pa tālruna numuru, kas ir norādīts lietotāja instrukcijā/ garantijas kartiņā ar sava pilnvarotā izplatītāja starpniecību. Tādēļ, lūdzu, nemiet vērā, ka, ja remontu veiks profesionāli remonta veicēji (kurus nav pilnvarojis Beko), jūsu garantija vairs nebūs spēkā.

Lietotāja veikts remonts

Patstāvīgu remontu galalietotājs var veikt attiecībā uz šādām rezerves daļām: durvju rokturi, durvju eņģes, paplātes, grozi un durvju blīves (atjaunināts saraksts ir pieejams arī vietnē support.beko.com no 2021. gada 1. marta).

Turklāt, lai nodrošinātu produkta drošību un novērstu nopietnas traumas risku, minētais remonts, ko veic pats lietotājs,

ir jāveic atbilstoši lietotāja rokasgrāmatā iekļautajām norādēm, kas attiecas uz lietotāja veiktu remontu, vai arī tām, kas ir pieejamas support.beko.com Jūsu drošības labad pirms jebkura jūsu veikta remonta atvienojiet izstrādājuma kabeli no elektropadeves.

Ja pats lietotājs veic remontu vai mēģina to veikt, izmantojot tādas rezerves daļas, kas nav iekļautas minētajā sarakstā, un/ vai veic šādas darbības, neievērojot lietotāja rokasgrāmatā dotās norādes par lietotāja veiktu remontu, vai norādes, kas pieejamas support.beko.com, izstrādājumam var rasties drošības problēmas, kas nav attiecināmas uz Beko, un tās atcels izstrādājuma garantiju.

Tādēļ mēs patiešām aicinām lietotājus atturēties no remonta veikšanas, ja problēmas radušās ar sarakstā neminētajām rezerves daļām, un šādos gadījumos sazināties ar pilnvarotiem profesionāliem remonta veicējiem vai reģistrētiem profesionāliem remonta veicējiem. Lietotāju veikts remonts gluži pretēji var izraisīt drošības problēmas un sabojāt izstrādājumu, kā arī izraisīt ugunsgrēku, plūdus, ģisavienojumu un nodarīt nopietnus miesas bojājumus.

Piemēram, bet ne tikai, šādu daļu remontu ir jāuztic pilnvarotiem profesionāliem remontētājiem vai reģistrētiem profesionāliem remontētājiem: kompresors, dzesēšanas loks, galvenais panelis, invertora panelis, displeja panelis, utt.

Ražotājs/pārdevējs neuzņemas nekādu atbildību par situāciju, kurā lietotāji neievēro iepriekš minēto.

Jūsu iegādātās ledusskapja rezerves daļas būs pieejamas 10 gadus pēc pirkuma.

Šajā periodā oriģinālās rezerves daļas būs pieejamas, lai nodrošinātu pareizu ledusskapja darbību.

Minimālais ledusskapja garantijas ilgums ir 24 mēneši.

Šim produktam ir "G" enerģijas klases gaismas avots.

Gaismas avotu šajā produktā drīkst nomainīt tikai profesionāli remonta veicēji.

beko

Lednice

Návod k použití

Chladnička

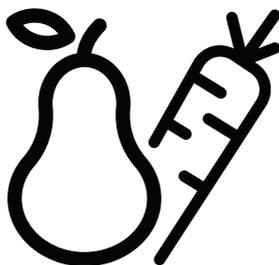
Používateľská príručka

Refrigerador

Manual del usuario

Хладилник

Ръководство за употреба



TSE1423N - TSE1524N

CZ / SK / ES / BG /



RECYKLOVANÝ A
RECYKLOVATELNÝ PAPIR



RECYKLOVANÝ A
RECYKLOVATELNÝ PAPIER



PAPEL RECICLADO Y
RECICLABLE



РЕЦИКЛИРАНА И
РЕЦИКЛУЕМА ХАРТИЯ

Nejprve si přečtěte tento návod!

Vážený zákazníku,

Doufáme, že výrobek, který byl vyroben v moderních závodech a kontrolován v souladu s nejpřísnějšími postupy kontroly kvality, vám zajistí účinný provoz.

Z tohoto důvodu vám doporučujeme pozorně si přečíst celý návod k výrobku, než jej použijete, a uskladněte je v dosahu pro budoucí použití.

Tento návod

- Pomůže vám s použitím spotřebiče rychle a bezpečně.
- Návod si přečtěte dříve, než produkt nainstalujete a zapnete.
- Dodržujte pokyny, zejména ty, které se týkají bezpečnosti.
- Návod uschovejte na snadno přístupném místě, možná jej budete později potřebovat.
- Kromě toho si přečtěte i další dokumenty dodané s výrobkem.
- Nezapomeňte, že tento návod může platit i pro jiné modely.

Symbyly a jejich popis

Tento návod obsahuje následující symboly:

 Důležité informace nebo užitečné tipy k použití.

 Varování před nebezpečnými situacemi pro život a majetek.

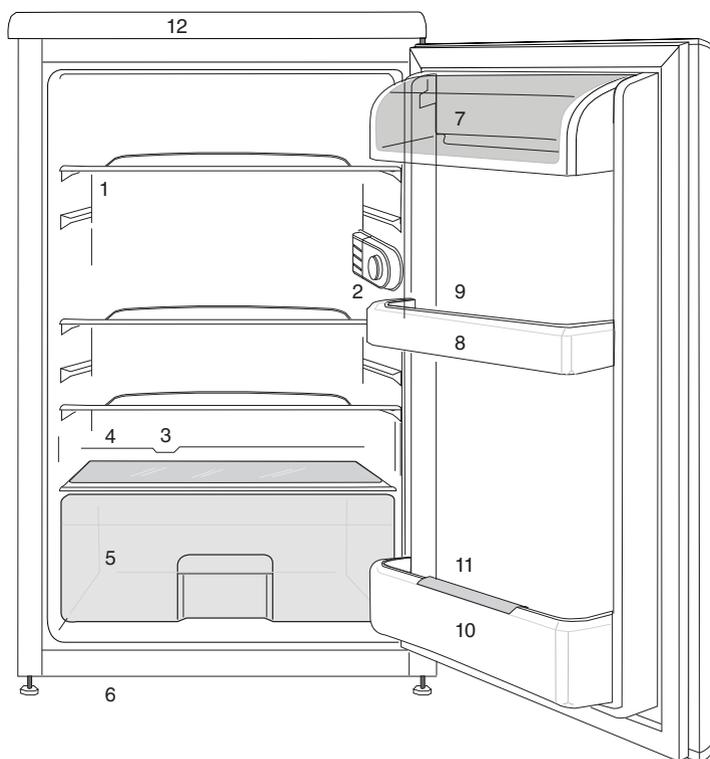
 Varování na elektrické napětí.

 INFORMACE		
	<p>Informace o modelu uložené v databázi výrobků se dají získat zadáním následující webové stránky a vyhledáním identifikátoru vašeho modelu (*), který je uveden na energetickém štítku.</p> <p>https://eprel.ec.europa.eu/</p>	
<table border="1"><tr><td><small>SUPPLIER'S NAME</small> </td><td><small>MODEL IDENTIFIER</small> </td></tr></table>		<small>SUPPLIER'S NAME</small> 
<small>SUPPLIER'S NAME</small> 	<small>MODEL IDENTIFIER</small> 	

OBSAH

1 Vaše chladnička	3	4 Příprava	12
2 Důležitá bezpečnostní upozornění	4	Nastavování nožek	13
Určené použití	4	Instalace (pod linku)	13
U výrobků s dávkovač	8	Změna dvířek.....	14
em vody;	8	5 Používání chladničky	15
Bezpečnost dětí	8	Mražení	15
Dodržování směrnice WEEE a o		Mražení potravin	15
likvidaci odpadů:	8	Tvorba ledových kostek.....	16
Dodržování směrnice RoHS:.....	8	Skladování zmražených potravin	16
Informace o balení	9	Odmrazování spotřebiče.....	16
Upozornění HC.....	9	Chlazení	17
Postup pro úsporu energie	9	Skladování potravin	17
3 Instalace	10	Odmrazování spotřebiče.....	17
Body ke zvážení při přepravě		6 Údržba a čištění	18
chladničky	10	Ochrana plastových ploch	
Než chladničku zapnete.....	10	7 Doporučená řešení	
Zapojení do sítě	10	problémů	19
Likvidace obalu.....	11		
Likvidace vaší staré chladničky	11		
Umístění a instalace.....	11		

1 Vaše chladnička



- | | |
|---|-------------------------------|
| 1. Posuvné police | 7. Prostor pro mléčné výrobky |
| 2. Vnitřní světlo a tlačítko termostatu | 8. Poličky ve dveřích |
| 3. Kanál pro sběr odmražené vody –
Odčerpávací trubice | 9. Tácek na vejce |
| 4. Kryt přihrádek na čerstvé potraviny | 10. Police na lahve |
| 5. Přihrádka na uchovávání čerstvých
potravin | 11. Uchycení na lahve |
| 6. Nastavitelné přední nožky | 12. Horní obložení |

i Obrázky uvedené v tomto návodu k použití jsou schematické a nemusí přesně korespondovat s vaším výrobkem. Pokud zobrazené části nejsou obsaženy v produktu, který jste zakoupili, jde o součásti jiných modelů.

2 Důležitá bezpečnostní upozornění

Prostudujte si následující informace. Nedodržení těchto informací může vést ke zraněním nebo škodám na majetku. Jinak neplatí záruka ani jiné závazky.

Originální náhradní díly budou dodávány po dobu 10 let od koupě výrobku.

Určené použití

⚠	UPOZORNĚNÍ: V případě, že je zařízení v ochranné fázi nebo umísteno, ujistěte se, zda nejsou odvětrávací dírký uzavřeny.
⚠	UPOZORNĚNÍ: Za účelem urychlení rozpouštění ledu nepoužívejte žádné jiné mechanické zařízení nebo jiný přístroj než ty jež byly doporučeny výrobcem.
⚠	UPOZORNĚNÍ: Pokud je chladidlo v provozu, nezasahujte do jeho obvodu.
⚠	UPOZORNĚNÍ: Uvnitř skladovacích prostor jídla přístroje nepoužívejte jiná elektrická zařízení než ta, která byla doporučena výrobcem.

UPOZORNĚNÍ:



Neskladujte výbušné látky, jako jsou lahve s aerosolem s hořlavými hnacími plyny v tomto spotřebiči.

Toto zařízení bylo navrženo pro použití v domácnosti nebo pro níže uvedené aplikování.

- V kuchyních personálu obchodů, kanceláří a jiných pracovních míst;
- Za účelem použití návštěvníky farem a hotelů, motelů a jiných míst s ubytováním.

Obecná bezpečnost

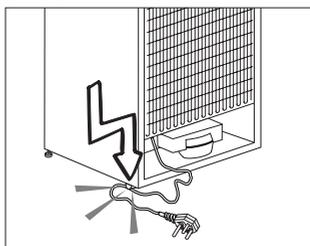
- Když chcete výrobek zlikvidovat/sešrotovat, doporučujeme kontaktovat autorizovaný servis, kde zjistíte nezbytné informace a autorizované orgány.
- Veškeré otázky a problémy související s chladničkou vám pomůže vyřešit autorizovaný servis. Nezasahujte do chladničky a nikomu toto nedovolte bez upozornění autorizovaného servisu.
- U výrobků s prostorem mrazničky; Nejezte zmrzlinu a kostky ledu bezprostředně poté, co je vyjmete z prostoru mrazničky! (Může dojít k omrznutí úst.)
- U výrobků s prostorem

mrazničky; Nevkládejte do prostoru mrazničky nápoje v lahvích a plechovkách. Jinak by mohlo dojít k jejich explozi.

- Nedotýkejte se mražených potravin rukou; mohou se vám přilepit k ruce.
- Odpojte chladničku, než ji vyčistíte nebo odmrazíte.
- Výpary a parní čisticí materiály nikdy nepoužívejte při čištění a odmrazování chladničky. V těchto případech by se totiž výpary mohly dostat do styku s elektrickými součástmi a způsobit zkrat či zásah elektrickým proudem.
- Nikdy nepoužívejte součásti na chladniče, jako je ochranná deska, jako dvířka nebo podprěru nebo schůdek.
- Nepoužívejte elektrická zařízení uvnitř chladničky.
- Nepoškozujte součásti, kde obíhá chladicí médium, vrtáním nebo řezáním. Chladicí médium by mohlo vytéct v místech porušení plynových kanálů výparníku, prodlouženích trubek nebo povrchových vrstev a způsobit podráždění kůže a zranění očí.
- Nezakrývejte a neblokuje větrací otvory na chladniče žádným materiálem.
- Elektrické spotřebiče musejí opravovat jen autorizované osoby. Opravy provedené nekompetentními osobami mohou vést k ohrožení uživatele.
- V případě poruchy nebo při údržbě či opravách odpojte napájení chladničky buď vypnutím příslušné pojistky nebo odpojením spotřebiče.
- Netahejte za kabel – tahejte za zástrčku.
- Ujistěte se, že nápoje s vysokým obsahem alkoholu jsou bezpečně uzavřené a umístěné kolmo .
- Nikdy neskladujte nádoby s hořlavými spreji a výbušnými látkami v chladniče.
- Nepoužívejte mechanické nástroje nebo jiné prostředky k urychlení procesu odmrazení s výjimkou těch, které doporučuje výrobce.
- Tento výrobek by neměly používat osoby s tělesnými, smyslovými nebo duševními poruchami či nezkušené nebo nepoučené osoby (včetně dětí), pokud jsou bez dohledu osoby, která bude odpovídat za jejich bezpečnost nebo která jim poskytne náležité školení k používání výrobku
- Nepoužívejte poškozenou chladničku. V případě jakýchkoli pochybností kontaktujte servisního zástupce.
- Elektrická bezpečnost chladničky je zaručena pouze tehdy, pokud systém uzemnění ve vašem domě splňuje příslušné normy.
- Vystavení výrobku dešti, sněhu, slunci a větru je nebezpečné z hlediska elektrické bezpečnosti.

- Pokud dojde k poškození napájecího kabelu, kontaktujte autorizovaný servis.
- Během instalace nikdy nezapojíte chladničku k zásuvce. Jinak může dojít k ohrožení zdraví s následkem smrti.
- Tato chladnička je určena jen k uchovávání potravin. Neměla by být používána k žádnému jinému účelu.
- Štítek s technickými parametry se nachází na levé stěně uvnitř chladničky.
- Nikdy nepřipojujte chladničku k systémům pro úsporu elektřiny; mohly by chladničku poškodit.
- Pokud se na chladničce rozsvítí modré světlo, nedívejte se do něj nezakrytými očima nebo bez ochranných pomůcek příliš dlouho.
- U manuálně ovládaných chladniček počkejte nejméně 5 minut, než chladničku po výpadku energie znovu spustíte.
- Tento návod k použití předejte novému majiteli v případě prodeje výrobku.
- Při přepravě chladničky nepoškozujte napájecí kabel. Ohnutím kabelu může dojít k požáru. Na napájecí kabel nikdy nestavte těžké předměty. Nedotýkejte se zástrčky mokřkýma rukama při zapojování výrobku.

- Při umístění zařízení se ujistěte, že napájecí kabel není zachycen nebo poškozen.
- Neumísťujte více přenosných zásuvek nebo přenosných zdrojů napájení vzadu od zařízení.



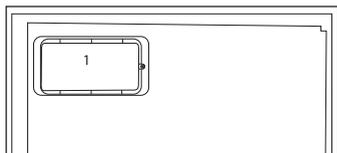
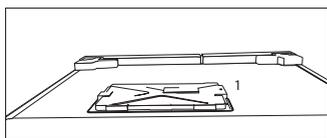
- Děti ve věku od 3 do 8 let smí nakládat a vykládat chladicí zařízení.
- Abyste předešli znečištění jídla, dodržujte prosím následující pokyny:
- Ponecháte-li dvířka otevřená po dlouhou dobu, může to způsobit značné zvýšení teploty v odděleních zařízení.
- Pravidelně očišťujte povrchy, které mohou přijít do kontaktu s jídlem, a přístupné odtokové systémy.
- Očišťujte nádrže na vodu, pokud nebyly používány během 48 h; propláchněte vodní systém připojený k přívodu vody,
- pokud jste nečerpali vodu ze zařízení během 5 dní.
- Syrové maso a ryby uchovávejte v chladničce ve vhodných nádobách, aby nepřicházely do kontaktu s jídlem ani na něho nemohly

ukápnout.

- Oddělení se dvěma hvězdičkami pro mražené potraviny jsou vhodná pro uchovávání předem zmražených jídel, uchovávání nebo přípravu zmrzliny a výrobu kostek ledu.
- Oddělení s jednou, dvěma a třemi hvězdičkami nejsou vhodná pro zmrazení čerstvého jídla.
- Je-li chladicí zařízení ponecháno prázdné po dlouhou dobu, vypněte ho, rozmrazte, očistěte, osušte a nechte dvířka otevřená, abyste tak zabránili tvoření plísní uvnitř zařízení.
- Nezapojujte chladničku, pokud je zásuvka uvolněna.
- Nestříkejte vodu přímo na vnitřní či vnější části výrobku z bezpečnostních důvodů.
- Do blízkosti chladničky nestříkejte látky s hořlavými plyny, jako je propan, aby nedošlo k požáru a výbuchu.
- Na horní stranu chladničky nikdy nestavte nádoby naplněné vodou, jinak by mohlo dojít k zásahu elektrickým proudem nebo k požáru.
- Do chladničky nevkládejte přílišná množství potravin. Při přeplnění mohou potraviny spadnout dolů a poranit vás a poškodit chladničku při otevření dveří. Na horní stranu chladničky nic nestavte; tyto

předměty by jinak mohly spadnout, až otevřete nebo zavřete dvířka chladničky.

- Jelikož vakcíny, léky citlivé na teplo a vědecké materiály atd. vyžadují přesnou teplotu, neskladujte je tedy v této chladničce.
- Pokud chladničku delší dobu nebudete používat, odpojte ji. Možný problém napájecího kabelu by mohl způsobit požár.
- Chladničku se může pohybovat, pokud její nožky nejsou řádně upevněny na podlaze. Správným nastavením nožek na podlaze předejdete pohybu chladničky.
- Při přenášení chladničky ji nadržte za kliku dvířek. Jinak by se mohla odlomit.
- Když musíte postavit tento výrobek vedle jiné chladničky nebo mrazničky, vzdálenost mezi zařízeními by měla být nejméně 8 cm. Jinak by mohlo dojít k provlhnutí sousedních stěn.
- Nikdy nepoužívejte výrobek, pokud část nacházející se na horní nebo zadní straně výrobku s elektronickou deskou s plošným spojem uvnitř je otevřená (krycí deska elektronických plošných spojů) (1).



U výrobků s dávkovačem

em vody;

- Tlak pro přívod studené vody musí být maximálně 90 psi (620 kPa). Pokud je váš tlak vody vyšší než 80 psi (550 kPa), použijte ve vaší síti ventil na omezení tlaku. Pokud nevíte, jak zkontrolovat tlak vody, požádejte o pomoc profesionálního instalatéra.
- Pokud při instalaci existuje riziko vodního rázu, vždy použijte preventivně zařízení proti vodnímu rázu. Pokud jste si není jistý, zda ve Vaší síti je efekt vodního rázu, poradte se s profesionálním instalatérem.
- Neinstalujte na přívodu pro teplou vodu. Proveďte nezbytná opatření proti riziku zamrznutí hadic. Provozní interval teplota vody musí být mezi minimálně 33 ° F (0,6 ° C) a maximálně 100 ° F (38 ° C).
- Používejte jen pitnou vodu.

Bezpečnost dětí

- Pokud mají dvířka zámek, měli byste skladovat klíč mimo dosah dětí.
- Děti je nutno kontrolovat, aby nezasahovaly do součástí výrobku.

Dodržování směrnice WEEE a o likvidaci odpadů:



Tento produkt splňuje směrnici EU WEEE (2012/19/EU). Tento výrobek nese symbol pro třídění, platný pro elektrický a elektronický odpad (WEEE).

Tento produkt byl vyroben z vysoce kvalitních součástí a materiálů, které lze znovu použít a které jsou vhodné pro recyklaci. Produkt na konci životnosti nevyhazujte do běžného domácího odpadu. Odveďte ho do sběrného místa pro recyklaci elektrických a elektronických zařízení. Informace o těchto sběrných místech získáte na místních úřadech.

Dodržování směrnice RoHS:

Produkt, který jste zakoupili splňuje směrnicí EU RoHS (2011/65/EU). Neobsahuje žádné škodlivé ani zakázané materiály, které jsou směrnici zakázané.

Informace o balení

Balící materiály jsou vyrobeny z recyklovatelných materiálů v souladu s našimi národními směrnici na ochranu životního prostředí. Balící materiály nevyhazujte do domácího nebo jiného odpadu. Odveďte je na sběrné místo balícího materiálu, které má pověření místních orgánů.

Upozornění HC

Pokud chladicí systém vašeho výrobku obsahuje R600a:

Tento plyn je hořlavina. Dávejte tedy pozor, abyste nepoškodili systém chlazení a potrubí během použití a přepravy. V případě poškození udržujte výrobek mimo potenciální zdroje hoření, které mohou způsobit vznícení výrobku, a vyvětrejte místnost, v níž je přístroj umístěn.

Ignorujte toto upozornění, pokud chladicí systém vašeho výrobku obsahuje R134a.

Typ plynu použitý ve výrobku je uveden na typovém štítku na levé stěně uvnitř chladničky.

Výrobek nikdy nevhazujte do ohně.

Postup pro úsporu energie

- Nenechávejte dvířka chladničky otevřená delší dobu.
- Nevkládejte do chladničky horké potraviny nebo nápoje.
- Nepřepiňujte chladničku, abyste nebránili oběhu vzduchu uvnitř.
- Neinstalujte chladničku na přímé sluneční světlo nebo do blízkosti tepelných spotřebičů, jako je trouba, myčka nebo radiátor.
- Dávejte pozor, abyste nechávali potraviny v uzavřených nádobách.
- U výrobků s prostorem mrazničky; Maximální množství potravin v mrazničce můžete uskladnit, pokud vyjmete polici nebo zásuvku mrazničky. Hodnota spotřeby energie udaná pro vaši chladničku byla stanovena při vyjmuté polici nebo zásuvce mrazničky a při maximální náplni. Nehrozí riziko při používání police nebo zásuvky podle tvarů a rozměrů potravin, které chcete mrazit.
- Rozmrazování zmrazených potravin v prostoru chladničky zajistí úsporu energie a zachová kvalitu potravin.

3 Instalace

⚠ Nezapomeňte, že výrobce neodpovídá za nedodržení informací uvedených v návodu k použití.

Body ke zvážení při přepravě chladničky

1. Chladničku je nutno vyprázdnit a vyčistit před jakoukoli přepravou.
2. Police, příslušenství, prostor pro čerstvé potraviny atd. v chladničku je nutno řádně upoutat lepicí páskou, aby nedocházelo k vibracím.
3. Obaly je nutno upevnit silnými páskami a lany a je nutno dodržovat pravidla pro přepravu vytištěná na obalu.

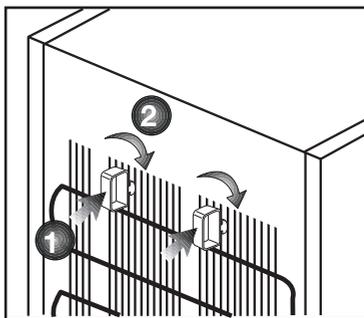
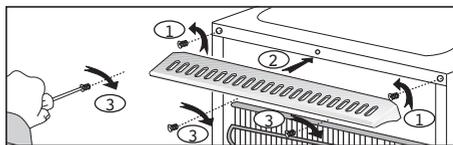
Nezapomeňte...

Každý recyklovaný materiál je nezbytný zdroj pro přírodu a naše národní zdroje. Pokud chcete přispět k recyklaci obalových materiálů, další informace získáte od orgánů ochrany životního prostředí nebo místních úřadů.

Než chladničku zapnete

Než začnete používat chladničku, zkontrolujte následující:

1. Je vnitřek chladničky suchý a může za ní volně obíhat vzduch?
2. Oba plastové klíny nainstalujte podle obrázku. Plastové klíny zajistí potřebnou vzdálenost mezi vaší chladničkou a zdí, aby se zajistilo proudění vzduchu. (Uvedený obrázek je jen příklad a neshoduje se přesně s vaším výrobkem.)



3. Vyčistěte vnitřek chladničky podle kapitoly „Údržba a čištění“.
4. Zapojte chladničku do sítě. Po otevření dvířek se rozsvítí vnitřní osvětlení prostoru chladničky.
5. Uslyšíte hluk při startování kompresoru. Kapalina a plyn v chladicí soustavě mohou také vydávat zvuky, i když kompresor neběží, což je poměrně normální.
6. Přední kraje chladničky mohou být teplé. Je to zcela normální. Tyto oblasti mají být teplé, aby nedocházelo ke kondenzaci.

Zapojení do sítě

Připojte výrobek k uzemněné zásuvce, která je chráněna pojistkou vhodné kapacity.

Důležité:

- Spojení musí být v souladu s národními předpisy.
- Napájecí kabel musí být po instalaci snadno dostupný.

- Specifikované napětí musí být rovné napětí v síti.
- K připojení nepoužívejte prodlužovací kabely a vícestenné zásuvky.

⚠ Poškozený napájecí kabel musí vyměnit kvalifikovaný elektrikář.

⚠ Výrobek nesmíte používat, dokud není opraven! Hrozí riziko zásahu elektrickým proudem!

Likvidace obalu

Obalové materiály mohou být pro děti nebezpečné. Udržujte materiály mimo dosah dětí nebo je zlikvidujte v souladu s pokyny zpracování odpadů. Nelikvidujte je s běžným domovním odpadem.

Balení chladničky je z recyklovatelných materiálů.

Likvidace vaší staré chladničky

Starou chladničku zlikvidujte tak, abyste neohrozili životní prostředí

- Informace o likvidaci chladničky získáte u autorizovaného prodejce nebo odpadového odboru vašeho města.

Před likvidací vaší chladničky odřízněte zástrčku a v případě, že jsou na dveřích zámky, zneškodněte je, aby nedošlo k ohrožení dětí.

Umístění a instalace

⚠ Pokud nejsou vstupní dveře do místnosti, v níž chladničku nainstalujete, dostatečně široké, aby chladnička prošla, kontaktujte autorizovaný servis a nechte sejmut dveře chladničky a protáhněte je bokem.

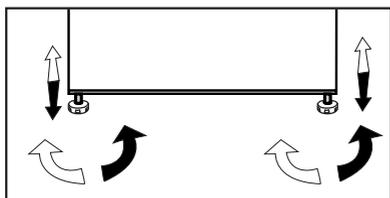
1. Chladničku umístěte na místo, které umožňuje snadnou obsluhu.
2. Chladničku umístěte mimo zdroje tepla, vlhka a přímé světlo.
3. Kolem chladničky musí být dostatečný prostor pro ventilaci, aby se zajistila účinnost provozu. Pokud máte chladničku umístit do výklenku, musí být nejméně 5 cm od stropu a 5 cm od stěn. Pokud je na podlaze koberec, musíte zvednout produkt o 2,5 cm nad zem.
4. Umístěte chladničku na rovnou podlahu, aby nedocházelo ke kymácení.

4 Příprava

- Pro volně stojící zařízení; "tento chladicí spotřebič není určen k použití jako zabudovaný spotřebič";
- Chladničku instalujte nejméně 30 cm od zdrojů tepla, jako jsou varné desky, trouby, ústřední topení a sporáky a nejméně 5 cm od elektrických trub, neumísťujte ji na přímé sluneční světlo.
- Teplota prostředí v místnosti, kde instalujete chladničku, by měla být nejméně 10°C. Používání chladničky za chladnějších podmínek se nedoporučuje vzhledem k její účinnosti.
- Zajistěte, aby byl vnitřek vaší chladničky důkladně vyčištěn.
- Pokud vedle sebe instalujete dvě chladničky, měl by mezi nimi být rozstup nejméně 2 cm.
- Když spustíte chladničku poprvé, dodržujte následující pokyny během prvních šesti hodin.
- Dveře neotevírejte často.
- Musí běžet prázdná bez vkládání potravin.
- Neodpojte chladničku. Pokud dojde k výpadku energie, prostudujte si varování v kapitole "Doporučená řešení problémů".
- Vždy používejte koše/zásuvky poskytované s chladicím prostorem v zájmu nízké spotřeby energie a lepších podmínek skladování.
- Styk potravin s čidlem teploty v mrazničce může zvýšit spotřebu energie zařízení. Zabraňte tedy jakémukoliv kontaktu s čidlem (čidly).
- Původní obaly a pěnové materiály uschovejte pro budoucí přepravu či přesun.
- U některých modelů se přístrojová deska automaticky vypne po 5 minutách po tom, jak byly dveře uzavřeny. Opět se aktivuje, když se dveře otevřou nebo po stisknutí libovolné klávesy.
- Vzhledem ke změně teploty v důsledku otevření/zavření dveří během provozu je běžné, že se na dveřích/poličkách a skleněných nádobách objeví kondenzace.

Nastavování nožek

Pokud je vaše chladnička nevyvážená; Chladničku vyrovnáte tak, že otáčíte předními nožkami podle obrázku. Roh, kde jsou umístěny nožky, se sníží, když otáčíte ve směru černé šipky, zvedne se, když otáčíte opačným směrem. Pokud vám někdo pomůže nadzvednout chladničku, proces se usnadní.



Instalace (pod linku)

- Vnitřní výška linky by měla být 820 mm.
- (!) Sporáky a jiné zdroje tepla se nesmějí umísťovat nad linku, kde je spotřebič instalován pod linku.
- Napájecí zásuvka musí být blízko napravo nebo nalevo od spotřebiče.
- Demontujte horní kryt spotřebiče. Je nutno odšroubovat 4 šrouby (2 vzadu, 2 pod předním okrajem).

Obr. 1

- Odřízněte část uvedenou na obrázku a pak ji odstraňte pomocí kleští.
- Umístěte spotřebič pod linku a upravte přední nožky, až se horní okraj dotýká linky.
- Abyste mohli spotřebič používat pod linkou, musí být vzdálenost mezi stěnou a referencí uvedenou v horním připojovacím plastu nejméně 595 mm.

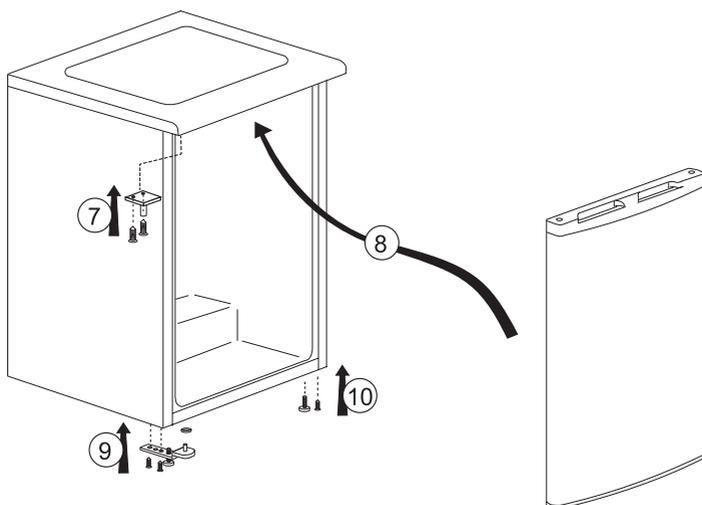
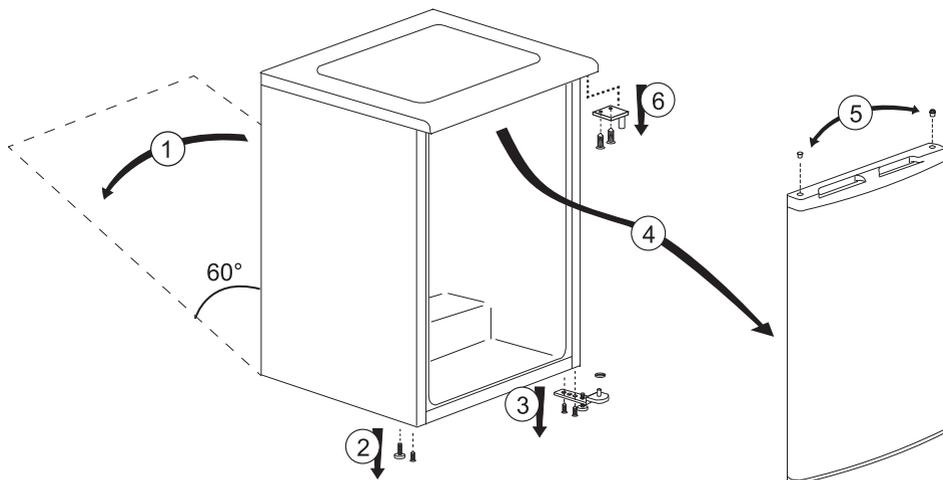
Obr. 2-3

- Upevněte spotřebič pod linkou pomocí 2 ze šroubů, které jste demontovali z horního krytu. (Materiál linky musí být na bázi plastu nebo dřeva!)

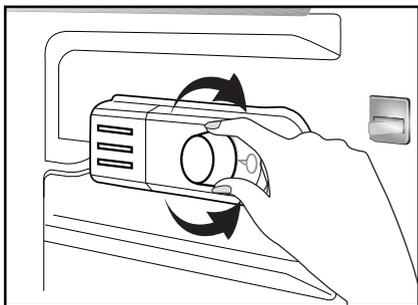
Obr. 4

Změna dvířek

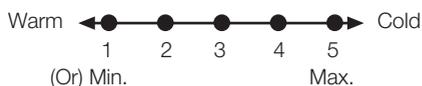
Postupujte podle pořadí



5 Používání chladničky



Provozní teplotu lze regulovat ovladačem teploty.



1 = Nejnižší nastavení chlazení (Nejteplejší)

5 = Nejvyšší nastavení chlazení (Nejchladnější)

(nebo)

Min. = Nejnižší nastavení chlazení (Nejteplejší stupeň)

Max. = Nejvyšší nastavení chlazení (Nejchladnější stupeň)

Průměrná teplota uvnitř chladničky by měla být kolem +5°C.

Zvolte nastavení podle požadované teploty.

Provoz spotřebiče můžete zastavit otočením tlačítka termostatu do pozice "0".

Povšimněte si, že v chladicím prostoru bude různá teplota.

Nejchladnější místo je hned nad prostorem na zeleninu.

Vnitřní teplota také závisí na teplotě prostředí, frekvenci otírání dveří a množství jídla uvnitř.

Častým otevíráním dveří teplota uvnitř stoupne.

Z tohoto důvodu doporučujeme zavřít dvířka co nejrychleji po použití.

Mražení

Mražení potravin

Mrazicí prostor je označen symbolem .

Spotřebič lze použít pro mražení čerstvých potravin i pro skladování předmražených potravin.

Dodržujte pokyny uvedené na obalu potravin.

• Pozor

Nezmrazujte perlivé nápoje, protože láhev může explodovat po zmrznutí kapaliny v ní.

Dávejte pozor na zmražené produkty, jako jsou barevné ledové kostky.

Nepřekračujte mrazicí kapacitu vašeho spotřebiče na 24 hodin. Viz štítek s parametry.

Aby se zachovala kvalita potravin, je třeba provést zmražení co nejrychleji.

Mrazicí kapacita tak nebude překročena a teplota uvnitř mrazničky nestoupne.

• Pozor

Udržujte již zmražené potraviny vždy mimo čerstvě umístěné potraviny.

Při hloubkovém mražení horkých potravin bude chladicí kompresor v probuzení až do úplného zmražení potravin. Může tím dojít k dočasnému přílišnému zchlazení chladicího prostoru.

Pokud máte pocit, že dvířka mrazničky jdou těžko otevřít poté, co jste je právě zavřeli, nebojte se. Je to zaviněno rozdílem tlaku, který se ustálí a dvířka půjdou po pár minutách normálně otevřít.

Hned po zavření dvířek uslyšíte zvuk typický pro vakuum. Je to zcela normální.

Tvorba ledových kostek

Zaplňte podnos na kostky ledu ze $\frac{3}{4}$ vodou a umístěte jej do mrazničky.

Jakmile voda zmrzne na led, můžete kostky vyjmout.

Nepoužívejte ostré předměty jako nože nebo vidličky na odstranění ledových kostek. Hrozí zranění!

Nechte kostky odstát nebo postavte spodní část tácku na chvíli do horké vody.

Skladování zmražených potravin

Mrazicí prostor je označen symbolem .

Prostor pro zmražené potraviny je vhodný pro skladování předmražených potravin. Doporučení pro skladování dle informací na obalu potraviny by měly být vždy dodržovány.

Odmrazování spotřebiče

Přílišné množství ledu ovlivní mrazicí výkonnost vašeho spotřebiče.

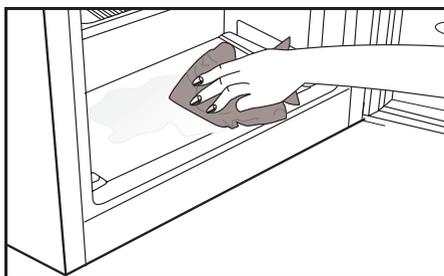
Doporučujeme tedy odmrazovat váš spotřebič nejméně dvakrát ročně nebo vždy, když vrstva ledu přesáhne 7 mm.

Odmrazujte spotřebič jen tehdy, když je uvnitř jen málo potravin.

Vyjměte zmražené potraviny. Zabalte hluboce zmražené potraviny do několika vrstev papíru nebo látky a uskladněte na chladném místě.

Odpojte spotřebič nebo vypněte přerušovač obvodu pro zahájení procesu odmražení.

Vyjměte příslušenství (police, zásuvky atd.) ze spotřebiče a vhodnou nádobou zachytávejte odmrazovanou vodu.



Houbičkou nebo měkkým hadříkem otřete v nutném případě odmraženou vodu do prostoru mrazničky  a prostoru pro mražené potraviny .

Během odmrazování mějte dvířka otevřená.

Pro rychlejší odmražení umístěte do spotřebiče nádoby s teplou vodou.

Nikdy nepoužívejte na odstranění ledu elektrické přístroje, odmrazovací postřík nebo ostré či špičaté předměty, jako jsou nože nebo vidličky.

Po odmrazení vyčistěte interiér.

Zapojte spotřebič do sítě. Umístěte zmražené potraviny do zásuvek a zasuňte zásuvky do mrazničky.

Chlazení

Skladování potravin

Prostor chladničky je pro krátkodobé ukládání čerstvých potravin a nápojů. Mléčné výrobky skladujte v příslušném prostoru chladničky.

Láhve lze skladovat v držáku na lahve nebo v polici na lahve ve dveřích.

Syrové maso nejlépe skladujte v polyetylenovém sáčku v prostoru úplně dole v chladničce.

Horké potraviny a nápoje nechte nejprve vychladnout na pokojovou teplotu, než je umístíte do chladničky.

• Pozor

Koncentrovaný alkohol skladujte v nádobě jen stojící svisle a pevně uzavřený.

• Pozor

Neskladujte výbušné látky nebo nádoby s hořlavými pohonnými plyny (šlehačka ve spreji atd.) uvnitř spotřebiče.

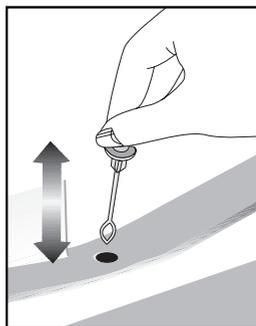
Hrozí riziko výbuchu.

Odmrazování spotřebiče

Prostor chladničky se odmrazuje automaticky. Odmražená voda stéká do odčerpávacího kanálu přes sběrnou nádobu na zadní straně spotřebiče. Během odmrazování se na zadní stěně chladničky tvoří kapky vlivem odpařování.

Pokud všechny kapky nestečou dolů, mohou po konci odmrazování znovu zmrznout. Otřete je měkkým hadříkem namočeným ve vlažné vodě. Nepoužívejte tvrdé nebo ostré předměty.

Čas od času zkontrolujte tok odmražené vody. Mohlo by dojít k jeho zablokování. Vyčistěte čističem na trubice nebo podobným nástrojem.



6 Údržba a čištění

- ⚠ Nikdy na čištění nepoužívejte benzin, technický benzin a podobné materiály.
- ⚠ Doporučujeme odpojit přístroj od sítě, než jej začnete čistit.
- ⚠ Nikdy nepoužívejte brusné nástroje, mýdlo, domovní čistič, odmašťovač či voskové čisticidlo.
- ⚠ U produktů, které nejsou No Frost, se mohou na zadní stěně chladničky objevit kapky vody a námraza na tloušťku prstu. Nečistěte; nikdy nepoužívejte olej nebo podobné prostředky.
- ⚠ Pro čištění vnějšího povrchu produktu použijte pouze mírně navlhčené utěrky z mikrovláken. Houbičky a jiné typy čisticích ubrousků mohou poškrábat povrch.
- ℹ Používejte vlažnou vodu pro vyčištění skříně a otřete ji pak dosucha.
- ℹ Používejte vlhký hadřík namočený do roztoku jedné čajové lžičky sody bikarbony na půl litru vody na vyčištění vnitřku, pak jej dosucha otřete.
- ⚠ Zajistěte, aby do krytu světla a jiných elektrických prvků nepronikla voda.
- ⚠ Pokud chladničku delší dobu nebudete používat, odpojte napájecí kabel, vyjměte všechny potraviny, vyčistěte jej a nechte dveře otevřené.
- ℹ Pravidelně kontrolujte těsnění dvířek, abyste zajistili jejich čistotu a nezanesení částčkami potravin.
- ⚠ Pro odstranění polic ve dveřích odstraňte všechny obsah a pak jen zvedněte dvevní polici vzhůru ze základny.
- ⚠ K čištění vnějších povrchů a chromem potažených součástí produktu nikdy nepoužívejte čisticí prostředky nebo vodu, která obsahuje chlór. Chlór způsobuje korozi takových kovových povrchů.
- ⚠ Nikdy nepoužívejte ostré a drsné nástroje nebo mýdlo, domácí čisticí prostředky, čisticí prostředky, benzin, benzen, vosk, atd., v opačném případě se na plastových dílech objeví skvrny a dojde k jejich deformaci. K čištění použijte teplou vodu a měkký hadřík a otřete je do sucha

Ochrana plastových ploch

- ℹ Nevkládejte tekuté oleje nebo pokrmy s obsahem oleje do chladničky v neuzavřených nádobách, jelikož poškodí plastovou plochu vaší chladničky. V případě rozlití nebo rozetření oleje na plastové ploše vyčistěte a opláchněte příslušnou část plochy teplou vodou.

7 Doporučená řešení problémů

Než zavoláte do servisu, projděte si tento seznam. Možná vám ušetří čas a peníze. Tento seznam obsahuje časté stížnosti, které nejsou způsobeny vadným zpracováním či použitými materiály. Některé zde uvedené funkce nemusí být přítomny na vašem výrobku.

Chladnička nefunguje.

- Je chladnička řádně zapojena? Zasuňte zástrčku do sítě.
- Není vypálena pojistka zástrčky, do níž je chladnička zapojena, nebo hlavní pojistka? Zkontrolujte pojistku.

Kondenzace na boční stěně prostoru chladničky (MULTIZONE, COOL CONTROL a FLEXI ZONE).

- Velmi nízká teplota prostředí. Časté otevírání a zavírání dveří. Vysoká vlhkost v prostředí. Skladování potravin s obsahem kapalin v otevřených nádobách. Nechání otevřených dveří. Přepnutí termostatu na nižší teplotu.
- Snížení času otevřených dveří nebo méně časté použití.
- Zakrytí potravin v otevřených nádobách vhodným materiálem.
- Otřete kondenzaci suchým hadrem a ověřte, zda je stále přítomna.

Kompresor neběží

- Tepelná pojistka kompresoru se zapne během náhlého výpadku energie nebo odpojení a zapojení, jelikož tlak chladicího média v chladicí soustavě chladničky není dosud vyvážen. Vaše chladnička začne fungovat asi po 6 minutách. Kontaktujte servis, pokud se chladnička nespustí na konci této doby.
- Chladnička je v režimu odmrazování. Toto je normální pro chladničku s plně automatickým odmrazováním. Cyklus odmražení probíhá pravidelně.
- Chladnička není zapojena do zásuvky. Ověřte, zda je zástrčka řádně zasunuta do zásuvky.
- Je správně nastavena teplota?
- Možná je odpojeno napájení.

Chladnička často běží nebo běží dlouhodobě.

- Nový výrobek může být širší než předchozí. Je to zcela normální. Četší chladničky fungují delší dobu.
- Okolní teplota v místnosti je možná vysoká. Je to zcela normální.
- Chladnička možná byla nedávno zapojena nebo byla naplněna potravinami. Ochlazování chladničky může trvat o pár hodin déle.
- V nedávné době jste do chladničky vložili velké množství teplých pokrmů. Horké pokrmy způsobují delší fungování chladničky až do dosažení bezpečné teploty pro uchování.
- Dveře se mohly otevřít častěji nebo byly ponechány dlouhou dobu otevřené. Teplý vzduch, který pronikl do chladničky, způsobil dlouhodobější chod chladničky. Otevírejte dveře méně často.
- Mraznička nebo dveře chladničky zůstaly dokořán. Zkontrolujte, zda jsou dveře pevně zavřeny.
- Chladnička je nastavena na velmi nízkou teplotu. Upravte teplotu chladničky na vyšší hodnotu a počkejte na dosažení této teploty.
- Těsnění dveří chladničky nebo mrazničky může být ušpiněno, opotřebené, prasklé nebo nesprávně usazené. Vyčistěte nebo vyměňte těsnění. Poškození/prasklé těsnění způsobuje dlouhodobý chod chladničky pro udržení správné teploty.

Teplota mrazničky je velmi nízká, zatímco teplota v chladničce je dostatečná.

- Teplota mrazničky je nastavena na velmi nízkou teplotu. Upravte teplotu mrazničky na vyšší hodnotu a zkontrolujte ji.

Teplota chladničky je velmi nízká, zatímco teplota v mrazničce je dostatečná.

- Teplota chladničky může být nastavena na velmi nízkou teplotu. Upravte teplotu chladničky na vyšší hodnotu a zkontrolujte ji.

Jídlo v chladničce začíná mrznout.

<ul style="list-style-type: none"> • Teplota chladničky může být nastavena na velmi nízkou teplotu. Upravte teplotu chladničky na vyšší hodnotu a zkontrolujte ji.
Teplota v mrazničce nebo chladničce je velmi vysoká.
<ul style="list-style-type: none"> • Teplota chladničky může být nastavena na velmi vysokou teplotu. Nastavení chladničky má vliv na teplotu v mrazničce. Změňte teplotu chladničky nebo mrazničky, dokud teplota v chladničce nebo mrazničce nedosáhne dostatečnou hodnotu. • Dveře se mohly otevřít častěji nebo byly ponechány dlouhou dobu otevřené; otevřete je méně často. • Možná jste nechali nedovřená dvířka; zavírejte je úplně. • V nedávné době jste do chladničky vložili velké množství teplých pokrmů. Počkejte, až chladnička nebo mraznička dosáhne požadované teploty. • Chladnička byla nedávno zapojena. Úplné ochlazení chladničky trvá nějakou dobu.
Provozní hluk se zvyšuje, když je chladnička zapnutá.
<ul style="list-style-type: none"> • Provozní vlastnosti chladničky se mohou změnit podle výkyvů okolní teploty. Je to normální, nejde o poruchu.
Vibrace nebo hluk.
<ul style="list-style-type: none"> • Podlaha není rovná nebo je slabá. Chladnička se při pohybu kymácí. Ověřte, zda je podlaha dostatečně pevná pro chladničku a zda je rovná. • Hluk mohou způsobovat předměty vkládané na chladničku. Předměty na horní straně chladničky sejměte.
Ozývá se zvuk z chladničky jako rozlévání kapaliny nebo stříkání.
<ul style="list-style-type: none"> • Proudění kapalin a plynu se může objevit v souladu s provozními zásadami vaší chladničky. Je to normální, nejde o poruchu.
Ozývá se hluk jako kvílení větru.

<ul style="list-style-type: none"> • Jsou v provozu ventilátory pro ochlazení chladničky. Je to normální, nejde o poruchu.
Kondenzace na vnitřních stěnách chladničky.
<ul style="list-style-type: none"> • Horké a vlhké počasí zvyšuje tvorbu ledu a kondenzace. Je to normální, nejde o poruchu. • Možná zůstala nedovřená dvířka; zajistěte úplné uzavření dveří. • Dveře se mohly otevřít častěji nebo byly ponechány dlouhou dobu otevřené; otevírejte je méně často.
Vlhkost na vnější straně chladničky nebo mezi dveřmi.
<ul style="list-style-type: none"> • Ve vzduchu může být vlhkost; toto je ve vlhkém počasí poměrně normální. Po poklesu vlhkosti kondenzace zmizí.
Nepříjemný zápach v chladničce.
<ul style="list-style-type: none"> • Chladničku je nutno vyčistit uvnitř. Vyčistěte vnitřek chladničky houbičkou, vlažnou vodou nebo karbonovou vodou. • Některé nádoby či obalové materiály mohou způsobit zápach. Použijte odlišnou nádobu nebo obalový materiál jiné značky.
Dvířka se nezavírají.
<ul style="list-style-type: none"> • Zabalené potraviny mohou bránit v zavírání dveří. Vyměňte obaly, které brání v chodu dveří. • Chladnička nestojí zcela svisle na podlaze a při pohybu se mírně pohupuje. Upravte seřizovací šrouby. • Podlaha není rovná či silná. Ověřte, zda je podlaha rovná a unese chladničku.
Příhrádky na čerstvé potraviny jsou zaseklé.
<ul style="list-style-type: none"> • Potraviny se možná dotýkají horní strany zásuvek. Upravte rozložení potravin v zásuvce.
Pokud Je Povrch Produktu Horký
<ul style="list-style-type: none"> • Když je zařízení v provozu, lze pozorovat vysoké teploty mezi dvěma dvířky, na postranních panelech a na zadním grilu. To je běžné a není to důvod pro servisní údržbu! Při kontaktu s těmito plochami buďte opatrní.

VYLOUČENÍ ODPOVĚDNOSTI / UPOZORNĚNÍ

Některé (jednoduché) poruchy může vhodně vyřešit sám koncový uživatel, aniž by byla ohrožena bezpečnost nebo bezpečné používání, ovšem za podmínky, že je oprava provedena v mezích a v souladu s následujícími pokyny (viz část „Vlastní oprava“).

Proto pokud není dovoleno jinak v části „Vlastní oprava“ níže, opravy je nutné svěřit registrovaným odborným opravám, aby nedošlo k ohrožení bezpečnosti. Registrovaná odborná opravna je odborný servis, který získal oprávnění přístupu k pokynům a soupisu náhradních dílů k tomuto výrobku od výrobce, v souladu s postupy uvedenými v legislativních ustanoveních podle Směrnice 2009/125/EC.

Ovšem záruční opravy může provádět pouze ten servis (tedy oprávněná odborná opravna), jehož telefonní číslo naleznete v návodu/v záručním listě nebo získáte u svého autorizovaného prodejce. Upozorňujeme tedy, že opravy provedené odbornými servisy (které nejsou společností Beko oprávněni) vedou k porušení záruky.

Vlastní oprava

Konečný uživatel může provést samoopravu, pokud jde o tyto náhradní díly: klika dveří, závěsy dveří, podnosy, koše a těsnění dveří (aktualizovaný seznam je k dispozici také na webové stránce support.beko.com.k 1. březnu 2021).

Dále musí být uvedené vlastní opravy, s cílem zajistit bezpečnost výrobku a zabránit riziku vážného zranění, provedeny podle pokynů v návodu pro

vlastní opravy nebo podle pokynů, které jsou k dispozici na support.beko.com. Z bezpečnostních důvodů před provedením jakékoli opravy odpojte produkt z elektrické sítě.

Opravy nebo pokusy o opravu provedené koncovými uživateli u dílů, které nejsou součástí tohoto soupisu, nebo které nejsou v souladu s pokyny v návodu pro vlastní opravy nebo s pokyny, které jsou k dispozici na support.beko.com, mohou vést ke vzniku bezpečnostních rizik, která nespádají do odpovědnosti společnosti Beko a vedou k propadnutí záruky na výrobek.

Proto velmi doporučujeme, aby se koncoví uživatelé nepokoušeli provádět opravy, které nespádají do uvedeného soupisu náhradních dílů, a aby se v takovém případě obrátili na autorizované odborné opravny nebo registrované odborné opraváře. Tyto pokusy ze strany koncových uživatelů mohou naopak vést k ohrožení bezpečnosti a poškození výrobku a následně ke vzniku požáru, zatopení, úrazu elektřinou a vážnému zranění osob.

Například, mimo jiné, následující opravy musí být adresovány autorizovanému profesionálnímu opraváři nebo registrovanému profesionálnímu opraváři: kompresor, chladicí okruh, hlavní panel, panel invertoru, panel displeje atd.

Výrobce/prodávající nemůže být v žádném případě odpovědný za případ, kdy koncoví uživatelé nedodrží výše uvedená ustanovení.

Dostupnost náhradních dílů pro chladničku je 10 let.

Během této doby budou k dispozici originální náhradní díly pro správné chladničku.

Minimální záruční doba na vámi zakoupenou ledničku je 24 měsíců.

Tento výrobek je vybaven světelným zdrojem o energetické třídě "G".

Světelný zdroj na tomto výrobku může být vyměněn pouze profesionálními opraváři.

Prosím, prečítajte si najskôr túto príručku!

Vážený zákazník,

Dúfame, že váš produkt, ktorý bol vyrobený v moderných továrňach a skontrolovaný v rámci prepracovaných postupov riadenia kvality, vám bude úspešne a efektívne slúžiť.

Preto vám odporúčame, aby ste si pozorne prečítali celú túto príručku k vášmu produktu predtým, ako ho začnete používať, a ponechajte si ju poruke, aby ste si ju v prípade potreby mohli prezerať.

Tento manuál

- Vám pomôže používať váš prístroj rýchle a bezpečne.
- Manuál si prečítajte pred inštaláciou a prevádzkou vášho produktu.
- Dodržiavajte pokyny, obzvlášť tie, ktoré sa týkajú bezpečnosti.
- Manuál si uschovajte na ľahko prístupnom mieste, pretože ho môžete neskôr potrebovať.
- Okrem toho si prečítajte aj ostatné dokumenty dodané s vašim produktom.
- Majte na pamäti, že tento manuál platí aj pre iné modely.

Symbody a ich popis

Tento návod na obsluhu obsahuje nasledovné symbody:

 Dôležité informácie alebo užitočné tipy.

 Výstraha pred ohrozením života a majetku.

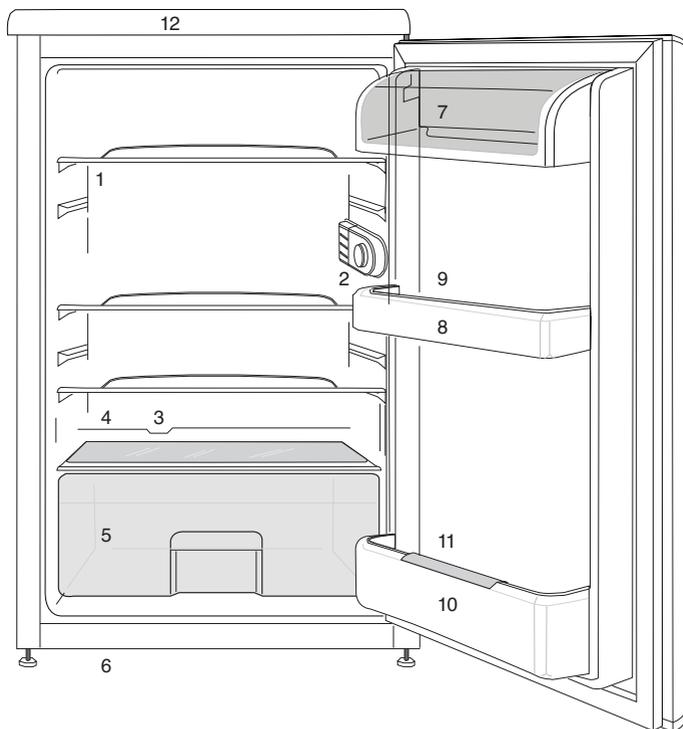
 Výstraha pred elektrickým napätím.

 INFORMÁCIE	
 SUPPLIER'S NAME:  A MODEL IDENTIFIER:  A (*)	Informácie o modeli uložené v databáze výrobkov sa dajú získať zadáním nasledujúcej webovej stránky a vyhľadáním identifikátora vášho modelu (*), ktorý je uvedený na energetickom štítku. https://eprel.ec.europa.eu/

OBSAH

1 Vaša chladnička	3	4 Príprava	12
2 Dôležité bezpečnostné výstrahy	4	Nastavenie nôh.....	13
Určené použitie.....	4	Montáž (Pod pultom)	13
Pri výrobkoch s dávkovačom vody	8	Obrátenie dverí.....	14
Bezpečnosť detí	8	5 Používanie chladničky	15
V súlade so smernicou o odpadoch z elektrických a elektronických zariadení a zneškodňovaní odpadov:	8	Mrazenie.....	15
V súlade s Obmedzením používania niektorých nebezpečných látok v elektronických a elektrických zariadeniach	9	Mrazené potraviny	15
Informácie o balení	9	Tvorba kociek ľadu	16
Upozornenie HC.....	9	Skladovanie mrazených potravín.....	16
Veci, ktoré treba urobiť pre úsporu energie	9	Rozmrazovanie spotrebiča.....	16
3 Inštalácia	10	Chladenie	17
Body, ktoré je potrebné zvažovať pri opakovanej preprave chladničky	10	Uskladnenie potravín	17
Pred uvedením chladničky do prevádzky.....	10	Rozmrazovanie spotrebiča.....	17
Elektrické pripojenie.....	11	6 Údržba a čistenie	18
Likvidácia obalu	11	Ochrana plastových povrchov	18
Likvidácia vašej starej chladničky	11	7 Odporúčané riešenia problémov	19
Umiestnenie a inštalácia	11		

1 Vaša chladnička



- | | |
|---|----------------------------------|
| 1. Posuvné poličky | 8. Poličky na dverách |
| 2. Vnútročné osvetlenie a gombík termostatu | 9. Držiak na vajička |
| 3. Kanálik pre zber rozmrazenej vody - odtoková rúrka | 10. Polička na fľaše |
| 4. Kryt priehradky na ovocie | 11. Zachytávací prvok pre fľašky |
| 5. Priehradka | 12. Horný zachytávací prvok |
| 6. Nastaviteľné predné nôžky | |
| 7. Priehradka pre mliečne výrobky | |

i Obrázky v tejto príručke k obsluhu sú schematické a nemusia sa presne zhodovať s vaším produktom. Ak produkt, ktorý ste si zakúpili, nedisponuje uvádzanými časťami, potom sa to týka iných modelov.

2 Dôležité bezpečnostné výstrahy

Prečítajte si nasledujúce informácie. Nedodržanie týchto informácií môže mať za následok zranenia alebo vecné škody. Všetky záručné záväzky tým strácajú platnosť.

Originálne náhradné súčiastky budú dodávané po dobu 10 rokov od kúpy výrobku.

Určené použitie

	UPOZORNENIE: Udržujte vetracie otvory na kryte prístroja alebo v konštrukcii zabudovania bez prekážok.
	UPOZORNENIE: Nepoužívajte mechanické nástroje alebo iné prostriedky na urýchlenie procesu odmrazenia, okrem tých, ktoré odporúča výrobca.
	UPOZORNENIE: Nepoškodzujte chladiaci okruh.
	UPOZORNENIE: Nepoužívajte elektrické spotrebiče vo vnútri priestoru na potraviny, iba ak sú doporučené výrobcom.

Toto zariadenie je určené pre použitie v domácnosti a v podobných podmienkach, ako sú napríklad

- Kuchynské miestnosti pre personál v obchodoch, kanceláriách a v iných pracovných prostrediach;
- farmárske domy a klienti v hoteloch, motelloch a iných typoch bytových zariadení;
- v ubytovacích zariadeniach typu bed and breakfast;
- stravovacie a podobné zariadenia neobchodného typu.

Všeobecná bezpečnosť

- Ak chcete vyradiť/zlikvidovať tento produkt, odporúčame vám poradiť sa s autorizovaným servisom, aby ste získali potrebné informácie o autorizovaných orgánoch zriadených na tento účel.
- Obráťte sa na autorizovaný servis so všetkými otázkami a problémami s vašou chladničkou. Nezasahujte ani nenechajte iných zasahovať do chladničky bez upozornenia autorizovaného servisu.
- Pri výrobkoch s mraziacim priechnikom nejedzte zmrzlinu v kornútoch a kocky ľadu ihneď po ich vybratí z mraziaceho priechníka! (Môžete si tým spôsobiť nepríjemný mrazivý pocit v ústach.)
- Pri výrobkoch s mraziacim priechnikom nedávajte do

mraziaceho priechinka tekuté nápoje vo fľašiach a plechovkách. V opačnom prípade by mohli prasknúť.

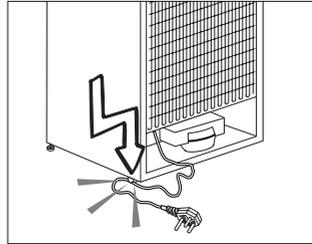
- Mrazeného jedla sa nedotýkajte rukami; mohlo by sa k ruke prilepiť.
- Pred čistením alebo rozmrazovaním chladničku odpojte.
- Para a parové čistiace prostriedky by sa nikdy nemali používať pri čistení a odmrazovaní vašej chladničky. V takýchto prípadoch by sa para mohla dostať do kontaktu s elektrickými dielmi a spôsobiť skrat alebo zásah elektrickým prúdom.
- Nikdy nepoužívajte rôzne časti, ako napr. dvere, ako podpery alebo schodíky.
- Vo vnútri vašej chladničky nepoužívajte elektrické zariadenia.
- Časti, v ktorých cirkuluje chladivo, nepoškodzujte nástrojmi na vrtanie alebo rezanie. V prípade perforácie plynových kanálov výparníka, trubkových rozšírení alebo povrchových úprav, spôsobuje rozliaty chladiaci prostriedok podráždenie pokožky a zranenia očí.
- Neprekrývajte ani neblokujte ventilačné otvory na chladničke žiadnymi materiálmi.
- Elektrické spotrebiče musia opravovať len oprávnené osoby. Opravy vykonávané

nekompetentnými osobami predstavujú riziko pre používateľa.

- V prípade zlyhania alebo počas údržby alebo opráv odpojte chladničku od elektrického rozvodu buď vypnutím príslušnej poisťky alebo odpojením spotrebiča od siete.
- Pri odpájaní zásuvky neťahajte za kábel, ale potiahnite zásuvku.
- Uistite sa, že nápoje s vysokým obsahom alkoholu sú bezpečne uzavreté a umiestnené kolmo .
- V chladničke neskladujte spreje s rozprašovačom, ktoré obsahujú horľavé alebo výbušné látky.
- Nepoužívajte mechanické prístroje alebo iné prostriedky na urýchľovanie rozmrazovacieho procesu iné ako tie, ktoré odporúča výrobca.
- Tento produkt nie je určený na používanie osobami s fyzickými, zmyslovými alebo duševnými poruchami alebo nepoučenými alebo neskúsenými osobami (vrátane detí), pokiaľ pri nich nie je osoba, ktorá je zodpovedná za ich bezpečnosť, alebo ktorá ich riadne poučí o používaní produktu
- Neuvádzajte do prevádzky poškodenú chladničku. Ak máte akékoľvek pochybnosti, obráťte sa na servisného zástupcu.

- Elektrická bezpečnosť vašej chladničky je zaručená len vtedy, keď je váš uzemiňovací systém v zhode s týmito štandardmi.
- Vystavenie produktu pôsobeniu dažďa, snehu, slnka a vetra je nebezpečné z pohľadu elektrickej bezpečnosti.
- Pri poškodení elektrického kábla kontaktujte autorizovaný servis, aby ste zabránili ohrozeniu.
- Počas inštalácie nikdy chladničku nepripájajte do elektrickej zásuvky. V opačnom prípade vznikne riziko usmrtenia alebo vážneho zranenia.
- Táto chladnička je určená len na skladovanie potravín. Nepoužívajte ju na žiadne iné účely.
- Štítok s technickými údajmi sa nachádza na ľavej stene vo vnútri chladničky.
- Chladničku nezapájajte do elektronických systémov na úsporu energie, pretože ju môžu poškodiť.
- Ak na chladničke svieti modré svetielko, nepozerajte sa do neho voľným okom alebo optickými nástrojmi po dlhšiu dobu.
- Manuálne riadené chladničky zapínajte po výpadku prúdu s odstupom najmenej 5 minút.
- Pri odovzdaní produktu inej osobe odovzdajte túto príručku k obsluhu novému vlastníkovi.

- Zabráňte poškodeniu elektrického kábla pri preprave chladničky. Prehýbanie kábla môže spôsobiť požiar. Na napájací kábel nedávajte ťažké predmety. Pri zapájaní produktu sa zástrčky nedotýkajte mokrými rukami.

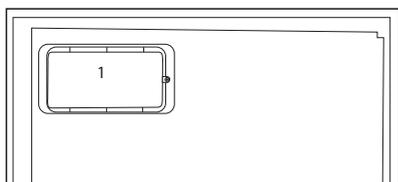
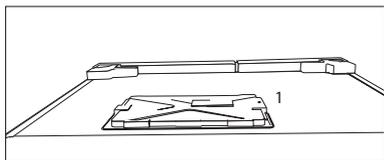


- Pri umiestnení zariadenia sa uistite, že napájací kábel nie je zachytený alebo poškodený.
- Neumiestňujte viac prenosných zásuviek alebo prenosných zdrojov napájania vzadu od zariadení.
- Deti vo veku od 3 do 8 rokov smú nakladať a vykladať chladiace zariadenia.
- Aby ste predišli znečisteniu jedla, dodržujte prosím nasledujúce pokyny:
 - Ak necháte dverka otvorené po dlhú dobu, môže to spôsobiť značné zvýšenie teploty v oddeleniach zariadení.
 - Pravidelne očisťujte povrchy, ktoré môžu prísť do kontaktu s jedlom, a prístupné odtokové systémy.
 - očisťujte nádrže na vodu, pokiaľ neboli používané počas 48 h; prepláchnite vodný systém pripojený k prívodu vody, ak ste nečerpali vodu zo

zariadenia počas 5 dní.

- – Surové mäso a ryby uchovávajúte v chladničke vo vhodných nádobách, aby neprichádzali do kontaktu s jedlom ani na neho nemohli ukvapnúť.
- – Oddelenia s dvoma hviezdičkami pre mrazené potraviny sú vhodné pre uchovávanie vopred zmrazených jedál, uchovávanie alebo prípravu zmrzliny a tvorbu kociek ľadu.
- – Oddelenia s jednou, dvoma a tromi hviezdičkami nie sú vhodné pre zmrazenie čerstvého jedla.
- – Ak je chladiace zariadenie ponechané prázdne po dlhú dobu, vypnite ho, rozmrazte, očistite, osušte a nechajte dvierka otvorené, aby ste tak zabránili tvoreniu plesní vo vnútri zariadenia.
- Chladničku nezapájajte, ak je zásuvka na stene uvoľnená.
- Z bezpečnostných dôvodov nestriekajte vodu priamo na vnútorné alebo vonkajšie časti produktu.
- Z dôvodu rizika požiaru a výbuchu nerozstrekujte v blízkosti chladničky horľavé materiály, ako napríklad propánový plyn a pod.
- Na chladničku neumiestňujte nádoby naplnené vodou, pretože môžu spôsobiť zásah elektrickým prúdom alebo požiar.
- Nepreťažujte chladničku nadmernými množstvami potravín. Ak je preťažená, potraviny môžu spadnúť a spôsobiť vám zranenie a poškodiť chladničku, keď otvoríte dvere. Na chladničku nikdy nedávajte predmety, pretože môžu spadnúť, keď otvoríte alebo zatvoríte dvere chladničky.
- V chladničke neuchovávajúte vakcíny, lieky citlivé na teplo, vedecké materiály a pod., ktoré si vyžadujú presnú teplotu.
- Ak sa chladnička nebude dlhší čas používať, treba ju odpojiť zo siete. Možný problém s napájacím káblom môže spôsobiť požiar.
- Keď nastaviteľné nožičky nie sú umiestnené pevne na podlahe, môže dôjsť k posunu chladničky. Správnym upevnením nastaviteľných nožičiek na podlahe možno zabrániť posúvaniu chladničky.
- Pri prenášaní chladničky ju nedeľte za rukoväť na dverách. V opačnom prípade môže prasknúť.
- Ak musíte umiestniť produkt vedľa inej chladničky alebo mrazničky, vzdialenosť medzi nimi musí byť najmenej 8 cm. Inak môžu príľahlé steny strán navlhnúť.
- Nikdy nepoužívajte výrobok, ak časť nachádzajúca sa na hornej alebo zadnej strane výrobku s elektronickou doskou s plošným spojom

vo vnútri je otvorená (krycia doska elektronických plošných spojov) (1).



Pri výrobkoch s dávkovačom vody

- Tlak pre prívod studenej vody musí byť maximálne 90 psi (620 kPa). Ak je váš tlak vody vyšší ako 80 psi (550 kPa), použite vo vašej sieti ventil na obmedzovanie tlaku. Ak nevíete, ako skontrolovať tlak vody, požiadajte o pomoc profesionálneho inštalátora.
- Ak pri inštalácii existuje riziko vodného rázu, vždy použite preventívne zariadenia proti vodnému rázu. Ak ste si nie je istý, či vo Vašej sieti je efekt vodného rázu, poraďte sa s profesionálnym inštalátorom.
- Neinštalujte na prívode pre teplú vodu. Vykonaajte

nevyhnutné opatrenia proti riziku zamrznutia hadíc. Prevádzkový interval teplota vody musí byť medzi minimálne 33 ° F (0,6 ° C) a maximálne 100 ° F (38 ° C).

Bezpečnosť detí

- Ak dvere obsahujú zámku, kľúč uchovávajte mimo dosah detí.
- Deti musia byť pod dohľadom, aby sa zabránilo ich zasahovaniu do produktu.

V súlade so smernicou o odpadoch z elektrických a elektronických zariadení a zneškodňovaní odpadov:



Tento produkt je v súlade so smernicou o odpadoch z elektrických a elektronických zariadení EÚ (2012/19/EU). Tento produkt obsahuje symbol triedeného odpadu pre odpadové elektrické a elektronické vybavenie (WEEE). Tento produkt bol vyrobený z vysoko kvalitných častí a materiálov, ktoré môžu byť znovu použité a sú vhodné na recykláciu. Na konci životnosti odpad z produktu neodstraňujte s bežným odpadom z domácnosti ani s iným odpadom. Recyklujte ho v zbernom mieste určenou na recykláciu elektrického a elektronického vybavenia. Pre zistenie informácií o zberných miestach kontaktujte miestne úrady.

V súlade s Obmedzením používania niektorých nebezpečných látok v elektronických a elektrických zariadeniach

Tento produkt bol zakúpený v súlade so smernicou o odpadoch z elektrických a elektronických zariadení EÚ (2011/65/EU) Neobsahuje žiadne nebezpečné alebo zakázané materiály špecifikované smernicou.

Informácie o balení

Obalový materiál produktu je vyrobený z recyklovateľných materiálov v súlade s národnými predpismi o životnom prostredí. Nevyhadzujte obalové materiály spolu s odpadmi z domácnosti alebo inými odpadmi. Vezmite ho na zberné miesto označené miestnymi úradmi

Upozornenie HC

Chladiaci systém vášho výrobku obsahuje R600a:

Tento plyn je horľavý. Preto dajte pozor na to, aby ste nepoškodili chladiaci systém a potrubné vedenia pri používaní a preprave. V prípade poškodenia udržiavajte produkt mimo potenciálnych zdrojov plameňa, ktoré by mohli spôsobiť vznietenie produktu, a miestnosť, kde je zariadenie umiestnené, dostatočne vetrajte.

Ignorujte toto upozornenie, ak chladiaci systém vášho výrobku obsahuje R134a.

Typ plynu použitý vo výrobku je uvedený na typovom štítku, ktorý sa nachádza na ľavej stene vnútri chladničky.

Produkt nelikvidujte hodením do ohňa.

Veci, ktoré treba urobiť pre úsporu energie

- Dvere vašej chladničky nenechávajte otvorené dlhý čas.
- Do chladničky nevkladajte horúce jedlá alebo nápoje.
- Chladničku neprepíňajte, aby ste neblokovali prúdenie vzduchu v interiéri.
- Vašu chladničku neumiestňujte na priame slnečné svetlo alebo do blízkosti spotrebičov, ktoré produkujú teplo, ako napr. rúry na pečenie, umývačky riadu alebo radiátory.
- Dbajte na to, aby ste jedlo uchovávali v uzavretých nádobách.
- Pri výrobkoch s mraziacim priechnikom môžete v mrazičke skladovať maximálny objem potravín vtedy, keď odstránite poličku alebo priechnik mrazičky. Hodnota spotreby energie stanovená pre vašu chladničku bola stanovená tak, že sa odstránila polička alebo priechnik mrazičky a pri maximálnom vyťažení. So zreteľom na tvary a veľkosť potravín určených na zamrazenie neexistuje pri používaní police alebo zásuvky žiadne riziko.
- Rozmrazovanie mrazených potravín v priechniku chladničky zabezpečuje úsporu energie a taktiež zachováva kvalitu potravín.

3 Inštalácia

⚠ Zapamätajte si, že výrobca nie je zodpovedný za škody v prípade, ak nedodržíte pokyny v návode na použitie.

Body, ktoré je potrebné zvažovať pri opakovanej preprave chladničky

1. Vaša chladnička musí byť pred presunom prázdna a očistená.
2. Police, príslušenstvo, priehradky atď. vo vašej chladničke musia byť pred opätovným zabalením chladničky zalepené a zaistené voči otrasom.
3. Balenie musíte zaistiť hrubými páskami alebo silnými lanami a musíte dodržiavať bezpečnostné pokyny na balení.

Nezabudnite...

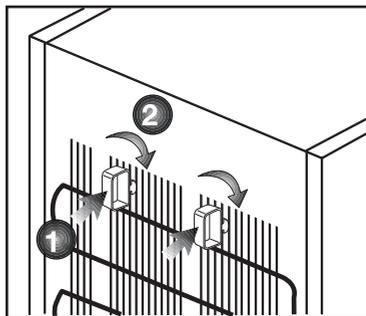
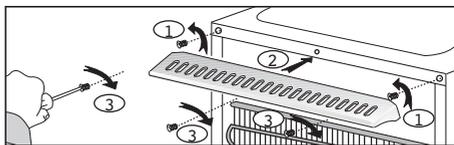
Každý recyklovaný materiál je nepostrádateľným zdrojom pre prírodu a národné zdroje.

Ak by ste chceli prispieť k recyklácii obalových materiálov, informácie môžete získať u ekologických organizácií alebo na miestnych úradoch.

Pred uvedením chladničky do prevádzky

Pred začatím používania vašej chladničky skontrolujte nasledovné:

1. Je interiér chladničky suchý a môže vzduch ľahko cirkulovať v zadnej časti?
2. Vyčistíte interiér chladničky podľa odporúčania v časti „Údržba a čistenie“.



3. Chladničku pripojte do elektrickej zásuvky. Keď sa otvoria dvere chladničky, zapne sa vnútorné svetlo.
4. Budete počuť zvuk pri zapnutí kompresora. Kvapalina a plyny utesnené v chladiacom systéme môžu vydávať nejaký zvuk, bez ohľadu na to, či kompresor je alebo nie je v prevádzke. Toto je celkom normálne.
5. Predné hrany chladničky môžu byť zohriate. To je normálne. Tieto časti sú vytvorené tak, aby boli zohriate, aby sa predišlo kondenzácii.
6. 2 plastové kliny môžete namontovať tak, ako je to znázornené na obrázku. Plastové klince zaisťujú požadovanú vzdialenosť medzi chladničkou a stenou kvôli dostatočnej cirkulácii vzduchu. (Znázornený obrázok predstavuje len príklad a nezodpovedá sa presne s vaším produktom.)

7. Interiér chladničky vyčistite podľa odporúčania v časti „Údržba a čistenie“.

Elektrické pripojenie

Pripojte výrobok k uzemnenej zástrčke, ktorá je chránená poistkou príslušnej kapacity.

Dôležité:

- Pripojenie musí byť v zhode s národnými predpismi.
- Elektrická zásuvka musí byť po inštalácii ľahko prístupná.
- Určené napätie musí byť rovnaké ako napätie vo vašej elektrickej sieti.
- Predžhovacie káble a rozbočky sa nesmú používať na pripojenie zariadenia.

⚠ Poškodený elektrický kábel musí vymeniť kvalifikovaný elektrikár.

⚠ Zariadenie sa nesmie prevádzkovať dovtedy, pokiaľ nebude opravené! Hrozí nebezpečenstvo zásahu elektrickým prúdom!

Likvidácia obalu

Obalový materiál môže byť nebezpečný pre deti. Obalový materiál držte mimo dosahu detí alebo ho vyhodte podľa pokynov pre likvidáciu odpadu. Neodhadzujte ho spolu s

normálnym domovým odpadom.

Balenie chladničky je vyrobené z recyklovateľných materiálov.

Likvidácia vašej starej chladničky

Vašu starú chladničku zlikvidujte ekologicky.

- O likvidácii vašej starej chladničky sa môžete poradiť s vašim autorizovaným predajcom alebo zberným miestom.

Pred likvidáciou vašej chladničky odrežte elektrickú zásuvku a ak sa na dverách nachádzajú nejaké zámky, znefunkčnite ich, aby ste nevystavili deti žiadnemu nebezpečenstvu.

Umiestnenie a inštalácia

1. Chladničku nainštalujte na miesto, ktoré umožňuje ľahké použitie.
2. Chladničku udržiavajte mimo dosah zdrojov tepla, vlhkých miest a priameho slnečného svetla.
3. Kvôli dosiahnutiu účinnej prevádzky musí byť v okolí chladničky dostatočné vetranie. Ak bude chladnička umiestnená vo výklenku v stene, minimálna vzdialenosť od stropu musí byť 5 cm a od steny 5 cm. Ak je podlaha pokrytá kobercom, výrobok musí byť zdvihnutý do výšky 2,5 cm od podlahy.
4. Kvôli zabráneniu hádzaniu dajte chladničku na rovnú podlahu.

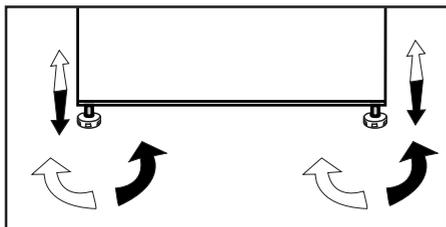
4 Príprava

- Pre voľne stojace zariadenie; „tento chladiaci spotrebič nie je určený na použitie ako zabudovaný spotrebič“;
- Vaša chladnička by mala byť umiestnená v najmenej 30 cm vzdialenosti od zdrojov tepla, ako sú horáky, rúry na pečenie, radiátory a kachle a najmenej v 5 cm vzdialenosti od elektrických rúr na pečenie a nemala by byť umiestnená na priamom slnku.
- Teplota prostredia v miestnosti, kde chladničku inštalujete, by mala byť aspoň 10 °C. Prevádzka chladničky v chladnejšom prostredí sa neodporúča s ohľadom na jej účinnosť.
- Uistite sa, že je interiér vašej chladničky dôkladne vyčistený.
- Ak sa budú vedľa seba inštalovať dve chladničky, mala by byť medzi nimi vzdialenosť minimálne 2 cm.
- Pri prvom spustení vašej chladničky počas šiestich hodín dodržujte nasledujúce pokyny.
- Dvere by ste nemali otvárať príliš často.
- Chladnička musí byť počas tohto času prázdna.
- Chladničku neodpájajte od siete. Ak dôjde k výpadku napájania, ktoré nemôžete ovplyvniť, pozrite si upozornenia v časti „Odporúčané riešenia problémov“.
- Vždy používajte koše/zásuvky poskytované s chladiacim priestorom v zájmu nízkej spotreby energie a lepších podmienok skladovania.
- Styk potravín s čidlom teploty v mrazničke môže zvýšiť spotrebu energie zariadení. Zabraňte tedy jakémukoliv kontaktu s čidlom (čidly).
- Originálny obal a penové materiály by ste si mali odložiť za účelom budúceho transportu a prenášania.
- U niektorých modelov sa prístrojová doska automaticky vypne po 5 minútach po tom, ako boli dvere uzavreté. Opäť sa aktivuje, keď sa dvere otvoria alebo po stlačení ľubovoľnej klávesy.
- Vzhľadom na zmenu teploty v dôsledku otvorenia/zatvorenia dverí počas prevádzky je bežné, že sa na dverách/poličkách a sklenených nádobách objavia kondenzácie.

Nastavenie nôh

Ak je vaša chladnička nestabilná;

Chladničku môžete vyvážiť otáčaním predných nôh tak, ako je to znázornené na obrázku. Keď nohu otáčate v smere čiernej šípky, roh s príslušnou nohou sa znižuje; keď nohu otáčate v opačnom smere, poloha sa zvyšuje. Pomoc inej osoby miernym pridvihnutím chladničky celý proces uľahčí.



Montáž (Pod pultom)

- Vnútna výška pultu musí byť 820 mm.(!) Sporáky alebo iné zdroje tepla sa nemôžu umiestniť nad pult, kde je zariadenie namontované pod pultom.
- Zástrčka sieťovej zásuvky sa musí nachádzať blízko pravej alebo ľavej strany zariadenia.
- Odstráňte horný kryt spotrebiča. Nachádzajú sa tam 4 skrutky (2 kusy na zadnej strane, 2 kusy pod predným okrajom), ktoré by ste mali odstrániť.

Obr. 1

- Odrežte časť zobrazujúcu na obrázku a potom ju vyberte za pomoci klieští.
- Umiestnite vaše zariadenie pod pult a nastavte predné nohy, až kým sa nedotkne pultu.

Aby ste mohli produkt používať pod pultom, tak vzdialenosť medzi stenou a referenčnou značkou naznačenou na hornom prepojovacom plaste musí byť minimálne 595 mm.

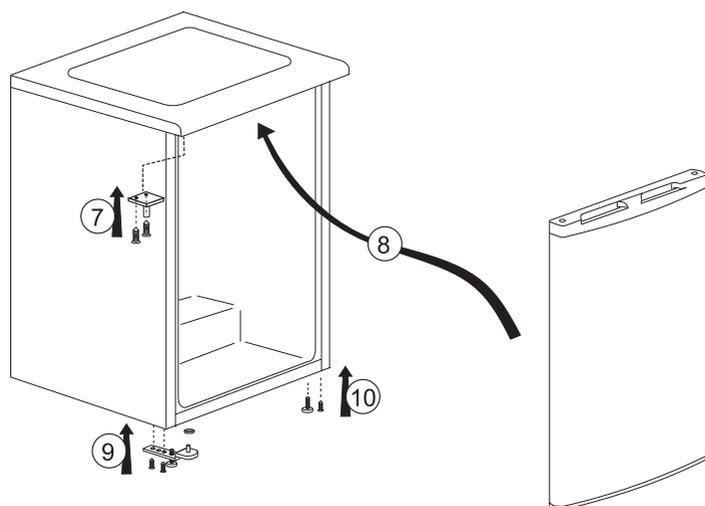
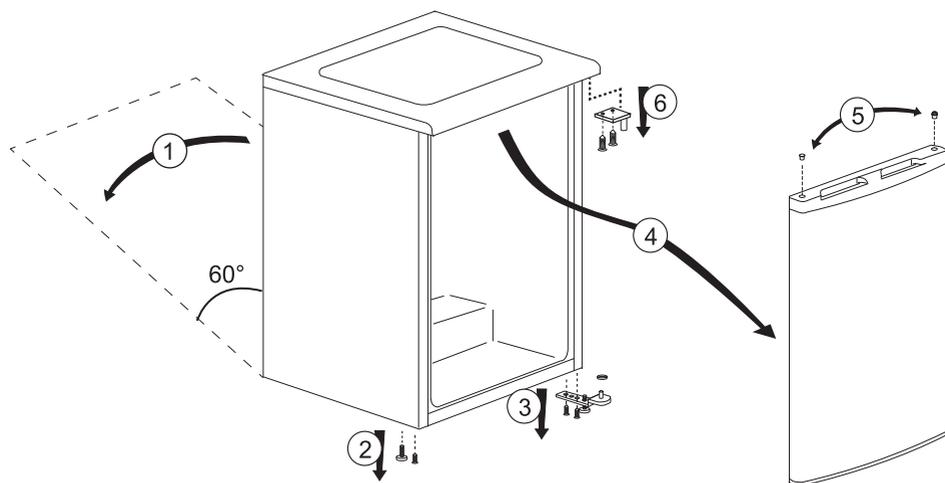
Obr. 2-3

- Spotrebič pod pultom upevníte pomocou 2 skrutiek, ktoré ste vybrali z horného krytu. (Materiál pultu musí byť plastový alebo drevený!)

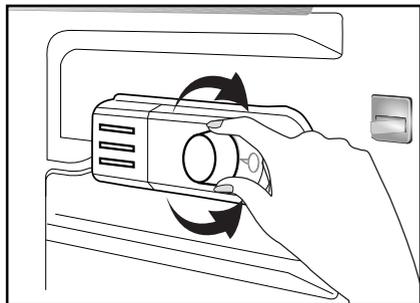
Obr. 4

Obrátenie dverí

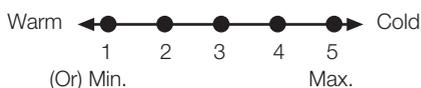
Postupujte podľa číselného poradia



5 Používanie chladničky



Prevádzková teplota sa reguluje ovládaním teploty



1 = Najnižšie nastavenie chladenia (Najteplejšie nastavenie)

5 = Najvyššie nastavenie chladenia (Najchladnejšie nastavenie)

(alebo)

Min. = Najnižšie nastavenie chladenia (Najteplejšie nastavenie)

Max. = Najvyššie nastavenie chladenia (Najchladnejšie nastavenie)

Priemerná teplota vo vnútri chladničky by mala byť okolo +5°C.

Nastavenie zvolte podľa požadovanej teploty.

Prevádzku vášho spotrebiča môžete zastaviť tak, že otočíte gombík termostatu do polohy „0“.

Uvedomte si, prosím, že v chladiacej oblasti budú odlišné teploty.

Najchladnejšia oblasť sa nachádza hneď nad priečinkom na zeleninu.

Teplota interiéru tiež závisí od teploty okolia, početnosti otvárania dverí a od množstva uložených potravín.

Časté otváranie dverí spôsobuje zvyšovanie vnútornej teploty.

Z tohto dôvodu sa odporúča dvere čím skôr opätovne zatvoriť.

Mrazenie

Mrazené potraviny

Mraziaci priečnik je označený týmto symbolom .

Spotrebič môžete používať pre mrazenie čerstvých potravín, ako aj pre skladovanie predmrazených potravín.

Obráťte sa, prosím, na odporúčania uvedené na balení pre vaše potraviny.

• Upozornenie

Nezamrazujte perlivé nápoje, pretože po zamrznutí tekutiny môže prasknúť fľaška.

Budte opatrní s mrazenými produktmi, ako napríklad farebnými kockami ľadu.

Neprekračujte zmrazovací výkon vášho spotrebiča v rámci 24 h. Pozrite si klasifikačný štítok.

Aby ste uchovali kvalitu potravín, tak sa mrazenie musí uskutočniť čím najskôr.

Aj napriek tomu sa neprekročí kapacita mrazenia a nestúpne teplota v mrazničke.

• Upozornenie

Už zmrazené potraviny stále uchovávajte oddelené od práve vložených potravín.

Keď zmrazujete horúce potraviny, tak chladiaci kompresor bude fungovať, kým sa potraviny úplne nezrazia. To môže dočasne spôsobiť nadmerné chladenie priestoru chladničky.

Ak je problematické otvoriť dvere mraziaka po ich zatvorení, tak sa nestrachujte. Je to spôsobené rozdielom tlaku, ktorý sa vyrovná a po pár minútach umožní normálne otvorenie dverí.

Po zatvorení dverí budete počuť zvuk vákuu. To je úplne normálne.

Tvorba kociek ľadu

Naplňte podnos na kocky ľadu vodou do 3/4 a položte ho do mrazičky. Kocky ľadu môžete vybrať hneď potom, čo sa voda premení na ľad. Na odstránenie ľadu nepoužívajte predmety s ostrými hranami, ako nože alebo vidličky. Existuje tu riziko zranenia!

Namiesto toho nechajte kocky ľadu jemne roztopiť alebo nakrátko umiestnite spodnú časť priečinka do horúcej vody.

Skladovanie mrazených potravín

Priečinko pre mrazené potraviny je označený symbolom ******.

Priečinko pre mrazené potraviny je vhodný pre uskladnenie predmrazených potravín. Odporúčanie pre uskladnenie uvedené na obale potravín, by sa malo vždy dodržať.

Rozmrazovanie spotrebiča

Nadmerná tvorba ľadu ovplyvní výkon mrazenia spotrebiča.

Preto sa odporúča, aby ste spotrebič rozmrazovali aspoň dvakrát do roka alebo kedykoľvek, keď vytvorený ľad prekročí 7 mm.

Spotrebič rozmrazujte len vtedy, keď sa v ňom nachádza málo potravín alebo sa v ňom potraviny nenachádzajú.

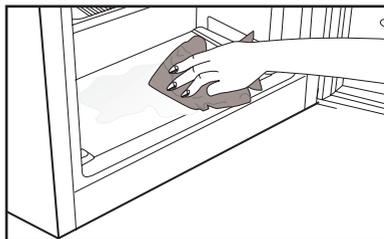
Vyberte zmrazené potraviny. Zmrazené potraviny zabaľte do viacerých vrstiev papiera alebo prikrývok a uchovajte ich na studenom mieste.

Odpojte spotrebič alebo vypnite prerušovač okruhu, aby ste spustili proces rozmrazovania.

Zo spotrebiča vyberte príslušenstvo (ako policu, priečinko atď.) a použite vhodnú nádobu, aby ste zozbierali roztopenú vodu.

Použite špongiu alebo jemnú handričku, aby ste v prípade potreby odstránili roztopenú vodu v mraziacom priečinku

****** a v priečinku pre mrazené potraviny. ******



Počas rozmrazovania uchovajte dvere otvorené.

Pre rýchle rozmrazovanie umiestnite do spotrebiča nádoby s teplou vodou.

Na odstránenie ľadu nikdy nepoužívajte elektrické zariadenia, rozmrazovacie spreje alebo zašpicatené a ostré objekty, ako napríklad nože alebo vidličky.

Po dokončení rozmrazovania očistite vnútornú časť.

Opätovne pripojte spotrebič k sieti.

Do priečinkov umiestnite mrazené potraviny a priečinky zasuňte do mrazničky.

Chladenie

Uskladnenie potravín

Priestor chladničky je určený pre krátkodobé skladovanie čerstvých potravín a nápojov.

Mliečne produkty skladujte v chladničke v určených priečinkoch.

Fľašky sa môžu uskladniť v držiaku fľašiek alebo v polici na fľaše na dverách.

Surové mäso je najlepšie uchovať v polyetylénovom vrecku v priečinku na dne chladničky.

Pred umiestnením horúcich potravín a nápojov do chladničky ich nechajte vychladnúť na izbovú teplotu.

• Upozornenie

Koncentrovaný alkohol skladujte iba v postavenej nádobe, ktorá je pevne uzatvorená.

• Upozornenie

V spotrebiči neskladujte výbušné látky alebo nádoby s horľavými pohonnými plynmi (sprejová šľahačka, spreje atď.). Hrozí nebezpečenstvo výbuchu.

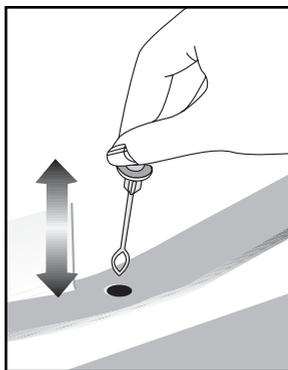
Rozmrazovanie spotrebiča

Priestor chladničky rozmrazuje automaticky. Odmrazená voda steká do odtokového kanálika do zbernej nádoby na zadnej strane spotrebiča.

Počas rozmrazovania sa na zadnej stene chladničky kvôli odparovaniu vytvárajú kvapky vody.

Ak všetky kvapky neodkvapkajú, tak po dokončení rozmrazovania môžu opätovne zamrznúť. Odstráňte ich jemnou handričkou namočenou v teplej vode. Nepoužívajte tvrdé alebo ostré objekty.

Z času na čas kontrolujte prietok roztopenej vody. Príležitostne sa môže zablokovať. Očistite čistiacim prostriedkom na rúrky alebo podobným prostriedkom.



6 Údržba a čistenie

- ⚠ Na čistenie nikdy nepoužívajte benzín, benzén alebo obdobné prostriedky.
- ⚠ Odporúčame vám, aby ste zariadenie pred čistením odpojili od siete.
- ⚠ Na čistenie nikdy nepoužívajte žiadne ostré a drsné predmety, mydlo, domáce čističlá, saponáty a voskové leštidlá.
- ℹ Na čistenie skrine chladničky použite vlažnú vodu a vytrite ju do sucha.
- ℹ Pomocou vlhkej handry namočenej do roztoku jednej lyžičky sódy bikarbóny v pol litri vody očistite vnútrajšok a vytrite ho do sucha.
- ⚠ Uistite sa, že do puzdra lampy, prípadne iných elektrických súčiastok, neprenikne voda.
- ⚠ Ak sa chladničku nechystáte používať dlhšie obdobie, odpojte napájací kábel, vyberte všetky potraviny, vyčistite ju a dvere nechajte pootvorené.
- ℹ Pravidelne kontrolujte, či je tesnenie dverí čisté a zbavené odrobiniek z potravín.
- ⚠ Ak chcete odstrániť prielepkovosť vo dverách, vyberte celý ich obsah a potom jednoducho potlačte prielepkovosť nahor zo základne.
- ⚠ Na čistenie vonkajších povrchov a chrómovaných dielov produktu nikdy nepoužívajte čistiace prostriedky ani vodu s obsahom chlóru. Chlór spôsobuje koróziu takýchto kovových povrchov.

Ochrana plastových povrchov

- ℹ Kvapalné oleje a vyprážené jedlá nedávajte do chladničky v otvorených nádobách, pretože poškadzujú plastové povrchy vašej chladničky. V prípade rozliatia alebo roztritia oleja na plastové povrchy okamžite vyčistite a opláchnite príslušnú časť povrchu teplou vodou.

7 Odporúčané riešenia problémov

Pred zavolaním servisu si pozrite tento zoznam. Môže vám to ušetriť čas aj peniaze. Tento zoznam obsahuje bežné sťažnosti, ktoré sa nevzťahujú na chybné spracovanie alebo využitie materiálu. Niektoré z tu popísaných funkcií nemusí váš produkt obsahovať.

Chladnička nefunguje.

- Je chladnička správne pripojená do siete? Zasuňte zásuvku do stenovej zástrčky.
- Nie je prepálená poistka, ku ktorej je pripojená chladnička, alebo hlavná poistka? Skontrolujte poistku.

Kondenzácia na bočnej stene priestoru chladničky (MULTIZÓNA, OVLÁDANIE CHLADU a FLEXI ZÓNA).

- Veľmi studené podmienky prostredia. Časté otváranie a zatváranie dverí. Veľmi vlhké podmienky prostredia. V chladničke sa nachádzajú potraviny obsahujúce kvapaliny v otvorených nádobách. Ponechanie pootvorených dverí. Prepnutie termostatu do chladnejšej polohy.
- Skrátenie doby otvorenia dverí alebo ich zriedkavejšie používanie.
- Prikrýtie jedla v otvorených nádobách vhodným materiálom.
- Vlhkosť poutierajte suchou handrou a skontrolujte, či stále pretrváva.

Kompresor nie je v prevádzke

- Ochranná teplotná poistka kompresora sa vypáli počas náhleho výpadku napájania alebo pri vytiahnutí a opätovnom zastrčení zásuvky, pretože tlak chladiva v chladničke ešte nie je vyvážený. Vaša chladnička začne pracovať po približne šiestich minútach. Ak po tomto čase chladnička nezačne fungovať, zavolajte servis.
- Chladnička je v rozmrazovacom cykle. Pre plne automatickú rozmrazovaciu chladničku je to normálne. Cyklus odmrazovania sa vykonáva pravidelne.
- Chladnička nie je pripojená do siete. Ubezpečte sa, že ste zástrčku správne vložili do zásuvky.
- Sú správne vykonané nastavenia teploty?
- Napájanie je možno prerušené.

Chladnička pracuje príliš často alebo príliš dlhý čas.

- Váš nový produkt môže byť širší ako predchádzajúci. To je úplne normálne. Veľké chladničky pracujú dlhší čas.
- Okolité teplota môže byť vysoká. To je úplne normálne.
- Chladnička mohla byť zapnutá len nedávno alebo mohlo byť do nej vložené jedlo. Kompletné vychladenie chladničky môže trvať o niekoľko hodín dlhšie.
- Do chladničky mohlo byť len nedávno vložené väčšie množstvo teplého jedla. Teplé jedlo spôsobuje dlhší chod chladničky, kým sa nedosiahne bezpečná teplota skladovania.
- Dvere mohli byť často otvárané alebo ponechané po dlhý čas v pootvorenom stave. Teplý vzduch, ktorý prenikol do chladničky, spôsobuje, že chladnička pracuje dlhší čas. Dvere otvárajte menej často.
- Oddelenie mrazničky alebo chladničky mohlo byť ponechané pootvorené. Skontrolujte, či sú dvere tesne zatvorené.
- Teplota v chladničke je nastavená na veľmi nízku hodnotu. Nastavte teplotu v chladničke na vyššiu a vyčkajte, kým je táto teplota dosiahnutá.
- Tesnenie dverí chladničky alebo mrazničky môže byť zanesené špinou, opotrebované, poškodené alebo nesprávne nasadené. Vyčistite alebo vymeňte tesnenie. Poškodené tesnenie spôsobuje, že chladnička pracuje dlhšiu dobu, aby udržala požadovanú teplotu.

Teplota mrazničky je veľmi nízka, zatiaľ čo teplota chladničky je dostatočná.

- Teplota v mrazničke je nastavená na veľmi nízku hodnotu. Nastavte teplotu v mrazničke na vyššiu a skontrolujte.

Teplota chladničky je veľmi nízka, zatiaľ čo teplota mrazničky je dostatočná.

- Teplota v chladničke je možno nastavená na veľmi nízku teplotu. Nastavte teplotu v chladničke na vyššiu a skontrolujte.

Jedlo uložené v spodných zásuvkách chladničky je zmrazené.

- Teplota v chladničke je možno nastavená na veľmi nízku teplotu. Nastavte teplotu v chladničke na vyššiu a skontrolujte.

Teplota v chladničke alebo mrazničke je príliš vysoká.
<ul style="list-style-type: none"> • Teplota v chladničke je možno nastavená na veľmi vysokú hodnotu. Nastavenia chladničky vplyvajú na teplotu v mrazničke. Zmeňte teplotu chladničky alebo mrazničky, pokiaľ sa tieto teploty nedostanú na adekvátnu úroveň. • Dvere mohli byť často otvárané alebo ponechané po dlhý čas v pootvorenom stave - otvárajte ich menej často. • Dvere ste možno nechali pootvorené - dvere úplne zatvorte. • Do chladničky ste možno nedávno vložili väčšie množstvo teplého jedla. Počkajte, kým mraznička alebo chladnička dosiahnu požadovanú teplotu. • Chladnička mohla byť pripojená do siete len nedávno. Úplné ochladenie chladničky nejaký čas trvá.
Prevádzkový hluk sa zvyšuje, keď chladnička pracuje.
<ul style="list-style-type: none"> • Prevádzkový výkon chladničky sa môže meniť podľa zmeny teploty okolia. Je to úplne normálne a neznamená to poruchu.
Otrasy alebo hluk.
<ul style="list-style-type: none"> • Podlaha nie je rovná alebo nie je pevná. Chladnička sa trasie pri pomalom pohybe. Skontrolujte, či podlaha dokáže uniesť hmotnosť chladničky a či je rovná. • Hluk môže byť spôsobený predmetmi položenými na chladničke. Odstráňte predmety na vrchu chladničky.
Z chladničky vychádzajú zvuky ako rozliatie alebo rozstrekovanie kvapaliny.
<ul style="list-style-type: none"> • Tok kvapaliny a plynu sa uskutočňuje podľa prevádzkových princípov. Je to úplne normálne a neznamená to poruchu.
Chladnička vydáva zvuky ako fúkanie vetra.
<ul style="list-style-type: none"> • Na ochladenie chladničky sa používajú ventilátory. Je to úplne normálne a neznamená to poruchu.
Kondenzácia na vnútorných stenách chladničky.
<ul style="list-style-type: none"> • Horúce a vlhké počasie zvyšuje namrazovanie a kondenzáciu. Je to úplne normálne a neznamená to poruchu. • Dvere ste možno nechali pootvorené - zabezpečte sa, že ste dvere úplne zatvorili. • Dvere mohli byť často otvárané alebo ponechané po dlhý čas v pootvorenom stave - otvárajte ich menej často.
Na vonkajšej strane chladničky alebo medzi dverami sa tvorí vlhkosť.
<ul style="list-style-type: none"> • Vo vzduchu sa môže nachádzať vlhkosť - je to celkom bežné pri vlhkom počasí. Pri nižšej vlhkosti sa kondenzácia stratí.
Vo vnútri chladničky je nepríjemný zápach.
<ul style="list-style-type: none"> • Musíte vyčistiť interiér chladničky. Interiér chladničky vyčistíte špongiou, vlažnou vodou alebo perlivou vodou. • Zápach môžu spôsobovať niektoré nádoby alebo obalové materiály. Použite odlišnú nádobu alebo odlišnú značku baliaceho materiálu.

Dvere sa nezatvárajú.

- Obaly potravín môžu brániť zatvoreniu dverí. Odstráňte obaly, ktoré bránia v ceste dverám.
- Chladnička nie je na podlahe v úplne zvislej polohe a pri miernom pohybe sa kolíše. Nastavte elevačné skrutky.
- Podlaha nie je rovná alebo dostatočne pevná. Skontrolujte, či je podlaha rovná a či dokáže uniesť hmotnosť chladničky.

Špeciálne priehradky sú zaseknuté.

- Jedlo sa môže dotýkať vrchnej strany zásuvky. Znovu usporiadajte jedlo v zásuvke.

UYLÚČENIE ZODPOVEDNOSTI / UPOZORNENIE

Niektoré (jednoduché) poruchy môže koncový užívateľ adekvátne vyriešiť bez akýchkoľvek bezpečnostných rizík alebo nebezpečného použitia, ak sa tieto chyby opravujú v medziach stanovených limitmi a v súlade s nasledujúcimi pokynmi (pozri časť „Samoprava“).

Preto, pokiaľ nie je v nižšie uvedenej časti „Samoprava“ povolené niečo iné, opravy budú adresované registrovaným profesionálnym opravovňiam, az dôvodu predchádzania problémom s bezpečnosťou. Registrovaný profesionálny opravár je profesionálny opravár, ktorému výrobca udelil prístup k pokynom a zoznamu náhradných dielov tohto produktu v súlade s metódami opísanými v legislatívnych aktoch podľa smernice 2009/125/ES.

Avšak iba servisný zástupca (tj. autorizovaný profesionálny servis), na ktorého sa môžete obrátiť prostredníctvom telefónneho čísla uvedeného v používateľskej príručke/ záručnom liste alebo prostredníctvom autorizovaného predajcu, môže poskytovať služby podľa záručných podmienok. Preto vás upozorňujeme, že opravy vykonané profesionálnymi opravármi (ktorí nemajú oprávnenie od spoločnosti Beko) majú za následok stratu záruky.

Samoprava

Konečný užívateľ môže vykonať samopravu, pokiaľ ide o tieto náhradné diely: kľučka dverí, závesy dverí, podnosy, koše a tesnenia dverí (aktualizovaný zoznam je k dispozícii aj na webovej stránke support.beko.com.k 1. marcu 2021).

Okrem toho, pre zaistenie bezpečnosti produktu a zabráneniu riziku vážneho zranenia, uvedená oprava sa musí vykonať podľa pokynov v používateľskej príručke pre opravu alebo ktoré sú k dispozícii v support.beko.com Z bezpečnostných dôvodov pred vykonaním akejkoľvek opravy odpojte produkt z elektrickej siete.

Opravy a pokusy o opravu koncovými používateľmi týkajúce sa častí, ktoré nie sú uvedené v zozname, a/alebo nedodržanie pokynov uvedených v používateľských príručkách pre samopravu alebo ktoré sú k dispozícii v support.beko.com, by mohli vyvolať problémy v oblasti bezpečnosti, ktoré nemožno pripísať Beko a zrušia záruku poskytnutú na výrobok.

Preto sa dôrazne odporúča, aby sa koncoví používatelia zdržali pokusov o vykonanie opráv, ktoré nespádajú do uvedeného zoznamu náhradných dielov, a v takom prípade kontaktujte autorizované profesionálne opravovne alebo registrované profesionálne opravovne. Naopak, takéto pokusy koncových používateľov môžu spôsobiť problémy s bezpečnosťou a poškodiť produkt a následne spôsobiť požiar, vytopenie, elektrický zásah a vážne zranenie osôb.

Napríklad, okrem iného, nasledujúce opravy musí, Aa byť adresované autorizovanému profesionálnemu opravárovi alebo registrovanému profesionálnemu opravárovi: kompresor, chladiaci okruh, hlavný panel, panel invertora, panel displeja atď.

Výrobca / predajca v žiadnom prípade nemôže byť zodpovedný, ak koncoví používatelia nedodržiavajú vyššie uvedené záležitosti.

Dostupnosť náhradných dielov chladničku, ktorú ste kúpili, je 10 rokov. Počas tohto obdobia budú k dispozícii originálne náhradné diely pre správnu funkciu chladničku.

Minimálna záručná doba na Vami zakúpenú chladničku je 24 mesiacov. Tento výrobok je vybavený zdrojom svetla energetickej triedy „G“.

Svetelný zdroj na tomto výrobku môžu vymeniť len profesionálni technici.

Lea este manual antes de utilizar el frigorífico.

Estimado cliente:

Esperamos que este producto, que ha sido fabricado en plantas dotadas de la más avanzada tecnología y sometido a los más estrictos procedimientos de control de calidad, le preste un servicio eficaz.

Para ello, le recomendamos que lea atentamente el presente manual antes de utilizar el producto, y que lo tenga a mano para futuras consultas.

Este manual

- Le ayudará a usar el electrodoméstico de manera rápida y segura.
- Lea el manual antes de instalar y poner en funcionamiento el producto.
- Siga las instrucciones, en particular las relacionadas con la seguridad.
- Conserve el manual en un sitio de fácil acceso, ya que podría necesitarlo en el futuro.
- Además, lea también otros documentos suministrados junto con el producto.
- Tenga en cuenta que este manual también podría ser válido para otros modelos.

Símbolos y sus descripciones

El presente manual de instrucciones emplea los siguientes símbolos:

 Información importante o consejos útiles sobre el funcionamiento.

 Advertencia sobre situaciones peligrosas para la vida y la propiedad.

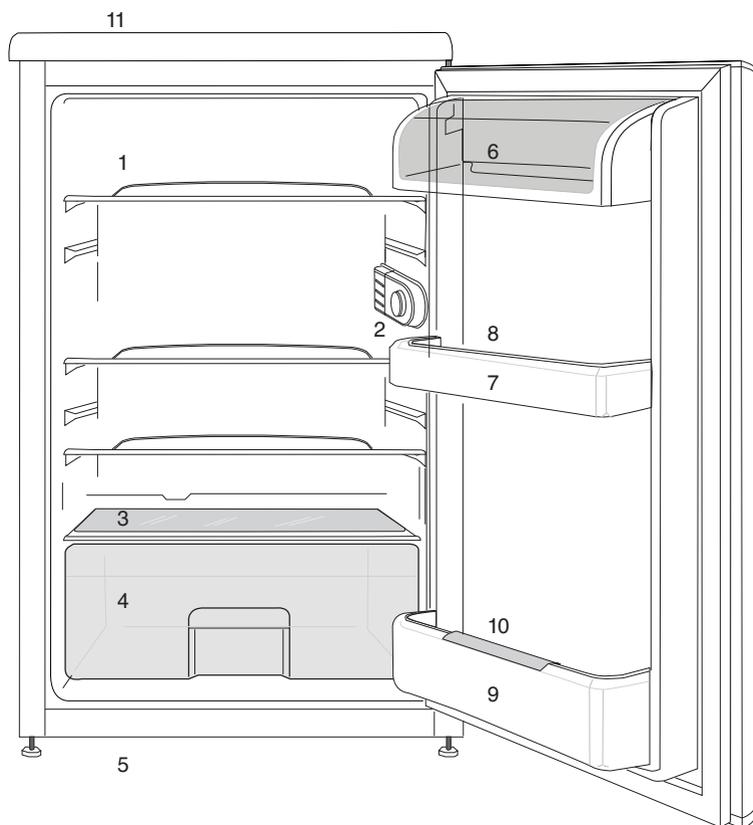
 Advertencia acerca de la tensión eléctrica.

 INFORMACIÓN	
	
<small>SUPPLIER'S NAME</small> 	<small>MODEL IDENTIFIER (*)</small> 
<p>La información del modelo, tal como está almacenada en la base de datos de productos, puede ser consultada en la página web siguiente introduciendo el identificador del modelo (*) que se encuentra en la etiqueta de clasificación energética.</p> <p>https://eprel.ec.europa.eu/</p>	

ÍNDICE

1 Su frigorífico	3	4 Preparación	14
2 Avisos importantes sobre la seguridad	4	Ajuste de los pies	15
Finalidad prevista	4	Instalación (bajo mostrador)	15
Productos equipados con dispensador de agua:	9	Inversión de las puertas	16
Seguridad infantil	10	5 Uso del frigorífico/ congelador	17
Conformidad con la normativa WEEE y eliminación del aparato al final de su vida útil:	10	Congelación	17
Cumplimiento de la directiva RoHS: ..	10	Congelación de alimentos.....	17
Información sobre el embalaje.....	11	Cómo hacer cubitos de hielo.....	18
Advertencia sobre la seguridad de la salud	11	Almacenamiento de alimentos congelados.....	18
Consejos para el ahorro de energía .	11	Deshielo del aparato	19
3 Instalación	12	Refrigeración	19
Cuestiones a considerar a la hora de transportar el frigorífico.....	12	Almacenamiento de los alimentos...19	
Antes de usar el frigorífico	12	Deshielo del aparato	20
Conexiones eléctricas	13	6 Mantenimiento y limpieza	21
Eliminación del embalaje.....	13	Protección de las superficies de plástico	21
Eliminación de su viejo frigorífico.....	13	7 Sugerencias para la solución de problemas	22
Colocación e instalación	13		

1 Su frigorífico



- | | |
|--|---------------------------------------|
| 1. Estantes ajustables | 6. Secciones de mantequillas y quesos |
| 2. Panel de ajuste de la temperatura e indicador | 7. Estante de la puerta |
| 3. Tapa del cajón de frutas y verduras | 8. Hueveras |
| 4. Cajones de frutas y verduras | 9. Estante para botellas |
| 5. Pies ajustables | 10. Botellero |
| | 11. Tabla superior |

ⓘ Las ilustraciones incluidas en el presente manual de instrucciones son esquemáticas y puede que no se adecúen a su producto con exactitud. Si alguno de los elementos reflejados no se corresponde con el producto que usted ha adquirido, entonces será válido para otros modelos.

2 Avisos importantes sobre la seguridad

Lea con atención la siguiente información. No tener en cuenta dicha información podría acarrear lesiones o daños materiales. En tal caso, las garantías y los compromisos de fiabilidad quedarían anulados.

La vida útil de la unidad adquirida es de 10 años. Éste es el período durante el cual se garantiza la disponibilidad de las piezas de repuesto para la unidad.

Finalidad prevista

Este aparato está diseñado para usarse en los siguientes entornos:

- interiores y entornos cerrados tales como domicilios particulares;
- entornos cerrados de trabajo tales como almacenes u oficinas;
- zonas de servicio cerradas tales como

casas rurales, hoteles o pensiones.

- Este aparato no se debe usar al aire libre.

Seguridad general

- Cuando desee deshacerse del aparato, le recomendamos que solicite a su servicio técnico autorizado la información necesaria a este respecto, así como la relación de entidades locales a las que puede dirigirse.

- En caso de dudas o problemas, diríjase a su servicio técnico autorizado. No intente reparar el frigorífico sin consultar con el servicio técnico, ni deje que nadie lo haga.

- Para aparatos equipados con un compartimento congelador: no consuma los helados o cubitos de hielo inmediatamente después de sacarlos del compartimento congelador, ya que

podría sufrir daños en su boca a causa del frío.

- Para aparatos equipados con un compartimento congelador: no deposite bebidas embotelladas o enlatadas en el compartimento congelador, ya que podrían estallar.
- No toque con la mano los alimentos congelados, ya que podrían adherirse a ella.
- Desenchufe su frigorífico antes de proceder a su limpieza o deshielo.
- No utilice nunca materiales de limpieza que usen vapor para limpiar o descongelar el frigorífico. El vapor podría entrar en contacto con los elementos eléctricos y causar cortocircuitos o descargas eléctricas.
- No utilice nunca elementos del frigorífico tales como la puerta como medio de sujeción o como escalón.

- No utilice aparatos eléctricos en el interior del frigorífico.

- Evite dañar el circuito del refrigerante con herramientas cortantes o de perforación. El refrigerante que puede liberarse si se perforan los canales de gas del evaporador, los conductos o los recubrimientos de las superficies causa irritaciones en la piel y lesiones en los ojos.

- No cubra ni bloquee los orificios de ventilación de su frigorífico con ningún material.

- Deje la reparación de los aparatos eléctricos únicamente en manos de personal autorizado. Las reparaciones realizadas por personas incompetentes generan riesgos para el usuario.

- En caso de fallo o cuando vaya a realizar cualquier operación de reparación o mantenimiento, desconecte el frigorífico de la corriente apagando el fusible correspondiente o bien desenchufando el aparato.

- No desenchufe el aparato de la toma de corriente tirando del cable.

- Asegúrese de guardar las bebidas alcohólicas correctamente con la tapa puesta y colocadas hacia arriba.

- No almacene en el frigorífico aerosoles que contengan sustancias inflamables o explosivas.

- No utilice dispositivos mecánicos u otros medios para acelerar el proceso de deshielo distintos de los recomendados por el fabricante.

- Este aparato no debe ser utilizado por niños o por personas con sus facultades físicas, sensoriales o mentales reducidas o bien que carezcan de la experiencia y los conocimientos necesarios, a menos que lo hagan bajo la supervisión de personas responsables de su seguridad o bien tras haber recibido instrucciones de uso por parte de dichas personas.

- No utilice un frigorífico que haya sufrido daños. Consulte con el servicio de atención al cliente en caso de duda.

- La seguridad eléctrica de su frigorífico sólo estará garantizada si el sistema de toma de tierra de su domicilio se ajusta a los estándares.

- Desde el punto de vista de la seguridad eléctrica, es peligroso exponer el aparato a

la lluvia, la nieve o el viento.

- Póngase en contacto con el servicio técnico autorizado en caso de que el cable de alimentación principal se dañe, para evitar cualquier peligro.

- Nunca enchufe el frigorífico en la toma de corriente durante su instalación. Existe peligro de lesiones graves e incluso de muerte.

- Este frigorífico está únicamente diseñado para almacenar alimentos. No debe utilizarse para ningún otro propósito.

- La etiqueta que contiene los datos técnicos del frigorífico se encuentra en la parte interior izquierda del mismo.

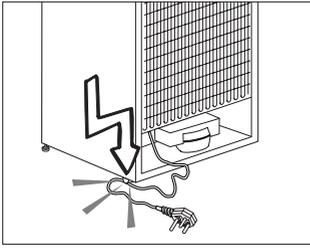
- Jamás conecte el frigorífico a sistemas de ahorro de electricidad, ya que podría dañarlo.

- Si el frigorífico está equipado con una luz azul, no la mire a simple vista o a través de dispositivos ópticos durante un tiempo prolongado.

- En los frigoríficos de control manual, si se produce un corte del fluido eléctrico espere al menos 5 minutos antes de volver a ponerlo en marcha.

- Cuando entregue este aparato a un nuevo propietario, asegúrese de entregar también este manual de instrucciones.

- Tenga cuidado de no dañar el cable de alimentación al transportar el frigorífico. Doblar el cable podría causar un incendio. Nunca deposite objetos pesados encima del cable de alimentación. No toque el enchufe con las manos mojadas para conectar el aparato.



- No enchufe el refrigerador si el enchufe no encaja con firmeza en la toma de corriente de la pared.
- Por razones de seguridad, no pulverice agua directamente en la partes interiores o exteriores de este aparato.
- No rocíe cerca del refrigerador sustancias que contengan gases inflamables tales como gas propano para evitar riesgos de incendio y explosiones.
- Nunca coloque recipientes con agua sobre el refrigerador, ya que podría provocar una descarga eléctrica o un incendio.
- No deposite cantidades excesivas de alimentos en el refrigerador. Si lo hace,

al abrir la puerta del refrigerador los alimentos podrían caerse y provocar lesiones personales o dañar el refrigerador. Nunca coloque objetos sobre el refrigerador, ya que podrían caer al abrir o cerrar la puerta.

- No guarde en el refrigerador productos que necesiten un control preciso de la temperatura tales como vacunas, medicamentos sensibles al calor, materiales científicos, etc.
- Desenchufe el refrigerador si no lo va a utilizar durante un periodo prolongado de tiempo. Un problema en el cable de alimentación podría causar un incendio.
- Limpie regularmente la punta del enchufe, ya que de lo contrario puede provocar un incendio.
- Limpie regularmente la punta

del enchufe con un paño seco; de lo contrario podría provocarse un incendio.

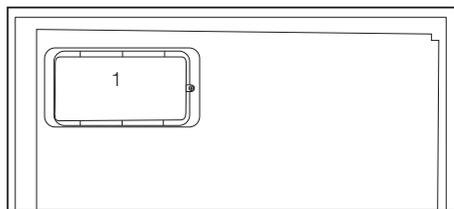
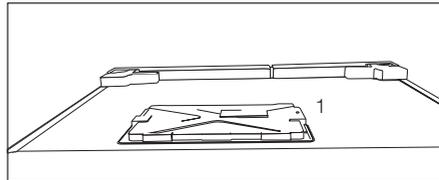
- El frigorífico podría moverse si los pies no están adecuadamente asentados en el suelo. Fijar adecuadamente los pies del frigorífico en el suelo puede ayudar a evitar que se mueva.

- Cuando transporte el frigorífico, no lo aferre del asa de la puerta. De lo contrario, podría romperla.

- Cuando tenga que colocar el frigorífico cerca de otro frigorífico o congelador, deberá dejar un espacio entre ambos aparatos de 8 cm como mínimo. De lo contrario, podría formarse humedad en las paredes adyacentes.

- Nunca utilice el producto si la sección situada en la parte superior o posterior del producto que tiene las placas de circuitos impresos electrónicos

en el interior está abierta (cubierta de la placa del circuito electrónico impreso) (1).



Productos equipados con dispensador de agua:

- La presión en la entrada de agua fría será a un máximo de 90 psi (6.2 bar). Si la presión del agua es superior a 80 psi (5,5 bar), utilice una válvula limitadora de presión en el sistema de red. Si usted no sabe cómo controlar la presión del agua, pida la ayuda de un plomero profesional.

- Si hay riesgo de golpe de ariete en la

instalación, siempre utilice un equipo de prevención contra golpes de ariete en la instalación. Consulte a un fontanero profesional si no está seguro de que no hay un efecto del golpe de ariete en la instalación.

- No instale en la entrada de agua caliente. Tome precauciones contra el riesgo de congelación en las mangueras. El intervalo de funcionamiento de la temperatura del agua debe ser un mínimo de 33°F (0.6°C) y un máximo de 100°F (38°C).

- Use agua potable únicamente.

Seguridad infantil

- Si la puerta tiene cerradura, mantenga la llave fuera del alcance de los niños.
- Vigile a los niños para evitar que manipulen el aparato.

Conformidad con la normativa WEEE y eliminación del aparato al final de su vida útil:



Este producto es conforme con la directiva de la UE sobre residuos de aparatos eléctricos y electrónicos (WEEE) (2012/19/UE). Este producto incorpora el símbolo de la clasificación selectiva para los residuos de aparatos eléctricos y electrónicos (WEEE).

Este aparato se ha fabricado con piezas y materiales de primera calidad, que pueden ser reutilizados y son aptos para el reciclado. No se deshaga del producto junto con sus los residuos domésticos normales y de otros tipos al final de su vida útil. Llévelo a un centro de reciclaje de dispositivos eléctricos y electrónicos. Solicite a las autoridades locales información acerca de dichos centros de recogida.

Cumplimiento de la directiva RoHS:

El producto que ha adquirido es conforme con la directiva de la UE sobre la restricción de sustancias peligrosas (RoHS) (2011/65/UE). No contiene ninguno de los materiales nocivos o prohibidos especificados en la directiva.

Información sobre el embalaje

El embalaje del aparato se fabrica con materiales reciclables, de acuerdo con nuestro Reglamento Nacional sobre Medio Ambiente. No elimine los materiales de embalaje junto con los residuos domésticos o de otro tipo. Llévelos a un punto de recogida de materiales de embalaje designado por las autoridades locales.

Advertencia sobre la seguridad de la salud

Si el sistema de refrigeración de su aparato contiene R600a:

Este gas es inflamable. Por lo tanto, procure no dañar el sistema de enfriamiento ni sus conductos durante el uso o el transporte del aparato. En caso de daños, mantenga el aparato alejado de fuentes potenciales de ignición que puedan provocar que éste sufra un incendio, y ventile la estancia en la que se encuentre el aparato.

Ignore esta advertencia si el sistema de refrigeración de su aparato contiene R134a.

El tipo de gas utilizado en el aparato se indica en la placa de datos ubicada en la pared interior izquierda del frigorífico.

Jamás arroje el aparato al fuego.

Consejos para el ahorro de energía

- No sobrecargue el frigorífico, ya que entorpecería la circulación del aire en su interior.
 - No instale el frigorífico de forma que quede expuesto a la luz solar directa o cerca de aparatos que irradian calor tales como hornos, lavavajillas o radiadores.
 - Procure depositar los alimentos en recipientes cerrados.
 - Productos equipados con compartimento congelador: puede disponer del máximo volumen para el depósito de alimentos retirando el estante o el cajón del congelador. El consumo energético que se indica para su frigorífico se ha calculado retirando el estante o el cajón del congelador y en condiciones de máxima carga. No existe ningún riesgo en la utilización de un estante o cajón según las formas o tamaños de los alimentos que se van a congelar.
 - Descongele los alimentos congelados en el compartimento frigorífico; ahorrará energía y preservará la calidad de los alimentos.
- No deje las puertas del frigorífico abiertas durante periodos largos de tiempo.
 - No introduzca alimentos o bebidas calientes en el frigorífico.

3 Instalación

⚠ Recuerde que el fabricante declina toda responsabilidad en caso de incumplimiento de las instrucciones de este manual.

Cuestiones a considerar a la hora de transportar el frigorífico

1. El frigorífico debe estar vacío y limpio antes de proceder a su transporte.
2. Los estantes, accesorios, el cajón de frutas y verduras, etc., deben sujetarse con cinta adhesiva antes de embalar el frigorífico para evitar que se muevan.
3. Enciente el frigorífico una vez embalado con cinta gruesa y fíjelo con cuerdas resistentes. Siga las reglas de transporte que encontrará impresas en el propio embalaje.

No olvide que:

El reciclaje de materiales es un asunto de vital importancia para la naturaleza y para los recursos del país.

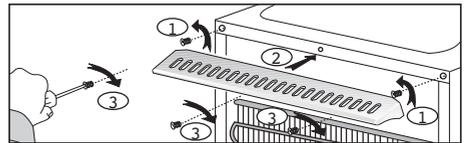
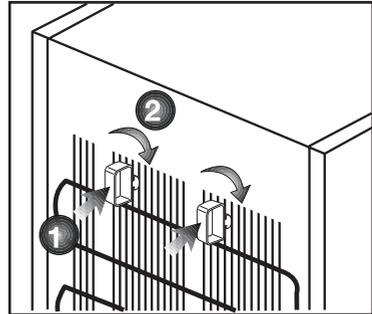
Si desea contribuir al reciclaje de los materiales de embalaje, solicite más información a los responsables medioambientales de su zona o a las autoridades locales.

Antes de usar el frigorífico

Antes de empezar a usar el frigorífico, verifique lo siguiente:

1. El interior del frigorífico está seco y el aire puede circular con libertad por su parte posterior.

2. Introduzca 2 cuñas plásticas en la ventilación trasera, como se muestra en la figura siguiente. Las cuñas de plástico proporcionarán la distancia requerida entre su frigorífico y la pared para una correcta circulación del aire.



3. Limpie el interior del frigorífico de la forma recomendada en la sección "Mantenimiento y Limpieza".
4. Enchufe el frigorífico a la toma de corriente. Al abrir la puerta del frigorífico, la luz interior del compartimento frigorífico se enciende.

Conexiones eléctricas

Conecte el frigorífico a una toma de corriente provista de toma de tierra y protegida por un fusible de la capacidad adecuada.

Importante:

- La conexión debe cumplir con las normativas nacionales.
- El enchufe de alimentación debe ser fácilmente accesible tras la instalación.
- La tensión especificada debe corresponder a la tensión de la red eléctrica.
- No use cables de extensión ni enchufes múltiples para conectar la unidad.

⚠ Todo cable de alimentación dañado debe ser reemplazado por un electricista cualificado.

⚠ No ponga en funcionamiento el aparato hasta que esté reparado, ya que existe peligro de cortocircuito.

Eliminación del embalaje

Los materiales de empaque pueden ser peligrosos para los niños. Manténgalos fuera de su alcance o deshágase de ellos clasificándolos según las instrucciones para la eliminación de residuos. No los tire junto con los residuos domésticos normales.

El embalaje del frigorífico se ha fabricado con materiales reciclables.

Eliminación de su viejo frigorífico

Deshágase de su viejo frigorífico de manera respetuosa con el medio ambiente.

- Consulte las posibles alternativas a un distribuidor autorizado o al centro de recogida de residuos de su municipio.

Antes de proceder a la eliminación del frigorífico, corte el enchufe y, si las puertas tuvieran cierres, destrúyalos para evitar que los niños corran riesgos.

Colocación e instalación

1. ⚠ Si la puerta de entrada a la estancia donde va a instalar el frigorífico no es lo suficientemente ancha como para permitir su paso, solicite al servicio técnico que retire las puertas del frigorífico y lo pase de lado a través de la puerta.
2. Instale el frigorífico en un lugar en el que pueda utilizarse con comodidad.
3. Mantenga el frigorífico alejado de fuentes de calor y lugares húmedos y evite su exposición directa a la luz solar.
4. Para que el frigorífico funcione con la máxima eficacia, debe instalarse en una zona que disponga de una ventilación adecuada. Si el frigorífico va a instalarse en un hueco de la pared, debe dejarse un mínimo de 5 cm de separación con el techo y de 5 cm con las paredes. Si el suelo está cubierto con una alfombra, deberá elevar el frigorífico 2,5 cm del suelo.
5. Coloque el frigorífico sobre una superficie lisa para evitar sacudidas.

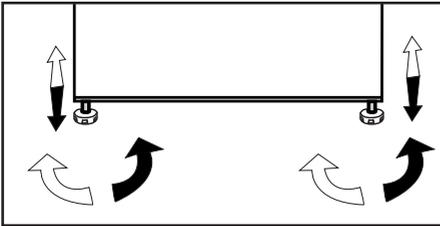
4 Preparación

- Para uso no empotrado: "este aparato de refrigeración no está destinado a ser utilizado como electrodoméstico empotrado";
- El frigorífico debe instalarse dejando una separación no inferior a 30 cm respecto a fuentes de calor tales como quemadores, hornos, calefacciones o estufas y no inferior a 5 cm con respecto a hornos eléctricos, evitando asimismo su exposición directa a la luz solar.
- La temperatura ambiente de la estancia donde instale el frigorífico no debe ser inferior a 10 °C. A temperaturas inferiores, el frigorífico puede ver reducida su eficacia.
- Asegúrese de limpiar meticulosamente el interior del frigorífico.
- En caso de que vaya a instalar dos frigoríficos uno al lado del otro, debe dejar una separación no inferior a 2 cm entre ellos.
- Al utilizar el frigorífico por primera vez, siga las siguientes instrucciones referentes a las primeras seis horas.
- No abra la puerta con frecuencia.
- No deposite alimentos en el interior.
- No desenchufe el frigorífico. En caso de corte del suministro eléctrico ajeno a su voluntad, consulte las advertencias de la sección "Sugerencias para la solución de problemas".
- Guarde el embalaje original para futuros traslados.
- Para un consumo eléctrico reducido y mejores condiciones de almacenamiento, las cestas y cajones incluidos con el congelador deberán estar siempre en uso.
- Si los alimentos entran en contacto con el sensor de temperatura del congelador, el consumo eléctrico puede incrementarse. Por tanto, es aconsejable evitar cualquier tipo de contacto con el sensor.
- En algunos modelos, el panel de instrumentos se apaga automáticamente 5 minutos después de cerrar la puerta. Se reactivará cuando se abra la puerta o se pulse cualquier botón.
- Debido al cambio de temperatura como resultado de la apertura/ clausura de la puerta del producto durante el funcionamiento, la condensación en los estantes de la puerta/cuerpo y los contenedores de cristal es normal.

Ajuste de los pies

Si su frigorífico no está equilibrado:

Puede equilibrar el frigorífico girando los pies delanteros tal como se muestra en la ilustración. La esquina correspondiente al pie que está manipulando descenderá al girar el pie en la dirección de la flecha negra y se elevará al girarlo en la dirección opuesta. Le será más fácil realizar esta operación si le pide a alguien que levante ligeramente el frigorífico.



Instalación (bajo mostrador)

- La altura interior del mostrador debe ser de 820 mm.
- (!) No colocar fogones u otras fuentes de calor sobre la zona del mostrador bajo la cual se encuentre el electrodoméstico.
- La toma eléctrica de pared debe estar cerca de uno de los laterales del aparato.
- Retire la cubierta superior del electrodoméstico. Deberá extraer 4 tornillos (situados 2 en la parte trasera y 2 bajo el canto delantero). Fig. 1
- Corte la pieza mostrada en la imagen y a continuación retírela con ayuda de unos alicates.
- Coloque el electrodoméstico bajo el mostrador y ajuste los pies delanteros hasta que la parte superior haga contacto con el mostrador.
- Para poder utilizar este aparato bajo un mostrador, la distancia a la pared y la referencia indicada en el plástico superior de conexión debe ser de 595 mm como mínimo.

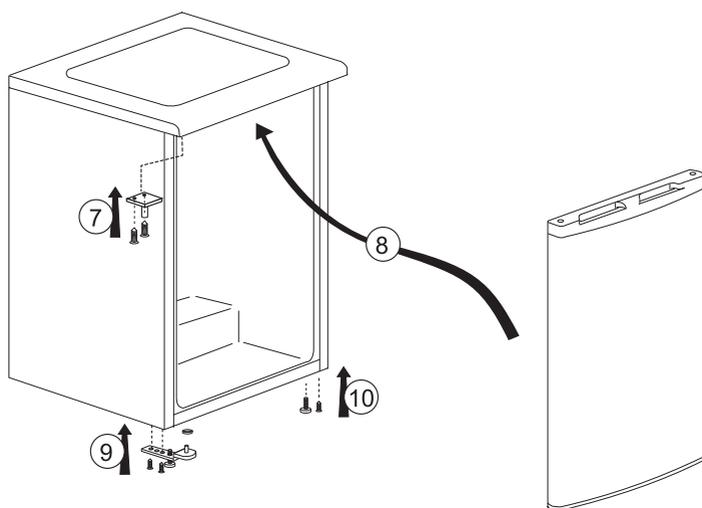
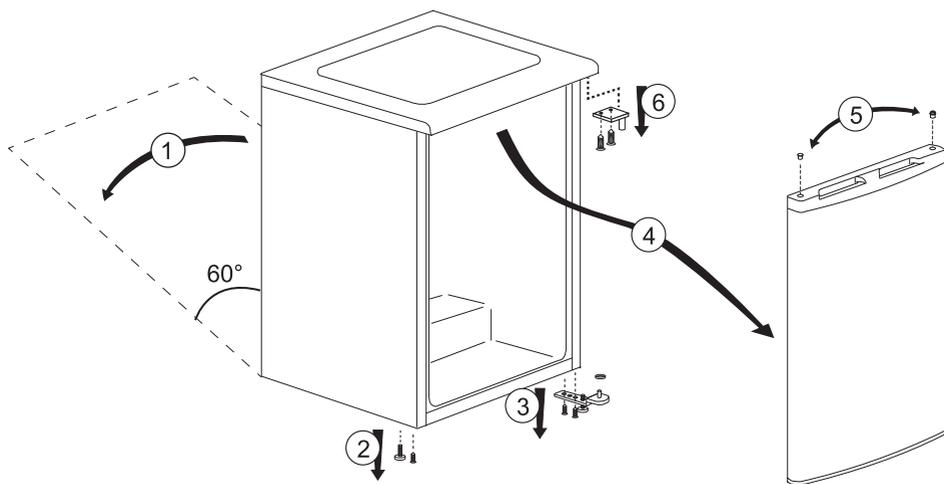
Fig. 2-3

- Fije el aparato bajo el mostrador mediante dos de los tornillos previamente extraídos de la cubierta superior. (¡El material del mostrador debe ser de madera o plástico!).

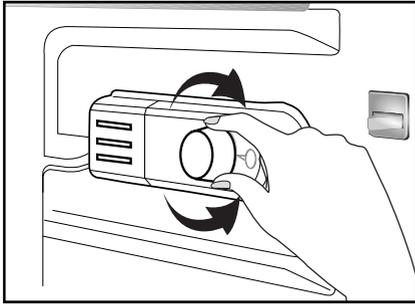
Fig. 4

Inversión de las puertas

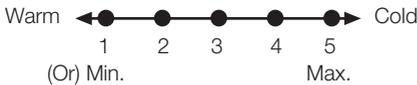
Proceder en orden numérico



5 Uso del frigorífico/congelador



La temperatura de funcionamiento se regula mediante el mando de control de temperatura.



1 = Nivel mínimo de refrigeración (Posición de máximo calor)

5 = Nivel máximo de refrigeración (Posición de máximo frío)

(0)

Mín. = Nivel mínimo de refrigeración

(Posición de máximo calor)

Máx. = Nivel máximo de refrigeración

(Posición de máximo frío)

La temperatura media en el interior del frigorífico debería ser de unos +5 °C.

Seleccione el ajuste en función de la temperatura deseada.

Puede detener el funcionamiento del frigorífico colocando el mando del termostato en la posición "0".

Tenga en cuenta que habrá diferentes temperaturas en el área de refrigeración.

La zona más fría se encuentra situada justo encima del compartimento de las verduras.

La temperatura interior depende asimismo de la temperatura ambiente, la frecuencia de apertura de la puerta y la cantidad de alimentos almacenados.

Una apertura frecuente de la puerta provoca un aumento de la temperatura del interior.

Por este motivo, se recomienda cerrar la puerta lo antes posible después de cada uso.

Congelación

Congelación de alimentos

El compartimento de congelación aparece marcado con el símbolo



El electrodoméstico puede utilizarse para congelar alimentos frescos así como para almacenar preparados precongelados.

Por favor, consulte las recomendaciones que figuran en el envase de los alimentos.

• Atención

No congele bebidas gaseosas, ya que las botellas pueden estallar cuando el líquido en su interior se congele.

Tenga cuidado con los productos congelados tales como los cubitos de hielo de colores.

No rebase la cantidad de alimentos que es capaz de congelar el frigorífico en 24 horas. Consulte la etiqueta de datos.

Para mantener la calidad de los alimentos, la congelación de los mismos debe realizarse lo más rápidamente posible.

De esa manera, no se excederá la capacidad de congelación y no aumentará la temperatura en el interior del congelador.

- Atención

Mantenga los alimentos ya congelados separados de los colocados recientemente.

Cuando introduzca alimentos calientes en el congelador, el compresor de refrigeración se mantendrá en funcionamiento hasta que estén completamente congelados. Esto puede temporalmente provocar un enfriamiento excesivo del compartimento frigorífico.

Puede resultar difícil abrir la puerta del congelador justo después de haberla cerrado. No se preocupe. Ello se debe a la diferencia de presión, que se igualará y permitirá la normal apertura de la puerta en pocos minutos.

Oirá un sonido de aspiración nada más cerrar la puerta. Esto es perfectamente normal.

Cómo hacer cubitos de hielo

Rellene la cubitera hasta 3/4 de su capacidad y colóquela en el congelador.

Una vez el agua se haya transformado en hielo, puede sacar los cubitos.

Nunca utilice objetos con punta o bordes afilados, como cuchillos o tenedores, para retirar los cubitos. ¡Existe riesgo de lesiones!

En vez de ello, deje que los cubitos se derritan ligeramente, o introduzca el fondo de la bandeja en agua caliente durante unos instantes.

Almacenamiento de alimentos congelados

El compartimento de alimentos congelados aparece marcado con el símbolo .

El compartimento de alimentos congelados es adecuado para el almacenamiento de alimentos precongelados. Se deben seguir siempre las recomendaciones para el almacenamiento que figuran en el envase de los alimentos.

Deshielo del aparato

La formación de hielo excesivo afecta a la capacidad de congelación del frigorífico.

Por lo tanto, se recomienda deshelar su aparato al menos dos veces al año o cuando el espesor del hielo acumulado supere los 7mm.

Deshiele el frigorífico cuando no haya ningún o casi ningún alimento en su interior.

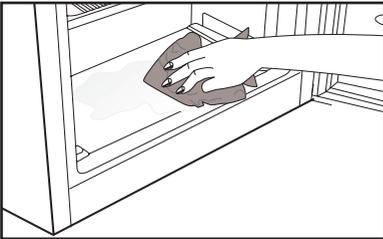
Retirar los alimentos congelados. Envuelva los alimentos congelados en varias capas de papel o en una manta y guárdelos en un lugar frío.

Desenchufe el aparato o bien desconecte el disyuntor para iniciar el proceso de deshielo.

Retire los accesorios (estantes, cajones, etc.) del aparato y utilice un recipiente adecuado para recoger el agua de deshielo.

Si es necesario, use una esponja o un trapo suave para eliminar el agua de descongelación en el compartimento de descongelación.

******* y el compartimento de alimentos congelados ******



Mantenga la puerta abierta durante el deshielo.

Para un deshielo más rápido, coloque recipientes con agua caliente en el interior del electrodoméstico.

No utilice nunca aparatos eléctricos, aerosoles de descongelación u objetos afilados tales como tenedores o cuchillos para retirar el hielo.

Después de realizar el deshielo, limpie el interior.

Vuelva a conectar el aparato a la corriente. Coloque los alimentos congelados en los cajones e inserte estos en el congelador.

Refrigeración

Almacenamiento de los alimentos

El compartimento refrigerador está destinado al almacenamiento de alimentos frescos y bebidas por un periodo de tiempo breve.

Almacene los productos lácteos en el compartimento destinado a tal efecto.

Las botellas pueden guardarse en el portabotellas o en el estante para botellas de la puerta.

La carne cruda se conserva mejor en bolsas de polietileno dentro del compartimento inferior del refrigerador.

Deje enfriar los alimentos y las bebidas calientes antes de introducirlos en el frigorífico.

- **Atención**

Guarde el alcohol concentrado únicamente en recipientes en posición vertical y firmemente cerrados.

- **Atención**

No deposite en el electrodoméstico sustancias explosivas ni productos que contengan gases inflamables (botes de nata a presión, aerosoles, etc.).

Hay un riesgo de explosión.

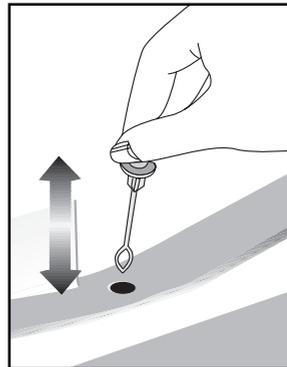
Deshielo del aparato

El compartimento frigorífico se deshiela de manera automática. El agua del deshielo circula a través del conducto de desagüe hacia el recipiente de recogida situado en la parte trasera del electrodoméstico.

Durante el deshielo pueden formarse pequeñas gotas en la parte trasera del frigorífico a causa de la evaporación.

Si no se eliminan estas gotas, puede que vuelvan a congelarse una vez completado el proceso de deshielo. Retírelas con la ayuda de un paño suave humedecido en agua caliente. No utilizar objetos contundentes o afilados.

Comprobar de vez en cuando la circulación del agua de deshielo. Es posible que pueda interrumpirse ocasionalmente. Límpielo con un limpiador de tubos o utensilio similar.



6 Mantenimiento y limpieza

⚠ No utilice nunca gasolina, benceno o sustancias similares para la limpieza.

⚠ Le recomendamos desenchufar el aparato antes de proceder a su limpieza.

❗ No utilice nunca para la limpieza instrumentos afilados o sustancias abrasivas, jabones, limpiadores domésticos, detergentes ni ceras abrillantadoras.

❗ Limpie el armario del frigorífico con agua tibia y séquelo con un paño.

❗ Para limpiar el interior, utilice un paño humedecido en un vaso grande de agua con una cucharadita de bicarbonato sódico disuelta y séquelo con un trapo.

⚠ Asegúrese de que no penetre agua en el alojamiento de la lámpara ni en otros elementos eléctricos.

⚠ Si no va a utilizar el frigorífico durante un periodo prolongado, desenchúfelo, retire todos los alimentos, límpielo y deje la puerta entreabierta.

❗ Compruebe regularmente los cierres herméticos de la puerta para asegurarse de que estén limpios y sin restos de alimentos.

❗ Para extraer las bandejas de la puerta, retire todo su contenido y, a continuación, simplemente empuje la bandeja hacia arriba desde su base.

❗ Nunca use agentes de limpieza o agua que contengan cloro para limpiar las superficies exteriores y los cromados del producto, ya que el cloro corroe dichas superficies metálicas.

❗ No utilice herramientas afiladas y abrasivas ni jabón, productos de limpieza domésticos, detergentes, gasolina, benceno, cera, etc., de lo contrario los sellos en las piezas de plástico se caerán y deformarán. Use agua tibia y un paño suave para limpiar y secar.

Protección de las superficies de plástico

❗ No deposite aceites líquidos o alimentos aceitosos en recipientes no cerrados ya que dañarán las superficies de plástico de su frigorífico. En caso de derrame de aceite sobre las superficies de plástico, limpie y enjuague con agua caliente la parte afectada de inmediato.

7 Sugerencias para la solución de problemas

Le rogamos compruebe la siguiente lista antes de llamar al servicio técnico. Ello puede ayudarle a ahorrar tiempo y dinero. Esta lista incluye problemas frecuentes no achacables a defectos en materiales o manufactura. Es posible que algunas de las características mencionadas no estén presentes en su producto.

El refrigerador no funciona
<ul style="list-style-type: none">• ¿Está el frigorífico correctamente enchufado? Inserte el enchufe en la toma de corriente.• ¿Están fundidos el fusible principal o el fusible del enchufe al cual ha conectado el frigorífico? Revise los fusibles.
Condensación en la pared lateral del compartimento refrigerador. (MULTI ZONE, COOL CONTROL y FLEXI ZONE)
<ul style="list-style-type: none">• Condiciones ambientales muy frías. Frecuente apertura y cierre de la puerta. Nivel alto de humedad ambiental. Almacenamiento de alimentos que contienen líquidos en recipientes abiertos. Dejar la puerta entreabierta.• Ponga el termostato a una temperatura más baja.• Deje la puerta abierta durante menos tiempo o ábrala con menor frecuencia.• Cubra los alimentos almacenados en recipientes abiertos con un material adecuado.• Enjugue el agua condensada con un paño seco y compruebe si la condensación persiste.
El compresor no funciona
<ul style="list-style-type: none">• El dispositivo térmico protector del compresor saltará en caso de un corte súbito de energía o de idas y venidas de la corriente, ya que la presión del refrigerante en el sistema de enfriamiento aún no se ha estabilizado.• Su frigorífico se pondrá en marcha transcurridos unos 6 minutos. Llame al servicio técnico si su frigorífico no se pone en marcha transcurrido ese periodo.• El frigorífico se encuentra en el ciclo de descongelación. Esto es normal en un frigorífico con descongelación automática. El ciclo de descongelación se produce de forma periódica.• El frigorífico no está enchufado. Compruebe que el enchufe esté firmemente insertado en la toma de corriente.• ¿Está la temperatura correctamente fijada? Hay un corte del fluido eléctrico. Llame a su electricista.

El frigorífico está en funcionamiento con frecuencia o durante periodos prolongados.

- Puede que su nuevo frigorífico sea más grande que el que tenía anteriormente. Esto es perfectamente normal. Los frigoríficos de mayor tamaño funcionan durante más tiempo.
- Es posible que la temperatura ambiente de la estancia sea más alta. Esto es perfectamente normal.
- Es posible que haya enchufado el frigorífico o bien lo haya cargado de alimentos recientemente. Puede que el frigorífico tarde unas dos horas en enfriarse por completo.
- Es posible que recientemente haya depositado grandes cantidades de alimentos en el frigorífico. Los alimentos calientes pueden ocasionar que el frigorífico trabaje durante más tiempo hasta alcanzar la temperatura de almacenamiento seguro.
- Es posible que las puertas se hayan abierto con frecuencia o que se hayan dejado entreabiertas por un tiempo prolongado. El aire caliente que ha penetrado en el frigorífico hace que éste funcione durante más tiempo. Abra las puertas con menos frecuencia.
- Es posible que la puerta del compartimento frigorífico o congelador se haya dejado entreabierta. Compruebe que las puertas estén bien cerradas.
- El frigorífico está ajustado a una temperatura muy baja. Ajuste la temperatura del frigorífico a un valor más alto y espere a que se alcance dicha temperatura.
- La junta de la puerta del compartimento frigorífico o congelador puede estar sucia, desgastada, rota o no asentada correctamente. Limpie o sustituya la junta. Una junta rota o dañada hace que el frigorífico funcione durante más tiempo con el fin de mantener la temperatura actual.

La temperatura del congelador es muy baja, mientras que la del frigorífico es correcta.

- La temperatura del congelador está ajustada a un valor muy bajo. Ajuste la temperatura del congelador a un valor más elevado y compruebe.

La temperatura del frigorífico es muy baja, mientras que la del congelador es correcta.

- La temperatura del compartimento frigorífico está ajustada a un valor muy bajo. Ajuste la temperatura del frigorífico a un valor más elevado y compruebe.

Los alimentos depositados en los cajones del compartimento frigorífico se están congelando.

- La temperatura del compartimento frigorífico está ajustada a un valor muy bajo. Ajuste la temperatura del frigorífico a un valor más elevado y compruebe.

La temperatura del congelador o el frigorífico es muy alta.
<ul style="list-style-type: none"> • La temperatura del frigorífico está ajustada a un valor muy alto. El ajuste de la temperatura del frigorífico afecta a la temperatura del congelador. Cambie la temperatura del frigorífico o del congelador hasta que alcance un nivel suficiente. • Es posible que la puerta se haya quedado entreabierta. Cierre la puerta del todo. • Es posible que recientemente haya depositado grandes cantidades de alimentos en el frigorífico. Espere hasta que el frigorífico o el congelador alcance la temperatura deseada. • Es posible que el frigorífico haya sido enchufado recientemente. El enfriamiento completo del frigorífico lleva un tiempo debido a su tamaño.
Puede escucharse un sonido parecido al tic tac de un reloj saliendo del frigorífico.
<ul style="list-style-type: none"> • Este ruido procede de la electroválvula del frigorífico. La electroválvula garantiza el flujo de líquido refrigerante a través del compartimento, que puede ajustarse a temperaturas de enfriamiento o congelación así como llevar a cabo funciones de refrigeración. Esto es perfectamente normal y no es ninguna anomalía.
El nivel de ruidos propios del funcionamiento se incrementa cuando el frigorífico está en marcha.
<ul style="list-style-type: none"> • Las características de rendimiento del frigorífico pueden cambiar en función de las variaciones en la temperatura ambiente. Esto es perfectamente normal, no es ninguna avería.
Vibraciones o ruidos.
<ul style="list-style-type: none"> • El suelo no está nivelado ni es firme. El frigorífico oscila al moverlo lentamente. Compruebe que el suelo esté nivelado y sea firme y capaz de soportar el peso del frigorífico. • El ruido puede deberse a los elementos guardados en el frigorífico. Tales objetos deben retirarse de la parte superior del frigorífico.
Pueden oírse ruidos como si un líquido se derramara o se pulverizara.
<ul style="list-style-type: none"> • Los líquidos y gases fluyen de acuerdo con los principios de funcionamiento del frigorífico. Esto es perfectamente normal, no es ninguna avería.
Puede oírse un ruido parecido al viento.
<ul style="list-style-type: none"> • Se utilizan ventiladores con el fin de hacer que el frigorífico se enfríe con eficiencia. Esto es perfectamente normal, no es ninguna avería.

Condensación en las paredes interiores del frigorífico.
<ul style="list-style-type: none"> • El tiempo cálido y húmedo favorece la formación de hielo y la condensación. Esto es perfectamente normal, no es ninguna avería. • Las puertas están entreabiertas. Asegúrese de que las puertas estén completamente cerradas. • Es posible que las puertas se hayan estado abriendo con frecuencia o que se hayan dejado abiertas durante un periodo prolongado. Abra las puertas con menor frecuencia.
Hay humedad en el exterior del frigorífico o entre las puertas.
<ul style="list-style-type: none"> • Puede que haya humedad ambiental. Esto es perfectamente normal en climas húmedos. Cuando el grado de humedad descienda, la condensación desaparecerá.
Mal olor en el interior del frigorífico.
<ul style="list-style-type: none"> • El interior del frigorífico debe limpiarse. Limpie el interior del frigorífico con una esponja empapada en agua caliente o agua con gas. • Es posible que el olor provenga de algún recipiente o envoltorio. Utilice otro recipiente o materiales para envolver de una marca diferente.
La puerta (o puertas) no se cierra.
<ul style="list-style-type: none"> • Puede que los paquetes de alimentos depositados no dejen que las puertas se cierren. Recolecte los paquetes que estén obstruyendo la puerta. • Es probable que el frigorífico no esté en posición completamente vertical sobre el suelo y que oscile si se lo mueve ligeramente. Ajuste los tornillos de elevación. • El suelo no está nivelado o no es firme. Compruebe que el suelo esté nivelado y que sea capaz de soportar el peso del frigorífico.
Los cajones están atascados.
<ul style="list-style-type: none"> • Es posible que algún alimento toque el techo del cajón. Cambie la distribución de los alimentos en el cajón.

EXENCIÓN DE RESPONSABILIDADES / ADVERTENCIA

Es posible que algunas fallas (simples) sean tratadas de manera adecuada por el usuario final sin que se plantee ningún problema de seguridad o uso no seguro, siempre y cuando se lleven a cabo dentro de los límites y de conformidad con las siguientes instrucciones (véase la sección "Autorreparación").

En consecuencia, siempre y cuando no se autorice lo contrario en la sección "Autorreparación" que se encuentra a continuación, las reparaciones deben ser dirigidas a los reparadores profesionales registrados para evitar problemas de seguridad. Se considera un reparador profesional registrado el que ha tenido acceso a las instrucciones y a la lista de piezas de repuesto de este producto por parte del fabricante de acuerdo con los métodos descritos en los actos legislativos en virtud de la Directiva 2009/125/CE.

No obstante, según las condiciones de la garantía, sólo el agente de servicio (por ejemplo, los reparadores profesionales autorizados) al que puede llamar utilizando el número de teléfono que figura en el manual de usuario/tarjeta de garantía o bien a través de su distribuidor autorizado puede prestar servicio. Por consiguiente, por favor, tenga en cuenta que las reparaciones realizadas por reparadores profesionales (no autorizados por Beko) anularán la garantía.

Autorreparación

El usuario final puede realizar la reparación por su cuenta con respecto a las siguientes piezas de repuesto: manijas de puertas, bisagras de puertas, bandejas, cestas y

juntas de puertas (una lista actualizada también estará disponible en support.beko.com

a partir del 1 de Marzo de 2021).

Por otra parte, con el fin de garantizar la seguridad del producto y prevenir el riesgo de lesiones graves, la autorreparación citada se llevará a cabo siguiendo las instrucciones del manual de usuario para la autorreparación o las que están disponibles en support.beko.com Para su seguridad, desenchufe el producto antes de intentar cualquier autorreparación.

La reparación y los intentos de reparación por parte de los usuarios finales de piezas no incluidas en dicha lista y/o no seguir las instrucciones contenidas en los manuales de usuario para la autorreparación o que están disponibles en support.beko.com, podrían causar problemas de seguridad no atribuibles a Beko, y anularían la garantía del producto.

Por ello, es muy recomendable que los usuarios finales se abstengan de intentar realizar las reparaciones que estén fuera de la lista de piezas de repuesto mencionada, comunicándose en tales casos con los reparadores profesionales autorizados o con los reparadores profesionales registrados. Al contrario, dichos intentos por parte de los usuarios finales pueden provocar problemas de seguridad y dañar el producto y, en consecuencia, provocar incendios, inundaciones, electrocución y lesiones personales graves.

Con carácter ejemplar, pero no limitado a ello, las siguientes reparaciones deben dirigirse a los autorizados reparadores profesionales o reparadores profesionales registrados: compresor,

circuito de refrigeración, placa principal, tablero del inversor, tablero de la pantalla, etc.

En caso de que los usuarios finales no cumplan con lo anterior, el fabricante/ vendedor no podrá ser considerado responsable.

La disponibilidad de piezas de repuesto del refrigerador que ha adquirido es de 10 años.

Durante este período, las piezas de repuesto originales estarán disponibles para el funcionamiento apropiado del refrigerador.

La duración mínima de la garantía del refrigerador que ha comprado es de 24 meses.

Este producto está equipado con una fuente de iluminación de la clase energética "G".

La fuente de iluminación de este producto sólo debe ser sustituida por reparadores profesionales.

Моля първо да прочетете това ръководство!

Уважаеми клиенти,

Надяваме се, че вашият продукт, произведен в съвременни фабрики и проверен при най-стриктни процедури за контрол на качеството, ще ви осигури ефективна работа.

За целта, ви съветваме да прочетете внимателно цялото ръководство за употреба на продукта преди да го ползвате и да го държите под ръка за справки в бъдеще.

Това ръководство

- Ще ви помогне да използвате уреда по-най-бърз и безопасен начин.
- Прочетете ръководството преди монтаж и работа с продукта.
- Следвайте всички инструкции, особено тези за безопасност.
- Дръжте ръководството на лесно достъпно място, тъй като може да се нуждаете от него.
- Освен това, прочетете и другите листовки, доставени с продукта.
- Обърнете внимание, че това ръководство може да важи и за други модели уреди.
-

Символи и техните описания

Това ръководство за употреба съдържа следните символи:

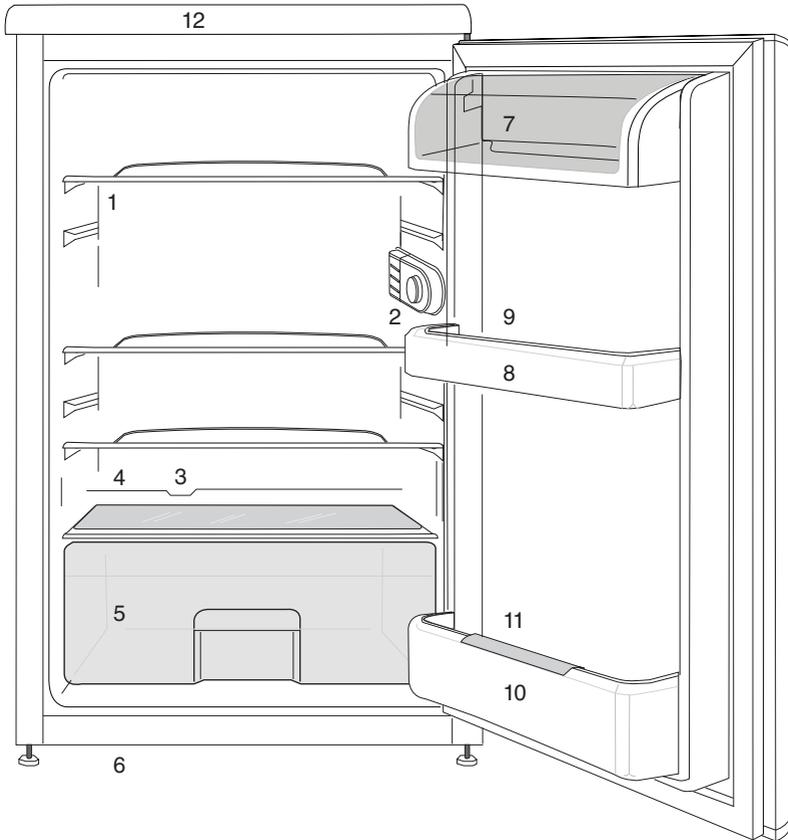
-  Важна информация или полезни съвети за употреба.
-  Предупреждения при опасност за живота или имуществото.
-  Предупреждения за електрическата мощност.

 ИНФОРМАЦИЯ	
 SUPPLIER'S NAME:  A	 MODEL IDENTIFIER:  A (*)
	Информацията за модела, съхранявана в базата данни на продукта, може да бъде получена, като въведете следния уебсайт и потърсите идентификатора на вашия модел (*), намиращ се на енергийния етикет. https://eprel.ec.europa.eu/

СЪДЪРЖАНИЕ

1 Вашият хладилник	3	4 Подготовка	14
2 Важни предупреждения относно безопасността	4	Регулиране на крачетата.....	15
Употреба на уреда	4	Подмяна на осветителната лампичка	15
За продукт с воден разпределител;	8	Обръщане на вратите	16
Защита от деца	9	5 Употреба на хладилника ви	17
Съвместимост с WEEE Директива за ихвърляне на отпадъчни продукти:	9	Замразяване	17
Съвместимост с директивата за ограничаване на употребата на определени опасни вещества.....	9	Замразяване на храна.....	17
Информация за опаковъчните материали	9	Правене на кубчета лед	18
НС предупреждение	9	Съхраняване на замразени храни.....	18
Неща, които да направите с цел пестене на енергия	10	Разлеждане на уреда	18
3 Монтаж	11	Охлаждане	19
На какво да обърнете внимание при повторно транспортиране на хладилника.....	11	Съхранение на храна	19
Преди да започнете работа с хладилника.....	11	Разлеждане на уреда	20
Електрическо свързване	12	6 Поддръжка и почистване	21
Изхвърляне на опаковъчните материали	12	Предпазване на пластмасовите повърхности	21
Изхвърляне на стария ви хладилник.....	12	7 Възможни решения на възникнали проблеми	22
Поставяне ни монтиране.....	13		

1 Вашият хладилник



1. Подвижни рафтове
2. Вътрешна лампа и копче на термостата.
3. Улей за водата от разлеждането - Дренажна тръба
4. Капак на контейнера за запазване на свежестта
5. Контейнер за запазване на свежестта
6. Регулируеми предни крачета
7. Отделение за млечни продукти
8. Рафтове на вратата
9. Тава за яйца
10. Рафт за бутилки
11. Захващач за бутилки
12. Горен плот

ⓘ Фигурите в настоящето ръководство за употреба са схематични и може да не отговарят точно на вашия уред. Ако споменатите части липсват във вашия уред, то те важат за други модели.

2 Важни предупреждения относно безопасността

Моля, прегледайте следната информация. Неспазването на тази информация може да доведе до наранявания или материални щети. В противен случай всякаква гаранция и отговорност стават невалидни.

Оригинални резервни части ще бъдат предоставяни 10 години след датата на покупка на продукта.

Употреба на уреда

⚠	ВНИМАНИЕ: Уверете се решетките на вентилационните отвори да са отворени при положение на устройството в амбалажния пакет или след поставяне на работното му място.
⚠	ВНИМАНИЕ: С изключение на препоръките, допустими от производителя, не използвайте механични или всякакви други устройства с цел ускоряване процеса на размразяване на устройството.
⚠	ВНИМАНИЕ: Не повреждайте действието на охладителната система на фреона.

⚠	ВНИМАНИЕ: Не използвайте електрическо оборудване в отделението за съхранение на хранителни продукти, недопустимо от производителя на устройството.
⚠	ВНИМАНИЕ: Не съхранявайте експлозивни вещества като например аерозолни спрейове в уреда.

- Това устройство е предназначено за домашна употреба или за използване при следните условия

- В магазини, офиси и други работни среди с цел използване от членовете на персонала в кухнята на работната среда,;
- Във фермерни къщи, хотели, мотели и други среди, предназначени за настаняване на гражданите за почивка;

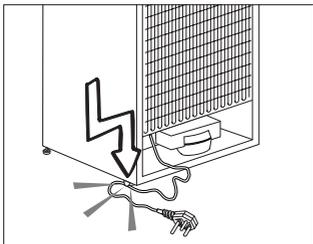
Обща безопасност

- Когато решите да изхвърлите продукта, препоръчваме да се консултирате с оторизирания сервиз за да получите нужната информация за това, както и с оторизираните власти.

- Консултирайте се с оторизирания сервиз по всякакви въпроси и проблеми, свързани с хладилника. Не се опитвайте да поправяте сами или да позволявате друг да прави това без да предупредите оторизирания сервиз.
- За продукти с фризерно отделение; Не яжте сладолед или кубчета лед веднага след като ги извадите от фризерното отделение! (Това може да доведе до измръзване в устата ви.)
- За продукти с фризерно отделение; Не поставяйте бутилирани или консервирани течности във фризерното отделение. В противен случай те може да се пръснат.
- Не пипайте замразената храна с ръце; тя може да се залепи за ръката ви.
- Изключете хладилника от контакта преди почистване или размразяване.
- Не бива никога да използвате пара и парни почистващи материали при почистването и разлеждането на хладилника. Парата може да влезе в контакт с електрическите части и да предизвика късо съединение или токов удар.
- Никога не използвайте частите на хладилника, като например вратата за подпора или за стъпване.
- Не използвайте електрически уреди вътре в хладилника.
- Не повреждайте частите, където циркулира охладителя с пробивни или режещи инструменти. Евентуалното изтичане на охладител при пробиване на каналите на изпарителя, удълженията на тръбата или покритието върху повърхността може да предизвика раздразнения на кожата или нараняване на очите.
- Не покривайте и не блокирайте с предмети вентилационните отвори на хладилника.
- Електрическите устройства трябва да се ремонтират само от оторизирани лица. Ремонтът, извършен от некомпетентно лице може да създаде риск за потребителя.
- В случай на каквато и да е повреда или по време на поддръжка и ремонт, изключете хладилника от ел. захранване като изключите съответния бушон или извадите щепсела от контакта.
- Не дърпайте за кабела когато искате да извадите щепсела от контакта.

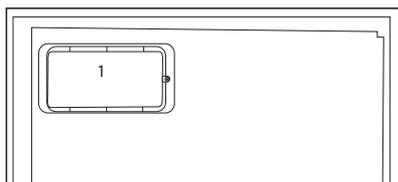
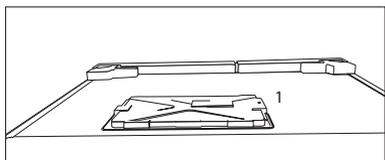
- Уверете се, че високоалкохолните напитки се съхраняват сигурно със затворени капачки и са разположени вертикално.
- Никога не съхранявайте спрейове съдържащи възпламеними или експлозивни вещества в хладилника.
- Не използвайте механични устройства или други средства, за да ускорите процеса на размразяване, освен посочените от производителя.
- Този уред не е предназначен за употреба от лица с физически, сензорни или умствени разстройства или лица без опит и познания (включително деца), освен ако те не са наблюдавани или инструктирани относно употребата на уреда от отговорно за безопасността им лице.
- Не използвайте хладилника ако е повреден. Ако имате някакви съмнения, се обърнете към сервизния агент.
- Електрическата безопасност на хладилника е гарантирана само ако заземяването на ел. инсталация в дома ви отговаря на съответните стандарти.
- Излагането на продукта на дъжд, сняг, слънце и вятър представлява опасност от електрическа гледна точка.
- Свържете се с оторизирания сервиз при повреда в захранващия кабел за да избегнете всякакъв риск.
- Никога не включвайте хладилника в контакта по време на инсталация. В противен случай съществува риск за живота или от сериозно нараняване.
- Тзи хладилник е предназначен само за съхранение на хранителни продукти. Той не бива да се ползва за никакви други цели.
- Етикетът с технически спецификации е разположен върху лявата вътрешна стена на хладилника.
- Ако в хладилникът ви има синя светлина, не я наблюдавайте продължително време с невъоръжено око или оптични уреди.
- Никога не свързвайте хладилника с енергоспестяващи системи; те могат да повредят хладилника.
- За ръчно контролирани хладилници, изчакайте поне 5 минути за да рестартирате хладилника след прекъсване в захранването.

- Това упътване за употреба трябва да се предаде на новия собственик ако уредът бъде продаден на други лица.
- Внимавайте да не повредите захранващия кабел при транспортирането на хладилника. Огъването на кабела може да доведе до пожар. Никога не поставяйте тежки предмети върху захранващия кабел. Не пипайте щепсела с мокри ръце когато включвате уреда в контакта.



- Не включвайте хладилника в разхлабени контакти.
- По причини на безопасността по външността или вътрешността на уреда не бива да се пръска директно вода.
- Не пръскайте субстанции, съдържащи възпламеними газове от рода на пропан газ в близост до хладилника за да избегнете риска от пожар и експлозия.
- Никга не поставяйте съдове, пълни с вода върху хладилника, тъй като това може да доведе до токов удар или пожар.
- Не препълвайте хладилника с прекомерно количество храна. Ако е препълнен, хранителните продукти може да паднат и да ви наранят или да повредят хладилника при отваряне на вратата. Никога не поставяйте предмети върху хладилника; в противен случай те може да изпаднат при отварянето и затварянето на вратата на хладилника.
- Тъй като се нуждаят от точно определена температура на съхранение (ваксини, температурно-зависими лекарства, научни материали, и др.) не бива да се държат в хладилника.
- Ако не бъде използван дълго време, хладилникът трябва да бъде изключен от контакта. Възможно е неизправност в захранващия кабел да доведе до пожар.
- Накрайникът на щепсела трябва да бъде редовно почистван за да се избегне риска от пожар.
- Хладилникът може да мърда ако регулируемите крачета не са стабилно закрепени на пода. Стабилното закрепване на регулируемите крачета на пода може да предпази хладилника от мърдане.
- При преместването на хладилника, не го хващайте за дръжката на вратата. В противен случай тя може да се откъсне.

- Ако се налага да поставите уреда до друг хладилник или фризер, разстоянието между двата уреда трябва да е поне 8см. В противен случай прилежащите странични стени може да се навлажнят.
- Никога не използвайте продукта, ако секцията, разположена в горната или задната част на вашия продукт с електронни печатни платки вътре, е отворена (печатна платка с електронно покритие) (1).



За продукт с воден разпределител;

- Налягането на входа за студена вода трябва да е максимум 90 psi (620 kPa). Ако налягането на водата надвиши 80 psi (550 kPa), използвайте клапана за ограничаване на налягането в мрежовата система. Ако не знаете как да проверите налягането на водата, потърсете помощ от професионален водопроводчик.
- Ако има риск от хидравлически удар във вашата инсталация, винаги използвайте оборудване за предотвратяване на хидравлически удар. Консултирайте се с професионален водопроводчик, ако не сте сигурни, че във вашата инсталация няма да възникне хидравлически удар.
- Не инсталирайте на входа за гореща вода. Вземете предпазни мерки срещу замръзване на маркучите. Работният интервал на температурата на водата трябва да е минимум 33°F (0,6°C) и максимум 100°F (38°C).
- Използвайте само питейна вода.

Защита от деца

- Ако на вратата е поставена ключалка, ключът трябва да се държи далеч от достъпа на деца.
- Децата трябва да бъдат надзиравани за да се избегне играене с уреда.

Съвместимост с WEEE Директива за ихвърляне на отпадъчни продукти:



Продуктът отговаря на изискванията на директивата на ЕС за ихвърляне на отпадъчни продукти (2012/19/EU). Този продукт носи

класификационен символ за отпадъчно електрическо и електронно оборудване (WEEE).

Продуктът е произведен от висококачествени части и материали, които могат да се използват повторно и са подходящи за рециклиране. Не ихвърляйте уреда заедно с обикновените битови и други отпадъци в края на оперативния му живот. Занесете го в събирателния център за рециклиране на електронно и електрическо оборудване. Обърнете се към местните власти за повече подробности относно тези събирателни центрове.

Съвместимост с директивата за ограничаване на употребата на определени опасни вещества

Закупеният от вас продукт отговаря на изискванията на директивата за ограничаване на употребата на определени опасни вещества на ЕС (2011/65/EU). Той не съдържа никой от вредните и забранени материали, описани в Директивата.

Информация за опаковъчните материали

Опаковъчните материали на продукта са произведени от рециклируеми материали съгласно нашите национални наредби за опазване на околната среда. Не ихвърляйте опаковъчните материали заедно с битовите и други отпадъци. Занесете ги в пунктовете за събиране на опаковъчни материали, определени от местните власти.

НС предупреждение

Ак охлаждащата система на уреда ви съдържа R600a:

Този газ е запалим. Затова внимавайте да не повредите охладителната система и тръбите при употреба и транспорт. В случай на повреда, дръжте продукта далеч от потенциални

източници на огън, което може да доведе до подпалването на уреда и проветрявайте стаята, където се намира той.

Не взимайте предвид това предупреждение ако охладителната ви система съдържа R134a.

Типът газ, използван в продукта, е обозначен на страничната табелка с данни върху вътрешната лява страна на хладилника.

Никога не изхвърляйте уреда в огън.

Неща, които да направите с цел пестене на енергия

- Не оставяйте вратите на хладилника отворени за дълго.
- Не прибирайте горещи храни и напитки в хладилника.
- Не препълвайте хладилника за да не се затруднява въздушната циркулация вътре в него.
- Не инсталирайте хладилника под пряка слънчева светлина или в близост до уреди, излъчващи топлина, като фурни, съдомиялни машини или радиатори.
- Дръжте храната в затворени контейнери.
- За уреди с фризерно отделение; Можете да съхранявате максимално количество хранителни

продукти ако свалите рафта или чекмеджето на хладилника. Стойността на енергийната консумация, посочена върху хладилника, е измерена при свален рафт или чекмедже на фризера и при максимално зареждане. Няма никаква опасност да използвате рафт или чекмедже в зависимост от формата и размера на хранителните продукти които замразявате.

- Разлеждането на замразена храна в хладилника ще осигури както пестене на енергия, така и ще запази качеството на хранителните продукти.

3 Монтаж

⚠ Запомнете, че производителят не носи отговорност, в случай, че предоставената в ръководството за употреба информация не се спазва.

На какво да обърнете внимание при повторно транспортиране на хладилника

1. Хладилникът трябва да се изпразни и почисти преди всяко транспортиране.
2. Рафтовете, аксесоарите, контейнера за запазване свежестта и др. в хладилника трябва да се залепят добре с изолирбанд срещу другането при пренасяне.
3. Опаковката трябва да се обиколи с дебело тиксо и здрави въжета и правилата за транспортиране, напечатани върху опаковката, да се спазват.

Не забравяйте...

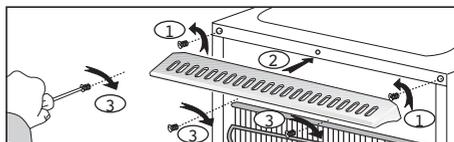
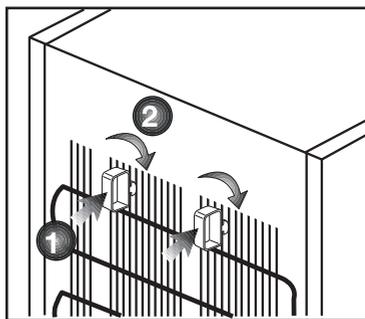
Всеки рециклиран продукт е от ползва за природата и националните ресурси.

Ако искате да допринесете за рециклирането на опаковъчните материали, може да получите информация за това от местните власти и органи за опазване на околната среда.

Преди да започнете работа с хладилника

Преди да започнете употреба на хладилника, моля поверете следното:

1. Вътрешността на хладилника суха ли е и може ли въздухът да циркулира свободно в задната му част?
2. Може да монтирате двата пластмасови клина както е показано на илюстрацията. Пластмасовите клинове осигуряват нужната дистанция между хладилника и стената, така че да се осигури циркулация на въздух. (Илюстрацията на фигурата е само пример и не отговаря точно на вашия продукт.)



3. Почистете вътрешността на хладилника, както е препоръчано в раздел "Поддръжка и почистване".
4. Включете хладилника в контакта. При отваряне на вратата вътрешната лампичка светва.
5. Ще чуете шум, когато компресорът започне да работи. Нормално е течността и газовете в охладителната система да издават шум, дори компресорът да не работи.
6. Предните ъгли на хладилника може да са топли на пипане. Това е нормално. Тези части са проектирани да бъдат топли с цел избягване на кондензацията.

Електрическо свързване

Свържете хладилника към заземен контакт, който се предпазва от бушон с подходящ капацитет.

Важно:

- Свързването трябва да бъде направено в съответствие с наредбите в страната.
- Щепселът трябва да е лесно достъпен след монтажа.
- Посочената мощност трябва да отговаря на мощността на вашето захранване.
- При свързването не бива да се ползват удължители и разклонители.

⚠ Ако кабелът е повреден, той трябва да се подмени от квалифициран техник.

⚠ Уредът не бива да се ползва преди тда бъде поправен! Съществува опасност от токов удар!

Изхвърляне на опаковъчните материали

Опаковъчните материали може да представляват опасност за децата. Дръжте опаковъчните материали далеч от достъпа на деца или ги изхвърлете разделно, в съответствие с указанията за изхвърляне на отпадъци. Не ги изхвърляйте заедно с другите битови отпадъци.

Опаковката на вашия хладилник е изработена от рециклируеми материали.

Изхвърляне на стария ви хладилник.

Изхвърлете стария си уред така, че да не навредите на околната среда.

- Може да се консултирате с оторизирания търговец или центъра за събиране на отпадъци във вашата община относно изхвърлянето на хладилника ви.

Преди да изхвърлите хладилника ви, отрежете кабела и, ако вратата е със ключалки, ги направете неизползваеми, така, че да предпазите децата от всякакви евентуални рискове.

Поставяне на монтиране

⚠ Ако вратата на стаята, където ще инсталирате хладилника, не е достатъчно широка за да мине уреда през нея, се обадете в оторизирания сервиз за да свалят вратите на хладилника и го вкарайте странично през вратата.

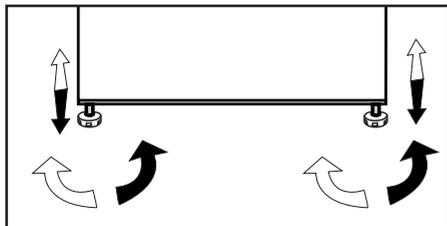
1. Инсталирайте хладилника на място, където може лесно да се ползва.
2. Дръжте хладилника далеч от топлинни източници, задушни места и пряка слънчева светлина.
3. Трябва да осигурите добра вентилация около хладилника за да може той да работи ефективно. Ако ще монтирате хладилника в ниша в стената, трябва да има поне 5 см разстояние от тавана и стената. Ако подът е покрит с килим, уредът трябва да се повдигне на 2.5 см от пода.
4. Поставете хладилника върху равна подова повърхност за да се избегне клатене на уреда.

- з) за свободно стоящ уред; „Този хладилен уред не е предназначен да се използва като вграден уред“;
- За най-доброто възможно замразяване, прясната храна, която ще бъде замразена, трябва да бъде въведена 24 часа след стартиране на функцията за бързо замразяване.“
- Хладилникът ви трябва да се инсталира поне на 30 см разстояние от топлинни източници като котлони, фурни, централно парно, на поне 5 см от електрически печки и не трябва да се излага на пряка слънчева светлина.
- Температурата в стаята, където ще инсталирате хладилника, трябва да е поне 10°C. Употребата на хладилника при по-студени условия не е препоръчителна, тъй като това се отразява на ефективността му.
- Проверете дали вътрешността на хладилника е почистена изцяло.
- Ако два хладилника се инсталират един до друг, трябва да има поне 2 см разстояние помежду им.
- Когато използвате хладилника за първи път, следвайте следните указания през първите 6 часа.
- Вратата не бива да се отваря често.
- Хладилникът трябва да работи празен, без храна в него.
- Не изключвайте хладилника от щепсела. Ако има прекъсване на захранването, което не можете да контролирате, моля прочетете предупрежденията в раздел “Възможни решения на възникнали проблеми”.
- Кошниците/чекмеджетата, които се предоставят заедно с охладителното отделение, трябва винаги да се използват, за да се осигури ниско енергопотребление и по-добри условия за съхранение.
- Контакт на храни с температурния датчик в отделението на фризера може да увеличи енергопотреблението на уреда. Поради това трябва да се избягва всякакъв контакт със сензора(ите).
- Оригиналната опаковка и изолиращи материали трябва да се запазят за бъдещо транспортиране или преместване.
- При някои модели панелът за управление автоматично се изключва 5 минути след затваряне на вратата. Ще се активира повторно след отваряне на вратата или натискане на някой от клавишите.

Регулиране на крачетата

Ако хладилникът ви не е балансиран;

Може да балансирате хладилника като завъртите предните крачета както е показано на илюстрацията. Ъгълът, където е крака се понижава при завъртане по посока на черната стрелка и се увеличава при завъртане в обратната посока. Процесът се улеснява ако някой ви помогне като повдигне леко хладилника.



Подмяна на осветителната лампичка

За да подмените лампичката в хладилника, моля обадете се в оторизирания сервиз.

Лампата(ите) в този уред не са подходящи за осветление в битови помещения. Предназначението на тази лампа е да помага на потребителя да оставя хранителни продукти в хладилника/фризера по безопасен и удобен начин.

Лампите, използвани в този уред, трябва да издържат на екстремни физически условия като температура под -20°C .

Монтаж (Под тезгяха)

- Вътрешната височина на тезгяха трябва да е 820мм.(!) Готварски печки или други топлинни източници не бива да се поставят над тезгяха под който е монтиран уредът.
- Контактът на стената трябва да е близо до лявата или дясната страна на уреда..
- Вдигнете горния капак на уреда. Има 4 винта (2 отзад, 2 под предния ръб), които трябва да бъдат отстранени.

Фиг. 1

- Отрежете частта, показана на картината, и след това я свалете с помощта на клещи.
- Поставете уреда под тезгяха и регулирайте предните крачета така, че горната му част да допре тезгяха.
- За да може да ползвате уреда под тезгяха, разстоянието между стената и частта, посочена в горната свързваща пластмасова част, трябва да е поне 595 мм.

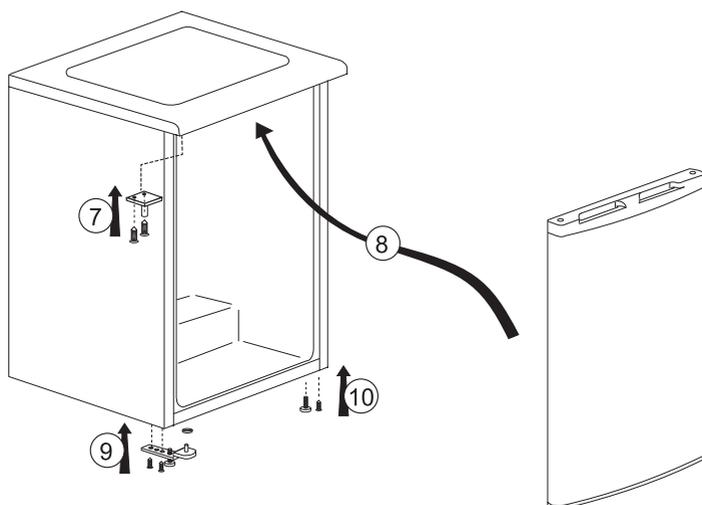
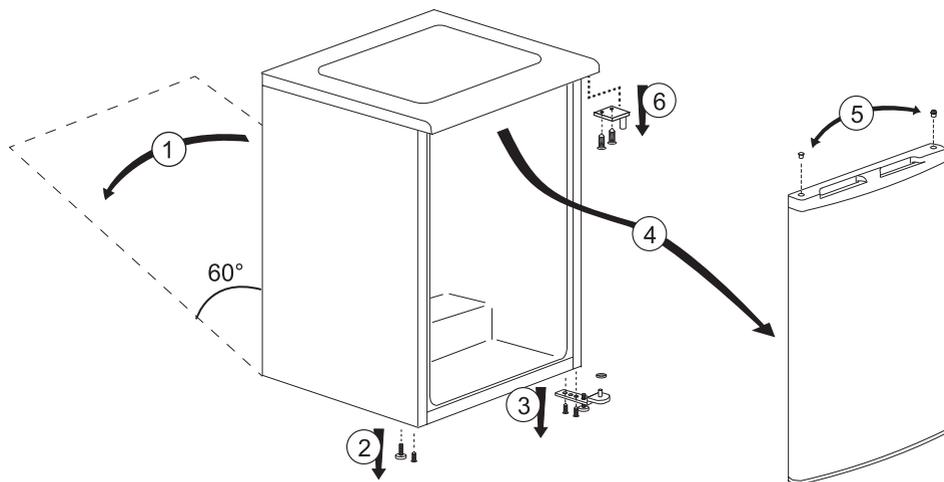
Фиг. 2-3

- Наместете уреда под тезгяха като ползвате 2 от винтовете, свалени от горния капак.(Тезгяхът трябва да е изработен от пластмаса или дърво!)

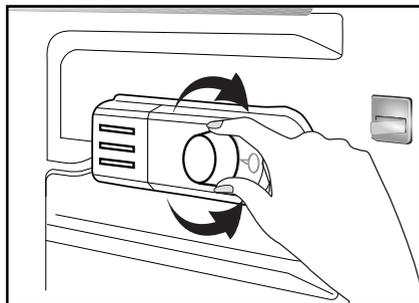
Фиг. 4

Обръщане на вратите

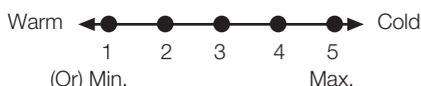
Процедирайте по следния начин



5 Употреба на хладилника ви



Работната температура се контролира от температурния



регулатор.

1 = Най-слабо охлаждане (Най-топло)

5 = Най-силно охлаждане (Най-студено)

(или)

Min. = Най-слабо охлаждане (Най-топло)

Max. = Най-силно охлаждане (Най-студено)

Средната температура в хладилника трябва да бъде около +5° C.

Моля, настройте според желаната температура.

Може да спрете работата на хладилника като поставите термостата на положение "0".

Забележете, че температурите са различни в различните охлаждателни части.

Най-студено е над отделението за зеленчуци.

Вътрешната температура зависи и от температурата на околната среда, честотата на отваряне на вратата и количеството храна, съхранявана в хладилника.

Честото отваряне на вратата води до повишаване на вътрешната температура.

Затова се препоръчва възможно най-бързо затваряне на хладилника след ползване.

Замразяване

Замразяване на храна

Отделението на фризера е отбелязано със символ

Може да ползвате уреда както за замразяване на прясна храна, така и за съхранение на предварително замразени продукти.

Моля прочетете препоръките, посочени върху опаковката на хранителните продукти.

• Внимание

Не залеждайте газирани напитки, защото бутилката може да избухне при замразяване на течността в нея.

Внимавайте с някои замразени продукти от рода на цветни кубчета лед.

Не надвишавайте капацитета за замразяване на уреда за 24 часа. Вижте табелката с данни.

За да запазите качеството на храната, замразяването трябва да стане възможно най-бързо.

По този начин капацитетът на замразяване не се надвишава и температурата във фризера не се повишава.

• Внимание

Винаги дръжте вече дълбоко замразените хранителни продукти, разделени от прясно сложената храна.

Когато замразявате дълбоко гореща храна, охлаждащият компресор работи до пълното ѝ замразяване. Това може временно да причини прекомерно охлаждане на хладилното отделение.

Не се безпокойте ако веднага след като сте я затворили, вратата на фризера се отваря с трудност. Това се дължи на разликата в налягането, което ще се нормализира и вратата ще може да бъде отворена нормално само след няколко минути.

След затваряне на вратата се чува звук от вакуум. Това е съвсем нормално.

Правене на кубчета лед

Напълнете поставката за лед $\frac{3}{4}$ с вода и я поставете във фризера.

Може да извадите кубчетата лед веднага след като водата се е превърнала на лед.

Никога не използвайте остри предмети като ножове или вилици за да извадите кубчетата. Има опасност да се нараните!

Вместо това изчакайте кубчетата лед леко да се отпуснат или поставете дъното на поставката в топла вода за момент.

Съхраняване на замразени храни

Отделението за замразени храни е отбелязано със символ (* *).

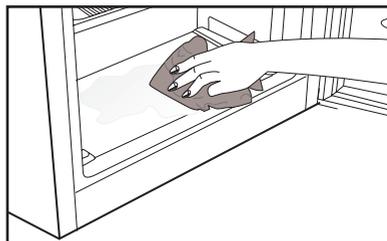
Отделението за замразени храни е подходящо за съхранение на предварително замразени храни. Препоръката за съхранение, посочена на опаковката на храната, трябва винаги да се спазва.

Разлеждане на уреда.

Прекомерното количество наслоен лед води до намаляване качеството на рбаота на уреда.

Затова се препоръчва разлеждане на уреда поне два пъти в годината, или когато нивото на наслоения лед надвишава 7мм.

Размразяването трябва да се извършва при извадена от хладилника храна или с много малко останала вътре.



Извадете дълбоко замразената храна. Увийте дълбоко замразените продукти в няколко слоя хартия, или одеяло и ги дръжте на хладно място.

Изключете уреда от контакта или изключете прекъсвача за да започнете разлеждането.

Извадете всички принадлежности (като рафтове, чекмеджета и т.н.) от уреда и използвайте подходящ съд за събиране на оттичащата се вода.

Използвайте гъба или мек парцал ако е необходимо попиване на събралата се вода в отделението на фризера  или отделението за замразена храна  Дръжте вратата отворена по време на разлеждането.

За по-бързо разлеждане може да поставите съдове с гореща вътре вода в уреда.

Никога не използвайте електрически уреди, разлеждащи спрейове или остри предмети като ножове или вилици за да махнете леда.

Следзавършваненаразлеждането, почитете вътрешността на уреда.

Сега може да включите уреда от захранващия кабел. Сложете замразената храна в чекмеджетата и ги поставете във фризера.

Охлаждане

Съхранение на храна

Хладилното отделение служи за краткотрайно съхранение на пресни храни и напитки.

Съхранявайте млечните продукти в съответното отделение на хладилника.

Бутилките могат да се съхраняват в държача за бутилки или на рафта за бутилки на вратата.

Суровото месо се съхранява най-добре в найлонова торбичка в отделението в най-долната част на хладилника.

Оставете топлата храна и напитки да се охладят до стайна температура преди да ги поставите в хладилника.

• Внимание

Съхраняването на концентриран алкохол става само в изправено положение и плътно затворен.

• Внимание

Не съхранявайте експлозивни материали и съдове с запалими пропилен газове (спрей-сметана и др.) в уреда.

Има опасност от експлозия.

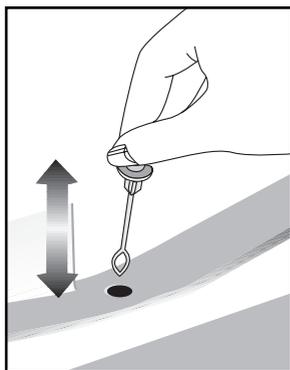
Разлеждане на уреда.

Хладилното отделение се размразява автоматично. Стичащата се вода се събира по дренажния канал в специален съд, в задната част на уреда.

По време на разлеждането на задната стена на хладилника се формират водни капки заради изпарението.

Ако не всички капки се стекат, те може да замръзнат отново след като разлеждането приключи. Попийте ги с мек парцал, напоен с топла вода. Не използвайте твърди или остри предмети.

От време на време проверявайте оттичането на водата. Случва се то да се блокира. Почистете с уред за почистване на тръби или друг подобен.



6 Поддръжка и почистване

- ⚠ Никога не използвайте газ, бензин или подобни вещества за почистване на уреда.
- ⚠ Препоръчваме ви да изключите уреда от контакта, преди почистване.
- ⓘ Никога не използвайте за почистване остри или абразивни материали, сапун, домакински препарати, перилни препарати или полир.
- ⓘ За продуктите, които не притежават функция за предотвратяване на замразяването, водните капки могат да образуват слой с дебелина до ширината на пръст по задната страна на хладилното отделение. Не го почиствайте; никога не прилагайте смазка или други подобни препарати-
- ⓘ Използвайте само леко навлажнена микрофибърна кърпа, за да почистите външната повърхност на продукта. Гъбите и другите типове почистващи кърпи могат да надраскат повърхностите.
- ⓘ Използвайте хладка вода, за да почистите корпуса на хладилника, и подсушете.
- ⓘ Използвайте влажна кърпа, натопена в разтвор от една супена лъжица сода бикарбонат в половин литър вода, за да почистите вътрешността, и подсушете.
- ⚠ В гнездото на лампата и другите електрически компоненти не бива да навлиза вода.
- ⚠ Ако хладилникът няма да се използва дълго време, изключете го от контакта, извадете всички хранителни продукти, почистете го и оставете вратата откритата.
- ⓘ Редовно проверявайте уплътненията на вратата, за да сте сигурни, че са чисти и че по тях няма хранителни остатъци.
- ⓘ За да свалите рафт от вратата, извадете всички продукти и го бутнете нагоре от основата му.
- ⓘ Никога не използвайте почистващи препарати или вода със съдържание на хлор за почистване на външните повърхности и хромираните части на продукта. Хлорът разяжда такива метални повърхности.
- ⓘ Не използвайте остри и абразивни инструменти или сапун, домашни почистващи препарати, перилни препарати, бензин, бензол, восъчни и т.н., в противен случай шампите върху пластмасови части ще изчезнат и ще настъпи деформация. Използвайте топла вода и мека кърпа за почистване и подсушаване.

Предпазване на пластмасовите повърхности

- Не слагайте течни мазнини или готвени в мазнина ястия в хладилника освен в затворен контейнер, тъй като те повреждат пластмасовите повърхности на хладилника. В случай на разливане или омазване на пластмасовите повърхности с мазнина, почистете и изплакнете съответната част от повърхността с топла вода.

7 Възможни решения на възникнали проблеми

Моля, прегледайте този списък преди да се обадите в сервиза. Това може да ви спести време и пари. Този списък съдържа проблеми, които не са в резултат на дефектно производство или лоша употреба на материали. Някои от описаните тук характеристики може да не са налични на вашия продукт.

Хладилникът не работи
<ul style="list-style-type: none">• Хладилникът правилно ли е включен в контакта? Включете щепсела в контакта.• Да не е изгорял бушонът на контакта, към който е свързан хладилника или главният бушон? Проверете бушона.
Кондензация на вода по страничната стена на хладилното отделение (MULTI ZONE, COOL CONTROL ve FLEXI ZONE)
<ul style="list-style-type: none">• Много студени външни температурни условия. Често отваряне и затваряне на вратата. Много влажни външни условия. Съхранение на храни със съдържание на течности в отворените контейнери. Оставена откритата вратата.• Превключете термостата на по-ниска стойност.• Дръжте вратата отворена по-кратко време или я използвайте по-рядко.• Покривайте храните, съхранявани в отворени контейнери с подходящи материали.• Избършете кондензираната вода със сух парцал и проверете дали се кондензира отново.

Компресорът не работи

- Защитният термостат на компресора се изключва при внезапно прекъсване в захранването или при включване и изключване от контакта тъй като налягането на охладителя в охладителната система на хладилника все още не е уравновесен.
- Хладилникът ще започне да работи след около 6 минути. Ако след този период от време хладилникът не почне да работи, се свържете със сервиза.
- Хладилникът е в цикъл на разлеждане. Това е нормално за хладилник с напълно автоматично разлеждане. Цикълът на разлеждане се задейства периодично.
- Хладилникът не е включен в контакта. Проверете дали щепселът е пъхнат докрай в контакта.
- Правилно ли са направени температурните настройки? Прекъснато е ел. захранването. Обадете се в енергоснабдяване.

Хладилникът работи често или продължително време

- Новият ви хладилник може да е по-широк от предишния. Това е съвсем нормално. Големите хладилници работят по-дълго време.
- Стайната температура е висока. Това е нормално.
- Хладилникът може скоро да е включен в контакта или да е зареден с храна. Пълното охлаждане на хладилника може да продължи няколко часа по-дълго.
- Възможно е наскоро да сте поставили големи количества топла храна в хладилника. Горещата храна води до по-продължителна работа на хладилника до достигане на необходимата ѝ температура на съхранение.
- Вратите може да са били отворени често или оставени открити за дълго време. Топлият въздух, проникнал в хладилника, го кара да работи за по-продължителни периоди. Избягвайте да отваряте вратите толкова често.
- Вратата на фризерното или хладилно отделение може да е била оставена откритата. Проверете дали вратите са плътно затворени.
- Хладилникът е настроен на много ниска температура. Настройте хладилника на по-висок градус и изчакайте докато достигне температурата.
- Уплътнението на вратата на хладилника или фризера може да е замърсено, износено, повредено или неправилно поставено. Почистете или подменете уплътнението. Повреденото уплътнение кара хладилника да работи по-продължително време за да поддържа температурата.

емпературата във фризера е много ниска, докато температурата в хладилника е задоволителна

- Фризерът е настроен на много ниска температура. Настройте температурата във фризера на по-висока стойност и проверете.

Температурата в хладилника е много ниска, докато температурата във фризера е задоволителна

- Хладилникът е настроен на много ниска температура. Настройте температурата в хладилника на по-висока стойност и проверете.

Хранителните продукти, съхранявани в чекмеджетата на хладилното отделение, замръзват.

- Хладилникът е настроен на много ниска температура. Настройте температурата в хладилника на по-висока стойност и проверете.

Температурата в хладилника или фризера е много висока.

- Хладилникът е настроен на много висока температура. Настройката на хладилника оказва влияние върху температурата във фризера. Променете температурата в хладилника или фризера до достигане на задоволително ниво.
- Вратата може да е оставена откритата. Затворете вратата докрай.
- Възможно е наскоро да сте поставили големи количества топла храна в хладилника. Изчакайте хладилникът или фризерът да достигнат желаната температура.
- Хладилникът може скоро да е включен в контакта. Пълното охлаждане на хладилника отнема време поради големият обем.

От хладилника се чува шум, подобен на часовниково тиктакане.
<ul style="list-style-type: none"> • Този шум идва от електромагнитния клапан на хладилника. Електромагнитният клапан работи за да подсури преминаването на охлаждащата течност през отделението, което може да се настрои на охлаждащи или зампазващи температури и осигурява охлаждащия ефект. Това е нормално и не е признак на повреда.
Работният шум се увеличава когато хладилникът работи.
<ul style="list-style-type: none"> • Оперативните характеристики на хладилника ви може да се променят в зависимост от промените на околната температура. Това е нормално и не е повреда.
Вибрации или шум.
<ul style="list-style-type: none"> • Подът не е равен или издръжлив. Хладилникът се люлее при леко помръдване. Уверете се, че подът е равен, издръжлив и способен да издържи хладилника. • Шумът може да идва от предметите, поставени върху хладилника. Те трябва да се свалят от хладилника.
Чуват се шумове като от разливане на течност или спрей.
<ul style="list-style-type: none"> • Потокът на течност и газ е в съответствие с оперативните принципи на хладилника ви. Това е нормално и не е повреда.
Чува се шум като от духане на вятър.
<ul style="list-style-type: none"> • Въздушните активатори (вентилатори) се използват за да може хладилникът да охлажда по-ефективно. Това е нормално и не е повреда.

Кондензация по вътрешните страни на хладилника.
<ul style="list-style-type: none"> • Топлият и влажен климат повишава залеждането и кондензацията. Това е нормално и не е повреда. • Вратите са открити. Проверете дали вратите са плътно затворени. • Вратите може да са отворени твърде често или да са оставени отворени продължително време. Избягвайте да отваряте вратата толкова често.
Отвън на хладилника или между вратите се събира влага.
<ul style="list-style-type: none"> • Климатът е влажен. Това е съвсем нормално при влажен климат. Когато влажността във въздуха намалее, кондензираната вода ще изчезне.
Лоша миризма в хладилника.
<ul style="list-style-type: none"> • Вътрешността на хладилника трябва да се почисти. Почистете вътрешността на хладилника с гъба, топла или газирана вода. • Миризмата може да излиза от контейнери или опаковъчни материали. Използвайте друг контейнер или различна марка опаковъчни материали.
Вратата/вратите не се затваря(т).
<ul style="list-style-type: none"> • Пакетите с храна може да пречат на затварянето на вратата. Преместете пакетите, които пречат на вратата. • Хладилникът може да не е нивелиран напълно вертикално върху пода и да се люлее при леко помръдване. Настойте повдигащите винтове. • Подът не е равен или издръжлив. Уверете се, че подът е равен и способен да издържи хладилника.

Контейнерите за запазване на свежестта са заклещени.

- Храната може да докосва горната част на чекмеджето. Разместете храната в чекмеджето.

Ако Повърхностите На Уреда Са Горещи

- Докато уредът работи, могат да се наблюдават високи температури между двете врати, страничните панели и задната решетка. Това е нормално и не изисква сервизна услуга!

ТКАЗ ОТ ОТГОВОРНОСТ / ПРЕДУПРЕЖДЕНИЕ

Някои (прости) неизправности могат да бъдат адекватно обработени от крайния потребител, без да възникнат проблеми с безопасността или опасна употреба, при условие че те се извършват в границите и в съответствие със следващите инструкции (вижте раздела „Саморемонт“).

Следователно, освен ако не е разрешено друго в раздела „Саморемонт“ по-долу, ремонтите ще бъдат адресирани до регистрирани професионални сервиси, за да се избегнат проблеми с безопасността. Регистриран професионален сервис е професионален сервис, който е получил достъп до инструкциите и списъка с резервни части на този продукт от производителя съгласно методите, описани в законодателните актове съгласно Директива 2009/125 / ЕО.

Само сервизният агент (т.е. оторизиран професионален сервис), с когото можете да се свържете чрез телефонния номер, даден в ръководството за потребителя / гаранционната карта или чрез Вашия оторизиран дилър, може да предоставя услуга при условията на гаранцията. Ето защо, моля, имайте предвид, че ремонтите от професионални сервиси (които не са упълномощени от Веко) анулират гаранцията.

Саморемонт

Саморемонтът може да се извърши от крайния потребител по отношение на следните резервни части: дръжки на вратите, панти, тави, кошници и уплътнения на вратите (актуализиран

списък е наличен и в support.beko.com от 1 март 2021 г.).

Освен това, за да се гарантира безопасността на продукта и да се предотврати риск от сериозни наранявания, споменатият саморемонт трябва да се извърши, следвайки инструкциите в ръководството за потребителя за саморемонт или които са налични в support.beko.com За Ваша безопасност, изключете продукта от контакта, преди да опитате да извършите ремонт.

Ремонтите и опитите за поправка от крайни потребители за части, които не са включени в такъв списък и / или не следват инструкциите в ръководствата за потребителя за самостоятелно поправяне или които са налични в support.beko.com, може да повдигнат проблеми с безопасността, които не могат да бъдат отнесени Веко, и ще анулират гаранцията на продукта.

Поради това е силно препоръчително крайните потребители да се въздържат от опитите да извършват ремонти, попадащи извън посочения списък с резервни части, като в такива случаи се свързват с упълномощени професионални сервиси или регистрирани професионални сервиси. Напротив, такива опити от крайни потребители могат да причинят проблеми с безопасността и да повредят продукта и впоследствие да причинят пожар, наводнение, токов удар и сериозно нараняване. Като пример, но не само, следните ремонти трябва да бъдат адресирани до оторизирани професионални сервиси или регистрирани професионални сервиси: компресор, охладителна верига,

основна платка,инверторна платка,
табло за показване и др.

Производителят / продавачът не може
да носи отговорност във всеки случай,
когато крайните потребители не
спазват горното.

Наличността на резервни части на
хладилник, която сте закупили, е 10
години.

През този период ще бъдат на
разположение оригинални резервни
части за правилна експлоатация на
хладилник.

Минималната продължителност
на гаранцията на закупения от вас
хладилник е 24 месеца.

Този продукт е оборудван с източник на
осветление от енергиен клас "G".

Източникът на осветление в този
продукт може да бъде заменен само от
професионални сервизни техници.

beke

Frižider

Upute za uporabu

фрижидер

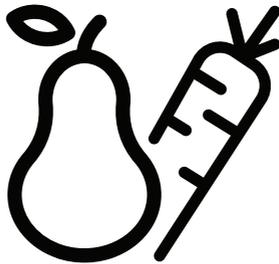
Упутства за кориснике

Frigorifer

Manuali i perdoruesit

Ладилник

Упатство за корисникот



TSE1423N - TSE1524N

BS / SB / SQ / MK /



RECIKLIRANI I
RECICLABILNI PAPIR



RECIKLIRANI PAPIR I
PAPIR ZA RECICLAŽU



LETËR E RICKLUAR DHE
E RICKLUESHME



PËRSTRADËTS UN
PËRSTRADËJAMS PAPIRS

58 5008 0000/AH
6/6

Molimo vas da prvo pročitate ovo korisničko uputstvo!

Poštovani kupci,

Nadamo se da će vam dobro služiti vaš proizvod, koji je izrađen u savremenim fabrikama i provjeren kroz najzahtjevnije procedure provjere kvaliteta.

Zato vam preporučujemo da, prije nego što počnete koristiti ovaj proizvod, pažljivo pročitate kompletno korisničko uputstvo i zadržite ga za buduće potrebe.

Ovo korisničko uputstvo

- Će vam pomoći da koristite vaš frižider na brz i siguran način.
- Pročitajte uputstvo prije instalacije i rada sa vašim proizvodom.
- Slijedite uputstva, naročito ona koja se odnose na sigurnost.
- Držite ovo uputstvo na lako dostupnom mjestu, jer vam može kasnije zatrebati.
- Pored toga, također pročitajte druge dokumente koji su isporučeni sa vašim proizvodom.

Molimo da obratite pažnju na činjenicu da ovo uputstvo može da se koristi i za neke druge modele.

Simboli i njihov opis

Ovo uputstvo za upotrebu koristi slijedeće simbole:

-  Važna informacija ili korisni savjeti za upotrebu.
-  Upozorenje na opasne situacije za život i imovinu.
-  Upozorenje na električni napon.

 PODACI	
	
<small>SUPPLIER'S NAME</small> 	<small>MODEL IDENTIFIER (*)</small> 
<small>Podaci o modelu pohranjeni u bazi podataka o proizvodu mogu se dobiti unosom sledeće mrežne stranice i pretragom po identifikacionom broju vašeg modela (*) koji se nalazi na oznaci potrošnje električne energije.</small>	
<small>https://eprei.ec.europa.eu/</small>	

1 Vaš frižider 3

2 Važna sigurnosna upozorenja 4

Namjena.....	4
Za proizvode sa dozerom vode;.....	9
Sigurnost djece	10
Usklađenost sa WEEE Direktivom i odlaganje otpadnog proizvoda:	10
Usklađenost sa RoHS Direktivom: 10	
Informacije o pakovanju	10
HC Upozorenje.....	10
Stvari koje je potrebno uraditi u cilju uštede energije	11

3 Ugradnja 12

Osnovne stvari koje treba uzeti u obzir kada prenosite vaš frižider.....	12
Prije nego što otvorite vaš frižider .	12
Električne veze	12
Odlaganje pakovanja	13
Odlaganje starog frižidera	13
Postavljanje i instalacija.....	13
Podešavanje nožica.....	14
Mijenjanje lampice za osvjetljenje ..	14
Ugradnja (po pult)	14

4 Priprema 15

Promjena smjera otvaranja vrata... 16	
---------------------------------------	--

5 Korištenje vašeg frižidera 17

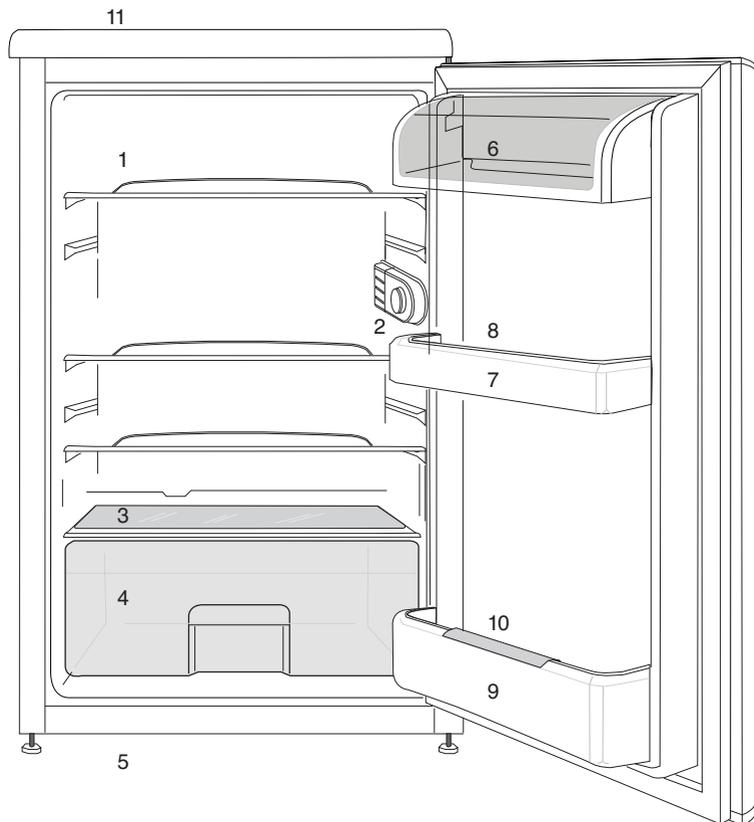
Zamrzavanje	17
Zamrzavanje namirnica	17
Pravljenje kockica leda.....	18
Čuvanje zamrznutih namirnica	18
Otleđivanje aparata.....	18
Hlađenje	19
Pohranjivanje namirnica	19
Odmrzavanje aparata	19

6 Održavanje i čišćenje 20

Zaštita plastičnih površina	20
-----------------------------------	----

7 Preporučena rješenja problema 21

1 Vaš frižider



- | | |
|--------------------------------------|-----------------------------------|
| 1. Police Odjeljka Frižidera | 6. Butter-Sir Odjeljak |
| 2. Posuda Za Formiranje Kockica Leda | 7. Police Na Vratima |
| 3. Poklopac Odjeljka Za Povrće | 8. Odjeljak Za Mliječne Proizvode |
| 4. Odjeljak Za Salatu | 9. Polica Za Flaše |
| 5. Prednje Noge | 10. Držač Za Boce |
| | 11. Radna Površina |

i Ilustracije koje se nalaze u ovome uputstvu za upotrebu su shematske i mogu da se razlikuju od stvarnog izgleda vašeg proizvoda. Ukoliko su opisani neki dijelovi koji nisu uključeni u proizvod koji ste vi kupili, onda se oni odnose na druge modele.

2 Važna sigurnosna upozorenja

Molimo pregledajte sljedeće informacije. Nepoštivanje ovih informacija može prouzrokovati povrede ili materijalne štete. U suprotnom, garancija i obaveze proizvođača u smislu pouzdanosti proizvoda će biti nevažeće.

Originalni rezervni dijelovi biće obezbijedjeni za narednih 10 godina počev od datuma kupovine vozila.

Namjena

UPOZORENJE:



Ventilacione otvore na uređaju ili ugrađenoj strukturi održavajte bez prepreka.



UPOZORENJE:

Za ubrzavanje procesa odmrzavanja koristite samo mehaničke uređaje ili druga sredstva koja je preporučio proizvođač.



UPOZORENJE:

Vodite računa da ne oštetite rashladno kolo.



UPOZORENJE:

Ne koristite električne uređaje u odjeljcima za skladištenje hrane, osim ako oni ne pripadaju tipu koji je preporučio proizvođač.



UPOZORENJE:

Nemojte skladištiti eksplozivne tvari poput limenki s aerosolom sa zapaljivim potisnim plinom u ovaj uređaj.

Uređaj je namijenjen za korištenje u domaćinstvu i za slične namjene, kao što su

- mala kuhinja za zaposlene u trgovinama, uredima i drugim radnim okruženjima;
- seoske kuće i za goste u hotelima, motelima i drugim stambenim objektima;
- objekti koji nude prenoćište i doručak,
- za pripremu i dostavu hrane i slične primjene koje ne spadaju u maloprodaju.

Opšta sigurnost

- Preporučujemo da se konsultujete sa ovlaštenim servisom da bi ste saznali odgovarajuće informacije

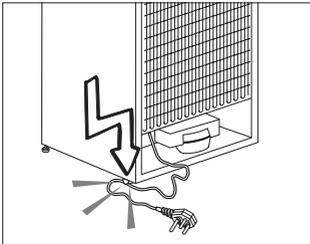
i ovlaštena tijela za odlaganje otpada, u slučaju kada želite da se riješite ovoga proizvoda ili ga odložite.

- Konsultujte se sa ovlaštenim servisom u vezi svih pitanja i problema koje imate sa ovim frižiderom. Nemojte poduzimati nikakve radnje nad frižiderom ili pustiti nekoga da to radi, bez da ste prethodno obavijestili ovlašteni servis.
- Za proizvode sa zamrzivačem; Nemojte jesti sladoled i kockice leda odmah nakon što ih izvadite van frižidera! (Ovo može uzrokovati promzline u vašim ustima.)
- Za proizvode sa zamrzivačem; Ne stavljajte napitke u boci ili limenci u frižider. U suprotnom, mogu se razbiti.
- Ne dirajte rukama zaleđenu hranu; Može se zalijepiti za vaše ruke.
- Isključite frižider prije čišćenja i odmrzavanja.

- Nikada ne koristite paru da bi ste odledili vaš frižider. Također, materijali za čišćenje koji isparavaju se ne bi nikad trebali koristiti za čišćenje frižidera. U ovim slučajevima, para može doći u dodir sa elektroničkim dijelovima te prouzrokovati kratke spojeve ili električne šokove.
- Nikad ne koristite dijelove vašeg frižidera, poput vrata, kao sredstva za potporu ili stepenik.
- Ne koristite elektroničke uređaje unutar frižidera.
- Nemojte oštetiti dijelove u kojima kruži rashladni zrak sa alatima za bušenje ili rezanje. Frižider može eksplodirati u slučaju kada se probuše plinski kanali isparivača, produžetci cijevi ili površinske presvlake, što može prouzrokovati iritacije na koži ili povrede očiju.
- Ne pokrivajte ili blokirajte bilo kakvim materijalima ventilacione rupe na vašem frižideru.
- Elektronički uređaji moraju biti popravljani samo od strane ovlaštenih osoba. Popravke koje su provedene od strane nekompetentnih osoba uzrokuju rizik za korisnika.
- U slučaju bilo kakvih kvarova ili tokom održavanja ili popravke, isključite dovod napajanja vašeg frižidera tako što ćete isključiti odgovarajući osigurač ili ga pak isključiti iz utičnice.
- Ne povlačite kabal kada želite da ga isključite iz utičnice.
- Osigurajte da su pića s visokim procentom alkohola smještena na siguran način s dobro zatvorenim poklopcem i u uspravnom položaju.
- Nikad ne stavljajte u frižider limenke spreja koje sadrže zapaljive i eksplozivne supstance.
- Nemojte koristiti mehanička ili druga pomagala da bi ste ubrzali proces odmrzavanja, osim

- sredstava preporučenih od strane proizvođača.
- Ovaj proizvod nije namjenjen da se koristi od strane osoba sa fizičkim, čulnim ili mentalnim poremećajima ili od strane neukih ili neiskusnih osoba (uključujući djecu) ukoliko nisu pod prismotrom osoba koje su odgovorne za njihovu sigurnost ili koje će ih uputiti kako da ispravno koriste proizvod.
 - Ne raditi sa oštećenim frižiderom. Konsultujte se sa ovlaštenim serviserom ukoliko imate bilo kakvih pitanja.
 - Sigurnost koja se tiče električnih instalacija će biti zagarantovana jedino ukoliko je sistem uzemljenja u vašem domu urađen prema odgovarajućim standardima.
 - Obzirom na električnu sigurnost treba imati u vidu da je opsano izlaganje proizvoda kiši, snijegu, suncu i vjetru.
 - Da biste izbjegli opasnost, pozovite ovlaštenog servisera kada je oštećen kabal za napajanje.
 - Nikad ne uključujte frižider u zidnu utičnicu tokom instaliranja. U suprotnom, postoji rizik od smrti ili ozbiljnih povreda.
 - Frižider je namjenjen za pohranu jedino prehrambenih proizvoda. Ne smije se koristiti u bilo koje druge svhre.
 - Etiketa sa tehničkim specifikacijama se nalazi na lijevom zidu, unutar frižidera.
 - Nikad ne spajajte vaš frižider na sisteme za uštedu energije; oni mogu oštetiti frižider.
 - Ukoliko postoji plavo svjetlo na frižideru, ne gledajte na njega sa optičkim pomagalima.
 - Za ručno upravljane frižidere, sačekajte najmanje 5 minuta da bi ste pokrenuli frižider nakon nestanka struje.

- U slučaju da proizvod mijenja vlasnika potrebno je i ovo uputstvo za upotrebu predati novom vlasniku proizvoda.
- Pazite da ne oštetite kabal za napajanje u slučaju transporta frižidera. Savijeni kabal može prouzrokovati požar. Nikada ne stavljajte teške objekte na kabal za napajanje. Ne dirajte utičnicu sa mokrim rukama kada uključujete proizvod u struju.

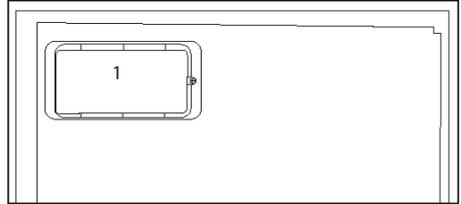
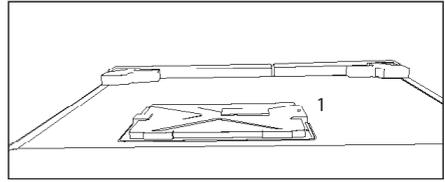


- Ne uključujte frižider u slučaju da je opuštena utičnica na zidu.
- Zbog sigurnosnih razloga, ne prskajte direktno vodom unutrašnje ili vanjske dijelove proizvoda.
- Da biste izbjegli rizik od vatre ili eksplozije, nikada blizu frižidera ne pršcite

supstance koje sadrže zapaljive gasove poput propana.

- Nikada na frižider ne postavljajte posude napunjene vodom jer, u suprotnom, možete uzrokovati električni šok ili požar.
- Nikada ne preopterećujte vaš frižider sa pretjeranim količinama hrane. Ukoliko je frižider preopterećen, tada, prilikom otvaranja vrata mogu ispasti prehrambeni proizvodi te vas povrijediti i oštetiti frižider. Nikada ne stavljajte predmete na frižider; u suprotnom, ti predmeti mogu pasti kada otvarate ili zatvarate vrata frižidera.
- Cjepiva, temperaturno osjetljive lijekove te znanstvene materijale ne bi ste trebali čuvati u frižideru, obzirom da oni zahtijevaju da se skladište na preciznoj temperaturi.
- Frižider bi se trebao isključiti ukoliko se duže vremena ne koristi. Mogući problemi sa napojnim kablom mogu prouzrokovati požar.

- Moguće je da se frižider pomjera ukoliko noge frižidera nisu propisno postavljene na pod. Propisno postavite podesive noge na pod da izbjegnute pomjeranje frižidera.
- Kada prenosite frižider ne držite ga za dršku vrata. U suprotnom, ona može pući.
- Ne postavljajte vaš proizvod previše blizu drugog frižidera ili zamrzivača. Udaljenost između ovih uređaja treba biti najmanje 8cm. U suprotnom, može doći do vlage na susjednim bočnim zidovima uređaja.
- Nikad ne koristite proizvod ako su otvoreni delovi gornjeg ili zadnjeg dela vašeg proizvoda koji unutra imaju elektronske ploče sa otštampanim strujnim kolima (zaštita elektronskih ploča sa otštampanim strujnim kolima) (1).



Za proizvode sa dozerom vode;

- Pritisak za dovod hladne vode je maksimalno 90 PSI (6.2 bari). Ukoliko pritisak vode premašuje 80PSi (5.5 bari), u glavnom vodu upotrijebite ventil za ograničavanje pritiska. Ako ne znate kako se provjerava pritisak vode, zatražite pomoć vodoinstalatera.
- Ukoliko u vašim instalacijama postoji rizik od efekta vodenog udara, u instalacijama uvijek koristite opremu za sprečavanje vodenog udara. Savjetujte se sa vodoinstalaterom ukoliko

niste sigurni da li u vašim instalacijama postoji efekat vodenog udara.

- Ne montirati na dovod za toplu vodu. Poduzmite mjere opreza protiv rizika od smrzavanja cijevi. Interval temperature vode je 33°F (0.6°C) minimalno i 100°F (38°C) maksimalno.

- Koristite samo pitku vodu.

Sigurnost djece

- Ukoliko vrata proizvoda imaju bravu tada ključ treba držati van dosega djece.
- Djeca trebaju biti pod nadzorom u cilju da bi ih se spriječilo da se igraju sa proizvodom.

Usklađenost sa WEEE Direktivom i odlaganje otpadnog proizvoda:



Ovaj proizvod je u skladu sa EU WEEE Direktivom (2012/19/EU). Ovaj proizvod posjeduje klasifikacijski simbol za otpadnu električnu i elektroničku opremu

(WEEE).

Ovaj proizvod je proizveden od visoko kvalitetnih dijelova koji se mogu ponovo upotrijebiti i koji su pogodni za recikliranje. Nemojte odlagati otpadni proizvod s običnim kućnim i drugim otpadima čiji je vijeka trajanja prošao.

Odnesite taj otpad na odlagalište za reciklažu električne i elektroničke opreme. Molimo vas posavjetujte se sa lokalnim institucijama da saznate gdje se nalaze ova odlagališta.

Usklađenost sa RoHS Direktivom:

Proizvod koji ste kupili je u skladu sa EU RoHS Direktivom (2011/65/EU). On ne sadrži nikakve štetne i zabranjene materijale specificirane u ovoj Direktivi.

Informacije o pakovanju

Materijali za pakovanje na proizvodu su proizvedeni od reciklirajućih materijala u skladu sa našim državnim propisima za okoliš. Nemojte odlagati materijale za pakovanje zajedno sa kućnim otpadom ili s drugom vrstom otpada. Odložite ih na odredišta za prikupljanje materijala za pakovanje koja su naznačena od strane lokalnih vlasti.

HC Upozorenje

Ukoliko sistem za hlađenje u vašem proizvodu sadrži R600a:

Gas je zapaljiv. Stoga, obratite pažnju da ne oštetite sistem hlađenja i cijevi tokom korištenja ili transporta proizvoda. U slučaju oštećenja, držite proizvod dalje od potencijalnih izvora vatre koji mogu izazvati da vatra zahvati proizvod, te također prozračujte prostoriju u kojoj je proizvod postavljen.

Ignorišite ovo upozorenje ukoliko sistem za hlađenje u vašem proizvodu sadrži R134a.

Tip gasa koji se koristi u proizvodu je naznačen na natpisnoj pločici koja se nalazi na lijevom zidu unutar frižidera.

Nikad ne stavljajte proizvod u vatru u cilju odlaganja.

Stvari koje je potrebno uraditi u cilju uštede energije

- Nikada ne ostavljajte duže vremena otvorena vrata vašeg frižidera.
- Ne savljajte toplu hranu ili napitke u vaš frižider.
- Ne preopterećujte vaš frižider tako da je unutar njega sprječeno cirkulisanje zraka.
- Ne postavljate vaš frižider direktno na sunčevu svjetlost ili blizu aparata koji emituju toplotu, poput pećnica, mašina za pranje posuđa ili radijatora.
- Hranu čuvajte u zatvorenim posudama.
- Za proizvode sa zamrzivačem; Možete staviti maksimalnu količinu hrane u zamzivač kada uklonite njegovu policu ili ladicu. Navedena potrošnja energije za vaš frižider je određena pod maksimalnim opterećenjem, tako što su uklonjene police ili ladice frižidera. Ne postoji nikakav rizik po pitanju oblika i veličine prehrambenih namirnica koje se trebaju zamrznuti ukoliko se koristi polica ili ladica.
- Odmrzavanje zaleđene hrane u frižideru će osigurati kako uštedu energije tako i očuvanje kvaliteta hrane.

3 Ugradnja

⚠ Molimo da imate na umu da proizvođač ne snosi nikakvu odgovornost ukoliko se ignorišu informacije koje su date u ovome korisničkom uputstvu.

Osnovne stvari koje treba uzeti u obzir kada prenosite vaš frižider.

1. Vaš frižider se mora isprazniti i očistiti prije bilo kakvog transporta.
2. Police, pribor, povrće i slično u vašem frižideru se mora prije prepakiranja sigurno pričvrstiti koristeći ljepljivu traku da bi ostalo nepomjerno.
3. Pakovanje je potrebno povezati ljepljivom trakom i snažnim užetom te se moraju poštovati pravila transporta koja su ispisana na pakovanju.

Molim da ne zaboravite...

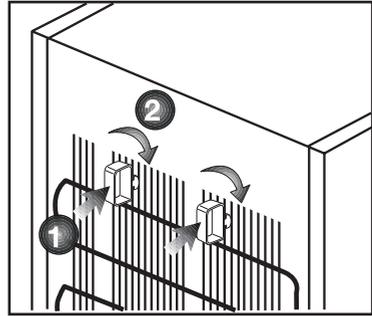
Svaki materijal koji se može reciklirati je nepoželjan za prirodu i naše nacionalne resurse.

Ukoliko želite da doprinesete reciklaži materijala za pakovanje, kontaktirajte nadležna tijela za očuvanje okoliša ili lokalne institucije za više informacija.

Prije nego što otvorite vaš frižider

Prije nego što počnete koristiti vaš frižider provjerite sljedeće:

1. Da li je unutrašnjost frižidera suha i da li zrak može slobodno da cirkulira u i oko njega?
2. Očistite unutrašnjost frižidera kao što je to preporučeno u dijelu "Održavanje i čišćenje"
3. Uključite frižider u zidnu utičnicu. Prilikom otvaranja vrata, uključuje se unutrašnje osvjetljenje frižidera.
4. Čut ćete buku određene razine prilikom pokretanja kompresora.



Tekućine i gasovi zatvoreni unutar sistema hlađenja također mogu podići nivo buke, čak i u slučaju kada kompresor nije uključen što je sasvim normalna pojava.

5. Prednji rubovi frižidera mogu biti topli. To je normalna pojava. Oni su dizajnirani da budu topliji tako da se izbjegne stvaranje kondenza.

Električne veze

Spojite vaš proizvod na uzemljenu utičnicu koja je zaštićena osiguračem odgovarajućeg kapaciteta.

Važno:

- Veze moraju biti u skladu sa nacionalnim propisima.
- Utikač kabla za napajanje mora biti lako dostupan nakon instalacije.
- Navedeni napon mora biti jednak vašem mrežnom naponu.
- Produžni kablovi i više-utični produžetci ne smiju se koristiti.

⚠ Oštećeni kabal za napajanje mora biti zamjenjen od strane kvalifikovanog električara.

⚠ Proizvod ne smije da se koristi prije nego što se ne popravi! Postoji opasnost od električnog šoka!

Odlaganje pakovanja

Materijali za pakovanje mogu biti opasni za djecu. Držite ove materijale izvan dosega djece ili ih odložite tako što će te ih razvrstati u skladu sa uputama za odlaganje otpada. Ne odlažite ih sa ostalim normalnim otpadom domaćinstva.

Pakovanje vašeg frižidera je proizvedeno od materijala koji se mogu reciklirati.

Odlaganje starog frižidera

Odložite vaš stari frižider tako da ne nanosite nikakvu štetu za okoliš.

- Možete se konsultovati sa ovlaštenim distributerom ili centrom za prikupljanje otpada u vašoj opštini o načinu odlaganja vašeg frižidera.

Prije nego što odložite vaš frižider, odsjecite električni utikač i ukoliko postoje bilo kakve brave na vratima, onemogućite njihovo otvaranje da biste zaštitili djecu od bilo kakve opasnosti.

Postavljanje i instalacija

⚠ Pozovite ovlašteni servis u slučaju da ulazna vrata prostorije u koju želite da postavite vaš frižider nisu dovoljno široka da bi frižider mogao proći kroz njih. Ulazna vrata prostorije u tom slučaju je potrebno skinuti da bi se vaš frižider bočno mogao unjeti u prostoriju.

1. Instalirajte vaš frižider na mjesto koje vam omogućava lako korištenje.
2. Držite frižider podalje od izvora toplote, vlažnih mjesta i direktnog sunčanog svjetla.
3. Da bi frižider mogao efikasno raditi oko njega se mora obezbjediti odgovarajuća ventilacija vazduha.. Ukoliko frižider namjeravate postaviti u udubljenje u zidu, onda morate osigurati da između frižidera i plafona odnosno zidova postoji najmanje 5 cm udaljenosti. Ako je pod prekriven tepihom tada je potrebno da vaš proizvod bude podignut 2.5 cm od poda.
4. Postavite vaš frižider na ravni pod kako bi se spriječilo ljuhanje.

Podešavanje nožica

Ako vaš frižider nije balansiran;

Možete balansirati vaš frižider tako što ćete okrenuti prednje noge kao što je prikazano na slici ispod. Ugao gdje se nalaze noge je spušten kada ih okrenete u smjeru crne strelice, a podignut kada okrenete u suprotnom smjeru. Ako vam neko može pomoći da malo podignete frižider, to će vam olakšati ovaj postupak.



Mijenjanje lampice za osvjetljenje

Da biste promijenili lampicu/LED za osvjetljenje u frižideru, pozovite ovlaštenu servisnu ekipu.

Lampa (e) koji se koristi u ovom uređaju nije prikladna za kućno osvjetljenje. Cilj ove lampe je da pomogne korisniku da postavi hranu u hladnjak/zamrzivač na siguran i ugodan način. Lampice koje se koriste u ovom uređaju moraju podnositi ekstremne fizičke uslove kao što su temperature ispod -20°C .

Ovaj je proizvod opremljen izvorom osvjetljenja energetskog razreda „G“. Izvor osvjetljenja u ovom proizvodu mogu zamijeniti samo stručni serviseri.

Ugradnja (po pult)

- Unutrašnja visina pulta bi trebala biti 820 mm.
- (!) Štednjaci ili drugi izvori toplote moraju biti postavljeni iznad pulta, tamo gdje je ovaj uređaj ugrađen ispod pulta.
- Zidni utikač za električnu mrežu mora biti blizu lijevoj ili desnoj strani uređaja.
- Uklonite pokopac uređaja. Tu su 4 vijka (2 na stražnjoj strani, 2 ispod prednjeg ruba) koje je potrebno ukloniti.

Slika 1

- Isijecite dio koji je prikazan na slici i potom isti uklonite pomoću klijesta.
- Postavite vaš uređaj ispod pulta i podesite prednje nožice sve dok vrh uređaja ne dotakne pult.

Da biste koristili proizvod ispod pulta, razdaljina između zida i reference naznačene na gornjem spoju mora biti minimalno 595 mm.

Sl. 2-3

- Pričvrstite uređaj ispod pulta koristeći 2 vijka koja ste uklonili sa gornjeg poklopca. (Materijal pulta mora biti na bazi plastike ili drveta!)

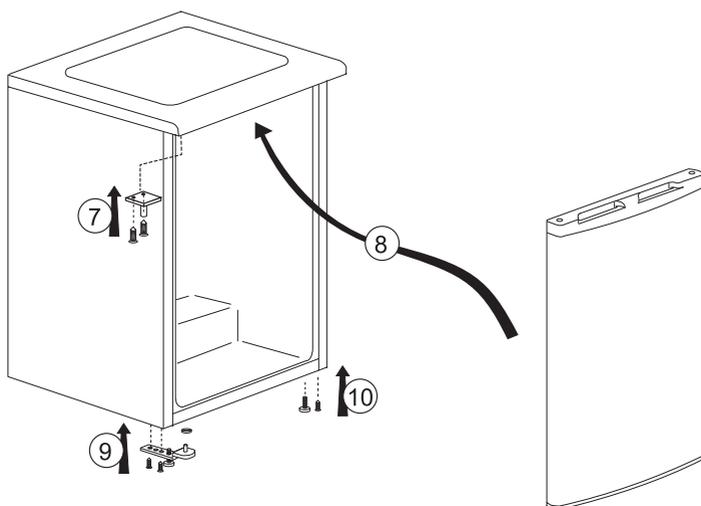
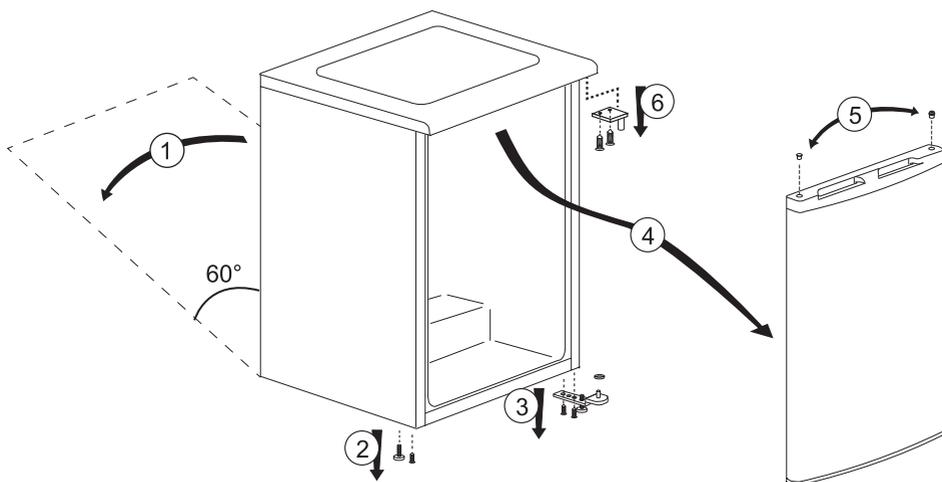
Sl. 4

4 Priprema

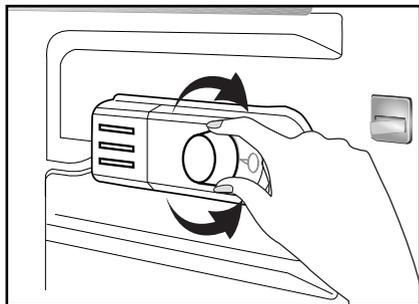
- i** za samostojeći uređaj; „Ovaj rashladni uređaj nije predviđen da se koristi kao ugradni uređaj“;
- i** Vaš frižider bi trebao biti postavljen na udaljenosti od najmanje 30 cm od izvora toplote poput kamina, pećnica, centralnog grijača i peći i najmanje 5 cm od električnih štednjaka te ne bi trebao biti postavljen na sunčevu svjetlost.
- i** Ambijentna temperatura sobe gdje postavljate vaš frižider bi trebala biti najmanje 10°C. Zbog njegove efikasnosti, nije preporučeno da vaš frižider radi pod hladnijim uslovima od ovih.
- i** Molimo da provjerite da je unutrašnjost vašeg frižidera temeljno očišćena.
- i** Ukoliko su dva frižidera postavljena jedan do drugog, onda je potrebno da bude najmanje 2 cm udaljenosti između njih.
- i** Molimo da obratite pažnju na slijedeća uputstva koja se odnose na prvih šest sati rada, kada prvi put palite vaš frižider.
 - Vrata frižidera se ne bi trebala prečesto otvarati.
 - Frižider mora da radi prazan bez ikakve hrane u njemu.
 - Ne isključujte frižider. Ukoliko dođe do nestanka struje izvan vaše kontrole, molimo pogledajte upozorenja u dijelu "Preporučena rješenja za probleme"
- i** Originalno pakovanje i materijale od pjene zadržite zbog budućeg transporta ili pomjeranja.
- i** kod nekih modela, panel instrumenata se automatski isključuje 5 minuta nakon zatvaranja vrata. On će se ponovo aktivirati kada se vrata tvore ili kada se pritisne neka tipka.
- i** Zbog promjene u temperaturi do koje dolazi otvaranjem/zatvaranjem vrata uređaja tokom rada, normalna je pojava kondenzacije na policama vrata/kućišta i staklenim kontejnerima.

Promjena smjera otvaranja vrata

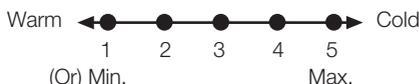
Postupite prema numerisanom redoslijedu.



5 Korištenje vašeg frižidera



Radna temperatura se podešava pomoću regulatora temperature.



1 = Najniža vrijednost regulatora (Najviša temperatura)

5 = Najviša vrijednost regulatora (Najniža temperatura)

(Ili)

Min. = Najmanje hlađenje (Najviša temperatura)

Max. = Najveće hlađenje (Najmanja temperatura)

Prosječna temperatura unutar frižiderskog dijela trebala bi iznositi oko +5°C.

Molimo da temperaturu podesite u skladu sa Vašim potrebama.

Možete prekinuti rad vašeg uređaja tako što ćete okrenuti tipku termostata u položaj "0".

Molimo vodite računa da će različiti dijelovi hlađenog prostora imati različite temperature.

Najhladniji dio nalazi se neposredno iznad posude za povrće.

Temperatura unutrašnjosti zavisi i od temperature okoline, učestanosti otvaranja vrata i količine hrane koja je smještena u aparat.

Često otvaranje vrata utiče na povišenje unutrašnje temperature.

Radi navedenog, preporučuje se zatvaranje vrata u što kraćem roku nakon upotrebe.

Zamrzavanje

Zamrzavanje namirnica

Dio za zamrzavanje označen je  simbolom.

Uređaj možete koristiti za zamrzavanje svježih, kao i za pohranjivanje ranije zamrznutih namirnica.

Molimo pridržavajte se uputa navedenih na pakovanju namirnica.

• Pažnja

Nemojte zamrzavati pjenušava pića jer flaša može puknuti kada je tečnost u njoj zamrznuta.

Budite oprezni sa zamrznutim proizvodima kao što su obojene kockice leda.

Nemojte prekoračivati dnevni kapacitet zamrzavanja vašeg hladnjaka. Pogledajte naljepnicu s oznakama.

U cilju očuvanja kvalitete namirnica, zamrzavanje treba izvršiti u što kraćem roku.

Na taj način kapacitet zamrzavanja neće biti prekoračen i neće doći do porasta temperature u zamrzivaču.

• Pažnja

Namirnice koje su prethodno duboko zamrznute uvijek pohranite odvojeno od hrane koja je zamrznuta u svježem stanju.

Prilikom zamrzavanja vruće hrane, kompresor za hlađenje će biti uključen sve dok se hrana potpuno ne zamrzne. Ovo može uzrokovati privremeno, intenzivno rashlađivanje frižiderskog dijela hladnjaka.

Ukoliko primjetite da se vrata zamrzivača teško otvaraju neposredno nakon što ste ih zatvorili – nema razloga za brigu. Ovo je posljedica razlike pritiska koja ubrzo nestaje tako da se vrata mogu normalno otvoriti nakon par minuta.

Pri zatvaranju vrata čuti ćete zvuk vakumskog usisavanja. Ovo je normalna pojava.

Pravljenje kockica leda

Napunite posudu za led vodom do 3/4 zapremine i stavite je u zamrzivač.

Čim se voda smrzne, možete vaditi formirane kockice leda.

Nikada nemojte koristiti noževe ili viljuške za vađenje kockica leda. Može doći do povrede !

Umjesto toga, pustite da se kockice malo otupe ili dno posude uronite u vruću vodu na par sekundi.

Čuvanje zamrznutih namirnica

Dio za zamrznutu hranu označen je  simbolom.

Dio za zamrznutu hranu je pogodan za pohranjivanje prethodno zamrznute hrane. Upute za čuvanje ranije

zamrznutih namirnica, kao što je označeno na pakovanju hrane, bi trebalo striktno slijediti.

Odleđivanje aparata

Prekomejro formiranje leda će uticati na performanse zamrzavanja vašeg uređaja.

Stoga je preporučljivo da odmrznete vaš uređaj najmanje dva puta godišnje, ili kad god formirani led premašuje 7 mm.

Odmrznite vaš uređaj kada u njemu ima samo malo ili nema nikako hrane.

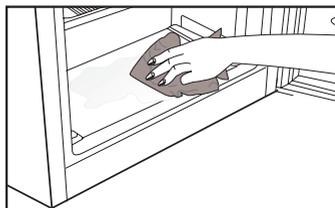
Izvadite duboko zamrznutu hranu.

Umotajte duboko zamrznutu hranu u nekoliko slojeva papira ili neki pokrivač, te je čuvajte na hladnom mjestu.

Isključite uređaj sa napajanja ili isključite automatsku sklopku da biste započeli proces odmrzavanja.

Izvadite pribor (poput polica, ladica itd.) iz uređaja i koristite prikladnu posudu da pokupite vodu koja se otapa.

Koristite spužvu ili mekanu tkaninu da uklonite vodu koja se otapa ako je to potrebno u dijelu zamrzivača  i dijelu za zamrznutu hranu .



Ostavite vrata otvorena za vrijeme odmrzavanja.

Za brže odmrzavanje, postavite posudu napunjenu toplom vodom u unutrašnjost uređaja.

Nikada nemojte koristiti električne uređaje, sprejeve za odmrzavanje ili špicaste predmete ili predmete sa oštrim ivicama kao što su noževi ili viljuške da biste uklanjali led.

Nakon što se odmrzavanje završi, očistite unutrašnjost.

Ponovo priključite uređaj na napajanje. Stavite zamrznutu hranu u ladice i ubacite ladice u zamrzivač.

Hlađenje

Pohranjivanje namirnica

Glavni, frižiderski dio hladnjaka namijenjen je za kratkotrajno čuvanje svježih namirnica i pića.

Mliječne proizvode smjestite u za njih predviđen prostor u frižideru.

Flaše možete staviti u nosač za flaše ili u policu za flaše koja se nalazi u vratima.

Sirovo meso je najbolje staviti u najlon vrećicu i smjestiti u odjeljak pri samom dnu frižiderskog dijela.

Rashladite zagrijanu hranu i pića do sobne temperature prije nego ih smjestite u frižiderski dio.

• Pažnja

Koncentrat alkohola ostavite u posude samo u uspravnom položaju i dobro ih začepite.

• Pažnja

Nemojte ostavljati eksplozivne materije ili posude sa zapaljivim potisnim gasovima (konzervirani šlag, sprejevi i sl.) u ovaj uređaj.

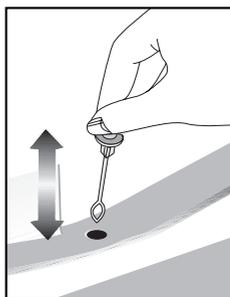
Postoji opasnost od eksplozije.

Odmrzavanje aparata

Odjeljak frižidera odmrzava se automatski. Voda koja se otapa teče kroz odvodni kanal u posudu za skupljanje na stražnjem dijelu uređaja. Za vrijeme odmrzavanja, vodene kapljice se formiraju na stražnjem zidu frižidera zbog isparavanja.

Ako sve kapljice na spadnu, moguće je da će se one opet zamrznuti nakon što se odmrzavanje završi. Uklonite ih pomoću mekane tkanine navlažene toplom vodom. Nemojte koristiti tvrde ili oštre predmete.

S vremena na vrijeme provjerite proticanje vode koja se otapa. Moguće je da proticanje povremeno bude blokirano. Očistite pomoću čistača za cijevi ili sličnog pribora.



6 Održavanje i čišćenje

 Nikada nemojte koristiti benzin, benzen ili slične supstance za čišćenje.

 Preporučujemo da isključite frižider prije čišćenja.

 Za čišćenje frižidera nemojte nikada upotrebljavati oštre abrazivne predmete, sapune, deterdžente i materije za poliranje.

 Za proizvode koji nemaju funkciju bez mraza, kapljice vode i led širine prsta se pojavljuju na stražnjem zidu odjeljka frižidera. Nemojte to čistiti; nikada na tome ne primjenjujte ulje ili slična sredstva.

 Koristite samo blago navlaženu krpu od mikrofibera da očistite vanjsku površinu proizvoda. Spužve i druge vrste tkanina za čišćenje mogu ogrebat površinu.

 Koristite mlaku vodu za čišćenje spoljnih površina frižidera, a potom sve dobro isušite.

 Za čišćenje unutrašnjih površina frižidera koristite vlažnu krpu, natopljenu u otopini jedne čajne kašike sode bikarbone rastvorene u pola litra vode. Nakon čišćenja sve površine dobro isušite.

 Pazite da voda ne uđe u kućište za sijalicu i druge elektroničke dijelove.

 Ukoliko frižider neće biti korišten duži vremenski period, isključite iz utičnice kabal za napajanje, izvadite sve namirnice, očistite ga, a vrata ostavite odškrinuta.

 Redovno provjeravajte zaptivne površine vrata, kako biste osigurali da su čiste i da na njima nema ostataka hrane.

 Da biste skinuli policu sa vrata, uklonite sve namirnice i pogurajte policu prema gore u odnosu na oslonac.

 Nemojte upotrebljavati sredstva za čišćenje ili vodu koji sadrže hlor za čišćenje spoljašnjih površina i hromiranih dijelova proizvoda. Hlor izaziva koroziju na tim metalnim površinama.

 Ne koristite oštre i abrazivne predmete ili sapun, sredstva za čišćenje u kućanstvu, benzin, vosak itd., jer će plombe iz plastičnih dijelova ispasti i deformirati se. Za čišćenje koristite toplu vodu i meku tkaninu. Obrišite da bude suho.

Zaštita plastičnih površina

 Ne stavljajte u posude bez poklopca tečna ulja ili jela pržena u ulju u frižider jer mogu oštetiti plastične površine u njemu. Očistite i isperite toplom vodom plastične površine ako ste na njih prosuli ili razmazali ulje.

7 Preporučena rješenja problema

Molimo da, prije nego pozovete servisera, pregledate ovaj popis. To vam može uštedjeti novac i vrijeme. Ovaj popis uključuje česte prigovore koji ne proizlaze iz neispravne izvedbe ili korištenja loših materijala. Neke od osobina koje su opisane ovdje mogu da se ne nalaze u vašem proizvodu.

Frižider ne radi.

- Da li je frižider propisno uključen? Uključite utikač u zidnu utičnicu.
- Da li je pregorio osigurač utičnice u koju je uključen vaš frižider ili glavni osigurač? Provjerite osigurač.

Kondenzat na strani zidova zamrzivača (MULTIZONE, COOL CONTROL i FLEXI ZONE).

- Veoma hladna temperatura okoline. Često otvaranje i zatvaranje vrata. Visoka vlažnost okoline. Držanje u otvorenim posudama hrane koja sadrži tekućinu. Ostavljanje odškrnutih vrata. Postavljanje termostata na hladniji stepen.
- Smanjenje vremena u kojem su vrata ostavljena otvorena ili rjeđe otvaranje vrata.
- Pokrivanje odgovarajućim materijalom hrane u otvorenim posudama.
- Brisanje kondenzata korištenjem suhe krpe i provjera da li će se ponovo nastaviti stvarati.

Kompresor ne radi

- Termička zaštita kompresora će proraditi tokom iznenadnog nestanka struje ili uključivanja-isključivanja jer rashladni pritisak u sistemu hlađenja frižidera još nije izbalansiran. Vaš frižider će početi da radi otprilike nakon 6 minuta. Molimo pozovite servis ukoliko frižider ne počne raditi na kraju ovoga perioda.
- Frižider je u ciklusu odmrzavanja. Ovo je normalno za frižidere sa potpuno automatizovanim procesom odmrzavanja. Ciklus odmrzavanja se ponavlja periodično.
- Vaš frižider nije uključen u utičnicu. Provjerite da li je utikač pravilno postavljen u utičnicu.
- Da li su ispravno napravljena temperaturna podešenja?
- Moguće je da je isključeno napajanje.

Frižider radi često ili već duže vremena.

- Vaš novi proizvod može biti širi od prethodnog. Ovo je normalna pojava. Veliki frižideri rade duži vremenski period.
- Sobna temperatura je možda prevelika. Ovo je normalna pojava.
- Frižider je možda bio uključen nedavno ili je možda tek napunjen namirnicama. Potpuno halađenje frižidera može trajati nekoliko sati duže.
- Možda su u frižider nedavno stavljene velike količine tople hrane. Topla hrana uzrokuje duži period rada frižidera dok se ne dosegne odgovarajuća temperatura za čuvanje hrane.
- Vrata mogu biti otvarana često ili ostavljena odškrinuta na duži period. Topli zrak koji ulazi u frižider uzrokuje da će frižider raditi duži period. Rjeđe otvarajte vrata.
- Moguće je da su ostavljena odškrinuta vrata zamrzivača ili odjeljka frižidera. Provjerite da li su vrata čvrsto zatvorena.
- Frižider je podešen na veoma nisku temperaturu. Podesite temperaturu frižidera na veći stepen i sačekajte dok se ta temperatura ne postigne.
- Zaptivanje vrata frižidera ili zamrzivača može biti prljavo, istrošeno, slomljeno ili pak da se dobro ne uklapa. Očistite ili zamjenite zaptivače. Oštećeni/slomljeni zaptivači mogu uzrokovati da frižider radi duži period u cilju održanja trenutne temperature.

Temperatura zamrzivača je veoma niska dok je temperatura cijelog frižidera dovoljno dobra.

- Zamrzivač je podešen na veoma nisku temperaturu. Podesite temperaturu zamrzivača na viši stepen i ponovo provjerite.

Temperatura frižidera je veoma niska dok je temperatura zamrzivača dovoljna.

- Frižider je podešen na veoma nisku temperaturu. Podesite temperaturu frižidera na viši stepen i ponovo provjerite.

Hrana koja se drži u policama odjeljka frižidera se zamrzava.

- Frižider je podešen na veoma nisku temperaturu. Podesite temperaturu frižidera na viši stepen i ponovo provjerite.

Temperatura frižidera ili zamrzivača je jako visoka.

- Frižider je možda podešen na veoma visoku temperaturu. Podešenje temperature frižidera ima efekta na temperaturu zamrzivača. Mijenjajte zadanu temperaturu frižidera ili zamrzivača sve dok ona ne dostigne zadovoljavajući nivo.
- Vrata mogu biti prečesto otvarana ili ostavljena odškrinuta na duži period; otvarajte ih rjeđe.
- Vrata mogu ostati odškrinuta; Zatvorite vrata u potpunosti.
- Možda su nedavno u frižider stavljene velike količine tople hrane. Sačekajte dok temperatura frižidera ne dosegne željeni nivo.
- Frižider je možda tek nedavno uključen u utičnicu. Potrebno je vremena da bi se frižider u potpunosti ohladio.

Buka pri radu se povećava kada frižider radi.
<ul style="list-style-type: none"> • Performanse rada frižidera se mogu mijenjati zbog promjena temperature okoline. To je normalna pojava i ne radi se o kvaru.
Vibracije ili buka
<ul style="list-style-type: none"> • Pod nije ravan ili je slab. Frižider se ljulja kada se polako gurne. Provjerite da li je pod dovoljno jak da nosi frižider, kao i podešenost nivoa nogu frižidera. • Buka može biti uzrokovana stavljanjem predmeta na frižider. Predmeti na frižideru se trebaju ukloniti.
Buka koja dolazi od frižidera podsjeća na prosipanje tekućine ili prskanje.
<ul style="list-style-type: none"> • Zbog principa rada vašeg frižidera dolazi do kretanja tečnosti i gasova unutar njega. To je normalna pojava i ne radi se o kvaru.
Postoji buka koja podsjeća na puhanje vjetra.
<ul style="list-style-type: none"> • Ventilatori se koriste u cilju hlađenja frižidera. To je normalna pojava i ne radi se o kvaru.
Kondenz na unutarnjim zidovima frižidera.
<ul style="list-style-type: none"> • Vruće i vlažno vrijeme povećava zamrzavanje i kondenzaciju. To je normalna pojava i ne radi se o kvaru. • Vrata su možda bila ostavljena odškrinuta; Provjerite da li su vrata u potpunosti zatvorena. • Vrata mogu biti prečesto otvarana ili ostavljena odškrinuta na duži period; otvarajte ih rjeđe.
Na vanjskom dijelu frižidera ili između vrata se pojavljuje vlaga.
<ul style="list-style-type: none"> • Razlog može biti vlaga u zraku; ovo je prilično normalno pri vlažnom vremenu. Kada je smanji vlažnost također će nestati i kondenz.
Neprijatan miris unutar frižidera
<ul style="list-style-type: none"> • Unutrašnjost frižidera se mora čistiti. Očistite unutrašnjost frižidera sa spužvom, mlakom ili gaziranom vodom. • Neke posude ili materijali za pakovanje mogu uzrokovati neprijatne mirise. Koristite druge posude ili drugi tip materijala za pakovanje.
Vrata nisu zatvorena
<ul style="list-style-type: none"> • Paketi namirnica mogu uzrokovati da se vrata ne zatvore. Premjestite pakete koji blokiraju vrata. • Frižider se ne nalazi u potpunosti u ispravnom položaju na podu i ljulja se kada se lagano gura Podesite vijke za podešavanje visine. • Pod nije ravan ili dovoljno jak. Provjerite da li je pod dovoljno jak da nosi frižider.
Namirnice su se zaglavile.
<ul style="list-style-type: none"> • Namirnice mogu dodirivati plafon ladicama. Preuredite položaj namirnica u ladicama.
Ako Je Površina Proizvoda Vruća
<ul style="list-style-type: none"> • Visoke temperature se mogu opaziti između dvaju vrata, na bočnim pločama i na stražnjem roštilju dok proizvod radi. To je normalno i ne zahtijeva servisno održavanje! Budite pažljivi kada dodirujete ova područja.

Molimo da prvo pročitate ovo uputstva za upotrebu!

Poštovani kupče,

Nadamo se da će vam ovaj proizvod, koji je proizveden u savremenim fabrikama i koji je prošao najstrože kontrole kvaliteta, dugo i efikasno služiti.

Zato vam preporučujemo da pažljivo pročitate kompletno uputstvo za upotrebu vašeg proizvoda pre nego što počnete da ga koristite, a uputstvo sačuvajte tako da vam uvek bude pri ruci ako vam zatreba.

Ovo uputstvo za upotrebu

- će vam pomoći da svoj uređaj koristite efikasno i na siguran način.
- Pročitajte uputstvo za upotrebu pre instaliranja i rada sa vašim proizvodom.
- Pratite uputstva, naročita ona vezana za bezbednost.
- Uputstvo za upotrebu čuvajte na pristupačnom mestu jer vam kasnije može zatrebati.
- Osim toga, pročitajte i drugu dokumentaciju koju ste dobili uz vaš proizvod. Imajte na umu da ovo uputstvo za upotrebu može važiti i za druge modele.

Simboli i njihovi opisi

Ovo uputstvo za upotrebu sadrži sledeće simbole:

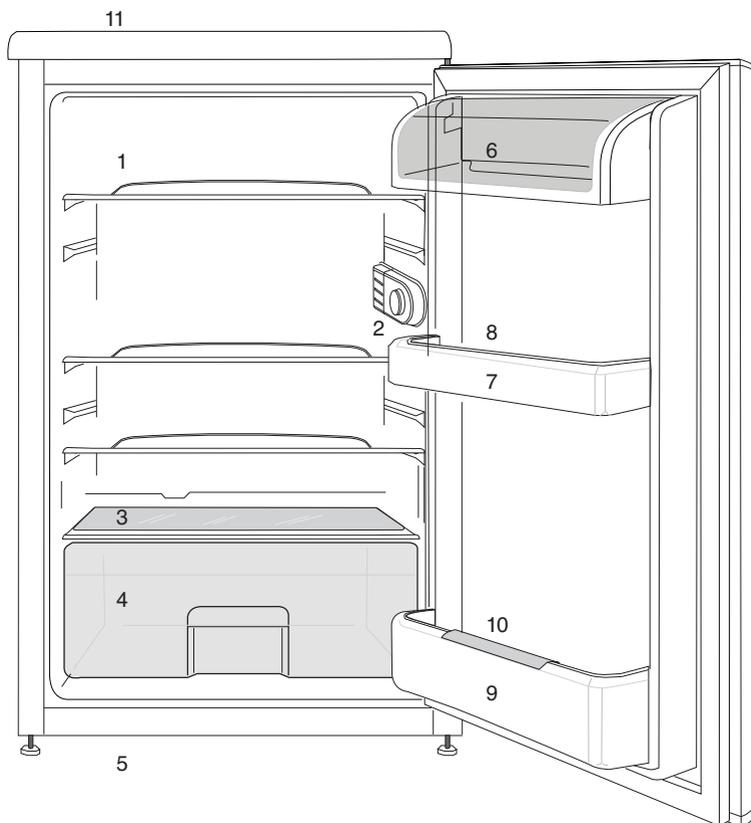
-  Važne informacije ili korisni saveti o upotrebi.
-  Upozorenje na uslove opasne po život i imovinu.
-  Upozorenje za električni napon.

 PODACI	
	Podaci o modelu sačuvani u bazi podataka o proizvodu mogu se dobiti unosom sledeće internet stranice i pretragom po identifikacionom broju vašeg modela (*) koji se nalazi na oznaci potrošnje električne energije. https://eprel.ec.europa.eu/

SADRŽAJ

1 Vaš frižider	3	4 Priprema	13
2 Važna bezbednosna upozorenja	4	5 Upotreba Vašeg frižidera	14
Namena	4	Dugme za podešavanje termostata	14
Za proizvode sa raspršivačem (dozatorom) vode;	7	Hlađenje	15
Bezbednost dece	8	Zamrzavanje	15
Usaglašenost sa WEEE direktivom i odlaganje otpada:	8	Odmrzavanje	15
Usaglašenost sa RoHS direktivom:	8	Zaustavljanje proizvoda	16
Informacije o pakovanju	8	6 Čišćenje i održavanje	17
HC upozorenje	8	Zaštita plastičnih površina	17
Za uštedu energije	8	7 Preporučena rešenja problema	18
3 Instalacija	10		
Šta treba da se ima na umu prilikom ponovnog transporta frižidera	10		
Podešavanje nožoca	10		
Pre uključivanja frižidera	10		
Električno povezivanje	11		
Odlaganje pakovanja	11		
Odlaganje dotrajalog frižidera u otpad	11		
Promena lampe za osvetljenje	11		
Okretanje vrata	12		

1 Vaš frižider



- | | |
|--|-----------------------|
| 1. Police kućišta | 7. Deo za puter i sir |
| 2. Tabla za kontrolu temperature i indikator | 8. Odeljci za jaja |
| 3. Poklopac odeljka za povrće | 9. Polica za flaše |
| 4. Crisper | 10. Držač za flaše |
| 5. Odeljci za povrće | 11. Gornji sto |
| 6. Donji ventilacioni poklopac | |

i Brojke iz ovog priručnika su šematske i možda ne odgovaraju tačno vašem proizvodu. Ako delovi teme nisu uključeni u proizvod koji ste kupili, onda to važi za druge modele.

2 Važna bezbednosna upozorenja

Pročitajte sledeće informacije. Nepoštovanje ovih informacija može dovesti do povreda ili materijalnih šteta. U suprotnom se gubi pravo na garanciju i odgovornost proizvođača.

Originalni rezervni delovi će biti obezbeđeni za 10 godina od dana nabavke proizvoda.

Namena

	UPOZORENJE: Ventilacione otvore na uređaju ili ugrađenoj strukturi održavajte bez prepreka.
	UPOZORENJE: Za ubrzavanje procesa odmrzavanja koristite samo mehaničke uređaje ili druga sredstva koja je preporučio proizvođač.
	UPOZORENJE: Vodite računa da ne oštetite rashladno kolo.
	UPOZORENJE: Ne koristite električne uređaje u odeljcima za skladištenje hrane, osim ako oni ne pripadaju tipu koji je preporučio proizvođač.

Uređaj je namenjen za korišćenje u domaćinstvu i za slične namene, kao što su

- u kuhinjama rezervisanim za

osoblje prodavnice, kancelarije i druga područja poslovanja;

- na seoskim kućama i za goste u hotelima, motelima i drugim okruženjima stambenog tipa.

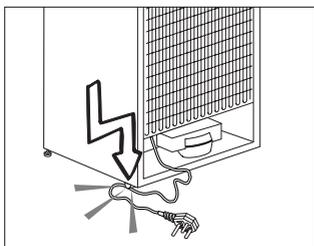
Opšte sigurnosne mere

- Kad hoćete da odložite/bacite proizvod, preporučujemo da se konsultujete sa ovlašćenim servisom da biste saznali potrebne informacije i ovlašćena tela.
- Konsultujte se sa ovlašćenim servisom za sva pitanja i probleme vezane za frižider. Nemojte da dirate i ne dajte da neko drugi dira frižider bez obaveštavanja ovlašćenog servisa.
- Za proizvode sa odeljkom zamrzivača: nemojte da jedete sladoled i kockice leda odmah čim ih izvadite iz zamrzivača! (To može da izazova promrzline u vašim ustima).
- Za proizvode sa odeljkom zamrzivača: ne stavljajte pića u flašama i limenkama u odeljak zamrzivača. Inače mogu da puknu.
- Ne dirajte smrznutu hranu rukom; ona može da se zalepi za ruku.
- Isključite frižider iz struje pre čišćenja ili odmrzavanja.
- Para i isparena sredstva za čišćenje nikad ne smeju da se koriste u čišćenju i procesu odmrzavanja Vašeg frižidera. U takvim slučajevima para

može da dođe u kontakt sa električnim delovima i izazove kratki spoj ili električni udar.

- Nikad nemojte da koristite delove na Vašem frižideru, kao što su vrata, za naslanjanje ili stajanje.
- Ne koristite električne aparate u frižideru.
- Nemojte da oštećujete delove tamo gde cirkuliše rashladno sredstvo, s alatom za bušenje ili sečenje. Rashladno sredstvo koje može da eksplodira iz gasnih kanala isparivača, probušene produžene cevi ili premazi površina mogu da izazovu iritaciju kože i oštećenje očiju.
- Ne pokrivajte i ne blokirajte otvore za ventilaciju na Vašem frižideru bilo kakvim materijalima.
- Samo ovlašćene osobe mogu da popravljaju električne uređaje. Popravke koje vrše nekompetentna lica su rizične za korisnika.
- U slučaju bilo kakvog kvara ili za vreme održavanja ili popravke, isključite svoj frižider iz struje isključivanjem odgovarajućeg osigurača ili isključivanjem uređaja iz struje.
- Ne vucite kabl da biste izvukli utikač iz utičnice.
- Obezbedite da su pića sa velikim procentom alkohola bezbedno uskladištena sa pričvršćenim poklopcem i postavljena uspravno.
- Nikad ne čuvajte sprejove koji sadrže zapaljive i eksplozivne supstance u frižideru.
- Nemojte da koristite mehanička ili druga sredstva u cilju ubrzanja procesa odleđivanja aparata, osim sredstava preporučenih od strane proizvođača.
- Ovaj proizvod nije namenjen za upotrebu od strane lica sa smanjenim fizičkim, čulnim ili mentalnim sposobnostima ili nedostatkom iskustva i znanja osim ako nisu pod nadzorom ili obučeni za rukovanje od strane lica koje je odgovorno za njihovu bezbednost.
- Ne uključujte oštećeni frižider. Konsultujte servisera ako imate bilo kakve sumnje.
- Električna sigurnost frižidera je garantovana samo ako je sistem uzemljenja u Vašoj kući usklađen sa standardima.
- Izlaganje proizvoda kiši, snegu, suncu i vetru je opasno s obzirom na električnu sigurnost.
- Kontaktirajte ovlašćeni servis ako je oštećen kabl za napajanje da biste izbegli opasnost.
- Nikad ne uključujte frižider u zidnu utičnicu za vreme instalacije. Inače može da dođe do rizika od smrti ili ozbiljne povrede.
- Ovaj frižider je predviđen samo za čuvanje hrane. Ne sme se koristiti za druge svrhe.

- Nalepnica sa tehničkim specifikacijama nalazi se na levoj unutrašnjoj stranici frižidera.
- Nikad ne povezujte svoj frižider sa sistemima za štednju električne energije; oni mogu da oštete frižider.
- Ako frižider ima plavo svetlo, nemojte da gledate u plavo svetlo golim okom ili kroz optičke uređaje tokom dužeg vremenskog perioda.
- Za ručno kontrolisane frižidere: sačekajte najmanje 5 minuta, pa onda uključite frižider nakon nestanka struje.
- Ovo uputstvo za upotrebu treba predati novom vlasniku proizvoda, kao i sledećem vlasniku kada se menja vlasnik.
- Treba izbegavati oštećenje kabla za napajanje prilikom transporta frižidera. Kidanje kabla može prouzrokovati požar. Nikad ne stavljajte teške predmete na kabl za napajanje. Ne dodirujte utikač vlažnim rukama kada priključujete proizvod.



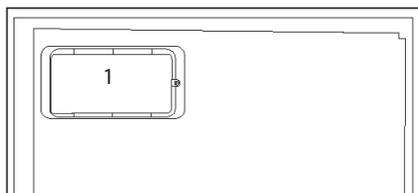
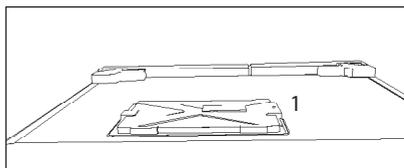
- Prilikom postavljanja uređaja, pazite da kabl za napajanje nije zarobljen ili oštećen.

- Ne postavljajte više portabl utičnica ili prijenosnih napajanja na stražnjoj strani uređaja.
- Deci uzrasta od 3 do 8 godina dozvoljeno je da pune i prazne uređaje za hlađenje.
- Da biste izbegli kontaminaciju hrane, pridržavajte se sledećih uputstava:
 - - Otvaranje vrata na duže vreme može izazvati značajno povećanje temperature u odeljci frižidera.
 - - Redovno čistite površine koje mogu doći u kontakt sa hranom i pristupačnim sistemima za odvodnjavanje.
 - Očistite rezervoare za vodu ako nisu korišćeni 48 sati; isperite vodeni sistem povezan sa dovodom vode ako voda nije vučena 5 dana.
 - - Sirovo meso i ribu čuvajte u odgovarajućim kontejnerima u frižideru, tako da nije u kontaktu sa ili kapaju na drugu hranu.
 - Odeljci sa zamrznutom hranom sa dve zvezdice su pogodni za skladištenje prethodno zamrznute hrane, skladištenje ili pripremanje sladoleda i pravljenje kockica leda.
 - - Odeljci sa jednim, dva i tri zvezdice nisu pogodni za zamrzavanje sveže hrane.
 - Ako je rashladni uređaj ostavljen prazan duže vrijeme, isključite ga, odmrzните, očistite, osušite i ostavite vrata otvorena kako bi se sprečilo stvaranje plijesni unutar uređaja.
- Ne priključujte frižider na zidnu utičnicu ako je labava.
- Voda se ne sme prskati direktno na unutrašnje ili spoljašnje delove proizvoda radi bezbednosti.

- Ne prskajte supstance koje sadrže zapaljive gasove, kao što je propan, blizu frižidera da bi se izbegla opasnost od požara i eksplozije.
- Ne stavljajte posude napunjene vodom na vrh frižidera je to može prouzrokovati električni udar ili požar.
- Ne prepunjavajte frižider preteranim količinama hrane. Ako se prepuni, hrana može pasti i povrediti vas i oštetiti frižider kada otvorite vrata. Ne stavljajte predmete na vrh frižidera jer mogu pasti prilikom otvaranja ili zatvaranja vrata frižidera.
- Materijali koji zahtevaju preciznu temperaturu, kao što su vakcine, lekovi osetljivi na temperaturu, materijali za naučne svrhe itd. ne smeju se čuvati u frižideru.
- Ako frižider nećete da koristite duže vreme, isključite ga iz struje. Mogući problem u kablu za napajanje može prouzrokovati požar.
- Frižider se može pomerati ako se podesive nožice ne stoje stabilno na podu. Pravilno učvršćivanje podesivih nožica na podu može sprečiti pomeranje frižidera.
- Kada prenosite frižider, ne držite ga za ručicu na vratima. Inače mogu da se odvali.
- Ako proizvod morate da postavite pored drugog frižidera ili zamrzivača,

rastojanje između uređaja treba da bude najmanje 8 cm. U suprotnom se susedni zidovi mogu ovlažiti.

- Nikada nemojte koristiti proizvod ako je otvoren odeljak koji se nalazi na vrhu ili poleđini vašeg proizvoda i koji sadrži elektronske štampane ploče (poklopac elektronskih štampanih ploča) (1).



Za proizvode sa raspršivačem (dozatorom) vode;

- Pritisak za dovod hladne vode je maksimalno 90psi (620 kPa). Ukoliko pritisak vode premašuje 80psi (550 kPa), u glavnom vodu upotrebite ventil za ograničavanje pritiska. Ako ne znate kako se proverava pritisak vode, zatražite pomoć vodoinstalatera.
- Ukoliko u vašim instalacijama postoji rizik od efekta vodenog

udara, u instalacijama uvek koristite opremu za sprečavanje vodenog udara. Posavetujte se sa vodoinstalatorem ukoliko niste sigurni da li u vašim instalacijama postoji efekat vodenog udara.

- Ne montirati na dovod za toplu vodu. Preduzmite mere opreza protiv rizika od smrzavanja cevi. Raspon temperature vode je od minimalno 33°F (0,6°C) do maksimalno 100°F (38°C).
- Koristiti samo vodu za piće.

Bezbednost dece

- Ako ste zaključali vrata, ključ treba čuvati van domašaja dece.
- Deca se moraju nadzirati da ne bi dirala proizvod.

Usaglašenost sa WEEE direktivom i odlaganje otpada:



Ovaj proizvod je usaglašen sa WEEE direktivom Evropske Unije (2012/19/EU). Ovaj proizvod nosi znak klasifikacije za električni i elektronski otpad (WEEE).

Ovaj proizvod je proizveden od visoko kvalitetnih delova i materijala koji se mogu ponovo koristiti i pogodni su za reciklažu. Nemojte odlagati proizvod u otpad sa običnim kućnim otpadom i drugim otpadima na kraju veka trajanja. Odložite ga u centar za sakupljanje i reciklažu električnog i elektronskog otpada. Konsultujte se sa svojim lokalnim vlastima da biste saznali o ovim centrima za sakupljanje otpada.

Usaglašenost sa RoHS direktivom:

Proizvod koji ste kupili u saglasnosti je sa RoHS direktivom Evropske Unije (2011/65/EU). On ne sadrži štetne i zabranjene materijale navedene u direktivi.

Informacije o pakovanju

Materijali za pakovanje ovog proizvoda proizvedeni su od materijala koji se mogu reciklirati u skladu sa nacionalnim propisima o zaštiti životne sredine. Materijale za pakovanje ne odlagati zajedno sa kućnim ili drugim otpadom. Odnosite ih na mesta za prikupljanje ambalažnog materijala određena od strane lokalne vlasti.

HC upozorenje

Ako rashladni sistem proizvoda sadrži R600a:

Ovaj gas je zapaljiv. Zato vodite računa da prilikom upotrebe i transporta ne oštetite sistem hlađenja i cevi. U slučaju oštećenja, ovaj proizvod čuvajte dalje od potencijalnih izvora vatre, jer se može desiti da se proizvod zapali, i proveravajte prostoriju u kojoj se nalazi.

Ignorišite ovo upozorenje ako rashladni sistem proizvoda sadrži R134a.

Vrsta gasa koji je korišćen u proizvodu naveden je na tipskoj pločici koja se nalazi na levoj strani unutar frižidera.

Nemojte nikada bacati proizvod u vatru radi odlaganja.

Za uštedu energije

- Ne ostavljajte vrata svog frižidera dugo otvorena.
- Ne stavljajte vruću hranu u frižider.
- Ne pretovarujte frižider tako da se unutra ne sprečava cirkulacija vazduha.

- Ne postavljajte svoj frižider pod direktnu svetlost sunca ili blizu aparata koji emituju toplotu, kao što su rerna, mašina za suđe ili radijator.
- Pazite da držite svoju hranu u zatvorenim posudama.
- Za proizvode sa odeljkom zamrzivača: maksimalnu količinu hrane možete da čuvate u zamrzivaču kada izvadite policu ili fioku zamrzivača. Vrednost potrošnje energije koja je navedena na vašem frižideru određena je nakon uklanjanja police ili fioke zamrzivača i pod maksimalnim opterećenjem. Ne postoji nikakva opasnost od oštećenja pri korišćenju polica ili fioke u pogledu oblika i veličine hrane koju treba zamrznuti.
- Odmrzavanje zamrznute hrane u odeljku frižidera obezbediće uštedu energije i očuvati kvalitet hrane.

3 Instalacija

- ❗ Molimo da imate na umu da proizvođač neće biti odgovoran ako se ne pridržavate informacija iz priručnika.

Šta treba da se ima na umu prilikom ponovnog transporta frižidera

1. Vaš frižider mora da se isprazni i očisti pre bilo kakvog transporta.
2. Pre ponovnog pakovanja, police, dodaci, odeljak za voće i povrće, itd. u vašem frižideru moraju dobro da se pričvrste lepljivim trakama da se ne bi tresli.
3. Pakovanje mora da se poveže trakama i jakim užetom i morate da se pridržavate pravila transporta ispisanih na pakovanju.

Molimo da imate na umu...

Svaki reciklirani materijal je nezamenjivi izvor za prirodu i za naše nacionalne resurse.

Ako hoćete da doprinesete reciklaži materijala za pakovanje, možete da dobijete još informacija od instituta za zaštitu sredine ili lokalne samouprave.

Podešavanje nožoca

Ako je vaš frižider neuravnotežen:

Frižider možete uravnotežiti okretanjem prednjih nožica kao što je ilustrovano na slici. Ugao gde se nalazi nožica se spušta ako nožicu okrećete u smeru crne strelice i podiže kada je okrećete u suprotnom smeru. Ovaj postupak će biti lakši ako vam neka osoba pomogne tako što će malo podići frižider.

Pre uključivanja frižidera

Pr enego što počnete da koristite svoj frižider, proverite:

1. Da li je unutrašnjost frižidera suva i da li je na njegovoj zadnjoj strani obezbeđena slobodna cirkulacija vazduha?
2. Možete da instalirate 2 plastična čepa, kao što je pokazano na slici.

Plastični klinovi će obezbediti potreban razmak između vašeg frižidera i zida radi omogućavanja cirkulacije vazduha.

3. Očistite unutrašnjost frižidera kao što je preporučeno u delu "Održavanje i čišćenje".
4. Uključite frižider u struju. Ako su vrata otvorena, upaliće se unutrašnje svetlo u odeljku frižidera.
5. Čućete buku kada se kompresor pokrene. Tečnost i gasovi koji se nalaze u sistemu za hlađenje mogu takođe da stvaraju buku, čak i ako kompresor ne radi i to je potpuno normalno.
6. Prednje ivice frižidera mogu da budu tople na dodir. To je normalno. Ta područja su napravljena da budu topla da bi se izbegla kondenzacija.

Električno povezivanje

Priključite vaš proizvod na uzemljenu utičnicu koja je zaštićena osiguračem odgovarajuće jačine.

Važno:

- Priključak mora da bude u skladu sa nacionalnim propisima.
- Utikač kabla za napajanje mora da bude lako dostupan nakog ugradnje.
- Napon i dozvoljeni osigurači su navedeni u delu "Specifikacije".
- Specificirani napon mora da bude jednak naponu vaše elektro mreže.
- Produžni kablovi i višestruke utičnice ne smeju se koristiti za priključivanje.

⚠ Oštećeni kabl za napajanje mora da zameni kvalifikovani električar.

⚠ Proizvod se ne sme uključivati dok se ne popravi! Postoji opasnost od električnog udara!

Odlaganje pakovanja

Materijali za pakovanje mogu biti opasni za decu. Materijale za pakovanje držite van domašaja dece ili ih odložite tako što ćete ih klasifikovati u skladu sa uputstvima za odlaganje otpada. Nemojte ih odlagati sa običnim kućnim otpadom.

Pakovanje vašeg frižidera je proizvedeno od materijala koji se može reciklirati.

Odlaganje dotrajalog frižidera u otpad

Vaš dotrajali uređaj odložite tako da ne štetite životnoj sredini.

- U vezi sa odlaganjem dotrajalog frižidera se možete konsultovati sa ovlašćenim prodavcem ili centrom za sakupljanje otpada u vašoj opštini.

Pre nego što svoj frižider odložite na otpad, odrežite električni utikač i onesposobite eventualne bravice na vratima da bi se deca zaštitila od bilo kakve opasnosti.

Promena lampe za osvetljenje

Za promenu sijalice koja služi za osvetljenje u frižideru, pozovite ovlašćeni servis.

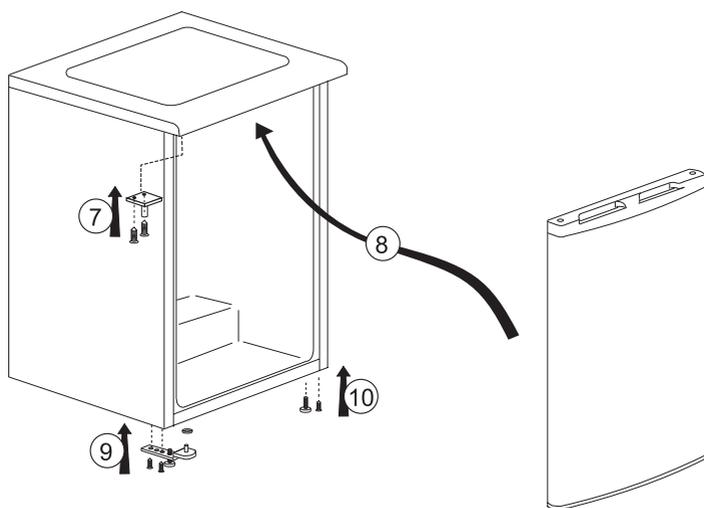
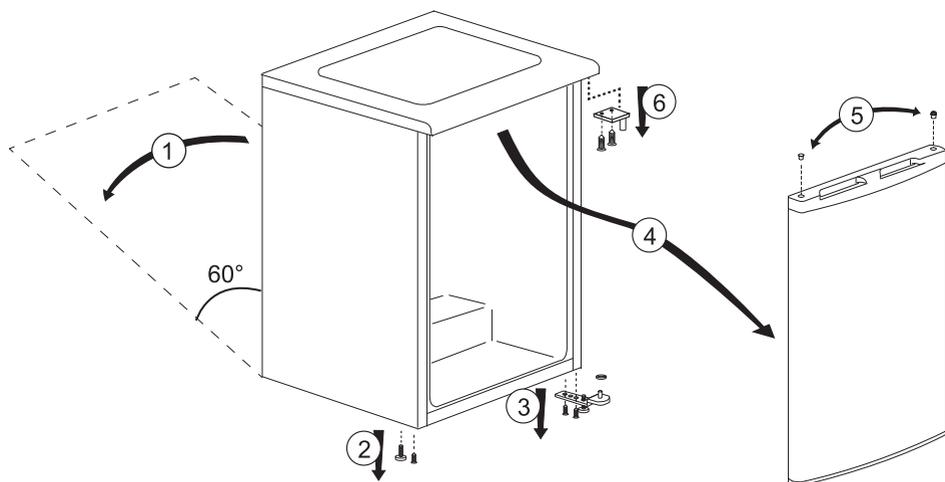
Lampa (e) koja se koristi u ovom uređaju nije pogodna za domaćinsko osvetljenje. Namena ove lampe je da pomogne korisniku da stavi namirnice u frižider/zamrzivač na sigurno i udoban način.

Lampe korišćene u ovom uređaju moraju da izdrže ekstremne fizičke uslove, kao što su temperature ispod -20 °C.

Ovaj proizvod je opremljen izvorom osvetljenja energetske klase „G“.

Izvor osvetljenja u ovom proizvodu mogu zameniti samo stručni serviseri.

Okretanje vrata

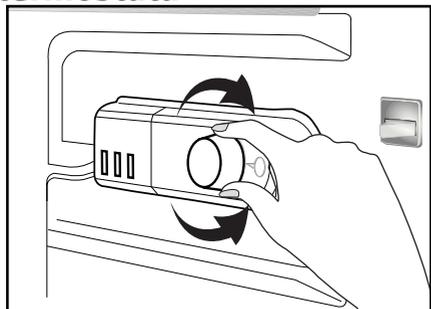


4 Priprema

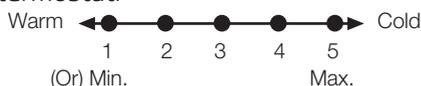
- i** Za samostojeći uređaj; „Ovaj rashladni uređaj nije predviđen da se koristi kao ugradni uređaj“;
- i** Vaš zamrzivač treba da se ugradi najmanje 30 cm dalje od izvora toplote kao što su ringle, rerne, centralno grejanje i šporeti i bar 5 cm dalje od električnih rerna i ne treba da se stavi tamo gde je izložen direktnoj sunčevoj svetlosti.
- i** Ambijentalna temperatura u prostoriji u kojoj instalirate zamrzivač treba da bude najmanje 5°C.
- i** Pobrinite se da se unutrašnjost zamrzivača temeljno čisti.
- i** Ako želite da postavite dva proizvoda jedan pored drugog, npr. zamrzivač i frižider, za takvo rešenje treba da koristite komplet za dekoraciju koji sadrži mali podmetač i dekorativni deo. Podmetač se montira na stranu jednog proizvoda da bi obezbedio razmak između njih. Dekorativni deo se stavlja između proizvoda da bi sakrio rupu između njih (sl. 2). Komplet za dekoraciju nije sastavni deo proizvoda, ali se može isporučiti kao dodatna oprema.
- i** Kada prvi put uključite zamrzivač, molimo da se držite sledećih uputstava za vreme prvih šest sati.
 - Vrata ne trebaju da se otvaraju često.
 - Mora da radi prazan, bez ikakve hrane u njemu.
 - Nemojte da isključujete zamrzivač iz struje. Ako dođe do nestanka struje van vaše kontrole, pogledajte upozorenja u delu “Preporučena rešenja problema”.
- i** Originalno pakovanje i penasti materijali treba da se čuvaju za budući transport ili preseljenje.
- i** Očistite unutrašnjost zamrzivača kao što je preporučeno u delu “Održavanje i čišćenje”.

5 Upotreba Vašeg frižidera

Dugme za podešavanje termostata



Radnu temperaturu određuje termostat.



1 = Najniže podešenje hlađenja (Najtoplije podešenje)

5 = Najviše podešenje hlađenja (Najhladnije podešenje)

(Ili)

Min. = Najniže podešenje hlađenja (Najtoplije podešenje)

Maks. = Najviše podešenje hlađenja

(Najhladnije podešenje)

Prosečna temperatura u frižideru treba da bude oko +5°C.

Izaberite podešenje prema željenoj temperaturi.

Imajte na umu da će u području za hlađenje vladati različite temperature.

Najhladniji deo je odmah iznad odeljka za povrće.

Temperatura unutrašnjosti takođe zavisi od temperature okoline, koliko često otvarate vrata i količine hrane koju držite unutra.

Često otvaranje vrata dovodi do rasta unutrašnje temperature.

Zato se preporučuje da posle upotrebe što pre zatvorite vrata.

Unutrašnja temperatura vašeg frižidera se menja zbog sledećih razloga:

- Sezonske temperature,
- Često otvaranje vrata frižidera i ostavljanje otvorenih vrata duže vreme,
- U frižider se stavlja hrana koja nije ohlađena na sobnu temperaturu,
- Lokacija frižidera u prostoriji (npr. izloženost sunčevoj svetlosti).
- Varijacije unutrašnje temperature zbog takvih razloga možete da kompenzujete korišćenjem termostata. Brojke oko dugmeta termostata ukazuju na stepene hlađenja.
- Ako je temperatura okoline veća od 32°C, dugme termostata okrenite na maksimum.
- Ako je temperatura okoline manja od 25°C, dugme termostata okrenite na minimum.

Hlađenje

Čuvanje hrane

Odeljak frižidera služi za kratkotrajno držanje sveže hrane i pića.

Zamrzavanje

Zamrzavanje hrane

Područje za zamrzavanje je označeno  ovim simbolom.

Možete da koristite uređaj za hlađenje sveže hrane kao i čuvanje prethodno smrznute hrane.

Pogledajte preporuke koje se nalaze na pakovanju Vaše hrane.

Držanje zamrznute hrane

Odeljak za zamrznutu hranu je označen  ovim simbolom.

Odeljak za zamrznutu hranu je podesan za čuvanje već zamrznute hrane. Uvek treba poštovati preporuke za čuvanje hrane koje su navedene na pakovanju hrane.

Odmrzavanje

A) Odeljak frižidera

Odeljak frižidera radi sa potpuno automatskim odleđivanjem. Voda kaplje i može doći do odmrzavanja do 7-8 mm na unutrašnjem zadnjem zidu odeljka frižidera dok on hladi. Ta pojava je normalna i javlja se usled sistema hlađenja. Stvoreni led se odmrzava putem automatskog odmrzavanja u određenim intervalima zahvaljujući sistemu automatskog odmrzavanja na zadnjem zidu. Korisnik ne treba da struže led ili da uklanja kapljice vode.

Voda koja se stvori usled odmrzavanja iz udubljenja za sakupljanje vode teče u isparivač kroz odvodnu cev i tamo isparava.

Redovno proveravajte da li je odvodna cev začepljena i po potrebi očistite njen otvor štapićem.

Odeljak za duboko zamrzavanje ne vrši funkciju automatskog odmrzavanja kako bi se sprečilo kvarenje zamrznute hrane.

B) Odeljak zamrzivača

Odmrzavanje je veoma jednostavno i ne pravi nered zahvaljujući specijalnoj posudi za sakupljanje vode.

Odmrzavati dva puta godišnje ili ako se stvori sloj leda od oko 7 mm (1/4").

Da biste pokrenuli proceduru odmrzavanja, isključite uređaj izvlačenjem utikača iz utičnice.

Svu hranu treba zamotati u nekoliko slojeva papira i ostaviti na hladnom mestu (npr. frižider ili ostava).

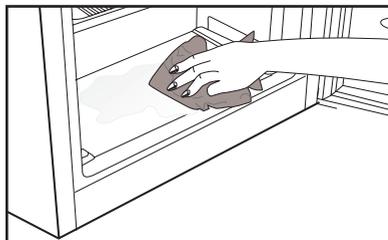
U zamrzivač se mogu staviti posude sa toplom vodom da bi se ubrzalo odmrzavanje.

Nemojte da koristite oštre predmete, kao što su noževi ili viljuške, za skidanje leda.

Ne koristite fenove, električne grejalice ili slične električne aparate za odmrzavanje.

Sunderom pokupite vodu sa dna odeljka zamrzivača. Nakon odmrzavanja pažljivo osušite unutrašnjost.

Utaknite utikač u utičnicu i uključite električno napajanje.



Zaustavljanje proizvoda

Ako termostat ima položaj „0“:

- Možete da zaustavite rad proizvoda stavljanjem dugmeta termostata u položaj "0" (nula). Vaš proizvod se neće pokrenuti ako dugme termostata ponovo ne vratite u položaj "1" ili u neki drugi položaj.

Ako termostat ima položaj „min“:

- Izvucite utikač iz utičnice da biste zaustavili proizvod.

6 Čišćenje i održavanje

- ⚠ Nikada ne koristite naftu, benzen ili slične materijale u svrhu čišćenja.
- ⚠ Preporučujemo da pre čišćenja isključite uređaj iz struje.
- ⚠ Za čišćenje nikad nemojte da koristite oštre alate ili abrazivne materije, sapun, sredstva za čišćenje domaćinstava, deterđente ili vosak za poliranje.
- ⚠ Kod proizvoda koji nemaju funkciju Bez zamrzavanja (No Frost), voda kaplje i zamrzava se do debljine prsta na zadnjem zidu u odeljku frižidera. Nemojte da ga čistite; nikada nemojte da nanosite ulje ili slična sredstva na njega.
- ⚠ Koristite isključivo blago navlaženu mikrofiber krpu da očistite spoljašnju površinu proizvoda. Sunđeri i druge vrste krpa za čišćenje mogu da ogrebu površinu.
- ⚠ Za čišćenje frižidera, koristite mlaku vodu i obrišite ga.
- ⚠ Za čišćenje unutrašnjosti i sušenje, koristite iscedenu krpu koju ste bili umočili u rastvor od jedne kafene kašičice soda bikarbone u otprilike pola litre vode.
- ⚠ Pazite da voda ne uđe u kućište lampe i druge električne instalacije.
- ⚠ Ako frižider nećete da koristite duže vreme, isključite ga, izvadite svu hranu, očistite ga i ostavite vrata odškrinuta.
- ⚠ Redovno proveravajte izolaciju vrata da biste bili sigurni da je čista i da na njoj nema hrane.
- ⚠ Da biste skinuli policu vrata, izvadite sav sadržaj i jednostavno gurnite policu vrata prema gore iz baze.
- ⚠ Nikad ne koristite sredstva za čišćenje ili vodu koji sadrže hlor da biste očistili spoljašnje površine i hromirane delove proizvoda. Hlor izaziva koroziju na takvim metalnim površinama.

Zaštita plastičnih površina

- Ne stavljajte tekuća ulja ili hranu kuvanu s uljem u frižider nepoklopljenu jer može da ošteti plastične površine vašeg frižidera. U slučaju prolivanja ili razmazivanja na plastičnim površinama, odmah ih očistite i isperite toplom vodom.

7 Preporučena rešenja problema

Pregledajte ovu listu pre zvanja servisa. To može da Vam uštedi vreme i novac. Ova lista uključuje česte probleme do kojih ne dolazi zbog neadekvatne izrade ili upotrebe materijala. Neke funkcije, koje su ovde opisane, možda ne postoje kod vašeg proizvoda.

Frižider ne radi.

- Da li je frižider uključen u struju? Utaknite utikač u zidnu utičnicu.
- Da li je pregoreo osigurač utičnice na koju je spojen frižider ili je pregoreo glavni osigurač? Proverite osigurač.

Kondenzacija na bočnim zidovima odeljka frižidera. (VIŠENAMENSKA ZONA, KONTROLA HLAĐENJA i FLEKSIBILNA ZONA)

- Veoma hladni uslovi sredine. Često otvaranje i zatvaranje vrata. Veoma vlažni uslovi sredine. Čuvanje hrane koja sadrži tečnost u otvorenim posudama. Ostavljanje vrata odškrnutim.
- Prebacivanje termostata na hladniji stepen.
- Smanjenje vremena koliko su vrata otvorena ili ređa upotreba.
- Zatvaranje hrane koja se čuva u otvorenim posudama odgovarajućim materijalom.
- Brisanje kondenzata pomoću suve krpe; proverite da li se ponavlja.

Kompresor ne radi

- Zaštitni termo-osigurač kompresora će pregoreti za vreme naglog nestanka struje ili uključivanja i isključivanja, jer se pritisak rashladnog sredstva sistema frižidera još uvek nije stabilizovao.
- Vaš frižider će početi da radi otprilike posle 6 minuta. Molimo zovite servis ako se Vaš frižider ne uključi na kraju ovog perioda.
- Frižider je u ciklusu odmrzavanja. To je normalno za frižider koji se potpuno automatski odmrzava. Ciklus odmrzavanja se uključuje periodično.
- Vaš frižider nije priključen na utičnicu. Pobrinite se da utikač bude pravilno utaknut u utičnicu.
- Da li je temperatura pravilno podešena? Struja je nestala. Zovite Vašu elektrodistribuciju.

Frižider radi stalno ili dugo.
<ul style="list-style-type: none"> • Vaš frižider je možda širi od Vašeg prethodnog frižidera. To je potpuno normalno. Veliki frižideri rade duže vreme. • Temperatura okoline u sobi može da bude visoka. To je normalno. • Frižider je možda nedavno uključen ili je napunjen hranom. Potpuno hlađenje frižidera može da traje nekoliko sati duže. • U frižider su možda nedavno stavljene veće količine vruće hrane. Vruća hrana izaziva duži rad frižidera dok se ne postigne sigurna temperatura čuvanja. • Vrata su možda često otvarana ili su odškrinuta duže vreme. Topli vazduh koji je ušao u frižider je uzrok dužeg rada frižidera. Ređe otvarajte vrata. • Vrata odeljka zamrzivača ili frižidera su možda ostavljena odškrinuta. Proverite da li su vrata dobro zatvorena. • Frižider je podešen na veoma nisku temperaturu. Podesite temperaturu frižidera na topliji stepen i sačekajte dok se ne postigne temperatura. • Zaptivač vrata frižidera može da bude zaprljan, istrošen, polomljen ili da ne leže kako treba. Očistite ili zamenite zaptivač. Oštećen/ pokvaren zaptivač dovodi do toga da frižider radi duže vreme da bi održao trenutnu temperaturu.
Temperatura zamrzivača je jako niska dok je temperatura frižidera dovoljna.
<ul style="list-style-type: none"> • Temperatura zamrzivača je podešena na jako nisku temperaturu. Podesite temperaturu zamrzivača na topliji nivo i proverite.

Temperatura frižidera je jako niska dok je temperatura zamrzivača dovoljna.
<ul style="list-style-type: none"> • Temperatura frižidera je podešena na veoma nisku temperaturu. Podesite temperaturu frižidera na topliji stepen i proverite.
Hrana koja se čuva na policama u odeljku frižidera se zamrzava.
<ul style="list-style-type: none"> • Temperatura frižidera je podešena na veoma nisku temperaturu. Podesite temperaturu frižidera na topliji stepen i proverite.
Temperatura u frižideru ili zamrzivaču je veoma visoka.
<ul style="list-style-type: none"> • Temperatura frižidera je podešena na veoma visoku temperaturu. Podešavanje temperature ima uticaj na temperaturu zamrzivača. Menjajte temperaturu frižidera ili zamrzivača dok temperatura frižidera ili zamrzivača ne dosegne potreban nivo. • Vrata su možda ostala odškrinuta. Zatvorite vrata do kraja. • U frižider su možda nedavno stavljene veće količine vruće hrane. Sačekajte dok frižider ili zamrzivač ne postignu željenu temperaturu. • Frižider je možda nedavno uključen. Hlađenje frižidera do kraja zahteva vreme zbog veličine.
Buka koja je slična zvuku sekundare na analognom satu dolazi iz frižidera.
<ul style="list-style-type: none"> • Ova buka dolazi iz solenoidnog ventila frižidera. Solenoidni ventila je potreban za osiguranje prolaska rashladnog sredstva kroz odeljak koji se može podešavati na temperature hlađenja ili zamrzavanja i vršiti rashladne funkcije. To je normalno i nije greška.

Buka u toku rada se povećava kad frižider radi.
<ul style="list-style-type: none"> Radne karakteristike frižidera se mogu menjati u skladu sa promenama temperature okoline. To je normalno i nije greška.
Vibracije ili buka.
<ul style="list-style-type: none"> Pod nije ravan ili je slab. Frižider se ljulja kad se polako pomera. Pobrinite se da je pod ravan, jak i da može da nosi frižider. Buku mogu izazivati i stvari koje su stavljene na frižider. Takve stvari treba skloniti sa vrha frižidera.
Postoje šumovi kao što su prolivanje tečnosti ili prskanje.
<ul style="list-style-type: none"> Cirkulacija tečnosti i gasa se vrši u skladu sa principima rada vašeg televizora. To je normalno i nije greška.
Javlja se šum koji podseća na duvanje vetra.
<ul style="list-style-type: none"> Vazdušni aktivatori (ventilatori) se koriste radi efikasnijeg hlađenja frižidera. To je normalno i nije greška.
Kondenzat na unutrašnjim površinama frižidera.
<ul style="list-style-type: none"> Vruće i vlažno vreme pojačava stvaranje leda i kondenzaciju. To je normalno i nije greška. Vrata su odškrinuta. Pobrinite se da vrata budu potpuno zatvorena. Vrata su možda bila otvarana često ili su možda ostala otvorena duže vreme. Ređe otvarajte vrata.

Vlaga nastaje na spoljašnjoj strani frižidera ili između vrata.
<ul style="list-style-type: none"> Vreme može da bude vlažno. To je potpuno normalno na vlažnom vremenu. Kad bude manje vlage, kondenzat će da nestane.
Neprijatan miris unutar frižidera.
<ul style="list-style-type: none"> Unutrašnjost frižidera mora da se očisti. Očistite unutrašnjost frižidera sušerom, toplom vodom ili gaziranom vodom. Neke posude ili pakovanje možda uzrokuju neprijatan miris. Upotrebite drugu posudu ili drugu marku materijala za pakovanje.
Vrata se ne zatvaraju.
<ul style="list-style-type: none"> Paketi hrane možda sprečavaju zatvaranje vrata. Pomerite pakete koji smetaju vratima. Frižider verovatno ne stoji potpuno vertikalno na podu i možda se ljulja kad se lagano pomeri. Podesite šrafove za podizanje. Pod nije ravan ili jak. Pobrinite se da je pod ravan, jak i da može da nosi frižider.
Odeljak za povrće je zaglavljen.
<ul style="list-style-type: none"> Hrana možda dodiruje plafon fioke. Prerasporedite hranu u fioci.
Ako Je Površina Proizvoda Vruća.
<ul style="list-style-type: none"> Visoke temperature se mogu javiti između dvoja vrata, na bočnim tablama i na zadnjoj rešetki prilikom korišćenja proizvoda. To je normalno i servisno održavanje nije neophodno!

Ju lutem lexoni këtë manual më parë.

I nderuar klient,

Shpresojmë që produkti juaj, i cili është prodhuar në fabrika moderne dhe është kontrolluar nën procedurat më të rrepta të kontrollit të cilësisë, do t'ju ofrojë një shërbim të efektshëm.

Prandaj, lexoni të gjithë këtë manual me kujdes para se ta përdorni këtë produkt dhe ruajeni si referencë. Nëse ia dorëzoni produktin dikujt tjetër, jepini gjithashtu edhe këtë manual.

Manuali i përdoruesit do t'ju ndihmojë ta përdorni produktin shpejt dhe në mënyrë të sigurt.

- Lexoni manualin para se të instaloni dhe përdorni produktin.
- Sigurohuni që t'i lexoni udhëzimet e sigurisë.
- Mbajeni manualin në një vend që ta arrini merrni me lehtësi pasi mund t'ju duhet më vonë.
- Lexoni dokumentet e tjera të dhëna me produktin.

Mos harroni që ky manual përdoruesi vlen gjithashtu edhe për disa modele të tjera. Ndryshimet midis modeleve do të tregohen në manual.

Shpjegim i simboleve

Gjatë këtij manuali përdoruesi janë përdorur simbolet e mëposhtme:

 Informacione të rëndësishme ose këshilla të dobishme.

 Paralajmërim kundrejt situatave të rrezikshme për jetën dhe pronën.

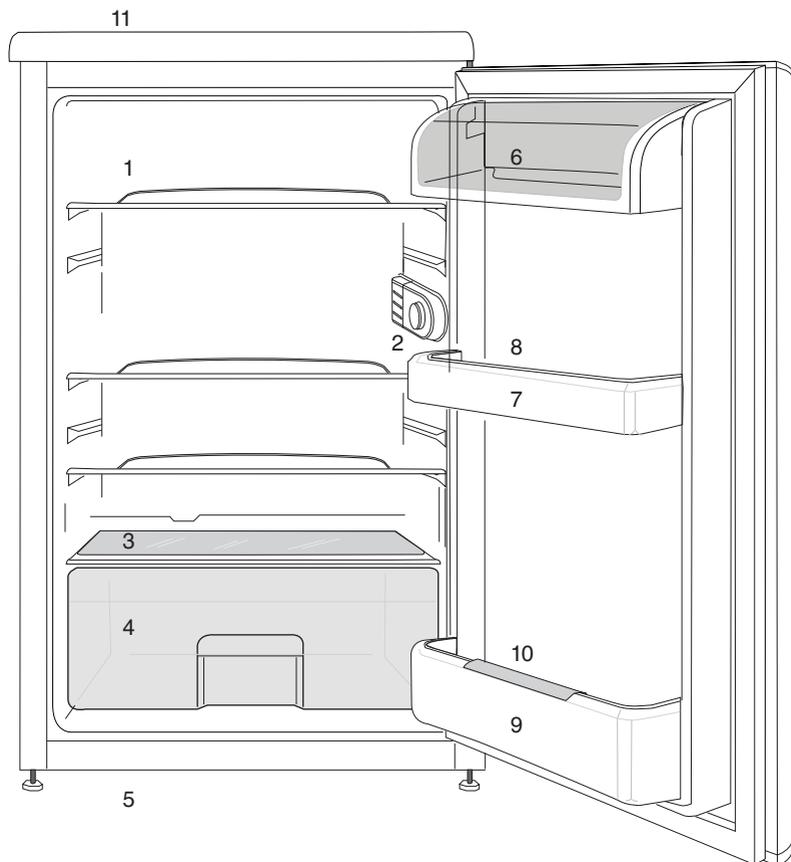
 Paralajmërim kundrejt tensionit elektrik.

 INFORMACIONE	
 SUPPLIER'S NAME A	 MODEL IDENTIFIER A
Informacionet e modelit të ruajtura në bazën e të dhënave të produktit mund të arrihen duke hyrë në faqen e mëposhtme të internetit dhe duke kërkuar për identifikuesin e modelit tuaj (*) që gjendet në etiketën e energjisë.	
https://eprel.ec.europa.eu/	

PËRMBAJTJA

1 Frigoriferi juaj	3	4 Përgatitja	13
2 Paralajmërimi të Rëndësishme Sigurie	4	Kthimi i dyerve.....	14
Përdorimi i synuar	4	5 Përdorimi i frigoriferit/ ngrirësit tuaj	15
Siguria e përgjithshme	4	Ngrirja.....	15
Për produktet me dispenser uji;	8	Ngrirja e ushqimeve	15
Siguria për fëmijët.....	8	Bërja e kubave të akullit.....	16
Pajtueshmëria me Direktivën WEEE dhe Hedhjen e Produkteve		Vendosja e ushqimeve të ngrira.....	16
Mbeturina:	8	Shkrirja e pajisjes.....	16
Informacione të paketimit	9	Ftohja	17
Paralajmërim HC.....	9	Ruajtja e ushqimeve.....	17
Gjërat që mund të bëhen për kursimin e energjisë.....	9	Shkrirja e pajisjes.....	17
3 Instalimi	10	6 Mirëmbajtja dhe pastrimi	18
Pikat të cilave u duhen kushtuar vëmendje kur zhvendosni frigoriferin	10	Mbrojtja e sipërfaqeve plastike	18
Para se ta vini frigoriferin në punë, ..	10	7 Zgjidhja e problemeve	19
Lidhja elektrike	10		
Hedhja e paketimit	11		
Hedhja e frigoriferit të vjetër	11		
Vendosja dhe Instalimi.....	11		
Rregullimi i këmbëve	12		
Ndërrimi i llambës së ndriçimit	12		

1 Frigoriferi juaj



- | | |
|---|------------------------|
| 1. Raftet e lëvizshme | 7. Raftet e derës |
| 2. Drita e brendshme & Çelësi i termostatit | 8. Tabakaja e vezëve |
| 3. Kapaku i krisperit | 9. Rafti i shisheve |
| 4. Krisperi | 10. Kapësja e shisheve |
| 5. Këmbët e para të rregullueshme | 11. Pjesa e sipërme |
| 6. Ndarja e baxhos | |

ⓘ Figurat që ndodhen në këtë manual janë skematike dhe mund të mos korrespondojnë saktësisht me produktin tuaj. Nëse pjesët e subjektit nuk janë përfshirë në produktin që keni blerë, atëherë është vlejshme të keni parasysh modele të tjera.

2 Paralajmërimet të Rëndësishme Sigurie

Ju lutem shikoni informacionet e mëposhtme. Nëse nuk i përmbaheni këtyre informacioneve mund të shkaktohen lëndime ose dëmtime materiale. Përndryshe, të gjitha angazhimet e garancisë dhe besueshmërisë do të bëhen të pavlefshme.

Pjesët origjinale të ndërrimit do të ofrohen për 10 vite, pas datës së blerjes së produktit.

Përdorimi i synuar

⚠	PARALAJMËRIM: Mbajini të hapura dhe të lira nga pengesat vrimat e ajrimit, në kasën e pajisjes si dhe në strukturën e integruar.
⚠	PARALAJMËRIM: Mos përdorni pajisje mekanike ose mjete të tjera për të përshpejtuar procesin e shkrirjes, përveç atyre që rekomandohen nga prodhuesi.
⚠	PARALAJMËRIM: Mos e dëmtoni qarkun e lëngut ftohës.

⚠	PARALAJMËRIM: Mos përdorni pajisje elektrike brenda ndarjeve të ushqimeve në pajisje, përveçse kur janë të tipit të rekomanduar nga prodhuesi.
⚠	KUJDES! Mos mbani substanca shpërthyes si kanaçe aerosoli me gaz shtytës brenda kësaj pajisjeje.

Kjo pajisje është projektuar për përdorim familjar dhe në aktivitete të ngjashme, si p.sh.

- zona të kuzhinës së personelit në dyqane, zyra e ambiente të tjera pune;

- shtëpi në fermë dhe nga klientët në hotele, motele dhe ambiente të tjera banimi;

Siguria e përgjithshme

- Kur doni ta hidhni/flakni produktin, rekomandojmë që të konsultoheni me shërbimin e autorizuar me qëllim që të mësoni informacionet që duhen dhe organet e autorizuar.
- Konsultohuni me shërbimin e autorizuar për të gjitha pyetjet dhe problemet që lidhen me frigoriferin tuaj. Mos ndërhyini ose mos lejoni asnjë që të ndërhyjë në frigorifer pa njoftuar shërbimet e autorizuar.
- Për produktet me një ndarje ngrirësi; Mos hani kone akulloresh dhe kuba akulli

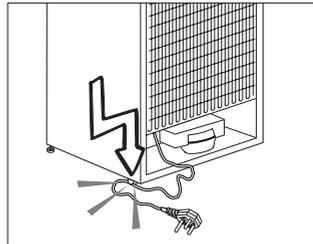
menjëherë pasi i keni nxjerrë nga ndarja e ngrirësit! (Kjo mund të shkaktojë kafshim ngrice në gojë.)

- Për produktet me ndarje ngrirësi; Mos vendosni pije në shishe dhe kanace në ndarjen e ngrirësit. Përndryshe ato mund të çahen.
- Mos i prekni ushqimet e ngrira me dorë; ato mund t'ju ngjiten në dorë.
- Hiqeni frigoriferin nga priza para se ta pastroni ose shkruini.
- Avulli dhe materialet e pastrimit që avullojnë nuk duhet të përdoren asnjëherë në pastrim dhe proceset e shkrirjes të frigoriferit. Në këto raste, avulli mund të bjerë në kontakt me pjesët elektrike dhe të shkaktojë qark të shkurtër ose goditje elektrike.
- Mos e përdorni asnjëherë si mjet për t'u mbështetur ose si shkallë derën ose pjesët e frigoriferit.
- Mos përdorni pajisje elektrike brenda frigoriferit.
- Mos i dëmtoni pjesët, ku qarkullon lëngu ftohës, me mjete shpimi ose prerjeje. Lëngu ftohës që mund të dalë kur shpohen kanalet e evaporatorit, zgjatimeve të tubit ose shtresave të sipërfaqes shkakton irritime në lëkurë dhe dëmtime në sy.
- Mos i mbuloni ose bllokoni vrimat e ventilimit në frigorifer me asnjë lloj materiali.
- Pajisjet elektrike duhet të riparohen vetëm nga persona të autorizuar. Riparimet e bëra nga persona jo kompetentë krijojnë rreziqe për përdoruesin.
- Në rast të ndonjë defekti ose gjatë një pune mirëmbajtjeje ose riparimi, shkëputeni frigoriferin nga korrenti qoftë duke fikur siguresën përkatëse ose duke e hequr pajisjen nga priza.
- Mos e tërhiqni kabllin kur tërhiqni spinën.
- Vendosini pijet e larta të mbyllura fort dhe në pozicion vertikal.
- Sigurohuni që pijet alkoolike të forta të mbahen të siguruara me tapë të mbyllur dhe të vendosen në pozicion vertikal.
- Mos përdorni pajisje mekanike ose mjete të tjera për të përshpejtuar procesin e shkrirjes, përveç atyre të rekomanduara nga prodhuesi.
- Ky produkt nuk është synuar të përdoret nga persona me çrregullime fizike, ndjesore ose mendore apo nga njerëz që nuk janë mësuar ose pa përvojë (përfshirë fëmijët) përveç nëse mbikëqyren nga një person i cili do të jetë përgjegjës për sigurinë e tyre ose që do t'i udhëzojë mirë për përdorimin e produktit.
- Mos e vini në punë një frigorifer të dëmtuar. Konsultohuni me agjentin e shërbimit nëse keni ndonjë merak.

- Siguria elektrike e frigoriferit tuaj do të garantohet vetëm nëse sistemi i tokëzimit në shtëpinë tuaj përputhet me standardet.
- Ekspozimi ndaj shiut, borës, diellit dhe erës është i rrezikshëm në lidhje me sigurinë elektrike.
- Kontaktoni shërbimin e autorizuar kur ka një dëmtim të kabllit të energjisë për të shmangur rrezikun.
- Asnjëherë mos e vini frigoriferin në prizë gjatë instalimit. Përndryshe, mund të shkaktohet vdekje ose lëndime serioze.
- Ky frigorifer është synuar vetëm për të mbajtur ushqime. Nuk duhet të përdoret për asnjë qëllim tjetër.
- Etiketa e të dhënave teknike ndodhet në murin e majtë brenda frigoriferit.
- Asnjëherë mos e lidhni frigoriferin me sistemet e kursimit të energjisë; ato mund ta dëmtojnë frigoriferin.
- Nëse ka një dritë blu mbi frigorifer, mos e shikoni dritën blu me mjete optike.
- Për frigoriferët me kontroll manual, prisni të paktën 5 minuta para se ta vini frigoriferin në punë pas një ndërperje energjie.
- Ky manual përdorimi duhet t'i jepet pronarit të ri të produktit

kur i jepet të tjerëve.

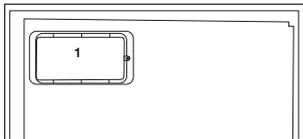
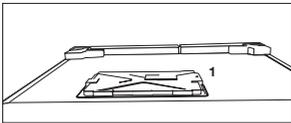
- Bëni kujdes të mos e dëmtoni kabllin e energjisë kur transportoni frigoriferin. Përkulja e kabllit mund të shkaktojë zjarr. Mos vendosni objekte të rënda mbi kabllin e energjisë.
- Mos e preni spinën me duar të lagura kur e hiqni produktin nga priza.



- Kur vendosni aparatit, sigurohuni që kordoni i furnizimit të mos jetë i bllokuar ose dëmtuar.
- Mos vendosni priza të shumta portative ose furnizime të lëvizshme në pjesën e pasme të aparatit.
- Fëmijët të moshës prej 3 deri 8 ju lejohet të mbushin dhe të boshatisin pajisjet frigoriferike.
- Për të shmangur kontaminimin e ushqimit, ju lutemi respektoni udhëzimet e mëposhtme:
- - Hapja e derës për kohë të gjatë mund të shkakton rritje të ndjeshme të temperaturës në pjesët e pajisjes.

- - Pastroni rregullisht sipërfaqet që mund të vinë në kontakt me ushqim dhe akseset e sistemit për kullimit.
- - Pastroni tanket e ujit nëse ato nuk janë përdorur për 48 orë; lishoni sistemin e ujit të lidhur me ujësjellës nëse uji nuk është shterur për 5 ditë.
- - Ruani mishin e thatë dhe peshkun në kontejnerë të përshtatshëm në frigorifer, në mënyrë që ato të mos jenë në kontakt me ose të mos piket në ushqime të tjera.
- - Ndarjet për - dy - yje - ushqim i ngrirë janë të përshtatshme për ruajtjen e ushqimeve paraprakisht të ngrira, ruajtje ose bërjen e akullores dhe bërjen e kubeve të akullit.
- - Ndarjet një-dy dhe tre- yjeve nuk janë të përshtatshme për ngrirjen e ushqimit të freskët.
- - Nëse pajisja frigoriferike është lënë bosh për një kohë të gjatë, fikeni, shkruini, pastroni, thani, dhe leni derën të hapur të parandaloni zhvillimin e mykut në pajisje.
- Mos e vendosni frigoriferin nëse priza në mur është e lirë.
- Nuk duhet të spërkatet ujë në pjesët e brendshme ose të jashtme të produktit për arsye sigurie.
- Mos spërkatni substanca që përmbajnë gazra të djegshme si për shembull gaz propan pranë frigoriferit për të shmangur rrezikun e zjarrit dhe shpërthimit.
- Mos vendosni asnjëherë enë të mbushura me ujë mbi frigorifer; në rast spërkatjesh kjo mund të shkaktojë goditje elektrike ose zjarr.
- Mos e mbingarkoni frigoriferin me ushqime. Nëse ngarkohet tepër, ushqimet mund të bien dhe t'ju lëndojnë dhe të dëmtojnë frigoriferin kur hapni derën.
- Mos vendosni asnjëherë objekte mbi frigorifer; përndryshe, këto objekte mund të bien kur hapni ose mbyllni derën e frigoriferit.
- Meqenëse kërkojnë një temperaturë shumë të saktë, vaksinat, ilaçet të ndjeshme ndaj nxehësisë dhe materialet shkencore, etj. nuk duhet të mbahen në frigorifer.
- Nëse nuk do të përdoret për një kohë të gjatë, frigoriferi duhet të hiqet nga priza. Një problem i mundshëm në kabllin e energjisë mund të shkaktojë zjarr.
- Frigoriferi mund të lëvizë nëse këmbët e rregullueshme nuk janë siguruar mirë mbi dysheme. Sigurimi mirë i këmbëve të rregullueshme mbi dysheme mund të mos lejojë që frigoriferi të lëvizë.
- Kur lëvizni frigoriferin, mos e kapni nga doreza e derës. Përndryshe, mund të thyhet.

- Kur duhet ta lëvizni produktin pas një frigoriferi ose ngrirësi tjetër, distanca midis pajisjeve duhet të jetë të paktën 8 cm. Përndryshe, muret anësore pranë mund të krijojnë lagështi.
- Produkti nuk duhet të përdoret asnjëherë ndërkohë që ndarja që ndodhet sipër ose prapa produktit dhe në të cilin ndodhen qarqet elektronike (kapaku i kutisë të qarkut elektrik) (1) është i hapur.



Për produktet me dispenser uji;

- Presioni nga vendi i hyrjes së ujit të ftohtë duhet të jetë maksimumi 90 psi (620 kPa). Nëse presioni i ujit e kalon 80 psi (550 kPa), përdorni një valvulë kufizuese të presionit në sistemin tuaj kryesor. Nëse nuk dini se si ta kontrolloni presionin e ujit, kërkoni ndihmën e një hidrauliku profesionist. Nëse ekziston rreziku i efektit të goditjes çekiç nga uji në instalimin tuaj, përdorni gjithmonë një pajisje për parandalimin e këtij efekti në instalimin tuaj. Këshillohuni

me një hidraulik profesionist nëse nuk jeni të sigurt se nuk ka një efekt të goditjes çekiç nga uji në instalimin tuaj.

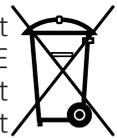
- Mos e instaloni te vendi i hyrjes së ujit të nxehtë. Tregoni kujdes ndaj rrezikut të ngrirjes së tubave. Intervali operativ i temperaturave të ujit duhet të jetë minimumi 0,6°C (33°F) dhe maksimumi 38°C (100°F).
- Përdorni vetëm ujë të pijshëm.

Siguria për fëmijët

- Nëse dera ka një kyç, çelësi duhet të mbahet larg fëmijëve.
- Fëmijët duhet të mbikëqyren për të mos lejuar që të ngacmojnë produktin.

Pajtueshmëria me Direktivën WEEE dhe Hedhjen e Produkteve Mbeturina:

Ky produkt i përmbahet Direktivës EU WEEE (2012/19/EU). Ky produkt mbart simbolin e klasifikimit për pajisjet mbeturina elektrike dhe elektronike (WEEE).



Ky produkt është prodhuar me pjesë dhe materiale të cilësisë të lartë të cilat mund të ripërdoren dhe janë të përshtatshme për riciklim. Prandaj, mos e hidhni produktin së bashku me mbeturinat e zakonshme të shtëpisë në fund të jetëgjatësisë së tij. Çojeni në një pikë grumbullimi për riciklimin e pajisjeve elektrike dhe elektronike.

Ju lutem konsultohuni me autoritetet lokale për të mësuar pikën më të afërt të grumbullimit. Ndhmoni në mbrojtjen e mjedisit dhe burimeve natyrore duke i ricikluar produktet e përdorura. Për sigurinë e fëmijëve, priteni kabllin e energjisë dhe thyejeni mekanizmin e kyçjes të derës, nëse ka, kështu do të jetë jo-funksional para se ta hidhni produktin.

Informacione të paketimit

Materialet e paketimit të produktit janë prodhuar nga materiale të riciklueshme në përputhje me Rregullat Kombëtare për Mjedisin. Mos i hidhni materialet e paketimit së bashku me mbeturinat e tjera ose ato shtëpiake. Çojini në pikat e grumbullimit të materialeve të paketimit të caktuara nga autoritetet lokale.

Mos harroni...

Çdo substancë e ricikluar është një çështje e domosdoshme për natyrën dhe pasuritë tona kombëtare.

Nëse doni të kontribuoni në rivlerësimin e materialeve të paketimit, mund të konsultoheni me organizatat ambientaliste ose komunat ku ndodheni.

Paralajmërim HC

Nëse sistemi i ftohjes të produktit tuaj përmban R600a:

Ky gaz është i djegshëm. Prandaj, bëni kujdes të mos dëmtoni sistemin e ftohjes dhe tubacionet gjatë përdorimit dhe transportit. Në rast dëmtimi, mbajeni produktin larg nga substancat e dëmshme të zjarrit të cilat mund të bëjnë që këto produkte të marrin zjarr dhe ajroseni dhomën

në të cilën është vendosur njësia.

Injoroni këtë paralajmërim nëse sistemi i ftohjes të produktit tuaj përmban R134a.

Lloji i gazit i përdorur në produkt është treguar në etiketën e tipit e cila ndodhet në murin e majtë brenda frigoriferit.

Asnjëherë mos e hidhni produktin në zjarr për ta hedhur.

Gjërat që mund të bëhen për kursimin e energjisë

- Mos i lini dyert e frigoriferit të hapura për një kohë të gjatë.
- Mos vendosni ushqime ose pije të nxehta brenda frigoriferit.
- Mos e mbingarkoni frigoriferin në mënyrë që të mos pengohet qarkullimi i ajrit brenda frigoriferit.
- Mos e instaloni frigoriferin nën dritën direkte të diellit ose pranë pajisjeve që çlirojnë nxehtësi si për shembull furrat, lavastoviljet ose radiatorët. Mbajeni frigoriferin të paktën 30cm larg burimeve që lëshojnë nxehtësi dhe të paktën 5cm nga furrat elektrike.
- Bëni kujdes që ta mbani ushqimin në enë të mbyllura.
- Për produktet me një ndarje ngrirësi; Mund të mbani më shumë ushqime në ngrirës kur e hiqni raftin ose sirtarin e ngrirësit. Vlera e konsumit të energjisë e treguar për frigoriferin tuaj është përcaktuar duke hequr raftin ose sirtarin e ngrirësit dhe nën ngarkesë maksimale. Nuk ka asnjë problem të përdorni një raft ose sirtar sipas formave dhe madhësisë që ushqimeve që do të ngrihen.
- Shkrirja e ushqimeve në ndarjen e frigoriferit do të sigurojë kursim energjie dhe do të ruajë cilësinë e ushqimit.

3 Instalimi

⚠ Në rastin se nuk merren parasysh informacionet që janë dhënë në këtë manual përdoruesi, prodhuesi nuk do të mbajë asnjë përgjegjësi për këtë.

Pikat të cilave u duhen kushtuar vëmendje kur zhvendosni frigoriferin

1. Frigoriferi duhet të hiqet nga prizat. Para transportit të frigoriferit, ai duhet të zbrazet dhe të pastrohet.

2. Para se të ripaketohet, raftet, aksesoret, krisperi, etj. brenda frigoriferit duhet të fiksohen me ngjitës dhe të sigurohen nga goditjet. Paketimi duhet të lidhet me një ngjitës të trashë ose litarë të shtrënguar dhe duhet të zbatohen me përpikëri rregullat e transportit mbi paketim.

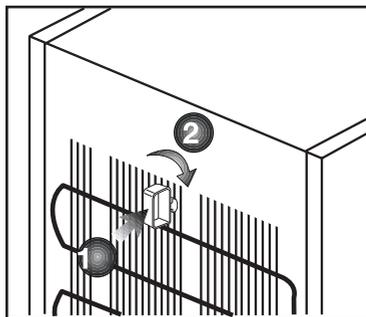
3. Paketimi dhe materialet e shumës origjinale duhet të ruhen për transport ose lëvizje në të ardhmen.

Para se ta vini frigoriferin në punë,

Kontrolloni të mëposhtmet para se ta vini në punë se përdorni frigoriferin tuaj:

1. Ngjitni 2 pyka plastike siç tregohet në figurë më poshtë. Pykat plastike janë synuar për të mbajtur distancën që do të garantojë qarkullimin e ajrit midis frigoriferit dhe murit. (Figura është vizatuar vetëm si prezantim dhe nuk është identike me produktin tuaj.)

2. Pastrojeni pjesën e brendshme të frigoriferit siç rekomandohet në pjesën "Mirëmbajtja dhe pastrimi".



3. Futeni spinën e frigoriferit në prizën në mur. Kur hapet dera e frigoriferit, llamba e brendshme do të ndizet.

4. Kur fillon të punojë kompresori, do të dëgjohet një tingull. Lëngu dhe gazrat e izoluar brenda sistemit të ftohjes mund të krijojnë zhurma, edhe nëse kompresori nuk është në punë dhe kjo është normale.

5. Anët e para të frigoriferit mund të ndihen të ngrohta. Kjo është normale. Këto zona janë bërë posaçërisht që të jenë të ngrohta për të shmangur kondensimin.

Lidhja elektrike

Lidheni produktin tuaj me një prizë të tokëzuar e cila mbrohet nga një siguresë me kapacitetin e duhur. E rëndësishme:

Lidhja duhet të jetë në përputhje me rregullat kombëtare.

- Spina e korrentit duhet të jetë e arritshme me lehtësi pas instalimit.
- Siguria elektrike e frigoriferit tuaj do të garantohet vetëm nëse sistemi i tokëzimit në shtëpinë tuaj përputhet me standardet.

- Tensioni që tregohet në etiketën që ndodhet në anën e brendshme të produktit tuaj duhet të jetë e njëjtë me tensionin e rrjetit.
- **Nuk duhet të përdoren kablo zgjatimi dhe multi spina për lidhjen.**

⚠ Një dëmtim në kabllin e energjisë duhet të ndërrohet nga një elektrikist i kualifikuar.

⚠ Produktet nuk duhet të vihen në punë para se të riparohen! Ekziston rreziku i goditjes elektrike!

Hedhja e paketimit

Materialet e paketimit mund të jenë të rrezikshme për fëmijët. Mbajini materialet e paketimit larg fëmijëve ose hidhini duke i klasifikuar sipas udhëzimeve për mbeturinat të treguara nga autoritetet vendase. Mos i hidhni së bashku me mbeturinat e zakonshme shtëpiake, hidhini në pikat e caktuara nga autoritetet vendase.

Paketimi i frigoriferit tuaj është prodhuar prej materialesh të riciklueshme.

Hedhja e frigoriferit të vjetër

Hidhni frigoriferin tuaj të vjetër pa dëmtuar mjedisin.

- Mund të konsultoheni me shitësin e autorizuar ose qendrën e grumbullimit të mbeturinave të bashkisë tuaj për hedhjen e frigoriferit.

Para se ta hidhni frigoriferin, priteni spinën elektrike dhe, nëse ka ndonjë kyç në derë, bëjini të papërdorshme me qëllim që të mbron fëmijët nga ndonjë rrezik.

Vendosja dhe Instalimi

⚠ Nëse dera e hyrjes të dhomës ku do të instalohet frigoriferi nuk është e gjerë mjaftueshëm që të kalojë frigoriferi, atëherë thërrisni shërbimin e autorizuar që ata të heqin dyert e frigoriferit dhe kalojeni anash përmes derës.

1. Montojeni frigoriferin në një vend që përdoret me lehtësi.

2. Mbajeni frigoriferin larg burimeve të nxehtësisë, vendeve të lagështa dhe dritës direkte të diellit.

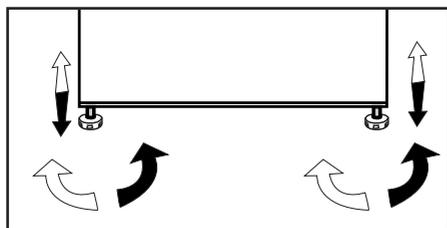
3. Duhet të ketë ventilim të mjaftueshëm me qëllim që frigoriferi të punojë me efektshmëri. Nëse frigoriferi do të vendoset në një pjesë të futur në mur, duhet të ketë një distancë të paktën 5 cm nga tavani dhe të paktën 5 cm nga muri. Mos e vendosni produktin tuaj mbi materiale si për shembull tapet ose qilim.

4. Vendoseni frigoriferin mbi një sipërfaqe të sheshtë për të parandaluar lëkundjet.

Rregullimi i këmbëve

Nëse frigoriferi juaj nuk është në nivel;

Mund ta vendosni frigoriferin në nivel duke rrotulluar këmbët e para siç tregohet në figurë. Cepi ku ndodhet këmba ulet kur e rrotulloni në drejtim të shigjetës të zezë dhe ngrihet kur e rrotulloni në drejtim të kundërt. Marrja e ndihmës nga dikush për ta ngritur pak frigoriferin do ta bëjë më të lehtë këtë proces.



Ndërrimi i llambës së ndriçimit

Për të ndërruar llambën/dritën LED që përdoret për ndriçimin e frigoriferit, telefononi Shërbimin e autorizuar.

Llamba(t) e përdorur në këtë pajisje nuk është e përshtatshme për ndriçimin e dhomave të shtëpisë. Qëllimi i kësaj llambe është të ndihmojë përdoruesin të vendosë ushqime në frigorifer/ngjirës në një mënyrë të sigurt dhe të lehtë.

Llambat e përdorura në këtë pajisje duhet t'i rezistojnë kushteve fizike ekstreme si temperaturat nën -20 °C.

Ky produkt është i pajisur me një burim ndriçimi të klasës energjetike "G".

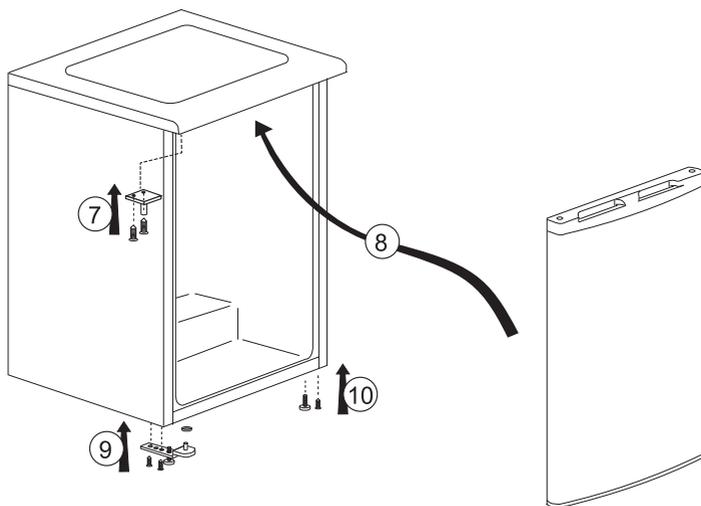
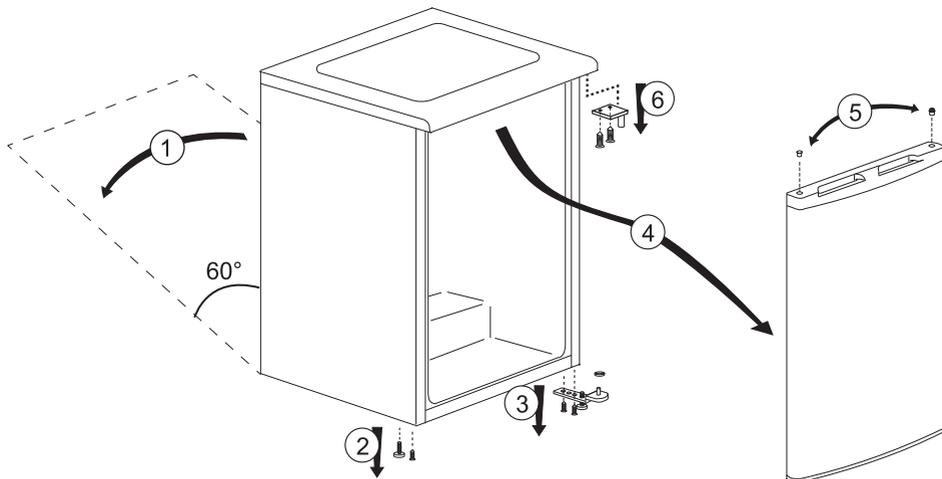
Burimi i ndriçimit në këtë produkt duhet të zëvendësohet vetëm nga riparues profesionistë.

4 Përgatitja

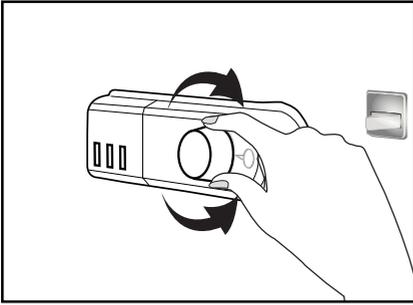
- i** Për një pajisje kolonë; "ky frigorifer nuk është planifikuar të përdoret si pajisje inkaso";
- i** Frigoriferi duhet të montohet të paktën 30 cm larg nga burimet e nxehtësisë si pllakat e gatimit, furrat, ngrohësit qendrorë dhe sobat dhe të paktën 5 cm larg nga furrat elektrike dhe nuk duhet të ndodhet nën dritën e drejtpërdrejtë të diellit.
- i** Temperatura e ambientit e dhomës ku montoni frigoriferin duhet të jetë të paktën 10°C. Nuk rekomandohet përdorimi i frigoriferit në kushte më të ftohta, për sa i përket efikasitetit të tij.
- i** Sigurohuni që pjesa e brendshme e frigoriferit të jetë plotësisht e pastruar.
- i** Nëse montohen dy frigoriferë krah njëri-tjetri, duhet të ketë të paktën 2 cm distancë mes tyre.
- i** Kur e përdorni frigoriferin për herë të parë, kini parasysh udhëzimet e mëposhtme gjatë gjashtë orëve të para.
 - Dera nuk duhet të hapet shpesh.
 - Pajisja duhet të përdoret bosh pa ushqime në të.
 - Mos e hiqni frigoriferin nga priza.Në rast se ndodh një defekt elektrik jashtë kontrollit tuaj, shikoni paralajmërimet në paragrafin "Zgjidhjet e rekomanduara për problemet".
- i** Paketimi origjinal dhe materialet e shumës duhet të mbahen për transporte ose lëvizje në të ardhmen.

Kthimi i dyerve

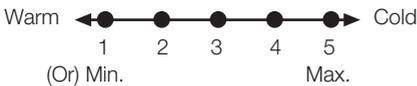
Veproni në rend numerik,



5 Përdorimi i frigoriferit/ngrirësit tuaj



Temperatura e përdorimit rregullohet nga kontrolli i temperaturës.



1 = Vendosja e temperaturës më të ulët (Konfigurimi më i ulët)

5 = Vendosja e temperaturës më të lartë (Konfigurimi më i lartë)

(Ose)

Min. = Vendosja e ftohjes më të ulët

(Konfigurimi më i ulët)

Maks. = Vendosja e ftohjes më të lartë

(Konfigurimi më i ftohtë)

Temperatura mesatare brenda frigoriferit duhet të jetë afërsisht +5°C.

Ju lutem zgjidhni konfigurimin sipas temperaturës të dëshiruar.

Mund të ndaloni përdorimin e pajisjes tuaj duke rrotulluar çelësin e termostatit në pozicionin «0».

Ju lutem vini re se do të ketë ndryshime temperature në zonën e

ftohjes.

Vendi më i ftohtë është menjëherë sipër vendit të perimeve.

Temperatura e brendshme varet gjithashtu nga temperatura e ambientit, shpeshësia me të cilën hapet dera dhe sasia e ushqimit që mbahet brenda.

Shpeshësia e hapjes të derës bën që temperatura e brendshme të rritet.

Për këtë arsye, rekomandohet që ta mbyllni derën menjëherë pasi përdorimit.

Ngjirja

Ngjirja e ushqimeve

Ndarja e ngjirjes është shënuar me këtë simbol .

Mund ta përdorni pajisjen për të ngrirë ushqime të freskëta si edhe për të ruajtur ushqime tashmë të ngrira.

Ju lutem shikoni rekomandimet e dhëna në paketimin e ushqimeve.

- Kujdes

Mos i ngrini pijet me gaz, pasi shishja mund të çahet kur ngrihet lëngu.

Bëni kujdes me produktet e ngrira si kubat e akullit me ngjyrë.

Mos e tejkaloni kapacitetin e pajisjes tuaj në 24 orë. Shikoni etiketën e vlerave.

Për të ruajtur cilësinë e ushqimeve, ngjirja duhet të bëhet sa më shpejt të jetë e mundur.

Prandaj, kapaciteti i ngjirjes nuk duhet të tejkalohet, dhe temperatura

brenda ngrirësit nuk duhet të rritet.

- Kujdes

Mbani ushqimet e ngrira tashmë gjithmonë veç nga ushqimet e sapo vendosura.

Kur ngrini ushqime të ngrrohta, kokmpresori i ftohjes do të punojë derisa ushqimi të ngrihet plotësisht. Kjo mund të shkaktojë ftohje të tepërt të ndarjes të frigoriferit.

Nëse e shihni që dera e ngrirësit është e vështirë të hapet menjëherë pasi e keni mbyllur, mos u shqetësoni. Kjo ndodh për shkak të diferencave të presionit të cilat do të barazohen dhe lini pak kohë që dera të hapet normalisht pas pak minutash.

Doi të dëgjoni një zhurmë vakumi menjëherë pasi të keni mbyllur derën. Kjo është krejt normale.

Bërja e kubave të akullit

Mbusheni tabakanë e kubave të akullit 3/4 me ujë dhe vendoseni në ngrirës.

Sapo uji të jetë kthyer në akull, mund të nxirrni kubat e akullit.

Asnjëherë mos përdorni objekte të mprehta ose pirunë për të hequr kubat e akullit. Ekziston rreziku të lëndoheni.

Lërinie kubat e akullit të shkrijnë pak, ose vendoseni fundin e tabakasë në ujë të ngrrohtë për një moment të

shkurtër.

Vendosja e ushqimeve të ngrira

Ndarja e ushqimeve të ngrira është shënuar me simbolin ******.

Ndarja e ushqimeve të ngrira është e përshtatshme për ruajtjen e ushqimeve të ngrira tashmë. Rekomandimet për ruajtjen, siç tregohet në paketimin e ushqimit, duhet të zbatohen gjithmonë.

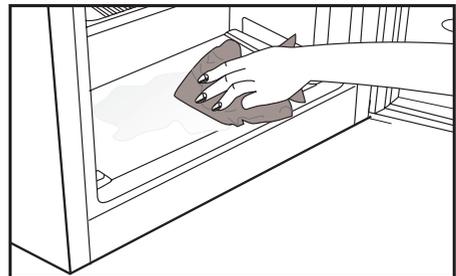
Shkrija e pajisjes

Grumbullimi i tepërt i akullit do të ndikojë në performancën e ngrirjes të pajisjes tuaj.

Prandaj rekomandohet që ta shkriji pajisjen të paktën dy herë në vit, ose kurdoherë që grumbullimi i akullit i kalon 7 mm.

Shkrijeni pajisjen kur ka vetëm pak ose nuk ka ushqime në të.

Nxirrini ushqimet e ngrira thellë. Mbështillini ushqimet e ngrira thellë në disa shtresa letre, ose me një mbulesë, dhe mbajini në një vend të



ftohtë.

Hiqeni pajisjen nga prizja ose fikeni automatik për të filluar procesin e shkrijes.

Nxirrni aksesorët (si raftin, sirtarët, etj.) nga pajisja dhe përdorni një konteiner të përshtatshëm për të grumbulluar ujin e shkrijes.

Përdorni një sfunjjer ose leckë të butë për të hequr ujin e shkrijes nëse është e nevojshme në ndarjen e ngrirësit.

 dhe ndarjen e ushqimeve të ngrira 

Mbajeni derën të hapur gjatë shkrijes.

Për shkrijje më të shpejtë, vendosni enë me ujë të ngrohtë brenda pajisjes.

Asnjëherë mos përdorni pajisje elektrike, spërkatës për shkrijje ose objekte me majë ose të mprehta si për shembull thika ose pirunë për të hequr akullin.

Pasi të mbarojë shkrijja, pastrojeni brenda.

Lidheni përsëri pajisjen me energjinë. Vendosini ushqimet e ngrira në sirtarë dhe futini sirtarët në ngrirës.

Ftohja

Ruajtja e ushqimeve

Ndarja e frigoriferit është për ruajtjen afat-shkurtër të ushqimeve dhe pijeve të freskëta.

Mbajini produktet e qumështit në ndarjen e posaçme në frigorifer.

Shisheet mund të mbahen në mbajtësen e shisheve ose në raftin e shisheve të derës.

Mishi i pagatuar mbahet më së miri në një qese polietilieni në ndarjen në fund të frigoriferit.

Lërinë ushqimet dhe pijet e nxehta të ftohen në temperaturë ambienti para se të vendosen në frigorifer.

• Kujdes

Ruani alkoolin e përqendruar në një enë vetëm në këmbë dhe të shtrënguar fort.

• Kujdes

Mos mbani substanca ose enë shpërthyes me gazra të djegshme (krem në kanaçe, kanaçe me spërkatës, etj.) në pajisje.

Ka rrezik shpërthimi.

Shkrijja e pajisjes

Ndarja e frigoriferit shkrihet automatikisht. Uji i shkrijes derdhet nëpër kanalin e kullimit në një enë kullimi në pjesën e pasme të pajisjes.

Gjatë shkrijes, formohen pika uji në murin e pasmë të frigoriferit për shkak të avullimit.

Nëse nuk bien të gjitha pikat poshtë, ato mund të ngrijnë përsëri pasi mbaron procesi i shkrijes. Hiqini me një leckë të butë të njomur me ujë të ngrohtë. Mos përdorni objekte të forta ose të mprehta.

6 Mirëmbajtja dhe pastrimi

- ⚠ Mos përdorni asnjëherë benzinë, benzen ose substanca të ngjashme për të pastruar.
- ⚠ Rekomandojmë që ta hiqni pajisjen nga priza para se ta pastroni.
- ⚠ Mos përdorni asnjëherë mjete të mprehta, sapun, pastrues shtëpiak, detergjent dhe dyll lustrues për pastrim.
- ⚠ Për produktet jo non-Frost, pikat e ujit dhe ngrirja deri në gjerësinë e gishtit ndodh në murin e pasmë të frigoriferit. Mos e pastroni; asnjëherë mos përdorni vaj ose agjentë të ngjashëm mbi të.
- ⚠ Përdorni vetëm leckë mikrofibër pak të njoma për të pastruar sipërfaqen e jashtme të produktit. Sfungjerët dhe llojet e tjera të leckave të pastrimit mund ta gërvishin sipërfaqen.
- ⓘ Përdorni ujë të ngrohtë për të pastruar kabinën e frigoriferit dhe thajeni me leckë.
- ⓘ Përdorni një leckë të njomë të shtrydhur në një solucion me një lugë çaji bikarbonat sode në një pintë uji për të pastruar pjesën e brendshme dhe thajeni me leckë.
- ⚠ Sigurohuni që të mos hyjë ujë në kasën e llambës dhe në pjesët e tjera elektrike.
- ⚠ Nëse frigoriferi juaj nuk do të përdoret për një kohë të gjatë, hiqeni kabllin e korrentit, hiqni të gjitha ushqimet, pastrojueni dhe lëreni derën pak të hapur.

- ⓘ Kontrolloni gominat e dyerve për t'u siguruar që të jenë të pastra dhe pa grimva ushqimesh.
- ⚠ Për të hequr raftet e derës, hiqni të gjitha gjërat në to dhe thjesht shtyjeni raftin e derës lart nga baza.
- ⚠ Mos përdorni asnjëherë agjentë pastrimi ose ujë që përmban klor për të pastruar sipërfaqet e jashtme dhe pjesët e ljer me krom të produktit. Klori shkakton gërryerje mbi sipërfaqet metalike.

Mbrojtja e sipërfaqeve plastike

- ⓘ Mos vendosni vajra të lëngshme ose ushqime të gatuar me vaj në frigorifer në enë të pambyllura pasi ato mund të dëmtojnë sipërfaqet plastike të frigoriferit tuaj. Në rast të spërkatjes ose derdhjes të vajti mbi sipërfaqet plastike, pastrojeni dhe shpëlajeni pjesën përkatëse të sipërfaqes menjëherë me ujë të ngrohtë.

7 Zgjidhja e problemeve

Ju lutem shikoni këtë listë para se të thërrisni shërbimin. Do t'ju kursejë kohë dhe para. Kjo listë përmban ankesat e shpeshta që nuk lindin nga defektet e prodhimit ose përdorimi i materialeve. Disa nga karakteristikat të përshkruar këtu mundësisht nuk ekzistojnë në prodhimin juaj.

Frigoriferi nuk punon.

- Spina nuk është futur mirë në prizë. >>> Vendoseni spinën mirë në prizë.
- Siguresa e prizës në të cilën është lidhur frigoriferi juaj ose siguresa kryesore mund të kenë rënë. >>> Kontrolloni siguresën.

Kondensim në muret anësore të ndarjes të frigoriferit (MULTIZONE, COOL CONTROL dhe FLEXI ZONE).

- Ambienti është shumë i ftohtë. >>> Mos e montoni frigoriferin në vende ku temperatura bie nën 10 °C.
- Dera është hapur shpesh. >>> Mos e hapni dhe mbyllni derën e frigoriferit shpesh.
- Ambienti është shumë i lagësht. >>> Mos e instaloni frigoriferin në vende me shumë lagështi.
- Ushqime që kanë lëngje janë vendosur në enë të hapura. >>> Mos e vendosni ushqimin me përmbajtje të lëngshme në enë të hapura.
- Dera e frigoriferit është lënë pak hapur. >>> Mbylleni derën e frigoriferit.
- Termostati është vendosur në një nivel shumë të ftohtë. >>> Vendoseni termostatin në një nivel të përshtatshëm.

Kompresori nuk punon.

- Mbrojtja termike e kompresorit do të fryhet gjatë ndërprerjeve të papritura të energjisë ose heqjes dhe vënies në prizë pasi presioni i lëngut ftohës në sistemin e ftohjes të frigoriferit nuk është balancuar akoma. Frigoriferi do të fillojë të punojë për rreth 6 minuta. Ju lutem thërrisni shërbimin nëse frigoriferi nuk ndizet në fund të kësaj periudhe.
- Frigoriferi është në ciklin e shkrirjes. >>> Kjo është normale për një shkrirje të plotë automatike të frigoriferit. Cikli i shkrirjes ndodh rregullisht.
- Frigoriferi nuk është futur në prizë. >>> Sigurohuni që spina është futur në prizë.
- Parametrat e temperaturës nuk janë bërë mirë. >>> Zgjidhni vlerën e duhur të temperaturës.
- Ka një ndërprerje energjie. >>> Frigoriferi kthehet në punimin normal kur kthehet energjia.

Zhurma e punimit rritet kur frigoriferi është në punë.

- Performanca e punimit të frigoriferit mund të ndryshojë për shkak të ndryshimeve në temperaturën e ambientit. Kjo është normale dhe nuk është defekt.

Frigoriferi punon shpesh për një kohë të gjatë.

- Produkti i ri mund të jetë më i gjerë se ai i mëparshmi. Frigoriferët më të mëdhenj punojnë për një kohë më të gjatë.
- Temperatura e dhomës mund të jetë e lartë. >>> Është normale që produkti të punojë për periudha më të gjata në ambient të ngrohtë.
- Frigoriferi mund të jetë vënë në prizë së fundi ose mund të jetë i mbushur me ushqime. >>> Kur frigoriferi vihet në prizë ose është mbushur së fundi me ushqime, do të kërkojë më shumë kohë që të arrijë temperaturën e caktuar. Kjo është normale.
- Sasi të mëdha ushqimesh të nxehta mund të jenë vendosur në frigorifer së fundi. >>> Mos vendosni ushqime të nxehta në frigorifer.
- Dyert mund të hapen shpesh ose të lihen pak hapur për një kohë të gjatë. >>> Ajri i ngrohtë që ka hyrë në frigorifer bën që frigoriferi të punojë për periudha më të gjata. Mos i hapni dyert shpesh.
- Dera e ndarjes të frigoriferit ose ngrirësit mund të jetë lënë pak hapur. >>> Kontrolloni nëse dyert janë mbyllur plotësisht.
- Frigoriferi është rregulluar në një temperaturë shumë të ulët. >>> Rregulloni temperaturën e frigoriferit në një gradë më të ngrohtë dhe prisni derisa të arrihet temperatura.
- Gomina e derës të frigoriferit ose ngrirësit mund të jetë ndotur, konsumuar, çarë ose të mos jetë izoluar mirë. >>> Pastroni ose ndëroni gominën. Gominat e dëmtuara/çara bëjnë që frigoriferi të punojë më gjatë për të ruajtur temperaturën aktuale.

Temperatura e ngrirësit është shumë e ulët ndërsa temperatura e frigoriferit është e mjaftueshme.

- Temperatura e ngrirësit është rregulluar në një vlerë shumë të ulët. >>> Rregulloni temperaturën e ngrirësit në një gradë më të ngrohtë dhe kontrolloni.

Temperatura e frigoriferit është shumë e ulët ndërsa temperatura e ngrirësit është e mjaftueshme.

- Temperatura e frigoriferit është rregulluar në një vlerë shumë të ulët. >>> Rregulloni temperaturën e frigoriferit në një gradë më të ngrohtë dhe kontrolloni.

Прочитајте го ова упатство прво!

Почитуван кориснику,

Се надеваме дека овој производ којшто е произведен во модерна фабрика и проверен според многу прецизни процедури за проверка на квалитетот, ќе ви овозможи ефективна услуга.

Затоа, препорачуваме внимателно да го прочитате целото упатство за производот пред употреба и да го чувате при рака за идни осврти.

Ова упатство

- Ќе ви помогне да го користите апаратот на брз и безбеден начин.
- Прочитајте го упатството пред да го поставите и вклучите производот.
- Следете ги упатствата, особено оние за безбедноста.
- Чувајте го упатството на лесно достапно место зашто може да ви притреба подоцна.
- Покрај тоа, прочитајте ги и другите документи што се доставуваат со производот. Имајте предвид дека ова упатство важи и за други модели.

Симболи и нивно значење

Ова упатство со инструкции ги содржи следниве симболи:

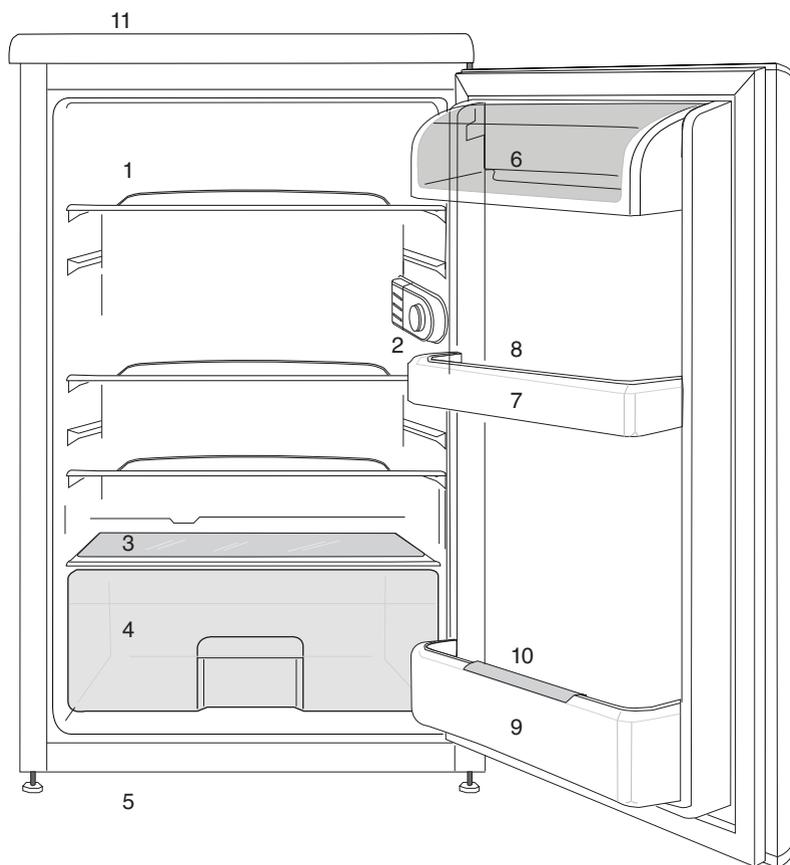
-  Важни информации или корисни совети за употреба.
-  Предупредувања за опасни состојби по животот и имотот.
-  Предупредување за електричниот напон.

 ИНФОРМИИ	
 ENERGY 	Информациите за моделот се чуваат во базата на податоци и до нив можете да стигнете ако одите на следнава веб-локација и да го побарате идентификаторот на вашиот модел (*) кој се наоѓа на налепницата за енергија. https://eprel.ec.europa.eu/
SUPPLIER'S NAME:  A	

СОДРЖИНА

1 Вашиот ладилник	3	4 Подготовка	17
2 Важни безбедносни предупредувања	4	5 Употреба на ладилникот/ замрзнувачот	18
Наменета употреба	4	Замрзнување	18
Кај производи со диспензер за вода .	10	Замрзнување храна	18
Безбедност за деца	10	Правење коцки мраз	19
Усогласување со Директивата за фрлање на електронска и електрична опрема и за одлагање на отпадот:	11	Складирање замрзната храна	19
Усогласување со Директивата за ограничување на опасните материи: .	11	Одмрзнување на уредот.....	19
Информации за пакувањето	11	Ладење	20
НС-Предупредување	11	Чување храна.....	20
Работи што треба да ги направите за штедење енергија	12	Одмрзнување на уредот.....	20
3 Поставување	13	6 Одржување и чистење	21
Работи што треба да се имаат во предвид кога го транспортирате ладилникот	13	Заштита на пластичните површини .	21
Пред вклучување на ладилникот.....	13	7 Препорачани решенија за проблемите	22
Електрично поврзување	14		
Поставување и поврзување	14		
Менување на светилката за осветлување	15		
Преместување на вратите	16		

1 Вашиот ладилник



- | | |
|--|-----------------------------|
| 1. Подвижни полици | 6. Секции за путер и сирење |
| 2. Внатрешно светло и регулатор на термостатот | 7. Полици на вратата |
| 3. Капак на фиоката | 8. Тацна за јајца |
| 4. Свежа храна | 9. Полица за шишиња |
| 5. Решетка за воздух | 10. Држач за шише |
| | 11. Топ трим |

i Сликите што се прикажани во ова упатство за употреба се шематски и може да не соодветствуваат точно со производот. Ако деловите од поглавјето не се вклучени во производот што сте го купиле, тогаш тие важат за други модели.

2 Важни безбедносни предупредувања

Прочитајте ги следните информации. Непочитувањето на овие информации може да предизвика повреди или материјална штета. И гаранцијата и заложбите за доверливост нема да бидат важечки.

Оригиналите резервни делови ќе ги добивате 10 години по датумот кога е набавен производот.

Наменета употреба

⚠	ПРЕДУПРЕДУВАЊЕ: Гледајте да нема никакви пречки пред отворите за вентилација, внатре во уредот или во вградената инфраструктура.
⚠	ПРЕДУПРЕДУВАЊЕ: Не користете механички уреди или други средства за да го забрзате процесот на одмрзнување, освен они што ги препорачува производителот.

⚠	ПРЕДУПРЕДУВАЊЕ: Не оштетувајте го струјното коло на фрижидерот
⚠	ПРЕДУПРЕДУВАЊЕ: Не користете електрични уреди во одделите за чување храна на уредот, освен ако не се од тип препорачан од производителот.

Овој уред е наменет да се употребува во домаќински и слични уреди, како што се

- кујни за персоналот во продавници, канцеларии и други работни средини;
- фарми и клиенти во хотели, мотели и други станбени средини;
- средини како што се пансиони со сместување и појадок;
- добавување храна и слична примена неповрзана со малопродажба.

Општа безбедност

- Ви препорачуваме да се консултирате

со локалниот авторизиран сервис и со овластените институции за да ги добиете неопходните информации кога ќе сакате да го фрлите / одложите производот.

- Консултирајте се со овластен сервис за сите прашања и проблеми поврзани со ладилникот. Не интервенирајте ниту не пуштајте друг да интервенира на ладилникот без да го известите овластениот сервисер.
- За производите од одделот на замрзнувачот - Не јадете сладолед во корнет или коцки мраз веднаш по вадење од одделот за замрзнување! (Може да предизвикате смрзнатини на устата.)
- За производите во одделот на замрзнувачот - Не ставајте пијалаци во шише или конзерва

во одделот на замрзнувачот. Инаку, тие може да пукнат.

- Не допирајте ја замрзната храна со рака, може да ви се залепи за раката.
- Исклучете го ладилникот од струја пред чистење или одмрзнување.
- Испарувачи и материјали за чистење што испаруваат не смее никогаш да се користат за чистење и за процесот на одмрзнување на ладилникот. Во тие случаи, испарувањето може да дојде во контакт со електричните делови и да предизвика краток спој или електричен удар.
- Никогаш не користете делови од ладилникот како што е вратата за потпора или расчекор.
- Не користете електрични уреди во внатрешноста на ладилникот.

- Не оштетувајте ги деловите каде што циркулира фреонот со дупчалки или алатки за сечење. Фреонот може да прсне и може да предизвика иритација на кожата и повреда на очите кога ќе се дупнат каналите за испарувањата, продолжетоците на цевките или површинските премази.
- Не покривајте ги или не блокирајте ги отворите за вентилација на ладилникот со каков било материјал.
- Електричните делови мора да ги поправи само овластено лице. Поправките што ги извршиле некомпетентни лица може да предизвикаат ризик за корисникот.
- Во случај на грешка при работа или во текот на одржување или поправка, исклучете го ладилникот од довод на ел. енергија со тоа што ќе го извадите соодветниот осигурувач или ќе го извлечете кабелот.
- Не влечете го кабелот кога го вадите приклучокот.
- Проверете дали алкохолните пијалоци се убаво затворени и поставени исправено .
- Никогаш не чувајте конзерви под притисок што содржат запаливи и експлозивни супстанции во ладилникот.
- Не користете механички уреди или други средства за забрзување на процесот на одмрзнување, освен оние што ги препорачува производителот.
- Овој производ не е наменет да го користат лица со намалени физички, сетилни или

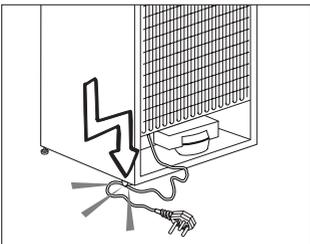
ментални способности или необучени или неискусни лица (вклучително и деца), освен ако не се под надзор на лице кое е одговорно за нивната безбедност или кое ќе ги научи како да го користат производот правилно.

- Не вклучувајте оштетен ладилник. Консултирајте се со сервисер ако се сомневате на дефект.
- Електричната безбедност на ладилникот е гарантирана само кога системот за заземјување во домот е усогласен со стандардите.
- Изложување на производот на дожд, снег, сонце и ветер е опасно во однос на електричната безбедност.
- Контактирајте овластен сервисер

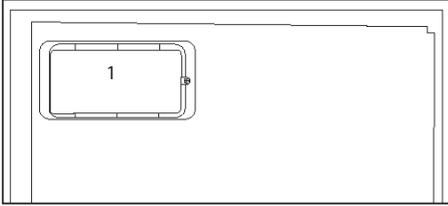
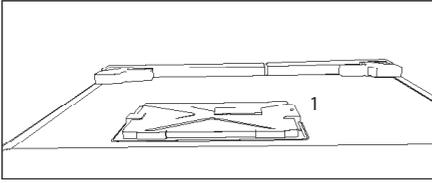
кога е оштетен кабелот за струја за да избегнете опасност.

- Никогаш не вклучувајте го ладилникот на сиден приклучок за време на поставувањето. Инаку, може да има ризик од смрт или сериозна повреда.
- Овој ладилник е наменет само за чување на храна. Не смее да се користи за други намени.
- Етикетата со техничките спецификации се наоѓа на левиот сид во ладилникот.
- Никогаш не поврзувајте го ладилникот за системи за штедење струја. Може да го оштетат ладилникот.
- Ако има сина светлина во ладилникот, не гледајте во неа со незаштитени очи или со оптички помагала подолг период.

- Почекајте најмалку 5 минути за да го вклучите ладилникот откако снемало струја кај ладилниците што се контролираат рачно.
- Ова упатство за работа треба да се предаде на новиот сопственик на производот ако го дадете на други.
- Избегнувајте да предизвикувате оштетувања на кабелот за напојување кога го транспортирате ладилникот. Превитканиот кабел може да предизвика пожар. Никогаш не ставајте тешки предмети врз кабелот за струја. Не допирајте го приклучокот со мокри раце кога го приклучувате производот.
- Не приклучувајте го ладилникот ако штекерот е разлабавен.
- Вода не смее да се прска директно на внатрешните и надворешните делови на производот од безбедносни причини.
- Не прскајте разни средства што содржат запаливи гасови како што е пропанот близу до ладилникот за да избегнете ризик од пожар и експлозија.
- Никогаш не ставајте садови со вода врз ладилникот. Во спротивно, може да предизвикаат електричен удар или пожар.
- Не преполнувајте го ладилникот со прекумерна количина храна. Ако го преполните, храната може да падне и да ве повреди и да го оштети ладилникот кога ја отворате вратата. Никогаш не



- ставајте предмети врз ладилникот. Во спротивно, овие предмети може да паднат кога ја отворате или затворате вратата на ладилникот.
- Вакцините, лековите што се осетливи на топлина, истражувачките материјали и слично не смее да се чуваат во ладилникот бидејќи бараат прецизна температура.
 - Ладилникот треба да се исклучи од струја ако не се користи долго време. Можен проблем со кабелот може да предизвика пожар.
 - Ладилникот може да се мрда ако прилагодливите ногарки не се правилно поставени на подот. Ладилникот нема да се мрда со правилно обезбедување на прилагодливите ногарки на подот.
 - Не држете го ладилникот за рачката на вратата кога го транспортирате. Во спротивно, може да се скрши.
 - Кога треба да го поставите производот до друг ладилник или замрзнувач, растојанието меѓу нив треба да биде најмалку 8 цм. Во спротивно, соседните сидови може да фатат влага.
 - Никогаш не користете го производот ако се отворени деловите на горниот или задниот дел на вашиот производ што имаат електронски плочи со отпечатени струјни кола внатре (заштита на електронски плочи со отпечатени струјни кола) (1).



Кај производи со диспензер за вода

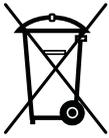
• Притисокот на влезот за ладна вода ќе биде максимум 90 паскали (6.2 бар). Ако притисокот на водата надмине 80 паскали (5,5 бари), користете вентил за ограничување на притисокот во водоводниот систем. Ако не знаете како да го проверите водниот притисок, побарајте помош од професионален водоинсталатер.

- Ако има ризик од хидраулички удар во вашата инсталација, секогаш користете опрема за спречување хидраулички удар во вашата инсталација. Консултирајте се со професионални водоводци ако не сте сигурни дали има или нема хидрауличен удар во вашата инсталација.
- Не инсталирајте на влезот на топлата вода. Преземете мерки против ризикот од замрзнување на цревата. Работниот интервал на водата треба да биде најмалку 33°F (0,6°C) и најмногу 100°F (38°C).
- Користете само вода за пиење.

Безбедност за деца

- Ако вратата има брава, клучот треба да се чува далеку од дофатот на децата.
- Децата мора да се надгледуваат за да се спречи тие да си играат со ладилникот.

Усогласување со Директивата за фрлање на електронска и електрична опрема и за одлагање на отпадот:



Овој отпад е усогласен со Директивата на ЕУ за фрлање на електронска и електрична опрема (2012/19/EU). Овој производ го носи симболот за класификација на отпадот од електрична и

електронска опрема (WEEE).

Овој производ е произведен со многу квалитетни делови и материјали коишто може да се користат одново и се соодветни за рециклирање. Не фрлајте го производот со нормалниот домашен отпад и со друг отпад кога веќе нема да го користите. Однесете го во собирен центар за рециклирање на електрична и електронска опрема. Консултирајте се со овластените тела во општината за да дознаете каде има собирни центри.

Усогласување со Директивата за ограничување на опасните материи:

Производот што го купивте е усогласен со отпад е усогласен со Директивата за ограничување на опасните материи (2011/65/EU). Не содржи штетни и забранети материјали коишто се наведени во Директивата.

Информации за пакувањето

Материјалот за пакувањето на производот е произведен од материјал што може да се рециклира во согласност со Државните одредби за заштита на животната средина. Не фрлајте го материјалот од пакувањето заедно со домашниот или друг отпад. Однесете го во центри за собирање материјал за пакување коишто ги посочуваат општинските тела

НС-Предупредување

Ако системот за разладување на производот содржи R600a:

Овој гас е запалив. Затоа треба са се обрне внимание да не се оштетуваат системот за ладење и цевководите при употреба и транспорт. Во случај на оштетување, чувајте го производот настрана од можни извори на оган што може да предизвикаат негово палење и вентилирајте ја просторијата каде што е сместен.

Игнорирајте го ова предупредување ако системот за ладење на производот содржи R134a.

Типот на гас што се користи во производот е посочен на плочката на левиот ѕид во ладилникот.

Никогаш не фрлајте го производот во оган.

Работи што треба да ги направите за штедење енергија

- Не држете ги вратите на ладилникот отворени подолг период.
- Не ставајте топли пијалаци или храна во ладилникот.
- Не преоптоварувајте го ладилникот со што ќе се попречи циркулацијата на воздухот во внатрешноста.
- Не поставувајте го ладилникот под директна сончева светлина или близу до уреди што зрачат топлина како што се печка, машина за миење садови или радијатори.
- Внимавајте храната да ја чувате во затворени садови.
- За производи со оддел за замрзнување - Може да чувате максимална количина храна во замрзнувачот ако ја извадите полицата или фиоката од замрзнувачот. Посочената вредност за потрошувачката на струја за ладилникот е одредена со извадени полица или фиоки и под максимално оптоварување. Нема штета ако се користи полица или фиока во согласност со облиците или големината на храната што треба да се замрзне.
- Ако ја одмрзнувате замрзната храна во одделот на ладилникот, ќе заштедите струја и ќе го зачувате квалитетот на храната.

3 Поставување

⚠ Имајте предвид дека производителот нема да биде одговорен ако не се почитуваат информациите коишто се дадени во упатството за работа.

Работи што треба да се имаат во предвид кога го транспортирате ладилникот

1. Ладилникот мора да се испразни и исчисти пред каков било транспорт.
2. Полиците, дополнителната опрема, фиоките и сл. во ладилникот мора безбедно да се зацврстат со лента за лепење за да се спречи нишање пред повторно пакување.
3. Пакувањето мора да се зацврсти со дебели ленти и цврсти јажиња, а правилата што се отпечатени на пакувањето мора да се почитуваат.

Не заборавајте...

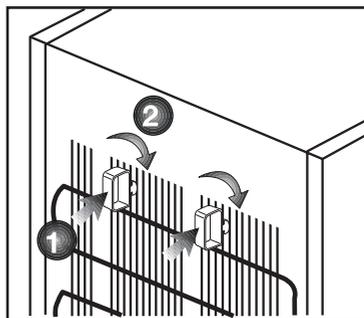
Секој рециклирачки материјал е неопходен извор за природата и за нашите природни ресурси.

Ако сакате да придонесете при рециклирање на материјалите за пакување, може да добиете повеќе информации од овластените лица за животна средина или од локалната власт.

Пред вклучување на ладилникот

Пред да почнете да го употребувате ладилникот, проверете го следново:

1. Дали внатрешноста на ладилникот е сува и дали може воздухот да циркулира слободно од задната страна?
2. Исчистете ја внатрешноста на ладилникот како што е препорачано во поглавјето „Одржување и чистење“.



3. Вклучете во ладилникот во приклучок за струја. Кога вратата ќе се отвори, соодветното внатрешно осветлување на ладилникот ќе се вклучи.
4. Ќе слушнете бучава кога ќе се вклучи компресорот. Течноста и гасовите затворени во системот на ладилникот ја зголемуваат бучавата, без оглед дали компресорот е вклучен или не, тоа е сосема нормално.
5. Предните рабови на ладилникот може да се малку топли. Тоа е сосема нормално. Овие области се дизајнирани да бидат топли за да се спречи кондензација.

Електрично поврзување

Поврзете го производот во заземјен штекер што е заштитен со осигурувач со соодветен капацитет.

Важно:

- Поврзувањето мора да биде усогласено со државните регулативи.
- Приклучокот на кабелот за напојување мора да биде лесно достапен по приклучувањето.
- Посочениот напон мора да биде еднаков на напонот на напојувањето.
- Не смее да се користат продолжни кабли и приклучоци со повеќе влезови.

⚠ Квалификуван електричар мора да го замени оштетениот кабел за напојување.

⚠ Производот не смее да работи пред да се поправи! Постои ризик од електричен удар!

Фрлање на пакувањето

Материјалот за пакување е опасен за децата. Чувајте го материјалот за пакување подалеку од дофат на децата или фрлете го класифицирајќи го во согласност со упатствата за фрлање отпад. Не фрлајте го заедно со редовниот домашен отпад.

Пакувањето на ладилникот е произведено од рециклирачки материјали.

Фрлање на стариот ладилник

Фрлете го стариот ладилник без да направите штета за животната средина.

- Консултирајте се со овластениот застапник или со центар за собирање отпад во вашата општина за тоа како да го фрлите ладилникот.

Пред да го фрлите ладилникот, исечете го кабелот за напојување и, ако има брави на вратата, искршете ги за да ги заштитите децата од каква било опасност.

Поставување и поврзување

⚠ Ако влезната врата на просторијата каде што треба да се смести ладилникот не е доволно широка за да може тој да помине, повикајте го овластениот сервис да ги извади вратите на ладилникот и тогаш, поминете го ладилникот низ вратата странично.

1. Поставете го ладилникот на место кое овозможува лесна употреба.

2. Поставете го ладилникот подалеку од извори на топлина, влажни места или директна сончева светлина.

3. Мора да има соодветна воздушна вентилација околу ладилникот со цел да се постигне ефикасна работа. Ако ладилникот треба да се постави во вдлабнатина во ѕидот, тогаш мора да има најмалку 5 цм. растојание од таванот и најмалку 5 цм од ѕидот. **Ако на подот има килим, ладилникот мора да е подигнат од подот за 2.5 цм.**

4. Поставете го ладилникот на рамни подови за да се спречи нишање.

Менување на светилката за осветлување

Повикајте овластен сервисер за да ја смените светилката што служи за осветлување на ладилникот.

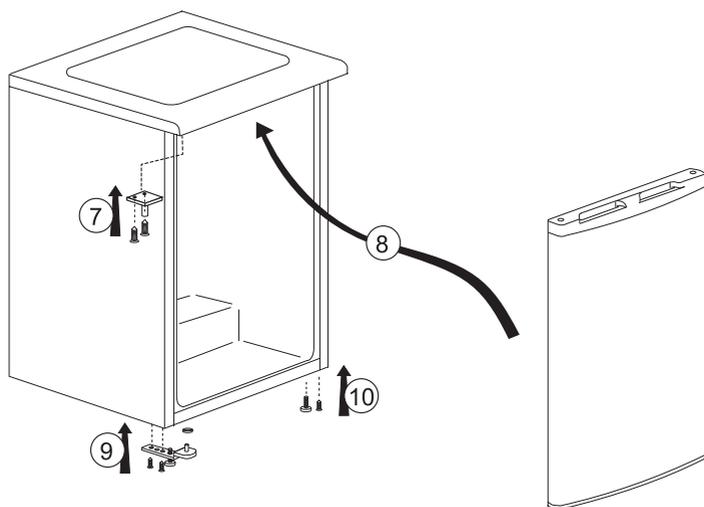
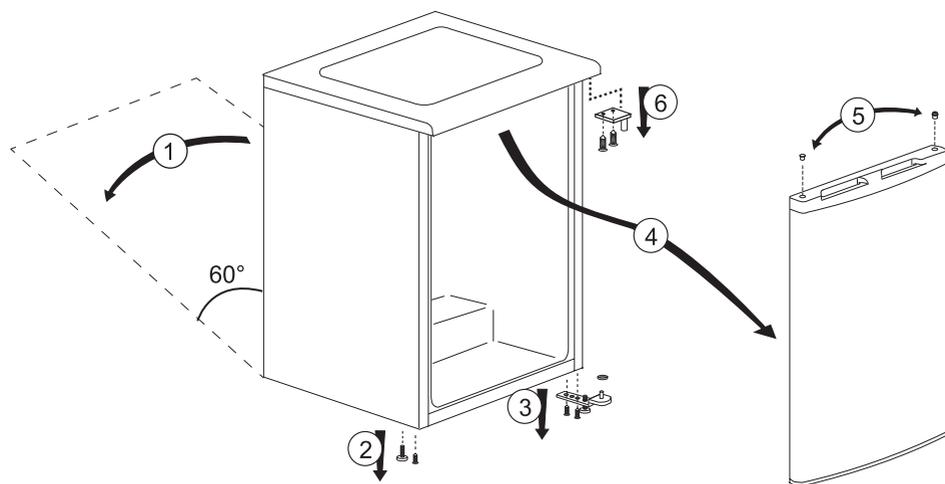
Сијалицата што се користи во овој уред не служи за осветлување на соби во домот. Намената на сијалицата е да му помогне на корисникот да ја стави храната во фрижидерот безбедно и удобно.

Сијалиците што се користат во овој производ треба да ги издржуваат екстремните физички услови, како што се температурите под -20°C .

Овој производ е опремен со извор на осветлување од енергетската класа „G“.

Изворот на осветлување во овој производ треба да го замени само стручен сервисер.

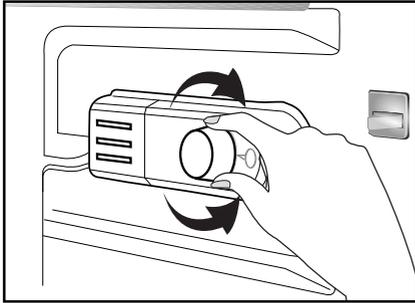
Преместување на вратите



4 Подготовка

- i** самостоен уред; „овој фрижидер не е наменет да се користи како уред за вградување“;
- i** Ладилникот треба да се постави на најмалку 30 цм. оддалеченост од извори на топлина, како што се камини, фурни, централно греење и печки и најмалку 5 цм. оддалеченост од електрични печки и не смее да се изложува на директна сончева светлина.
- i** Амбиенталната температура во просторијата каде што ќе го поставите ладилникот мора да биде најмалку 10°C. Не се препорачува работа на ладилникот под уреди за ладење затоа што ја попречува неговата ефикасност.
- i** Исчистете ја внатрешноста на ладилникот темелно.
- i** Ако треба да се постават два ладилника еден до друг, тогаш треба да има најмалку 2 цм. растојание меѓу нив.
- i** Кога ќе го вклучите ладилникот за првпат, почитувајте ги следните упатства во текот на првите шест часа.
 - Врата не треба да се отвора често.
 - Мора да се вклучи празен, без храна во него.
 - Не исклучувајте го ладилникот од струја. Ако снема струја, видете ги предупредувањата во поглавјето „Препорачани решенија за проблемите“.
- i** Оригиналното пакување и материјалите од пена треба да се чуваат за евентуален иден транспорт или преместување.

5 Употреба на ладилникот/замрзнувачот



Работната температура се регулира со контролата за температура.

1 = најниска поставка за ладење (најтопло)

5 = највисока поставка за ладење (најладно)

(или)

Мин. = најниско поставување за ладење

(најтопло)

Макс. = највисоко поставување за ладење

(најладно)

Просечната температура во ладилникот треба да биде околу +5°C.

Изберете го поставувањето во зависност од саканата температура.

Може да ја запрете работата на уредот со прилагодување на регулаторот на термостатот на позиција „0“.

Имајте предвид дека ќе има различни температури во делот за ладење.

Најладниот дел е веднаш над одделот за зеленчук.

Внатрешната температура зависи и од амбиенталната температура, зачестеноста на отворањето на вратата, како и од количината храна што се чува внатре.

Често отворање на вратата предизвикува покачување на внатрешната температура.

Од оваа причина, се препорачува веднаш да ја затворите вратата по користење на ладилникот.

Замрзнување

Замрзнување храна

Одделот за замрзнување е обележан со овој симбол

Може да го користите апаратот за замрзнување свежа храна, како и за чување на веќе замрзната храна.

Погледнете ги препораките на пакувањето на храната.

• Внимание

Не замрзнувајте газирани пијалаци бидејќи шишето може да прсне кога течноста во него ќе се замрзне.

Внимавајте со замрзнатите производи како што се коцки мраз во боја.

Не надминувајте го капацитетот за замрзнување во рок од 24 часа. Погледнете ја етикетата за рангирање.

Со цел да го одржувате квалитетот на храната, замрзнувањето мора да се изведе што е можно побрзо.

Затоа, капацитетот на замрзнување не треба да се надминува и температурата во замрзнувачот нема да се покачува.

- **Внимание**

Секогаш чувајте ја веќе смрзнатата храна одвоена од ново ставена храна.

Кога замрзнувате топла храна, компресорот за ладење ќе работи сè додека храната не се замрзне целосно. Ова може привремено да предизвика прекумерно ладење и во одделот на ладилникот.

Ако вратата на замрзнувачот тешко се отвора веднаш по затворањето, не грижете се. Ова се должи на разликата во притисокот кој ќе се порамни и ќе дозволи вратата да се отвори нормално по неколку минути.

Ќе слушнете звук на вакумирање веднаш по затворање на вратата. Тоа е сосема нормално.

Правење коцки мраз

Наполнете ја тацната за коцки мраз 3/4 со вода и ставете ја во замрзнувачот.

Штом водата ќе се замрзне, може да ги вадите коцките мраз.

Никогаш не користете остри предмети како нож или виљушка за да ги извадите коцките мраз. Постои ризик од повреда!

Наместо тоа, оставете коцките мраз да се растопат малку или ставете ја тацната во топла вода со долната страна за кратко.

Складирање замрзната храна

Одделот за замрзната храна е обележан со овој симбол .

Одделот за замрзната храна е соодветен за складирање на веќе замрзната храна. Препораката за складирање што е посочена на пакувањето на храната треба да се почитува во секое време.

Одмрзнување на уредот

Прекумерно натрупување мраз ќе повлијае на процесот на замрзнување кај уредот.

Затоа се препорачува да го одмрзнувате апаратот барем двапати годишно, или секогаш кога ќе се наталожи мраз повеќе од 7 мм.

Одмрзнувајте го уредот кога има малку или нема храна во него.

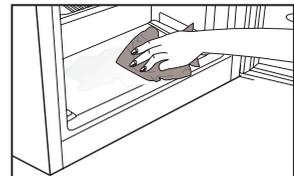
Извадете ја замрзната храна. Завиткајте ја замрзната храна во неколку обвивки од хартија, или во ќебе и ставете ја на ладно.

Исклучете го апаратот од струја или исклучете го осигурувачот за да започне процесот на одмрзнување.

Извадете ја дополнителната опрема (како полици, фиоки, и сл.) од уредот и поставете соодветен сад за да ја собира стопената вода.

Земете сунѓер или мека крпа за да ја соберете растопената вода во одделот за замрзнување, ако е неопходно

 и одделот за замрзнување храна 



Држете ја вратата отворена при одмрзнување.

За побрзо одмрзнување, ставете садови со топла вода во апаратот.

Никогаш не користете електрични уреди, спреј за одмрзнување или остри предмети како нож или виљушка за да го извадите мразот.

Откако одмрзнувањето ќе заврши, исчистете ја внатрешноста.

Приклучете го ладилникот во струја. Ставете ја смрзнатата храна во фиоките и сместете ги фиоките во замрзнувачот.

Ладење

Чување храна

Одделот на ладилникот е наменет за краткотрајно складирање свежа храна и пијалаци.

Чувајте ги млечните производи во наменетите оддели во ладилникот.

Шишињата може да се чуваат во држачите за шишиња или на полицата за шишиња на вратата.

Свежото месо најдобро се одржува во полиетиленски вреќички во одделот на дното на ладилникот.

Оставете ги топлиите јадења и пијалаци да се изладат на собна температура пред да ги ставите во ладилникот.

• Внимание

Чувајте го жестокиот алкохол во сад само во исправена положба и цврсто затворен.

• Внимание

Не ставајте експлозивни материи или садови со запаливи гасови (конзервиран крем, конзерви на распрснување, итн.) во ладилникот.

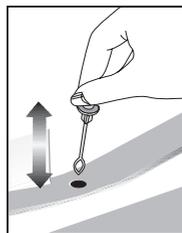
Постои опасност од експлозија.

Одмрзнување на уредот

Одделот на ладилникот се одмрзнува автоматски. Стопената вода тече низ каналот за истекување во збирниот сад од задната страна на уредот.

За време на одмрзнувањето, капките вода се лизгаат кон задната страна на ладилникот за да испарат.

Ако не истечат сите капки, може да замрзнат повторно откако ќе заврши одмрзнувањето. Тргнете ги со мека, сува крпа натопена со млака вода. Не користете тврди или остри предмети.



6 Одржување и чистење

- ⚠ Никогаш не користете бензин, нафта или слични средства за чистење.
- ⚠ Препорачуваме да го исклучите апаратот пред чистење.
- ❗ Никогаш не користете груби абразивни инструменти, сапун, домашни средства за чистење, детергент и средство за полирање за чистење.
- ❗ На задниот ѕид од преградата на фрижидерите без технологијата No Frost се појавуваат капки вода и замрзнување со ширина на прст од рака. Не чистете го; никогаш не употребувајте масло или слични агенси.
- ❗ Употребувајте само малку влажна микрофибер крпа за да ја чистите надворешната површина на производот. Сунѓерите и другите типови крпи за чистење може да ја изгребат површината.
- ❗ Користете топла вода за чистење на внатрешноста на апаратот и избришете за да се исуши.
- ❗ Користете влажна и добро исцедена крпа потопена во раствор од една лажичка сода бикарбонат и една чаша вода за чистење на внатрешноста, а потоа избришете за да се исуши.
- ⚠ Внимавајте да не навлезе вода во кукиштето на осветлувањето или во другите електрични делови.
- ⚠ Ако апаратот нема да се користи подолго време, исклучете го, извадете ја храната, исчистете го и оставате ја вратата полуотворена.
- ❗ Проверувајте ја редовно гумата на вратата која треба да биде чиста и без остатоци од храна.
- ❗ За да ги извадите полиците на вратата, извадете ја целата содржина и потоа едноставно притиснете ја полицата нагоре од лежиштето.
- ❗ Никогаш не користете средства за чистење или вода што содржат хлор за да ги исчистите надворешните површини и деловите обложени со хром на производот. Хлорот предизвикува корозија на таквите метални површини.
- ❗ Не користете остри и абразивни предмети или сапун, средства за чистење во домаќинството, детергенти, бензин, восок, итн., инаку ќе се извадат пломбите на пластичните делови и ќе се деформираат. Користете топла вода и мека ткаенина за чистење. Избришете за да биде суво.

Заштита на пластичните површини

- ❗ Не ставајте течни масла или храна зготвена со масло во незатворени садови во ладилникот бидејќи тие може да ги оштетат пластичните површини на ладилникот. Во случај на истурање или размачкување масло врз пластичните површини, исчистете го и исплакнете го дадениот дел на површината веднаш со топла вода.

7 Препорачани решенија за проблемите

Прочитајте го овој список пред да повикате сервис. Ќе ви заштеди време и пари. Овој список ги опфаќа честите поплаки што не произлегуваат од неправилна работа или употреба на материјали. Некои од одликите што се опишани тука веројатно не постојат кај вашиот производ.

Ладилникот не работи
<ul style="list-style-type: none">• Дали ладилникот е правилно приклучен? Приклучете го во штекер.• Дали осигурувачот на приклучокот на којшто е поврзан ладилникот или главниот осигурувач се прегорени? Проверете го осигурувачот.
Се јавува кондензација на страничните ѕидови во одделот на ладилникот. (MULTI ZONE, COOL CONTROL ve FLEXI ZONE)
<ul style="list-style-type: none">• Многу студени амбиентални услови. Често отворање и затворање на вратата. Амбиентални услови со многу влага. Складирана храна што содржи течност во отворени садови. Вратата е оставена подотворена.• Префрлете го термостатот на поладен степен.• Намалете го времето за оставена отворена врата или користете ја поретко.• Затворете ја храната што ја чувате во отворени садови со соодветен материјал.• Избришете ја кондензацијата со сува крпа и проверете дали повторно ќе се појави.
Компресорот не се вклучува
<ul style="list-style-type: none">• Заштитната термика на компресорот ќе престане да работи при ненадеен прекин на ел. енергија или ќе го прекине ел. напојување бидејќи притисокот на ладилникот во системот за ладење сè уште не е избалансиран.• Ладилникот ќе продолжи со работа по приближно 6 минути. Повикајте го сервисерот ако ладилникот не се вклучи по истекување на овој период.• Ладилникот е во циклус на одмрзнување. Ова е нормално за целосно автоматизиран процес на одмрзнување кај ладилникот. Циклусот на одмрзнување започнува периодично.• Ладилникот не е приклучен во штекер. Проверете дали приклучокот е приклучен правилно во ѕидниот штекер.• Дали прилагодувањето на температурата е правилно направено? Нема струја. Повикајте го електродистрибутерот.

Ладилникот често или долго работи.
<ul style="list-style-type: none"> • Новиот ладилник веројатно е поширок од претходниот. Тоа е сосема нормално. Големите ладилници работат подолг период. • Собната температура е висока. Ова е нормално. • Ладилникот веројатно е приклучен неодамна или можеби е преоптоварен со храна. Комплетното разладување на ладилникот може да потрае неколку часа подолго. • Веројатно е ставена голема количина врела храна во ладилникот неодамна. Врелата храна предизвикува подолг период на работа на ладилникот сè додека не се постигне безбедна температура на складирање. • Вратите веројатно биле често отворани или оставени подотворени долг период. Топлиот воздух што навлегол во ладилникот предизвикува тој да работи подолг период. Отворајте ги вратите поретко. • Вратите на одделите на ладилникот или замрзнувачот веројатно биле оставени подотворени. Проверете дали вратите се добро затворени. • Ладилникот е прилагоден на многу ниска температура. Прилагодете ја температурата во ладилникот на повисок степен и почекајте додека не се постигне температурата. • Гумата на вратата од ладилникот или замрзнувачот е нечиста, истрошена, искината или не е правилно поставена. Искისტете ја или заменете ја гумата. Оштетена / искината гума предизвикува ладилникот да работи подолг период за да ја одржува тековната температура.
Температурата во замрзнувачот е многу ниска додека температурата во ладилникот е задоволителна.
<ul style="list-style-type: none"> • Температурата во замрзнувачот е прилагодена на многу ниска температура. Прилагодете ја температурата во замрзнувачот на повисок степен и проверете.
Температурата во ладилникот е многу ниска додека температурата во замрзнувачот е задоволителна.
<ul style="list-style-type: none"> • Температурата во ладилникот е прилагодена на многу ниска температура. Прилагодете ја температурата во ладилникот на повисок степен и проверете.
Храната што се чува во фиоките на ладилникот се замрзнува.
<ul style="list-style-type: none"> • Температурата во ладилникот е прилагодена на многу ниска температура. Прилагодете ја температурата во ладилникот на повисок степен и проверете.
Температурата во ладилникот или замрзнувачот е многу висока.
<ul style="list-style-type: none"> • Температурата во ладилникот е прилагодена на многу висока температура. Прилагодувањето во ладилникот влијае врз температурата во замрзнувачот. Сменете ја температурата во ладилникот или замрзнувачот додека истата не постигне задоволително ниво. • Вратата веројатно била оставена подотворена. Затворете ја вратата убаво. • Веројатно е ставена голема количина врела храна во ладилникот неодамна. Почекајте додека ладилникот или замрзнувачот не ја постигнат саканата температура. • Ладилникот веројатно бил приклучен неодамна. Целосно разладување на ладилникот трае подолго заради неговата големина.

Бучава слична на звукот на секундарнарникот што се слуша кај аналогниот часовник се слуша од ладилникот.
<ul style="list-style-type: none"> Ова бучава доаѓа од соленоидниот вентил на ладилникот. Функциите на соленоидниот вентил, за да може фреонот да минува низ одделот, може да се прилагодуваат на температури за ладење или замрзнување или да извршуваат функции за ладење. Ова е нормално и не е дефект.
Бучавата при работа се зголемува кога работи ладилникот.
<ul style="list-style-type: none"> Карактеристиките за работата на ладилникот се менуваат соодветно на промените во амбиенталната температура. Тоа е нормално и не е грешка.
Вибрации или бучава.
<ul style="list-style-type: none"> Подот не е рамен или е многу слаб. Ладилникот се ниша кога ќе се помести малку. Проверете дали подот е рамен, цврст и може да го држи ладилникот. Бучавата може да се предизвикува и од работите што се ставени врз ладилникот. Тие предмети треба да се тргнат од ладилникот.
Има бучава што наликува на истурање вода или шиштење.
<ul style="list-style-type: none"> Течните и гасните звуци се случуваат заради работните принципи на ладилникот. Тоа е нормално и не е грешка.
Има бучава како да дува ветер.
<ul style="list-style-type: none"> Активаторите за воздух (вентилаторите) се користат за да може ладилникот да лади ефикасно. Тоа е нормално и не е грешка.
Има кондензација на внатрешните ѕидови на ладилникот.
<ul style="list-style-type: none"> Врела и влажна клима го зголемува создавањето мраз и кондензација. Тоа е нормално и не е грешка. Вратите се подотворени. Обезбедете вратите да се секогаш добро затворени. Вратите веројатно се отворале многу често или биле оставени отворени подолг период. Отворајте ја вратата поретко.
Влага се појавува на надворешноста на ладилникот или меѓу вратите.
<ul style="list-style-type: none"> Климата е влажна. Ова е нормално за влажна клима. Кога ќе се намали влагата, ќе исчезне и кондензацијата.
Има лоша миризма во ладилникот.
<ul style="list-style-type: none"> Внатрешноста на ладилникот мора да се исчисти. Исчистете ја внатрешноста на ладилникот со сунѓер, топла вода или карбонизирана вода. Некои садови или материјали за пакување веројатно го предизвикуваат мирисот. Употребете друг сад или материјал за пакување од друг производител.
Вратата(ите) не се затвора(ат).
<ul style="list-style-type: none"> Спакуваната храна може да го попречува затворањето на вратите. Преместете ја спакуваната храна што ја попречува вратата. Ладилникот веројатно не е поставен целосно вертикално на подот и се ниша кога малку ќе се потурне. Прилагодете ги шрафовите за подигнување. Подот не е рамен или цврст. Проверете дали подот е рамен и може да го држи ладилникот.
Фиоките се заглавени.
<ul style="list-style-type: none"> Храната веројатно го допира плафонот на фиоката. Прераспределете ја храната во фиоката.

Ако Површината На Производот Е Жешка.

- Може да се појават високи температури помеѓу двете вратички, на страничните панели и кај задниот грил додека производот е вклучен. Тоа е нормално и нема потреба за поправка!

Ushqimet që mbahen në sirtarët e ndarjes të frigoriferit kanë ngrirë.
<ul style="list-style-type: none"> • Temperatura e frigoriferit është rregulluar në një vlerë shumë të lartë. >>> Rregulloni temperaturën e frigoriferit në një vlerë më të ulët dhe kontrolloni.
Temperatura në frigorifer ose ngrirës është shumë e lartë.
<ul style="list-style-type: none"> • Temperatura e frigoriferit është rregulluar në një vlerë shumë të lartë. >>> Konfigurimi i temperaturës të ndarjes të frigoriferit ka një efekt në temperaturën e ngrirës. Ndryshoni temperaturat e frigoriferit ose ngrirës dhe prisni derisa ndarjet përkatëse të arrijnë temperaturën e mjaftueshme. • Dyert hapen shpesh ose janë lënë hapur për një kohë të gjatë. >>> Mos i hapni dyert shpesh. • Dera është pak hapur. >>> Mbylleni derën plotësisht. • Frigoriferi është vënë në prizë ose është mbushur me ushqime së fundi. >>> Kjo është normale. Kur frigoriferi vihet në prizë ose është mbushur së fundi me ushqime, do të kërkojë më shumë kohë që të arrijë temperaturën e caktuar. • Sasi të mëdha ushqimesh të nxehta mund të jenë vendosur në frigorifer së fundi. >>> Mos vendosni ushqime të nxehta në frigorifer.
Dridhje ose zhurmë.
<ul style="list-style-type: none"> • Dyshemeja nuk është në nivel ose është e paqëndrueshme. >>> Nëse frigoriferi tundet kur lëvizet ngadalë, balancojeni duke i rregulluar këmbët. Gjithashtu sigurohuni që dyshemeja të jetë e fortë mjaft për të mbajtur frigoriferin, dhe të jetë në nivel. • Sendet që vendosni në frigorifer mund të shkaktojnë zhurmë. >>> Hiqni sendet që janë sipër frigoriferit.
Ka zhurma që vijnë nga frigoriferi si për shembull rrjedhje lëngjesh, spërkatje, etj.
<ul style="list-style-type: none"> • Rrjedha e lëngut dhe gazit është sipas parimeve të punimit të frigoriferit tuaj. Kjo është normale dhe nuk është defekt.
Vjen një fishkëllimë nga frigoriferi.
<ul style="list-style-type: none"> • Përdoren ventilatorë për të ftohur frigoriferin. Kjo është normale dhe nuk është defekt.
Kondensim në muret e brendshme të frigoriferit.
<ul style="list-style-type: none"> • Moti i ngrohtë dhe i lagësht rrit akullin dhe kondensimin. Kjo është normale dhe nuk është defekt. • Dyert hapen shpesh ose janë lënë hapur për një kohë të gjatë. >>> Mos i hapni dyert shpesh. Mbyllini nëse janë hapur. • Dera është pak hapur. >>> Mbylleni derën plotësisht.
Ndodh lagështi nga jashtë frigoriferit ose midis dyerve.
<ul style="list-style-type: none"> • Mund të ketë lagështi në ajër; kjo është normale në mot me lagështi. Kur lagështia është më e ulët, do të shfaqet kondensimi.

Erë e keqe brenda frigoriferit.

- Nuk është bërë pastrimi rregullisht. >>> Pastroni pjesën e brendshme të frigoriferit rregullisht me një sfungjer, ujë të ngrohtë ose karbonat të tretur në ujë.
- Disa enë ose materiale paketimi mund të shkaktojnë erë. >>> Përdorni enë të tjera ose materiale paketimi origjinale.
- Ushqimi vendoset në frigorifer në enë të pambuluara. >>> Mbajeni ushqimin në enë të mbyllura. Mikroorganizmat që përhapen nga enët e pambuluara mund të shkaktojnë erëra të pakëndshme.
- Hiqni ushqimet që u ka kaluar data e skadencës dhe që janë prishur nga frigoriferi.

Dera nuk mbyllet.

- Paketimet e ushqimeve nuk lejojnë derën të mbyllet. >>> Lëvizni paketimet që pengojnë derën.
- Frigoriferi nuk është plotësisht shesh mbi dysheme. >>> Rregulloni këmbët për të balancuar frigoriferin.
- Dyshemeja nuk është në nivel ose nuk është e fortë. >>> Sigurohuni që dyshemeja është në nivel dhe është në gjendje të mbajë frigoriferin.

Krisperët kanë ngecur.

- Ushqimi prek tavanin e sirtarit. >>> Rivendosni ushqimet në sirtar.

Nëse Sipërfaqja E Produktit Është E Nxehtë.

- Mund të vërehen temperatura të larta midis dy dyerve, në panelet anësore dhe në grilën e pasme ndërsa produkti është në punë. Kjo është normale dhe nuk kërkon shërbim mirëmbajtjeje! Bëni kujdes kur prekni këto zona.