

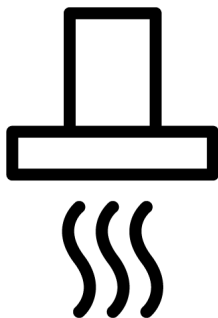
# beko

**Hood** / User Manual

**Dunstabzugshaube** / Bedienungsanleitung

**Okapu** / Instrukcja obsługi

**Campana extractora** / Manual del usuario



BHCA66641BBHS

185732057\_1/ EN/ DE/ PL/ ES/ R.AD/ 21/11/23 17:55  
7704331206



PAPEL RECICLADO Y  
RECICLABLE



PAPIER Z RECYKINGU I  
NADAJĄCY SIĘ DO PONOWNEGO  
UŻYCIA



RECYCLES UND  
RECYCLABLES PAPIER



RECYCLED &  
RECYCLABLE PAPER

## Welcome!

---

Dear Customer,

Thank you for choosing the Beko product. We want your product, manufactured with high quality and technology, to offer you the best efficiency. Therefore, carefully read this manual and any other documentation provided before using the product.

Keep in mind all the information and warnings stated in the user's manual. This way, you will protect yourself and your product against the dangers that may occur.

Keep the user's manual. If you give the product to someone else, give the manual with it. The warranty conditions, usage and troubleshooting methods for your product are provided in this manual.

### The symbols and their descriptions in the user's manual:



Hazard that may result in death or injury.



Important information or useful usage tips.



Read the user's manual.



Hot surface warning.

**NOTICE** Hazard that may result in material damage to the product or its environment.

**Arçelik A.Ş.**

Karaağaç caddesi No:2-6  
34445 Sütlüce/İstanbul/TURKEY

Made in TURKEY

## Table of Contents

<b>1</b>	<b>Safety Instructions.....</b>	<b>4</b>
1.1	Intended Use.....	4
1.2	Child, Vulnerable Person and Pet Safety .....	4
1.3	Electrical Safety.....	5
1.4	Transportation Safety .....	6
1.5	Installation Safety.....	7
1.6	Safety of Use .....	8
1.7	Maintenance and Cleaning Safety	9
<b>2</b>	<b>Environmental Instructions.....</b>	<b>10</b>
2.1	Waste Directive.....	10
2.1.1	Compliance with the WEEE Directive and Disposing of the Waste Product .....	10
2.2	Package Information.....	10
<b>3</b>	<b>Your product .....</b>	<b>11</b>
3.1	Product Introduction .....	11
3.2	Product Accessories .....	11
3.3	Technical Specifications.....	13
<b>4</b>	<b>First Use.....</b>	<b>14</b>
4.1	Initial Cleaning .....	14
<b>5</b>	<b>Using the Hood .....</b>	<b>14</b>
<b>6</b>	<b>Maintenance and Cleaning .....</b>	<b>16</b>
6.1	General Cleaning Information.....	16
6.2	Cleaning the Control Panel .....	17
6.3	Aluminium Filter .....	18
6.4	Carbon Filter (Usage without a flue) .....	18
6.5	Hood Lamp .....	19
<b>7</b>	<b>Troubleshooting.....</b>	<b>19</b>

## 1 Safety Instructions

- This section includes the safety instructions necessary to prevent the risk of personal injury or material damage.
- If the product is handed over to someone else for personal use or second-hand use purposes, the user's manual, product labels and other relevant documents and parts should also be given.
- Our company shall not be held responsible for damages that may occur if these instructions are not observed.
- Failure to follow these instructions shall void any warranty.
- Always have the installation and repair works made by the manufacturer, the authorised service or a person that the importer company shall designate.
- Use original spare parts and accessories only.
- Do not repair or replace any component of the product unless it is clearly specified in the user's manual.
- Do not make technical modifications on the product.

### 1.1 Intended Use

- This product is designed to be used at home. It is not suitable for commercial use.
- Do not use the product in gardens, balconies or other outdoors. This product is intended to be used in households and in the staff kitchens of shops, offices and other working environments.

### 1.2 Child, Vulnerable Person and Pet Safety

- This product can be used by children 8 years of age and older, and people who are underdeveloped in physical, sensory or mental skills, or who have lack of experience and knowledge, as long as they are supervised or trained about the safe use and hazards of the product.
- Children should not play with the product. Cleaning and user maintenance should not be performed by children unless there is someone overseeing them.
- This product should not be used by people with limited physical, sensory or mental capacity (including children), un-

less they are kept under supervision or receive the necessary instructions.

- Children should be supervised to ensure that they do not play with the product.
- Electrical products are dangerous for children and pets. Children and pets should not play with the product.
- Keep the packaging materials out of the reach of children. There is a hazard of injury and suffocation.
- Before discarding worn out and useless products:
  1. Unplug and disconnect the power plug (if the product is plugged in).
  2. Cut off the power cable and disconnect it with the plug from the product.
  3. Do not allow children to play with product when it is in idle mode.

### **1.3 Electrical Safety**

- Plug the product into a grounded outlet protected by a fuse that matches the current ratings indicated on the type label. Have the grounding installation made by a qualified electrician. Do not use the product without grounding in accordance with local / national regulations.

- The plug or the electrical connection of the appliance shall be in an easily accessible place. If this is not possible, there should be a mechanism (fuse, switch, key switch, etc.) on the electrical installation to which the product is connected, in compliance with the electrical regulations and separating all poles from the network.
- Unplug the product or switch off the fuse before repair, maintenance and cleaning.
- Plug the product into an outlet that meets the voltage and frequency values specified on the type label.
- (If your product does not have a mains cable) only use the connecting cable described in the "Technical specifications" section.
- Do not plug your hood in until it is mounted.
- Do not jam the power cable under and behind the product. Do not put a heavy object on the power cable. The power cable should not be bent, crushed, and come into contact with any heat source.
- Do not install the electricity cord near the heaters. The cable might melt, causing a fire.

- Make sure that the power cable is not jammed while putting the product to its place after assembly or cleaning.
  - Do not plug your hood in until it is mounted.
  - Use original cable only. Do not use cut or damaged cables.
  - Do not use an extension cord or multi-plug to operate your product.
  - Contact the authorized service centre or importer to use the approved adapter in cases where the use of a converter adapter (for plug type) is necessary.
  - Contact the importer or the authorized service centre if the length of the power line is inadequate.
  - Portable power sources or multiple plugs may overheat and catch fire. Keep multiple plugs and portable power sources away from the product.
  - If the power cable is damaged, it must be replaced by the manufacturer, an authorized service or a person to be specified by the importer company in order to prevent possible dangers.
  - If your product has plug, do not make electrical connections by disconnecting the plug during installation. Connections made by cutting off render the product warranty void and pose a danger to user safety.
- If your product has a power cable and plug:
- Never put the product plug into a broken, loose, or out-of-socket plug. Make sure the plug is fully inserted into the socket. Otherwise the connections may overheat and cause a fire.
  - Avoid inserting the device into plugs that are greasy, unclean, or potentially exposed to water (such as those near a worktop where water may escape). Otherwise there is a risk of short circuit and electrocution.
  - Never touch the plug with wet hands!
  - Pull the plug out of the socket using the plug's body rather than the cord itself.



#### **1.4 Transportation Safety**

- Disconnect the product from the mains before transporting the product.
- The product is heavy, carry the product with at least two people.
- Do not place items on the appliance. Carry the appliance vertically.

- When you need to transport the product, wrap it with bubble wrap packaging material or thick cardboard and tape it tightly. Secure the moving parts of the product firmly to prevent damage.
- Before the product is installed, check the product for any damage after transport. Contact the importer or the authorized service centre if damaged.
- Always wear protective gloves during transport and installation. Otherwise there is a risk of injury from sharp edges!
- Before the product is installed, check the product for any damage. Do not have it installed if the product is damaged.
- Avoid using any heat-insulating materials to cover the interior of the furniture that will be installed.

### **1.5 Installation Safety**

- To have your product ready for use, first provide the place of installation and have the electrical installation made. Always have the installation made by the manufacturer, the authorised service or a person that the importer company shall designate.
- To have your product ready for use, first provide the place of installation and have the electrical installation made. Then, call the Authorised Service to have the installation performed. After installation by the authorized service, the warranty period begins.
- Before beginning the installation, de-energize the power line to which the product will be connected by turning off the fuse.
- Direct sunlight and heat sources, such as electric or gas heaters, must not be present in the area where the product is installed.
- If there is a socket behind the place where the product will be installed, it must be ensured that the product does not come into contact with the socket nor with the plug plugged into the socket.
- For usage with chimney connections, have qualified individuals assess the suitability of the chimney to which the product will be connected.
- Height between the bottom surface of your hood and the top surface of the oven should be no less than 650 mm for gas ovens and 500 mm for electrical ovens. Otherwise,

your product will be affected by the heat or flame of the hob and pose a safety hazard.

- (For Model C) In electrical ovens, the highest performance in the product is achieved by leaving a height of 550 mm.
- Never attach the hood to flues used as a flame heater or flame-emitting heaters. Comply with local regulations on purging the outflow.
- Use pipes with a diameter of 120 mm when connecting a flue to your product. The pipe connection should be as short as possible and with few bends.



## 1.6 Safety of Use

- **Poisoning Danger!** While the appliance is operating, air is drawn from the whole house. If adequate ventilation is not provided, air flow occurs and the waste and toxic gases released as a result of combustion in the house are reabsorbed. Do not operate the product together with products that provide air circulation and may emit toxic gas (wood, gas, oil and coal stoves, boilers, water heaters, etc.).
- Ensure that the appliance is switched off after every use.
- Don't use the product if it breaks down or gets damaged while being used. Disconnect the product from the electricity. Contact the importer or the authorized service centre.
- Do not touch the lamps of your hood after operating the hood for a long time. Hot lamps may burn your hand.
- Do not operate the appliance without an oil filter. Do not remove the filters while the appliance is operating. Otherwise the product and electrical connections may be adversely affected by the oil.
- Do not create a high flame under the product. Otherwise, the oil in the oil filter may ignite, causing a fire.
- Turn off the oven before taking the cooking pots, pans, etc. from the ovens. Otherwise, your product could be harmed by flame and growing heat.
- Never set anything combustible or items prone to falling on your hood. Otherwise, it could fall on the hob and risk burning them or fall into the food and hurt the user,
- Do not keep easily flammable materials under your hood.
- (For Models A and B) Run your hood for another 15 minutes after the cooking or frying pro-



cess to clean the kitchen air thoroughly of the odours and vapours generated during cooking.

- (Except for goods that return exhaust air to the room) The room needs to be well ventilated if the hood is utilized in the same area as gas or liquid fuel burning equipment.
- The chimney of appliances like room heaters that run on gas or liquid fuel must be entirely insulated in the environment where the hood is utilized, or the appliance must be hermetic.
- If there is another appliance operating with energy other than electrical energy in the same environment with the hood, the negative pressure in the room should be at most 0.04 mbar so that the exhaust of the other appliance is not drawn back into the room by the hood.

- Easily flammable and combustible materials should not be hung on the hood handles (if any).
- There should not be open fire under the hood. (for example: flambe)
- **Caution:** Accessible parts can heat up when used with a cooker.



### 1.7 Maintenance and Cleaning Safety

- The grease accumulated on the hood and grease filter must be cleaned at the specified intervals. Otherwise, there is a risk of fire!
- It is recommended to clean the filter once a month under normal usage. If not, the build-up of oil in the filter could catch fire and pose a hazard.
- Never wash the product by spraying or pouring water on it! There is the risk of electric shock!
- Do not use steam cleaners to clean the product as this may cause an electric shock.

## 2 Environmental Instructions

### 2.1 Waste Directive

#### 2.1.1 Compliance with the WEEE Directive and Disposing of the Waste Product

This product complies with EU WEEE Directive (2012/19/EU). This product bears a classification symbol for waste electrical and electronic equipment (WEEE).



This product has been manufactured with high quality parts and materials which can be reused and are suitable for recycling. Therefore, do not dispose of the waste product with normal domestic and other wastes at the end of its service life. Take it to a collection point for the recycling of electrical and electronic equipment. You can ask your local

administration about these collection points. Disposing of the appliance properly helps prevent negative consequences for the environment and human health.

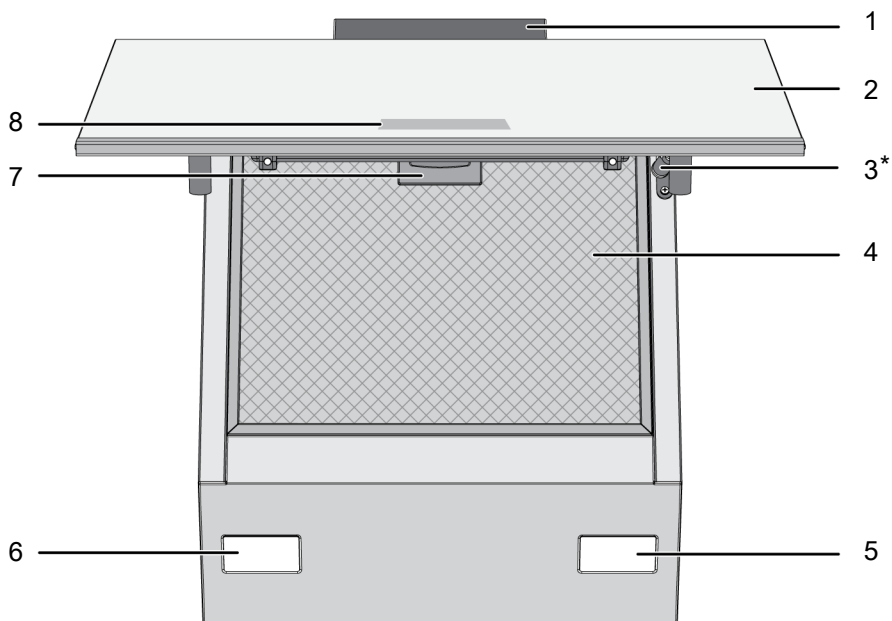
#### Compliance with RoHS Directive:

The product you have purchased complies with EU RoHS Directive (2011/65/EU). It does not contain harmful and prohibited materials specified in the Directive.

### 2.2 Package Information

Packaging materials of the product are manufactured from recyclable materials in accordance with our National Environment Regulations. Do not dispose of the packaging waste with the household or other wastes, take it to the packaging material collection points designated by the local authorities.

### 3.1 Product Introduction



1 Hood body

3 Damper

5 Lamp

7 Aluminium filter lock

2 Hood glass lid

4 Aluminium filter

6 Lamp

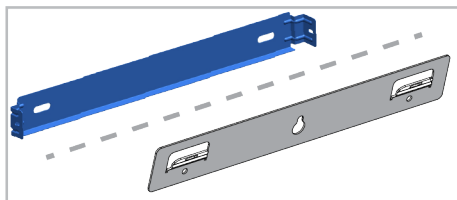
8 Control panel

\* Dependent on the model. It may not be available on your product.

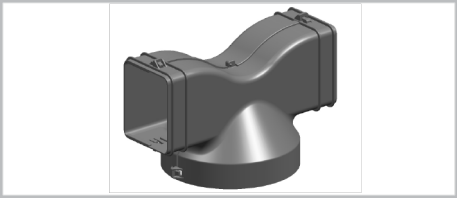
### 3.2 Product Accessories

Depending on the product model, the supplied accessory varies. All accessories described in the user's manual may not be available in your product.

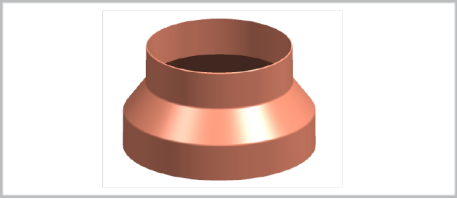
#### Wall mounting part



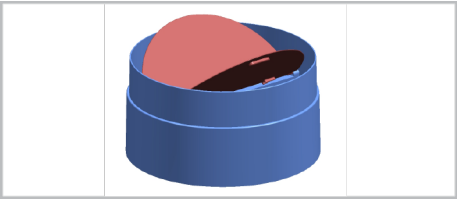
**Air router**



**Flue connection adapter**



**Covers to prevent reverse airflow**



### 3.3 Technical Specifications

Product external dimensions (height/width/depth) (mm)	min. 910 - max. 1138 /595 /419
Voltage/Frequency	220-240 V ~1N; 50 Hz
Total power consumption	max. 300 W
Suction power	700-720 m <sup>3</sup> /h
Diameter of air outlet pipe	120-150 mm

Control	
Model A	3 levels
Model B	3 levels + 1 booster
Model C	3 levels + 1 booster



Technical specifications may be changed without prior notice to improve the quality of the product.



Figures in this manual are schematic and may not exactly match your product.



Values stated on the product labels or in the documentation accompanying it are obtained in laboratory conditions in accordance with relevant standards. Depending on operational and environmental conditions of the product, these values may vary.

## 4 First Use


Before you start using your product, it is recommended to do the following stated in the following sections respectively.

### 4.1 Initial Cleaning

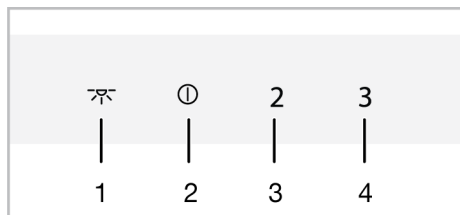
1. Remove all packaging materials.

## 5 Using the Hood

The hood has an engine with various speeds. For a good performance, we recommend using low speeds under normal conditions and high speeds in case of strong odour and vapour condensation.

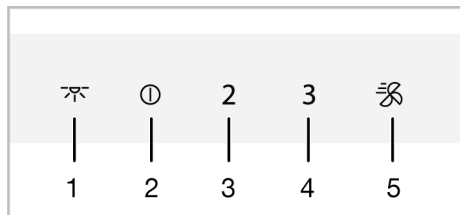
 The program is cancelled if power is cut when any program in your hood is active.

### MODEL A



- 1 Lamp key
- 2 On-Off/Speed 1 key
- 3 Speed 2 key
- 4 Speed 3 key

### MODEL B

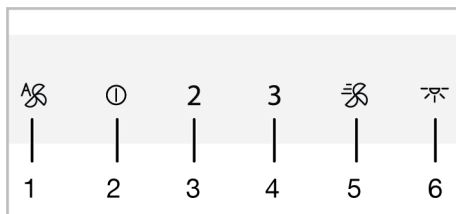


- 1 Lamp key
- 2 On-Off/Speed 1 key
- 3 Speed 2 key
- 4 Speed 3 key
- 5 Booster key

2. Wipe the surfaces of the product with a wet cloth or sponge and dry with a cloth.

**NOTICE:** Some detergents or cleaning agents may cause damage to the surface. Do not use abrasive detergents, cleaning powders, cleaning creams or sharp objects during cleaning.


### MODEL C




- 1 Automatic mode key
- 2 On-Off/Speed 1 key
- 3 Speed 2 key
- 4 Speed 3 key
- 5 Booster key
- 6 Lamp key



### Operating the hood

1. Touch the speed level key you have selected to operate the hood.
  - ⇒ The set speed level key lights up.
2. You can touch the other speed level keys to change the speed level.



 When in operation, the product will run for a maximum of 6 hours if no key is touched.


### Turning off the hood

1. To turn the hood off, touch again the key of the level on which the hood is operating or  key.

 If you touch the  key with any function active except the lamp, then the function is cancelled.

## Turning on the intensive ventilation mode (Booster) (for models B and C)


1. Press  key once to start the hood in the intensive ventilation mode.
  - ⇒ The intensive ventilation mode starts up and runs for a maximum of 10 minutes. During this time, the  key lights up. After 10 minutes, the product continues to operate in Speed 3 and the Speed 3 key lights up.

 In intensive ventilation mode, when any speed key is touched, it returns to that speed level and continues to operate.


## Automatic mode (for model C)


Your hood measures the temperature of the air in the kitchen and the air coming from your hob by using a sensor. In automatic mode, it determines the required levels for the temperature of the air from the hob to match the temperature of the air in the kitchen and operates at levels determined automatically.


1. To enable the automatic mode touch the key.
  - ⇒ The automatic mode is activated and operates until the temperature of the air from the hob equals the ambient temperature. It will switch off automatically when the temperature equalizes. You must enable automatic mode again to re-switch it on.

 While automatic mode is active, automatic mode will be cancelled when you turn the product on and off at any speed.

2. To turn automatic mode off early touch the key once more.

 If you open the cover of the product when auto mode is on, its performance will decrease. Do not open the cover when the automatic mode is active.


 If the ambient temperature difference occurs even when the hob is not operating while the automatic mode is active, the temperature sensor in the product will detect the difference and the product may start operating at Speed 2 or 3 depending on the difference. In this case, automatic mode will be turned off when the temperature difference is equalized.

 Do not use automatic mode when your hob is not working.

## Air cleaning mode (for models B and C)


You can use air cleaning mode to eliminate the odour in your house during a long time at low level.


1. Touch the Speed 1 key for more than 3 seconds.
  - ⇒ Air cleaning mode is activated. The light of the Speed 1 key flashes when the air cleaning mode is active.
2. The air cleaning mode will operate at Speed 1 for 10 minutes in 1 hour and will stop for 50 minutes. If you do not switch off the air cleaning mode, it will remain in operation for 10 minutes, then stop for 50 minutes in each hour for 24 hours.


 When air cleaning mode is active, it is automatically cancelled at the touch of any key except lamp key. Your hood continues to operate at the function of the key you touch.

## Aluminium filter fill warning

The light of Speed 2 key flashes for thirty seconds after every 100 hours of operation. Clean the aluminium filters. After cleaning, the lamp warning of Speed 2 key does not turn off automatically. This product continues to show the 30-second warning when the product switches off after every operation. When you touch the Speed 2 key for more than 3 seconds, aluminium filter fill warning is reset and the lamp is turned off.


 The warning is not cancelled if the power is cut when the hood gives aluminium filter fill warning. When the power is available, it continues to warn with the light of Speed 2 key flashing.


 If you run the hood at any speed level with the aluminium filter fill warning, the warning will not appear for as long as the hood is running. When you turn off the hood, the fill warning starts flashing again for 30 seconds.


 If you turn off the warning without cleaning the aluminium filter, the operating time of 100 hours is reset and it starts over. At the end of the next 100 hours, your hood warns again.

## Carbon filter fill warning (for products with carbon filter)

The light of Speed 2 key flashes for thirty seconds after every 100 hours of operation. In this case, you must replace your carbon filter. Consult an authorized service for this. After replacement, the lamp warning of Speed 2 key does not turn off automatically. This product continues to show the 30-second warning when the product switches off after every operation. When you touch the Speed 2 key for more than 3 seconds, carbon filter fill warning is reset and the lamp is turned off.

 The warning is not cancelled if the power is cut when the hood gives carbon filter fill warning. When the power is available, it continues to warn with the light of Speed 2 key flashing.

 If you run your hood at any speed level with the carbon filter fill warning, the warning will not appear for as long as the hood is running. When you turn off the hood, the fill warning starts flashing again for 30 seconds.

 If you turn off the warning without replacing the carbon filter, the operating time of 100 hours is reset and it starts over. At the end of the next 100 hours, warning is given again.

## 6 Maintenance and Cleaning

### 6.1 General Cleaning Information

#### General warnings

- Wait for the product to cool before cleaning the product. Hot surfaces may cause burns!
- Do not apply the detergents directly on the hot surfaces. This may cause permanent stains.
- The product should be thoroughly cleaned and dried after each operation. Thus, food residues shall be easily

cleaned and these residues shall be prevented from burning when the product is used again later. Thus, the service life of the appliance extends and frequently faced problems are decreased.

- Do not use steam cleaning products for cleaning.
- Some detergents or cleaning agents cause damage to the surface. Unsuitable cleaning agents are: bleach, cleaning products containing ammonia, acid or chloride, steam cleaning products, de-



- scaling agents, stain and rust removers, abrasive cleaning products (cream cleaners, scouring powder, scouring cream, abrasive and scratching scrubber, wire, sponges, cleaning cloths containing dirt and detergent residues).
- No special cleaning material is needed in the cleaning made after each use. Clean the appliance using dishwashing detergent, warm water and a soft cloth or sponge and dry it with a dry cloth.
- Be sure to completely wipe off any remaining liquid after cleaning and immediately clean any food splashing around during cooking.
- Do not wash any component of your appliance in a dishwasher unless otherwise stated in the user's manual.

### **Inox - stainless surfaces**

- Do not use acid or chlorine-containing cleaning agents to clean stainless-inox surfaces and handles.
- Stainless-inox surface may change colour in time. This is normal. After each operation, clean with a detergent suitable for the stainless or inox surface.
- Clean with a soft soapy cloth and liquid (non-scratching) detergent suitable for inox surfaces, taking care to wipe in one direction.
- Remove lime, oil, starch, milk and protein stains on the glass and inox surfaces immediately without waiting. Stains may rust under long periods of time.
- Cleaners sprayed/applied to the surface should be cleaned immediately. Abrasive cleaners left on the surface cause the surface to turn white.

### **Glass surfaces**

- When cleaning glass surfaces, do not use hard metal scrapers and abrasive cleaning materials. They can damage the glass surface.
- Clean the appliance using dishwashing detergent, warm water and a microfiber cloth specific for glass surfaces and dry it with a dry microfiber cloth.

- If there is residual detergent after cleaning, wipe it with cold water and dry with a clean and dry microfiber cloth. Residual detergent may damage the glass surface next time.
- Under no circumstances should the dried-up residue on the glass surface be cleaned off with serrated knives, wire wool or similar scratching tools.
- You can remove the calcium stains (yellow stains) on the glass surface with the commercially available descaling agent, with a descaling agent such as vinegar or lemon juice.
- If the surface is heavily soiled, apply the cleaning agent on the stain with a sponge and wait a long time for it to work properly. Then clean the glass surface with a wet cloth.
- Discolorations and stains on the glass surface are normal and not defects.

### **Plastic parts and painted surfaces**

- Clean plastic parts and painted surfaces using dishwashing detergent, warm water and a soft cloth or sponge and dry them with a dry cloth.
- Do not use hard metal scrapers and abrasive cleaners. They may damage the surfaces.
- Ensure that the joints of the components of the product are not left damp and with detergent. Otherwise, corrosion may occur on these joints.

## **6.2 Cleaning the Control Panel**

- When cleaning the panels with knob-control, wipe the panel and knobs with a damp soft cloth and dry with a dry cloth. Do not remove the knobs and gaskets underneath to clean the panel. The control panel and knobs may be damaged.
- While cleaning the inox panels with knob control, do not use inox cleaning agents around the knob. The indicators around the knob can be erased.
- Clean the touch control panels with a damp soft cloth and dry with a dry cloth. If your product has a key lock feature, set

the key lock before performing control panel cleaning. Otherwise, incorrect detection may occur on the keys.

### 6.3 Aluminium Filter

This filter serves to retain oil particles in the air. **It is recommended to clean the filter once a month under normal usage.** To achieve this:

1. Remove the aluminium filters.
2. Wash the filters in water using liquid detergent and reinstall after drying.

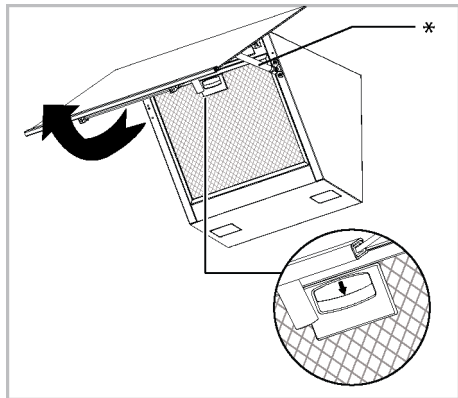
Aluminium filters may change colour as they are washed; this is normal and does not require replacing your filters.



You can also wash the aluminium filter in the dishwasher. (max. 70 °C)

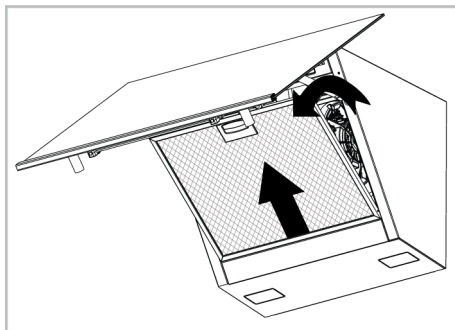
#### Removing aluminium filters

1. Open hood cover upwards and pull aluminium filter lock downwards as shown in the figure.



\* The damper is optional. It may not be available in your product.

2. Gently pull the filter towards you first and pull it upwards to remove it from its slot.



3. Reinstall the aluminium filter in its slot after flushing by following the above steps in reverse.

### 6.4 Carbon Filter (Usage without a flue)

#### General warnings

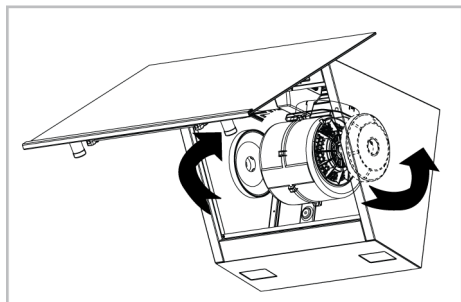
- If you have installed your product without a flue, you should replace your carbon filters every 4 months in normal use. You can obtain the carbon filter from Authorized Services.
- The carbon filter should never be washed.
- If you do not follow the rules for cleaning and replacing the filters of your hood, you may cause a fire.



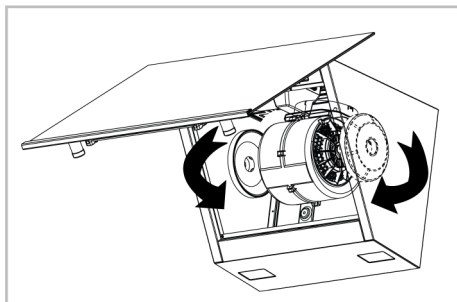
In carbon-filtered usage, the sound level increases and the flow rate performance decreases.

#### Removing carbon filters

1. Open the glass cover of the hood and remove the aluminium filter.
2. Unscrew the carbon filters on the right and left of the motor holder.



- Place the lug slots of your new carbon filters into the lugs on the motor holder and turn them clockwise to snap them into place.



- Close the hood glass cover after installing the aluminium filter.

## 6.5 Hood Lamp

In the event of a lamp malfunction in the hood, contact your local dealer or the Customer Service, and ensure that the lamp is replaced.

## 7 Troubleshooting

If the problem persists after following the instructions in this section, contact your vendor or an Authorized Service. Never try to repair your product yourself.

### Product is not working.

- Fuse may be faulty or blown. >>> Check the fuses in the fuse box. Change them if necessary or reactivate them.
- The product may not be plugged in. >>> Check if the product is plugged in to the outlet or not.
- The speed button may not be set. >>> Press/touch the desired speed button.
- There may be no electricity. >>> Ensure the mains is operational and check the fuses in the fuse box. Change the fuses if necessary or reactivate them.

### Hood light is not on.

- Hood lamp may be faulty. >>> Contact your local dealer where you purchased your product or the Customer Service, and ensure that the lamp is replaced.
- There may be no electricity. >>> Ensure the mains is operational and check the fuses in the fuse box. Change the fuses if necessary or reactivate them.

## Willkommen!

---

Sehr geehrter Kunde, sehr geehrte Kundin,

Vielen Dank, dass Sie sich für das Beko Produkt entschieden haben. Wir stellen Ihnen dieses Produkt vor, das mit hoher Qualität und Technologie hergestellt wurde, um Ihnen die beste Effizienz zu bieten. Lesen Sie dieses Handbuch und alle anderen mitgelieferten Dokumentationen sorgfältig durch, bevor Sie das Produkt verwenden.

Beachten Sie alle Informationen und Warnungen im Benutzerhandbuch. Auf diese Weise schützen Sie sich und Ihr Produkt vor den Gefahren, die auftreten können.

Bewahren Sie das Benutzerhandbuch auf. Wenn Sie das Produkt an eine andere Person weitergeben, geben Sie das Handbuch mit. Die Garantiebedingungen, Verwendungs- und Fehlerbehebungsmethoden für Ihr Produkt sind in der Bedienungsanleitung enthalten.

### Die Symbole und ihre Beschreibungen in der Bedienungsanleitung:



Gefahr, die zum Tod oder zu Verletzungen führen kann.



Wichtige Informationen oder nützliche Anwendungstipps.



Bitte lesen Sie das Benutzerhandbuch.



Warnung vor heißer Oberfläche.

**HINWEIS** Gefahr, die zu materiellen Schäden am Produkt oder seiner Umgebung führen kann.

**Arçelik A.Ş.**

Karaağaç caddesi No:2-6  
34445 Sütlüce/Istanbul/TURKEY

Made in TURKEY

# Inhaltsverzeichnis

<b>1</b>	<b>Sicherheitshinweise .....</b>	<b>22</b>
1.1	Verwendungszweck .....	22
1.2	Besondere Sicherheitshinweise rund um Kinder, schutzbedürftige Menschen und Haustiere .....	22
1.3	Sicherheitshinweise zu Elektroge- räten .....	23
1.4	Sicherheit beim Transport .....	25
1.5	Sicherheitshinweise zur Installati- on .....	26
1.6	Sicher bedienen .....	27
1.7	Sicherheitshinweise zum Reini- gen und Pflegen .....	28
<b>2</b>	<b>Hinweise zum Umweltschutz .....</b>	<b>29</b>
2.1	Abfallrichtlinie .....	29
2.1.1	Informationen zur Entsorgung ..	29
2.2	Paketinformationen .....	30
<b>3</b>	<b>Ihr neues Gerät .....</b>	<b>31</b>
3.1	Produktübersicht .....	31
3.2	Produktzubehör .....	31
3.3	Technische Spezifikationen .....	33
<b>4</b>	<b>Erste Verwendung .....</b>	<b>34</b>
4.1	Erstreinigung .....	34
<b>5</b>	<b>Nutzung der Dunstabzugshaube. ....</b>	<b>34</b>
<b>6</b>	<b>Wartung und Reinigung .....</b>	<b>37</b>
6.1	Allgemeine Reinigungshinweise ...	37
6.2	Bedienfeld reinigen .....	39
6.3	Metallfettfilter .....	39
6.4	Aktivkohlefilter (Verwendung oh- ne Abluft) .....	40
6.5	Haubenlampe .....	40
<b>7</b>	<b>Fehlerbehebung .....</b>	<b>40</b>



## 1 Sicherheitshinweise

- Dieser Abschnitt enthält die Sicherheitshinweise, die erforderlich sind, um die Gefahr von Personen- oder Sachschäden zu vermeiden.
- Bei Weitergabe des Produkts an eine andere Person zum persönlichen Gebrauch oder zum Gebrauch aus zweiter Hand sind auch die Bedienungsanleitung, Produktetiketten und andere relevante Dokumente und Teile mitzugeben.
- Für Schäden, die bei Nichtbeachtung dieser Hinweise entstehen, übernimmt unser Unternehmen keine Haftung.
- Bei Nichtbeachtung dieser Anweisungen erlischt jegliche Garantie.
- Lassen Sie die Installations- und Reparaturarbeiten immer vom Hersteller, dem autorisierten Kundendienst oder einer vom Importeur zu benennenden Person durchführen.
- Verwenden Sie nur Originalersatzteile und Originalzubehör.
- Reparieren oder ersetzen Sie keine Komponenten des Produkts, es sei denn, dies ist im Benutzerhandbuch klar angegeben.

- Nehmen Sie keine technischen Veränderungen am Produkt vor.



### 1.1 Verwendungszweck

- Dieses Produkt wurde für die Verwendung zu Hause entwickelt. Es ist nicht für die kommerzielle Nutzung geeignet.
- Verwenden Sie das Produkt nicht in Gärten, Balkonen oder anderen Außenbereichen. Dieses Produkt ist für den Einsatz in Haushalten und in der Personalküche von Geschäften, Büros und anderen Arbeitsumgebungen vorgesehen.

### 1.2 Besondere Sicherheitshinweise rund um Kinder, schutzbedürftige Menschen und Haustiere



- Das Gerät darf nur dann von Kindern ab 8 Jahren und von Menschen, die unter körperlichen oder geistigen Einschränkungen leiden, bedient werden, wenn diese zuvor gründlich über die möglichen Gefahren des Gerätes und einen sicheren Umgang damit aufgeklärt wurden. Dies gilt natürlich

auch für sämtliche sonstigen Leute, die sich mit solchen Geräten noch nicht auskennen.

- Lassen Sie Kinder nicht mit dem Gerät spielen. Reinigungs- und leichte Wartungstätigkeiten dürfen nur dann von Kindern erledigt werden, wenn sie dabei stets unter Aufsicht stehen.
- Das Gerät sollte nicht von Menschen bedient werden, die unter körperlichen oder geistigen Einschränkungen leiden, sofern diese nicht stets beaufsichtigt werden und gründlich mit der Bedienung des Gerätes vertraut gemacht wurden. Dies gilt natürlich auch für Kinder.
- Kinder sollten stets beaufsichtigt werden, damit sie nicht mit dem Gerät spielen.
- Elektrogeräte können immer eine Gefahr für Kinder und Haustiere darstellen. Lassen Sie Kinder und Haustiere nicht mit dem Gerät spielen.
- Bewahren Sie das Verpackungsmaterial so auf, dass Kinder nicht herankommen. Es besteht ernsthafte Verletzungs- und Erstickungsgefahr.
- Bevor Sie abgenutzte und unbrauchbare Produkte entsorgen:

1. Ziehen Sie den Netzstecker aus der Steckdose (wenn das Gerät eingesteckt ist).
2. Schneiden Sie das Netzkabel ab und ziehen Sie es mit dem Stecker aus dem Gerät.
3. Erlauben Sie Kindern nicht, mit dem Gerät zu spielen, wenn es sich im Ruhezustand befindet.



### **1.3 Sicherheitshinweise zu Elektrogeräten**

- Schließen Sie das Gerät an eine Schutzkontaktsteckdose an. Achten Sie darauf, dass die Sicherung des Stromkreises zu den Angaben auf dem Typenschild des Gerätes passt. Lassen Sie die Erdung von einem qualifizierten Elektriker erledigen. Benutzen Sie das Gerät nicht ohne ordnungsgemäße Erdung gemäß nationalen Richtlinien.
- Der Stecker oder der elektrische Anschluss des Gerätes muss an einem leicht zugänglichen Ort sein. Falls Netzstecker oder elektrischer Anschluss nicht an stets erreichbarer Stelle möglich sind, sollte ein allpoliger Trennschalter (Sicherungen, Schalter etc.) in die Zuleitung integriert werden,

der den elektrotechnischen Vorgaben entspricht und natürlich gut erreichbar sein sollte.

- Ziehen Sie den Netzstecker oder schalten Sie die Sicherung aus, bevor Sie das Gerät reparieren, warten oder reinigen.
- Schließen Sie das Gerät an eine Steckdose an, deren Spannung und Netzfrequenz den Angaben auf dem Typenschild des Gerätes entspricht.
- (Verfügt Ihr Produkt über kein Netzkabel) verwenden Sie nur das im Kapitel „Technische Daten“ beschriebene Anschlusskabel.
- Schließen Sie Ihre Dienstabzugsgaube erst an, wenn sie montiert ist.
- Klemmen Sie das Netzkabel nicht unter oder hinter das Gerät. Stellen Sie keine schweren Gegenstände auf dem Netzkabel ab. Netzkabel dürfen nicht geknickt oder gequetscht werden und sie, dürfen keine heißen Stellen berühren.
- Verlegen Sie das Stromkabel nicht in der Nähe der Heizgeräte. Das Kabel könnte schmelzen und einen Brand verursachen.
- Achten Sie darauf, dass das Stromversorgungskabel nirgends eingeklemmt wird, wenn Sie das Gerät bei der Installation oder nach dem Reinigen an seinen Platz rücken.
- Schließen Sie Ihre Dienstabzugsgaube erst an, wenn sie montiert ist.
- Verwenden Sie nur Originalkabel. Verwenden Sie keine gekürzten oder beschädigten Kabel.
- Verwenden Sie kein Verlängerungskabel, keinen Mehrfachstecker, um Ihr Produkt zu betreiben.
- Wenden Sie sich an das autorisierte Servicezentrum oder den Importeur, um den zugelassenen Adapter zu verwenden, wenn die Verwendung eines Konverteradapters (für den Steckertyp) erforderlich ist.
- Wenden Sie sich an den Importeur oder das autorisierte Servicezentrum, wenn die Länge der Stromleitung unzureichend ist.
- Tragbare Stromquellen oder Mehrfachsteckdosen können sich überhitzen und in Brand geraten. Halten Sie Mehrfachsteckdosen und tragbare Stromquellen vom Gerät fern.
- Falls das Netzkabel beschädigt wird, muss es vom Hersteller, dem autorisierten Kundendienst oder einer vom Importeur angegebenen Fach-



kraft instandgesetzt werden, damit es nicht zu Gefährdungen kommt.

- Wenn Ihr Produkt über einen Stecker verfügt, stellen Sie keine elektrischen Verbindungen her, indem Sie den Stecker während der Installation abziehen. Durch Trennen hergestellte Verbindungen führen zum Erlöschen der Produktgarantie und stellen eine Gefahr für die Benutzersicherheit dar.

Wenn Ihr Produkt über ein Netzkabel und einen Stecker verfügt:

- Stecken Sie den Stecker des Produkts niemals in einen gebrochenen, losen oder aus der Steckdose herausgezogenen Stecker. Achten Sie darauf, dass der Stecker vollständig in die Steckdose eingesteckt ist. Andernfalls können sich die Anschlüsse überhitzen und einen Brand verursachen.
- Stecken Sie das Gerät nicht in Steckdosen, die fettig oder unsauber sind oder möglicherweise Wasser ausgesetzt sind (z. B. in der Nähe einer Arbeitsfläche, wo Wasser austreten kann). Es besteht sonst die Gefahr eines Kurzschlusses und eines Stromschlags.
- Berühren Sie den Netzstecker niemals mit feuchten oder gar nassen Händen!

- Ziehen Sie den Stecker aus der Steckdose, indem Sie das Gehäuse des Steckers und nicht das Kabel selbst benutzen.



## 1.4 Sicherheit beim Transport

- Trennen Sie das Gerät vollständig von der Stromversorgung, auch wenn es nur über sehr kurze Strecken transportiert, also nur umgesetzt wird.
- Das Gerät ist schwer, Sie brauchen also mindestens einen zusätzlichen Helfer.
- Stellen Sie keine Gegenstände auf das Gerät. Tragen Sie das Gerät senkrecht.
- Hüllen Sie das Gerät vor dem Transportieren mit Luftpolsterfolie (die mit den kleinen Blasen) oder kräftigem Karton ein, anschließend mit Klebeband fixieren. Sichern Sie die beweglichen Teile des Produkts fest, um Schäden zu vermeiden.
- Überprüfen Sie das Produkt vor der Installation auf eventuelle Transportschäden. Wenden Sie sich bei Schäden an den Importeur oder das autorisierte Servicezentrum.

## 1.5 Sicherheitshinweise zur Installation

- Um Ihr Produkt einsatzbereit zu machen, geben Sie zunächst den Aufstellort an und lassen Sie die Elektroinstallation durchführen. Lassen Sie die Installationsarbeiten immer vom Hersteller, dem autorisierten Kundendienst oder einer vom Importeur zu benennenden Person durchführen.
- Um Ihr Produkt einsatzbereit zu machen, geben Sie zunächst den Aufstellort an und lassen Sie die Elektroinstallation durchführen. Rufen Sie dann den autorisierten Service an, um die Installation durchführen zu lassen. Nach der Installation durch den autorisierten Service beginnt die Garantiezeit.
- Bevor Sie mit der Installation beginnen, schalten Sie die Stromleitung, an die das Produkt angeschlossen werden soll, durch Ausschalten der Sicherung stromlos.
- Wir raten immer zum Tragen von Schutzhandschuhen während des Transports und der Installation. Es besteht sonst Verletzungsgefahr durch scharfe Kanten!
- Prüfen Sie das Gerät auf Beschädigungen, bevor es an die Installation geht. Installieren Sie das Produkt nicht, wenn das Gerät beschädigt ist
- Vermeiden Sie die Verwendung von wärmeisolierenden Materialien zur Abdeckung des Innenraums der zu installierenden Möbel.
- Direkte Sonneneinstrahlung und Wärmequellen wie Elektro- oder Gasheizungen dürfen in dem Bereich, in dem das Produkt aufgestellt wird, nicht vorhanden sein.
- Befindet sich hinter dem Aufstellungsort des Produkts eine Steckdose, muss sichergestellt werden, dass das Produkt weder mit der Steckdose noch mit dem in die Steckdose eingesteckten Stecker in Berührung kommt.
- Bei Verwendung mit Schornsteinanschlüssen ist die Eignung des Schornsteins, an den das Produkt angeschlossen werden soll, von qualifizierten Personen zu prüfen.
- Die Höhe zwischen der Unterseite Ihrer Dunstabzugshaube und der Oberseite des Ofens sollte mindestens 650 mm bei Gasöfen und 500 mm bei Elektroöfen betragen. Andernfalls wird Ihr Produkt durch die Hit-

ze oder Flamme des Kochfeldes beeinträchtigt und stellt ein Sicherheitsrisiko dar.

- (Für Modell C) Bei Elektroöfen wird die höchste Leistung des Produkts durch Belassen einer Höhe von 550 mm erreicht.
- Bringen Sie die Haube niemals an Abgaskanälen an, die als Flammenheizer oder flammen-erzeugende Heizgeräte verwendet werden. Beachten Sie die örtlichen Vorschriften zum Spülen des Abflusses.
- Verwenden Sie Rohre mit einem Durchmesser von 120 mm, wenn Sie einen Rauchabzug an Ihr Produkt anschließen. Die Rohrverbindung sollte möglichst kurz und mit wenigen Bögen sein.

## 1.6 Sicher bedienen

- **Vergiftungsgefahr!** Während das Gerät in Betrieb ist, wird Luft aus dem ganzen Haus angesaugt. Wenn keine ausreichende Belüftung gewährleistet ist, kommt es zu einem Luftstrom und die durch die Verbrennung im Haus freigesetzten Abfälle und giftigen Gase werden resorbiert. Betreiben Sie das Produkt nicht zusammen mit Produkten, die für Luftzirkulation sorgen und giftige Gase freisetzen können (Holz-, Gas-, Öl- und Kohleöfen, Boiler, Warmwasserbereiter usw.).
- Stellen Sie sicher, dass das Produkt nach jedem Gebrauch ausgeschaltet ist.
- Verwenden Sie das Produkt nicht, wenn es während des Gebrauchs kaputt oder beschädigt wird. Trennen Sie das Gerät vollständig von der Stromversorgung. Wenden Sie sich an den Importeur oder das autorisierte Servicezentrum.
- Berühren Sie die Lampen Ihrer Dunstabzugshaube nicht, nachdem Sie die Dunstabzugshaube längere Zeit in Betrieb genommen haben. Heiße Lampen können Ihre Hand verbrennen.
- Das Gerät darf nicht ohne Ölfilter betrieben werden. Entfernen Sie die Filter nicht, während das Gerät in Betrieb ist. Andernfalls können das Produkt und die elektrischen Anschlüsse durch das Öl beeinträchtigt werden.
- Keine große Flamme unter dem Produkt erzeugen. Andernfalls kann sich das Öl im Ölfilter entzünden und einen Brand verursachen.
- Schalten Sie den Backofen aus, bevor Sie Kochtöpfe, Pfannen usw. aus dem Backofen

nehmen. Andernfalls könnte Ihr Produkt durch Flammen und zunehmende Hitze beschädigt werden.

- Stellen Sie niemals brennbare oder sturzgefährdete Gegenstände auf die Haube. Sie könnten sonst auf den Hopfen fallen und diesen verbrennen oder in das Essen fallen und den Benutzer verletzen,
- Bewahren Sie keine leicht entflammbaren Materialien unter Ihrer Haube auf.
- (Für Modelle A und B) Lassen Sie Ihre Dunstabzugshaube nach dem Koch- oder Bratvorgang weitere 15 Minuten laufen, um die Küchenluft gründlich von Gerüchen und Dämpfen zu reinigen, die beim Kochen entstehen.
- (Der Raum muss gut belüftet sein, wenn die Dunstabzugshaube in demselben Bereich wie ein mit Gas oder Flüssigbrennstoff betriebenes Gerät verwendet wird.
- Der Schornstein von Geräten wie Raumheizungen, die mit Gas oder Flüssigbrennstoff betrieben werden, muss in der Umgebung, in der die Haube verwendet wird, vollständig isoliert sein, oder das Gerät muss hermetisch abgeschlossen sein.

- Wenn in der gleichen Umgebung mit Dunstabzugshaube ein anderes Gerät mit anderer Energie als elektrischer Energie betrieben wird, sollte der Unterdruck im Raum maximal 0,04 mbar betragen, damit die Abluft des anderen Geräts nicht durch die Belüftung in den Raum zurückgezogen wird.
- An den Haubengriffen dürfen keine leicht entzündlichen und brennbaren Materialien aufgehängt (wenn überhaupt) werden.
- Unter der Haube darf kein offenes Feuer sein. (zum Beispiel: flambieren)
- **Vorsicht:** Zugängliche Teile können sich bei Verwendung mit einem Herd erhitzen.



## 1.7 Sicherheitshinweise zum Reinigen und Pflegen

- Das auf der Haube und dem Fettfilter angesammelte Fett muss in den angegebenen Intervallen gereinigt werden. Ansonsten besteht Brandgefahr!
- Es wird empfohlen, den Filter bei normalem Gebrauch einmal im Monat zu reinigen. Andernfalls könnte die Ölsammlung im Filter Feuer fangen und eine Gefahr darstellen.

- Waschen Sie das Gerät nicht mit Wasser ab, besprühen Sie das Gerät nicht mit Wasser! Es besteht Stromschlaggefahr!
- Verwenden Sie zum Reinigen des Produkts keine Dampfreiniger, da dies einen elektrischen Schlag verursachen kann.

## 2 Hinweise zum Umweltschutz

### 2.1 Abfallrichtlinie

#### 2.1.1 Informationen zur Entsorgung

##### Ihre Pflichten als Endnutzer



Dieses Elektro- bzw. Elektronikgerät ist mit einer durchgestrichenen Abfalltonne auf Rädern gekennzeichnet. Das Gerät darf deshalb nur getrennt vom unsortierten Siedlungsabfall gesammelt und zurückgenommen werden. Es darf somit nicht in den Hausmüll gegeben werden. Das Gerät kann z.B. bei einer kommunalen Sammelstelle oder ggf. bei einem Vertreiber (siehe unten zu deren Rücknahmepflichten in Deutschland) abgegeben werden.

Das gilt auch für alle Bauteile, Unterbaugruppen und Verbrauchsmaterialien des zu entsorgenden Altgeräts.

Bevor das Altgerät entsorgt werden darf, müssen alle Altbatterien und Altakkumulatoren vom Altgerät getrennt werden, die nicht vom Altgerät umschlossen sind. Das gleiche gilt für Lampen, die zerstörungsfrei aus dem Altgerät entnommen werden können. Der Endnutzer ist zudem selbst dafür verantwortlich, personenbezogene Daten auf dem Altgerät zu löschen.

##### Hinweise zum Recycling



Helfen Sie mit, alle Materialien zu recyceln, die mit diesem Symbol gekennzeichnet sind.

Entsorgen Sie solche Materialien, insbesondere Verpackungen, nicht im Hausmüll, sondern über die bereitgestellten Recyclingbehälter oder die entsprechenden örtlichen Sammelsysteme. Recyceln Sie zum Umwelt- und Gesundheitsschutz elektrische und elektronische Geräte.

##### Rücknahmepflichten der Vertreiber

Wer auf mindestens 400 m<sup>2</sup> Verkaufsfläche Elektro- und Elektronikgeräte vertreibt oder diese gewerblich an Endnutzer abgibt, ist verpflichtet, bei Abgabe eines neuen Gerätes, ein Altgerät des Endnutzers der gleichen Geräteart, das im Wesentlichen die gleichen Funktionen wie das neue Gerät erfüllt, am Ort der Abgabe oder in unmittelbarer Nähe, unentgeltlich zurückzunehmen. Das gilt auch für Vertreiber von Lebensmitteln mit einer Gesamtverkaufsfläche von mindestens 800 m<sup>2</sup>, die mehrmals im Kalenderjahr oder dauerhaft Elektro- und Elektronikgeräte anbieten und auf dem Markt bereitstellen. Solche Vertreiber müssen zudem auf Verlangen des Endnutzers Altgeräte, die in keiner äußeren Abmessung größer als 25 cm sind, (kleine Elektrogeräte) im Einzelhandelsgeschäft oder in unmittelbarer Nähe hierzu unentgeltlich zurückzunehmen; die Rücknahme darf in diesem Fall nicht an den Kauf eines Elektro- oder Elektronikgerätes verknüpft, kann aber auf drei Altgeräte pro Geräteart beschränkt werden. Ort der Abgabe ist auch der private Haushalt, wenn das neue Elektro- oder Elektronikgerät dorthin geliefert wird; in diesem Fall ist die Abholung des Altgerätes für den Endnutzer kostenlos.

Die vorstehenden Pflichten gelten auch für den Vertrieb unter Verwendung von Fernkommunikationsmitteln, wenn die Vertreiber Lager- und Versandflächen für Elektro- und Elektronikgeräte bzw. Gesamtlager und Versandflächen für Lebensmittel beinhalten, die den oben genannten Verkaufsflächen entsprechen. Die unentgeltliche Abholung von Elektro- und Elektronikgeräten ist dann aber auf Wärmeüberträger (z.B. Kühlschrank), Bildschirme, Monitore und Geräte, die Bildschirme mit einer Oberfläche von mehr als 100 cm<sup>2</sup> enthalten und Geräte beschränkt, bei denen mindestens eine der äußeren Abmessungen mehr als 50 cm beträgt. Für alle übrigen Elektro- und Elektronikgeräte muss der Vertreiber geeignete Rückgabemöglichkeiten in zumutbarer Entfernung zum jeweiligen Endnutzer gewähr-

leisten; das gilt auch für kleine Elektrogeräte (s.o.), die der Endnutzer zurückgeben möchte, ohne ein neues Gerät zu erwerben.

### **Einhaltung von RoHS-Vorgaben:**

Das von Ihnen erworbene Produkt erfüllt die Vorgaben der EU-RoHS Richtlinie (2011/65/EU). Es enthält keine in der Richtlinie angegebenen gefährlichen und unzulässigen Materialien.

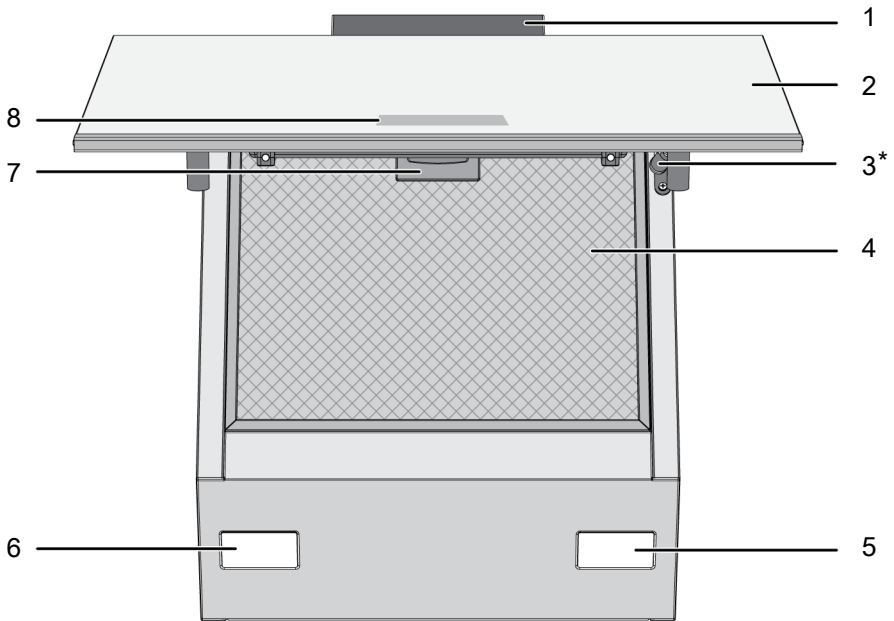
## **2.2 Paketinformationen**

Verpackungsmaterialien des Produkts werden gemäß unseren nationalen Umweltvorschriften aus recycelbaren Materialien hergestellt. Entsorgen Sie den Verpackungsabfall nicht mit dem Hausmüll oder anderen Abfällen, sondern bringen Sie ihn zu den von den örtlichen Behörden vorgesehenen Sammelstellen für Verpackungsmaterial.

## 3 Ihr neues Gerät

### 3.1 Produktübersicht

DE



1 Haubenkörper

3 Dämpfer

5 Lampe

7 Metallfettfilterverschluss

2 Haubenglasdeckel

4 Metallfettfilter

6 Lampe

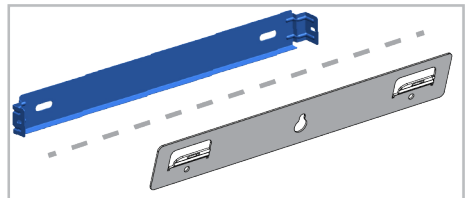
8 Bedienfeld

\* Abhängig vom Modell. Möglicherweise ist es bei Ihrem Produkt nicht verfügbar.

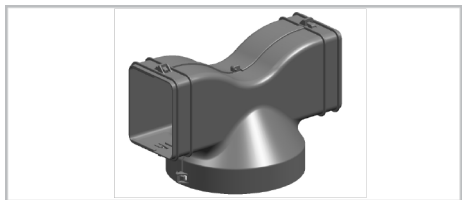
### 3.2 Produktzubehör

Je nach Gerätemodell wird unterschiedliches Zubehör angeboten. Eventuell ist nicht sämtliches in dieser Anleitung beschriebene Zubehör für Ihr Gerät erhältlich.

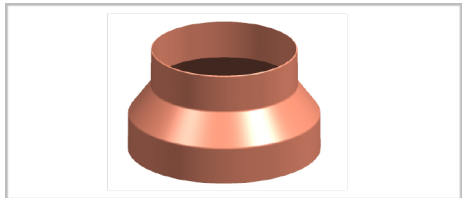
#### Wandmontage teil



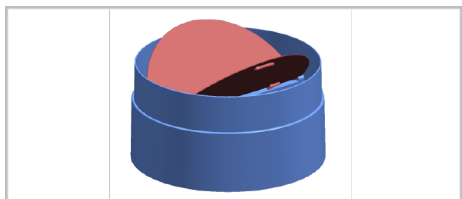
## Luftrouter



## Abgasanschlussadapter



## Abdeckungen, um einen umgekehrten Luftstrom zu verhindern





### 3.3 Technische Spezifikationen

Produkt-Außenabmessungen (Höhe/Breite/Tiefe) (mm)	min. 910 - max. 1138 /595 /419
Spannung / Frequenz	220-240 V ~1N; 50 Hz
Gesamte Leistungsaufnahme	max. 300 W
Saugleistung	700-720 m3/h
Durchmesser des Luftauslassrohres	120-150 mm

DE

Steuerung	
Modell A	3 Ebenen
Modell B	3 Stufen + 1 Booster
Modell C	3 Stufen + 1 Booster



Technische Spezifikationen können ohne vorherige Ankündigung geändert werden, um die Qualität des Produkts zu verbessern.



Die Abbildungen in diesem Handbuch sind schematisch und entsprechen möglicherweise nicht genau Ihrem Produkt.



Die auf den Produktetiketten oder in der Begleitdokumentation angegebenen Werte werden unter Laborbedingungen in Übereinstimmung mit den einschlägigen Normen ermittelt. Je nach Betriebs- und Umgebungsbedingungen des Produkts können diese Werte variieren.

## 4 Erste Verwendung

Bevor Sie Ihr Produkt verwenden, wird empfohlen, die in den folgenden Abschnitten aufgeführten Schritte durchzuführen.

### 4.1 Erstreinigung

1. Entfernen Sie das gesamte Verpackungsmaterial.
2. Wischen Sie die Außenflächen des Gerätes mit einem feuchten Tuch oder Schwamm ab, trocknen Sie mit einem trockenen Tuch nach.

**HINWEIS:** Einige Reinigungsmittel können die Oberfläche beschädigen. Verwenden Sie bei der Reinigung keine scheuernden Reinigungsmittel, Reinigungspulver, Reinigungscremes oder scharfe Gegenstände.

**HINWEIS:** Bei der ersten Anwendung kann es über mehrere Stunden zu Rauch- und Geruchsentwicklung kommen. Dies ist normal, und Sie brauchen nur eine gute Belüftung, um bei zu entfernen. Vermeiden Sie das direkte Einatmen von Rauch und Gerüchen, die sich bilden.

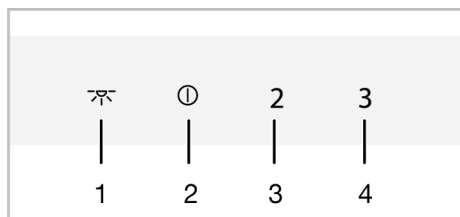
## 5 Nutzung der Dunstabzugshaube

Die Dunstabzugshaube hat einen Motor mit verschiedenen Geschwindigkeiten. Für eine gute Leistung empfehlen wir, unter normalen Bedingungen niedrige Geschwindigkeiten und bei starker Geruchs- und Dampfkondensation hohe Geschwindigkeiten zu verwenden.



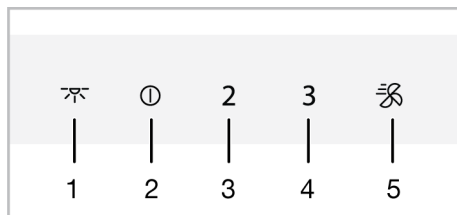
Das Programm wird abgebrochen, wenn der Strom ausfällt, wenn Programme in Ihrer Dunstabzugshaube aktiv sind.

### MODELL A



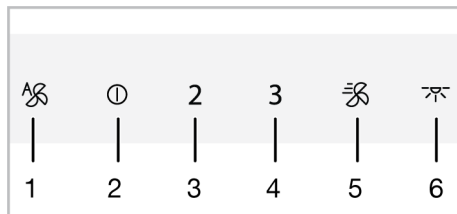
- 1 Lampen-Taste
- 2 Ein-Aus/Stufe 1 Taste
- 3 Stufe 2 Taste
- 4 Stufe 3 Taste

### MODELL B



- 1 Lampen-Taste
- 2 Ein-Aus/Stufe 1 Taste
- 3 Stufe 2 Taste
- 4 Stufe 3 Taste
- 5 Booster-Taste

### MODELL C



- 1 Automatikmodustaste
- 2 Ein-Aus/Stufe 1 Taste
- 3 Stufe 2 Taste
- 4 Stufe 3 Taste
- 5 Booster-Taste
- 6 Lampen-Taste


## Bedienung der Dunstabzugshaube

1. Berühren Sie die gewählte Geschwindigkeitsstufentaste, um die Dunstabzugshaube zu bedienen.
  - ⇒ Die Taste für die eingestellte Geschwindigkeitsstufe leuchtet.
2. Sie können die anderen Geschwindigkeitsstufentasten berühren, um die Geschwindigkeitsstufe zu ändern.




Im Betrieb läuft das Produkt maximal 6 Stunden, wenn keine Taste berührt wird.

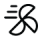
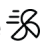
### Dunstabzugshaube ausschalten

1. Um die Dunstabzugshaube auszuschalten, berühren Sie erneut die Stufentaste der Dunstabzugshaube oder die Taste .



Wenn Sie die  Taste mit einer aktiven Funktion außer der Lampe berühren, wird die Funktion abgebrochen.

### Einschalten des Intensivbeatmungsmodus (Booster) (für Modelle B und C)

1.  Taste einmal drücken, um die Dunstabzugshaube im Intensivlüftungsmodus zu starten.
  - ⇒ Der Intensivbeatmungsmodus startet und läuft für maximal 10 Minuten. Während dieser Zeit leuchtet die  Taste. Nach 10 Minuten läuft das Produkt in Geschwindigkeit 3 weiter und die Taste Geschwindigkeit 3 leuchtet auf.



Wenn im Intensivlüftungsmodus eine beliebige Geschwindigkeitstaste berührt wird, kehrt sie zu dieser Geschwindigkeitsstufe zurück und arbeitet weiter.

## Betrieb der Lampe

1. Berühren Sie die Taste, um die Lampe zu bedienen.
  - ⇒ Dunstabzugshaube leuchtet. (Für Modelle B und C) Wenn Sie die Taste innerhalb der ersten 1 Minute erneut berühren, leuchtet die Lampe weiterhin bei geringer Beleuchtungsstärke. Wenn Sie ihn 1 Minute nach dem Einschalten der Lampe erneut berühren, schaltet sie sich aus.



Die Beleuchtungslampen sind maximal 12 Stunden in Betrieb.

### Ausschalten der Lampe

1. Eine Minute nach dem Einschalten der Dunstabzugshaubenlampe können Sie sie durch erneutes Berühren der Taste ausschalten.



(Für Modelle B und C) Wenn Sie die Taste innerhalb der ersten 1 Minute nach dem Einschalten der Lampe erneut berühren, schaltet die Lampe auf eine niedrige Beleuchtungsstufe um.

### Einstellen der Beleuchtungsfarbe (für Modelle B und C)

Sie können die Farbe der Beleuchtungslampen Ihrer Dunstabzugshaube in 3 verschiedenen Farbtönen verwenden.

1. Berühren Sie bei eingeschalteter Dunstabzugshaubenlampe die Taste länger als 2 Sekunden.
  - ⇒ Die Lampe wechselt in den anderen Farbton.
2. Wenn Sie die Taste weiter berühren, wechselt sie alle 2 Sekunden zum nächsten Farbton. Hören Sie entsprechend dem gewünschten Farbton auf, die Taste zu berühren, wenn sich die Lampe in diesem Farbton befindet. Der Farbton wird automatisch aktiviert.



Sie können den Lichtfarbton nur ändern, wenn die Lampe eine hohe Lichtintensität hat.



Bei einem Stromausfall merkt sich Ihre Dunstabzugshaube den eingestellten Farbton und die Lampe arbeitet in der zuletzt eingestellten Farbe.

### Automatikmodus (für Modell C)

Ihre Dunstabzugshaube misst die Temperatur der Luft in der Küche und der Luft, die aus Ihrem Kochfeld kommt, mithilfe eines Sensors. Im Automatikbetrieb bestimmt er die erforderliche Temperatur der Kochfeldluft passend zur Lufttemperatur in der Küche und arbeitet mit automatisch ermittelten Werten.

- Um den Automatikmodus zu aktivieren, berühren Sie die Taste .
  - ⇒ Der Automatikmodus wird aktiviert und läuft, bis die Lufttemperatur des Kochfelds der Umgebungstemperatur entspricht. Sie wird automatisch ausgeschaltet, wenn Temperatur ausgeglichen ist. Sie müssen den Automatikmodus erneut aktivieren, um ihn wieder einzuschalten.



Während der Automatikmodus aktiv ist, wird der Automatikmodus abgebrochen, wenn Sie das Produkt mit beliebiger Geschwindigkeit ein- und ausschalten.

- Um den Automatikmodus vorzeitig auszuschalten, berühren Sie die Taste erneut.



Wenn Sie die Abdeckung des Produkts öffnen, während der Automatikmodus aktiviert ist, nimmt die Leistung ab. Öffnen Sie die Abdeckung nicht, wenn der Automatikmodus aktiv ist.



Wenn die Umgebungstemperaturdifferenz auch dann auftritt, wenn das Kochfeld nicht in Betrieb ist, während der Automatikmodus aktiv ist, erkennt der Temperatursensor im Produkt die Differenz und das Produkt kann je nach Differenz mit Geschwindigkeit 2 oder 3 arbeiten. In diesem Fall wird der Automatikmodus ausgeschaltet, wenn die Temperaturdifferenz ausgeglichen ist.



Verwenden Sie den Automatikmodus nicht, wenn Ihr Kochfeld nicht funktioniert.

### Luftreinigungsmodus (für Modelle B und C)

Sie können den Luftreinigungsmodus verwenden, um den Geruch in Ihrem Haus über einen längeren Zeitraum auf niedriger Stufe zu beseitigen.

- Berühren Sie die Taste Stufe 1 länger als 3 Sekunden.
  - ⇒ Der Luftreinigungsmodus ist aktiviert. Das Licht der Taste Stufe 1 blinkt, wenn der Luftreinigungsmodus aktiv ist.
- Der Luftreinigungsmodus läuft 10 Minuten in 1 Stunde mit Stufe 1 und stoppt dann für 50 Minuten. Wenn Sie den Luftreinigungsmodus nicht ausschalten, bleibt er 10 Minuten lang in Betrieb und schaltet dann 24 Stunden lang jede Stunde für 50 Minuten ab.



Wenn der Luftreinigungsmodus aktiv ist, wird er automatisch durch Drücken einer beliebigen Taste außer der Lampentaste abgebrochen. Ihre Dunstabzugshaube arbeitet weiterhin mit der Funktion der Taste, die Sie berühren.

### Füllwarnung für Aluminiumfilter

Das Licht der Taste Stufe 2 blinkt nach jeweils 100 Betriebsstunden für dreißig Sekunden. Reinigen Sie die Aluminiumfilter.

Nach dem Reinigen erlischt die Lampenwarnung der Taste Geschwindigkeit 2 nicht automatisch. Dieses Produkt zeigt weiterhin die 30-Sekunden-Warnung an, wenn sich das Produkt nach jedem Betrieb ausschaltet. Wenn Sie die Stufentaste 2 länger als 3 Sekunden berühren, wird die Füllwarnung des Aluminiumfilters zurückgesetzt und die Lampe ausgeschaltet.



Die Warnung wird nicht gelöscht, wenn die Stromzufuhr unterbrochen wird, während die Dunstabzugshaube eine Warnung zum Füllen des Aluminiumfilters ausgibt. Wenn Strom verfügbar ist, warnt es weiterhin mit dem Blinken der Stufe 2 Taste.



Wenn Sie die Dunstabzugshaube mit der Aluminiumfilter-Füllwarnung in einer beliebigen Stufe betreiben, wird die Warnung nicht angezeigt, solange die Haube in Betrieb ist. Beim Ausschalten der Dunstabzugshaube beginnt die Füllwarnung erneut für 30 Sekunden zu blinken.



Wenn Sie die Warnung ausschalten, ohne den Aluminiumfilter zu reinigen, wird die Betriebszeit von 100 Stunden zurückgesetzt und es beginnt von vorne. Nach Ablauf der nächsten 100 Stunden warnt Ihre Dunstabzugshaube erneut.

### **Füllwarnung für Kohlefilter (für Produkte mit Kohlefilter)**

Das Licht der Taste Stufe 2 blinkt nach jeweils 100 Betriebsstunden für dreißig Sekunden. In diesem Fall müssen Sie Ihren

Kohlefilter ersetzen. Wenden Sie sich hierfür an einen autorisierten Kundendienst. Nach dem Austausch erlischt die Lampenwarnung der Taste Geschwindigkeit 2 nicht automatisch. Dieses Produkt zeigt weiterhin die 30-Sekunden-Warnung an, wenn sich das Produkt nach jedem Betrieb ausschaltet. Wenn Sie die Stufentaste 2 länger als 3 Sekunden berühren, wird die Füllwarnung des Kohlefilters zurückgesetzt und die Lampe ausgeschaltet.



Die Warnung wird nicht gelöscht, wenn die Stromzufuhr unterbrochen wird, während die Dunstabzugshaube eine Warnung zum Füllen des Kohlefilters ausgibt. Wenn Strom verfügbar ist, warnt es weiterhin mit dem Blinken der Stufe 2 Taste.



Wenn Sie Ihre Dunstabzugshaube mit der Kohlefilter-Füllwarnung in einer beliebigen Stufe betreiben, wird die Warnung nicht angezeigt, solange die Dunstabzugshaube in Betrieb ist. Beim Ausschalten der Dunstabzugshaube beginnt die Füllwarnung erneut für 30 Sekunden zu blinken.



Wenn Sie die Warnung ausschalten, ohne den Kohlefilter auszutauschen, wird die Betriebszeit von 100 Stunden zurückgesetzt und es beginnt von vorne. Nach Ablauf der nächsten 100 Stunden wird erneut gewarnt.

## **6 Wartung und Reinigung**

### **6.1 Allgemeine Reinigungshinweise**

#### **Allgemeine Warnungen**

- Warten Sie, bis das Produkt abgekühlt ist, bevor Sie das Produkt reinigen. Heiße Oberflächen verursachen Verbrennungen!

- Tragen Sie die Reinigungsmittel nicht direkt auf die heißen Oberflächen auf. Dies kann zu dauerhaften Flecken führen.

- Das Produkt muss nach jedem Vorgang gründlich gereinigt und getrocknet werden. Deshalb müssen Speisereste leicht zu reinigen sein und ein Verbrennen dieser Rückstände zu verhindern sein, wenn das Produkt später wieder verwendet wird. Dadurch verlängert sich die Lebensdauer des Geräts und häufig auftretende Probleme werden verringert.
- Verwenden Sie zur Reinigung keine Dampf Reinigungsmittel.
- Einige Reinigungsmittel können die Oberfläche beschädigen. Ungeeignete Reinigungsmittel sind: Bleichmittel, ammoniak-, säure- oder chloridhaltige Reinigungsmittel, Dampfreiniger, Entkalker, Flecken- und Rostentferner, scheuernde Reinigungsmittel (Cremereiniger, Scheuermittel, Scheuerepulver, Scheuercrème, Scheuer- und Kratzbürsten, Draht, Schwämme, Reinigungstücher mit Schmutz- und Waschmittelrückständen).
- Bei der Reinigung nach jedem Gebrauch wird kein spezielles Reinigungsmaterial benötigt. Reinigen Sie das Gerät mit Spülmittel, warmem Wasser und einem weichen Tuch oder Schwamm. Anschließend trocknen Sie alles mit einem trockenen Tuch gut ab.
- Achten Sie darauf, dass nach dem Reinigen keine Flüssigkeit im Ofeninneren zurückbleibt, entfernen Sie Speisereste am besten gleich beim Kochen.
- Waschen Sie keine Bestandteile Ihres Geräts in der Spülmaschine, sofern in der Bedienungsanleitung nicht anders angegeben.

### **Inox - Edelstahlteile**

- Verwenden Sie keine säure- oder chlorhaltigen Reinigungsmittel, um Oberflächen und Griffe aus Edelstahl-Inox zu reinigen.
- Oberflächen aus Edelstahl-Inox können mit der Zeit ihre Farbe ändern. Das ist normal. Reinigen Sie nach jedem Betrieb mit einem Reinigungsmittel, das für Oberflächen aus Edelstahl oder Inox geeignet ist.
- Reinigen Sie sie mit einem weichen Schwammtuch und einem flüssigen (nicht kratzenden) Reinigungsmittel, das für Inox-Oberflächen geeignet ist, und wischen Sie sie in eine Richtung ab.
- Entfernen Sie Kalk-, Öl-, Stärke-, Milch- und Eiweißflecken auf den Glas- und Ino-xoberflächen, umgehend ohne zu warten. Bestimmte Flecken können bei längerer Einwirkzeit Rost verursachen.
- Reinigungsmittel, die auf die Oberfläche gesprüht/aufgetragen werden, sollten sofort gereinigt werden. Grobe Reiniger, die auf der Oberfläche verbleiben, lassen die Oberfläche weiß werden.

### **Glasflächen**

- Verzichten Sie beim Reinigen der Glasflächen auf Metallschaber und Scheuermittel. Solche Hilfsmittel können das Glas zerkratzen oder blind machen.
- Reinigen Sie das Gerät mit Spülmittel, warmem Wasser und einem Mikrofasertuch speziell für Glasoberflächen und trocknen Sie es mit einem trockenen Mikrofasertuch.
- Falls nach dem Reinigen Rückstände verbleiben sollten, wischen Sie diese mit kaltem Wasser ab, anschließend trocknen Sie mit einem sauberen trockenen Mikrofasertuch nach. Reinigungsmittelrückstände können das Glas beim nächsten Einsatz beschädigen.
- Versuchen Sie unter keinen Umständen, angetrocknete Reste am Glas mit Wellenschliffmessern, Stahlwolle, Metallschabern oder ähnlichen Werkzeugen zu reinigen.
- Kalkflecken (gewöhnlich gelblich bis bräunlich, manchmal auch rötlich) am Glas beseitigen Sie am besten mit handelsüblichem Kalkentferner oder kalklösenden Hausmitteln.
- Wenn die Oberfläche stark verschmutzt ist, tragen Sie das Reinigungsmittel mit einem Schwamm auf den Fleck auf und warten Sie so lange, bis er richtig funktioniert. Anschließend reinigen Sie die Glasfläche mit einem feuchten Tuch.

- Verfärbungen und Flecken auf den Glasflächen treten im Laufe der Zeit unweigerlich auf, dies ist völlig normal.

### Kunststoff- und lackierte Teile

- Reinigen Sie Kunststoff- und lackierte Teile mit Spülmittel, warmem Wasser und einem weichen Tuch oder Schwamm. Anschließend trocknen Sie alles mit einem trockenen Tuch gut ab.
- Verzichten Sie auf Metallschaber und Scheuermittel. Sie können die Oberflächen Schaden nehmen.
- Stellen Sie sicher, dass die Verbindungen der Komponenten des Produkts nicht so feucht und mit Reinigungsmittel belassen werden. Andernfalls kann es zu Korrosion an diesen Verbindungen kommen.

## 6.2 Bedienfeld reinigen

- Wischen Sie die Panele und die Knöpfe mit einem feuchten, weichen Tuch ab und trocknen Sie sie mit einem trockenen Tuch. Entfernen Sie nicht die darunter liegenden Knöpfe und Dichtungen, um die Platte zu reinigen. Das Bedienfeld und die Knöpfe können beschädigt werden.
- Verwenden Sie beim Reinigen der Inox-Bedienfelder mit Knopfgregler keine Inox-Reinigungsmittel um die Knöpfe. Die Anzeigen um den Drehknopf können gelöscht werden.
- Reinigen Sie die Sensorflächen mit einem weichen, leicht feuchten Tuch, trocknen Sie danach mit einem trockenen Tuch gut nach. Wenn Ihr Gerät mit einer Kindersicherung ausgestattet ist, stellen Sie diese vor dem Reinigen des Bedienfeldes ein. Andernfalls kann es zum ungewollten Auslösen verschiedener Funktionen kommen.

## 6.3 Metallfettfilter

Dieser Filter dient dazu, Fettpartikel in der Luft zurückzuhalten. **Es wird empfohlen, den Filter bei normalem Gebrauch einmal im Monat zu reinigen.** Um das zu erreichen:

1. Entfernen Sie die Metallfettfilter.

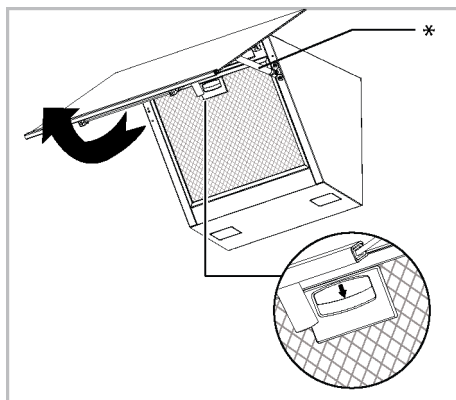
2. Waschen Sie die Filter in Wasser mit flüssigem Reinigungsmittel und setzen Sie sie nach dem Trocknen wieder ein. Metallfettfilter können beim Waschen ihre Farbe ändern. Dies ist normal und erfordert keinen Austausch der Filter.



Sie können den Metallfettfilter auch in der Spülmaschine reinigen. (max. 70 °C)

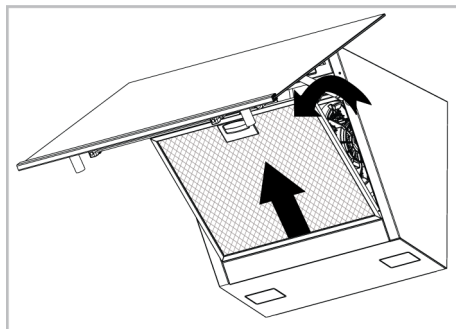
### Entfernen der Metallfettfilter

1. Haubendeckel nach oben öffnen und Alu-Filterverschluss nach unten ziehen, wie in der Abbildung gezeigt.



\* Der Dämpfer ist optional. Es ist möglicherweise nicht in Ihrem Produkt verfügbar.

2. Ziehen Sie den Filter zuerst vorsichtig zu sich heran und ziehen Sie ihn nach oben, um ihn aus seinem Steckplatz zu entfernen.



3. Setzen Sie den Metallfettfilter nach dem Spülen wieder in seinen Schlitz ein, indem Sie die obigen Schritte in umgekehrter Reihenfolge ausführen.

## 6.4 Aktivkohlefilter (Verwendung ohne Abluft)

### Allgemeine Warnungen

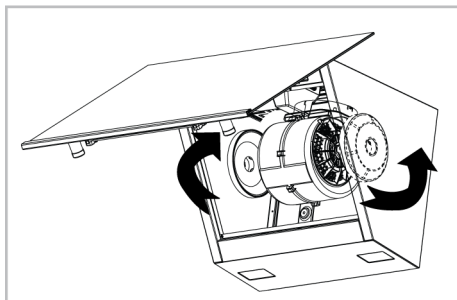
- Wenn Sie Ihr Produkt ohne Abluft installiert haben, sollten Sie Ihre Aktivkohlefilter bei normalem Gebrauch alle 4 Monate austauschen. Sie können den Aktivkohlefilter von autorisierten Kundendienststellen beziehen.
- Der Aktivkohlefilter sollte niemals gewaschen werden.
- Wenn Sie die Regeln zum Reinigen und Ersetzen der Filter Ihrer Dunstabzugshaube nicht befolgen, können Sie einen Brand verursachen.



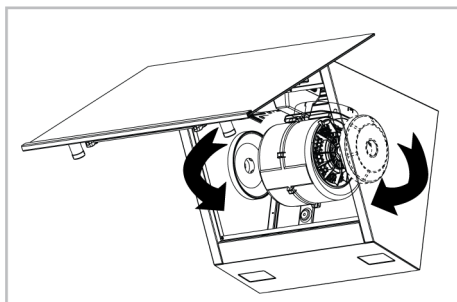
Bei der Verwendung von Kohlefiltern steigt der Schallpegel und die Durchflussleistung sinkt.

### Entfernen der Aktivkohlefilter

1. Öffnen Sie die Glasabdeckung der Dunstabzugshaube und entfernen Sie den Metallfettfilter.
2. Schrauben Sie die Aktivkohlefilter rechts und links vom Motor ab.



3. Setzen Sie die Nasenschlitze Ihrer neuen Kohlefilter in die Nasen am Motorhalter ein und drehen Sie sie im Uhrzeigersinn, um sie einzurasten.



4. Schließen Sie die Glasabdeckung der Dunstabzugshaube nach dem Einbau des Aluminiumfilters.

## 6.5 Haubenlampe

Bei einer Fehlfunktion der Lampe in der Dunstabzugshaube wenden Sie sich an Ihren Händler vor Ort oder den Kundendienst und sorgen Sie dafür, dass die Lampe ausgetauscht wird.

## 7 Fehlerbehebung

Sollte das Problem nach dem Ausführen der hier gegebenen Anweisungen fortbestehen, wenden Sie sich bitte an den Kundendienst oder den Fachhändler. Versuchen Sie niemals ihr Gerät selbständig zu reparieren.

### Gerät funktioniert nicht.

- Sicherung ist möglicherweise defekt oder durchgebrannt. >>> Überprüfen Sie die Sicherungen im Sicherungskasten. Falls nötig, ersetzen oder reaktivieren Sie sie.
- Das Produkt ist möglicherweise nicht eingesteckt. >>> Prüfen Sie, ob das Produkt an die Steckdose angeschlossen ist oder nicht.
- Die Geschwindigkeitstaste ist möglicherweise nicht eingestellt. >>> Drücken/berühren Sie die gewünschte Geschwindigkeitstaste.
- Möglicherweise gibt es keinen Strom. >>> Stellen Sie sicher, dass das Stromnetz betriebsbereit ist und überprüfen Sie die



Sicherungen im Sicherungskasten. Tauschen Sie bei Bedarf die Sicherungen aus oder aktivieren Sie diese wieder.

**Haubenlicht ist nicht an.**

- Die Haubenlampe ist möglicherweise defekt. >>> Wenden Sie sich an Ihren Händler vor Ort, bei dem Sie Ihr Produkt gekauft haben, oder an den Kundendienst und stellen Sie sicher, dass die Lampe ausgetauscht wird.
- Möglicherweise gibt es keinen Strom. >>> Stellen Sie sicher, dass das Stromnetz betriebsbereit ist und überprüfen Sie die Sicherungen im Sicherungskasten. Tauschen Sie bei Bedarf die Sicherungen aus oder aktivieren Sie diese wieder.

## Witamy!

---

Drogi kliencie,

Dziękujemy za wybór urządzenia Beko. Chcemy, aby produkt, wyprodukowany w wysokiej jakości i technologii, oferował najlepszą wydajność. W tym celu należy uważnie przeczytać niniejszą instrukcję i inną dokumentację dostarczoną z urządzeniem przed użyciem.

Pamiętaj o wszystkich informacjach i ostrzeżeniach zawartych w instrukcji obsługi. W ten sposób będziesz chronić siebie i swoje urządzenie przed zagrożeniami, które mogą wystąpić.

Zachowaj instrukcję obsługi. Przekazując wyrób innemu użytkownikowi, należy dołączyć również niniejszą instrukcję. Niniejsza instrukcja zawiera warunki gwarancji, sposób użytkowania i rozwiązywanie problemów.

### Symbole i ich opisy w instrukcji obsługi:



Zagrożenie, które może doprowadzić do śmierci lub obrażeń.



Ważne informacje lub przydatne wskazówki na temat użytkowania.



Przeczytaj instrukcję obsługi.



Ostrzeżenie przed gorącymi powierzchniami.

**UWAGA**

Zagrożenie, które może doprowadzić do szkody materialną produktu lub jego środowiska.

*Niniejsze urządzenie jest zgodne z następującymi*

*Dyrektywami Unii Europejskiej:*

*- 2014/30/WE LVD (Niskie Napięcia)*

*- 2014/35/WE EMC (Kompatybilność Elektromagnetyczna)*

**Importer: Beko S.A.**

**ul. Puławska 366, 02-819 Warszawa**

## Spis treści

<b>1 Instrukcje bezpieczeństwa .....</b>	<b>44</b>
1.1 Przeznaczenie .....	44
1.2 Bezpieczeństwo dzieci, osób wymagających szczególnego traktowania i zwierząt domowych .....	44
1.3 Bezpieczeństwo elektryczne .....	45
1.4 Zabezpieczenie podczas transportu .....	47
1.5 Bezpieczeństwo montażu.....	47
1.6 Bezpieczeństwo użytkowania .....	48
1.7 Bezpieczeństwo konserwacji i czyszczenia .....	50
<b>2 Instrukcje dotyczące środowiska 50</b>	<b>50</b>
2.1 Dyrektywa w sprawie odpadów ....	50
2.1.1 Zgodność z dyrektywą WEEE i usuwanie odpadów.....	50
2.2 Opakowanie urządzenia.....	51
<b>3 Produkt .....</b>	<b>51</b>
3.1 Wprowadzenie produktu .....	51
3.2 Akcesoria .....	51
3.3 Specyfikacje techniczne .....	53
<b>4 Pierwsze użycie .....</b>	<b>54</b>
4.1 Czyszczenie wstępne.....	54
<b>5 Korzystanie z okapu .....</b>	<b>54</b>
<b>6 Czyszczenie i konserwacja.....</b>	<b>57</b>
6.1 Ogólne informacje dotyczące czyszczenia .....	57
6.2 Czyszczenie panelu sterowania ...	58
6.3 Filtr aluminiowy .....	59
6.4 Filtr węglowy (użytkowanie bez komina) .....	59
6.5 Lampa okapu .....	60
<b>7 Rozwiązywanie problemów .....</b>	<b>60</b>

## 1 Instrukcje bezpieczeństwa

- Rozdział ten omawia instrukcje bezpieczeństwa, które pomogą zapobiec ryzyku uszkodzenia ciała lub mienia.
- Jeśli produkt zostanie przekazany komuś innemu do użytku osobistego lub do użytku z drugiej ręki, należy również przekazać instrukcję obsługi, etykiety oraz inne istotne dokumenty i części.
- Nasza firma nie ponosi odpowiedzialności za szkody, które mogą wystąpić w przypadku nieprzestrzegania tych instrukcji.
- Nieprzestrzeganie tych instrukcji spowoduje unieważnienie udzielonej gwarancji.
- Prace montażowe i naprawcze należy zawsze zlecać producentowi, autoryzowanemu serwisowi lub osobie wyznaczonej przez firmę importera.
- Używaj tylko oryginalnych części zamiennych i akcesoriów.
- Nie należy naprawić lub wymienić żadnych elementów urządzenia, chyba że jest to wyraźnie określone w instrukcji obsługi.
- Nie dokonuj modyfikacji technicznych urządzenia.

### 1.1 Przeznaczenie

- To urządzenie przeznaczone jest do użytku domowego. Nie jest przeznaczony do użytku komercyjnego.
- Nie wolno używać tego urządzenia w ogrodach, na balkonach lub w innych miejscach na zewnątrz. Urządzenie to jest przeznaczone do użytku w gospodarstwach domowych oraz w kuchniach pracowniczych sklepów, biur i innych środowisk pracy.

### 1.2 Bezpieczeństwo dzieci, osób wymagających szczególnego traktowania i zwierząt domowych

- Niniejsze urządzenie może być użytkowane przez dzieci w wieku co najmniej 8 lat i przez osoby o obniżonych możliwościach fizycznych, umysłowych i osoby o braku doświadczenia i znajomości urządzenia, jeżeli zapewniony zostanie nadzór lub instruktaż odnośnie użytkowania urządzenia w bezpieczny sposób, tak aby związane z tym zagrożenia były zrozumiałe.

- Dzieciom nie wolno używać urządzenia do zabawy. Czyszczenia i konserwacji nie mogą wykonywać dzieci bez nadzoru.
- Niniejszy sprzęt może być użytkowany przez osoby o obniżonych możliwościach fizycznych, zmysłowych i umysłowych (w tym dzieci), jeżeli zapewniony zostanie nadzór lub instruktaż odnośnie użytkowania sprzętu w bezpieczny sposób.
- Dzieci nie należy pozostawiać bez opieki, aby mieć pewność, że nie będą się one bawić urządzeniem.
- Produkty elektryczne są niebezpieczne dla dzieci i zwierząt domowych. Dzieciom i zwierzętom nie wolno używać urządzenia do zabawy.
- Trzymaj materiał użyty do opakowania z dala od dzieci. Ryzyko obrażeń i uduszenia.
- Przed wyrzuceniem zużytych i bezużytecznych produktów:
  1. Wyjmij wtyczkę zasilania i odłącz ją (jeśli produkt jest podłączony do zasilania).
  2. Odetnij kabel zasilający i odłącz go wraz z wtyczką od produktu.
  3. Nie pozwalaj dzieciom bawić się produktem, gdy jest on w trybie bezczynności.



### 1.3 Bezpieczeństwo elektryczne

- Urządzenie podłączyć do uzziemionego gniazdka chronionego bezpiecznikiem odpowiadającym prądowi wskazanemu na tabliczce znamionowej. Instalację uziemienia należy zlecić wykwalifikowanemu elektrykowi. Nie używać produktu bez uziemienia zgodnie z lokalnymi/krajowymi przepisami.
- Wtyczka lub złącze elektryczne urządzenia powinno znajdować się w łatwo dostępnym miejscu. Jeśli nie jest to możliwe, powinien istnieć mechanizm (bezpiecznik, wyłącznik, przełącznik itp.) w instalacji elektrycznej, do której urządzenie jest podłączone, zgodnie z przepisami elektrycznymi i oddzielając wszystkie bieguny od sieci.
- Odłącz produkt od zasilania lub wyłącz bezpiecznik przed naprawą, konserwacją lub czyszczeniem.
- Podłącz urządzenie do gniazdka, które spełnia wartości napięcia i częstotliwości podane na tabliczce znamionowej.
- (Jeśli urządzenie nie jest wyposażone w kabel sieciowy) używaj wyłącznie przewodu

połączeniowego opisanego w rozdziale „Specyfikacje techniczne”.

- Nie podłączaj okapu do zasilania, dopóki nie zostanie zamontowany.
  - Nie należy blokować kabla zasilającego pod i za urządzeniem. Nie umieszczaj ciężkich przedmiotów na kablu zasilającym. Kabel zasilający nie powinien być skręcony, zgnieciony i nie powinien stykać się z żadnym źródłem ciepła.
  - Nie instaluj głównego przewodu elektrycznego w pobliżu grzejników. Przewód może się stopić, powodując pożar.
  - Należy upewnić się, że kabel zasilający nie został zablokowany podczas umieszczania produktu po montażu lub czyszczeniu.
  - Nie podłączaj okapu do zasilania, dopóki nie zostanie zamontowany.
  - Używać tylko oryginalnego kabla. Nie wolno używać przeciętych lub uszkodzonych kabli.
  - Nie używaj przedłużacza ani wtyczki wielofunkcyjnej do obsługi produktu.
  - Skontaktuj się z autoryzowanym centrum serwisowym lub importerem w celu użycia zatwierdzonego adaptera w przypadkach, gdy konieczne jest użycie adaptera konwertera (dla typu wtyczki).
  - Jeśli długość przewodu zasilającego jest niewystarczająca, skontaktuj się z importerem lub autoryzowanym centrum serwisowym.
  - Przenośne źródła zasilania lub wielokrotne wtyczki mogą się przegrzać i zapalić. Trzymaj wiele wtyczek i przenośnych źródeł zasilania z dala od produktu.
  - W przypadku uszkodzenia kabla zasilającego musi on zostać wymieniony przez producenta, autoryzowany serwis lub osobę wskazaną przez firmę importera w celu uniknięcia ewentualnych zagrożeń.
  - Jeśli urządzenie ma wtyczkę, nie należy wykonywać połączeń elektrycznych poprzez odłączenie wtyczki podczas instalacji. Połączenia wykonane przez odcięcie powodują utratę gwarancji na produkt i zagrażają bezpieczeństwu użytkownika.
- Jeśli urządzenie jest wyposażone w kabel zasilania i wtyczkę:
- Nigdy nie podłączaj wtyczki produktu do uszkodzonej, poluzowanej lub wyjętej wtyczki z gniazdka. Upewnij się, że wtyczka jest całkowicie włożo-

na do gniazda. W przeciwnym razie połączenia mogą się przegrzać i spowodować pożar.

- Unikaj wkładania urządzenia do wtyczek, które są zatłuszczone, nieczyste lub potencjalnie narażone na kontakt z wodą (np. w pobliżu blatu roboczego, z którego może wydostawać się woda). W przeciwnym razie istnieje ryzyko zwarcia i porażenia prądem.
- Nie wolno dotykać wtyczki mokrymi rękami!
- Wyciągaj wtyczkę z gniazdka, używając korpusu wtyczki, a nie samego przewodu.

#### 1.4 Zabezpieczenie podczas transportu

- Przed transportem odłącz urządzenie od sieci.
- Produkt jest ciężki, dlatego powinny go przenosić co najmniej dwie osoby.
- Nie umieszczaj żadnych przedmiotów na urządzeniu. Przenieś urządzenie w pozycji pionowej.
- Jeśli urządzenie ma być transportowane, należy owinać je folią bąbelkową lub grubym kartonem i szczelnie zakleić taśmą. Mocno zabezpiecz ruchome części produktu, aby zapobiec ich uszkodzeniu.

- Przed zainstalowaniem urządzenia sprawdź, czy nie został on uszkodzony podczas transportu. W przypadku uszkodzenia skontaktuj się z importem lub autoryzowanym centrum serwisowym.

#### 1.5 Bezpieczeństwo montażu

- Aby urządzenie było gotowe do użycia, najpierw podaj miejsce instalacji i zleć wykonanie instalacji elektrycznej. Prace montażowe należy zawsze zlecać producentowi, autoryzowanemu serwisowi lub osobie wyznaczonej przez firmę importera.
- Aby urządzenie było gotowe do użycia, najpierw podaj miejsce instalacji i zleć wykonanie instalacji elektrycznej. Skontaktuj się z autoryzowanym serwisem w celu przeprowadzenia instalacji. Po przeprowadzeniu instalacji przez autoryzowany serwis rozpoczyna się okres gwarancji.
- Przed rozpoczęciem instalacji odłącz napięcie od linii zasilającej, do której podłączony będzie produkt, wyłączając bezpiecznik.

- Podczas transportu i montażu należy nosić rękawice ochronne. W przeciwnym razie istnieje ryzyko obrażeń spowodowanych ostrymi krawędziami!
- Przed zamontowaniem urządzenia należy sprawdzić czy nie posiada uszkodzeń. Nie należy instalować produktu, jeśli jest uszkodzony.
- Unikaj używania jakichkolwiek materiałów termoizolacyjnych do przykrycia wnętrza mebli, które będą instalowane.
- W miejscu instalacji produktu nie może znajdować się bezpośrednio światło słoneczne ani źródła ciepła, takie jak grzejniki elektryczne lub grzejniki gazowe.
- Jeśli za miejscem instalacji produktu znajduje się gniazdko elektryczne, należy upewnić się, że produkt nie styka się z gniazdkiem ani z wtyczką podłączoną do gniazdka.
- W przypadku korzystania z połączeń kominowych, zleć wykwalifikowanym osobom ocenę przydatności komina, do którego produkt zostanie podłączony.
- Wysokość między dolną powierzchnią okapu a górną powierzchnią kuchenki nie powinna być mniejsza niż 650 mm w przypadku piekarników gazowych i 500 mm w przypadku piekarników elektrycznych. W przeciwnym razie ciepło lub płomień z płyty grzewczej będą miały wpływ na produkt i będą stanowić zagrożenie dla bezpieczeństwa.
- (Dla modelu C) W piekarnikach elektrycznych najwyższą wydajność urządzenia osiąga się pozostawiając wysokość 550 mm.
- Nigdy nie podłączaj okapu do przewodów kominowych używanych jako grzejniki płomieniowe lub grzejniki emitujące płomień. Należy przestrzegać lokalnych przepisów dotyczących oczyszczania odpływu.
- Do podłączenia przewodu kominowego do urządzenia należy użyć rur o średnicy 120 mm. Połączenie rurowe powinno być jak najkrótsze i mieć mało zagięć.



## 1.6 Bezpieczeństwo użytkowania

- **Niebezpieczeństwo zatrucia!** Podczas pracy urządzenia powietrze jest pobierane z całego domu. W przypadku braku odpowiedniej wentylacji, następuje przepływ powietrza, a odpady i toksyczne gazy uwalniane w wyniku spalania w domu są ponownie wchłaniane. Nie uży-



- waj urządzenia razem z urządzeniami, które zapewniają cyrkulację powietrza i mogą wydzielać toksyczne gazy (piecyki na drewno, gaz, olej i węgiel, kotły, bojlerzy itp.).
- Upewnij się, że urządzenie jest wyłączone po każdym użyciu.
  - Nie używaj produktu, jeśli ulegnie on awarii lub uszkodzeniu podczas użytkowania. odłącz urządzenie od zasilania. Skontaktuj się z importerem lub autoryzowanym centrum serwisowym.
  - Nie dotykaj lamp okapu po dłuższym użytkowaniu urządzenia. Gorące lampy mogą poparzyć rękę.
  - Nie używaj urządzenia bez filtra oleju. Nie wyjmuj filtrów podczas pracy urządzenia. W przeciwnym razie olej może negatywnie wpłynąć na produkt i połączenia elektryczne.
  - Nie wytwarzaj wysokiego płomienia pod urządzeniem. W przeciwnym razie olej w filtrze oleju może się zapalić, powodując pożar.
  - Przed zdjęciem garnków, patelni itp., wyłącz płytę. W przeciwnym razie produkt może zostać uszkodzony przez płomień i rosnące ciepło.
  - Nigdy nie kładź na okapie niczego łatwopalnego ani przedmiotów podatnych na upadek. W przeciwnym razie mogą one spaść na chmiel i spowodować ryzyko poparzenia lub wpaść do żywności i zranić użytkownika.
  - Nie trzymaj pod okapem materiałów łatwopalnych.
  - (Dla modeli A i B) Uruchom okap na kolejne 15 minut po zakończeniu gotowania lub smażenia, aby dokładnie oczyścić powietrze w kuchni z zapachów i oparów powstających podczas gotowania.
  - (Z wyjątkiem produktów, które odprowadzają powietrze wyłotowe do pomieszczenia) Jeśli okap jest używany w tym samym miejscu, co urządzenia spalające gaz lub paliwo płynne, należy zapewnić dobrą wentylację pomieszczenia.
  - Należy całkowicie zaizolować komin takich urządzeń, jak grzejniki pokojowe, które są zasilane gazem lub paliwem płynnym w środowisku, w którym używany jest okap, lub urządzenie musi być hermetyczne.
  - Jeśli w tym samym miejscu z okapem jest inne urządzenie działające na energię inną niż energia elektryczna, podciśnie-

nie w pomieszczeniu powinno wynosić najwyżej 0,04 mbar, aby spaliny z drugiego urządzenia nie były wciągane z powrotem do pomieszczenia przez okap

- Na uchwytach okapu nie należy wieszać materiałów łatwopalnych i palnych (jeśli takie istnieją).
- Pod okapem nie może znajdować się otwarty ogień. (na przykład: płomień)
- **Uwaga:** Dostępne części mogą się nagrzewać podczas koczowania z kuchenki.



## 1.7 Bezpieczeństwo konserwacji i czyszczenia

- Należy czyścić tłuszcz nagromadzony na okapie i filtry tłuszczu w określonych odstępach czasu. Istnieje ryzyko pożaru!
- Przy normalnym użytkowaniu zaleca się czyszczenie filtra raz w miesiącu. W przeciwnym razie nagromadzony w filtrze olej może się zapalić i stanowić zagrożenie.
- Nie wolno myć produktu, spryskując go lub polewając wodą! Istnieje ryzyko porażenia prądem!
- Nie używaj myjek parowych do czyszczenia urządzenia, ponieważ może to spowodować porażenie prądem.

## 2 Instrukcje dotyczące środowiska

### 2.1 Dyrektywa w sprawie odpadów

#### 2.1.1 Zgodność z dyrektywą WEEE i usuwanie odpadów

Niniejszy wyrób jest zgodny z dyrektywą Parlamentu Europejskiego i Rady (2012/19/UE). Urządzenie posiada symbol klasyfikacji zużytego sprzętu elektrycznego i elektronicznego (WEEE).



urządzenie zostało wyprodukowane z wysokiej jakości części i materiałów, które mogą być ponownie użyte i nadają się do recyklingu. Dlatego nie należy wyrzucać zużytego produktu

wraz z normalnymi odpadami domowymi i

innymi po zakończeniu użytkowania. Zanieś urządzenie do punktu zbiórki w celu recyklingu sprzętu elektrycznego i elektronicznego. O punkty zbiórki możesz zapytać administrację lokalną. Właściwa utylizacja urządzenia pomaga zapobiegać negatywnym skutkom dla środowiska i zdrowia ludzi.

#### Zgodność z dyrektywą RoHS:

Niniejszy wyrób jest zgodny z dyrektywą Parlamentu Europejskiego i Rady RoHS (Ograniczenie użycia substancji niebezpiecznych) (2011/65/WE). Nie zawiera szkodliwych i zakazanych materiałów, podanych w tej dyrektywie .

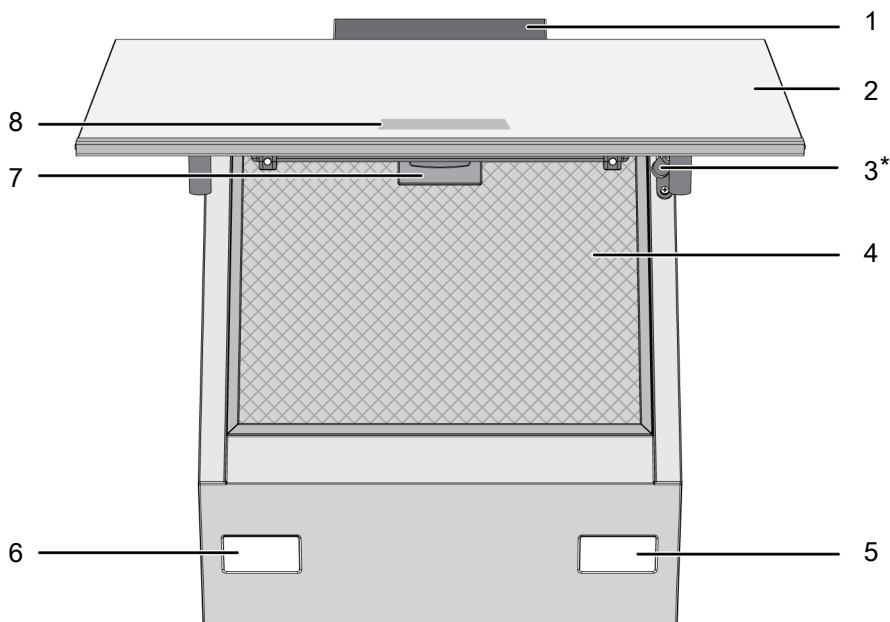
## 2.2 Opakowanie urządzenia

Opakowanie produktu jest wytwarzane z materiałów nadających się do recyklingu zgodnie z naszymi krajowymi przepisami ochrony środowiska. Nie wyrzucaj odpadów opakowaniowych razem z odpadami domowymi ani innymi odpadami, oddaj je do punktów zbiórki materiałów opakowaniowych wyznaczonych przez władze lokalne.

PL

## 3 Produkt

### 3.1 Wprowadzenie produktu



1 Korpus okapu

3 Amortyzator

5 Oświetlenie

7 Blokada filtra aluminiowego

2 Szklana pokrywa okapu

4 Filtr aluminiowy

6 Oświetlenie

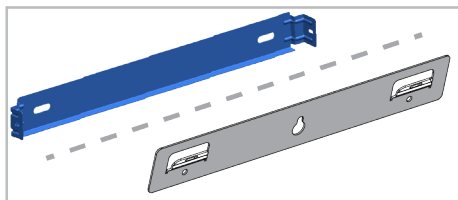
8 Panel sterowania

\* W zależności od modelu. Może nie być dostępny w Twoim produkcie.

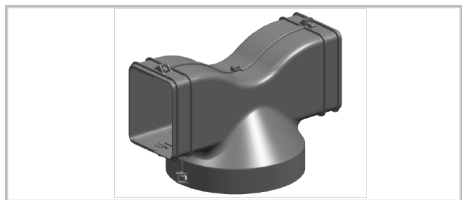
### 3.2 Akcesoria

Dostarczone akcesoria różnią się w zależności od modelu. Nie wszystkie opisane akcesoria znajdują się w Twoim urządzeniu.

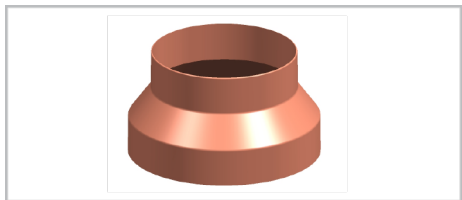
### Część do montażu na ścianie



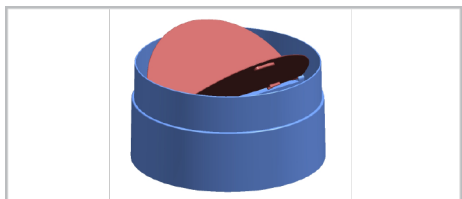
## Air router



## Adapter do podłączenia komina



## Oślony zapobiegające cofaniu się powietrza



### 3.3 Specyfikacje techniczne

Wymiary zewnętrzne produktu (wysokość/szerokość/głębokość) (mm)	min. 910 - max. 1138 /595 /419
Napięcie/Częstotliwość	220-240 V ~1N; 50 Hz
Całkowite zużycie energii	max. 300 W
Moc ssania	700-720 m3/h
Średnica rury wylotowej powietrza	120-150 mm

PL

Kontrola	
Model A	3 poziomy
Model B	3 poziomy + 1 booster
Model C	3 poziomy + 1 booster



W celu poprawy jakości produktu specyfikacje techniczne mogą ulec zmianie bez uprzedniego powiadomienia.



Rysunki w niniejszej instrukcji są schematyczne i mogą nie pasować dokładnie do konkretnego produktu.



Wartości podane na etykietach produktu lub w dołączonej do nich dokumentacji są uzyskiwane w warunkach laboratoryjnych zgodnie z odpowiednimi normami. W zależności od warunków operacyjnych i środowiskowych produktu wartości te mogą się różnić.

## 4 Pierwsze użycie

Przed rozpoczęciem korzystania z urządzenia zaleca się wykonanie poniższych czynności, odpowiednio w poniższych sekcjach.

### 4.1 Czyszczenie wstępne

1. Usuń wszystkie materiały opakowania.
2. Wytrzyj powierzchnie produktu wilgotną szmatką lub gąbką i wytrzyj szmatką.

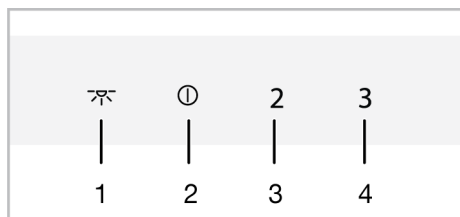
## 5 Korzystanie z okapu

Okap posiada silnik o różnych prędkościach. Zalecamy używanie niskich prędkości w normalnych warunkach i dużych prędkości w przypadku silnego zapachu i kondensacji pary, aby zapewnić dobre działanie.



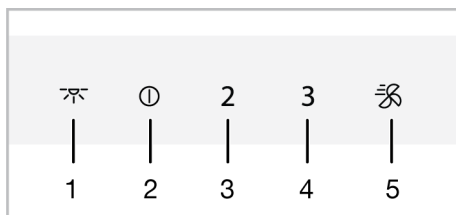
Program jest anulowany, jeśli zostanie odcięte zasilanie, gdy jakkolwiek program w okapie jest aktywny.

### MODEL A



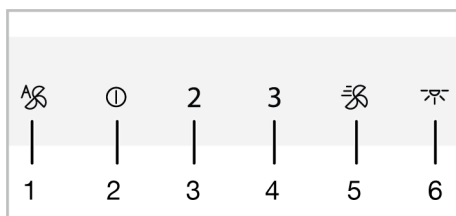
- 1 Przycisk oświetlenia
- 2 On/Off / Przycisk Prędkość 1
- 3 Przycisk Prędkość 2
- 4 Przycisk Prędkość 3

### MODEL B



- 1 Przycisk oświetlenia
- 2 On/Off / Przycisk Prędkość 1
- 3 Przycisk Prędkość 2
- 4 Przycisk Prędkość 3
- 5 Przycisk Booster

### MODEL C




- 1 Przycisk trybu automatycznego
- 2 On/Off / Przycisk Prędkość 1
- 3 Przycisk Prędkość 2
- 4 Przycisk Prędkość 3
- 5 Przycisk Booster
- 6 Przycisk oświetlenia

### Obsługa okapu


1. Naciśnij przycisk poziomu prędkości, który wybrałeś do obsługi okapu.



⇒ Zaświeci się przycisk ustawionego poziomu prędkości.

2. Możesz dotknąć innych przycisków poziomu prędkości, aby zmienić poziom prędkości.



 Jeśli nie zostanie naciśnięty żaden przycisk, urządzenie będzie działać przez maksymalnie 6 godzin.


### Wyłączanie okapu

1. Aby wyłączyć okap, należy ponownie dotknąć przycisku poziomu, na którym pracuje okap lub przycisku .

 Jeśli naciśniesz przycisk  z aktywną dowolną funkcją poza lampą, funkcja zostanie anulowana.


### Włączanie trybu intensywnej wentylacji (Booster) (dla modeli B i C)

1. Jednokrotne naciśnięcie przycisku  uruchamia okap w trybie intensywnej wentylacji.  
⇒ Uruchamia się tryb intensywnej wentylacji i trwa maksymalnie 10 minut. W tym czasie przycisk  świeci się. Po 10 minutach urządzenie nadal pracuje w trybie Prędkość 3, a przycisk Prędkość 3 świeci się.

 W trybie intensywnej wentylacji, po naciśnięciu dowolnego przycisku prędkości, powraca on do tego poziomu prędkości i kontynuuje działanie.


### Obsługa lampy

1. Naciśnij , aby zacząć korzystać z lampy.  
⇒ Zapala się lampa okapu. (Dla modeli B i C) Jeśli w ciągu pierwszej minuty ponownie dotkniesz przycisku , lampa będzie nadal świecić z niskim poziomem natężenia oświetlenia. Jeśli dotkniesz go ponownie po 1 minucie od włączenia, lampa wyłączy się.

 Lampy oświetlające działają maksymalnie przez 12 godzin.

### Wyłączanie lampy


1. Minutę po włączeniu lampy okapu można ją wyłączyć, ponownie naciskając przycisk .


 (Dla modeli B i C) Jeśli w ciągu pierwszej 1 minuty po włączeniu lampy ponownie dotkniesz przycisku , lampa przełączy się na niski poziom oświetlenia.

### Ustawianie koloru podświetlenia lampy (dla modeli B i C)

Możesz wykorzystać kolor lampek oświetlających Twój okap w 3 różnych odcieniach.

1. Przy włączonej lampie okapu naciśnij przycisk dłużej niż 2 sekundy.  
⇒ Lampa zmieni odcień.
2. Jeśli nadal będziesz dotykać przycisku , po każdym 2 sekundach będzie on zmieniał się na kolejny odcień koloru. Jeśli pojawi się żądany odcień, przestań naciskać przycisk . Odcień włączy się automatycznie.

 Odcienie można zmienić tylko wtedy, gdy lampa świeci intensywnie.

 W przypadku przerwy w dostawie prądu, okap zapamięta ustawiony kolor, a lampa będzie świecić w kolorze, który był ostatnio wybrany.

### Tryb automatyczny (dla modelu C)

Twój okap mierzy temperaturę powietrza w kuchni i powietrza pochodzącego z Twojej płyty grzewczej za pomocą czujnika. W trybie automatycznym określa wymagane poziomy, aby temperatura powietrza z płyty grzewczej odpowiadała temperaturze powietrza w kuchni i pracuje na poziomach ustalonych automatycznie.

1. Aby włączyć tryb automatyczny dotknij przycisku .

⇒ Tryb automatyczny jest włączony i działa do momentu, gdy temperatura powietrza z płyty grzewczej zrówna się z temperaturą otoczenia. Wyłączy się automatycznie po wyrównaniu temperatury. Musisz ponownie włączyć tryb automatyczny, aby go ponownie aktywować.

**i** Gdy tryb automatyczny jest włączony, zostanie on anulowany po włączeniu i wyłączeniu urządzenia z dowolną prędkością.

2. Aby wcześniej wyłączyć tryb automatyczny, należy ponownie nacisnąć przycisk .

**i** Jeśli otworzysz pokrywę urządzenia, gdy włączony jest tryb automatyczny, jego wydajność spadnie. Nie należy otwierać pokrywy, gdy aktywny jest tryb automatyczny.

**i** Jeśli różnica temperatur otoczenia wystąpi nawet wtedy, gdy płyta grzewcza nie pracuje, podczas gdy tryb automatyczny jest aktywny, czujnik temperatury w urządzeniu wykryje różnicę i urządzenie może rozpocząć pracę z prędkością 2 lub 3 w zależności od różnicy. W takim przypadku tryb automatyczny zostanie wyłączony po wyrównaniu się różnicy temperatur.

**i** Nie używaj trybu automatycznego, gdy Twoja płyta grzewcza nie działa.

**Tryb oczyszczania powietrza (dla modeli B i C)**

Możesz użyć trybu oczyszczania powietrza, aby wyeliminować nieprzyjemny zapach w swoim domu przez długi czas używając niskiego poziomu.

1. Naciśnij przycisk Prędkość 1 przez ponad 3 sekundy.

⇒ Tryb oczyszczania powietrza został włączony. Kontrolka przycisku Prędkości 1 miga, gdy tryb oczyszczania powietrza jest włączony.

2. Tryb oczyszczania powietrza będzie działał z prędkością 1 przez 10 minut w ciągu 1 godziny i zatrzyma się na 50 minut. Jeśli nie wyłączysz trybu oczyszczania powietrza, pozostanie on aktywny przez 10 minut, a następnie zatrzyma się na 50 minut w każdej godzinie przez 24 godziny.

**i** Gdy tryb oczyszczania powietrza jest włączony, jest on automatycznie anulowany po naciśnięciu dowolnego przycisku z wyjątkiem przycisku lampy. Okap nadal działa zgodnie z funkcją przycisku, którego dotkasz.

**Ostrzeżenie o wypełnieniu filtra aluminiowego**

Lampka przycisku Speed 2 miga przez trzydzieści sekund po każdym 100 godzinach pracy. Oczyść filtry aluminiowe. Po czyszczeniu lampka ostrzegająca o klawiszu Speed 2 nie wyłącza się automatycznie. Ten produkt nadal wyświetla 30-sekundowe ostrzeżenie, gdy produkt wyłącza się po każdej operacji. Po dotknięciu przycisku Speed 2 przez ponad 3 sekundy ostrzeżenie o napełnieniu filtra aluminiowego zostanie zresetowane i lampka zostaje wyłączona.

**i** Ostrzeżenie nie jest anulowane, jeśli zasilanie zostanie odcięte, gdy okap wyda ostrzeżenie o napełnieniu filtra aluminiowego. Gdy zasilanie jest dostępne, kontuuuje ostrzeżenie z migającą kontrolką klawisza Speed 2.



**i** Jeśli uruchomisz okap na dowolnym poziomie prędkości z ostrzeżeniem o zapelnieniu filtra aluminiowego, ostrzeżenie nie będzie się pojawiać tak długo, jak długo okap pracuje. Po wyłączeniu okapu ostrzeżenie o zapelnieniu zaczyna ponownie migać przez 30 sekund.

**i** Jeśli wyłączysz ostrzeżenie bez czyszczenia filtra aluminiowego, czas działania wynoszący 100 godzin zostanie zresetowany i naliczanie rozpocznie się od nowa. Pod koniec następných 100 godzin okap ponownie wyświetli ostrzeżenie.

### **Ostrzeżenie o wypełnieniu filtra węglowego (dla produktów z filtrem węglowym)**

Lampka przycisku Speed 2 miga przez trzydzieści sekund po każdym 100 godzinach pracy. W takim przypadku należy wymienić filtr węglowy. W tym celu skontaktuj się z autoryzowanym serwisem. Po wymianie lampka ostrzegawcza przycisku Prędkości 2 nie wyłącza się automatycznie. Ten produkt nadal wyświetla 30-sekundowe ostrzeżenie, gdy produkt wyłącza się po każdej

operacji. Po dotknięciu przycisku Speed 2 przez ponad 3 sekundy ostrzeżenie o napełnieniu filtra węglowego zostaje zresetowane i lampka zostaje wyłączona.

**i** Ostrzeżenie nie zostanie anulowane, jeśli zasilanie zostanie odcięte w momencie, gdy okap wyda ostrzeżenie o napełnieniu filtra węglowego. Gdy zasilanie jest dostępne, kontynuuje ostrzeżenie z migającą kontrolką klawisza Speed 2.

**i** Jeśli uruchomisz okap na dowolnym poziomie prędkości z ostrzeżeniem o wypełnieniu filtra węglowego, ostrzeżenie nie pojawi się tak długo, jak pracuje okap. Po wyłączeniu okapu ostrzeżenie o zapelnieniu zaczyna ponownie migać przez 30 sekund.

**i** Jeśli wyłączysz ostrzeżenie bez wymiany filtra węglowego, czas działania wynoszący 100 godzin zostanie zresetowany i naliczanie rozpocznie się od nowa. Pod koniec następných 100 godzin ponownie zostanie wyświetlone ostrzeżenie.

## **6 Czyszczenie i konserwacja**

### **6.1 Ogólne informacje dotyczące czyszczenia**

#### **Ostrzeżenia ogólne**

- Przed czyszczeniem produktu należy poczekać, aż ostygnie. Gorące powierzchnie mogą powodować oparzenia!
- Nie nakładaj detergentu bezpośrednio na gorące powierzchnie. Może to spowodować trwałe plamy.
- Po każdym użyciu urządzenie powinno być dokładnie wyczyszczone i wysuszone. W ten sposób można łatwo usunąć resztki jedzenia i zapobiec ich przypaleniu podczas późniejszego użycia urządzenia. W ten sposób wydłuża się okres eksploatacji urządzenia i zmniejsza ilość często występujących problemów.

- Do czyszczenia nie należy używać środków do czyszczenia parą wodną.
- Niektóre detergenty lub środki czyszczące powodują uszkodzenie powierzchni. Nieodpowiednie środki czyszczące to: wybielacze, środki czyszczące zawierające amoniak, kwas lub chlorek, środki do czyszczenia parą wodną, środki do usuwania kamienia, środki do usuwania plam i rdzy, środki czyszczące o właściwościach ściernych (środki czyszczące w kremie, proszek do szorowania, krem do szorowania, druciak ścierny i drapiący, druty, gąbki, ściereczki czyszczące zawierające brud i pozostałości środka czyszczącego).

- Do czyszczenia po każdym użyciu nie są potrzebne żadne specjalne środki czyszczące. Urządzenie należy czyścić płynem do mycia naczyń, ciepłą wodą i miękką ściereczką lub gąbką i osuszyć suchą szmatką.
- Pamiętaj, aby całkowicie wyczyścić pozostały płyn i natychmiast wyczyścić resztki żywności podczas gotowania.
- Nie myj żadnego elementu urządzenia w zmywarce, chyba że w instrukcji obsługi określono inaczej.

### **Inox - powierzchnie nierdzewne**

- Do czyszczenia powierzchni i uchwytów ze stali nierdzewnej nie używaj środków czyszczących zawierających kwas lub chlor.
- Powierzchnia ze stali nierdzewnej może z czasem zmienić kolor. Jest to normalne. Po każdej pracy wyczyść je detergentem odpowiednim do powierzchni ze stali nierdzewnej lub inox.
- Czyść miękką ściereczką z mydłem i płynnym (nierysującym) detergentem odpowiednim do powierzchni ze stali nierdzewnej, uważając, aby wycierać w jednym kierunku.
- Plamy z wapna, oleju, skrobi, mleka i białka na powierzchniach szklanych i inox usuwać natychmiast, nie czekając. Plamy mogą rdzewieć pod wpływem długiego czasu.
- Środki czyszczące rozpylone lub nałożone na powierzchnię należy natychmiast usunąć. Pozostawione na powierzchni ściernie środki czyszczące powodują, że powierzchnia staje się biała.

### **Szklana powierzchnia**

- Do czyszczenia powierzchni szklanych nie należy używać metalowych skrobaczków ani ściernych materiałów czyszczących. Mogą uszkodzić szklaną powierzchnię.
- Wyczyść urządzenie używając detergentu do mycia naczyń, ciepłej wody i ściereczki z mikrofibry przeznaczonej do powierzchni szklanych, a następnie osusz je suchą ściereczką z mikrofibry.

- Jeśli po czyszczeniu pozostaną resztki detergentu, przetrzyj je zimną wodą i osusz czystą i suchą ściereczką z mikrofibry. Resztki detergentu mogą następnym razem uszkodzić szklaną powierzchnię.
- W żadnym wypadku zaschniętej pozostałości na powierzchni szkła nie należy czyścić ząbkowanymi nożami, drutem lub podobnymi narzędziami do drapania.
- Plamy wapniowe (żółte plamy) można usunąć z powierzchni szkła za pomocą środka do usuwania kamienia, takiego jak ocet lub sok z cytryny.
- Jeśli powierzchnia jest mocno zabrudzona, nanieś na plamę środek czyszczący gąbką i długo odczekaj, aż zadziała. Następnie wyczyść szklaną powierzchnię wilgotną szmatką.
- Przebarwienia i plamy na szklanej powierzchni są normalne i nie są uznawane za wady.

### **Części z tworzyw sztucznych i malowane powierzchnie**

- Plastikowe części i pomalowane powierzchnie należy czyścić za pomocą płynu do mycia naczyń, ciepłej wody i miękkiej szmatki lub gąbki, a następnie osuszyć suchą szmatką.
- Nie należy używać metalowych skrobaczków ani ściernych środków czyszczących. Mogą uszkodzić powierzchnie.
- Upewnij się, że połączenia elementów wyrobu nie są zawiłgocone i pokryte detergentem. W przeciwnym razie na tych połączeniach może wystąpić korozja.

## **6.2 Czyszczenie panelu sterowania**

- Podczas czyszczenia paneli z pokrętłami należy przetrzeć panel i pokrętła wilgotną, miękką ściereczką, a następnie wytrzeć do sucha. Nie należy zdejmować pokręteł i uszczelek znajdujących się pod spodem w celu wyczyszczenia panelu. Panel sterujący i pokrętła mogą ulec uszkodzeniu.


- Podczas czyszczenia paneli inox z pokrętłami nie należy używać środków czyszczących inox wokół pokręteł. Wskaźniki wokół pokrętła mogą zostać wymazane.
- Dotykowe panele sterowania należy wyczyścić wilgotną miękką szmatką i osuszyć suchą szmatką. Jeśli urządzenie ma funkcję blokady przycisków należy ustawić blokadę przed rozpoczęciem czyszczenia panelu sterowania. W przeciwnym razie na przyciskach może wystąpić nieprawidłowe wykrycie.

### 6.3 Filtr aluminiowy

Filtr ten służy do zatrzymywania cząstek oleju w powietrzu. **Przy normalnym użytkowaniu zaleca się czyszczenie filtra raz w miesiącu.** W tym celu:

1. Wyjmij aluminiowe filtry.
2. Umyj filtry w wodzie przy użyciu płynnego detergentu i zainstaluj ponownie po wyschnięciu.

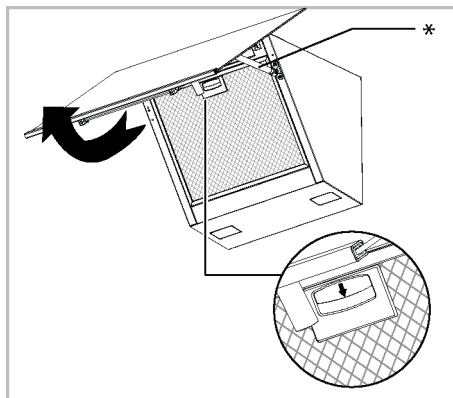
Filtry aluminiowe mogą zmieniać kolor podczas mycia; jest to normalne i nie wymaga wymiany filtrów.



Filtr aluminiowy można również myć w zmywarce. (max. 70°C)

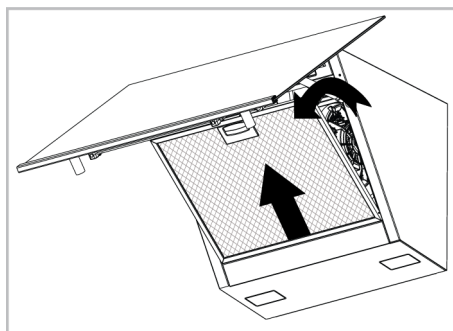
#### Wymywanie aluminiowych filtrów

1. Otwórz pokrywę okapu do góry i pociągnij aluminiową blokadę filtra w dół, jak pokazano na rysunku.



\* Amortyzator jest opcjonalny. Może nie być dostępny w Twoim produkcie.

2. Delikatnie pociągnij filtr do siebie, a następnie do góry, aby wyjąć go z gniazda.



3. Po przepłukaniu ponownie zainstaluj filtr aluminiowy w gnieździe, wykonując powyższe czynności w odwrotnej kolejności.

### 6.4 Filtr węglowy (użytkowanie bez komina)

#### Ostrzeżenia ogólne

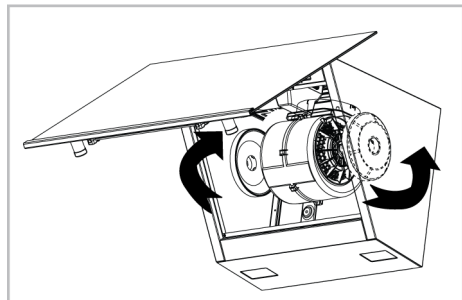
- Jeśli zamontowano produkt bez komina, należy wymieniać filtry węglowe co 4 miesiące podczas normalnego użytkowania. Filtr węglowy można zakupić w autoryzowanych serwisach.
- Nie wolno myć filtra węglowego.
- Nieprzestrzeganie zasad czyszczenia i wymiany filtrów okapu może spowodować pożar.



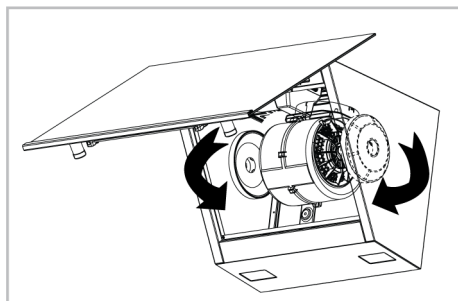
Przy zastosowaniu filtra węglowego wzrasta poziom dźwięku i spada wydajność przepływu.

### Usuwanie filtra węglowego

1. Otwórz szklaną osłonę okapu i wyjmij filtr aluminiowy.
2. Odkręć filtry węglowe po prawej i lewej stronie uchwytu silnika.



3. Umieść otwory na występy nowych filtrów węglowych w występkach na uchwycie silnika i obróć je w prawo, aby za-trzasnęły się na swoim miejscu.



4. Po zainstalowaniu filtra aluminiowego zamknij szklaną pokrywę okapu.

### 6.5 Lampa okapu

W przypadku awarii lampy w okapie, skontaktuj się z lokalnym sprzedawcą lub obsługą klienta i upewnij się, że lampa została wymieniona.

## 7 Rozwiązywanie problemów

Jeśli problem nie zniknie po wykonaniu instrukcji podanych w tym rozdziale, skontaktuj się ze sprzedawcą lub autoryzowanym serwisem. Nigdy nie próbuj samodzielnie naprawić urządzenia.

### Urządzenie nie działa.

- Bezpiecznik może być uszkodzony lub przepalony. >>> Sprawdź bezpieczniki w skrzynce. Zmień je, jeśli to konieczne, lub aktywuj je ponownie.
- Produkt może nie być podłączony. >>> Sprawdź, czy produkt jest podłączony do gniazdka.
- Przycisk prędkości może nie być ustawiony. >>> Naciśnij/dotknij żądany przycisk prędkości.
- Może nie być prądu. >>> Upewnij się, że sieć jest sprawna i sprawdź bezpieczniki w skrzynce. W razie potrzeby wymień bezpieczniki lub ponownie je włącz.

### Lampka okapu nie świeci się.

- Lampa okapu może być uszkodzona. >>> Skontaktuj się z lokalnym sprzedawcą, u którego zakupiłeś urządzenie, lub z obsługą klienta i upewnij się, że lampa została wymieniona.
- Może nie być prądu. >>> Upewnij się, że sieć jest sprawna i sprawdź bezpieczniki w skrzynce. W razie potrzeby wymień bezpieczniki lub ponownie je włącz.



## ¡Bienvenido!

---

Estimado cliente,

Gracias por elegir el producto Beko . Queremos que el aparato, fabricado con alta calidad y tecnología, le ofrezca la mejor eficiencia. Para ello, lea atentamente este manual y cualquier otra documentación proporcionada antes de utilizar el producto.

Preste atención a todas las informaciones y advertencias del manual de usuario. De esta manera, se protegerá a sí mismo y a el aparato contra los peligros que puedan ocurrir.

Guarde el manual de instrucciones. Si le da el aparato a otra persona, entregue el manual con él. En este manual se indican las condiciones de garantía, el uso y los métodos de resolución de problemas de su producto.

### Los símbolos y sus descripciones utilizados el manual del usuario:



Peligro que puede provocar la muerte o lesiones.



Información importante o consejos de uso útiles.



Lea el manual de usuario.



Superficie caliente.

**AVISO**

Peligro que puede provocar daños materiales al aparato o a su entorno.

**Arçelik A.Ş.**

Karaağaç caddesi No:2-6  
34445 Sütlüce/Istanbul/TURKEY

Made in TURKEY

## Tabla de contenidos

<b>1</b>	<b>Instrucciones de Seguridad.....</b>	<b>64</b>
1.1	Uso Previsto.....	64
1.2	Seguridad de niños, personas vulnerables y mascotas .....	64
1.3	Seguridad Eléctrica .....	65
1.4	Seguridad en Transporte .....	67
1.5	Seguridad en la instalación.....	67
1.6	Seguridad de uso.....	68
1.7	Mantenimiento y limpieza Seguridad.....	70
<b>2</b>	<b>Instrucciones medioambientales</b>	<b>70</b>
2.1	Directiva de Residuos.....	70
2.1.1	Cumplimiento de Directiva WEEE y eliminación del producto de desecho .....	70
2.2	Información de Embalaje.....	70
<b>3</b>	<b>Su aparato .....</b>	<b>71</b>
3.1	Información de Producto .....	71
3.2	Accesorios del Producto.....	71
3.3	Especificaciones Técnicas .....	73
<b>4</b>	<b>Primer uso .....</b>	<b>74</b>
4.1	Limpieza inicial .....	74
<b>5</b>	<b>Uso de la campana .....</b>	<b>74</b>
<b>6</b>	<b>Mantenimiento y limpieza .....</b>	<b>77</b>
6.1	Información General de Limpieza	77
6.2	Limpieza del panel de control.....	78
6.3	Filtro de Aluminio .....	79
6.4	Filtro de carbón (uso sin chimenea) .....	79
6.5	Lámpara de Campana.....	80
<b>7</b>	<b>Solución de problemas .....</b>	<b>80</b>



## 1 Instrucciones de Seguridad

- Esta sección incluye las instrucciones de seguridad necesarias para evitar el riesgo de lesiones personales o daños materiales.
- En caso de entregar el producto a otra persona para su uso personal o vender de segunda mano, también se debe entregar el manual de usuario, las etiquetas del producto y otros documentos y piezas relevantes.
- Nuestra empresa no asumirá ninguna responsabilidad por los daños que puedan producirse por el incumplimiento de estas instrucciones.
- El incumplimiento de estas instrucciones anulará cualquier garantía.
- Los trabajos de instalación y reparación deben ser realizados siempre por el fabricante, el servicio técnico autorizado o una persona que la empresa importadora designe.
- Utilice únicamente repuestos y accesorios originales.
- No repare ni sustituya ningún componente del producto a menos que esté expresamente indicado en el manual del usuario.

- No realice modificaciones técnicas en el producto.



### 1.1 Uso Previsto

- Este producto está diseñado para ser utilizado en casa. No es adecuado para uso comercial.
- No utilice el producto en jardines, balcones u otros lugares al aire libre. Este producto está pensado para ser utilizado en los hogares y en las cocinas del personal de tiendas, oficinas y otros entornos laborales.



### 1.2 Seguridad de niños, personas vulnerables y mascotas

- Este aparato puede ser utilizado por niños de 8 años de edad y mayores, y por personas discapacidades físicas, sensoriales o mentales, o que carezcan de experiencia y conocimientos, siempre que sean supervisados o entrenados sobre el uso seguro y los peligros del aparato.
- Los niños no deben jugar con el aparato. La limpieza y el mantenimiento del usuario no deben ser realizados por niños a menos que haya alguien que los supervise.



- Este aparato no debe ser utilizado por personas con capacidad física, sensorial o mental limitada (incluidos los niños), a menos que se les mantenga bajo supervisión o reciban las instrucciones necesarias.
  - Los niños deben ser supervisados para asegurar que no jueguen con el aparato.
  - Los aparatos eléctricos son peligrosos para niños y mascotas. Los niños y mascotas no deben jugar con el aparato.
  - Mantenga los materiales de embalaje fuera del alcance de los niños. Existe un riesgo de lesiones y asfixia.
  - Antes de desechar productos desgastados e inútiles:
    1. Retire y desconecte el enchufe de alimentación (si el producto está enchufado).
    2. Desconecte el cable de alimentación y separe el enchufe del producto.
    3. No permita que los niños jueguen con el producto cuando esté en modo inactivo.
- instalación de la toma de tierra sea hecha por un electricista calificado. No utilice el aparato sin conexión a tierra de acuerdo con las regulaciones locales / nacionales.
- El enchufe o la conexión eléctrica del aparato deberán estar en un lugar fácilmente accesible. Si esto no es posible, debe haber un mecanismo (fusible, interruptor, llave de contacto, etc.) en la instalación eléctrica a la que está conectado el producto, que cumpla con la normativa eléctrica y que separe todos los polos de la red.
  - Antes de proceder a la reparación, mantenimiento y limpieza, desenchufe el producto o desconecte el fusible.
  - Enchufe el aparato en una toma de corriente que cumpla con los valores de voltaje y frecuencia especificados en la etiqueta de tipo.
  - (En caso de no disponer de cable de alimentación) utilice únicamente el cable de conexión descrito en el apartado "Especificaciones técnicas".
  - No enchufe su campana hasta que esté instalada.
  - No atasque el cable eléctrico debajo y detrás del producto. No ponga un objeto pesado sobre el cable de alimentación.

### 1.3 Seguridad Eléctrica

- Enchufe el aparato en una toma de corriente con conexión a tierra protegida por un fusible que coincida con los valores de corriente indicados en la etiqueta de tipo. Haga que la

El cable de alimentación no debe doblarse, aplastarse ni entrar en contacto con ninguna fuente de calor.

- No instale el cable de electricidad cerca de los calentadores. El cable podría fundirse y provocar un incendio.
- Asegúrese de que el cable de alimentación no se atasque mientras coloca el aparato en su lugar después del montaje o la limpieza.
- No enchufe su campana hasta que esté instalada.
- Utilice sólo el cable original. No utilice cables cortados o dañados.
- No utilice un cable de extensión o un enchufe múltiple para hacer funcionar su producto.
- En los casos en que sea necesario el uso de un adaptador convertidor (para tipo de enchufe), póngase en contacto con el centro de servicio autorizado o con el importador para utilizar el adaptador homologado.
- Si la longitud de la línea de alimentación es inadecuada, póngase en contacto con el importador o con el centro de servicio autorizado.

- Las fuentes de alimentación portátiles o los enchufes múltiples pueden sobrecalentarse e incendiarse. Mantenga alejados del producto enchufes múltiples y fuentes de alimentación portátiles.

- Si el cable de alimentación está dañado, debe ser sustituido por el fabricante, por un servicio técnico autorizado o por una persona que indique la empresa importadora, para evitar posibles peligros.

- Si su producto tiene enchufe, no realice las conexiones eléctricas desconectando el enchufe durante la instalación.

Las conexiones realizadas por corte anulan la garantía del producto y representan un peligro para la seguridad del usuario.

Si su producto tiene un cable de alimentación y un enchufe:

- Nunca enchufe el producto en una toma rota, suelta o desconectada. Asegúrese de que el enchufe esté totalmente introducido en la toma. En caso contrario, las conexiones podrían sobrecalentarse y provocar un incendio.

- Evite insertar el aparato en enchufes con grasa, sucios o potencialmente expuestos al agua (como los que están cer-

ca de una encimera por la que pueda filtrarse agua). En caso contrario, existe riesgo de cortocircuito y electrocución.

- No tocar nunca el enchufe con las manos húmedas.
- Extraiga el enchufe de la toma utilizando el cuerpo del enchufe y no tire de su cable.

#### **1.4 Seguridad en Transporte**

- Desconecte el aparato de la red eléctrica antes de transportarlo.
- El aparato es pesado, cargue el aparato con al menos dos personas.
- No ponga objetos sobre el aparato. Transporte el aparato en posición vertical.
- Cuando necesite transportar el aparato, envuélvalo con material de embalaje de plástico de burbujas o cartón grueso y péguelo con cinta adhesiva. Fije bien las piezas móviles del producto para evitar daños.
- Antes de instalar el aparato, compruebe que no esté dañado durante el transporte. Si está dañado póngase en contacto con el importador o el servicio técnico autorizado.

#### **1.5 Seguridad en la instalación**

- A fin de que su producto esté listo para su uso, primero indique el lugar de instalación y haga la instalación eléctrica. Los trabajos de instalación deben ser realizados siempre por el fabricante, el servicio técnico autorizado o una persona que la empresa importadora designe.
- A fin de que su producto esté listo para su uso, primero indique el lugar de instalación y haga la instalación eléctrica. Después, llame al Servicio Autorizado para que realice la instalación. Tras la instalación por el servicio autorizado, empieza el periodo de garantía.
- Antes de iniciar la instalación, desconecte la tensión de la línea eléctrica a la que se conectará el producto cerrando el fusible.
- Durante el transporte y la instalación siempre utilice guantes protectores. En caso contrario, ¡existe riesgo de lesiones por bordes afilados!
- Antes de instalar el aparato, compruebe que no esté dañado. No lo haga instalar si el producto está dañado.

- Evite utilizar materiales aislantes del calor para recubrir el interior de los muebles que se vayan a instalar.
- La luz solar directa y las fuentes de calor, tales como calefacciones eléctricas o de gas, no deben estar presentes en la zona donde se instale el producto.
- Si existe una toma de corriente detrás del lugar donde se va a instalar el producto, es necesario asegurarse de que el producto no entre en contacto con la toma ni con el enchufe conectado a la toma.
- En caso de uso con conexiones de chimenea, solicite a personal cualificado que evalúe la idoneidad de la chimenea a la que se conectará el producto.
- La altura entre la superficie inferior de su campana y la superficie superior del horno no debe ser inferior a 650 mm para los hornos de gas y 500 mm para los hornos eléctricos. En caso contrario, su producto podría verse afectado por el calor o por las llamas de la placa de cocción y causar un riesgo de seguridad.
- (Para Modelo C) En los hornos eléctricos, el mayor rendimiento del producto se consigue dejando una altura de 550 mm.
- Nunca conecte la campana a conductos de humos que sirvan de calefactor de llama o calefactores que emitan llamas. Respete la normativa local sobre la purga del flujo de salida.
- Al conectar un conducto de humos a su producto, utilice tubos con un diámetro de 120 mm. La conexión de los tubos ha de ser lo más corta posible y con pocas curvas.



## 1.6 Seguridad de uso

- **¡Peligro de Envenenamiento!** Durante el funcionamiento del aparato, el aire se extrae de toda la casa. En caso de no disponer de una ventilación adecuada, se produce una circulación de aire y se reabsorben los residuos y los gases tóxicos liberados como resultado de la combustión en la casa. No utilice el producto junto con productos que proporcionen circulación de aire y puedan emitir gases tóxicos (estufas de leña, gas, aceite y carbón, calderas, calentadores de agua, etc.).

- Asegúrese de apagar el aparato después de cada uso.
- No utilice el producto si se rompe o estropea durante su uso. Desconecte el aparato de la electricidad. Póngase en contacto con el importador o el centro de servicio autorizado.
- Después de un funcionamiento prolongado de la campana, no toque las lámparas de la misma. Las lámparas calientes pueden quemar su mano.
- No haga funcionar el aparato sin un filtro de aceite. No quite los filtros mientras el aparato esté en funcionamiento. En caso contrario, el aceite podría afectar negativamente al producto y a las conexiones eléctricas.
- No provoque una llama alta debajo del producto. En caso contrario, el aceite en filtro de aceite puede inflamarse, provocando un incendio.
- Apague el horno antes de sacar las ollas, sartenes, etc. de los hornos. En caso contrario, su producto podría resultar dañado por las llamas y el calor creciente.
- Nunca ponga sobre la campana objetos combustibles o propensos a caerse. En caso contrario, podrían caer y correr el riesgo de quemadura o caerse en la comida y herir al usuario,
- No guarde materiales fácilmente inflamables debajo de la campana.
- (Para Nodelos A y B) Haga funcionar la campana durante otros 15 minutos después del proceso de cocción o fritura para limpiar bien el aire de la cocina de los olores y vapores generados durante la cocción.
- (Excepto para los aparatos que devuelven el aire de escape a la sala) Es necesario que la sala esté bien ventilada si la campana se utiliza en la misma zona que un equipo de combustión de gas o combustible líquido.
- La chimenea de aparatos tales como calefactores de ambiente que funcionen con gas o combustible líquido debe estar totalmente aislada en el entorno donde se utilice la campana, o el aparato debe ser hermético.
- Cuando haya otro aparato que funcione con energía distinta de la eléctrica en el mismo entorno que la campana, deberá haber una presión negativa en el local de 0,04 mbar como máximo, de modo que el esca-

pe del otro aparato no sea arrastrado por la campana hacia el interior del local.

- Los materiales fácilmente inflamables y combustibles no deben colgarse de los mangos de la campana (si existen).
- No debe haber fuego abierto bajo la campana. (por ejemplo: flameado)
- **Precaución:** Las partes accesibles pueden calentarse cuando se utilizan con una cocina.

## 1.7 Mantenimiento y limpieza Seguridad

- Es necesario limpiar la grasa acumulada en la campana y el filtro de grasa en los intervalos especificados. En caso contrario, ¡existe riesgo de incendio!

## 2 Instrucciones medioambientales

### 2.1 Directiva de Residuos

#### 2.1.1 Cumplimiento de Directiva WEEE y eliminación del producto de desecho

Este producto cumple con la Directiva WEEE de UE (2012/19/UE). Este producto lleva el símbolo de clasificación de residuo de aparatos eléctricos y electrónicos (WEEE).



El presente producto ha sido fabricado con piezas y materiales de alta calidad que pueden ser reutilizados y son aptos para el reciclaje. Por lo que, al final de su vida útil, no elimine el producto con los residuos domésticos normales y otros residuos. Llévelo a un punto de recogida para el reciclaje de aparatos

- Se recomienda limpiar el filtro una vez al mes en condiciones normales de uso. Si no, la acumulación de aceite en el filtro podría incendiarse y presentar un peligro.
- No lave nunca el aparato pulverizándolo o echándole agua. ¡Existe el riesgo de descarga eléctrica!
- No utilice limpiadores de vapor para limpiar el producto, ya que puede provocar una descarga eléctrica.

eléctricos y electrónicos. Puede consultar a la administración local sobre estos puntos de recogida. Desechar el aparato correctamente ayuda a evitar consecuencias negativas para el medio ambiente y la salud humana.

#### Cumplimiento de Directiva RoHS:

El producto que ha adquirido cumple con la Directiva RoHS de UE (2011/65/UE). No contiene materiales nocivos y prohibidos especificados en la Directiva.

### 2.2 Información de Embalaje

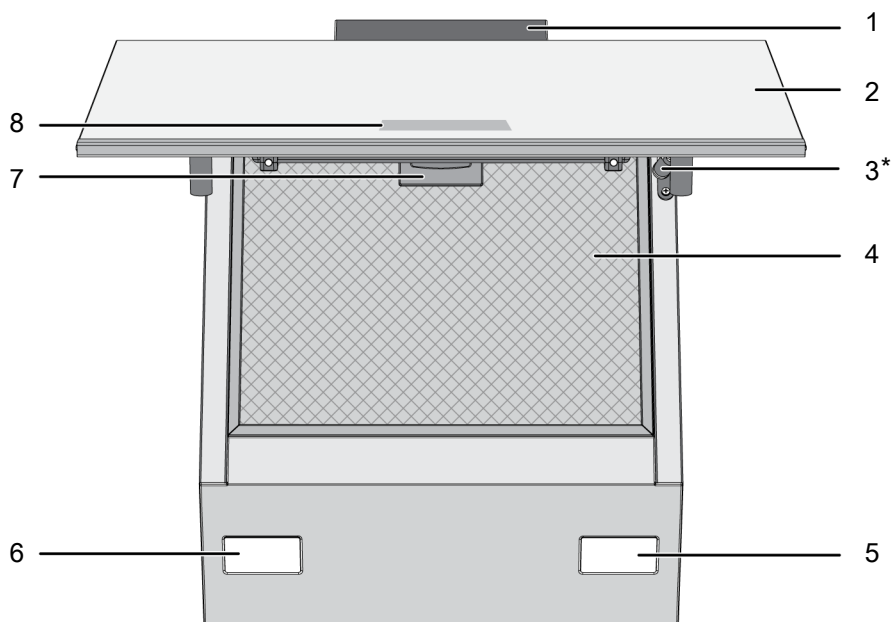
El embalaje del producto está fabricado con materiales reciclables de acuerdo con nuestra normativa medioambiental nacional. No elimine los residuos del embalaje con los residuos domésticos o de otro tipo,

llévelos a los puntos de recogida de materiales de embalaje designados por las autoridades locales.

## 3 Su aparato

### 3.1 Información de Producto

ES



1 Carcasa de campana

3 Amortiguador

5 Bombilla

7 Bloqueo de filtro de aluminio

2 Tapa de vidrio de campana

4 Filtro de aluminio

6 Bombilla

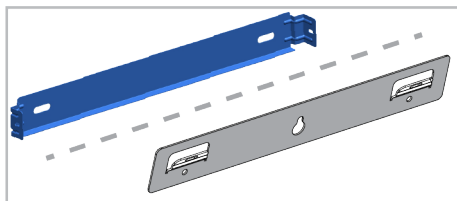
8 Panel de control

\* Dependiendo de modelo. Puede que no esté disponible en el aparato.

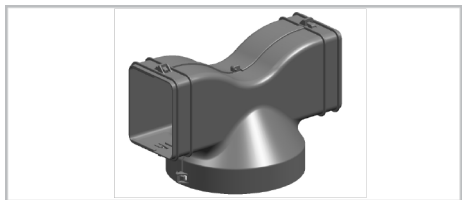
### 3.2 Accesorios del Producto

Dependiendo del modelo del aparato, el accesorio suministrado varía. Es posible que todos los accesorios descritos en manual del usuario no estén disponibles en el aparato.

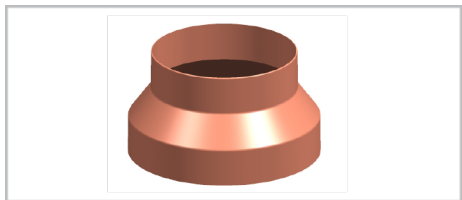
#### Pieza de montaje en pared



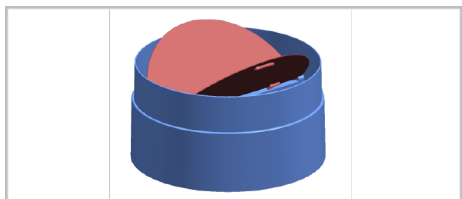
## Enrutador de aire



## Adaptador de conexión de chimenea



## Cubiertas para evitar el flujo de aire inverso





### 3.3 Especificaciones Técnicas

Dimensiones externas del producto (altura/anchura/profundidad) (mm)	min. 910 - max. 1138 /595 /419
Tensión/Frecuencia	220-240 V ~1N; 50 Hz
Consumo total de energía	max. 300 W
Potencia de succión	700-720 m3/h
Diámetro de tubo de salida de aire	120-150 mm

ES

Control	
Modelo A	3 niveles
Modelo B	3 niveles + 1 refuerzo
Modelo C	3 niveles + 1 refuerzo



Las especificaciones técnicas pueden modificarse sin previo aviso para mejorar la calidad del aparato.



Las cifras de este manual son esquemáticas y pueden no coincidir exactamente con el aparato.



Los valores indicados en las etiquetas de los aparatos o en la documentación que los acompaña se obtienen en condiciones de laboratorio de acuerdo con las normas pertinentes. Estos valores pueden variar en función de las condiciones operativas y ambientales del aparato.

## 4 Primer uso

Antes de empezar a utilizar el producto, se recomienda hacer lo que se indica en los siguientes apartados respectivamente.

### 4.1 Limpieza inicial

1. Retire todos los materiales de embalaje.
2. Limpie las superficies del aparato con un paño o esponja húmedos y séquelas con un paño.

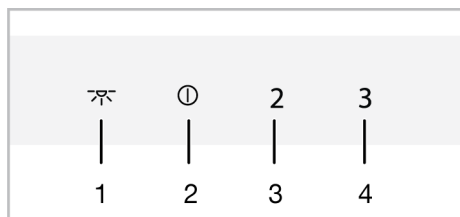
## 5 Uso de la campana

La campana dispone de un motor con varias velocidades. Es recomendable, para un buen funcionamiento, utilizar las velocidades bajas en condiciones normales y las velocidades altas en caso de olores fuertes y condensación de vapores.



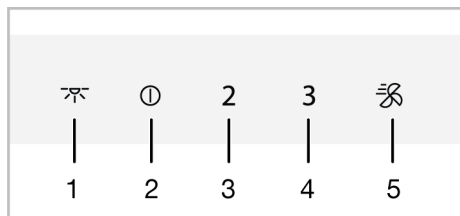
El programa se cancela si se corta la corriente cuando algún programa de su campana está activo.

### MODELO A



- 1 Llave de lampara
- 2 Tecla de encendido/apagado/Velocidad
- 3 Tecla de velocidad 2
- 4 Tecla de velocidad 3

### MODELO B



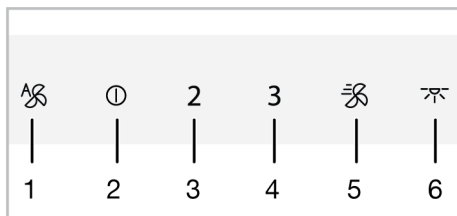
- 1 Llave de lampara
- 2 Tecla de encendido/apagado/Velocidad

**NOTICE:** Algunos detergentes o agentes de limpieza podrían provocar daño en la superficie. No utilice detergentes abrasivos, polvos de limpieza, cremas de limpieza ni objetos punzantes durante la limpieza.

**NOTICE:** Durante el primer uso, puede salir humo y olor durante varias horas. Esto es normal y sólo se necesita una buena ventilación para eliminarlo. Evite inhalar directamente el humo y los olores que se forman.

- 3 Tecla de velocidad 2
- 4 Tecla de velocidad 3
- 5 Tecla de refuerzo

### MODELO C



- 1 Tecla de modo automático
- 2 Tecla de encendido/apagado/Velocidad
- 3 Tecla de velocidad 2
- 4 Tecla de velocidad 3
- 5 Tecla de refuerzo
- 6 Llave de lampara

### Uso de la campana

1. Para usar la campana, toque la tecla de nivel de velocidad que haya seleccionado.

⇒ Se ilumina la tecla de nivel de velocidad ajustada.

2. Puede tocar las otras teclas de nivel de velocidad para cambiar el nivel de velocidad.



Durante el funcionamiento, el producto funcionará un máximo de 6 horas si no se toca ninguna tecla.


## Apagado de campana


1. Para apagar la campana, toque de nuevo la tecla del nivel en el que esté funcionando la campana o la tecla ①.



Si toca la tecla ① con alguna función activa, excepto la función de luz, la función se cancela.

## Encendido del modo de ventilación intensiva (Booster) (para los modelos B y C)

1. Para poner en marcha la campana en el modo de ventilación intensiva, pulse una vez la tecla .

⇒ La ventilación intensiva se pone en marcha y funciona durante un máximo de 10 minutos. Durante este tiempo, la tecla  se ilumina. Después de 10 minutos, el aparato sigue funcionando en velocidad 3 y la tecla de velocidad 3 se enciende.



En el modo de ventilación intensiva, al tocar cualquier tecla de velocidad, se vuelve a ese nivel de velocidad y continúa funcionando.

## Uso de la luz

1. Toque la tecla para encender la luz.
  - ⇒ Ésta se encenderá. (Para los modelos B y C) Si vuelve a tocar la tecla dentro del primer minuto, la luz seguirá encendida en el nivel de iluminación bajo. Si vuelve a tocarla 1 minuto después de encenderla, ésta se apagará.



Las luces de iluminación funcionan durante un máximo de 12 horas.

## Apagado de la luz

1. Un minuto después de encender la luz de campana, puede apagarla tocando la tecla de nuevo



(Para los modelos B y C) Si vuelve a tocar la tecla dentro del primer minuto después de encender la luz, ésta pasa al nivel de iluminación bajo.

## Ajuste del color de la iluminación de la luz (para los modelos B y C)

Puede utilizar el color de las luces de iluminación de la campana en 3 tonos diferentes.

1. Estando la luz de la campana encendida, toque la tecla durante más de 2 segundos.
  - ⇒ La luz cambiará al otro tono de color.
2. Si sigue tocando la tecla, cambiará al siguiente tono de color cada 2 segundos. En función del tono de color deseado, deje de tocar la tecla cuando la luz esté en ese tono de color. El tono de color se activará de forma automática.



El cambio de tonalidad de la luz sólo es posible mientras ésta tenga una intensidad de luz alta.



En caso de que se produzca un corte de corriente, la campana recordará el tono de color ajustado y funcionará en el último color ajustado.

## Modo automático (para modelo C)

Su campana mide la temperatura del aire de la cocina y del aire que sale de su placa mediante un sensor. En modo automático, determina los niveles necesarios para que la temperatura del aire de la placa de cocción coincida con la temperatura del aire de la cocina y funciona a los niveles determinados automáticamente.

1. Para activar el modo automático toque la tecla .
  - ⇒ El modo automático se activa y funciona hasta que la temperatura del aire de la placa de cocción es igual a la temperatura ambiente.

Se apagará automáticamente cuando la temperatura se iguale. Debe habilitar el modo automático de nuevo para volver a activarlo.



Si el modo automático está activo, se cancelará cuando encienda y apague el producto a cualquier velocidad.

2. Si desea desactivar el modo automático, toque la tecla una vez más.



En caso de abrir la tapa del producto cuando el modo automático está activado, su rendimiento disminuirá. No abra la tapa cuando el modo automático esté activo.



Si se produce una diferencia de temperatura ambiente incluso cuando la placa de cocción no está funcionando mientras el modo automático está activo, el sensor de temperatura del aparato detectará la diferencia y el aparato podrá empezar a funcionar a velocidad 2 o 3 en función de la diferencia. En este caso, el modo automático se desactivará al igualarse la diferencia de temperatura.



No utilice el modo automático cuando su placa de cocción no esté funcionando.

### Modo de limpieza de aire (para los modelos B y C)

Para eliminar los olores de su casa durante un tiempo prolongado, puede utilizar el modo de limpieza de aire a bajo nivel.

1. Toque la tecla Velocidad 1 durante más de 3 segundos.
  - ⇒ Se activa el modo de limpieza de aire. Cuando el modo de limpieza de aire está activado, la luz de la tecla Velocidad 1 parpadea.

2. El modo de limpieza de aire funcionará a velocidad 1 durante 10 minutos en 1 hora y se detendrá durante 50 minutos. Si no desconecta el modo de limpieza de aire, permanecerá en funcionamiento durante 10 minutos y luego se detendrá durante 50 minutos en cada hora durante 24 horas.



Si el modo de limpieza de aire está activo, se cancela automáticamente al tocar cualquier tecla, excepto la tecla de la luz. El funcionamiento de la campana continúa en función de la tecla que se toque.

### Aviso de llenado del filtro de aluminio

La luz de la tecla Velocidad 2 parpadea después de cada 100 horas de funcionamiento. Limpie los filtros de aluminio. Después de la limpieza, la advertencia de la luz de la tecla de velocidad 2 no se apaga automáticamente. Este producto sigue mostrando la advertencia de 30 segundos cuando el producto se apaga después de cada operación. Si toca la tecla de velocidad 2 durante más de 3 segundos, se restablece la advertencia de llenado del filtro de aluminio y se apaga la luz.



El aviso no se cancela si se corta la alimentación cuando la campana da el aviso de llenado del filtro de aluminio. Cuando la alimentación está disponible, sigue avisando con la luz de la tecla Speed 2 parpadeando.



En caso de que la campana funcione a cualquier nivel de velocidad con la advertencia de llenado del filtro de aluminio, la advertencia no aparecerá mientras la campana esté en funcionamiento. Cuando apague la campana, el aviso de llenado volverá a parpadear durante 30 segundos.



Si apaga la advertencia sin limpiar el filtro de aluminio, el tiempo de funcionamiento de 100 horas se reinicia y vuelve a empezar. Al final de las siguientes 100 horas, su campana vuelve a avisar.

### **Aviso de llenado del filtro de carbono (para productos con filtro de carbono)**

La luz de la tecla Velocidad 2 parpadea después de cada 100 horas de funcionamiento. En este caso, deberá sustituir su filtro de carbón. Para ello, consulte a un servicio técnico autorizado. Después de cambio, el aviso luminoso de la tecla Velocidad 2 no se apaga automáticamente. Este producto sigue mostrando la advertencia de 30 segundos cuando el producto se apaga después de cada operación. Cuando toca la tecla de velocidad 2 durante más de 3 segundos, la advertencia de llenado del filtro de carbono se restablece y la luz se apaga.



La advertencia no se cancela si se corta la corriente cuando la campana da la advertencia de llenado del filtro de carbón. Cuando la alimentación está disponible, sigue avisando con la luz de la tecla Speed 2 parpadeando.



En caso de que la campana funcione a cualquier nivel de velocidad con la advertencia de llenado del filtro de carbono, la advertencia no aparecerá mientras la campana esté en funcionamiento. Cuando apaga la campana, el aviso de llenado volverá a parpadear durante 30 segundos.



Si apaga la advertencia sin cambiar el filtro de carbono, el tiempo de funcionamiento de 100 horas se reinicia y vuelve a empezar. Al final de las siguientes 100 horas, se vuelve a avisar.

## **6 Mantenimiento y limpieza**

### **6.1 Información General de Limpieza**

#### **Advertencias generales**

- Espere a que el aparato se enfríe antes de limpiarlo. ¡Las superficies calientes pueden causar quemaduras!
- No aplique los detergentes directamente sobre las superficies calientes. Esto puede causar manchas permanentes.
- El producto debe limpiarse y secarse a fondo después de cada operación. Así, los restos de comida se limpiarán fácilmente y se evitará que estos residuos se quemen cuando se vuelva a utilizar el producto más adelante. De este modo, se prolonga la vida útil del aparato y se reducen los problemas más frecuentes.
- No utilice aparatos de limpieza a vapor para la limpieza.
- Algunos detergentes o productos de limpieza dañan la superficie. Los productos de limpieza inadecuados son: lejía, productos de limpieza que contengan amoníaco, ácido o cloruro, productos de limpieza a vapor, desincrustantes, quitamanchas y óxido, productos de limpieza abrasivos (limpiadores en crema, polvo para fregar, crema para fregar, estropajo abrasivo y rascador, alambre, esponjas, paños de limpieza que contengan restos de suciedad y detergente).

- Se necesita ningún material de limpieza especial en la limpieza realizada después de cada uso. Limpie el aparato con detergente para platos, agua tibia y un paño suave o una esponja y séquelo con un paño seco.
- Asegúrese de limpiar completamente cualquier líquido restante después de la limpieza y limpie inmediatamente cualquier alimento que salpique durante la cocción.

- No lave ningún componente de su electrodoméstico en un lavavajillas a menos que se indique lo contrario en el manual del usuario.

### **Inox - superficies inoxidable**

- No utilice productos de limpieza que contengan ácido o cloro para limpiar las superficies y asas de acero inoxidable.
- La superficie de acero inoxidable puede cambiar de color con el tiempo. Esto es normal. Después de cada operación, limpie con un detergente adecuado para la superficie inoxidable o inox.
- Limpie con un paño suave y jabonoso y un detergente líquido (que no raye) adecuado para superficies inoxidables, teniendo cuidado de limpiar en una sola dirección.
- Elimine las manchas de cal, aceite, almidón, leche y proteínas en las superficies de vidrio e inox inmediatamente sin esperar. Las manchas pueden oxidarse durante largos períodos de tiempo.
- Los limpiadores rociados/aplicados a la superficie deben limpiarse inmediatamente. Los limpiadores abrasivos que se dejan en la superficie hacen que ésta se vuelva blanca.

### **Las superficies de vidrio**

- Cuando limpie las superficies de vidrio, no use raspadores de metal duro y materiales de limpieza abrasivos. Pueden dañar la superficie de vidrio.
- Limpie el aparato usando detergente para platos, agua tibia y un paño de microfibra específico para superficies de vidrio y séquelo con un paño de microfibra seco.
- Si hay restos de detergente después de la limpieza, límpielo con agua fría y séquelo con un paño de microfibra limpio y seco. Los restos de detergente pueden dañar la superficie del cristal la próxima vez.
- En ningún caso se deben limpiar los residuos secos de la superficie de cristal con cuchillos de sierra, lana metálica o utensilios similares para rasar.

- Puede eliminar las manchas de calcio (manchas amarillas) de la superficie del vidrio con un agente descalcificador disponible en el mercado, con un agente descalcificador como el vinagre o el jugo de limón.
- Si la superficie está muy sucia, aplique el producto de limpieza sobre la mancha con una esponja y espere mucho tiempo para que actúe correctamente. A continuación, limpie la superficie del vidrio con un paño húmedo.
- Las decoloraciones y manchas en la superficie del vidrio son normales y no defectos.

### **Las piezas de plástico y las superficies pintadas**

- Limpie las piezas de plástico y las superficies pintadas con detergente para vajilla, agua tibia y un paño suave o una esponja y séquelas con un paño seco.
- No utilice raspadores de metal duro ni limpiadores abrasivos. Pueden dañar las superficies.
- Asegúrese de que las juntas de los componentes del producto no queden húmedas y con detergente. De lo contrario, puede producirse corrosión en estas juntas.

## **6.2 Limpieza del panel de control**

- Al limpiar los paneles con mando, limpie el panel y los mandos con un paño suave y húmedo y séquelos con un paño seco. No retire los pomos y las juntas de la parte inferior para limpiar el panel. El panel de control y los mandos pueden estar dañados.
- Durante la limpieza de los paneles inox con mando, no utilice productos de limpieza inox alrededor del mando. Los indicadores que rodean el mando se pueden borrar.
- Limpie los paneles de control táctil con un paño suave húmedo y séquelos con un paño seco. Si el aparato tiene una característica de bloqueo de llave, fije el bloqueo de llave antes de realizar la limpieza.

pieza del panel de control. De lo contrario, puede producirse una detección incorrecta en las teclas.

### 6.3 Filtro de Aluminio

Este filtro sirve para retener las partículas de aceite en el aire. **Se recomienda limpiar el filtro una vez al mes en condiciones normales de uso.** Para ello:

1. Retire los filtros de aluminio.
2. Lave los filtros en agua con detergente líquido y vuelva a instalarlos después de secarlos.

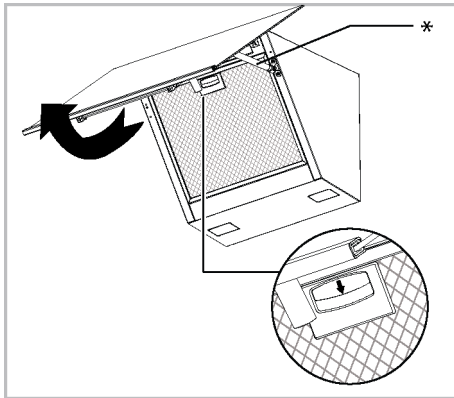
El color de los filtros de aluminio puede cambiar con el lavado; esto es normal y no requiere la sustitución de los filtros.



También puede lavar el filtro de aluminio en la lavadora. (máx. 70 °C)

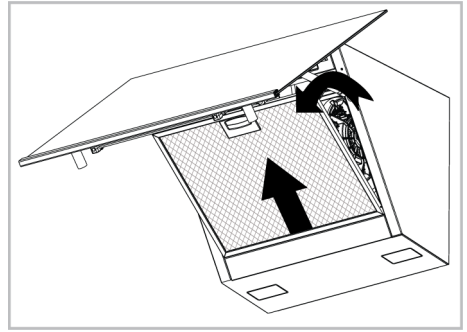
#### Extracción de filtros de aluminio

1. Abra la tapa de la campana hacia arriba y tire del cierre del filtro de aluminio hacia abajo como se indica en la figura



\* El amortiguador es opcional. Es posible que no esté disponible en su producto.

2. Primero tire suavemente del filtro hacia usted y tire de él hacia arriba para sacarlo de su ranura.



3. Reinstale el filtro de aluminio en su ranura tras el lavado siguiendo los pasos anteriores en sentido inverso.

### 6.4 Filtro de carbón (uso sin chimenea)

#### Advertencias generales

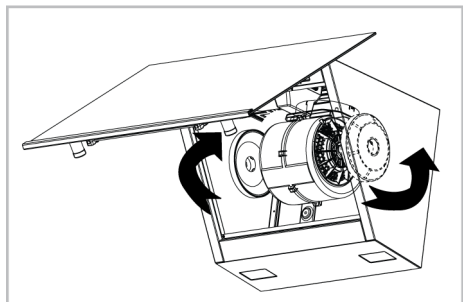
- Si ha instalado su producto sin chimenea, debe sustituir los filtros de carbón cada 4 meses en condiciones normales de uso. Puede obtener el filtro de carbón en los Servicios Autorizados.
- El filtro de carbón no debe lavarse nunca.
- Si no sigue las normas de limpieza y sustitución de los filtros de su campana, puede provocar un incendio.



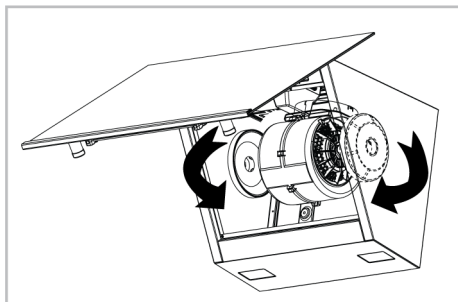
Si se utiliza con filtro de carbón, aumenta el nivel sonoro y disminuye el rendimiento del caudal.

#### Extracción de los filtros de carbón

1. Abra la tapa de cristal de la campana y retire el filtro de aluminio.
2. Desenrosque los filtros de carbón situados a la derecha y a la izquierda del soporte del motor.



3. Coloque las ranuras de las lengüetas de los nuevos filtros de carbón en las lengüetas del soporte del motor y gírelas en el sentido de las agujas del reloj para encajarlas.



4. Cierre la tapa de cristal de la campana después de instalar el filtro de aluminio.

ES

## 6.5 Lámpara de Campana

Póngase en contacto con su distribuidor local o con el Servicio de Atención al Cliente en caso de que la lámpara de la campana no funcione correctamente, y asegúrese de sustituirla.

## 7 Solución de problemas

En caso de que el problema persista después de seguir las instrucciones de esta sección, póngase en contacto con su proveedor o con un Servicio Técnico Autorizado. Nunca intente reparar su producto usted mismo.

### El producto no funciona.

- Es posible que el fusible esté defectuoso o fundido. >>> Revise los fusibles en la caja de fusibles. Si es necesario, cámbielos o reactívelos.
- Es posible que el producto no esté enchufado. >>> Compruebe si el producto está enchufado a la toma de corriente o no.
- Es posible que el botón de velocidad no esté ajustado. >>> Pulse/toque el botón de velocidad deseado.
- Es posible que no haya electricidad. >>> Asegúrese de que la red eléctrica está operativa y compruebe los fusibles en la caja de fusibles. Si es necesario, cambie los fusibles o reactívelos.

### La luz de la campana no está encendida.

- La luz de la campana puede estar defectuosa. >>> Póngase en contacto con el distribuidor local donde adquirió su pro-

ducto o con el Servicio de Atención al Cliente, y asegúrese de que la bombilla sea sustituida.

- Es posible que no haya electricidad. >>> Asegúrese de que la red eléctrica está operativa y compruebe los fusibles en la caja de fusibles. Si es necesario, cambie los fusibles o reactívelos.









