



## **Built-in Oven**

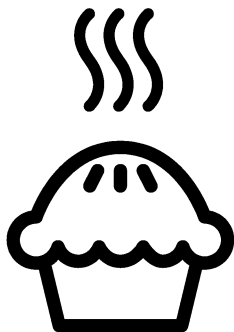
User Manual

**Встраиваемая духовка**

Руководство пользователя

## **Inbouwoven**

Gebruikershandleiding



**BIC22000X**

**EN / RU / NL**

285.4486.07/R.AB/26.11.2019/4-1

7780388301

## Please read this user manual first!

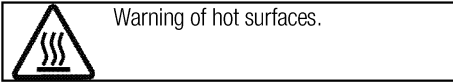
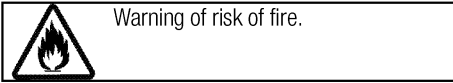
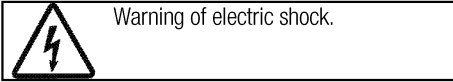
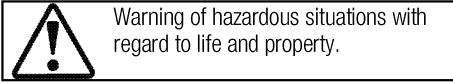
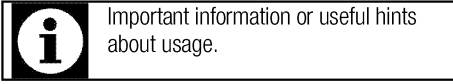
Dear Customer,

Thank you for purchasing this Beko product. We hope that you get the best results from your product which has been manufactured with high quality and state-of-the-art technology. Therefore, please read this entire user manual and all other accompanying documents carefully before using the product and keep it as a reference for future use. If you handover the product to someone else, give the user manual as well. Follow all warnings and information in the user manual.

Remember that this user manual is also applicable for several other models. Differences between models will be identified in the manual.

### Explanation of symbols

Throughout this user manual the following symbols are used:



**Arçelik A.Ş.**  
Karaağaç caddesi No:2-6  
34445 Sütlüce/İstanbul/TURKEY  
Made in TURKEY



This product was manufactured using the latest technology in environmentally friendly conditions.

**1 Important instructions and warnings  
for safety and environment 4**

General safety ..... 4  
 Electrical safety ..... 4  
 Product safety ..... 5  
 Intended use ..... 7  
 Safety for children..... 7  
 Disposing of the old product..... 8  
 Package information ..... 8

**2 General information 9**

Overview ..... 9  
 Package contents ..... 10  
 Technical specifications ..... 11

**3 Installation 12**

Before installation ..... 12  
 Installation and connection ..... 14  
 Future Transportation..... 16

**4 Preparation 17**

Tips for saving energy ..... 17  
 Initial use..... 17  
 First cleaning of the appliance ..... 17  
 Initial heating..... 17

**5 How to operate the oven 18**

General information on baking, roasting and grilling 18  
 How to operate the electric oven ..... 18  
 Operating modes..... 19  
 Cooking times table..... 19  
 How to operate the grill..... 20  
 Cooking times table for grilling..... 21

**6 Maintenance and care 22**

General information ..... 22  
 Cleaning the control panel ..... 22  
 Cleaning the oven ..... 22  
 Removing the oven door ..... 23  
 Removing the door inner glass ..... 23  
 Replacing the oven lamp..... 24

**7 Troubleshooting 25**

## **1 Important instructions and warnings for safety and environment**

This section contains safety instructions that will help protect from risk of personal injury or property damage. Failure to follow these instructions shall void any warranty.

### **General safety**

- This appliance can be used by children aged from 8 years and above and persons with reduced physical, sensory or mental capabilities or lack of experience and knowledge if they have been given supervision or instruction concerning use of the appliance in a safe way and understand the hazards involved.

Children shall not play with the appliance. Cleaning and user maintenance shall not be made by children without supervision.

- The appliance is not to be used by persons (including children) with reduced physical, sensory or mental capabilities, or lack of experience and knowledge, unless they have been given supervision or instruction. Children should be supervised and ensure they do not play with the appliance
- If the product is handed over to someone else for personal use or second-hand use purposes, the

user manual, product labels and other relevant documents and parts should be also given.

- Installation and repair procedures must always be performed by Authorised Service Agents. The manufacturer shall not be held responsible for damages arising from procedures carried out by unauthorised persons which may also void the warranty. Before installation, read the instructions carefully.
- Do not operate the product if it is defective or has any visible damage.
- Ensure that the product function knobs are switched off after every use.

### **Electrical safety**

- If the product has a failure, it should not be operated unless it is repaired by an Authorised Service Agent. There is the risk of electric shock!
- Only connect the product to a grounded outlet/line with the voltage and protection as specified in the "Technical specifications". Have the grounding installation made by a qualified electrician while using the product with or without a

transformer. Our company shall not be liable for any problems arising due to the product not being earthed in accordance with the local regulations.

- Never wash the product by spreading or pouring water onto it! There is the risk of electric shock!
- The product must be disconnected during installation, maintenance, cleaning and repairing procedures.
- If the power connection cable for the product is damaged, it must be replaced by the manufacturer, its service agent or similarly qualified persons in order to avoid a hazard.
- The appliance must be installed so that it can be completely disconnected from the mains supply. The separation must be provided by a switch built into the fixed electrical installation, according to construction regulations.
- Rear surface of the oven gets hot when it is in use. Make sure that the electrical connection does not contact the rear surface; otherwise, connections can get damaged.
- Do not trap the mains cable between the oven door and frame and do not route it over hot surfaces. Otherwise, cable

insulation may melt and cause fire as a result of short circuit.

- Any work on electrical equipment and systems should only be carried out by authorised and qualified persons.
- In case of any damage, switch off the product and disconnect it from the mains. To do this, turn off the fuse at home.
- Make sure that fuse rating is compatible with the product.

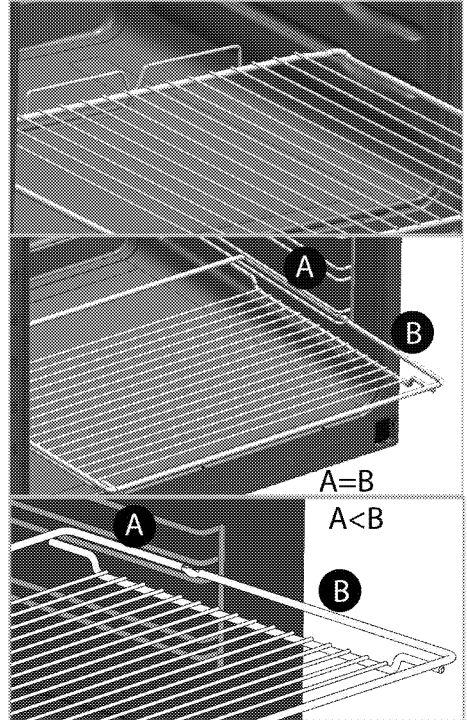
### **Product safety**

- **WARNING:** The appliance and its accessible parts become hot during use. Care should be taken to avoid touching heating elements. Children less than 8 years of age shall be kept away unless continuously supervised.
- Never use the product when your judgment or coordination is impaired by the use of alcohol and/or drugs.
- Be careful when using alcoholic drinks in your dishes. Alcohol evaporates at high temperatures and may cause fire since it can ignite when it comes into contact with hot surfaces.
- **Food Poisoning Hazard:** Do not let food sit in oven for more than 1 hour before or after cooking. Doing so can result in food poisoning or sickness.

- Do not place any flammable materials close to the product as the sides may become hot during use.
- During use the appliances becomes hot. Care should be taken to avoid touching heating elements inside the oven.
- Keep all ventilation slots clear of obstructions.
- Do not heat closed tins and glass jars in the oven. The pressure that would build-up in the tin/jar may cause it to burst.
- Do not place baking trays, dishes or aluminium foil directly onto the bottom of the oven. The heat accumulation might damage the bottom of the oven.
- Do not use harsh abrasive cleaners or sharp metal scrapers to clean the oven door glass since they can scratch the surface, which may result in shattering of the glass.
- Do not use steam cleaners to clean the appliance as this may cause an electric shock.
- (Varies depending on the product model.)

Placing the wire shelf and tray onto the wire racks properly  
 It is important to place the wire shelf and/or tray onto the rack properly. Slide the wire shelf or tray between 2 rails and make

sure that it is balanced before placing food on it (Please see the following figure).



- Do not use the product if the front door glass removed or cracked.
- Always use heat resistant oven gloves when putting in or removing dishes into/from the hot oven.
- Place the baking paper into the cooking pot or on to the oven accessory (tray, wire grill etc) together with the food and then insert all into the preheated oven. Remove the excess parts of the baking paper overflowing from the accessory or the pot in order to prevent the risk of touching the

oven's heating elements. Never use the baking paper in an operating temperature higher than the indicated value for the baking paper. Do not place the baking paper directly on the base of the oven.

- **WARNING:** Ensure that power cord of the appliance is unplugged or circuit breaker is switched off before replacing the lamp to avoid the possibility of electric shock.
- The appliance must not be installed behind a decorative door in order to avoid overheating.

Prevention against possible fire risk!

- Ensure all electrical connections are secure and tight to prevent risk of arcing.
- Do not use damaged cables or extension cables.
- Ensure liquid or moisture is not accessible to the electrical connection point.

### **Intended use**

- This product is designed for domestic use. Commercial use will void the guarantee.
- **CAUTION:** This appliance is for cooking purposes only. It must not be used for other purposes, for example room heating.
- This product should not be used for warming the plates under the grill, drying towels, dish cloths etc.

by hanging them on the oven door handles. This product should also not be used for room heating purposes.

- The manufacturer shall not be liable for any damage caused by improper use or handling errors.
- The oven can be used for defrosting, baking, roasting and grilling food.

### **Safety for children**

- **WARNING:** Accessible parts may become hot during use. Young children should be kept away.
- The packaging materials will be dangerous for children. Keep the packaging materials away from children. Please dispose of all parts of the packaging according to environmental standards.
- Electrical products are dangerous to children. Keep children away from the product when it is operating and do not allow them to play with the product.
- Do not place any items above the appliance that children may reach for.
- When the door is open, do not load any heavy object on it and do not allow children to sit on it. It may overturn or door hinges may get damaged.

## **Disposing of the old product**

### **Compliance with the WEEE Directive and Disposing of the Waste Product:**



This product complies with EU WEEE Directive (2012/19/EU). This product bears a classification symbol for waste electrical and electronic equipment (WEEE).

This product has been manufactured with high quality parts and materials which can be reused and are suitable for recycling. Do not dispose of the waste product with normal domestic and other wastes at the end of its service life. Take it to the collection center for the recycling of electrical and electronic equipment.

Please consult your local authorities to learn about these collection centers.

### **Compliance with RoHS Directive:**

The product you have purchased complies with EU RoHS Directive (2011/65/EU). It does not contain harmful and prohibited materials specified in the Directive.

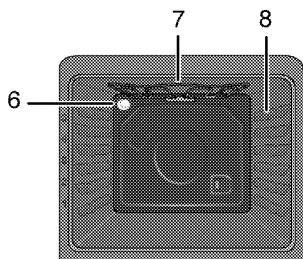
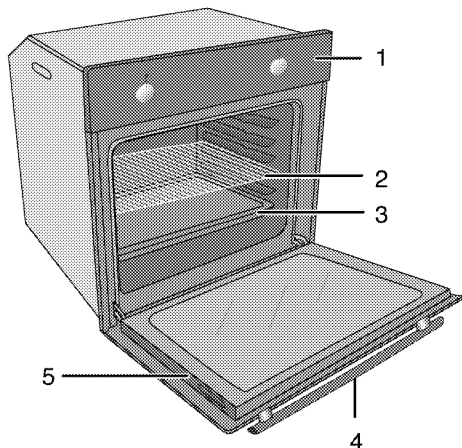
### **Package information**

- Packaging materials of the product are manufactured from recyclable materials in accordance with our National Environment Regulations. Do not dispose of the packaging materials together with the domestic or other wastes. Take them to the packaging material collection points designated by the local authorities.



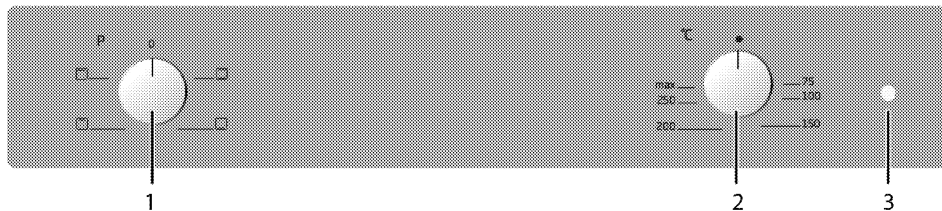
## 2 General information

### Overview



- 1 Control panel
- 2 Wire shelf
- 3 Tray
- 4 Handle

- 5 Door
- 6 Lamp
- 7 Top heating element
- 8 Shelf positions



- 1 Function knob
- 2 Thermostat knob
- 3 Thermostat lamp

## Package contents

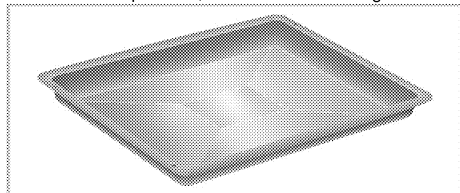


Accessories supplied can vary depending on the product model. Not every accessory described in the user manual may exist on your product.

1. **User manual**

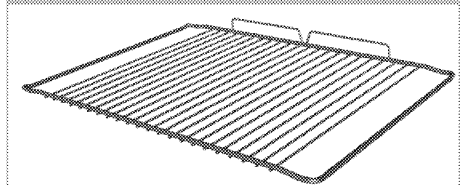
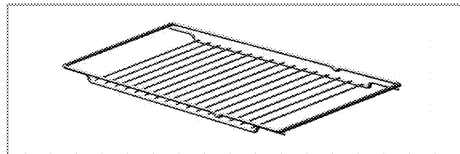
2. **Standard tray**

Used for pastries, frozen foods and big roasts.



3. **Wire grill**

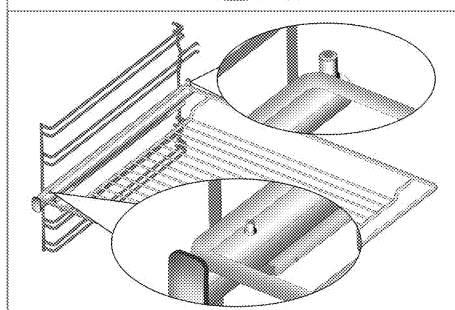
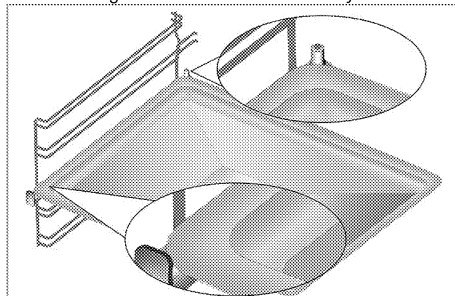
Used for roasting and for placing the food to be baked, roasted or cooked in casserole dishes to the desired rack.



4. **Placing the wire shelf and tray onto the telescopic racks properly**  
**(This feature is optional. It may not exist on your product.)**

Telescopic racks allow you to install and remove the trays and wire shelf easily.

When using the tray and wire shelf with telescopic racks, make sure that the pins at the rear section of the telescopic rack stands against the edges of the wire shelf and tray.



## Technical specifications

Voltage / frequency	220-240 V ~ 50 Hz
Total power consumption	2.4 kW
Cable type / section	min.H05W-FG 3 x 1,5 mm <sup>2</sup>
External dimensions (height / width / depth)	595 mm/594 mm/567 mm
Installation dimensions (height / width / depth)	**590 or 600 mm/560 mm/min. 550 mm
Main oven	<b>Conventional oven</b>
Inner lamp	15/25 W
Grill power consumption	2.2 kW

# Basics: Information on the energy label of electrical ovens is given in accordance with the EN 60350-1 / IEC 60350-1 standard. Those values are determined under standard load with bottom-top heater or fan assisted heating (if any) functions.

Energy efficiency class is determined in accordance with the following prioritization depending on whether the relevant functions exist on the product or not. 1-Cooking with eco-fan, 2- Turbo slow cooking, 3- Turbo cooking, 4- Fan assisted bottom/top heating, 5-Top and bottom heating.

\*\* See. *Installation, page 12.*



Technical specifications may be changed without prior notice to improve the quality of the product.



Figures in this manual are schematic and may not exactly match your product.



Values stated on the product labels or in the documentation accompanying it are obtained in laboratory conditions in accordance with relevant standards. Depending on operational and environmental conditions of the product, these values may vary.

### 3 Installation

Product must be installed by a qualified person in accordance with the regulations in force. The manufacturer shall not be held responsible for damages arising from procedures carried out by unauthorized persons which may also void the warranty.



Preparation of location and electrical installation for the product is under customer's responsibility.



**DANGER:**

The product must be installed in accordance with all local electrical regulations.



**DANGER:**

Prior to installation, visually check if the product has any defects on it. If so, do not have it installed.

Damaged products cause risks for your safety.

#### Before installation

The appliances must not be installed behind a decorative door in order to avoid overheating. The appliance is intended for installation in commercially available kitchen cabinets. A safety distance must be left between the appliance and the kitchen walls and furniture. See figure (values in mm).

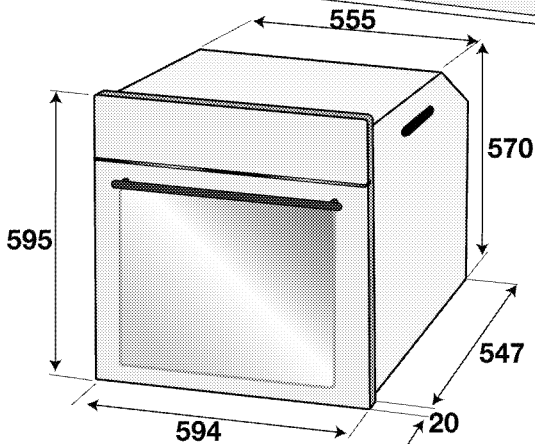
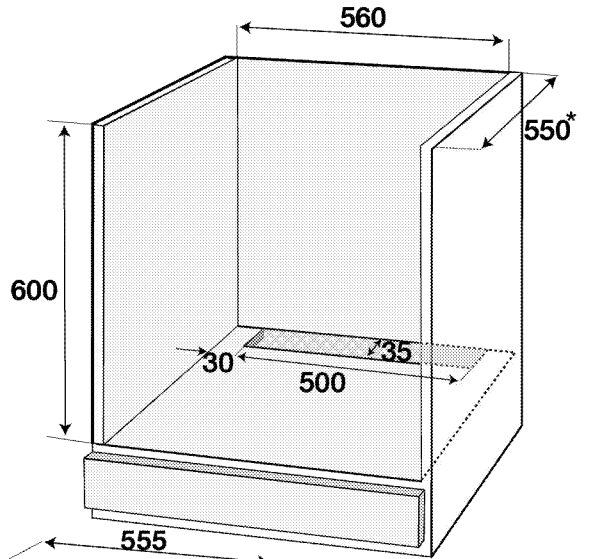
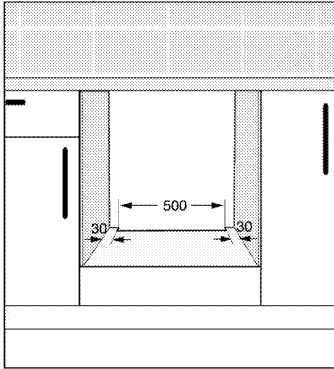
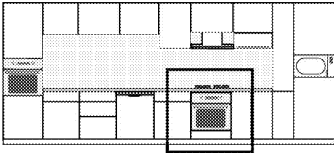
- Surfaces, synthetic laminates and adhesives used must be heat resistant (100 °C minimum).
- Kitchen cabinets must be set level and fixed.
- If there is a drawer beneath the oven, a shelf must be installed in order to separate from the oven and drawer.
- Carry the appliance with at least two persons.
- Hold the oven from the slots for handling on both sides to move it.
- Before installing the product, remove all materials and documents inside.
- Kitchen furniture must be in compliance with the dimensions given in the figure below. At the rear section of the kitchen furniture, an opening must be cut out with the dimensions given in the figure below to ensure sufficient ventilation.



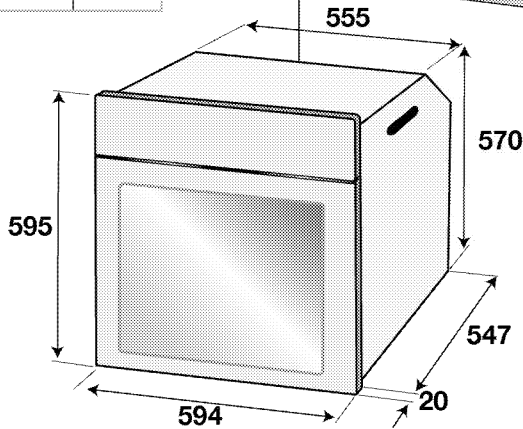
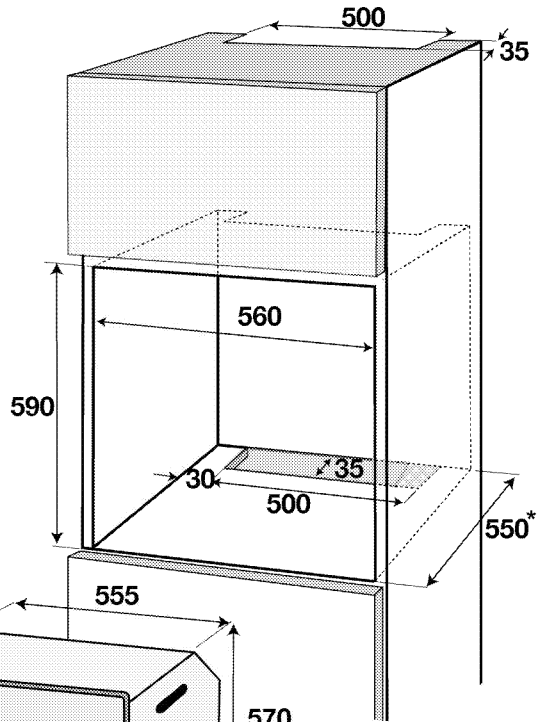
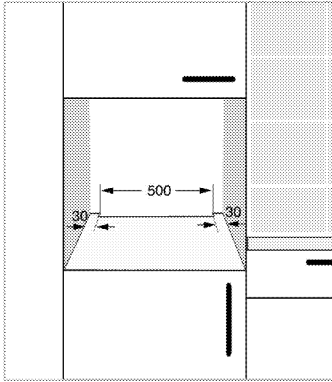
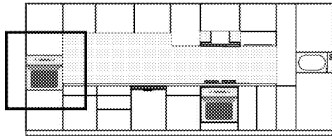
Do not install the appliance next to refrigerators or freezers. The heat emitted by the appliance will lead to an increased energy consumption of cooling appliances.



The door and/or handle must not be used for lifting or moving the appliance.



\* min.



\* min.

### Installation and connection

- The product must be installed in accordance with all local gas and electrical regulations.

#### Electrical connection

Connect the product to a grounded outlet/line protected by a miniature circuit breaker of suitable capacity as stated in the "Technical specifications" table. Have the grounding installation made by a qualified electrician while using the product with or without a transformer. Our company shall not be liable for any damages that will arise due to using the

product without a grounding installation in accordance with the local regulations.



#### DANGER:

The product must be connected to the mains supply only by an authorised and qualified person. The product's warranty period starts only after correct installation. Manufacturer shall not be held responsible for damages arising from procedures carried out by unauthorised persons.

**DANGER:**

The power cable must not be clamped, bent or trapped or come into contact with hot parts of the product.

A damaged power cable must be replaced by a qualified electrician. Otherwise, there is risk of electric shock, short circuit or fire!

- Connection must comply with national regulations.
- The mains supply data must correspond to the data specified on the type label of the product. Open the front door to see the type label.
- Power cable of your product must comply with the values in "Technical specifications" table.

**DANGER:**

Before starting any work on the electrical installation, disconnect the product from the mains supply.

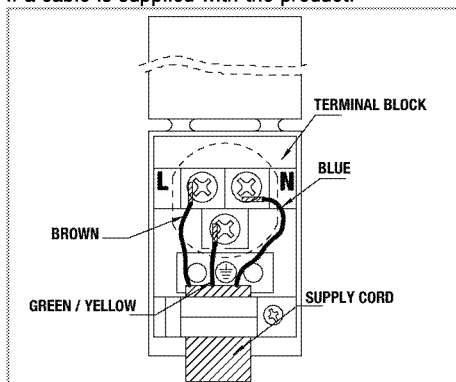
There is the risk of electric shock!

**Connecting the power cable**

While performing the wiring, you must apply with the national/local electrical regulations and must use the appropriate socket outlet/line and plug for oven. In case of the product's power limits are out of current carrying capability of plug and socket outlet/line, the product must be connected through fixed electrical installation directly without using plug and socket outlet/line.

1. If it is not possible to disconnect all poles in the supply power, a disconnection unit with at least 3 mm contact clearance (fuses, line safety switches, contactors) must be connected and all the poles of this disconnection unit must be adjacent to (not above) the product in accordance with IEE directives. Failure to obey this instruction may cause operational problems and invalidate the product warranty.

Additional protection by a residual current circuit breaker is recommended.

**If a cable is supplied with the product:**

2. **For single-phase connection**, connect the wires as identified below:

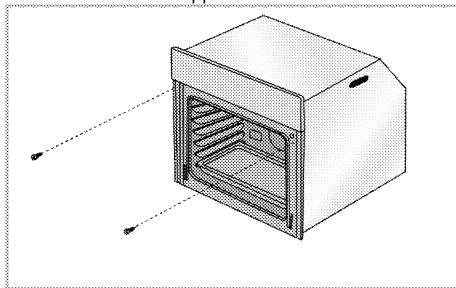
- Brown/Black cable = L (Phase)
- Blue/Grey cable = N (Neutral)
- Green/yellow cable = (E) (Ground)

» or

- Grey/Black cable = L (Phase)
- Blue/Brown cable = N (Neutral)
- Green/yellow cable = (E) (Ground)

**Installing the product**

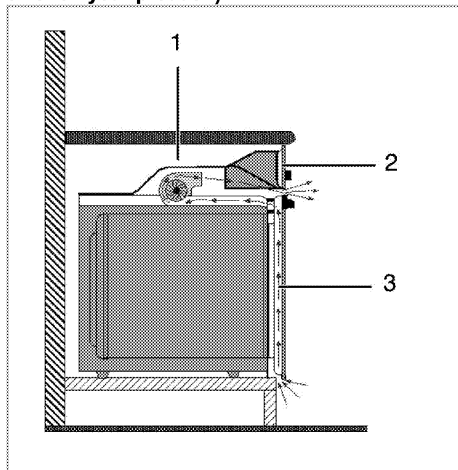
1. Slide the oven into the cabinet, align and secure it while making sure that the power cable is not broken and/or trapped.



Secure the oven with 2 screws as illustrated.

After the installation, make sure that the screws are sufficiently tightened and the oven does not move. Oven may tip over during use if it is not installed as per the instructions and if the screws are not sufficiently tightened.

**For products with cooling fan (This may not exist on your product.)**



- 1 Cooling fan
- 2 Control panel
- 3 Door

The built-in cooling fan cools both the built-in cabinet and the front of the product.



Cooling fan continues to operate for about 20-30 minutes after the oven is switched off.

**Final check**

1. Operate the product.
2. Check the functions.

**Future Transportation**

- Keep the product's original carton and transport the product in it. Follow the instructions on the carton. If you do not have the original carton, pack the product in bubble wrap or thick cardboard and tape it securely.
- To prevent the wire grill and tray inside the oven from damaging the oven door, place a strip of cardboard onto the inside of the oven door that lines up with the position of the trays. Tape the oven door to the side walls.
- Do not use the door or handle to lift or move the product.



Do not place any objects onto the product and move it in upright position.



Check the general appearance of your product for any damages that might have occurred during transportation.



## 4 Preparation

### Tips for saving energy

The following information will help you to use your appliance in an ecological way, and to save energy:

- Use dark coloured or enamel coated cookware in the oven since the heat transmission will be better.
- While cooking your dishes, perform a preheating operation if it is advised in the user manual or cooking instructions.
- Do not open the door of the oven frequently during cooking.
- Try to cook more than one dish in the oven at the same time whenever possible. You can cook by placing two cooking vessels onto the wire shelf.
- Cook more than one dish one after another. The oven will already be hot.
- You can save energy by switching off your oven a few minutes before the end of the cooking time. Do not open the oven door.
- Defrost frozen dishes before cooking them.

### Initial use

#### First cleaning of the appliance



The surface might get damaged by some detergents or cleaning materials.

Do not use aggressive detergents, cleaning powders/creams or any sharp objects during cleaning.

Do not use harsh abrasive cleaners or sharp metal scrapers to clean the oven door glass since they can scratch the surface, which may result in shattering of the glass.

1. Remove all packaging materials.
2. Wipe the surfaces of the appliance with a damp cloth or sponge and dry with a cloth.

### Initial heating

Heat up the product for about 30 minutes and then switch it off. Thus, any production residues or layers will be burnt off and removed.



#### WARNING

Hot surfaces cause burns!

Product may be hot when it is in use. Never touch the hot burners, inner sections of the oven, heaters and etc. Keep children away. Always use heat resistant oven gloves when putting in or removing dishes into/from the hot oven.

### Electric oven

1. Take all baking trays and the wire grill out of the oven.
2. Close the oven door.
3. Select Static position.
4. Select the highest oven power; See *How to operate the electric oven, page 18*.
5. Operate the oven for about 30 minutes.
6. Turn off your oven; See *How to operate the electric oven, page 18*

### Grill oven

1. Take all baking trays and the wire grill out of the oven.
2. Close the oven door.
3. Select the highest grill power; see *How to operate the grill, page 20*.
4. Operate the grill about 15 minutes.
5. Turn off your grill; see *How to operate the grill, page 20*



Smoke and smell may emit for a couple of hours during the initial operation. This is quite normal. Ensure that the room is well ventilated to remove the smoke and smell. Avoid directly inhaling the smoke and the smell that emits.

## 5 How to operate the oven

### General information on baking, roasting and grilling



#### WARNING

Hot surfaces cause burns!  
Product may be hot when it is in use. Never touch the hot burners, inner sections of the oven, heaters and etc. Keep children away. Always use heat resistant oven gloves when putting in or removing dishes into/from the hot oven.



#### DANGER:

Be careful when opening the oven door as steam may escape.  
Exiting steam can scald your hands, face and/or eyes.

#### Tips for baking

- Use non-sticky coated appropriate metal plates or aluminum vessels or heat-resistant silicone moulds.
- Make best use of the space on the rack.
- Place the baking mould in the middle of the shelf.
- Select the correct rack position before turning the oven or grill on. Do not change the rack position when the oven is hot.
- Keep the oven door closed.

#### Tips for roasting

- Treating whole chicken, turkey and large piece of meat with dressings such as lemon juice and black pepper before cooking will increase the cooking performance.
- It takes about 15 to 30 minutes longer to roast meat with bones when compared to roasting the same size of meat without bones.
- Each centimeter of meat thickness requires approximately 4 to 5 minutes of cooking time.
- Let meat rest in the oven for about 10 minutes after the cooking time is over. The juice is better distributed all over the roast and does not run out when the meat is cut.
- Fish should be placed on the middle or lower rack in a heat-resistant plate.

#### Tips for grilling

When meat, fish and poultry are grilled, they quickly get brown, have a nice crust and do not get dry. Flat pieces, meat skewers and sausages are particularly

suitable for grilling as are vegetables with high water content such as tomatoes and onions.

- Distribute the pieces to be grilled on the wire shelf or in the baking tray with wire shelf in such a way that the space covered does not exceed the size of the heater.
- Slide the wire shelf or baking tray with grill into the desired level in the oven. If you are grilling on the wire shelf, slide the baking tray to the lower rack to collect fats. Add some water in the tray for easy cleaning.

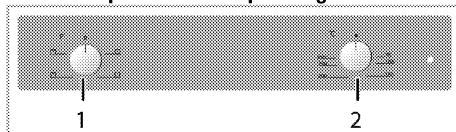


Foods that are not suitable for grilling carry the risk of fire. Only grill food which is suitable for intensive grilling heat.

Do not place the food too far in the back of the grill. This is the hottest area and fatty food may catch fire.

### How to operate the electric oven

#### Select temperature and operating mode



- 1 Function knob
- 2 Thermostat knob

1. Set the Function knob to the desired operating mode.
2. Set the Temperature knob to the desired temperature.

» Oven heats up to the adjusted temperature and maintains it. During heating, temperature lamp stays on.

#### Switching off the electric oven

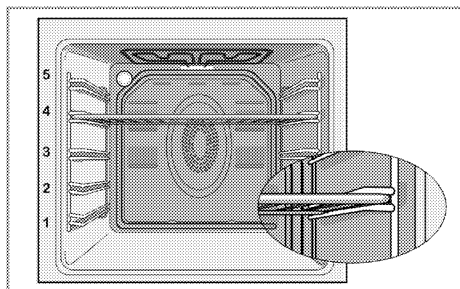
Turn the function knob and temperature knob to off (upper) position.

#### Rack positions (For models with wire shelf)

It is important to place the wire shelf onto the side rack correctly. Wire shelf must be inserted between the side racks as illustrated in the figure.

Do not let the wire shelf stand against the rear wall of the oven. Slide your wire shelf to the front section of the rack and settle it with the help of the door in order to obtain a good grill performance.

(Varies depending on the product model.)



## Operating modes

The order of operating modes shown here may be different from the arrangement on your product.

### Top and bottom heating



Top and bottom heating are in operation. Food is heated simultaneously from the top and bottom. For example, it is suitable for cakes, pastries, or cakes and casseroles in baking moulds. Cook with one tray only.

### Bottom heating



Only bottom heating is in operation. It is suitable for pizza and for subsequent browning of food from the bottom.



This function must be used for easy steam cleaning as well.

### Grill



Small grill at the ceiling of the oven is in operation. Suitable for grilling.

- Put small or medium-sized portions in correct shelf position under the grill heater for grilling.
- Turn the food after half of the grilling time.

### Full grill



Large grill at the ceiling of the oven is in operation. It is suitable for grilling large amount of meat.

- Put big or medium-sized portions in correct rack position under the grill heater for grilling.
- Turn the food after half of the grilling time.

## Cooking times table







The timings in this chart are meant as a guide. Timings may vary due to temperature of food, thickness, type and your own preference of cooking.

## Baking and roasting







1st rack of the oven is the **bottom** rack.

Dish	Cooking level number	Accessory to use	Operating mode	Rack position	Temperature (°C)	Cooking time (approx. in min.)
Cakes in tray	One level	Standard tray*		3	180	25 ... 30
Cakes in mould	One level	Cake mold on wire grill**		2	180	40 ... 50
Small cakes	One level	Standard tray*		3	160	25 ... 35
Sponge cake	One level	Round springform pan with a diameter of 26 cm on wire grill**		3	160	25 ... 35
Cookies	One level	Pastry tray*		3	180	25 ... 30
Dough pastry	One level	Standard tray*		2	200	30 ... 40
Rich pastry	One level	Standard tray*		2	200	25 ... 35
Leaven	One level	Standard tray*		2	200	35 ... 45
Lasagna	One level	Glass/metal rectangular pan on wire grill**		2 - 3	200	30 ... 40
Pizza	One level	Standard tray*		2	200 ... 220	15 ... 20
Beef steak (whole) / Roast	One level	Standard tray*		2	25 min. 250/max. then	100 ... 120

					180 ... 190	
Leg of Lamb (casserole)	One level	Standard tray*		2	25 min. 220 then 190	70 ... 90
Roasted chicken (1,8-2 Kg)	One level	Standard tray*		2	15 min. 250/max, then 190	70 ... 90
Turkey (5.5 kg)	One level	Standard tray*		1	25 min. 250/max, then 190	150 ... 210
Fish	One level	Standard tray*		3	200	20 ... 30
<p>It is suggested to perform preheating for all foods.  * These accessories may not be supplied with the product.  ** These accessories are not supplied with the product. They are commercially available accessories.</p>						

### Cooking table for test meals

Meals in this cooking table are prepared according to EN 60350-1 to make it easier for control institutes to test the product

Dish	Cooking level number	Accessory to use	Operating mode	Rack position	Temperature (°C)	Cooking time (approx. in min.)
Shortbread	One level	Standard tray*		3	140	20 ... 30
Small cakes	One level	Standard tray*		3	160	25 ... 35
Sponge cake	One level	Round springform pan with a diameter of 26 cm on wire grill**		3	160	25 ... 35
Apple pie	One level	Round black metal dish with a diameter of 20 cm on wire grill**		2	180	50 ... 60
<p>It is suggested to perform preheating for all foods.  * These accessories may not be supplied with the product.  ** These accessories are not supplied with the product. They are commercially available accessories.</p>						


### Tips for baking cake

- If the cake is too dry, increase the temperature by 10°C and decrease the cooking time.
- If the cake is wet, use less liquid or lower the temperature by 10°C.
- If the cake is too dark on top, place it on a lower rack, lower the temperature and increase the cooking time.
- If cooked well on the inside but sticky on the outside use less liquid, lower the temperature and increase the cooking time.

### Tips for baking pastry

- If the pastry is too dry, increase the temperature by 10°C and decrease the cooking time. Dampen the layers of dough with a sauce composed of milk, oil, egg and yoghurt.
- If the pastry takes too long to bake, pay care that the thickness of the pastry you have prepared does not exceed the depth of the tray.
- If the upper side of the pastry gets browned, but the lower part is not cooked, make sure that the amount of sauce you have used for the pastry is not too much at the bottom of the pastry. Try to scatter the sauce equally between the dough

layers and on the top of pastry for an even browning.




Cook the pastry in accordance with the mode and temperature given in the cooking table. If the bottom part is still not browned enough, place it on one lower rack next time.

### Tips for cooking vegetables

- If the vegetable dish runs out of juice and gets too dry, cook it in a pan with a lid instead of a tray. Closed vessels will preserve the juice of the dish.
- If a vegetable dish does not get cooked, boil the vegetables beforehand or prepare them like canned food and put in the oven.

### How to operate the grill



**WARNING**  
Close oven door during grilling.  
Hot surfaces may cause burns!

### Switching on the grill

1. Turn the Function knob to the desired grill symbol.
2. Then, select the desired grilling temperature.

3. If required, perform a preheating of about 5 minutes.

» Temperature light turns on.

### Switching off the grill

1. Turn the Function knob to Off (top) position.



Foods that are not suitable for grilling carry the risk of fire. Only grill food which is suitable for intensive grilling heat.

Do not place the food too far in the back of the grill. This is the hottest area and fatty food may catch fire.

## Cooking times table for grilling

### Grilling with electric grill

Food	Accessory to use	Rack position	Recommended temperature (°C)**	Cooking time (approx. in min.)
Fish	Wire grill	4..5	250	20..25 min. #
Sliced chicken	Wire grill	4..5	250	25..35 min.
Lamb chops	Wire grill	4..5	250	20..25 min.
Roast beef	Wire grill	4..5	250	25..30 min. #
Veal chops	Wire grill	4..5	250	25..30 min. #
Toast bread*	Wire grill	4	250	1..3 min.

\*depending on thickness

\*Preheat for 5 minutes

\*\*If the grill temperature of your product cannot be adjusted, the grill will work at the recommended temperature.

Meals in this cooking table are prepared according to EN 60350-1 to make it easier for control institutes to test the product

Food	Accessory to use	Rack position	Temperature (°C)	Cooking time (approx. in min.)
Toast bread	Wire grill	4	250	1..3 min.
Meatballs (beef) - 12 pieces	Wire grill	4	250	25..35 min.


Turn the food after 2/3 of the total grilling time.


It is suggested to perform 5 minutes preheating for all foods broiling.

## 6 Maintenance and care


### General information


Service life of the product will extend and the possibility of problems will decrease if the product is cleaned at regular intervals.

 **DANGER:**  
Disconnect the product from mains supply before starting maintenance and cleaning works.  
There is the risk of electric shock!

 **DANGER:**  
Allow the product to cool down before you clean it.  
Hot surfaces may cause burns!


- Clean the product thoroughly after each use. In this way it will be possible to remove cooking residues more easily, thus avoiding these from burning the next time the appliance is used.
- No special cleaning agents are required for cleaning the product. Use warm water with washing liquid, a soft cloth or sponge to clean the product and wipe it with a dry cloth.
- Always ensure any excess liquid is thoroughly wiped off after cleaning and any spillage is immediately wiped dry.
- Do not use cleaning agents that contain acid or chloride to clean the stainless or inox surfaces and the handle. Use a soft cloth with a liquid detergent (not abrasive) to wipe those parts clean, paying attention to sweep in one direction.

 The surface might get damaged by some detergents or cleaning materials.  
Do not use aggressive detergents, cleaning powders/creams or any sharp objects during cleaning.  
Do not use harsh abrasive cleaners or sharp metal scrapers to clean the oven door glass since they can scratch the surface, which may result in shattering of the glass.

 Do not use steam cleaners to clean the appliance as this may cause an electric shock.

### Cleaning the control panel

Clean the control panel and knobs with a damp cloth and wipe them dry.

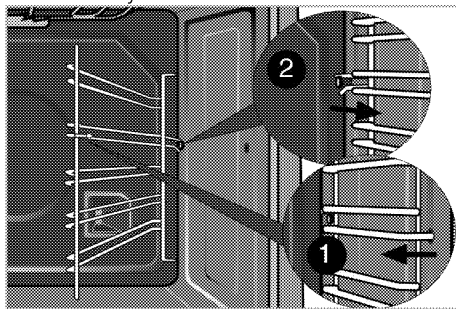
 If your product is equipped with buttons/knobs do not remove the control buttons/knobs to clean the control panel.  
Control panel may get damaged!

### Cleaning the oven

To clean the side wall (Varies depending on the product model.)

(This feature is optional. It may not exist on your product.)

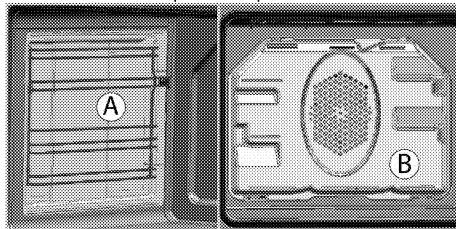
1. Remove the front section of the side rack by pulling it in the opposite direction of the side wall.
2. Remove the side rack completely by pulling it towards you.



### Catalytic walls

(This feature is optional. It may not exist on your product.)

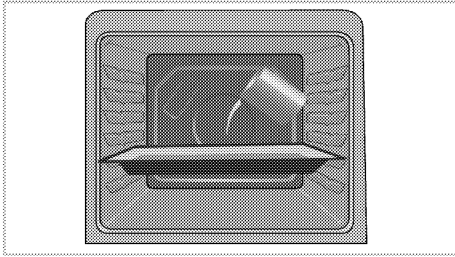
The inner side walls (A) and/or the rear wall (B) of your product may be coated with catalytic enamel. Catalytic walls have a light matte colour and a porous surface. Catalytic walls of the oven should not be cleaned. Thanks to their perforated structure, catalytic surfaces absorb grease and once the surface is filled with grease, they start to shine. In this case, it is recommended to replace the parts.



### Easy Steam Cleaning

It ensures easy cleaning because the dirt (having waited not for too long) is softened with the steam that forms inside the oven and the water drops condensing on the inner surfaces of the oven.

1. Remove all accessories inside the oven.
2. Pour 500 ml of water into the oven tray and place the tray at the 2nd rack of the oven.



3. Set the oven to easy steam cleaning mode and run at 100°C for 25 minutes.
4. Open the door and wipe the inner surfaces of the oven with a damp sponge or cloth.
5. Use warm water with washing liquid, a soft cloth or sponge to clean the persistent dirt and wipe it with a dry cloth.



During the easy steam cleaning mode, water that is placed in the tray to soften lightly formed residues/dirt within the oven cavity will evaporate and condense in the oven cavity and inner glass of the oven door, therefore water may drip when the oven door is opened. Wipe away the condensation as soon as the oven door is opened.

### Clean oven door

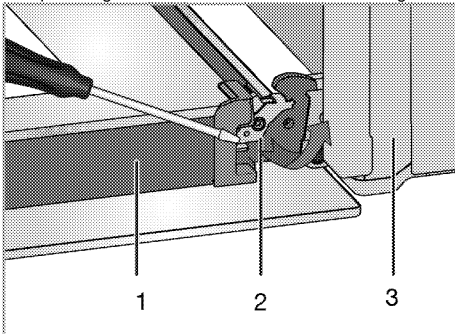
To clean the oven door, use warm water with washing liquid, a soft cloth or sponge to clean the product and wipe it with a dry cloth.



Don't use any harsh abrasive cleaners or sharp metal scrapers for cleaning the oven door. They could scratch the surface and destroy the glass.

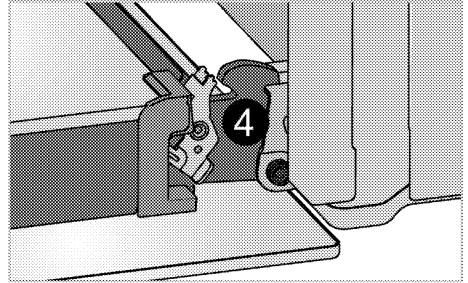
### Removing the oven door

1. Open the front door (1).
2. Open the clips at the hinge housing (2) on the right and left hand sides of the front door by pressing them down as illustrated in the figure.

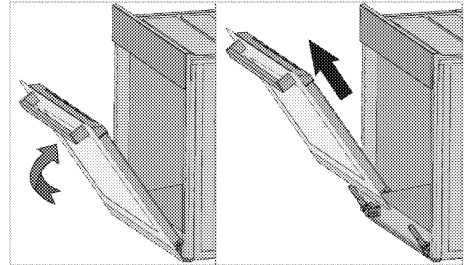


1 Door

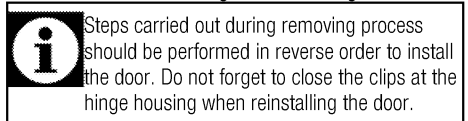
- 2 Hinge lock(closed position)
- 3 Oven
- 4 Hinge lock(open position)



3. Move the front door to half-way.



4. Remove the front door by pulling it upwards to release it from the right and left hinges.

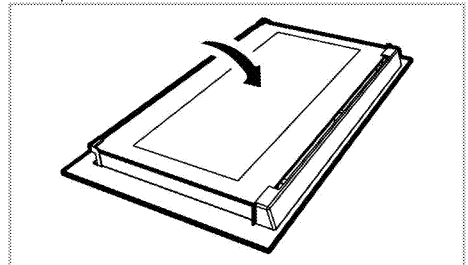


### Removing the door inner glass

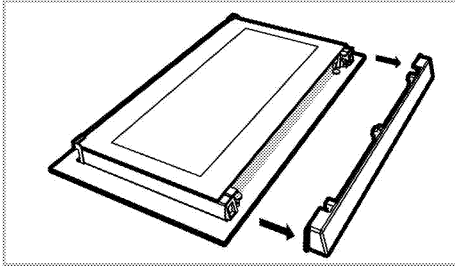
(This feature is optional. It may not exist on your product.)

The inner glass panel of the oven door can be removed for cleaning.

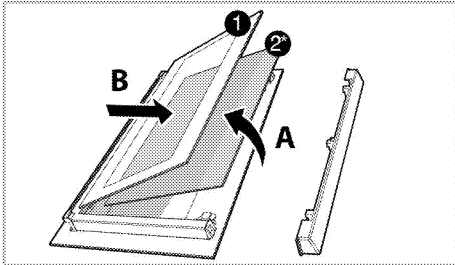
1. Open the oven door.



2. Pull towards yourself and remove the plastic part installed to upper section of the front door.



3. As illustrated in figure, raise the innermost glass panel (1) slightly in direction **A** and pull it out in direction **B**.



- 1 Innermost glass panel
- 2\* Inner glass panel (This may not exist on your product).
4. If your product is equipped with an inner glass panel; repeat the same procedure to remove the inner glass panel (2).
5. The first step to regroup the door is reinstalling inner glass panel (2). Place the chamfered corner of the glass panel so that it will rest in the chamfered corner of the plastic slot. (If your product is equipped with an inner glass panel). Inner glass panel (2) must be installed into the plastic slot close the innermost glass panel (1).
6. When installing the innermost glass panel (1), make sure that the printed side of the panel faces towards the inner glass panel. It is important to seat lower corner of innermost glass panel (1) into the lower plastic slot.
7. Push the plastic part towards the frame until you hear a "click".

## Replacing the oven lamp



### DANGER:

Before replacing the oven lamp, make sure that the product is disconnected from mains and cooled down in order to avoid the risk of an electrical shock.

Hot surfaces may cause burns!



In this oven, an incandescent lamp with a power of less than 40 W, a height of less than 60 mm, a diameter of less than 30 mm or a halogen lamp with socket type G9, a power of less than 60 W is used. The lamps are suitable for operation at temperatures above 300 °C. Oven lamps can be obtained from Authorised Service Agents or technician with licence.



Position of lamp might vary from the figure.



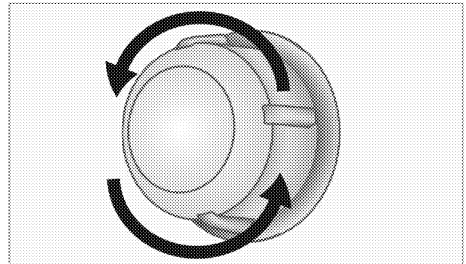
The lamp used in this appliance is not suitable for household room illumination. The intended purpose of this lamp is to assist the user to see foodstuffs.



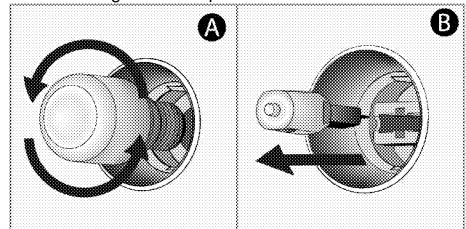
The lamps used in this appliance have to withstand extreme physical conditions such as temperatures above 50 °C.

### If your oven is equipped with a round lamp:

1. Disconnect the product from mains.
2. Turn the glass cover counter clockwise to remove it.



3. If your oven lamp is of type (A) shown in the figure below, remove it by rotating as shown and replace it. If it is of type (B), pull and remove it as shown in the figure and replace it.



4. Install the glass cover.



## 7 Troubleshooting

### **Oven emits steam when it is in use.**

- It is normal that steam escapes during operation. >>> *This is not a fault.*

### **Product emits metal noises while heating and cooling.**

- When the metal parts are heated, they may expand and cause noise. >>> *This is not a fault.*

### **Product does not operate.**

- The mains fuse is defective or has tripped. >>> *Check fuses in the fuse box. If necessary, replace or reset them.*
- Product is not plugged into the (grounded) socket. >>> *Check the plug connection.*

### **Oven light does not work.**

- Oven lamp is defective. >>> *Replace oven lamp.*
- Power is cut. >>> *Check if there is power. Check the fuses in the fuse box. If necessary, replace or reset the fuses.*

### **Oven does not heat.**

- Might not be set to a certain cooking function and/or temperature. >>> *Set the oven to a certain cooking function and/or temperature.*
- Power is cut. >>> *Check if there is power. Check the fuses in the fuse box. If necessary, replace or reset the fuses.*



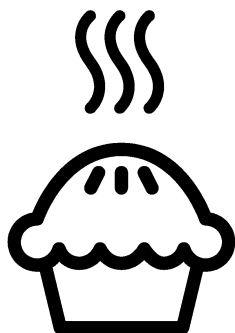
Consult the Authorised Service Agent or technician with licence or the dealer where you have purchased the product if you can not remedy the trouble although you have implemented the instructions in this section. Never attempt to repair a defective product yourself.





**Встраиваемая духовка**

**Руководство пользователя**



**RU**

## Перед началом эксплуатации прочитайте это руководство пользователя!

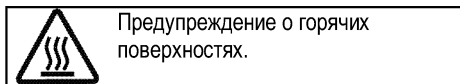
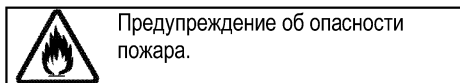
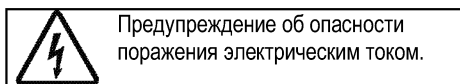
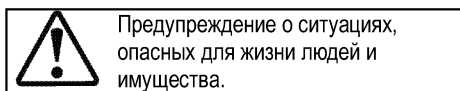
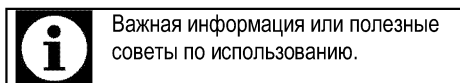
Уважаемый покупатель!

Спасибо за то, что отдали предпочтение продукции компании «Веко». Надеемся, что это высококачественное изделие, изготовленное с применением самых современных технологий, будет демонстрировать наилучшие результаты эксплуатации. Для этого перед началом эксплуатации внимательно прочитайте это руководство и всю сопутствующую документацию и используйте его в дальнейшем в качестве справочника. Если вы передаете изделие новому владельцу, передайте ему и руководство пользователя. Придерживайтесь всех предупреждений и информации, содержащихся в руководстве.

Помните, что данное руководство пользователя также может быть применимо к некоторым другим моделям. Различия между моделями будут указаны в руководстве.

### Пояснения к символам

В данном руководстве пользователя используются следующие символы:



**Производитель: компания Арчелик (Arcelik A.S.)**  
**Юридический адрес: Караач Джадеси № 2-6 34445**  
**Сюглюдже/Стамбул/Турция**



**Произведено в Турции**

<b><u>1</u></b>	<b><u>Важные инструкции и предупреждения по технике безопасности и охране окружающей среды</u></b>	<b><u>4</u></b>
	Общие правила техники безопасности.....	4
	Электробезопасность.....	5
	Безопасность изделия.....	6
	Использование по назначению.....	8
	Безопасность детей.....	9
	Утилизация старого изделия.....	9
	Утилизация упаковочных материалов.....	9
<b><u>2</u></b>	<b><u>Общие сведения</u></b>	<b><u>10</u></b>
	Обзор.....	10
	Содержание упаковки.....	11
	Технические характеристики.....	12
<b><u>3</u></b>	<b><u>Установка</u></b>	<b><u>13</u></b>
	До начала установки.....	13
	Установка и подключение.....	15
	Для будущей транспортировки.....	17
<b><u>4</u></b>	<b><u>Подготовка к эксплуатации</u></b>	<b><u>18</u></b>
	Рекомендации по экономии электроэнергии.....	18
	Подготовка к эксплуатации.....	18
	Очистка прибора перед началом эксплуатации.....	18
	Первоначальный прогрев.....	18
<b><u>5</u></b>	<b><u>Правила эксплуатации духовки</u></b>	<b><u>19</u></b>
	Общие сведения о выпекании, жарении и приготовлении с грилем.....	19
	Правила эксплуатации электрической духовки.....	20
	Режимы работы.....	20
	Время приготовления блюд.....	21
	Как пользоваться грилем.....	23
	Время приготовления блюд на гриле.....	23
<b><u>6</u></b>	<b><u>Уход и техническое обслуживание</u></b>	<b><u>24</u></b>
	Общие сведения.....	24
	Чистка панели управления.....	24
	Чистка духовки.....	24
	Снятие дверцы духового шкафа.....	25
	Снятие внутреннего стекла дверцы.....	26
	Замена лампочки освещения духового шкафа.....	26
<b><u>7</u></b>	<b><u>Поиск и устранение неисправностей</u></b>	<b><u>28</u></b>

## **1 Важные инструкции и предупреждения по технике безопасности и охране окружающей среды**

В данном разделе содержатся инструкции по технике безопасности, которые помогут вам избежать травм и повреждений. При несоблюдении этих правил все гарантийные обязательства аннулируются. Общие правила техники безопасности

- Это изделие может эксплуатироваться детьми старше 8 лет и людьми с ограниченными физическими, сенсорными или умственными способностями, а также лицами, не имеющими достаточного опыта и знаний, только в том случае, если они находятся под наблюдением лиц, ответственных за их безопасность, или проинструктированы на предмет безопасного использования изделия и осознают связанные с этим риски.  
Следите за тем, чтобы дети не играли с устройством. Дети могут чистить и обслуживать устройство только под наблюдением.
- Прибор не должен использоваться лицами

(включая детей) с ограниченными физическими, сенсорными или умственными способностями или недостатком опыта и знаний, за исключением случаев, когда использование происходит под непосредственным контролем или в соответствии с указаниями.

Следите за детьми, чтобы они не играли с прибором.

- В случае передачи изделия третьему лицу в личное пользование или в целях вторичного использования необходимо также передать руководство пользователя, наклейки изделия, а также другие связанные с ним документы и компоненты.
- Работы по установке и ремонту должны выполняться только представителями авторизованной сервисной службы. Производитель не несет ответственности за повреждения в результате выполнения работ лицами, не имеющими соответствующей квалификации. Это также может привести к аннулированию гарантии.

Перед установкой внимательно прочтите инструкции.

- Не пользуйтесь неисправным изделием, а также при наличии на нем заметных повреждений.
- Проверяйте, чтобы после каждого использования переключатели функций изделия были выключены.

#### Электробезопасность

- В случае неисправности следует прекратить эксплуатацию изделия, пока оно не будет отремонтировано в авторизованном сервисном центре. Существует риск поражения электрическим током!
- Изделие можно подключать только к заземленной розетке/линии, напряжение и уровень защиты которой соответствуют параметрам, указанным в разделе «Технические характеристики». Установку заземления должен выполнять квалифицированный специалист (при использовании прибора с трансформатором или без него). Наша компания не несет ответственности за какие-либо проблемы, возникшие вследствие использования

изделия без заземления, выполненного в соответствии с местными нормами и правилами.

- Никогда не лейте воду на изделие во время мытья! Существует риск поражения электрическим током!
- Прежде чем приступить к установке, техническому обслуживанию, чистке и ремонту, изделие необходимо отключить от электросети.
- Во избежание несчастных случаев при повреждении кабеля питания его замену должен выполнять производитель, его специалист по сервису или лицо, имеющее аналогичную квалификацию.
- Электроприбор следует устанавливать таким образом, чтобы его можно было полностью отсоединить от сети электропитания. Отсоединение должно осуществляться с помощью штепсельной вилки или выключателя, встроенного в фиксированную сеть электропитания, в соответствии со строительными нормативами и правилами.
- Задняя стенка духового шкафа во время работы сильно

нагревается. Следите за тем, электрические провода не соприкасались с задней стенкой, так как это может привести к их повреждению.

- Следите за тем, чтобы шнур питания не был зажат между рамой и дверцей духового шкафа, и не прокладывайте его по горячим поверхностям. В противном случае изоляция кабеля может расплавиться, что приведет к короткому замыканию и пожару.
- Все работы с электрическим оборудованием и системами должны выполняться только квалифицированными специалистами, допущенными к выполнению таких работ.
- В случае какого-либо повреждения выключите прибор и отсоедините его от электросети. Для этого выключите общий предохранитель в доме.
- Проверьте, соответствуют ли изделию номинальные характеристики предохранителя.

Безопасность изделия

- **ВНИМАНИЕ:** Данное изделие и его внешние части нагреваются в процессе использования. Будьте осторожны, не касайтесь

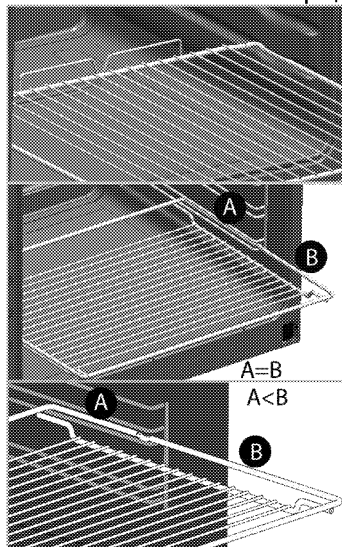
нагревательных элементов. Детей младше 8 лет следует допускать к духовому шкафу только под постоянным присмотром взрослых.

- Не пользуйтесь прибором, находясь под воздействием алкоголя или лекарственных препаратов, снижающих скорость реакции или нарушающих координацию движений.
- Будьте осторожны при использовании спиртных напитков в приготавливаемых блюдах. При высокой температуре спирт испаряется и при соприкосновении с горячими поверхностями может загореться и вызвать пожар.
- Не располагайте рядом с прибором легковоспламеняющиеся материалы, так как во время работы его боковые поверхности могут сильно нагреваться.
- Во время работы устройство может нагреваться. Будьте осторожны, не касайтесь нагревательных элементов внутри духового шкафа.
- Следите за тем, чтобы вентиляционные отверстия были полностью открыты.



- Не разогревайте в духовом шкафу продукты в закрытых жестяных или стеклянных банках. Внутри банок может повыситься давление, что приведет к взрыву.
- Не ставьте противни или посуду непосредственно на дно духового шкафа, а также не кладите на него алюминиевую фольгу. Избыточное тепло может привести к повреждению дна духового шкафа.
- Не используйте для чистки стеклянной дверцы духового шкафа грубые абразивные чистящие средства или острые металлические скребки, чтобы не поцарапать поверхность, поскольку это может привести к разрушению стекла.
- Не используйте для чистки устройства пароочистители, поскольку это может привести к поражению электрическим током.
- (Может отличаться в зависимости от модели изделия.)  
Правильное расположение проволочной решетки и противня на направляющих  
Проволочную решетку и/или противень следует правильно устанавливать на

направляющие. Вставьте проволочную решетку или противень между 2 направляющими и проверьте, устойчиво ли держится решетка или противень (см. рисунок). Только после этого можно класть на них продукты.



- Не пользуйтесь духовым шкафом, если стекло в передней дверце потрескалось или вынуто.
- Помещая продукты в горячий духовой шкаф или вынимая их оттуда, обязательно пользуйтесь термостойкими рукавицами.
- Положите бумагу для выстилания пекарных форм в горшок для варки или на противень, решетку и т.д. вместе с приготавливаемыми

пищевыми продуктами, и поместите все в предварительно нагретую печь. Удалите излишки бумаги, выступающие за пределы противня или горшка, чтобы они не смогли соприкоснуться с нагревательными элементами. Не используйте бумагу для выстилания пекарных форм, рабочая температура которой ниже температуры в печи. Не кладите бумагу непосредственно на основание печи.

- **ВНИМАНИЕ:** Перед заменой лампы убедитесь, что шнур питания прибора отключен от сети или что прерыватель цепи выключен, чтобы избежать поражения электрическим током.
- Прибор не следует устанавливать за декоративной дверцей, поскольку это может привести к перегреву.

Для обеспечения пожарной безопасности изделия соблюдайте нижеуказанные правила.

- Убедитесь, что вилка плотно вставлена в розетку и не искрит.
- Запрещается использовать поврежденный либо

обрезанный кабель, а также удлинитель; можно пользоваться только оригинальным кабелем.

- Убедитесь, что в розетке, к которой подключается изделие, отсутствуют жидкость или влага.

Использование по назначению

- Данное изделие предназначено исключительно для бытового использования. Запрещается использовать прибор в коммерческих целях.
- **ОСТОРОЖНО:** Данное изделие предназначено исключительно для приготовления пищи. Его запрещено использовать для других целей, например, для обогрева помещения."
- Изделие не следует использовать с целью нагревания тарелок под грилем, сушки полотенец и посудных полотенец, путем развешивания их на ручках, а также для обогрева помещения.
- Производитель не несет ответственности за повреждения в результате использования изделия не по назначению или неправильного обращения с ним.

- Духовой шкаф можно использовать для размораживания, выпекания, жарения и приготовления продуктов на гриле.

#### Безопасность детей

- **ВНИМАНИЕ:** Доступные части прибора могут сильно нагреваться при использовании. Не допускайте к ним детей.
- Упаковочные материалы опасны для детей. Храните упаковочные материалы в недоступном для детей месте. Утилизируйте все упаковочные материалы в соответствии с нормами по охране окружающей среды.
- Электрическое оборудование представляют опасность для детей. Во время работы духового шкафа не допускайте к нему детей, а также не разрешайте им играть с ним.
- Не размещайте над прибором предметы, которые дети могут попытаться достать.
- Не ставьте на открытую дверцу тяжелые предметы и не позволяйте детям садиться на нее, Духовой шкаф может перевернуться, а также могут

быть повреждены петли дверцы.

#### Утилизация старого изделия

**Соответствие Директиве ЕС об утилизации электрического и электронного оборудования (WEEE) и утилизация вышедшего из употребления оборудования:**



Данное изделие соответствует Директиве ЕС об утилизации электрического и электронного оборудования (2012/19/EU). Данное изделие имеет маркировку, указывающую на утилизацию его как электрического и электронного оборудования (WEEE).

Это изделие произведено из высококачественных деталей и материалов, которые подлежат повторному использованию и переработке. Поэтому не выбрасывайте изделие с обычными бытовыми отходами после завершения его эксплуатации. Его следует сдать в соответствующий центр по утилизации электрического и электронного оборудования. О местонахождении таких центров вы можете узнать в местных органах власти.

#### **Соответствие Директиве ЕС об ограничении содержания вредных веществ (RoHS):**

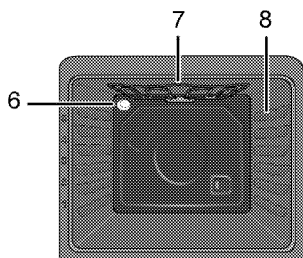
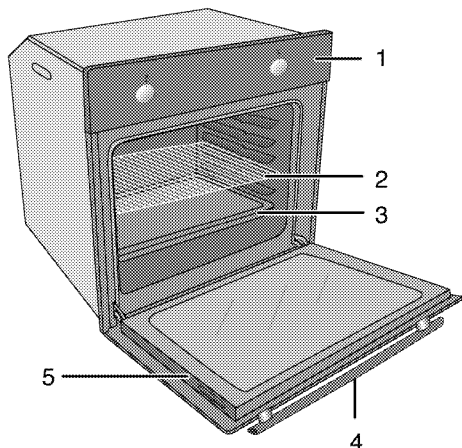
Приобретенное вами изделие соответствует Директиве ЕС о правилах ограничения содержания вредных веществ (2011/65/EU). Оно не содержит вредных и запрещенных материалов, указанных в Директиве.

#### **Утилизация упаковочных материалов**

- Упаковочные материалы опасны для детей. Храните упаковочные материалы в безопасном и недоступном для детей месте. Упаковочные материалы изделия изготовлены из материалов, подлежащих вторичной переработке. Утилизируйте их соответствующим образом и сортируйте согласно инструкций по обращению с отходами, подлежащими вторичной переработке. Не утилизируйте их вместе с обычными бытовыми отходами.

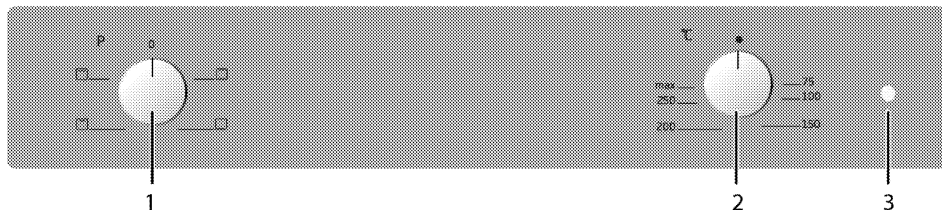
## 2 Общие сведения

### Обзор



- 1 Панель управления
- 2 Проволочная решетка
- 3 Противень
- 4 Ручка дверцы

- 5 Дверца
- 6 Лампочка
- 7 Верхний нагревательный элемент
- 8 Положения полок



- 1 Ручка выбора функции
- 2 Ручка термостата
- 3 Лампочка термостата

## Содержание упаковки

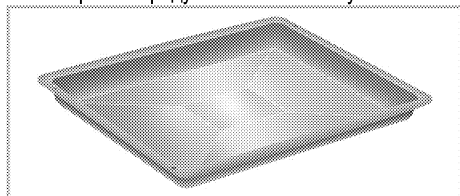


Изделие комплектуется различным набором дополнительных принадлежностей в зависимости от модели. Некоторые дополнительные принадлежности, описанные в руководстве пользователя, в комплекте этого изделия могут отсутствовать.

### 1. Руководство пользователя

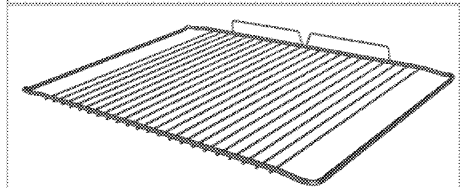
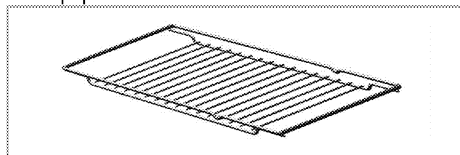
### 2. Стандартный противень

Предназначен для выпечки изделий из теста, размораживания замороженных продуктов и жарения продуктов большими кусками.



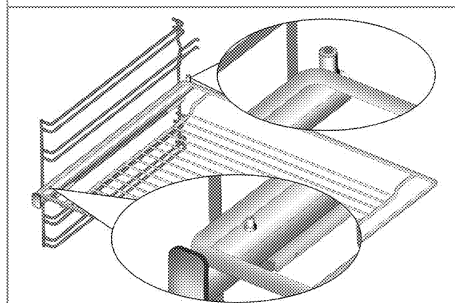
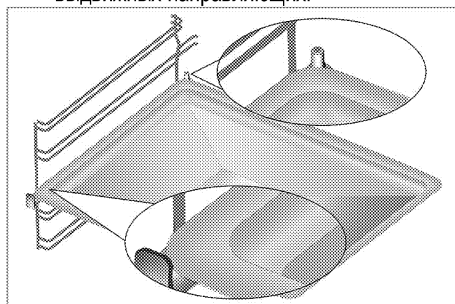
### 3. Решетка

Предназначена для жарения, а также для размещения продуктов на нужной полке при выпечке, жарении или приготовлении в формах.



### 4. Правильное расположение проволочной решетки на выдвигаемых направляющих (Данная функция — дополнительная. Она может отсутствовать в вашем изделии.)

Благодаря наличию выдвигаемых направляющих можно легко устанавливать и выдвигать противни и проволочную решетку. При установке противня или проволочной решетки следите за тем, чтобы края противня или решетки опирались на штырьки, расположенные на задней части выдвигаемых направляющих.



## Технические характеристики

Напряжение/частота	220-240 В ~ 50 Гц
Общая потребляемая мощность	2.4 кВт
Тип кабеля/сечение	мин. H05VV-FG 3 x 1,5 мм <sup>2</sup>
Габариты (высота / ширина / глубина)	595 мм/594 мм/567 мм
Установочные размеры (высота/ширина/глубина)	**590 или 600 мм/560 мм/мин. 550 мм
Главный духовой шкаф	<b>Обычный духовой шкаф</b>
Лампочка внутреннего освещения	15/25 Вт
Гриль: потребляемая мощность	2.2 кВт

# Основные сведения Данные на паспортной табличке энергопотребления электрических духовых шкафов приведены в соответствии со стандартом EN 60350-1 / IEC 60350-1. Эти данные определены при стандартной нагрузке с функциями нижнего-верхнего нагревательного элемента или нагрева с помощью вентилятора (при наличии).

Класс энергетической эффективности определен в соответствии с приведенными ниже приоритетами в зависимости от наличия или отсутствия соответствующих функций в изделии. 1 - Приготовление с вентилятором - экономичный режим, 2 - Медленное приготовление в турборежиме, 3 - Приготовление в турборежиме, 4 - Нагрев сверху и снизу с вентилятором, 5 - Нагрев сверху и снизу.

\*\* См. раздел *Установка*, стр. 13.



При усовершенствовании качества продукции технические характеристики могут быть изменены без предварительного уведомления.



Иллюстрации в данном руководстве являются схематичными и могут несколько отличаться от конкретного изделия.



Значения, указанные на этикетках изделия или в сопроводительной документации, получены в лабораторных условиях согласно соответствующим стандартам. Эти данные могут быть иными в зависимости от условий эксплуатации изделия.

### 3 Установка

Прибор должен устанавливаться квалифицированным специалистом в соответствии с действующими нормами и правилами. В противном случае гарантия аннулируется. Производитель не несет ответственности за повреждения в результате выполнения работ лицами, не имеющими соответствующей квалификации. Это может привести к аннулированию гарантии.



Подготовка места установки, электрического оборудования обеспечивается покупателем.



**ОПАСНО:**

Бытовой прибор следует устанавливать в соответствии со всеми местными нормами по подключению газового и/или электрического оборудования.



**ОПАСНО:**

Прежде чем приступить к установке, визуально проверьте отсутствие внешних дефектов духового шкафа. При наличии дефектов не устанавливайте его. Поврежденные электроприборы представляют собой угрозу вашей безопасности.

#### До начала установки

Прибор предназначен для установки в стандартную кухонную мебель, имеющуюся в продаже. Между бытовой техникой, стенами кухни и мебелью следует оставить определенное

безопасное расстояние. См. рисунок (размеры приведены в миллиметрах).

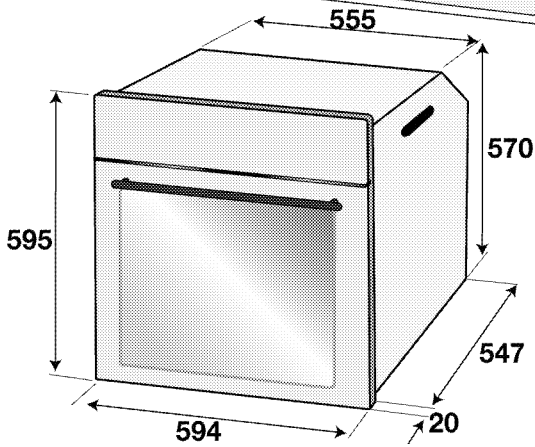
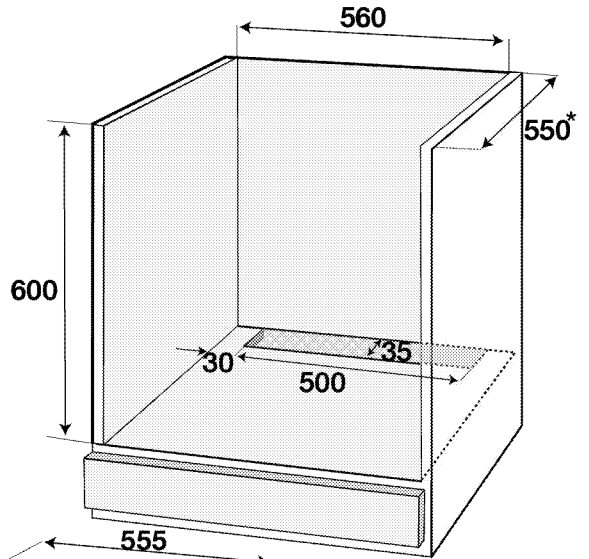
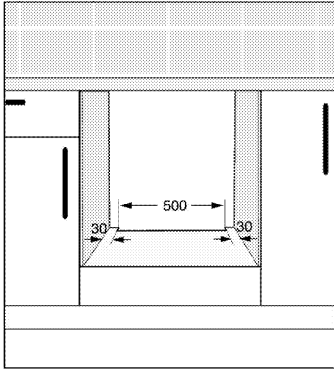
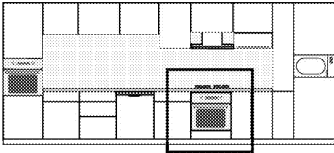
- Используемые поверхности, синтетические покрытия и клеи должны быть термостойкими (не менее 100 °С).
- Кухонные шкафчики должны быть выровнены по уровню и закреплены.
- Если под духовкой есть выдвижной ящик, между ним и духовкой необходимо установить перегородку.
- Переноску устройства должны выполнять не менее двух человек.
- Для перемещения печи возьмитесь за пазы для переноски на обеих сторонах.
- Перед установкой печи извлеките все материалы и документы, находящиеся внутри ее.
- Размеры кухонной мебели должны соответствовать указанным на рисунке ниже. Для обеспечения достаточной вентиляции в задней части кухонной мебели необходимо выполнить отверстие, размер которого соответствует указанному на рисунке ниже.



Не устанавливайте изделие рядом с холодильником или морозильной камерой. Поскольку духовой шкаф излучает тепло, холодильники будут потреблять больше электроэнергии.

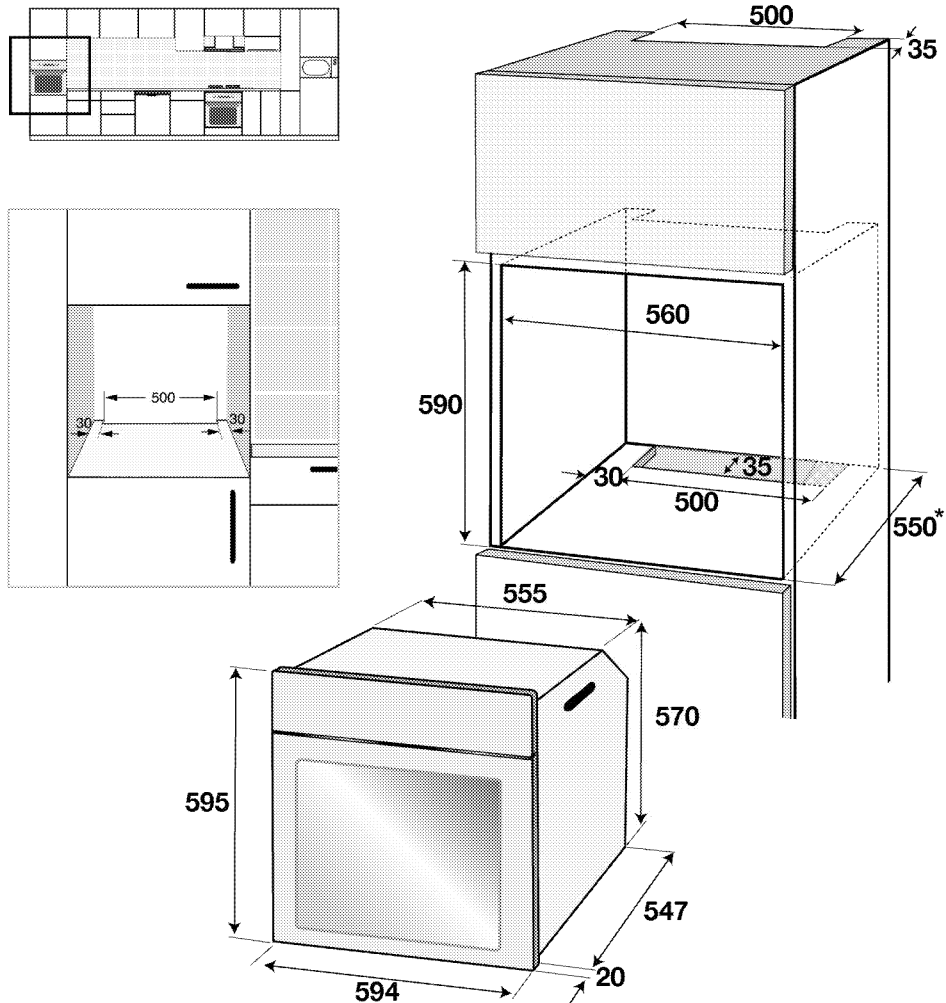


Не перемещайте устройство, держась за дверцу и/или за ручку дверцы.



\* МИН.





\* мин.

## Установка и подключение

- Бытовой прибор следует устанавливать в соответствии со всеми местными нормами по подключению газового и электрического оборудования.

### Подключение к электросети

Подключайте изделие к розетке или линии с заземлением, защищенной миниатюрным автоматическим выключателем с соответствующим номиналом, который указан в таблице «Технические характеристики». Установку заземления должен выполнять

квалифицированный электрик (при использовании изделия с трансформатором или без него). Наша компания не несет ответственности за ущерб, понесенный вследствие использования изделия без заземления, выполненного в соответствии с местными нормами и правилами.

**ОПАСНО:**  
 Подключение прибора к электросети должен выполнять квалифицированный специалист, имеющий право на выполнение таких работ. Гарантийный период начинается только после правильной установки.  
 Производитель не несет ответственности за повреждения в результате выполнения работ лицами, не имеющими соответствующей квалификации.

**ОПАСНО:**  
 Шнур питания не должен быть сдавлен, изогнут или зажат, а также не должен соприкасаться с нагревающимися компонентами изделия.  
 Замену поврежденного шнура питания должен выполнять квалифицированный электрик. В противном случае это может привести к поражению электрическим током, короткому замыканию или возгоранию!

- Подключение должно выполняться в соответствии с национальными нормами.
- Параметры электрической сети должны соответствовать данным, указанным на паспортной табличке прибора. Табличку с данными можно увидеть, открыв переднюю дверцу.
- Шнур питания прибора должен соответствовать параметрам, указанным в таблице "Технические характеристики".

**ОПАСНО:**  
 Перед выполнением каких-либо электромонтажных работ отключите прибор от электрической сети.  
 Существует риск поражения электрическим током!

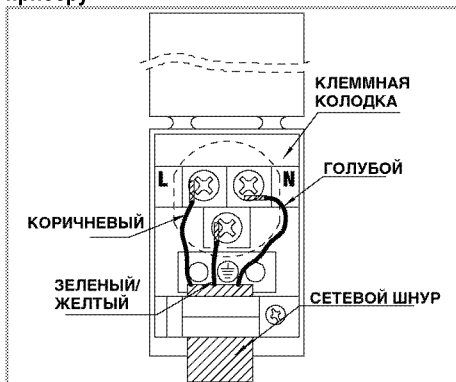
### Подключение кабеля питания

**i** При монтаже проводки необходимо соблюдать национальные/местные электротехнические правила и нормы, а также использовать соответствующие розетки/штепсельные вилки и вилку для духовки. В случае если предельные значения мощности продукции превышают допустимую нагрузку на вилку и розетку, изделие должно быть подключено через стационарное электрическое оборудование напрямую без использования вилки и розетки.

1. Если нет возможности установить автоматический выключатель на все контакты, то в соответствии с директивами МЭК следует использовать для подключения размыкатели с контактным зазором не менее 3 мм (плавкие предохранители, защитные сетевые выключатели, замыкатели). Место подключения должно находиться рядом с прибором, но не над плитой. Несоблюдение этих указаний может вызвать проблемы в процессе эксплуатации, а также привести к аннулированию гарантии на прибор.

В качестве дополнительной меры безопасности рекомендуется использовать устройство защитного отключения.

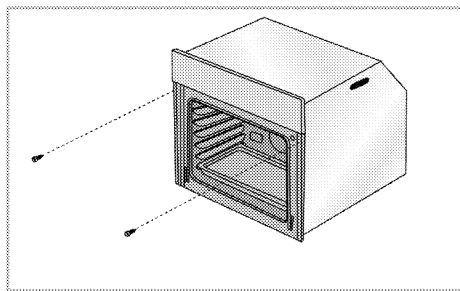
### Подключение кабелем, прилагаемым к прибору



2. **Инструкция по подключению к однофазной электрической сети**
    - коричневый/черный провод = L (фаза)
    - синий/серый провод = N (нейтраль)
    - желто-зеленый провод = (E)  $\oplus$  (земля)
- » или
- серый/черный провод = L (фаза)
  - синий/коричневый провод = N (нейтраль)
  - желто-зеленый провод = (E)  $\oplus$  (земля)

### Инструкция по монтажу

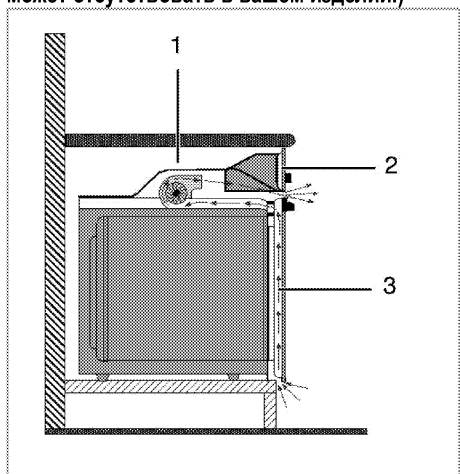
1. Вставьте духовой шкаф в кухонную мебель, выровняйте и закрепите. Одновременно убедитесь в том, что шнур питания не поврежден и/или не зажат.



Закрепите духовой шкаф 2 винтами, как показано на рисунке.

После установки проверьте, что винты затянуты достаточно и печь зафиксирована на месте. Печь может сместиться в течение периода использования, если установка была выполнена в нарушение инструкций и если винты затянуты недостаточно.

**Для изделий с вентилятором охлаждения (Она может отсутствовать в вашем изделии.)**



1 Вентилятор охлаждения

2 Панель управления

3 Дверца

Встроенный вентилятор охлаждения охлаждает встроенную часть прибора и переднюю панель.



Вентилятор охлаждения продолжает работать в течение 20-30 минут после выключения духового шкафа.

### Окончательная проверка

1. Эксплуатация изделия.
2. Проверьте, произошло ли включение.

### Для будущей транспортировки

- Сохраните оригинальную упаковочную коробку и перевозите прибор в ней. Следуйте указаниям, нанесенным на упаковке. Если оригинальная упаковочная коробка не сохранилась, заверните изделие в пузырчатую упаковку или поместите в плотный картон. Надежно заклейте клейкой лентой.
- Чтобы проволочная решетка и противень, которые хранятся внутри духовки, не повредили дверцу, поместите с внутренней стороны дверцы картонную полоску вровень с противнями. Прикрепите дверцу духового шкафа к боковым стенкам клейкой лентой.
- Не поднимайте и не передвигайте духовой шкаф, держась за дверцу или за ручку дверцы.



Не размещайте на приборе никаких предметов и не ставьте его вертикально.



Осмотрите прибор снаружи на предмет возможных повреждений при транспортировке.

## 4 Подготовка к эксплуатации

### Рекомендации по экономии электроэнергии

Эти рекомендации помогут вам использовать изделие экологически чистым способом и сэкономить электроэнергию.

- Используйте в духовом шкафу темную или эмалированную посуду: это позволит улучшить теплопередачу.
- Прогревайте духовой шкаф перед приготовлением пищи, если это рекомендуется в руководстве пользователя или в инструкциях по приготовлению продуктов.
- Во время приготовления пищи не открывайте дверцу духового шкафа слишком часто.
- По возможности старайтесь готовить в духовом шкафу несколько блюд одновременно. При приготовлении пищи на решетку можно устанавливать по две емкости с продуктами.
- Готовьте блюда одно за другим. Духовой шкаф уже будет прогрет.
- Для экономии электроэнергии можно выключать духовой шкаф за несколько минут до окончания приготовления блюда. Не открывайте дверцу духового шкафа.
- Размораживайте замороженные продукты перед приготовлением.

### Подготовка к эксплуатации

#### Очистка прибора перед началом эксплуатации



Некоторые моющие средства и чистящие материалы могут повредить поверхность. Не используйте для чистки агрессивные моющие средства, чистящие порошки/кремы, а также острые предметы.

1. Снимите все упаковочные материалы.
2. Протрите поверхность прибора влажной тканью или губкой и вытрите насухо.

#### Первоначальный прогрев

Прогрейте прибор в течение 30 минут, а затем выключите. Это обеспечит выгорание и удаление производственных загрязнений и покрытий.



#### ПРЕДУПРЕЖДЕНИЕ!

Горячие поверхности могут причинить ожоги!

Во время работы прибор может сильно нагреваться. Не прикасайтесь к горячим конфоркам, внутренним частям духового шкафа, нагревательным элементам и т.п. Не разрешайте детям приближаться к нему.

Помещая продукты в горячий духовой шкаф или вынимая их оттуда, обязательно пользуйтесь термостойкими перчатками.

#### Электрический духовой шкаф

1. Выньте из духового шкафа все противни и решетку.
2. Закройте дверцу духового шкафа.
3. Выберите положение Static (Статический)
4. Включите гриль на максимальную мощность (см. раздел *Правила эксплуатации электрической духовки*, стр. 20).
5. Дайте духовому шкафу поработать около 30 минут.
6. Затем выключите духовой шкаф (см. раздел *Правила эксплуатации электрической духовки*, стр. 20)

#### Духовой шкаф с грилем

1. Выньте из духового шкафа все противни и решетку.
2. Закройте дверцу духового шкафа.
3. Включите гриль на максимальную мощность (см. раздел *Как пользоваться грилем*, стр. 23).
4. Дайте духовому шкафу поработать около 15 минут.
5. Затем выключите духовой шкаф (см. раздел *Как пользоваться грилем*, стр. 23)



При первом включении в течение нескольких часов возможно выделение дыма и запаха. Это вполне нормально. Убедитесь, что кухня хорошо проветривается, чтобы удалить дым и запах. Не вдыхайте выделяющиеся дым и запахи.

## 5 Правила эксплуатации духовки

### Общие сведения о выпекании, жарении и приготовлении с грилем



#### ПРЕДУПРЕЖДЕНИЕ!

Горячие поверхности могут причинить ожоги!

Во время работы прибор может сильно нагреваться. Не прикасайтесь к горячим конфоркам, внутренним частям духового шкафа, нагревательным элементам и т.п. Не разрешайте детям приближаться к нему.

Помещая продукты в горячий духовой шкаф или вынимая их оттуда, обязательно пользуйтесь термостойкими рукавицами.



#### ОПАСНО:

Будьте осторожны, открывая дверцу духового шкафа, так как наружу может выходить пар.

Выпускаемый пар может обжечь вам руки, лицо и/или глаза.

#### Советы по выпеканию

- Используйте антипригарные металлические тарелки или алюминиевые контейнеры с соответствующим покрытием, либо термостойкие силиконовые формы.
- Рационально используйте площадь решетки.
- Устанавливайте форму для выпекания в середине решетки.
- Выбирайте правильное положение решетки перед включением духового шкафа или гриля. Не изменяйте положение решетки, когда духовой шкаф горячий.
- Держите закрытой дверцу шкафа.

#### Советы по приготовлению жареных блюд

- Тушку курицы или индейки и большие куски мяса перед приготовлением рекомендуется сбрызнуть лимонным соком и посыпать черным перцем. Тогда готовое блюдо будет вкуснее.
- Мясо с костями следует жарить на 15-30 минут дальше, чем такое же количества мяса без костей.
- На каждый сантиметр толщины мяса требуется приблизительно 4-5 минут времени приготовления.

- По истечении времени приготовления мяса оставьте его в духовом шкафу примерно на 10 минут. Сок лучше распределится внутри куска жареного мяса и не будет вытекать, когда вы будете разрезать мясо.
- Рыбу в термостойкой посуде следует готовить на решетке, установленной на средний или нижний уровень.

#### Советы по приготовлению продуктов на гриле

При приготовлении на гриле мясо, рыба или птица быстро подрумянивается, сверху образуется хрустящая корочка, и продукт не пересыхает. На гриле можно отлично приготовить не только тонкие куски мяса, шашлыки и сосиски, но и овощи с большим содержанием жидкости (например, помидоры и лук).

- Для приготовления на гриле разложите куски продуктов на решетке или на противне с решеткой так, чтобы площадь, занимаемая продуктами, соответствовала размерам нагревательного элемента.
- Вставьте решетку или противень с решеткой в духовку на нужный уровень. Если продукты готовятся на решетке, установите на нижний уровень поддон для сбора жира. Для облегчения чистки поддона налейте в него немного воды.



Продукты, которые не подходят для приготовления на гриле, могут привести к возгоранию. На гриле можно готовить только такие продукты, которые выдерживают интенсивный нагрев.

Не размещайте продукты слишком близко к задней части гриля. Эта зона нагревается сильнее всего, и жирные продукты могут загореться.

## Правила эксплуатации электрической духовки

### Выберите температуру и режим работы



- 1 Ручка выбора функции
  - 2 Ручка термостата
1. Установите нужный режим работы с помощью ручки выбора функций.
  2. Установите нужную температуру с помощью регулятора температуры.

» После нагрева духовки в ней будет поддерживаться заданная температура. Во время нагрева будет светиться индикатор температуры.

### Выключение электрической духовки

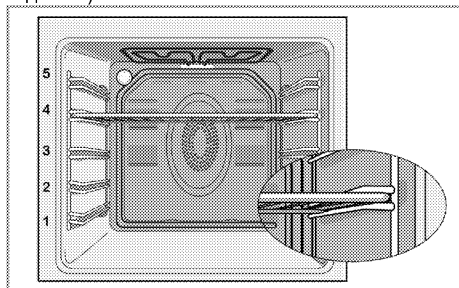
Поверните ручку выбора функций и регулятор температуры в положение отключения (вверх).

### Уровни духовки (для моделей с грилем)

Правильно устанавливайте решетку в направляющие. Решетку следует вставить между направляющими, как показано на рисунке.

Следите за тем, чтобы решетка не упиралась в заднюю стенку духовки. Чтобы гриль нормально работал, выдвиньте решетку к передней части направляющих и отрегулируйте ее положение с помощью дверцы.

(Может отличаться в зависимости от модели изделия.)



### Режимы работы

Приведенная здесь последовательность режимов работы может отличаться от вашей модели.

### Нагрев сверху и снизу



Работают оба нагревательных элемента — и верхний, и нижний. Продукты подгреваются одновременно сверху и снизу. Этот режим подходит, например, для тортов, разной выпечки, а также кексов и запеканок в формах.. Готовьте только с одним противнем.

### Нагрев снизу



Работает только нижний нагревательный элемент.

Подходит для выпечки пиццы и дополнительного обжаривания продуктов с нижней стороны.

Эта функция также упрощает очистку паром.



### Гриль



Работает малый гриль на потолке духовки. Может использоваться для приготовления блюд на гриле.

- Для приготовления блюд в этом режиме расположите под нагревателем гриля на соответствующем уровне духовки небольшое или среднее количество продукта.
- Когда пройдет половина времени, отведенного на приготовление, переверните продукт.

## Full grill (Усил. гриль)



Работает большой гриль на потолке духовки. Подходит для приготовления на гриле больших порций мяса.

- Для приготовления на гриле положите большие или средние порции под нагревательный элемент гриля на соответствующий уровень полки духового шкафа.
- Когда пройдет половина времени, отведенного на приготовление, переверните продукт.

## Время приготовления блюд



Значения времени в этой таблице следует считать справочными. Они могут изменяться в зависимости от температуры продуктов, толщины, вида и ваших кулинарных предпочтений.

## Выпечка и жарение



1-й полкой духового шкафа является нижняя полка.

Блюдо	Количество противней	Аксессуары для пользования	Режим работы	Уровень размещения	Температура (°C)	Примерное время приготовления (мин.)
Выпечка на противне	Один противень	Стандартный противень*		3	180	25 ... 30
Выпечка в форме	Один противень	Формы для кексов на решетке**		2	180	40 ... 50
Пирожные	Один противень	Стандартный противень*		3	160	25 ... 35
Бисквит	Один противень	Круглая пружинная сковорода диаметром 26 см на решетке**		3	160	25 ... 35
Печенье	Один противень	Противень для выпечки*		3	180	25 ... 30
Изделия из теста	Один противень	Стандартный противень*		2	200	30 ... 40
Сдобная выпечка	Один противень	Стандартный противень*		2	200	25 ... 35
Закваска	Один противень	Стандартный противень*		2	200	35 ... 45
Лазанья	Один противень	Стеклянная / металлическая прямоугольная сковорода на решетке**		2 - 3	200	30 ... 40
Пицца	Один противень	Стандартный противень*		2	200 ... 220	15 ... 20
Бифштекс (куском)/жаркое	Один противень	Стандартный противень*		2	25 мин. 250/макс, затем 180 ... 190	100 ... 120
Баранья нога (запеканка)	Один противень	Стандартный противень*		2	25 мин. 220 затем 190	70 ... 90
Жареная курица (1,8-2 кг)	Один противень	Стандартный противень*		2	15 мин. 250/макс, затем 190	70 ... 90
Индейка (5.5 кг)	Один противень	Стандартный противень*		1	25 мин. 250/макс, затем 190	150 ... 210
Рыба	Один противень	Стандартный противень*		3	200	20 ... 30

Для всех типов продуктов рекомендуется произвести предварительный разогрев.

\* Эти аксессуары могут не поставляться с продуктом.





\*\* Эти аксессуары не поставляются с продуктом. Эти аксессуары доступны в продаже.

### Таблица для пробного приготовления

облегчить контролирующим организациям процесс проверки продукта.

Блюда, внесенные в настоящую таблицу

готовятся в соответствии с EN 60350-1, чтобы

Блюдо	Количество противней	Аксессуары для пользования	Режим работы	Уровень размещения	Температура (°C)	Примерное время приготовления (мин.)
песочное печенье	Один противень	Стандартный противень*		3	140	20 ... 30
Пирожные	Один противень	Стандартный противень*		3	160	25 ... 35
Бисквит	Один противень	Круглая пружинная сковорода диаметром 26 см на решетке**		3	160	25 ... 35
Яблочный пирог	Один противень	Круглая металлическое блюдо диаметром 20 см на решетке**		2	180	50 ... 60

Для всех типов продуктов рекомендуется произвести предварительный разогрев.

\* Эти аксессуары могут не поставляться с продуктом.

\*\* Эти аксессуары не поставляются с продуктом. Эти аксессуары доступны в продаже.

### Советы по выпечке

- Если изделие получается слишком сухим, следует повысить температуру примерно на 10°C и сократить время приготовления.
- Если изделие получается сырым, следует уменьшить количество жидкости или понизить температуру на 10°C.
- Если верхняя корочка слишком зарумянивается, следует поставить изделие ниже, понизить температуру и увеличить время приготовления.
- Если изделие хорошо пропекается, но снаружи пригорает, следует уменьшить количество жидкости, понизить температуру и увеличить время приготовления.

### Советы по выпечке

- Если изделие получается слишком сухим, следует повысить температуру примерно на 10°C и сократить время приготовления. Смажьте слои теста смесью из молока, растительного масла, яиц и йогурта.
- Следите за тем, чтобы толщина изделия не превышала глубины противня, иначе оно будет долго выпекаться.
- Если верхний слой изделия подгорает, а нижний остается сырым, возможно, в нижнем слое изделия слишком много начинки. Чтобы изделие ровно

подрумянивалась, старайтесь равномерно распределять начинку между слоями теста и по поверхности изделия.



При выпечке изделий из теста соблюдайте режим и температуру, указанные в таблице рецептов. Если нижний слой изделия плохо пропекается, в следующий раз поставьте противень на один уровень ниже.

### Советы по приготовлению овощных блюд

- Если овощи выпускают сок и становятся слишком сухими, готовьте их не на противне, а в сковороде под крышкой. В закрытой посуде сок сохранится.
- Если овощное блюдо остается сыроватым, прежде чем готовить овощи в духовом шкафу, можно их проварить или пробланшировать.



## Как пользоваться грилем



### ПРЕДУПРЕЖДЕНИЕ!

Закрывайте дверцу во время приготовления пищи на гриле. Горячие поверхности могут причинить ожоги!

### Включение гриля

1. Поверните ручку выбора функций и установите на нужный значок режима «Гриль».
2. Затем установите нужную температуру жаренья.
3. При необходимости прогрейте гриль около 5 минут.

» При этом включится индикаторная лампочка температуры.

### Выключение гриля

1. Поверните ручку выбора функций в положение отключения (вверх).



Продукты, которые не подходят для приготовления на гриле, могут привести к возгоранию. На гриле можно готовить только такие продукты, которые выдерживают интенсивный нагрев.

Не размещайте продукты слишком близко к задней части гриля. Эта зона нагревается сильнее всего, и жирные продукты могут загореться.

## Время приготовления блюд на гриле

### Приготовление блюд на электрическом гриле

Продукты	Аксессуары для пользования	Уровень размещения	Рекомендуемая температура (°C)**	Время приготовления на гриле (прибл.)
Рыба	Решетка	4..5	250	20..25 мин. #
Курица (куски)	Решетка	4..5	250	25...35 мин.
Отбивные из молодой баранины	Решетка	4..5	250	20...25 мин.
Ростбиф	Решетка	4..5	250	25...30 мин. #
Отбивные из телятины	Решетка	4..5	250	25...30 мин. #
Гренки *	Решетка	4	250	1...3 мин.

# в зависимости от толщины

\*Разогрейте в течение 5 минут.

\*\*Если температуру гриля вашего продукта невозможно отрегулировать, гриль будет работать при рекомендуемой температуре.

Блюда, внесенные в настоящую таблицу готовятся в соответствии с EN 60350-1, чтобы

облегчить контролирующим организациям процесс проверки продукта.

Продукты	Аксессуары для пользования	Уровень размещения	Температура (°C)	Примерное время приготовления (мин.)
Гренки	Решетка	4	250	1...3 мин.
Тефтели (говядина) - 12 кусками	Решетка	4	250	25...35 мин.

Проверните еду после 2/3 от общего времени приготовления на гриле.

Перед приготовлением любых блюд рекомендуется разогреть духовой шкаф в течение 5 минут.

## 6 Уход и техническое обслуживание

### Общие сведения

Регулярно выполняйте чистку прибора. Это позволит продлить срок его службы, а также избежать многих проблем.



#### ОПАСНО:

Перед выполнением работ по обслуживанию и чистке отключите прибор от электрической сети. Существует риск поражения электрическим током!



#### ОПАСНО:

Дайте изделию остыть, прежде чем приступать к чистке. Горячие поверхности могут причинить ожоги!

- Прибор следует тщательно чистить после каждого использования. Так легче удалять остатки пищи, которые могут пригореть при следующем использовании прибора.
- Для чистки прибора не требуются специальные чистящие средства. Прибор можно вымыть теплой водой с добавлением жидкого моющего средства, используя мягкую ткань или губку. А затем протереть сухой тканью.
- Обязательно протирайте прибор насухо после чистки и сразу же удаляйте попавшую на него жидкость.
- Не используйте для чистки ручки и поверхностей из нержавеющей стали чистящие средства, содержащими кислоту или хлор. Эти детали можно протирать мягкой тканью, смоченной в жидком моющем средстве (без абразивных добавок), стараясь тереть в одном направлении.



Некоторые моющие средства и чистящие материалы могут повредить поверхность. Не используйте для чистки агрессивные моющие средства, чистящие порошки/кремы, а также острые предметы.



Не используйте для чистки устройства пароочистителя, поскольку это может привести к поражению электрическим током.

### Чистка панели управления

Очистьте панель управления и ручки-регуляторы влажной тканью и вытрите насухо.

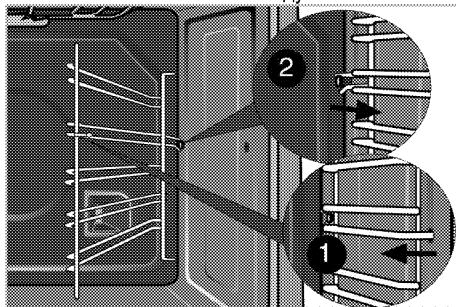


Если ваш прибор оснащен кнопками/ручками, не снимайте ручки-регуляторы для чистки панели управления. Так можно повредить панель управления!

### Чистка духовки

**Чистка боковых стенок(Может отличаться в зависимости от модели изделия.)**  
**(Данная функция — дополнительная. Она может отсутствовать в вашем изделии.)**

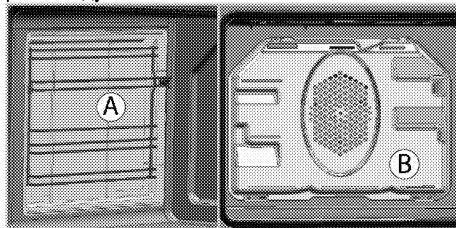
1. Снимите переднюю часть боковой решетки, оттянув ее от боковой стенки.
2. Потяните боковую решетку к себе и полностью выньте ее из духовки.



#### Стенки с каталитическим покрытием

**(Данная функция — дополнительная. Она может отсутствовать в вашем изделии.)**

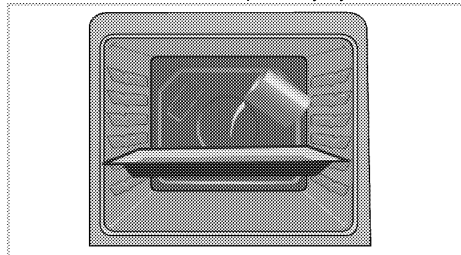
Внутренние боковые стенки (А) и (или) задняя стенка (В) вашего изделия могут быть покрыты каталитическим эмалью. Стенки с каталитическим покрытием имеют светлую матовую пористую поверхность. Стенки духового шкафа с каталитическим покрытием не нуждаются в чистке. Благодаря перфорированной структуре, поверхности с каталитическим покрытием поглощают жир и при накоплении жира на поверхности начинают блестеть. В таком случае рекомендуется их заменить.



## Простая очистка паром

Это упрощает чистку, поскольку грязь (после кратковременного ожидания) смягчается паром, образующимся в духовом шкафу, и каплями воды, конденсирующимися на внутренних поверхностях духового шкафа.

1. Выньте из духового шкафа все принадлежности.
2. Налейте в противень 500 мл воды и поместите его на 2-ю решетку духовки.



3. Установите духовку до легкого режима очистки паром и работайте на 100 ° C в течение 25 минут.
4. Откройте дверцу и протрите внутренние поверхности духового шкафа влажной губкой или тканью.
5. Стойкую грязь следует удалять теплой водой с жидким моющим средством, используя мягкую ткань или губку, а после чистки следует вытирать прибор сухой тканью.

**i** При работе в режиме упрощенной очистки паром, вода, налитая в лоток для размягчения образовавшихся осадков/грязи внутри духовки, испарится и конденсируется внутри духовки и на внутренней поверхности двери духовки, поэтому при открытии двери духовки может капать вода. Вытрите конденсат сразу после открытия дверей духовки.

## Чистка дверцы духовки

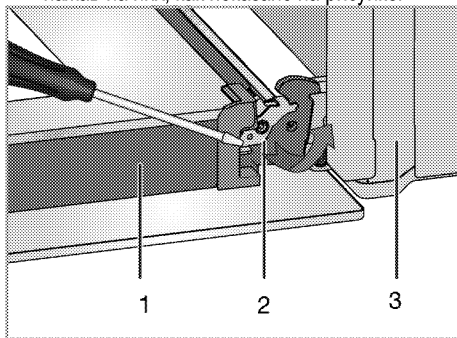
Мойте дверцу духовки мягкой тканью или губкой, смоченной в теплой воде с добавлением жидкого моющего средства, и вытирайте сухой тканью.

**i** Не используйте для чистки дверцы моющие средства с абразивными веществами или металлические скребки. Они могут поцарапать поверхность и повредить стекло.

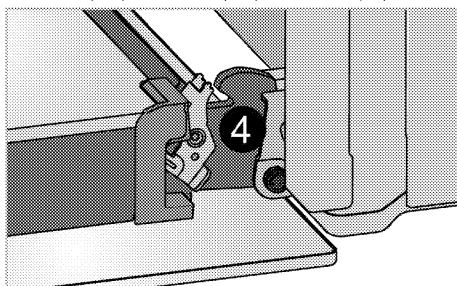
## Снятие дверцы духового шкафа

1. Откройте переднюю дверцу (1).

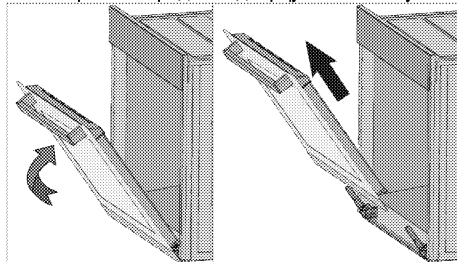
2. Откройте зажимы на корпусе петли (2) с правой и левой стороны передней дверцы, нажав на них, как показано на рисунке.



- 1 Дверца
- 2 Шарнирный замок(закрытое положение)
- 3 Духовой шкаф
- 4 Шарнирный замок(открытая позиция)



3. Откройте переднюю дверцу наполовину.



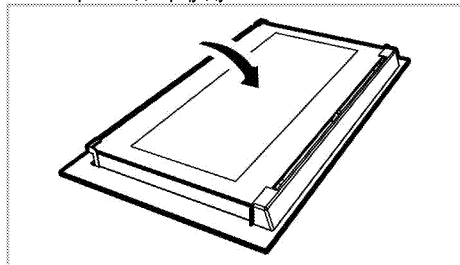
4. Снимите переднюю дверцу, потянув ее вверх и освободив от правой и левой петли.

**i** Для установки дверцы на место следует выполнить в обратном порядке действия по снятию. Не забудьте закрыть зажимы на корпусе петли при установке дверцы на место.

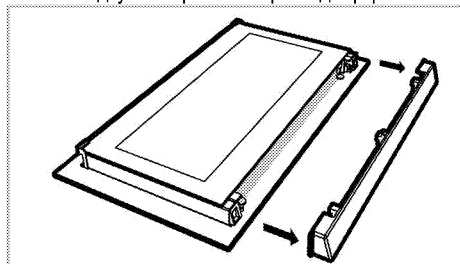
## Снятие внутреннего стекла дверцы (Данная функция — дополнительная. Она может отсутствовать в вашем изделии.)

Внутреннее стекло панели дверцы духового шкафа можно снять для чистки.

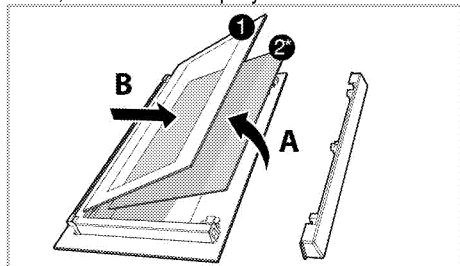
1. Откройте дверцу духовки.



2. Потяните к себе и снимите пластмассовую накладку на верхней стороне дверцы.



3. Приподнимите первое внутреннее стекло (1) в направлении А и вытяните его в направлении В, как показано на рисунке.



- 1 Первое внутреннее стекло
- 2\* Внутреннее стекло (Она может отсутствовать в вашем изделии.)
4. Если устройство оснащено панелью для внутреннего стекла(2); Чтобы вынуть среднее стекло (2), повторите эти же действия.
5. При сборке дверцы сначала следует вставить среднее стекло (2), чтобы скошенный угол стекла попал на фаску пластмассового держателя, как показано на рисунке. (Если

устройство оснащено панелью для внутреннего стекла). Среднее стекло (2) следует установить в пластмассовый держатель рядом с первым внутренним стеклом (1).

6. Первое внутреннее стекло (1) следует устанавливать таким образом, чтобы надпись на стекле была обращена к среднему стеклу. Следите за тем, чтобы нижний угол первое внутреннее стекло (1) был правильно вставлен в нижний пластмассовый держатель.
7. Прижмите пластмассовую накладку к раме до щелчка.

## Замена лампочки освещения духового шкафа



### ОПАСНО:

Во избежание поражения электрическим током, прежде чем заменять лампочку, убедитесь в том, что электроприбор отсоединен от сети и остыл. Горячие поверхности могут причинить ожоги!



Расположение лампочки может отличаться от изображения на рисунке.



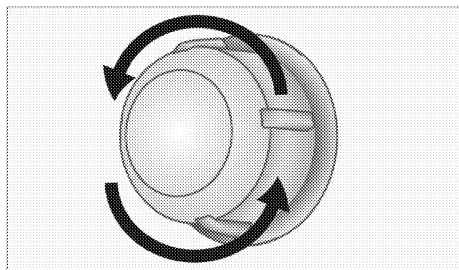
Лампа, используемая в этом приборе, не подходит для освещения бытовых помещений. Эта лампа предназначена для вспомогательной цели, позволяющей пользователю увидеть пищевые продукты.



Лампы, используемые в этом приборе, должны выдерживать экстремальные физические условия, например температуру выше 50 °С.

## Замена круглой лампочки освещения духового шкафа

1. Отсоедините духовой шкаф от электросети.
2. Снимите стеклянный плафон, повернув его против часовой стрелки.

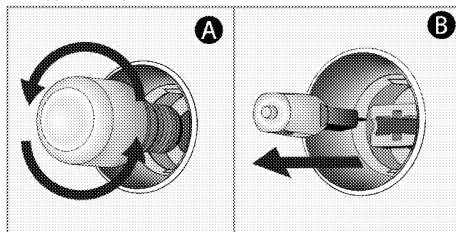


3. Если в вашей духовке используется лампа типа (А), показанная на рисунке ниже, поверните ее в соответствии с рисунком, чтобы извлечь ее и заменить. Если используется лампа типа (В), потяните и



В этой духовке используется лампа накаливания мощностью менее 40 Вт, высотой менее 60 мм, диаметром менее 30 мм или галогенная лампа с цоколем типа G9, мощностью менее 60 Вт. Лампы подходят для работы при температуре выше 300 °С. Лампы для духовки можно получить у авторизованных сервисных агентов или у технического специалиста с лицензией.

извлеките ее, как показано на рисунке, и замените.



4. Установите на место стеклянный плафон.

## 7 Поиск и устранение неисправностей

### Во время работы из духового шкафа выделяется пар.

- Вполне нормально, если пар выделяется во время работы. >>> *Это не является неисправностью.*

### При нагревании и охлаждении прибор издает металлические шумы.

- При нагревании металлические детали могут расширяться и издавать звуки. >>> *Это не является неисправностью.*

### Прибор не работает.

- Плавкий предохранитель неисправен или сработал. >>> *Проверьте плавкие предохранители в блоке предохранителей. При необходимости замените их или включите.*
- Духовой шкаф не включен в (заземленную) розетку электросети. >>> *Проверьте соединение штепсельной вилки.*

### Освещение духовки не работает.

- Лампочка освещения духового шкафа неисправна. >>> *Замените лампочку освещения шкафа.*
- Нет электропитания. >>> *Проверьте наличие электропитания. Проверьте предохранители в блоке предохранителей. При необходимости замените или включите предохранители.*

### Духовка не нагревается.

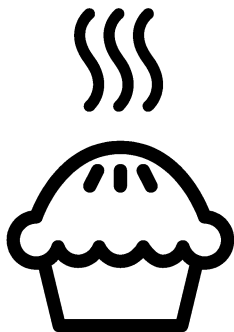
- Не задана функция или температура. >>> *Выберите функцию и установите температуру с помощью переключателя функций и (или) регулятора температуры.*
- Нет электропитания. >>> *Проверьте наличие электропитания. Проверьте предохранители в блоке предохранителей. При необходимости замените или включите предохранители.*



Если вы не можете устранить неполадки, несмотря на выполнение инструкций, приведенных в данном разделе, обратитесь к представителю авторизованной сервисной службы. Не пытайтесь самостоятельно отремонтировать неисправный электроприбор.

# **beko**

## **Inbouwoven** Gebruikershandleiding



**NL**

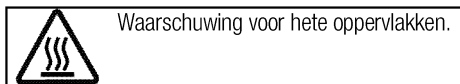
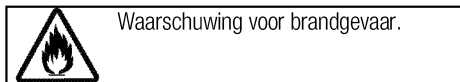
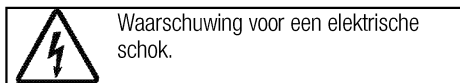
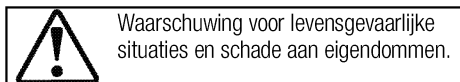
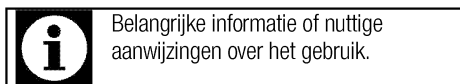
## Gelieve eerst deze gebruikershandleiding te lezen!

Beste klant,

Dank u voor het aankopen van een Beko-product. We hopen dat u de beste resultaten verkrijgt uit uw product, dat vervaardigd is met de allernieuwste technologie van hoge kwaliteit. Lees daarom deze volledige gebruikershandleiding en alle andere bijgevoegde documenten zorgvuldig door voordat u het product in gebruik neemt en houd deze ter referentie voor toekomstig gebruik. Als u het product aan iemand anders overdraagt, voeg daar dan de gebruikershandleiding ook bij. Volg alle waarschuwingen en informatie in deze gebruikershandleiding op. Vergeet niet dat deze gebruikershandleiding ook van toepassing kan zijn op verschillende andere modellen. De verschillen tussen de modellen zijn duidelijk aangegeven in de handleiding.

### Verklaring van symbolen

In deze gebruikershandleiding worden de volgende symbolen gebruikt:



**Arçelik A.Ş.**  
Karaağaç caddesi No:2-6  
34445 Sütlüce/Istanbul/TURKEY  
Made in TURKEY



**1 Belangrijke instructies en  
waarschuwingen voor veiligheid en  
milieu 4**

Algemene veiligheid ..... 4  
 Elektrische veiligheid ..... 4  
 Productveiligheid ..... 5  
 Bedoeld gebruik ..... 7  
 Kindveiligheid ..... 8  
 Het oude product afvoeren ..... 8  
 Verpakkingsmateriaal afvoeren ..... 8

**2 Algemene informatie 9**

Overzicht ..... 9  
 Inhoud pakket ..... 10  
 Technische specificaties ..... 11

**3 Installatie 12**

Voor installatie ..... 12  
 Installatie en verbinding ..... 14  
 Toekomstig transport ..... 16

**4 Voorbereidingen 17**

Tips om energie te besparen ..... 17  
 Het eerste gebruik ..... 17  
 Eerste reiniging van het toestel ..... 17  
 Eerste opwarming ..... 17

**5 Hoe de oven te bedienen 18**

Algemene informatie over bakken, roosteren en grillen  
 ..... 18  
 Hoe de elektrische oven te bedienen ..... 18  
 Werkingsmodussen ..... 19  
 Tabel kooktijden ..... 19  
 Hoe de grill bedienen ..... 21  
 Tabel kooktijden voor grillen ..... 21

**6 Onderhoud en verzorging 22**

Algemene informatie ..... 22  
 Het bedieningspaneel reinigen ..... 22  
 De oven reinigen ..... 22  
 De ovendeur verwijderen ..... 23  
 Binnenglas deur verwijderen ..... 23  
 De ovenlamp vervangen ..... 24

**7 Problemen oplossen 25**

# **1 Belangrijke instructies en waarschuwingen voor veiligheid en milieu**

Dit gedeelte bevat veiligheidsvoorschriften die helpen persoonlijk letsel of schade aan eigendommen te voorkomen. Het niet opvolgen van deze instructies laat alle garantie vervallen.

## **Algemene veiligheid**

- Dit apparaat kan worden gebruikt door kinderen vanaf 8 jaar en personen met verzwakte fysieke, zintuiglijke of mentale toestand, of met een gebrek aan ervaring en kennis, als deze onder toezicht staan of instructies zijn gegeven betreffende het veilige gebruik van het apparaat en op de hoogte zijn van de betrokken gevaren. Laat kinderen niet met het apparaat spelen. Reiniging en gebruikersonderhoud dienen niet zonder toezicht door kinderen uitgevoerd te worden.
- Dit apparaat mag niet worden gebruikt door personen (kinderen inbegrepen) in verzwakte fysieke, zintuiglijke of mentale toestand, of met een gebrek aan ervaring en kennis, tenzij ze onder toezicht staan of instructies hebben gekregen. Zie erop toe dat kinderen niet met het apparaat spelen.
- Indien het product voor persoonlijk of tweedehands gebruik aan iemand anders wordt overgedragen, dienen de gebruikershandleiding, productetiketten en andere relevante documenten en onderdelen ook te worden overhandigd.
- Installatie- en reparatiewerk moet altijd uitgevoerd worden door bevoegde serviceagenten. De fabrikant is niet aansprakelijk voor schade die voortvloeit uit werkzaamheden door onbevoegde personen. Dit kan de garantie ongeldig maken. Lees alvorens de installatie de instructie zorgvuldig door.
- Gebruik het apparaat niet als het defect is of zichtbare schade vertoont.
- Controleer of de functieknoppen van het product na ieder gebruik zijn uitgeschakeld.

## **Elektrische veiligheid**

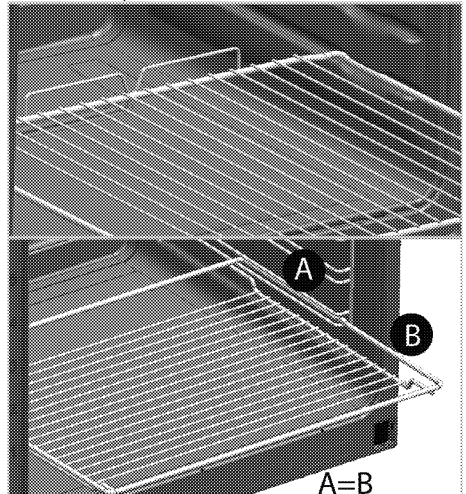
- Indien het product een defect heeft, moet het niet in gebruik worden genomen zonder dat het gerepareerd is door een bevoegde onderhoudsdienst. Er is kans op elektrische schokken!

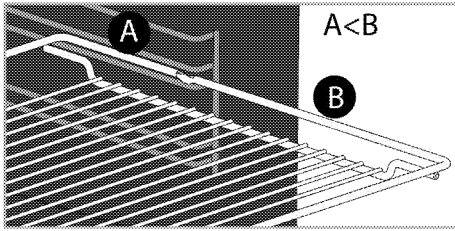
- Sluit het product uitsluitend aan op een geaarde uitgang/lijn met een voltage en beveiliging zoals gespecificeerd in de “Technische specificaties”. Laat de aardingsinstallatie aanleggen door een bevoegd elektricien terwijl u het product met of zonder transformator gebruikt. Ons bedrijf is niet aansprakelijk voor problemen die zijn ontstaan doordat het product niet geaard is in overeenstemming met de plaatselijke voorschriften.
  - Reinig het product nooit door er water overheen te gooien! Er is kans op elektrische schokken!
  - Het product moet tijdens installatie, onderhoud, reiniging en reparatiehandelingen losgekoppeld zijn.
  - Als het stroomkabel van het product beschadigd is, moet deze om gevaar te voorkomen worden vervangen door de fabrikant, door zijn onderhoudsdienst of door soortgelijke bevoegde personen.
  - Het apparaat dient dusdanig geïnstalleerd te zijn dat het volledig van het netwerk afgesloten kan worden. De loskoppeling dient te geschieden door het uittrekken van de stekker of het uitschakelen van een schakelaar die in de vaste elektrische installatie is ingebouwd, volgens de constructievoorschriften.
  - Achterkant van de oven wordt warm wanneer deze in gebruik is. Zorg ervoor dat de elektriciteitsaansluiting de achterkant niet raakt; dit kan leiden tot beschadiging van de aansluitingen.
  - Zorg dat het netsnoer niet tussen de oven en het frame vastgeklemd zit en leidt het niet over de hete oppervlakken. Anders kan de kabelisolatie smelten en brand veroorzaken als gevolg van kortsluiting.
  - Werk aan elektrische apparatuur of systemen mag uitsluitend worden uitgevoerd door bevoegde en gekwalificeerde personen.
  - Zet in geval van schade het product uit en sluit het af van het elektriciteitsnet. Verwijder daartoe de zekering in huis.
  - Zorg ervoor dat de stroomwaarde van de zekering compatibel is met het product.
- Productveiligheid**
- **WAARSCHUWING:** Het toestel en de toegankelijke onderdelen worden warm tijdens de werking. Zorg ervoor dat u geen verwarmingselementen aanraakt. Behalve als ze voortdurend onder toezicht staan, moeten kinderen

jonger dan 8 jaar uit de buurt worden gehouden.

- Gebruik het product niet wanneer uw beoordelingsvermogen of coördinatie nadelig beïnvloed worden door het gebruik van drugs en/of alcohol.
- Wees voorzichtig bij het gebruiken van alcoholische dranken in uw maaltijden. Alcohol verdampt bij hoge temperaturen en kan brand veroorzaken aangezien het vlam vat wanneer het in contact komt met warme oppervlakken.
- Plaats geen ontvlambare materialen dichtbij het apparaat aangezien de zijkanen heet worden tijdens gebruik.
- Tijdens het gebruik wordt het apparaat warm. Zorg ervoor dat u geen verwarmingselementen in de oven aanraakt.
- Houd alle ventilatiesleuven vrij van obstakels.
- Verwarm geen gesloten conservenblikken en glazen potten in de oven. De druk die zich in het blik/de pot ontwikkelt kan ervoor zorgen dat deze barst.
- Plaats geen bakschalen, schotels of aluminiumfolie rechtstreeks op de bodem van de oven. De warmteaccumulatie kan de bodem van de oven beschadigen.

- Gebruik geen krassende schuurmiddelen of scherpe metalen schrappers om het glas van de ovendeur te reinigen. Deze kunnen het oppervlak krassen, wat tot barsten van het glas kan leiden.
- Gebruik geen stoomreinigers om het toestel schoon te maken, want dat kan elektrische schokken veroorzaken.
- (De functies verschillen per productmodel.)  
Het rooster en de plaat correct op de draadrekken plaatsen  
Het is belangrijk het rooster en/of de plaat correct op het rek te plaatsen. Schuif het rooster of de plaat tussen twee rails en zorg dat deze stabiel is voordat u er voedsel op legt (zie de afbeelding hieronder).





- Gebruik het product niet wanneer de glazen ovendeur verwijderd of gebarsten is.
- Gebruik altijd warmtebestendige ovenhandschoenen wanneer u schotels in de oven plaatst of eruit haalt.
- Plaats het bakpapier in de kookpot of op het ovenaccessoire (plaat, rooster, enz.) samen met de eetwaren en steek het allemaal samen in de voorverwarmde oven. Verwijder de overtollige gedeelten van het bakpapier van het accessoire of de pot om het risico te voorkomen dat het de verwarmingselementen van de oven aanraakt. Gebruik nooit het bakpapier aan een werkingstemperatuur hoger dan de vermelde waarde voor het bakpapier. Plaats het bakpapier niet direct op de bodem van de oven.
- **WAARSCHUWING:** Zorg ervoor dat het stroomsnoer van het apparaat uit het stopcontact is getrokken of dat de stroomonderbreker uitgeschakeld is, voordat u de lamp vervangt om

eventuele elektrische schokken te voorkomen.

- Het apparaat mag niet achter een decoratieve deur worden geïnstalleerd om oververhitting te voorkomen.

Voor de betrouwbaarheid van de brandbaarheid van het product;

- Zorg ervoor dat de stekker past bij de contactdoos en dat er geen vonken kunnen ontstaan.
- Gebruik geen beschadigde of gesneden kabel of een verlengkabel, behalve de originele kabel.
- Zorg ervoor dat er geen vloeistof of vocht zit op de ingestoken stekker van het product.

### Bedoeld gebruik

- Dit product is bedoeld voor huishoudelijk gebruik. Commercieel gebruik is niet toegelaten.
- **OPGELET:** Dit toestel is uitsluitend bedoeld voor het koken. Het mag niet als verwarmingstoestel worden gebruikt".
- Dit product dient niet te worden gebruikt voor het opwarmen van platen onder de grill, het drogen van handdoeken, theedoeken enz. op de handgrepen, en als verwarming.
- De fabrikant is niet aansprakelijk voor schade veroorzaakt door foutief gebruik of bediening.

- De oven kan gebruikt worden voor het ontdooien, bakken, roosteren en grillen van voedsel.

### Kindveiligheid

- **WAARSCHUWING:** Toegankelijke onderdelen kunnen tijdens gebruik heet worden. Houd jonge kinderen uit de buurt.
- De verpakkingsmaterialen kunnen gevaarlijk zijn voor kinderen. Houd de verpakkingsmaterialen buiten het bereik van kinderen. Doe alle delen van de verpakking weg volgens de milieunormen.
- Elektrische toestellen zijn gevaarlijk voor kinderen. Houd kinderen bij het product vandaan als het in gebruik is en sta niet toe dat ze ermee spelen.
- Plaats geen items boven het toestel binnen het bereik van kinderen.
- Plaats geen zwaar voorwerp op een open deur en laat kinderen er niet op zitten. De oven kan

omkantelen of deurscharnieren kunnen beschadigd worden.

### Het oude product afvoeren

**Voldoet aan de WEEE-richtlijn en de richtlijnen voor afvoeren van het restproduct:**



Dit product voldoet aan de EU-richtlijn WEEE (2012/19/EU). Dit product is voorzien van een classificatiesymbool voor afvalsortering van elektrische en elektronische apparatuur (WEEE).

Dit product werd vervaardigd uit onderdelen en materialen van hoge kwaliteit die hergebruikt kunnen worden en geschikt zijn voor recycling. Gooi het restproduct aan het einde van zijn levensduur niet weg bij normaal huishoudelijk of ander afval. Breng het naar het verzamelpunt voor recycling van elektrische en elektronische apparatuur. Raadpleeg uw plaatselijke autoriteiten om te weten waar u deze verzamelpunten aantreft.

### Voldoet aan RoHS-richtlijn:

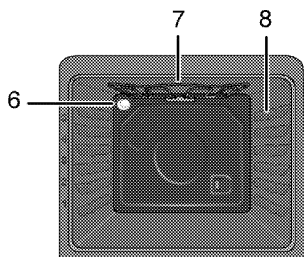
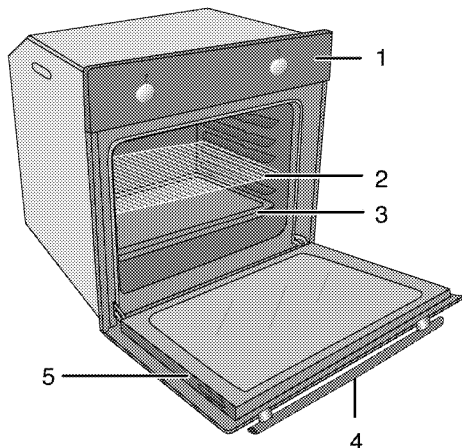
Het door u aangekochte product voldoet aan de EU-richtlijn RoHS (2011/65/EU). Het bevat geen schadelijke en verboden materialen die in deze richtlijn zijn opgenomen.

### Verpakkingsmateriaal afvoeren

- Verpakkingsmateriaal is gevaarlijk voor kinderen. Houd verpakkingsmateriaal op een veilige plek buiten het bereik van kinderen. Verpakkingsmateriaal van het product wordt vervaardigd van recyclebaar materiaal. Voer het netjes af en sorteer het overeenkomstig de regels voor recyclebaar afval. Werp het niet weg bij het normale huisafval.

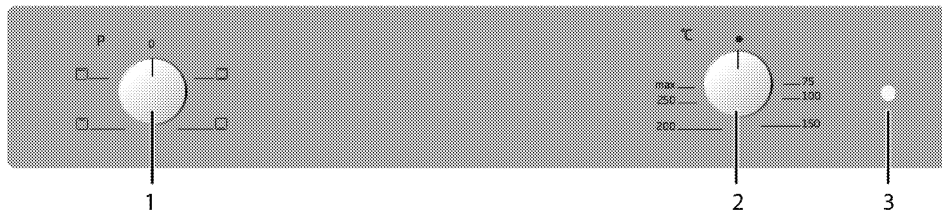
## 2 Algemene informatie

### Overzicht



- 1 Bedieningspaneel
- 2 Draadrooster
- 3 Plaat
- 4 Handgreep

- 5 Deur
- 6 Lamp
- 7 Bovenste verwarmingselement
- 8 Roosterposities



- 1 Functieknop
- 2 Thermostaatknop
- 3 Thermostaatlamp

## Inhoud pakket

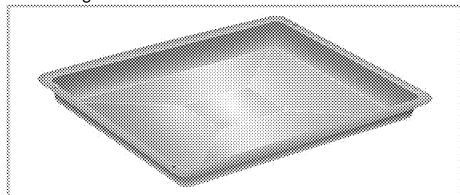


De bijgeleverde accessoires kunnen variëren, afhankelijk van het productmodel. Het is mogelijk dat uw product niet alle accessoires bevat die in de gebruikershandleiding worden beschreven.

### 1. Gebruikershandleiding

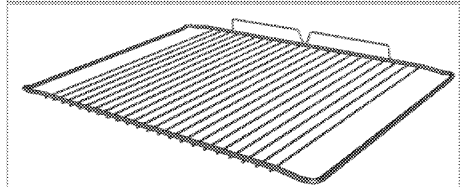
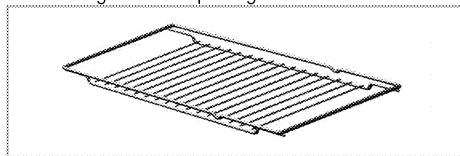
### 2. Standaard bakplaat

Wordt gebruikt voor gebakjes, bevroren voedsel en grote braadstukken.



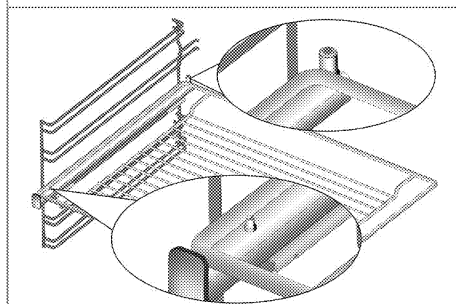
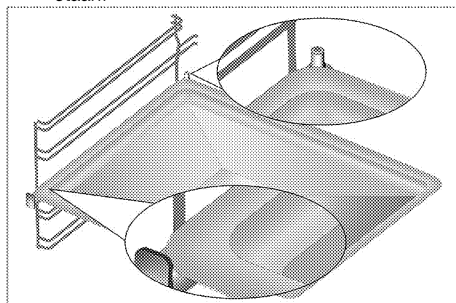
### 3. Grillrooster

Gebruikt bij het braden en voor het plaatsen van te bakken, roosteren of koken voedsel in stoofgerechten op het gewenste rek.



### 4. Het grillrooster en de plaat correct op de uitschuifrekken plaatsen (Deze functie is optioneel. Het is mogelijk dat uw product er niet meer is uitgerust.)

Uitschuifrekken maken het mogelijk de platen en rooster makkelijk in te schuiven en te verwijderen. Als u de plaat en het rooster met uitschuifrekken gebruikt moet u zich ervan verzekeren dat de pennen aan de achterkant van het uitschuifrek tegen de zijkanten van het rooster en de plaat staan.





## Technische specificaties

Elektrische spanning / frequentie	220-240 V ~ 50 Hz
Totaal stroomverbruik	2.4 kW
Kabeltype/-functionaliteit	min.H05W-FG 3 x 1,5 mm <sup>2</sup>
Buitenste afmetingen (hoogte/breedte/diepte)	595 mm/594 mm/567 mm
Installatieafmetingen (hoogte/breedte/diepte)	**590 of 600 mm/560 mm/min. 550 mm
Hoofdoven	<b>Conventionele oven</b>
Binnenlamp	15/25 W
Stroomverbruik grill	2.2 kW

# Basisgegevens: Informatie over het energielabel van elektrische ovens wordt gegeven overeenkomstig de norm EN 60350-1 / IEC 60350-1. Die waarden zijn bepaald onder standaardvermogen met onderbovenverwarmer of functies voor heteluchtverwarming (indien relevant).

De energie-efficiëntieklasse wordt bepaald overeenkomstig de hierna genoemde volgorde, afhankelijk van de aanwezigheid van de betreffende functies in het product. 1-Bereiding met eco. hete lucht, 2-Turbosudder, 3- Turbobereiding, 4- Bodem-/onderverwarming met hete lucht, 5-Bodem- en onderverwarming.

\*\* Zie: *Installatie, pagina 12.*



De technische specificaties mogen zonder voorafgaande kennisgeving gewijzigd worden om de productkwaliteit te verbeteren.



De afbeeldingen in deze handleiding zijn schematisch en komen mogelijk niet exact overeen met uw product.



Waarden vermeld op de productlabels of in de bijgeleverde documentatie worden verkregen onder laboratoriumomstandigheden overeenkomstig de relevante standaarden. Deze waarden kunnen schommelen afhankelijk van de werkings- en omgevingsomstandigheden van het product.

### 3 Installatie

Product dient geïnstalleerd te worden door een bekwaam persoon in overeenstemming met de van kracht zijnde voorschriften. De fabrikant is niet aansprakelijk voor schade die voortvloeit uit werkzaamheden door onbevoegde personen. Mogelijk kan dit de garantie ongeldig maken.



De voorbereiding van de locatie en de elektriciteitsinstallatie voor het product vallen onder de verantwoordelijkheid van de klant.



#### GEVAAR:

Het product moet aangesloten worden overeenkomstig de lokale gas- en elektriciteitsvoorschriften.



#### GEVAAR:

Controleer vóór installatie van het product of het zichtbare gebreken heeft.  
Zo ja, laat het dan niet installeren.  
Beschadigde producten vormen een gevaar voor uw veiligheid.

#### Voor installatie

Het toestel is bedoeld voor installatie in commercieel beschikbare keukenkasten. Er moet een veiligheidsafstand worden gelaten tussen het apparaat en de keukenwanden en het keukenmeubilair. Zie afbeelding (waarden in mm).

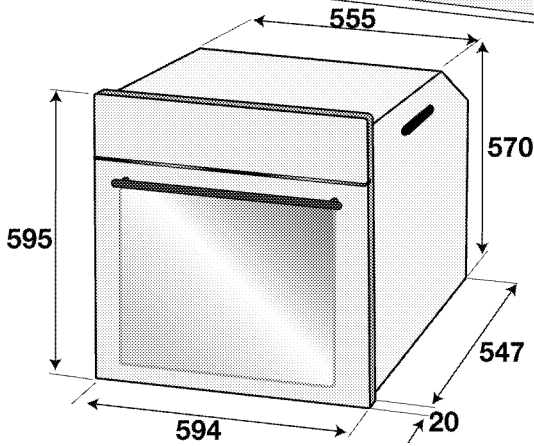
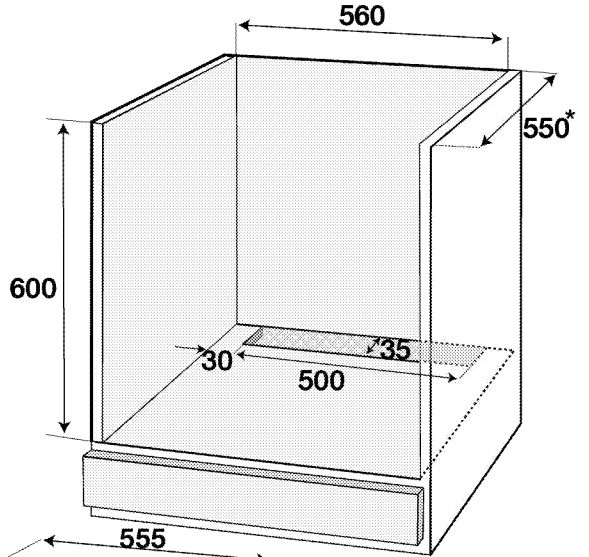
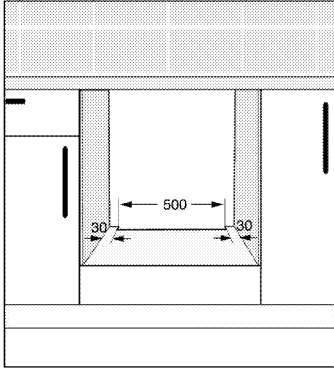
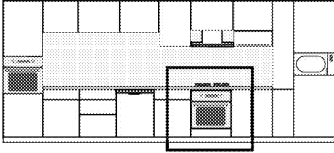
- Oppervlakken, synthetische laminaten en hechtmiddelen die worden gebruikt, moeten warmtebestendig zijn. (100° C minimum).
- Keukenkasten moeten vlak en vast worden geplaatst.
- Indien er een lade is onder de oven moet er een plaat worden geïnstalleerd tussen oven en lade.
- Draag het toestel met minstens twee personen.
- Pak de oven vast in de sleuven aan beide kanten om deze te verplaatsen.
- Verwijder alle materialen en documenten in het product voordat u deze installeert.
- Het keukenkastje dient overeenkomstig te zijn met de afmetingen die in de onderstaande afbeelding worden gegeven. In de achterkant van het keukenkastje moet een opening worden uitgezaagd met de afmetingen die worden gegeven in de onderstaande afbeelding om voor voldoende ventilatie te zorgen.



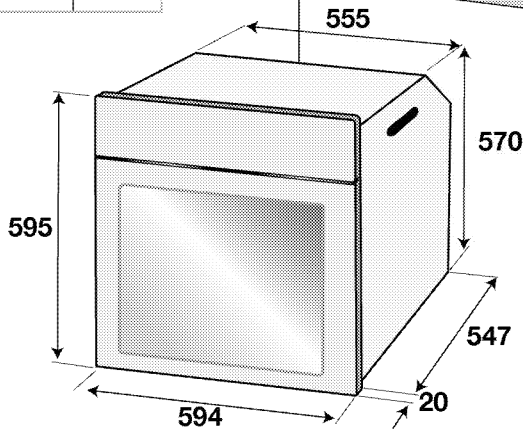
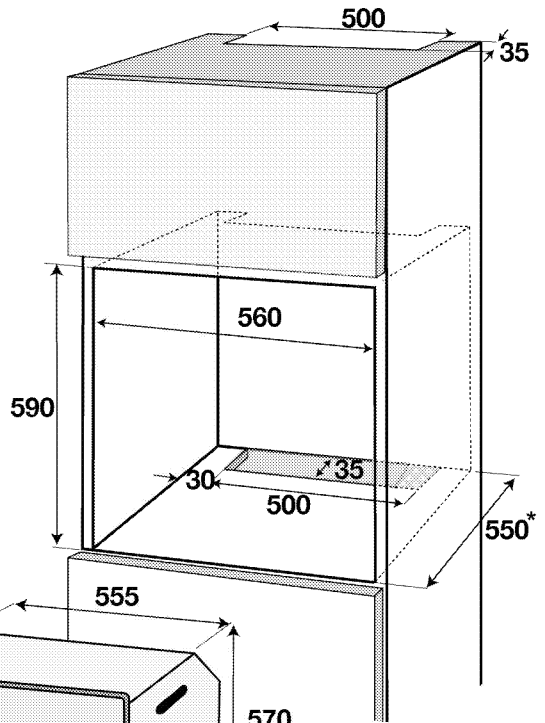
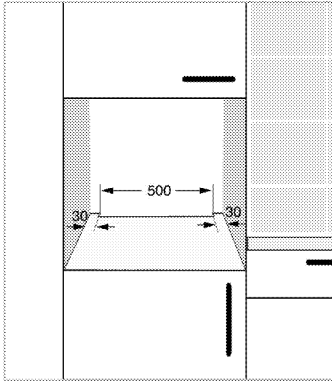
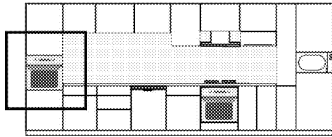
Installeer het product niet naast koelkasten of diepvriezers. De door het product afgegeven warmte zal het stroomverbruik van koeltoestellen verhogen.



Draag of verplaats het product niet met behulp van de deur- en/of handgreep.



\* min.



\* min.

## Installatie en verbinding

- Het product moet overeenkomstig de lokale gas- en elektriciteitsvoorschriften aangesloten worden.

## Elektrische aansluiting

Sluit het product aan op een geaarde contactdoos die beveiligd is door een zekering met geschikte capaciteit zoals vermeld in de tabel "Technische specificaties". Laat de aardingsinstallatie aanleggen door een bevoegd elektricien terwijl u het product met of zonder transformator gebruikt. Ons bedrijf is niet aansprakelijk voor schade die voortvloeit uit het gebruik van het

product zonder een aardingsinstallatie overeenkomstig de plaatselijke voorschriften.



### GEVAAR:

Het product mag uitsluitend door een bevoegde en gekwalificeerde persoon op de netvoeding aangesloten worden. De garantieperiode van het product gaat uitsluitend in na correcte installatie. De fabrikant is niet aansprakelijk voor schade die voortvloeit uit werkzaamheden door onbevoegde personen.

**GEVAAR:**  
De stroomkabel mag niet worden vastgeklemd, verbogen of samengedrukt of in contact komen met warme onderdelen van het product.  
Een beschadigde stroomkabel moet door een bevoegde electricien worden vervangen. Anders bestaat er een risico op een elektrische schok, kortsluiting of brand!

- De aansluiting moet voldoen aan de landelijke voorschriften.
- De gegevens over de stroomvoorziening moeten overeenkomen met de gegevens vermeld op het typeplaatje van het product. Open de deur aan de voorzijde om het typeplaatje te zien.
- De stroomkabel van uw product moet voldoen aan de waarden in de tabel "Technische specificaties".

**GEVAAR:**  
Koppel het product los van het elektriciteitsnet voordat met werk aan de elektrische installatie begonnen wordt.  
Er is kans op elektrische schokken!

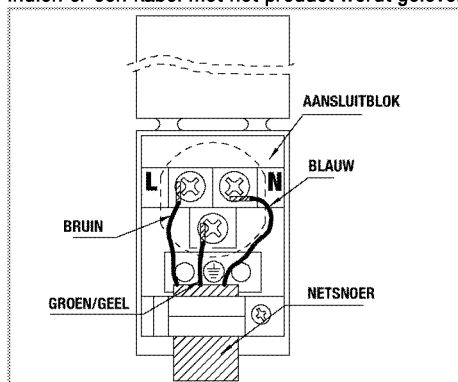
### Het aansluiten van de stroomkabel

**i** Tijdens het aanleggen van de bedrading dient u de nationale/plaatselijke elektrische voorschriften na te leven en de geschikte contactdoos en stekker voor de oven te gebruiken. In het geval de stroomlimieten van het product de draagcapaciteit van de stekker en contactdoos overschrijden, dient het product direct op de vaste elektrische installatie te worden aangesloten zonder de stekker en contactdoos te gebruiken.



1. Indien het niet mogelijk is alle polen in de stroomtoevoer af te sluiten dient er een afsluiter met minstens 3 mm contactdoorlaat (zekeringen, lijnveiligheidschakelaars, schakelaars) aangesloten te worden en dienen alle polen van deze afsluiter zich in de buurt (niet boven) van het product te bevinden overeenkomstig de IEE-richtlijnen. Het niet nakomen van deze instructie kan operationele problemen veroorzaken en de garantie van het product ongeldig maken.

Aanvullende bescherming door een overblijvende stroomonderbreker wordt aanbevolen.

Indien er een kabel met het product wordt geleverd:

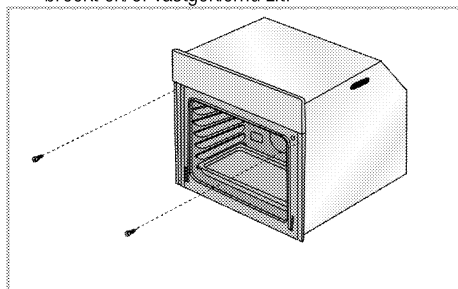


2. **Sluit voor eenfase aansluiting** de draden aan zoals hieronder aangegeven:

- Bruine/Zwarte kabel = L (fase)
  - Blauwe/Grijze kabel = N (neutraal)
  - Groene/gele kabel = (E)  (Aarde)
- » of
- Grijze/Zwarte kabel = L (fase)
  - Blauwe/Bruine kabel = N (neutraal)
  - Groene/gele kabel = (E)  (Aarde)

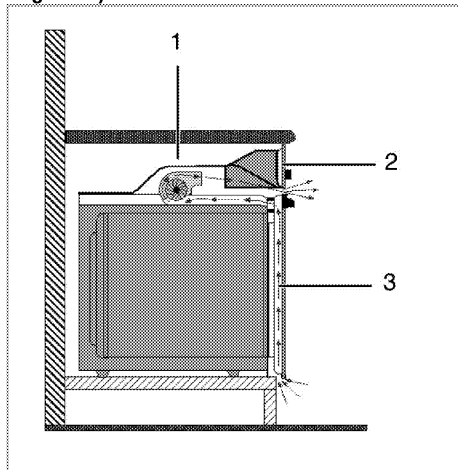
### Het product installeren

1. Schuif de oven in de kast, uitlijn en bevestig deze terwijl u ervoor zorgt dat de stroomkabel niet breekt en/of vastgeklemd zit.



Bevestig uw oven met 2 schroeven zoals afgebeeld. Zorg er na de installatie voor dat de schroeven voldoende zijn aangedraaid en de oven niet beweegt. De oven kan tijdens gebruik omkiepen als bij de installatie de instructies niet zijn opgevolgd en de schroeven niet voldoende zijn aangedraaid.

**Voor producten met een koelventilator (Het is mogelijk dat uw product er niet meer is uitgerust.)**



- 1 Koelventilator
- 2 Bedieningspaneel
- 3 Deur

De ingebouwde koelventilator koelt zowel de ingebouwde kast als de voorkant van het product.



Koelventilator blijft 20-30 minuten draaien nadat de oven is uitgeschakeld.

### Laatste controle

1. Het product bedienen.
2. Controleer de functies.

### Toekomstig transport

- Bewaar de originele doos van het product en vervoer het product daarin. Volg de aanwijzingen op de doos. Als u de originele doos niet hebt, verpak het product dan in luchtkussenfolie of dik karton en tape het goed vast.
- Om te verhinderen dat de draadgrill en de plaat in de oven de ovendeur beschadigen, plaats een strip karton op de binnenkant van de ovendeur zodat deze overeenkomt met de positie van de plaat. Bevestig de ovendeur aan de zijkanten met tape.
- Til of verplaats het product niet met behulp van de deur of handgreep.



Plaats geen voorwerpen op het product en verplaats het rechtopstaand.



Controleer globaal het uiterlijk van uw product op eventuele schade die tijdens het transport werd veroorzaakt.

## 4 Voorbereidingen

### Tips om energie te besparen

De volgende informatie zal u helpen om uw apparaat op een ecologische manier te gebruiken en energie te besparen:

- Gebruik donkerkleurige of gelakte kookwaren in de oven; dit zorgt voor een betere warmtetransmissie.
- Verwarm de oven tijdens het koken van uw gerechten voor als dit wordt aanbevolen in de gebruikershandleiding of kookbeschrijving.
- Open de ovendeur zo weinig mogelijk tijdens het koken.
- Probeer wanneer dit mogelijk is meer dan één gerecht tegelijkertijd in de oven te bereiden. U kunt koken door twee pannen op het grillrooster te plaatsen.
- Bereid meer dan één gerecht na elkaar. De oven zal al warm zijn.
- U kunt energie besparen door uw oven een paar minuten voor het einde van de bereidingstijd uit te schakelen. Zet de ovendeur niet open.
- Ontdooi bevroren gerechten voor u ze bereidt.

### Het eerste gebruik

#### Eerste reiniging van het toestel



Het oppervlak kan beschadigd geraken door sommige detergenten of reinigingsmaterialen. Gebruik geen agressieve detergenten, reinigingspoeder/melk of scherpe voorwerpen tijdens het reinigen.

1. Verwijder alle verpakkingsmaterialen.
2. Veeg de oppervlakken van het toestel met een vochtige doek of spons en droog het met een doek.

#### Eerste opwarming

Warm het product ongeveer 30 minuten op en schakel het dan uit. Zo worden alle productieresten of -lagen afgebrand en verwijderd.



#### WAARSCHUWING

Hete oppervlakken veroorzaken brandwonden! Het product kan heet zijn wanneer het in gebruik is. Raak de hete branders, de binnenste delen van de oven, verwarmers enz. nooit aan. Houd kinderen uit de buurt. Gebruik altijd warmtebestendige ovenhandschoenen wanneer u schotels in de oven plaatst of eruit haalt.

#### Elektrische oven

1. Neem alle bakschalen en het grillrooster uit de oven.
2. Sluit de ovendeur.
3. Kies de stand Elektrisch.
4. Selecteer de hoogste grillstand; zie *Hoe de elektrische oven te bedienen*, pagina 18.
5. Laat de oven ongeveer 30 minuten werken.
6. Draai uw oven uit; zie *Hoe de elektrische oven te bedienen*, pagina 18

#### Grilloven

1. Neem alle bakschalen en het grillrooster uit de oven.
2. Sluit de ovendeur.
3. Selecteer de hoogste grillstand; zie *Hoe de grill bedienen*, pagina 21.
4. Laat de oven ongeveer 15 minuten werken.
5. Draai uw grill uit; zie *Hoe de grill bedienen*, pagina 21



Tijdens het eerste gebruik kunnen gedurende enkele uren geur en rook worden afgegeven. Dit is heel normaal. Zorg ervoor dat de keuken goed geventileerd is om de rook en geur af te voeren. Voorkom directe inademing van de geproduceerde rook en geur.

## 5 Hoe de oven te bedienen

### Algemene informatie over bakken, roosteren en grillen



#### WAARSCHUWING

Hete oppervlakken veroorzaken brandwonden! Het product kan heet zijn wanneer het in gebruik is. Raak de hete branders, de binnenste delen van de oven, verwarmers enz. nooit aan. Houd kinderen uit de buurt. Gebruik altijd warmtebestendige ovenhandschoenen wanneer u schotels in de oven plaatst of eruit haalt.



#### GEVAAR:

Wees voorzichtig bij het openen van de ovendeur, want er kan stoom ontsnappen. Ontsnappende stoom kan uw handen, gezicht en/of ogen verbranden.

#### Tips bij het bakken

- Gebruik geschikte metalen schotels met een anti-kleeflaag, aluminium pannen of hittebestendige siliconenvormen.
- Maak optimaal gebruik van de ruimte op het rek.
- Zet de bakvorm in het midden van het rek.
- Kies de juiste roosterpositie voordat u de oven of grill aanzet. Wijzig de roosterstand niet wanneer de oven heet is.
- Houd de ovendeur gesloten.

#### Tips bij het roosteren

- Het vooraf behandelen van hele kip, kalkoen en grote stukken vlees met dressings zoals citroensap en zwarte peper verhoogt de kookprestatie.
- Vlees met botten heeft ongeveer 15 tot 30 minuten langer nodig om te bakken dan een braadstuk van dezelfde grootte zonder botten.
- U moet ongeveer 4 tot 5 minuten bereidingstijd rekenen per centimeter dikte van het vlees.
- Laat het vlees in de oven rusten voor ongeveer 10 minuten na het verstrijken van de kooktijd. De jus wordt beter verdeeld over het hele braadstuk en loopt niet weg wanneer het vlees wordt gesneden.
- Vis moet in een vuurvaste schaal in het middelste of lage rooster worden geplaatst.

#### Tips voor het grillen

Wanneer vlees, vis en gevogelte wordt gegrild, wordt dit snel bruin, heeft het een mooie korst en droogt het niet uit. Platte stukken, vleesspiezen en worst, maar ook groenten met een hoog watergehalte (bijv.

tomaten en uien) zijn bijzonder geschikt om te worden gegrild.

- Verdeel de te grillen stukken op de draadgrill of in de bakschaal met draadgrill zodanig dat de ingenomen ruimte de afmetingen van de verwarmers niet overschrijft.
- Schuif de draadgrill of de bakschaal met grill in de oven op het gewenste niveau. Als u grillt op de draadgrill, schuif dan de bakschaal naar het rek eronder om vet op te vangen. Voeg wat water toe aan de bakschaal om deze gemakkelijk te reinigen.



Voedsel dat niet geschikt is voor grillen heeft het risico te verbranden. Gebruik enkel grillvoedsel dat geschikt is voor intensieve grillwarmte. Plaats het voedsel niet te ver naar achteren in de grill. Dit is het heetste gebied en hier kan vettig voedsel vlam vatten.

### Hoe de elektrische oven te bedienen

#### Selecteer temperatuur en werkingsmodus.



1 Functieknop

2 Thermostaatknop

1. Stel de functieknop in op de gewenste werkingsmodus.
2. Stel de thermostaatknop in op de gewenste temperatuur.

» De oven verwarmt tot de ingestelde temperatuur en behoudt deze. Tijdens het verwarmen blijft de temperatuur lamp aan.

#### Schakel de elektrische oven uit.

Draai de functieknop en temperatuurknop naar uitpositie (bovenste stand).

#### Roosterstanden (voor modellen met draadgrill)

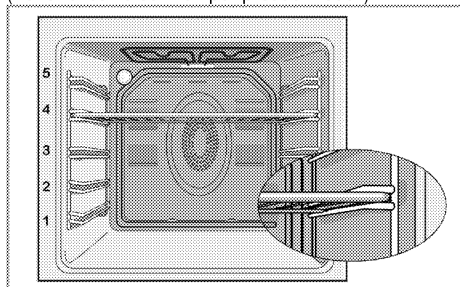
Het is belangrijk dat de draadgrill goed in het draadrek geplaatst wordt. De draadgrill moet tussen de draadrekken geschoven worden zoals afgebeeld in de figuur.

Laat de draadgrill niet tegen de achterwand van de oven rusten. Schuif uw draadgrill naar het voorste deel



van het rooster en duw deze voor goede grillresultaten met de deur op zijn plaats.

(De functies verschillen per productmodel.)



## Werkingsmodussen

De volgorde van de hier getoonde werkingsmodi kan afwijken van de schikking op uw product.

### Boven- en onderverwarming



Boven- en onderverwarming zijn in werking. Het voedsel wordt gelijk van de bovenkant en de onderkant verwarmd. Bijvoorbeeld geschikt voor cakes, gebak of cakes en stoofpotjes in bakvormen. Met één schaal koken.

### Onder



Alleen de verwarmers onder is in werking. Bijvoorbeeld geschikt voor pizza en voor verder bruinen van gerechten aan de onderkant.



Deze functie moet ook gebruikt worden voor gemakkelijke stoomreiniging.

### Grill



De kleine grill aan het ovenplafond is in werking. Geschikt voor grillen.

- Plaats kleine en middelgrote porties in juiste plaatpositie onder de grillverwarmer om te grillen.
- Draai het voedsel na de helft van de grilltijd om.

### Volledige Grill



De grote grill aan het ovenplafond is in werking. Deze is geschikt voor het grillen van grote hoeveelheden vlees.

- Plaats grote en middelmatige porties in de juiste roosterstand onder de grillverwarmer om te grillen.
- Draai het voedsel na de helft van de grilltijd om.

### Tabel kooktijden










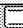
De tijden in dit schema dienen als richtlijn. Tijden kunnen variëren door de voedseltemperatuur, dikte, soort en uw eigen bereidingsvoorkeuren.

### Bakken en roosteren



1ste rek van de oven is het **onderste** rek.

Gerecht	Aantal bakplaten	Te gebruiken accessoire	Werkingsmodus	Roosterstanden	Temperatuur (°C)	Kooktijd (ong. in min.)
Cakes op plaat	Eén bakplaat	Standaard bakplaat*		3	180	25 ... 30
Cakes in vorm	Eén bakplaat	Cakevorm op grillrooster**		2	180	40 ... 50
Kleine cakejes	Eén bakplaat	Standaard bakplaat*		3	160	25 ... 35
Russisch gebak	Eén bakplaat	Ronde springvorm met een diameter van 26 cm op het grillrooster**		3	160	25 ... 35
Koekjes	Eén bakplaat	Gebakplaat*		3	180	25 ... 30
Deeggebak	Eén bakplaat	Standaard bakplaat*		2	200	30 ... 40
Rijk gebak	Eén bakplaat	Standaard bakplaat*		2	200	25 ... 35

Zuurdeeg	Eén bakplaat	Standaard bakplaat*		2	200	35 ... 45
Lasagne	Eén bakplaat	Rechthoekige glazen/metalen vorm op grillrooster**		2 - 3	200	30 ... 40
Pizza	Eén bakplaat	Standaard bakplaat*		2	200 ... 220	15 ... 20
Biefstuk (volledig) / rosbief	Eén bakplaat	Standaard bakplaat*		2	25 min. 250/max. dan 180 ... 190	100 ... 120
Lamsbout (stooftopje)	Eén bakplaat	Standaard bakplaat*		2	25 min. 220 dan 190	70 ... 90
Gebraden kip (1,8-2 kg)	Eén bakplaat	Standaard bakplaat*		2	15 min 250/max. dan 190	70 ... 90
Kalkoen (5.5 kg)	Eén bakplaat	Standaard bakplaat*		1	25 min. 250/max. dan 190	150 ... 210
Vis	Eén bakplaat	Standaard bakplaat*		3	200	20 ... 30

Voor alle etenswaren geldt: eerst voorverwarmen.  
\* Deze accessoires zijn mogelijk niet met het product meegeleverd.  
\*\* Deze accessoires zijn niet met het product meegeleverd. Dit zijn accessoires die commercieel verkrijgbaar zijn.

### Kooktabel voor testmaaltijden

Maaltijden in deze kooktabel worden bereid volgens EN 60350-1 om het controle-instituten eenvoudiger te maken het product te testen

Gerecht	Aantal bakplaten	Te gebruiken accessoire	Werkingsmodus	Roosterstanden	Temperatuur (°C)	Kooktijd (ong. in min.)
Sprits	Eén bakplaat	Standaard bakplaat*		3	140	20 ... 30
Kleine cakejes	Eén bakplaat	Standaard bakplaat*		3	160	25 ... 35
Russisch gebak	Eén bakplaat	Ronde springvorm met een diameter van 26 cm op het grillrooster**		3	160	25 ... 35
Appeltaart	Eén bakplaat	Ronde zwarte metalen schaal met een diameter van 20 cm op het grillrooster**		2	180	50 ... 60

Voor alle etenswaren geldt: eerst voorverwarmen.  
\* Deze accessoires zijn mogelijk niet met het product meegeleverd.  
\*\* Deze accessoires zijn niet met het product meegeleverd. Dit zijn accessoires die commercieel verkrijgbaar zijn.

### Tips voor het bakken van cakes

- Als de cake te droog is, verhoog dan de temperatuur met zo'n 10 en verkort de baktijd.
- Als de cake vochtig is, gebruik dan minder vocht of verlaag de temperatuur met 10°C.
- Als de cake bovenop te donker is, zet deze dan op een lager rooster, verlaag de temperatuur en verleng de baktijd.
- Als de cake goed van binnen gebakken is maar een plakkerige buitenkant heeft, gebruik dan minder vocht, verlaag de temperatuur en verhoog de baktijd.

### Tips bij het bakken van gebak

- Als de cake te droog is, verhoog dan de temperatuur met zo'n 10 en verkort de baktijd. Bevocht de deeglagen met een sausje van melk, olie, eieren en yoghurt.
- Als het deeg te lang moet bakken, zorg ervoor dat de dikte van het deeg dat u bereid heeft niet hoger is dan de diepte van de schaal.
- Als de bovenkant van het deeg bruin wordt maar het onderste deel niet, zorg ervoor dat er niet teveel van de voor het deeg gebruikte saus onderin het deeg zit. Probeer de saus gelijkmatig te verdelen tussen de deeglagen en op het gebak voor gelijkmatig bruinen.



Bereid het gebak conform de modus en temperatuur die in de bereidingstabel staan vermeld. Als het onderste deel niet bruin genoeg is, plaats het gebak de volgende keer dan op een lager rooster.

### Tips voor het bereiden van groenten

- Als het groentegerecht vocht tekort komt en droog wordt, bereid het dan in een pan met deksel in plaats van een open schaal. In afgesloten pannen blijft het vocht van het gerecht behouden.
- Als een groentegerecht niet gekookt wordt, kook de groenten dan eerst en bereid ze als ingeblikt voedsel en plaats het gerecht in de oven.

### Hoe de grill bedienen



#### WAARSCHUWING

Sluit de ovendeur tijdens het grillen.  
Hete oppervlakken kunnen brandwonden veroorzaken!

### Aanzetten van de grill

1. Draai de functieknop naar het gewenste grillsymbool.
2. Stel dan de gewenste grilltemperatuur in.
3. Verwarm, indien gewenst, ongeveer 5 minuten voor.

» Het temperatuurlampje gaat aan.

### Het uitzetten van de grill

1. Draai de functieknop naar uit-positie (top).



Voedsel dat niet geschikt is voor grillen heeft het risico te verbranden. Gebruik enkel grillvoedsel dat geschikt is voor intensieve grillwarmte.  
Plaats het voedsel niet te ver naar achteren in de grill. Dit is het heetste gebied en hier kan vettig voedsel vlam vatten.

## Tabel kooktijden voor grillen

### Grillen met elektrische grill

Voedsel	Te gebruiken accessoire	Roosterstanden	Aanbevolen temperatuur (°C)**	Grilltijd (ongeveer)
Vis	Grillrooster	4..5	250	20...25 min.*
Gesneden kip	Grillrooster	4..5	250	25...35 min.
Lamskoteletten	Grillrooster	4..5	250	20...25 min.
Varkensvlees roosteren	Grillrooster	4..5	250	25...30 min.*
Kalkskoteletten	Grillrooster	4..5	250	25...30 min.*
Geroosterd brood *	Grillrooster	4	250	1...3 min.

\* afhankelijk van dikte

\*Verwarm voor gedurende 5 minuten.

\*\*Als de grill temperatuur van uw product niet kan worden aangepast, zal de grill werken bij de aanbevolen temperatuur.

Maaltijden in deze kooktabel worden bereid volgens EN 60350-1 om het controle-instituten eenvoudiger te maken het product te testen

Voedsel	Te gebruiken accessoire	Roosterstanden	Temperatuur (°C)	Kooktijd (ong. in min.)
Geroosterd brood	Grillrooster	4	250	1...3 min.
Gehaktballen (runder) - 12 in stukjes	Grillrooster	4	250	25...35 min.

Draai het voedsel na 2/3 van de totale grilltijd om.

Het wordt aanbevolen voor alle gerechten die worden gebraden circa 5 minuten voor te verwarmen.

## 6 Onderhoud en verzorging

### Algemene informatie

De levensduur van het product zal worden verlengd en er zullen minder vaak problemen zijn als het product regelmatig wordt gereinigd.



#### GEVAAR:

Sluit het product van de stroom af voor te beginnen met onderhouds- en reinigingswerk. Er is kans op elektrische schokken!



#### GEVAAR:

Laat het product afkoelen voordat u het reinigt. Hete oppervlakken kunnen brandwonden veroorzaken!

- Reinig het product grondig na ieder gebruik. Zo kunt u kookresten gemakkelijker verwijderen, en voorkomt u dat ze verbranden als u het apparaat de volgende keer gebruikt.
- Er zijn geen speciale reinigingsmiddelen vereist om het product te reinigen. Gebruik warm water met wasvloeistof, een zachte doek of spons voor het reinigen van het product en een droge doek om het te drogen.
- Zorg er steeds voor dat overvloedige vloeistoffen worden afgeveegd na de reiniging en dat gemorste vloeistoffen steeds meteen worden afgeveegd.
- Gebruik voor het reinigen van roestvrijstalen oppervlakken en de handgreep geen reinigingsmiddelen die zuur of chloride bevatten. Gebruik een zachte doek met een vloeibaar detergent (niet-schurend) om deze onderdelen schoon te vegen, en let erop dat u in één richting veegt.



Het oppervlak kan beschadigd geraken door sommige detergents of reinigingsmaterialen. Gebruik geen agressieve detergents, reinigingspoeder/melk of scherpe voorwerpen tijdens het reinigen.



Gebruik geen stoomreinigers om het toestel schoon te maken, want dat kan elektrische schokken veroorzaken.

### Het bedieningspaneel reinigen

Reinig bedieningspaneel en knoppen met een vochtige doek en veeg ze droog.



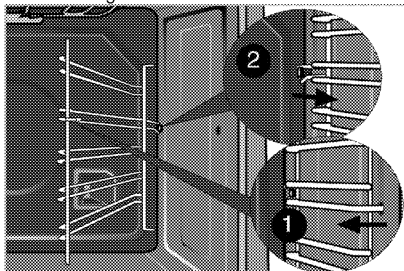
Verwijder de knoppen van uw product niet tijdens het reinigen van het bedieningspaneel. Het bedieningspaneel kan beschadigd worden!

### De oven reinigen

**Om de zijwand te reinigen (De functies verschillen per productmodel.)**

**(Deze functie is optioneel. Het is mogelijk dat uw product er niet meer is uitgerust.)**

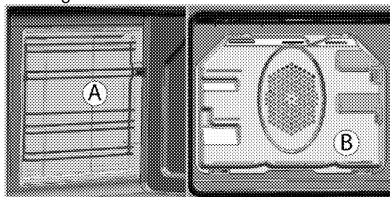
1. Verwijder het voorste gedeelte van de zijkant door deze in de tegenovergestelde richting van de zijwand te trekken.
2. Verwijder het rek aan de zijkant door deze in uw richting te trekken.



### Katalytische wanden

**(Deze functie is optioneel. Het is mogelijk dat uw product er niet meer is uitgerust.)**

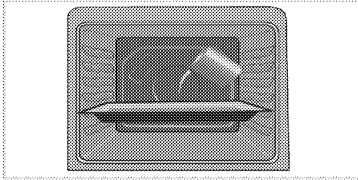
De binnenwanden (A) en/of achterwand (B) van uw product heeft mogelijk een katalytische emaille afwerking. Katalytische wanden hebben lichte matte kleur en hebben een poreus oppervlak. De katalytische wanden van de oven moeten niet worden gereinigd. Dankzij hun geperforeerde structuur absorberen katalytische oppervlakken vet en als het oppervlak eenmaal met vet is opgevuld, zal het gaan glimmen. In dit geval wordt aanbevolen de onderdelen te vervangen.



### Gemakkelijke stoomreiniging

Het garandeert gemakkelijke reiniging, omdat het vuil (indien niet te lang wordt gewacht) zacht wordt gemaakt met de stoom die in de oven wordt gevormd en het condenseren van de waterdruppels op de binnenkant van de oven.

1. Verwijder alle accessoires uit de oven.
2. Schenk 500 ml water in de bakplaat en zet deze op het 2e rek in de oven.



3. Stel de oven in op gemakkelijke stoomreinigingsmodus en laat deze gedurende 25 minuten draaien op 100°C.
4. Open de deur en neem de binnenoppervlakken van de oven af met een vochtige spons of doek.
5. Gebruik warm water met wasmiddel, een zachte doek of spons om hardnekkig vuil te verwijderen en een droge doek om het te drogen.

**i** Tijdens de handige stoomreinigingsmodus zal het water, dat in de bakplaat is geplaatst om licht aangekoekt vuil en resten in de ovenruimte te weken, verdampen en de ovenruimte en het binnenglas van de ovendeur van condens voorzien. Hierdoor kan er bij het openen van de deur water vanaf druppelen. Veeg het condens af zodra de deur van de oven wordt geopend.

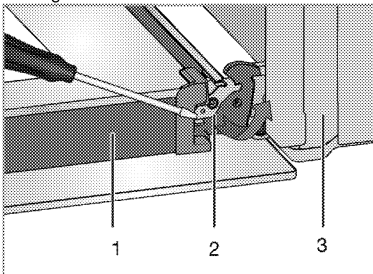
### Reinig de ovendeur

Gebruik, om de ovendeur te reinigen, warm water met wasmiddel, een zachte doek of spons om het product te reinigen en een droge doek om deze droog te wrijven.

**i** Gebruik geen sterkschurende reinigingsmiddelen of scherpe harde metalen schrapers om de ovendeur te reinigen. Zij kunnen het oppervlak en het glas beschadigen.

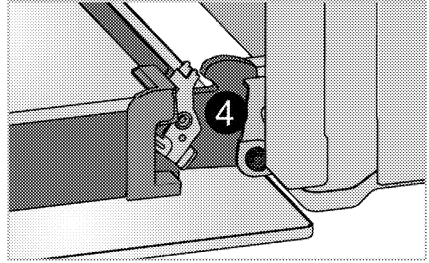
### De ovendeur verwijderen

1. Open de ovendeur (1).
2. Open de clips bij de scharnierbehuizing (2) aan de rechter- en linkerkant van de ovendeur door ze naar beneden te duwen zoals aangegeven in de figuur.

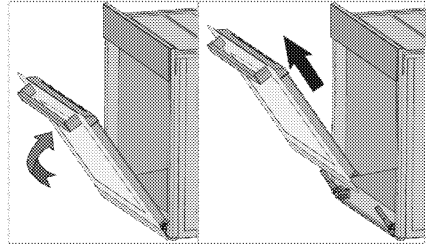


1 Deur

- 2 Scharnierslot(gesloten positie)
- 3 Oven
- 4 Scharnierslot(geopende positie)



3. Maak de ovendeur half open.



4. Verwijder de ovendeur door deze omhoog te tillen waardoor hij loskomt uit de rechter- en linkerscharnieren.

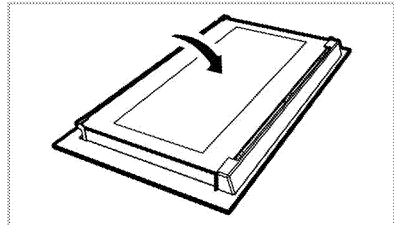
**i** Om de deur weer terug te plaatsen, voert u de stappen tijdens het verwijderen in omgekeerde volgorde uit. Vergeet niet om de clips bij de scharnierbehuizing te sluiten wanneer u de deur opnieuw installeert.

### Binnenglas deur verwijderen

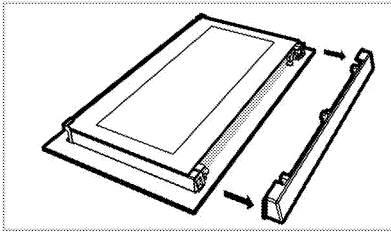
**(Deze functie is optioneel. Het is mogelijk dat uw product er niet meer is uitgerust.)**

Het binnenglas van de ovendeur kan verwijderd worden om te reinigen.

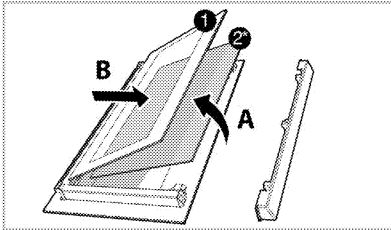
1. Open de ovendeur.



2. Trek het naar uzelf toe en verwijder het plastic deel dat op het bovenste gedeelte van de voordeur geïnstalleerd is.



3. Til, zoals in de afbeelding weergegeven, het binnenste glazen paneel (1) licht in richting A en trek het uit in richting B.



- 1 Binnenste glazen paneel  
 2\* Binnenglaspaneel (Het is mogelijk dat uw product er niet meer is uitgerust.)
4. Is uw product is uitgerust met een glazen binnenpaneel (2) ; Herhaal deze handeling om het binnenglaspaneel te verwijderen (2).
5. De eerste stap om de deur te herstellen is het herinstalleren van het binnenglaspaneel (2). Plaats de afgekante hoek van het glazen paneel dusdanig dat het rust op de afgekante hoek van de plastic groef. (Is uw product is uitgerust met een glazen binnenpaneel). Het binnenglaspaneel (2) dient geïnstalleerd te worden in de plastic groeven dichtbij het binnenste glazen paneel (1).
6. Als u het binnenste glazen paneel (1) installeert dient u ervoor te zorgen dat de geprinte zijde van de paneel naar het tweede binnenglaspaneel gedraaid is. Het is belangrijk dat de benedenhoeken van de binnenste glazen paneel (1) in de plastic benedengroeven geplaatst worden.
7. Duw het plastic deel naar het frame tot u een "click" hoort.

## De ovenlamp vervangen



### GEVAAR:

Zorg voordat u de ovenlamp vervangt dat het product afgesloten is van het elektriciteitsnet en afgekoeld om het risico op een elektrische schok te vermijden.  
 Hete oppervlakken kunnen brandwonden veroorzaken!



In deze oven wordt een gloeilamp met een vermogen van minder dan 40 W, een hoogte van minder dan 60 mm, een diameter van minder dan 30 mm of een halogeenlamp met fitting type G9, een vermogen van minder dan 60 W gebruikt. De lampen zijn geschikt voor gebruik bij temperaturen boven 300 °C. Overlampen zijn verkrijgbaar bij geautoriseerde servicemedewerkers of monteur met vergunning.



De positie van de lamp kan afwijken van de afbeelding.



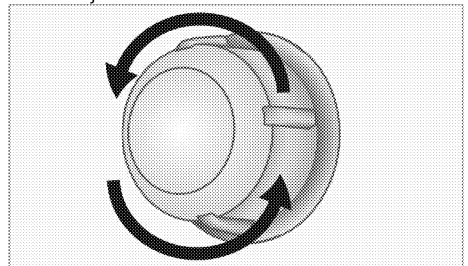
De lamp die in dit apparaat wordt gebruikt, is niet geschikt voor huishoudelijke kamerverlichting. Het bedoeld gebruik van deze lamp is de gebruiker te helpen levensmiddelen te laten waarnemen.



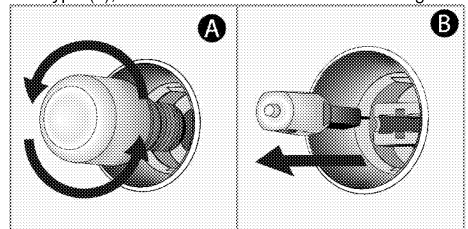
De lampen die in dit apparaat worden gebruikt, moeten bestendig zijn aan extreme fysieke condities, zoals temperaturen boven de 50°C.

### Als uw oven is voorzien van een ronde lamp:

1. Sluit het product af van het elektriciteitsnet.
2. Draai de glazen kap tegen de klok in om deze te verwijderen.



3. Als u een ovenlampje heeft van het type (A) dat u in de onderstaande afbeelding ziet, verwijdert dit dan door er zoals aangegeven aan te draaien en vervang het. Als u een ovenlampje heeft van het type (B), trek het dan naar buiten en vervang het.



4. Plaats het glazen deksel terug.

## 7 Problemen oplossen

### De oven geeft stoom af als hij in gebruik is.

- Het is normaal dat er stoom ontsnapt tijdens gebruik. >>> *Dit is geen fout.*

### Als de oven verwarmt en koelt geeft deze metaalachtige geluiden.

- Wanneer de metalen onderdelen worden verwarmd, kunnen deze uitzetten en geluid veroorzaken. >>> *Dit is geen fout.*

### Het product werkt niet.

- De hoofdzekering is defect of doorgeslagen. >>> *Controleer zekeringen in de zekeringenkast. Vervang of reset deze indien nodig.*
- De stekker van het product zit niet in het (geaarde) stopcontact. >>> *Controleer de plugkoppeling.*

### Ovenverlichting werkt niet.

- Ovenverlichting is defect. >>> *Vervang ovenlamp.*
- De stroom is afgesloten. >>> *Controleer of er stroom is. Controleer de zekeringen in de zekeringenkast. Vervang of reset de zekeringen indien nodig.*

### Oven warmt niet op.

- Functie en/of temperatuur zijn niet ingesteld. >>> *Stel de functie en de temperatuur in met de functie- en/of temperatuurknop/toets.*
- De stroom is afgesloten. >>> *Controleer of er stroom is. Controleer de zekeringen in de zekeringenkast. Vervang of reset de zekeringen indien nodig.*



Raadpleeg de bevoegde serviceagent of de dealer waarbij u het product hebt gekocht als u, ondanks het doorvoeren van de aanwijzingen in dit gedeelte, het probleem niet kunt oplossen. Probeer nooit om een product met gebreken zelf te repareren.

