



Cooker hood

User Manual

Okapu

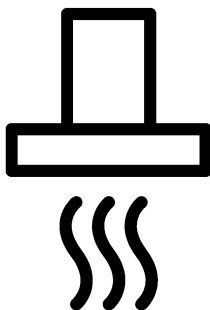
Instrukcja użytkowania

Digestoře

Návod k použití

Digestor

Používateľská príručka



HCB63741BX

EN / PL / CZ / SK

185.7304.08/R.AF/25.11.2019/3-1

7702382907

Please read this user manual first!

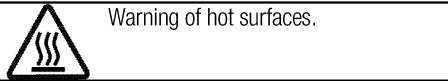
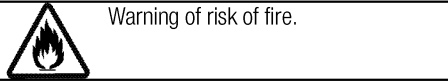
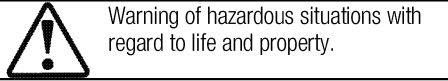
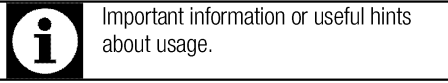
Dear Customer,

Thank you for purchasing this Beko product. We hope that you get the best results from your product which has been manufactured with high quality and state-of-the-art technology. Therefore, please read this entire user manual and all other accompanying documents carefully before using the product and keep it as a reference for future use. If you handover the product to someone else, give the user manual as well. Follow all warnings and information in the user manual.

Remember that this user manual is also applicable for several other models. Differences between models will be identified in the manual.

Explanation of symbols

Throughout this user manual the following symbols are used:



Arçelik A.Ş.

Karaağaç caddesi No:2-6
34445 Sütlüce/İstanbul/TURKEY

Made in TURKEY



This product was manufactured using the latest technology in environmentally friendly conditions.

TABLE OF CONTENTS

1 Important instructions and warnings for safety and environment 4

General safety	4
Electrical safety	5
Product safety	5
Intended use	7
Children's safety	7
Disposing of the old product	7
Package information	7

2 General information 8

Overview	8
Scope of delivery	9
Technical specifications	9

3 Installation 10

Installation	10
Future transportation	14

4 Operating the hood 15

5 Maintenance and care 17

General information	17
Replacing the lamp	18

6 Troubleshooting 19

1 Important instructions and warnings for safety and environment

This section contains safety instructions that will help protect from risk of personal injury or property damage. Failure to follow these instructions shall void any warranty.

General safety

- This appliance can be used by children aged from 8 years and above and persons with reduced physical, sensory or mental capabilities or lack of experience and knowledge if they have been given supervision or instruction concerning use of the appliance in a safe way and understand the hazards involved.

Children shall not play with the appliance. Cleaning and user maintenance shall not be made by children without supervision.

- Risk of Toxicating! While the appliance is operating, air in the entire house is sucked. If adequate ventilation is not provided, waste and toxic gasses which are released as a result of burning will be drawn back into the house through chimney draught. Do not operate the appliance together with sources that may emit toxic gasses and create air draught (wood, gas, oil,

and coal stoves, water heaters, kettles, etc.).

- Always have the authorized persons check the adequacy of ventilation and chimney draught in your building.
- The appliance is not intended for use by persons (including children) with reduced physical, sensory or mental capabilities, or lack of experience and knowledge, unless they have been given supervised or instruction concerning use of the appliance by a responsible person for their safety.

Young children should be supervised to ensure that they do not play with the appliance. Cleaning and user maintenance procedures should not be performed by the children unless they are under supervision.

- Always have the installation and repair procedures performed by Authorised Service Agent. Manufacturer shall not be held responsible for damages arising from procedures carried out by unauthorised persons.
- Do not operate the appliance if it is defective or has any visible damage.

- Make sure that the appliance is switched off after every use.
- If the product is handed over to someone else for personal use or second-hand use purposes, the user manual, product labels and other relevant documents and parts should be also given.
- Appliance must be installed by a qualified person in accordance with the regulations in force. Otherwise, the warranty shall become void.

Electrical safety

- To get your product ready for use, firstly you must have installation place and electric wiring prepared. Later, you may call Authorised Service nearest to you.
- If it has a failure, the product should not be operated without being repaired by the Authorised Service Agent. There is the risk of electric shock!
- Never connect the hood before installation is completed.
- Never touch the plug with wet hands! Do not unplug by pulling from the cable; always hold by the plug to unplug.
- Product must be disconnected from the mains during installation, maintenance, cleaning and repair procedures.
- If the supply cord is damaged, it must be replaced by the

manufacturer or its service agent or a similarly qualified person in order to avoid a hazard.

- Never connect power cable near to the hobs. If melted down, cable may lead to fire.
- Any work on electrical equipment and systems may only be carried out by authorised and qualified persons.
- In case of any damage, switch off the product and disconnect it from the mains. To do this, turn off the fuse at home.
- Make sure that fuse current is compatible with the product.
- Never wash down the product with water! There is the risk of electric shock!

Product safety

- The height between the lower surface of the hood and upper surface of the hob should not be less than 650 mm.
- Never touch the hood's lamp after they operated for a long time. Hot lamps may burn your hands.
- Never operate the product without oil filter. Never remove filters when the product is in use.
- Avoid big flames beneath the product. Otherwise, particles on oil filter may flame up and cause fire.
- Turn on the hobs after placing pans or pots on. Otherwise, rising

temperature may deform certain parts of your product.

- Turn off the hobs before taking away pans or pots.
- Avoid inflammable materials under the hood.
- Do not expose the product to open flames beneath it. It can cause oils accumulated in the filter to catch fire. Do not operate the product without filter.
- Never leave the cooker unattended when frying foods, the oil may flame up and boiled oil may cause fire. Thus, be careful about cloths and curtains.
- If the hood is not periodically and properly cleaned, this may cause burning risk on your hood.
- For refreshing the kitchen's air from cooking smells and steams, please turn on your hood for 15 minutes more after cooking or frying has ended.
- There shall be adequate ventilation of the room when the range hood is used at the same time as appliances burning gas or other fuels. (Not applicable to appliances that only discharge the air back into the room)
- In the environment where the hood is being used, the exhaust of fuel oil or gas devices such as room heater must be absolutely insulated or device must be hermetical type.
- If there is a fuel oil or gas device in the environment, the room must be ventilated sufficiently.
- When a non-electrically operated device is concurrently used in the environment together with the hood, the negative pressure in the room must be maximum 0.4 mbar to avoid the hood's returning other device's exhaust into the room.
- Never connect the hood to the chimneys used for heaters, waste gas or with rising flames. Observe authorities' regulations on the draining of output air.
- When connecting to the chimney, use 120-mm diameter pipes. Pipe connection must be as short as possible with fewer bends.
- Do not hang easily flammable and combustible materials on hood handles.
- Our company shall never be responsible for the problems arising from the use against the warnings above.
- There is a risk of fire if cleaning is not carried out in accordance with the instructions.
- Do not flambé under the range hood.

- Caution: Accessible parts may become hot when used with a cooking appliance.
- You are recommended to clean your filter once a month in normal use.

Intended use

This product is designed for domestic use. Commercial use is not admissible.

The manufacturer shall not be liable for any damage caused by improper use or handling.

Children's safety

- Keep children away from the product when it is operating and do not allow them to play with the product.
- Packaging materials are dangerous to children. Keep the packaging materials in a place where children cannot reach and sort and discard them in accordance with the waste disposal directives.
- Electrical products are dangerous to children. Keep children away

from the product when it is operating and do not allow them to play with the product.

Disposing of the old product

Compliance with the WEEE Directive and Disposing of the Waste Product:



This product complies with EU WEEE Directive (2012/19/EU). This product bears a classification symbol for waste electrical and electronic equipment (WEEE).

This product has been manufactured with high quality parts and materials which can be reused and are suitable for recycling. Do not dispose of the waste product with normal domestic and other wastes at the end of its service life. Take it to the collection center for the recycling of electrical and electronic equipment. Please consult your local authorities to learn about these collection centers.

Compliance with RoHS Directive:

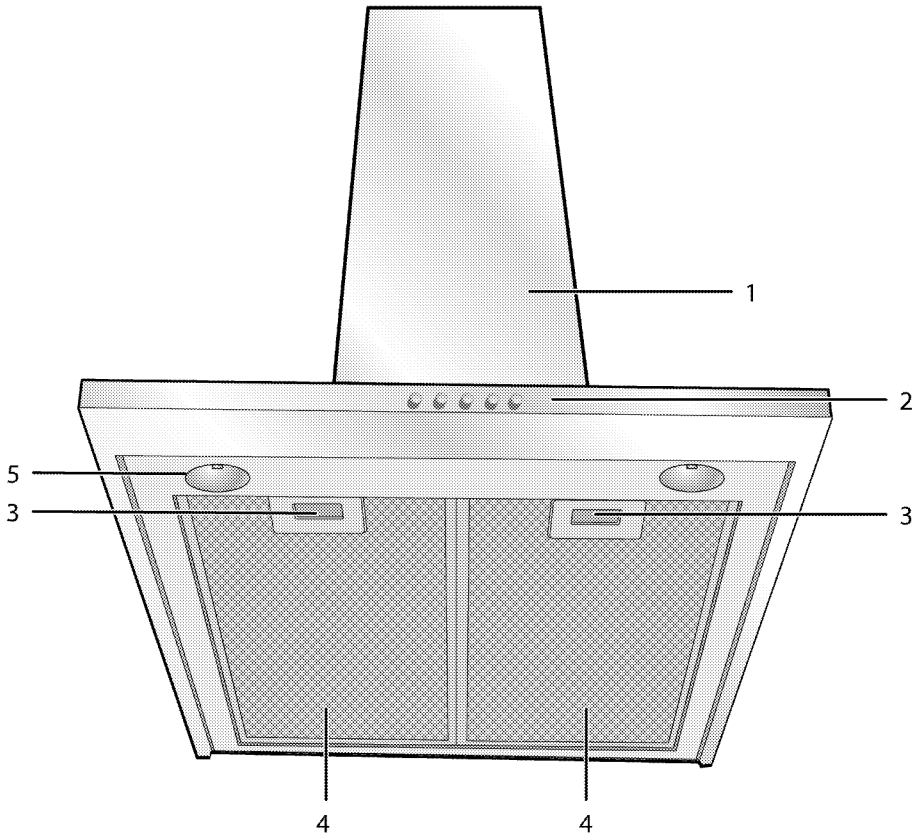
The product you have purchased complies with EU RoHS Directive (2011/65/EU). It does not contain harmful and prohibited materials specified in the Directive.

Package information

- Packaging materials of the product are manufactured from recyclable materials in accordance with our National Environment Regulations. Do not dispose of the packaging materials together with the domestic or other wastes. Take them to the packaging material collection points designated by the local authorities.

2 General information

Overview



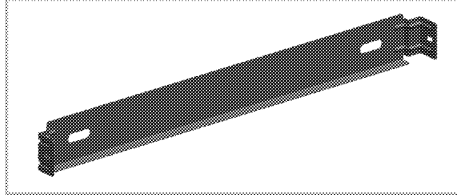
- 1 Hood body
- 2 Control panel
- 3 Aluminum filter lock
- 4 Aluminum filter
- 5 Lamp

Scope of delivery

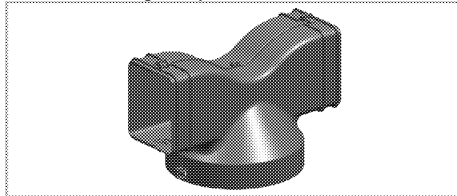


Accessories supplied can vary depending on the appliance model. Not every accessory described in the user manual may exist on your appliance.

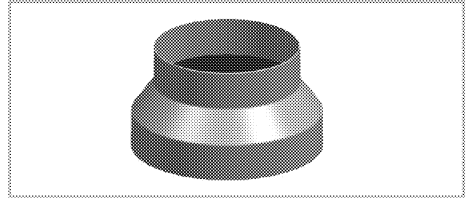
1. User manual
2. Wall connector



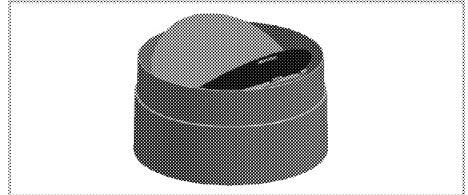
3. Air directing component



4. Chimney connection adapter



5. Valves to prevent reverse air flow



Technical specifications

External dimensions (height/width/depth)	min. 760 mm - max. 927 mm/598 mm/490 mm
Voltage/frequency	220-240 V ; 50 Hz
Control	3 level + 1 Booster
Suction power	730 m ³ /h
Total power consumption	max. 300 W
Air outlet pipe diameter	120-150 mm
LAMP	
Lamp type	Led
Lamp power consumption	4 W
Max. power of a potential replacement lamp	max.2 x 4 W.Led /max.2 x 28 W.Halogen
Voltage/frequency of lamp	100-250 V ; 50/60 Hz
Type of lamp cap	GU10
Diameter/length of lamp	50 mm /55 mm



Technical specifications may be changed without prior notice to improve the quality of the product.




Figures in this manual are schematic and may not exactly match the product.





Values stated on the markings of the product or in other printed documents supplied with the product are obtained under laboratory conditions as per relevant standards. Depending on operational and environmental conditions of the product, these values may vary.

3 Installation

Refer to the nearest Authorised Service Agent for installation of the product. Make sure that the electric installations are in place before calling the Authorised Service Agent to have the product ready for operation. If not, call a qualified electrician and fitter to have the required arrangements made.

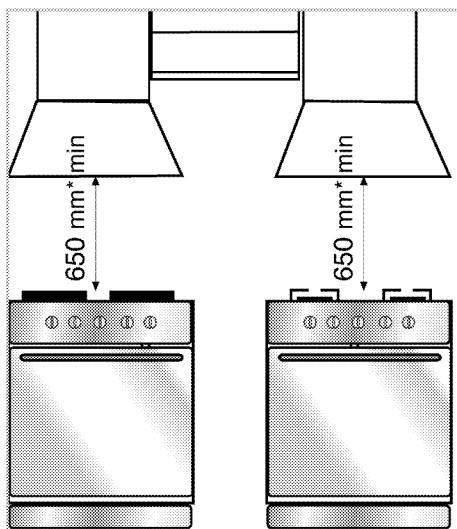
 Preparation of location and electrical installation for the product is under customer's responsibility.

 **DANGER:**
The product must be installed in accordance with all local electrical regulations.

 **DANGER:**
Prior to installation, visually check if the product has any defects on it. If so, do not have it installed. Damaged products cause risks for your safety.

 **DANGER:**
Warning: Failure to install the screws or fixing device in accordance with the instructions may result in electrical hazards.

Installation



* min.

There should be a minimum clearance of 650 mm between the top surface of the hob and the bottom surface of the hood.

The air to be extracted via the hood should not be connected to a chimney that is used by other appliances that use gas or other fuels. (It does not apply to devices that only blow the air back into the room)


The regulations on air exhaust should be followed.

Electrical connection

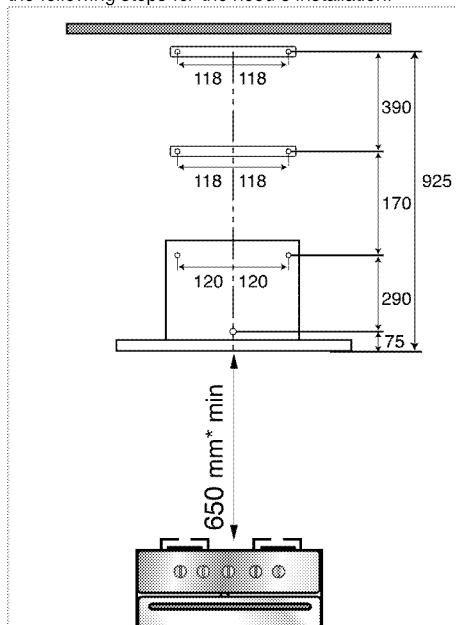
Manufactured with 2-track power cable, this device must be connected to the mains by an electrical switch with at least 3mm clearance between bipolar contact leads. Have the electrical connections done by a qualified electrician.

- Install your appliance so that you can reach the power connection (plug, outlet) easily after installation.

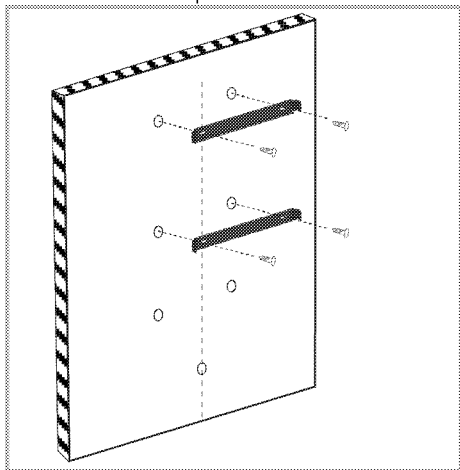
Installing the hood

 Measurements are in mm.

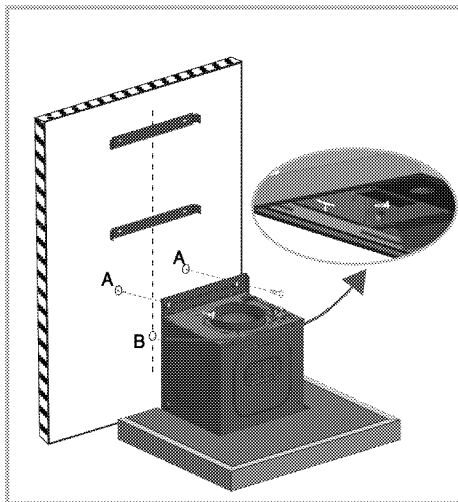
The following provides necessary information to prepare the location for hood installation. The hood must be installed above the central axis of the cooking appliance. There should be a minimum clearance of 650 mm between the top surface of the hob and the bottom surface of the hood. Please apply the following steps for the hood's installation.



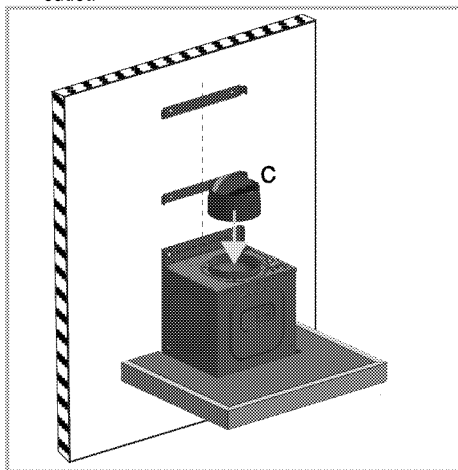
1. Centering the cooking appliance, draw an axis line that has the same height as that of the figure above. Then, taking this axis line as reference and according to the measurements above, drill 7 holes whose sizes are in compliance with the fittings provided with the product.
2. Insert the plastic plugs which are given with the packaging into these holes. Check if chimney connectors correspond to those holes or not.



3. As shown in the figure above, fix the wall fittings to their corresponding holes using the two fixing screws provided with the accessories.
4. Fix the hood to the wall by centering it through the A holes. Remove the aluminum filters of the hood. On the inside, fix the back plate of the hood through the B hole using a screw as shown in the figure below. Make sure that the hood is parallel to the counter when fixing.

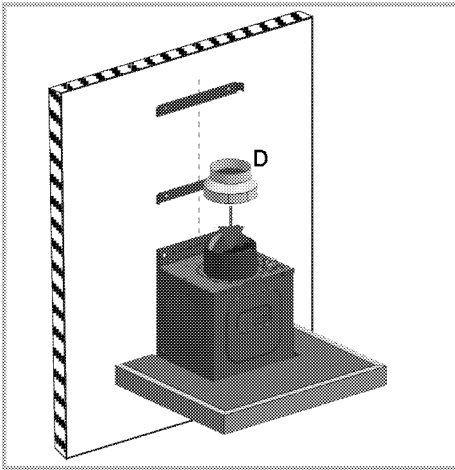


5. As shown in the figure below, place the cover (C) that prevents reversed air flow- to the chimney outlet.



6. For chimney connection usage:

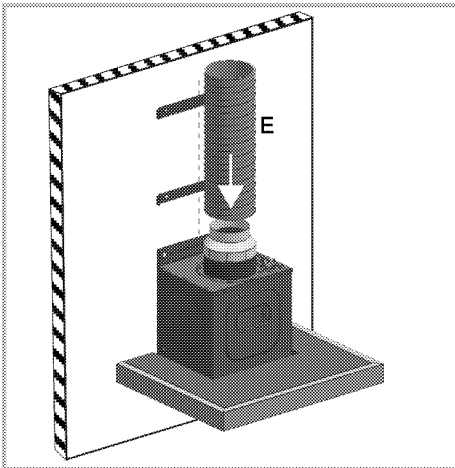
In chimney connection installation, the absorbed air will pass through the aluminium filters and will be expelled to the outside through the connection pipe.



When this connection position is used, chimney connection adapter D is placed on part C as shown in the figure above.

i D chimney connection adaptor will only be used when the chimney connection pipe's diameter is 120mm. If your chimney connection pipe's diameter is 150mm, you will not need to use chimney connection adaptor D and therefore you will need to connect one end of the chimney connection pipe E directly onto cover C.

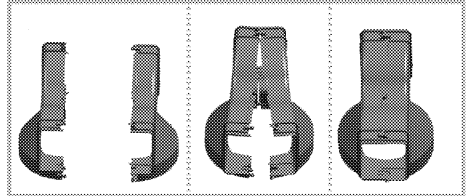
7. Connect one end of the chimney connection pipe E to the chimney connection adapter and place the other end to the chimney. You can obtain the chimney connection pipe E from the authorized service or from the market



You should make sure that the chimney connection pipes used are made of fireproof plastic material. When using flexible connection pipe, it should be considered that sharp corners and sudden contractions will have a negative impact on air suction. The hood must never be connected to a chimney to which another device was already connected.

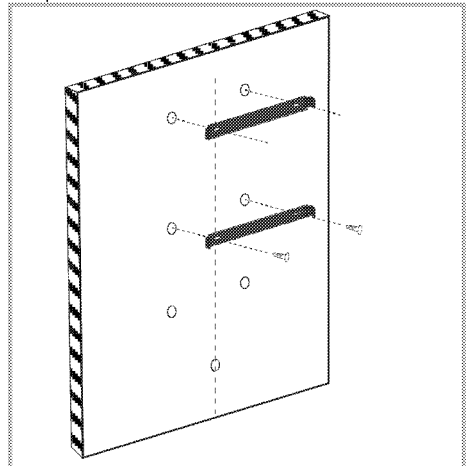
i Connection pipe should not be larger than 120-150 mm; otherwise, proper chimney connection will be prevented.

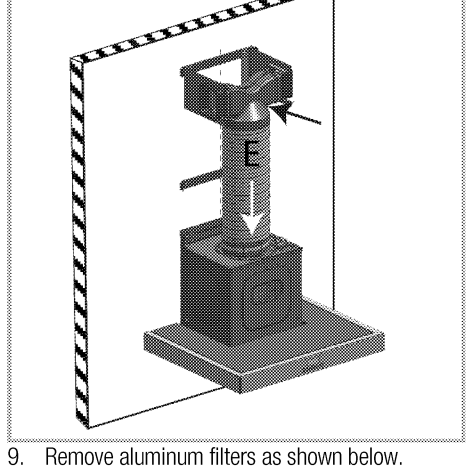
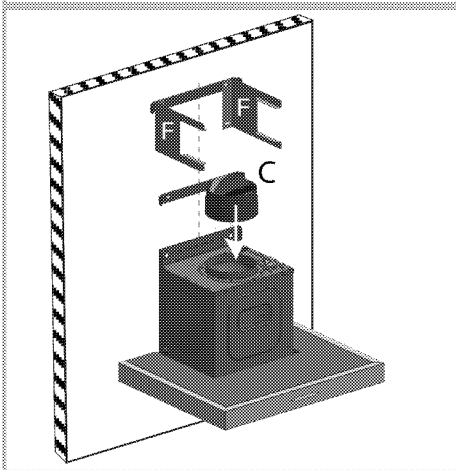
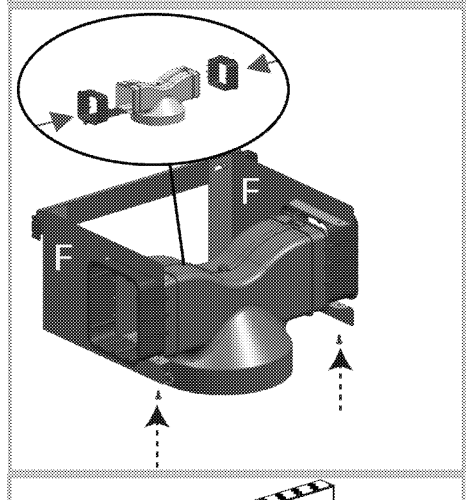
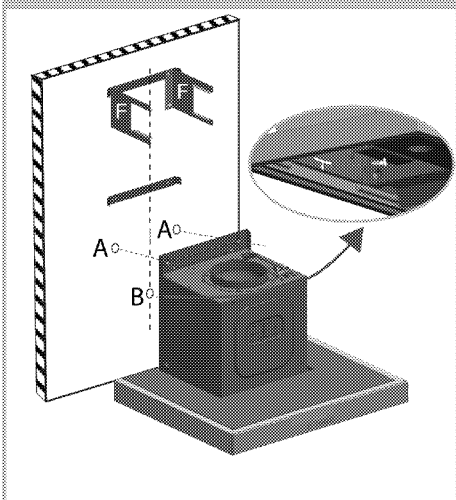
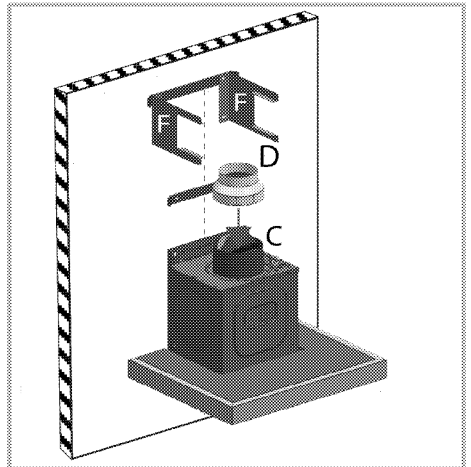
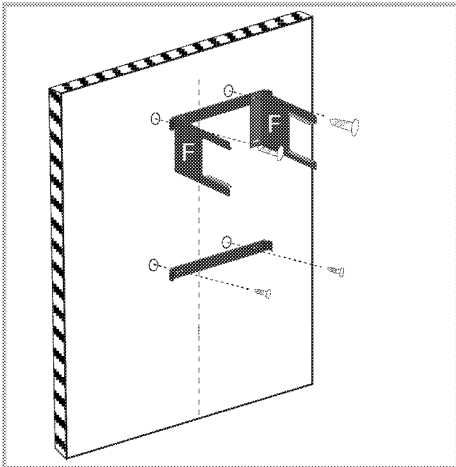
8. **Internal circulation (Use with carbon filter)**
In the position of internal circulation, the air absorbed from the environment will go through aluminium filters and carbon filters, where the smell is eliminated, and pass through air directing component, it is finally sent back to the environment through the ventilation grills on the side of the chimney piece.



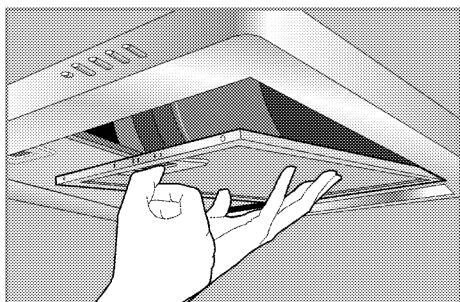
Assemble the air directing component, that is provided as two separate parts, as shown in the figure.

Follow the steps below for use without chimney. You can obtain the chimney connection pipe E and connection elements F from the authorised service provider or from the market.

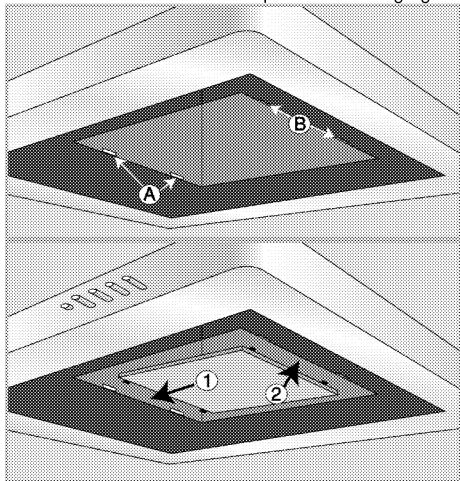




9. Remove aluminum filters as shown below.



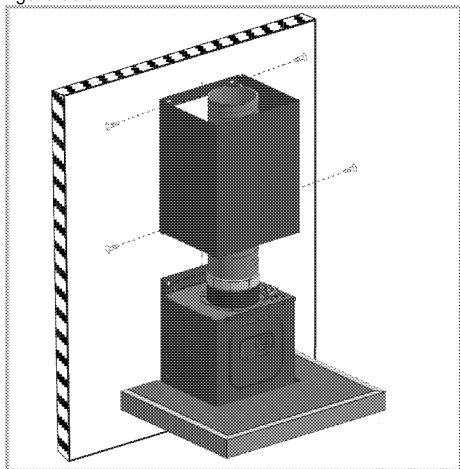
10. Install the carbon filter as per the following figure.



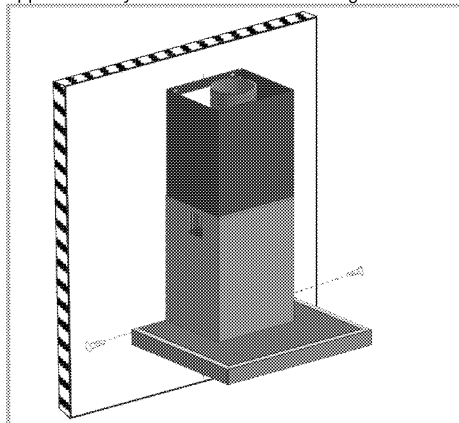
Re-install aluminum filters.

11. Installation of chimney

To install the upper chimney, place its upper corners onto the upper wall connector and use the screws to fix the chimney to the wall connector as shown in the figure below.



To install lower chimney, stretch the chimney by pulling slightly from both sides and secure it onto upper chimney's slots as shown in the figure above.



Fix it to the hood through the two holes on the lower corners of the lower chimney.

You may use the hood in two ways:

1-Chimney-connected use

The steam is expelled via chimney pipe which is secured to the connection ring on the hood. Diameter of chimney pipe should be equal to connection ring. To allow the air easily going out of the room in horizontal arrangements, the pipe should be slightly tilted upwards (approximately 10°).



If the carbon filter is installed on your hood, remove it when using the hood with the chimney.

2- Use with no chimney connection

Air is filtered through carbon filter and returned to the room. Carbon filter is used when there is no chimney in the house or when it is impossible to install a chimney pipe.

- Install the carbon filter as described in the installation section.

Future transportation

- Keep the product's original carton and transport the product in it. Follow the instructions on the carton. If you do not have the original carton, pack the product in bubble wrap or thick cardboard and tape it securely.



Do not place any objects onto the product and move it in upright position.



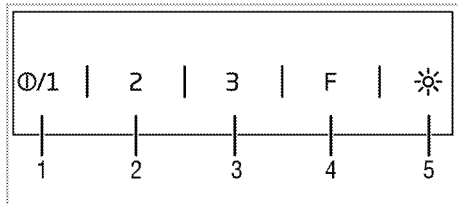
Check the general appearance of your product for any damages that might have occurred during transportation.

4 Operating the hood

Hood is equipped with a motor with various speed settings.

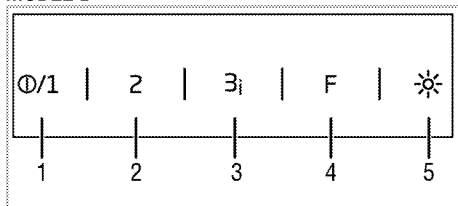
For a better performance, we advise you to use low speeds in normal conditions, and high speeds when smell and vapors are intensified.

MODEL A



- 1 On/off key / Speed 1
- 2 Speed 2
- 3 Speed 3
- 4 Function key
- 5 Lamp key


MODEL B




- 1 On/off key / Speed 1
- 2 Speed 2
- 3 Speed 3 / Booster
- 4 Function key
- 5 Lamp key

Operating the hood

1. Touch the on/off key to switch on the hood.
2. Touch the Speed 2 and Speed 3 keys to change the speed level.

 Do not touch both keys simultaneously. If touched, higher speed will be activated.

 The appliance operates for 6 hours at the most when no key is touched while it is operating.

Level warning lamp level indicator

On/off (Speed 1): 1st level LED light is turned on


Speed 2: 2nd level LED light is turned on

Speed 3: 3rd level LED light is turned on

Booster: (3rd level LED light flashes continuously at 0.5 second intervals)

Automatic power-off mode (for A and B)


1. If you touch the function key while the product is operating at a certain level, auto off mode will be activated, speed key LED light and function key LED light will be turned on.
2. Product will continue to work 20 minutes on set level and after shut on automatically.

 Auto off mode is cancelled when any level key other than the lamp key is touched.

Activating intense ventilation mode (Booster) (for model B)

Touch the Speed 3 key for more than two seconds. Intense ventilation mode will be activated and it will be active for maximum 7 minutes.

After 7 minutes, it will continue to operate in Speed 3 position.

 In the intense ventilation mode, the 3rd level LED light flashes continuously at 0.5 second intervals.

During intense ventilation, if any of the speed keys are touched, then the operation will continue at that speed level.

Turning off the hood


1. Touch the off key while your hood is operating at a certain speed.

Turning the lamp on

1. Touch the lamp key to turn on the lamp.

Turning off the lamp

1. Touch the lamp key again to turn off the lamp.

 The Off key does not turn off the lamp; it only stops the operation of the hood.

Air filter mode (for model B)

1. Touch the function key while the appliance is not operating at any speed.

» Air filter mode will be activated and the function key LED light will flash at 3 second intervals.

2. Air filter mode will operate for 10 minutes at speed 1 level and then stops for 50 minutes within 1 hour. If the air filter mode will not be turned off, it will continue to operate for 10 minutes and

stops 50 minutes for each each hour during 24 hours.



You can utilize air filter mode to remove odor found in-house in long term using low speed.

Turning off the air filter mode (for model B)

1. Turn off the air filtering mode by touching any speed key or touching the off key while the air filtering mode is active.



While the air filter mode is active, when you turn on and off the appliance at any speed level, the air filter mode will not be remembered.



While the air filter mode is active, the program will be cancelled if there is a blackout.

Filter full warning (for model B)

After every 100 hours operation, the LED lights on the screen will flash at 0.5 intervals. Clean your filter.

Filter full warning will not reset automatically after cleaning.

Filter full warning can be reset by touching any function.



When the hood gave filter full warning, the warning will not be reset if there is a blackout.

5 Maintenance and care

General information

Service life of the product will extend and frequent problems will decrease if the product is cleaned at regular intervals.



DANGER:

Disconnect the product from mains supply before starting maintenance and cleaning works.

There is the risk of electric shock!

- Clean the product thoroughly after each use. In this way it will be possible to remove cooking residues more easily, thus avoiding these from burning the next time the appliance is used.
- No special cleaning agents are required for cleaning the product. Use warm water with washing liquid, a soft cloth or sponge to clean the product and wipe it with a dry cloth.
- Do not use cleaning agents that contain acid or chloride to clean the stainless or inox surfaces and the handle. Use a soft cloth with a liquid detergent (not abrasive) to wipe those parts clean, paying attention to sweep in one direction.



The surface might get damaged by some detergents or cleaning materials.

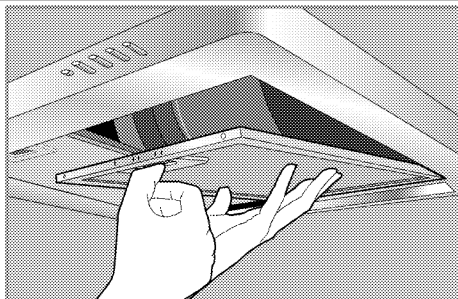
Do not use aggressive detergents, cleaning powders/creams or any sharp objects during cleaning.



Do not use steam cleaners for cleaning.

Aluminum filter

This filter captures oil particles in the air. **You are recommended to clean your filter once a month in normal use.** Please firstly remove aluminum filters for this process. Wash the filters in liquid-detergent water and install them after drying. Aluminum filters might change colour in time due to washing. This is normal and you don't need to replace the filter.



You can also wash aluminum filters in dishwasher.

Removing aluminum filters

1. Push aluminum filter lock forward.
2. Slightly lower the filter and pull forth. Otherwise, you may bend the filter.
3. After washing, reverse the steps above to re-install the aluminum filter.

Carbon filter (Use without chimney)

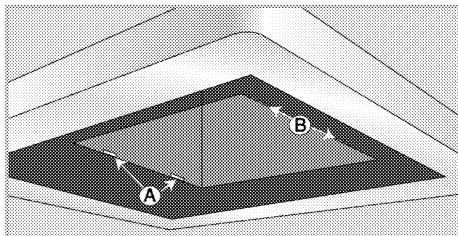


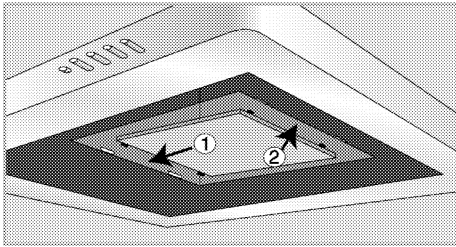
Carbon filter should never be washed.

It should be replaced once every 4 months in normal use. You may obtain carbon filters from the Authorised Service.

Fitting the carbon filter

1. Remove aluminum filters
2. After the filters are removed, insert the side with flexible-short tips of the carbon filter which provided with the product, into the slot A of the hood in direction 1.





3. Insert the long-hard tips found on the other side of the carbon filter into the slot B in direction 2.
4. Ensure that both ends of the carbon filter are secured firmly.

Replacing the lamp



DANGER:

Before replacing the lamp, make sure that the product is disconnected from mains in order to avoid the risk of an electrical shock. If hot, let the lamp cool down.
Hot surfaces may cause burns!



For the specifications of the lamp, see *Technical specifications, page 9*. Oven lamps can be obtained from Authorised Service Agents.



Position of lamp might vary from the figure.



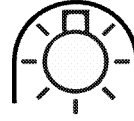
The hood lamp in this product can be changed by the user.



The lamp used in this appliance is not suitable for household room illumination. The intended purpose of this lamp is to assist the user to see foodstuffs.

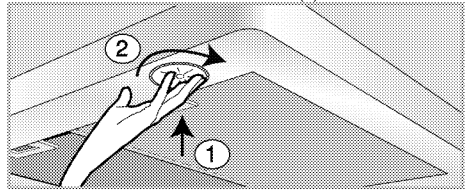


WARNING



Use only with self-shielded tungsten halogen lamps or self-shielded metal halide lamps.

1. Remove the lamp pressing it towards its seat in clockwise direction (1) and then remove turning it in counterclockwise direction (2).



2. Insert the new lamp turning it in clockwise direction.
3. A "click" will be heard when the lamp is secured in its place.

6 Troubleshooting

Product does not operate.

- The mains fuse is defective or has tripped. >>> *Check fuses in the fuse box. If necessary, replace or reset them.*
- Product is not plugged into the socket. >>> *Check the plug connection.*
- Speed button might not be set. >>> *Press the required speed button.*
- Power is cut. >>> *Check if there is power. Check the fuses in the fuse box. If necessary, replace or reset the fuses.*

Hood light does not work.

- Hood lamp is defective. >>> *Replace the hood lamp.*
- Power is cut. >>> *Check if there is power. Check the fuses in the fuse box. If necessary, replace or reset the fuses.*



Consult the Authorised Service Agent or the dealer where you have purchased the product if you cannot remedy the trouble although you have implemented the instructions in this section. Never attempt to repair a defective product yourself.

Arcelik A.S.

Karaağaç Caddesi No:2-6 Sütülice, 34445, Turkey

Made in TURKEY

Importer in Russia: «BEKO LLC»

Address: Selskaya street, 49, Fedorovskoe village, Pershinskoe rural settlement, Kirzhach district, Vladimir region, Russian Federation 601021

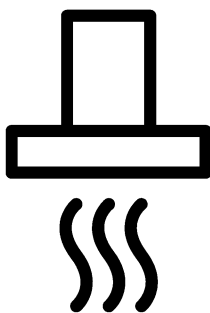
The manufacture date is included in the serial number of a product specified on rating label, which is located on a product, namely: first two figures of serial number indicate the year of manufacture, and last two – the month.

For example, "10- 100001-05" indicates that the product was produced in May, 2010.

You can ask for certification number from our Call Center 8-800-200-23-56 The manufacturer reserves the right for making changes in modification, design and specification of an electric device.



Okapu
Instrukcja użytkowania



PL

Prosimy najpierw przeczytać tę instrukcję obsługi!

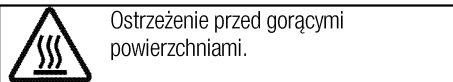
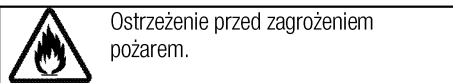
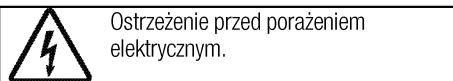
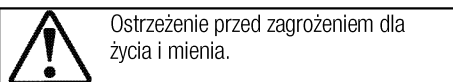
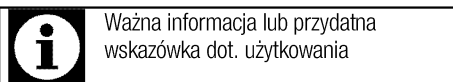
Drogi Kliencie,

Dziękujemy za wybór produktu firmy Beko. Mamy nadzieję, że wyrób ten, wyprodukowany zgodnie z najwyższymi wymogami jakościowymi i według najnowszej technologii, służyć Ci będzie jak najlepiej. Prosimy zatem przed użyciem tego wyrobu uważnie przeczytać całą tę instrukcję obsługi i wszystkie inne dostarczone z nim dokumenty i zachować je do wglądu w przyszłości. Jeśli przekazesz ten wyrób komuś innemu, oddajcie mu także tę instrukcję. Przestrzegaj wszelkich ostrzeżeń i informacji z tej instrukcji.

Pamiętaj, że niniejsza instrukcja użytkowania może odnosić się także do kilku innych modeli. Różnice pomiędzy modelami wskazano w niniejszej instrukcji.

Objaśnienie symboli

W niniejszej instrukcji użytkowania stosuje się następujące symbole:



Niniejsze urządzenie jest zgodne z następującymi

Dyrektywami Unii Europejskiej:

- 2014/30/WE LVD (Niskie Napięcia)

- 2014/35/WE EMC (Kompatybilność Elektromagnetyczna)

Importer: Beko S.A.

ul. Puławska 366, 02-819 Warszawa



1 Ważne instrukcje i ostrzeżenia
dotyczące bezpieczeństwa i ochrony
środowiska **4**

Ogólne zasady bezpieczeństwa.....	4
Bezpieczeństwo elektryczne.....	5
Zasady zachowania bezpieczeństwa przy użytkowaniu tego wyrobu.....	5
Zamierzone przeznaczenie.....	7
Bezpieczeństwo dzieci.....	7
Stare urządzenia.....	7
Pozbywanie się materiałów opakowaniowych.....	8

2 Informacje ogólne **9**

Opis urządzenia.....	9
Zakres dostawy.....	10

Dane techniczne	10
-----------------------	----

3 Instalacja **11**

Montaż	11
Przyszły transport.....	16

4 Obsługa okapu **17****5 Czyszczenie i konserwacja** **19**

Informacje ogólne.....	19
Wymiana lampy	20

6 Rozwiązywanie problemów **21**

1 Ważne instrukcje i ostrzeżenia dotyczące bezpieczeństwa i ochrony środowiska

W rozdziale tym zawarto instrukcje zachowania bezpieczeństwa, które pomogą uniknąć zagrożenia obrażeniem lub szkodą.

Nieprzestrzeganie tych instrukcji spowoduje unieważnienie wszelkich gwarancji.

Ogólne zasady bezpieczeństwa

- Urządzenie może być używane przez dzieci w wieku 8 lat i starsze oraz osoby o ograniczonych zdolnościach fizycznych, czuciowych lub umysłowych, lub nieumiejętne i niedoświadczone, jeśli są pod nadzorem lub poinstruowano je w sprawach użytkowania tego urządzenia w sposób bezpieczny i rozumieją związane z tym zagrożenia.

Dzieci nie powinny bawić się tym urządzeniem. Dzieciom bez nadzoru nie należy powierzać czyszczenia ani konserwacji.

- Zagrożenie zatruciem! Podczas pracy tego urządzenia zasysane jest powietrze w całym domu. Jeśli nie zapewni się odpowiedniej wentylacji, uwalniane w wyniku spalania spaliny i gazy toksyczne będą wciągane z powrotem do domu przez ciąg kominowy. Nie używaj

tego urządzenia razem ze źródłami, które mogą emitować gazy toksyczne i tworzyć ciąg powietrza (piecyki na drewno, gaz, olej, i węgiel, podgrzewacze wody, czajniki, itd.).

- Zleć upoważnionym specjalistom sprawdzenie prawidłowości wentylacji i ciągu kominowego w budynku.
- Urządzenie to nie jest przeznaczone do obsługi przez osoby (w tym dzieci) z ograniczoną sprawnością fizyczną, zmysłową lub umysłową, czy bez odpowiedniego doświadczenia i umiejętności, o ile nie zapewni się im nadzoru lub instrukcji jego użytkowania ze strony osoby odpowiedzialnej za ich bezpieczeństwo. Małe dzieci należy nadzorować, aby nie bawiły się okapem. Dzieci nie powinny wykonywać czyszczenia i konserwacji, chyba że są pod nadzorem.
- Instalację i naprawy zlecaj serwisowi autoryzowanemu. Producent nie odpowiada za szkody wynikłe z instalacji i napraw wykonywanych przez osoby nieupoważnione.
- Nie wolno uruchamiać tego urządzenia, jeśli jeśli jest

niesprawne lub widocznie uszkodzone.

- Upewnij się, że po każdym użyciu urządzenie to jest wyłączane.
- W razie przekazania produktu innej osobie do użytku osobistego lub do celów związanych z wykorzystaniem używanego produktu należy przekazać go wraz z podręcznikiem użytkownika, etykietami produktu i innymi stosownymi dokumentami i elementami.
- Urządzenie to musi zostać zainstalowane przez wykwalifikowaną osobę i zgodnie z obowiązującymi przepisami. W przeciwnym gwarancja zostanie unieważniona.

Bezpieczeństwo elektryczne

- Aby przysposobić ten wyrób do użycia najpierw trzeba przygotować miejsce do instalacji i przewody elektryczne. Później można wezwać najbliższy Serwis Autoryzowany.
- W razie awarii tego urządzenia nie należy go używać do czasu naprawy przez autoryzowany serwis. Grozi to porażeniem elektrycznym!
- Nie wolno wkładać wtyczki okapu do gniazdka przed ukończeniem instalacji.
- Nie wolno dotykać wtyczki mokrymi dłońmi! Nie odłączaj od

zasilania ciągnąc za przewód, zawsze odłączaj chwytając za wtyczkę.

- Wyrób musi być odłączony od sieci w trakcie instalacji, konserwacji, czyszczenia i napraw.
- W razie uszkodzenia przewodu zasilającego, aby uniknąć niebezpieczeństwa, musi go wymienić producent, jego agent serwisowy lub podobnie wykwalifikowany personel.
- Nigdy nie podłączaj przewodu zasilającego w pobliżu płyt grzejnych. Jeśli izolacja przewodu się stopi, może to doprowadzić do pożaru.
- Wszelkie prace na układach i urządzeniach elektrycznych wykonywać może tylko upoważniony i wykwalifikowany personel.
- W razie jakiegokolwiek awarii wyłącz wyrób i odłącz go od sieci zasilającej. W tym celu wyłącz bezpiecznik zabezpieczający instalację domową.
- Upewnij się, że prąd bezpiecznika jest odpowiedni dla tego wyrobu.
- Nie wolno myć tego wyrobu wodą! Grozi to porażeniem elektrycznym!

Zasady zachowania bezpieczeństwa przy użytkowaniu tego wyrobu

- Odległość pomiędzy dolną powierzchnią okapu i górną

- powierzchnią piekarnika powinna wynosić nie mniej niż 65 cm.
- Nie dotykaj lampy okapu, jeśli świeciła się przez dłuższy czas. Gorące lampy mogą poparzyć dłonie.
 - Nie używaj tego urządzenia bez filtra oleju. Nie wyjmuj filtra w trakcie pracy urządzenia.
 - Unikaj dużych płomienie pod urządzeniem. W przeciwnym razie, cząstki na filtrze oleju mogą się zapalić i spowodować pożar.
 - Płytki grzejne załączaj dopiero po postawieniu na nich patelni lub garnków. W przeciwnym razie rosnąca temperatura może odkształcać niektóre części tego urządzenia.
 - Wyłączaj płytki grzejne zanim zdejmiesz z nich patelnie lub garnki.
 - Unikaj materiałów łatwopalnych pod okapem.
 - Nie wystawiaj tego urządzenia na działanie otwartego ognia pod nim. Może powodować zapłon oleju zgromadzonego w filtrze. Nie używać tego urządzenia bez filtra.
 - Nigdy pozostawiaj tej kuchenki bez dozoru w trakcie smażenia potraw, olej może się zapalić, wrzący olej może spowodować pożar. Tak więc uważaj na tkaniny i zasłony.
 - Jeśli okap nie jest systematycznie i odpowiednio czyszczony, może to spowodować zagrożenie jego zapaleniem.
 - Aby odświeżyć powietrze w kuchni i oczyścić je z woni i oparów gotowania można załączyć okap na dodatkowe 15 minut po zakończeniu gotowania lub smażenia.
 - W pomieszczeniu tym powinna być dobra wentylacja, gdy okap używany jest równocześnie z urządzeniami opalanymi gazem lub innymi paliwami. (Nie dotyczy urządzeń, które tylko oddają powietrze z powrotem do pomieszczenia).
 - W miejscu, w którym używa się okapu, należy absolutnie izolować wylot spalin oleju opałowego lub z urządzeń gazowych, takich jak grzejniki pokojowe, urządzenia takie muszą być typu hermetycznego.
 - Jeśli w tym samym miejscu jest urządzenie na olej opałowy lub gaz, pokój taki musi być dostatecznie wentylowany.
 - Jeśli w tym samym miejscu równocześnie z tym okapem używa się urządzeń niezasilanych elektrycznie, aby uniknąć zawracania przez okap wyziewów z nich do pomieszczenia,

podciśnienie w nim musi wynosić nie więcej niż 0,4 mbara.

- Nie podłączaj okapu do kominów stosowanych do grzejników, spalin, ani gazu tracić gazu lub wznoszących się płomieni. Przestrzegaj przepisów władz ci do odprowadzanie powietrza wylotowego.
- Do podłączenia do komina użyj rury o średnicy 120 mm. Rura łącząca musi być jak najkrótsza z jak najmniejszą liczbą zagięć.
- Nie wieszaj materiałów palnych ani łatwopalnych na uchwytych okapu.
- Firma nasza nie ponosi odpowiedzialności za problemy wynikające z użytkowania tego urządzenia wbrew powyższym ostrzeżeniom.
- Zachodzi niebezpieczeństwo pożaru, jeśli czyści się niezgodnie z niniejszą instrukcją.
- Nie sporządzaj pod okapem potraw płonących.
- **NUwaga:** Dostępne części mogą się nagrzewać, gdy korzysta się okapu wraz z przyrządami do gotowania.
- Zaleca się czyścić filtr raz w miesiącu przy normalnym użytkowaniu.

Zamierzone przeznaczenie

Wyrób ten przeznaczony jest do użytku domowego. Nie dopuszcza się użytkowania komercyjnego. Producent nie odpowiada za szkody spowodowane niewłaściwym użytkowaniem tego wyrobu lub obchodzeniem się z nim.

Bezpieczeństwo dzieci

- W trakcie pracy tego produktu nie dopuszczać do przebywania dzieci w jego pobliżu ani do zabawy.
- Materiały opakowaniowe są niebezpieczne dla dzieci. Trzymaj materiały opakowaniowe w miejscu niedostępnym dla dzieci, sortuj je i pozbywaj się ich zgodnie z wytycznymi pozbywania się odpadów.
- Urządzenia elektryczne są niebezpieczne dla dzieci. W trakcie pracy tego produktu nie dopuszczać do przebywania dzieci w jego pobliżu ani do zabawy.

Stare urządzenia

Zgodność z dyrektywą WEEE i usuwanie odpadów:



Niniejszy wyrób jest zgodny z dyrektywą Parlamentu Europejskiego i Rady (2012/19/WE). Wyrób ten oznaczony jest symbolem klasyfikacji zużytych urządzeń elektrycznych i elektronicznych (WEEE). Wyrób ten wykonano z części i materiałów wysokiej jakości, które mogą być odzyskane i użyte jako surowce wtórne. Po zakończeniu użytkowania nie należy pozbywać się go razem z innymi odpadkami domowymi. Należy przekazać go do punktu zbiórki urządzeń elektrycznych i elektronicznych na surowce

wtórne. Aby dowiedzieć się, gdzie jest najbliższy taki punkt, prosimy skonsultować się z władzami lokalnymi. Odpowiednie postępowanie ze zużytym sprzętem zapobiega potencjalnym konsekwencjom dla środowiska naturalnego i ludzkiego zdrowia.

Zgodność z dyrektywą RoHS:

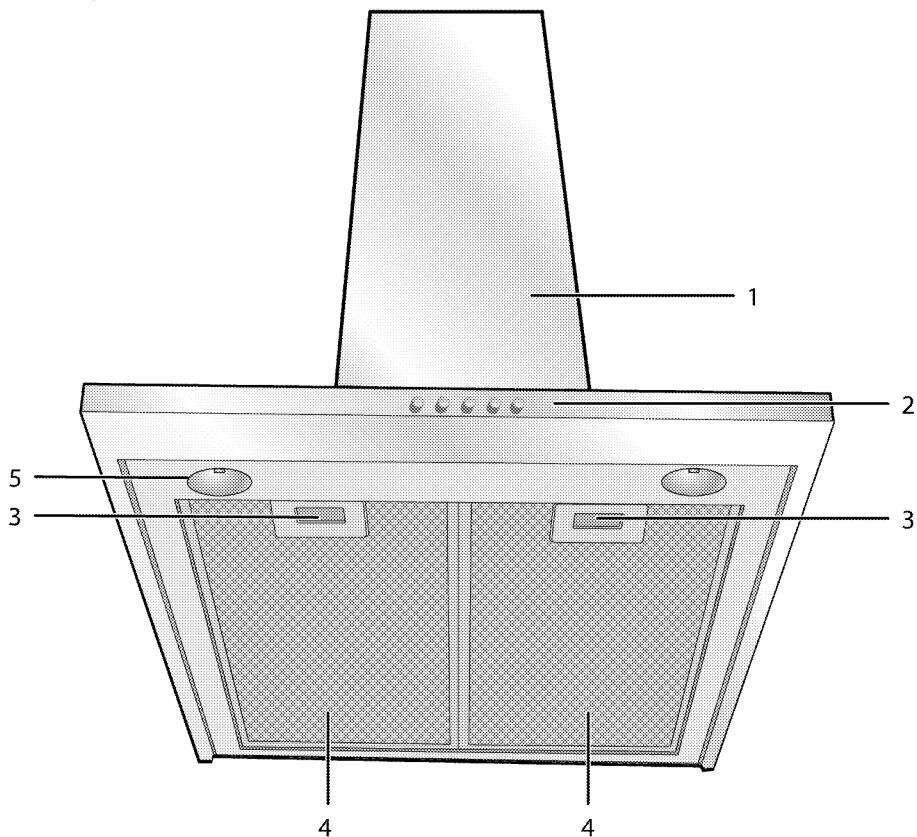
Niniejszy wyrób jest zgodny z dyrektywą Parlamentu Europejskiego i Rady RoHS (Ograniczenie użycia substancji niebezpiecznych) (2011/65/WE). Nie zawiera szkodliwych i zakazanych materiałów, podanych w tej dyrektywie.

Pozbywanie się materiałów opakowaniowych

- Materiały opakowaniowe są niebezpieczne dla dzieci. Należy trzymać je w bezpiecznym miejscu, niedostępnym dla dzieci. Opakowanie tego wyrobu wyprodukowano z surowców wtórnych. Należy odpowiednio się ich pozbywać i sortować je zgodnie z instrukcjami gospodarki surowcami wtórnymi. Nie należy ich wyrzucać razem ze zwykłymi odpadkami domowymi.

2 Informacje ogólne

Opis urządzenia



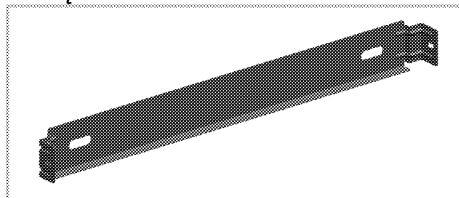
- 1 Korpus okapu
- 2 Panel sterowania
- 3 Zamek filtru aluminiowego
- 4 Filtr aluminiowy
- 5 Lampka

Zakres dostawy

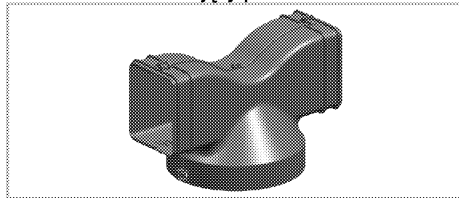


Dostarczane akcesoria mogą różnić się zależnie od modelu urządzenia. Niektóre z akcesoriów opisanych w instrukcji obsługi mogą nie być dostarczane razem z tym modelem urządzenia.

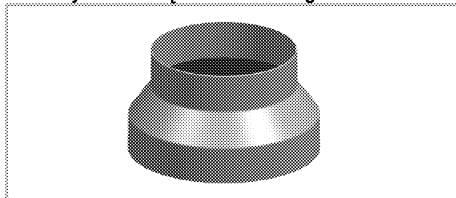
1. Instrukcja użytkowania
2. Złącze ściennie



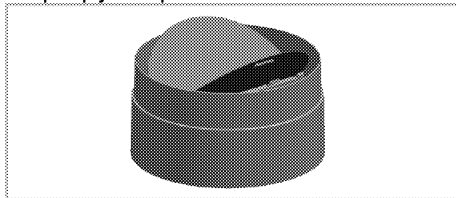
3. Element kierunkujący powietrze



4. Przystawka złącza kominowego



5. Zawory zapobiegające odwrotnemu przepływowi powietrza



Dane techniczne

Wymiary zewnętrzne (wys./szer./głęb.)	min. 760 mm - maks. 927 mm/598 mm/490 mm
Napięcie/częstotliwość	220-240 V ; 50 Hz
Sterowanie	3 poziom + 1 Booster (szybkie nagrzewanie)
Moc ssania	730 m ³ /godz.
Łączne zużycie energii elektrycznej	maks. 300 W
Srednica rury wylotu powietrza	120-150 mm
LAMPA	
Typ lampy	LED
Pobór mocy lampy	4 W
Maksymalna moc ew. lampy zamiennej	maks.2 x 4 W.LED /maks.2 x 28 W.Halogen
Napięcie/częstotliwość lampy	100-250 V ; 50/60 Hz
Typ kołpaka lampy	GU10
Srednica/długość lampy	50 mm /55 mm



Dane techniczne mogą zostać zmienione bez uprzedzenia w celu poprawy jakości wyrobu.



Rysunki w tej instrukcji są schematyczne i mogą się nieco różnić od danego wyrobu.



Wartości podane na oznaczeniach wyrobu lub w innych dokumentach drukowanych dostarczanych wraz z nim uzyskano w warunkach laboratoryjnych z zachowaniem odpowiednich norm. Wartości te mogą się różnić zależnie od operacyjnych i środowiskowych warunków pracy danego wyrobu.

3 Instalacja

Instalację tego wyrobu zleć najbliższemu autoryzowanemu agentowi serwisowemu. Przed wezwaniem autoryzowanego serwisu do przysposobienia urządzenia do użytku sprawdź dostęp do instalacji elektrycznej. Gdy brak dostępu, zleć jego przygotowanie wykwalifikowanemu elektrykowi lub hydraulikowi.



Przygotowanie miejsca do instalacji i dostępu do sieci elektrycznej to obowiązek klienta.



ZAGROŻENIE:

Urządzenie to należy instalować zgodnie z miejscowymi przepisami dot. instalacji elektrycznych.



ZAGROŻENIE:

Przed zainstalowaniem sprawdź, czy wyrób nie ma widocznych defektów. Jeśli ma, nie instaluj go. Uszkodzone wyroby zagrażają Twemu bezpieczeństwu.



ZAGROŻENIE:

Ostrzeżenie: Niezależnie śrub lub urządzenia mocującego zgodnie z tą instrukcją może powodować zagrożenia elektryczne.

Odległość między górną powierzchnią płyty kuchennej a dolną powierzchnią okapu powinna wynosić co najmniej 650 mm.

Powietrze wyciągane przez okap nie powinno być odprowadzone do przewodu kominowego używanego przez inne urządzenia działające na gaz lub inne paliwa. (Nie dotyczy urządzeń, które tylko wdmuchują powietrze z powrotem do pomieszczenia). Należy przestrzegać przepisów dotyczących odprowadzania powietrza.

Przyłącze elektryczne

Urządzenie jest zasilane dwużyłowym przewodem zasilającym i powinno być podłączone do sieci przy użyciu przełącznika z co najmniej 3-milimetrowym odstępem pomiędzy końcówkami styku dwubiegunowego. Wykonanie połączeń elektrycznych należy zlecić wykwalifikowanemu elektrykowi.

- Urządzenie należy zainstalować tak, aby zapewnić łatwy dostęp do przyłączy zasilania (np. wtyczek czy gniazda).

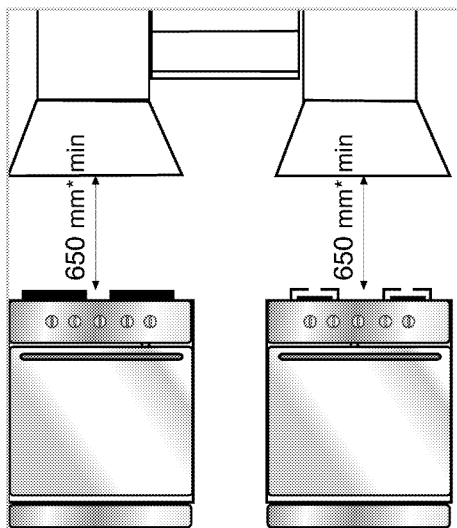
Instalacja okapu



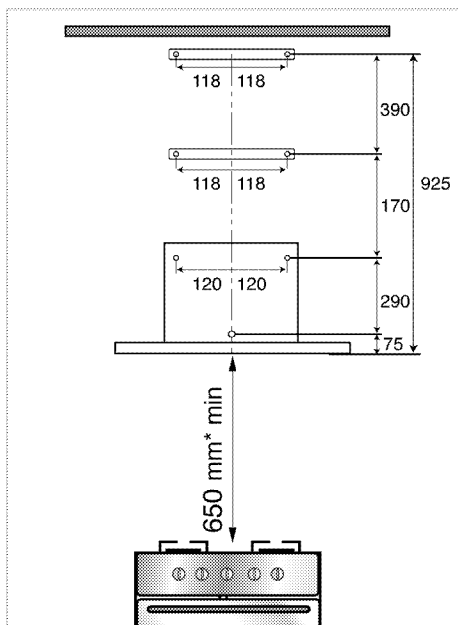
Wszystkie wymiary w mm.

Poniżej podano informacje niezbędne do przygotowania miejsca instalacji okapu. Okap należy zainstalować powyżej środkowej osi sprzętu kuchennego. Odległość między górną powierzchnią płyty kuchennej a dolną powierzchnią okapu powinna wynosić co najmniej 650 mm. Podczas montażu okapu należy wykonać następujące czynności.

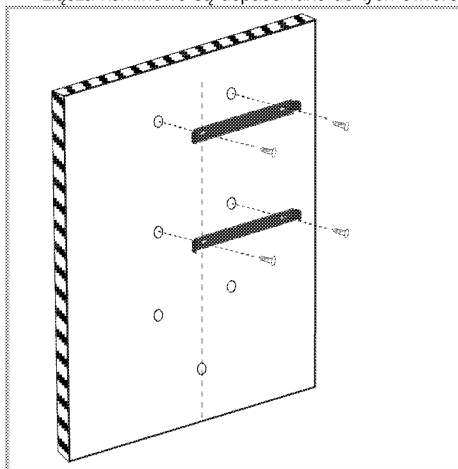
Montaż



* min.

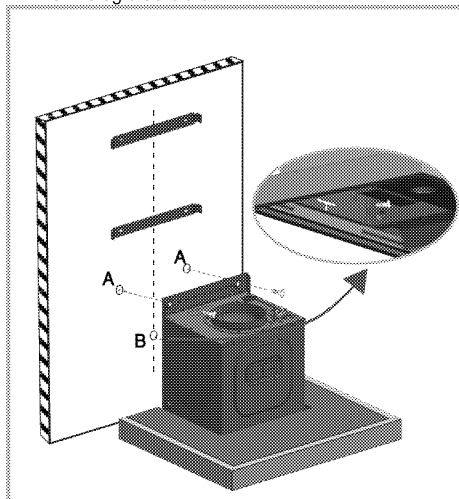


1. Podczas wyśrodkowywania sprzętu kuchennego należy narysować linię osi o wysokości odpowiadającej linii przedstawionej na powyższym rysunku. Następnie, przyjmując tę linię osiową za odniesienie i zgodnie z powyższymi pomiarami, należy wywiercić 7 otworów o średnicy zgodnej ze złączkami dostarczonymi wraz z produktem.
2. Do otworów włożyć plastikowe zaślepki dostarczone wraz z okapem. Sprawdzić, czy złącza kominowe są dopasowane do tych otworów.

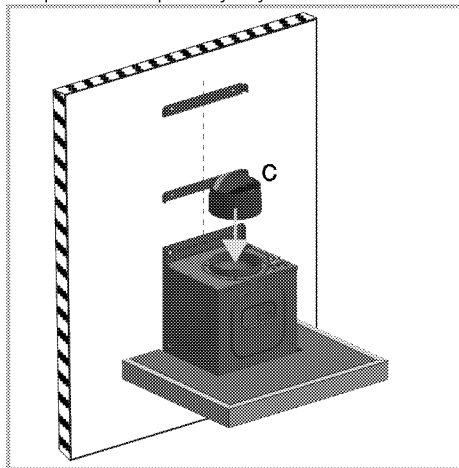


3. Elementy złączne należy zamocować w odpowiednich otworach w ścianie dwiema

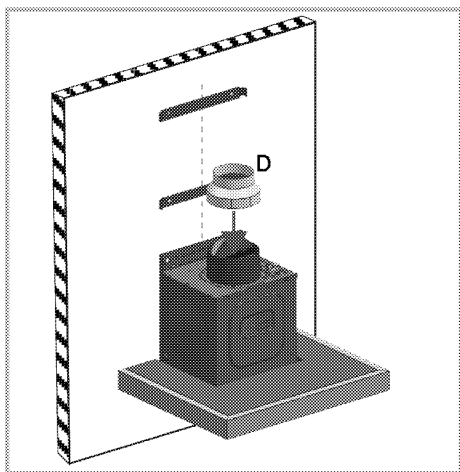
4. Okap należy przymocować do ściany, wyśrodkowując go względem otworów A. Wyjąć filtry aluminiowe z okapu. Zamocować od wewnątrz tylną osłonę okapu przez otwór B, używając odpowiedniej śruby, jak pokazano na poniższym rysunku. Podczas wykonywania montażu upewnij się, że okap jest ustawiony równoległe do blatu.



5. Założyć osłonę (C) uniemożliwiającą wsteczny przepływ powietrza do przewodu kominowego, jak pokazano na poniższym rysunku.



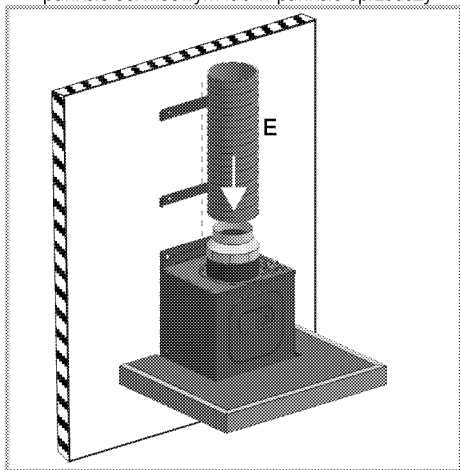
6. **Użytkowanie przy połączeniu z kominem:**
W instalacji kominowej pochłaniane powietrze będzie przepływać przez filtry aluminiowe, a następnie będzie odprowadzane na zewnątrz przez króciec.



W przypadku zastosowania takiego wariantu adapter złącza kominowego D jest umieszczony na części C, jak pokazano na powyższym rysunku.

i Adapter złącza kominowego D jest stosowany tylko, jeśli średnica króćca kominowego wynosi 120 mm. Jeśli średnica króćca kominowego wynosi 150 mm, nie jest wymagane stosowanie adaptera złącza kominowego D. Z tego względu jedną końcówkę króćca kominowego E należy podłączyć bezpośrednio do osłony C.

7. Podłączyć jedną końcówkę króćca kominowego E do adaptera złącza kominowego, a drugą końcówkę podłączyć do komin. Króciec kominowy E można nabyć w autoryzowanym punkcie serwisowym lub w punkcie sprzedaży



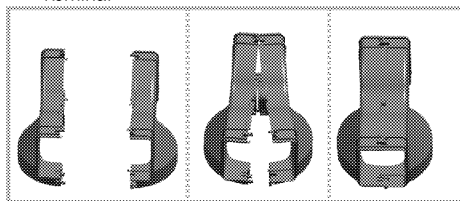
Należy upewnić się, że króćce kominowe są wykonane z ognioodpornego tworzywa sztucznego. W przypadku zastosowania króćca giętkiego należy pamiętać, że ostre kąty i zwężenia będą miały negatywny wpływ na zasysanie powietrza.

Okapu nie wolno podłączać do przewodu kominowego, do którego jest już podłączone inne urządzenie.

i Króciec nie powinien być dłuższy niż 120-150 mm; w przeciwnym razie prawidłowe połączenie z kominem będzie niemożliwe.

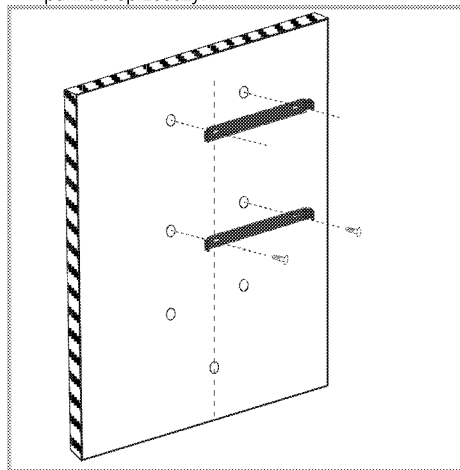
8. Obieg wewnętrzny (z zastosowaniem filtra węglowego)

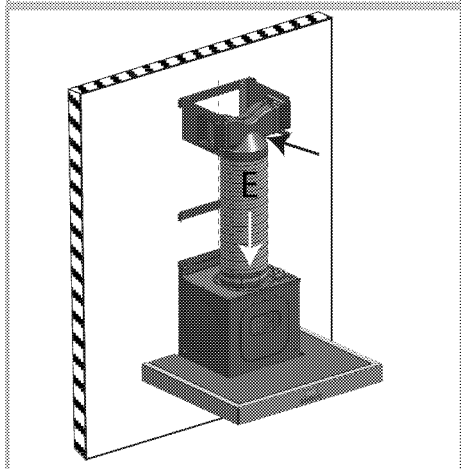
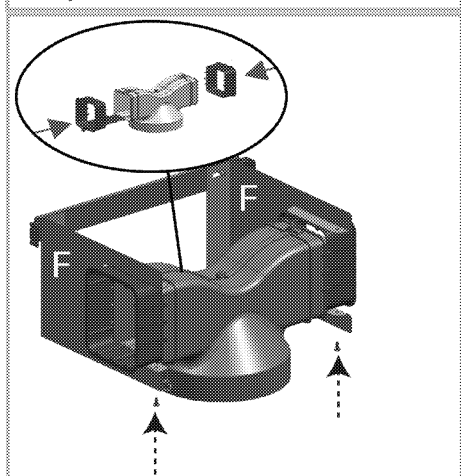
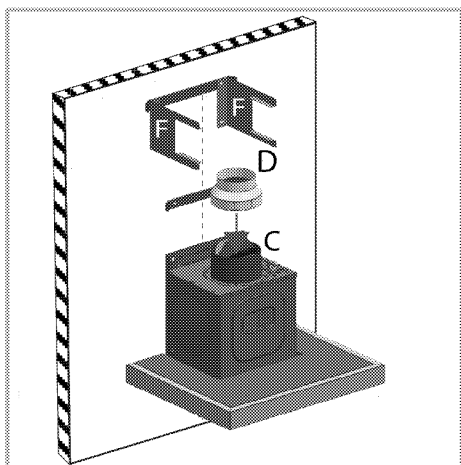
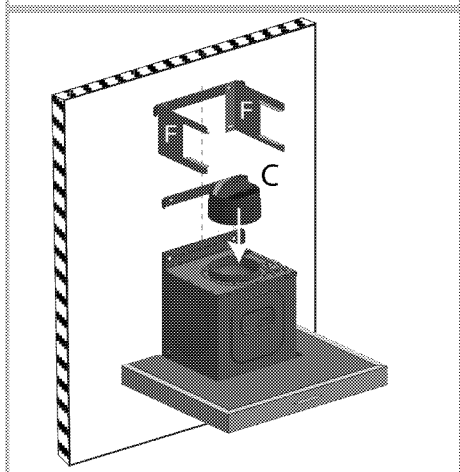
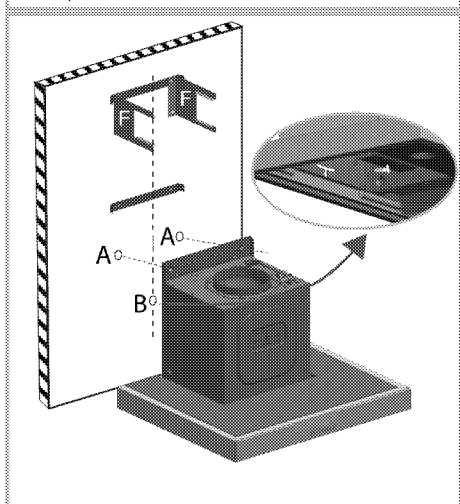
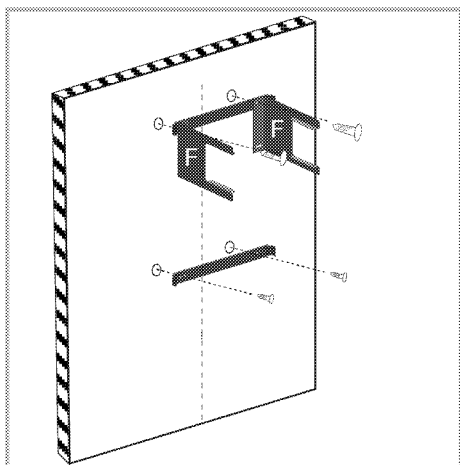
W przypadku zastosowania wewnętrznego obiegu powietrza powietrze pochłaniane z otoczenia przechodzi przez filtry aluminiowe i filtry węglowe eliminujące zapachy oraz przez element kierujący powietrze, a następnie jest ostatecznie zawracane do otoczenia przez kratki wentylacyjne z boku kominu.



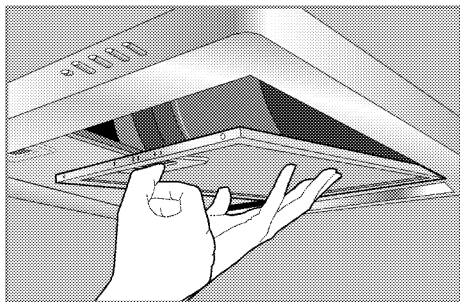
Zamontować element kierujący powietrze (dostarczony w dwóch osobnych częściach), jak pokazano na rysunku.

W celu stosowania bez kominu należy wykonać poniższe czynności. Króciec kominowy E oraz elementy łączeniowe F można nabyć w autoryzowanym punkcie serwisowym lub w punkcie sprzedaży.

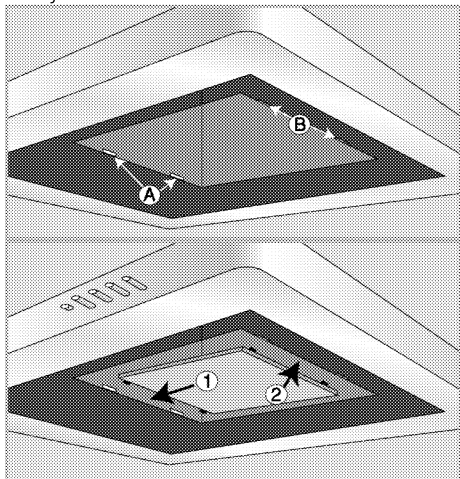




9. Wyjąć filtry aluminiowe, jak pokazano poniżej.



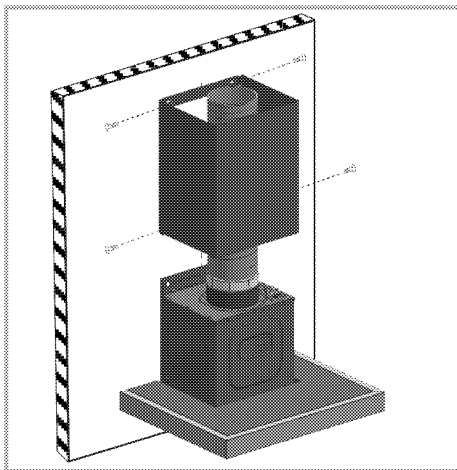
10. Założyć filtr węglowy zgodnie z poniższym rysunkiem.



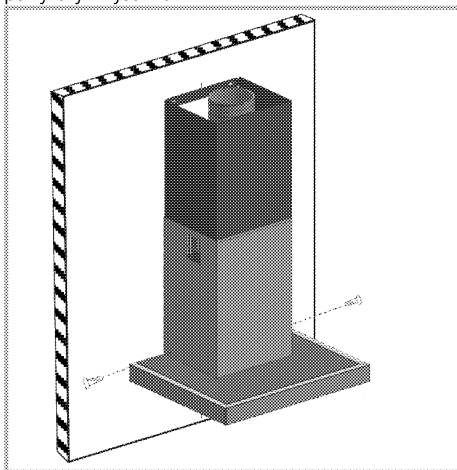
Założyć ponownie filtry aluminiowe.

11. Montaż kominia

Aby zainstalować komin górny, należy zamocować jego górne narożniki kominia w górnym złączu ściennym, a następnie dokręcić komin śrubami do złącza ściennego, jak pokazano na poniższym rysunku.



Aby zainstalować komin dolny, należy rozciągnąć go, pociągając lekko z obu stron, a następnie zamocować w szczelinach kominia górnego, jak pokazano na powyższym rysunku.



Zamocować komin do okapu, używając dwóch otworów w dolnych narożnikach kominia dolnego.

Okapu można używać na dwa sposoby:

1 — Użytkowanie przy połączeniu z kominem

Para jest odprowadzana rurą kominową przymocowaną do pierścienia łączącego w okapie. Średnica rury kominowej powinna być równa średnicy pierścienia łączącego. Aby umożliwić swobodny wylot powietrza z pomieszczenia w układach horyzontalnych, rura ta powinna być lekko uniesiona (o około 10°).



Jeśli w okapie zainstalowany jest filtr węglowy, należy go wyjąć w przypadku użytkowania przy połączeniu z kominem.

2 — Użytkowanie bez połączenia z kominem

Powietrze jest filtrowane przez filtr węglowy i wraca do pomieszczenia. Filtr węglowy stosuje się, gdy dom nie jest wyposażony w komin lub gdy nie można zainstalować wkładu kominowego.

- Założyć filtr węglowy zgodnie z opisem w części dotyczącej instalacji.

Przyszły transport

- Zachowaj oryginalne pudło kartonowe na piekarnik i transportuj go w nim. Przestrzegaj instrukcji na pudle. Jeśli nie masz oryginalnego

pudła, zapakuj piekarnik w folię bąbelkową lub grubą tekturę i zabezpiecz taśmą klejącą.



Nie stawiaj na nim żadnych przedmiotów i przemieszczaj go w pozycji pionowej.



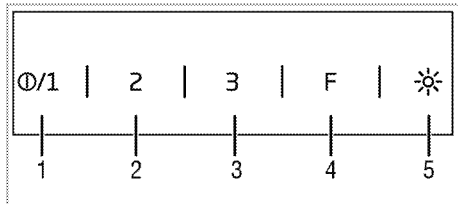
Sprawdzaj, czy piekarnik nie uległ w transporcie widocznym uszkodzeniom.

4 Obsługa okapu

Okap wyposażony jest silnik z różnymi ustawieniami prędkości.

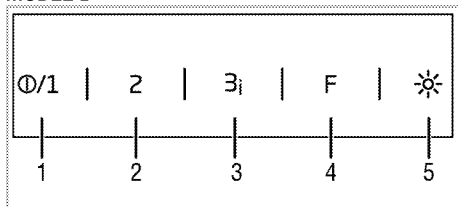
Aby uzyskać lepszą wydajność, radzimy stosować niskie prędkości w warunkach normalnych, a wysokie prędkości, gdy zapach i opary są intensywne.

MODEL A



- 1 Przycisk wyłączenia / Prędkość 1
- 2 Prędkość 2
- 3 Prędkość 3
- 4 Przycisk funkcji
- 5 Przycisk lampki


MODEL B




- 1 Przycisk wł./wył. / Prędkość 1
- 2 Prędkość 2
- 3 Prędkość 3 / Booster
- 4 Przycisk funkcji
- 5 Przycisk lampki

Obsługa okapu

1. Dotknij przycisku wł./wył., aby włączyć okap.
2. Aby zmienić poziom prędkości, dotknij przycisku Prędkość 2 i Prędkość 3.

 Nie należy dotykać obu tych przycisków jednocześnie. W takim wypadku uruchomi się większa prędkość.

 Gdy urządzenie działa i nie dotknie się żadnego przycisku, będzie nadal działało przez maksymalnie 6 godzin.

Kontrolka wskaźnika poziomu

Przycisk wł./wył. (Prędkość 1): Włączona jest dioda LED 1. poziomu


Prędkość 2: Włączona jest dioda LED 2. poziomu

Prędkość 3: Włączona jest dioda LED 3. poziomu

Booster (wentylacja intensywna): (Dioda LED 3. poziomu miga co 0,5 sekundy).

Tryb wyłączenia automatycznego (dla A i B)

1. W przypadku dotknięcia przycisku funkcji, gdy produkt działa na określonym poziomie, aktywowany zostanie tryb automatycznego wyłączenia, a diody LED przycisku prędkości i przycisku funkcji zaświecą się.
2. Okap będzie nadal działał przez 20 minut na nastawionym poziomie, a potem wyłączy się automatycznie.


 Tryb automatycznego wyłączenia jest anulowany po dotknięciu dowolnego przycisku innego niż przycisk lampki.

Uruchamianie trybu wentylacji intensywnej (Booster) (w modelu B)

Dotknij przycisku Prędkość 3 na ponad dwie sekundy.

Tryb wentylacji intensywnej włączy się i pozostanie aktywny przez maksymalnie 7 minut.

Po 7 minutach okap będzie działał w położeniu Prędkość 3.

 W trybie wentylacji intensywnej dioda LED 3. poziomu miga co 0,5 sekundy.

Podczas intensywnej wentylacji dotknięcie któregoś przycisku prędkości powoduje działanie okapu z tą właśnie prędkością.

Wyłączenie okapu


1. Dotknij przycisku wyłączenia, gdy okap pracuje przy określonej prędkości.

Włączenie lampki

1. Dotknij przycisku lampki, aby ją włączyć.

Wyłączenie lampy

1. Dotknij przycisku lampki ponownie, aby ją wyłączyć.

 Przyciskiem wyłączenia nie wyłącza się lampki, a tylko zatrzymuje działanie okapu.

Tryb filtrowania powietrza (w modelu B)

1. Dotknij przycisku funkcyjnego, gdy okap nie pracuje z dowolną prędkością.

» Uruchomi się tryb filtrowania powietrza, a dioda LED przycisku funkcyjnego będzie migać co 0,5 sekundy.

2. Tryb filtrowania powietrza będzie czynny przez 10 minut przy prędkości na poziomie 1, a następnie wyłączać się będzie na 50 minut w trakcie następnej godziny. Jeśli trybu filtrowania powietrza nie wyłączy się, nadal będzie działać przez 10 minut i wyłączać na 50 minut w trakcie każdej godziny przez 24 godzin.



Tryb filtrowanie powietrza służy do usuwania zapachów, które utrzymują się w domu przy długotrwałym stosowaniu niskiej prędkości.

Wyłączenie trybu filtrowania powietrza (w modelu B)

1. Aby wyłączyć tryb filtrowania powietrza, należy dotknąć dowolnego przycisku prędkości lub przycisku wyłączenia.



Tryb filtrowania powietrza nie jest zapamiętywany przy wyłączeniu i włączeniu okapu na dowolnym poziomie prędkości.



Gdy przy załączonym trybie filtrowania powietrza nastąpi przerwa w zasilaniu energią elektryczną, program ten zostanie anulowany.

Kontrolka napełnienia filtra (w modelu B)

Co 100 godzin pracy diody LED na ekranie będą migać do 0,5 sekundy. Wyczyść filtr. Kontrolka napełnienia filtra nie zostanie zresetowana automatycznie po wyczyszczeniu.

Aby zresetować kontrolkę napełnienia filtra, należy dotknąć dowolnej funkcji.



Gdy zapaliła się kontrolka napełnienia filtra okapu, przerwa w zasilaniu energią elektryczną nie wyzeruje jej.

5 Czyszczenie i konserwacja

Informacje ogólne

Okres użytkowania tego wyrobu przedłuży się, a problemy staną się rzadsze, jeśli wyrób ten czyści się w regularnych odstępach czasu.



ZAGROŻENIE:

Przed konserwacją i czyszczeniem, odłącz piekarnik od sieci.

Grozi to porażeniem elektrycznym!

- Po każdym użyciu dokładnie oczyść ten wyrób. Dzięki temu łatwiej będzie usuwać pozostałości pieczenia, unikając tym samym ich zapalenia się na następnym użyciu piekarnika.
- Do jego czyszczenia nie potrzeba żadnych specjalnych środków czyszczących. Wyrób ten czyści się miękką ściereczką lub gąbką i ciepłą wodą z mydłem w płynie, i wyciera suchą ściereczką.
- Do czyszczenia powierzchni i klamki ze stali nierdzewnej nie używaj środków czyszczących zawierających kwas lub chlorek. Części te wyciera się do czysta miękką ściereczką z detergentem w płynie (nie w proszku), najlepiej ruchami w tym samym kierunku.



Pewne detergenty lub środki czyszczące mogą uszkodzić powierzchnię.

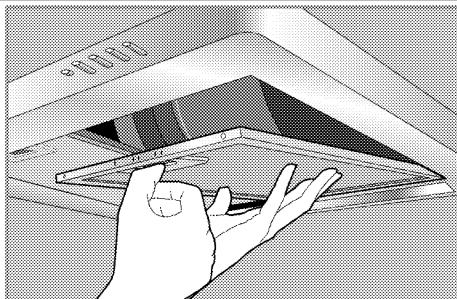
Nie używaj agresywnych detergentów, proszku/mleczka do czyszczenia, ani żadnych ostrych przedmiotów.



Do czyszczenia nie używaj urządzeń parowych.

Filtr aluminiowy

Filtr ten przechwytyuje cząstki oleju z powietrza. **Zaleca się czyścić filtr raz w miesiącu przy normalnym użytkowaniu.** W tym celu trzeba najpierw wyjąć filtry aluminiowe. Umyj filtry w wodzie z detergentem w płynie i zainstaluj je po wysuszeniu. Filtry aluminiowe mogą z czasem zmienić kolor z powodu mycia. To normalne i nie trzeba takiego filtra wymieniać.



Filtry aluminiowe można także myć w zmywarce do naczyń.

Wymywanie filtrów aluminiowych

1. Naciśnij blokadę filtra aluminiowego od siebie.
2. Nieco obniż filtr i pociągnij go od siebie. W przeciwnym razie filtr może się zgiąć.
3. Aby ponownie założyć filtr po umyciu, wykonaj te czynności w odwrotnej kolejności.

Filtr węglowy (Używany bez komina)

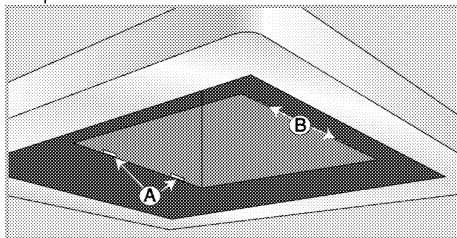


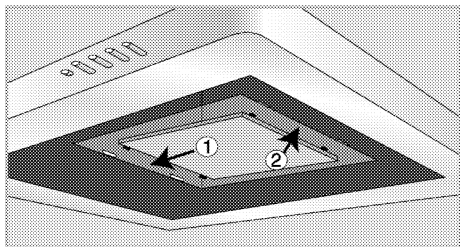
Filtru węglowego się nie myje.

Należy go wymieniać co 4 miesiące w normalnych warunkach użytkowania. Filtry węglowe można nabyć w serwisie autoryzowanym.

Zakładanie filtra węglowego

1. Wyjmij filtry aluminiowe
2. Po wyjęciu filtrów włóż w szczelinę okapu dostarczony wraz z tym wyrobem filtr węglowy jego stroną z krótkimi, giętymi wypustkami i przesuń w kierunku 1.





3. Włóż długie i twarde wypustki z drugiej strony filtra w szczelinę B i przesunij je w kierunku 2.
4. Upewnij się, że oba końce filtra węglowego są trwale zabezpieczone.

Wymiana lampy



ZAGROŻENIE:

Aby uniknąć zagrożenia porażeniem elektrycznym, zanim wymienisz lampę upewnij się, że piekarnik jest odłączony od sieci zasilającej. Jeśli lampa jest gorąca, odczekaj aż ostygnie.

Można się poparzyć od gorących powierzchni!



Dane techniczne lampki, patrz *Dane techniczne, strona 10*. Lampki do piekarnika można nabyć u autoryzowanego przedstawiciela serwisu.



Lampka może być umieszczona gdzie indziej niż na rysunku.



Lampa okapu w tym produkcie może być zmieniona przez użytkownika.



Żarówka używana w tym urządzeniu nie jest odpowiednia do oświetlenia pomieszczeń domowych. Zgodnie z przeznaczeniem żarówka ta służy do oświetlania żywności.

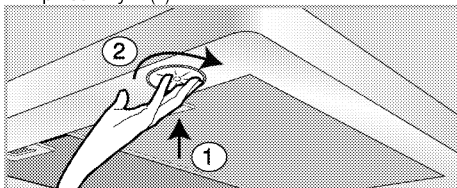


OSTRZEŻENIE



Używać tylko z samoekranowanymi lampami halogenowymi z żarnikiem wolframowym lub samoekranowanymi lampami metalohalogenkowymi.

1. Lampę wymienia się wciskając ją w osadę i obracając w kierunku zgodnym ze wskazówkami zegara (1), a następnie obracając ją w kierunku przeciwnym (2).



2. Włóż nową lampę obracając ją zgodnie z kierunkiem ruchu wskazówek zegara.
3. Gdy lampa zostanie pewnie osadzona w swym miejscu, usłyszysz "klik".

6 Rozwiązywanie problemów

Urządzenie nie działa.

- Bezpiecznik uszkodzony lub zadziałał. >>> *Sprawdź bezpieczniki w skrzynce bezpiecznikowej. W razie potrzeby wymień je lub załącz.*
- Piekarnik nie jest przyłączony do gniazdka. >>> *Sprawdź kontakt wtyczki.*
- Może nie jest nastawiony przycisk prędkości. >>> *Naciśnij odpowiedni przycisk prędkości.*
- Brak zasilania. >>> *Sprawdź, czy jest prąd. Sprawdź bezpiecznik w skrzynce bezpiecznikowej. W razie potrzeby wymień je lub załącz.*

Nie świeci lampa w okapie.

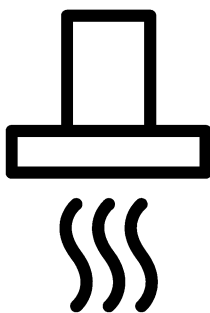
- Lamp w okapie jest uszkodzona. >>> *Wymiana lampy w okapie.*
- Brak zasilania. >>> *Sprawdź, czy jest prąd. Sprawdź bezpiecznik w skrzynce bezpiecznikowej. W razie potrzeby wymień je lub załącz.*



Jeśli pomimo postępowania według instrukcji z tego rozdziału problem pozostaje, skonsultuj się z autoryzowanym agentem serwisowym lub sprzedawcą piekarnika. Nie próbuj samemu naprawiać zepsutego piekarnika.



Digestoře
Návod k použití



Prosím, čtěte nejprve tento návod.

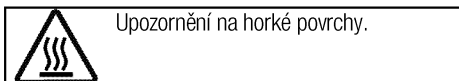
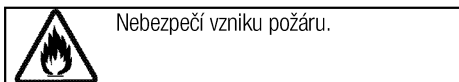
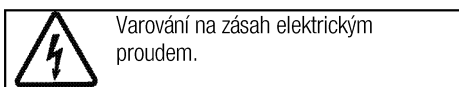
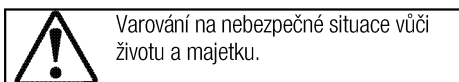
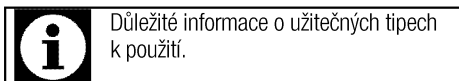
Vážený zákazníku,

Děkujeme za výběr produktu Beko. Doufáme, že s tímto produktem, který byl vyroben s využitím vysoce kvalitní a moderní technologie, dosáhnete těch nejlepších výsledků. Proto si před použitím produktu pečlivě přečtěte celý návod k použití a jakékoli doplňující dokumenty a uchovejte je pro budoucí použití. Pokud produkt předáte další osobě, rovněž jí předejte návod k použití. Dodržte veškerá varování a informace obsažené v návodu k použití.

Nezapomeňte, že tento návod se může vztahovat i k několika jiným modelům. Rozdíly mezi modely jsou v návodu výslovně uvedeny.

Vysvětlení symbolů

V celém návodu k použití jsou použity následující symboly:



Arçelik A.Ş.
Karaağaç caddesi No:2-6
34445 Sütlüce/Istanbul/TURKEY
Made in TURKEY

1 Důležité pokyny a upozornění týkající se bezpečnosti a životního prostředí**4**

Obecná bezpečnost.....	4
Elektrická bezpečnost.....	5
Bezpečnost produktu.....	5
Návod k použití	6
Bezpečnost dětí	6
Likvidace starého výrobku	7
Likvidace obalových materiálů.....	7

2 Obecné informace**8**

Přehled	8
Předmět dodávky	9
Předmět dodávky	9

Technické údaje.....	9
----------------------	---

3 Montáž**10**

Montáž	10
Budoucí přeprava.....	14

4 Obsluha digestoře**15****5 Údržba a péče****17**

Obecné informace.....	17
Výměna žárovky	18

6 Odstraňování potíží**19**

1 Důležité pokyny a upozornění týkající se bezpečnosti a životního prostředí

Tento oddíl obsahuje bezpečnostní pokyny, které vám pomohou předejít riziku zranění a poškození.

Nedodržení těchto pokynů zruší platnost záruky.

Obecná bezpečnost

- Toto zařízení může být používáno dětmi staršími 8 let a osobami se sníženými fyzickými, smyslovými nebo duševními schopnostmi nebo s nedostatkem zkušeností, pokud je na ně dohlíženo nebo byly poučeny o použití zařízení bezpečným způsobem a rozumí zahrnutým rizikům.
Děti si nesmí se zařízením hrát.
Čištění a údržba uživatelem nesmí být prováděna dětmi bez dozoru.
- Nebezpečí otravy! V době, kdy je zařízení spuštěné, nasává vzduch z celého domu. Není-li zajištěno dostatečné větrání, toxické plyny, které se uvolňují v důsledku spalování se vrátí komínem zpět do domu. Spotřebič nespouštějte zároveň se zdroji, které mohou uvolňovat toxické plyny a průvan vzduchu (trouby na dřevo, plyn a uhlí, popř. krb).
- Vhodnost větrání a komínového tahu ve vaší budově vždy nechte zkontrolovat autorizované osoby.
- Spotřebič není určen k použití osobami (včetně dětí) se sníženými fyzickými, senzorickými nebo duševními schopnostmi nebo bez nedostatku zkušeností, aniž by jim byly předány informace týkající se použití a obsluhy spotřebiče.
Na malé děti je třeba dávat pozor, aby se zajistilo, že si se spotřebičem nehrají. Čištění a údržba nesmí být prováděny dětmi bez dozoru.
- Vždy nechte instalaci a opravy provést zástupce z autorizovaného servisu. Výrobce neodpovídá za škody vzniklé při procesech prováděných neoprávněnými osobami.
- Nepoužívejte spotřebič, pokud je vadný nebo vykazuje viditelné škody.
- Zkontrolujte, zda je spotřebič po každém použití vypnutý.
- Pokud je výrobek předán jiné osobě za účelem soukromého použití nebo nepřímého použití, je třeba této osobě poskytnout také uživatelskou příručku, štítky k výrobku a další nezbytné dokumenty a díly.
- Spotřebič musí být nainstalován kvalifikovanou osobou v souladu s

platnými směrnicemi. Jinak není možné uznat záruku.

Elektrická bezpečnost

- Abyste mohli produkt začít používat, musíte mít nejprve připravené místo na instalaci a elektrické zapojení. Později můžete kontaktovat nejbližší autorizovaný servis.
- Dojde-li k selhání produktu, nesmí být používán až do okamžiku opravy zástupcem autorizovaného servisu. Hrozí riziko zásahu elektrickým proudem!
- Digestoř nikdy nezapojíte před dokončením instalace.
- Zásuvky se nikdy nedotýkejte mokřýma rukama! Neodpojujte ze sítě tahem za kabel; vždy kabel řádně uchopte.
- Výrobek je nutno odpojit o napájení během instalace, údržby, čištění a oprav.
- Je-li napájecí kabel poškozen, musí být vyměněn výrobcem nebo jeho servisním zástupcem nebo podobně kvalifikovanou osobou, aby se předešlo nebezpečí.
- Napájecí kabel nikdy nezapojujte v blízkosti varné plochy. V případě roztavení může kabel způsobit požár.
- Všechny činnosti s elektrickým zařízením a systémy mohou provádět jen autorizované osoby.

- V případě jakýchkoli poškození vypněte přístroj a odpojte jej od napájení. Za tímto účelem vypněte domovní pojistku.
- Zkontrolujte, zda je hodnota pojistky kompatibilní s výrobkem.
- Nikdy neumývejte výrobek vodou! Hrozí riziko zásahu elektrickým proudem!

Bezpečnost produktu

- Výška mezi nižším povrchem digestoře a horním povrchem trouby/sporáku nesmí být menší než 650 mm.
- Nikdy se nedotýkejte světla v digestoři, pokud bylo dlouho zapnuté. Horké světlo může popálit Vaši ruku.
- Produkt nikdy nespouštějte bez olejového filtru. Nikdy nesnímejte filtry pokud se produkt používá.
- Vyhněte se velkým plamenům pod produktem. V opačném případě se mohou částice na olejovém filtru vznítit a zapříčinit požár.
- Plotýnky zapněte po umístění hrnců nebo pánví. V opačném případě může zvyšující se teplota deformovat určité části Vašeho produktu.
- Než hrnce nebo pánve sejmete, vypněte plotýnky.
- Pod digestoř neumísťujte hořlavé materiály.

- Produkt nevystavujte otevřeným plamenům. Olej nahromaděný ve filtru se může vznítit. Produkt nespouštějte bez filtru.
- Při smažení nenechávejte spotřebič nikdy bez dozoru, olej se může vznítit a může tak dojít k požáru. Proto si dejte pozor na utěrky a zástěry.
- Není-li digestoř pravidelně a řádně čištěna, může dojít k požáru.
- Abyste zbavili vzduch v kuchyni pachů z vaření, zapněte digestoř na 15 minut po ukončení vaření nebo smažení
- Když se digestoř používá, zejména v kombinaci s plynovými vařiči, zajistěte, že prostředí je dobře odvětrávané čistým vzduchem.
- V prostředí, kde se digestoř používá, musí být zařízení na plyn nebo palivový olej, např. topná tělesa, topení, zcela izolována.
- Je-li v prostředí spotřebič na palivový olej nebo plyn, místnost musí být dostatečně odvětrávaná.
- Když je souběžně s digestoři v daném prostředí spuštěno i zařízení, které nenapájí elektřina, negativní tlak v místnosti musí být předešlo tomu, že digestoř zvrátí odsávání jiného zařízení do místnosti.
- Digestoř nikdy nezapojujte do komínů používaných pro topení, nebo v kterém se objevují plameny. Při odvádění vzduchu se řiďte příslušnými směrnicemi.
- Při zapojení do komína použijte trubky o průměru 120 mm. Zapojení musí být co nejkratší s co nejméně ohyby.
- Na digestoř nezavěšujte snadno hořlavé materiály.
- Naše společnost nikdy nezodpovídá za problémy související s použitím v rozporu s výše uvedenými upozorněními.
- Není-li čištění provedeno v souladu s pokyny, hrozí nebezpečí vzniku požáru.
- Pod digestoři neflambujte.
- Upozornění: Přístupné části se mohou při použití na vařiči zahřát.
- Při běžném použití se doporučuje, abyste svůj filtr čistili jednou měsíčně.

Návod k použití

Tento výrobek je určen pro domácí použití. Komerční použití není přípustné.

Výrobce nezodpovídá za žádné škody způsobené nesprávným použitím nebo manipulací.

Bezpečnost dětí

- Udržujte děti mimo tento výrobek, pokud je v provozu, nedovolte jim hrát si s výrobkem.

- Obalové materiály jsou nebezpečné pro děti. Obalové materiály uchovávejte na místě, kde na ně děti nemohou dosáhnout a zlikvidujte je v souladu se směrnicemi pro likvidaci odpadu.
- Elektrické výrobky jsou nebezpečné pro děti. Udržujte děti mimo dosah tohoto výrobku, pokud je v provozu, nedovolte jim hrát si s výrobkem.

Likvidace starého výrobku

Dodržování směrnice WEEE a o likvidaci odpadů:



Tento produkt splňuje směrnici EU WEEE (2012/19/EU). Tento výrobek nese symbol pro třídění, platný pro elektrický a elektronický odpad (WEEE).

Tento produkt byl vyroben z vysoce kvalitních součástí a materiálů, které lze znovu použít a které jsou vhodné pro recyklaci. Produkt na konci životnosti nevyhazujte do běžného domácího odpadu. Odveďte ho do sběrného místa pro recyklaci elektrických a elektronických zařízení. Informace o těchto sběrných místech získáte na místních úřadech.

Dodržování směrnice RoHS:

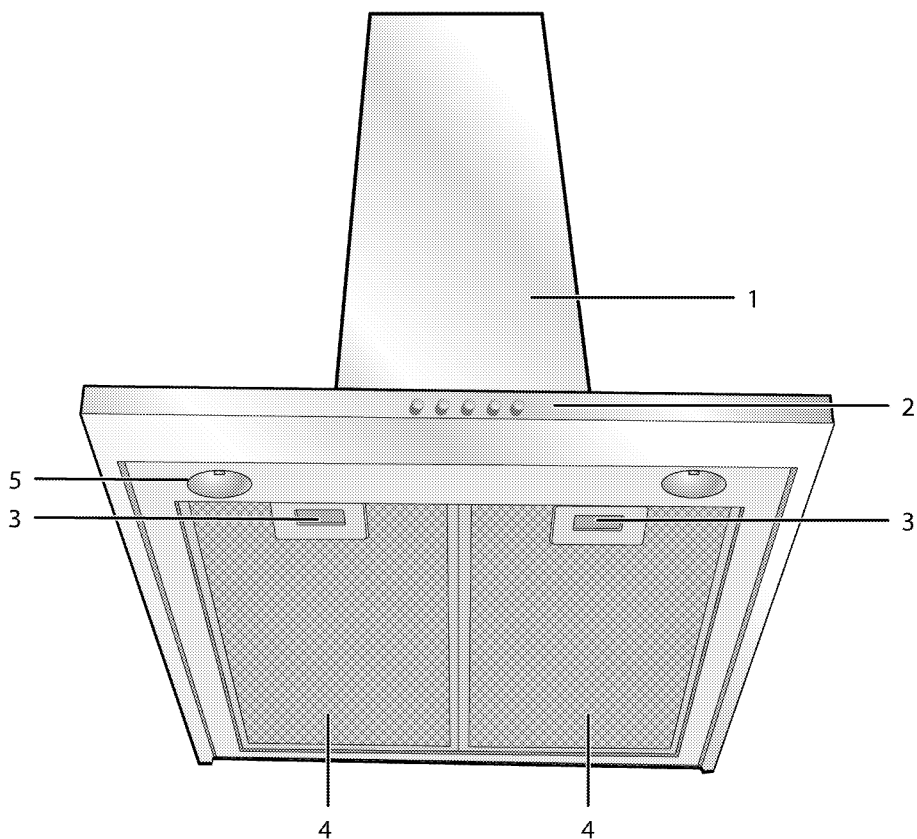
Produkt, který jste zakoupili splňuje směrnici EU RoHS (2011/65/EU). Neobsahuje žádné škodlivé ani zakázané materiály, které jsou směrnici zakázané.

Likvidace obalových materiálů

- Obalové materiály jsou nebezpečné pro děti. Obalové materiály uschovejte na bezpečném místě mimo dosah dětí. Obalové materiály výrobku jsou vyrobeny z recyklovatelných materiálů. Zlikvidujte je správně a třídte je v souladu s pokyny pro likvidaci recyklovaného odpadu. Nelikvidujte je s běžným domácím odpadem.

2 Obecné informace

Přehled



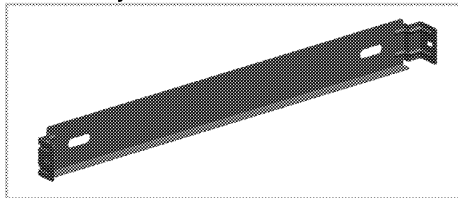
- 1 Digestoř
- 2 Ovládací panel
- 3 Zámek hliníkového filtru
- 4 Hliníkový filtr
- 5 Světlo

Předmět dodávky

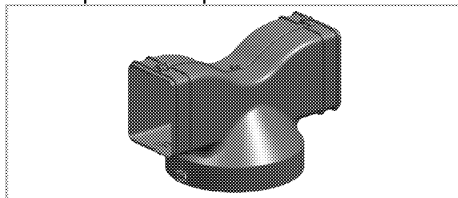


Dodávané příslušenství se může lišit podle modelu výrobku. Všechna příslušenství popisovaná v návodu k použití nemusejí být součástí vašeho spotřebiče.

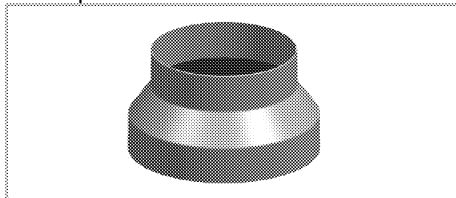
1. Návod k použití
2. Nástěnný konektor



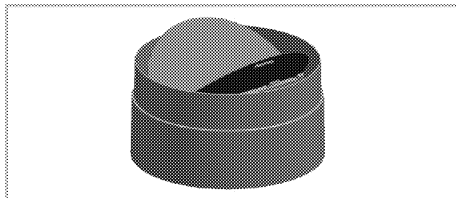
3. Komponent řídicí proudění vzduchu



4. Adaptér komínu



5. Ventily, které brání zpětnému proudění vzduchu



Technické údaje

Vnější rozměry (výška/šířka/hloubka)	min. 760 mm - max. 927 mm/598 mm/490 mm
Napětí/frekvence	220-240 V ; 50 Hz
Ovládání	3 úroveň + 1 Posilovač
Sací výkon	730 m ³ /h
Celková spotřeba energie	max. 300 W
Průměr výstupního vzduchového potrubí	120-150 mm
ŽÁROVKA	
Typ žárovky	LED žárovka
Spotřeba žárovky	4 W
Max. výkon případné náhradní žárovky	max. 2 x 4 W. LED žárovka / max. 2 x 28 W. Halogenová žárovka
Napětí/frekvence žárovky	100-250 V ; 50/60 Hz
Typ krytu žárovky	GU10
Průměr/délka žárovky	50 mm /55 mm



Technické parametry se mohou měnit bez předchozího upozornění za účelem zvyšování kvality výrobku.



Hodnoty uvedené na značení výrobku nebo v jiných tištěných dokumentech dodávaných s výrobkem jsou dosaženy v laboratorních podmínkách v souladu s příslušnými normami. Podle provozních a okolních podmínek výrobku se tyto hodnoty mohou měnit.



Obrázky v tomto návodu jsou informativní a nemusejí se shodovat s vaším výrobkem.

3 Montáž

Instalaci výrobku svěřte nejbližšímu autorizovanému servisu. Zajistěte, aby elektrické a plynové instalace byly na místě, než přivoláte autorizovaný servis, aby byl výrobek připraven k provozu. Pokud nejsou, kontaktujte kvalifikovaného elektrikáře a instalátéra pro požadované úpravy.



Za přípravu místa a elektrické a plynové instalace výrobku odpovídá zákazník.



NEBEZPEČÍ:

Výrobek musí být instalován v souladu se všemi místními elektrickými vyhláškami.



NEBEZPEČÍ:

Před instalací zkontrolujte případné vady na výrobku.

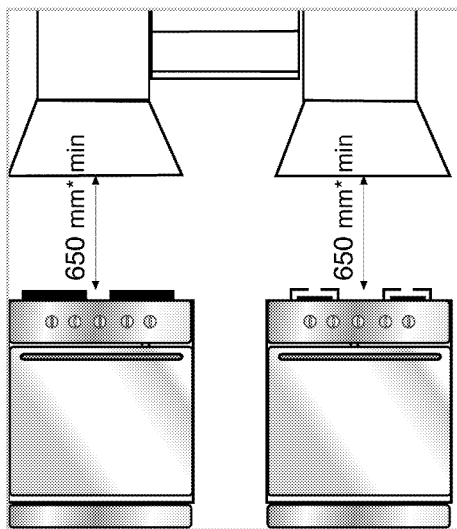
Pokud nějaké objevíte, neinstalujte jej. Poškozené výrobky mohou ohrozit vaši bezpečnost.



NEBEZPEČÍ:

Varování: V případě, že nenainstalujete šrouby nebo upevňovací zařízení v souladu s pokyny, může dojít k úrazu elektrickým proudem.

Montáž



* min.

Mezi horní plochou varné desky a spodní hranou digestoře by měla být minimální vzdálenost 650 mm.

Vzduch nesmí být odváděn z digestoře do komína, který je používán pro odvod spalin z jiných plynových či podobných zařízení. (Toto se netýká spotřebičů, ze kterých je vzduch odváděn zpět do místnosti) Je nutno dodržovat předpisy regulující odvod vzduchu.

Elektrické zapojení

Zařízení je dodáváno s dvoužilovým napájecím kabelem a musí být zapojeno do sítě přes elektrický spínač s minimální vzdáleností mezi bipolárními kontakty 3 mm. Elektrické zapojení musí provést oprávněný elektrikář.

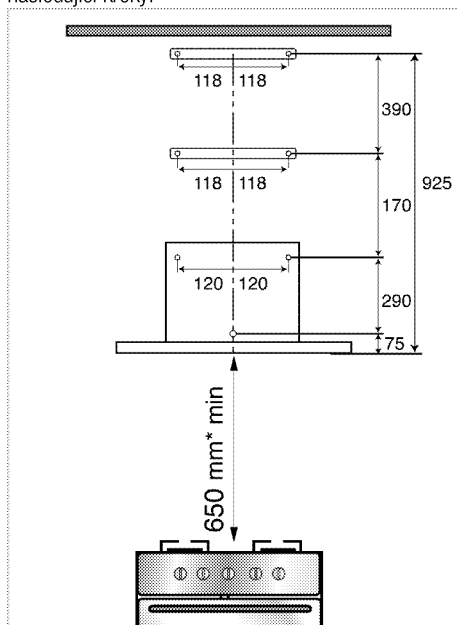
- Zařízení je nutno umístit tak, aby byl i po instalaci zachován snadný přístup k elektrickým zařízením (konektory, výstupy).

Instalace digestoře

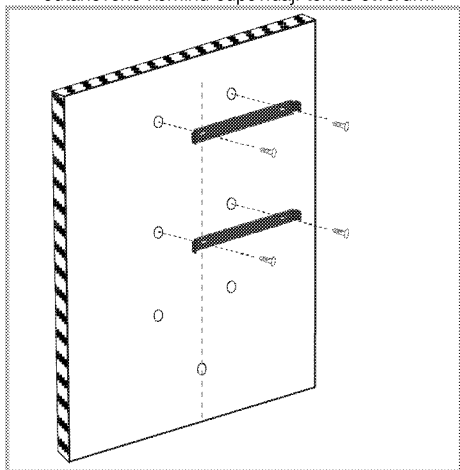


Všechny rozměry jsou v mm.

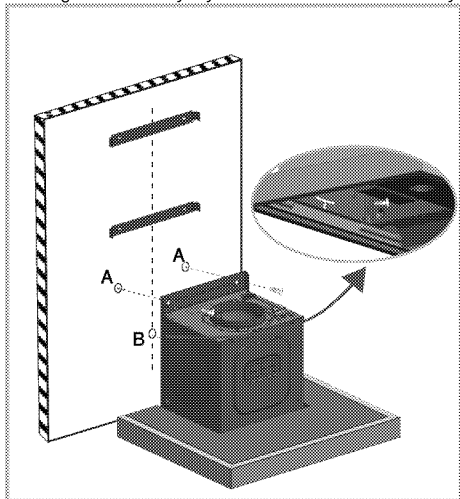
Níže jsou uvedeny nezbytné informace pro přípravu místa na instalaci digestoře. Digestoř musí být umístěna v ose spotřebiče, nad nímž je instalována. Mezi horní plochou varné desky a spodní hranou digestoře by měla být minimální vzdálenost 650 mm. Při instalaci digestoře proveďte následující kroky.



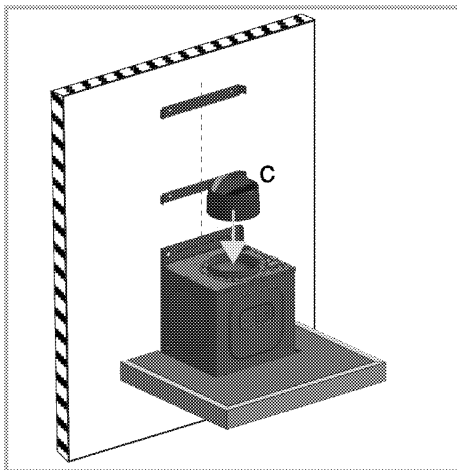
1. Spotřebič vycentrujte a na stěnu vyznačte osu o výšce uvedené na obrázku výše. Tuto osu použijte jako referenční a vyvrtejte 7 otvorů o velikosti podle hmoždinek, které naleznete v balení.
2. Zasuňte do těchto otvorů plastové hmoždinky dodané v balení. Zkontrolujte, zda konektory odtahového komínu odpovídají těmto otvorům.



3. Podle obrázku výše upevněte stěnový kus do příslušných otvorů, pomocí dvou upevňovacích šroubů, které jsou součástí balení.
4. Nasadte digestoř na zeď a vyrovnejte ji pomocí otvorů A. Vyměňte z digestoře hliníkové filtry. Na vnitřní straně nasadte a upevněte šroubem zadní desku digestoře přes otvor B, podle obrázku níže. Digestoř musí být vyrovnaná s horní deskou linky.

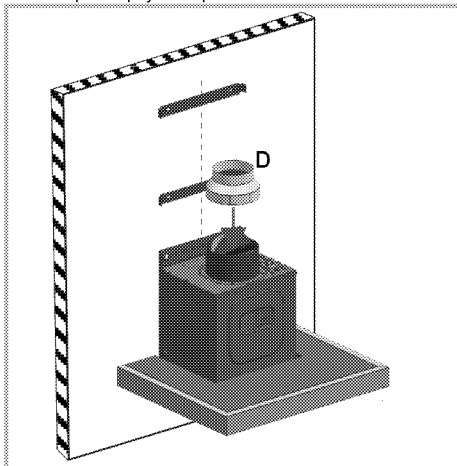


5. Podle obrázku níže je nutno nainstalovat kryt (C) jako ochranu před zpětným tahem komínu.



6. Pro připojení do komína:

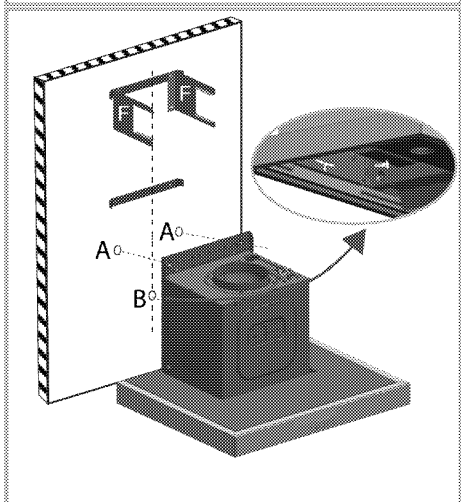
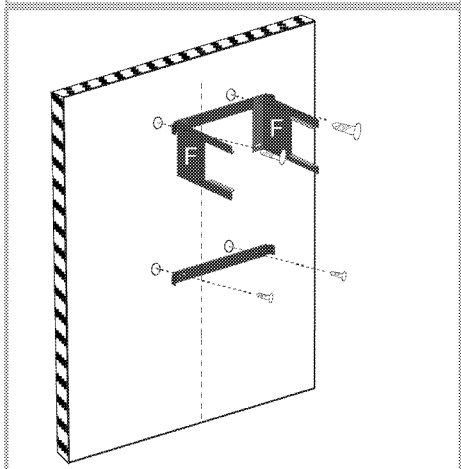
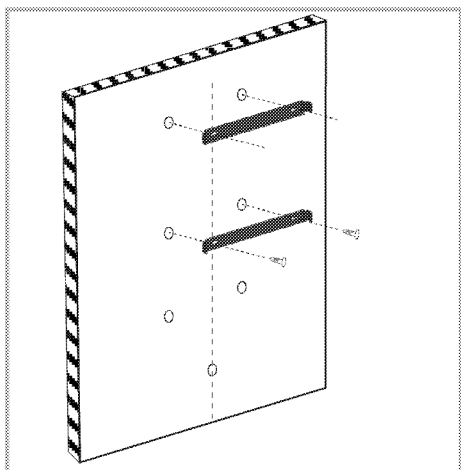
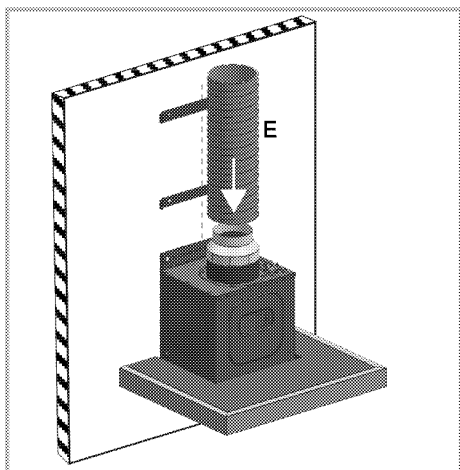
Při montáži s připojením do odtahového komína prochází odváděný vzduch přes hliníkové filtry a poté odchází přes spojovací potrubí.



V tom případě je nutno na díl C nasadit spojovací kus D, jak je vidět na obrázku výše.

i Spojovací kus D použijte pouze, má-li spojovací potrubí do odtahového komína průměr 120 mm. Při použití spojovacího potrubí o průměru 150 mm nemusíte spojovací kus D použít, neboť spojovací potrubí E připojíte přímo ke krytu C.

7. Připojte jeden konec spojovacího potrubí E ke spojovacímu kusu a druhý konec připojte k odtahovému komínu. Spojovací potrubí E zakoupíte v servisním středisku nebo v obchodě

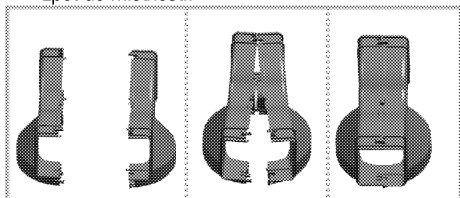


Potrubí kouřovodu by mělo být vyrobeno ze žáruvzdorného plastového materiálu. Při použití flexibilního spojovacího porubí mějte na vědomí, že ostré rohy a zúžení budou bránit plynulému nasávání vzduchu. Digestoř se nikdy nesmí připojovat ke komínu, do kterého je vyvedeno jiné zařízení.

i Spojovací potrubí do komína nesmí mít průměr větší než 120-150 mm.

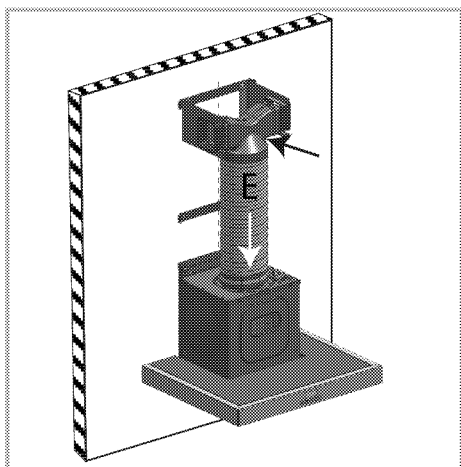
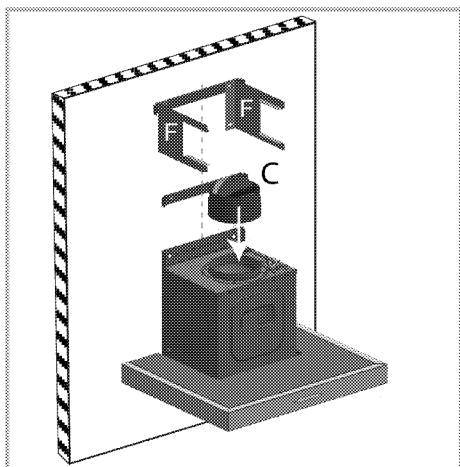
8. Vnitřní cirkulace (s uhlíkovým filtrem)

Při použití vnitřní cirkulace prochází pohlcovaný vzduch olejovými a uhlíkovými filtry, v nichž se eliminuje zápach a poté je odváděn přes směrový kus a větrací mřížky na bocích kominového kusu zpět do místnosti.

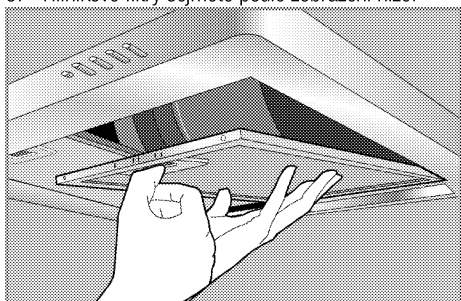
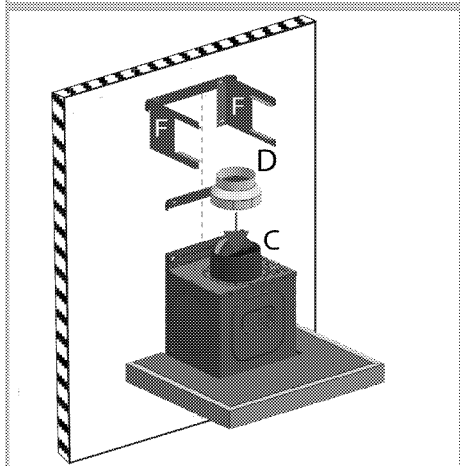


Nejprve podle obrázku sestavte směrový kus, který je dodáván ve dvou samostatných částech. Nasaďte směrové kusy na boční díly podle obrázku. Podle obrázku níže nasaďte směrový díl na kryt (C) jako ochranu před zpětným tahem komínu.

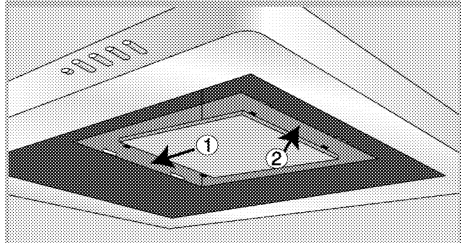
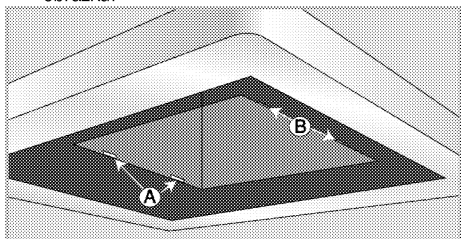
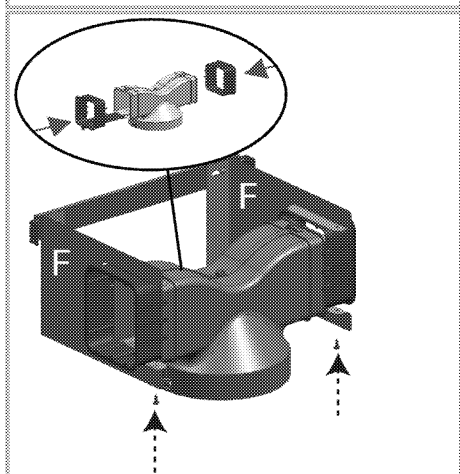
Při použití bez komína postupujte podle níže uvedených kroků. Spojovací potrubí E a přípojovací prvky F zakoupíte v autorizovaném servisním středisku nebo v obchodě.



9. Hliníkové filtry sejměte podle zobrazení níže.



10. Nainstalujte uhlíkový filtr podle následujícího obrázku.

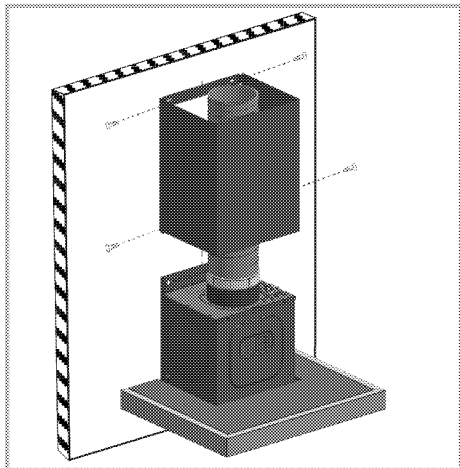


Znovu nasadte hliníkové filtry.

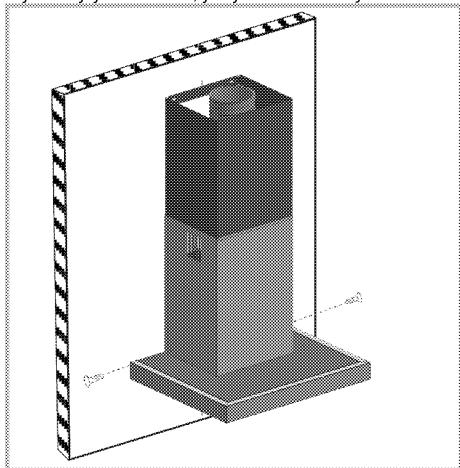
11. Instalace odtahového komínu

Pro instalaci horního odtahového komínu nejprve nasadte horní rohy do horního spojovacího dílu a poté

komínový díl připevněte pomocí šroubů, jak je vidět na obrázku níže.



Chcete-li nainstalovat spodní odtahový komín, protáhněte komín lehkým vysunutím z obou stran a zajistěte jej v otvorech, jak je zobrazeno výše.



Nasadte jej do digestoře pomocí dvou otvorů ve spodních rozích spodního odtahového komínu.

Digestoř můžete používat dvěma způsoby:

1. Zapojení do komína

Pára je odváděna do komína, potrubím zajištěným potrubím na digestoři spojovacím kroužkem. Průměr kouřovodu musí odpovídat průměru spojovacího kroužku. Aby vzduch mohl snadno horizontálně vedeným potrubím odcházet z místnosti, mělo by být potrubí vedeno v mírném sklonu nahoru (cca 10°).



Pokud je součástí digestoře uhlíkový filtr, je třeba jej demontovat.

2. Použití bez zapojení do komína

Vzduch je přes uhlíkový filtr odváděn do místnosti. Uhlíkový filtr se používá, pokud není k dispozici žádný odtahový komín nebo pokud není možné se k existujícímu komínu připojit.

- Nainstalujte uhlíkový filtr podle uvedeného popisu instalace.

Budoucí přeprava

- Uschovejte si originální karton od výrobku a přepravujte výrobek v něm. Dodržujte pokyny na kartonu. Pokud nemáte originální karton, zabalte výrobek do bublin nebo silného kartonu a pevně oblepte páskou.



Nevkládejte žádné předměty na výrobek a posouvejte jej ve svislé poloze.



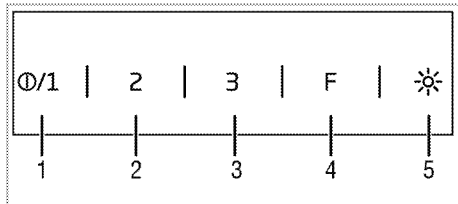
Zkontrolujte vzhled výrobku, zda neobsahuje škody, k nimž mohlo dojít při přepravě.

4 Obsluha digestoře

Digestoř je vybavena motorem s různými nastaveními rychlosti.

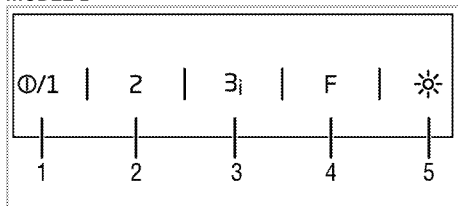
Abyste dosáhli lepšího výkonu, doporučujeme v normálních podmínkách použít nízké rychlosti a vysoké rychlosti v případě zintenzivnění pachů a výparů.

MODEL A



- 1 Tlačítko Zap./Vyp. / Rychlost 1
- 2 Rychlost 2
- 3 Rychlost 3
- 4 Tlačítko Funkce
- 5 Tlačítko světla


MODEL B




- 1 Tlačítko Zap./Vyp. / Rychlost 1
- 2 Rychlost 2
- 3 Rychlost 3 / booster
- 4 Tlačítko Funkce
- 5 Tlačítko světla

Obsluha digestoře

1. Stiskněte tlačítko Zap./Vyp. a troubu zapněte.
2. Chcete-li změnit rychlost, stiskněte tlačítka Rychlost 2 a Rychlost 3.

 Nedotýkejte se obou tlačítek najednou. Pokud k tomu dojde, aktivuje se vyšší rychlost.

 Není-li během spuštění spotřebiče stisknuto žádné z tlačítek, spotřebič se spustí maximálně na 6 hodin.

Výstražná kontrolka

Tlačítko Zap./Vyp. (Rychlost 1): Kontrolka úrovně 1 svítí


Rychlost 2: Kontrolka úrovně 2 svítí

Rychlost 3: Kontrolka úrovně 3 svítí

booster: (Kontrolka úrovně 3 trvale bliká v 0,5 sekundových intervalech)

Režim automatického vypnutí (pro A a B)


1. Stisknete-li tlačítko funkce, je-li produkt v provozu na určitou úroveň, aktivuje se režim automatického vypnutí a rozsvítí se kontrolka tlačítka rychlosti a kontrolka tlačítka funkce.
2. Produkt bude pracovat dalších 20 minut při nastavené úrovni a potom se automaticky vypne.

 Režim automatického vypnutí se zruší dojde-li ke stisknutí jakéhokoli jiného tlačítka než je tlačítko světla.

Aktivace intenzivního větracího režimu (booster) (pro model B)

Stiskněte tlačítko rychlosti 3 po dobu delší než dvě sekundy. Aktivuje se intenzivní ventilační režim a bude aktivní maximálně po dobu 7 minut.

Po 7 minutách bude pokračovat v režimu Rychlost 3.

 V intenzivním ventilačním režimu kontrolka úrovně 3 trvale bliká v 0,5 sekundových intervalech.

Je-li během intenzivní ventilace stisknuto některé z tlačítek rychlosti, potom bude provoz pokračovat v nastavené rychlosti.

Vypnutí digestoře

1. Když je digestoř spuštěna při určité rychlosti, stiskněte tlačítko Vyp.

Rozsvícení tlačítka

1. Světlo zapněte stisknutím tlačítka.

Vypnutí světla

1. Opětovným stisknutím tlačítka světlo vypněte.

 Tlačítko vypnutí nevyprve světlo, pouze zastaví digestoř.

Režim vzduchového filtru (pro model B)

1. Když není spotřebič spuštěný při nějaké rychlosti, stiskněte tlačítko funkce.

» Aktivuje se režim vzduchového filtru a kontrolka tlačítka funkce bude blikat v 3 sekundových intervalech.

2. Režim vzduchového filtru se spustí na 10 minut při úrovni rychlosti 1 a potom se během hodiny zastaví na 50 minut. Nedojde-li k vypnutí režimu vzduchového filtru, bude fungovat i nadále 10

minut a každou hodinu během 24 hodin se zastaví na 50 minut.



Režim vzduchového filtru můžete využít k odstranění zápachu, při použití nízké rychlosti.

Vypnutí režimu vzduchového filtru (pro model B)

1. Režim vzduchového filtru vypnete stisknutím libovolného tlačítka nastavení rychlosti nebo stisknutím tlačítka vypnutí, zatímco je režim filtrování vzduchu aktivní.



Zatímco je režim vzduchového filtru aktivní, když produkt zapnete a vypnete na nastavené rychlosti, vzduchový filtr nebude zapamatován.



Dojde-li k výpadku zatímco je režim vzduchového filtru aktivní, program se zruší.

Varování - Plný filtr (model B)

Po každých 100 hodinách provozu budou kontrolky na displeji blikat v 0,5 sekundových intervalech. Filtr vyčistěte. Varování Plný filtr se po vyčištění automaticky neresetuje.

Varování Plný filtr lze resetovat stiskem jakékoli funkce.



Když se na digestoři objeví upozornění na plný filtr, upozornění se v případě výpadku neresetuje.

5 Údržba a péče

Obecné informace

Životnost výrobku se prodlouží a případné problémy se omezí, pokud je výrobek pravidelně čištěn.



NEBEZPEČÍ:

Odpojte zařízení od napájení, než začnete s údržbou a čištěním.

Hrozí riziko zásahu elektrickým proudem!

- Výrobek po každém použití pečlivě vyčistěte. Takto snadněji odstraníte nečistoty z pečení, které se takto nebudou při příštím použití přístroje dále připalovat.
- Pro čištění přístroje nejsou potřeba žádná zvláštní čisticíidla. Výrobek omyjte vodou s mycím přípravkem a hadříkem nebo houbou a osušte ji suchým hadrem.
- K čištění nerezových ploch a rukojeti nepoužívejte čisticíidla obsahující kyselinu nebo chlorid. K otření těchto částí použijte měkký hadřík s tekutým rozpouštědlem (ne brusným) a dávejte pozor, abyste čistili jedním směrem.



Povrch se může poškodit vlivem některých saponátů nebo čisticích materiálů.

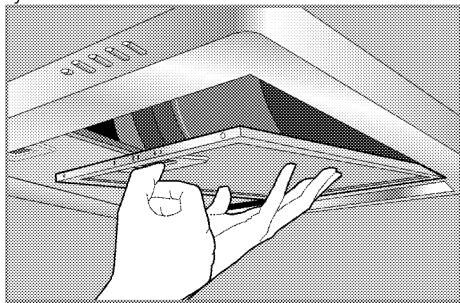
Nepoužívejte agresivní saponáty, čisticí prášek/mléko ani ostré předměty při čištění.



Na čištění nepoužívejte parní čističe.

Hliníkový filtr

Tento filtr zachytává částičky oleje ve vzduchu. Při běžném použití se doporučuje, abyste svůj filtr čistili jednou měsíčně. Nejprve sejměte hliníkové filtry. Filtry opláchněte ve vodě s čisticím prostředkem a po uschnutí je vložte zpět. Hliníkové filtry mohou díky mytí postupně měnit barvu. To je normální a filtr nemusíte vyměňovat.



Hliníkové filtry můžete mýt také v myčce na nádobí.

Vyměňte hliníkové filtry.

1. Zasuňte hliníkový filtr.
2. Filtr lehce snižte a vysušte. Jinak byste mohli filtr ohnout.
3. Po omytí proveďte výše uvedené kroky v obráceném pořadí.

Uhlíkový filtr (použití bez komínu)

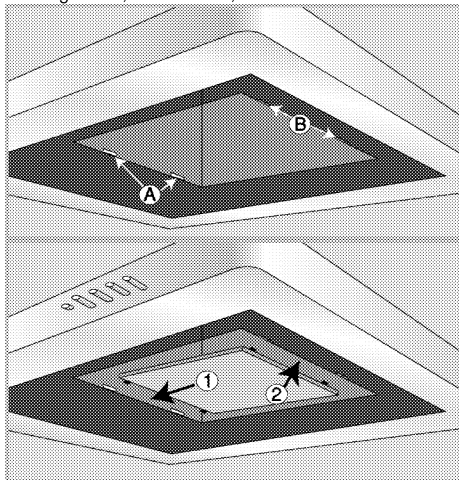


Uhlíkový filtr nikdy nemýjte.

Při běžném použití je vyměňujte jednou za každé 4 měsíce. Uhlíkové filtry získáte v autorizovaných servisech.

Montáž uhlíkového filtru

1. Vyměňte hliníkové filtry
2. Po vyjmutí filtrů zasuňte flexibilní krátké hroty uhlíkového filtru, které jsou součástí produktu do digestoře, do otvoru A, ve směru 1.



3. Dlouhé tvrdé hroty na druhé straně uhlíkového filtru zasuňte do otvoru B ve směru 2.
4. Zkontrolujte, zda jsou oba konce uhlíkového filtru zasunutě pevně.

Výměna žárovky



NEBEZPEČÍ:

Před výměnou žárovky trouby zkontrolujte, zda je výrobek odpojen a vychladl, aby nedošlo k úrazu elektrickým proudem. Je-li horká, nechte ji vychladnout.
Horké povrchy mohou způsobovat popáleniny!



Přečtěte si technické údaje lampy *Technické údaje, strana 9*. Žárovky v troubě získáte od autorizovaného servisního pracovníka.



Poloha žárovky se může lišit oproti obrázku.



Žárovka použitá v tomto spotřebiči není vhodná k osvětlení místností. Zamýšleným účelem této žárovky je pomoci uživateli vidět na potraviny.



Žárovku v tomto produktu může uživatel změnit.

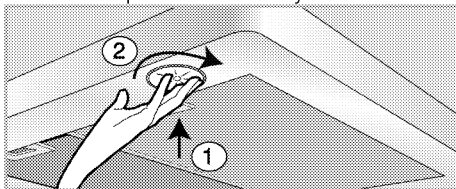


VAROVÁNÍ!



Použit pouze s halogenovou žárovkou nebo halogenidovou výbojkou s vlastním stíněním.

1. Světlo vyjměte stisknutím jeho usazení ve směru hodinových ručiček (1) a potom ho vyjměte otočením proti směru hodinových ručiček.



2. Nové světlo vložte otočením ve směru hodinových ručiček.
3. Když je světlo na místě, ozve se "kliknutí".

6 Odstraňování potíží

Výrobek neodsává

- Hlavní pojistka je vadná nebo uvolněná. >>> *Zkontrolujte pojistky v pojistkové skříni. Pokud je to nutné, vyměňte je nebo znovu aktivujte.*
- Výrobek není zapojen do zásuvky. >>> *Zkontrolujte zapojení zástrčky.*
- Tlačítko rychlosti nemusí být nastavené. >>> *Stiskněte požadované tlačítko rychlosti.*
- Elektrina je odpojená. >>> *Zkontrolujte, zda je připojena elektrina. Zkontrolujte pojistky v pojistkové skříni. Pokud je to nutné, vyměňte je nebo znovu aktivujte.*

Světlo digestoře nefunguje.

- Je vadná žárovka v digestoři. >>> *Vyměňte žárovku v digestoři.*
- Elektrina je odpojená. >>> *Zkontrolujte, zda je připojena elektrina. Zkontrolujte pojistky v pojistkové skříni. Pokud je to nutné, vyměňte je nebo znovu aktivujte.*



Pokud nemůžete odstranit poruchu ani poté, co jste postupovali podle pokynů obsažených v této části, obraťte se na autorizovaného servisního pracovníka nebo prodejce, u něhož jste výrobek zakoupili. Nikdy se nepokoušejte opravovat vadný výrobek sami.



ZÁKAZNICKÉ CENTRUM BEKO

BEKO SPÓLKA AKCYJNA, organizační složka, Bucharova 1423/6, 158 00 Praha 5 – Stodůlky

7 dní v týdnu od 8:00 do 18:00

poradí nebo pomůže vyřešit záruční, případně pozáruční opravy výrobků Beko

tel. kontakt	222 525 222
tel. kontakt	800 350 333
e-mail	zakaznickecentrum@bekosa.cz
online objednávka opravy spotřebiče	www.bekocr.cz
5 let záruky - podmínky a registrace	www.bekocr.cz

ZÁRUČNÍ PODMÍNKY ČR

- Platný a čitelný prodejní doklad, který obsahuje datum prodeje, model spotřebiče a označení prodejce, opravňuje uživatele využít záruku na výrobek v souladu s ustanoveními Občanského zákoníku, v platném znění.
- Není-li stanoveno jinak, je záruční doba na výrobek 24 měsíců. Začíná plynout ode dne převzetí věci kupujícím vyjma případu, kdy je nutné uvedení do provozu oprávněnou firmou. V tom případě začne záruční doba plynout ode dne uvedení výrobku do provozu.

Výrobky vyžadující odborné zapojení: plynové a kombinované sporáky a varné desky, dále všechny spotřebiče, které nejsou vybaveny přívodním elektrickým kabelem zakončeným vidlicí. Zapojení spotřebiče je službou hrazenou zákazníkem. Potvrzení je nutné uschovat. Dovozece nezodpovídá za poškození či škody vzniklé chybnou instalací nebo chybným zapojením výrobku.

- Záruka vyplývající z těchto záručních podmínek může být uplatněna pouze na území České republiky a týká se pouze a výhradně spotřebičů dovezených do ČR prostřednictvím naší společnosti, BEKO SPÓLKA AKCYJNA, organizační složka, Bucharova 1423/6, 158 00 Praha 5 – Stodůlky, která je oficiálním zastoupením značky Beko pro Českou republiku.
- Záruka je poskytována kupujícímu (konečnému spotřebiteli) v souladu se zákonem č. 634/1992 Sb., o ochraně spotřebitele v platném znění, na výrobek sloužící běžnému používání v domácnosti. Výrobek není určen k průmyslovému použití a poskytování služeb. Spotřebiče, které nejsou používány v domácnosti, nejsou předmětem záruky (hotelová, školská a restaurační zařízení, úklidové firmy atd.)
- Práva ze zodpovědnosti za vady výrobku se uplatňují u prodávajícího. Záruční oprava se vztahuje výhradně na závady, které vzniknou v době platnosti záruční lhůty a to výrobní vadou. Takto vzniklé závady je oprávněn odstranit pouze autorizovaný servis.

O odstranění vad výrobku v záruční lhůtě je kupující oprávněn požádat prodejce nebo **Zákaznické centrum Beko** na telefonním čísle: 222 525 222, 800 350 333 nebo online na <https://www.bekocr.cz/objednavka-opravy-spotrebice>

- Zákazník musí pro objednání opravy nahlásit datum zakoupení, model spotřebiče, výrobní a produktové číslo, které se nachází na výrobním štítku každého spotřebiče. Bez nahlášení těchto údajů nebude moci být požadavek zákazníka na bezplatnou opravu vyřešen. Zákazník je také dále povinen poskytnout autorizovanému servisu součinnost potřebnou k ověření existence případně odstranění reklamované vady.

- g) Při návštěvě servisního technika kupující prokáže existenci záruky předložením čitelného prodejního dokladu nebo certifikátu 5 let záruky Beko. Po provedení záruční opravy jsou autorizovaná servisní střediska nebo prodávající povinni vydat kupujícímu čitelnou kopii opravného listu nebo doklad o uplatnění práva záruky a době trvání opravy. Po dobu záruky je kupující povinen uschovat veškeré doklady související s koupí a servisem výrobku.

Opravní list slouží k prokazování práv kupujícího, proto je ve vlastním zájmu kupujícího si zkontrolovat před podpisem veškeré údaje. Záruční lhůta se v případech, kdy závada znemožnila používání výrobku, prodlužuje o dobu, kdy kupující uplatnil nárok na záruční opravu u autorizovaného střediska až do dne převzetí opraveného výrobku.

- h) Výrobek musí být instalován a provozován podle návodu k obsluze a platných norem. Funkce chladniček, mrazniček a jejich kombinací je zaručena při okolní teplotě od +10°C do +32°C.
- i) Touto zárukou nejsou dotčena práva kupujícího, která se ke koupi věci váží podle zvláštních právních předpisů.
- j) Společnost BEKO SPÓLKA AKCYJNA, organizační složka, Bucharova 1423/6, 158 00 Praha 5 - Stodůlky nabízí spotřebitelům na vybrané modely prodlouženou záruku v celkové délce trvání 5 let. Předmětem této nadstandardní záruky je bezplatné odstraňování výrobních vad po dobu následujících 36 měsíců od skončení zákonné dvouleté záruční lhůty. Podmínkou získání certifikátu prodloužené záruky je splnění veškerých podmínek uvedených na www.bekocr.cz

O odstranění vad výrobku v prodloužené záruční lhůtě je kupující oprávněn požádat Zákaznické centrum Beko na telefonním čísle: 222 525 222, 800 350 333 nebo online na <https://www.bekocr.cz/objednavka-opravy-spotrebice>

Při opravě v rámci prodloužené záruky je uživatel povinen autorizovanému servisu předložit platný certifikát prodloužené záruky a prodejní doklad.

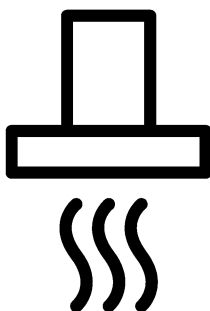
- k) V době trvání prodloužené záruky bude oprávněná reklamacie řešena opravou nebo dodáním náhradního dílu. V případě neodstranitelné vady zajistí dovozce přímo u zákazníka výměnu výrobku za nový. Nárok na výměnu uplatňuje zákazník po zaslání všech potřebných dokladů (platný certifikát, doklad o zakoupení, vyjádření servisního technika) na e-mail reklamacie@bekosa.cz nebo poštou na adresu BEKO SPÓLKA AKCYJNA, organizační složka, Bucharova 1423/6, 158 00 Praha 5 - Stodůlky. Spotřebitel nemá právo v průběhu prodloužené záruky na vrácení kupní částky. Uplatnění práva na bezplatné odstraňování výrobních vad podléhá zde uvedeným všeobecným záručním podmínkám.

Právo na uplatnění záruky zaniká pokud:

- Není výrobek používán v souladu s návodem;
- Došlo k mechanickému poškození výrobku cizím zaviněním, při nesprávné údržbě nebo jiným zanedbáním péče o výrobek;
- Byl na výrobku proveden neodborný zásah neoprávněnou osobou;
- Plynové spotřebiče nebo spotřebiče s napájením 400V nebyly uvedeny do provozu odbornou firmou;
- Došlo k mechanickému poškození při přepravě;
- Je vada způsobená vnějšími podmínkami, jako jsou např. poruchy v elektrické síti nebo vadná bytová instalace, nevhodnými provozními podmínkami, poškození živlem;
- Je výrobek vadný z důvodu použití neoriginálního příslušenství a náhradních dílů;
- Kuchyňská linka, do které je výrobek zabudovaný, nespĺňuje potřebné technické parametry;
- Záruka se dále nevztahuje na preventivní údržbu popsanou v návodu k obsluze, popřípadě závady způsobené nevhodnou manipulací, na opotřebením vzniklé běžným používáním, na mechanické poškození skleněných a plastových komponentů;
- Záruka se nevztahuje na návštěvu technika za účelem poradenství, preventivní kontrolu stavu spotřebiče, výměnu náhradního dílu, který nevyžaduje odborný zásah, záměna směru otevírání dveří chladniček a sušiček.



Digestor
Používateľská príručka



SK

Túto príručku si prečítajte ako prvú!

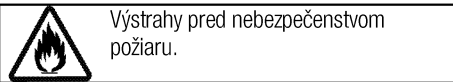
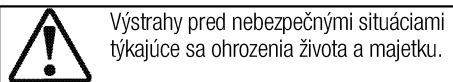
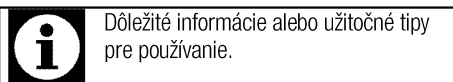
Vážený zákazník,

Ďakujeme, že ste si vybrali výrobok Beko. Dúfame, že sa dočkáte tých najlepších výsledkov od výrobku, vyrobeného vo vysokej kvalite a s najmodernejšími technológiami. Preto vám odporúčame, aby ste si túto používateľskú príručku a iné sprievodné dokumenty prečítali pred použitím výrobku celé a aby ste si ich odložili pre referenciu v budúcnosti. Ak rúru prevediete na inú osobu, dajte tejto osobe aj užívateľskú príručku. Riadte sa všetkými varovaniami a informáciami užívateľskej príručky.

Pamätajte si, že táto užívateľská príručka sa môže vzťahovať aj na niektoré ďalšie modely. Rozdiely medzi modelmi sú v príručke presne vymedzené.

Vysvetlivky k symbolom

V celej užívateľskej príručke sa používajú nasledujúce symboly:



Arçelik A.Ş.
Karaağaç caddesi No:2-6
34445 Sütlüce/Istanbul/TURKEY
Made in TURKEY

**1 Dôležité pokyny týkajúce sa
bezpečnosti a životného prostredia**

Všeobecná bezpečnosť	4
Elektrická bezpečnosť	5
Bezpečnosť produktu	5
Zamýšľané použitie	7
Bezpečnosť detí	7
Likvidácia starého výrobku	7
Likvidácia obalového materiálu	7

2 Všeobecné informácie **8**

Prehľad	8
Obsah dodávky	9
Technické parametre	9

3 Montáž **10**

Inštalácia	10
Budúca preprava	15

4 Prevádzka digestora **16****5 Údržba a starostlivosť** **18**

Všeobecné informácie	18
Výmena svetidla	19

6 Riešenie problémov **20**

1 Dôležité pokyny týkajúce sa bezpečnosti a životného prostredia

Táto časť obsahuje bezpečnostné pokyny, ktoré vám pomôžu predísť riziku zranenia a poškodenia majetku. Porušenie týchto pokynov môže viesť k zrušeniu záruky.

Všeobecná bezpečnosť

- Tento spotrebič nesmie byť používaný deťmi vo veku menej ako 8 rokov a osobami so zníženými fyzickými, zmyslovými alebo duševnými schopnosťami alebo osobami s nedostatkom skúseností a znalostí, ak nie sú pod dozorom zodpovednej osoby alebo ak nedostanú pokyny týkajúce sa bezpečného používania spotrebiča alebo nerozumejú možným rizikám. Deti sa so spotrebičom nesmú hrať. Čistenie a užívateľská údržba stroja nesmie byť vykonávaná deťmi bez dozoru.
- Nebezpečenstvo otravy! Kým je spotrebič v prevádzky, dochádza k odsávaniu vzduchu z celej domácnosti. Ak sa nezabezpečí náležité vetranie, odpadové a toxické plyny uvoľňované v dôsledku horenia budú nasávané späť do domu prostredníctvom ťahu komína. Spotrebič neprevádzkujte spolu so zdrojmi, ktoré môžu emitovať toxické plyny a vytvárať vzduchový ťah (kachle na drevo, plyn, olej a uhlie, ohrievače vody, čajníky atď.).
- Náležitosť vetrania a ťahu komína si v budove vždy nechajte skontrolovať autorizovanými osobami.
- Spotrebič nie je určený na použitie osobami (vrátane detí) so zníženými fyzickými, senzorickými alebo duševnými schopnosťami alebo bez nedostatku skúseností, bez toho, aby im boli poskytnuté informácie týkajúce sa použitia a obsluhy spotrebiča osobou zodpovednou za ich bezpečie. Na malé deti je potrebné dávať pozor, aby sa zaistilo, že sa so spotrebičom nehrajú. Čistenie a údržba nesmie byť vykonávané deťmi bez dozoru.
- Inštalačné a opravárenské úkony vždy zverujte do rúk autorizovaného servisného technika.. Výrobca nebude zodpovedný za škody, ktoré majú pôvod v postupoch, ktoré vykonajú neoprávnené osoby.
- Ak je výrobok chybný alebo ak má akékoľvek viditeľné poškodenie, nepoužívajte ho.
- Po každom použití sa uistite, že je výrobok vypnutý.
- Ak výrobok dáte niekomu inému na osobné využitie alebo využitie z druhej ruky, mali by ste mu dať aj

návod na použitie, štítky produktov a ďalšie relevantné dokumenty a súčasti.

- Výrobok musí namontovať kvalifikovaná osoba podľa platných predpisov. V opačnom prípade záruka stratí platnosť.

Elektrická bezpečnosť

- Ak chcete produkt pripraviť na používanie, v prvom rade je potrebné pripraviť miesto inštalácie a elektrickú kabeláž. Neskôr sa môžete obrátiť na najbližší autorizovaný servis.
- Ak má produkt poruchu, nemal by sa obsluhovať, kým ho neopraví autorizovaný servisný technik. Hrozí riziko zásahu elektrickým prúdom!
- Digestor nikdy nepripájajte skôr, ako sa dokončí inštalácia.
- Zástrčky sa nikdy nedotýkajte mokrými rukami! Neodpájajte ťahaním za kábel; vždy odpájajte uchopením za zástrčku.
- Počas procesov montáže, údržby, čistenia a opravy musíte výrobok odpojiť zo siete.
- Ak je napájací kábel poškodený, musí byť vymenený výrobcom alebo jeho servisným zástupcom alebo podobne kvalifikovanou osobou, aby sa predišlo nebezpečenstvu.
- Napájací kábel nikdy nepripájajte do siete v blízkosti sporákov.

V prípade roztavenia by kábel mohol byť príčinou vzniku požiaru.

- Všetky práce na elektrických zariadeniach a systémoch môžu vykonávať iba autorizovaní kvalifikovaní odborníci.
- V prípade akéhokoľvek poškodenia vypnite prístroj a odpojte ho od sieťového zdroja. Aby ste tak urobili, vypnite poistky v domácnosti.
- Uistite sa, že prúdová hodnota poistky je kompatibilná s výrobkom.
- Výrobok nikdy neumývajte vodou! Hrozí riziko zásahu elektrickým prúdom!

Bezpečnosť produktu

- Výška medzi spodným povrchom digestora a horným povrchom varnej dosky nesmie byť menšia ako 650 mm.
- Ak sa svetlo digestora ponechá zapnuté dlhší čas, nedotýkajte sa ho. Horúce svietidlá vás môžu popáliť.
- Nikdy neprevádzkujte výrobok bez olejového filtra. Keď je výrobok v prevádzke, neodstraňujte filtre.
- Nedovoľte, aby pod výrobkom vznikol veľký plameň. V opačnom prípade sa častice olejového filtra môžu vznietiť a spôsobiť požiar.
- Varné platne zapnite po umiestnení hrncov a panvíc. V opačnom prípade nárast teploty

môže zdeformovať určité časti produktu.

- Kým odstránite hrnce alebo panvice, vypnite varné platne.
- Pod digestor neumiestňujte horľaviny.
- Výrobok nevystavujte pôsobeniu otvoreného ohňa pod ním. Mohlo by dôjsť k vznieteniu oleja nahromadeného vo filtri. Výrobok neprevádzkujte bez filtra.
- Sporák počas smaženia nikdy neponechávajte bez dozoru, pretože olej môže vzbĺknúť a vriaci olej môže zapríčiniť požiar. Preto dávajte pozor na tkaniny a záclony.
- Ak sa digestor pravidelne a náležitým spôsobom nečistí, môže dôjsť k požiaru.
- Ak chcete po dovarení zbaviť kuchyňu zápachov a pár, digestor ponechajte zapnutý ešte 15 minút po dokončení varenia či smaženia.
- V miestnosti je nutné zabezpečiť vhodné odvetranie pri použití digestora súbežne s používaním zariadenia na plyn alebo iné palivá. (Netýka sa spotrebičov, ktoré iba vypúšťa vzduch späť do miestnosti).
- V prostredí, kde sa používa digestor, musí byť vývod exhalátov zo zariadení na palivový olej alebo plyn (napr. ohrievače miestnosti) dokonale izolovaný

a zariadenie musí byť hermetického typu.

- Ak sa v priestore nachádza zariadenie na palivový olej alebo plyn, miestnosť sa musí dostatočne vetrať.
- Ak sa v prostredí, kde sa nachádza digestor, používa zariadenie napájané z iného ako elektrického zdroja, podtlak v miestnosti musí byť maximálne 0,4 mbar, aby sa zabránilo tomu, že digestor bude vracat' odvádzané exhaláty z druhého zariadenia späť do miestnosti.
- Digestor nikdy nepripájajte ku komínom používaným pre ohrievače, odpadový plyn alebo so stúpajúcimi plameňmi. Pokiaľ ide o odvádzanie výstupného vzduchu, dodržiavajte miestne nariadenia.
- Pri pripájaní ku komínu používajte rozvody s priemerom 120 mm. Pripojenie rozvodov musí byť čo najkratšie s čo najmenším počtom zalomení.
- Na rukoväť digestora nevesajte ľahko zápalné a horľavé materiály.
- Naša spoločnosť nepreberá zodpovednosť za problémy vyvstávajúce z používania v rozpore s vyššie uvádzanými výstrahami.

- Ak nie je čistenie vykonané v súlade s pokynmi, hrozí nebezpečenstvo vzniku požiaru.
- Pod digestorom nevlambujte.
- Upozornenie: Prístupné časti sa môžu pri použití na variči zahriať.
- Pri bežnom používaní vám odporúčame filter čistiť raz mesačne.

Zamýšľané použitie

Tento výrobok je navrhnutý na používanie v domácnosti. Komerčné využitie nie je prípustné.

Výrobca nebude zodpovedný za žiadne škody spôsobené nesprávnym používaním alebo manipuláciou.

Bezpečnosť detí

- Držte deti mimo dosahu výrobku, keď pracuje a nedovoľte deťom, aby sa s výrobkom hrali.
- Obalové materiály sú pre deti nebezpečné. Obalové materiály uchovávajte na miestach, kde na ne deti nemôžu dosiahnuť a roztriedte a zlikvidujte ich v súlade s predpismi o likvidácii odpadu.
- Elektrické výrobky sú pre deti nebezpečné. Držte deti mimo

dosahu výrobku, keď pracuje a nedovoľte deťom, aby sa s výrobkom hrali.

Likvidácia starého výrobku

V súlade so smernicou o odpadoch z elektrických a elektronických zariadení a zneškodňovaní odpadov:



Tento produkt je v súlade so smernicou o odpadoch z elektrických a elektronických zariadení EÚ (2012/19/EÚ). Tento produkt obsahuje symbol triedeného odpadu pre odpadové elektrické a elektronické vybavenie (WEEE).

Tento produkt bol vyrobený z vysoko kvalitných častí a materiálov, ktoré môžu byť znovu použité a sú vhodné na recykláciu. Na konci životnosti odpad z produktu neodstraňujte s bežným odpadom z domácnosti ani s iným odpadom. Recyklujte ho v zbernom mieste určenou na recykláciu elektrického a elektronického vybavenia. Pre zistenie informácií o zberných miestach kontaktujte miestne úrady.

V súlade s Obmedzením používania niektorých nebezpečných látok v elektrických a elektronických zariadeniach:

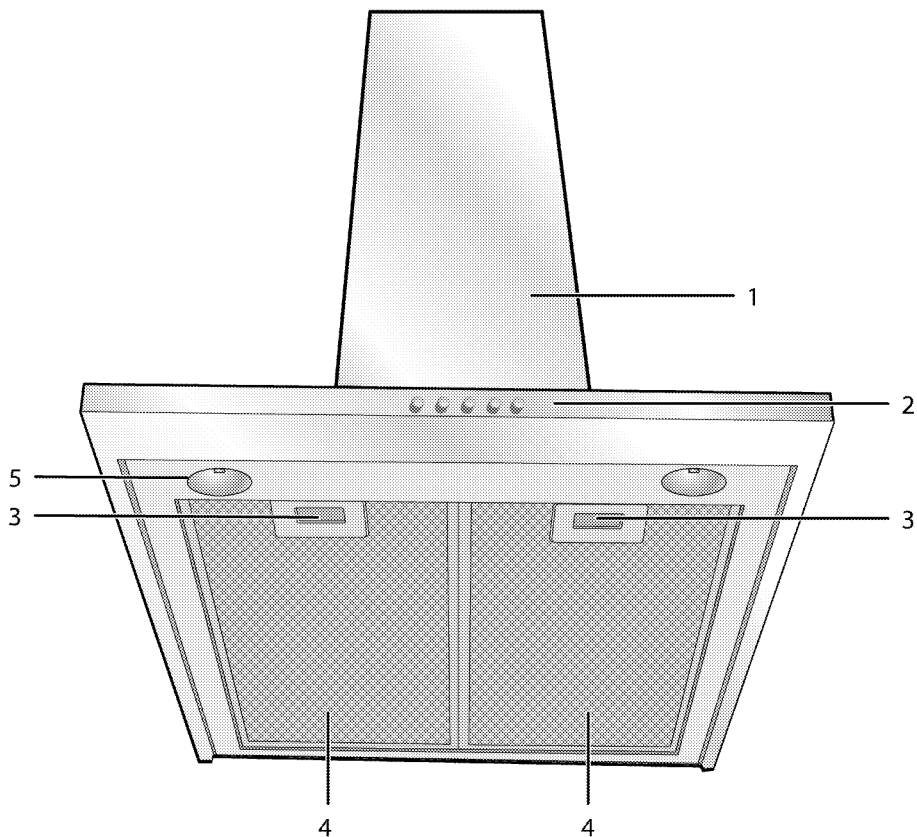
Tento produkt bol zakúpený v súlade so smernicou o odpadoch z elektrických a elektronických zariadení EÚ (2011/65/EÚ). Neobsahuje žiadne nebezpečné alebo zakázané materiály špecifikované smernicou.

Likvidácia obalového materiálu

- Obalové materiály sú pre deti nebezpečné. Obalové materiály uchovávajte na bezpečnom mieste, mimo dosahu detí. Obalové materiály výrobku sú vyrobené z recyklovateľných materiálov. Riadne ich zlikvidujte a roztriedte v súlade s pokynmi na recykláciu odpadu. Nelikvidujte ich spolu s bežným odpadom z domácnosti.

2 Všeobecné informácie

Prehľad



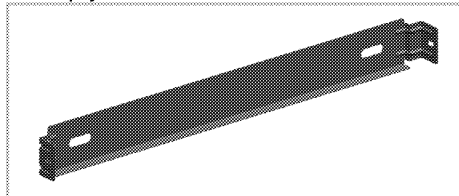
- 1 Teleso digestora
- 2 Ovládací panel
- 3 Zámka hliníkového filtra
- 4 Hliníkový filter
- 5 Svetlo

Obsah dodávky

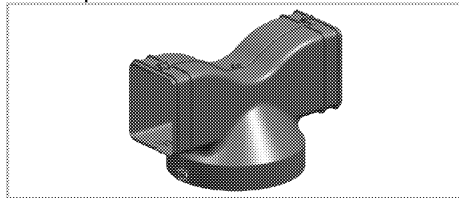


Dodané príslušenstvo sa môže odlišovať v závislosti od modelu produktu. Všetko príslušenstvo popísané v používateľskej príručke sa s vaším produktom nemusí dodávať.

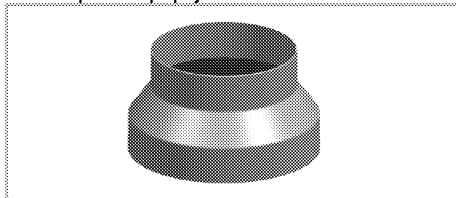
1. Používateľská príručka
2. Prípojka k stene



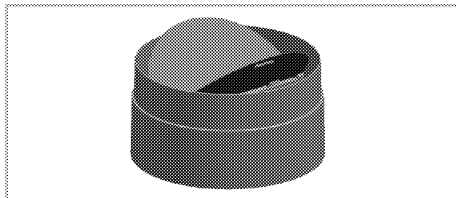
3. Komponent na usmernenie vzduchu



4. Adaptér na pripojenie ku kominú



5. Ventily na predchádzanie spätnému toku vzduchu



Technické parametre

Vonkajšie rozmery (výška/šírka/hĺbka)	min. 760 mm - max. 927 mm/598 mm/490 mm
Napätie/frekvencia	220-240 V ; 50 Hz
Ovládanie	3 úroveň + 1 Posilňovač
Odsávací výkon	730 m ³ /h
Čelkový príkon	max. 300 W
Priemer potrubia na vývod vzduchu	120-150 mm
SVIETIDLO	
Typ svietidla	Led
Spotreba elektrickej energie svietidla	4 W
Max. výkon potenciálneho náhradnej žiarovky	max.2 x 4 W.Led /max.2 x 28 W.Halogénové
Napätie/frekvencia svietidla	100-250 V , 50/60 Hz
Typ páčice svietidla	GU10
Priemer/dĺžka svietidla	50 mm /55 mm



Technické parametre sa môžu zmeniť bez predchádzajúceho upozornenia na účely zlepšenia kvality výrobku.



Obrázky v tejto príručke sú schematické a nemusia sa úplne zhodovať s vaším výrobkom.



Hodnoty uvedené na označeniach na výrobku alebo v iných tlačенých dokumentoch dodávaných spolu s výrobkom boli získané v laboratórnych podmienkach podľa príslušných noriem. V závislosti od prevádzkových podmienok a podmienok okolitého prostredia výrobu sa tieto hodnoty môžu líšiť.

3 Montáž

Ohľadom montáže výrobku sa obráťte na najbližšieho autorizovaného servisného technika. Uistite sa, že prívody elektriny sú na svojom mieste skôr, ako zavoláte autorizovaného servisného technika, aby pripravil výrobok na prevádzku. Ak nie, zavolajte kvalifikovaného elektrikára a inštalátora, aby vykonal potrebné prípravy.



Príprava miesta a montáž prívodov elektriny pre výrobok je na zodpovednosti zákazníka.



NEBEZPEČENSTVO:

Výrobok musí byť namontovaný v súlade so všetkými miestnymi elektrickými nariadeniami.



NEBEZPEČENSTVO:

Pred montážou vizuálne skontrolujte, či na výrobku nie sú žiadne závady.

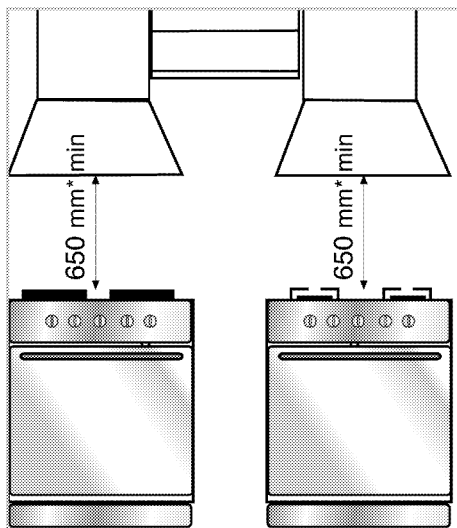
Ak sú, výrobok nemontujte. Poškodené výrobky predstavujú riziko pre vašu bezpečnosť.



NEBEZPEČENSTVO:

Varovanie: V prípade, že nenainštalujete skrutky alebo upevňovacie zariadenia v súlade s pokynmi, môže dôjsť k úrazu elektrickým prúdom.

Inštalácia



* min.

Minimálna vzdialenosť medzi hornou plochou varnej dosky a spodnou plochou odsávača pár musí byť najmenej 650 mm.

Vzduch odsávaný cez odsávač nesmie prechádzať do komína, ktorý používajú iné spotrebiče na plyn alebo iné palivo. (To neplatí pre zariadenia, ktoré len fúkajú vzduch späť do miestnosti)

Musia byť dodržiavané predpisy o odvádzaní vzduchu.

Elektrická pripojenie

Toto zariadenie, vyrábané s dvojlínkovým napájacím káblom, musí byť pripojené k sieti pomocou elektrického vypínača s najmenšou vôľou 3 mm medzi bipolárnymi kontaktnými vedeniami. Elektrické pripojenie dajte urobiť kvalifikovanému elektrikárovi.

- Spotrebič nainštalujte tak, aby po inštalácii bolo možné ľahko dosiahnuť elektrickú prípojku (zástrčka, zásuvka).

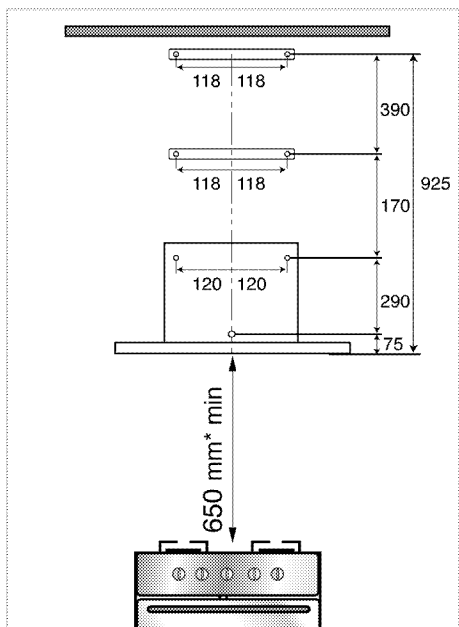
Inštalácia odsávača pár



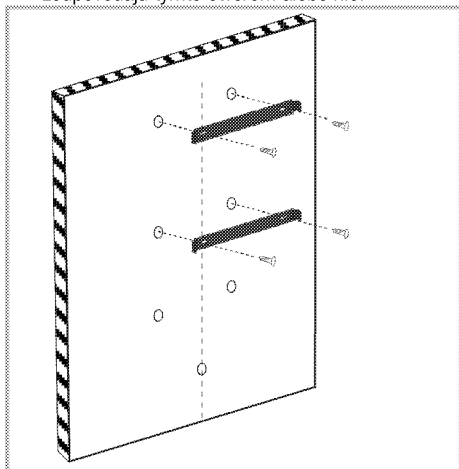
Rozmery sú uvedené v mm.

Nasledujúca časť obsahuje informácie potrebné na prípravu miesta pre inštaláciu odsávača.

Odsávač pár musí byť inštalovaný nad stredovou osou varného spotrebiča. Minimálna vzdialenosť medzi hornou plochou varnej dosky a spodnou plochou odsávača musí byť najmenej 650 mm. Pri inštalácii odsávača postupujte podľa nasledujúcich krokov.



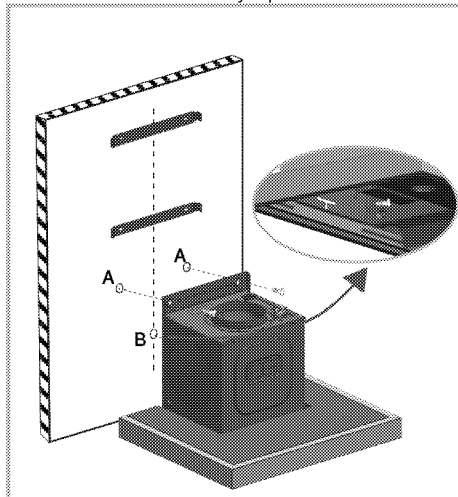
1. Zacentrujte varný spotrebič, nakreslite osoú čiaru v rovnakej výške ako je čiaru na obrázku. Potom vezmite osoú čiaru ako referenciu a podľa rozmerov vyššie vyvrtajte 7 otvorov, ktorých rozmery budú v súlade s úchytnými s výrobkom.
2. Vložte plastové zátky, ktoré sú dodané v balení, do týchto otvorov. Skontrolujte, či prípojky komína zodpovedajú týmto otvorom alebo nie.



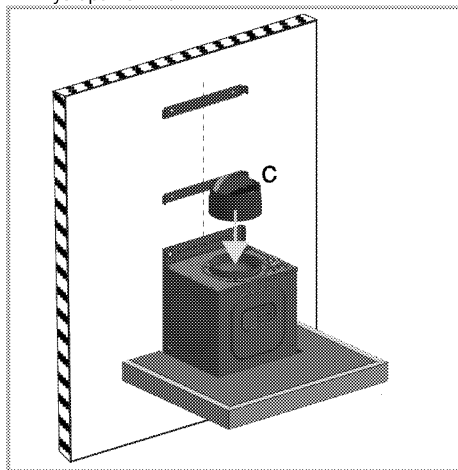
3. Ako je znázornené na obrázku vyššie, pripevnite nástenné úchyty s ich príslušnými otvormi

pomocou dvoch upevňovacích skrutiek dodaných s príslušenstvom.

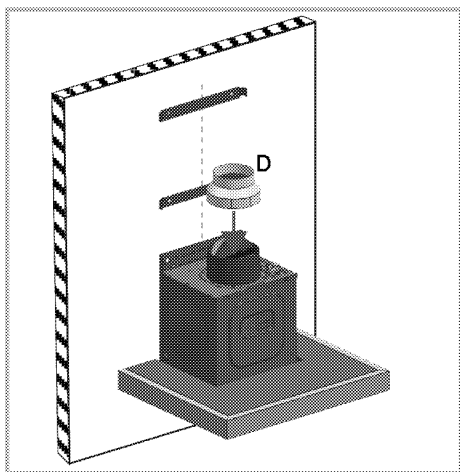
4. Pripevnite odsávač na stenu jeho centrováním cez otvory A. Vyberte hliníkové filtre odsávača. Na vnútornej strane pripevnite zadnú dosku odsávača cez otvor B pomocou skrutky, ako je znázornené na obrázku nižšie. Pri upevňovaní zabezpečte, aby odsávač bol rovnobežný k počítadlu.



5. Ako je vidieť na obrázku nižšie, umiestnite kryt - ktorý zabráňuje obrátenému toku vzduchu - k výstupu komína.



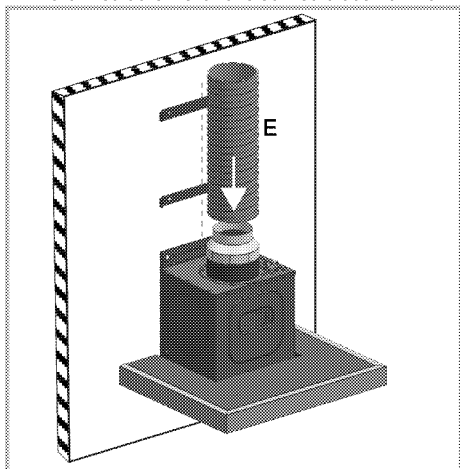
6. **Na pripojenie komína postupujte takto:** Pri inštalácii pripojenia komína bude nasávaný vzduch prechádzať cez hliníkové filtre a bude odvádzaný von cez spojovaciu rúru.



Ak sa použije táto poloha pripojenia, umiestni sa adaptér D na pripojenie komína na časť C, ako je znázornené na obrázku vyššie.

i Adaptér D na pripojenie komína sa použije len vtedy, keď priemer komínovej spojovacej rúry je 120 mm. Ak je priemer komínovej spojovacej rúry 150 mm, nebudete musieť používať adaptér D na pripojenie komína, a preto budete musieť pripojiť jeden koniec komínovej spojovacej rúry E priamo na kryt C.

7. Pripojte jeden koniec komínovej spojovacej rúry E k adaptéru na pripojenie komína a druhý koniec umiestnite do komína. Od autorizovaného servisu alebo na trhu môžete dostať komínovú spojovaciu rúru E od autorizovaného servisu alebo na trhu.



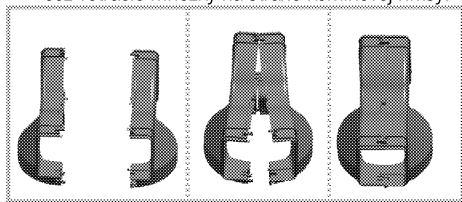
Mali by ste sa uistiť, že použité komínové spojovacie potrubie je vyrobené z nehorľavého plastu. Pri použití

pružnej spojovacej rúry je potrebné vziať do úvahy, že ostré rohy a prudké kontrakcie budú mať negatívny dopad na nasávanie vzduchu. Odsávač nesmie byť nikdy pripojený ku komínu, ku ktorému už bolo pripojené iné zariadenie.

i Spojovacia rúra by nemala byť väčšia ako 120-150 mm; v opačnom prípade to bude brániť správne pripojeniu komína.

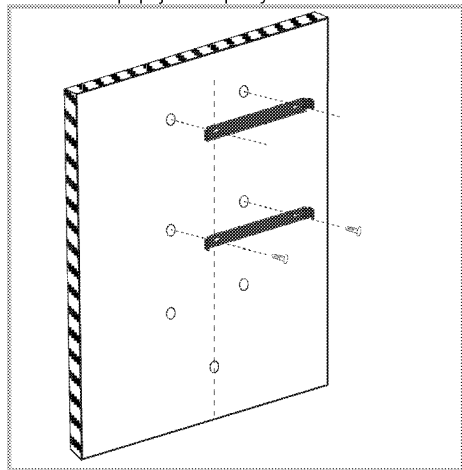
8. Vnútrotný obeh (použitie s uhlíkovým filtrom)

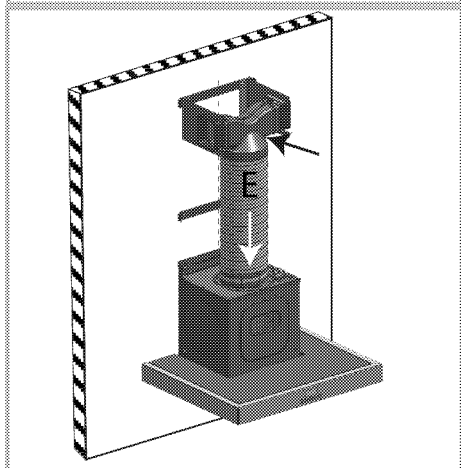
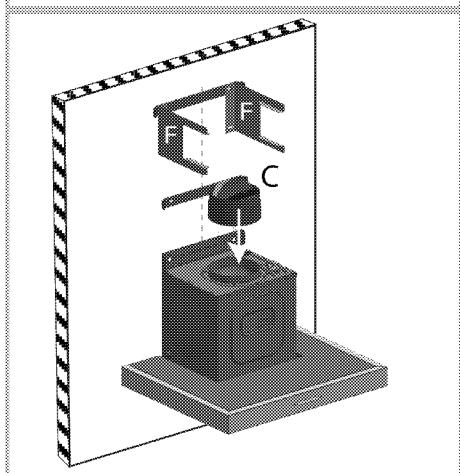
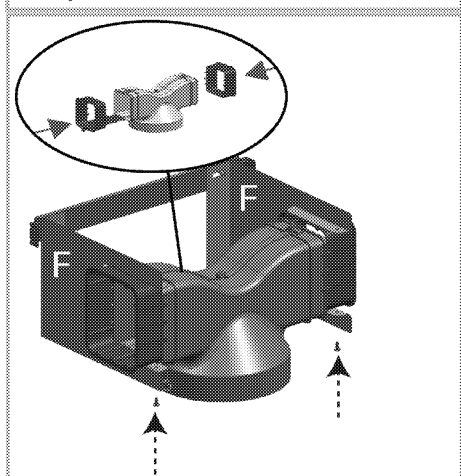
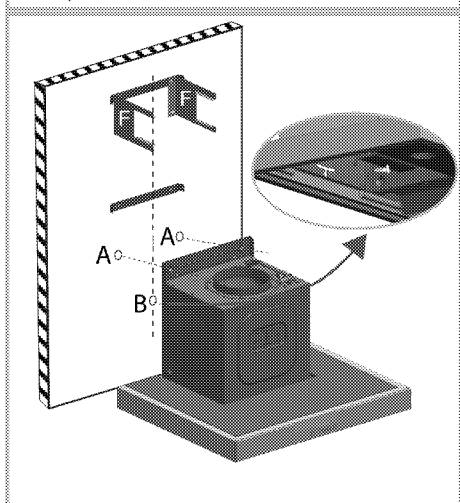
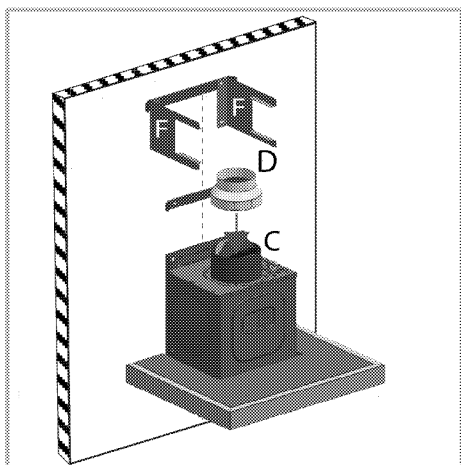
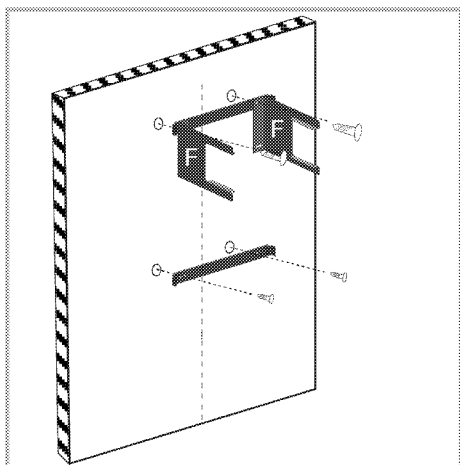
V polohe vnútrotného obehu pôjde vzduch nasávaný z prostredia cez hliníkové filtre a uhlíkové filtre, kde je zápach eliminovaný, a bude prechádzať cez komponent pre smerovanie vzduchu, nakoniec sa privedie späť do prostredia cez vetracie mriežky na strane komínovej rímsy.



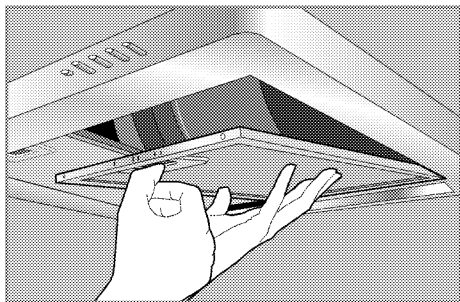
Namontujte komponent na smerovanie vzduchu, ktorý je k dispozícii z dvoch samostatných častí, ako je znázornené na obrázku.

Pri použití bez komína postupujte podľa nižšie uvedených krokov. Od autorizovaného servisu alebo na trhu môžete dostať komínovú spojovaciu rúru E a pripojovacie prvky F.

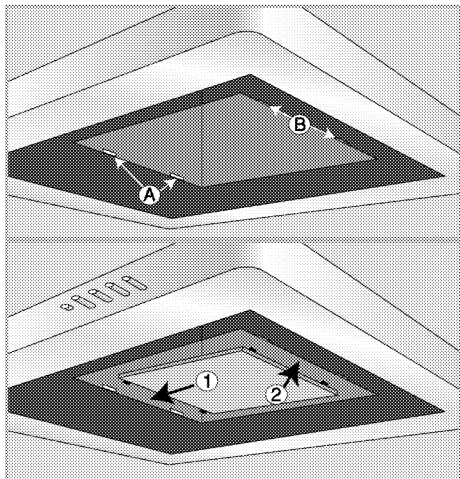




9. Vyberte hliníkové filtre, ako je uvedené nižšie.



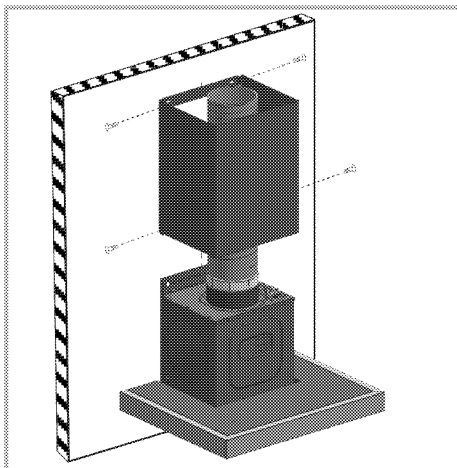
10. Nainštalujte uhlíkový filter podľa nasledujúceho obrázka.



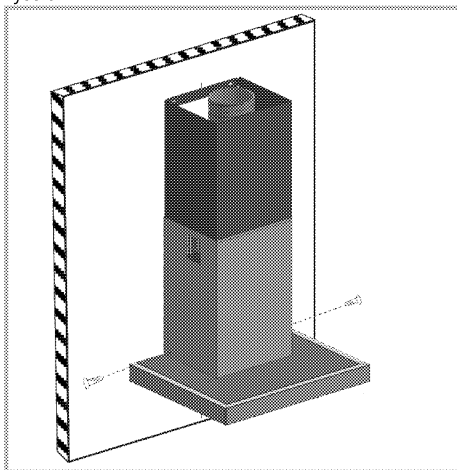
Nainštalujte hliníkové filtre naspäť.

11. Inštalácia komína

Ak chcete nainštalovať hornú časť komína, umiestnite jej horné rohy na hornú stenovú prípojku a pomocou skrutiek pripevnite komín k stenovej prípojke, ako je znázornené na obrázku nižšie.



Na inštalovanie dolnej časti komína roziahnite komín miernym ťahom z oboch strán a zaistite ho na sloty hornej časti komína, ako je znázornené na obrázku vyššie.



Pripevnite ju k odsávaču cez dva otvory na dolných rohoch dolnej časti komína.

Odsávač môžete používať dvoma spôsobmi:

1 - Použitie s pripojeným komínom

Para sa odvádza pomocou komínovej rúry, ktorá je pripevnená k pripojovaciemu kruhu na odsávači. Priemer komínovej rúry by mal byť rovnaký ako pripojovacieho kruhu. Aby mohol vzduch vychádzať von z miestnosti v horizontálnom usporiadaní, rúra by mala byť mierne naklonená nahor (približne 10°).



Ak je na vašom odsávači inštalovaný uhlíkový filter, pri používaní odsávača s komínom ho odstráňte.

2- Použitie bez pripojeného komína

Vzduch je filtrovaný cez uhlíkový filter a vracia sa do miestnosti. Uhlíkový filter sa používa, keď v dome nie je žiadny komín, alebo ak nie je možné inštalovať komínovú rúru.

- Uhlíkový filter nainštalujte, ako je popísané v časti inštalácie.

Budúca preprava

- Odložte si pôvodnú krabicu z výrobku a výrobok prepravujte v nej. Postupujte podľa pokynov na krabici. Ak nemáte pôvodnú krabicu, výrobok zabalte do bublinkového obalu alebo do hrubého kartónu a bezpečne ho zalepte páskou.



Na výrobok nekladte žiadne predmety a presúvajte ho vo vzpriamenej polohe.



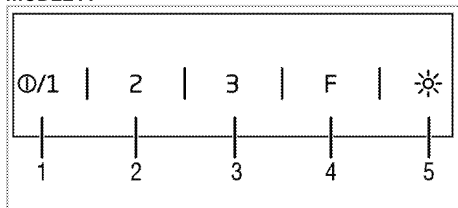
Skontrolujte celkový vzhľad výrobku, či neobsahuje akékoľvek poškodenie, ktoré sa mohlo vyskytnúť pri preprave.

4 Prevádzka digestora

Digestor je vybavený motorom s nastaviteľnými premenlivými otáčkami.

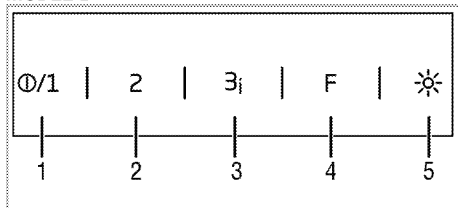
V záujme optimálneho výkonu vám za normálnych okolností odporúčame používať nízke otáčky a vysoké otáčky zvoliť len v prípade intenzívnych zápachov a výparov.

MODEL A



- 1 Tlačidlo Zap./Vyp./Rýchlosť 1
- 2 Rýchlosť 2
- 3 Rýchlosť 3
- 4 Tlačidlo Funkcia
- 5 Tlačidlo svetla

MODEL B



- 1 Tlačidlo Zap./Vyp./Rýchlosť 1
- 2 Rýchlosť 2
- 3 Rýchlosť 3/Posilňovač
- 4 Tlačidlo Funkcia
- 5 Tlačidlo svetla

Prevádzka digestora

1. Dotknite sa tlačidla Zap./Vyp., aby ste zapli rúru.
2. Ak chcete zmeniť úroveň rýchlosti, stlačte tlačidlá Rýchlosť 2 a Rýchlosť 3.



Nedotýkajte sa oboch tlačidiel naraz. Ak k tomu dôjde, aktivuje sa vyššia rýchlosť.



Ak nie je počas spustenia spotrebiča stlačené žiadne z tlačidiel, spotrebič sa spustí maximálne na 6 hodín.

Indikátor úrovne výstražnej kontrolky úrovne

Zap./Vyp. (Rýchlosť 1): Zapne sa kontrolka LED 1. úrovne

Rýchlosť 2: Zapne sa kontrolka LED 2. úrovne

Rýchlosť 3: Zapne sa kontrolka LED 3. úrovne

Posilňovač: (Kontrolka LED 3. úrovne bude nepretržite blikať v intervaloch 0,5 sekundy)

Režim automatického vypnutia (pre A a B)

1. Ak sa dotknete tlačidla Funkcia, zatiaľ čo je produkt v prevádzke pri určitej úrovni, aktivuje sa režim automatického vypnutia a zapne sa kontrolka LED tlačidla rýchlosti a kontrolka LED tlačidla funkcie.
2. Výrobok zostane v prevádzke 20 minút pri nastavenej úrovni a potom sa automaticky vypne.



Režim automatického vypnutia sa zruší, ak dôjde k stlačeniu ktoréhokoľvek iného tlačidla než je tlačidlo svetla.

Aktivácia režimu intenzívnej ventilácie (posilňovač) (pre model B)

Stlačte tlačidlo rýchlosti 3 po dobu dlhšiu než dve sekundy. Aktivuje sa režim intenzívnej ventilácie a zostane aktívny maximálne 7 minút.

Po 7 minútach bude spotrebič pokračovať v prevádzke v polohe rýchlosti 3.



V režime intenzívneho vetrania bude kontrolka LED 3. úrovne nepretržite blikať v intervaloch 0,5 sekundy.

Ak sa počas intenzívnej ventilácie stlačí niektoré z tlačidiel rýchlosti, potom bude prevádzka pokračovať v nastavenej úrovni rýchlosti.

Vypnutie digestora

1. Keď je rúra spustená pri určitej rýchlosti, stlačte tlačidlo vypnutia.

Zapnutie svetla

1. Svetlo zapnete stlačením tlačidla svetla.

Vypnutie svietidla

1. Opätovným stlačením tlačidla svetla ho vypnete.



Tlačidlo vypnutia nevypne svetlo, len zastaví prevádzku rúry.

Režim vzduchového filtra (pre model B)

1. Keď nie je spotrebič spustený pri nejakej rýchlosti, stlačte tlačidlo funkcie.

» Aktivuje sa režim vzduchového filtra a kontrolka LED tlačidla funkcie bude blikať v 3-sekundových intervaloch.

2. Režim vzduchového filtra zostane v prevádzke 10 minút na rýchlostnej úrovni 1 a následne sa zastaví na 50 minút danej hodiny. Ak režim vzduchového filtra nevypnete, každú hodinu bude 10 minút pracovať a 50 minút zostane v nečinnosti po celkové obdobie 24 hodín.



Režim vzduchového filtra je možné použiť na odstránenie zápachu z domácnosti pri dlhodobom používaní nízkej rýchlosti.

Vypnutie režimu vzduchového filtra (pre model B)

1. Režim vzduchového filtra vypnete stlačením ľubovoľného tlačidla nastavenia rýchlosti alebo stlačením tlačidla vypnutia, zatiaľ čo je režim filtrovania vzduchu aktívny.



Kým je režim vzduchového filtra aktívny, keď produkt zapnete a vypnete na nastavenej rýchlosti, vzduchový filter sa nezapamätá.



Kým je aktívny režim vzduchového filtra, program sa zruší v prípade výpadku dodávky elektrického prúdu.

Výstraha naplnenia filtra (pre model B)

Po každých 100 hodín prevádzky budú v 0,5 sekundových intervaloch blikať kontrolky LED na obrazovke. Vyčistite filter. Po vyčistení sa automaticky nerešartuje varovanie na plný filter.

Varovanie na plný filter sa dá vynulovať dotknutím sa akejkoľvek funkcie.



Keď digestor vydá výstrahu naplnenia filtra, výstraha sa v prípade výpadku dodávky elektrickej energie neresetuje.

5 Údržba a starostlivosť

Všeobecné informácie

V prípade pravidelného čistenia sa životnosť produktu predlžá a zníži sa množstvo častých problémov.



NEBEZPEČENSTVO:

Pred začatím údržby a čistenia odpojte výrobok od zdroja napájania.

Hrozí riziko zásahu elektrickým prúdom!

- Po každom použití produkt dôkladne vyčistite. Týmto spôsobom môžete oveľa ľahšie odstrániť možné zvyšky jedál, pretože zabránite ich pripáleniu pri ďalšom použití spotrebiča.
- Na čistenie produktu nie sú potrebné žiadne zvláštne čistiace prípravky. Na čistenie produktu použite teplú vodu s čistiacim prostriedkom, jemnú látku alebo špongiu a utrite ju suchou látkou.
- Na čistenie nehrdzavejúcich alebo neoxidujúcich povrchov a rúčky nepoužívajte čistiace prostriedky, ktoré obsahujú kyseliny alebo chloridy. Tieto časti očistite tak, že ich utriete jemnou látkou s tekutým saponátom (nie drsným), pričom musíte dávať pozor, aby ste ich utierali jedným smerom.



Niektoré saponáty alebo čistiace látky môžu poškodiť povrch.

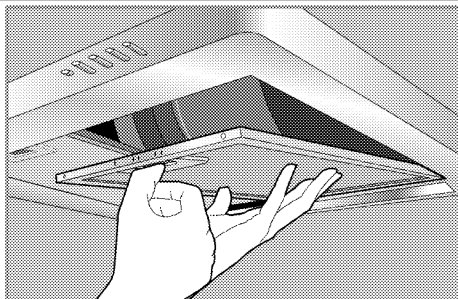
Počas čistenia nepoužívajte agresívne saponáty, čistiace prášky/krémy, ani žiadne ostré predmety.



Na čistenie nepoužívajte parné čističe.

Hliníkový filter

Tento filter zachytáva častice oleja zo vzduchu. **Pri bežnom používaní vám odporúčame filter čistiť raz mesačne.** Najskôr odstráňte hliníkové filtre pre tento proces. Umyte filtre vo vode s tekutým detergentom a po vyschnutí ich nainštalujte na pôvodné miesto. Hliníkové filtre po čase v dôsledku umývania zmenia farbu. Ide o bežný jav, ktorý si nevyžaduje výmenu filtra.



Hliníkové filtre je možné nechať umyť aj v umývačke riadu.

Odstránenie hliníkových filtrov

1. Zámku hliníkového filtra zatlačte dopredu.
2. Filter stiahnite mierne nadol a potiahnite dopredu. V opačnom prípade môže dôjsť k ohnutiu filtra.
3. Po umytí hliníkový filter namontujte späť na pôvodné miesto v opačnom poradí krokov.

Karbónový filter (používanie bez komína)

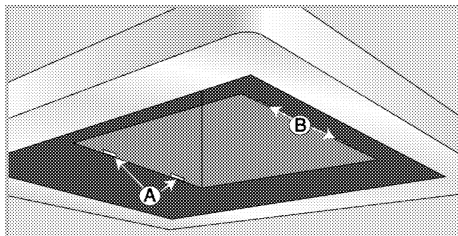


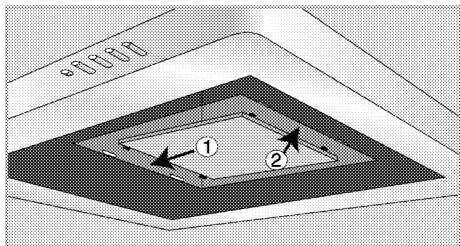
Karbónový filter sa nikdy nesmie umývať.

Pri bežnom používaní je ho potrebné vymieňať každé 4 mesiace. Karbónové filtre môžete obstaráť v autorizovaných servisoch.

Nasadenie karbónového filtra

1. Odstráňte hliníkové filtre.
2. Po odstránení filtrov vložte stranu s ohybnými krátkymi zakončeniami karbónového filtra dodávaného s produktom do drážky A digestora v smere 1.





3. Dlhé pevné zakončenia na opačnej strane karbónového filtra zasuňte do drážky B v smere 2.
4. Uistite sa, že oba konce karbónového filtra sú bezpečne upevnené.

Výmena svetidla



NEBEZPEČENSTVO:

Pred výmenou svetidla sa uistite, že výrobok je odpojený zo siete, aby ste predišli riziku zásahu elektrickým prúdom. Ak je svetidlo horúce, nechajte ho vychladnúť. Horúce povrchy môžu spôsobiť popáleniny!



Špecifikácie svetidla nájdete v časti *Technické parametre, strana 9*. Svetlá do rúry môžete získať u vášho autorizovaného servisného zástupcu.



Poloha svetla sa môže líšiť od toho, ktoré je zobrazené na obrázku.



Svetlo kapucne v tomto produkte môže užívateľ zmeniť.



Žiarovka použitá v tomto spotrebiči nie je vhodná na osvetlenie miestnosti. Zamýšľaným účelom tejto žiarovky je pomôcť užívateľovi vidieť na potraviny.

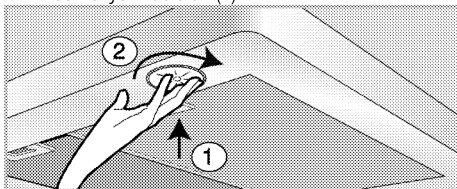


VAROVANIE



Používajte výlučne v kombinácii s halogénovými žiarovkami s volfrámovým vláknom a s vlastným tienidlom, alebo s halogenidovou výbojkou s tienidlom.

1. Svetidlo odstráňte potlačením dopredu smerom k objímke v smere hodinových ručičiek (1) a následným odstránením otáčaním proti smeru hodinových ručičiek (2).



2. Nové svetidlo zaveďte otáčaním v smere hodinových ručičiek.
3. Keď svetidlo zapadne na miesto, zaznie cvaknutie.

6 Riešenie problémov

Produkt nepracuje.

- Sieťová poistka je chybná alebo sa prepálila. >>> *Skontrolujte poistky v poistkovej skrinke. Ak je to nutné, vymeňte ich alebo ich prepnite.*
- Výrobok nie je zapojený do elektrickej zásuvky. >>> *Skontrolujte pripojenie zástrčky.*
- Možno nie je nastavené tlačidlo rýchlosti. >>> *Stlačte príslušné tlačidlo rýchlosti.*
- Došlo k výpadku prúdu. >>> *Skontrolujte, či je prítomný prúd. Skontrolujte poistky v poistkovej skrinke. Ak je to nutné, poistky vymeňte alebo ich prepnite.*

Osvetlenie digestora nefunguje.

- Svetidlo digestora nefunguje. >>> *Vymeňte svetidlo digestora.*
- Došlo k výpadku prúdu. >>> *Skontrolujte, či je prítomný prúd. Skontrolujte poistky v poistkovej skrinke. Ak je to nutné, poistky vymeňte alebo ich prepnite.*

Pristup k digestoru cez tablet nie je možný.

- Meno alebo heslo k sieti sa možno zmenili. >>> *Skúste znova viackrát zapojenie a odpojenie produktu.*



Ak problém nedokážete odstrániť, hoci ste postupovali podľa pokynov uvedených v tejto časti, obráťte sa na autorizovaného servisného technika alebo predajcu, u ktorého ste si zakúpili výrobok. Nikdy sa nepokúšajte sami opraviť pokazený výrobok.

