



Built-in Oven

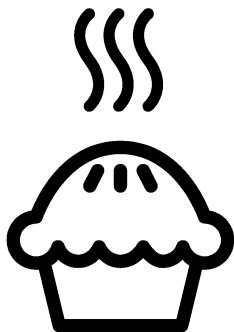
User Manual

Встраиваемая духовка

Руководство пользователя

Вбудована духовка

Посібник користувача



BIE24100B

EN / RU / UK

285.4486.19/R.AB/26.11.2019/3-1

7790588308

Please read this user manual first!

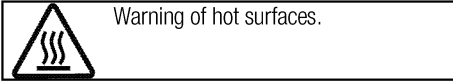
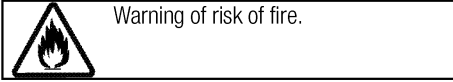
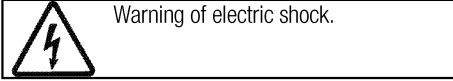
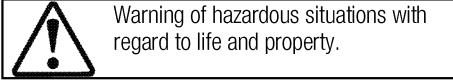
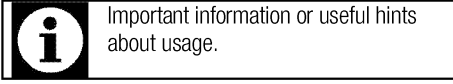
Dear Customer,

Thank you for purchasing this Beko product. We hope that you get the best results from your product which has been manufactured with high quality and state-of-the-art technology. Therefore, please read this entire user manual and all other accompanying documents carefully before using the product and keep it as a reference for future use. If you handover the product to someone else, give the user manual as well. Follow all warnings and information in the user manual.

Remember that this user manual is also applicable for several other models. Differences between models will be identified in the manual.

Explanation of symbols

Throughout this user manual the following symbols are used:



Arçelik A.Ş.
Karaağaç caddesi No:2-6
34445 Söğütözü/İstanbul/TURKEY
Made in TURKEY



This product was manufactured using the latest technology in environmentally friendly conditions.

TABLE OF CONTENTS

1 Important instructions and warnings for safety and environment 4

General safety	4
Electrical safety	4
Product safety	5
Intended use	7
Safety for children.....	7
Disposing of the old product.....	8
Package information	8

2 General information 9

Overview	9
Package contents	10
Technical specifications	11

3 Installation 12

Before installation	12
Installation and connection	14
Future Transportation.....	16

4 Preparation 17

Tips for saving energy	17
Initial use.....	17
First cleaning of the appliance	17
Initial heating.....	17

5 How to operate the oven 18

General information on baking, roasting and grilling	18
How to operate the electric oven	18
Operating modes.....	19
Using the oven clock	19
Cooking times table.....	20
How to operate the grill.....	21
Cooking times table for grilling.....	21

6 Maintenance and care 22

General information	22
Cleaning the control panel	22
Cleaning the oven	22
Removing the oven door	23
Removing the door inner glass.....	24
Replacing the oven lamp.....	24

7 Troubleshooting 26

1 Important instructions and warnings for safety and environment

This section contains safety instructions that will help protect from risk of personal injury or property damage. Failure to follow these instructions shall void any warranty.

General safety

- This appliance can be used by children aged from 8 years and above and persons with reduced physical, sensory or mental capabilities or lack of experience and knowledge if they have been given supervision or instruction concerning use of the appliance in a safe way and understand the hazards involved.

Children shall not play with the appliance. Cleaning and user maintenance shall not be made by children without supervision.

- The appliance is not to be used by persons (including children) with reduced physical, sensory or mental capabilities, or lack of experience and knowledge, unless they have been given supervision or instruction. Children should be supervised and ensure they do not play with the appliance
- If the product is handed over to someone else for personal use or second-hand use purposes, the

user manual, product labels and other relevant documents and parts should be also given.

- Installation and repair procedures must always be performed by Authorised Service Agents. The manufacturer shall not be held responsible for damages arising from procedures carried out by unauthorised persons which may also void the warranty. Before installation, read the instructions carefully.
- Do not operate the product if it is defective or has any visible damage.
- Ensure that the product function knobs are switched off after every use.

Electrical safety

- If the product has a failure, it should not be operated unless it is repaired by an Authorised Service Agent. There is the risk of electric shock!
- Only connect the product to a grounded outlet/line with the voltage and protection as specified in the “Technical specifications”. Have the grounding installation made by a qualified electrician while using the product with or without a

transformer. Our company shall not be liable for any problems arising due to the product not being earthed in accordance with the local regulations.

- Never wash the product by spreading or pouring water onto it! There is the risk of electric shock!
- The product must be disconnected during installation, maintenance, cleaning and repairing procedures.
- If the power connection cable for the product is damaged, it must be replaced by the manufacturer, its service agent or similarly qualified persons in order to avoid a hazard.
- The appliance must be installed so that it can be completely disconnected from the mains supply. The separation must be provided by a switch built into the fixed electrical installation, according to construction regulations.
- Rear surface of the oven gets hot when it is in use. Make sure that the electrical connection does not contact the rear surface; otherwise, connections can get damaged.
- Do not trap the mains cable between the oven door and frame and do not route it over hot surfaces. Otherwise, cable

insulation may melt and cause fire as a result of short circuit.

- Any work on electrical equipment and systems should only be carried out by authorised and qualified persons.
- In case of any damage, switch off the product and disconnect it from the mains. To do this, turn off the fuse at home.
- Make sure that fuse rating is compatible with the product.

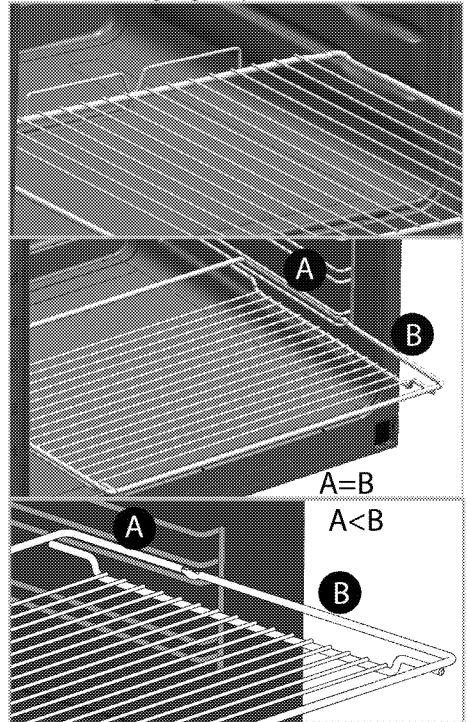
Product safety

- **WARNING:** The appliance and its accessible parts become hot during use. Care should be taken to avoid touching heating elements. Children less than 8 years of age shall be kept away unless continuously supervised.
- Never use the product when your judgment or coordination is impaired by the use of alcohol and/or drugs.
- Be careful when using alcoholic drinks in your dishes. Alcohol evaporates at high temperatures and may cause fire since it can ignite when it comes into contact with hot surfaces.
- **Food Poisoning Hazard:** Do not let food sit in oven for more than 1 hour before or after cooking. Doing so can result in food poisoning or sickness.

- Do not place any flammable materials close to the product as the sides may become hot during use.
- During use the appliances becomes hot. Care should be taken to avoid touching heating elements inside the oven.
- Keep all ventilation slots clear of obstructions.
- Do not heat closed tins and glass jars in the oven. The pressure that would build-up in the tin/jar may cause it to burst.
- Do not place baking trays, dishes or aluminium foil directly onto the bottom of the oven. The heat accumulation might damage the bottom of the oven.
- Do not use harsh abrasive cleaners or sharp metal scrapers to clean the oven door glass since they can scratch the surface, which may result in shattering of the glass.
- Do not use steam cleaners to clean the appliance as this may cause an electric shock.
- (Varies depending on the product model.)

Placing the wire shelf and tray onto the wire racks properly
 It is important to place the wire shelf and/or tray onto the rack properly. Slide the wire shelf or tray between 2 rails and make

sure that it is balanced before placing food on it (Please see the following figure).



- Do not use the product if the front door glass removed or cracked.
- Always use heat resistant oven gloves when putting in or removing dishes into/from the hot oven.
- Place the baking paper into the cooking pot or on to the oven accessory (tray, wire grill etc) together with the food and then insert all into the preheated oven. Remove the excess parts of the baking paper overflowing from the accessory or the pot in order to prevent the risk of touching the

oven's heating elements. Never use the baking paper in an operating temperature higher than the indicated value for the baking paper. Do not place the baking paper directly on the base of the oven.

- **WARNING:** Ensure that power cord of the appliance is unplugged or circuit breaker is switched off before replacing the lamp to avoid the possibility of electric shock.
- The appliance must not be installed behind a decorative door in order to avoid overheating.

Prevention against possible fire risk!

- Ensure all electrical connections are secure and tight to prevent risk of arcing.
- Do not use damaged cables or extension cables.
- Ensure liquid or moisture is not accessible to the electrical connection point.

Intended use

- This product is designed for domestic use. Commercial use will void the guarantee.
- **CAUTION:** This appliance is for cooking purposes only. It must not be used for other purposes, for example room heating.
- This product should not be used for warming the plates under the grill, drying towels, dish cloths etc. by

hanging them on the oven door handles. This product should also not be used for room heating purposes.

- The manufacturer shall not be liable for any damage caused by improper use or handling errors.
- The oven can be used for defrosting, baking, roasting and grilling food.

Safety for children

- **WARNING:** Accessible parts may become hot during use. Young children should be kept away.
- The packaging materials will be dangerous for children. Keep the packaging materials away from children. Please dispose of all parts of the packaging according to environmental standards.
- Electrical products are dangerous to children. Keep children away from the product when it is operating and do not allow them to play with the product.
- Do not place any items above the appliance that children may reach for.
- When the door is open, do not load any heavy object on it and do not allow children to sit on it. It may overturn or door hinges may get damaged.

Disposing of the old product

Compliance with the WEEE Directive and Disposing of the Waste Product:



This product complies with EU WEEE Directive (2012/19/EU). This product bears a classification symbol for waste electrical and electronic equipment (WEEE).

This product has been manufactured with high quality parts and materials which can be reused and are suitable for recycling. Do not dispose of the waste product with normal domestic and other wastes at the end of its service life. Take it to the collection center for the recycling of electrical and electronic equipment. Please consult your local authorities to learn about these collection centers.

Compliance with RoHS Directive:

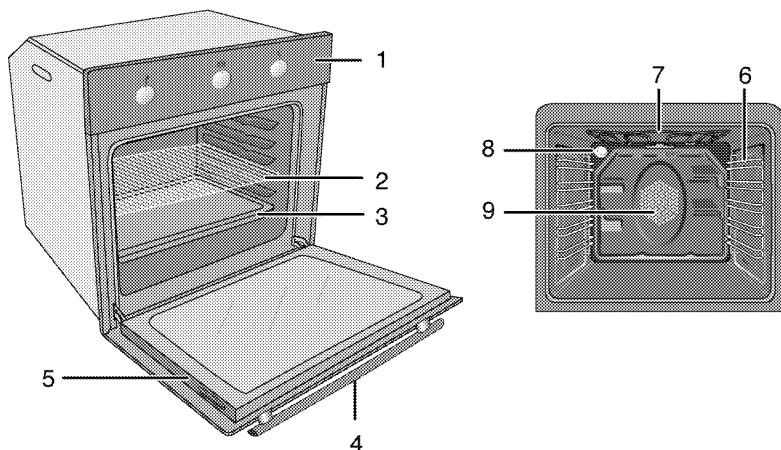
The product you have purchased complies with EU RoHS Directive (2011/65/EU). It does not contain harmful and prohibited materials specified in the Directive.

Package information

- Packaging materials of the product are manufactured from recyclable materials in accordance with our National Environment Regulations. Do not dispose of the packaging materials together with the domestic or other wastes. Take them to the packaging material collection points designated by the local authorities.

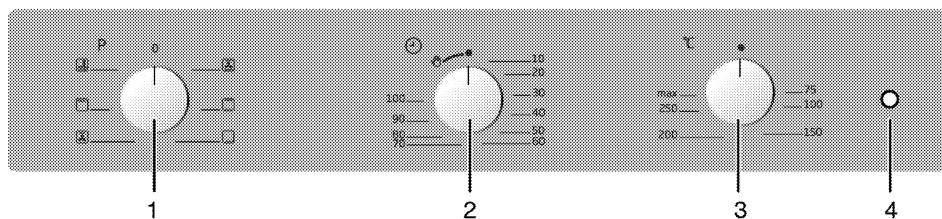
2 General information

Overview



- 1 Control panel
- 2 Wire shelf
- 3 Tray
- 4 Handle
- 5 Door

- 6 Shelf positions
- 7 Top heating element
- 8 Lamp
- 9 Fan motor (behind steel plate)



- 1 Function knob
- 2 Mechanical timer
- 3 Thermostat knob
- 4 Thermostat lamp

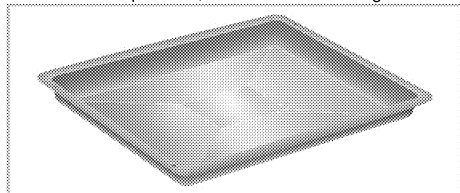
Package contents



Accessories supplied can vary depending on the product model. Not every accessory described in the user manual may exist on your product.

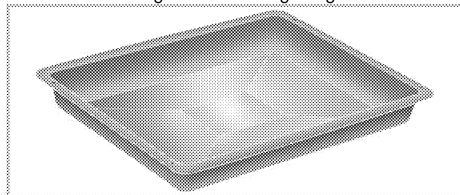
1. **User manual**
2. **Standard tray**

Used for pastries, frozen foods and big roasts.



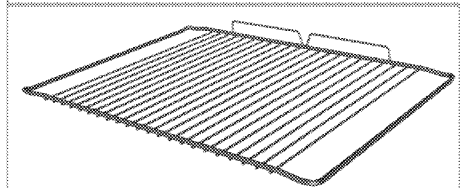
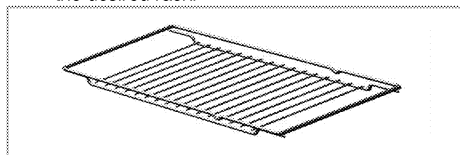
3. **Deep tray**

Used for pastries, large roasts, juicy dishes, and for collecting the fat while grilling.



4. **Wire grill**

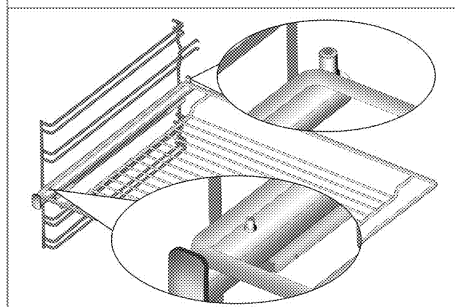
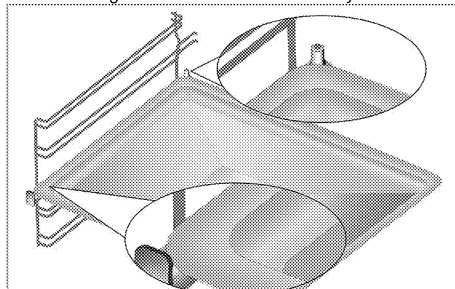
Used for roasting and for placing the food to be baked, roasted or cooked in casserole dishes to the desired rack.



5. **Placing the wire shelf and tray onto the telescopic racks properly**
(This feature is optional. It may not exist on your product.)

Telescopic racks allow you to install and remove the trays and wire shelf easily.

When using the tray and wire shelf with telescopic racks, make sure that the pins at the rear section of the telescopic rack stands against the edges of the wire shelf and tray.



Technical specifications

Voltage / frequency	220-240 V ~ 50 Hz
Total power consumption	2.4 kW
Cable type / section	min.H05W-FG 3 x 1,5 mm ²
External dimensions (height / width / depth)	595 mm/594 mm/567 mm
Installation dimensions (height / width / depth)	**590 or 600 mm/560 mm/min. 550 mm
Main oven	Multifunction oven
Inner lamp	15/25 W
Grill power consumption	2.2 kW

Basics: Information on the energy label of electrical ovens is given in accordance with the EN 60350-1 / IEC 60350-1 standard. Those values are determined under standard load with bottom-top heater or fan assisted heating (if any) functions.

Energy efficiency class is determined in accordance with the following prioritization depending on whether the relevant functions exist on the product or not. 1-Cooking with eco-fan, 2- Turbo slow cooking, 3- Turbo cooking, 4- Fan assisted bottom/top heating, 5-Top and bottom heating.

** See. *Installation, page 12.*



Technical specifications may be changed without prior notice to improve the quality of the product.



Figures in this manual are schematic and may not exactly match your product.



Values stated on the product labels or in the documentation accompanying it are obtained in laboratory conditions in accordance with relevant standards. Depending on operational and environmental conditions of the product, these values may vary.

3 Installation

Product must be installed by a qualified person in accordance with the regulations in force. The manufacturer shall not be held responsible for damages arising from procedures carried out by unauthorized persons which may also void the warranty.



Preparation of location and electrical installation for the product is under customer's responsibility.



DANGER:

The product must be installed in accordance with all local electrical regulations.



DANGER:

Prior to installation, visually check if the product has any defects on it. If so, do not have it installed.

Damaged products cause risks for your safety.

Before installation

The appliances must not be installed behind a decorative door in order to avoid overheating. The appliance is intended for installation in commercially available kitchen cabinets. A safety distance must be left between the appliance and the kitchen walls and furniture. See figure (values in mm).

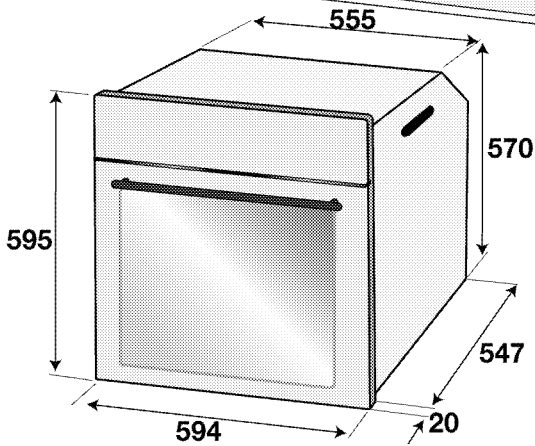
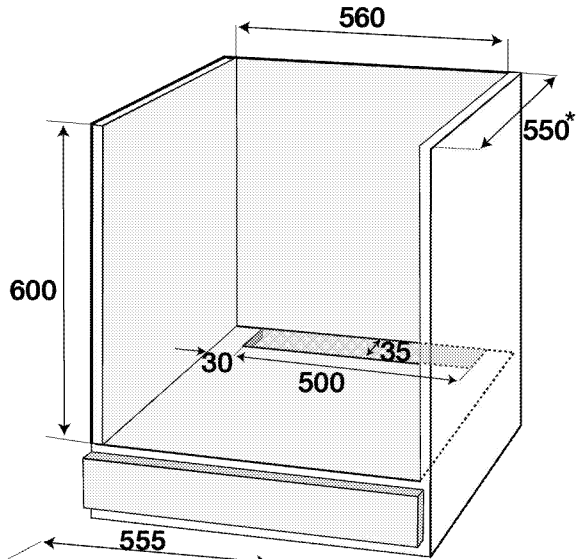
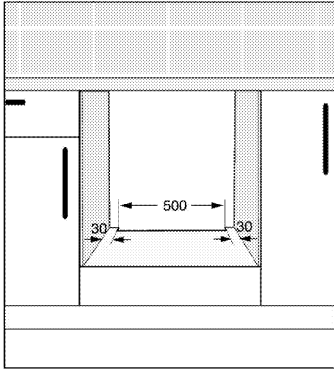
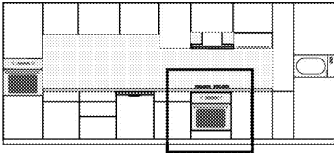
- Surfaces, synthetic laminates and adhesives used must be heat resistant (100 °C minimum).
- Kitchen cabinets must be set level and fixed.
- If there is a drawer beneath the oven, a shelf must be installed in order to separate from the oven and drawer.
- Carry the appliance with at least two persons.
- Hold the oven from the slots for handling on both sides to move it.
- Before installing the product, remove all materials and documents inside.
- Kitchen furniture must be in compliance with the dimensions given in the figure below. At the rear section of the kitchen furniture, an opening must be cut out with the dimensions given in the figure below to ensure sufficient ventilation.



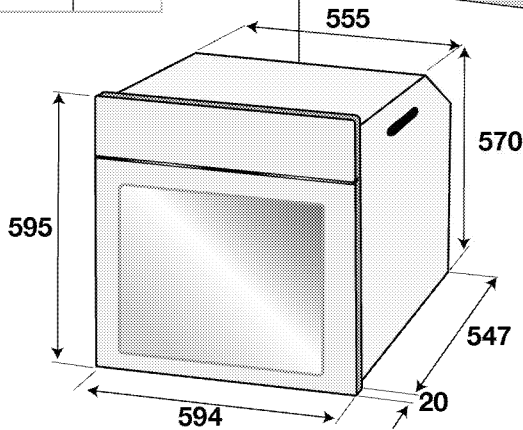
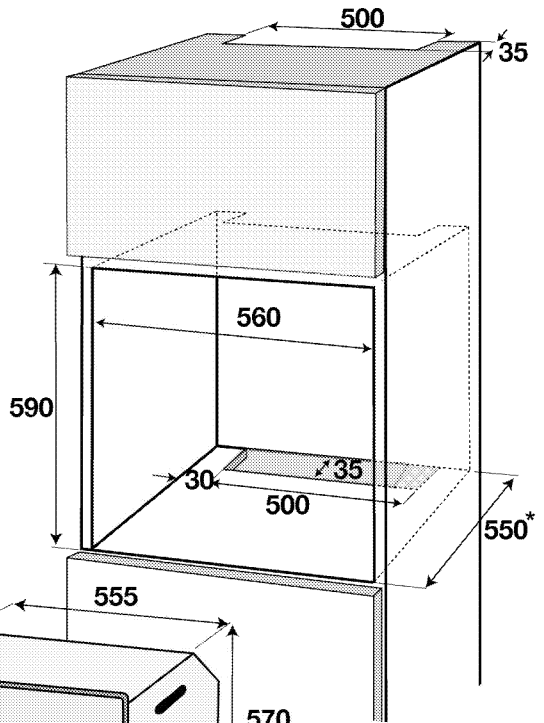
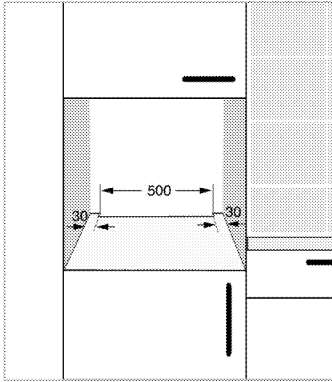
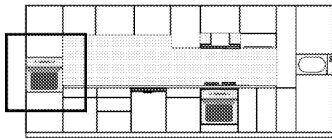
Do not install the appliance next to refrigerators or freezers. The heat emitted by the appliance will lead to an increased energy consumption of cooling appliances.



The door and/or handle must not be used for lifting or moving the appliance.



* min.



* min.

Installation and connection

- The product must be installed in accordance with all local gas and electrical regulations.

Electrical connection


Connect the product to a grounded outlet/line protected by a miniature circuit breaker of suitable capacity as stated in the "Technical specifications" table. Have the grounding installation made by a qualified electrician while using the product with or without a transformer. Our company shall not be liable for any damages that will arise due to using the

product without a grounding installation in accordance with the local regulations.




DANGER:

The product must be connected to the mains supply only by an authorised and qualified person. The product's warranty period starts only after correct installation. Manufacturer shall not be held responsible for damages arising from procedures carried out by unauthorised persons.

DANGER:
 The power cable must not be clamped, bent or trapped or come into contact with hot parts of the product.
 A damaged power cable must be replaced by a qualified electrician. Otherwise, there is risk of electric shock, short circuit or fire!

- Connection must comply with national regulations.
- The mains supply data must correspond to the data specified on the type label of the product. Open the front door to see the type label.
- Power cable of your product must comply with the values in "Technical specifications" table.

DANGER:
 Before starting any work on the electrical installation, disconnect the product from the mains supply.
 There is the risk of electric shock!

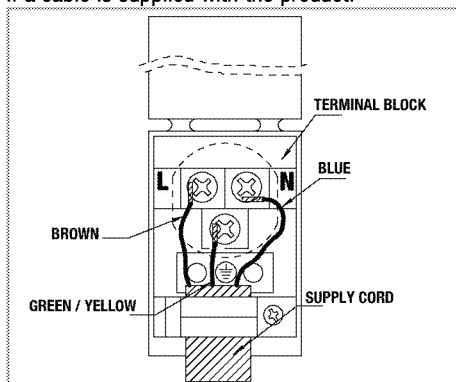
Connecting the power cable

i While performing the wiring, you must apply with the national/local electrical regulations and must use the appropriate socket outlet/line and plug for oven. In case of the product's power limits are out of current carrying capability of plug and socket outlet/line, the product must be connected through fixed electrical installation directly without using plug and socket outlet/line.



1. If it is not possible to disconnect all poles in the supply power, a disconnection unit with at least 3 mm contact clearance (fuses, line safety switches, contactors) must be connected and all the poles of this disconnection unit must be adjacent to (not above) the product in accordance with IEE directives. Failure to obey this instruction may cause operational problems and invalidate the product warranty.

Additional protection by a residual current circuit breaker is recommended.

If a cable is supplied with the product:

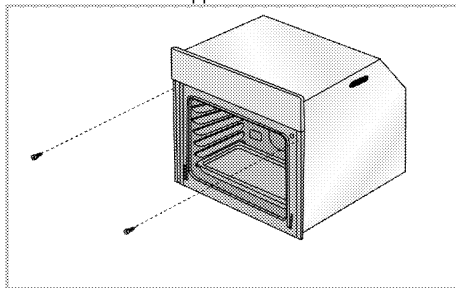


2. For single-phase connection, connect the wires as identified below:

- Brown/Black cable = L (Phase)
 - Blue/Grey cable = N (Neutral)
 - Green/yellow cable = (E)  (Ground)
- » or
- Grey/Black cable = L (Phase)
 - Blue/Brown cable = N (Neutral)
 - Green/yellow cable = (E)  (Ground)

Installing the product

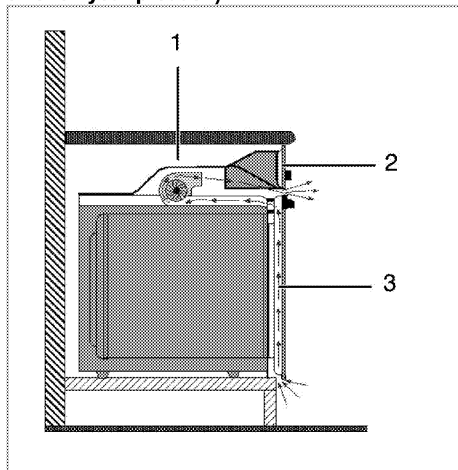
1. Slide the oven into the cabinet, align and secure it while making sure that the power cable is not broken and/or trapped.



Secure the oven with 2 screws as illustrated.

After the installation, make sure that the screws are sufficiently tightened and the oven does not move. Oven may tip over during use if it is not installed as per the instructions and if the screws are not sufficiently tightened.

For products with cooling fan (This may not exist on your product.)



- 1 Cooling fan
- 2 Control panel
- 3 Door

The built-in cooling fan cools both the built-in cabinet and the front of the product.



Cooling fan continues to operate for about 20-30 minutes after the oven is switched off. If you have cooked by programming the timer of the oven, cooling fan will also be switched off at the end of the cooking time together with all functions.

Final check

1. Operate the product.
2. Check the functions.

Future Transportation

- Keep the product's original carton and transport the product in it. Follow the instructions on the carton. If you do not have the original carton, pack the product in bubble wrap or thick cardboard and tape it securely.
- To prevent the wire grill and tray inside the oven from damaging the oven door, place a strip of cardboard onto the inside of the oven door that lines up with the position of the trays. Tape the oven door to the side walls.
- Do not use the door or handle to lift or move the product.



Do not place any objects onto the product and move it in upright position.



Check the general appearance of your product for any damages that might have occurred during transportation.

4 Preparation

Tips for saving energy

The following information will help you to use your appliance in an ecological way, and to save energy:

- Use dark coloured or enamel coated cookware in the oven since the heat transmission will be better.
- While cooking your dishes, perform a preheating operation if it is advised in the user manual or cooking instructions.
- Do not open the door of the oven frequently during cooking.
- Try to cook more than one dish in the oven at the same time whenever possible. You can cook by placing two cooking vessels onto the wire shelf.
- Cook more than one dish one after another. The oven will already be hot.
- You can save energy by switching off your oven a few minutes before the end of the cooking time. Do not open the oven door.
- Defrost frozen dishes before cooking them.

Initial use

First cleaning of the appliance



The surface might get damaged by some detergents or cleaning materials.

Do not use aggressive detergents, cleaning powders/creams or any sharp objects during cleaning.

Do not use harsh abrasive cleaners or sharp metal scrapers to clean the oven door glass since they can scratch the surface, which may result in shattering of the glass.

1. Remove all packaging materials.
2. Wipe the surfaces of the appliance with a damp cloth or sponge and dry with a cloth.

Initial heating

Heat up the product for about 30 minutes and then switch it off. Thus, any production residues or layers will be burnt off and removed.



WARNING

Hot surfaces cause burns!

Product may be hot when it is in use. Never touch the hot burners, inner sections of the oven, heaters and etc. Keep children away. Always use heat resistant oven gloves when putting in or removing dishes into/from the hot oven.

Electric oven

1. Take all baking trays and the wire grill out of the oven.
2. Close the oven door.
3. Select Static position.
4. Select the highest grill power; See *How to operate the electric oven, page 18*.
5. Operate the oven for about 30 minutes.
6. Turn off your oven; See *How to operate the electric oven, page 18*

Grill oven

1. Take all baking trays and the wire grill out of the oven.
2. Close the oven door.
3. Select the highest grill power; see *How to operate the grill, page 21*.
4. Operate the grill about 15 minutes.
5. Turn off your grill; see *How to operate the grill, page 21*



Smoke and smell may emit for a couple of hours during the initial operation. This is quite normal. Ensure that the room is well ventilated to remove the smoke and smell. Avoid directly inhaling the smoke and the smell that emits.

5 How to operate the oven

General information on baking, roasting and grilling



WARNING

Hot surfaces cause burns!
Product may be hot when it is in use. Never touch the hot burners, inner sections of the oven, heaters and etc. Keep children away. Always use heat resistant oven gloves when putting in or removing dishes into/from the hot oven.



DANGER:

Be careful when opening the oven door as steam may escape.
Exiting steam can scald your hands, face and/or eyes.

Tips for baking

- Use non-sticky coated appropriate metal plates or aluminum vessels or heat-resistant silicone moulds.
- Make best use of the space on the rack.
- Place the baking mould in the middle of the shelf.
- Select the correct rack position before turning the oven or grill on. Do not change the rack position when the oven is hot.
- Keep the oven door closed.

Tips for roasting

- Treating whole chicken, turkey and large piece of meat with dressings such as lemon juice and black pepper before cooking will increase the cooking performance.
- It takes about 15 to 30 minutes longer to roast meat with bones when compared to roasting the same size of meat without bones.
- Each centimeter of meat thickness requires approximately 4 to 5 minutes of cooking time.
- Let meat rest in the oven for about 10 minutes after the cooking time is over. The juice is better distributed all over the roast and does not run out when the meat is cut.
- Fish should be placed on the middle or lower rack in a heat-resistant plate.

Tips for grilling

When meat, fish and poultry are grilled, they quickly get brown, have a nice crust and do not get dry. Flat pieces, meat skewers and sausages are particularly suited for grilling as are vegetables with high water content such as tomatoes and onions.

- Distribute the pieces to be grilled on the wire shelf or in the baking tray with wire shelf in such

a way that the space covered does not exceed the size of the heater.

- Slide the wire shelf or baking tray with grill into the desired level in the oven. If you are grilling on the wire shelf, slide the baking tray to the lower rack to collect fats. The baking tray to be slid must be of a size that covers the whole grilling area. This tray might not be provided with the product. Add some water in the baking tray for easy cleaning.

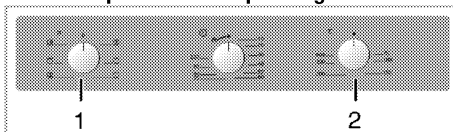


Foods that are not suitable for grilling carry the risk of fire. Only grill food which is suitable for intensive grilling heat.

Do not place the food too far in the back of the grill. This is the hottest area and fatty food may catch fire.

How to operate the electric oven

Select temperature and operating mode



1 Function knob

2 Thermostat knob

1. Set the oven timer to the desired cooking time; see .
2. Set the Function knob to the desired operating mode.
3. Set the Temperature knob to the desired temperature.

» Oven heats up to the adjusted temperature and maintains it. During heating, temperature lamp stays on.

Switching off the electric oven

Switch the oven timer to off position.



When the timer is set to a certain time, it will turn off automatically; see

Turn the function knob and temperature knob to off (upper) position.

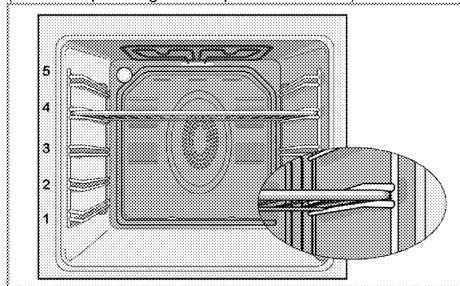
Rack positions (For models with wire shelf)

It is important to place the wire shelf onto the side rack correctly. Wire shelf must be inserted between the side racks as illustrated in the figure.

Do not let the wire shelf stand against the rear wall of the oven. Slide your wire shelf to the front section of

the rack and settle it with the help of the door in order to obtain a good grill performance.

(Varies depending on the product model.)



Operating modes

The order of operating modes shown here may be different from the arrangement on your product.

Top and bottom heating



Top and bottom heating are in operation. Food is heated simultaneously from the top and bottom. For example, it is suitable for cakes, pastries, or cakes and casseroles in baking moulds. Cook with one tray only.

Bottom heating



Only bottom heating is in operation. It is suitable for pizza and for subsequent browning of food from the bottom.



This function must be used for easy steam cleaning as well.



Fan supported bottom/top heating



Top heating, bottom heating plus fan (in the rear wall) are in operation. Hot air is evenly distributed throughout the oven rapidly by means of the fan. Cook with one tray only.

Full grill



Large grill at the ceiling of the oven is in operation. It is suitable for grilling large amount of meat.

- Put big or medium-sized portions in correct rack position under the grill heater for grilling.
- Turn the food after half of the grilling time.

Grill+Fan



Grilling effect is not as strong as in Full Grill

- Put small or medium-sized portions in correct shelf position under the grill heater for grilling.
- Turn the food after half of the grilling time.

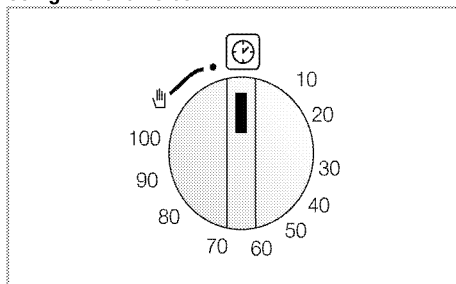
Booster



This function is used to heat the oven rapidly; it is not suitable for cooking food.

- Select the desired temperature after selecting this function. Temperature light turns on and oven is heated.
- Light turns off after the heating process is completed. Now select the desired function to cook your food.

Using the oven clock



Starting the cooking



In order to operate the oven, you must select cooking mode and the desired temperature and set the time. Otherwise, the oven will not operate.

1. Turn the Time Adjustment knob clockwise to set the cooking time.
2. Put your dish into the oven.
3. Select operation mode and temperature; see *How to operate the electric oven, page 18*.
» The oven will be heated up to the preset temperature and will maintain this temperature until the end of the cooking time you selected.
4. Once the cooking time is over, Time Setting knob will automatically rotate counterclockwise. A warning sound indicating that the set time is over is heard and the power is cut.



If you do not want to use the timer function, turn the knob counterclockwise towards the hand symbol.

5. Turn off the oven with the Time Setting knob, function knob and temperature knob.

2. Turn off the oven with the Function knob and Temperature knob.

Turning off the oven before the set time

1. Turn the Time Adjustment knob counterclockwise until it stops.

Cooking times table



The timings in this chart are meant as a guide. Timings may vary due to temperature of food, thickness, type and your own preference of cooking.

Baking and roasting



1st rack of the oven is the **bottom** rack.

Dish	Cooking level number	Accessory to use	Operating mode	Rack position	Temperature (°C)	Cooking time (approx. in min.)
Cakes in tray	One level	Standard tray*		3	180	25 ... 30
Cakes in mould	One level	Cake mold on wire grill**		2	180	40 ... 50
Small cakes	One level	Standard tray*		3	160	25 ... 35
Sponge cake	One level	Round springform pan with a diameter of 26 cm on wire grill**		3	160	25 ... 35
Cookies	One level	Pastry tray*		3	180	25 ... 30
Dough pastry	One level	Standard tray*		2	200	30 ... 40
Rich pastry	One level	Standard tray*		2	200	25 ... 35
Leaven	One level	Standard tray*		2	200	35 ... 45
Lasagna	One level	Glass/metal rectangular pan on wire grill**		2 - 3	200	30 ... 40
Pizza	One level	Standard tray*		2	200 ... 220	15 ... 20
Beef steak (whole) / Roast	One level	Standard tray*		3	25 min. 250/max, then 180 ... 190	100 ... 120
Leg of Lamb (casserole)	One level	Standard tray*		3	25 min. 220 then 180 ... 190	70 ... 90
Roasted chicken (1,8-2 kg)	One level	Standard tray*		2	15 min. 250/max, then 180 ... 190	60 ... 80
Turkey (5.5 kg)	One level	Standard tray*		1	25 min. 250/max, then 180 ... 190	150 ... 210
Fish	One level	Standard tray*		3	200	20 ... 30

It is suggested to perform preheating for all foods.
 * These accessories may not be supplied with the product.
 ** These accessories are not supplied with the product. They are commercially available accessories.

Cooking table for test meals

Meals in this cooking table are prepared according to EN 60350-1 to make it easier for control institutes to test the product

Dish	Cooking level number	Accessory to use	Operating mode	Rack position	Temperature (°C)	Cooking time (approx. in min.)
Shortbread	One level	Standard tray*		3	140	20 ... 30
Small cakes	One level	Standard tray*		3	160	25 ... 35
Sponge cake	One level	Round springform pan with a diameter of 26 cm on wire grill**		3	160	25 ... 35
Apple pie	One level	Round black metal dish with a diameter of 20 cm on wire grill**		2	180	50 ... 60

It is suggested to perform preheating for all foods.
 * These accessories may not be supplied with the product.
 ** These accessories are not supplied with the product. They are commercially available accessories.

Tips for baking cake

- If the cake is too dry, increase the temperature by 10°C and decrease the cooking time.
- If the cake is wet, use less liquid or lower the temperature by 10°C.
- If the cake is too dark on top, place it on a lower rack, lower the temperature and increase the cooking time.
- If cooked well on the inside but sticky on the outside use less liquid, lower the temperature and increase the cooking time.

Tips for baking pastry

- If the pastry is too dry, increase the temperature by 10°C and decrease the cooking time. Dampen the layers of dough with a sauce composed of milk, oil, egg and yoghurt.
- If the pastry takes too long to bake, pay care that the thickness of the pastry you have prepared does not exceed the depth of the tray.
- If the upper side of the pastry gets browned, but the lower part is not cooked, make sure that the amount of sauce you have used for the pastry is not too much at the bottom of the pastry. Try to scatter the sauce equally between the dough layers and on the top of pastry for an even browning.



Cook the pastry in accordance with the mode and temperature given in the cooking table. If the bottom part is still not browned enough, place it on one lower rack next time.

Tips for cooking vegetables

- If the vegetable dish runs out of juice and gets too dry, cook it in a pan with a lid instead of a tray. Closed vessels will preserve the juice of the dish.
- If a vegetable dish does not get cooked, boil the vegetables beforehand or prepare them like canned food and put in the oven.

How to operate the grill



WARNING

Close oven door during grilling.
Hot surfaces may cause burns!

- Turn the Time Adjustment knob counter clockwise to Hand symbol when grilling.

Switching on the grill

1. Turn the Function knob to the desired grill symbol.
2. Then, select the desired grilling temperature.
3. If required, perform a preheating of about 5 minutes.

» Temperature light turns on.

Switching off the grill

1. Turn the Function knob to Off (top) position.



Foods that are not suitable for grilling carry the risk of fire. Only grill food which is suitable for intensive grilling heat.

Do not place the food too far in the back of the grill. This is the hottest area and fatty food may catch fire.

Cooking times table for grilling

Grilling with electric grill

Food	Accessory to use	Rack position	Recommended temperature (°C)**	Cooking time (approx. in min.)
Fish	Wire grill	4..5	250	20...25 min.*
Sliced chicken	Wire grill	4..5	250	25...35 min.
Lamb chops	Wire grill	4..5	250	20...25 min.*
Roast beef	Wire grill	4..5	250	25...30 min.*
Veal chops	Wire grill	4..5	250	25...30 min.*
Toast bread*	Wire grill	4	250	1...3 min.

*depending on thickness

*Preheat for 5 minutes

**If the grill temperature of your product cannot be adjusted, the grill will work at the recommended temperature.

Meals in this cooking table are prepared according to EN 60350-1 to make it easier for control institutes to test the product

Food	Accessory to use	Rack position	Temperature (°C)	Cooking time (approx. in min.)
Toast bread	Wire grill	4	250	1...3 min.
Meatballs (beef) - 12 pieces	Wire grill	4	250	25...35 min.

Turn the food after 2/3 of the total grilling time.

It is suggested to perform 5 minutes preheating for all foods broiling.

6 Maintenance and care

General information

Service life of the product will extend and the possibility of problems will decrease if the product is cleaned at regular intervals.



DANGER:

Disconnect the product from mains supply before starting maintenance and cleaning works.
There is the risk of electric shock!



DANGER:

Allow the product to cool down before you clean it.
Hot surfaces may cause burns!

- Clean the product thoroughly after each use. In this way it will be possible to remove cooking residues more easily, thus avoiding these from burning the next time the appliance is used.
- No special cleaning agents are required for cleaning the product. Use warm water with washing liquid, a soft cloth or sponge to clean the product and wipe it with a dry cloth.
- Always ensure any excess liquid is thoroughly wiped off after cleaning and any spillage is immediately wiped dry.
- Do not use cleaning agents that contain acid or chloride to clean the stainless or inox surfaces and the handle. Use a soft cloth with a liquid detergent (not abrasive) to wipe those parts clean, paying attention to sweep in one direction.



The surface might get damaged by some detergents or cleaning materials.

Do not use aggressive detergents, cleaning powders/creams or any sharp objects during cleaning.

Do not use harsh abrasive cleaners or sharp metal scrapers to clean the oven door glass since they can scratch the surface, which may result in shattering of the glass.



Do not use steam cleaners to clean the appliance as this may cause an electric shock.

Cleaning the control panel

Clean the control panel and knobs with a damp cloth and wipe them dry.



If your product is equipped with buttons/knobs do not remove the control buttons/knobs to clean the control panel.

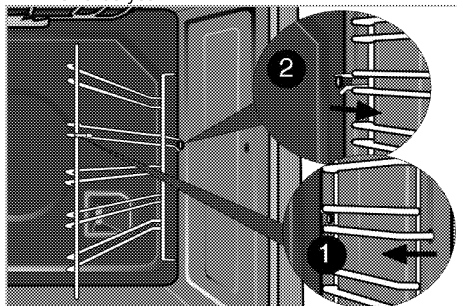
Control panel may get damaged!

Cleaning the oven

To clean the side wall (Varies depending on the product model.)

(This feature is optional. It may not exist on your product.)

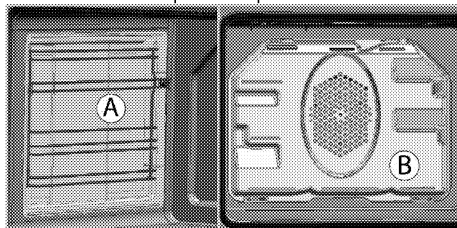
1. Remove the front section of the side rack by pulling it in the opposite direction of the side wall.
2. Remove the side rack completely by pulling it towards you.



Catalytic walls

(This feature is optional. It may not exist on your product.)

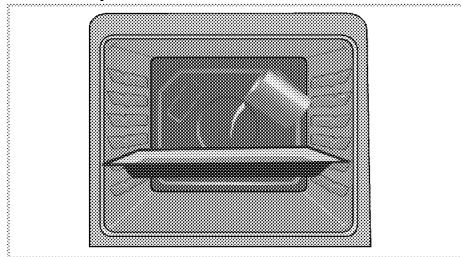
The inner side walls (A) and/or the rear wall (B) of your product may be coated with catalytic enamel. Catalytic walls have a light matte colour and a porous surface. Catalytic walls of the oven should not be cleaned. Thanks to their perforated structure, catalytic surfaces absorb grease and once the surface is filled with grease, they start to shine. In this case, it is recommended to replace the parts.



Easy Steam Cleaning

It ensures easy cleaning because the dirt (having waited not for too long) is softened with the steam that forms inside the oven and the water drops condensing on the inner surfaces of the oven.

1. Remove all accessories inside the oven.
2. Pour 500 ml of water into the oven tray and place the tray at the 2nd rack of the oven.



3. Set the oven to easy steam cleaning mode and run at 100°C for 25 minutes.
4. Open the door and wipe the inner surfaces of the oven with a damp sponge or cloth.
5. Use warm water with washing liquid, a soft cloth or sponge to clean the persistent dirt and wipe it with a dry cloth.



During the easy steam cleaning mode, water that is placed in the tray to soften lightly formed residues/dirt within the oven cavity will evaporate and condense in the oven cavity and inner glass of the oven door, therefore water may drip when the oven door is opened. Wipe away the condensation as soon as the oven door is opened.

Clean oven door

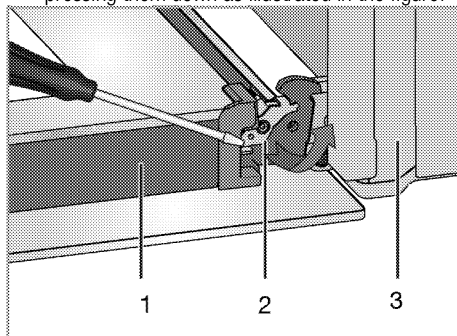
To clean the oven door, use warm water with washing liquid, a soft cloth or sponge to clean the product and wipe it with a dry cloth.



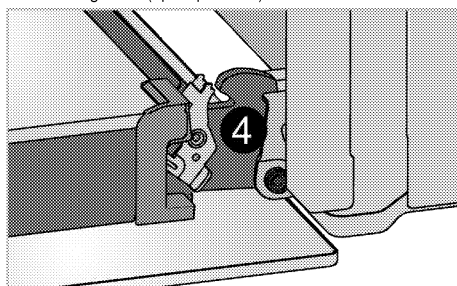
Don't use any harsh abrasive cleaners or sharp metal scrapers for cleaning the oven door. They could scratch the surface and destroy the glass.

Removing the oven door

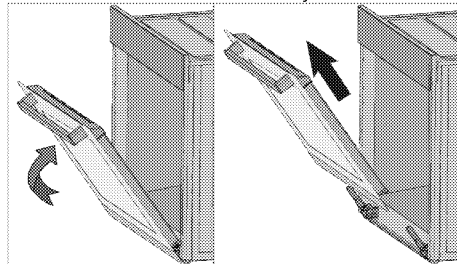
1. Open the front door (1).
2. Open the clips at the hinge housing (2) on the right and left hand sides of the front door by pressing them down as illustrated in the figure.



- 1 Door
- 2 Hinge lock(closed position)
- 3 Oven
- 4 Hinge lock(open position)



3. Move the front door to half-way.



4. Remove the front door by pulling it upwards to release it from the right and left hinges.



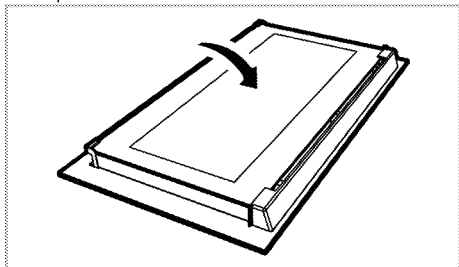
Steps carried out during removing process should be performed in reverse order to install the door. Do not forget to close the clips at the hinge housing when reinstalling the door.

Removing the door inner glass

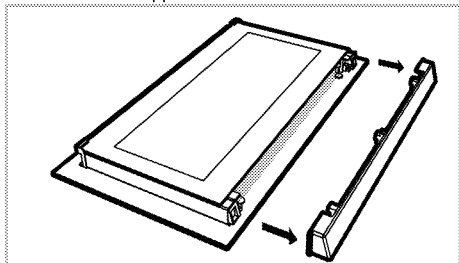
(This feature is optional. It may not exist on your product.)

The inner glass panel of the oven door can be removed for cleaning.

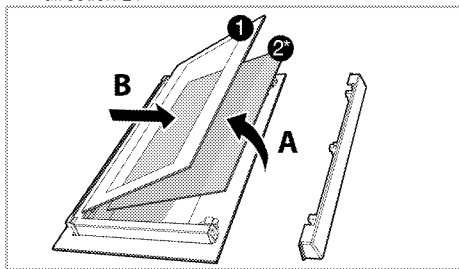
1. Open the oven door.



2. Pull towards yourself and remove the plastic part installed to upper section of the front door.



3. As illustrated in figure, raise the innermost glass panel (1) slightly in direction A and pull it out in direction B.



- 1 Innermost glass panel
- 2* Inner glass panel (This may not exist on your product.)
4. If your product is equipped with an inner glass panel; repeat the same procedure to remove the inner glass panel (2).
5. The first step to regroup the door is reinstalling inner glass panel (2). Place the chamfered corner of the glass panel so that it will rest in the chamfered corner of the plastic slot. (If your

product is equipped with an inner glass panel). Inner glass panel (2) must be installed into the plastic slot close the innermost glass panel (1).

6. When installing the innermost glass panel (1), make sure that the printed side of the panel faces towards the inner glass panel. It is important to seat lower corner of innermost glass panel (1) into the lower plastic slot.
7. Push the plastic part towards the frame until you hear a "click".

Replacing the oven lamp



DANGER:

Before replacing the oven lamp, make sure that the product is disconnected from mains and cooled down in order to avoid the risk of an electrical shock.
Hot surfaces may cause burns!



In this oven, an incandescent lamp with a power of less than 40 W, a height of less than 60 mm, a diameter of less than 30 mm or a halogen lamp with socket type G9, a power of less than 60 W is used. The lamps are suitable for operation at temperatures above 300 °C. Oven lamps can be obtained from Authorised Service Agents or technician with licence.



Position of lamp might vary from the figure.



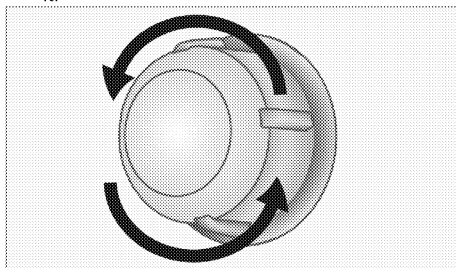
The lamp used in this appliance is not suitable for household room illumination. The intended purpose of this lamp is to assist the user to see foodstuffs.



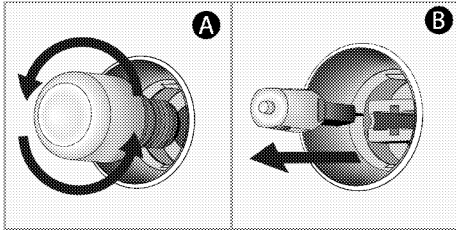
The lamps used in this appliance have to withstand extreme physical conditions such as temperatures above 50 °C.

If your oven is equipped with a round lamp:

1. Disconnect the product from mains.
2. Turn the glass cover counter clockwise to remove it.



3. If your oven lamp is of type (A) shown in the figure below, remove it by rotating as shown and replace it. If it is of type (B), pull and remove it as shown in the figure and replace it.



4. Install the glass cover.

7 Troubleshooting

Oven emits steam when it is in use.

- It is normal that steam escapes during operation. >>> *This is not a fault.*

Product emits metal noises while heating and cooling.

- When the metal parts are heated, they may expand and cause noise. >>> *This is not a fault.*

Product does not operate.

- The mains fuse is defective or has tripped. >>> *Check fuses in the fuse box. If necessary, replace or reset them.*
- Product is not plugged into the (grounded) socket. >>> *Check the plug connection.*

Oven light does not work.

- Oven lamp is defective. >>> *Replace oven lamp.*
- Power is cut. >>> *Check if there is power. Check the fuses in the fuse box. If necessary, replace or reset the fuses.*

Oven does not heat.

- Might not be set to a certain cooking function and/or temperature. >>> *Set the oven to a certain cooking function and/or temperature.*
- In models equipped with a timer, the timer is not adjusted. >>> *Adjust the time.*
(In products with microwave oven, timer controls only microwave oven.)
- Power is cut. >>> *Check if there is power. Check the fuses in the fuse box. If necessary, replace or reset the fuses.*

(In models with timer) Clock display is blinking or clock symbol is on.

- A previous power outage has occurred. >>> *Adjust the time / Switch of the product and switch it on again.*



Consult the Authorised Service Agent or technician with licence or the dealer where you have purchased the product if you can not remedy the trouble although you have implemented the instructions in this section. Never attempt to repair a defective product yourself.

Arcelik A.S.

Karaağaç Caddesi No:2-6 Sütlüce, 34445, Turkey

Made in TURKEY

Importer in Russia: «BEKO LLC»

Address: Selskaya street, 49, Fedorovskoe village, Pershinskoe rural settlement, Kirzhach district, Vladimir region, Russian Federation 601021

The manufacture date is included in the serial number of a product specified on rating label, which is located on a product, namely: first two figures of serial number indicate the year of manufacture, and last two – the month.

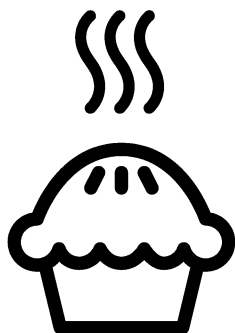
For example, "10- 100001-05" indicates that the product was produced in May, 2010.

You can ask for certification number from our Call Center 8-800-200-23-56 The manufacturer reserves the right for making changes in modification, design and specification of an electric device.



Встраиваемая духовка

Руководство пользователя



RU

Перед началом эксплуатации прочитайте это руководство пользователя!

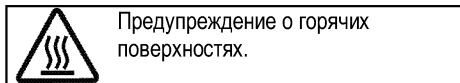
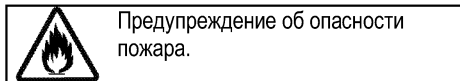
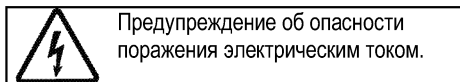
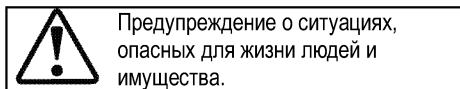
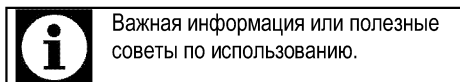
Уважаемый покупатель!

Спасибо за то, что отдали предпочтение продукции компании «Веко». Надеемся, что это высококачественное изделие, изготовленное с применением самых современных технологий, будет демонстрировать наилучшие результаты эксплуатации. Для этого перед началом эксплуатации внимательно прочитайте это руководство и всю сопутствующую документацию и используйте его в дальнейшем в качестве справочника. Если вы передаете изделие новому владельцу, передайте ему и руководство пользователя. Придерживайтесь всех предупреждений и информации, содержащихся в руководстве.

Помните, что данное руководство пользователя также может быть применимо к некоторым другим моделям. Различия между моделями будут указаны в руководстве.

Пояснения к символам

В данном руководстве пользователя используются следующие символы:



<u>1</u>	<u>Важные инструкции и предупреждения по технике безопасности и охране окружающей среды</u>	<u>4</u>
	Общие правила техники безопасности.....	4
	Электробезопасность.....	5
	Безопасность изделия.....	6
	Использование по назначению.....	8
	Безопасность детей.....	9
	Утилизация старого изделия.....	9
	Утилизация упаковочных материалов.....	9
<u>2</u>	<u>Общие сведения</u>	<u>10</u>
	Обзор.....	10
	Содержание упаковки.....	11
	Технические характеристики.....	12
<u>3</u>	<u>Установка</u>	<u>13</u>
	До начала установки.....	13
	Установка и подключение.....	15
	Для будущей транспортировки.....	17
<u>4</u>	<u>Подготовка к эксплуатации</u>	<u>18</u>
	Рекомендации по экономии электроэнергии.....	18
	Подготовка к эксплуатации.....	18
	Очистка прибора перед началом эксплуатации.....	18
	Первоначальный прогрев.....	18
<u>5</u>	<u>Правила эксплуатации духовки</u>	<u>19</u>
	Общие сведения о выпекании, жарении и приготовлении с грилем.....	19
	Правила эксплуатации электрической духовки.....	20
	Режимы работы.....	20
	Использование часов духовки.....	21
	Время приготовления блюд.....	22
	Как пользоваться грилем.....	24
	Время приготовления блюд на гриле.....	24
<u>6</u>	<u>Уход и техническое обслуживание</u>	<u>25</u>
	Общие сведения.....	25
	Чистка панели управления.....	25
	Чистка духовки.....	25
	Снятие дверцы духового шкафа.....	26
	Снятие внутреннего стекла дверцы.....	27
	Замена лампочки освещения духового шкафа.....	28
<u>7</u>	<u>Поиск и устранение неисправностей</u>	<u>29</u>

1 Важные инструкции и предупреждения по технике безопасности и охране окружающей среды

В данном разделе содержатся инструкции по технике безопасности, которые помогут вам избежать травм и повреждений. При несоблюдении этих правил все гарантийные обязательства аннулируются. Общие правила техники безопасности

- Это изделие может эксплуатироваться детьми старше 8 лет и людьми с ограниченными физическими, сенсорными или умственными способностями, а также лицами, не имеющими достаточного опыта и знаний, только в том случае, если они находятся под наблюдением лиц, ответственных за их безопасность, или проинструктированы на предмет безопасного использования изделия и осознают связанные с этим риски.
Следите за тем, чтобы дети не играли с устройством. Дети могут чистить и обслуживать устройство только под наблюдением.
- Прибор не должен использоваться лицами

(включая детей) с ограниченными физическими, сенсорными или умственными способностями или недостатком опыта и знаний, за исключением случаев, когда использование происходит под непосредственным контролем или в соответствии с указаниями.

Следите за детьми, чтобы они не играли с прибором.

- В случае передачи изделия третьему лицу в личное пользование или в целях вторичного использования необходимо также передать руководство пользователя, наклейки изделия, а также другие связанные с ним документы и компоненты.
- Работы по установке и ремонту должны выполняться только представителями авторизованной сервисной службы. Производитель не несет ответственности за повреждения в результате выполнения работ лицами, не имеющими соответствующей квалификации. Это также может привести к аннулированию гарантии.

Перед установкой внимательно прочтите инструкции.

- Не пользуйтесь неисправным изделием, а также при наличии на нем заметных повреждений.
- Проверяйте, чтобы после каждого использования переключатели функций изделия были выключены.

Электробезопасность

- В случае неисправности следует прекратить эксплуатацию изделия, пока оно не будет отремонтировано в авторизованном сервисном центре. Существует риск поражения электрическим током!
- Изделие можно подключать только к заземленной розетке/линии, напряжение и уровень защиты которой соответствуют параметрам, указанным в разделе «Технические характеристики». Установку заземления должен выполнять квалифицированный специалист (при использовании прибора с трансформатором или без него). Наша компания не несет ответственности за какие-либо проблемы, возникшие вследствие использования

изделия без заземления, выполненного в соответствии с местными нормами и правилами.

- Никогда не лейте воду на изделие во время мытья! Существует риск поражения электрическим током!
- Прежде чем приступить к установке, техническому обслуживанию, чистке и ремонту, изделие необходимо отключить от электросети.
- Во избежание несчастных случаев при повреждении кабеля питания его замену должен выполнять производитель, его специалист по сервису или лицо, имеющее аналогичную квалификацию.
- Электроприбор следует устанавливать таким образом, чтобы его можно было полностью отсоединить от сети электропитания. Отсоединение должно осуществляться с помощью штепсельной вилки или выключателя, встроенного в фиксированную сеть электропитания, в соответствии со строительными нормативами и правилами.
- Задняя стенка духового шкафа во время работы сильно

нагревается. Следите за тем, электрические провода не соприкасались с задней стенкой, так как это может привести к их повреждению.

- Следите за тем, чтобы шнур питания не был зажат между рамой и дверцей духового шкафа, и не прокладывайте его по горячим поверхностям. В противном случае изоляция кабеля может расплавиться, что приведет к короткому замыканию и пожару.
- Все работы с электрическим оборудованием и системами должны выполняться только квалифицированными специалистами, допущенными к выполнению таких работ.
- В случае какого-либо повреждения выключите прибор и отсоедините его от электросети. Для этого выключите общий предохранитель в доме.
- Проверьте, соответствуют ли изделию номинальные характеристики предохранителя.

Безопасность изделия

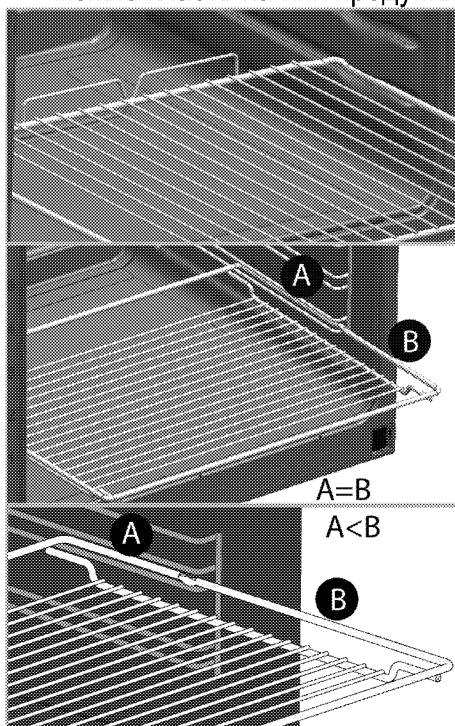
- **ВНИМАНИЕ:** Данное изделие и его внешние части нагреваются в процессе использования. Будьте осторожны, не касайтесь

нагревательных элементов. Детей младше 8 лет следует допускать к духовому шкафу только под постоянным присмотром взрослых.

- Не пользуйтесь прибором, находясь под воздействием алкоголя или лекарственных препаратов, снижающих скорость реакции или нарушающих координацию движений.
- Будьте осторожны при использовании спиртных напитков в приготавливаемых блюдах. При высокой температуре спирт испаряется и при соприкосновении с горячими поверхностями может загореться и вызвать пожар.
- Не располагайте рядом с прибором легковоспламеняющиеся материалы, так как во время работы его боковые поверхности могут сильно нагреваться.
- Во время работы устройство может нагреваться. Будьте осторожны, не касайтесь нагревательных элементов внутри духового шкафа.
- Следите за тем, чтобы вентиляционные отверстия были полностью открыты.

- Не разогревайте в духовом шкафу продукты в закрытых жестяных или стеклянных банках. Внутри банок может повыситься давление, что приведет к взрыву.
- Не ставьте противни или посуду непосредственно на дно духового шкафа, а также не кладите на него алюминиевую фольгу. Избыточное тепло может привести к повреждению дна духового шкафа.
- Не используйте для чистки стеклянной дверцы духового шкафа грубые абразивные чистящие средства или острые металлические скребки, чтобы не поцарапать поверхность, поскольку это может привести к разрушению стекла.
- Не используйте для чистки устройства пароочистители, поскольку это может привести к поражению электрическим током.
- (Может отличаться в зависимости от модели изделия.)
Правильное расположение проволочной решетки и противня на направляющих
Проволочную решетку и/или противень следует правильно устанавливать на

направляющие. Вставьте проволочную решетку или противень между 2 направляющими и проверьте, устойчиво ли держится решетка или противень (см. рисунок). Только после этого можно класть на них продукты.



- Не пользуйтесь духовым шкафом, если стекло в передней дверце потрескалось или вынуто.
- Помещая продукты в горячий духовой шкаф или вынимая их оттуда, обязательно пользуйтесь термостойкими рукавицами.

- Положите бумагу для выстилания пекарных форм в горшок для варки или на противень, решетку и т.д. вместе с приготавливаемыми пищевыми продуктами, и поместите все в предварительно нагретую печь. Удалите излишки бумаги, выступающие за пределы противня или горшка, чтобы они не смогли соприкоснуться с нагревательными элементами. Не используйте бумагу для выстилания пекарных форм, рабочая температура которой ниже температуры в печи. Не кладите бумагу непосредственно на основание печи.
- **ВНИМАНИЕ:** Перед заменой лампы убедитесь, что шнур питания прибора отключен от сети или что прерыватель цепи выключен, чтобы избежать поражения электрическим током.
- Прибор не следует устанавливать за декоративной дверцей, поскольку это может привести к перегреву.

Для обеспечения пожарной безопасности изделия соблюдайте нижеуказанные правила.

- Убедитесь, что вилка плотно вставлена в розетку и не искрит.
- Запрещается использовать поврежденный либо обрезанный кабель, а также удлинитель; можно пользоваться только оригинальным кабелем.
- Убедитесь, что в розетке, к которой подключается изделие, отсутствуют жидкость или влага.

Использование по назначению

- Данное изделие предназначено исключительно для бытового использования. Запрещается использовать прибор в коммерческих целях.
- **ОСТОРОЖНО:** Данное изделие предназначено исключительно для приготовления пищи. Его запрещено использовать для других целей, например, для обогрева помещения."
- Изделие не следует использовать с целью нагревания тарелок под грилем, сушки полотенец и посудных полотенец, путем

развешивания их на ручках, а также для обогрева помещения.

- Производитель не несет ответственности за повреждения в результате использования изделия не по назначению или неправильного обращения с ним.
- Духовой шкаф можно использовать для размораживания, выпекания, жарения и приготовления продуктов на гриле.

Безопасность детей

- **ВНИМАНИЕ:** Доступные части прибора могут сильно нагреваться при использовании. Не допускайте к ним детей.
- Упаковочные материалы опасны для детей. Храните упаковочные материалы в недоступном для детей месте. Утилизируйте все упаковочные материалы в соответствии с нормами по охране окружающей среды.
- Электрическое оборудование представляют опасность для детей. Во время работы духового шкафа не допускайте к нему детей, а также не разрешайте им играть с ним.
- Не размещайте над прибором предметы, которые дети могут попытаться достать.
- Не ставьте на открытую дверцу тяжелые предметы и не

позволяйте детям садиться на нее, Духовой шкаф может перевернуться, а также могут быть повреждены петли дверцы.

Утилизация старого изделия

Соответствие Директиве ЕС об утилизации электрического и электронного оборудования (WEEE) и утилизация вышедшего из употребления оборудования:



Данное изделие соответствует Директиве ЕС об утилизации электрического и электронного оборудования (2012/19/EU). Данное изделие имеет маркировку, указывающую на утилизацию его как электрического и электронного оборудования (WEEE).

Это изделие произведено из высококачественных деталей и материалов, которые подлежат повторному использованию и переработке. Поэтому не выбрасывайте изделие с обычными бытовыми отходами после завершения его эксплуатации. Его следует сдать в соответствующий центр по утилизации электрического и электронного оборудования. О местонахождении таких центров вы можете узнать в местных органах власти.

Соответствие Директиве ЕС об ограничении содержания вредных веществ (RoHS):

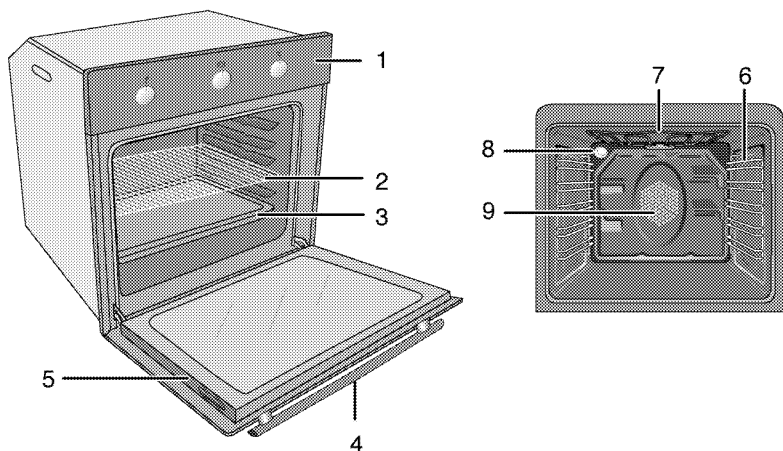
Приобретенное вами изделие соответствует Директиве ЕС о правилах ограничения содержания вредных веществ (2011/65/EU). Оно не содержит вредных и запрещенных материалов, указанных в Директиве.

Утилизация упаковочных материалов

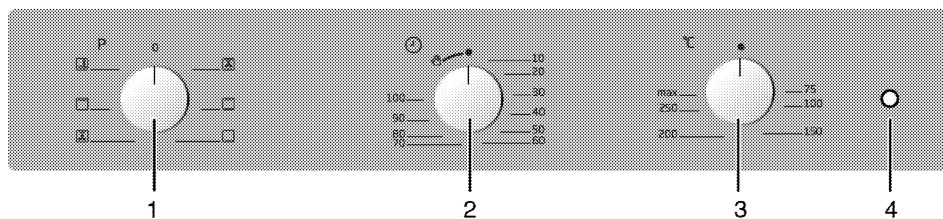
- Упаковочные материалы опасны для детей. Храните упаковочные материалы в безопасном и недоступном для детей месте. Упаковочные материалы изделия изготовлены из материалов, подлежащих вторичной переработке. Утилизируйте их соответствующим образом и сортируйте согласно инструкции по обращению с отходами, подлежащими вторичной переработке. Не утилизируйте их вместе с обычными бытовыми отходами.

2 Общие сведения

Обзор



- | | | | |
|---|---------------------|---|---|
| 1 | Панель управления | 6 | Положения полок |
| 2 | Проволочная решетка | 7 | Верхний нагревательный элемент |
| 3 | Противень | 8 | Лампочка |
| 4 | Ручка дверцы | 9 | Двигатель вентилятора (за стальной пластиной) |
| 5 | Дверца | | |



- | | |
|---|----------------------|
| 1 | Ручка выбора функции |
| 2 | Механический таймер |
| 3 | Ручка термостата |
| 4 | Лампочка термостата |

Содержание упаковки

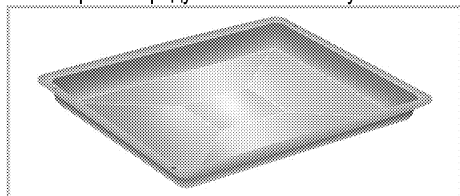


Изделие комплектуется различным набором дополнительных принадлежностей в зависимости от модели. Некоторые дополнительные принадлежности, описанные в руководстве пользователя, в комплекте этого изделия могут отсутствовать.

1. Руководство пользователя

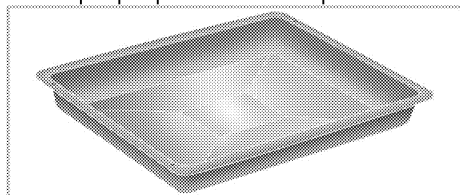
2. Стандартный противень

Предназначен для выпечки изделий из теста, размораживания замороженных продуктов и жарения продуктов большими кусками.



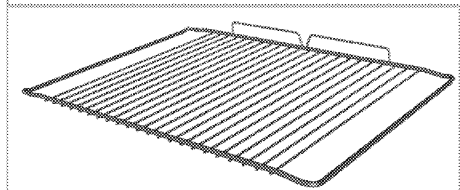
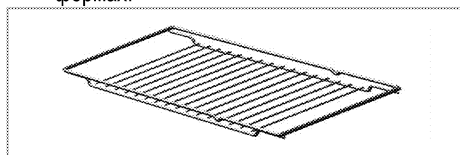
3. Глубокий противень

Предназначен для выпечки изделий из теста, жарения продуктов большими кусками, сочных блюд, а также для сбора стекающего жира при приготовлении на гриле.



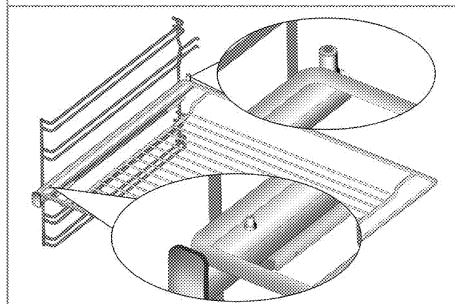
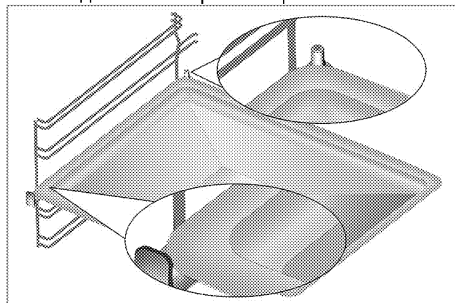
4. Решетка

Предназначена для жарения, а также для размещения продуктов на нужной полке при выпечке, жарении или приготовлении в формах.



5. Правильное расположение проволочной решетки на выдвигаемых направляющих (Данная функция — дополнительная. Она может отсутствовать в вашем изделии.)

Благодаря наличию выдвигаемых направляющих можно легко устанавливать и выдвигать противни и проволочную решетку. При установке противней или проволочной решетки следите за тем, чтобы края противня или решетки опирались на штырьки, расположенные на задней части выдвигаемых направляющих.



Технические характеристики

Напряжение/частота	220-240 В ~ 50 Гц
Общая потребляемая мощность	2.4 кВт
Тип кабеля/сечение	мин.H05VV-FG 3 x 1,5 мм ²
Габариты (высота / ширина / глубина)	595 мм/594 мм/567 мм
Установочные размеры (высота/ширина/глубина)	**590 или 600 мм/560 мм/мин. 550 мм
Главный духовой шкаф	Многофункциональный духовой шкаф
Лампочка внутреннего освещения	15/25 Вт
Гриль: потребляемая мощность	2.2 кВт
Класс защиты -1	

Степень защиты IP 44

- # Основные сведения Данные на паспортной табличке энергопотребления электрических духовых шкафов приведены в соответствии со стандартом EN 60350-1 / IEC 60350-1. Эти данные определены при стандартной нагрузке с функциями нижнего-верхнего нагревательного элемента или нагрева с помощью вентилятора (при наличии).

Класс энергетической эффективности определен в соответствии с приведенными ниже приоритетами в зависимости от наличия или отсутствия соответствующих функций в изделии. 1 - Приготовление с вентилятором - экономичный режим, 2 - Медленное приготовление в турборежиме, 3 - Приготовление в турборежиме, 4 - Нагрев сверху и снизу с вентилятором, 5 - Нагрев сверху и снизу.

«Этикетка энергоэффективности представлена на продукте»

- ** См. раздел *Установка*, стр. 13.



При усовершенствовании качества продукции технические характеристики могут быть изменены без предварительного уведомления.



Иллюстрации в данном руководстве являются схематичными и могут несколько отличаться от конкретного изделия.



Значения, указанные на этикетках изделия или в сопроводительной документации, получены в лабораторных условиях согласно соответствующим стандартам. Эти данные могут быть иными в зависимости от условий эксплуатации изделия.

3 Установка

Прибор должен устанавливаться квалифицированным специалистом в соответствии с действующими нормами и правилами. В противном случае гарантия аннулируется. Производитель не несет ответственности за повреждения в результате выполнения работ лицами, не имеющими соответствующей квалификации. Это может привести к аннулированию гарантии.



Подготовка места установки, электрического оборудования обеспечивается покупателем.



ОПАСНО:

Бытовой прибор следует устанавливать в соответствии со всеми местными нормами по подключению газового и/или электрического оборудования.



ОПАСНО:

Прежде чем приступить к установке, визуально проверьте отсутствие внешних дефектов духового шкафа. При наличии дефектов не устанавливайте его. Поврежденные электроприборы представляют собой угрозу вашей безопасности.

До начала установки

Прибор предназначен для установки в стандартную кухонную мебель, имеющуюся в продаже. Между бытовой техникой, стенами кухни и мебелью следует оставить определенное безопасное расстояние. См. рисунок (размеры приведены в миллиметрах).

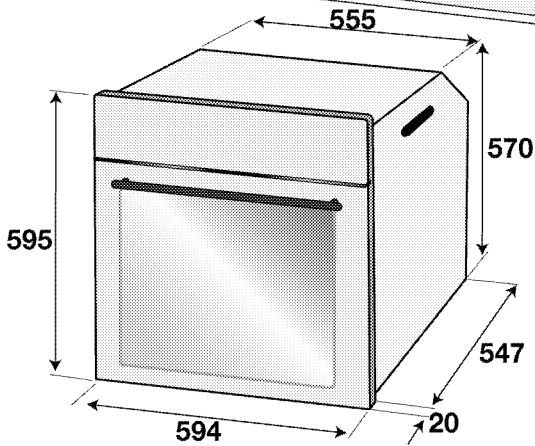
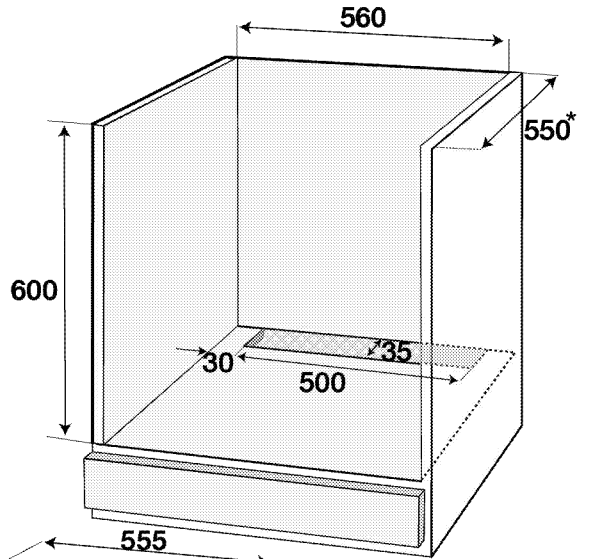
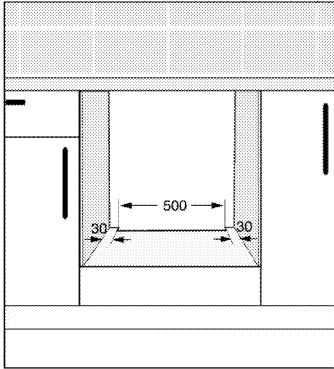
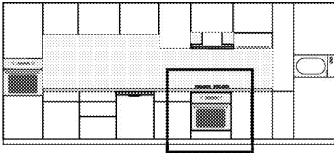
- Используемые поверхности, синтетические покрытия и клеи должны быть термостойкими (не менее 100 °С).
- Кухонные шкафчики должны быть выровнены по уровню и закреплены.
- Если под духовкой есть выдвижной ящик, между ним и духовкой необходимо установить перегородку.
- Переноску устройства должны выполнять не менее двух человек.
- Для перемещения печи возьмитесь за пазы для переноски на обеих сторонах.
- Перед установкой печи извлеките все материалы и документы, находящиеся внутри ее.
- Размеры кухонной мебели должны соответствовать указанным на рисунке ниже. Для обеспечения достаточной вентиляции в задней части кухонной мебели необходимо выполнить отверстие, размер которого соответствует указанному на рисунке ниже.



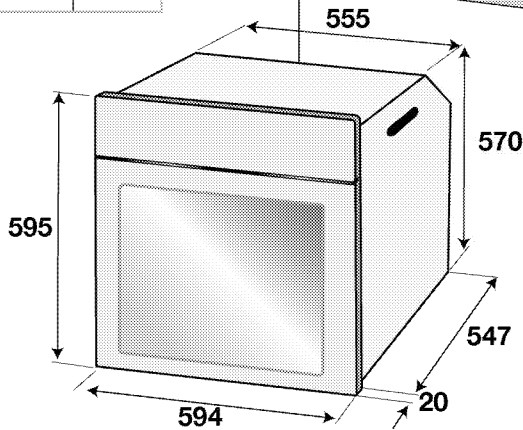
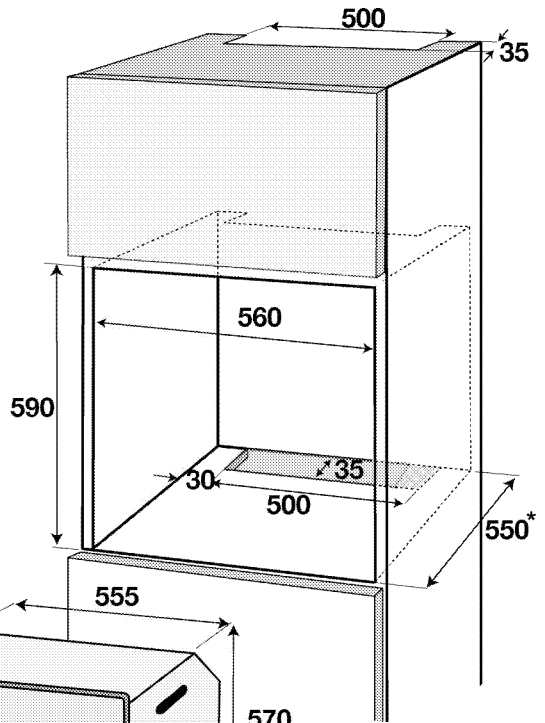
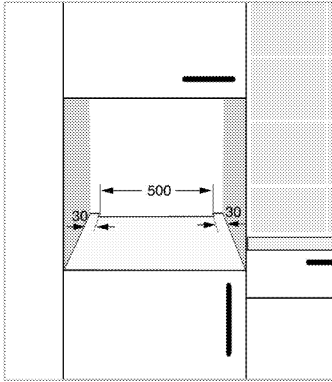
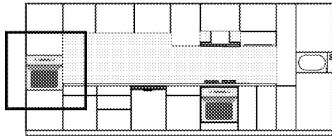
Не устанавливайте изделие рядом с холодильником или морозильной камерой. Поскольку духовой шкаф излучает тепло, холодильники будут потреблять больше электроэнергии.



Не перемещайте устройство, держась за дверцу и/или за ручку дверцы.



* МИН.



* мин.

Установка и подключение

- Бытовой прибор следует устанавливать в соответствии со всеми местными нормами по подключению газового и электрического оборудования.

Подключение к электросети

Подключайте изделие к розетке или линии с заземлением, защищенной миниатюрным автоматическим выключателем с соответствующим номиналом, который указан в таблице «Технические характеристики». Установку заземления должен выполнять

квалифицированный электрик (при использовании изделия с трансформатором или без него). Наша компания не несет ответственности за ущерб, понесенный вследствие использования изделия без заземления, выполненного в соответствии с местными нормами и правилами.

ОПАСНО:
 Подключение прибора к электросети должен выполнять квалифицированный специалист, имеющий право на выполнение таких работ. Гарантийный период начинается только после правильной установки.
 Производитель не несет ответственности за повреждения в результате выполнения работ лицами, не имеющими соответствующей квалификации.

ОПАСНО:
 Шнур питания не должен быть сдавлен, изогнут или зажат, а также не должен соприкасаться с нагревающимися компонентами изделия.
 Замену поврежденного шнура питания должен выполнять квалифицированный электрик. В противном случае это может привести к поражению электрическим током, короткому замыканию или возгоранию!

- Подключение должно выполняться в соответствии с национальными нормами.
- Параметры электрической сети должны соответствовать данным, указанным на паспортной табличке прибора. Табличку с данными можно увидеть, открыв переднюю дверцу.
- Шнур питания прибора должен соответствовать параметрам, указанным в таблице "Технические характеристики".

ОПАСНО:
 Перед выполнением каких-либо электромонтажных работ отключите прибор от электрической сети.
 Существует риск поражения электрическим током!

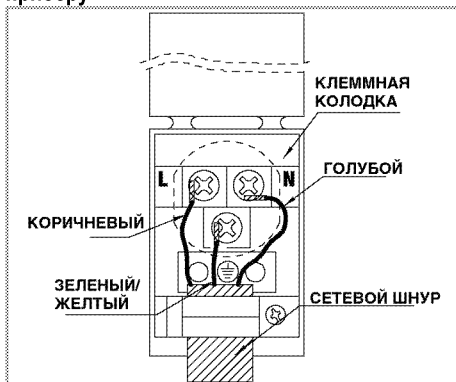
Подключение кабеля питания

i При монтаже проводки необходимо соблюдать национальные/местные электротехнические правила и нормы, а также использовать соответствующие розетки/штепсельные вилки и вилку для духовки. В случае если предельные значения мощности продукции превышают допустимую нагрузку на вилку и розетку, изделие должно быть подключено через стационарное электрическое оборудование напрямую без использования вилки и розетки.

1. Если нет возможности установить автоматический выключатель на все контакты, то в соответствии с директивами МЭК следует использовать для подключения размыкатели с контактным зазором не менее 3 мм (плавкие предохранители, защитные сетевые выключатели, замыкатели). Место подключения должно находиться рядом с прибором, но не над плитой. Несоблюдение этих указаний может вызвать проблемы в процессе эксплуатации, а также привести к аннулированию гарантии на прибор.

В качестве дополнительной меры безопасности рекомендуется использовать устройство защитного отключения.

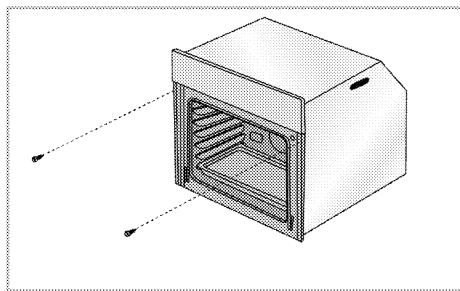
Подключение кабелем, прилагаемым к прибору



2. **Инструкция по** подключению к однофазной электрической сети
 - коричневый/черный провод = L (фаза)
 - синий/серый провод = N (нейтраль)
 - желто-зеленый провод = (E) \oplus (земля)
 » или
 - серый/черный провод = L (фаза)
 - синий/коричневый провод = N (нейтраль)
 - желто-зеленый провод = (E) \oplus (земля)

Инструкция по монтажу

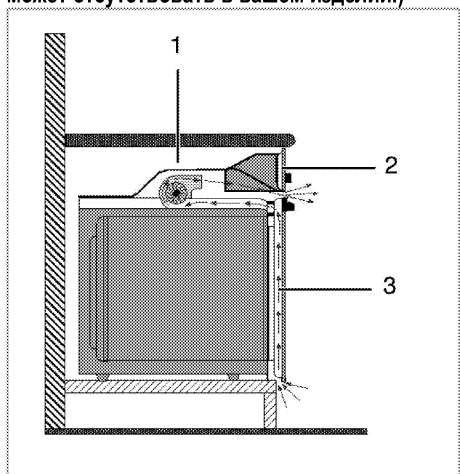
1. Вставьте духовой шкаф в кухонную мебель, выровняйте и закрепите. Одновременно убедитесь в том, что шнур питания не поврежден и/или не зажат.



Закрепите духовой шкаф 2 винтами, как показано на рисунке.

После установки проверьте, что винты затянуты достаточно и печь зафиксирована на месте. Печь может сместиться в течение периода использования, если установка была выполнена в нарушение инструкций и если винты затянуты недостаточно.

Для изделий с вентилятором охлаждения (Она может отсутствовать в вашем изделии.)



- 1 Вентилятор охлаждения
- 2 Панель управления
- 3 Дверца

Встроенный вентилятор охлаждения охлаждает встроенную часть прибора и переднюю панель.

i Вентилятор охлаждения продолжает работать в течение 20-30 минут после выключения духового шкафа. Если вы готовили, запрограммировав таймер духовки, вентилятор охлаждения выключится по завершении времени приготовления вместе со всеми функциями.

Окончательная проверка

1. Эксплуатация изделия.
2. Проверьте, произошло ли включение.

Для будущей транспортировки

- Сохраните оригинальную упаковочную коробку и перевозите прибор в ней. Следуйте указаниям, нанесенным на упаковке. Если оригинальная упаковочная коробка не сохранилась, заверните изделие в пузырчатую упаковку или поместите в плотный картон. Надежно заклейте клейкой лентой.
- Чтобы проволочная решетка и противень, которые хранятся внутри духовки, не повредили дверцу, поместите с внутренней стороны дверцы картонную полоску вровень с противнями. Прикрепите дверцу духового шкафа к боковым стенкам клейкой лентой.
- Не поднимайте и не передвигайте духовой шкаф, держась за дверцу или за ручку дверцы.

i Не размещайте на приборе никаких предметов и не ставьте его вертикально.

i Осмотрите прибор снаружи на предмет возможных повреждений при транспортировке.

4 Подготовка к эксплуатации

Рекомендации по экономии электроэнергии

Эти рекомендации помогут вам использовать изделие экологически чистым способом и экономить электроэнергию.

- Используйте в духовом шкафу темную или эмалированную посуду: это позволит улучшить теплопередачу.
- Прогревайте духовой шкаф перед приготовлением пищи, если это рекомендуется в руководстве пользователя или в инструкциях по приготовлению продуктов.
- Во время приготовления пищи не открывайте дверцу духового шкафа слишком часто.
- По возможности старайтесь готовить в духовом шкафу несколько блюд одновременно. При приготовлении пищи на решетку можно устанавливать по две емкости с продуктами.
- Готовьте блюда одно за другим. Духовой шкаф уже будет прогрет.
- Для экономии электроэнергии можно выключать духовой шкаф за несколько минут до окончания приготовления блюда. Не открывайте дверцу духового шкафа.
- Размораживайте замороженные продукты перед приготовлением.

Подготовка к эксплуатации

Очистка прибора перед началом эксплуатации



Некоторые моющие средства и чистящие материалы могут повредить поверхность. Не используйте для чистки агрессивные моющие средства, чистящие порошки/кремы, а также острые предметы.

1. Снимите все упаковочные материалы.
2. Протрите поверхность прибора влажной тканью или губкой и вытрите насухо.

Первоначальный прогрев

Прогрейте прибор в течение 30 минут, а затем выключите. Это обеспечит выгорание и удаление производственных загрязнений и покрытий.



ПРЕДУПРЕЖДЕНИЕ!

Горячие поверхности могут причинить ожоги!

Во время работы прибор может сильно нагреваться. Не прикасайтесь к горячим конфоркам, внутренним частям духового шкафа, нагревательным элементам и т.п. Не разрешайте детям приближаться к нему.

Помещая продукты в горячий духовой шкаф или вынимая их оттуда, обязательно пользуйтесь термостойкими перчатками.

Электрический духовой шкаф

1. Выньте из духового шкафа все противни и решетку.
2. Закройте дверцу духового шкафа.
3. Выберите положение Static (Статический)
4. Включите гриль на максимальную мощность (см. раздел *Правила эксплуатации электрической духовки, стр. 19*).
5. Дайте духовому шкафу поработать около 30 минут.
6. Затем выключите духовой шкаф (см. раздел *Правила эксплуатации электрической духовки, стр. 19*).

Духовой шкаф с грилем

1. Выньте из духового шкафа все противни и решетку.
2. Закройте дверцу духового шкафа.
3. Включите гриль на максимальную мощность (см. раздел *Как пользоваться грилем, стр. 24*).
4. Дайте духовому шкафу поработать около 15 минут.
5. Затем выключите духовой шкаф (см. раздел *Как пользоваться грилем, стр. 24*).



При первом включении в течение нескольких часов возможно выделение дыма и запаха. Это вполне нормально. Убедитесь, что кухня хорошо проветривается, чтобы удалить дым и запах. Не вдыхайте выделяющиеся дым и запахи.

5 Правила эксплуатации духовки

Общие сведения о выпекании, жарении и приготовлении с грилем



ПРЕДУПРЕЖДЕНИЕ!

Горячие поверхности могут причинить ожоги!

Во время работы прибор может сильно нагреваться. Не прикасайтесь к горячим конфоркам, внутренним частям духового шкафа, нагревательным элементам и т.п. Не разрешайте детям приближаться к нему.

Помещая продукты в горячий духовой шкаф или вынимая их оттуда, обязательно пользуйтесь термостойкими рукавицами.



ОПАСНО:

Будьте осторожны, открывая дверцу духового шкафа, так как наружу может выходить пар.

Выпускаемый пар может обжечь вам руки, лицо и/или глаза.

Советы по выпеканию

- Используйте антипригарные металлические тарелки или алюминиевые контейнеры с соответствующим покрытием, либо термостойкие силиконовые формы.
- Рационально используйте площадь решетки.
- Устанавливайте форму для выпекания в середине решетки.
- Выбирайте правильное положение решетки перед включением духового шкафа или гриля. Не изменяйте положение решетки, когда духовой шкаф горячий.
- Держите закрытой дверцу шкафа.

Советы по приготовлению жареных блюд

- Тушку курицы или индейки и большие куски мяса перед приготовлением рекомендуется сбрызнуть лимонным соком и посыпать черным перцем. Тогда готовое блюдо будет вкуснее.
- Мясо с костями следует жарить на 15-30 минут дальше, чем такое же количества мяса без костей.
- На каждый сантиметр толщины мяса требуется приблизительно 4-5 минут времени приготовления.
- По истечении времени приготовления мяса оставьте его в духовом шкафу примерно на 10 минут. Сок лучше распределится внутри

куска жареного мяса и не будет вытекать, когда вы будете разрезать мясо.

- Рыбу в термостойкой посуде следует готовить на решетке, установленной на средний или нижний уровень.

Советы по приготовлению продуктов на гриле

При приготовлении на гриле мясо, рыба или птица быстро поджаривается, сверху образуется хрустящая корочка, и продукт не пересыхает. На гриле можно отлично приготовить не только тонкие куски мяса, шашлыки и сосиски, но и овощи с большим содержанием жидкости (например, помидоры и лук).

- Для приготовления на гриле разложите куски продуктов на решетке или на противне с решеткой так, чтобы площадь, занимаемая продуктами, соответствовала размерам нагревательного элемента.
- Вставьте проволочную решетку или противень с решеткой в духовой шкаф на нужный уровень. Если продукты готовятся на проволочной решетке, то для сбора жира установите противень на нижний уровень. Используемый противень по размерам должен соответствовать площади, занимаемой готовящимися продуктами. Такой противень может не входить в комплект изделия. Для облегчения очистки противня налейте в него немного воды.

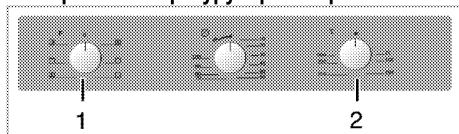


Продукты, которые не подходят для приготовления на гриле, могут привести к возгоранию. На гриле можно готовить только такие продукты, которые выдерживают интенсивный нагрев.

Не размещайте продукты слишком близко к задней части гриля. Эта зона нагревается сильнее всего, и жирные продукты могут загореться.

Правила эксплуатации электрической духовки

Выберите температуру и режим работы



1 Ручка выбора функции

2 Ручка термостата

1. Настройте таймер духовки на нужную продолжительность приготовления (см. раздел).
2. Установите нужный режим работы с помощью ручки выбора функций.
3. Установите нужную температуру с помощью регулятора температуры.

» После нагрева духовки в ней будет поддерживаться заданная температура. Во время нагрева будет светиться индикатор температуры.

Выключение электрической духовки

Переведите таймер духовки в положение отключения.



Когда таймер установлен на определенное время, он выключается автоматически (см. время).

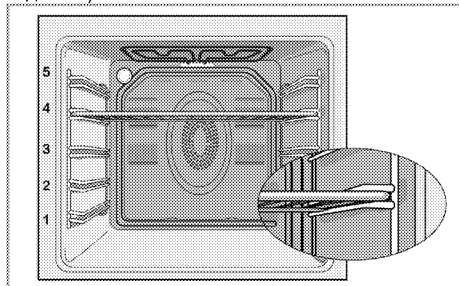
Поверните ручку выбора функций и регулятор температуры в положение отключения (вверх).

Уровни духовки (для моделей с грилем)

Правильно устанавливайте решетку в направляющие. Решетку следует вставить между направляющими, как показано на рисунке.

Следите за тем, чтобы решетка не упиралась в заднюю стенку духовки. Чтобы гриль нормально работал, выдвиньте решетку к передней части направляющих и отрегулируйте ее положение с помощью дверцы.

(Может отличаться в зависимости от модели изделия.)



Режимы работы

Приведенная здесь последовательность режимов работы может отличаться от вашей модели.

Нагрев сверху и снизу



Работают оба нагревательных элемента — и верхний, и нижний.

Продукты подогреваются одновременно сверху и снизу. Этот режим подходит, например, для тортов, разной выпечки, а также кексов и запеканок в формах. Готовьте только с одним противнем.

Нагрев снизу



Работает только нижний нагревательный элемент. Подходит для выпечки пиццы и дополнительного обжаривания продуктов с нижней стороны.



Эта функция также упрощает очистку паром.

Нагрев сверху и снизу с использованием вентилятора



Работают верхний и нижний нагревательные элементы, а также вентилятор, расположенный на задней стенке. Горячий воздух равномерно распределяется внутри духовки с помощью вентилятора. Готовьте только с одним противнем.

Full grill (Усил. гриль)



Работает большой гриль на потолке духовки. Подходит для приготовления на гриле больших порций мяса.

- Для приготовления на гриле положите большие или средние порции под нагревательный элемент гриля на соответствующий уровень полки духового шкафа.
- Когда пройдет половина времени, отведенного на приготовление, переверните продукт.

Grill+Fan (Гриль+вентилятор)



Действие гриля не такое сильное, как в режиме усиленного гриля

- Для приготовления блюд в этом режиме расположите под нагревателем гриля на соответствующем уровне духовки небольшое или среднее количество продукта.
- Когда пройдет половина времени, отведенного на приготовление, переверните продукт.

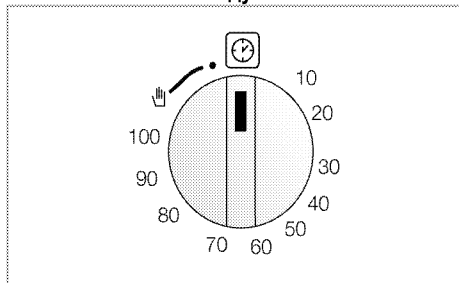
Ускоренный нагрев



Этот режим используется для быстрого разогрева духовки и не подходит для приготовления пищи.

- Выберите этого режим, а затем выберите нужную температуру. При этом включится индикатор температуры, и духовка начнет нагреваться.
- После окончания процесса нагрева индикатор погаснет. Теперь можно выбрать нужную функцию для приготовления пищи.

Использование часов духовки



Подготовка к работе и приготовление блюд



Для подготовки духовки к работе необходимо выбрать нужный режим и температуру приготовления, а также установить время. В противном случае духовка работать не будет.

1. Задайте продолжительность приготовления, повернув ручку Time Adjustment (Установка времени) по часовой стрелке.
2. Поставьте блюдо в духовой шкаф.
3. Выберите режим работы и температуру (см. *Правила эксплуатации электрической духовки, стр. 19.*)
» Духовка разогреется до заданной температуры, которая будет поддерживаться до установленного времени окончания приготовления.
4. По истечении заданного времени приготовления ручка Time Adjustment (Установка времени) автоматически повернется против часовой стрелки. Прозвучит звуковой сигнал, означающий, что заданное время истекло, и прибор выключится.



Если таймер не используется, выключите его, повернув ручку против часовой стрелки к символу руки.

5. Духовку можно выключить с помощью регулятора времени, ручки выбора функций и регулятора температуры.

Досрочное выключение духовки

1. Поверните регулятор Time Adjustment (Установка времени) против часовой стрелки до упора.
2. Выключите духовку с помощью ручки выбора функций и регулятора температуры.

Время приготовления блюд



Значения времени в этой таблице следует считать справочными. Они могут изменяться в зависимости от температуры продуктов, толщины, вида и ваших кулинарных предпочтений.

Выпечка и жарение







1-й полкой духового шкафа является нижняя полка.

Блюдо	Количество противней	Аксессуары для пользования	Режим работы	Уровень размещения	Температура (°C)	Примерно время приготовления (мин.)
Выпечка на противне	Один противень	Стандартный противень*		3	180	25 ... 30
Выпечка в форме	Один противень	Формы для кексов на решетке**		2	180	40 ... 50
Пирожные	Один противень	Стандартный противень*		3	160	25 ... 35
Бисквит	Один противень	Круглая пружинная сковорода диаметром 26 см на решетке**		3	160	25 ... 35
Печенье	Один противень	Противень для выпечки*		3	180	25 ... 30
Изделия из теста	Один противень	Стандартный противень*		2	200	30 ... 40
Сдобная выпечка	Один противень	Стандартный противень*		2	200	25 ... 35
Закваска	Один противень	Стандартный противень*		2	200	35 ... 45
Лазанья	Один противень	Стеклянная / металлическая прямоугольная сковорода на решетке**		2 - 3	200	30 ... 40
Пицца	Один противень	Стандартный противень*		2	200 ... 220	15 ... 20
Бифштекс (куском)/жаркое	Один противень	Стандартный противень*		3	25 мин. 250/max, затем 180 ... 190	100 ... 120
Баранья нога (запеканка)	Один противень	Стандартный противень*		3	25 мин. 220 затем 180 ... 190	70 ... 90
Жареная курица (1,8-2 кг)	Один противень	Стандартный противень*		2	15 мин. 250/max, затем 180 ... 190	60 ... 80
Индейка (5.5 кг)	Один противень	Стандартный противень*		1	25 мин. 250/max, затем 180 ... 190	150 ... 210
Рыба	Один противень	Стандартный противень*		3	200	20 ... 30

Для всех типов продуктов рекомендуется произвести предварительный разогрев.
 * Эти аксессуары могут не поставляться с продуктом.
 ** Эти аксессуары не поставляются с продуктом. Эти аксессуары доступны в продаже.

Таблица для пробного приготовления

Блюда, внесенные в настоящую таблицу готовятся в соответствии с EN 60350-1, чтобы облегчить контролирующим организациям процесс проверки продукта

Блюдо	Количество противней	Аксессуары для пользования	Режим работы	Уровень размещения	Температура (°C)	Примерное время приготовления (мин.)
песочное печенье	Один противень	Стандартный противень*		3	140	20 ... 30
Пирожные	Один противень	Стандартный противень*		3	160	25 ... 35
Бисквит	Один противень	Круглая пружинная сковорода диаметром 26 см на решетке**		3	160	25 ... 35
Яблочный пирог	Один противень	Круглая металлическое блюдо диаметром 20 см на решетке**		2	180	50 ... 60
<p>Для всех типов продуктов рекомендуется произвести предварительный разогрев. * Эти аксессуары могут не поставляться с продуктом. ** Эти аксессуары не поставляются с продуктом. Эти аксессуары доступны в продаже.</p>						

Советы по выпечке

- Если изделие получается слишком сухим, следует повысить температуру примерно на 10°C и сократить время приготовления.
- Если изделие получается сырым, следует уменьшить количество жидкости или понизить температуру на 10°C.
- Если верхняя корочка слишком зарумянивается, следует поставить изделие ниже, понизить температуру и увеличить время приготовления.
- Если изделие хорошо пропекается, но снаружи пригорает, следует уменьшить количество жидкости, понизить температуру и увеличить время приготовления.

Советы по выпечке

- Если изделие получается слишком сухим, следует повысить температуру примерно на 10°C и сократить время приготовления. Смажьте слои теста смесью из молока, растительного масла, яиц и йогурта.
- Следите за тем, чтобы толщина изделия не превышала глубины противня, иначе оно будет долго выпекаться.
- Если верхний слой изделия подгорает, а нижний остается сырым, возможно, в нижнем слое изделия слишком много начинки. Чтобы изделие ровно подрумянивалась, старайтесь равномерно распределять начинку между слоями теста и по поверхности изделия.



При выпечке изделий из теста соблюдайте режим и температуру, указанные в таблице рецептов. Если нижний слой изделия плохо пропекается, в следующий раз поставьте противень на один уровень ниже.

Советы по приготовлению овощных блюд

- Если овощи выпускают сок и становятся слишком сухими, готовьте их не на противне, а в сковороде под крышкой. В закрытой посуде сок сохранится.
- Если овощное блюдо остается сыроватым, прежде чем готовить овощи в духовом шкафу, можно их проварить или пробланшировать.

Как пользоваться грилем



ПРЕДУПРЕЖДЕНИЕ!

Закрывайте дверцу во время приготовления пищи на гриле.
Горячие поверхности могут причинить ожоги!

- При приготовлении в режиме гриля поверните регулятор времени по часовой стрелке и установите на значок Hand (Рука).

Включение гриля

1. Поверните ручку выбора функций и установите на нужный значок режима «Гриль».

Время приготовления блюд на гриле

Приготовление блюд на электрическом гриле

Продукты	Аксессуары для пользования	Уровень размещения	Рекомендуемая температура (°C)**	Время приготовления на гриле (прибл.)
Рыба	Решетка	4..5	250	20...25 мин. #
Курица (куски)	Решетка	4..5	250	25...35 мин.
Отбивные из могодой баранины	Решетка	4..5	250	20...25 мин.
Ростбиф	Решетка	4..5	250	25...30 мин. #
Отбивные из телятины	Решетка	4..5	250	25...30 мин. #
Гренки *	Решетка	4	250	1...3 мин.

в зависимости от толщины

*Разогрейте в течение 5 минут.

**Если температуру гриля вашего продукта невозможно отрегулировать, гриль будет работать при рекомендуемой температуре.

Блюда, внесенные в настоящую таблицу готовятся в соответствии с EN 60350-1, чтобы

облегчить контролирующим организациям процесс проверки продукта.

Продукты	Аксессуары для пользования	Уровень размещения	Температура (°C)	Примерное время приготовления (мин.)
Гренки	Решетка	4	250	1...3 мин.
Тефтели (говядина) - 12 кусками	Решетка	4	250	25...35 мин.

Проверяйте еду после 2/3 от общего времени приготовления на гриле.

Перед приготовлением любых блюд рекомендуется разогреть духовой шкаф в течение 5 минут.

2. Затем установите нужную температуру жаренья.
3. При необходимости прогрейте гриль около 5 минут.

» При этом включится индикаторная лампочка температуры.

Выключение гриля

1. Поверните ручку выбора функций в положение отключения (вверх).



Продукты, которые не подходят для приготовления на гриле, могут привести к возгоранию. На гриле можно готовить только такие продукты, которые выдерживают интенсивный нагрев.
Не размещайте продукты слишком близко к задней части гриля. Эта зона нагревается сильнее всего, и жирные продукты могут загореться.

6 Уход и техническое обслуживание

Общие сведения

Регулярно выполняйте чистку прибора. Это позволит продлить срок его службы, а также избежать многих проблем.



ОПАСНО:

Перед выполнением работ по обслуживанию и чистке отключите прибор от электрической сети. Существует риск поражения электрическим током!



ОПАСНО:

Дайте изделию остыть, прежде чем приступать к чистке. Горячие поверхности могут причинить ожоги!

- Прибор следует тщательно чистить после каждого использования. Так легче удалять остатки пищи, которые могут пригореть при следующем использовании прибора.
- Для чистки прибора не требуются специальные чистящие средства. Прибор можно вымыть теплой водой с добавлением жидкого моющего средства, используя мягкую ткань или губку. А затем протереть сухой тканью.
- Обязательно протирайте прибор насухо после чистки и сразу же удаляйте попавшую на него жидкость.
- Не используйте для чистки ручки и поверхностей из нержавеющей стали чистящие средства, содержащими кислоту или хлор. Эти детали можно протирать мягкой тканью, смоченной в жидком моющем средстве (без абразивных добавок), стараясь тереть в одном направлении.



Некоторые моющие средства и чистящие материалы могут повредить поверхность. Не используйте для чистки агрессивные моющие средства, чистящие порошки/кремы, а также острые предметы.



Не используйте для чистки устройства парочистители, поскольку это может привести к поражению электрическим током.

Чистка панели управления

Очистьте панель управления и ручки-регуляторы влажной тканью и вытрите насухо.

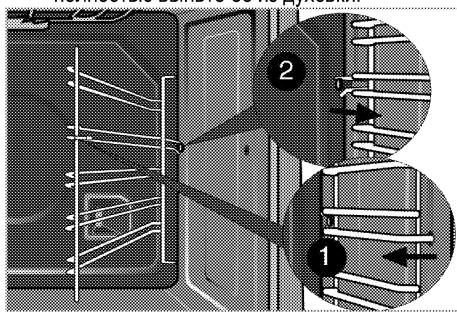


Если ваш прибор оснащен кнопками/ручками, не снимайте ручки-регуляторы для чистки панели управления. Так можно повредить панель управления!

Чистка духовки

**Чистка боковых стенок(Может отличаться в зависимости от модели изделия.)
(Данная функция — дополнительная. Она может отсутствовать в вашем изделии.)**

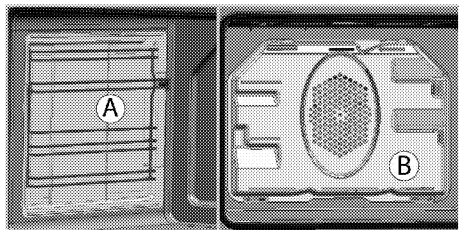
1. Снимите переднюю часть боковой решетки, оттянув ее от боковой стенки.
2. Потяните боковую решетку к себе и полностью выньте ее из духовки.



Стенки с каталитическим покрытием

(Данная функция — дополнительная. Она может отсутствовать в вашем изделии.)

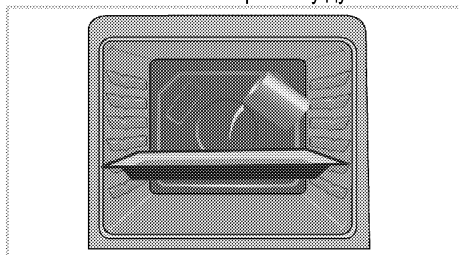
Внутренние боковые стенки (А) и (или) задняя стенка (В) вашего изделия могут быть покрыты каталитической эмалью. Стенки с каталитическим покрытием имеют светлую матовую пористую поверхность. Стенки духового шкафа с каталитическим покрытием не нуждаются в чистке. Благодаря перфорированной структуре, поверхности с каталитическим покрытием поглощают жир и при накоплении жира на поверхности начинают блестеть. В таком случае рекомендуется их заменить.



Простая очистка паром

Это упрощает чистку, поскольку грязь (после кратковременного ожидания) смягчается паром, образующимся в духовом шкафу, и каплями воды, конденсирующимися на внутренних поверхностях духового шкафа.

1. Выньте из духового шкафа все принадлежности.
2. Налейте в противень 500 мл воды и поместите его на 2-ю решетку духовки.



3. Установите духовку до легкого режима очистки паром и работать на 100 ° C в течение 25 минут.
4. Откройте дверцу и протрите внутренние поверхности духового шкафа влажной губкой или тканью.
5. Стойкую грязь следует удалять теплой водой с жидким моющим средством, используя мягкую ткань или губку, а после чистки следует вытирать прибор сухой тканью.

i При работе в режиме упрощенной очистки паром, вода, налитая в лоток для размягчения образовавшихся осадков/грязи внутри духовки, испарится и конденсируется внутри духовки и на внутренней поверхности двери духовки, поэтому при открытии двери духовки может капать вода. Вытрите конденсат сразу после открытия дверей духовки.

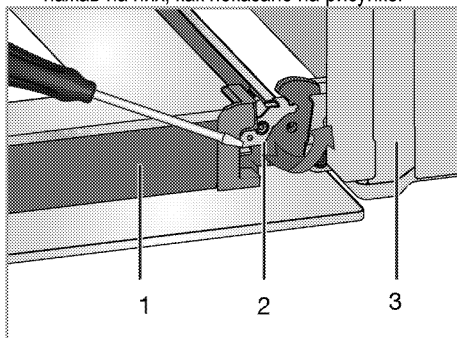
Чистка дверцы духовки

Мойте дверцу духовки мягкой тканью или губкой, смоченной в теплой воде с добавлением жидкого моющего средства, и вытирайте сухой тканью.

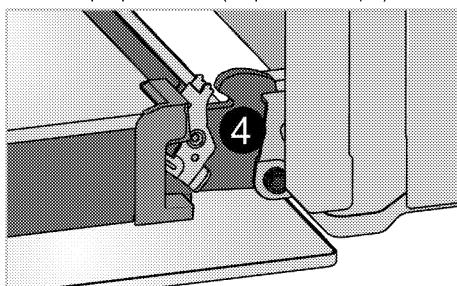
i Не используйте для чистки дверцы моющие средства с абразивными веществами или металлические скребки. Они могут поцарапать поверхность и повредить стекло.

Снятие дверцы духового шкафа

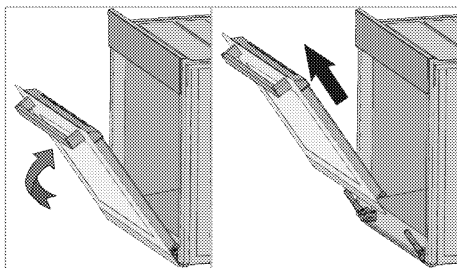
1. Откройте переднюю дверцу (1).
2. Откройте зажимы на корпусе петли (2) с правой и левой стороны передней дверцы, нажав на них, как показано на рисунке.



- 1 Дверца
- 2 Шарнирный замок(закрытое положение)
- 3 Духовой шкаф
- 4 Шарнирный замок(открытая позиция)



3. Откройте переднюю дверцу наполовину.



4. Снимите переднюю дверцу, потянув ее вверх и освободив от правой и левой петли.

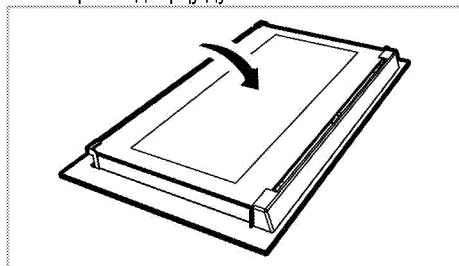


Для установки дверцы на место следует выполнить в обратном порядке действия по снятию. Не забудьте закрыть зажимы на корпусе петли при установке дверцы на место.

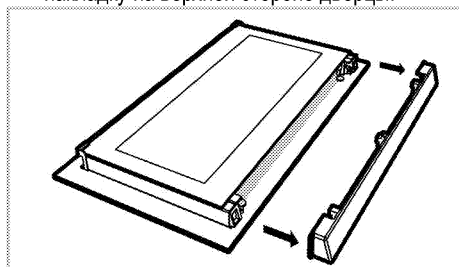
Снятие внутреннего стекла дверцы (Данная функция — дополнительная. Она может отсутствовать в вашем изделии.)

Внутреннее стекло панели дверцы духового шкафа можно снять для чистки.

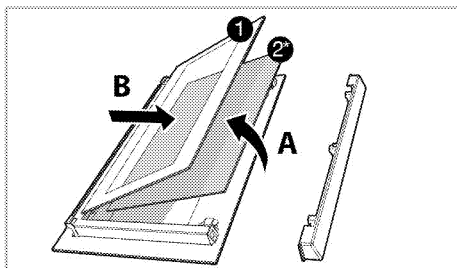
1. Откройте дверцу духовки.



2. Потяните к себе и снимите пластмассовую накладку на верхней стороне дверцы.



3. Приподнимите первое внутреннее стекло (1) в направлении **А** и вытяните его в направлении **В**, как показано на рисунке.



- 1 Первое внутреннее стекло
- 2* Внутреннее стекло (Она может отсутствовать в вашем изделии.)
4. Если устройство оснащено панелью для внутреннего стекла(2); Чтобы вынуть среднее стекло (2), повторите эти же действия.
5. При сборке дверцы сначала следует вставить среднее стекло (2), чтобы скошенный угол стекла попал на фаску пластмассового держателя, как показано на рисунке. (Если устройство оснащено панелью для внутреннего стекла). Среднее стекло (2) следует установить в пластмассовый держатель рядом с первым внутренним стеклом (1).
6. Первое внутреннее стекло (1) следует устанавливать таким образом, чтобы надпись на стекле была обращена к среднему стеклу. Следите за тем, чтобы нижний угол первое внутреннее стекло (1) был правильно вставлен в нижний пластмассовый держатель.
7. Прижмите пластмассовую накладку к раме до щелчка.

Замена лампочки освещения духового шкафа



ОПАСНО:

Во избежание поражения электрическим током, прежде чем заменять лампочку, убедитесь в том, что электроприбор отсоединен от сети и остыл.

Горячие поверхности могут причинить ожоги!



В этой духовке используется лампа накаливания мощностью менее 40 Вт, высотой менее 60 мм, диаметром менее 30 мм или галогенная лампа с цоколем типа G9, мощностью менее 60 Вт. Лампы подходят для работы при температуре выше 300 °С. Лампы для духовки можно получить у авторизованных сервисных агентов или у технического специалиста с лицензией.



Расположение лампочки может отличаться от изображения на рисунке.



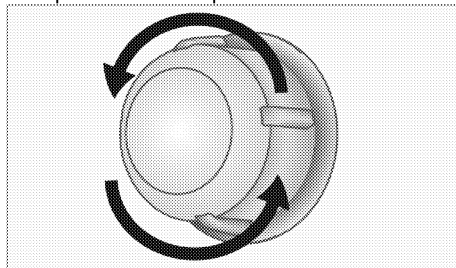
Лампа, используемая в этом приборе, не подходит для освещения бытовых помещений. Эта лампа предназначена для вспомогательной цели, позволяющей пользователю увидеть пищевые продукты.



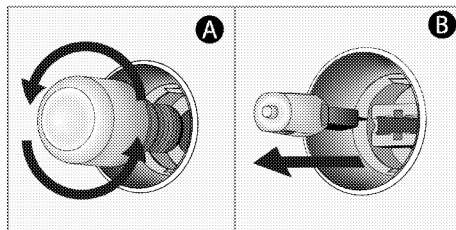
Лампы, используемые в этом приборе, должны выдерживать экстремальные физические условия, например температуру выше 50 °С.

Замена круглой лампочки освещения духового шкафа

1. Отсоедините духовой шкаф от электросети.
2. Снимите стеклянный плафон, повернув его против часовой стрелки.



3. Если в вашей духовке используется лампа типа (А), показанная на рисунке ниже, поверните ее в соответствии с рисунком, чтобы извлечь ее и заменить. Если используется лампа типа (В), потяните и извлеките ее, как показано на рисунке, и замените.



4. Установите на место стеклянный плафон.

7 Поиск и устранение неисправностей

Во время работы из духового шкафа выделяется пар.

- Вполне нормально, если пар выделяется во время работы. >>> *Это не является неисправностью.*

При нагревании и охлаждении прибор издает металлические шумы.

- При нагревании металлические детали могут расширяться и издавать звуки. >>> *Это не является неисправностью.*

Прибор не работает

- Плавкий предохранитель неисправен или сработал. >>> *Проверьте плавкие предохранители в блоке предохранителей. При необходимости замените их или включите.*
- Духовой шкаф не включен в (заземленную) розетку электросети. >>> *Проверьте соединение штепсельной вилки.*

Освещение духовки не работает.

- Лампочка освещения духового шкафа неисправна. >>> *Замените лампочку освещения шкафа.*
- Нет электропитания. >>> *Проверьте наличие электропитания. Проверьте предохранители в блоке предохранителей. При необходимости замените или включите предохранители.*

Духовка не нагревается.

- Не задана функция или температура. >>> *Выберите функцию и установите температуру с помощью переключателя функций и (или) регулятора температуры.*
- В моделях, оснащенных таймером, таймер не установлен. >>> *Установите время.* (В моделях с микроволновой печью управление по таймеру действует только для микроволновой печи).
- Нет электропитания. >>> *Проверьте наличие электропитания. Проверьте предохранители в блоке предохранителей. При необходимости замените или включите предохранители.*

В моделях с таймером) Цифровой индикатор времени мигает, или светится символ часов.

- Ранее произошло отключение электроэнергии. >>> *Установите время / Выключите духовой шкаф и включите снова.*



Если вы не можете устранить неполадки, несмотря на выполнение инструкций, приведенных в данном разделе, обратитесь к представителю авторизованной сервисной службы. Не пытайтесь самостоятельно отремонтировать неисправный электроприбор.

Изготовитель: «Arcelik A.S.»

Юридический адрес: Караач Джаддеси № 2-6 34445 Сютлюдже Стамбул, Турция
(Karaağaç Caddesi No:2-6 Sütlüce, 34445, Turkey)

Произведено в Турции

Импортер на территории РФ: ООО «БЕКО»

Юридический адрес: 601021 Россия, Владимирская обл., Киржачский р-н, МОСП Першинское, дер.
Федоровское, ул. Сельская, д. 49.

Информацию о сертификации продукта Вы можете уточнить, позвонив на горячую линию
8-800-200-23-56.

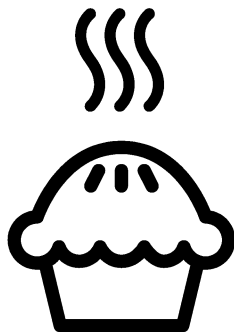
Дата производства включена в серийный номер продукта, указанный на этикетке, расположенной на продукте, а именно: первые две цифры серийного номера обозначают год производства, а последние две – месяц. Например, "10-100001-05" обозначает, что продукт произведен в мае 2010 года.

Изготовитель оставляет за собой право на внесение изменений в конструкцию, дизайн и комплектацию электроприбора.

beko

Вбудована духовка

Посібник користувача



UK

Будь ласка, спочатку прочитайте посібник користувача!

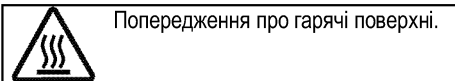
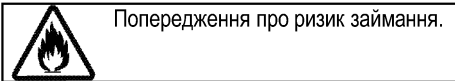
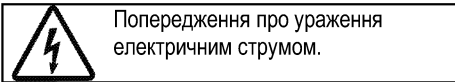
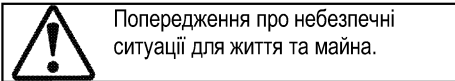
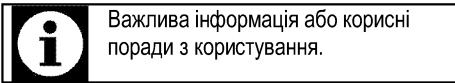
Шановний покупець!

Дякуємо за те, що надали перевагу продукції компанії «Веко». Сподіваємося, що цей високоякісний виріб, виготовлений із застосуванням найсучасніших технологій, демонструватиме найкращі результати експлуатації. Для цього рекомендуємо вам прочитати весь посібник користувача та всю супровідну документацію, перш ніж користуватися виробом, і зберегти їх для майбутнього використання в довідкових цілях. Якщо ви передасте комусь прилад, передайте й посібник користувача. Дотримуйтеся всіх попереджень й інформації, які містяться в посібнику користувача.

Зверніть увагу, що цей посібник також може бути дійсним для інших моделей. У ньому буде чітко вказано розбіжності між моделями.

Пояснення до символів

У цьому посібнику користувача використано такі символи:



Arçelik A.Ş.
Karaağaç caddesi No:2-6
34445 Sütlüce/Istanbul/TURKEY
Made in TURKEY

1 Важливі інструкції та попередження з техніки безпеки й охорони навколишнього середовища 4

Загальні правила техніки безпеки.....	4
Електрична безпека	5
Безпека виробу	6
Призначення.....	8
Захист дітей.....	8
Утилізація старого приладу.....	9
Утилізація пакувальних матеріалів	9

2 Загальна Інформація 10

Огляд.....	10
Вміст упаковки.....	11
Технічні характеристики.....	12

3 Установка 13

До початку установки	13
Встановлення та підключення.....	15
Утилізація старого приладу.....	17

4 Підготовка 18

Поради щодо збереження електроенергії.....	18
Початок використання.....	18
Початкове очищення виробу.....	18
Перше розігрівання	18

5 Використання духовки 19

Загальна інформація щодо запікання, смаження та приготування на грилі.....	19
Використання електричної духової шафи	20
Робочі режими	20
Користування годинником духової шафи	21
Таблиця часу приготування.....	21
Використання гриля.....	23
Таблиця часу приготування на грилі	23

6 Догляд і технічне обслуговування 24

Загальна інформація	24
Очищення панелі управління	24
Очищення духовки.....	24
Демонтаж дверцят духової шафи.....	25
Виймання внутрішнього скла дверцят.....	26
Заміна лампи освітлення духової шафи.....	26

7 Пошук та усунення несправностей 28

1 Важливі інструкції та попередження з техніки безпеки й охорони навколишнього середовища

У цьому розділі наведені правила техніки безпеки, які допоможуть уникнути ризику травмування та пошкодження. При недотриманні цих правил усі гарантійні зобов'язання буде анульовано.

Загальні правила техніки безпеки

- Цей виріб можуть експлуатувати діти, старші за 8 років, і люди з обмеженими фізичними, сенсорними та розумовими здібностями, а також особи, що не мають достатнього досвіду та знань, лише за умови перебування під наглядом осіб, відповідальних за їхню безпеку, чи під їхнім керівництвом стосовно безпечного користування виробом і розуміння можливих ризиків. Слідкуйте за тим, щоб діти не грали з виробом. Діти можуть чистити й обслуговувати виріб лише під наглядом.
- Пристрій не повинен використовуватися особами (зокрема дітьми) з обмеженими фізичними, сенсорними чи розумовими здібностями або браком досвіду та знань, за винятком випадків, коли використання відбувається під безпосереднім наглядом або відповідно до вказівок. Наглядайте за дітьми, щоб вони не грали з пристроєм.
- У випадку передачі виробу третій особі для особистого використання або в цілях повторного використання необхідно також передати посібник користувача, наклейки виробу, а також всі пов'язані з ним документи та компоненти.
- Роботи зі встановлення й ремонту мають виконувати лише представники авторизованої сервісної служби. Виробник не несе відповідальності за шкоду, заподіяну внаслідок виконання робіт особами, які на це не уповноважені. Це також може призвести до анулювання гарантії. Перед встановленням уважно прочитайте інструкції.
- Не користуйтеся виробом, якщо він несправний чи має видимі ознаки пошкодження.
- Перевіряйте, щоб щоразу після використання перемикачі функцій були вимкнені.

Електрична безпека

- У разі несправності виробу слід припинити його експлуатацію, поки виріб не буде відремонтовано в авторизованому сервісному центрі. Існує ризик ураження електричним струмом!
- Підключайте виріб лише до розетки/лінії із заземленням, напруга та рівень захисту якої відповідають значенням, вказаним в таблиці технічних характеристик. У разі використання з трансформатором чи без нього переконайтеся у наявності заземлення, виконаного кваліфікованим електриком. Наша компанія не несе відповідальності за будь-які проблеми, що виникли внаслідок використання виробу без заземлення, виконаного відповідно до місцевих норм і правил.
- Суворо заборонено лити воду на виріб під час миття! Існує ризик ураження електричним струмом!
- Під час робіт зі встановлення, обслуговування, чистки й ремонту виріб слід обов'язково від'єднати від електромережі.
- Для запобігання нещасним випадкам, якщо шнур живлення пошкоджений, його має замінити виробник, його спеціаліст з сервісу чи інші особи, котрі мають аналогічну кваліфікацію.
- Пристрій слід встановити таким чином, щоб його можна було повністю від'єднати від мережі. Від'єднання має виконуватися за допомогою штепсельної вилки чи вимикача, вбудованого у стаціонарну електричну мережу із дотриманням відповідних будівельних норм і правил.
- Під час використання задня поверхня духової шафи нагрівається. Стежте за тим, електричні дроти не торкалися задньої стінки, оскільки це може спричинити їхнє пошкодження.
- Стежте за тим, щоб шнур живлення не було затиснуто між рамою та дверцятами духової шафи, й не прокладайте його гарячими поверхнями. У разі недотримання цієї вимоги ізоляція кабелів може розплавитися і спричинити пожежу в результаті короткого замикання.
- Усі роботи з електричним обладнанням та системами

має проводити лише уповноважений і кваліфікований персонал.

- У разі пошкодження вимкніть пристрій і від'єднайте його від мережі електропостачання. Для цього вимкніть домашній запобіжник.
- Переконайтеся, що номінальні параметри запобіжника відповідають характеристикам виробу.

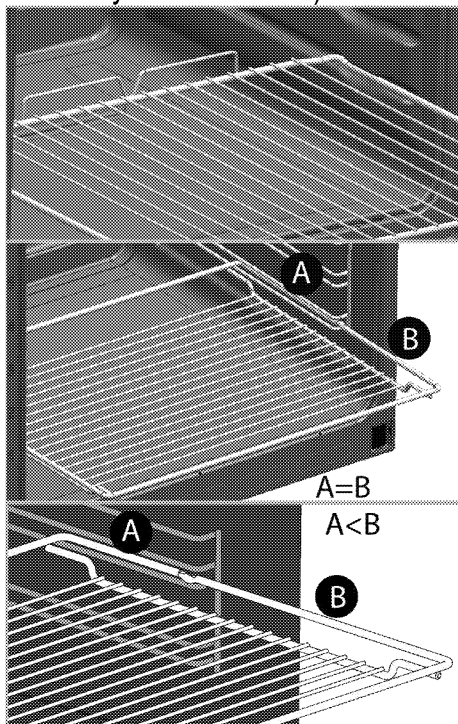
Безпека виробу

- УВАГА: Цей прилад і його зовнішні деталі під час роботи нагріваються. Будьте обережні й не торкайтеся нагрітих частин. За дітьми до 8 років треба постійно наглядати й не допускати їх до приладу.
- Не користуйтеся виробом під впливом алкоголю й/або лікарських засобів, які погіршують кмітливість і координацію рухів.
- Будьте обережні, коли додаєте до страв алкогольні напої. Спирт випаровується за високої температури і може призвести до пожежі, зайнявшись після контакту з гарячими поверхнями.
- Перевірте, щоб поруч із пристроєм не було легкозаймистих матеріалів, оскільки бічні поверхні можуть

сильно нагріватися під час роботи.

- Під час використання пристрій нагрівається. Будьте обережні й не торкайтеся нагрітих частин всередині духової шафи.
- Усі вентиляційні отвори мають бути відкриті.
- Не нагрівайте в духовій шафі закриті контейнери та скляні банки. Тиск всередині контейнера чи банки може призвести до їх вибухання.
- Не можна ставити дека для випічки, тарілки або розміщувати алюмінієву фольгу безпосередньо на нижній поверхні духової шафи. Тепло, що акумулюється, може пошкодити нижню частину духової шафи.
- Для чищення скляних дверцят духової шафи не користуйтеся грубими абразивними засобами для чищення чи гострими металевими шкребками, щоб не подряпати поверхню, що може призвести до руйнування скла.
- Не використовуйте для чищення парові пристрої, бо це може призвести до ураження електричним струмом.
- (Залежить від моделі пристрою.)

Правильне розташування решітчастої полиці й дека на решітчастих напрямних. Важливо правильно встановити решітчасту полицю й/або деку на напрямній. Посуньте решітчасту полицю чи деку між 2 напрямними й, перш ніж ставити продукти, переконайтеся у їхньому стійкому положенні (див. наступний малюнок).



- Не користуйтеся духовою шафою, якщо скло передніх дверцят зняте чи тріснуло.
- Для встановлення й виймання страв з нагрітої духової шафи

користуйтеся спеціальними термостійкими рукавицями.

- Розмістіть пергамент для випікання у горщик для приготування їжі або на приладдя для духовки (наприклад, панівку, дротяний гриль та ін.) разом з їжею та розмістіть все це у розігрітій духовці. Видаліть залишки пергаменту для випікання з приладдя або горщика, щоб зменшити ризик дотику пергаменту до нагрівальних елементів духовки. Ніколи не використовуйте пергамент за температури, що вище вказаного значення для пергаменту для випікання. Не розміщуйте пергамент для випікання прямо на внутрішній поверхні духовки.
- УВАГА: Перед зміною лампи переконайтеся, що шнур живлення прикладу відомкнут з від мережі або що переривач мережі відомкнут, щоб уникнути поразки електричною струмою.
- Пристрій не слід встановлювати за декоративними дверцятами, оскільки це може призвести до перегрівання.

Для забезпечення пожежної безпеки виробу слід

дотримуватися нижчезазначених вимог.

- Переконайтеся, що штепсельна вилка щільно вставлена в розетку та не іскрить.
- Не користуйтеся пошкодженим чи обрізаним кабелем або подовжувачем; слід використовувати лише оригінальний кабель.
- Переконайтеся, що в розетці, до якої підключено виріб, немає рідини чи вологи.

Призначення

- Прилад призначений для домашнього використання. Використання з комерційною метою є неприпустимим.
- **ОБЕРЕЖНО:** Цей прилад призначений тільки для приготування їжі. Його не можна використовувати для інших цілей, наприклад, для обігріву приміщення."
- Прилад не слід використовувати з метою нагрівання тарілок під грилем, розвішування серветок і посудних рушників на ручках, сушіння й нагрівання.
- Виробник не несе відповідальності за будь-які збитки, спричинені неправильним використанням або помилками експлуатації.

- Духову шафу можна використовувати для розморожування, випічки та смаження на грилі.

Захист дітей

- **УВАГА:** Доступні частини можуть нагріватися під час використання. Не допускайте дітей до приладу.
- Пакувальні матеріали можуть становити небезпеку для дітей. Зберігайте пакувальні матеріали у місцях, недоступних для дітей. Всі компоненти упаковки слід утилізувати відповідно до екологічних стандартів.
- Електричне обладнання становить загрозу для дітей. Під час роботи приладу не допускайте до нього дітей та не дозволяйте дітям гратися з ним.
- Не зберігайте над приладом речі, які можуть дістати діти.
- Не ставте на відчинені дверцята важкі речі та не дозволяйте дітям сидати на дверцята. Це може спричинити перекидання приладу або пошкодження петель дверцят.

Утилізація старого приладу

Відповідність Директиві щодо відпрацьованого електричного й електронного обладнання (Директива WEEE) й утилізація відходів



Цей виріб відповідає вимогам Директиви WEEE (2012/19/EU). Цей виріб позначений символом приналежності до категорії відходів електричного й електронного обладнання (WEEE).

Цей виріб виготовлений з високоякісних деталей та матеріалів, які підлягають повторному використанню й переробці. Після закінчення терміну експлуатації цей виріб не можна викидати разом зі звичайними побутовими відходами. Його слід здати у відповідний пункт збору відходів електричного й електронного обладнання як вторинної сировини. Інформацію про місцезнаходження найближчого пункту збору відходів можна отримати в місцевих органах влади.

Відповідність Директиві щодо обмеження використанням шкідливих речовин (RoHS)

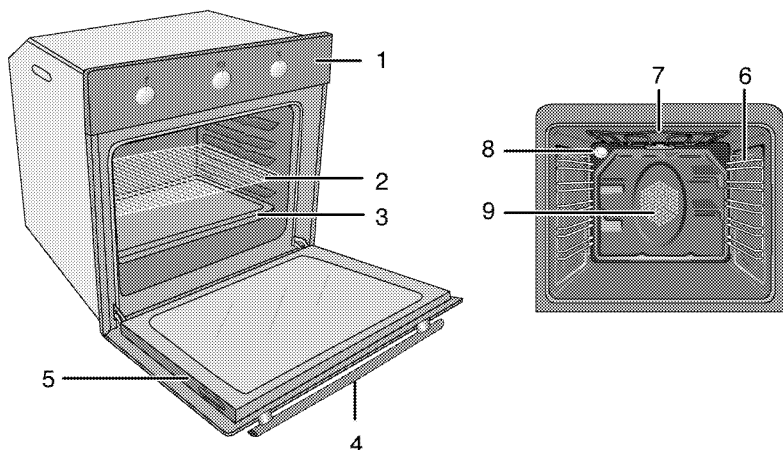
Цей виріб відповідає вимогам Директиви RoHS (2011/65/EU). Він не містить шкідливих та інших речовин, використання яких заборонено цією Директивою.

Утилізація пакувальних матеріалів

- Пакувальні матеріали становлять загрозу для дітей. Зберігайте пакувальні матеріали в безпечному й недоступному для дітей місці. Пакувальні матеріали для приладу виготовлені з матеріалів, які підлягають вторинній переробці. Правильно утилізуйте їх і сортуйте відповідно до вказівок стосовно відходів, які підлягають переробці. Не викидайте їх разом зі звичайними побутовими відходами.

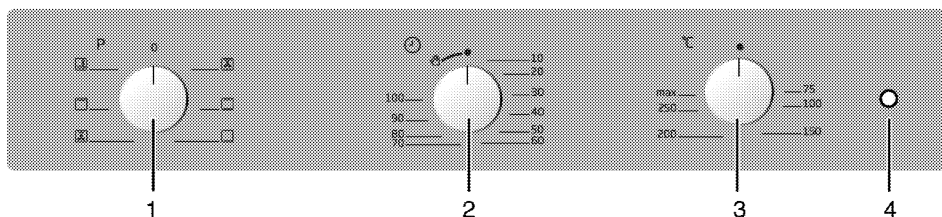
2 Загальна Інформація

Огляд



- 1 Панель управління
- 2 Полиця-решітка
- 3 Деко
- 4 Ручка
- 5 Дверцята

- 6 Положення полиць
- 7 Верхній нагрівальний елемент
- 8 Лампочка
- 9 Двигун вентилятора (за сталевим листом)



- 1 Ручка вибору функції
- 2 Механічний таймер
- 3 Ручка термостата
- 4 Лампочка термостата

Вміст упаковки

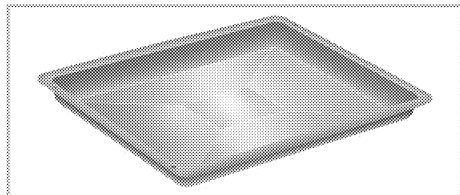


Акcesуари, що входять до комплекту постачання, залежать від моделі виробу. Комплект постачання вашого виробу може містити не всі акcesуари, описані в цьому посібнику користувача.

1. Посібник користувача

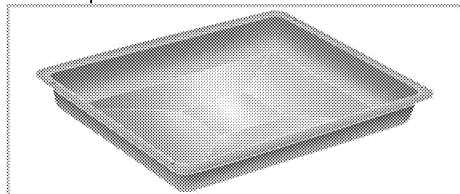
2. Стандартне деко

Для випічки, замороженої їжі та великих шматків м'яса.



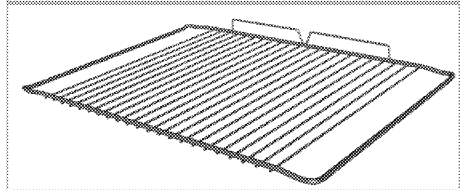
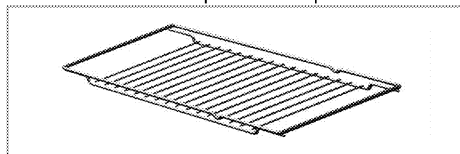
3. Глибоке деко

Для випічки, смаження великих шматків м'яса, приготування соковитих страв і збирання жиру, що стікає, при приготуванні на грилі.



4. Решітчастий гриль

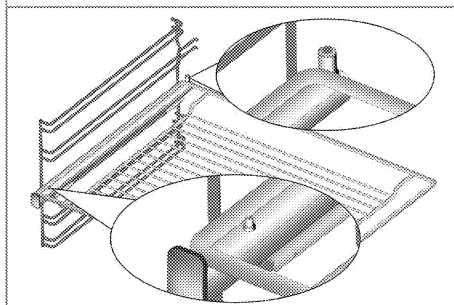
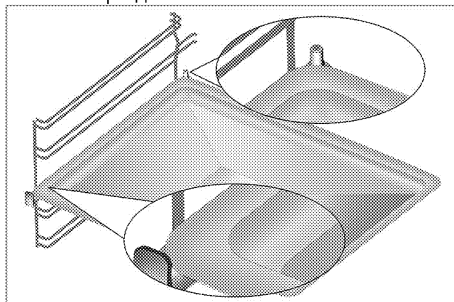
Для смаження, а також розміщення продуктів при випіканні, смаженні чи приготуванні запіканок на потрібній полиці.



5. Правильне розташування решітчастої полиці й дека на висувних напрямних (Ця функція — додаткова. Вона може бути відсутньою у вашому виробі.)

Висувні напрямні дозволяють зручно встановлювати й діставати дека й решітчасту полицю.

Використовуючи дека й решітчасту полицю з висувними напрямними, переконайтеся, що штифти ззаду висувної напрямної розташовані навпроти країв решітчастої полиці й дека.



Технічні характеристики



Напруга/частота	220-240 В ~ 50 Гц
Загальне споживання електроенергії	2.4 кВт
Тип кабелю/переріз	мін. H05VV-FG 3 x 1,5 мм ²
Зовнішні габарити (висота/ширина/глибина)	595 мм/594 мм/567 мм
Габарити для встановлення (висота/ширина/глибина)	**590 або 600 мм/560 мм/мін. 550 мм
Головна духова шафа	Багатофункціональна духова шафа
Лампа внутрішнього освітлення	15/25 Вт
Енергоспоживання гриля	2.2 кВт


Базове: інформацію на табличці з енергетичними даними електричних духових шаф наведено відповідно до стандарту EN 60350-1 / IEC 60350-1. Ці дані визначено за умови стандартного навантаження з функціями нижнього-верхнього нагрівального елемента чи нагрівання за допомогою вентилятора (за наявності).

Клас енергопостачання визначено відповідно до такої пріоритетності залежно від наявності чи відсутності відповідних функцій у виробі. 1 – Приготування з вентилятором – економічний режим, 2 – Повільне приготування в турборежимі, 3 – Приготування в турборежимі, 4 – Нагрівання зверху та знизу з вентилятором, 5 – Нагрівання зверху та знизу.

* Див. Установка, стор. 13.


*


	З метою удосконалення якості продукції технічні характеристики приладу можуть бути змінені без попереднього повідомлення.
	Малюнки в цьому посібнику є схематичними і можуть не відповідати вашому виробі.


	Значення, наведені на табличках машини та в супровідній документації, отримані в лабораторних умовах згідно з відповідними стандартами. Залежно від умов експлуатації та навколишнього середовища ці значення можуть змінюватися.
---	---

3 Установка

Пристрій має встановити кваліфікований спеціаліст відповідно до чинних нормативів. В іншому разі, гарантію буде анульовано. Виробник не несе відповідальності за шкоду, заподіяну внаслідок виконання робіт особами, які на це не уповноважені. Це може призвести до анулювання гарантії.

 Покупець відповідальний за підготовку місця для установки й виконання електричних з'єднань.


 **НЕБЕЗПЕЧНО:**
Прилад слід встановити відповідно до всіх місцевих норм з питань газового й/або електричного обладнання.


 **НЕБЕЗПЕЧНО:**
Перед установкою огляньте прилад на наявність дефектів. Якщо такі є, не встановлюйте його.
Пошкоджені прилади можуть становити загрозу для вашої безпеки.

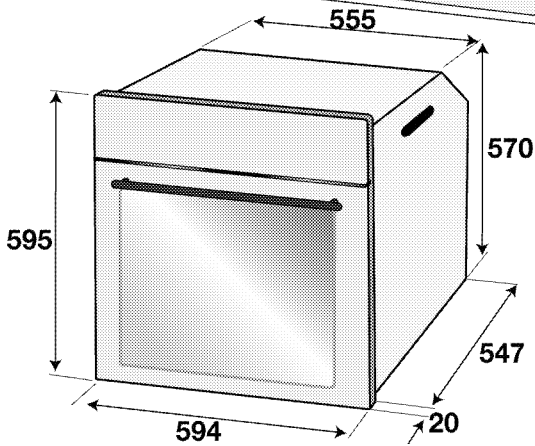
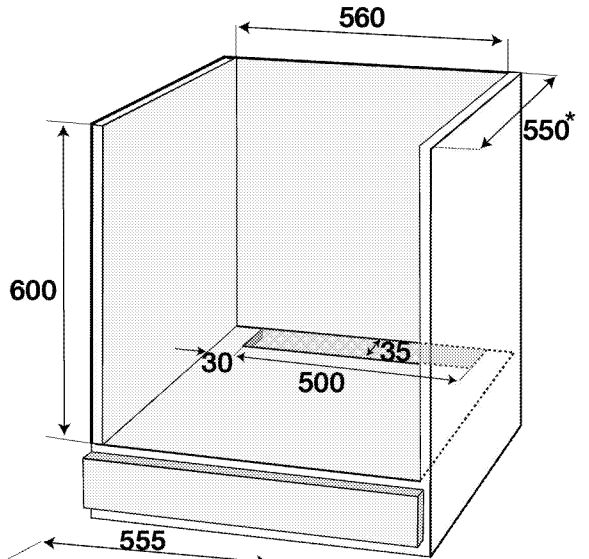
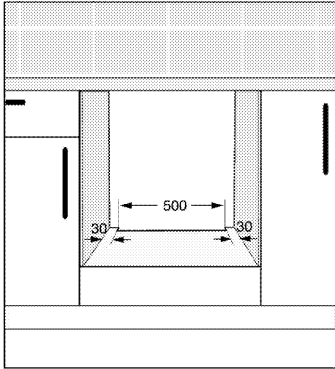
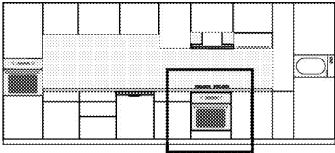
До початку установки

Прилад призначений для встановлення у стандартні кухонні меблі, що є в продажу. Між пристроєм і кухонними стінами та меблями слід залишити безпечну відстань. Див. малюнок (значення в мм).

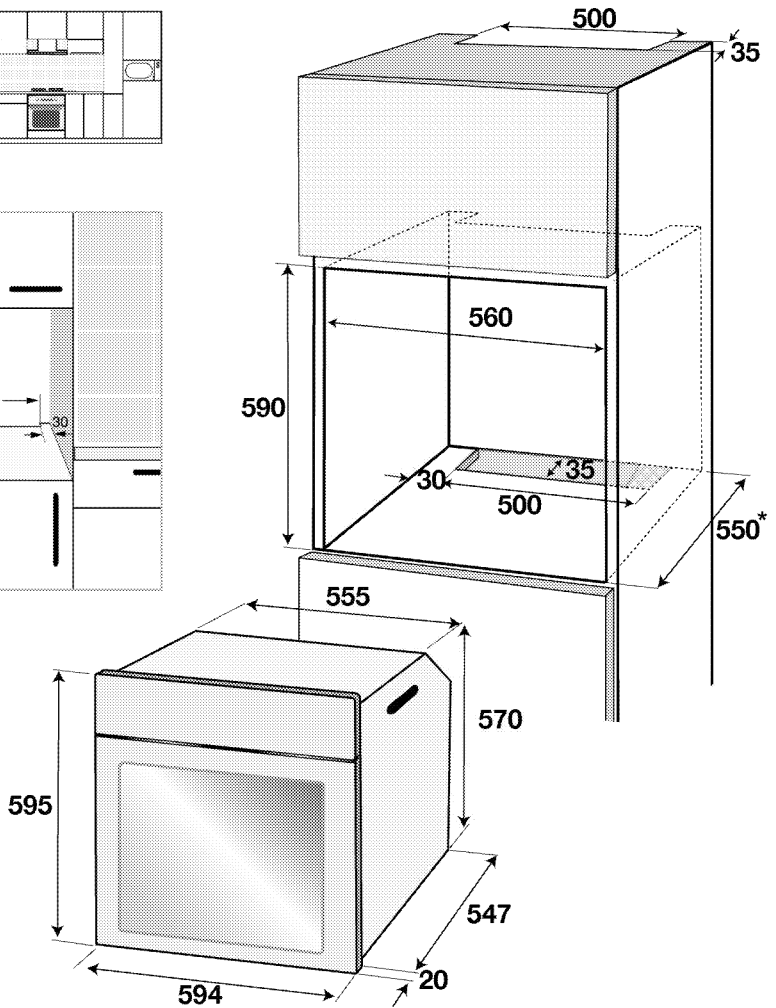
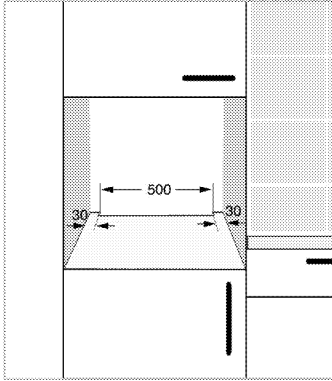
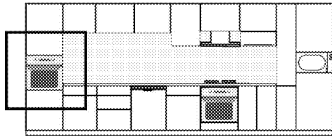
- Використовувані поверхні, синтетичний шаруватий пластик і клеїкі речовини мають бути термостійкими (витримувати температуру щонайменше 100 °C).
- Кухонні шафи слід вирівняти й закріпити.
- Якщо під духовкою розташована висувна шухляда, між нею та духовкою слід встановити полицю.
- Пристрій мають переносити щонайменше двоє людей.
- Тримайте духову шафу за отвори для обробки, які розташовані з двох боків, щоб перемістити її.
- Перед встановленням продукту видаліть усі матеріали та документи із середини.
- Кухонні меблі повинні відповідати розмірам, наведеним на малюнку, представленому нижче. У задній частині кухонних меблів, для забезпечення достатньої вентиляції, отвір повинен бути вирізаним за розмірами, які наведені на малюнку нижче.

 Не встановлюйте пристрій поряд з холодильниками чи морозильниками. Тепло, випромінюване пристроєм, може призвести до зростання енергоспоживання охолоджувального обладнання.

 Не підіймайте й не пересувайте пристрій за дверцята чи ручку.



* M.H.



* мін.

Встановлення та підключення

- Виріб слід встановити відповідно до всіх місцевих норм щодо газового й електричного обладнання.

Електричне з'єднання

Підключіть прилад до розетки/лінії із заземленням, захищеної мініатюрним вимикачем відповідного номіналу (див. таблицю технічних характеристик). При використанні приладу з трансформатором чи без нього його слід підключати до електромережі, яка має заземлення, виконане кваліфікованим електриком. Наша компанія не несе відповідальності за збитки внаслідок

використання приладу без заземлення, виконаного відповідно до місцевих норм і правил.



НЕБЕЗПЕЧНО:

Підключення пристрою до джерела електроживлення має виконувати тільки авторизований кваліфікований персонал. Гарантійний період починається тільки після правильного установки. Виробник не несе відповідальності за шкоду, заподіяну внаслідок виконання робіт особами, які на це не уповноважені.

НЕБЕЗПЕЧНО:
Шнур живлення не можна затискати або згинати; він не повинен контактувати з гарячими частинами пристрою.
Заміну пошкодженого шнура живлення має виконувати кваліфікований електрик. В іншому разі існує ризик ураження електричним струмом, короткого замикання чи пожежі!

- Підключення має здійснюватися відповідно до національного законодавства.
- Показники щодо мережі живлення мають відповідати даним у паспортній табличці виробу. Щоб подивитися на табличку, де вказано тип, відчиніть передні дверцята.
- Кабель електроживлення вашого пристрою має відповідати значенням у таблиці технічних характеристик.

НЕБЕЗПЕЧНО:
Перш ніж розпочинати будь-які роботи зі установки електричного обладнання, відключіть виріб від мережі електроживлення.
Існує ризик ураження електричним струмом!

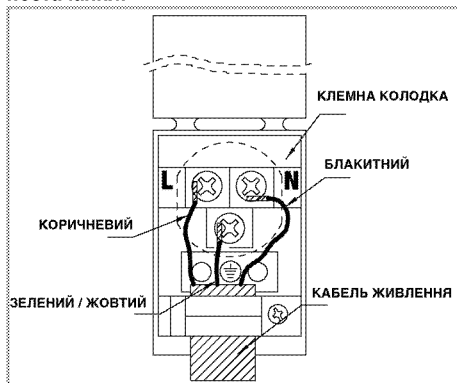
Під'єднання кабеля електроживлення

i Під час монтажу електропроводки слід дотримуватися національних/місцевих норм, які стосуються електричного обладнання, і використовувати відповідну розетку/лінію та штепсельну вилку для духовки. У випадку, якщо максимальна потужність приладу перевищує характеристики вилки та розетки/лінії, слід підключити його напряду до стаціонарної електричної мережі без використання штепсельної вилки та розетки/лінії.



1. У разі неможливості вимкнути всі полюси джерела живлення слід використовувати для під'єднання розмикач з мінімальною відстанню між контактами 3 мм (для запобіжників, захисних вимикачів, контакторів). Всі полюси розмикача мають знаходитися поряд із пристроєм (але не над ним) відповідно до правил Міжнародної електротехнічної комісії. Недотримання даної інструкції може викликати проблеми експлуатації та спричинити анулювання гарантії на пристрій.

Рекомендовано застосування додаткового запобіжного заходу у вигляді автоматичного вимикача залишкового струму.

Якщо кабель входить до комплекту постачання:

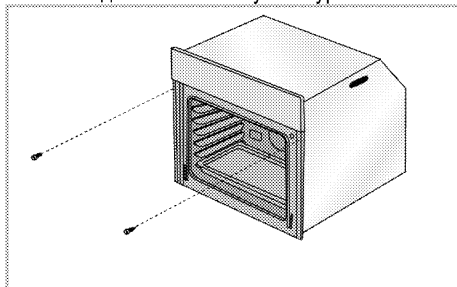


2. У разі однофазного підключення дроти слід під'єднувати, як показано нижче:

- Коричневий/Чорний кабель = L (Фаза)
 - Блакитний/сірий кабель = N (нейтральний)
 - Зелений/жовтий кабель = (E)  (земля)
- » або
- сірий/Чорний кабель = L (Фаза)
 - Блакитний/Коричневий кабель = N (нейтральний)
 - Зелений/жовтий кабель = (E)  (земля)

Встановлення виробів

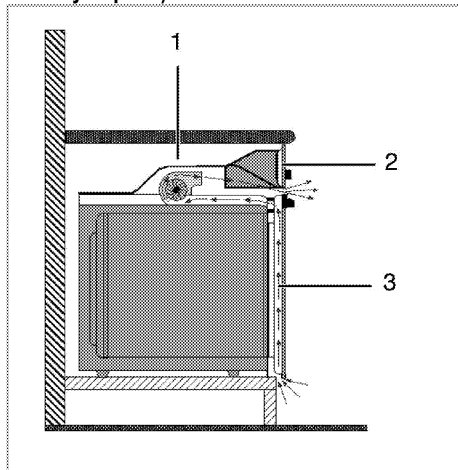
1. Засуньте духову шафу в кухонну шафу, вирівняйте та закріпіть її, стежачи, щоб не пошкодити й не затиснути шнур живлення.



Закріпіть духову шафу 2 гвинтами, як показано на малюнку.

Після встановлення виробу, переконайтеся, що шурупи достатньо затягнуті, а духовка шафа не рухається. Під час експлуатації духовка шафа може перевернутися, якщо вона не встановлена відповідно до інструкцій, і якщо шурупи недостатньо затягнуті.

Для пристроїв з охолоджувальним вентилятором . Вона може бути відсутньою у вашої виробі.)



- 1 Охолоджувальний вентилятор
- 2 Панель управління
- 3 Дверцята

Вбудований охолоджувальний вентилятор охолоджує як вбудовані меблі, так і передню панель пристрою.



Охолоджувальний вентилятор працюватиме протягом близько 20-30 хвилин після вимкнення духової шафи. Якщо ви готували, запрограмувавши таймер духової шафи, вентилятор охолодження вимкнеться по завершенні часу приготування разом зі всіма функціями.

Остання перевірка

1. Увімкніть прилад
2. Перевірте роботу функцій.

Утилізація старого приладу

- Збережіть оригінальну упаковку приладу й перевозьте прилад у ній. Дотримуйтеся вказівок, зазначених на упаковці. Якщо оригінальна упаковка не збереглася, обгорніть пристрій пухирчастим поліетиленом або товстим картоном і надійно заклейте стрічкою.
- Щоб запобігти пошкодженню дверцят решітчастим грилем і деками, розмістіть шматок картону з внутрішнього боку дверцят духовки нарівні з деками. Прикріпіть дверцята духовки до бічних стінок клейкою стрічкою.
- Не підіймайте й не пересувайте прилад за дверцята чи ручку.



Не ставте на пристрій жодних предметів і не розташовуйте його вертикально.



Перевірте загальний вигляд пристрою на можливі пошкодження під час транспортування.

4 Підготовка

Поради щодо збереження електроенергії

Наведені нижче поради допоможуть використовувати пристрій, не завдаючи шкоди навколишньому середовищу та зберігаючи електроенергію:

- Користуйтеся темним чи емальованим посудом: це покращить передачу тепла.
- Під час приготування виконуйте процедуру розігрівання, якщо вона рекомендована у посібнику користувача чи рецепті.
- Під час приготування їжі не відчиняйте дверцята духової шафи занадто часто.
- Якщо це можливо, намагайтеся готувати в духовій шафі кілька страв одночасно. Ви можете готувати, розмістивши два контейнери з продуктами на решітчастому грилі.
- Готуйте одну страву за іншою, адже духова шафа вже розігріта.
- Для економії електроенергії можна вимкати духову шафу за кілька хвилин до завершення приготування страви. Не відчиняйте дверцята духової шафи.
- Розморозуйте заморожені продукти перед приготуванням.

Початок використання

Початкове очищення виробу



Деякі засоби для миття або матеріали для чищення можуть пошкодити поверхню.

Під час чищення не використовуйте агресивні засоби для миття, порошки/рідини для чищення або гострі предмети.

1. Видаліть всі пакувальні матеріали.
2. Протріть поверхні виробу вологою тканиною чи губкою, а потім витріть насухо.

Перше розігрівання

Нагрівайте прилад протягом приблизно 30 хвилин, а потім вимкніть його. Таким чином буде випалено будь-які залишки речовин після виробництва або шари консервуючих речовин.



ПОПЕРЕДЖЕННЯ!

Гарячі поверхні можуть стати причиною опіків!

Під час використання пристрій може нагріватися. Не торкайтеся гарячих конфорок, внутрішніх частин духової шафи, нагрівальних елементів тощо. Не допускайте дітей до пристрою. Для установки й виймання страв з нагрітої духової шафи користуйтеся спеціальними термостійкими рукавицями.

Електрична духова шафа

1. Витягніть з духової шафи всі дека й решітчастий гриль.
2. Закрийте дверцята духової шафи.
3. Оберіть положення Static (Статичне).
4. Виберіть максимальне нагрівання для гриля; див. *Використання електричної духової шафи, стор. 19*.
5. Дайте духовій шафі попрацювати протягом 30 хвилин.
6. Вимкніть духову шафу; див. *Використання електричної духової шафи, стор. 19*

Духова шафа з грилем

1. Витягніть з духової шафи всі дека й решітчастий гриль.
2. Закрийте дверцята духової шафи.
3. Виберіть максимальне нагрівання для гриля; див. *Використання гриля, стор. 23*.
4. Дайте духовій шафі попрацювати протягом 15 хвилин.
5. Вимкніть гриль; див. *Використання гриля, стор. 23*



Після першого вмикання протягом кількох годин можуть з'явитися запах і дим. Це цілком нормально. Забезпечте достатню вентиляцію приміщення, щоб усунути дим і запах. Не вдихайте дим і запахи, що виділяються.

5 Використання духовки

Загальна інформація щодо запікання, смаження та приготування на грилі



ПОПЕРЕДЖЕННЯ!

Гарячі поверхні можуть стати причиною опіків!

Під час використання пристрій може нагріватися. Не торкайтеся гарячих конфорок, внутрішніх частин духової шафи, нагрівальних елементів тощо. Не допускайте дітей до пристрою. Для установки й виймання страв з нагрітої духової шафи користуйтеся спеціальними термостійкими рукавицями.



НЕБЕЗПЕЧНО:

Будьте обережні, відчиняючи дверцята, оскільки назовні виходить пара.

Пара може обпалити вам руки, обличчя та/або очі.

Поради щодо запікання

- Використовуйте металевий посуд з покриттям, яке не пригорає, алюмінієві емалі чи термостійкі силіконові форми для випічки.
- Використовуйте місце на решітці найпродуктивнішим чином.
- Встановіть форму для випікання посередині решітки.
- Вибирайте правильне положення решітки перед увімкненням духової шафи чи гриля. Не змінюйте положення решітки, якщо духовка гаряча.
- Дверцята духовки мають бути зачинені.

Поради щодо смаження

- Такі приправи, як лимонний сік і чорний перець, покращать результат приготування цільного курчати, індички чи великого шматка м'яса.
- Приготування м'яса з кістками триватиме на 15-30 хвилин довше, ніж смаження м'яса аналогічного розміру без кісток.
- Дотримуйтеся розрахунку: 4-5 хвилин на сантиметр висоти м'яса.
- Після завершення часу приготування залиште м'ясо в духовці на 10 хвилин. Сік краще розподілиться по всій поверхні смаженини та не виділятиметься під час різання готової страви.
- Рибу у вогнетривкому посуді слід встановити на решітку на середньому чи низькому рівні.

Поради щодо приготування на грилі

Під час приготування на грилі м'ясо, риба та птиця швидко набувають коричневого відтінку та запашної скоринки й водночас не пересушуються. Плоскі шматки, м'ясо на рожні й сосиски, а також овочі зі значним вмістом води (наприклад, помідори й цибуля) призначені саме для приготування на грилі.

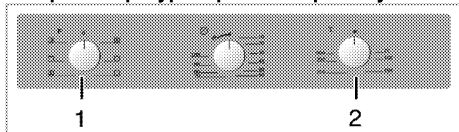
- Рівномірно розподіліть шматки для приготування на грилі на решітчастому грилі чи на піддоні для випікання з решітчастим грилем, аби вони не перевищували розмірів нагрівального елемента.
- Встановіть решічасту полицю чи піддон для випікання з грилем у духовій шафі на потрібному рівні. Під час приготування на решічастій полиці встановіть піддон для випікання на нижній решітці з метою збирання крапель жиру. Розмір піддона для випікання, який встановлюється, повинен охоплювати всю зону гриля. Цей піддон може не входити до комплекту пристрою. Налийте у піддон для випікання трохи води, щоб полегшити очищення.



Продукти, непридатні для приготування на грилі, можуть спричинити займання. Для смаження на грилі використовуйте тільки їжу, призначену для смаження на грилі за умови високої температури. Не розміщуйте продукти занадто близько до задньої частини гриля. Це найгарячіше місце, і жирна їжа може загорітися.

Використання електричної духової шафи

Вибір температури й робочого режиму



1 Ручка вибору функції

2 Ручка термостата

1. На таймері духовки встановіть потрібний час приготування; див. *Користування годинником духової шафи, стор. 21.*

2. Встановіть ручку вибору функції на потрібний робочий режим.

3. Встановіть ручку регулювання температури на потрібне значення температури.

» Духова шафа розігріється до встановленої температури й утримуватиме її. Під час нагрівання світиться температурний індикатор.

»

Вимкнення електричної духової шафи

Встановіть таймер духовки в положення «вимкнуто».



Якщо таймер налаштовано на певний час, він вимкнеться автоматично; див.

Користування годинником духової шафи, стор. 21

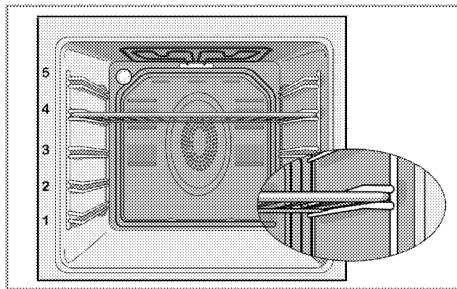
Поверніть ручку вибору функції і ручку температури у (верхнє) положення «вимкнуто».

Положення решітки (для моделей із грилем)

Важливо правильно встановити решітчастий гриль на дротяні напрямні. Решітчастий гриль необхідно вставити між дротяними напрямними, як показано на малюнку.

Не допускайте контакту решітчастого гриля із задньою стінкою духової шафи. Щоб отримати гарні результати приготування їжі на грилі, зсуньте його до передньої частини шафи та встановіть у таке положення, щоб гриль не заважав закривати дверцята.

(Залежить від моделі пристрою.)



Робочі режими

Порядок представлених робочих режимів може відрізнитися від характеристик вашого виробу.

Нагрівання згори та знизу



Страва нагрівається згори та знизу. Їжа нагрівається одночасно згори та знизу. Наприклад, це підходить для кексів, випічки або печива та запіканок у формах для випікання. Готуйте тільки з одним деком.

Нагрівання знизу



Страва нагрівається лише знизу. Це підходить для піци та для піджарювання страви знизу в кінці приготування.



Ця функція також спрощує чищення парою.

Нагрівання згори та знизу з обдуванням



Страва нагрівається згори та знизу й обдувається вентилятором на задній стінці. Вентиляція сприяє швидкому рівномірному розподілу гарячого повітря всередині духової шафи. Готуйте тільки з одним деком.

Турбогриль



Працює великий гриль угорі духової шафи. Рекомендовано застосовувати для приготування на грилі великої кількості м'яса.

- Розміщуйте великі чи середні порції на решітці у правильному положенні під нагрівачем гриля для смаження на грилі.
- Переверніть продукти, коли мине половина часу приготування.

Гриль + обдування



Продуктивність гриля у звичайному режимі не така висока, як у турборежимі

- Розміщуйте невеликі чи середні порції на полиці в правильному положенні під нагрівачем гриля для приготування на грилі.
- Переверніть продукти, коли мине половина часу приготування.

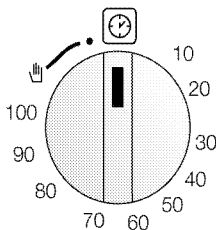
Швидке нагрівання



Ця функція дає змогу швидко розігріти духову шафу, але не підходить для приготування страв.

- Вибравши цю функцію, задайте потрібну температуру. Ввімкнеться лампа температури, і духовка шафа почне розігріватися.
- Лампа вимкнеться після того, як розігрівання завершиться. Тепер виберіть потрібну функцію приготування.

Користування годинником духової шафи



Таблиця часу приготування



Значення часу в цій таблиці слід вважати довідковими. Вони можуть змінюватися залежно від температури продуктів, товщини, виду та ваших кулінарних уподобань.

Страва	Кількість піддонів	Аксесуар для використання	Робочий режим	Положення решітки	Температура (°C)	Час приготування (хв.)
Пироги на деці	Один піддон	Стандартне деко*		3	180	25 ... 30
Кекси в формі	Один піддон	Форма для тортів на гриль-решітці**		2	180	40 ... 50
Тістечка	Один піддон	Стандартне деко*		3	160	25 ... 35
Бісквітний торт	Один	Кругла розбірна форма для		3	160	25 ... 35

Початок приготування



Щоб використовувати духову шафу, оберіть режим приготування, потрібну температуру й налаштуйте час. У разі недотримання цієї вимоги духовка не працюватиме.

1. Поверніть ручку налаштування часу в напрямку годинникової стрілки, щоб налаштувати час приготування.
2. Поставте страву в духовку.
3. Виберіть режим і температуру; див. *Використання електричної духової шафи, стор. 19.*

» Духова шафа нагріватиметься до заданої температури і підтримуватиме її до завершення вибраного часу приготування.

4. Коли час приготування завершиться, ручка налаштування часу автоматично повернеться проти годинникової стрілки. Пролунає попереджувальний сигнал, що вказує на завершення заданого часу та вимикання живлення.



Щоб вимкнути функцію таймера, поверніть ручку проти годинникової стрілки до символу руки.

5. Вимкніть духову шафу за допомогою ручки налаштування часу, ручки вибору функцій або ручки регулювання температури.










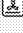

Вимкнення духової шафи до завершення встановленого часу

1. Поверніть ручку налаштування часу проти годинникової стрілки до зупинки.
2. Вимкніть духову шафу за допомогою ручки вибору функцій і ручки регулювання температури.

Запікання та смаження







Першою полицею духовки є нижня полиця.

	піддон	випікання на гриль-решітці діаметром 26 см**				
Печиво	Один піддон	Деко для солодкої випічки*		3	180	25 ... 30
Тісто для випічки	Один піддон	Стандартне деко*		2	200	30 ... 40
Здобна випічка	Один піддон	Стандартне деко*		2	200	25 ... 35
Дріжджі	Один піддон	Стандартне деко*		2	200	35 ... 45
Лазанья	Один піддон	Скляна/металевапрямокутна форма для випікання нагриль-решітці**		2 - 3	200	30 ... 40
Піца	Один піддон	Стандартне деко*		2	200 ... 220	15 ... 20
Біфштекс (щільний)/печеня	Один піддон	Стандартне деко*		3	25 мін. 250/max, потім 180 ... 190	100 ... 120
Бараняче стегно (запіканка)	Один піддон	Стандартне деко*		3	25 мін. 220 потім 180 ... 190	70 ... 90
Смажене курча (1,8-2 кг)	Один піддон	Стандартне деко*		2	15 мін. 250/max, потім 180 ... 190	60 ... 80
Індичка (5.5 кг)	Один піддон	Стандартне деко*		1	25 мін. 250/max, потім 180 ... 190	150 ... 210
Риба	Один піддон	Стандартне деко*		3	200	20 ... 30
Для усіх типів продуктів рекомендовано виконувати попередній розігрів. * Ці аксесуари можуть не постачатися з виробом. ** Ці аксесуари не постачаються з виробом. Їх можна придбати окремо.						

Таблиця пробного приготування

Страви, що включені до цієї таблиці мають бути приготовані відповідно до EN 60350-1, щоб полегшити контролюючій організації процес перевірки продукту.


Страва	Кількість піддонів	Аксесуар для використання	Робочий режим	Положення решітки	Температура (°C)	Час приготування (хв.)
Пісочне	Один піддон	Стандартне деко*		3	140	20 ... 30
Тістечка	Один піддон	Стандартне деко*		3	160	25 ... 35
Бісквітний торт	Один піддон	Кругла розбірна форма для випікання на гриль-решітці діаметром 26 см**		3	160	25 ... 35
Пиріг з яблуками	Один піддон	Кругла металічна таріль для випікання на гриль-решітці діаметром 20 см.**		2	180	50 ... 60
Для усіх типів продуктів рекомендовано виконувати попередній розігрів. * Ці аксесуари можуть не постачатися з виробом. ** Ці аксесуари не постачаються з виробом. Їх можна придбати окремо.						

Поради щодо випікання кексів і тортів

- Якщо тісто засухе, збільшіть температуру на 10 °C і скоротіть час приготування.
- Якщо тісто вологе, використовуйте менше рідини та зменшіть температуру на 10°C.
- Якщо тісто затемне зверху, встановіть його на нижчу полицю, зменшіть температуру та збільшіть час приготування.
- Якщо тісто всередині готове, а зовні липке, використовуйте менше рідини, зменшіть температуру та збільшіть час приготування.

Поради щодо випікання тіста


- Якщо тісто засухе, збільшіть температуру на 10 °C і скоротіть час приготування. Просочіть шари тіста соусом з молока, олії, яйця та йогурту.
- Якщо тісто запікається занадто повільно, забезпечте, щоб його товщина не перевищувала глибини дека.
- Якщо верхня частина тіста набуває золотаво-коричневого відтінку, а нижня не готова, упевніться, що кількості соусу в нижній частині тіста не забагато. Розподіляйте соус порівну між шарами тіста й угорі для рівномірного випікання.

 Готуйте випічку відповідно до режиму й температури, зазначених у таблиці рецептів. Якщо нижня частина все-таки підсмажилася недостатньо, наступного разу встановіть випічку на один рівень нижче.

Поради щодо приготування овочів

- Якщо з посуду з овочами випаровується сік, готуйте овочі в посуді з кришкою замість дека. Закритий посуд не дозволить соку випаровуватися.
- Якщо овочева страва не доходить до готовності, зваріть овочі, приготуйте за зразком консервованих продуктів і поставте в духовку.

Використання гриля

 **ПОПЕРЕДЖЕННЯ!**
Зачиняйте дверцята духовки під час смаження на грилі.
Гарячі поверхні можуть стати причиною опіків!

- Під час використання гриля поверніть ручку регулювання часу проти годинникової стрілки до символу руки.

Увімкнення гриля

1. Поверніть ручку вибору функції до потрібного символу гриля.
2. Потім виберіть потрібну температуру гриля.
3. За потреби виконайте попередній розігрів протягом приблизно 5 хвилин.

» Увімкнеться індикатор температури.

Вимкнення гриля

1. Поверніть ручку вибору функції у вимкнене (верхнє) положення.



Продукти, непридатні для приготування на грилі, можуть спричинити займання. Для смаження на грилі використовуйте тільки їжу, призначену для смаження на грилі за умови високої температури.
Не розміщуйте продукти занадто близько до задньої частини гриля. Це найгарячіше місце, і жирна їжа може загорітися.

Таблиця часу приготування на грилі Приготування за допомогою електричного гриля

Страва	Аksesуар для використання	Положення решітки	Рекомендована температура**	Час приготування на грилі (прибл.)
Риба	Решітчастий гриль	4..5	250	20...25 хв. *
Нарізане курча	Решітчастий гриль	4..5	250	25...35 хв.
Відбивні з м'яса молодого баранчика	Решітчастий гриль	4..5	250	20...25 хв.
Ростбїф	Решітчастий гриль	4..5	250	25...30 хв. #
Телячі відбивні	Решітчастий гриль	4..5	250	25...30 хв. #
Грінки *	Решітчастий гриль	4	250	1...3 хв.

* залежно від товщини

Попередньо розігрійте протягом 5 хвилин

**Якщо температуру решітки вашого продукту неможливо відрегулювати, гриль буде працювати при рекомендованій температурі.

Страви, що включені до цієї таблиці мають бути приготовані відповідно до EN 60350-1, щоб полегшити контролюючій організації процес перевірки продукту.

Страва	Аksesуар для використання	Положення решітки	Температура (°C)	Час приготування (хв.)
Грінки	Решітчастий гриль	4	250	1...3 мін.
Фрикадельки (яловичина) - 12 шматочками	Решітчастий гриль	4	250	25...35 мін.

Перевіряйте страву після 2/3 від загального часу жарки.

Для запікання усіх типів продуктів рекомендовано виконувати попередній розігрів протягом 5 хвилин.

6 Догляд і технічне обслуговування

Загальна інформація

За умови регулярного очищення приладу його термін використання буде подовжено, а частоту виникнення несправностей зменшено.



НЕБЕЗПЕЧНО:

Перш ніж розпочинати роботи з обслуговування та чищення, відключіть виріб від мережі електроживлення. Існує ризик ураження електричним струмом!



НЕБЕЗПЕЧНО:

Перед очищенням пристрою зачекайте, поки він охолоне. Гарячі поверхні можуть стати причиною опіків!

- Ретельно очищуйте прилад після кожного використання. Це спрощує видалення залишків їжі та запобігає їхньому згоранню під час наступного використання приладу.
- Для чистки приладу спеціальні засоби для миття не потрібні. Використовуйте теплу воду з розчищеною в ній рідиною для миття та шматок м'якої тканини чи губку, а також шматок сухої тканини для витирання насухо.
- Слідкуйте за тим, аби після очищення ретельно витирати надлишок води чи усувати пролиті рештки.
- Не користуйтеся засобами, що містять кислоту чи хлор, для чистки поверхонь із нержавіючої сталі та ручки. Витирайте ці частини м'якою тканиною, змоченою в рідкому засобі для миття (не абразивному), не змінюючи напрямку.



Деякі засоби для миття або матеріали для чищення можуть пошкодити поверхню. Під час чищення не використовуйте агресивні засоби для миття, порошки/рідини для чищення або гострі предмети.



Не використовуйте для чищення парові пристрої, бо це може призвести до ураження електричним струмом.

Очищення панелі управління

Протріть панель управління й ручки вологою тканиною й витріть їх насухо.



Якщо виріб оснащено кнопками/ручками, не знімайте ручки управління з панелі управління для чищення.

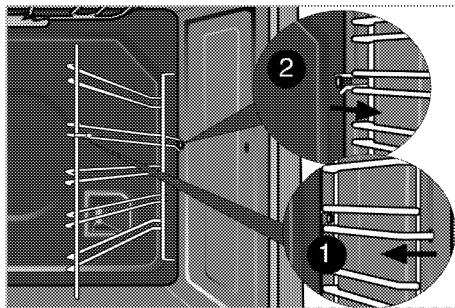
Це може пошкодити панель управління!

Очищення духовки

Очищення бічної стінки (Залежить від моделі пристрою.)

(Ця функція — додаткова. Вона може бути відсутньою у вашому виробі.)

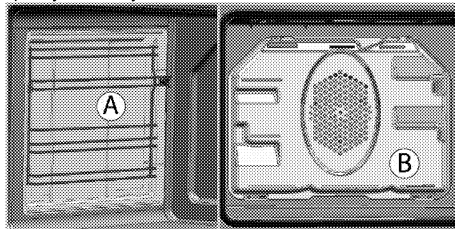
1. Зніміть передню частину бічної стійки, потягнувши у протилежному до бічної стінки напрямку.
2. Повністю зніміть бічну стійку, потягнувши до себе.



Стінки з каталітичним покриттям

(Ця функція — додаткова. Вона може бути відсутньою у вашому виробі.)

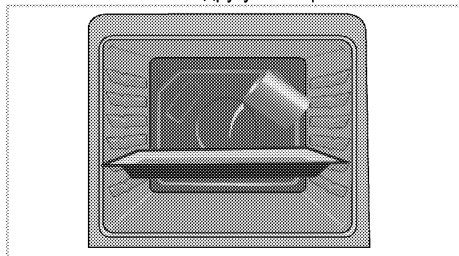
Внутрішні бічні стінки (А) і (чи) задня стінка (В) вашого виробу можуть мати каталітичне емалеве покриття. Стінки з каталітичним покриттям мають світлу матову пористу поверхню. Стінки духовки, що мають каталітичне покриття, не слід чистити. Завдяки своїй перфорованій структурі, поверхні, що мають каталітичне покриття, поглинають жир та починають блищати при його накопиченні. У цьому випадку необхідно замінити такі частини.



Просте чищення паром

Це спрощує чищення, оскільки бруд (після нетривалого очікування) пом'якшує пара, яка утворюється всередині духовки, та краплі води, які конденсуються на внутрішніх поверхнях духовки.

1. Витягніть з духовки все приладдя.
2. Налийте 500 мл води на деку духової печі й помістіть його на другу полицю печі.



3. Встановіть духовку до легкого режиму очищення паром і працювати на 100 ° C протягом 25 хвилин.
4. Відчиніть дверцята та протріть внутрішні поверхні духовки вологою губкою чи тканиною.
5. Стийкий бруд слід видаляти розчином рідкого засобу для миття в теплій воді, використовуючи м'яку тканину чи губку, а потім витирати насухо сухою тканиною.

i Під час роботи у режимі простого очищення паром, вода, що була налита у піднос для розм'якшення осаду/бруду всередині духовки, випарується та конденсується всередині духовки та внутрішній поверхні дверцят духовки, тому при відкритті дверцят може капати вода. Витріть конденсат зразу після відкриття дверцят духовки.

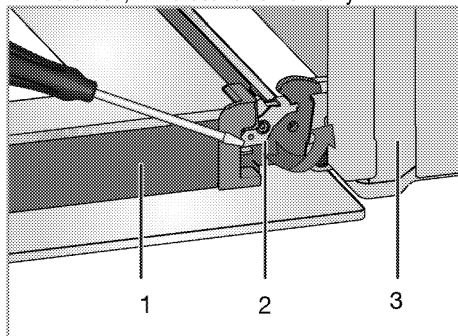
Очищення дверцят духовки

Для очищення дверцят духової шафи використовуйте теплу воду з розчиною в ній рідиною для миття та шматок м'якої тканини чи губку, а також шматок сухої тканини для витирання насухо.

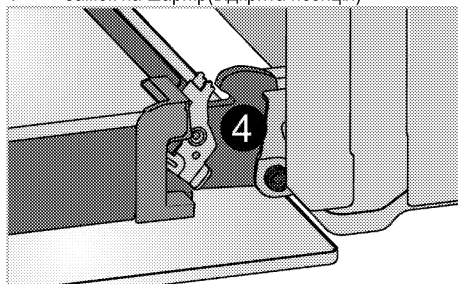
i Для чищення дверцят духової шафи не користуйтеся жорсткими абразивними засобами або гострими металевими скребками. Вони можуть подряпати поверхню та пошкодити скло.

Демонтаж дверцят духової шафи

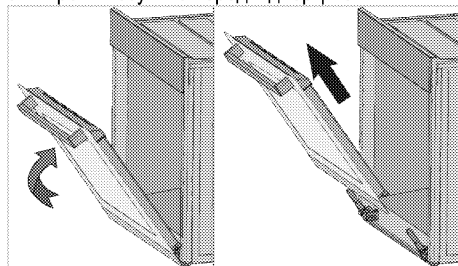
1. Відчиніть передні дверцята (1).
2. Відкрийте скоби гнізда для петлі (2) з правого та лівого боків передніх дверцят, натиснувши на скоби, як показано на малюнку.



- 1 Дверцята
- 2 Замок на шарнір(закрите положення)
- 3 Духова шафа
- 4 Замок на шарнір(відкрита позиція)



3. Трохи посуньте передні дверцята.



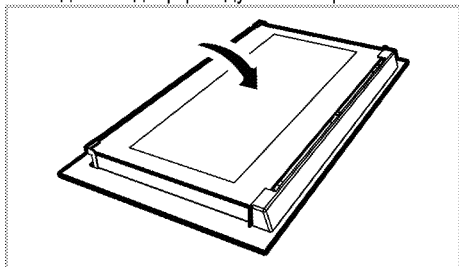
4. Вийміть передні дверцята, потягнувши вгору, доки вони не звільняться з правої та лівої петель.

i Для встановлення дверцят на місце слід повторити процес виймання у зворотному порядку. Не забудьте закрити скоби гнізда для петлі.

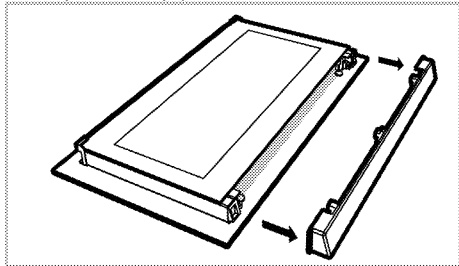
Виймання внутрішнього скла дверцят (Ця функція — додаткова. Вона може бути відсутньою у вашому виробі.)

Внутрішню скляну панель дверцят духової шафи
можна вийняти для чистки.

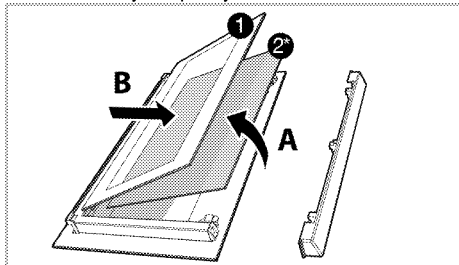
1. Відчиніть дверцята духової шафи.



2. Потягніть на себе та витягніть пластмасову
накладку, встановлену у верхній секції
передніх дверцят.



3. Як показано на малюнку, трохи підніміть
найглибшу скляну панель (1) у напрямку А та
витягніть у напрямку В.



- 1 Найглибша скляна панель
- 2* Найглибша скляна панель. Вона може бути
відсутньою у вашому виробі.)
4. Якщо пристрій має середню скляну панель(2);
Повторіть ці дії, щоб зняти внутрішню скляну
панель (2).
5. Перший крок зі збирання дверцят –
встановити внутрішню скляну панель (2).
Скошені кути скляної панелі мають збігатися з
фаскою на пластмасовому тримачі. (Якщо
пристрій має середню скляну панель).

внутрішню скляну панель (2) слід встановити у
пластиковий тримач поряд із найглибшою
скляною панеллю (1).

6. Вставляйте найглибшу скляну панель (1) так,
щоб поверхня з написом була звернута до
внутрішньої скляної панелі. Важливо вставити
нижній кут внутрішньої скляної панелі в
нижній пластмасовий тримач.
7. Притисніть пластмасову накладку до рами,
поки не почуєте клацання.

Заміна лампи освітлення духової шафи



НЕБЕЗПЕЧНО:

Щоб уникнути ризику ураження
електричним струмом, перш ніж
замінювати лампочку, упевніться, що
пристрій вимкнено і він охолов.
Гарячі поверхні можуть стати причиною
опіків!



У цій печі використовується лампа
розжарювання потужністю менше 40 Вт,
висотою менше 60 мм, діаметром менше
30 мм або галогенна лампа з розеткою
типу G9, потужністю менше 60 Вт. Лампи
придатні для роботи при температурі вище
300 ° С. Лампи для духовки можна
отримати у авторизованих сервісних
агентів або техніка з ліцензією.



Розташування лампи може відрізнятись
від зображення на малюнку.



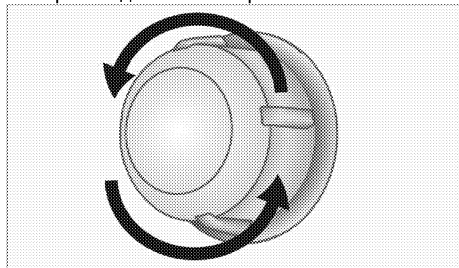
Лампа, що використовується у цьому
пристрої, не може працювати у якості
освітлення житлових приміщень. Ці лампи
призначені, щоб користувач міг
роздвинути продукти харчування.



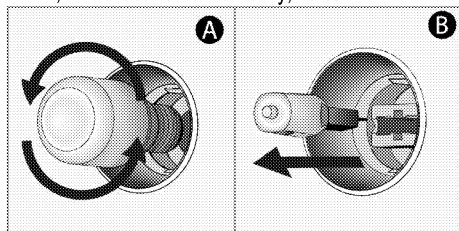
Лампи, що використовуються у цьому
пристрої, повинні витримувати важкі умови
експлуатації, наприклад температури вище
50 °С.

Якщо у вашій духовій шафі встановлена кругла лампа підсвічування:

1. Від'єднайте прилад від електромережі.
2. Потім зніміть захисне скло, повернувши його проти годинникової стрілки.



3. Якщо лампочка підсвічування духовки належить до типу (А), який зображено на малюнку нижче, викрутіть її, обертаючи, як показано на малюнку, та замініть іншою. Якщо вона належить до типу (В), потягніть і вийміть її, як показано на малюнку, та замініть іншою.



4. Встановіть захисне скло лампи на місце.

7 Пошук та усунення несправностей

Під час використання духової шафи виділяє пару.

- Зазвичай під час роботи з'являється пара. >>> *Це не несправність.*

Під час нагрівання й охолодження чути «металічні» звуки.

- Коли металічні частини нагріваються, вони можуть розширюватися і створювати шум. >>> *Це не несправність.*

Пристрій не працює.

- Запобіжник несправний або перегорів. >>> *Перевірте запобіжники. За необхідності замініть або вимкніть їх.*
- Пристрій не під'єднано до (заземленої) розетки. >>> *Перевірте підключення штепсельної вилки.*

Підсвічування духової шафи не працює.

- Несправна лампа духовки. >>> *Замініть лампу духовки.*
- Електроживлення вимкнене. >>> *Перевірте наявність електроживлення. Перевірте запобіжники у блоці запобіжників. За необхідності замініть або вимкніть їх.*

Духовка не нагрівається.

- Функцію та/або температуру не встановлено. >>> *Налаштуйте функцію та температуру за допомогою ручки/клавіші вибору функції та/або температури.*
- У моделях з таймером таймер не налаштовано. >>> *Налаштуйте час. (У пристроях з мікрохвильовою піччю таймер управляє лише нею.)*
- Електроживлення вимкнене. >>> *Перевірте наявність електроживлення. Перевірте запобіжники у блоці запобіжників. За необхідності замініть або вимкніть їх.*

(У моделях з таймером) Дисплей годинника блимає, або світиться символ годинника.

- Сталося порушення енергопостачання. >>> *Налаштуйте час/увімкніть пристрій і вимкніть його знову.*



Якщо, незважаючи на застосування інструкцій цього розділу, несправність усунути не вдалося, зверніться до представника авторизованої сервісної служби чи дилера, в якого ви придбали пристрій. Не намагайтеся відремонтувати несправний пристрій самотужки.

Виробник: "Arçelik A.S."

"Arçelik A.S.", м. Стамбул, Сютлюдже, вул. Караагач №2-6, 34445, Туреччина
(Karaağaç Caddesi No:2-6 Sütlüce, 34445, Turkey)

Офіційний представник на території України: ТОВ «Беко Україна»,
адреса: 01021, м. Київ, вул. Кловський узвіз, буд. 5 тел/факс.: 0-800-500-4-3-2

Термін служби десять років

Інформацію про сертифікацію продукту Ви можете уточнити, зателефонувавши на гарячу лінію 0-800-500-4-3-2.

Дата виробництва міститься в серійному номері продукту, що вказаний на етикетці, розташованій на продукті, а саме, перші дві цифри серійного номера позначають рік виробництва, а останні дві - місяць.

Наприклад, «10-100001-05» означає, що продукт виготовлений в травні 2010 року.

