



Built-in Oven

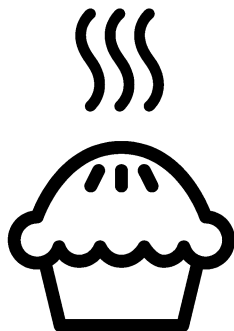
User Manual

Встраиваемая духовка

Руководство пользователя

Кірістірілген пеш

Пайдаланушы нұсқаулығы



OIE27207C-ORE27205C-OIE27207A
ORE27205A

EN / RU / KK

285.4469.10/R.AB/15.11.2019

7791686703-7791686704-7791686705-7791686706

Please read this user manual first!

Dear Customer,

Thank you for purchasing this Beko product. We hope that you get the best results from your product which has been manufactured with high quality and state-of-the-art technology. Therefore, please read this entire user manual and all other accompanying documents carefully before using the product and keep it as a reference for future use. If you handover the product to someone else, give the user manual as well. Follow all warnings and information in the user manual.

Remember that this user manual is also applicable for several other models. Differences between models will be identified in the manual.

Explanation of symbols

Throughout this user manual the following symbols are used:



Important information or useful hints about usage.



Warning of hazardous situations with regard to life and property.



Warning of electric shock.



Warning of risk of fire.



Warning of hot surfaces.

Arçelik A.Ş.

Karaağaç caddesi No:2-6
34445 Sülüce/İstanbul/TURKEY

Made in TURKEY



This product was manufactured using the latest technology in environmentally friendly conditions.

TABLE OF CONTENTS

1 Important instructions and warnings for safety and environment 4

General safety	4
Electrical safety	4
Product safety	5
Intended use	7
Safety for children.....	7
Disposing of the old product.....	8
Package information	8

2 General information 9

Overview	9
Package contents	10
Technical specifications	11

3 Installation 12

Before installation	12
Installation and connection	14
Future Transportation.....	15

4 Preparation 17

Tips for saving energy	17
Initial use.....	17
Time setting	17
First cleaning of the appliance	17
Initial heating.....	18

5 How to operate the oven 19

General information on baking, roasting and grilling.....	19
How to operate the electric oven	19
Operating modes.....	20
Using the oven clock	21
Using the clock as an alarm.....	21
Cooking times table.....	22
How to operate the grill.....	23
Cooking times table for grilling.....	24

6 Maintenance and care 25

General information	25
Cleaning the control panel	25
Cleaning the oven	25
Removing the oven door	26
Removing the door inner glass	26
Replacing the oven lamp.....	27

7 Troubleshooting 29

1 Important instructions and warnings for safety and environment

This section contains safety instructions that will help protect from risk of personal injury or property damage. Failure to follow these instructions shall void any warranty.

General safety

- This appliance can be used by children aged from 8 years and above and persons with reduced physical, sensory or mental capabilities or lack of experience and knowledge if they have been given supervision or instruction concerning use of the appliance in a safe way and understand the hazards involved.

Children shall not play with the appliance. Cleaning and user maintenance shall not be made by children without supervision.

- The appliance is not to be used by persons (including children) with reduced physical, sensory or mental capabilities, or lack of experience and knowledge, unless they have been given supervision or instruction. Children should be supervised and ensure they do not play with the appliance
- If the product is handed over to someone else for personal use or second-hand use purposes, the

user manual, product labels and other relevant documents and parts should be also given.

- Installation and repair procedures must always be performed by Authorised Service Agents. The manufacturer shall not be held responsible for damages arising from procedures carried out by unauthorised persons which may also void the warranty. Before installation, read the instructions carefully.
- Do not operate the product if it is defective or has any visible damage.
- Ensure that the product function knobs are switched off after every use.

Electrical safety

- If the product has a failure, it should not be operated unless it is repaired by an Authorised Service Agent. There is the risk of electric shock!
- Only connect the product to a grounded outlet/line with the voltage and protection as specified in the "Technical specifications". Have the grounding installation made by a qualified electrician while using the product with or without a

transformer. Our company shall not be liable for any problems arising due to the product not being earthed in accordance with the local regulations.

- Never wash the product by spreading or pouring water onto it! There is the risk of electric shock!
- Never touch the plug with wet hands! Never unplug by pulling on the cable, always pull out by holding the plug.
- The product must be disconnected during installation, maintenance, cleaning and repairing procedures.
- If the power connection cable for the product is damaged, it must be replaced by the manufacturer, its service agent or similarly qualified persons in order to avoid a hazard.
- The appliance must be installed so that it can be completely disconnected from the mains supply. The separation must be provided by a switch built into the fixed electrical installation, according to construction regulations.
- Rear surface of the oven gets hot when it is in use. Make sure that the electrical connection does not contact the rear surface; otherwise, connections can get damaged.

- Do not trap the mains cable between the oven door and frame and do not route it over hot surfaces. Otherwise, cable insulation may melt and cause fire as a result of short circuit.
- Any work on electrical equipment and systems should only be carried out by authorised and qualified persons.
- In case of any damage, switch off the product and disconnect it from the mains. To do this, turn off the fuse at home.
- Make sure that fuse rating is compatible with the product.

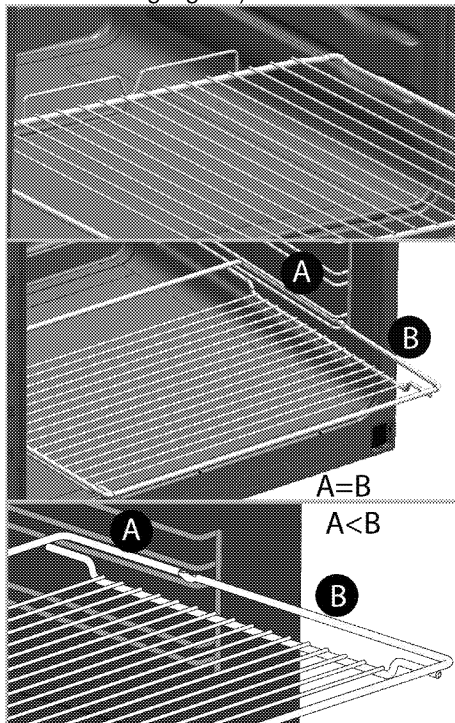
Product safety

- **WARNING:** The appliance and its accessible parts become hot during use. Care should be taken to avoid touching heating elements. Children less than 8 years of age shall be kept away unless continuously supervised.
- Never use the product when your judgment or coordination is impaired by the use of alcohol and/or drugs.
- Be careful when using alcoholic drinks in your dishes. Alcohol evaporates at high temperatures and may cause fire since it can ignite when it comes into contact with hot surfaces.
- **Food Poisoning Hazard:** Do not let food sit in oven for more than 1

hour before or after cooking. Doing so can result in food poisoning or sickness.

- Do not place any flammable materials close to the product as the sides may become hot during use.
- During use the appliances becomes hot. Care should be taken to avoid touching heating elements inside the oven.
- Keep all ventilation slots clear of obstructions.
- Do not heat closed tins and glass jars in the oven. The pressure that would build-up in the tin/jar may cause it to burst.
- Do not place baking trays, dishes or aluminium foil directly onto the bottom of the oven. The heat accumulation might damage the bottom of the oven.
- Do not use harsh abrasive cleaners or sharp metal scrapers to clean the oven door glass since they can scratch the surface, which may result in shattering of the glass.
- Do not use steam cleaners to clean the appliance as this may cause an electric shock.
- (Varies depending on the product model.)
Placing the wire shelf and tray onto the wire racks properly

It is important to place the wire shelf and/or tray onto the rack properly. Slide the wire shelf or tray between 2 rails and make sure that it is balanced before placing food on it (Please see the following figure).



- Do not use the product if the front door glass removed or cracked.
- Do not use the oven handle to hang towels for drying. Do not hang up towel, gloves, or similar textile products when the grill function is at open door.
- Always use heat resistant oven gloves when putting in or removing dishes into/from the hot oven.

- Place the baking paper into the cooking pot or on to the oven accessory (tray, wire grill etc) together with the food and then insert all into the preheated oven. Remove the excess parts of the baking paper overflowing from the accessory or the pot in order to prevent the risk of touching the oven's heating elements. Never use the baking paper in an operating temperature higher than the indicated value for the baking paper. Do not place the baking paper directly on the base of the oven.
- **WARNING:** Ensure that power cord of the appliance is unplugged or circuit breaker is switched off before replacing the lamp to avoid the possibility of electric shock.
- The appliance must not be installed behind a decorative door in order to avoid overheating.

Prevention against possible fire risk!

- Ensure all electrical connections are secure and tight to prevent risk of arcing.
- Do not use damaged cables or extension cables.
- Ensure liquid or moisture is not accessible to the electrical connection point.

Intended use

- This product is designed for domestic use. Commercial use will void the guarantee.
- **CAUTION:** This appliance is for cooking purposes only. It must not be used for other purposes, for example room heating.
- This product should not be used for warming the plates under the grill, drying towels, dish cloths etc. by hanging them on the oven door handles. This product should also not be used for room heating purposes.
- The manufacturer shall not be liable for any damage caused by improper use or handling errors.
- The oven can be used for defrosting, baking, roasting and grilling food.

Safety for children

- **WARNING:** Accessible parts may become hot during use. Young children should be kept away.
- The packaging materials will be dangerous for children. Keep the packaging materials away from children. Please dispose of all parts of the packaging according to environmental standards.
- Electrical products are dangerous to children. Keep children away from the product when it is operating and do not allow them to play with the product.

- Do not place any items above the appliance that children may reach for.
- When the door is open, do not load any heavy object on it and do not allow children to sit on it. It may overturn or door hinges may get damaged.

Disposing of the old product

Compliance with the WEEE Directive and Disposing of the Waste Product:



This product complies with EU WEEE Directive (2012/19/EU). This product bears a classification symbol for waste electrical and electronic equipment (WEEE).

This product has been manufactured with high quality parts and materials which can be reused and are suitable for recycling. Do not dispose of the waste product with normal domestic and other wastes at the end of its service life. Take it to the collection center for the recycling of electrical and electronic equipment. Please consult your local authorities to learn about these collection centers.

Compliance with RoHS Directive:

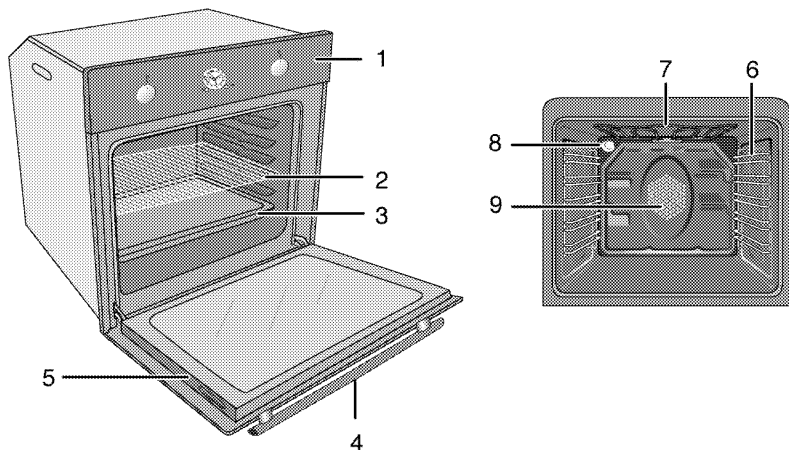
The product you have purchased complies with EU RoHS Directive (2011/65/EU). It does not contain harmful and prohibited materials specified in the Directive.

Package information

- Packaging materials of the product are manufactured from recyclable materials in accordance with our National Environment Regulations. Do not dispose of the packaging materials together with the domestic or other wastes. Take them to the packaging material collection points designated by the local authorities.

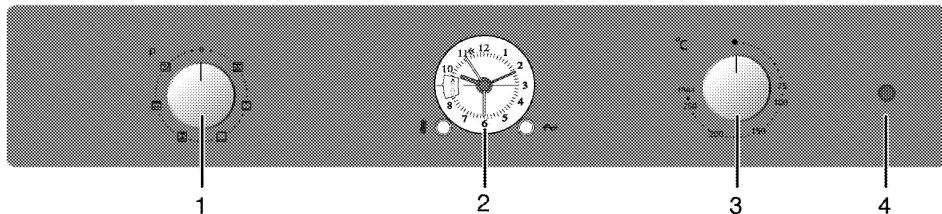
2 General information

Overview



- 1 Control panel
- 2 Wire shelf
- 3 Tray
- 4 Handle
- 5 Door

- 6 Shelf positions
- 7 Top heating element
- 8 Lamp
- 9 Fan motor (behind steel plate)



- 1 Function knob
- 2 Mechanical timer

- 3 Thermostat knob
- 4 Thermostat lamp

Package contents

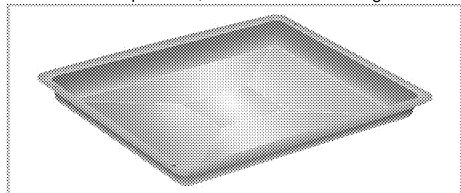


Accessories supplied can vary depending on the product model. Not every accessory described in the user manual may exist on your product.

1. **User manual**

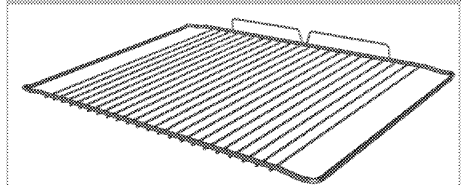
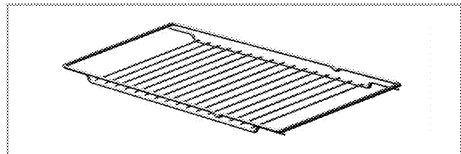
2. **Standard tray**

Used for pastries, frozen foods and big roasts.



3. **Wire grill**

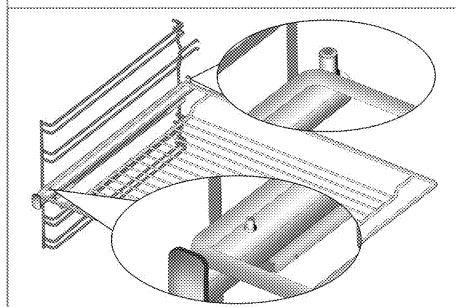
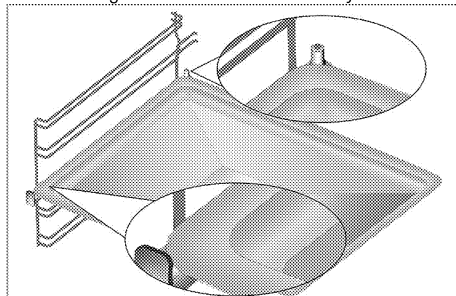
Used for roasting and for placing the food to be baked, roasted or cooked in casserole dishes to the desired rack.



4. **Placing the wire shelf and tray onto the telescopic racks properly**
(This feature is optional. It may not exist on your product.)

Telescopic racks allow you to install and remove the trays and wire shelf easily.

When using the tray and wire shelf with telescopic racks, make sure that the pins at the rear section of the telescopic rack stands against the edges of the wire shelf and tray.



Technical specifications

Voltage / frequency	220-240 V ~ 50 Hz
Total power consumption	2.4 kW
Cable type / section	min.H05W-FG 3 x 1,5 mm ²
External dimensions (height / width / depth)	595 mm/594 mm/567 mm
Installation dimensions (height / width / depth)	**590 or 600 mm/560 mm/min. 550 mm
Main oven	Multifunction oven
Inner lamp	15/25 W
Grill power consumption	2.2 kW

Basics: Information on the energy label of electrical ovens is given in accordance with the EN 60350-1 / IEC 60350-1 standard. Those values are determined under standard load with bottom-top heater or fan assisted heating (if any) functions.

Energy efficiency class is determined in accordance with the following prioritization depending on whether the relevant functions exist on the product or not. 1-Cooking with eco-fan, 2- Turbo slow cooking, 3- Turbo cooking, 4- Fan assisted bottom/top heating, 5-Top and bottom heating.

** See. *Installation, page 12.*



Technical specifications may be changed without prior notice to improve the quality of the product.



Figures in this manual are schematic and may not exactly match your product.



Values stated on the product labels or in the documentation accompanying it are obtained in laboratory conditions in accordance with relevant standards. Depending on operational and environmental conditions of the product, these values may vary.

3 Installation

Product must be installed by a qualified person in accordance with the regulations in force. The manufacturer shall not be held responsible for damages arising from procedures carried out by unauthorized persons which may also void the warranty.



Preparation of location and electrical installation for the product is under customer's responsibility.



DANGER:

The product must be installed in accordance with all local electrical regulations.



DANGER:

Prior to installation, visually check if the product has any defects on it. If so, do not have it installed.

Damaged products cause risks for your safety.

Before installation

The appliances must not be installed behind a decorative door in order to avoid overheating. The appliance is intended for installation in commercially available kitchen cabinets. A safety distance must be left between the appliance and the kitchen walls and furniture. See figure (values in mm).

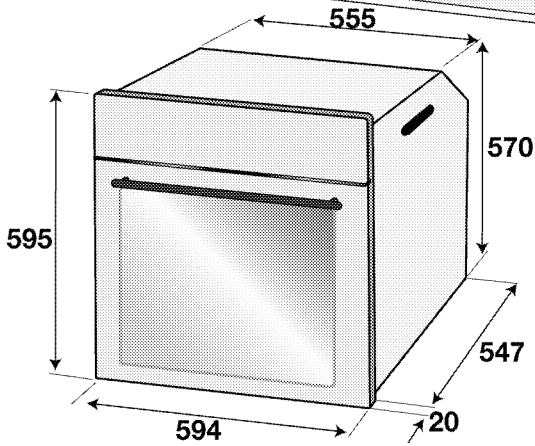
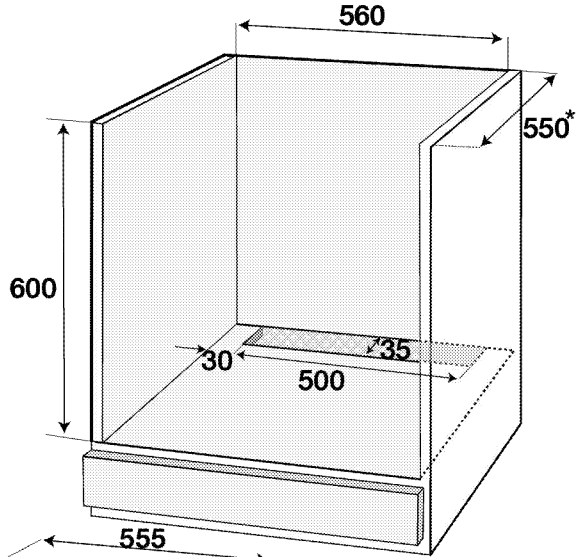
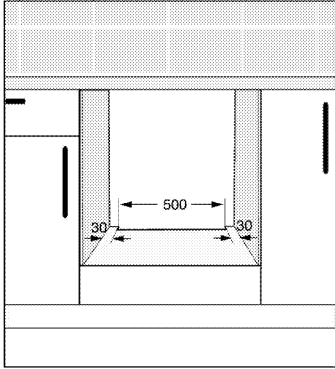
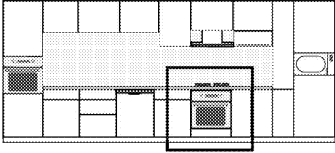
- Surfaces, synthetic laminates and adhesives used must be heat resistant (100 °C minimum).
- Kitchen cabinets must be set level and fixed.
- If there is a drawer beneath the oven, a shelf must be installed in order to separate from the oven and drawer.
- Carry the appliance with at least two persons.
- Hold the oven from the slots for handling on both sides to move it.
- Before installing the product, remove all materials and documents inside.
- Kitchen furniture must be in compliance with the dimensions given in the figure below. At the rear section of the kitchen furniture, an opening must be cut out with the dimensions given in the figure below to ensure sufficient ventilation.



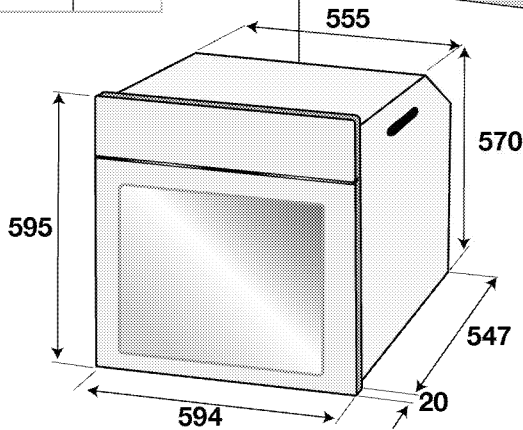
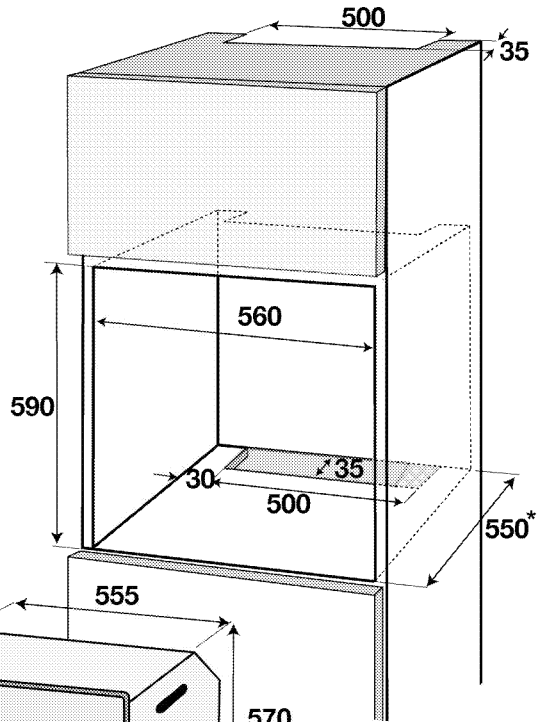
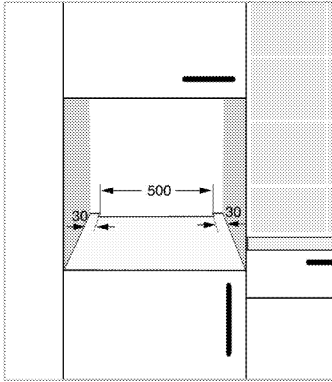
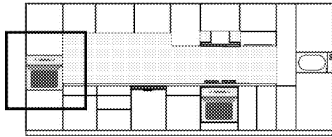
Do not install the appliance next to refrigerators or freezers. The heat emitted by the appliance will lead to an increased energy consumption of cooling appliances.



The door and/or handle must not be used for lifting or moving the appliance.



* min.



* min.

Installation and connection

- The product must be installed in accordance with all local gas and electrical regulations.

Electrical connection

Connect the product to a grounded outlet/line protected by a miniature circuit breaker of suitable capacity as stated in the "Technical specifications" table. Have the grounding installation made by a qualified electrician while using the product with or without a transformer. Our company shall not be liable for any damages that will arise due to using the

product without a grounding installation in accordance with the local regulations.



DANGER:

The product must be connected to the mains supply only by an authorised and qualified person. The product's warranty period starts only after correct installation. Manufacturer shall not be held responsible for damages arising from procedures carried out by unauthorised persons.

**DANGER:**

The power cable must not be clamped, bent or trapped or come into contact with hot parts of the product.

A damaged power cable must be replaced by a qualified electrician. Otherwise, there is risk of electric shock, short circuit or fire!

- Connection must comply with national regulations.
- The mains supply data must correspond to the data specified on the type label of the product. Open the front door to see the type label.
- Power cable of your product must comply with the values in "Technical specifications" table.

**DANGER:**

Before starting any work on the electrical installation, disconnect the product from the mains supply.

There is the risk of electric shock!



Power cable plug must be within easy reach after installation (do not route it above the hob).

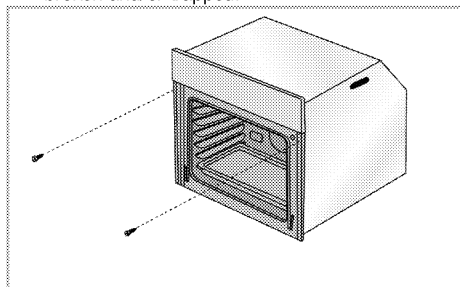


While performing the wiring, you must apply with the national/local electrical regulations and must use the appropriate socket outlet/line and plug for oven. In case of the product's power limits are out of current carrying capability of plug and socket outlet/line, the product must be connected through fixed electrical installation directly without using plug and socket outlet/line.

Plug the power cable into the socket.

Installing the product

1. Slide the oven into the cabinet, align and secure it while making sure that the power cable is not broken and/or trapped.

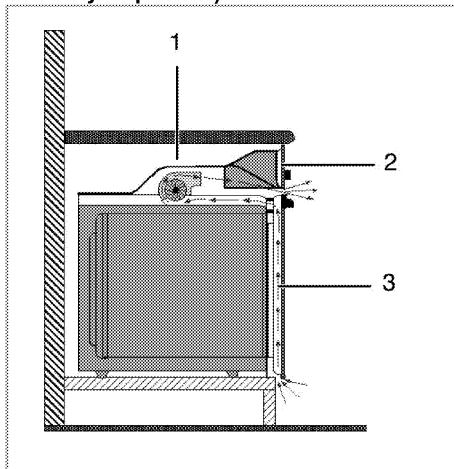


Secure the oven with 2 screws as illustrated.

After the installation, make sure that the screws are sufficiently tightened and the oven does not move.

Oven may tip over during use if it is not installed as per

the instructions and if the screws are not sufficiently tightened.

For products with cooling fan (This may not exist on your product.)

- 1 Cooling fan
- 2 Control panel
- 3 Door

The built-in cooling fan cools both the built-in cabinet and the front of the product.



Cooling fan continues to operate for about 20-30 minutes after the oven is switched off.

If you have cooked by programming the timer of the oven, cooling fan will also be switched off at the end of the cooking time together with all functions.

Final check

1. Operate the product.
2. Check the functions.

Future Transportation

- Keep the product's original carton and transport the product in it. Follow the instructions on the carton. If you do not have the original carton, pack the product in bubble wrap or thick cardboard and tape it securely.
- To prevent the wire grill and tray inside the oven from damaging the oven door, place a strip of cardboard onto the inside of the oven door that lines up with the position of the trays. Tape the oven door to the side walls.
- Do not use the door or handle to lift or move the product.



Do not place any objects onto the product and move it in upright position.



Check the general appearance of your product for any damages that might have occurred during transportation.

4 Preparation

Tips for saving energy

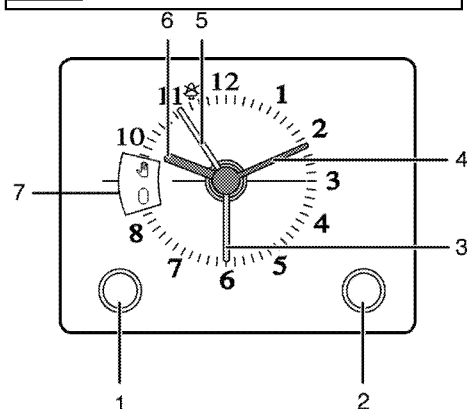
The following information will help you to use your appliance in an ecological way, and to save energy:

- Use dark coloured or enamel coated cookware in the oven since the heat transmission will be better.
- While cooking your dishes, perform a preheating operation if it is advised in the user manual or cooking instructions.
- Do not open the door of the oven frequently during cooking.
- Try to cook more than one dish in the oven at the same time whenever possible. You can cook by placing two cooking vessels onto the wire shelf.
- Cook more than one dish one after another. The oven will already be hot.
- You can save energy by switching off your oven a few minutes before the end of the cooking time. Do not open the oven door.
- Defrost frozen dishes before cooking them.

Initial use

Time setting

i Before you can use the oven, the time must be set. If the time is not set, oven will not operate.

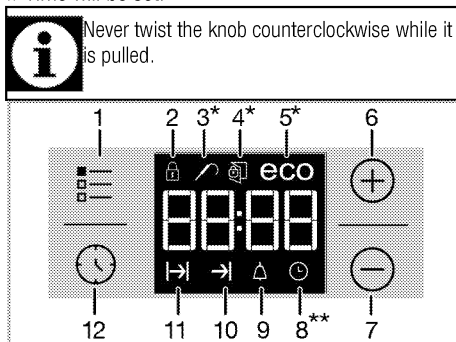


- 1 Time adjustment button
- 2 Start time adjustment button
- 3 Start of cooking (orange)
- 4 Minute hand (golden)
- 5 Alarm hand (yellow)
- 6 Hour hand (golden)
- 7 Cooking time display

Adjust the current time

1. Pull the knob (1) slightly towards yourself, twist it clockwise until the time of the day is adjusted and then release it.

» Time will be set.



i Never twist the knob counterclockwise while it is pulled.

- 1 Adjustment key
 - 2 Key lock symbol
 - 3 Meat Probe symbol
 - 4 Door Lock symbol
 - 5 Eco fan heating symbol
 - 6 Plus key
 - 7 Minus key
 - 8 Clock symbol
 - 9 Alarm symbol
 - 10 End of Cooking Time symbol
 - 11 Cooking Time symbol
 - 12 Program key
- * (This feature is optional. It may not exist on your product.)
- ** Its location on the display may vary depending on the product model.

First cleaning of the appliance

i The surface might get damaged by some detergents or cleaning materials. Do not use aggressive detergents, cleaning powders/creams or any sharp objects during cleaning. Do not use harsh abrasive cleaners or sharp metal scrapers to clean the oven door glass since they can scratch the surface, which may result in shattering of the glass.

1. Remove all packaging materials.
2. Wipe the surfaces of the appliance with a damp cloth or sponge and dry with a cloth.

Initial heating

Heat up the product for about 30 minutes and then switch it off. Thus, any production residues or layers will be burnt off and removed.



WARNING

Hot surfaces cause burns!

Product may be hot when it is in use. Never touch the hot burners, inner sections of the oven, heaters and etc. Keep children away. Always use heat resistant oven gloves when putting in or removing dishes into/from the hot oven.

Electric oven

1. Take all baking trays and the wire grill out of the oven.
2. Close the oven door.
3. Select Static position.
4. Select the highest oven power; See *How to operate the electric oven, page 19*.
5. Operate the oven for about 30 minutes.
6. Turn off your oven; See *How to operate the electric oven, page 19*

Grill oven

1. Take all baking trays and the wire grill out of the oven.
2. Close the oven door.
3. Select the highest grill power; see *How to operate the grill, page 23*.
4. Operate the grill about 30 minutes.
5. Turn off your grill; see *How to operate the grill, page 23*



Smoke and smell may emit for a couple of hours during the initial operation. This is quite normal. Ensure that the room is well ventilated to remove the smoke and smell. Avoid directly inhaling the smoke and the smell that emits.

5 How to operate the oven

General information on baking, roasting and grilling



WARNING

Hot surfaces cause burns!
Product may be hot when it is in use. Never touch the hot burners, inner sections of the oven, heaters and etc. Keep children away. Always use heat resistant oven gloves when putting in or removing dishes into/from the hot oven.



DANGER:

Be careful when opening the oven door as steam may escape.
Exiting steam can scald your hands, face and/or eyes.

Tips for baking

- Use non-sticky coated appropriate metal plates or aluminum vessels or heat-resistant silicone moulds.
- Make best use of the space on the rack.
- Place the baking mould in the middle of the shelf.
- Select the correct rack position before turning the oven or grill on. Do not change the rack position when the oven is hot.
- Keep the oven door closed.

Tips for roasting

- Treating whole chicken, turkey and large piece of meat with dressings such as lemon juice and black pepper before cooking will increase the cooking performance.
- It takes about 15 to 30 minutes longer to roast meat with bones when compared to roasting the same size of meat without bones.
- Each centimeter of meat thickness requires approximately 4 to 5 minutes of cooking time.
- Let meat rest in the oven for about 10 minutes after the cooking time is over. The juice is better distributed all over the roast and does not run out when the meat is cut.
- Fish should be placed on the middle or lower rack in a heat-resistant plate.

Tips for grilling

When meat, fish and poultry are grilled, they quickly get brown, have a nice crust and do not get dry. Flat pieces, meat skewers and sausages are particularly suited for grilling as are vegetables with high water content such as tomatoes and onions.

- Distribute the pieces to be grilled on the wire shelf or in the baking tray with wire shelf in such a way that the space covered does not exceed the size of the heater.
- Slide the wire shelf or baking tray with grill into the desired level in the oven. If you are grilling on the wire shelf, slide the baking tray to the lower rack to collect fats. Add some water in the tray for easy cleaning.



Foods that are not suitable for grilling carry the risk of fire. Only grill food which is suitable for intensive grilling heat.

Do not place the food too far in the back of the grill. This is the hottest area and fatty food may catch fire.

How to operate the electric oven



Before you can use the oven, the time must be set. If the time is not set, oven will not operate.

Select temperature and operating mode



- 1 Function knob
 - 2 Thermostat knob
1. Set the oven timer to the desired cooking time or manual (continuous) cooking mode; see .
 2. Set the Function knob to the desired operating mode.
 3. Set the Temperature knob to the desired temperature.
- » Oven heats up to the adjusted temperature and maintains it. During heating, temperature lamp stays on.

Switching off the electric oven

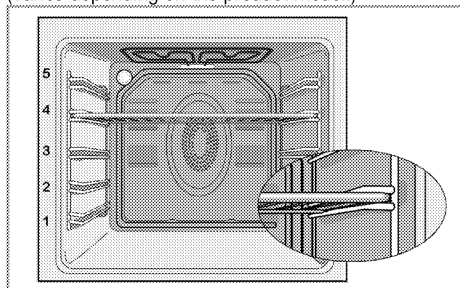
Turn the function knob and temperature knob to off (upper) position.

Rack positions (For models with wire shelf)

It is important to place the wire shelf onto the side rack correctly. Wire shelf must be inserted between the side racks as illustrated in the figure.

Do not let the wire shelf stand against the rear wall of the oven. Slide your wire shelf to the front section of the rack and settle it with the help of the door in order to obtain a good grill performance.

(Varies depending on the product model.)



Operating modes

The order of operating modes shown here may be different from the arrangement on your product.

Top and bottom heating



Top and bottom heating are in operation. Food is heated simultaneously from the top and bottom. For example, it is suitable for cakes, pastries, or cakes and casseroles in baking moulds. Cook with one tray only.

Bottom heating



Only bottom heating is in operation. It is suitable for pizza and for subsequent browning of food from the bottom.



This function must be used for easy steam cleaning as well.

Fan supported bottom/top heating



Top heating, bottom heating plus fan (in the rear wall) are in operation. Hot air is evenly distributed throughout the oven rapidly by means of the fan. Cook with one tray only.

Full grill



Large grill at the ceiling of the oven is in operation. It is suitable for grilling large amount of meat.

- Put big or medium-sized portions in correct rack position under the grill heater for grilling.
- Set the temperature to maximum level.
- Turn the food after half of the grilling time.

Grill+Fan



Grilling effect is not as strong as in Full Grill

- Put small or medium-sized portions in correct shelf position under the grill heater for grilling.
- Set the desired temperature.
- Turn the food after half of the grilling time.

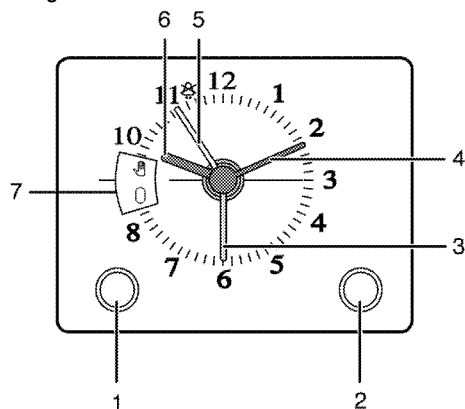
Booster



This function is used to heat the oven rapidly; it is not suitable for cooking food.

- Select the desired temperature after selecting this function. Temperature light turns on and oven is heated.
- Light turns off after the heating process is completed. Now select the desired function to cook your food.

Using the oven clock



- 1 Time adjustment button
- 2 Start time adjustment button
- 3 Start of cooking (orange)
- 4 Minute hand (golden)
- 5 Alarm hand (yellow)
- 6 Hour hand (golden)
- 7 Cooking time display




Maximum time that can be set for end of cooking is 180 minutes. Program will be cancelled in case of power failure. You must reprogram the oven.

Turning on the manual (continuous) operating mode

Use this mode when you want to control the cooking time yourself. In this mode, oven will operate continuously unless you switch it off.



Timer does not cut the power in manual (continuous) mode.

1. Turn the knob (2) clockwise until "0" appears on the Cooking Time display.
2. Pull the knob (2) towards yourself slightly and align start of cooking pointer (orange) (3) with hour hand (6).
3. Release the knob (2) and turn it clockwise (7) to bring onto Manual mode symbol  in Cooking Time display.
4. Put your dish into the oven.
5. Select operation mode and temperature.

Stopping the cooking

When the cooking is over,

1. Turn the Function knob and/or Temperature knob to Off (upper) position.
2. Turn the knob (2) clockwise until "0" appears on the Cooking Time display.

Switch on fully automatic operation

In this operation mode, you can specify the time that the oven will be turned on/off.

1. Turn the knob (2) clockwise until "0" appears on the Cooking Time display.
2. Pull the knob (2) towards yourself slightly and adjust the cooking start time with the start of cooking pointer (orange) (3).
3. Release the knob (2).
4. Turn the knob (2) clockwise to adjust the cooking time in Cooking Time display (7).
5. Put your dish into the oven.
6. Select operation mode and temperature.
» Power cuts off automatically and audio warning is heard at the end of cooking.
7. Turn the knob (2) clockwise until "0" appears on the Cooking Time display as soon as the cooking is completed and alarm signal is heard.
8. Turn off the oven with the Temperature knob and/or Function knob.

Switch on semi-automatic operation

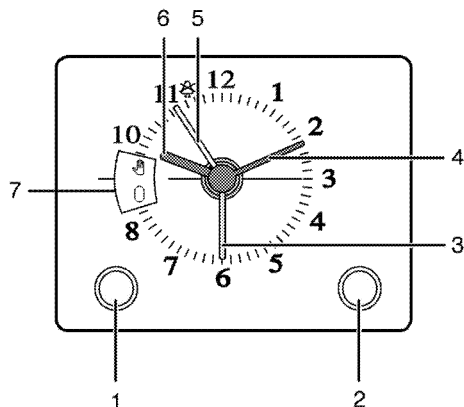
In this operation mode, you can specify the time that the oven will be turned off automatically.

1. Turn the knob (2) clockwise until "0" appears on the Cooking Time display.
2. Turn the knob (2) clockwise to adjust the cooking time in Cooking Time display (7).
3. Put your dish into the oven.
4. Select operation mode and temperature.
» Power cuts off automatically and audio warning is heard at the end of cooking.
5. Turn the knob (2) clockwise until "0" appears on the Cooking Time display as soon as the cooking is completed and alarm signal is heard.
6. Turn off the oven with the Temperature knob and/or Function knob.

Using the clock as an alarm

You can use the clock of the product for any warning or reminder apart from the cooking programme.

The alarm clock has no influence on the functions of the oven. It is only used as a warning. For example, this is useful when you want to turn food in the oven at a certain point of time. Alarm clock will give a signal once the time you set is over.



- 1 Time adjustment button
- 2 Start time adjustment button
- 3 Start of cooking (orange)
- 4 Minute hand (golden)
- 5 Alarm hand (yellow)
- 6 Hour hand (golden)
- 7 Cooking time display



Maximum alarm time can be 55 minutes.

Setting the alarm clock

- Turn knob (1) to right or left and adjust the alarm pointer (yellow) (5) on the dial.
» Alarm will be heard at the end of the set time

Turning off the alarm

- As soon as the alarm is heard, turn knob (1) to right or left to move the alarm pointer (yellow) (5) onto the alarm symbol in order to turn off the alarm.

Cooking times table



The timings in this chart are meant as a guide. Timings may vary due to temperature of food, thickness, type and your own preference of cooking.

Baking and roasting



1st rack of the oven is the **bottom** rack.

Dish	Cooking level number	Accessory to use	Operating mode	Rack position	Temperature (°C)	Cooking time (approx. in min.)
Cakes in tray	One level	Standard tray*		3	180	25 ... 30
Cakes in mould	One level	Cake mold on wire grill**		2	180	40 ... 50
Small cakes	One level	Standard tray*		3	160	25 ... 35
Sponge cake	One level	Round springform pan with a diameter of 26 cm on wire grill**		3	160	25 ... 35
Cookies	One level	Pastry tray*		3	180	25 ... 30
Dough pastry	One level	Standard tray*		2	200	30 ... 40
Rich pastry	One level	Standard tray*		2	200	25 ... 35
Leaven	One level	Standard tray*		2	200	35 ... 45
Lasagna	One level	Glass/metal rectangular pan on wire grill**		2 - 3	200	30 ... 40
Pizza	One level	Standard tray*		2	200 ... 220	15 ... 20
Beef steak (whole) / Roast	One level	Standard tray*		3	25 min. 250/max, then 180 ... 190	100 ... 120
Leg of Lamb (casserole)	One level	Standard tray*		3	25 min, 220 then 180 ... 190	70 ... 90
Roasted chicken (1,8-2 kg)	One level	Standard tray*		2	15 min. 250/max, then 180 ... 190	60 ... 80
Turkey (5.5 kg)	One level	Standard tray*		1	25 min. 250/max, then 180 ... 190	150 ... 210
Fish	One level	Standard tray*		3	200	20 ... 30




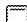
It is suggested to perform preheating for all foods.

* These accessories may not be supplied with the product.

** These accessories are not supplied with the product. They are commercially available accessories.

Cooking table for test meals

Meals in this cooking table are prepared according to EN 60350-1 to make it easier for control institutes to test the product

Dish	Cooking level number	Accessory to use	Operating mode	Rack position	Temperature (°C)	Cooking time (approx. in min.)
Shortbread	One level	Standard tray*		3	140	20 ... 30
Small cakes	One level	Standard tray*		3	160	25 ... 35
Sponge cake	One level	Round springform pan with a diameter of 26 cm on wire grill**		3	160	25 ... 35
Apple pie	One level	Round black metal dish with a diameter of 20 cm on wire grill**		2	180	50 ... 60

It is suggested to perform preheating for all foods.

* These accessories may not be supplied with the product.

** These accessories are not supplied with the product. They are commercially available accessories.

Tips for baking cake

- If the cake is too dry, increase the temperature by 10°C and decrease the cooking time.
- If the cake is wet, use less liquid or lower the temperature by 10°C.
- If the cake is too dark on top, place it on a lower rack, lower the temperature and increase the cooking time.
- If cooked well on the inside but sticky on the outside use less liquid, lower the temperature and increase the cooking time.

Tips for baking pastry

- If the pastry is too dry, increase the temperature by 10°C and decrease the cooking time. Dampen the layers of dough with a sauce composed of milk, oil, egg and yoghurt.
- If the pastry takes too long to bake, pay care that the thickness of the pastry you have prepared does not exceed the depth of the tray.
- If the upper side of the pastry gets browned, but the lower part is not cooked, make sure that the amount of sauce you have used for the pastry is not too much at the bottom of the pastry. Try to scatter the sauce equally between the dough layers and on the top of pastry for an even browning.



Cook the pastry in accordance with the mode and temperature given in the cooking table. If the bottom part is still not browned enough, place it on one lower rack next time.

Tips for cooking vegetables

- If the vegetable dish runs out of juice and gets too dry, cook it in a pan with a lid instead of a tray. Closed vessels will preserve the juice of the dish.
- If a vegetable dish does not get cooked, boil the vegetables beforehand or prepare them like canned food and put in the oven.

How to operate the grill



Before you can use the oven, the time must be set. If the time is not set, oven will not operate.



WARNING

Close oven door during grilling.
Hot surfaces may cause burns!

Switching on the grill

1. Turn the Function knob to the desired grill symbol.
2. Then, select the desired grilling temperature.
3. If required, perform a preheating of about 5 minutes.

» Temperature light turns on.

Switching off the grill

1. Turn the Function knob to Off (top) position.



Foods that are not suitable for grilling carry the risk of fire. Only grill food which is suitable for intensive grilling heat.

Do not place the food too far in the back of the grill. This is the hottest area and fatty food may catch fire.

Cooking times table for grilling

Grilling with electric grill

Food	Accessory to use	Rack position	Recommended temperature (°C)**	Cooking time (approx. in min.)
Fish	Wire grill	4..5	250/max	20...25 min. #
Sliced chicken	Wire grill	4..5	250/max	25..35 min.
Lamb chops	Wire grill	4..5	250/max	20...25 min.
Roast beef	Wire grill	4..5	250/max	25..30 min. #
Veal chops	Wire grill	4..5	250/max	25...30 min. #
Toast bread*	Wire grill	4	250/max	1...3 min.

#depending on thickness
*Preheat for 5 minutes
**If the grill temperature of your product cannot be adjusted, the grill will work at the maximum temperature.

Meals in this cooking table are prepared according to EN 60350-1 to make it easier for control institutes to test the product

Food	Accessory to use	Rack position	Temperature (°C)	Cooking time (approx. in min.)
Toast bread	Wire grill	4	250/max	1...3 min.
Meatballs (beef) - 12 pieces	Wire grill	4	250/max	25..35 min.

Turn the food after 2/3 of the total grilling time.
It is suggested to perform 5-6 minutes preheating for all foods broiling.

6 Maintenance and care

General information

Service life of the product will extend and the possibility of problems will decrease if the product is cleaned at regular intervals.



DANGER:

Disconnect the product from mains supply before starting maintenance and cleaning works.

There is the risk of electric shock!



DANGER:

Allow the product to cool down before you clean it.

Hot surfaces may cause burns!

- Clean the product thoroughly after each use. In this way it will be possible to remove cooking residues more easily, thus avoiding these from burning the next time the appliance is used.
- No special cleaning agents are required for cleaning the product. Use warm water with washing liquid, a soft cloth or sponge to clean the product and wipe it with a dry cloth.
- Always ensure any excess liquid is thoroughly wiped off after cleaning and any spillage is immediately wiped dry.
- Do not use cleaning agents that contain acid or chloride to clean the stainless or inox surfaces and the handle. Use a soft cloth with a liquid detergent (not abrasive) to wipe those parts clean, paying attention to sweep in one direction.



The surface might get damaged by some detergents or cleaning materials.

Do not use aggressive detergents, cleaning powders/creams or any sharp objects during cleaning.

Do not use harsh abrasive cleaners or sharp metal scrapers to clean the oven door glass since they can scratch the surface, which may result in shattering of the glass.



Do not use steam cleaners to clean the appliance as this may cause an electric shock.

Cleaning the control panel

Clean the control panel and knobs with a damp cloth and wipe them dry.



If your product is equipped with buttons/knobs do not remove the control buttons/knobs to clean the control panel.

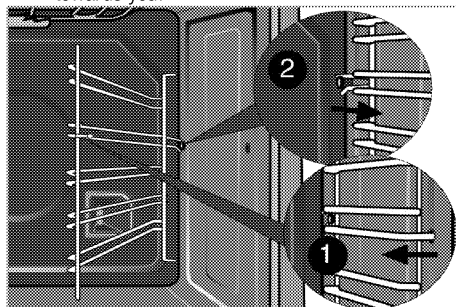
Control panel may get damaged!

Cleaning the oven

To clean the side wall (Varies depending on the product model.)

(This feature is optional. It may not exist on your product.)

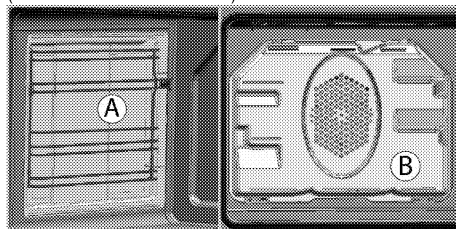
1. Remove the front section of the side rack by pulling it in the opposite direction of the side wall.
2. Remove the side rack completely by pulling it towards you.



Catalytic walls

(This feature is optional. It may not exist on your product.)

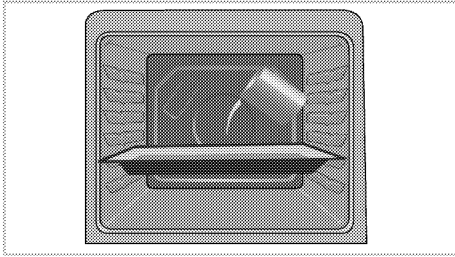
The inner side walls (A) and/or the rear wall (B) of your product may be coated with catalytic enamel. Catalytic walls have a light matte colour and a porous surface. Catalytic walls of the oven should not be cleaned. Porous surfaces of the catalytic walls are automatically cleaned by absorbing and converting the spilled oil (steam and carbon dioxide).



Easy Steam Cleaning

It ensures easy cleaning because the dirt (having waited not for too long) is softened with the steam that forms inside the oven and the water drops condensing on the inner surfaces of the oven.

1. Remove all accessories inside the oven.
2. Pour 500 ml of water into the oven tray and place the tray at the 2nd rack of the oven.



3. Set the oven to easy steam cleaning mode and run at 100°C for 25 minutes.
4. Open the door and wipe the inner surfaces of the oven with a damp sponge or cloth.
5. Use warm water with washing liquid, a soft cloth or sponge to clean the persistent dirt and wipe it with a dry cloth.

i During the easy steam cleaning mode, water that is placed in the tray to soften lightly formed residues/dirt within the oven cavity will evaporate and condense in the oven cavity and inner glass of the oven door, therefore water may drip when the oven door is opened. Wipe away the condensation as soon as the oven door is opened.

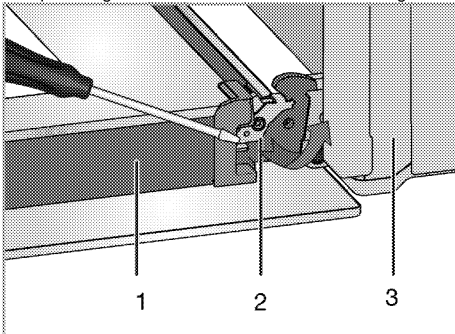
Clean oven door

To clean the oven door, use warm water with washing liquid, a soft cloth or sponge to clean the product and wipe it with a dry cloth.

i Don't use any harsh abrasive cleaners or sharp metal scrapers for cleaning the oven door. They could scratch the surface and destroy the glass.

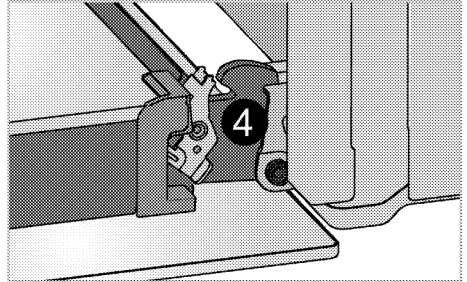
Removing the oven door

1. Open the front door (1).
2. Open the clips at the hinge housing (2) on the right and left hand sides of the front door by pressing them down as illustrated in the figure.

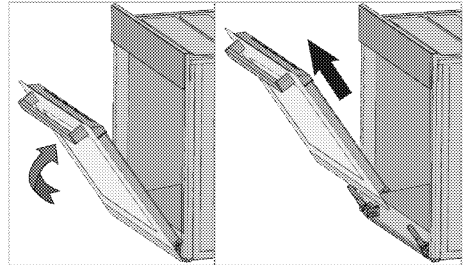


1 Door

- 2 Hinge lock(closed position)
- 3 Oven
- 4 Hinge lock(open position)



3. Move the front door to half-way.



4. Remove the front door by pulling it upwards to release it from the right and left hinges.

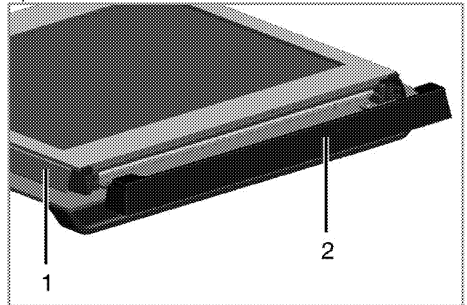
i Steps carried out during removing process should be performed in reverse order to install the door. Do not forget to close the clips at the hinge housing when reinstalling the door.

Removing the door inner glass

(This feature is optional. It may not exist on your product.)

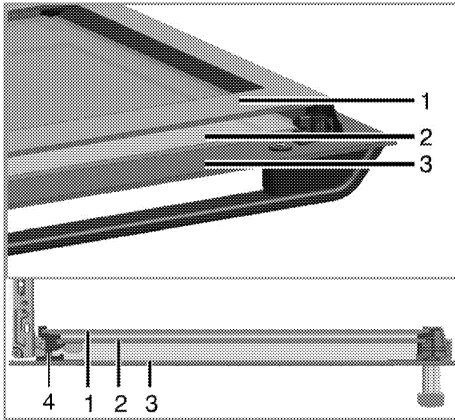
The inner glass panel of the oven door can be removed for cleaning.

Open the oven door.



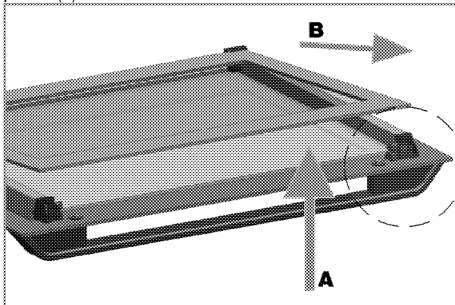
- 1 Frame
- 2 Plastic part

Pull towards yourself and remove the plastic part installed to upper section of the front door.



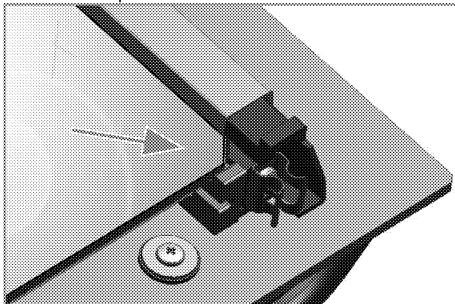
- 1 Innermost glass panel
- 2 Inner glass panel
- 3 Outer glass panel
- 4 Plastic glass panel slot-Lower

As illustrated in figure, raise the innermost glass panel (1) slightly in direction **A** and pull it out in direction **B**. Repeat the same procedure to remove the inner glass panel (2).



The first step to regroup the door is reinstalling inner glass panel (2).

As illustrated in figure, place the chamfered corner of the glass panel so that it will rest in the chamfered corner of the plastic slot.



Inner glass panel (2) must be installed into the plastic slot close the innermost glass panel (1).

When installing the innermost glass panel (1), make sure that the printed side of the panel faces towards the inner glass panel. It is important to seat lower corner of inner glass panel into the lower plastic slot. Push the plastic part towards the frame until you hear a "click".

Replacing the oven lamp



DANGER:

Before replacing the oven lamp, make sure that the product is disconnected from mains and cooled down in order to avoid the risk of an electrical shock. Hot surfaces may cause burns!



In this oven, an incandescent lamp with a power of less than 40 W, a height of less than 60 mm, a diameter of less than 30 mm or a halogen lamp with socket type G9, a power of less than 60 W is used. The lamps are suitable for operation at temperatures above 300 °C. Oven lamps can be obtained from Authorised Service Agents or technician with licence.



Position of lamp might vary from the figure.



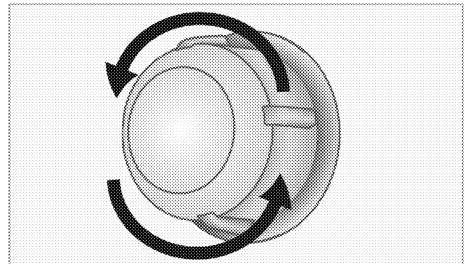
The lamp used in this appliance is not suitable for household room illumination. The intended purpose of this lamp is to assist the user to see foodstuffs.



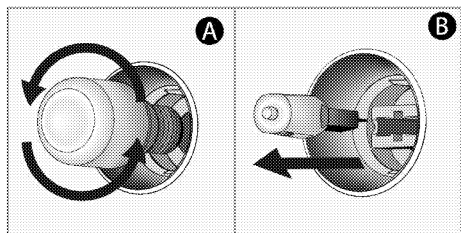
The lamps used in this appliance have to withstand extreme physical conditions such as temperatures above 50 °C.

If your oven is equipped with a round lamp:

1. Disconnect the product from mains.
2. Turn the glass cover counter clockwise to remove it.



3. If your oven lamp is of type (A) shown in the figure below, remove it by rotating as shown and replace it. If it is of type (B), pull and remove it as shown in the figure and replace it.



4. Install the glass cover.

7 Troubleshooting

Oven emits steam when it is in use.

- It is normal that steam escapes during operation. >>> *This is not a fault.*

Product emits metal noises while heating and cooling.

- When the metal parts are heated, they may expand and cause noise. >>> *This is not a fault.*

Product does not operate.

- The mains fuse is defective or has tripped. >>> *Check fuses in the fuse box. If necessary, replace or reset them.*
- Product is not plugged into the (grounded) socket. >>> *Check the plug connection.*

Oven light does not work.

- Oven lamp is defective. >>> *Replace oven lamp.*
- Power is cut. >>> *Check if there is power. Check the fuses in the fuse box. If necessary, replace or reset the fuses.*

Oven does not heat.

- Might not be set to a certain cooking function and/or temperature. >>> *Set the oven to a certain cooking function and/or temperature.*
- In models equipped with a timer, the timer is not adjusted. >>> *Adjust the time.*
(In products with microwave oven, timer controls only microwave oven.)
- Power is cut. >>> *Check if there is power. Check the fuses in the fuse box. If necessary, replace or reset the fuses.*

(In models with timer) Clock display is blinking or clock symbol is on.

- A previous power outage has occurred. >>> *Adjust the time / Switch of the product and switch it on again.*



Consult the Authorised Service Agent or technician with licence or the dealer where you have purchased the product if you can not remedy the trouble although you have implemented the instructions in this section. Never attempt to repair a defective product yourself.

Arcelik A.S.

Karaağaç Caddesi No:2-6 Sütlüce, 34445, Turkey

Made in TURKEY

Importer in Russia: «BEKO LLC»

Address: Selskaya street, 49, Fedorovskoe village, Pershinskoe rural settlement, Kirzhach district, Vladimir region, Russian Federation 601021

The manufacture date is included in the serial number of a product specified on rating label, which is located on a product, namely: first two figures of serial number indicate the year of manufacture, and last two – the month.

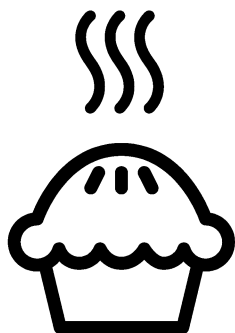
For example, "10- 100001-05» indicates that the product was produced in May, 2010.

You can ask for certification number from our Call Center 8-800-200-23-56 The manufacturer reserves the right for making changes in modification, design and specification of an electric device.



Встраиваемая духовка

Руководство пользователя



RU

Перед началом эксплуатации прочитайте это руководство пользователя!

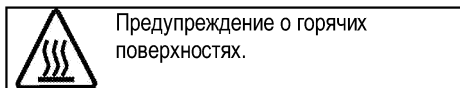
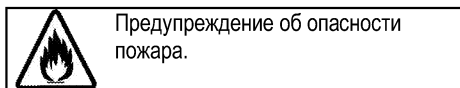
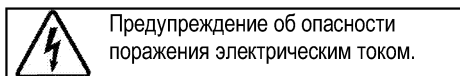
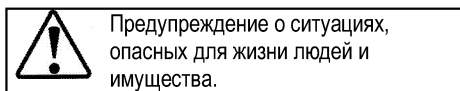
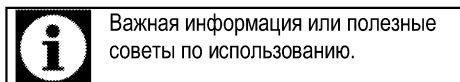
Уважаемый покупатель!

Спасибо за то, что отдали предпочтение продукции компании «Веко». Надеемся, что это высококачественное изделие, изготовленное с применением самых современных технологий, будет демонстрировать наилучшие результаты эксплуатации. Для этого перед началом эксплуатации внимательно прочитайте это руководство и всю сопутствующую документацию и используйте его в дальнейшем в качестве справочника. Если вы передаете изделие новому владельцу, передайте ему и руководство пользователя. Придерживайтесь всех предупреждений и информации, содержащихся в руководстве.

Помните, что данное руководство пользователя также может быть применимо к некоторым другим моделям. Различия между моделями будут указаны в руководстве.

Пояснения к символам

В данном руководстве пользователя используются следующие символы:



<u>1</u>	<u>Важные инструкции и предупреждения по технике безопасности и охране окружающей среды</u>	<u>4</u>
	Общие правила техники безопасности.....	4
	Электробезопасность.....	5
	Безопасность изделия.....	6
	Использование по назначению.....	9
	Безопасность детей.....	9
	Утилизация старого изделия.....	10
	Утилизация упаковочных материалов.....	10
<u>2</u>	<u>Общие сведения</u>	<u>11</u>
	Обзор.....	11
	Содержание упаковки.....	12
	Технические характеристики.....	13
<u>3</u>	<u>Установка</u>	<u>14</u>
	До начала установки.....	14
	Установка и подключение.....	16
	Для будущей транспортировки.....	18
<u>4</u>	<u>Подготовка к эксплуатации</u>	<u>19</u>
	Рекомендации по экономии электроэнергии.....	19
	Подготовка к эксплуатации.....	19
	Настройка времени.....	19
	Очистка прибора перед началом эксплуатации.....	20
	Первоначальный прогрев.....	20
<u>5</u>	<u>Правила эксплуатации духовки</u>	<u>21</u>
	Общие сведения о выпекании, жарении и приготовлении с грилем.....	21
	Правила эксплуатации электрической духовки.....	21
	Режимы работы.....	22
	Использование часов духовки.....	23
	Использование часов в качестве сигнального таймера.....	24
	Время приготовления блюд.....	25
	Как пользоваться грилем.....	26
	Время приготовления блюд на гриле.....	27
<u>6</u>	<u>Уход и техническое обслуживание</u>	<u>28</u>
	Общие сведения.....	28
	Чистка панели управления.....	28
	Чистка духовки.....	28
	Снятие дверцы духового шкафа.....	29
	Снятие внутреннего стекла дверцы.....	30
	Замена лампочки освещения духового шкафа.....	30
<u>7</u>	<u>Поиск и устранение неисправностей</u>	<u>32</u>

1 Важные инструкции и предупреждения по технике безопасности и охране окружающей среды

В данном разделе содержатся инструкции по технике безопасности, которые помогут вам избежать травм и повреждений. При несоблюдении этих правил все гарантийные обязательства аннулируются.

Общие правила техники безопасности

- Это изделие может эксплуатироваться детьми старше 8 лет и людьми с ограниченными физическими, сенсорными или умственными способностями, а также лицами, не имеющими достаточного опыта и знаний, только в том случае, если они находятся под наблюдением лиц, ответственных за их безопасность, или проинструктированы на предмет безопасного использования изделия и осознают связанные с этим риски.

Следите за тем, чтобы дети не играли с устройством. Дети могут чистить и обслуживать устройство только под наблюдением.

- Прибор не должен использоваться лицами

(включая детей) с ограниченными физическими, сенсорными или умственными способностями или недостатком опыта и знаний, за исключением случаев, когда использование происходит под непосредственным контролем или в соответствии с указаниями.

Следите за детьми, чтобы они не играли с прибором.

- В случае передачи изделия третьему лицу в личное пользование или в целях вторичного использования необходимо также передать руководство пользователя, наклейки изделия, а также другие связанные с ним документы и компоненты.
- Работы по установке и ремонту должны выполняться только представителями авторизованной сервисной службы. Производитель не несет ответственности за повреждения в результате выполнения работ лицами, не имеющими соответствующей квалификации. Это также может привести к аннулированию гарантии.

Перед установкой внимательно прочтите инструкции.

- Не пользуйтесь неисправным изделием, а также при наличии на нем заметных повреждений.
- Проверяйте, чтобы после каждого использования переключатели функций изделия были выключены.

Электробезопасность

- В случае неисправности следует прекратить эксплуатацию изделия, пока оно не будет отремонтировано в авторизованном сервисном центре. Существует риск поражения электрическим током!
- Изделие можно подключать только к заземленной розетке/линии, напряжение и уровень защиты которой соответствуют параметрам, указанным в разделе «Технические характеристики». Установку заземления должен выполнять квалифицированный специалист (при использовании прибора с трансформатором или без него). Наша компания не несет ответственности за какие-либо проблемы, возникшие

вследствие использования изделия без заземления, выполненного в соответствии с местными нормами и правилами.

- Никогда не лейте воду на изделие во время мытья! Существует риск поражения электрическим током!
- Категорически запрещается дотрагиваться к штепсельной вилке влажными руками! Не тяните за кабель питания. Вынимая вилку из розетки, беритесь непосредственно за вилку.
- Прежде чем приступать к установке, техническому обслуживанию, чистке и ремонту, изделие необходимо отключить от электросети.
- Во избежание несчастных случаев при повреждении кабеля питания его замену должен выполнять производитель, его специалист по сервису или лицо, имеющее аналогичную квалификацию.
- Электроприбор следует устанавливать таким образом, чтобы его можно было полностью отсоединить от сети электропитания. Отсоединение должно осуществляться с помощью штепсельной вилки или

выключателя, встроенного в фиксированную сеть электропитания, в соответствии со строительными нормативами и правилами.

- Задняя стенка духового шкафа во время работы сильно нагревается. Следите за тем, электрические провода не соприкасались с задней стенкой, так как это может привести к их повреждению.
- Следите за тем, чтобы шнур питания не был зажат между рамой и дверцей духового шкафа, и не прокладываете его по горячим поверхностям. В противном случае изоляция кабеля может расплавиться, что приведет к короткому замыканию и пожару.
- Все работы с электрическим оборудованием и системами должны выполняться только квалифицированными специалистами, допущенными к выполнению таких работ.
- В случае какого-либо повреждения выключите прибор и отсоедините его от электросети. Для этого выключите общий предохранитель в доме.
- Проверьте, соответствуют ли изделию номинальные

характеристики предохранителя.

Безопасность изделия

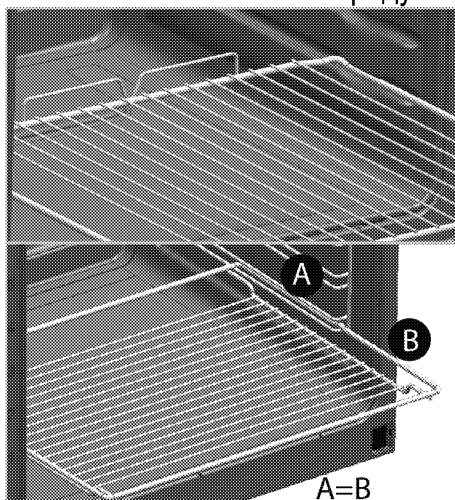
- **ВНИМАНИЕ:** Данное изделие и его внешние части нагреваются в процессе использования. Будьте осторожны, не касайтесь нагревательных элементов. Детей младше 8 лет следует допускать к духовому шкафу только под постоянным присмотром взрослых.
- Не пользуйтесь прибором, находясь под воздействием алкоголя или лекарственных препаратов, снижающих скорость реакции или нарушающих координацию движений.
- Будьте осторожны при использовании спиртных напитков в приготавливаемых блюдах. При высокой температуре спирт испаряется и при соприкосновении с горячими поверхностями может загореться и вызвать пожар.
- Не располагайте рядом с прибором легковоспламеняющиеся материалы, так как во время работы его боковые

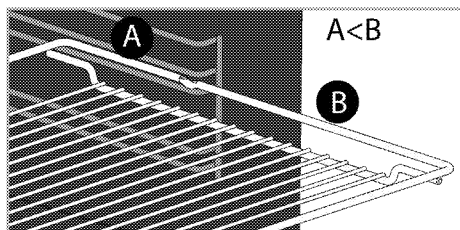
поверхности могут сильно нагреваться.

- Во время работы устройство может нагреваться. Будьте осторожны, не касайтесь нагревательных элементов внутри духового шкафа.
- Следите за тем, чтобы вентиляционные отверстия были полностью открыты.
- Не разогревайте в духовом шкафу продукты в закрытых жестяных или стеклянных банках. Внутри банок может повыситься давление, что приведет к взрыву.
- Не ставьте противни или посуду непосредственно на дно духового шкафа, а также не кладите на него алюминиевую фольгу. Избыточное тепло может привести к повреждению дна духового шкафа.
- Не используйте для чистки стеклянной дверцы духового шкафа грубые абразивные чистящие средства или острые металлические скребки, чтобы не поцарапать поверхность, поскольку это может привести к разрушению стекла.
- Не используйте для чистки устройства пароочистители, поскольку это может привести

к поражению электрическим током.

- (Может отличаться в зависимости от модели изделия.)
Правильное расположение проволочной решетки и противня на направляющих
Проволочную решетку и/или противень следует правильно устанавливать на направляющие. Вставьте проволочную решетку или противень между 2 направляющими и проверьте, устойчиво ли держится решетка или противень (см. рисунок). Только после этого можно класть на них продукты.





- Не пользуйтесь духовым шкафом, если стекло в передней дверце потрескалось или вынуто.
- Ручка духовки не предназначена для сушки полотенца. Если функция гриля включена, а дверца открыта, не вешайте полотенца, перчатки и другие тряпичные изделия.
- Помещая продукты в горячий духовой шкаф или вынимая их оттуда, обязательно пользуйтесь термостойкими рукавицами.
- Положите бумагу для выстилания пекарных форм в горшок для варки или на противень, решетку и т.д. вместе с приготавливаемыми пищевыми продуктами, и поместите все в предварительно нагретую печь. Удалите излишки бумаги, выступающие за пределы противня или горшка, чтобы они не смогли соприкоснуться с нагревательными элементами. Не используйте бумагу для

выстилания пекарных форм, рабочая температура которой ниже температуры в печи. Не кладите бумагу непосредственно на основание печи.

- **ВНИМАНИЕ:** Перед заменой лампы убедитесь, что шнур питания прибора отключен от сети или что прерыватель цепи выключен, чтобы избежать поражения электрическим током.
- Прибор не следует устанавливать за декоративной дверцей, поскольку это может привести к перегреву.

Для обеспечения пожарной безопасности изделия соблюдайте нижеуказанные правила.

- Убедитесь, что вилка плотно вставлена в розетку и не искрит.
- Запрещается использовать поврежденный либо обрезанный кабель, а также удлинитель; можно пользоваться только оригинальным кабелем.
- Убедитесь, что в розетке, к которой подключается изделие, отсутствуют жидкость или влага.

Использование по назначению

- Данное изделие предназначено исключительно для бытового использования. Запрещается использовать прибор в коммерческих целях.
- **ОСТОРОЖНО:** Данное изделие предназначено исключительно для приготовления пищи. Его запрещено использовать для других целей, например, для обогрева помещения."
- Изделие не следует использовать с целью нагревания тарелок под грилем, сушики полотенце и посудных полотенце, путем развешивания их на ручках, а также для обогрева помещения.
- Производитель не несет ответственности за повреждения в результате использования изделия не по назначению или неправильного обращения с ним.
- Духовой шкаф можно использовать для размораживания, выпекания, жарения и приготовления продуктов на гриле.

Безопасность детей

- **ВНИМАНИЕ:** Доступные части прибора могут сильно нагреваться при использовании. Не допускайте к ним детей.
- Упаковочные материалы опасны для детей. Храните упаковочные материалы в недоступном для детей месте. Утилизируйте все упаковочные материалы в соответствии с нормами по охране окружающей среды.
- Электрическое оборудование представляет опасность для детей. Во время работы духового шкафа не допускайте к нему детей, а также не разрешайте им играть с ним.
- Не размещайте над прибором предметы, которые дети могут попытаться достать.
- Не ставьте на открытую дверцу тяжелые предметы и не позволяйте детям садиться на нее, Духовой шкаф может перевернуться, а также могут быть повреждены петли дверцы.

Утилизация старого изделия

Соответствие Директиве ЕС об утилизации электрического и электронного оборудования (WEEE) и утилизация вышедшего из употребления оборудования:



Данное изделие соответствует Директиве ЕС об утилизации электрического и электронного оборудования (2012/19/EU). Данное изделие имеет маркировку, указывающую на утилизацию его как электрического и электронного оборудования (WEEE).

Это изделие произведено из высококачественных деталей и материалов, которые подлежат повторному использованию и переработке. Поэтому не выбрасывайте изделие с обычными бытовыми отходами после завершения его эксплуатации. Его следует сдать в соответствующий центр по утилизации электрического и электронного оборудования. О местонахождении таких центров вы можете узнать в местных органах власти.

Соответствие Директиве ЕС об ограничении содержания вредных веществ (RoHS):

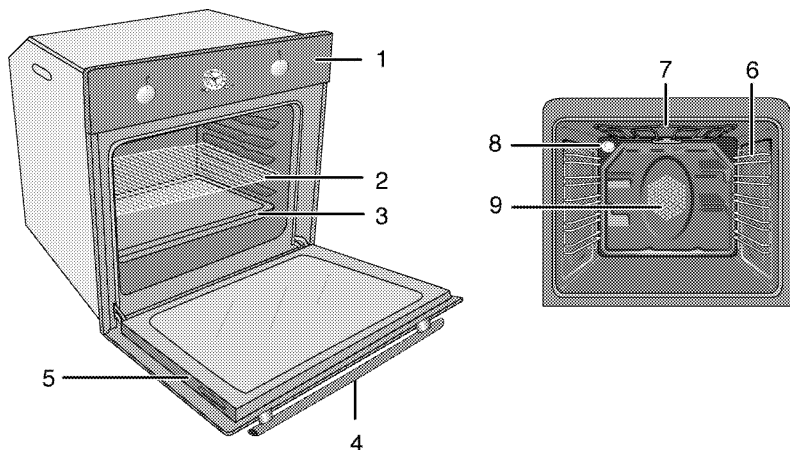
Приобретенное вами изделие соответствует Директиве ЕС о правилах ограничения содержания вредных веществ (2011/65/EU). Оно не содержит вредных и запрещенных материалов, указанных в Директиве.

Утилизация упаковочных материалов

- Упаковочные материалы опасны для детей. Храните упаковочные материалы в безопасном и недоступном для детей месте. Упаковочные материалы изделия изготовлены из материалов, подлежащих вторичной переработке. Утилизируйте их соответствующим образом и сортируйте согласно инструкций по обращению с отходами, подлежащими вторичной переработке. Не утилизируйте их вместе с обычными бытовыми отходами.

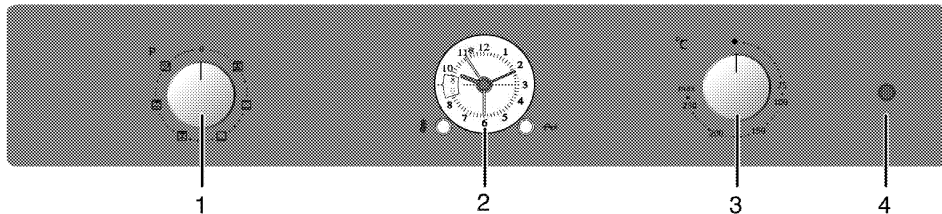
2 Общие сведения

Обзор



- 1 Панель управления
- 2 Проволочная решетка
- 3 Противень
- 4 Ручка дверцы
- 5 Дверца

- 6 Положения полок
- 7 Верхний нагревательный элемент
- 8 Лампочка
- 9 Двигатель вентилятора (за стальной пластиной)



- 1 Ручка выбора функции
- 2 Механический таймер

- 3 Ручка термостата
- 4 Лампочка термостата

Содержание упаковки

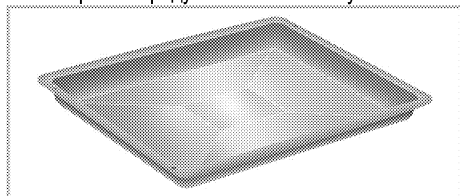


Изделие комплектуется различным набором дополнительных принадлежностей в зависимости от модели. Некоторые дополнительные принадлежности, описанные в руководстве пользователя, в комплекте этого изделия могут отсутствовать.

1. Руководство пользователя

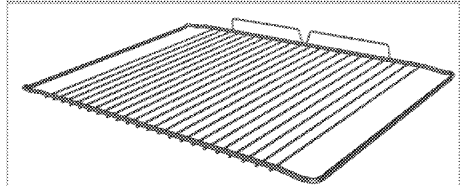
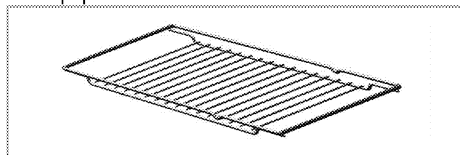
2. Стандартный противень

Предназначен для выпечки изделий из теста, размораживания замороженных продуктов и жарения продуктов большими кусками.



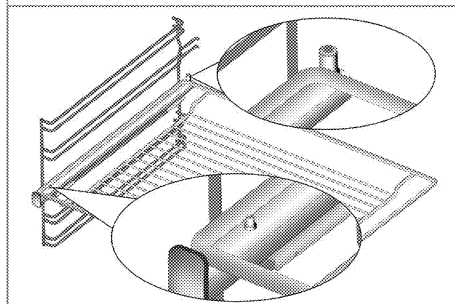
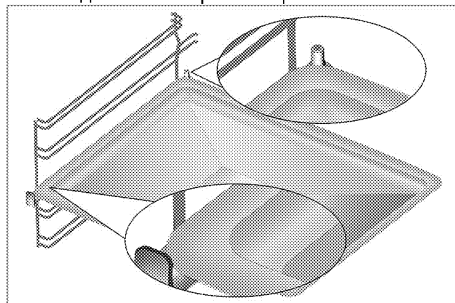
3. Решетка

Предназначена для жарения, а также для размещения продуктов на нужной полке при выпечке, жарении или приготовлении в формах.



4. Правильное расположение проволочной решетки на выдвижных направляющих (Данная функция — дополнительная. Она может отсутствовать в вашем изделии.)

Благодаря наличию выдвижных направляющих можно легко устанавливать и выдвигать противни и проволочную решетку. При установке противня или проволочной решетки следите за тем, чтобы края противня или решетки опирались на штырьки, расположенные на задней части выдвижных направляющих.



Технические характеристики

Напряжение/частота	220-240 В ~ 50 Гц
Общая потребляемая мощность	2,4 кВт
Тип кабеля/сечение	мин. H05VV-FG 3 x 1,5 мм ²
Габариты (высота / ширина / глубина)	595 мм/594 мм/567 мм
Установочные размеры (высота/ширина/глубина)	**590 или 600 мм/560 мм/мин. 550 мм
Главный духовой шкаф	Многофункциональный духовой шкаф
Лампочка внутреннего освещения	15/25 Вт
Гриль: потребляемая мощность	2,2 кВт
Класс защиты -1	

Степень защиты IP 44

- # Основные сведения Данные на паспортной табличке энергопотребления электрических духовых шкафов приведены в соответствии со стандартом EN 60350-1 / IEC 60350-1. Эти данные определены при стандартной нагрузке с функциями нижнего-верхнего нагревательного элемента или нагрева с помощью вентилятора (при наличии).

Класс энергетической эффективности определен в соответствии с приведенными ниже приоритетами в зависимости от наличия или отсутствия соответствующих функций в изделии. 1 - Приготовление с вентилятором - экономичный режим, 2 - Медленное приготовление в турборежиме, 3 - Приготовление в турборежиме, 4 - Нагрев сверху и снизу с вентилятором, 5 - Нагрев сверху и снизу.

«Этикетка энергоэффективности представлена на продукте»

- ** См. раздел *Установка*, стр. 14.



При усовершенствовании качества продукции технические характеристики могут быть изменены без предварительного уведомления.



Иллюстрации в данном руководстве являются схематичными и могут несколько отличаться от конкретного изделия.



Значения, указанные на этикетках изделия или в сопроводительной документации, получены в лабораторных условиях согласно соответствующим стандартам. Эти данные могут быть иными в зависимости от условий эксплуатации изделия.

3 Установка

Прибор должен устанавливаться квалифицированным специалистом в соответствии с действующими нормами и правилами. В противном случае гарантия аннулируется. Производитель не несет ответственности за повреждения в результате выполнения работ лицами, не имеющими соответствующей квалификации. Это может привести к аннулированию гарантии.



Подготовка места установки, электрического оборудования обеспечивается покупателем.



ОПАСНО:

Бытовой прибор следует устанавливать в соответствии со всеми местными нормами по подключению газового и/или электрического оборудования.



ОПАСНО:

Прежде чем приступать к установке, визуально проверьте отсутствие внешних дефектов духового шкафа. При наличии дефектов не устанавливайте его. Поврежденные электроприборы представляют собой угрозу вашей безопасности.

До начала установки

Прибор предназначен для установки в стандартную кухонную мебель, имеющуюся в продаже. Между бытовой техникой, стенами кухни и мебелью следует оставить определенное безопасное расстояние. См. рисунок (размеры приведены в миллиметрах).

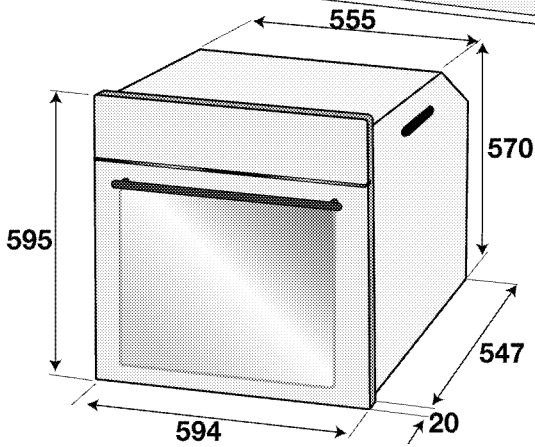
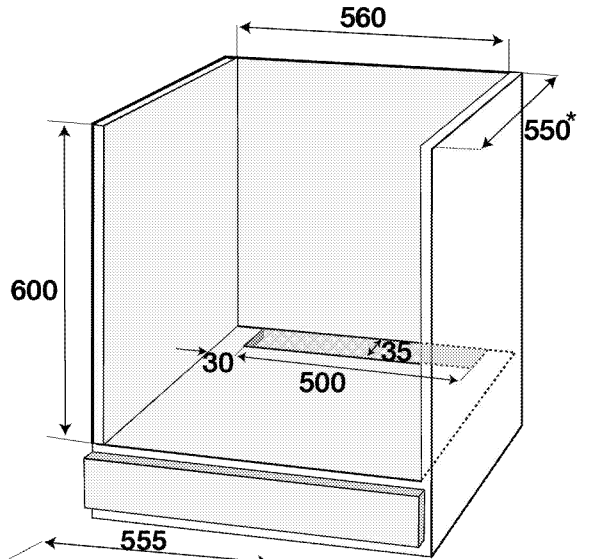
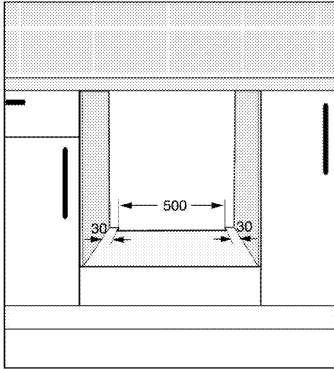
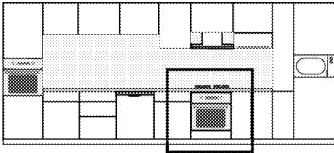
- Используемые поверхности, синтетические покрытия и клеи должны быть термостойкими (не менее 100 °С).
- Кухонные шкафчики должны быть выровнены по уровню и закреплены.
- Если под духовкой есть выдвижной ящик, между ним и духовкой необходимо установить перегородку.
- Переноску устройства должны выполнять не менее двух человек.
- Для перемещения печи возьмитесь за пазы для переноски на обеих сторонах.
- Перед установкой печи извлеките все материалы и документы, находящиеся внутри ее.
- Размеры кухонной мебели должны соответствовать указанным на рисунке ниже. Для обеспечения достаточной вентиляции в задней части кухонной мебели необходимо выполнить отверстие, размер которого соответствует указанному на рисунке ниже.



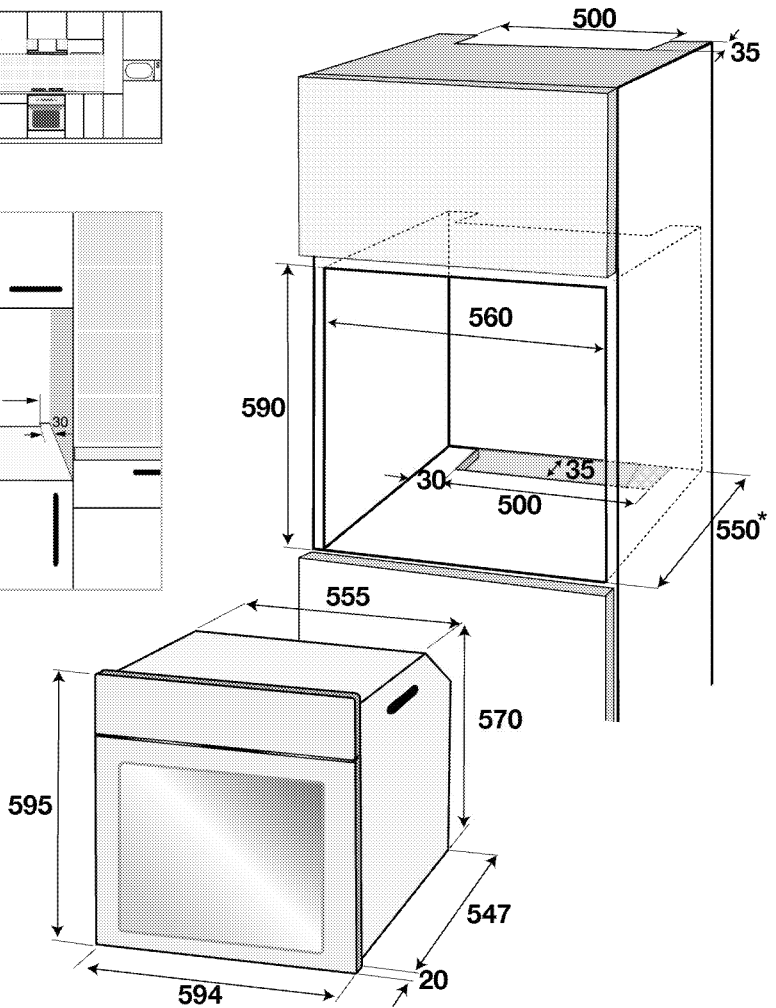
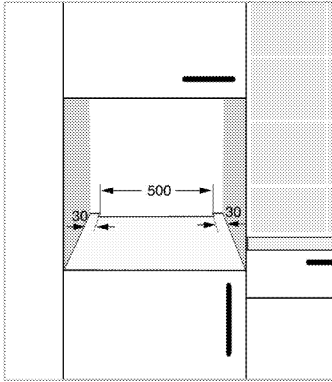
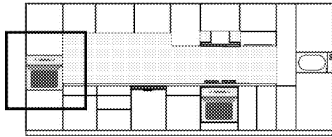
Не устанавливайте изделие рядом с холодильником или морозильной камерой. Поскольку духовой шкаф излучает тепло, холодильники будут потреблять больше электроэнергии.



Не перемещайте устройство, держась за дверцу и/или за ручку дверцы.



* МИН.



* мин.


Установка и подключение


- Бытовой прибор следует устанавливать в соответствии со всеми местными нормами по подключению газового и электрического оборудования.

Подключение к электросети


Подключайте изделие к розетке или линии с заземлением, защищенной миниатюрным автоматическим выключателем с соответствующим номиналом, который указан в таблице «Технические характеристики». Установку заземления должен выполнять


квалифицированный электрик (при использовании изделия с трансформатором или без него). Наша компания не несет ответственности за ущерб, понесенный вследствие использования изделия без заземления, выполненного в соответствии с местными нормами и правилами.


 **ОПАСНО:**
Подключение прибора к электросети должен выполнять квалифицированный специалист, имеющий право на выполнение таких работ. Гарантийный период начинается только после правильной установки.
Производитель не несет ответственности за повреждения в результате выполнения работ лицами, не имеющими соответствующей квалификации.

 **ОПАСНО:**
Шнур питания не должен быть сдавлен, изогнут или зажат, а также не должен соприкасаться с нагревающимися компонентами изделия.
Замену поврежденного шнура питания должен выполнять квалифицированный электрик. В противном случае это может привести к поражению электрическим током, короткому замыканию или возгоранию!

- Подключение должно выполняться в соответствии с национальными нормами.
- Параметры электрической сети должны соответствовать данным, указанным на паспортной табличке прибора. Табличку с данными можно увидеть, открыв переднюю дверцу.
- Шнур питания прибора должен соответствовать параметрам, указанным в таблице "Технические характеристики".

 **ОПАСНО:**
Перед выполнением каких-либо электромонтажных работ отключите прибор от электрической сети.
Существует риск поражения электрическим током!

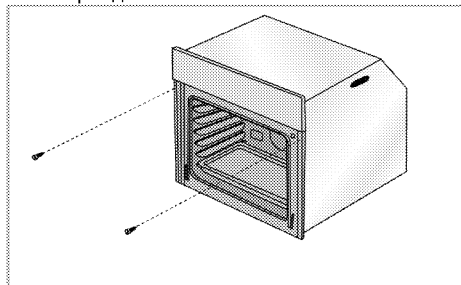
 К штепсельной вилке шнура питания после установки должен быть обеспечен легкий доступ (не прокладывайте шнур над варочной поверхностью).

 При монтаже проводки необходимо соблюдать национальные/местные электротехнические правила и нормы, а также использовать соответствующие розетки/штепсельные вилки и вилку для духовки. В случае если предельные значения мощности продукции превышают допустимую нагрузку на вилку и розетку, изделие должно быть подключено через стационарное электрическое оборудование напрямую без использования вилки и розетки.

Включите шнур питания в розетку.

Инструкция по монтажу

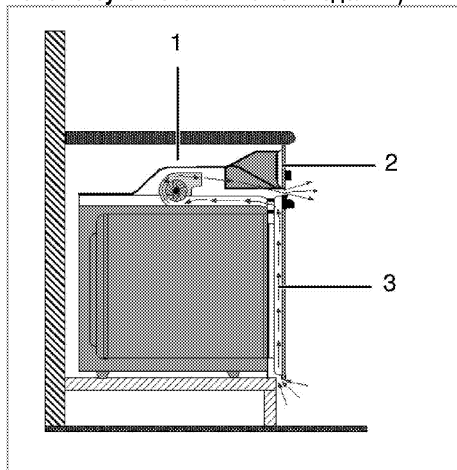
1. Вставьте духовой шкаф в кухонную мебель, выровняйте и закрепите. Одновременно убедитесь в том, что шнур питания не поврежден и/или не зажат.



Закрепите духовой шкаф 2 винтами, как показано на рисунке.

После установки проверьте, что винты затянуты достаточно и печь зафиксирована на месте. Печь может сместиться в течение периода использования, если установка была выполнена в нарушение инструкций и если винты затянуты недостаточно.

Для изделий с вентилятором охлаждения (Она может отсутствовать в вашем изделии.)



- 1 Вентилятор охлаждения
- 2 Панель управления
- 3 Дверца

Встроенный вентилятор охлаждения охлаждает встроенную часть прибора и переднюю панель.



Вентилятор охлаждения продолжает работать в течение 20-30 минут после выключения духового шкафа.

Если вы готовили, запрограммировав таймер духовки, вентилятор охлаждения выключится по завершении времени приготовления вместе со всеми функциями.

Окончательная проверка

1. Эксплуатация изделия.
2. Проверьте, произошло ли включение.

Для будущей транспортировки

- Сохраните оригинальную упаковочную коробку и перевозите прибор в ней. Следуйте указаниям, нанесенным на упаковке. Если оригинальная упаковочная коробка не сохранилась, заверните изделие в пузырчатую упаковку или поместите в плотный картон. Надежно заклейте клейкой лентой.
- Чтобы проволочная решетка и противень, которые хранятся внутри духовки, не повредили дверцу, поместите с внутренней стороны дверцы картонную полоску вровень с противнями. Прикрепите дверцу духового шкафа к боковым стенкам клейкой лентой.
- Не поднимайте и не передвигайте духовой шкаф, держась за дверцу или за ручку дверцы.



Не размещайте на приборе никаких предметов и не ставьте его вертикально.



Осмотрите прибор снаружи на предмет возможных повреждений при транспортировке.

4 Подготовка к эксплуатации

Рекомендации по экономии электроэнергии

Эти рекомендации помогут вам использовать изделие экологически чистым способом и сэкономить электроэнергию.

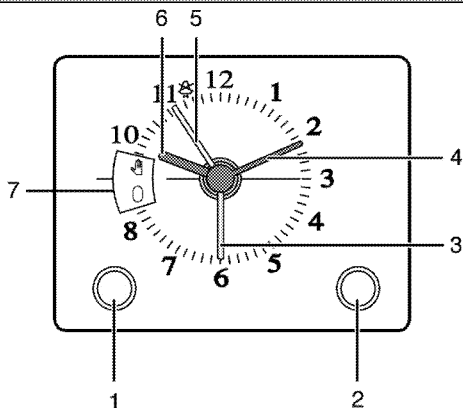
- Используйте в духовом шкафу темную или эмалированную посуду: это позволит улучшить теплопередачу.
- Прогревайте духовой шкаф перед приготовлением пищи, если это рекомендуется в руководстве пользователя или в инструкциях по приготовлению продуктов.
- Во время приготовления пищи не открывайте дверцу духового шкафа слишком часто.
- По возможности старайтесь готовить в духовом шкафу несколько блюд одновременно. При приготовлении пищи на решетку можно устанавливать по две емкости с продуктами.
- Готовьте блюда одно за другим. Духовой шкаф уже будет прогрет.
- Для экономии электроэнергии можно выключать духовой шкаф за несколько минут до окончания приготовления блюда. Не открывайте дверцу духового шкафа.
- Размораживайте замороженные продукты перед приготовлением.

Подготовка к эксплуатации

Настройка времени



Перед использованием духового шкафа необходимо установить время. Если таймер не установлен, духовка работать не будет.



- 1 Кнопка настройки времени
- 2 Кнопка установки времени запуска
- 3 Начало приготовления (оранжевый)
- 4 Минутная стрелка (золотой)
- 5 Стрелка звукового таймера (желтый)
- 6 Часовая стрелка (золотой)
- 7 Индикатор продолжительности приготовления

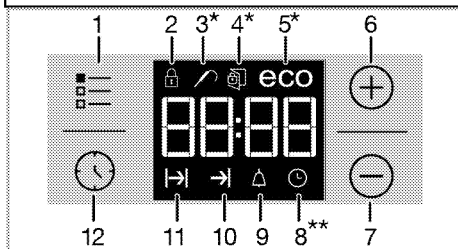
Установите текущее время

1. Слегка потяните к себе ручку (1) и поверните ее по часовой стрелке до тех пор, пока не установится текущее время, а затем отпустите ее.

» Время будет установлено.



Ни в коем случае не поворачивайте вытянутую ручку против часовой стрелки.



- 1 Кнопка регулировки
- 2 Символ блокировки клавиатуры
- 3 Символ зонда готовности мяса
- 4 Символ блокировки дверцы

- 5 Символ экономичного режима нагрева с вентилятором
- 6 Кнопка «плюс»
- 7 Кнопка «минус»
- 8 Индикатор «Clock» (Часы)
- 9 Символ звукового сигнала
- 10 Символ окончания времени приготовления
- 11 Символ времени приготовления
- 12 Кнопка «Program» (Программа)
- * **(Данная функция — дополнительная. Она может отсутствовать в вашем изделии.)**
- ** Его положение на дисплее может меняться в зависимости от модели изделия.

Очистка прибора перед началом эксплуатации



Некоторые моющие средства и чистящие материалы могут повредить поверхность. Не используйте для чистки агрессивные моющие средства, чистящие порошки/кремы, а также острые предметы.

1. Снимите все упаковочные материалы.
2. Протрите поверхность прибора влажной тканью или губкой и вытрите насухо.

Первоначальный прогрев

Прогрейте прибор в течение 30 минут, а затем выключите. Это обеспечит выгорание и удаление производственных загрязнений и покрытий.



ПРЕДУПРЕЖДЕНИЕ!

Горячие поверхности могут причинить ожоги!

Во время работы прибор может сильно нагреваться. Не прикасайтесь к горячим конфоркам, внутренним частям духового шкафа, нагревательным элементам и т.п. Не разрешайте детям приближаться к нему.

Помещая продукты в горячий духовой шкаф или вынимая их оттуда, обязательно пользуйтесь термостойкими рукавицами.

Электрический духовой шкаф

1. Выньте из духового шкафа все противни и решетку.
2. Закройте дверцу духового шкафа.
3. Выберите положение Static (Статический)
4. Включите гриль на максимальную мощность (см. раздел *Правила эксплуатации электрической духовки*, стр. 21).
5. Дайте духовому шкафу поработать около 30 минут.
6. Затем выключите духовой шкаф (см. раздел *Правила эксплуатации электрической духовки*, стр. 21)

Духовой шкаф с грилем

1. Выньте из духового шкафа все противни и решетку.
2. Закройте дверцу духового шкафа.
3. Включите гриль на максимальную мощность (см. раздел *Как пользоваться грилем*, стр. 26).
4. Дайте духовому шкафу поработать около 30 минут.
5. Затем выключите духовой шкаф (см. раздел *Как пользоваться грилем*, стр. 26)



При первом включении в течение нескольких часов возможно выделение дыма и запаха. Это вполне нормально.

Убедитесь, что кухня хорошо проветривается, чтобы удалить дым и запах. Не вдыхайте выделяющиеся дым и запахи.

5 Правила эксплуатации духовки

Общие сведения о выпекании, жарении и приготовлении с грилем



ПРЕДУПРЕЖДЕНИЕ!

Горячие поверхности могут причинить ожоги!

Во время работы прибор может сильно нагреваться. Не прикасайтесь к горячим конфоркам, внутренним частям духового шкафа, нагревательным элементам и т.п. Не разрешайте детям приближаться к нему.

Помещая продукты в горячий духовой шкаф или вынимая их оттуда, обязательно пользуйтесь термостойкими рукавицами.



ОПАСНО:

Будьте осторожны, открывая дверцу духового шкафа, так как наружу может выходить пар.

Выпускаемый пар может обжечь вам руки, лицо и/или глаза.

Советы по выпеканию

- Используйте антипригарные металлические тарелки или алюминиевые контейнеры с соответствующим покрытием, либо термостойкие силиконовые формы.
- Рационально используйте площадь решетки.
- Устанавливайте форму для выпекания в середине решетки.
- Выбирайте правильное положение решетки перед включением духового шкафа или гриля. Не изменяйте положение решетки, когда духовой шкаф горячий.
- Держите закрытой дверцу шкафа.

Советы по приготовлению жареных блюд

- Тушку курицы или индейки и большие куски мяса перед приготовлением рекомендуется сбрызнуть лимонным соком и посыпать черным перцем. Тогда готовое блюдо будет вкуснее.
- Мясо с костями следует жарить на 15-30 минут дальше, чем такое же количества мяса без костей.
- На каждый сантиметр толщины мяса требуется приблизительно 4-5 минут времени приготовления.
- По истечении времени приготовления мяса оставьте его в духовом шкафу примерно на 10 минут. Сок лучше распределится внутри

куска жареного мяса и не будет вытекать, когда вы будете разрезать мясо.

- Рыбу в термостойкой посуде следует готовить на решетке, установленной на средний или нижний уровень.

Советы по приготовлению продуктов на гриле

При приготовлении на гриле мясо, рыба или птица быстро поджаривается, сверху образуется хрустящая корочка, и продукт не пересыхает. На гриле можно отлично приготовить не только тонкие куски мяса, шашлыки и сосиски, но и овощи с большим содержанием жидкости (например, помидоры и лук).

- Для приготовления на гриле разложите куски продуктов на решетке или на противне с решеткой так, чтобы площадь, занимаемая продуктами, соответствовала размерам нагревательного элемента.
- Вставьте решетку или противень с решеткой в духовку на нужный уровень. Если продукты готовятся на решетке, установите на нижний уровень поддон для сбора жира. Для облегчения чистки поддона налейте в него немного воды.



Продукты, которые не подходят для приготовления на гриле, могут привести к возгоранию. На гриле можно готовить только такие продукты, которые выдерживают интенсивный нагрев.

Не размещайте продукты слишком близко к задней части гриля. Эта зона нагревается сильнее всего, и жирные продукты могут загореться.

Правила эксплуатации электрической духовки



Перед использованием духового шкафа необходимо установить время. Если таймер не установлен, духовка работать не будет.

Выберите температуру и режим работы



1 Ручка выбора функции

2 Ручка термостата

1. Установите таймер духового шкафа на нужное время приготовления или в ручной (непрерывный) режим приготовления, см. .
2. Установите нужный режим работы с помощью ручки выбора функций.
3. Установите нужную температуру с помощью регулятора температуры.

» После нагрева духовки в ней будет поддерживаться заданная температура. Во время нагрева будет светиться индикатор температуры.

Выключение электрической духовки

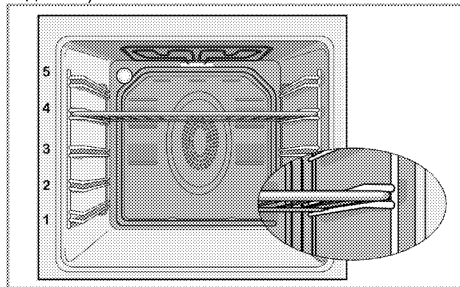
Поверните ручку выбора функций и регулятор температуры в положение отключения (вверх).

Уровни духовки (для моделей с грилем)

Правильно устанавливайте решетку в направляющие. Решетку следует вставить между направляющими, как показано на рисунке.

Следите за тем, чтобы решетка не упиралась в заднюю стенку духовки. Чтобы гриль нормально работал, выдвиньте решетку к передней части направляющих и отрегулируйте ее положение с помощью дверцы.

(Может отличаться в зависимости от модели изделия.)



Режимы работы

Приведенная здесь последовательность режимов работы может отличаться от вашей модели.

Нагрев сверху и снизу



Работают оба нагревательных элемента — и верхний, и нижний. Продукты подгреваются одновременно сверху и снизу. Этот режим подходит, например, для тортов, разной выпечки, а также кексов и запеканок в формах.. Готовьте только с одним противнем.

Нагрев снизу



Работает только нижний нагревательный элемент. Подходит для выпечки пиццы и дополнительного обжаривания продуктов с нижней стороны. Эта функция также упрощает очистку паром.



Нагрев сверху и снизу с использованием вентилятора



Работают верхний и нижний нагревательные элементы, а также вентилятор, расположенный на задней стенке. Горячий воздух равномерно распределяется внутри духовки с помощью вентилятора. Готовьте только с одним противнем.

Full grill (Усил. гриль)



Работает большой гриль на потолке духовки. Подходит для приготовления на гриле больших порций мяса.

- Для приготовления на гриле положите большие или средние порции под нагревательный элемент гриля на соответствующий уровень полки духового шкафа.
- Установите температуру на максимальный уровень.
- Когда пройдет половина времени, отведенного на приготовление, переверните продукт.

Grill+Fan (Гриль+вентилятор)



Действие гриля не такое сильное, как в режиме усиленного гриля

- Для приготовления блюд в этом режиме расположите под нагревателем гриля на соответствующем уровне духовки небольшое или среднее количество продукта.
- Установите нужную температуру.
- Когда пройдет половина времени, отведенного на приготовление, переверните продукт.

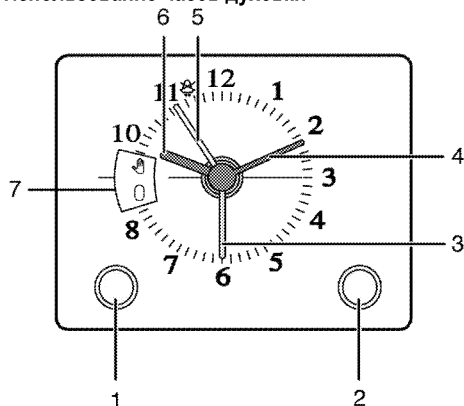
Ускоренный нагрев



Этот режим используется для быстрого разогрева духовки и не подходит для приготовления пищи.

- Выберите этого режим, а затем выберите нужную температуру. При этом включится индикатор температуры, и духовка начнет нагреваться.
- После окончания процесса нагрева индикатор погаснет. Теперь можно выбрать нужную функцию для приготовления пищи.

Использование часов духовки



- 1 Кнопка настройки времени
- 2 Кнопка установки времени запуска
- 3 Начало приготовления (оранжевый)

- 4 Минутная стрелка (золотой)
- 5 Стрелка звукового таймера (желтый)
- 6 Часовая стрелка (золотой)
- 7 Индикатор продолжительности приготовления



Максимальное время приготовления, которое можно установить, – 180 минут. В случае отключения электроэнергии программа будет отменена. Следует снова запрограммировать духовой шкаф.

Включение ручного (непрерывного) режима работы

Этот режим используется в тех случаях, когда необходимо самостоятельно следить за продолжительностью приготовления. В этом режиме духовка будет непрерывно работать, пока ее не выключат.



В ручном (непрерывном) режиме работы таймер не отключает электропитание.

1. Поворачивайте регулятор (2) по часовой стрелке, пока на цифровом индикаторе Cooking Time (Продолжительность приготовления) не появится цифра "0".
2. Слегка потяните регулятор (2) к себе и совместите стрелку начала приготовления (оранжевый) (3) с часовой стрелкой (6).
3. Отпустите регулятор (2) и поворачивайте его по часовой стрелке (7) до тех пор, пока на цифровом индикаторе Cooking Time (Продолжительность приготовления) не появится символ ручного режима ⏻.
4. Поставьте блюдо в духовой шкаф.
5. Выберите режим работы и температуру.

Преращение приготовления

Когда приготовление закончено

1. Поверните ручку выбора функций и (или) регулятор температуры в положение отключения (вверх).
2. Поворачивайте регулятор (2) по часовой стрелке, пока на цифровом индикаторе Cooking Time (Продолжительность приготовления) не появится цифра "0".

Включение полностью автоматического режима работы

В этом режиме можно задать время включения и выключения духовки.

1. Поворачивайте регулятор (2) по часовой стрелке, пока на цифровом индикаторе

- Cooking Time (Продолжительность приготовления) не появится цифра "0".
- Слегка потяните регулятор (2) к себе и совместите стрелку начала приготовления (оранжевый) (3) со временем начала приготовления.
 - Отпустите регулятор (2).
 - Чтобы установить продолжительность приготовления на цифровом индикаторе Cooking Time (Продолжительность приготовления) (7), поверните регулятор (2) по часовой стрелке.
 - Поставьте блюдо в духовой шкаф.
 - Выберите режим работы и температуру.
 - » По окончании приготовления питание автоматически отключается, и подается звуковой сигнал.
 - Как только приготовление завершится, и вы услышите звуковой сигнал, поверните ручку (2) по часовой стрелке, пока на дисплее времени приготовления не появится "0".
 - Выключите духовку с помощью регулятора температуры и (или) ручки выбора функций.

Полуавтоматический режим работы

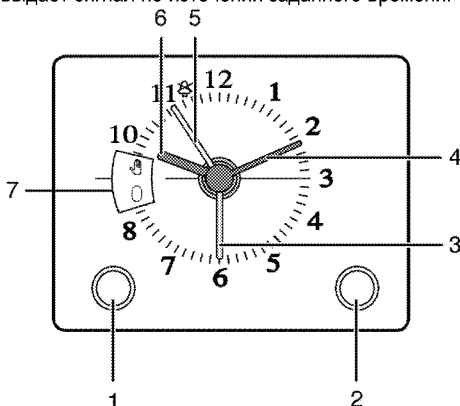
В этом режиме работы можно задать время автоматического выключения духовки.

- Поворачивайте регулятор (2) по часовой стрелке, пока на цифровом индикаторе Cooking Time (Продолжительность приготовления) не появится цифра "0".
- Чтобы установить продолжительность приготовления на цифровом индикаторе Cooking Time (Продолжительность приготовления) (7), поверните регулятор (2) по часовой стрелке.
- Поставьте блюдо в духовой шкаф.
- Выберите режим работы и температуру.
 - » По окончании приготовления питание автоматически отключается, и подается звуковой сигнал.
- Как только приготовление завершится, и вы услышите звуковой сигнал, поверните ручку (2) по часовой стрелке, пока на дисплее времени приготовления не появится "0".
- Выключите духовку с помощью регулятора температуры и (или) ручки выбора функций.

Использование часов в качестве сигнального таймера

Часы прибора можно использовать не только для настройки программы приготовления, но и для предупреждения или напоминания.

Сигнальный таймер не влияет на работу духового шкафа. Он используется только для предупреждения. Например, его можно использовать для напоминания о том, что в определенное время нужно перевернуть продукты в духовом шкафу. Сигнальный таймер выдает сигнал по истечении заданного времени.



- Кнопка настройки времени
- Кнопка установки времени запуска
- Начало приготовления (оранжевый)
- Минутная стрелка (золотой)
- Стрелка звукового таймера (желтый)
- Часовая стрелка (золотой)
- Индикатор продолжительности приготовления



Максимальное время установки звукового сигнала может составлять 55 минут.

Настройка сигнального таймера

- Поверните ручку (1) вправо или влево и установите стрелку сигнального таймера (желтая) (5) на циферблате в нужное положение.
 - » По истечении заданного времени будет подан звуковой сигнал.

Выключение звукового сигнала

- Чтобы выключить сигнал, во время звучания сигнала передвиньте стрелку сигнального таймера (желтая) (5) на значок звукового сигнала, повернув ручку (1) вправо или влево.

Время приготовления блюд



Значения времени в этой таблице следует считать справочными. Они могут изменяться в зависимости от температуры продуктов, толщины, вида и ваших кулинарных предпочтений.

Выпечка и жарение







1-й полкой духового шкафа является нижняя полка.

Блюдо	Количество противней	Аксессуары для пользования	Режим работы	Уровень размещения	Температура (°C)	Примерное время приготовления (мин.)
Выпечка на противне	Один противень	Стандартный противень*		3	180	25 ... 30
Выпечка в форме	Один противень	Формы для кексов на решетке**		2	180	40 ... 50
Пирожные	Один противень	Стандартный противень*		3	160	25 ... 35
Бисквит	Один противень	Круглая пружинная сковорода диаметром 26 см на решетке**		3	160	25 ... 35
Печенье	Один противень	Противень для выпечки*		3	180	25 ... 30
Изделия из теста	Один противень	Стандартный противень*		2	200	30 ... 40
Сдобная выпечка	Один противень	Стандартный противень*		2	200	25 ... 35
Закваска	Один противень	Стандартный противень*		2	200	35 ... 45
Лазанья	Один противень	Стеклоянная / металлическая прямоугольная сковорода на решетке**		2 - 3	200	30 ... 40
Пицца	Один противень	Стандартный противень*		2	200 ... 220	15 ... 20
Бифштекс (куском)/жаркое	Один противень	Стандартный противень*		3	25 мин. 250/маx, затем 180 ... 190	100 ... 120
Баранья нога (запеканка)	Один противень	Стандартный противень*		3	25 мин. 220 затем 180 ... 190	70 ... 90
Жареная курица (1,8-2 кг)	Один противень	Стандартный противень*		2	15 мин. 250/маx, затем 180 ... 190	60 ... 80
Индейка (5.5 кг)	Один противень	Стандартный противень*		1	25 мин. 250/маx, затем 180 ... 190	150 ... 210
Рыба	Один противень	Стандартный противень*		3	200	20 ... 30

Для всех типов продуктов рекомендуется произвести предварительный разогрев.
 * Эти аксессуары могут не поставляться с продуктом.
 ** Эти аксессуары не поставляются с продуктом. Эти аксессуары доступны в продаже.

Таблица для пробного приготовления
Блюда, внесенные в настоящую таблицу готовятся в соответствии с EN 60350-1, чтобы

облегчить контролирующим организациям процесс проверки продукта.

Блюдо	Количество противней	Аксессуары для пользования	Режим работы	Уровень размещения	Температура (°C)	Примерное время приготовления (мин.)
песочное печенье	Один противень	Стандартный противень*		3	140	20 ... 30
Пирожные	Один противень	Стандартный противень*		3	160	25 ... 35
Бисквит	Один противень	Круглая пружинная сковорода диаметром 26 см на решетке**		3	160	25 ... 35
Яблочный пирог	Один противень	Круглая металлическое блюдо диаметром 20 см на решетке**		2	180	50 ... 60

Для всех типов продуктов рекомендуется произвести предварительный разогрев.

* Эти аксессуары могут не поставляться с продуктом.

** Эти аксессуары не поставляются с продуктом. Эти аксессуары доступны в продаже.

Советы по выпечке

- Если изделие получается слишком сухим, следует повысить температуру примерно на 10°C и сократить время приготовления.
- Если изделие получается сырым, следует уменьшить количество жидкости или понизить температуру на 10°C.
- Если верхняя корочка слишком зарумянивается, следует поставить изделие ниже, понизить температуру и увеличить время приготовления.
- Если изделие хорошо пропекается, но снаружи пригорает, следует уменьшить количество жидкости, понизить температуру и увеличить время приготовления.

Советы по выпечке

- Если изделие получается слишком сухим, следует повысить температуру примерно на 10°C и сократить время приготовления. Смажьте слои теста смесью из молока, растительного масла, яиц и йогурта.
- Следите за тем, чтобы толщина изделия не превышала глубины противня, иначе оно будет долго выпекаться.
- Если верхний слой изделия подгорает, а нижний остается сырым, возможно, в нижнем слое изделия слишком много начинки. Чтобы изделие ровно подрумянивалась, старайтесь равномерно распределять начинку между слоями теста и по поверхности изделия.



При выпечке изделий из теста соблюдайте режим и температуру, указанные в таблице рецептов. Если нижний слой изделия плохо пропекается, в следующий раз поставьте противень на один уровень ниже.

Советы по приготовлению овощных блюд

- Если овощи выпускают сок и становятся слишком сухими, готовьте их не на противне, а в сковороде под крышкой. В закрытой посуде сок сохранится.
- Если овощное блюдо остается сыроватым, прежде чем готовить овощи в духовом шкафу, можно их проварить или проBlanшировать.

Как пользоваться грилем



Перед использованием духового шкафа необходимо установить время. Если таймер не установлен, духовка работать не будет.



ПРЕДУПРЕЖДЕНИЕ!

Закрывайте дверцу во время приготовления пищи на гриле. Горячие поверхности могут причинить ожоги!

Включение гриля

1. Поверните ручку выбора функций и установите на нужный значок режима «Гриль».
2. Затем установите нужную температуру жаренья.

3. При необходимости прогрейте гриль около 5 минут.

» При этом включится индикаторная лампочка температуры.

Выключение гриля

1. Поверните ручку выбора функций в положение отключения (вверх).



Продукты, которые не подходят для приготовления на гриле, могут привести к возгоранию. На гриле можно готовить только такие продукты, которые выдерживают интенсивный нагрев. Не размещайте продукты слишком близко к задней части гриля. Эта зона нагревается сильнее всего, и жирные продукты могут загореться.

Время приготовления блюд на гриле

Приготовление блюд на электрическом гриле

Продукты	Аксессуары для пользования	Уровень размещения	Рекомендуемая температура (°C)**	Время приготовления на гриле (прибл.)
Рыба	Решетка	4..5	250/max	20...25 мин. #
Курица (куски)	Решетка	4..5	250/max	25...35 мин.
Отбивные из молодой баранины	Решетка	4..5	250/max	20...25 мин.
Ростбиф	Решетка	4..5	250/max	25...30 мин. #
Отбивные из телятины	Решетка	4..5	250/max	25...30 мин. #
Гренки *	Решетка	4	250/max	1...3 мин.

в зависимости от толщины
*Разогрейте в течение 5 минут.
**Если настройка температуры гриля в вашем изделии не предусмотрена, то гриль будет работать при максимальной температуре.

Блюда, внесенные в настоящую таблицу облеγχить контролирующим организациям готовятся в соответствии с EN 60350-1, чтобы процесс проверки продукта.

Продукты	Аксессуары для пользования	Уровень размещения	Температура (°C)	Примерное время приготовления (мин.)
Гренки	Решетка	4	250/max	1...3 мин.
Тефтели (говядина) - 12 кусками	Решетка	4	250/max	25...35 мин.

Переверните еду после 2/3 от общего времени приготовления на гриле.

Перед приготовлением любых блюд рекомендуется разогреть духовой шкаф в течение 5-6 минут.

6 Уход и техническое обслуживание

Общие сведения

Регулярно выполняйте чистку прибора. Это позволит продлить срок его службы, а также избежать многих проблем.



ОПАСНО:

Перед выполнением работ по обслуживанию и чистке отключите прибор от электрической сети. Существует риск поражения электрическим током!



ОПАСНО:

Дайте изделию остыть, прежде чем приступать к чистке. Горячие поверхности могут причинить ожоги!

- Прибор следует тщательно чистить после каждого использования. Так легче удалять остатки пищи, которые могут пригореть при следующем использовании прибора.
- Для чистки прибора не требуются специальные чистящие средства. Прибор можно вымыть теплой водой с добавлением жидкого моющего средства, используя мягкую ткань или губку. А затем протереть сухой тканью.
- Обязательно протирайте прибор насухо после чистки и сразу же удаляйте попавшую на него жидкость.
- Не используйте для чистки ручки и поверхностей из нержавеющей стали чистящие средства, содержащими кислоту или хлор. Эти детали можно протирать мягкой тканью, смоченной в жидком моющем средстве (без абразивных добавок), стараясь тереть в одном направлении.



Некоторые моющие средства и чистящие материалы могут повредить поверхность. Не используйте для чистки агрессивные моющие средства, чистящие порошки/кремы, а также острые предметы.



Не используйте для чистки устройства пароочистители, поскольку это может привести к поражению электрическим током.

Чистка панели управления

Очистьте панель управления и ручки-регуляторы влажной тканью и вытрите насухо.

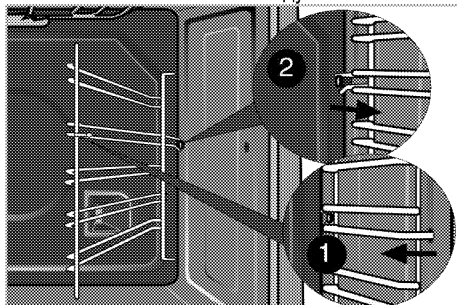


Если ваш прибор оснащен кнопками/ручками, не снимайте ручки-регуляторы для чистки панели управления. Так можно повредить панель управления!

Чистка духовки

**Чистка боковых стенок(Может отличаться в зависимости от модели изделия.)
(Данная функция — дополнительная. Она может отсутствовать в вашем изделии.)**

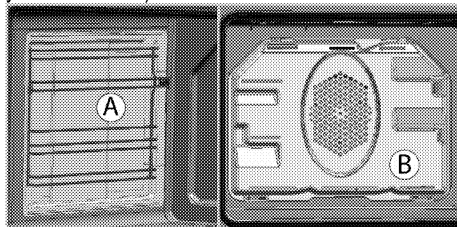
1. Снимите переднюю часть боковой решетки, оттянув ее от боковой стенки.
2. Потяните боковую решетку к себе и полностью выньте ее из духовки.



Стенки с каталитическим покрытием

(Данная функция — дополнительная. Она может отсутствовать в вашем изделии.)

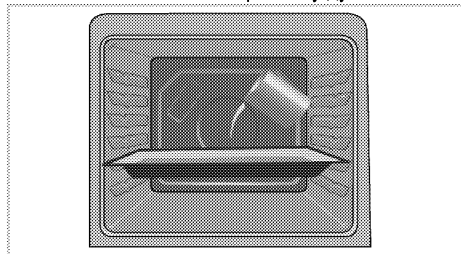
Внутренние боковые стенки (А) и (или) задняя стенка (В) вашего изделия могут быть покрыты каталитическим эмалью. Стенки с каталитическим покрытием имеют светлую матовую пористую поверхность. Стенки духовки, имеющие каталитическое покрытие, не следует чистить. Пористые поверхности стенок с каталитическим покрытием самоочищаются путем впитывания и разложения пролитого жира (на воду и углекислый газ).



Простая очистка паром

Это упрощает чистку, поскольку грязь (после кратковременного ожидания) смягчается паром, образующимся в духовом шкафу, и каплями воды, конденсирующимися на внутренних поверхностях духового шкафа.

1. Выньте из духового шкафа все принадлежности.
2. Налейте в противень 500 мл воды и поместите его на 2-ю решетку духовки.



3. Установите духовку до легкого режима очистки паром и работайте на 100 ° C в течение 25 минут.
4. Откройте дверцу и протрите внутренние поверхности духового шкафа влажной губкой или тканью.
5. Стойкую грязь следует удалять теплой водой с жидким моющим средством, используя мягкую ткань или губку, а после чистки следует вытирать прибор сухой тканью.

i При работе в режиме упрощенной очистки паром, вода, налитая в лоток для размягчения образовавшихся осадков/грязи внутри духовки, испарится и конденсируется внутри духовки и на внутренней поверхности двери духовки, поэтому при открытии двери духовки может капать вода. Вытрите конденсат сразу после открытия дверей духовки.

Чистка дверцы духовки

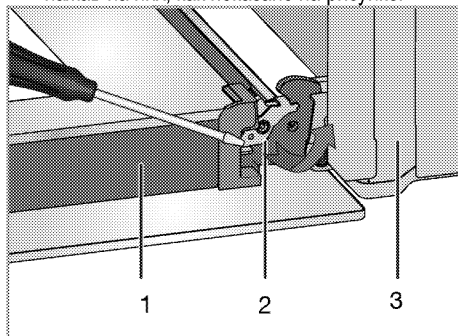
Мойте дверцу духовки мягкой тканью или губкой, смоченной в теплой воде с добавлением жидкого моющего средства, и вытирайте сухой тканью.

i Не используйте для чистки дверцы моющие средства с абразивными веществами или металлические скребки. Они могут поцарапать поверхность и повредить стекло.

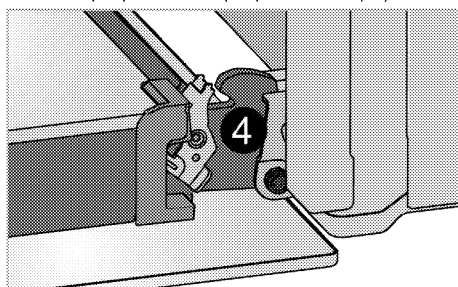
Снятие дверцы духового шкафа

1. Откройте переднюю дверцу (1).

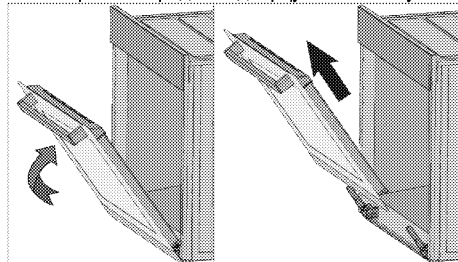
2. Откройте зажимы на корпусе петли (2) с правой и левой стороны передней дверцы, нажав на них, как показано на рисунке.



- 1 Дверца
- 2 Шарнирный замок(закрытое положение)
- 3 Духовой шкаф
- 4 Шарнирный замок(открытая позиция)



3. Откройте переднюю дверцу наполовину.



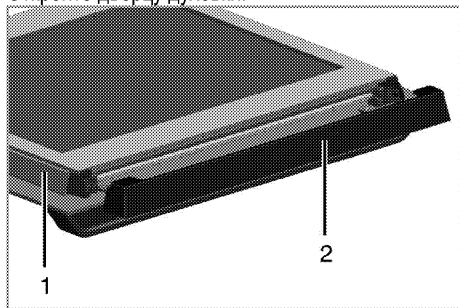
4. Снимите переднюю дверцу, потянув ее вверх и освободив от правой и левой петли.

i Для установки дверцы на место следует выполнить в обратном порядке действия по снятию. Не забудьте закрыть зажимы на корпусе петли при установке дверцы на место.

Снятие внутреннего стекла дверцы (Данная функция — дополнительная. Она может отсутствовать в вашем изделии.)

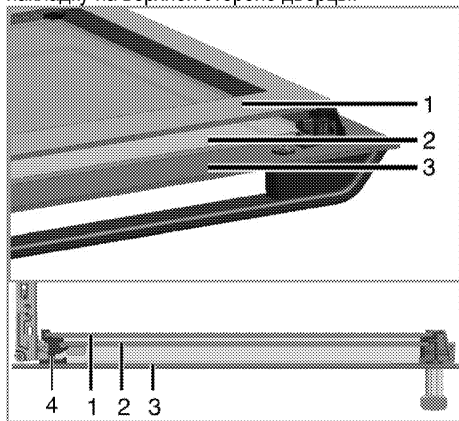
Внутреннее стекло панели дверцы духового
шкафа можно снять для чистки.

Откройте дверцу духовки.



- 1 Рамка
- 2 Пластмассовая накладка

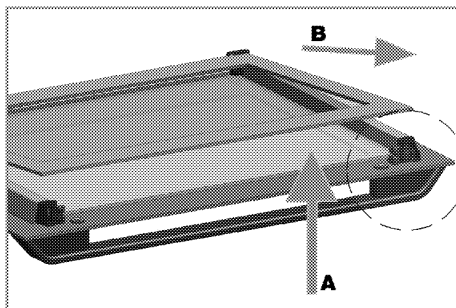
Потяните к себе и снимите пластмассовую
накладку на верхней стороне дверцы.



- 1 Первое внутреннее стекло
- 2 Внутреннее стекло
- 3 Внешнее стекло
- 4 Пластмассовый держатель стекла – нижний

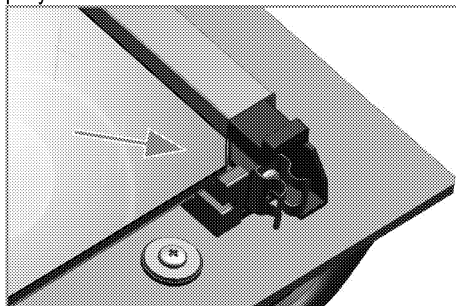
Приподнимите первое внутреннее стекло (1) в
направлении **A** и вытяните его в направлении **B**,
как показано на рисунке.

Чтобы вынуть среднее стекло (2), повторите эти
же действия.



При сборке дверцы сначала следует вставить
среднее стекло (2).

Вставляйте стекла таким образом, чтобы
скошенный угол стекла попал на фаску
пластмассового держателя, как показано на
рисунке.



Среднее стекло (2) следует установить в
пластмассовый держатель рядом с первым
внутренним стеклом (1).

Внутреннее стекло (1) следует устанавливать
таким образом, чтобы надпись на стекле была
обращена к среднему стеклу.

Следите за тем, чтобы нижний угол среднего
стекла был правильно вставлен в нижний
пластмассовый держатель.

Прижмите пластмассовую накладку к раме до
щелчка.

Замена лампочки освещения духового шкафа



ОПАСНО:

Во избежание поражения электрическим
током, прежде чем заменять лампочку,
убедитесь в том, что электроприбор
отсоединен от сети и остыл.

Горячие поверхности могут причинить
ожоги!



В этой духовке используется лампа накаливания мощностью менее 40 Вт, высотой менее 60 мм, диаметром менее 30 мм или галогенная лампа с цоколем типа G9, мощностью менее 60 Вт. Лампы подходят для работы при температуре выше 300 °С. Лампы для духовки можно получить у авторизованных сервисных агентов или у технического специалиста с лицензией.



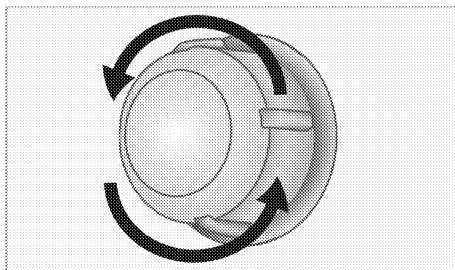
Расположение лампочки может отличаться от изображения на рисунке.



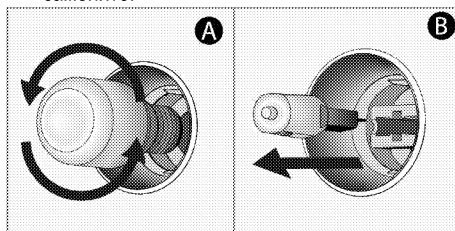
Лампа, используемая в этом приборе, не подходит для освещения бытовых помещений. Эта лампа предназначена для вспомогательной цели, позволяющей пользователю увидеть пищевые продукты.



Лампы, используемые в этом приборе, должны выдерживать экстремальные физические условия, например температуру выше 50 °С.



3. Если в вашей духовке используется лампа типа (А), показанная на рисунке ниже, поверните ее в соответствии с рисунком, чтобы извлечь ее и заменить. Если используется лампа типа (В), потяните и извлеките ее, как показано на рисунке, и замените.



4. Установите на место стеклянный плафон.

Замена круглой лампочки освещения духового шкафа

1. Отсоедините духовой шкаф от электросети.
2. Снимите стеклянный плафон, повернув его против часовой стрелки.

7 Поиск и устранение неисправностей

Во время работы из духового шкафа выделяется пар.

- Вполне нормально, если пар выделяется во время работы. >>> *Это не является неисправностью.*

При нагревании и охлаждении прибор издает металлические шумы.

- При нагревании металлические детали могут расширяться и издавать звуки. >>> *Это не является неисправностью.*

Прибор не работает.

- Плавкий предохранитель неисправен или сработал. >>> *Проверьте плавкие предохранители в блоке предохранителей. При необходимости замените их или включите.*
- Духовой шкаф не включен в (заземленную) розетку электросети. >>> *Проверьте соединение штепсельной вилки.*

Освещение духовки не работает.

- Лампочка освещения духового шкафа неисправна. >>> *Замените лампочку освещения шкафа.*
- Нет электропитания. >>> *Проверьте наличие электропитания. Проверьте предохранители в блоке предохранителей. При необходимости замените или включите предохранители.*

Духовка не нагревается.

- Не задана функция или температура. >>> *Выберите функцию и установите температуру с помощью переключателя функций и (или) регулятора температуры.*
- В моделях, оснащенных таймером, таймер не установлен. >>> *Установите время. (В моделях с микроволновой печью управление по таймеру действует только для микроволновой печи).*
- Нет электропитания. >>> *Проверьте наличие электропитания. Проверьте предохранители в блоке предохранителей. При необходимости замените или включите предохранители.*

(В моделях с таймером) Цифровой индикатор времени мигает, или светится символ часов.

- Ранее произошло отключение электроэнергии. >>> *Установите время / Выключите духовой шкаф и включите снова.*



Если вы не можете устранить неполадки, несмотря на выполнение инструкций, приведенных в данном разделе, обратитесь к представителю авторизованной сервисной службы. Не пытайтесь самостоятельно отремонтировать неисправный электроприбор.

Изготовитель: «Arcelik A.S.»

Юридический адрес: Караач Джаддеси № 2-6 34445 Сютлюдже Стамбул, Турция
(Karaağaç Caddesi No:2-6 Sütlüce, 34445, Turkey)

Произведено в Турции

Импортер на территории РФ: ООО «БЕКО»

Юридический адрес: 601021 Россия, Владимирская обл., Киржачский р-н, МОСП Першинское, дер.
Федоровское, ул. Сельская, д. 49.

Информацию о сертификации продукта Вы можете уточнить, позвонив на горячую линию
8-800-200-23-56.

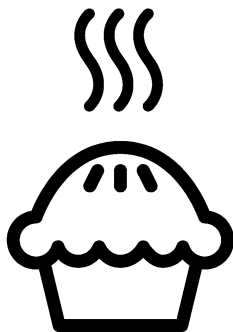
Дата производства включена в серийный номер продукта, указанный на этикетке, расположенной на продукте, а именно: первые две цифры серийного номера обозначают год производства, а последние две – месяц. Например, "10-100001-05" обозначает, что продукт произведен в мае 2010 года.

Изготовитель оставляет за собой право на внесение изменений в конструкцию, дизайн и комплектацию электроприбора.



Кірістірілген пеш

Пайдаланушы нұсқаулығы



KK

Алдымен пайдаланушы нұсқаулығын оқыңыз!

Құрметті тұтынушы,

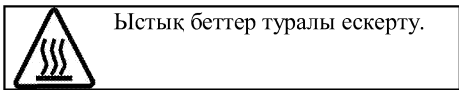
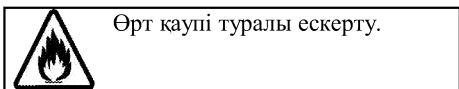
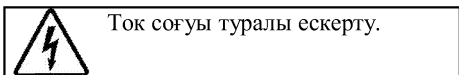
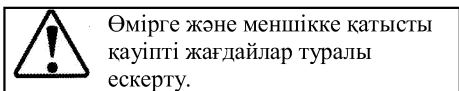
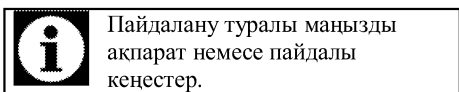
Бек онімін тандағаныңызға рақмет. Жоғары сапамен және заманауи технологиямен өндірілген өнімнен ең жақсы нәтижелерді аласыз деп үміттенеміз. Сондықтан, өнімді пайдаланбай тұрып осы пайдаланушы нұсқаулығын және басқа құжаттарды толығымен оқып шығыңыз және болашақта пайдаланатын анықтама ретінде сақтаңыз. Егер өнімді басқа біреуге тапсырсаңыз, пайдаланушы нұсқаулығын да беріңіз. Пайдаланушы нұсқауларындағы бүкіл ескертулер мен ақпараттағы нұсқауларды орындаңыз.

Бұл пайдаланушы нұсқаулығы бірнеше басқа үлгіге де қатысты екенін есте сақтаңыз.

Нұсқаулықта үлгілер арасындағы айырмашылықтар көрсетіледі.

Белгілердің түсіндірмесі

Осы пайдаланушы нұсқаулығында келесі белгілер пайдаланылады:



Arçelik A.Ş.
Karaağaç caddesi No:2-6
34445 Sülüce/Istanbul/TURKEY
Made in TURKEY

1 Қауіпсіздік және қоршаған орта туралы маңызды нұсқаулар және ескертулер 4

Қауіпсіздік техникасының жалпы ережелері	4
Электр қауіпсіздігі	5
Өнім қауіпсіздігі	6
Дұрыс пайдалану	8
Балар қауіпсіздігі	8
Ескі өнімді тастау	9
Орама материалдарын тастау	9

2 Құрылғыңыз 10

Жалпы шолу	10
Буманың құрамы	11
Техникалық сипаттамалары	12

3 Орнату 13

Орнатудан бұрын	13
Орнату және қосу	15
Келешекте тасымалдау	17

4 Дайындық 18

Қуатты үнемдеу бойынша кеңестер	18
Алғашқы қолдану	18
Уақытты орнату	18
Құрылғыны алғаш рет тазалау	19
Бастапқы қыздыру	19

5 Пешті іске қосу жолы 20

Пісіру, қуыру және грильде дайындауға қатысты жалпы мәліметтер	20
Электр пешін іске қосу жолы	20
Жұмыс режимдері	21
Пештің сағатын пайдалану	22
Сағатты дыбысты таймер ретінде қолдану	23
Тағамдарды пісіру уақытының кестесі	24
Грильді іске қосу жолы	25
Грильденетін тағамдарды пісіру уақытының кестесі	26

6 Күту мен техникалық қызмет көрсету 27

Жалпы мәліметтер	27
Басқару тақтасын тазарту	27
Пешті тазалау	27
Пеш есігін алу	28
Есіктің ішкі әйнегін шығарып алу	29
Пеш шамын ауыстыру	30

7 Ақаулықтарды іздеу және жою31

1 Қауіпсіздік және қоршаған орта туралы маңызды нұсқаулар және ескертулер

Бұл бөлім жеке жарақаттан немесе меншіктің зақымдалуынан қорғауға көмектесетін қауіпсіздік туралы нұсқауларды қамтиды.

Бұл нұсқауларды орындамау бүкіл кепілдікті жояды.

Қауіпсіздік техникасының жалпы ережелері

- Бұл жабдықты 8 жастан жоғары балалар және дене, сезу немесе ақыл-ай мүмкіндіктері нашар адамдар жабдықты қауіпсіз пайдалану туралы бақылау немесе нұсқау берілсе және байланысты қауіптерді түсінсе пайдалана алады. Балалар жабдықпен ойнамауы керек. Тазалауды және техникалық қызмет көрсетуді балалар бақылаусыз орындамауы керек.
- Бұл құрылғыны физикалық, сезу және ойлау қабілеттері шектеулі (балаларды қоса), не болмаса тәжірибесі не білімі жоқ адамдар қадағалаумен және құрылғыны пайдалануға байланысты нұсқауларды

бермейінше қолданбауы тиіс.

Қадағалаудағы балалар құрылғымен ойнамауы керек.

- Егер әлдекім өнімді пайдаланса немесе біреуден сатып алса, пайдаланушы нұсқаулығы, өнім жапсырмалары және басқа тиісті құжаттамалар мен бөлшектер онымен бірге берілуі тиіс.
- Орнату және жөндеу жұмыстарын Уәкілетті қызмет көрсету орталығының мамандары ғана орындауы қажет. Уәкілеті жоқ кісілермен орындалған іс рәсімдер нәтижесінде орын алуы мүмкін ақаулықтар үшін өндіруші жауапты емес. Орнату алында нұсқауларды мұқият оқып шығыңыз.
- Құрылғы бүлінген болса және көзге көрінетін ақаулықтар болса, құрылғыны іске қоспаңыз.
- Әр пайдаланудан кейін өнімнің функция

тұтқыштарының өшірілуін бақылаңыз.

Электр қауіпсіздігі

- Егер өнімде ақаулық бар болса, рұқсат етілген сервис агенті жөндегенше оны пайдаланбау керек. Электр тогы соғуының қаупі бар!
- Өнімді тек «Техникалық сипаттамалар» бөлімінде көрсетілгендей кернеуі мен қорғанысы бар жерге қосылған розеткаға/желіге қосыңыз. Құрылғыны трансформатормен немесе трансформаторсыз пайдаланып жатқан кезде, жерге қосу орнатылымын білікті электр маманы орындауы қажет. Жергілікті ережелерге сәйкес құрылғыны жерге тұйықтаусыз пайдалану нәтижесінде орын алған кез келген ақаулықтар үшін біздің компания жауапты емес.
- Ешқашан өнімді үстіне су себу немесе құю арқылы жумаңыз! Электр тогы соғуының қаупі бар!
- ешқашан ашаға ылғалды қолдармен тимеңіз! Ешқашан кабельдер тарту арқылы ажыратпаңыз, әрқашан ашаны ұстап ажыратыңыз.
- Орнату, тазалау және жөндеу процедуралары кезінде өнімді желіден ажырату керек.
- Егер өнімнің қуат қосылымы кабелі зақымдалса, қауіпті болдырмау үшін оны өндіруші, оның сервис агенті немесе сол сияқты білікті адамдар ауыстыруы керек.
- Жабдықты желіден толығымен ажыратуға болатындай орнату керек. Бөлуді құрылыс ережелері сәйкес желілік розетка немесе бекітілген электр қондырғысына бекітілген қосқыш қамтамасыз етуі керек.
- Құрылғы қосулы кезде, артқы қабаты қатты кызады. Электр сымдары құрылғының артқы қабатына тимейтіндігін тексеріңіз, себебі бұл олардың бүлінуіне алып келеді.
- Қуат сымы пештің есігі мен жақтауы арасында қысылып қалмағанын тексеріңіз және оны ыстық

қабаттардың үстімен жүргізбеңіз. Әйтпесе, сымның оқшаулауы еріп, қысқа тұйықталуға және өртке алып келеді.

- Электр құралдарымен және жүйелерімен орындалатын кез-келген жұмыстарды уәкілетті және білікті кісілер ғана орындауы қажет.
- Ақаулық болған жағдайда құрылғыны өшіріп, оны электр жүйесінен ажыратыңыз. Бұл үшін уйдегі сақтандырғышты өшіріңіз.
- Сақтандырғыш көрсеткіші өніммен үйлесімді екенін тексеріңіз.

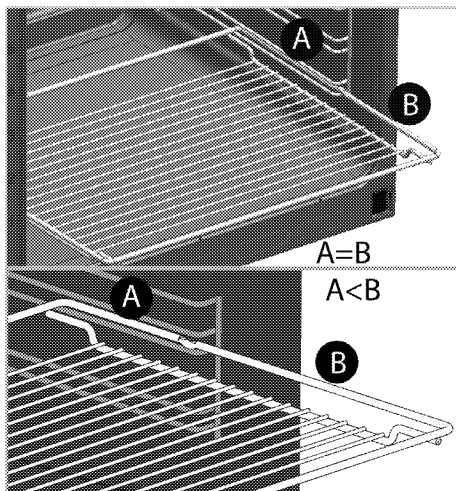
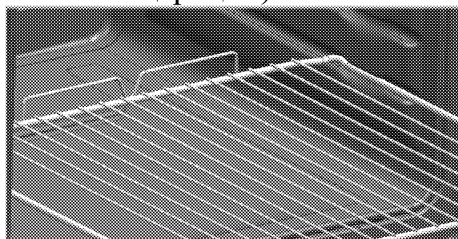
Өнім қауіпсіздігі

- **АБАЙЛАҢЫЗ:** Пайдалану кезінде жабдық пен қолмен жетуге болатын бөліктері қызады. Қыздыру элементтеріне тимеуді қадағалау керек. 8 жастан төмен балаларды қадағалау болмаса, ары ұстау керек.
- Серпіліс пен қимыл жылдамдығына әсер ететін ішімдік пен дәрі-дәрмектің әсерінде болғанда құрылғыны пайдаланбаңыз.

- Тағамдарды дайындауда алкогольді ішімдіктерді қосқанда абай болыңыз. Жоғары температурада алкоголь буланып, ыстық беттерге тигенде жануы және өртке алып келуі мүмкін.
- Құрылғы жанына жанғыш заттарды қоймаңыз, себебі, қосулы кезінде бүйірлік беттері қатты қызады.
- Пайдалану кезінде құрылғы қызып кетуі мүмкін. Пеш ішіндегі қыздыру элементтеріне тимеуді қадағалау керек.
- Барлық желдеткіш тесіктерінің ашық болғанын қадағалаңыз.
- Пеште қаңылтыр және шыны құтыларда жабылған тағамдарды ысытпаңыз. Құты ішінде қысым жоғарылап, құтының жарылуына алып келеді.
- Жайпақ қаңылтыр табаны, ыдысты және алюминийлі қытырлақ қағазын тікелей пештің төменгі жағына қоймаңыз. Тым қатты ыстық пештің төменгі жағын бүлдіруі мүмкін.
- Қатты абразивті тазартқыштарды немесе үшкір металл қырғыштарды

пайдаланып, пеш есігінің шынысын тазаламаңыз, өйткені олар бетті сырып, бұл шынының сынуына әкелуі мүмкін.

- Жабдықты тазалау үшін бу тазалағыштарын пайдаланбаңыз, өйткені ток соғуы мүмкін.
- (Құрылғы үлгісіне байланысты өзгереді.) Сым тор сөресі мен жайпақ қаңылтыр табаны сым бағыттауыштарына дұрыстап қою Сым тор сөресін және/немесе табаны бағыттауышқа дұрыстап қою өте маңызды. Сым тор сөресін екі сырғытпалы жолға салып, тағамды салғанда екі жағыда тең екендігін тексеріңіз (Келесі санға қараңыз).



- Алдыңғы есігінің шынысы алынған не шытынаған болса, құрылғыны пайдаланбаңыз.
- Пеш тұтқасы сүлгі құрғатқыш емес. Гриль функциясы ашық есікте болғанда, сүлгіні, қолғапты немесе ұқсас тоқыма өнімдерді ілменіз.
- Тағамды пешке салар немесе пештен шығарар кезінде әрқашан ыстыққа төзімді қолғаптарды пайдаланыңыз.
- Пісіру қағазын әзірлеу құмырасына немесе духовка аксессуарына (науа, сымды гриль, т.б.) тамақпен бірге қойыңыз, содан кейін барлығын алдын ала қыздырылған духовкаға салыңыз. Духовканың

қыздыру элементтеріне тию қаупін болдырмау үшін аксессуардан немесе құмырадан шығып тұрған пісіру қағазының артық бөліктерін алыңыз. Пісіру қағазы үшін пісіру қағазын көрсетілген мәннен жоғарырақ жұмыс температурасында ешқашан пайдаланбаңыз. Пісіру қағазын тікелей духовка түбіне қоймаңыз.

- **АБАЙЛАҢЫЗ:** Шамды ауыстырар алдында, электр тогының соғуына жол бермеу үшін, құрылғының қуат сымынан ажыратылғанын немесе ажыратқыштың өшірілгенін тексеріңіз.
- Құрылғының қызып кетуін болдырмау мақсатында оны сәндік есік артына орнатпау қажет.

Өнімде өрт болмауы үшін:

- Ашаның розеткаға ұшқын тумайтындай қосылғанын тексеріңіз.
- Зақымдалған немесе кесілген кабельді, түпнұсқа кабельден басқа ұзартқыш кабельді пайдаланбаңыз.
- Розеткадағы сұйықтық немесе ылғал өнімге тимеуін тексеріңіз.

Дұрыс пайдалану

- Бұл құрылғы тек тұрмыстық қажеттілік үшін өндірілген. Сауда мақсатында қолданылса, кепілдігі жойылады.
- **ЕСКЕРТУ:** Бұл құрылғы тек тағамды пісіруге ғана арналған. Оны басқа мақсаттарда, мысалы бөлмені жылыту үшін пайдалануға болмайды.
- Құрылғыны гриль астына арналған табақты жылыту үшін, сүлгілерді, ыдыс-аяқ сүлгілерін пеш есігінің тұтқыштарына ілу арқылы кептіру үшін пайдалануға болмайды. Сонымен қатар, бұл құрылғыны бөлмені жылыту мақсатында қолдануға болмайды.
- Құрылғыны дұрыс пайданланбау себебінен туындаған ақаулықтар үшін өндіруші жауапты емес.
- Пешті тағамдарды еріту, пісіру, қуыру және грильде дайындау үшін пайдалануға болады. .

Балар қауіпсіздігі

- **АБАЙЛАҢЫЗ:** Пайдалану кезінде жетуге болатын бөліктер ыстық болуы

мүмкін. Кішкентай балдар алшақ жерде болуы керек.

- Орама материалдары балаларға зиянды болады. Балаларды орама материалдарынан алшақ ұстаңыз. Орама материалдардың барлық бөліктерін қоршаған орта стандарттарына сай тастаңыз.
- Электр жабдықтары балалар үшін қауіпті болып табылады. Іске қосулы болғанда балардың осы өнімнен алшақ болуы қадағалап, олардың өніммен ойнауын болдырмаңыз.
- Жабдықтың үстіне балалардың қол жететін ешқандай зат қоймаңыз.
- Есік ашық кезде оған ешбір ауыр затты жүктемеңіз және оған балардың отыруына жол бермеңіз. Ол аударылып кетуі не ілгектері зақымдануы мүмкін.

Ескі өнімді тастау

Қоқыс өнімдерді лақтыру туралы WEEE директивасының талаптарына сәйкестік:



Бұл өнім ЕО WEEE директивасының (2012/19/EU) талаптарына сәйкес келеді. Бұл өнімде қоқыс электр және электрондық жабдық (WEEE) жіктеу таңбасы бар. Бұл өнім қайта пайдалануға болатын және қайта өңдеу үшін жарамды жоғары сапалы бөлшектермен және материалдармен жасалған. Қызмет көрсету мерзімі біткенде қоқыс өнімді әдеттегі тұрмыстық және басқа қоқыстармен бірге лақтырмаңыз. Оны электр және электрондық жабдықтарды қайта өңдеу үшін жинау орталығына апарыңыз. Бұл жинау орталықтары туралы білу үшін жергілікті билік органдарына хабарласыңыз.

RoHS директивасының талаптарына сәйкестік:

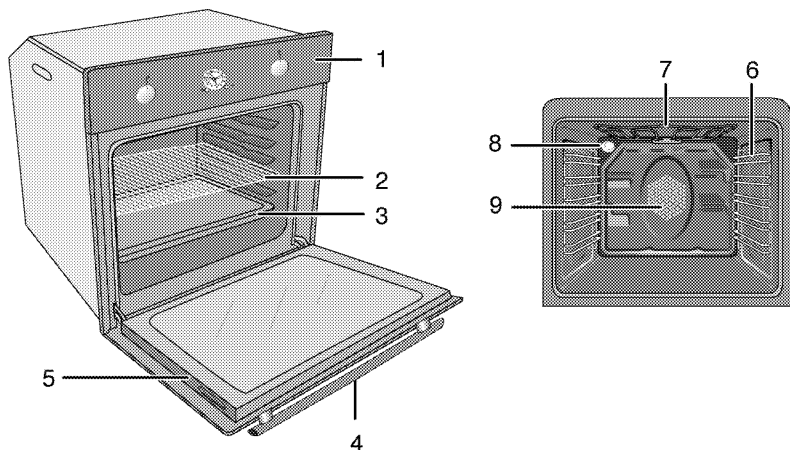
Сіз сатып алған өнім ЕО RoHS директивасының (2011/65/EU) талаптарына сәйкес келеді. Оның құрамында директивада көрсетілген зиянды және тыйым салынған материалдар жоқ.

Орама материалдарын тастау

- Орама материалдары балалар үшін қауіпті. Орама материалдарын балалардың қолы жетпейтін қауіпсіз жерге қойыңыз. Өнімнің орама материалдары қайта өңделетін материалдардан жасалған. Қайта өңделетін қалдық нұсқауларына сәйкес сұрыптаңыз және оларды дұрыс тастаңыз. Оларды қалыпты үй қалдықтарымен бірге тастамаңыз.

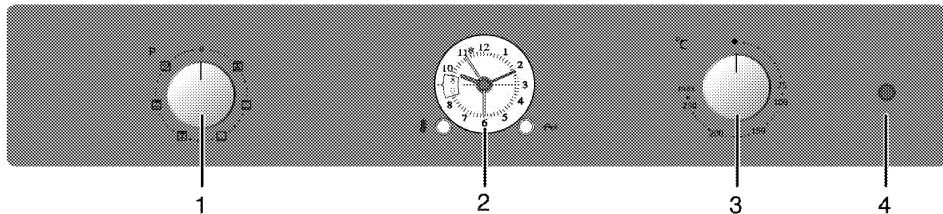
2 Құрылғыңыз

Жалпы шолу



- 1 Басқару тақтасы
- 2 Сым тор сөресі
- 3 Таба
- 4 Тұтқа
- 5 Есігі

- 6 Сөрелің позициялары
- 7 Үстінгі қыздыру элементі
- 8 Шам
- 9 Желдеткіш моторы (артқы болаттан жасалған табан)



- 1 Функция тетігі
- 2 Механикалық таймер

- 3 Термостат тетігі
- 4 Термостат шамы

Буманың құрамы

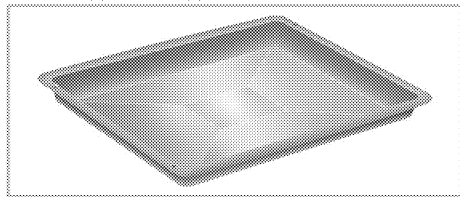


Жабдықтар құрылғының үлгісіне қарай түрлі болуы мүмкін.
Пайдаланушы нұсқауында көрсетілген кейбір жабдық осы құрылғыда болмауы мүмкін.

1. Пайдаланушы нұсқаулығы

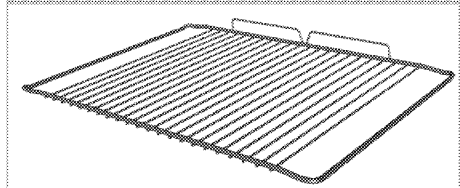
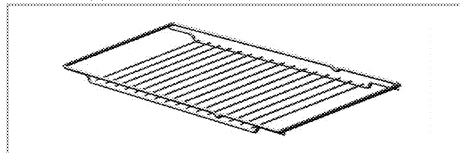
2. Стандартты поднос

Ұннан жасалған тағамдарды пісіруге, мұздатылған тағамдарды ерітуге және үлкен бөлікті тағамдарды қуыруға пайдаланылады.



3. Сымды гриль

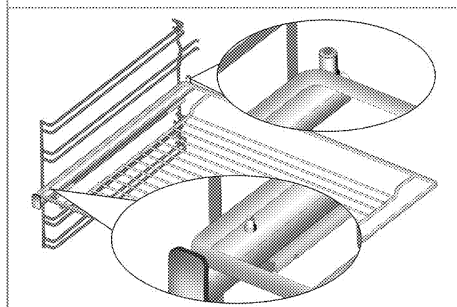
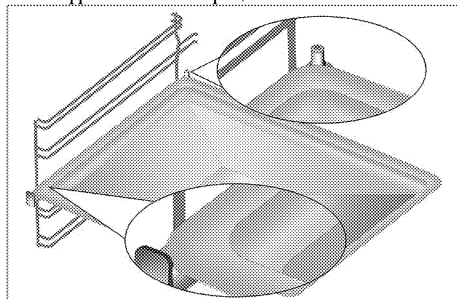
Қуыруға арналған және тағамдарды калыпта пісіру, қуыру және әзірлеу кезінде қажетгі сөреге қою үшін пайдалнылады.



4. Сым тор сөресі мен жайпақ қаңылтыр табаны сырғытпалы бағыттауыштарға қою (Бұл мүмкіндік қосымша. Ол өнімде болмауы мүмкін.)

Сырғытпалы бағыттауыштар табалар мен сым тор сөресін оңай орнатуға және шығаруға мүмкіндік береді.

Табалар мен сым тор сөресін сырғытпалы бағыттауыштармен пайдаланғанда, таба мен сым тор сөренің шеттері сырғытпалы бағыттауыштардың артқы бөлігіне орналасқан қадауыштарға сүйеніп тұрғанын тексеріңіз.





Техникалық сипаттамалары


Кернеу / жиілік	220-240 В ~ 50 Гц
Жалпы тұтынылатын қуат	2.4 кВт
Сым түрі / қимасы	мин.Н05VV-FG 3 x 1,5 мм ²
Сыртқы көлемдері (биіктігі / ені / тереңдігі)	595 мм/594 мм/567 мм
Орнату көлемдері (биіктігі / ені / тереңдігі)	**590 немесе 600 мм/560 мм/мин. 550 мм
Басты пеш	Бірнеше функциялы пеш
Ішкі шамы	15/25 Вт
Гриль қуат шығыны	2.2 кВт

Жалпы мәліметтері: Электрикалық пештердегі қуатты тұтыну тақтасындағы деректер EN 60350-1 / IEC 60350-1 стандартына сәйкес келтірілген. Бұл деректер төменгі-жоғарғы қыздырғыш элементі немесе желдеткіштің (бар болса) көмегімен қыздыру функцияларымен әдеттегі толтыру кезінде анықталған.

Қуат тиімділігі класы тиісті функциялардың құрылымында бар не жоқтығына байланысты төменде көрсетілген артықшылықтарға сәйкес анықталған. 1 - Желдеткішпен пісіру - үнемді режим, 2 - Турборежимде жәй пісіру, 3 - Турборежимде пісіру, 4 - Желдеткішпен үстінен/астынан қыздыру, 5 - Үстінен/астынан қыздыру.

** бөлімін қараңыз. *Орнату, Бет 13.*

	Құрылғының сапасын жақсарту кезінде техникалық сипаттамалары алдын ала ескертусіз өзгеруі мүмкін.
	Бұл нұсқаулықтағы суреттер үлгі ретінде берілген және құрылғының өзінен шамалы өзгешіліктері бар болуы мүмкін.

	Құрылғының зат таңбасындағы немесе ілеспе құжаттағы мәндер тиісті стандарттаға сәйкес зертханалық жағдайларда алынған. Бұл мәндер құрылғыны қолдану жағдайларына байланысты өзгеру мүмкін.
---	--

3 Орнату

Құрылғыны күші бар қағидаларға сәйкес білікті маман орнатуы қажет. Әйтпесе, кепілдігі жойылады. Уәкілеті жоқ кісілермен орындалған іс рәсімдер нәтижесінде орын алуы мүмкін ақаулықтар үшін өндіруші жауапты емес.



Орынды және электр қондырғыларын дайындау – тұтынушы жауапкершілігінде.



ҚАУІПТІ:

Өнім жергілікті газ және электр нормативтеріне сәйкес орнатылуы тиіс.



ҚАУІПТІ:

Орнатпас бұрын, өнімде кемшіліктер жоғына көз жеткізіңіз. Егер болса, оны орнатпаңыз.
Зақымданған өнімдер басыңызға қауіп-қатер төндіруі мүмкін.

Орнатудан бұрын

Құрылғы сауда бар ас бөлме шкафтарында орнату үшін арналған. Ас бөлме қабырғалары мен жиһазы және құрылғы араларында қауіпсіздік аралық қалуы қажет. Суретті қараңыз (өлшемдер мм-де)

- Пайдаланылатын беттер, синтетикалық қабатты материалдар және клейлер ыстыққа төзімді (кем дегенде 100 °C) болуы қажет.

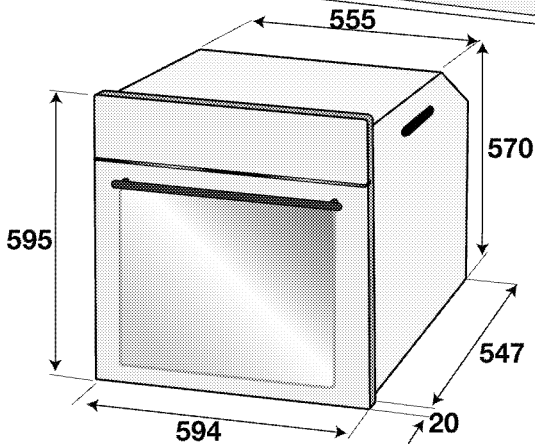
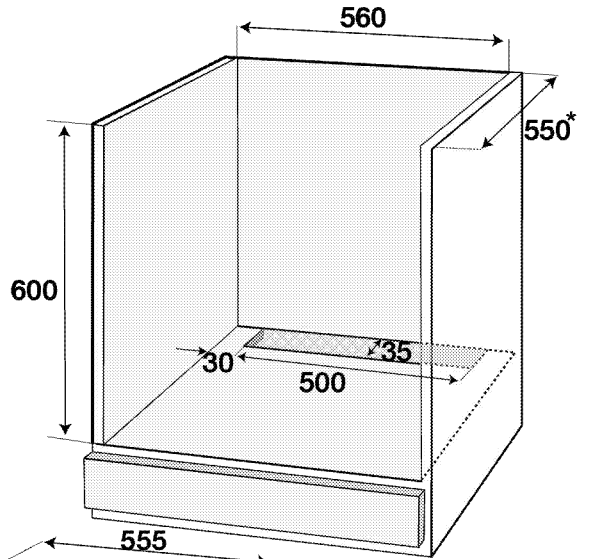
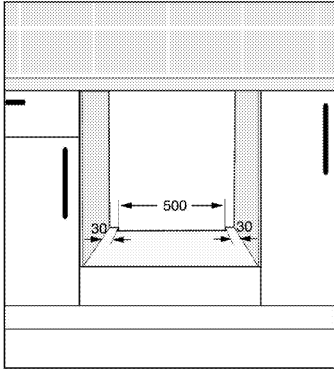
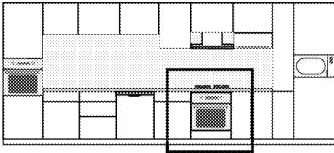
- Ас бөлме шкафтары тегіс жерде орнатылып, бекітілуі қажет.
- Пештің астыңғы жағында тартпа жәшігі бар болса, пеш пен тартпа жәшігі арасында сөре орнатылуы қажет.
- Құрылғыны кем дегенде екі адам көтеруі қажет.
- Пешті жылжыту үшін екі жағындағы қолдануға арналған тесіктерінен ұстаңыз.
- Өнімді орнату алдында ішіндегі барлық материалдары мен құжаттарын алыңыз.
- Асүй жиһазы төмендегі суретте берілген өлшемдерге сәйкес болуы керек. Асүй жиһазының артқы жағындағы саңылау жеткілікті желдету үшін төмендегі суретте берілген өлшемдерге сәйкес қиылуы керек.



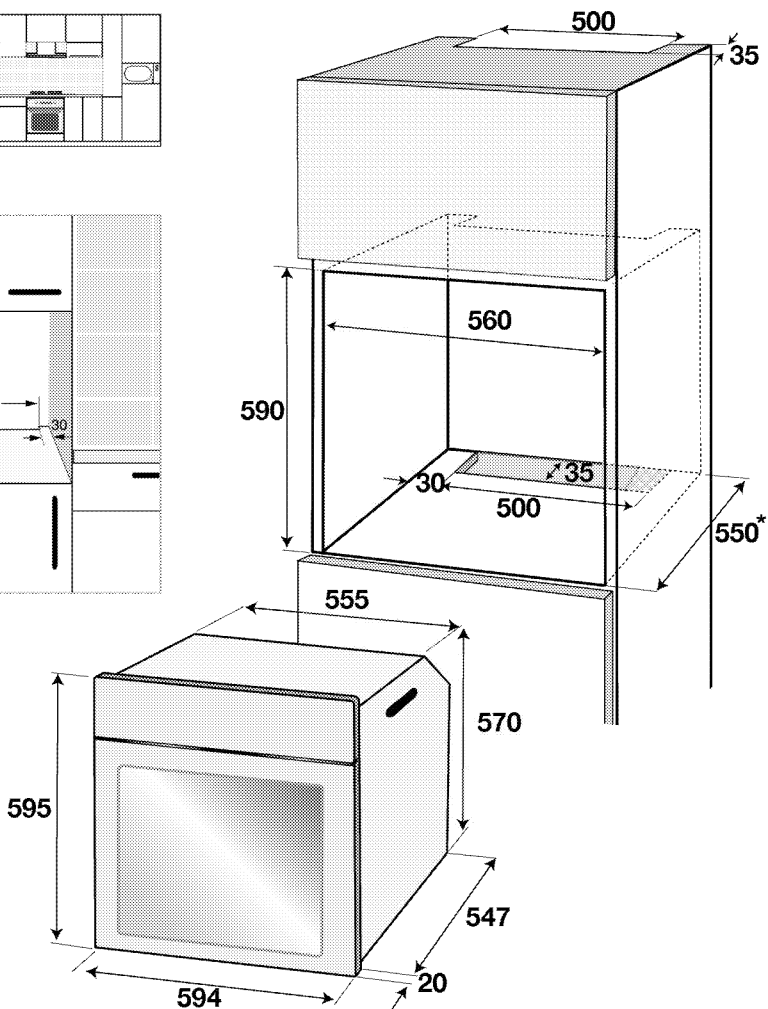
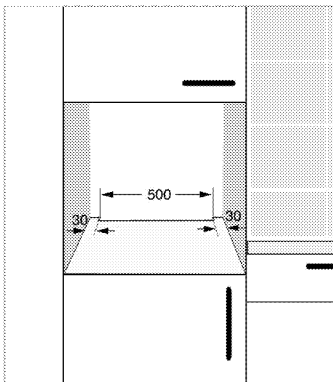
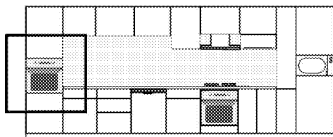
Құрылғыны тоңазытқыштардың немесе мұздатқыштардың жанына орнатпаңыз. Құрылғыдан шығатын ыстық салқындатқыш құрылғылардың электр қуатын тұтынуын жоғарлатады.



Есікті және/немесе тұтқаны құрылғыны көтеру немесе жылжыту үшін пайдалануға болмайды.



* мин.



* мин.

Орнату және қосу

- Құрылғыны күші бар нормалар мен ережелерге сәйкес орнату және қосу қажет.

Электрикалық жалғау

Өнімді «Техникалық сипаттамалары» кестесінде көрсетілгендей қуаты жарамды шағын тізбек үзгішпен қорғалған жерге қосылған розеткаға/желіге қосыңыз. Өнімді трансформатормен бірге немесе онсыз пайдалану кезінде жерге қосу орнатымын білікті электрикке орындатқызыңыз. Біздің

компания өнімді жергілікті ережелерге сай жерге қосу орнатымынсыз пайдалануға байланысты туындаған зақымдарға жауапты болмайды.



ҚАУІПТІ:

Құрылғыны қуат берілу жабдығына уәкілетті немесе білікті маман қосуы қажет. Құрылғының кепілдік уақыты дұрыс орнатудан соң ғана басталады. Уәкілеті жоқ кісілермен орындалған іс рәсімдер нәтижесінде орын алуы мүмкін ақаулықтар үшін өндіруші жауапты емес.

**ҚАУШПІ:**

Қуат сымы қысылған, майысқан немесе бұралған болмауы және құрылғының ыстық беттеріне тиіп тұрмайтындай жерде орналасуы қажет.

Бүлінген қуат сымын білікті электр маманы ауыстыруы қажет. Әйтпесе, электр тоғының соғу, қысқа тұйықталу немесе өрт қаупі бар!

- Желіге жалғау ұлттық нормативтерге сәйкес жасалуы керек.
- Желіден қуаттану мерзімі құрылғы белгісінде көрсетілген деректерге сәйкес болуы қажет. Түр белгісін көру үшін, алдыңғы есікті ашыңыз.
- Құрылғының қуат беру сымы "Техникалық сипаттамалар" кесетіндегі мәндерге сәйкес келуі қажет.

**ҚАУШПІ:**

Электрлі орнату жұмыстарын бастамас бұрын, құрылғыны қуат берілу жабдығынан ажыратыңыз. Электр тоғы соғуының қаупі бар!



Қуат беру сымының ашасы орнатылған соң қол жетімді жерде болуы қажет (оны кемпірек үстінен айналдырып жүргізбеңіз).

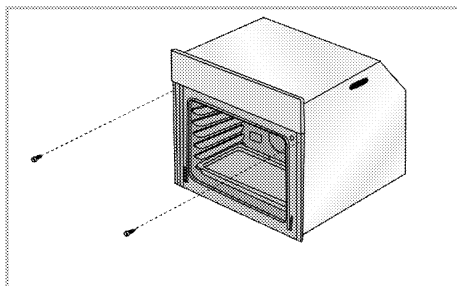


Сым жүргізу барысында ұлттық/жергілікті электр нормативтерін қолданып, тиісті розетка шығысын/желісін және пеш тығынын пайдалану керексіз. Өнім қуатының шектері тығын мен розетка шығысы/желісі тасымалдай алатын токтан тыс болса, өнім бекітілген электр орнатуы арқылы тікелей тығынсыз және розетка шығысынсыз/желісінсіз қосылуы керек.

Қуат сымын розеткаға қосыңыз.

Өнімді орнату

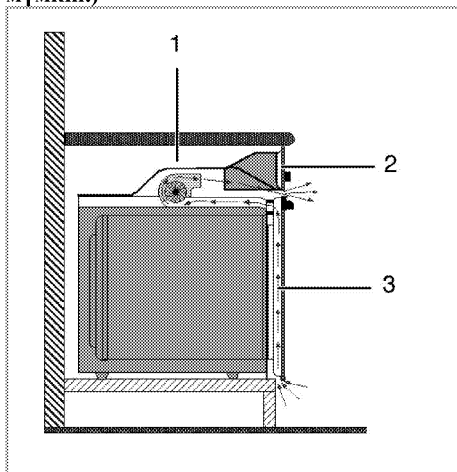
1. Пешті шкафтың ішіне сырғытып салыңыз да, қуат сымы зақымданбағанын және/немесе қысылып қалмағанын тексергеннен кейін бекітіп орнатыңыз.



Пешті суретте көрсетілгендей 2 бұрандамен бекітіңіз.


Орнатудан кейін бұрандаларды дұрыс бекітілгенін және пеш жылжымайтынын тексеріңіз. Пеш нұсқауларға сәйкес орнатылмаса және бұрандалар жеткілікті түрде бекітілмесе, ол аударылуы мүмкін.

Салқындатқыш желдеткіші бар құрылғылар үшін (Ол өнімде болмауы мүмкін.)



- 1 Салқындату желдеткіші
- 2 Басқару тақтасы
- 3 Есігі

Іштетілген салқындату желдеткіші іштетілген шкафтыда және құрылғының алдында салқындатады.

	Салқындату желдеткіші пеш өшірілген соң 20-30 минуттай жұмыс істеп тұрады. Пештің таймерін бағдарламалау арқылы пісірсеңіз, пісіру уақытының соңында барлық функциялармен бірге салқындату желдеткіші де өшеді
---	---



Соңғы тексеру

1. Өнімді пайдаланыңыз.
2. Функцияларын тексеріңіз.

Келешекте тасымалдау

- Өнімнің бастапқы қорабын сақтап, өнімді соның ішінде тасымалдаңыз. Қораптағы нұсқауларды орынданыз. Бастапқы қорап болмаса, өнімді көпіршікті орамаға немесе қалың қорапқа салып, тығыздап ораңыз.

- Пештің ішіндегі сымды гриль мен науаның пеш есігін зақымдамауы үшін, науалардың қалпымен бірдей орналасқан пеш есігінің ішкі жағына картон жолағын салыңыз. Пеш есігін қапталындағы қабырғаға біріктіріп ораңыз.
- Өнімді қозғау немесе көтеру үшін оның есігін немесе ұстатқышын қолданбаңыз.

	Құрылғы үстіне ешқандай заттар қоймаңыз және оны тігінен жылжытыңыз.
	Тасымалдау кезінде туындаған болуы мүмкін өнімнің жалпы көрінісінде ешбір зақымның болмауын тексеріңіз.

4 Дайындық

Қуатты үнемдеу бойынша кеңестер

Келесі ақпарат осы құралды қоршаған ортаға зиянсыз жолмен пайдаланып, қуатты үнемдеуге көмектеседі:

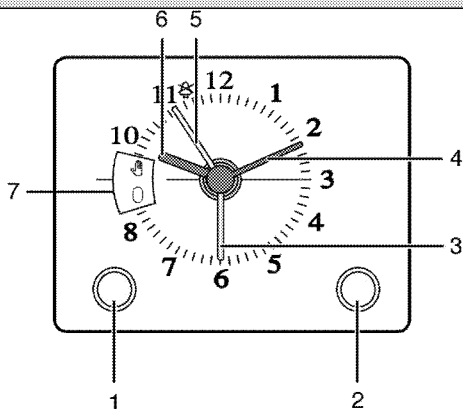
- Пештің ішінде күнгірт түсті не эмальденген ыдыс-аяқ пайдаланыңыз, себебі олар ыстықты жақсы өткізеді.
- Пайдаланушы нұсқаулығында не пісіру нұсқауларында кеңес берілген болса, тағамды пісіру кезінде алдын ала қыздыруды жасаңыз.
- Пісіру кезінде пештің есігін жиі аша бермеңіз.
- Мүмкін болған жағдайларда, пешті бір уақытта бірнеше тағамды пісіруге тырысыңыз. Тағамды сымды сөреге пісіру ыдыстарын қою арқылы әзірлеуге болады.
- Бірнеше тағам әзірлейтін болсаңыз, оларды бірінен кейін бірін бірден пісіріңіз. Пешті қайта қыздырудың қажеті болмайды.
- Пешті пісіру уақыты аяқталар алдында бірнеше минут бұрын өшіру арқылы қуатты үнемдеуге болады. Пештің есігін ашпаңыз.
- Пісірмей тұрып, мұздатылған тағамдарды ерітіп алыңыз.

Алғашқы қолдану

Уақытты орнату



Пешті орнатудан бұрын, уақытты орнату қажет. Егер уақыт орнатылмаса, пеш жұмыс істемейді.



- 1 Уақытты реттеу түймешігі
- 2 Бастау уақытын реттеу түймешігі
- 3 Пісіруді бастау (кызғылт сары)
- 4 Минут тілі (алтын сары)
- 5 Дабыл тілі (сары)
- 6 Сағат тілі (алтын сары)
- 7 Пісіру уақыты бейнебеті

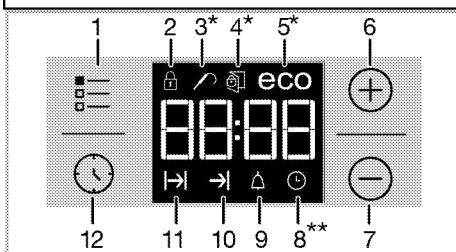
Ағымдағы уақытты реттеңіз.

1. (1) тетігін өзіңізге қарай жайлап тартыңыз, күн уақыты реттелгенше сағат тілі бағытымен бұрап, босатыңыз.

» Уақыт орнатылады.



Тетік тартылған күйде болған кезде, оны ешқашан сағат тілі бағытына қарсы бұрамаңыз.



- 1 Реттеу түймешігі
- 2 Түймешіктерді құлттау белгісі
- 3 Еттің дәмін көру белгісі
- 4 Есікті құлыптау белгісі
- 5 Эко желдеткішпен қыздыру таңбасы
- 6 Қосу түймесі
- 7 Алу түймесі
- 8 Сағат белгісі
- 9 Дабыл белгісі
- 10 Пісіру уақытының соңы белгісі
- 11 Пісіру уақыты белгісі

- 12 Бағдарлама түймешігі
* **(Бұл мүмкіндік қосымша. Ол өнімде болмауы мүмкін.)**
** Дисплейдегі орны өнім үлгісіне байланысты әр түрлі болуы мүмкін.

Құрылғыны алғаш рет тазалау



Бет кейбір жуғыш заттарды немесе тазалағыш заттарды пайдаланғанда бүлінуі мүмкін.

Тазалау кезінде қатты жуғыш заттарын, тазалағыш ұнтақтарын/кремдерін немесе кез-келген өткір заттарды пайдаланбаңыз.

1. Барлық бума материалдарын алып тастаңыз.
2. Құрылғының бетін ылғал матамен немесе губкамен сүртіңіз және матамен құрғатыңыз.

Бастапқы қыздыру

Өнімді 30 минуттай қыздырып, ажыратыңыз. Осылайша, кез келген өндірістік қалдықтар немесе қабаттар жанып кетеді және жойылады.



АБАЙЛАҢЫЗ!

Ыстық беттер жануға алып келеді! Құрылғы жұмыс істеуі кезінде қатты қызуы мүмкін. Ешқашан ыстық жанарғыларды, пештің ішкі бөліктерін, ысытқыш бөліктерін және т.б. ұстамаңыз. Балаларды аулақ ұстаңыз.

Тағамды пешке салар немесе пештен шығарар кезінде әрқашан ыстыққа төзімді қолғаптарды пайдаланыңыз.

Электр пеші

1. Пештен барлық пісіру науалары мен гриль торын алыңыз.
2. Пештің есігін жабыңыз.
3. Static (Тұрақты) бағытын таңдаңыз.
4. Ең жоғарғы грильдеу қуатын таңдаңыз; *Электр пешін іске қосу жолы, Бет 20* бөлімін қараңыз.
5. Пешті шамамен 30 минут қосып қойыңыз
6. Пешті ажыратыңыз; *Электр пешін іске қосу жолы, Бет 20* бөлімін қараңыз.

Гриль пеші

1. Пештен барлық пісіру науалары мен гриль торын алыңыз.
2. Пештің есігін жабыңыз.
3. Ең жоғарғы грильдеу қуатын таңдаңыз; *Грильді іске қосу жолы, Бет 25* бөлімін қараңыз.
4. Пешті шамамен 30 минут жұмыс істеткізіңіз.
5. Грильдеу функциясын ажыратыңыз; *Грильді іске қосу жолы, Бет 25* бөлімін қараңыз.



Құрылғы алғашқы іске қосылғанда, бір-екі сағат бойы түтін мен иіс шығуы мүмкін. Бұл қалыпты жағдай. Түтін мен иісті кетіру үшін бөлме дұрыс желдетілетінін тексеріңіз. Шығып жатқан түтін мен иісті тікелей жұтудан сақ болыңыз.

5 Пешті іске қосу жолы

Пісіру, қуыру және грильде дайындауға қатысты жалпы мәліметтер



АБАЙЛАҢЫЗ!

Ыстық беттер жануға алып келеді! Құрылғы жұмыс істеуі кезінде қатты қызуы мүмкін. Ешқашан ыстық жанарғыларды, пештің ішкі бөліктерін, ысытқыш бөліктерін және т.б. ұстамаңыз. Балаларды аулақ ұстаңыз.

Тағамды пешке салар немесе пештен шығарар кезінде әрқашан ыстыққа төзімді қолғаптарды пайдаланыңыз.



ҚАУШПТІ:

Пеш есігін абайлап ашыңыз, себебі бу шығып кетуі мүмкін.

Шығып жатқан бу қолдарыңызды, бетіңізді және/немесе көздеріңізді күйдіруі мүмкін.

Пісіруге арналған кеңестер

- Күйдірмейтін құралмен қапталған металды табаларды немесе алюминий ыдыстарын немесе ыстыққа төзімді силиконды қалыптарды пайдаланыңыз.
- Сөредегі бос орынды қолданыңыз.
- Пісіру қалпын сөренің ортасына қойыңыз.
- Пешті немесе грильді қоспас бұрын сөренің дұрыс жағдайын тандаңыз. Пеш ыстық кезінде сөре жағдайын өзгертпеңіз.
- Пеш есігін жабық ұстаңыз.

Қуыруға арналған кеңестер

- Пісіру толықтай тауық етіне, күркетауықты және үлкен бөлікті еттерді лимон шырыны және кара бұрыш секілді қатықтарды дәмдеу пісіруі тиімділігін жоғарлатады.
- Сүйекті еттерді қуыру үшін бірдей мөлшердегі сүйексіз еттерді қуырғанмен салыстырғанда 15-тен 30-қа минутқа дейін ұзағырақ уақыт кетеді.
- Ет жуандығының әрбір сантиметрі пісіру уақытының 4-5 минутын талап етеді.
- Пісіру уақыты аяқталған соң, етті пештің ішінде 10 минутқа қалдырыңыз. Шырын қуырылған еттің үстінен

жақсырақ тарайды және етті кескен кезде шығып кетпейді.

- Балық ыстыққа төзімді жайпақ тақтаға ортанғы немесе төменгі сөреге қойылуы қажет.

Грильде дайындауға арналған кеңестер

Ет, балық және құс еті грильде дайындалғанда, олар тез қызарады, үстіңгі қабықшасы жақсы болып, кеуіп кетпейді. Жайпақ бөліктер, ет істіктері мен жіңішке шұжықтарды әсіресе қызанақ және қияр секілді құрамында суы көп көкөністермен грильде дайындауға болады.

- Бөліктерді грильде дайындалуы үшін сым тор сөренің үстіне немесе астында сым тор сөресі бар жайпақ табының үстіне жайып салыңыз. Жабылған бос орынның көлемі қыздырғыштың көлемінен аспауы қажет.
- Грилі бар сым тор сөрені немесе жайпақ табаны пештің қажетті дейгейіне қойыңыз. Грильді сым тор сөреде дайындап жатқан болсаңыз, төменгі сөреге майды жинайтын жайпақ таба қойыңыз. Тазалау оңай болу үшін, табаға шамалы су құйыңыз.



Грильде дайындауға жарамды емес тағамдар өрт қаупін тудырады. Грильде дайындауға арналған тағамдар ғана қарқынды гриль ыстығына жарамды.

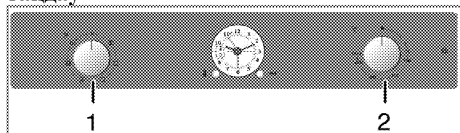
Тағамды грильдің артқы жағына қарай тым алысқа қоймаңыз. Бұл ең ыстық жер және майлы тағам отқа тиуі мүмкін.

Электр пешін іске қосу жолы



Пешті орнатудан бұрын, уақытты орнату қажет. Егер уақыт орнатылмаса, пеш жұмыс істемейді.

Температураны және жұмыс режимін таңдау



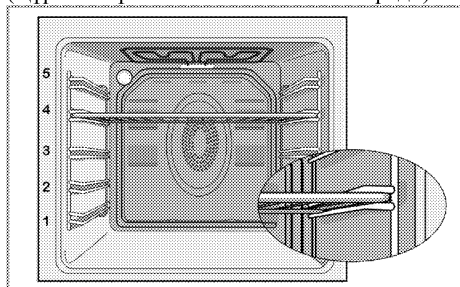
- 1 Функция тетігі
 - 2 Термостат тетігі
1. Пеш таймерін қажетті пісіру уақытына не колмен (жалғаспалы) пісіру режиміне орнатыңыз. Келесіні қараңыз: *Пештің сағатын пайдалану, Бет 22.*
 2. Функция тетігін қажетті жұмыс режиміне орнатыңыз.
 3. Температура тетігін қажетті температураға орнатыңыз.
- » Пеш орнатылған температураға дейін қызып, соны сақтап тұрады. Қыздыру кезінде, температура шамы жанып тұрады.

Электр пешін өшіру

Функция тетігін және температура тетігін "өшіру (жоғарғы) позициясына қарай бұрыңыз.

Сымнан жасалған текшені бүйірдегі сөреге дұрыс қою өте маңызды. Сымнан жасалған текше бүйірдегі сөрелердің арасына суретте көрсетілгендей салынуы керек.

Сымнан жасалған текше пештің артқы қабырғасына қарама-қарсы орнатылмауы тиіс. Тамаша грильдеу нәтижесін алу үшін, сымнан жасалған текшені сөренің алдыңғы бөлігіне сырғытып салыңыз да, есіктің көмегімен бір орынға орналастырыңыз. (Құрылғы үлгісіне байланысты өзгереді.)



Жұмыс режимдері

Осы жерде көрсетілген жұмыс режимдерінің реті сіздің үлгіңізден өзгеше болуы мүмкін.

Жоғарғы және төменгі қыздыру



Жоғарғы және төменгі қыздыру функциялары іске қосылған. Тағам үстінен және астынан да бір уақытта қыздырылады. Мысалы, бұл торттар, нан өнімдері немесе пісіру кальпының ішіндегі торттар және пісірмелер үшін ыңғайлы болады. Тек бір табамен пісіру.

Астынан қыздыру



Тек төменнен қыздыру функциясы іске қосылған. Бұл пицца және осыған ұқсас тағамдарды төменнен қыздыру үшін ыңғайлы.



Бұл функция бумен оңай тазалау үшін де пайдаланылуы керек.

Желдеткішпен астынан/үстінен қыздыру



Үстінен қыздыру, астынан қыздыру және желдеткіш (артқы қабырғасында) іске қосылған. Ыстық ауа желдеткіш арқылы пештің ішімен біртекті таралады. Тек бір табамен пісіру.

Толық грильдеу



Пештің төбесіндегі үлкен грильдеу құралы қосылады. Үлкен мөлшердегі асты грильдеу үшін ыңғайлы.

- Грильдеу үшін, үлкен не орташа өлшемді порцияларды грильдеу құралының астында дұрыс сөре позициясына қойыңыз.
- Температураны ең жоғары деңгейге орнатыңыз.
- Грильдеу уақытын жартысы өткен соң, тағамды айналдырыңыз.

Гриль+желдеткіш



Грильдеу әсері Толық грильдеу функциясы сияқты күшті болмайды

- Грильдеу үшін, кіші не орташа өлшемді порцияларды грильдеу құралының астында дұрыс сөре позициясына қойыңыз.
- Қажетті температураны орнатыңыз.
- Грильдеу уақытын жартысы өткен соң, тағамды айналдырыңыз.

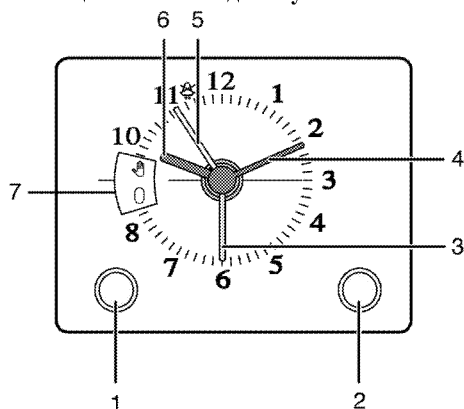
Жылдам қыздыру



Бұл функция тамақты әзірлеу үшін емес, пешті жылдам қыздыру үшін пайдаланылады.

- Бұл функцияны таңдағаннан кейін қажетті температураны орнатыңыз. Температура шамы іске қосылып, пеш қыздырылады.
- Қыздыру процесі аяқталған соң, шам өшеді. Енді, тағамды пісіру үшін қажетті температураны таңдаңыз.

Пештің сағатын пайдалану



1 Уақытты реттеу түймешігі

- 2 Бастау уақытын реттеу түймешігі
- 3 Пісіруді бастау (қызғылт сары)
- 4 Минут тілі (алтын сары)
- 5 Дабыл тілі (сары)
- 6 Сағат тілі (алтын сары)
- 7 Пісіру уақыты бейнебеті



Пісірудің аяқталу уақытына ең көп дегенде 180 минут уақытын орнатуға болады.


Қуат берілуінің тоқтауы себебінен бағдарлама жұмысы тоқтайды. Пешті қайта бағдарламалау қажет.

Қолмен (үздіксіз) жұмыс істеу режимін қосу

Бұл режимді пісіру уақытын өзіңіз бақылау қажет болғанда таңдаңыз. Бұл режимде пешті өзіңіз өшірмейінше үздіксіз жұмыс істеп тұрады.



Қолмен (үздіксіз) режимінде таймер қуатты сөндірмейді.

1. Тұтқышты (2) сағат тілімен "0" саны Пісіру уақыты бейнебетінде пайда болмайынша бұраныз.
2. Тұтқышты (2) жайлап өзіңізге тартып, пісіру көрсеткішінің басын (қызғылт сары) (3) сағат тілімен (6) теңеңіз.
3. Тұтқышты (2) жіберіңіз де, оны сағат тілімен (7) Қолмен режимі белгісін  Пісіру уақыты бейнебетінде көрсету үшін босатыңыз.
4. Тағамды пештің ішіне салыңыз.
5. Жұмыс режимі мен температураны таңдаңыз.

Пісіруді тоқтату

Пісіру аяқталғанда,

1. Функция тұтқышын және/немесе Температура тұтқышын Өшіру (үстіңгі) жағдайына қарай бұрыңыз.
2. Тұтқышты (2) сағат тілімен "0" саны Пісіру уазақтығы бейнебетінде пайда болғанша бұраныз.

Толық автоматты жұмысты қосу

Бұл жұмыс режимінде пештің автоматты түрде қосылатын/өшірілетін уақытын көрсетуге болады.

1. Тұтқышты (2) сағат тілімен "0" саны Пісіру уазақтығы бейнебетінде пайда болғанша бұраңыз.
2. Тұтқышты (2) өзіңізге қарай тартып, пісірудің басталу уақытын пісіру көрсеткішінің басымен (кызғылт сары) (3) реттеніз.
3. Тұтқышты (2) жіберіңіз.
4. Тұтқышты (2) сағат тілімен Пісіру уақыты бейнебетінде (7) пісіру уақытын лайықтау үшін бұраңыз.
5. Тағамды пештің ішіне салыңыз.
6. Жұмыс режимі мен температураны тандаңыз.

» Қуат автоматты түрде өшіп, пісіру соңында дыбысты ескерту естіледі.

7. Пісіру аяқталған және дыбыс белгісі естілген соң Тұтқышты (2) сағат тілімен "0" саны Пісіру уақыты бейнебетінде пайда болғанша бұраңыз.
8. Пешті Температура тұтқышымен және/немесе Функция тұтқышымен өшіріңіз.

Жартылай автоматты жұмысты қосу

Бұл жұмыс режимінде пештің автоавтоматты түрде өшірілетін уақытын көрсетуге болады.

1. Тұтқышты (2) сағат тілімен "0" саны Пісіру уазақтығы бейнебетінде пайда болғанша бұраңыз.
2. Тұтқышты (2) сағат тілімен Пісіру уақыты бейнебетінде (7) пісіру уақытын лайықтау үшін бұраңыз.
3. Тағамды пештің ішіне салыңыз.
4. Жұмыс режимі мен температураны тандаңыз.

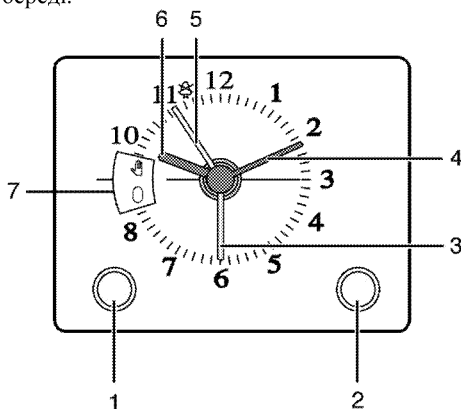
» Қуат автоматты түрде өшіп, пісіру соңында дыбысты ескерту естіледі.

5. Пісіру аяқталған және дыбыс белгісі естілген соң Тұтқышты (2) сағат тілімен "0" саны Пісіру уақыты бейнебетінде пайда болғанша бұраңыз.
6. Пешті Температура тұтқышымен және/немесе Функция тұтқышымен өшіріңіз.

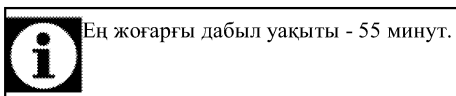
Сағатты дыбысты таймер ретінде қолдану

Құрылғының сағатын пісіру бағдарламасынан бөлек кез-келген ескертулер мен еске салулар үшін қолдануға болады.

Дыбысты таймер пеш функцияларына ешқандай әсер етпейді. Ол тек ескерту ретінде қолданылады. Мысалы, пештегі тағамды белгілі бір уақытта айналдыру қажет болғанда, ол өте пайдалы. Дыбысты таймер сіз орнатқан уақыт келгенде белгі береді.



- 1 Уақытты реттеу түймешігі
- 2 Бастау уақытын реттеу түймешігі
- 3 Пісіруді бастау (кызғылт сары)
- 4 Минут тілі (алтын сары)
- 5 Дабыл тілі (сары)
- 6 Сағат тілі (алтын сары)
- 7 Пісіру уақыты бейнебеті



Ең жоғарғы дабыл уақыты - 55 минут.

Дыбысты таймерді орнату

1. Тұтқышты (1) оңға немесе солға қарай бұраңыз және таймер көрсеткішін (сары) (5) нөмірлер тақтасында реттеніз.

» Дабыл дыбысы орнатылған уақыттың соңында естіледі.

Дыбысты таймерді өшіру

1. Дабыл естілгеннен соң, тұтқышты (1) оңға немесе солға қарай таймер көрсеткішін (сары) (5)* дабыл белгісіне таймерді өшіру үшін жылжыту мақсатында бұраңыз.

Тағамдарды пісіру уақытының кестесі



Бұл диаграммадағы уақыттар нұсқаулық ретінде берілген. Уақытты белгілеу тағамның температурасына, қоюлығына, түріне және өзіңіздің талғамдарыңызбен пісіруге қарай өзгеруі мүмкін.

Пісіру және қуыру



Пештің 1-ші сөресі болып төменгі сөре есептеледі.

Тағам	Таба саны	Қолдануға арналған бөлшек	Жұмыс режимі	Сөре орны	Температура (°C)	Пісіру уақыты (минутпен есептегенде шамамен)
Табадағы торғтар	Бір таба	Стандартты поднос*		3	180	25 ... 30
Қалыптың ішіндегі торғтар	Бір таба	Сымдағы торғ пісіруге арналған форма**		2	180	40 ... 50
Шағын торғтар	Бір таба	Стандартты поднос*		3	160	25 ... 35
Бисквитті торғ	Бір таба	Диаметрі 26 см болатын домалақ алмағы түпті формадағы сымды гриль**		3	160	25 ... 35
Печеньелер	Бір таба	Кондитерлік поднос*		3	180	25 ... 30
Қамырдан жасалған пісірме	Бір таба	Стандартты поднос*		2	200	30 ... 40
Қамырдан жасалған пісірме	Бір таба	Стандартты поднос*		2	200	25 ... 35
Ашытқы	Бір таба	Стандартты поднос*		2	200	35 ... 45
Лазанья	Бір таба	Шыны/металл тікбұрышты түпқойма сымды гриль**		2 - 3	200	30 ... 40
Пицца	Бір таба	Стандартты поднос*		2	200 ... 220	15 ... 20
Биштекс (бүтін) / Қуырдақ	Бір таба	Стандартты поднос*		3	25 мин. 250/мах, содан кейін 180 ... 190	100 ... 120
Қозының аяғы (пісірме)	Бір таба	Стандартты поднос*		3	25 мин. 220 содан кейін 180 ... 190	70 ... 90
Қуырылған тауық (1,8-2 кг)	Бір таба	Стандартты поднос*		2	15 мин. 250/мах, содан кейін 180 ... 190	60 ... 80
Түйетауық (5,5 кг)	Бір таба	Стандартты поднос*		1	25 мин. 250/мах, содан кейін 180 ... 190	150 ... 210
Балық	Бір таба	Стандартты поднос*		3	200	20 ... 30

Барлық тағамдарды алдын ала қыздыру ұсынылады.

* Бұл бөлшектер өніммен бірге жүрмейді мүмкін.

** Бұл бөлшектер өніммен бірге жүрмейді. Олар бөлшектер сатылымыда бар.

Тағамдарды тексеруге арналған пісіру үстелі

Бұл пісіру үстеліндегі тамақтар бақылау органдары өнімді оңай тексере алатындай EN 60350-1 стандартына сай әзірленеді

Тағам	Таба саны	Қолдануға арналған бөлшек	Жұмыс режимі	Сөре орны	Температура (°C)	Пісіру уақыты (минутпен есептегенде шамамен)
Азық-түлік тағамдары	Бір таба	Стандартты поднос*	<input type="checkbox"/>	3	140	20 ... 30
Шағын торғатар	Бір таба	Стандартты поднос*	<input type="checkbox"/>	3	160	25 ... 35
Бисквитті торт	Бір таба	Диаметрі 26 см болатын домалақ алмалы түпті формадағы сымды гриль**	<input type="checkbox"/>	3	160	25 ... 35
Алма бөліші	Бір таба	Сымды тордағы диаметрі 20 см болатын домалақ қара металл ыдыс**	<input type="checkbox"/>	2	180	50 ... 60

Барлық тағамдарды алдын ала қыздыру ұсынылады.
 * Бұл бөлшектер өніммен бірге жүрмеуі мүмкін.
 ** Бұл бөлшектер өніммен бірге жүрмейді. Олар бөлшектер сатылымда бар.


Тортты пісіруге арналған кеңестер

- Егер торт тым құрғақ болса, температура деңгейін 10°C градусқа арттырып, пісіру уақытын азайтыңыз.
- Торт ылғал болса, азырақ сұйықтық пайдаланып, температура деңгейін 10°C градусқа азайтыңыз.
- Егер торттың беті күйіп жатса, оны төменгі сөреге орнатып, температураны азайтыңыз және пісіру уақытын көбейтіңіз.
- Іші жақсы піскен, алайда сырты әлі жабысқақ болса, азырақ сұйықтық пайдаланып, температураны азайтыңыз және пісіру уақытын көбейтіңіз.

Тәтті пісірмелерді әзірлеуге арналған кеңестер

- Егер тәтті пісірме тым құрғақ болса, температура деңгейін 10°C градусқа арттырып, пісіру уақытын азайтыңыз. Қамырдың қабаттарын сүт, май, жұмыртқа және йогурттан жасалған соуспен ылғалдатыңыз.
- Егер тәтті пісірмені ұзақ уақыт пісіру қажет болса, оның қалыңдығы табаның тереңдігінен асып кетпеуін қадағалаңыз.
- Тәтті пісірменің беті күйіп, ал асты әлі піспей жатса, қолданылған соустың пісірме астына тым көп жағылмағанын

тексеріңіз. Біртекті қызаруы үшін, соусты қамыр қабаттарының арасында және пісірменің бетіне бірдей етіп жағыңыз.




Тәтті пісірмені кестеде көрсетілген режим және температураға сәйкес пісіріңіз. Егер астыңғы жағы әлі қызармаған болса, оны келесі де төменгі сөреге қойыңыз.

Көкөністерді пісіру бойынша кеңестер

- Көкөністен жасалған тағамның суы тартылып, құрғап кетсе, оны табада емес, қақпағы бар қазанда пісіріңіз. Жабық ыдысты тағамның суы сақталады.
- Егер көкөніс тағамы піспесе, көкөністерді алдын ала қайнатып алыңыз немесе оларды консервіленген ас сияқты даярлаңыз және пешке қойыңыз.

Грильді іске қосу жолы



Пешті орнатудан бұрын, уақытты орнату қажет. Егер уақыт орнатылмаса, пеш жұмыс істемейді.



АБАЙЛАҢЫЗ!

Грильдеу кезінде, пеш есігін жауып қойыңыз.

Ыстық беттер жануға алып келеді!

Грильді қосу

1. Функция тетігін қажетті грильдеу белгісіне қарай бұрыңыз.
 2. Содан кейін, қажетті грильдеу температурасын таңдаңыз.
 3. Қажет болса, шамамен 5 минут бойына алдын ала қыздыру жасап алыңыз.
- » Температура шамы жанады.

Грильді өшіру

1. Функция тетігін Өшірулі (жоғарғы) позициясына қарай бұраңыз.



Грильде дайындауға жарамды емес тағамдар өрт қаупін тудырады. Грильде дайындауға арналған тағамдар ғана қарқынды гриль ыстығына жарамды.

Тағамды грильдің артқы жағына қарай тым алысқа қоймаңыз. Бұл ең ыстық жер және майлы тағам отқа тиуі мүмкін.

Грильденетін тағамдарды пісіру уақытының кестесі

Электр грильде қуыру

Тағам	Қолдануға арналған бөлшек	Сөре орны	Ұсынылған температура (°C)**	Грильдеу уақыты (шамамен)
Балық	Сымды гриль	4...5	250/max	20...25 мин. #
Тілімденген тауық	Сымды гриль	4...5	250/max	25...35 мин.
Қозының жаншылған еті	Сымды гриль	4...5	250/max	20...25 мин.
Ростбиф	Сымды гриль	4...5	250/max	25...30 мин. #
Бұзаудың жаншылған еті	Сымды гриль	4...5	250/max	25...30 мин. #
Төстерленген нан *	Сымды гриль	4	250/max	1...3 мин.

қалыңдығына байланысты

*5 минут бойы алдын ала қыздырыңыз

**Өнімнің гриль температурасын реттеу мүмкін болмаса, гриль максималды температурада жұмыс істейді.

Бұл пісіру үстеліндегі тамақтар бақылау органдары өнімді оңай тексере алатындай EN 60350-1 стандартына сай әзірленеді

Тағам	Қолдануға арналған бөлшек	Сөре орны	Температура (°C)	Пісіру уақыты (минутпен есептегенде шамамен)
Кесіліп қуырылған нан	Сымды гриль	4	250/max	1...3 мин.
Ет шарлары (снър еті) - 12 кесектер	Сымды гриль	4	250/max	25...35 мин.

Асты 2/3 пісірілу уақытынан кейін аударыңыз.

Барлық тағамдарды қайнату үшін 5-6 минут алдын ала қыздыру ұсынылады.

6 Күту мен техникалық қызмет көрсету

Жалпы мәліметтер

Құрылғы жиі аралықпен тазаланып тұрса, құрылғының қызмет көрсету мерзімі ұзартылып, ақаулықтар ықтималдығы төмендейді.



ҚАУІПТІ:

Қызмет көрсету және тазалау жұмыстарын бастамас бұрын, құрылғыны қуат жүйесінен ажыратыңыз.
Электр тогы соғуының қаупі бар!



ҚАУІПТІ:

Тазалауды бастаудан бұрын, құрылғының салқындауына уақыт беріңіз.
Ыстық беттер жануға алып келеді!

- Құрылғыны әрбір пайдаланудан кейін түгелімен тазалап шығыңыз. Осылай тағам қалдықтарын оңай алып тастауға мүмкін болады, бұл құрылғыны келесі жолы пайдаланғанда олардың жануынан сақтайды.
- Құрылғыны тазалау үшін арнайы тазалағыш заттар қажет емес. Пеш есігін тазалау үшін, құрылғыны тазалауға жуу сұйықтығымен жылы су, жұмсақ мата пайдаланыңыз және құрғақ шүберекпен сүртіңіз.
- Әрқашан тазалаудан кейін артық сұйықтық толығымен сүртілгенін және ағындылар дереу құрғатылып сүртілгенін тексеріңіз.
- Құрамында қышқыл немесе хлорид бар жуғыш заттарды тот баспайтын болатты беттерді және тұтқаны тазалау үшін пайдаланбаңыз. Сол бөліктерді тазалап сүрту үшін жұмсақ матаны сұйық (қатты емес) жуғыш затпен пайдаланып, бір бағытта сүртіңіз.



Бет кейбір жуғыш заттарды немесе тазалағыш заттарды пайдаланғанда бүлінуі мүмкін.

Тазалау кезінде қатты жуғыш заттарын, тазалағыш ұнтақтарын/кремдерін немесе кез-келген өткір заттарды пайдаланбаңыз.



Жабдықты тазалау үшін бу тазалағыштарын пайдаланбаңыз, өйткені ток соғуы мүмкін.

Басқару тақтасын тазарту

Басқару тақтасын және тұтқаларды дымқыл матамен тазалап, оларды кептіріп сүртіңіз.



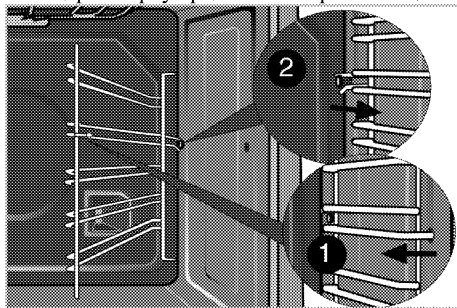
Егер өнім түймешіктермен/тұтқыштармен жабдықталса, басқару тақтасын тазалау үшін басқару тұтқыштарын алмаңыз.
Басқару тақтасы бүлінуі мүмкін!

Пешті тазалау

Бүйір қабырғасын тазалау(Құрылғы үлгісіне байланысты өзгереді.)

(Бұл мүмкіндік қосымша. Ол өнімде болмауы мүмкін.)

1. Бүйір қондыруының алдыңғы бөлігін бүйір қабырғасының қарама-қарсы бағытына қарай тарту арқылы шығарып алыңыз.
2. Бүйір қондыруын толықтай өзіңізге қарай тарту арқылы шығарып алыңыз.



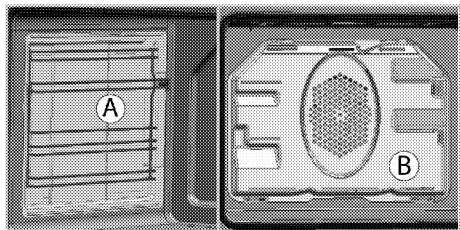
Каталитикалы қабырғалар

(Бұл мүмкіндік қосымша. Ол өнімде болмауы мүмкін.)

Өнімнің ішкі жақ қабырғаларына (А) және/немесе артқы қабырғасына (В) каталитикалық эмаль жағылуы мүмкін.

Каталитикалы қабырғалар түсі ашық күңгірт және беті кеуекті. Пештің каталитикалық қабырғалары тазаланбауы керек.

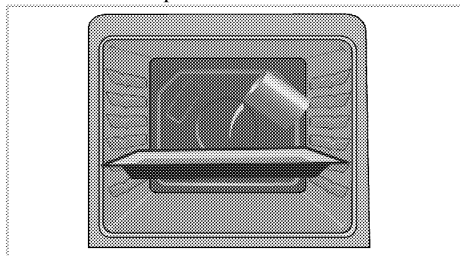
Каталитикалы қабырғалардың кеуекті беттері төгілген майды сіңіру және ауыстыру арқылы автоматты түрде тазаланады (бу және көмір қышқылы).



Бумен оңай тазалау

Ол оңай тазалауға көмектеседі, себебі кір (күп күттірмей) пеш ішінде қалыптасатын бумен және пештің ішкі бетінде конденсацияланатын су тамшыларымен жұмсарады.

1. Пеш ішіндегі бүкіл қосалқы құралдарды алыңыз.
2. Пеш наусына 500 мл су құйып, науаны пештің 2-сөресіне қойыңыз.



3. Жеңіл бу тазалау режимінде Пешті орнатыңыз және 25 минут бойы 100 ° C кезінде іске қосыңыз.
4. Есігін ашып, пештің ішкі бетін дымқыл губкамен немесе шүберекпен сүртіңіз.
5. Кетуі қиын кірді тазалау үшін, құрылғыны тазалауға жуу сұйықтығымен жылы су, жұмсақ мата пайдаланыңыз және құрғақ шүберекпен сүртіңіз.



Бумен жеңіл тазалау режимінде пештің қуысында жеңіл пайда болған қалдықтарды/кірді жұмсарту үшін тұғырға қойылатын су буланады және пештің қуысында және пештің есігінің ішкі айнасында конденсацияланады, сондықтан да пештің есігі ашық болғанда су тамшылауы мүмкін. Пештің есігі ашылған кезде конденсатты сүртіңіз.

Пеш есегін тазалау

Пеш есігін тазалау үшін, құрылғыны тазалауға жуу сұйықтығымен жылы су,

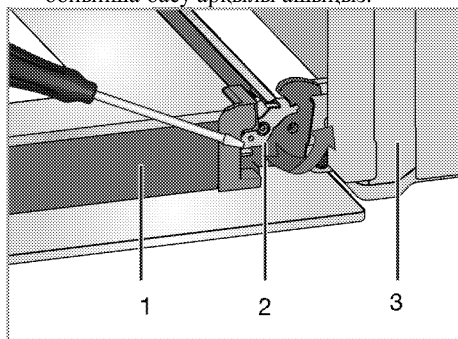
жұмсақ мата пайдаланыңыз және құрғақ шүберекпен сүртіңіз.



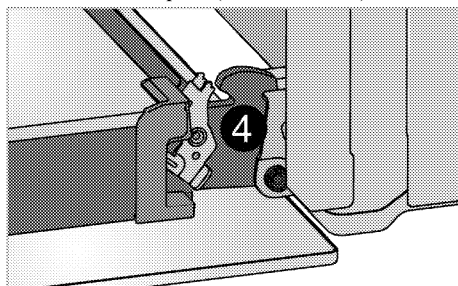
Пеш есегін тазалау үшін қатты сызғыш тазалғыштар мен өткір металды қырғыштарды пайдаланбаңыз. Олар бетіне сызаттар қалдырып, шыныны құртады.

Пеш есігін алу

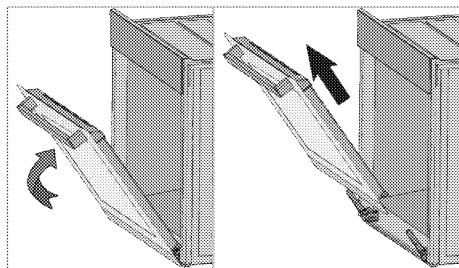
1. Алдыңғы есігін ашыңыз (1).
2. Алдыңғы есіктің оң жақ және сол жақтағы ілгек саңылауларындағы (2) қысқыштарды суретте көрсетілген бойынша басу арқылы ашыңыз.



- 1 Есігі
- 2 Топсалы құлып(жабық позиция)
- 3 Пеш
- 4 Топсалы құлып(ашық позиция)



3. Алдыңғы есікті жартылай жылжытыңыз.

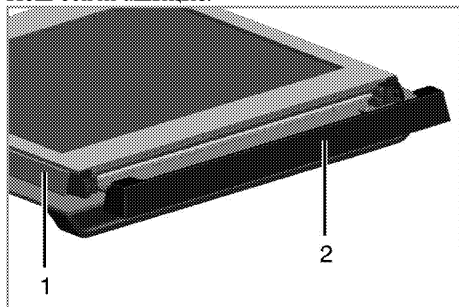


4. Алдыңғы есікті оң және сол жақтағы ілгектерден босату үшін жоғары қарай тартыңыз.

i Есікті орнату үшін есікті шығару кезінде орындалған қадамдар кері ретпен орындалуы қажет. Есікті қайта орнату кезінде ілгек саңылауларындағы қысқыштарды жабуды ұмытпаңыз.

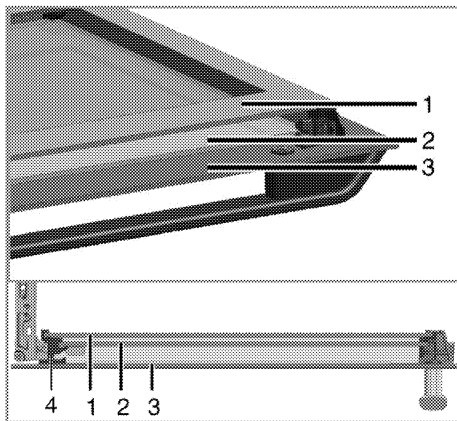
Есіктің ішкі әйнегін шығарып алу (Бұл мүмкіндік қосымша. Ол өнімде болмауы мүмкін.)

Пеш есігінің ішкі әйнек тақтасын тазалау үшін шығарып алуға болады. Пеш есігін ашыңыз.



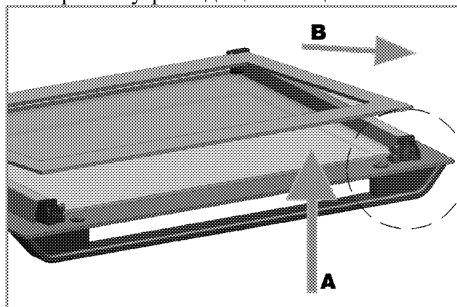
- 1 Жақтау
- 2 Пластикалық бөлігі

Алдыңғы есіктің үстіңгі бөлігінде орнатылған пластикалық бөлікті өзіңізге қарай тартып, шығарып алыңыз.



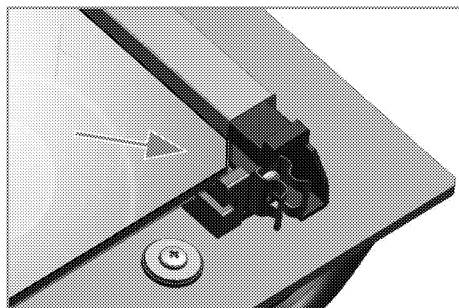
- 1 Ең ішкі әйнек тақтасы
- 2 Ішкі әйнек тақтасы
- 3 Сырқты әйнек тақтасы
- 4 Пластикалық әйнек тақтасы тілігі-Төменгі

Суретте көрсетілгендей, ең ішкі әйнек тақтасын (1) абайлап А бағытында көтеріп, оны В бағытында шығарып алыңыз. Осы әрекетті ішкі әйнек тақтасын (2) шығарып алу үшін де қайталаңыз.



Есікті қайта топтауға арналған бірінші қадам ішкі әйнек тақтасын (2) қайта орнату болып табылады.

Суретте көрсетілгендей, әйнек тақтасының ойықты бұрышын пластикалық тілімінің ойықты бұрышына кондырылатындай етіп салыңыз.



Ішкі әйнек тақтасы (2) ең ішкі әйнек тақтасы (1) жанына пластикалық тілім ішіне орнатылуы қажет.

Ең ішкі әйнек тақтасын орнату кезінде (1), тақтаның баспаланған жағы ішкі әйнек тақтасына қарап тұрғанын тексеріңіз.

Ішкі әйнек тақтасының төменгі бұрышы төменгі пластикалық тіліміне қондыру маңызды болып табылады.

Пластикалық бөлікті жақтауға қарай "тыкылдаған" дыбысты естігенше итеріңіз.

Пеш шамын ауыстыру



ҚАУІПТІ:

Пеш шамын ауыстырудан бұрын, электр тоғының соғуын болдырмау үшін құрылғы қуат жүйесінен ажыратылғанына және суытылғанына көз жеткізіңіз.

Ыстық беттер жануға алып келеді!



Бұл пеште қуаты 40 Вт -тан төмен, биіктігі 60 мм -ден аз, диаметрі 30 мм -ден аз қыздыру шамы немесе розеткасы G9, қуаты 60 Вт -тан төмен галогендік шам қолданылады. Лампалар 300 ° С жоғары температурада жұмыс істеуге жарамды. Пеш шамдарын уәкілетті қызмет көрсету агенттерінен немесе лицензиясы бар техниктен алуға болады.



Шам орны суретте көрсетілген орнынан өзгеше болуы мүмкін.



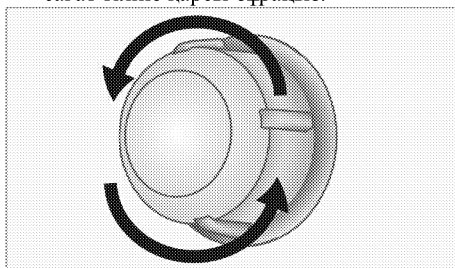
Осы құрылғыда пайдаланылатын шам үй бөлмесін жарықтандыруға үйлесімсіз. Осы шамның арнайы мақсаты – пайдаланушының тағам түрлерін көруіне көмектесу.



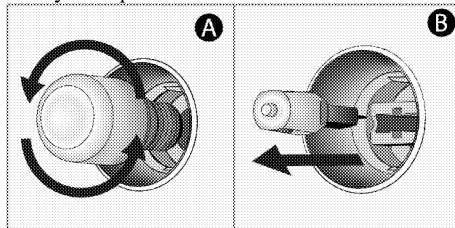
Осы құрылғыда пайдаланылатын шамдар 50°C көрсеткішінен жоғары температура сияқты физикалық жағдайлар тудыруы мүмкін.

Егер пеш дөңгелек шаммен жабдықталған болса:

1. Құрылғыны қуатты жабдықтау құралынан ажыратыңыз.
2. Шыны жапқышын шығару үшін, оны сағат тіліне қарсы бұраңыз.



3. Егер пеш шамы төмендегі суретте көрсетілгендей (А) түрінде болса, оны көрсетілгендей бұрап алып ауыстырыңыз. Егер ол (В) түрінде болса, оны төмендегі суретте көрсетілгендей тартып алып ауыстырыңыз.



4. Шыны жапқышын орнатыңыз.

7 Ақаулықтарды іздеу және жою

Пеш іске қосылу кезінде бу шығады.

- Жұмыс кезінде будың шығуы әдеттегі жағдай болып табылады. >>> *Бұл ақаулық емес.*

Ысығу мен салқындату кезінде құрылғы металдардың дыбыстарын шығарады.

- Метал бөліктері қызған кезде кеңейіп, дыбыстар шығарады. >>> *Бұл ақаулық емес.*

Құрылғы істемейді.

- Балқығыш тежегіштің ақаулығы бар немесе қосылған. >>> *Тежегіш қоратшасындағы тежегіштерді тексеріңіз. Қажет болса, оларды ауыстырыңыз немесе қосыңыз.*
- Құрылғы ашасы (жерге тұтықталған) розеткаға қосылмаған. >>> *Штепсельдің айырын тексеріңіз.*

Пеш шамы істемейді.

- Пеш шамының ақаулығы бар. >>> *Пеш шамын ауыстырыңыз.*
- Электр қуаты жоқ. >>> *Электр қуатының бар-жоғын тексеріңіз. Тежегіш қоратшасындағы тежегіштерді тексеріңіз. Қажет болса, оларды ауыстырыңыз немесе қосыңыз.*

Пеш қызбайды.

- Функциясы және/немесе температурасы орнатылмаған. >>> *Функция мен температураны Функция және/немесе температура тұтқышы/түймешігімен орнатыңыз.*
- Таймері бар үлгілерде таймер реттелмеген. >>> *Уақытты реттеңіз. (Микротолқынды пеші бар құрылғыларда таймер тек микротолқынды пешті ғана басқарады.)*
- Электр қуаты жоқ. >>> *Электр қуатының бар-жоғын тексеріңіз. Тежегіш қоратшасындағы тежегіштерді тексеріңіз. Қажет болса, оларды ауыстырыңыз немесе қосыңыз.*

(Таймері бар үлгілерде) Уақыт индикаторы жыпылықтайды немесе сағат белгісі қосылады.

- Алдында электр қуаты өшіп қалды. >>> *Уақытты орнатыңыз / Құрылғыны өшіріп, оны қайта қосыңыз.*



Осы бөлімде келтірілген нұсқауларды орындасаңызда ақаулықтарды жою алмасаңыз, Уәкілетті қызмет көрсету орталығымен немесе құрылғыны сатып алған сату орталығымен хабарласыңыз. Ақаулығы бар құрылғыны өзіңіз жөндемеңіз.

