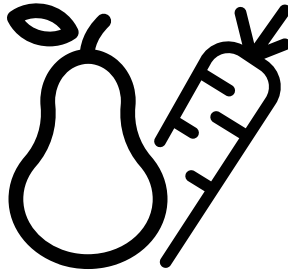


# beko

**Refrigerator**  
User Manual

**الثلاجة**  
دليل المستخدم



RDNE17W-RDNE17S

CE

**EN/AR**  
58 7603 0000/AA EN-AR

 **100%**  
RECYCLED &  
RECYCLABLE PAPER

**Dear Customer,**

**Please read this manual before using the product.**

Thank you for choosing this product. We would like you to achieve the optimal efficiency from this high quality product which has been manufactured with state of the art technology. To do this, carefully read this manual and any other documentation provided before using the product and keep it as a reference.


Heed all information and warnings in the user manual. This way, you will protect yourself and your product against the dangers that may occur.


Keep the user manual. Include this guide with the unit if you hand it over to someone else.

The following symbols are used in the user guide:








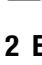
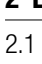
 Hazard that may result in death or injury.

**NOTICE** A hazard that may cause material damage to the product or its surroundings

 Important information or useful tips on operation.


 Read the user manual.


 Risk of fire / Flammable materials


|   |           |  |           |
|---|-----------|--|-----------|
| <b>1 Safety Instructions</b>  | <b>3</b>  | (FreshGuard) . . . . .   | 17        |
|  1.1 Purpose of usage . . . . .                               | 3         | 6.6 Ice bucket . . . . .   | 18        |
|  1.2 Safety of children, vulnerable persons and pets. . . . . | 3         | 6.7 Ice maker. . . . .   | 18        |
|  1.3 Electrical safety . . . . .                              | 4         | 6.8 Dairy (cold storage) bin . . . . .   | 18        |
|  1.4 Handling Safety . . . . .                                | 4         | 6.9 Using the water fountain . . . . .   | 19        |
|  1.5 Installation Safety . . . . .                            | 4         | 6.10 Filling the water tank of the water fountain . . . . .                        | 19        |
|  1.6 Operational safety . . . . .                             | 5         | 6.11 Cleaning the water tank . . . . .   | 19        |
|  1.7 Maintenance and cleaning safety . . . . .                | 7         | 6.12 Filling the water tank of the water fountain . . . . .                        | 20        |
|  1.8 HomeWhiz . . . . .                                       | 7         | 6.13 Cleaning the water tank . . . . .   | 21        |
|  1.9 Lighting . . . . .                                       | 7         | 6.14 Drip tray. . . . .  | 21        |
|   |           | 6.15 Freezing fresh food. . . . .  | 22        |
|   |           | 6.16 Recommendations for storing frozen foods in the freezer compartment . . . . . | 22        |
| <b>2 Environmental instructions</b>   | <b>8</b>  | 6.17 Deep freezer details. . . . .   | 23        |
| 2.1 Compliance with the WEEE Directive and Disposing of the Waste Product: . . . . .  | 8         | 6.18 Placing food . . . . .  | 23        |
| 2.2 Compliance with RoHS Directive . . . . .  | 8         | 6.19 Door open alert . . . . .   | 23        |
| 2.3 Package information. . . . .  | 8         | 6.20 Illumination lamp . . . . .   | 23        |
| <b>3 Your Refrigerator</b>  | <b>9</b>  |  |           |
| <b>4 Installation</b>   | <b>10</b> | <b>7 Maintenance and cleaning</b>  | <b>24</b> |
| 4.1 The right place for installation . . . . .  | 10        | 7.1 Stainless Steel External Surfaces. . . . .                                     | 24        |
| 4.2 For Products With Water Fountain / Ice Maker . . . . .  | 10        | 7.2 Cleaning of the Products with Glass Doors. . . . .                             | 24        |
| 4.3 Attaching the plastic wedges . . . . .  | 10        | 7.3 Preventing Odours. . . . .   | 25        |
| 4.4 Adjustment of the feet. . . . .   | 11        | 7.4 Protecting Plastic Surfaces . . . . .  | 25        |
| 4.5 Changing the door opening direction . . . . .   | 11        |  |           |
| 4.6 Electrical connection. . . . .  | 11        | <b>7 Maintenance and cleaning</b>  | <b>25</b> |
|   |           | <b>8 Troubleshooting</b>   | <b>26</b> |
| <b>5 Preparation</b>  | <b>12</b> |  |           |
| 5.1 What to do for energy saving . . . . .  | 12        |  |           |
| 5.2 First operation . . . . .   | 12        |  |           |
| <b>6 Operating the Product</b>  | <b>13</b> |  |           |
| 6.1 Turning off the product . . . . .   | 13        |  |           |
| <b>6 Operation of the Product</b>   | <b>14</b> |  |           |
| 6.2 Indicator panel . . . . .   | 14        |  |           |
| 6.3 Humidity controlled crisper (EverFresh+) . . . . .  | 16        |  |           |
| 6.4 Blue Light/HarvestFresh . . . . .   | 16        |  |           |
| 6.5 Anti-Odour Module . . . . .   | 17        |  |           |


# 1 Safety Instructions


- This section includes the safety instructions necessary to prevent the risk of personal injury or material damage.
- Our company shall not be held responsible for damages that may occur if these instructions are not observed.

 Installation and repair operations shall always be performed by Authorized Service.

 Always use genuine spare parts and accessories.

 Original spare parts will be provided for 10 years, following the product purchasing date.

 Do not repair or replace any part of the product unless specified expressly in the user manual.

 Do not perform any modifications on the product.

## 1.1 Purpose of usage

- This product is not intended for commercial use and it shall not be used out of its intended purpose.

This product is intended for operating interiors, such as households or similar.

For example;

- In the staff kitchens of the stores, offices and other working environments,
- In farm houses,
- In the units of hotels, motels or other resting facilities that are used by the customers,
- In hostels, or similar environments,
- In catering services and similar non-retail applications.

This product shall not be used in open or enclosed external environments such as vessels, balconies or terraces. Exposing the product to rain, snow, sunlight and wind may cause risk of fire.

## 1.2 Safety of children, vulnerable persons and pets

- This product may be used by children aged 8 years and older and persons with underdeveloped physical, sensory or mental capabilities or lack of experience and knowledge if they have been given supervision or instruction concerning use of the appliance in a the product safe way and the hazards involved.
- Children between 3 and 8 years are allowed to put and take out food to/ from the cooler product.
- Electrical products are dangerous for children and pets. Children and pets must not play with, climb on, or enter the product.
- Cleaning and user maintenance should not be performed by children unless there is someone overseeing them.
- Keep the packaging materials away from children. Risk of injury and suffocation.
- Before disposing of old products that shall not be used any more:
  1. Unplug the power cord from the mains socket.
  2. Cut the power cord and remove it from the appliance together with the plug.
  3. Do not remove the racks and drawers from the product to prevent children from getting inside the appliance.
  4. Remove the doors.
  5. Store the product so that it shall not be tipped over.
  6. Do not allow children to play with the scrapped product.
- Do not dispose of the product by throwing it into fire. Risk of explosion.
- If there is a lock available in the product's door, keep the key out of children's reach.

# Important safety and environment instructions

## 1.3 Electrical safety

- The product shall not be plugged into the outlet during installation, maintenance, cleaning, repair, and transportation operations.
- If the power the cord is damaged, it shall be replaced by authorized service only to avoid any risk that may occur.
- Do not tuck the power cord under the product or to the rear of the product. Do not put heavy items on the power cord. The power cord should not be bent, crushed, and come into contact with any heat source.
- Do not use an extension cord, multi-plug or adaptor to operate your product.
- Portable multi sockets or portable power supplies may overheat and cause fire. Thus, do not have a multi-plug behind or in the vicinity of the product.
- The plug shall be easily accessible. If this is not possible, a mechanism that meets the electrical legislation and that disconnects all terminals from the mains (fuse, switch, main switch, etc.) shall be available on the electrical installation.
- Do not touch the plug with wet hands.
- When unplugging the appliance, don't hold the power cord, but the plug.
- When positioning the appliance, ensure the supply cord is not trapped or damaged
- Do not locate multiple portable socket-outlets or portable power supplies at the rear of the appliance.

## 1.4 Handling Safety

- This product is heavy, do not handle it by yourself.
- Do not hold the product from its door while handling the product.

- Be careful not to damage the cooling system and the pipes while handling the product. Do not operate the product if the pipes are damaged, and contact an authorized service.

## 1.5 Installation Safety

- Contact the Authorized Service for the product's installation. To prepare the product for installation, see the information in the user guide and make sure the electric and water utilities are as required. If the installation is not suitable, call a qualified electrician and plumber to have them make the necessary arrangements. Otherwise, electric shock, fire, issues with the product or injuries may occur.
- Check for any damage on the product before installing it. Do not have the product installed if it is damaged.
- Place the product on a level and hard surface and balance with the adjustable legs. Otherwise, the refrigerator may tip over and cause injuries.
- The product shall be installed in a dry and ventilated environment. Do not keep carpets, rugs or similar floor covers under the product. This may cause risk of fire as a result of inadequate ventilation!
- Do not block or cover ventilation holes. Otherwise, power consumption may be increased and damage to your product may occur.
- Do not connect the product to supply systems such as solar power supplies. Otherwise, damage to your product may occur as a result of the abrupt voltage fluctuations!
- The more refrigerant a refrigerator contains, the bigger its installation

# Important safety and environment instructions

room shall be. In very small rooms, a flammable gas-air mixture may occur in case of a gas leak in the cooling system. At least 1 m<sup>3</sup> of volume is required for each 8 grams of refrigerant. The amount of the refrigerant available in your product is specified in the Type Label.

- The installation place of the product shall not be exposed to direct sunlight and it shall not be in the vicinity of a heat source such as stoves, radiators, etc.

If you cannot prevent installation of the product in the vicinity of a heat source, you shall use a suitable insulation plate and the minimum distance to the heat source shall be as specified below.

- At least 30 cm away from heat sources such as stoves, heating units and heaters, etc.,

- And at least 5 cm away from electric ovens.

- Your product has the protection class of I. Plug the product in a grounded socket that conforms with the Voltage, Current and Frequency values specified in the type label. The socket outlet shall be equipped with a fuse with a rating of 10 A - 16 A. Our company shall not be responsible for the damages that shall be incurred as a result of operating the product without ensuring ground and electrical connections made as per local or national regulations.
- The product's power cable must be unplugged during installation. Otherwise, risk of electric shock and injury may occur!
- Do not plug the product to loose, broken, dirty, greasy sockets or sockets that has come out their seats or sockets with a risk of water contact.
- Place the power cord and hoses (if available) of the product so that they shall not cause a risk of tripping over.
- Penetration of humidity to live parts or to the power cord may cause short circuit. Thus, do not use the product in humid environments or in areas where water may splash (e.g. garage, laundry room, etc.) If the refrigerator is wet by water, unplug it and contact an authorized service.
- Do not connect your refrigerator to power saving devices. These systems are harmful for the product.

## 1.6 Operational safety

- Do not use chemical solvents on the product. These materials contain an explosion risk.
- In case of a failure of the product, unplug it and do not operate until it is repaired by the authorized service. There is a risk of electric shock!
- Do not place a source of flame (e.g. candles, cigarettes, etc.) on the product or in the vicinity of it.
- Do not get on the product. Risk of falling and injury!
- Do not cause damage to the pipes of the cooling system using sharp and piercing tools. The refrigerant that sprays out in case of puncturing the gas pipes, pipe extensions or upper surface coatings may cause irritation of skin and injuries of the eyes.
- Do not place and operate electric appliances inside the refrigerators/deep freezer unless it is advised by the manufacturer.
- Do not jam any parts of your hands or your body to the moving parts inside the product. Be careful to prevent jamming of your fingers between the refrigerator and its door. Be careful while opening or closing the door if there are children around.
- Do not put ice cream, ice cubes or frozen food to your mouth as soon as you take them out of the freezer. Risk of frostbite!
- Do not touch the inner walls, metal parts of the freezer or food kept inside the refrigerator with wet hands. Risk of frostbite!
- Do not place soda cans or cans and bottles that contain fluids that may be frozen to the freezer

## Important safety and environment instructions

compartment. Cans or bottles may explode. Risk of injury and material damage!

- Do not use or place materials sensitive against temperature such as flammable sprays, flammable objects, dry ice or other chemical agents in the vicinity of the refrigerator. Risk of fire and explosion!
- Do not store explosive materials such as aerosol cans with flammable materials inside the product.
- Do not place cans containing fluids over the product. Splashing of water on an electrical part may cause the risk of an electric shock or a fire.
- This product is not intended for storage and cooling of medicines, blood plasma, laboratory preparations or similar materials and products that are subject to the Medical Products Directive.
- If the product is used against its intended purpose, it may cause damage to or deterioration of the products kept inside.
- If your refrigerator is equipped with blue light, do not look at this light with optical devices. Do not stare directly at UV LED light for a long time. Ultraviolet rays may cause eye strain.
- Do not fill the product with more food than its capacity. Injuries or damages may occur if the contents of the refrigerator falls when the door is opened. Similar problems may occur when an object is placed over the product.
- Ensure that you have removed any ice or water that may have fallen to the floor to prevent injuries.
- Change the locations of the racks/ bottle racks on the door of your refrigerator while the racks are empty only. Danger of physical injury!
- Do not place objects that may fall/ tipped over on the product. These objects may fall while opening or closing the door and cause injuries and/or material damages.
- Do not hit or exert excessive pressure on glass surfaces. Broken glass may cause injuries and/or material damages.
- The cooling system in your product contains R600a refrigerant. The refrigerant type used in the product is specified in the the type label. This gas is flammable. Therefore, be careful not to damage the cooling system and the pipes while operating the product. In case of damage to the pipes;
  - do not touch the product or the power cord,
  - Keep the product away from potential sources of fire that may cause the product to catch fire.
  - ventilation the area where the product is placed. Do not use a fan.
  - Contact authorized service.
- If the product is damaged and you observe gas leak, please stay away from the gas. Gas may cause frostbite if it contacts your skin.

### For Products With Water Fountain / Ice Maker

- Use only drinking water. Do not fill the water tank with fruit juice, milk, fizzy beverages, alcoholic beverages or any other liquids incompatible for use in the water fountain. This may cause risk to your health and safety.
- Do not allow the children to play with the water dispenser or Ice Maker to prevent accidents and injuries.

# Important safety and environment instructions

- Do not insert your fingers or other objects inside the hole of the water dispenser, ice channel or inside the container of the Ice Maker. This may cause injuries or material damages.

## 1.7 Maintenance and cleaning safety

- Do not pull by the door handle if you shall move the product for cleaning purposes. Handle may cause injuries if it is pulled too hard.
- Do not clean the product by spraying or pouring water on the product and inside the product. Risk of electric shock and fire.
- Do not use sharp or abrasive tools to clean the product. Do not use materials such as household cleaning agents, detergents, gas, gasoline, alcohol, wax, etc.
- Use cleaning and maintenance agents that are not harmful for food only inside the product.
- Do not use steam or steamed cleaning materials for cleaning the product and thawing the ice inside it. Steam contacts the live areas in your refrigerator and causes short circuit or electric shock!
- Take care to keep water away from the electronic circuits or lighting of the product.
- Use a clean, dry cloth to wipe the dust or foreign material on the tips of the plugs. Do not use a wet or damp piece of cloth to clean the plug. Otherwise, risk of fire or electric shock may occur.

## 1.8 HomeWhiz

**(May not be applicable for all models)**

- Follow the safety warnings even if you are away from the product while operating the product via HomeWhiz app. Also, pay attention to the warnings in the app.

## 1.9 Lighting

**(May not be applicable for all models)**

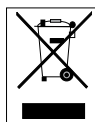
- Contact an authorized service when you shall replace the LED / bulb using for lighting.



## 2 Environmental instructions

### 2.1 Compliance with the WEEE Directive and Disposing of the Waste Product:

This product complies with EU WEEE Directive (2012/19/EU). This product bears a classification symbol for waste electrical and electronic equipment (WEEE).



This symbol indicates that this product shall not be disposed with other household wastes at the end of its service life. Used device must be returned to official collection point for recycling of electrical

and electronic devices. To find these collection systems please contact to your local authorities or retailer where the product was purchased. Each household performs important role in recovering and recycling of old appliance. Appropriate disposal of used appliance helps prevent potential negative consequences for the environment and human health.

### 2.2 Compliance with RoHS Directive

The product you have purchased complies with EU RoHS Directive (2011/65/EU). It does not contain harmful and prohibited materials specified in the Directive.

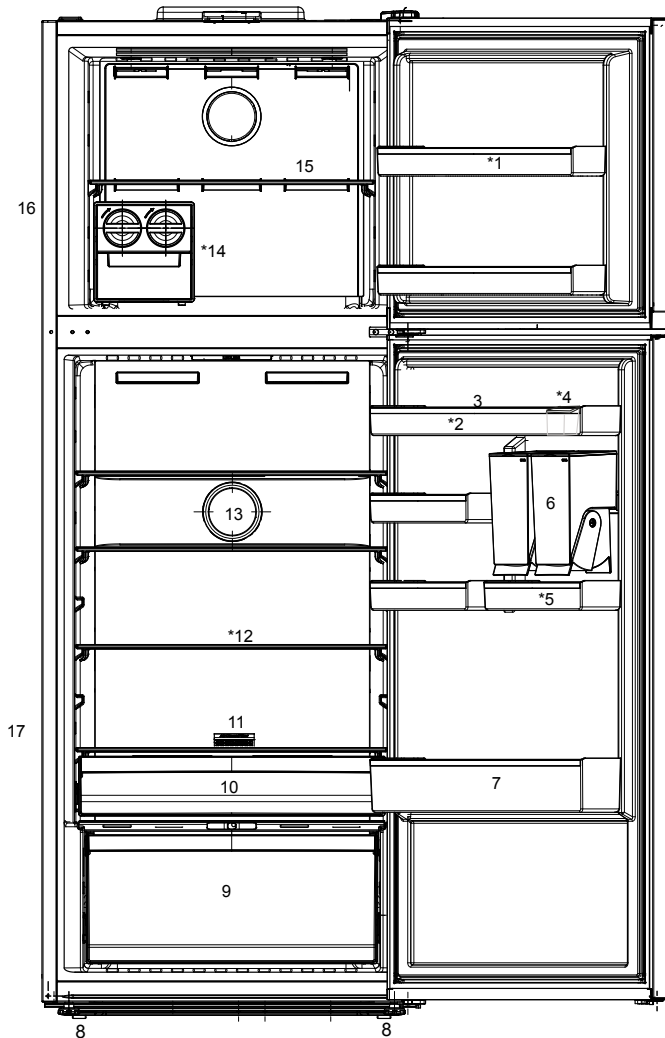
### 2.3 Package information



Packaging materials of the product are manufactured from recyclable materials in accordance with our National Environment Regulations. Do not dispose

of the packaging materials together with the domestic or other wastes. Take them to the packaging material collection points designated by the local authorities.

### 3 Your Refrigerator



- |   |                                     |
|---|-------------------------------------|
| 1- Freezer compartment                            | 10- The dairy (cold storage) bin    |
| 2- Cooler compartment door shelves                | 11- Glass shelves                   |
| 3- Egg Holder                                     | 12- Fan                             |
| 4- Water fountain                                 | 13- Icemats                         |
| 5- Legumes dispenser                              | 14- Freezer compartment glass shelf |
| 6- Cooler compartment small door shelves          | 15- Freezer compartment             |
| 7- Bottle shelf                                   | 16- Cooler compartment              |
| 8- Adjustable stands                              |                                     |
| 9- Crisper, Crisper separator and ethylene filter |                                     |



\*Optional: Figures in this user guide are schematic and may not be exactly match your product. If your product does not comprise the relevant parts, the information pertains to other models.



Read the "Safety Instructions" section first!

### 4.1 The right place for installation

Your product requires adequate air circulation to function efficiently. If the product will be placed in an alcove, remember to leave at least 5 cm clearance between the product and the ceiling, rear wall and the side walls.

If the product will be placed in an alcove, remember to leave at least 5 cm clearance between the product and the ceiling, rear wall and the side walls. Check if the rear wall clearance protection component is present at its location (if provided with the product). If the component is not available, or if it is lost or fallen, position the product so that at least 5 cm clearance shall be left between the rear surface of the product and the wall of the room. The clearance at the rear is important for efficient operation of the product.

### 4.2 For Products With Water Fountain / Ice Maker

- The hose sets supplied with the product shall be used. Do not use the old hose sets. Do not extend the hoses!
- Always connect your product to cold water inlet. Do not perform installation on the hot water inlet. The pressure for the cold water inlet shall be 80 PSI (550 kPa) maximum. If your water pressure exceeds 80Psi or has a water impact effect, use a pressure limiting valve on your mains system. Ask help from professional plumbers if you do not know how to control your water pressure.

High pressure may cause damage to the hose connections and pose a risk of flooding.

- Take required precautions against the risk of freezing of hoses. The operating water temperature interval shall be 0.6°C (33°F) minimum and 38°C (100°F) maximum. There is a risk of flooding if the hose is cracked/perforated.



**WARNING:** Do not use extension or multi sockets in power connection.



**WARNING:** The manufacturer assumes no responsibility for any damage caused by the work carried out by unauthorized persons.



**WARNING:** The product's power cable must be unplugged during installation. Failure to do so may result in death or serious injuries!



**WARNING:** : If the door span is too narrow for the product to pass, remove the door and turn the product sideways; if this does not work, contact the authorized service.

- Place the product on a flat surface to avoid vibration.
- Place the product at least 30 cm away from the heater, stove and similar sources of heat and at least 5 cm away from electric ovens.
- Do not expose the product to direct sunlight or keep in damp environments.
- The product requires adequate air circulation to function efficiently. If the product will be placed in an alcove, remember to leave at least 5 cm distance between the product and the ceiling and the walls.

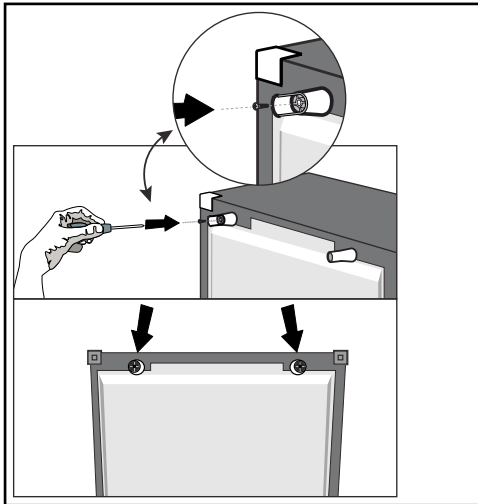
### 4.3 Attaching the plastic wedges

Use the plastic wedges in the provided with the product to provide sufficient space for air circulation between the product and the wall.

1. To attach the wedges, remove the screws on the product and use the screws provided with the wedges.

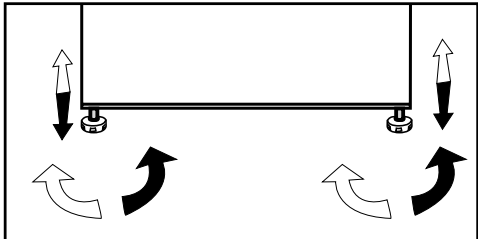
## Installation

2. Attach 2 plastic wedges on the ventilation cover as shown in the figure.



### 4.4 Adjustment of the feet

If the product is not in balanced position, adjust the front adjustable stands by rotating right or left.



### 4.5 Changing the door opening direction

Door opening direction of your refrigerator can be changed according to the place you are using it. If this is necessary, please call your nearest Authorized Service.

### 4.6 Electrical connection



**WARNING:** Do not use extension or multi sockets in power connection.



**WARNING:** Damaged power cable must be replaced by Authorized Service.

- Our firm will not assume responsibility for any damages due to usage without earthing and power connection in compliance with national regulations.
- The power cable plug must be easily accessible after installation.



Hot surface warning!

The side walls of your product are equipped with cooler pipes to enhance the cooling system. High pressure fluid may flow through these surfaces, and cause hot surfaces on the side walls. This is normal and it does not require servicing. Be careful when you contact these areas.

## 5 Preparation



Read the "Safety Instructions" section first!

### 5.1 What to do for energy saving



Connecting the product to electronic energy-saving systems is harmful, as it may damage the product.

- For a freestanding appliance; 'this refrigerating appliance is not intended to be used as a built-in appliance' ;
- Do not keep the refrigerator doors open for long periods.
- Do not place hot food or beverages into the refrigerator.
- Do not overfill the refrigerator; blocking the internal air flow will reduce cooling capacity.
- Depending on the product's features; defrosting frozen foods in the cooler compartment will ensure energy saving and preserve food quality.
- Food shall be stored using the drawers in the cooler compartment in order to ensure energy saving and protect food in better conditions.
- Since hot and humid air will not directly penetrate into your product when the doors are not opened, your product will optimize itself in conditions sufficient to protect your food. In this energy saving function, functions and components such as compressor, fan, heater, defrost, lighting, display and so on will operate according to the needs to consume minimum energy while maintaining the freshness of your foodstuff.

- In case of multiple options are present glass shelves must be placed so that the air outlets at the backwall are not blocked, preferably air outlets are remaining below the glass shelf. This combination may help improving air distribution and energy efficiency.

### 5.2 First operation

Before using your refrigerator, make sure the necessary preparations are made in line with the instructions in "Safety and environment instructions" and "Installation" sections.

- Keep the product running without placing any food inside for 12 hours and do not open the door, unless absolutely necessary.



A sound will be heard when the compressor is engaged. It is normal to hear sound even when the compressor is inactive, due to the compressed liquids and gasses in the cooling system.



It is normal for the front edges of the refrigerator to be warm. These areas are designed to warm up in order to prevent condensation.



For some models, indicator panel turns off automatically 1 minutes after the door closes. It will be reactivated when the door is open or any button is pressed.

## **6** Operating the Product

- Do not use any mechanical tools or any other tools than the recommendations of the manufacturer to speed up the thawing operation.
- Do not use parts of your refrigerator such as the door or drawers as a support or a step. This may cause the product to trip over or its components to be damaged.
- The product shall be used for storing food only.
- Turn off the water valve if you will be away from home (e.g. at vacation) and you will not be using the Ice Maker or the water dispenser for a long period of time. Otherwise, water leaks may occur.

### **6.1 Turning off the product**

- If you shall not be using the product for a long period;
  - unplug it,
  - remove the food to prevent odours,
  - wait until the ice is thawed,
  - clean the inside and wait until it is dried.
  - leave the doors open to prevent damage to internal body plastics.

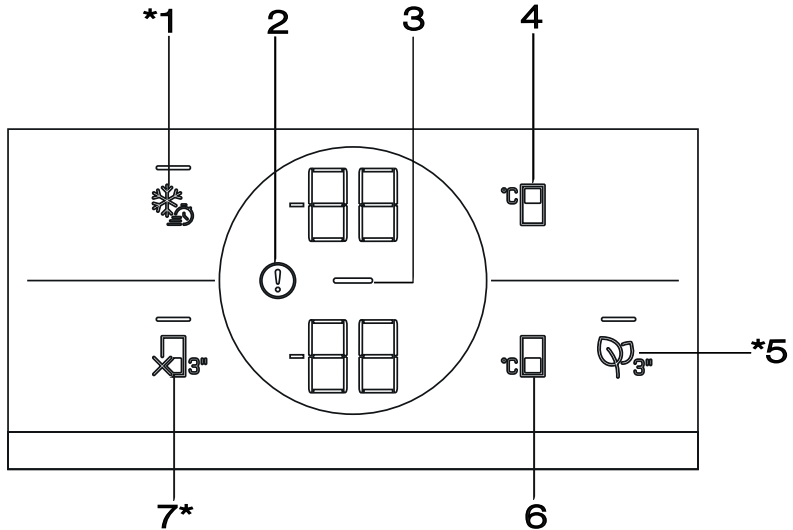
## 6 Operation of the Product

 Read the “Safety Instructions” section first!

### 6.2 Indicator panel

Indicator panels may vary depending on the model of your product.

Audial and visual functions of the indicator panel will assist in using the refrigerator.



1. Quick Freezing Key/ Handle Light Function Setting Key
2. Fault Condition Indicator
3. Energy Saving (Display Off) Indicator
4. Freezer Compartment Temperature Setting Key
5. Odor Removal Module Key
6. Cooling Compartment Temperature Setting Key
7. Cooling Compartment OFF (Vacation) Function Key



Shown functions are optional, there may be differences of shape and location in functions found on your device's display panel.

## Using the product

### 1. Quick Freezing Key

When the quick freeze key is pressed, the LED on the key is illuminated and the quick freeze function shall be activated. The freezer compartment temperature is set to -27°C. Press the key again to cancel Quick freeze function will automatically self-cancel in 52 hours. To freeze a large amount of fresh food, press the quick freeze key before placing the food in the freezer compartment.

### \*Handle Light Function Setting Key

Handle light function might be switched between open and closed modes by pressing quick freezing button (❄️) for 3 seconds. In the closed mode, the handle light is only activated when the appliance door is opened and it goes out after a while after the door is closed. In the open mode, the handle light is activated when the appliance door is opened, the handle light stays on dimly after a while after the door is closed. The handle light function is set to the ex-factory closed mode.

### 2. Fault Condition Indicator

This indicator (❗) shall be active when your refrigerator cannot perform adequate cooling or in case of any sensor error. The letter "E" in the freezer compartment temperature indicator, and digits like 1,2,3... on the cooling compartment temperature indicator will be displayed.

These figures provide information to the authorized service on the error that has occurred.

Exclamation mark may be displayed when you load warm food to the freezing compartment or keep the door open for a long period of time. This is not a fault, this warning shall be removed when the food is cooled down or when any key is pressed.

### 3. Energy Saving (Display Off) Indicator

Energy saving function is enabled automatically and the energy saving symbol (🔒) is displayed when the door of the product is not opened or closed for some period of time. When the energy saving function is active, all symbols on the screen other than the energy saving symbol shall be

turned off. When the energy-saving function is active, pressing any key or opening the door will deactivate the energy-saving function and the display signals will return to normal. The energy-saving function is a function activated ex-factory and cannot be cancelled.

### 4. Freezing Compartment Temperature Setting Key

Temperature setting is made for cooler compartment. Pressing the key (°C) will enable the freezer compartment temperature to be set at -15,-16,-18,-19,-20,-22,-24 Celsius.

### 5.Odor Removal Module Key

Press this key for 3 seconds to enable/disable odor removal feature. The (🌀) LED on the key turns on when odor removal feature is enabled. When the feature is enabled, odor removal module works periodically.

### 6.Cooling Compartment Temperature Setting Key

Allows setting of temperature for cooler compartment (°C). Pressing the key will enable the cooling compartment temperature to be set at 8,7,6,5,4,3,2 and 1 Celsius.

### 7. Cooling Compartment OFF (Vacation) Function Key

To activate vacation function (🔒), press the button for 3 seconds. The vacation mode will be activated and the LED on the button will be lit. The cooling compartment does not perform active cooling function. You shall not keep your food in the cooling compartment when this function is activated. The other compartments continue to cool according to the set temperatures. Press the key for 3 seconds again to cancel this function.



## Using the product

### 6.3 Humidity controlled crisper (EverFresh+)

#### (Optional)

Thanks to the humidity controlled crisper, vegetables and fruits may be stored for a longer period at an environment with ideal humidity conditions. With the humidity setting system with 3 options in front of your crisper, you may control the humidity inside the compartment as per the food you store. We recommend you to store your food by selecting vegetable option when you store vegetables only, fruit option when you store fruit only and mixed option when you store mixed food.

We recommend that the vegetables and fruits shall not be stored in bags to improve the storage period of the food and to better benefit from the humidity control system. Leaving them in plastic bags causes vegetables to rot in a short time.

We recommend that cucumbers and broccolis, in particular, are not stored in closed bags. In situations where contact with other vegetables is not preferred, use packaging materials such as paper that has a certain level of porosity in terms of hygiene.

When placing the vegetables, place heavy and hard vegetables at the bottom and light and soft ones on the top, taking into account the specific weights of vegetables.

Do not put fruits that have a high ethylene gas production such as pear, apricot, peach and particularly apple in the same crisper with other vegetables and fruits. The ethylene gas coming out of these fruits might cause other vegetables and fruits to mature faster and rot in a shorter period of time.

### 6.4 Blue Light/HarvestFresh (Optional)

#### For Blue light,

Vegetables and fruit stored in crispers illuminated with blue light continue to perform photosynthesis and retain their levels of C vitamin thanks to the effect of the wavelength of the blue light.

#### For HarvestFresh,

Vegetables and fruit stored in crispers illuminated with HarvestFresh technology retain their vitamin levels (vitamins A and C) for a longer period thanks to the cycles of blue, green, red lights and dark that simulate the cycle of the day.

When the door of your refrigerator is opened during the dark period of the HarvestFresh technology, your refrigerator shall sense this automatically and illuminate the crisper with one of the blue, green or red lights respectively for your convenience. The dark period shall be continued when you close the door of your refrigerator so that it shall represent the night period of the day cycle.

### 6.5 Anti-Odour Module

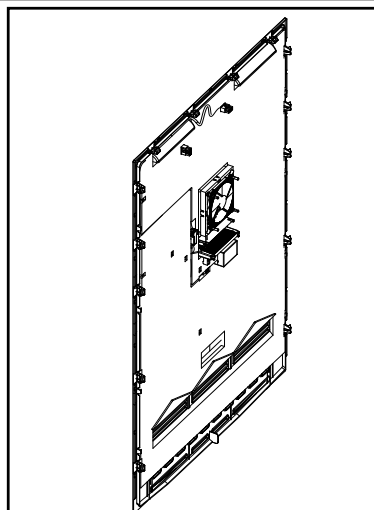
#### (FreshGuard)

#### (This feature is optional)

Anti-odour module removes odour that occur inside your refrigerator before it permeates on the surfaces. Thanks to this module positioned on the roof the fresh food compartment, bad odour is removed while the air is actively passed through the odour filter, and the air cleaned in the filter is directed back to the fresh food compartment. Thus, undesired odour that may occur during the storage of food inside the refrigerator is removed from the environment before it permeates on the surfaces.

This feature is provided with the fan, LED and odour filter placed inside the module. Anti-odour module shall be automatically activated periodically. If the door of the fresh food compartment is opened while the module is active, fan is stopped temporarily, and it continues to operate when the door is closed. In case of a power failure, anti-odour module starts to operate when the power is restored.

**info:** To prevent bad odours that may occur with the mixture of odours from different food, we recommend you to store aromatic food such as cheese, olives and delicatessen in their packaging and with their lids closed. For the safety of other food stored and to prevent bad odours, we recommend you to remove the food that you have observed to be spoilt from the refrigerator as soon as possible.



## Using the product

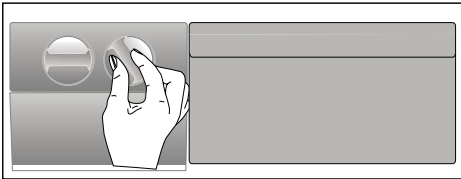
### 6.6 Ice bucket

#### (This feature is optional)

Ice bucket allows you take ice easily from the refrigerator.

#### Using the ice bucket

1. Take the ice bucket from the freezer compartment.
2. Fill the ice bucket with water.
3. Place the ice bucket into the freezer compartment. The ice will be ready after approximately two hours.
4. Take the ice bucket from the freezer compartment and bend in slightly over the holder that you are going to serve. Ice will easily pour into the serving holder.



### 6.7 Ice maker

#### (This feature is optional)

Ice maker allows you take ice easily from the refrigerator.

Using the ice bucket

1. Remove the water tank in the cooler compartment.
2. Fill the water tank with water.
3. Place the water tank back. First ice will be ready in about 4 hours in the ice maker drawer in the freezer compartment.



You may obtain about 60-70 cubes of ice when the water tank is full.



Water inside the water tank shall be replaced within 2-3 weeks at most.

### 6.8 Dairy (cold storage) bin

#### \*May not be available in all models

"The dairy (cold storage) bin " provides lower temperature within the refrigerator compartment. Use this bin to store delicatessen (salami, sausages, dairy products and etc. ) that requires lower storage temperature or meat, chicken or fish products for immediate consumption. Do not store fruits and vegetables inside this bin.

## Using the product

### 6.9 Using the water fountain

(This feature is optional)

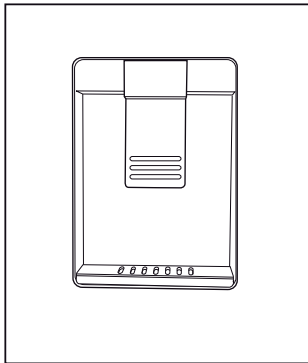


The first few glasses of water taken from the fountain will normally be warm.



If the water fountain is not used for a long time, dispose of the first few glasses of water to get clean water.

1. Push the arm of the water fountain with your glass. It would be easier to push the arm with your hand if you are using a soft plastic glass.
2. Release the arm after filling your glass with water as you desire.



The amount of water flow from the fountain depends on the pressure you apply on the arm. Release the pressure on the arm slightly as the water level in your glass/container is increased to prevent overflow. Water shall drip if you press the arm slightly; this is normal and it is not a malfunction.

### 6.10 Filling the water tank of the water fountain

Open the lid of the water tank as shown in the figure. Fill in pure and clean drinking water. Close the lid.

### 6.11 Cleaning the water tank

Remove the water filling reservoir inside the door shelf.

Detach by holding both sides of the door shelf.

Hold both sides of the water tank and remove at 45° angle.

Remove and clean the water tank lid.

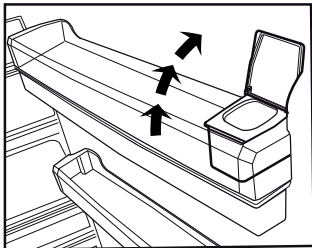
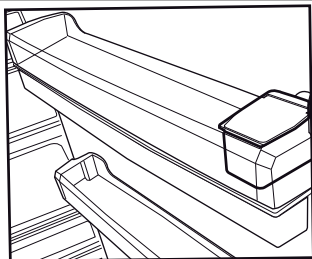


Do not fill the water tank with fruit juice, fizzy beverages, alcoholic beverages or any other liquids incompatible for use in the water fountain. Using such liquids will cause malfunction and irreparable damage in the water fountain. Using the fountain in this way is not within the scope of warranty. Certain chemicals and additives in such beverages / liquids may cause material damage to the water tank.



The water tank and water fountain components cannot be washed with dishwashers.

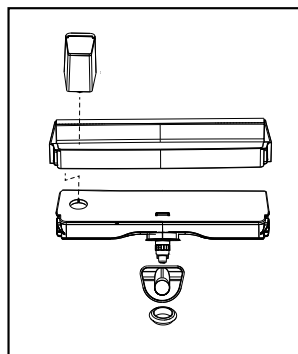
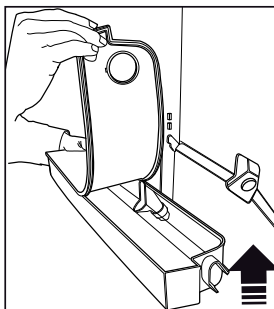
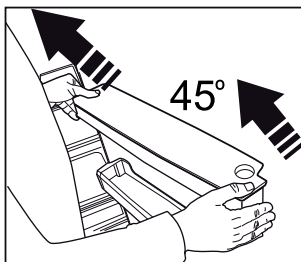
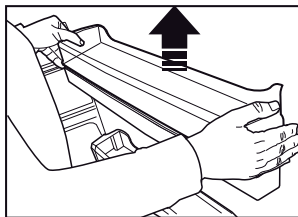
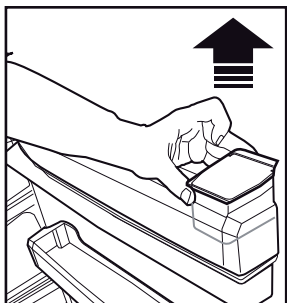
## Using the product



### 6.12 Filling the water tank of the water fountain

Water tank filling reservoir is inside the door shelf.

1. Open the lid of the reservoir.
2. Fill the reservoir with clean drinking water.



## Using the product

3. Close the lid of the reservoir.



Do not fill the water tank with fruit juice, fizzy beverages, alcoholic beverages or any other liquids incompatible for use in the water fountain. Using such liquids will cause malfunction and irreparable damage in the water fountain. Using the fountain in this way is not within the scope of warranty. Certain chemicals and additives in such beverages / liquids may cause material damage to the water tank.



Use clean drinking water only.



Water reservoir capacity is 3 litres, do not overfill.

### 6.13 Cleaning the water tank

1. Remove the water filling reservoir inside the door shelf.
2. Detach by holding both sides of the door shelf.
3. Hold both sides of the water tank and remove at 45° angle.
4. Remove the lid and clean the water tank.



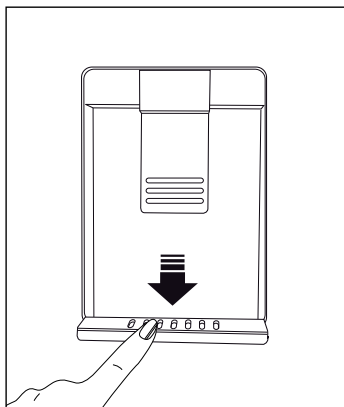
The water tank and water fountain components cannot be washed with dishwashers.

### 6.14 Drip tray

The water dripping from the water fountain accumulates on the drip tray.

Remove the plastic strainer as shown in the figure.

Wipe the collected water with a dry and clean cloth.



## Using the product

### 6.15 Freezing fresh food

- Activate the fast freezing function by pressing the «Fast Freeze» button 24 hours before loading the food to be frozen.
- 24 hours after pressing the button, place your hot food on glass shelf of the product.
- The fast freezing function will be automatically inactivated after 52 hours.
- Do not try to freeze a large quantity of food at a time. Within 24 hours, this product can freeze the maximum food quantity specified as «Freezing Capacity ... kg/24 hours» on its type label. It is not convenient to put more unfrozen/fresh foods than the quantity specified on the label.
- When you put unfrozen food into the product, avoid placing them contacting frozen food.
- Freezing the food items when fresh will extend the storage time in the freezer compartment.
- Pack the food items in air-tight packs and seal tightly.
- Make sure the food items are packed before putting in the freezer. Use freezer holders, tinfoil and damp-proof paper, plastic bag or similar packaging materials instead of traditional packaging paper.
- Mark each food pack by writing the date on the package before freezing. This will allow you to determine the freshness of each pack every time the freezer is opened. Keep the earlier food items in the front to ensure they are used first.
- Frozen food items must be used immediately after defrosting and should not be frozen again.
- Do not freeze large quantities of food at once.

| Freezer Compartment Temperature Setting | Cooler Compartment Temperature Setting | Details:   |
|---|--|--|
| -18°C                                   | 4°C                                    | This is the default, recommended setting.  |
| -20, -22 or -24°C                       | 4°C                                    | These settings are recommended for ambient temperatures exceeding 30°C.  |
| Quick Freeze                            | 4°C                                    | Use when you want to freeze your food in a short time. When the process ends, the product will regain its position.                    |
| -18°C or colder                         | 2°C                                    | Use these settings if you believe the cooler compartment is not cold enough due to ambient temperature or frequently opening the door. |

### 6.16 Recommendations for storing frozen foods in the freezer compartment

The compartment must be set to at least -18°C.

1. Place the food items in the freezer as quickly as possible to avoid defrosting.
2. Before freezing, check the "Expiry Date" on the package to make sure it is not expired.

## Using the product

3. Make sure the food's packaging is not damaged.

### 6.17 Deep freezer details

As per the IEC 62552 standards, at 25°C room temperature, the freezer must have the capacity to freeze 4,5 kg of food items at -18°C or lower temperatures in 24 hours for each 100 litres of freezer compartment volume.

Food items can only be preserved for extended periods at or below temperature of -18°C .

You can keep the foods fresh for months (in deep freezer at or below temperatures of 18°C ).

The food items to be frozen must not contact the already-frozen food inside to avoid partial defrosting.

Boil the vegetables and filter the water to extend the frozen storage time. Place the food in air-tight packages after filtering and place in the freezer. Bananas, tomatoes, lettuce, celery, boiled eggs, potatoes and similar food items should not be frozen. In case this food rots, only nutritional values and eating qualities will be negatively affected. A rotting threatening human health is not in question.

### 6.18 Placing food

|                                 |  |
|---------------------------------|--|
| Freezer compartment shelves     | Various frozen goods including meat, fish, ice cream, vegetables etc.        |
| Cooler compartment shelves      | Food items inside pots, capped plate and capped cases, eggs (in capped case) |
| Cooler compartment door shelves | Small and packed food or beverages   |
| Crisper                         | Fruits and vegetables  |
| Fresh food compartment          | Delicatessen (breakfast food, meat products to be consumed in short notice)  |

### 6.19 Door open alert

#### (This feature is optional)

An audible alert will be heard if the product's door remains open for 1 minute. The audible alert will stop when the door is closed or any button on the display (if available) is pressed.

### 6.20 Illumination lamp

Interior light uses a LED type lamp. Contact the authorized service for any problems with this lamp. Lamp(s) used in this appliance cannot be used for house lighting. Intended use of this lamp is to help the user place food into the refrigerator / freezer safely and comfortably.



## 7 Maintenance and cleaning



**WARNING:** Read the “Safety Instructions” section first!.



**WARNING:** Unplug the refrigerator before cleaning it.

- Do not use sharp or abrasive tools to clean the product. Do not use materials such as household cleaning agents, soap, detergents, gas, gasoline, alcohol, wax, etc.
- The dust shall be removed from the ventilation grill on the rear of the product at least once a year (without opening the cover). Cleaning shall be performed with a dry cloth.

### For Products With Water Fountain / Ice Maker

- If the water in the water tank has waited for 2-3 weeks, it shall be replaced.
- The water tank and the components of the water fountain shall not be washed in dishwashers.
- Melt a teaspoonful of carbonate in the water. Moisten a piece of cloth in the water and wring out. Wipe the device with this cloth and dry off thoroughly.
- Take care to keep water away from the lamp's cover and other electrical parts.
- Clean the door with a damp cloth. Remove all contents to remove the door and body racks. Remove the door racks by lifting them upwards. Clean and dry the shelves, then attach back in place by sliding from above.
- Do not use chlorinated water or cleaning products on the exterior surface and chrome-coated parts of the product. Chlorine will cause rust on such metallic surfaces.
- Do not use sharp and abrasive tools, soap, house cleaning materials, detergents, gas, gasoline, varnish and similar substances to prevent deformation of the plastic part and removal of prints on the part. Use warm water and a soft cloth for cleaning, and then dry it.
- On the products without a No-Frost feature, water droplets and icing up to a thickness of a finger may occur on the rear wall of the freezer

compartment. Do not clean, and never apply oils or similar materials.

- Use a mildly dampened micro-fiber cloth to clean the external surface of the product. Sponges and other types of cleaning clothes may cause scratches.
- To clean all removable components during the cleaning of the interior surface of the product, wash these components with a mild solution consisting of soap, water and carbonate. Wash and dry thoroughly. Prevent contact of water with illumination components and the control panel.



### CAUTION:

Do not use vinegar, rubbing alcohol or other alcohol based cleaning agents on any interior surface.

### 7.1 Stainless Steel External Surfaces

Use a non-abrasive stainless steel cleaning agent and apply it with a soft lint-free cloth. To polish, gently wipe the surface with a micro-fiber cloth dampened with water and use dry polishing chamois. Always follow the veins of the stainless steel.

### 7.2 Cleaning of the Products with Glass Doors

Remove the protective foil on the glasses. There is a coating on the surface of the glasses. This coating minimizes formation of stains and provides easy cleaning of the stains and dirt that have been formed. Glass that is not protected by coating may be exposed to permanent bonding of organic or inorganic, air and water-based contaminants such as limestone, mineral salts, unburned hydrocarbons, metal oxides and silicones, which cause staining and physical damage easily in a short period of time. Keeping the glasses clean becomes very difficult, if not impossible, despite the fact they are cleaned regularly. As a result, the transparency and appearance of the glass deteriorates. Hard and abrasive cleaning methods and agents further increase these defects and accelerate the process of deterioration.

## 7 Maintenance and cleaning

For routine cleaning processes, \*non-alkaline and non-corrosive water based cleaning products shall be used.

In order to have a longer service life of this coating, alkaline and corrosive substances shall not be used during cleaning.

A tempering process is applied to increase the resistance of these glasses against impacts and breakage.

As an additional safety precaution, a safety film has been applied to the rear surface of these glasses to prevent harm to the environment in case it breaks.

### 7.3 Preventing Odours

The product is manufactured free of any odorous materials. However, keeping the food in inappropriate sections and improper cleaning of internal surfaces may lead to odours.

To avoid this, clean the inside with carbonated water every 15 days.

- Keep the foods in sealed holders.

Microorganisms may spread out of unsealed food items and cause malodour.

- Do not keep expired and spoilt foods in the refrigerator.



Tea is one of the most effective odour removers. Place the pulp of the brewed tea in the product inside an open container and remove it after 12 hours at the latest. If you keep the tea pulp inside the product for longer than 12 hours, it will collect the organisms that cause the odour so it can be the source of odour itself.

### 7.4 Protecting Plastic Surfaces

Oil spilled on plastic surfaces may damage the surface and must be cleaned immediately with warm water.

## 8 Troubleshooting

Check this list before contacting the service. Doing so will save you time and money. This list includes frequent complaints that are not related to faulty workmanship or materials. Certain features mentioned herein may not apply to your product.

### **The refrigerator is not working.**

- The power plug is not fully settled. >>> Plug it in to settle completely into the socket.
- The fuse connected to the socket powering the product or the main fuse is blown. >>> Check the fuse.

### **Condensation on the side wall of the cooler compartment (MULTI ZONE, COOL, CONTROL and FLEXI ZONE).**

- The door is opened too frequently >>> Take care not to open the product's door too frequently.
- The environment is too humid. >>> Do not install the product in humid environments.
- Foods containing liquids are kept in unsealed holders. >>> Keep the foods containing liquids in sealed holders.
- The product's door is left open. >>> Do not keep the product's door open for long periods.
- The thermostat is set to a very cool temperature. >>> Set the thermostat to an appropriate temperature.

### **Compressor is not working.**

- In case of sudden power failure or pulling the power plug off and putting back on, the gas pressure in the product's cooling system is not balanced, which triggers the compressor thermic safeguard. The product will restart after approximately 6 minutes. If the product does not restart after this period, contact the service.
- Defrosting is active. >>> This is normal for a fully-automatic defrosting product. The defrosting is carried out periodically.
- The product is not plugged in. >>> Make sure the power cord is plugged in.
- The temperature setting is incorrect. >>> Select the appropriate temperature setting.
- The power is out. >>> The product will continue to operate normally once the power is restored.

### **The refrigerator's operating noise is increasing while in use.**

- The product's operating performance may vary depending on the ambient temperature variations. This is normal and not a malfunction.

### **The refrigerator runs too often or for too long.**

## Troubleshooting

- The new product may be larger than the previous one. Larger products will run for longer periods.
- The room temperature may be high. >>> The product will normally run for long periods in higher room temperature.
- The product may have been recently plugged in or a new food item is placed inside. >>> The product will take longer to reach the set temperature when recently plugged in or a new food item is placed inside. This is normal.
- Large quantities of hot food may have been recently placed into the product. >>> Do not place hot food into the product.
- The doors were opened frequently or kept open for long periods. >>> The warm air moving inside will cause the product to run longer. Do not open the doors too frequently.
- The freezer or cooler door may be ajar. >>> Check that the doors are fully closed.
- The product may be set to temperature too low. >>> Set the temperature to a higher degree and wait for the product to reach the adjusted temperature.
- The cooler or freezer door washer may be dirty, worn out, broken or not properly settled. >>> Clean or replace the gasket. Damaged / torn door washer will cause the product to run for longer periods to preserve the current temperature.

### **The freezer temperature is very low, but the cooler temperature is adequate.**

- The freezer compartment temperature is set to a very low degree. >>> Set the freezer compartment temperature to a higher degree and check again.

### **The cooler temperature is very low, but the freezer temperature is adequate.**

- The cooler compartment temperature is set to a very low degree. >>> Set the freezer compartment temperature to a higher degree and check again.

### **The food items kept in cooler compartment drawers are frozen.**

- The cooler compartment temperature is set to a very low degree. >>> Set the freezer compartment temperature to a higher degree and check again.

### **The temperature in the cooler or the freezer is too high.**

- The cooler compartment temperature is set to a very high degree. >>> Temperature setting of the cooler compartment has an effect on the temperature in the freezer compartment. Wait until the temperature of relevant parts reach the sufficient level by changing the temperature of cooler or freezer compartments.
- The doors were opened frequently or kept open for long periods. >>> Do not open the doors too frequently.
- The door may be ajar. >>> Fully close the door.
- The product may have been recently plugged in or a new food item is placed inside. >>> This is normal. The product will take longer to reach the set temperature when recently plugged in or a new food item is placed inside.
- Large quantities of hot food may have been recently placed into the product. >>> Do not place hot food into the product.

### **Shaking or noise.**

- The ground is not level or durable. >>> If the product is shaking when moved slowly, adjust the stands to balance the product. Also make sure the ground is sufficiently durable to bear the product.
- Any items placed on the product may cause noise. >>> Remove any items placed on the product.

### **The product is making noise of liquid flowing, spraying etc.**

- The product's operating principles involve liquid and gas flows. >>> This is normal and not a malfunction.

## Troubleshooting

### **There is sound of wind blowing coming from the product.**

- The product uses a fan for the cooling process. This is normal and not a malfunction.

### **There is condensation on the product's internal walls.**

- Hot or humid weather will increase icing and condensation. This is normal and not a malfunction.
- The doors were opened frequently or kept open for long periods. >>> Do not open the doors too frequently; if open, close the door.
- The door may be ajar. >>> Fully close the door.

### **There is condensation on the product's exterior or between the doors.**

- The ambient weather may be humid, this is quite normal in humid weather. >>> The condensation will dissipate when the humidity is reduced.

### **The interior smells bad.**

- The product is not cleaned regularly. >>> Clean the interior regularly using sponge, warm water and carbonated water.
- Certain holders and packaging materials may cause odour. >>> Use holders and packaging materials without free of odour.
- The foods were placed in unsealed holders. >>> Keep the foods in sealed holders. Micro-organisms may spread out of unsealed food items and cause malodour.
- Remove any expired or spoilt foods from the product.

### **The door is not closing.**

- Food packages may be blocking the door. >>> Relocate any items blocking the doors.
- The product is not standing in full upright position on the ground. >>> Adjust the stands to balance the product.
- The ground is not level or durable. >>> Make sure the ground is level and sufficiently durable to bear the product.

### **The crisper is jammed.**

- The food items may be in contact with the upper section of the drawer. >>> Reorganize the food items in the drawer.

### **In case of a Hot Surface on the Product,**

- High temperature may be observed between two doors, on the side panels and on the rear grill area while your product is operated. This is normal and it does not require servicing!

### **Fan continues to operate when the door is opened.**

- Fan may continue to operate when the the freezer door is open.



**WARNING:** If the problem persists after following the instructions in this section, contact your vendor or an Authorized Service. Do not try to repair the product.

This product is equipped with a lighting source of the "G" energy class.  
The lighting source in this product shall only be replaced by professional repairers.

عميلنا العزيز،

يرجى قراءة هذا الدليل قبل استخدام المنتج.

نشكرك على اختيارك هذا المنتج. نتمنى أن تصل إلى الكفاءة المثلى من هذا المنتج عالي الجودة الذي تم تصنيعه بأحدث التقنيات. للقيام بذلك ، اقرأ هذا الدليل بعناية وأية وثائق أخرى مقدمة قبل استخدام المنتج واحتفظ به كمرجع. انتبه إلى جميع المعلومات والتحذيرات الموجودة في دليل المستخدم. بهذه الطريقة ، ستحمي نفسك ومنتجك من الأخطار التي قد تحدث.

احتفظ بدليل المستخدم. قم بتضمين هذا الدليل مع الجهاز إذا قمت بتسليمه إلى شخص آخر.

تستخدم الرموز التالية في دليل المستخدم:

⚠️ خطر قد يؤدي إلى الوفاة أو الإصابة.

تنبيه خطر قد يتسبب في تلف مادي بالمنتج أو المناطق المحيطة به

ℹ️ معلومات مهمة أو نصائح مفيدة حول التشغيل.

📖 اقرأ دليل المستخدم.

🔥 خطر حريق/ مواد قابلة للاشتعال

## 1 تعليمات السلامة

3

- 1.1 ⚠️ غرض الاستخدام .....
- 1.2 ⚠️ سلامة الأطفال والأشخاص الضعفاء والحيوانات الأليفة. ....
- 1.3 ⚠️ السلامة الكهربائية .....
- 1.4 ⚠️ السلامة عند حمل الجهاز. ....
- 1.5 ⚠️ السلامة عند التركيب .....
- 1.6 ⚠️ السلامة التشغيلية. ....
- 1.7 ⚠️ السلامة عند الصيانة والتنظيف .....
- 1.8 ⚠️ برنامج HomeWhiz .....
- 1.9 ⚠️ الإضاءة. ....

## 2 تعليمات بيئية

- 2.1 الامتثال للتوجيهات الخاصة بنفايات الأجهزة والتخلص منها: .....
- 2.2 الامتثال لتوجيهات حظر المواد الخطرة: .....
- 2.3 معلومات الغلاف .....

## 3 ثلاثتك

8

## 4 التركيب

9

- 4.1 المكان المناسب للتركيب .....
- 4.2 للمنتجات ذات موزع الماء / صانع الثلج .....
- 4.3 تثبيت الأوتاد البلاستيكية .....
- 4.4 تعديل الأقدام. ....
- 4.5 تغيير اتجاه فتحة الباب .....
- 4.6 التوصيل الكهربائي .....

## 5 الإعداد

11

- 5.1 إجراءات توفير الطاقة. ....
- 5.2 التشغيل لأول مرة. ....

## 6 تشغيل المنتج

12

- 6.1 إيقاف تشغيل المنتج. ....
- 6.2 لوحة المؤشر .....

## 6 تشغيل المنتج

13

- 6.3 درج الخضار ذو التحكم في الرطوبة (+EverFresh) .....
- 6.4 الضوء الأزرق / الحصاد الطازج HarvestFresh .....
- 6.5 وحدة مكافحة الرائحة (FreshGuard) .....
- 6.6 علبة الثلج. ....
- 6.7 صانع الثلج. ....
- 6.8 صندوق الألبان (التخزين البارد) .....
- 6.9 استخدام موزع الماء .....
- 6.10 ملء خزان موزع المياه. ....
- 6.11 تنظيف خزان الماء .....
- 6.12 ملء خزان موزع المياه. ....
- 6.13 تنظيف خزان الماء .....
- 6.14 صينية تجميع القطرات. ....
- 6.15 تجميد الأطعمة الطازجة. ....
- 6.16 توصيات لتخزين الأطعمة المجمدة في حجرة التجميد. ....
- 6.17 تفاصيل المجمد العميق. ....
- 6.18 وضع الطعام .....
- 6.19 منبه فتح الباب .....
- 6.20 مصباح الإضاءة. ....

## 7 الصيانة والتنظيف

23

- 7.1 الأسطح الخارجية من الفولاذ المقاوم للصدأ .....
- 7.2 تنظيف المنتجات تاذ الأبواب الزجاجية. ....

## 7 الصيانة والتنظيف

24

- 7.3 منع الروائح .....
- 7.4 حماية الأسطح البلاستيكية .....

## 8 استكشاف المشاكل وإصلاحها

25

- يوضح هذا الجزء تعليمات السلامة اللازمة لمنع خطر الإصابة أو الضرر المادي.
- لا تتحمل شركتنا المسؤولية عن أي أضرار قد تقع إذا لم يتم التقيد بهذه التعليمات.
- ⚠ يجب أن تُجرى عمليات التثبيت والإصلاح دائماً لدى مركز خدمة متعدد.
- ⚠ استخدم دائماً قطع غيار وملحقات أصلية.
- ⚠ سيتم توفير قطع الغيار الأصلية لمدة 10 سنوات بعد تاريخ شراء المنتج.
- ⚠ لا تصلح أو تستبدل أي جزء من الجهاز إلا إذا ذكر ذلك صراحة في دليل المستخدم.
- ⚠ لا تُجري أي تعديلات على المنتج.
- ⚠ **1.1 غرض الاستخدام**
  - هذا المنتج غير مصمم للاستخدام التجاري ولا يجب استعماله خارج نطاق الغرض الذي صمم لأجله. هذا المنتج مخصص للتشغيل في المساحات الداخلية، مثل المنازل أو ما شابه ذلك.
  - مثال؛
    - في مطابخ الموظفين بالمناجر والمكاتب وبيئات العمل الأخرى ،
    - المزارع ،
    - في وحدات الفنادق أو الموتييلات أو مرافق الاستراحة الأخرى التي يستخدمها الزبائن ،
    - في النزل أو البيئات المماثلة ،
    - في خدمات الضيافة وتقديم الطعام والتطبيقات المماثلة في غير محلات التجزئة.
  - لا يجوز استخدام هذا المنتج في البيئات الخارجية المفتوحة أو المغلقة مثل السفن أو الشرفات أو التراسات. قد يؤدي تعريض المنتج للمطر والتلج وأشعة الشمس والرياح إلى خطر نشوب حريق.
- ⚠ **1.2 سلامة الأطفال والأشخاص الضعفاء والحيوانات الأليفة**
  - يمكن للأطفال بعمر 8 أعوام فأكثر والأشخاص الذين يعانون من قدرات بدنية أو حسية أو عقلية محدودة أو يفقدون للخبرة والمعرفة استخدام هذا المنتج تحت الإشراف أو وفقاً للتعليمات الخاصة باستخدام الجهاز بطريقة آمنة شريطة أن يكونوا مدركين للمخاطر المتعلقة بذلك.
- يُسمح للأطفال الذين تتراوح أعمارهم بين 3 و 8 سنوات بوضع وإخراج الطعام من / إلى المنتج المبرد.
- تشكل المنتجات الكهربائية خطورة على الأطفال والحيوانات الأليفة. يجب على الأطفال والحيوانات الأليفة تجنب اللعب بالمنتج أو التسلق عليه أو دخوله.
- لا ينبغي أن يقوم الأطفال بالتنظيف وصيانة المستخدم ما لم يكن هناك من يشرف عليهم.
- أبعد مواد التغليف عن الأطفال. خطر الإصابة والاختناق.
- قبل التخلص من المنتجات القديمة التي لا يجب استخدامها بعد الآن:
- 1. افصل سلك الطاقة من مأخذ التيار.
- 2. اقطع سلك الطاقة وقم بإزالتها من الجهاز مع القابس.
- 3. لا تقم بإزالة الرفوف والأدراج من المنتج لمنع الأطفال من الدخول إلى الجهاز.
- 4. فك الأبواب
- 5. قم بتخزين المنتج بحيث لا ينقلب.
- 6. لا تسمح للأطفال بالعبث بالجهاز المفك.
- لا تتخلص من المنتج برميهِ في النار. خطر الانفجار!
- إذا كان هناك قفل متوفر في باب المنتج، احفظ مفتاح النقل بعيداً عن متناول الأطفال.
- ⚠ **1.3 السلامة الكهربائية**
  - يجب عدم توصيل المنتج بالمأخذ أثناء عمليات التركيب والصيانة والتنظيف والإصلاح والنقل.
  - في حالة تلف سلك الطاقة ، يجب استبداله بواسطة الخدمة المعتمدة فقط لتجنب أي خطر قد يحدث.
  - لا تضع سلك الطاقة أسفل المنتج أو في الجزء الخلفي منه. لا تضع عناصر ثقيلة على سلك الطاقة. يجب عدم ثني سلك الطاقة أو الضغط فوقه أو ملامسته لأي مصدر حرارة.
  - لا تستخدم سلك تمديد أو مقبس متعدد أو محول لتشغيل منتجك.
  - قد تؤدي المقابس المتعددة المحمولة أو مصادر الطاقة المحمولة إلى زيادة الحرارة وتسبب الحريق. وبالتالي ، لا تضع مقبس متعدد خلف المنتج أو بالقرب منه.
  - يجب أن تكون هناك سهولة في الوصول إلى المقبس. إذا لم يكن ذلك ممكناً ، فيجب توفير آلية في التركيب تتوافق مع التشريعات الكهربائية وتصل جميع المحطات الطرفية عن تمديدات الشبكة (المصهر ، والمفتاح الرئيسي، الخ).
  - لا تلمس القابس بأيدي مبللة!
  - عند فصل الجهاز ، لا تمسك سلك الطاقة، بل القابض.



## تعليمات هامة عن السلامة والبيئة

- عند وضع الجهاز، تأكد من أن سلك الإمداد غير مطوب بأي شيء أو تالف.
- لا تضع العديد من منافذ المقيس المحمولة أو إمدادات الطاقة المحمولة في الجزء الخلفي من الجهاز.

### ⚠️ 1.4 السلامة عند حمل الجهاز

- هذا المنتج ثقيل، لا تحمله لوحدهك.
- لا تمسك المنتج من بابيه أثناء نقله.
- احرص على عدم إتلاف نظام التبريد والأنابيب أثناء نقل المنتج. لا تقم بتشغيل المنتج في حالة تلف الأنابيب، واتصل بخدمة معتمدة.

### ⚠️ 1.5 السلامة عند التركيب

- اتصل بمركز الخدمة المعتمد من أجل تركيب الجهاز. لإعداد الجهاز للتركيب، انظر المعلومات في دليل المستخدم وتأكد أن منافذ الكهرباء والماء كما هو مطلوب. إذا لم يكن التركيب مناسباً، فاتصل بفني كهربائي وسباك مؤهل كي يتخذوا الترتيبات اللازمة. خلاف ذلك، قد تحدث صدمة كهربائية، أو حريق، أو مشاكل في المنتج أو إصابات.
- تحقق من عدم وجود أي ضرر في المنتج قبل تنصيبه. لا توصل الجهاز بالكهرباء إذا كان متضرراً.
- ضع المنتج على سطح مستوي وصلب ووزانه عبر الأرجل القابلة للتعديل. وإلا فقد تتقلب التلاجة وتتسبب في حدوث إصابات.
- يجب تركيب المنتج في بيئة جافة وجيدة التهوية. لا تضع سجاد أو بسط أو أغطية أرضيات مشابهة أسفل المنتج. قد يؤدي ذلك إلى نشوب حريق نتيجة التهوية الغير كافية!

### ⚠️ 1.6 السلامة التشغيلية

- لا تستخدم المذيبات الكيميائية على المنتج. تسبب هذه المواد خطر الانفجار.
- في حالة تعطل المنتج، فصله ولا تشغيله حتى يتم إصلاحه بواسطة الخدمة المعتمدة. فهناك خطر الصدمة الكهربائية!
- لا تضع مصدرًا للهب (مثل الشموع والسجائر وما إلى ذلك) على المنتج أو بالقرب منه.
- لا تصعد على المنتج. هناك خطر السقوط والإصابة!
- لا تتلف أنابيب نظام التبريد باستخدام أدوات حادة وثاقبه. قد يتسبب سائل التبريد الذي قد يتم رشه في حالة ثقب أنابيب الغاز أو تمددات الأنابيب أو غلاف السطح العلوي في حدوث تهيج للجلد وإصابات في العين.
- لا تسد أو تغطي فتحات التهوية. خلاف ذلك، قد يزداد استهلاك الطاقة وقد يحدث تلف بالمنتج الخاص بك.
- لا تقم بتوصيل المنتج بأنظمة إمداد الطاقة مثل مصادر الطاقة الشمسية. خلاف ذلك، قد يحدث تلف لمنتجك نتيجة لتقلبات الجهد المفاجئة!
- كلما زادت كمية غاز التبريد في التلاجة، زادت مساحة الغرفة التي يجب تركيب التلاجة بها. في الغرف الصغيرة جداً، قد يتشكل خليط غاز-هواء قابل للاشتعال في حالة تسرب الغاز في نظام التبريد. يطلب ما لا يقل عن 1 متر مكعب من الحجم لكل 8 جرام من سائل التبريد. تم تحديد كمية مادة التبريد المتوفرة في منتجك في ملصق النوع.
- يجب ألا يتعرض مكان تركيب المنتج لأشعة الشمس المباشرة ولا يجب أن يكون بالقرب من مصدر حرارة مثل الموافد والرادياتير وما إلى ذلك.

## تعليمات هامة عن السلامة والبيئة

- لا تضع وتشغل الأجهزة الكهربائية داخل الثلاجات / المجمد العميق ما لم ينصح المصنع بذلك.
- لا تحترق أي جزء من يديك أو جسمك في الأجزاء المتحركة داخل المنتج. احرص على عدم انشمار أصابعك بين الثلاجة وبها. كن حذراً أثناء فتح وإغلاق الباب إذا كان هناك أطفال بالجوار.
- لا تضع المتلجات أو مكعبات الثلج أو الأطعمة المجمدة في فمك بمجرد إخراجها من الفريزر. خطر حدوث عضة صقيع!
- لا تلمس الجدران الداخلية أو الأجزاء المعدنية من المجمد أو الأطعمة المحفوظة داخل الثلاجة ويداك مبتلة. خطر حدوث عضة صقيع!
- لا تضع علب الصودا أو العلب والزجاجات التي تحتوي على سوائل يمكن تجميدها في حجرة التجميد. قد تنفجر العلب أو الزجاجات. هناك خطر حدوث إصابة وأضرار مادية!
- لا تستخدم أو تضع مواداً حساسة ضد درجة الحرارة مثل البخاخات القابلة للاشتعال ، والأشياء القابلة للاشتعال ، و الثلج الجاف أو غيرها من المواد الكيميائية في محيط الثلاجة. خطورة الحريق والانفجار!
- لا تخزن المواد القابلة للانفجار مثل علب الأيروسول التي تحتوي على مواد قابلة للاشتعال داخل المنتج.
- لا تضع العلب التي تحتوي على سوائل فوق المنتج. قد يؤدي تناثر الماء على جزء كهربائي إلى خطر حدوث صدمة كهربائية أو نشوب حريق.
- هذا المنتج غير مخصص لتخزين وتبريد الأدوية أو بلازما الدم أو المستحضرات المخبرية أو المواد والمنتجات المماثلة التي تخضع لتوجيه المنتجات الطبية.
- إذا تم استخدام المنتج لغرض غير الغرض المقصود منه ، فقد يتسبب ذلك في تلف المنتجات الموجودة بالداخل أو تدهور جودتها.
- إذا كانت ثلاجتك مزودة بضوء أزرق ، فلا تنتظر إلى هذا الضوء بالأجهزة البصرية. لا تحرق مباشرة في ضوء الأشعة فوق البنفسجية LED لفترة طويلة. قد تسبب الأشعة فوق البنفسجية إجهاد العين.
- لا تملأ المنتج بطعام أكثر من سعته. قد تحدث إصابات أو أضرار إذا سقطت محتويات الثلاجة عند فتح الباب. قد تحدث مشكلات مماثلة عند وضع شيء ما فوق المنتج.
- تأكد من إزالة أي جليد أو ماء قد يكون سقط على الأرض لمنع الإصابات.
- قم بتغيير أماكن الرفوف / أرفف الزجاجات على باب الثلاجة عندما تكون الأرفف فارغة فقط. خطر

### الإصابة الشخصية!

- لا تضع أشياء قد تسقط / تنقلب على المنتج. قد تسقط هذه الأشياء أثناء فتح الباب أو إغلاقه وتسبب إصابات و / أو أضرار مادية.
- لا تضرب أو تمارس ضغطاً زائداً على الأسطح الزجاجية. قد يتسبب الزجاج المكسور في حدوث إصابات و / أو أضرار مادية.
- يحتوي نظام التبريد في منتجك على مبرد R600a. يتم تحديد نوع مادة التبريد المستخدمة في المنتج في ملصق النوع. هذا الغاز سريع الاشتعال. لذلك احرص على عدم إتلاف نظام التبريد والأنابيب أثناء تشغيل المنتج. في حالة تلف الأنابيب ؛ - احتفظ بالمنتج بعيداً عن مصادر الحريق المحتملة التي قد تتسبب في اشتعال المنتج.
- - قم بتهوية المنطقة التي وضع فيها المنتج. لا تستخدم مروحة.
- - قم بالاتصال بالخدمة المعتمدة.
- في حالة تلف المنتج ولاحظت تسرب الغاز ، يرجى الابتعاد عن الغاز. قد يسبب الغاز قزمة الصقيع إذا لامس جلدك.

### للمنتجات مع موزع الماء / صانع الجليد

- استعمل ماء الشرب فقط. لا تملأ خزان الماء بعصير الفواكه، الحليب، أو المشروبات الفوارة أو المشروبات الكحولية أو أية سوائل أخرى غير منسجمة مع استخدام موزع الماء. قد يتسبب ذلك في مخاطر على صحتك وسلامتك.
- لا تسمح للأطفال باللعب بموزع المياه أو صانع الثلج لمنع الحوادث والإصابات.
- لا تدخل أصابعك أو أي أشياء أخرى داخل فتحة موزع المياه أو فتحة الثلج أو داخل حاوية صانع الثلج. قد يسبب هذا إصابات أو أضرار مادية.

### 1.7 السلامة عند الصيانة والتنظيف

- لا تسحب من مقبض الباب إذا كان عليك نقل المنتج لأغراض التنظيف. قد يتسبب المقبض في حدوث إصابات إذا تم سحبه بشدة.
- لا تنظف المنتج عن طريق رش الماء أو سكه على المنتج وداخله. خطر حدوث صدمة كهربائية وحريق.
- لا تستخدم أدوات حادة أو كاشطة لتنظيف المنتج. لا تستخدم مواد مثل مواد التنظيف المنزلية والمنظفات والغاز والبنزين والكحول والشمع وما إلى ذلك.

## تعليمات هامة عن السلامة والبيئة

- استخدم فقط عوامل التنظيف والصيانة غير الضارة بالطعام داخل المنتج.
- لا تستخدم مواد التنظيف بالبخار أو البخار لتنظيف المنتج وإذابة الثلج بداخله. يلامس البخار المناطق الكهربائية في ثلاجتك ويسبب ماساً كهربائياً أو صدمة كهربائية!
- احرص على إبقاء الماء بعيداً عن الدوائر الإلكترونية أو إضاءة المنتج.
- استخدم قطعة قماش نظيفة وجافة لمسح الغبار أو المواد الغريبة على أطراف القوابس. لا تستخدم قطعة قماش رطبة أو مبللة لتنظيف القابس. خلاف ذلك ، قد يحدث خطر نشوب حريق أو صدمة كهربائية.

### 1.8 برنامج HomeWhiz ⚠

(قد لا تنطبق على جميع الموديلات)

- اتبع تحذيرات الأمان حتى إذا كنت بعيداً عن المنتج أثناء تشغيل المنتج عبر تطبيق هوم ويز HomeWhiz. انتبه أيضاً إلى التحذيرات الموجودة في التطبيق.

### 1.9 الإضاءة ⚠

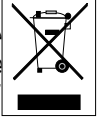
(قد لا تنطبق على جميع الموديلات)

- اتصل بالخدمة المعتمدة عندما يتعين عليك استبدال مصباح ليد LED / المصباح المستخدم للإضاءة.

## 2.1 الامتثال للتوجيهات الخاصة بنفايات الأجهزة والتخلص منها:

هذا المنتج متوافق مع توجيهات (EU WEEE (2012/19/EU. يحمل هذا المنتج رمز تصنيف التلخ من الأجهزة الكهربائية والإلكترونية (WEEE).

يشير هذا الرمز إلى أنه لا يجب التخلص من هذا المنتج مع النفايات المنزلية الأخرى في نهاية عمره التشغيلي. يجب إعادة الجهاز المستخدم إلى نقطة التجميع الرسمية لإعادة تدوير الأجهزة الكهربائية والإلكترونية. للعثور على أنظمة التجميع هذه، يرجى الاتصال بالسلطات



المحلية أو بائع التجزئة الذي تم شراء المنتج منه. تؤدي كل أسرة دوراً مهماً في استعادة وإعادة تدوير الأجهزة القديمة. يساعد التخلص المناسب من الأجهزة المستعملة على منع النتائج السلبية المحتملة على البيئة وصحة الإنسان.

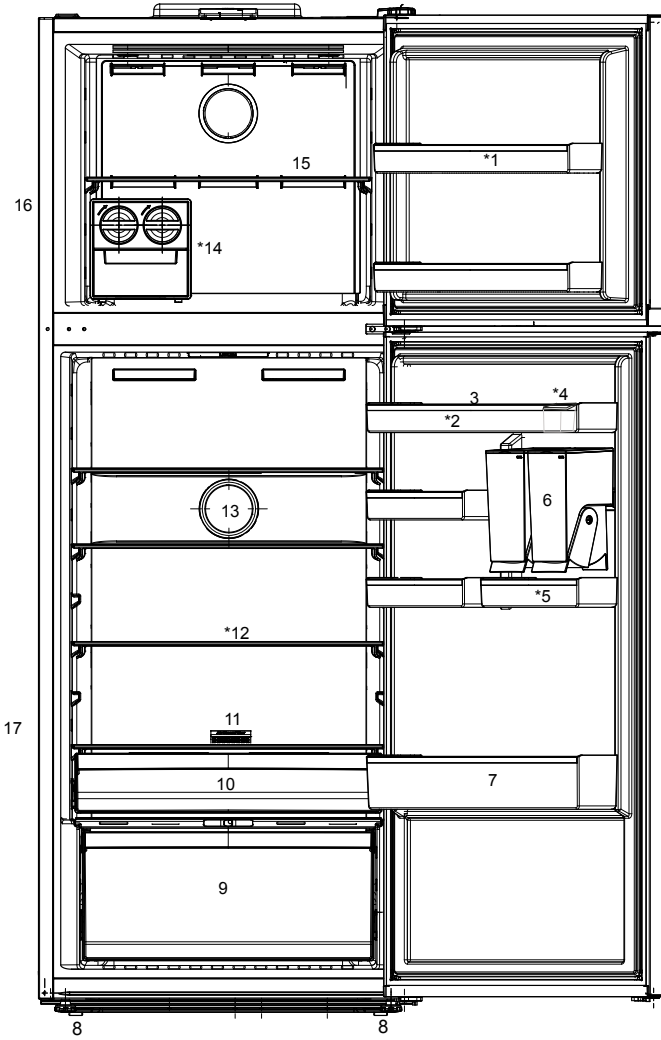
## 2.2 الامتثال لتوجيهات حظر المواد الخطرة:

هذا المنتج متوافق مع توجيهات (EU RoHS (2011/65/EU. وهو لا يحتوي على مواد ضارة أو محظورة محددة في التوجيهات.

## 2.3 معلومات الغلاف

تم تصنيع مواد تغليف المنتج من مواد قابلة لإعادة التدوير طبقاً لأنظمة البيئة الوطنية. لا تتخلص من مواد التغليف مع النفايات المنزلية وغيرها. قم بنقلها إلى نقاط تجميع مواد التغليف المحددة من قبل السلطات المحلية.





- |   |  |
|---|--|
| إيثيلين                                 | 1- حجرة المجمد                           |
| 10- مرشح صندوق الألبان (التخزين البارد) | 2- رفوف باب حجرة المبرد                  |
| 11- الرفوف الزجاجية                     | 3- حامل البيض                            |
| 12- المروحة                             | 4- موزع الماء وعاء البقوليات             |
| 13- آلة الثلج                           | 5- رفوف باب حجرة المبرد الصغير           |
| 14- الرف الزجاجي لحجرة المجمد           | 6- رف زجاجات                             |
| 15- حجرة المجمد                         | 7- القواعد القابلة للتعديل               |
| 16- حجرة المبرد                         | 8- درج الخضار، فاصل درج الخضار، هش وفلتر |

\*اختياري: إن الأشكال المذكورة في دليل المستخدم هذا هي تخطيطه وقد لا تتطابق مع جهازك تماما. إذا كان جهازك لا يشتمل على الأجزاء ذات الصلة، فإن المعلومات تعود لموديلات أخرى.



**تحذير:** يجب فصل كبل طاقة الجهاز أثناء التركيب. قد يؤدي الإخفاق في ذلك إلى الموت أو إصابات خطيرة!



**تحذير:** إذا كان حجم الباب ضيقاً لدخول الجهاز، قم بفك الباب وأدر الجهاز إلى جانبه، إذا لم ينجح ذلك، اتصل بخدمة الصيانة المعتمدة.



- ضع الجهاز على سطح منبسط لتجنب الاهتزاز.
- ضع الجهاز على بعد 30 سم على الأقل من المدفأة والموقد ومصادر الحرارة الأخرى وعلى بعد 5 سم على الأقل من الأفران الكهربائية.
- لا تعرض الجهاز لأشعة الشمس المباشرة أو تبقيه في أماكن رطبة.
- يتطلب الجهاز توزيعاً كافياً للهواء حتى يعمل بشكل فعال. إذا كنت ستضع الجهاز في فجوة، تذكر ترك 5 سم على الأقل بين الجهاز والسقف والجدران.

### 4.3 تثبيت الأوتاد البلاستيكية

- استخدم الأوتاد البلاستيكية المزودة مع الجهاز لتوفير مساحة كافية لتوزيع الهواء بين الجهاز والجدار.
- 1. لتثبيت الأوتاد، فك البراغي الموجودة على المنتج واستخدم البراغي المزودة مع الأوتاد.

اقرأ قسم "تعليمات الأمان" أولاً!

### 4.1 المكان المناسب للتركيب

يتطلب المنتج الخاص بك توزيع الهواء بصورة كافية حتى يعمل بكفاءة. إذا كنت ستضع الجهاز في تجويف بالجدار، فتذكر ترك خلوص لا يقل عن 5 سم بين الجهاز وكل من السقف والجدار الخلفي والجدران الجانبية.

إذا كنت ستضع الجهاز في تجويف بالجدار، فتذكر ترك خلوص لا يقل عن 5 سم بين الجهاز وكل من السقف والجدار الخلفي والجدران الجانبية. تأكد أن مَكُون الحماية الخاص بالخلوص بين الجهاز والجدار الخلفي موجود في مكانه (إذا كان مزوداً مع المنتج). في حالة عدم توفر المكُون المشار إليه أعلاه، أو في حالة فقدانه أو سقوطه، ضع الجهاز مع ترك خلوص لا يقل عن 5 سم بين السطح الخلفي للجهاز وجدار الغرفة. الخلوصل في خلفية الجهاز مهم لتشغيل الجهاز بكفاءة.

### 4.2 للمنتجات ذات موزع

#### الماء / صانع الثلج

- يجب استخدام مجموعات الخراطيم المتوفرة مع المنتج. لا تستخدم مجموعات الخراطيم القديمة. لا تقم بتمديد الخراطيم!
- قم دائماً بتوصيل منتجك بمدخل الماء البارد. لا تقم بتوصيل منتجك بمدخل الماء الساخن. يجب أن يكون ضغط مدخل الماء البارد 80 رطل / بوصة مربعة (550 كيلو باسكال) كحد أقصى. إذا تجاوز ضغط الماء 80 رطل / بوصة مربعة أو كان له تأثير مائي، فاستخدم صمام لتحديد الضغط في نظام الشبكة لديك. اطلب المساعدة من سباكين محترفين إذا كنت لا تعرف كيفية التحكم في ضغط المياه لديك.
- قد يتسبب الضغط المرتفع في إتلاف وصلات الخراطيم وقد يؤدي إلى حدوث فيضان.
- قم باتخاذ الاحتياطات اللازمة ضد مخاطر تجمد الخراطيم. يجب أن يكون نطاق درجة حرارة ماء التشغيل بين 0.6 درجة مئوية (33 درجة فهرنهايت) كحد أدنى و 38 درجة مئوية (100 درجة فهرنهايت) كحد أقصى. هناك خطر حدوث فيضان إذا كان الخرطوم مشققاً / مثقوباً.

**تحذير:** لا تستخدم أدوات التطويل أو المقابس المتعددة في توصيل الطاقة.



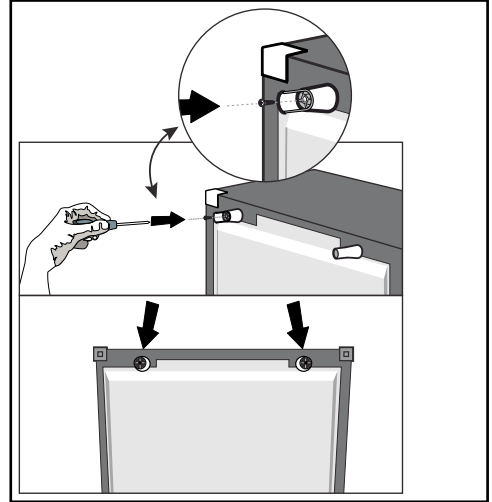
**تحذير:** لا يتحمل المصنع أية مسؤولية عن الأضرار الناجمة عن الأعمال المنفذة بواسطة أشخاص غير مرخصين.



2. ركب وتدبين على غطاء التهوية كما هو موضح في الشكل.

#### 4.5 تغيير اتجاه فتحة الباب

يمكن تغيير اتجاه فتحة باب التلاجة طبقاً لمكان الاستخدام. إذا كان ذلك ضرورياً، فيرجى الاتصال بأقرب مركز صيانة معتمد لديك.



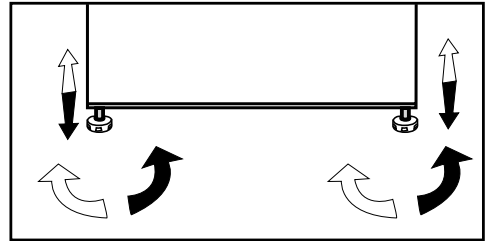
#### 4.6 التوصيل الكهربائي

|   |  |
|---|--|
| <p><b>تحذير:</b> لا تستخدم أدوات التطويل أو المقابس المتعددة في توصيل الطاقة.</p> |  |
| <p><b>تحذير:</b> يجب استبدال كبل الطاقة التالف بواسطة خدمة الصيانة المعتمدة.</p>  |  |

- لا تتحمل شركتنا المسؤولية عن أية أضرار بسبب الاستعمال بدون تأريض وتوصيل الطاقة طبقاً للأنظمة المحلية.
- يجب أن يكون قابس كبل الطاقة سهل الوصول بعد التركيب.

#### 4.4 تعديل الأقدام

إن لم يكن الجهاز في وضع متوازن، اضبط القواعد الأمامية القابلة للتعديل بإدارتها إلى اليمين أو اليسار.



**تحذير سطح ساخن!**

تم تجهيز الجدران الجانبية لمنتجك بأنايب تبريد لتعزيز نظام التبريد. قد يتدفق السائل ذو الضغط المرتفع عبر هذه الأسطح، ويسبب سخونة للأسطح على الجدران الجانبية. هذا أمر طبيعي ولا يتطلب صيانة. كن حذراً عند لمس هذه المناطق.



## 5.2 التشغيل لأول مرة

قبل استخدام ثلاجتك، تأكد من إجراء الإعدادات الضرورية انسجاماً مع التعليمات المذكورة في أقسام "تعليمات السلامة والبيئة" و"التركيب".

- قم بتشغيل الجهاز دون وضع أي أطعمة داخله لمدة 12 ساعات مع عدم فتح الباب إلا للضرورة القصوى.

يمكن سماع صوت عندما يعمل الضاغط. من الطبيعي أن تسمع صوتاً حتى عندما يكون الضاغط غير نشط، بسبب السوائل والغازات المضغوطة في نظام التبريد.



ومن الطبيعي أن تكون الحواف الأمامية للثلاجة ساخنة. صُممت هذه الأجزاء لرفع درجة الحرارة لمنع التكاثف.



في بعض الطرازات، تتوقف لوحة المؤشر عن العمل تلقائياً بعد مرور 1 دقائق على غلق الباب. ستتم إعادة تنشيطها مرة أخرى عند فتح الباب أو عند الضغط على أي زر.



اقرأ قسم "تعليمات الأمان" أولاً!



## 5.1 إجراءات توفير الطاقة

بسبب توصيل الجهاز بنظام توفير الطاقة الإلكتروني أضراراً، فقد يتلف المنتج.



- لا تدع أبواب الثلاجة مفتوحة لفترات طويلة.
- لا تضع الأطعمة أو المشروبات الساخنة في الثلاجة.
- لا تضع كميات مفرطة في الثلاجة؛ إن إعاقة تدفق الهواء الداخلي يقلل من قدرة التبريد.
- بناء على سمات المنتج، تتضمن إذابة الأطعمة المجمدة في حجرة المبرد توفير الطاقة والمحافظة على جودة الطعام.
- يجب تخزين الطعام باستخدام الأدراج في حجرة المبرد لضمان توفير الطاقة وحماية الطعام في ظروف أفضل.
- نظراً لأن الهواء الساخن والرطب لن يتغلغل بشكل مباشر في منتجك عند عدم فتح الأبواب، فإن منتجك سيحسن نفسه في ظروف كافية لحماية طعامك. في وظيفة توفير الطاقة هذه، ستعمل الوظائف والمكونات مثل الضاغط والمروحة والسخان ومزيل الصقيع والإضاءة والشاشة وما إلى ذلك وفقاً للاحتياجات لاستهلاك الحد الأدنى من الطاقة مع الحفاظ على نضارة المواد الغذائية.



- لا تستخدم أي أدوات ميكانيكية أو أي أدوات أخرى لتسريع عملية الذوبان غير الأدوات التي توصي بها الشركة المصنعة.
- لا تستخدم أجزاء من ثلاجتك مثل الباب أو الأدراج كداعم للإسناد أو الاستناد. قد يتسبب ذلك في انقلاب المنتج أو تلف مكوناته.
- يجب استخدام المنتج لتخزين المواد الغذائية فقط.
- أغلق صمام المياه إذا كنت ستبقى بعيداً عن المنزل (على سبيل المثال في إجازة) ولن تستخدم صانع الثلج أو موزع المياه لفترة طويلة من الوقت. خلاف ذلك ، قد يحدث تسرب للمياه.

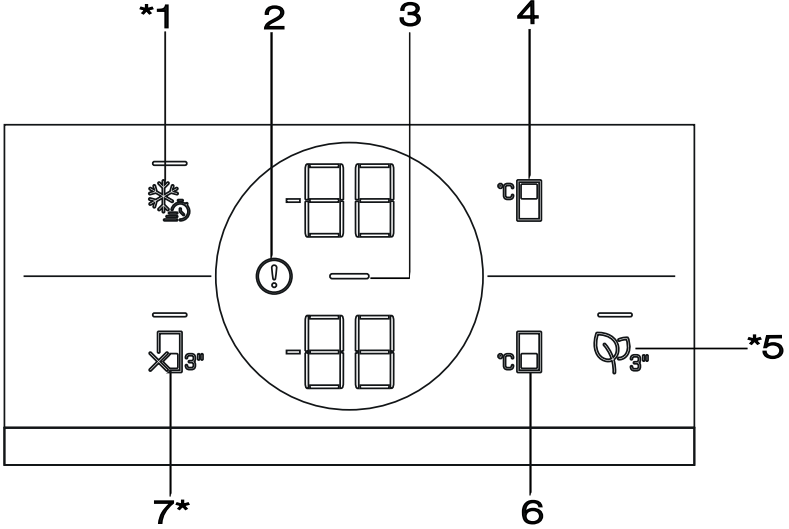
### 6.1 إيقاف تشغيل المنتج

- إذا كنت لن تستخدم المنتج لفترة طويلة ؛
  - أفصل المنتج،
  - قم بإزالة الطعام لمنع الروائح ،
  - انتظر حتى يذوب الجليد ،
  - نظف الداخل وانتظر حتى يجف.
  - اترك الأبواب مفتوحة لمنع تلف المواد البلاستيكية الداخلية للهيكل.

⚠ اقرأ قسم "تعليمات الأمان" أولاً!

## 6.2 لوحة المؤشر

قد تتباين ألواح المؤشرات بناء على موديل جهازك. ستساعدك الوظائف الصوتية والبصرية للوحة المؤشرات على استخدام الثلاجة.



1. مفتاح التجميد السريع/مفتاح إعداد وظيفة ضوء المقبض
2. مؤشر حالة العطل
3. مؤشر توفير الطاقة (إيقاف الشاشة)
4. مفتاح ضبط درجة حرارة حجرة المجمد
5. مفتاح وحدة إزالة الروائح
6. مفتاح ضبط درجة حرارة حجرة المبرد
7. مفتاح وظيفة إيقاف تشغيل حجرة التبريد (وضع العطل)

الوظائف المعروضة اختياريًا، فقد توجد اختلافات في الشكل والموقع في الوظائف الموجودة على لوحة شاشة جهازك.



### 1. مفتاح التجميد السريع

4. مفتاح ضبط درجة حرارة حجرة التجميد يتم ضبط درجة حرارة مقصورة المبرد. سيؤدي الضغط على المفتاح ( ) إلى تمكين ضبط درجة حرارة حجرة التجميد على 15، -16، -18، -19، -20، -22، -24. مئوية.

عند الضغط على مفتاح التجميد السريع ، يضيء مؤشر LED الموجود على المفتاح ويتم تنشيط وظيفة التجميد السريع. تم تعيين درجة حرارة حجرة التجميد على 27- درجة مئوية. اضغط على المفتاح مرة أخرى لإلغاء وظيفة التجميد السريع، وسيتم الإلغاء الذاتي تلقائيًا خلال 52 ساعة. لتجميد كمية كبيرة من الطعام الطازج، اضغط على زر التجميد السريع قبل وضع الطعام في حجرة المجمد.

### \*مفتاح إعداد وظيفة ضوء المقبض

يمكن تبديل وظيفة ضوء المقبض بين وضعي الفتح والإغلاق بالضغط على زر التجميد السريع ( ) لمدة 3 ثوانٍ. في وضع الإغلاق، لا يُنشط ضوء المقبض سوى عند فتح باب الجهاز وينطفئ بعد فترة من إغلاق الباب. أما في وضع الفتح، فيُنشط ضوء المقبض عند فتح باب الجهاز ويظل مضيئًا بشكل خافت بعد فترة من إغلاق الباب. وتُضبط وظيفة ضوء المقبض على وضع الإغلاق المضبوط مسبقًا بالمصنع.

### 2. مؤشر حالة العطل

يكون هذا المؤشر ( ) نشطًا عندما يتعذر على ثلاجتك إجراء التبريد الكافي أو في حالة وجود أي خطأ في المستشعر. سيتم عرض الحرف "E" في مؤشر درجة حرارة حجرة المجمد، والأرقام مثل 3، 2، 1 ... على مؤشر درجة حرارة حجرة التبريد. توفر هذه الرموز معلومات إلى الخدمة المعتمدة بشأن الخطأ الذي حدث.

قد تُعرض علامة تعجب عند وضع الطعام الدافئ في حجرة التجميد أو إبقاء الباب مفتوحًا لفترة طويلة. هذا ليس خطأ ، ينبغي زوال هذا التحذير عند تبريد الطعام أو عند الضغط على أي مفتاح.

### 3. مؤشر توفير الطاقة (إيقاف الشاشة)

يتم تفعيل وظيفة توفير الطاقة تلقائيًا ويظهر رمز توفير الطاقة ( ) عندما لا يتم فتح باب المنتج أو إغلاقه لمدة من الوقت. عندما تكون وظيفة توفير الطاقة نشطة، يتم إيقاف تشغيل جميع الرموز التي تظهر على الشاشة باستثناء رمز توفير الطاقة. عندما تكون وظيفة توفير الطاقة نشطة، يؤدي الضغط على أي زر أو فتح الباب إلى تنشيط وظيفة توفير الطاقة وتعود إشارات الشاشة إلى طبيعتها. وظيفة توفير الطاقة هي وظيفة يتم تنشيطها مسبقًا في المصنع ولا يمكن إلغاؤها.

### 5. مفتاح وحدة إزالة الروائح

اضغط على هذا المفتاح لمدة 3 ثوانٍ لتمكين/تعطيل ميزة إزالة الروائح. يضيء مؤشر LED ( ) الموجود على المفتاح عند تمكين ميزة إزالة الروائح. عند تمكين الميزة، تعمل وحدة إزالة الروائح بشكل دوري.

### 6. مفتاح ضبط درجة حرارة حجرة المبرد

يسمح بضبط درجة حرارة حجرة المبرد ( ). سيؤدي الضغط على هذا المفتاح إلى تمكين ضبط درجة حرارة حجرة التبريد على 3، 2، 4، 5، 6، 7، 8 و 1 مئوية.

### 7. مفتاح وظيفة إيقاف تشغيل حجرة التبريد (وضع العطل)

لتنشيط وظيفة العطل ( )، اضغط على المفتاح لمدة 3 ثوانٍ. سيتم تنشيط وضع العطل وسيضيء مؤشر LED الموجود على الزر. حجرة التبريد لا تؤدي وظيفة التبريد النشط. يجب ألا تحتفظ بطعامك في حجرة التبريد عند تنشيط هذه الوظيفة. تستمر الأجزاء الأخرى في التبريد وفقًا لدرجات الحرارة المحددة. اضغط على المفتاح لمدة 3 ثوانٍ مرة أخرى لإلغاء هذه الوظيفة.

### 6.3 درج الخضار ذو التحكم في الرطوبة (EverFresh+) (اختيارية)

يفضل درج الثلاجة ذو خاصية التحكم في الرطوبة ، يمكن تخزين الخضار والفواكه لفترة أطول في بيئة ذات ظروف رطوبة مثالية. مع نظام ضبط الرطوبة الذي يحتوي على 3 خيارات والذي يوجد أمام درج الخضروات ، يمكنك التحكم في الرطوبة داخل الحجرة وفقاً للطعام الذي تخزنه. نوصيك بتخزين طعامك عن طريق تحديد خيار الخضار عند تخزين الخضار فقط ، وخيار الفاكهة عند تخزين الفاكهة فقط وخيار مختلط عند تخزين الأطعمة المختلفة.

نوصي بعدم تخزين الخضار والفواكه في أكياس لتحسين فترة تخزين الطعام وللإستفادة بشكل أفضل من نظام التحكم في الرطوبة. يؤدي تركها في أكياس بلاستيكية إلى تعفن الخضار في وقت قصير. نوصي على وجه الخصوص بعدم تخزين الخيار والقرنبيط في أكياس مغلقة. في الحالات التي لا يفضل فيها تماس خضراوات بالخضراوات الأخرى ، استخدم مواد التعبئة والتغليف مثل الورق الذي يحتوي على مستوى معين من المسامية بحيث يضمن النظافة.

عند وضع الخضار ، ضع الخضار الثقيلة والقاسية في الأسفل ، والخضار الخفيفة والطرية في الأعلى ، مع مراعاة أوزان الخضار الخاصة. لا تضع الفواكه التي تحتوي على نسبة عالية من إنتاج غاز الإيثيلين مثل الكمثرى والمشمش والخوخ وخاصة التفاح في نفس درج الخضروات والفواكه الأخرى. قد يتسبب غاز الإيثيلين الخارج من هذه الفاكهة في نضوج الخضروات والفواكه الأخرى بشكل أسرع وتعفنها في فترة زمنية أقصر.

### 6.4 الضوء الأزرق / الحصاد الطازج HarvestFresh (اختيارية)

**للضوء الأزرق ،**  
جاردا في منزخلاً مأكلاً و تاورضلاً رمتست  
تيلمع اراجا في قرزلاً عوضلاً ةءاضلاً تاورضلاً  
لضفب يسن يما تيف تايوتسمب طاقتحلاو يئوضلاً بيكرتلا  
قرزلاً عوضلاً يجوملا لوطلا ريتأت.

#### بالنسبة للحصاد الطازج HarvestFresh ،

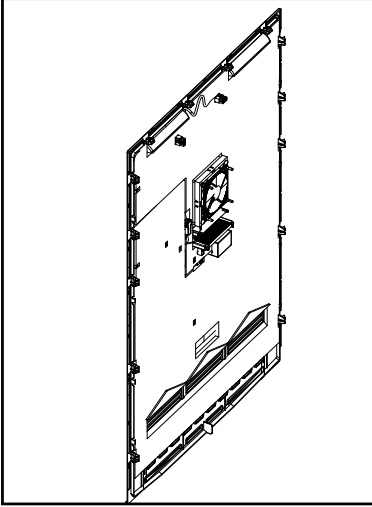
جاردا في منزخلاً مأكلاً و تاورضلاً ظفاحت  
جزاطلا داصلاً تينقتب ةءاضلاً تاورضلاً  
ءصاخلاً تانيماتيفلا تايوتسمب يء HarvestFresh  
عوضلاً تارود لوضف لوطاً ةرتقل (C و A تانيماتيف) اهدب  
ءرود يكاكت يئلا ملاظلاو رمحلاًو رضخلاًو قرزلاً  
مويلا.

تينيقتلا ةملظملا ةرتقلا لالا كءءلاء باب حتف مءب امدء  
ءءلاءا رعشتس ، HarvestFresh جزاطلا داصلاً  
ءاقرزلاً ءاوضلاً دءاب ءءلاءا جرد ءي ضئو اءئاقءء كءذب  
كءءار نامضلي لاولئلا يء ءارمءلا و ءارضخلاً و  
لئمء ءءبء ءءلاءا باب قلاءا دءء ءملظملا ةرتقلا رمتست  
مويلا ةرود نم ءيليللا ةرتقلا.

## 6.5 وحدة مكافحة الرائحة

## (FreshGuard)

(هذه الميزة اختيارية)



تزيل وحدة مكافحة الروائح الروائح التي تحدث داخل الثلاجة قبل أن تنتشر على الأسطح. بفضل هذه الوحدة الموضوعية على سطح حجرة الطعام الطازج ، تتم إزالة الرائحة الكريهة أثناء مرور الهواء بفعالية عبر فلتر الرائحة ، ويتم توجيه الهواء النظيف في الفلتر إلى حجرة الطعام الطازج. وبالتالي ، فإن الرائحة الكريهة التي قد تحدث أثناء تخزين الطعام داخل الثلاجة يتم إزالتها من البيئة قبل أن تنتشر على الأسطح.

يتم توفير هذه الميزة مع المروحة ومصباح LED و فلتر الرائحة الموجود داخل الوحدة. يجب تنشيط وحدة مكافحة الرائحة تلقائيًا بشكل دوري. إذا كان باب حجرة الطعام الطازج مفتوحًا أثناء تشغيل الوحدة ، يتم إيقاف المروحة مؤقتًا ، وتستمر في العمل عند إغلاق الباب. في حالة انقطاع التيار الكهربائي ، تبدأ الوحدة المضادة للرائحة في العمل عند استعادة الطاقة.

**معلومات:** لمنع الروائح الكريهة التي قد تحدث مع خليط الروائح من الأطعمة المختلفة ، نوصيك بتخزين الأطعمة العطرية مثل الجبن والزيتون والأطعمة المعلبة في عبواتها وبحيث تكون أغطيتها مغلقة. من أجل سلامة الأطعمة الأخرى المخزنة ولمنع الروائح الكريهة ، نوصيك بإزالة الطعام الذي لاحظت أنه فاسد من الثلاجة في أسرع وقت ممكن.

## 6.8 صندوق الألبان (التخزين البارد)

\* قد لا تتوفر جميع الطرز

"توفر حاوية تخزين الألبان (التخزين البارد)" درجة حرارة منخفضة داخل حجرة التلاجة. استخدم هذه الحاوية لتخزين الأطعمة المعلبة (السلامي والنقانق ومنتجات الألبان وغيرها) التي تتطلب درجة حرارة تخزين أقل أو منتجات اللحوم أو الدجاج أو الأسماك للاستهلاك الفوري، لا تُخزّن الفواكه والخضروات داخل هذه الحاوية.

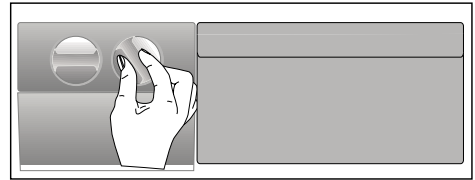
## 6.6 علبه الثلج

(هذه الميزة اختيارية)

تسمح لك علبه الثلج بأخذ الثلج من التلاجة بسهولة.

استخدام علبه الثلج

1. أخرج علبه الثلج من حجرة المجمد.
2. املا العلبه بالماء.
3. ضع علبه الثلج في حجرة المجمد. سيكون الثلج جاهزاً بعد ساعتين تقريباً.
4. أخرج علبه الثلج من حجرة المجمد وقم بإمالتة قليلاً فوق الحامل الذي ستستخدمه للتقديم. سيسكب الثلج بسهولة في حامل التقديم.



## 6.7 صانع الثلج

(هذه الميزة اختيارية)

يسمح لك صانع الثلج بأخذ الثلج بسهولة من التلاجة.

استخدام علبه الثلج

1. قم بإزالة خزان المياه الموجود في حجرة المبرد.
2. املا خزان الماء بالماء.
3. ضع خزان المياه في الخلف. سيكون أول ثلج جاهزاً في غضون 4 ساعات تقريباً في درج صانع الثلج في حجرة المجمد.

يمكنك الحصول على حوالي 60-70 مكعباً من الثلج عندما يكون خزان المياه ممتلئاً.



يجب استبدال الماء الموجود داخل خزان المياه خلال 2-3 أسابيع على الأكثر.



## 6.9 استخدام موزع الماء (هذه الميزة اختيارية)

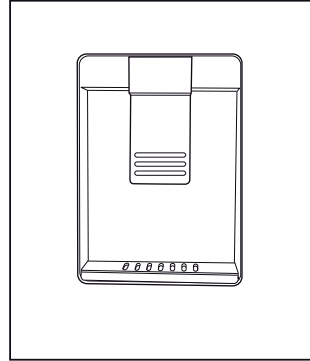
عادة ما تكون الأكواب الأولى من موزع الماء دافئة.



إذا لم يتم استخدام موزع الماء لفترة طويلة، تخلص من أكواب الماء الأولى للحصول على ماء نظيف.



1. ادفع ذراع موزع الماء بواسطة الكوب. سيكون من الأسهل دفع الذراع بيدك إذا كنت تستخدم كأساً بلاستيكيًا مرناً.
2. أعد الذراع بعد ملء الكوب بالماء حسب رغبتك.



تعتمد كمية المياه المتدفقة من موزع الماء على الضغط الذي تم ممارسته على الذراع. حذر الضغط على الذراع قليلاً بعد زيادة مستوى الماء في الكأس / الوعاء لمنع فيض الماء. يجب تقطير الماء إذا ضغطت على الذراع قليلاً ؛ هذا أمر طبيعي ولا يعد عطلاً.



## 6.10 ملء خزان موزع المياه

افتح غطاء خزان المياه كما هو موضح في الشكل. ضع ماء الشرب النقي والتنظيف. أغلق الغطاء.

## 6.11 تنظيف خزان الماء

فك حوض تعبئة الماء داخل رف الباب.

قم بفصله بمسك جانبي رف الباب.

امسك جانبي خزان الماء وفك بزواوية 45 درجة.

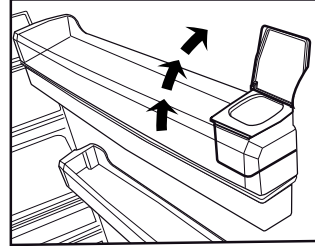
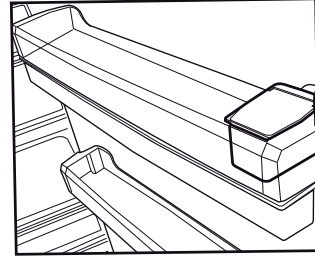
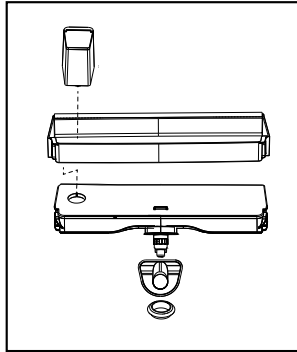
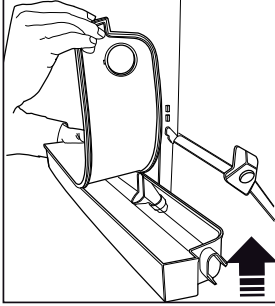
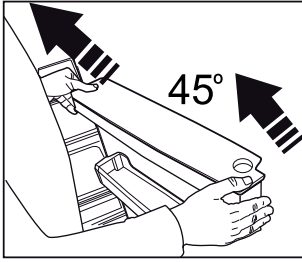
فك غطاء خزان الماء ونظفه.

لا تملأ خزان الماء بعصير الفواكه، أو المشروبات الفوارة أو المشروبات الكحولية أو أية سوائل أخرى غير منسجمة مع استخدام موزع الماء. إن استخدام هذه السوائل سيتسبب بالأعطال والأضرار الغير قابلة للإصلاح في موزع الماء. لا يندرج استخدام موزع الماء بهذه الطريقة ضمن نطاق الكفالة. قد تتسبب بعض المواد الكيميائية والمضافة في المشروبات/ السوائل في تلف مادي لخزان الماء.



لا يمكن غسل مكونات خزان الماء وموزع الماء في غسالات الأواني.

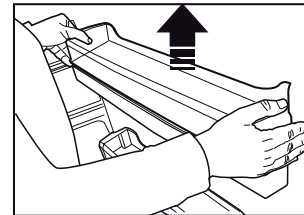
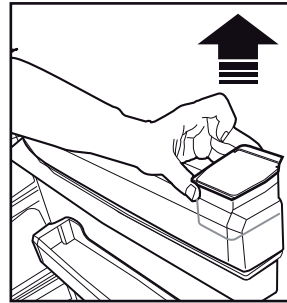




## 6.12 ملء خزان موزع المياه

توجد فتحة تعبئة خزان الماء داخل رف الباب.

1. افتح غطاء الخزان.
2. املا الخزان بماء الشرب النظيف.
3. أغلق غطاء الخزان.

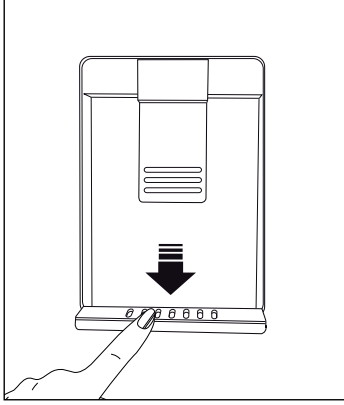




**6.14 صينية تجميع القطرات**

تتراكم قطرات الماء المتساقطة من موزع الماء على علبة الرذاذ.

انزع المصفاة البلاستيكية كما يوضح الشكل.  
امسح الماء المتراكم بقماشة نظيفة وجافة.



لا تملأ خزان الماء بعصير الفواكه، أو المشروبات الفوارة أو المشروبات الكحولية أو أية سوائل أخرى غير منسجمة مع استخدام موزع الماء. إن استخدام هذه السوائل سيُسبب بالأعطال والأضرار الغير قابلة للإصلاح في موزع الماء. لا يندرج استخدام موزع الماء بهذه الطريقة ضمن نطاق الكفالة. قد تتسبب بعض المواد الكيميائية والمضافة في المشروبات/السوائل في تلف مادي لخزان الماء.



استعمل مياه الشرب النظيفة فقط.



تبلغ سعة خزان المياه 3 لترات لا تقم بملئه أكثر من ذلك.

**6.13 تنظيف خزان الماء**

1. فك حوض تعبئة الماء داخل رف الباب.
2. قم بفصله بمسك جانبي رف الباب.
3. امسك جانبي خزان الماء وفك بزواوية 45 درجة.
4. قم بإزالة الغطاء وتنظيف خزان المياه.

لا يمكن غسل مكونات خزان الماء وموزع الماء في غسالات الأواني.



## 6.15 تجميد الأطعمة الطازجة

- تأكد من تغليف الأطعمة قبل وضعها في المجمد. استخدم مستويات المجمد، ورق القصدير والورق المضاد للرطوبة، أو الأكياس البلاستيكية أو مواد تغليف مماثلة بدلا من ورق التغليف التقليدي.
- ميز كل غلاف بكتابة التاريخ عليه قبل التجميد. يسمح لك ذلك بتحديد نضارة كل غلاف في كل مرة يفتح فيها المجمد. خزن الأطعمة الأقدم في الأمام لضمان استخدامها أولا.
- يجب استخدام الأطعمة المجمدة بعد أن تذوب فوراً ولا يجب تجميدها مرة أخرى.
- لا تخرج كميات كبيرة من الطعام مرة واحدة.
- قم بتنشيط وظيفة التجميد السريع عن طريق الضغط على زر «التجميد السريع» قبل مرور 24 ساعة على وضع الأطعمة المراد تجميدها.
- بعد 24 ساعة من الضغط على الزر، ضع طعامك الساخن على الرف الزجاجي للمنتج.
- سيتم تعطيل وظيفة التجميد السريع تلقائياً بعد مرور 52 ساعة.
- لا تحاول تجميد كميات كبيرة من الأطعمة في وقت واحد. ففي غضون 24 ساعة، يمكن للجهاز تجميد الحد الأقصى من الأطعمة المحدد في "سعة التجميد ... 24/كجم" على ملصق نوع المنتج. من غير المناسب وضع كميات زائدة من الأطعمة غير المجمدة/الطازجة تتخطى الكميات المحددة في الملصق.
- عند وضع الأطعمة غير المجمدة في المنتج، تجنب وضعها على تماس بالطعام المجمد.
- يؤدي تجميد الأطعمة عندما تكون طازجة إلى إطالة زمن تخزينها في حجرة المجمد.
- غلف الأطعمة في أغلفة مانعة للهواء وأحكم إغلاقها.

| إعداد درجة حرارة حجرة المجمد | إعداد درجة حرارة حجرة المبرد | التفاصيل:   |
|------------------------------|------------------------------|---|
| -18°C                        | 4°C                          | هذا هو الإعداد الافتراضي المفضل.  |
| -20، -22 أو -24 درجة مئوية   | 4°C                          | يوصى بهذه الإعدادات لدرجات الحرارة التي تتعدى 30 مئوية.   |
| التجميد السريع               | 4°C                          | استخدمه عندما تود تجميد طعامك خلال زمن قصير. عندما تنتهي العملية، سيستعيد المنتج وضعه الأصلي.                         |
| -18 مئوية أو أقل             | 2°C                          | استخدم هذه الإعدادات إذا كنت تعتقد أن حجرة المبرد ليست باردة بما يكفي بسبب درجة حرارة المحيط أو فتح الباب بشكل متكرر. |

## 6.16 توصيات لتخزين الأطعمة

## المجمدة في حجرة التجميد

- يجب ضبط الحجرة على درجة 18- مئوية على الأقل.
1. ضع الأطعمة في المجمد بأسرع وقت ممكن لتجنب ذوبانها.
  2. قبل التجميد، تحقق من "تاريخ الصلاحية" على الغلاف للتأكد من أنها غير منتهية الصلاحية.
  3. تأكد أن غلاف الطعام غير تالف.

## 6.20 مصباح الإضاءة

يستخدم الضوء الداخلي مصباح نوع LED . اتصل بخدمة الصيانة المعتمدة بخصوص أية مشاكل تتعلق بهذا المصباح.  
لا يمكن استخدام المصباح (المصابيح) المستخدمة في هذا الجهاز لإضاءة المنزل. الغرض من استخدام هذا المصباح هو مساعدة المستخدم على وضع الطعام في الثلاجة / المجمد بأمان وراحة.

## 6.17 تفاصيل المجمد العميق

بحسب تعليمات IEC 62552، يجب أن يتمتع المجمد عند درجة حرارة الغرفة 25 درجة مئوية بقدرة تجميد 4.5 كغم من الأطعمة عند درجة 18- مئوية أو أقل خلال 24 ساعة لكل 100 لتر من حجم حجرة المجمد. يمكن الاحتفاظ بالأطعمة لفترات طويلة عند درجة حرارة 18- أو أقل.  
يمكنك المحافظة على نضارة الأطعمة لعدة أشهر (في المجمد العميق أو تحت درجة 18 مئوية).  
يجب أن لا تتلامس الأطعمة المراد تجميدها مع الأطعمة المجمدة سلفاً في الداخل لتجنب الذوبان الجزئي.  
اسلق الخضار ونقي الماء لإطالة زمن تخزين المجمدات. ضع الطعام في أغلفة مانعة للهواء بعد التنقية و تخزينها في المجمد. لا يجب تجميد الموز، الطماطم، الخس، الكرفس، البيض المسلوق، البطاطا والأطعمة المماثلة. في حالة تعفن هذا الطعام ، ستتأثر القيم الغذائية وجودة الأكل سلباً فقط. لا يوجد تعفن يهدد صحة الإنسان.

## 6.18 وضع الطعام

|                      |  |
|----------------------|--|
| رفوف حجرة المجمد     | الأصناف المجمدة المختلفة بما يشمل اللحم، السمك، الأيس كريم، الخضار، الخ.       |
| رفوف حجرة المبرد     | أصناف الطعام داخل القدر، الأطباق المغطاة والعلب المغطاة، البيض (في علبة مغطاة) |
| رفوف باب حجرة المبرد | المأكولات والمشروبات الصغيرة والمغلقة  |
| رف المواد الهشة      | الفواكه والخضار  |
| حجرة الطعام الطازج   | الأطعمة اليومية (طعام الإفطار، اللحوم التي تستهلك خلال فترة قصيرة)             |

## 6.19 منبه فتح الباب

### (هذه الميزة اختيارية)

يمكنك سماع منبه صوتي إذا بقي باب الجهاز مفتوحاً لمدة 1 دقيقة. يتوقف المنبه الصوتي عند إغلاق الباب أو الضغط على أي زر على الشاشة (إن توفر).

- لتنظيف جميع المكونات القابلة للإزالة أثناء تنظيف السطح الداخلي للمنتج ، اغسل هذه المكونات بمحلول معتدل يتكون من الصابون والماء والكريونات. اشطفه وجففه كلياً. امنع ملامسة الماء لمكونات الإضاءة ولوحة التحكم.



تحذير: اقرأ قسم "تعليمات الأمان" أولاً!



تحذير: فصل التلاجة قبل تنظيفها.

تنبيه:

لا تستخدم الخل أو الكحول المحمر أو مواد التنظيف الأخرى التي تحتوي على الكحول على أي سطح داخلي.



- لا تستخدم أدوات حادة أو كاشطة لتنظيف المنتج. لا تستخدم مواد مثل مواد التنظيف المنزلية والصابون والمنظفات والغاز والبنزين والكحول والشمع وما إلى ذلك.
- يجب إزالة الغبار من شبكة التهوية الموجودة في الجزء الخلفي من المنتج مرة واحدة في السنة على الأقل (بدون فتح الغطاء). يجب التنظيف بقطعة قماش جافة.

### للمنتجات مع موزع الماء / صانع الجليد

- إذا بقي الماء في خزان المياه لمدة 2-3 أسابيع ، يجب استبداله.
- لا يجوز غسل خزان المياه ومكونات موزع المياه في غسالات الأطباق.
- قم بإذابة معلقة طعام من الكربونات في الماء. بلل قطعة قماش في الماء واعصرها. امسح الجهاز بهذه القماشة وجففه كلياً.
- احرص على إبعاد الماء عن غطاء المصباح والأجزاء الكهربائية الأخرى.
- نظف الباب بقطعة قماش رطبة. قم بإزالة جميع المحتويات لإزالة الباب ورفوف الهيكل. قم بإزالة رفوف الباب برفعها لأعلى. نظف الرفوف وجفّفها، ثم ركبها في مكانها ثانية بتمريرها من الأعلى.
- لا تستخدم الماء المحتوي على الكلور أو منتجات التنظيف على السطح الخارجي والأجزاء المطلية بالكروم من الجهاز. يسبب الكلور الصدأ على هذه الأسطح المعدنية.
- لا تستخدم الأدوات الحادة والكاشطة والصابون ومواد تنظيف المنزل والمنظفات والغاز والبنزين والورنيش والمواد المماثلة لمنع تشوه الجزء البلاستيكي وإزالة المطبوعات الموجودة عليه. استخدم الماء الدافئ وقماشة ناعمة للتنظيف ثم جفف الجهاز.
- بالنسبة للمنتجات التي لا تحتوي على ميزة تبريد مضاد للصبغ No-Frost ، قد تظهر قطرات الماء وتلج بسبك الإصبع على الجدار الخلفي لحجرة المجمد. لا تنظف ، ولا تستخدم الزيوت أو المواد الشاهبة.
- استخدم قطعة قماش من الألياف الدقيقة مبللة قليلاً لتنظيف السطح الخارجي للمنتج. قد تسبب الإسفنج وأنواع تنظيف الملابس الأخرى خدوشاً.

## 7.1 الأسطح الخارجية من الفولاذ المقاوم للصدأ

- استخدم مادة تنظيف غير كاشطة مصنوعة من الفولاذ المقاوم للصدأ و قم بتطبيقها بقطعة قماش ناعمة وخالية من النسالة، للتلميع ، امسح السطح برفق بقطعة قماش من الألياف الدقيقة مبللة بالماء واستخدم قطعة قماش شمواه جافة للتلميع. اتبع دائماً اتجاه عروق الفولاذ المقاوم للصدأ.

## 7.2 تنظيف المنتجات تاذ الأبواب الزجاجية

- قم بإزالة الرقاقة الواقية عن الزجاج. يوجد غلاف على سطح الزجاج يقلل هذا الطلاء من تكون البقع ويوفر تنظيفاً سهلاً للبقع والأوساخ التي تكونت. قد يتعرض الزجاج غير المحمي بالطلاء للاتساق الدائم للملوثات العضوية أو غير العضوية والملوثات بأساس هوائي أو مائي مثل الحجر الجيري والأملاح المعدنية والهيدروكربونات غير المحترقة وأكاسيد المعادن والسيليكون ، والتي تسبب تلطيخاً وأضراراً فيزيائية بسهولة في فترة قصيرة من الوقت. يصبح الحفاظ على الزجاج نظيفاً أمراً صعباً للغاية ، إن لم يكن مستحيلًا ، حتى لو كان ينظف بانتظام. نتيجة لذلك، تتدهور شفافية الزجاج ومظهره. تؤدي طرق وعوامل التنظيف الصلبة والكاشطة إلى زيادة هذه العيوب وتسريع عملية التدهور.
- عمليات التنظيف الروتينية ، \* يجب استخدام منتجات التنظيف بأساس مائي غير القلوية وغير المسببة للتآكل. من أجل الحصول على عمر خدمة أطول لهذا الطلاء ، يجب عدم استخدام المواد القلوية والمواد المسببة للتآكل أثناء التنظيف.
- يتم تطبيق عملية تقسية لزيادة مقاومة هذا الزجاج ضد الصدمات والكسر.
- كإجراء احترازي إضافي للسلامة، تم وضع فيلم أمان على السطح الخلفي لهذا الزجاج لمنع الإضرار بالبيئة في حالة كسره.

### 7.3 منع الروائح

تم تصنيع المنتج من مواد خالية من الروائح. إلا أن الاحتفاظ بالطعام في أقسام غير ملائمة وتنظيف الأسطح الداخلية بطريقة خاطئة قد يتسبب بالروائح.

لتجنب ذلك، نظف الجزء الداخلي بماء مكرين كل 15 يوماً.

- احتفظ بالأطعمة في مستوعبات مغلقة. قد تنتشر الميكروبات من الأطعمة غير المغلقة مسببة الروائح الكريهة.
- لا تترك الأطعمة التالفة ومنتهية الصلاحية في الثلاجة.

الشاي هو أحد أكثر مزيلات الروائح فعالية. ضع لب الشاي المخمر في المنتج داخل وعاء مفتوح وقم بإزالته بعد 12 ساعة على أبعد تقدير. إذا احتفظت بلب الشاي داخل المنتج لمدة تزيد عن 12 ساعة، فسوف يجمع الكائنات الحية التي تسبب الرائحة ويصبح بنفسه مصدر الرائحة.



### 7.4 حماية الأسطح البلاستيكية

قد يتلف الزيت المنسكب على الأسطح البلاستيكية السطح، لذا يجب تنظيفه بالماء الساخن فوراً.

**تعمل التلاجة لفترة زمنية طويلة.**

- ربما يكون المنتج الجديد أكبر من المنتج السابق. تعمل الأجهزة الأكبر فترات زمنية أطول.
- ربما تكون درجة حرارة الغرفة عالية. << يعمل الجهاز فترات طويلة في درجات الحرارة العالية.
- ربما تم توصيل الجهاز بالكهرباء مؤخرا أو تم وضع صنف طعام جديد داخله. << يستغرق الجهاز فترة أطول لبلوغ درجة الحرارة المعينة عند توصيله بالكهرباء حديثا أو عند وضع صنف طعام جديد داخله. هذا أمر طبيعي.
- ربما تم وضع كميات كبيرة من الطعام الساخن في الجهاز مؤخرا. << لا تضع الطعام الساخن داخل الجهاز.
- تم فتح الأبواب كثيرا أو تركت مفتوحة لفترات طويلة. << يتسبب الهواء الساخن المتحرك في الداخل في عمل الجهاز فترة أطول. لا تفتح الأبواب كثيرا.
- ربما يكون باب المجمد أو المبرد مواربا. << تأكد أن الأبواب مغلقة كليا.
- ربما يكون الجهاز مضبوط على درجة حرارة متدنية جدا. << اضبط درجة الحرارة على أعلى درجة أعلى وانتظر حتى يصل الجهاز إلى درجة الحرارة المرغوبة.
- ربما تكون فلقة باب المبرد أو المجمد متسخة، أو مهترئة أو مكسورة أو غير مستقرة. << نظف أو استبدل مانع التسرب. تتسبب فلقة الباب التالفة/المهترئة في عمل الجهاز لفترات طويلة للحفاظ على درجة الحرارة الحالية.

**درجة حرارة المجمد منخفضة جدا، لكن درجة حرارة المبرد ملائمة.**

- تم ضبط درجة حرارة حجرة المجمد على درجة متدنية جدا. << اضبط درجة حرارة حجرة المجمد على درجة أعلى وافحص مرة أخرى.

**درجة حرارة المبرد منخفضة جدا، لكن درجة حرارة المجمد ملائمة.**

- تم ضبط درجة حرارة حجرة المبرد على درجة متدنية جدا. << اضبط درجة حرارة حجرة المجمد على درجة أعلى وافحص مرة أخرى.

**الأطعمة المحفوظة في جوارير حجرة المبرد متجمدة.**

- تم ضبط درجة حرارة حجرة المبرد على درجة متدنية جدا. << اضبط درجة حرارة حجرة المجمد على درجة أعلى وافحص مرة أخرى.

**درجة الحرارة في المبرد أو المجمد عالية جدا.**

تحقق من هذه القائمة قبل الاتصال بمركز الصيانة. من شأن ذلك توفير الوقت والمال. تتضمن هذه القائمة الشكاوى غير المرتبطة بعيوب الصناعة أو المواد. وقد لا تنطبق سمات معينة المذكورة هنا على جهازك.

**التلاجة لا تعمل.**

- قابس الطاقة غير مستقر كليا. << ادفعه بحيث يستقر في المقبس كليا.
- الصمام الموصول بالمقبس الذي يزود الجهاز بالطاقة أو الصمام الرئيسي تالف. << افحص الصمام.

**هناك تكاثف على جانب جدار حجرة المبرد (المنطقة المتعددة، منطقة التبريد، التحكم والمنطقة المرنة).**

- يتم فتح الباب كثيرا << تجنب فتح باب التلاجة كثيرا.
- المكان رطب جدا. << لا تضع الجهاز في أماكن رطبة.
- الأطعمة المحتوية على سوائل تحفظ في مستويات غير محكمة الإغلاق. << احتفظ بالأطعمة المحتوية على سوائل في مستويات محكمة الإغلاق.
- ترك الباب مفتوحا. << لا تدع أبواب التلاجة مفتوحة لفترات طويلة.
- تم ضبط منظم الحرارة على درجة حرارة باردة جدا
- حرارة عالية للغسل. << اضبط التيرموستات على درجة حرارة مناسبة.

**الضاغط لا يعمل.**

- في حال حدوث انقطاع مفاجئ في التيار الكهربائي أو سحب قابس الطاقة وإعادته مرة أخرى، يصبح ضغط الغاز في نظام تبريد الجهاز غير متوازن، مما يفعل الواقي الحراري للضاغط. يعمل المنتج من جديد بعد 6 دقائق تقريبا. إذا لم يعمل الجهاز بعد هذه الفترة، اتصل بمركز الصيانة.
- إزالة الجليد غير نشطة. << هذا أمر طبيعي في جهاز مقاوم للصقيح تلقائيا. تتم إزالة الجليد دوريا.
- الجهاز غير موصول بالكهرباء. << تأكد أن سلك الطاقة موصول بالكهرباء.
- إعداد درجة الحرارة غير صحيح. << اختر إعدادا صحيحا لدرجة الحرارة.
- لا يوجد تيار كهربائي. << يستمر الجهاز بالعمل بشكل طبيعي حال عودة الطاقة.

**يزداد ضجيج تشغيل التلاجة أثناء الاستعمال.**

- وقد يتباين أداء عمل الجهاز بناء على تغيرات درجة حرارة المكان. هذا أمر طبيعي ولا يعتبر عطلا.

- تم ضبط درجة حرارة حجرة المبرد على درجة عالية جدا. << يؤثر إعداد درجة حرارة حجرة المبرد على درجة حرارة حجرة المجمد. انتظر حتى تصل الأجزاء ذات الصلة إلى مستوى درجة الحرارة المرغوبة عبر تغيير درجة حرارة حجرة المجمد أو المبرد.
- تم فتح الأبواب كثيرا أو تركت مفتوحة لفترات طويلة. << لا تفتح الأبواب كثيرا.
- ربما يكون الباب مواربا. << أغلق الباب كليا.
- ربما تم توصيل الجهاز بالكهرباء مؤخرًا أو تم وضع صنف طعام جديد داخله. << هذا أمر طبيعي. يستغرق الجهاز فترة أطول لبلوغ درجة الحرارة المعينة عند توصيله بالكهرباء حديثًا أو عند وضع صنف طعام جديد داخله.
- ربما تم وضع كميات كبيرة من الطعام الساخن في الجهاز مؤخرًا. << لا تضع الطعام الساخن داخل الجهاز.

### الباب لا يغلق.

- تسد أغلفة الطعام الباب أحيانا. << غير مكان الأطعمة التي تسد الأبواب.
- لا يقف الجهاز بوضع رأسي كامل على الأرض. << اضبط القواعد لموازنة الجهاز.
- الأرض غير مستوية أو متينة. << تأكد أن الأرض مستوية ومتينة لدرجة تحمل الجهاز.

### درج الخضروات محشور.

- ربما تلامس الأطعمة الجزء العلوي من الجارور. << أعد ترتيب الأطعمة في الجارور.

### في حالة وجود سطح ساخن في المنتج ،

- يمكن ملاحظة ارتفاع درجة الحرارة بين البابين ، على الألواح الجانبية وعلى منطقة الشبكة الخلفية أثناء تشغيل المنتج. هذا أمر طبيعي ولا يتطلب صيانة.

### تستمر المروحة في العمل عند فتح الباب.

- قد تستمر المروحة في العمل عندما يكون باب المجمد مفتوحًا.

**تحذير:** إن استمرت المشكلة بعد اتباع تعليمات هذا القسم، اتصل بالبائع أو بمركز خدمة معتمد. لا تحاول إصلاح الجهاز.



### الاهتزاز أو الضجيج.

- الأرض غير مستوية أو متينة. << إذا كان الجهاز يهتز عند تحريكه ببطء، اضبط القواعد لموازنة الجهاز. تأكد أن الأرض متينة لدرجة تحمل الجهاز.
- قد تحدث أية مواد موضوعة على الجهاز ضجيجا. << قم بإزالة أية مواد وضعت على الجهاز.

### يصدر الجهاز ضجيجا يشبه تدفق السوائل، أو الرش، الخ.

- يتخلل مبادئ تشغيل الجهاز تدفق السائل والغاز. << هذا أمر طبيعي ولا يعتبر عطلا.

### هناك صوت كهبوب الرياح يأتي من الجهاز.

- يستخدم الجهاز مروحة في عملية التبريد. هذا أمر طبيعي ولا يعتبر عطلا.

### هناك تكاثف على الجدران الداخلية للجهاز.

- يزيد الطقس الحار أو الرطب من تشكل الصقيع والتكاثف. هذا أمر طبيعي ولا يعتبر عطلا.
- تم فتح الأبواب كثيرا أو تركت مفتوحة لفترات طويلة. << لا تفتح الأبواب كثيرا؛ إذا كانت مفتوحة، أغلقها.
- ربما يكون الباب مواربا. << أغلق الباب كليا.

### هناك تكاثف على السطح الخارجي للجهاز أو بين الأبواب.

- ربما يكون جو المكان رطبا، وهذا أمر طبيعي في الجو الرطب. << سيبتدد التكاثف عندما تقل الرطوبة.

### رائحة الجزء الداخلي سيئة.

هذا المنتج مجهز بمصدر إضاءة من فئة الطاقة "G". يجب عدم استبدال مصدر الإضاءة في هذا المنتج سوى بواسطة فنيي تصليح متخصصين.