



Built-in Hob

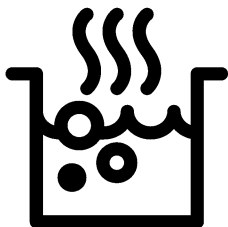
User Manual

Ugradni plamenik

Korisnički priručnik

Плоча за вградување

Упатство за корисникот



HIC 64100 W

EN / SB / MK

185.2616.28/R.AE/25.03.2020/2-1

7791220201

Please read this user manual first!

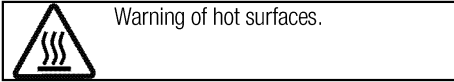
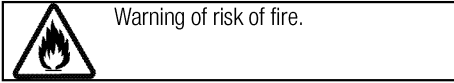
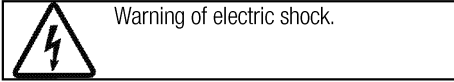
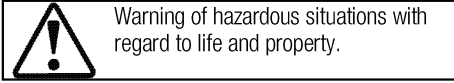
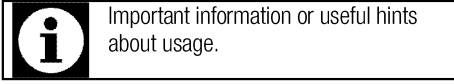
Dear Customer,

Thank you for purchasing this Beko product. We hope that you get the best results from your product which has been manufactured with high quality and state-of-the-art technology. Therefore, please read this entire user manual and all other accompanying documents carefully before using the product and keep it as a reference for future use. If you handover the product to someone else, give the user manual as well. Follow all warnings and information in the user manual.

Remember that this user manual is also applicable for several other models. Differences between models will be identified in the manual.

Explanation of symbols

Throughout this user manual the following symbols are used:



Arçelik A.Ş.
Karaağaç caddesi No:2-6
34445 Sülüce/Istanbul/TURKEY
Made in TURKEY

This product was manufactured using the latest technology in environmentally friendly conditions.

TABLE OF CONTENTS

1 Important instructions and warnings for safety and environment 4

General safety	4
Electrical safety	4
Product safety	5
Intended use	6
Safety for children.....	6
Disposing of the old product.....	7
Package information	7
Future Transportation.....	7

2 General information 8

Overview	8
Technical specifications	9

3 Installation 10

Before installation	10
Installation and connection	10

4 Preparation 13

Tips for saving energy	13
Initial use.....	13
First cleaning of the appliance.....	13

5 How to use the hob 14

General information about cooking	14
Using the hobs.....	14

6 Maintenance and care 16

General information.....	16
Cleaning the hob.....	16
Cleaning the control panel	16

7 Troubleshooting 17

1 Important instructions and warnings for safety and environment

This section contains safety instructions that will help protect from risk of personal injury or property damage. Failure to follow these instructions shall void any warranty.

General safety

- This appliance can be used by children aged from 8 years and above and persons with reduced physical, sensory or mental capabilities or lack of experience and knowledge if they have been given supervision or instruction concerning use of the appliance in a safe way and understand the hazards involved.
Children shall not play with the appliance. Cleaning and user maintenance shall not be made by children without supervision.
- The appliance is not to be used by persons (including children) with reduced physical, sensory or mental capabilities, or lack of experience and knowledge, unless they have been given supervision or instruction. Children should be supervised and ensure they do not play with the appliance
- If the product is handed over to someone else for personal use or second-hand use purposes, the

user manual, product labels and other relevant documents and parts should be also given.

- Installation and repair procedures must always be performed by Authorised Service Agents. The manufacturer shall not be held responsible for damages arising from procedures carried out by unauthorised persons which may also void the warranty. Before installation, read the instructions carefully.
- Do not operate the product if it is defective or has any visible damage.
- Ensure that the product function knobs are switched off after every use.

Electrical safety

- If the product has a failure, it should not be operated unless it is repaired by an Authorised Service Agent. There is the risk of electric shock!
- Only connect the product to a grounded outlet/line with the voltage and protection as specified in the “Technical specifications”. Have the grounding installation made by a qualified electrician while using the product with or without a

transformer. Our company shall not be liable for any problems arising due to the product not being earthed in accordance with the local regulations.

- Never wash the product by spreading or pouring water onto it! There is the risk of electric shock!
- The product must be disconnected during installation, maintenance, cleaning and repairing procedures.
- If the power connection cable for the product is damaged, it must be replaced by the manufacturer, its service agent or similarly qualified persons in order to avoid a hazard.
- The appliance must be installed so that it can be completely disconnected from the mains supply. The separation must be provided by a switch built into the fixed electrical installation, according to construction regulations.
- Any work on electrical equipment and systems should only be carried out by authorised and qualified persons.
- In case of any damage, switch off the product and disconnect it from the mains. To do this, turn off the fuse at home.
- Make sure that fuse rating is compatible with the product.

Product safety

- **WARNING:** The appliance and its accessible parts become hot during use. Care should be taken to avoid touching heating elements. Children less than 8 years of age shall be kept away unless continuously supervised.
- Never use the product when your judgment or coordination is impaired by the use of alcohol and/or drugs.
- Be careful when using alcoholic drinks in your dishes. Alcohol evaporates at high temperatures and may cause fire since it can ignite when it comes into contact with hot surfaces.
- Do not place any flammable materials close to the product as the sides may become hot during use.
- Keep all ventilation slots clear of obstructions.
- Do not use steam cleaners to clean the appliance as this may cause an electric shock.
- **WARNING:** Unattended cooking on a hob with fat or oil can be dangerous and may result in fire. NEVER try to extinguish a fire with water, but switch off the appliance and then cover flame e.g. with a lid or a fire blanket.
- **CAUTION:** The cooking process has to be supervised. A short

term cooking process has to be supervised continuously.

- **WARNING:** Danger of fire: Do not store items on the cooking surfaces.
- **WARNING:** If the surface is cracked, switch off the appliance to avoid the possibility of electric shock.
- In case of hotplate glass breakage : Immediately shut off all burners and any electrical heating element and isolate the appliance from the power supply. Do not touch the appliance surface. Do not use the appliance.
- The appliance is not intended to be operated by means of an external timer or separate remote-control system.
- Vapour pressure that build up due to the moisture on the hob surface or at the bottom of the pot can cause the pot to move. Therefore, make sure that the oven surface and bottom of the pots are always dry.
- **WARNING:** Use only hob guards designed by the manufacturer of the cooking appliance or indicated by the manufacturer of the appliance in the instructions for use as suitable or hob guards incorporated in the appliance. The use of inappropriate guards can cause accidents.

Prevention against possible fire risk!

- Ensure all electrical connections are secure and tight to prevent risk of arcing.
- Do not use damaged cables or extension cables.
- Ensure liquid or moisture is not accessible to the electrical connection point.

Intended use

- This product is designed for domestic use. Commercial use will void the guarantee.
- **CAUTION:** This appliance is for cooking purposes only. It must not be used for other purposes, for example room heating.
- The manufacturer shall not be liable for any damage caused by improper use or handling errors.

Safety for children

- **WARNING:** Accessible parts may become hot during use. Young children should be kept away.
- The packaging materials will be dangerous for children. Keep the packaging materials away from children. Please dispose of all parts of the packaging according to environmental standards.
- Electrical products are dangerous to children. Keep children away from the product when it is operating and do not allow them to play with the product.

- Do not place any items above the appliance that children may reach for.

Disposing of the old product

Compliance with the WEEE Directive and Disposing of the Waste Product:



This product complies with EU WEEE Directive (2012/19/EU). This product bears a classification symbol for waste electrical and electronic equipment (WEEE).

This product has been manufactured with high quality parts and materials which can be reused and are suitable for recycling. Do not dispose of the waste product with normal domestic and other wastes at the end of its service life. Take it to the collection center for the recycling of electrical and electronic equipment. Please consult your local authorities to learn about these collection centers.

Compliance with RoHS Directive:

The product you have purchased complies with EU RoHS Directive (2011/65/EU). It does not contain harmful and prohibited materials specified in the Directive.

Package information

- Packaging materials of the product are manufactured from recyclable materials in accordance with our National Environment Regulations. Do not dispose of the packaging materials together with the domestic or other wastes. Take them to the packaging material collection points designated by the local authorities.

Future Transportation

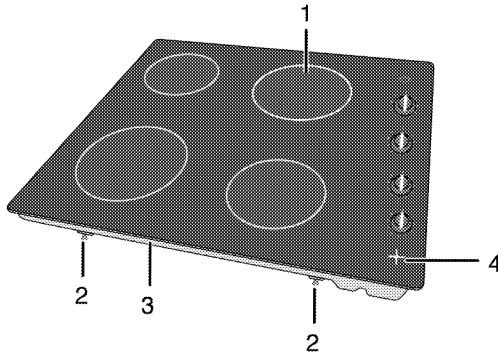
- Keep the product's original carton and transport the product in it. Follow the instructions on the carton. If you do not have the original carton, pack the product in bubble wrap or thick cardboard and tape it securely.



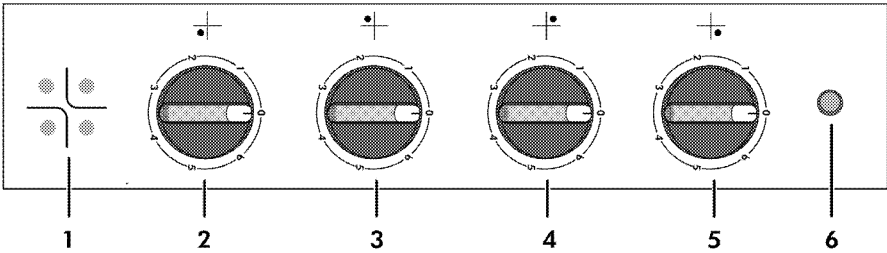
Check the general appearance of your product for any damages that might have occurred during transportation.

2 General information

Overview



- | | | | |
|---|------------------------------|---|---|
| 1 | Single-circuit cooking plate | 3 | Base cover |
| 2 | Assembly clamp | 4 | Hob hot (Residual heat) indicator light |



- | | | | |
|---|---|---|---|
| 1 | Hob hot (Residual heat) indicator light | 4 | Single-circuit cooking plate Rear left |
| 2 | Single-circuit cooking plate Front right | 5 | Single-circuit cooking plate Rear right |
| 3 | Single-circuit cooking plate Front left | 6 | Warning lamp |

Technical specifications

Voltage / frequency	220-240 V/380-415V 2N ~ 50 Hz
Total power consumption	5800 W
Cable type / section	min.H05V2V2-F 3 x 2,5 mm ²
External dimensions (height / width / depth)	71 mm/580 mm/510 mm
Installation dimensions (width / depth)	560 mm (+2)/490 mm (+2)
Burners	
Front right	Single-circuit cooking plate
Dimension	140 mm
Power	1200 W
Front left	Single-circuit cooking plate
Dimension	180 mm
Power	1700 W
Rear left	Single-circuit cooking plate
Dimension	140 mm
Power	1200 W
Rear right	Single-circuit cooking plate
Dimension	180 mm
Power	1700 W



Technical specifications may be changed without prior notice to improve the quality of the product.



Figures in this manual are schematic and may not exactly match your product.



Values stated on the product labels or in the documentation accompanying it are obtained in laboratory conditions in accordance with relevant standards. Depending on operational and environmental conditions of the product, these values may vary.

3 Installation

Product must be installed by a qualified person in accordance with the regulations in force. The manufacturer shall not be held responsible for damages arising from procedures carried out by unauthorized persons which may also void the warranty.



Preparation of location and electrical installation for the product is under customer's responsibility.



DANGER:

The product must be installed in accordance with all local electrical regulations.



DANGER:

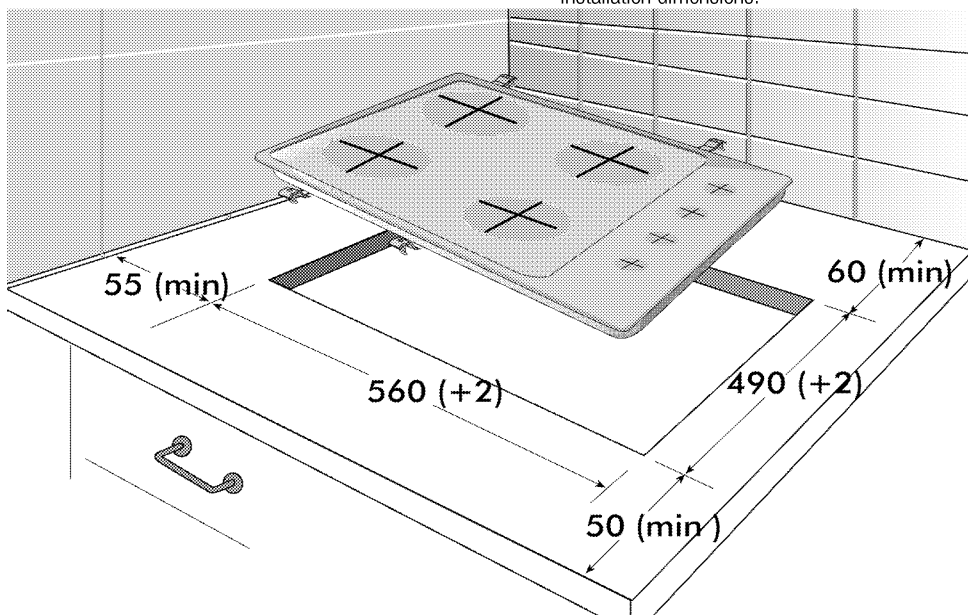
Prior to installation, visually check if the product has any defects on it. If so, do not have it installed.

Damaged products cause risks for your safety.

Before installation

The hob is designed for installation into commercially available work tops. A safety distance must be left between the appliance and the kitchen walls and furniture. See figure (values in mm).

- It can also be used in a free standing position. Allow a minimum distance of 750 mm above the hob surface.
- (*) If a cooker hood is to be installed above the cooker, refer to cooker hood manufacturer' instructions regarding installation height (min 650 mm)
- Remove packaging materials and transport locks.
- Surfaces, synthetic laminates and adhesives used must be heat resistant (100 °C minimum).
- The worktop must be aligned and fixed horizontally.
- Cut aperture for the hob in worktop as per installation dimensions.



Installation and connection

- The product must be installed in accordance with all local gas and electrical regulations.



Do not install the hob on places with sharp edges or corners.

There is the risk of breaking for glass ceramic surface!

Electrical connection

Connect the product to a grounded outlet/line protected by a miniature circuit breaker of suitable capacity as stated in the "Technical specifications" table. Have the grounding installation made by a qualified electrician while using the product with or without a transformer. Our company shall not be liable for any damages that will arise due to using the

product without a grounding installation in accordance with the local regulations.



DANGER:

The product must be connected to the mains supply only by an authorised and qualified person. The product's warranty period starts only after correct installation. Manufacturer shall not be held responsible for damages arising from procedures carried out by unauthorised persons.



DANGER:

The power cable must not be clamped, bent or trapped or come into contact with hot parts of the product.
A damaged power cable must be replaced by a qualified electrician. Otherwise, there is risk of electric shock, short circuit or fire!

- Connection must comply with national regulations.
- The mains supply data must correspond to the data specified on the type label of the product. Type label is at the rear housing of the product.
- Power cable of your product must comply with the values in "Technical specifications" table.



DANGER:

Before starting any work on the electrical installation, disconnect the product from the mains supply.
There is the risk of electric shock!

Connecting the power cable

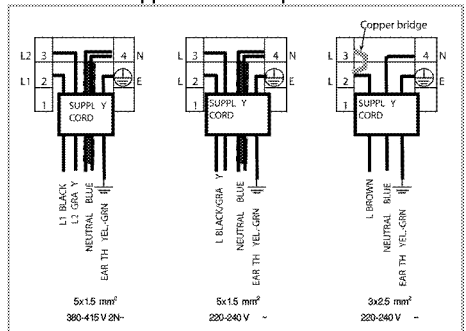


While performing the wiring, you must apply with the national/local electrical regulations and must use the appropriate socket outlet/line and plug for oven. In case of the product's power limits are out of current carrying capability of plug and socket outlet/line, the product must be connected through fixed electrical installation directly without using plug and socket outlet/line.

1. If it is not possible to disconnect all poles in the supply power, a disconnection unit with at least 3 mm contact clearance (fuses, line safety switches, contactors) must be connected and all the poles of this disconnection unit must be adjacent to (not above) the product in accordance with IEE directives. Failure to obey this instruction may cause operational problems and invalidate the product warranty.

Additional protection by a residual current circuit breaker is recommended.

If a cable is supplied with the product:



2. **For single-phase connection**, connect the wires as identified below:
 - Brown/Black cable = L (Phase)
 - Blue/Grey cable = N (Neutral)
 - Green/yellow cable = (E) (Ground)

» OR

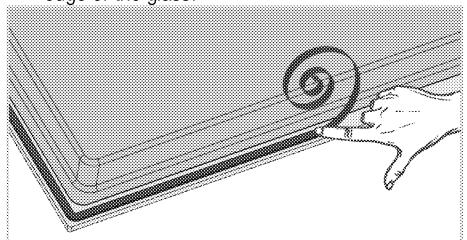
 - Grey/Black cable = L (Phase)
 - Blue/Brown cable = N (Neutral)
 - Green/yellow cable = (E) (Ground)
3. **For double-phase connection**, connect the wires as identified below:
 - Brown cable = L1 or L2 (Phase 1 or Phase 2)
 - Black cable = L2 or L1 (Phase 2 or Phase 1)
 - Blue/Grey cable = N (Neutral)
 - Green/yellow cable = (E) (Ground)

» OR

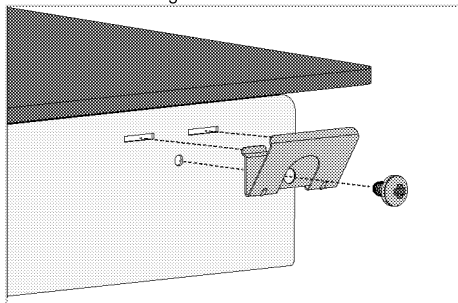
 - Black cable = L1 (Phase 1)
 - Grey cable = L2 (Phase 2)
 - Blue/Brown cable = N (Neutral)
 - Green/yellow cable = (E) (Ground)

Installing the product

1. Turning the hob upside down, place it on a flat surface.
2. When installing the hob, apply the sealing gasket, which was provided in the packaging, around the hob as shown in the following picture, ensuring that it remains 1 to 2 mm inside from the outer edge of the glass.



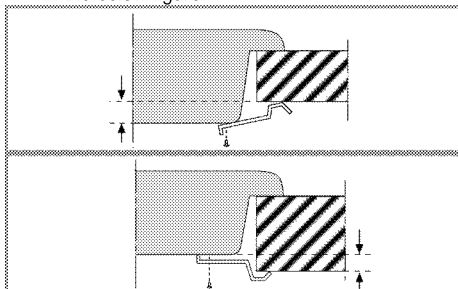
3. Fix the mounting springs inserting and screwing them through the holes of the bottom case as shown in the figure.



i For some models, your product may come with the mounting springs already fitted on it.

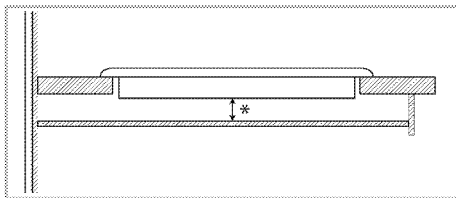
i The number of mounting springs on your product varies depending on product model.

4. Place the hob on the counter and align it.
5. When the hob is placed on the counter top it will be fixed easily with the help of the clamps. If the installation with these clamps is not sufficient for your cooktop, additional 2 mounting clamps can be fixed to the front side of the product as shown in the below figure.



i When installing the hob onto a cabinet, a shelf must be installed in order to separate the cabinet from the hob as illustrated in the above figure. This is not required when installing onto a built-under oven.

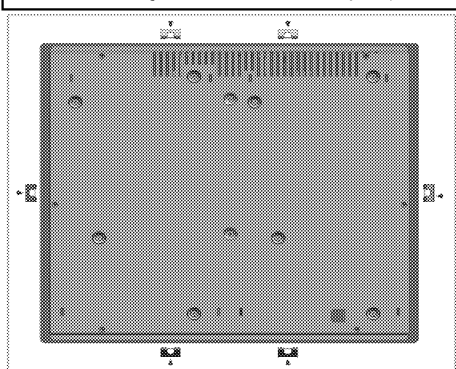
For example, if it is possible to touch the bottom of the product since it is installed onto a drawer, this section must be covered with a wooden plate.



* min. 15 mm

Rear view (connection holes)

i Location of the connection holes shown in the below figure are schematic, may vary depending on the product model. Fix them according to connection holes on your product.



! DANGER:
Making connections to different holes is not a good practice in terms of safety since it can damage the gas and electrical system.

! DANGER:
There are gas and electrical components contained within this hob, therefore when fitting the mounting springs/clamps only attach the supplied fixings to the connection holes shown in this manual. Failure to observe this advise may lead to life and property safety

i The number of mounting springs on your product varies depending on product model.

Final check

1. Operate the product.
2. Check the functions.

4 Preparation

Tips for saving energy

The following information will help you to use your appliance in an ecological way, and to save energy:

- Defrost frozen dishes before cooking them.
- Use pots/pans with cover for cooking. If there is no cover, energy consumption may increase 4 times.
- Select the burner which is suitable for the bottom size of the pot to be used. Always select the correct pot size for your dishes. Larger pots require more energy.
- Pay attention to use flat bottom pots when cooking with electric hobs.
Pots with thick bottom will provide a better heat conduction. You can obtain energy savings up to 1/3.
- Vessels and pots must be compatible with the cooking zones. Bottom of the vessels or pots must not be smaller than the hotplate.

- Keep the cooking zones and bottom of the pots clean. Dirt will decrease the heat conduction between the cooking zone and bottom of the pot.
- For long cookings, turn off the cooking zone 5 or 10 minutes before the end of cooking time. You can obtain energy savings up to 20% by using the residual heat.

Initial use

First cleaning of the appliance



The surface might get damaged by some detergents or cleaning materials.

Do not use aggressive detergents, cleaning powders/creams or any sharp objects during cleaning.

Do not use harsh abrasive cleaners or sharp metal scrapers to clean the oven door glass since they can scratch the surface, which may result in shattering of the glass.

1. Remove all packaging materials.
2. Wipe the surfaces of the appliance with a damp cloth or sponge and dry with a cloth.

5 How to use the hob

General information about cooking



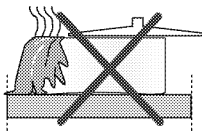
Never fill the pan with oil more than one third of it. Do not leave the hob unattended when heating oil. Overheated oils bring risk of fire. **Never attempt to extinguish a possible fire with water!** When oil catches fire, cover it with a fire blanket or damp cloth. Turn off the hob if it is safe to do so and call the fire department.

- Before frying foods, always dry them well and gently place into the hot oil. Ensure complete thawing of frozen foods before frying.
- Do not cover the vessel you use when heating oil.
- Place the pans and saucepans in a manner so that their handles are not over the hob to prevent heating of the handles. Do not place unbalanced and easily tilting vessels on the hob.
- Do not place empty vessels and saucepans on cooking zones that are switched on. They might get damaged.
- Operating a cooking zone without a vessel or saucepan on it will cause damage to the product. Turn off the cooking zones after the cooking is complete.
- As the surface of the product can be hot, do not put plastic and aluminum vessels on it. Clean any melted such materials on the surface immediately. Such vessels should not be used to keep foods either.
- Use flat bottomed saucepans or vessels only.
- Put appropriate amount of food in saucepans and pans. Thus, you will not have to make any unnecessary cleaning by preventing the dishes from overflowing. Do not put covers of saucepans or pans on cooking zones. Place the saucepans in a manner so that they are centered on the cooking zone. When you want to move the saucepan onto another cooking zone, lift and place it onto the cooking zone you want instead of sliding it.

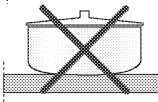
Tips about glass ceramic hobs

- Glass ceramic surface is heatproof and is not affected by big temperature differences.

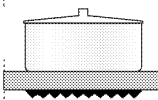
- Do not use the glass ceramic surface as a place of storage or as a cutting board.
- Use only the saucepans and pans with machined bottoms. Sharp edges create scratches on the surface.
- Do not use aluminum vessels and saucepans. Aluminum damages the glass ceramic surface.



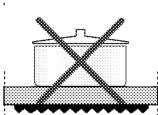
Spills may damage the glass ceramic surface and cause fire.



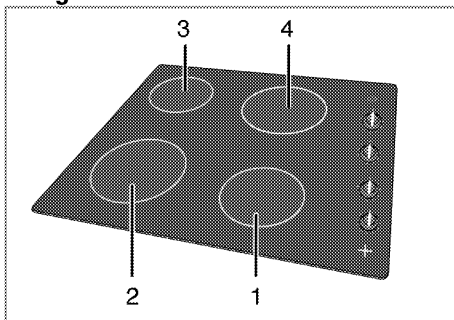
Do not use vessels with concave or convex bottoms.



Use only the saucepans and pans with flat bottoms. They ensure easier heat transfer. If the diameter of the saucepan is too small, energy will be wasted.



Using the hobs

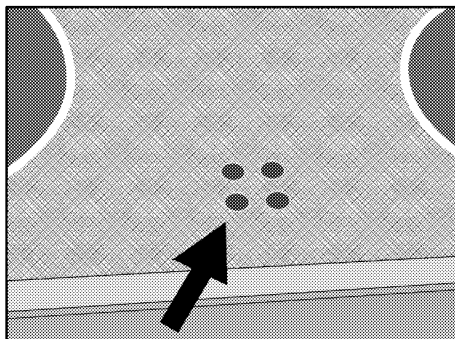


- 1 Single-circuit cooking plate 14-16cm
- 2 Single-circuit cooking plate 18-20cm
- 3 Single-circuit cooking plate 14-16cm
- 4 Single-circuit cooking plate 18-20 cm is list of advised diameter of pots to be used on related burners.

**DANGER:**

Do not allow any object to drop on the hob. Even small objects such as a saltshaker may damage the hob.

Do not use cracked hobs. Water may leak through these cracks and cause short circuit. In case of any kind of damage on the surface (eg., visible cracks), switch off the product immediately to minimize the risk of electric shock.

**Turning on the ceramic plates**

The hob control knobs are used for operating the plates. To obtain the desired cooking power, turn the hob control knobs to the corresponding level.

Cooking level	1	2 — 3	4 — 6
	warming	stewing, simmering	cooking, roasting, boiling

Turning off the ceramic plates

Turn the plate knob to OFF (upper) position.

6 Maintenance and care

General information

Service life of the product will extend and the possibility of problems will decrease if the product is cleaned at regular intervals.



DANGER:

Disconnect the product from mains supply before starting maintenance and cleaning works.

There is the risk of electric shock!



DANGER:

Allow the product to cool down before you clean it.

Hot surfaces may cause burns!

- Clean the product thoroughly after each use. In this way it will be possible to remove cooking residues more easily, thus avoiding these from burning the next time the appliance is used.
- No special cleaning agents are required for cleaning the product. Use warm water with washing liquid, a soft cloth or sponge to clean the product and wipe it with a dry cloth.
- Always ensure any excess liquid is thoroughly wiped off after cleaning and any spillage is immediately wiped dry.
- Do not use cleaning agents that contain acid or chloride to clean the stainless or inox surfaces and the handle. Use a soft cloth with a liquid detergent (not abrasive) to wipe those parts clean, paying attention to sweep in one direction.



The surface might get damaged by some detergents or cleaning materials.

Do not use aggressive detergents, cleaning powders/creams or any sharp objects during cleaning.

Do not use harsh abrasive cleaners or sharp metal scrapers to clean the oven door glass since they can scratch the surface, which may result in shattering of the glass.



Do not use steam cleaners to clean the appliance as this may cause an electric shock.

Cleaning the hob

Glass ceramic surface

Wipe the glass ceramic surface (vitreoceramic) with cold water, paying attention to leave no residual cleaning agents, and dry with a soft clothing. Residues may cause damage on the glass ceramic surface when using the hob for the next time.

Dried residues on the glass ceramic surface (vitreoceramic) should under no circumstances be scraped with hook blades, steel wool or similar tools. Remove calcium stains (yellow stains) with commercially available lime remover or a small amount of lime remover such as vinegar or lemon juice. If the surface is heavily soiled, apply the cleaning agent on a sponge and wait until it is absorbed well. Then, clean the surface of the hob with a damp cloth.



Sugar-based foods such as thick cream and syrup must be cleaned promptly without waiting the surface to cool down. Otherwise, glass ceramic surface may get damaged permanently.

Slight color fading may occur on coatings or other surfaces in time. This does not affect the operation of the product.

Color fading and stains on the glass ceramic surface is a normal condition, and not a defect.

Cleaning the control panel

Clean the control panel and knobs with a damp cloth and wipe them dry.



If your product is equipped with buttons/knobs do not remove the control buttons/knobs to clean the control panel.

Control panel may get damaged!

7 Troubleshooting

Product emits metal noises while heating and cooling.

- When the metal parts are heated, they may expand and cause noise. >>> *This is not a fault.*

Product does not operate.

- The mains fuse is defective or has tripped. >>> *Check fuses in the fuse box. If necessary, replace or reset them.*
- Product is not plugged into the (grounded) socket. >>> *Check the plug connection.*

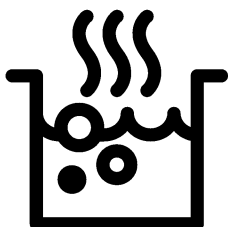


Consult the Authorised Service Agent or technician with licence or the dealer where you have purchased the product if you can not remedy the trouble although you have implemented the instructions in this section. Never attempt to repair a defective product yourself.



Ugradni plamenik

Korisnički priručnik



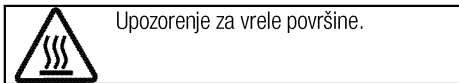
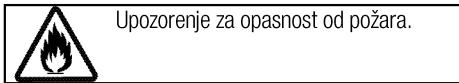
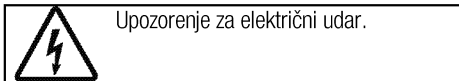
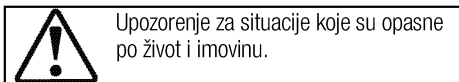
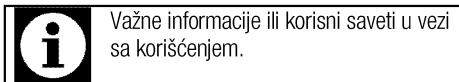
Molimo da prvo pročitate ovo uputstvo!

Poštovani korisniče, zahvaljujemo na izboru Beko proizvoda. Nadamo se da ćete na najbolji mogući način iskoristiti Vaš proizvod, koji je napravljen sa visokim kvalitetom i vrhunskom tehnologijom. Stoga, molimo da pročitate ovo celo korisničko uputstvo i sva prateća dokumenta pažljivo pre korišćenja proizvoda i čuvajte ih kao podsetnik za buduću upotrebu. Ako ovaj proizvod predate trećem licu, priložite i ovo korisničko uputstvo. Pratite sva upozorenja i informacije iz korisničkog uputstva.

Imajte na umu da ovo korisničko uputstvo može da se primeni i na nekoliko drugih modela. Razlike između modela će biti naznačene u priručniku.

Objašnjenje simbola

U ovom korisničkom uputstvu su korišćeni sledeći simboli:



Arçelik A.Ş.
Karaağaç caddesi No:2-6
34445 Sütlüce/Istanbul/TURKEY
Made in TURKEY

**1 Važna uputstva i upozorenja za
bezbednost i okruženje 4**

Opšta bezbednost	4
Bezbednost električnih proizvoda	4
Bezbednost proizvoda	5
Namena	6
Bezbednost dece	6
Odlaganje dotrajalog proizvoda u otpad	7
Odlaganje ambalažnog materijala	7
Odlaganje dotrajalog proizvoda u otpad	7

2 Opšte informacije 8

Pregled	8
Tehničke specifikacije	9

3 Instalacija 10

Pre instalacije	10
Instalacija i povezivanje	10

4 Pripreme 13

Saveti za uštedu energije	13
Prva upotreba	13
Prvo čišćenje proizvoda	13

5 Kako koristiti ploču za kuvanje 14

Opšte informacije o kuvanju	14
Korišćenje ploča za kuvanje	14

6 Održavanje i nega 16

Opšte informacije	16
Čišćenje ploče za kuvanje	16
Čišćenje komandne table	16

7 Otklanjanje kvarova 17

1 Važna uputstva i upozorenja za bezbednost i okruženje

Ovaj odeljak sadrži sigurnosna uputstva koja će vam pomoći da se zaštitite od opasnosti povreda i oštećenja imovine. Neuspešno praćenje ovih uputstava će poništiti garanciju.

Opšta bezbednost

- Ovaj uređaj mogu koristiti deca starija od 8 godina i osobe sa smanjenim fizičkim, senzornim ili mentalnim sposobnostima ili kojima nedostaju iskustvo i znanje, ako su pod nadzorom ili su dobili uputstva u vezi sa bezbednom upotrebom uređaja i razumeju uključene opasnosti. Deca se ne smeju igrati sa uređajem. Deca ne smeju čistiti ili održavati uređaj bez nadzora.
- Ovaj uređaj nije namenjen za upotrebu od strane osoba (uključujući decu) sa smanjenim fizičkim, senzornim ili mentalnim sposobnostima ili nedostatkom iskustva i znanja, osim ako su pod nadzorom ili su im data uputstva. Deca koja su pod nadzorom ne smeju se igrati uređajem.
- Ako se proizvod ustupi drugoj osobi za ličnu upotrebu ili kao polovan proizvod, potrebno je takođe proslediti korisnički priručnik, etikete proizvoda i

druge relevantne dokumente i delove.

- Instalaciju i popravke smeju da vrše samo ovlašćeni serviseri. Proizvođač neće snositi odgovornost za štete koje nastanu zbog postupaka koje su obavile neovlašćene osobe, što takođe može poništiti garanciju. Pre instalacije, pažljivo pročitajte uputstva.
- Ne uključujte proizvod ako je u kvaru ili ima vidljivo oštećenje.
- Prekontrolišite da li su funkcijski tasteri na proizvodu isključeni nakon svake upotrebe.

Bezbednost električnih proizvoda

- Ako je proizvod neispravan, ne treba da se koristi dok ga ne popravi ovlašćeni serviser. Postoji opasnost od električnog udara!
- Proizvod povežite samo na uzemljenu utičnicu/vod sa naponom i zaštitom navedenim u „Tehničkim specifikacijama“. Uzemljenje instalacije mora da obavi kvalifikovani električar u slučaju da se proizvod koristi sa ili bez transformatora. Naša kompanija neće biti odgovorna ni za kakve probleme koji nastanu zbog korišćenja proizvoda sa neuzemljenom instalacijom u skladu sa lokalnim propisima.

- Nikada ne perite proizvod prskanjem ili sipanjem vode na njega! Postoji opasnost od električnog udara!
- Proizvod mora da bude isključen za vreme instalacije, održavanja, čišćenja i popravke.
- Ako je priključni kabl za napajanje proizvoda oštećen, mora da ga zameni proizvođač, njegov serviser ili odgovarajuće kvalifikovano lice kako bi se izbegle opasnosti.
- Aparat mora da se instalira tako da može potpuno da se isključi sa mreže. Razdvajanje mora da bude obezbeđeno ili putem mrežnog utikača ili putem prekidača ugrađenog u fiksnu električnu instalaciju u skladu sa građevinskim propisima.
- Sve radove na električnoj opremi i sistemima treba da vrše samo ovlašćena kvalifikovana lica.
- U slučaju oštećenja, isključite proizvod i odvojite od električne mreže. Da biste to uradili, isključite osigurač u domaćinstvu.
- Uverite se da je jačina osigurača kompatibilna sa ovim proizvodom.

Bezbednost proizvoda

- UPOZORENJE: Uređaj i njegovi pristupačni delovi se zagrevaju tokom upotrebe. Budite pažljivi da biste izbegli dodirivanje vrućih elemenata. Decu mlađu od 8 godina treba udaljiti osim u slučaju da ih neprekidno nadgledate.
- Nikad ne koristite proizvod u slučaju oslabljenog rasuđivanja ili koordinacije pod uticajem konzumiranja alkohola i/ili lekova.
- Budite pažljivi kada koristite alkoholna pića u vašem posuđu. Alkohol na visokim temperaturama isparava i može da prouzrokuje požar jer se može upaliti ako dođe u kontakt sa vrućim površinama.
- Ne stavljajte nikakav zapaljivi materijal blizu proizvoda, jer njegove stranice mogu da se zagrevaju u toku upotrebe.
- Održavajte čistoću svih ventilacionih otvora.
- Ne koristite paročištače za čišćenje uređaja da ne biste izazvali električni udar.
- UPOZORENJE: Kuvanje na ringli sa zagrejanom masti ili uljem može biti opasno i dovesti do požara. NIKADA ne pokušavajte da gasite vatru vodom, već isključite uređaj, a zatim pokrijte plamen tj., pokrijte ga poklopcem ili protivpožarnim ćebetom.
- PAŽNJA: Proces kuvanja mora da bude pod nadzorom. Kratkotrajni proces kuvanja mora neprekidno da bude pod nadzorom.

- UPOZORENJE: Opasnost od požara: Nemojte držati predmete na površinama za kuvanje.
- UPOZORENJE: Ako je površina naprsila, isključite uređaj da biste izbegli mogućnost električnog udara.
- U slučaju da se staklo ploče za kuvanje polomi: Odmah isključite sve gorionike i sve električne grejne elemente i izolujte uređaj od napajanja. Nemojte da dodirujete površinu uređaja. Nemojte da koristite uređaj.
- Ovaj aparat nije predviđen da se upravlja putem eksternog tajmera ili posebnog sistema daljinskog upravljača.
- Pritisak pare koji se može stvoriti zbog vlage na površini ploče za kuvanje ili na dnu šerpe može da izazove pomeranje šerpe. Zbog toga treba da se uverite da su površina rerne i dna šerpi uvek suve.
- UPOZORENJE: Koristite samo štitnike ploče za kuvanje koje je dizajnirao proizvođač aparata za kuvanje ili koje je proizvođač aparata odredio kao pogodne u uputstvu za upotrebu, ili štitnike ploče za kuvanje koje sadrži aparat. Upotreba neodgovarajućih štitnika može izazvati nezgode.

Za pouzdanost proizvoda od požara:

- Uverite se da je utikač dobro umetnut u utičnicu kako ne bi izazvao varnice.
- Ne koristite oštećen, isečen ili produžni kabl, osim originalnog kabla.
- Pobrinite se da na utičnici na koju je priključen proizvod nema ni vlage ni tečnosti.

Namena

- Ovaj proizvod je namenjen za kućnu upotrebu. Komercijalna upotreba nije dozvoljena.
- PAŽNJA: Ovaj aparat služi samo za kuvanje. On ne sme da se koristi za druge svrhe, na primer za grejanje prostorije."
- Proizvođač neće biti odgovoran ni za kakve štete koje su nastale kao posledica nenamenske upotrebe ili pogrešnog rukovanja.

Bezbednost dece

- UPOZORENJE: Pristupačni delovi mogu da se zagreju za vreme upotrebe. Decu treba udaljiti.
- Materijali za pakovanje su opasni za decu. Ambalažne materijale držite van domašaja dece. Molimo da sve delove ambalaže odložite u otpad u skladu sa ekološkim standardima.
- Električni proizvodi su opasni za decu. Udaljite decu od proizvoda kada je uključen i nemojte im

dozvoliti da se igraju sa proizvodom.

- Iznad uređaja ne stavljajte predmete koje bi deca mogla da dohvate.

Odlaganje dotrajalog proizvoda u otpad

Usaglašenost sa WEEE direktivom i odlaganje otpada:



Ovaj proizvod je usaglašen sa WEEE direktivom Evropske Unije (2012/19/EU). Ovaj proizvod nosi znak klasifikacije za električni i elektronski otpad (WEEE). Ovaj proizvod je proizveden od visoko kvalitetnih delova i materijala koji se mogu ponovo koristiti i pogodni su za reciklažu. Nemojte odlagati proizvod u otpad sa običnim kućnim otpadom i drugim otpadima na kraju veka trajanja. Odložite ga u centar za sakupljanje i reciklažu električnog i elektronskog otpada. Konsultujte se sa svojim lokalnim vlastima da biste saznali o ovim centrima za sakupljanje otpada.

Usaglašenost sa RoHS direktivom:

Proizvod koji ste kupili u saglasnosti je sa RoHS direktivom Evropske Unije (2011/65/EU). On ne sadrži štetne i zabranjene materijale navedene u direktivi.

Odlaganje ambalažnog materijala

- Ambalažni materijali su opasni po decu. Ambalažni materijal čuvajte na bezbednom mestu, van domašaja dece. Ambalažni materijali za ovaj proizvod su proizvedeni od materijala koji se mogu reciklirati. Odložite ih pravilno i sortirajte u skladu sa uputstvima za recikliranje otpada. Ne odlažite ih sa običnim kućnim otpadom.

Odlaganje dotrajalog proizvoda u otpad

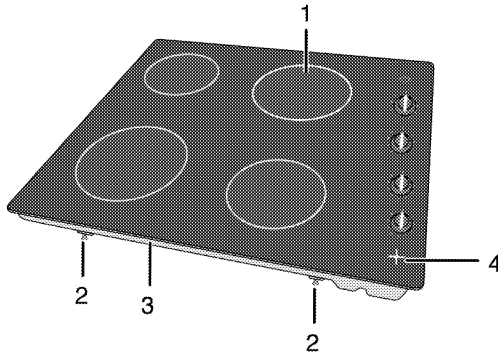
- Sačuvajte originalnu ambalažnu kutiju ovog proizvoda i transportujte proizvod u njoj. Pratite uputstva na kutiji. Ako nemate originalnu ambalažnu kutiju, proizvod upakujte u foliju za pakovanje sa vazдушnim mehurićima ili deblji karton i dobro zalepite.



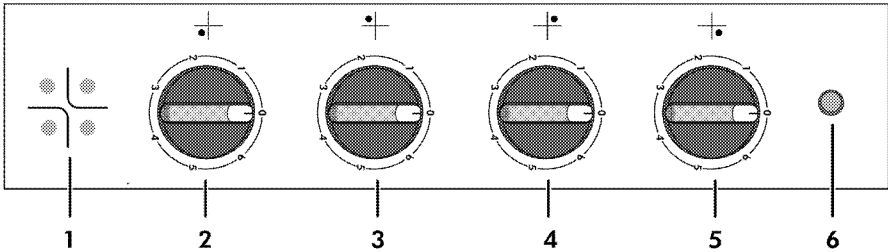
Proverite opšti izgled svog proizvoda da biste pronašli eventualna oštećenja koja su mogla nastati za vreme transporta.

2 Opšte informacije

Pregled



- | | | | |
|---|-----------------------------------|---|--|
| 1 | Ploča za kuvanje sa jednim krugom | 3 | Poklopac osnove |
| 2 | Montažna stega | 4 | Signalna lampica za vruću ploču za kuvanje |



- | | | | |
|---|--|---|--|
| 1 | Signalna lampica za vruću ploču za kuvanje | 4 | Ploča za kuvanje sa jednim krugom Pozadi levo |
| 2 | Ploča za kuvanje sa jednim krugom Napred desno | 5 | Ploča za kuvanje sa jednim krugom Pozadi desno |
| 3 | Ploča za kuvanje sa jednim krugom Napred levo | 6 | Lampica za upozorenje |

Tehničke specifikacije

Napon/frekvencija	220-240 V/380-415V 2N ~ 50 Hz
Ukupna potrošnja energije	5800 W
Tip kabla / poprečni presek	min.H05V2V2-F 3 x 2,5 mm ²
Spoljne dimenzije (visina/širina/dubina)	71 mm/580 mm/510 mm
Ugradne dimenzije (širina/dubina)	560 mm (+2)/490 mm (+2)
Gorionici	
Napred desno	Ploča za kuvanje sa jednim krugom
Dimenzije	140 mm
Snaga	1200 W
Napred levo	Ploča za kuvanje sa jednim krugom
Dimenzije	180 mm
Snaga	1700 W
Pozadi levo	Ploča za kuvanje sa jednim krugom
Dimenzije	140 mm
Snaga	1200 W
Pozadi desno	Ploča za kuvanje sa jednim krugom
Dimenzije	180 mm
Snaga	1700 W



Tehničke specifikacije se mogu izmeniti bez prethodnog obaveštenja da bi se poboljšao kvalitet proizvoda.



Slike koje su date u ovom uputstvu za upotrebu su samo ilustrativne i možda se neće u potpunosti poklapati sa vašim proizvodom.



Vrednosti, koje su navedene na oznakama proizvoda ili u drugoj dokumentaciji koju ste dobili uz proizvod, dobijene su pod laboratorijskim uslovima u skladu sa odgovarajućim standardima. U zavisnosti od radnih uslova i uslova okruženja proizvoda, ove vrednosti se mogu razlikovati.

3 Instalacija

Proizvod mora da instalira kvalifikovano lice u skladu sa važećim propisima. U suprotnom, garancija neće važiti. Proizvođač neće biti odgovoran za štete koje nastanu zbog postupaka koje su obavile neovlašćene osobe i može da poništi garanciju.



Priprema lokacije i električne instalacije za proizvod su odgovornost kupca.



OPASNOST:

Ovaj proizvod mora da se instalira u skladu sa svim lokalnim propisima za gasne i/ili električne instalacije.



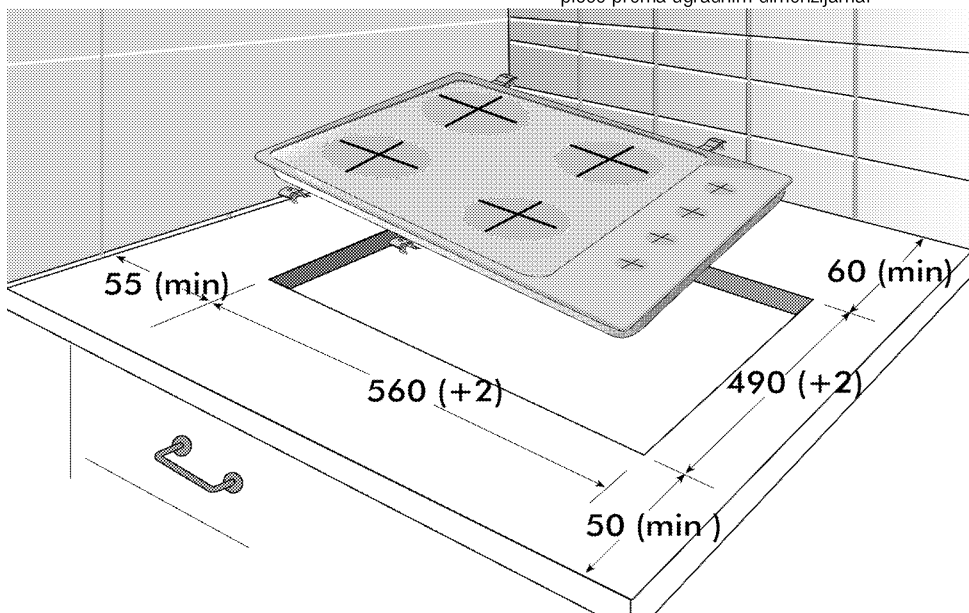
OPASNOST:

Pre instalacije vizuelno proverite da li na proizvodu postoje bilo kakva oštećenja. Ako ustanovite oštećenja, nemojte ga instalirati. Oštećeni proizvodi predstavljaju opasnost po vašu bezbednost.

Pre instalacije

Ploča za kuvanje je projektovana za ugradnju u komercijalnu radnu ploču. Između aparata i zidova kućišta i nameštaja mora da se ostavi bezbedan ramak. Pogledajte sliku (vrednosti su u mm).

- Može se koristiti i u slobodno stojećem položaju. Obezbedite minimalni razmak od 750mm iznad površine ploče za kuvanje.
- (*) Ako se kuhinjski aspirator montira iznad šporeta, pogledajte uputstvo proizvođača aspiratora u vezi sa visinom instalacije (min. 650 mm)
- Uklonite ambalažne materijale i transportne blokade.
- Površine, sintetički laminati i lepkovi moraju da budu otporni na toplotu (minimalno 100 °C).
- Radna ploča mora da bude nivelisana i učvršćena horizontalno.
- Isecite otvor za ploču za kuvanje u površini radne ploče prema ugradnim dimenzijama.



Instalacija i povezivanje

- Uređaj se može instalirati i povezati samo u skladu sa propisanim pravilima za instalaciju.



Ne postavljajte ploču za kuvanje na mesta sa oštrim ivicama ili uglovima.

Postoji opasnost od loma staklokeramičke površine!

Električno povezivanje

Povežite proizvod sa uzemljenom utičnicom koja je zaštićena minijaturnim prekidačem odgovarajućeg

kapaciteta kao što je navedeno u tabeli „Tehničke specifikacije“. Angažujte kvalifikovanog električara da obavi povezivanje sa uzemljenom instalacijom dok koristite proizvod sa ili bez transformatora. Naša kompanija nije odgovorna ni za kakvu štetu koja će prosteći zbog korišćenja proizvoda bez uzemljene instalacije u skladu sa lokalnim propisima.

OPASNOST:

Na gasnu mrežu proizvod sme da priključi samo ovlašćeno kvalifikovano lice. Garanti rok za proizvod počinje samo nakon pravilne instalacije. Proizvođač neće biti odgovoran za štete koje nastanu zbog postupaka koje su obavile neovlašćene osobe.

OPASNOST:

Električni kabl za napajanje ne sme da se priklešti, savije ili prignječi ili da dođe u dodir sa vrućim delovima proizvoda. Oštećeni kabl za napajanje mora da zameni kvalifikovani električar. U suprotnom, postoji opasnost od električnog udara, kratkog spoja ili požara!

- Povezivanje mora da se izvede u skladu sa nacionalnim propisima.
- Podaci o mrežnom napajanju moraju da odgovaraju podacima koji su navedeni na tipskoj pločici proizvoda. Tipaska pločica se nalazi na zadnjem delu kućišta proizvoda.
- Kabl za napajanje vašeg proizvoda mora da bude u skladu sa vrednostima u tabeli „Tehničke specifikacije“.

OPASNOST:

Pre radova na električnoj instalaciji isključite proizvod iz struje. Postoji opasnost od električnog udara!

Povezivanje kabla za napajanje

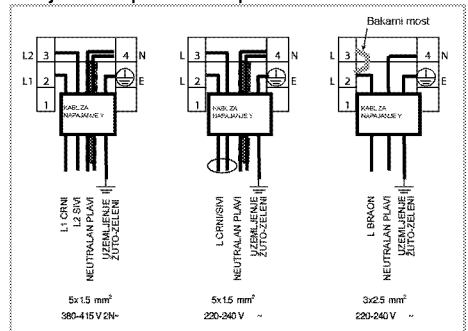
i Tokom povezivanja žica morate da poštuje nacionalne/lokalne propise o struji i morate da koristite odgovarajuću utičnicu i utikač za remu. U slučaju da ograničenja napajanja uređaja premašuju nominalne vrednosti struje za utikač i utičnicu, proizvod mora da se poveže preko fiksne električne instalacije direktno bez korišćenja utikača i utičnice.

1. Ukoliko nije moguće isključiti napajanje preko svih izvoda (polova), rastavni uređaj sa najmanje 3 mm zazoru kontakta (osigurači, fazni sigurnosni prekidači, kontaktori) moraju da se povežu, a svi polovi ovog rastavnog uređaja moraju da budu u blizini proizvoda (ne iznad) u skladu sa IEE

smernicama. Nepridržavanje ovog uputstva može da dovede do problema u radu i poništavanja garancije za proizvod.

Preporučuje se dodatna zaštita putem FID sklopke za zaštitu od struje greške.

Ako je kabl isporučen sa proizvodom:



2. **Za jednofazno povezivanje**, žice treba povezati na sledeći način:

- Braon/crni kabl = L (faza)
- Plavi/ kabl = N (nula)
- Zeleno/žuti kabl = (E) (Uzemljenje)

» ili

- /crni kabl = L (faza)
- Plavi/Braon kabl = N (nula)
- Zeleno/žuti kabl = (E) (Uzemljenje)

3. **Za dvofazno povezivanje**, žice treba povezati na sledeći način:

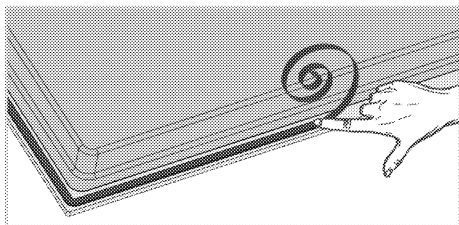
- Braon kabl = L1 ili L2 (faza 1 ili faza 2)
- Crni kabl = L2 ili L1 (faza 2 ili faza 1)
- Plavi/ kabl = N (nula)
- Zeleno/žuti kabl = (E) (Uzemljenje)

» ili

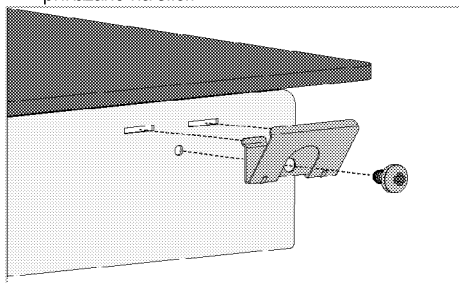
- Crni kabl = L1 (faza 1)
- C kabl = L2 (faza 2)
- Plavi/Braon kabl = N (nula)
- Zeleno/žuti kabl = (E) (Uzemljenje)

Instalacija proizvoda

1. Okrenite ploču za kuvanje naopačke i postavite na ravnu površinu.
2. Prilikom instalacije ploče, postavite zaptivku koja je priložena u pakovanju oko ploče kao što je prikazano na sledećoj slici tako da ostane 1 mm do 2 mm ka unutra od spoljašnje ivice stakla.



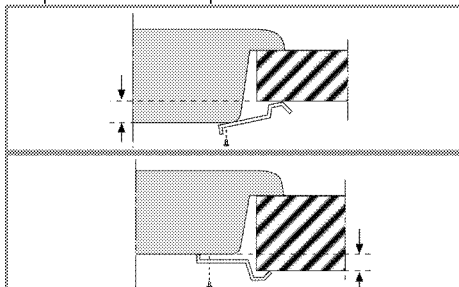
3. Fiksirajte opruge za montiranje ubacivanjem i zavijanjem kroz otvore na dnu kućišta kao što je prikazano na slici.



i Kod nekih modela, vaš proizvod se može isporučiti sa već postavljenim oprugama za montiranje.

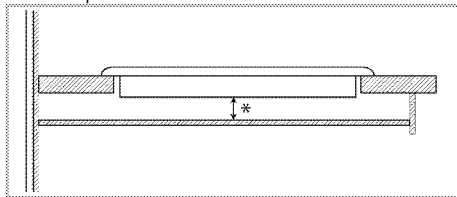
i Broj opruga za montiranje na vašem proizvodu zavisi od modela proizvoda.

4. Postavite ploču za kuvanje na radnu ploču i poravnajte je.
 5. Kada se ploča štednjaka postavi na gornju kuhinjsku ploču, jednostavno se fiksira pomoću stega. Ako dimenzije gornje ploče nisu odgovarajuće, 2 stege za fiksiranje se mogu postaviti na prednju stranu proizvoda kao što je prikazano na slici ispod.



i Prilikom instaliranja ploče za kuvanje na ormarić mora da se instalira polica kako bi se ormarić odvojio od ploče za kuvanje, kao što je ilustrirano na gornjoj slici. To se ne zahteva kada je instalirate iznad ugradne rerne.

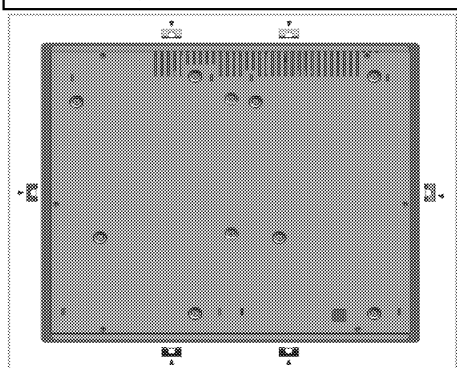
Proizvod se može dodirnuti odozdo zašto što je instaliran na fioci, ovaj deo mora da se pokriva drvenom pločom.



* min. 15 mm

Zadnja strana (rupe za povezivanje)

i Lokacije priključnih rupa koje su prikazane na slici u nastavku su šematske i mogu se razlikovati u zavisnosti od modela proizvoda. Pričvrstite ih u skladu s priključnim rupama na vašem proizvodu.



OPASNOST:
 Povezivanje u drugačije otvore nije dobra praksa s obzirom na sigurnost, jer može da dođe do oštećivanja gasnog i električnog sistema.

OPASNOST:
 Ploča za kuvanje sadrži delove koji rade na gas i struju. Iz tog razloga, ploču za kuvanje treba fiksirati za radnu ploču isključivo preko otvora za fiksiranje, koristeći isključivo elemente za pričvršćivanje i zavrtnje koji su priloženi i na način koji je naveden u priručniku. U suprotnom, predstavljaće opasnost po život i svojinu.

i Broj opruga za montiranje na vašem proizvodu zavisi od modela proizvoda.

Finalna provera

1. Rukujte proizvodom.
2. Proverite sve električne funkcije.

4 Pripreme

Saveti za uštedu energije

Sledeće informacije će vam pomoći da vaš uređaj koristite na ekološki način i štedite energiju:

- Odmrznite smrznuta jela pre pečenja.
- Za kuvanje koristite šerpe i tiganje sa poklopcem. Ako se ne stavi poklopac, potrošnja energije može biti 4 puta veća.
- Izaberite gorionik koji odgovara veličini dna šerpe koja će biti korišćena. Uvek birajte pravilnu veličinu šerpe za svoje jelo. Veće šerpe zahtevaju više energije.
- Koristite šerpe sa ravnim dnom kada kuvate na električnim ringlama. Šerpe sa debelim dnom obezbeđuju bolju toplotnu provodnost. Možete da uštedite do 1/3 energije.
- Posude i šerpe moraju da odgovaraju zonama za kuvanje. Dno posuda ili šerpe ne sme biti manje od ringle.

- Održavajte čistoću zona za kuvanje i dna šerpi. Nečistoće će smanjiti provođenje toplote između zone za kuvanje i dna šerpe.
- U slučaju dužeg kuvanja, isključite zonu za kuvanje 5 ili 10 minuta pre završetka vremena kuvanja. Možete da uštedite do 20% energije korišćenjem preostale toplote.

Prva upotreba

Prvo čišćenje proizvoda



Prilikom upotrebe nekih deterdženata ili sredstava za čišćenje mogla bi da se ošteti površina.

Ne koristite agresivne deterdžente, praškove/tečnosti za čišćenje ili oštre predmete tokom čišćenja.

1. Uklonite sve ambalažne materijale.
2. Obrišite površine proizvoda vlažnom krpom ili sunderom i osušite ga krpom.

5 Kako koristiti ploču za kuvanje

Opšte informacije o kuvanju



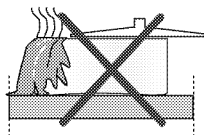
Nikad punite posudu uljem više od jedne trećine. Ne ostavljajte ploču za kuvanje bez nadzora kada zagrevate ulje. Pregrejano ulje predstavlja opasnost od požara. **Nikada ne pokušavajte da eventualnu vatru gasite vodom!** Ako se ulje zapali, pokrijte ga protivpožarnim čebetom ili vlažnom krpom. Isključite ploču za kuvanje, ako se to može bezbedno uraditi i pozovite vatrogasce.

- Pre prženja hrane, uvek je dobro osušite i pažljivo spustite u vrelo ulje. Postarajte se da namirnice budu potpuno odmrznute pre prženja.
- Ne poklapajte posudu koju koristite kada zagrevate ulje.
- Postavite lonce i šerpe na način da njihove ručice ne budu iznad ploče za kuvanje kako biste sprečili njihovo zagrevanje. Ne stavljajte na ploču za kuvanje nestabilne posude ili one koje se mogu lako prevrnuti.
- Ne stavljajte prazne posude i šerpe na zone za kuvanje koje su uključene. Mogu da se oštete.
- Rad zone za kuvanje bez posude ili šerpe na njoj izazvaće oštećenje uređaja. Isključite zone za kuvanje nakon što je kuvanje završeno.
- Kako površina uređaja može biti vruća, ne stavljajte na nju plastične ili aluminijumske posude. Odmah očistite sve takve otopljene materijale sa površine. Takve posude ne bi trebalo koristiti ni za držanje hrane.
- Koristite samo šerpe ili posude sa ravnim dnom.
- U šerpe i lonce stavljajte odgovarajuću količinu hrane. Tako ćete sprečiti nepotrebno čišćenje zbog prelivanja.

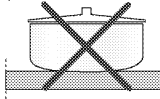
Ne stavljajte poklopce za šerpe i lonce na zone za kuvanje. Postavite šerpe na način da budu u centru zone za kuvanje. Kada želite da premestite šerpu na drugu zonu za kuvanje, podignite je i stavite na zonu za kuvanje koju želite umesto da je povlačite po površini.

Saveti za staklokeramičke ploče za kuvanje

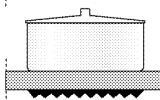
- Staklokeramička površina je otporna na toplotu i na nju ne utiču velike temperaturne razlike.
- Ne koristite staklokeramičku površinu kao mesto za čuvanje ili kao dasku za sečenje hrane.
- Koristite samo šerpe i lonce sa obrađenim dnom. Oštre ivice mogu izgrebati površinu.
- Ne koristite aluminijumske posude i šerpe. Aluminijum oštećuje staklokeramičku površinu.



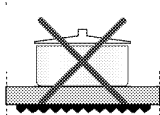
Prolivanja hrane mogu oštetiti staklokeramičku površinu i izazvati požar.



Nemojte koristiti posude sa konkavnim ili konveksnim dnom.

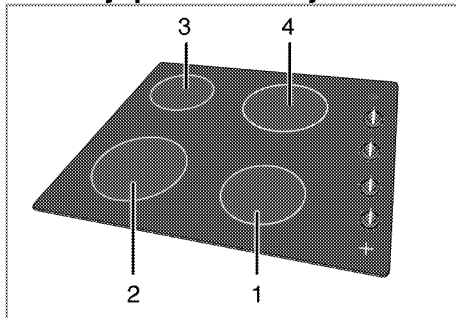


Koristite samo šerpe i lonce sa ravnim dnom. Oni obezbeđuju lakši prenos toplote.



Ako je prečnik šerpe suviše mali, nepotrebno će se izgubiti energija.

Korišćenje ploča za kuvanje



- 1 Ploča za kuvanje sa jednim krugom 14-16cm
- 2 Ploča za kuvanje sa jednim krugom 18-20cm
- 3 Ploča za kuvanje sa jednim krugom 14-16cm
- 4 Ploča za kuvanje sa jednim krugom 18-20 cm je lista preporučenih prečnika šerpi koje mogu da se koriste na odgovarajućim ringlama.

**OPASNOST:**

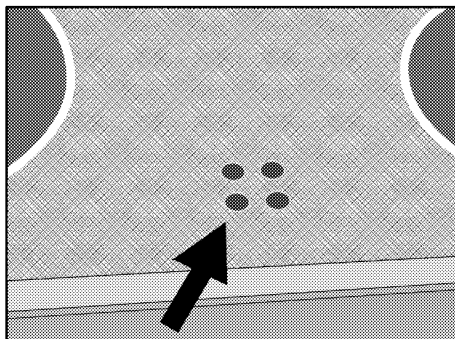
Pazite da na ploču za kuvanje ne padne neki predmet. Čak i mali predmeti, npr. slanik, mogu da oštete ploču za kuvanje.

Ne koristite naprsu ploču za kuvanje. Voda može ući u naprsline i prouzrokovati kratak spoj.

U slučaju bilo kakvog oštećenja površine (npr. vidljive naprsline), odmah isključite proizvod da biste smanjili opasnost od električnog udara.

Staklokeramička ploča za kuvanje je opremljena svetlom za rad i signalnom lampicom upozorenja za vruću zonu.

Signalna lampica upozorenja za vruću zonu označava status aktivne zone i ostaje upaljena nakon što je ringla isključena. Kada se ringla ohladi do mere kada može biti dodirnuta rukom, signalna lampica upozorenja se isključuje. Treperenje signalne lampice upozorenja za vruću zonu ne predstavlja kvar.

**Uključivanje keramičkih ringli**

Dugme za podešavanje toplote se koristi za upravljanje ringlom. Da biste dobili željenu toplotu, dugme za podešavanje toplote ringle okrenite na odgovarajuću jačinu.

Jačina kuvanja	1	2 — 3	4 — 6
	zagrevanje	dinstanje, ključanje	kuvanje, prženje, kuvanje

Isključivanje keramičkih ringli

Okrenite dugme za ringlu u položaj „ISKLJUČENO“ (gore).

6 Održavanje i nega

Opšte informacije

Servisni vek trajanja ovog proizvoda će se produžiti i učestalosti problemi će se smanjiti ako se uređaj redovno čisti.



OPASNOST:

Isključite proizvod iz struje pre nego što započnete radove održavanja i čišćenje. Postoji opasnost od električnog udara!



OPASNOST:

Pre čišćenja sačekajte da se proizvod ohladi. Vruće površine mogu da prouzrokuju opekotine!

- Temeljno očistite uređaj posle svake upotrebe. Na taj način će biti moguće lakše ukloniti ostatke od kuvanja i izbeći njihovo obgorevanje pri sledećoj upotrebi uređaja.
- Za čišćenje nisu potrebna specijalna sredstva za čišćenje. Koristite toplu vodu i tečnost za pranje, meku tkaninu ili sunder za čišćenje uređaja i obrišite ga suvom tkaninom.
- Uvek se pobrinite da višak tečnosti nakon čišćenja bude temeljno obrisano i prosipano tečnost odmah uklonjena brisanjem.
- Nemojte koristiti sredstva za čišćenje koja sadrže kiselinu ili hlorid za čišćenje nerđajućih ili inox površina i ručice. Koristite mekanu tkaninu sa tečnim deterdžentom (ne abrazivnim) za brisanje tih delova, vodeći računa da brišete u jednom smeru.



Prilikom upotrebe nekih deterdženata ili sredstava za čišćenje mogla bi da se ošteti površina.

Ne koristite agresivne deterdžente, praškove/tečnosti za čišćenje ili oštre predmete tokom čišćenja.



Ne koristite paročistače za čišćenje uređaja da ne biste izazvali električni udar.

Čišćenje ploče za kuvanje

Staklokeramička površina

Obrišite staklokeramičku površinu (vitrokeramičku površinu) hladnom vodom, obračavajući pažnju da ne ostavljate zaostala sredstva za čišćenje, i osušite mekom krpom. Ostaci mogu oštetiti staklokeramičku površinu prilikom sledećeg korišćenja ploče za kuvanje. Osušene ostatke na staklokeramičkoj površini (vitrokeramičkoj površini) ne bi nikako trebalo strugati noževima, čeličnom vunom ili sličnim alatima.

Uklonite tragove kamenca (žute mrlje) komercijalno dostupnim sredstvom za skidanje kamenca ili malom količinom sredstva za skidanje kamenca kao što je sirće ili sok od limuna.

Ako je površina jako zaprljana, nanesite sredstvo za čišćenje na sunder i sačekajte da dobro upije. Zatim vlažnom tkaninom očistite površinu ploče za kuvanje.



Slatka hrana, kao što su kremovi i sirupi, mora se odmah očistiti i ne sme se čekati da se površina ohladi. U suprotnom, može doći do trajnog oštećenja staklokeramičke površine.

Vremenom može doći do blagog bleđenja boje na zaštitnom sloju i drugim površinama. Ovo ne utiče na rad uređaja.

Bleđenje boje i mrlje na staklokeramičkoj površini su normalna pojava, a ne oštećenje.

Čišćenje komandne table

Komandnu tablu i obrtnu dugmad očistite vlažnom krpom i osušite brisanjem.



Ako je vaš proizvod opremljen tasterima/dugmadima, ne uklanjajte kontrolnu dugmad radi čišćenja komandne table.

Komandna tabla može da se ošteti!

7 Otklanjanje kvarova

Proizvod emituje metalni zvuk (buka) tokom grejanja i hlađenja.

- Kada se zagrevaju metalni delovi, može doći do njihovog širenja i izvešnog šuma. >>> *To nije kvar.*

Proizvod ne radi.

- Osigurač napajanja je pregoreo ili je reagovao. >>> *Proverite osigurače u kutiji sa osiguračima. Ako je potrebno, zamenite ih ili ih resetujte.*
- Proizvod nije priključen na (uzemljenu) utičnicu. >>> *Proverite utikač.*

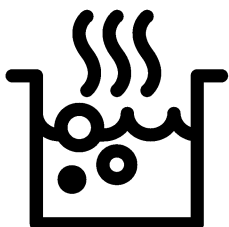


Posavetujte se sa ovlašćenim serviserom ili distributerom na mestu kupovine proizvoda ukoliko ne možete da rešite problem i pored primene navedenih uputstava. Nikad ne pokušavajte sami da popravite neispravan proizvod.



Плоча за вградување

Упатство за корисникот



МК

Прочитајте го ова упатство прво!

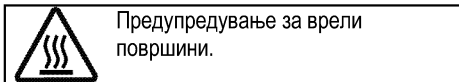
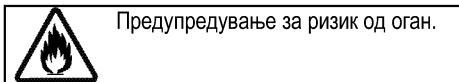
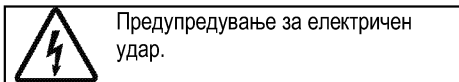
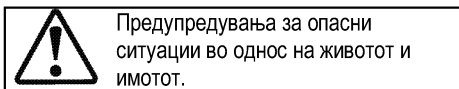
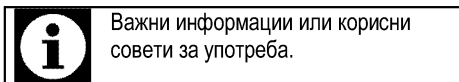
Почитуван потрошувачу,

Ви благодариме што избравте производ на Веко. Се надеваме дека производот ќе ви служи најдобро за намената за која е произведен со висок квалитет и со врвна технологија. Затоа, внимателно прочитајте ги целото упатство за корисникот и сите други придружни документи пред да го користите производот и зачувајте го за идни осврти. Ако го давате производот на некој друг, дајте му го и упатството за употреба. Следете ги сите предупредувања и информации во ова упатство за корисникот.

Запомнете дека ова упатство може да е исто и за неколку други модели. Разликите меѓу моделите ќе бидат посочени во упатството.

Објаснување на симболите

Следните симболи се употребени во ова упатство за употреба:



Arçelik A.Ş.
Karaağaç caddesi No:2-6
34445 Sütlüce/İstanbul/TURKEY
Made in TURKEY

1	Важни упатства и предупредувања за безбедноста и за животната средина	4
	Општа безбедност	4
	Електрична безбедност.....	4
	Безбедност на производот.....	5
	Наменета употреба.....	7
	Безбедност за децата	7
	Фрлање на стариот производ	7
	Фрлање на материјалот за пакување	8
	Фрлање на стариот производ	8
2	Општи информации	9
	Преглед	9
	Технички спецификации.....	10
3	Инсталација	11
	Пред поставување	11
	Поставување и поврзување	12
4	Подготовка	15
	Совети за штедење енергија.....	15
	Првична употреба	15
	Прво чистење на производот	15
5	Како Се Користи Плочата	16
	Општи информации за готвењето.....	16
	Употреба на плочата	17
6	Одржување и грижа	18
	Општи информации.....	18
	Чистење на плочата	18
	Чистење на контролниот панел.....	18
7	Решавање проблеми	19

1 Важни упатства и предупредувања за безбедноста и за животната средина

Ова поглавје содржи безбедносни упатства што ќе ви помогнат да се заштитите од ризик за лична повреда или оштетување на имотот. Непочитувањето на овие упатства ја поништува гаранцијата.

Општа безбедност

- Овој уред може да го користат деца што имаат барем 8 години и лица со намалена физичка, чувствителна или ментална способност или со недостаток на искуство или познавања само ако не се под надзор или ако им се дадат упатства за употреба на апаратот за да може да го користат на безбеден начин и само ако ги разбрале сите опасности.
Децата не смее да си играат со апаратот. Чистењето и одржувањето не смеат да го прават деца без надзор.
- Уредот не е наменет да го користат лица (вклучително и деца) со намалена физичка, сензорна или ментална способност или со недостаток на искуство или познавања, освен ако не се под надзор или ако им се дадат упатства.

Децата под надзор не смее да си играат со уредот.

- Доколку производот се дава на некој друг за лична употреба или за повторна употреба (на старо), тој се дава заедно со прирачникот за користење, ознаките на производот и другите релевантни документи и делови.
- Поставувањето и поправката мора да ги изведе овластен сервисер. Производителот нема да се смета за одговорен за оштетувања што се појавиле заради постапки што ги извеле неовластени лица и истото може да ја поништи гаранцијата. Внимателно прочитајте го упатството пред поставување.
- Не вклучувајте го производот ако е расипан или има видливо оштетување.
- Проверете дали регулаторите за функциите на производот се исклучени по секоја употреба.

Електрична безбедност

- Ако производот има дефект, не треба да се вклучува освен ако не бил поправен во Овластен сервис. Постои ризик од струен удар!

- Поврзете го производот само за штекер/линија со заземјување со напон и заштита како што е наведено во „Технички спецификации“. Инсталацијата за заземјувањето треба да ја направи квалификуван електричар ако го користите производот со или без трансформатор. Нашата компанија нема да биде одговорна за какви било проблеми што ќе се случат заради тоа што производот не бил заземјен во согласност со локалните регулативи.
- Никогаш не мијте го производот со истурање или прскање вода по него! Постои ризик од струен удар!
- Производот мора да се исклучи од струја за време на поставување, одржување, чистење или поправка.
- Ако кабелот за напојување на производот е оштетен, мора да биде заменет од страна на производителот, овластениот сервисер или слично квалификувано лице за да се избегне опасност од секаков вид.
- Производот мора да се постави на начин којшто ќе овозможува комплетно

исклучување со струја. Разделникот мора да постави кај главниот приклучок или како прекинувач вграден во фиксната електрична инсталација во согласност со регулативите за градба.

- Секоја работа на електричната опрема и на системите смее да ја изведува само овластено и квалификувано лице.
- Во случај на оштетување, исклучете ја рерната и исклучете ја од довод на ел. напојување. За да го направите ова, исклучете ги осигурувачите дома.
- Проверете дали номиналната вредност на осигурувачот е компатибилна со производот.

Безбедност на производот

- **ПРЕДУПРЕДУВАЊЕ:** Уредот и достапните делови стануваат врели во текот на употребата. Треба да внимавате децата да не ги допираат врелите елементи. Децата помали од 8 години треба да се држат настрана освен ако не сте под надзор.
- Не користете го производот кога резонирањето или координацијата се попречени од употреба на алкохол и/или лекаства.

- Внимавајте кога користите алкохолни пијалаци во јадењата. Алкохолот испарува на високи температури и може да предизвика оган бидејќи ќе се запали кога ќе дојде во контакт со врели површини.
- Проверете дали има запаливи материјали близу до производот бидејќи страните стануваат врели при употреба.
- Оставете ги сите отвори за вентилација слободни и без препреки.
- Не користете чистачи на пареа за да го исчистите апаратот бидејќи тие може да предизвикаат електричен удар.
- ПРЕДУПРЕДУВАЊЕ: Готвење на плотна со маст или масло и без надзор може да биде опасно и да предизвика пожар. НИКОГАШ не обидувајте се да го изгаснете огнот со вода, туку исклучете го апаратот и потоа покријте го пламенот, на пр. со капак или противпожарно ќебе.
- ВНИМАНИЕ: Процесот на готвење треба да се надгледува. Краткорочниот процес на готвење треба да се надгледува постојано.
- ПРЕДУПРЕДУВАЊЕ: Опасност од пожар: Не ставајте предмети на површините за готвење.
- ПРЕДУПРЕДУВАЊЕ: Ако површината е напукната, исклучете го апаратот за да ја избегнете можноста од електричен удар.
- Ако се скрши стаклената плоча: Веднаш исклучете ги сите горилници и сите делови што се напојуваат со ел. струја и изолирајте го производот од струја. Не допирајте ја површината на производот. Не користете го производот..
- Уредот не е наменет да се контролира со надворешен тајмер или со засебен систем за далечинска контрола.
- Притисокот на пареата што се појавува заради влагата на површината на плотната или на дното на тенџерето може да предизвикаат движење на тенџерето. Затоа, проверете дали површината на рерната и дното на тенџерињата се секогаш суви.
- ПРЕДУПРЕДУВАЊЕ: Користете само заштити за плочата што ги дизајнирал или ги препорачува производителот на шпоретот во упатството за употреба како соодветна заштита.

Употребата на несоодветна заштита може да доведе до несреќи.

За да обезбедите апаратот да не предизвика пожар:

- Проверете дали приклучокот соодветствува со штекерот и не предизвикува искрење,
- Не користете оштетен, пресечен или продолжен кабел. Користете го само оригиналниот кабел,
- Проверете дали има течност или влага во штекерот каде што е приклучен производот,

Наменета употреба

- Овој производ е наменет за домашна употреба. Не е дозволена комерцијална употреба.
- **ВНИМАНИЕ:** Овој апарат е наменет само за готвење. Не смее да се користи за други намени, на Пример за загревање на просторија.
- Производителот нема да биде одговорен за каква било штета што ќе биде предизвикана од неправилна употреба или ракување.

Безбедност за децата

- **ПРЕДУПРЕДУВАЊЕ:**
Достапните делови стануваат врели во текот на употребата.

Децата треба да се држат настрана.

- Материјалите за пакување се опасни за децата. Држете ги материјалите за пакување настрана од децата. Фрлете ги сите делови на пакувањето во согласност со стандардите за животна средина.
- Електричните производите се опасни за децата. Држете ги децата подалеку од производот кога тој работи и не дозволувајте им да си играат со него.
- Не ставајте никакви предмети врз апаратот што може да ги дофатат децата.

Фрлање на стариот производ

Усогласување со Директивата за фрлање на електронска и електрична опрема и за одлагање на отпадот:



Овој отпад е усогласен со Директивата на ЕУ за фрлање на електронска и електрична опрема (2012/19/EU). Овој производ го носи симболот за класификација на отпадот од електрична и електронска опрема (WEEE).

Овој производ е произведен со многу квалитетни делови и материјали коишто може да се користат одново и се соодветни за рециклирање. Не фрлајте го производот со нормалниот домашен отпад и со друг отпад кога веќе нема да го користите. Однесете го во собирен центар за рециклирање на електрична и електронска опрема. Консултирајте се со властените тела во општината за да дознаете каде има собирни центри.

Усогласување со Директивата за ограничување на опасните материи:

Производот што го купивте е усогласен со отпад е усогласен со Директивата за ограничување на опасните материи (2011/65/EU). Не содржи штетни и забранети материјали коишто се наведени во Директивата.

Фрлање на материјалот за пакување

- Материјалот од пакувањето е опасен за децата. Чувајте го на безбедно место и подалеку од дофат на деца. Пакувањето на производот е произведен од рециклирачки материјал. Фрлете го правилно и сортирајте го во согласност со упатствата за

рециклирање отпад. Не фрлајте го со домашниот отпад.

Фрлање на стариот производ

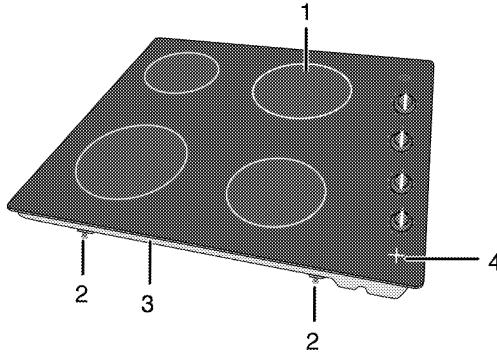
- Чувајте го оригиналното пакување и транспортирајте го производот во него. Следете ги упатствата на пакувањето. Ако немате оригинално пакување, спакувајте го производот во меуреста пластична опаковка или тврд картон и залепете го со селотејп цврсто.



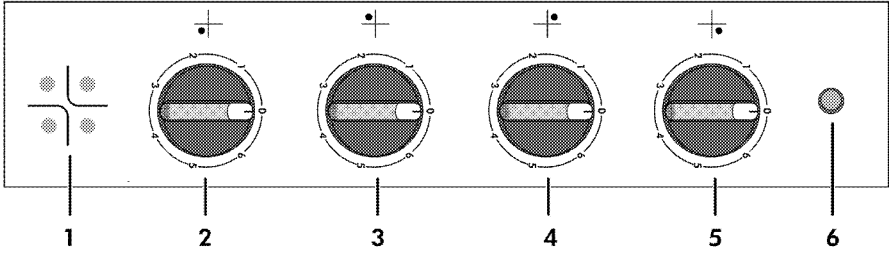
Проверете го општиот изглед на производот за да видите дали има оштетувања што настанале при транспортот.

2 Општи информации

Преглед



- | | | | |
|---|--------------------------------|---|--|
| 1 | Плотна за готвење со еден круг | 3 | Капак за основата |
| 2 | Стегач за составување | 4 | Светилка на индикаторот за врела плоча |



- | | | | |
|---|---|---|---|
| 1 | Светилка на индикаторот за врела плоча | 4 | Плотна за готвење со еден круг Позади лево |
| 2 | Плотна за готвење со еден круг Напред десно | 5 | Плотна за готвење со еден круг Позади десно |
| 3 | Плотна за готвење со еден круг Напред лево | 6 | Предупредувачка светилка |

Технички спецификации

Напон / фреквенција	220-240 V/380-415V 2N ~ 50 Hz
Вкупна потрошувачка на ел. енергија	5800 W
Вид кабел / секција	мин.H05V2V2-F 3 x 2,5 мм. ²
Надворешни димензии (височина / широчина / длабочина)	71 мм./580 мм./510 мм.
Димензии за инсталација (широчина / длабочина)	560 мм. (+2)/490 мм. (+2)
Горилници	
Напред десно	Плотна за готвење со еден круг
Димензија	140 мм.
Напојување	1200 W
Напред лево	Плотна за готвење со еден круг
Димензија	180 мм.
Напојување	1700 W
Позади лево	Плотна за готвење со еден круг
Димензија	140 мм.
Напојување	1200 W
Позади десно	Плотна за готвење со еден круг
Димензија	180 мм.
Напојување	1700 W



Техничките спецификации може да се менуваат без претходно известување со цел да се подобри квалитетот на производот.



Сликите во ова упатство се шематски и можеби нема да соодветствуваат со вашиот производ.



Вредностите што се дадени на табличките на производите или во придружната документација се добиени во лабораториски услови во согласност со соодветните стандарди. Овие вредности може да варираат во зависност од работните и средишните услови за производот.

3 Инсталација

Производот мора да го инсталира квалификувано лице во согласност во регулативите за ел.

Производителот нема да се смета за одговорен за оштетувања што се појавиле заради постапки што ги извеле неовластени лица.



Производот мора да го постави квалификувано лице во согласност со важечките регулативи. Во спротивно, гаранцијата ќе се поништи. Подготовката на локацијата и електричната инсталација за производот е одговорност на потрошувачот.



ОПАСНОСТ:

Производот мора да се постави во согласност со локалните закони за плин и напојување со ел. енергија.



ОПАСНОСТ:

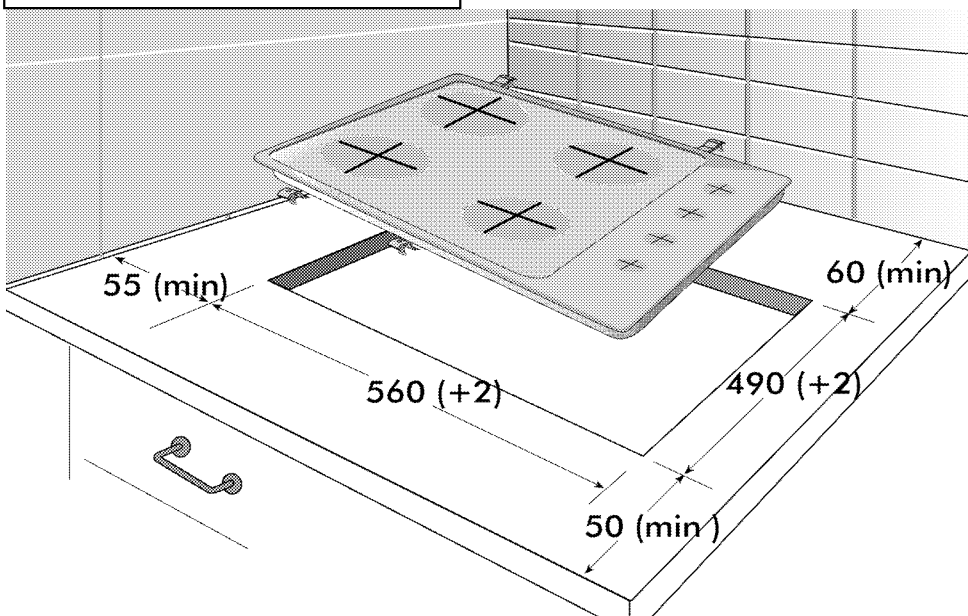
Пред поставување, проверете го производот визуелно за да видите дали има оштетувања. Ако има, не поставувајте го.

Оштетените производи предизвикуваат безбедносен ризик.

Пред поставување

Плочата е дизајнирана за поставување на комерцијална работна површина. Безбедносно растојание мора да се остави меѓу апаратот и ѕидовите и елементите во кујната. Погледнете ја сликата (вредности во мм.).

- Може да се користи и самостојно поставен. Оставете минимално растојание од 750 мм над површината на плочата.
- (*) Ако се поставува аспиратор над шпоретот, погледнете ги упатствата на производителот за аспираторот во однос на висината за поставување (минимум 650 мм).
- Тргнете ги материјалот за пакување и транспортните брави.
- Површините, синтетичките ламинати и плочките мора да бидат отпорни на топлина (минимум 100 °C).
- Работната површина мора да биде порамнета и фиксирана хоризонтално.
- Отворете отвор за плочата во работната површина според димензиите за поставување.



Поставување и поврзување

- Производот смее да се постави и поврзе само во согласност со статутарните правила за поставување.



Не инсталирајте ја плоча со остри рабови или агли.
Постои ризик од кршење на стаклената керамичка површина!

Електрично поврзување

Поврзете го производот за заземјен штекер / довод на струја којшто е обезбеден со минијатурен автоматски осигурувач со соодветен капацитет како што е посочено во табелата „Технички спецификации“. Инсталацијата за заземјувањето треба да ја направи квалификуван електричар ако го користите производот со или без трансформатор. Нашата компанија нема да биде одговорна за какви било оштетувања што ќе се случат заради употреба на производот без инсталација со заземјување во согласност со локалните регулативи.



ОПАСНОСТ:

Производот мора да се поврзе со систем за дистрибуција на струја само од страна на овластено квалификувано лице.
Гарантниот производ на производот започнува по правилно вклучување.
Производителот нема да се смета за одговорен за оштетување што се појавило заради постапки што ги извеле неовластени лица.



ОПАСНОСТ:

Кабелот за напојување не смее да се приклучува, превиткува или притиснува или да се допира со врелите делови на апаратот.
Оштетениот кабел за напојување мора да се замени од страна на квалификуван електричар. Инаку, постои ризик од електричен удар, краток спој или пожар со непрофесионални поправки!

- Поврзувањето мора да биде усогласено со државните регулативи.
- Податоците за довод на ел. енергија мора да соодветствуваат со податоците што се дадени на плочката со номинални вредности на апаратот. Плочката со номинални вредности е позади, на кукиштето на производот.

- Кабелот за напојување за производот мора да е усогласен со вредностите во табелата „Технички спецификации“.



ОПАСНОСТ:

Пред започнување на каква било работа со електричната инсталација, исклучете го апаратот од довод на ел. енергија.
Постои ризик од струен удар!

Поврзување на кабелот за напојување

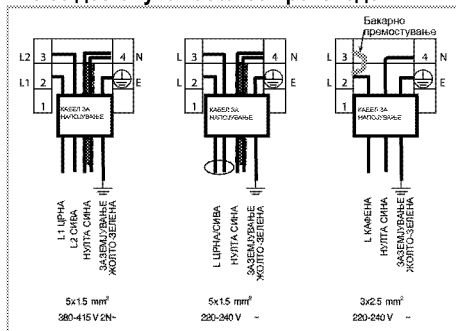


Додека се поврзуваат жиците, мора сè да биде во согласност со националните/локалните регулативи за електрика и мора да се употребуваат соодветните штекери/линии и приклучоци за рерна. Во случај кога моќноста на производот е ограничена на помала вредност од капацитетот на приклучокот и штекерот/линијата да пренесуваат струја, мора производот да се поврзе преку фиксна електрична инсталација директно без да се употребува приклучок и штекер/линија.


- Ако не е можно да се исклучат сите полови во кабелот, мора да се поврзе уред за исклучување со најмалку од 3 мм. зазор меѓу контактите (осигурувачи, безбедносни прекинувачи, контакти) и сите полови во овој уред за исклучување мора да во опсегот на (не повеќе) овој уред во согласност со регулативите на Европската унија.
Непочитувањето на ова упатство може да предизвика проблеми во работата и да ја поништи гаранцијата за производот.


Се препорачува дополнителна заштита од преостаната струја во прекинувачот на колото.

Ако се доставува кабел со производот:




- За монофазно поврзување, поврзете ги жиците како што е посочено подолу:
 - Кафена/Црна жица - L (фаза)


- Сина/сива жица = N (нулта)
 - Зелено/жолта жица = (E)  (заземјување)
- » или

- сива/Црна жица - L (фаза)
- Сина/Кафена жица = N (нулта)
- Зелено/жолта жица = (E)  (заземјување)

3. **За двофазно поврзување**, поврзете ги жиците како што е посочено подолу:

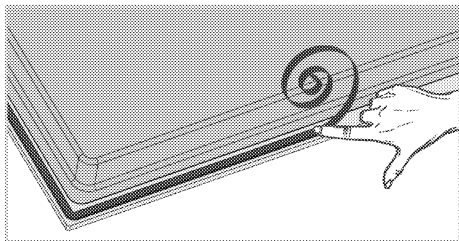
- Кафена жица = L1 или L2 (фаза 1 или фаза 2)
- Црна жица = L2 или L1 (фаза 2 или фаза 1)
- Сина/сива жица = N (нулта)
- Зелено/жолта жица = (E)  (заземјување)

» или

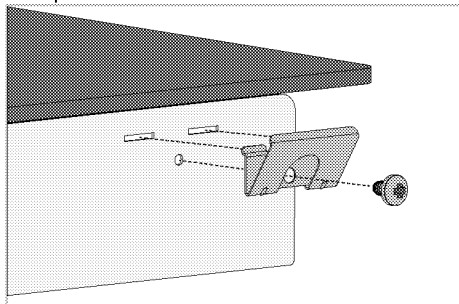
- Црна жицаа = L1 (фаза 1)
- сива жиц = L2 (фаза 2)
- Сина/Кафена жица = N (нулта)
- Зелено/жолта жица = (E)  (заземјување)


Инсталација на производот


1. Ставете ја плочата на рамна површина превртувајќи ја.
2. Кога ја монтирате плотната, ставете ја заптивката околу плотната што доаѓа во пакувањето како што е прикажано на следната слика и погрижете се да биде 1 до 2 mm навнатре во однос на надворешниот раб на стаклото.



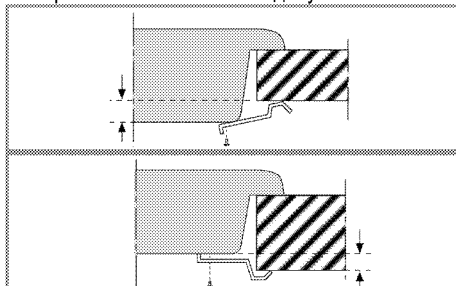
3. Фиксирајте ги пружините за вградување со тоа што ќе ги вметнете и зашрафите во дупките на дното на кукиштето, како што е прикажано на сликата.




 Во зависност од моделот, вашиот производ може веќе да има монтирачки пружини.

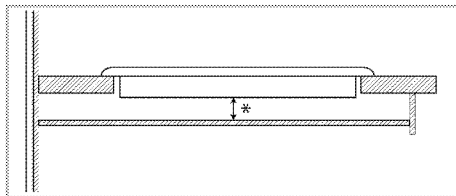
 Бројот на пружини за монтирање на вашиот производ зависи од моделот.

4. Поставете ја плочата врз работната површина и порамнете ја.
5. Кога површината за готвење се поставува на работна површина, таа лесно се фиксира со помош на стегачи. Ако димензиите на работната површина не се соодветни, 2 стегача за монтирање може да се фиксираат на предната страна на производот, како што е прикажано на сликата подолу.



 Кога поставувате плоча врз елемент, мора да се постави рамка со цела да се оддели елементот од плочата како што е посочено на сликата погоре. Ова не е потребно кога се поставува врз вградена рерна.

На пример, ако е можно да се допре долната страна на производот откако ќе се инсталира врз елементот, овој дел мора да се покрие со дрвена плоча.

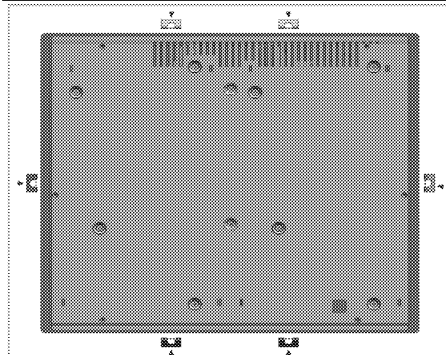


* мин. 15 мм.

Заден изглед (отвори за поврзување)



Локациите на дупките за поврзување прикажани на сликата подолу се шематски, можат да варираат во зависност од моделот на производот. Средете ги според дупките за поврзување на вашиот производ.



ОПАСНОСТ:

Поврзување за различни отвори не е добра работа во услови на безбедност, бидејќи со тоа може да се оштетат плинскиот и електричниот систем.



ОПАСНОСТ:

Плочата има компоненти што работат на плин или струја. Затоа, плочата треба да се фиксира само на работна површина преку дупките за фиксирање, користејќи ги само доставените елементи и шrafoви за обезбедување и како што е посочено во упатството. Во спротивно, ќе претставува опасност по животот и имотот.



Бројот на пружини за монтирање на вашиот производ зависи од моделот.

Конечна проверка

1. Работете со производот.
2. Проверете ги функциите.

4 Подготовка

Совети за штедење енергија

Следните совети ќе ви помогнат да го користите производот на еколошки начин и да штедите енергија:

- Одмрзнете ги замрзнатите јадења пред да ги готвите.
- Користете тенџериња / тави со капац за готвење. Ако нема капак, потрошувачката на енергија се зголемува за 4 пати.
- Изберете го горилникот што е соодветен за долната страна на тенџерето што го користите. Секогаш избирајте ја точната големина на тенџерињата за јадењата. Поголемите тенџериња бараат повеќе енергија.
- Избирајте тенџериња со рамни дна кога готвите на електрична плотна. Тенџериња со дебело дно обезбедуваат подобра искористеност на топлината. Може да постигнете енергетска заштеда до 1/3.
- Садовите и тенџерињата мора да се компатибилни со зоните за готвење. Дното

на садовите или тенџерињата не смее да биде помало од плотната.

- Одржувајте ги зоните за готвење и дното на тенџерињата чисти. Нечистотијата ја зголемува потрошувачката на топлина меѓу зоната за готвење и дното на тенџерето.
- За долго готвење, исклучете ја зоната за готвење 5 или 10 минути пред истекување на времето за готвење. Може да постигнете енергетска заштеда до 20% со користење на преостанатата топлина.

Првична употреба

Прво чистење на производот



Површината може да се оштети со детергенти и средства за чистење. Не користете агресивни средства за чистење, прашок за чистење / течности или остри предмети при чистењето.

1. Извадете го целиот материјал за пакување.
2. Избришете ги површините на производот со влажна крпа или сунѓер и исушете ги со крпа.

5 Како Се Користи Плочата

Општи информации за готвењето



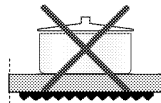
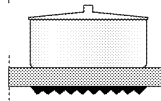
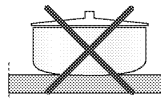
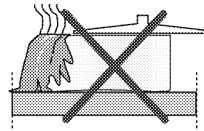
Никогаш не полнете го садот за готвење со масло повеќе од една третина. Не оставајте ја плочата без надзор кога загревате масло. Прегреаното масло претставува ризик од оган. **Никогаш не обидувајте се да изгаснете можниот оган со вода!** Ако маслото се запали, покријте го со противпожарно ќебе или влажна крпа. Исклучете ја плочата ако е безбедно и повикајте противпожарна служба.

- Пред да пржите храна, секогаш исушете ја добро и внимателно ставете ја во врелото масло. Обезбедете комплетно растопување на замрзнатата храна пред пржењето.
- Не покривајте го садот што го користите за загревање масло.
- Поставете ги тавите и тенџерињата така што рачките нема да ја прекриваат плочата за да се спречи нивно загревање. Не ставајте нерамни и садови што се клатат врз плочата.
- Не ставајте празни тави и тенџериња на вклучени зони за готвење. Може да се оштетат.
- Вклучување зона за готвење без сад или тава врз неа ќе предизвика оштетување на производот. Исклучете ги зоните за готвење откако ќе завршите со готвење.
- Не ставајте пластични и алуминиумски садови врз површината бидејќи истата може да стане врела. Веднаш исчистете ги сите стопени материјали врз површината. Таквите садови не смее да се користат ниту за чување храна.
- Користете само садови и тави со рамна површина.
- Ставете соодветна количина храна во тавите и тенџерињата. Така, нема да има потреба од непотребно чистење ако спречите излевање на садовите. Не ставајте капаци на тавите или тенџерињата на зоните за готвење.

Ставете ги тавите во центарот на зоната за готвење. Ако сакате да поместите тава на друга зона за готвење, подигнете ја и ставете ја врз саканата зона за готвење наместо да ја влечете.

Совети за стакло-керамички плочи

- Стакло-керамичката површина е отпорна на топлина и не е повлијаена од големи температурни разлики.
- Не користете ја стакло-керамичката површина како место за складирање ниту како плоча за сечење.
- Користете само тави и тенџериња со машински обработени дна. Острите рабови може да предизвикаат гребаници на површината.
- Не користете алуминиумски садови и тави. Алуминиумот ја оштетува стакло-керамичка плоча.



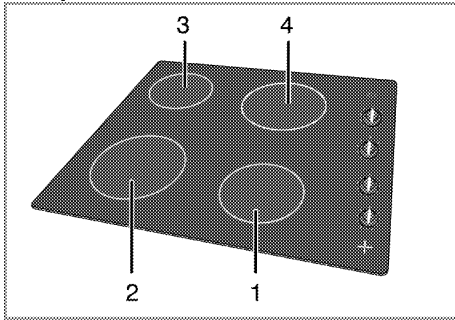
Истекувањата може да ја оштетат стакло-керамичката плоча и да предизвикаат пожар.

Не користете садови со испакнати или вдлабнати дна.

Користете само тави и тенџериња со рамни дна. Тие обезбедуваат полесно распределување на топлината.

Залудно ќе се троши енергија ако дијаметарот на тавата е многу мал.

Употреба на плочата



- 1 Плотна за готвење со еден круг 14-16цм.
- 2 Плотна за готвење со еден круг 18-20цм.
- 3 Плотна за готвење со еден круг 14-16цм.
- 4 Плотна за готвење со еден круг 18-20 цм. е список со препорачани дијаметри на садови за готвење што треба да се користат со соодветни горилници.



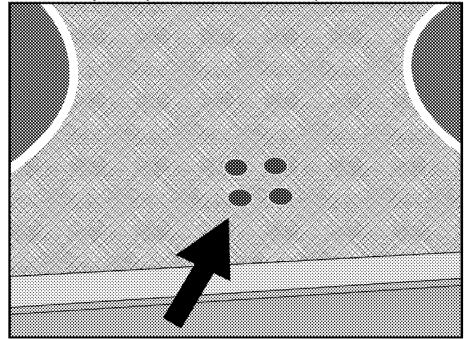
ОПАСНОСТ:

Не дозволувајте да паѓаат предмети врз плочата. Дури и мали предмети, како што е соларникот, може да ја оштетат плочата. Не употребувајте напукнати плочи. Водата може да навлезе во пукнатините и да предизвика краток спој.

Во случај на какво било оштетување на површината (на пр. видливи пукнатини), исклучете го производот веднаш за да се намали ризикот од електричен удар.

Стаклено-керамичката плоча е опремена со сијаличка за работа и со индикатор за предупредување за врела зона.

Предупредувачкиот индикатор за врела зона го посочува статусот на активната зона и свети дури и кога ќе се исклучи плочата. Кога температурата на плочата ќе се намали до ниво коешто може да се допре со рака, предупредувачкиот сигнал се гаси. Трепкањето на предупредувачкиот индикатор за врела зона не е дефект.



Вклучување на керамичките плочи

Регулаторите за контрола на плочата се користат за работа со зоните. За да го добиете саканото ниво за готвење, свртете го регулаторот за контрола на зоната на соодветното ниво.

Ниво на готвење	1	2 — 3	4 — 6
	греење	динстање, готвење	варење, печење, вриење

Исклучување на керамичките плочи

Свртете го регулаторот за зоната во позиција за ИСКЛУЧЕНО (нагоре).

6 Одржување и грижа

Општи информации

Векот на траење ќе се продолжи, а честите проблеми ќе се намалат ако производот се чисти редовно.



ОПАСНОСТ:

Исклучете го производот од довод на ел. енергија пред одржување и чистење. Постои ризик од струен удар!



ОПАСНОСТ:

Оставете апаратот да се излади пред чистење.

Врелите површини предизвикуваат изгореници!

- Чистете го производот темелно по секоја употреба. На тој начин остатоците од готвење ќе се отстранат полесно и ќе се избегне нивно горење при следниот пат на вклучување на апаратот.
- Не се потребни специјални средства за чистење за производот. Користете топла вода со средство за миење, мека крпа или сунѓер за чистење на производот и избришете со сува крпа.
- Секогаш избришете ја прекумерната течност темелно по чистењето, а секое претекување мора веднаш да се избрише.
- Не користете средства за чистење што содржат киселина или хлорид за чистење на површините од не`рѓосувачки челик или од инокс, како и рачките. Користете мека крпа со течен детергент (но не абразив) за да ги исчистите овие површини обрнувајќи внимание да бришете во еден правец.



Површината може да се оштети со детергенти и средства за чистење. Не користете агресивни средства за чистење, прашок за чистење / течности или остри предмети при чистењето.



Не користете чистачи на пара за да го исчистите апаратот бидејќи тие може да предизвикаат електричен удар.

Чистење на плочата

Стаклено-керамичка плоча

Избришете ја стаклено-керамичката површина (витрокерамика) со студена вода внимавајќи да не оставите средство за чистење и исушете со мека крпа. Остатоците од средството може да ја оштетат стаклено-керамичката плоча кога ќе ја користите следниот пат.

Исушените средства на стаклено-керамичката плоча (витрокерамика) во ниеден случај не смее да се гребат со нож, челична жица или слични алатки.

Отстранете ги флеките од калциум (жолти дамки) со комерцијално средство за отстранување бигор или со мала количина на отстранувач на бигор како што се оцет или сок од лимон.

Ако површината е многу нечиста, ставете средство за чистење на сунѓер и почекајте да апсорбира убаво. Потоа, исчистете ја површината на плочата со влажна крпа.



Храната што содржи шеќер како што се густиот крем и сирупи мора да се исчисти веднаш без да се чека да се излади површината. Во спротивно, стаклено-керамичката плоча ќе се оштети трајно.

Може да дојде до делумно бледнење на бојата на површината или на другите делови со текот на времето. Ова не влијае врз работата на производот.

Бледнењето на бојата и дамките на стаклено-керамичката плоча се нормална состојба и не претставуваат дефект.

Чистење на контролниот панел

Исчистете ги контролниот панел и регулаторите со влажна крпа и избришете ги со сува.



Не отстранувајте ги контролните копчиња/регулатори за да го исчистите контролниот панел. Контролниот панел може да се оштети!

7 Решавање проблеми

Производот емитува звук на метал при загревање и ладење.

- Кога ќе се загрејат металните делови, тие може да се прошират и да предизвикаат бука. >>> *Ова не е грешка.*

Производот не работи.

- Осигурувачот за ел. напојување е расипан или паднал. >>> *Проверете ги осигурувачите во кутијата. Ако е неопходно, заменете ги или активирајте ги одново.*
- Производот не е приклучен во (заземјен) штекер. >>> *Проверете го поврзувањето на приклучокот.*



Консултирајте се со овластен агент за сервисирање или со застапникот од каде што сте го купиле производот ако не можете сами да го решите проблемот иако сте ги примениле упатствата во ова поглавје. Никогаш не обидувајте се сами да го поправате расипаниот уред.

