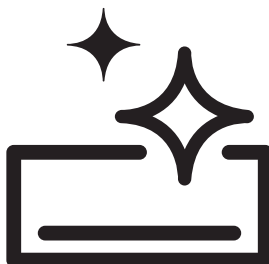




Split type air conditioner

User Manual



BBEPME 090/BBEPME 091

BBEPME 120/BBEPME 121

BBEPME 180/BBEPME 181

EN - BS - SR



10M-8513193200-1325-01

CONTENTS

<u>ENGLISH</u>	<u>3-72</u>
<u>BOSANSKI</u>	<u>73-145</u>
<u>SRPSKI</u>	<u>146-220</u>


Please read this user manual first!

Dear Customer,

Thank you for preferring a Beko product. We hope that you get the best results from your product which has been manufactured with high quality and state-of-the-art technology. Therefore, please read this entire user manual and all other accompanying documents carefully before using the product and keep it as a reference for future use. If you handover the product to someone else, give the user manual as well. Follow all warnings and information in the user manual.

Meanings of the symbols


Following symbols are used in the various section of this manual:

	Important information or useful hints about usage.
--	--


	Warning for hazardous situations with regard to life and property.
--	--


	Warning to actions that must never perform.
--	---


	Warning for electric shock.
---	-----------------------------

	This symbol shows that information is available such as the operating manual or installation manual.
--	--

	Do not cover it.
--	------------------

	This symbol shows that the operation manual should be read carefully.
---	---

	This symbol shows that a service personnel should be handling this equipment with reference to the installation manual.
---	---

 (For R32/R290 gas type)	This symbol shows that this appliance used a flammable refrigerant. If the refrigerant is leaked and exposed to an external ignition source, there is a risk of fire.
---	---

CONTENTS

1	Safety precautions	6
2	Confirmed it before you get started	15
3	Get to know your AC	17
3.1	Indoor unit display	17
3.2	Note on louver angles	20
3.3	Setting left and right air flow (Manual operation)	21
3.4	Install the HomeDirect kit (wireless module)	21
4	Care and maintenance	22
5	Troubleshooting	25
5.1	Common Issues	25
6	Let's start installing your AC	31
7	Installation overview	33
8	Installation summary - indoor unit	34
9	Install your indoor unit	35
9.1	Select installation location	35
9.2	Drill wall hole for connective piping	36
9.3	Install refrigerant pipe & drain hose	40
9.4	Electrical work preparation	42
9.5	Wrap piping & Cables	46
9.6	Mount indoor unit	47
10	Install your outdoor unit	49
10.1	Select installation location	49
10.2	Install drain joint (Heat pump unit only)	51
10.3	Anchor outdoor unit	52
10.4	Connect signal and power cables	53

CONTENTS

11 Refrigerant piping connection	55
11.1 Piping connection instructions	55
11.2 Connecting Piping to Indoor Unit	57
11.3 Connecting piping to outdoor unit.	58
12 Air evacuation	60
12.1 Evacuation instructions.	61
12.2 ADDITIONAL REFRIGERANT PER PIPE LENGTH	63
13 Electrical and gas leak checks	64
13.1 Electrical safety checks.	64
13.2 Before test run	64
13.3 During test run	64
13.4 Gas leak checks	65
14 Test run	66
14.1 Test run instructions	66
15 Packing and unpacking the unit	67
16 European disposal guidelines	68
17 F-Gas instruction	69
18 Specifications	70

Warning

This appliance can be used by children aged from 8 years and above and persons with reduced physical, sensory or mental capabilities or lack of experience and knowledge if they have been given supervision or instruction concerning use of the appliance in a safe way and understand the hazards involved. Children shall not play with the appliance. Cleaning and user maintenance shall not be made by children without supervision (European Union countries).

Children shall not play with the appliance. Cleaning and user maintenance shall not be made by children without supervision (European Union countries).

This appliance is not intended for use by persons (including children) with reduced physical, sensory or mental capabilities, or lack of experience and knowledge, unless they have been given supervision or instruction concerning use of the appliance by a person responsible for their safety.

Children should be supervised to ensure that they do not play with the appliance.

Warnings for product use

- If an abnormal situation arises (like a burning smell), immediately turn off the unit and disconnect the power. Call your dealer for instructions to avoid electric shock, fire or injury.
- **Do not** insert fingers, rods or other objects into the air inlet or outlet. This may cause injury, since the fan may be rotating at high speeds.
- **Do not** use flammable sprays such as hair spray, lacquer or paint near the unit. This may cause fire or combustion.
- **Do not** operate the air conditioner in places near or around combustible gases. Emitted gas may collect around the unit and cause explosion.

- **Do not** operate your air conditioner in a wet room such as a bathroom or laundry room. Too much exposure to water can cause electrical components to short circuit.
- **Do not** expose your body directly to cool air for a prolonged period of time.
- **Do not** allow children to play with the air conditioner. Children must be supervised around the unit at all times.
- If the air conditioner is used together with burners or other heating devices, thoroughly ventilate the room to avoid oxygen deficiency.
- In certain functional environments, such as kitchens, server rooms, etc., the use of specially designed air-conditioning units is highly recommended.

Cleaning and maintenance warnings

- Turn off the device and disconnect the power before cleaning. Failure to do so can cause electrical shock.
- **Do not** clean the air conditioner with excessive amounts of water.
- **Do not** clean the air conditioner with combustible cleaning agents. Combustible cleaning agents can cause fire or deformation.

Caution

- Turn off the air conditioner and disconnect the power if you are not going to use it for a long time.
- Turn off and unplug the unit during storms.
- Make sure that water condensation can drain unhindered from the unit.

- **Do not** operate the air conditioner with wet hands. This may cause electric shock.
- **Do not** use device for any other purpose than its intended use.
- **Do not** climb onto or place objects on top of the outdoor unit.
- **Do not** allow the air conditioner to operate for long periods of time with doors or windows open, or if the humidity is very high.
- **Do not** pull power cord to unplug unit. Hold the plug firmly and pull it from the outlet. Pulling directly on the cord can damage it, which can lead to fire or electric shock.
- **Do not** modify the length of the power supply cord or use an extension cord to power the unit.
- **Do not** share the electrical outlet with other appliances. Improper or insufficient power supply can cause fire or electrical shock.

Electrical warnings

- Only use the specified power cord. If the power cord is damaged, it must be replaced by the manufacturer, its service agent or similarly qualified persons in order to avoid a hazard.
- Keep power plug clean. Remove any dust or grime that accumulates on or around the plug. Dirty plugs can cause fire or electric shock.
- The product must be properly grounded at the time of installation, or electrical shock may occur.
- For all electrical work, follow all local and national wiring standards, regulations, and the Installation Manual. Connect cables tightly, and clamp them securely to prevent external forces from damaging the terminal. Improper electrical

connections can overheat and cause fire, and may also cause shock. All electrical connections must be made according to the Electrical connection diagram located on the panels of the indoor and outdoor units.

- All wiring must be properly arranged to ensure that the control board cover can close properly. If the control board cover is not closed properly, it can lead to corrosion and cause the connection points on the terminal to heat up, catch fire, or cause electrical shock.
- If connecting power to fixed wiring, an all-pole disconnection device which has at least 3mm clearances in all poles, and have a leakage current that may exceed 10mA, the residual current device (RCD) having a rated residual operating

current not exceeding 30mA, and disconnection must be incorporated in the fixed wiring in accordance with the wiring rules.

Take note of fuse specifications

The air conditioner's circuit board (PCB) is designed with a fuse to provide overcurrent protection. The specifications of the fuse are printed on the circuit board, such as:

T3.15AL/250VAC, T5AL/250VAC, T3.15A/250VAC, T5A/250VAC, T20A/250VAC, T30A/250VAC, etc.



Note: For the units using R32 or R290 refrigerant, only the blast-proof ceramic fuse can be used.

1 Safety precautions

HygieneMax(UV-C lamp) (Applicable to the unit contains HygieneMax feature only)

This appliance contains a HygieneMax (UV-C lamp). Please read the following instructions before opening the appliance.

1. Do not operate HygieneMax (UV-C lamp) outside of the appliance.
2. Appliances that are obviously damaged must not be operated.
3. Unintended use of the appliance or damage to the housing may result in the escape of dangerous UV-C radiation. UV-C radiation may, even in small doses, cause harm to the eyes and skin.
4. The appliance must be disconnected from the supply mains before cleaning your unit or any other maintenance.

5. UV-C barriers bearing the ultraviolet radiation hazard symbol should not be removed.



Warning:

This appliance contains an UV emitter. Do not stare at the light source.

Warnings for product installation

1. Installation must be performed by an authorized dealer or specialist. Defective installation can cause water leakage, electrical shock, or fire.
2. Installation must be performed according to the installation instructions. Improper installation can cause water leakage, electrical shock, or fire.

1 Safety precautions

3. Contact an authorized service technician for repair or maintenance of this unit. This appliance shall be installed in accordance with national wiring regulations.
4. Only use the included accessories, parts, and specified parts for installation. Using non-standard parts can cause water leakage, electrical shock, fire, and can cause the unit to fail.
5. Install the unit in a firm location that can support the unit's weight. If the chosen location cannot support the unit's weight, or the installation is not done properly, the unit may drop and cause serious injury and damage.
6. Install drainage piping according to the instructions in this manual. Improper drainage may cause water damage to your home and property.
7. For units that have an auxiliary electric heater, **do not** install the unit within 1 meter (3 feet) of any combustible materials.
8. **Do not** install the unit in a location that may be exposed to combustible gas leaks. If combustible gas accumulates around the unit, it may cause fire.
9. Do not turn on the power until all work has been completed.
10. When moving or relocating the air conditioner, consult experienced service technicians for disconnection and reinstallation of the unit.
11. How to install the appliance to its support, please read the information for details in "indoor unit installation" and "outdoor unit installation" sections.

1 Safety precautions

Note about fluorinated gasses (Not applicable to the unit using R290 Refrigerant)

1. This air-conditioning unit contains fluorinated greenhouse gasses. For specific information on the type of gas and the amount, please refer to the relevant label on the unit itself or the "User Manual - Product Fiche" in the packaging of the outdoor unit. (European Union products only).
2. Installation, service, maintenance and repair of this unit must be performed by a certified technician.
3. Product uninstallation and recycling must be performed by a certified technician.
4. For equipment that contains fluorinated greenhouse gases in quantities of 5 tonnes of CO₂ equivalent or more, but of less than 50 tonnes of CO₂

equivalent, if the system has a leak-detection system installed, it must be checked for leaks at least every 24 months.

5. When the unit is checked for leaks, proper record-keeping of all checks is strongly recommended.

Warning for Using R32/R290 Refrigerant

- When flammable refrigerant are employed, appliance shall be stored in a well-ventilated area where the room size corresponds to the room area as specific for operation.

For R32 refrigerant models:
Appliance shall be installed, operated and stored in a room with a floor area larger than 4m².

For R290 refrigerant models,
appliance shall be installed, operated and stored in a room with a floor area larger than:
<=9000Btu/h units: 13m²

1 Safety precautions

>9000Btu/h and \leq 12000Btu/h units: 17m²

>12000Btu/h and \leq 18000Btu/h units: 26m²

>18000Btu/h and \leq 24000Btu/h units: 35m²

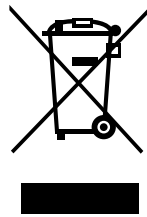
- Reusable mechanical connectors and flared joints are not allowed indoors. (EN Standard Requirements).
- Mechanical connectors used indoors shall have a rate of not more than 3g/year at 25% of the maximum allowable pressure. When mechanical connectors are reused indoors, sealing parts shall be renewed. When flared joints are reused indoors, the flare part shall be re-fabricated. (UL Standard Requirements)
- When mechanical connectors are reused indoors, sealing parts shall be renewed. When flared joints are reused indoors, the flare part shall be

re-fabricated. (IEC Standard Requirements)

- Mechanical connectors used indoors shall comply with ISO 14903.

European disposal guidelines

This marking shown on the product or its literature, indicates that waste electrical and electrical equipment should not be mixed with general household waste.



Correct disposal of this product (Waste electrical & Electronic equipment)

This appliance contains refrigerant and other potentially hazardous materials. When disposing of this appliance, the law requires special collection and treatment. **Do not** dispose of this product as household waste or unsorted municipal waste.

1 Safety precautions

When disposing of this appliance, you have the following options:

- Dispose of the appliance at designated municipal electronic waste collection facility.
- When buying a new appliance, the retailer will take back the old appliance free of charge.
- The manufacturer will take back the old appliance free of charge. (for some countries)
- Sell the appliance to certified scrap metal dealers. (for some countries)



Package information

Packaging materials of the product are manufactured from recyclable materials in accordance with our National Environment Regulations. Do not dispose of the packaging materials together with the domestic or other wastes. Take them to the packaging material collection points designated by the local authorities.

Compliance with RoHS Directive

The product you have purchased complies with EU RoHS Directive (2011/65/EU). It does not contain harmful and prohibited materials specified in the Directive.

Special notice:

Disposing of this appliance in the forest or other natural surroundings endangers your health and is bad for the environment. Hazardous substances may leak into the ground water and enter the food chain.



**Note:****Operating Temperature**

When your air conditioner is used outside of the following temperature ranges, certain safety protection features may activate and cause the unit to disable.

Inverter Split Type

	COOL Mode	HEAT Mode	DRY Mode
Room Temp.	16°C~32°C (60°F~90°F)	0°C~30°C (32°F~86°F)	10°C~32°C (50°F~90°F)
Outdoor Temp.	0°C~50°C (32°F~122°F)	-15°C~24°C (5°F~75°F)	0°C~50°C (32°F~122°F)
	-15°C~50°C (5°F~122°F) For models with low temp. cooling systems.		
	0°C~52°C (32°F~126°F) For special tropical models	-15°C~24°C (5°F~75°F)	0°C~52°C (32°F~126°F) For special tropical models

FOR OUTDOOR UNITS WITH AUXILIARY ELECTRIC HEATER

When outside temperature is below 0°C (32°F), we strongly recommend keeping the unit plugged in at all time to ensure smooth ongoing performance.

2

Confirmed it before you get started

Fixed-speed Type

	COOL Mode	HEAT Mode	DRY Mode
Room Temp.	16°C~32°C (60°F~90°F)	0°C~30°C (32°F~86°F)	10°C~32°C (50°F~90°F)
Outdoor Temp.	18°C~43°C (64°F~109°F)	-7°C~24°C (19°F~75°F)	11°C~43°C (52°F~109°F)
	-7°C~43°C (19°F~109°F) For models with low-temp cooling systems		18°C~43°C (64°F~109°F)
	18°C~52°C (64°F~126°F) For special tropical models	-7°C~24°C (19°F~75°F)	18°C~52°C (64°F~126°F) For special tropical models

Note:

Room relative humidity less than 80%. If the air conditioner operates in excess of this figure, the surface of the air conditioner may attract condensation. Please sets the vertical air flow louver to its maximum angle (vertically to the floor), and set HIGH fan mode.

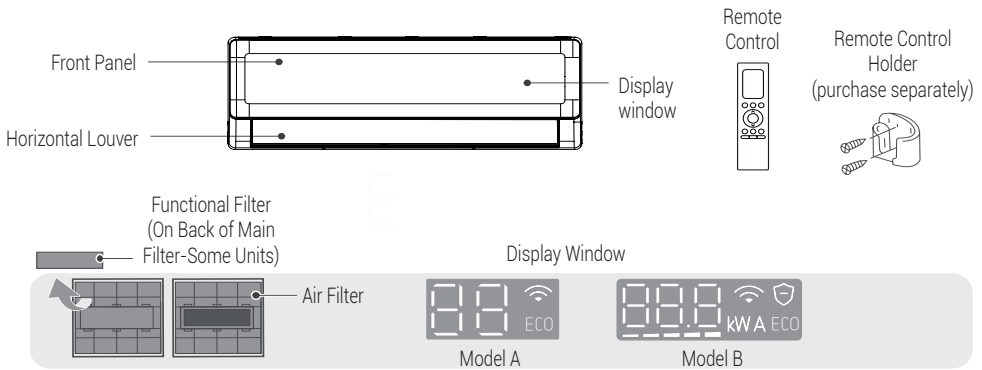
3 Get to know your AC

Note:









- Different models have different front panel and display window. Not all the indicators describing below are available for the air conditioner you purchased. Please check the indoor display window of the unit you purchased.
- Illustrations in this manual are for explanatory purposes. The actual shape of your indoor unit may be slightly different. The actual shape shall prevail.

3.1 Indoor unit display



Display Code	Display Code Meanings
 	<ul style="list-style-type: none"> • Displays temperature, operation feature and error codes. • For some units, when GEAR function is activated, the display window will display and flash the target power value(kW), current value(A) or gear levels (Lx) for 15 seconds. The gear levels displays as: L1 gear(--), L2 gear(--), L3 gear(--), L4 gear(--), L5 gear(--).
	<ul style="list-style-type: none"> • When Fresh feature is turned on(some units).
	<ul style="list-style-type: none"> • When ECO+ feature is turned on.
	<ul style="list-style-type: none"> • When Wireless Control feature is activated(some units).

3 Get to know your AC

 (for 3s when)	<ul style="list-style-type: none"> • Timer On is set (if the unit is OFF,  remains on when Timer On is set). • Fresh, UV lamp, Swing, Turbo, Breeze away or Silent feature is turned on.
 (for 3s when)	<ul style="list-style-type: none"> • Timer Off is set. • Fresh, UV lamp, Swing, Turbo, Breeze away or Silent feature is turned off.
	<ul style="list-style-type: none"> • When GoClean feature is turned on.
	<ul style="list-style-type: none"> • When defrosting (for cooling & heating units).
	<ul style="list-style-type: none"> • When 8°C (46°F) heating feature is turned on(for cooling & heating units).

To further optimize the performance of your unit, do the following:

- Keep doors and windows closed.
- Limit energy usage by using TIMER ON and TIMER OFF functions.
- Do not block air inlets or outlets.
- Regularly inspect and clean air filters.

More features



Note:

Not all the functions are available for the air conditioner you purchased, please check the indoor display and remote control of your unit.

• Auto-Restart

If the unit loses power, it will automatically restart with the prior settings once power has been restored.

• Air Fresh function (some units)

The ion generator is energized and will help to purify the air in the room.

• GoClean function (some units)

- The GoClean Technology washes away dust when it adheres to the heat exchanger by automatically freezing and then rapidly thawing the frost. A "pi-pi" sound will be heard. The GoClean operation is used to produce more condensed water to improve the cleaning effect, and the cold air will blow out. After cleaning, the internal wind wheel then keeps operating with hot air to blow-dry the evaporator, thus keeping the inside clean.
- When this function is turned on, the indoor unit display window appears "CL", after 20 to 45 minutes, the unit will turn off automatically and cancel GoClean function.

3 Get to know your AC

• **Louver Angle Memory**

When turning on your unit, the louver will automatically resume its former angle.

• **ECO+ function**

Under cooling/heating mode, the fan speed will change to Auto, the set temperature will remain unchanged which brings more comfortable feelings and power-saving, and reduces temperature fluctuations.

• **Refrigerant Leakage Detection**

The indoor unit will automatically display "ELOC" when it detects refrigerant leakage.

• **Wireless Control (some units)**

Wireless control allows you to control your air conditioner using your mobile phone and a wireless connection.

For the USB device access, replacement, maintenance operations must be carried out by professional staff.

• **Breeze Away Operation (some units)**

- Press the Breeze Away button on the remote control to activate the avoiding direct air blowing on the body.
- Under Breeze Away operation, the system will adjust the louver angles and fan speed automatically. You can also choose the fan speed by remote controller.
- This feature is only available under Cool, Dry or Fan mode.

• **Sleep Operation**

The SLEEP function is used to decrease energy use while you sleep.

When the sleep function is activated, the air conditioner will intelligently adjust temperature, fan speed to provide a more comfortable sleeping environment. You can freely set the fan speed and airflow angle when in sleep operation. The sleep function will automatically exit after running for 9 hours.

Note:



- The sleep function is not available in Fan and Dry mode.
- For some models with wireless control feature, the sleep operation time and sleep light can be adjusted through the app.

• **Intelligent Humidity Control Function (some units)**

Under cooling mode, when this function is activated, the fan speed will change to Auto, the set temperature will remain unchanged, and the system can control the room humidity to ensure that it is not too dry or too damp while maintaining a comfortable temperature. This function can only be activated by the remote controller or APP control.

3 Get to know your AC

Manual Operation (without remote)

Warning:

For product use

The manual button is intended for testing purposes and emergency operation only.

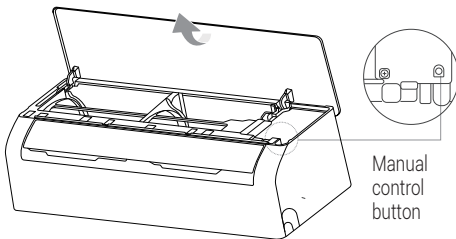
Please do not use this function unless the remote control is lost and it is absolutely necessary. To restore regular operation, use the remote control to activate the unit.

Unit must be turned off before manual operation.



To operate your unit manually:

- Press down the buttons on both side of the panel, then lift the panel up until it clicks.
- Locate the **MANUAL CONTROL button** on the right-hand side of the electrical control box.
- Press the **MANUAL CONTROL button** one time to activate FORCED AUTO mode.
- Press the **MANUAL CONTROL button** again to activate FORCED COOLING mode.
- Press the **MANUAL CONTROL button** a third time to turn the unit off.
- Close the front panel.



Setting angle of airflow

Note:

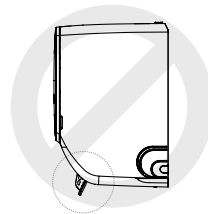
Setting up and down airflow (Remote control)



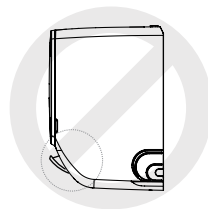
While the unit is on, use the SWING button on remote control to set the direction (up and down) of airflow. Please refer to the Remote Control operation for details.

3.2 Note on louver angles

- Do not set louver at too vertical an angle for long periods of time. When using COOL or DRY mode, it would be condense the water on the louver blade, which will drop on your floor or furnishings.

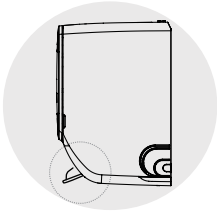


- Setting the louver at too small an angle when using COOL or HEAT mode, can reduce the performance of the AC due to restricted air flow.



3 Get to know your AC

- According to the relative standards requirement, please set the louver to its maximum airflow angle under heating capacity test.



Note:

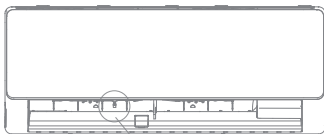


Do not move louver by hand. You can turn off the unit and unplug it for a few seconds to restart the unit. It will be reset the louver when you try.

3.3 Setting left and right air flow (Manual operation)

The left and right airflow must be set manually. Grip the deflector rod (See Fig.B) and manually adjust it to your preferred direction.

For some units, the left and right airflow can be set by remote control. Please refer to the Remote Control Manual.



Deflector rod
(on one side or
both sides, model
dependent)

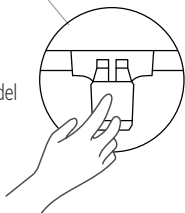


Fig. B

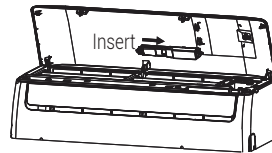
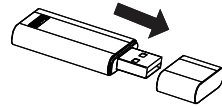
Warning:



Do not put your fingers in or near the blower and suction side of the unit. The high-speed fan inside the unit may cause injury.

3.4 Install the HomeDirect kit (wireless module)

1. Remove the protective cap of the HomeDirect kit (wireless module)
2. Open the front panel and insert the HomeDirect kit (wireless module) into the reserved interface.



Warning:



This interface is only compatible with HomeDirect kit (wireless module) provided by the manufacturer.

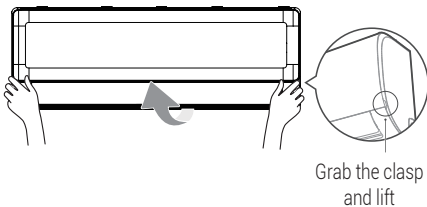
4 Care and maintenance

Warning:

- The cooling efficiency of your unit and your health would be damaged for the glogged AC. Make sure to clean the filter every two weeks.
- Always **TURN OFF** your AC system and disconnect its power supply before cleaning or maintenance.
- **Do not** touch air freshening (Plasma) filter at least 10 minutes after turning off the unit.
- Only use a soft, dry cloth to wipe the unit clean. You can use a cloth soaked in warm water to wipe it clean if the unit is especially dirty.
- Do not use chemicals or chemically treated cloths to clean the unit
- Do not use benzene, paint thinner, polishing powder or other solvents to clean the unit. They can cause the plastic surface to crack or deform.
- Do not use water hotter than 40°C (104°F) to clean the front panel. This can cause the panel to deform or become discolored.



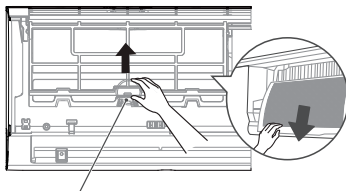
Cleaning Your Indoor Unit, Air Filter



Grab the clasp and lift

Step 1:

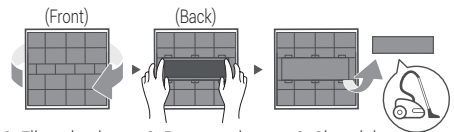
Lift the front panel of the indoor unit.



Filter Tabs

Step 2:

First press the tab on the end of filter to loosen the buckle, lift it up, then pull it towards yourself.

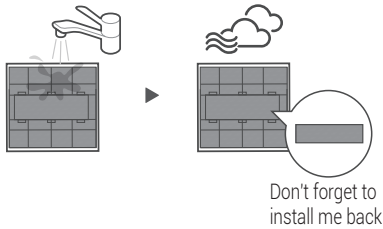


1. Flip to back
2. Remove air freshening filter off (some units)
3. Clean it by vacuum cleaner

Step 3:

If your filter has a small air freshening filter, unclip it from the larger filter. Clean this air freshening filter with a hand-held vacuum.

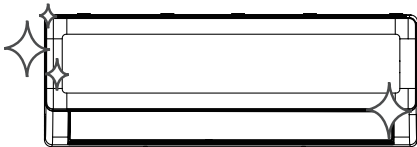
4 Care and maintenance



Step 4:

Clean the large air filter with warm, soapy water. Be sure to use a mild detergent.

Rinse the filter with fresh water, then shake off excess water. Dry it in a cool, dry place, and refrain from exposing it to direct sunlight.



Step 5:

When dry, re-clip the air freshening filter to the larger filter, then slide it back into the indoor unit. Finally, Close the front panel of the indoor unit.

Warning:

- Before changing the filter or cleaning, turn off the unit and disconnect its power supply.
- When removing filter, do not touch metal parts in the unit. The sharp metal edges can cut you.
- Do not use water to clean the inside of the indoor unit. This can destroy insulation and cause electrical shock.
- Do not expose filter to direct sunlight when drying. This can shrink the filter.
- Any maintenance and cleaning of outdoor unit should be performed by an authorized dealer or a licensed service provider.
- Any unit repairs should be performed by an authorized dealer or a licensed service provider.



Maintenance your AC.**Maintenance - Long Periods of Non-Use**

If you plan not to use your air conditioner for an extended period of time, do the following:



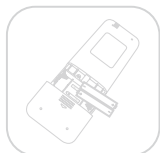
Clean all filters



Turn on FAN function until unit dries out completely



Turn off the unit and disconnect the power



Remove batteries from remote control

Maintenance - Pre-Season Inspection

After long periods of non-use, or before periods of frequent use, do the following:



Check for damaged wires



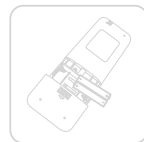
Clean all filters



Check for leaks



Make sure nothing is blocking all air inlets and outlets



Replace batteries

5 Troubleshooting

Warning:

If any of the following conditions occurs, turn off your unit immediately!

- The wire is damaged or abnormally warm
- You smell a burning odor
- The unit emits loud or abnormal sounds
- A power fuse blows or the circuit breaker frequently trips
- Water or other objects fall into or out of the unit

DO NOT ATTEMPT TO FIX THESE YOURSELF! CONTACT AN AUTHORIZED SERVICE PROVIDER IMMEDIATELY.



5.1 Common Issues

The following problems are not a malfunction and in most situations will not require repairs.

Issue	Possible Causes
Unit does not turn on when pressing ON/OFF button	The Unit has a 3-minute protection feature that prevents the unit from overloading. The unit cannot be restarted within three minutes of being turned off.
The unit changes from COOL/HEAT mode to FAN mode	<p>The unit may change its setting to prevent frost from forming on the unit. Once the temperature increases, the unit will start operating in the previously selected mode again.</p> <p>The set temperature has been reached, at which point the unit turns off the compressor. The unit will continue operating when the temperature fluctuates again.</p>
The indoor unit emits white mist	In humid regions, a large temperature difference between the room's air and the conditioned air can cause white mist.
Both the indoor and outdoor units emit white mist	When the unit restarts in HEAT mode after defrosting, white mist may be emitted due to moisture generated from the defrosting process.

5 Troubleshooting

Issue	Possible Causes
The indoor unit makes noises	<p>A rushing air sound may occur when the louver resets its position.</p> <p>A squeaking sound may occur after running the unit in HEAT mode due to expansion and contraction of the unit's plastic parts.</p>
Both the indoor unit and outdoor unit make noises	<p>Low hissing sound during operation: This is normal and is caused by refrigerant gas flowing through both indoor and outdoor units.</p> <p>Low hissing sound when the system starts, has just stopped running, or is defrosting: This noise is normal and is caused by the refrigerant gas stopping or changing direction.</p> <p>Squeaking sound: Normal expansion and contraction of plastic and metal parts caused by temperature changes during operation can cause squeaking noises.</p>
The outdoor unit makes noises	<p>The unit will make different sounds based on its current operating mode.</p>
Dust is emitted from either the indoor or outdoor unit	<p>The unit may accumulate dust during extended periods of non-use, which will be emitted when the unit is turned on. This can be mitigated by covering the unit during long periods of inactivity.</p>
The unit emits a bad odor	<p>The unit may absorb odors from the environment (such as furniture, cooking, cigarettes, etc.) which will be emitted during operations.</p> <p>The unit's filters have become moldy and should be cleaned.</p>
The fan of the outdoor unit does not operate	<p>During operation, the fan speed is controlled to optimize product operation.</p>

5 Troubleshooting

Issue	Possible Causes
Operation is erratic, unpredictable, or unit is unresponsive	Interference from cell phone towers and remote boosters may cause the unit to malfunction. In this case, try the following: <ul style="list-style-type: none">• Disconnect the power, then reconnect.• Press ON/OFF button on remote control to restart operation.



Note:

If problem persists, contact a local dealer or your nearest customer service center. Provide them with a detailed description of the unit malfunction as well as your model number.



Warning:

When troubles occur, please check the following points before contacting a repair company. some situations will not require repairs.

5 Troubleshooting

Problem	Possible Causes	Solution
Poor Cooling Performance	Temperature setting may be higher than ambient room temperature	Lower the temperature setting
	The heat exchanger on the indoor or outdoor unit is dirty	Contact an authorized service center to clean the affected heat exchanger
	The air filter is dirty	Remove the filter and clean it according to instructions
	The air inlet or outlet of either unit is blocked	Turn the unit off, remove the obstruction and turn it back on
	Doors and windows are open	Make sure that all doors and windows are closed while operating the unit
	Excessive heat is generated by sunlight	Close windows and curtains during periods of high heat or bright sunshine
	Too many sources of heat in the room (people, computers, electronics, etc.)	Reduce amount of heat sources
	Low refrigerant due to leak or long-term use	Contact an authorized service center.
	SILENCE function is activated (optional function)	SILENCE function can lower product performance by reducing operating frequency. Turn off SILENCE function.

5 Troubleshooting

Problem	Possible Causes	Solution
The unit is not working	Power failure	Wait for the power to be restored
	The power is turned off	Turn on the power
	The fuse is burned out	Contact an authorized service center to replace the fuse
	Remote control batteries are dead	Replace batteries
	The Unit's 3-minute protection has been activated	Wait three minutes after restarting the unit
	Timer is activated	Turn timer off
The unit starts and stops frequently	There's too much or too little refrigerant in the system	Contact an authorized service center
	Incompressible gas or moisture has entered the system.	Contact an authorized service center
	The compressor is broken	Contact an authorized service center
	The voltage is too high or too low	Contact an authorized service center go install a manostat to regulate the voltage
Poor heating performance	The outdoor temperature is extremely low	Use auxiliary heating device
	Cold air is entering through doors and windows	Make sure that all doors and windows are closed during use
	Low refrigerant due to leak or long-term use	Check for leaks, contact an authorized service center

5 Troubleshooting

Problem	Possible Causes	Solution
Indicator lamps continue flashing		
Error code appears and begins with the letters as the following in the window display of indoor unit: <ul style="list-style-type: none">• E(x), P(x), F(x)• EH(xx), EL(xx), EC(xx)• PH(xx), PL(xx), PC(xx)	<p>The unit may stop operation or continue to run safely. If the indicator lamps continue to flash or error codes appear, wait for about 10 minutes. The problem may resolve itself.</p> <p>If not, disconnect the power, then connect it again. Turn the unit on.</p> <p>If the problem persists, disconnect the power and contact your nearest customer service center.</p>	




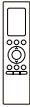

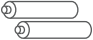








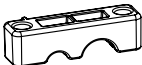
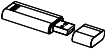
Note:

If your problem persists after performing the checks and diagnostics above, turn off your unit immediately and contact an authorized service center.

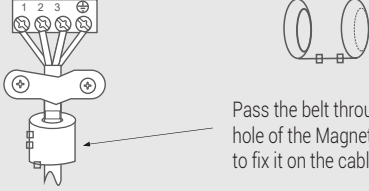
6 Let's start installing your AC

Check over the accessories

The air conditioning system comes with the following accessories. Use all of the installation parts and accessories to install the air conditioner. Improper installation may result in water leakage, electrical shock and fire, or cause the equipment to fail. The items are not included with the air conditioner must be purchased separately.

Name of Accessories	Q'ty (pc)	Shape	Name of Accessories	Q'ty (pc)	Shape
Manual	1-3		Remote controller	1	
Drain joint (for cooling & heating models)	1		Battery	2	
Seal (for cooling & heating models)	1		Remote controller holder (purchase separately)	1	
Mounting plate	1		Fixing screw for remote controller holder (purchase separately)	2	
Anchor	5~8 (depending on models)		Small Filter (Need to be installed on the back of main air filter by the authorized technician while installing the machine)	1~2 (depending on models)	
Mounting plate fixing screw	5~8 (depending on models)				
Copper nut (for some units) (Used to connect the connecting pipes between indoor and outdoor units.)	2		Cable clamp (For some units only) During on-site wiring, if choose outdoor power supply and the wire diameter decreases, this cable clamp needs to be used to replace the cable clamp already installed in the wire box in order to crimp the wire tightly.	1	
Wireless USB kit	1 (For Wifi models only)				

6 Let's start installing your AC

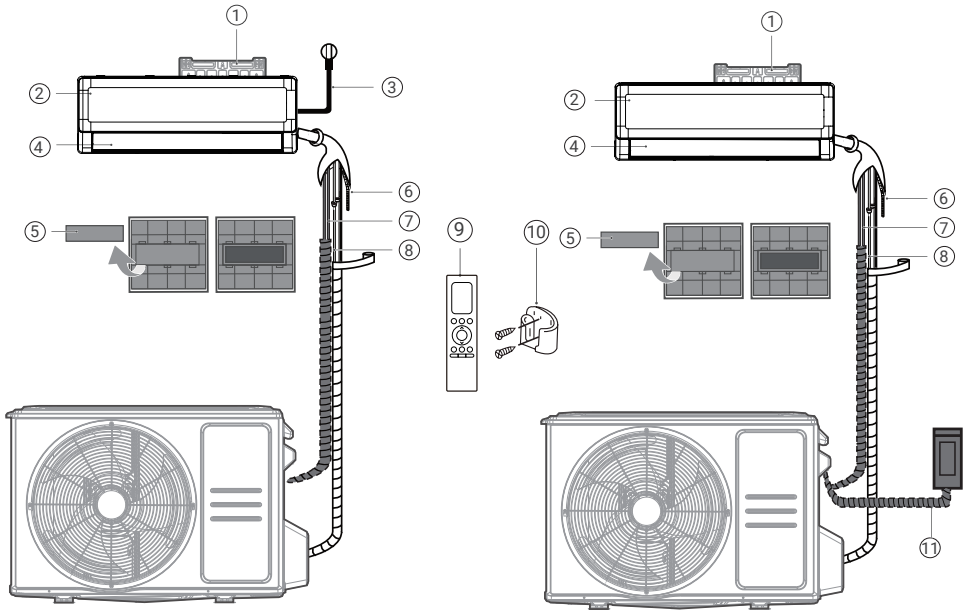
Name	Shape		Quantity (PC)
Connecting pipe assembly	Liquid side	Ø6.35 (1/4in)	Parts you must purchase separately. Consult the dealer about the proper pipe size of the unit you purchased.
		Ø9.52 (3/8in)	
	Gas side	Ø9.52 (3/8in)	
		Ø12.7 (1/2in)	
		Ø16 (5/8in)	
		Ø19 (3/4in)	
<p>Magnetic ring and belt</p> <p>(if supplied, please refer to the wiring diagram to install it on the connective cable.)</p>	 <p>Pass the belt through the hole of the Magnetic ring to fix it on the cable</p>		Varies by model

7 Installation overview

NOTE ON ILLUSTRATIONS:



Illustrations in this manual are for explanatory purposes. The actual shape of your indoor unit may be slightly different. The actual shape shall prevail.



Indoor power supply models

Outdoor power supply models

- | | | |
|-----------------------------|--|--|
| 1. Wall Mounting Plate | 5. Functional Filter
(On Back of Main Filter -
Some Units) | 9. Remote Controller |
| 2. Front Panel | 6. Drainage Pipe | 10. Remote controller Holder
(some units) |
| 3. Power Cable (some units) | 7. Signal Cable | 11. Outdoor Unit Power Cable
(some units) |
| 4. Louver | 8. Refrigerant Piping | |

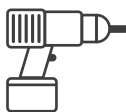
It would be perfect you had these tools



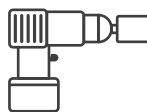
Gloves



Screwdriver &
wrench



Hammer drill



Core drill



Goggles & masks

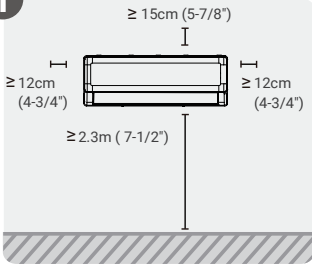


Vinyl tape

8

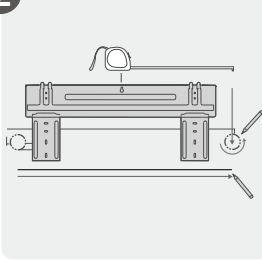
Installation summary - indoor unit

1



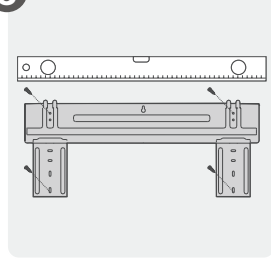
Select Installation Location

2



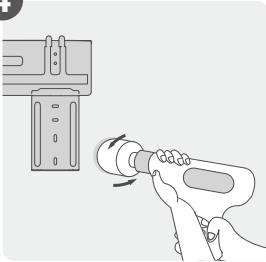
Attach Mounting Plate

3



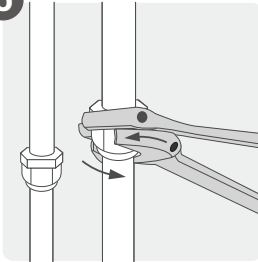
Determine Wall Hole Position

4



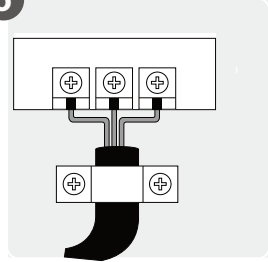
Drill Wall Hole

5

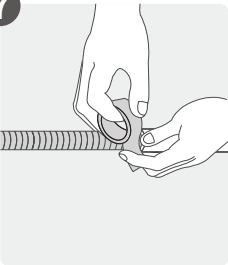


Connect Piping

6

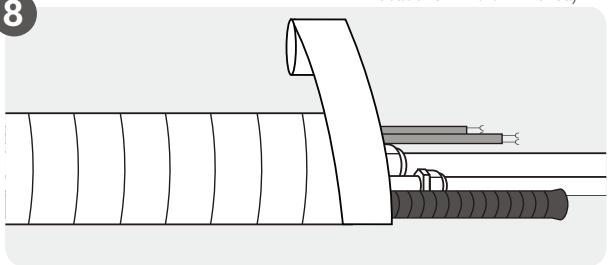
Connect Wiring
(Not applicable for some locations in North America)

7

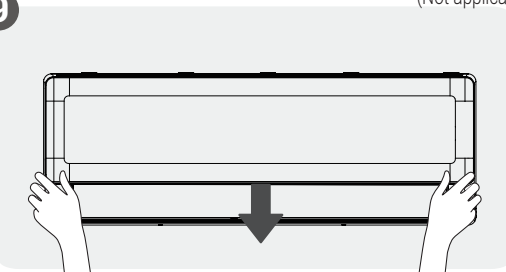


Prepare Drain Hose

8

Wrap Piping and Cable
(Not applicable for some locations in North America)

9



Mount Indoor Unit

9.1 Select installation location

**Note:****PRIOR TO INSTALLATION**

Before installing the indoor unit, refer to the label on the product box to make sure that the model number of the indoor unit matches the model number of the outdoor unit.

The following are standards that will help you choose an appropriate location for the unit.

Proper installation locations meet the following standards:

Good air circulation



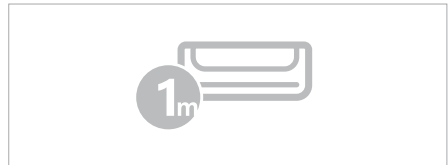
Convenient drainage



Noise from the unit will not disturb other people.



Firm and solid—the location will not vibrate
 Strong enough to support the weight of the unit



A location at least one meter from all other electrical devices (e.g., TV, radio, computer)

DO NOT install unit in the following locations:

- Near any source of heat, steam, or combustible gas
- Near flammable items such as curtains or clothing

- Near any obstacle that might block air circulation
- Near the doorway
- In a location subject to direct sunlight

**NOTE: FOR PRODUCT INSTALLATION**

If there is no fixed refrigerant piping:

While choosing a location, be aware that you should leave ample room for a wall hole (see Drill wall hole for connective piping step) for the signal cable and refrigerant piping that connect the indoor and outdoor units. The default position for all piping is the right side of the indoor unit (while facing the unit). However, the unit can accommodate piping to both the left and right.

9.2 Drill wall hole for connective piping

9.2.1 Determine wall hole location

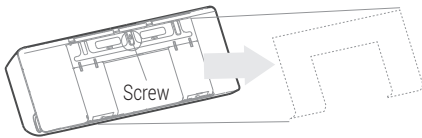


NOTE: FOR CONCRETE OR BRICK WALLS

If the wall is made of brick, concrete, or similar material, drill 5mm-diameter (0.2in-diameter) holes in the wall and insert the sleeve anchors provided. Then secure the mounting plate to the wall by tightening the screws directly into the clip anchors.

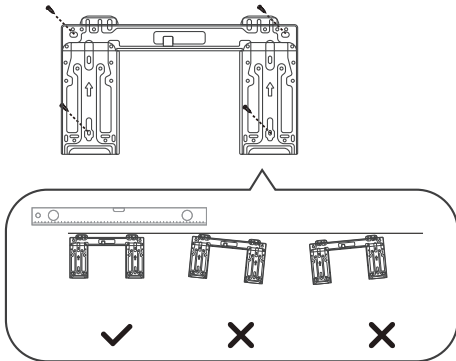
Step 1:

Remove the screw that attaches the mounting plate to the back of the indoor unit.



Step 2:

Secure the mounting plate to the wall with the screws provided. Make sure that mounting plate is flat against the wall.



Correct orientation of Mounting Plate

Step 3:

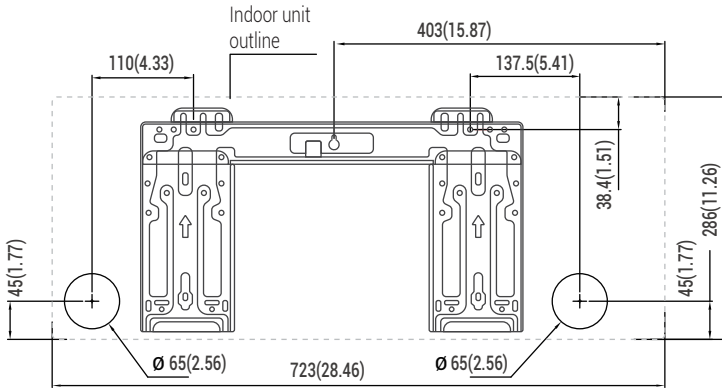
Confirm the mounting plate you own.

Different models have different mounting plates. Refer to following mounting plate dimensions to help you determine the optimal position. The shape of the mounting plate may be lightly different, but the installation dimensions are the same.

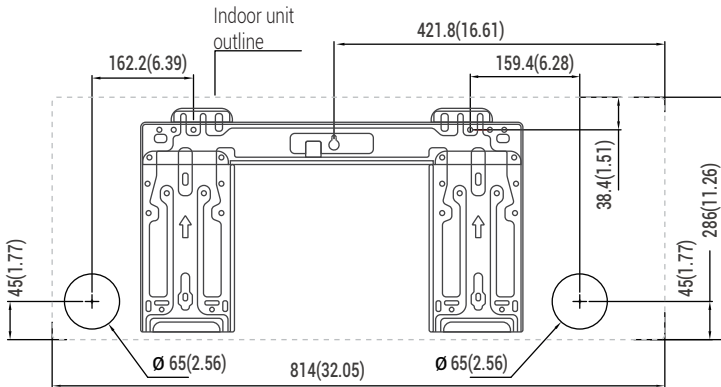
9

Install your indoor unit

Unit: mm(in)



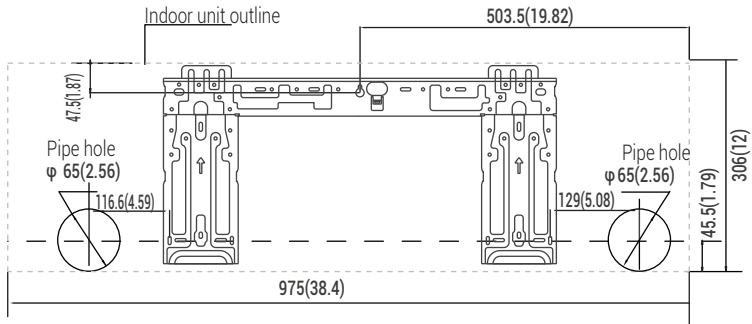
Model A



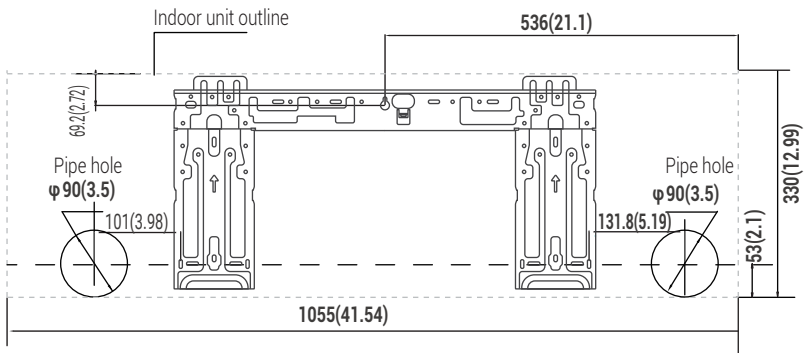
Model B

9

Install your indoor unit



Model C



Model D

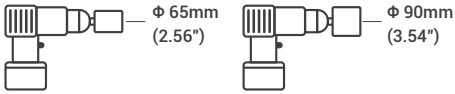
9.2.2 Drill wall hole

**Warning:**

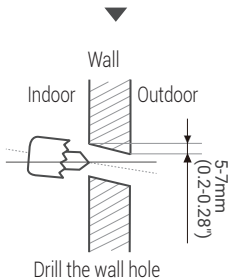
When drilling the wall hole, make sure to avoid wires, plumbing, and other sensitive components.

9

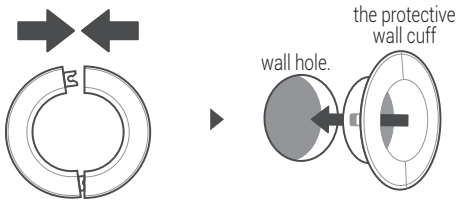
Install your indoor unit



Using a 65mm (2.56") or 90mm(3.54") core drill
(depending on models)

**Step 1:**

Using a 65mm (2.56") or 90mm(3.54") core drill (depending on models), drill a hole in the wall. Make sure that the hole is drilled at a slight downward angle, so that the outdoor end of the hole is lower than the indoor end by about 5mm to 7mm (0.2-0.28"). This will ensure proper water drainage.



Place the protective wall cuff in the hole.

Step 2:

Place the protective wall cuff in the hole. This protects the edges of the hole and will help seal it when you finish the installation process.

NOTE: THE WALL HOLE SIZE

The size of the wall hole is determined by the connective pipes. When the pipe size of the gas side is $\Phi 16\text{mm}$ (5/8") or more, the wall hole should be 90mm(3.54in). When the pipe size of gas side is less than $\Phi 16\text{mm}$ (5/8"), the wall hole should be 65mm(2.56in).

9.3 Install refrigerant pipe & drain hose

Note:

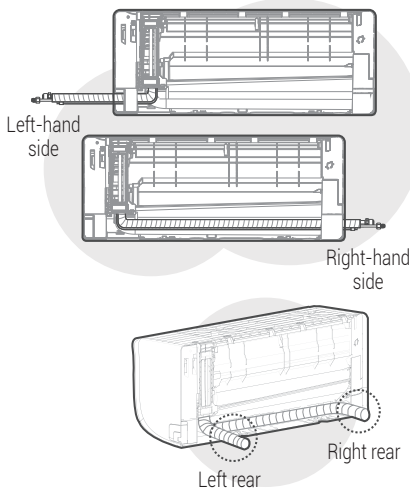
The refrigerant piping is inside an insulating sleeve attached to the back of the unit. You must prepare the piping before passing it through the hole in the wall. Refer to the Refrigerant Piping connection section of this manual for detailed instructions on pipe flaring and flare torque requirements, technique, etc.



9.3.1 Connect refrigerant piping

Four sides to exit the piping

Based on the position of the wall hole relative to the mounting plate, choose the side from which the piping will exit the unit. You have four options for the exit direction of the piping.



NOTE ON PIPING CONNECTING

In some locations of US, a conduit tube must be used to connect the cable. To ensure an enough space for the pipes running and the machine is against the wall after installation, It is recommended to attach the drain hose to the right-hand side (when you're facing the back of the unit).

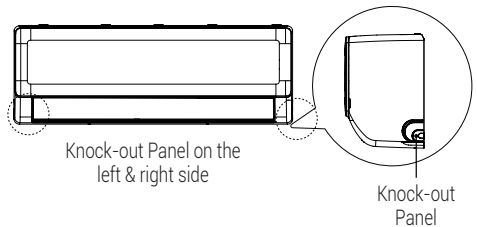
When choose Left-hand side or Right-hand side piping, please make sure that the pipes come out horizontally so as not to affect the lower frame installation.

Warning:



Be extremely careful not to dent or damage the piping while bending them away from the unit. Any dents in the piping will affect the unit's performance.

Connect refrigerant piping

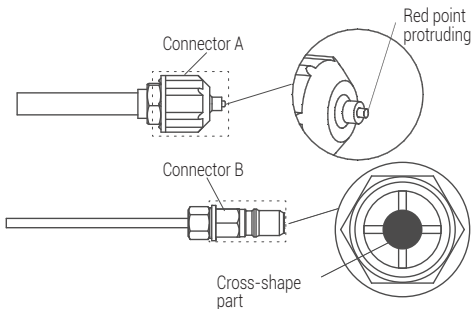


1. If the wall hole is behind the unit, keep the knock-out panel in place. If the wall hole is to the side of the indoor unit, remove the plastic knock-out panel from that side of the unit. Use pliers or scissors if the plastic panel is too difficult to remove by hand.
2. Groove has been made in the knock-out panel in order to cut it conveniently. The size of the slot is determined by the diameter of piping.

3. If existing connective piping is already embedded in the wall, proceed directly to the Connect Drain Hose step. If there is no embedded piping, connect the indoor unit's refrigerant piping to the connective piping that will join the indoor and outdoor units. Refer to the Refrigerant Piping Connection section of this manual for detailed instructions.

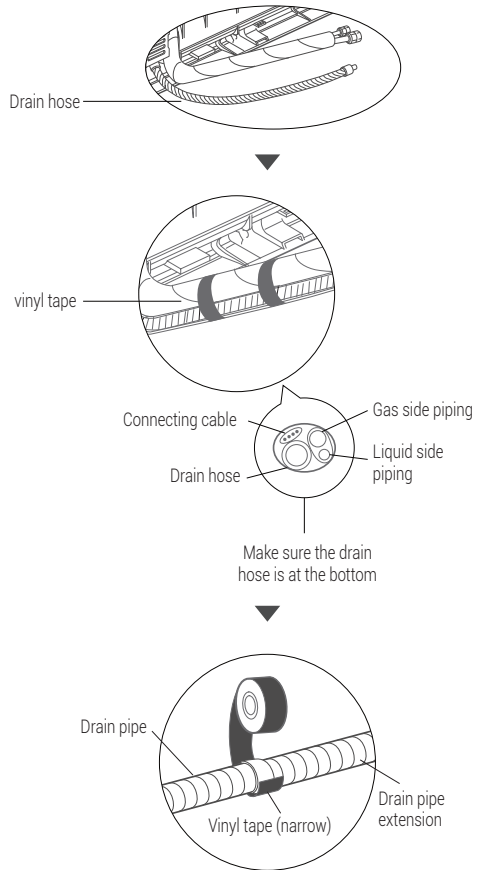
Warning:

For the units adopt the following pipe connectors, please strictly perform the piping work in accordance with the following instructions.



- Before performing the refrigerant piping connection, always wear work gloves and goggles, and remember that the connectors A and B are not allowed to face people directly.
- Keep pressing the cross-shape part of connector B with a tool for about 5~10 seconds until the red protruding point of connector A retracts completely.
- Remove connectors A and B, then perform the refrigerant piping connection between indoor unit and outdoor unit.

9.3.2 Connect drain hose



Step 1:

The drain hose can be attached to the left or right side. To ensure proper drainage, attach the drain hose on the same side that your refrigerant piping exits the unit. Attach drain hose extension (purchased separately) to the end of drain hose.

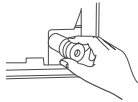
- Wrap the connection point firmly with Teflon tape to ensure a good seal and to prevent leaks.

9 Install your indoor unit

- For the portion of the drain hose that will remain indoors, wrap it with foam pipe insulation to prevent condensation.
- Remove the air filter and pour a small amount of water into the drain pan to make sure that water flows from the unit smoothly.

Warning:

PLUG THE UNUSED DRAIN HOLE

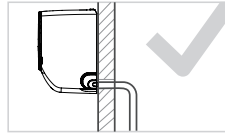


To prevent unwanted leaks you must plug the unused drain hole with the rubber plug provided.

NOTE ON DRAIN HOSE PLACEMENT

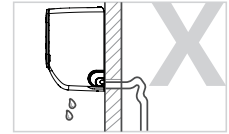


Make sure to arrange the drain hose according to the following figures.



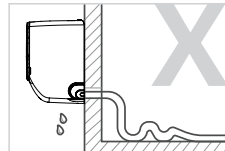
CORRECT

Make sure there are no kinks or dent in drain hose to ensure proper drainage.



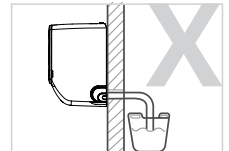
NOT CORRECT

Kinks in the drain hose will create water traps.



NOT CORRECT

Kinks in the drain hose will create water traps.



NOT CORRECT

Do not place the end of the drain hose in water or in containers that collect water. This will prevent proper drainage.

9.4 Electrical work preparation

Warning:



- **BEFORE PERFORMING ANY ELECTRICAL WORK, READ THESE REGULATIONS**
- **BEFORE PERFORMING ANY ELECTRICAL OR WIRING WORK, TURN OFF THE MAIN POWER TO THE SYSTEM.**

1. All wiring must comply with local and national electrical codes, regulations and must be installed by a licensed electrician.
2. All electrical connections must be made according to the Electrical Connection Diagram located on the panels of the indoor and outdoor units.

9 Install your indoor unit

- If there is a serious safety issue with the power supply, stop work immediately. Explain your reasoning to the client, and refuse to install the unit until the safety issue is properly resolved.
- If connecting power to fixed wiring, a switch or circuit breaker that disconnects all poles and has a contact separation of at least 1/8in (3mm) must be incorporated in the fixed wiring. The qualified technician must use an approved circuit breaker or switch.
- Only connect the unit to an individual branch circuit outlet. Do not connect another appliance to that outlet.
- Make sure to properly ground the air conditioner.
- Every wire must be firmly connected. Loose wiring can cause the terminal to overheat, resulting in product malfunction and possible fire.
- Do not let wires touch or rest against refrigerant tubing, the compressor, or any moving parts within the unit.
- To avoid getting an electric shock, never touch the electrical components soon after the power supply has been turned off. After turning off the power, always wait 10 minutes or more before you touch the electrical components.
- Power voltage should be within 90-110% of rated voltage. Insufficient power supply can cause malfunction, electrical shock, or fire.

Warning:



All wiring must be performed strictly in accordance with the wiring diagram located on the back of the Indoor Unit's front panel.

9.4.1 Connect signal and power cables

The signal cable enables communication between the indoor and outdoor units. You must first choose the right cable size before preparing it for connection.

Cable Types

- Indoor Power Cable (if applicable):
H05VV-F or H05V2V2-F
- Outdoor Power Cable: H07RN-F or H05RN-F
- Signal Cable: H07RN-F

Minimum Cross-Sectional Area of Power and Signal Cables (For reference)

Rated Current of Appliance (A)	Nominal Cross-Sectional Area (mm ²)
> 3 and ≤6	0.75
> 6 and ≤10	1
> 10 and ≤16	1.5
> 16 and ≤25	2.5
> 25 and ≤32	4
> 32 and ≤40	6

CHOOSE THE RIGHT CABLE SIZE

The size of the power supply cable, signal cable, fuse, and switch needed is determined by the maximum current of the unit. The maximum current is indicated on the nameplate located on the side panel of the unit. Refer to this nameplate to choose the right cable, fuse, or switch.

- Open front panel of the indoor unit.
- Using a screwdriver, open the wire box cover on the right side of the unit. This will reveal the terminal block.
- Unscrew the cable clamp below the terminal block and place it to the side.

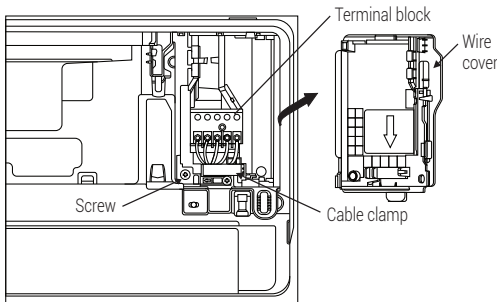
9 Install your indoor unit

4. Facing the back of the unit, remove the plastic panel on the bottom left-hand side.
5. Feed the signal wire through this slot, from the back of the unit to the front.
6. Facing the front of the unit, connect the wire according to the indoor unit's wiring diagram, connect the u-lug and firmly screw each wire to its corresponding terminal.
7. After checking to make sure every connection is secure, use the cable clamp to fasten the signal cable to the unit. Screw the cable clamp down tightly.
8. Replace the wire cover on the front of the unit, and the plastic panel on the back.

Warning:

DO NOT MIX UP LIVE AND NULL WIRES

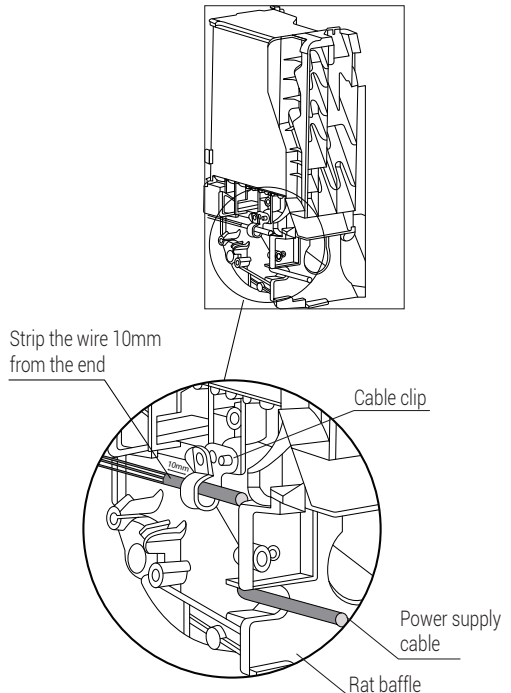
This is dangerous, and can cause the air conditioning unit to malfunction.



Note:

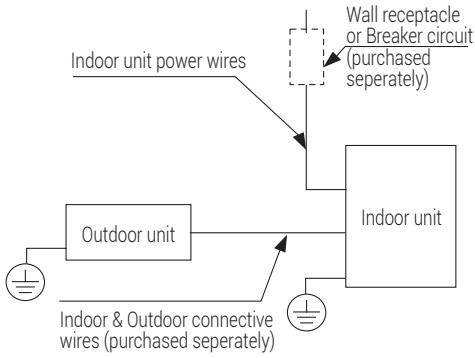
For some units that require on-site connection of power cords, it is necessary to remove the front frame first, thread the power cable through the cable-cross hole in the rat baffle at the back of the indoor unit, and then pull it out from the front side, secure it with a cable clip as shown in the following diagram.

After the power cord passes through the cable clamp, strip the wire 10mm from the end, and then connect the wire to the terminal.

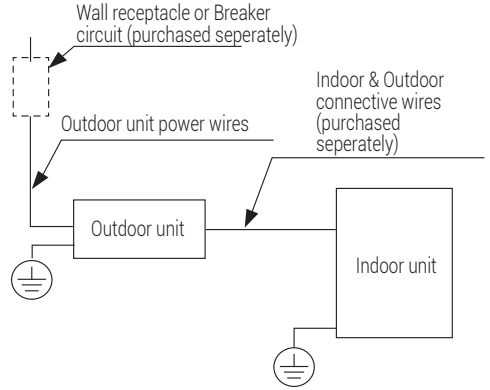


9

Install your indoor unit



Indoor power supply models



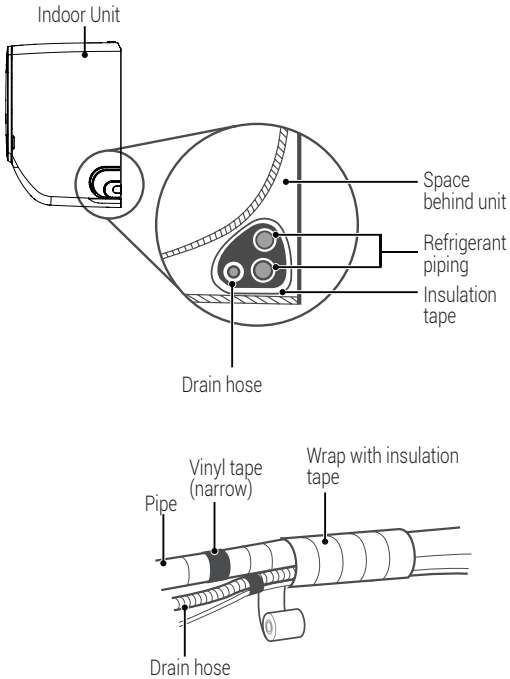
Outdoor power supply models

9.5 Wrap piping & Cables



Note:

Before passing the piping, and drain hose through the wall hole, you must bundle them together to save space, protect them, and insulate them.



Step 1:

Bundle the drain hose, refrigerant pipes as shown above.

Step 2:

Using adhesive vinyl tape, attach the drain hose to the underside of the refrigerant pipes.

Step 3:

Using insulation tape, wrap the refrigerant pipes, and drain hose tightly together. Double-check that all items are bundled.

Step 4:

After completing the wiring and piping connection, reinstall the lower frame.

9.5.1 DRAIN HOSE MUST BE ON BOTTOM

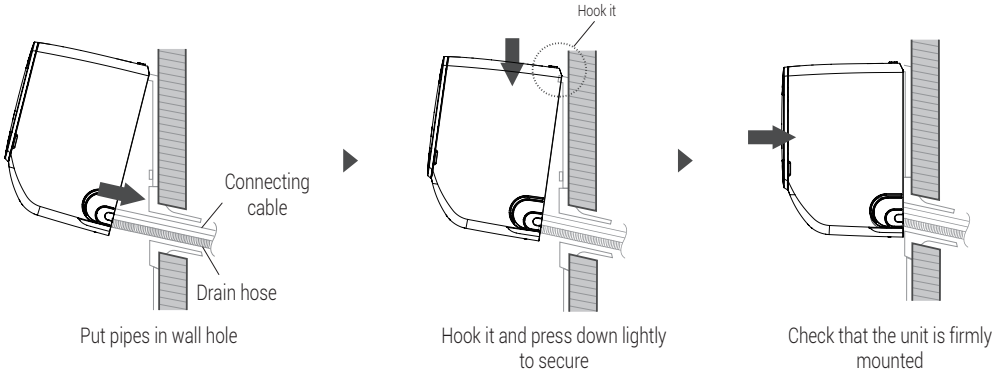
Make sure that the drain hose is at the bottom of the bundle. Putting the drain hose at the top of the bundle can cause the drain pan to overflow, which can lead to fire or water damage.

9.5.2 DO NOT WRAP ENDS OF PIPING

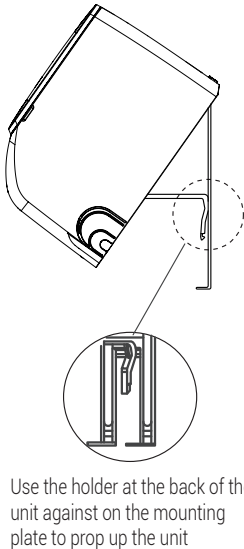
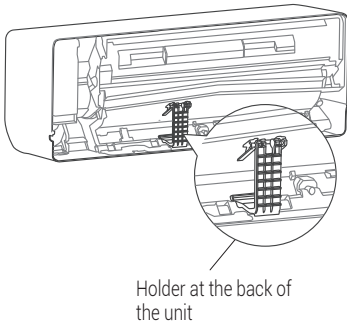
When wrapping the bundle, keep the ends of the piping unwrapped. You need to access them to test for leaks at the end of the installation process (refer to Electrical Checks and Leak Checks section of this manual).

9.6 Mount indoor unit

If you installed new connective piping to the outdoor unit, do the following:



- If you have already passed the refrigerant piping through the hole in the wall, proceed to Step 4.
- Otherwise, double-check that the ends of the refrigerant pipes are sealed to prevent dirt or foreign materials from entering the pipes.
- Slowly pass the wrapped bundle of refrigerant pipes, drain hose, and signal wire through the hole in the wall.
- Hook the top of the indoor unit on the upper hook of the mounting plate.
- Check that unit is hooked firmly on mounting by applying slight pressure to the left and right-hand sides of the unit. The unit should not jiggle or shift.
- Using even pressure, push down on the bottom half of the unit. Keep pushing down until the unit snaps onto the hooks along the bottom of the mounting plate.
- Again, check that the unit is firmly mounted by applying slight pressure to the left and the right-hand sides of the unit.



If refrigerant piping is already embedded in the wall, do the following:

- Hook the top of the indoor unit on the upper hook of the mounting plate.
- Use the holder at the back of the unit to prop up the unit, giving you enough room to connect the refrigerant piping, signal cable, and drain hose.

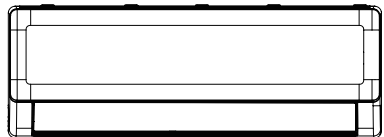
- Connect drain hose and refrigerant piping (refer to **Refrigerant Piping Connection** section of this manual for instructions).
- Keep pipe connection point exposed to perform the leak test (refer to **Electrical Checks** and **Leak Checks** section of this manual).
- After the leak test, wrap the connection point with insulation tape.
- Release the holder that is propping up the unit.
- Using even pressure, push down on the bottom half of the unit. Keep pushing down until the unit snaps onto the hooks along the bottom of the mounting plate.

NOTE: UNIT IS ADJUSTABLE



Keep in mind that the hooks on the mounting plate are smaller than the holes on the back of the unit. If you find that you don't have ample room to connect embedded pipes to the indoor unit, the unit can be adjusted left or right by about 50mm (1.96in), depending on the model.

50mm (1.96in)



Move to left or right

10 Install your outdoor unit

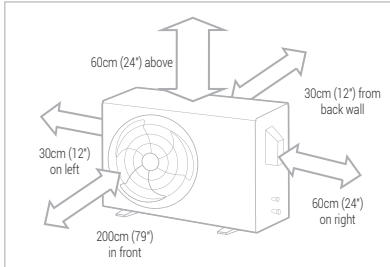
10.1 Select installation location



NOTE: PRIOR TO INSTALLATION

Before installing the outdoor unit, you must choose an appropriate location. The following are standards that will help you choose an appropriate location for the unit.

Proper installation locations meet the following standards:



Meets all spatial requirements shown in Installation Space Requirements above.



Good air circulation and ventilation.



Firm and solid—the location can support the unit and will not vibrate.



Noise from the unit will not disturb other people.



Protected from prolonged periods of direct sunlight or rain.



Where snowfall is anticipated, take appropriate measures to prevent ice buildup and coil damage.



Note:

Install the unit by following local codes and regulations, there may be differ slightly between different regions.

Warning:

SPECIAL CONSIDERATIONS FOR EXTREME WEATHER

If the unit is exposed to heavy wind:

Install unit so that air outlet fan is at a 90° angle to the direction of the wind. If needed, build a barrier in front of the unit to protect it from extremely heavy winds. See Figures below.

If the unit is frequently exposed to heavy rain or snow:

Build a shelter above the unit to protect it from the rain or snow. Be careful not to obstruct air flow around the unit.

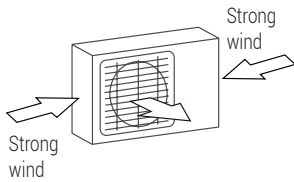
If the unit is frequently exposed to salty air (seaside):

Use outdoor unit that is specially designed to resist corrosion.

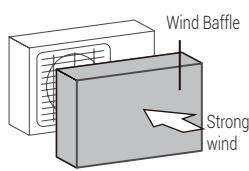


10 Install your outdoor unit

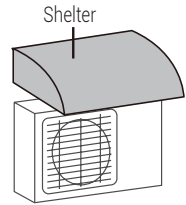
Warning:



90° angle to the direction of the wind



Build a wind Baffle to protect the unit



Build a shelter to protect the unit

DO NOT install unit in the following locations:

- ⊘ Near an obstacle that will block air inlets and outlets.
- ⊘ Near animals or plants that will be harmed by hot air discharge.
- ⊘ In a location that is exposed to large amounts of dust.
- ⊘ Near a public street, crowded areas, or where noise from the unit will disturb others.
- ⊘ Near any source of combustible gas.
- ⊘ In a location exposed to a excessive amounts of salty air.

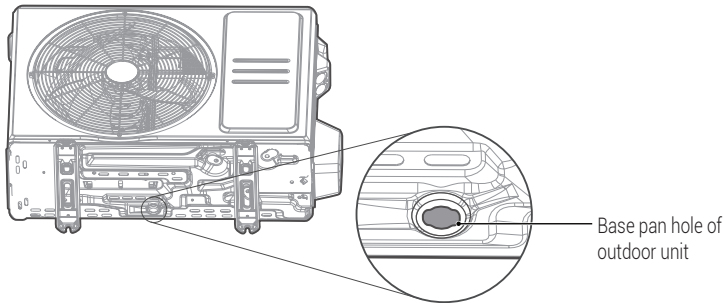
10 Install your outdoor unit

10.2 Install drain joint (Heat pump unit only)

NOTE: PRIOR TO INSTALLATION

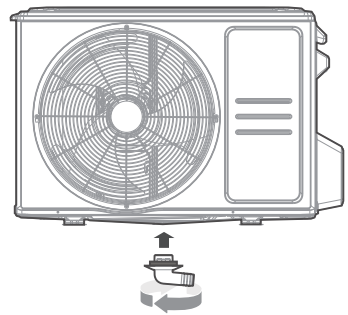
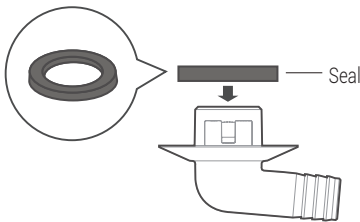


Before bolting the outdoor unit in place, you must install the drain joint at the bottom of the unit. For the units with base pan built-in with multiple holes for proper draining during defrost, the drain joint is no need to be installed.



Step 1:

Find out the base pan hole of outdoor unit.



Step 2:

- Fit the rubber seal on the end of the drain joint that will connect to the outdoor unit.
- Insert the drain joint into the hole in the base pan of the unit. The drain joint will click in place.
- Connect a drain hose extension (not included) to the drain joint to redirect water from the unit during heating mode.

NOTE: IN COLD CLIMATES



In cold climates, make sure that the drain hose is as vertical as possible to ensure swift water drainage. If water drains too slowly, it can freeze in the hose and flood the unit.

10 Install your outdoor unit

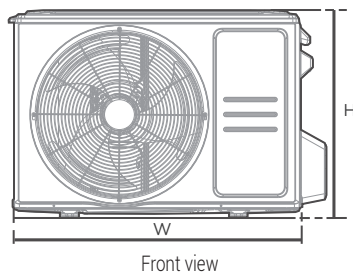
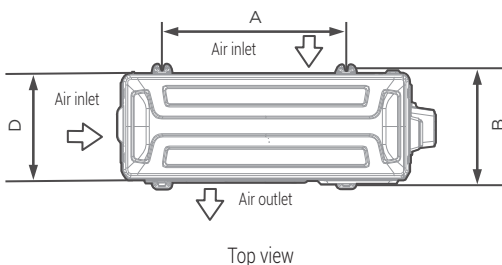
10.3 Anchor outdoor unit



Warning:

WHEN DRILLING INTO CONCRETE, EYE PROTECTION IS RECOMMENDED AT ALL TIME.

- The outdoor unit can be anchored to the ground or to a wall-mounted bracket with bolt (M10). Prepare the installation base of the unit according to the dimensions below.
- The following is a list of different outdoor unit sizes and the distance between their mounting feet. Prepare the installation base of the unit according to the dimensions below.



Outdoor Unit Dimensions (mm) W x H x D	Mounting Dimensions	
	Distance A (mm)	Distance B (mm)
668x469x252 (26.3"x 18.5"x 9.9")	430 (16.9")	231 (9.1")
680x542x248 (26.8"x 21.3"x 9.8")	452 (17.8")	230 (9.1")
720x495x270 (28.3"x 19.5"x 10.6")	452 (17.8")	255 (10.0")
765x555x303 (30.1"x 21.8"x 11.9")	452 (17.8")	286 (11.3")
805x554x330 (31.7"x 21.8"x 12.9")	511 (20.1")	317 (12.5")
890x673x342 (35.0"x 26.5"x 13.5")	663 (26.1")	354 (13.9")
946x810x420 (37.2"x 31.9"x 16.5")	673 (26.5")	403 (15.9")
946x810x410 (37.2"x 31.9"x 16.1")	673 (26.5")	403 (15.9")

If you will install the unit on the ground or on a concrete mounting platform, do the following:

- Mark the positions for four expansion bolts based on dimensions chart.
- Pre-drill holes for expansion bolts.
- Place a nut on the end of each expansion bolt.
- Hammer expansion bolts into the pre-drilled holes.
- Remove the nuts from expansion bolts, and place outdoor unit on bolts.
- Put washer on each expansion bolt, the replace the nuts.
- Using a wrench, tighten each nut until snug.

10 Install your outdoor unit

If you will install the unit on a wall-mounted bracket, do the following:

- Mark the position of bracket holes based on dimensions chart.
- Pre-drill the holes for the expansion bolts.
- Place a washer and nut on the end of each expansion bolt.
- Thread expansion bolts through holes in mounting brackets, put mounting brackets in position and hammer expansion bolts into the wall.
- Check that the mounting brackets are level.
- Carefully lift unit and place its mounting feet on brackets.
- Bolt the unit firmly to the brackets.
- If allowed, install the unit with rubber gaskets to reduce vibrations and noise.



Warning:

Make sure that the wall is made of solid brick, concrete, or of similarly strong material. The wall must be able to support at least four times the weight of the unit.

10.4 Connect signal and power cables



Warning: - Before the Operation

- ALL WIRING WORK MUST BE PERFORMED STRICTLY IN ACCORDANCE WITH THE WIRING DIAGRAM LOCATED INSIDE OF WIRE COVER OF THE OUTDOOR UNIT.
- BEFORE PERFORMING ANY ELECTRICAL OR WIRING WORK, TURN OFF THE MAIN POWER TO THE SYSTEM.

Choose the right cable size

The size of the power supply cable, signal cable, fuse, and switch needed is determined by the maximum current of the unit. The maximum current is indicated on the nameplate located on the side panel of the unit.

Please choose the right cable according to the "Cable types" in page 43.

- Using wire strippers, strip the rubber jacket from both ends of cable to reveal about 40mm (1.57in) of the wires inside.
- Strip the insulation from the ends of the wires.
- Using a wire crimper, crimp u-lugs on the ends of the wires.

Pay attention to live wire

While crimping wires, make sure you clearly distinguish the Live ("L") Wire from other wires.

The outside unit's terminal block is protected by an electrical wiring cover on the side of the unit. A comprehensive wiring diagram is stuck on the inside of the wiring cover.

- Unscrew the electrical wiring cover and remove it.
- Unscrew the cable clamp below the terminal block and place it to the side.
- Connect the wire according to the wiring diagram, and firmly screw the u-lug of each wire to its corresponding terminal.
- After checking to make sure every connection is secure, loop the wires around to prevent rain water from flowing into the terminal.
- Using the cable clamp, fasten the cable to the unit. Screw the cable clamp down tightly.

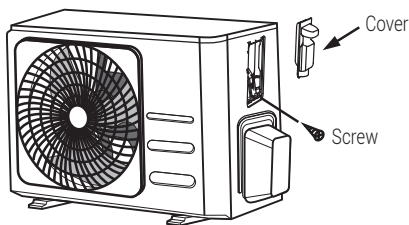
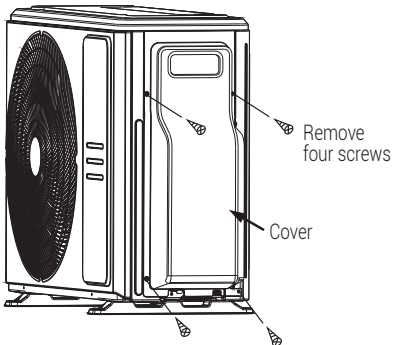
10 Install your outdoor unit

- Insulate unused wires with PVC electrical tape. Arrange them so that they do not touch any electrical or metal parts.
- Replace the wire cover on the side of the unit, and screw it in place.

Note:



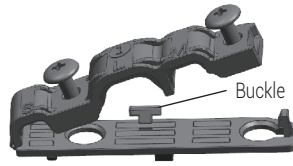
The unit you purchased may be slightly different. The illustrations are for explanatory purposes. The actual shape shall prevail.



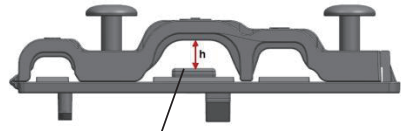
Note:



If the cable clamp looks like the following, please select the appropriate through-hole according to the diameter of the wire.



Three size hole: Small, Large, Medium



When the cable is not fasten enough, use the buckle to prop it up, so it can be clamped tightly.

11 Refrigerant piping connection

11.1 Piping connection instructions

Warning:

WHEN CONNECTING REFRIGERANT PIPING, **DO NOT** LET SUBSTANCES OR GASES OTHER THAN THE SPECIFIED REFRIGERANT ENTER THE UNIT. THE PRESENCE OF OTHER GASES OR SUBSTANCES WILL LOWER THE UNIT'S CAPACITY, AND CAN CAUSE ABNORMALLY HIGH PRESSURE IN THE REFRIGERATION CYCLE. THIS CAN CAUSE EXPLOSION AND INJURY.



11.1.1 Note on pipe length

The length of refrigerant piping will affect the performance and energy efficiency of the unit. Nominal efficiency is tested on units with a pipe length of 5 meters (16.5ft). A minimum pipe run of 3 metres is required to minimise vibration & excessive noise.

Maximum Length and Drop Height of Refrigerant Piping per Unit Model

Model	Capacity (BTU/h)	Max. Length (m)	Max. Drop Height (m)
R410A, R32 Inverter Split Air Conditioner	< 15,000	25 (82ft)	10 (33ft)
	≥ 15,000 and < 24,000	30 (98.5ft)	20 (66ft)
	≥ 24,000 and < 36,000	50 (164ft)	25 (82ft)
	≥ 36,000 and < 60,000	65 (213ft)	30 (98.5ft)
R410A, R32 Fixed-speed Split Air Conditioner	< 18,000	20 (66ft)	8 (26ft)
	≥ 18,000 and < 36,000	25 (82ft)	10 (33ft)
	≥ 36,000 and < 60,000	30 (98.5ft)	15 (49ft)

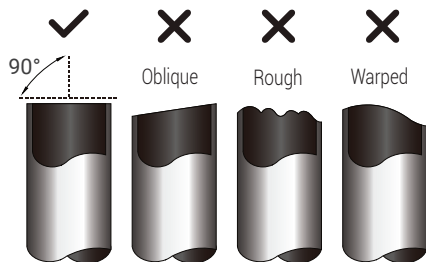
Connection Instructions – Refrigerant Piping

Step 1: Cut pipes

When preparing refrigerant pipes, take extra care to cut and flare them properly. This will ensure efficient operation and minimize the need for future maintenance.

- Measure the distance between the indoor and outdoor units.
- Using a pipe cutter, cut the pipe a little longer than the measured distance.

- Make sure that the pipe is cut at a perfect 90° angle.



11 Refrigerant piping connection

Note:

DO NOT DEFORM PIPE WHILE CUTTING



Be extra careful not to damage, dent, or deform the pipe while cutting. This will drastically reduce the heating efficiency of the unit.

Warning:

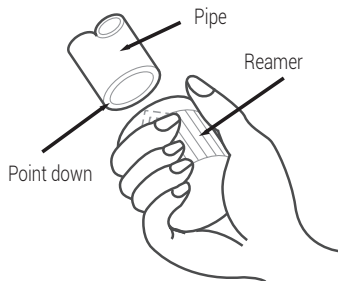


MUST BE CHECK OVER THE END OF THE PIPE FOR CRACKS AND EVENFLARING. ENSURE THE PIPE IS SEALED.

Step 2: Remove burrs

Burrs can affect the air-tight seal of refrigerant piping connection. They must be completely removed.

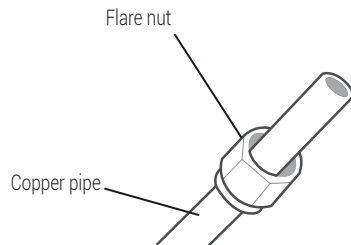
- Hold the pipe at a downward angle to prevent burrs from falling into the pipe.
- Using a reamer or deburring tool, remove all burrs from the cut section of the pipe.



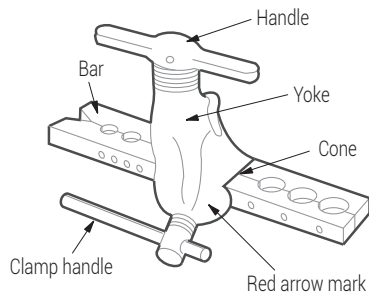
Step 3: Flare pipe ends

Proper flaring is essential to achieve an airtight seal.

- After removing burrs from cut pipe, seal the ends with PVC tape to prevent foreign materials from entering the pipe.
- Sheath the pipe with insulating material.
- Place flare nuts on both ends of pipe. Make sure they are facing in the right direction, because you can't put them on or change their direction after flaring.



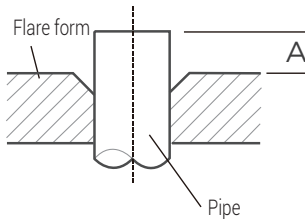
- Remove PVC tape from ends of pipe when ready to perform flaring work.
- Clamp flare form on the end of the pipe. The end of the pipe must extend beyond the edge of the flare form in accordance with the dimensions shown in the table below.



11 Refrigerant piping connection

PIPING EXTENSION BEYOND FLARE FORM

Outer Diameter of Pipe (mm)	A (mm)	
	Min.	Max.
∅ 6.35 (∅ 1/4")	0.7 (0.0275")	1.3 (0.05")
∅ 9.52 (∅ 3/8")	1.0 (0.04")	1.6 (0.063")
∅ 12.7 (∅ 1/2")	1.0 (0.04")	1.8 (0.07")
∅ 16 (∅ 5/8")	2.0 (0.078")	2.2 (0.086")
∅ 19 (∅ 3/4")	2.0 (0.078")	2.4 (0.094")



- Place flaring tool onto the form.
- Turn the handle of the flaring tool clockwise until the pipe is fully flared.
- Remove the flaring tool and flare form, then inspect the end of the pipe for cracks and even flaring.

Step 4: Connect pipes

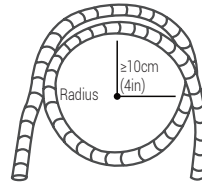
Note:

When connecting refrigerant pipes, be careful not to use excessive torque or to deform the piping in any way. You should first connect the low-pressure pipe, then the high-pressure pipe.



MINIMUM BEND RADIUS

When bending connective refrigerant piping, the minimum bending radius is 10cm.

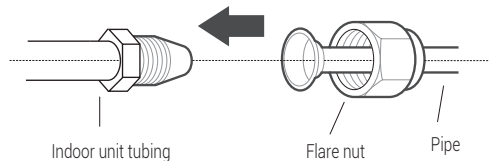


11.2 Connecting Piping to Indoor Unit

11.2.1 Instructions for Connecting Piping to Indoor Unit

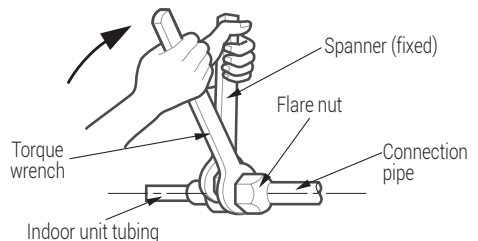
Step 1:

- Align the center of the two pipes that you will connect.



Step 2:

- Tighten the flare nut as tightly as possible by hand.
- Using a spanner, grip the nut on the unit tubing.
- While firmly gripping the nut on the unit tubing, use a torque wrench to tighten the flare nut according to the torque values in the Torque Requirements table below. Loosen the flaring nut slightly, then tighten again.



11 Refrigerant piping connection

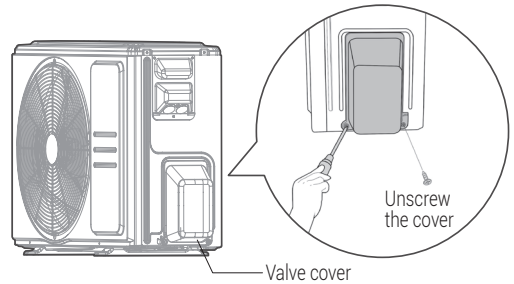
11.2.2 Torque requirements

Outer Diameter of Pipe (mm)	Tightening Torque (N·m)	Flare dimension(B) (mm)	Flare shape
∅ 6.35 (∅ 1/4")	18~20 (180~200kgf.cm)	8.4~8.7 (0.33~0.34")	
∅ 9.52 (∅ 3/8")	32~39 (320~390kgf.cm)	13.2~13.5 (0.52~0.53")	
∅ 12.7 (∅ 1/2")	49~59 (490~590kgf.cm)	16.2~16.5 (0.64~0.65")	
∅ 16 (∅ 5/8")	57~71 (570~710kgf.cm)	19.2~19.7 (0.76~0.78")	
∅ 19 (∅ 3/4")	67~101 (670~1010kgf.cm)	23.2~23.7 (0.91~0.93")	

Note:

DO NOT USE EXCESSIVE TORQUE

Excessive force can break the nut or damage the refrigerant piping. You must not exceed torque requirements shown in the table above.



11.3 Connecting piping to outdoor unit

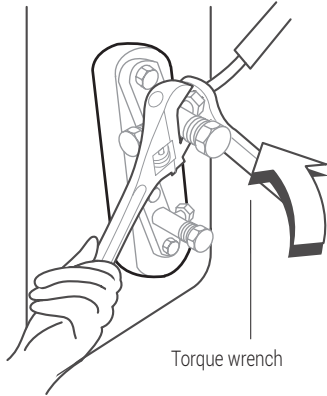
Note:

This section still needs to be operated according to the **TORQUE REQUIREMENTS** chart on the previous page.



1. Unscrew the cover from the packed valve on the side of the outdoor unit.
2. Remove protective caps from ends of valves.
3. Align flared pipe end with each valve, and tighten the flare nut as tightly as possible by hand.
4. Using a spanner, grip the body of the valve. **Do not** grip the nut that seals the service valve.

11 Refrigerant piping connection

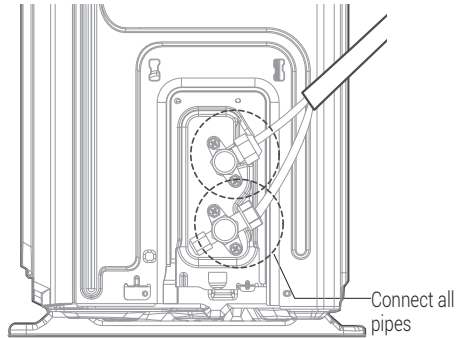


Note:

USE SPANNER TO GRIP MAIN BODY OF VALVE

Torque from tightening the flare nut can snap off other parts of valve.

5. While firmly gripping the body of the valve, use a torque wrench to tighten the flare nut according to the correct torque values.
6. Loosen the flaring nut slightly, then tighten again.
7. Repeat Steps 3 to 6 for the remaining pipe.



12 Air evacuation

NOTE: PREPARATIONS AND PRECAUTIONS



Air and foreign matter in the refrigerant circuit can cause abnormal rises in pressure, which can damage the air conditioner, reduce its efficiency, and cause injury. Ensure to evacuate the air inside the indoor unit and pipes with vacuum pump. Use a vacuum pump and manifold gauge to evacuate the refrigerant circuit, removing any non-condensable gas and moisture from the system. Evacuation should be performed upon initial installation and when unit is relocated. Incorrect installation due to ignoring of the Instruction will cause serious problem to the machine.

Note:

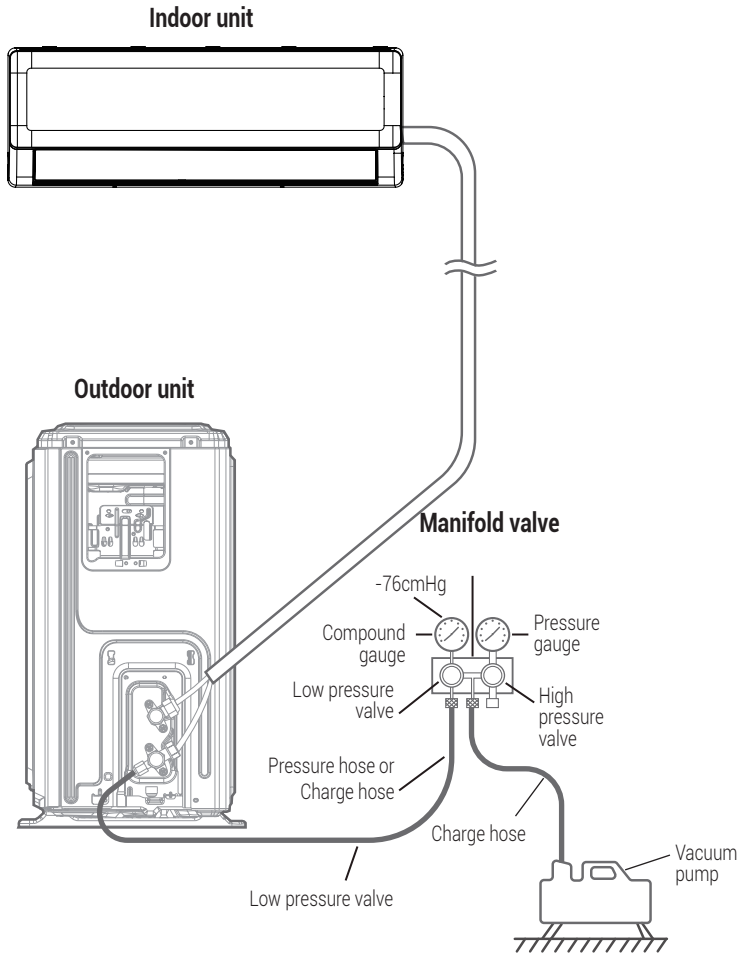


BEFORE PERFORMING EVACUATION

- Make sure the connective pipes between the indoor and outdoor units are connected properly.
- Check to make sure all wiring is connected properly.

12 Air evacuation

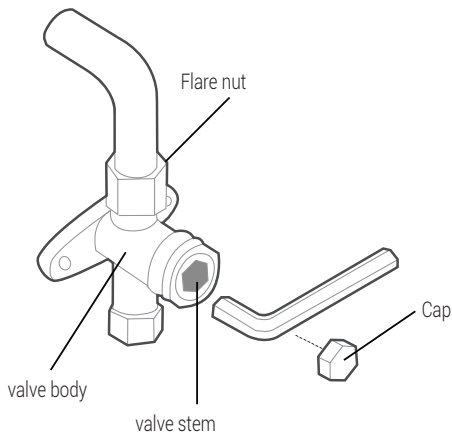
12.1 Evacuation instructions



Step 1:

- Connect the charge hose of the manifold gauge to service port on the outdoor unit's low pressure valve.
- Connect another charge hose from the manifold gauge to the vacuum pump.
- Open the Low Pressure side of the manifold gauge. Keep the High Pressure side closed.
- Turn on the vacuum pump to evacuate the system.
- Run the vacuum for at least 15 minutes, or until the Compound Meter reads -76cmHG (-10⁵ Pa).
- Close the Low Pressure side of the manifold gauge, and turn off the vacuum pump.
- Wait for 5 minutes, then check that there has been no change in system pressure.

12 Air evacuation



Step 2:

- If there is a change in system pressure, refer to Gas Leak Check section for information on how to check for leaks.

- If there is no change in system pressure, unscrew the cap from the packed valve (high pressure valve).

Insert hexagonal wrench into the packed valve (high pressure valve) and open the valve by turning the wrench in a 1/4 counterclockwise turn. Listen for gas to exit the system, then close the valve after 5 seconds.

- Watch the Pressure Gauge for one minute to make sure that there is no change in pressure. The Pressure Gauge should read slightly higher than atmospheric pressure.

- Remove the charge hose from the service port.
- Using hexagonal wrench, fully open both the high pressure and low pressure valves.
- Tighten valve caps on all three valves (service port, high pressure, low pressure) by hand. You may tighten it further using a torque wrench if needed.

Note:

OPEN VALVE STEMS GENTLY



Ensure to open all the valves after evacuation. When opening valve stems, turn the hexagonal wrench until it hits against the stopper. Do not try to force the valve to open further.

NOTE ON ADDING REFRIGERANT



Some systems require additional charging depending on pipe lengths. The standard pipe length is 5m (16'). The refrigerant should be charged from the service port on the outdoor unit's low pressure valve. The additional refrigerant to be charged can be calculated using the following formula:

12 Air evacuation

12.2 ADDITIONAL REFRIGERANT PER PIPE LENGTH

Connective Pipe Length (m)	Air Purging Method	Additional Refrigerant	
≤ Standard pipe length	Vacuum Pump	N/A	
> Standard pipe length	Vacuum Pump	Liquid Side: Ø 6.35 (1/4") R410A: (Pipe length – standard length) x 15g/m (Pipe length – standard length) x 0.16oz/ft	Liquid Side: Ø 9.52 (3/8") R410A: (Pipe length – standard length) x 30g/m (Pipe length – standard length) x 0.32oz/ft
		R32: (Pipe length – standard length) x 12g/m (Pipe length – standard length) x 0.13oz/ft	R32: (Pipe length – standard length) x 24g/m (Pipe length – standard length) x 0.26oz/ft



Note:

DO NOT MIX REFRIGERANT TYPES.

13 Electrical and gas leak checks



WARNING - RISK OF ELECTRIC SHOCK

ALL WIRING MUST COMPLY WITH LOCAL AND NATIONAL ELECTRICAL CODES, AND MUST BE INSTALLED BY A LICENSED ELECTRICIAN.



Note: BEFORE TEST RUN

Only perform test run after you have completed the following steps:

- Electrical Safety Checks – Confirm that the unit's electrical system is safe and operating properly
- Gas Leak Checks – Check all flare nut connections and confirm that the system is not leaking
- Confirm that gas and liquid (high and low pressure) valves are fully open

13.1 Electrical safety checks

After installation, confirm that all electrical wiring is installed in accordance with local and national regulations, and according to the Installation Manual.

13.2 Before test run

Check Grounding Work

Measure grounding resistance by visual detection and with grounding resistance tester.

13.3 During test run

Check for Electrical Leakage

During the **Test Run**, use an electroprobe and multimeter to perform a comprehensive electrical leakage test.

If electrical leakage is detected, turn off the unit immediately and call a licensed electrician to find and resolve the cause of the leakage.



Note:

This may not be required for some locations in North America.

13 Electrical and gas leak checks

13.4 Gas leak checks

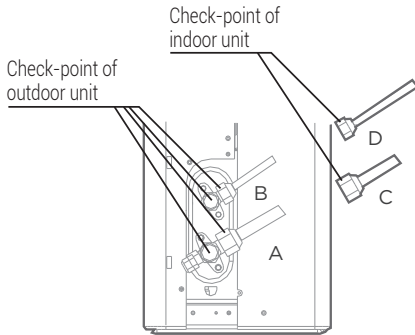
There are two different methods to check for gas leaks.

Soap and Water Method

Using a soft brush, apply soapy water or liquid detergent to all pipe connection points on the indoor unit and outdoor unit. The presence of bubbles indicates a leak.

Leak Detector Method

If using leak detector, refer to the device's operation manual for proper usage instructions.



- A: Low pressure stop valve
- B: High pressure stop valve
- C & D: Indoor unit flare nuts

AFTER PERFORMING GAS LEAK CHECKS

After confirming that all pipe connection points DO NOT leak, replace the valve cover on the outside unit.

14 Test run

14.1 Test run instructions

You should perform the **Test Run** for at least 30 minutes.

- Connect power to the unit.
- Press the **ON/OFF** button on the remote controller to turn it on.
- Press the **MODE** button to scroll through the following functions, one at a time:
 - COOL –Select lowest possible temperature
 - HEAT–Select highest possible temperature
- Let each function run for 5 minutes, and perform the following checks:

List of Checks to Perform	PASS/FAIL	
No electrical leakage		
Unit is properly grounded		
All electrical terminals properly covered		
Indoor and outdoor units are solidly installed		
All pipe connection points do not leak	Outdoor (2):	Indoor (2):
Water drains properly from drain hose		
All piping is properly insulated		
Unit performs COOL function properly		
Unit performs HEAT function properly		
Indoor unit louvers rotate properly		
Indoor unit responds to remote controller		

DOUBLE-CHECK PIPE CONNECTIONS

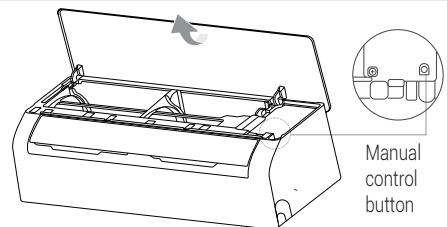
During operation, the pressure of the refrigerant circuit will increase. This may reveal leaks that were not present during your initial leak check. Take time during the Test Run to double-check that all refrigerant pipe connection points do not have leaks. Refer to **Gas Leak Check** section for instructions.

- After the Test Run is successfully completed, and you confirm that all checks points in List of Checks to Perform have PASSED, do the following:
 - a. Using remote control, return unit to normal operating temperature.
 - b. Using insulation tape, wrap the indoor refrigerant pipe connections that you left uncovered during the indoor unit installation process.

IF AMBIENT TEMPERATURE IS BELOW 16°C (60°F)

You can't use the remote controller to turn on the COOL function when the ambient temperature is below 16°C(60°F). In this instance, you can use the **MANUAL CONTROL** button to test the COOL function.

- Lift the front panel and raise it until it clicks in place.
- The **MANUAL CONTROL** button is located on the right-hand side of the electrical control box. Press two times to select cool mode.
- Perform Test Run as normal.



15 Packing and unpacking the unit

Instructions for packing and unpacking the unit:

Unpacking:

Indoor unit:

1. Cut the sealing tape on the carton with a knife, one cut on the left, one cut in the middle and one cut on the right.
2. Use the vice to take out the sealing nails on the top of the carton.
3. Open the carton.
4. Take out the middle support plate if it is included.
5. Take out the accessory package, and take out the connecting wire if it is included.
6. Lift the machine out of the carton and lay it flat.
7. Remove the left and right package foam or the upper and lower packaging foam, untie the packaging bag.

Outdoor Unit

1. Cut the packing belt.
2. Take the unit out of the carton.
3. Remove the foam from the unit.
4. Remove the packaging bag from the unit.

Packing:

Indoor unit:

1. Put the indoor unit into the packing bag.
2. Attach the left and right package foam or the upper and lower packaging foam to the unit.
3. Put the unit into the carton, then put accessory package in.
4. Close the carton and seal it with the tape.
5. Using the packing belt if necessary.

Outdoor unit:

1. Put the outdoor unit into the packing bag.
2. Put the bottom foam into the box.
3. Put the unit into the carton, then put the upper packaging foam on the unit.
4. Close the carton and seal it with the tape.
5. Using the packing belt if necessary.



Note:

Please keep all packaging items if you may need in the future.

16 European disposal guidelines

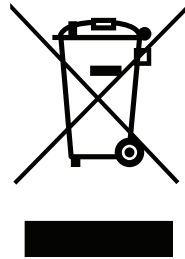
This appliance contains refrigerant and other potentially hazardous materials. When disposing of this appliance, the law requires special collection and treatment, **Do not** dispose of this product as household waste or unsorted municipal waste.

When disposing of this appliance, you have the following options:

- Dispose of the appliance at designated municipal electronic waste collection facility.
- When buying a new appliance, the retailer will take back the old appliance free of charge.
- The manufacturer will take back the old appliance free of charge.
- Sell the appliance to certified scrap metal dealers.



Special notice: Disposing of this appliance in the forest or other natural surroundings endangers your health and is bad for the environment. Hazardous substances may leak into the ground water and enter the food chain.



This symbol indicates that this product shall not be disposed with other household wastes at the end of its service life. Used device must be returned to official collection point for recycling of electrical and electronic devices. To find these collection systems please contact to your local authorities or retailer where the product was purchased. Each household performs important role in recovering and recycling of old appliance. Appropriate disposal of used appliance helps prevent potential negative consequences for the environment and human health.

17 F-Gas instruction

This product contains fluorinated greenhouse gases.

The fluorinated greenhouse gases are contained in hermetically sealed equipment.

Installs, services, maintains, repairs, checks for leaks or decommissions equipment and product recycling should be carried out by natural persons that hold relevant certificates.

If the system has a leakage detection system installed, leakage checks should be performed at least every 12 months, make sure system operate properly.

If product must be performed leakage checks, it should specify Inspection cycle, establish and save records of leakage checks.



Note: For hermetically sealed equipment, local air conditioner, window air conditioner and dehumidifier, if CO₂ equivalent of fluorinated greenhouse gases is less than 10 tonnes, it should not perform leakage checks.

18 Specifications

Model name	Indoor unit	BBEPME 090	BBEPME 120	BBEPME 180
	Outdoor unit	BBEPME 091	BBEPME 121	BBEPME 181
Refrigerant		R32	R32	R32
Total Refrigerant Amount (g)		550	580	850
GWP		675	675	675
CO2 equivalent (tonnes)		0.371	0.392	0.574
Anti-Electric		Class I	Class I	Class I
Climate Class		T1	T1	T1
Heating Type		Heat Pump	Heat Pump	Heat Pump
Power Supply Connection		Outdoor	Outdoor	Outdoor
Pdesign C (kW)		2.5	3.4	5.0
Pdesign H (kW)		2.5(Average)/ 2.5(Warmer)	2.6(Average)/ 3.1(Warmer)	4.0(Average)/ 4.4(Warmer)
SEER/AEER/Weight EER (W/W)		8.5(SEER, EU)	8.5(SEER, EU)	8.5(SEER, EU)
SCOP/ACOP/Weight EER (W/W)		4.6(SCOP, EU Average)/ 6.0(SCOP, EU Warmer)	4.6(SCOP, EU Average)/ 6.0(SCOP, EU Warmer)	4.6(SCOP, EU Average)/ 5.7(SCOP, EU Warmer)
Energy Level-Cooling		A+++ (EU)	A+++ (EU)	A+++ (EU)
Energy Level-Heating		A++ (EU Average)/ A+++ (EU Warmer)	A++ (EU Average)/ A+++ (EU Warmer)	A++ (EU Average)/ A+++ (EU Warmer)
Annual Energy Consumption- Cooling (kwh)		103	140	207
Annual Energy Consumption- Heating (kwh)		761(Average)/ 592 (Warmer)	792(Average)/ 730 (Warmer)	1243(Average)/ 1081 (Warmer)
The declared capacity for calculation of SCOP at reference design condition (kW)		2.1 (Average Season)	2.2 (Average Season)	3.4 (Average Season)
The back up heating capacity assumed for calculation of SCOP at reference design condition (kW)		0.4 (Average Season)	0.4 (Average Season)	0.6 (Average Season)
Power of Electric Heater (W)		/	/	/

18 Specifications

Model name	Indoor unit	BBEPME 090	BBEPME 120	BBEPME 180
	Outdoor unit	BBEPME 091	BBEPME 121	BBEPME 181
Cooling Power Input (kW)		622	1052	1424
Heating Power Input (kW)		674	1000	1440
Voltage/Frequency (V/Hz)		220V-240V, 50Hz, 1Ph	220V-240V, 50Hz, 1Ph	220-240V~ 50Hz, 1Ph
Cooling Running Current (A)		4.4	4.8	6.19
Heating Running Current (A)		4.5	4.6	6.26
Noise Pressure Level - Indoor Unit (dBA)		39/34/25/19.0	39/32/26/20	43/36/28/21.5
Noise Pressure Level - Outdoor Unit (dBA)		54.0	55	57
Air flow volume (m3/h)		650/510/360/ 285/150	800/600/450/ 370/220	950/800/600/ 470/340
Rated Power Input-EN 60335(W)		2200	2200	2800
Rated Current Input-EN 60335(A)		10	10	13.5
Indoor unit Resistance Class		IPX0	IPX0	IPX0
Outdoor unit Resistance Class		IPX4	IPX4	IPX4
High Pressure Pipe Diameter (mm)		6.35mm(1/4in)	6.35mm(1/4in)	6.35mm(1/4in)
Low Pressuer Pipe Diameter (mm)		9.52mm(3/8in)	9.52mm(3/8in)	12.7mm(1/2in)
Power Supply Cord specification (mm2)		3*1.5mm	3*1.5mm	3*1.5mm
Indoor & Outdoor Connection Cord (mm2)		5*1.5mm	5*1.5mm	5*1.5mm
Max. elevation (m)		10	10	20
Max. pipe length (m)		25	25	30
Additional Gas Quantity (g/m)		12	12	12
Indoor Unit (WxHxD) mm		723x286x199	813x289x201	975x308x218
Outdoor Unit (WxHxD) mm		775x565x280	775x565x280	890x673x328
Indoor Unit Net Weight (kg)		8.0	8.5	10.5

18 Specifications

Model name	Indoor unit	BBEPME 090	BBEPME 120	BBEPME 180
	Outdoor unit	BBEPME 091	BBEPME 121	BBEPME 181
Outdoor Unit Net Weight (kg)		23.5	23.5	37.8

Note:

1. Specifications are standard values calculated based on rated operating conditions, They will vary in difference work condition.
2. Our company has quick technical improvements. There will be prior notice for any change of technical data. Please read nameplate on the air-conditioner.

Please refer to detail product information required in Regulation No 206/2012 from leaflet of Product Fiche.


Molimo Vas da prvo pročitate ovaj priručnik za korisnika!


Poštovani korisniče,

Hvala Vam što ste izabrali Beko proizvod. Nadamo se da ćete dobiti najbolje rezultate od vašeg proizvoda koji je proizveden pomoću visoko kvalitetne i najsavremenije tehnologije. Stoga bismo vas zamolili da pročitate ovaj kompletan priručnik za korisnika i svu ostalu prateću dokumentaciju prije korištenja proizvoda i zadržite priručnik kao referencu za buduću upotrebu. Ako proizvod uručite nekom drugom, uz njega također uručite i priručnik za korisnika. Slijedite sva upozorenja i informacije u priručniku za korisnika.

Značenje simbola


Sljedeći simboli su korišteni u raznim odjeljcima ovog priručnika:

	Važne informacije ili korisni savjeti vezano za upotrebu.
--	---


	Upozorenje na opasne situacije u pogledu života i imovine.
--	--


	Upozorenje za radnje koje se nikada ne smiju izvoditi.
--	--

	Upozorenje na strujni udar.
---	-----------------------------

	Ovaj simbol pokazuje da su dostupne informacije kao što su priručnik za rad ili priručnik za instalaciju.
--	---

	Nemojte prekrivati.
--	---------------------

	Ovaj simbol pokazuje da priručnik za upotrebu treba pažljivo pročitati.
---	---

	Ovaj simbol pokazuje da ovom opremom treba rukovati servisno osoblje u skladu s priručnikom za instalaciju.
---	---

 (Za vrstu plina R32/R290)	Ovaj simbol pokazuje da ovaj uređaj koristi zapaljivi rashladni medij. Ako rashladni medij curi i ako je izložen vanjskom izvoru zapaljenja, postoji opasnost od požara.
---	--

SADRŽAJ

1 Sigurnosne mjere predostrožnosti	76
2 Pobrinite se da ste potvrdili prije nego što počnete	86
3 Upoznajte svoj klima uređaj	88
3.1 Displej unutrašnje jedinice	88
3.2 Napomena o uglovima krilca	91
3.3 Podešavanje protoka zraka lijevo i desno (Manualno rukovanje)	92
3.4 Instalirajte HomeDirect komplet (bežični modul)	93
4 Njega i održavanje	94
5 Otklanjanje smetnji	97
5.1 Uobičajeni problemi	97
6 Počnimo s instaliranjem vašeg klima uređaja	103
7 Pregled instalacije	105
8 Sažetak ugradnje - unutrašnja jedinica	106
9 Ugradite unutrašnju jedinicu	107
9.1 Odaberite mjesto ugradnje	107
9.2 Bušenje otvora u zidu za spojne cijevi	108
9.3 Instalirajte cijev za rashladni medij i crijevo za odvod	112
9.4 Priprema električnih radova	114
9.5 Omotajte cjevovod i kablove	118
9.6 Montirajte unutrašnju jedinicu	119
10 Instalirajte vanjsku jedinicu	121
10.1 Odaberite mjesto ugradnje	121
10.2 Instalirajte priključak za odvod (samo jedinica s toplotnom pumpom)	123
10.3 Ankerišite vanjsku jedinicu	124
10.4 Priključite signalni i napojni kabal	125

SADRŽAJ

11 Priključak cijevi za rashladni medij	127
11.1 Uputstva za spajanje cjevovoda	127
11.2 Spajanje cjevovoda do unutrašnje jedinice	129
11.3 Spajanje cjevovoda do vanjske jedinice	130
12 Pražnjenje zraka	132
12.1 Uputstva za pražnjenje	133
12.2 DODATNI RASHLADNI MEDIJ PREMA DUŽINI CIJEVI	135
13 Električne provjere i provjera curenja plina	136
13.1 Provjera električne sigurnosti	136
13.2 Prije testnog pokretanja	136
13.3 Tokom testnog pokretanja	136
13.4 Provjere curenja plina	137
14 Testno pokretanje	138
14.1 Uputstva za testno pokretanje	138
14 Testno pokretanje	139
15 Pakovanje i raspakivanje jedinice	140
16 Europske smjernice za odlaganje	141
17 Uputstva za F-plin	142
18 Specifikacije	143

Upozorenje

Ovaj uređaj mogu koristiti djeca starija od 8 godina i osobe sa smanjenim fizičkim, čulnim ili mentalnim sposobnostima ili s nedostatkom iskustva i znanja ako su pod nadzorom ili primaju uputstva u vezi upotrebe uređaja na siguran način i razumiju opasnosti koje su uključene. Djeca se ne smiju igrati s uređajem. Čišćenje i korisničko održavanje ne smiju obavljati djeca bez nadzora (zemlje Evropske unije).

Ovaj uređaj nije namijenjen da ga koriste osobe (uključujući djecu) sa smanjenim fizičkim, senzornim ili mentalnim sposobnostima ili s nedostatkom iskustva i znanja, osim ako su pod nadzorom ili ako im osobe zadužene za njihovu sigurnost nisu dale uputstva koja se odnose na korištenje uređaja. Djeca trebaju biti pod nadzorom kako bi se osiguralo da se ne igraju s uređajem.

Upozorenja za korištenje proizvoda

- Ako se pojavi neko abnormalno stanje (poput mirisa gorenja), odmah isključite jedinicu i izvucite napojni utikač iz utičnice. Pozovite trgovca radi uputstava da biste izbjegli strujni udar, požar ili povredu.
- **Nemojte** stavljati prste, poluge ili druge predmete u otvore za ulaz ili izlaz zraka. To može izazvati povredu jer se ventilator može rotirati velikom brzinom.
- **Nemojte** koristiti zapaljive sprejeve poput spreja za kosu, laka ili farbe u blizini jedinice. To može izazvati požar ili zapaljenje.
- **Nemojte** puštati u rad klima uređaj na mjestima koja se nalaze u blizini ili oko zapaljivih plinova. Plinovi koji se emituju mogu se skupljati oko jedinice i izazvati eksploziju.

- **Nemojte** puštati u rad klima uređaj u prostorijama koje sadrže vlagu, kao što su kupatila ili vešeraj. Prekomjerno izlaganje vodi može izazvati kratki spoj kod električnih komponenti.
- **Nemojte** izlagati tijelo direktno hladnom zraku tokom dužeg vremena.
- **Nemojte** dozvoliti djeci da se igraju s klima uređajem. Djeca moraju biti pod nadzorom oko jedinice u svakom trenutku.
- Ako se klima uređaj koristi zajedno s gorionicima ili drugim uređajima za zagrijavanje, temeljito ventilirajte prostoriju kako biste izbjegli nedostatak kisika.
- U određenim funkcionalnim sredinama, kao što su kuhinje, sobe sa serverima, itd, upotreba posebno dizajniranih klimatizacijskih jedinica se jako preporučuje.

Upozorenja za čišćenje i održavanje

- Isključite uređaj i isključite ga iz napajanja prije čišćenja. Ako to ne učinite, može doći do strujnog udara.
- **Nemojte** čistiti klima uređaj prekomjernom količinom vode.
- **Nemojte** čistiti klima uređaj sredstvima za čišćenje koja su zapaljiva. Zapaljiva sredstva za čišćenje mogu izazvati požar ili deformaciju.

Opres

- Isključite klima uređaj i isključite ga iz napajanja ako ga ne namjeravate koristiti tokom dužeg vremena.
- Ugasite i isključite jedinicu iz napajanja za vrijeme oluje.
- Uvjerite se da se kondenzacija vode može neometano iscijediti iz jedinice.

- **Nemojte** rukovati klima uređajem mokrim rukama. To može izazvati strujni udar.
- **Nemojte** koristiti uređaj za bilo koje druge svrhe osim onih za koje je namijenjen.
- **Nemojte** se penjati na uređaj niti stavljati predmete na vanjsku jedinicu.
- **Nemojte** dopustiti da klima uređaj radi duže vremena pri otvorenim vratima ili prozorima, ili u slučaju da je vlažnost vrlo visoka.

Električna upozorenja

- Koristite samo specificirani napojni kabal. Ako je strujni kabal oštećen, mora ga zamijeniti proizvođač, serviser ili druga kvalificirana osoba kako bi se izbjegle potencijalno opasne situacije.
- Napojni utikač održavajte čistim. Uklonite svu prašinu ili prljavštinu koja se skuplja na ili oko utikača. Prljavi utikači mogu izazvati požar ili strujni udar.
- **Nemojte** povlačiti za napojni kabal da biste isključili jedinicu iz utičnice. Čvrsto držite utikač i povucite ga van iz utičnice. Povlačeći direktno za kabal možete oštetiti kabal, što dalje može dovesti do požara ili strujnog udara.
- **Nemojte** prepravljati dužinu kabla za napajanje strujom i nemojte koristiti produžni kabal do jedinice za napajanje.
- **Nemojte** dijeliti električnu utičnicu s ostalim uređajima. Nepravilno ili nedovoljno napajanje može izazvati požar ili strujni udar.
- Proizvod mora biti propisno uzemljen prilikom instalacije, ili može doći do strujnog udara.
- Za sve električne radove, slijedite sve lokalne i državne standarde za ožičenje, propise i priručnik za ugradnju.

Spojite kablove čvrsto i stegnite ih sigurno da bi spriječili da vanjske sile oštete terminal. Nepravilni električni priključci mogu se pregrijati i izazvati požar, a također mogu izazvati i udar. Sve električne veze moraju biti u skladu sa dijagramom za električni priključak koji se nalazi na panelima unutrašnje i vanjske jedinice.

- Sve instalacije moraju biti pravilno raspoređene kako bi se osiguralo da se poklopac upravljačke ploče može ispravno zatvoriti. Ako poklopac na upravljačkoj ploči nije pravilno zatvoren, to može dovesti do korozije i uzrokovati da se tačke povezivanja na terminalu zagriju, zapale ili uzrokuju strujni udar.
- Ako se napajanje spaja na fiksno ožičenje, uređaj za razdvajanje svih polova koji ima barem 3 mm zazora

na svim polovima, a postoji curenje struje koje može premašiti 10 mA, uređaj preostale struje (RCD) ima nazivnu preostalu radnu struju koja ne prelazi 30 mA i isključivanje mora biti inkorporirano u fiksno ožičenje u skladu s pravilima ožičenja.

Uzeti u obzir specifikacije osigurača

Strujna ploča klima uređaja (PCB) je dizajnirana s osiguračem kako bi pružila zaštitu od preopterećenja.

Specifikacije osigurača odštampane su na ploči, kao što su:

T3.15AL/250VAC, T5AL/250VAC, T3.15A/250VAC, T5A/250VAC, T20A/250VAC, T30A/250VAC, itd.



Napomena: Za jedinice koje koriste rashladno sredstvo R32 ili R290, može se koristiti samo keramički osigurač otporan na eksploziju.

HygieneMax (Maks. higijena) (UV-C lampa) (Primjenjivo samo na jedinici koja sadrži funkciju HygieneMax (Maks. higijena) feature)

Ovaj uređaj sadrži HygieneMax (Maks. higijena) (UV-C lampa). Pročitajte sljedeća uputstva prije otvaranja uređaja.

1. Nemojte rukovati HygieneMax (Maks. higijena) (UV-C lampa) izvan uređaja.
2. Uređaji koji su očigledno oštećeni ne smiju se puštati u rad.
3. Nenamjerna upotreba uređaja ili oštećenje kućišta mogu

dovesti do izlaska opasnog UV-C zračenja. UV-C zračenje može, čak i u malim dozama, može biti štetno za oči i kožu.

4. Ovaj uređaj mora biti isključen iz mreže napajanja prije čišćenja jedinice ili bilo kojeg drugog postupka održavanja.
5. UV-C barijere koje nose simbol opasnosti od ultraljubičastog zračenja ne smije biti uklonjen.



Upozorenje:

Ovaj uređaj sadrži UV emiter. Nemojte zuriti u izvor svjetlosti.

Upozorenje za ugradnju proizvoda

1. Ugradnja mora biti izvedena od strane ovlaštenog trgovca ili stručnjaka. Neispravna montaža može izazvati curenje vode, strujni udar ili požar.
2. Ugradnja mora biti izvedena u skladu s uputstvima za postavljanje. Nepravilna

1 Sigurnosne mjere predostrožnosti

- instalacija može izazvati curenje vode, strujni udar ili požar.
3. Obratite se ovlaštenom serviseru za popravak ili održavanje ove jedinice. Ovaj uređaj se mora ugraditi u skladu s državnim propisima ožičenja.
 4. Koristite samo uključeni pribor, dijelove i određene dijelove za ugradnju. Korištenje nestandardnih dijelova može izazvati curenje vode, strujni udar ili požar, a može dovesti i do kvara jedinice.
 5. Postavite uređaj na čvrstu lokaciju koja može izdržati težinu uređaja. Ako odabrana lokacija ne može podržati težinu uređaja ili instalacija nije urađena ispravno, uređaj može pasti i uzrokovati teške povrede i oštećenja.
 6. Instalirajte odvodni cjevovod u skladu s uputstvima u ovom priručniku. Nepravilan odvod može uzrokovati oštećenje vodom u vašem domu i na imovini.
 7. Za jedinice koje imaju pomoćni električni grijač, **nemojte** postavljati uređaj na udaljenosti od 1 metar (3 stope) od bilo kakvih zapaljivih materijala.
 8. **Nemojte** postavljati uređaj na mjestima koja mogu biti izložena curenjima zapaljivog plina. Ako se zapaljivi plin nakuplja oko jedinice, to može izazvati požar.
 9. Nemojte uključivati napajanje dok se svi radovi ne završe.
 10. Kada se selite ili mijenjate položaj klima uređaja, posavjetujte se s iskusnim servisnim tehničarom radi isključivanja i ponovne ugradnje jedinice.
 11. Kako instalirati uređaj na njegovu potporu, za više detalja pročitajte informacije

u odjeljcima „ugradnja unutrašnje jedinice“ i „ugradnja vanjske jedinice“.

Napomena o fluoriranim plinovima (nije primjenjivo na jedinicu koja koristi rashladno sredstvo R290)

1. Ova jedinica klima uređaja sadrži fluorirane stakleničke plinove. Za određene informacije o vrsti i količini plina, pogledajte odgovarajuću naljepnicu na samoj jedinici ili „Priručnik za korisnika – pregled proizvoda“ u pakovanju vanjske jedinice. (Samo za proizvode u Evropskoj uniji).
2. Ugradnju, servis, održavanje i popravak ove jedinice mora obaviti certificirani tehničar.
3. Deinstalacija proizvoda i recikliranje mora obaviti certificirani tehničar.

4. Za opremu koja sadrži fluorirane stakleničke plinove u količinama koje su ekvivalent količini od 5 tona CO₂ ili više, ali manje od količine koja je ekvivalent količini od 50 tona CO₂, ako sistem ima ugrađen sistem za otkrivanje curenja, isti se mora provjeriti radi curenja svaka 24 mjeseca.
5. Kada je uređaj provjeren na curenja, strogo se preporučuje pravilno vođenje evidencije o svim pregledima.

Upozorenje za korištenje rashladnog medija R32/R290

- Kada se koristi zapaljivi rashladni medij, uređaj se mora skladištiti u dobro provjetrenom području gdje veličina prostorije odgovara području prostorije koja je određena za rad.

Za R32 modele rashladnog medija:

Uređaj se mora instalirati, raditi i skladištiti u prostoriji s površinom poda koja je veća od 4 m².

Za modele s rashladnim sredstvom R290, uređaj se mora ugraditi, koristiti i skladištiti u prostoriji s površinom poda većom od:

$\leq 9000 \text{ Btu/h}$ jedinica: 13 m²

$> 9000 \text{ Btu/h}$ i $\leq 12000 \text{ Btu/h}$ jedinica: 17 m²

$> 12000 \text{ Btu/h}$ i $\leq 18000 \text{ Btu/h}$ jedinica: 26 m²

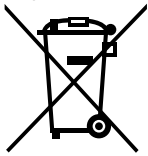
$> 18000 \text{ Btu/h}$ i $\leq 24000 \text{ Btu/h}$ jedinica: 35 m²

- Mehanički konektori za višekratnu upotrebu i spojevi s raširenim krajem nisu dozvoljeni u zatvorenim prostorima. (**EN** Standardni zahtjevi).

- Mehanički konektori koji se koriste u zatvorenim prostorima moraju sadržavati stopu ne veću od 3 g/god pri 25% maksimalno dozvoljenog pritiska. Kada se mehanički konektori ponovo koriste u zatvorenim prostorima, dijelovi za brtvljenje se moraju zanoviti. Kada se spojevi s raširenim krajem ponovo koriste, rašireni kraj se mora ponovno izraditi. (**UL** Standardni zahtjevi)
- Kada se mehanički konektori ponovo koriste u zatvorenim prostorima, dijelovi za brtvljenje se moraju zanoviti. Kada se spojevi s raširenim krajem ponovo koriste, rašireni kraj se mora ponovno izraditi. (**IEC** Standardni zahtjevi)
- Mehanički konektori koji se koriste u zatvorenom prostoru moraju biti u skladu sa ISO 14903.

Europske smjernice za odlaganje

Ova oznaka koja je prikazana na proizvodu ili u njegovoj literaturi, ukazuje na to da se električni otpad i električna oprema ne smije miješati s općim kućnim otpadom.



Ispravno dolaganje ovog proizvoda (električni otpad i elektronska oprema)

Ovaj uređaj sadrži rashladni medij i druge potencijalno opasne materijale. Kod odlaganja ovog uređaja, zakonom se zahtijevaju poseban način prikupljanja i tretman.

Nemojte odlagati ovaj proizvod zajedno s kućnim otpadom ili nesortiranim komunalnim otpadom.

Kod odlaganja ovog uređaja, na raspolaganju imate sljedeće opcije:

- Odložite uređaj na za to namijenjenu lokaciju unutar općine za prikupljanje elektronskog otpada.
- Prilikom kupovine novog uređaja, trgovac će bez naknade preuzeti nazad stari uređaj.
- Proizvođač će preuzeti nazad stari uređaj bez naknade. (za neke zemlje)
- Prodajte uređaj certificiranom trgovcu otpadnim metalom. (za neke zemlje)

Posebna napomena:

Odlaganje ovog uređaja u šumi ili drugim prirodnim okruženjima ugrožava vaše zdravlje i loše je za okoliš. Opasne tvari mogu iscuriti u podzemne vode i ući u lanac prehrane.





Informacije o pakovanju

Ambalažni materijali korišteni za pakovanje proizvoda su proizvedeni od materijala koji se mogu reciklirati u skladu sa našim državnim propisima o zaštiti životne sredine. Materijale za pakovanje nemojte odlagati s kućnim ili drugom vrstom otpada. Odnosite ih do mjesta za prikupljanje materijala za pakovanje koja su naznačile lokalne vlasti.

Usklađenost sa RoHS direktivom

Proizvod koji ste kupili je u skladu s EU Uredbom RoHS (2011/65/EU). Ne sadrži štetne niti zabranjene materijale koji su navedeni u direktivi.



Napomena:

Radna temperatura

Kada se vaš klima uređaj koristi izvan sljedećih temperaturnih raspona, mogu se aktivirati određene funkcije sigurnosne zaštite i uzrokovati onemogućavanje jedinice.

Inverter razdvojeni tip

	Način rada COOL (Hlađenje)	Način rada HEAT (Grijanje)	Način rada DRY (ISUŠIVANJE)
Room Temp. (Sobna Temp.)	16 °C - 32 °C (60 °F - 90 °F)	0 °C - 30 °C (32 °F - 86 °F)	10 °C - 32 °C (50 °F - 90 °F)
Vanjska temp.	0 °C - 50 °C (32 °F - 122 °F)		
	-15 °C - 50 °C (5 °F - 122 °F) Za modele sa sistemima hlađenja s niskom temperaturom.	-15 °C - 24 °C (5 °F - 75 °F)	0 °C - 50 °C (32 °F - 122 °F)
	0 °C - 52 °C (32 °F - 126 °F) Za posebne tropske modele	-15 °C - 24 °C (5 °F - 75 °F)	0 °C - 52 °C (32 °F - 126 °F) Za posebne tropske modele

ZA VANJSKE JEDINICE S POMOĆNIM ELEKTRIČNIM GRIJAČEM

Kada vanjska temperatura padne ispod 0°C (32°F), strogo preporučujemo da jedinicu ostavite uključenu cijelo vrijeme kako bi se osigurale glatke i kontinuirane performanse.

Tip s fiksnom brzinom

	Način rada COOL (Hlađenje)	Način rada HEAT (Grijanje)	Način rada DRY (ISUŠIVANJE)
Room Temp. (Sobna Temp.)	16 °C - 32 °C (60 °F - 90 °F)	0 °C - 30 °C (32 °F - 86 °F)	10 °C - 32 °C (50 °F - 90 °F)
Vanjska temp.	18 °C - 43 °C (64 °F - 109 °F)	-7 °C - 24 °C (19 °F - 75 °F)	11 °C - 43 °C (52 °F - 109 °F)
	-7 °C - 43 °C (19 °F - 109 °F) Za modele sa sistemima hlađenja s niskom temperaturom		18 °C - 43 °C (64 °F - 109 °F)
	18 °C - 52 °C (64 °F - 126 °F) Za posebne tropske modele	-7 °C - 24 °C (19 °F - 75 °F)	18 °C - 52 °C (64 °F - 126 °F) Za posebne tropske modele

Napomena:

Relativna vlažnost prostorije manja od 80%. Ako klima uređaj radi više od ove brojke, površina klima uređaja može privući kondenzaciju. Podesite otvor za vertikalni protok zraka na maksimalni ugao (vertikalno u odnosu na pod) i podesite HIGH (VISOKO) režim ventilatora.

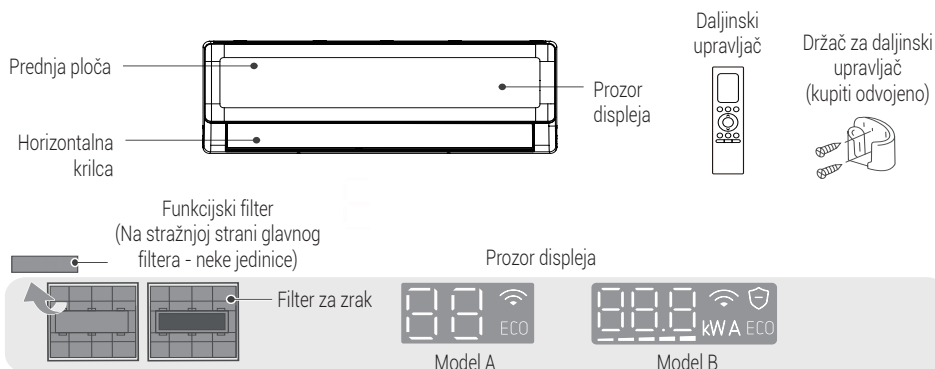
3 Upoznajte svoj klima uređaj

Napomena:








- Različiti modeli imaju različitu prednju ploču i prozor displeja. Nisu svi indikatori koji su dolje opisani dostupni za klima uređaj koji ste kupili. Provjerite prozor displeja unutrašnje jedinice koju ste kupili.
- Ilustracije u ovom priručniku su date samo za svrhe objašnjenja. Stvarni oblik vaše unutrašnje jedinice se može blago razlikovati. Stvarni oblik će prevladati.

3.1 Displej unutrašnje jedinice



Kod displeja	Značenje koda displeja
	<ul style="list-style-type: none"> • Prikazuje temperaturu, radnu funkciju i kodove grešaka. • Kod nekih jedinica, kada je funkcija GEAR (Brzina) aktivirana, na displeju će se prikazati i treperiti ciljna vrijednost snage (kW), trenutna vrijednost (A) ili nivoi brzina (Lx) u trajanju od 15 sekundi. Nivoi brzina se prikazuju kao: L1 brzina(–), L2 brzina(––), L3 brzina(–––), L4 brzina(––––), L5 brzina(–––––).
	<ul style="list-style-type: none"> • Kada je funkcija Fresh (Svježe) uključena (kod nekih jedinica).
	<ul style="list-style-type: none"> • Kada je funkcija ECO+ uključena.
	<ul style="list-style-type: none"> • Kada je funkcija bežičnog upravljanja aktivirana (neke jedinice).

3 Upoznajte svoj klima uređaj

 (za 3s kada)	<ul style="list-style-type: none">• Timer On (Programator Uključen) je postavljeno (ako je jedinica isključena, "ON" ostaje uključeno kada je Timer On (Programator Uključen) postavljen).• Uključena je funkcija Fresh (Svježe), UV lampa, Swing (Njihanje), Turbo, Breeze away (Povjetarac) ili Silent (Nečujno).
 (za 3s kada)	<ul style="list-style-type: none">• Postavljeno je Timer Off (Programator Isključen).• Isključena je funkcija Fresh (Svježe), UV lampa, Swing (Njihanje), Turbo, Breeze away (Povjetarac) ili Silent (Nečujno).
	<ul style="list-style-type: none">• Kada je uključena funkcija "GoClean" (funkcija usluge čišćenja).
	<ul style="list-style-type: none">• Prilikom odmrzavanja (za jedinice za hlađenje i grijanje).
	<ul style="list-style-type: none">• Kada je uključena funkcija grijanja na 8 °C (46 °F) (za jedinice za hlađenje i grijanje).

Za dalje optimiziranje performansi vaše jedinice, uradite sljedeće:

- Vrata i prozore držite zatvorenim.
- Ograničite upotrebu energije pomoću funkcije TIMER ON (PROGRAMATOR UKLJUČIVANJA) i TIMER OFF (PROGRAMATOR ISKLJUČIVANJA).
- Nemojte blokirati otvore za ulaz i izlaz zraka.
- Redovno pregledajte i čistite zračne filtere.

Više funkcija

Napomena:



Nisu sve funkcije dostupne za klima uređaj koji ste kupili, molimo provjerite unutrašnji displej i daljinski upravljač vaše jedinice.

Automatsko ponovno pokretanje

Ako jedinica izgubi snagu, ona će se automatski ponovno pokrenuti s prethodno podešenim postavkama kada se snaga ponovo uspostavi.

Funkcija Air Fresh (Osvježavanje Zraka) (neke jedinice)

Generator jona je pod naponom i pomoći će pročišćavanju zraka u prostoriji.

Funkcija "GoClean" (funkcija usluge čišćenja) (kod nekih jedinica)

- Tehnologija "GoClean" (funkcija usluge čišćenja) ispire prašinu kada se zalijepi na izmjenjivač toplote automatskim smrzavanjem i potom brzim otapanjem mraza. Čut će se zvuk "pi-pi". Operacija "GoClean" (funkcija usluge čišćenja) se koristi za proizvodnju više kondenzovane vode kako bi se poboljšao efekat čišćenja, a ispuhivat će se hladan zrak. Nakon čišćenja, unutrašnji vjetro toččić potom nastavlja raditi s vrućim zrakom kako bi puhanjem isušio isparivač, održavajući tako unutrašnjost čistom.
- Kada je ova funkcija uključena, prozor displeja unutrašnje jedinice prikazuje "CL", a nakon 20 do 45 minuta, jedinica će se automatski isključiti i otkazati funkciju "GoClean" (funkcija usluge čišćenja).

3 Upoznajte svoj klima uređaj

• Memorija uglova krilca

Kada uključujete jedinicu, krilca će se automatski vratiti u svoj raniji ugao.

• ECO+ funkcija

U načinu rada hlađenja/grijanja, brzina ventilatora će se promijeniti u Auto (Automatski), podešena temperatura će ostati nepromijenjena što doprinosi ugodnijem osjećaju i uštedi energije te smanjuje temperaturne fluktuacije.

• Otkrivanje curenja rashladnog medija

Unutrašnja jedinica će automatski prikazati "ELOC" kada otkrije curenje rashladnog medija.

• Bežično upravljanje (kod nekih jedinica)

Bežično upravljanje vam omogućava da upravljate klima uređajem pomoću mobilnog telefona i bežične veze.

Za pristup USB uređaju, zamjena, radnje na održavanju mora izvršiti stručno osoblje.

• Operacija Breeze away (povjetarac) (kod nekih jedinica)

- Pritisnite tipku Breeze Away (povjetarac) na daljinskom upravljaču da aktivirate izbjegavanje direktnog puhanja zraka u tijelo.
- Tokom operacije Breeze Away (povjetarac), sistem će automatski podesiti uglove krilca i brzinu ventilatora. Brzinu ventilatora možete odabrati i pomoću daljinskog upravljača.
- Ova funkcija je dostupna samo u načinu rada Cool (hlađenja), Dry (isušivanja) i Fan (ventilatora).

• Rad u stanju Mirovanja

Funkcija SLEEP (MIROVANJE) se koristi za smanjenje potrošnje energije dok spavate.

Kada je aktivirana funkcija Sleep (mirovanje), klima uređaj će inteligentno podesiti temperaturu, brzinu ventilatora kako bi osigurao ugodnije okruženje za spavanje. Možete slobodno podesiti brzinu ventilatora i ugao protoka zraka kada je u stanju Sleep (mirovanje). Funkcija Sleep (mirovanje) će automatski prestati nakon 9 sati rada.

Napomena:



- Funkcija Sleep (mirovanje) nije dostupna u načinu rada Fan (Ventilator) ili Dry (Isušivanje).
- Kod nekih modela s funkcijom bežičnog upravljanja, vrijeme rada u stanju Sleep (mirovanje) i svjetlo spavanja se mogu podesiti putem aplikacije.

• Funkcija Intelligent Humidity Control (inteligentne kontrole vlažnosti) (neke jedinice)

U načinu rada hlađenja, kada je ova funkcija aktivirana, brzina ventilatora će se promijeniti u Auto (automatski), podešena temperatura će ostati nepromijenjena, a sistem može kontrolisati vlažnost prostorije kako bi osigurao da nije previše niska ili visoka dok održava ugodnu temperaturu. Ova funkcija se može aktivirati samo putem daljinskog upravljača ili APP kontrole.

3 Upoznajte svoj klima uređaj

Manualno rukovanje (bez daljinskog)

Upozorenje:

Za korištenje proizvoda

Manualna tipke je namijenjena samo za svrhe testiranja i rad u slučaju nužde.

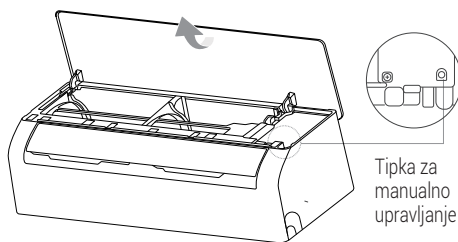


Nemojte koristiti ovu funkciju osim ako se daljinski upravljač ne izgubi i to je apsolutno neophodno. Da biste uspostavili redovan rad, koristite daljinski upravljač da aktivirate jedinicu.

Jedinica mora biti isključena prije manualnog rukovanja.

Da biste vašom jedinicom rukovali manualno:

- Pritisnite tipku s obje strane ploče, a zatim podignite ploču dok ne klikne.
- Locirajte **tipku za MANUAL CONTROL (MANUALNO UPRAVLJANJE)** na desnoj strani električne upravljačke kutije.
- Pritisnite **tipku za MANUAL CONTROL (MANUALNO UPRAVLJANJE)** jedanput da biste aktivirali način rada FORCED AUTO (PRINUDNI AUTOMATSKI RAD).
- Pritisnite ponovo **tipku za MANUAL CONTROL (MANUALNO UPRAVLJANJE)** da biste aktivirali način rada FORCED COOLING (PRINUDNO HLAĐENJE).
- Pritisnite **tipku za MANUAL CONTROL (MANUALNO UPRAVLJANJE)** treći put da biste isključili jedinicu.
- Zatvorite prednju ploču.



Podešavanje ugla toka zraka

Napomena:

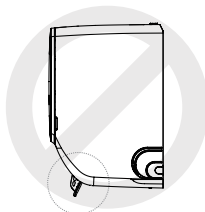
Podešavanje toka zraka gore i dolje (daljinski upravljač)



Dok je jedinica uključena, koristite tipku SWING (NJIHANJE) na daljinskom upravljaču da podesite smjer (gore i dolje) toka zraka. Za detalje pogledajte Priručnik za daljinski upravljač.

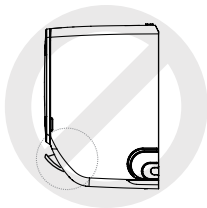
3.2 Napomena o uglovima krilca

- Nemojte postavljati krilca pod previše okomitim uglom tokom dužeg vremenskog perioda kada koristite način rada COOL (HLAĐENJE) ili DRY (ISUŠIVANJE). Dodelo bi do kondenzacije vode na oštricama krilca, koja će kapati na pod ili namještaj.

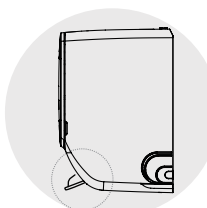


3 Upoznajte svoj klima uređaj

- Podešavanje krilca pod premalim uglom kada koristite način rada COOL (HLAĐENJE) ili HEAT (GRIJANJE), može smanjiti performanse klima uređaja zbog ograničenog protoka zraka.



- U skladu sa zahtjevima relativnih standarda, postavite otvor na maksimalni ugao toka zraka prilikom testa kapaciteta grijanja.



Napomena:

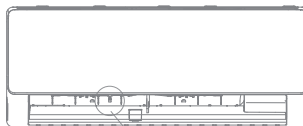


Nemojte pomjerati krilca rukom. Možete isključiti jedinicu i isključiti uređaj iz utičnice na par sekundi, potom ponovno pokrenuti jedinicu. Krilca će se resetovati kada pokušate.

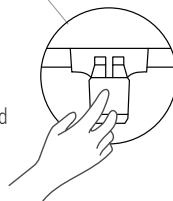
3.3 Podešavanje protoka zraka lijevo i desno (Manualno rukovanje)

Protok zraka lijevo i desno se moraju podesiti ručno. Uхватite šipku deflektora (vidjeti sliku B) i ručno podesite u skladu s vašim željenim smjerom.

Kod nekih jedinica, protok zraka lijevo i desno se može podesiti pomoću daljinskog upravljača. Pogledajte Priručnik za daljinski upravljač.



Deflektorska šipka (s jedne ili obje strane, u zavisnosti od modela)



Sl. B

Upozorenje:

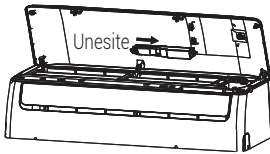
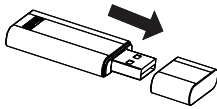


Nemojte stavljati prste u ili blizu strane jedinice za ispuhivanje ili usis zraka. Ventilator velike brzine u jedinici može izazvati povredu.

3 Upoznajte svoj klima uređaj

3.4 Instalirajte HomeDirect komplet (bežični modul)

1. Uklonite zaštitni poklopac sa HomeDirect kompleta (bežični modul)
2. Otvorite prednju ploču i umetnite HomeDirect komplet (bežični modul) u rezervisani interfejs.



Upozorenje:



Ovaj interfejs je kompatibilan samo sa HomeDirect kompletom (bežični modul) kojeg je obezbijedio proizvođač.

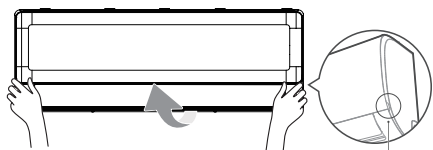
4 Njega i održavanje

Upozorenje:

- Efikasnost hlađenja vaše jedinice i vaše zdravlje bi bili oštećeni zbog začepjenog klima uređaja. Budite sigurni da filter čistite svake dvije sedmice.
- Uvijek **ISKLUJUČITE** sistem klima uređaja i isključite ga iz napajanja prije čišćenja ili održavanja.
- **Nemojte** dodirivati filter za osvježavanje zraka (Plasma) najmanje 10 minuta nakon isključivanja jedinice.
- Koristite samo mekane, suhe krpe da čistite jedinicu. Možete koristiti krpu natopljenu u toplu vodu da je obrišete ako je jedinica izuzetno prljava.
- Nemojte koristiti hemikalije i krpe koje su tretirane hemijskim sredstvima da biste čistili jedinicu
- Nemojte koristiti benzen, razrjeđivače, prah za poliranje ili druga otapala da čistite jedinicu. Oni mogu uzrokovati pucanje ili deformaciju plastične površine.
- Nemojte koristiti vodu čija je temperatura viša od 40°C (104°F) da čistite prednju ploču. To može uzrokovati deformaciju ili gubitak boje na ploči.



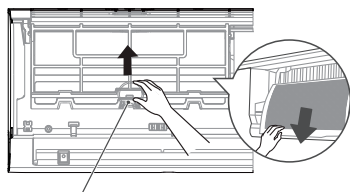
Čišćenje unutrašnje jedinice, Zračni filter



Uхватite kopčicu i podignite

Korak 1:

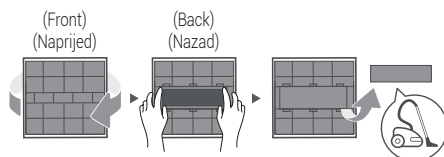
Podignite prednju ploču unutrašnje jedinice.



Jezičci filtera

Korak 2:

Prvo pritisnite jezičak na kraju filtera da olabavite kopču, podignite, zatim povucite prema sebi.

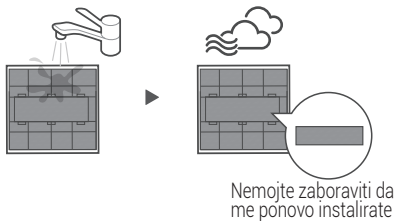


1. Preokrenuti na stražnju stranu
2. Uklonite filter za osvježavanje zraka (neke jedinice)
3. Očistite ga usisivačem

Korak 3:

Ako filter sadrži mali filter za osvježavanje zraka, odvojite ga od većeg filtera. Očistite filter za osvježavanje zraka pomoću ručnog usisivača.

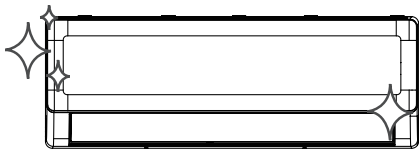
4 Njega i održavanje



Korak 4:

Očistite veći zračni filter toplom, sapunjavom vodom. Budite sigurni da koristite blagi deterdžent.

Isperite filter svježom vodom, zatim protresite kako biste iscijedili višak vode. Osušite ga na hladnom, suhom mjestu i ne izlažite ga direktnoj sunčevoj svjetlosti.



Korak 5:

Kada se osuši, filter za osvježavanje zraka vratite ponovo u veći filter, zatim to sve vratite nazad u unutrašnju jedinicu. Na kraju zatvorite prednju ploču unutrašnje jedinice.

Upozorenje:

- Prije mijenjanja ili čišćenja filtera, ugastite jedinicu i isključite je s napajanja.
- Kada uklanjate filter, nemojte dodirivati metalne dijelove u jedinici. Oštri metalni rubovi vas mogu posjeci.
- Nemojte koristiti vodu da čistite unutar unutrašnje jedinice. To može uništiti izolaciju i izazvati strujni udar.
- Nemojte izlagati filter direktnoj sunčevoj svjetlosti prilikom sušenja. To može smanjiti dimenzije filtera.
- Sve radove na održavanju i čišćenju vanjske jedinice treba obavljati ovlašteno osoblje ili licencirani servis.
- Sve radove na popravkama jedinice treba obavljati ovlašteno osoblje ili licencirani servis.



4 Njega i održavanje

Održavanje vašeg klima uređaja.

Održavanje – dugi periodi bez korištenja

Ako namjeravate da ne koristite klima uređaj tokom dužeg perioda, uradite sljedeće:



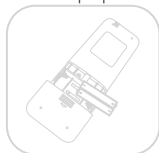
Očistite zračne filtere



Uključite funkciju FAN (VENTILATOR) dok se jedinica ne isuši u potpunosti



Isključite jedinicu i isključite je s napajanja



Uklonite baterije iz daljinskog upravljača

Održavanje - predsezonski pregled

Nakon dužeg perioda ne korištenja, ili prije početka učestalog korištenja, uradite sljedeće:



Provjerite da li ima oštećenja na žicama



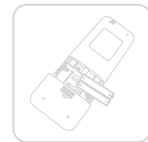
Očistite zračne filtere



Provjerite da li ima curenja



Uvjerite se da ništa ne blokira sve otvore za ulaz i izlaz zraka



Zamijenite baterije

5 Otklanjanje smetnji

Upozorenje:

Ako se pojavi BILO KOJE od sljedećih stanja, odmah isključite jedinicu!

- Žica je oštećena ili neuobičajeno zagrijana
- Osjetite miris gorenja
- Jedinica emituje glasne i abnormalne zvukove
- Osigurač je iskočio ili glavna sklopa preskače
- Voda ili drugi predmeti padnu u ili izvan jedinice

NEMOJTE POKUŠAVATI SAMI POPRAVLJATI! ODMAH KONTAKTIRAJTE OVLAŠTENI SERVIS.



5.1 Uobičajeni problemi

Sljedeći problemi ne znače neispravan rad i u većini slučajeva ne zahtijevaju popravke.

Problem	Mogući uzroci
Jedinica se na uključuje nakon što pritisnete tipku ON/OFF (UKLJ/ISKLJ)	Jedinica ima 3-minutnu funkciju zaštite koja sprječava jedinicu od preopterećenja. Jedinica se ne može ponovno pokrenuti u roku od tri minute nakon što je isključena.
Jedinica mijenja način rada iz COOL/HEAT (HLADENJE/ GRIJANJE) u način rada FAN (VENTILATOR)	Jedinica može promijeniti svoje postavke kako bi spriječila nakupljanje mraza na jedinici. Kada se temperatura poveća, jedinica će ponovo početi s radom u prethodno odabranom načinu rada. Podešena temperatura je dostignuta, u toj tački jedinica isključuje kompresor. Jedinica će nastaviti s radom kada ponovo dođe do fluktuacije temperature.
Unutrašnja jedinica ispušta bijelu izmaglicu	U vlažnim područjima, velika temperaturna razlika između zraka u prostoriji i klimatiziranog zraka može uzrokovati stvaranje bijele izmaglice.
I unutrašnja i vanjska jedinica ispuštaju bijelu izmaglicu	Kada se jedinica ponovno pokrene u načinu rada HEAT (GRIJANJE) nakon odmrzavanja, bijela izmaglica se može ispuštati zbog generisane vlage uslijed procesa odmrzavanja.

5 Otklanjanje smetnji

Problem	Mogući uzroci
Unutrašnja jedinica proizvodi buku	<p>Zvuk zraka koji struji se može pojaviti kada krilca resetuju svoj položaj.</p> <p>Zvuk škripanja se može pojaviti nakon pokretanja jedinice u načinu rada HEAT (GRIJANJE) zbog širenja i skupljanja plastičnih dijelova jedinice.</p>
I vanjska i unutrašnja jedinica proizvode buku	<p>Zvuk šištanja se čuje tokom rada: To je normalno i uzrokovano je protokom rashladnog plina koji prolazi kroz unutrašnju i kroz vanjsku jedinicu.</p> <p>Zvuk šištanja se čuje kada se sistem pokrene, kada prekine s radom ili kada se vrši odmrzavanje: Ova buka je normalna i uzrokovana je zaustavljanjem protoka rashladnog plina ili promjenom njegovog smjera.</p> <p>Zvuk škripanja: Normalno širenje i skupljanje plastičnih i metalnih dijelova izazvano promjenama temperature tokom rada uzrokuje zvuk škripanja.</p>
Vanjska jedinica proizvodi buku	<p>Jedinica će proizvesti različite zvukove na osnovu njenog trenutnog načina rada.</p>
Prašina se ispušta iz unutrašnje ili iz vanjske jedinice	<p>U jedinici se možda akumulirala prašina tokom dužeg perioda ne korištenja, koja se ispušta kada se jedinica uključi. To se može ublažiti pokrivanjem jedinice tokom dužeg vremena neaktivnosti.</p>
Jedinica emituje neugodan miris	<p>Jedinica možda apsorbira mirise iz okruženja (namještaj, kuhanje, cigarete itd.) koje će ispuštati tokom rada.</p> <p>Filteri jedinice su postali pljesnivi i trebaju se očistiti.</p>
Ventilator vanjske jedinice ne radi	<p>Tokom rada, brzina ventilatora je kontrolirana radi optimizacije rada proizvoda.</p>

5 Otklanjanje smetnji

Problem	Mogući uzroci
Rad je čudan, nepredvidiv ili jedinica ne reaguje	<p>Smetnje od mobitela, stubova i udaljenih pojačavača mogu uzrokovati neispravan rad jedinice.</p> <p>U tom slučaju pokušajte sljedeće:</p> <ul style="list-style-type: none">• Isključite napajanje i zatim ponovo priključite.• Pritisnite tipku ON/OFF (UKLJ/ISKLJ) na daljinskom upravljaču da ponovno pokrenete rad.



Napomena:

Ako se problem i dalje nastavi, kontaktirajte lokalnog trgovca ili najbliži servisni centar za podršku kupcima. Dajte im detaljan opis neispravnosti u radu jedinice kao i broj vašeg mobilnog telefona.



Upozorenje:

Kada se pojavi problem, provjerite sljedeće tačke prije nego kontaktirate servisera. U nekim situacijama neće biti potrebne popravke.

5 Otklanjanje smetnji

Problem	Mogući uzroci	Rješenje
Slabe performanse hlađenja	Postavke temperature mogu biti više od temperature okruženja.	Smanjite postavke temperature
	Izmjenjivač toplote u unutrašnjoj ili vanjskoj jedinici je prljav	Obratite se ovlaštenom servisnom centru za čišćenje oštećenog izmjenjivača toplote
	Zračni filter je prljav	Izvadite filter i očistite ga prema uputstvima
	Ulaz ili izlaz zraka jedne ili druge jedinice je blokiran	Isključite jedinicu, uklonite prepreke i ponovno uključite.
	Vrata i prozori su otvoreni	Uvjerite se da su sva vrata i prozori zatvoreni dok jedinica radi
	Prekomjerna toplina se generira od sunčeve svjetlosti	Zatvorite prozore i navucite zavjese za vrijeme velike toplote ili jake sunčeve svjetlosti
	Previše izvora toplote u prostoriji (ljudi, kompjuteri, elektronski uređaji itd)	Smanjite broj izvora toplote
	Nizak nivo rashladnog medija zbog curenja ili dugotrajne upotrebe	Obratite se ovlaštenom servisnom centru.
	Funkcija SILENCE (TIHO) je aktivirana (opcionalna funkcija)	Funkcija SILENCE (TIHO) može umanjiti performanse proizvoda smanjenjem učestalosti rada. Isključite funkciju SILENCE (TIHO).

5 Otklanjanje smetnji

Problem	Mogući uzroci	Rješenje
Jedinica ne radi	Pad napona	Sačekajte da se napon vrati u normalno stanje
	Napajanje je isključeno	Uključite napajanje
	Osigurač je pregorio	Obratite se ovlaštenom servisnom centru za zamjenu osigurača
	Baterije u daljinskom upravljaču su istrošene	Zamijenite baterije
	3-minutna zaštita jedinice je aktivirana	Sačekajte tri minuta nakon pokretanja jedinice
	Programator je aktiviran	Isključite programator
Jedinica se često pokreće i zaustavlja	Ima previše ili premalo rashladnog medija u sistemu	Obratite se ovlaštenom servisnom centru
	Plin koji se ne može komprimirati ili vlaga su ušli u sistem.	Obratite se ovlaštenom servisnom centru
	Kompresor je pokvaren	Obratite se ovlaštenom servisnom centru
	Napon je previsok ili prenizak	Obratite se ovlaštenom servisnom centru da instalirate manostat za regulaciju napona
Slabe performanse grijanja	Vanjska temperatura je ekstremno niska	Koristite pomoćne uređaje za grijanje
	Hladan zrak ulazi kroz vrata ili prozore	Uvjerite se da su sva vrata i prozori zatvoreni tokom upotrebe
	Nizak nivo rashladnog medija zbog curenja ili dugotrajne upotrebe	Provjerite ima li curenja, obratite se ovlaštenom servisnom centru

5 Otklanjanje smetnji

Problem	Mogući uzroci	Rješenje
Indikatorske lampice nastavljaju treperiti		
Pojavljuje se kod greške i počinje slovom kao što su sljedeća na prozoru displeja unutrašnje jedinice:		
<ul style="list-style-type: none">• E(x), P(x), F(x)• EH(xx), EL(xx), EC(xx)• PH(xx), PL(xx), PC(xx)	<p>Jedinica može prestati s radom ili nastaviti sa sigurnim radom. Ako indikatorske lampice nastavljaju treperiti ili ako se pojavi kod greške, sačekajte oko 10 minuta. Problem se može riješiti sam po sebi.</p> <p>Ako ne, isključite napajanje i zatim ponovo uključite. Uključite jedinicu.</p> <p>Ako problem i dalje postoji, isključite napajanje i kontaktirajte najbliži servisni centar za podršku kupcima.</p>	

















Napomena:

Ako problem i dalje postoji nakon što ste obavili gore navedene provjere i dijagnostiku, odmah isključite jedinicu i kontaktirajte ovlaštenu servisni centar.

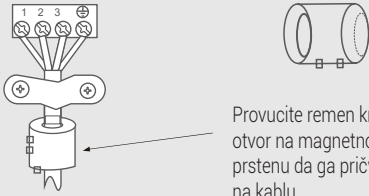
6 Počnimo s instaliranjem vašeg klima uređaja

Pregledajte dodatnu opremu

Sistem klima uređaja dolazi sa sljedećom dodatnom opremom. Koristite sve instalacione dijelove i dodatnu opremu da biste ugradili klima uređaj. Nepravilna instalacija može dovesti do curenja vode, strujnog udara i požara, ili do kvara na opremi. Ove stavke nisu uključene uz klima uređaj i moraju se odvojeno kupiti.

Naziv dodatne opreme	Kol. (kom)	Oblik	Naziv dodatne opreme	Kol. (kom)	Oblik
Priručnik	1-3		Daljinski upravljač	1	
Odvodni spoj (za modele za hlađenje i grijanje)	1		Baterija	2	
Brtva (za modele s hlađenjem i grijanjem)	1		Držač za daljinski upravljač (kupiti odvojeno)	1	
Ploča za montažu	1		Vijak za pričvršćivanje držača za daljinski upravljač (kupiti odvojeno)	2	
Učvršćivač	5~8 (ovisno o modelima)		Mali filter (Potrebno je da ga instalira ovlašteno tehničko lice na stražnjoj strani glavnog zračnog filtera prilikom ugradnje mašine)	1~2 (ovisno o modelima)	
Vijak za pričvršćivanje ploče za montažu	5~8 (ovisno o modelima)				
Bakrena matica (kod nekih jedinica) (Koristi se za spajanje cijevi za spajanje između unutrašnjih i vanjskih jedinica.)	2		Stezaljka za kabal (Samo kod nekih jedinica) Tokom ožičenja na licu mjesta, ako odaberete vanjsko napajanje i promjer žice se smanji, ovu stezaljku kabla treba koristiti za zamjenu stezaljke kabla koja je već instalirana u kutiji za žice kako bi se žica čvrsto stegnula.	1	
Bežični USB komplet	1 (Samo za modele sa Wifi)				

6 Počnimo s instaliranjem vašeg klima uređaja

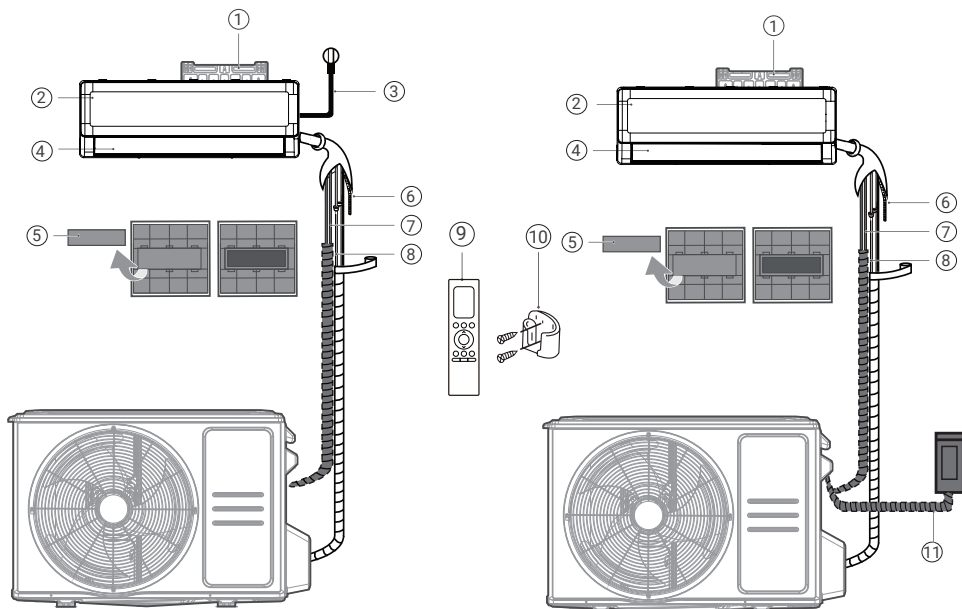
Naziv	Oblik		Količina (KOM)
Sklop cijevi za spajanje	Strana s tečnošću	Ø6,35 (1/4 inča)	Dijelovi koje morate kupiti odvojeno. Posavjetujte se s trgovcem u vezi ispravne veličine cijevi za jedinicu koju ste kupili.
		Ø9,52 (3/8 inča)	
	Strana s plinom	Ø9,52 (3/8 inča)	
		Ø12,7 (1/2 inča)	
		Ø16 (5/8 inča)	
<p>Magnetni prsten i remen</p> <p>(ako je isporučen, pogledajte dijagram ožičenja da biste instalirali na spojni kabl.)</p>			Razlikuje se prema modelu

7 Pregled instalacije



NAPOMENA NA ILUSTRACIJAMA:

Ilustracije u ovom priručniku su date samo za svrhe objašnjenja. Stvarni oblik vaše unutrašnje jedinice se može blago razlikovati. Stvarni oblik će prevladati.



Modeli unutrašnjeg napajanja

Modeli vanjskog napajanja

1. Ploča za montažu na zid
2. Prednja ploča
3. Napojni kabal (neke jedinice)
4. Krilca
5. Funkcijski filter
6. Odvodna cijev
7. Signalni kabal
8. Cjevovod za rashladni medij
9. Daljinski upravljač
10. Držač za daljinski upravljač (neke jedinice)
11. Napojni kabal za vanjsku jedinicu (neke jedinice)

Bilo bi odlično da imate ove alate



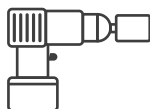
Rukavice



Odvijač i ključ



Bušilica sa čekićem



Jezgrena bušilica

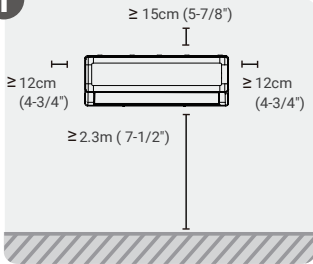


Zaštitne naočale i maske



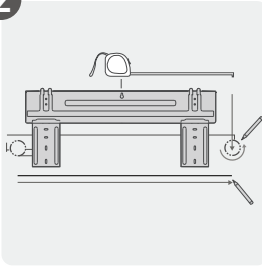
Vinilna traka

1



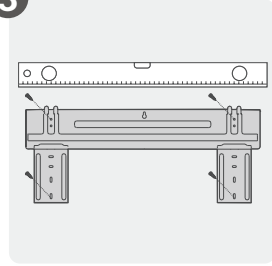
Odaberite mjesto ugradnje

2



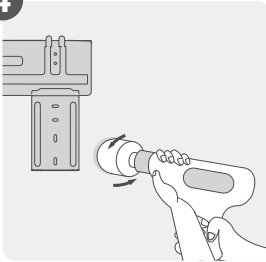
Pričvrstite ploču za montažu

3



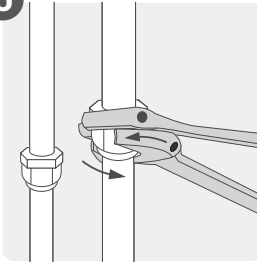
Odredite položaj rupe u zidu

4



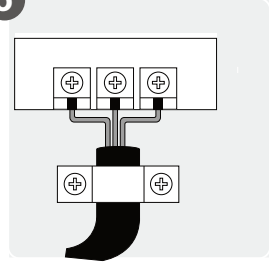
Izbušite rupu u zidu

5



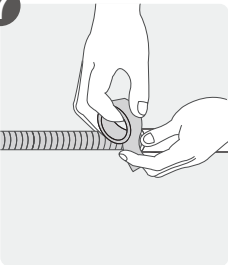
Povežite cjevovod

6



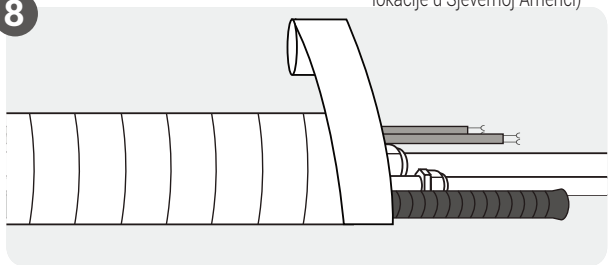
Spojite žice
(Nije primjenjivo za neke lokacije u Sjevernoj Americi)

7



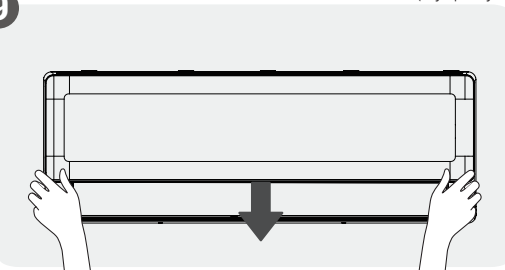
Pripremite odvodno crijevo

8



Omotajte cjevovod i kabal
(Nije primjenjivo za neke lokacije u Sjevernoj Americi)

9



Montirajte unutrašnju jedinicu

9 Ugradite unutrašnju jedinicu

9.1 Odaberite mjesto ugradnje



Napomena:

PRIJE UGRADNJE

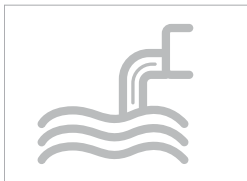
Prije ugradnje unutrašnje jedinice pogledajte etiketu na kutiji proizvoda kako biste bili sigurni da broj modela unutrašnje jedinice odgovara broju modela vanjske jedinice.

Ovo su standardi koji će vam pomoći da odaberete odgovarajuće mjesto za jedinicu.

Pravilna mjesta ugradnje ispunjavaju sljedeće uslove:



Dobra cirkulacija zraka



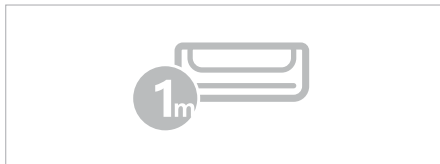
Prikladan odvod



Buka iz jedinice neće smetati drugim ljudima.



Stabilno i čvrsto - mjesto neće vibrirati
 Dovoljno snažno da podnese težinu uređaja



Mjesto je udaljeno najmanje jedan metar od ostalih električnih uređaja (npr. TV, radio, kompjuter)

NEMOJTE ugrađivati jedinicu na sljedećim mjestima:

- U blizini izvora toplote, pare ili zapaljivog plina
- U blizini zapaljivih predmeta kao što su zavjese ili odjeća
- U blizini svake prepreke koja bi mogla blokirati cirkulaciju zraka
- Blizu ulaza
- Na mjestima izloženim direktnoj sunčevoj svjetlosti



NAPOMENA: ZA INSTALACIJU PROIZVODA

Ako ne postoji fiksni cjevovod za rashladni medij:

Prilikom odabira lokacije, imajte u vidu da trebate ostaviti dosta prostora za otvor u zidu (vidite korak Bušenje otvora u zidu za spojne cijevi) za signalni kabl i cijevi za rashladno sredstvo koje povezuju unutrašnju i vanjsku jedinicu. Zadani položaj za sve cijevi je desna strana unutrašnje jedinice (kada gledate prema jedinici). Međutim, uređaj može uklopiti cijevi na obje strane, lijevu i desnu.

9.2 Bušenje otvora u zidu za spojne cijevi

9.2.1 Odredite položaj rupe u zidu

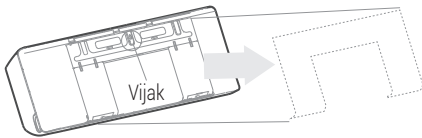
NAPOMENA: ZA BETONSKE ILI ZIDOVE OD CIGLE



Ako je zid od cigle, betona ili sličnog materijala, izbušiti rupu u zidu prečnika 5 mm (0,2 inča) i umetnite anker s čahurom. Zatim pričvrstite montažnu ploču na zid pritezanjem vijaka direktno u ankere za pričvršćivanje.

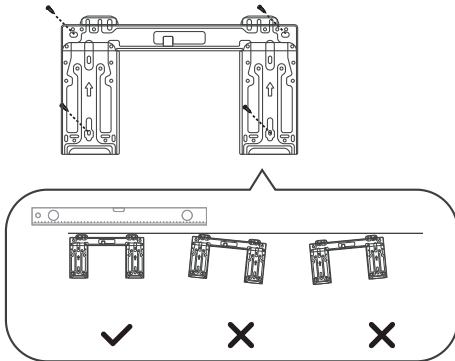
Korak 1:

Uklonite vijak koji pričvršćuje ploču za montažu na stražnjoj strani unutrašnje jedinice.



Korak 2:

Pričvrstite ploču za montažu na zid uz pomoć isporučenog vijaka. Uvjerite se da ploča za montažu stoji ravno na zidu.



Ispravna orijentacija ploče za montažu

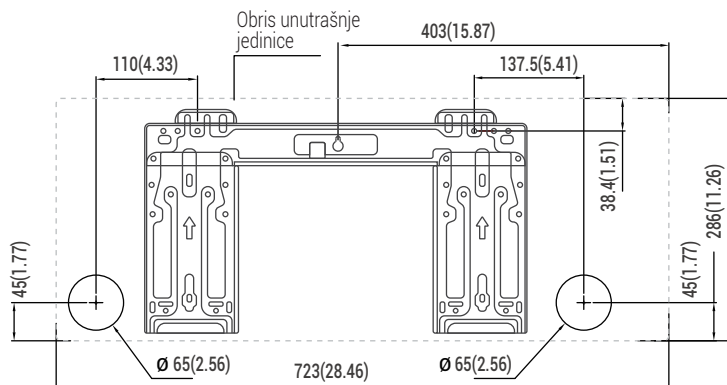
Korak 3:

Potvrdite ploču za montažu koju posjedujete.

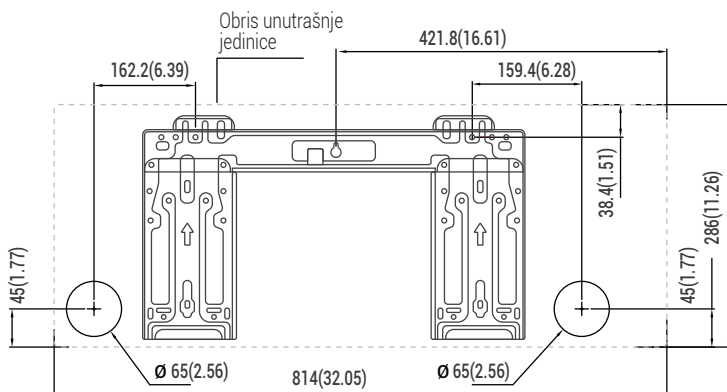
Različiti modeli imaju različite ploče za montažu. Pogledajte sljedeće dimenzije ploče za montažu koje će vam pomoći da odredite optimalni položaj. Oblik ploče za montažu se može neznatno razlikovati, ali su dimenzije ugradnje iste.

9 Ugradite unutrašnju jedinicu

Jedinica: mm (in)

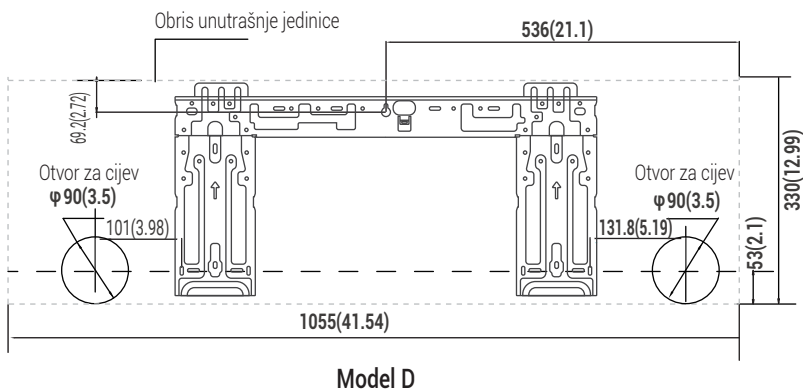
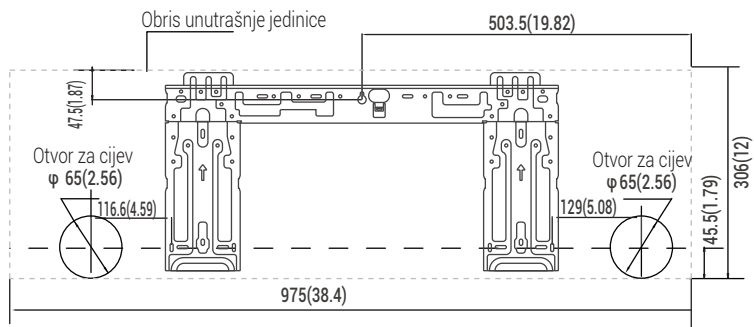


Model A



Model B

9 Ugradite unutrašnju jedinicu



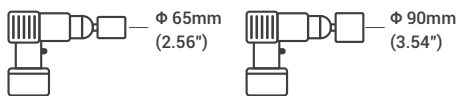
9.2.2 Izbušite rupu u zidu



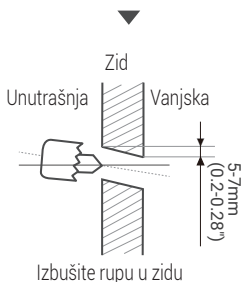
Upozorenje:

Prilikom bušenja rupe u zidu, pazite da se izbjegniju žice, vodovod i ostale osjetljive komponente.

9 Ugradite unutrašnju jedinicu



Korištenje jezgrene bušilice od 65 mm (2,56") ili 90 mm (3,54") (ovisno o modelima)



Postavite zaštitni prsten u rupu na zidu.

Korak 1:

Koristeći jezgrene bušilicu od 65 mm (2,56 inča) ili 90 mm (3,54 inča) (u zavisnosti od modela), izbušite rupu u zidu. Uvjerite se da je rupa izbušena pod blagim uglom prema dolje, tako da je vanjski kraj rupe niži od unutrašnjeg kraja za oko 5 mm do 7 mm (0,2-0,28 inča). To će osigurati pravilan odvod vode.

Korak 2:

Postavite zaštitni prsten u rupu na zidu. To štiti rubove rupe i pomoći će pri zaptivanju kada završite postupak ugradnje.

NAPOMENA: VELIČINA RUPE U ZIDU



Veličina rupe u zidu određena je spojnim cijevima. Kada je veličina cijevi na strani plina $\varnothing 16$ mm (5/8 inča) ili više, rupa u zidu treba biti 90 mm (3,54 inča). Kada je veličina cijevi na strani plina manja od $\varnothing 16$ mm (5/8 inča), rupa u zidu treba biti 65 mm (2,56 inča).

9.3 Instalirajte cijev za rashladni medij i crijevo za odvod

Napomena:

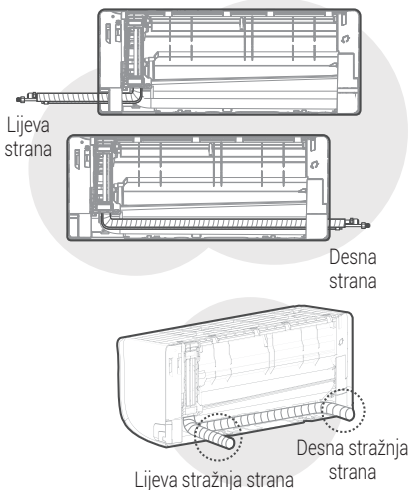
Cijevi za rashladni medij je unutar izolirajuće navlake priključena na stražnjoj strani jedinice. Morate pripremiti cijev prije nego što prođe kroz rupu u zidu. Pogledajte dio Priključak cijevi za rashladni medij u ovom priručniku za detaljna uputstva za obradu kraja cijevi, okretni moment zatezanja, tehniku, itd.



9.3.1 Spojite cjevovod za rashladni medij

Četiri strane za izlaz iz cjevovoda

Na osnovu položaja rupe u zidu u odnosu na montažnu ploču, odabrati stranu na kojoj će cijevi izaći iz jedinice. Imate četiri opcije za izlazni smjer cjevovoda.



NAPOMENA U VEZI SPAJANJA CJEVOVODA

Na nekim lokacijama u SAD-u, za spajanje kablova se mora koristiti cijev. Da biste osigurali dovoljno prostora za cijevi i da se mašina nakon instalacije nalazi uz zid, preporučuje se da pričvrstite odvodno crijevo na desnu stranu (kada ste okrenuti prema stražnjoj strani jedinice).

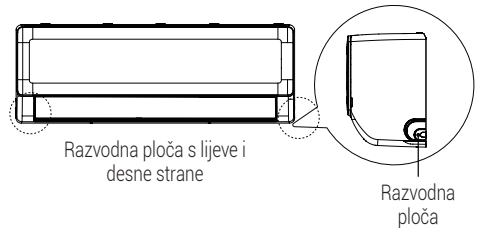
Kada odaberete cijevi s lijeve ili desne strane, vodite računa o tom da cijevi izlaze vodoravno kako ne bi uticale na instalaciju donjeg okvira.

Upozorenje:



Budite izuzetno oprezni da ne udubite ili oštetite cijev dok je savijate dalje od uređaja. Bilo kakvo udubljenje u cijevi će utjecati na performanse jedinice.

Spojite cjevovod za rashladni medij



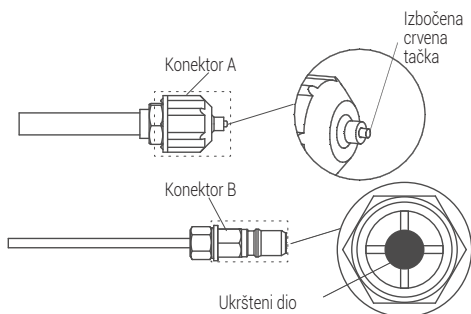
1. Ako je rupa u zidu iza jedinice, zadržati razvodnu ploču na mjestu. Ako je rupa u zidu na strani unutrašnje jedinice, uklonite plastičnu razvodnu ploču s te strane jedinice. Koristite špicasta kliješta ili makaze ako je plastičnu ploču previše teško ukloniti ručno.
2. Na razvodnoj ploči napravljen je žljeb kako bi se mogao pogodno rezati. Veličina utora je određena promjerom cijevi.

9 Ugradite unutrašnju jedinicu

3. Ako je cijev za spajanje već ugrađena u zid, nastaviti direktno do koraka Spojite crijevo za odvod. Ako nema ugrađene cijevi, spojite cijevi za rashladni medij unutrašnje jedinice na cijevi za spajanje koje će spojiti unutrašnju i vanjsku jedinicu. Za detaljna uputstva pogledajte dio Priključak cijevi za rashladni medij u ovom priručniku.

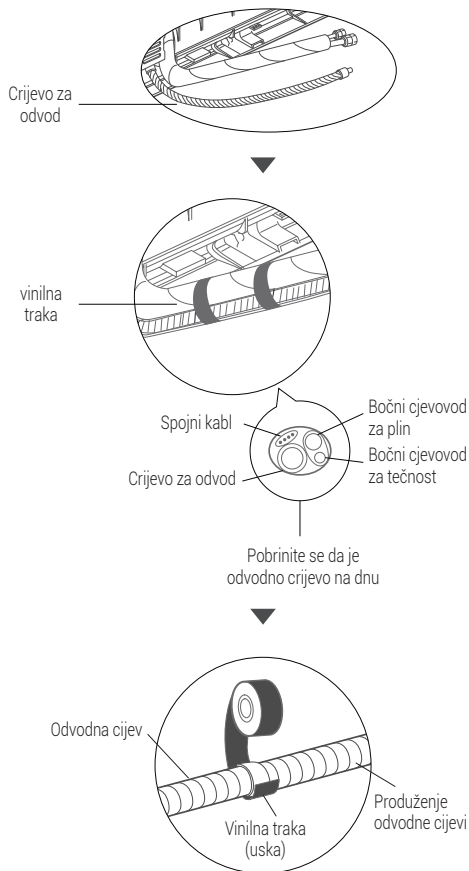
Upozorenje:

Da bi jedinice usvojile sljedeće konektore za cijevi, radove na cjevovodu izvodite striktno u skladu sa sljedećim uputstvima.



- Prije spajanja cjevovoda za rashladni medij, uvijek nosite radne rukavice i zaštitne naočale i zapamtite da konektori A i B ne smiju biti direktno okrenuti prema ljudima.
- Nastavite pritiskati ukršteni dio konektora B pomoću alata oko 5-10 sekundi dok se crvena izbočena tačka konektora A potpuno ne uvuče.
- Uklonite konektore A i B, a zatim izvršite spajanje cjevovoda za rashladni medij između unutrašnje i vanjske jedinice.

9.3.2 Spojite crijevo za odvod



Korak 1:

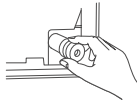
Odvodno crijevo se može pričvrstiti na lijevu ili desnu stranu. Kako bi se osigurao pravilan odvod, pričvrstite crijevo za odvod na istoj strani gdje cijev za rashladni medij izlazi iz jedinice. Pričvrstite produžetak odvodne cijevi (kupuje se posebno) na kraj odvodnog crijeva.

- Zamotajte spojnu tačku čvrsto sa teflon trakom kako bi se osigurala čvrstoća i spriječilo curenje.

- Za dio odvodnog crijeva koji će ostati u zatvorenom prostoru, zamotajte ga izolacionom pjenom da spriječite kondenzaciju.
- Izvadite filter za zrak i uspite malu količinu vode u posudu za odvod kako biste bili sigurni da voda glatko teče iz jedinice.

Upozorenje:

ZATVORITE NEISKORIŠTENU RUPU ZA ODVOD

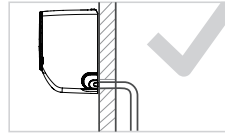


Da biste spriječili neželjeno curenje morate zatvoriti neiskorištenu rupu za odvod pomoću isporučenog gumenog čepa.



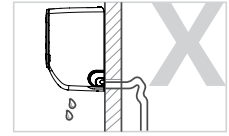
NAPOMENA O POSTAVLJANJU ODVODNOG CRIJEVA

Obavezno rasporedite odvodno crijevo prema sljedećim slikama.



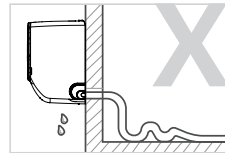
ISPRAVNO

Uvjerite se da nema zastoja ili udubljenja u odvodnoj cijevi kako bi se osigurao pravilan odvod.



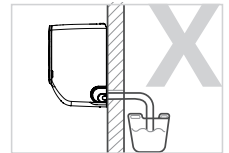
NIJE ISPRAVNO

Zastoji u odvodnoj cijevi će izazvati vodene krivine u cijevi.



NIJE ISPRAVNO

Zastoji u odvodnoj cijevi će izazvati vodene krivine u cijevi.



NIJE ISPRAVNO

Ne stavljajte kraj odvodnog crijeva u vodu ili u posudu koja skuplja vodu. To će spriječiti pravilan odvod.

9.4 Priprema električnih radova

Upozorenje:

- PRIJE IZVOĐENJA BILO KAKVIH ELEKTRIČNIH RADOVA PROČITAJTE OVE PROPISE
- PRIJE OBAVLJANJA BILO KAKVIH ELEKTRIČNIH RADOVA ILI OŽIČENJA, ISKLJUČITE GLAVNO NAPAJANJE U SISTEMU.



1. Sva ožičenja moraju biti u skladu s lokalnim i nacionalnim električnim zakonima, propisima i moraju ih instalirati licencirani električari.
2. Sve električne veze moraju biti u skladu sa dijagramom za električni priključak koji se nalazi na panelima unutrašnje i vanjske jedinice.

9 Ugradite unutrašnju jedinicu

- Ako postoji ozbiljan sigurnosni problem s napajanjem, odmah prestati s radom. Obrazložite svoj razlog klijentu i odbijte instalirati jedinicu dok se sigurnosni problem pravilno ne riješi.
- Ako povezujete struju na fiksne instalacije, sklopku ili automatsku sklopku koja isključuje sve polove i ima kontaktno odvajanje od najmanje 3 mm (1/8 inča) mora biti ugrađen u fiksnom ožičenju. Kvalifikovani tehničar mora koristiti odobrenu automatsku sklopku ili sklopku.
- Povezati jedinicu samo na pojedinačnu granu kruga utičnice. Nemojte priključivati drugi uređaj na tu utičnicu.
- Pobrinite se da pravilno uzemljite klima uređaj.
- Svaka žica mora biti čvrsto povezana. Labavo ožičenje može dovesti terminal do pregrijavanja, što rezultira kvarom proizvoda i mogućim požarom.
- Nemojte dopustiti da žice dodiruju niti da se naslanjaju na cijev za rashladni medij, kompresor ili na bilo koje pokretne dijelove u jedinici.
- Kako biste izbjegli strujni udar, nikada ne dodirujte električne komponente ubrzo nakon što je napajanje isključeno. Nakon isključivanja napajanja uvijek pričekajte 10 minuta ili više prije nego dodirnete električne komponente.
- Napon napajanja bi trebao biti unutar 90-110% od nazivnog napona. Nedovoljno napajanje može uzrokovati kvar, strujni udar ili požar.

Upozorenje:



Sva ožičenja moraju se obaviti strogo u skladu s dijagramom ožičenja smještenim na stražnjoj strani ploče unutrašnje jedinice.

9.4.1 Priključite signalni i napojni kabal

Signalni kabl omogućava komunikaciju između unutrašnje i vanjske jedinice. Prvo morate odabrati pravu veličinu kabla prije nego ga pripremite za spajanje.

Tipovi kablova

- Unutrašnji kabal za napajanje (ako je primjenjivo):
H05VV-F ili H05V2V2-F
- Vanjski kabal za napajanje:
H07RN-F ili H05RN-F
- Signalni kabal: H07RN-F

Minimalna površina poprečnog presjeka kablova za napajanje i signalnih kablova (za referencu)

Nazivna struja uređaja (A)	Nominalna površina poprečnog presjeka (mm ²)
$> 3 \text{ i } \leq 6$	0,75
$> 6 \text{ i } \leq 10$	1
$> 10 \text{ i } \leq 16$	1,5
$> 16 \text{ i } \leq 25$	2,5
$> 25 \text{ i } \leq 32$	4
$> 32 \text{ i } \leq 40$	6

ODABERITE PRAVU VELIČINU KABLA

Veličina kabla za napajanje, signalnog kabla, osigurača i potreban prekidač, određeni su maksimalnom strujom jedinice. Maksimalna struja je navedena na natpisnoj ploči koja se nalazi na bočnoj strani jedinice. Pogledajte ovaj natpis da biste izabrali pravi kabal, osigurač ili prekidač.

- Otvorite prednju ploču unutrašnje jedinice.
- Pomoću odvijača otvorite poklopac kutije za žice na desnoj strani jedinice. To će otkriti priključni blok.

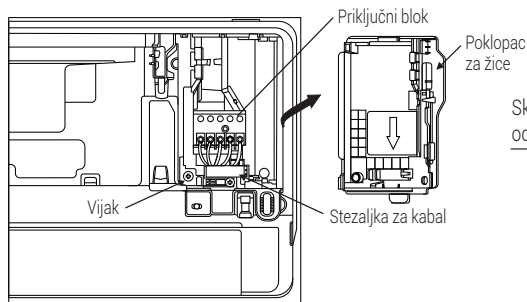
9 Ugradite unutrašnju jedinicu

- Odvijte stezaljku kabla ispod priključnog bloka i stavite ga u stranu.
- Gledajući prema zadnjoj strani jedinice, uklonite plastičnu ploču na donjoj lijevoj strani.
- Provucite signalnu žicu kroz ovaj otvor, sa stražnje strane jedinice prema naprijed.
- Gledajući prema prednjoj strani jedinice, povežite žicu prema dijagramu ožičenja unutrašnje jedinice, spojite spojnu ušicu U-oblika i čvrsto zavrnite svaku žicu na odgovarajući priključak.
- Nakon provjere, kako bi bili sigurni da je svaka veza sigurna, koristite stezaljke za kabal da pričvrstite signalni kabal na jedinicu. Zavrnite čvrsto stezaljku za kabal.
- Vratite poklopac za žice na prednju stranu jedinice, a plastičnu ploču na stražnju stranu.

Upozorenje:

NEMOJTE MIJEŠATI FAZU I UZEMLJENJE

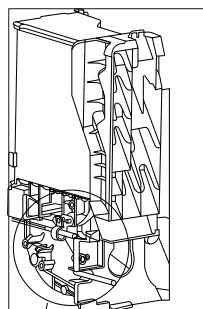
To je opasno, i može uzrokovati kvar klima uređaja.



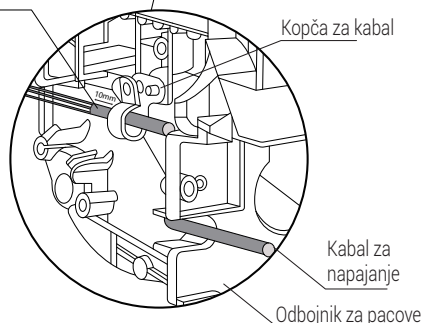
Napomena:

Za neke jedinice koje zahtijevaju spajanje kablova za napajanje na licu mjesta, potrebno je prvo ukloniti prednji okvir, provući kabal za napajanje kroz otvor za ukrštene kablove u odbojniku za pacove na stražnjoj strani unutrašnje jedinice, a zatim ga izvući s prednje strane, pričvrstiti kopčom za kabal kao što je prikazano na sljedećem dijagramu.

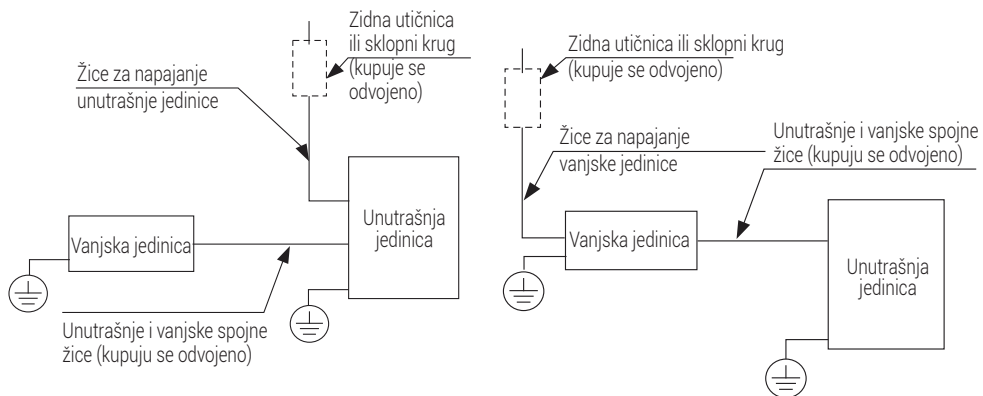
Nakon što kabal za napajanje prođe kroz stezaljku kabla, skinite žicu 10 mm od kraja, a zatim spojite žicu na terminal.



Skinite žicu 10 mm od kraja



9 Ugradite unutrašnju jedinicu



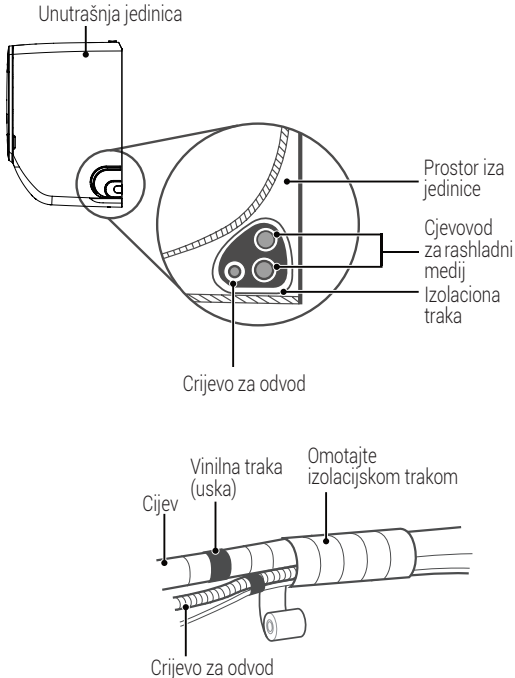
Modeli unutrašnjeg napajanja

Modeli vanjskog napajanja

9.5 Omotajte cjevovod i kablove

**Napomena:**

Prije postavljanja cjevovoda i odvodne cijevi kroz rupu na zidu, morate ih grupisati zajedno radi uštede prostora, zaštititi ih i izolovati.

**Korak 1:**

Grupišite odvodno crijevo i cijevi za rashladni medij kao što je prikazano iznad.

Korak 2:

Upotrebom ljepljive vinil trake, pričvrstite crijevo za odvod na donjoj strani cijevi za rashladni medij.

Korak 3:

Koristeći izolacionu traku, čvrsto omotajte zajedno cijevi za rashladni medij i odvodno crijevo. Još jednom provjerite da li su sve stavke u snopu.

Korak 4:

Nakon završetka spajanja ožičenja i cjevovoda, vratite donji okvir.

9.5.1 ODVODNO CRIJEVO MORA BITI NA DNU

Pobrinite se da je crijevo za odvod na dnu snopa. Stavljanje crijeva za odvod na vrh snopa može uzrokovati da se odvod prelijeva, što može dovesti do požara ili oštećenja od vode.

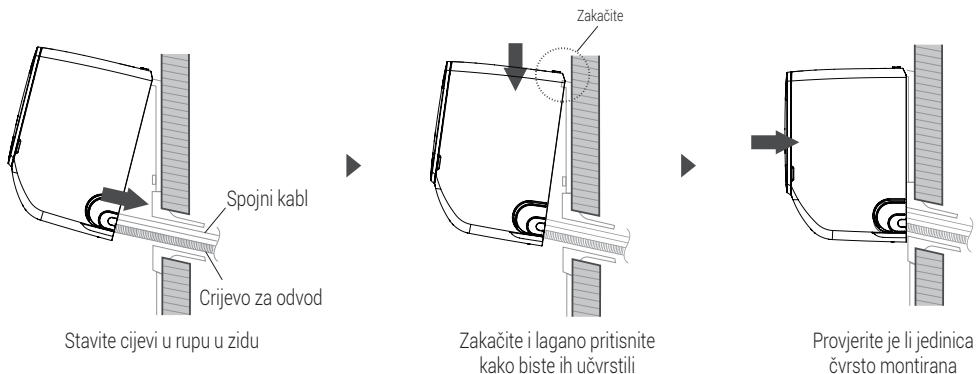
9.5.2 NEMOJTE UMOTAVATI KRAJEVE CIJEVI

Kod umotavanja snopa, ostavite krajeve cijevi neumotanim. Morate imati pristup da ih testirate na curenje na kraju procesa instalacije (pogledajte dio Električna provjera i Provjere na curenja u ovom priručniku).

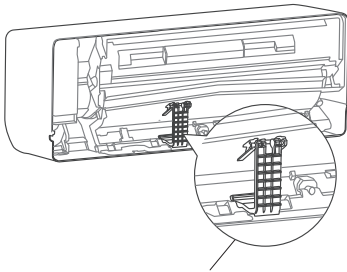
9 Ugradite unutrašnju jedinicu

9.6 Montirajte unutrašnju jedinicu

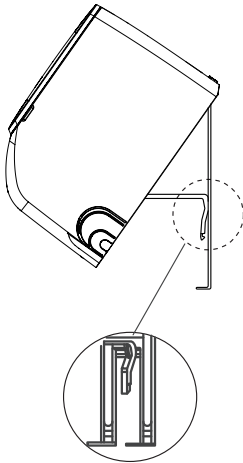
Ako ste instalirali nove cijevi za spajanje na vanjsku jedinicu, uradite sljedeće:



- Ako ste već postavili cijevi za rashladni medij kroz rupu u zidu, pređite na korak 4.
- U suprotnom, dva puta provjerite da su krajevi rashladne cijevi zatvoreni radi sprječavanje da prljavština ili strani materijali ulaze u cijevi.
- Polako prebacite umotan snop cijevi za rashladni medij, crijeva za odvod i signalne žice kroz rupu u zidu.
- Zakačiti vrh unutrašnje jedinice na gornju kuku ploče za montažu.
- Provjerite je li je jedinica čvrsto zakačena za montažu blagim pritiskom sa lijeve i desne strane jedinice. Uređaj se ne bi trebao tresti ili pomjerati.
- Koristeći ravnomjeran pritisak, gurnite na donjoj polovini jedinice. Nastavite pritiskati dok jedinica ne legne na kukice na dnu ploče za montažu.
- Opet provjerite da li je jedinica čvrsto montirana blagim pritiskom na lijevu i desnu stranu jedinice.



Nosač na stražnjoj strani jedinice



Upotrijebite nosač na stražnjoj strani jedinice uz montažnu ploču za podupiranje jedinice

Ako su cijevi za rashladni medij već ugrađene u zid, uradite sljedeće:

- Zakačiti vrh unutrašnje jedinice na gornju kuku ploče za montažu.
- Koristite nosač sa stražnje strane jedinice kao potporu za jedinicu, ostavljajući sebi dovoljno prostora da se povežete na cjevovod za rashladni medij, signalni kabal i odvodno crijevo.

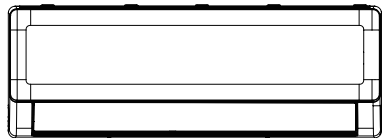
- Spojite odvodno crijevo i cjevovod za rashladni medij (za uputstva pogledajte dio **Spajanje cjevovoda za rashladni medij** u ovom priručniku).
- Držati tačku spajanja cijevi izloženu da obavite test curenja (pogledajte dio **Električna provjera i provjera curenja** u ovom priručniku).
- Nakon testa curenja, zamotajte tačku spajanja izolacionom trakom.
- Otpustite nosač koji podupire jedinicu.
- Koristeći ravnomjeran pritisak, gurnite na donjoj polovini jedinice. Nastavite pritiskati dok jedinica ne legne na kukice na dnu ploče za montažu.

NAPOMENA: JEDINICA JE PODESIVA



Imajte na umu da su kuke na ploči za montažu manje od rupa na stražnjoj strani jedinice. Ako otkrijete da nemate dovoljno prostora za spajanje ugrađene cijevi za unutrašnje jedinice, jedinica se može podesiti lijevo ili desno oko 50 mm (1,96 inča), ovisno o modelu.

50 mm (1,96 inča)



Pomicanje na lijevo ili desno

10 Instalirajte vanjsku jedinicu

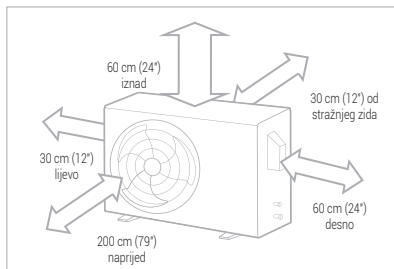
10.1 Odaberite mjesto ugradnje



NAPOMENA: PRIJE UGRADNJE

Prije instaliranja vanjske jedinice, morate odabrati odgovarajuću lokaciju. Ovo su standardi koji će vam pomoći da odaberete odgovarajuće mjesto za jedinicu.

Pravilna mjesta ugradnje ispunjavaju sljedeće uslove:



Zadovoljava sve prostorne zahtjeve prikazane u zahtjevima prostora za ugradnju iznad.



Dobra cirkulacija zraka i ventilacija.



Jako i čvrsto - lokacija može podržati jedinicu i neće vibrirati.



Buka iz jedinice neće smetati drugim ljudima.



Zaštitite od dužeg perioda izlaganja direktnom suncu ili kiši.



Tamo gdje se očekuju snježne padavine, poduzmite odgovarajuće mjere kako biste spriječili nakupljanje leda i oštećenja zavojnice.



Napomena:

Ugradite jedinicu pridržavajući se lokalnih zakona i propisa, mogu se neznatno razlikovati u različitim regijama.

Upozorenje:

POSEBNA RAZMATRANJA ZA EKSTREMNE VREMENSKE USLOVE

Ako je jedinica izložena jakom vjetru:

Instalirajte jedinicu tako da se ventilator za izlaz zraka nalazi pod uglom od 90° u odnosu na smjer vjetrova. Ako je potrebno, izgradite prepreku ispred jedinice kako bi je zaštitili od ekstremno jakih vjetrova. Pogledajte donje slike.

Ako je uređaj često izložen jakoj kiši ili snijegu:

Izgradite sklonište iznad jedinice kako biste je zaštitili od kiše ili snijega. Budite oprezni da ne ometate protok zraka oko uređaja.

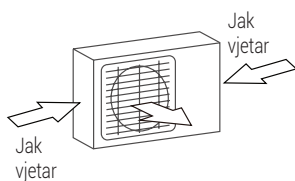
Ako je uređaj često izložen slanom zraku (morska obala):

Koristite vanjsku jedinicu koja je posebno dizajnirana da bude otporna na koroziju.

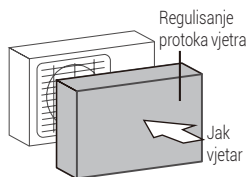


10 Instalirajte vanjsku jединicu

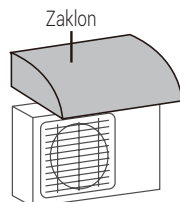
Upozorenje:



Ugao od 90° u odnosu
na smjer vjetra



Napravite odbojnik za
vjetar da zaštitite jedinicu



Napravite zaklon da
zaštitite jedinicu

NEMOJTE ugrađivati jedinicu na sljedećim mjestima:

- ⊘ Blizina prepreka koje će blokirati otvore za zrak i utičnice.
- ⊘ Blizina životinja ili biljaka koje će biti oštećene pražnjenjima vrućeg zraka.
- ⊘ Na lokaciji koja je izložena velikim količinama prašine.
- ⊘ Blizina ulice, područja sa gužvom ili gdje će buka iz jedinice smetati drugima.
- ⊘ Blizina bilo kakvih izvora zapaljivih plinova.
- ⊘ Na lokaciji izloženoj prekomjernim količinama slanog zraka.

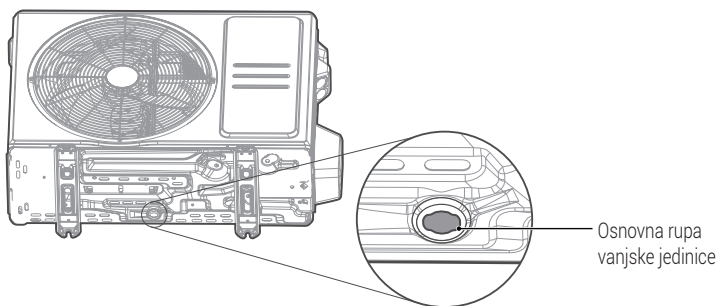
10 Instalirajte vanjsku jedinicu

10.2 Instalirajte priključak za odvod (samo jedinica s toplotnom pumpom)

NAPOMENA: PRIJE UGRADNJE

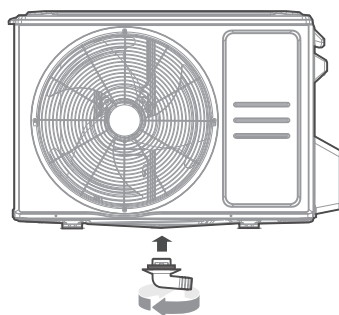
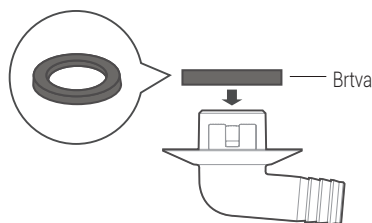


Prije pričvršćivanja vanjske jedinice na njeno mjesto, morate instalirati priključak za odvod na dnu jedinice. Za jedinice sa ugrađenom bazom sa više otvora za pravilno odvodnjavanje tokom odmrzavanja, nije potrebno instalirati priključak za odvod.



Korak 1:

Otkrijte otvor na bazi vanjske jedinice.



Korak 2:

- Postavite gumeni čep na kraju priključka za odvod koji će se povezati na vanjsku jedinicu.
- Ubacite priključak za odvod u rupu u bazni kotao jedinice. Priključak za odvod će kliknuti na mjesto.
- Spojite produžetak odvodnog crijeva (nije uključen) na priključak za odvod da preusmjerite vodu iz jedinice u načinu rada grijanja.

NAPOMENA: U HLADNIM PODNEBLJIMA



U hladnim podnebljima pobrinite se da je crijevo za odvod postavljeno što je moguće vertikalnije kako bi se osigurao brz odvod vode. Ako voda otiče presporo, može zamrznuti u crijevu i poplaviti jedinicu.

10 Instalirajte vanjsku jединicu

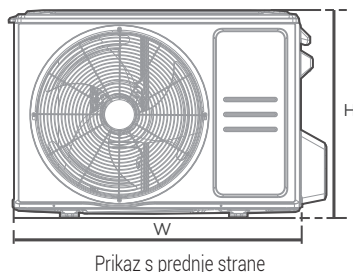
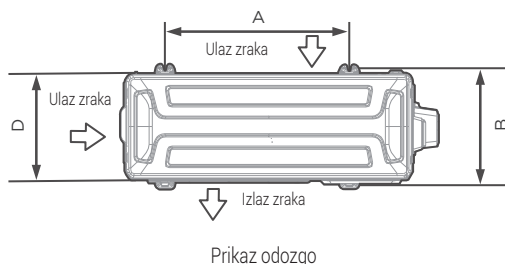
10.3 Ankerišite vanjsku jединicu



Upozorenje:

KADA BUŠITE U BETON,
PREPORUČUJE SE ZAŠTITA ZA
OČI U SVAKOM TRENUTKU.

- Vanjska jedinica se može pričvrstiti na tlo ili na nosač za zidnu montažu pomoću vijka (M10). Pripremite bazu za instalaciju jedinice prema dimenzijama datim u nastavku.
- U nastavku je popis različitih veličina vanjskih jedinica i udaljenost između njihovih montažnih stopa. Pripremite bazu za instalaciju jedinice prema dimenzijama datim u nastavku.



Dimenzije vanjske jedinice (mm) Š x V x D	Dimenzije za montažu	
	Udaljenost A (mm)	Udaljenost B (mm)
668x469x252 (26,3" x 18,5" x 9,9")	430 (16,9")	231 (9,1")
680x542x248 (26,8" x 21,3" x 9,8")	452 (17,8")	230 (9,1")
720x495x270 (28,3" x 19,5" x 10,6")	452 (17,8")	255 (10,0")
765x555x303 (30,1" x 21,8" x 11,9")	452 (17,8")	286 (11,3")
805x554x330 (31,7" x 21,8" x 12,9")	511 (20,1")	317 (12,5")
890x673x342 (35,0" x 26,5" x 13,5")	663 (26,1")	354 (13,9")
946x810x420 (37,2" x 31,9" x 16,5")	673 (26,5")	403 (15,9")
946x810x410 (37,2" x 31,9" x 16,1")	673 (26,5")	403 (15,9")

Ako ćete instalirati jединicu na zemlji ili na betonskoj montažnoj platformi, uradite sljedeće:

- Označite položaje za četiri ekspanzijska vijka na osnovu grafikona dimenzija.
- Unaprijed izbušite rupe za vijke za proširenje.
- Postavite maticu na kraju svakog vijka za proširenje.
- Zakucajte vijke za proširenje u prethodno izbušene rupe.
- Uklonite matice iz vijaka za proširenje i postavite vanjsku jединicu na vijke.
- Stavite podlošku na svaki vijak i zatim vratite matice.
- Koristeći ključ, zategnite svaki vijak prikladno.

10 Instalirajte vanjsku jedinicu

Ako ćete instalirati jedinicu na zidni nosač, uradite sljedeće:

- Označite položaj rupa za konzole na osnovu grafikona dimenzija.
- Unaprijed izbušiti rupe za vijke za proširenje.
- Postavite gumicu i maticu na kraj svakog vijka za proširenje.
- Stavite navoj vijka kroz rupe u montažne konzole, staviti montažne konzole u položaj i čekićem zakucajte vijke za proširenje u zid.
- Provjerite da su konzole za montažu u jednakom nivou.
- Pažljivo podignite jedinicu i postavite montažne stope na konzole.
- Vijcima čvrsto pričvrstite jedinicu.
- Ako je omogućeno, ugradite jedinicu sa gumenim brtvama kako biste smanjili vibracije i buku.

Upozorenje:



Uvjerite se da je zid napravljen od pune cigle, betona ili sličnog čvrstog materijala. Zid mora biti u stanju da podrži najmanje četiri puta težinu jedinice.

10.4 Priključite signalni i napojni kabal

Upozorenje: - Prije rada



- SVI RADOVI NA OŽIČENJU MORAJU SE IZVODITI STRIKTNO U SKLADU SA DIJAGRAMOM OŽIČENJA KOJI SE NALAZI UNUTAR POKLOPCA ZA ŽICE VANJSKE JEDINICE.
- PRIJE OBAVLJANJA BILO KAKVIH ELEKTRIČNIH RADOVA ILI OŽIČENJA, ISKLJUČITE GLAVNO NAPAJANJE U SISTEMU.

Odaberite pravu veličinu kabla

Veličina kabla za napajanje, signalnog kabla, osigurača i potreban prekidač, određeni su maksimalnom strujom jedinice. Maksimalna struja je navedena na natpisnoj ploči koja se nalazi na bočnoj strani jedinice.

Odaberite odgovarajući kabl, pogledajte "Tipovi kablova" na stranici 115.

- Koristeći klijesta za skidanje izolacije, skinite gumene dijelove na oba kraja kabla da ogolite oko 40 mm (1,57 inča) žice.
- Skinite izolaciju sa krajeva žica.
- Pomoću klijesta za žice, savijte U-stopice na krajevima žice.

Obratite pažnju na fazu

Dok presujete žice, pobrinite se da jasno razlikujete Live ("L") (Faza) od drugih žica.

Priključni blok vanjske jedinice je zaštićen poklopcem električne instalacije na strani jedinice. Sveobuhvatni dijagram ožičenja je odštampan na unutrašnjoj strani poklopcu ožičenja.

- Odvijte poklopac električne instalacije i uklonite ga.
- Odvijte stezaljku kabla ispod priključnog bloka i stavite ga u stranu.
- Spojite žice prema dijagramu ožičenja i čvrsto zavrnite spojnu ušicu U-oblika svake žice na odgovarajući priključak.
- Nakon provjere, kako biste se uvjerali da je svaka veza sigurna, zapetljajte žice okolo da bi se spriječio ulaz kišnice u terminal.
- Pomoću stezaljke za kabal, pričvrstite kabal na jedinicu. Zavrnite čvrsto stezaljku za kabal.

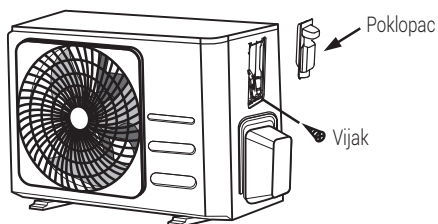
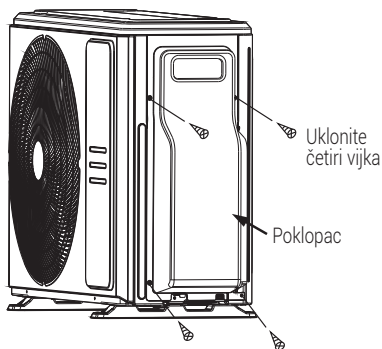
10 Instalirajte vanjsku jedinicu

- Izolirajte neupotrijebljene žice PVC električnom trakom. Rasporedite ih tako da ne dodiruju bilo koje električne ili metalne dijelove.
- Vratite poklopac žica na strani uređaja i zavrnite ga na mjesto.

Napomena:



Jedinica koju ste kupili se može malo razlikovati. Ilustracije služe u svrhu objašnjenja. Stvarni oblik će prevladati.



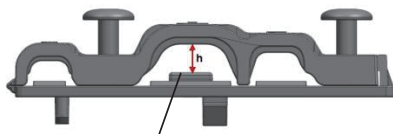
Napomena:



Ako stezaljka za kabl izgleda ovako, izaberite odgovarajući otvor u skladu sa prečnikom žice.



Tri veličine rupe: mala, velika, srednja



Kada kabl nije dovoljno pričvršćen, upotrijebite kopču da ga poduprete tako da se može čvrsto stegnuti.

11 Priključak cijevi za rashladni medij

11.1 Uputstva za spajanje cjevovoda

Upozorenje:

PRI SPAJANJU CJEVOVODA ZA RASHLADNI MEDIJ, **NEMOJTE** DOZVOLITI DA NEKE TVARI ILI PLINOVI, OSIM NAVEDENOG RASHLADNOG MEDIJA ULAZE U JEDINICU. PRISUTNOST DRUGIH PLINOVA ILI TVARI ĆE SMANJITI KAPACITET UREĐAJA, A MOŽE IZAZVATI ABNORMALNO VISOK PRITISAK U CIKLUSU RASHLADNOG MEDIJA. TO MOŽE IZAZVATI EKSPLOZIJU I POVREDU.



11.1.1 Napomena u vezi dužine cijevi

Dužina cijevi za rashladni medij će utjecati na performanse i energetska efikasnost jedinice. Nominalna efikasnost je testirana na jedinice s dužinom cijevi od 5 metara (16,5 stopa). Potrebna je minimalna dužina cijevi od 3 metra kako bi se minimizirale vibracije i prekomjerna buka.

Maksimalna dužina i visina pada cijevi za rashladno sredstvo prema modelu jedinice

Model	Kapacitet (BTU/h)	Maks. dužina (m)	Maks. visina pada (m)
R410A, R32 inverter split (razdvojeni) klima uređaj	< 15.000	25 (82 stopa)	10 (33 stopa)
	≥ 15.000 i < 24.000	30 (98,5 stopa)	20 (66 stopa)
	≥ 24.000 i < 36.000	50 (164 stopa)	25 (82 stopa)
	≥ 36.000 i < 60.000	65 (213 stopa)	30 (98,5 stopa)
R410A, R32 razdvojeni klima uređaj s fiksnom brzinom	< 18.000	20 (66 stopa)	8 (26 stopa)
	≥ 18.000 i < 36.000	25 (82 stopa)	10 (33 stopa)
	≥ 36.000 i < 60.000	30 (98,5 stopa)	15 (49 stopa)

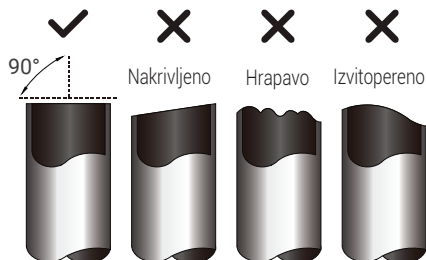
Uputstvo za spajanje – Cjevovod za rashladni medij

Korak 1: Rezanje cijevi

Prilikom pripreme cijevi za rashladni medij, posebno pripazite da ih pravilno isijecete i raširite. Ovo će osigurati efikasan rad i minimizirati potrebu za budućim održavanjem.

- Izmjerite udaljenost između unutrašnje i vanjske jedinice.
- Koristeći rezač cijevi, izrežite cijevi tako da budu malo duže od izmjerene udaljenosti.

- Uvjerite se da je cijev odrezana pod savršenim uglom od 90°.



11 Priključak cijevi za rashladni medij

Napomena:

NEMOJTE DEFORMISATI CIJEV PRILIKOM REZANJA



Budite posebno oprezni da ne oštetite, udubite ili deformirate cijev dok režete. To će drastično smanjiti efikasnost grijanja jedinice.

Upozorenje:

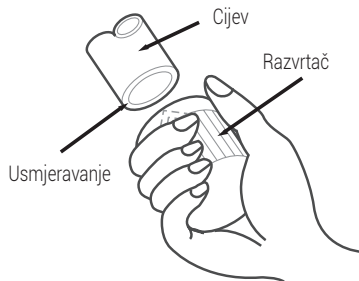


MORA SE PROVJERITI IMA LI NA KRAJU CIJEVI PUKOTINA I DA LI JE RAVNOMJERNO ŠIRENJE. UVERITE SE DA JE CIJEV ZAPTIVENA.

Korak 2: Uklonite neravnine

Neravnina može utjecati na hermetički zaptivač priključka cijevi za rashladni medij. One se moraju u potpunosti ukloniti.

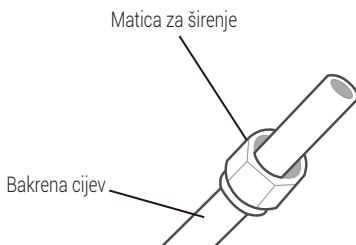
- Držite cijev pod uglom na dole da spriječite neravnina u cijevi.
- Koristeći razvrtač ili alat za skidanje neravnina, uklonite sve neravne rubove s dijela cijevi gdje je obavljeno rezanje.



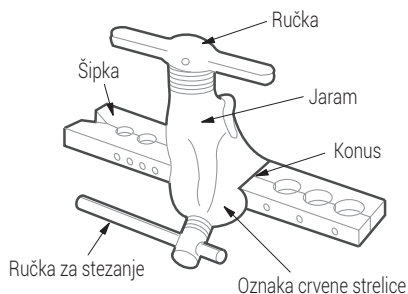
Korak 3: Širenje krajeva cijevi

Pravilno širenje je osnova da bi se postigao hermetički zaptivač.

- Nakon uklanjanja neravnina sa reza cijevi, zatvorite krajeve PVC trakom za sprečavanje ulaska stranih materijala u cijev.
- Obložite cijev izolacionim materijalom.
- Postavite raširene matice na obje strane cijevi. Pobrinite se da su okrenute u pravom smjeru, jer ih nakon širenja ne možete staviti ili im promijeniti smjer.



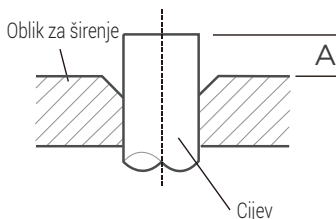
- Uklonite PVC traku sa krajeva cijevi kada ste spremni da izvršite širenje.
- Učvrstite rašireni dio na kraju cijevi. Kraj cijevi mora biti produžen izvan ruba proširenja u skladu s dimenzijama prikazanim u donjoj tabeli.



11 Priključak cijevi za rashladni medij

PROŠIRENJE CJEVOVODA IZVAN OBLIKA PROŠIRENJA

Vanjski prečnik cijevi (mm)	A (mm)	
	Min.	Maks.
Ø 6,35 (Ø 1/4")	0,7 (0,0275")	1,3 (0,05")
Ø 9,52 (Ø 3/8")	1,0 (0,04")	1,6 (0,063")
Ø 12,7 (Ø 1/2")	1,0 (0,04")	1,8 (0,07")
Ø 16 (Ø 5/8")	2,0 (0,078")	2,2 (0,086")
Ø 19 (Ø 3/4")	2,0 (0,078")	2,4 (0,094")



- Postavite alat za širenje na oblik.
- Okrenite ručicu alata u smjeru kazaljke na satu dok se cijev u potpunosti ne raširi.
- Uklonite alat i oblik, zatim pregledajte kraj cijevi zbog pukotina i jednakog širenja.

Korak 4: Spojite cijevi

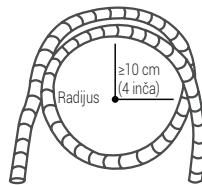
Napomena:

Prilikom spajanja cijevi za rashladni medij pazite da ne koristite prekomjerno moment okreta ili da ne deformirate cijev na bilo koji način. Trebalo bi prvo spojiti cijevi niskog pritiska, a onda cijevi visokog pritiska.



MINIMALNI RADIJUS SAVIJANJA

Kod savijanja priključnih cijevi za rashladni medij, minimalan radijus savijanja je 10 cm.

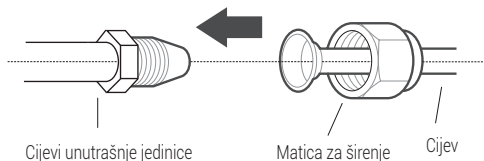


11.2 Spajanje cjevovoda do unutrašnje jedinice

11.2.1 Uputstvo za spajanje cjevovoda do unutrašnje jedinice

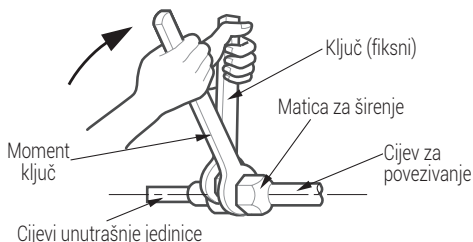
Korak 1:

- Poravnajte centar dviju cijevi koje ćete spojiti.



Korak 2:

- Zategnite maticu ručno što je moguće čvršće.
- Koristeći ključ, stišćite maticu na cijevi.
- Dok čvrsto stežete matice na cijevi, koristite moment ključ za zatezanje matica za proširenje u skladu sa vrijednostima obrtnog momenta datim u tabeli Zahtjevi obrtnog momenta. Otpustite malo maticu za proširenje, zatim je ponovo zategnite.



11 Priključak cijevi za rashladni medij

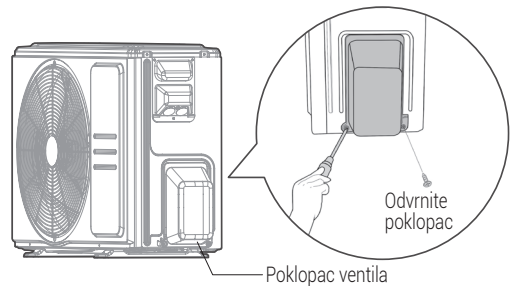
11.2.2 Zahtjevi obrtnog momenta

Vanjski prečnik cijevi (mm)	Moment zatezanja (N·m)	Dimenzije nastavka za postepeno širenje (B) (mm)	Oblik nastavka za postepeno širenje
Ø 6,35 (Ø 1/4")	18~20 (180~200 kgf.cm)	8,4~8,7 (0,33~0,34")	
Ø 9,52 (Ø 3/8")	32~39 (320~390 kgf.cm)	13,2~13,5 (0,52~0,53")	
Ø 12,7 (Ø 1/2")	49~59 (490~590 kgf.cm)	16,2~16,5 (0,64~0,65")	
Ø 16 (Ø 5/8")	57~71 (570~710 kgf.cm)	19,2~19,7 (0,76~0,78")	
Ø 19 (Ø 3/4")	67~101 (670~1010 kgf.cm)	23,2~23,7 (0,91~0,93")	

Napomena:

NEMOJTE KORISTITI PREKOMJERNI OBRтни MOMENT

Preterana sila može slomiti maticu ili oštetiti cijevi za rashladni medij. Ne smijete prelaziti zahtjeve obrtnog momenta prikazane u tabeli.



11.3 Spajanje cjevovoda do vanjske jedinice

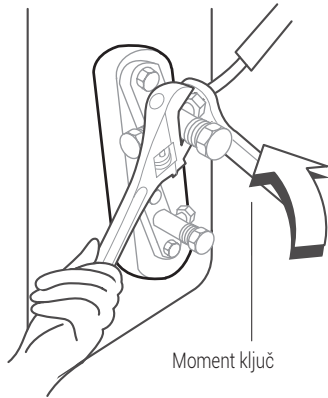
Napomena:

Ovim odjeljkom još uvijek treba upravljati u skladu sa tabelom **ZAHŦJEVA OBRŦNOG MOMENTA** na prethodnoj stranici.



1. Odvijte poklopac s ventila na strani vanjske jedinice.
2. Uklonite zaštitne kapice iz krajeva ventila.
3. Poravnajte prošireni kraj cijevi sa svakim ventilom i ručno zategnite maticu za proširenje što je moguće čvršće.
4. Koristeći ključ, obuhvatite tijelo ventila. **Nemojte** hvatati maticu koja zatvara glavni ventil.

11 Priključak cijevi za rashladni medij

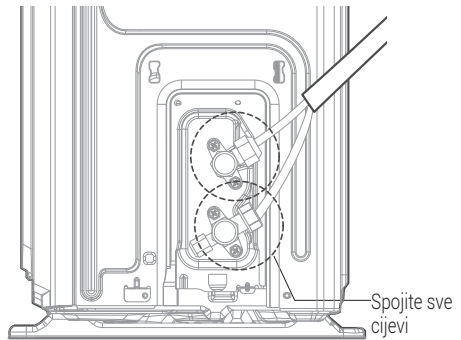


Napomena:

KORISTITE KLJUČ DA DRŽITE GLAVNO TIJELO VENTILA

Obrtni moment zatezanja matice za proširenja može slomiti druge dijelove ventila.

5. Dok čvrsto držite tijelo ventila, koristite moment ključ za zatezanje matice za proširenje prema ispravnim vrijednostima obrtnog momenta.
6. Otpustite malo maticu za proširenje, zatim je ponovo zategnite.
7. Ponovite korake 3 do 6 za preostale cijevi.



12 Pražnjenje zraka

NAPOMENA: PRIPREME I MJERE OPREZA



Zrak i strane materije u kruženju rashladnog medija mogu uzrokovati abnormalan rast pritiska, što može oštetiti klima uređaj, smanjiti efikasnost i izazvati ozljede. Pobrinite se da ispraznite zrak koji se nalazi unutar unutrašnje jedinice i cijevi pomoću vakuumske pumpe. Koristite vakuum pumpe i razvodni uređaj za pražnjenje kruga rashladnog medija, uklanjanje ne kondenzovanih plinova i vlage iz sistema. Pražnjenje treba obaviti nakon početne instalacije i kada se jedinica premješta. Neispravna instalacija zbog ignorisanja Uputstva će uzrokovati ozbiljne probleme na mašini.



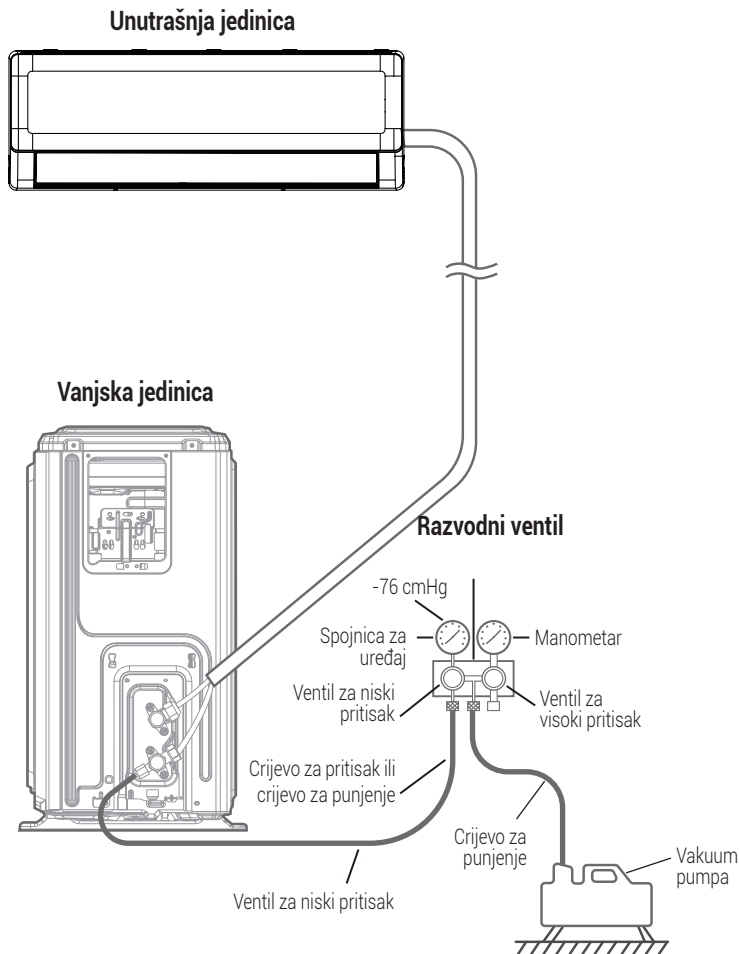
Napomena:

PRIJE IZVOĐENJA PRAŽNJENJA

- Provjerite jesu li spojne cijevi između unutrašnje i vanjske jedinice pravilno spojene.
- Provjerite da li su svi kablovi pravilno priključeni.

12 Pražnjenje zraka

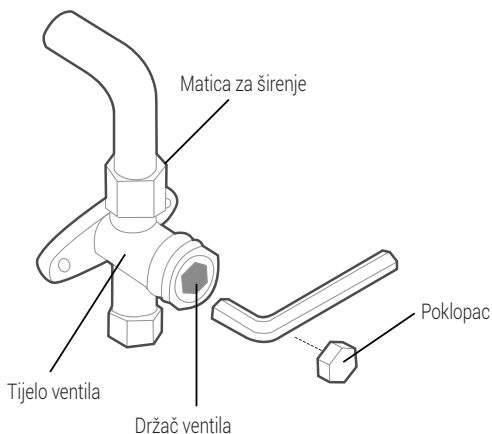
12.1 Uputstva za pražnjenje



Korak 1:

- Priključite crijevo za punjenje razvodnog uređaja na servisni priključak na ventil niskog pritiska vanjske jedinice.
- Spojite drugo crijevo za punjenje sa razvodnog uređaja na vakuum pumpu.
- Otvorite stranu sa niskim pritiskom na razvodnom uređaju. Držite stranu s visokim pritiskom zatvorenu.
- Uključite vakuum pumpu za pražnjenje sistema.
- Pustite vakuum barem 15 minuta, ili dok mjerač smjese ne očita -76 cmHG (-10⁵ Pa).
- Zatvorite stranu sa niskim pritiskom na razvodnom uređaju, i isključite vakuum pumpu.
- Sačekajte 5 minuta, a zatim provjerite da nije došlo do promjene u pritisku sistema.

12 Pražnjenje zraka



Korak 2:

- Ako dođe do promjene u pritisku sistema, pogledajte u dijelu curenja plina za informacije o tome kako da provjerite eventualno curenje.
- Ako nema promjene u pritisku u sistemu, odvrnite poklopac s ventila (ventil za visoki pritisak).
Umetnite imbus ključ u ventil (ventil visokog pritiska) i otvorite ventil okretanjem ključa za 1/4 u smjeru suprotnom od kretanja kazaljke na satu. Slušajte kako plin izlazi iz sistema, a zatim zatvorite ventil nakon 5 sekundi.
- Posmatrajte manometar jednu minutu kako biste bili sigurni da nema promjene u pritisku. Manometar treba očitati nešto više od atmosferskog pritiska.
- Uklonite crijevo za punjenje sa servisnog priključka .
- Koristeći šestougaoni ključ, potpuno otvorite ventile visokog i niskog pritiska.

- Ručno zategnite kapice ventila na sva tri ventila (priključak, visoki pritisak, niski pritisak). Možete zategnuti dalje pomoću moment ključa ako je potrebno.

Napomena:

OTVORITE LAGANO DRŽAČE VENTILA



Obavezno otvorite sve ventile nakon pražnjenja. Kada otvarate držače ventila, okrenite šestougaoni ključ dok ne dođe do zaustavljača. Ne pokušavajte na silu dalje otvarati ventil.

NAPOMENA O DODAVANJU RASHLADNOG MEDIJA



Neki sistemi zahtijevaju dodatno punjenje u zavisnosti od dužine cijevi. Standardna dužina cijevi je 5 m (16'). Rashladno sredstvo treba puniti iz servisnog priključka na ventilu niskog pritiska vanjske jedinice. Dodatni rashladni medij koji je potrebno napuniti može se izračunati pomoću sljedeće formule:

12 Pražnjenje zraka

12.2 DODATNI RASHLADNI MEDIJ PREMA DUŽINI CIJEVI

Dužina priključne cijevi (m)	Metod odzračivanja	Dodatni rashladni medij	
≤ Standardna dužina cijevi	Vakuum pumpa	N/A	
> Standardna dužina cijevi	Vakuum pumpa	Strana s tečnošću: Ø 6,35 (1/4") R410A: (Dužina cijevi – standardna dužina) x 15g/m	Strana s tečnošću: Ø 9,52 (3/8") R410A: (Dužina cijevi – standardna dužina) x 30g/m
		(Dužina cijevi – standardna dužina) x 0,16 oZ/stopa	(Dužina cijevi – standardna dužina) x 0,32 oZ/stopa
		R32: (Dužina cijevi – standardna dužina) x 12 g/m	R32: (Dužina cijevi – standardna dužina) x 24g/m
		(Dužina cijevi – standardna dužina) x 0,13 oZ/stopa	(Dužina cijevi – standardna dužina) x 0,26 oZ/stopa



Napomena:

NEMOJTE MIJEŠATI TIPOVE RASHLADNOG MEDIJA.



UPOZORENJE - OPASNOST OD STRUJNOG UDARA

SVA OŽIČENJA MORAJU BITI U SKLADU S LOKALNIM I DRŽAVNIM ZAKONIMA O ELEKTRIČNOJ ENERGIJI, A MORA BITI URAĐENO OD STRANE LICENCIRANOG ELEKTRIČARA.



Napomena: PRIJE TESTNOG POKRETANJA

Testno pokretanje obavljati tek nakon što ste završili sljedeće korake:

- Provjera električne sigurnosti - potvrdite da je električni sistem siguran i da radi ispravno
- Provjere curenja plina – provjerite sve spojeve matica za proširenje i utvrdite da sistem ne curi
- Potvrdite da su ventili plina i za tečnost (visokog i niskog pritiska) potpuno otvoreni

13.1 Provjera električne sigurnosti

Nakon instalacije, potvrdite da su sve električne instalacije postavljene u skladu s lokalnim i državnim propisima, kao i prema Priručniku za ugradnju.

13.2 Prije testnog pokretanja

Provjerite uzemljenje

Izmjerite otpor uzemljenja vizualnom detekcijom i sa testerom za otpor uzemljenja.

13.3 Tokom testnog pokretanja

Provjerite ima li električnog curenja

Tokom **testnog pokretanja** koristite elektronske sonde i multimetar za obavljanje sveobuhvatnog testa za električno curenje.

Ako se otkrije električno curenje, odmah isključite uređaj i nazovite licenciranog električara koji će pronaći i riješiti uzrok curenja.



Napomena:

Ovo možda nije potrebno za neke lokacije u sjevernoj Americi.

13 Električne provjere i provjera curenja plina

13.4 Provjere curenja plina

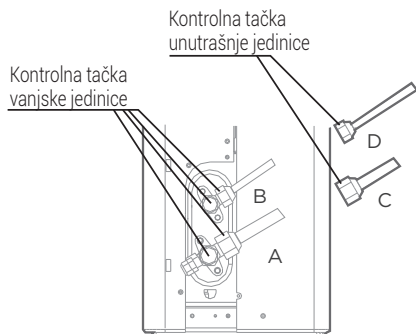
Postoje dvije različite metode za provjeru curenja plina.

Metoda sa sapunom i vodom

Mekanom četkom nanesite vodu sa sapunicom ili tečnim deterdžentom na sve priključne tačke cijevi na unutrašnjoj i vanjskoj jedinici. Prisustvo mjehurića ukazuje na curenje.

Metoda detektora curenja

Ako koristite detektor curenja, pogledajte uputstvo za upotrebu za ispravno korištenje.



- A: Zaustavni ventil niskog pritiska
- B: Zaustavni ventil visokog pritiska
- C i D: Matice za širenje unutrašnje jedinice

NAKON PROVJERE NA CURENJA PLINA

Nakon potvrde da sve cijevi na priključnim tačkama NE cure, zamijenite poklopac ventila na vanjskoj jedinici.

14 Testno pokretanje

14.1 Uputstva za testno pokretanje

Trebalo bi da obavite **testno pokretanje** tokom barem 30 minuta.

- Priključite napajanje jedinice.
- Pritisnite tipku **ON/OFF** (UKLJUČI/ISKLJUČI) na daljinskom upravljaču da biste je uključili.
- Pritisnite tipku **MODE** (NAČIN RADA) za kretanje kroz sljedeće funkcije, jedna po jedna:
 - COOL (HLAĐENJE) – odaberite najnižu moguću temperaturu
 - HEAT (GRIJANJE) – odaberite najvišu moguću temperaturu
- Neka svaka funkcija radi 5 minuta i izvršite sljedeće provjere:

Lista provjera koje treba obaviti	USPJEŠNO/ NEUSPJEŠNO	
Nema električnog curenja		
Jedinica je pravilno uzemljena		
Svi električni terminali propisno pokriveni		
Unutrašnja i vanjska jedinica su čvrsto instalirane		
Sve priključne tačke na cijevima ne cure	Vanjska (2):	Unutrašnja (2):
Voda pravilno otiče iz crijeva za odvod		
Sve cijevi su dobro izolirane		
Jedinica pravilno izvršava funkciju COOL (HLAĐENJE)		
Jedinica pravilno izvršava funkciju HEAT (GRIJANJE)		
Krilca unutrašnje jedinice se pravilno rotiraju		
Unutrašnja jedinica reaguje na daljinski upravljač		

DVOSTRUKO PROVJERITE SPOJEVE NA CIJEVIMA

Tokom rada, pritisak kruženja rashladnog medija će se povećati. To može otkriti curenja koja nisu bila prisutna tokom početne provjere. Odvojite vrijeme tokom testnog pokretanja kako bi izvršili dvostruku provjeru da sve tačke na spojevima cijevi za rashladni medij nemaju curenja. Za uputstva pogledajte u dijelu **Provjera curenja plina**.

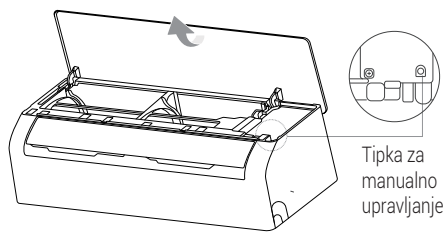
- Nakon što testno pokretanje uspješno završite, a vi potvrdite da su sve provjere s liste provjera koje je potrebno obaviti USPJEŠNE, uradite sljedeće:
 - a. Pomoću daljinskog upravljača, vratite uređaj na normalnu radnu temperaturu.
 - b. Koristeći izolacionu traku, zamotajte priključke cijevi za rashladni medij unutrašnje jedinice koje ste ostavili otvorenim tokom procesa montaže unutrašnje jedinice.

AKO JE AMBIJENTALNA TEMPERATURA ISPOD 16 °C (60 °F)

Ne možete koristiti daljinski upravljač za uključivanje funkcije COOL (HLAĐENJE) kada je temperatura okoline ispod 16 °C (60 °F). U ovom slučaju možete koristiti tipku **MANUAL CONTROL (MANUALNO UPRAVLJANJE)** da testirate funkciju COOL (HLAĐENJE).

- Podignite prednju ploču i dižite dok ne nalegne na svoje mjesto.
- Tipka **MANUAL CONTROL (MANUALNO UPRAVLJANJE)** smještena je na desnoj električne upravljačke kutije. Pritisnite dva puta da odaberete način rada Cool (Hlađenje).
- Uradite testno pokretanje kao obično.

14 Testno pokretanje



Tipka za
manualno
upravljanje

15 Pakovanje i raspakivanje jedinice

Upute za pakovanje i raspakivanje jedinice:

Raspakivanje:

Unutrašnja jedinica:

1. Prerežite nožem traku za zaptivanje na kutiji, jedan rez na lijevoj strani, jedan na sredini i jedan na desnoj strani.
2. Upotrijebite potporni alat da izvadite zaptivne eksere na vrhu kutije.
3. Otvorite kutiju.
4. Izvadite srednju potpornu ploču ako je uključena.
5. Izvadite paket dodatne opreme i izvadite spojnu žicu ako je uključena.
6. Podignite mašinu iz kutije i položite je na ravno.
7. Skinite lijevu i desnu pjenu za pakovanje ili gornju i donju pjenu za pakovanje, odvežite vrećicu za pakovanje.

Vanjska jedinica

1. Prerežite traku za pakovanje.
2. Izvadite jedinicu iz kutije.
3. Skinite pjenu sa jedinice.
4. Skinite vrećicu za pakovanje sa jedinice.

Pakovanje:

Unutrašnja jedinica:

1. Stavite unutrašnju jedinicu u vrećicu za pakovanje.
2. Pričvrstite lijevu i desnu pjenu za pakovanje ili gornju i donju pjenu za pakovanje na jedinicu.
3. Stavite jedinicu u kutiju, a zatim ubacite paket dodatne opreme.
4. Zatvorite kutiju i zalijepite je ljepljivom trakom.
5. Po potrebi koristite traku za pakovanje.

Vanjska jedinica:

1. Stavite vanjsku jedinicu u vrećicu za pakovanje.
2. U kutiju stavite donju pjenu.
3. Stavite jedinicu u kutiju, a zatim stavite gornju pjenu za pakovanje na jedinicu.
4. Zatvorite kutiju i zalijepite je ljepljivom trakom.
5. Po potrebi koristite traku za pakovanje.



Napomena:

Sačuvajte sve artikle pakovanja ako vam zatrebaju u budućnosti.

16 Europske smjernice za odlaganje

Ovaj uređaj sadrži rashladni medij i druge potencijalno opasne materijale. Kada odlažete ovaj uređaj, zakon zahtijeva posebno prikupljanje i tretman, **Nemojte** odlagati ovaj proizvod kao kućni otpad ili nesortirani komunalni otpad.

Kod odlaganja ovog uređaja, na raspolaganju imate sljedeće opcije:

- Odložite uređaj na za to namijenjenu lokaciju unutar općine za prikupljanje elektronskog otpada.
- Prilikom kupovine novog uređaja, trgovac će bez naknade preuzeti nazad stari uređaj.
- Proizvođač će preuzeti nazad stari uređaj bez naknade.
- Prodajte uređaj certificiranom trgovcu otpadnim metalom.



Posebna napomena: Odlaganje ovog uređaja u šumi ili drugim prirodnim okruženjima ugrožava vaše zdravlje i loše je za okoliš. Opasne tvari mogu iscuriti u podzemne vode i ući u lanac prehrane.



Ovaj simbol ukazuje da na to da se ovaj proizvod ne smije odlagati s drugim kućnim otpadom na kraju njegovog vijeka trajanja. Korišteni uređaj se mora odnijeti do službene lokacije za prikupljanje radi recikliranja električnih i elektronskih uređaja. Da biste pronašli ove sisteme za prikupljanje kontaktirajte lokalne vlasti ili trgovca kod kojeg je proizvod kupljen. Svako domaćinstvo ima važnu ulogu u obnavljanju i recikliranju starih uređaja. Prikladno odlaganje korištenih uređaja pomaže u sprječavanju potencijalnih negativni posljedica po okoliš i zdravlje ljudi.

17 Uputstva za F-plin

Ovaj proizvod sadrži fluorirane stakleničke plinove.

Fluorirani staklenički plinovi nalaze se u hermetički zatvorenoj opremi.

Instaliranje, servisiranje, održavanje, popravke, provjere curenja ili prekid rada opreme i recikliranje proizvoda trebaju obavljati fizička lica koja posjeduju odgovarajuće certifikate.

Ako sistem ima instaliran sistem za detekciju curenja, provjere curenja treba da se obavljaju najmanje svakih 12 meseci, uvjerite se da sistem ispravno radi.

Ako se na proizvodu moraju izvršiti provjere curenja, treba navesti ciklus pregleda, uspostaviti i sačuvati zapise o provjerama curenja.



Napomena: Za hermetički zatvorenu opremu, lokalni klima uređaj, prozor klima uređaja i odvlaživač, ako je CO₂ ekvivalent fluoriranih stakleničkih plinova manji od 10 tona, nije potrebno vršiti provjere na curenje.

18 Specifikacije

Naziv modela	Unutrašnja jedinica	BBEPME 090	BBEPME 120	BBEPME 180
	Vanjska jedinica	BBEPME 091	BBEPME 121	BBEPME 181
Rashladno sredstvo		R32	R32	R32
Ukupna količina rashladnog medija (g)		550	580	850
Potencijal globalnog zagrijavanja (GWP)		675	675	675
CO2 ekvivalent (tone)		0,371	0,392	0,574
Anti-električni		Klasa I	Klasa I	Klasa I
Klimatska klasa		T1	T1	T1
Tip grijanja		Toplotna pumpa	Toplotna pumpa	Toplotna pumpa
Priključak za napajanje		Vanjska	Vanjska	Vanjska
Pdizajn C (kW)		2,5	3,4	5,0
Pdizajn H (kW)		2,5 (prosjeak) / 2,5 (toplije)	2,6 (prosjeak) / 3,1 (toplije)	4,0 (prosjeak) / 4,4 (toplije)
SEER/AEER/Težina EER (W/W)		8,5 (sezonski odnos energetske efikasnosti - SEER, EU)	8,5 (sezonski odnos energetske efikasnosti - SEER, EU)	8,5 (sezonski odnos energetske efikasnosti - SEER, EU)
SCOP/ACOP/Težina EER (W/W)		4,6 (sezonski koeficijent učinkovitosti - SCOP, EU prosjeak) / 6,0 (sezonski koeficijent učinkovitosti - SCOP, toplije)	4,6 (sezonski koeficijent učinkovitosti - SCOP, EU prosjeak) / 6,0 (sezonski koeficijent učinkovitosti - SCOP, toplije)	4,6 (sezonski koeficijent učinkovitosti - SCOP, EU prosjeak) / 5,7 (sezonski koeficijent učinkovitosti - SCOP, toplije)
Energetski nivo-hlađenje		A+++ (EU)	A+++ (EU)	A+++ (EU)
Energetski nivo-grijanje		A++ (EU prosjeak) / A+++ (EU toplije)	A++ (EU prosjeak) / A+++ (EU toplije)	A++ (EU prosjeak) / A+++ (EU toplije)
Godišnja potrošnja energije-hlađenje (kWh)		103	140	207

18 Specifikacije

Naziv modela	Unutrašnja jedinica	BBEPME 090	BBEPME 120	BBEPME 180
	Vanjska jedinica	BBEPME 091	BBEPME 121	BBEPME 181
Godišnja potrošnja energije-grijanje (kWh)		761 (prosjeak)/ 592 (toplije)	792(prosjeak)/ 730 (toplije)	1243(prosjeak)/ 1081 (toplije)
Deklarisani kapacitet za proračun SCOP-a u dizajniranim referentnim uslovima (kW)		2,1 (Prosječna sezona)	2,2 (Prosječna sezona)	3,4 (Prosječna sezona)
Rezervni kapacitet grijanja pretpostavljen za proračun SCOP-a u dizajniranom referentnom stanju (kW)		0,4 (Prosječna sezona)	0,4 (Prosječna sezona)	0,6 (Prosječna sezona)
Snaga električnog grijača (W)		/	/	/
Ulazna snaga hlađenja (kW)		622	1052	1424
Ulazna snaga grijanja (kW)		674	1000	1440
Napon/frekvencija (V/Hz)		220-240V, 50Hz, 1Ph	220-240V, 50Hz, 1Ph	220-240 V ~ 50 Hz, 1 Ph
Radna struja hlađenja (A)		4,4	4.8	6,19
Radna struja grijanja (A)		4,5	4.6	6,26
Nivo pritiska buke - unutrašnja jedinica (dBA)		39/34/25/19,0	39/32/26/20	43/36/28/21,5
Nivo pritiska buke - vanjska jedinica (dBA)		54,0	55	57
Zapremina protoka zraka (m3/h)		650/510/360/ 285/150	800/600/450/ 370/220	950/800/600/ 470/340
Nazivna ulazna snaga - EN 60335(W)		2200	2200	2800
Nazivna ulazna struja - EN 60335(A)		10	10	13,5
Klasa otpora unutrašnje jedinice		IPX0	IPX0	IPX0
Klasa otpora vanjske jedinice		IPX4	IPX4	IPX4

18 Specifikacije

Naziv modela	Unutrašnja jedinica	BBEPME 090	BBEPME 120	BBEPME 180
	Vanjska jedinica	BBEPME 091	BBEPME 121	BBEPME 181
Prečnik cijevi visokog pritiska (mm)		6,35 mm (1/4 inča)	6,35 mm (1/4 inča)	6,35 mm (1/4 inča)
Promjer cijevi niskog pritiska (mm)		9,52 mm (3/8 inča)	9,52 mm (3/8 inča)	12,7 mm (1/2 inča)
Specifikacija kabla za napajanje (mm ²)		3 * 1,5 mm	3 * 1,5 mm	3 * 1,5 mm
Unutrašnji i vanjski spojni kabl (mm ²)		5 * 1,5 mm	5 * 1,5 mm	5 * 1,5 mm
Maks. dizanje (m)		10	10	20
Maks. dužina cijevi (m)		25	25	30
Dodatna količina plina (g/m)		12	12	12
Unutrašnja jedinica (WxHxD) mm		723x286x199	813x289x201	975x308x218
Vanjska jedinica (WxHxD) mm		775x565x280	775x565x280	890x673x328
Neto težina unutrašnje jedinice (kg)		8,0	8,5	10,5
Neto težina vanjske jedinice (kg)		23,5	23,5	37,8

Napomena:

1. Specifikacije su standardne vrijednosti izračunate na osnovu nominalnih radnih uslova, razlikuju se u različitim uslovima rada.
2. Naša kompanija ima brza tehnička poboljšanja. Za svaku promjenu tehničkih podataka bit ćete prethodno obavješteni. Pročitajte natpisnu ploču na klima uređaju.

Pogledajte detaljne informacije o proizvodu koje se zahtijevaju u Propisu br. 206/2012 iz brošure o opisu proizvoda.


Prvo pročitajte ovo korisničko uputstvo!

Poštovani korisniče,

Hvala vam što ste odabrali Bekov proizvod. Nadamo se da ćete od ovog proizvoda, proizvedenog najsavremenijom visokokvalitetnom tehnologijom, dobiti najbolje moguće performanse. Stoga vas molimo da pažljivo pročitate ovo uputstvo i sva ostala prateća dokumenta u celosti, pre korišćenja proizvoda, i sačuvajte ih da biste mogli da ih konsultujete u budućnosti. Ako proizvod dajete nekom drugom, dajte im i ovo korisničko uputstvo. Pridržavajte se svih upozorenja i smernica iz ovog korisničkog uputstva.

Značenja simbola


Sledeći simboli se koriste u različitim odeljcima ovog uputstva:

	Bitne informacije ili korisni saveti za korišćenje.
--	---


	Upozorenja na opasne situacije za ljude i imovinu.
--	--


	Upozorenje na radnje koje se nikad ne smeju preduzimati.
--	--

	Upozorenje na strujni udar.
---	-----------------------------

	Ovaj simbol pokazuje da su dostupne informacije kao što su uputstvo za upotrebu ili uputstvo za montažu.
--	--

	Nemojte prekrivati uređaj.
--	----------------------------

	Ovaj simbol označava da treba pažljivo da pročitate ovo uputstvo.
---	---

	Ovaj simbol označava da navedenom opremom treba da rukuje serviser, prema uputstvima u priručniku za montažu.
---	---

 (za gas tipa R32/R290)	Ovaj simbol označava da ovaj uređaj koristi zapaljivo rashladno sredstvo. Ako rashladno sredstvo procuri i dođe u kontakt sa spoljnim izvorom paljenja može doći do požara.
--	---



RECIKLIRANI I
RECIKLABILNI
PAPIR

SADRŽAJ

1	Mere opreza	149
2	Potvrdite pre nego što počnete	159
3	Upoznajte svoj klima-uređaj	161
3.1	Ekran unutrašnje jedinice	161
3.2	Napomena u vezi sa uglovima usmerivača vazduha	164
3.3	Podешavanje protoka vazduha levo i desno (ručno upravljanje)	165
3.4	Instalirajte HomeDirect komplet (bežični modul)	166
4	Nega i održavanje	167
5	Rešavanje problema	170
5.1	Najčešći problemi	170
6	Započnimo sa montažom klima-uređaja	176
7	Pregled montaže	178
8	Rezime montaže – unutrašnja jedinica	179
9	Montaža unutrašnje jedinice	180
9.1	Odredite mesto ugradnje	180
9.2	Probušite rupu u zidu za spojnu cev	181
9.3	Instalirajte cev za rashladno sredstvo i odvodno crevo	185
9.4	Priprema elektro radova	188
9.5	Obmotajte cevi i kabl	192
9.6	Postavite unutrašnju jedinicu	193
10	Montaža spoljne jedinice	195
10.1	Odredite mesto ugradnje	195
10.2	Montaža zgloba sistema za odvod kondenzata (samo kod jedinica sa toplotnom pumpom)	197
10.3	Ankerišite spoljnu jedinicu	198
10.4	Povežite strujni kabl i kabl za signal	199

11 Spajanje cevi za rashladno sredstvo	201
11.1 Uputstva za pertlovanje cevi	201
11.2 Povezivanje cevi sa unutrašnjom jedinicom	203
11.3 Povezivanje cevi sa spoljnom jedinicom	204
12 Evakuacija vazduha	206
12.1 Uputstva za evakuaciju	207
12.2 DODATNO RASHLADNO SREDSTVO PO DUŽINI CEVI	209
13 Provere elektrike i curenja gasa	210
13.1 Provere bezbednosti elektroinstalacija	210
13.2 Pre probnog uključivanja	210
13.3 Tokom probnog uključivanja	210
13.4 Provere curenja gasa	211
14 Probno uključivanje	212
14.1 Uputstva za probno uključivanje	212
15 Pakovanje i otpakivanje jedinice	213
16 Evropske smernice za odlaganje	214
17 Uputstvo za F-gas	215
18 Specifikacija	216

Upozorenje

Ovaj uređaj mogu da koriste deca uzrasta od 8 godina pa naviše, kao i osobe sa smanjenim fizičkim, senzornim ili mentalnim sposobnostima ili bez iskustva i znanja, ukoliko su pod nadzorom ili dobijaju uputstva za korišćenje proizvoda na bezbedan način, uz razumevanje mogućih rizika. Deca ne smeju da se igraju sa uređajem. Čišćenje i korisničko održavanje ne smeju obavljati deca bez nadzora (zemlje Evropske unije).

Ovaj uređaj nije namenjen za upotrebu od strane osoba (uključujući decu) sa smanjenim fizičkim, senzornim ili mentalnim sposobnostima ili nedostatkom iskustva i znanja, osim ako nisu pod nadzorom ili sa određenim instrukcijama za korišćenje uređaja od strane osobe odgovorne za njihovu bezbednost. Deca moraju biti pod nadzorom, kako bi se osiguralo da se ne igraju sa uređajem.

Upozorenja u vezi sa upotrebom proizvoda

- Ako nastane neuobičajena situacija (poput mirisa paljevine), odmah isključite jedinicu i iskopčajte napajanje. Od svog dilera tražite uputstva za izbegavanje strujnog udara, požara ili povrede.
- **Nemojte** da gurate prste, šipke ili druge predmete u vazdušni dovod ili odvod. Ovo može da uzrokuje povrede, pošto ventilator može da se okreće velikim brzinama.
- **Nemojte** da koristite zapaljive sprejeve poput laka za kosu, laka ili boje u blizini jedinice. Ovo može da uzrokuje požar ili sagorevanje.
- **Nemojte** da rukujete klima uređajem u blizini zapaljivih gasova. Emitovani gas može da se nataloži oko jedinice i uzrokuje eksploziju.

- **Nemojte** koristiti klima-uređaj u vlažnim prostorijama, poput kupatila ili vešernice. Prekomerno izlaganje vodi može da dovede do kratkog spoja električnih komponenti.
- **Nemojte** se direktno izlagati hladnom vazduhu tokom dužeg vremenskog perioda.
- **Ne dozvolite** deci da se igraju klima-uređajem. Deca koja se nalaze u blizini uređaja moraju da budu pod neprestanim nadzorom.
- Ukoliko se klima uređaj koristi zajedno sa ringlama ili drugim grejnim uređajima, temeljno provetrite prostoriju kako ne bi došlo do manjka kiseonika.
- Za pojedine funkcionalne sredine, na primer kuhinje, serverske sobe itd, preporučuje se korišćenje specijalno projektovanih klima-uređaja.

Upozorenja u vezi sa čišćenjem i održavanjem

- Isključite uređaj i iskopčajte napajanje pre čišćenja. Ukoliko ovo ne uradite može da dođe do strujnog udara.
- **Nemojte** da koristite preterane količine vode pri čišćenju uređaja.
- **Nemojte** da čistite klima uređaj zapaljivim sredstvima za čišćenje. Zapaljiva sredstva za čišćenje mogu da uzrokuju požar ili deformaciju.

Oprez

- Isključite klima uređaj i iskopčajte napajanje ako ga nećete koristiti duže vreme.
- Isključite i iskopčajte jedinicu iz struje tokom oluja.
- Pobrinite se da kondenzovana vodena para može nesmetano da otiče iz jedinice.

- **Nemojte** da rukujete klima-uređajem vlažnim rukama. Ovo može da uzrokuje strujni udar.
- **Nemojte** da koristite uređaj ni u kakve druge svrhe osim predviđenih.
- **Nemojte** da se penjete na spoljašnju jedinicu ili stavljate predmete na nju.
- **Nemojte** da dozvolite da klima-uređaj duže vreme radi u prostoriji sa otvorenim vratima ili prozorima, ili sa velikim stepenom vlažnosti.

Upozorenja u vezi sa strujom

- Koristite samo odgovarajući kabl za napajanje. Ako je kabl za napajanje oštećen, mora da ga zameni proizvođač, servis koji je proizvođač ovlastio ili slično kvalifikovani servis da ne bi došlo do nastanka opasnosti.
- Održavajte utikač čistim. Uklanjajte prašinu ili prljavštinu koji se natalože na utikaču ili oko njega. Prljavi utikači mogu da uzrokuju požar ili strujni udar.
- **Nemojte** da izvlačite kabl za napajanje iz struje da biste isključili jedinicu. Držite utikač čvrsto i izvucite ga iz utičnice. Direktno izvlačenje kabla može da ga ošteti, što može da uzrokuje požar ili strujni udar.
- **Nemojte** menjati dužinu strujnog kabla niti koristiti produžni kabl za napajanje ovog uređaja.
- **Nemojte** deliti strujnu utičnicu sa drugim uređajima. Neodgovarajući ili nedovoljno jak izvor električne energije može da dovede do požara ili strujnog udara.

- Ovaj proizvod mora pravilno da se uzemlji prilikom ugradnje jer u suprotnom može da dođe do strujnog udara.
- Kod svih radova na elektroinstalacijama poštujujte sve lokalne i državne standarde i propise za instalacije, kao i ovaj Priručnik za ugradnju. Čvrsto povezujte sve kablove i bezbedno ih klemujte da ne bi došlo do oštećenja klema usled dejstva spoljnih sila. Nepravilno izvedeni električni spojevi mogu da se pregreju i dovedu do požara, kao i do strujnog udara. Sve električne veze moraju da se realizuju u skladu sa šemom električnih spojeva koja se nalazi na panelima unutrašnje i spoljne jedinice.
- Svi kablovi i provodnici moraju da budu pravilno sprovedeni da bi poklopac kontrolne ploče mogao pravilno da se zatvori. Ako se poklopac kontrolne ploče ne zatvori pravilno, može da dođe do korozije i zagrevanja spojeva i posledičnog paljenja ili strujnog udara.
- Ako se napajanje povezuje na fiksno ožičenje, uređaj za isključivanje svih polova ima najmanje 3 mm razmaka na svim polovima i ima struju curenja koja može da pređe 10 mA, uređaj za zaostalu struju (RCD) ima nazivnu rezidualnu radnu struju koja ne prelazi 30 mA, onda isključivanje mora biti ugrađeno u fiksno ožičenje u skladu sa pravilima za ožičenje.

Napomena o specifikacijama osigurača

Štampana ploča (PCB) ovog klima-uređaja je projektovana sa osiguračem koji štiti od prenapona. Specifikacije tog osigurača su odštampane na štampanoj ploči, na primer: T3.15AL/250VAC, T5AL/250VAC, T3.15A/250VAC, T5A/250VAC, T20A/250VAC, T30A/250VAC itd.



Napomena: Za jedinice koje koriste rashladno sredstvo R32 ili R290, može se koristiti samo keramički osigurač otporan na eksploziju.

HygieneMax (UV-C lampa) (primenjivo samo na jedinicu koja poseduje funkciju HygieneMax)

Ovaj uređaj poseduje HygieneMax (UV-C lampu). Pročitajte sledeća uputstva pre otvaranja uređaja.

1. Ne koristite HygieneMax (UV-C lampu) van uređaja.
2. Uređaji koji su očigledno oštećeni ne smeju se koristiti.
3. Nenamenska upotreba uređaja ili oštećenje kućišta može dovesti do emitovanja opasnog UV-C zračenja. UV-C zračenje može, čak i u malim dozama, da ošteti oči i kožu.
4. Aparat se mora isključiti iz električne mreže pre čišćenja jedinice ili bilo kakvog drugog održavanja.
5. UV-C pregrade sa simbolom opasnosti od ultraljubičastog zračenja ne treba uklanjati.

**Upozorenje:**

Ovaj uređaj sadrži UV emiter. Ne gledajte u izvor svetlosti.

Upozorenja za montažu proizvoda

1. Ugradnju mora da izvrši ovlašćeni distributer ili stručnjak. Nepravilna ugradnja može da dovede do curenja vode, strujnog udara ili požara.
2. Ugradnja mora da se izvrši u skladu sa uputstvima za ugradnju. Nepravilna ugradnja može da dovede do curenja vode, strujnog udara ili požara.
3. Obratite se ovlašćenom servisu ako je potrebno popraviti ovaj uređaj ili izvršiti redovno održavanje. Ovaj uređaj se instalira u skladu sa nacionalnim propisima povezivanja strujnih kola.
4. Pri ugradnji koristite isključivo dodatni pribor, delove i delove iz specifikacija koje ste dobili uz uređaj. Korišćenje nestandardnih delova može da dovede do curenja vode i strujnog udara i da dovede do kvara uređaja.
5. Ugradite uređaj na čvrsto mesto koje može da nosi njegovu težinu. Ako izabrano mesto ne može da nosi težinu uređaja ili ako se ugradnja ne sprovede na odgovarajući način, uređaj može da padne i da dovede do teške povrede ili štete.
6. Ugradite instalacije za odvod kondenzata prema uputstvima iz ovog priručnika. Neadekvatan odvod kondenzata može da dovede do oštećenja vašeg doma i imovine vodom.

7. Kod uređaja koji imaju pomoćni električni grejač, **nemojte** ugrađivati uređaj na udaljenosti manjoj od 1 metra (3 stope) od ma koje zapaljive materije.
8. **Nemojte** ugrađivati uređaj na mestu koje može biti izloženo curenju zapaljivog gasa. Ako se zapaljivi gas nakupi oko uređaja, može da dođe do požara.
9. Ne uključujte napajanje dok svi radovi ne budu završeni.
10. Prilikom transporta ili premeštanja klima uređaja, posavetujte se sa iskusnim servisnim tehničarima u vezi sa isključivanjem i ponovnom montažom jedinice.
11. Za uputstvo kako da montirate uređaj na njegov nosač, pročitajte informacije u odeljcima „Montaža unutrašnje jedinice“ i „Montaža spoljne jedinice“.

Napomena o fluorisanim gasovima (nije primenljivo na jedinicu koja koristi rashladno sredstvo R290)

1. Ovaj klima uređaj sadrži fluorisane gasove koji stvaraju efekat staklene bašte. Za konkretne informacije o vrsti i količini gasa, pogledajte odgovarajuću nalepnicu na samoj jedinici ili „Uputstvo za upotrebu - Informativni list proizvođača“ u pakovanju spoljne jedinice. (samo za proizvode u Evropskoj uniji).
2. Ugradnju, servisiranje, održavanje i popravku ovog uređaja sme da vrši isključivo sertifikovani tehničar.
3. Skidanje ugrađenog klima-uređaja i njegovu reciklažu sme da izvrši isključivo sertifikovani tehničar.

4. Za opremu koja sadrži fluorisane gasove koji izazivaju efekat staklene bašte u količinama od 5 tona CO₂, ali manjim od 50 tona CO₂. Ako je u sistem montiran sistem za otkrivanje curenja, provere curenja moraju se raditi najmanje na 24 meseca.
5. Prilikom provere da li u uređaju postoji curenje, toplo se preporučuje vođenje evidencije svih provera.

Upozorenje za korišćenje rashladnog sredstva R32/R290

- Kada se koriste zapaljiva rashladna sredstva, uređaj treba čuvati u dobro provetrenoj prostoriji čija veličina odgovara površini prostorije potrebnoj da bi uređaj funkcionisao.

Za modele koji koriste R32: Uređaj montirati, koristiti i skladištiti u prostoriji čija podna površina nije manja od 4 m². Kod modela sa rashladnim sredstvom R290, uređaj treba da se montira, koristi i skladišti u prostoriji sa površinom poda većom od:

jedinice ≤9.000 Btu/h: 13 m²

jedinice >9.000 Btu/h i

≤12.000 Btu/h: 17 m²

jedinice >12.000 Btu/h i

≤18.000 Btu/h: 26 m²

jedinice >18.000 Btu/h i

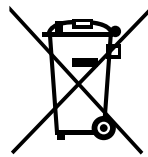
≤24.000 Btu/h: 35 m²

- Korišćenje mehaničkih konektora i proširenih spojeva u zatvorenom nije dozvoljeno. (Zahtevi standarda **EN**).

- Mehanički konektori korišćeni u zatvorenom moraju da budu naznačeni najviše za 3g/godini na 25% maksimalnog dozvoljenog pritiska. Kada se mehanički konektori ponovo koriste u zatvorenom, morate obnoviti zaptivne delove. Ako ponovo koristite proširene spojeve u zatvorenom, prošireni deo mora biti ponovo izrađen. (Zahtevi standarda **UL**)
- Kada se mehanički konektori ponovo koriste u zatvorenom, morate obnoviti zaptivne delove. Ako ponovo koristite proširene spojeve u zatvorenom, prošireni deo mora biti ponovo izrađen. (Zahtevi standarda **IEC**)
- Mehanički konektori korišćeni u zatvorenom moraju biti po standardu ISO 14903.

Evropske smernice za odlaganje

Ova oznaka prikazana na proizvodu ili njegovoj literaturi ukazuje da se otpadna električna i elektronska oprema ne sme mešati sa opštim kućnim otpadom.



Pravilno odlaganje ovog proizvoda (odlaganje električne i elektronske opreme)

Ovaj uređaj sadrži rashladno sredstvo i druge potencijalno opasne materije. Prilikom odlaganja uređaja, zakon nalaže da se on na poseban način odveze i tretira. **Nemojte** ovaj uređaj da odlažete kao kućni otpad ili nesortirani gradski otpad.

Za odlaganje ovog uređaja imate sledeće opcije:

- Uređaj odložite u označenom postrojenju za sakupljanje gradskog elektronskog otpada.
- Prilikom kupovine novog uređaja, prodavac na malo će besplatno uzeti natrag stari uređaj.
- Proizvođač će besplatno uzeti natrag stari uređaj. (za neke zemlje)
- Prodajte uređaj ovlašćenim trgovcima metalnim otpacima. (za neke zemlje)



Informacije o ambalaži

Ambalažni materijali ovog proizvoda su izrađeni od materijala koji se mogu reciklirati, u skladu sa našim nacionalnim propisima o zaštiti životne sredine. Nemojte odlagati ambalažni materijal sa kućnim ili drugim otpadom. Odnosite ga na mesta za prikupljanje ambalažnog materijala koja su odredile lokalne vlasti.

Usklađenost sa direktivom RoHS

Proizvod koji ste kupili usklađen je sa direktivom EU pod nazivom RoHS (2011/65/EU). On ne sadrži štetne i zabranjene materije navedene u toj direktivi.

Specijalna napomena:

Odlaganje uređaja u šumama ili drugim prirodnim okruženjima opasno je po vaše zdravlje i po okolinu. Opasne supstance mogu da dospeju u podzemne vode i uđu u lanac ishrane.



**Napomena:****Radna temperatura**

Kada se klima-uređaj koristi van sledećih temperaturnih opsega, mogu se aktivirati određene zaštitne funkcije i izazvati prekid rada uređaja.

Inverter, split-sistem

	Režim COOL (Hlađenje)	Režim HEAT (Grejanje)	Režim DRY (Sušenje)
Sobna temp.	16 °C ~ 32 °C (60 °F ~ 90 °F)	0 °C ~ 30 °C (32 °F ~ 86 °F)	10 °C ~ 32 °C (50 °F ~ 90 °F)
Spoljna temp.	0 °C ~ 50 °C (32 °F ~ 122 °F)		
	-15 °C ~ 50 °C (5 °F ~ 122 °F) Za modele sa rashladnim sistemima niske temp.	-15 °C~24 °C (5 °F ~ 75 °F)	0 °C ~ 50 °C (32 °F ~ 122 °F)
	0 °C ~ 52 °C (32 °F ~ 126 °F) Za specijalne tropske modele	-15 °C~24 °C (5 °F ~ 75 °F)	0 °C ~ 52 °C (32 °F ~ 126 °F) Za specijalne tropske modele

ZA SPOLJAŠNJE JEDINICE SA POMOĆNIM ELEKTRIČNIM GREJAČEM

Kada je spoljašnja temperatura ispod 0 °C (32 °F), preporučujemo da stalno držite jedinicu uključenu u struju kako biste obezbedili konstantne glatke performanse.

2 Potvrdite pre nego što počnete

Tip sa fiksnom brzinom

	Režim COOL (Hlađenje)	Režim HEAT (Grejanje)	Režim DRY (Sušenje)
Sobna temp.	16 °C ~ 32 °C (60 °F ~ 90 °F)	0 °C ~ 30 °C (32 °F ~ 86 °F)	10 °C ~ 32 °C (50 °F ~ 90 °F)
Spoljna temp.	18 °C ~ 43 °C (64 °F ~ 109 °F)	-7 °C – 24 °C (19 °F ~ 75 °F)	11 °C ~ 43 °C (52 °F ~ 109 °F)
	-7 °C ~ 43 °C (19 °F ~ 109 °F) Za modele sa rashladnim sistemima niske temperature		18 °C ~ 43 °C (64 °F ~ 109 °F)
	18 °C ~ 52 °C (64 °F -126 °F) Za specijalne tropske modele	-7 °C – 24 °C (19 °F ~ 75 °F)	18 °C ~ 52 °C (64 °F -126 °F) Za specijalne tropske modele

Napomena:



Relativna vlažnost u prostoriji manja od 80%. Ako klima uređaj radi više od ove brojke, površina klima uređaja može privući kondenzaciju. Podesite otvor za vertikalni protok vazduha na maksimalni ugao (vertikalno u odnosu na pod) i podesite režim HIGH (Visoko) ventilatora.

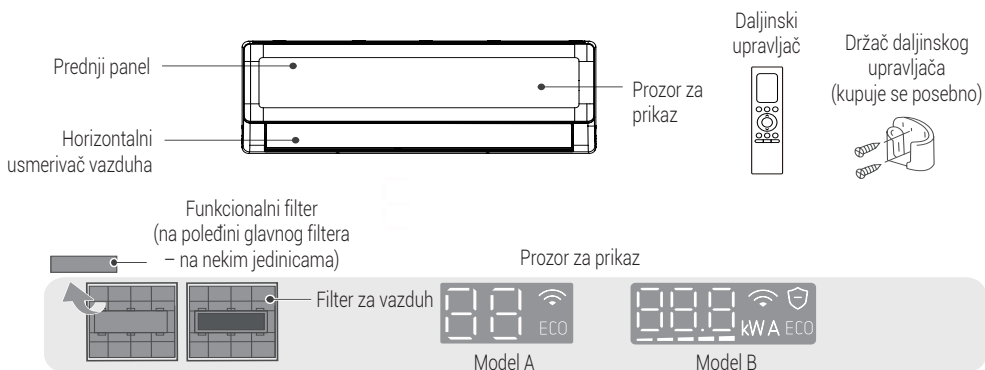
3 Upoznajte svoj klima-uređaj

Napomena:



- Različiti modeli imaju različite prednje panele i ekrane. Nisu svi dole opisani indikatori dostupni za klima uređaj koji ste kupili. Proverite ekran unutrašnje jedinice koju ste kupili.
- Ilustracije u ovom priručniku su date u svrhu objašnjenja. Stvarni oblik vaše unutrašnje jedinice može da bude nešto drukčiji. Stvarni oblik će da prevladava.

3.1 Ekran unutrašnje jedinice



Oznaka na ekranu	Prikaži značenje kodova
	<ul style="list-style-type: none"> • Prikazuje temperaturu, funkciju rada i kodove grešaka. • Kod nekih uređaja, kada je aktivirana funkcija STEPENA BRZINE, na ekranu će se prikazati i 15 sekundi treptati vrednost ciljne snage (kW), jačine struje (A) ili nivoa stepena prenosa (Lx). Stepeni prenosa prikazuju se kao: L1 stepen prenosa (—), L2 stepen prenosa (— —), L3 stepen prenosa (— — —), L4 stepen prenosa (— — — —), L5 stepen prenosa (— — — — —).
	<ul style="list-style-type: none"> • Kada je funkcija Fresh (neke jedinice).
	<ul style="list-style-type: none"> • Kad je funkcija ECO+ uključena.
	<ul style="list-style-type: none"> • Kad je funkcija bežične kontrole aktivirana (na nekim jedinicama).

3 Upoznajte svoj klima-uređaj

 (za 3 sekunde kada)	<ul style="list-style-type: none">• Podešen je Timer On (Tajmer za uključivanje) (ako je jedinica ISKLJUČENA, „ON“ ostaje uključeno kada je podešen Timer On (Tajmer za uključivanje)).• Funkcije Fresh (Sveže), UV lamp (UV lampa), Swing (Oscilovanje), Turbo (Turbo), Breeze away (Indirektni mlaz vazduha) i Silent (Tiho) su uključene.
 (za 3 sekunde kada)	<ul style="list-style-type: none">• Podešen je tajmer za isključivanje.• Funkcije Fresh (Sveže), UV lamp (UV lampa), Swing (Oscilovanje), Turbo (Turbo), Breeze away (Indirektni mlaz vazduha) i Silent (Tiho) su isključene.
	<ul style="list-style-type: none">• Kad je funkcija GoClean (Čišćenje) uključena.
	<ul style="list-style-type: none">• Prilikom odmrzavanja (kod jedinica za hlađenje i grejanje).
	<ul style="list-style-type: none">• Kad je uključena funkcija grejanja na 8 °C (46 °F) (jedinice za hlađenje i grejanje).

Kako biste dodatno optimizovali performanse svoje jedinice, uradite sledeće:

- Držite vrata i prozore zatvorenima.
- Ograničite upotrebu energije korišćenjem funkcija TIMER ON (Tajmer za uključivanje) i TIMER OFF (Tajmer za isključivanje).
- Nemojte da blokirate vazdušne dovode i odvode.
- Redovno proveravajte i čistite vazdušne filtere.

Više karakteristika



Napomena:

Nisu sve funkcije dostupne za klima-uređaj; proverite ekran unutrašnje jedinice i daljinski upravljač jedinice koju ste vi kupili.

Automatsko ponovno pokretanje

Ukoliko jedinica ostane bez struje, automatski se restartuje na prethodna podešavanja čim se struja vrati.

Rad funkcije Air Fresh (Osvežavanje) (neke jedinice)

Jonski generator se uključuje i pomaže u prečišćavanju vazduha u prostoriji.

Funkcija GoClean (Čišćenje)

- Tehnologija GoClean (Čišćenje) ispira prašinu kada se prilepi na izmenjivač toplote automatskim zamrzavanjem i zatim brzim odmrzavanje mraza. Čuje se dvostruki pisak. Operacija GoClean (Čišćenje) se koristi za proizvodnju više kondenzovane vode kako bi se poboljšao efekat čišćenja, a hladni vazduh se izduvava. Nakon čišćenja, unutrašnji vetro-točak nastavlja da izduvava vruć vazduh kako bi osušio isparivač, održavajući time unutrašnjost čistom.
- Kad je ova funkcija uključena, na ekranu unutrašnje jedinice se pojavljuje „CL“, a nakon 20 do 45 minuta, jedinica će se automatski isključiti i otkazaće funkciju GoClean (Čišćenje).

3 Upoznajte svoj klima-uređaj

• Memorija ugla usmerivača vazduha

Kad isključite jedinicu, usmerivač vazduha se automatski postavlja u prethodni ugao.

• Funkcija ECO+

U režimu hlađenja/grejanja, brzina ventilatora se menja na automatsku, a podešena temperatura se ne menja, što daje udobniji osećaj i štedi energiju, uz smanjenje oscilacija temperature.

• Detekcija curenja rashladnog sredstva

Na unutrašnjoj jedinici će se automatski prikazati „ELOC“ kada se detektuje curenje rashladnog sredstva.

• Bežično upravljanje (neke jedinice)

Bežično upravljanje vam omogućuje da upravljate klima uređajem pomoću mobilnog telefona i bežične mreže.

Pristup USB uređaju, postupke zamene i održavanja mora da obavlja stručno osoblje.

• Rad funkcije Breeze away (Indirektni mlaz vazduha) (neke jedinice)

- Pritisnite dugme Breeze Away (Indirektni mlaz vazduha) na daljinskom upravljaču da biste aktivirali direktno duvanje vazduha na telo.
- Pri radu u režimu Breeze Away (Indirektni mlaz vazduha), sistem automatski podešava uglove usmerivača vazduha i brzinu ventilatora. Brzinu ventilatora možete da izaberete i daljinskim upravljačem.
- Ova funkcija je dostupna samo u režimima Cool (Hlađenje), Fan (Ventilator) i Dry (Sušenje).

• Funkcija Sleep (Spavanje)

Funkcija SLEEP (SPAVANJE) koristi se za smanjenje potrošnje kad spavate.

Kad je funkcija spavanja aktivirana, klima-uređaj inteligentno podešava temperaturu i brzinu ventilatora da bi obezbedio udobnije okruženje za spavanje. U režimu spavanja možete da po želji podesite brzinu ventilatora i ugao vazdušne struje. Funkcija spavanja se automatski gasi posle 9 sati rada.

Napomena:



- Funkcija sleep (Spavanje) nije dostupna u režimima Fan (Ventilator) i Dry (Sušenje).
- Na nekim modelima sa funkcijom bežične kontrole, vreme rada u režimu spavanja i svetlo za spavanje mogu se podesiti preko aplikacije.

• Funkcija Intelligent Humidity Control (inteligentna kontrola vlažnosti) (neke jedinice)

U režimu hlađenja, kad je ova funkcija aktivna, brzina ventilatora se menja na automatsku, a podešena temperatura ostaje ista, pri čemu sistem može da kontroliše vlažnost prostorije da bi se obezbedilo da nije ni previše suva ni previše vlažna uz održanje prijatne temperature. Ova funkcija može da se aktivira jedino pomoću daljinskog upravljača ili iz aplikacije.

3 Upoznajte svoj klima-uređaj

Manuelni rad (bez daljinskog upravljača)

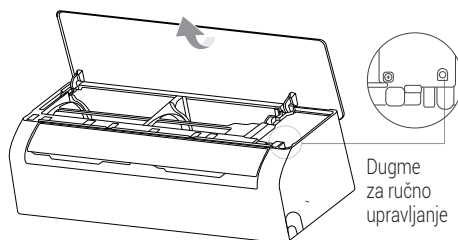
Upozorenje:

U vezi sa korišćenjem proizvoda

Ručno dugme je predviđeno samo za svrhe testiranja i hitne slučajeve.

Nemojte koristiti ovu funkciju osim ako se daljinski upravljač ne izgubi ili ako je to apsolutno neophodno. Kako biste se vratili na normalno rukovanje, aktivirajte jedinicu pomoću daljinskog upravljača.

Jedinica mora da bude isključena pre ručnog upravljanja.



Podešavanje ugla protoka vazduha

Napomena:

Podizanje i spuštanje vazdušne struje (daljinski upravljač)



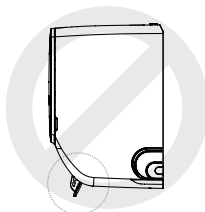
Dok je jedinica uključena, koristite dugme SWING (Oscilovanje) na daljinskom upravljaču da biste podesili smer (vertikalni) protoka vazduha. Detalje potražite u priručniku za daljinski upravljač.

Kako biste ručno upravljali jedinicom:

- Pritisnite dugmad sa obe strane table, pa podižite tablu dok ne škljocne.
- Pronađite **taster MANUAL CONTROL (RUČNO UPRAVLJANJE)** na desnoj strani električne kontrolne kutije.
- Jednom pritisnite **taster MANUAL CONTROL (RUČNO UPRAVLJANJE)** da biste aktivirali režim FORCED AUTO (PRINUDNO AUTO).
- Ponovo pritisnite **taster MANUAL CONTROL (RUČNO UPRAVLJANJE)** da biste aktivirali režim FORCED COOLING (PRINUDNO HLADENJE).
- Pritisnite **taster MANUAL CONTROL (RUČNO UPRAVLJANJE)** treći put da biste isključili jedinicu.
- Zatvorite prednji panel.

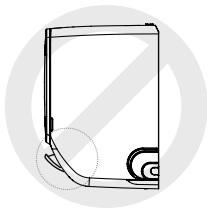
3.2 Napomena u vezi sa uglovima usmerivača vazduha

- Nemojte podešavati usmerivače vazduha pod previše vertikalnim uglom tokom dužeg vremenskog perioda kada koristite režim HLADENJA ili SUŠENJA. To bi moglo da izazove kondenzaciju vode na usmerivačima vazduha i njeno kapanje na pod ili nameštaj.

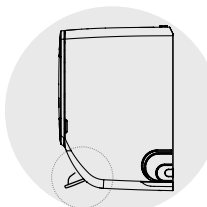


3 Upoznajte svoj klima-uređaj

- Podešavanje usmerivača vazduha pod premalim uglom kada se koristi režim HLADENJA ili ZAGREVANJA može smanjiti performanse naizmenične struje zbog ograničenog protoka vazduha.



- Shodno uslovima u pogledu relativnih standarda, podesite usmerivač vazduha na maksimalni ugao po testu kapaciteta grejanja.



Napomena:

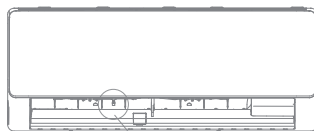
Ne pomerajte ručno usmerivač vazduha. Ako do toga dođe, isključite uređaj i izvucite kabl iz utičnice na nekoliko sekundi, pa ga ponovo uključite. Kada to pokušate, resetovaće se usmerivač vazduha.



3.3 Podešavanje protoka vazduha levo i desno (ručno upravljanje)

Protok vazduha levo i desno mora se podesiti ručno. Uхватite šipku deflektora (pogledajte sliku B) i ručno je podesite u željenom smeru.

Na nekim jedinicama, protok vazduha levo i desno može se podesiti daljinskim upravljačem. Za detalje pogledajte uputstvo za daljinski upravljač.



Štapić krilca
(sa jedne ili obe
strane, zavisno
od modela)



Slika B

Upozorenje:

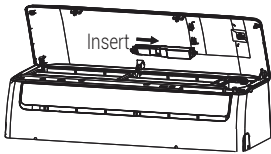
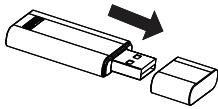


Ne gurajte prste u izduvnik ili usisnik ni blizu njih na jedinici. Brzi ventilator unutar jedinice može da vam nanese povrede.

3 Upoznajte svoj klima-uređaj

3.4 Instalirajte HomeDirect komplet (bežični modul)

1. Uklonite zaštitni poklopac sa HomeDirect kompleta (bežični modul)
2. Otvorite prednji panel i umetnite HomeDirect komplet (bežični modul) u predviđeni interfejs.



Upozorenje:



Ovaj interfejs je kompatibilan samo sa HomeDirect kompletom (bežični modul) koji je obezbedio proizvođač.

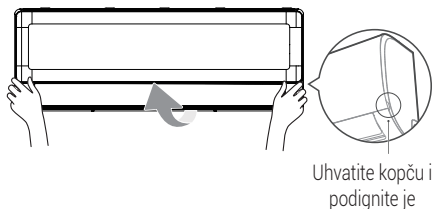
4 Nega i održavanje

Upozorenje:

- Efikasnost hlađenja vaše jedinice i vaše zdravlje mogu biti oštećeni zbog začepjenog klima-uređaja. Obavezno čistite filter jednom u dve nedelje.
- Obavezno **ISKLUJUČITE** klima-uređaj i izvucite kabl iz utičnice pre čišćenja i održavanja.
- **Ne** dodirujte filter za osvežavanje vazduha (plazma) bar 10 minuta nakon isključivanja jedinice.
- Koristite samo meku, suhu krpu za brisanje jedinice. Možete koristiti krpu natopljenu toplom vodom da obrišete ako je uređaj posebno prljav.
- Nemojte da koristite hemikalije ni hemijski tretirane krpe za čišćenje jedinice
- Nemojte da koristite benzen, razređivač, prah za poliranje ili druge rastvarače za čišćenje jedinice. Oni mogu da uzrokuju pucanje ili deformisanje plastične površine.
- Nemojte da koristite vodu topliju od 40 °C (104 °F) za čišćenje prednjeg panela. Ovo može da uzrokuje deformaciju panela ili promenu boje na njemu.



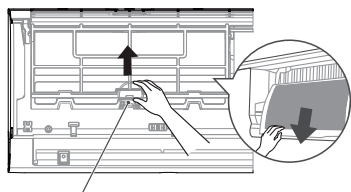
Očistite unutrašnju jedinicu i filter za vazduh



Uхватite kopču i podignite je

1. korak:

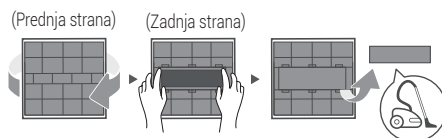
Podignite prednji panel unutrašnje jedinice.



Jezičci filtera

2. korak:

Prvo pritisnite jezičak na kraju filtera da biste olabavili kopču, podignite je, a zatim povucite prema sebi.

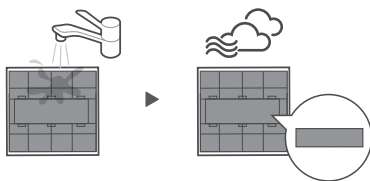


1. Okrenite na poledinu
2. Uklonite filter za osvežavanje vazduha (neke jedinice)
3. Očistite ga usisivačem

3. korak:

Ukoliko vaš filter ima na sebi mali filter za osvežavanje vazduha, otkočite ga sa većeg filtera. Očistite ovaj filter za osvežavanje vazduha pomoću ručnog usisivača.

4 Nega i održavanje

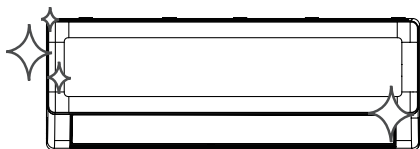


Ne zaboravite da me ponovo instalirate

4. korak:

Očistite veliki filter toplom, sapunastom vodom. Obavezno koristite blag deterđent.

Isperite filter svežom vodom, potom otriesite višak vode. Osušite ga na hladnom, suvom mestu i nemojte ga izlagati direktnom sunčevom svetlu.



5. korak:

Kad se filter za osvežavanje vazduha osuši, ponovo ga prikačite na veći filter, potom ih vratite u unutrašnju jedinicu. Zatvorite prednji panel unutrašnje jedinice.

Upozorenje:

- Pre čišćenja ili zamene filtera, isključite jedinicu i iskopčajte je iz struje.
- Prilikom uklanjanja filtera, nemojte da dodirujete metalne delove jedinice. Oštri metalni delovi bi mogli da vas poseku.
- Nemojte da koristite vodu za čišćenje unutrašnjosti unutrašnje jedinice. Ovo može da uništi izolaciju i uzrokuje strujni udar.
- Nemojte da izlažete filter direktnom sunčevom svetlu tokom sušenja. Ovo može da uzrokuje skupljanje filtera.
- Svako održavanje i čišćenje spoljne jedinice treba da vrši ovlašćeni distributer ili licencirani serviser.
- Sve popravke jedinice treba da vrši ovlašćeni distributer ili licencirani serviser.



4 Nega i održavanje

Održavajte klima-uređaj.

Održavanje – Duži periodi nekorišćenja

Ukoliko ne planirate da koristite klima uređaj duže vreme, uradite sledeće:



Očistite sve filtere



Uključite funkciju FAN (Ventilator) dok se jedinica potpuno ne isuši



Isključite jedinicu i iskopčajte je iz struje



Izvadite baterije iz daljinskog upravljača

Održavanje – Provera pre početka sezone

Nakon dugih perioda nekorišćenja, ili pre perioda česte upotrebe, uradite sledeće:



Proverite ima li oštećenih žica



Očistite sve filtere



Proverite ima li curenja



Uverite se da nema ničeg što blokira vazdušne dovode i odvode



Zamenite baterije

5 Rešavanje problema

Upozorenje:

Ukoliko se bilo šta od navedenog desi, isključite jedinicu odmah!

- Strujni vod je oštećen ili neobično topao
- Osećate miris paljevine
- Jedinica emituje glasne ili neuobičajene zvuke
- Osigurač pregoreva ili se prekidač često isključuje
- Voda ili druge stvari upadaju u jedinicu ili ispadaju iz nje

NEMOJTE POKUŠAVAJTE DA SAMI OVO POPRAVITE! ODMAH SE OBRATITE OVLAŠĆENOM SERVISU.



5.1 Najčešći problemi

Sledeći problemi nisu znak kvara i u većini slučajeva neće biti potrebe za popravkama.

Problem	Mogući uzroci
Jedinica se ne uključuje pritiskom na dugme ON/OFF (Uključivanje/ isključivanje)	Jedinica ima 3-minutnu funkciju zaštite koja sprečava njeno preopterećenje. Jedinica ne može da se restartuje u periodu od 3 minuta nakon isključivanja.
Jedinica iz režima COOL/HEAT (Hlađenje/Grejanje) prelazi u režim FAN (Ventilator)	Jedinica može da promeni svoja podešavanja kako bi sprečila formiranje inja na sebi. Čim se temperatura poveća, jedinica će ponovo početi da funkcioniše u prethodno odabranom režimu. Podešena temperatura je dostignuta, i u tom trenutku jedinica isključuje kompresor. Jedinica će nastaviti da funkcioniše kad temperatura opet počne da varira.
Unutrašnja jedinica emituje belu izmaglicu	U vlažnim regijama, velike temperaturne razlike između vazduha u prostoriji i vazduha iz klima uređaja mogu da uzrokuju belu izmaglicu.
I unutrašnja i spoljašnja jedinica emituju belu izmaglicu	Kad se jedinica restartuje u režimu HEAT (Grejanje) nakon odmrzavanja, može da dođe do emitovanja bele izmaglice usled vlage koja se stvorila u procesu odmrzavanja.

5 Rešavanje problema

Problem	Mogući uzroci
Unutrašnja jedinica proizvodi zvuke	<p>Zvuk nalik udaranju može da se začuje kad se usmerivač vazduha vraća na prvobitnu poziciju.</p> <p>Škripavi zvuk može da se začuje nakon rada jedinice u režimu HEAT (Grejanje), usled širenja i skupljanja plastičnih delova jedinice.</p>
I unutrašnja i spoljašnja jedinica proizvode zvuke	<p>Zvuk prigušenog šištanja tokom rada: Ovo je normalno i uzrokuje ga rashladni gas koji protiče i kroz unutrašnju i spoljašnju jedinicu.</p> <p>Zvuk prigušenog šištanja prilikom startovanja sistema, prestanka rada sistema ili odmrzavanja: Ovaj zvuk je normalan i uzrokuje ga rashladni gas koji je zastao ili promenio smer.</p> <p>Škripavi zvuk: Normalno širenje i skupljanje plastičnih i metalnih delova usled temperaturnih promena tokom rada može da uzrokuje škripave zvuke.</p>
Spoljašnja jedinica proizvodi zvuke	<p>Jedinica će da proizvodi različite zvuke u zavisnosti od trenutnog režima rada.</p>
Prašina se emituje bilo iz unutrašnje ili spoljašnje jedinice	<p>U jedinici može da se akumulira prašina tokom dugih perioda nekorišćenja, koja može da bude emitovana kad je jedinica uključena. Ovo može da se ublaži prekrivanjem jedinice tokom dugih perioda neaktivnosti.</p>
Iz jedinice se oseća loš miris	<p>Jedinica može da apsorbira mirise iz okoline (poput mirisa nameštaja, kuvanja, cigareta itd.) koji potom biva emitovan tokom rada.</p> <p>Filteri jedinice su postali plesnjivi i trebalo bi da se očiste.</p>

5 Rešavanje problema

Problem	Mogući uzroci
Ventilator na spoljašnjoj jedinici ne radi	Za vreme rada, brzina ventilatora se kontroliše kako bi se optimizovao rad proizvoda.
Funkcionisanje je nepravilno, nepredvidivo ili se jedinica ne odaziva	<p>Interferencije sa baznih stanica mobilne telefonije i udaljenih pojačivača signala mogu da uzrokuju kvar jedinice.</p> <p>U tom slučaju, pokušajte sledeće:</p> <ul style="list-style-type: none">• Isključite uređaj iz struje, potom ga ponovo uključite.• Pritisnite dugme ON/OFF (Uključivanje/isključivanje) na daljinskom upravljaču da biste restartovali uređaj.



Napomena:

Ukoliko se problem nastavi, kontaktirajte lokalnog dilera ili najbliži centar za korisničku podršku. Detaljno im opišite kvar jedinice i dajte im broj svog modela.



Upozorenje:

Kada dođe do problema, proverite sledeće tačke pre nego što kontaktirate sa kompanijom za popravku. U nekim situacijama popravke neće biti neophodne.

5 Rešavanje problema

Problem	Mogući uzroci	Rešenje
Hlađenje slabo radi	Podešena temperatura je možda viša nego ona u prostoriji	Smanjite podešenu temperaturu
	Razmenjivač toplote na unutrašnjoj ili spoljašnjoj jedinici je prljav	Kontaktirajte sa ovlašćenim servisnim centrom radi čišćenja oštećenog izmenjivača toplote
	Vazdušni filter je prljav	Uklonite filter i očistite ga u skladu sa uputstvima
	Vazdušni dovod ili odvod neke od jedinica je blokiran	Isključite jedinicu, uklonite prepreku i ponovo je uključite
	Vrata i prozori su otvoreni	Pobrinite se da su sva vrata i prozori zatvoreni dok rukujete jedinicom
	Sunčeva svetlost stvara previše toplote	Zatvorite prozore i namaknite zavese tokom velikih vrućina ili jakog sunca
	Previša izvora toplote u prostoriji (ljudi, računari, elektronika itd.)	Smanjite broj izvora toplote
	Niske količine rashladnog sredstva usled curenja ili dugog korišćenja	Obratite se ovlašćenom servisnom centru.
	Funkcija SILENCE (Tišina) je aktivirana (neobavezna funkcija)	Funkcija SILENCE (Bešumno) može da smanji performanse proizvoda snižavanjem radne frekvencije. Isključite funkciju SILENCE (Bešumno).

5 Rešavanje problema

Problem	Mogući uzroci	Rešenje
Jedinica ne radi	Nestanak struje	Sačekajte da dođe struja
	Struja je isključena	Uključite struju
	Osigurač je pregoreo	Kontaktirajte sa ovlašćenim servisnim centarom da biste zamenili osigurač
	Baterije daljinskog upravljača su istrošene	Zamenite baterije
	3-minutna zaštita jedinice je aktivirana	Sačekajte tri minuta nakon restartovanja jedinice
	Tajmer je aktiviran	Isključite tajmer
Jedinica često počne pa prestane sa radom	Ima previše ili premalo rashladnog sredstva u sistemu	Obratite se ovlašćenom servisnom centru
	Nestišljivi gas ili vlaga su ušli u sistem.	Obratite se ovlašćenom servisnom centru
	Kompresor je pokvaren	Obratite se ovlašćenom servisnom centru
	Napon je previsok ili prenizak	Kontaktirajte sa ovlašćenim servisnim centrom i ugradite manostat za regulisanje napona
Grejanje slabo radi	Spoljašnja temperatura je ekstremno niska	Upotrebite pomoćni grejni uređaj
	Hladan vazduh ulazi kroz vrata i prozore	Pobrinite se da su sva vrata i prozori zatvoreni tokom upotrebe
	Niske količine rashladnog sredstva usled curenja ili dugog korišćenja	Proverite ima li curenja, kontaktirajte sa ovlašćenim servisnim centrom

5 Rešavanje problema

Problem	Mogući uzroci	Rešenje
Indikatorske lampice neprestano trepere		
Šifra greške se pojavljuje na ekranu unutrašnje jedinice i počinje slovima kao što su sledeća:		
<ul style="list-style-type: none">• E(x), P(x), F(x)• EH(xx), EL(xx), EC(xx)• PH(xx), PL(xx), PC(xx)	<p>Jedinica može da prestane ili nastavi bezbedno sa radom. Ukoliko indikatorske lampice nastavljaju da trepere ili se pojavljuju poruke o grešci, sačekajte oko 10 minuta. Problem se možda reši sam od sebe.</p> <p>Ukoliko se ne reši, isključite struju pa je ponovo uključite. Uključite jedinicu.</p> <p>Ukoliko se problem nastavi, isključite struju i kontaktirajte najbliži centar za korisničku podršku.</p>	






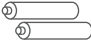








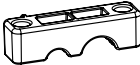
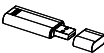
Napomena:

Ako problem ne nestane ni nakon provera i dijagnostike navedenih iznad, odmah isključite jedinicu i obratite se ovlašćenom servisu.

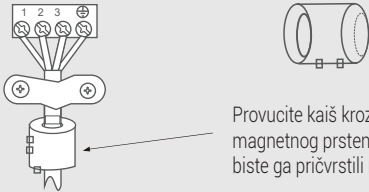
6 Započnimo sa montažom klima-uređaja

Proverite dodatni pribor

Uz ovaj klima-uređaj se dostavlja sledeći dodatni pribor. Pri ugradnji klima-uređaja upotrebite sve delove i dodatni pribor namenjene ugradnji. Nepravilna ugradnja može da dovede do curenja vode, strujnog udara i požara ili do kvara uređaja. Predmeti koji nisu isporučeni sa klima uređajem moraju se kupiti zasebno.

Naziv dodatne opreme	Količina (kom)	Oblik	Naziv dodatne opreme	Količina (kom)	Oblik
Uputstvo	1-3		Daljinski upravljač	1	
Zglob sistema za odvod kondenzata (kod modela sa hlađenjem i grejanjem)	1		Baterija	2	
Zaptivka (za modele koji greju i hlade)	1		Držać daljinskog upravljača (kupuje se posebno)	1	
Noseća pločica	1		Zavrtnanj za fiksiranje za držać daljinskog upravljača (kupuje se posebno)	2	
Pričvršćivanje	5~8 (u zavisnosti od modela)		Mali filter (Ovlašćeni tehničar treba da ga instalira na poledini glavnog vazdušnog filtera tokom montaže mašine)	1~2 (u zavisnosti od modela)	
Vijak za pričvršćivanje noseće pločice	5~8 (u zavisnosti od modela)				
Bakarna navrtka (za neke jedinice) (Koristi se za povezivanje spojnih cevi između unutrašnjih i spoljašnjih jedinica.)	2		Stezaljka kabla (Samo za neke jedinice) Tokom povezivanja vodova na lokaciji, ako izaberete spoljno napajanje i prečnik žice se smanji, trebaće vam stezaljka kabla za zamenu stezaljke koja je već postavljena u kutiji sa kablovima da biste čvrsto stegli vodove.	1	
Bežični USB komplet	1 (Samo za Wifi modele)				

6 Započnimo sa montažom klima-uređaja

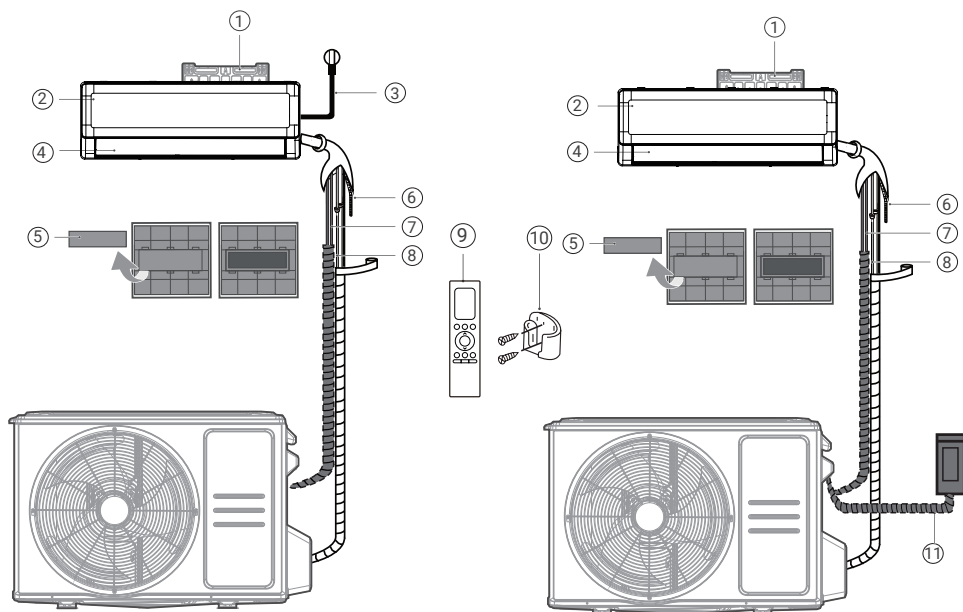
Naziv	Oblik		Količina (kom.)
Sklop priključne cevi	Strana za tečnost	Ø6,35 (1/4")	Delove koje morate kupiti zasebno. Posavetujte se sa prodavcem o odgovarajućoj veličini cevi za jedinicu koju ste kupili.
		Ø9,52 (3/8")	
	Strana za gas	Ø9,52 (3/8")	
		Ø12,7 (1/2")	
		Ø16 (5/8")	
		Ø19 (3/4")	
<p>Magnetni prsten i pojas</p> <p>(ako je isporučen, pogledajte dijagram ožičenja da biste ga instalirali na spojni kabl.)</p>	 <p>Provucite kaiš kroz otvor magnetnog prstena da biste ga pričvrstili na kabl</p>		Zavisí od modela

7 Pregled montaže

NAPOMENA O ILUSTRACIJAMA:



Ilustracije u ovom priručniku su date u svrhu objašnjenja. Stvarni oblik vaše unutrašnje jedinice može da bude nešto drukčiji. Stvarni oblik će da prevladava.



Modeli sa unutrašnjim napajanjem

Modeli sa spoljašnjim napajanjem

- | | | |
|---|---|---|
| 1. Zidna noseća pločica | 5. Funkcionalni filter
(na poledini glavnog filtera – neke jedinice) | 9. Daljinski upravljač |
| 2. Prednji panel | 6. Crevo za odvod kondenzata | 10. Držač daljinskog upravljača
(na nekim jedinicama) |
| 3. Kabl za napajanje
(na nekim jedinicama) | 7. Kabl za signal | 11. Kabl za napajanje spoljne jedinice
(na nekim jedinicama) |
| 4. Usmerivač vazduha | 8. Cevi za rashladno sredstvo | |

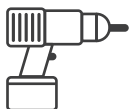
Bilo bi savršeno da imate ove alate



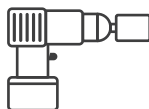
Rukavice



Šrafciger i ključ



Perkusiona bušilica



Krunasta burgija

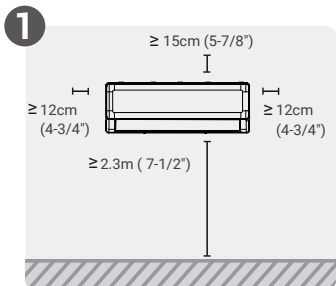


Naočare i maske

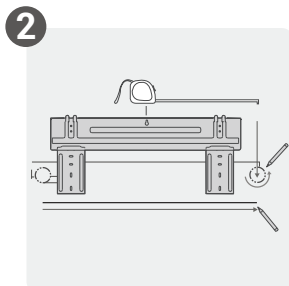


Vinilna traka

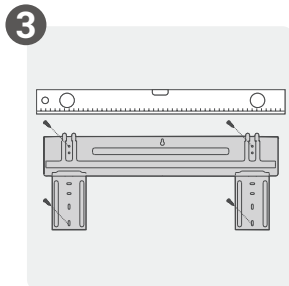
8 Rezime montaže – unutrašnja jedinica



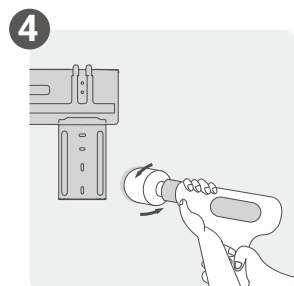
Odredite mesto ugradnje



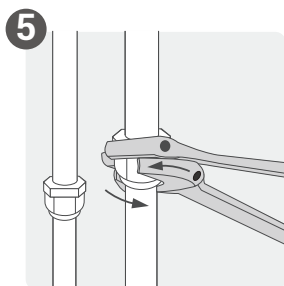
Postavite noseću pločicu



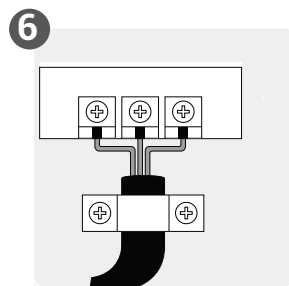
Odredite položaj rupe u zidu



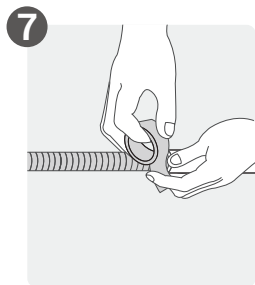
Probušite rupu u zidu



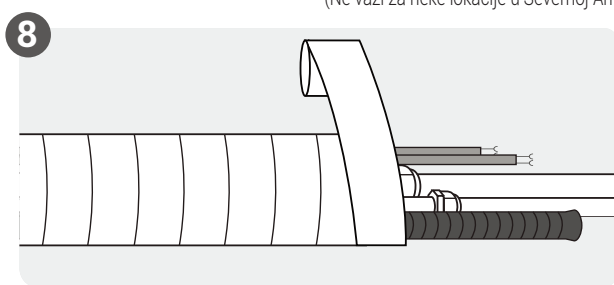
Povežite cevi



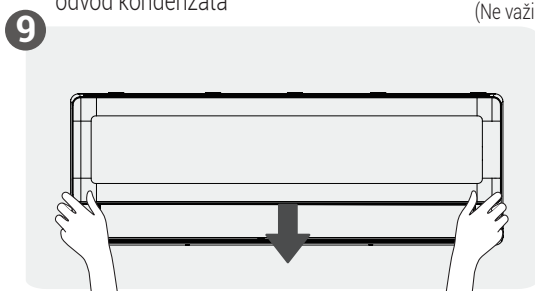
Povežite strujne instalacije
(Ne važi za neke lokacije u Severnoj Americi)



Pripremite crevo za odvod kondenzata



Obmotajte cevi i kabl
(Ne važi za neke lokacije u Severnoj Americi)



Postavite unutrašnju jedinicu

9 Montaža unutrašnje jedinice

9.1 Odredite mesto ugradnje



Napomena: PRE MONTAŽE

Pre ugradnje unutrašnje jedinice pogledajte oznaku na ambalaži uređaja da biste bili sigurni da broj modela na unutrašnjoj jedinici odgovara broju modela na spoljnoj jedinici.

U nastavku su navedeni standardi koji će vam pomoći da odredite odgovarajuće mesto za jedinicu.

Odgovarajuće mesto ugradnje treba da ispunjava sledeće uslove:



Dobra cirkulacija vazduha



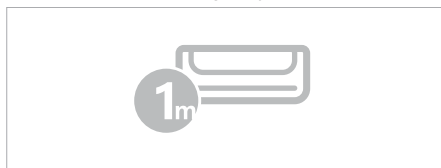
Pravilan odvod



Buka iz jedinice ne smeta drugim ljudima.



Čvrsto i jako – lokacija ne vibrira
 Dovoljno čvrsto da izdrži težinu jedinice



Lokacija je bar jedan metar udaljena od svih drugih električnih uređaja (npr. TV, radio, računar)

NEMOJTE ugrađivati jedinicu na sledeća mesta:

- Blizu bilo kog izvora toplote, pare ili zapaljivog gasa
- Blizu zapaljivih predmeta, poput zavesa ili odeće
- Blizu prepreka koje mogu blokirati kruženje vazduha
- Blizu vrata
- Na mestu izloženom direktnoj sunčevoj svetlosti



Napomena: U VEZI SA MONTAŽOM PROIZVODA

Ako nema fiksne cevi za rashladno sredstvo:

Prilikom odabira mesta vodite računa da ostavite dovoljno prostora za rupu u zidu (pogledajte korak „Probušite rupu u zidu za spojnu cev“) kroz koju će proći kabl za signal i cev za rashladno sredstvo, koji spajaju unutrašnju i spoljnu jedinicu. Standardni položaj za sve cevi i creva je desna strana unutrašnje jedinice (gledano u uređaj). Međutim, ovaj uređaj podržava postavljanje instalacija i na levoj i na desnoj strani uređaja.

9.2 Probušite rupu u zidu za spojnu cev

9.2.1 Utvrdite položaj rupe u zidu

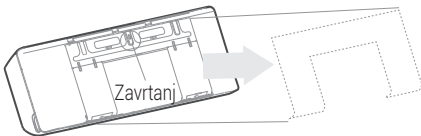


Napomena: ZA ZIDOVE OD BETONA ILI CIGLE

Ako je zid napravljen od cigli, betona ili sličnog materijala, izbušite rupe prečnika 5 mm u zidu i u njih ubacite tiplove koje ste dobili. Zatim pričvrstite noseću pločicu na zid tako što ćete zavrtne zavrtnje direktno u tiplove.

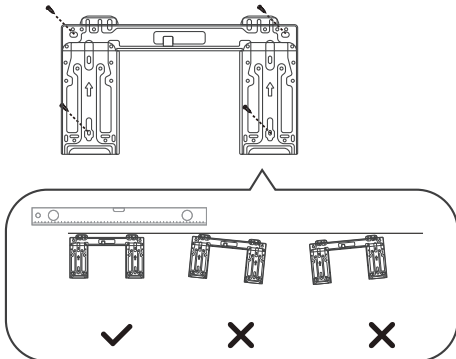
1. korak:

Uklonite zavrtanj koji spaja noseću pločicu sa zadnjom stranom unutrašnje jedinice.



2. korak:

Pričvrstite noseću pločicu za zid pomoću zavrtanja koje ste dobili. Vodite računa da noseća pločica celom površinom naleže na zid.



Pravilna orijentacija noseće pločice

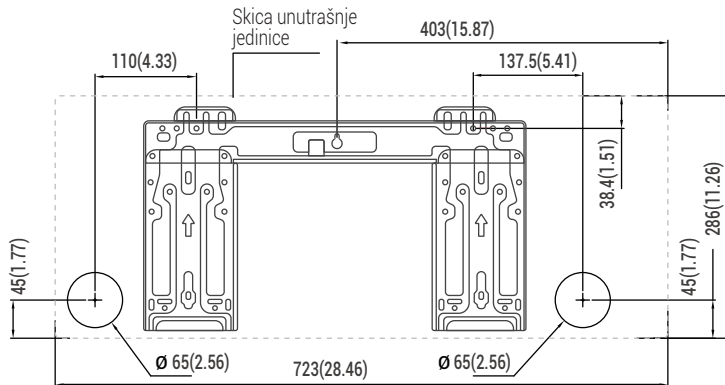
3. korak:

Potvrdite koju montažnu ploču posedujete.

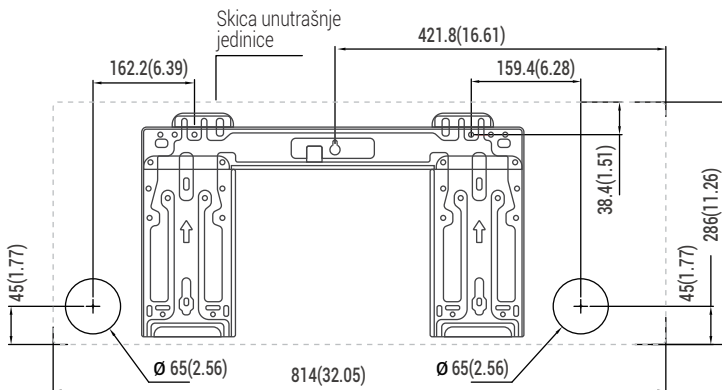
Različiti modeli imaju različite noseće pločice. Za određivanje optimalnog položaja pogledajte sledeće dimenzije noseće ploče. Oblik noseća ploče može da bude drugačiji, ali dimenzije za montažu su iste.

9 Montaža unutrašnje jedinice

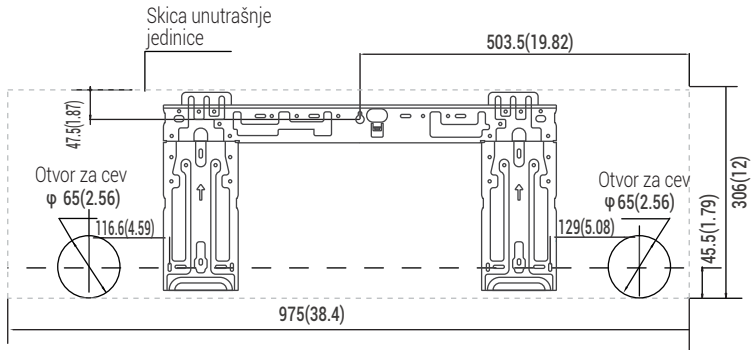
Jedinica: mm (in)



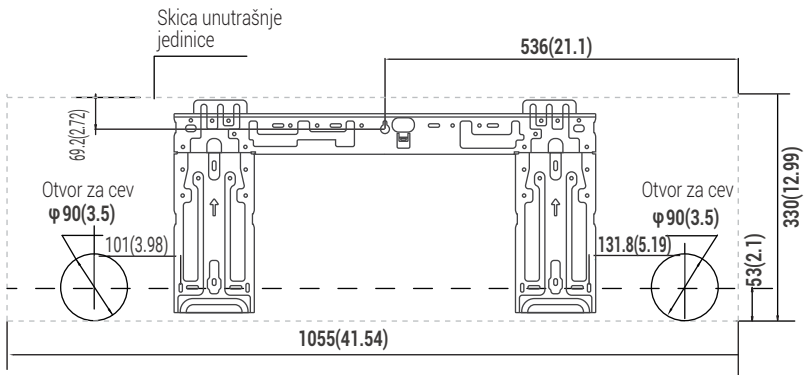
Model A



Model B



Model C



Model D

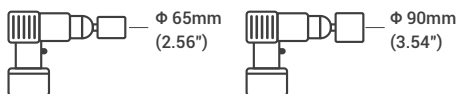
9.2.2 Probušite rupu u zidu



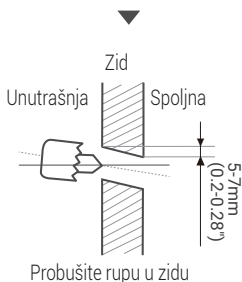
Upozorenje:

Prilikom bušenja rupe u zidu vodite računa da bušilicom ne pogodite strujne provodnike, vodovodne cevi i druge osetljive komponente.

9 Montaža unutrašnje jedinice



Pomoću krunaste burgije od 65 mm (2.56") ili 90 mm (3.54") (u zavisnosti od modela)



Stavite manžetnu za zid u rupu.

1. korak:

Pomoću krunaste burgije od 65 mm (2.56") ili 90 mm (3.54") (u zavisnosti od modela) probušite rupu u zidu. Rupu obavezno probušite sa malim padom, tako da spoljni otvor rupe bude niži od unutrašnjeg otvora rupe za oko 5 – 7 mm (0.2 – 0.28"). To će obezbediti pravilnu drenažu vode.

2. korak:

Stavite manžetnu za zid u rupu. Ona štiti ivice zida i olakšava zaptivanje rupe na kraju ugradnje.

Napomena: VELIČINA OTVORA NA ZIDU



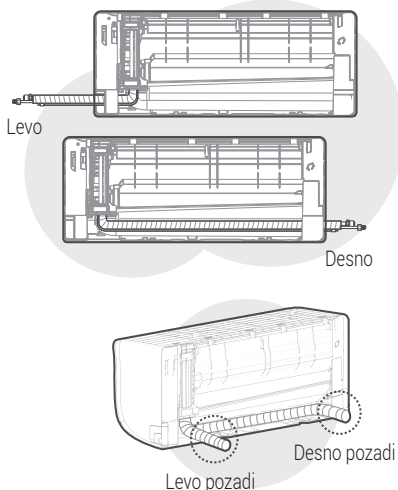
Veličina otvora zida određena je spojnim cevima. Kada je veličina cevi na strani za gas \varnothing 16 mm (5/8") ili više, rupa u zidu treba da bude 90 mm (3,54 in). Kada je veličina cevi na strani za gas manja od \varnothing 16 mm (5/8"), rupa u zidu treba da bude 65 mm (2,56 in).

9 Montaža unutrašnje jedinice

9.3 Instalirajte cev za rashladno sredstvo i odvodno crevo

Napomena:

Cev za rashladno sredstvo se nalazi u izolatorskom rukavcu spojenom za zadnji deo jedinice. Potrebno je da pripremite cev pre provlačenja kroz rupu u zidu. Detaljna uputstva o pertlovanju cevi rashladnog sredstva, propisanoj sili pertlovanja, tehnici i drugim stavkama potražite u odeljku „Spajanje cevi za rashladno sredstvo“ u ovom priručniku.



9.3.1 Pertlovanje cevi za rashladno sredstvo

Četiri strane za izlaz cevi

Na osnovu položaja rupe u zidu u odnosu na noseću pločicu odredite sa koje strane jedinice će izlaziti cev. Imate četiri opcije za izlazni pravac cevovoda.

NAPOMENA O PERTLOVANJU CEVI

Na nekim lokacijama u SAD je obavezno koristiti izolacionu cev za povezivanje kabla. Da bi se obezbedilo dovoljno prostora za sprovođenje cevi i da mašina bude uza zid posle montaže, preporučujemo da crevo za odvod kondenzata povežete sa desne strane (gledano sa zadnje strane jedinice).

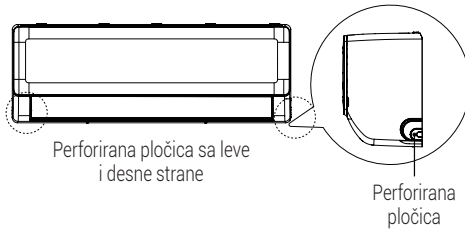
Kad birate da li će cevi biti sa leve ili desne strane, uverite se da cevi izlaze horizontalno, da ne bi uticale na montažu donjeg okvira.

Upozorenje:

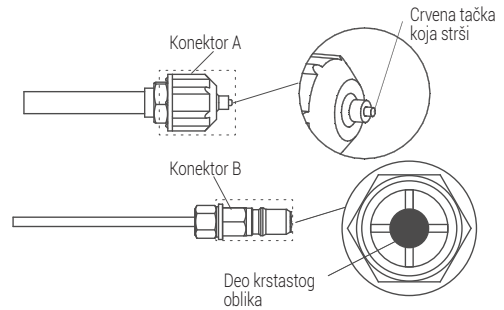


Dobro pazite da ne ulubite ili oštetite cev tokom savijanja od jedinice. Ulubljenje cevi će negativno uticati na radne karakteristike uređaja.

Pertlovanje cevi za rashladno sredstvo



1. Ako je rupa u zidu iza jedinice, ne dirajte perforiranu pločicu koja se izbija. Ako se rupa u zidu nalazi pored unutrašnje jedinice, izvadite perforiranu pločicu sa odgovarajuće strane jedinice. Upotrebite makaze ili klešta ako se plastični panel ne može ukloniti rukom.
2. Na perforiranoj pločici napravljen je žleb kako bi se lako oblikovala. Veličina proreza je određena prečnikom cevi.
3. Ako je u zid već ugrađena spojna cev, pređite direktno na korak „Priključite crevo za odvod kondenzata“. Ako u zid nije ugrađena cev, povežite cev za rashladno sredstvo unutrašnje jedinice sa spojnom cevi koja će spajati unutrašnju sa spoljnom jedinicom. Detaljna uputstva potražite u odeljku „Spajanje cevi za rashladno sredstvo“ u ovom priručniku.



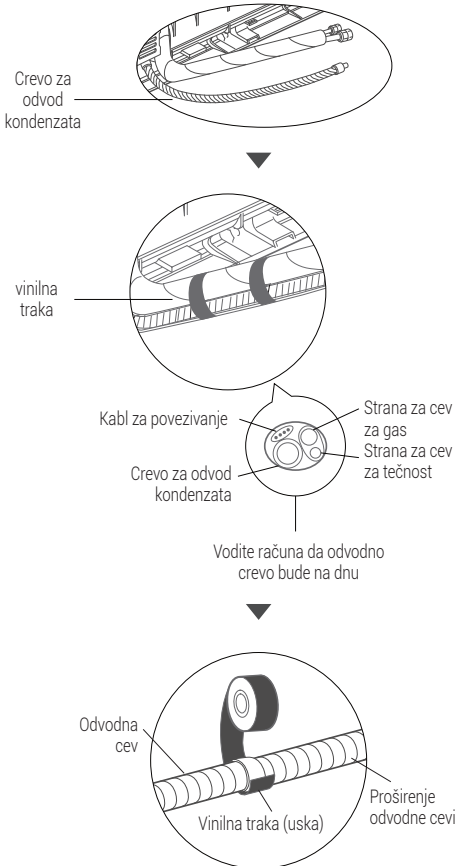
- Pre nego što priključite cev na rashladno sredstvo, uvek nosite radne rukavice i zaštitne naočare i zapamtite da nije dozvoljeno da konektori A i B budu usmereni direktno u ljude.
- Nastavite da pritiskate krstasti deo konektora B alatom 5~10 sekundi dok se crvena izbočena tačka konektora A potpuno ne uvuče.
- Uklonite konektore A i B, a zatim spojite cevi za rashladno sredstvo između unutrašnje i spoljašnje jedinice.

Upozorenje:

Za jedinice koristite sledeće cevne konektore i strogo vršite radove na cevovodima u skladu sa sledećim uputstvima.



9.3.2 Priključite crevo za odvod kondenzata



1. korak:

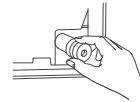
Odvodno crevo se može pričvrstiti sa leve ili desne strane. Da bi postojao odgovarajući odvod kondenzata, priključite crevo za odvod kondenzata za onu stranu na kojoj cev za rashladno sredstvo izlazi iz jedinice. Postavite nastavak za crevo za odvod kondenzata (kupuje se zasebno) na kraj creva.

- Dobro obmotajte spoj teflonskom trakom tako da postignete zaptivanje, da ne bi dolazilo do curenja.

- Onaj ceo creva za odvod kondenzata koji ostane u prostoriji obmotajte penastom izolacijom za cevi da ne bi dolazilo do kondenzacije.
- Skinite filter za vazduh i sipajte malu količinu vode u drenažnu tacnu da biste proverili da li voda pravilno ističe iz jedinice.

Upozorenje:

ZAČEPITE NEISKORIŠĆENU RUPU ZA ODVOD

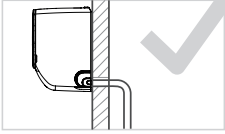


Da ne bi dolazilo do neželjenog curenja, dobijenim gumenim čepom morate da zapečite rupu za odvod kondenzata koja se ne koristi.

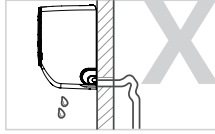
NAPOMENA O POLOŽAJU ODVODNOG CREVA



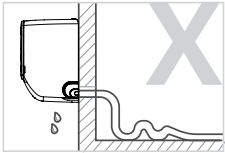
Obavezno rasporedite odvodno crevo u skladu sa sledećim slikama.

**PRAVILNO**

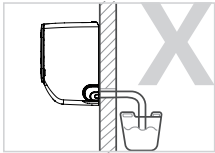
Uverite se da nema krivine ni ulubljenja na crevu za odvod kondenzata, jer je to preduslov za pravilnu drenažu.

**NEPRAVILNO**

Krivine na crevu za odvod kondenzata dovode do nastanka vodenog čepa.

**NEPRAVILNO**

Krivine na crevu za odvod kondenzata dovode do nastanka vodenog čepa.

**NEPRAVILNO**

Ne stavljajte kraj creva za odvod kondenzata u vodu niti u neki sud koji će skupljati vodu. U suprotnom, neće biti adekvatne drenaže.

9.4 Priprema elektro radova

Upozorenje:

- **PRE SVIH ELEKTRIČNIH RADOVA PROČITAJTE OVE PROPISE**
- **PRE IZVOĐENJA BILO KAKVIH ELEKTRIČNIH RADOVA ILI RADOVA NA ELEKTROINSTALACIJAMA, ISKLJUČITE NAPAJANJE SISTEMA.**



1. Sva ožičenja moraju biti u skladu sa lokalnim i nacionalnim električnim zakonima i propisima i moraju ih instalirati licencirani električari.
2. Sve električne veze moraju da se realizuju u skladu sa šemom električnih spojeva koja se nalazi na panelima unutrašnje i spoljne jedinice.

3. Ako nastane ozbiljan bezbednosni problem u vezi sa napajanjem, momentalno prestanite sa radom. Objasnite uzrok klijentu i odbijte ugradnju uređaja dok se dati bezbednosni problem ne otkloni na pravilan način.
4. Ako će se uređaj vezati direktno za električne instalacije (bez utičnice), te električne instalacije moraju da imaju prekidač ili sklopku koja isključuje sve polove i ima razmak kontakata od bar 3 mm. Kvalifikovani tehničar mora da upotrebi odobreni prekidač ili sklopku.
5. Uređaj priključujte isključivo u utičnicu koja se napaja zasebnom granom kola. Ne priključujte druge uređaje u istu utičnicu.
6. Obavezno pravilno uzemljite klima-uređaj.
7. Svaki provodnik mora dobro da bude pričvršćen. Labavi provodnici mogu da dovedu do pregrevanja kleme i posledičnog kvara uređaja i eventualno požara.
8. Ne dozvolite da provodnici dodiruju cevi za rashladno sredstvo, kompresor ili neki pokretni deo unutar uređaja.
9. Da biste izbegli strujni udar, nikada ne dodirujte električne komponente ubrzo nakon što se napajanje isključi. Nakon isključenja napajanja, uvek sačekajte 10 minuta ili više pre nego što dodirnete električne komponente.
10. Napon struje treba da bude 90–110% od nominalnog napona. Nedovoljno jak izvor električne energije može da dovede do kvara, strujnog udara ili požara.



Upozorenje:

Sve elektroinstalacije se moraju izvesti strogo u skladu sa šemom elektroinstalacija navedenog na poleđini prednjeg panela unutrašnje jedinice.

9.4.1 Povežite strujni kabl i kabl za signal

Kabl za signal služi za komunikaciju između unutrašnje i spoljne jedinice. Pre pripreme kabla za povezivanje potrebno je da izaberete kabl odgovarajućeg preseka i dužine.

Vrste kablova

- Strujni kabl za unutrašnju jedinicu (ako je primenjivo): H05VV-F ili H05V2V2-F
- Strujni kabl za spoljnu jedinicu: H07RN-F ili H05RN-F
- Kabl za signal: H07RN-F

Minimalna površina poprečnog preseka kablova za napajanje i signalnih kablova (za referencu)

Nominalna jačina struje uređaja (A)	Nazivna površina poprečnog preseka (mm ²)
> 3 i ≤ 6	0,75
> 6 i ≤ 10	1
> 10 i ≤ 16	1,5
> 16 i ≤ 25	2,5
> 25 i ≤ 32	4
> 32 i ≤ 40	6

BIRANJE ODGOVARAJUĆIH DIMENZIJA KABLA

Dimenzije strujnog kabla, kabla za signal, potrebni osigurač i prekidač određuju se na osnovu maksimalne jačine struje koju uređaj koristi. Maksimalna jačina struje je navedena na nazivnoj pločici, koja se nalazi na bočnom panelu uređaja. Pogledajte tu nazivnu pločicu da biste izabrali odgovarajući kabl, osigurač ili prekidač.

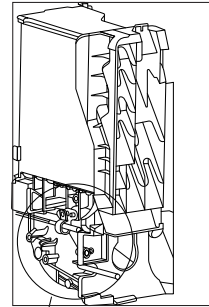
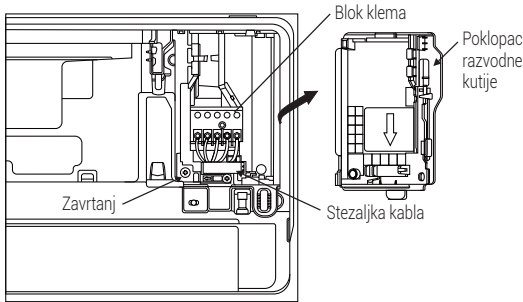
1. Otvorite prednji panel unutrašnje jedinice.
2. Odvijačem otvorite poklopac razvodne kutije na desnoj strani jedinice. Ispod ćete videti blok klema.
3. Odvijte stezaljku kabla ispod bloka klema i stavite je sa strane.
4. Gledano u zadnju stranu jedinice, skinite plastični panel na donjoj levoj strani.
5. Provucite provodnik za signal kroz taj otvor, od zadnje ka prednjoj strani jedinice.
6. Gledano ka prednjoj strani jedinice, povežite žicu prema dijagramu ožičenja unutrašnje jedinice, povežite „u“ stopice i čvrsto pritegnite svaku žicu na odgovarajuću klemu.
7. Nakon provere da li su svi provodnici dobro pričvršćeni, stezaljkom kabla pričvrstite kabl za signal za uređaj. Dobro zavijte stezaljku kabla zavrtnjem.
8. Vratite poklopac razvodne kutije na prednjoj strani uređaja, kao i plastični panel na zadnjoj strani.



Upozorenje:

NE MEŠAJTE FAZE I NULU

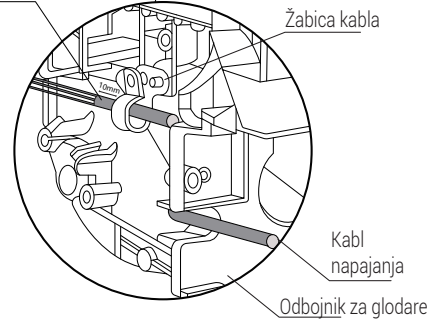
To je opasno i može da dovede do kvara klima-uređaja.

**Napomena:**

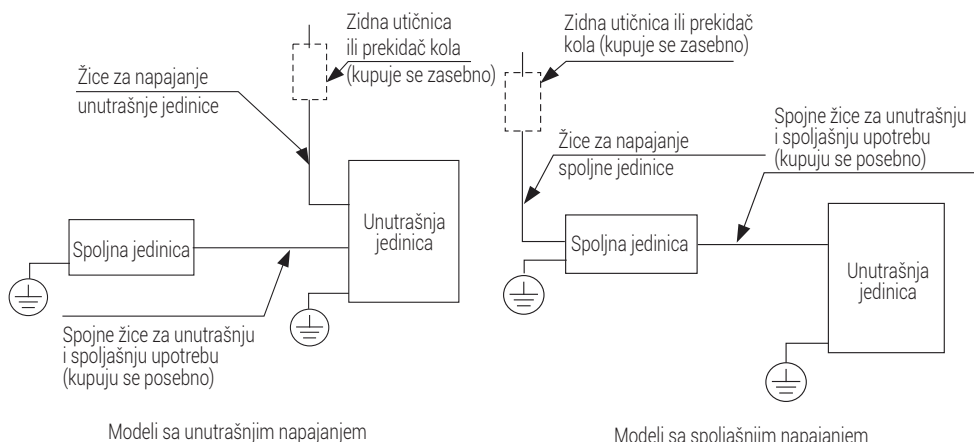
Za neke jedinice za koje je neophodno povezivanje kablova napajanja na mestu ugradnje, prvo treba ukloniti prednji ram, provući kabl napajanja kroz otvor za kablove u odbojniku za glodare sa zadnje strane unutrašnje jedinice i zatim ga izvući kroz prednju stranu i pričvrstiti ga stezaljkom kako je prikazano na sledećem dijagramu.

Kad sprovedete kabl za napajanje kroz stezaljku kabla, ogolite žicu 10 mm od kraja i povežite je na terminal.

Ogolite žicu 10 mm od kraja



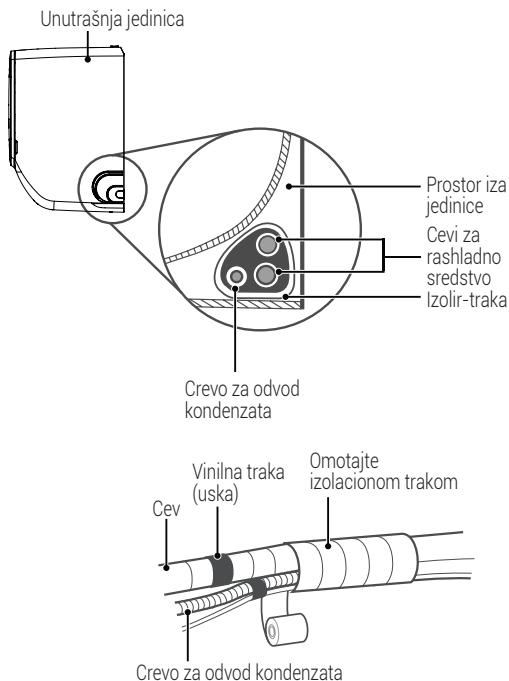
9 Montaža unutrašnje jedinice



9.5 Obmotajte cevi i kabl

**Napomena:**

Pre provlačenja cevi i odvodnog creva kroz rupu u zidu, morate ih objediniti u jedan snop radi uštede prostora i njihove zaštite i izolacije.

**1. korak:**

Objedinite odvodno crevo i cevi za rashladno sredstvo kako je prikazano iznad.

2. korak:

Plastičnom samolepljivom trakom pričvrstite crevo za odvod kondenzata za donju stranu cevi za rashladno sredstvo.

3. korak:

Izolir-trakom obmotajte cevi za rashladno sredstvo i odvodno crevo u čvrst snop. Još jednom proverite da li su sve stavke spojene.

4. korak:

Kad završite povezivanje vodova i cevi, vratite donji okvir na mesto.

9.5.1 ODVODNO CREVO MORA DA BUDE NA DNU

Vodite računa da crevo za odvod kondenzata bude na dnu snopa. Ako stavite crevo za odvod kondenzata na vrh snopa, drenažna tacna može da se prepuni i prouzrokuje požar ili oštećenje dejstvom vode.

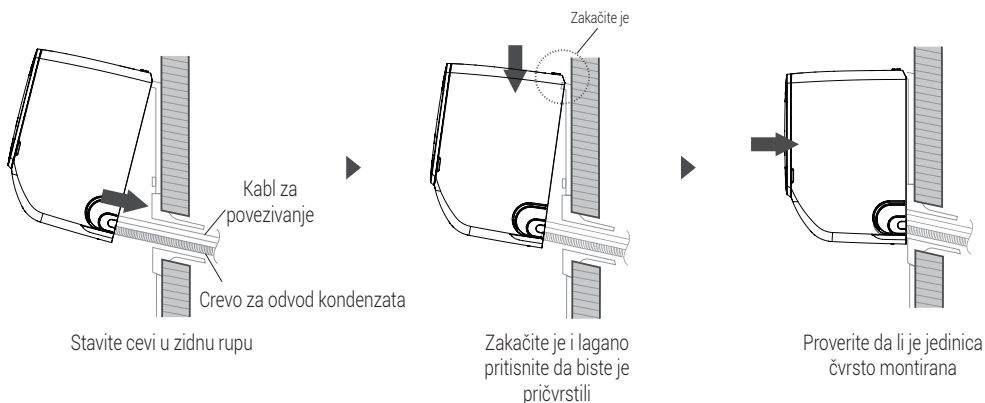
9.5.2 NE OBMOTAVAJTE KRAJEVE CEVI

Prilikom obmotavanja snopa ostavite krajeve cevi neobmotanim. Treba da budete u mogućnosti da im pristupite radi ispitivanja da li ima curenja na kraju ugradnje (pogledajte odeljak „Provere elektrike i curenja“ u ovom priručniku).

9 Montaža unutrašnje jedinice

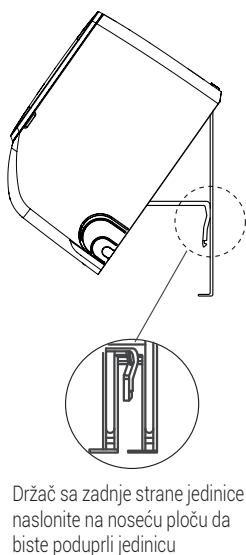
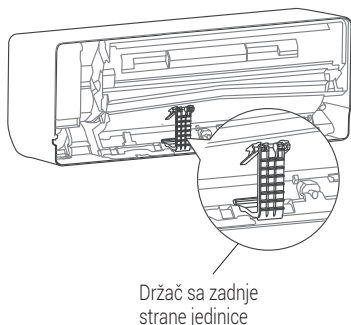
9.6 Postavite unutrašnju jedinicu

Ako ste ugradili nove spojne cevi koje vode do spoljne jedinice, uradite sledeće:



- Ako ste već provukli cevi za rashladno sredstvo kroz rupu u zidu, pređite na 4. korak.
- U suprotnom, dobro proverite da li su krajevi cevi za rashladno sredstvo dobro zaptiveni da u njih ne bi ulazila prljavština ili strane materije.
- Polako kroz rupu u zidu provucite obmotani snop cevi za rashladno sredstvo, creva za odvod kondenzata i kabl za signal.
- Okačite gornji deo unutrašnje jedinice o gornju kuku noseće pločice.
- Proverite da li je jedinica dobro zakačena na pločicu tako što ćete malo pritisnuti levu i desnu stranu jedinice. Jedinica ne sme da se klata ili pomera.
- Uz ravnomerni pritisak gurnite donju polovinu jedinice. Nastavite da je gurate dok se ne zakači za kuke na donjem delu noseće pločice.
- Opet proverite da li je jedinica dobro pričvršćena tako što ćete malo pritisnuti levu i desnu stranu jedinice.

9 Montaža unutrašnje jedinice



Ako su u zid već ugrađene cevi za rashladno sredstvo, uradite sledeće:

- Okačite gornji deo unutrašnje jedinice o gornju kuku noseće pločice.
- Nosačem sa zadnje strane jedinice, poduprite jedinicu da biste imali dovoljno prostora da povežete cevi za rashladno sredstvo, kabl za signal i crevo za odvod kondenzata.

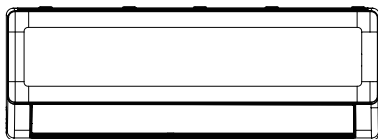
- Povežite odvodno crevo i cevi za rashladno sredstvo (za uputstva pogledajte odeljak **Priključak cevi za rashladno sredstvo** u ovom priručniku).
- Ostavite mesto spoja cevi izloženo kako biste obavili test curenja (pogledajte odeljak **Provere struje i curenja gasa** u ovom priručniku).
- Posle ispitivanja da li ima curenja izolir-trakom obmotajte mesto spajanja.
- Oslobodite držač kojim ste poduprli jedinicu.
- Uz ravnomerni pritisak gurnite donju polovinu jedinice. Nastavite da je gurate dok se ne zakači za kuke na donjem delu noseće pločice.

Napomena: JEDINICA JE PODESIVA



Imajte u vidu da su kuke na nosećoj pločici manje od rupa na zadnjoj strani jedinice. Ako utvrdite da nemate dovoljno prostora za povezivanje ugrađenih cevi sa unutrašnjom jedinicom, možete da pomerite jedinicu ulevo ili udesno za oko 50 mm (1,96"), u zavisnosti od modela.

50 mm (1.96 in)



Pomeranje ulevo ili udesno

10 Montaža spoljne jedinice

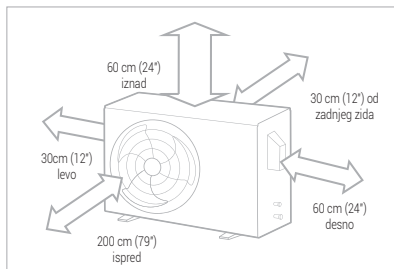
10.1 Odredite mesto ugradnje



Napomena: PRE MONTAŽE

Pre ugradnje spoljne jedinice treba da izaberete odgovarajuće mesto za nju. U nastavku su navedeni standardi koji će vam pomoći da odredite odgovarajuće mesto za jedinicu.

Odgovarajuće mesto ugradnje treba da ispunjava sledeće uslove:



Ispunjava sve uslove u pogledu prostora prikazane iznad u uslovima za prostor za montažu.



Dobra cirkulacija vazduha i ventilacija.



Čvrsto i jako – lokacija može da podnese težinu jedinice i ne vibrira.



Buka iz jedinice ne smeta drugim ljudima.



Zaštićeno od dužih intervala direktne sunčeve svetlosti i od kiše.



Tamo gde se očekuju snežne padavine, preduzmite odgovarajuće mere da sprečite nakupljanje leda i oštećenje namotaja.



Napomena:

Montirajte jedinicu poštujući lokalne zakone i propise, pri čemu se oni mogu neznatno razlikovati u zavisnosti od regiona.

Upozorenje:

POSEBNE NAPOMENE ZA EKSTREMNE VREMENSKE USLOVE

Ako će jedinica biti izložena jakom vetru:

Ugradite jedinicu tako da ventilator izduva za vazduh stoji pod uglom od 90° u odnosu na pravac vetra. Ako je potrebno, postavite štitnik ispred jedinice koji će je štititi od izuzetno jakih vetrova. Pogledajte slike ispod.

Ako će jedinica redovno biti izložena jakoj kiši ili snegu:

Postavite zaklon iznad jedinice da biste je zaštitili od kiše ili snega. Pazite da ne blokirate protok vazduha oko jedinice.

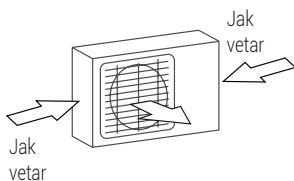
Ako će jedinica redovno biti izložena slanom vazduhu (u primorju):

Koristite spoljnu jedinicu koja je specijalno projektovana da bude otporna na koroziju.

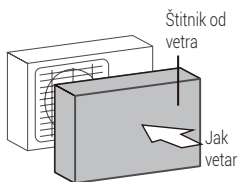


10 Montaža spoljne jedinice

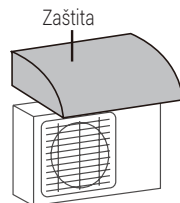
Upozorenje:



Ugao od 90° u odnosu na pravac vetra



Napravite pregradu za zaštitu od vetra da biste zaštitili jedinicu



Izgradite zaštitu kako biste zaštitili jedinicu

NEMOJTE ugrađivati jedinicu na sledeća mesta:

- ⊘ U blizini prepreke koja će blokirati ulaze i izlaze vazduha.
- ⊘ U blizini životinja ili biljaka koje će biti oštećene ispuštanjem toplog vazduha.
- ⊘ Na lokaciji koja je izložena velikim količinama prašine.
- ⊘ Blizu javne ulice, prostora sa masom ljudi ili na mestima gde bi buka od jedinice smetala drugim ljudima.
- ⊘ U blizini bilo kog izvora zapaljivog gasa.
- ⊘ Na mestu izloženom prekomernim količinama slanog vazduha.

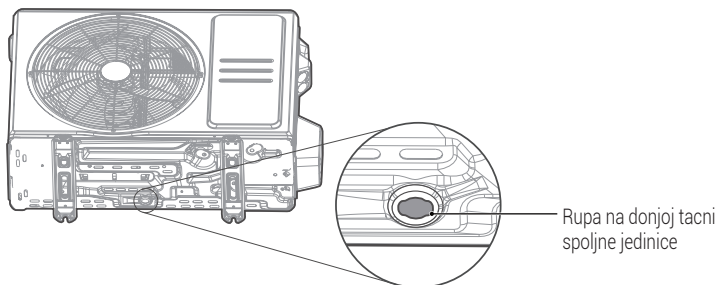
10 Montaža spoljne jedinice

10.2 Montaža zgloba sistema za odvod kondenzata (samo kod jedinica sa toplotnom pumpom)



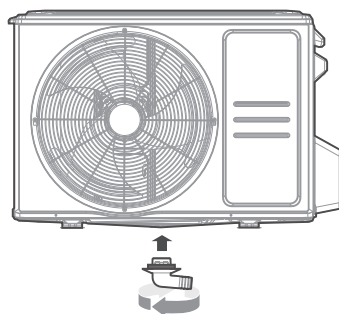
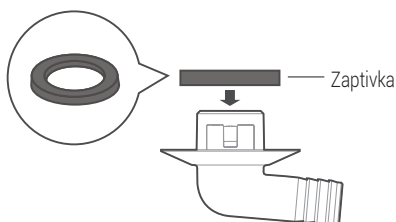
Napomena: PRE MONTAŽE

Pre ankerisanja spoljne jedinice na predviđeno mesto morate da ugradite zglob sistema za odvod kondenzata na dno jedinice. Za jedinice sa ugrađenom baznom posudom sa više otvora za pravilno odvodnjavanje tokom odmrzavanja, odvodni spoj nije potreban za ugradnju.



1. korak:

Pronađite otvor na osnovi spoljne jedinice.



2. korak:

- Postavite gumenu zaptivku na kraj zgloba sistema za odvod kondenzata koji će biti spojen sa spoljnom jedinicom.
- Ubacite zglob sistema za odvod kondenzata u otvor na donjoj tacni jedinice. Zglob sistema za odvod kondenzata će škljocnuti na predviđenom mestu.
- Postavite nastavak creva za odvod kondenzata (kupuje se zasebno) na zglob sistema za odvod kondenzata da biste preusmerili vodu iz uređaja u režimu grejanja.

Napomena: U HLADNIJOJ KLIMI



U hladnijim klimatskim zonama nastojte da crevo za odvod kondenzata bude što vertikalnije da bi voda brzo oticala. Ako voda presporo otiče, može da se zaledi u crevu i da poplavi jedinicu.

10 Montaža spoljne jedinice

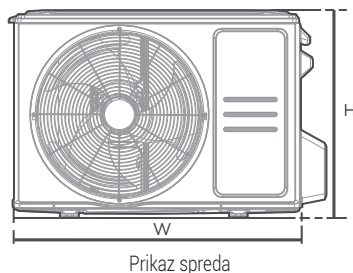
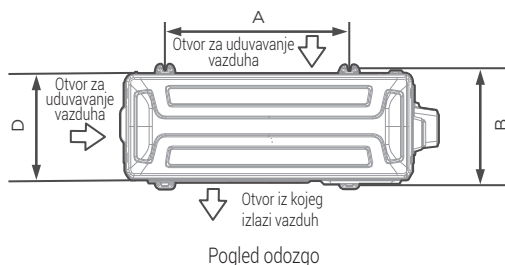
10.3 Ankerišite spoljnu jedinicu



Upozorenje:

**PRILIKOM BUŠENJA BETONA
PREPORUČUJE SE NOŠENJE
ZAŠTITNIH NAOČARA.**

- Spoljna jedinica se može zatoploviti za tlo ili za zidni nosač zavrtnjem (M10). Pripremite montažno postolje jedinice u skladu sa dimenzijama navedenim ispod.
- U nastavku se nalazi lista različitih dimenzija spoljne jedinice i udaljenosti između njihovih nosećih stopica. Pripremite montažno postolje jedinice u skladu sa dimenzijama navedenim ispod.



Dimenzije spoljašnje jedinice (mm) Š x V x D	Montažne dimenzije	
	Udaljenost A (mm)	Udaljenost B (mm)
668 x 469 x 252 (26,3" x 18,5" x 9,9")	430 (16,9")	231 (9,1")
680 x 542 x 248 (26,8" x 21,3" x 9,8")	452 (17,8")	230 (9,1")
720x495x270 (28,3" x 19,5" x 10,6")	452 (17,8")	255 (10,0")
765x555x303 (30,1" x 21,8" x 11,9")	452 (17,8")	286 (11,3")
805x554x330 (31,7" x 21,8" x 12,9")	511 (20,1")	317 (12,5")
890x673x342 (35,0" x 26,5" x 13,5")	663 (26,1")	354 (13,9")
946x810x420 (37,2" x 31,9" x 16,5")	673 (26,5")	403 (15,9")
946x810x410 (37,2" x 31,9" x 16,1")	673 (26,5")	403 (15,9")

Ako jedinicu planirate da ugradite na tlo ili na betonsku noseću platformu, uradite sledeće:

- Označite položaje za četiri anker-zavrtnja na osnovu grafikona dimenzija.
- Probušite rupe za anker-zavrtnje.
- Postavite po navrtku na kraj svakog anker-zavrtnja.
- Ukucajte anker-zavrtnje u probušene rupe.

- Skinite navrtke sa anker-zavrtnja i stavite spoljnu jedinicu na zavrtnje.
- Postavite podlošku na svaki sidreni vijak, pa vratite navrtke.
- Ključem dobro zategnite sve navrtke.

10 Montaža spoljne jedinice

Ako jedinicu planirate da ugradite na zidni nosač, uradite sledeće:

- Označite položaj otvora na nosaču na osnovu grafikona dimenzija.
- Probušite rupe za anker-zavrtnje.
- Postavite po jednu podlošku i navrtku na kraj svakog anker-zavrtnja.
- Provucite sidrene vijke kroz rupe na nosačima, postavite nosače na mesto i čekićem ukucajte sidrene vijke u zid.
- Proverite da li su nosači u istom nivou.
- Pažljivo podignite jedinicu i stavite njene noseće stopice na nosače.
- Čvrsto zavrtnjima pričvrstite jedinicu za nosače.
- Ako je dozvoljeno, montirajte jedinicu uz upotrebu gumenih zaptivki da biste smanjili vibracije i buku.



Upozorenje:

Uverite se da je zid napravljen od čvrste cigle, betona ili od sličnog čvrstog materijala. Zid mora da bude u stanju da nosi bar četvorostruku težinu jedinice.

10.4 Povežite strujni kabl i kabl za signal



Upozorenje: – Pre rada

- SVE ELEKTROINSTALACIJE MORAJU DA SE IZVEDU STROGO U SKLADU SA ŠEMOM ELEKTROINSTALACIJA SMEŠTENOM SA UNUTRAŠNJE STRANE POKLOPCA KUTIJE ZA VODOVE SPOLJNE JEDINICE.
- PRE IZVOĐENJA BILO KAKVIH ELEKTRIČNIH RADOVA ILI RADOVA NA OŽIČENJU, ISKLJUČITE GLAVNO NAPAJANJE SISTEMA.

Biranje odgovarajućih dimenzija kabla

Dimenzije strujnog kabla, kabla za signal, potrebni osigurač i prekidač određuju se na osnovu maksimalne jačine struje koju uređaj koristi. Maksimalna jačina struje je navedena na nazivnoj pločici, koja se nalazi na bočnom panelu uređaja.

Izaberite odgovarajući kabl prema odeljku „Tipovi kabla“ na strani 189.

- Kleštima za skidanje izolacije skinite gumenu oblogu sa oba kraja kabla tako da se vidi oko 40 mm provodnika.
- Skinite izolaciju sa krajeva provodnika.
- Kleštima za krimpovanje provodnika krimpujte „u“ stopice na krajevima provodnika.

Obratite pažnju na provodnik „faza“

Prilikom krimpovanja provodnika vodite računa da nedvosmisleno razlikujete provodnik „faza“ („L“) u odnosu na druge provodnike.

Blok klemna spoljne jedinice je zaštićen poklopcem razvodne kutije koji se nalazi na bočnoj strani jedinice. Kompletna šema elektroinstalacije je zalepljena sa zadnje strane poklopca kutije za provodnike.

- Odvijte zavrtnje sa poklopca razvodne kutije i skinite ga.
- Odvijte stezaljku kabla ispod bloka klemna i stavite je sa strane.
- Povežite žicu prema dijagramu ožičenja i čvrsto zašrafite „u“ stopice svake žice na odgovarajuću klemu.
- Nakon provere da li su svi spojevi dobro pričvršćeni, umotajte provodnike da kišnica ne bi ulazila u kleme.
- Stezaljkom kabla pričvrstite kabl za jedinicu. Dobro zavijte stezaljku kabla zavrtnjem.

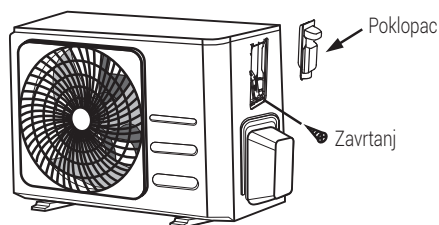
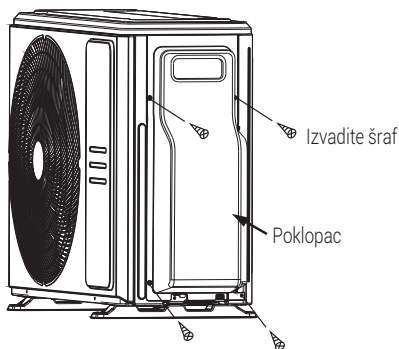
10 Montaža spoljne jedinice

- Provodnike koji se ne koriste izolujte električarskom trakom od PVC-a. Rasporedite ih tako da ne dodiruju nikakve električne ili metalne delove.
- Vratite poklopac razvodne kutije na bočnu stranu uređaja i pričvrstite ga zavrtnjima.

Napomena:



Jedinica koju ste kupili može biti malo drugačija. Ilustracije su samo u svrhu objašnjenja. Stvarni oblik će da prevladava.



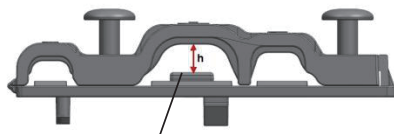
Napomena:



Ako stezaljka kabla izgleda ovako, izaberite odgovarajući otvor u skladu sa prečnikom žice.



Tri veličine otvora: Mali, veliki, srednji



Kada kabl nije dovoljno pričvršćen, koristite kopču da ga poduprete tako da se može čvrsto stegnuti.

11 Spajanje cevi za rashladno sredstvo

11.1 Uputstva za pertlovanje cevi

Upozorenje:

KADA POVEZUJETE CEVOVOD ZA RASHLADNO SREDSTVO **NEMOJTE** DOZVOLITI DA SUPSTANCE ILI GASOVI OSIM SPECIFIKOVANE RASHLADNE TEČNOSTI UĐU U JEDINICU. PRISUSTVO DRUGIH GASOVA ILI SUPSTANCI ĆE SMANJITI KAPACITET JEDINICE I MOŽE IZAZVATI ABNORMALNO VISOK PRITISAK U CIKLUSU HLAĐENJA. OVO MOŽE IZAZVATI EKSPLOZIJU I POVREDU.



11.1.1 Napomena o dužini cevi

Dužina cevi za rashladno sredstvo će uticati na radne karakteristike i energetska efikasnost uređaja. Nominalna efikasnost se ispituje na uređajima sa cevima dužine 5 metara. Potrebna je minimalna dužina cevi od 3 metra da bi se minimizirale vibracije i prekomerna buka.

Maksimalna dužina i visinska razlika cevi za rashladno sredstvo prema modelu uređaja

Model	Kapacitet (BTU/h)	Maks. dužina (m)	Maks. visinska razlika (m)
R410A, R32 inverter split klima-uređaj	< 15.000	25 (82 ft)	10 (33 ft)
	≥ 15.000 i < 24.000	30 (98,5 ft)	20 (66 ft)
	≥ 24.000 i < 36.000	50 (164 ft)	25 (82 ft)
	≥ 36.000 i < 60.000	65 (213 ft)	30 (98,5 ft)
R410A, R32 split klima uređaj sa fiksnom brzinom	< 18.000	20 (66 ft)	8 (26 ft)
	≥ 18.000 i < 36.000	25 (82 ft)	10 (33 ft)
	≥ 36.000 i < 60.000	30 (98,5 ft)	15 (49 ft)

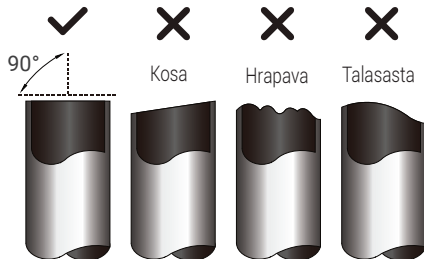
Uputstva za povezivanje – cevi za rashladno sredstvo

1. korak: Isecite cevi

Prilikom pripreme cevi za rashladno sredstvo dobro vodite računa da ih pravilno isečete i pertlujete. Time ćete obezbediti efikasan rad i svesti potrebu za održavanjem u budućnosti na najmanju moguću meru.

- Izmerite udaljenost između unutrašnje i spoljne jedinice.
- Alatom za sečenje cevi presećite cev tako da bude malo duža od izmerene udaljenosti.

- Uverite se da je cev isečena pod savršenim uglom od 90°.



11 Spajanje cevi za rashladno sredstvo

Napomena:

NEMOJTE DEFORMISATI CEVI TOKOM SEČENJA



Dobro pazite da ne oštetite, ulubite ili deformišete cev prilikom sečenja. Time biste drastično smanjili efikasnost uređaja pri grejanju.

Upozorenje:

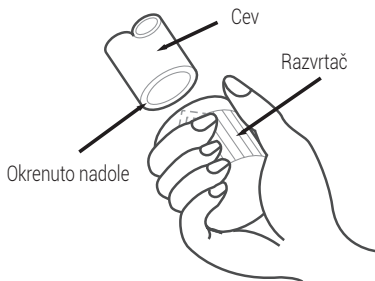
MORATE PROVERITI IMA LI NA KRAJU CEVI PUKOTINA I JESU LI RAVNOMERNO PROŠIRENE. UVERITE SE DA JE CEV ZAPTIVENA.



2. korak: Uklonite opiljke

Opiljci mogu da utiču na zaptivenost spoja cevi za rashladno sredstvo. Oni moraju u potpunosti da se uklone.

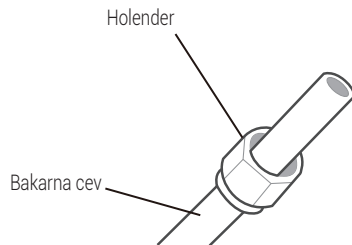
- Držite cev pod uglom, prema dole, da opiljci ne bi upadali u nju.
- Razvrtačem ili alatom za skidanje opiljaka uklonite sve opiljke sa mesta preseka cevi.



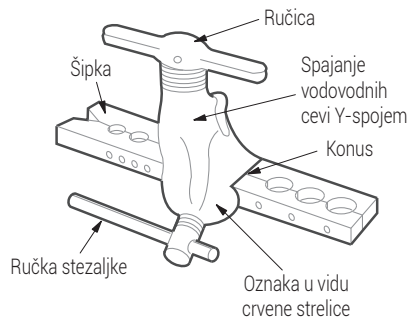
3. korak: Pertlujte krajeve cevi

Pravilno pertlovanje je od ključne važnosti za postizanje potpunog zaptivanja.

- Nakon uklanjanja opiljaka sa presečene cevi zatvorite njene krajeve trakom od PVC-a da strana tela ne bi ulazila unutra.
- Obložite cev izolacionim materijalom.
- Stavite holendere na oba kraja cevi. Vodite računa da budu okrenuti u odgovarajućem smeru, jer posle pertlovanja nećete moći da ih stavite niti da im promenite smer.



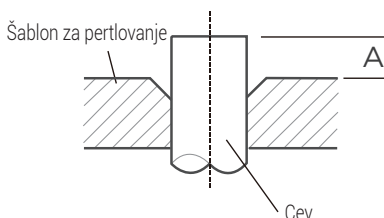
- Skinite traku od PVC-a sa krajeva cevi kada budete spremni za pertlovanje.
- Stegnite šablon za pertlovanje na kraj cevi. Kraj cevi mora da se proteže preko ivice modela za proširenje u skladu sa dimenzijama prikazanim u tabeli ispod.



11 Spajanje cevi za rashladno sredstvo

PRODUŽENJE CEVOVODA PREKO MODELA ZA PROŠIRENJE

Spoljni prečnik cevi (mm)	A (mm)	
	Min.	Maks.
Ø 6,35 (Ø 1/4")	0,7 (0,0275")	1,3 (0,05")
Ø 9,52 (Ø 3/8")	1,0 (0,04")	1,6 (0,063")
Ø 12,7 (Ø 1/2")	1,0 (0,04")	1,8 (0,07")
Ø 16 (Ø 5/8")	2,0 (0,078")	2,2 (0,086")
Ø 19 (Ø 3/4")	2,0 (0,078")	2,4 (0,094")



- Stavite alat za pertlovanje na šablon.
- Okrećite ručicu alata za pertlovanje u smeru kretanja kazaljke dok se cev potpuno ne oblikuje.
- Skinite alat i šablon za pertlovanje, pa proverite da li na kraju cevi ima pukotina i da li se ravnomerno oblikovala.

4. korak: Povežite cevi

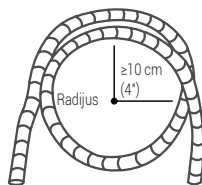
Napomena:

Prilikom povezivanja cevi za rashladno sredstvo pazite da ih ne pretegnute cevi i da ih ne deformišete na drugi način. Prvo treba da povežete cev niskog pritiska, a zatim cev visokog pritiska.



MINIMALNI PREČNIK ZAVOJA

Prilikom savijanja spojnih cevi za rashladno sredstvo minimalni radijus savijanja je 10 cm.

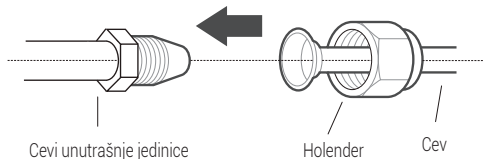


11.2 Povezivanje cevi sa unutrašnjom jedinicom

11.2.1 Uputstva za povezivanje cevovoda na unutrašnju jedinicu

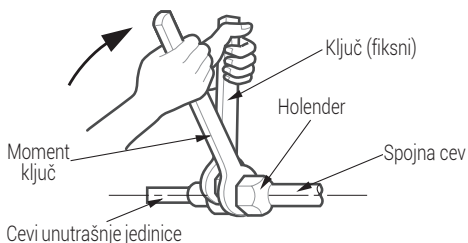
1. korak:

- Poravnajte centre dve cevi koje treba da spojite.



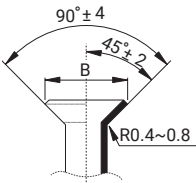
2. korak:

- Zategnite holender koliko god možete rukom.
- Ključem uhvatite navrtku na cevi uređaja.
- Dok čvrsto držite navrtku na cevi uređaja kilo-ključem zategnite holender momentom navedenim u tabeli „Sile zatezanja“ ispod. Malo otpustite holender, pa ga ponovo zategnite.



11 Spajanje cevi za rashladno sredstvo

11.2.2 Sile zatezanja

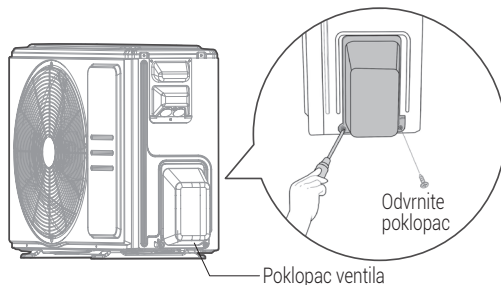
Spoljni prečnik cevi (mm)	Moment zatezanja (N·m)	Dimenzije holendera (B) (mm)	Oblik holendera
∅ 6,35 (∅ 1/4")	18~20 (180~200 kgf.cm)	8,4~8,7 (0,33~0,34")	
∅ 9,52 (∅ 3/8")	32~39 (320~390 kgf.cm)	13,2~13,5 (0,52~0,53")	
∅ 12,7 (∅ 1/2")	49~59 (490~590 kgf.cm)	16,2~16,5 (0,64~0,65")	
∅ 16 (∅ 5/8")	57~71 (570~710 kgf.cm)	19,2~19,7 (0,76~0,78")	
∅ 19 (∅ 3/4")	67~101 (670~1010 kgf.cm)	23,2~23,7 (0,91~0,93")	

Napomena:

NEMOJTE KORISTITI PREVELIKI OBRTNI MOMENT



Prekomerno zatezanje može da dovede do pucanja navrtke ili oštećenja cevi za rashladno sredstvo. Ne smete da premašite propisane sile zatezanja prikazane u tabeli iznad.



11.3 Povezivanje cevi sa spoljnom jedinicom

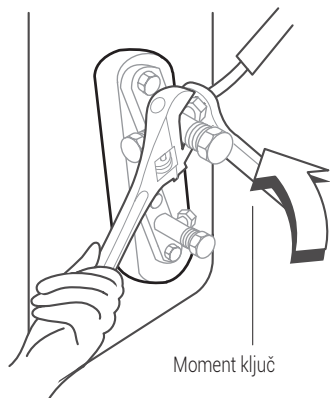
Napomena:



Ovim odeljkom i dalje treba upravljati u skladu sa grafikonom **ZAHTEVA OBRTNOG MOMENTA** na prethodnoj stranici.

1. Odvijte poklopac sa povratnog ventila na bočnoj strani spoljne jedinice.
2. Skinite zaštitne kapice sa krajeva ventila.
3. Poravnajte kraj cevi sa proširenjem sa svakim ventilom i rukom što čvršće zategnite navrtku za cevne spojeve.
4. Ključem uhvatite telo ventila. **Ne** hvatajte maticu koja zatvara servisni ventil.

11 Spajanje cevi za rashladno sredstvo

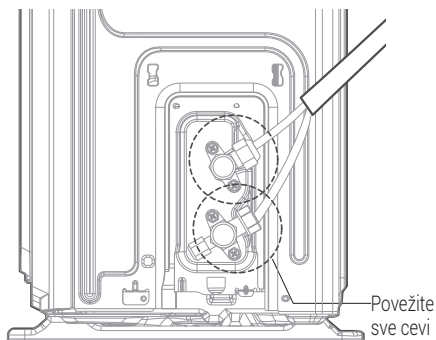


Napomena:

UPOTREBITE KLJUČ DA PRIHVATITE GLAVNO TELO VENTILA

Zatezanje holendera može da
doveđe do pucanja drugih delova
ventila.

5. Dok čvrsto hvatate telo ventila, pomoću moment ključa zategnite navrtku za cevne spojeve u skladu sa tačnim vrednostima obrtnog momenta.
6. Neznatno otpustite navrtku za proširenje, a zatim je ponovo zategnite.
7. Za drugu cev primenite korake od 3 do 6.



12 Evakuacija vazduha

Napomena: PRIPREME I MERE PREDOSTROŽNOSTI



Vazduh i strane materije u sistemu rashladnog sredstva mogu da dovedu do nenormalnog porasta pritiska, što može da ošteti klima-uređaj, umanji mu efikasnost i dovede do povrede. Postarajte se da pomoću vakuumske pumpe ispraznite vazduh unutar unutrašnje jedinice i cevi. Vakuuum-pumpom i manometrom za freon vakuumirajte sistem rashladnog sredstva da biste uklonili sav nekondenzujući gas i vlagu iz sistema. Vakuumiranje treba da se obavi posle prve ugradnje i prilikom selidbe uređaja. Nepravilna montaža usled ignorisanja ovog Uputstva izazvaće ozbiljne probleme u radu uređaja.



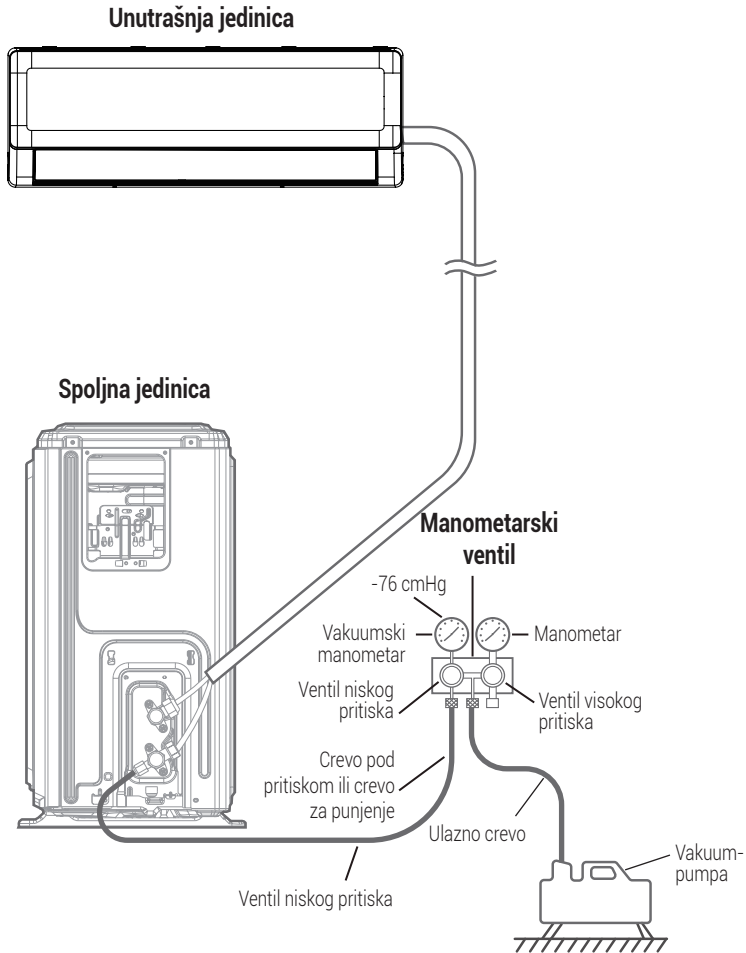
Napomena:

PRE IZVRŠENJA EVAKUACIJE

- Proverite da li su spojne cevi između unutrašnje i spoljašnje jedinice pravilno povezane.
- Proverite da li su svi kablovi pravilno povezani.

12 Evakuacija vazduha

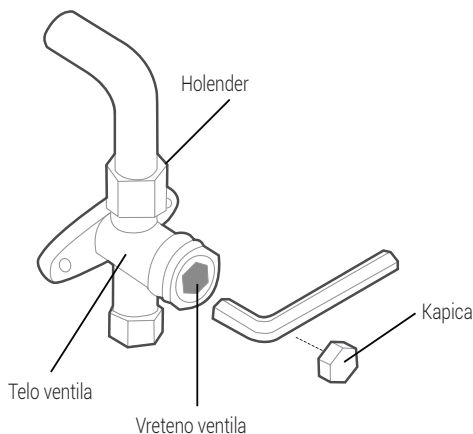
12.1 Uputstva za evakuaciju



1. korak:

- Povežite ulazno crevo manometra za freon sa servisnim priključkom na ventilu niskog pritiska na spoljnoj jedinici.
- Drugim ulaznim crevom spojite manometar za freon i vakuum-pumpu.
- Otvorite stranu manometra za nizak pritisak. Držite stranu za visok pritisak zatvorenom.
- Uključite vakuum-pumpu da biste vakuumirali sistem.
- Pustite vakuum najmanje 15 minuta, ili dok merač ne očitava -76 cmHG (-10⁵ Pa).
- Zatvorite stranu manometra za nizak pritisak i isključite vakuum-pumpu.
- Sačekajte 5 minuta, pa se uverite da se pritisak u sistemu nije promenio.

12 Evakuacija vazduha



2. korak:

- Ako se pritisak u sistemu promeni, u odeljku „Provere curenja gasa“ potražite informacije o proveru prisustva curenja.

- Ako se pritisak u sistemu nije promenio, odvijte poklopac sa povratnog ventila (ventil visokog pritiska).

Postavite okasti šestougaoni ključ na povratni ventil (ventil visokog pritiska) i otvorite ga tako što ćete okrenuti ključ za 1/4 kruga u smeru suprotnom od smeru kazaljke. Sačekajte da čujete kako gas izlazi iz sistema, pa posle 5 sekundi zatvorite ventil.

- Posmatrajte manometar jedan minut da se uverite da se pritisak ne menja. Manometar treba da pokazuje nešto veću vrednost pritiska od atmosferskog.
- Skinite ulazno crevo sa servisnog priključka.
- Okastim šestougaonim ključem do kraja otvorite ventil visokog pritiska i ventil niskog pritiska.

- Rukom zategnite kapice sva tri ventila (servisnog priključka, ventila visokog pritiska i ventila niskog pritiska). Ako je potrebno, možete da ih dotegnete kilo-ključem.

Napomena:

LAGANO OTVORITE NOSAČE VENTILA



Postarajte se da posle evakuacije otvorite sve ventile. Prilikom otvaranja vretena ventila okrećite okasti ključ dok ne udari u graničnik. Ne pokušavajte na silu dodatno da otvorite ventil.

NAPOMENA O DODAVANJU RASHLADNOG SREDSTVA



Nekim sistemima je potrebna dopuna, u zavisnosti od dužina cevi. Standardna dužina cevi je 5 m (16'). Rashladno sredstvo treba da se puni iz servisnog priključka na ventilu niskog pritiska na spoljnoj jedinici. Potrebna količina dodatnog rashladnog sredstva se izračunava sledećom formulom:

12 Evakuacija vazduha

12.2 DODATNO RASHLADNO SREDSTVO PO DUŽINI CEVI

Dužina spojne cevi (m)	Način odzračivanja	Dodatno rashladno sredstvo	
≤ od standardne dužine cevi	Vakuumpumpa	Nije dostupno	
> od standardne dužine cevi	Vakuumpumpa	Strana za tečnost: Ø 6,35 (1/4")	Strana za tečnost: Ø 9,52 (3/8")
		R410A: (Dužina cevi – standardna dužina) x 15 g/m	R410A: (Dužina cevi – standardna dužina) x 30 g/m
		(Dužina cevi – standardna dužina) x 0,16 oz/ft	(Dužina cevi – standardna dužina) x 0,32 oz/ft
		R32: (Dužina cevi – standardna dužina) x 12 g/m	R32: (Dužina cevi – standardna dužina) x 24 g/m
(Dužina cevi – standardna dužina) x 0,13 oz/ft	(Dužina cevi – standardna dužina) x 0,26 oz/ft		



Napomena:

NEMOJTE MEŠATI RAZLIČITE VRSTE RASHLADNOG SREDSTVA.

UPOZORENJE – RIZIK OD STRUJNOG UDARA



SVE ELEKTROINSTALACIJE MORAJU BITI U SKLADU S LOKALNIM I NACIONALNIM PROPISIMA O ELEKTRIČNIM INSTALACIJAMA I MORA DA IH UGRADI LICENCIIRANI ELEKTRIČAR.

Napomena:

PRE PROBNOG UKLJUČIVANJA

Probno uključivanje obavite tek nakon što uradite sledeće:

- Provere bezbednosti elektroinstalacija – Uverite se da je električni sistem uređaja bezbedan i da normalno radi
- Provere curenja gasa – Proverite sve spojeve kod holendera i uverite se da sistem ne curi
- Uverite se da su ventili za gas i tečnost (ventili visokog i niskog pritiska) potpuno otvoreni



13.1 Provere bezbednosti elektroinstalacija

Nakon ugradnje proverite da li su sve električne instalacije sprovedene u skladu sa lokalnim i nacionalnim propisima i sa ovim Priručnikom za ugradnju.

13.2 Pre probnog uključivanja

Proverite uzemljenje

Izmerite otpornost uzemljenja vizuelnim pregledom i meračem otpornosti uzemljenja.

13.3 Tokom probnog uključivanja

Proverite curenje struje

Prilikom **probnog uključivanja** pomoću elektrosonde i multimera detaljno ispitajte da li postoji curenje struje.

Ako detektujete curenje struje, odmah isključite uređaj i pozovite licenciranog električara da nađe i otkloni uzrok curenja.



Napomena:

Ovo možda nije potrebno za neke lokacije u Severnoj Americi.

13 Provere elektrike i curenja gasa

13.4 Provere curenja gasa

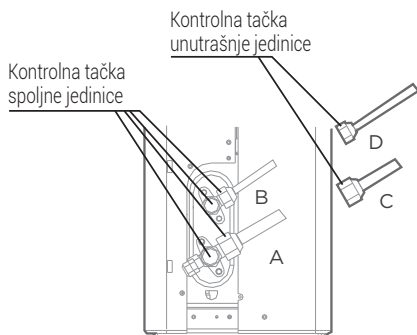
Postoje dva načina provere prisustva curenja gasa.

Metoda sa sapunom i vodom

Mekom četkom namažite vodu sa rastvorenim sapunom ili tečnim deterdžentom na sve spojeve cevi na unutrašnjoj i spoljnoj jedinici. Ako uočite mehuriće, znači da postoji curenje.

Metoda sa detektorom curenja

Ako koristite detektor curenja, uputstva o korišćenju tog uređaja potražite u njegovom priručniku za upotrebu.



- A: Zaustavni ventil niskog pritiska
- B: Zaustavni ventil visokog pritiska
- C i D: Holenderi unutrašnje jedinice

NAKON PROVERE CURENJA GASA

Pošto se uverite da NEMA curenja ni na jednom spoju cevi, vratite poklopac ventila na spoljnoj jedinici.

14 Probno uključivanje

14.1 Uputstva za probno uključivanje

Trebalo bi da **Probni rad** traje najmanje 30 minuta.

- Priključite uređaj na napajanje.
- Pritisnite dugme **ON/OFF** (UKLJUČIVANJE/ ISKLJUČIVANJE) na daljinskom upravljaču da biste ga uključili.
- Pritisnite dugme **MODE** (REŽIM) da se krećete kroz sledeće funkcije, jednu po jednu:
 - COOL (HLAĐENJE) – Izaberite najnižu moguću temperaturu
 - HEAT (GREJANJE) – Izaberite najvišu moguću temperaturu
- Ostavite uređaj da radi u svakoj funkciji po 5 minuta, pa izvršite sledeće provere:

Lista provera koje treba obaviti	PROŠAO/NIJE PROŠAO	
Nema curenja struje		
Uređaj je pravilno uzemljen		
Sve električne kleme su pravilno pokrivene		
Unutrašnja i spoljna jedinica su čvrsto ugrađene		
Nema curenja ni na jednom spoju cevi	Spoljna (2):	Unutrašnja (2):
Voda pravilno otiče kroz crevo za odvod kondenzata		
Sve cevi su propisno izolovane		
Funkcija COOL (Hlađenje) pravilno radi		
Funkcija HEAT (Grejanje) pravilno radi		
Krilca unutrašnje jedinice se pravilno zakreću		
Unutrašnja jedinica reaguje na daljinski upravljač		

DVOSTRUKA PROVERA CEVNIH VEZA

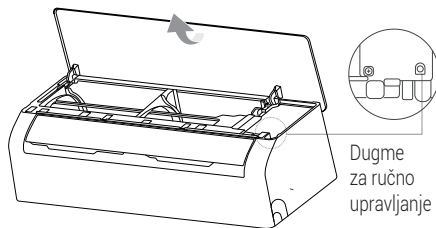
Pritisak u sistemu rashladnog sredstva će porasti tokom rada. Tada mogu da se detektuju curenja kojih nije bilo pri prvoj proveru curenja. Prilikom probnog uključivanja izdvojte vreme da se još jednom uverite da ni na jednom spoju cevi za rashladno sredstvo nema curenja. Pogledajte odeljak **Provera curenja gasa** za uputstva.

- Nakon uspešnog prvog uključivanja i nakon što se uverite da su sve stavke sa kontrolnog spiska „Lista provera koje treba obaviti“ PROŠLE, uradite sledeće:
 - a. Daljinskim upravljačem vratite uređaj na normalnu radnu temperaturu.
 - b. Izolir-trakom obmotajte spojeve cevi za rashladno sredstvo na unutrašnjoj jedinici koje ste ostavili neobmotanim prilikom ugradnje unutrašnje jedinice.

AKO JE TEMPERATURA OKOLINE ISPOD 16°C (60°F)

Ne možete da koristite daljinski upravljač za uključivanje funkcije COOL (Hlađenje) kad je temperatura okoline ispod 16 °C (60 °F). U ovom slučaju možete da koristite dugme **MANUAL CONTROL** (ručna kontrola) za testiranje funkcije COOL (hlađenje).

- Podižite prednji panel dok ne škljocne.
- Dugme za **RUCNO UPRAVLJANJE** nalazi se na desnoj strani prednje ploče. Pritisnite ga 2 puta da biste izabrali režim cool (hlađenje).
- Obavite probno uključivanje na standardni način.



15 Pakovanje i otpakivanje jedinice

Uputstva za pakovanje i otpakivanje jedinice:

Raspakivanje:

Unutrašnja jedinica:

1. Isecite zaptivnu traku na kartonu nožem, jedan rez na levoj strani, jedan na sredini i jedan na desnoj strani.
2. Koristite stege da izvadite zaptivne eksere na vrhu kartona.
3. Otvorite karton.
4. Izvadite srednju potpurnu ploču ako je uključena.
5. Izvadite paket dodatne opreme i izvadite žicu za povezivanje ako je uključena.
6. Podignite mašinu iz kartona i položite je ravno.
7. Uklonite levu i desnu penu za pakovanje ili gornju i donju penu za pakovanje, odvežite vreću za pakovanje.

Spoljna jedinica

1. Isecite traku za pakovanje.
2. Izvadite jedinicu iz kartona.
3. Uklonite penu sa jedinice.
4. Uklonite vreću za pakovanje iz jedinice.

Pakovanje:

Unutrašnja jedinica:

1. Stavite unutrašnju jedinicu u vreću za pakovanje.
2. Pričvrstite levu i desnu penu za pakovanje ili gornju i donju penu za pakovanje na jedinicu.
3. Stavite jedinicu u kartonsku kutiju, a zatim stavite paket dodatne opreme.
4. Zatvorite karton i zalepite ga trakom.
5. Ako je potrebno, koristite traku za pakovanje.

Spoljna jedinica:

1. Stavite spoljnu jedinicu u vreću za pakovanje.
2. Stavite donju penu u kutiju.
3. Stavite jedinicu u kutiju, a zatim stavite gornju penu za pakovanje na jedinicu.
4. Zatvorite karton i zalepite ga trakom.
5. Ako je potrebno, koristite traku za pakovanje.



Napomena:

Zadržite sve artikle za pakovanje ako vam budu zatrebali u budućnosti.

16 Evropske smernice za odlaganje

Ovaj uređaj sadrži rashladno sredstvo i druge potencijalno opasne materije. Prilikom odlaganja ovog uređaja, zakon nalaže posebno sakupljanje i tretman. **Nemojte** odlagati ovaj proizvod kao kućni otpad ili nesortirani komunalni otpad.

Za odlaganje ovog uređaja imate sledeće opcije:

- Uređaj odložite u označenom postrojenju za sakupljanje gradskog elektronskog otpada.
- Prilikom kupovine novog uređaja, prodavac na malo će besplatno uzeti natrag stari uređaj.
- Proizvođač će besplatno uzeti natrag stari uređaj.
- Prodajte uređaj ovlašćenim trgovcima metalnim otpacima.



Specijalna napomena: Odlaganje uređaja u šumama ili drugim prirodnim okruženjima opasno je po vaše zdravlje i po okolinu. Opasne supstance mogu da dospeju u podzemne vode i uđu u lanac ishrane.



Ovaj simbol ukazuje na to da se ovaj proizvod na kraju svog radnog veka ne sme odlagati sa ostalim otpadom iz domaćinstva. Uređaj na kraju radnog veka mora se odložiti u zvanični sabirni centar za recikliranje električnih i elektronskih uređaja. Da biste našli ove sabirne centre obratite se lokalnim vlastima ili prodavcu od koga ste kupili proizvod. Svako domaćinstvo ima bitnu ulogu u obnavljanju i recikliranju starih uređaja. Odgovarajuće odlaganje uređaja na kraju radnog veka doprinosi sprečavanju potencijalnih negativnih posledica po životnu sredinu i zdravlje.

17 Uputstvo za F-gas

Ovaj proizvod sadrži fluorisane gasove koji izazivaju efekat staklene bašte.

Fluorisani gasove koji izazivaju efekat staklene bašte se nalaze u hermetički zatvorenoj opremi.

Montažu, servis, održavanje, popravke, provere curenja ili odlaganje opreme i reciklažu proizvoda treba da obavljaju fizička lica koja poseduju odgovarajuće sertifikate.

Ako sistem ima ugrađen sistem za otkrivanje curenja, provere curenja treba da se obavljaju najmanje na svakih 12 meseci, kako biste se uverili da sistem ispravno radi.

Ako na proizvodu treba da se izvrše provere curenja, treba navesti ciklus provere i voditi i čuvati evidenciju provera curenja.



Napomena: Za hermetički zatvorenu opremu, lokalni klima uređaj, klima uređaj za prozore i odvlaživač, ako je CO₂ ekvivalent fluorisanih gasova staklene bašte manji od 10 tona, ne treba da se vrši provera curenja.

18 Specifikacija

Naziv modela	Unutrašnja jedinica	BBEPME 090	BBEPME 120	BBEPME 180
	Spoljna jedinica	BBEPME 091	BBEPME 121	BBEPME 181
Rashladno sredstvo		R32	R32	R32
Ukupna količina rashladnog sredstva (g)		550	580	850
GWP		675	675	675
CO2 ekvivalent (tone)		0,371	0,392	0,574
Anti-električno		Klasa I	Klasa I	Klasa I
Klimatska klasa		T1	T1	T1
Tip grejanja		Toplotna pumpa	Toplotna pumpa	Toplotna pumpa
Priključak za napajanje		Spoljna	Spoljna	Spoljna
Pdesign C (kW)		2,5	3,4	5,0
Pdesign H (kW)		2,5 (prosečno)/ 2,5 (toplije)	2,6 (prosečno)/ 3,1 (toplije)	4,0 (prosečno)/ 4,4 (toplije)
SEER/AEER/Težina EER (W/W)		8,5 (SEER, EU)	8,5 (SEER, EU)	8,5 (SEER, EU)
SCOP/ACOP/Težina EER (W/W)		4,6 (SCOP, EU prosek)/ 6,0 (SCOP, grejanje)	4,6 (SCOP, EU prosek)/ 6,0 (SCOP, grejanje)	4,6 (SCOP, EU prosek)/ 5,7 (SCOP, grejanje)
Energetski nivo – hlađenje		A+++ (EU)	A+++ (EU)	A+++ (EU)
Energetski nivo – grejanje		A++ (EU prosečno)/ A+++ (EU toplije)	A++ (EU prosečno)/ A+++ (EU toplije)	A++ (EU prosečno)/ A+++ (EU toplije)
Godišnja potrošnja energije – hlađenje (kWh)		103	140	207
Godišnja potrošnja energije – grejanje (kWh)		761 (prosečno)/ 592 (toplije)	792 (prosečno)/ 730 (toplije)	1243 (prosečno)/ 1081 (toplije)
Deklarisana snaga za izračunavanje SCOP u referentnom projektovanom stanju (kW)		2,1 (prosečna sezona)	2,2 (prosečna sezona)	3,4 (prosečna sezona)
Kapacitet rezervnog grejanja pretpostavljen za izračunavanje SCOP u referentnom projektovanom stanju (kW)		0,4 (prosečna sezona)	0,4 (prosečna sezona)	0,6 (prosečna sezona)

18 Specifikacija

Naziv modela	Unutrašnja jedinica	BBEPME 090	BBEPME 120	BBEPME 180
	Spoljna jedinica	BBEPME 091	BBEPME 121	BBEPME 181
Snaga električnog grejača (W)		/	/	/
Ulazna snaga hlađenja (kW)		622	1052	1424
Ulazna snaga grejanja (kW)		674	1000	1440
Napon/Frekvencija (V/Hz)		220-240V, 50Hz, 1Ph	220-240V, 50Hz, 1Ph	220-240 V~ 50 Hz, 1 Ph
Radna struja hlađenja (A)		4,4	4,8	6,19
Radna struja grejanja (A)		4,5	4,6	6,26
Nivo pritiska buke – unutrašnja jedinica (dBA)		39/34/25/19,0	39/32/26/20	43/36/28/21,5
Nivo pritiska buke – spoljna jedinica (dBA)		54,0	55	57
Zapremina protoka vazduha (m ³ /h)		650/510/360/ 285/150	800/600/450/ 370/220	950/800/600/ 470/340
Nazivna ulazna snaga – EN 60335(W)		2200	2200	2800
Nazivna ulazna struja – EN 60335(A)		10	10	13,5
Klasa otpora unutrašnje jedinice		IPX0	IPX0	IPX0
Klasa otpora spoljne jedinice		IPX4	IPX4	IPX4
Prečnik cevi pod visokim pritiskom (mm)		6,35 mm (1/4 in)	6,35 mm (1/4 in)	6,35 mm (1/4 in)
Prečnik cevi pod niskim pritiskom (mm)		9,52 mm (3/8 in)	9,52 mm (3/8 in)	12,7 mm (1/2 in)
Specifikacija kabla za napajanje (mm ²)		3×1,5 mm	3×1,5 mm	3×1,5 mm
Unutrašnji i spoljni priključni kabl (mm ²)		5×1,5 mm	5×1,5 mm	5×1,5 mm
Maks. visina (m)		10	10	20
Maks. dužina cevi (m)		25	25	30

18 Specifikacija

Naziv modela	Unutrašnja jedinica	BBEPME 090	BBEPME 120	BBEPME 180
	Spoljna jedinica	BBEPME 091	BBEPME 121	BBEPME 181
Dodatna količina gasa (g/m)		12	12	12
Unutrašnja jedinica (VxŠxD) mm		723x286x199	813x289x201	975x308x218
Spoljašnja jedinica (VxŠxD) mm		775x565x280	775x565x280	890x673x328
Neto težina unutrašnje jedinice (kg)		8,0	8,5	10,5
Neto težina spoljašnje jedinice (kg)		23,5	23,5	37,8

Napomena:

1. Specifikacije su standardne vrednosti izračunate na osnovu nominalnih radnih uslova i razlikuju se u različitim radnim uslovima.
2. Naša kompanija brzo uvodi tehnička poboljšanja. Za svaku promenu tehničkih podataka biće poslato prethodno obaveštenje. Pročitajte natpisnu pločicu na klima uređaju.

Pogledajte detaljne informacije o proizvodu koje se zahtevaju u Uredbi br. 206/2012 iz Informativnog lista proizvoda.

Arçelik A.Ş. Karaağaç Caddesi No: 2-6,34445,
Sütlüce, İstanbul, Türkiye
www.beko.com

16122000A81154