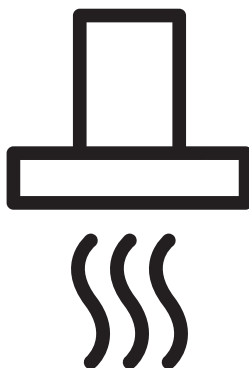




Cooker Hood

User Manual



HNT61310X

EN - ES - BS - MK - PL - PT - RO - SQ - SR



01M-8807483200-0722-06

CONTENTS

ENGLISH	03-15
ESPAÑOL	16-30
BOSANSKI	31-43
МАКЕДОНСКИ	44-59
POLSKI	60-75
PORTUGUÊS	76-90
ROMÂNĂ	91-105
SHQIPTARE	106-118
СРПСКИ	119-134

Please read this user manual first!

Dear Valued Customer,

Thank you for preferring this Beko appliance. We hope that you get the best results from your appliance which has been manufactured with high quality and state-of-the-art technology. For this reason, please read this entire user manual and all other accompanying documents carefully before using the appliance and keep it as a reference for future use. If you handover the appliance to someone else, give the user manual as well. Follow the instructions by paying attention to all the information and warnings in the user manual.

Remember that this user manual may also apply to other models. Differences between models are explicitly described in the manual.

Meanings of the Symbols

Following symbols are used in various sections of this user manual:



Important information and useful hints about usage.



WARNING: Warnings against dangerous situations concerning the security of life and property.



WARNING: Warning for danger of fire.



WARNING: Warning for electric shock.



This appliance has been produced in environmentally friendly facilities without harming the nature.

1 Important safety and environmental instructions

1.1 General safety

Important Safety Instructions Read Carefully And Keep For Future Reference This section contains safety instructions that will help protect from risk of fire, electric shock, exposure to leak microwave energy, personal injury or property damage. Failure to follow these instructions shall void any warranty.

- Beko products comply with the applicable safety standards; therefore, in case of any damage on the appliance or power cable, it should be repaired or replaced by the dealer, service center or a specialist and authorized service alike to avoid any danger. Faulty or unqualified repair work may be dangerous and cause risk to the user.
- This appliance is intended to be used in household and similar applications such as:
 - Staff kitchen areas in shops, offices and other working environments;
 - Farm houses
 - By clients in hotels, and other residential type environments;
 - Bed and Breakfast type environments.
- Operate the appliance for its intended purpose only as described in this manual.
- The manufacturer cannot be held liable for damages resulting from improper installation or misuse of the product.
- This appliance can be used by children aged from 8 years and above and persons with reduced physical, sensory or mental capabilities or lack of experience and knowledge if they have been given supervision or instruction concerning use of the appliance in a safe way and understand the hazards involved.
- Children shall not be allowed play with the appliance. Cleaning and user maintenance shall not be made by children without supervision.

1 Important safety and environmental instructions

- The minimum distance between the supporting surface for the cooking vessels on the hob and the lowest part of your product must be at least 65 cm.
 - If the instructions for installation for the gas hob specify a greater distance, this has to be taken into account.
 - Make sure that your mains power supply complies with the information supplied on the rating plate of the appliance.
 - Never use the appliance if the power cable or the appliance itself is damaged.
 - Prevent damage to the power cable by not squeezing, bending, or rubbing it on sharp edges. Keep the power cable away from hot surfaces and naked flame.
 - Use the appliance with a grounded outlet only.
- WARNING:** Do not connect the appliance to the mains until the installation is fully complete.
- Place the appliance in a way so that the plug is always accessible.
 - Do not touch the lamps if they have operated for a long time. They can burn your hands since they will be hot.
 - Follow the regulations set out by competent authorities on discharge of the exhaust air (this warning is not applicable for use without flue).
 - Operate your appliance after putting a pot, pan etc. on the hob. Otherwise, high heat may cause deformation in some parts of your product.
 - Turn off the hob before taking the pot, pan etc. from it.
 - Do not leave hot oil on the hob. Pans with hot oil may cause self combustion.
 - Pay attention to your curtains and covers since oil may catch fire while cooking food such as fries.
 - Grease filter must be cleaned at least monthly. Carbon filter must be replaced at least every 3 months.

1 Important safety and environmental instructions

- Product shall be cleaned accordance with user manual. If cleaning was not carried out in accordance with user manual, there may be fire risk.
 - Do not use non-fire-resistant filtering materials instead of the current filter.
 - Only use the original parts or parts recommended by the manufacturer.
 - Do not operate the product without the filter and do not remove the filters while the product is running.
 - In the event of be started any flame, de-energize your product and cooking appliances.
 - In the event of be started any flame, cover the flame and never use water to extinguish.
 - Unplug the appliance before each cleaning and when the appliance is not in use.
 - The negative pressure in the environment should not exceed 4 Pa (4x10 bar) while the hood for electric hob and appliances running on another type of energy but electricity operate simultaneously.
 - In the environment where the appliance is being used, the exhaust of devices running on fuel oil or gas, such as room heater must be absolutely isolated or device must be hermetical type.
 - When connecting the flue, use pipes with a diameter of 120 or 150 mm. Pipe connection must be as short as possible and have as few elbows as possible.
 - Danger of choking! Keep all the packaging materials away from children.
- CAUTION:** Accessible parts may become hot when used with cooking appliances.
- The product outlet must not be connected to air channels that include other smoke.
 - The ventilation in the room may be insufficient when the hood for electric hob is used simultaneously with the devices operating on gas or other fuels (this may not apply to appliances that only discharge the air back into the room).

1 Important safety and environmental instructions

- Objects placed on the product may fall. Do not place any objects on the product.
- Do not flambe under the your product.

WARNING: Before installing the Hood, remove the protective films.

- Never leave high naked flames under the hood when it is in operation
- Deep fat fryers must be continuously monitored during use: overheated oil can burst into flames.

1.2 Compliance with the WEEE Directive and Disposing of the Waste Product:

This product complies with EU WEEE Directive (2012/19/EU). This product bears a classification symbol for waste electrical and electronic equipment (WEEE).



This symbol indicates that this product shall not be disposed with other household wastes at the end of its service life. Used device must be returned to

official collection point for recycling of electrical and electronic devices. To find these collection systems please contact to your local authorities or retailer where the product was purchased. Each household performs important role in recovering and recycling of old appliance. Appropriate disposal of used appliance helps prevent potential negative consequences for the environment and human health.

1.3 Compliance with RoHS Directive

The product you have purchased complies with EU RoHS Directive (2011/65/EU). It does not contain harmful and prohibited materials specified in the Directive.

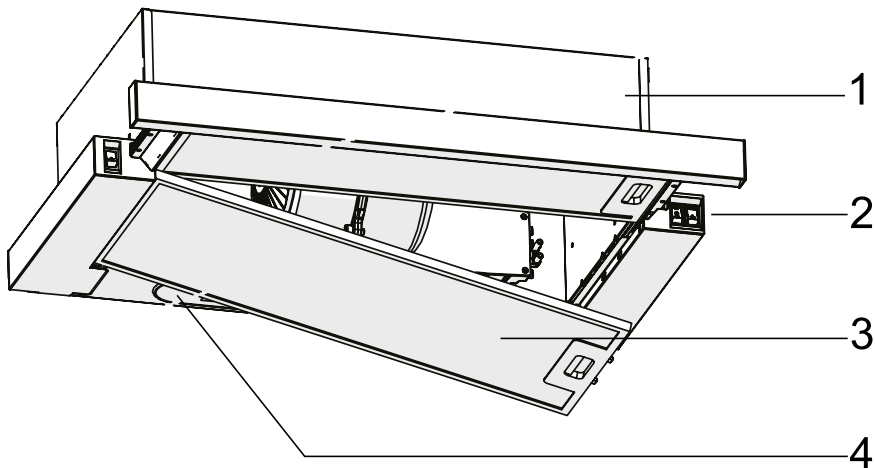
1.4 Package Information



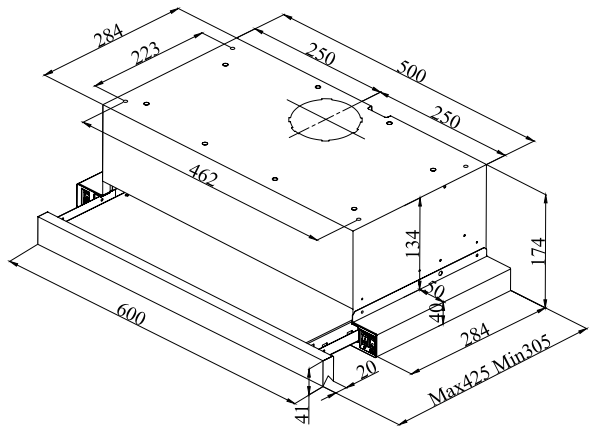
Packaging materials of the product are manufactured from recyclable materials in accordance with our National Environment Regulations. Do not dispose of the packaging materials together with the domestic or other wastes. Take them to the packaging material collection points designated by the local authorities.

2 General appearance

2.1 Overview



1. Slinder panel
2. Control panel
3. Grease filter
4. Lighting

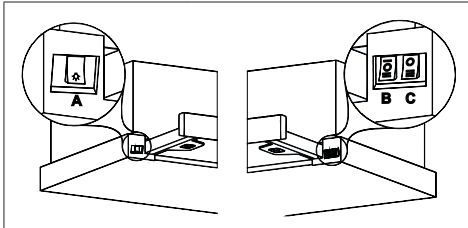


2.2 Technical data

Model	HNT61310X
Supply Voltage and Frequency	220-240V ~ 50 Hz
Lamp Power	2 x 3 W
Motor Power	250 W
Flow rate – 3. Level	483 m ³ /h
Insulation Class of Motor	Class F
Insulation Class	Class I

3 Using the appliance

3.1 Controlling the appliance



KEY	FUNCTION
A : Light On / Off	Pull the sliding plate to the front. Press the button downwards to turn on the lamp or upwards to turn off the lamp.
B : 1 and 2 Speed Button	Pull the sliding plate to the front. Press the button upwards to operate the hood at speed level 1, and downwards to operate the hood at speed level 2.
C : 3rd Speed Button	Pull the sliding plate to the front. Press the button downwards to operate the hood at speed level 3.

3.2 Energy efficient usage

- When using your appliance, adjust the speed settings according to vapour and odour intensity, in order to save energy.
- Use low speeds (1-2) under normal conditions, and high speed (3) for intense odour and vapour.
- The lamps on the hood are placed for illuminating the cooking area.
- Using them for environmental lighting shall cause unnecessary energy expenditure and insufficient lighting.

3.3 Operating the hood

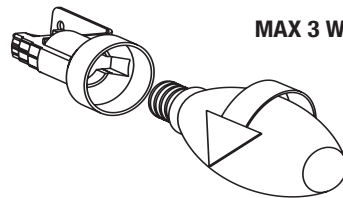
- Your appliance contains a motor that has various speeds.
- For better performance, we recommend using low speeds under normal conditions and high speeds in cases of strong odours and intense vapour.
- You can start your appliance by pressing on the desired speed setting button. (B, C)

- You may illuminate the cooking area by pressing the lamp (A).

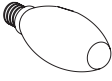
3.4 Replacement of lamp



CAUTION: Disconnect the electrical supply of the hood. Leave the lamps to cool down first because they could burn your hands when they are hot.



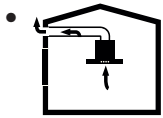
Remove the aluminium cartridge filter. Remove the defective bulb and replace with a new one with the same rating.

Bulb	
Bulb Power	3 W
Holder / Socket	E 14
Bulb Voltage	220 - 240 V
Size	35 x 100 mm
ILCOS Code	D R B B / F - 3 - 2 2 0 - 240-E14-35/100
Luminous flux	220 lm
Correlated colour temperature	2700 K

This product contains a light source of energy efficiency class "E".

3 Using the appliance

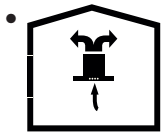
3.5 Operation with chimney connection



Vapour is extracted through the flue duct, which is fastened to the connection head on the hood.

- The diameter of the flue duct must be the same as the connection ring. In horizontal settings, the pipe has to have a slight upward slope (around 10°) so that the air can exit the room easily.

3.6 Operation without chimney connection



Air is filtered through the carbon filter and recirculated in the room. Carbon filter is used when it is impossible to use a flue in the house.

- In flueless use, remove the flaps inside the flue adapter.
- Remove the aluminum grease filter. To install the carbon filter, fit the filter to the tabs by centring it on the plastic piece on both sides of the fan body. tighten it by turning right or left.
- Replace aluminum grease filter.

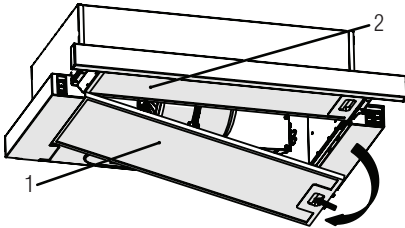
4 Cleaning and Maintenance



Before cleaning and maintenance, unplug the product or turn off the switch.

4.1 Cleaning of grease filter

Grease filter is used to retain the oil particles in the air. Grease filter may change colour after repeated cleaning. This is normal, and you do not have to replace your filters.



1. External grease filter

2. Internal grease filter

- pull the sliding plate out by holding the front panel. Remove the external grease filter first, and then the internal grease filter.
- Push the grease filter lock forward.
- Then pull it slightly down and pull it out. Otherwise, you may bend the filter. Wash and rinse grease filter with liquid detergent and replace grease filter to their seats by carrying out the steps specified above in reverse order. These grease filter are used to retain the oil particles in the air.



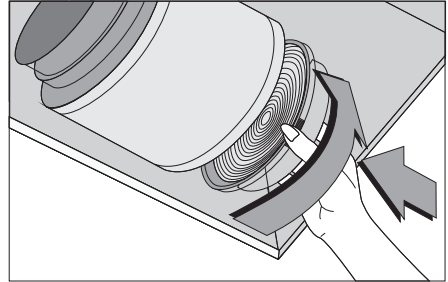
You may also wash the grease filter in the dishwasher.



CAUTION: In case of normal use, clean your grease filter once in a month.

4.2 Replacement of carbon filters

Odour removing filters contain charcoal (Active carbon). Grease filter must be installed in the product, regardless of whether or not carbon filters are used.



- Remove the grease filter.
- To remove the carbon filter, remove the carbon filter from its housing by rotating it counter-clockwise from the tab.
- Install the new carbon filter.
- Install the grease filter.

CAUTION



- Carbon filter shall never be washed.
- Replace carbon filters once every 3 months.
- You can obtain the carbon filter from the authorized services.

5 Installation of appliance



WARNING: Before starting the installation, read the safety information on user manual.

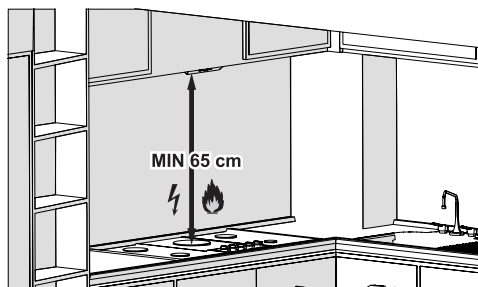


WARNING: Failure to install with screws and stabilizers in accordance with these instructions may result in electric shock.

For the installation of the hood, please contact the nearest Authorized Service.

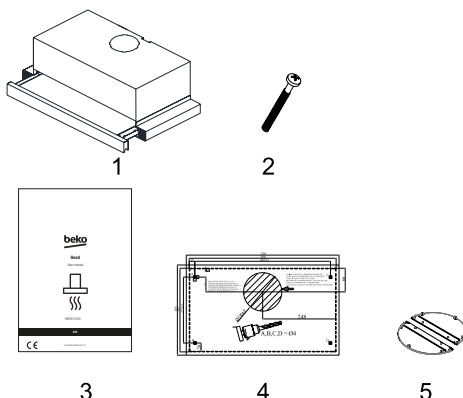
It is the customer's responsibility to prepare the location and electrical installation of the hood.

5.1 Position of the appliance



- Distance between the cooker and the cooker hood must be considered prior to assembly. This distance should be 65 cm.
- Distance must be measured from the surface of grate for gas cookers,
- from surface of glass for electric cookers.

5.2 Installation accessories



1. Hood
2. 4x 4 x 40 Screws
3. User manual
4. Mounting Template
5. Ø120mm Plastic Flue Flap

The information required to make the location suitable for the installation of the hood is given below.

5.3 Installation of the Hood

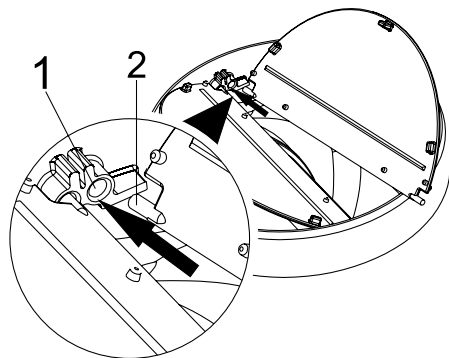


CAUTION: Use protective gloves and goggles for drilling and cutting operations.

- Paste the installing template provided with the hood on the surface where the hood is to be mounted.
- Make holes with Ø4 mm diameter on the points marked as A, B, C, D on the installation template.
- Drill the flue outlet hole specified in the installing template in the sizes given.

Remove the appliance from its packaging. Install the plastic flue flaps provided in the accessories to the air outlet flue of the appliance as shown below.

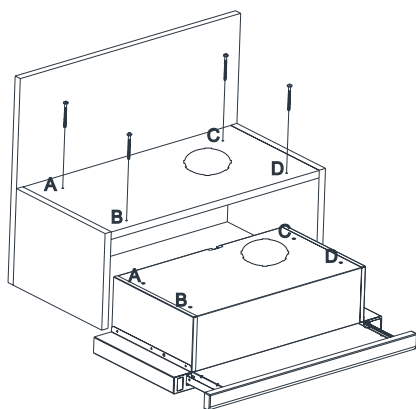
5 Installation of appliance



(Figure 1)

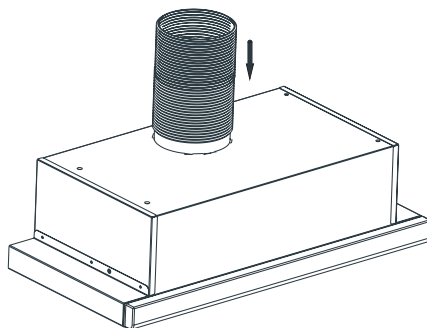
1. Flap Pin Socket
2. Flap Pin

Insert the plastic pin (Figure 1/area no. 2) on the pin socket on the motor exhaust (Figure 1/area no.1). Then bend the flap lightly to insert the other pin on the flap and insert the other pin to its socket (Figure 1).



(Figure 2)

By using the 4 x 40 screws provided with the hood, install the appliance to the cabinet from the points A, B, C and D. When the slider set moves, the front panel shall not rub on the cabinet door (Figure 2)



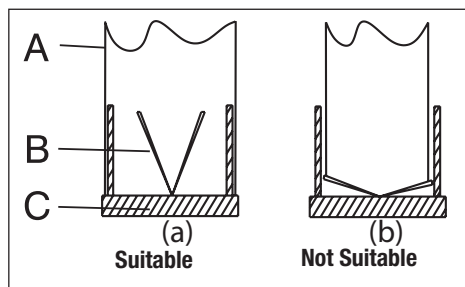
(Figure 3)

Install flexible aluminium pipe to plastic flue outlet. Install the other end of the pipe to the flue hole on the wall (Figure 3).

5.4 Connecting to flue

If you are going to use the \varnothing 120/150 mm plastic flue adapter, connect one end of the pipe to this adapter, if you are not going to use it, to the direct output on the product. Connect the other end of the pipe to your flue. Check that these two connections are tight enough so they will not come out when the appliance runs on full power. Ensure that the flaps inside the flue work when tightened with clamp. Connect the flue connection duct outside the adapter. If the connection duct is fitted inside the adapter, the covers that prevent air return shall remain closed and air won't be sucked in. The length of the pipe connection as well as the number of elbows must be as minimum as possible.

5 Installation of appliance



A : Flue exit pipe

B : Non return flaps

C: Plastic Flue

The valves are closed then the appliance is not operating and prevent possible outside odour and dust from entering inside.

5.5 Storage

- If you do not intend to use the appliance for a long time, please store it carefully.
- Please make sure that the appliance is unplugged, cooled down and totally dry.
- Store the appliance in a cool and dry place.
- Keep the appliance out of the reach of children

5.6 Handling and transportation

- During handling and transportation, carry the appliance in its original packaging. The packaging of the appliance protects it against physical damages.
- Do not place heavy loads on the appliance or the packaging. The appliance may be damaged.
- Dropping the appliance will render it non-operational or cause permanent damage.

6 Troubleshooting

Troubleshooting	Root cause	Help
Appliance is not working.	Check your fuses.	Fuse may be blown, inspect and restore it.
Appliance is not working.	Check the electrical connection.	Mains voltage shall be between 220 and 240 V.
Appliance is not working.	Check the electrical connection.	Check if other appliance in your kitchen operate.
Illumination light does not operate.	Check the electrical connection.	Mains voltage shall be between 220 and 240 V.
Illumination light does not operate.	Inspect the lamp switch.	Lamp switch shall be at "on" position.
Illumination light does not operate.	Inspect the lamps.	The lamps of the appliance shall illuminate.
Air inlet of the appliance is inadequate.	Inspect the grease filter.	Under normal operating conditions, grease filter shall be cleaned at least once in a month.
Air inlet of the appliance is inadequate.	Check the air discharge chimney.	The air discharge chimney shall be at "on" position.
Air inlet of the appliance is inadequate.	Inspect the carbon filter.	The filters of the appliances with carbon filters shall be replaced once in every 3 months under normal conditions.

¡Lea el manual de usuario antes de utilizar el aparato!





Estimado cliente:

Gracias por elegir un aparato Beko. Esperamos que obtenga los mejores resultados de su aparato, ya que ha sido fabricado con gran calidad y con tecnología de última generación. Por esta razón, le aconsejamos que lea este manual de usuario y todos los demás documentos adjuntos con atención antes de utilizar el aparato y que los guarde para futuras consultas. Si entrega este aparato a otra persona, proporcionele también el manual de usuario. Siga las instrucciones prestando especial atención a toda la información y advertencias incluidas en el manual de usuario.

Recuerde que este manual de usuario también puede servir para otros modelos. En el manual se describen las diferencias entre los modelos explícitamente.

Significado de los símbolos

Los siguientes símbolos se usan en las diversas secciones del presente manual de usuario:

	Información importante y consejos útiles sobre su uso.
	ADVERTENCIA: Advertencias de situaciones peligrosas sobre la seguridad de las personas y la propiedad.
	ADVERTENCIA: Advertencia de peligro de incendio.
	ADVERTENCIA: Advertencia sobre posibles descargas eléctricas.



Este aparato se ha fabricado en plantas de fabricación modernas y que hacen uso de procesos respetuosos con el medio ambiente.

1 Instrucciones importantes para la seguridad y el medio ambiente

1.1 Seguridad general

Lea las instrucciones importantes de seguridad y guárdelas para su futura consulta

Esta sección contiene instrucciones de seguridad que ayudarán a la protección contra los riesgos de incendio, descargas eléctricas, exposición a la energía de microondas, lesiones personales o daño a la propiedad. El incumplimiento de estas instrucciones anulará cualquier tipo de garantía.

- Los productos Beko cumplen con todas las normas de seguridad aplicables; por ello, si el cable o el aparato presentan daños, deberán ser reparados o sustituidos por el distribuidor, un servicio técnico o una persona cualificada y autorizada para evitar cualquier peligro. Los trabajos de reparación deficientes o realizados por personal no cualificado puede ser peligrosos y entrañar riesgos para el usuario.
- Este aparato está destinado al uso doméstico y aplicaciones

parecidas, como por ejemplo:

- Cocinas para uso del personal de tiendas, oficinas y otros entornos laborales;
 - Casa rurales;
 - Por clientes en hoteles o cualquier otro tipo de entorno residencial;
 - Entornos de tipo «Habitación y desayuno» (Bed and Breakfast).
- Utilice este aparato únicamente para su uso previsto, tal como se describe en este manual.
 - El fabricante no se hace responsable de los daños provocados por una instalación incorrecta o un uso inapropiado del producto.
 - Este aparato puede ser utilizado por niños mayores de 8 años y por personas con capacidades físicas, sensoriales o mentales reducidas o con falta de experiencia y conocimientos, siempre que estén bajo supervisión o hayan recibido instrucciones pertinentes sobre el uso del aparato de manera segura y comprendan los peligros que conlleva.

1 Instrucciones importantes para la seguridad y el medio ambiente

- No deje que los niños jueguen con el aparato. La limpieza y mantenimiento del usuario no deben ser realizados por niños sin supervisión.
 - La distancia mínima entre la superficie de soporte de los recipientes para cocinar en los fogones y la parte más baja de su aparato debe ser de al menos 65 cm.
 - Si en las instrucciones de instalación de la placa de gas se indica una distancia superior, deberá tenerse en cuenta este hecho.
 - Asegúrese de que la fuente de alimentación cumpla con la información que se indica en la placa de datos del aparato.
 - Nunca utilice el aparato si está dañado el cable de alimentación o el mismo aparato.
 - Evite daños al cable procurando que no sufra tirones, no se doble y no roce con bordes afilados para evitar dañarlo. Mantenga el cable de corriente alejado de superficies calientes y llamas descubiertas.
 - Use el aparato únicamente con un enchufe con toma a tierra.
- ADVERTENCIA:** No conecte el aparato a la red eléctrica antes de que la instalación se haya realizado por completo.
- Coloque siempre el aparato de forma que el enchufe quede a mano.
 - No toque las lámparas si han estado en funcionamiento durante mucho tiempo. Pueden ocasionar quemaduras en las manos ya que estarán calientes.
 - Siga las normas establecidas por las autoridades competentes para la descarga del aire de salida (esta advertencia no es aplicable sin la conexión de la chimenea).
 - Encienda el aparato después de colocar una olla, una sartén, etc, en los fogones. De lo contrario, las altas temperaturas pueden provocar deformaciones en algunas partes del aparato.
 - Apague los fogones antes de retirar las ollas, los sartenes, etc.

1 Instrucciones importantes para la seguridad y el medio ambiente

- No deje aceite caliente en los fogones. Las sartenes con aceite caliente pueden ocasionar autocombustión.
- Preste atención a las cortinas y los estores, ya que, al cocinar platos como patatas fritas, el aceite puede originar un incendio.
- El filtro antigrasa se debe reemplazar por lo menos una vez al mes. El filtro de carbón se debe reemplazar por lo menos cada 3 meses.
- El producto se debe limpiar siguiendo las instrucciones del manual de usuario. Si la limpieza no se ha llevado a cabo siguiendo el manual de usuario, puede haber riesgo de incendio.
- No use materiales filtrantes que no resistan el fuego en vez del filtro actual.
- Utilice únicamente accesorios originales o bien los que recomienda el fabricante.
- No use el aparato sin el filtro y no retire los filtros mientras el aparato esté en funcionamiento.
- En caso de fuego, desactive su producto y los aparatos de cocina.
- En caso de fuego, cubra la llama y nunca utilice agua para apagarlo.
- Desenchufe el aparato antes de cada limpieza y cuando no esté en uso.
- La presión negativa de la estancia no debe superar los 4 Pa (4 x 10 bar) cuando la campana para una placa eléctrica funcione simultáneamente con dispositivos de otro tipo de energía excepto la electricidad.
- En la estancia en donde se encuentra el aparato, el escape de equipos de combustible o gas, como calefactores, deben ser herméticos o estar absolutamente aislados.
- Para la conexión de la chimenea, use tuberías de 120 o 150 mm de diámetro. La conexión de las tuberías debe ser lo más corta posible y tener la menor cantidad de codos de tubería.

1 Instrucciones importantes para la seguridad y el medio ambiente

- ¡Peligro de descarga eléctrica! Mantenga todos los materiales de embalaje alejados de los niños.
- No dejar llamas altas descubiertas debajo de la campana extractora cuando está en funcionamiento

PRECAUCIÓN: Las partes accesibles pueden alcanzar temperaturas elevadas al usarse con cocinas.

- El canal de salida del aparato no debe estar conectado a canales de aire por los que pasan humo.
- La ventilación de la estancia puede ser insuficiente cuando la campana extractora para placas eléctricas se utiliza al mismo tiempo que los aparatos que funcionan con gas u otros combustibles (esto puede no ser aplicable a los aparatos que solamente descargan el aire de nuevo en la estancia).
- Los objetos colocados encima del producto pueden caerse. No coloque ningún objeto encima del aparato.
- No flambear debajo del aparato.

ADVERTENCIA: Antes de instalar la campana, retire las películas protectoras.

- Las freidoras se deberán vigilar continuamente durante su utilización: el aceite sobrecalentado es inflamable.

1.2 De conformidad con la Directiva RAEE y eliminación del producto al final de su vida útil:

Este producto cumple con la Directiva RAEE de la UE (2012/19/UE). Este producto lleva un símbolo de clasificación de residuos de aparatos eléctricos y electrónicos (RAEE).



Este símbolo indica que este producto no debe eliminarse con otros residuos domésticos al final de su vida útil. El aparato usado debe ser devuelto al punto de recogida oficial para el reciclaje de aparatos eléctricos y electrónicos.

Para encontrar estos sistemas de recogida, por favor, póngase en contacto con las autoridades locales o con el distribuidor donde se compró el producto. Cada hogar desempeña un papel importante en la recuperación y el reciclaje de los aparatos viejos. La eliminación adecuada de los aparatos usados ayuda a prevenir las posibles consecuencias negativas para el medio ambiente y la salud humana.

1 Instrucciones importantes para la seguridad y el medio ambiente

1.3 Conformidad con la Directiva RoHS

El producto que ha adquirido cumple con la Directiva RoHS de la UE (2011/65/UE). No contiene materiales peligrosos ni prohibidos especificados en la Directiva.

1.4 Información sobre el embalaje

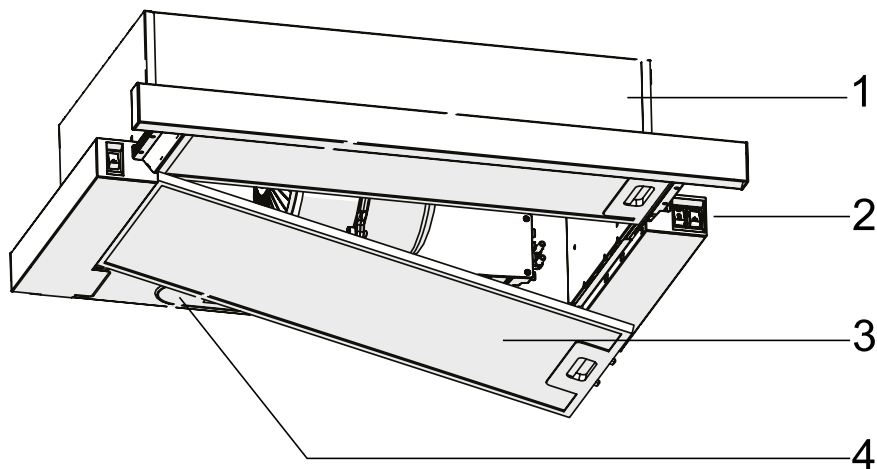


Los materiales de embalaje del producto están fabricados con materiales reciclables de acuerdo con nuestra Normativa Medioambiental Nacional.

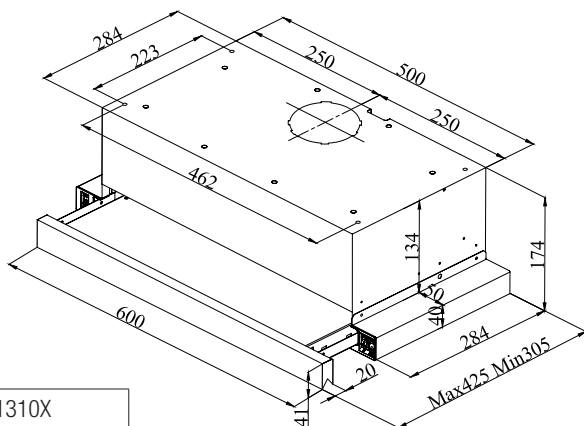
No deseche los materiales de embalaje junto con los residuos domésticos o de otro tipo. Lívelos a los puntos de recogida de material de embalaje designados por las autoridades locales.

2 Apariencia general

2.1 Descripción general



1. Panel delantero
2. Interruptor
3. Filtro de grasa
4. Iluminación

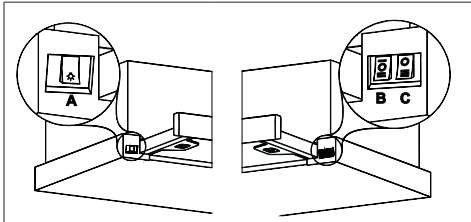


2.2 Datos técnicos

Modelo	HNT61310X
Tensión de alimentación	220-240V ~ 50 Hz
Potencia de la lámpara	2 x 3 W
Potencia del motor	250 W
Caudal - 3. Nivel	483 m ³ /h
Clase de aislamiento del motor	Clase F
Clase de aislamiento	Clase I

3 Funcionamiento del aparato

3.1 Control del aparato



BOTÓN	FUNCIÓN
A : Luz Encendida / Apagada	Saque la placa deslizante hacia el frente. Para encender la lámpara, pulse el botón hacia abajo o hacia arriba para apagarla.
B : Botón de Velocidad 1 y 2	Saque la placa deslizante hacia el frente. Para operar la campana en el nivel de velocidad 1, presione el botón hacia arriba, y para el nivel de velocidad 2, presione hacia abajo.
C : Botón de Velocidad 3	Saque la placa deslizante hacia el frente. Para operar la campana en el nivel de velocidad 3, pulse el botón hacia abajo.

3.2 Funcionamiento eficiente y ahorro de energía uso

- Al utilizar su campana, ajuste la velocidad de acuerdo a la cantidad de vapores y olores existentes, para así ahorrar energía.
- Utilice velocidades bajas (1-2) en condiciones normales, y velocidades altas (3) para el olor y el vapor intensos.
- Las lámparas en la campana son colocadas para iluminar la superficie donde se cocina.
- Al usarlas como luces de ambientación se desperdiciará energía innecesariamente y dará una luz insuficiente.

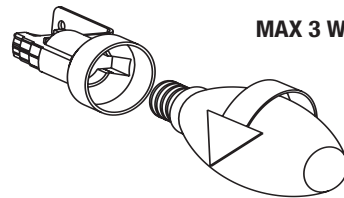
3.3 Instrucciones de funcionamiento

- Su campana contiene un motor con varias velocidades.
- Para un mejor rendimiento, recomendamos utilizar velocidades bajas en condiciones normales y velocidades altas en casos de olores fuertes y vapor intenso.
- Puede iniciar su campana pulsando el botón de la velocidad deseada. (B, C)
- Puede iluminar el área de cocción presionando la lámpara (A).

3.4 Reemplazo de la lámpara



PRECAUCIÓN: Corte la alimentación eléctrica de la campana. Espere a que las lámparas se enfríen, porque podrían provocar quemaduras en las manos cuando están calientes.



MAX 3 W

Quite el filtro de cartucho de aluminio. Quite la bombilla estropeada y sustítuyala por una nueva con la misma potencia.

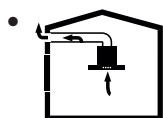
Bombilla	
Potencia de la bombilla	3 W
Soporte / enchufe	E 14
Voltaje de la bombilla	220 - 240 V
Tamaño	35 x 100 mm

3 Funcionamiento del aparato

Código ILCOS	DRBB/F-3-220-240-E14-35/100
Flujo luminoso	220 lm
Temperatura de color correlativa	2700 K

Este producto dispone de una fuente luminosa de clase de eficiencia energética "E".

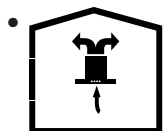
3.5 Funcionamiento con conexión al conducto



El vapor se extrae a través del conducto de humos, que está sujeto a la cabeza de conexión en la campana.

- El diámetro del conducto de humos debe ser el mismo que el del anillo de conexión. En los entornos horizontales, el tubo tiene que tener una ligera inclinación hacia arriba (alrededor de 10°) para que el aire pueda salir fácilmente de la habitación.

3.6 Funcionamiento sin conexión al conducto



El aire se filtra a través del filtro de carbón y circula en la habitación. El filtro de carbón se utiliza cuando es imposible utilizar un conducto para humos

en casa.

- Si el funcionamiento es sin conducto, quite las tapas dentro del adaptador del conducto.
- Retire el filtro de aceite. Para instalar el filtro de carbón, colóquelo en las pestañas centrándolo en la pieza de plástico a ambos lados del cuerpo del ventilador. Apriételo girando a la derecha o a la izquierda.
- Reemplace el filtro de aceite.

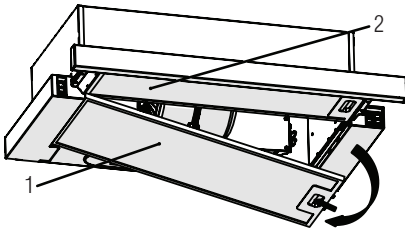
4 Limpieza y mantenimiento



Antes de la limpieza y el mantenimiento, desenchufe el producto o apague el interruptor.

4.1 Limpieza del filtro de grasa de aluminio

El filtro de grasa de aluminio se utiliza para retener las partículas de aceite en el aire. Los filtros de grasa de aluminio pueden cambiar de color al ser lavados; esto es normal y no requiere la sustitución de su filtro.



1. Filtro de Grasa de Externo

2. Filtro de Grasa de Interno

- Retire la placa deslizante sosteniendo el panel frontal. Primero quite el Filtro de Grasa de aluminio externo y luego el filtro de grasa de aluminio interno.
- Empuje el cierre del filtro de grasa de Aluminio hacia adelante.
- Luego baje ligeramente y sáquelo. De lo contrario, puede doblar el filtro. Lave y enjuague los filtros de grasa de Aluminio con detergente líquido y reemplace los filtros de grasa de Aluminio realizando los pasos especificados anteriormente en orden inverso. Este filtro retiene las partículas de aceite en el aire.



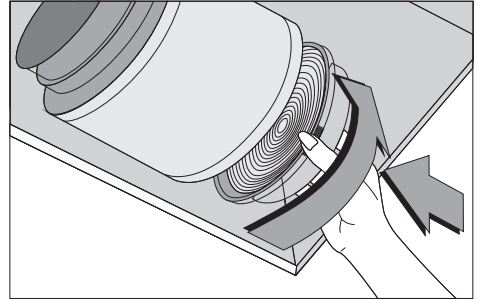
Puede lavar el filtro en el lavavajillas.



PRECAUCIÓN: En caso de uso normal, limpie el filtro una vez al mes.

4.2 Sustitución de los filtros de carbón

Los filtros de eliminación de olores contienen carbón (carbón activo). Los filtros de grasa deben estar instalados en el producto, sin importar si se utilizan filtros de carbón o no.



- Retire el filtro de grasas.
- Para retirar el filtro de carbón, sáquelo de su alojamiento girándolo en sentido contrario a las agujas del reloj desde la pestaña.
- Instale el nuevo filtro de carbón.
- Instale el filtro de grasas.

PRECAUCIÓN



- El filtro de carbón nunca será lavado.
- Reemplace los filtros de carbón una vez cada 3 meses.
- Puede obtener el filtro de carbón en los servicios técnicos autorizados.

5 Instalación del aparato



¡ADVERTENCIA: Antes de comenzar la instalación, lea la información de seguridad en el manual de usuario.

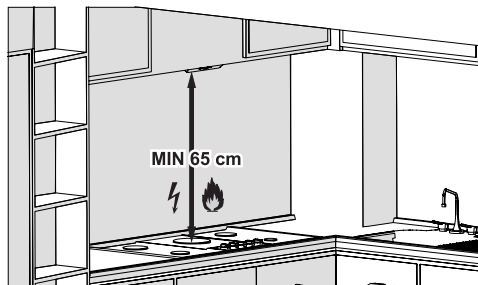


¡ADVERTENCIA: Si no se instalan los tornillos y estabilizadores de acuerdo con estas instrucciones, puede producirse una descarga eléctrica.

Para la instalación de la campana, por favor contacte con el servicio técnico autorizado más cercano.

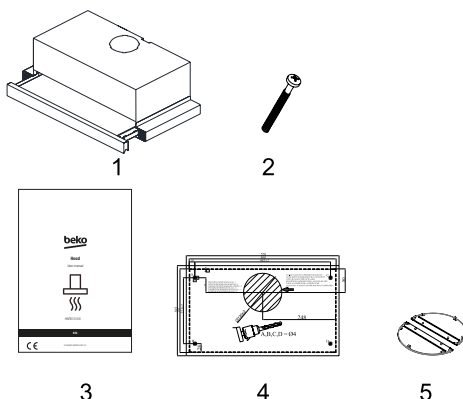
Es responsabilidad del cliente proveer la ubicación e instalación eléctrica apropiadas para la campana.

5.1 Posición del aparato



- La distancia entre la cocina y la campana extractora debe ser tenida en cuenta antes del montaje. Esta distancia debe ser de 65 cm.
- La distancia debe medirse desde la superficie de la rejilla para las cocinas de gas.
- y desde la superficie del vidrio para las cocinas eléctricas.

5.2 Accesorios de instalación



1. Campana
2. 4 Tornillos 4x40
3. Manual de Operación y Otros Documentos
4. Plantilla de Montaje
5. Solapa de Chimenea de Plástico de Ø120mm

La información necesaria para elegir un lugar adecuado para la instalación de la campana se da a continuación.

5.3 Instalación de Campana

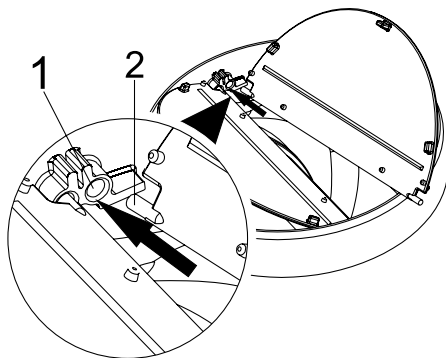


PRECAUCIÓN: Durante las operaciones de perforación y corte utilice guantes y gafas de protección.

- Pegue la plantilla de instalación suministrada con la campana en la superficie donde se va a montar la campana.
- Perfore agujeros de Ø4 mm de diámetro en los puntos marcados como A, B, C, D en la plantilla de instalación.
- Perfore agujero de salida de chimenea especificado en la plantilla de instalación en las medidas indicadas.

5 Instalación del aparato

Retire el aparato de su embalaje. Coloque las solapas de plástico suministradas con los accesorios en la salida de aire del aparato, tal como se muestra a continuación.

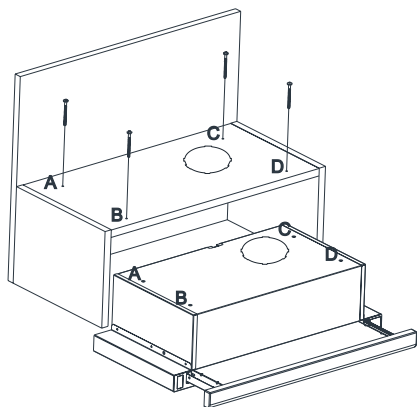


(Imagen 1)

1. Conector de Clavija

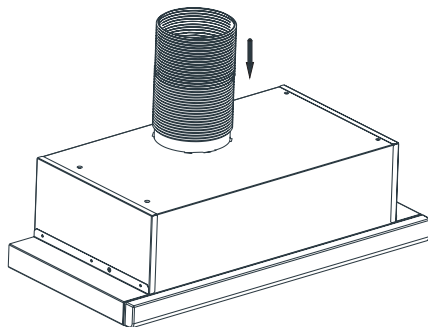
2. Clavija

Inserte la clavija de plástico (Imagen 1/área no 2) en el conector de clavija del extractor del motor (Imagen 1/área no 1). A continuación, doble el alojamiento de la clavija ligeramente e inserte la otra clavija en el mismo y, finalmente, inserte la clavija restante en su conector (Imagen 1).



(Imagen 2)

Utilizando los tornillos de 4 x 40 que se suministran con la campana, instale el aparato en el gabinete desde los puntos A, B, C y D. Al mover el set de deslizamiento, el panel frontal no debe friccionar con la puerta del gabinete (Imagen 2)



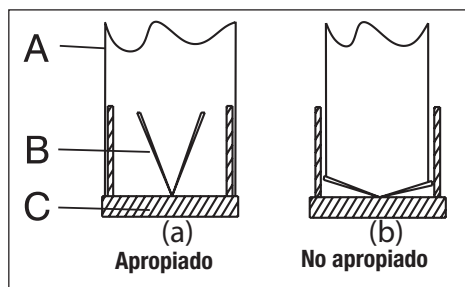
(Imagen 3)

Instale el tubo flexible de aluminio en la salida de chimenea de plástico. Instale el otro extremo del tubo en el agujero de la chimenea en la pared (Imagen 3).

5.4 Conexión al conducto

Si va a utilizar el adaptador de plástico para conductos de humos de $\varnothing 120/150$ mm de diámetro, conecte un extremo del tubo a este adaptador, si no lo va a utilizar, a la salida directa del producto. Conecte el otro extremo del tubo al conducto de humos. Compruebe que estas dos conexiones están lo suficientemente firmes para que no se aflojen cuando el aparato funcione a plena potencia. Asegúrese de que las tapas dentro del conducto funcionan cuando se aprietan con la abrazadera. Conecte la conexión del conducto fuera del adaptador. En caso de que el conducto de conexión se instale en el interior del adaptador, las cubiertas que evitan el retorno del aire deberán permanecer cerradas y el aire no será aspirado. Tanto la longitud de la conexión de la tubería como el número de codos deben ser los mínimos posibles.

5 Instalación del aparato



A : Tubo de salida de humos

B : Tapas de no retorno

C: Adaptador de escape de plástico

Las válvulas están cerradas y el aparato no funciona, lo que evita que el posible olor exterior y el polvo entren en el interior.

5.5 Almacenamiento

- Si no va a utilizar el aparato durante un periodo prolongado de tiempo, guárdelo cuidadosamente.
- Asegúrese de que el aparato esté desenchufado, frío y totalmente seco.
- Guarde el aparato en un lugar fresco y seco.
- Mantenga el aparato fuera del alcance de los niños.

5.6 Manipulación y transporte

- Durante la manipulación y el transporte, transporte el aparato en su embalaje original. El embalaje del aparato lo protege contra daños físicos.
- No coloque cargas pesadas sobre el aparato o el embalaje. El aparato puede resultar dañado.
- Si deja caer el aparato, dejará de funcionar o provocará daños permanentes.

6 Solución de problemas

Solución de problemas	Causa principal	Ayuda
El aparato no funciona.	Revise los fusibles.	El fusible puede estar fundido, revíselo y cámbielo, si es necesario.
El aparato no funciona.	Revise la conexión eléctrica.	El voltaje de la red debe ser entre 220 y 240 V.
El aparato no funciona.	Revise la conexión eléctrica.	Compruebe si funcionan otros aparatos en la cocina.
La bombilla de iluminación no funciona.	Revise la conexión eléctrica.	El voltaje de la red debe ser entre 220 y 240 V.
La bombilla de iluminación no funciona.	Revise el interruptor de la bombilla.	El interruptor de la bombilla debe estar en posición "on" (encendido).
La bombilla de iluminación no funciona.	Revise las bombillas.	Las bombillas del aparato se iluminarán.
La entrada de aire del aparato no es adecuada.	Revise el filtro.	En condiciones normales de funcionamiento, el filtro de grasa se limpiará al menos una vez al mes.
La entrada de aire del aparato no es adecuada.	Revise el conducto de descarga de aire.	El conducto de descarga de aire debe estar en posición "on" .
La entrada de aire del aparato no es adecuada.	Revise el filtro de carbón.	Los filtros de carbón serán reemplazados una vez cada 3 meses en condiciones normales.



**Contacto para asistencia técnica:
902 877 665 / 932 992 581**

CONDICIONES DE GARANTIA - ESPAÑA

El presente certificado cubre la garantía de reparación de su electrodoméstico durante dos años, a partir de la fecha de venta, contra todo defecto de funcionamiento proveniente de fabricación o materiales; o de sustitución del aparato, salvo que una de estas opciones resulte imposible o desproporcionada respecto de la otra. Cuando usted detecte un defecto o anomalía en el aparato contacte de forma inmediata con nosotros, un plazo de dos meses es el límite para informarnos de la falta de conformidad. El cargo de desplazamiento está incluido en la reparación, excepto para pequeños electrodomésticos que pueden ser transportados al taller del servicio oficial de la marca. En caso de sustitución, el plazo de garantía se suspende y el nuevo aparato mantendrá el periodo de vigencia del aparato sustituido, y como mínimo 6 meses de garantía.

La presente garantía sólo será válida si se presenta factura, ticket de compra o el albarán de entrega del producto correspondiente si éste fuera posterior a la fecha de factura. La presente garantía es válida en el territorio español y portugués para los aparatos distribuidos por Beko Electronics España S.L.. La garantía sólo tendrá validez sobre el primer comprador o adquirente del producto. La garantía será válida para aparatos adecuados a las condiciones climáticas y medioambientales en que estén ubicados.

EXCLUSIONES DE LA GARANTIA

El coste de la reparación será a cargo del usuario en los siguientes casos:

- Los aparatos utilizados para uso profesional o no exclusivamente doméstico, en establecimientos públicos, industriales o comerciales.
- Los aparatos desmontados o manipulados por personas ajenas a los servicios técnicos expresamente autorizados.
- Las instalaciones, transporte, sustitución de aparatos, puestas en marcha, cambio de sentido de puertas.
- Intervenciones de mantenimiento o de información sobre el uso de los aparatos.
- Cambio de inyectores en aparatos de gas.
- Las averías provocadas por falta de mantenimiento o limpieza o aquellas provocadas por un uso indebido, sobrecarga, abandono o de manera no conforme a las instrucciones de uso o de instalación de los aparatos.
- Las averías producidas por causas fortuitas, siniestros de fuerza mayor o derivados de instalación incorrecta y en general, averías por causas ajenas al propio aparato.
- Las averías provocadas por conexiones que puedan presentar fluctuaciones, irregularidades o falta de uniformidad en el suministro, por ejemplo: suministro de agua impulsado por grupos de presión, energía solar, energía eólica, generadores eléctricos, u otro tipo de suministro no normalizado.
- La sustitución de materiales rotos o deteriorados por desgaste o uso no normal del aparato, o materiales consumibles tales como: juntas, plásticos, gomas, correas, cristales, escobillas, bombillas, asas, tiradores, tapas de quemadores, filtros, rejillas, ánodos de sacrificio (magnesio o similares) de calentadores o calderas, etc.
- Los aparatos que presenten oxidación, o daños por corrosión en esmaltes o pinturas, que puedan ser provocados por efectos químicos o electroquímicos del agua o cualquier otra sustancia, o aceleradas por circunstancias ambientales o climáticas no propicias.
- Defectos estéticos en serigrafía o pintura.
- Los daños de transporte o manipulación, golpes, etc.
- Los aparatos deben instalarse de forma accesible para su reparación, debiendo asumir el usuario los costes necesarios para el acceso al aparato para su reparación y sustitución.

La presente garantía no afecta a los derechos de que dispone el consumidor conforme a lo previsto en el Real Decreto 1/2007, de 16 de noviembre, por el que se aprueba el texto refundido de la Ley General para la Defensa de los Consumidores y Usuarios y otras leyes complementarias, y la Ley 3/2014 que la modifica.

El Servicio Oficial de Asistencia Técnica resolverá cualquier incidencia que pudiera precisar su electrodoméstico siempre que el aparato esté instalado de forma accesible.

Para asegurarse que su electrodoméstico va a ser intervenido por un técnico oficial autorizado, rogamos solicite el carnet avalado por ANFEL (Asociación Nacional de Fabricantes de Electrodomésticos) a nuestros técnicos.

Las marcas BEKO, ALTUS, BLOMBERG, y GRUNDIG se distribuyen por Beko Electronics España S.L.

DATOS APARATO (a rellenar por el Distribuidor):

Títular:		Sello Establecimiento:
Modelo:	Núm. serie:	
Establecimiento:	Fecha de compra:	

El garante e importador de su electrodoméstico es: BEKO ELECTRONICS ESPAÑA S.L. Calle Provenza nº 388 3º Barcelona 08025, España. El producto ha sido fabricado por ARÇELIK A.S (Arçelik A.S.Sütluce Karaağaç Cad. No:2-6 34445 Beyoglu, Istanbul, Turkey) o Arctic S.A. (210, 13 Decembrie St., 135200, Gaesti, Dambovită, Romania

Conózanlos mejor en nuestra página: www.beko.com Conserve este documento, es importante para usted.

Prvo pročitajte ovaj korisnički priručnik!

Poštovani cijenjeni kupci,

Zahvaljujemo vam što ste odabrali ovaj proizvod kompanije Beko. Nadamo se da ćete na najbolji mogući način iskoristiti svoj uređaj koji je napravljen s visokim kvalitetom i vrhunskom tehnologijom. Iz tog razloga, pročitajte ovaj kompletan korisnički priručnik i sve druge prateće dokumente pažljivo prije korišćenja proizvoda i sačuvajte ih za buduću upotrebu. Ako ovaj uređaj predate trećem licu, priložite i ovaj korisnički priručnik. Pratite upute obraćajući pažnju na sve informacije i upozorenja navedena u korisničkom priručniku.

Imajte na umu da je ovaj korisnički priručnik primjenljiv i za druge modele. Razlike između modela izričito su opisane u priručniku.

Značenje simbola

Sljedeći simboli se koriste u raznim odjeljcima ovog korisničkog priručnika:



Važne informacije i korisni savjeti u vezi s upotrebom.



UPOZORENJE: Upozorenja na opasne situacije koje se odnose na sigurnost života i imovine.



UPOZORENJE: Upozorenje na opasnost od požara.



UPOZORENJE: Upozorenje na strujni udar.



Ovaj uređaj je proizveden u ekološkim modernim postrojenjima bez štetnog uticaja na prirodu.

1 Važne upute u vezi sa sigurnošću i zaštitom životne sredine

1.1 Opšta sigurnost

Važne upute u vezi sa sigurnošću pažljivo pročitajte i i sačuvajte ih za buduću upotrebu. Ovaj odjeljak sadrži upute u vezi sa sigurnošću koje će vam pomoći u zaštiti od opasnosti od požara, strujnog udara, izloženosti curenju mikro-talasne energije, ličnih povreda ili oštećenja imovine. Nepoštovanje ovih uputa poništava odobrenu garanciju.

- Beko proizvodi su u skladu s važećim sigurnosnim standardima; prema tome, u slučaju bilo kakvih oštećenja na uređaju ili kablju za napajanje, iste treba da popravi ili zamijeni prodavač, servisni centar ili stručno lice i ovlašćeni servis kako bi se izbjegla bilo kakva opasnost. Neispravni ili nekvalifikovani radovi na popravci mogu biti opasni i mogu dovesti do opasnosti po korisnika.
- Ovaj uređaj je namijenjen za upotrebu u domaćinstvima i sličnim objektima kao što su:

- prostori kuhinje za zaposlenike u trgovinama, uredima i drugim radnim okruženjima;
- kuće na farmama,
- seoske kuće i za goste u hotelima, motelima i drugim objektima za smještaj;
- objekti koji nude prenočište i doručak,
- Upravljajte uređajem prema predviđenoj namjeni samo kako je opisano u ovom priručniku.
- Proizvođač ne može biti odgovoran za štetu nastalu nepropisnom ugradnjom ili zloupotrebom proizvoda.
- Ovaj uređaj mogu koristiti djeca od 8 godina i starija, i osobe sa ograničenim fizičkim, čulnim ili mentalnim sposobnostima, osobe koje nemaju dovoljno znanja ili iskustva ako su pod nadzorom ili su im date upute koje se tiču upotrebe uređaja na siguran način i opasnosti koje uređaj uključuje.
- Djeca se ne smiju igrati s uređajem. Čišćenje i održavanje

1 Važne upute u vezi sa sigurnošću i zaštitom životne sredine

od strane korisnika ne smiju obavljati djeca ukoliko nisu pod nadzorom.

- Minimalna udaljenost između noseće površine posuda za kuvanje na ploči za kuvanje i najnižeg dijela vašeg proizvoda mora biti najmanje 65 cm.
- Ako je uputama za ugradnju plinske ploče definisana veća udaljenost, to se mora uzeti u obzir.
- Vaše mrežno napajanje strujom mora biti u skladu sa informacijama na pločici na uređaju.
- Nikada ne koristite uređaj ako je kabl za napajanje ili sam uređaj oštećen.
- Spriječite oštećenje kabla za napajanje tako što ga nećete stiskati, savijati ili trljati po ostrim ivicama. Držite kabl za napajanje dalje od vrućih površina i izvora plamena.
- Uređaj koristite samo sa uzemljenom utičnicom.

UPOZORENJE: Ne priključujte uređaj na napajanje prije potpune ugradnje uređaja.

- Postavite uređaj na način da utikač bude uvijek dostupan.
- Ne dirajte lampe ako su dugo radile. Mogu vam stvoriti opekotine na rukama jer će biti zagrijane.
- Pridržavajte se propisa koji su utvrdili nadležni organi o ispuštu izduvnog vazduha (ovo upozorenje nije primjenljivo na uporabu bez dimnih gasova).
- Uključite uređaj nakon što stavite lonac, tavu itd. na ploču za kuvanje. U suprotnom, velika toplota može prouzrokovati deformacije u nekim djelovima vašeg proizvoda.
- Isključite ploču prije nego što sa nje sklonite lonac, tavu itd.
- Ne ostavljajte vruće ulje na ploči za kuvanje. Posude sa vrućim uljem mogu izazvati samo-sagorijevanje.
- Obratite pažnju na zavjese i prekrivače, jer se ulje može zapaliti dok spremate hranu kao što je pomfrit.

1 Važne upute u vezi sa sigurnošću i zaštitom životne sredine

- Filter za masnoće treba zamijeniti najmanje jednom mjesečno. Karbonski filter se mora zamijeniti najmanje jednom u svaka 3 mjeseca.
 - Proizvod se čisti u skladu sa korisničkim priručnikom. Ako čišćenje nije izvršeno u skladu s korisničkim priručnikom, može doći do opasnosti od požara.
 - Ne koristite materijale za filtriranje koji nisu otporni na vatru umjesto trenutnog filtera.
 - Koristite samo originalne djelove ili djelove koje je preporučio proizvođač.
 - Ne koristite proizvod bez filtera i ne uklanjajte filtere dok je proizvod u funkciji.
 - U slučaju pojave plamena, isključite vaš proizvod i uređaje za kuvanje sa napajanja električnom energijom.
 - U slučaju pojave plamena, prekrijte plamen i nikada ne koristite vodu za gašenje.
 - Isključite uređaj sa napajanja prije svakog čišćenja i kada uređaj ne koristite.
 - Negativni pritisak u okolini ne bi trebalo da pređe 4 Pa (4 x 10 bara) dok istovremeno rade aspirator za električnu ploču i uređaji koji rade na drugoj vrsti energije osim struje.
 - U okruženju u kojem se koristi uređaj, ispustni otvor uređaja koji rade na lož-gorivo ili plin, kao što su sobni grijači, mora biti apsolutno izolovan ili uređaj treba da bude hermetičnog tipa.
 - Pri povezivanju odvodne cijevi koristite cijevi prečnika 120 ili 150 mm. Priključak cijevi mora biti što kraći i imati što je moguće manje prelamanja.
- Opasnost od gušenja!** Sve materijale za pakiranje držite dalje od djece.
- OPREZ:** Pristupačni djelovi se mogu zagrijati kada se koriste sa uređajima za kuvanje.
- Izlazni otvor proizvoda ne smije biti povezan sa vazdušnim kanalima koji sprovode drugu vrstu dima.

1 Važne upute u vezi sa sigurnošću i zaštitom životne sredine

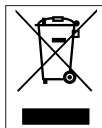
- Ventilacija u prostoriji može biti nedovoljna kada se aspirator za električnu ploču koristi istovremeno sa uređajima koji rade na plin ili druga goriva (ovo možda nije primjenljivo na uređaje koji samo dovode vazduh u prostoriju).
- Predmeti stavljeni na proizvod mogu pasti. Ne stavljajte nikakve predmete na proizvod.
- Ne flambirajte hranu ispod proizvoda.

UPOZORENJE: Prije ugradnje aspiratora uklonite zaštitne folije.

- Nikada ne ostavljajte visoko otvoren plamen ispod aspiratora dok je isti u funkciji.
- Friteze sa dubokim uljem moraju se neprestano nadgledati tokom upotrebe: pregrijano ulje može da plane.

1.2 Usklađenost s direktivom WEEE i Odlaganjem otpadnog proizvoda:

Ovaj proizvod je usklađen s Direktivom EU WEEE (2012/19/EU). Ovaj proizvod nosi simbol klasifikacije za odlaganje električne i elektronske opreme (WEEE).



Ovaj simbol označava da ovaj proizvod ne treba odlagati sa ostalim otpadom iz domaćinstva na kraju vijeka upotrebe. Korišćeni uređaj mora se vratiti u službeno zbirno mjesto za recikliranje električnih i elektronskih uređaja. Da biste pronašli ove sisteme za prikupljanje, obratite se lokalnim nadležnim organima ili prodavcu kod kojeg je proizvod kupljen. Svako domaćinstvo ima važnu ulogu u obnovi i recikliranju starih uređaja. Odgovarajuće odlaganje korišćenog aparata pomaže u sprječavanju potencijalnih negativnih posljedica po životnu sredinu i zdravlje ljudi.

1.3 Usklađenost sa RoHS direktivom:

Proizvod koji ste kupili je usklađen s Direktivom EU RoHS (2011/65/EU). On ne sadrži štetne i zabranjene materijale navedene u Direktivi.

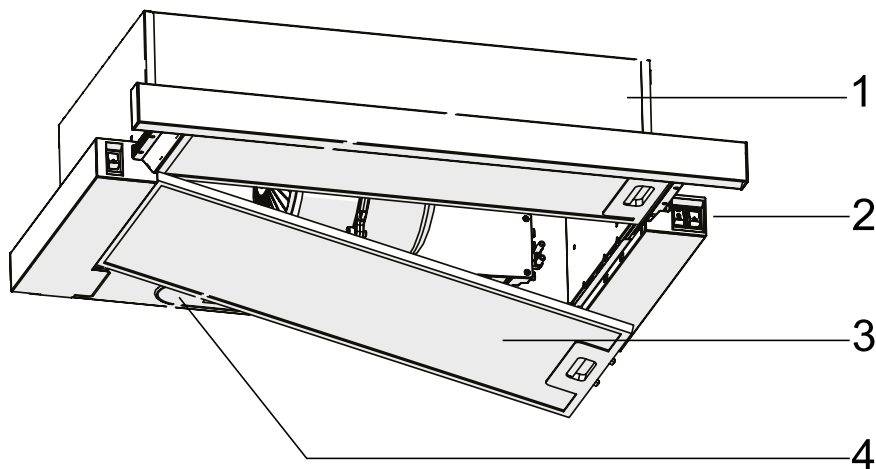
1.4 Informacija o ambalaži



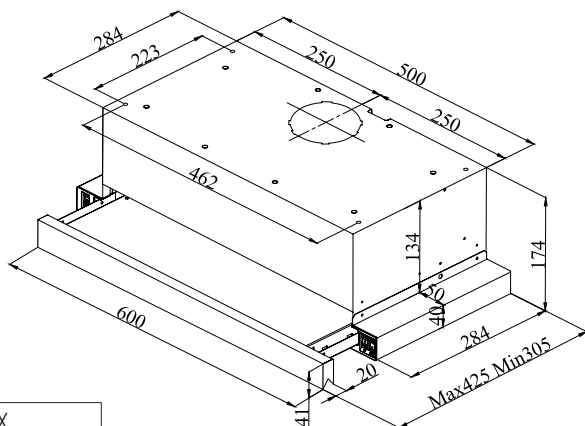
Ambalaža proizvoda je proizvedena od sekundarnih sirovina u skladu s našim nacionalnim propisima za zaštitu okoliša. Ne bacajte ambalažu zajedno s otpadom iz domaćinstva ili drugim otpadom. Odnosite je do sabirnih centara za ambalažu koje su odredili lokalni nadležni organi.

2 Opšti izgled

2.1 Prikaz



1. Glavna tabla
2. Prekidač
3. Filter za masnoću
4. Osvjetljenje

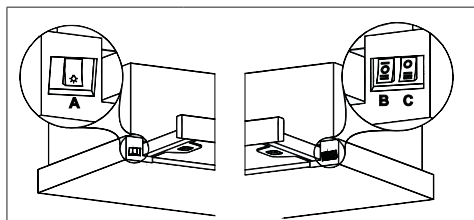


2.2 Tehnički podaci

Model	HNT61310X
Napon napajanja	220-240V ~ 50 Hz
Snaga lampice	2 x 3 W
Snaga motora	250 W
Brzina protoka – 3. Nivo	483 m ³ /h
Klasa izolacije motora	Klasa F
Klasa izolacije	Klasa I

3 Rukovanje uređajem

3.1 Kontrola uređaja



TIPKA	FUNKCIJA
A : Uključeno/ Isključeno svijetlo	Povucite kliznu ploču naprijed. Pritisnite dugme prema dolje da biste uključili lampicu ili prema gore da biste je isključili.
B : Tipka za 1. i 2. brzinu	Povucite kliznu ploču naprijed. Pritisnite tipku prema gore za aktiviranje nape pri razini brzine 1., a prema dolje za aktiviranje nape pri razini brzine 2.
C : Tipka za 3. brzinu	Povucite kliznu ploču naprijed. Pritisnite tipku prema dolje kako biste aktivirali napu na razini brzine 3.

3.2 Energetski efikasan rad sa uštedom energije

- Kad koristite uređaj prilagodite brzinu intenzitetu pare i mirisa da biste uštedjeli energiju.
- Koristite niske brzine (1-2) u normalnim uvjetima, a velike brzine (3) za intenzivan miris i isparavanje.
- Lampice na napi su postavljene za osvjetljavanje područja kuhanja.
- Njihova upotreba za osvjetljenje okoliša uzrokovat će nepotrebne troškove energije i nedovoljno osvjetljenje.

3.3 Rad nape

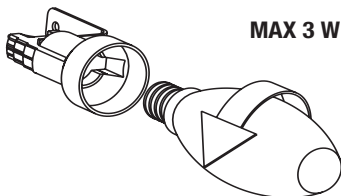
- Vaš uređaj ima motor s različitim brzinama.
- Za bolje performanse preporučujemo upotrebu niskih brzina u normalnim uvjetima i velike brzine u slučaju jakih mirisa i intenzivne pare.
- Uređaj možete pokrenuti pritiskom na dugme za podešavanje željene brzine. (B,C)

- Područje za kuhanje možete osvijetliti pritiskom na lampicu. (A)

3.4 Zamjena lampice



OPREZ: Isključite napu s napajanja. Ostavite lampe da se prvo ohlade jer bi vam mogle stvoriti opekline na rukama dok su vruće.



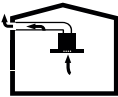
Uklonite aluminijumski uložak za filter. Uklonite neispravnu žarulju i zamijenite novom s istom oznakom.

Sijalica	
Snaga sijalice	3 W
Držač/utičnica	E 14
Napon sijalice	220 - 240 V
Veličina	35 x 100 mm
ILCOS kod	D R B B / F - 3 - 2 2 0 - 240-E14-35/100
Svjetlosni tok	220 lm
Odgovarajuća temperatura boje	2700 K

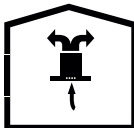
Ovaj proizvod sadrži izvor svjetla klase energetske efikasnosti "E".

3 Rukovanje uređajem

3.5 Rad s priključkom na dimnjak

-  Para se odvodi kroz kanal dimnjaka, koji je pričvršćen na priključnu glavu na napi.
- Promjer kanala dimnjaka mora biti isti kao i priključni prsten. U horizontalnim postavkama cijev mora imati blagi nagib prema gore (oko 10°) da bi zrak mogao lako izaći iz prostorije.

3.6 Rad bez priključka na dimnjak

-  Zrak se filtrira kroz karbonski filter i recirkuliše unutar prostorije. Karbonski filter koristi se kada nije moguće koristiti dimnjak u kući.
- U slučaju upotrebe bez dimnjaka, uklonite klapne iz adaptera za dimnjak.
- Uklonite Filter za masnoću. Da biste ugradili karbonski filter, filter namjestite na jezičke tako što ćete ga centrirati na plastični komad s obje strane kućišta ventilatora. Zategnite ga okretanjem udesno ili ulijevo.
- Zamijenite Filter za masnoću.

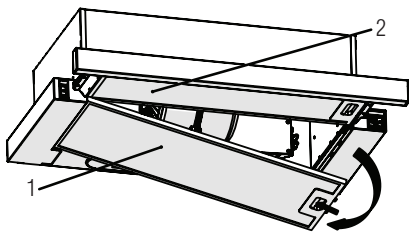
4 Čišćenje i održavanje



Prije čišćenja i održavanja, isključite proizvod s napajanja ili isključite prekidač.

4.1 Čišćenje aluminijuskog filtra za masnoće

Aluminijски filter za masnoću koristi se za zadržavanje čestica masnoće u zraku. Aluminijски filter za masnoću može promijeniti boju prilikom pranja; to je normalno i ne zahtijeva zamjenu vašeg filtra.



1. Vanjski aluminijски filter za masnoću
 2. Unutarnji aluminijски filter za masnoću
- Izvucite kliznu ploču držeći prednju ploču. Prvo uklonite vanjski aluminijски filter za masnoću, a zatim unutarnji aluminijски filter za masnoću.
 - Gurnite bravu aluminijuskog filtra za masnoću prema naprijed.
 - Zatim ga lagano povucite prema dolje i izvucite (Slika 5). U suprotnom možete saviti filter. Operite i isperite aluminijски filter za masnoću tečnim deterdžentom i vratite aluminijски filter za masnoću na njegovo mjesto izvodeći gore navedene korake obrnutim redoslijedom. Ovaj filter sakuplja čestice masnoće u vazduhu.



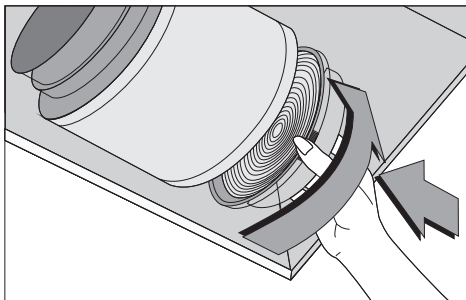
Aluminijuske filtre za masnoću možete oprati u mašini za pranje sudova



OPREZ: U slučaju normalne upotrebe, očistite aluminijски filter za masnoću jednom mjesečno.

4.2 Zamjena karbonskih filtera

Filteri za uklanjanje mirisa sadrže ugljen (aktivni ugljen). U proizvodu moraju biti ugrađeni aluminijски filteri za masnoću, bez obzira na to upotrebljavate li karbonske filtre ili ne.



- Uklonite aluminijски filter za masnoću.
- Da biste uklonili karbonski filter, izvadite ga iz njegovog kućišta tako da ćete ga okrenuti u smjeru suprotnom od kazaljke na satu.
- Ugradite novi karbonski filter.
- Ugradite aluminijuske filtre za masnoću.

OPREZ



- Karbonski filter nikada se ne pere.
- Zamijenite karbonske filtre jednom svaka 3 mjeseca.
- Karbonski filter možete nabaviti od ovlaštenih servisa.

5 Ugradnja uređaja



UPOZORENJE: Prije započinjanja ugradnje pročitajte sigurnosne informacije u korisničkom priručniku.

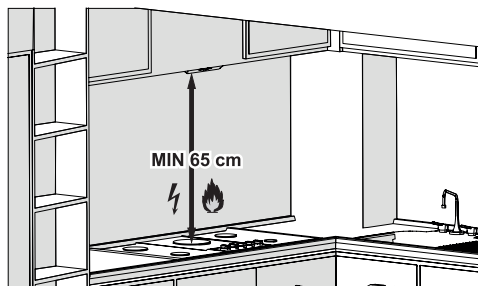


UPOZORENJE: Ako ugradnju ne izvršite s vijcima i uređajima za pričvršćivanje u skladu s ovim uputama, može doći do opasnosti od električnog udara.

Za ugradnju nape obratite se najbližem ovlaštenom servisu kompanije.

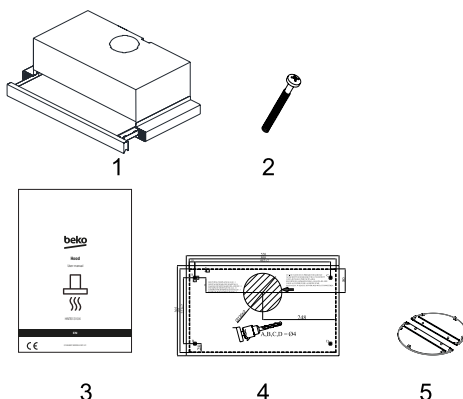
Korisnik je odgovoran da pripremi lokaciju i električnu instalaciju za napu.

5.1 Položaj uređaja



- Prije montiranja mora se uzeti u obzir udaljenost između šporeta i nape. Ova udaljenost treba biti 50 cm za električne ploče i 65 cm za plinske ploče.
- Udaljenost se mora mjeriti od površine rešetke za plinske šporete,
- od površine stakla za električne šporete.

5.2 Pribor za ugradnju



1. Napa
 2. vijci 4x 4 x 40
 3. Uputstvo za upotrebu i ostali dokumenti
 4. Predložak za montažu
 5. Plastična klapna dimovoda $\varnothing 120\text{mm}$
- Informacije potrebne za pripremu lokacije prikladne za postavljanje nape date su u nastavku.

5.3 Funkcije nape

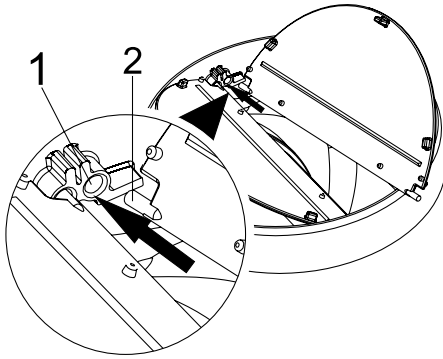


OPREZ: Za bušenje i sečenje koristite zaštitne rukavice i naočale.

- Zalijepite predložak za postavljanje koji je isporučен uz napu na površinu na koju treba montirati napu.
- Na točkama označenim kao A, B, C, D na predlošku za instalaciju napravite rupe promjera $\varnothing 4\text{ mm}$.
- Izbušite otvor za odvod dimovoda naveden u predlošku za ugradnju u navedenim veličinama.

Izvadite uređaj iz ambalaže. Instalirajte plastične klapne dimovoda isporučene u dodatnom priboru na odvodni kanal za odvod zraka uređaja, kao što je prikazano u nastavku.

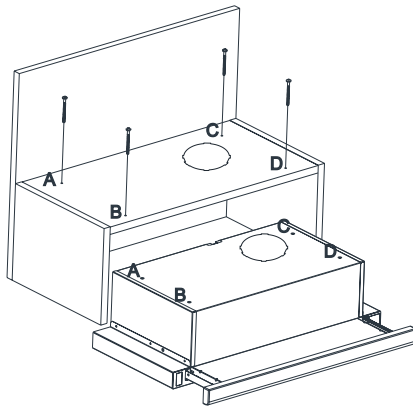
5 Ugradnja uređaja



(Slika 1)

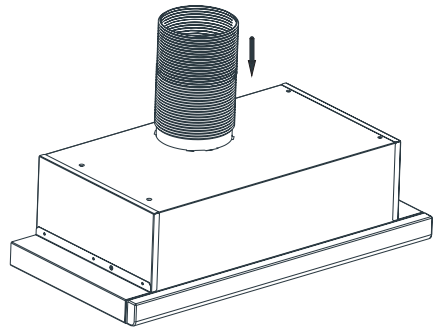
1. Fassung zaklopke
2. Zaklopka

Umetnite plastičnu iglu (Slika 1/područje br. 2) u fassung zaklopke na izdovu motora (Slika 1/ područje br. 1). Zatim lagano savijte zaklopku da biste umetnuli drugu iglu na zaklopku i umetnite drugu iglu u njen fassung (Slika 1).



(Slika 2)

Korištenjem vijaka 4 x 40 isporučenih s napom postavite uređaj u kućište s točaka A, B, C i D. Kad se klizač pomakne, prednja ploča ne bi trebalo da kači za vrata kućišta (Slika 2).

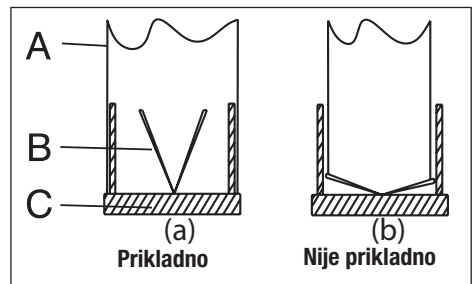


(Slika 3)

Instalirajte fleksibilnu aluminijumsku cijev na plastični izlaz dimovoda. Ugradite drugi kraj cijevi u dimovodnu rupu na zidu (Slika 3).

5.4 Priključak na dimovod

Ako namjeravate koristiti adapter za plastični dimovod od \varnothing 120/150 mm, spojite jedan kraj cijevi na ovaj adapter, a ako ga nećete koristiti, onda na izravni izlaz na proizvodu. Spojite drugi kraj cijevi na dimovod. Provjerite jesu li ova dva priključka dovoljno čvrsta da se ne raskaače kada uređaj bude radio punom snagom. Vodite računa da zaklopke unutar dimovoda rade kada se stegnu stezaljkom. Spojite kanal priključka na dimovod izvan adaptera. Ako je priključni kanal ugrađen unutar adaptera, klapne koje sprečavaju povrat zraka ostat će zatvorene i zrak se neće usisavati unutra. Dužina cijevnog priključka kao i broj koljena moraju biti što je moguće manji.



5 Ugradnja uređaja

A : Izlazna cijev dimovoda

B : Nepovratne zaklopke

C: Plastični dimovod

Ventili su zatvoreni kada uređaj ne radi te sprječavaju da mogući vanjski miris i prašina ulaze spolja.

5.2 Čuvanje

- Ako ne planirate da koristite uređaj duže vrijeme, molimo Vas da ga pažljivo odložite.
- Molimo vas, provjerite da li je uređaj isključen, hladan i potpuno suv.
- Ostavite uređaj na suvo i hladno mjesto.
- Držite uređaj van domašaja djece.

5.3 Baratanje i transport

- Tokom premeštanja i transporta nosite uređaj spakovan u originalnu ambalažu. Ambalaža štiti uređaj od fizičkih oštećenja.
- Ne stavljajte teret na uređaj ili na ambalažu. Uređaj se može oštetiti.
- Pazite da Vam uređaj ne padne na pod, jer to može izazvati trajna oštećenja i kvar uređaja.

6 Rješavanje problema

Rješavanje problema	Razlog	Pomoć
Proizvod nije u funkciji.	Provjerite osigurač.	Možda je vaš osigurač isključen, potrebno je da ga osposobite.
Proizvod nije u funkciji.	Provjerite priključak na napajanje električnom energijom.	Mrežni napon treba biti između 220-240 V.
Proizvod nije u funkciji.	Provjerite priključak na napajanje električnom energijom.	Provjerite da li su u funkciji ostali proizvodi u vašoj kuhinji.
Lampica za rasvjetu ne radi.	Provjerite priključak na napajanje električnom energijom.	Mrežni napon treba biti između 220-240 V.
Lampica za rasvjetu ne radi.	Provjerite prekidač za lampicu.	Prekidač za lampicu trebao bi biti u položaju "uključeno".
Lampica za rasvjetu ne radi.	Provjerite lampice.	Lampice proizvoda ne bi trebalo da budu neispravne.
Ulaz zraka u proizvod je slab.	Provjerite aluminijski filter.	Aluminijski filter za masnoću treba očistiti najmanje jednom mjesečno u normalnim uvjetima.
Ulaz zraka u proizvod je slab.	Provjerite odvodnik zraka.	Prekidač za odvodnik zraka trebao bi biti u položaju "uključeno".
Ulaz zraka u proizvod je slab.	Provjerite karbonski filter.	Za proizvode s karbonskim filterima, filter se obično treba mijenjati svaka 3 mjeseca.

Ве молиме прво прочитајте го ова упатство за употреба!

Почитуван кориснику,

Ви благодариме што избравте апарат од марката Веко. Се надеваме дека добро ќе Ви користи овој уред, кој е произведен со висок квалитет и според најнова технологија. За таа цел, Ве молиме внимателно да го прочитате ова упатство за употреба и другите приложени документи пред да го користите производот и чувајте ги во случај на потреба. Ако го дадете производот на друго лице, дајте му го и упатството за употреба. Следете ги препораките со тоа што ќе обрнете внимание на сите информации и предупредувања наведени во ова упатство.

Запамтете, ова упатство за употреба може да важи и за други модели. Разликите меѓу модели се јасно опишани во ова упатство.

Значења на симболите

Во различни делови од ова упатство се употребени следниве симболи:



Важни информации и корисни совети за употреба.



ПРЕДУПРЕДУВАЊЕ:

Предупредувања во врска со опасни ситуации поврзани со безбедноста на човекот и на имотот.



ПРЕДУПРЕДУВАЊЕ:

Предупредување за опасност од пожар.



ПРЕДУПРЕДУВАЊЕ:

Предупредување за електричен удар.



РЕЦИКЛИРАНА
РЕЦИКЛИРАЧКА
ХАРТИЈА

Овој апарат е произведен во еколошки и модерни фабрики без да ѝ наштети на природата.

1 Важни упатства за безбедноста и животната средина

1.1 Општа безбедност

Важни упатства за безбедност Прочитајте внимателно и чувајте ги за идна употреба Овој дел содржи упатства за безбедност кои ќе Ви помогнат да се заштитите од ризик од пожар, електричен удар, изложеност на истекување на енергија од микробранова, лична повреда или оштетување на имот. Ако не ги следите овие упатства, гаранцијата нема да важи.

- Производите на Веко се во согласност со важечките безбедносни стандарди; затоа, во случај на какво било оштетување на апаратот или кабелот за напојување, треба да се поправи или замени од дилерот, сервисниот центар или експерт и сличен

овластен сервис, за да се избегне каква било опасност. Неправилните или неквалификувани поправки можат да бидат опасни и да предизвикаат ризик за корисникот.

- Овој уред е наменет за употреба во домаќинствата и за други слични намени како што се:
 - Поставени кујнски површини во продавници, канцеларии и други работни околии;
 - Викендички
 - Од страна на клиенти во хотели и други средини од станбен тип;
 - Средини од типот на ноќевање со појадок.
- Управувајте со апаратот за наменетата цел само како што е опишано во ова упатство.

1 Важни упатства за безбедноста и животната средина

- **П р о и з в о д и т е л о т** не може да биде одговорен за штети кои произлегуваат од неправилна инсталација или погрешна употреба на производот.
- Овој апарат можат да го користат деца над 8 години и лица со намалени физички, сензорни или ментални способности или, пак, лица без искуство и познавања само доколку имаат соодветен надзор или обука за безбедно користење на апаратот и сфаќаат кои ризици се вклучени.
- Деца не смеат да си играат со апаратот. Деца не смеат да го чистат или да го одржуваат апаратот без надзор.
- **М и н и м а л н о т о** растојание помеѓу подлогата за садовите за готвење на плочата за готвење и најнискиот дел од Вашиот производ мора да биде најмалку 65 см.
- Ако упатствата за инсталација на плочата за готвење на гас определуваат поголемо растојание, тоа треба да се земе предвид.
- Осигурајте се дека снабдувањето со електрична енергија е во согласност со информациите дадени на табличката за идентификација на апаратот.
- Никогаш не користете го апаратот ако кабелот за напојување или самиот уред е оштетен.
- Внимавајте кабелот да не се притиска, свиткува или трие од остри рабови за да не се оштети. Чувајте го кабелот за напојување подалеку од жешки површини и пламен на отворено.

1 Важни упатства за безбедноста и животната средина

- Користете го уредот само со заземјен приклучок.

ПРЕДУПРЕДУВАЊЕ: Не го поврзувајте апаратот со електричната мрежа додека инсталацијата не е целосно завршена.

- Поставете го апаратот така што електричниот приклучок секогаш да биде достапен.
- Не допирајте ги светилките ако работеле долго време. Може да Ви ги изгорат рацете бидејќи ќе бидат жешки.
- Следете ги прописите утврдени од надлежните органи за испуштање на издувниот воздух (ова предупредување не важи за употреба без оџак).
- Ракувајте со апаратот откако ќе ставите тенџере, тава и слично на плочата за готвење. Во спротивно, висока топлина може да предизвика

деформација на некои делови од Вашиот производ.

- Исклучете ја плочата за готвење пред да го тргнете тенџерето, тавата или слично.
- Не оставајте врело масло на плочата за готвење. Тави со врело масло може да предизвикаат самозапалување.
- Обрнете внимание на Вашите завеси и прекривки бидејќи маслото може да се запали додека готвите храна, како помфрит.
- Филтерот за маснотии мора да се менува најмалку еднаш месечно. Јаглородниот филтер мора да се менува најмалку еднаш во 3 месеци.
- Производот треба да се чисти според упатството за употреба. Ако чистењето не се врши според упатството за

1 Важни упатства за безбедноста и животната средина

- употреба, може да има ризик за пожар.
- Не користете материјали за филтрирање што не се огноотпорни, наместо актуелниот филтер.
 - Користете ги само оригиналните делови или делови препорачани од производителот.
 - Не управувајте со производот без филтерот и не ги отстранувајте филтерите додека производот работи.
 - Во случај на започнат пламен, испразнете ги од електрична струја Вашиот производ и апаратите за готвење.
 - Во случај на започнат пламен, покријте го пламенот и никогаш да не користите вода за да го изгасите.
 - Исклучете го апаратот од струја пред секое чистење и кога апаратот не се користи.
 - Негативниот притисок во околината не треба да надминува 4 Pa (4 x 10 bar) додека аспираторот за електричната плоча за готвење и апаратите што работат на друг вид енергија, но електричната енергија работи истовремено.
 - Во околината каде што се користи апаратот, издувниот отвор на апарати што работат на нафта или плин, како што е собниот греач, мора да биде целосно изолирана или уредот мора да е херметички.
 - При поврзување на оџакот, користете цевки со дијаметар од 120 или 150 мм. Поврзувањето со цевки мора да биде што е можно пократко и да има што е можно помалку лакти.

1 Важни упатства за безбедноста и животната средина

Опасност од задушување! Сите материјали од пакувањето чувајте ги подалеку од деца.

ВНИМАНИЕ: Достапните делови може да станат жешки кога се користат со апарати за готвење.

- Одводот на производот не смее да биде поврзан со воздушни одводи што вклучуваат друг чад.

- Вентилацијата во просторијата може да не е доволна кога аспираторот за електричната плоча за готвење се користи истовремено со уредите што работат на гас или други горива (ова може да не важи за апарати што само го испуштаат воздухот назад во просторијата).

- Предметите поставени на производот може да паднат. Не ставајте предмети на производот.

- Не фламбирајте под Вашиот производ.

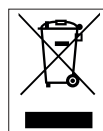
ПРЕДУПРЕДУВАЊЕ: Пред да го инсталирате аспираторот, извадете ги заштитните обвивки.

- Никогаш не оставајте големи пламени на отворено под аспираторот кога работи.

- Длабоките тави со масло мора постојано да се набљудуваат додека се употребуваат: прегреаното масло може да се запали.

1.2 Во согласност со директивата за отпадна електрична и електронска опрема (WEEE) и фрлање на дотраениот производ:

Овој производ се придржува кон директивата за отпадна електрична и електронска опрема на Европската Унија (2012/19/EU). Овој производ има симбол за класификација за отпадна електрична и електронска опрема (WEEE).



Овој симбол означува дека овој производ не се отстранува заедно со други отпадоци од домаќинството на крајот на својот животен

1 Важни упатства за безбедноста и животната средина

век. Користениот уред мора да се врати на официјалниот пункт за собирање за рециклирање на електрични и електронски уреди. За да ги пронајдете овие системи за собирање, ве молиме контактирајте ги локалните власти или трговците на мало каде е купен производот. Секое домаќинство игра важна улога

во обновувањето и рециклирањето на стар апарат. Соодветното отстранување на користениот апарат помага во спречување на можни негативни последици по животната средина и здравјето на луѓето.

1.3 Во согласност со Директивата за ограничување на опасните супстанции (RoHS)

Овој производ се придржува кон Директивата за ограничување на опасните супстанции (RoHS) на Европската Унија (2011/65/EU). Не содржи штетни и забранети материјали наведени во Директивата.

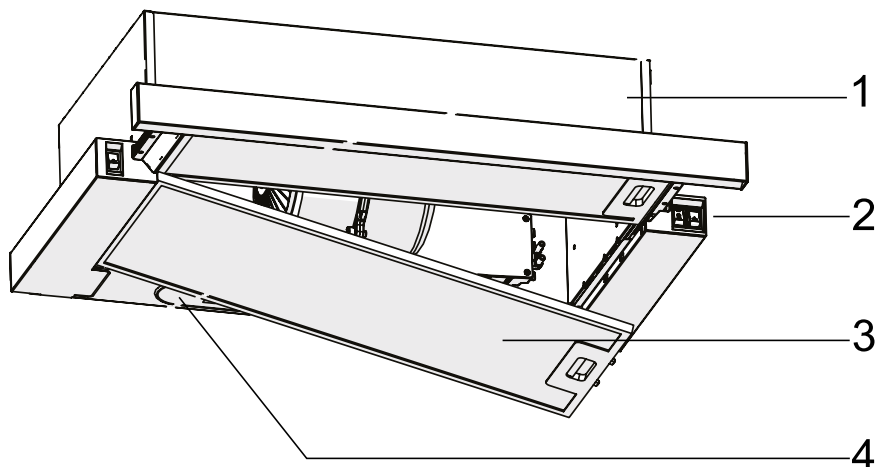
1.4 Информации за пакувањето



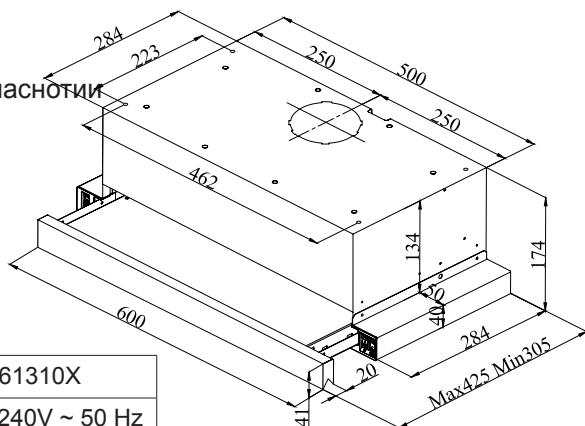
Материјалите од пакувањето на производот се произведени од материјали за рециклирање во согласност со нашите Државни регулативи за животна средина. Не ги фрлајте материјалите за пакување заедно со куќниот или друг отпад. Однесете ги на пунктовите за собирање материјали за пакување, определени од локалните власти.

2 Општ изглед

2.1 Општ преглед



1. Предна табла
2. Прекинувачи
3. Алуминиумски филтер за маснотии
4. ЛЕД осветлување

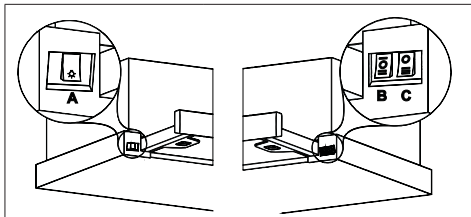


2.2 Технички податоци

Модел	HNT61310X
Напон на електричната мрежа	220-240V ~ 50 Hz
Моќност на сијаличката	2 x 3 W
Моќност на моторот	250 W
Проток на воздух – 3. Ниво	483 m³/h
Класа на изолација на моторот	Класа F
Класа на изолација	Класа I

3 Како да се работи со апаратот

3.1 Контрола на апаратот



КЛУЧ	ФУНКЦИЈА
А : Вклучување / Исклучување на сијаличките	Повлечете ја напред лизгачката табличка. Притиснете го копчето надолу за да ја вклучите сијаличката и нагоре за да ја исклучите.
В : Копче за 1 и 2 брзина	Повлечете ја напред лизгачката табличка. Притиснете го копчето нагоре за аспираторот да работи со 1 брзина, и надолу за да работи со 2 брзина.
С : Копче за 3 брзина	Повлечете ја напред лизгачката табличка. Притиснете го копчето надолу за аспираторот да работи со 3 брзина.

3.2 Економично работење за заштеда на електрична енергија Употреба


- Кога го користите уредот, подесете ги поставките за брзина според интензитетот на пареата и миризбата за да заштедите енергија.
- Користете ниски брзини (1-2) во нормални околности, а високи брзини (3) при интензивна миризба и пареа.

- Сијаличките на аспираторот служат за осветлување на просторот за готвење.
- Ако се користат за осветлување на целата просторија, ќе се троши струја без потреба, а просторијата нема да биде доволно осветлена.

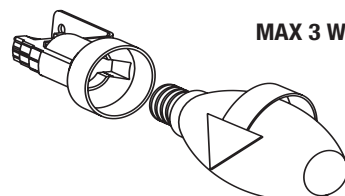
3.3 Упатства за работа

- Аспираторот е опремен со мотор кој има различни брзини.
- За подобри перформанси препорачуваме да се користат ниски брзини во нормални услови, а високи брзини кога има појаки миризби и повеќе пареа.
- Може да го активирате апаратот со притискање на копчето за саканата брзина. (В,С)
- Може да го осветлите просторот за готвење со притискање на сијаличката.(А)

3.4 Замена на сијаличка

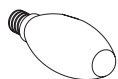


ВНИМАНИЕ: Исклучете го аспираторот од електричната мрежа. Најнапред оставете сијаличките да се оладат бидејќи може да си ги изгорите рацете ако сијаличките се жешки.



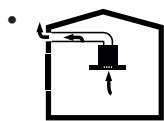
3 Како да се работи со апаратот

Отстранете го алуминиумскиот филтер. Отстранете ја дефектната сијаличка и заменете ја со нова со истата волтажа.

Сијаличка	
Моќност на сијаличката	3 W
Лежиште / Фасонка	E 14
Напон на сијаличката	220-240 V
Димензии	35 x 100 mm
ILCOS код	DRBB/F-3-220-240-E14-35/100
Светлосен флукс	220 lm
Температура на соодветна боја	2700 K

Овој производ содржи светлосен извор со енергетска ефикасност од класа “E”.

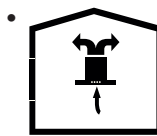
3.5 Кога е поврзан димен канал



Пареата се издувува преку димен канал, кој е прицврстен за приклучната глава на аспираторот.

- Пречникот на димниот канал мора да биде ист како приклучната спојка. Кога се поставува хоризонтално, цевката мора да оди малку нагоре (околу 10°) за да може воздухот лесно да излегува од просторијата.

3.6 Кога не е поврзан димен канал



Воздухот се филтрира преку карбонскиот филтер и повторно циркулира во просторијата.

Карбонскиот филтер се користи кога не е можно да се користи димен канал во објектот.

- Кога го користите аспираторот без димен канал, отстранете ги крилцата во адаптерот на димниот канал.
- Отстранете го филтерот за маснотии. За да го ставите карбонскиот филтер, наместете го филтерот за клапните центрирајќи го на пластичниот дел на двете страни на куќиштето, а потоа прицврстете го свртувајќи го надесно или налево.
- Заменете го алуминиумскиот филтер за маснотии.

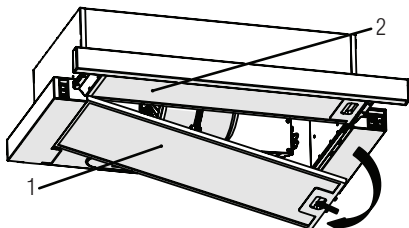
4 Чистење и одржување



Пред чистењето и одржувањето на апаратот, извадете го приклучокот од штекер или исклучете го прекинувачот.

4.1 Чистење на алуминиумскиот филтер за маснотии

Алуминиумскиот филтер за маснотии ги задржува масните честички од воздухот. Алуминиумскиот филтер за маснотии може да ја смени бојата кога ќе се измие, но тоа е нормално и не треба да се замени.



1. Надворешен алуминиумски филтер за маснотии
 2. Внатрешен алуминиумски филтер за маснотии
- Извадете ја лизгачката табличка држејќи ја предната табла. Најнапред отстранете го надворешниот алуминиумски филтер за маснотии, а потоа внатрешниот алуминиумски филтер за маснотии.
 - Притиснете ја напред бравата на алуминиумскиот филтер за маснотии.
 - Потоа малку повлечете го надолу и извлечете го . Во спротивно филтерот може да се свитка. Измијте ги и исплакнете ги алуминиумските филтри за маснотии со течен

детергент и вратете ги на место следејќи ги горенаведените чекори по обратен редослед. Овој филтер ги задржува масните честички од воздухот.



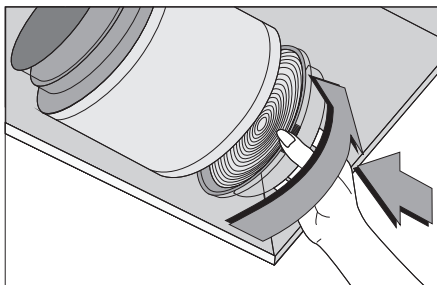
Алуминиумскиот филтер за маснотии може да го миете во машина за садови.



ВНИМАНИЕ: При нормална употреба, чистете го алуминиумскиот филтер еднаш месечно.

4.2 Замена на карбонските филтри

Филтрите што ја отстрануваат миризбата содржат јаглен (активен јаглен). Во аспираторот мора да има и алуминиумски филтри за маснотии независно од тоа дали се користат карбонски филтри.



- Извадете го алуминиумскиот филтер за маснотии.
- За да го отстраните карбонскиот филтер, извадете го од неговото лежиште вртејќи го спротивно од стрелките на часовникот во однос на јазичето .

4 Чистење и одржување

- Ставете го новиот карбонски филтер.
- Ставете ги алуминиумските филтри за маснотии.



ВНИМАНИЕ

- Карбонскиот филтер не треба да се мие.
- Карбонските филтри треба да се менуваат секои 3 месеци.
- Карбонски филтер може да набавите во овластените сервиси.

5 Монтирање на апаратот



ПРЕДУПРЕДУВАЊЕ!:

Пред да почнете со монтирањето, прочитајте ги информациите за безбедноста во Упатството за употреба.

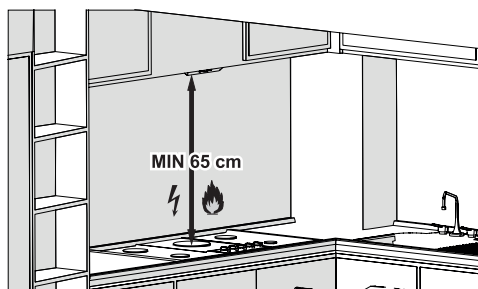


ПРЕДУПРЕДУВАЊЕ!:

Ако не го монтирате апаратот со шrafoви или не го фиксирате во склад со овие упатства, може да дојде до електричен удар.

За монтирање на аспираторот јавете се во најблискиот овластен сервис на. Корисникот има одговорност да го подготви местото каде што ќе се монтира аспираторот и неговата електрична инсталација.

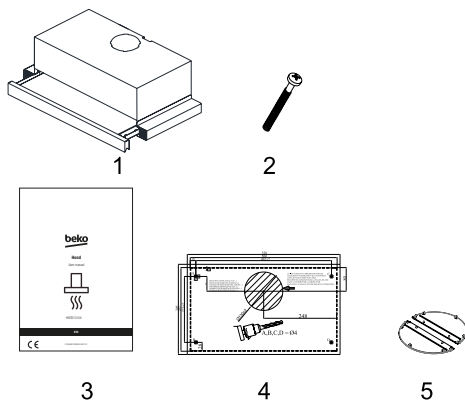
5.1 Положба на аспираторот



- Пред монтирањето мора да се остави соодветно растојание меѓу шпоретот и аспираторот. Растојанието треба да биде 50 cm за електрични шпорети и 65 cm за плински шпорети.
- Растојанието треба да се мери од површината на решетката кај плинските плотни,

- а од површината на стаклото кај електричните плотни.

5.2 Додатоци за монтирање



1. Аспиратор
- 2.4 x 4 x 40 шrafoви
3. Упатство за користење и други документи
4. Шаблон за монтирање
5. Ø120mm пластични крилца на димниот канал

Потребните информации за подготовка на погодна локација за монтирање на аспираторот се дадени подолу.

5.3 Монтирање на аспираторот



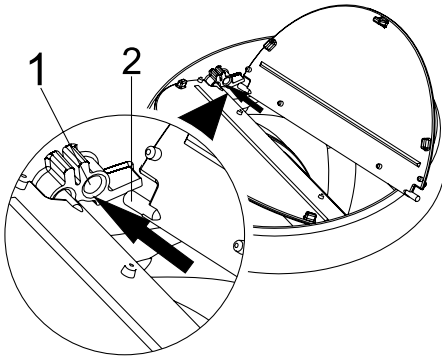
ВНИМАНИЕ: Употребете заштитни ракавици и заштитни очила кога ги изведувате работите со дупчење и сечење.

- Ставете го приложениот шаблон за монтирање на површината на која треба да се монтира аспираторот.

5 Монтирање на апаратот

- Направете дупки со дијаметар од $\varnothing 4$ mm на местата означени со A, B, C и D на шаблонот за монтирање.
- Продупчете ги дадените димензии на отворот за излез на димниот канал, како што е означено на шаблонот.

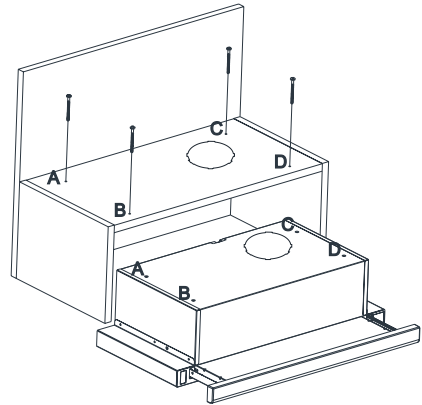
Извадете го апаратот од амбалажата. На излезниот канал за воздух наместете ги пластичните крилца на димниот канал што се приложени во додатоците, како што е прикажано подолу.



(Слика 1)

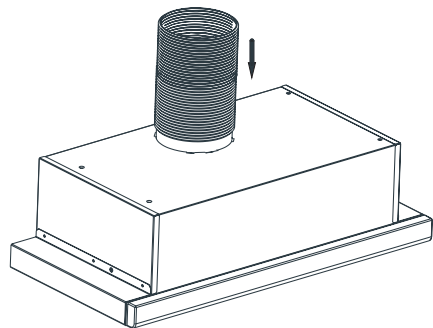
1. Лежиште на игличката на крилцето
2. Игличка на крилцето

Ставете ја пластичната игличка (Слика 1/бр. 2) во нејзиното лежиште на издувниот канал на моторот (Слика 1/бр.1). Потоа малку наведнете го крилцето за да ја наместите и игличката на другата страна во нејзиното лежиште (Слика 1).



(Слика 2)

Со помош на 4 x 40 шрафови приложени со аспираторот, монтирајте го апаратот на шкафчето од точките A, B, C и D. Кога лизгачката табличка ќе се движи, предната табла нема да се трие од вратата на шкафчето (Слика 2).



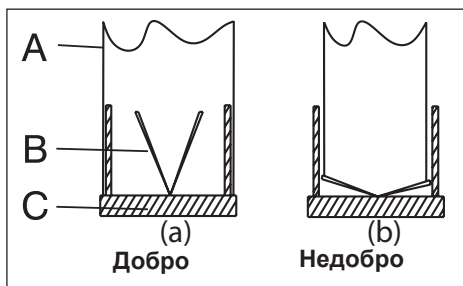
(Слика 3)

Ставете ја флексибилната алуминиумска цевка на пластичниот излез на димниот канал. Ставете го другиот крај на цевката во отворот на димниот канал на ѕидот (Слика 3).

5 Монтирање на апаратот

5.4 Поврзување на димниот канал

Ако користите пластичен адаптер за димен канал од \varnothing 120/150 мм, поврзете го едниот крај на цевката со овој адаптер, ако немате намера да го користите, за директниот излез на производот. Поврзете го другиот крај на цевката за вашиот димен канал. Проверете дали овие две поврзувања се доволно цврсти за да не се откачат кога апаратот ќе работи со максимална моќност. Проверете дали крилцата на димниот канал работат кога ќе биде прицврстен со стегач. Поврзете ја цевката за поврзување на димниот канал надвор од адаптерот. Ако цевката за поврзување е прицврстена во адаптерот, капаците што спречуваат враќање на воздухот ќе останат затворени и нема да се всмукува воздух. Поврзувањето на цевката мора да биде што пократко и бројот на зглобови што пократок.



- A : Излезна цевка на димниот канал
B : Крилца за да не се враќа воздухот
C : Пластичен димен канал

Вентилите се затворени и апаратот не работи за да се спречи во просторијата да навлезат евентуални миризби и прашина однадвор.

5.5 Чување

- Ако не планирате да го користите уредот подолго време, Ве молиме внимателно да го одложите.
- Ве молиме проверете дали е уредот исклучен, ладен и комплетно сув.
- Оставете го уредот на суво и ладно место.
- Чувајте го уредот на места недостапни за деца.

5.6 Ракување и транспорт

- За време на преместувањето и транспортот носете го уредот спакуван во оригиналната амбалажа. Амбалажата го заштитува уредот од физички оштетувања.
- Не ставајте терет на уредот или на амбалажата. Може да се оштети уредот.
- Внимавајте уредот да на Ви падне на под, тоа може да предизвика трајни оштетувања и дефект на уредот.

6 Решавање проблеми

Решавање проблеми	Причина	Помош
Производот не функционира.	Проверете го осигурувачот.	Осигурувачот може да е затворен; вклучете го.
Производот не функционира.	Проверете ја електричната врска.	Главниот извор на струја треба да биде помеѓу 220-240 V.
Производот не функционира.	Проверете ја електричната врска.	Проверете дали другите производи во вашата кујна функционираат или не.
Светилката не функционира.	Проверете ја електричната врска.	Главниот извор на струја треба да биде помеѓу 220-240 V.
Светилката не функционира.	Проверете го прекинувачот на сијалицата.	Прекинувачот на светилката треба да е на позицијата „вклучено“ (on).
Светилката не функционира.	Проверете ги светилките.	Светилките на производот не треба да се дефектни.
Приливот на воздух во производот е лош.	Проверете го алуминиумскиот филтер.	Алуминиумскиот филтер за масло треба да се чисти најмалку еднаш месечно во нормални околности.
Приливот на воздух во производот е лош.	Проверете го отворот на вентилаторот за воздух.	Отворот на вентилаторот за воздух треба да е на позицијата „вклучено“ (on).
Приливот на воздух во производот е лош.	Проверете го филтерот за јаглерод.	За производи со филтери за јаглерод, во нормални околности филтерот треба да се менува на секои 3 месеци.

Proszę najpierw przeczytać tę instrukcję obsługi!

Szanowny Kliencie,

dziękujemy za wybranie urządzenia marki Beko. Mamy nadzieję, że zakupione urządzenie, wyprodukowane z zapewnieniem wysokiej jakości przy użyciu najnowszych technologii, okaże się w pełni zadowolające. W tym celu przed użyciem urządzenia należy uważnie przeczytać całą instrukcję obsługi oraz dołączone dokumenty i zachować je do wglądu na przyszłość. Przekazując urządzenie innemu użytkownikowi, należy dołączyć również niniejszą instrukcję. Należy postępować zgodnie z instrukcjami, zwracając uwagę na wszystkie informacje i ostrzeżenia zamieszczone w niniejszym dokumencie.

Należy pamiętać, że niniejsza instrukcja może odnosić się także do innych modeli. Różnice pomiędzy modelami są wyraźnie opisane w instrukcji.

Znaczenie symboli

W różnych częściach niniejszej instrukcji obsługi stosowane są następujące symbole:



Ważne informacje i przydatne wskazówki dotyczące użytkowania.



OSTRZEŻENIE: Ostrzeżenia przed niebezpiecznymi sytuacjami zagrażającymi życiu i mieniu.



Niebezpieczeństwo pożaru.



Ostrzeżenie przed porażeniem prądem.



**PAPIER Z RECYKLINGU
I NADAJĄCY SIĘ
DO PONOWNEGO
PRZETWORZENIA**

Urządzenie zostało wyprodukowane w przyjaznym środowisku, nowoczesnych zakładach bez negatywnego wpływu na przyrodę.

1 Ważne instrukcje dotyczące bezpieczeństwa i ochrony środowiska

1.1 Ogólne zasady dotyczące bezpieczeństwa

Ważne zasady dotyczące bezpieczeństwa. Przeczytaj je uważnie i zachowaj na przyszłość. Rozdział ten zawiera instrukcje zachowania bezpieczeństwa, które pomogą chronić się przed ryzykiem pożaru, porażenia prądem elektrycznym, wycieku mikrofal, obrażeniami ciała lub uszkodzeniami w mieniu. Nieprzestrzeganie tych instrukcji spowoduje unieważnienie gwarancji.

- Produkty firmy Beko spełniają wszystkie wymogi stosownych norm bezpieczeństwa. W przypadku jakiegokolwiek uszkodzenia urządzenia lub przewodu zasilającego, aby uniknąć wszelkich zagrożeń, należy oddać je do naprawy lub wymiany przez sprzedawcę, punkt serwisowy lub specjalistę albo autoryzowany serwis. Błędna lub niefachowa naprawa może być niebezpieczna i powodować zagrożenie dla użytkowników.
- To urządzenie jest przeznaczone do użytku domowego i podobnych zastosowań, na przykład:
 - na zapleczu kuchennym przez personel sklepów, biur i innych miejsc pracy;
 - w gospodarstwach rolnych;
 - do użytku przez klientów hoteli i innych obiektów noclegowych;
 - w pensjonatach.
- Urządzenie należy stosować tylko zgodnie z jego przeznaczeniem, w sposób opisany w niniejszej instrukcji.
- Producent nie ponosi odpowiedzialności za szkody powstałe w wyniku nieprawidłowej instalacji lub niewłaściwego stosowania produktu.
- Urządzenie może być obsługiwane przez dzieci w wieku 8 lat i starsze, osoby o ograniczonych możliwościach fizycznych, postrzegania lub umysłowych, a także osoby bez doświadczenia lub wiedzy w zakresie obsługi urządzenia, o ile będą one pod nadzorem lub zostaną szczegó-

1 Ważne instrukcje dotyczące bezpieczeństwa i ochrony środowiska

łowo poinstruowane o bezpiecznym korzystaniu z urządzenia i rozumieją potencjalne zagrożenia.

- Nie należy pozwalać dzieciom bawić się urządzeniem. Dzieci nie mogą czyścić ani konserwować urządzenia bez nadzoru.
- Minimalna odległość pomiędzy powierzchniami podpór garnków znajdującymi się na szczycie kuchenki a najniższą częścią produktu musi wynosić co najmniej 65 cm.
- Jeżeli w instrukcji instalacji gazowej płyty kuchennej podano odległość większą, wówczas należy zastosować wskazaną wartość.
- Zasilanie z domowej sieci elektrycznej musi być zgodne z informacjami podanymi na tabliczce znamionowej urządzenia.
- Urządzenia nie wolno nigdy używać, jeśli przewód zasilający lub samo urządzenie są uszkodzone.
- Aby zapobiec uszkodzeniu przewodu zasilającego, nie wolno dopuścić do jego ściskania, zginania lub ocierania o ostre

krawędzie. Trzymaj przewód zasilający z dala od gorących powierzchni i otwartego ognia.

- Urządzenia można używać tylko wtedy, gdy jest podłączone do gniazda ściennego z uziemieniem.

OSTRZEŻENIE: Podłącz urządzenie do zasilania dopiero po całkowitym zakończeniu montażu.

- Urządzenie ustaw tak, aby zawsze był możliwy dostęp do wtyczki.
- Nie należy dotykać lamp, jeśli były włączone przez długi czas. Grozi to poparzeniem dłoni gorącą żarówką.
- Należy stosować się do wymagań dotyczących odprowadzania powietrza wywiewanego (to ostrzeżenie nie dotyczy sytuacji korzystania z okapu bez przewodu spalinowego).
- Okap należy uruchamiać po ustawieniu garnka, patelni itp. na płycie grzewczej. W przeciwnym wypadku wysoka temperatura może doprowadzić do zniekształ-

1 Ważne instrukcje dotyczące bezpieczeństwa i ochrony środowiska

- cenia niektórych części produktu.
- Okap należy wyłączać przed zdjęciem garnka, patelni itp. z płyty grzewczej.
- Nie pozostawiać rozgrzanego oleju na płycie grzewczej. Garnki z gorącym olejem mogą się zapalić samoczynnie.
- Należy uważać na zasłony i inne elementy osłaniające okna, ponieważ olej może zapalić się samoczynnie podczas smażenia np. frytek.
- Filtr tłuszczu należy wymieniać co najmniej raz w miesiącu. Filtr węglowy należy wymieniać co najmniej raz na 3 miesiące.
- Produkt należy czyścić zgodnie z instrukcją obsługi. Czyszczenie w sposób niezgodny z instrukcją obsługi może prowadzić do ryzyka pożaru.
- Zabrania się stosowania materiałów filtracyjnych nieodpornych na ogień zamiast właściwych filtrów.
- Należy stosować wyłącznie oryginalne lub zalecane przez producenta części zamienne.
- Nie uruchamiać produktu bez zamontowanego filtra ani nie wyjmować filtrów z pracującego okapu.
- W razie pojawienia się płomieni odłączyć produkt oraz urządzenia kuchenne od zasilania.
- W razie pojawienia się płomieni przykryć płomień i w żadnym wypadku nie gasić go wodą.
- Przed każdym czyszczeniem urządzenia i gdy nie jest ono używane należy wyjąć wtyczkę z gniazdka ściennego.
- Podciśnienie w otoczeniu nie może przekraczać 4 Pa (4 × 10 barów) przy równoczesnym działaniu okapu nad elektryczną płytą grzewczą i urządzeń AGD zasilanych elektrycznie prądem o innych parametrach.
- Jeśli w pomieszczeniu, w którym działa okap, są wykorzystywane urządzenia zasilane olejem opałowym lub gazem, jak np. ogrzewacze pomieszczeń, to wylot spalin z takich urządzeń musi być całkowicie odizolowany lub takie urządzenia muszą być hermetyczne.

1 Ważne instrukcje dotyczące bezpieczeństwa i ochrony środowiska

- Jako przewody spalinowe należy stosować rury o średnicy 120 lub 150 mm. Rura łącząca musi być możliwie jak najkrótsza i mieć jak najmniej kolanek.

- **Niebezpieczeństwo zadławienia!** Wszystkie materiały opakowaniowe należy trzymać z dala od dzieci.

OSTRZEŻENIE: Jeśli jest to okap nad kuchnią, jego wystające części mogą się nagrzewać.

- Wylotu produktu nie wolno przyłączać do kanałów powietrznych, które odprowadzają inny dym.
- Wentylacja w pomieszczeniu może być niewystarczająca w przypadku równoczesnego korzystania z okapu nad elektryczną płytą grzewczą oraz urządzeń zasilanych gazem lub innymi paliwami (niniejsze ostrzeżenie może nie dotyczyć urządzeń, które odprowadzają powietrze z powrotem do pomieszczenia).
- Przedmioty znajdujące się na produkcie mogą spaść. Nie stawiać żadnych przedmiotów na produkcie.

- Nie flambiować bezpośrednio nad urządzeniem.

OSTRZEŻENIE: Przed zamontowaniem okapu usunąć folię ochronną.

- Nie wolno pozostawiać otwartego ognia pod działającym okapem
- Frytkownice trzeba stale obserwować w trakcie użytkowania: przegrzany olej może zająć się płomieniem.

1.2 Zgodność z dyrektywą WEEE i pozbywanie się zużytych wyrobów:

Wyrób ten jest zgodny z dyrektywą Unii Europejskiej w sprawie zużytego sprzętu elektrycznego i elektronicznego (WEEE) (2012/19/UE). Wyrób opatrzony jest symbolem klasyfikacyjnym dla zużytego sprzętu elektrycznego i elektronicznego (WEEE).



Symbol ten oznacza, że produktu nie należy utylizować z innymi domowymi śmieciami po zakończeniu okresu użytkowania. Zużyte urządzenie należy oddać do oficjalnego punktu odbioru zajmującego się recyklingiem urządzeń elektrycznych i elektronicznych. Aby odnaleźć tego typu miejsce, należy skontaktować się z lokalnymi władzami lub sprzedawcą, u którego zakupiono produkt. Każde gospodarstwo domowe odgrywa ważną rolę w odzyskiwaniu i recyklingu starych urządzeń. Odpowiednia utylizacja zużytego urządzenia pomaga zapobiegać potencjalnie negatywnym konsekwencjom dla środowiska i zdrowia ludzi.

1 Ważne instrukcje dotyczące bezpieczeństwa i ochrony środowiska

1.3 Zgodność z dyrektywą RoHS

Zakupiony wyrób jest zgodny z dyrektywą RoHS Unii Europejskiej (2011/65/UE). Nie zawiera szkodliwych ani zakazanych materiałów wyszczególnionych w tej Dyrektywie.

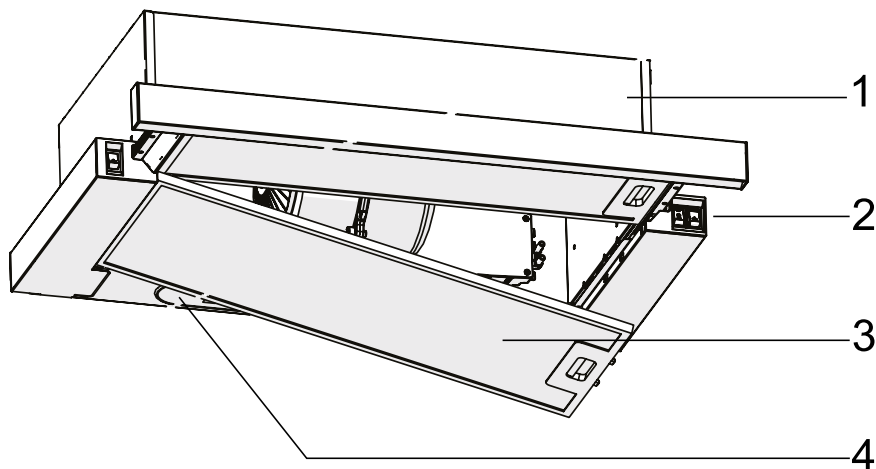
1.4 Informacje o opakowaniu



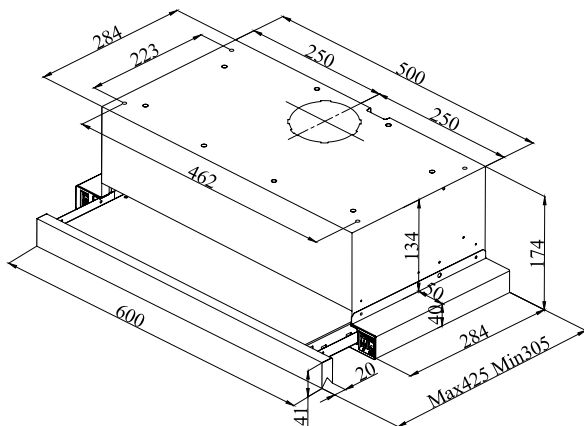
Materiały, w które opakowany jest produkt zostały wyprodukowane z surowców uzyskanych w procesie recyklingu zgodnie z krajowymi przepisami z zakresu ochrony środowiska. Nie należy utylizować materiałów opakowaniowych wraz z innymi odpadami domowymi. Należy oddać je w jednym z punktów zbiórki materiałów opakowaniowych wyznaczonych przez władze lokalne.

2 Ogólny wygląd

2.1 Instalacja



1. Panel przedni
2. Przełącznik
3. Aluminiowy filtr przeciwłuszczy
4. Oświetlenie LED

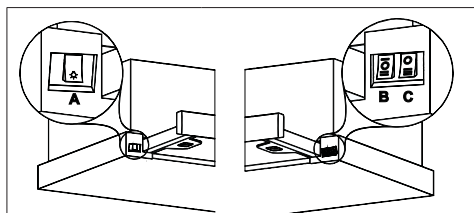


2.2 Dane techniczne

Model	HNT61310X
Napięcie zasilania	220-240V ~ 50Hz
Moc lampy	2 x 3 W
Moc silnika	250 W
Przepływ - 3. Poziom	483 m ³ /h
Klasa izolacji silnika	Klasa F
Klasa izolacji	Klasa I

3 Działanie urządzenia

3.1 Sterowanie urządzeniem



PRZYCIISK	FUNKCJA
A : Światło włączone/ wyłączone	Pociągnij płytę ślizgową do przodu. Naciśnij przycisk w dół, aby włączyć lampę lub w górę, aby wyłączyć.
B : Przycisk prędkości 1 i 2	Pociągnij płytę ślizgową do przodu. Naciśnij przycisk w górę, aby uruchomić okap na poziomie prędkości 1 lub w dół, aby uruchomić na poziomie prędkości 2.
C : Przycisk prędkości 3	Pociągnij płytę ślizgową do przodu. Naciśnij przycisk w dół, aby uruchomić okap z prędkością 3.

3.2 Wydajność pracy pod względem energooszczędności Wykorzystanie

- Podczas korzystania z okapu dostosuj ustawienia prędkości do intensywności oparów i zapachu, aby oszczędzać energię.
- Używaj niskich prędkości (1-2) w normalnych warunkach i wysokich prędkości (3) przy silnym zapachu i intensywnych oparach.
- Lampy w okapie są umieszczone w celu oświetlenia kuchni.
- Wykorzystanie ich do oświetlenia otoczenia powoduje niepotrzebne wydatki na energię i zapewnia niewystarczające oświetlenie.

3.3 Instrukcje użytkowania

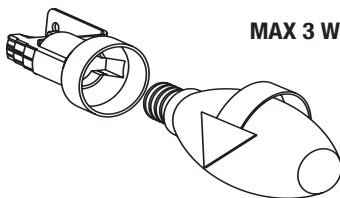
- Twoje urządzenie posiada silnik, który pracuje z różnymi prędkościami.

- Aby uzyskać lepszą wydajność, zalecamy stosowanie niskich prędkości w normalnych warunkach i dużych prędkości w przypadkach silnego zapachu i intensywnych oparów.
- Możesz uruchomić urządzenie, naciskając przycisk żądanego ustawienia prędkości. (B,C)
- Możesz podświetlić powierzchnię gotowania włączając lampę.

3.4 Wymiana lamp



UWAGA: Odłącz okap od zasilania. Poczekaj aż żarówki ostygną, ponieważ mogą poparzyć dłonie.



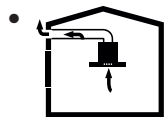
Wymij aluminiowy wkład do filtru. Wymij uszkodzoną żarówkę i wymień na nową o tej samej wartości.

Żarówka	
Moc żarówki	3 W
Uchwyt/gniazdo	E 14
Napięcie żarówki	220 - 240 V
Wymiary	35 x 100 mm
Kod ILCOS	D R B B / F - 3 - 2 2 0 - 240-E14-35/100
Strumień świetlny	220 lm
Skorelowana temperatura barwowa	2700 K

3 Działanie urządzenia

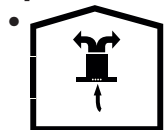
Ten produkt zawiera źródło światła o klasie efektywności energetycznej "E".

3.5 Praca z odprowadzaniem spalin



- Opary są odprowadzane przez kanał spalinowy, który jest przymocowany do głowicy przyłączeniowej na okapie.
- Średnica kanału spalinowego musi być taka sama jak pierścienia przyłączeniowego. W ustawieniach poziomych rura musi mieć niewielkie nachylenie do góry (około 10°), aby powietrze mogło łatwo opuścić pomieszczenie.

3.6 Praca bez odprowadzania spalin



- Powietrze jest filtrowane przez filtr węglowy i recykulowane w pomieszczeniu. Filtr węglowy stosuje się, gdy nie można skorzystać z przewodu kominowego w domu.
- W przypadku zastosowania bez odprowadzania spalin, usuń kłapy wewnątrz adaptera do przewodu kominowego.
- Wymij filtr przeciwłuszczowy. Aby zainstalować filtr węglowy, dopasuj filtr do wypustek, wyśrodkowując go na plastikowym elemencie po obu stronach korpusu wentylatora.
- Wymień aluminiowy filtr przeciwłuszczowy.

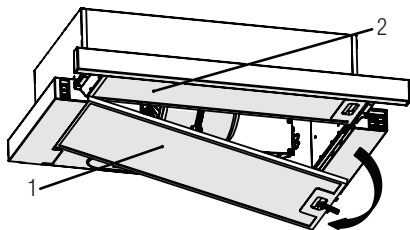
4 Czyszczenie i konserwacja



Przed czyszczeniem i konserwacją należy odłączyć produkt od zasilania lub wyłączyć przełącznik.

4.1 Czyszczenie aluminiowego filtra przeciwłuszczonego

Aluminiowy filtr przeciwłuszczeniowy zatrzymuje cząsteczki oleju w powietrzu. Aluminiowy filtr przeciwłuszczeniowy może zmieniać kolor podczas mycia; jest to normalne i nie wymaga wymiany filtra.



1. Zewnętrzny filtr przeciwłuszczeniowy
 2. Wewnętrzny filtr przeciwłuszczeniowy
- Wyciągnij płytkę ślizgową, przytrzymując przedni panel. Najpierw wyjmij zewnętrzny aluminiowy filtr przeciwłuszczeniowy, a następnie wewnętrzny.
 - Popchnij blokadę aluminiowego filtra przeciwłuszczeniowego do przodu.
 - Następnie opuść go lekko w dół i wyciągnij. W przeciwnym razie możesz wygiąć filtr. Umyj i wypłucz płynnym detergentem aluminiowy filtr przeciwłuszczeniowy, a następnie umieść go z powrotem na miejscu, wykonując powyższe czynności w odwrotnej kolejności. Ten filtr zatrzymuje cząsteczki oleju w powietrzu.



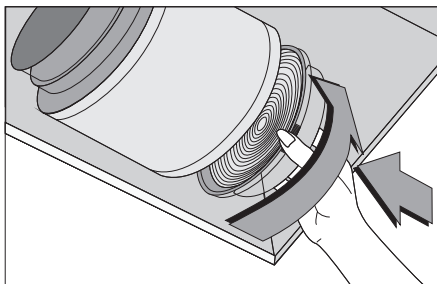
Aluminiowy filtr przeciwłuszczeniowy można myć w zmywarce.



UWAGA: W przypadku normalnego użytkowania wyczyść aluminiowy filtr przeciwłuszczeniowy raz na miesiąc.

4.2 Wymiana filtra węglowego

Filtry usuwające nieprzyjemny zapach zawierają węgiel drzewny (węgiel aktywny). W produkcie musi być zainstalowany filtr przeciwłuszczeniowy, niezależnie od tego, czy są stosowane filtry węglowe.



- Wyjmij aluminiowy filtr przeciwłuszczeniowy (rys. 5).
- Aby wyjąć filtr węglowy, wyjmij go z obudowy, obracając go w lewo z zaczepu (rys. 6).
- Zainstaluj nowy filtr węglowy.
- Zainstaluj aluminiowy filtr przeciwłuszczeniowy.

UWAGA



- Nie wolno myć filtra węglowego.
- Wymieniaj filtry węglowe co 3 miesiące.
- Filtr węglowy można zakupić w autoryzowanych serwisach.

5 Instalacja urządzenia



OSTRZEŻENIE!: Przed rozpoczęciem instalacji przeczytaj informacje dotyczące bezpieczeństwa w instrukcji obsługi.

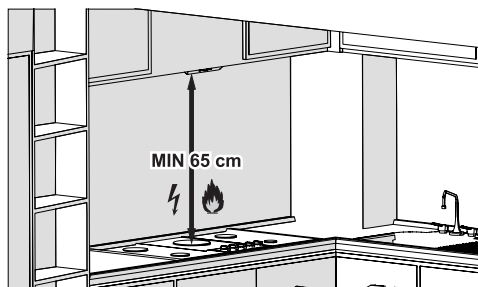


OSTRZEŻENIE!: Niezainstalowanie za pomocą śrub i stabilizatorów zgodnie z niniejszą instrukcją może spowodować porażenie prądem.

Aby zainstalować okap, skontaktuj się z najbliższym autoryzowanym serwisem.

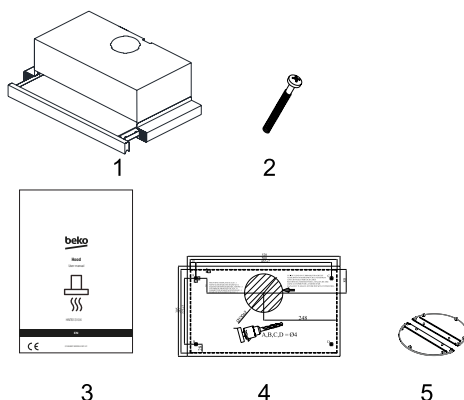
Obowiązkiem klienta jest przygotowanie lokalizacji i instalacji elektrycznej okapu.

5.1 Pozycja urządzenia



- Przed montażem należy wziąć pod uwagę odległość między kuchenką a okapem kuchennym. Odległość ta powinna wynosić 50 cm dla płyt elektrycznych i 65 cm dla płyt gazowych. (Rys. 7)
- W przypadku kuchenek gazowych odległość należy zmierzyć od powierzchni rusztu,
- lub od szklanej powierzchni kuchenek elektrycznych.

5.2 Akcesoria instalacyjne



1. Okap
2. Śruby 4x 4 x 40
3. Instrukcja obsługi i inne dokumenty
4. Szablon montażowy
5. Przewód spalinowy z tworzywa sztucznego $\varnothing 120\text{mm}$

Informacje wymagane, aby lokalizacja była odpowiednia do montażu okapu, podano poniżej.

5.3 Instalacja okapu kuchennego

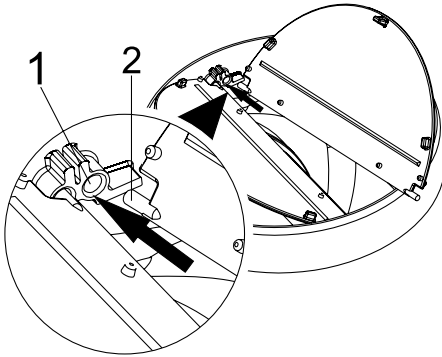


UWAGA: Podczas wiercenia i cięcia należy nosić rękawice i okulary ochronne.

- Naklej szablon montażu dostarczony z urządzeniem na powierzchni, na której urządzenie ma zostać zainstalowane.
- Wykonaj otwory o średnicy $\varnothing 4$ mm w punktach oznaczonych jako A, B, C, D na szablonie montażowym.
- Wywierć otwór do odprowadzania spalin określony w szablonie montażowym w podanych wymiarach.

5 Instalacja urządzenia

Wymij urządzenie z opakowania. Zamontuj przewód spalinowy z tworzywa sztucznego dostarczony z akcesoriami do przewodu wylotowego powietrza z urządzenia, jak pokazano poniżej.

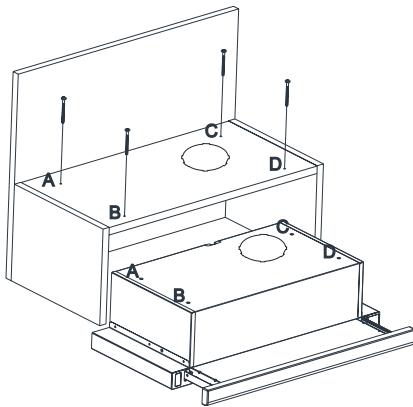


(Rys. 1)

1. Gniazdo bolca klapki

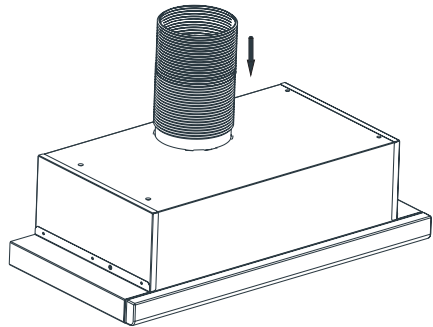
2. Bolec klapki

Włóż plastikowy bolec (Rys. 1/obszar nr 2) w gniazdo bolca na wylocie silnika (Rys. 1/obszar nr 1). Następnie lekko zegnij klapkę, aby włożyć drugi kołek na klapie i włóż drugi kołek do gniazda (Rys. 1).



(Rys. 2)

Za pomocą śrub 4 x 40 dostarczonych wraz z okapem, zainstaluj urządzenie w szafce w punktach A, B, C i D. Podczas przesuwania zestawu suwaków panel przedni nie powinien ocierać się o drzwi szafki (Rys. 2)



(Rys. 3)

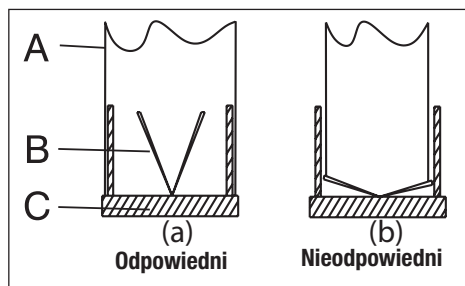
Zamontuj elastyczną rurę aluminiową na przewodzie spalinowym z tworzywa sztucznego. Zamontuj drugi koniec rury do otworu kominowego w ścianie (Rys. 3).

5.4 Podłączenie do przewodu kominowego

Jeśli zamierzasz użyć plastikowego adaptera do przewodu kominowego o śr. $\varnothing 120/150\text{mm}$, podłącz jeden koniec rury do tego adaptera, jeśli nie zamierzasz go używać, bezpośrednio do wylotu urządzenia. Podłącz drugi koniec do przewodu kominowego. Sprawdź, czy te dwa połączenia są wystarczająco solidne, aby nie się nie poluzowały, gdy urządzenie działa na pełnej mocy. Upewnij się, że klapki wewnątrz przewodu kominowego działają po dokręceniu za pomocą zacisku. Podłącz przewód przyłączeniowy przewodu kominowego na zewnątrz adaptera. Jeżeli przyłącze rury jest zamontowane wewnątrz adaptera, osłony uniemożliwiające powrót powietrza powinny pozostać zamknięte, a powietrze nie będzie zasysane.

5 Instalacja urządzenia

Długość przyłącza rury oraz ilość kolanek muszą być możliwie jak najmniejsze.



A : Rura wylotowa przewodu spalinowego

B : Klapy zwrotne

C: Przewód spalinowy z tworzywa sztucznego

Zawory są zamknięte gdy urządzenie nie działa, zapobiegając przedostawaniu się do środka zapachów i kurzu z zewnątrz.

5.5 Przechowywanie

- Jeśli urządzenie nie będzie używane przez dłuższy czas, należy je starannie przechowywać.
- Przed podniesieniem urządzenia odłącz je od zasilania i pozwól całkowicie ostygnąć.
- Przechowuj urządzenie i jego akcesoria w ich oryginalnych opakowaniach.
- Urządzenie należy przechowywać w chłodnym, suchym miejscu.
- Urządzenie należy trzymać poza zasięgiem dzieci.

5.6 Przenoszenie i transport

- Urządzenie należy przenosić i transportować w oryginalnym opakowaniu. Zabezpiecza ono urządzenie przed fizycznymi uszkodzeniami.
- Nie wolno umieszczać ciężkich ładunków na urządzeniu lub opakowaniu. Może to spowodować uszkodzenie urządzenia.
- Upuszczenie urządzenia może spowodować jego awarię lub trwałe uszkodzenie.

6 Rozwiązywanie problemów

Rozwiązywanie problemów	Problem	Pomoc
Produkt nie działa.	Sprawdź bezpiecznik.	Bezpiecznik może być zablokowany, napraw to.
Produkt nie działa.	Sprawdź połączenie elektryczne.	Napięcie sieciowe powinno wynosić między 220-240 V.
Produkt nie działa.	Sprawdź połączenie elektryczne.	Sprawdź, czy inne przedmioty w Twojej kuchni działają, czy nie.
Oświetlenie nie działa.	Sprawdź połączenie elektryczne.	Napięcie sieciowe powinno wynosić między 220-240 V.
Oświetlenie nie działa.	Sprawdź włącznik oświetlenia.	Powinien się znajdować w pozycji „ON”
Oświetlenie nie działa.	Sprawdź lampy.	Lampy nie powinny być uszkodzone.
Pobór powietrza jest słaby.	Sprawdź filtr przeciwtłuszczowy.	Aluminiowy filtr przeciwtłuszczowy należy czyścić co najmniej raz w miesiącu przy normalnym użytkowaniu.
Pobór powietrza jest słaby.	Sprawdź kanał wentylacyjny.	Powinien się znajdować w pozycji „ON”
Pobór powietrza jest słaby.	Sprawdź filtr węglowy.	W przypadku produktów z filtrami węglowymi filtr należy wymieniać co 3 miesiące.

Droży Klienci,

Dziękujemy za zakup naszych produktów. Jesteśmy przekonani, że nasze urządzenia będą służyć przez lata. Każdy produkt firmy Beko jest objęty 2-letnim okresem gwarancji.

Warunki gwarancji Beko S.A- (małe urządzenia AGD)

BEKO spółka akcyjna z siedzibą w Warszawie (02-819), przy ulicy Puławskiej 366, wpisana do rejestru przedsiębiorców prowadzonego przez Sąd Rejonowy dla m.st. Warszawy w Warszawie, XIII Wydział Gospodarczy Krajowego Rejestru Sądowego, pod numerem: 0000078147 (dalej: „BEKO”) udziela gwarancji jakości (dalej: „Gwarancja”) na wprowadzone przez BEKO do obrotu na terenie Polski produkty marki BEKO (dalej: „Urządzenia”) osobom, które nabyły te produkty („Użytkownik”) na następujących warunkach:

I. ZAKRES OCHRONY.

BEKO gwarantuje, że Urządzenie zakupione przez Użytkownika jest wolne od wad produkcyjnych lub materiałowych, powstałych z przyczyn tkwiących w tym Urządzeniu (dalej: „Wada”), które ujawnią się w ciągu terminu określonego w części II. niniejszych Warunków Gwarancji (dalej: „Okres Gwarancyjny”).

W razie ujawnienia się Wady Produktu w trakcie Okresu Gwarancyjnego, zostanie ona usunięta na koszt BEKO w sposób uzależniony od właściwości wady, na zasadach i w zakresie określonym w niniejszych Warunkach Gwarancji.

BEKO zobowiązuje się do usunięcia Wady poprzez dokonanie nieodpłatnej naprawy lub wymiany Urządzenia, bądź też reklamacja zgłoszona na podstawie niniejszych Warunków Gwarancji zostanie rozpoznana w inny sposób uzgodniony przez BEKO i Użytkownika.

Udzielona gwarancja jest ważna na terytorium Rzeczypospolitej Polskiej.

II. CZAS TRWANIA GWARANCJI.

Okres Gwarancyjny wynosi 24 miesiące licząc od daty zakupu Urządzenia przez pierwszego Użytkownika.

III. PROCEDURA ZGŁOSZENIA REKLAMACYJNEGO.

Wady Urządzenia ujawnione w Okresie Gwarancyjnym będą usuwane pod warunkiem przedstawienia przez Użytkownika dowodu zakupu tego Urządzenia zawierającego oznaczenia niezbędne do jego identyfikacji (model, datę zakupu).

Uprawnienia wynikające z niniejszych Warunków Gwarancji mogą być zrealizowane przez Użytkownika wyłącznie w Autoryzowanych Punktach Serwisowych BEKO (dalej: „Serwis”) po uprzednim dokonaniu zgłoszenia na Infolinii BEKO pod numerem telefonu: 222501414. Urządzenie powinno być odpowiednio zapakowane i zabezpieczone przez Użytkownika na czas transportu do punktu serwisowego Beko.

Wady Urządzenia będą usunięte w terminie 14 dni od daty zgłoszenia Wady na Infolinii BEKO.

Jeżeli część zamienna wymieniana w ramach uprawnień wynikających z niniejszych Warunków Gwarancji Urządzenia jest sprowadzana z zagranicy, termin naprawy, o którym

mowa w punkcie 5 powyżej, może ulec wydłużeniu jednak, nie więcej niż do 30 dni licząc odpowiednio od daty zgłoszenia Wady na Infolinii BEKO. Informacje o spodziewanych terminach napraw dostępne są na Infolinii BEKO pod numerem 222501414. Po usunięciu Wady, Urządzenie zostanie dostarczone Użytkownikowi na koszt BEKO.

IV. WYŁĄCZENIA.

Warunkiem skorzystania z niniejszych Warunków Gwarancji jest:

użytkowanie Urządzenia zgodnie z Instrukcją Obsługi dołączoną do tego Urządzenia i jego przeznaczeniem, jak również odpowiednie czyszczenie i konserwację Urządzenia;

użytkowanie w warunkach indywidualnego gospodarstwa domowego. Urządzenie nie jest używane do celów prowadzenia działalności gospodarczej lub w zastosowaniach eksploatacji masowej, w szczególności w gastronomicznej działalności hoteli, restauracji i innych obiektów turystyczno-rekreacyjnych lub zbiorowego żywienia. stosowanie osprzętu zalecanego przez producenta; brak ingerencji w Urządzenie przez osoby do tego nieupoważnione; brak ingerencji w tabliczkę znamionową z numerem seryjnym Urządzenia. Udzielona przez Beko Gwarancja nie obejmuje:

wad powstałych z przyczyn innych niż tkwiące w Urządzeniu;

normalnego zużycia elementów eksploatacyjnych tj. akumulatory, baterie, noże, filtry, żarówki, szczotki, itp.;

czynności przewidzianych w Instrukcji Obsługi, do wykonania których zobowiązany jest Użytkownik Urządzenia we własnym zakresie i na swój koszt, w tym: instruktażu dotyczącego obsługi Urządzenia, instalacji oraz regulacji urządzenia.

usterek powstałych w wyniku nieprawidłowego lub niewłaściwego użytkowania, niedbalstwa, przypadkowego uszkodzenia Urządzenia, nieodpowiedniego napięcia prądu lub dokonania jakichkolwiek zmian, które mają wpływ na niewłaściwe działanie Urządzenia, i które naprawiane były przez osoby nieupoważnione, używania instalacji niezgodnych z odpowiednimi Polskimi Normami i innych niż wymienione w Instrukcji Obsługi Urządzenia; uszkodzeń mechanicznych, termicznych, chemicznych, korozji, innych uszkodzeń spowodowanych działaniem lub zaniedbaniem Użytkownika lub powstałych na skutek działania sił zewnętrznych (do których zalicza się w szczególności wyładowania atmosferyczne, skoki napięcia, wszystkiego rodzaju awarie domowej instalacji wodno-kanalizacyjnej, itp.), a także powstałych na skutek przedostania się zanieczyszczeń lub ciał obcych do Urządzenia, zakamienienia (proces odkamieniania musi być przeprowadzany zgodnie z instrukcją obsługi z użyciem odpowiednich środków czyszczących) elementów ze szkła, plastiku oraz porcelany; odbarwień Urządzenia lub poszczególnych jego części; usterek powstałych na skutek przechowywania i użytkowania Urządzenia w warunkach, które są niezgodne z normalnymi warunkami domowymi określonymi wymaganiami powszechnie obowiązujących przepisów prawa i odpowiednich Polskich Norm;

V. POZOSTAŁE POSTANOWIENIA.

Niniejsze warunki gwarancji mają zastosowanie do Urządzeń zakupionych od dnia 01.03.2019 r. Gwarant oświadcza, że niniejsza Gwarancja jest udzielana Użytkownikowi dodatkowo i nie wyłącza, nie ogranicza ani nie zawiesza uprawnień Użytkownika wynikających z przepisów o rękojmi za wady rzeczy sprzedanej na podstawie Kodeksu cywilnego.

Leia este manual do utilizador em primeiro lugar!

Prezado Cliente,

Obrigado por preferir este aparelho da Beko. Esperamos que obtenha os melhores resultados com o nosso aparelho, que foi fabricado com tecnologia avançada e de alta qualidade. Como tal, leia com atenção todo este manual do utilizador e os outros documentos que o acompanham antes de utilizar o aparelho e guarde-o como referência para uso futuro. Se passar o aparelho para outra pessoa, dê-lhe também este manual do utilizador. Siga as instruções estando atento às informações e avisos no manual do utilizador.

Lembre-se que este manual do utilizador também pode aplicar-se a outros modelos. As diferenças entre modelos são explicitamente descritas no manual.

Significados dos símbolos

Os seguintes símbolos são usados em várias secções deste manual:



Informações importantes ou dicas úteis sobre a utilização.



AVISO: Avisos para situações perigosas relativas à segurança de pessoas e bens.



Aviso sobre perigo de incêndio.



Aviso de choque elétrico.



**PAPEL RECICLADO e
RECICLÁVEL**

Este aparelho foi fabricado em instalações modernas e amigas do ambiente sem causar quaisquer danos à natureza.

1 Instruções importantes sobre segurança e meio ambiente

1.1 Segurança geral

Instruções importantes sobre a segurança, leia com cuidado e mantenha para a referência futura. Esta secção contém instruções de segurança que ajudarão a protegê-lo(a) contra o risco de incêndio, exposição a energia de micro-ondas libertada acidentalmente, ferimentos pessoais ou danos à propriedade. O não cumprimento destas instruções invalida a garantia concedida.

- Os produtos Beko estão em conformidade com as normas de segurança aplicáveis; portanto, em caso de qualquer dano no aparelho ou cabo de alimentação, deve ser reparado ou substituído pelo revendedor, centro de assistência ou por uma assistência especializada e autorizada para evitar qualquer perigo. Reparações defeituosas ou não qualificadas podem ser perigosas e constituir riscos para o utilizador.
- Este aparelho destina-se à utilização doméstica e aplicações semelhantes, como por exemplo:
 - Áreas da cozinha dos funcionários em lojas, escritórios e outros ambientes de trabalho;
 - Casas de turismo rural;
 - Por clientes em hotéis, pensões e outros tipos de ambientes residenciais;
 - Alojamentos do tipo cama e pequeno-almoço.
- Use este aparelho apenas para os fins a que se destina e tal como descrito neste manual.
- O fabricante não se responsabiliza por quaisquer danos resultantes de uma instalação incorreta ou imprópria.
- Este equipamento pode ser usado por crianças com idade de 8 anos ou mais e por pessoas com capacidades físicas, sensoriais ou mentais reduzidas ou com falta de experiência e conhecimento se forem supervisionadas ou que lhes tenha sido dada instrução a respeito da utilização do equipamento de um modo seguro e que compreendam os perigos envolvidos.

1 Instruções importantes sobre segurança e meio ambiente

- As crianças não devem brincar com o aparelho. A limpeza e a manutenção do utilizador não devem ser realizadas por crianças sem serem supervisionadas.
 - A distância mínima entre a superfície de apoio para os recipientes na placa de cozinha e a parte inferior do produto deve ser de 65 cm, no mínimo.
 - Se as instruções de instalação para a placa de cozinha a gás especificarem uma distância maior, esta deve ser tida em consideração.
 - Certifique-se de que a alimentação elétrica está em conformidade com as informações fornecidas na placa de dados do aparelho.
 - Nunca utilize o aparelho se o cabo de alimentação ou o próprio aparelho estiverem danificados.
 - Evite danos ao cabo de alimentação, evitando apertá-lo, dobrá-lo ou arrastá-lo sobre extremidades pontiagudas. Mantenha o cabo de alimentação afastado de superfícies quentes e chamas vivas.
 - Apenas utilize o aparelho numa tomada com ligação à terra.
- AVISO:** Não ligue o aparelho à corrente até que a instalação esteja concluída.
- Coloque o aparelho de modo a que a ficha esteja sempre acessível.
 - Não toque nas lâmpadas caso tenham estado acesas durante muito tempo. Estas podem queimar as suas mãos, dado que ficam quentes.
 - Siga os regulamentos estabelecidos pelas autoridades competentes relativos ao ar de exaustão (este aviso não se aplica se o aparelho for utilizado sem chaminé).
 - Utilize o aparelho apenas depois de colocar um tacho, uma frigideira, etc. na placa de cozinha. Caso contrário, o calor excessivo pode deformar algumas partes do aparelho.
 - Desligue a placa de cozinha antes de retirar o tacho, a frigideira, etc.

1 Instruções importantes sobre segurança e meio ambiente

- Não deixe óleo quente na placa de cozinha. As frigideiras com óleo quente podem entrar em combustão espontânea.
- Preste atenção às cortinas e tampas, pois o óleo pode incendiar-se enquanto se cozinha, por exemplo, batatas fritas.
- O filtro de gordura deve ser substituído, no mínimo, mensalmente. O filtro de carbono deve ser substituído, no mínimo, a cada 3 meses.
- O aparelho deve ser limpo de acordo com as instruções do manual do utilizador. Pode existir perigo de incêndio caso a limpeza não seja realizada de acordo com as instruções do manual do utilizador.
- Não utilize materiais de filtração que não sejam resistentes ao fogo além do filtro atual.
- Utilize apenas as peças originais ou peças recomendadas pelo fabricante.
- Não utilize o aparelho sem o filtro e não retire os filtros durante o funcionamento do aparelho.
- No caso de deflagrar uma chama, corte a alimentação elétrica do aparelho e dos eletrodomésticos.
- No caso de deflagrar uma chama, cubra-a e nunca use água para extingui-la.
- Desligue o aparelho antes de cada limpeza e quando este não estiver a ser utilizado.
- A pressão negativa no ambiente não deverá exceder 4 Pa (4 x 10 bar) enquanto o exaustor para a placa de cozinha elétrica e os aparelhos alimentados por outro tipo de energia além da eletricidade estiverem a funcionar em simultâneo.
- No ambiente em que o aparelho está a ser utilizado, a exaustão dos dispositivos que funcionam a óleo combustível ou gás, como é o caso dos aquecedores, deverá ficar totalmente isolada. Caso contrário, o aparelho terá de ser de tipo hermético.
- Ao fazer a ligação à chaminé, utilize tubos com 120 ou 150 mm de diâmetro. A ligação do tubo deve ser o mais curta possível

1 Instruções importantes sobre segurança e meio ambiente

e ter o menor número de curvas possível.

Perigo de asfixia! Mantenha todos os materiais da embalagem afastados das crianças.

ATENÇÃO: Partes acessíveis podem ficar quentes quando utilizadas com aparelhos de cozinha.

- A saída do exaustor não pode estar ligada aos canais de ar que incluem outros fumos.
- A ventilação na divisão poderá ser insuficiente quando se utilizar o exaustor para a placa de cozinha elétrica simultaneamente com os dispositivos que funcionam a gás ou outros combustíveis (isto poderá não se aplicar aos aparelhos que apenas fazem o retorno do ar para a divisão).
- Os objetos colocados em cima do aparelho podem cair. Não coloque quaisquer objetos em cima do aparelho.
- Não flambeie debaixo do aparelho.

AVISO: Remova as películas protetoras antes de instalar a Placa de cozinha.

- Nunca deixe chamas vivas altas sob o exaustor quando este estiver em funcionamento
- Mantenha as fritadeiras sob controlo durante a utilização: o óleo sobreaquecido pode inflamar-se.

1.2 Conformidade com a Diretiva REEE e eliminação do produto residual:

Este produto está em conformidade com a Diretiva REEE da UE (2012/19/UE). Este produto traz um símbolo de classificação para reciclagem de equipamentos elétricos e eletrónicos (REEE).



Este símbolo indica que o produto não deve ser eliminado juntamente com o lixo doméstico no fim da sua vida útil. Os aparelhos usados devem ser levados para um ponto de recolha oficial para a reciclagem de aparelhos elétricos e eletrónicos. Para encontrar estes sistemas de recolha, entre em contacto com as autoridades locais ou com o revendedor através do qual adquiriu o produto. Cada domicílio desempenha um papel fundamental na recolha e reciclagem de aparelhos antigos. A eliminação correta de aparelhos usados ajuda a prevenir potenciais efeitos negativos ao meio ambiente e à saúde humana.

1 Instruções importantes sobre segurança e meio ambiente

1.3 Conformidade com a Diretiva RoHS

O produto adquirido está em conformidade com a Diretiva RoHS da UE (2011/65/UE). Não contém materiais prejudiciais ou proibidos especificados na Diretiva.

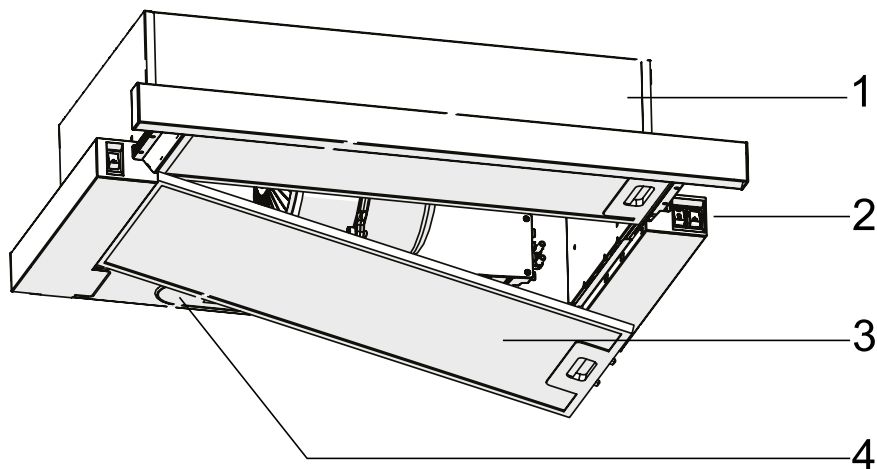
1.4 Informação de embalagem



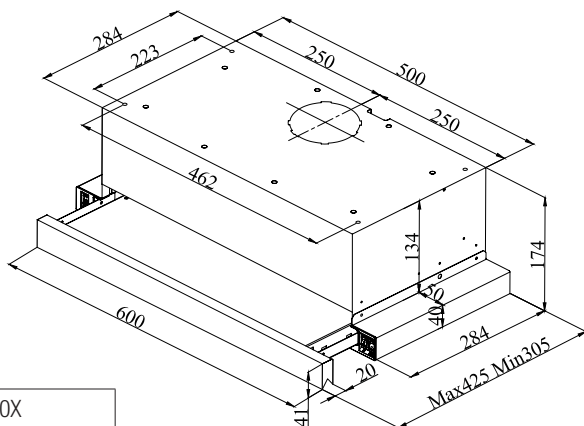
Os materiais para embalagem do produto são fabricados a partir de materiais recicláveis, em conformidade com a nossa Regulamentação Nacional do Ambiente. Não elimine os materiais da embalagem juntamente com os resíduos domésticos ou outros tipos de resíduos. Leve-os para os pontos de recolha de materiais de embalagem designados pelas autoridades locais.

2 Aspeto Geral

2.1 Generalidades



1. Painel frontal
2. Interruptor
3. Filtro de gorduras em alumínio
4. Luz LED

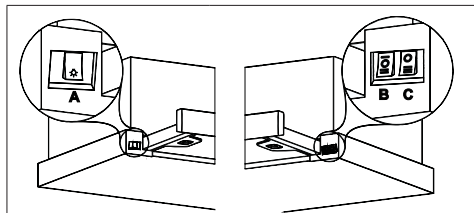


2.2 Dados técnicos

Modelo	HNT61310X
Tensão de alimentação	220-240 V ~ 50 Hz
Potência da lâmpada	2 x 3 W
Potência do motor	250 W
Taxa de fluxo – 3. Nível	483 m³/h
Classe de isolamento do motor	Classe F
Classe de isolamento	Classe I

3 Funcionamento do aparelho

3.1 Controlar o aparelho



TECLA	FUNÇÃO
A : Ligar/desligar a iluminação	Puxar a placa deslizante para a frente. Premir o botão para baixo para acender a lâmpada ou para cima para apagar a lâmpada
B : Botão de velocidade 1 e 2	Puxar a placa deslizante para a frente. Premir o botão para cima para operar o exaustor na velocidade nível 1 e para baixo para operar o mesmo no nível de velocidade 2.
C : Botão de velocidade 3	Puxar a placa deslizante para a frente. Premir o botão para baixo para operar o exaustor no nível de velocidade 3.

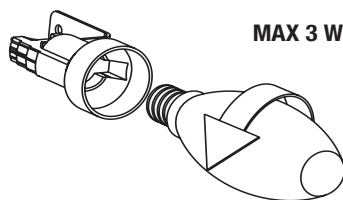
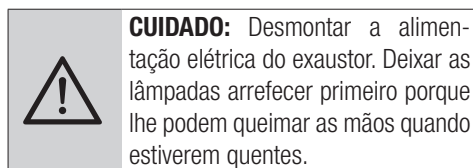
3.2 Funcionamento de eficiência energética em termos de poupança Utilização

- Quando usar o seu aparelho, ajustar as definições da velocidade de acordo com a intensidade de vapor e de odor, de modo a economizar energia.
- Usar as velocidades reduzidas (1-2) em condições normais, e a velocidade mais elevada (3) com vapor e odor intensos.
- As lâmpadas no exaustor são colocadas para iluminar a zona de cozedura.
- Se usar as mesmas para iluminação ambiente irá provocar consumo desnecessário de energia e iluminação insuficiente.

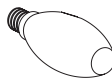
3.3 Instruções de funcionamento

- O seu aparelho inclui um motor com várias velocidades.
- Para um melhor desempenho, recomendamos usar velocidades reduzidas em condições normais e velocidades elevadas no caso de odores fortes e de vapor intenso.
- Pode começar a usar o seu aparelho premindo no botão de definição da velocidade pretendida. (B,C)
- Pode iluminar a zona de cozedura premindo a lâmpada.(A)

3.4 Substituição da lâmpada



Retirar o filtro de cartucho de alumínio. Retirar a lâmpada defeituosa e substituir por uma nova com a mesma classificação.

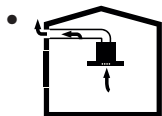
Lâmpada	
Potência da lâmpada	3 W
Suporte / Tomada	E 14
Tensão da lâmpada	220 - 240 V
Dimensão	35 x 100 mm

3 Funcionamento do aparelho

Código ILCOS	DRBB/F-3-220-240-E14-35/100
Fluxo luminoso	220 lm
Temperatura de cor relacionada	2700 K

Este produto contém uma fonte de luz com a classe de eficiência energética "E".

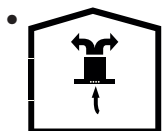
3.5 Funcionamento com ligação à conduta



O vapor é extraído através da conduta de exaustão, a qual é fixada à cabeça de ligação no exaustor.

- O diâmetro da conduta de exaustão tem de ser o mesmo que o anel de ligação. Nas definições horizontais, o tubo tem de ter uma ligeira inclinação para cima (cerca de 10°) de modo a que o ar possa sair facilmente do espaço.

3.6 Funcionamento sem ligação à conduta



O ar filtrado através do filtro de carvão e recirculado no espaço. O filtro de carvão é usado quando é impossível usar uma conduta na residência.

- Quando utilizado sem conduta de exaustão, remover as abas no interior do adaptador da conduta.
- Retirar o filtro da gordur. Para instalar o filtro de carvão, encaixar o filtro nas guias centrando o mesmo na peça de plástico nos dois lados da estrutura da ventoinha, apertar o mesmo rodando-o para a direita ou para a esquerda.
- Voltar a colocar o filtro da gordur.

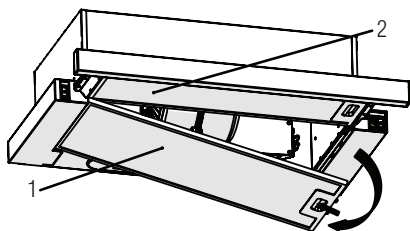
4 Limpeza e manutenção



Antes de efetuar a limpeza e a manutenção, desligar o produto ou desligar o interruptor.

4.1 Limpeza do filtro de gordura em alumínio

O filtro da gordura em alumínio é usado para reter as partículas de óleo existentes no ar. O filtro da gordura em alumínio pode mudar de cor à medida que é lavado, isto é normal e não implica a substituição do mesmo.



1. Filtro exterior de gordura em alumínio

2. Filtro interior de gordura em alumínio

- Puxar a placa deslizante para fora segurando no painel frontal. Remover primeiro o filtro exterior de gordura em alumínio e depois o filtro interior de gordura em alumínio.
- Empurrar para a frente o fecho do filtro de gordura em alumínio.
- Depois baixar o mesmo ligeiramente e puxar o mesmo para fora (Figura 5). Caso contrário, pode dobrar o filtro. Lavar e enxaguar o filtro de gordura em alumínio s com detergente líquido e voltar a colocar o filtro da gordura s nas calhas respetivas realizando os passos especificados acima na ordem inversa. Este filtro retém as partículas existentes no ar.



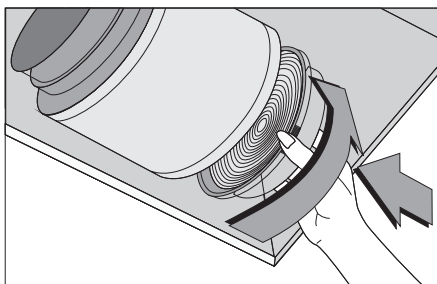
Pode lavar o filtro de gordura em alumínio na máquina de lavar loiça.



CUIDADO: No caso de um uso normal, limpar o seu filtro de gordura em alumínio uma vez por mês.

4.2 Substituição dos filtros de carvão

Is filtros de eliminação de odores contêm carvão (Carvão ativo). O filtro de gordura em alumínio s tem de ser instalado no produto, independentemente se forem ou não usados filtros de carbono.



- Retirar o filtro de gordura em alumínio.
- Para remover o filtro de carvão, remover o mesmo do respetivo compartimento rodando-o no sentido anti-horário a partir da guia
- Instalar o novo filtro de carvão.
- Instalar o filtro de gordura em alumínio s.



CUIDADO

- O filtro de carvão nunca deve ser lavado.
- Substituir os filtros de carvão uma vez em cada 3 meses.
- Pode obter o filtro de carvão nos revendedores autorizados.

5 Instalação do aparelho



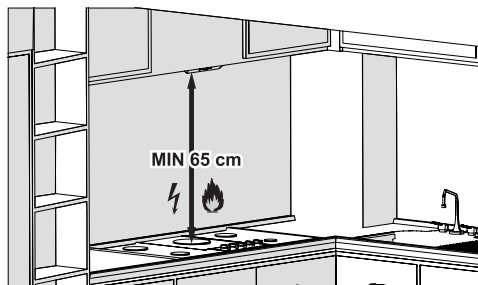
ADVERTÊNCIA! Antes de iniciar a instalação, deve ler a informação de segurança no Manual do Utilizador.



ADVERTÊNCIA! Não instalar com parafusos e estabilizadores de acordo com estas instruções pode resultar em choque elétrico.

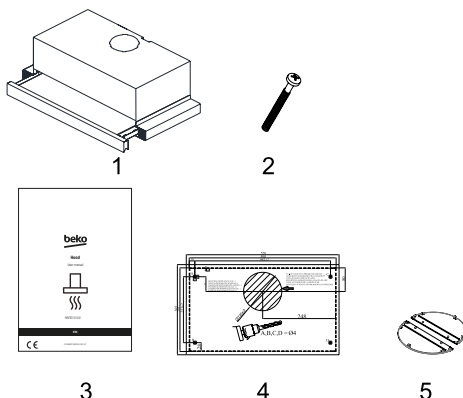
Para a instalação do exaustor, deve contactar o Serviço de Assistência Autorizado mais próximo. É da responsabilidade do cliente preparar a localização e a instalação elétrica do exaustor.

5.1 Posição do aparelho



- A distância entre o fogão e o exaustor tem de ser considerada antes da montagem. Esta distância deve ser de 50 cm para as placas elétricas e 65 cm para as placas a gás.
- A distância tem de ser medida a partir da superfície da grelha para os fogões a gás,
- a partir da superfície de vidro para os fogões elétricos.

5.2 Acessórios da instalação



1. Exaustor
2. Parafusos 4x 4 x 40
3. Manual de Funcionamento e outros documentos
4. Molde de montagem
5. Aba da conduta de plástico Ø120mm

A informação necessária para fazer a localização adequada para a instalação do aparelho é indicada abaixo.

5.3 Instalação do exaustor

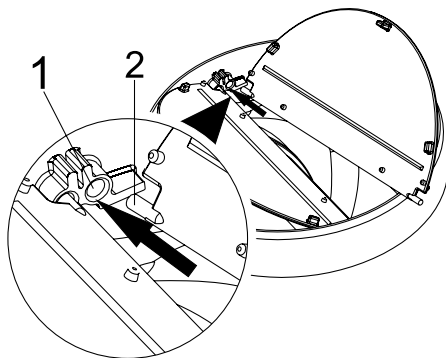


CUIDADO: Usar luvas e óculos de proteção quando estiver a fazer perfurações e cortes.

- Colar o modelo de instalação fornecido com o exaustor na superfície onde o exaustor é para ser montado.
- Fazer furos com o diâmetro de Ø4 mm nos pontos marcados com A, B, C, D no modelo de instalação.
- Fazer o orifício de saída de exaustão especificado na placa de instalação com a dimensão indicada.

5 Instalação do aparelho

Retirar o aparelho da embalagem. Instalar as abas da conduta em plástico fornecidas com os acessórios na conduta de saída do ar do aparelho conforme mostrado abaixo.

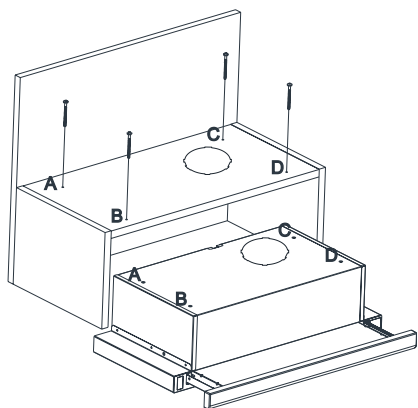


(Figura 1)

1. Encaixe do pino da aba

2. Pino da aba

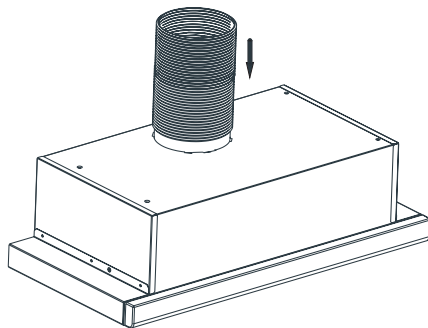
Inserir o pino de plástico (Figura 1/zona no 2) no soquete do pino na exaustão do motor (Figura 1/zona no 1) Depois dobrar ligeiramente a aba para inserir o outro pino na aba e inserir o outro pino no respetivo soquete (Figura 1).



(Figura 2)

Ao usar os parafusos 4 x 40 fornecidos com o exaustor, instalar o aparelho no armário a partir

dos pontos A, B, C e D. Quando o conjunto do deslizador se movimentar, o painel frontal não pode tocar na porta do armário (Figura 2).



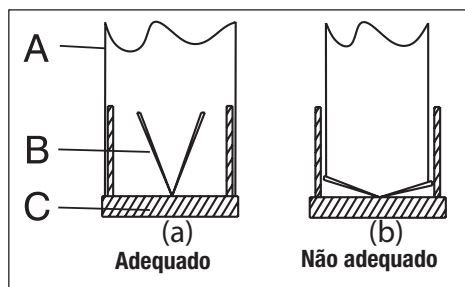
(Figura 3)

Instalar o tubo de alumínio flexível na saída da conduta plástica. Instalar a outra extremidade do tubo no orifício da conduta na parede (Figura 3).

5.4 Ligar a uma conduta de exaustão

Se vai usar um adaptador de conduta em plástico com \varnothing 120/150 mm, ligar uma das extremidades do tubo a este adaptador, se não o for usar, ligar o mesmo à saída direta no produto. Ligar a outra extremidade do tubo à sua conduta de exaustão. Verificar se estas duas ligações estão suficientemente fixadas de modo a que não saiam quando o exaustor está a funcionar com toda a potência. Assegurar que as abas dentro da conduta funcionam depois de apertadas com o grampo. Ligar a conduta de ligação no exterior do adaptador. Se a conduta de ligação estiver colocada no interior do adaptador, a tampa que impede o retorno do ar deve manter-se fechada e o ar não será aspirado. O comprimento da ligação do tubo assim como o número de cotovelos devem ser o mínimo possível.

5 Instalação do aparelho



A : Tubo de saída da conduta

B: Abas de não retorno

C: Conduta de plástico

As válvulas são fechadas depois o aparelho não está a funcionar e impede a entrada de odor e poeira possivelmente existentes no exterior.

5.5 Armazenamento

- Se não pretender usar o aparelho durante um período de tempo longo, armazená-lo cuidadosamente.
- Deve assegurar que o aparelho está desligado, arrefecido e totalmente seco.
- Armazenar o aparelho num espaço bem ventilado e seco.
- Manter o aparelho fora do alcance das crianças.

5.6 Manuseio e transporte

- Durante o manuseamento e transporte, levar o aparelho na embalagem original. A embalagem do aparelho protege-o contra danos físicos.
- Não colocar cargas pesadas sobre o aparelho ou sobre a embalagem. O aparelho pode ficar danificado.
- Deixar cair o aparelho irá torná-lo inoperacional ou causar danos permanentes.

6 Resolução de problemas

Resolução de problemas	Razão	Ajuda
O produto não funciona.	Verificar os fusíveis.	O fusível pode estar desativado, ative-o.
O produto não funciona.	Verificar a instalação elétrica.	A tensão de rede deve ser entre 220 e 240 V.
O produto não funciona.	Verificar a instalação elétrica.	Verificar se outros produtos na cozinha estão a funcionar ou não.
A lâmpada de iluminação não funciona.	Verificar a instalação elétrica.	A tensão de rede deve ser entre 220 e 240 V.
A lâmpada de iluminação não funciona.	Verificar o interruptor da lâmpada.	O interruptor da lâmpada deve estar na posição "ligado".
A lâmpada de iluminação não funciona.	Verificar as lâmpadas.	As lâmpadas do produto não devem estar avariadas.
A entrada de ar do produto é fraca.	Verificar o filtro de alumínio.	O filtro de óleo de alumínio deve ser limpo pelo menos uma vez por mês em condições normais.
A entrada de ar do produto é fraca.	Verificar a conduta de saída de ar.	O interruptor da conduta de saída de ar deve estar na posição "ligado".
A entrada de ar do produto é fraca.	Verificar o filtro de carvão.	Para produtos com filtros de carvão, normalmente o filtro deve ser trocado a cada 3 meses.



**Contacte a assistência técnica:
707 014 192 / 215 557 319**

CONDIÇÕES DE GARANTIA - PORTUGAL

Este certificado cobre a garantia de reparação do seu eletrodoméstico por dois anos a contar da data de compra, contra defeitos de funcionamento provenientes do fabrico ou dos materiais; ou de substituição do dispositivo, a menos que uma dessas opções seja impossível ou desproporcionada em relação à outra. Quando detetar um defeito ou anomalia no aparelho entre imediatamente em contacto connosco, existe um prazo limite de dois meses para nos informar sobre a falta de conformidade. O valor da deslocação está incluído na reparação, com exceção de pequenos aparelhos que podem ser transportados para a oficina do serviço oficial da marca. Em caso de substituição, o período de garantia fica suspenso e o aparelho irá manter o prazo de validade do aparelho substituído e no mínimo 6 meses de garantia.

Esta garantia só será válida se a fatura, recibo de venda ou a entrega do produto em questão for posterior à data da fatura. Esta garantia é válida em território espanhol e português para aparelhos distribuído pela Beko Electronics Espanha S.L. A garantia só é válida para o primeiro comprador ou adquirente do produto. A garantia é válida para dispositivos adaptados às condições climáticas e ambientais em que se situam.

EXCLUSÕES DA GARANTIA

O custo da reparação será pago pelo utilizador nos seguintes casos:

- Aparelhos utilizados para uso profissional ou não exclusivamente doméstico, em estabelecimentos comerciais, industriais ou públicos.
- O equipamento desmontado ou adulterado por alguém que não seja expressamente autorizado pelos serviços técnicos.
- A instalação, transporte, substituição de equipamento, colocação em funcionamento, alteração do sentido das portas.
- Intervenções de manutenção ou informações sobre a utilização dos aparelhos.
- Alteração de injetores em aparelhos a gás.
- As avarias causadas pela falta de manutenção ou limpeza, ou aquelas causadas por um uso inadequado, sobrecarga, abandono ou de forma a não respeitar as instruções de uso ou instalação dos aparelhos.
- As avarias provocadas por causas acidentais, sinistros de força maior ou resultantes de instalação inadequada e em geral, avarias por razões não relacionadas com o produto.
- As avarias causadas por ligações que podem apresentar flutuações, irregularidades ou falta de uniformidade no fornecimento, por exemplo: abastecimento de água, impulsionado por pressão, energia solar, energia eólica, geradores de energia elétrica ou outro tipo de fornecimento não-padrão.
- Os materiais quebrados ou danificados por desgaste ou uso não normal do aparelho, ou consumíveis tais como: juntas, plásticos, borracha, correias, vidros, pincéis, lâmpadas, asas, puxadores, tampas de queimadores, filtros, grades, etc.
- Os aparelhos que apresentem oxidação, ou danos por corrosão em esmaltes ou tintas, que possam ter sido causados por efeitos químicos ou eletroquímicos da água ou de qualquer outra substância, ou aceleradas por circunstâncias ambientais ou climáticas não propícias.
- Defeitos estéticos em serigrafia ou pintura.
- Os danos causados por transporte ou manuseio, colisões, etc.
- Os aparelhos devem ser instalados de forma acessível em caso de reparação e o utilizador deve assumir os custos necessários para aceder ao aparelho para reparação e substituição.

As marcas BEKO, ALTUS, BLOMBERG, y GRUNDIG são distribuídas por Beko Electronics Espanha S.L.

DADOS DO APARELHO (a ser preenchido pelo Distribuidor):

Detentor:		Carimbo do estabelecimento:
Modelo:	N.º série:	
Estabelecimento:	Data de compra:	

O fiador e o importador do seu eletrodoméstico é: BEKO ELECTRONICS ESPAÑA S.L. Calle Provenza nº 388 3º Barcelona 08025, Espana. O produto foi fabricado por ARÇELIK A.S (Arçelik A.S.Şütlüce Karaağaç Cad. No:2-6 34445 Beyoglu, Istanbul, Turquia) ou o Arctic S.A. (210, 13 Decembrie St., 135200, Gaesti, Dambovita, Romania.

Conheça-nos melhor na nossa página: www.beko.com Conserve este documento, é importante para si.

Vă rugăm să citiți mai întâi acest manual de utilizare!

Stimate client,

Vă mulțumim pentru că ați ales acest produs Beko. Sperăm să obțineți cele mai bune rezultate de la aparatul dumneavoastră, care a fost fabricat la o calitate înaltă și cu tehnologie performantă. Din acest motiv, vă rugăm să citiți cu atenție și în întregime acest manual de utilizare și toate celelalte documente însoțitoare înainte de a utiliza aparatul și să le păstrați pentru consultări ulterioare. Dacă transmiteți produsul altei persoane, oferiți-i și manualul de utilizare. Urmați instrucțiunile și acordați atenție tuturor informațiilor și avertismentelor din manualul de utilizare.

Nu uitați că acest manual de utilizare poate fi aplicat și altor modele. Diferențele dintre modele sunt descrise în manual în mod explicit.

Semnificația simbolurilor

Următoarele simboluri sunt utilizate în diverse părți ale acestui manual de utilizare:



Informații importante și sugestii utile cu privire la utilizare.



AVERTISMENT: Avertismente pentru situații periculoase referitoare la siguranța vieții și bunurilor.



AVERTISMENT: Avertisment pentru pericol de incendiu.



AVERTISMENT: Avertisment privind electrocutarea.



**HĂRTIE RECICLATĂ ȘI
RECICLABILĂ**

Acest produs a fost fabricat în fabrici ecologice moderne, fără a dăuna naturii.

1 Instrucțiuni importante cu privire la siguranță și mediu

1.1 Siguranță generală

Instrucțiuni importante cu privire la siguranță Citiți cu atenție și păstrați-le pentru consultare ulterioară Această secțiune conține instrucțiuni privind siguranța, care vă vor proteja împotriva riscului de incendiu, electrocutare, expunere la scurgeri de microunde, vătămare corporală și pagube materiale. Nerespectarea acestor instrucțiuni atrage anularea garanțiilor acordate.

- Produsele de la Beko sunt conforme standardelor de siguranță aplicabile; din acest motiv, în caz de defecțiune a produsului sau a cablului de alimentare, acestea trebuie reparate sau înlocuite de distribuitor, un centru de service sau un service similar specializat și autorizat, pentru evitarea oricărui pericol. Lucrările de reparații greșite sau efectuate de persoane necalificate pot cauza pericole sau riscuri utilizatorului.
- Acest aparat este destinat pentru a fi utilizat în scop casnic și aplicații similare cum ar fi:
 - Bucătării pentru personalul din magazine, birouri sau alte medii de lucru;
 - Ferme
 - De către clienți în hoteluri, moteluri sau alte medii de tip rezidențial;
 - Medii de tip pensiune.
- Utilizați acest produs doar pentru uzul desemnat, așa cum este descris în acest manual.
- Producătorul nu își asumă răspunderea pentru daunele provocate de instalarea incorectă sau utilizarea greșită a produsului.
- Acest aparat poate fi utilizat de către copii cu vârsta minimă de 8 ani și de către persoanele cu capacități fizice, senzoriale sau mentale reduse sau lipsite de experiență și de cunoștințe, dacă aceștia au fost supravegheați sau instruiți cu privire la utilizarea produsului într-un mod sigur și dacă înțeleg pericolele implicate.
- Copiii nu trebuie să se joace cu aparatul. Operațiunile de curățare și întreținere nu trebuie să fie efectuate de către copii fără supraveghere.

1 Instrucțiuni importante cu privire la siguranță și mediu

- Distanța minimă dintre suprafețele de susținere pentru vasele de gătit de pe plită și partea cea mai joasă a hotei trebuie să fie de 65 cm.
- Dacă instrucțiunile de instalare a plitei cu gaz specifică distanțe mai mari decât cele de mai sus, se vor respecta instrucțiunile respective.
- Asigurați-vă că tensiunea de alimentare corespunde cu informațiile furnizate pe plăcuța cu date tehnice a produsului.
- Nu utilizați aparatul atunci când cablul de alimentare sau aparatul în sine este avariata.
- Nu strângeți, nu îndoiți și nu frecăți cablul de alimentare de margini tăioase, pentru a preveni avariata acestuia. Feriți cablul de alimentare de suprafețele fierbinți și focul deschis.
- Utilizați produsul doar cu o priză cu împământare.
- **AVERTISMENT:** Nu conectați produsul la priza de alimentare înainte de finalizarea instalării.
- Amplasați aparatul astfel încât ștecherul să fie întotdeauna accesibil.
- Nu atingeți lămpile dacă au funcționat mult timp. Vă pot arde mâinile, deoarece vor fi fierbinți.
- Respectați reglementările stabilite de autoritățile competente privind evacuarea aerului rezidual (acest avertisment nu este valabil la utilizarea fără coșul de fum).
- Folosiți produsul după ce ați pus o oală, o tigaie etc. pe plită. În caz contrar, căldura ridicată poate cauza deformări în unele părți ale produsului.
- Opriti plita înainte de a lua oala, tigaia etc. de pe aceasta.
- Nu lăsați ulei fierbinte pe plită. Tigaiele cu ulei fierbinte pot provoca auto-combustia.
- Fiți atenți la perdele și huse, deoarece uleiul poate lua foc în timp ce gătiți alimente cum ar fi cartofi prăjiți.
- Filtrul de grăsime trebuie înlocuit cel puțin lunar. Filtrul de carbon trebuie înlocuit cel puțin o dată la 3 luni.

1 Instrucțiuni importante cu privire la siguranță și mediu

- Produsul trebuie curățat conform manualului de utilizare. În cazul în care curățarea nu a fost efectuată conform manualului de utilizare, există risc de incendiu.
 - Nu folosiți materiale de filtrare care nu sunt rezistente la foc, în locul filtrului actual.
 - Utilizați doar componentele originale sau componentele recomandate de către producător.
 - Nu folosiți produsul fără filtru și nu scoateți filtrele în timp ce produsul funcționează.
 - În cazul în care se produce o flacără, opriți alimentarea produsului și aparatele de gătit.
 - În cazul în care se produce o flacără, acoperiți flacăra și nu utilizați apă pentru stingere.
 - Înainte de fiecare curățare și atunci când produsul nu este folosit, scoateți-l din priză.
 - Presiunea negativă în mediu nu trebuie să depășească 4 Pa (4 x 10 bari), în timp ce hota pentru plita electrică și aparatele care funcționează cu un alt tip de energie decât electricitatea funcționează simultan.
 - În mediul în care este folosit produsul, evacuarea dispozitivelor care funcționează pe combustibil lichid sau motorină, cum ar fi radiatorul, trebuie să fie complet izolată sau dispozitivul trebuie să fie de tip ermetic.
 - La conectarea coșului de evacuare, folosiți țevi cu diametrul de 120 sau 150 mm. Racordul țevelor trebuie să fie cât mai scurt posibil și să aibă cât mai puține coturi.
 - Pericol de sufocare! Păstrați materialele de ambalare la loc inaccesibil copiilor.
- ATENȚIE:** În timpul utilizării cu aparate de gătit, piesele accesibile se pot încinge.
- Evacuarea hotei nu trebuie să fie conectată la canalele de aer care includ alte tipuri de fum.
 - Ventilația în cameră poate fi insuficientă atunci când hota pentru plita electrică este folosită simultan cu dispozitive care funcționează cu gaz sau alți combustibili (nu se aplică neapărat în cazul

1 Instrucțiuni importante cu privire la siguranță și mediu

aparaturilor care doar evacuează aerul înapoi în cameră).

- Obiectele plasate pe produs pot să cadă. Nu amplasați nici un obiect pe aparat.

- Nu flambați alimente sub produs.

AVERTISMENT: Îndepărtați foliile de protecție înainte de a instala hota.

- Nu lăsați niciodată focul deschis la intensitate mare sub hotă când aceasta funcționează.

- Friteuzele trebuie supravegheate permanent în timpul folosirii: uleiul supraîncălzit se poate aprinde.

1.2 Conformitate cu Directiva DEEE și eliminarea deșeurilor:

Acest produs este conform cu Directiva DEEE a UE (2012/19/EU). Acest produs poartă un simbol pentru deșeurii de echipamente electrice (DEEE).



Acest simbol indică faptul că acest produs nu trebuie eliminat împreună cu alte deșeurii menajere la sfârșitul duratei sale de utilizare. Dispozitivul uzat trebuie returnat către un punct

oficial de colectare pentru reciclarea dispozitivelor electrice și electronice. Pentru a găsi aceste sisteme de colectare contactați autoritățile locale sau distribuitorul de la care a fost achiziționat produsul. Fiecare gospodărie are un rol important în recuperarea și reciclarea electrocasnicilor vechi.

Eliminarea corespunzătoare a electrocasnicilor uzate ajută la prevenirea posibilelor consecințe negative pentru mediu și sănătatea umană.

1.3 Conformitatea cu Directiva RoHS

Produsul pe care l-ați achiziționat este conform cu Directiva RoHS UE (2011/65/UE). Produsul nu conține materiale dăunătoare sau interzise specificate în Directivă.

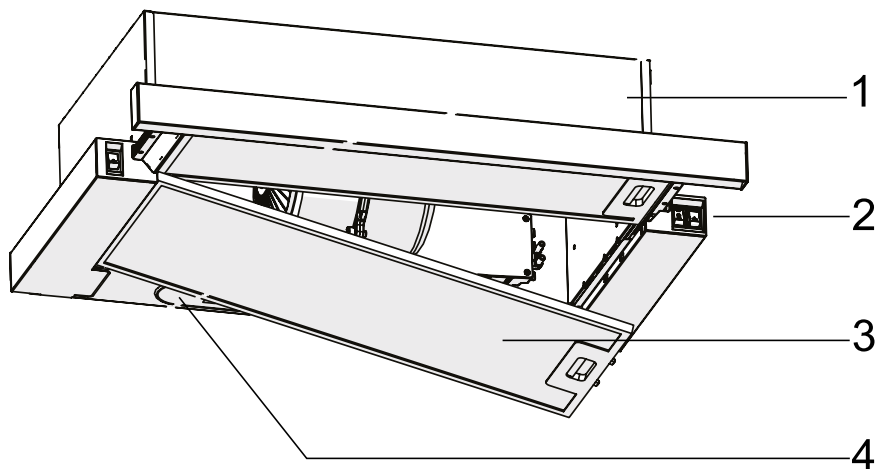
1.4 Informații despre ambalaj



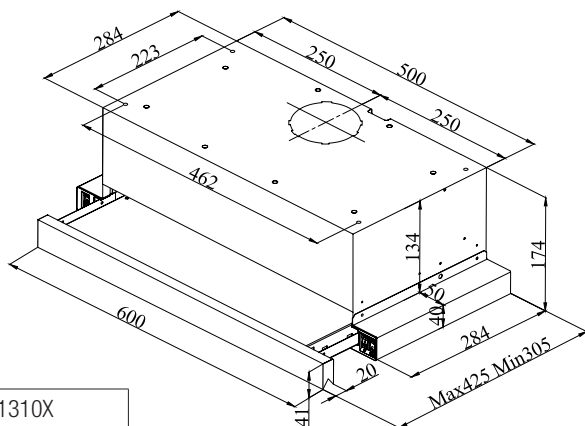
Ambalajul produsului este fabricat din materiale reciclabile, în conformitate cu reglementările naționale de mediu. Nu eliminați ambalajul împreună cu deșeurile menajere sau de alt tip. Transportați-le la punctele de colectare a ambalajelor desemnate de către autoritățile locale.

2 Aspect general

2.1 Prezentare generală



1. Panou frontal
2. Comutator
3. Filtru de grăsime din aluminiu
4. Lumină LED

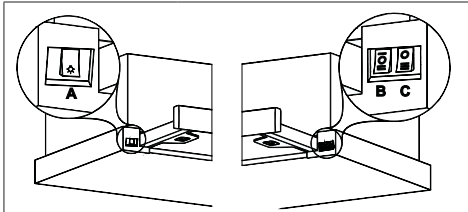


2.2 Date tehnice

Model	HNT61310X
Tensiune alimentare	220-240V ~ 50 Hz
Alimentare lampă	2 x 3 W
Putere motor	250 W
Debit – 3. Nivel	483 m ³ /h
Clasa de izolație motor	Clasa F
Clasa de izolație	Clasa I

3 Funcționarea aparatului

3.1 Controlul aparatului



CHEIE	FUNCȚIE
A : Lumină On/Off (Pornit/Oprit)	Trageți placa culisantă către față. Apăsați butonul în jos pentru a aprinde lampa sau în sus pentru a stinge lampa.
B : Buton pentru viteză 1 și 2	Trageți placa culisantă către față. Apăsați butonul în sus pentru operarea hotei la viteza 1 și în jos pentru operarea hotei la viteza 2.
C : Buton pentru viteză 3	Trageți placa culisantă către față. Apăsați butonul în jos pentru operarea hotei la viteza 3.

3.2 Funcționarea eficientă din punct de vedere energetic în termeni de economisire Folosire

- Când folosiți hota, ajustați setările de viteză conform vaporilor și intensității mirosului, pentru a economisi energie.
- Folosiți viteze mici (1-2) în condiții normale și viteze mari (3) în mirosuri intense și vapori.
- Lămpile de pe hotă sunt plasate pentru iluminarea zonei de gătit.
- Folosirea lor pentru lumina ambientală va produce consum de energie inutil și lumină insuficientă.

3.3 Instrucțiuni de utilizare

- Hota dvs. conține un motor care are viteze diferite.
- Pentru o performanță mai bună, vă recomandăm să utilizați viteze reduse în condiții normale și viteze mari în caz de mirosuri puternice și vapori intensi.

- Puteți porni aparatul apăsând butonul de setare a vitezei dorit. (B,C)
- Puteți ilumina zona de gătit apăsând lampa. (A)

3.4 Înlocuirea becului



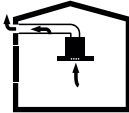
ATENȚIE: Deconectați alimentarea cu energie electrică a hotei. Așteptați să se răcească becurile deoarece sunt fierbinți și vă pot provoca arsuri la mâini.

Scoateți suportul filtrului de aluminiu. Scoateți becul defect și înlocuiți-l cu unul nou, de același tip.

Bec	
Putere Bec	3 W
Suport/Priză	E 14
Tensiune bec	220 - 240 V
Dimensiune	35 x 100 mm
Cod ILCOS	DRBB/F-3-220-240-E14-35/100
Flux de lumină	220 lm
Temperatură de culoare corespondentă	2700 K

Acest produs conține o sursă de lumină din clasa de eficiență energetică "E".

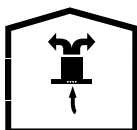
3.5 Funcționare cu racordare la tubul de evacuare

-  Vaporii sunt extrași prin conducta de evacuare, care este fixată pe capul de conectare de pe hotă.

3 Funcționarea aparatului

- Diametrul conductei de evacuare trebuie să fie același cu cel al inelului de conectare. În setări orizontale, țeava trebuie să aibă o ușoară pantă ascendentă (aproximativ 10°), astfel încât aerul să poată ieși cu ușurință din cameră.

3.6 Funcționare fără racordare la tubul de evacuare



- Aerul este filtrat prin filtrul de carbon și recirculat în cameră. Filtrul de carbon este utilizat atunci când este imposibil de utilizat un tub în casă.
- În cazul utilizării fără tub de evacuare, îndepărtați clapetele din interiorul adaptorului pentru tubul de evacuare.
- Scoateți filtrul de grăsimi. Pentru a instala filtrul de carbon, montați filtrul pe clapete centrându-l pe piesa din plastic de pe ambele părți ale corpului ventilatorului. Strângeți-l prin rotirea spre dreapta sau spre stânga.
- Înlocuiți filtrul de grăsimi din aluminiu.

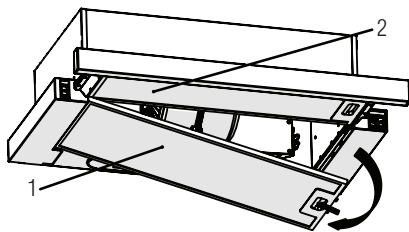
4 Curățarea și întreținerea



Înainte de curățare și întreținere, deconectați produsul sau opriți întrerupătorul.

4.1 Curățarea filtrului de grăsime din aluminiu

Filtrul de grăsimi din aluminiu este utilizat pentru a reține particulele de ulei din aer. Filtrul de grăsimi din aluminiu își poate schimba culoarea pe măsură ce este spălat; acest lucru este normal și nu necesită înlocuirea filtrului dvs.



1. Filtru de grăsimi din aluminiu extern
 2. Filtru de grăsimi din aluminiu intern
- Trageți placa culisantă ținând de panoul frontal. Demontați mai întâi filtrul de grăsimi din aluminiu extern, apoi filtrul de grăsimi din aluminiu intern.
 - Împingeți înainte închiderea filtrului de grăsimi din aluminiu.
 - Apoi trageți-l ușor în jos și trageți-l afară (Figura 5). În caz contrar, filtrul poate fi îndoit. Spălați și clătiți filtrele de grăsimi din aluminiu cu detergent lichid și înlocuiți filtrele de grăsimi din aluminiu, efectuând pașii specificați mai sus în ordine inversă. Acest filtru reține particulele de ulei din aer.



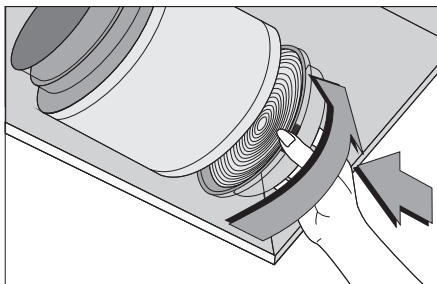
Puteți spăla filtrele de grăsimi din aluminiu în mașina de spălat vase.



ATENȚIE: În caz de utilizare normală, curățați filtrul de grăsimi din aluminiu o dată pe lună.

4.2 Înlocuirea filtrelor de carbon

Filtrele de îndepărtare a mirosului conțin cărbune (carbon activ). Indiferent dacă este utilizat sau nu un filtru de carbon, trebuie instalate filtre de grăsimi din aluminiu.



- Îndepărtați filtrele de grăsimi din aluminiu.
- Pentru a scoate filtrul de carbon, scoateți filtrul de carbon din carcasă rotindu-l în sens antiorar de pe clapetă.
- Montați noul filtru de carbon.
- Montați filtrele de grăsimi din aluminiu.

ATENȚIE



- Filtrul de carbon nu trebuie spălat niciodată.
- Înlocuiți filtrele de carbon o dată la 3 luni.
- Puteți obține filtrul de carbon de la vânzătorii autorizați.

5 Instalarea aparatului



AVERTISMENT!: Înainte de a începe instalarea, citiți informațiile de siguranță din Manualul utilizatorului.

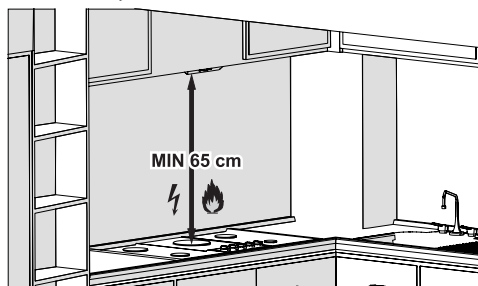


AVERTISMENT!: Instalarea cu șuruburi și stabilizatori în neconformitate cu aceste instrucțiuni poate duce la electrocutare.

Pentru instalarea hotei, vă rugăm să contactați cel mai apropiat service autorizat.

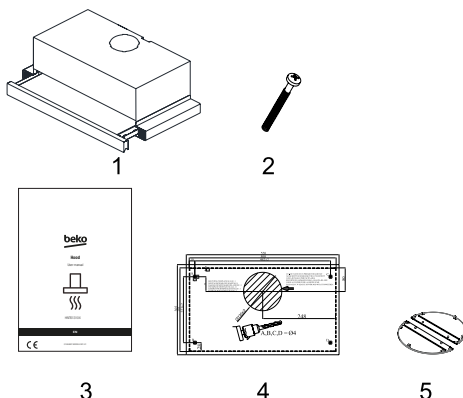
Este responsabilitatea clientului să pregătească locația și instalarea electrică a hotei.

5.1 Poziția aparatului



- Distanța dintre aragaz și hotă trebuie luată în considerare înainte de asamblare. Această distanță trebuie să fie de 50 cm pentru plitele electrice și de 65 cm pentru plitele cu gaz. .
- Distanța trebuie măsurată de la suprafața grătarului pentru aragazuri pe gaz,
- de la suprafața sticlei pentru aragazuri electrice.

5.2 Accesorii de instalare



1. HOTĂ
2. Șuruburi 4x 4 x 40
3. Manual de operare și alte documente
4. Șablon de montare
5. Tub evacuare din plastic cu diametrul de Ø120 mm (opțional)

Informațiile necesare pentru a alege locul adecvat pentru instalarea hotei sunt prezentate mai jos.

5.3 Instalarea hotei

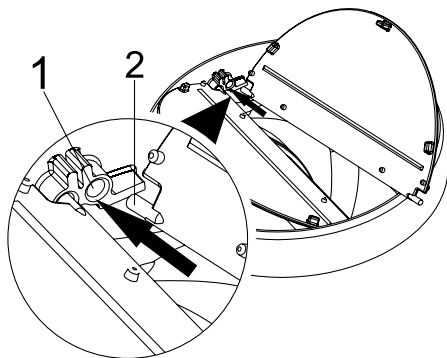


ATENȚIE : Utilizați mănuși și ochelari de protecție când efectuați operațiuni de perforare și tăiere.

- Lipiți șablonul de montare furnizat cu hota pe suprafața pe care va fi montată hota.
- Faceți găuri cu diametrul de Ø4 mm în punctele marcate cu A, B, C, D pe șablonul de montare.
- Perforați gaura tubului de evacuare specificat în șablonul de montare la dimensiunile date.

Scoateți aparatul din ambalaj. Instalați clapele din plastic ale tubului de evacuare furnizate cu accesoriile la tubul de evacuare a aerului al aparatului, după cum se arată mai jos.

5 Instalarea aparatului

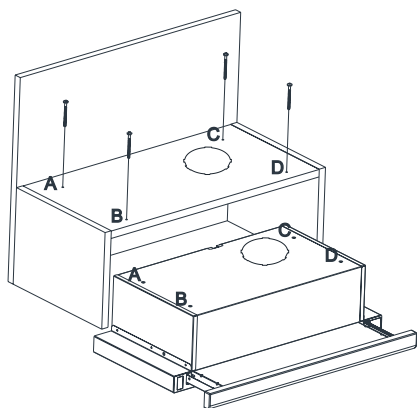


(Figura 1)

1. Mufă știft clapetă

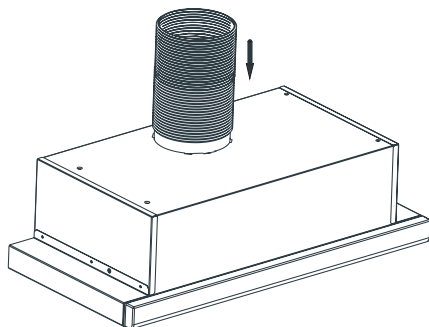
2. Știft clapetă

Introduceți știftul de plastic (Figura 1/zona nr. 2) pe mufa cu știfturi de pe evacuarea motorului (Figura 1/zona nr. 1). Apoi îndoiți ușor clapeta pentru a introduce celălalt știft pe clapetă și introduceți celălalt știft în soclul său (Figura 1).



(Figura 2)

Utilizând șuruburile de 4 x 40 furnizate împreună cu hota, montați aparatul la dulap din punctele A, B, C și D. Dacă setul de culise se mișcă, panoul frontal nu se freacă de ușa dulapului (Figura 2)



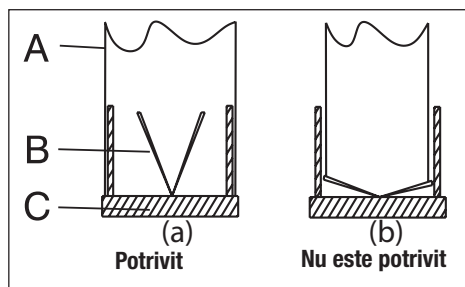
(Figura 3)

Montați conducta flexibilă din aluminiu la ieșirea tubului de evacuare din plastic. Montați celălalt capăt al țevii la orificiul tubului de evacuare de pe perete (Figura 3).

5.4 Conectarea la tubul de evacuare

Dacă aveți de gând să utilizați adaptorul din plastic pentru tubul de evacuare \varnothing 120/150 mm, conectați un capăt al țevii la acest adaptor, dacă nu aveți de gând să-l utilizați, conectați-l la conducta de evacuare directă a produsului. Conectați celălalt capăt al țevii la tubul de evacuare. Verificați dacă aceste două conexiuni sunt suficient de strânse pentru a nu ieși atunci când aparatul funcționează la putere maximă. Asigurați-vă că clapetele din interiorul tubului funcționează atunci când sunt strânse cu clemă. Conectați conducta de conectare a tubului în afara adaptorului. În cazul în care conducta de conectare este montată în interiorul adaptorului, capacele care împiedică returul aerului trebuie să rămână închise și aerul nu va fi aspirat. Lungimea conexiunii prin conductă, precum și numărul de coturi trebuie să fie cât mai mic posibil.

5 Instalarea aparatului



A: Țeavă de ieșire a tubului de evacuare

B: Clapete de reținere

C: Tub de evacuare din plastic

Supapele sunt închise, apoi aparatul nu funcționează și împiedică pătrunderea în interior a mirosurilor și prafului din exterior.

5.5 Depozitarea

- Dacă nu doriți să utilizați aparatul pentru o perioadă lungă de timp, depozitați-l cu grijă.
- Asigurați-vă că aparatul este decuplat, că s-a răcit complet și că este perfect uscat.
- Depozitați aparatul într-un loc uscat și rece.
- Nu lăsați aparatul la îndemâna copiilor

5.6 Manevrarea și transportul

- În timpul manevrării și transportului, transportați produsul în ambalajul său original. Ambalajul aparatului îl protejează împotriva deteriorării fizice.
- Nu plasați obiecte grele pe aparat sau pe ambalaj. Aparatul poate fi deteriorat.
- Căderea aparatului îl poate face nefuncțional sau poate provoca daune permanente.

6 Depanarea

Problemă	Cauză	Soluție
Produsul nu funcționează.	Verificați siguranța dvs.	Dacă siguranța dvs. este închisă, deschideți-o.
Produsul nu funcționează.	Verificați conexiunea electrică.	Tensiunea rețelei trebuie să fie între 220 și 240 V.
Produsul nu funcționează.	Verificați conexiunea electrică.	Verificați dacă și celelalte aparate din bucătărie funcționează.
Lampa de iluminare nu funcționează.	Verificați conexiunea electrică.	Tensiunea rețelei trebuie să fie între 220 și 240 V.
Lampa de iluminare nu funcționează.	Verificați comutatorul lămpii.	Comutatorul pentru lampă trebuie să fie în poziția „on” (pornit).
Lampa de iluminare nu funcționează.	Verificați becurile.	Becurile produsului nu trebuie să fie defecte.
Admisia de aer a produsului este slabă.	Verificați filtrul de aluminiu.	În condiții normale de funcționare, filtrul de ulei din aluminiu trebuie curățat cel puțin o dată pe lună.
Admisia de aer a produsului este slabă.	Verificați tubul de evacuare a aerului.	Tubul de evacuare a aerului trebuie să fie în poziția „on” (pornit).
Admisia de aer a produsului este slabă.	Verificați filtrul de carbon.	Pentru produsele cu filtre de carbon, filtrul trebuie schimbat în mod normal la fiecare 3 luni.



CERTIFICAT DE GARANȚIE

Tensiune de alimentare/frecvență: 220-240V~, 50-60Hz
Importator: ARCTIC S.A., Găești, Dâmbovița, str. 13 Decembrie nr. 210, email: office@arctic.ro

TIP: Aragaz Cuptor încorporabil Plită încorporabilă Hotă

Model / Serie:.....

VÂNZĂTOR

Nr. factură:.....Data:

Vânzător (firma, localitatea):

CUMPĂRĂTOR

NumeLocalitatea

Str.Nr.BlocSc.Et.Ap.

Județ TelefonE-mail

S-a efectuat proba de funcționare a aparatului, s-a prezentat modul de folosire, s-au predat instrucțiunile de utilizare și toate accesoriile. Am primit aparatul în perfectă stare de funcționare.

Stimați clienți,

La cumpărare vă recomandăm să solicitați efectuarea probei de funcționare și să verificați existența instrucțiunilor de utilizare și a accesoriilor.

Pentru a putea beneficia de toate avantajele produselor și serviciilor noastre vă rugăm:

- să citiți cu atenție și să respectați recomandările prezentate în "Instrucțiunile de utilizare".
 - să păstrați cu grijă acest certificat pentru a-l putea prezenta (împreună cu documentul fiscal de achiziție), personalului SERVICE, la orice sesizare efectuată în perioada de garanție.
- Vă mulțumim că ați optat pentru cumpărarea unui produs Beko!

Durata medie de utilizare a produsului este de 10 ani!

Perioada de garanție legală de conformitate este de 2 ani de la intrarea produsului în posesia consumatorului.

Art. 22, alin. 3-6, din L449/2003, modificata de OG 9/2016:

- (3) Timpul de nefuncționare din cauza lipsei de conformitate apărute în cadrul termenului de garanție prelungeste termenul de garanție legală de conformitate și curge, după caz, din momentul la care a fost adusă la cunoștință vânzătorului lipsa de conformitate a produsului sau din momentul prezentării produsului la vânzător/unitatea de service până la aducerea produsului în stare de utilizare normală și, respectiv, al notificării în scris în vederea ridicării produsului sau predării efective a produsului către consumator.
- (4) Produsele de folosință îndelungată care înlocuiesc produsele defecte în cadrul termenului de garanție vor beneficia de un nou termen de garanție care curge de la data preschimbării produsului.
- (5) Produsele de folosință îndelungată defectate în termenul de garanție legală de conformitate, atunci când nu pot fi reparate sau când durata cumulată de nefuncționare din cauza deficiențelor apărute în termenul de garanție legală de conformitate depășește 10% din durata acestui termen, la cererea consumatorului, vor fi înlocuite de vânzător sau acesta va restitui consumatorului contravaloarea produsului respectiv.
- (6) Termenul de garanție curge de la data intrării bunului respectiv în posesia consumatorului, inclusiv pentru bunurile noi de folosință îndelungată, obținute prin tragere la sorți la tombole, câștigate la concursuri și similare sau acordate cu reducere de preț ori gratuit de către operatorii economici.

Garanția oferită de producător nu exclude garanția de vicii ascuns, conform OG 21/1992 (R2) privind protecția consumatorului și Codul Civil.



Service-ul acestui produs este asigurat de ARCTIC S.A. cu sediul în Găești, Dâmbovița, str. 13 Decembrie nr. 210. • *9010 • www.arctic.ro • www.beko.ro • e-mail: service@arctic.ro
Program Call Center: Luni - Vineri 08:30 - 20:00; Sâmbătă 08:30 - 17:00

UNITĂȚILE SERVICE ALE ARCTIC S.A. EXECUTĂ REPARAȚII ÎN TERMENUL DE GARANȚIE ȘI ÎN AFARA ACESTUIA

Nr. crt.	Data Reclamației	Data primirii în reparație	Reparat			Prelungirea termenului de garanție	Efectuarea verificării	
			Programat	Data ridicării aparatului	Cauza întârzierii		Reparația curentă și/sau componenta înlocuită	SERVICE

CONDIȚII DE GARANȚIE LEGALĂ DE CONFORMITATE:

Pentru orice defecțiune apărută în perioada de garanție sau post-garanție, apălați la magazinul de unde a fost achiziționat produsul sau direct la Call Center Arctic.

Prelungirea termenului de garanție se va înscrie în certificatul de garanție de către unitatea SERVICE care a efectuat reparația.

Garanția acoperă reparația și/sau înlocuirea pieselor constatate ca defecte (necauzate de consumator) de către tehnicienii Service.

Termenul de realizare a operațiilor de reparare, înlocuire sau întreținere este de 15 zile calendaristice de la data la care cumpărătorul a sesizat defecțiunea la magazinul de unde a achiziționat produsul sau direct la Call Center Arctic.

Reclamațiile referitoare la aspectele prevăzute mai jos, se rezolvă numai contra cost:

- a) nefuncționarea lămpilor de iluminare;
- b) accesoriile care nu au defecte ascunse de material constatate de tehnicienii Service;
- c) piesele și accesoriile care prezintă lovitură, zgârieturi, spărturi sau deformări.

PRODUSUL NU BENEFICIAZĂ DE GARANȚIE LEGALĂ DE CONFORMITATE ÎN URMĂTOARELE CAZURI:

1. Nu a fost respectate instrucțiunile de transport, manipulare, instalare, utilizare și întreținere prescise.
2. Subansamblurile și accesoriile casabile care se deteriorează în timpul transportului vor fi înlocuite de vânzător (în cazul în care asigură transportul).
3. Garanția nu se acordă subsansamblelor și accesoriilor casabile ale produselor care suferă deteriorări din vina consumatorului.
4. Tensiunea de alimentare are valori care nu se încadrează în limitele prevăzute de standarde (SREN 50160).
5. Instalația electrică a utilizatorului prezintă improvizații sau neconformități.
6. Produsul a fost folosit în alte scopuri decât cel pentru care a fost proiectat.
7. Produsul a suportat intervenții (reparații, modificări) din partea unor persoane neautorizate de producător.

Drepturile consumatorului sunt cele prevăzute în Legea 449/2003 (republicată) și OG 21/1992 (republicată).

În cadrul acestui proces, Arctic vă prelucrează date cu caracter personal, cu respectarea legilor aplicabile privind confidențialitatea și protecția datelor. Pentru informații complete despre modul în care vă prelucreăm datele, precum și despre drepturile dumneavoastră, vă rugăm să consultați secțiunea "Protecția datelor personale", accesând site-ul nostru la adresa <https://www.beko.ro/>.

Ju lutemi lexoni në fillim këtë manual përdorimi!

I dashur klient i çmuar,

Faleminderit që keni zgjedhur këtë pajisje Beko. Ne shpresojmë që të merrni rezultatet më të mira nga pajisja juaj, e cila është prodhuar me cilësi të lartë dhe me një teknologji të nivelit më të lartë. Për këtë arsye, lexoni me kujdes të gjithë këtë manual përdorimi dhe të gjitha dokumentet e tjera shoqëruese përpara se të përdorni këtë pajisje dhe mbajeni atë si referencë për ta përdorur në të ardhmen. Nëse ia jepni dikujt tjetër këtë pajisje, jepini edhe manualin e përdorimit. Ndiqni udhëzimet duke treguar vëmendje për të gjitha informacionet dhe paralajmërimet në manualin e përdorimit.

Mos harroni se ky manual përdorimi mund të jetë i vlefshëm edhe për modele të tjera. Diferencat mes modeleve përshkruhen në mënyrë të qartë në manual.

Kuptimet e simboleve

Simbolet e mëposhtme përdoren në pjesë të ndryshme të këtij manuali përdorimi:



Informacione të rëndësishme dhe sugjerime të dobishme për përdorimin.



PARALAJMËRIM: Paralajmërim për situata të rrezikshme në lidhje me sigurinë e jetës dhe të pronës.



PARALAJMËRIM: Paralajmërim për rrezikun e zjarrit.



PARALAJMËRIM: Paralajmërim për goditje elektrike.



LETËR E RICIKLUAR
DHE E RICIKLUESHME

Kjo pajisje është prodhuar në impiante moderne të përshtatshme për mjedisin që nuk e dëmtojnë natyrën.

1 Udhëzime të rëndësishme për sigurinë dhe mjedisin

1.1 Siguria e përgjithshme

Udhëzime të rëndësishme për sigurinë. Lexojini me kujdes dhe mbajini për referencë në të ardhmen. Në këtë pjesë përfshihen udhëzimet për sigurinë që do t'ju ndihmojnë të mbroheni nga rreziku i zjarrit, goditjes elektrike, ekspozimit ndaj rrjedhjeve të energjisë së mikrovalëve, lëndimeve personale ose dëmtimeve të pronës. Mosrespektimi i këtyre udhëzimeve do ta bëjë të pavlefshme garancinë.

- Produktet Beko janë në përputhje me standardet përkatëse të sigurisë; për këtë arsye, në rast dëmtimi të pajisjes ose të kabllos elektrike, ajo duhet të riparohet ose të zëvendësohet nga shitësi, qendra e shërbimit ose një specialist dhe shërbim i autorizuar i ngjashëm për të shmangur çdo rrezik. Riparimet e gabuara ose të pakualifikuara mund të jenë të rrezikshme dhe të shkaktojnë rrezik për përdoruesin.
- Kjo pajisje është planifikuar të përdoret në shtëpi dhe në aktivitete të ngjashme si p.sh.:
 - Zonat e kuzhinës së personelit në dyqane, zyra dhe ambiente të tjera pune;
 - Shtëpi në ferma
 - Nga klientët në hotele dhe ambiente të tjera banimi;
 - Ambiente të tipit të moteleve.
- Përdoreni këtë pajisje vetëm për qëllimin e planifikuar siç përshkruhet në këtë manual.
- Prodhuesi nuk mund të mbajë përgjegjësi për dëmtimet që shkaktohen nga instalimi i gabuar ose keqpërdorimi i produktit.
- Kjo pajisje mund të përdoret nga fëmijë të moshës 8 vjeç e lart dhe personat me aftësi më të ulëta fizike, ndjesore ose mendore ose me mungesë përvojë dhe njohurish nëse u janë dhënë udhëzime ose janë monitoruar në lidhje me përdorimin e pajisjes në një mënyrë të sigurt dhe i kuptojnë rreziqet që përfshihen.
- Fëmijët nuk duhet të lejohen që të luajnë me pajisjen. Pastrimi dhe mirëmbajtja e përdoruesit

1 Udhëzime të rëndësishme për sigurinë dhe mjedisin

nuk duhet bërë nga fëmijë pa mbikëqyrje.

- Distanca minimale mes sipërfaqes mbështetëse për enët e gatimit në vatrën e gatimit dhe pjesës më të poshtme të produktit tuaj duhet të jetë të paktën 65 cm.
- Nëse udhëzimet për instalimin për vatrën e gazit specifikojnë një distancë më të madhe, kjo duhet të merret parasysh.
- Sigurohuni që furnizimi me energji nga rrjeti elektrik është në përputhje me informacionet e dhëna në tabelën e karakteristikave të pajisjes.
- Mos e përdorni asnjëherë pajisjen nëse kabloja elektrike ose vetë pajisja është e dëmtuar.
- Parandaloni dëmtimin e kabllot elektrike duke mos e shtypur, përkulur ose prekur në cepa të mprehtë. Mbajeni kabllon elektrike larg nga sipërfaqet e nxehta dhe flakët e pambrojtura.
- Përdoreni pajisjen vetëm me një prizë me tokëzim.

PARALAJMËRIM: Mos e lidhni pajisjen me rrjetin elektrik deri sa instalimi të ketë përfunduar plotësisht.

- Vendoseni pajisjen në një mënyrë të tillë që spina të jetë gjithmonë lehtësisht e arritshme.
- Mos i prekni llambat nëse janë përdorur për një kohë të gjatë. Ato mund t'ju djegin duart nëse nxehen.
- Ndiqni rregullat e përcaktuara nga autoritetet kompetente për shkarkimin e ajrit të papastër (ky paralajmërim nuk është i vlefshëm për përdorim pa tuba).
- Përdoreni pajisjen pasi të vendosni një tenxhere, tigan etj. në vatrën e gatimit. Në rast të kundërt, nxehtësia e lartë mund të shkaktojë deformime në disa pjesë të produktit tuaj.
- Fikeni vatrën e gatimit para se ta hiqni tenxheren, tiganin etj. nga ajo.
- Mos lini vaj të nxehtë që vatrën e gatimit. Tiganët me vaj të nxehtë mund të marrin zjarr.
- Tregoni kujdes ndaj perdeve dhe mbulesave pasi vaji mund

1 Udhëzime të rëndësishme për sigurinë dhe mjedisin

- të marrë zjarr gjatë gatimit të ushqimeve si p.sh. patateve të skuqura.
- Filtri i yndyrës duhet të ndërrohet të paktën çdo muaj. Filtri i karbonit duhet të ndërrohet të paktën çdo 3 muaj.
 - Produkti duhet të pastrohet në përputhje me manualin e përdorimit. Nëse pastrimi nuk kryhet në përputhje me manualin e përdorimit, ekziston rreziku i zjarrit.
 - Mos përdorni materiale filtrimi që nuk janë rezistente ndaj zjarrit në vend të filtrit aktual.
 - Përdorni vetëm pjesë origjinale ose pjesë të rekomanduara nga prodhuesi.
 - Mos e përdorni produktin pa filtrin dhe mos i hiqni filtrat kur produkti është në përdorim.
 - Në rast se ndizen flakë, shkëputeni produktin nga rrjeti elektrik dhe pajisjet e gatimit.
 - Në rast se ndizen flakë, mbulojini flakët dhe mos përdorni asnjëherë ujë për fikjen e tyre.
 - Hiqeni pajisjen nga priza para pastrimit dhe kur pajisja nuk është në përdorim.
 - Presioni negativ në ambient nuk duhet të kalojë 4 Pa (4 x 10 bar) kur përdoren njëkohësisht aspiratori për vatrat elektrike dhe pajisje që funksionojnë me një lloj tjetër energjie.
 - Në ambientin ku përdoret pajisja, ajri i shkarkimit i pajisjeve që punojnë me karburant ose gaz, si p.sh. ngrohësit e dhomës, duhet të izolohet në mënyrë absolute ose pajisja duhet të jetë e tipit hermetik.
 - Kur lidhni tubat, përdorni tuba me diametër 120 ose 150 mm. Lidhja e tubave duhet të jetë sa më e shkurtër dhe me sa më pak bërryla.
- Rrezik mbytje!** Mbajini të gjitha materialet e paketimit larg fëmijëve.
- KUJDES:** Pjesët e arritshme mund të jenë të nxehta kur përdoren me pajisjet e gatimit.
- Shkarkimi i produktit nuk duhet të lidhet me kanale ajri që përfshijnë tymra të tjerë.

1 Udhëzime të rëndësishme për sigurinë dhe mjedisin

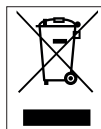
- Ajrimi në dhomë mund të mos jetë i mjaftueshëm kur aspiratori për vatrën elektrike përdoret në të njëjtën kohë me pajisje që funksionojnë me gaz ose karburante të tjera (kjo mund të mos jetë e vlefshme për pajisjet që e nxjerrin ajrin përsëri vetëm në dhomë).
- Objektet e vendosura mbi produkt mund të bien. Mos vendosni objekte mbi produkt.
- Mos ndizni flakë gjatë gatimit nën produkt.

PARALAJMËRIM: Para se të instaloni aspiratorin, hiqni shtresat mbrojtëse.

- Mos lini asnjëherë flakë të hapura të larta nën aspirator kur ai është në funksionim.
- Fritezat duhet të monitorohen vazhdimisht gjatë përdorimit: vaji i nxehur shumë mund të shpërthejë në flakë.

1.2 Përputhja me direktivën WEEE dhe hedhja e produktit pas përdorimit

Ky produkt është në përputhje me direktivën WEEE të BE-së (2012/19/EU). Ky produkt ka një simbol klasifikimi për pajisjet e përdorura elektrike dhe elektronike (WEEE).



Ky simbol tregon se ky produkt nuk duhet të hidhet me mbeturinat e tjera të shtëpisë në fund të kohëzgjatjes së shërbimit. Pajisja e përdorura duhet të kthehet te pika zyrtare e grumbullimit për riciklimin e pajisjeve elektrike dhe elektronike. Për t'i gjetur këto sisteme grumbullimi, kontaktoni me autoritetet lokale ose me shitësin ku e keni blerë produktin. Çdo shtëpi ka një rol të rëndësishëm në rikuperimin dhe riciklimin e pajisjeve të vjetra. Hedhja e pajisjes së përdorur në mënyrën e duhur ndihmon për të parandaluar pasoja të mundshme negative për mjedisin dhe shëndetin e njeriut.

1.3 Përputhja me direktivën RoHS

Produkti që keni blerë është në përputhje me direktivën RoHS të BE-së (2011/65/EU). Nuk përmban materiale të dëmshme dhe të ndaluara të specifikuar në direktivë.

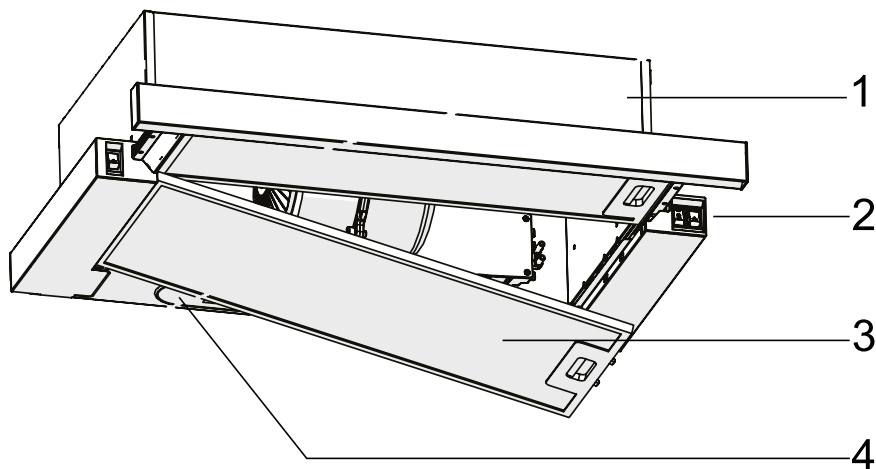
1.4 Informacionet për paketimin



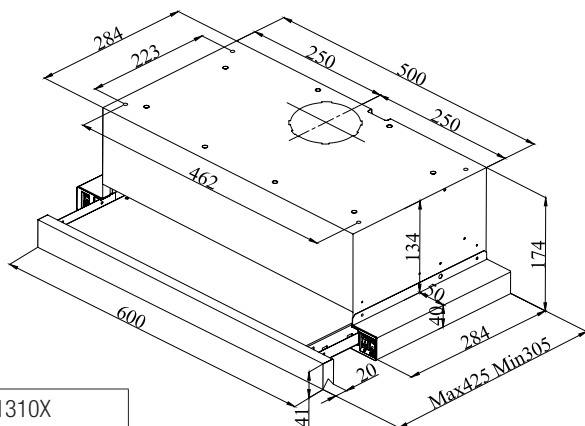
Materialet e paketimit të produktit janë prodhuar nga materiale të riciklueshme në përputhje me rregulloret tona kombëtare për mjedisin. Mos i hidhni materialet e paketimit bashkë me mbeturinat e shtëpisë ose mbeturina të tjera. Dërgojini ato te pikat e grumbullimit të materialeve të paketimit të përcaktuara nga autoritetet lokale.

2 Pamja e përgjithshme

2.1 Pamje e përgjithshme



1. Paneli ballor
2. Çelësi
3. Filtri prej alumini i yndyrës
4. Ndiriçimi LED

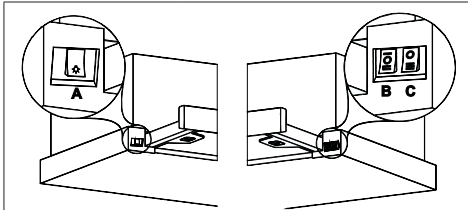


2.2 Të dhëna teknike

Modeli	HNT61310X
Voltazhi	220-240V ~ 50 Hz
Fuqia e llambës	2 x 3 W
Fuqia e motorit	250 W
Sasia e thithjes – 3. Niveli	483 m ³ /h
Klasa e izolimit të motorit	Klasa F
Klasa e izolimit	Klasa I

3 Përdorimi i pajisjes

3.1 Kontrolli i pajisjes



BUTONI	FUNKSIONI
A : Drita ndezur / fikur	Tërhiqeni përpara pllakën rrëshqitëse. Shtypeni butonin poshtë për ta ndezur llambën ose lart për ta fikur llambën.
B : Butoni i shpejtësisë 1 dhe 2	Tërhiqeni përpara pllakën rrëshqitëse. Shtypeni butonin lart për ta vënë në funksion aspiratorin në nivelin e shpejtësisë 1 dhe poshtë për ta vënë në funksion aspiratorin në nivelin e shpejtësisë 2.
C : Butoni i shpejtësisë së 3-të	Tërhiqeni përpara pllakën rrëshqitëse. Shtypeni butonin poshtë për ta vënë në funksion aspiratorin në nivelin e shpejtësisë 3.

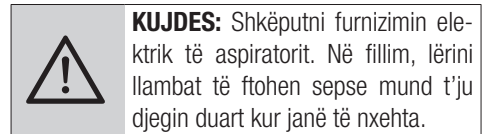
3.2 Përdorim efikas i energjisë për sa i përket kursimit të energjisë Përdorimi

- Kur përdorni pajisjen, rregulloni parametrat e shpejtësisë në përputhje me intensitetin e avullit dhe të aromës, në mënyrë që të kurseni energji.
- Përdorni shpejtësitë e ulëta (1-2) në kushte normale dhe shpejtësitë e larta (3) kur ka aroma të forta dhe avull.
- Llambat në aspirator janë vendosur për të ndriçuar sipërfaqen e gatimit.
- Përdorimi i tyre për të ndriçuar ambientin do të shkaktojë shpenzim të panevojshëm të energjisë dhe ndriçim të pamjaftueshëm.

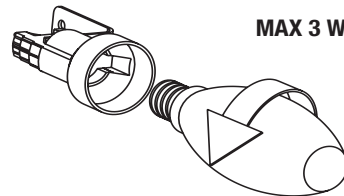
3.3 Udhëzimet e përdorimit

- Pajisja juaj ka një motor me shpejtësi të ndryshme.
- Për një performancë më të mirë, rekomandojmë të përdorni shpejtësitë e ulëta në kushte normale dhe shpejtësitë e larta në rastin kur ka aroma të forta dhe shumë avull.
- Mund ta ndizni pajisjen duke shtypur butonin e parametrat të shpejtësisë së dëshiruar. (B,C)
- Mund ta ndriçoni sipërfaqen e gatimit duke shtypur llambën. (A)

3.4 Ndërrimi i llambës



KUJDES: Shkëputni furnizimin elektrik të aspiratorit. Në fillim, lërimi llambat të ftohen sepse mund t'ju djegin duart kur janë të nxehta.



Hiqni filtrin prej alumini të fishekut. Hiqni llambën me defekt dhe zëvendësojeni me një të re me të njëjtat parametra.

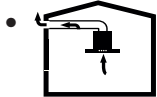
Llamba	
Fuqia e llambës	3 W
Mbajtësja / Foleja	E 14
Voltazhi i llambës	220 - 240 V
Madhësia	35 x 100 mm
Kodi ILCOS	DRBB/F-3-220-240-E14-35/100

3 Përdorimi i pajisjes

Fluksi ndriçues	220 lm
Temperatura e ngjyrës përkatëse	2700 K

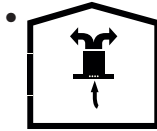
Ky produkt përmban një burim ndriçimi të klasës së efikasitetit energjetik “E”.

3.5 Përdorimi me oxhak



- Avulli nxirret nëpërmjet tubit të oxhakut, i cili është mbërthyer te koka bashkuese në aspirator.
- Diametri i tubit të oxhakut duhet të jetë i njëjtë me unazën bashkuese. Kur është i vendosur horizontalisht, tubi duhet të ketë një pjerrësi pakëz të ngritur (rreth 10°) në mënyrë që ajri të dalë lehtë nga dhoma.

3.6 Përdorimi pa oxhak



- Ajri filtrohet nëpërmjet filtrit prej karboni dhe riqarkullohet në dhomë. Filtri prej karboni përdoret kur është e pamundur të përdoret një oxhak në shtëpi.
- Në përdorimin pa oxhak, hiqni fletët brenda reduktorit të oxhakut.
- Hiqni filtrin e yndyrës. Për të montuar filtrin prej karboni, puthiteni filtrin te gjuhëzat duke e e vënë në qendër të pjesës plastike në lidhje me të dyja anët e trupit të ventilatorit. Shtrengojeni duke e rrotulluar djathtas ose majtas.
- Rivendosni filtrin prej alumini të yndyrës.

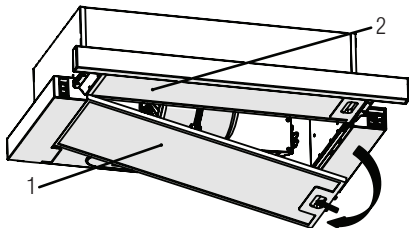
4 Pastrimi dhe mirëmbajtja



Para pastrimit dhe mirëmbajtjes, hiqni produktin nga priza ose fikni çelësin.

4.1 Pastrimi i filtrit prej alumini të yndyrës

Filtri prej alumini i yndyrës përdoret për të mbledhur grimcat e yndyrës që janë në ajër. Filtri prej alumini i yndyrës mund të ndryshojë ngjyrë kur lahet; kjo është normale dhe nuk kërkon që ta ndërtoni filtrin.



1. Filtri i jashtëm prej alumini i yndyrës
 2. Filtri i brendshëm prej alumini i yndyrës
- Tërhiqeni përpara pllakën rrëshqitëse duke mbajtur panelin ballor. Hiqni në fillim filtrin e jashtëm prej alumini të yndyrës, pastaj filtrin e brendshëm prej alumini të yndyrës.
 - Shtyni para mbërtheckën e filtrit prej alumini të yndyrës.
 - Pastaj uleni pak poshtë dhe nxirreni jashtë filtrin. Në të kundërt, mund ta shtrembëroni filtrin. Lani dhe shpëlani filtrin prej alumini të yndyrës me detergjent të lëngshëm dhe rivendoseni filtrin prej alumini të yndyrës në folenë e vet duke ndjekur hapat e specifikuar më sipër në radhën e kundërt. Ky filtër mbledh grimcat e yndyrave që janë në ajër.



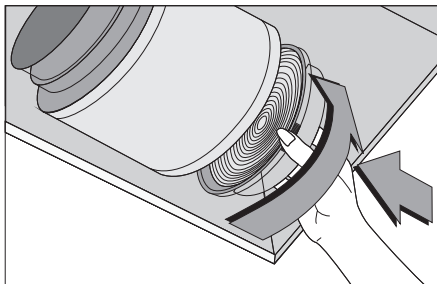
Mund t'i lani filtrat prej alumini të yndyrës në larësen e enëve.



KUJDES: Në rast përdorimi normal, pastrojeni filtrin prej alumini të yndyrës një herë në muaj.

4.2 Ndërrimi i filtrave prej karboni

Filtrat për heqjen e erërave përmbajnë qymyr druri (Karbon aktiv). Filtrat prej alumini të yndyrës duhen montuar në produkt, pavarësisht nëse përdoren apo jo filtrat prej karboni.



- Hiqni filtrin prej alumini të yndyrës.
- Për të hequr filtrin prej karboni, hiqni filtrin prej karboni nga foleja e tij duke e rrotulluar në kra-hun e kundërt të akrepave të orës për ta nxjerrë nga gjuhëzat.
- Montoni filtrin e ri prej karboni.
- Montoni filtrat prej alumini të yndyrës.



KUJDES

- Filtri prej karboni nuk duhet të lahet kurrë.
- Ndërroni filtrat prej karboni një herë në 3 muaj.
- Mund ta gjeni filtrin prej karboni te serviset e autorizuara.

5 Montimi i pajisjes



PARALAJMËRIM! Para se të filloni montimin, lexoni informacionet për sigurinë në Manualin e Përdorimit.

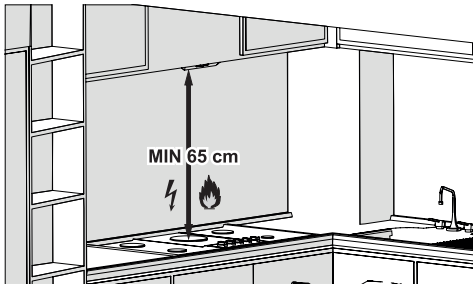


PARALAJMËRIM! Nëse pajisja nuk montohet me vida dhe bulona në përputhje me këto udhëzime, kjo mund të rezultojë në goditje elektrike.

Për montimin e aspiratorit, ju lutemi kontaktoni Servisin e Autorizuar që ndodhet më afër.

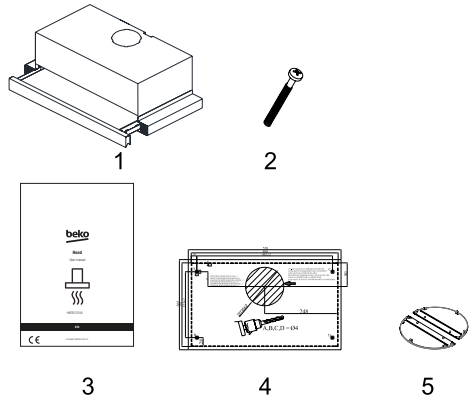
Është përgjegjësia e klientit të përgatitë vendndodhjen dhe montimin elektrik të aspiratorit.

5.1 Pozicioni i pajisjes



- Distanca midis sobës dhe aspiratorit të kuzhinës duhet të merret parasysh para montimit. Distanca duhet të jetë 50 cm për vatrat elektrike dhe 65 cm për vatrat me gaz.
- Distanca duhet matur nga sipërfaqja e skarës për sobat me gaz,
- Nga sipërfaqja e xhamit për sobat elektrike.

5.2 Aksesorët e montimit



1. Aspiratori
 2. Vidat 4x 4 x 40
 3. Manuali i përdorimit dhe dokumente të tjera
 4. Shablloni i montimit
 5. Fletë plastike e oxhakut Ø120mm
- Informacionet që nevojiten për ta bërë vendin të përshtatshëm për montimin e aspiratorit jepen më poshtë.

5.3 Montimi i aspiratorit

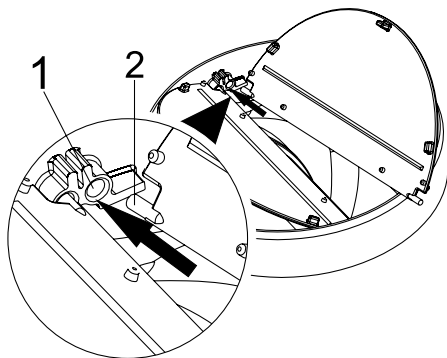


KUJDES: Përdorni doreza dhe syze mbrojtëse për shpimet dhe prerjet.

- Ngjitni shabllonin e montimit të dhënë bashkë me aspiratorinte sipërfaqja ku do të montohet aspiratori.
- Bëni vrima me diametër Ø4 mm te pikat e shënuara si A, B, C, D te shablloni i montimit.
- Hapni vrimën e daljes së oxhakut të specifikuar në shabllonin e instalimit në madhësinë e dhënë.

Hiqni pajisjen nga paketimi i vet. Montoni fletët plastike të oxhakut të dhëna me aksesorët në gypin e daljes së ajrit të pajisjes siç tregohet më poshtë.

5 Montimi i pajisjes

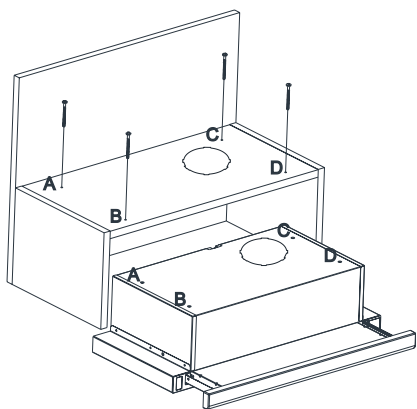


(Figura 1)

1. Foleja e kunjit të fletës

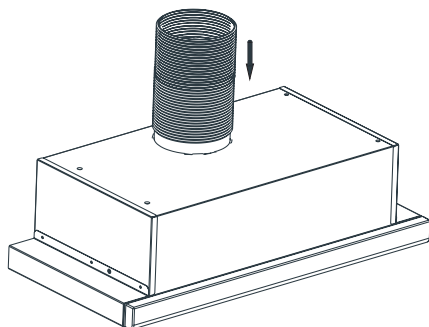
2. Kunji i fletës

Futni kunjin plastik (Figura 1/zona nr. 2) te foleja e kunjit në tubin shkarkues të motorit (Figure 8/zona nr.1). Pastaj përkuleni pak fletën për të futur kunjin tjetër të fletës dhe futeni kunjin tjetër në folenë e vet (Figura 1).



(Figura 2)

Duke përdorur vidat 4 x 40 të dhëna me aspiratorin, montojeni pajisjen te mobilia në pikat A, B, C dhe D. Kur lëviz kompleti rrëshqitës, paneli ballor nuk duhet të fërkohet te dera e mobilies (Figura 2)



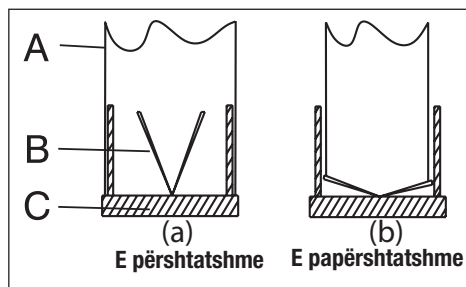
(Figura 3)

Montoni tubin fleksibël prej alumini në daljen plastike të oxhakut. Montoni skajin tjetër të tubit te vrima e oxhakut në mur (Figura 3).

5.4 Lidhja me oxhakun

Nëse do të përdorni reduktorin plastik të oxhakut Ø 120/150 mm, lidhjeni njërin skaj të tubit me këtë reduktor, nëse nuk do ta përdorni, drejtpërdrejt te gryka dalëse e produktit. Lidhjeni anën tjetër të tubit me oxhakun. Kontrolloni që këto dy lidhje të jenë shtrënguar mjaftueshëm që të mos dalin nga vendi kur pajisja të punojë me tërë fuqinë. Sigurohuni që fletët brenda oxhakut të punojnë pas fiksimit me mbërtheckë. Lidhjeni tubin bashkues me oxhakun nga ana e jashtme e reduktorit. Nëse tubi bashkues vendoset brenda reduktorit, kapakët që pengojnë kthimin e ajrit do të qëndrojnë të mbyllur dhe ajri nuk do të thithet. Gjatësia e lidhjes me tub, si dhe numri i bërrylave duhet të jenë sa më minimale.

5 Montimi i pajisjes



A : Tubi dalës i oxhakut

B : Fletët që hapen vetëm nga njëra anë

C: Reduktori plastik

Valvulat mbylLEN kur pajisja nuk punon dhe pengon që erërat dhe pluhurat nga jashtë të mos hyjnë brenda.

5.5 Ruajtja

- Nëse nuk planifikoni të përdorni pajisjen për një kohë të gjatë, largojeni atë me kujdes.
- Ju lutemi, kontrolloni nëse pajisja është e fiksuar, e ftohtë dhe e thatë plotësisht.
- Largojeni pajisjen në një vend të thatë dhe të ftohtë ku fëmijët nuk mund ta kapin.

5.6 Trajtimi dhe transporti

- Kur lëvizni apo transportoni pajisjen mabjeni atë e paketuar në ambalazhin origjinal. Ambalazhi e mbron pajisjen nga dëmtimet fizike.
- Mos e vendosni asnjë ngarkesë në pajisjen ose ambalazhin. Pajisja mund të dëmtohet.
- Kini kujdes që pajisja mos të bjerë poshtë, pra kjo mund të shkaktojë dëmtimet e përherëshme dhe mosfunksionimi i pajisjes.

6 Zgjidhja e problemeve

Zgjidhja e problemeve	Arsyeja	Ndihma
Produkti nuk punon.	Kontrolloni siguresën.	Siguresa mund të jetë e mbyllur, vendoseni në punë.
Produkti nuk punon.	Kontrolloni lidhjen elektrike.	Voltazhi i rrjetit elektrik duhet të jetë 220-240 V.
Produkti nuk punon.	Kontrolloni lidhjen elektrike.	Kontrolloni nëse punojnë apo jo produktet e tjera në kuzhinën tuaj.
Llamba nuk punon.	Kontrolloni lidhjen elektrike.	Voltazhi i rrjetit elektrik duhet të jetë 220-240 V.
Llamba nuk punon.	Kontrolloni çelësin e llambës.	Çelësi i llambës duhet të jetë në pozicionin e ndezjes.
Llamba nuk punon.	Kontrolloni llambat.	Llambat e produktit nuk duhet të jenë me defekte.
Hyrja e ajrit të produktit ka probleme.	Kontrolloni filtrin e aluminit.	Filtri i aluminit për vajin duhet të pastrohet të paktën një herë në muaj në kushte normale.
Hyrja e ajrit të produktit ka probleme.	Kontrolloni kanalin e ventilimit të ajrit.	Kanali i ventilimit të ajrit duhet të jetë në pozicionin e ndezjes.
Hyrja e ajrit të produktit ka probleme.	Kontrolloni filtrin e karbonit.	Për produktet me filtra karboni, filtri duhet të ndërrohet normalisht çdo 3 muaj.

Најпре прочитајте овај приручник!





Поштовани купци,

Захваљујемо вам што сте одабрали производ компаније Веко. Желимо да постигнете оптималну ефикасност овог висококвалитетног производа који је произведен уз примену врхунске технологије. Обавезно прочитајте и схватите у потпуности овај приручник и додатну документацију пре употребе, и исти чувати за накнадне референце. Не одвајајте овај приручник од јединице ако желите да је предате неком другом лицу. Придржавајте се свих упозорења и информација датих овде и следите упутства.

Имајте на уму да се овај кориснички приручник може примењивати на неколико модела производа. Приручник јасно указује на све варијације код различитих модела.

Симболи и њихова значења

Симболи наведени у наставку су употребљени у овом приручнику:

	Важне информације и препоруке у вези с коришћењем уређаја.
	ОПРЕЗ: Упозорења на личне повреде или оштећење имовине.
	ОПРЕЗ: Упозорење за електрични удар.
	Опасност од пожара.



REKILIRANI I RE-
CIKLABILNI PAPIR

Овај производ је произведен у модерним објектима у којима се поступа на еколошки прихватљив начин без доношења штете природи.

1.1 Општа безбедност

- Важна упутства у вези са безбедношћу пажљиво прочитајте и и сачувајте их за будућу употребу. Овај одељак садржи упутства у вези са безбедношћу која ће вам помоћи у заштити од опасности од пожара, струјног удара, изложености цурењу микроталасне енергије, личних повреда или оштећења имовине. Непоштовање ових упутстава поништава одобрену гаранцију.
- Веко производи су у складу са важећим безбедносним стандардима; према томе, у случају било каквих оштећења на уређају или каблу за напајање, исте треба да поправи или замени продавач, сервисни центар или стручно лице и ов-

лашћени сервис како би се избегла било каква опасност. Неисправни или неквалификовани радови на поправци могу бити опасни и могу довести до опасности за корисника.

- Овај апарат је намењен за употребу у домаћинствима и сличним објектима као што су:
 - кухиње за запослене у продавницама, канцеларијама и другим радним окружењима;
 - куће на фармама;
 - од стране клијената у хотелима и осталим стамбеним окружењима;
 - објекти који нуде ноћење и доручак.
- Управљајте уређајем према предвиђеној намени само како је описано у овом упутству.
- Произвођач не може бити одговоран за штету

1 Важна упутства у вези са безбедношћу и заштитом животне средине

- насталу непрописном уградњом или злоупотребом производа.
- Овај уређај могу да користе деца која имају 8 и више година, особе са непотпуно развијеним телесним, чулним или менталним способностима, као и особе које немају довољно потребног искуства и знања све док су под надзором или им се дају упутства у погледу безбедне употребе уређаја и док схватају ризике који су обухваћени употребом производа.
 - Деца не смеју да се играју уређајем. Чишћење и корисничко одржавање не смеју да обављају деца без надзора.
 - Минимална удаљеност између носеће површине посуда за кување на плочи за кување и најнижег дела вашег производа мора бити најмање 65 цм.
 - Ако је упутствима за уградњу плинске плоче дефинисана већа удаљеност, то се мора узети у обзир.
 - Ваше мрежно напајање струјом мора бити у складу са информацијама на плочици на уређају.
 - Никада не користите уређај ако је кабл за напајање или сам уређај оштећен.
 - Спречите оштећење кабла за напајање тако што га нећете стискати, савијати или трљати по оштрим ивицама. Држите кабл за напајање даље од врућих површина и извора пламена.
 - Уређај користите само са уземљеном утичницом.
- УПОЗОРЕЊЕ:** Не прикључујте уређај на напајање пре потпуне уградње уређаја.

- Поставите уређај на начин да утикач буде увек доступан.
- Не дирајте лампице ако су дуго радиле. Могу вам створити опекотине на рукама јер ће бити загрејане.
- Придржавајте се прописа који су утврдили надлежни органи о испусту издувног ваздуха (ово упозорење није применљиво за употребу без димњака).
- Укључите уређај након што ставите лонац, таву итд. на плочу за кување. У супротном, велика топлота може проузроковати деформације у неким деловима вашег производа.
- Искључите плочу пре него што са ње склоните лонац, таву итд.
- Не остављајте вруће уље на плочи за кување. Посуде са врућим уљем могу изазвати само-сагоревање.
- Обратите пажњу на завесе и прекриваче, јер се уље може запалити док спремате храну као што је помфрит.
- Филтер за масноће треба чистити најмање једном месечно. Карбонски филтер се мора заменити најмање једном у свака 3 месеца.
- Производ се чисти у складу са упутством за коришћење. Ако чишћење није извршено у складу с упутствима за коришћење, може доћи до опасности од пожара.
- Не користите материјале за филтрирање који нису отпорни на ватру уместо тренутног филтера.
- Користите само оригиналне делове или делове које је препоручио произвођач.

- Не користите производ без филтера и не уклањајте филтере док је производ у функцији.
- У случају појаве пламена, искључите ваш производ и уређаје за кување са напајања електричном енергијом.
- У случају појаве пламена, прекријте пламен и никада не користите воду за гашење.
- Искључите уређај са напајања пре сваког чишћења и када уређај не користите.
- Негативни притисак у околини не би требало да пређе 4 Pa (4 x 10 бара) док истовремено раде аспиратор за електричну плочу и уређаји који раде на другој врсти енергије а не на струју.
- У окружењу у којем се користи уређај, испусни отвор уређаја који раде на лож-гориво или плин, као што су собна грејна тела, мора бити апсолутно изолован или уређај треба да буде херметичног типа.
- При повезивању одводне цеви користите цеви пречника 120 или 150 mm. Прикључак цеви мора бити што краћи и имати што је могуће мање преламања.

Опасност од гушења!

Амбалажу држите ван дохвата деце.

ОПРЕЗ: Приступачни делови се могу загријати када се користе са уређајима за кување.

- Излазни отвор производа не сме бити повезан са ваздушним каналима који спроводе другу врсту дима.
- Вентилација у просторији може бити недовољна када се аспиратор за електричну плочу користи истовре-

мено са уређајима који раде на плин или друга горива (ово можда није применљиво на уређаје који само доводе ваздух у просторију).

- Предмети стављени на производ могу пасти. Не стављајте никакве предмете на производ.
- Не фламбирајте храну испод производа.

УПОЗОРЕЊЕ: Пре уградње аспиратора уклоните заштитне фолије.

- Никада не остављајте високо отворен пламен испод аспиратора док је исти у функцији
- Фритезе са дубоким уљем морају се непрестано надгледати током употребе: прегрејано уље може да плане.

1.2 Усаглашеност са WEEE директивом и одлагање отпада:

Овај производ је усаглашен са WEEE директивом Европске уније (2012/19/EU). Овај уређај поседује симбол класификације за отпад електричне и електронске опреме (WEEE).

Овај симбол означава да се овај производ не сме одлагати заједно с осталим отпадом из домаћинства на крају његовог радног века. Коришћени уређај мора се вратити на службено сабирно место за рециклирање електричних и електронских уређаја. Да бисте пронашли ове сабирне системе, обратите се локалним надлежним телима или продавцу где је производ купљен. Свако домаћинство има важну улогу у опораци и рециклажи старих уређаја. Одговарајуће одлагање искоришћеног уређаја помаже у спречавању потенцијалних негативних последица по животну средину и здравље људи.

1.3 Усклађеност са директивом RoHS

Производ који сте купили у сагласности је са RoHS директивом Европске уније (2011/65/EU). Он не садржи штетне и забрањене материјале наведене у Директиви.

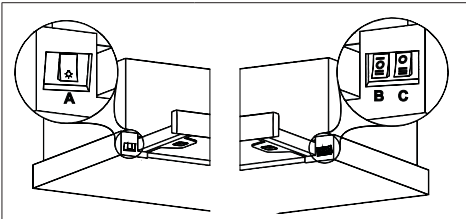
1.4 Информације о паковању



Амбалажни материјали овог производа су направљени од материјала који могу да се рециклирају у складу са националним прописима о заштити животне средине. Амбалажне материјале не одлагати заједно са отпадом из домаћинства или другим отпадом. Однесите их на места за прикупљање амбалажног материјала одређена од стране локалних надлежних тела.

3 Руковање уређајем

3.1 Контрола уређаја



ТИПКА	ФУНКЦИЈА
А : Укључено/ Искључено светло	Повуците клизну плочу напред. Притисните дугме надоле да бисте укључили лампу или према горе да бисте искључили лампу.
В : Дугме за брзину 1. и 2.	Повуците клизну плочу напред. Притисните дугме нагоре да бисте активирали аспиратор на нивоу брзине 1., а надоле да бисте активирали хаубу на нивоу брзине 2.
С : Дугме за брзину 3.	Повуците клизну плочу напред. Притисните дугме надоле да бисте активирали аспиратор на нивоу брзине 3.

3.2 Енергетски ефикасан рад у смислу уштеде Употреба


- Кад користите уређај, подесите поставке брзине према интензитету паре и мириса, да бисте уштедели енергију.
- Користите ниске брзине (1-2) у нормалним условима, а велике брзине (3) за интензиван мирис и испаравање.
- Лампице на аспиратору су постављене за осветљавање подручја кувања.

- Употреба лампица за осветљење околног простора узроковаће непотребну потрошњу електричне енергије и недовољно осветљење.

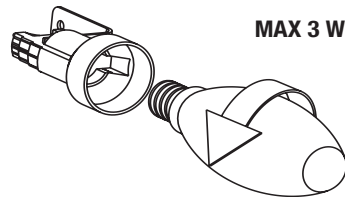
3.3 Упутства за рад

- Ваш уређај има мотор с различитим брзинама.
- За бољи учинак препоручујемо употребу ниских брзина у нормалним условима и велике брзине у случају јаких мириса и интензивне паре.
- Уређај можете покренути притиском на типку за подешавање жељене брзине. (В, С)
- Подручје за кување можете осветлити притиском на лампицу. (А)

3.4 Замена лампице

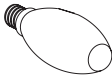


ОПРЕЗ : Искључите напајање аспиратора. Оставите лампе да се прво охладе јер би вам могле створити опекотине на рукама док су вруће.



Уклоните алуминијски уложак филтера. Уклоните неисправну сијалицу и замените новом са истом оценом.

3 Руковање уређајем

Сијалица	
Снага сијалице	3 W
Држач/утичница	E 14
Напон сијалице	220 - 240 V
Величина	35 x 100 mm
ILCOS код	DRBB/F-3-220-240-E14-35/100
Quang thông	220 lm
Nhiệt độ màu	2700 K

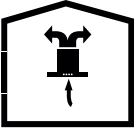
- У случају употребе без димовода, уклоните заклопке унутар адаптера за димовод.
- Уклоните алуминијски филтер за масноће. Да бисте уградили карбонски филтер, филтер наместите на језичке тако што ћете га центрирати на пластични комад с обе стране кућишта вентилатора. Затегните га окретањем удесно или улево.
- Замените алуминијски филтер за масноћу.

Sản phẩm này chứa nguồn ánh sáng hiệu quả năng lượng cấp độ “E”.

3.5 Рад са прикључком на димњак

-  Пара се одводи кроз димоводни канал, који је причвршћен на прикључну главу на аспиратору.
- Промер димоводног канала мора бити исти као и прикључни прстен. У хоризонталним поставкама цев мора имати благи нагиб према горе (око 10°) да би ваздух могао лако изаћи из просторије.

3.6 Рад без прикључка на димњак

-  Ваздух се филтрира кроз карбонски филтер и рециркулира у просторији. Карбонски филтер се користи када није могуће користити димовод у кући.

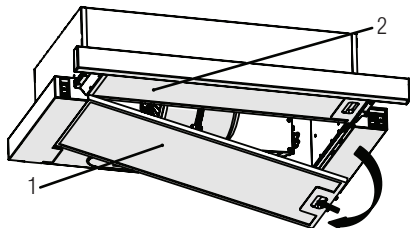
4 Чишћење и одржавање



Пре чишћења и одржавања, искључите производ с напајања или искључите на прекидачу.

4.1 Чишћење алуминијумског филтера за масноће

Алуминијумски филтер сакупља честице масноће у ваздуху. Алуминијски филтер за масноћу може променити боју приликом прања; то је нормално и не захтева замену вашег филтера.



1. Спољни алуминијумски филтер замасноће
2. Унутрашњи алуминијумски филтер за масноће

- Извучите клизну плочу држећи предњу плочу. Прво уклоните спољни алуминијумски филтер за масноћу, а затим унутрашњи алуминијумски филтер за масноћу.
- Гурните браву алуминијског филтера за масноћу према напред.
- Затим га лагано спустите и извучите. У супротном можете савити филтер. Оперите и исперите алуминијски филтер за масноћу течним детерџентом и вратите алуминијски филтер за масноћу на његово место тако што ћете извести горе наведене кораке обрнутим редоследом. Овај филтер сакупља честице масноће у ваздуху.



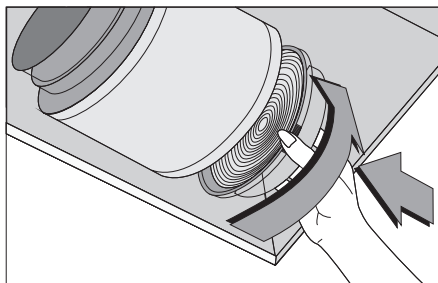
Алуминијске филтере за масноћу можете опрати у машини за прање судова.



ОПРЕЗ: У случају нормалне употребе, очистите алуминијумски филтер за масноћу једном месечно.

4.2 Замена карбонских филтера

Филтери за уклањање мириса садрже угљен (активни угљен). У производу морају бити уграђени алуминијумски филтери за масноћу, без обзира на то употребљавате ли карбонске филтере или не.



- Уклоните алуминијски филтер за масноћу.
- Да бисте уклонили карбонски филтер, извадите га из његовог кућишта тако што ћете га окренути у смеру супротном од казаљке на сату.
- Уградите нови карбонски филтер.
- Уградите алуминијске филтере за масноћу.

4 Чишћење и одржавање



ОПРЕЗ

- Карбонски филтер се никада не пере.
- Замените карбонске филтере једном у свака 3 месеца.
- Карбонски филтер можете набавити код овлашћених сервиса.

5 Уградња уређаја



УПОЗОРЕЊЕ! Пре започињања уградње прочитајте безбедносне информације у корисничком приручнику.

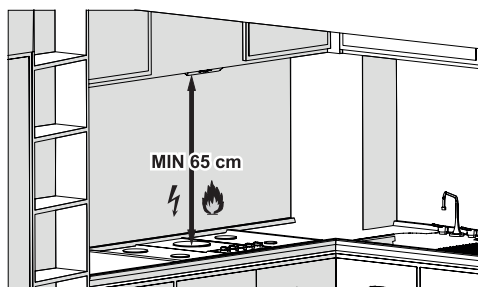


УПОЗОРЕЊЕ! Ако не поставите шrafoве или уређај за причвршћивање у складу с овим упутствима, може доћи до опасности од електричне енергије.

За уградњу аспиратора обратите се најближем овлашћеном сервису.

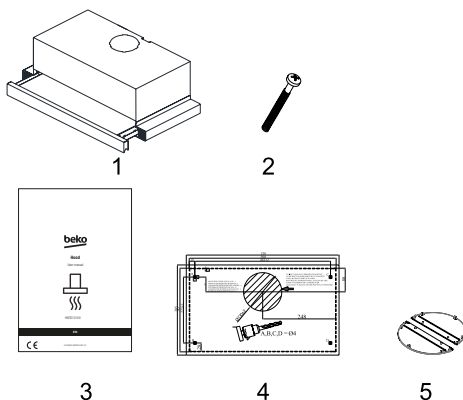
Корисник је одговоран да припреми локацију и електричну инсталацију за аспиратор.

5.1 Положај уређаја



- Пре монтирања мора се узети у обзир удаљеност између штедњака и аспиратора. Ово растојање би требало да буде 50 цм за електричне плоче и 65 цм за плинске плоче.
- Удаљеност се мора мерити од површине решетке за плинске штедњаке,
- од површине стакла за електричне штедњаке.

5.2 Прибор за уградњу



1. Аспиратор
2. Шrafoви 4 x 4 x 40
3. Упутство за употребу и остали документи
4. Монтажни образац
5. Пластична клапна димовода Ø120мм

Информације потребне за припрему локације прикладне за постављање аспиратора дате су у наставку.

5.3 Инсталација аспиратора

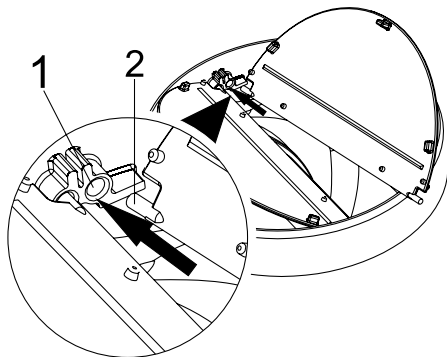


ОПРЕЗ: За бушење и сецење користите заштитне рукавице и наочаре.

- Залепите предлошак за уградњу испоручен уз аспиратор на површину на коју треба монтирати аспиратор.
- На тачкама означеним са А, Б, Ц, Д на предлошку за уградњу направите рупе пречника Ø4 мм.
- Избушите отвор за одвод димовода наведен у предлошку за уградњу у наведеним величинама.

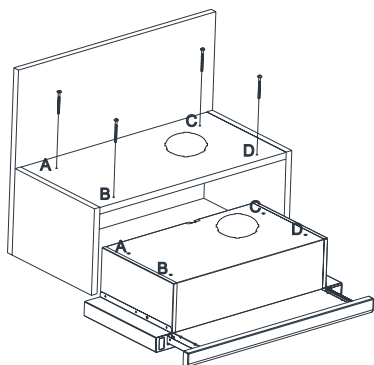
5 Уградња уређаја

Издадите апарат из амбалаже. Инсталирајте пластичне клапне димовода на канале који се налазе у додатку на димоводни одвод уређаја, као што је приказано у наставку.



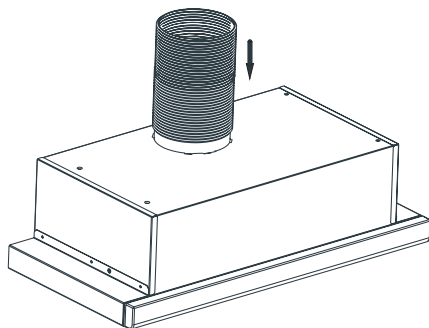
(Слика 1)
1. Утичница са заклопком
2. Заклопка

Уметните пластичну иглу (Слика 1/ подручје бр. 2) у утичницу заклопке на издуву мотора (Слика 1/ подручје бр. 1). Затим лагано савијте заклопку да бисте уметнули другу иглу на заклопку и уметните другу иглу у њено кућиште (Слика 1).



(Слика 2)

Коришћењем вијака 4 x 40 који су испоручени са аспиратором, поставите апарат на ормар из тачака А, Б, Ц и Д. Када се комплет клизача помери, предња плоча се неће трљати на вратима ормана (Слика 2)



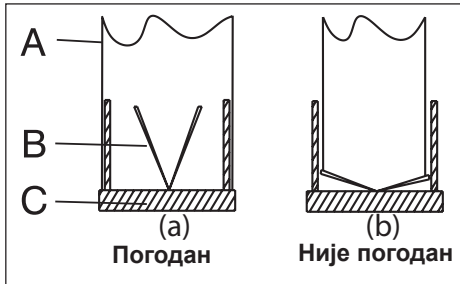
(Слика 3)
Инсталирајте флексибилну алуминијумску цев на пластични одвод димовода. Поставите други крај цеви на димоводну рупу на зиду (Слика 3).

5.4 Спајање на димовод

Ако намераваите користити адаптер за пластични димњак од \varnothing 120/150 mm, спојите један крај цеви на овај адаптер, а ако га нећете користити, онда на директни излаз на производу. Спојите други крај цеви на димовод. Проверите јесу ли ова два прикључка довољно чврста да се не раскаче када уређај буде радио пуном снагом. Водите рачуна да заклопке унутар димовода раде када се стегну стегаљком. Спојите канал прикључка на димовод изван адаптера. Ако је прикључни канал уграђен у адаптер, поклопци који спречавају повратак ваздуха остаће затворени и ваздух се неће уисавати унутра.

5 Уградња уређаја

Дужина цевног прикључка као и број колена морају бити што је могуће мањи.



A : Излазна цев димовода

B : Неповратне заклопке

C: Пластични димовод

Вентили су затворени када уређај не ради па спречавају да могући спољни мирис и прашина улазе унутра.

5.5 Чuvanje

- Ако не планирате да користите уређај дуђе време, молимо Вас да га пажљиво одложите.
- Молимо вас, проверите да ли је уређај искључен, хладан и потпуно сув.
- Оставите уређај на суво и хладно место.
- Држите уређај ван домашјаја деце.

5.6 Баратанје и транспорт

- Токотк премештанја и транспорта носите уређај спакотан у оригиналну амбалажу. Амбалажа штити уређај од физичких оштећења.
- Не стављайте терет на уређај или на амбалажу. Уређај се може оштетити.
- Пазите да Вам уређај не падне на под, јер то може изазвати трајна оштећења и квар уређаја.

6 Решавање проблема

Решавање проблема	Изворни разлог	Помоћ
Уређај не ради.	Проверите осигураче.	Можда је осигурач прегорио, проверите и вратите га.
Уређај не ради.	Проверите прикључак на напајање електричном енергијом.	Напон мреже мора бити између 220 и 240 V.
Уређај не ради.	Проверите прикључак на напајање електричном енергијом.	Проверите раде ли други уређаји у вашој кухињи.
Расветна лампица не ради.	Проверите прикључак на напајање електричном енергијом.	Напон мреже мора бити између 220 и 240 V.
Расветна лампица не ради.	Проверите прекидач за лампицу.	Прекидач за лампицу мора бити у положају „Укључено“.
Расветна лампица не ради.	Проверите лампице.	Лампице уређаја морају светлити.
Довод ваздуха у уређају није довољан.	Проверите алуминијски филтер.	У нормалним радним условима, алуминијски филтер за масноћу се чисти најмање једном месечно.
Довод ваздуха у уређају није довољан.	Проверите одвод ваздуха (димовод).	Прекидач за одвод ваздуха (димњак) треба да буде у положају „Укључено“.
Довод ваздуха у уређају није довољан.	Проверите карбонски филтер.	Филтере уређаја с карбонским филтерима треба заменити једном у 3 месеца у нормалним условима.

Arçelik A.Ş.
Karaağaç Caddesi No: 2-6, 34445,
Sütlüce, İstanbul, Türkiye

www.beko.com